

Official Bulletin of the Industrial Property

Inventions

Utility Models

Designs

Trademarks

Geographical Indication



საქართველოს ინტელექტუალური
საკუთრების ეროვნული ცენტრი

საქპატენტი

SAKPATENTI

NATIONAL INTELLECTUAL PROPERTY
CENTER OF GEORGIA

www.sakpatenti.gov.ge

Date of Publication – 2020 10 12

19(551)

INID CODES FOR IDENTIFICATION OF BIBLIOGRAPHIC DATA

INVENTIONS, UTILITY MODELS

- (10) Number of publication for application, which has been examined
- (11) Number of patent and kind of document
- (21) Serial number of application
- (22) Date of filing of the application
- (23) Date of exhibition or the date of the earlier filing and the number of application, if any
- (24) Date from which patent may have effect
- (31) Number of priority application
- (32) Date of filing of priority application
- (33) Code of the country or regional organization allotting priority application number
- (44) Date of publication of application not granted, but examined and number of bulletin
- (45) Date of publication of registered document
- (51) International Patent Classification Index

- (54) Title of the invention
- (57) Abstract
- (60) Number of examined patent document granted by foreign patent office, date from which patent has effect and country code
- (62) Number of the earlier application and in case of divided application, date of filing an application
- (71) Name, surname and address of applicant (country code)
- (72) Name, surname of inventor (country code)
- (73) Name, surname and address of patent owner (country code)
- (74) Name, surname of representative or patent attorney
- (85) Date of commencement of the national phase of International Application
- (86) Number and date of filing of international application
- (87) Number and date of publication of international application
- (94) Calculated date of expiry of the SPC or the duration of the SPC

DESIGNS

- (10) Number of publication for application
- (11) Number of patent and kind of document or number of registration
- (15) Date of registration/Date of patent renewal
- (18) Expected expiration date of patent or registration
- (21) Serial number of application
- (22) Date of filing of the application
- (23) Date of exhibition or the date of the earlier filing and the number of application, if any
- (24) Date from which patent may have effect
- (28) Number of designs included in the application
- (30) Data relating to priority (number of application, date of filing of application, two-letter code identifying the authority with whom the priority application was made)
- (31) Number of priority application
- (32) Date of filing of priority application
- (33) Code of the country or regional organization allotting priority application number
- (34) Two-letter code according to WIPO St.3 identifying the authority with which the priority application was made
- (44) Date of publication of design and number of bulletin (the first publication)
- (45) Date of publication of design registered by WIPO and number of bulletin

- (51) International Classification for designs (class and subclass of the Locarno Classification)
- (54) Title of the invention
- (55) Reproduction of the design
- (57) Description of characteristic features of the design including indication of colors
- (58) Date of recording of any kind of amendment in the Register
- (62) Number of the earlier application, registration and document number and if available the date of filing an application in case of divided application
- (71) Name, surname and address of applicant (country code)
- (72) Name, surname of creator (country code)
- (73) Name, surname and address of patent owner (country code)
- (74) Name, surname of representative or patent attorney
- (81) Contracting states concerned
 - II designated contracting states according to the 1960 Act
 - III designated contracting states according to the 1999 Act
- (85) Owner's permanent address
- (86) Owner's nationality
- (87) Owner's residence
- (88) State in which the owner has a real and effective industrial or commercial establishment

TRADEMARKS

- (111) - Number of registration
- (151) - Date of registration
- (156) - Date of the renewal
- (181) - Expected expiration date of registration
- (186) - Renewal expiration date of registration
- (141) - Date of cancel of duration of the mark
- (210) - Serial number of application
- (220) - Date of filing of the application
- (230) - Data concerning exhibition
- (260) - Number of application, for which favorable decision of examination about registration has been taken (publication number)
- (310) - Number of the first application
- (320) - Date of filing of the first application
- (330) - Code, identifying national or regional Office where the first application was made
- (511) - International Classification of Goods and Services for the purposes of registration of trade marks and/or list of goods and/or services classified according thereto
- (526) - Disclaimer
- (531) - Description of figurative elements of Trade Marks according to the International Classification of the Figurative Elements of Marks

- (540) - Reproduction of Trade Mark
- (550) - Nature and kind of Trade Mark
- (551) - Indication to the effect that the mark is a collective mark, a certification mark or a guarantee mark
- (554) - Three-dimensional mark
- (580) - Date of recording of any kind changes in respect of applications or registrations
- (591) - Information concerning colors claimed
- (731) - Name and address of the applicant
- (732) - Name and address of the holder of the registration
- (740) - Name and address of the representative
- (750) - Addreses for correspondence
- (770) - Name and address of the previous applicant or holder in case of change in ownership
- (771) - Previous name and address of the applicant or holder in case of change in ownership
- (791) - Name and address of the licensee
- (793) - Indication of conditions and/or restrictions under the license (Type of license, number of license agreement, data of license, data of validity of license)
- (800) - Certain data relating to the international registration of Trade Marks under the Protocol Relating to Madrid Agreement (International registration number
- (852) - Partial cancellation of the list of goods and services
- (891) - Date of subsequent designation

CODES FOR PUBLICATION IN BULLETIN

- (21) AP 0000 000000 - serial number of application for invention
- (10) AP 0000 0000 A - number of published application for invention (first publication)
- (11) P 0000 0000 B - number of patent for invention (second publication)
- (21) API 0000 000000 - number of application for imported patent
- (11) PI 0000 0000 A - number of imported patent (first publication)
- (21) AU 0000 000000 - serial number of application for utility model
- (10) AU 0000 000 U - number of published application for utility model (first publication)
- (11) U 0000 000 Y - number of patent for utility model (second publication)
- (21) AD 0000 000000 - serial number of application for design
- (10) AD 0000 000 S - number of published application for design (first publication)
- (11) D 0000 000 S - registered design

INTERNATIONAL PATENT CLASSIFICATION FOR INVENTIONS AND UTILITY MODELS

- SECTION A - HUMAN NECESSITIES
- SECTION B - PERFORMING OPERATIONS; TRANSPORTING
- SECTION C - CHEMISTRY; METALLURGY
- SECTION D - TEXTILES; PAPER
- SECTION E - FIXED CONSTRUCTIONS
- SECTION F - MECHANICAL ENGINEERING; LIGHTING; HEATING; WEAPONS; BLASTING
- SECTION G - PHYSICS
- SECTION H - ELECTRICITY

-
- M - Trade Mark
 - (210) AM 0000 000000 - Serial number of application;
 - (260) AAM 0000 00000 A - Publication number of application;
 - (111) M 0000 00000 R - Number of registration;
 - (111) MMM0000 00000 Rn - Number of renewals, in which n=1,2,3;
 - (111) M 0000 00000 R(P) - Number of registration under partial assignment of rights
-

Official Bulletin of the Industrial Property

Inventions

Utility Models

Designs

Trademarks

Geographical Indication

CONTENTS

PUBLISHED TITLES OF PROTECTION	3
INVENTIONS	
▪ APPLICATIONS APPROVED FOR GRANTING PATENTS	4
▪ PATENTED INVENTIONS	6
UTILITY MODELS	
▪ APPLICATIONS APPROVED FOR GRANTING PATENTS	11
▪ PATENTED UTILITY MODEL	12
DESIGNS	
▪ APPLICATION APPROVED FOR REGISTRATION	13
▪ REGISTERED DESIGN	16
▪ DESIGNS REGISTERED ACCORDING TO THE ACCELERATED PROCEDURE	17
▪ DESIGNS, WHICH HAVE BEEN REGISTERED WITH THE INTERNATIONAL BUREAU CLAIMING PRIORITY ON THE TERRITORY OF GEORGIA	19
TRADEMARKS	
▪ APPLICATIONS FILED UNDER THE NATIONAL PROCEDURE APPROVED FOR REGISTRATION	31
▪ REGISTERED TRADEMARKS	39
▪ TRADEMARKS REGISTERED ACCORDING TO THE ACCELERATED PROCEDURE	45
▪ INTERNATIONAL TRADEMARKS FOR WHICH A DECISION ON GRANTING PROTECTION IS TAKEN	47
▪ INTERNATIONAL TRADEMARKS PROTECTED IN GEORGIA	147
GEOGRAPHICAL INDICATION	
REGISTERED GEOGRAPHICAL INDICATION	
▪ NINOTSMINDA HONEY	160
OFFICIAL NOTIFICATIONS	
INVENTIONS	
▪ EXPIRATION OF PATENTS RESTORATION	161
▪ ABOLITION OF PATENTS WITH THE RIGHT TO RESTORE	161
▪ EXPIRATION OF TERM OF RESTORATION OF PATENTS	162
▪ CHANGE OF NAME AND/OR ADDRESS OF PATENTOWNER	163
▪ CORRECTION OF PUBLISHED INFORMATION	164
UTILITY MODELS	
▪ ABOLITION OF PATENT WITH THE RIGHT TO RESTORE	164
▪ EXPIRATION OF TERM OF RESTORATION OF PATENT	164
DESIGNS	
▪ EXTENSION OF REGISTRATION OF DESIGNS	165
▪ CANCELLATION OF DESIGNS REGISTRATION	165
▪ EXTENSION OF REGISTRATION OF INTERNATIONAL DESIGNS	166
TRADEMARKS	
▪ RENEWAL OF REGISTRATIONS	177
▪ COMPLETE TRANSFER OF RIGHTS	179
▪ CHANGES OF NAMES AND/OR ADDRESSES OF OWNER	180
▪ TERMINATION OF TRADEMARKS REGISTRATION	181
▪ CORRECTION OF PUBLISHED INFORMATION	183
CLASSIFICATION INDEXES	
INVENTIONS	184
UTILITY MODELS	186
DESIGNS	187
TRADEMARKS	190

PUBLISHED TITLES OF PROTECTION

INVENTIONS

- **APPLICATIONS APPROVED FOR GRANTING PATENT:**
14798; 14812; 14946
- **PATENTED INVENTIONS:**
7153-7170

UTILITY MODELS

- **APPLICATIONS APPROVED FOR GRANTING PATENT:**
14972; 15243
- **PATENTED UTILITY MODEL:**
2053

DESIGNS

- **APPLICATION APPROVED FOR REGISTRATION:**
1158
- **REGISTERED DESIGN:**
865
- **DESIGNS REGISTERED ACCORDING TO THE ACCELERATED PROCEDURE:**
866, 867
- **DESIGNS, WHICH HAVE BEEN REGISTERED WITH THE INTERNATIONAL BUREAU CLAIMING PRIORITY ON THE TERRITORY OF GEORGIA:**
209628; 207139; 209626; 209915; 210027; 206525

TRADEMARKS

- **APPLICATIONS FILED UNDER THE NATIONAL PROCEDURE APPROVED FOR REGISTRATION:**
103187; 104202-104204; 106943, 106944; 106955; 107057, 107058; 107149; 107152; 107159; 107165; 107167; 107182; 107185; 107266, 107267; 107287, 107288; 107302-107305; 107309, 107310; 107312; 107388; 107391, 107392; 107395; 107398; 107400-107403; 107406, 107407; 107466-107469; 107479; 107487; 107550; 107567, 107568; 107573; 107575, 107576; 107578, 107663
- **REGISTERED TRADEMARKS:**
33141-33174; 33181-33216
- **TRADEMARKS REGISTERED ACCORDING TO THE ACCELERATED PROCEDURE:**
33139, 33140; 33175-33180
- **INTERNATIONAL TRADEMARKS FOR WHICH A DECISION ON GRANTING PROTECTIONS IS TAKEN:**
102980; 103629; 103636*; 104599; 105414; 105690; 105844; 106107; 106112; 106114; 106118-106125; 106133; 106136; 106139-106144; 106147, 106148; 106150-106153; 106155; 106157; 106191-106195; 106197, 106198; 106202-106206; 106209, 106210; 106212, 106213; 106216-106219; 106221, 106222; 106224; 106228; 106235-106247; 106249-106258; 106260, 106261; 106263-106267; 106269; 106271, 106272; 106336-106341; 106343-106346; 106348-106356; 106358; 106387; 106393; 106396; 106405; 106444, 106445; 106456-106459; 106469-106475; 106491, 106492; 106494-106499; 106541; 106545; 106556-106558; 106560; 106562; 106564; 106584, 106585; 106617; 106629, 106630; 106723, 106724; 106727, 106728; 106855; 106878, 106879; 107015; 107144, 107145; 107200-107205; 107242-107245; 107364-107373
- **INTERNATIONAL TRADEMARKS PROTECTED IN GEORGIA:**
102429; 103904; 103939; 104031; 104046; 104240; 104360-104362; 104364; 104384; 104397; 104467; 104487; 104489, 104490; 104492, 104493; 104496; 104498; 104504-104508; 104511-104514; 104568; 104571-104574; 104576-104581; 104583-104586; 104598; 104601, 104602; 104604-104613; 104616; 104618-104620; 104631; 104633, 104634; 104637-104640; 104642, 104643; 104646; 104649; 104661, 104662; 104668; 104689, 104690; 104697-104700; 104705, 104706; 104709-104713; 104722; 104724-104732; 104736-104740; 104772-104775; 104779, 104780; 104783, 104784; 104791, 104792; 104794, 104795; 104798, 104799; 104837; 104839; 104845-104847; 104864-104867; 104869; 104877; 104879, 104880; 104888, 104948, 104949; 104958; 104982; 104986; 104999-105002; 105048; 105083; 105085-105088; 105115-105120; 105196-105199; 105201; 105286; 105381-105385; 105427, 105428; 105466; 105468; 105608-105610; 105615, 105616; 105709, 105710; 105728-105732; 105820; 105824; 105827, 105828; 105849; 105869; 105896; 106427, 106428

GEOGRAPHICAL INDICATION

- **REGISTERED GEOGRAPHICAL INDICATION:**

INVENTIONS

APPLICATIONS APPROVED FOR GRANTING PATENTS

The decision can be appealed at the Chamber of Appeal of Sakpatenti within 3 months from the publication or at the Mtskheta District Court Administrative Cases Board (Address: №17, Samkhedro str., Mtskheta), within 1 month following the publication.

PART A

A 22

(10) AP 2020 14798 A (51) Int. Cl. (2006)

A 22 B 5/00

A 22 B 7/00

- (21) AP 2016 14798 (22) 2016 10 27
(31) 2015904389
(32) 2015 10 27
(33) AU
(71) Feltrim Pastoral Company Pty LTD (AU)
2 Jude Rd., Howlong NSW 2643, Australia (AU)
(72) STAUGHTON, Simon (AU)
(74) Shalva Gvaramadze
(85) 2018 05 28
(86) PCT/AU2016/000366, 2016 10 27
(54) **APPARATUS FOR STORING ORGANIC MATERIAL**

(57) An apparatus for storing organic materials includes: a body 10 having an opening for receiving organic materials to be stored; an outlet 14 formed in the body through which the organic materials are unloaded from the body; A conveyor 20 to facilitate the transfer of organic materials from the body, and refrigerant contour 40 for organic material collected with hoppers 12 circulation with refrigerant; at that, the conveyor contains one or more screw conveyor shafts 28 mounted at body base and spread along the length thereof; and the conveyor function as a sieve to pump liquid with screw conveyor from organic material, from the body, as well.

Claims: 1 independent

19 dependent

Fig.: 10

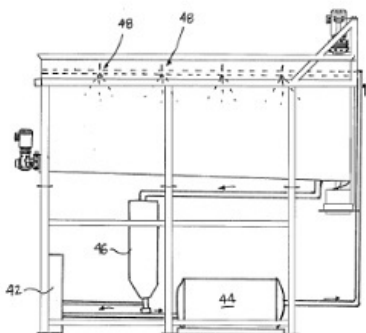


Fig. 4B

(10) AP 2020 14812 A (51) Int. Cl. (2006)

C 07 K 16/18

C 07 K 16/28

- (21) AP 2016 14812 (22) 2016 11 17
(31) 62/257,009
(32) 2015 11 18
(33) US
(71) MERCK SHARP & DOHME CORP. (US)
126 East Lincoln Ave. Rahway, NJ 07065-0907, USA (US)
(72) BUYSE, Marie-Ange (BE);
DOMBRECHT, Bruno (BE);
KASTELEIN, Robert A. (US);
VLERICK, David (BE);
BOUTTON, Carlo (BE);
BOWMAN, Edward (US);
BEAUMONT, Maribel (US)

(74) Shalva Gvaramadze

(85) 2018 06 15

(86) PCT/US2016/062394, 2016 11 17

(54) **PD1 AND/OR LAG3 BINDERS**

(57) There are represented the molecules, such as ISVDs and Nanobodies, that bind to PD1 and LAG3. These molecules have been engineered so as to reduce the incidence of binding of naturally occurring antibodies entered into subject's body. The invention provides increasing immune response, treating cancer and/or infectious disease by usage of such molecules, as well.

Claims: 9 independent

12 dependent

Fig.: 66

PART E**E 21**

(10) AP 2020 14946 A (51) Int. Cl. (2006)
E 21 B 49/10

(21) AP 2017 14946

(22) 2017 05 05

(31) P20160101333

(32) 2016 05 09

(33) AR

(71) AQUARESOURCES SA (AR)

Avenida Leandro N. Alem 619, 3ER. Piso,
Buenos Aires, C1001AAB, Argentina (AR)

(72) MORGAN, Enrique, Juan (AR)

(74) Tamaz Shilakadze

(85) 2018 12 03

(86) PCT/EP2017/060793, 2017 05 05

(54) **UNDERGROUND TOOL PROVIDING
ON-LINE INFORMATION FOR IN
SITU ASSESSMENT OF AQUIFER
QUALITY AND FLOW RATE**

(57) An underground sampling tool (HTMS) (1), providing to receive online information on underground water layer quality and flow speed, comprises: a housing for electronic and electrical controls, a housing for hydraulic means controlled by the electric and electronic control means, test body consisting of variety of hydraulic circuits for operating the various operating valves of tool, wherein said test body further comprises: a rear shoe (6) on axial axis of tool, wherein said rear shoe (6) is driven by two telescoping pistons simultaneously that arise from inside of tool when driven by a signal of surface equipment operably enabled for this purpose, and front shoe (2), as well, driven by several pistons housed below the front shoe (2); at that, said pistons driven by one or more hydraulic devices acting jointly and generating the progressive forward or backward movement of front shoe (2). Front shoe (2) has cylindrical hole including in its turn measuring drum or cylinder (4), and measuring-piston (17), wherein front shoe (2) housing cylindric hole creates a chamber, which exit hole is output line (7) spread along the tool. Output line (7) has one or more branches connecting the line to various measuring tools and allow-storage tank (14), pre-testing chamber (16), suction pump (10) or well hydrostatic column (19). Output line (7) is equipped with pressure, temperature, electrical conductivity, pH, and the measures containing: carbon, sodium, magnesium and potassium, at least in one or more branches, as well.

Claims: 2 independent

15 dependent

Fig.: 12

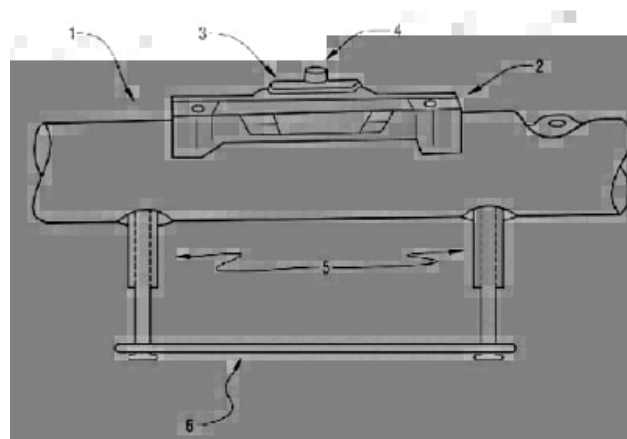


Fig. 1

PATENTED INVENTIONS

PART A

A 01

- (11) P 2020 7164 B (51) Int. Cl. (2006)
A 01 N 43/10
A 01 N 25/00
A 01 N 25/30
A 01 P 3/00
- (10) AP 2020 14883 A (44) 11(543)/2020
(21) AP 2017 14883
(22) 2017 03 07
(24) 2017 03 07
(31) 2016-043197
(32) 2016 03 07
(33) JP
(86) PCT/JP2017/009004, 2017 03 07
(73) ISHIHARA SANGYO KAISHA LTD (JP)
3-15, Edobori 1-chome, Nishi-ku, Osaka-shi,
Osaka, 5500002 (JP)
(72) NISHIMURA Akihiro (JP);
OGAWA Munekazu (JP);
ABE Yuzuka (JP);
HAYASHI Hiroyuki (JP)
(74) Tamar Kochlamazashvili
(54) **METHOD FOR ENHANCING PLANT
DISEASE CONTROLLING EFFECT OF
ISOFETAMID AND METHOD FOR
CONTROLLING PLANT DISEASE**

A 61

- (11) P 2020 7155 B (51) Int. Cl. (2006)
A 61 K 8/00
- (10) AP 2020 15000 A (44) 7(539)/2020
(21) AP 2019 15000
(22) 2019 02 13
(24) 2019 02 13
(73) Medea Mamulashvili (GE)
Janashia St. 16-18, 0179, Tbilisi, Georgia (GE)
(72) Medea Mamulashvili (GE)
(54) **PERFUME CREAM**
-
- (11) P 2020 7156 B (51) Int. Cl. (2006)
A 61 K 8/00
- (10) AP 2020 14999 A (44) 7(539)/2020
(21) AP 2019 14999
(22) 2019 02 13
(24) 2019 02 13
(73) Medea Mamulashvili (GE)
Janashia St. 16-18, 0179, Tbilisi,
Georgia (GE)

- (72) Medea Mamulashvili (GE)
(54) **PERFUME CREAM**

- (11) P 2020 7157 B (51) Int. Cl. (2006)
A 61 K 31/00
A 61 K 9/14
A 61 K 47/26
A 61 K 9/00
A 61 K 47/12
- (10) AP 2020 14783 A (44) 8(540)/2020
(21) AP 2016 14783
(22) 2016 11 14
(24) 2016 11 14
(31) 15194661,3
(32) 2015 11 16
(33) EP
(86) PCT/EP2016/077566, 2016 11 14
(73) CHIESI FARMACEUTICI S.P.A. (IT)
Via Palermo, 26/1, I-43122 Parma (IT)
(72) CAFIERO, Claudio (IT);
ORTENZI, Leonardo (IT)
(74) Tamaz Shilakadze
(54) **PROCESS FOR PREPARING DRY
POWDER FORMULATION COMPRISING
ANTICHOLINERGIC, CORTICOSTEROID
AND BETA-ADRENERGIC**

- (11) P 2020 7170 B (51) Int. Cl. (2006)
A 61 K 31/404
A 61 K 31/40
A 61 K 45/06
A 61 K 31/616
- (10) AP 2020 14734 A (44) 11(543)/2020
(21) AP 2016 14734
(22) 2016 08 26
(24) 2016 08 26
(31) 1570030
(32) 2015 08 27
(33) FR
(86) PCT/FR2016/052126, 2016 08 26
(73) LES LABORATOIRES SERVIER (FR)
35, Rue de Verdun, 92284, Suresnes
Cedex (FR)
(72) FONKNECHTEN, Gilles (FR)
(74) Tamaz Shilakadze
(54) **PHARMACEUTICAL COMPOSITION
COMPRISING HMG-COA
REDUCTASE INHIBITOR AND
ECA INHIBITOR**

- (11) P 2020 7169 B (51) Int. Cl. (2006)
 A 61 K 31/4184
 A 61 K 31/428
 A 61 K 31/4439
 A 61 K 31/41
 A 61 P 31/04
 C 07 D 413/14
 C 07 D 401/10
 C 07 D 403/10
 C 07 D 403/14
 C 07 D 403/12
 C 07 D 413/10
 C 07 D 417/10
 C 07 D 417/14
 C 07 D 471/04
 C 07 D 407/14
- (10) AP 2020 14683 A (44) 9(541)/2020
 (21) AP 2016 14683
 (22) 2016 06 24
 (24) 2016 06 24
 (31) PCT/CN2015/082514
 (32) 2015 06 26
 (33) CN
 (86) PCT/US2016/039156, 2016 06 24
 (73) MERCK SHARP & DOHME CORP. (US)
 126 East Lincoln Ave., Rahway,
 NJ 07065-0907 (US)
 (72) BENNETT, Frank (US);
 JIANG, Jinlong (US);
 PASTERNAK, Alexander (US);
 DONG, Shuzhi (US);
 GU, Xin (US);
 SCOTT, Jack, D. (US);
 TANG, Haiqun (US);
 ZHAO, Zhiqiang (US);
 HUANG, Yuhua (US);
 YANG, Dexi (US);
 YOUNG, Katherine (US);
 XIAO, Li (US);
 ZHANG, Zhibo (CN);
 FU, Jianmin (CN)
 (74) Shalva Gvaramaze
 (54) **3-TETRAZOLYL-BENZENE-1,2-DISULFONAMIDE DERIVATIVES AS METALLO-BETA-LACTAMASE INHIBITORS**
-
- (11) P 2020 7158 B (51) Int. Cl. (2006)
 A 61 K 31/4439
 A 61 P 9/00
 C 07 D 401/14
- (10) AP 2020 14945 A (44) 9(541)/2020
 (21) AP 2017 14945
 (22) 2017 05 02
 (24) 2017 05 02
 (31) 16168165.5
 (32) 2016 05 03
 (33) EP
- (86) PCT/EP2017/060356, 2017 05 02
 (73) BAYER PHARMA
 AKTIENGESELLSCHAFT (DE)
 Müllerstraße 178, Berlin, 13353 (DE)
 (72) KRETSCHMER, Axel (DE);
 SCHMECK, Carsten (DE);
 COLLIN-KRÖPELIN, Marie-Pierre (DE);
 DRÖBNER, Karoline (DE);
 TINEL, Hanna (DE);
 BUCHMÜLLER, Anja (DE);
 LUSTIG, Klemens (DE);
 WITTWER, Matthias, Beat (CH);
 FÜRSTNER, Chantal (DE);
 CERNECKA, Hana (DE);
 WASNAIRE, Pierre (DE);
 POOK, Elisabeth (DE);
 KOLKHOF, Peter (DE);
 SCHIRMER, Heiko (DE);
 MONDRITZKI, Thomas (DE);
 NEUBAUER, Thomas (DE)
 (74) Giorgi Kartvelishvili
 (54) **AMIDE-SUBSTITUTED PYRIDINYL-TRIAZOLE DERIVATIVES AND USES THEREOF**
-
- (11) P 2020 7167 B (51) Int. Cl. (2006)
 A 61 K 31/5025
 A 61 K 31/395
 C 07 D 495/04
- (10) AP 2020 14954 A (44) 12(544)/2020
 (21) AP 2017 14954
 (22) 2017 06 22
 (24) 2017 06 22
 (31) 62/471,281; 62/418,638; 62/353,447
 (32) 2017 03 14; 2016 11 07; 2016 06 22
 (33) US; US; US
 (86) PCT/US2017/038711, 2017 06 22
 (73) VANDERBILT UNIVERSITY (US)
 305 Kirkland Hall 2201 West End Ave,
 Nashville, TN 37235, USA (US)
 (72) TARR, James C. (US);
 CONN, P. Jeffrey (US);
 BRIDGES, Thomas M. (US);
 LONG, Madeline (US);
 ENGERS, Julie L. (US);
 SPEARING, Paul (US);
 BOLLINGER, Sean (US);
 ENGERS, Darren W. (US);
 LINDSLEY, Craig W. (US)
 (74) Tamaz Shilakadze
 (54) **POSITIVE ALLOSTERIC MODULATORS OF MUSCARINIC ACETYLCHOLINE RECEPTOR M4**

(11) P 2020 7159 B **(51) Int. Cl. (2006)**
A 61 K 31/506
A 61 P 3/00
C 07 D 401/14

(10) AP 2020 15005 A (44) 11(543)/2020
 (21) AP 2017 15005
 (22) 2017 08 09
 (24) 2017 08 09
 (31) 62/377,137
 (32) 2016 08 19
 (33) US
 (86) PCT/IB2017/054862, 2017 08 09
 (73) PFIZER INC. (US)
 235 East 42nd St., New-York,
 NY 10017 (US)

(72) PRICE, David A. (US);
 POLIVKOVA, Jana (US);
 FUTATSUGI, Kentaro (US);
 DOWLING, Matthew S. (US);
 LONDREGAN, Allyn T. (US);
 LI, Qifang (US);
 LEE, Esther Cheng Yin (US);
 HUARD, Kim (US);
 CABRAL, Shawn (US);
 BOEHM, Markus (US)

(74) Shalva Gvaramadze

(54) DIACYLGLYCEROL ACYLTRANSFERASE 2 INHIBITORS

(11) P 2020 7160 B **(51) Int. Cl. (2006)**
A 61 K 31/519
A 61 P 35/00
C 07 D 495/04
C 07 D 487/04

(10) AP 2020 14978 A (44) 11(543)/2020
 (21) AP 2017 14978
 (22) 2017 06 09
 (24) 2017 06 09
 (31) 1655392
 (32) 2016 06 10
 (33) FR

(86) PCT/EP2017/064067, 2017 06 09
 (73) VERNALIS (R&D) LIMITED (GB)
 100 Berkshire Place, Wharfedale Rd., Winnersh
 Berkshire, RG41 5RD (GB);
 LES LABORATOIRES SERVIER (FR)
 35, Rue de Verdun, 92284, Suresnes
 Cedex (FR)

(72) MACIAS, Alba (GB);
 KOTSCHY, András (HU);
 DEMARLES, Didier (FR);
 CHANRION, Maïa (FR);
 VASAS, Attila (HU);
 MURRAY, James Brooke (GB);
 GENESTE, Olivier (FR);
 LEWKOWICZ, Elodie (FR);
 KISS, Árpád (HU);

MOLNÁR, Balázs (HU);
 WÉBER, Csaba (HU)

(74) Tamaz Shilakadze

(54) NEW PIPERIDINYL DERIVATIVES, PROCESS FOR THEIR PREPARATION AND PHARMACEUTICAL COMPOSITIONS CONTAINING THEM

(11) P 2020 7161 B **(51) Int. Cl. (2006)**
A 61 K 31/519
A 61 P 35/00
C 07 D 471/04
C 07 D 487/04
C 07 D 495/04

(10) AP 2020 14982 A (44) 11(543)/2020
 (21) AP 2017 14982
 (22) 2017 06 09
 (24) 2017 06 09
 (31) 16/55387; 16/63463
 (32) 2016 06 10; 2016 12 28
 (33) FR; FR

(86) PCT/EP2017/064062, 2017 06 09
 (73) LES LABORATOIRES SERVIER (FR)
 35, Rue de Verdun, 92284, Suresnes
 Cedex (FR);
 VERNALIS (R&D) LIMITED (GB)
 100 Berkshire Place, Wharfedale Rd.,
 innersh Berkshire, RG41 5RD

(72) IVANSCHITZ, Lisa (FR);

KISS, Árpád (HU);
 CHANRION, Maïa (FR);
 MACIAS, Alba (HU);
 MURRAY, James Brooke (GB);
 VASAS, Attila (HU);
 WÉBER, Csaba (HU);
 KOTSCHY, András (HU);
 LEWKOWICZ, Elodie (FR);
 MOLNÁR, Balázs (HU);
 DEMARLES, Didier (FR);
 GENESTE, Olivier (FR)

(74) Tamaz Shilakadze

(54) NEW (HETERO)ARYL-SUBSTITUTED -PIPERIDINYL DERIVATIVES, PROCESS FOR THEIR PREPARATION AND PHARMACEUTICAL COMPOSITIONS CONTAINING THEM

(11) P 2020 7162 B **(51) Int. Cl. (2006)**
A 61 K 39/395
A 61 P 35/00
A 61 K 31/00
C 07 K 16/28

(10) AP 2020 14668 A (44) 11(543)/2020
 (21) AP 2016 14668
 (22) 2016 06 07

- (24) 2016 06 07
 (31) 62/255,094; 62/172,277
 (32) 2015 11 13; 2015 06 08
 (33) US; US
 (86) PCT/US2016/036172, 2016 06 07
 (73) MACROGENICS INC. (US)
 9704 Medical Center Drive, Rockville, MD
 20850 (US)
 (72) SMITH, Douglas, H. (US);
 SHAH, Kalpana (US);
 LA MOTTE-MOHS, Ross (US);
 MOORE, Paul, A. (US);
 BONVINI, Ezio (US);
 KOENIG, Scott (US);
 JOHNSON, Lesile, S. (US)
 (74) Tamaz Shilakadze
 (54) **LAG-3-BINDING MOLECULES AND
 METHODS OF USE THEREOF**

PART B

B 21

- (11) **P 2020 7153 B** (51) **Int. Cl. (2006)
 B 21 J 7/14**
 (10) AP 2020 14995 A (44) 11(543)/2020
 (21) AP 2019 14995
 (22) 2019 02 08
 (24) 2019 02 08
 (73) LEPL "RAPHIEL DVALI INSTITUTE OF
 MASHINE MECHANICS" (GE)
 Mindeli St. 10, 0186, Tbilisi, Georgia (GE)
 (72) Slava Mebonia (GE);
 Tamaz Natroshvili (GE);
 Aleksandre Shermazanashvili (GE)
 (54) **AIR-HYDRAULIC FORGING MACHINE**

B 65

- (11) **P 2020 7168 B** (51) **Int. Cl. (2006)
 B 65 D 1/40**
 (10) AP 2020 15105 A (44) 12(544)/2020
 (21) AP 2017 15105
 (22) 2017 07 12
 (24) 2017 07 12
 (31) 2016129337
 (32) 2016 07 19
 (33) RU
 (86) PCT/RU2017/000518, 2017 07 12
 (73) Limited Liability Company "GSGROUP" (RU)
 Khersonskaya St. 20, corp. 3, basement IA,
 room 21, Moscow, 117246, Russian
 Federation (RU)
 (72) GOLENKOV, Konstantin Mikhailovich (RU);
 STYSKIN, Mark Mikhailovich (RU)

- (74) Shalva Gvaramadze
 (54) **PLASTIC BOTTLE**

PART C

C 07

- (11) **P 2020 7165 B** (51) **Int. Cl. (2006)
 C 07 C 29/00
 C 11 B 9/00**
 (10) AP 2020 15186 A (44) 12(544)/2020
 (21) AP 2019 15186
 (22) 2019 09 12
 (24) 2019 09 12
 (73) Tsiuri Ramishvili (GE)
 Tsereteli Av. 59, app. 10, 0154, Tbilisi,
 Georgia (GE);
 Vladimer Tsitsishvili (GE)
 Uznadze St. 2, app. 174, 0101, Tbilisi,
 Georgia (GE)
 (72) Tsiuri Ramishvili (GE);
 Vladimer Tsitsishvili (GE)
 (54) **THE METHOD OF SYNTHESIS OF
 TRANS-GERANIOL FROM CORIANDER
 OIL BY THE SYNERGIC ACTION OF A
 CATALYST AND MICROWAVES**

-
- (11) **P 2020 7166 B** (51) **Int. Cl. (2006)
 C 07 K 16/28
 C 12 N 15/13
 A 61 K 39/395
 A 61 P 35/00
 A 61 P 37/04
 G 01 N 33/577
 C 12 N 1/21
 C 12 N 5/10
 C 12 N 15/63
 C 07 K 19/00**

- (10) AP 2020 14437 A (44) 11(543)/2020
 (21) AP 2015 14437
 (22) 2015 07 31
 (24) 2015 07 31
 (31) 201410377352.9
 (32) 2014 08 01
 (33) CN
 (86) PCT/CN2015/085721, 2015 07 31
 (73) AKESO BIOPHARMA, INC. (CN)
 6 Shennong Blvd., Torch Developmental
 one Zhungshan, Guangdong 528437 (CN)
 (72) LI, Baiyong (CN);
 XIA, Yu (CN);
 WANG, Zhongmin (CN);
 ZHANG, Peng (CN);
 PANG, Xinghua (CN)
 (74) Shalva Gvaramadze

(54) ANTI-CTLA4 MONOCLONAL
ANTIBODY OR ANTIGEN BINDING
FRAGMENT THEREOF, MEDICINAL
COMPOSITION AND USE

(54) SYSTEM AND METHOD FOR
DOCUMENT INFORMATION
AUTHENTICITY VERIFICATION

C 09

- (11) P 2020 7154 B (51) Int. Cl. (2006)
C 09 D 5/00
- (10) AP 2020 14583 A (44) 10(542)/2020
(21) AP 2015 14583
(22) 2015 02 10
(24) 2015 02 10
(86) PCT/EP2015/052804, 2015 02 10
(73) DAW SE (DE)
Roßdörfer Straße 50, 64372 Ober-
Ramstadt (DE)
- (72) WEINHOLD, Petra (DE);
SEEGER, Alexander (DE);
BRENNER, Thomas (DE);
ZIEGLER, Michael (DE);
SEIBEL, Michael (DE)
- (74) Liliana Darakhvelidze
- (54) DRIP-FORMING AQUEOUS COATING
COMPOUNDS, IN PARTICULAR DIS-
PERSION COATING COMPOUNDS,
AND TESTING DEVICE FOR DETER-
MINING THE SPRAY BEHAVIOUR
OF DRIP-FORMING AQUEOUS
COATING COMPOUNDS
-

PART H

H 04

- (11) P 2020 7163 B (51) Int. Cl. (2006)
H 04 L 9/28
- (10) AP 2020 14871 A (44) 10(542)/2020
(21) AP 2017 14871
(22) 2017 02 07
(24) 2017 02 07
(31) 2016900405
(32) 2016 02 08
(33) AU
(86) PCT/AU2017/050096, 2017 02 07
(73) SCOTT, Guy (AU)
L11,65 York St., Sydney, NSW 2000 (AU);
MOLONEY, Lindsay (AU)
L11,65 York St., Sydney, NSW 2000 (AU)
- (72) SCOTT, Guy (AU);
MOLONEY, Lindsay (AU)
- (74) Tamaz Shilakadze

UTILITY MODELS

APPLICATIONS APPROVED FOR GRANTING PATENTS

The decision can be appealed at the Chamber of Appeal of Sakpatenti within 3 months from the publication or at the Mtskheta District Court Administrative Cases Board (Address: №17, Samkhedro str., Mtskheta), within 1 month following the publication.

PART A

A 61

(10) AU 2020 14972 U (51) Int. Cl. (2006)
A 61 N 5/00

(21) AU 2018 14972 (22) 2018 12 21

(71) Mzia Luashvili (GE)

Ushangi Chkheidze St. 6, app. 5, 0160, Tbilisi,
Georgia (GE);

Vakhtang Luashvili (GE)

L. Asatiani St. 40, 0160, Tbilisi, Georgia (GE)

(72) Mzia Luashvili (GE);

Vakhtang Luashvili (GE)

(74) Shalva Gvaramadze

(54) **DEVICE FOR SKIN DISEASES
TREATMENT**

(57) A device for skin diseases treatment is disclosed. The device includes air-discharging lamp, and power supply switched thereto. The lamp having 100-130cm length and 2.5-4cm diameter is glass tube fill with mercury gas one end whereof is switched to high voltage source of 10 000 volts passing through isolating handle; at that, the tube is executed with capability to generate power of 40-50 mA-s at the connection to patient with its another end.

Claims: 1 independent

(54) **E-WALLET SERVICE COLLECTIVE
USAGE SYSTEM**

(57) A system includes e-wallet (electric wallet) service server equipped with application configured: to receive a request from user's device to subscribe e-wallet service system; based on this request, setting up the e-wallet for user to place a part of transaction amount in this wallet by him during each subsequent transaction; to display data for user on each transaction performed by all subscribers and data of funds accumulated in the e-wallet on graphical interface. E-wallet service server is connected to financial organisation electronic system with telecommunication network for the purpose of exchange information about the transactions made by the user.

Claims: 1 independent

Fig.: 3

PART G

G 06

(10) AU 2020 15243 U (51) Int. Cl. (2006)
G 06 Q 20/36

(21) AU 2019 15243 (22) 2019 12 20

(71) Levan Sharangia (GE)

Otar Lortkipanidze St. 6, app. 10, Tbilisi,
Georgia (GE);

Davit Pirvelashvili (GE)

Medea Chakhava St. 4, app. 11, Tbilisi,
Georgia (GE)

(72) Levan Sharangia (GE);

Davit Pirvelashvili (GE)

PATENTED UTILITY MODEL

PART A

A 61

- (11) U 2020 2053 Y (51) Int. Cl. (2006)
 A 61 K 31/047
 A 61 P 7/10
(10) AU 2020 15112 U (44) 8(540)/2020
(21) AU 2019 15112
(22) 2019 06 14
(24) 2019 06 14
(73) Ivane Ambardanishvili (GE)
 Arakishvili St. 11, 2200, Telavi, Georgia (GE);
 Grigol Ambardanishvili (GE)
 Arakishvili St. 11, 2200, Telavi, Georgia (GE);
(72) Ivane Ambardanishvili (GE)
 Grigol Ambardanishvili (GE);
(54) **COMBINATION TREATING
 CONDITION CAUSED WITH
 EDEMATOUS SYNDROME**
-

DESIGNS

APPLICATION APPROVED FOR REGISTRATION

The decision can be appealed at the Chamber of Appeal of Sakpatenti within 3 months from the publication or at the Mtskheta District Court Administrative Cases Board (Address: №17, Samkhedro str., Mtskheta), within 1 month following the publication.

(10) AD 2020 1158 S (51) 06-02
(21) AD 2020 1158 (22) 2020 06 16
(28) 5
(71) Giorgi Chiradze (GE)
Tiripebi St. 2, app. 20, 0186, Tbilisi, Georgia (GE)
(72) Giorgi Chiradze (GE)
(54) FURNITURE
(55)





2.1



3.1



3.2



4.1



5.1



5.2

REGISTERED DESIGN

- (11) **D 2020 865 S** (51) **09-01**
(10) AD 2020 1144 S (44) 2020 06 25 №12
(21) AD 2020 1144
(22) 2020 03 04
(24) 2020 03 04
(28) 1
(18) 2025 03 04
(73) Aleksandre Eteria (GE)
 I. Petritsi St. 6, app. 83, 0131, Tbilisi,
 Georgia (GE)
(72) Aleksandre Eteria (GE)
(54) **BOTTLE**
-

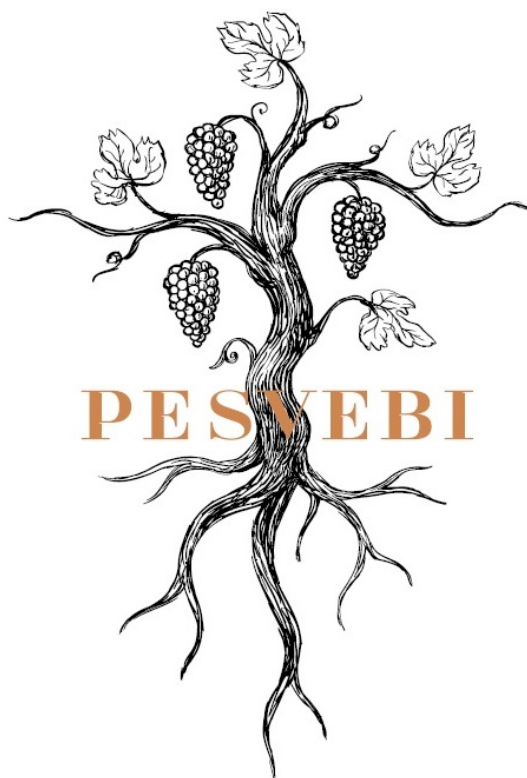
DESIGNS REGISTERED ACCORDING TO THE ACCELERATED PROCEDURE

The decision can be appealed at the Chamber of Appeal of Sakpatenti within 3 months from the publication.

- (11) D 2020 866 S (51) 11-01
(21) AD 2020 1180 (22) 2020 09 10
(24) 2020 09 10
(28) 4
(18) 2025 09 10
(73) LTD "ESHVI" (GE)
Gergeti St. 3, 0105, Mtatsminda District, Tbilisi, Georgia (GE)
(72) Natia Chkhartishvili (GE)
(54) 1.-3. EARRING; 4. NECKLACE
(55)



- (11) D 2020 867 S (51) 32-00
(21) AD 2020 1178 (22) 2020 09 01
(24) 2020 09 01
(28) 1
(18) 2025 09 01
(73) LLC "KANTI" (GE)
Sandor Petofi St. 4, 0190, Isani District, Tbilisi, Georgia (GE)
(72) Vladimer Kobakhidze (GE)
(74) Shalva Gvaramadze (GE)
(54) GRAPHICAL COMPOSITION
(55)



1.1

DESIGNS, WHICH HAVE BEEN REGISTERED WITH THE INTERNATIONAL BUREAU CLAIMING PRIORITY ON THE TERRITORY OF GEORGIA

The decision can be appealed at the Chamber of Appeal of Sakpatenti within 3 months from the publication or at the Mtskheta District Court Administrative Cases Board (Address: №17, Samkhedro Str., Mtskheta), within 1 month following the publication.

(11) DM/209 628

(51) 09-05

(15) 2020 04 09

(44) 33/2020 (2020 08 14)

(22) 2020 04 09

(28) 1

(73) ASELSAN ELEKTRONİK SANAYİ VE TİCARET ANONİM ŞİRKETİ

Mehmet Akif Ersoy Mahallesi 296. Cadde No: 16, YENİMAHALLE ANKARA (TR)

(85) TR

(86) TR

(87) TR

(88) TR

(89) TR

(81) III. ES, HU, IS, TJ, GH, TR, PL, GB, TN, LT, KR, JP, CH, IL, FR, UA, AL, HR, LV, AZ, TM, ME, MC, SI, BX, SG, RS, NO, DE, EE, BA, CA, US, GE, MK, LI, RO, SM, EM, DK, BG, FI, RU

(72) AYŞEGÜL ÖZBAYİS

Mehmet Akif Ersoy Mahallesi, 296. Cadde, No: 16, YENİMAHALLE, ANKARA (TR)

(74) DESTEK PATENT ANONİM ŞİRKETİ

Ruzi Plaza, Konak Mh. İzmir Yolu Cd, Kudret Sk. No: 20 D:Kat 6, BEŞEVLER NİLÜFER, 16110 BURSA (TR)

(54) 1. Carrier bag

(55)



1.1



1.2



1.3



1.4



(11) DM/207 139

(15) 2020 02 13

(22) 2020 02 13

(28) 4

(73) HARRY WINSTON SA

Chemin du Tourbillon 8, 1228 Plan-les-Ouates (CH)

(85) CH

(86) CH

(87) CH

(88) CH

(89) CH

(81) IL, MA, III, AM, UA, AL, AZ, BZ, ME, MD, MC, SG, MN, NO, BA, MK, OM, TR, CA, GE, LI, KG, GB, TN, EM, CH

(72) 1;3 Anaïs HAMEL

c/o Harry Winston SA, Chemin du Tourbillon 8, 1228, Plan-les-Ouates (CH);

Steve KAMILINDI

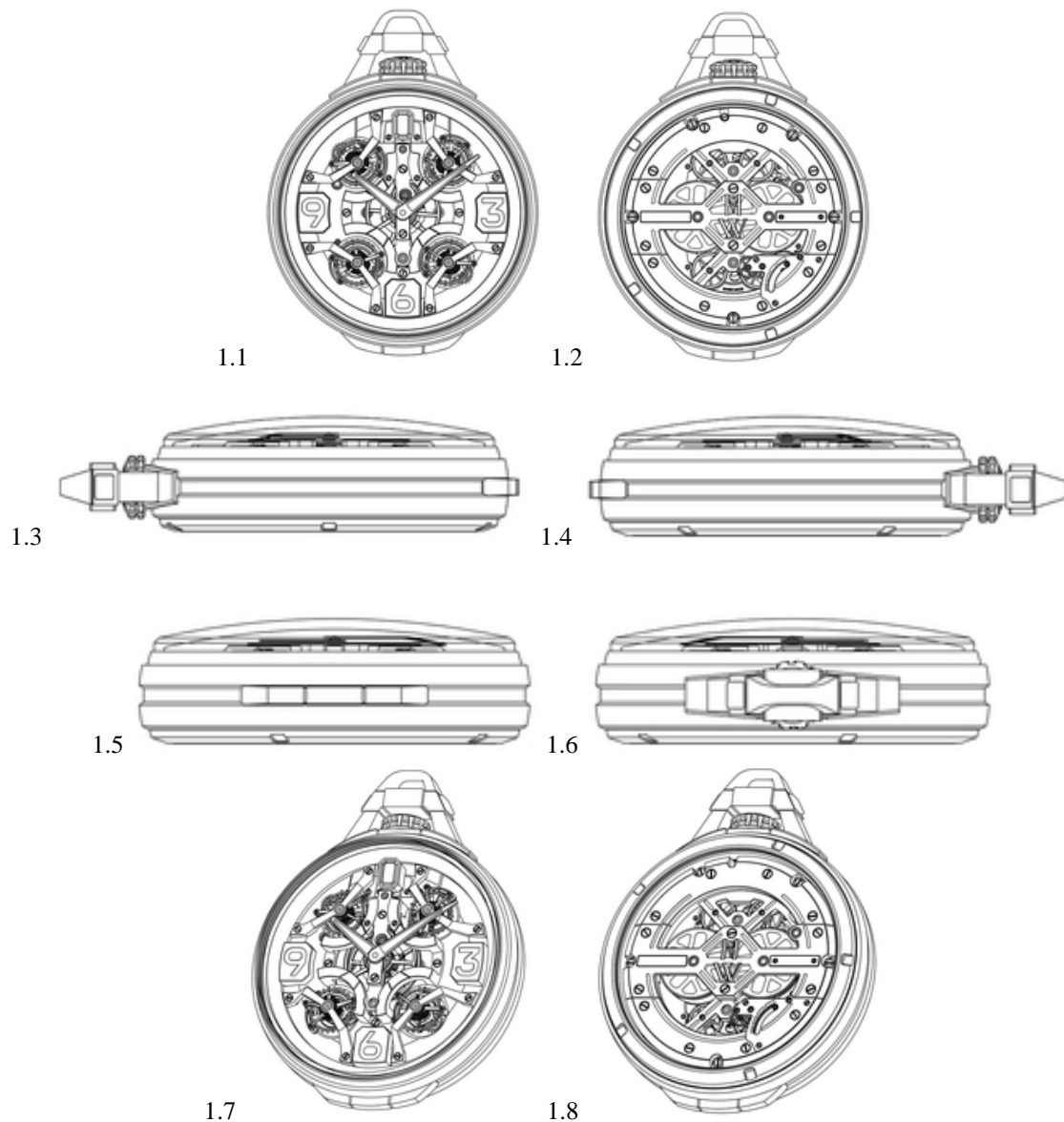
c/o Harry Winston SA, Chemin du Tourbillon 8, 1228, Plan-les-Ouates (CH)

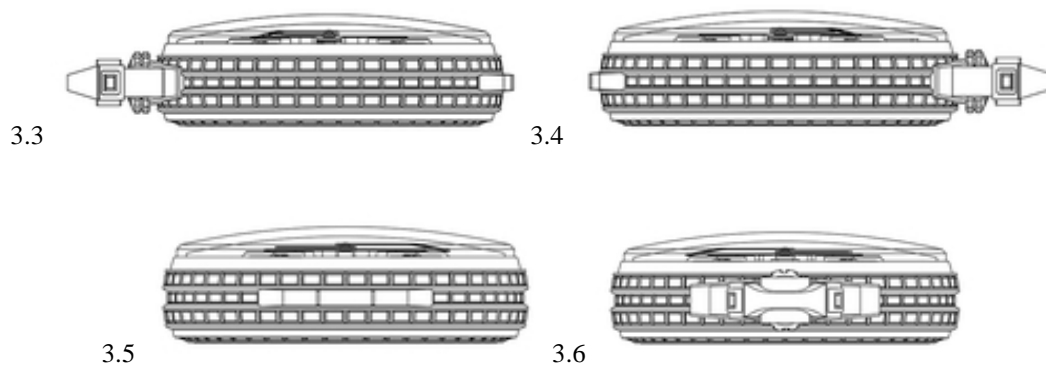
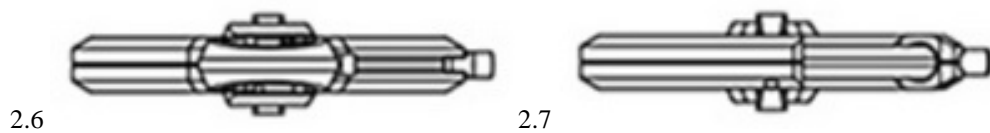
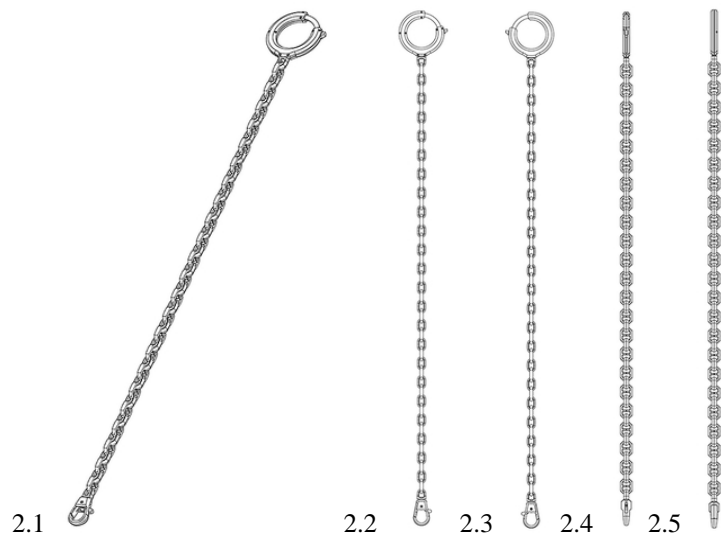
(74) The Swatch Group AG (The Swatch Group SA) (The Swatch Group Ltd)

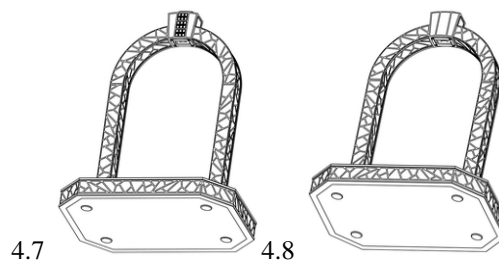
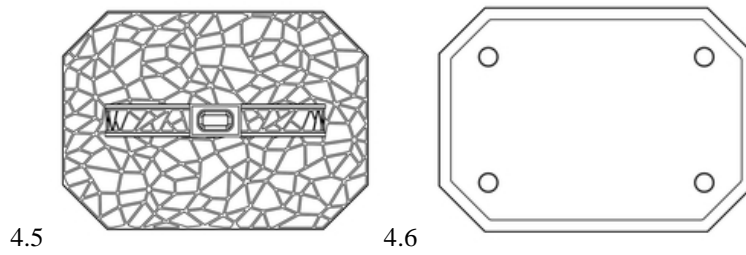
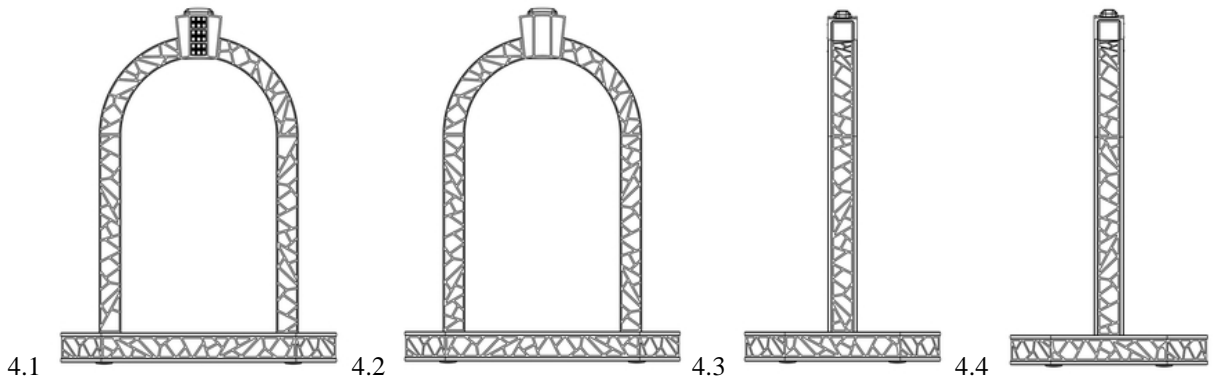
Faubourg du Lac 6, 2501 Biel/Bienne (CH)

(54) 1. Pocket watch, 2. Watch chain, 3. Pocket watch, 4. Stand for pocket watch

(55)







(11) DM/209 626

(51) 12-16

(15) 2020 07 15

(44) 33/2020 (2020 08 14)

(22) 2020 07 15

(28) 4

(30) No1: 21.01.2020; 402020200299.6; DE; No2: 21.01.2020; 402020200299.6; DE;
No3: 21.01.2020; 402020200299.6; DE; No4: 21.01.2020; 402020200299.6; DE

(73) MAN Truck & Bus SE

Dachauer Str. 667, 80995 München (DE)

(85) –

(86) –

(87) DE

(88) DE

(89) DE

(81) II. MA III. UA, AM, AL, ME, SG, NA, OA, NO, RS, BA, MK, GE, TR, OM, RO, GB, TN, EM, KR, CH, RU, EG

(72) Thomas Ochs

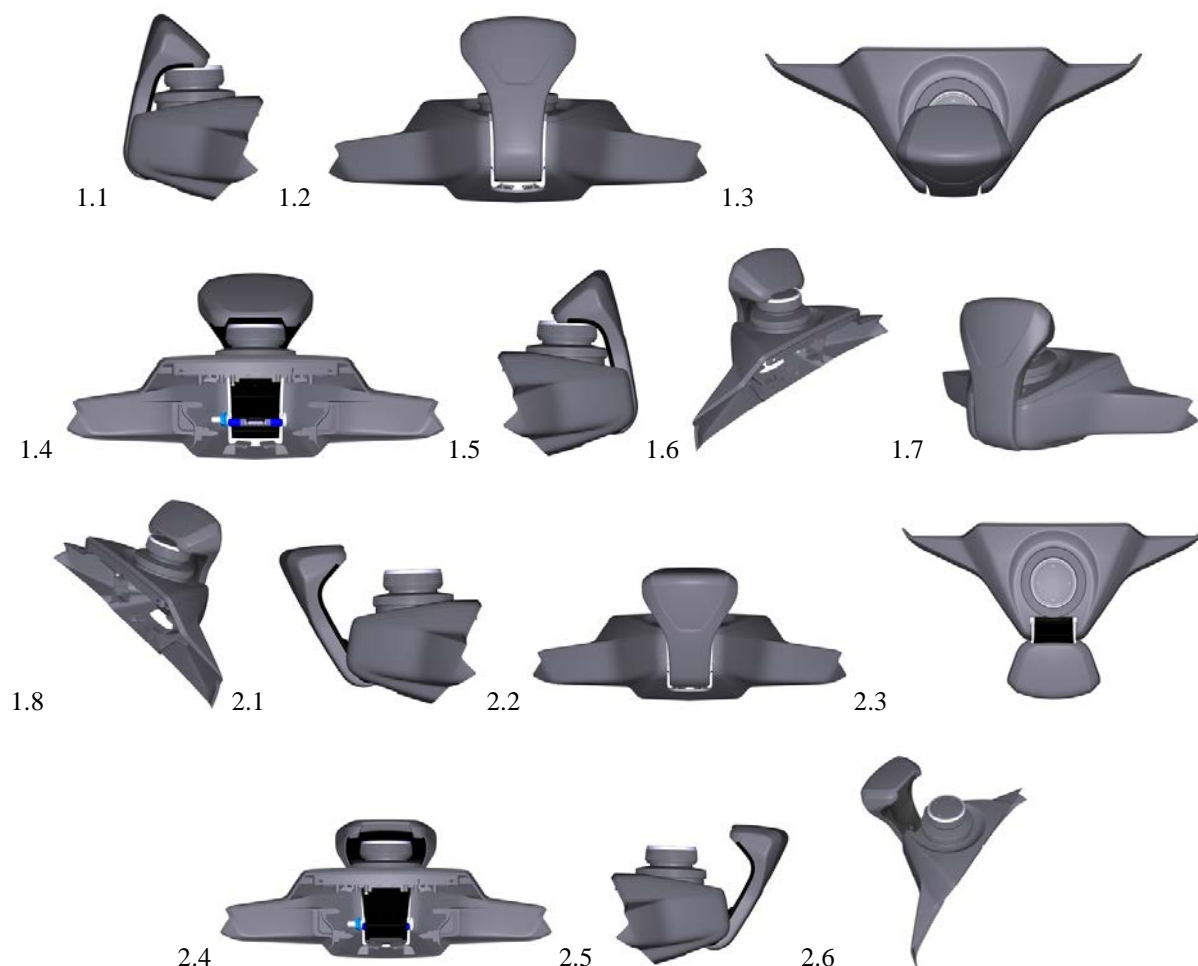
Dachauer Straße 667, 80995, München (DE);

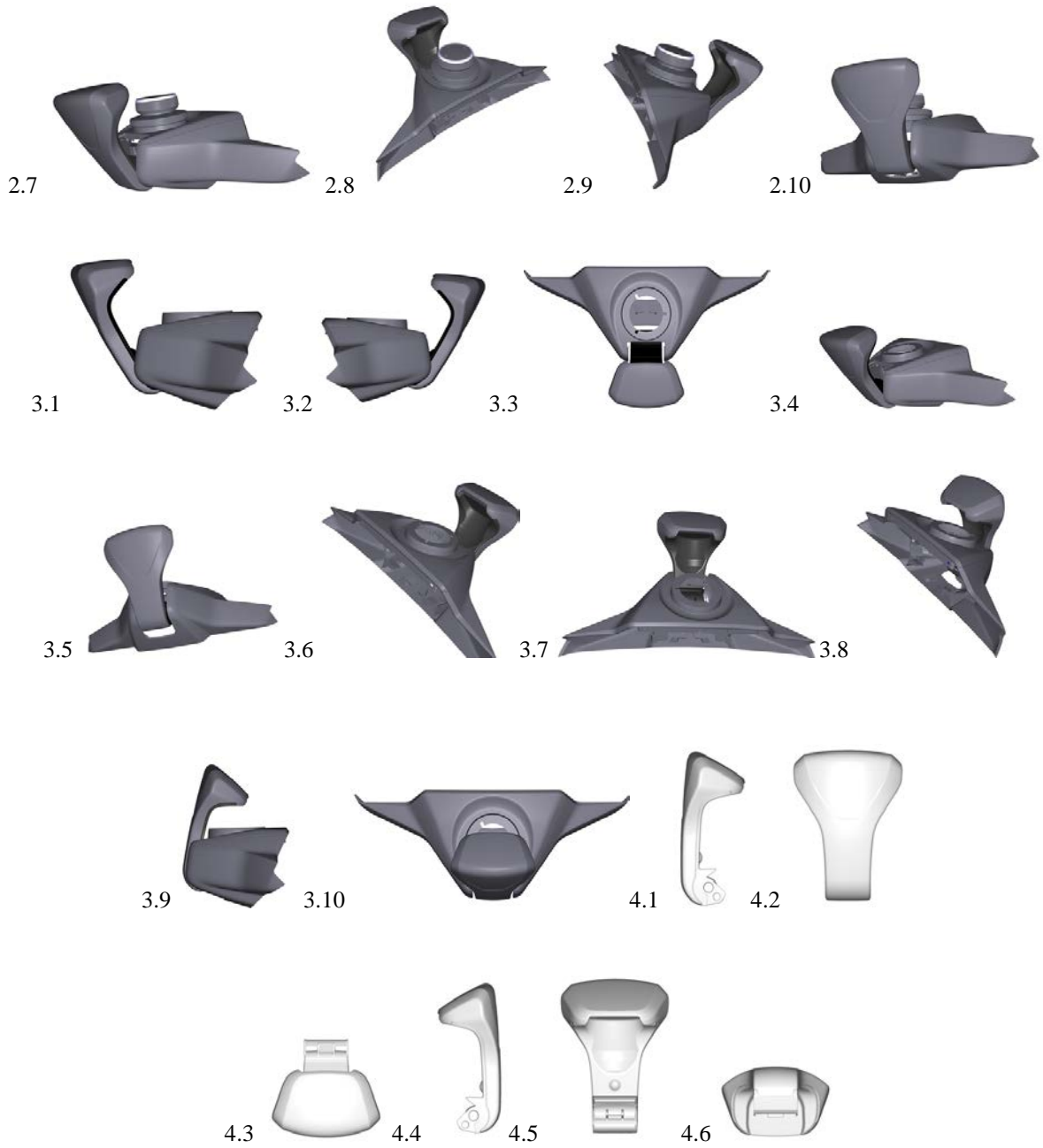
Marius Maier

Dachauer Str. 667, 80995, München (DE)

(54) 1.-2. Wrist rest and control elements for vehicles, 3.-4. Wrist rest for vehicles

(55)





(11) DM/209 915

(51) 16-05

(15) 2019 03 14

(44) 35/2020 (2020 08 28)

(22) 2019 03 14

(28) 1

(73) PolarityTE Inc.

1960 South 4250 West , 84104 Salt Lake City (US)

(85) US

(86) US

(87) US

(88) US

(89) US

(81) III. ES, HU, IS, MN, PL, GB, LT, KR, JP, BN, FR, AL, LV, HR, TM, BZ, MC, SG, NA, DE, BA, US,

MK, LI, KG, FI, RU, EG, AM, MD, TJ, BW, ST, GH, TR, KH, TN, KP, CH, UA, AZ, ME, BX, SI, OA, RS,

NO, EE, CA, GE, OM, RO, SM, EM, DK, SY, RW, BG

(72) Nikolai Sopko

4776 Mile High Drive, 84124, Salt Lake City, UT (US);

Natalie Kirk

790 West 900 North Apt 1127, 84054, North Salt Lake, UT (US);

Ian Robinson

7118 Sagebrush Way , 84121, Cottonwood Heights, UT (US)

(74) Murgitroyd & Company

165 Scotland Street Glasgow G5 8PL (GB)

(54) 1. Stand for a photographic apparatus

(55)



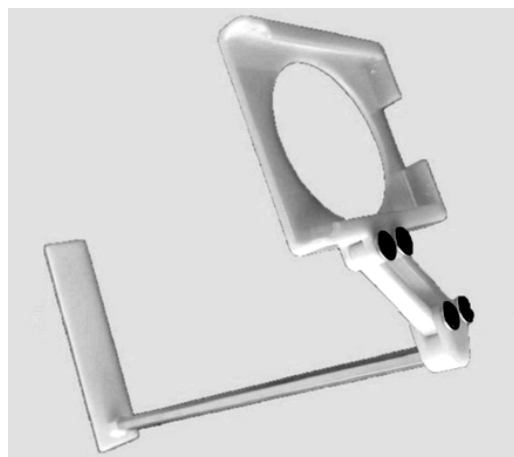
1.1



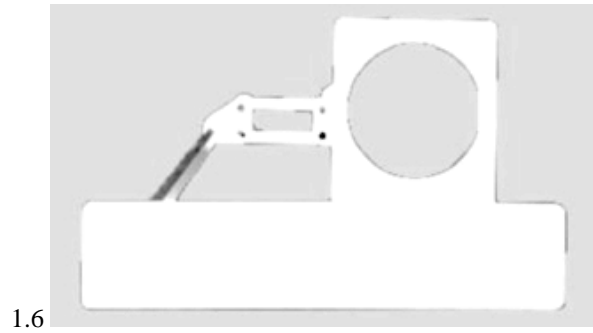
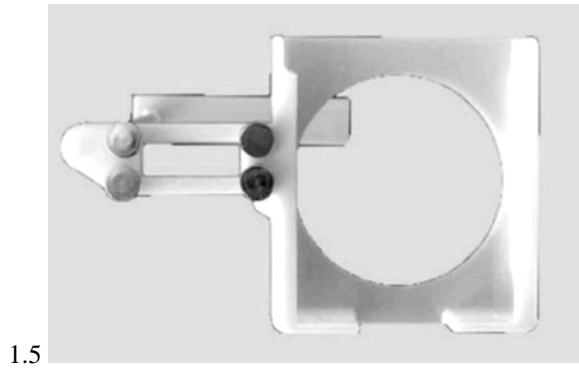
1.2



1.3



1.4



(11) DM/210 027

(51) 07-02

(15) 2020 06 18

(44) 36/2020 (2020 09 04)

(22) 2020 06 18

(28) 1

(73) Ladan Zadfar

Wyspiańskiego 15, 6A, 60-750 Poznań (PL);

Mohammad Farshad

Wyspiańskiego 15, 6A, 60-750 Poznań (PL);

SWPS Uniwersytet Humanistycznospołeczny

Chodakowska 19/31, 03-815 Warszawa (PL)

(85) –; PL; PL

(86) –; –; –

(87) –; –; –

(88) PL, –; –

(89) PL; PL; PL

(81) III, BA, CA, GE, US, EM, CH, SG

(72) Mohammad Farshad

Wyspiańskiego 15, 6A, 60-750 Poznań (PL);

Ladan Zadfar

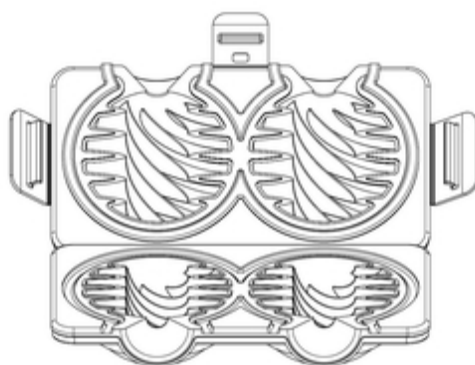
Wyspiańskiego 15, 6A, 60-750 Poznań (PL)

(74) AOMB Polska Sp. Z O.o.

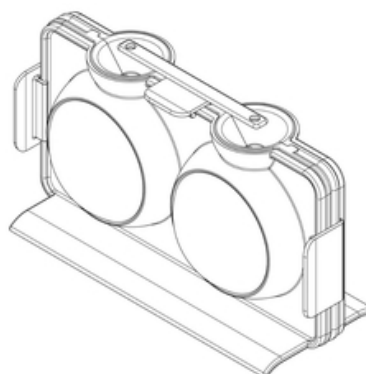
Emilii Plater 53, 00-113 Warszawa (PL)

(54) 1. Spiral spherical shaping cookery mold

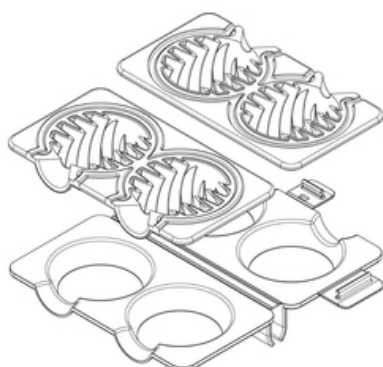
(55)



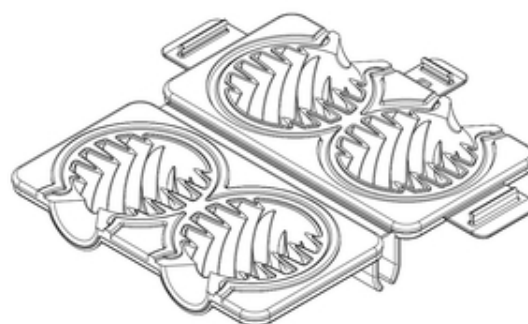
1.1



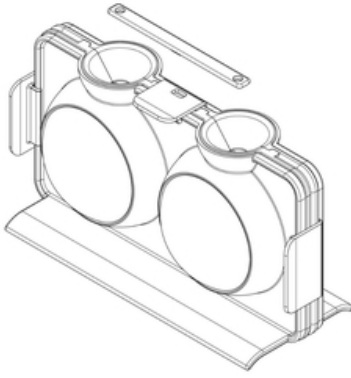
1.2



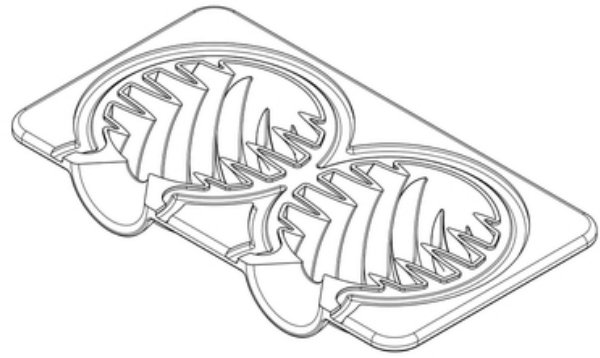
1.3



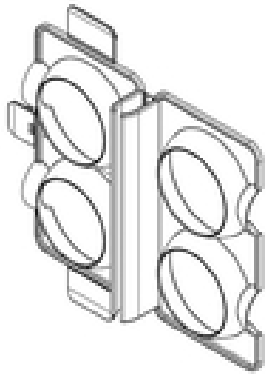
1.4



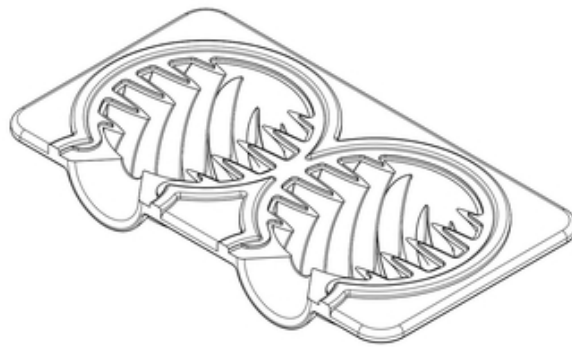
1.5



1.6



1.7



1.8

(11) DM/206 525

(51) 10-07

(15) 2020 03 03

(44) 36/2020 (2020 09 04)

(22) 2020 03 03

(28) 1

(73) Montres Jaquet Droz SA (Montres Jaquet Droz AG) (Montres Jaquet Droz Ltd)
Allée Du Tourbillon 2, 2300 La Chaux-de-Fonds (CH)

(85) –

(86) CH

(87) CH

(88) –

(89) CH

(81) II. MA III. AM, UA, AL, AZ, ME, BZ, MD, MC, SG, MN, NO, BA, OM, MK, TR, GE, LI, KG, GB, TN,
EM, CH

(72) Yann Leiggener

Rue Du Nord 47, 2300, La-Chaux-de-Fonds (CH);

Christian Lattmann

Chemin Du Château-Neuf 17, 1125, Monnaz (CH)

(74) The Swatch Group AG (The Swatch Group SA) (The Swatch Group Ltd)

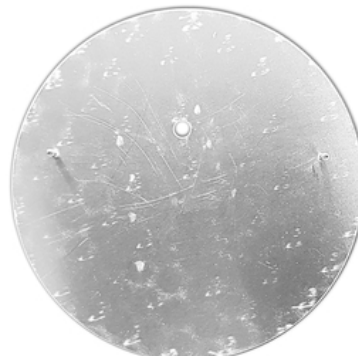
Faubourg Du Lac 6, 2501 Biel/Bienne (CH)

(54) 1. Clock dial

(55)



1.1



1.2



1.3

TRADEMARKS

APPLICATIONS FILED UNDER THE NATIONAL PROCEDURE APPROVED FOR REGISTRATION

The decision can be appealed at the Chamber of Appeal of Sakpatenti within 3 months from the publication or at the Mtskheta District Court Administrative Cases Board (Address: №17, Samkhedro St., Mtskheta), within 1 month following the publication.

(260) AM 2020 103187 A
(210) AM 103187
(220) 2020 03 06
(731) Gvantsa Mikutchadze
Kavtaradze St. 1, 0186, Tbilisi,
Georgia
(540)



(591) Black-white
(531) 05.05.20; 26.01.15; 29.01.12
(511) 31, 33, 35, 43

(540)



(591) White, red
(531) 26.04.18; 26.04.24; 27.05.22; 27.05.24; 29.01.12
(511) 35

(260) AM 2020 104202 A
(210) AM 104202
(220) 2020 02 17
(731) LLC "DEMASI"
Right Bank area around March 9 Garden,
Tbilisi, Georgia
(740) Kondrat Dimitrishvili
(540)



(591) White, red
(531) 26.04.09; 26.04.18; 27.05.22; 27.05.24; 29.01.12
(511) 35

(260) AM 2020 104204 A
(210) AM 104204
(220) 2020 02 17
(731) LLC "DEMASI"
Right Bank area around March 9 Garden,
Tbilisi, Georgia
(740) Kondrat Dimitrishvili
(540)

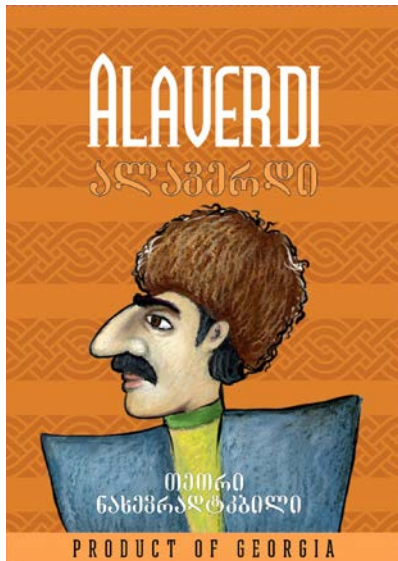


(591) White, red
(531) 26.04.12; 26.04.18; 26.04.24; 26.11.02; 26.11.06;
26.11.12; 29.01.12
(511) 35

(260) AM 2020 104203 A
(210) AM 104203
(220) 2020 02 17
(731) LLC "DEMASI"
Right Bank area around March 9 Garden,
Tbilisi, Georgia
(740) Kondrat Dimitrishvili

(260) AM 2020 106943 A
(210) AM 106943
(220) 2020 02 04
(731) LLC "Bolero & Company"
Kuchishvili St. 12-14-16, 0179, Tbilisi,
Georgia

(540)



(591) White, orange, yellow, golden, green, grey, black, brown

(531) 02.01.01; 25.01.19; 25.07.20; 25.07.23; 25.07.25; 27.05.01; 27.05.09; 27.05.10; 27.05.24; 28.19; 29.01.15

(526) "Alaverdi", "ალავერდი", "GEORGIA"
(511) 33

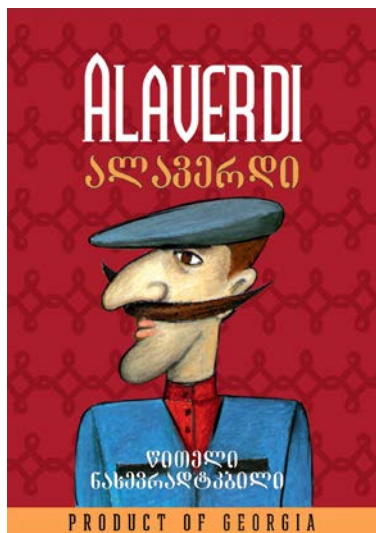
(260) AM 2020 106944 A

(210) AM 106944

(220) 2020 02 04

(731) LLC "Bolero & Company"
Kuchishvili St. 12-14-16, 0179, Tbilisi, Georgia

(540)



(591) White, orange, red, grey, sky-blue, black, brown, bordeaux

(531) 02.01.01; 25.01.19; 27.05.01; 27.05.09; 27.05.10; 27.05.24; 28.19; 29.01.15

(526) "Alaverdi", "ალავერდი", "GEORGIA"
(511) 33

(260) AM 2020 106955 A

(210) AM 106955

(220) 2020 02 06

(731) LLC "ARTPHARMA"
Gamrekeli St. 19(512), 0160, Tbilisi, Georgia

(740) Giorgi Taktakishvili

(540)

მელამერიანი პრემიუმი
Melamerin Premium
Меламерин Премиум

(591) Black-white

(511) 5

(260) AM 2020 107057 A

(210) AM 107057

(220) 2020 02 11

(731) "SANUS VITA"
Saakadze Descent 6, Commercial Space 11, 0160, Tbilisi, Georgia

(740) Monika Kvaratskhelia

(540)

სამიქსინო
АМИКСИН
AMIXIN

(591) Black-white

(511) 5

(260) AM 2020 107058 A

(210) AM 107058

(220) 2020 02 11

(731) LTD "ALEGRO"
Samghebro St. 21 (Plot 64/39), Tbilisi, Georgia

(540)

სივანი
AIVANI

(591) Black-white

(511) 43

(260) AM 2020 107149 A

(210) AM 107149

(220) 2020 02 14

(731) LLC "LOPOTA"
Vil. Napareuli, 2211, Telavi Region, Georgia

(740) Irakli Suladze

(540)

Б

(591) Black-white
(531) 27.05.21
(511) 33, 43

(260) AM 2020 107152 A
(210) AM 107152
(220) 2020 02 14
(731) LLC "LOPOTA"
Vil. Napareuli, 2211, Telavi Region, Georgia
(740) Irakli Suladze
(540)

შატო ბუერა
Chateau Buera
Шато Буэра

(591) Black-white
(511) 33, 43

(260) AM 2020 107159 A
(210) AM 107159
(220) 2020 02 18
(731) Georgian University
Merab Kostava St. 77a, 0171, Tbilisi,
Georgia
(740) Tamar Bitsadze
(540)



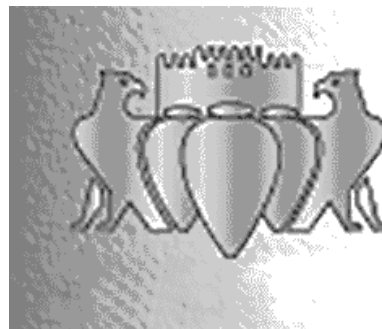
(591) Black, green
(531) 02.01.01; 02.01.16; 02.01.23; 05.03.11; 05.03.13;
05.03.16; 05.13.01; 05.13.08; 27.05.15;
27.05.25; 29.01.13
(511) 41, 42

(260) AM 2020 107165 A
(210) AM 107165
(220) 2020 02 19
(731) JSC "Corporation Kindzmarauli"
I. Chavchavadze St. 55, 4800, Kvareli, Georgia
(540)



(591) Black-white
(531) 03.07.24; 04.02.05; 04.03.01; 05.07.10; 24.01.10
(511) 33

(260) AM 2020 107167 A
(210) AM 107167
(220) 2020 02 19
(731) JSC "CORPORATION KINDZMARAUЛИ"
I. Chavchavadze St. 55, 4800, Kvareli, Georgia
(540)



(591) Black-white
(531) 04.03.01; 04.03.20; 07.01.01; 19.09.02
(511) 33

(260) AM 2020 107182 A
(210) AM 107182
(220) 2020 02 20
(731) Société des Produits Nestlé S.A.
1800 Veve, Switzerland
(740) Tamaz Shilakadze
(540)

DECORATION

(591) Black-white
(511) 30

(260) AM 2020 107185 A
(210) AM 107185
(220) 2020 02 21
(731) LTD "TURMANIDZE +"
M. Kostava St. 75, app. 81, 0171, Tbilisi,
Georgia
(540)



(591) Black-white
(531) 24.17.05; 24.17.07; 26.01.18; 26.04.10; 26.04.12;
26.04.22; 26.04.24; 26.11.06; 26.11.08; 27.05.22
(511) 3, 5

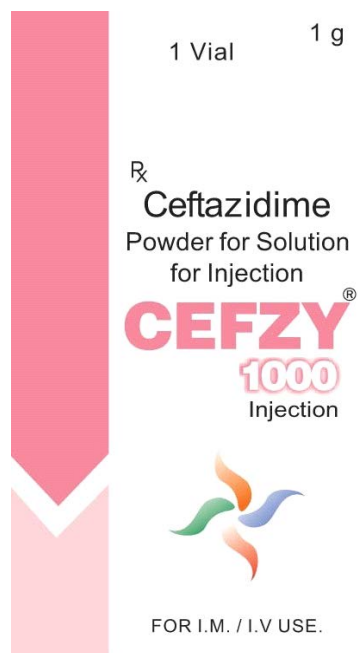
(260) AM 2020 107266 A
(210) AM 107266
(220) 2020 02 21
(731) LLC "GLOBAL CBS"
Stanislavskiy St. 5, Tbilisi, Georgia

(540)



(591) Blue, white, sky-blue, yellow
 (531) 01.15.15; 01.15.24; 19.03.01; 19.03.03; 29.01.15
 (511) 5

(260) AM 2020 107267 A
 (210) AM 107267
 (220) 2020 02 21
 (731) LLC "GLOBAL CBS"
 Stanislavskiy St. 5, Tbilisi, Georgia
 (540)



(591) Pink, white, sky-blue, black
 (531) 01.15.23; 05.05.20; 24.15.01; 25.01.01; 26.03.23;
 27.05.10; 27.07.02; 29.01.15
 (511) 5

(260) AM 2020 107287 A
 (210) AM 107287
 (220) 2020 02 24
 (731) LTD "BU"
 Gazapkhuli St. 17, app. 10, Tbilisi, Georgia
 (540)



(591) Black-white
 (531) 27.05.01; 27.05.22
 (511) 9, 35, 38, 41

(260) AM 2020 107288 A
 (210) AM 107288
 (220) 2020 02 24
 (731) Exxon Mobil Corporation
 5959 Las Colinas Boulevard, Irving, Texas
 75039, USA

(740) Shalva Gvaramadze
 (540)



(591) Blue, red
 (531) 27.05.17; 29.01.12
 (511) 9

(260) AM 2020 107302 A
 (210) AM 107302
 (220) 2020 02 27
 (310) 2019766993
 (320) 2019 12 24
 (330) RU
 (731) ORION CORPORATION
 Orionintie 1, 02200 Espoo, Finland
 (740) Tamaz Shilakadze
 (540)

FERTIFOLIN

(591) Black-white
 (511) 3, 5

(260) AM 2020 107303 A
 (210) AM 107303
 (220) 2020 02 27
 (310) 2019766987
 (320) 2019 12 24
 (330) RU
 (731) ORION CORPORATION
 Orionintie 1, 02200 Espoo, Finland
 (740) Tamaz Shilakadze
 (540)

ФЕРТИФОЛИН

(591) Black-white
 (511) 3, 5

(260) AM 2020 107304 A
 (210) AM 107304
 (220) 2020 02 27
 (310) 2020706298
 (320) 2020 02 11
 (330) RU
 (731) ORION CORPORATION
 Orionintie 1, 02200 Espoo, Finland
 (740) Tamaz Shilakadze
 (540)

PROBIODERM

(591) Black-white
(511) 3, 5

(260) AM 2020 107305 A
(210) AM 107305
(220) 2020 02 27
(310) 2020706304
(320) 2020 02 11
(330) RU
(731) ORION CORPORATION
Orionintie 1, 02200 Espoo, Finland
(740) Tamaz Shilakadze
(540)

ПРОБИОДЕРМ

(591) Black-white
(511) 3, 5

(260) AM 2020 107309 A
(210) AM 107309
(220) 2020 02 27
(731) "ZUFFA" LLC
6650 South Torrey Pines Drive, Las Vegas,
Nevada 89118, USA
(740) Tamaz Shilakadze
(540)

UFC

(591) Black-white
(511) 3, 8, 21

(260) AM 2020 107310 A
(210) AM 107310
(220) 2020 02 27
(731) "ZUFFA" LLC
6650 South Torrey Pines Drive, Las Vegas,
Nevada 89118, USA
(740) Tamaz Shilakadze
(540)

UFC

(591) Black-white
(531) 27.05.17; 27.05.23
(511) 3, 8, 21

(260) AM 2020 107312 A
(210) AM 107312
(220) 2020 02 27
(731) Fraser Research Labs Inc.
25 Sheppard Avenue West, Suite 300, Toronto,
Ontario, M2N 6S6, Canada
(740) Merab Kvimsadze
(540)

ISKIN

(591) Black-white

(531) 27.05.01
(511) 3, 5

(260) AM 2020 107388 A
(210) AM 107388
(220) 2020 03 02
(731) Intercontinental Great Brands LLC
100 Deforest Avenue, East Hanover, New Jersey
07936, USA
(740) Giorgi Taktakishvili
(540)



(591) White, sky-blue, blue
(531) 01.15.09; 26.04.03; 26.04.18; 26.04.19; 26.04.22;
26.04.24; 27.05.17; 27.05.21; 27.05.24; 29.01.13
(511) 5, 30

(260) AM 2020 107391 A
(210) AM 107391
(220) 2020 03 02
(731) Brandt Consolidated Inc.
2935 S. Koke Mill Road, Springfield, Illinois
62711, USA
(740) Shalva Gvaramadze
(540)



(591) Black, white, red
(531) 25.05.02; 26.04.05; 26.04.22; 26.04.24; 27.05.09;
27.05.10; 27.05.24; 29.01.13
(511) 1

(260) AM 2020 107392 A
(210) AM 107392
(220) 2020 03 02
(731) Brandt Consolidated Inc.
2935 S. Koke Mill Road, Springfield, Illinois
62711, USA
(740) Shalva Gvaramadze
(540)

BRANDT

(591) Black-white
(511) 1, 5

(260) AM 2020 107395 A
(210) AM 107395
(220) 2020 03 04
(731) DuPont Safety & Construction Inc.
974 Centre Road, Wilmington, Delaware
19805, USA

(740) Tamaz Shilakadze
(540)

TYPAR

(591) Black-white
(511) 19, 24

(260) AM 2020 107398 A
(210) AM 107398
(220) 2020 03 04
(731) Monster Energy Company
a Delaware corporation
1 Monster Way, Corona, California 92879, USA

(740) Natela Otariidze
(540)

UNLEASH THE BEAST!

(591) Black-white
(511) 32

(260) AM 2020 107400 A
(210) AM 107400
(220) 2020 03 04
(731) LLC "RAS AL KHAIMAH INVESTMENT
AUTHORITY GEORGIA"
Telavi St. 20, 0183, Isani District, Tbilisi,
Georgia

(540)



**RAS AL KHAIMAH
INVESTMENT AUTHORITY**

(591) Black, white, golden
(531) 05.13.08; 07.01.01; 25.01.10; 27.05.01; 29.01.13
(511) 1, 2, 3, 4, 5, 6, 7, 8, 9, 10, 11, 12, 13, 14, 15, 16,
17, 18, 19, 20, 21, 22, 23, 24, 25, 26, 27, 28, 29,
30, 31, 32, 33, 34, 35, 36, 37, 38, 39, 40, 41, 42,
43, 44, 45

(260) AM 2020 107401 A
(210) AM 107401
(220) 2020 03 04
(310) 2019767490
(320) 2019 12 26
(330) RU

(731) Vakhtang Iurievich Kasradze
Maiakovskiy St, house 49, app. 19, Omsk,
644010, Russian Federation

(740) Tamar Kochlamazashvili
(540)

modcoffee

(591) Black-white
(531) 27.05.01
(511) 30, 32, 35, 43

(260) AM 2020 107402 A
(210) AM 107402
(220) 2020 03 04
(731) LLC "MAGTICOM"
A. Politkovskaya St. 7, 0186, Tbilisi,
Georgia

(740) Irakli Sharabidze
(540)



(591) Red, white
(531) 05.05.20; 26.13.25; 29.01.01
(511) 38

(260) AM 2020 107403 A
(210) AM 107403
(220) 2020 03 04
(731) Xiaomi Inc.
Flor 13, Reinbou Siti Shoping Mol II of China
Resursiz, №68, Qinghe Midl Strit, Haidian
Distriqti, Beijing, China

(740) Giorgi Kartvelishvili
(540)

Redmi

(591) Black-white
(511) 9,

(260) AM 2020 107406 A
(210) AM 107406
(220) 2020 03 05
(731) Monster Energy Company
a Delaware corporation
1 Monster Way, Corona, California 92879, USA

(740) Natela Otariidze
(540)

KHAOS

(591) Black-white
(511) 32

(260) AM 2020 107407 A
(210) AM 107407
(220) 2020 03 05
(731) Monster Energy Company
a Delaware corporation
1 Monster Way, Corona, California 92879, USA

(740) Natela Otariidze
(540)

MONSTER

(591) Black-white
(511) 32

(260) AM 2020 107466 A
(210) AM 107466
(220) 2020 03 06
(731) Hyundai Motor Company
12, Heolleung-ro, Seocho-gu, Seoul, Republic of
Korea
(740) Tamar Kochlamazashvili
(540)

PALIHANS

(591) Black-white
(511) 12

(260) AM 2020 107467 A
(210) AM 107467
(220) 2020 03 06
(731) Hyundai Motor Company
12, Heolleung-ro, Seocho-gu, Seoul, Republic of
Korea
(740) Tamar Kochlamazashvili
(540)

PALISUS

(591) Black-white
(511) 12

(260) AM 2020 107468 A
(210) AM 107468
(220) 2020 03 06
(731) Hyundai Motor Company
12, Heolleung-ro, Seocho-gu, Seoul, Republic of
Korea
(740) Tamar Kochlamazashvili
(540)

PALIBRUS

(591) Black-white
(511) 12

(260) AM 2020 107469 A
(210) AM 107469
(220) 2020 03 06
(731) VALIO Ltd
Meijeritie 6, Helsinki, FI-00370, Finland
(740) Giorgi Kartvelishvili
(540)

LAPLANDIA

(591) Black-white
(511) 29

(260) AM 2020 107479 A
(210) AM 107479
(220) 2020 03 09
(731) Archil Maziashvili
I. Chavchavadze Av. 78, corp. 6, app. 6,
Tbilisi, Georgia
(540)



(591) White, golden, grey
(531) 02.03.01; 27.05.01; 27.05.19; 29.01.12
(511) 32, 43

(260) AM 2020 107487 A
(210) AM 107487
(220) 2020 03 11
(731) Wang Tengying
Group 13, Hezhai Village, Niansanli Street,
Yiwu, Zhejiang, China
(740) Giorgi Kartvelishvili
(540)

Ata Lena

(591) Black-white
(511) 25

(260) AM 2020 107550 A
(210) AM 107550
(220) 2020 03 13
(731) LTD "ICR TRADE"
Dighomi Training Experimental Farm, fl. 5,
0131, Tbilisi, Georgia
(540)

CORSO
Accessory

(591) Red, white
(531) 27.05.01; 27.05.09; 27.05.19; 29.01.01
(511) 14, 18, 25, 35

(260) AM 2020 107567 A
(210) AM 107567
(220) 2020 03 17
(731) DingTalk Holding (Cayman) Limited
Vistra (Cayman) Limited, P.O. Box 31119 Grand
Pavilion, Hibiscus Way, 802 West Bay Road,
Grand Cayman, KY1 - 1205, Cayman Islands
(740) Tamaz Shilakadze

(540)



(591) Black-white
(531) 01.15.03; 03.07.17
(511) 9, 35, 38, 41, 42, 44, 45

(260) AM 2020 107568 A
(210) AM 107568
(220) 2020 03 17
(731) LLC "GEO OLIMP"
R. Eristavi St. 16, Tbilisi, Georgia
(540)



(591) Black-white
(531) 01.13.05; 01.13.10; 27.05.01; 27.05.19; 27.05.22
(511) 5, 32, 35

(260) AM 2020 107573 A
(210) AM 107573
(220) 2020 03 17
(731) DingTalk Holding (Cayman) Limited
Vistra (Cayman) Limited, P.O. Box 31119 Grand
Pavilion, Hibiscus Way, 802 West Bay Road,
Grand Cayman, KY1 - 1205, Cayman Islands
(740) Tamaz Shilakadze
(540)

DINGTALK

(591) Black-white
(511) 9, 35, 38, 41, 42, 44, 45

(260) AM 2020 107575 A
(210) AM 107575
(220) 2020 03 17
(731) DingTalk Holding (Cayman) Limited
Vistra (Cayman) Limited, P.O. Box 31119 Grand
Pavilion, Hibiscus Way, 802 West Bay Road,
Grand Cayman, KY1 - 1205, Cayman Islands
(740) Tamaz Shilakadze
(540)

钉钉

(591) Black-white
(531) 28.03
(511) 9, 35, 38, 41, 42, 44, 45

(260) AM 2020 107576 A
(210) AM 107576
(220) 2020 03 17
(731) TMH Worldwide LLC
22 Sylvan Way, Parsippany, New Jersey
07054, USA
(740) Tamaz Shilakadze
(540)

**TRADEMARK
COLLECTION**

(591) Black-white
(511) 43

(260) AM 2020 107578 A
(210) AM 107578
(220) 2020 03 17
(731) SANUS VITA
Saakadze descent 6, Commercial Space 11, 0160,
Tbilisi, Georgia
(740) Monika Kvaratskhelia
(540)

Didrogen
დიდროგენი
Дидроген

(591) Black-white
(511) 5

(260) AM 2020 107663 A
(210) AM 107663
(220) 2020 03 26
(731) LLC "EUROGEO CHEMISTRY"
Petre Iberi St. 24, First Fl., 0159, Tbilisi,
Georgia
(540)



(591) Blue, silver, white
(531) 26.01.02; 26.01.19; 26.01.24; 27.05.02; 27.05.17;
29.01.13
(511) 3

REGISTERED TRADEMARKS

(111) M 2020 33141 R
 (151) 2020 09 25
 (181) 2030 09 25
 (260) AM 2019 103323 A
 (220) 2019 05 29

(732) LTD "AVERSI-PHARMA"
 D. Aghmashenebeli Av. 148/2, 0112,
 Tbilisi, Georgia

(111) M 2020 33142 R
 (151) 2020 09 25
 (181) 2030 09 25
 (260) AM 2019 104566 A
 (220) 2019 08 22

(732) JSC "CHATEAU MUKHRANI"
 Vil. Mukhrani, 3309, Mtskheta, Georgia

(111) M 2020 33143 R
 (151) 2020 09 25
 (181) 2030 09 25
 (260) AM 2019 104925 A
 (220) 2019 09 18

(732) Otar Kvirialashvili
 Ikalto Hill 26, app. 49, 0171, Tbilisi, Georgia;
 Nino Berodze
 Ikalto Hill, corp. 1, app. 29, 0171, Tbilisi,
 Georgia;
 Tornike Aslanishvili
 Didi Dighomi III mkr., corp. 13, app. 80,
 0131, Tbilisi, Georgia

(111) M 2020 33144 R
 (151) 2020 09 25
 (181) 2030 09 25
 (260) AM 2019 105007 A
 (220) 2019 09 20

(732) LTD "GORELLI"
 Shindisi Road 2nd km., 1400, Gori, Georgia

(111) M 2020 33145 R
 (151) 2020 09 25
 (181) 2030 09 25
 (260) AM 2019 105008 A
 (220) 2019 09 20

(732) Sport & Feshen Menejment PTE. LTD
 6 Shenton Vei, N18-11, Oue Dauntaun 2,
 Singapore, 068809, Singapore

(111) M 2020 33146 R
 (151) 2020 09 25
 (181) 2030 09 25

(260) AM 2019 105019 A
 (220) 2019 09 24
 (732) Tadeusz Ogrodnik
 Wolno ci 69, 41-500 Chorzów, Poland

(111) M 2020 33147 R
 (151) 2020 09 25
 (181) 2030 09 25
 (260) AM 2019 105127 A
 (220) 2019 09 30
 (732) Giorgi Laliashvili
 D. Uznadze St. 4, app. 66 (Former Kamo St.),
 0102, Tbilisi, Georgia

(111) M 2020 33148 R
 (151) 2020 09 25
 (181) 2030 09 25
 (260) AM 2019 105152 A
 (220) 2019 10 04
 (732) MERCK SHARP & DOHME CORP.
 One Merck Drive, Whitehouse Station,
 New Jersey 08889, USA

(111) M 2020 33149 R
 (151) 2020 09 25
 (181) 2030 09 25
 (260) AM 2019 105153 A
 (220) 2019 10 04
 (732) MERCK SHARP & DOHME CORP.
 One Merck Drive, Whitehouse Station,
 New Jersey 08889, USA

(111) M 2020 33150 R
 (151) 2020 09 25
 (181) 2030 09 25
 (260) AM 2019 105156 A
 (220) 2019 10 04
 (732) MERCK SHARP & DOHME CORP.
 One Merck Drive, Whitehouse Station,
 New Jersey 08889, USA

(111) M 2020 33151 R
 (151) 2020 09 25
 (181) 2030 09 25
 (260) AM 2019 105157 A
 (220) 2019 10 04
 (732) MERCK SHARP & DOHME CORP.
 One Merck Drive, Whitehouse Station,
 New Jersey 08889, USA

(111) M 2020 33152 R
(151) 2020 09 25
(181) 2030 09 25
(260) AM 2019 105210 A
(220) 2019 10 04

(732) PHILIP MORRIS BRANDS SÀRL
Quai Jeanrenaud 3, 2000 Neuchâtel,
Switzerland

(111) M 2020 33158 R
(151) 2020 09 25
(181) 2030 09 25
(260) AM 2019 105354 A
(220) 2019 10 16

(732) CELGENE CORPORATION
86 Morris Avenue, Summit, New Jersey
07901, USA

(111) M 2020 33153 R
(151) 2020 09 25
(181) 2030 09 25
(260) AM 2019 105225 A
(220) 2019 10 08

(732) FMC Agricultural Caribe Industries LTD
Clarendon House, 2 Church Street, HM11
Hamilton, Bermuda

(111) M 2020 33159 R
(151) 2020 09 25
(181) 2030 09 25
(260) AM 2019 105355 A
(220) 2019 10 16

(732) CELGENE CORPORATION
86 Morris Avenue, Summit, New Jersey
07901, USA

(111) M 2020 33154 R
(151) 2020 09 25
(181) 2030 09 25
(260) AM 2019 105250 A
(220) 2019 10 10

(732) LTD Industrial Technical Company
"AGROMAT"
Peremogi Av., Building 89-A, Kyiv, 03115,
Ukraine

(111) M 2020 33160 R
(151) 2020 09 27
(181) 2030 09 27
(260) AM 2019 105429 A
(220) 2019 10 18

(732) NINGBO VERTAK IMP. & EXP. CO., LTD
Room 516, Building 5, No. 22, Henghe
Road, Beilun District, Ningbo City, Zhejiang
Province, China

(111) M 2020 33155 R
(151) 2020 09 25
(181) 2030 09 25
(260) AM 2019 105348 A
(220) 2019 10 15

(732) Wyndham Hotels And Resorts LLC
22 Sylvan Way, Parsippany, New Jersey
07054, USA

(111) M 2020 33161 R
(151) 2020 09 27
(181) 2030 09 27
(260) AM 2019 105446 A
(220) 2019 10 23

(732) JSC "PROBUS CAPITAL"
Amaghleba St. 36, 0105, Tbilisi, Georgia

(111) M 2020 33156 R
(151) 2020 09 25
(181) 2030 09 25
(260) AM 2019 105349 A
(220) 2019 10 15

(732) Wyndham Hotels And Resorts LLC
22 Sylvan Way, Parsippany, New Jersey
07054, USA

(111) M 2020 33162 R
(151) 2020 09 27
(181) 2030 09 27
(260) AM 2019 105545 A
(220) 2019 10 26

(732) LTD "ALPEN MILK"
David Agmashenebeli St. 28/1, Akhalkalaki,
Georgia

(111) M 2020 33157 R
(151) 2020 09 25
(181) 2030 09 25
(260) AM 2019 105353 A
(220) 2019 10 16

(732) CELGENE CORPORATION
86 Morris Avenue, Summit, New Jersey
07901, USA

(111) M 2020 33163 R
(151) 2020 09 27
(181) 2030 09 27
(260) AM 2019 105563 A
(220) 2019 10 31

(732) LTD "G-M-P"
Vil. Ponitchala 65, 0165, Tbilisi, Georgia

(111) M 2020 33164 R
 (151) 2020 09 27
 (181) 2030 09 27
 (260) AM 2019 105673 A
 (220) 2019 11 07
 (732) V.F. Corporation
 a Pennsylvania Corporation
 105 Corporate Center Blvd, Greensboro,
 North Carolina 27408, USA

(111) M 2020 33165 R
 (151) 2020 09 27
 (181) 2030 09 27
 (260) AM 2019 105750 A
 (220) 2019 11 11
 (732) STIEFEL LABORATORIES INC.
 Corporation Service Company, 251
 Little Falls Drive, Wilmington, Delaware
 19808, USA

(111) M 2020 33166 R
 (151) 2020 09 27
 (181) 2030 09 27
 (260) AM 2019 105756 A
 (220) 2019 11 12
 (732) LTD "FLEXIBLETECH"
 Rustavi Rd. 19, corp. 3, Warehouse,
 floor I, Isani District, Tbilisi, Georgia

(111) M 2020 33167 R
 (151) 2020 09 27
 (181) 2030 09 27
 (260) AM 2019 105758 A
 (220) 2019 11 12
 (732) FUJIKURA LTD
 5-1, Kiba 1-chome, Koto-ku, Tokyo 135-8512,
 Japan

(111) M 2020 33168 R
 (151) 2020 09 27
 (181) 2030 09 27
 (260) AM 2019 105769 A
 (220) 2019 11 15
 (732) PHILIP MORRIS BRANDS SÀRL
 Quai Jeanrenaud 3, 2000 Neuchâtel,
 Switzerland

(111) M 2020 33169 R
 (151) 2020 09 27
 (181) 2030 09 27
 (260) AM 2019 105770 A
 (220) 2019 11 15
 (732) PHILIP MORRIS BRANDS SÀRL
 Quai Jeanrenaud 3, 2000 Neuchâtel,
 Switzerland

(111) M 2020 33170 R
 (151) 2020 09 27
 (181) 2030 09 27
 (260) AM 2019 105771 A
 (220) 2019 11 15
 (732) PHILIP MORRIS BRANDS SÀRL
 Quai Jeanrenaud 3, 2000 Neuchâtel,
 Switzerland

(111) M 2020 33171 R
 (151) 2020 09 27
 (181) 2030 09 27
 (260) AM 2019 105772 A
 (220) 2019 11 15
 (732) PHILIP MORRIS BRANDS SÀRL
 Quai Jeanrenaud 3, 2000 Neuchâtel,
 Switzerland

(111) M 2020 33172 R
 (151) 2020 09 27
 (181) 2030 09 27
 (260) AM 2019 105778 A
 (220) 2019 11 15
 (732) BİLİM İLAÇ SANAYİ VE TİCARET
 ANONİM ŞİRKETİ
 Kaptanpasa Mahallesi, Zincirlikuyu Caddesi,
 No:184 Beyoglu Istanbul, Turkey

(111) M 2020 33173 R
 (151) 2020 09 27
 (181) 2030 09 27
 (260) AM 2019 105875 A
 (220) 2019 11 25
 (732) Aleksandre Kochiashvili
 Mukhiani, III mkr., corp. 19, app. 69,
 Tbilisi, Georgia

(111) M 2020 33174 R
 (151) 2020 09 27
 (181) 2030 09 27
 (260) AM 2019 105891 A
 (220) 2019 11 28
 (732) PFIZER INC.
 235 East 42nd Street, New York,
 New York 10017, USA

(111) M 2020 33181 R
 (151) 2020 10 02
 (181) 2030 10 02
 (260) AM 2019 102521 A
 (220) 2019 04 03
 (732) LTD "LERMONT"
 Lermontovi St. 10, 0105, Tbilisi,
 Georgia

(111) M 2020 33182 R
(151) 2020 10 02
(181) 2030 10 02
(260) AM 2019 103582 A
(220) 2019 11 19
(732) Sofio Ovasheli
Bakhrioni St. 7, Tbilisi, Georgia

(111) M 2020 33183 R
(151) 2020 10 02
(181) 2030 10 02
(260) AM 2019 103943 A
(220) 2019 07 05
(732) Davit Chkopoia
D. Aghmashenebeli Alley 12th km, corp. 2,
app. 43, 0131, Tbilisi, Georgia

(111) M 2020 33184 R
(151) 2020 10 02
(181) 2030 10 02
(260) AM 2019 104552 A
(220) 2019 08 16
(732) Tornike Darjania
Tianeti St. 50, 0141, Tbilisi, Georgia

(111) M 2020 33185 R
(151) 2020 10 02
(181) 2030 10 02
(260) AM 2019 105224 A
(220) 2019 10 08
(732) JSC "LOMISI"
Vil. Natakhtari, 3308, Mtskheta, Georgia

(111) M 2020 33186 R
(151) 2020 10 02
(181) 2030 10 02
(260) AM 2019 105237 A
(220) 2019 10 09
(732) LTD "MILL GROUP"
Ak. Beliashvili St., Near the Institute of
Morphology, 0159, Tbilisi, Georgia

(111) M 2020 33187 R
(151) 2020 10 02
(181) 2030 10 02
(260) AM 2019 105238 A
(220) 2019 10 09
(732) LTD "MILL GROUP"
Ak. Beliashvili St., Near the Institute of
Morphology, 0159, Tbilisi, Georgia

(111) M 2020 33188 R
(151) 2020 10 02
(181) 2030 10 02

(260) AM 2019 105239 A
(220) 2019 10 09
(732) LTD "MILL GROUP"
Ak. Beliashvili St., Near the Institute of
Morphology, 0159, Tbilisi, Georgia

(111) M 2020 33189 R
(151) 2020 10 02
(181) 2030 10 02
(260) AM 2019 105240 A
(220) 2019 10 09
(732) LTD "MILL GROUP"
Ak. Beliashvili St., Near the Institute of
Morphology, 0159, Tbilisi, Georgia

(111) M 2020 33190 R
(151) 2020 10 02
(181) 2030 10 02
(260) AM 2019 105241 A
(220) 2019 10 09
(732) LTD "MILL GROUP"
Ak. Beliashvili St., Near the Institute of
Morphology, 0159, Tbilisi, Georgia

(111) M 2020 33191 R
(151) 2020 10 02
(181) 2030 10 02
(260) AM 2019 105255 A
(220) 2019 10 11
(732) LTD "NEW TECHNICS"
A. Abashidze St. 12, Batumi, Georgia

(111) M 2020 33192 R
(151) 2020 10 02
(181) 2030 10 02
(260) AM 2019 105350 A
(220) 2019 10 15
(732) ORANGE BANK INC.
a California Corporation
13115 Telfair Ave., Sylmar, California
91342, USA

(111) M 2020 33193 R
(151) 2020 10 02
(181) 2030 10 02
(260) AM 2019 105676 A
(220) 2019 11 08
(732) LTD "PARKER"
I. Mosashvili St. 12, Vake district, 0162,
Tbilisi, Georgia

(111) M 2020 33194 R
(151) 2020 10 02
(181) 2030 10 02

(260) AM 2019 105743 A
 (220) 2019 11 08
 (732) MGA ENTERTAINMENT INC.
 9220 Winnetka Avenue, Chatsworth,
 California, 91311, USA

(111) M 2020 33195 R
 (151) 2020 10 02
 (181) 2030 10 02
 (260) AM 2019 105744 A
 (220) 2019 11 08
 (732) MGA ENTERTAINMENT INC.
 9220 Winnetka Avenue, Chatsworth,
 California, 91311, USA

(111) M 2020 33196 R
 (151) 2020 10 02
 (181) 2030 10 02
 (260) AM 2019 105745 A
 (220) 2019 11 08
 (732) MGA ENTERTAINMENT INC.
 9220 Winnetka Avenue, Chatsworth,
 California, 91311, USA

(111) M 2020 33197 R
 (151) 2020 10 02
 (181) 2030 10 02
 (260) AM 2019 105763 A
 (220) 2019 11 13
 (732) LTD "MINISO GEORGIA"
 Ana Kalandadze St. 4, Entrance 1,
 office space 5a, 0148, Tbilisi, Georgia

(111) M 2020 33198 R
 (151) 2020 10 02
 (181) 2030 10 02
 (260) AM 2019 105803 A
 (220) 2019 11 19
 (732) GILEAD SCIENCES IRELAND UC
 IDA Business and Technology Park,
 Carrigtohill, Co. Cork, Ireland

(111) M 2020 33199 R
 (151) 2020 10 02
 (181) 2030 10 02
 (260) AM 2018 100070 A
 (220) 2018 11 01
 (732) Advanced New Technologies Co., Ltd
 Kaiman Korporeit Centri, 27 Hospital Roudi,
 Jorj Tauni, Grand Kaimani KY1-9008, Cayman
 Islands

(111) M 2020 33200 R
 (151) 2020 10 02
 (181) 2030 10 02
 (260) AM 2019 105146 A
 (220) 2019 10 03
 (732) "INTERNATIONAL MASIS TABAK" LLC
 10 Hrant Vardanyan St., 0802, Masis,
 Ararat region, Armenia

(111) M 2020 33201 R
 (151) 2020 10 02
 (181) 2030 10 02
 (260) AM 2019 105447 A
 (220) 2019 10 23
 (732) LTD "GLAVSPIRTPROM"
 Lilo St. 51, 0198, Tbilisi, Georgia

(111) M 2020 33202 R
 (151) 2020 10 02
 (181) 2030 10 02
 (260) AM 2019 105458 A
 (220) 2019 10 24
 (732) LTD "POTATO.GE"
 M. Tamarashvili St. 4, app. 3, 0800,
 Akhaltsikhe, Georgia

(111) M 2020 33203 R
 (151) 2020 10 02
 (181) 2030 10 02
 (260) AM 2019 105459 A
 (220) 2019 10 24
 (732) LTD "POTATO.GE"
 M. Tamarashvili St. 4, app.3, 0800,
 Akhaltsikhe, Georgia

(111) M 2020 33204 R
 (151) 2020 10 02
 (181) 2030 10 02
 (260) AM 2019 105679 A
 (220) 2019 11 08
 (732) Aleksandre Bolkvadze
 Z. Paliashvili St. 66, app. 51, 0179, Tbilisi,
 Georgia

(111) M 2020 33205 R
 (151) 2020 10 02
 (181) 2030 10 02
 (260) AM 2019 105792 A
 (220) 2019 11 18
 (732) LTD "GLAVSPIRTPROM"
 Lilo St. 51, 0198, Tbilisi, Georgia

(111) M 2020 33206 R

(151) 2020 10 02

(181) 2030 10 02

(260) AM 2019 103692 A

(220) 2019 06 21

(732) LTD "Bolero & Company"

Kuchishvili St. 12-14-16, fl. 6, 0179,

Tbilisi, Georgia

(111) M 2020 33207 R

(151) 2020 10 02

(181) 2030 10 02

(260) AM 2019 103974 A

(220) 2019 07 11

(732) GIORGI IUKURIDZE

Gukovskiy St. 19, flat 6, Odessa, Ukraine

(111) M 2020 33208 R

(151) 2020 10 02

(181) 2030 10 02

(260) AM 2019 103975 A

(220) 2019 07 11

(732) LTD "Georgian Legends"

I. Chavchavadze Av. 29/13, app. 32, 0179,

Tbilisi, Georgia

(111) M 2020 33209 R

(151) 2020 10 02

(181) 2030 10 02

(260) AM 2019 104425 A

(220) 2019 08 05

(732) LTD "IPRODUCTION"

Delisi St. 50, app. 6a, Tbilisi, Georgia

(111) M 2020 33210 R

(151) 2020 10 02

(181) 2030 10 02

(260) AM 2019 104426 A

(220) 2019 08 05

(732) LTD "IPRODUCTION"

Delisi St. 50, app. 6a, Tbilisi, Georgia

(111) M 2020 33211 R

(151) 2020 10 02

(181) 2030 10 02

(260) AM 2019 104427 A

(220) 2019 08 05

(732) LTD "IPRODUCTION"

Delisi St. 50, app. 6a, Tbilisi, Georgia

(111) M 2020 33212 R

(151) 2020 10 02

(181) 2030 10 02

(260) AM 2019 104428 A

(220) 2019 08 05

(732) LTD "IPRODUCTION"

Delisi St. 50, app. 6a, Tbilisi, Georgia

(111) M 2020 33213 R

(151) 2020 10 02

(181) 2030 10 02

(260) AM 2019 104429 A

(220) 2019 08 05

(732) LTD "IPRODUCTION"

Delisi St. 50, app. 6a, Tbilisi, Georgia

(111) M 2020 33214 R

(151) 2020 10 02

(181) 2030 10 02

(260) AM 2019 104430 A

(220) 2019 08 05

(732) LTD "IPRODUCTION"

Delisi St. 50, app. 6a, Tbilisi, Georgia

(111) M 2020 33215 R

(151) 2020 10 02

(181) 2030 10 02

(260) AM 2019 104432 A

(220) 2019 08 05

(732) LTD "IPRODUCTION"

Delisi St. 50, app. 6a, Tbilisi, Georgia

(111) M 2020 33216 R

(151) 2020 10 02

(181) 2030 10 02

(260) AM 2019 104906 A

(220) 2019 09 17

(732) LTD "New Offer"

Z. Gamsakhurdia/Chavchavadze St. 49, app. 8,

Batumi, Georgia

TRADEMARKS REGISTERED ACCORDING TO THE ACCELERATED PROCEDURE

The decision can be appealed at the Chamber of Appeal of Sakpatenti within 3 months from the publication.

(111) M 2020 33139 R
(151) 2020 09 22
(181) 2030 09 22
(210) AM 109765
(220) 2020 09 16
(732) LTD "Kanti"
Sandor Petofi St. 4, 0190, Isani District,
Tbilisi, Georgia
(740) Shalva Gvaramadze
(540)



(591) Black, white
(531) 03.07.12; 27.01.12; 27.05.02; 27.05.03
(511) 33

(111) M 2020 33140 R
(151) 2020 09 24
(181) 2030 09 24
(210) AM 109823
(220) 2020 09 20
(732) LTD "Partner"
University St. 3, (Plot 40/186), Space 115,
0177, Tbilisi, Georgia
(740) Giorgi Ghvinjilia
(540)



(591) Black, white
(531) 26.04.02; 26.04.05; 26.04.22; 26.04.24;
27.05.01; 27.05.22; 27.05.24
(511) 25, 25

(111) M 2020 33175 R
(151) 2020 09 28
(181) 2030 09 28

(210) AM 109747
(220) 2020 09 14
(732) LTD "ESCAPE VPN"
Irakli Abashidze St. 34, 0179, Tbilisi, Georgia
(540)

(591) Black, white
(531) 27.05.19
(511) 9, 38, 42

(111) M 2020 33176 R
(151) 2020 09 28
(181) 2030 09 28
(210) AM 109673
(220) 2020 09 09
(732) LLC "MILA GEORGIA"
M. Kavtaradze St. 11, 0180, Tbilisi, Georgia
(740) Melano Gogisvanidze
(540)

(591) Lilac, white, green
(531) 05.03.11; 05.03.13; 05.03.14; 27.05.01;
27.05.07; 29.01.12
(511) 3

(111) M 2020 33177 R
(151) 2020 09 28
(181) 2030 09 28
(210) AM 109748
(220) 2020 09 14
(732) Irakli Arjevanidze
Ak. Tsereteli Av. 49/50/51, Tbilisi, Georgia
(540)



Online Live Poker

(591) Black, white, yellow
(531) 24.07.03; 24.07.13; 24.07.23; 26.01.01;
26.01.24; 26.03.01; 26.03.24; 26.05.04;
26.07.03; 26.07.07; 29.01.12
(511) 41

(111) M 2020 33178 R

(151) 2020 09 28

(181) 2030 09 28

(210) AM 109762

(220) 2020 09 16

(732) Davit Bagrationi Mukhran Batonishvili
Saguramo, 3300, Mtskheta, Georgia

(540)

საქართველოს სამეფო
სახლი
**The Royal House of
Georgia**

(591) Black, white

(526) საქართველო, Georgia

(511) 35, 41

(111) M 2020 33179 R

(151) 2020 09 29

(181) 2030 09 29

(210) AM 109738

(220) 2020 09 12

(732) LTD "SUMBATA"

King Parnavaz St. 14, Batumi, Georgia

(740) Irakli Gvilia

(540)

სუმბათა

(591) Black, white

(511) 30

(111) M 2020 33180 R

(151) 2020 10 01

(181) 2030 10 01

(210) AM 109837

(220) 2020 09 23

(732) LUKA ALLIANCE LIMITED

Akara bldg., 24 De Castro Street,
Wickhams Cay 1, Road-Town, Tortola,
Virgin Islands (GB)

(740) Rima Lomauri

(540)



INTERNATIONAL TRADEMARKS FOR WHICH A DECISION ON GRANTING PROTECTIONS IS TAKEN

The decision can be appealed at the Chamber of Appeal of Sakpatenti within 3 months from the publication or at the Mtskheta District Court Administrative Cases Board (Address: №17, Samkhedro str., Mtskheta), within 1 month following the publication.

(260) AM 2020 102980 A
 (800) 1464657
 (151) 2019 02 22
 (891) 2019 02 22
 (731) Christian Brandstetter
 Bld Mircea Voda 34, Sect3, Bukarest,
 Romania
 (540)



(591) Black, white
 (531) 16.01.11; 17.01.25; 24.15.01; 24.15.13;
 27.03.15; 27.05.02; 27.05.05
 (511)
 44 – Human healthcare services; human hygiene and beauty care; nutritional advice; information relating to massage; consultancy services relating to slimming; information services relating to health care; health advice and information services; providing nutritional information about food; providing health care information by telephone; professional consultancy relating to health care; counseling relating to occupational therapy; health care consultancy services [medical]; nutrition counseling; advice relating to allergies; consulting services relating to health care; professional consultancy relating to health; advice relating to the personal welfare of elderly people [health]; health consultancy relating to bio-rhythms; advisory services relating to weight control; advisory services relating to diet; advisory services relating to weight loss; provision of information relating to nutrition.

(260) AM 2020 103629 A
 (800) 1472156
 (151) 2019 03 13
 (891) 2019 03 13
 (731) Teladoc Health, Inc.
 2 Manhattanville Road, Suite 203, Purchase
 NY 10577, USA
 (540)

TELADOC HEALTH

(591) Black, white

(511)
 9 – Downloadable software, namely, software application for use in connection with providing telehealth, telemedicine, remote care, and virtual health care services; downloadable software based on artificial intelligence for use in providing medical diagnoses, treatment recommendations, and medical care; downloadable software containing artificial intelligence for use in the fields of medicine and health care.

35 – Consulting services concerning employee benefits plans and employee health and wellness plans; administrative services relating to physician referral services; administrative services relating to hospital referral services; scheduling medical appointments for others; operation of medical call centers that provide healthcare information and services via the Internet, telephone and other means; electronic medical records management services; providing physician directories and hospital and health plan directories; telehealth marketing services; storing and maintaining personal medical history records and files.

42 – Providing non-downloadable software via a web site for use in connection with providing telehealth, telemedicine, remote care, and virtual health care services; providing temporary use of non-downloadable software for patients and healthcare providers to use in collaborating, monitoring, managing, tracking, and communicating concerning health care, wellness, nutrition, lifestyle management, and disease treatment and management; providing temporary use of non-downloadable software for automating and providing medical referrals; providing an online, Internet-based application to enable users to access telemedicine services featuring the use of artificial intelligence in making diagnoses and providing medical care; software as a service (SAAS) services featuring software for use in healthcare data analytics; application service provider featuring software for use by healthcare payers, providers, employers, and carriers for the purpose of financial and healthcare data analytics; software as a service (SAAS) services featuring software for use in data warehousing, mining, monitoring and management of electronic health records, and analysis of health and medical information for use by healthcare payers, providers, employers and carriers; providing software-as-a-service (SAAS) services for healthcare providers for the storage and maintenance of patient

information and medical records, the provision of telemedicine, telehealth and virtual care services, and for the collection, management and reporting of information for insurance and benefits verification and for claims submission.

44 – Medical services, namely, providing medical services and consultation over the telephone and via the Internet through the use of personal computers, smartphones, tablets, mobile and wireless devices, and other telecommunication devices; providing telehealth, telemedicine, remote care, and virtual health care services; providing health and medical information and nutrition and wellness information via a web site; providing mental health and counseling services; providing expert medical opinion services and medical second opinion services; providing medical diagnosis services; providing chronic care management services.

(260) AM 2020 103636 A*

(800) 1472297

(151) 2019 01 02

(891) 2019 01 02

(731) LEO Pharma A/S

Industriparken 55, DK-2750 Ballerup,
Denmark

(540)

SKENZIA

(591) Black, white

(511)

44 – Medical services in the field of skin diseases, atopic dermatitis, autoimmune and inflammatory diseases and in relation to treatment of the skin; medical, health and pharmaceutical consultation services in the field of skin diseases, atopic dermatitis, autoimmune and inflammatory diseases and in relation to treatment of the skin; medical testing in the field of skin diseases, atopic dermatitis, autoimmune and inflammatory diseases and in relation to treatment of the skin.

(260) AM 2020 104599 A

(800) 1482880

(151) 2019 04 24

(891) 2019 04 24

(731) Limited Liability Company "Torgovaya
kompaniya Khadyzhi"

b-r imeni Klari Luchko, 10, lit. A, RU-350089
Krasnodar, Russian Federation

(540)

KHADYZHI

(591) Black, white

(511)

29 – Peanut milk; almond milk; meat, fish, poultry and game; meat extracts; preserved, frozen, dried and cooked fruits and vegetables; jellies, jams, com-

potes; eggs, milk and milk products; oils and fats for food; ajvar [preserved peppers]; aloe vera prepared for human consumption; alginates for culinary purposes; peanuts, prepared; albumen for culinary purposes; white of eggs; beans, preserved; soya beans, preserved, for food; bouillon; ginger jam; ham; fatty substances for the manufacture of edible fats; edible birds' nests; peas, preserved; mushrooms, preserved; gelatine; meat jellies; jellies for food; fruit jellies; yolk of eggs; coconut fat; bone oil for food; lard; suet for food; fruit-based snack food; charcuterie; raisins; caviar; fish roe, processed; yogurt; sauerkraut; kephir [milk beverage]; isinglass for food; clams, not live; milk shakes; black pudding; compotes; meat, tinned; vegetables, tinned; fish, tinned; fruits, tinned; bouillon concentrates; gherkins; shrimps, not live; prawns, not live; buttercream; croquettes; silkworm chrysalis for human consumption; kumys [milk beverage]; spiny lobsters, not live; lecithin for culinary purposes; onions, preserved; margarine; marmalade; peanut butter; coconut butter; corn oil for food; sesame oil for food; olive oil for food; palm oil for food; palm kernel oil for food; sunflower oil for food; colza oil for food; butter; shellfish, not live; almonds, ground; animal marrow for food; mussels, not live; condensed milk; albumin milk; soya milk [milk substitute]; fish meal for human consumption; vegetable mousses; fish mousses; fruit pulp; meat, preserved; milk beverages, milk predominating; potato fritters; olives, preserved; lobsters, not live; coconut, desiccated; nuts, prepared; tomato purée; liver pâté; pectin for culinary purposes; liver; pickles; jams; powdered eggs; food products made from fish; prostokvasha [soured milk]; poultry, not live; pollen prepared as foodstuff; cranberry compote; apple purée; crayfish, not live; crustaceans, not live; fish, preserved; fish, not live; salted fish; ryazhenka [fermented baked milk]; vegetable salads; fruit salads; bacon; pork; seeds, prepared; sunflower seeds, prepared; cream [dairy products]; whipped cream; fat-containing mixtures for bread slices; smetana [sour cream]; tomato juice for cooking; vegetable juices for cooking; salted meats; sausages; sausages in batter; preparations for making bouillon; preparations for making soup; tripe; soups; vegetable soup preparations; whey; cheese; tahini [sesame seed paste]; tofu; sea-cucumbers, not live; truffles, preserved; tuna fish; oysters, not live; milk ferments for culinary purposes; rennet; dates; crystallized fruits; frozen fruits; fruit preserved in alcohol; potato flakes; hummus [chickpea paste]; fruit peel; preserved garlic; lentils, preserved; potato chips; low-fat potato chips; fruit chips; non-alcoholic eggnog; seaweed extracts for food; snail eggs for consumption; salmon, not live; fish fillets; sardines, not live; anchovy, not live; cocoa butter for food; herrings, not live; kimchi [fermented vegetable dish]; coconut oil for food; linseed oil for food.

30 – Piccalilli; seaweed [condiment]; yeast, baking powder; salt, mustard; vinegar, sauces [condiments]; spices; aromatic preparations for food; flavorings, other than essential oils, for cakes; flavorings, other than essential oils, for beverages; coffee flavorings; star aniseed; cereal bars; high-protein cereal bars; pancakes; noodle-based prepared meals; buns; bread rolls; vanillin [vanilla substitute]; waffles; vermicelli [noodles]; natural sweeteners; sausage binding materials; sea water for cooking; malt biscuits; cloves [spice]; cake frosting [icing]; glucose for culinary purposes; gluten additives for culinary purposes; thickening agents for cooking foodstuffs; leaven; rice-based snack food; cereal-based snack food; vegetal preparations for use as coffee substitutes; dressings for salad; fruit jellies [confectionery]; confectionery for decorating Christmas trees; cakes; pastries; peanut confectionery; almond confectionery; pasta; ginger [spice]; frozen yogurt [confectionery ices]; capers; curry [spice]; ketchup [sauce]; quiches; gluten prepared as foodstuff; sweetmeats [candy]; liquorice [confectionery]; peppermint sweets; cinnamon [spice]; unroasted coffee; starch for food; crackers; custard; hominy grits; semolina; oatmeal; crushed barley; groats for human food; corn, milled; corn, roasted; meat pies; couscous [semolina]; noodles; ice, natural or artificial; edible ices; candy; rice cakes; mayonnaise; macaroons [pastry]; macaroni; maltose; hominy; marinades; marzipan; royal jelly; bean meal; corn flour; flour; wheat flour; soya flour; barley meal; dessert mousses [confectionery]; chocolate mousses; muesli; mint for confectionery; cocoa beverages with milk; coffee beverages with milk; coffee-based beverages; tea-based beverages; chocolate beverages with milk; chocolate-based beverages; cocoa-based beverages; infusions, not medicinal; crushed oats; husked oats; nutmegs; stick liquorice [confectionery]; soya bean paste [condiment]; pastilles [confectionery]; molasses for food; pepper; allspice; peppers [seasonings]; pesto [sauce]; cookies; petit-beurre biscuits; pies; pizzas; meat gravies; fondants [confectionery]; popcorn; mustard meal; pralines; meat tenderizers for household purposes; oat-based food; propolis; gingerbread; petits fours [cakes]; puddings; cake powder; fruit coulis [sauces]; ravioli; chewing gum; relish [condiment]; wheat germ for human consumption; spring rolls; palm sugar; aniseed; golden syrup; confectionery; baking soda [bicarbonate of soda for cooking purposes]; malt for human consumption; salt for preserving foodstuffs; cooking salt; celery salt; sherbets [ices]; ham glaze; soya sauce; tomato sauce; pasta sauce; sauces [condiments]; spaghetti; seasonings; preparations for stiffening whipped cream; rusks; breadcrumbs; sushi; sandwiches; tabbouleh; tacos; cream of tartar for culinary purposes; tarts; dough; almond paste; tortillas; garden herbs, preserved [seasonings]; beer vinegar; ferments for pastes; halvah; bread; unleavened bread; chips [cereal products];

corn flakes; oat flakes; chicory [coffee substitute]; iced tea; chutneys [condiments]; cheeseburgers [sandwiches]; chow-chow [condiment]; saffron [seasoning]; chocolate; malt extract for food; essences for foodstuffs, except etheric essences and essential oils; husked barley; coffee, tea, cocoa and artificial coffee; tapioca and sago; sugar, honey, treacle; cereal preparations; powders for making ice cream; bread, pastries and confectionery; ice cream; flour and preparations made from cereals; food flavorings, other than essential oils; vanilla flavorings for culinary purposes; tapioca flour; cake dough; turmeric; potato flour; binding agents for ice cream; caramels [candy].

31 – Live animals; fresh fruits and vegetables; natural plants and flowers; animal foodstuffs; malt; algavilla for animal consumption; peanuts, fresh; draff; beans, fresh; wreaths of natural flowers; grapes, fresh; algae for human or animal consumption; fruit residue [marc]; dog biscuits; peas, fresh; mushroom spawn for propagation; mushrooms, fresh; trees; palm trees; turf, natural; unsawn timber; undressed timber; yeast for animal consumption; Christmas trees; edible chews for animals; menagerie animals; peanut cake for animals; oil cake; maize cake for cattle; rape cake for cattle; bagasses of cane [raw material]; cereal seeds, unprocessed; grains [cereals]; grains for animal consumption; lime for animal forage; fish spawn; cocoa beans, raw; potatoes, fresh; chestnuts, fresh; copra; raw barks; rough cork; pet food; stall food for animals; bird food; strengthening animal forage; chicory roots; nettles; groats for poultry; maize; shrubs; rose bushes; spiny lobsters, live; lemons, fresh; vine plants; onions, fresh; flower bulbs; leeks, fresh; olives, fresh; bran mash for animal consumption; shellfish, live; almonds [fruits]; mussels, live; peanut meal for animals; linseed meal for animal consumption; meal for animals; flax meal [fodder]; rice meal for forage; fish meal for animal consumption; straw mulch; beverages for pets; oats; vegetables, fresh; cucumbers, fresh; lobsters, live; nuts [fruits]; coconuts; kola nuts; bran; distillery waste for animal consumption; residue in a still after distillation; palms [leaves of the palm tree]; cuttle bone for birds; peppers [plants]; aromatic sand [litter] for pets; locust beans, raw; mash for fattening livestock; animal fattening preparations; preparations for egg laying poultry; fishing bait, live; by-products of the processing of cereals, for animal consumption; seed germ for botanical purposes; poultry, live; wheat; pollen [raw material]; crayfish, live; crustaceans, live; seedlings; plants; aloe vera plants; plants, dried, for decoration; rice, unprocessed; rye; wheat germ for animal consumption; fish, live; lettuce, fresh; linseed for animal consumption; hay; coconut shell; bred stock; sanded paper [litter] for pets; malt for brewing and distilling; straw [forage]; straw litter; salt for cattle; trunks of trees; wood chips for

the manufacture of wood pulp; litter peat; garden herbs, fresh; sea-cucumbers, live; sugarcane; truffles, fresh; oysters, live; fruit, fresh; fodder; hops; flowers, natural; flowers, dried, for decoration; silkworms; lentils, fresh; pine cones; hop cones; spinach, fresh; juniper berries; eggs for hatching, fertilized; silkworm eggs; barley; oranges, fresh; chicory, fresh; berries, fresh; squashes, fresh; hazelnuts, fresh; rhubarb, fresh; beet, fresh; edible sesame, unprocessed; citrus fruit, fresh.

35 – Arranging subscriptions to telecommunication services for others; import-export agency services; commercial information agency services; advertising agency services; cost price analysis; rental of advertising space; business auditing; employment agency services; computerized file management; book-keeping; invoicing; demonstration of goods; opinion polling; market studies; business information; business investigations; business research; marketing research; personnel recruitment; business management and organization consultancy; business organization consultancy; business management consultancy; personnel management consultancy; professional business consultancy; layout services for advertising purposes; marketing; business management of performing artists; business management of sports people; news clipping services; updating of advertising material; word processing; organization of exhibitions for commercial or advertising purposes; arranging newspaper subscriptions for others; organization of fashion shows for promotional purposes; organization of trade fairs for commercial or advertising purposes; shop window dressing; business appraisals; payroll preparation; data search in computer files for others; sponsorship search; business management assistance; commercial or industrial management assistance; economic forecasting; auctioneering; production of advertising films; office machines and equipment rental; rental of advertising time on communication media; publicity material rental; rental of vending machines; rental of photocopying machines; publication of publicity texts; radio advertising; bill-posting; distribution of samples; dissemination of advertising matter; direct mail advertising; writing of publicity texts; on-line advertising on a computer network; advertising by mail order; television advertising; document reproduction; compilation of statistics; compilation of information into computer databases; business inquiries; systemization of information into computer databases; tax preparation; drawing up of statements of accounts; telemarketing services; psychological testing for the selection of personnel; business management of hotels; commercial administration of the licensing of the goods and services of others; administrative processing of purchase orders; public relations; modelling for advertising or sales promotion; typing; relocation services for businesses; price comparison services;

secretarial services; procurement services for others [purchasing goods and services for other businesses]; shorthand; outsourcing services [business assistance]; telephone answering for unavailable subscribers; photocopying services; business efficiency expert services; Internet advertising services; banner advertising; advertising of cinemas; on-line advertising; advertising of movies; classified advertising; advertising via the Internet; advertising via electronic media; transcription of communications [office functions]; commercial information and advice for consumers in the choice of products and services; copywriting; advisory services for business management; presentation of goods on communication media, for retail purposes; wholesale services for pharmaceutical, veterinary and sanitary preparations and medical supplies; retail services for pharmaceutical, veterinary and sanitary preparations and medical supplies; sales promotions at point of purchase or sale, for others.

43 – Accommodation bureau services [hotels, boarding houses]; rental of temporary accommodation; rental of meeting rooms; tourist home services; hotel reservations; boarding house bookings; temporary accommodation reservations; hotel services; retirement home services; snack-bar services; café services; cafeteria services; motel services; boarding house services; boarding for animals; rental of cooking apparatus; rental of chairs, tables, table linen, glassware; rental of lighting apparatus other than for theatrical sets or television studios; rental of tents; rental of transportable buildings; rental of drinking water dispensers; restaurant services; self-service restaurant services; canteen services; holiday camp services [lodging]; bar services; providing campground facilities; food and drink catering; day-nursery [crèche] services.

(260) AM 2020 105414 A
 (800) 1493288
 (151) 2019 07 12
 (891) 2019 07 12
 (731) Exxon Mobil Corporation
 5959 Las Colinas Boulevard, Irving
 TX 75039, USA

(540)

MOBIL EV

(591) Black, white

(511)

4 – Lubricants for electric vehicles.

(260) AM 2020 105690 A
 (800) 1496184
 (151) 2019 07 17
 (891) 2019 07 17

(731) CASINO RESHENIA OOD
Sveti Kipryan Str., bl. 292, j.k. Mladost 2.,
BG-1799 Sofia, Bulgaria

(540)

WINBET

(591) Black, white

(511)

16 – Printed matter.

35 – Advertising of goods and services through sponsorship of sports events; promotion of sports competitions and events; agency services for promoting sports personalities (advertising services); advertising services; marketing; opinion polling; public relations services; systemization of information into computer databases; business information.

38 – Wireless broadcasting; providing telecommunications connections to a global computer network; electronic bulletin board services [telecommunications services]; video-on-demand transmission; cable television broadcasting; broadcasting and transmission of television programs; message sending; information about telecommunication; rental of telecommunication equipment; computer aided transmission of messages and images; satellite transmission; radio communications; radio broadcasting; streaming of data; television broadcasting; telecommunication services; telephone and mobile telephone services; voice transmission services.

(260) AM 2020 105844 A

(800) 1499343

(151) 2019 06 05

(891) 2019 06 05

(731) Limited Liability Company "Torgovaya kompaniya Khadyzhi"
b-r imeni Klari Luchko, 10 A, of. 90,
RU-350089 Krasnodar, Russian Federation

(540)

ХАДЫЖИ

(591) Black, white

(531) 28.05

(511)

29 – Peanut milk; almond milk; meat, fish, poultry and game; meat extracts; preserved, frozen, dried and cooked fruits and vegetables; jellies, jams, compotes; eggs, milk and milk products; oils and fats for food; ajvar [preserved peppers]; aloe vera prepared for human consumption; alginates for culinary purposes; peanuts, prepared; albumen for culinary purposes; white of eggs; beans, preserved; soya beans, preserved, for food; bouillon; ginger jam; ham; fatty substances for the manufacture of edible fats; edible birds' nests; peas, preserved; mushrooms, preserved; gelatine; meat jellies; jellies for food; fruit jellies; yolk of eggs; coconut fat; bone oil for food; lard; su-

et for food; fruit-based snack food; charcuterie; raisins; caviar; fish roe, processed; yogurt; sauerkraut; kefir [milk beverage]; isinglass for food; clams, not live; milk shakes; black pudding; compotes; meat, tinned; vegetables, tinned; fish, tinned; fruits, tinned; bouillon concentrates; gherkins; shrimps, not live; prawns, not live; buttercream; croquettes; silkworm chrysalis for human consumption; kumys [milk beverage]; spiny lobsters, not live; lecithin for culinary purposes; onions, preserved; margarine; marmalade; peanut butter; coconut butter; corn oil for food; sesame oil for food; olive oil for food; palm oil for food; palm kernel oil for food; sunflower oil for food; colza oil for food; butter; shellfish, not live; almonds, ground; animal marrow for food; mussels, not live; condensed milk; albumin milk; soya milk [milk substitute]; fish meal for human consumption; vegetable mousses; fish mousses; fruit pulp; meat, preserved; milk beverages, milk predominating; potato fritters; olives, preserved; lobsters, not live; coconut, desiccated; nuts, prepared; tomato purée; liver pâté; pectin for culinary purposes; liver; pickles; jams; powdered eggs; food products made from fish; prostokvasha [soured milk]; poultry, not live; pollen prepared as foodstuff; cranberry compote; apple purée; crayfish, not live; crustaceans, not live; fish, preserved; fish, not live; salted fish; ryazhenka [fermented baked milk]; vegetable salads; fruit salads; bacon; pork; seeds, prepared; sunflower seeds, prepared; cream [dairy products]; whipped cream; fat-containing mixtures for bread slices; smetana [sour cream]; tomato juice for cooking; vegetable juices for cooking; salted meats; sausages; sausages in batter; preparations for making bouillon; preparations for making soup; tripe; soups; vegetable soup preparations; whey; cheese; tahini [sesame seed paste]; tofu; sea-cucumbers, not live; truffles, preserved; tuna fish; oysters, not live; milk ferments for culinary purposes; rennet; dates; crystallized fruits; frozen fruits; fruit preserved in alcohol; potato flakes; hummus [chickpea paste]; fruit peel; preserved garlic; lentils, preserved; potato chips; low-fat potato chips; fruit chips; non-alcoholic eggnog; seaweed extracts for food; snail eggs for consumption; salmon, not live; fish fillets; sardines, not live; anchovy, not live; cocoa butter for food; herrings, not live; kimchi [fermented vegetable dish]; coconut oil for food; linseed oil for food.

30 – Piccalilli; seaweed [condiment]; yeast, baking-powder; salt, mustard; vinegar, sauces [condiments]; spices; aromatic preparations for food; flavorings, other than essential oils, for cakes; flavorings, other than essential oils, for beverages; coffee flavorings; star aniseed; cereal bars; high-protein cereal bars; pancakes; noodle-based prepared meals; buns; bread rolls; vanillin [vanilla substitute]; waffles; vermicelli [noodles]; natural sweeteners; sausage binding materials; sea water for cooking; malt biscuits; cloves

[spice]; cake frosting [icing]; glucose for culinary purposes; gluten additives for culinary purposes; thickening agents for cooking foodstuffs; leaven; rice-based snack food; cereal-based snack food; vegetal preparations for use as coffee substitutes; dressings for salad; fruit jellies [confectionery]; confectionery for decorating Christmas trees; cakes; pastries; peanut confectionery; almond confectionery; pasta; ginger [spice]; frozen yogurt [confectionery ices]; capers; curry [spice]; ketchup [sauce]; quiches; gluten prepared as foodstuff; sweetmeats [candy]; liquorice [confectionery]; peppermint sweets; cinnamon [spice]; unroasted coffee; starch for food; crackers; custard; hominy grits; semolina; oatmeal; crushed barley; groats for human food; corn, milled; corn, roasted; meat pies; couscous [semolina]; noodles; ice, natural or artificial; edible ices; candy; rice cakes; mayonnaise; macarons [pastry]; macaroni; maltose; hominy; marinades; marzipan; royal jelly; bean meal; corn flour; flour; wheat flour; soya flour; barley meal; dessert mousses [confectionery]; chocolate mousses; muesli; mint for confectionery; cocoa beverages with milk; coffee beverages with milk; coffee-based beverages; tea-based beverages; chocolate beverages with milk; chocolate-based beverages; cocoa-based beverages; infusions, not medicinal; crushed oats; husked oats; nutmegs; stick liquorice [confectionery]; soya bean paste [condiment]; pastilles [confectionery]; molasses for food; pepper; allspice; peppers [seasonings]; pesto [sauce]; cookies; petit-beurre biscuits; pies; pizzas; meat gravies; fondants [confectionery]; popcorn; mustard meal; pralines; meat tenderizers for household purposes; oat-based food; propolis; gingerbread; petits fours [cakes]; puddings; cake powder; fruit coulis [sauces]; ravioli; chewing gum; relish [condiment]; wheat germ for human consumption; spring rolls; palm sugar; aniseed; golden syrup; confectionery; baking soda [bicarbonate of soda for cooking purposes]; malt for human consumption; salt for preserving foodstuffs; cooking salt; celery salt; sherbets [ices]; ham glaze; soya sauce; tomato sauce; pasta sauce; sauces [condiments]; spaghetti; seasonings; preparations for stiffening whipped cream; rusks; breadcrumbs; sushi; sandwiches; tabbouleh; tacos; cream of tartar for culinary purposes; tarts; dough; almond paste; tortillas; garden herbs, preserved [seasonings]; beer vinegar; ferments for pastes; halvah; bread; unleavened bread; chips [cereal products]; corn flakes; oat flakes; chicory [coffee substitute]; iced tea; chutneys [condiments]; cheeseburgers [sandwiches]; chow-chow [condiment]; saffron [seasoning]; chocolate; malt extract for food; essences for foodstuffs, except etheric essences and essential oils; husked barley; coffee, tea, cocoa and artificial coffee; tapioca and sago; sugar, honey, treacle; cereal preparations; powders for making ice cream; bread, pastries and confectionery; ice cream; flour and preparations made from cereals; food flavorings,

other than essential oils; vanilla flavorings for culinary purposes; tapioca flour; cake dough; turmeric; potato flour; binding agents for ice cream; caramels [candy]; gruel, with a milk base, for food.

31 – Live animals; fresh fruits and vegetables; natural plants and flowers; animal foodstuffs; malt; algarovilla for animal consumption; peanuts, fresh; draff; beans, fresh; wreaths of natural flowers; grapes, fresh; algae for human or animal consumption; fruit residue [marc]; dog biscuits; peas, fresh; mushroom spawn for propagation; mushrooms, fresh; trees; palm trees; turf, natural; unsawn timber; undressed timber; yeast for animal consumption; Christmas trees; edible chews for animals; menagerie animals; peanut cake for animals; oil cake; maize cake for cattle; rape cake for cattle; bagasses of cane [raw material]; cereal seeds, unprocessed; grains [cereals]; grains for animal consumption; lime for animal forage; fish spawn; cocoa beans, raw; potatoes, fresh; chestnuts, fresh; copra; raw barks; rough cork; pet food; stall food for animals; bird food; strengthening animal forage; chicory roots; nettles; groats for poultry; maize; shrubs; rose bushes; spiny lobsters, live; lemons, fresh; vine plants; onions, fresh; flower bulbs; leeks, fresh; olives, fresh; bran mash for animal consumption; shellfish, live; almonds [fruits]; mussels, live; peanut meal for animals; linseed meal for animal consumption; meal for animals; flax meal [fodder]; rice meal for forage; fish meal for animal consumption; straw mulch; beverages for pets; oats; vegetables, fresh; cucumbers, fresh; lobsters, live; nuts [fruits]; coconuts; kola nuts; bran; distillery waste for animal consumption; residue in a still after distillation; palms [leaves of the palm tree]; cuttle bone for birds; peppers [plants]; aromatic sand [litter] for pets; locust beans, raw; mash for fattening livestock; animal fattening preparations; preparations for egg laying poultry; fishing bait, live; by-products of the processing of cereals, for animal consumption; seed germ for botanical purposes; poultry, live; wheat; pollen [raw material]; crayfish, live; crustaceans, live; seedlings; plants; aloe vera plants; plants, dried, for decoration; rice, unprocessed; rye; wheat germ for animal consumption; fish, live; lettuce, fresh; linseed for animal consumption; hay; coconut shell; bred stock; sanded paper [litter] for pets; malt for brewing and distilling; straw [forage]; straw litter; salt for cattle; trunks of trees; wood chips for the manufacture of wood pulp; litter peat; garden herbs, fresh; sea-cucumbers, live; sugarcane; truffles, fresh; oysters, live; fruit, fresh; fodder; hops; flowers, natural; flowers, dried, for decoration; silkworms; lentils, fresh; pine cones; hop cones; spinach, fresh; juniper berries; eggs for hatching, fertilized; silkworm eggs; barley; oranges, fresh; chicory, fresh; berries, fresh; squashes, fresh; hazelnuts, fresh; rhubarb, fresh; beet, fresh; edible sesame, unprocessed; citrus fruit, fresh.

35 – Business management; business administration; office functions; arranging subscriptions to telecommunication services for others; import-export agency services; commercial information agency services; advertising agency services; cost price analysis; rental of advertising space; business auditing; employment agency services; computerized file management; book-keeping; invoicing; demonstration of goods; opinion polling; market studies; business information; business investigations; business research; marketing research; personnel recruitment; business management and organization consultancy; business organization consultancy; business management consultancy; personnel management consultancy; professional business consultancy; layout services for advertising purposes; marketing; business management of performing artists; business management of sports people; news clipping services; updating of advertising material; word processing; organization of exhibitions for commercial or advertising purposes; arranging newspaper subscriptions for others; organization of fashion shows for promotional purposes; organization of trade fairs for commercial or advertising purposes; shop window dressing; business appraisals; payroll preparation; data search in computer files for others; sponsorship search; business management assistance; commercial or industrial management assistance; economic forecasting; auctioneering; production of advertising films; office machines and equipment rental; rental of advertising time on communication media; publicity material rental; rental of vending machines; rental of photocopying machines; publication of publicity texts; radio advertising; bill-posting; distribution of samples; dissemination of advertising matter; direct mail advertising; writing of publicity texts; on-line advertising on a computer network; advertising by mail order; television advertising; document reproduction; compilation of statistics; compilation of information into computer databases; business inquiries; systemization of information into computer databases; tax preparation; drawing up of statements of accounts; telemarketing services; psychological testing for the selection of personnel; business management of hotels; commercial administration of the licensing of the goods and services of others; administrative processing of purchase orders; public relations; modelling for advertising or sales promotion; typing; relocation services for businesses; price comparison services; secretarial services; procurement services for others [purchasing goods and services for other businesses]; shorthand; outsourcing services [business assistance]; telephone answering for unavailable subscribers; photocopying services; business efficiency expert services; wholesale and retail store services; Internet advertising services; banner advertising; advertising and marketing services; advertising and publicity services; advertising of cinemas; on-line advertising; advertising of movies; classified

advertising; advertising via the Internet; advertising via electronic media; transcription of communications [office functions]; commercial information and advice for consumers in the choice of products and services; copywriting; advisory services for business management; presentation of goods on communication media, for retail purposes; wholesale services for pharmaceutical, veterinary and sanitary preparations and medical supplies; retail services for pharmaceutical, veterinary and sanitary preparations and medical supplies; sales promotions at point of purchase or sale, for others.

43 – Services for providing food and drink; providing temporary housing accommodation; accommodation bureau services [hotels, boarding houses]; rental of temporary accommodation; rental of meeting rooms; tourist home services; hotel reservations; boarding house bookings; temporary accommodation reservations; hotel services; retirement home services; snack-bar services; café services; cafeteria services; motel services; boarding house services; boarding for animals; rental of cooking apparatus; rental of chairs, tables, table linen, glassware; rental of lighting apparatus other than for theatrical sets or television studios; rental of tents; rental of transportable buildings; rental of drinking water dispensers; restaurant services; self-service restaurant services; canteen services; holiday camp services [lodging]; bar services; providing campground facilities; food and drink catering; day-nursery [crèche] services.

(260) AM 2020 106107 A

(800) 1502740

(151) 2019 08 19

(891) 2019 08 19

(731) Open Joint Stock Company "Mogilevsky zavod liftovogo mashinostroeniya" (OJSC "Mogilevliftmash")
OJSC "Mogilevliftmash", Prospekt Mira 42,
212798 Mogilev, Belarus

(540)

CONTROL THE HEIGHT

(591) Black, white

(511)

7 – Winches; grinding machines; control mechanisms for machines, engines or motors; moving sidewalks (passenger conveyors); moving walkways (passenger conveyors); automatic multi-level car parking systems, mechanical multi-level car parking systems.

(260) AM 2020 106112 A

(800) 1502890

(151) 2019 03 20

(891) 2019 03 20

(731) Berg Elektro LLC
Kurt-Frenzel str. 7b, 63743 Aschaffenburg,
Germany

(540)



(591) White, black, red and yellow

(531) 25.05.02; 26.04.09; 27.05.10; 29.01.14

(526) ELECTRO

(511)

8 – Abrading instruments [hand instruments]; needle files; leather strops; cutter bars [hand tools]; reamers; reamer sockets; extension pieces for braces for screw taps; palette knives; spatulas [hand tools]; bits [parts of hand tools]; squares [hand tools]; annular screw plates; bow saws; side arms, other than fire-arms; nail extractors, hand-operated; lifting jacks, hand-operated; bayonets; beard clippers; hand drills, hand-operated; mortise chisels; holing axes; sharpening steels; riveting hammers [hand tools]; paring irons [hand tools]; scissors; graving tools [hand tools]; pickaxes; caulking irons; jig-saws; drawing knives; nail punches; fullers [hand tools]; fulling tools [hand tools]; hunting knives; frames for hand-saws; saws [hand tools]; lasts [shoemakers' hand tools]; curling tongs; table cutlery [knives, forks and spoons]; shears; shear blades; perforating tools [hand tools]; tap wrenches; spanners [hand tools]; ratchets [hand tools]; dies [hand tools]; axes; table forks; planes; hand tools, hand-operated; vegetable slicers; nail nippers; tube cutters [hand tools]; cutters; cleavers; cutlery; fruit pickers [hand tools]; ladles [hand tools]; razor strops; earth rammers [hand tools]; stamping-out tools [hand tools]; milling cutters [hand tools]; trowels [gardening]; trowels; apparatus for destroying plant parasites, hand-operated; expanders [hand tools]; sharpening instruments; blade sharpening instruments; drills; scaling knives; thistle extractors [hand tools]; secateurs; pruning shears; budding knives; tree pruners; cuticle tweezers; hair-removing tweezers; marline spikes; carpenters' augers; embossers [hand tools]; pedicure sets; razor cases; hollowing bits [parts of hand tools]; rakes [hand tools]; shovels [hand tools]; spades [hand tools]; border shears; scythes; scythe rings; scythe stones; irons [non-electric hand tools]; goffering irons; polishing irons [glazing tools]; blades for planes; molding irons; crimping irons; branding irons; gimlets [hand tools]; sword scabbards; hand implements for hair curling; lawn clippers [hand instruments]; ice picks; gouges [hand tools]; truncheons; engraving needles; farriers' knives; paring knives; grafting tools [hand tools]; rabbeting planes; vegetable choppers; hatchets; choppers [knives]; hoop cutters [hand tools]; harpoons; adzes [tools]; mattocks; oyster ope-

ners; insecticide sprayers [hand tools]; garden tools, hand-operated; pruning knives; clamps for carpenters or coopers; razor blades; blades [hand tools]; blades [weapons]; saw blades [parts of hand tools]; levers; mallets [hand instruments]; hammers [hand tools]; sledgehammers; masons' hammers; chisels; metal band stretchers [hand tools]; braiders [hand tools]; money scoops; mortars for pounding [hand tools]; wick trimmers [scissors]; shaving cases; numbering punches; nail files; can openers, non-electric; harpoons for fishing; picks [hand tools]; pestles for pounding [hand tools]; guns [hand tools]; centre punches [hand tools]; foundry ladles [hand tools]; plane irons; rasps [hand tools]; razors, electric or non-electric; pin punches; fire irons; riveters [hand tools]; hainault scythes; saw holders; bill-hooks; implements for decanting liquids [hand tools]; edge tools [hand tools]; taps [hand tools]; augers [hand tools]; screwdrivers, non-electric; priming irons [hand tools]; bits [hand tools]; breast drills; agricultural implements, hand-operated; grindstones [hand tools]; syringes for spraying insecticides; silver plate [knives, forks and spoons]; diggers [hand tools]; knives; pliers; tongs; swords; sabres; rams [hand tools]; instruments for punching tickets; nail files, electric; fingernail polishers, electric or non-electric; drill holders [hand tools]; hair clippers for personal use, electric and non-electric; agricultural forks [hand tools]; nail clippers, electric or non-electric; hair clippers for animals [hand instruments]; shearers [hand instruments]; flat irons; emery grinding wheels; files [tools]; punch pliers [hand tools]; punches [hand tools]; cutting tools [hand tools]; manicure sets; guns, hand-operated, for the extrusion of mastics; ditchers [hand tools]; scrapers [hand tools]; mincing knives [hand tools]; scraping tools [hand tools]; ear-piercing apparatus; depilation appliances, electric and non-electric; manicure sets, electric; vices; hand pumps; daggers; tool belts [holders]; cheese slicers, non-electric; pizza cutters, non-electric; crow bars; egg slicers, non-electric; eyelash curlers; mitre boxes [hand tools]; sand trap rakes; fireplace bellows [hand tools]; apparatus for tattooing; emery files; fish tapes [hand tools]; wire strippers [hand tools]; bench vices [hand implements]; metal wire stretchers [hand tools]; hobby knives [scalpels]; air pumps, hand-operated; ceramic knives; emery boards; ski edge sharpening tools, hand-operated; tattoo needles; spatulas for use by artists; sculptors' chisels; table knives, forks and spoons of plastic; table knives, forks and spoons for babies; scrapers for skis; handles for hand-operated hand tools; knife handles; scythe handles; vegetable spiralizers, hand-operated; vegetable peelers [hand tools]; box cutters; hair braiders, electric; stirring sticks for mixing paint; wine bottle foil cutters, hand-operated; fruit segmenters; fruit corers; kitchen mandolins.

(260) AM 2020 106114 A

(800) 1502955

(151) 2019 10 02

(891) 2019 10 02

(731) Zdesenko Andrii

13 Titova Street, Apartment 44, Dnipro 49055,
Ukraine

(540)

Няня

(591) Black, white

(531) 28.05

(511)

5 – Babies' napkins; disposable babies' napkins made of paper and/or cellulose; babies' napkins, disposable; babies' diapers; disposable babies' diapers made of paper and/or cellulose; babies' diapers, disposable; babies' diaper-pants; disposable babies' diaper-pants made of paper and/or cellulose; babies' diaper-pants, disposable; babies' napkin-pants; disposable babies' napkin-pants made of paper and/or cellulose; babies' napkin-pants, disposable; diapers for incontinence; diapers for incontinence, disposable; pants, absorbent, for incontinence; pants, absorbent, for incontinence, disposable; sanitary panties; sanitary panties, disposable; sanitary pants; sanitary pants, disposable.

(260) AM 2020 106118 A

(800) 1503018

(151) 2019 11 07

(891) 2019 11 07

(731) CB Holdings, LLC

Post Office Box 279, South Boston VA 24592,
USA

(540)

KINGSTON

(591) Black, white

(511)

34 – Smokers' articles, namely, cigarettes.

(260) AM 2020 106119 A

(800) 1503035

(151) 2019 10 24

(891) 2019 10 24

(731) Delovie Linii LLC.

ul. Startovaya, 8, liter A, 132; RU-196210
Saint-Petersburg, Russian Federation

(540)

ДЕЛОВЫЕ ЛИНИИ

(591) Black, white

(531) 28.05

(511)

6 – Platforms of metal; transport pallets of metal; loading pallets of metal; handling pallets of metal;

containers of metal [storage, transport]; straps of metal for handling loads; belts of metal for handling loads; straps of metal for load handling; safes; boxes of common metal.

7 – Hoppers [mechanical discharging]; truck lifts; wagon lifts; wrapping machines; loading ramps; pneumatic transporters; hoists; handling apparatus for loading and unloading; elevating apparatus.

9 – Compact discs [audio-video]; computer programs, recorded; computer programs, downloadable.

12 – Wagons; mine cars; refrigerated wagons; handling carts; forklift trucks.

16 – Pamphlets; booklets; wrapping paper; packing paper; bags [envelopes, pouches] of paper or plastics, for packaging; ledgers [books]; boxes of paper or cardboard; packaging material made of starches; conical paper bags; plastic film for wrapping.

20 – Packaging containers of plastic; baskets, not of metal; loading pallets, not of metal; transport pallets, not of metal; handling pallets, not of metal.

35 – Import-export agency services; commercial information agency services; advertising agencies; publicity agencies; cost price analysis; account auditing; employment agency services; computerized file management; book-keeping; accounting; invoicing; demonstration of goods; transcription of communications; opinion polling; market studies; business information; commercial information and advice for consumers; compilation of statistical information; business investigations; marketing research; personnel recruitment; business management and organization consultancy; human resources consultancy; business organization consultancy; business management consultancy; professional business consultancy; layout services for advertising purposes; business management of performing artists; news clipping services; updating of advertising material; word processing; secretarial services; shorthand; organization of exhibitions for commercial or advertising purposes; arranging newspaper subscriptions for others; organization of trade fairs for commercial or advertising purposes; shop window dressing; business appraisals; payroll preparation; data search in computer files for others; sponsorship search; business management assistance; commercial or industrial management assistance; presentation of goods on communication media, for retail purposes; economic forecasting; auctioneering; sales promotion for others; office machines and equipment rental; rental of advertising time on communication media; publicity material rental; rental of vending machines; rental of photocopying machines; publication of publicity texts; typing; radio advertising; bill-posting; outdoor advertising; distribution of samples; dissemination of advertising matter; writing of publicity texts; advertising; publicity; on-line advertising on a computer

network; advertising by mail order; television advertising; document reproduction; compilation of statistics; compilation of information into computer databases; business inquiries; systemization of information into computer databases; tax preparation; drawing up of statements of accounts; copywriting; psychological testing for the selection of personnel; business management of hotels; commercial administration of the licensing of the goods and services of others; administrative processing of purchase orders; public relations; modelling for advertising or sales promotion; relocation services for businesses; price comparison services; procurement services for others [purchasing goods and services for other businesses]; outsourcing services [business assistance]; telephone answering for unavailable subscribers; photocopying; business efficiency expert services.

36 – Insurance; financial affairs; monetary affairs; real estate affairs; financial evaluation of standing timber; financial valuation of standing timber; financial evaluation of wool; financial valuation of wool.

37 – Construction; repair; installation services.

38 – Electronic bulletin board services [telecommunications services]; providing internet chatrooms; providing user access to the Internet [service providers]; providing access to databases; providing telecommunications connections to a global computer network; message sending; computer aided transmission of messages and images; electronic mail; teleconferencing services; voice mail services; telecommunications.

39 – Air transport; boat rental; parking place rental; booking of seats for travel; travel reservation; transport reservation; towing; vehicle breakdown towing services; water distribution; delivery of newspapers; newspaper delivery; message delivery; parcel delivery; delivery of goods; delivery of goods by mail order; flower delivery; launching of satellites for others; traffic information; transportation information; storage information; arranging of cruises; arranging of travel tours; hauling; carting; transport and storage of trash; transporting furniture; removal services; barge transport; lightering services; ferry-boat transport; transport of travellers; freight [shipping of goods]; guarded transportation of valuables; bus transport; car transport; boat transport; railway transport; marine transport; passenger transport; river transport; portering; refloating of ships; shipbrokerage; transport brokerage; freight brokerage; operating canal locks; car rental; railway truck rental; rental of diving bells; rental of diving suits; rental of motor racing cars; rental of wheelchairs; rental of storage containers; horse rental; coach rental; refrigerator rental; frozen-food locker rental; vehicle rental; stevedoring; unloading cargo; electricity distribution; distribution of energy; packaging of goods; ambulance transport; garage rental; rental of vehicle roof

racks; rental of warehouses; ice-breaking; piloting; water supplying; escorting of travellers; underwater salvage; salvage of ships; taxi transport; streetcar transport; tram transport; transport by pipeline; rescue operations [transport]; wrapping of goods; car parking; chauffeur services; pleasure boat transport; courier services [messages or merchandise]; salvaging; transport services; franking of mail; freighting; physical storage of electronically stored data or documents; boat storage; storage of goods; transport services for sightseeing tours; freight forwarding.

41 – Training; arranging and conducting of seminars.

42 – Computer system analysis; installation of computer software; updating of computer software; conversion of data or documents from physical to electronic media; computer system design; computer software design; packaging design.

45 – Physical security consultancy; legal services.

(260) AM 2020 106120 A

(800) 1503095

(151) 2019 10 24

(891) 2019 10 24

(731) FICOSOTA OOD

Madara Blvd. 48, BG-9700 Shumen, Bulgaria

(540)



(591) Red

(531) 01.01.02; 01.01.12; 01.15.07; 01.15.09;
27.05.04; 27.05.10; 27.05.17; 29.01.12

(511)

3 – Bleaching preparations and other substances for laundry use; laundry glaze; laundry soaking preparations; starch for laundry purposes; smoothing preparations [starching]; fabric softeners for laundry use; colour-brightening chemicals for household purposes [laundry]; laundry blueing; rinsing aids for use when washing clothes; laundry balls containing laundry detergent; laundry additives for water softening; rinsing agents for laundry; stain removing preparations for use on household goods; cleaning, polishing, scouring and abrasive preparations; colour-removing preparations; bleaching preparations [decolorants] for household purposes; whitening; antistatic preparations for household purposes; dry-cleaning preparations; chemical cleaning preparations for household purposes; washing soda, for cleaning; volcanic ash for cleaning; descaling preparations for household purposes; wallpaper cleaning preparations; rust removing preparations; paint stripping preparations; cleaning preparations for cleansing drains; cleaning preparations for use on tiles; abrasives; po-

lish for furniture and flooring; non-slipping liquids for floors; wipes incorporating cleaning preparations; oils for cleaning purposes; laundry soap; soap for brightening textile; air fragrancing preparations; sachets for perfuming linen.

5 – Disinfectants; mothproofing preparations; air purifying preparations; chemical preparations for treating mildew; carpet deodorizers; automobile deodorizers; toilet deodorants; deodorants, other than for human beings or for animals; air deodorizing preparations; deodorants for clothing and textiles.

(260) AM 2020 106121 A

(800) 1503172

(151) 2019 10 11

(891) 2019 10 11

(731) LIMITED LIABILITY MANUFACTURING AND TRADING COMPANY "ACME"
5 Promyslova Str., Ukrainka, Obukhivsky r-n, Kyivska obl. 08720, Ukraine

(540)

Ola Verde

(591) Black, white

(531) 27.05.01

(511)

3 – Soap; perfumery; essential oils; cosmetics; hair lotions; dentifrices; toiletry preparations; deodorants for human beings; cosmetic kits; shaving preparations; cosmetic preparations for baths; cosmetic preparations for skin care; shampoos.

5 – Pharmaceutical preparations.

(260) AM 2020 106122 A

(800) 1503219

(151) 2019 07 23

(891) 2019 07 23

(731) SADAPACK MOROCCO FOR DISTRIBUTION

Km 13 Route El Jadida Douar Lahfakra, Casablanca, Morocco

(540)



(591) Black, white

(531) 26.04.18; 26.04.24; 27.05.05; 27.05.10; 27.05.24

(511)

3 – Bleaching preparations and other substances for laundry use; cleaning, polishing, degreasing and abrasive preparations; non-medicated soaps; perfumery products, essential oils, non-medicated cosmetics, non-medicated hair lotions; non-medicated dentifrices.

(260) AM 2020 106123 A

(800) 1503235

(151) 2019 11 06

(891) 2019 11 06

(731) Zhangzhou Tan Co., Ltd. Fujian
22nd Floor, Block 1, Liyuan Plaza, East Nanchang Road, Zhangzhou, 363000 Fujian, China

(540)



(591) Black, white

(531) 26.01.02; 26.01.05; 26.01.24; 27.05.17; 27.05.24

(511)

29 – Canned quail eggs; dried edible fungus; canned fish; canned fruits; canned meat; canned vegetables; charcuterie; meat; ham; poultry (not live); edible birds' nests; fried pork flakes; seaweed extracts for food; processed betel nut; vegetable salads; fruits salads.

(260) AM 2020 106124 A

(800) 1503238

(151) 2019 09 30

(891) 2019 09 30

(731) Nemiroff Intellectual Property Establishment
Städtle 31, FL-9490 Vaduz, Liechtenstein

(540)

BURNING PEAR

(591) Black, white

(511)

33 – Alcoholic beverages (except beers); alcoholic beverages containing fruit; bitters; cocktails; digesters [liqueurs and spirits]; distilled beverages; liqueurs; spirits [beverages]; vodka.

(260) AM 2020 106125 A

(800) 1503241

(151) 2019 10 24

(891) 2019 10 24

(731) Richter Gedeon Nyrt.

Gyömrői út 19-21, H-1103 Budapest, Hungary

(540)

БАБАРИД

(591) Black, white

(531) 28.05

(511)

5 – Pharmaceutical preparations.

(260) AM 2020 106133 A

(800) 1503275

(151) 2019 09 30

(891) 2019 09 30

(731) Nemiroff Intellectual Property Establishment
Städtle 31, FL-9490 Vaduz, Liechtenstein

(540)

BOLD ORANGE

(591) Black, white

(511)

33 – Alcoholic beverages (except beers); alcoholic beverages containing fruit; bitters; cocktails; digesters [liqueurs and spirits]; distilled beverages; liqueurs; spirits [beverages]; vodka.

(260) AM 2020 106136 A

(800) 1503285

(151) 2019 10 24

(891) 2019 10 24

(731) Richter Gedeon Nyrt.
Gyömrői út 19-21, H-1103 Budapest,
Hungary

(540)

КЛАНДОЛИН

(591) Black, white

(531) 28.05

(511)

5 – Pharmaceutical preparations.

(260) AM 2020 106139 A

(800) 1503424

(151) 2019 10 18

(891) 2019 10 18

(731) Senator GmbH
Bahnhofstrasse 57, 64401 Groß-Biebrau,
Germany

(540)

SENATOR

(591) Black, white

(511)

16 – Paper, cardboard and goods made from these materials, not included in other classes; bookbinding material; stationery; adhesives for stationery or household purposes; artists' materials; paint brushes; typewriters and office requisites (except furniture);

plastic materials for packaging (not included in other classes); printers' type; printing blocks.

18 – Leather and imitations of leather, and goods made of these materials and not included in other classes, namely pencil cases, boxes, folders and other storage containers for paper, cardboard and writing implements, stationery and office requisites; animal skins, hides; walking sticks; whips, harness and saddlery.

21 – Household or kitchen utensils and containers; combs and sponges; brushes (except paint brushes); brush-making materials; articles for cleaning purposes; steel wool; unworked or semi-worked glass (except glass used in building); glassware, porcelain and earthenware not included in other classes.

(260) AM 2020 106140 A

(800) 1503483

(151) 2019 08 27

(891) 2019 08 27

(731) OVAPISCIS, S.A.
C/Lugar de Fonteio, s/n, E-27278 Baleira
(Lugo), Spain

(540)

OVAPISCIS 

(591) Blue, orange, yellow, black and white

(531) 05.07.09; 05.07.14; 05.07.21; 08.07.11;
27.05.01; 29.01.13

(511)

31 – Fertilized eggs for hatching; fish spawn for hatching; fish spawn.

(260) AM 2020 106141 A

(800) 360153

(151) 1969 07 21

(891) 2019 08 22

(731) MOL Petrolkémia Zártkörűen Működő
Részvénytársaság
TVK Központ Irodaház 2119 hrsz. 136 épület,
TVK-Ipartelep, H-3581 Tiszaújváros,
Hungary

(540)

TIPOLEN

(591) Black, white

(531) 27.05.17

(511)

1 – Artificial materials, namely unprocessed polyethylene (in the form of powders, liquids, pastes and granules), adhesive substances for use in industry.

17 – Sheets, plates, rods, pipes, shaped parts (semi-finished products) of plastic materials, namely of polyethylene.

20 – Barrels, containers made of polyethylene.

21 – Portable containers, cans made of polyethylene.

28 – Games, toys, gymnastic and sporting articles (not included in other classes).

(260) AM 2020 106142 A

(800) 870198

(151) 2005 04 11

(891) 2019 11 27

(731) DIPTYQUE S.A.S.

34, boulevard Saint-Germain, F-75005

PARIS, France

(540)

DIPTYQUE

(591) Black, white

(531) 27.05.01

(511)

3 – Bleaching preparations and other substances for laundry use; cleaning, polishing, scouring and abrasive preparations; preparations and substances for the conditioning, care and appearance of the skin, body, face, eyes, hair, scalp, teeth and nails, soaps, personal cleansing preparations, shower gels, bath gels, bath preparations; perfumery, eau de parfum, toilet waters, deodorant preparations for personal use, anti-perspirants, cosmetics, colour cosmetics, eye cosmetics, nail cosmetics, lip cosmetics, make up removers, cosmetic impregnated tissues; shampoos, hair conditioners, preparations for the hair, hair lotions; dentifrices; sun tanning preparations, sun-screening preparations; shaving preparations, after shave and pre shave lotions and oils, depilatory preparations; essential oils, oils for toilet purposes; pomanders, potpourris, fragranced sachets for drawers, room fragrance, incense, aromatic plant extracts.

4 – Illuminants, lamp oils, candles, scented candles, wicks; candle making kits containing wax for making candles, stearin and wicks.

35 – Retail services; retail services in the field of preparations and substances for the conditioning, care and appearance of the skin, body, face, eyes, hair, scalp, teeth and nails, perfumed or fragranced articles, soaps, personal cleansing preparations, shower gels, bath gels, bath preparations, perfumery, eau de parfum, toilet waters, deodorant preparations for personal use, anti-perspirants, cosmetics, colour cosmetics, eye cosmetics, nail cosmetics, lip cosmetics, make up removers, cosmetic impregnated tissues, shampoos, hair conditioners, preparations for the hair, hair lotions, dentifrices, sun tanning preparations, sun-screening preparations, shaving preparations, after shave and pre shave lotions and oils, depilatory preparations, essential oils, oils for toilet purposes, pomanders, potpourris, perfumed drawer liners, fragranced sachets for drawers, incense, aroma-

tic plant extracts, illuminants, lamp oils, candles, scented candles, candle making kits, wicks; business advice and assistance services; franchise services.

(260) AM 2020 106143 A

(800) 943563

(151) 2007 09 27

(891) 2019 11 27

(731) JACK WOLFSKIN Ausrüstung für Draussen

GmbH & Co. KgaA

Jack Wolfskin Kreisel 1, 65510

Idstein/Taunus, Germany

(540)

Texapore

(591) Black, white

(511)

24 – Woven fabrics and textile goods (included in this class); cotton fabrics, woollen fabrics, lining materials, fleece fabrics; bathing linen, except clothing, textile towels; blankets, namely travel blankets, wool blankets, fleece blankets.

25 – Clothing, footwear, headgear.

(260) AM 2020 106144 A

(800) 1017625

(151) 2009 09 25

(891) 2019 11 21

(731) MATALAN LIMITED

Matalan Head Office, Perimeter Road,

Knowsley Industrial Park, Liverpool L33 7SZ,

United Kingdom

(540)

MATALAN

(591) Black, white

(511)

25 – Articles of clothing; footwear; headgear; all included in this class.

35 – Advertising; business management; business administration; office functions; the bringing together, for the benefit of others, of a variety of goods, enabling customers to conveniently view and purchase those goods in a department store, wholesale outlet, supermarket, a general merchandise retail store, via a television shopping channel or from a catalogue by mail order or by means of telecommunications or from an Internet Website specialising in the marketing of general merchandise; provision of space on Websites for advertising goods and services; business advisory services, promotional services and information services relating thereto; direct mail advertising; distribution of samples and promotional items; marketing services; business advisory and information services provided on-line from a computer database or the Internet.

(260) AM 2020 106147 A
 (800) 1095764
 (151) 2011 09 29
 (891) 2019 11 21
 (731) MATALAN LIMITED
 Matalan Head Office, Perimeter Road,
 Knowsley Industrial Park, Liverpool L33 7SZ,
 United Kingdom

(540)

TAYLOR & WRIGHT

(591) Black, white
 (511)
 25 – Articles of clothing, footwear and headgear.

(260) AM 2020 106148 A
 (800) 1095816
 (151) 2011 09 29
 (891) 2019 11 21
 (731) MATALAN LIMITED
 Matalan Head Office, Perimeter Road,
 Knowsley Industrial Park, Liverpool L33 7SZ,
 United Kingdom

(540)

PAPAYA

(591) Black, white
 (511)
 25 – Articles of clothing; headgear; footwear.

(260) AM 2020 106150 A
 (800) 1123515
 (151) 2012 05 04
 (891) 2019 11 07
 (731) Bonne Juomat Oy
 Mäntynummentie 8; FI-08500 Lohja,
 Finland

(540)



(591) Black, white
 (531) 27.03.01; 27.03.11
 (511)
 29 – Preserved, frozen, dried and cooked fruits and vegetables; jellies, jams, compotes.

32 – Beers; mineral and aerated waters and other non-alcoholic beverages; fruit beverages and fruit juices; syrups and other preparations for making beverages.

(260) AM 2020 106151 A
 (800) 1141400
 (151) 2012 08 13
 (891) 2019 11 08

(731) TRICOBLOTOS S.p.A.
 Via di Spicciano, 11, I-59021 Vaiano (PO),
 Italy

(540)

ARTISTIC FLAIR

(591) Black, white
 (511)
 3 – Products for the care and conditioning of hair; hair creams and lotions; hair lacquers; hair colorants; hair dyes; bleaching preparations for the hair; hair lotions; hair styling preparations; shampoos; soaps and detergents for the skin and scalp; cosmetic products; face creams; body creams; foam bath; detergents; body lotions; perfumery, essential oils.

(260) AM 2020 106152 A
 (800) 1160870
 (151) 2013 02 21
 (891) 2019 11 27
 (731) JACK WOLFSKIN Ausrüstung für Draussen
 GmbH & Co. KgaA
 Jack Wolfskin Kreisel 1, 65510
 Idstein/Taunus, Germany

(540)

NANUK

(591) Black, white
 (511)
 24 – Woven goods and textiles, all other than for window coverings, all the aforesaid goods included in this class; cotton fabrics, woollen fabric, linings, non-woven textile fabrics, all other than for window coverings; bath linen (except clothing); towels of textile; blankets, namely travel blankets, woollen blankets, fleece blankets.

25 – Clothing, footwear, headgear; accessories for clothing (included in this class), braces (suspenders), belts (clothing); money belts; inner soles; soles for footwear; sleeping masks.

(260) AM 2020 106153 A
 (800) 1170556
 (151) 2013 06 14
 (891) 2019 11 21
 (731) MATALAN LIMITED
 Matalan Head Office, Perimeter Road,
 Knowsley Industrial Park, Liverpool L33 7SZ,
 United Kingdom

(540)

SOLEFLEX

(591) Black, white
 (511)
 25 – Clothing; footwear and headgear.

(260) AM 2020 106155 A

(800) 1229062

(151) 2014 11 28

(891) 2019 04 11

(731) ODOO S.A.

Chaussée de Namur 40, B-1367 Grand-Rosiere, Belgium

(540)

ODOO

(591) Black, white

(531) 27.05.01

(511)

9 – Computers and equipment for data processing (with the exception of couplings, contacts, plugs, sockets, connectors, multiple connectors as program buttons for data processing machines); computer software, software packages; computer hardware (with the exception of couplings, contacts, plugs, sockets, connectors, male and female panels); recorded programs for computers.

35 – Advertising; business management; business administration; office functions; retail sale services for the commercialization of computer programs; arranging newspaper subscriptions, for others; arranging subscriptions to telecommunication services for others; outsourcing services [business assistance]; collection and systematization of data in a central file; secretarial services; administrative processing of purchase orders; commercial information and advice for consumers (consumer advice shop); computerized file management; rental of advertising space; online advertising on a computer network; data search in computer files for others; drawing up of statements of accounts; compilation of statistics; presentation of goods, particularly computer programs, on all communication media for retail sale; organization of exhibitions for commercial or advertising purposes.

42 – Scientific and technological services as well as research and design services relating thereto; industrial analysis and research services; design and development of computer hardware and software; computer programming; installation of computer software; design of computer software; software updating; maintenance of software; rental of computer software; rental of computer hardware; rental of web servers; conversion of computer program data and data [other than physical conversion]; conversion of data or documents from physical to electronic media; provision of search engines (software) for the Internet; advice in the field of computer hardware and software; duplication of computer programs; creation and maintenance of websites for third parties; project studies (technical), particularly in the field of information technology (services provided by computer technicians or engineers); computer data recovery.

(260) AM 2020 106157 A

(800) 1467767

(151) 2019 02 19

(891) 2019 11 26

(731) Groupe GO SPORT

17 Avenue de la Falaise, F-38360 SASSENAGE, France

(540)



(591) Black, white

(531) 26.01.01; 26.01.20; 26.01.24; 27.05.01; 27.05.10; 27.05.12; 27.05.17; 27.05.21; 27.05.24

(511)

35 – Services for the retail sale and presentation on any means of communication of bicycles, sunglasses, sports bags, protective helmets, limb guards, chronometers, pedometers, heart-rate measuring units, energy food and beverages for sports, watches, photographic cameras, cameras, satellite geolocation navigators, compasses, altimeters, binoculars, meteorological terminals, books, geographical maps, tents for camping, sleeping bags, sun-protection preparations, sports bags, backpacks, bags for campers, clothing, clothing for sports, shoes, beach shoes, footwear for skiing or sports, headgear, lingerie and underwear, articles for gymnastics and sports, games, toys, balls and balloons; bringing together for others (excluding the transport thereof), of a variety of goods, namely: bicycles, sunglasses, sports bags, protective helmets, limb guards, chronometers, pedometers, heart-rate measuring units, energy food and beverages for sports, watches, photographic cameras, cameras, satellite geolocation navigators, compasses, altimeters, binoculars, meteorological terminals, books, geographical maps, tents for camping, sleeping bags, sun-protection preparations, sports bags, backpacks, bags for campers, clothing, clothing for sports, shoes, beach shoes, footwear for skiing or sports, headgear, lingerie and underwear, articles for gymnastics and sports, games, toys, balls and balloons; wholesale services for bicycles, sunglasses, sports bags, protective helmets, limb guards, chronometers, pedometers, heart-rate measuring units, energy food and beverages for sports, watches, photographic cameras, cameras, satellite geolocation navigators, compasses, altimeters, binoculars, meteorological terminals, books, geographical maps, tents for camping, sleeping bags, sun-protection preparations, sports bags, backpacks, bags for campers, clothing, clothing for sports, shoes, beach shoes, footwear for skiing or sports, headgear, lingerie and

underwear, articles for gymnastics and sports, games, toys, balls and balloons; services for the retail sale and online ordering of bicycles, sunglasses, sports bags, protective helmets, limb guards, chronometers, pedometers, heart-rate measuring units, energy food and beverages for sports, watches, photographic cameras, cameras, satellite geolocation navigators, compasses, altimeters, binoculars, meteorological terminals, books, geographical maps, tents for camping, sleeping bags, sun-protection preparations, sports bags, backpacks, bags for campers, clothing, clothing for sports, shoes, beach shoes, footwear for skiing or sports, headgear, lingerie and underwear, articles for gymnastics and sports, games, toys, balls and balloons; sales promotion for others; administration of consumer loyalty programs; management of loyalty and incentive programs; management of customer loyalty, bonuses and promotions; organization and management of commercial incentive and loyalty programs; customer loyalty services for commercial, promotional or advertising purposes.

41 – Online publication of electronic magazines and catalogs (downloadable and non-downloadable); provision of non-downloadable online electronic publications; information (other than for advertising) provided by means of telecommunications or computer networks, concerning sports and equipment relating thereto, in a retail store offering sports articles for sale; organization of sports competitions; entertainment; organization of games and competitions; game services provided on-line from a computer network; education, training, entertainment, sporting and cultural activities; organization of colloquiums, conferences, congresses, seminars, symposiums; organization of sports competitions; organizing and conducting of sports events; sports entertainment services; sports camp services; organization and conducting of non-virtual educational forums; organization of competitions (education or entertainment); club services (entertainment or education); coaching (training); health club services (health and fitness training); organization of exhibitions for cultural or educational purposes; organization and conducting of training workshops; planning of receptions (entertainment); organization of fashion shows for entertainment purposes; information relating to education and entertainment; online publication of specialized electronic books and journals; provision of non-downloadable online electronic publications; provision of non-downloadable music online; provision of non-downloadable videos online; electronic desktop publishing; photographic reporting; publication of newspapers, periodicals, catalogs and brochures; publication of printed matter, also in electronic form, other than for advertising purposes.

(260) AM 2020 106191 A
(800) 1503531
(151) 2019 08 05

(891) 2019 08 05
(731) FUJIAN TIME AND TIANHE INDUSTRIAL CO., LTD.
Honggongshan Development Zone, Honglai Town, Nanan City, Fujian, China

(540)



(591) Black, white
(531) 01.01.02; 01.01.10; 01.15.15; 27.05.02; 27.05.08; 27.05.17; 28.03

(511)

5 – Paper tissues impregnated with disinfecting preparations; pesticides; sanitary napkins; compresses; disinfectants; medicines for human purposes; food for babies; depuratives; medicines for veterinary purposes; babies' napkin-pants.

(260) AM 2020 106192 A
(800) 1503540
(151) 2019 08 05
(891) 2019 08 05
(731) CHINA TOBACCO HUNAN INDUSTRIAL CO., LTD
No. 188, Section 3, Wanjiali Middle Road, Yuhua District, Changsha, Hunan, China

(540)

NISE

(591) Black, white
(531) 27.05.01; 27.05.15

(511)

34 – Tobacco; chewing tobacco; electronic cigarettes; cigarettes; snuff; tobacco pipes; ashtrays for smokers; matches; lighters for smokers; cigarette filters.

(260) AM 2020 106193 A
(800) 1503651
(151) 2019 10 24
(891) 2019 10 24
(731) Richter Gedeon Nyrt.
Gyömrői út 19-21, H-1103 Budapest, Hungary

(540)

УТЕРФА

(591) Black, white
(531) 28.05

(511)
5 – Pharmaceutical preparations.

(260) AM 2020 106194 A
(800) 1503661
(151) 2019 10 24
(891) 2019 10 24
(731) Richter Gedeon Nyrt.
Gyömrői út 19-21, H-1103 Budapest, Hungary
(540)

АНАЛОЗОН

(591) Black, white
(531) 28.05
(511)
5 – Pharmaceutical preparations.

(260) AM 2020 106195 A
(800) 1503677
(151) 2019 10 04
(891) 2019 10 04
(731) PASCHAL-Werk G. Maier GmbH
KreuzbühIstraße 5, 77790 Steinach, Germany
(540)

LOGO.pro

(591) Black, white
(511)
6 – Building and construction materials and elements of metal; formwork of metal; formwork elements with formwork shell mainly made of metal; accessories [of metal] for formwork and formwork elements; lateral protection [of metal] for formwork and formwork elements; small items of metal hardware, in particular nuts, bolts and fasteners of metal; formwork parts of metal for concrete, in particular formwork boards and panels, formwork tables for slab formwork, formwork corners, compensation parts, connecting bolts, formwork tension rods, spacers of metal, conical stop elements for spacers; spacers being building elements made of metal; shuttering and cladding of metal for use in moulding concrete; scaffolding and scaffolding parts of metal, in particular the aforesaid for application on or of formwork walls, panels and railings for panels in the form of mounts for formwork walkways, formwork supports; profile rails, end rails and crossbeams for overlapping and aligning adjacent formwork panels; girders and beams of metal; building panels of metal; metal frames of metal for building; wall formwork, ceiling formwork and support formwork of metal; work platforms, concreting platforms and support scaffolding of metal.

(260) AM 2020 106197 A
(800) 1503684
(151) 2019 10 24
(891) 2019 10 24
(731) Richter Gedeon Nyrt.
Gyömrői út 19-21, H-1103 Budapest, Hungary
(540)

БАНАВИН

(591) Black, white
(531) 28.05
(511)
5 – Pharmaceutical preparations.

(260) AM 2020 106198 A
(800) 1503693
(151) 2019 10 24
(891) 2019 10 24
(731) Richter Gedeon Nyrt.
Gyömrői út 19-21, H-1103 Budapest, Hungary
(540)

ТАНТАРО

(591) Black, white
(531) 28.05
(511)
5 – Pharmaceutical preparations.

(260) AM 2020 106202 A
(800) 1503771
(151) 2019 08 05
(891) 2019 08 05
(731) Innosilicon Technology Co., Ltd.
D605-610, 99# RenAi Road, SuZhou
Industrial Park, Suzhou, Jiangsu, China
(540)

INNO SILICON

(591) Blue and orange
(531) 27.05.01; 29.01.12
(511)
9 – Digital to analogue converters; chips [integrated circuits]; power switches; electronic semiconductors; microchips [computer hardware]; computer terminals; computer peripheral devices; computer programmes [programs], recorded; security tokens [encryption devices]; radio-frequency identification [RFID] readers; semiconductor memory devices; wafers for integrated circuits; printed circuit boards; electronic power controllers; integrated circuit modules; computer chips; power connectors; electronic circuits; electronic circuit boards; electronic tags for goods; integrated circuit cards [smart cards]; interfaces for computers; central processing units; cabinets adapted to hold computers; radio-frequency identification

[RFID] tags; chip cards; couplers [data processing equipment]; encoded magnetic cards; microprocessors; computer hardware; computer software for encryption; digital signal processors; cards with integrated circuits; electronic chips; connectors for electronic circuits; electronic integrated circuits; electronic chips for the manufacture of integrated circuits; printed circuit boards incorporating integrated circuits; circuit boards; electric power supply sockets; semiconductors; stabilized voltage supply; low-voltage power supplies; high definition graphic chipsets; large-scale integrated circuits; power adapters; data processing apparatus; computer memory devices; integrated circuits; converters for electric plugs.

(260) AM 2020 106203 A

(800) 1503797

(151) 2019 11 06

(891) 2019 11 06

(731) Digi-Key Corporation

701 Brooks Avenue South, Thief River Falls
MN 56701, USA

(540)

DIGI-KEY ELECTRONICS & AUTOMATION

(591) Black, white

(526) "ELECTRONICS" AND "AUTOMATION

(511)

35 – Computerized on-line wholesale and retail store services and distributorship services in the field of electronics, electronic components, hardware, and industrial automation products.

(260) AM 2020 106204 A

(800) 1503805

(151) 2019 10 31

(891) 2019 10 31

(731) Boyarinov Pavel Sergeevich

ul. Kosmonavta Volkova, 13, kor. 2, kv. 55,
RU-127299 Moscow, Russian Federation

(540)

ORTOMAX

(591) Black, white

(511)

20 – Picture frame brackets; bumper guards for cots, other than bed linen; reels, not of metal, non-mechanical, for flexible hoses; pulleys of plastics for blinds; bolts, not of metal; casks of wood for decanting wine; mooring buoys, not of metal; casks, not of metal; barrels, not of metal; identification bracelets, not of metal; sideboards; busts of wood, wax, plaster or plastic; costume stands; bolsters; fans for personal use, non-electric; work benches; vice benches [furniture]; valet stands; coatstands; shoulder poles [yokes]; screws, not of metal; display stands; showcases

[furniture]; newspaper display stands; jewelry organizer displays; collars, not of metal, for fastening pipes; comb foundations for beehives; signboards of wood or plastics; loading gauge rods, not of metal, for railway wagons; nuts, not of metal; covers for clothing [wardrobe]; shoe pegs, not of metal; nesting boxes; coffins; doors for furniture; curtain holders, not of textile material; pegs [pins], not of metal; divans; kennels for household pets; birdhouses; keyboards for hanging keys; display boards; plugs [dowels], not of metal; containers, not of metal, for liquid fuel; troughs, not of metal, for mixing mortar; oil drainage containers, not of metal; packaging containers of plastic; flower-stands [furniture]; curtain tie-backs; clips, not of metal, for cables and pipes; binding screws, not of metal, for cables; clips of plastic for sealing bags; rivets, not of metal; imitation tortoiseshell; locks, not of metal, for vehicles; locks, other than electric, not of metal; bead curtains for decoration; door bolts, not of metal; bottle closures, not of metal; closures, not of metal, for containers; latches, not of metal; mirrors [looking glasses]; hand-held mirrors [toilet mirrors]; bamboo; scratching posts for cats; animal claws; animal hooves; coral; meerscham; whalebone, unworked or semi-worked; stag antlers; tortoiseshell; shells; horn, unworked or semi-worked; animal horns; rattan; corozo; plaited straw, except matting; wickerwork; hampers [baskets] for the transport of items; works of art of wood, wax, plaster or plastic; cabinet work; reeds [plaiting materials]; settees; jerrycans, not of metal; curtain rods; index cabinets [furniture]; drain traps [valves] of plastic; water-pipe valves of plastic; valves, not of metal, other than parts of machines; staves of wood; plastic keys; plastic key cards, not encoded and not magnetic; mats for infant playpens; saw horses; bed casters, not of metal; furniture casters, not of metal; brush mountings; chopping blocks [tables]; wind chimes [decoration]; door bells, not of metal, non-electric; bottle caps, not of metal; cradles; tent pegs, not of metal; curtain rings; split rings, not of metal, for keys; chests of drawers; console tables; containers, not of metal [storage, transport]; floating containers, not of metal; lecterns; dog kennels; bakers' bread baskets; baskets, not of metal; moses baskets; bottle casings of wood; tool boxes, not of metal, empty; faucets, not of metal, for casks; armchairs; hairdressers' chairs; deck chairs; beds; hospital beds; bedsteads of wood; air beds, not for medical purposes; cots for babies; edgings of plastic for furniture; brackets, not of metal, for furniture; screw tops, not of metal, for bottles; table tops; sash fasteners, not of metal, for windows; hooks, not of metal, for clothes rails; curtain hooks; clothes hooks, not of metal; bag hangers, not of metal; beds for household pets; nesting boxes for household pets; ladders of wood or plastics; playpens for babies; mannequins; mattresses; air mattresses, not for medical purposes; camping mattresses; sleeping mats;

furniture; furniture of metal; inflatable furniture; office furniture; school furniture; mobiles [decoration]; door knockers, not of metal; curtain rails; legs for furniture; feet for furniture; house numbers, not of metal, non-luminous; barrel hoops, not of metal; door stops, not of metal or rubber; window stops, not of metal or rubber; moldings for picture frames; bed bases; furniture partitions of wood; freestanding partitions [furniture]; mother-of-pearl, unworked or semi-worked; mirror tiles; ambroid plates; registration plates, not of metal; identity plates, not of metal; loading pallets, not of metal; handling pallets, not of metal; transport pallets, not of metal; head-rests [furniture]; stakes, not of metal, for plants or trees; trestles [furniture]; magazine racks; book rests [furniture]; stands for calculating machines; flower-pot pedestals; plastic ramps for use with vehicles; baby changing mats; pet cushions; pillows; cushions; head support cushions for babies; anti-roll cushions for babies; air cushions, not for medical purposes; air pillows, not for medical purposes; head positioning pillows for babies; removable mats or covers for sinks; racks [furniture]; library shelves; shelves for file cabinets; furniture shelves; shelves for storage; wood ribbon; straw edgings; towel stands [furniture]; hat stands; bathtub grab bars, not of metal; cask stands, not of metal; inflatable publicity objects; counters [tables]; bedding, except linen; corks for bottles; corks; stoppers, not of glass, metal or rubber; sealing caps, not of metal; stair rods; standing desks; embroidery frames; dispensers for dog waste bags, fixed, not of metal; towel dispensers, fixed, not of metal; picture frames; sections of wood for beehives; crucifixes of wood, wax, plaster or plastic, other than jewelry; tanks, not of metal nor of masonry; fodder racks; curtain rollers; door handles, not of metal; knobs, not of metal; fishing baskets; writing desks; seats of metal; benches [furniture]; vats, not of metal; honeycombs; sofas; bungs, not of metal; statues of wood, wax, plaster or plastic; oyster shells; silvered glass [mirrors]; shelving units; ambroid bars; umbrella stands; gun racks; carts for computers [furniture]; dressing tables; washstands [furniture]; tables; typing desks; drafting tables; massage tables; tables of metal; wall-mounted baby changing platforms; saw benches [furniture]; desks; tea carts; dinner wagons [furniture]; steps [ladders], not of metal; chairs [seats]; high chairs for babies; shower chairs; chests, not of metal; placards of wood or plastics; stools; footstools; crates; trolleys [furniture]; straw plaits; mobile boarding stairs, not of metal, for passengers; straw mattresses; decorations of plastic for foodstuffs; beehives; door fasteners, not of metal; window fasteners, not of metal; funerary urns; handheld flagpoles, not of metal; door fittings, not of metal; coffin fittings, not of metal; bed fittings, not of metal; furniture fittings, not of metal; window fittings, not of metal; infant walkers; garment covers [storage]; stuffed animals; stuffed birds; hinges, not

of metal; chaise longues; poles, not of metal; screens [furniture]; filing cabinets; medicine cabinets; plate racks; meat safes; bookcases; wardrobes; cupboards; shoe dowels, not of metal; bamboo curtains; slatted indoor blinds; screens for fireplaces [furniture]; labels of plastic; yellow amber; lockers; chests for toys; tool chests, not of metal, empty; boxes of wood or plastic; bottle racks; coat hangers; reels of wood for yarn, silk, cord; trays, not of metal; step stools, not of metal; winding spools, not of metal, non-mechanical, for flexible hoses; indoor window blinds of woven wood; slatted indoor blinds for windows; window blinds of fabric; letter boxes, not of metal or masonry.

35 – Arranging subscriptions to telecommunication services for others; import-export agency services; commercial information agency services; advertising agency services; cost price analysis; rental of advertising space; business auditing; financial auditing; business intermediary services relating to the matching of potential private investors with entrepreneurs needing funding; employment agency services; computerized file management; book-keeping; invoicing; demonstration of goods; transcription of communications [office functions]; opinion polling; market studies; business information; commercial information and advice for consumers in the choice of products and services; business investigations; business research; marketing research; personnel recruitment; business management and organization consultancy; business organization consultancy; business management consultancy; personnel management consultancy; professional business consultancy; consultancy regarding advertising communication strategies; consultancy regarding public relations communication strategies; layout services for advertising purposes; marketing; marketing in the framework of software publishing; targeted marketing; business management of performing artists; business management of sports people; writing of résumés for others; scriptwriting for advertising purposes; news clipping services; updating and maintenance of information in registries; updating and maintenance of data in computer databases; updating of advertising material; word processing; online retail services for downloadable and pre-recorded music and movies; online retail services for downloadable ring tones; online retail services for downloadable digital music; organization of exhibitions for commercial or advertising purposes; arranging newspaper subscriptions for others; organization of fashion shows for promotional purposes; organization of trade fairs for commercial or advertising purposes; shop window dressing; design of advertising materials; business appraisals; payroll preparation; data search in computer files for others; sponsorship search; administrative assistance in responding to calls for tenders; business management assistance; commercial or indus-

trial management assistance; providing business information via a web site; provision of commercial and business contact information; web indexing for commercial or advertising purposes; economic forecasting; auctioneering; retail services for works of art provided by art galleries; sales promotion for others; promotion of goods and services through sponsorship of sports events; production of teleshopping programmes; production of advertising films; office machines and equipment rental; rental of advertising time on communication media; publicity material rental; rental of billboards [advertising boards]; rental of vending machines; rental of sales stands; rental of photocopying machines; publication of publicity texts; radio advertising; bill-posting; distribution of samples; dissemination of advertising matter; direct mail advertising; registration of written communications and data; writing of publicity texts; advertising; online advertising on a computer network; advertising by mail order; television advertising; document reproduction; compilation of statistics; compilation of information into computer databases; business inquiries; systemization of information into computer databases; advisory services for business management; negotiation of business contracts for others; negotiation and conclusion of commercial transactions for third parties; compiling indexes of information for commercial or advertising purposes; tax preparation; drawing up of statements of accounts; telemarketing services; psychological testing for the selection of personnel; wholesale services for pharmaceutical, veterinary and sanitary preparations and medical supplies; retail services for pharmaceutical, veterinary and sanitary preparations and medical supplies; interim business management; business management of hotels; business management for freelance service providers; business project management services for construction projects; commercial administration of the licensing of the goods and services of others; business management of reimbursement programs for others; administration of consumer loyalty programs; administration of frequent flyer programs; administrative processing of purchase orders; public relations; competitive intelligence services; modelling for advertising or sales promotion; typing; market intelligence services; appointment reminder services [office functions]; web site traffic optimization; relocation services for businesses; tax filing services; search engine optimization for sales promotion; appointment scheduling services [office functions]; gift registry services; price comparison services; secretarial services; procurement services for others [purchasing goods and services for other businesses]; shorthand; outsourcing services [business assistance]; telephone answering for unavailable subscribers; photocopying services; business efficiency expert services; commercial intermediation services; provision of an online marketplace for buyers and sellers of goods and services;

presentation of goods on communication media, for retail purposes; outsourced administrative management for companies; pay per click advertising; retail and wholesale services; retail and wholesale store services; online ordering services; retail services provided by means of mail order catalogs; retail services provided by television stores or internet web sites.

(260) AM 2020 106205 A
 (800) 1503816
 (151) 2019 10 21
 (891) 2019 10 21
 (731) Azerbaijan Tourism Board
 96E Nizami street, Landmark I, Azerbaijan,
 AZ-1010 Baku, Azerbaijan
 (540)



TAKE ANOTHER LOOK

(591) Purple, dark salmon, red and white
 (531) 26.07.01; 27.05.09; 29.01.13
 (511)
 35 – Advertising, marketing and promotional services; business analysis, research and information services; business assistance, management and administrative services.
 39 – Distribution by pipeline and cable; packaging and storage of goods; rental services related to transportation and storage; transport; vehicle parking and storage; parking and vehicle storage, mooring.
 41 – Education, entertainment and sport services; translation and interpretation; publishing and reporting; education, entertainment and sports.
 43 – Boarding for animals; provision of food and drink; rental of furniture, linens, table settings, and equipment for the provision of food and drink; temporary accommodation; providing temporary accommodation; services for providing food and drink.

(260) AM 2020 106206 A
 (800) 1503820
 (151) 2019 08 05
 (891) 2019 08 05
 (731) Xi'an ChunHeFang Import & Export Co., Ltd.
 Room 40702, Unit 4, Building 2, No. 31,
 Zhangba 2nd Road, Hi-tech Industries
 Development Zone, Xi'an City, Shaanxi
 Province, China

(540)

Chins lickING

(591) Black, white

(531) 27.05.01

(511)

29 – Fruit-based snack food; vegetables, preserved; nuts, prepared; eggs; tahini [sesame seed paste]; dried meat; meat; edible fats; dried edible mushrooms; fruits, tinned.

30 – Dried noodles; sauces [condiments]; tea; peppers [seasonings]; honey; bread; cereal-based snack food; cereal bars; instant noodles; seasonings.

31 – Fruit, fresh; cereal seeds, unprocessed; vegetables, fresh; oats; edible sesame, unprocessed; nuts [fruits].

32 – Soda pops; vegetable juices [beverages]; non-alcoholic fruit juice beverages; beer; orgeat; mineral water [beverages].

33 – Fruit extracts, alcoholic; spirits [beverages]; wine; mead [hydromel]; alcoholic beverages, except beer; baijiu [Chinese distilled alcoholic beverage]; alcoholic beverages containing fruit; kirsch; rice alcohol; yellow rice wine.

(260) AM 2020 106209 A

(800) 1503862

(151) 2019 10 16

(891) 2019 10 16

(731) Flora Scherer

Elsavatalstraße 96, 63820 Elsenfeld, Germany

(540)

amuro

(591) Black, white

(511)

3 – Non-medicated toiletries, in particular perfumery and cosmetics; essential oils and aromatic extracts.

(260) AM 2020 106210 A

(800) 1503873

(151) 2019 10 16

(891) 2019 10 16

(731) INNER MONGOLIA KUNMING CIGARETTE LIMITED LIABILITY COMPANY

NO.19 Daerdeng North Road, Saihan District, Huhhot City, 010020 Inner Mongolia Autonomous Region, China

(540)

冬虫夏草
Dong Chong Xia Cao

(591) Black, white

(531) 27.05.01; 28.03

(511)

34 – Tobacco; chewing tobacco; cigarettes containing tobacco substitutes, not for medical purposes; cigarettes; electronic cigarettes; pipe tobacco; tobacco powder; snuff; cigars; cigarillos.

(260) AM 2020 106212 A

(800) 1503898

(151) 2019 10 10

(891) 2019 10 10

(731) St. Jakobsbellerei Schuler & Cie AG Schwyz

ehemals Johann Jakob Castell & Cie

Franzosenstrasse 14, CH-6423 Seewen,

Switzerland

(540)

noa NOAH OF ARENI

(591) Black, white

(511)

33 – Wines.

(260) AM 2020 106213 A

(800) 1504047

(151) 2019 11 11

(891) 2019 11 11

(731) YOUTH TO THE PEOPLE INC.

480 MCCORMICK STREET, SAN

LEANDRO CA 94577, USA

(540)

YOUTH TO THE PEOPLE

(591) Black, white

(511)

3 – Beauty masks; beauty serums; cosmetics and cosmetic preparations; eye cream; facial moisturizers; facial washes; night cream; non-medicated skin care preparations, namely, creams, lotions, gels, toners, cleansers and peels; non-medicated skin care preparations; skin cleansers; skin moisturizer; skin toners; after-shave; aloe vera preparations for cosmetic purposes; bar soap; bath bombs; bath soaps; bb creams; blush; body butter; body cream; body lotion; body scrubs; body sprays; body wash; bubble bath; cc creams; cold creams; cosmetic oils; cosmetic preparations for body care; deodorants and antiperspirants; depilatories; depilatory preparations; dry shampoos; essential oils; exfoliant creams; eye make-up; eye shadow; eyebrow cosmetics; eyebrow gel; eyeliner; face powder; foot scrubs; foundation; hair care creams; hair care lotions; hair care preparations; hair coloring preparations; hair dye; hair masks; hair mousse; hair oils; hair shampoos and conditioners; hair sprays and hair gels; hair styling preparations; hair texture cream; hair waving prepa-

rations; heat protectant sprays for hair; lip balm; lip gloss; lip liner; lipstick; make-up pencils; make-up primer; make-up remover; mascara; perfumes and colognes; shaving creams; shaving gels; shaving lotions; shaving preparations; shower and bath gel; sun screen; sun screen preparations; wipes impregnated with a skin cleanser; non-medicated lip care preparations; non-medicated soaps; skin bronzer.

(260) AM 2020 106216 A
(800) 1504086
(151) 2019 11 08
(891) 2019 11 08
(731) Limited liability company "MISMA PET"
Koptevskaya Street, 67, RU-125239 Moscow,
Russian Federation
(540)



(591) Black, white
(531) 03.01.06; 03.01.08; 03.01.16; 27.05.01
(511)
31 – Dog biscuits; edible chews for animals; animal foodstuffs; pet food; bird food; strengthening animal forage; beverages for pets; litter for animals.

(260) AM 2020 106217 A
(800) 1504128
(151) 2019 08 20
(891) 2019 08 20
(731) Open-Type Joint Stock Company "ROT FRONT"
2-oy Novokuznetskiy pereulok, d. 13/15,
RU-115184 Moscow, Russian Federation
(540)

ECO-BOTANICA CMYBII

(591) Black, white
(531) 27.05.01; 28.05
(511)
30 – Waffles with smoothie or smoothie taste or smoothie flavor; fruit jellies [confectionery] with smoothie or smoothie taste or smoothie flavor; pastries with smoothie or smoothie taste or smoothie flavor; caramels [candy] with smoothie or smoothie taste or smoothie flavor; sweetmeats [candy] with smoothie or smoothie taste or smoothie flavor; dessert mousses [confectionery] with smoothie or smoothie taste or smoothie flavor; muesli with smoothie or smoothie taste or smoothie flavor; biscuits with smoothie or smoothie taste or smoothie flavor; gingerbread with smoothie or smoothie taste or smoothie flavor; chips [cereal products] with smoothie or

smoothie taste or smoothie flavor; chocolate with smoothie or smoothie taste or smoothie flavor.

(260) AM 2020 106218 A
(800) 1504152
(151) 2019 10 29
(891) 2019 10 29
(731) August Storck KG
Waldstraße 27, 13403 Berlin, Germany
(540)
Мамба Фрумеладки Молочные привидения
(591) Black, white
(531) 28.05
(511)
30 – Confectionery; chocolate; chocolate products; pastries; ice-cream; preparations for making the aforementioned products, included in this class.

(260) AM 2020 106219 A
(800) 1504153
(151) 2019 10 29
(891) 2019 10 29
(731) August Storck KG
Waldstraße 27, 13403 Berlin, Germany
(540)

Mamba Frumeladki Milkghosts

(591) Black, white
(511)
30 – Confectionery; chocolate; chocolate products; pastries; ice-cream; preparations for making the aforementioned products, included in this class.

(260) AM 2020 106221 A
(800) 1504168
(151) 2019 05 08
(891) 2019 05 08
(731) Dörentrup Feuerfestprodukte GmbH & Co.
KG
Lemgoer Str. 9, 32694 Dörentrup, Germany
(540)

DFP

(591) Black, white
(511)
7 – Machines for processing refractory materials; mechanically, operated tamping tools, vibrating devices and stencil turning devices; vibrators for the side wall of crucible induction furnaces; two-arm and three-arm automatic vibrators; vibratory lifting devices; bottom vibratory plates; compressed air vibrators (parts of machines); electric vibrators (parts of machines); backfilling compound compressors; cru-

cible lifting devices; compulsory mixers (parts of machines); spraying machines.

11 – Crucibles as a part for metal melting furnaces, prefabricated crucibles, furnace linings; all the aforementioned goods for industrial furnaces, mainly crucible induction furnaces, cupolas and rotary drum furnaces, melting, holding and pouring furnaces.

19 – Refractory lining materials, not of metal, based on siliceous, aluminous, basic raw materials containing carbon, zirconium and silicon carbide or a combination of these raw materials for lining of metal melting furnaces; refractory furnace linings, not of metal, namely for distributors for molten metal (tundish), inductors (coils), ladles, fore hearths, converters, gutters.

37 – Repair and maintenance services relating to metal melting furnaces and parts therefor; installation services relating to metal melting furnaces and parts therefor.

40 – Custom-specific production of goods and fittings by molding of refractory materials for industrial furnaces and metal melting furnaces.

42 – Technical diagnostic testing services relating to the functionality of furnace linings; testing the functionality of furnace linings during maintenance services.

(260) AM 2020 106222 A
(800) 1504179
(151) 2019 10 10
(891) 2019 10 10
(731) TORRE ZAMBRA S.R.L.
Viale Regina Margherita, 24, I-66010
Villamagna (CH), Italy
(540)



TORRE ZAMBRA

(591) Gold and black
(531) 24.09.05; 25.01.25; 27.05.09; 27.05.10;
27.05.22; 27.07.01; 29.01.13
(511)
33 – Wine.

(260) AM 2020 106224 A
(800) 1504217
(151) 2019 11 22
(891) 2019 11 22
(731) YINGCHANG GROUP CO., LTD.
DUQIAO, LINHAI, TAIZHOU CITY,
ZHEJIANG, China

(540)

帕 莎

(591) Black, white
(531) 28.03
(511)
9 – Eyeglasses; sunglasses; eyeglass frames; spectacle frames; eyeglass cords; contact lenses; spectacle cases; optical glass; spectacle lenses; lens cases.

(260) AM 2020 106228 A
(800) 1504239
(151) 2019 08 26
(891) 2019 08 26
(731) Aero Capital Solutions, Inc.
3700 N. Capital of Texas Hwy, Suite 530,
Austin TX 78746, USA

(540)



(591) Black, white
(531) 18.05.01; 18.05.03; 26.11.21; 27.05.10;
27.05.11
(526) AERO CAPITAL SOLUTIONS
(511)

35 – Business management of transportation fleets for others; wholesale and retail distributorships featuring aircraft, aircraft engines and aircraft parts; business intermediary services, namely, facilitating the channeling of funds between lenders and borrowers by connecting those having a financial surplus with those having a financial deficit concerning the purchase of aircraft, aircraft engines and parts of aircraft; providing office functions concerning portfolio management of leased aircraft and aircraft parts; business management services for airlines, aircraft owners and aircraft investors; business marketing for aircraft, aircraft engines and parts.

(260) AM 2020 106235 A
(800) 1504422
(151) 2019 10 31
(891) 2019 10 31
(731) Tovarystvo z obmezheniou
vidpovidalnistiu "Plastics-Ukraine"
vul. Polyarna, bud. 20-V, m.Kyiv 04201,
Ukraine
(540)

PLASTICS

(591) Black, white

(511)

35 – Administrative assistance in responding to calls for tenders/administrative assistance in responding to requests for proposals [RFPs]; administrative processing of purchase orders; administration of consumer loyalty programs; administration of frequent flyer programs; cost price analysis; business auditing; financial auditing; auctioneering; outsourced administrative management for companies; book-keeping/accounting; web indexing for commercial or advertising purposes, negotiation of business contracts for others; market studies; opinion polling; invoicing.

(260) AM 2020 106236 A

(800) 1504482

(151) 2019 11 22

(891) 2019 11 22

(731) Zhejiang Furuipu Building Materials Import and Export Co., Ltd.

Room 22008, Yuejiang Business Centre, No. 857, Xincheng Road, Binjiang District, Hangzhou City, Zhejiang Province, China

(540)



(591) Black, white

(531) 26.11.01; 26.11.13; 27.05.01

(511)

6 – Nozzles of metal; elbows of metal for pipes; junctions of metal for pipes; valves of metal, other than parts of machines, including those made from alloy steel and titanium; pipework of metal; branching pipes of metal; penstock pipes of metal; ironmongery; hooks of metal for clothes rails; poles of metal.

11 – Floor drains; cocks for pipes and pipelines; heaters for baths; flushing apparatus; sanitary apparatus and installations; air conditioning installations; water purification installations; taps [faucets]; water taps; hot water heating installations.

(260) AM 2020 106237 A

(800) 1504501

(151) 2019 09 25

(891) 2019 09 25

(731) NIBEC Co., Ltd.

116, Bamdi-gil, Iwol-myeon, Jincheon-gun, Chungcheongbuk-do, 27816, Republic of Korea

(540)



(591) Black, white

(511)

10 – Membranes for use in regenerating periodontal tissue; artificial mucous membrane; artificial neural tube; artificial teeth; bone prostheses; artificial skin.

35 – Wholesale store services featuring disinfectants for dental and medical apparatus and instruments; wholesale store services featuring topical gels for medical and therapeutic purposes; wholesale store services featuring gargles for medical purposes; wholesale store services featuring medicated mouth care and treatment preparations; wholesale store services featuring medicated mouth care preparations; wholesale store services featuring mouthwashes for medical purposes; wholesale store services featuring medicated mouth washes; wholesale store services featuring mouthwashes [gargles] for medical purposes; wholesale store services featuring breath refreshers for medical purposes; wholesale store services featuring medicated mouth treatment preparations; wholesale store services featuring medicated oral care gels; wholesale store services featuring mouth cavity cleansers for medical purposes; wholesale store services featuring stem cells for medical purposes; wholesale store services featuring medicated anti-cavity mouthwashes; wholesale store services featuring medicated anti-cavity dental rinses; wholesale store services featuring anti-cavity mouth rinses for medical purposes; wholesale store services featuring medicated dentifrices; wholesale store services featuring collagen for medical purposes; wholesale store services featuring medicated creams; wholesale store services featuring antibacterial substances for medical purposes; wholesale store services featuring adhesive skin patches for medical use; wholesale store services featuring bone cements for orthopaedic purposes; wholesale store services featuring composite materials for dental and dental technical purposes; wholesale store services featuring dental cements; wholesale store services featuring materials for dental fillings and for stopping purposes; wholesale store services featuring materials for dental fillings; wholesale store services featuring teeth filling material; wholesale store services featuring material for repairing teeth; wholesale store services featuring implants [prosthesis] for use in bone grafting; wholesale store services featuring bone graft materials; wholesale store services featuring substitutes for bones/cartilage/ligaments and tendons; wholesale store services featuring biological bone implant material; wholesale store services featuring artificial bone materials of ceramics; wholesale store services featuring medical apparatus and instruments for cartilage restoration; wholesale store services featuring medical apparatus and instruments for use in surgery; wholesale store services featuring pharmaceutical preparations for the prevention of osteoporosis; wholesale store services featuring pharmaceutical prepara-

rations for the treatment of osteoporosis; wholesale store services featuring preparations for the treatment of osteoporosis; wholesale store services featuring medical apparatus and instruments for arthritis treatment.

42 – Scientific research for medical purposes in the area of cancerous diseases; development of pharmaceutical preparations and medicines; laboratory research in the field of pharmaceuticals; pharmaceutical products development; pharmaceutical research and development; pharmaceutical drug development services; scientific research in the field of pharmacy; analysis of peptide for medical research purposes; research and development of peptide for medical purposes; research and development of protein for medical products.

(260) AM 2020 106238 A

(800) 1504507

(151) 2019 10 18

(891) 2019 10 18

(731) "ArtGrand" Limited Liability Company
9ZH Zhurnalystov str., Dnepr city 49005,
Ukraine

(540)

DINASTIA

(591) Black, white

(531) 27.05.02

(511)

1 – Glue for industrial purposes; adhesives for paperhanging / adhesives for wallpaper; adhesives for industrial purposes; gum solvents / degumming preparations; separating and unsticking [ungluing] preparations / ungluing preparations / unsticking and separating preparations; wallpaper removing preparations.

27 – Decorative wall hangings, not of textile; wallpaper; textile wallpaper.

(260) AM 2020 106239 A

(800) 1504510

(151) 2019 06 21

(891) 2019 06 21

(731) SUKHOMLYN OLIIA YURIIVNA

Vul. Obolonska Nabereziina, 7, korp.4, kv 1,
m. Kyiv 04211, Ukraine;

LABZA NATALIYA YURIIVNA

Vul. Mykhaila Lobanovskoho, 28, Kv.76

S. Chaiky, Kyievo-Sviatoshynskiy raion,
Kyivska obl. 08135, Ukraine;

SUKHOMLYN MAKSYM

OLEKSANDROVYCH

vul. Kichkarivska, 42, m. Lutsk, Volynska obl.
43016, Ukraine

(540)



(591) Black, white

(531) 18.04.02; 19.07.01; 19.07.23; 27.05.08;
27.05.09; 27.05.10

(511)

32 – Aerated water; aloe vera drinks, non-alcoholic; aperitifs, non-alcoholic; barley wine [beer]; beer; beer-based cocktails; beer wort; cider, non-alcoholic; cocktails, non-alcoholic; energy drinks; essences for making beverages; extracts of hops for making beer; fruit juices; fruit nectars, non-alcoholic; ginger beer; grape must, unfermented; isotonic beverages; kvass [non-alcoholic beverage]; lemonades; lithia water; malt beer; malt wort; mineral water [beverages]; must; non-alcoholic beverages; non-alcoholic beverages flavored with coffee; non-alcoholic beverages flavored with tea; non-alcoholic fruit extracts; non-alcoholic fruit juice beverages; non-alcoholic honey-based beverages; non-alcoholic preparations for making beverages; orgeat; pastilles for effervescing beverages; powders for effervescing beverages; preparations for making aerated water; protein-enriched sports beverages; rice-based beverages, other than milk substitutes; sarsaparilla [non-alcoholic beverage]; seltzer water; sherbets [beverages]; smoothies; soda water; soft drinks; soya-based beverages, other than milk substitutes; syrups for beverages; syrups for lemonade; table waters; tomato juice [beverage]; vegetable juices [beverages]; waters [beverages]; whey beverages.

33 – Alcoholic beverages containing fruit; alcoholic beverages, except beer; alcoholic essences; alcoholic extracts; anise [liqueur]; anisette [liqueur]; aperitifs; arrack [arak]; baijiu [Chinese distilled alcoholic beverage]; bitters; brandy; cider; cocktails; curacao; digesters [liqueurs and spirits]; distilled beverages; fruit extracts, alcoholic; gin; kirsch; liqueurs; mead [hydromel]; nira [sugarcane-based alcoholic beverage]; peppermint liqueurs; perry; piquette; pre-mixed alcoholic beverages, other than beer-based; rice alcohol; rum; sake; spirits [beverages]; vodka; whisky; wine.

retarial services; procurement services for others [purchasing goods and services for other businesses]; shorthand; outsourcing services [business assistance]; telephone answering for unavailable subscribers; photocopying services; business efficiency expert services.

37 – Construction; repair; installation services; asphaltting; drilling of deep oil or gas wells; drilling of wells; rebuilding engines that have been worn or partially destroyed; rebuilding machines that have been worn or partially destroyed; renovation of clothing; retreading of tires; vulcanization of tires [repair]; building sealing; linen ironing; pressing of clothing; disinfecting; rat exterminating; mining extraction; refilling of toner cartridges; vehicle battery charging; knife sharpening; building insulating; repair information; construction information; bricklaying; riveting; construction consultancy; varnishing; re-tinning; scaffolding; road paving; window cleaning; vehicle washing; building construction supervision; tuning of musical instruments; upholstering; rustproofing; anti-rust treatment for vehicles; sanding; pumicing; strong-room maintenance and repair; vehicle maintenance; paper hanging; painting or repair of signs; cleaning of buildings [exterior surface]; vehicle polishing; vehicle breakdown repair services; rental of bulldozers; rental of drainage pumps; rental of dish drying machines; rental of road sweeping machines; rental of cleaning machines; rental of cranes [construction equipment]; rental of dishwashing machines; rental of laundry washing machines; rental of construction equipment; rental of excavators; laying of cable; plumbing; masonry; roofing services; painting, interior and exterior; carpentry services; underwater repair; plastering; quarrying services; repair of security locks; umbrella repair; parasol repair; motor vehicle maintenance and repair; burner maintenance and repair; film projector repair and maintenance; airplane maintenance and repair; safe maintenance and repair; clock and watch repair; repair of power lines; pump repair; upholstery repair; shoe repair; clothing repair; photographic apparatus repair; furniture restoration; restoration of musical instruments; restoration of works of art; vehicle greasing; demolition of buildings; warehouse construction and repair; vehicle service stations [refuelling and maintenance]; sterilization of medical instruments; washing; washing of linen; pier breakwater building; pipeline construction and maintenance; underwater construction; harbour construction; factory construction; building of fair stalls and shops; shipbuilding; cleaning of buildings [interior]; street cleaning; vermin exterminating, other than for agriculture, aquaculture, horticulture and forestry; tire balancing; pest control services, other than for agriculture, aquaculture, horticulture and forestry; hydraulic fracturing services; artificial snow-making services; laundering; installation of doors and win-

dows; irrigation devices installation and repair; elevator installation and repair; heating equipment installation and repair; burglar alarm installation and repair; furnace installation and repair; telephone installation and repair; installation and repair of air-conditioning apparatus; fire alarm installation and repair; freezing equipment installation and repair; electric appliance installation and repair; kitchen equipment installation; installation, maintenance and repair of computer hardware; machinery installation, maintenance and repair; office machines and equipment installation, maintenance and repair; interference suppression in electrical apparatus; swimming-pool maintenance; furniture maintenance; chimney sweeping; boiler cleaning and repair; cleaning of clothing; dry cleaning; vehicle cleaning; diaper cleaning; leather care, cleaning and repair; fur care, cleaning and repair.

42 – Scientific and technological services and research and design relating thereto; industrial analysis and industrial research services; design and development of computer hardware and software; water analysis; computer system analysis; handwriting analysis [graphology]; chemical analysis; energy auditing; recovery of computer data; interior design; industrial design; graphic arts design; computer virus protection services; oil-field surveys; geological surveys; engineering; installation of computer software; meteorological information; clinical trials; material testing; textile testing; bacteriological research; biological research; geological research; cosmetic research; mechanical research; chemical research; research in the field of environmental protection; research and development of new products for others; scientific research; analysis for oil-field exploitation; underwater exploration; calibration [measuring]; web site design consultancy; computer security consultancy; information technology [IT] consultancy; consultancy in the design and development of computer hardware; architectural consultancy; Internet security consultancy; computer software consultancy; data security consultancy; technological consultancy; oil-well testing; quality control; vehicle roadworthiness testing; land surveying; dress designing; updating of computer software; monitoring of computer systems to detect breakdowns; monitoring of computer systems for detecting unauthorized access or data breach; monitoring of computer systems by remote access; software as a service [SaaS]; maintenance of computer software; authenticating works of art; design of interior decor; quality evaluation of standing timber; quality evaluation of wool; digitization of documents [scanning]; conversion of data or documents from physical to electronic media; urban planning; providing information on computer technology and programming via a web site; provision of scientific information, advice and consultancy in relation to carbon offsetting; providing search engi-

nes for the Internet; conversion of computer programs and data, other than physical conversion; conducting technical project studies; computer system design; rental of web servers; computer rental; rental of computer software; unlocking of mobile phones; geological prospecting; oil prospecting; hosting computer sites [web sites]; server hosting; construction drafting; computer software design; cloud seeding; consultancy in the field of energy-saving; creating and designing website-based indexes of information for others [information technology services]; creating and maintaining web sites for others; computer programming; technical writing; copying of computer programs; cloud computing; architectural services; chemistry services; outsource service providers in the field of information technology; packaging design; off-site data backup; computer technology consultancy; telecommunications technology consultancy; scientific laboratory services; weather forecasting; styling [industrial design]; cartography services; data encryption services; research in the field of physics; electronic data storage; surveying; electronic monitoring of credit card activity to detect fraud via the Internet; electronic monitoring of personally identifying information to detect identity theft via the Internet.

(260) AM 2020 106242 A
 (800) 1504547
 (151) 2019 11 22
 (891) 2019 11 22
 (731) VENIPHARM
 4 Bureaux de la Colline, F-92213 SAINT
 CLOUD, France
 (540)

LEDRAXEN

(591) Black, white
 (511)
 5 – Pharmaceutical products and preparations; medicines for human medicine.

(260) AM 2020 106243 A
 (800) 1504605
 (151) 2019 11 08
 (891) 2019 11 08
 (731) Asian Electric Appliances & Cables
 Technology Co., Ltd.
 Building A-3, Area A, Hegui Industrial Zone,
 Lishui Town, Nanhai District, Foshan
 City, Guangdong Province, China
 (540)

亚洲电缆

(591) Black, white
 (531) 28.03
 (511)
 9 – Copper wire, insulated; materials for electricity mains [wires, cables]; coaxial cables; fibre optic cables; switches, electric; magnetic wires; identification threads for electric wires; junction sleeves for electric cables; sheaths for electric cables; transformers.

(260) AM 2020 106244 A
 (800) 1504621
 (151) 2019 11 01
 (891) 2019 11 01
 (731) Apple Inc.
 One Apple Park Way, Cupertino CA 95014,
 USA
 (540)

AIRPODS PRO

(591) Black, white
 (511)
 9 – Wireless communication devices for the transmission of voice, data, and audio content; peripheral devices for computers, mobile telephones, mobile electronic devices, wearable electronic devices, smart watches, set-top boxes, and audio and video players and recorders; wearable peripherals for use with computers, mobile telephones, mobile electronic devices, smart watches, televisions, set-top boxes, and audio and video players and recorders; sound reproducing apparatus; digital audio players; voice recording and voice recognition apparatus; earphones; headphones; electronic connectors, couplers, chargers, docks, docking stations, and adapters for use with all of the aforesaid goods; microphones; audio speakers; radios; radio transmitters and receivers; remote controls for controlling computers, mobile telephones, mobile electronic devices, wearable electronic devices, smart watches, audio and video players and recorders, televisions, speakers, home theatre systems, and entertainment systems; wearable devices for controlling computers, mobile telephones, mobile electronic devices, smart watches, audio and video players and recorders, televisions, speakers, home theatre systems, and entertainment systems; interfaces for computers, computer peripherals, mobile telephones, mobile digital electronic devices, wearable electronic devices, smart watches, televisions, set-top boxes, and audio and video players and recorders; cases for wearable electronic devices, earphones, and headphones; electronic voice command and recognition apparatus for controlling the operations of consumer electronics devices.

(260) AM 2020 106245 A
 (800) 1504724
 (151) 2019 10 22
 (891) 2019 10 22
 (731) CHIARA LEOMBRUNI & C. S.A.S.
 Viale Bettino Craxi, 1, I-63812 Montegranaro
 (FM), Italy
 (540)

la Cabala

(591) Black, white
 (531) 27.05.01
 (511)
 18 – Bags.
 25 – Footwear.

(260) AM 2020 106246 A
 (800) 1504742
 (151) 2019 11 08
 (891) 2019 11 08
 (731) APPLE INC.
 One Apple Park Way, Cupertino CA 95014,
 USA
 (540)



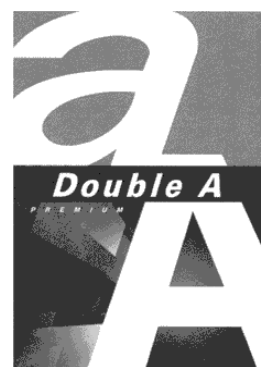
(591) The color(s) yellow, light olive green, dark olive green and black is/are claimed as a feature of the mark
 (531) 02.09.06; 26.01.16; 29.01.13
 (511)
 9 – Downloadable and recorded computer software that monitors ambient noise levels to help prevent hearing loss; Downloadable and recorded computer software for measuring, tracking, and reporting ambient noise.

(260) AM 2020 106247 A
 (800) 1504762
 (151) 2019 11 21
 (891) 2019 11 21
 (731) Avon Products, Inc.
 1 Avon Place, Suffern NY 10901, USA
 (540)

**AVON ANEW
 PROTINOL**

(591) Black, white
 (511)
 3 – Toiletries; skin care preparations; body and beauty care preparations; powders, cleansers, creams and lotions; cosmetic suntan preparations; soaps; shower and bath preparations; beauty masks; talcum powder; nail polish; nail polish remover; false nails; adhesives for cosmetic purposes; cosmetics; eye cream; eye gels; eye lotions; eye make-up remover; eye shadow; eye liner; mascara; lipstick; lip liner; lip-gloss; make-up foundation; blusher; tissues impregnated with cosmetic lotions; cotton sticks for cosmetic purposes; cotton wool for cosmetic purposes; preparations for cleaning, moisturising, colouring and styling the hair; preparations for cleaning the teeth; shaving and aftershave preparations; perfumes; fragrances; toilet waters; cologne; deodorants for human beings; anti-perspirants for personal use (toiletries); essential oils (cosmetic).

(260) AM 2020 106249 A
 (800) 1504784
 (151) 2019 08 14
 (891) 2019 08 14
 (731) Double A (1991) Public Company Limited
 1 Moo 2, Thatoom, Srimahaphote,
 Prachinburi, Thailand, Thailand
 (540)



(591) Black, white
 (531) 27.05.02; 27.05.21; 27.05.25
 (511)
 16 – File folders (office requisites); clip folders; ring binders; plastic folders for stationery use; alphabet stencils; drawing rulers; erasers; staples; paper fasteners; notebooks; scratch pads; diaries; pencil leads; pen ink refills; typewriter paper; paper for photocopying; paper for computer printers; facial tissues of paper; paper handkerchiefs; hand towels of paper; toilet paper; multipurpose paper; uncoated paper; bond paper for printing; bond paper for writing; glue for household or stationery purpose; paper-clips; office staplers; plastic envelopes for stationery use; indexes; document indexes; pencils; clutch pencils; index dividers; correction tapes (office requisites); pens; marker pens; correction pens; ballpoint pens;

whiteboard marker pens; highlighter pens; folders (stationery).

(260) AM 2020 106250 A
 (800) 1504853
 (151) 2019 07 11
 (891) 2019 07 11
 (731) Joint Venture Joint-Stock Company
 "Kommunarka"
 ul. Aranskaya 18, 220033 Minsk, Belarus
 (540)



(591) Red, yellow, green, light-blue, blue, lilac, orange, pink, white and black
 (531) 05.05.20; 05.13.01; 05.13.25; 26.04.05; 26.04.14; 26.04.15; 26.04.16; 28.05; 29.01.15
 (511)
 30 – Cocoa; confectionery; waffles; confectionery for decorating christmas trees; pastries; peanut confectionery; almond confectionery; caramels; sweetmeats; liquorice namely confectionery; peppermint sweets; crackers; candy; cocoa beverages with milk; chocolate beverages with milk; chocolate-based beverages; cocoa-based beverages; pastilles namely confectionery; cookies; fondants namely confectionery; pralines; gingerbread; powdered sugar; sugar confectionery; cakes; tarts; halvah; chocolate; dessert soufflés; souffles covered with chocolate.

(260) AM 2020 106251 A
 (800) 1504894
 (151) 2019 08 29
 (891) 2019 08 29
 (731) SIA Social Impact gemeinnützige GmbH
 Lindengasse 56/18-19, A-1070 Wien, Austria
 (540)



(591) Light blue, blue, dark blue, turquoise and red
 (531) 01.15.15; 01.15.21; 26.13.25; 27.05.01; 29.01.13

(511)
 35 – Advertising; providing business management start-up support for other businesses; business intermediary services relating to the matching of potential private investors with entrepreneurs needing funding; professional business consulting; business organisation consulting; arranging of commercial and business contacts.

36 – Financial advice; financial sponsorship and financing of developing and newly established businesses; venture capital funding services to emerging and start-up companies.

41 – Education; providing of training and further training; entertainment; sporting and cultural activities; distance learning services provided online; issuing of educational awards; organisation of competitions and awards; arranging and conducting of workshops, lectures (training); providing electronic publications (not downloadable), especially in the field of start-ups, innovations, youth empowerment; production of course materials to be distributed at seminars for professionals; coaching [training]; academic support for business founders.

(260) AM 2020 106252 A
 (800) 1504910
 (151) 2019 07 19
 (891) 2019 07 19
 (731) DASTY ITALY S.P.A.
 Via Fratelli Kennedy 13, I-24060 Bagnatica
 (Bergamo), Italy
 (540)



(591) Red
 (531) 27.05.03; 27.05.17; 29.01.01
 (511)
 3 – Cleaning and fragrancing preparations; laundry preparations; detergents; scouring liquids; grease-removing preparations; mould-removing preparations; stain removers; degreasing sprays; abrasives; fabric softeners for laundry use; vehicle cleaning preparations; lime removers.

5 – Sanitary preparations and articles; pest control preparations and articles; antiseptics; antiseptic cleansers; disinfectants; anti-bacterial preparations; germicidal detergents; disinfectant soap; biocides; fungicides; air purifying preparations and air deodorising preparations; medicated and sanitising soaps and detergents.

21 – Household cleaning utensils; cleaning combs; cleaning articles; polishing gloves; brooms; sponges; cleaning brushes for household purposes.

(260) AM 2020 106253 A

(800) 1504932

(151) 2019 10 16

(891) 2019 10 16

(731) Mr. Amirreza Sabetpey

Ground Floor, No. 41, Shahid Abolfazl
Mirjafari Alley, Shahid Eslami Alley,
Khorasan Sq., Tehran, Islamic Republic
of Iran

(540)



(591) Blue, red and yellow

(531) 26.01.02; 26.01.03; 26.01.19; 27.05.07; 28.01;
29.01.13

(511)

29 – Sausages; hot dog sausages; prepared meals (salad Olivier) consisting primarily of poultry or vegetables (potato) and prepared meals (eggplant curd) consisting primarily of eggplants or whey; felafel.

30 – Mayonnaise; pasta; macaroni; spaghetti; ketchup [sauce]; sandwiches; sauces [condiments]; macaroni salad.

35 – Export agency services for the goods related to sausages, hot dog sausages, prepared meals, mayonnaise, pasta, macaroni, spaghetti, ketchup [sauce], sandwiches, sauces [condiments], felafel, macaroni salad.

(260) AM 2020 106254 A

(800) 1504950

(151) 2019 10 15

(891) 2019 10 15

(731) Huizhou Qibei Technology Co., Ltd.

Room 08, 10th Floor, 2-A GH Mall, No. 11
Yanda Avenue, Huizhou, Guangdong, China

(540)

Harmony

(591) Black, white

(531) 27.05.01

(511)

9 – Set-top boxes; television cameras; cameras [photography]; smartphones; graphics accelerators; com-

puter central processing units; tablet computers; notebook computers; computers; data processing apparatus; computer memory devices; processors [central processing units]; laptop computers; computer hardware; humanoid robots with artificial intelligence; wearable computers; smartglasses; smartwatches; smart rings; human face recognition devices; video telephones; wearable activity trackers; telecommunication apparatus in the form of jewelry; navigation apparatus for vehicles [on-board computers]; loudspeakers; camcorders; television apparatus; headsets; virtual reality headsets; wearable video display monitors.

(260) AM 2020 106255 A

(800) 1504972

(151) 2019 06 17

(891) 2019 06 17

(731) Vitano Industry GmbH

Blumenstraße 14, 33824 Werther, Germany

(540)

(591) Orange and grey

(531) 27.05.10; 27.05.17; 29.01.12

(511)

1 – Detergent additive for use with motor oil; detergent additives for fuels; detergents for industrial use; battery electrolytes; anti-freeze for vehicle cooling systems; antifreeze for vehicle radiators; coolants for vehicle engines; coolants for vehicle radiators; cooling fluids for vehicle radiators; vehicle engine coolants; vehicle engines (coolants for -); sealants [chemicals] for the sealing of surfaces; tire puncture sealants.

4 – Lubricants and industrial greases, waxes and fluids; fuels and illuminants; additive concentrates (non-chemical -) for lubricants; additives (non-chemical -) for hydraulic fluids; all purpose lubricants; automobile lubricants; automotive engine oils; automotive final drive oils; automotive greases; automotive lubricants for car engines; base oils; benzine; oils for turbo units; oils for turbines; penetrating greases; penetrating oils; motor oil; motor vehicle lubricants; non-chemical additives for engine oils; non-chemical additives for greases; non-chemical additives for lubricants; non-chemical additives for oils; non-chemical additives for transmission oils; oils for automobiles; lubricating oils [industrial lubricants]; lubricating oils; lubricating oils for automotive apparatus; lubricating oils containing additives which protect metal against wear by friction; lubricating oils for wheels; lubrication grease for vehicles; mineral lubricating oils; mineral oils; mineral oils and greases for industrial purposes [not for fuel]; lubricants for use in industrial processes; lubricants

having cleaning properties; lubricating fluids; lubricating grease; lubricating oil; lubricating oil for motor vehicle engines; lubricating oils and greases; industrial oils and greases, lubricants; industrial oils being quenching oils; light oils; lubricants for aircraft engines; lubricants for machines; grease for machines; greases for technical purposes; industrial grease; high pressure greases; industrial lubricants; industrial oil; industrial oil for batteries; engine starting sprays; extra fine oils for motors; fine oils for motors; aviation fuel; benzine fuel; diesel oil; fossil fuels; fuel; fuel for motor vehicles; fuel oil; fuels (including motor spirit); illuminating grease; illuminating oil; industrial fuel oil; xylene fuel; lubricants for motor vehicles; oils for the hydrodynamic drive for vehicles.

7 – Automobile oil pans; automotive engine blocks; fuel filters for vehicle engines; fuel filters; air cleaners [air filters] for engines; air filters for engines; air filters for motors; air filters for automobile engines; air filters for motorcycle engines; air filters for mechanical purposes; filters for cleaning cooling air, for engines; oil filters; oil filters [machine parts]; oil filters for engines; oil filters for motors and engines; water separators; water separators [machines].

9 – Battery chargers; battery charging devices for motor vehicles; batteries, electric, for vehicles; batteries for electric vehicles; batteries for vehicles; electric batteries for vehicles; electric batteries for powering electric vehicles; vehicle batteries; emergency warning lights.

11 – Air filters; filters for cleaning air; filters for air conditioning; air filters for air conditioning units; filters for air purifiers; filters for air conditioners; air filters for industrial use; air filters for household use; air filters for industrial installations; air cleaning filters [parts of air cleaning machines or installations]; air filters for use as dust extractors in industrial processes; air filters for use as dust arrestants in industrial processes; light bulbs for directional signals for vehicles; bulbs for lighting; direction indicator bulbs; electric bulbs; dashboard lamp bulbs; compact fluorescent light bulbs; electric lamp bulbs; electric light bulbs; electrical glass bulbs; electrical light bulbs; flashlight bulbs; halogen light bulbs; incandescent light bulbs; lamp bulbs; led light bulbs; light bulbs; light bulbs, electric; tail lamp bulbs.

12 – Windscreen wipers; windshield wipers; headlight wipers; wipers (windscreen -); wipers for windcreens; automobile windshield wipers; arms for windscreen wipers; windscreen wipers [for automobiles]; windshield wipers [vehicle parts]; wipers for car head lamps; windscreen wipers for motor cars; wiper blade refills for vehicle windscreen wipers.

(260) AM 2020 106256 A

(800) 1504984

(151) 2019 09 17

(891) 2019 09 17

(731) PUBLIC JOINT STOCK COMPANY

GAZPROM NEFT

Pochtamtskaya ulitsa, dom 3-5, liter A,

ch.pom. 1N, RU-190000 ST PETERSBURG,

Russian Federation

(540)


 The logo for G-ENERGY features a stylized 'G' in orange and grey, followed by the word 'ENERGY' in a bold, grey, sans-serif font. The 'G' is composed of two overlapping shapes, one orange and one grey, creating a dynamic, three-dimensional effect.

(591) Orange and grey

(531) 27.05.03; 29.01.12

(511)

3 – Abrasive cloth; sandcloth; abrasive paper; abrasives; adhesives for affixing false eyelashes; adhesives for affixing false hair; adhesives for cosmetic purposes; after-shave lotions; air fragrance reed diffusers; air fragrancings preparations; almond milk for cosmetic purposes; almond oil; almond soap; aloe vera preparations for cosmetic purposes; alum stones [astringents]; amber [perfume]; ammonia [volatile alkali] [detergent]; volatile alkali [ammonia] [detergent]; antiperspirant soap; antiperspirants [toiletries]; antistatic preparations for household purposes; aromatics [essential oils]; astringents for cosmetic purposes; baby wipes impregnated with cleaning preparations; badian essence; balms, other than for medical purposes; bases for flower perfumes; basma [cosmetic dye]; bath preparations, not for medical purposes; bath salts, not for medical purposes; beard dyes; beauty masks; bergamot oil; bleaching preparations [decolorants] for cosmetic purposes; bleaching preparations [decolorants] for household purposes; bleaching salts; bleaching soda; breath freshening preparations for personal hygiene; breath freshening sprays; breath freshening strips; cake flavorings [essential oils]; cake flavourings [essential oils]; cakes of toilet soap; cakes of soap; canned pressurized air for cleaning and dusting purposes; carbides of metal [abrasives]; chemical cleaning preparations for household purposes; cleaning chalk; cleaning preparations; cleansers for intimate personal hygiene purposes, non medicated; cleansing milk for toilet purposes; cloths impregnated with a detergent for cleaning; cobblers' wax; collagen preparations for cosmetic purposes; color-brightening chemicals for household purposes [laundry]; colour-brightening chemicals for household purposes [laundry]; color-removing preparations; colour-removing preparations; colorants for toilet purposes; corundum [abrasive]; cosmetic creams; cosmetic dyes; cosmetic kits; cosmetic pencils; cosmetic preparations for baths; cosmetic preparations for eyelashes; cosmetic preparations for skin care; cosmetic preparations for slimming purposes; cosmetics; cosmetics for ani-

mals; cosmetics for children; cotton sticks for cosmetic purposes; cotton swabs for cosmetic purposes; cotton wool for cosmetic purposes; creams for leather; waxes for leather; decorative transfers for cosmetic purposes; degreasers, other than for use in manufacturing processes; dental bleaching gels; dentifrices; denture polishes; deodorants for human beings or for animals; deodorants for pets; deodorant soap; depilatory preparations; depilatories; depilatory wax; descaling preparations for household purposes; detergents, other than for use in manufacturing operations and for medical purposes; diamantine [abrasive]; douching preparations for personal sanitary or deodorant purposes [toiletries]; dry-cleaning preparations; drying agents for dishwashing machines; dry shampoos; eau-de-Cologne; emery; emery cloth; emery paper; essential oils; ethereal oils; essential oils of cedarwood; essential oils of citron; essential oils of lemon; ethereal essences; extracts of flowers [perfumes]; eye-washes, not for medical purposes; eyebrow cosmetics; eyebrow pencils; fabric softeners for laundry use; false eyelashes; false nails; flavorings for beverages [essential oils]; flavourings for beverages [essential oils]; floor wax; floor wax removers [scouring preparations]; food flavourings [essential oils]; food flavorings [essential oils]; fumigation preparations [perfumes]; furbishing preparations; gaultheria oil; gel eye patches for cosmetic purposes; geraniol; glass cloth [abrasive cloth]; greases for cosmetic purposes; grinding preparations; sharpening preparations; hair conditioners; hair dyes; hair colorants; hair lotions; hair spray; hair straightening preparations; hair waving preparations; waving preparations for the hair; heliotropine; henna [cosmetic dye]; herbal extracts for cosmetic purposes; hydrogen peroxide for cosmetic purposes; incense; ionone [perfumery]; jasmine oil; Javelle water; potassium hypochloride; joss sticks; lacquer-removing preparations; laundry bleach; laundry bleaching preparations; laundry blueing; laundry glaze; laundry preparations; laundry soaking preparations; preparations for soaking laundry; laundry starch; starch for laundry purposes; lavender oil; lavender water; leather bleaching preparations; lip glosses; lipstick cases; lipsticks; lotions for cosmetic purposes; make-up; make-up powder; make-up preparations; make-up removing preparations; mascara; massage candles for cosmetic purposes; massage gels, other than for medical purposes; mint essence [essential oil]; mint for perfumery; mouthwashes, not for medical purposes; musk [perfumery]; moustache wax; moustache wax; nail art stickers; nail care preparations; nail glitter; nail polish; nail varnish; nail varnish removers; nail polish removers; neutralizers for permanent waving; non-slipping liquids for floors; non-slipping wax for floors; oil of turpentine for degreasing; oils for cleaning purposes; oils for cosmetic purposes; oils for perfumes and scents; oils for toilet purposes; paint stripping prepa-

rations; pastes for razor strops; perfumery; perfumes; petroleum jelly for cosmetic purposes; phytocosmetic preparations; polish for furniture and flooring; polishing creams; polishing paper; polishing preparations; polishing rouge; jewellers' rouge; polishing stones; polishing wax; pomades for cosmetic purposes; potpourris [fragrances]; preparations for cleaning dentures; preparations for unblocking drain pipes; preparations to make the leaves of plants shiny; preservatives for leather [polishes]; leather preservatives [polishes]; pumice stone; quillaia bark for washing; rose oil; rust removing preparations; sachets for perfuming linen; safrol; sandpaper; glass paper; scented water; scented wood; scouring solutions; shampoos; shampoos for animals [non-medicated grooming preparations]; shampoos for pets [non-medicated grooming preparations]; shaving preparations; shaving soap; shaving stones [astringents]; shining preparations [polish]; shoe cream; shoemakers' wax; shoe polish; shoe wax; silicon carbide [abrasive]; skin whitening creams; cream for whitening the skin; smoothing preparations [starching]; smoothing stones; soap; soap for brightening textile; soap for foot perspiration; soda lye; stain removers; starch glaze for laundry purposes; sun-tanning preparations [cosmetics]; sunscreen preparations; tailors' wax; talcum powder, for toilet use; teeth whitening strips; terpenes [essential oils]; tissues impregnated with cosmetic lotions; tissues impregnated with make-up removing preparations; toiletry preparations; toilet water; tripoli stone for polishing; turpentine for degreasing; vaginal washes for personal sanitary or deodorant purposes; varnish-removing preparations; volcanic ash for cleaning; wallpaper cleaning preparations; washing soda, for cleaning; wax for parquet floors; whiting; windshield cleaning liquids; windscreen cleaning liquids.

6 – Signboards of metal.

7 – Pumps [machines]; pumps [parts of machines, engines or motors]; fuel dispensing pumps for service stations; self-regulating fuel pumps; lubricating pumps; centrifugal pumps; ski edge sharpening tools, electric; hand-held tools, other than hand-operated; tools [parts of machines].

8 – Abrading instruments [hand instruments]; adzes [tools]; agricultural forks [hand tools]; agricultural implements, hand-operated; air pumps, hand-operated; annular screw plates; apparatus for destroying plant parasites, hand-operated; apparatus for tattooing; augers [hand tools]; awls; axes; bayonets; beard clippers; bench vices [hand implements]; bill-hooks; bits [hand tools]; bits [parts of hand tools]; blades for planes; blade sharpening instruments; blades [hand tools]; blades [weapons]; border shears; borers; bow saws; box cutters; braiders [hand tools]; branding irons; breast drills; budding knives; can openers, non-electric; tin openers, non-electric; car-

penters' augers; cattle shearers; caulking irons; centre punches [hand tools]; ceramic knives; cheese slicers, non-electric; chisels; choppers [knives]; clamps for carpenters or coopers; cleavers; crimping irons; crow bars; curling tongs; cuticle tweezers; cuticle nippers; cutlery; cutter bars [hand tools]; cutters; cutting tools [hand tools]; daggers; depilation appliances, electric and non-electric; dies [hand tools]; screw stocks [hand tools]; screw-thread cutters [hand tools]; diggers [hand tools]; ditchers [hand tools]; drawing knives; drill holders [hand tools]; ear-piercing apparatus; earth rammers [hand tools]; edge tools [hand tools]; egg slicers, non-electric; embossers [hand tools]; emergency hammers; emery boards; emery files; emery grinding wheels; engraving needles; expanders [hand tools]; extension pieces for braces for screw taps; eyelash curlers; farriers' knives; files [tools]; fingernail polishers, electric or non-electric; nail buffers, electric or non-electric; fire irons; fireplace bellows [hand tools]; fish tapes [hand tools]; draw wires [hand tools]; flat irons; foundry ladles [hand tools]; frames for handsaws; fruit corers; fruit pickers [hand tools]; fruit segmenters; fullers [hand tools]; fulling tools [hand tools]; garden tools, hand-operated; gimlets [hand tools]; glaziers' diamonds [parts of hand tools]; goffering irons; gouges [hand tools]; grafting tools [hand tools]; graving tools [hand tools]; grindstones [hand tools]; sharpening wheels [hand tools]; guns, hand-operated, for the extrusion of mastics; guns [hand tools]; hackles [hand tools]; hainault scythes; hair-removing tweezers; hair braiders, electric; hair clippers for animals [hand instruments]; hair clippers for personal use, electric and non-electric; hammers [hand tools]; hand drills, hand-operated; hand implements for hair curling; handles for hand-operated hand tools; hand pumps; hand tools, hand-operated; harpoons; harpoons for fishing; hatchets; hobby knives [scalpels]; hoes [hand tools]; holing axes; mortise axes; hollowing bits [parts of hand tools]; hoop cutters [hand tools]; hunting knives; ice picks; implements for decanting liquids [hand tools]; insecticide sprayers [hand tools]; insecticide vaporizers [hand tools]; insecticide atomizers [hand tools]; instruments and tools for skinning animals; instruments for punching tickets; irons [non-electric hand tools]; jig-saws; kitchen mandolines; knife handles; knives; ladles [hand tools]; laser hair removal apparatus, other than for medical purposes; lasts [shoemakers' hand tools]; lawn clippers [hand instruments]; leather strops; levers; lifting jacks, hand-operated; livestock marking tools; cattle marking tools; machetes; mallets [hand instruments]; manicure sets; manicure sets, electric; marline spikes; masons' hammers; mattocks; meat claws; metal band stretchers [hand tools]; metal wire stretchers [hand tools]; milling cutters [hand tools]; mincing knives [hand tools]; fleshing knives [hand tools]; meat choppers [hand tools]; mitre boxes [hand tools]; miter boxes [hand

tools]; molding irons; moulding irons; money scoops; mortars for pounding [hand tools]; mortise chisels; nail clippers, electric or non-electric; nail drawers [hand tools]; nail extractors, hand-operated; nail pullers, hand-operated; nail files; nail files, electric; nail nippers; nail punches; needle files; non-electric caulking guns; numbering punches; oyster openers; palette knives; paring irons [hand tools]; paring knives; pedicure sets; penknives; perforating tools [hand tools]; pestles for pounding [hand tools]; rammers [hand tools]; pickaxes; pickhammers; bushhammers; picks [hand tools]; pin punches; pizza cutters, non-electric; plane irons; planes; pliers; polishing irons [glazing tools]; glazing irons; priming irons [hand tools]; pruning knives; pruning shears; punches [hand tools]; punch pliers [hand tools]; punch rings [knuckle dusters]; knuckle dusters; rabeting planes; rakes [hand tools]; rams [hand tools]; rasps [hand tools]; ratchets [hand tools]; razor blades; razor cases; razors, electric or non-electric; razor strops; reamers; reamer sockets; riveters [hand tools]; riveting hammers [hand tools]; sabres; sand trap rakes; saw blades [parts of hand tools]; saw holders; saws [hand tools]; scaling knives; scissors; scrapers for skis; scrapers [hand tools]; scraping tools [hand tools]; screwdrivers, non-electric; sculptors' chisels; scythe handles; scythe rings; scythes; scythe stones; whetstones; secateurs; pruning scissors; sharpening instruments; sharpening steels; knife steels; sharpening stones; shaving cases; shear blades; shearers [hand instruments]; shears; shovels [hand tools]; sickles; side arms, other than firearms; silver plate [knives, forks and spoons]; ski edge sharpening tools, hand-operated; sledgehammers; spades [hand tools]; spanners [hand tools]; wrenches [hand tools]; spatulas for use by artists; spatulas [hand tools]; spoons; squares [hand tools]; stamping-out tools [hand tools]; stamps [hand tools]; sterile body piercing instruments; stirring sticks for mixing paint; stone hammers; stropping instruments; swords; sword scabbards; syringes for spraying insecticides; table cutlery [knives, forks and spoons]; tableware [knives, forks and spoons]; table forks; table knives, forks and spoons for babies; table knives, forks and spoons of plastic; taps [hand tools]; tap wrenches; tattoo needles; thistle extractors [hand tools]; tongs; pincers; nippers; tool belts [holders]; tree pruners; trowels; trowels [gardening]; truncheons; bludgeons; police batons; tube cutters [hand tools]; tube cutting instruments; tweezers; vegetable choppers; vegetable peelers [hand tools]; vegetable slicers; vegetable knives; vegetable shredders; vegetable spiralizers, hand-operated; vices; vices; weeding forks [hand tools]; whetstone holders; wick trimmers [scissors]; wine bottle foil cutters, hand-operated; wire strippers [hand tools].

9 – 3D spectacles; abacuses; accelerometers; accumulators, electric; accumulators, electric, for vehic-

les; batteries, electric, for vehicles; acid hydrometers; acidimeters for batteries; acoustic alarms; sound alarms; acoustic conduits; acoustic couplers; actinometers; adding machines; aerometers; air analysis apparatus; alarm bells, electric; alarms; alcoholmeters; alidades; altimeters; ammeters; amplifiers; amplifying tubes; amplifying valves; anemometers; animated cartoons; anode batteries; high tension batteries; anodes; answering machines; antennas; aerials; anti-glare glasses; anti-interference devices [electricity]; anti-theft warning apparatus; anticathodes; apertometers [optics]; apparatus and installations for the production of X-rays, not for medical purposes; apparatus and instruments for astronomy; apparatus and instruments for physics; apparatus for changing record player needles; apparatus for editing cinematographic film; apparatus for fermentation [laboratory apparatus]; apparatus for measuring the thickness of skins; apparatus to check franking; apparatus to check stamping mail; appliances for measuring the thickness of leather; armatures [electricity]; asbestos clothing for protection against fire; asbestos gloves for protection against accidents; asbestos screens for firemen; audio- and video-receivers; audio interfaces; audio mixers; audiovisual teaching apparatus; automated teller machines [ATM]; automatic indicators of low pressure in vehicle tires; automatic indicators of low pressure in vehicle tyres; azimuth instruments; baby monitors; baby scales; bags adapted for laptops; balances [steelyards]; lever scales [steelyards]; steelyards [lever scales]; balancing apparatus; bar code readers; barometers; bathroom scales; batteries, electric; batteries for electronic cigarettes; batteries for lighting; battery boxes; accumulator boxes; battery chargers; battery jars; accumulator jars; beacons, luminous; bells [warning devices]; betatrons; binoculars; biochips; black boxes [data recorders]; blueprint apparatus; boiler control instruments; branch boxes [electricity]; breathing apparatus, except for artificial respiration; breathing apparatus for underwater swimming; bullet-proof clothing; bullet-proof waistcoats; bullet-proof vests; fibre optic cables; fiber optic cables; buzzers; cabinets for loudspeakers; cables, electric; calculating machines; calibrating rings; calipers; calorimeters; camcorders; cameras [photography]; capillary tubes; carpenters' rules; carriers for dark plates [photography]; cases especially made for photographic apparatus and instruments; cases for smartphones; cash registers; cassette players; cathodes; cathodic anti-corrosion apparatus; cell phone straps; cell switches [electricity]; reducers [electricity]; cellular phones; mobile telephones; cell phones; centering apparatus for photographic transparencies; chargers for electric batteries; chargers for electronic cigarettes; charging stations for electric vehicles; chemistry apparatus and instruments; chips [integrated circuits]; choking coils [impedance]; chromatography apparatus for laboratory use; chronographs [time recording appara-

tus]; cinematographic cameras; cinematographic film, exposed; circuit breakers; circuit closers; circular slide rules; cleaning apparatus for sound recording discs; cleaning apparatus for phonograph records; climate control digital thermostats; close-up lenses; clothing especially made for laboratories; clothing for protection against accidents, irradiation and fire; clothing for protection against fire; garments for protection against fire; coaxial cables; coils, electric; coin-operated mechanisms for television sets; coin-operated musical automata [juke boxes]; juke boxes, musical; collectors, electric; commutators; compact disc players; compact discs [audio-video]; compact discs [read-only memory]; comparators; compasses for measuring; computer game software, downloadable; computer game software, recorded; computer hardware; computer keyboards; computer memory devices; computer operating programs, recorded; computer peripheral devices; computer programs, downloadable; computer programs, recorded; computers; computer screen saver software, recorded or downloadable; computer software, recorded; computer software applications, downloadable; computer software platforms, recorded or downloadable; condensers [capacitors]; capacitors; conductors, electric; connected bracelets [measuring instruments]; connections for electric lines; connectors [electricity]; contact lenses; contacts, electric; containers for contact lenses; containers for microscope slides; control panels [electricity]; converters, electric; copper wire, insulated; cordless telephones; correcting lenses [optics]; cosmographic instruments; counterfeit [false] coin detectors; counters; meters; couplers [data processing equipment]; couplings, electric; connections, electric; covers for electric outlets; covers for personal digital assistants [PDAs]; covers for smartphones; covers for tablet computers; crash test dummies; crucibles [laboratory]; cupels [laboratory]; current rectifiers; cyclotrons; darkroom lamps [photography]; darkrooms [photography]; data gloves; data processing apparatus; decompression chambers; decorative magnets; demagnetizing apparatus for magnetic tapes; densimeters; densitometers; detectors; devices for the projection of virtual keyboards; diagnostic apparatus, not for medical purposes; diaphragms for scientific apparatus; diaphragms [acoustics]; diaphragms [photography]; dictating machines; diffraction apparatus [microscopy]; digital photo frames; digital signs; digital weather stations; directional compasses; discharge tubes, electric, other than for lighting; electric discharge tubes, other than for lighting; disk drives for computers; disks, magnetic; distance measuring apparatus; distance recording apparatus; apparatus for recording distance; distillation apparatus for scientific purposes; distribution boards [electricity]; distribution boxes [electricity]; distribution consoles [electricity]; divers' masks; diving suits; DNA chips; dog whistles; dosage dispensers; dosimeters; down-

loadable emoticons for mobile phones; downloadable graphics for mobile phones; downloadable image files; downloadable music files; downloadable ring tones for mobile phones; drainers for use in photography; photographic racks; dressmakers' measures; droppers for measuring, other than for medical or household purposes; drying apparatus for photographic prints; drying racks [photography]; ducts [electricity]; DVD players; dynamometers; ear pads for headphones; ear plugs for divers; egg-candlers; egg timers [sandglasses]; hourglasses; electrical adapters; electric and electronic effects units for musical instruments; electric apparatus for commutation; electric door bells; electric installations for the remote control of industrial operations; electricity conduits; electric loss indicators; electric plugs; electric sockets; electric wire harnesses for automobiles; electrified fences; electrified rails for mounting spot lights; electro-dynamic apparatus for the remote control of railway points; electro-dynamic apparatus for the remote control of signals; electrolyzers; electromagnetic coils; electronic access control systems for interlocking doors; electronic agendas; electronic book readers; electronic collars to train animals; electronic interactive whiteboards; electronic key fobs being remote control apparatus; electronic notice boards; electronic numeric displays; electronic pens [visual display units]; electronic pocket translators; electronic publications, downloadable; electronic sheet music, downloadable; electronic tags for goods; encoded identification bracelets, magnetic; encoded key cards; encoded magnetic cards; enlarging apparatus [photography]; epidiascopes; equalizers [audio apparatus]; equalisers [audio apparatus]; ergometers; exposure meters [light meters]; eyeglass cases; spectacle cases; eyeglass chains; spectacle chains; eyeglass cords; spectacle cords; eyeglasses; spectacles; eyeglass frames; spectacle frames; eyepieces; eyewear; facsimile machines; film cutting apparatus; films, exposed; filters for respiratory masks; filters for ultraviolet rays, for photography; filters for use in photography; finger sizers; fire alarms; fire beaters; fire blankets; fire boats; fire engines; fire escapes; fire extinguishers; fire extinguishing apparatus; fire hose; fire hose nozzles; fire pumps; flash-bulbs [photography]; flashing lights [luminous signals]; flashlights [photography]; floppy disks; flowmeters; fluorescent screens; fog signals, non-explosive; food analysis apparatus; frames for photographic transparencies; frequency meters; furnaces for laboratory use; ovens for laboratory use; furniture especially made for laboratories; fuses; fuse wire; galena crystals [detectors]; galvanic batteries; galvanic cells; galvanometers; gasoline gauges; petrol gauges; gasometers [measuring instruments]; gas testing instruments; gauges; glazing apparatus for photographic prints; Global Positioning System [GPS] apparatus; gloves for divers; gloves for protection against accidents; gloves for protection against X-rays for indus-

trial purposes; goggles for sports; grids for batteries; hairdressing training heads [teaching apparatus]; hand-held electronic dictionaries; hands-free kits for telephones; head cleaning tapes [recording]; headgear being protective helmets; head guards for sports; headphones; heat regulating apparatus; height measuring instruments; heliographic apparatus; hemline markers; high-frequency apparatus; holders for electric coils; holograms; horns for loudspeakers; humanoid robots with artificial intelligence; hydrometers; hygrometers; identification sheaths for electric wires; identification threads for electric wires; identity cards, magnetic; igniting apparatus, electric, for igniting at a distance; electric apparatus for remote ignition; incubators for bacteria culture; inductors [electricity]; infrared detectors; ink cartridges, unfilled, for printers and photocopiers; instruments containing eyepieces; integrated circuit cards [smart cards]; smart cards [integrated circuit cards]; integrated circuits; interactive touch screen terminals; intercommunication apparatus; interfaces for computers; inverters [electricity]; invoicing machines; ionization apparatus not for the treatment of air or water; jigs [measuring instruments]; joysticks for use with computers, other than for video games; juke boxes for computers; junction boxes [electricity]; junction sleeves for electric cables; kilometer recorders for vehicles; mileage recorders for vehicles; knee-pads for workers; laboratory centrifuges; laboratory pipettes; laboratory robots; laboratory trays; lactodensimeters; lactometers; laptop computers; lasers, not for medical purposes; lenses for astrophotography; lens hoods; letter scales; levelling instruments; levelling staffs [surveying instruments]; rods [surveying instruments]; levels [instruments for determining the horizontal]; life-saving capsules for natural disasters; life-saving rafts; life belts; lifeboats; life buoys; life jackets; life saving apparatus and equipment; light-emitting diodes [LED]; light-emitting electronic pointers; light dimmers [regulators], electric; light regulators [dimmers], electric; lighting ballasts; lightning rods; lightning arresters; lightning conductors; limiters [electricity]; locks, electric; logs [measuring instruments]; loudspeakers; magic lanterns; magnetic data media; magnetic encoders; magnetic resonance imaging [MRI] apparatus, not for medical purposes; magnetic tapes; magnetic tape units for computers; magnetic wires; magnets; magnifying glasses [optics]; marine compasses; marine depth finders; marking buoys; marking gauges [joinery]; masts for wireless aerials; materials for electricity mains [wires, cables]; material testing instruments and machines; mathematical instruments; measures; measuring apparatus; measuring devices, electric; measuring glassware; graduated glassware; measuring instruments; measuring spoons; mechanical signs; mechanisms for coin-operated apparatus; mechanisms for counter-operated apparatus; megaphones; memory cards for video game machines; mercury levels; me-

tal detectors for industrial or military purposes; meteorological balloons; meteorological instruments; metronomes; micrometers; micrometer gauges; micrometer screws for optical instruments; microphones; microprocessors; microscopes; microtomes; mirrors for inspecting work; mirrors [optics]; modems; money counting and sorting machines; monitoring apparatus, other than for medical purposes; monitors [computer hardware]; monitors [computer programs]; mouse pads; mouse [computer peripheral]; mouth guards for sports; nanoparticle size analysers; nanoparticle size analyzers; nautical apparatus and instruments; naval signalling apparatus; navigational instruments; navigation apparatus for vehicles [on-board computers]; needles for record players; styli for record players; needles for surveying compasses; neon signs; nets for protection against accidents; nose clips for divers and swimmers; notebook computers; objectives [lenses] [optics]; observation instruments; octants; ohmmeters; optical apparatus and instruments; optical character readers; optical condensers; optical data media; optical discs; optical fibers [fibres] [light conducting filaments]; optical fibers [light conducting filaments]; optical glass; optical lamps; optical lanterns; optical lenses; organic light-emitting diodes [OLED]; oscillographs; oxygen transvasing apparatus; ozonisers [ozonators]; parking meters; particle accelerators; pedometers; peepholes [magnifying lenses] for doors; periscopes; personal digital assistants [PDAs]; personal stereos; Petri dishes; photocopiers [photographic, electrostatic, thermic]; photometers; phototelegraphy apparatus; photovoltaic cells; piezoelectric sensors; pince-nez; Pitot tubes; plane tables [surveying instruments]; planimeters; plates for batteries; plotters; plumb bobs; plumb lines; pocket calculators; polarimeters; portable media players; precision balances; precision measuring apparatus; pressure gauges; manometers; pressure indicator plugs for valves; pressure indicators; pressure measuring apparatus; printed circuit boards; printed circuits; printers for use with computers; prisms [optics]; probes for scientific purposes; processors [central processing units]; central processing units [processors]; projection apparatus; projection screens; protection devices against X-rays, not for medical purposes; protection devices for personal use against accidents; protective films adapted for computer screens; protective films adapted for smartphones; protective helmets; protective helmets for sports; protective masks; protective suits for aviators; protractors [measuring instruments]; punched card machines for offices; push buttons for bells; pyrometers; quantity indicators; quantum dot light-emitting diodes [QLED]; radar apparatus; radiological apparatus for industrial purposes; radiology screens for industrial purposes; radio pagers; radios; radiotelegraphy sets; radiotelephony sets; railway traffic safety appliances; range finders; telemeters; readers [data processing equip-

ment]; rearview cameras for vehicles; record players; reflective articles for wear, for the prevention of accidents; reflective safety vests; refractometers; refractors; regulating apparatus, electric; relays, electric; remote control apparatus; rescue flares, non-explosive and non-pyrotechnic; rescue laser signalling flares; resistances, electric; respirators for filtering air; respiratory masks, other than for artificial respiration; resuscitation mannequins [teaching apparatus]; resuscitation training simulators; retorts; retorts' stands; revolution counters; rheostats; riding helmets; ring sizers; road signs, luminous or mechanical; rods for water diviners; rulers [measuring instruments]; rules [measuring instruments]; saccharometers; safety nets; life nets; safety restraints, other than for vehicle seats and sports equipment; safety tarpaulins; salinometers; satellite finder meters; satellite navigational apparatus; satellites for scientific purposes; scales; scales with body mass analysers; scales with body mass analyzers; scanners [data processing equipment]; screens for photoengraving; screens [photography]; screw-tapping gauges; security surveillance robots; security tokens [encryption devices]; selfie lenses; selfie sticks [hand-held monopods]; semi-conductors; sextants; sheaths for electric cables; shoes for protection against accidents, irradiation and fire; shutter releases [photography]; shutters [photography]; sighting telescopes for firearms; telescopic sights for firearms; signal bells; signal lanterns; signalling buoys; signalling panels, luminous or mechanical; signalling whistles; signals, luminous or mechanical; signs, luminous; simulators for the steering and control of vehicles; sirens; sleeves for laptops; slide-rules; slide calipers; slide projectors; transparency projection apparatus; slope indicators; clinometers; gradient indicators; inclinometers; smartglasses; smartphones; smart rings; smartwatches; smoke detectors; snorkels; solar batteries; solar panels for the production of electricity; solderers' helmets; solenoid valves [electromagnetic switches]; sonars; sounding apparatus and machines; sounding leads; sounding lines; sound locating instruments; sound recording apparatus; sound recording carriers; sound recording discs; phonograph records; sound recording strips; sound reproduction apparatus; sound transmitting apparatus; spark-guards; speaking tubes; spectacle lenses; eyeglass lenses; spectrograph apparatus; spectrosopes; speed checking apparatus for vehicles; speed indicators; speed measuring apparatus [photography]; speed regulators for record players; spherometers; spirit levels; spools [photography]; sports whistles; sprinkler systems for fire protection; square rulers for measuring; squares for measuring; stage lighting regulators; stands adapted for laptops; stands for photographic apparatus; starter cables for motors; steering apparatus, automatic, for vehicles; step-up transformers; stereoscopes; stereoscopic apparatus; stills for laboratory experiments; stroboscopes; subwoofers;

sulfitometers; sunglasses; surveying apparatus and instruments; surveying chains; surveying instruments; surveyors' levels; survival blankets; switchboards; switchboxes [electricity]; switches, electric; T-squares for measuring; tablet computers; tachometers; tape recorders; taximeters; teaching apparatus; teaching robots; teeth protectors; telecommunication apparatus in the form of jewellery; telecommunication apparatus in the form of jewelry; telegraphs [apparatus]; telegraph wires; telephone apparatus; telephone receivers; telephone transmitters; telephone wires; telepresence robots; teleprinters; teletypewriters; teleprompters; telerupters; telescopes; telescopic sights for artillery; television apparatus; temperature indicator labels, not for medical purposes; temperature indicators; terminals [electricity]; testing apparatus not for medical purposes; test tubes; theft prevention installations, electric; theodolites; thermal imaging cameras; thermionic tubes; thermionic valves; thermo-hygrometers; thermometers, not for medical purposes; thermostats; thermostats for vehicles; thin client computers; thread counters; ticket dispensers; time clocks [time recording devices]; time recording apparatus; time switches, automatic; tone arms for record players; toner cartridges, unfilled, for printers and photocopiers; totalizers; trackballs [computer peripherals]; traffic-light apparatus [signalling devices]; traffic cones; transformers [electricity]; transistors [electronic]; transmitters of electronic signals; transmitters [telecommunication]; transmitting sets [telecommunication]; transparencies [photography]; slides [photography]; transponders; triodes; tripods for cameras; urinometers; USB flash drives; vacuum gauges; vacuum tubes [radio]; variometers; vehicle breakdown warning triangles; vehicle radios; verniers; video baby monitors; video cassettes; video game cartridges; video recorders; video screens; videotapes; video telephones; viewfinders, photographic; virtual reality headsets; viscosimeters; visors for helmets; voltage regulators for vehicles; voltage surge protectors; voltmeters; voting machines; wafers for integrated circuits; wah-wah pedals; walkie-talkies; washing trays [photography]; water level indicators; wavemeters; wearable activity trackers; wearable computers; wearable video display monitors; weighbridges; weighing apparatus and instruments; weighing machines; weights; whistle alarms; wind socks for indicating wind direction; wire connectors [electricity]; wires, electric; workmen's protective face-shields; wrist rests for use with computers; X-ray apparatus not for medical purposes; X-ray films, exposed; X-ray photographs, other than for medical purposes; X-ray tubes not for medical purposes.

16 – Absorbent sheets of paper or plastic for food-stuff packaging; addressing machines; address plates for addressing machines; address stamps; adhesive bands for stationery or household purposes; adhesi-

ves [glues] for stationery or household purposes; adhesive tape dispensers [office requisites]; adhesive tapes for stationery or household purposes; advertisement boards of paper or cardboard; albums; scrapbooks; almanacs; animation cels; announcement cards [stationery]; apparatus for mounting photographs; aquarelles; watercolors [paintings]; watercolours [paintings]; architects' models; arithmetical tables; calculating tables; artists' watercolor saucers; artists' watercolour saucers; atlases; baggage claim check tags of paper; bags for microwave cooking; bags [envelopes, pouches] of paper or plastics, for packaging; balls for ball-point pens; banknotes; banners of paper; barcode ribbons; bibs, sleeved, of paper; bibs of paper; binding strips [bookbinding]; biological samples for use in microscopy [teaching materials]; blackboards; blotters; blueprints; plans; bookbinding apparatus and machines [office equipment]; bookbinding cloth; cloth for bookbinding; bookbinding material; bookends; booklets; bookmarkers; books; bottle envelopes of paper or cardboard; bottle wrappers of paper or cardboard; boxes of paper or cardboard; bunting of paper; cabinets for stationery [office requisites]; calendars; canvas for painting; carbon paper; cardboard; cardboard tubes; cards; charts; cases for stamps [seals]; catalogues; chalk for lithography; chalk holders; charcoal pencils; chart pointers, non-electronic; chromolithographs [chromos]; chromos; cigar bands; clipboards; clips for name badge holders [office requisites]; coasters of paper; comic books; compasses for drawing; composing frames [printing]; composing sticks; conical paper bags; copying paper [stationery]; cords for bookbinding; bookbinding cords; correcting fluids [office requisites]; correcting ink [heliography]; correcting tapes [office requisites]; covers of paper for flower pots; flower-pot covers of paper; covers [stationery]; wrappers [stationery]; cream containers of paper; credit card imprinters, non-electric; dental tray covers of paper; desk mats; diagrams; document files [stationery]; document holders [stationery]; document laminators for office use; drawer liners of paper, perfumed or not; drawing boards; drawing instruments; drawing materials; drawing pads; drawing pens; drawing pins; thumbtacks; drawing rulers; drawing sets; duplicators; elastic bands for offices; electrocardiograph paper; electrotypes; embroidery designs [patterns]; engraving plates; engravings; envelope sealing machines for offices; envelopes [stationery]; erasing products; erasing shields; etching needles; etchings; fabrics for bookbinding; face towels of paper; figurines of papier mâché; statuettes of papier mâché; files [office requisites]; filtering materials of paper; filter paper; finger-stalls [office requisites]; flags of paper; flyers; folders for papers; jackets for papers; forms, printed; fountain pens; franking machines for office use; postage meters for office use; French curves; galley racks [printing]; garbage bags of paper or

of plastics; geographical maps; glitter for stationery purposes; glue for stationery or household purposes; pastes for stationery or household purposes; gluten [glue] for stationery or household purposes; graining combs; graphic prints; graphic representations; graphic reproductions; greeting cards; gummed cloth for stationery purposes; gummed tape [stationery]; gums [adhesives] for stationery or household purposes; hand-rests for painters; handkerchiefs of paper; hand labelling appliances; handwriting specimens for copying; hat boxes of cardboard; hectographs; histological sections for teaching purposes; holders for cheque books; holders for checkbooks; holders for stamps [seals]; house painters' rollers; humidity control sheets of paper or plastic for foodstuff packaging; index cards [stationery]; indexes; Indian inks; ink; inking pads; inking ribbons; inking sheets for document reproducing machines; inking sheets for duplicators; inkstands; ink sticks; ink stones [ink reservoirs]; inkwells; isinglass for stationery or household purposes; labels of paper or cardboard; ledgers [books]; letter trays; lithographic stones; lithographic works of art; lithographs; loose-leaf binders; ring binders; luminous paper; magazines [periodicals]; manifolds [stationery]; manuals [handbooks]; handbooks [manuals]; marking chalk; marking pens [stationery]; mats for beer glasses; mimeograph apparatus and machines; modelling clay; modelling materials; modelling paste; modelling wax, not for dental purposes; moisteners for gummed surfaces [office requisites]; moisteners [office requisites]; molds for modelling clays [artists' materials]; moulds for modelling clays [artists' materials]; money clips; musical greeting cards; name badge holders [office requisites]; name badges [office requisites]; newsletters; newspapers; nibs; nibs of gold; note books; numbering apparatus; numbers [type]; obliterating stamps; office perforators; office requisites, except furniture; oleographs; packaging material made of starches; packing [cushioning, stuffing] materials of paper or cardboard; pads [stationery]; page holders; paint boxes for use in schools; paintbrushes; painters' brushes; painters' easels; paintings [pictures], framed or unframed; paint trays; palettes for painters; pamphlets; pantographs [drawing instruments]; paper; paper-clips; paper bags for use in the sterilization of medical instruments; paper bags for use in the sterilization of medical instruments; paper bows, other than haberdashery or hair decorations; paper clasps; paper coffee filters; paper creasers [office requisites]; paper cutters [office requisites]; paper for medical examination tables; paper for radiograms; paper for recording machines; paper knives [letter openers]; paper ribbons, other than haberdashery or hair decorations; papers for painting and calligraphy; paper sheets [stationery]; paper shredders for office use; paper tapes and cards for the recordal of computer programmes; paperweights; paper wipes for cleaning; papier mâché; parchment paper; passport

holders; pastels [crayons]; pen cases; boxes for pens; pencil holders; pencil lead holders; pencil leads; pencils; pencil sharpeners, electric or non-electric; pencil sharpening machines, electric or non-electric; pen clips; penholders; pens [office requisites]; pen wipers; perforated cards for Jacquard looms; periodicals; photo-engravings; photograph stands; photographs [printed]; pictures; placards of paper or cardboard; place mats of paper; plastic bags for pet waste disposal; plastic bubble packs for wrapping or packaging; plastic cling film, extensible, for palletization; plastic film for wrapping; plastics for modelling; polymer modelling clay; portraits; postage stamps; postcards; posters; printed coupons; printed matter; printed publications; printed sheet music; printed timetables; printers' blankets, not of textile; printers' galleys; printing blocks; printing sets, portable [office requisites]; printing type; prints [engravings]; prospectuses; punches [office requisites]; retractable reels for name badge holders [office requisites]; rice paper; rollers for typewriters; rubber erasers; school supplies [stationery]; scrapers [erasers] for offices; sealing compounds for stationery purposes; sealing machines for offices; sealing stamps; sealing wafers; sealing wax; seals [stamps]; self-adhesive tapes for stationery or household purposes; sewing patterns; sheets of reclaimed cellulose for wrapping; shields [paper seals]; signboards of paper or cardboard; silver paper; slate pencils; song books; spools for inking ribbons; spray chalk; square rulers for drawing; squares for drawing; stamp pads; stamp stands; stamps [seals]; stands for pens and pencils; staples for offices; clips for offices; stapling presses [office requisites]; starch paste [adhesive] for stationery or household purposes; stationery; steatite [tailor's chalk]; steel letters; steel pens; stencil cases; stencil plates; stencils; stencils for decorating food and beverages; stencils [stationery]; stickers [stationery]; stuffing of paper or cardboard; padding materials of paper or cardboard; T-squares for drawing; tablecloths of paper; table linen of paper; tablemats of paper; table napkins of paper; table runners of paper; tags for index cards; tailors' chalk; teaching materials [except apparatus]; terrestrial globes; tickets; tissues of paper for removing make-up; toilet paper; hygienic paper; towels of paper; tracing cloth; tracing needles for drawing purposes; tracing paper; tracing patterns; trading cards, other than for games; transfers [decalcomanias]; decalcomanias; transparencies [stationery]; trays for sorting and counting money; typewriter keys; typewriter ribbons; typewriters, electric or non-electric; type [numerals and letters]; letters [type]; vignetting apparatus; viscose sheets for wrapping; washi; waxed paper; wood pulp board [stationery]; wood pulp paper; wrapping paper; packing paper; wristbands for the retention of writing instruments; writing board erasers; writing brushes; writing cases [sets]; writing cases [stationery]; writing chalk; writing instruments; writing ma-

terials; writing or drawing books; writing paper; writing slates.

18 – Animal skins; pelts; attaché cases; baggage tags; luggage tags; bags; bags for campers; bags for climbers; bags for sports; bags [envelopes, pouches] of leather, for packaging; beach bags; bits for animals [harness]; blinkers [harness]; blinders [harness]; boxes of leather or leatherboard; boxes of vulcanized fibre; boxes of vulcanized fiber; bridles [harness]; bridoons; briefcases; business card cases; butts [parts of hides]; card cases [notecases]; cases of leather or leatherboard; casings, of leather, for springs; casings, of leather, for plate springs; cat o' nine tails; cattle skins; chain mesh purses; chamois leather, other than for cleaning purposes; skins of chamois, other than for cleaning purposes; chin straps, of leather; clothing for pets; collars for animals; compression cubes adapted for luggage; conference folders; conference portfolios; covers for animals; covers for horse saddles; credit card cases [wallets]; curried skins; fastenings for saddles; frames for umbrellas or parasols; fur; fur-skins; furniture coverings of leather; game bags [hunting accessories]; garment bags for travel; girths of leather; goldbeaters' skin; grips for holding shopping bags; halters; head-stalls; handbag frames; handbags; harness fittings; harness for animals; harness straps; harness traces; hat boxes of leather; haversacks; hiking sticks; trekking sticks; horse blankets; horse collars; horseshoes; imitation leather; key cases; kid; knee-pads for horses; labels of leather; leather, unworked or semi-worked; leatherboard; leathercloth; leather cord; leather leashes; leather leads; leather straps; leather thongs; moleskin [imitation of leather]; motorized suitcases; mountaineering sticks; alpenstocks; music cases; muzzles; net bags for shopping; nose bags [feed bags]; pads for horse saddles; parasols; parts of rubber for stirrups; pocket wallets; pouch baby carriers; purses; randsels [Japanese school satchels]; reins; reins for guiding children; riding saddles; rucksacks; backpacks; saddlebags; saddlecloths for horses; saddlery; saddle trees; school bags; school satchels; shopping bags; shoulder belts [straps] of leather; leather shoulder belts; leather shoulder straps; sling bags for carrying infants; slings for carrying infants; stirrup leathers; stirrups; straps for skates; straps for soldiers' equipment; straps of leather [saddlery]; suitcase handles; suitcases; suitcases with wheels; tefillin [phylacteries]; tool bags, empty; traces [harness]; travelling bags; travelling sets [leatherware]; travelling trunks; trimmings of leather for furniture; leather trimmings for furniture; trunks [luggage]; umbrella covers; umbrella handles; umbrella or parasol ribs; umbrella rings; umbrellas; umbrella sticks; valises; valves of leather; vanity cases, not fitted; walking stick handles; walking cane handles; walking sticks; canes; walking stick seats; wheeled shopping bags; whips.

20 – Furniture shelves; library shelves; shelves for storage; shelving units; shelves for file cabinets; showcases [furniture]; signboards of wood or plastics; display stands.

21 – Abrasive pads for kitchen purposes; abrasive sponges for scrubbing the skin; aerosol dispensers, not for medical purposes; animal bristles [brushware]; animal grooming gloves; apparatus for wax-polishing, non-electric; aquarium hoods; aromatic oil diffusers, other than reed diffusers; autoclaves, non-electric, for cooking; pressure cookers, non-electric; baby baths, portable; baking mats; basins [receptacles]; baskets for household purposes; basting brushes; basting spoons [cooking utensils]; beaters, non-electric; beer mugs; bird baths; birdcages; blenders, non-electric, for household purposes; bobeches; candle drip rings; bootjacks; boot trees; bottle openers, electric and non-electric; bottles; bowls [basins]; basins [bowls]; boxes for dispensing paper towels; boxes of glass; bread baskets for household purposes; bread bins; bread boards; broom handles; brooms; brushes; brushes for cleaning tanks and containers; brushes for footwear; buckets; pails; buckets made of woven fabrics; bulb basters; busts of porcelain, ceramic, earthenware, terra-cotta or glass; butter-dish covers; butter dishes; buttonhooks; cabarets [trays]; cages for household pets; cake decorating tips and tubes; cake moulds; cake molds; candelabra [candlesticks]; candlesticks; candle extinguishers; candle jars [holders]; candy boxes; boxes for sweetmeats; carpet beaters [hand instruments]; carpet sweepers; car washing mitts; cauldrons; ceramics for household purposes; chamber pots; chamois leather for cleaning; buckskin for cleaning; skins of chamois for cleaning; cheese-dish covers; china ornaments; chopsticks; cinder sifters [household utensils]; cleaning instruments, hand-operated; cleaning tow; closures for pot lids; clothes-pegs; clothes-pins; cloth for washing floors; clothing stretchers; stretchers for clothing; cloths for cleaning; rags for cleaning; coasters, not of paper or textile; cocktail shakers; cocktail stirrers; coffee filters, non-electric; coffee grinders, hand-operated; coffee percolators, non-electric; coffee pots, non-electric; coffee services [tableware]; coin banks; cold packs for chilling food and beverages; comb cases; combs; combs for animals; confectioners' decorating bags [pastry bags]; containers for household or kitchen use; cookery moulds; cookery molds; cookie jars; cookie [biscuit] cutters; cooking mesh bags, other than for microwaves; cooking pots; cooking pot sets; cooking skewers of metal; cooking pins of metal; cooking utensils, non-electric; coolers [ice pails]; ice buckets; ice pails; corkscrews, electric and non-electric; cosmetic spatulas; cosmetic utensils; cotton waste for cleaning; couscous cooking pots, non-electric; covers, not of paper, for flower pots; flower-pot covers, not of paper; cruet; cruet sets for oil and vinegar; crumb

trays; crushers for kitchen use, non-electric; crystal [glassware]; cups; cups of paper or plastic; curry-combs; cutting boards for the kitchen; decanters; decanter tags; deep fryers, non-electric; demijohns; carboys; deodorising apparatus for personal use; deodorizing apparatus for personal use; dish covers; covers for dishes; dishes; dishwashing brushes; disposable table plates; drinking bottles for sports; drinking glasses; drinking horns; drinking straws; straws for drinking; drinking troughs; drinking vessels; dripping pans; droppers for cosmetic purposes; droppers for household purposes; drying racks for laundry; dustbins; garbage cans; refuse bins; trash cans; dusting apparatus, non-electric; dusting cloths [rags]; earthenware; crockery; earthenware saucepans; egg cups; egg poachers; egg separators, non-electric, for household purposes; egg yolk separators; electric brushes, except parts of machines; electric combs; electric devices for attracting and killing insects; enamelled glass, not for building; epergnes; eyebrow brushes; eyelash brushes; feather-dusters; feeding troughs; fibreglass, other than for insulation or textile use; fibreglass, other than for insulation or textile use; fibreglass thread, other than for textile use; fibreglass thread, other than for textile use; figurines of porcelain, ceramic, earthenware, terra-cotta or glass; statuettes of porcelain, ceramic, earthenware, terra-cotta or glass; fitted picnic baskets, including dishes; flasks; flat-iron stands; floss for dental purposes; flower pots; fly swatters; fly traps; foam toe separators for use in pedicures; food steamers, non-electric; fruit cups; fruit presses, non-electric, for household purposes; frying pans; funnels; furniture dusters; fused silica [semi-worked product], other than for building; gardening gloves; garlic presses [kitchen utensils]; glass, unworked or semi-worked, except building glass; glass bowls; glass bulbs [receptacles]; glass vials [receptacles]; glasses [receptacles]; glass flasks [containers]; glass for vehicle windows [semi-finished product]; glass incorporating fine electrical conductors; glass jars [carboys]; glass stoppers; glass wool, other than for insulation; gloves for household purposes; glove stretchers; glue-pots; graters for kitchen use; grill supports; gridiron supports; grills [cooking utensils]; griddles [cooking utensils]; hair for brushes; heads for electric toothbrushes; heat-insulated containers; heat-insulated containers for beverages; heaters for feeding bottles, non-electric; hip flasks; holders for flowers and plants [flower arranging]; horse brushes; horsehair for brush-making; hot pots, not electrically heated; ice cream scoops; ice cube molds; ice cube moulds; ice tongs; indoor aquaria; tanks [indoor aquaria]; indoor terrariums [plant cultivation]; indoor terrariums [vivariums]; inflatable bath tubs for babies; insect traps; insulating flasks; vacuum bottles; ironing board covers, shaped; ironing boards; isothermic bags; kettles, non-electric; kitchen containers; kitchen grinders, non-electric; kitchen utensils; knife

rests for the table; ladles for serving wine; lamp-glass brushes; large-toothed combs for the hair; lazy susans; lint removers, electric or non-electric; liqueur sets; litter boxes for pets; litter trays for pets; lunch boxes; majolica; make-up brushes; make-up removing appliances; make-up sponges; mangers for animals; material for brush-making; menu card holders; mess-tins; mills for household purposes, hand-operated; mixing spoons [kitchen utensils]; molds [kitchen utensils]; moulds [kitchen utensils]; mops; mop wringer buckets; mop wringers; mortars for kitchen use; mosaics of glass, not for building; mouse traps; mugs; nail brushes; napkin rings; nest eggs, artificial; noodle machines, hand-operated; nozzles for watering cans; roses for watering cans; nozzles for watering hose; nutcrackers; opal glass; opaline glass; oven mitts; kitchen mitts; barbecue mitts; painted glassware; paper plates; pasta makers, hand-operated; pastry cutters; pepper mills, hand-operated; pepper pots; perfume burners; perfume vaporizers; perfume sprayers; pestles for kitchen use; pie servers; tart scoops; pig bristles for brush-making; piggy banks; pitchers; jugs; place mats, not of paper or textile; plate glass [raw material]; plates for diffusing aromatic oil; plates to prevent milk boiling over; plug-in diffusers for mosquito repellents; plungers for clearing blocked drains; polishing apparatus and machines, for household purposes, non-electric; polishing cloths; polishing gloves; polishing leather; polishing materials for making shiny, except preparations, paper and stone; porcelain ware; portable cool boxes, non-electric; portable coolers, non-electric; potholders; pot lids; pots; pottery; poultry rings; pouring spouts; powder compacts; powdered glass for decoration; powder puffs; rat traps; refrigerating bottles; reusable ice cubes; reusable silicone food covers; rings for birds; rolling pins, domestic; rotary washing lines; salad bowls; salad tongs; salt cellars; salt shakers; saucepan scourers of metal; saucers; scoops for household purposes; scouring pads; pads for cleaning; scrubbing brushes; services [dishes]; serving ladles; shaving brushes; shaving brush stands; stands for shaving brushes; shoe horns; shoe trees; sieves [household utensils]; sifters [household utensils]; signboards of porcelain or glass; siphon bottles for aerated water; siphon bottles for carbonated water; ski wax brushes; smoke absorbers for household purposes; soap boxes; soap dispensers; soap holders; dishes for soap; soup bowls; spatulas for kitchen use; spice sets; sponge holders; sponges for household purposes; sprinklers; squeegees [cleaning instruments]; stands for portable baby baths; statues of porcelain, ceramic, earthenware, terra-cotta or glass; steel wool for cleaning; stew-pans; strainers for household purposes; sugar bowls; sugar tongs; syringes for watering flowers and plants; sprinklers for watering flowers and plants; tablemats, not of paper or textile; table napkin holders; table plates; tableware, other than knives, forks

and spoons; tagines, non-electric; tajines, non-electric; tankards; tar-brushes, long handled; tea bag rests; tea caddies; tea cosies; tea infusers; tea balls; teapots; tea services [tableware]; tea strainers; thermally insulated containers for food; tie presses; toilet brushes; toilet cases; fitted vanity cases; toilet paper dispensers; toilet paper holders; toilet sponges; toilet utensils; toothbrushes; toothbrushes, electric; toothpick holders; toothpicks; tortilla presses, non-electric [kitchen utensils]; towel rails and rings; rails and rings for towels; trays for household purposes; trays of paper, for household purposes; trivets [table utensils]; trouser presses; urns; utensils for household purposes; vases; vegetable dishes; vessels of metal for making ices and iced drinks; vitreous silica fibres, other than for textile use; vitreous silica fibers, other than for textile use; waffle irons, non-electric; washing boards; washtubs; waste paper baskets; water apparatus for cleaning teeth and gums; watering cans; watering devices; sprinkling devices; wax-polishing appliances, non-electric, for shoes; whisks, non-electric, for household purposes; window-boxes; wine-tasting pipettes; wine-tasting siphons; wine aerators; wool waste for cleaning; works of art of porcelain, ceramic, earthenware, terra-cotta or glass.

24 – Table napkins of textile; serviettes of textile; towels of textile; face towels of textile; flags of textile or plastic.

25 – Albs; ankle boots; aprons [clothing]; ascots; babies' pants [underwear]; bandanas [neckerchiefs]; bathing caps; bathing suits; swimsuits; bathing trunks; bathing drawers; bath robes; bath sandals; bath slippers; beach clothes; beach shoes; belts [clothing]; berets; bibs, not of paper; bibs, sleeved, not of paper; boas [necklets]; bodices [lingerie]; boots; boots for sports; boot uppers; boxer shorts; braces for clothing [suspenders]; suspenders; brassieres; breeches for wear; camisoles; cap peaks; caps being headwear; chasubles; clothing; clothing containing slimming substances; clothing for gymnastics; clothing of imitations of leather; clothing of leather; coats; collars [clothing]; combinations [clothing]; corselets; corsets [underclothing]; cuffs; wristbands [clothing]; cyclists' clothing; detachable collars; dresses; dressing gowns; dress shields; ear muffs [clothing]; embroidered clothing; esparto shoes or sandals; fingerless gloves; fishing vests; fittings of metal for footwear; football shoes; football boots; foot-muffs, not electrically heated; footwear; footwear uppers; fur stoles; furs [clothing]; gabardines [clothing]; gaiters; spats; galoshes; goloshes; garters; girdles; gloves [clothing]; gymnastic shoes; hairdressing capes; half-boots; hat frames [skeletons]; hats; headbands [clothing]; headwear; heelpieces for footwear; heelpieces for stockings; heel protectors for shoes; heels; hoods [clothing]; hosiery; inner soles; jackets [clothing]; jerseys [clothing]; judo uniforms; jumper dresses; pinafore dresses; karate uniforms;

kimonos; knitwear [clothing]; lace boots; layettes [clothing]; leggings [leg warmers]; leg warmers; leggings [trousers]; leotards; liveries; maniples; mantillas; masquerade costumes; miters [hats]; mitres [hats]; mittens; money belts [clothing]; motorists' clothing; muffs [clothing]; neck scarves [mufflers]; neck scarfs [mufflers]; mufflers [neck scarves]; neckties; non-slipping devices for footwear; outerclothing; overalls; smocks; overcoats; topcoats; pajamas; pyjamas; panties; knickers; paper clothing; paper hats [clothing]; parkas; pelerines; pelisses; petticoats; pockets for clothing; pocket squares; ponchos; ready-made clothing; ready-made linings [parts of clothing]; sandals; saris; sarongs; sashes for wear; scarfs; scarves; shawls; shirt fronts; shirts; shirt yokes; shoes; short-sleeve shirts; shower caps; ski boots; ski gloves; skirts; skorts; skull caps; sleep masks; slippers; slips [underclothing]; socks; sock suspenders; soles for footwear; sports jerseys; sports shoes; sports singlets; stockings; stocking suspenders; studs for football boots; stuff jackets [clothing]; suits; sweat-absorbent socks; sweat-absorbent stockings; sweat-absorbent underwear; sweat-absorbent underclothing; sweaters; pullovers; jumpers [pullovers]; teddies [underclothing]; bodies [underclothing]; tee-shirts; tights; tips for footwear; togas; top hats; trousers; pants (Am.); trouser straps; gaiter straps; turbans; underpants; underwear; underclothing; uniforms; valenki [felted boots]; veils [clothing]; vests; waistcoats; visors being headwear; waterproof clothing; welts for footwear; wet suits for water-skiing; wimples; wooden shoes.

35 – Administration of consumer loyalty programs; administration of frequent flyer programs; administrative assistance in responding to calls for tenders; administrative assistance in responding to requests for proposals [RFPs]; administrative processing of purchase orders; advertising; publicity; advertising agencies; publicity agencies; advertising by mail order; advisory services for business management; appointment reminder services [office functions]; appointment scheduling services [office functions]; arranging newspaper subscriptions for others; arranging subscriptions to telecommunication services for others; auctioneering; bill-posting; book-keeping; accounting; business appraisals; business auditing; business efficiency expert services; business information; business inquiries; business intermediary services relating to the matching of potential private investors with entrepreneurs needing funding; business investigations; business management and organization consultancy; business management assistance; business management consultancy; business management for freelance service providers; business management of hotels; business management of performing artists; business management of reimbursement programs for others; business management of reimbursement programmes for others; business ma-

nagement of sports people; business organization consultancy; business project management services for construction projects; business research; commercial administration of the licensing of the goods and services of others; commercial information agency services; commercial information and advice for consumers in the choice of products and services; commercial intermediation services; commercial lobbying services; commercial or industrial management assistance; competitive intelligence services; compilation of information into computer databases; compilation of statistics; compiling indexes of information for commercial or advertising purposes; computerized file management; consultancy regarding advertising communication strategies; consultancy regarding public relations communication strategies; corporate communications services; cost price analysis; data search in computer files for others; demonstration of goods; design of advertising materials; direct mail advertising; dissemination of advertising matter; distribution of samples; document reproduction; drawing up of statements of accounts; economic forecasting; employment agency services; financial auditing; gift registry services; import-export agency services; interim business management; invoicing; layout services for advertising purposes; marketing; marketing in the framework of software publishing; marketing research; market intelligence services; market studies; media relations services; modelling for advertising or sales promotion; negotiation and conclusion of commercial transactions for third parties; negotiation of business contracts for others; news clipping services; office machines and equipment rental; online advertising on a computer network; online retail services for downloadable and pre-recorded music and movies; online retail services for downloadable digital music; online retail services for downloadable ring tones; opinion polling; organization of exhibitions for commercial or advertising purposes; organization of fashion shows for promotional purposes; organization of trade fairs for commercial or advertising purposes; outdoor advertising; outsourced administrative management for companies; outsourcing services [business assistance]; pay per click advertising; payroll preparation; personnel management consultancy; personnel recruitment; photocopying services; presentation of goods on communication media, for retail purposes; price comparison services; procurement services for others [purchasing goods and services for other businesses]; production of advertising films; production of teleshopping programmes; production of teleshopping programs; professional business consultancy; promotion of goods and services through sponsorship of sports events; providing business information via a web site; provision of an online marketplace for buyers and sellers of goods and services; provision of commercial and business contact information; psychological testing for the selection of

personnel; publication of publicity texts; publicity material rental; public relations; radio advertising; registration of written communications and data; relocation services for businesses; rental of advertising space; rental of advertising time on communication media; rental of billboards [advertising boards]; rental of office equipment in co-working facilities; rental of photocopying machines; rental of sales stands; rental of vending machines; retail services for pharmaceutical, veterinary and sanitary preparations and medical supplies; retail services for works of art provided by art galleries; sales promotion for others; scriptwriting for advertising purposes; search engine optimization for sales promotion; search engine optimisation for sales promotion; secretarial services; shop window dressing; shorthand; sponsorship search; systemization of information into computer databases; targeted marketing; tax filing services; tax preparation; telemarketing services; telephone answering for unavailable subscribers; television advertising; transcription of communications [office functions]; typing; updating and maintenance of data in computer databases; updating and maintenance of information in registries; updating of advertising material; web indexing for commercial or advertising purposes; web site traffic optimization; web site traffic optimisation; wholesale services for pharmaceutical, veterinary and sanitary preparations and medical supplies; word processing; writing of publicity texts; writing of résumés for others; writing of curriculum vitae for others.

-
- (260) AM 2020 106257 A
 (800) 1505021
 (151) 2019 11 08
 (891) 2019 11 08
 (731) Nouryon Chemicals International B.V.
 Velperweg 76, NL-6824 BM Arnhem,
 Netherlands
 (540)

BEROL

- (591) Black, white
 (511)
 1 – Chemical additives for fuel; surface-active agents; emulsifiers and surface active agents for fuel to reduce emissions; chemical additives to emulsify water in fuel; automatic transmission fluid for motor vehicles.

-
- (260) AM 2020 106258 A
 (800) 1505041
 (151) 2019 08 14
 (891) 2019 08 14
 (731) Euro Games Technology Ltd.
 "Maritsa" Str. 4, "Vranya-Lozen-
 Triugulnika", BG-1151 Sofia, Bulgaria

(540)

**FRUITS HD
GENERAL**

(591) Yellow, red, orange, white, black, green and gray

(531) 27.05.02; 27.05.03; 29.01.15

(511)

9 – Software; computer gaming software; computer software packages; computer operating system software; computer software, recorded; software drivers; virtual reality software; games software; entertainment software for computer games; computer programs for network management; operating computer software for main frame computers; monitors (computer hardware); computer hardware; apparatus for recording images; monitors (computer programs); computer game programs; computer programs for recorded games; apparatus for recording, transmission or reproduction of sound or images; communications servers [computer hardware]; electronic components for gambling machines; computer application software featuring games and gaming; computer software for the administration of on-line games and gaming; computer hardware for games and gaming; hardware and software for gambling, gambling machines, gambling games on the Internet and via telecommunication network.

28 – Gaming machines for gambling; chips for gambling; mah-jong; arcade games; gambling machines operating with coins, notes and cards; games; electronic games; parlor games; gaming chips; gaming tables; slot machines [gaming machines]; LCD game machines; slot machines and gaming devices; coin-operated amusement machines; roulette chips; poker chips; chips and dice [gaming equipment]; equipment for casinos; roulette tables; gaming roulette wheels; casino games; automats and gambling machines; coin-operated machines and or electronic coin-operated machines with or without the possibility of gain; boxes for coin-operated machines, slot machines and gaming machines; electronic or electro-technical gaming devices, automats and machines, coin-operated machines; housings for coin-operated machines, gaming equipment, gaming machines, machines for gambling; electropneumatic and electrical gambling machines (slot machines).

41 – Gambling; services related to gambling; gaming services for entertainment purposes; casino, gaming and gambling services; training in the development of software systems; provision of equipment for gambling halls; providing casino equipment [gambling]; gaming machine entertainment services; providing casino facilities [gambling]; halls with gaming machines; amusement arcade services; games equipment rental; rental of gaming machines; providing amusement arcade services; rental of gaming

machines with images of fruits; editing or recording of sounds and images; sound recording and video entertainment services; hire of sound reproducing apparatus; provision of gaming equipment for casinos; providing of casino facilities; online gambling services; casino, gaming and gambling services; operation of gaming establishments, gaming halls, Internet casinos, online gambling sites.

(260) AM 2020 106260 A

(800) 1505063

(151) 2019 11 14

(891) 2019 11 14

(731) Colgate-Palmolive Company

300 Park Avenue, New York NY 10022, USA

(540)



(591) The color(s) red, green, blue and white is/are claimed as a feature of the mark

(531) 01.15.09; 10.05.01; 26.04.09; 26.11.08; 26.11.13; 29.01.15

(511)

3 – Dentifrices; toothpaste; tooth gel.

(260) AM 2020 106261 A

(800) 1505065

(151) 2019 11 22

(891) 2019 11 22

(731) Zhejiang Furuipu Building Materials Import and Export Co., Ltd.

Room 22008, Yuejiang Business Centre, No. 857, Xincheng Road, Binjiang District, Hangzhou City, Zhejiang Province, China

(540)

Frap

(591) Black, white

(531) 27.05.01; 27.05.17

(511)

6 – Ironmongery; locks of metal, other than electric; flanges of metal [collars]; screws of metal; safe deposit boxes; valves of metal, other than parts of machines; building materials of metal; tanks of metal; towel dispensers, fixed, of metal; cast iron, unwrought or semi-wrought.

11 – Taps [faucets]; hot water heating installations; floor drains; heaters for baths; flushing apparatus; sanitary apparatus and installations; air conditioning installations; water purification installations; faucets for pipes; cocks for pipes.

(260) AM 2020 106263 A

(800) 1505106

(151) 2019 09 20

(891) 2019 09 20

(731) Mario Badescu Skin Care, Inc.

320 East 52nd Street, New York NY 10022,
USA

(540)

**MARIO BADESCU SKIN
CARE**

(591) Black, white

(511)

3 – Deodorants and antiperspirants; aftershave; after-shave balms; after-shave emulsions; after-shave lotions; aftershave moisturizing cream; aftershave preparations; after-sun gels; aloe vera preparations for cosmetic purposes; astringents for cosmetic purposes; bath and shower gels and salts not for medical purposes; bath gels; bath soaps in liquid, solid or gel form; beauty care cosmetic products; beauty creams; beauty lotions; beauty masks; beauty milks; beauty serums; beauty soap; body and beauty care cosmetics; body and beauty care preparations; body creams; body soap; body lotions; body scrubs; body washes; bubble bath; cleansing creams; cleansing milk; cleansing milk for cosmetic purposes; cold creams; collagen preparations for cosmetic purposes; cosmetic body care preparations, namely, body scrubs, non-fragranced shower gels; cosmetic creams; cosmetic creams for skin care; cosmetic hand creams; cosmetic masks; cosmetic milks; cosmetic nail preparations; cosmetic oils; cosmetic oils for the epidermis; cosmetic preparations; cosmetic preparations against sunburn and to protect skin from sun's rays; cosmetic preparations and products for skin care; cosmetic preparations for bath and shower; cosmetic preparations for baths; cosmetic preparations for body care; cosmetic preparations for skin care, face and body, hair and scalp, firming lotions; cosmetics and cosmetic preparations; cosmetic skin fresheners; cosmetic soaps; cosmetic sun-protecting sunscreen, suntan and tanning preparations; cream soaps; cuticle cream; exfoliant creams; exfoliants for hair, skin, body and face; eye cream, gels and lotions; eye make-up remover; face and body creams, lotions, milk; face oils; face powder; facial cleansers, cleansing milk, emulsions, lotions, masks, moisturizers, oils, scrubs and washes; fragranced body care preparations, namely, body scrubs and shower gels; fragranced face care preparations, namely, facial cleansers and facial moisturizers; fragranced facial moisturizer; fragranced skin care preparations, namely, skin cleansers and moisturizers; gels for cosmetic purposes; hair care preparations; hair conditioners; hair rinses; hair shampoos; hand creams and lotions; lip balm; loose face powder; lotions for cosmetic purposes; make-up remover; moisturizing body lotions and creams; night creams; non-foaming

cosmetic preparations for skin, face and body; non-medicated acne treatment preparations; non-medicated anti-aging serum; non-medicated balms for use on hair, skin and lips; non-medicated bath soap preparations; non-medicated bath soaps in liquid, solid or gel form; non-medicated beard care preparations, namely, creams, lotions, oils and cleaners; non-medicated beauty and cosmetic soap; non-medicated bubble bath preparations; non-medicated cleansers for personal use, namely, skin cleansers and facial cleansers; non-medicated cream soap; non-medicated facial and eye care serum containing antioxidants; non-medicated foot cream; non-medicated lip balms; non-medicated lip care preparations; non-medicated liquid soaps; non-medicated preparations for all the care of skin, hair and scalp; non-medicated skin care creams and lotions; non-medicated skin care preparations; non-medicated skin creams, serums and toners; non-medicated soaps; oils for cosmetic purposes; perfumed creams and soaps; pre-shave creams, gels, preparations and lotions; scented body lotions and creams; scented body spray; self-tanning cosmetic preparations; shampoos; shaving creams and preparations; shower and bath gel; skin clarifiers, cleansers, cleansing lotion, creams, toners, moisturizers; skin cosmetic fresheners, lotions, masks, moisturizer, moisturizing gel, and toners; skin soap; sun block, sunblock lotions and sunblock preparations; sun care lotions; sun screen; toiletry bags sold filled with non-medicated toiletry preparations, namely, soap, shampoo, hair conditioner; topical skin sprays for cosmetic purposes; protective creams.

(260) AM 2020 106264 A

(800) 1112905

(151) 2012 02 28

(891) 2019 10 09

(731) Brauerei Aying Franz Inselkammer KG

Zornedinger Str. 1, 85653 Aying, Germany

(540)



(591) Light blue, dark blue, light green, medium green, dark green, chartreuse, light yellow, dark yellow, grey and brown

(531) 05.01.08; 06.07.01; 06.19.11; 07.01.03;
07.01.08; 24.01.13; 29.01; 29.01.15

(511)

32 – Beer, beer-based premixed beverages, mineral water and aerated waters (beverages), and other non-alcoholic beverages.

(260) AM 2020 106265 A

(800) 1127071

(151) 2011 09 29

(891) 2019 11 21

(731) MATALAN LIMITED

Matalan Head Office, Perimeter Road,
Knowsley Industrial Park, Liverpool L33 7SZ,
United Kingdom

(540)



(591) Black, white

(531) 07.01.24; 27.03.15

(511)

3 – Soaps, toiletries, cosmetics, hair care products; skin care products; bath lotions, deodorants, cleansers, moisturisers, perfumery, detergents, gels for use on the hair, non-medicated toilet preparations; dentifrices, shampoos, nail care preparations, antiperspirants, depilatory preparations, shaving soaps, cosmetic preparation for tanning the skin; eau de cologne, disinfectant soaps, deodorant soap, stain removers, toilet waters; shaving preparations, hair waving preparations, hair setting preparations; cleaning preparations; shower preparations; preshaving and aftershave lotions; creams, washing and bathroom preparations, body powder, toilet articles; body care products, beauty care products; colouring matters, tints and lotions, all for the hair and the beard, hair bleaching preparations; preparation for the care of the body, emery, emery paper, emery cloth all for nail grooming; antiperspirant soap; bath salts, not for medical purposes; boot cream; boot polish; cleansing milk for toilet purposes; cosmetic kits; cosmetics essential oils; eye make-up; eyebrow cosmetics; eyebrow pencils; hair colorants; hair dyes, hair lotions; lotions for cosmetic purposes; make-up; make-up powder; make-up preparations; make-up removing preparations; beauty masks; medicated soap; nail polish; nail varnish; oils for cosmetic purposes; oils for perfumes and scents; perfumes; shaving preparations; shaving soap; shoe cream; shoe polish; shoe wax; suntanning preparations; talcum powder; tissues impregnated with cosmetic lotions; toiletries; nail varnish; nail varnish removing preparations; cosmetic dyestuffs.

4 – Candle assemblies; candles; Christmas tree candles; candles for use as nightlights; candles for use in the decoration of cakes; fragranced candles; musk scented candles; scented candles; wicks for candles; fire lighters, fuel, gas fuel, gas for lighting.

6 – Common metals and their alloys; ironmongery; small items of metal hardware; safes; aluminium foil; safety cash boxes of common metal; buckles of common metal; cashboxes of metal; clips of metal for cables and pipes; non-electric door bells; non-electric door closers; door fittings of metal; door frames of metal; door handles of metal; door knockers; non-electric door openers; door stops of metal; doors of metal; fittings of metal for beds; fittings of metal for furniture; fittings of metal for windows; metal hardware; hooks; keys; rings of common metal for keys; money boxes of metal; cans; foil; boxes of metal; tool chests of metal; tool handles of metal; non-electric wires and cables of metal; parts, fittings and components for all the aforesaid goods.

14 – Clocks and watches; sports watches, horological and chronometric instruments; watch straps; trophies, jewellery and imitation jewellery; time keeping instruments; alarm clocks; badges of precious metal; boxes of precious metal; bracelets; cases for clock and watch-making; cases for watches; chains of precious metal; clock cases; clock hands; imitation gold; jewel cases of precious metal; key rings; rings being jewellery; tie clips, tie pins; watch bands; wrist watches; ornaments of precious metals; trinkets; parts, fittings and components for all the aforesaid goods; key cases.

18 – Bags, luggage, travelling bags and cases; wallets and purses; umbrellas, parasols and walking sticks; trunks, pannier bags, travel bags, haversacks, backpacks, briefcases, rucksacks; shopping bags, holdalls; belts, keycases, school bags and school satchels; beach bags; parts, fittings and components for all the aforesaid goods; sports bags.

20 – Furniture; bolsters, pillows; cushions, mattresses, sleeping bags; bedding except linen; bed casters, not of metal; beds; benches; bins; boxes; brackets; bakers' bread baskets; cable clips; casters; chairs; chests of drawers; chests; containers of plastic, containers; cupboards; curtain hooks, curtain rails, curtain rings, curtain rods, curtain rollers, curtain tie-backs, curtains; deck chairs, desks, divans, door fittings; door furniture; easy chairs; hampers (baskets); identity plates; magazine racks; picture frames; mirrors; sofas; stools; tables; goods not included in other classes of wood, cork, reed, cane, wicker, horn, bone, ivory, whalebone, shell, amber, mother-of-pearl, meerschaum and substitutes for all these materials or of plastics; parts, fittings and components for all the aforesaid goods.

21 – Small domestic utensils and containers; household or kitchen utensils, articles and containers; cutlery drawer inserts; plates, cups, bowls and dishes; baskets for domestic use; trays for domestic purposes; works of art; candle holders; watering cans; ice buckets; sculptures and statuettes; reproduction of sculptures; glassware; porcelain; earthenware; figure-

nes; miniature figures; ornaments made from ceramics, china, crystal, earthenware, glass and porcelain; vases and urns; flower pots; tableware; cooking utensils; pressure cookers; jugs and drinking vessels; non-electric machines, mills and grinders for tea and coffee; combs, sponges; brushes; non-electric instruments and materials, all for cleaning; kettles, coffee pots; household and kitchen filters, receptacles for filter paper inserts all for household or kitchen use; ironing boards, refuse bins, towel rails, vegetable racks; trinket boxes; giftware articles and works of art, all made of bone china, china, crystal, earthenware, glass, porcelain or terracotta; decorative articles made of glass, decorated china, chinaware, earthenware or porcelain; domestic bread baskets; parts, fittings and components for all the aforesaid goods; belt buckles, all being of precious metal or coated therewith; candle rings of precious metal; candlesticks of precious metal; non electric coffee pots, household containers all of precious metal; household utensils of precious metal; kitchen containers of precious metal; kitchen utensils of precious metal; saucers of precious metal; mugs, tankards.

24 – Textile articles, textiles, textile wall hangings; linen and upholstery fabrics; bed linen, bed covers, bed clothes, bed spreads, quilt covers, duvet covers, pillow cases, quilts, duvets, sleeping bags; bath linen, towels; table linen, table covers, table cloths, table mats; table napkins; kitchen towels, tea towels; curtains, curtain tie backs, blinds; cushion covers; handkerchiefs; parts, fittings and components for all the aforesaid goods.

28 – Gymnastic and sporting articles; toys, games, playthings, soft toys, novelties, souvenirs; balloons; Christmas tree decorations; sporting articles; electronic games; decorations for Christmas trees; miniature figurines as toys; artificial Christmas trees and Christmas tree stands; playing cards; parts, fittings and components for all the aforesaid goods.

(260) AM 2020 106266 A

(800) 1167642

(151) 2013 06 14

(891) 2019 11 21

(731) MATALAN LIMITED

Matalan Head Office, Perimeter Road,
Knowsley Industrial Park, Liverpool L33 7SZ,
United Kingdom

(540)

SOON

(591) Black, white

(511) 25 – Clothing; footwear; headgear.

(260) AM 2020 106267 A

(800) 1314599

(151) 2016 06 28

(891) 2019 10 22

(731) SANTA FARMA İLAÇ SANAYİİ ANONİM
ŞİRKETİ

Okmeydanı, BoruÇiçeği Sk. No.16 Kat:4,
Şişli, TR-34382 İstanbul, Turkey

(540)

Respair

(591) Black, white

(531) 27.05.01; 27.05.17

(511)

5 – Pharmaceuticals.

(260) AM 2020 106269 A

(800) 1433484

(151) 2018 07 31

(891) 2019 11 13

(731) HAYAL SERAMİK YAPI VE ÜRÜNLERİ
TURİZM SAN.TİC. A.Ş.

Cumhuriyet Mahallesi 1955 Sokak, No:1
Kat:3 D:11 Efeler, Aydın, Turkey

(540)

QUA
GRANITE

(591) Cooper color, white and grey

(531) 27.05.01; 27.05.09; 27.05.17; 27.05.23;
29.01.13

(526) Granite

(511)

19 – Sand, gravel, crushed stone, asphalt, bitumen, cement, gypsum, plaster, concrete, marble blocks for construction, included in this class; building materials (as finished products) made of concrete, gypsum, clay, potters' clay, stone, marble, wood, plastics and synthetic materials for building, construction, road construction purposes, included in this class; nonmetallic buildings, non-metallic building materials, poles not of metal for power lines, barriers not of metal; natural and synthetic coatings in the form of panels and sheets, being building materials; bitumen cardboard coatings for roofing; bitumen coating for roofing; doors and windows of wood and synthetic materials; traffic signs not of metal, non-luminous and nonmechanical, for roads; monuments and statuettes of stone, concrete and marble; building glass; prefabricated swimming pools not of metal (structures); aquarium sand.

(260) AM 2020 106271 A
 (800) 1459156
 (151) 2019 01 31
 (891) 2019 12 03
 (731) Simpsons Malt Limited
 Tweed Valley Maltings, Tweedside Trading
 Estate, Ord Road, Berwick-upon-Tweed
 TD15 2UZ, United Kingdom

(540)
SIMPSONS MALT

(591) Black, white
 (511)
 30 – Malt for use in the preparation of food.
 31 – Malt for brewing and distilling.

(260) AM 2020 106272 A
 (800) 1480877
 (151) 2019 03 25
 (891) 2019 12 04
 (731) Bacardi & Company Limited
 Aeulestrasse 5, FL-9490 Vaduz, Liechtenstein

(540)
FIERO

(591) Black, white
 (511)
 32 – Beers; mineral and aerated waters and other
 non-alcoholic beverages; fruit beverages and fruit
 juices; syrups and other preparations for making be-
 verages.
 33 – Alcoholic beverages except beers.

(260) AM 2020 106336 A
 (800) 1505165
 (151) 2019 11 21
 (891) 2019 11 21
 (731) Matalan Limited
 Matalan Head Office, Perimeter Road,
 Knowsley Industrial Park, Liverpool
 L33 7SZ, United Kingdom

(540)
MORLEY

(591) Black, white
 (511)
 25 – Clothing, footwear and headgear.

(260) AM 2020 106337 A
 (800) 1505166
 (151) 2019 11 07
 (891) 2019 11 07
 (731) CB HOLDINGS, LLC
 POST OFFICE BOX 279, SOUTH BOSTON
 VA 24592, USA

(540)
PALMETTO

(591) Black, white
 (511)
 34 – Cigarettes.

(260) AM 2020 106338 A
 (800) 1505183
 (151) 2019 11 26
 (891) 2019 11 26
 (731) Green Cross Corporation
 107, Ihyeon-ro 30beon-gil, Giheung-gu,
 Yongin-si, Gyeonggi-do 16924, Republic
 of Korea

(540)
VARIGREE

(591) Black, white
 (531) 27.05.01
 (511)
 5 – Pharmaceuticals; drugs for medical purposes;
 medicines for human purposes; human vaccine pre-
 parations.

(260) AM 2020 106339 A
 (800) 1505191
 (151) 2019 10 24
 (891) 2019 10 24
 (731) Richter Gedeon Nyrt.
 Gyömrői út 19-21, H-1103 Budapest, Hungary

(540)
ДОМОРОН

(591) Black, white
 (531) 28.05; 28.05
 (511)
 5 – Pharmaceutical preparations.

(260) AM 2020 106340 A
 (800) 1505295
 (151) 2019 11 05
 (891) 2019 11 05
 (731) NOVARTIS AG
 CH-4002 Basel, Switzerland

(540)
ENERZAIR (CYRILLIC)

(591) Black, white
 (511)
 5 – Pharmaceutical preparations.

(260) AM 2020 106341 A
 (800) 1505301
 (151) 2019 10 15

(891) 2019 10 15

(731) Yongkang Zongbang Import & Export Co., Ltd.

Floor 2, No. 112, Chengnan Road,
JiangnanSub-di strict, Yongkang,
Jinhua, Zhejiang, China

(540)

TEH

(591) Black, white

(531) 27.05.17; 27.05.23

(511)

7 – Saws (machines); engraving machines; agricultural machines; metalworking machines; electric hammers; dynamos; pumps (machines); hand-held tools, other than hand-operated; welding machines, electric.

(260) AM 2020 106343 A

(800) 1505359

(151) 2019 08 22

(891) 2019 08 22

(731) Vuelos Baratos Limited

Magazine Studios 5-6 Magazine Street,
Derry BT48 6HJ, United Kingdom

(540)

 **дешевые авиабилеты**

(591) Black, white

(531) 03.07.07; 03.07.16; 28.05

(511)

9 – Software applications for mobile telephones; application software for wireless devices; collaborative software; computer application software for mobile phones; computer applications for streaming audiovisual material via the Internet; hardware for computers; computer software for data processing; recorded computer programs; recorded software; computer programs for accessing, consulting and searching databases online; software; downloadable computer applications; software for calculating costs; computer programs which can be downloaded from the Internet; computer software for the analysis of market data; software for the authorization of access to databases; computer software for communication between computers via a local network; computer software for creating dynamic websites; software for creating searchable databases of information and data; database management software; software for electronic bulletin boards; computer programs for scanning images and documents; computer software for compiling positioning data; computer software for the treatment of positioning data; computer software for the transmission of positioning data; computer software for time control; computer programs for use in controlling access to computers; computer software for use in hand-held mobile digital electro-

nic devices and other consumer electronic products; computer software in the field of electronic publishing; software to enable data retrieval; computer programs enabling teleconferencing, videoconferencing and videophone services; software enabling the transmission of information via the Internet; computer software for data mining; devices for broadcasting content on local wireless networks; computer software for document management; downloadable applications for use with mobile devices; computer gaming software downloadable via a global computer network and wireless devices; downloadable mobile applications for data management; downloadable mobile applications for information management; downloadable mobile applications for the transmission of information; hardware for computers; instruction manuals in electronic format; interactive computer programs; interactive computer software that provides navigation and travel information; mobile applications for ordering a taxi; mobile data devices; podcasts; software and applications for mobile devices; software for information mining on computer networks; software for digital tablets; traveling distance monitors; wireless communication devices; data processing apparatus; apparatus for recording data; apparatus for reproducing data; apparatus for transmitting data; software applications for social networking via the Internet; comparators; computer databases; computer hardware for the compilation of positioning data; search-engine computer software; computer programs for online use of social networks; software for use as an application programming interface (API); computer programs for searching and retrieving data; electronic databases; data mining software; software for cleaning data; electronically recorded data; downloadable electronic newsletters; receivers for data communication; electronic data media; downloadable electronic publications; electronic publications recorded on computer media; apparatus for data processing in real time; recorded data files; software for designing on-line advertising on web pages; software for embedding on-line advertising on websites; software for the rental of on-line advertising on websites; software for business data analysis; transmission pipes; weekly publications which can be downloaded in electronic form from the Internet; downloadable information relating to travel, flights, ferries, trains, coaches, tours, vehicle rental, combined travel, tours and accommodations; mobile applications relating to travel, flights, ferries, trains, coaches, tours, vehicle rental, combined travel, tours and accommodations; mobile applications relating to travel price comparisons; mobile applications with user reviews concerning hotels and accommodation; screen scraping applications; computer software for screen scraping applications; computer software for price comparison applications; computer software for price reviews; computer software for integrating data from web services; com-

puter software for extracting data and fares from web pages; tourist guides [publications] [downloadable]; hotel and accommodation guides [downloadable]; airport guides [downloadable]; travel planning software; price comparison application; user review mobile applications; travel planning application programs; software for compare prices; travel planning mobile applications; downloadable price comparison applications; application programs for desktop computers, laptop computers, mobile phones, PDAs, portable data media players and mobile devices for supplying reviews and recommendations on events, bars, restaurants, hotels and local attractions; application programs for desktop computers, laptop computers, mobile phones, PDAs, portable data media players and mobile devices for supplying reviews and recommendations on online travel agencies, accommodation, accommodation reservation services, ferries, trains, vehicle rental, cruises, airport parking in combined travel, airport transfer services, tourist destinations, travel and travel insurance products and services; radio direction search apparatus; mobile applications; mobile software; downloadable software applications; computer programs [downloadable software]; software which can be downloaded from the Internet; downloadable application software for smartphones; downloadable computer software for data transmission; downloadable coupons for mobile devices; software for mobile phones (Apps); computer software platforms for social networks; software for desktop publishing; downloadable application programs for comparing flight and travel prices; downloadable software enabling access to a search engine with price comparison services relating to travel; downloadable software for search engines with price comparison services relating to travel; application programs enabling users to access, show and search opinions, reviews, ratings, comments and recommendations of users in relation to travel; downloadable mobile applications enabling advertisers to manage advertising on a global network; application programs enabling advertisers to manage advertising on a global network; application programs enabling partners and associated companies to manage recommendations on a global network; application programs showing statistical and performance information on advertising, exchange rates, costs per click, costs per purchase, other data relating to advertisements and account and invoice information; application programs enabling advertisers to show statistical and performance information on advertising, exchange rates, costs per click, costs per purchase, other data relating to advertisements and account and invoice information; application programs enabling advertisers to review statistical and performance information on advertising, exchange rates, costs per click, costs per purchase, other data relating to advertisements and account and invoice information; application pro-

grams enabling users to review statistical and performance information on sales, exchange rates, costs per click, costs per purchase, other data relating to advertisements and account and invoice information; travel planning mobile applications; downloadable travel planning software; application programs enabling users to search and compare travel offers; application programs for storing, collecting, managing, filtering and obtaining private information; downloadable software for auctions of travel tickets, travel offers and travel goods and services; downloadable software for searching, comparing and booking travel offers; application programs enabling filtering of search results of flights and flight prices on the basis of price, departure and arrival airport, departure and arrival time, airline, travel agency, duration of travel, the number of stops, credit card fees and payment systems, the number of permitted pieces of travel baggage, user comments and reviews and other available data and parameters; application programs enabling filtering of search results of hotels and accommodation on the basis of price, dates, category, accommodation class, stars, rooms, services available, accommodation functions, hotel chains, user topics, reviews and comments and other available data and parameters; application programs providing access to a forum enabling users to purchase, sell and switch travel reservations, travel offers and travel products and services; application programs for desktop computers, laptop computers, mobile phones, PDAs, portable data media players and mobile devices enabling users to search and compare offers relating to flights; application programs for desktop computers, laptop computers, mobile phones, PDAs, portable data media players and mobile devices enabling users to book offers relating to flights; application programs enabling users of desktop computers, laptop computers, mobile phones, PDAs, portable data media players and mobile devices to search and compare offers relating to travel; application programs enabling users compare flight prices with prices of bus, train, vehicle rental, shared vehicles, ferries and private transport services; application programs providing access to an Internet search engine by means of which users can compare travel offers on a map; application programs showing the flight price history and predictions; application programs showing the history and predictions of accommodation prices, vehicle rental, trains, ferries, cruises and buses; application programs providing links to information regarding travel; application programs providing access to a forum for the sale of travel offers; application programs providing an Internet search engine enabling users to compare flight prices with prices of bus, train, vehicle rental, shared vehicles, ferries and private transport services; application programs enabling users to compare travel offers on a map; application programs enabling users to search and compare flight

offers; application programs enabling users to book flight offers; application programs enabling users to search and compare accommodation offers; application programs enabling users to book accommodation; application programs enabling users to search, compare and book vehicle rental offers; application programs providing access to travel search results; web-based software enabling users to search, compare and book train offers; application programs enabling users to search, compare and book train offers; application programs enabling users to search, compare and book travel offers; application programs providing access to travel directories on the Internet; application programs providing access to directories enabling users to search, show, rate and filter flight prices on the basis of departure and arrival airport, price, departure and arrival time, airline, travel agency, duration of travel, the number of stops, credit card fees and payment systems, the number of permitted pieces of travel baggage, user comments and reviews and other available data and parameters; application programs providing access to directories enabling users to search, show, rate and filter accommodation offers on the basis of cost, dates, category, accommodation class, stars, rooms, services available, accommodation functions, hotel chains, user topics, reviews and comments and other available data and parameters; application programs providing access to directories enabling users to search, show, rate and filter vehicle rental offers; application programs providing access to online directories enabling users to search, show, rate and filter travel offers; application programs providing access to directories relating to travel, to travel offers and other information; application programs providing access to online control panels enabling advertisers to show statistical and performance information on advertising, exchange rates, costs per click, costs per purchase, other data relating to advertisements and account and invoice information; application programs providing access to online control panels enabling users to show statistical and performance information on sales, exchange rates, costs per click, costs per purchase, other data relating to advertisements and account and invoice information; application programs providing access to partner network software; artificial intelligence software for flight and transport services price comparison services; artificial intelligence software for travel price comparison services; artificial intelligence software for searching and booking airplane tickets; artificial intelligence software for searching and booking train, bus and ferry tickets; artificial intelligence software for searching and booking accommodation; artificial intelligence software for searching and booking car parks and transfer services to airports; artificial intelligence software for searching and booking vehicle rental and shared vehicles; artificial intelligence software for searching

fares for airplane, train, bus, ferry, accommodation prices, vehicle rental and shared vehicles; artificial intelligence software for searching for travel insurance; artificial intelligence software; artificial intelligence software and computer training; voice recognition software; voice processors; voice operated encoders; voice identifiers; biometric voice recognition systems; voice processing systems; digital voice recorders; software for web applications; business software; computer software for integrating applications and databases; software for web applications and web servers; application programs for search engines with price comparison services relating to travel; application programs enabling users to access an online web page enabling users to publish their opinions, reviews, ratings, comments and recommendations on any subject relating to travel; application programs enabling users to publish their opinions, reviews, ratings, comments and recommendations in relation to hotel chains, ferry reservation services, ferry operators, train reservation services, railway operators, cruise reservation services, cruise operators, airport transport services, bus companies, bus reservation services, travel booking services and other companies of the travel sector; application programs enabling users to publish their opinions, reviews, ratings, comments and recommendations in relation to tourist destinations, airlines, online travel agencies, vehicle rental companies, vehicle rental services, accommodation reservation services, hotels and accommodation, bars, restaurants, events, tours and sightseeing, museums, local attractions, musical performance venues, another venue type and theaters.

35 – Marketing services relating to travel; information index compilation for commercial or advertising purposes; computerized compilation of customer indexes; market study; business information, research and analysis services; provision of business information from online databases; market study services relating to the customer loyalty; compilation of advertisements; web indexing for commercial or advertising purposes; banner advertising; compilation of data for others; collection and analysis of information and data relating to business management; compilation of business directories; compilation of mailing lists; compilation of commercial information; maintenance of an information register; compilation of indexed addresses; compilation of statistical information; compilation of mathematical data; compilation of computer databases; compilation of company information; compilation, production and dissemination of advertising matter; compilation of information in computer databases; compilation of online business directories; preparation of advertising statistics; computerized compilation of order lists; collection and systemization of information in data banks; compilation of advertisements for use as we-

bsites on the Internet; compilation of business directories for publication on the Internet; gathering and providing price and statistical information concerning business and trade; compilation of directories for publication on other global computer networks or the Internet; management of customer loyalty schemes, incentive or promotional schemes; organization, operation and supervision of loyalty and incentive programs; organization, operation and supervision of incentive and loyalty programs; promotion marketing services using audiovisual means; advertising services relating to the tourist sector; organizing competitions for advertising purposes; advertising the products and services of online vendors via an online search guide; promotion [advertising] of travel; sales promotion of third-party goods and services through distribution of printed matter and competitions for promotion; promoting products and services via sponsorship; organizing of prize draws for promotional purposes; advertising and promotion services; promotion of the sale of third-party goods and services via promotional events; Advertising via electronic media and specifically the Internet; electronic commerce services, specifically, provision of information on goods via telecommunication networks for advertising and sales purposes; providing advertising space on electronic media; advertising by transmission of on-line advertising for third parties through electronic communication networks; advertising, including online advertising via a computer network; arranging and conducting of auction sales via the Internet; online auctioneering services via the Internet; price comparison services; evaluation of accommodation price comparison; provision of online price comparison services; consultancy services for searching for sponsors; promoting goods and services of others via discount card schemes; compilation and systematization of information used in electronic transmissions; commercial information services provided by access to a computer database; updating and maintenance of data on computer databases; updating of advertising information in a computer database; advertising and marketing services provided via blogs; Updating of business information in a computer database; placing of advertisements; advertising via mobile phone networks; administration of incentive award programs to promote the sale of products and third party services; Internet advertising for others; distribution of advertising, marketing and materials for promotional purposes; advertising agents; advertising for others; advertising services provided via a database; advertising services provided via the Internet; advertising of commercial web sites; advertising services for e-commerce promotion; Advertising services relating to the transport industries; compilation of advertisements for use on the Internet; business promotion by computer; copywriting; affiliate marketing; arranging advertising contracts, for others; arranging and

conducting of marketing events; arranging and conducting of promotional events; organization of presentations for advertising purposes; advertising services relating to real estate; advertising services relating to books; advertising services relating to hotels; advertising services relating to the sale of products; business promotion services provided via audiovisual media; marketing via the Internet; provision of information relating to advertising; graphic advertising services; digital advertising services; direct marketing; displaying advertisements for others; editing services for advertising purposes; event marketing; design of marketing studies; financial marketing; design of advertising materials; writing of texts for advertising and promotional purposes; promoting the products and services of others through the administration of sales and promotional incentive schemes including coupons; database marketing; dissemination of data relating to advertising; data search in computer files for third parties; data processing services in the field of transport; data processing for the compilation of data for business purposes; online data processing services; design of advertising brochures; online advertising; negotiating advertising contracts; mediation for advertising; computer management of files; marketing services relating to restaurants; advertising in magazines; publication of advertising brochures; forwarding and updating of advertising texts; pay-per-click advertising services; placing of advertisements for others; marketing strategy planning; online community management services; preparation of mailing lists for direct mail advertising services [other than for sale]; provision of business data; preparation of marketing plans; preparation of audiovisual presentations for use in advertising; presentation of companies on the Internet and other media; promoting the products and services of others via agreements with sponsors in order to associate their products and services with sports competitions; product launch services; press advertising services; production of video tapes, video discs and audio-visual recordings for promotional purposes; promotion of third-party goods and services through loyalty card programs; promotion of special events; promotion of music concerts; promotion of insurance services for others; promotion of sports competitions and events; promotion of sales; promotion, advertising and marketing of websites online; publication of online advertising material; publication of advertising materials and texts; marketing services in search engines; search engine optimization; sponsorship search; response advertising; reproduction of advertising material; Sales promotions at points of purchase or sale for others; sales promotion aided by audiovisual media; optimization of traffic web page; updating of advertising material; television advertising; administrative processing of telephone or computerized purchase orders; organization of subscriptions to Internet services; organiza-

tion of subscriptions to electronic newspapers; organization of subscriptions of publications of others; computerized online ordering services; coupon procurement services for others; electronic processing of orders; product and service price quotation; provision of an on-line marketplace for buyers and sellers of goods and services; providing information on consumer products; price analysis services; subscriptions to electronic newspapers; sales management services; order services for the wholesale business; compiling, for the benefit of others, a variety of telecommunication services enabling consumers to compare and conveniently purchase these services; compiling, for the benefit of others, a variety of insurance services enabling consumers to compare and conveniently purchase these services; telemarketing services; compilation of lists of potential customers; compilation of statistics relating to business; consultancy relating to the preparation of business statistics; financial records management; computerized commercial research; commercial information services, via the Internet; business expertise; commercial information agencies for providing business information, including demographic data or marketing; economic forecasting; providing a guide of websites of others for facilitating business transactions; news clipping services; market reports and studies; information and opinions provided by experts in relation to companies and businesses; expert evaluations and reports relating to business matters; preparation of surveys for businesses; providing business statistical information relating to medical matters; providing business information relating to companies; providing commercial information in the field of social media; providing commercial information via web sites; providing an online business information directory on the Internet; information and advisory services relating to tariffs; business information research; providing sales analysis; surveys for commercial purposes; provision of information relating to data processing; information and advice to consumers regarding the selection of products and items for sale; conducting market research based on opinion polling; analysis of public advertising awareness; market research by means of a computer database; Market opinion poll studies; pricing fixing surveys; profit surveys; preparation of public opinion polling; opinion polling; analysis of market studies; marketing studies provided by telephone; market study services regarding Internet usage habits; market research and analysis services; online retail services for suitcases; retail services for suitcases; commercial wholesale services for articles of luggage; market research for compiling information on viewers; market research for compiling information on publication readers; advisory services relating to data processing; counseling on the analysis of buying habits and needs of customers provided with the help of sensory data and data relating to quality

and quantity; data collection; compilation and systemization of business databases; advertising of transport and delivery; direct mail advertising; direct mail advertising; advertising of products for others sellers for enabling customers viewing and comparing the products of those vendors; advisory services relating to advertising; services including the registering of statistical data; services for compilation of statistics; providing computerized commercial information; electronic data processing; sales promotion for others; commercial information and counseling for consumers in the selection of goods and services; business information services provided online from a global computer network or via the Internet; commercial consultancy; services in connection with bonus, incentive and customer loyalty programs; promotional, marketing and advertising services; advertising; online advertising via a computer network; services for the promotion of products and services of others; customer loyalty services for commercial, promotional or advertising purposes; dissemination of advertising for others via the Internet; providing online financial services comparisons; providing an online advertising reference guide featuring the products and services of other online vendors on the Internet; providing online advertising reference guides; compilation and systemization of information on computer databases; checking computerized data; computer data processing; data input services; data input; services for obtaining data from a data management system; transcription of data; dissemination of business data; interpretation of market research data; management and compilation of computerized databases; analysis of market research data; market research data collection services; market research data recovery services; provision of commercial information, via the Internet, cable networks or other forms of data transfer; preparation of business statistical data; recording of written communications and data; subscriptions to database services via telecommunications; statistical evaluation of marketing data; systemization of information into computer databases; provision of hotel price comparison reports; advertising and marketing services provided via social media; provision of marketing consultancy in the field of social media; data input and processing services; data processing for businesses; data and information analysis; data and information updating; extraction of information from data banks; extraction of information from cache files; price comparison services in the flight sector; price comparison services in the travel sector; price comparison services in the sector of hotels, hostels, guesthouses, accommodation, camping sites and private homes; price comparison services in the vehicle rental sector; price comparison services in relation to parking in airports; price comparison services in the airport transfer sector; electronic dissemination of information and statistical data in relation to travel; provision of

statistical data in relation to travel; provision of information and statistical data in relation to the preferences of travelers; electronic dissemination of advertising material and information; electronic dissemination of information and advertising material in relation to flights and air transport; provision of price comparison services via the Internet in relation to flights and hotels; access to an online marketplace for buyers and sellers of products and services; provision of consumer information services and recommendations on products and services in the travel services sector; advertising services in connection with network association services for travel agencies, enabling advertisers to connect with web pages; compilation and systemization of information; financial services by computer; online advertising network mail order services for connecting advertisers to websites; promotion of third-party products and services by means of advertisements on websites; flight price comparison services; vehicle rental price comparison services; compilation and storage in data banks of reviews, opinions and recommendations regarding travel agencies, online travel agencies, accommodation, accommodation reservation offices, ferries, trains, vehicle rental companies, cruises, airport parking for organized travel, airport transfer companies, tourist destinations, travel products, travel and travel insurance services; flight price comparison services, including airport charges, credit card fees and luggage charges; provision of links to airlines, ferry operators, railway companies, bus companies, online travel agencies, tour operators and accommodation reservation offices; travel and flight directory services; provision of flight price historical data; flight price analysis; users survey regarding travel and travel habits; provision of data representing the most visited tourist destinations of Europe and the world; provision of travel price comparison services for desktop computers, laptop computers, mobile phones, PDAs, portable data media players and mobile devices; provision of control panels enabling advertisers to show statistical and performance information on advertising, exchange rates, costs per click, costs per purchase, other data relating to advertisements and account and invoice information; provision of control panels enabling users to show statistical and performance information on sales, exchange rates, earnings per click, costs per purchase, other data relating to advertisements and account and invoice information; compilation, extraction, search and maintenance of data regarding travel; compilation, extraction, search and maintenance of travel prices, flight schedules and other data in a data bank; provision of flight price comparison services via the Internet; provision of price comparison services for transport by train, bus and ferry via the Internet; provision of hotel price comparison services via the Internet; provision of vehicle rental price and shared vehicle fee comparison services via the

Internet; provision of airport parking price comparison services via the Internet; provision of airport transfer price comparison services via the Internet; provision of cruise price comparison services via the Internet; provision of travel insurance price comparison services via the Internet; product or service price quotation; provision of web page directory services featuring hyperlinks to web pages of others; provision of a web page featuring a market study panel directory for consumers; accommodation service reviews; preparation of independent ratings and reviews of other companies for commercial purposes; provision of a web page featuring consumer reviews of the services of others in the sector of flights and transport services; provision of a web page featuring consumer reviews of the services of others in the sector of transport by train and bus; provision of a web page featuring consumer reviews of the services of others in the sector of accommodation; provision of a web page featuring consumer reviews of the services of others in the sector of vehicle rental and shared vehicle; provision of a web page featuring consumer reviews of the services of others in the sector of airport parking and airport transfers; provision of a web page featuring consumer reviews of the services of others in the sector of cruises; web page directories for advertising purposes; web page indexes for price comparison services; web page indexes for search engine optimization; web page indexes regarding travel; web page indexes for travel directories; advertising services of other vendors for enabling customers viewing and comparing the services of those vendors; purchase facilitation services, specifically, providing an online purchase and comparison search engine for obtaining information regarding shopping; promotion of sales of products and services of others by means of a web page featuring coupons, discounts, price comparisons, comments regarding products, links to the retail web pages of others, and information regarding discounts, advice and information regarding client services and product management and prices on Internet sites in connection with purchases made via the Internet; access to an online computer database relating to product localization, product descriptions, product classification, product price fixing and product price comparison; provision of information regarding online sales directories; advertising and directory services, specifically promotion of sales of services of others by means of a web page featuring links to web pages of others; commercial evaluation and rating of consumer products for others prior to purchase; access to a website where users can send ratings, reviews and recommendations on products and services for commercial use sent by users.

36 – Organization of travel insurance; consultancy and brokerage services relating to travel insurance; credit services relating to travel; currency exchange

and advice; listings of currency exchange rates; discount card services to young people for travel; economic and financial research services; emergency financial services for travelers; financial database services; financial services relating to travel; financial sponsorship and patronage; currency services; payment guarantees on medical expenses for foreign travelers; travel insurance services; issuing of vouchers in connection with customer loyalty schemes; issuing of travelers' checks and monetary receipts; issuing of prepaid cards for use as electronic transport documents; issuing of travelers' checks by travel agencies; foreign exchange online real time; provision of information regarding online insurance extracted from an electronic data bank or the Internet; issuing of travel vouchers; fundraising services via a microfinancing website; currency conversion in prices for flights, accommodation, vehicle rental and travel offers, for price comparison services.

38 – Arranging access to databases on the Internet; dissemination of audio, video and multimedia content via the Internet and other communication networks; dissemination of audio; broadcasting of audiovisual and multimedia content via the Internet; provision of Internet chat rooms; chat room services for social networking; communication via online blogs; communication of data by means of telecommunications; communication services, in particular the electronic transmission of data and documents among computer users; communication services between data banks; communication services for the electronic transmission of data; communications services for accessing a database; communication services for exchange of data in electronic format; transmission of information by computer; computerized data transmission services; data radio broadcasting services; data communication by electronic means; data communication services; data communication services accessible by access code; data communication services accessible via passwords; data broadcasting in real time; data transmission; data transmission and data dissemination; transmission of information by means of electronic mail; data transmission services by means of telecommunication networks; digital broadcasting of audio; electronic exchange of data stored in databases accessible via telecommunication networks; dispatch, reception and forwarding of electronic messages; electronic transmission and retransmission of sound, images, documents, messages and data; electronic transmission of data and documents via computer terminals and electronic devices; electronic transmission of instant messages and data; electronic mail data services; international data transfer; radio broadcasting services by means of the Internet; live transmissions accessible by means of an Internet site [webcams]; music broadcasting; services for uploading photographs to the Internet; multimedia broadcasting ser-

vices for portable devices [podcasting]; provision of access to databases; providing access to data in computer networks; providing access to online computer databases; providing access to Internet portals; Online chat rooms for social networking; provision of on-line forums; access to telecommunication connections to the Internet or to databases; user access services for a global computer network and online sites containing information on a wide range of topics; user access to computer programs in data networks; user access services for search engines; access to web sites, portals and content; providing access to data available on communication networks; provision of access to data or documents stored electronically in central files for remote consultation; provision of access to data via the Internet; provision of electronic communication links; provision of electronic data links; providing electronic video links; provision of access to telecommunications and connections with computer databases and the Internet; provision of access to databases and to the Internet via telecommunications; secure transmission services for data, sound or images; transmission of streamed data [streaming]; telecommunication services by means of platforms and portals on the Internet; telecommunications gateway services; telecommunication services for providing access to databases; transfer of information and data via on-line services and the Internet; transference and dissemination of information and data via computer networks and the Internet; transmission and reception [transmission] of database information by means of the telecommunications network; audio data transmission via the Internet; transmission of data, audio, video and multimedia files; assignment of data and audio, video and multimedia files including downloadable files and files streamed via a global computer network; transmission of messages, data and content via the Internet and other communication networks; transmission of portable audio files; transmission of short messages [SMS], images, speech, sound, music and text communications between mobile telecommunications devices; video broadcasting services; on-demand video transmission; downloading of videos to the Internet; website dissemination services; wireless broadcasting services; wireless transmission and broadcasting of television programs; provision of links to information on websites; provision of links to information on websites regarding travel; provision of access to travel insurance systems; provision of access to data and travel reservation service prices; provision of access to data and airlines charges; provision of access to data and hotel reservation service prices; provision of access to price search engines; provision of online communications links taking the user of the network to local and global web pages and websites of others; provision of access to airline and travel agency reviews on the Internet; provision of access to accommodation revi-

ews on the Internet; provision of access to vehicle rental reviews; provision of access to travel insurance reviews on the Internet; electronic transmission of reviews and information regarding airlines and travel agencies via computer and communication networks; electronic transmission of reviews and information regarding accommodation, accommodation booking offices, ferries, trains, vehicle rental companies, cruises, airport parking for organized travel, tourist destinations, travel products, travel and travel insurance services via computer and communications networks; provision of access to a portal for travel price comparison services; provision of access to a search engine comparing flight prices, train links, bus links and ferry links; provision of online chat forums for the social networking; electronic transmission of travel reports and information via computer and communication networks; provision of access to a travel comparison search engine; provision of access to an Internet search engine showing travel offers; provision of access to a private control panel enabling users to manage advertising, measure and track the performance of advertising, show statistical data and manage bill payments; provision of access to a search engine for online travel price comparison services; provision of access to an online web page enabling users to publish their opinions, reviews, ratings, comments and recommendations on any subject relating to travel; provision of access to an Internet or mobile telephone interface showing opinions, reviews, ratings, comments and recommendations of users concerning travel; provision of access to an online web page providing users with hotels and accommodation, bars, restaurants, events, tours and sightseeing tours; provision of access to an online web page providing users with museums, local attractions, concerts and event venues, theaters; provision of access to an online web page providing users with hotel chains, ferry reservation services, ferry operators, train reservation services, railway operators, cruise reservation services, cruise operators, airport transfer services, bus companies, bus reservation services, travel booking services and other companies relating to travel; provision of access to an online web page enabling users to give their opinion, reviews, ratings, comments and recommendations on tourist destinations, airlines, online travel agencies, vehicle rental providers, vehicle rental companies and accommodation reservation services; provision of temporary access to an online interface for the management of advertising on a global network; provision of access to downloadable mobile applications enabling users to manage advertising on a global network; provision of access to mobile applications enabling users to manage advertising on a global network; provision of access to online control panels enabling users to manage advertising on a global network; provision of access to an online control panel showing statis-

tical and performance information on advertising, exchange rates, costs per click, costs per purchase, other data relating to advertisements and account and invoice information; provision of access to downloadable mobile applications enabling users to show statistical and performance information on advertising, exchange rates, costs per click, costs per purchase, other data relating to advertisements and account and invoice information; provision of access to online partner software enabling advertisers to show statistical and performance information on advertising, exchange rates, costs per click, costs per purchase, other data relating to advertisements and account and invoice information; provision of access to an online partner software enabling users to show statistical and performance information on advertising, exchange rates, costs per click, costs per purchase, other data relating to advertisements and account and invoice information; provision of access to travel planning mobile applications; provision of temporary use of non-downloadable travel planning software; provision of temporary use of a non-downloadable travel planning web page; provision of access to online software for the searching and comparing travel offers; provision of access to online software for storing, compiling, managing, filtering and obtaining private information; provision of access to online software for storing, compiling, managing, searching, filtering and obtaining information regarding travel; provision of access to non-downloadable auction software regarding transport tickets, travel offers, travel products and travel services; provision of access to non-downloadable software for searching, comparing and booking travel offers; provision of access to online software enabling filtering of search results and prices on the basis of price, departure and arrival airport, departure and arrival time, airline, travel agency, duration of travel, the number of stops, ticket class, credit card fees and payment systems, the number of permitted pieces of travel baggage and other available data and parameters; provision of access to online software enabling filtering of search results of hotels and accommodation on the basis of price, dates, category, accommodation class, stars, rooms, services available, accommodation functions, hotel chains, user topics, reviews and comments and other available data and parameters; provision of access to a forum enabling users to purchase, sell and switch travel reservations, travel offers and travel products and services; provision of access to a price comparison service web page enabling users of desktop computers, laptop computers, mobile phones, PDAs, portable data media players and mobile devices to search and compare offers relating to flights; provision of access to a price comparison service web page enabling users of desktop computers, laptop computers, mobile phones, PDAs, portable data media players and mobile devices to book flight offers; provision of access

to a software-based application on the Internet enabling users of desktop computers, laptop computers, mobile phones, PDAs, portable data media players and mobile devices to search and compare offers relating to travel; provision of access to a software-based application on the Internet enabling users of desktop computers, laptop computers, mobile phones, PDAs, portable data media players and mobile devices to book travel offers; provision of access to an Internet search engine enabling users to compare flight prices with prices of bus, train, vehicle rental, shared vehicles, ferries and private transport services; provision of access to an Internet search engine by means of which users can compare travel offers on a map; provision of access to online software showing the flight price history and predictions; provision of access to online software showing the history and predictions of accommodation prices, vehicle rental, trains, ferries, cruises and buses; provision of access to links to information regarding travel; provision of an automatic redirection of users to web pages of providers of selected travel offers; provision of access to a travel offer forum; provision of access to a price comparison service web page enabling users of desktop computers, laptop computers, mobile phones, PDAs, portable data media players and mobile devices to book travel offers; provision of access to a price comparison service web page enabling users of desktop computers, laptop computers, mobile phones, PDAs, portable data media players and mobile devices to search and compare travel offers; provision of access to an Internet search engine via a pre-downloaded mobile application; provision of access to search results via a pre-downloaded mobile application; provision of access to a travel price comparison service via a pre-downloaded mobile application; provision of access to web-based software enabling users to search and compare flights prices; provision of access to web-based software enabling users to book flights offers; provision of access to web-based software enabling users to check the availability of accommodation offers and compare the prices; provision of access to web-based software enabling users to book accommodation offers; provision of access to web-based software enabling users to search, compare and book vehicle rental offers; provision of access to search results via a pre-downloaded mobile application; provision of access to web-based software enabling users to search and compare train prices; provision of access to web-based software enabling users to book train offers; provision of access to online software for storing, compiling, managing, searching, filtering and obtaining travel information; provision of access to web-based software enabling users to search, compare and book travel offers; provision of access to travel directories on the Internet; provision of access to online directories enabling users to search, show, rate and filter flight prices on the basis

of departure and arrival airport, price, departure and arrival time, airline, travel agency, duration of travel, the number of stops, ticket class, credit card fees and payment systems, the number of permitted pieces of travel baggage, user comments and reviews and other available data and parameters; provision of access to online directories enabling users to search, show, rate and filter accommodation offers on the basis of price, dates, category, accommodation class, stars, rooms, services available, accommodation functions, hotel chains, user topics, reviews and comments and other available data and parameters; provision of access to online directories enabling users to search, show, rate and filter vehicle rental offers; provision of access to on-line directories that users to search, showing, rating and filtering travel offers; provision of access to directories relating to travel, with travel offers and other information; provision of access to online control panels enabling advertisers to show statistical and performance information on advertising, exchange rates, costs per click, costs per purchase, other data relating to advertisements and account and invoice information; provision of access to online control panels enabling users to show statistical and performance information on sales, exchange rates, earnings per click, costs per purchase, other data relating to advertisements and account and invoice information; publication of online tourist guides [publications]; publication of travels and answers regarding travel; publication of online directories regarding travel, classified according to the dates of travel, airports, countries, regions, prices and tourist destinations; publication of online directories regarding travel; provision of access to partner network software; provision of automatic redirection of users to web pages of selected travel offer providers.

39 – Provision of information regarding transport and travel via telecommunications apparatus and equipment; organization of travel; travel reservation; travel consultancy; travel services; travel agent services for arranging travel; travel agency services for business travel; travel guide services; travel guide services; organization of tours; air travel services; itinerary planning services; tourist guide and travel information services; travel reservation agencies; advice services regarding travel itineraries; organization of business travel; booking services of seats for travel; services of transport of travelers; Travel agency services for arranging holiday travel; travel ticket reservation services; organization of tours by coach; travel reservation; provision of tourist information relating to travel; booking of seats for travel; issuing of travel tickets; cruise travel services; information and consultancy services relating to travel; reservation services for airline travel; arranging of tour packages; computerized information services relating to travel; Planning, arranging and booking

travel; booking of seats for travel by train; booking of seats for travel by bus; booking of seats for air travel; provision of information regarding travel via computer; schedule consultancy services relating to travel; booking of travel and holiday tours; reservation services for travel by land; provision of information regarding travel itineraries; escorting of travelers; transport of travelers; organization of travel to and from hotels; organization of overseas travel for cultural purposes; provision of information regarding travel via the Internet; services for the provision of information relating to travel routes; physical storage of data, photographs and digital audio and image files stored electronically; physical storage of electronically-stored data or documents; travel information regarding alterations due to adverse weather conditions; transport reservation; reservations in air transport; booking of rental vehicles; booking of train tickets; booking of airport parking places; booking of boat tickets; arranging and booking of sightseeing tours; arranging and booking of excursions; arranging and booking of cruises; booking agency services for tours; arranging and booking of city sightseeing tours; provision of taxi booking services via mobile applications; arranging and booking of travel in the package holiday market; booking and organization of access to airport lounges; provision of information for the planning and booking via electronic means of airline travel; provision of information regarding the planning and booking of travel and transport via electronic means; provision of information via the Internet in relation to the booking of business travel; planning, arranging and booking of travel via electronic means; booking of seats for transport in motor vehicles; passenger shuttle services between airport car parks and terminals; provision of information regarding travel and transport; provision of online information relating to travel; provision of information relating to flights via electronic means; reservation services for tours; cruise reservation services; air ticket reservation services; tourist travel reservation services; reservation services for holiday travel; reservation services for car rental; reservation services for bus transport; reservation services for travel by sea; priority boarding, check-in, seating and reservation assignment services for frequent flyers; travel agencies, in particular reservation and booking of transport; computerized reservation services relating to passenger transport; computerized information services relating to travel reservations; provision of information regarding temporary safekeeping of personal belongings; information regarding urban transport; arranging the rental of all kinds of transport means; computerized information relating to transport services; organization of the transportation of passengers by road, rail, air and boat; consultancy services relating to transport provided by telephone call centers and telephone hotlines; provision of information relating to motor ra-

cing routes; provision of information relating to flight arrival; provision of information regarding flights; provision of data relating to schedules; provision of data relating to methods of transport; provision of information services relating to aviation; provision of information regarding the state of roads and traffic; provision of information regarding air transport; professional consultancy services relating to transport services; providing information relating to postal codes; information regarding road transport; providing information relating to fares [transport]; provision of information relating to aircraft departure; providing information regarding airline flight programming; services for providing information relating to railway transport; services for arranging transport; transportation information; reservation agency services for car rental; providing information regarding bicycle rental; arranging the rental of cars as part of tour packages; arranging and booking of guided sightseeing tours; arranging and booking of day excursions; planning and organization of guided sightseeing tours and day excursions; providing information regarding excursions and guided tourist routes; arranging the transport of passengers via helicopter; organization of tours as a bonus program for credit card customers; organization of urgent changes of airplane tickets; organization of traveler escorting; traveler transport organization services; organization of excursions and cruises; organization of holiday transport; organization of expeditions; organization of air travel; vehicle rental service with driver; computerized travel reservation services; consultancy for travel route planning; preparation of travel visas, passports and travel documents for persons traveling abroad; arranging of travel plans for individuals and for groups; providing information regarding flight arrival and departure; travel arrangement; transport and transfer services for disabled persons; charter services for yachts and ships; boat rental; chartering of transport; chartering of vehicles for travel; transport of valuables by air; information services relating to the transport of merchandise; maritime transport agency services for organizing the transport of goods; luggage transport services; organization of transfer of luggage; arranging the collection of goods; organization of transportation of goods; organization of air cargo transport; organization of transport of merchandise by sea; international air freight shipping services; providing information relating to the transport of goods; provision of advice regarding transportation of goods; route planning [navigation services]; personalized driving directions; providing information regarding to vehicle parking services; Rental of vehicle parking; agency services for organizing the transport of passengers' baggage; organization for the storage of baggage; organization of flights; organization of transport for tourist circuits; Baggage collection; consultancy services relating to travel provided by telephone call

centers and telephone hotlines; providing information regarding travel via the Internet; reservation of cabins; travel ticket issuing services; physical storage of data, documents, digital photographs, music, image, videos and computer games, all stored electronically; Provision of data relating to passenger transport; car rental; travel services in shared car; tourist operator services for reservation of seats for travel; information relating to travel (services for the provision of); provision of reviews regarding global tourist destinations; provision of reviews regarding airport facilities; provision of reviews regarding airlines; provision of reviews regarding travel service providers; organization of transport for commercial users; travel planning services; planning and reservation via electronic means of airline travel; reservation agency services for airlines; processing airline tickets, cruise tickets and train tickets; airline and online travel agency reviews; airline and online travel agency user reviews; travel planning ideas shared by users; travel reports and travelers' opinions; travel planning and reservations via desktop computers, laptop computers, mobile phones, PDAs, portable data media players and mobile devices; providing information regarding prices, flights, trains, ferries, buses, accommodation and vehicle rental, airport parking prices, airport transfers, cruises, travel insurance and other travel offers via desktop computers, laptop computers, mobile phones, PDAs, portable data media players and mobile devices; provision of information and recommendations regarding travel via desktop computers, laptop computers, mobile phones, PDAs, portable data media players and mobile devices; provision of travel reservations via desktop computers, laptop computers, mobile phones, PDAs, portable data media players and mobile devices; providing information regarding travel via the Internet; provision of information regarding travel via smartphones; provision of travel reservations via the Internet; provision of travel reservations via smartphones; provision of access to travel reservation software via smartphones; provision of access to travel reservation software via the Internet; reservations of seats for travel and ecological routes via a web page; providing information to travelers relating to fares, schedules and public transport; reservation of seats for transport by train.

41 – Booking of venues for shows and sports events; booking of sports facilities; reservation services for concerts; educational courses relating to the travel industry; printed material rental; providing information regarding entertainment and entertainment events via online networks and the Internet; information related to education provided online from a computer database or from the Internet; library services relating to data stored and retrieved by electronic means; multimedia publishing of electronic publications; electronic publication of books and newspa-

pers online; online library research services; preparation of entertainment programs for broadcast; preparation of news programs for broadcast; provision of electronic publications; providing non-downloadable electronic publications via a global computer network or the Internet; providing information regarding cultural activities; provision of information on recreational activities; supply of electronic publications online, not downloadable; providing non-downloadable online electronic publications regarding music; entertainment services using portable audio files; Providing instruction relating to computer programming; publication of directories relating to travel; publication of manuals; publication of material accessible from databases or from the Internet; online publication of guides, travel maps, street maps, and city leisure guides for travelers, not downloadable; publication of texts and images also in electronic form, except for advertising purposes; publication of art reviews; rental of sound and image recordings; rental of sound and video recordings; booking services for concert and theater tickets; services for the reservation of seats for shows; editing of newsletters; services for the publication of tourist guides; theater booking services; information on tickets for sport events; services for the reservation of venues for cultural events; ticket reservation services for entertainment events; services for the reservation of venues for music concerts; venue reservation services for recreational and leisure events; services for the reservation of venues for sporting events; training services relating to design; blogging services; library services provided by means of a computer database; provision of information on recreational activities; information related to entertainment provided online from a computer database or from the Internet; conducting photo library research; Entertainment services provided online from a computer database or the Internet; training; entertainment services; sporting and cultural activities; organization of cultural activities; entertainment reservation services; education; providing entertainment information via a global computer network; provision of news relating to travel; provision of newsletters relating to travel; online tourist guides [publications]; online airport guides; tourist guides [publications] in the form of video recordings; tourist guides [publications] in the form of audio recordings; online information from an electronic database or from the Internet in relation to travel; provision of online information from an electronic data bank on the Internet in relation to leisure; publication of reviews online in the field of entertainment; publication of comments online in the field of accommodation; publication of reviews online regarding flights; publication of comments online regarding travel; publication of maps; electronic desktop publishing; publication of travelers' opinions; publication of reviews online in relation to flights; publication of travelers'

reviews and their opinion; provision of reviews, opinions and recommendations online regarding travel agencies, online travel agencies, accommodation, accommodation reservation offices, ferries, trains, vehicle rental companies, cruises, airport parking for organized travel, airport transfer companies, tourist destinations, travel products, travel and travel insurance services; publication of expert reviews regarding airlines, online travel agencies, airports, tourist destinations, accommodation, accommodation reservation services, ferries, trains, vehicle rental services, cruises, airport car parks for organized travel, airport transfer companies, tourist destinations, travel products, travel and travel insurance services; publication of coupons and discount codes; publication of travel trends; publication of accommodation reviews; publication of travel plans provided by users of web pages and mobile applications; publication of travel plans; publication of travelers' opinions; publication of comments online regarding flights; publication of travel reports and travelers' opinions; publication of comments, reviews and recommendations online regarding tourist destinations; publication of comments, reviews and recommendations online regarding airlines and online travel agencies; publication of information, comments and personalized recommendations regarding travel; publication of information, comments and personalized recommendations regarding travel via a global communications network; provision of non-downloadable directory publications online regarding flight destinations, airlines and flight prices; publication of information, reviews and personalized recommendations regarding travel via global communications networks; provision of online reviews, reviews and recommendations regarding airlines, online travel agencies, accommodation, accommodation providers, ferries, trains, vehicle rental companies, cruises, combined travel, airport parking, airport transfers, tourist destinations, travel products, travel and travel insurance services; publication of content, news, articles, comments and opinions regarding travel; publication of reviews of airlines and online travel agencies via the Internet; publication of accommodation reviews via the Internet; publication of comments regarding accommodation reservation services via the Internet; publication of railway company reviews via the Internet; publication of airport parking reviews via the Internet; publication of airport transfer services reviews via the Internet; publication of cruise and cruise company reviews via the Internet; publication of vehicle rental company reviews via the Internet; publication of travel insurance reviews via the Internet; publication of comments regarding bus companies via the Internet; publication of tourist destination reviews via the Internet; publication of travel reviews and information via computer and communications networks; publication of

reviews and information regarding airlines and travel agencies via computer and communications networks; publication of opinions, scores, ratings, reviews and recommendations regarding all subjects relating to travel via the Internet; publication of information regarding travel; publication of Internet directories regarding travel; publication of online tourist guides [publications]; publication of questions and answers regarding travel; publication of online travel directories, sorted by dates of travel, airports, countries, regions, prices and destinations; provision of links to information regarding travel; publication of online directories regarding travel; publication of online directories regarding travel enabling users to search, show, rate and filter flight prices on the basis of departure and arrival airport, price, departure and arrival time, airline, travel agency, duration of travel, the number of stops, ticket class, credit card fees and payment systems, the number of permitted pieces of travel baggage, user ratings and reviews and other available data and parameters; publication of online directories enabling users to search and filter by offers, prices, dates, accommodation category, accommodation class, number of stars, rooms, services available, characteristics of overnight stay, hotel chains, topics, users reviews and other available data and parameters; publication of online directories enabling users to search, show, rate and filter vehicle rental offers; publication of online directories enabling users to search, show, rate and filter travel offers; publication of directories relating to travel, with travel offers and other information; publication of a global flight price directory by cities, airports, countries, regions, categories of flight and prices via the Internet; publication of flight price history and predictions via the Internet; publication of price history and predictions for accommodation, vehicle rental, trains, ferries, travel and buses via the Internet; publication of a forum with travel offers; publication of flights, accommodation and travel offers via the Internet; publication of an online forum with travel reservations, travel offers and travel products and services; publication of travel offers on a map on the Internet; online publishing services; publication of electronic texts; provision of publications online.

42 – Software upgrading; repair of computer software; development of computer programs for others; configuration of computer networks via software; design and development of computer software; quality control relating to software; design and development of database software; rental of travel software; design, maintenance and updating of computer software; rental of software to read a database containing price quotations; design and development of software for evaluating and calculating data; design and development of software for reading, transmitting and organizing data; Provision of temporary use online of non-downloadable software for langu-

ge translation; custom writing of computer programs, software and codes for creating web pages on the Internet; development and creation of computer programs for data processing; providing temporary use of non-downloadable software for use in the creation and publication of online journals and blogs; rental of hardware; search engine management; search engine services on the Internet with specific search options; provision of search engines for obtaining data on a global computer networks; electronic data storage; temporary electronic storage of information and data; design and development of systems for the input, output, processing, display and storage of data; providing computer facilities for the electronic storage of digital data; design and development of data storage systems; data compression for electronic storage; creation and design of web-based information indexes for others [information technology services]; illustration services (design); website design; product design; computer design services; technological services and design related to the above; design services for data processing systems; design services relating to data processors; services for the design of maps; advisory services relating to the design of computer programs; design of computer hardware; computer system design; design services relating to document reproduction; design services relating to the development of computerized systems for data processing; computer research services; provision of research services; research and development services; advisory services relating to technological research; research relating to computer programs; weather forecasting; providing meteorological information; providing meteorological information relating to snow conditions and road closures; creation and maintenance of software for blogs; hosting of digital content, namely online journals and blogs; development of software for multimedia data storage and retrieval; provision of temporary access to non-downloadable software applications via a website; application service provider [ASP], namely hosting of software applications of others; installation and personalization of application software for computers; providing temporary use of online non-downloadable software for importing and managing data; providing temporary use of non-downloadable software enabling the sharing of multimedia content and comments among users; providing temporary use of on-line non-downloadable operating software for accessing and using computer networks in the cloud; temporary use of online non-downloadable software for data transmission; provision of temporary use of online non-downloadable software for data management; temporary use of online non-downloadable software for transmitting information; provision of temporary access to non-downloadable software for financial analysis and production of reports; provision of temporary use of online non-downloadable software for creating web-

sites; providing temporary use of on-line non-downloadable inventory management software; hosting of portable audio files; compilation of computer programs; compilation of environmental information; compilation of web pages for the Internet; compilation of information relating to environmental conditions; compilation of data processing programs; graphic design for compilation of web pages on the Internet; programming of software for reading, transmitting and organizing data; Hosting of web portals; programming of software for portals, chat rooms, chat lines and Internet forums; hosting of digital content on the Internet; Updating software databases; development, updating and maintenance of software systems and databases; updating of software for data processing; installation, maintenance and updating of database software; maintenance of databases; creation and maintenance of web sites for others; creation, design and maintenance of web pages; creation and maintenance of websites for mobile telephones; creation, maintenance and upgrading of computer software; data collection service regarding air quality; conversion of data or documents from physical to electronic media; computer programming for data processing; database design; design and development of software for importing and managing data; development of databases; development of data processing systems; hosting of databases; installation and maintenance of database software; programming of software for importing and managing data; programming of data processing programs; providing scientific research information and results from an online searchable database; Internet search engines; providing search engines for obtaining data via communications networks; search engine design services; computer programming for data processing and communication systems; computer programming services for data storage [data warehousing]; computer data analysis services; computer services concerning electronic data storage; conversion of computer programs and data, other than physical conversion; conversion of computer programs and data (except physical modifications); creation of programs for data processing; data backup services; electronic information data conversion; analysis of large quantities of data and relations between the data; duplication and data conversion services; data reproduction services; data decoding; design and development of computer databases; design and development of software for data processing; design and development of systems for data input; design and development of data recovery software; design services relating to data processing tools; development of data-processing apparatus; development and maintenance of computer database software; development of data programs; development of programs for data processing; development of software for web; development of software for mobile telephony; provision of software for planning travel online enabling users

to store tourist routes, travel plans, travel reservations and data; creation, maintenance, updating and provision of online blogs; provision of online blogs; search engine management with information relating to travel; search engine management with information relating to travel insurance; search engine management with information relating to world currencies; storage of data and information; provision of online reservation systems; provision of online reservation systems relating to accommodation; provision of online reservation systems relating to leisure and cultural activities; provision of online reservation systems relating to travel; provision of online reservation systems relating to the vehicle rental; development of web pages; provision of information regarding travel from an online data bank enabling searches; search engine management for consulting data on a global computer network; engineering services relating to data processing; providing temporary use of online non-downloadable software for processing electronic payments; search engine for travel offers without need for indicating the destination; search engine combining offers of different airlines; provision of temporary use of online software showing the history and predictions of accommodation prices, vehicle rental, trains, ferries, cruises and buses; provision of temporary use of a search engine for online travel price comparison services; provision of temporary use of an online web page enabling users to publish their opinions, reviews, ratings, comments and recommendations on any subject relating to travel; provision of temporary use of an Internet or mobile telephone interface showing opinions, reviews, ratings, comments and recommendations of users concerning travel; provision of temporary access to an online interface for the management of advertising on a global network; provision of temporary use of mobile applications for managing advertising on a global network; provision of temporary use of a control panel online showing statistical, performance and invoice information; provision of temporary use of travel planning mobile applications; provision of temporary use of non-downloadable travel planning software; provision of temporary use of a non-downloadable travel planning web page; provision of temporary use of online software for the searching and comparing travel offers; provision of temporary use of online software for storing, compiling, managing, filtering and obtaining private information; provision of temporary use of online software for storing, compiling, managing, searching, filtering and obtaining information relating to travel; provision of temporary use of non-downloadable auction software regarding transport tickets, travel offers, travel products and travel services; provision of temporary use of non-downloadable software for searching, comparing and booking travel offers; provision of temporary use of computer software online enabling the filtering of search

results of flights and prices on the basis of cost, times, arrival and departure, airline, travel agency; the airport, duration of travel, the number of stops, ticket class, credit card fees and payment systems and the number of permitted pieces of travel baggage; provision of temporary use of online software enabling filtering of search results of hotels and accommodation on the basis of price, dates, category, accommodation class, stars, rooms, services available, accommodation functions, hotel chains, user topics, reviews and comments; provision of temporary use of translations of web pages; provision of temporary use of a forum enabling users to purchase, sell and switch travel reservations, travel offers and travel products and services; provision of temporary use of a price comparison service web page enabling users of desktop computers, laptop computers, mobile phones, PDAs, portable data media players and mobile devices to search, compare and reserve offers relating to travel; provision of temporary use of a web-based application program enabling users of desktop computers, laptop computers, mobile phones, PDAs, portable data media players and mobile devices to search, compare and reserve offers relating to travel; provision of temporary use of an Internet search engine enabling users to compare flight prices with prices of bus, train, vehicle rental, shared vehicles, ferries and private transport services; provision of temporary use of a search engine enabling users to compare travel offers on a map; provision of temporary use of online software showing the flight price history and predictions; provision of links to information regarding travel; provision of automatic redirection of users to web pages of selected travel providers; provision of temporary use of localized versions and translations of web pages; provision of temporary use of a forum for the sale of travel offers; provision of temporary use of a travel search engine by means of a pre-downloaded mobile application; provision of temporary use of a flight price comparator by means of a pre-downloaded mobile application; provision of temporary use of web-based software enabling users to search, compare and book flight offers; provision of temporary use of web-based software enabling users to search, compare and book accommodation offers; provision of temporary use of web-based software enabling users to search, compare and book vehicle rental offers; provision of temporary use of web-based software enabling users to search, compare and book train offers; provision of temporary use of web-based software enabling users to search, compare and book travel offers; provision of temporary use of travel directories via the Internet; provision of temporary use of online directories enabling users to search, show, rate and filter flight prices on the basis of departure and arrival airport, price, departure and arrival time, airline, travel agency, duration of travel, the number of stops, credit card fees and payment

systems, the number of permitted pieces of travel baggage, user comments and reviews and other available data and parameters; provision of temporary use of online directories enabling users to search, show, rate and filter accommodation offers on the basis of cost, dates, category, accommodation class, stars, rooms, services available, accommodation functions, hotel chains, user topics, reviews and comments and other available data and parameters; provision of temporary use of online directories enabling users to search, show, rate and filter vehicle rental offers; provision of temporary use of online directories enabling users to search, show, rate and filter travel offers; provision of temporary use of directories relating to travel, with travel offers and other information; provision of temporary use of an online control panel enabling advertisers to show statistical and performance information on advertising, exchange rates, costs per click, costs per purchase, other data relating to advertisements and account and invoice information; provision of temporary use of an online control panel enabling users to show statistical and performance information on sales, exchange rates, value per click, costs per purchase, other data relating to advertisements and account and invoice information; provision of temporary use of partner network software; provision of a web page featuring a flight price search engine; provision of a web page featuring a flight search engine; provision of a web page featuring a search engine for fares for flights, buses, trains and ferries; provision of a web page featuring an accommodation search engine; provision of a web page featuring a cruise search engine; provision of a web page featuring an airport car park and airport transfer search engine; design and development of search engines; application service provider featuring software for application programming interface (API) for the integration of flight prices and information on flights on web pages; application service provider featuring software for application programming interface (API) for the integration of accommodation prices and information on accommodation on web pages; application service provider featuring software for application programming interface (API) for the integration of prices of trains, buses and ferries and information with respect to web pages; application service provider featuring software for application programming interfaces (API) for the integration of car parks in airports and airport transfer prices and corresponding information on web pages, application service provider featuring software for application programming interfaces (API) for the integration of cruise prices and information on web pages; application service provider featuring software for application programming interface (API) for the integration of travel insurances and information with respect to web pages; application service provider featuring software for application programming interface

(API) for the integration of vehicle rental and shared vehicles on web pages; development and administration of application programs for the provision of multimedia content provided by museums and other events venues for use in different types of wireless mobile devices; advanced research regarding products in the field of artificial intelligence; development, maintenance and updating of a search engine of a telecommunications network; development of computer software application solutions; provision of temporary use of web-based application software enabling users of desktop computers, laptop computers, mobile phones, PDAs, portable data media players and mobile devices to search travel, means of transport, temporary accommodation, vehicle rental, shared vehicles and group travel, airport car parks and lists of temporary car parks, airport transfer services and travel insurances.

43 – Time share accommodation reservation services; agency services for booking temporary accommodation; accommodation reservation services for travelers; reservation of camping accommodation; reservation of hotel accommodation; reservation of hotel rooms for travelers; reservation of tables in restaurants; electronic hotel information services; hotel reservation via the Internet; reservation of restaurants and food; provision of reviews of restaurants and bars; providing information regarding accommodation and accommodation reservation office services for travelers; provision of information relating to restaurants; provision of information relating to accommodation reservation; reservation services for booking meals; restaurant information services; restaurant reservation services; provision of temporary accommodation; room reservation services; accommodation reservation services provided by travel agencies; restaurant reservation services provided by travel agencies; hotel accommodation reservation services provided by travel agencies; provision of access to a data bank containing information regarding accommodation; provision of information in relation to hotels and accommodation; provision of information in relation to restaurants, bars and cafeterias; providing hotels and temporary accommodation reviews; temporary accommodation rating; accommodation ratings; hotel and flight combinations; holiday accommodation rating; provision of comments online regarding restaurants and hotels; room reservations.

45 – Compilation of legal information; consultancy services relating to legal matters; online social networking services; Internet services relating to social networks; providing legal information; software licensing [legal services]; assignment of licenses regarding databases [legal services]; online services on social networks accessible via downloadable mobile applications; Authentication of information on personal identity [identity validation services]; provi-

ding information relating to flight safety; legal information services for travelers; provision of legal information relating to travel; social network regarding travel on the Internet, where travelers can share information and interact with each other; social network services relating to travel enabling travelers to solicit and provide suggestions, comments, responses and recommendations via an online forum; social network regarding travel enabling travelers to solicit and provide suggestions, comments, responses and recommendations via a social network; social network regarding travel enabling travelers to solicit and provide suggestions, comments, responses and recommendations via desktop computers, laptop computers, mobile phones, PDAs, portable data media players and mobile devices.

(260) AM 2020 106344 A

(800) 1505371

(151) 2019 10 31

(891) 2019 10 31

(731) adp Gauselmann GmbH

Merkur-Allee 1-15, 32339 Espelkamp,

Germany

(540)

AFRICAN TALES

(591) Black, white

(511)

9 – Computer software; coin-operated mechanisms; computer and video games software; games software in particular for use on any computer platform, including electronic entertainment and games consoles; computer game programs; video games (software); computer games provided through a global computer network or supplied by means of multi-media electronic broadcast or through telecommunications or electronic transmission or via the internet; computer games, leisure and recreational software, video games and computer software, all being provided in the form of storage media; programs for operating electric and electronic apparatus for games, amusement and/or entertainment purposes; computer software for computer games on the internet; online games (software), in particular for online betting games, online prize games, online gambling games, online games of skill and online casino games; computer software in the form of an app for mobile devices and computers; calculating apparatus in coin-operated machines and parts for the aforesaid goods; electric, electronic, optical or automatic apparatus, for identifying data carriers, identity cards and credit cards, bank notes and coins; software in particular for casino and/or amusement arcade games, for gaming machines and/or slot machines each one with or without prize payouts; gaming software that generates or displays wager outcomes of gaming machines; operational computer games software; computer

software for managing of games (game collection); computer programs for video games; computer video game software.

28 – Games; toys; gaming apparatus (including coin-operated apparatus); coin-operated arcade games (machines); games for amusement arcades (included in this class); coin-operated video gaming apparatus; video games apparatus adapted for use with external screens or monitors only; casino fittings, namely roulette tables, roulette wheels; coin-operated automatic gaming machines and gaming machines, in particular for gaming arcades, with or without a prize payout; electronic or electrotechnical gaming apparatus, automatic gaming machines, gaming machines, slot machines operated by coins, tokens, banknotes, tickets or by means of electronic, magnetic or biometric storage media, in particular for commercial use in casinos and amusement arcades, with or without a prize payout; automatic gaming machines and gaming machines, in particular for commercial use in casinos and gaming arcades, with or without a prize payout; coin-operated gaming machines and/or electronic money-based gaming apparatus (machines), with or without prizes; housings adapted for gaming machines, gaming apparatus and automatic gaming machines, operated by means of coins, tokens, tickets or by means of electronic, magnetic or biometric storage media, in particular for commercial use in casinos and gaming arcades, with or without a prize payout; electronic games; electronic game entertainment apparatus and parts thereof; video output game machines; drawing apparatus for prize games and lotteries, draws or raffles; housings of metal, plastic and/or wood adapted for coin-operated automatic amusement machines; apparatus for games (including video games), other than adapted for use with external screens or monitors only; electropneumatic and electric slot machines with pulling handles (gaming machines); gaming tables, in particular for table football, billiards, sliding games; flying discs (toys) and darts; gaming machines, namely electric, electronic or electromechanical apparatus for bingo games, lotteries or video lottery games and for betting offices, connected or unconnected to a computer network; LCD games consoles; automatic gaming machines; all the aforesaid automatic machines operating in networks; apparatus and devices for accepting and storing money, being fittings for the aforesaid automatic machines, included in this class; automatic lottery machines.

(260) AM 2020 106345 A

(800) 1505375

(151) 2019 10 31

(891) 2019 10 31

(731) adp Gauselmann GmbH

Merkur-Allee 1-15, 32339 Espelkamp,

Germany

(540)

Clegypt

(591) Black, white

(511)

9 – Computer software; coin-operated mechanisms; computer and video games software; games software in particular for use on any computer platform, including electronic entertainment and games consoles; computer game programs; video games (software); computer games provided through a global computer network or supplied by means of multi-media electronic broadcast or through telecommunications or electronic transmission or via the internet; computer games, leisure and recreational software, video games and computer software, all being provided in the form of storage media; programs for operating electric and electronic apparatus for games, amusement and/or entertainment purposes; computer software for computer games on the internet; online games (software), in particular for online betting games, online prize games, online gambling games, online games of skill and online casino games; computer software in the form of an app for mobile devices and computers; calculating apparatus in coin-operated machines and parts for the aforesaid goods; electric, electronic, optical or automatic apparatus, for identifying data carriers, identity cards and credit cards, bank notes and coins; software in particular for casino and/or amusement arcade games, for gaming machines and/or slot machines each one with or without prize payouts; gaming software that generates or displays wager outcomes of gaming machines; operational computer games software; computer software for managing of games (game collection); computer programs for video games; computer video game software.

28 – Games; toys; gaming apparatus (including coin-operated apparatus); coin-operated arcade games (machines); games for amusement arcades (included in this class); coin-operated video gaming apparatus; video games apparatus adapted for use with external screens or monitors only; casino fittings, namely roulette tables, roulette wheels; coin-operated automatic gaming machines and gaming machines, in particular for gaming arcades, with or without a prize payout; electronic or electrotechnical gaming apparatus, automatic gaming machines, gaming machines, slot machines operated by coins, tokens, banknotes, tickets or by means of electronic, magnetic or biometric storage media, in particular for commercial use in casinos and amusement arcades, with or without a prize payout; automatic gaming machines and gaming machines, in particular for commercial use in casinos and gaming arcades, with or without a prize payout; coin-operated gaming machines and/or electronic money-based gaming apparatus (machines), with or without prizes; housings adapted for gaming

machines, gaming apparatus and automatic gaming machines, operated by means of coins, tokens, tickets or by means of electronic, magnetic or biometric storage media, in particular for commercial use in casinos and gaming arcades, with or without a prize payout; electronic games; electronic game entertainment apparatus and parts thereof; video output game machines; drawing apparatus for prize games and lotteries, draws or raffles; housings of metal, plastic and/or wood adapted for coin-operated automatic amusement machines; apparatus for games (including video games), other than adapted for use with external screens or monitors only; electropneumatic and electric slot machines with pulling handles (gaming machines); gaming tables, in particular for table football, billiards, sliding games; flying discs (toys) and darts; gaming machines, namely electric, electronic or electromechanical apparatus for bingo games, lotteries or video lottery games and for betting offices, connected or unconnected to a computer network; LCD games consoles; automatic gaming machines; all the aforesaid automatic machines operating in networks; apparatus and devices for accepting and storing money, being fittings for the aforesaid automatic machines, included in this class; automatic lottery machines.

(260) AM 2020 106346 A

(800) 1505384

(151) 2019 10 21

(891) 2019 10 21

(731) adp Gauselmann GmbH

Merkur-Allee 1-15, 32339 Espelkamp,
Germany

(540)

Dark Towers

(591) Black, white

(511)

9 – Computer software; coin-operated mechanisms; computer and video games software; games software in particular for use on any computer platform, including electronic entertainment and games consoles; computer game programs; video games (software); computer games provided through a global computer network or supplied by means of multi-media electronic broadcast or through telecommunications or electronic transmission or via the internet; computer games, leisure and recreational software, video games and computer software, all being provided in the form of storage media; programs for operating electric and electronic apparatus for games, amusement and/or entertainment purposes; computer software for computer games on the internet; online games (software), in particular for online betting games, online prize games, online gambling games, online games of skill and online casino games; computer software in the form of an app for mobile de-

vices and computers; calculating apparatus in coin-operated machines and parts for the aforesaid goods; electric, electronic, optical or automatic apparatus, for identifying data carriers, identity cards and credit cards, bank notes and coins; software in particular for casino and/or amusement arcade games, for gaming machines and/or slot machines each one with or without prize payouts; gaming software that generates or displays wager outcomes of gaming machines; operational computer games software; computer software for managing of games (game collection); computer programs for video games; computer video game software.

28 – Games; toys; gaming apparatus (including coin-operated apparatus); coin-operated arcade games (machines); games for amusement arcades (included in this class); coin-operated video gaming apparatus; video games apparatus adapted for use with external screens or monitors only; casino fittings, namely roulette tables, roulette wheels; coin-operated automatic gaming machines and gaming machines, in particular for gaming arcades, with or without a prize payout; electronic or electrotechnical gaming apparatus, automatic gaming machines, gaming machines, slot machines operated by coins, tokens, bank notes, tickets or by means of electronic, magnetic or biometric storage media, in particular for commercial use in casinos and amusement arcades, with or without a prize payout; automatic gaming machines and gaming machines, in particular for commercial use in casinos and gaming arcades, with or without a prize payout; coin-operated gaming machines and/or electronic money-based gaming apparatus (machines), with or without prizes; housings adapted for gaming machines, gaming apparatus and automatic gaming machines, operated by means of coins, tokens, tickets or by means of electronic, magnetic or biometric storage media, in particular for commercial use in casinos and gaming arcades, with or without a prize payout; electronic games; electronic game entertainment apparatus and parts thereof; video output game machines; drawing apparatus for prize games and lotteries, draws or raffles; housings of metal, plastic and/or wood adapted for coin-operated automatic amusement machines; apparatus for games (including video games), other than adapted for use with external screens or monitors only; electro-pneumatic and electric slot machines with pulling handles (gaming machines); gaming tables, in particular for table football, billiards, sliding games; flying discs (toys) and darts; gaming machines, namely electric, electronic or electromechanical apparatus for bingo games, lotteries or video lottery games and for betting offices, connected or unconnected to a computer network; LCD games consoles; automatic gaming machines; all the aforesaid automatic machines operating in networks; apparatus and devices for accepting and storing money, being fittings for

the aforesaid automatic machines, included in this class; automatic lottery machines.

(260) AM 2020 106348 A
 (800) 1505398
 (151) 2019 10 28
 (891) 2019 10 28
 (731) Davidoff & Cie SA
 Rue de Rive 2, CH-1200 Genève, Switzerland
 (540)

AMBITION DRIVES PROGRESS

(591) Black, white
 (511)
 34 – Tobacco, raw or manufactured; tobacco products; tobacco substitutes, for non-medicinal and non-curative use; cigarettes; electronic cigarettes; liquid nicotine solutions for use in electronic cigarettes; smokers' articles, cigarette lighters; ashtrays; matches.

(260) AM 2020 106349 A
 (800) 1505442
 (151) 2019 11 22
 (891) 2019 11 22
 (731) YINGCHANG GROUP CO., LTD.
 DUQIAO, LINHAI, TAIZHOU CITY,
 ZHEJIANG, China
 (540)

浪 特 梦

(591) Black, white
 (531) 28.03
 (511)
 9 – Eyeglasses; sunglasses; eyeglass frames; spectacle frames; eyeglass cords; contact lenses; spectacle cases; optical glass; spectacle lenses; lens cases.

(260) AM 2020 106350 A
 (800) 1505466
 (151) 2019 08 14
 (891) 2019 08 14
 (731) Euro Games Technology Ltd.
 4, "Maritsa" Str., "Vranya-Lozen-
 Triugulnika", BG-1151 Sofia, Bulgaria
 (540)

EGYPTIAN
PRINCESS

(591) Yellow, red, orange, white, black, blue, brown and gray

(531) 27.05.01; 27.05.03; 27.05.25; 29.01.15

(511)

9 – Software; computer gaming software; computer software packages; computer operating system software; computer software, recorded; software drivers; virtual reality software; games software; entertainment software for computer games; computer programs for network management; operating computer software for mainframe computers; monitors (computer hardware); computer hardware; apparatus for recording images; monitors (computer programs); computer game programs; computer programs for recorded games; apparatus for recording, transmission or reproduction of sound or images; communications servers [computer hardware]; electronic components for gambling machines; computer application software featuring games and gaming; computer software for the administration of on-line games and gaming; computer hardware for games and gaming; electronic components and computer software for gambling, gambling machines, gambling games on the Internet and via telecommunication network.

28 – Gaming machines for gambling; chips for gambling; mah-jong; arcade games; gambling machines operating with coins, notes and cards; games; electronic games; parlor games; gaming chips; gaming tables; slot machines [gaming machines]; LCD game machines; slot machines and gaming devices; coin-operated amusement machines; roulette chips; poker chips; chips and dice [gaming equipment]; equipment for casinos; roulette tables; gaming roulette wheels; casino games; gambling machines and amusement machines, automatic and coin-operated; coin-operated amusement machines and/or electronic coin-operated amusement machines with or without the possibility of gain; boxes for coin-operated machines, slot machines and gaming machines; electronic or electrotechnical amusement machines and apparatus, gaming machines, coin-operated entertainment machines; housings for coin-operated machines, gaming equipment, gaming machines, machines for gambling; electropneumatic and electrical gambling machines (slot machines).

41 – Gambling; services related to gambling; gaming services for entertainment purposes; casino, gaming and gambling services; training in the development of software systems; provision of equipment for gambling halls; providing casino equipment [gambling]; gaming machine entertainment services; providing casino facilities [gambling]; gaming hall services; amusement arcade services; games equipment rental; rental of gaming machines; providing amusement arcade services; rental of gaming machines with images of fruits; editing or recording of sounds and images; sound recording and video entertainment services; hire of sound reproducing ap-

paratus; provision of gaming equipment for casinos; providing of casino facilities; online gambling services; casino, gaming and gambling services; provision of gaming establishments, gaming halls, Internet casinos, online gaming services.

(260) AM 2020 106351 A

(800) 1505481

(151) 2019 08 15

(891) 2019 08 15

(731) Товариство з обмеженою відповідальністю "Tuplex-Ukraine"
vul. Bohdana Khmelnytskoho, 44, m. Kyiv
01030, Ukraine

(540)



(591) White, yellow and blue

(531) 26.11.03; 27.05.11; 29.01.13

(511)

35 – Sales promotion.

37 – Building; repair; installation services.

41 – Education.

42 – Technical project studies; engineering; engineering drawing; consultancy professional, non-business in the design and development of computer hardware; construction drafting.

(260) AM 2020 106352 A

(800) 1505560

(151) 2019 06 21

(891) 2019 06 21

(731) "ROSAIMPEX" OOD
Tsar Kaloyan 8, BG-4000 Plovdiv,
Bulgaria

(540)

SPA MASTER MOLECULAR COSMETICS

(591) Black, white

(531) 27.05.01

(511)

3 – Cosmetics and cosmetic preparations; oils for cosmetic purposes; cosmetics; cosmetics for personal use; oils for cosmetic purposes; facial preparations; cleaner for cosmetic brushes; oils for cosmetic purposes; cosmetics containing hyaluronic acid; impregnated cloths for cosmetic use; greases for cosmetic purposes; tissues impregnated with cosmetics; cosmetic preparations for body care; cosmetic kits; natural oils for cosmetic purposes; aromatherapy oil; perfume oils for the manufacture of cosmetic preparations; scented body lotions and creams; perfumed creams; aromatherapy creams; cosmetic lotions; baby sun creams; cosmetic creams and lotions; cos-

metics in the form of creams; shampoo-conditioners; hair conditioners; beauty balm creams; aftershave balms; hair moisturising conditioners; skin conditioners; balms, other than for medical purposes; beauty masks; cosmetic dyes; beauty lotions; beauty serums; cleansing milk for toilet purposes; cosmetic nourishing creams; cosmetic moisturisers; night creams [cosmetics]; toning creams [cosmetic]; cosmetic hand creams; face creams for cosmetic use; body cream; day creams; mousses [cosmetics]; depilatory creams; moisturising creams; suncare lotions; cleansing lotions; balms, other than for medical purposes; skin lotion; shaving lotion; hair lotions; hand lotions; baby lotions; body lotions; sun tan lotion; after-sun lotions; hair lotions; scented body lotions; cosmetic facial lotions; paint stripping preparations; preparations for protecting coloured hair; tints for the hair; hair colour removers; shampoos for human hair; preparations for cleaning dentures; tooth cleaning preparations; cleaning preparations for personal use; natural cosmetics; organic cosmetics; non-medicated cosmetics and toiletry preparations; waterproof sunscreen.

5 – Medicinal ointments; pharmaceutical lipsalves; balms for medical purposes; antibacterial pharmaceuticals; medicated lotions; medicated skin lotions; pharmaceutical skin lotions; antibacterial hand lotions; foot balms (medicated -); balms for pharmaceutical purposes; balsamic preparations for medical purposes; medicated lip balm; herbal creams for medical use; babies' creams [medicated]; creams for dermatological use; skin care creams for medical use; body creams for pharmaceutical use; medicated creams; protective creams (medicated -); body creams [medicated]; hydrocortisone creams; night creams [medicated]; moisturising creams [pharmaceutical].

(260) AM 2020 106353 A

(800) 1505561

(151) 2019 07 19

(891) 2019 07 19

(731) VENELIN STOYANOV GEORGIEV
apartment 13, floor 5, entrance B,
"Asenovska" street 32, BG-8800 Sliven,
Bulgaria

(540)

ЕМОХИДАНТ ЭМОКСИДАНТ

(591) Black, white

(531) 28.05

(511)

5 – Absorbent cotton; acai powder dietary supplements; acaricides; acetates for pharmaceutical purposes; acids for pharmaceutical purposes; acne treatment preparations; aconitine; adhesive plasters; adhesive tapes for medical purposes; adhesives for dentures; adjuvants for medical purposes; air purifying preparations; air deodorizing preparations; al-

bumin dietary supplements; albuminous foodstuffs for medical purposes; albuminous preparations for medical purposes; alcohol for pharmaceutical purposes; aldehydes for pharmaceutical purposes; algicides; alginate dietary supplements; alginates for pharmaceutical purposes; alkaline iodides for pharmaceutical purposes; alkaloids for medical purposes; alloys of precious metals for dental purposes; almond milk for pharmaceutical purposes; aloe vera preparations for pharmaceutical purposes; aluminium acetate for pharmaceutical purposes; amino acids for medical purposes; amino acids for veterinary purposes; anaesthetics; analgesics; angostura bark for medical purposes; animal washes [insecticides]; anti-uric preparations; antibacterial soap; antibacterial handwashes; antibiotics; anticryptogamic preparations; antioxidant pills; antiparasitic preparations; antiparasitic collars for animals; antiseptic cotton; antiseptics; appetite suppressants for medical purposes; appetite suppressant pills; aseptic cotton; asthmatic tea; astringents for medical purposes; babies' diapers; babies' diaper-pants; bacterial poisons; bacterial preparations for medical and veterinary use; bacteriological preparations for medical and veterinary use; balms for medical purposes; balsamic preparations for medical purposes; bandages for dressings; barks for pharmaceutical purposes; bath preparations for medical purposes; bath salts for medical purposes; bicarbonate of soda for pharmaceutical purposes; biocides; biological preparations for medical purposes; biological preparations for veterinary purposes; biological tissue cultures for medical purposes; biological tissue cultures for veterinary purposes; bismuth preparations for pharmaceutical purposes; bismuth subnitrate for pharmaceutical purposes; blood plasma; blood for medical purposes; bone cement for surgical and orthopaedic purposes; bouillons for bacteriological cultures; breast-nursing pads; bromine for pharmaceutical purposes; bronchodilating preparations; bunion pads; by-products of the processing of cereals for dietetic or medical purposes; cachets for pharmaceutical purposes; cachou for pharmaceutical purposes; preparations for callouses; calomel [fungicide]; camphor oil for medical purposes; camphor for medical purposes; candy, medicated; candy for medical purposes; capsules for medicines; carbolineum [parasiticide]; casein dietary supplements; castor oil for medical purposes; cattle washes [insecticides]; caustic pencils; caustics for pharmaceutical purposes; cedar wood for use as an insect repellent; cellulose esters for pharmaceutical purposes; cellulose ethers for pharmaceutical purposes; cement for animal hooves; charcoal for pharmaceutical purposes; chemical conductors for electrocardiograph electrodes; chemical contraceptives; chemical preparations for the diagnosis of pregnancy; chemical preparations to treat mildew; chemical preparations to treat wheat blight; chemical preparations for treating phyloxera; chemical prepa-

rations for pharmaceutical purposes; chemical preparations for medical purposes; chemical preparations for veterinary purposes; chemical reagents for medical or veterinary purposes; chemico-pharmaceutical preparations; chewing gum for medical purposes; chilblain preparations; chinoline for medical purposes; chloroform; cocaine; cod liver oil; collagen for medical purposes; collodion for pharmaceutical purposes; collyrium; compresses; condurango bark for medical purposes; solutions for contact lenses; contact lens cleaning preparations; cooling sprays for medical purposes; corn rings for the feet; corn remedies; cotton for medical purposes; cotton swabs for medical purposes; cream of tartar for pharmaceutical purposes; creosote for pharmaceutical purposes; croton bark; cultures of microorganisms for medical or veterinary use; curare; decoctions for pharmaceutical purposes; dental abrasives; dental amalgams; dental cements; dental impression materials; dental lacquer; dental mastics; dental amalgams of gold; deodorants, other than for human beings or for animals; deodorants for clothing and textiles; depuratives; preparations for destroying noxious animals; preparations for destroying dry rot fungus; preparations for destroying mice; detergents for medical purposes; diabetic bread adapted for medical use; diagnostic preparations for medical purposes; diagnostic biomarker reagents for medical purposes; diagnostic preparations for veterinary purposes; diapers for pets; diastase for medical purposes; dietary fibre; dietary supplements for animals; dietary supplements with a cosmetic effect; dietetic foods adapted for medical purposes; dietetic beverages adapted for medical purposes; dietetic substances adapted for medical use; digestives for pharmaceutical purposes; digitalin; dill oil for medical purposes; disinfectant soap; disinfectants for hygiene purposes; disinfectants for chemical toilets; disinfectants; dog washes [insecticides]; douching preparations for medical purposes; dressings, medical; drugs for medical purposes; elixirs [pharmaceutical preparations]; enzyme preparations for medical purposes; enzyme preparations for veterinary purposes; enzyme dietary supplements; enzymes for medical purposes; enzymes for veterinary purposes; ergot for pharmaceutical purposes; esters for pharmaceutical purposes; ethers for pharmaceutical purposes; eucalyptol for pharmaceutical purposes; eucalyptus for pharmaceutical purposes; extracts of hops for pharmaceutical purposes; eyepatches for medical purposes; preparations to facilitate teething; febrifuges; fennel for medical purposes; ferments for pharmaceutical purposes; first-aid boxes, filled; fish meal for pharmaceutical purposes; flour for pharmaceutical purposes; flowers of sulfur for pharmaceutical purposes; fly catching paper; fly glue; fly destroying preparations; food for babies; formic aldehyde for pharmaceutical purposes; freeze-dried food adapted for medical purposes; freeze-dried meat adapted for medical purposes;

frostbite salve for pharmaceutical purposes; fumigating sticks; fumigation preparations for medical purposes; fungicides; gallic acid for pharmaceutical purposes; gamboge for medical purposes; gases for medical purposes; gauze for dressings; gelatine for medical purposes; gentian for pharmaceutical purposes; germicides; glucose for medical purposes; glucose dietary supplements; glycerine for medical purposes; glycerophosphates; greases for medical purposes; greases for veterinary purposes; guaiacol for pharmaceutical purposes; gum for medical purposes; gurjun balsam for medical purposes; haematogen; haemoglobin; haemorrhoid preparations; haemostatic pencils; herbal teas for medicinal purposes; herbal extracts for medical purposes; preparations for destroying noxious plants; homogenized food adapted for medical purposes; hormones for medical purposes; hydrastine; hydrastinine; hydrated chloral for pharmaceutical purposes; hydrogen peroxide for medical purposes; immunostimulants; infant formula; insect repellents; insect repellent incense; insecticidal animal shampoo; insecticidal veterinary washes; insecticides; iodides for pharmaceutical purposes; iodine for pharmaceutical purposes; iodoform; Irish moss for medical purposes; isotopes for medical purposes; jalap; jujube, medicated; lacteal flour for babies; larvae exterminating preparations; laxatives; lead water; lecithin for medical purposes; lecithin dietary supplements; leeches for medical purposes; lice treatment preparations [pediculicides]; lime-based pharmaceutical preparations; liniments; linseed for pharmaceutical purposes; linseed meal for pharmaceutical purposes; linseed dietary supplements; linseed oil dietary supplements; lint for medical purposes; liquorice for pharmaceutical purposes; lotions for pharmaceutical purposes; lotions for veterinary purposes; lupulin for pharmaceutical purposes; magnesia for pharmaceutical purposes; malt for pharmaceutical purposes; malted milk beverages for medical purposes; mangrove bark for pharmaceutical purposes; medical preparations for slimming purposes; medicated eye-washes; medicated animal feed; medicated dentifrices; medicated after-shave lotions; medicated shampoos; medicated toiletry preparations; medicated hair lotions; medicated dry shampoos; medicated shampoos for pets; medicated soap; medicated massage candles; medicinal alcohol; medicinal mud; medicinal infusions; medicinal tea; medicinal oils; medicinal herbs; medicinal roots; medicinal drinks; medicinal hair growth preparations; medicine cases, portable, filled; medicines for alleviating constipation; medicines for dental purposes; medicines for human purposes; medicines for veterinary purposes; melissa water for pharmaceutical purposes; menthol; mercurial ointments; preparations of microorganisms for medical or veterinary use; milk ferments for pharmaceutical purposes; milk sugar for pharmaceutical purposes; milking grease; mineral waters for medical purposes; mineral water salts; mi-

neral food supplements; mint for pharmaceutical purposes; moleskin for medical purposes; mothproofing preparations; mothproofing paper; moulding wax for dentists; mouthwashes for medical purposes; mud for baths; mustard oil for medical purposes; mustard for pharmaceutical purposes; mustard plasters; myrobalan bark for pharmaceutical purposes; napkins for incontinents; narcotics; nervines; nicotine gum for use as an aid to stop smoking; nicotine patches for use as aids to stop smoking; nutraceutical preparations for therapeutic or medical purposes; nutritional supplements; nutritive substances for microorganisms; oil of turpentine for pharmaceutical purposes; ointments for pharmaceutical purposes; opiates; opium; opodeldoc; ophotherapy preparations; oxygen baths; oxygen for medical purposes; pants, absorbent, for incontinents; panty liners [sanitary]; paper for mustard plasters; parasitocides; pastilles for pharmaceutical purposes; pearl powder for medical purposes; pectin for pharmaceutical purposes; pediculicidal shampoos; pepsins for pharmaceutical purposes; peptones for pharmaceutical purposes; pesticides; petroleum jelly for medical purposes; pharmaceutical preparations; pharmaceutical preparations for treating sunburn; pharmaceutical preparations for skin care; pharmaceutical preparations for treating dandruff; pharmaceuticals; phenol for pharmaceutical purposes; phosphates for pharmaceutical purposes; phytotherapy preparations for medical purposes; plant extracts for pharmaceutical purposes; poisons; pollen dietary supplements; pomades for medical purposes; porcelain for dental prostheses; potassium salts for medical purposes; poultices; powder of cantharides; powdered milk for babies; pre-filled syringes for medical purposes; propolis for pharmaceutical purposes; propolis dietary supplements; protein dietary supplements; protein supplements for animals; purgatives; pyrethrum powder; quassia for medical purposes; quebracho for medical purposes; quinine for medical purposes; quinquina for medical purposes; radioactive substances for medical purposes; radiological contrast substances for medical purposes; radium for medical purposes; rat poison; reagent paper for medical purposes; reagent paper for veterinary purposes; preparations for reducing sexual activity; remedies for foot perspiration; remedies for perspiration; repellents for dogs; rhubarb roots for pharmaceutical purposes; royal jelly for pharmaceutical purposes; royal jelly dietary supplements; rubber for dental purposes; salts for mineral water baths; salts for medical purposes; sanitary panties; sanitary tampons; sanitary towels; sarsaparilla for medical purposes; scapulars for surgical purposes; sea water for medicinal bathing; sedatives; semen for artificial insemination; serotherapeutic medicines; serums; personal sexual lubricants; sexual stimulant gels; siccatives [drying agents] for medical purposes; slimming pills; slug exterminating preparations; smelling salts; smoking herbs for medical

purposes; sodium salts for medical purposes; soil-sterilizing preparations; solvents for removing adhesive plasters; soporifics; starch for dietetic or pharmaceutical purposes; stem cells for medical purposes; stem cells for veterinary purposes; sterilizing preparations; steroids; stick liquorice for pharmaceutical purposes; strychnine; styptic preparations; sugar for medical purposes; sulfonamides [medicines]; sulfur sticks [disinfectants]; sunburn ointments; suppositories; surgical dressings; surgical implants comprised of living tissues; surgical glues; syrups for pharmaceutical purposes; tanning pills; tartar for pharmaceutical purposes; teeth filling material; therapeutic preparations for the bath; thermal water; thymol for pharmaceutical purposes; tincture of iodine; tinctures for medical purposes; tissues impregnated with pharmaceutical lotions; tobacco extracts [insecticides]; tobacco-free cigarettes for medical purposes; tonics [medicines]; preparations of trace elements for human and animal use; transplants [living tissues]; preparations for the treatment of burns; turpentine for pharmaceutical purposes; vaccines; vaginal washes for medical purposes; vermifuges; vermin destroying preparations; vesicants; veterinary preparations; vine disease treating chemicals; vitamin preparations; vitamin supplement patches; vulnery sponges; wadding for medical purposes; wart pencils; wheat germ dietary supplements; yeast for pharmaceutical purposes; yeast dietary supplements.

(260) AM 2020 106354 A

(800) 1505627

(151) 2019 10 22

(891) 2019 10 22

(731) Running World Cup Limited

5 Dashwood Lang Road, Bourne Business

Park, Weybridge KT15 2HJ, United Kingdom

(540)



(591) Black, red

(531) 09.09.15; 26.04.05; 26.04.16; 26.04.18;

27.05.01; 27.05.09; 27.05.15; 29.01.13

(511)

25 – Clothing, footwear and headgear.

41 – Education; providing of training; entertainment; sporting and cultural activities; arranging, conducting and organizing activities, events, and competitions for sporting, recreational or entertainment purposes; provision of on-line electronic publications relating to running, sporting activities and events; publishing of electronic newsletters relating to running, sporting activities and events; information, consultancy and advice relating to all of the aforesaid services.

- (260) AM 2020 106355 A
 (800) 1505635
 (151) 2019 08 20
 (891) 2019 08 20
 (731) YALONG INTELLIGENT EQUIPMENT
 GROUP CO., LTD.
 Yongjia Industrial Park, Wenzhou, 325000
 Zhejiang, China
 (540)



- (591) Black, white
 (531) 26.04.18; 26.04.24; 27.05.01; 28.03
 (511)
 9 – Electronic publications, downloadable; teaching apparatus; apparatus and instruments for physics; furniture especially made for laboratories; demonstrating instruments for physics; frequency meters; high-frequency apparatus; set of electric checking and testing apparatus; epidiascopes; computers; meters; automatic gauge; measures; integrated circuits; slides [photography]; signal lanterns; power distribution or control machines and apparatus for power station; teaching projection lamp.

- (260) AM 2020 106356 A
 (800) 1505688
 (151) 2019 08 08
 (891) 2019 08 08
 (731) adp Gauselmann GmbH
 Merkur-Allee 1-15, 32339 Espelkamp,
 Germany
 (540)

Zonic

- (591) Black, white
 (511)
 9 – Computer software; coin-operated mechanisms; computer and video games software; games software in particular for use on any computer platform, including electronic entertainment and games consoles; computer game programs; video games (software); computer games provided through a global computer network or supplied by means of multi-media electronic broadcast or through telecommunications or electronic transmission or via the internet; computer games, leisure and recreational software, video games and computer software, all being provided in the form of storage media; programs for operating electric and electronic apparatus for games, amusement and/or entertainment purposes; computer software for computer games on the internet; online games (software), in particular for online betting games, online prize games, online gambling games, online games of skill and online casino games; com-

puter software in the form of an app for mobile devices and computers; calculating apparatus in coin-operated machines and parts for the aforesaid goods; electric, electronic, optical or automatic apparatus, for identifying data carriers, identity cards and credit cards, bank notes and coins; software, in particular for casino and/or amusement arcade games, for gaming machines and/or slot machines, each one with or without prize payouts; games software that generates or displays wager outcomes of slot machines; operational computer games software; computer software for managing of games (game collection); computer programs for video games; computer video game software.

28 – Games; toys; gaming apparatus (including coin-operated apparatus); coin-operated arcade games (machines); games for amusement arcades (included in this class); coin-operated video gaming apparatus; video games apparatus adapted for use with external screens or monitors only; casino fittings, namely roulette tables, roulette wheels; coin-operated automatic gaming machines and gaming machines, in particular for gaming arcades, with or without a prize payout; electronic or electrotechnical gaming apparatus, automatic gaming machines, gaming machines, slot machines operated by coins, tokens, banknotes, tickets or by means of electronic, magnetic or biometric storage media, in particular for commercial use in casinos and amusement arcades, with or without a prize payout; automatic gaming machines and gaming machines, in particular for commercial use in casinos and gaming arcades, with or without a prize payout; coin-operated gaming machines and/or electronic money-based gaming apparatus (machines), with or without prizes; housings adapted for gaming machines, gaming apparatus and automatic gaming machines, operated by means of coins, tokens, tickets or by means of electronic, magnetic or biometric storage media, in particular for commercial use in casinos and gaming arcades, with or without a prize payout; electronic games; electronic game entertainment apparatus and parts thereof; video output game machines; drawing apparatus for prize games and lotteries, draws or raffles; housings of metal, plastic and/or wood adapted for coin-operated automatic amusement machines; apparatus for games (including video games), other than adapted for use with external screens or monitors only; electropneumatic and electric slot machines with pulling handles (gaming machines); gaming tables, in particular for table football, billiards, sliding games; flying discs (toys) and darts; gaming machines, namely electric, electronic or electromechanical apparatus for bingo games, lotteries or video lottery games and for betting offices, connected or unconnected to a computer network; LCD games consoles; automatic gaming machines; all the aforesaid automatic machines operating in networks; apparatus and

devices for accepting and storing money, being fittings for the aforesaid automatic machines, included in this class; automatic lottery machines.

41 – Education; providing of training; entertainment; sporting and cultural activities; rental of automatic slot machines and entertainment machines for casinos; arranging and conducting games; gambling; operating lotteries; provision of non-downloadable games on the Internet, featuring online and being applications for smartphones; games services provided online from a computer network; provision of entertainment and/or educational content for apps for mobile devices and computers; conducting quizzes by means of smartphone applications; providing casino facilities (gambling), betting services; gaming services, amusement arcade services, on-line casino and betting services; gambling services via the internet; providing an online library services which feature downloadable games over a global computer network.

(260) AM 2020 106358 A

(800) 1505743

(151) 2019 09 11

(891) 2019 09 11

(731) BRUT

51 rue Vivienne, F-75002 PARIS, France

(540)

Brut.

(591) Black, white

(531) 24.17.01; 24.17.02; 27.05.17

(511)

9 – Electronic publications; digital publications; downloadable publications; downloadable digital content and other downloadable electronic data; audio and video cassettes, discs and any other recording media; CD-ROMs; interactive CDs; DVDs; multimedia and entertainment software applications; application software for streaming audio-visual (multi)media content via the Internet; photographic apparatus and instruments; cinematographic cameras; optical apparatus and instruments; apparatus and instruments for checking (supervision); teaching apparatus and instruments; sound recording apparatus; sound transmitting apparatus; sound reproduction apparatus; image recording apparatus; image transmission apparatus; image reproduction apparatus; digital recording media; data processing equipment; computers; electronic tablets; smartphones; electronic book readers; game software; software; computer peripheral devices.

25 – Clothing; underwear; footwear; headwear.

35 – Advertising; business consultancy, promotion and marketing; business and advertising services,

namely media plan establishment services and media space purchase on behalf of third parties; creation of advertising; arranging and placing advertisements for others; promoting the goods and services of others through the distribution of video advertising on the Internet; arranging and implementation of blueprints and media and advertising concepts; organization and promotion of shows, events and exhibitions for commercial and advertising purposes; provision and rental of advertising space; rental of advertising time on all communication media.

38 – Electronic and digital transmission and retransmission of sounds, images, documents, messages, data, webcasting, audio and video broadcasts in the field of general news and business, namely business, finance, entertainment, sports, culture, education, new technologies, environment, food, well-being, fashion and travel; telecommunications via national and international networks (Internet); information on telecommunications; communications by computer terminals; communications by fiber-optic networks; radio communications; telephone communications; online communication services; provision of access to global computer networks; provision of access to online forums; provision of access to databases; press agencies; rental of telecommunication apparatus; radio program broadcasting; television program broadcasting; teleconferencing services; videoconferencing services; electronic messaging services; rental of access time to global computer networks.

41 – Reporters services in the form of news analysis [updates] and news commentary in the field of general business, namely, business, finance, entertainment, sports, culture, education, new technologies, environment, food, well-being, fashion and travel; news reporting services; publication of newspapers online; entertainment via webcasts (video broadcasting of events on the Internet) and podcasts (broadcasting of audio creation on events on the Internet); production of sound, images, motion pictures, documents, messages and data in the field of information and general business, namely business, finance, entertainment, sports, culture, education, new technologies, environment, food, well-being, fashion and travel; organization of events, colloquiums, seminars, cultural events and festivals; organization of financial and cultural, educational or entertainment competitions; photo production, video editing, production of films and documentaries, editing of written texts; education; training; entertainment; sporting and cultural activities; entertainment information; provision of educational information; vocational retraining; provision of recreational facilities; publication of books; book lending; rental of sound recordings; rental of television sets; rental of stage scenery; photography services; organization and conducting of lotteries; organization and conducting of colloquiums; organization and conducting of con-

ferences; organization and conducting of congresses; organization of exhibitions for cultural or educational purposes; booking of tickets for shows; game services provided online from a computer network; electronic publication of books and journals online; electronic desktop publishing; publication of video, audio and multimedia entertainment via digital displays, digital display panels or interactive screens.

(260) AM 2020 106387 A

(800) 239091

(151) 1961 01 07

(891) 2019 12 03

(731) Langnese Honig GmbH & Co. KG
Hammoorer Weg 25, 22941 Bargtheide,
Germany

(540)

Langnese

(591) Black, white

(531) 27.05.01; 27.05.17

(511)

5 – Purified honey for medicinal and pharmaceutical purposes, fennel honey, honey-based ointment.

30 – Honey, artificial honey, Turkish honey, vinegar based on honey clippings, spices for gingerbread.

(260) AM 2020 106393 A

(800) 1257701

(151) 2014 11 14

(891) 2019 07 03

(731) YAŞAR BALTACI
Akçaburgaz Mahallesi, 93., Sokak No:5,
Esenyurt – İstanbul, Turkey

(540)



(591) The colors green and white are the feature of the mark

(531) 25.03.01; 29.01.12

(511)

6 – Ores of non-precious metal, common metals and their alloys and semi-finished products made of these materials, goods and materials of common metal used for storage, wrapping, packaging, sheltering and building purposes, containers of metal (storage, transport), fences and transportable buildings made of metal, ladders of metal, goods of common metal for filtering and sifting purposes, included in this class, doors, windows, shutters, jalousies and their cases and fittings of metal, non-electric cables and wires of metal, ironmongery, small hardware of me-

tal, ventilation ducts, vents, vent covers, pipes, chimney caps, manhole covers, grilles of metal for ventilation, heating, sewage, telephone, underground electricity and air conditioning installations, metal panels or boards (non-luminous and non-mechanical) used for signalling, route showing, publicity purposes, signboards of metal, advertisement columns of metal, signaling panels of metal, pipes of metal for transportation of liquids and gas and their metal fittings, valves of metal, drilling pipes of metal, safes (strong boxes) of metal, metal railway materials, bollards of metal, floating docks of metal, mooring buoys of metal, anchors, metal moulds for casting, other than machine parts, works of art made of common metals or their alloys, metal closures, bottle caps of metal, metal poles, metal pallets and metal ropes for lifting, loading and transportation purposes; metal hangers, ties, straps, tapes and bands used for load-lifting and load-carrying.

7 – Machines, machine tools and industrial robots for processing and shaping wood, metals, glass, plastics and minerals, construction machines and robotic mechanisms (machines) for use in construction, lifting, loading and transmission machines and robotic mechanisms (machines) for lifting, loading and transmission purposes, machines and robotic mechanisms (machines) for use in agriculture and animal breeding, machines and robotic mechanisms (machines) for processing cereals, fruits, vegetables and food, engines and motors, other than for land vehicles, parts and fittings therefore; parts of land vehicle motors and engines, included in this class, bearings (parts of machines), roller or ball bearings, machines for mounting and detaching tires, alternators, current generators, electric generators, current generators operated with solar energy, painting machines, automatic spray guns for paint, electric punching machines and guns, electric adhesive tape dispensers (machines), electric guns for compressed gas or liquid spraying machines, electric hand drills, electric hand saws, electric jigsaw machines, spiral machines, compressed air machines, compressors (machines), vehicle washing installations, robotic mechanisms (machines) with the abovementioned functions, electric welding machines, industrial robots (machines) with the abovementioned functions, printing machines, packaging machines, filling, plugging and sealing machines, labellers (machines), sorting machines, industrial robots (machines) with the abovementioned functions, machines for textile processing, sewing machines, industrial robots (machines) with the abovementioned functions, pumps other than parts of machines or engines, electric kitchen machines for chopping, grinding, crushing, mixing and mincing foodstuff, washing machines, laundry washing machines, dishwashers, spin driers (not heated), electric cleaning machines for cleaning floors, carpets or floorings, vacuum cleaners and parts thereof.

19 – Sand, gravel, crushed stone, asphalt, bitumen, cement, gypsum for use in construction, road construction, repair and covering work, building materials (as finished products) made of concrete, gypsum, clay, potters' clay, natural or artificial stone, wood, plastics and synthetic materials for building, construction, road construction purposes, included in this class; non-metallic building materials, non-metallic transportable buildings, poles not of metal, barriers not of metal, doors and windows of wood and synthetic materials, traffic signs not of metal, non-luminous and non-mechanical, for roads, monuments and statuettes of stone, concrete and marble, natural and synthetic surface coatings in the form of panels and sheets, being building materials; heat adhesive synthetic surface coating, being building materials; bitumen cardboard coatings for roofing; bitumen coating for roofing, building glass, prefabricated swimming pools not of metal (structures), aquarium sand.

37 – Construction services, rental of construction machines and equipment, cleaning services for buildings (interior and exterior), public areas, industrial premises; disinfecting, vermin exterminating services, other than for agriculture, rental of cleaning machines and equipment, vehicles service stations for land vehicles, maintenance, repair and refueling of land vehicles, vehicles service stations for marine vehicles, maintenance, repair and refueling of marine vehicles, repair and maintenance of air vehicles, upholstery, repair and restoration of furniture, installation, maintenance and repair of heating, cooling and sanitary installations, cleaning, care and repair of clothing, installation, maintenance and repair of industrial machines and equipment, office machines and equipment, communication apparatus, electric and electronic appliances, clock and watch repair, mining services and mining extraction, repair of shoes, bags and belts.

(260) AM 2020 106396 A
(800) 1399854
(151) 2017 09 19
(891) 2019 12 05
(731) POWER OF WARRIOR FOODS, INC
35810 Graystone Drive, ABBOTSFORD
BC V3G 1K7, Canada
(540)



(591) Red, light-brown, dark-brown, yellow, white and black

(531) 02.01.01; 02.01.04; 03.07.19; 27.05.10;
29.01.14
(511)
32 – Energy drinks.

(260) AM 2020 106405 A
(800) 1498249
(151) 2019 05 10
(891) 2019 05 10
(731) READBOY EDUCATIONAL
TECHNOLOGY CO., LTD
Changmingshui Industrial Park, Wuguishan
Town, Zhongshan City, 528400 Guangdong
Province, China

(540)

DREAM

(591) Red
(531) 27.05.02; 29.01.01
(511)
9 – Smart watch (data processing); smart glasses (data processing); computer programs (downloadable software); wearable motion tracker; intelligent mobile phone; mobile phone; electronic book reader; learning machine; e-learning machine; electronic sound reproduction device for audio books.

(260) AM 2020 106444 A
(800) 1506477
(151) 2019 08 09
(891) 2019 08 09
(731) WORLD MEDICINE İLAÇ SANAYİ VE
TİCARET ANONİM ŞİRKETİ
15 Temmuz Mah. Camiyolu Cad. No.50,
K.2 Güneşli Bağcılar, İstanbul, Turkey
(540)

PIХАВАРА – ПИКСАБАРА

(591) Black, white
(531) 27.05.01; 28.05
(511)
5 – Pharmaceutical and veterinary preparations for medical purposes, chemical preparations for medical purposes, dietary supplements, including those adapted for medical purposes, dietary supplements for slimming purposes, food for babies, herbs and herbal beverages adapted for medicinal purposes, dental preparations and articles, sanitary preparations for medical use, hygienic pads, hygienic tampons, plasters, materials for dressings, diapers, including those made of paper and textiles, preparations for destroying vermin, fungicides, herbicides, deodorants, other than for human beings or for animals, air deodorising preparations, disinfectants, antiseptics, detergents for medical purposes.

(260) AM 2020 106445 A

(800) 1506478

(151) 2019 08 09

(891) 2019 08 09

(731) WORLD MEDICINE İLAÇ SANAYİ VE
TİCARET ANONİM ŞİRKETİ

15 Temmuz Mah. Camiyolu Cad. No.50,

K.2 Güneşli Bağcılar, İstanbul, Turkey

(540)

NORMADA – НОРМАДА

(591) Black, white

(531) 27.05.01; 28.05

(511)

5 – Pharmaceutical and veterinary preparations for medical purposes, chemical preparations for medical purposes, dietary supplements, including those adapted for medical purposes, dietary supplements for slimming purposes, food for babies, herbs and herbal beverages adapted for medicinal purposes, dental preparations and articles, sanitary preparations for medical use, hygienic pads, hygienic tampons, plasters, materials for dressings, diapers, including those made of paper and textiles, preparations for destroying vermin, fungicides, herbicides, deodorants, other than for human beings or for animals, air deodorising preparations, disinfectants, antiseptics, detergents for medical purposes.

(260) AM 2020 106456 A

(800) 1506814

(151) 2019 10 02

(891) 2019 10 02

(731) ABUS August Bremicker Söhne KG

Altenhofer Weg 25, 58300

Wetter/Volmarstein, Germany

(540)

ABUS

(591) Black, white

(511)

9 – Scientific apparatus and instruments for research in laboratories and as laboratory equipment; nautical, surveying, photographic, cinematographic, optical, weighing, measuring, signalling, checking (supervision), life-saving and teaching apparatus and instruments; apparatus and instruments for conducting, switching, transforming, accumulating, regulating or controlling electricity; electric and electronic monitoring apparatus, in particular alarm installations and parts therefor, fire alarm installations, video surveillance installations; remote control apparatus; electric anti-theft alarms; alarms and electric locksets; smart home devices for building and home automation; perimeter monitoring apparatus; cameras; fire alarms; water detectors; smoke alarms; motion sensor; glass breakage detectors; vibration detectors; access control installations; electronic locking and

unlocking systems; electric and electronic locks and parts therefor; electric and electronic keys; locks comprising fingerprint readers; locks comprising biometric fingerprint scanners; biometric access control systems; facial recognition apparatus; vein pattern recognition apparatus; gesture control apparatus; speech recognition apparatus; movement pattern recognition apparatus; wireless locks; electric and electronic door controllers; radiocommunication apparatus; telephony apparatus; integrated circuits; magnetic encoders; apparatus for the recording, transmission and reproduction of data, sound or images; data-processing equipment and computers; peripherals adapted for use with computers; magnetic data media; encoded magnetic cards; smart cards; smoke detectors; peepholes [magnifying lenses] for doors; electronic speech and relay modules; programming apparatus; panic buttons; magnetic contacts; switch contacts; storage batteries; electric cables and distributors; programs for data processing equipment; software (recorded), in particular for video surveillance apparatus, alarm apparatus and locking systems; home and building automation software; application software for mobile devices; computer software for mobile applications that enable interaction and interface between vehicles and mobile devices; cloud computing software; mobile apps; computer software for interpreting fingerprints or palm prints; facial recognition, vein pattern recognition, gesture control, voice recognition and movement pattern recognition software; software for electronic lock and access control device data transmission via a global computer network, by wireless telephone network, or by radio transmission; software for downloading application programs and for remote programming, control, monitoring, and management of electronic locks and access devices via global computer network, wireless telephone network or radio transmission; software for smart home devices for building and home automation; software for programming, controlling, monitoring and managing electronic locks and access control apparatus; programs and software (recorded) for data processing equipment, namely for home video surveillance apparatus, home alarm apparatus, home locking systems and house automation; downloadable software, namely for home video surveillance apparatus, home alarm apparatus and home locking systems and house automation, in particular apps for lighting, alarm and home automation, lights, windows, gates, doors, locks and systems consisting of the aforesaid goods; mobile phone applications enabling the purchase, sale, management and viewing of digital assets; computer software in the fields of distributed ledgers, namely blockchain, and ledgers of transactions involving digital currency, virtual currency, and digital assets; downloadable media, including downloadable image files, downloadable graphics for mobile phones; downloadable representations of digital assets; pro-

tection devices for personal use against accidents; protective clothing; head protection; fire extinguishers; fire-extinguishing sprays; sensors and detectors, including for roller blinds; movement, presence, brightness, temperature and gas sensors based on semiconductors, infrared waves, radio and/or microwaves and electronic analysis and signalling apparatus therefor; distance measuring apparatus and sensors; commutators; finger switches; key switches; switches for garage door drives, door drives, swing gate drives, sliding door drives, sectional gate drives, rolling gate drives, external gate drives or articulated arm drives; roller shutter switches; awning switches; encoded switches; wireless encoded switches; light switches; radio receiving tuners; time switches, automatic; transmitters; wireless transmitters; electrical transmitters; optical transmitters; transmitters for transmitting signals to garage door drives, door drives, swing door drives, sliding door drives, sectional gate drives, rolling gate drives, external gate drives or articulated arm drives; electric, electronic, thermal and programmable controllers; electrical controls for roller blinds; antennas; sockets, plugs and other contacts [electric connections]; radio-controlled sockets; window contacts (electric); transducers; radio controls; smart home controllers; controllers for household apparatus or kitchen apparatus; controllers for household technology; electronic installations for light, alarm and house automation, included in this class; photovoltaic apparatus and installations for generating solar electricity; sensors for automatically tracking the sun's position; industrial automation controllers; electrically operated converters; light diodes; signalling lights; flameless light-emitting diodes.

11 – Lighting lamps; electric lamps; LED lamps; lamps; lamps for electrical installations; halogen lamps; projector lamps; safety lamps; illuminant lamps for projectors; reading lights; electrical lamps for indoor lighting; lamps for outdoor use; stroboscopic lamps [light effects]; strobe lights [light effects]; fluorescent lamps; solar lamps; portable lamps [for illumination]; LED safety lamps; portable hand lamps [for illumination]; solar powered lamps; full spectrum light sources [other than for photographic or medical use]; electric night lights; floor lamps; street lamps; reflector lamps; lamps for vehicle lighting; motor vehicle lamps; lamps for directional signals of automobiles; turn sign-board lamps for motor vehicles; luminaires; LED luminaires; LED lighting fixtures; recessed lights; electrically operated lighting apparatus and accumulator lamps; lights for vehicles; bicycle lights; motorcycle lights; vehicle lighting and lighting reflectors; helmet lights; light emitting diode lights for automobiles; emergency lighting; lamps for emergency lighting; emergency lighting with single batteries; fixed general-purpose lights; fixed garden lights; portable ge-

neral-purpose lights; portable lights for children; electric hand lamps [other than for photographic use]; built-in floor lights; security lighting incorporating a movement activated sensor; security lighting incorporating an infra-red activated sensor; LED landscape lights; lighting being for use with security systems; opaque casings for lights; luminous house numbers; lamp holders; lamp glasses; lamp reflectors; lamp holders; lamp shades; filters for use with lamps; bases adapted for the mounting of lamps; direction indicators for cycles (lamps for -); reflectors for vehicles; vehicle headlamps; headlamps for use on motor cycles; headlamps for use on cycles; search lights; spot lights for household illumination; electric lighting devices; light bulbs, electric; incandescent lamps; LED light bulbs; filament lamps for household use and similar general lighting purposes; halogen light bulbs; fluorescent lamp tubes; fluorescent luminaires for architectural lighting; fluorescent luminaires for stage lighting; fluorescent electric light bulbs; electric torches; LED flashlights; solar powered torches; flashlights utilising electric rechargeable devices; light sources of electro luminescence; self-luminous light sources; light sources [other than for photographic or medical use]; LED light strips; LED candles; LED lighting assemblies for illuminated signs; light-emitting diodes [LED] lighting apparatus; bicycle dynamo lights; night lights [other than candles]; electric fairy lights; industrial lighting fixtures; outdoor electrical lighting fixtures; lighting elements for buildings; indoor electrical lighting fixtures; lighting fixtures for commercial use; lighting fixtures for household use.

36 – Insurance underwriting; insurance and financial affairs relating to legal assistance, fraud, robbery, theft, violence, price protection, health, healthcare and hospital stays; insurance and financial affairs relating to electrical engineering, plumbing, locksmithing, pest control and relating to air conditioning installations, and with regard to breakdown services, car breakdowns, rental of cars, rental of vehicles and travel using vehicles; underwriting of motor accident insurance; financial affairs; monetary affairs; leasing, financing and insurance relating to security solutions; processing of electronic payments; processing payments for the purchase of goods and services via an electronic communications network; bank card, credit card, debit card and electronic payment card services; processing payments made by charge cards.

38 – Telecommunications; providing of access to apps, in particular mobile apps (computer software); providing access to data on the Internet; providing access to electronic databases; providing access to connectivity services and access to electronic communications networks for the transmission or reception of digital files and in particular audio, image or multimedia content on the Internet; providing access

to websites having digital files; transmission of digital files via telecommunications installations; providing telecommunications connections to the Internet or databases; providing access to communications networks for transmission or reception of computer software and applications on the Internet; e-mail services; delivery of messages by electronic transmission; wireless data messaging services, particularly services that enable a user to send and/or receive messages through a wireless data network; transmission and reception of voice communication services; broadcasting or transmission of streamed and downloadable digital audio and video content via computer and telecommunications networks; information and advisory services relating to the aforesaid included in this class.

42 – Scientific and technological services and research and design relating thereto; industrial analysis and research services; design and development of computer hardware and software; design and development of software in the field of mobile applications; hosting of mobile applications; cloud computing; cloud hosting provider services; design and development of operating software for accessing and using a cloud computing network; programming of operating software for accessing and using a cloud computing network; application service provider [asp], namely, hosting computer software applications of others; consultancy in relation to interior design, or construction planning; consultancy in relation to software for home video surveillance apparatus, home alarm apparatus and home alarm installations as well as home locking systems; design services for the interior of buildings; planning (design) of domestic and security technology; information provided online by means of a computerised system in the field of domestic and security technology; technical consultancy with regard to fire protection, security; technical advice in connection with energy-saving measures; technical planning and consulting in the field of light engineering; certification in relation to lighting, domestic and security technology, and locking technology; rental of computer systems; rental of storage area of computer servers; rental of memory space on servers via communication networks; providing on-line non-downloadable application software via communication networks; designing, production and maintenance of computer programs; computer rental; providing non-downloadable software; providing non-downloadable computer programs for administration of electronic payment settlement systems.

(260) AM 2020 106457 A
(800) 1506823
(151) 2019 11 14
(891) 2019 11 14

(731) Colgate-Palmolive Company
300 Park Avenue, New York NY 10022, USA
(540)



(591) The color(s) red, blue, and white is/are claimed as a feature of the mark
(531) 01.15.09; 10.05.01; 26.04.09; 26.11.08; 26.11.13; 29.01.15
(511)
3 – Dentifrices; toothpaste; tooth gel.

(260) AM 2020 106458 A
(800) 1506850
(151) 2019 10 03
(891) 2019 10 03
(731) MONDİ YATAK YORGAN SANAYİ VE
TİCARET ANONİM ŞİRKETİ
1. Organize Sanayi Bölgesi 4. Cad. No:12,
Melikgazi, Kayseri, Turkey

(540)



(591) Black, white
(531) 26.01.03; 26.01.12; 26.01.16; 26.01.18; 27.05.10
(511)

20 – Furniture, made of any kind of material; living room furniture; bathroom furniture; bedroom furniture; office furniture; mattresses; spring mattresses; air mattresses; pillows; beds; bed bases; cushions, not for medical purposes; water beds, not for medical purposes; mirrors; bouncing chairs for babies; playpens for babies; cradles; infant walkers; display boards; frames for pictures and paintings; identification plates; identification tags; nameplates; identification labels made of wood or synthetic materials; ornaments and decorative goods of wood, cork, reed, cane, wicker, horn, bone, ivory, whalebone, shell, amber, mother-of-pearl, meerscham, beeswax, plastic or plaster, included in this class, namely figurines, holiday ornaments for walls and sculptures; baskets, non-metallic; fishing baskets; kennels, nesting boxes and beds for household pets; portable ladders and mobile boarding stairs of wood or synthetic materials; bamboo curtains; roller indoor blinds [for interiors]; slatted indoor blinds; strip curtains of bamboo or wood; bead curtains for decoration, curtain hooks; curtain rings; curtain tie-backs; curtain rods.

35 – Advertising; business management; business administration; office functions; the bringing together, for the benefit of others, of a variety of goods excluding the transport thereof, enabling customers

to conveniently view and purchase those goods, namely, furniture, living room furniture, bathroom furniture, bedroom furniture, office furniture, mattresses, spring mattresses, air mattresses, pillows, beds, bed bases, cushions, sleeping bags for camping, water beds, not for medical purposes, mirrors, bouncing chairs, playpens, cradles, infant walkers, display boards, frames for pictures and paintings, ornaments and decorative goods, holiday ornaments for walls, sculptures, baskets, fishing baskets, kennels, nesting boxes and beds for household pets, curtains, bamboo curtains, roller indoor blinds, slatted indoor blinds, strip curtains, curtain hooks, curtain rings, curtain tie-backs, curtain rods, textile fabrics, upholstery fabrics, ticks, household linen, knitted fabrics, nylon fabric, polyester fabrics, silk fabrics, curtains of textile and plastic, bed covers, quilt covers, cotton fabrics, furniture coverings of textiles, mattress covers, sheets, tablecloths, bed linen, pillowcases, carpets, rugs, mats, prayer rugs, linoleum, artificial turf, linoleum for covering floors, gymnasium mats, wallpapers, wall hangings, such services may be provided by retail stores, wholesale outlets, through mail order catalogues or by means of electronic media.

(260) AM 2020 106459 A
 (800) 1506885
 (151) 2019 11 11
 (891) 2019 11 11
 (731) Mylan Inc.
 1000 Mylan Boulevard, Canonsburg PA
 15317, USA
 (540)



(591) Black, white
 (531) 01.05.02; 01.15.23
 (511)
 5 – Pharmaceutical preparations for the treatment of cardiovascular, gastrointestinal, neurological, respiratory, psychiatric, allergic, dermatological, pulmonary, metabolic, muscular, erectile dysfunction, infectious and inflammatory conditions, cancer, diabetes, multiple sclerosis; oral and transdermal contraceptives.
 10 – Medical fluid injectors.
 44 – Providing information relating to diagnostic, prophylactic and therapeutic properties of pharmaceuticals.

(260) AM 2020 106469 A
 (800) 1507094
 (151) 2019 10 22
 (891) 2019 10 22
 (731) TOR VM Ltd
 Novatorov st., 7A, bld. 2, room 44B,
 RU-119421 Moscow, Russian Federation
 (540)



(591) Blue and white
 (531) 27.05.22; 29.01.12
 (511)
 10 – Dental apparatus and instruments.

(260) AM 2020 106470 A
 (800) 1507102
 (151) 2019 12 04
 (891) 2019 12 04
 (731) SHENZHEN YONGNUO PHOTOGRAPHIC
 EQUIPMENT CO., LTD.
 Building A, Shenfubao Modern Optics
 Factory, Kengzi Street, Pingshan District,
 Shenzhen, 518000 Guangdong Province,
 China
 (540)



(591) Black, white
 (531) 28.03
 (511)
 9 – Optical lenses; objectives [lenses] [optics]; cameras [photography]; flashlights [photography]; signal lanterns; video recorders; cinematographic cameras; transparencies [photography]; remote control apparatus; shutters [photography]; chronographs [time recording apparatus]; photocopiers [photographic, electrostatic, thermic].

(260) AM 2020 106471 A
 (800) 1507121
 (151) 2019 11 11
 (891) 2019 11 11
 (731) Dressler Consulting LLC
 1664 De Mott Court, Merrick NY
 11566-1219, USA

(540)



(591) Black, white

(531) 24.17.02; 26.01.06; 26.01.24; 27.05.10

(511)

42 – Computer programming; computer software design; computer software consultancy; computer technology consultancy; data security consultancy; data encryption services; information technology [IT] consultancy; maintenance of computer software; outsource service providers in the field of information technology; quality control; research and development of new products for others; research in the field of telecommunications technology; technological consultancy; telecommunications technology consultancy; web site design consultancy.

(260) AM 2020 106472 A

(800) 1507129

(151) 2019 11 22

(891) 2019 11 22

(731) Mudanjiang Hengfeng Paper Co. LTD
11 hengfeng road, Yangming district,
Mudanjiang city, Heilongjiang province,
China

(540)



(591) Black, white

(531) 27.05.17; 27.05.23

(511)

16 – Tissue paper for makeup remover.

34 – Cigarette paper.

(260) AM 2020 106473 A

(800) 1507165

(151) 2019 07 29

(891) 2019 07 29

(731) WORLD ATHLETICS
6-8, quai Antoine 1er, MC-98000 Monaco,
Monaco

(540)



(591) Black, white

(531) 26.13.25; 27.05.01

(511)

35 – Advertising; dissemination of advertising matter via all media, in particular in the form of thematic messages centered on human values; advertising by sponsoring; online advertising and marketing services; commercial business management; commercial administration; office functions; advertising services, namely, advertising promotion of third-party goods and services through contractual agreements, especially partnership [sponsoring] and licenses concerning the transfer of notoriety, image and likeability derived from cultural and sports events, especially an international athletic competition; advertising services, namely, promoting the goods and services of others by the means referred to as the initial interest factor driving the public to consider goods or services that are presented to them with specific signs, emblems or messages for attracting their attention; advertising services, namely, promoting the goods and services of others by the means referred to as image transfer; rental of advertising space of all type and on all media, whether digital or not; commercial administration of the participation of national teams in an international athletic competition, and promotion of said teams to the public and interested parties; business administration consultancy services; data input and processing services; organization of exhibitions for commercial or advertising purposes; advertising promotion of sporting competitions and events for use by others; advertising promotion of concerts and of cultural events for others; provision of documentation, namely direct mail advertising, distribution of advertising material, distribution of samples, reproduction of documents; computer file management, namely digital file management comprising a portfolio of images and video sequences intended for use under license in traditional advertising and in the advertising promotion of behavior (moral advertising); business management relating to e-commerce, namely providing information on products via telecommunication networks for advertising and sales purposes; retail services or wholesale services for clothing, footwear, headgear; retail services or wholesale services for sports goods; retail sale or wholesale of jewelry, watches, fashion accessories, bags, souvenirs (memorabilia); maintenance of computerized databases.

41 – Education; training; entertainment; sporting and cultural activities, televised sporting and cultural entertainment; organization of sports competitions; organization of an international athletic competition; organizing and conducting of international sports events; entertainment in the nature of sports competitions; entertainment in the nature of an international athletic competition; entertainment, namely, organizing and conducting a series of sports events, broadcast live or recorded for distribution by any

media; providing on-line entertainment, namely, in the field of sport, provided on-line from an on-line computer database or the Internet or another wireless electronic communication network; providing online educational information in the field of sports provided online from a computer database or the Internet or another wireless electronic communication network; providing information in the field of entertainment and sporting events via an online website; providing information featuring links to news in the field of sports and articles in the field of sports via an interactive Website; organization of sporting and cultural events and activities; organization of exhibitions for cultural and educational purposes; organization of lotteries and competitions; betting and gambling services in connection with or relating to sports; on-line betting services; entertainment services provided during sporting events or concerning sporting events; providing online entertainment in the form of game tournaments, fantasy sports leagues and game shows; providing sports facilities; rental of audio and video equipment, production of films, other than advertising films; production of sound and video recordings; presentation and distribution of video and sound recordings; rental of films and of sound and video recordings; rental and/or provision via a computer network of interactive education and entertainment products, namely interactive compact discs, CD-ROMs, computer games; production of television and radio programs and of videotapes; news reporter services; reservation of tickets for sporting events and shows; timing of sports events; interactive entertainment; provision of games on the Internet; information on sport and cultural activities, as well as training, education and entertainment provided on-line from a computer database or from the Internet; publication of books, magazines, texts (other than advertising texts) and periodicals; publication of texts (other than advertising texts), including regulations, guidelines and standards in the field of sport and in particular athletics; provision of sporting results; rental of recorded sounds and images; audio production services; editing and publishing services; publication of statistics regarding sporting results and audience ratings for sporting competitions; provision of information relating to entertainment; presenting of prizes rewarding the authors of exceptional acts or performances; arranging and conducting ceremonies relating to the presentation of prizes and awards.

(260) AM 2020 106474 A
 (800) 1507202
 (151) 2019 07 24
 (891) 2019 07 24
 (731) Zidorg s.r.o.
 U gymnazia 1233/1, Nusle, CZ-140 00
 Praha 4, Czech Republic

(540)



(591) White, red, black and grey
 (531) 21.01.01; 27.05.17; 29.01.13
 (511)

34 – Tobacco and tobacco substitute; cigarettes and cigars; electronic cigarettes oral vaporizers for smokers; smokers' articles; matches.

35 – Advertising; business management; business administration; office functions.

(260) AM 2020 106475 A
 (800) 1507276
 (151) 2019 11 11
 (891) 2019 11 11
 (731) SPS CIGARONNE LLC
 Hovhannisyanyan St., 24 A, 0076 Yerevan,
 Armenia

(540)

Center

(591) Black, white
 (531) 27.05.01
 (511)

34 – Flavorings, other than essential oils, for tobacco; flavorings, other than essential oils, for use in electronic cigarettes; gas containers for cigar lighters; absorbent paper for tobacco pipes; cigarette paper; lighters for smokers; tobacco pouches; books of cigarette papers; humidors; matchboxes; firestones; cigar cutters; cigar holders; cigarette holders; mouthpieces for cigarette holders; tips of yellow amber for cigar and cigarette holders; ashtrays for smokers; spittoons for tobacco users; pipe racks for tobacco pipes; pipe cleaners for tobacco pipes; liquid solutions for use in electronic cigarettes; electronic cigarettes; cigarettes containing tobacco substitutes, not for medical purposes; cigarillos; cigars; tobacco jars; match holders; matches; oral vaporizers for smokers; tobacco; chewing tobacco; snuff; snuff boxes; herbs for smoking; tobacco pipes; pocket machines for rolling cigarettes; cigarette filters; wicks adapted for cigarette lighters; cigarette tips; cigar cases; cigarette cases.

(260) AM 2020 106491 A
 (800) 807031
 (151) 2003 03 07
 (891) 2019 11 19
 (731) PILEJE
 37 quai de Grenelle, F-75015 PARIS,
 France
 (540)

PILEJE

(591) Black, white
 (511)
 3 – Cosmetics, cosmetic products for skin and hair care; perfumery products.

5 – Pharmaceutical products, dermatological products; veterinary products; reagents for medical and veterinary use; sanitary products for medical use and for intimate hygiene; food supplements for medical use; antioxidant food supplements (in the form of tablets) for medical use; dietetic products, substances, beverages and foodstuffs for medical or veterinary use; edible plant fibers (non-nutritive); preparations of trace elements for human and animal consumption; vitamin preparations; food for babies; milk ferments for pharmaceutical use; prebiotic or probiotic lactic starters for pharmaceutical use; plasters, materials for dressings (excluding instruments); material for dental fillings and dental impressions; disinfectants for medical or sanitary use (other than soaps); products for destroying vermin; fungicides, herbicides.

29 – Food supplements not for medical use and exclusively for human consumption (included in this class); meat, fish, poultry and game; meat extracts, preserved, dried and cooked fruit and vegetables; jellies, jams, compotes; eggs, milk and dairy products; lactic starters for non-pharmaceutical use and exclusively for human consumption; edible oils and fats; meat, fish, poultry and game-based preserves; prebiotic or probiotic lactic starters for non-pharmaceutical use and exclusively for human consumption, fruit-based food supplements not for medical use and exclusively for human consumption, antioxidant food supplements (in the form of tablets) not for medical use and exclusively for human consumption based on acerola (cherry) powder and grape pomace extract.

30 – Coffee, tea, cocoa, sugar, rice, tapioca, sago, artificial coffee; flours and preparations made from cereals, bread, pastry and confectionery, edible ices; honey, treacle; yeast, baking powder; salt, mustard; vinegar, sauces (excluding salad dressings); spices, ice for refreshment; cereal-based food supplements not for medical use and exclusively for human consumption; antioxidant food supplements (in the form of tablets) not for medical use and exclusively for human consumption based on leaven or rye; salad

dressings; plant-based fortifying substances, plant-based nutritional supplements.

31 – Plants, dried plants, natural flowers.

32 – Food supplements and dietetic products used in the preparation of beverages; mineral and aerated waters and other non-alcoholic beverages, fruit beverages and fruit juices; syrups and other preparations for making beverages.

(260) AM 2020 106492 A
 (800) 877474
 (151) 2005 12 05
 (891) 2019 11 07
 (731) G. Pohl-Boskamp GmbH & Co. KG
 Kieler Strasse 11, 25551 Hohenlockstedt,
 Germany
 (540)

NYDA

(591) Black, white
 (511)
 5 – Pharmaceutical and veterinary preparations; sanitary preparations for medical purposes; dietetic substances adapted for medical use, food for babies; plasters, materials for dressings; material for stopping teeth, dental wax; disinfectants; preparations for destroying vermin; fungicides, herbicides.

(260) AM 2020 106494 A
 (800) 1102506
 (151) 2011 09 19
 (891) 2019 12 16
 (731) GUERLAIN
 68 avenue des Champs-Élysées, F-75008
 PARIS, France
 (540)

ABEILLE ROYALE

(591) Black, white
 (531) 27.05.17
 (511)

3 – Soap, perfumery, essential oils and cosmetics.

(260) AM 2020 106495 A
 (800) 1164135
 (151) 2013 02 27
 (891) 2019 12 03
 (731) ESSEMODA S.R.L.
 Via Padre Mario Vergara, 132, I-80027
 FRATTAMAGGIORE (NA), Italy
 (540)

CLAYTON

(591) Black, white

(531) 27.05.01

(511)

25 – Articles of clothing namely jackets, shirts, shirt front; tee-shirts; trousers, coats, sweaters, skirts, pullover, socks, stockings, tights, gloves, belts, scarves, jeans, underwear, pajamas; under garments; sashes for wear; bathrobes; braces; berets; sun visors; muffs; ear muffs; neckwear; neckties; bow ties; panty hoses; garters; bandanas; brassieres; underpants; camisoles; cuffs; fur stoles; knitwear (clothing); overcoats; parkas; shawls; smocks; suits; waistcoats; lingerie; clothing for gymnastics; tracksuits, swimsuits, beach clothes, smocks; overalls; dress shields; shoulder wraps; drawers; dressing gowns; chemisettes; furs; (clothing) detachable collars; combinations clothing; anti-sweat underwear; wind coats; corselets; ready-made clothing; breeches for wear; outer-clothing; ready-made linings (parts of clothing); shirt yokes; gabardines (clothing); corsets; vests; jersey (clothing); liveries; sports jersey; wristbands (clothing); aprons; pelisses (clothing); frock coats; topcoats; stuff jackets (clothing); petticoats; slippers; teddies; clothing of leather; clothing of imitation of leather; fishing vests; wind resistant jacket or wind vests or wind jackets; under garment; children's clothing; babies' pant (clothing); layettes (clothing); bibs not of cloth or paper; bathing caps; bathing drawers; bathing trunks; waterproof clothing; raincoats; ponchos; shoes, sport shoes; beach shoes, bath sandals, sandals; ski boots; boots, slippers; football shoes; gymnastic shoes; footwear; bath slippers; half-boots; galoshes; gaiters; gaiter straps; boots for sports; rain boots; caps(headwear); shower caps; skull caps; hoods; hats; headgear for wear; headbands; children's headwear; hosiery; sock suspenders; stocking suspenders; leggings; ankle socks; mittens; shawls; pelerines; mantillas; ascots; girdles; money belts (clothing); leather belt (clothing); wedding dresses.

(260) AM 2020 106496 A

(800) 1167854

(151) 2013 01 28

(891) 2019 12 06

(731) KAWASAKI JUKOGYO KABUSHIKI
KAISHA (doing business as KAWASAKI HEAVY
INDUSTRIES, LTD.)

1-1 Higashikawasakicho 3-Chome, Chuo-ku,
Kobe-shi, Hyogo 650-8670, Japan

(540)

VERSYS

(591) Black, white

(511)

12 – Automobiles; all terrain vehicles; utility vehicles; lorries; buggy type vehicles for various purposes; trucks; fork lift trucks; 4-wheel drive light utility car; two-wheeled motor vehicles, bicycles and their

parts and fittings; motorcycles; scooters; mopeds; two-wheeled vehicles; handle bars for two-wheeled vehicles; handle pads for two-wheeled vehicles; front forks for two-wheeled vehicles; wheel rims for two-wheeled vehicles; wheel hubs for two-wheeled vehicles; spokes for two-wheeled vehicles; tires for two-wheeled vehicles; frames for two-wheeled vehicles; saddle for two-wheeled vehicles; stands for two-wheeled vehicles; drive chains for two-wheeled vehicles; drive belts for two-wheeled vehicles; fairings for two-wheeled vehicles; mudguards for two-wheeled vehicles; side covers for two-wheeled vehicles; tail covers for two-wheeled vehicles; pedals for two-wheeled vehicles; luggage racks for two-wheeled vehicles; warning horns for two-wheeled vehicles; luggage carriers for vehicles; luggage truck; lifting cars; caissons vehicles; sprinkling trucks; coaches; motor coaches; caravans; trailer of vehicles; cycle cars; electric cars; electric scooters; electric bicycle; vans of vehicles; refrigerated vehicles; military automobiles for transport; automobiles for transport; water trucks; motor cars; concrete mixing vehicles; ambulances; camping cars; motor homes; cleaning trolleys; snowmobiles; tank lorries; storage battery conveyor car; air pumps for vehicles accessories; tipping bodies for lorries or trucks; automobile hoods; automobile chassis; wheels for automobiles, two-wheeled motor vehicles and bicycles; hoods for vehicle engines; hoods for vehicles; cranks for automobiles components and two-wheeled motor vehicles components; hubs for automobiles wheels, two-wheeled motor vehicles wheels and bicycles wheels; chassis for automobiles, two-wheeled motor vehicles and bicycles; vehicle bumpers; bumpers for cars; clutches for land vehicles; balance weights for vehicles wheels; hub caps; bands for wheel hubs; freewheels for land vehicles; doors for automobiles; vehicles wheel spokes; spoke clips for wheels; rims for automobiles wheels, cycle cars wheels, two-wheeled motor vehicles wheels and bicycles wheels; undercarriages for automobiles; windows for automobiles; tipping apparatus, parts of trucks and wagons; automobile bodies; bodies for vehicles; automobile body covers; driving chains for land vehicles; steering wheels for land vehicles; elevating tailgates for parts of land vehicles; lifts tailgates for parts of land vehicles; power tailgates for parts of land vehicles; tailboard lifts for parts of land vehicles; tailgates for parts of land vehicles; automobile wheel; automobile wheel axis holder; non-skid devices for vehicle tires; anti-skid chains; head-rests for automobile seats; trailer hitches for vehicles; reversing alarms for vehicles; pneumatic valves for vehicle tires; safety belts for automobile seats; safety seats for children; windscreen wipers; luggage nets for automobiles; seat cover for cars; automobile running boards; ski carriers for cars; seats for cars; horns for automobiles, two-wheeled motor vehicles and bicycles; direction signals for vehicles; turn sig-

nals for vehicles; caps for automobile petrol tanks and two-wheeled motor vehicles petrol tanks; security harness for car seats; security harness for automobile seats; sun-blinds adapted for cars; sun-blinds adapted for automobiles; air bags for automobiles; windshields; rearview mirrors; anti-glare devices for automobiles; covers for vehicle steering wheels; side cars; motorcycle wheel; motorcycle wheel axis holder; direction indicators for bicycles; bicycle stands; mudguards; bicycle chains; bicycle handle bars; cycle mudguards; cranks for cycles; cycle hubs; pedals for cycles; bicycle spokes; wheels for bicycles; bicycle saddles; cycle saddles; cycle stands; bells for bicycle, cycles; cycle bells; dress guards for bicycles, cycles or motorcycles; delivery tricycles; saddles for bicycles, cycles or motorcycles; trishaw; bicycle frames; frames for cycle cars wheels and bicycles wheels; saddle covers for bicycles or motorcycles; baskets adapted for cycles; panniers adapted for cycles; bag for bicycles; electric bicycles; motorized tricycle; electric tricycle; power assist vehicle; bicycle pumps; cycle pumps; omnibuses; inner tubes for pneumatic tires for automobiles, two-wheeled motor vehicles and bicycles; tires for automobiles wheels, two-wheeled motor vehicles wheels and bicycles wheels; cycle tires; tires for bicycles; casings for pneumatic tires for automobiles wheels, two-wheeled motor vehicles wheels and bicycles wheels; studs for tires; treads for retreading tires for automobiles wheels, two-wheeled motor vehicles wheels and bicycles wheels; pneumatic tires for automobiles wheels, two-wheeled motor vehicles wheels and bicycles wheels; solid tires for automobiles wheels, two-wheeled motor vehicles wheels and bicycles wheels; automobile tires; inner tubes for motorcycles; tubeless tires for bicycles, motorcycles; spoiler for automobiles wheels, two-wheeled motor vehicles wheels and bicycles wheels; wiper for front lights; spare tire covers.

(260) AM 2020 106497 A

(800) 1174588

(151) 2013 01 28

(891) 2019 12 06

(731) KAWASAKI JUKOGYO KABUSHIKI
KAISHA (doing business as KAWASAKI
HEAVY INDUSTRIES, LTD.)
1-1 Higashikawasakicho 3-Chome, Chuo-ku,
Kobe-shi, Hyogo 650-8670, Japan

(540)



(591) Black, white

(531) 26.03.23; 27.05.21

(511)

12 – Vehicles; apparatus for locomotion by land, air or water; motors and engines for land vehicles; couplings and transmission components for land vehicles; traction engines; non-electric prime movers for land vehicles not including their parts; internal combustion engines (for land vehicles); jet engines (for land vehicles); turbines (for land vehicles); transmission components for land vehicles; shafts, axles or spindles (for land vehicles); bearings (for land vehicles); shaft couplings or connectors (for land vehicles); power transmissions and gearing (for land vehicles); shock absorbers (for land vehicles); springs (for land vehicles); brakes (for land vehicles); AC motors or DC motors for land vehicles not including their parts; vessels; personal watercraft; small watercraft; ships; boats; aircraft; railway rolling stock; automobiles; all terrain vehicles; utility vehicles; lorries; buggy type vehicles for various purposes; trucks; fork lift trucks; 4-wheel drive light utility cars; two-wheeled motor vehicles, bicycles and their parts and fittings; motorcycles; scooters; mopeds; two-wheeled vehicles; handle bars for two-wheeled vehicles; handle pads for two-wheeled vehicles; front forks for two-wheeled vehicles; wheel rims for two-wheeled vehicles; wheel hubs for two-wheeled vehicles; spokes for two-wheeled vehicles; tires for two-wheeled vehicles; frames for two-wheeled vehicles; saddle for two-wheeled vehicles; stands for two-wheeled vehicles; drive chains for two-wheeled vehicles; drive belts for two-wheeled vehicles; fairings for two-wheeled vehicles; mudguards for two-wheeled vehicles; side covers for two-wheeled vehicles; tail covers for two-wheeled vehicles; pedals for two-wheeled vehicles; brake pads for two-wheeled vehicles; luggage racks for two-wheeled vehicles; warning horns for two-wheeled vehicles; steering damper for two-wheeled vehicles; engines for land vehicles; adhesive rubber patches for repairing tubes or tires; baby carriages; railway couplings; luggage carriers for vehicles; flanges for railway wheel tires; railway wheel tires; bogies for railway cars; luggage truck; rolling stock for funicular railways; buffers for railway rolling stock; sleeping berths for vehicles; refrigerated wagons for railway vehicles; locomotives; railway carriages; dining cars; vehicles for locomotion by land, air, water or rail; dining cars for carriages; funnels for locomotives; locomotive wheels; locomotive wheel axis holders; lifting cars; caissons vehicles; sprinkling trucks; coaches; motor coaches; cars for cable transport installations; caravans; trailers of vehicles; hose carts; cycle cars; electric vehicles; vans (vehicles); refrigerated vehicles; sleeping cars; military vehicles for transport; vehicles for transport; water vehicles; tilting-carts; tramcars; motor cars; concrete mixing vehicles; ambulances; camping cars; motor homes; cleaning trolleys; snowmobiles; remote control vehicles other than toys; tank lorries; storage battery

conveyor car; air pumps (vehicle accessories); suspension shock absorbers for vehicles; tipping bodies for lorries or trucks; shock absorbing springs for vehicles; automobile hoods; automobile chains; automobile chassis; torsion bars for vehicles; vehicle wheels; hoods for vehicle engines; hoods for vehicles; crankcases for land vehicle components; hubs for vehicle wheels; vehicle chassis; vehicle bumpers; bumpers for cars; hydraulic circuits for vehicles; gearing for land vehicles; electric motors for land vehicles; clutches for land vehicles; balance weights for vehicles wheels; axles for vehicles; axle journals; hub caps; brakes for vehicles; bands for wheel hubs; motors for land vehicles; driving motors for land vehicles; transmissions for land vehicles; propulsion mechanisms for land vehicles; jet engines for land vehicles; freewheels for land vehicles; doors for vehicles; vehicle wheel spokes; spoke clips for wheels; vehicle suspension springs; rims for vehicle wheels; undercarriages for vehicles; turbines for land vehicles; windows for vehicles; tipping apparatus, parts of trucks and wagons; automobile bodies; shock absorbers for automobiles; brake linings for vehicles; brake shoes for vehicles; gear boxes for land vehicles; bodies for vehicles; shaped vehicle covers; driving chains for land vehicles; transmission chains for land vehicles; torque converters for land vehicles; steering wheels for land vehicles; reduction gears for land vehicles; brake segments for vehicles; connecting rods for land vehicles, other than parts of motors and engines; elevating tailgates for parts of land vehicles; tailgate lifts for parts of land vehicles; power tailgates for parts of land vehicles; tailboard lifts for parts of land vehicles; tailgates for parts of land vehicles; transmission shafts for land vehicles; automobile wheels; automobile wheel axis holders; couplings for land vehicles; non-skid devices for vehicle tires; anti-skid chains; head-rests for vehicle seats; trailer hitches for vehicles; reversing alarms for vehicles; pneumatic valves for vehicle tires; safety belts for vehicle seats; safety seats for children; windscreen wipers; luggage nets for vehicles; seat covers for cars; seat covers for vehicles; vehicle running boards; ski carriers for cars; vehicle seats; seats for cars; upholstery for vehicles; horns for vehicles; direction signals for vehicles; turn signals for vehicles; caps for vehicle petrol tanks; security harness for car seats; security harnesses for vehicle seats; sun-blinds adapted for cars; sun-blinds adapted for automobiles; air bags for automobiles; windshields; rearview mirrors; anti-theft devices for vehicles; anti-dazzle devices for vehicles; anti-glare devices for vehicles; covers for vehicle steering wheels; side cars; motorcycle wheels; motorcycle wheel axis holders; direction indicators for bicycles; bicycle stands; mudguards; bicycle chains; bicycle handle bars; gears for cycles; bicycle brakes; cycle mudguards; rims for wheels of bicycles, cycles; cranks for cycles; motors for cycles; cycle hubs; pedals for

cycles; bicycle spokes; wheels for bicycles; bicycle saddles; cycle saddles; cycle stands; bells for bicycles, cycles; cycle bells; dress guards for bicycles, cycles or motorcycles; carrier tricycles; delivery tricycles; tricycles for transportation; saddles for bicycles, cycles or motorcycles; tricycles; bicycle frames; tricycle frames; saddle covers for bicycles or motorcycles; baskets adapted for cycles; panniers adapted for cycles; bags for bicycles; electric bicycles; motorized tricycles; electric tricycles; power assist vehicles; bicycle pumps; cycle pumps; casting carriages; ladle cars; ski lifts; chair lifts; cable transport apparatus and installations; cable cars; telfer railways; mine cart wheels; luggage carts; sack-barrows; two-wheeled trolleys; handling carts; golf carts; hand cars; pushchairs; strollers; covers for baby carriages; pushchair covers; portable pushchair covers; hoods for baby carriages; pushchair hoods; wheel barrows; casters for trolleys; shopping trolleys; foldable luggage barrows; omnibuses; kick sledges; inner tubes for pneumatic tires; tires for vehicle wheels; treads for vehicles (roller belts); treads for vehicles (tractor type); cycle tires; tires for bicycles; casings for pneumatic tires; studs for tires; treads for retreading tires; pneumatic tires; solid tires for vehicles wheels; adhesive rubber patches for repairing inner tubes; automobile tires; inner tubes for motorcycles; tubeless tires for bicycles, motorcycles; airplane tires; repair outfits for inner tubes; aerial conveyors; air vehicles; air balloons; amphibious airplanes; airplanes; airships; space vehicles; seaplanes; hydroplanes; aeronautical apparatus, machines and appliances; ejector seats for aircraft; ferry boats; ship hulls; boat hooks; hooks for ships; steering gear for ships; disengaging gear for boats; inclined ways for boats; screw-propellers for boats; oars; davits for boats; pontoons; motor boats; rudders; funnels for ships; timbers for ships; dredgers for boats; spars for ships; sculls; stern oars; portholes; screws for ships; paddles for canoes; screw-propellers; cleats (nautical); rowlocks; yachts; fenders for ships; masts for boats; tilting carts; spoiler for vehicles; headlight wipers; brake pads for automobiles; spare tire covers.

(260) AM 2020 106498 A

(800) 1174589

(151) 2013 01 28

(891) 2019 12 06

(731) KAWASAKI JUKOGYO KABUSHIKI

KAISHA (doing business as KAWASAKI
HEAVY INDUSTRIES, LTD.)

1-1 Higashikawasakicho 3-Chome, Chuo-ku,
Kobe-shi, Hyogo 650-8670, Japan

(540)



(591) Black, white

(531) 27.05.01

(511)

12 – Vehicles; apparatus for locomotion by land, air or water; motors and engines for land vehicles; couplings and transmission components for land vehicles; traction engines; non-electric prime movers for land vehicles not including their parts; internal combustion engines (for land vehicles); jet engines (for land vehicles); turbines (for land vehicles); transmission components for land vehicles; shafts, axles or spindles (for land vehicles); bearings (for land vehicles); shaft couplings or connectors (for land vehicles); power transmissions and gearing (for land vehicles); shock absorbers (for land vehicles); springs (for land vehicles); brakes (for land vehicles); AC motors or DC motors for land vehicles not including their parts; vessels; personal watercraft; small watercraft; ships; boats; aircraft; railway rolling stock; automobiles; all terrain vehicles; utility vehicles; lorries; buggy type vehicles for various purposes; trucks; fork lift trucks; 4-wheel drive light utility cars; two-wheeled motor vehicles, bicycles and their parts and fittings; motorcycles; scooters; mopeds; two-wheeled vehicles; handle bars for two-wheeled vehicles; handle pads for two-wheeled vehicles; front forks for two-wheeled vehicles; wheel rims for two-wheeled vehicles; wheel hubs for two-wheeled vehicles; spokes for two-wheeled vehicles; tires for two-wheeled vehicles; frames for two-wheeled vehicles; saddle for two-wheeled vehicles; stands for two-wheeled vehicles; drive chains for two-wheeled vehicles; drive belts for two-wheeled vehicles; fairings for two-wheeled vehicles; mudguards for two-wheeled vehicles; side covers for two-wheeled vehicles; tail covers for two-wheeled vehicles; pedals for two-wheeled vehicles; brake pads for two-wheeled vehicles; luggage racks for two-wheeled vehicles; warning horns for two-wheeled vehicles; steering damper for two-wheeled vehicles; engines for land vehicles; adhesive rubber patches for repairing tubes or tires; baby carriages; railway couplings; luggage carriers for vehicles; flanges for railway wheel tires; railway wheel tires; bogies for railway cars; luggage truck; rolling stock for funicular railways; buffers for railway rolling stock; sleeping berths for vehicles; refrigerated wagons for railway vehicles; locomotives; railway carriages; dining cars; vehicles for locomotion by land, air, water or rail; dining cars for carriages; funnels for locomotives; locomotive wheels; locomotive wheel axis holders; lifting cars; caissons vehicles; sprinkling trucks; coaches; motor coaches; cars for cable transport installations; caravans; trailers of vehicles; hose carts; cycle cars; electric vehicles; vans (vehicles); refrigerated vehicles; sleeping cars; military vehicles for transport; vehicles for transport; water vehicles; tilting-carts; tramcars; motor cars; concrete mixing vehicles; ambulances; camping cars; motor homes; cleaning tro-

lleys; snowmobiles; remote control vehicles other than toys; tank lorries; storage battery conveyor car; air pumps (vehicle accessories); suspension shock absorbers for vehicles; tipping bodies for lorries or trucks; shock absorbing springs for vehicles; automobile hoods; automobile chains; automobile chassis; torsion bars for vehicles; vehicle wheels; hoods for vehicle engines; hoods for vehicles; crankcases for land vehicle components; hubs for vehicle wheels; vehicle chassis; vehicle bumpers; bumpers for cars; hydraulic circuits for vehicles; gearing for land vehicles; electric motors for land vehicles; clutches for land vehicles; balance weights for vehicle wheels; axles for vehicles; axle journals; hub caps; brakes for vehicles; bands for wheel hubs; motors for land vehicles; driving motors for land vehicles; transmissions for land vehicles; propulsion mechanisms for land vehicles; jet engines for land vehicles; freewheels for land vehicles; doors for vehicles; vehicle wheel spokes; spoke clips for wheels; vehicle suspension springs; rims for vehicle wheels; undercarriages for vehicles; turbines for land vehicles; windows for vehicles; tipping apparatus, parts of trucks and wagons; automobile bodies; shock absorbers for automobiles; brake linings for vehicles; brake shoes for vehicles; gear boxes for land vehicles; bodies for vehicles; shaped vehicle covers; driving chains for land vehicles; transmission chains for land vehicles; torque converters for land vehicles; steering wheels for land vehicles; reduction gears for land vehicles; brake segments for vehicles; connecting rods for land vehicles, other than parts of motors and engines; elevating tailgates for parts of land vehicles; tailgate lifts for parts of land vehicles; power tailgates for parts of land vehicles; tailboard lifts for parts of land vehicles; tailgates for parts of land vehicles; transmission shafts for land vehicles; automobile wheels; automobile wheel axis holders; couplings for land vehicles; non-skid devices for vehicle tires; anti-skid chains; head-rests for vehicle seats; trailer hitches for vehicles; reversing alarms for vehicles; pneumatic valves for vehicle tires; safety belts for vehicle seats; safety seats for children; windscreen wipers; luggage nets for vehicles; seat covers for cars; seat covers for vehicles; vehicle running boards; ski carriers for cars; vehicle seats; seats for cars; upholstery for vehicles; horns for vehicles; direction signals for vehicles; turn signals for vehicles; caps for vehicle petrol tanks; security harness for car seats; security harnesses for vehicle seats; sun-blinds adapted for cars; sun-blinds adapted for automobiles; air bags for automobiles; windshields; rearview mirrors; anti-theft devices for vehicles; anti-dazzle devices for vehicles; anti-glare devices for vehicles; covers for vehicle steering wheels; side cars; motorcycle wheels; motorcycle wheel axis holders; direction indicators for bicycles; bicycle stands; mudguards; bicycle chains; bicycle handle bars; gears for cycles; bicycle brakes; cycle

mudguards; rims for wheels of bicycles, cycles; cranks for cycles; motors for cycles; cycle hubs; pedals for cycles; bicycle spokes; wheels for bicycles; bicycle saddles; cycle saddles; cycle stands; bells for bicycles, cycles; cycle bells; dress guards for bicycles, cycles or motorcycles; carrier tricycles; delivery tricycles; tricycles for transportation; saddles for bicycles, cycles or motorcycles; tricycles; bicycle frames; tricycle frames; saddle covers for bicycles or motorcycles; baskets adapted for cycles; panniers adapted for cycles; bags for bicycles; electric bicycles; motorized tricycles; electric tricycles; power assist vehicles; bicycle pumps; cycle pumps; casting carriages; ladle cars; ski lifts; chair lifts; cable transport apparatus and installations; cable cars; telpher railways; mine cart wheels; luggage carts; sackbarrows; two-wheeled trolleys; handling carts; golf carts; hand cars; pushchairs; strollers; covers for baby carriages; pushchair covers; portable pushchair covers; hoods for baby carriages; pushchair hoods; wheel barrows; casters for trolleys; shopping trolleys; foldable luggage barrows; omnibuses; kick sledges; inner tubes for pneumatic tires; tires for vehicle wheels; treads for vehicles (roller belts); treads for vehicles (tractor type); cycle tires; tires for bicycles; casings for pneumatic tires; studs for tires; treads for retreading tires; pneumatic tires; solid tires for vehicles wheels; adhesive rubber patches for repairing inner tubes; automobile tires; inner tubes for motorcycles; tubeless tires for bicycles, motorcycles; airplane tires; repair outfits for inner tubes; aerial conveyors; air vehicles; air balloons; amphibious airplanes; airplanes; airships; space vehicles; seaplanes; hydroplanes; aeronautical apparatus, machines and appliances; ejector seats for aircraft; ferry boats; ship hulls; boat hooks; hooks for ships; steering gear for ships; disengaging gear for boats; inclined ways for boats; screw-propellers for boats; oars; davits for boats; pontoons; motor boats; rudders; funnels for ships; timbers for ships; dredgers for boats; spars for ships; sculls; stern oars; portholes; screws for ships; paddles for canoes; screw-propellers; cleats (nautical); rowlocks; yachts; fenders for ships; masts for boats; tilting carts; spoiler for vehicles; headlight wipers; brake pads for automobiles; spare tire covers.

(260) AM 2020 106499 A
 (800) 1317206
 (151) 2016 09 09
 (891) 2019 12 17
 (731) MÄURER & WIRTZ GmbH & Co. KG
 Zweifaller Str. 120, 52224 Stolberg,
 Germany
 (540)

Dream Away

(591) Black, white

(511)
 3 – Soaps, cosmetics, perfumery, essential oils, hair lotions, dentifrices.

(260) AM 2020 106541 A
 (800) 1507916
 (151) 2019 09 09
 (891) 2019 09 09
 (731) EUROSCIENCE
 1 quai Lezay Marnesia, F-67000 Strasbourg,
 France
 (540)



(591) Blue, light blue, red, yellow and green
 (531) 01.05.24; 01.13.01; 29.01.15
 (526) EUROSCIENCE
 (511)
 41 – Education.

(260) AM 2020 106545 A
 (800) 1508019
 (151) 2019 09 13
 (891) 2019 09 13
 (731) GRAND MEZCAL SA DE CV
 Valladolid 40 Int A-103, (Despacho Fuentes)
 Colonia Roma, 06700 Delegacion
 Cuahutemoc, Mexico
 (540)

LA ESCONDIDA®



(591) Black, white
 (531) 04.02.11; 26.01.01; 26.01.06; 26.01.15;
 27.05.01
 (511)
 33 – Alcoholic beverages excluding beer.

(260) AM 2020 106556 A
 (800) 1508335
 (151) 2019 10 31
 (891) 2019 10 31
 (731) Joint-Stock Company "Artistic paints plant
 "Nevskaya palitra"
 Serdobolskaya ulitsa, 68, liter F, pomeshenie
 17, RU-197342 Saint-Petersburg, Russian
 Federation

(540)

NEVSKAYA PALITRA

(591) Black, white

(511)

2 – Ceramic paints; coatings [paints]; colorants; enamels [varnishes]; enamels for painting; fixatives [varnishes]; fixatives for watercolors; food dyes; gamboge for painting; glazes [paints, lacquers]; gum-lac; gum resins; lacquers; mastic [natural resin]; metals in powder form for use in painting, decorating, printing and art; mordants; natural resins, raw; paints; paper for dyeing Easter eggs; pigments; primers; printing ink; sumac for varnishes; thinners for lacquers; thinners for paints; varnishes; watercolor paints for use in art; white lead.

(260) AM 2020 106557 A

(800) 1508349

(151) 2019 07 16

(891) 2019 07 16

(731) ÖZTÜRK İLAÇ SANAYİ VE TİCARET ANONİM ŞİRKETİ

Arnavutköy İlçesi, Hadımköy Mahallesi,
Hamit Kaplan Sokak, No: 10, Arnavutköy –
İstanbul, Turkey

(540)



(591) Red, black, yellow, orange and white

(531) 01.15.03; 25.01.19; 26.01.24; 26.03.01;
27.01.12; 27.05.02; 27.05.09; 27.05.10;
27.05.24; 29.01.14

(526) UNIVERSAL INSECTICID AEROSOL ®

(511)

5 – Insecticides; insecticidal preparations, anti-fly lotions; fly destroying preparations.

(260) AM 2020 106558 A

(800) 1508379

(151) 2019 11 06

(891) 2019 11 06

(731) SHANDONG PROVINCE SANLI TIRE MANUFACTURE CO., LTD
WEST OF THE NORTHERN SECTION, OF
KUNLUNSHAN ROAD, CAO COUNTY,
HEZE CITY, 100053 SHANDONG
PROVINCE, China

(540)

BEARWAY

(591) Black, white

(531) 27.05.17

(511)

12 – Casings for pneumatic tires [tyres]; solid tires for vehicle wheels; automobile tires.

(260) AM 2020 106560 A

(800) 1508405

(151) 2019 07 31

(891) 2019 07 31

(731) Mitsubishi Electric Corporation

7-3 Marunouchi 2-chome, Chiyoda-ku, Tokyo
100-8310, Japan

(540)

M's BRIDGE

(591) Black, white

(511)

9 – Devices and apparatus used for monitoring and controlling elevators, escalators and moving sidewalks utilizing telecommunication network; computers; computer software for use in monitoring and controlling the operation of elevators, escalators and moving sidewalks.

37 – Repair and maintenance of elevators, escalators and moving sidewalks; providing information relating to repair and maintenance of elevators, escalators and moving sidewalks; repair or maintenance of elevators, escalators and moving sidewalks by remote monitoring; providing information relating to repair or maintenance of elevators, escalators and moving sidewalks by remote monitoring.

(260) AM 2020 106562 A

(800) 1508461

(151) 2019 10 08

(891) 2019 10 08

(731) HAIHUI New Energy Motor Co., Ltd.

No.1, Rizhao East Road, Ju County, Rizhao
City, 276500 Shandong, China

(540)

FEZIZER

(591) Black, white

(511)

12 – Electric cars; electric vehicles; sports cars; cars; automobile chassis; motors, electric, for land vehicles; automobile bodies; bumpers for automobiles; gear boxes for land vehicles; driverless cars [autonomous cars]; handling carts; automobile tires; space vehicles; vehicle chassis; remote control vehicles, other than toys.

- (260) AM 2020 106564 A
 (800) 1508493
 (151) 2019 10 18
 (891) 2019 10 18
 (731) Obshestvo s ogranichennoy otvetstvennostyu
 "J-UNITED GROUP"
 OOO "J-UNITED GROUP", 83, Beruniy
 street, Olmazarskiy district, Tashkent city
 100020, Uzbekistan
 (540)



- (591) Light grey, grey, dark grey and black
 (531) 26.04.18; 26.04.24; 27.05.10; 27.05.24
 (526) Extrusions
 (511)
 6 – Common metals and their alloys, metal materials
 for building and construction; transportable build-
 ings of metal; railway material of metal; non-elec-
 tric cables and wires of common metal; small items
 of metal hardware; pipes of metal; safes; ores.
 35 – Advertising; business management; business
 administration; office functions; sales promotion for
 others; retail services for metal hardware; retail ser-
 vices provided by convenience stores; retail services
 provided by variety stores.
 37 – Building construction; repair; installation ser-
 vices.

- (260) AM 2020 106584 A
 (800) 1471037
 (151) 2019 04 05
 (891) 2019 12 19
 (731) KURTSAN ILACLARI ANONIM ŞİRKETİ
 Istoc Otomarket, A-2 Blok, Burak Plaza,
 Kat 7, Bağcılar, TR-34169 İstanbul, Turkey
 (540)



- (591) Red, green and white
 (531) 05.11.11; 26.01.04; 26.01.20; 29.01.13
 (511)
 3 – Non-medicated hair shampoo; non-medicated
 shampoo conditioners; non-medicated dandruff sha-
 mpoo; non-medicated hair creams; non-medicated
 facial creams; foam cleansers for personal use; non-

medicated cosmetic hand creams; non-medicated
 body creams; non-medicated hair tonics; non-medi-
 cated skin care preparation, namely, body mist; non-
 medicated serums for use on brow, hair, skin, lips,
 lash; non-medicated cosmetic soap; non-medicated
 skin soap; non-medicated beauty soap; non-medi-
 cated shaving soap; oil baths for hair care; argan oil for
 cosmetic purposes; hair conditioners; non-medicated
 natural soap bars; rose water for cosmetic purposes;
 make up remover; wrinkle removing skin care pre-
 parations; foot deodorant spray; aloe vera gel for
 cosmetic purposes.

- (260) AM 2020 106585 A
 (800) 1502670
 (151) 2019 09 02
 (891) 2019 12 20
 (731) ARTELIA
 16 rue Simone Veil, Saint-Ouen-sur-Seine,
 F-93400, France
 (540)

ACCROBERM

- (591) Black, white
 (511)
 16 – Printed matter whose purpose concerns the
 protection of sea and river works, namely the con-
 struction of dikes, barriers, breakwaters for the pro-
 tection of sea and river works, laying concrete
 blocks for the protection of sea and river works, ca-
 sings for the construction of concrete blocks for the
 protection of sea and river works.
 19 – Concrete blocks for the protection of sea and
 river works; scale models (made of concrete) of
 concrete blocks, for laboratory study of hydraulic
 and wave phenomena relating to the protection of
 sea and river works.
 20 – Scale models (made of plastic or resin) of
 concrete blocks, for laboratory study of hydraulic
 and wave phenomena relating to the protection of
 sea and river works.
 37 – Construction, repair, maintenance services for
 dikes, barriers, breakwaters for the protection of sea
 and river works; information, advice, consulting
 with respect to construction, repair, maintenance of
 dikes, barriers, breakwaters for the protection of sea
 and river works; laying concrete blocks for the
 protection of sea and river works; information,
 advice, consulting with respect to laying concrete
 blocks for the protection of sea and river works;
 construction of models (scale models) of concrete
 blocks for laboratory study of hydraulic and wave
 phenomena relating to the protection of sea and river
 works; supervision (management) of construction,
 repair and maintenance works of dikes, barriers,
 breakwaters for the protection of sea and river
 works; supervision (management) of laying of conc-

rete blocks for the protection of sea and river works; construction, repair, maintenance of casings for making concrete blocks for the protection of sea and river works; rental of casings for making concrete blocks for the protection of sea and river works; rental of models (scale models) of concrete blocks for laboratory study of hydraulic and wave phenomena relating to the protection of sea and river works; consultancy services relating to laying concrete blocks for the protection of sea and river works.

41 – Training with respect to construction, repair and maintenance of dikes, barriers, breakwaters for the protection of sea and river works; training with respect to laying concrete blocks for the protection of sea and river works; training with respect to construction of casings for making concrete blocks for the protection of sea and river works.

42 – Engineering services relating to the protection of sea and river works; studies (engineering works) of any apparatus, equipment, machines, buildings useful for the construction, repair, maintenance of dikes, barriers, breakwaters for the protection of sea and river works; study of any apparatus, equipment, machines relating to laying concrete blocks for the protection of sea and river works; study of any apparatus, equipment, machines relating to the construction, maintenance of casings for making concrete blocks for the protection of sea and river works; laboratory work relating to the design, construction, repair, maintenance of dikes, barriers, breakwaters for the protection of sea and river works; laboratory work relating to laying concrete blocks for the protection of sea and river works; laboratory study of hydraulic and wave phenomena relating to the protection of sea and river works.

(260) AM 2020 106617 A

(800) 1508849

(151) 2019 10 25

(891) 2019 10 25

(731) HUAWEI TECHNOLOGIES CO., LTD.

Administration Building, Huawei

Technologies Co.,

Ltd., Bantian, Longgang District, Shenzhen,

China

(540)

HUAWEI TaurusDB

(591) Black, white

(531) 27.05.01

(511)

9 – Computers; data processing apparatus; computer memories; central processing units (processors); integrated circuit cards (smart cards); laptop computers; computer hardware; humanoid robots with artificial intelligence; thin client computers; hand-held

electronic dictionaries; wearable computers; smart-glasses; smartwatches; smart rings; scales; scales with body mass analyzers; human face recognition devices; digital signs; video telephones; global positioning system [GPS] apparatus; wearable activity trackers; telecommunication apparatus in the form of jewellery; navigation apparatus for vehicles (on-board computers); cell phones; loudspeakers; camcorders; television apparatus; earphones; virtual reality headsets; wearable video display monitors; teaching machines; headphones; set-top boxes; digital video recorder for vehicles; television cameras; electronic book readers; digital photo frames; cameras (photography); smartphones; computer programs for editing images, sounds and videos; graphics accelerators; computer programs for document management; operating system programs; computer operating programs; computer operating software; computer central processing units; computer programs for searching content in the computers and computer networks by remote access; computer software for operating and controlling audio and video apparatus; compiler software; computer chatbot software for simulating conversation; computer software for controlling self-service terminal; computer software of maintaining and running computer system; computer programs applications (programs for executing computer maintenance); computer operating programs, recorded; computer software, recorded; computer software applications, downloadable; tablet computers; computer software platforms, recorded or downloadable; notebook computers; computer software for wireless content transmission; computer software for network management; computer software for computer access control.

42 – Design and development of multimedia products; research and development of computer software; mobilephone software design; software design and development; design and development of mobilephone software applications; design and development of instant messaging software; development and creation of computer programs for data processing; electronic data storage; developing of driver and operating system software; database development services; database design and development; design of computer databases; reconstruction of databases; development of computer platforms; data migration services; electronic data back-up services; providing information on computer technology and programming via a web site; software as a service [SaaS]; computer software design; cloud computing; platform as a service [PaaS]; updating and maintenance of computer software.

(260) AM 2020 106629 A

(800) 1509179

(151) 2019 10 30

(891) 2019 10 30

(731) Bushueva Inna Vladimirovna
Prokhorova Str., 16A, apt. 1, Yoshkar-Ola,
RU-424028 Republic of Mari El, Russian
Federation

(540)



(591) Black, white

(531) 26.03.01; 26.03.06; 27.05.17

(511)

6 – Doors of metal; locks of metal, other than electric; locking systems of metal, other than electric; ironwork for doors; works of art of common metal; forged works of common metal.

19 – Doors, not of metal; stained-glass windows.

21 – Works of art made of ceramic.

40 – Metal treating, including the manufacture of works of basic metals and their alloys on request for others; blacksmithing; custom assembling of materials for others.

(260) AM 2020 106630 A

(800) 1509191

(151) 2019 07 17

(891) 2019 07 17

(731) OWNR WALLET OÜ

Punane tn 6-219, Lisinae Linaosa,
EE-13619 Tallinn, Harju maakond, Estonia

(540)



(591) Blue

(531) 26.01.01; 26.01.03; 26.01.18; 27.05.01;
27.05.22; 29.01.04

(511)

9 – 3D spectacles; answering machines; electronic parking lot ticket dispensers; circuit breakers; automated teller machines [ATM]; steering apparatus, automatic, for vehicles, namely, simulators for the steering and control of vehicles; batteries for electronic cigarettes; accumulators, electric; acoustic couplers; data processing apparatus; Global Positioning System [GPS] apparatus; audio- and video-receivers;

audio interfaces; batteries, electric, for vehicles; cordless telephones; biochips for research or scientific purposes; computer memory devices; black boxes being electronic data recorders; encoded identification bracelets, magnetic being measuring instruments; video screens; camcorders; blank video cassettes; video baby monitors; video telephones; hands-free kits for telephones; virtual reality headsets; floppy disk drives; disks, blank magnetic; disk drives for computers; juke boxes for computers; downloadable electronic publications in the nature of books, magazines, manuals in the field of eLearning courses; electronic interactive whiteboards; electronic pocket translators; protective films adapted for computer screens; protective films adapted for smartphones; optical readers being data processing equipment; compact discs, audio-video featuring eLearning courses in the field of general human interests; computers; computer hardware; computer game software; computer software, recorded for the administration, documentation, tracking, reporting and delivery of training in the form of eLearning; joysticks for use with computers, other than for video games; computer keyboards; computer peripheral devices; computer programs, downloadable software for the administration, documentation, tracking, reporting and delivery of training in the form of eLearning; computer programs, recorded for the administration, documentation, tracking, reporting and delivery of training in the form of eLearning; computer operating programs, recorded; commutators; electric apparatus for commutation being communicators; computer mice being computer peripheral; mobile telephones; modems; monitors being computer hardware; computer monitors for computer programs; navigation apparatus for vehicles being on-board computers; headphones; notebook computers; optical fibers being light conducting filaments; blank optical discs; optical character readers; optical data media, namely, blank optical data carriers; transmitters of electronic signals; computer software applications, downloadable for the administration, documentation, tracking, reporting and delivery of training in the form of eLearning; central processing units being processors; smartwatches; smart rings; smartglasses; smartphones; solar batteries; solar panels for production of electricity; blank usb flash drives.

36 – Actuarial services; financial analysis; banking; stock brokerage services; stocks and bonds brokerage; brokerage of carbon credits; real estate brokerage; insurance brokerage; securities brokerage; repair costs evaluation [financial appraisal]; issuance of travellers' cheques; issuance of credit cards; issuance of tokens of value; investment of funds; arranging finance for construction projects; online banking; trusteeship; debt advisory services; electronic funds transfer; providing financial information via a

web site; safe deposit services; deposits of valuables; charitable fund raising; rent collection; capital investment; mortgage banking; apartment house management; real estate management; clearing-houses, financial; insurance consultancy; stock exchange quotations; pawnbrokerage; marine insurance underwriting; providing rebates at participating establishments of others through use of a membership card; loans [financing]; instalment loans; bail-bonding; exchanging money; processing of debit card payments; processing of credit card payments; organization of monetary collections; rental of apartments; rental of real estate; rental of offices [real estate]; rental of offices for co-working; rental of farms; antique appraisal; stamp appraisal; real estate appraisal; numismatic appraisal; art appraisal; fiscal valuation; jewellery appraisal; cheque verification; lending against security; accommodation bureau services (apartments); real estate agency services; credit bureau services; mutual funds; surety services; financing services; debt collection agency services; savings bank services; provident fund services; insurance information; insurance underwriting; accident insurance underwriting; fire insurance underwriting; life insurance underwriting; health insurance underwriting; factoring; financial information; financial management; financial management of reimbursement payments for others; financial consultancy; financial evaluation of development costs relating to the oil, gas and mining industries; financial appraisals in responding to calls for tenders; financial sponsorship; financial research; financial customs brokerage services; hire-purchase financing; business liquidation services, financial; retirement payment services.

42 – Computer system analysis; outsource service providers in the field of information technology; recovery of computer data; off-site data backup; duplication of computer programs; electronic data storage; electronic monitoring of personally identifying information to detect identity theft via the Internet; electronic monitoring of credit card activity to detect fraud via the Internet; providing information on computer technology and programming via a web site; providing search engines for the Internet; installation of computer software; computer programming; conversion of data or documents from physical to electronic media; conversion of computer programs and data, other than physical conversion; computer technology consultancy; Internet security consultancy; data security consultancy; information technology [IT] consultancy; computer software consultancy; computer security consultancy; consultancy in the design and development of computer hardware; web site design consultancy; monitoring of computer systems for detecting unauthorized access or data breach; monitoring of computer systems to detect breakdowns; monitoring of computer systems

by remote access to ensure proper functioning; maintenance of computer software; updating of computer software; computer virus protection services; software as a service (SaaS) services, namely, hosting software for use by others for the administration, documentation, tracking, reporting and delivery of training in the form of eLearning; computer software design; rental of web servers; computer rental; rental of computer software; hosting computer sites being web sites; computer system design; creating and designing website-based indexes of information for others being information technology services; cloud computing featuring software for the administration, documentation, tracking, reporting and delivery of training in the form of eLearning; server hosting.

(260) AM 2020 106723 A

(800) 1510023

(151) 2019 11 19

(891) 2019 11 19

(731) KIA MOTORS CORPORATION
12, Heolleung-ro, Seocho-gu, Seoul,
Republic of Korea

(540)

KIA K3

(591) Black, white

(511)

12 – Automobiles; sports cars; vans [vehicles]; trucks; motor buses; electric vehicles.

(260) AM 2020 106724 A

(800) 1510057

(151) 2019 12 02

(891) 2019 12 02

(731) ZHONGCE RUBBER GROUP COMPANY
LIMITED
NO.2 10TH AVENUE, ECONOMIC AND
TECHNOLOGICAL, DEVELOPMENT
ZONE, JIANGGAN DISTRICT,
HANGZHOU, ZHEJIANG, China

(540)

WEST LAKE

(591) Black, white

(531) 27.05.01; 27.05.11; 27.05.17

(511)

12 – Tires for vehicle wheels; automobile tires; treads for retreading tires; pneumatic tires.

(260) AM 2020 106727 A

(800) 1510098

(151) 2019 11 19

(891) 2019 11 19

(731) PIERRE FABRE DERMO-COSMETIQUE
45 place Abel Gance, F-92100 BOULOGNE,
France

(540)

[C+-Restore]

(591) Black, white

(511)

1 – Ingredients, namely active ingredients [chemical products] for manufacture of cosmetic, dermocosmetic and dermatological products.

(260) AM 2020 106728 A

(800) 1510163

(151) 2019 12 09

(891) 2019 12 09

(731) Beiersdorf AG

Unnastraße 48, 20253 Hamburg, Germany

(540)

NIVEA URBAN SKIN DETOX

(591) Black, white

(511)

3 – Cosmetic skin cleansing preparations, cosmetic skin care preparations.

(260) AM 2020 106855 A

(800) 1510692

(151) 2019 11 26

(891) 2019 11 26

(731) Richter Gedeon Nyrt.

Gyömrői út 19-21, H-1103 Budapest, Hungary

(540)

BANAVIN

(591) Black, white

(511)

5 – Pharmaceutical preparations for gynecological purposes.

(260) AM 2020 106878 A

(800) 1511039

(151) 2019 11 29

(891) 2019 11 29

(731) Ugreen Group Limited

4/F, Plant 6, 1F-6/F, Block 7, YuAn Zone,
Gaofeng Community, Dalang Street,
Longhua District, Shenzhen, Guangdong,
China

(540)

UGREEN

(591) Black, white

(531) 27.05.17

(511)

9 – Computer peripheral devices; data processing apparatus; materials for electricity mains [wires, cables]; USB flash drives; power adapters; chargers for electric batteries; radio transmitters and receivers; batteries, electric; cabinets for loudspeakers; headphones.

(260) AM 2020 106879 A

(800) 1511045

(151) 2019 12 23

(891) 2019 12 23

(731) BEIJING AUTOMOTIVE GROUP CO., LTD

NO.99 SHUANGHE STREET, SHUNYI
DISTRICT, BEIJING CITY, China

(540)



(591) Brown

(531) 27.05.02; 27.05.03; 29.01.12

(511)

12 – Rolling stock for railways; locomotives; tractors; electric vehicles; cars; engines for land vehicles; propulsion mechanisms for land vehicles; vehicle chassis; gear boxes for land vehicles; automobiles; air vehicles; aeroplanes; aeronautical apparatus, machines and appliances; vehicles for locomotion by land, air, water or rail.

37 – Building construction supervision; repair information; building of fair stalls and shops; electric appliance installation and repair; vehicle maintenance; vehicle service stations [refueling and maintenance]; vehicle washing; vehicle breakdown repair services; shipbuilding; retreading of tires; airplane maintenance and repair.

(260) AM 2020 107015 A

(800) 1096614

(151) 2011 09 30

(891) 2019 12 23

(731) FARMEC SA

Str. Henri Barbusse no. 16, Cluj-Napoca,
Romania

(540)

GEROVITAL

(591) Black, white

(511)

3 – Bleaching preparations and other substances for laundry use; cleaning, polishing, scouring and abrasive preparations.

35 – Advertising; business management; business administration; office functions.

(260) AM 2020 107144 A
 (800) 1432850
 (151) 2018 10 04
 (891) 2020 01 09
 (731) Obshchestvo s ogranichennoi
 otvetstvennost'yu "AURUM"
 ul. Inzhenernaya, 4a, RU-630090 Novosibirsk,
 Russian Federation

(540)

AQUAMATIC

(591) Black, white

(511)

21 – Brooms; brush goods; brushes for cleaning tanks and containers; brushes for footwear; brushes, except paintbrushes; carpet sweepers; cleaning instruments, hand-operated; cloth for washing floors; cloths for cleaning; dishwashing brushes; dusting cloths [rags]; electric brushes, except parts of machines; furniture dusters; lamp-glass brushes; material for brush-making; mops; sponge holders; sponges for household purposes; toilet brushes; toilet sponges; utensils for household purposes; wax-polishing appliances, non-electric, for shoes.

(260) AM 2020 107145 A

(800) 1462865

(151) 2019 02 06

(891) 2020 01 17

(731) Zotos International, Inc.
 100 Tokeneke Road, Darien CT 06820, USA

(540)

BIOTERA

(591) Black, white

(511)

3 – Hair care products, namely, hair sprays; hair mousse, hair gel; hair permanent waving preparations; hair coloring preparations; hair care preparations; hair styling preparations; hair color.

(260) AM 2020 107200 A

(800) 1515048

(151) 2019 12 26

(891) 2019 12 26

(731) International Fruit Genetics, LLC
 8224 Espresso Drive, Suite 200, Bakersfield
 CA 93312, USA

(540)

SWEET SAPPHIRE

(591) Black, white

(511)

31 – Fresh fruits and vegetables; grape vines, plants and plant propagating material.

(260) AM 2020 107201 A

(800) 1515051

(151) 2019 12 16

(891) 2019 12 16

(731) PREPARATORI D'UVA S.R.L.
 Via Papa Giovanni 62, CORNO DI
 ROSAZZO (UD), Italy

(540)

SIMONIT & SIRCH

(591) Black, white

(511)

41 – Education; providing of training; entertainment; sporting and cultural activities; publication of books; publication of books, periodical publications, magazines, newspapers and newsletters; publication and editing of books, newspapers and periodicals; publication of training manuals; production and presentation of audio and video recordings, and still and moving images; arranging and conducting of day school courses for adults; provision of training courses; providing online tutorials; arranging and conducting of training courses; arranging and conducting of tutorials; conducting of training courses in the field of technology and innovation; arranging and conducting of workshops, tutorials, seminars and conferences; arranging and conducting of conferences, congresses, seminars, symposiums, training courses, classes and lectures; providing of training in the field of agriculture, horticulture and forestry.

44 – Medical services; veterinary services; hygienic and beauty care for human beings or animals; agriculture, horticulture and forestry services; agricultural services; agricultural advice; consultancy and advisory services relating to agriculture, horticulture and forestry; advisory services in the fields of irrigation and fertilization; advisory and consultancy services relating to the use of agricultural and horticultural fertilizers; advisory and consultancy services relating to the use of fertilizers in agriculture, horticulture and forestry; advisory and consultancy services relating to the use of manure in agriculture, horticulture and forestry; advisory and consultancy services relating to weed, pest and vermin control in agriculture, horticulture and forestry; consultancy in the field of agriculture, horticulture and forestry; destruction of parasites for agriculture, horticulture and forestry; weed killing for agriculture, horticulture and forestry; providing information relating to vermin exterminating for agriculture, horticulture and forestry; advisory and consultancy services relating to the use of non-chemical treatments for sustainable agriculture and horticulture.

(260) AM 2020 107202 A

(800) 1515064

(151) 2019 12 26

(891) 2019 12 26
 (731) International Fruit Genetics, LLC
 8224 Espresso Drive, Suite 200, Bakersfield
 CA 93312, USA

(540)

SWEET GLOBE

(591) Black, white
 (511)
 31 – Fresh fruits and vegetables; grape vines, plants
 and plant propagating material.

(260) AM 2020 107203 A
 (800) 1515068
 (151) 2019 12 26
 (891) 2019 12 26
 (731) International Fruit Genetics, LLC
 8224 Espresso Drive, Suite 200, Bakersfield
 CA 93312, USA

(540)

SWEET ROMANCE

(591) Black, white
 (511)
 31 – Fresh fruits and vegetables; grape vines, plants
 and plant propagating material.

(260) AM 2020 107204 A
 (800) 1515087
 (151) 2019 12 26
 (891) 2019 12 26
 (731) International Fruit Genetics, LLC
 8224 Espresso Drive, Suite 200, Bakersfield
 CA 93312, USA

(540)

RUGBY

(591) Black, white
 (511)
 31 – Fresh fruits and vegetables; grape vines, plants
 and plant propagating material.

(260) AM 2020 107205 A
 (800) 1515089
 (151) 2019 12 26
 (891) 2019 12 26
 (731) International Fruit Genetics, LLC
 8224 Espresso Drive, Suite 200, Bakersfield
 CA 93312, USA

(540)

GRACENOTE

(591) Black, white
 (511)
 31 – Fresh fruits and vegetables; grape vines, plants
 and plant propagating material.

(260) AM 2020 107242 A
 (800) 1515851
 (151) 2019 07 30
 (891) 2019 07 30
 (731) CHYVURIN ANDRII PETROVYCH
 VUL. ZVIRYNETSKA, BUD. 59, KV. 55,
 M. KYIV 01014, Ukraine;
 YAKOVLEV ANDRII
 VOLODYMYROVYCH
 PROSP. HEROIV STALINHRADA, 6 B,
 KORP. 3, KV. 12, M. KYIV 04210, Ukraine;
 BARULIA NAUM YOSYPOVYCH
 VUL. 1-Y PR. HNIVANSKOHO SHOSE,
 BUD. 27 A, S. BOKHONYKY,
 VINNYTSKA OBLAST 23233, Ukraine;
 SHEFIR SERGIY NAKHMANOVYCH
 VUL. POPOVA, BUD. 5, M. KYIV 04074,
 Ukraine;
 SHEFIR BORYS NAKHMANOVYCH
 VUL. MALYNOVSKOHO, BUD. 11, KV.
 326, M. KYIV 04212, Ukraine;
 ZELENSKYI VOLODYMYR
 OLEKSANDROVYCH
 PROSP. HEROIV STALINHRADA, 6 B,
 KORP. 1, KV. 31, M. KYIV 04210, Ukraine

(540)

ЛІГА СМЕХА

(591) Black, white
 (531) 28.05
 (511)
 35 – Advertising; administrative processing of purchase orders; cost price analysis; the bringing together, for the benefit of others, of a variety of goods (excluding the transport thereof), enabling customers to conveniently view and purchase those goods in retail stores, wholesale outlets, through vending machines, mail order catalogues or by means of electronic media, for example, through web sites or television shopping programmes; business management of performing artists; auctioneering; book-keeping; market studies; opinion polling; psychological testing for the selection of personnel; organization of exhibitions for commercial or advertising purposes; telephone answering for unavailable subscribers; organization of trade fairs for commercial or advertising purposes; arranging newspaper subscriptions for others; business management of hotels; demonstration of goods; business research; business information; business appraisals; business inquiries; document reproduction; business management and organization consultancy; economic forecasting; business efficiency expert services; registration of written communications and data; presentation of goods on communication media, for retail purposes; compilation of information into computer databases; compilation of statistics; public relations; drawing up of statements of accounts; distribution of samples; import-export agency services; invoicing; online

advertising on a computer network; office machines and equipment rental; commercial information agency services; commercial or industrial management assistance; advisory services for business management; commercial administration of the licensing of the goods and services of others; computerized file management; business management consultancy; business management of sports people; commercial information and advice for consumers in the choice of products and services; systemization of information into computer databases; personnel recruitment; professional business consultancy; business organization consultancy; personnel management consultancy; layout services for advertising purposes; modelling for advertising or sales promotion; marketing; typing; writing of publicity texts; word processing; news clipping services; updating of advertising material; shop window dressing; financial auditing; arranging subscriptions to telecommunication services for others; payroll preparation; tax preparation; organization of fashion shows for promotional purposes; price comparison services; procurement services for others [purchasing goods and services for other businesses]; secretarial services; shorthand; relocation services for businesses; photocopying services; sponsorship search; employment agency services; publication of publicity texts; radio advertising; advertising by mail order; rental of advertising space; rental of advertising time on communication media; advertising agency services; publicity material rental; dissemination of advertising matter; production of advertising films; bill-posting; sales promotion for others; television advertising; telemarketing services; rental of vending machines; rental of photocopying machines; data search in computer files for others; negotiation and conclusion of commercial transactions for third parties; writing of publicity columns.

38 – Telecommunications; telex services; news agency services; rental of message sending apparatus; information about telecommunication; providing user access to global computer networks; transmission of electronic mail; electronic bulletin board services [telecommunications services]; rental of telecommunication equipment; communications by fiber optic networks; communications by computer terminals; communications by telegrams; communications by telephone; cable television broadcasting; computer aided transmission of messages and images; wireless broadcasting; television broadcasting; rental of modems; providing access to databases; providing Internet chatrooms; providing telecommunication channels for teleshopping services; rental of access time to global computer networks; paging services [radio, telephone or other means of electronic communication]; transmission of greeting cards online; message sending; transmission of telegrams; facsimile transmission; transmission of digital files; voice mail ser-

vices; telecommunications routing and junction services; radio broadcasting; radio communications; satellite transmission; telegraph services; providing telecommunications connections to a global computer network; teleconferencing services; rental of telephones; telephone services; rental of facsimile apparatus.

41 – Teaching; providing of training; entertainment services; sporting and cultural activities; amusement park services; rental of audio equipment; lending library services; publication of books; production of shows; rental of show scenery; presentation of live performances; organization of exhibitions for cultural or educational purposes; nursery schools; rental of video cameras; rental of video cassette recorders; videotape editing; rental of videotapes; film production, other than advertising films; organization of balls; arranging and conducting of congresses; arranging and conducting of colloquiums; arranging and conducting of conferences; arranging and conducting of concerts; arranging and conducting of seminars; arranging and conducting of symposiums; arranging of beauty contests; boarding schools; organization of lotteries; organization of sports competitions; gymnastic instruction; providing golf facilities; production of radio and television programmes; rental of stage scenery; disc jockey services; discotheque services; recreation information; animal training; dubbing; electronic desktop publishing; providing sports facilities; correspondence courses; zoological garden services; rental of sound recordings; party planning [entertainment]; toy rental; gambling services; games equipment rental; game services provided online from a computer network; coaching [training]; entertainment information; calligraphy services; karaoke services; cinema presentations; rental of cinematographic apparatus; movie studio services; film distribution; club services [entertainment or education]; health club services [health and fitness training]; layout services, other than for advertising purposes; microfilming; sign language interpretation; modelling for artists; providing museum facilities [presentation, exhibitions]; music composition services; production of music; practical training [demonstration]; religious education; providing online electronic publications, not downloadable; publication of texts, other than publicity texts; nightclub services [entertainment]; rental of stadium facilities; providing recreation facilities; vocational guidance [education or training advice]; orchestra services; rental of lighting apparatus for theatrical sets or television studios; boarding school education; language interpreter services; translation; vocational retraining; rental of skin diving equipment; organization of fashion shows for entertainment purposes; booking of seats for shows; personal trainer services [fitness training]; rental of radio and television sets; conducting fitness classes; online publication of

electronic books and journals; radio entertainment; entertainer services; rental of sports equipment, except vehicles; timing of sports events; rental of sports grounds; sport camp services; recording studio services; subtitling; screenplay writing; scriptwriting, other than for advertising purposes; holiday camp services [entertainment]; theatre productions; ticket agency services [entertainment]; television entertainment; rental of tennis courts; physical education; photography; photographic reporting; presentation of circus performances; education information; music-halls; news reporters services; organization of competitions [education or entertainment]; providing Casino facilities [gambling].

(260) AM 2020 107243 A
 (800) 1515853
 (151) 2019 12 17
 (891) 2019 12 17
 (731) Joint Venture Joint-Stock Company
 "Kommunarka"
 ul. Aranskaya 18, 220033 g.Minsk, Belarus
 (540)



Maya legends

(591) Black, white
 (531) 05.03.11; 05.03.13; 05.03.15; 26.04.09;
 26.11.03; 26.11.09; 27.05.10

(511)
 30 – Cocoa; processed cocoa products, namely cocoa nibs, grated cocoa; confectionery made of sugar; waffles; confectionery for decorating Christmas trees; pastries; peanut confectionery; almond confectionery; caramels; sweetmeats; confectionery, namely, liquorice; peppermint sweets; crackers; candy; cocoa beverages with milk; chocolate beverages with milk; chocolate-based beverages; cocoa-based beverages; confectionery, namely, pastilles; cookies; confectionery, namely, fondants; pralines; gingerbread; cake powder being cake mixes; sugar confectionery; cakes; tarts; halvah; chocolate; souffle desserts; chocolate-covered souffle candies.

(260) AM 2020 107244 A
 (800) 1515859
 (151) 2019 12 13
 (891) 2019 12 13
 (731) BRENDSON COMPANY LIMITED
 Spyrou Kyprianou 61, SK HOUSE,
 CY-4003 Limassol, Cyprus
 (540)

GO GREEN with Фрекен БОК

(591) Black, white

(531) 28.05

(511)

3 – Bleaching preparations and other substances for laundry use; cleaning, polishing, scouring and abrasive preparations; sandcloth; glass cloth (abrasive cloth); abrasive paper; ammonia (volatile alkali) (detergent); antistatic preparations for household purposes; whitening; petroleum jelly for cosmetic purposes; bleaching soda; laundry bleach; laundry bleaching preparations; bleaching preparations (decolorants) for cosmetic purposes; bleaching preparations (decolorants) for household purposes; bleaching salts; cloths impregnated with a detergent for cleaning; detergents, other than for use in manufacturing operations and for medical purposes; colorants for toilet purposes; colour-removing preparations; shoe cream; polishing creams; starch glaze for laundry purposes; starch for laundry purposes; non-slipping wax for floors; washing soda, for cleaning; deodorant soap; shaving soap; soap for brightening textile; cakes of soap; cakes of toilet soap; almond soap; oils for cleaning purposes; oil of turpentine for degreasing; drying agents for dishwashing machines; furnishing preparations; scouring solutions; polishing wax; polishing paper; polishing rouge; polishing stones; polishing preparations; shoe polish; polish for furniture and flooring; fabric softeners for laundry use; laundry blueing; laundry preparations; air fragrancing preparations; bath preparations, not for medical purposes; floor wax removers (scouring preparations); rust removing preparations; varnish-removing preparations; paint stripping preparations; descaling preparations for household purposes; stain removers; laundry soaking preparations; shining preparations (polish); laundry glaze; preparations for unblocking drain pipes; smoothing preparations (starching); dry-cleaning preparations; wallpaper cleaning preparations; non-slipping liquids for floors; sachets for perfuming linen; turpentine for degreasing; bath salts, not for medical purposes; colour-brightening chemicals for household purposes (laundry); cleaning chalk; cleaning preparations; chemical cleaning preparations for household purposes; abrasive cloth; grinding preparations.

5 – Disinfectants; antibacterial handwashes; antiseptics; germicides; absorbent wadding; absorbent cotton; disinfectants for chemical toilets; deodorants for clothing and textiles; deodorants, other than for human beings or for animals; reagent paper for veterinary purposes; fly catching adhesives; fly catching paper; antibacterial soap; disinfectant soap; mothproofing paper; parasiticides; mothproofing preparations.

16 – Viscose sheets for wrapping; toilet paper; hygienic paper; bibs, sleeved, of paper; bibs of paper; glue for stationery or household purposes; adhesive bands for stationery or household purposes; adhesive

tapes for stationery or household purposes; gluten (glue) for stationery or household purposes; adhesives (glues) for stationery or household purposes; sheets of reclaimed cellulose for wrapping; absorbent sheets of paper or plastic for foodstuff packaging; humidity control sheets of paper or plastic for foodstuff packaging; packaging material made of starches; plastic bags for pet waste disposal; garbage bags of paper or of plastics; handkerchiefs of paper; bags for microwave cooking; bottle envelopes of paper or cardboard; conical paper bags; wrapping paper; packing paper; coasters of paper; tablemats of paper; place mats of paper; plastic film for wrapping; stuffing of paper or cardboard; blotters; face towels of paper; towels of paper; paper wipes for cleaning; table napkins of paper; tissues of paper for removing make-up; tablecloths of paper or plastics; bags (envelopes, pouches) of paper or plastics, for packaging.

21 – Abrasive pads for kitchen purposes; cotton waste for cleaning; wool waste for cleaning; whisks, non-electric, for household purposes; rails and rings for towels; boxes for dispensing paper towels; containers for household or kitchen use; tea caddies; thermally insulated containers for food; lunch boxes; furniture dusters; dusting cloths (rags); cloth for washing floors; polishing cloths; cloths for cleaning; rags for cleaning; abrasive sponges for scrubbing the skin; sponges for household purposes; toilet sponges; chamois leather for cleaning; buckskin for cleaning; skins of chamois for cleaning; toothpicks; reusable silicone food covers; baking mats; polishing leather; cleaning tow; oven mitts; kitchen mitts; steel wool for cleaning; cooking mesh bags, other than for microwaves; saucepan scourers of metal; tablemats, not of paper or textile; cold packs for chilling food and beverages; isothermic bags; chopsticks; insect traps; cabarets (trays); feather-dusters; potholders; clothes-pegs; clothes-pins; gloves for household purposes; barbecue mitts; car washing mitts; animal grooming gloves; gardening gloves; disposable table plates; paper plates; cake molds; cups of paper or plastic.

22 – Nets; sacks for the transport and storage of materials in bulk; cotton tow; bivouac sacks being shelters; wadding for padding and stuffing upholstery; wadding for filtering; raw or treated wool; sacks for the transport and storage of materials in bulk; cloth bags specially adapted for the storage of diapers; mesh bags for washing laundry; fibrous gaskets for ships; stuffing, not of rubber, plastics, paper or cardboard; bags (envelopes, pouches) of textile, for packaging; vehicle covers, not fitted; dust sheets; drop cloths; cords for hanging pictures.

(260) AM 2020 107245 A
(800) 1515882
(151) 2019 11 18
(891) 2019 11 18
(731) Obshchestvo s ogranichennoy
otvetstvennostyu "AmantisMed"
Str.Minskaya, 2i-125, 223141 Logoysk,
Belarus

(540)

Ларивикс

(591) Black, white

(531) 28.05

(511)

5 – Pharmaceuticals and veterinary preparations; drugs for medical purposes; sanitary preparations for medical purposes; chemico-pharmaceutical preparations; ferments for pharmaceutical and medical purposes; herbal teas for medical purposes; disinfectants for hygiene purposes; vitamin preparations; bacterial preparations for medical and veterinary use; dietetic substances adapted for medical use; medicinal oils; food for babies; plasters, materials for dressings; material for dental fillings and dental impressions; disinfectants; dietary supplements; lotions for pharmaceutical purposes; nutritional supplements for medical purposes; radioactive substances for medical purposes; nutritive substances for microorganisms; cachets for pharmaceutical purposes.

(260) AM 2020 107364 A
(800) 1517311
(151) 2019 12 20
(891) 2019 12 20
(731) DORMA Hüppe Raumtrennsysteme GmbH +
Co. KG
Industriestrasse 5, 26655 Westerstede/Ocholt,
Germany

(540)



(591) Black, white

(531) 26.15; 26.15.01; 26.15.25

(511)

6 – Horizontal sliding walls, movable walls and partitions of metal, in particular movable partitions and folding walls and doors; accessories for partitions, in particular locks (other than electric) and lock cases, strike plates, handles, knobs, clamp fittings, connection fittings, security fittings, guide

rails, rail systems and mouldings, all of the aforesaid goods of metal.

7 – Mechanical, pneumatic, hydraulic and electric drives and controls and controllers for moving horizontal sliding walls, partition walls and partitions.

19 – Horizontal sliding walls, partition walls and partitions, in particular mobile partitions, as well as folding walls and doors, all of the aforesaid goods not of metal.

(260) AM 2020 107365 A

(800) 1517324

(151) 2019 10 23

(891) 2019 10 23

(731) Ivoclar Vivadent AG

Bendererstrasse 2, FL-9494 Schaan,
Liechtenstein

(540)

PrograScan

(591) Black, white

(511)

5 – Materials for use in dentistry; materials and auxiliary materials for the manufacture of dental impressions, models, crowns, bridges, inlays, prostheses, artificial teeth; materials for the characterization of teeth; materials for polishing teeth; dental waxes; dental filling materials; materials for relining teeth; materials for root canal filling; core build-up materials for use in dentistry; dental luting materials; materials for pulp protection and root treatment; materials for cavity treatment; materials for dentin wound and pulp treatment; materials used for acid etching and for the caries prophylaxis; dental adhesive agents; protective varnishes for teeth; drying and degreasing materials for the use in dentistry; materials for cosmetic restoration of damaged teeth; diagnostic substances for medical use; dental materials for the bleaching of teeth; dental composites; dental cements; salivary diagnostic preparation; disinfectants; preparations for the hygiene of teeth and oral cavity; medical mouthwash; dental materials for the treatment of caries and periodontitis; color stains for use in dentistry, precious metal alloys and non-precious metal alloys for dental use; precious metals and non-precious metals for dental use; investment materials for dental use; dental adhesives; materials for repairing damaged teeth; opaque materials for dental use; metal primers; fiber-reinforced synthetic materials for the manufacture of crowns, bridges, and pontics; fissure sealants; mixing capsules for dental materials; materials for the detection of plaque; dental ceramic layering; dental veneers.

9 – Software for dental use; scanners; apparatus for the processing of images, and devices for CAD-CAM-processing.

10 – Apparatus, devices, tools, and instruments for dental use; impression devices for dental use; registration devices for dental use; articulators for dental use; mixing devices for dental use; dental furnaces; blasting devices for dental use; dosing instruments and apparatus for dental use; milling, grinding, and drilling instruments for dental use; artificial teeth; dental plates; dental crowns and bridges; syringes; shade guides; dental matrices; dental strips; apparatus and instruments for the caries prophylaxis and for the treatment of periodontitis; polishing instruments; ceramic mixing plates for dental use; tooth pins for medical use; Ingots made of synthetic materials, metal, or ceramic for the manufacture of dental crowns, bridges, inlays, prostheses, artificial teeth; dental applicators; prefabricated parts for crowns, bridges, and pontics; scanners for dental use, and parts thereof.

(260) AM 2020 107366 A

(800) 1517348

(151) 2019 12 27

(891) 2019 12 27

(731) MYR GmbH

Thomasstr. 10-12, 61348 Bad Homburg,
Germany

(540)

Hepcludex

(591) Black, white

(511)

5 – Pharmaceutical and veterinary preparations; biological preparations for medical purposes; biological preparations for veterinary purposes; biochemical preparations for medical purposes; biochemical preparations for veterinary purposes; chemical preparations for medical purposes; chemical preparations for veterinary purposes; medicines for human purposes; medicines for veterinary purposes; pharmaceutical preparations for hepatic diseases or disorders; pharmaceutical preparations for hepatitis B; pharmaceutical preparations for hepatitis D; pharmaceutical preparations for dyslipidemia; pharmaceutical preparations for nonalcoholic steatohepatitis (NASH); pharmaceutical preparations for primary biliary cholangitis (PBC); pharmaceutical preparations for inflammatory diseases; pharmaceutical preparations for inflammatory diseases inhibiting sodium-taurocholate co-transporting polypeptide (NTCP); pharmaceutical preparations for metabolic diseases; and pharmaceutical preparations for metabolic diseases inhibiting sodium-taurocholate co-transporting polypeptide (NTCP).

(260) AM 2020 107367 A

(800) 1517353

(151) 2020 01 16

(891) 2020 01 16
 (731) KRKA, tovarna zdravil, d.d., Novo mesto
 Šmarješka cesta 6, SI-8000 Novo mesto,
 Slovenia

(540)

RIOLMA

(591) Black, white
 (511)
 5 – Pharmaceutical preparations.

(260) AM 2020 107368 A
 (800) 1517362
 (151) 2020 01 14
 (891) 2020 01 14
 (731) COMMANDO Networks Limited
 Room 407, 4th Floor, No.3, Building 4,
 Complete Set, No.3-2, Huayuan Road,
 Langkou Community, Dalang Street,
 Longhua District, Shenzhen, 518000
 Guangdong Province, China

(540)



(591) Black, white
 (531) 02.01.01; 02.01.16; 03.07.17; 24.01.08;
 24.01.20; 27.05.02
 (511)
 9 – Wireless router; fiber optic communication equipment; optical fiber cables; power adapters; switchboards; network communication equipment; transmitters of electronic signals; telecommunication switches; transponders; data processing apparatus.

(260) AM 2020 107369 A
 (800) 1517363
 (151) 2019 12 06
 (891) 2019 12 06
 (731) "KONTI-RUS" JOINT STOCK COMPANY
 ul. Zolotaya, 13, g., RU-305000 Kursk,
 Russian Federation

(540)



(591) Blue, light blue, golden, white
 (531) 08.01.19; 08.01.23; 08.01.24; 28.05; 29.01.13
 (526) MOUSSE; МОЛОКО, the packing form

(511)
 30 – Sweetmeats [candy].

(260) AM 2020 107370 A
 (800) 1517369
 (151) 2019 12 19
 (891) 2019 12 19
 (731) "Unipharm-Ukraine", LLC
 Moskovskiyi prospect 9-V, Kyiv 04073,
 Ukraine

(540)

ГЕПА-АДЕМИН

(591) Black, white
 (531) 28.05
 (511)
 3 – Non-medicated cosmetics and toiletry preparations; non-medicated dentifrices; perfumery, essential oils; bleaching preparations and other substances for laundry use; cleaning, polishing, scouring and abrasive preparations.

5 – Pharmaceuticals, medical and veterinary preparations; sanitary preparations for medical purposes; dietetic food and substances adapted for medical or veterinary use, food for babies; dietary supplements for human beings and animals; plasters, materials for dressings; material for stopping teeth, dental wax; disinfectants; preparations for destroying vermin; fungicides, herbicides.

10 – Surgical, medical, dental and veterinary apparatus and instruments; artificial limbs, eyes and teeth; orthopaedic articles; suture materials; therapeutic and assistive devices adapted for the disabled; massage apparatus; apparatus, devices and articles for nursing infants; sexual activity apparatus, devices and articles.

32 – Beers; non-alcoholic beverages; mineral and aerated waters; fruit beverages and fruit juices; syrups and other non-alcoholic preparations for making beverages.

(260) AM 2020 107371 A
 (800) 1517386
 (151) 2019 12 19
 (891) 2019 12 19
 (731) PERFETTI VAN MELLE S.P.A.
 Via XXV Aprile 7, I-20020 Lainate (Milano),
 Italy



(591) Red, yellow, orange and white

(531) 05.05.20; 05.05.21; 29.01.14

(511)

30 – Coffee, cocoa, sugar, pastry and confectionery, caramels, wine gums, chewing gum, caramel, cakes, lollipops, jellies (confectionery), toffees, pastilles, mints, liquorice, chocolate.

elastomers; plastic foam materials for use in manufacture; seals, sealants and fillers; plastic materials in the form of chips for use as cushioning materials in packaging; plastic materials in the form of mouldings for use as cushioning materials in packaging; insulating adhesives; adhesive tapes, strips, bands and films, other than stationery and not for medical or household purposes.

(260) AM 2020 107372 A

(800) 1517435

(151) 2020 01 20

(891) 2020 01 20

(731) Xiamen Male Monkey Clothing Co., Ltd.
Room 702-4, No.137 Haishan Road,
Huli District, Xiamen City, Fujian Province,
China

(540)



MALEMONKEY

公猴

(591) Black, white

(531) 03.05.19; 03.05.24; 03.05.28; 28.03

(511)

25 – Waterproof clothing; footwear; hats; gloves [clothing]; scarfs; girdles; hosiery; clothing; layettes [clothing]; swimsuits.

(260) AM 2020 107373 A

(800) 1517446

(151) 2019 12 05

(891) 2019 12 05

(731) Armacell Enterprise GmbH & Co. KG
Zeppelinstraße 1, 12529 Schönefeld OT
Waltersdorf, Germany

(540)

armacell

(591) Black, white

(531) 01.05.02; 27.05.01

(511)

17 – Flexible pipes, tubes, hoses and fittings therefor (including valves), and fittings for rigid pipes, all non-metallic; non-metallic insulated pipes; pipe jackets, not of metal; insulating materials; insulation and barrier articles and materials; insulation for building purposes; insulation for technical equipment and installations; acoustic insulation articles and materials; thermal insulation articles and materials; insulating paints; insulating coatings; fire resistant and fire preventive articles and materials; waterproofing and moisture proofing articles and materials; shock absorbing and packing materials, vibration dampers;

INTERNATIONAL TRADEMARKS PROTECTED IN GEORGIA

(260) AM 2020 102429 A
(800) 1458021
(151) 2019 01 31
(181) 2029 01 31
(891) 2019 01 31
(511) 29

(260) AM 2020 104361 A
(800) 1480110
(151) 2019 05 31
(181) 2029 05 31
(891) 2019 05 31
(511) 11, 21, 24, 27

(260) AM 2020 103904 A
(800) 1474948
(151) 2019 04 03
(181) 2029 04 03
(891) 2019 04 03
(511) 01, 03, 05, 35

(260) AM 2020 104362 A
(800) 1480141
(151) 2019 05 28
(181) 2029 05 28
(891) 2019 05 28
(511) 12

(260) AM 2020 103939 A
(800) 1319740
(151) 2016 04 05
(181) 2026 04 05
(891) 2019 05 31
(511) 25, 35

(260) AM 2020 104364 A
(800) 1480200
(151) 2019 03 29
(181) 2029 03 29
(891) 2019 03 29
(511) 03

(260) AM 2020 104031 A
(800) 1476800
(151) 2019 05 16
(181) 2029 05 16
(891) 2019 05 16
(511) 07

(260) AM 2020 104384 A
(800) 1480503
(151) 2019 03 15
(181) 2029 03 15
(891) 2019 03 15
(511) 05, 10, 35, 39, 40, 42

(260) AM 2020 104046 A
(800) 1477173
(151) 2019 05 16
(181) 2029 05 16
(891) 2019 05 16
(511) 32

(260) AM 2020 104397 A
(800) 1461105
(151) 2019 03 05
(181) 2029 03 05
(891) 2019 07 12
(511) 03

(260) AM 2020 104240 A
(800) 1478557
(151) 2019 05 08
(181) 2029 05 08
(891) 2019 05 08
(511) 03, 04

(260) AM 2020 104467 A
(800) 1480855
(151) 2019 06 03
(181) 2029 06 03
(891) 2019 06 03
(511) 34

(260) AM 2020 104360 A
(800) 1480054
(151) 2019 05 27
(181) 2029 05 27
(891) 2019 05 27
(511) 09

(260) AM 2020 104487 A
(800) 1481193
(151) 2019 06 17
(181) 2029 06 17
(891) 2019 06 17
(511) 09

(260) AM 2020 104489 A
(800) 1481218
(151) 2019 06 26
(181) 2029 06 26
(891) 2019 06 26
(511) 10

(260) AM 2020 104490 A
(800) 1481256
(151) 2019 06 17
(181) 2029 06 17
(891) 2019 06 17
(511) 43

(260) AM 2020 104492 A
(800) 1481296
(151) 2019 06 14
(181) 2029 06 14
(891) 2019 06 14
(511) 03, 18, 25

(260) AM 2020 104493 A
(800) 1481315
(151) 2019 04 05
(181) 2029 04 05
(891) 2019 04 05
(511) 09, 14, 28, 35

(260) AM 2020 104496 A
(800) 1481364
(151) 2019 05 10
(181) 2029 05 10
(891) 2019 05 10
(511) 34

(260) AM 2020 104498 A
(800) 1481464
(151) 2019 04 24
(181) 2029 04 24
(891) 2019 04 24
(511) 12

(260) AM 2020 104504 A
(800) 1481626
(151) 2019 06 24
(181) 2029 06 24
(891) 2019 06 24
(511) 03

(260) AM 2020 104505 A
(800) 1481634
(151) 2019 05 30
(181) 2029 05 30

(891) 2019 05 30
(511) 02

(260) AM 2020 104506 A
(800) 1481641
(151) 2019 03 22
(181) 2029 03 22
(891) 2019 03 22
(511) 09, 35, 36, 38, 41, 42

(260) AM 2020 104507 A
(800) 1481651
(151) 2019 05 15
(181) 2029 05 15
(891) 2019 05 15
(511) 29, 30, 43

(260) AM 2020 104508 A
(800) 1481732
(151) 2019 04 24
(181) 2029 04 24
(891) 2019 04 24
(511) 30

(260) AM 2020 104511 A
(800) 1481856
(151) 2019 06 05
(181) 2029 06 05
(891) 2019 06 05
(511) 09, 36

(260) AM 2020 104512 A
(800) 1481884
(151) 2019 07 11
(181) 2029 07 11
(891) 2019 07 11
(511) 28

(260) AM 2020 104513 A
(800) 1481897
(151) 2019 07 11
(181) 2029 07 11
(891) 2019 07 11
(511) 12

(260) AM 2020 104514 A
(800) 1481927
(151) 2019 04 26
(181) 2029 04 26
(891) 2019 04 26
(511) 16, 18, 20, 21, 22, 29, 30, 31, 32, 39

(260) AM 2020 104568 A
(800) 1482044
(151) 2019 06 13
(181) 2029 06 13
(891) 2019 06 13
(511) 05, 35

(260) AM 2020 104571 A
(800) 1482166
(151) 2019 01 16
(181) 2029 01 16
(891) 2019 01 16
(511) 02

(260) AM 2020 104572 A
(800) 1482171
(151) 2019 05 08
(181) 2029 05 08
(891) 2019 05 08
(511) 10

(260) AM 2020 104573 A
(800) 1482221
(151) 2019 07 03
(181) 2029 07 03
(891) 2019 07 03
(511) 30

(260) AM 2020 104574 A
(800) 1482235
(151) 2019 06 03
(181) 2029 06 03
(891) 2019 06 03
(511) 25, 41

(260) AM 2020 104576 A
(800) 1482299
(151) 2019 06 18
(181) 2029 06 18
(891) 2019 06 18
(511) 12, 16, 28, 37

(260) AM 2020 104577 A
(800) 1482344
(151) 2019 05 23
(181) 2029 05 23
(891) 2019 05 23
(511) 34

(260) AM 2020 104578 A
(800) 1482346
(151) 2019 05 10
(181) 2029 05 10

(891) 2019 05 10
(511) 09, 11, 37

(260) AM 2020 104579 A
(800) 1482354
(151) 2019 07 12
(181) 2029 07 12
(891) 2019 07 12
(511) 35

(260) AM 2020 104580 A
(800) 1482377
(151) 2019 07 09
(181) 2029 07 09
(891) 2019 07 09
(511) 14

(260) AM 2020 104581 A
(800) 1482389
(151) 2019 05 23
(181) 2029 05 23
(891) 2019 05 23
(511) 34

(260) AM 2020 104583 A
(800) 1482444
(151) 2019 05 28
(181) 2029 05 28
(891) 2019 05 28
(511) 11

(260) AM 2020 104584 A
(800) 1482465
(151) 2019 02 22
(181) 2029 02 22
(891) 2019 02 22
(511) 03

(260) AM 2020 104585 A
(800) 1482482
(151) 2019 06 17
(181) 2029 06 17
(891) 2019 06 17
(511) 05

(260) AM 2020 104586 A
(800) 1482549
(151) 2019 07 10
(181) 2029 07 10
(891) 2019 07 10
(511) 09

(260) AM 2020 104598 A
(800) 1482857
(151) 2019 05 30
(181) 2029 05 30
(891) 2019 05 30
(511) 09

(260) AM 2020 104601 A
(800) 1482918
(151) 2019 05 17
(181) 2029 05 17
(891) 2019 05 17
(511) 05

(260) AM 2020 104602 A
(800) 1482961
(151) 2019 02 12
(181) 2029 02 12
(891) 2019 02 12
(511) 35, 42

(260) AM 2020 104604 A
(800) 1483039
(151) 2019 06 11
(181) 2029 06 11
(891) 2019 06 11
(511) 09, 11, 37, 40, 41, 42

(260) AM 2020 104605 A
(800) 1483101
(151) 2019 05 28
(181) 2029 05 28
(891) 2019 05 28
(511) 11

(260) AM 2020 104606 A
(800) 1483155
(151) 2019 05 21
(181) 2029 05 21
(891) 2019 05 21
(511) 32

(260) AM 2020 104607 A
(800) 1483169
(151) 2019 06 19
(181) 2029 06 19
(891) 2019 06 19
(511) 32

(260) AM 2020 104608 A
(800) 1483175
(151) 2019 02 04
(181) 2029 02 04

(891) 2019 02 04
(511) 05

(260) AM 2020 104609 A
(800) 1292456
(151) 2015 09 19
(181) 2025 09 19
(891) 2019 04 09
(511) 05

(260) AM 2020 104610 A
(800) 1381781
(151) 2017 10 24
(181) 2027 10 24
(891) 2019 06 13
(511) 29, 30, 31

(260) AM 2020 104611 A
(800) 1426841
(151) 2018 08 07
(181) 2028 08 07
(891) 2019 07 17
(511) 09, 41

(260) AM 2020 104612 A
(800) 1483223
(151) 2019 04 18
(181) 2029 04 18
(891) 2019 04 18
(511) 30

(260) AM 2020 104613 A
(800) 1483344
(151) 2019 07 24
(181) 2029 07 24
(891) 2019 07 24
(511) 34

(260) AM 2020 104616 A
(800) 1483445
(151) 2019 05 17
(181) 2029 05 17
(891) 2019 05 17
(511) 06, 11

(260) AM 2020 104618 A
(800) 1483492
(151) 2019 04 17
(181) 2029 04 17
(891) 2019 04 17
(511) 09, 36, 37, 38, 42

(260) AM 2020 104619 A
(800) 1483500
(151) 2019 05 21
(181) 2029 05 21
(891) 2019 05 21
(511) 29, 30, 35, 43

(260) AM 2020 104620 A
(800) 1483505
(151) 2018 02 26
(181) 2028 02 26
(891) 2018 02 26
(511) 09, 14, 18, 35, 38

(260) AM 2020 104631 A
(800) 1483806
(151) 2019 05 13
(181) 2029 05 13
(891) 2019 05 13
(511) 03, 08, 09, 14, 18, 25

(260) AM 2020 104633 A
(800) 1483847
(151) 2018 12 21
(181) 2028 12 21
(891) 2018 12 21
(511) 39, 45

(260) AM 2020 104634 A
(800) 1483869
(151) 2019 06 14
(181) 2029 06 14
(891) 2019 06 14
(511) 27

(260) AM 2020 104637 A
(800) 1483900
(151) 2019 06 07
(181) 2029 06 07
(891) 2019 06 07
(511) 11

(260) AM 2020 104638 A
(800) 1483911
(151) 2019 06 13
(181) 2029 06 13
(891) 2019 06 13
(511) 18

(260) AM 2020 104639 A
(800) 1483938
(151) 2019 04 19
(181) 2029 04 19

(891) 2019 04 19
(511) 09, 28, 41

(260) AM 2020 104640 A
(800) 1483943
(151) 2019 05 24
(181) 2029 05 24
(891) 2019 05 24
(511) 31

(260) AM 2020 104642 A
(800) 1483950
(151) 2019 04 19
(181) 2029 04 19
(891) 2019 04 19
(511) 09, 28, 41

(260) AM 2020 104643 A
(800) 1483951
(151) 2019 01 04
(181) 2029 01 04
(891) 2019 01 04
(511) 05, 35

(260) AM 2020 104646 A
(800) 1483995
(151) 2019 07 03
(181) 2029 07 03
(891) 2019 07 03
(511) 09

(260) AM 2020 104649 A
(800) 1484037
(151) 2019 06 18
(181) 2029 06 18
(891) 2019 06 18
(511) 12, 16, 28, 37

(260) AM 2020 104661 A
(800) 1484318
(151) 2019 04 08
(181) 2029 04 08
(891) 2019 04 08
(511) 09, 35, 36, 39, 41, 42, 43

(260) AM 2020 104662 A
(800) 1484330
(151) 2019 06 17
(181) 2029 06 17
(891) 2019 06 17
(511) 20, 24, 25, 35

(260) AM 2020 104668 A
(800) 1395633
(151) 2017 10 19
(181) 2027 10 19
(891) 2019 07 02
(511) 35, 41, 42

(260) AM 2020 104689 A
(800) 1484535
(151) 2019 07 12
(181) 2029 07 12
(891) 2019 07 12
(511) 03, 05

(260) AM 2020 104690 A
(800) 1484570
(151) 2019 03 06
(181) 2029 03 06
(891) 2019 03 06
(511) 41

(260) AM 2020 104697 A
(800) 1484725
(151) 2019 06 17
(181) 2029 06 17
(891) 2019 06 17
(511) 30

(260) AM 2020 104698 A
(800) 1484731
(151) 2019 06 17
(181) 2029 06 17
(891) 2019 06 17
(511) 30

(260) AM 2020 104699 A
(800) 1484824
(151) 2019 05 10
(181) 2029 05 10
(891) 2019 05 10
(511) 09, 28, 41

(260) AM 2020 104700 A
(800) 1484827
(151) 2019 06 26
(181) 2029 06 26
(891) 2019 06 26
(511) 12

(260) AM 2020 104705 A
(800) 1484904
(151) 2019 06 25
(181) 2029 06 25

(891) 2019 06 25
(511) 11

(260) AM 2020 104706 A
(800) 1484922
(151) 2019 06 05
(181) 2029 06 05
(891) 2019 06 05
(511) 09

(260) AM 2020 104709 A
(800) 1484975
(151) 2019 06 21
(181) 2029 06 21
(891) 2019 06 21
(511) 30

(260) AM 2020 104710 A
(800) 1484999
(151) 2019 03 08
(181) 2029 03 08
(891) 2019 03 08
(511) 07, 08, 11, 12, 20, 21, 28

(260) AM 2020 104711 A
(800) 1485004
(151) 2019 04 15
(181) 2029 04 15
(891) 2019 04 15
(511) 07, 09, 11

(260) AM 2020 104712 A
(800) 1485036
(151) 2019 01 11
(181) 2029 01 11
(891) 2019 01 11
(511) 32, 33, 35

(260) AM 2020 104713 A
(800) 1485041
(151) 2019 03 18
(181) 2029 03 18
(891) 2019 03 18
(511) 35

(260) AM 2020 104722 A
(800) 1485240
(151) 2019 07 02
(181) 2029 07 02
(891) 2019 07 02
(511) 09, 36, 42

(260) AM 2020 104724 A
(800) 1485276
(151) 2019 06 10
(181) 2029 06 10
(891) 2019 06 10
(511) 12

(260) AM 2020 104725 A
(800) 1485282
(151) 2019 07 12
(181) 2029 07 12
(891) 2019 07 12
(511) 03

(260) AM 2020 104726 A
(800) 1485321
(151) 2019 06 04
(181) 2029 06 04
(891) 2019 06 04
(511) 30

(260) AM 2020 104727 A
(800) 1485326
(151) 2019 06 04
(181) 2029 06 04
(891) 2019 06 04
(511) 30

(260) AM 2020 104728 A
(800) 264786
(151) 1963 01 22
(181) 2023 01 22
(891) 2019 07 01
(511) 01, 04
(551) Collective

(260) AM 2020 104729 A
(800) 539857
(151) 1989 06 15
(181) 2029 06 15
(891) 2019 08 06
(511) 10

(260) AM 2020 104730 A
(800) 967172
(151) 2008 05 09
(181) 2028 05 09
(891) 2019 07 03
(511) 03

(260) AM 2020 104731 A
(800) 999062
(151) 2008 10 17
(181) 2028 10 17
(891) 2019 07 22
(511) 03, 44

(260) AM 2020 104732 A
(800) 1155317
(151) 2012 12 19
(181) 2022 12 19
(891) 2019 07 29
(511) 05, 30, 32

(260) AM 2020 104736 A
(800) 1360524
(151) 2017 05 23
(181) 2027 05 23
(891) 2019 07 25
(511) 11, 20

(260) AM 2020 104737 A
(800) 1433474
(151) 2018 06 28
(181) 2028 06 28
(891) 2019 06 21
(511) 03

(260) AM 2020 104738 A
(800) 1438350
(151) 2018 08 10
(181) 2028 08 10
(891) 2019 07 30
(511) 09, 16, 41, 43

(260) AM 2020 104739 A
(800) 1447273
(151) 2018 09 14
(181) 2028 09 14
(891) 2019 07 03
(511) 34

(260) AM 2020 104740 A
(800) 1476579
(151) 2019 04 23
(181) 2029 04 23
(891) 2019 07 25
(511) 07, 11, 21, 30

(260) AM 2020 104772 A
(800) 1485354
(151) 2019 05 29
(181) 2029 05 29

(891) 2019 05 29
(511) 05, 10

(260) AM 2020 104773 A
(800) 1485355
(151) 2019 07 12
(181) 2029 07 12
(891) 2019 07 12
(511) 03

(260) AM 2020 104774 A
(800) 1485361
(151) 2019 03 08
(181) 2029 03 08
(891) 2019 03 08
(511) 07, 08, 11, 12, 20, 21, 28

(260) AM 2020 104775 A
(800) 1485366
(151) 2019 05 10
(181) 2029 05 10
(891) 2019 05 10
(511) 09, 28, 41

(260) AM 2020 104779 A
(800) 1485618
(151) 2019 04 26
(181) 2029 04 26
(891) 2019 04 26
(511) 38, 41

(260) AM 2020 104780 A
(800) 1485660
(151) 2019 04 24
(181) 2029 04 24
(891) 2019 04 24
(511) 05, 29, 30, 32

(260) AM 2020 104783 A
(800) 1485721
(151) 2019 04 19
(181) 2029 04 19
(891) 2019 04 19
(511) 09, 28, 41

(260) AM 2020 104784 A
(800) 1485766
(151) 2019 02 28
(181) 2029 02 28
(891) 2019 02 28
(511) 18, 25

(260) AM 2020 104791 A
(800) 1486011
(151) 2019 02 07
(181) 2029 02 07
(891) 2019 02 07
(511) 03

(260) AM 2020 104792 A
(800) 1486045
(151) 2019 04 12
(181) 2029 04 12
(891) 2019 04 12
(511) 09, 11, 16, 21, 28

(260) AM 2020 104794 A
(800) 1486099
(151) 2019 05 10
(181) 2029 05 10
(891) 2019 05 10
(511) 09, 28, 41

(260) AM 2020 104795 A
(800) 1486109
(151) 2019 05 10
(181) 2029 05 10
(891) 2019 05 10
(511) 09, 28, 41

(260) AM 2020 104798 A
(800) 1141732
(151) 2012 10 31
(181) 2022 10 31
(891) 2019 08 20
(511) 35, 37, 39

(260) AM 2020 104799 A
(800) 1145404
(151) 2012 11 02
(181) 2022 11 02
(891) 2019 08 20
(511) 35, 37, 39

(260) AM 2020 104837 A
(800) 1486193
(151) 2019 07 07
(181) 2029 07 07
(891) 2019 07 07
(511) 09

(260) AM 2020 104839 A
(800) 1486245
(151) 2019 04 19
(181) 2029 04 19

(891) 2019 04 19
(511) 09, 28, 41

(260) AM 2020 104845 A
(800) 1486350
(151) 2019 01 09
(181) 2029 01 09
(891) 2019 01 09
(511) 06, 07

(260) AM 2020 104846 A
(800) 1486363
(151) 2019 06 26
(181) 2029 06 26
(891) 2019 06 26
(511) 25

(260) AM 2020 104847 A
(800) 1486382
(151) 2019 07 12
(181) 2029 07 12
(891) 2019 07 12
(511) 25

(260) AM 2020 104864 A
(800) 1486894
(151) 2019 07 18
(181) 2029 07 18
(891) 2019 07 18
(511) 07, 11, 21, 30

(260) AM 2020 104865 A
(800) 1486906
(151) 2019 04 11
(181) 2029 04 11
(891) 2019 04 11
(511) 01, 04, 06, 07, 09, 11, 12, 17, 20, 27

(260) AM 2020 104866 A
(800) 1486908
(151) 2019 06 04
(181) 2029 06 04
(891) 2019 06 04
(511) 09, 36, 42

(260) AM 2020 104867 A
(800) 1486934
(151) 2019 05 10
(181) 2029 05 10
(891) 2019 05 10
(511) 09, 28, 41

(260) AM 2020 104869 A
(800) 1486993
(151) 2019 03 19
(181) 2029 03 19
(891) 2019 03 19
(511) 29

(260) AM 2020 104877 A
(800) 1487059
(151) 2019 05 31
(181) 2029 05 31
(891) 2019 05 31
(511) 35, 41, 42

(260) AM 2020 104879 A
(800) 1487108
(151) 2019 05 10
(181) 2029 05 10
(891) 2019 05 10
(511) 09, 28, 41

(260) AM 2020 104880 A
(800) 1487141
(151) 2019 06 26
(181) 2029 06 26
(891) 2019 06 26
(511) 16, 29, 30, 32, 35

(260) AM 2020 104888 A
(800) 1423080
(151) 2018 07 11
(181) 2028 07 11
(891) 2019 07 31
(511) 03

(260) AM 2020 104948 A
(800) 1487283
(151) 2019 04 25
(181) 2029 04 25
(891) 2019 04 25
(511) 09, 11, 12, 15, 20, 21, 25, 28, 35, 36, 37, 39, 41, 42

(260) AM 2020 104949 A
(800) 1487297
(151) 2018 12 28
(181) 2028 12 28
(891) 2018 12 28
(511) 12

(260) AM 2020 104958 A
(800) 1487482
(151) 2019 05 10

(181) 2029 05 10
(891) 2019 05 10
(511) 09, 28, 41

(260) AM 2020 104982 A
(800) 1488087
(151) 2019 03 27
(181) 2029 03 27
(891) 2019 03 27
(511) 29, 32

(260) AM 2020 104986 A
(800) 1488130
(151) 2019 06 07
(181) 2029 06 07
(891) 2019 06 07
(511) 35, 41

(260) AM 2020 104999 A
(800) 1394222
(151) 2018 02 01
(181) 2028 02 01
(891) 2019 07 25
(511) 30

(260) AM 2020 105000 A
(800) 1394265
(151) 2018 02 09
(181) 2028 02 09
(891) 2019 08 12
(511) 09, 18, 25

(260) AM 2020 105001 A
(800) 1394348
(151) 2018 02 01
(181) 2028 02 01
(891) 2019 07 25
(511) 30

(260) AM 2020 105002 A
(800) 1457927
(151) 2018 12 31
(181) 2028 12 31
(891) 2019 06 21
(511) 29, 30

(260) AM 2020 105048 A
(800) 1488244
(151) 2019 06 06
(181) 2029 06 06
(891) 2019 06 06
(511) 20

(260) AM 2020 105083 A
(800) 1489038
(151) 2019 08 01
(181) 2029 08 01
(891) 2019 08 01
(511) 32

(260) AM 2020 105085 A
(800) 1489118
(151) 2019 08 16
(181) 2029 08 16
(891) 2019 08 16
(511) 08

(260) AM 2020 105086 A
(800) 1489196
(151) 2019 08 07
(181) 2029 08 07
(891) 2019 08 07
(511) 05

(260) AM 2020 105087 A
(800) 1489225
(151) 2019 06 20
(181) 2029 06 20
(891) 2019 06 20
(511) 16, 21, 32

(260) AM 2020 105088 A
(800) 1489229
(151) 2019 08 14
(181) 2029 08 14
(891) 2019 08 14
(511) 36

(260) AM 2020 105115 A
(800) 1353517
(151) 2017 03 20
(181) 2027 03 20
(891) 2019 09 10
(511) 09, 35, 39, 42

(260) AM 2020 105116 A
(800) 1418336
(151) 2018 02 20
(181) 2028 02 20
(891) 2019 06 17
(511) 34

(260) AM 2020 105117 A
(800) 1450985
(151) 2018 12 19
(181) 2028 12 19

(891) 2019 06 20
(511) 05

(260) AM 2020 105118 A
(800) 1471346
(151) 2019 04 05
(181) 2029 04 05
(891) 2019 08 08
(511) 05

(260) AM 2020 105119 A
(800) 1478110
(151) 2019 01 22
(181) 2029 01 22
(891) 2019 08 20
(511) 03, 06, 07, 09, 20, 21, 35, 37

(260) AM 2020 105120 A
(800) 1478283
(151) 2018 12 20
(181) 2028 12 20
(891) 2019 09 11
(511) 06

(260) AM 2020 105196 A
(800) 1490659
(151) 2019 06 26
(181) 2029 06 26
(891) 2019 06 26
(511) 12

(260) AM 2020 105197 A
(800) 400158
(151) 1973 05 14
(181) 2023 05 14
(891) 2019 09 06
(511) 01, 06, 07, 08, 09, 11, 25

(260) AM 2020 105198 A
(800) 644219
(151) 1995 01 17
(181) 2025 01 17
(891) 2019 08 07
(511) 03, 05, 10

(260) AM 2020 105199 A
(800) 1165429
(151) 2013 04 30
(181) 2023 04 30
(891) 2019 08 07
(511) 03, 05, 10

(260) AM 2020 105201 A
(800) 1236805
(151) 2014 07 23
(181) 2024 07 23
(891) 2019 08 13
(511) 01, 07, 08, 09, 25, 35

(260) AM 2020 105286 A
(800) 1491403
(151) 2019 07 29
(181) 2029 07 29
(891) 2019 07 29
(511) 07, 09

(260) AM 2020 105381 A
(800) 1492523
(151) 2019 09 17
(181) 2029 09 17
(891) 2019 09 17
(511) 28, 41

(260) AM 2020 105382 A
(800) 1492561
(151) 2019 09 19
(181) 2029 09 19
(891) 2019 09 19
(511) 03

(260) AM 2020 105383 A
(800) 1492587
(151) 2019 06 05
(181) 2029 06 05
(891) 2019 06 05
(511) 05

(260) AM 2020 105384 A
(800) 1492618
(151) 2019 05 08
(181) 2029 05 08
(891) 2019 05 08
(511) 03, 16

(260) AM 2020 105385 A
(800) 1492724
(151) 2019 07 24
(181) 2029 07 24
(891) 2019 07 24
(511) 35, 38, 41, 42

(260) AM 2020 105427 A
(800) 1453114
(151) 2018 12 06
(181) 2028 12 06

(891) 2019 08 29
(511) 16, 35, 36, 38, 41, 45

(260) AM 2020 105428 A
(800) 1468771
(151) 2019 03 19
(181) 2029 03 19
(891) 2019 07 09
(511) 33

(260) AM 2020 105466 A
(800) 1493483
(151) 2019 07 01
(181) 2029 07 01
(891) 2019 07 01
(511) 03, 06, 07, 08, 09, 16, 17, 19, 20, 21

(260) AM 2020 105468 A
(800) 1493582
(151) 2019 06 13
(181) 2029 06 13
(891) 2019 06 13
(511) 01, 03, 04

(260) AM 2020 105608 A
(800) 1495819
(151) 2019 07 02
(181) 2029 07 02
(891) 2019 07 02
(511) 32

(260) AM 2020 105609 A
(800) 1495850
(151) 2019 06 17
(181) 2029 06 17
(891) 2019 06 17
(511) 34

(260) AM 2020 105610 A
(800) 1495861
(151) 2019 08 14
(181) 2029 08 14
(891) 2019 08 14
(511) 16, 29, 30, 32, 35

(260) AM 2020 105615 A
(800) 1495970
(151) 2019 09 03
(181) 2029 09 03
(891) 2019 09 03
(511) 30, 35

(260) AM 2020 105616 A
(800) 394488A
(151) 1972 12 18
(181) 2022 12 18
(891) 2019 10 09
(511) 01, 03, 05

(260) AM 2020 105709 A
(800) 1496518
(151) 2019 09 03
(181) 2029 09 03
(891) 2019 09 03
(511) 05

(260) AM 2020 105710 A
(800) 1496530
(151) 2018 12 13
(181) 2028 12 13
(891) 2018 12 13
(511) 05, 10, 41, 42, 44, 45

(260) AM 2020 105728 A
(800) 1497034
(151) 2019 05 16
(181) 2029 05 16
(891) 2019 05 16
(511) 01, 17, 19, 20

(260) AM 2020 105729 A
(800) 1497066
(151) 2019 09 18
(181) 2029 09 18
(891) 2019 09 18
(511) 43

(260) AM 2020 105730 A
(800) 1497081
(151) 2019 09 17
(181) 2029 09 17
(891) 2019 09 17
(511) 25

(260) AM 2020 105731 A
(800) 1497096
(151) 2019 08 14
(181) 2029 08 14
(891) 2019 08 14
(511) 09, 28, 41

(260) AM 2020 105732 A
(800) 1497164
(151) 2019 08 02
(181) 2029 08 02

(891) 2019 08 02
(511) 25

(891) 2019 10 08
(511) 39

(260) AM 2020 105820 A
(800) 1498649
(151) 2019 09 13
(181) 2029 09 13
(891) 2019 09 13
(511) 30, 33

(260) AM 2020 106427 A
(800) 421517
(151) 1976 03 18
(181) 2026 03 18
(891) 2019 10 29
(511) 14

(260) AM 2020 105824 A
(800) 1498715
(151) 2019 07 17
(181) 2029 07 17
(891) 2019 07 17
(511) 16

(260) AM 2020 106428 A
(800) 775612
(151) 2002 02 05
(181) 2022 02 05
(891) 2019 10 29
(511) 14

(260) AM 2020 105827 A
(800) 1498892
(151) 2019 08 02
(181) 2029 08 02
(891) 2019 08 02
(511) 01, 02, 06, 07, 08, 09, 16, 17, 19, 20, 24, 27,
35, 37, 39, 42

(260) AM 2020 105828 A
(800) 1498916
(151) 2019 07 31
(181) 2029 07 31
(891) 2019 07 31
(511) 35, 37, 39

(260) AM 2020 105849 A
(800) 1499381
(151) 2019 06 13
(181) 2029 06 13
(891) 2019 06 13
(511) 30

(260) AM 2020 105869 A
(800) 1495893
(151) 2019 08 14
(181) 2029 08 14
(891) 2019 11 06
(511) 29, 30

(260) AM 2020 105896 A
(800) 1499844
(151) 2019 10 08
(181) 2029 10 08

GEOGRAPHICAL INDICATION

REGISTERED GEOGRAPHICAL INDICATION

(111) 21
(151) 2020 10 01
(540)

წინოწმინდის თაფლი

(732) RK "KODI"
Ioane Petritsi St. 2, 0800, Akhaltsikhe, Georgia
(511) 30

OFFICIAL NOTIFICATIONS

INVENTIONS

EXPIRATION OF PATENTS RESTORATION

(21) AP 2012 12852

(11) P 2015 6255 B

(73) LTD "GEORGIAN MANGANESE"

(54) **METHOD OF CARBONATE-OXIDE MANGANESE ORE CONCENTRATION**

DATE OF CANCELLATION OF PATENT: 2020 09 05

THE TERM OF RESTORATION OF PATENT: 2020 10 12

(21) AP 2016 14256

(11) P 2018 6918 B

(73) Besik Surguladze

(54) **INDUCTION HEATING SYSTEM UNIT FOR LOCATOR HYPERTHERMIA
DEVICE AND METHOD FOR HYPERTHERMIA**

DATE OF CANCELLATION OF PATENT: 2020 09 01

THE TERM OF RESTORATION OF PATENT: 2020 10 12

ABOLITION OF PATENTS WITH THE RIGHT TO RESTORE

(21) AP 2010 12660

(11) P 2016 6528 B

(73) OFFICINE MACCAFERRI S.p.A.

(54) **PROTECTIVE METAL NETTING WITH INTERWOVEN WIRES, AND MACHINE AND METHOD
FOR ITS MANUFACTURE**

DATE OF CANCELLATION OF PATENT: 2020 09 10

THE TERM OF RESTORATION OF PATENT: 2021 09 10

(21) AP 2010 12743

(11) P 2014 6160 B

(73) MINER ENTERPRISES INC.

(54) **FRICITION/ELASTOMERIC DRAFT GEAR**

DATE OF CANCELLATION OF PATENT: 2020 09 17

THE TERM OF RESTORATION OF PATENT: 2021 09 17

(21) AP 2015 14455

(11) P 2018 6927 B

(73) PFIZER INC.

(54) **METHYL-AND TRIFLUOROMETHYL-SUBSTITUTED PYRROLOPYRIDINE
MODULATORS OF RORC2 AND METHODS OF USE THEREOF**

DATE OF CANCELLATION OF PATENT: 2020 09 22

THE TERM OF RESTORATION OF PATENT: 2021 09 22

(21) AP 2005 8972

(11) P 2009 4663 B

(73) Giorgi Ioramashvili;
Marine Beroshvili

(54) METHOD FOR SEPARATION OF FLUID INTRUSION

DATE OF CANCELLATION OF PATENT: 2020 09 12

THE TERM OF RESTORATION OF PATENT: 2021 09 12

(21) AP 2005 8987

(11) P 2007 4253 B

(73) Otkrytoe Aktsionernoje Obshchestvo "Nizhegorodskij Khimiko-Farmatsevticheskij Zavod"

(54) AGENT FOR TREATMENT OF JOINT DISEASE

DATE OF CANCELLATION OF PATENT: 2020 09 20

THE TERM OF RESTORATION OF PATENT: 2021 09 20

(21) AP 2005 8988

(11) P 2007 4254 B

(73) Otkrytoe Aktsionernoje Obshchestvo "Nizhegorodskij Khimiko-Farmatsevticheskij Zavod"

(54) AGENT FOR TREATMENT OF JOINT DISEASE

DATE OF CANCELLATION OF PATENT: 2020 09 20

THE TERM OF RESTORATION OF PATENT: 2021 09 20

EXPIRATION OF TERM OF RESTORATION OF PATENTS

(21) AP 2009 12263

(11) P 2015 6374 B

(73) PIERRE FABRE DERMO-COSMETIQUE

(54) EXTRACT OF AERIAL PARTS OF OATS HARVESTED BEFORE EAR EMERGENCE

DATE OF CANCELLATION OF PATENT: 2019 09 15

THE TERM OF RESTORATION OF PATENT VALIDITY HAS EXPIRED: 2020 09 15

(21) AP 2010 12667

(11) P 2014 6019 B

(73) LES LABORATOIRES SERVIER

(54) NOVEL METHOD OF SYNTHESIZING IVABRADINE AND PHARMACEUTICALLY ACCEPTABLE ACID-ADDITIVE SALTS THEREOF

DATE OF CANCELLATION OF PATENT: 2019 09 17

THE TERM OF RESTORATION OF PATENT VALIDITY HAS EXPIRED: 2020 09 17

(21) AP 2011 13063

(11) P 2015 6313 B

(73) ALIOS BIOPHARMA INC.

(54) SUBSTITUTED NUCLEOTIDE ANALOGS

DATE OF CANCELLATION OF PATENT: 2019 09 19

THE TERM OF RESTORATION OF PATENT VALIDITY HAS EXPIRED: 2020 09 19

(21) AP 2012 13442

(11) P 2017 6771 B

(73) Igor Roninson

(54) TREATMENT OF DISEASE OR DISORDERS CAUSED BY INDUCED NFκB TRANSCRIPTIONAL ACTIVITY

DATE OF CANCELLATION OF PATENT: 2019 09 13

THE TERM OF RESTORATION OF PATENT VALIDITY HAS EXPIRED: 2020 09 13

(21) AP 2016 14267

(11) P 2018 6931 B

(73) Tea Kenkadze

(54) **HAND DEVICE FOR SOWING**

DATE OF CANCELLATION OF PATENT: 2019 09 14

THE TERM OF RESTORATION OF PATENT VALIDITY HAS EXPIRED: 2020 09 14

(21) AP 2005 9991

(11) P 2009 4831 B

(73) DURECT CORPORATION

(54) **CONTROL RELEASE SYSTEM**

DATE OF CANCELLATION OF PATENT: 2019 09 15

THE TERM OF RESTORATION OF PATENT VALIDITY HAS EXPIRED: 2020 09 15

CHANGE OF NAME AND/OR ADDRESS OF PATENTOWNER

(21) AP 2015 14554

(11) P 2019 6974 B

(54) **A NOVEL CRYSTALLINE FORM OF A BENZIMIDAZOLE DERIVATIVE AND A PREPARATION METHOD THEREOF**

New name and/or address: HK INNO.N CORPORATION (KR)

6F, 7F and 8F, 100, Eulji-ro, Jung-gu, Seoul, 04551 Republic of Korea (KR)

Former name and/or address: CJ HEALTHCARE CORPORATION

330, Dongho-ro, Jung-gu, Seoul 04560, South Korea, Republic of Korea

Date of registration: 25 09 2020

CORRECTION OF PUBLISHED INFORMATION

BULLETIN №	Pg.	NUMBER OF APPLICATION (10)	PUBLISHED	MUST BE
12(544)2020	6	AP 2020 15186 A	<p>(10) AP 2020 15186 A (51) Int. Cl. (2006) C 07 C 29/00 C 11 B 9/00</p> <p>(21) AP 2019 15186 (22) 2019 09 12 (71) Tsiuri Ramishvili (GE) Tsereteli Av. 59, app. 10, 0154, Tbilisi, Georgia (GE); Vladimer Tsitsishvili (GE) Uznadze St. 2, app. 174, 0101, Tbilisi, Georgia (GE) (72) Tsiuri Ramishvili (GE); Vladimer Tsitsishvili (GE) (54) METHOD FOR TRANSGERANIOL PREPARATION FROM CORIANDER OIL WITH CATALYZER AND MICROWAVES JOINT IMPACT THEREON (57) An invention relates to a method for coriander oil main content D-linalool transformation into trans-geraniol, regio-selectively, with BEA-type zeolite micro-mesoporous, RBEA-25 microporous, BEA-150 catalyzers, and microwaves joint impact thereon. Claims: 1 independent 2 dependent</p>	<p>(10) AP 2020 15186 A (51) Int. Cl. (2006) C 07 C 29/00 C 11 B 9/00</p> <p>(21) AP 2019 15186 (22) 2019 09 12 (71) Tsiuri Ramishvili (GE) Tsereteli Av. 59, app. 10, 0154, Tbilisi, Georgia (GE); Vladimer Tsitsishvili (GE) Uznadze St. 2, app. 174, 0101, Tbilisi, Georgia (GE) (72) Tsiuri Ramishvili (GE); Vladimer Tsitsishvili (GE) (54) THE METHOD OF SYNTHESIS OF TRANS-GERANIOL FROM CORIANDER OIL BY THE SYNERGIC ACTION OF A CATALYST AND MICROWAVES (57) Invention relates to a method for regio-selective conversion of D-linalool, the main component of coriander oil, into trans-geraniol, under the combined action of microwaves and zeolite catalysts of the BEA type – micromesoporous RBEA-25 and microporous BEA-150. Claims: 1 independent 2 dependent</p>

UTILITY MODELS

ABOLITION OF PATENT WITH THE RIGHT TO RESTORE

(21) AU 2015 13936

(11) U 2017 1923 Y(73) Aleksandre Tsereteli;
Enver Mdivani**(54) METHOD FOR DIABETIC JAM PREPARATION**

DATE OF CANCELLATION OF PATENT: 2020 09 15

THE TERM OF RESTORATION OF PATENT: 2021 09 15

EXPIRATION OF TERM OF RESTORATION OF PATENT

(21) AU 2014 13574

(11) U 2015 1877 Y

(73) Davit Chichinadze

(54) DEMOUNTABLE-PREFABRICATED BEEHIVE

DATE OF CANCELLATION OF PATENT: 2019 09 15

THE TERM OF RESTORATION OF PATENT VALIDITY HAS EXPIRED: 2020 09 15

DESIGNS**EXTENSION OF REGISTRATION OF DESIGNS****(11) D 2011 467 S**

(73) Allied Global Tobacco Limited (GB)

Vei Qort Vest, Iunion Roud, Farnam, Surei GU9 7PT, United Kingdom (GB)

(54) UNFILTERED CIGARETTES

(28) 2

(24) 2010 07 09

(18) 2025 07 09

(58) 2020 09 24

(11) D 2015 626 S

(73) Mariam Nugzarishvili (GE)

S. Chikovani St. 25, 0171, Tbilisi, Georgia (GE)

(54) 1. FAN-ALPHABET; 2. FAN WITH FIGURES

(28) 2

(24) 2015 04 14

(18) 2025 04 14

(58) 2020 09 24

(11) D 2016 665 S

(73) LTD "Kakhetian Traditional Winery" (GE)

S. Tsintsadze St. 12, 0160, Tbilisi, Georgia (GE)

(54) BOTTLE

(28) 1

(24) 2015 06 29

(18) 2025 06 29

(58) 2020 09 22

CANCELLATION OF DESIGN REGISTRATION**(11) D 2015 623 S**

(73) Jana Bereza (GE)

Varketili, Upper Plateau II mcr., corp. 6, app. 29, 0163, Tbilisi, Georgia (GE)

(54) VEHICLE SEAT COVER WITH ADVERTISING LABEL

(18) 2020 03 06

(58) 2020 09 22

EXTENSION OF REGISTRATION OF INTERNATIONAL DESIGNS

(11) DM/66999
(73) BRAUN GMBH
Frankfurter Strasse 145, 61476 Kronberg (DE)
(15) 2005 09 23
(24) 2005 09 23
(18) 2025 09 23
(28) 1
(28') 1
(54) Electric razor

(11) DM/67017
(73) SWATCH AG (SWATCH SA) (SWATCH LTD.)
94, Rue Jakob Stämpfli, CH-2502 BIENNE (CH)
(15) 2005 09 21
(24) 2005 09 21
(18) 2025 09 21
(28) 1
(28') 1
(54) Wrist watch

(11) DM/67052
(73) SWATCH AG (SWATCH SA) (SWATCH LTD.)
94, Rue Jakob Stämpfli, CH-2502 BIENNE (CH)
(15) 2005 09 02
(24) 2005 09 02
(18) 2025 09 02
(28) 1
(28') 1
(54) Wristwatch

(11) DM/67057
(73) SWATCH AG (SWATCH SA) (SWATCH LTD.)
94, Rue Jakob Stämpfli, CH-2502 BIENNE (CH)
(15) 2005 09 02
(24) 2005 09 02
(18) 2025 09 02
(28) 1
(28') 1
(54) Wristwatch

(11) DM/67120
(73) N.V. NUTRICIA
Eerste Stationsstraat 186, NL-2712 HM ZOETERMEER (NL)
(15) 2005 09 08
(24) 2005 09 08
(18) 2025 09 08
(28) 1
(28') 1
(54) Babyfood container

(11) DM/67292
(73) SIEMENS SCHWEIZ AG
Albisriederstrasse 245, CH-8047 Zürich (CH)
(15) 2005 09 22
(24) 2005 09 22
(18) 2025 09 22
(28) 6
(28') 6
(54) Home automation devices

(11) DM/67293
(73) SIEMENS SCHWEIZ AG
Albisriederstrasse 245, CH-8047 Zürich (CH)
(15) 2005 09 22
(24) 2005 09 22
(18) 2025 09 22
(28) 5
(28') 5
(54) Home automation devices

(11) DM/67294
(73) SIEMENS SCHWEIZ AG
Albisriederstrasse 245, CH-8047 Zürich (CH)
(15) 2005 09 22
(24) 2005 09 22
(18) 2025 09 22
(28) 3
(28') 3
(54) Home automation devices

(11) DM/67295
(73) SIEMENS SCHWEIZ AG
Albisriederstrasse 245, CH-8047 Zürich (CH)
(15) 2005 09 22
(24) 2005 09 22
(18) 2025 09 22
(28) 4
(28') 4
(54) Home automation devices

(11) DM/67296
(73) SIEMENS SCHWEIZ AG
Albisriederstrasse 245, CH-8047 Zürich (CH)
(15) 2005 09 22
(24) 2005 09 22
(18) 2025 09 22
(28) 6
(28') 6
(54) Home automation devices

(11) DM/67297
(73) SIEMENS SCHWEIZ AG
Albisriederstrasse 245, CH-8047 Zürich (CH)
(15) 2005 09 22

(24) 2005 09 22
(18) 2025 09 22
(28) 6
(28') 6
(54) Home automation devices

(11) DM/67448
(73) BTICINO S.P.A.
Via Messina 38, I-20154 MILANO (IT)
(15) 2005 09 30
(24) 2005 09 30
(18) 2025 09 30
(28) 27
(28') 27
(54) Closure module, Cover plates, Electrical device with light, Electrical socket, Electrical sockets,
Electrical switch, Electrical switches

(11) DM/73728
(73) PORZELLANFABRIK SCHÖNWALD, ZWEIGNIEDERLASSUNG DER BHS TABLETOP AG
Rehauer Str. 44-54, 95173 Schönwald (DE)
(15) 2010 05 25
(24) 2010 05 25
(18) 2025 05 25
(28) 9
(28') 9
(54) Bowl, Bowl large, Coffepot, Cup, Plate, Plate oval, Platter tortilla, Salad bowl, Teapot

(11) DM/74132
(73) SOREMARTEC S.A.
Rue Joseph Netzer 5, B-6700 ARLON (BX)
(15) 2010 08 23
(24) 2010 08 23
(18) 2025 08 23
(28) 7
(28') 7
(54) Confectionery products

(11) DM/74178
(73) ELECTROLUX HOME PRODUCTS CORPORATION N.V.
Belgicastraat 17, B-1930 Zaventem (BX)
(15) 2010 08 11
(24) 2010 08 11
(18) 2025 08 11
(28) 11
(28') 11
(54) Ovens (cooking), Parts of ovens (cooking)

(11) DM/74412
(73) SWATCH AG (SWATCH SA) (SWATCH LTD.)
Jakob-Stämpfli-Strasse 94, CH-2502 Biel/Bienne (CH)
(15) 2010 09 03
(24) 2010 09 03
(18) 2025 09 03
(28) 1

(28') 1
(54) Wristwatch

(11) DM/74430
(73) SWATCH AG (SWATCH SA) (SWATCH LTD.)
Jakob-Stämpfli-Strasse 94, CH-2502 Biel/Bienne (CH)
(15) 2010 09 10
(24) 2010 09 10
(18) 2025 09 10
(28) 2
(28') 2
(54) Wristwatches

(11) DM/74432
(73) SWATCH AG (SWATCH SA) (SWATCH LTD.)
Jakob-Stämpfli-Strasse 94, CH-2502 Biel/Bienne (CH)
(15) 2010 09 16
(24) 2010 09 16
(18) 2025 09 16
(28) 9
(28') 9
(54) Wristwatches

(11) DM/74456
(73) SWATCH AG (SWATCH SA) (SWATCH LTD.)
Jakob-Stämpfli-Strasse 94, CH-2502 Biel/Bienne (CH)
(15) 2010 09 28
(24) 2010 09 28
(18) 2025 09 28
(28) 1
(28') 1
(54) Wristwatch

(11) DM/85023
(73) MONTRES JAQUET DROZ SA (MONTRES JAQUET DROZ AG) (MONTRES JAQUET DROZ LTD.)
Allée du Tourbillon 2, CH-2300 La Chaux-de-Fonds (CH)
(15) 2014 12 05
(24) 2014 12 05
(18) 2024 12 05
(28) 4
(28') 4
(54) Dials

(11) DM/87133
(73) SOREMARTEC S.A.
Findel Business Center, Complexe B, Rue de Trèves, L-2632 Findel (BX)
(15) 2015 08 03
(24) 2015 08 03
(18) 2025 08 03
(28) 19
(28') 19
(54) 1.-15. Packaging envelopes, 1 6.-18. Packaging, 19. Shaped wrapping [packaging]

(11) DM/87433
(73) ETA SA MANUFACTURE HORLOGÈRE SUISSE
Schild-Rust-Strasse 17, CH-2540 Grenchen (CH)
(15) 2015 09 03
(24) 2015 09 03
(18) 2025 09 03
(28) 1
(28') 1
(54) Watch movement

(11) DM/87446
(73) RADO UHREN AG (RADO WATCH CO. LTD.) (MONTRES RADO SA)
Bielstrasse 45, CH-2543 Lengnau (CH)
(15) 2015 09 03
(24) 2015 09 03
(18) 2025 09 03
(28) 2
(28') 2
(54) Dial, Wristwatch

(11) DM/87451
(73) SWATCH AG (SWATCH SA) (SWATCH LTD.)
Jakob-Stämpfli-Strasse 94, CH-2502 Biel/Bienne (CH)
(15) 2015 09 08
(24) 2015 09 08
(18) 2025 09 08
(28) 5
(28') 5
(54) Wristwatches

(11) DM/87453
(73) SWATCH AG (SWATCH SA) (SWATCH LTD.)
Jakob-Stämpfli-Strasse 94, CH-2502 Biel/Bienne (CH)
(15) 2015 09 08
(24) 2015 09 08
(18) 2025 09 08
(28) 2
(28') 2
(54) Wristwatches

(11) DM/87464
(73) MANASTIR, ADNAN
Kocaaga Sok. Bali Apt. K:2 NO:4 Beyoglu, ISTANBUL (TR)
(15) 2015 06 09
(24) 2015 06 09
(18) 2025 06 09
(28) 3
(28') 3
(54) Handbags

(11) DM/87498
(73) SWATCH AG (SWATCH SA) (SWATCH LTD.)
Jakob-Stämpfli-Strasse 94, CH-2502 Biel/Bienne (CH)
(15) 2015 09 07

(24) 2015 09 07
(18) 2025 09 07
(28) 2
(28') 2
(54) Wristwatches

(11) DM/87519
(73) SWATCH AG (SWATCH SA) (SWATCH LTD.)
 Jakob-Stämpfli-Strasse 94, CH-2502 Biel/Bienne (CH)
(15) 2015 09 14
(24) 2015 09 14
(18) 2025 09 14
(28) 5
(28') 5
(54) Wristwatches

(11) DM/87520
(73) SWATCH AG (SWATCH SA) (SWATCH LTD.)
 Jakob-Stämpfli-Strasse 94, CH-2502 Biel/Bienne (CH)
(15) 2015 09 14
(24) 2015 09 14
(18) 2025 09 14
(28) 1
(28') 1
(54) Wristwatch

(11) DM/87521
(73) SWATCH AG (SWATCH SA) (SWATCH LTD.)
 Jakob-Stämpfli-Strasse 94, CH-2502 Biel/Bienne (CH)
(15) 2015 09 15
(24) 2015 09 15
(18) 2025 09 15
(28) 3
(28') 3
(54) Wristwatches

(11) DM/87522
(73) SWATCH AG (SWATCH SA) (SWATCH LTD.)
 Jakob-Stämpfli-Strasse 94, CH-2502 Biel/Bienne (CH)
(15) 2015 09 16
(24) 2015 09 16
(18) 2025 09 16
(28) 1

(28') 1
(54) Wristwatch

(11) DM/87554
(73) SWATCH AG (SWATCH SA) (SWATCH LTD.)
 Jakob-Stämpfli-Strasse 94, CH-2502 Biel/Bienne (CH)
(15) 2015 09 17
(24) 2015 09 17
(18) 2025 09 17
(28) 1

(28') 1
(54) Wristwatch

(11) DM/87555
(73) HARRY WINSTON SA
Chemin du Tourbillon 8, CH-1228 Plan-les-Ouates (CH)
(15) 2015 09 17
(24) 2015 09 17
(18) 2025 09 17
(28) 6
(28') 6
(54) Finger rings,Pendants

(11) DM/87558
(73) SWATCH AG (SWATCH SA) (SWATCH LTD.)
Jakob-Stämpfli-Strasse 94, CH-2502 Biel/Bienne (CH)
(15) 2015 09 17
(24) 2015 09 17
(18) 2025 09 17
(28) 1
(28') 1
(54) Watch strap

(11) DM/87582
(73) HARRY WINSTON SA
Chemin du Tourbillon 8, CH-1228 Plan-les-Ouates (CH)
(15) 2015 09 09
(24) 2015 09 09
(18) 2025 09 09
(28) 7
(28') 7
(54) Pendants

(11) DM/87584
(73) SWATCH AG (SWATCH SA) (SWATCH LTD.)
Jakob-Stämpfli-Strasse 94, CH-2502 Biel/Bienne (CH)
(15) 2015 09 17
(24) 2015 09 17
(18) 2025 09 17
(28) 1
(28') 1
(54) Wristwatch

(11) DM/87589
(73) SWATCH AG (SWATCH SA) (SWATCH LTD.)
Jakob-Stämpfli-Strasse 94, CH-2502 Biel/Bienne (CH)
(15) 2015 09 18
(24) 2015 09 18
(18) 2025 09 18
(28) 1
(28') 1
(54) Wristwatch

(11) DM/87590
(73) SWATCH AG (SWATCH SA) (SWATCH LTD.)
 Jakob-Stämpfli-Strasse 94, CH-2502 Biel/Bienne (CH)
(15) 2015 09 18
(24) 2015 09 18
(18) 2025 09 18
(28) 6
(28') 6
(54) Wristwatches

(11) DM/87592
(73) SWATCH AG (SWATCH SA) (SWATCH LTD.)
 Jakob-Stämpfli-Strasse 94, CH-2502 Biel/Bienne (CH)
(15) 2015 09 18
(24) 2015 09 18
(18) 2025 09 18
(28) 1
(28') 1
(54) Wristwatch

(11) DM/87593
(73) SWATCH AG (SWATCH SA) (SWATCH LTD.)
 Jakob-Stämpfli-Strasse 94, CH-2502 Biel/Bienne (CH)
(15) 2015 09 18
(24) 2015 09 18
(18) 2025 09 18
(28) 2
(28') 2
(54) Wristwatches

(11) DM/87594
(73) SWATCH AG (SWATCH SA) (SWATCH LTD.)
 Jakob-Stämpfli-Strasse 94, CH-2502 Biel/Bienne (CH)
(15) 2015 09 18
(24) 2015 09 18
(18) 2025 09 18
(28) 7
(28') 7
(54) Wristwatches

(11) DM/87595
(73) SWATCH AG (SWATCH SA) (SWATCH LTD.)
 Jakob-Stämpfli-Strasse 94, CH-2502 Biel/Bienne (CH)
(15) 2015 09 18
(24) 2015 09 18
(18) 2025 09 18
(28) 1
(28') 1
(54) Wristwatch

(11) DM/87597
(73) SWATCH AG (SWATCH SA) (SWATCH LTD.)
 Jakob-Stämpfli-Strasse 94, CH-2502 Biel/Bienne (CH)
(15) 2015 09 18

(24) 2015 09 18
(18) 2025 09 18
(28) 2
(28') 2
(54) Wristwatches

(11) DM/87637
(73) HARRY WINSTON SA
Chemin du Tourbillon 8, CH-1228 Plan-les-Ouates (CH)
(15) 2015 09 23
(24) 2015 09 23
(18) 2025 09 23
(28) 1
(28') 1
(54) Pendant

(11) DM/87638
(73) SWATCH AG (SWATCH SA) (SWATCH LTD.)
Jakob-Stämpfli-Strasse 94, CH-2502 Biel/Bienne (CH)
(15) 2015 09 18
(24) 2015 09 18
(18) 2025 09 18
(28) 1
(28') 1
(54) Wristwatch

(11) DM/87646
(73) SWATCH AG (SWATCH SA) (SWATCH LTD.)
Jakob-Stämpfli-Strasse 94, CH-2502 Biel/Bienne (CH)
(15) 2015 09 25
(24) 2015 09 25
(18) 2025 09 25
(28) 2
(28') 2
(54) Wristwatches

(11) DM/87694
(73) HARRY WINSTON SA
Chemin du Tourbillon 8, CH-1228 Plan-les-Ouates (CH)
(15) 2015 09 30
(24) 2015 09 30
(18) 2025 09 30
(28) 2

(28') 2
(54) Bracelet, Finger ring

(11) DM/87748
(73) SWATCH AG (SWATCH SA) (SWATCH LTD.)
Jakob-Stämpfli-Strasse 94, CH-2502 Biel/Bienne (CH)
(15) 2015 09 29
(24) 2015 09 29
(18) 2025 09 29
(28) 4

(28') 4
(54) Wristwatches

(11) DM/87751
(73) SWATCH AG (SWATCH SA) (SWATCH LTD.)
Jakob-Stämpfli-Strasse 94, CH-2502 Biel/Bienne (CH)
(15) 2015 09 29
(24) 2015 09 29
(18) 2025 09 29
(28) 1
(28') 1
(54) Wristwatch

(11) DM/87752
(73) SWATCH AG (SWATCH SA) (SWATCH LTD.)
Jakob-Stämpfli-Strasse 94, CH-2502 Biel/Bienne (CH)
(15) 2015 09 29
(24) 2015 09 29
(18) 2025 09 29
(28) 1
(28') 1
(54) Wristwatch

(11) DM/87754
(73) SWATCH AG (SWATCH SA) (SWATCH LTD.)
Jakob-Stämpfli-Strasse 94, CH-2502 Biel/Bienne (CH)
(15) 2015 09 30
(24) 2015 09 30
(18) 2025 09 30
(28) 4
(28') 4
(54) Wristwatches

(11) DM/87937
(73) ABDULA SALIHU, Alidjerce, Nema ulice BB, 17523 Preševo (RS)
SALIH ALIU, Kumanovska 40, 17523 Preševo (RS)
(15) 2015 08 31
(24) 2015 08 31
(18) 2025 08 31
(28) 1
(28') 1
(54) Scaffolding frame

(11) DM/88518
(73) SWATCH AG (SWATCH SA) (SWATCH LTD.)
Jakob-Stämpfli-Strasse 94, CH-2502 Biel/Bienne (CH)
(15) 2015 09 29
(24) 2015 09 29
(18) 2025 09 29
(28) 5
(28') 5
(54) Watch hand, Wristwatch, Wristwatches

(11) DM/88914

(73) ABDULA SALIHU, Alidjerce, Nema ulice BB, 17523 Preševo (RS)
SALIH ALIU, Kumanovska 40, 17523 Preševo (RS)

(15) 2015 08 31

(24) 2015 08 31

(18) 2025 08 31

(28) 1

(28') 1

(54) Aluminium floor mat for a scaffolding

TRADEMARKS

RENEWAL OF REGISTRATIONS

(111) M 2000 13474 R2
 (156) 2000 09 12
 (186) 2030 09 12
 (732) Roto Frank Fenster- und Türtechnologie GmbH
 Wilhelm-Frank-Platz 1, 70771 Leinfelden-
 Echterdingen, Germany

(111) M 2000 13630 R2
 (156) 2000 12 21
 (186) 2030 12 21
 (732) UPJOHN US 1 LLC
 235 East 42nd Street, New York, N.Y.
 10017, USA

(111) M 2000 13632 R2
 (156) 2000 12 21
 (186) 2030 12 21
 (732) UPJOHN US 1 LLC
 235 East 42nd Street, New York, N.Y.
 10017, USA

(111) M 2010 20790 R1
 (156) 2010 10 01
 (186) 2030 10 01
 (732) DOREL FRANCE S.A.
 Zi, 9, boulevard du Poitou, F-49309 Cholet,
 France

(111) M 2010 20275 R1
 (156) 2010 02 26
 (186) 2030 02 26
 (732) Eliava Foundation – Association for the
 Development of Bacteriophage in Georgia
 Gotua St. 3, 0160, Tbilisi, Georgia

(111) M 2010 20276 R1
 (156) 2010 02 26
 (186) 2030 02 26
 (732) Eliava Foundation – Association for the
 Development of Bacteriophage in Georgia
 Gotua St. 3, 0160, Tbilisi, Georgia

(111) M 2010 20357 R1
 (156) 2010 03 26
 (186) 2030 03 26
 (732) JSC "GEPHA"
 Akaki Beliashvili St. 142, 0159, Tbilisi,
 Georgia

(111) M 2010 20331 R1
 (156) 2010 03 25
 (186) 2030 03 25
 (732) EX HACIENDA LOS CAMICHINES, S.A.
 DE C.V.
 Periferico Sur N8500, Tramo Morelia Chapala,
 Tlaquepaque, Jalisco, C.P. 45609, Mexico

(111) M 2010 20448 R1
 (156) 2010 05 13
 (186) 2030 05 13
 (732) JSC "GEPHA"
 Akaki Beliashvili St. 142, 0159, Tbilisi, Georgia

(111) M 2010 20495 R1
 (156) 2010 05 27
 (186) 2030 05 27
 (732) JSC "GEPHA"
 Akaki Beliashvili St. 142, 0159, Tbilisi, Georgia

(111) M 2010 20496 R1
 (156) 2010 05 27
 (186) 2030 05 27
 (732) JSC "GEPHA"
 Akaki Beliashvili St. 142, 0159, Tbilisi,
 Georgia

(111) M 2010 20778 R1
 (156) 2010 09 24
 (186) 2030 09 24
 (732) PJSC "GAZPROM"
 Nametkina St. 16, Moskow, 117997, Russian
 Federation

(111) M 2010 20779 R1
 (156) 2010 09 24
 (186) 2030 09 24
 (732) PJSC "GAZPROM"
 Nametkina St. 16, Moskow, 117997, Russian
 Federation

(111) M 2010 20780 R1
 (156) 2010 09 24
 (186) 2030 09 24
 (732) PJSC "GAZPROM"
 Nametkina St. 16, Moskow, 117997, Russian
 Federation

(111) M 2010 20781 R1
(156) 2010 09 24
(186) 2030 09 24
(732) PJSC "GAZPROM"
Nametkina St. 16, Moscow, 117997, Russian
Federation

(111) M 2010 21013 R1
(156) 2010 12 15
(186) 2030 12 15
(732) GRINDEKS, Akciju sabiedrība (GRINDEKS,
Joint Stock Company)
Krustpils street 53, Riga, LV-1057, Latvia

(111) M 2000 13503 R2
(156) 2000 09 28
(186) 2030 09 28
(732) TARCHOMINSKIE ZAKLADY
FARMACEUTYCZNE "POLFA" SPOLKA
AKCYJNA
uL. Aleksandra Fleminga 2, 03-176 Warszawa,
Poland

COMPLETE TRANSFER OF RIGHTS

(111) M 2007 17923 R
(732) Gowan Crop Protection Limited
Highlands House Basingstoke Road Spencers
Wood Reading, Berkshire RG7 1NT, England,
United Kingdom
(770) Bayer Intellectual Property GmbH
Alfred-Nobel-Strasse 10, 40789 Monheim
am Rhein, Germany
(580) 2020 09 16

(111) M 2012 22469 R
(732) LTD "GLOBAL CBS"
D. Guramishvili Av. 62, Floor 3,
Office space, 0141, Tbilisi, Georgia
(770) LTD "CBS Pharmaceuticals"
Jansugh Kakhidze St. 8, 0102, Tbilisi Georgia
(580) 2020 02 25

(111) M 2016 27804 R
(732) SANOFI
54, rue La Boétie 75008 Paris, France
(770) ZENTIVA GROUP, A.S.
U Kabelovny 130, Dolní Měcholupy,
CZ-102 37 Praha 10, Czech Republic
(580) 2020 06 19

(111) M 2016 27927 R
(732) OÜ Good Design
Leiva tn 3, EE-12618 Tallinn, Harju maakond,
Estonia
(770) Obchestvo s Ogranichennoy Otvetstvennostiu
"Natura Siberika"
Iujnobutovskaya St., build. 101, app. 18a,
117042, Moscow, Russian Federation
(580) 2020 08 27

(111) M 2019 30815 R
(732) Omikron Italia S.r.l.
Viale Bruno Buozzi 5, 00197 Roma, Italy
(770) LTD "BIH"
Ockheli St. Bul. 24, app. 42, 0145, Tbilisi
Georgia
(580) 2020 09 14

(111) M 2019 30817 R
(732) Omikron Italia S.r.l.
Viale Bruno Buozzi 5, 00197 Roma, Italy
(770) LTD "BIH"
Otskheli St., corp. 24, app. 42, 0145, Tbilisi,
Georgia
(580) 2020 09 14

CHANGES OF NAMES AND/OR ADDRESSES OF OWNERS

(111) M 1995 556 R
(732) GABA International Holding GmbH
Grabetsmattweg, CH-4106 Therwil,
Switzerland

(770) GABA International Holding AG
Grabetsmattweg, CH-4106 Therwil,
Switzerland
(580) 2020 08 19

(111) M 1995 571 R
(732) GABA International Holding GmbH
Grabetsmattweg, CH-4106 Therwil,
Switzerland
(770) GABA International Holding AG
Grabetsmattweg, CH-4106 Therwil,
Switzerland
(580) 2020 08 19

(111) M 2010 20357 R
(732) JSC "GEPHA"
Akaki Belashvili St. 142, 0159, Tbilisi,
Georgia
(770) LTD "ei-bi-si farmatsia"
Sanapiro St.10a, 0108, Tbilisi, Georgia
(580) 2020 09 16

(111) M 2010 20331 R
(732) EX HACIENDA LOS CAMICHINES, S.A.
DE C.V.
Periferico Sur N8500, Tramo Morelia Chapala,
Tlaquepaque, Jalisco, C.P. 45609, Mexico
(770) EX HACIENDA LOS CAMICHINES, S.A.
DE C.V.
Periferico Sur №8500, Tramo Morelia
Chapala, Tlaquepaque, Jalisco, C.P. 45601,
Mexico
(580) 2020 09 17

(111) M 2010 20448 R
(732) JSC "GEPHA"
Akaki Belashvili St. 142, 0159, Tbilisi,
Georgia
(770) LTD "ABC PHARMACY"
Sanapiro St. 10a, 0108, Tbilisi, Georgia
(580) 2020 09 16

(111) M 2010 20495 R
(732) JSC "GEPHA"
Akaki Belashvili St. 142, 0159, Tbilisi,
Georgia

(770) LTD "ABC PHARMACY"
Sanapiro St. 10a, 0108, Tbilisi, Georgia
(580) 2020 09 16

(111) M 2010 20496 R
(732) JSC "GEPHA"
Akaki Belashvili St. 142, 0159, Tbilisi,
Georgia
(770) LTD "ABC PHARMACY"
Sanapiro St. 10a, 0108, Tbilisi, Georgia
(580) 2020 09 16

(111) M 2000 13451 R
(732) Link-Belt Cranes, L.P., LLLP
2651 Palumbo Drive, Lexington, Kentucky
40583, USA
(770) Link-Belt Construction Equipment Company,
L.P., LLLP
2651 Palumbo Drive, P.O Box 13600,
Lexington, Kentucky, USA
(580) 2020 09 16

TERMINATION OF TRADEMARKS REGISTRATION

(111) M 2000 13159 R
 (151) 2000 03 01
 (732) BOEHRINGER INGELHEIM PHARMA
 GMBH & CO. KG
 Binger Strasse 173, D-55216 Ingelheim,
 Germany
 (141) 2020 09 21

(111) M 2000 13180 R
 (151) 2000 03 09
 (732) TILLY-SABCO
 Tro Guic, 29650 Guerlesquin, France
 (141) 2020 09 28

(111) M 2000 13147 R
 (151) 2000 03 01
 (732) L'OREAL
 14, rue Royale, F-75008 Paris, France
 (141) 2020 09 21

(111) M 2000 13150 R
 (151) 2000 03 01
 (732) WARNACO U.S., INC.
 a Delaware Corporation
 470 Wheelers Farms Road, Milford,
 Connecticut 06460, USA
 (141) 2020 09 21

(111) M 2000 13152 R
 (151) 2000 03 01
 (732) WARNACO U.S., INC.
 a Delaware Corporation
 470 Wheelers Farms Road, Milford,
 Connecticut 06460, USA
 (141) 2020 09 21

(111) M 2010 20271 R
 (151) 2010 02 26
 (732) LTD "Bacteriophage Biopreparations"
 Gotua St. 3, 0160, Tbilisi, Georgia
 (141) 2020 09 28

(111) M 2010 20272 R
 (151) 2010 02 26
 (732) LTD "Bacteriophage Biopreparations"
 Gotua St. 3, 0160, Tbilisi, Georgia
 (141) 2020 09 28

(111) M 2010 20273 R
 (151) 2010 02 26
 (732) LTD "Bacteriophage Biopreparations"
 Gotua St. 3, 0160, Tbilisi, Georgia
 (141) 2020 09 28

(111) M 2010 20274 R
 (151) 2010 02 26
 (732) LTD "Bacteriophage Biopreparations"
 Gotua St.3, 0160, Tbilisi, Georgia
 (141) 2020 09 28

(111) M 2010 20329 R
 (151) 2010 03 15
 (732) Anadarko Petroleum Corporation
 1201 Lake Robbins Drive, The Woodlands,
 TX-77380, USA
 (141) 2020 09 30

(111) M 2010 20330 R
 (151) 2010 03 15
 (732) Pogoretski Janos Dyulovich
 Kommunarov St., house 37, Mukachevo,
 Transcarpathian region, 89600, Ukraine
 (141) 2020 09 30

(111) M 2010 20305 R
 (151) 2010 03 15
 (732) Maresi Trademark GmbH & Co KG
 Strasserau 6, 4020 Linz, Austria
 (141) 2020 09 30

(111) M 2010 20310 R
 (151) 2010 03 15
 (732) GlaxoSmithKline Consumer Healthcare (UK)
 IP Limited
 980 Great West Road, Brentford, Middlesex
 TW8 9GS, United Kingdom
 (141) 2020 09 30

(111) M 2010 20311 R
 (151) 2010 03 15
 (732) LTD "Sofia +"
 Vazha-Pshavela Av., VII cvart., corp. 6,
 app. 20, 0186, Tbilisi, Georgia
 (141) 2020 09 30

(111) M 2010 20312 R
(151) 2010 03 15
(732) LTD "SOFIA TRADING COMPANY"
Agrarian University area, plot 014/260, 0186,
Tbilisi, Georgia
(141) 2020 09 30

(111) M 2010 20326 R
(151) 2010 03 15
(732) LTD "GLOBALPHARARMI"
Tamar Mepe Av. 7/13, 0112, Tbilisi, Georgia
(141) 2020 09 30

(111) M 2010 20313 R
(151) 2010 03 15
(732) LTD "GLOBALPHARARMI"
Tamar Mepe Av. 7/13, 0112, Tbilisi, Georgia
(141) 2020 09 30

(111) M 2010 20314 R
(151) 2010 03 15
(732) LTD "GLOBALPHARARMI"
Tamar Mepe Av. 7/13, 0112, Tbilisi, Georgia
(141) 2020 09 30

(111) M 2010 20315 R
(151) 2010 03 15
(732) LTD "GLOBALPHARARMI"
Tamar Mepe Av. 7/13, 0112, Tbilisi, Georgia
(141) 2020 09 30

(111) M 2010 20316 R
(151) 2010 03 15
(732) LTD "Globalfarmi"
Tamar Mefe Av. 7/13, 0112, Tbilisi, Georgia
(141) 2020 09 30

(111) M 2010 20320 R
(151) 2010 03 15
(732) LTD "GLOBALPHARARMI"
Tamar Mepe Av. 7/13, 0112, Tbilisi, Georgia
(141) 2020 09 30

(111) M 2010 20321 R
(151) 2010 03 15
(732) LTD "GLOBALPHARARMI"
Tamar Mepe Av. 7/13, 0112, Tbilisi, Georgia
(141) 2020 09 30

(111) M 2010 20324 R
(151) 2010 03 15
(732) LTD "GLOBALPHARARMI"
Tamar Mepe Av. 7/13, 0112, Tbilisi, Georgia
(141) 2020 09 30

CORRECTION OF PUBLISHED INFORMATION

BULLETIN №	NUMBER OF APPLICATION (260)	Pg.	PUBLISHED	MUST BE
11(543)2020	AM 2020 105554 A	66	(731) Farid Khalaf Sans Kompani (khalaf Storz) P.O. Box 586 11118 Amman, Jordan	(731) Fareed Khalaf Sons Company (Khalaf Stores) P.O. Box 586 11118 Amman, Jordan

CLASSIFICATION INDEXES

INVENTIONS

CONCORDANCE TABLE OF INTERNATIONAL CLASSIFICATION INDEX AND PUBLICATION NUMBERS

INTERNATIONAL CLASSIFICATION INDEXES (51)	NUMBER OF PUBLISHED APPLICATION (10)
A 22 B 5/00; A 22 B 7/00	AP 2020 14798 A
C 07 K 16/18; C 07 K 16/28	AP 2020 14812 A
E 21 B 49/10	AP 2020 14946 A

CONCORDANCE TABLE OF PUBLICATION NUMBERS AND INTERNATIONAL CLASSIFICATION INDEX

NUMBER OF PUBLISHED APPLICATION (10)	INTERNATIONAL CLASSIFICATION INDEXES (51)
AP 2020 14798 A	A 22 B 5/00; A 22 B 7/00
AP 2020 14812 A	C 07 K 16/18; C 07 K 16/28
AP 2020 14946 A	E 21 B 49/10

CONCORDANCE TABLE OF INTERNATIONAL CLASSIFICATION INDEX, PATENT NUMBERS AND PUBLICATION NUMBERS

INTERNATIONAL CLASSIFICATION INDEX (51)	NUMBER OF PATENT (11)	NUMBER OF PUBLISHED APPLICATION (10)
A 01 N 43/10; A 01 N 25/00; A 01 N 25/30; A 01 P 3/00	P 2020 7164 B	AP 2020 14883 A
A 61 K 8/00	P 2020 7155 B	AP 2020 15000 A
A 61 K 8/00	P 2020 7156 B	AP 2020 14999 A
A 61 K 31/00; A 61 K 9/14; A 61 K 47/26 A 61 K 9/00; A 61 K 47/12	P 2020 7157 B	AP 2020 14783 A
A 61 K 31/404; A 61 K 31/40; A 61 K 45/06; A 61 K 31/616	P 2020 7170 B	AP 2020 14734 A
A 61 K 31/4184; A 61 K 31/428; A 61 K 31/4439; A 61 K 31/41; A 61 P 31/04; C 07 D 413/14; C 07 D 401/10; C 07 D 403/10; C 07 D 403/14; C 07 D 403/12; C 07 D 413/10; C 07 D 417/10; C 07 D 417/14; C 07 D 471/04; C 07 D 407/14	P 2020 7169 B	AP 2020 14683 A
A 61 K 31/4439; A 61 P 9/00; C 07 D 401/14	P 2020 7158 B	AP 2020 14945 A
A 61 K 31/5025; A 61 K 31/395; C 07 D 495/04	P 2020 7167 B	AP 2020 14954 A
A 61 K 31/506; A 61 P 3/00; C 07 D 401/14	P 2020 7159 B	AP 2020 15005 A
A 61 K 31/519; A 61 P 35/00; C 07 D 495/04; C 07 D 487/04	P 2020 7160 B	AP 2020 14978 A
A 61 K 31/519; A 61 P 35/00; C 07 D 471/04; C 07 D 487/04; C 07 D 495/04	P 2020 7161 B	AP 2020 14982 A
A 61 K 39/395; A 61 P 35/00; A 61 K 31/00; C 07 K 16/28	P 2020 7162 B	AP 2020 14668 A

1	2	3
B 21 J 7/14	P 2020 7153 B	AP 2020 14995 A
B 65 D 1/40	P 2020 7168 B	AP 2020 15105 A
C 07 C 29/00; C 11 B 9/00	P 2020 7165 B	AP 2020 15186 A
C 07 K 16/28; C 12 N 15/13; A 61 K 39/395; A 61 P 35/00; A 61 P 37/04; G 01 N 33/577; C 12 N 1/21; C 12 N 5/10; C 12 N 15/63; C 07 K 19/00	P 2020 7166 B	AP 2020 14437 A
C 09 D 5/00	P 2020 7154 B	AP 2020 14583 A
H 04 L 9/28	P 2020 7163 B	AP 2020 14871 A

**CONCORDANCE TABLE OF PATENT NUMBERS,
PUBLICATION NUMBERS AND INTERNATIONAL CLASSIFICATION INDEX**

NUMBER OF PATENT (11)	NUMBER OF PUBLISHED APPLICATION (10)	INTERNATIONAL CLASSIFICATION INDEX (51)
P 2020 7153 B	AP 2020 14995 A	B 21 J 7/14
P 2020 7154 B	AP 2020 14583 A	C 09 D 5/00
P 2020 7155 B	AP 2020 15000 A	A 61 K 8/00
P 2020 7156 B	AP 2020 14999 A	A 61 K 8/00
P 2020 7157 B	AP 2020 14783 A	A 61 K 31/00; A 61 K 9/14; A 61 K 47/26 A 61 K 9/00; A 61 K 47/12
P 2020 7158 B	AP 2020 14945 A	A 61 K 31/4439; A 61 P 9/00; C 07 D 401/14
P 2020 7159 B	AP 2020 15005 A	A 61 K 31/506; A 61 P 3/00; C 07 D 401/14
P 2020 7160 B	AP 2020 14978 A	A 61 K 31/519; A 61 P 35/00; C 07 D 495/04; C 07 D 487/04
P 2020 7161 B	AP 2020 14982 A	A 61 K 31/519; A 61 P 35/00; C 07 D 471/04; C 07 D 487/04; C 07 D 495/04
P 2020 7162 B	AP 2020 14668 A	A 61 K 39/395; A 61 P 35/00; A 61 K 31/00; C 07 K 16/28
P 2020 7163 B	AP 2020 14871 A	H 04 L 9/28
P 2020 7164 B	AP 2020 14883 A	A 01 N 43/10; A 01 N 25/00; A 01 N 25/30; A 01 P 3/00
P 2020 7165 B	AP 2020 15186 A	C 07 C 29/00; C 11 B 9/00
P 2020 7166 B	AP 2020 14437 A	C 07 K 16/28; C 12 N 15/13; A 61 K 39/395; A 61 P 35/00; A 61 P 37/04; G 01 N 33/577; C 12 N 1/21; C 12 N 5/10; C 12 N 15/63; C 07 K 19/00
P 2020 7167 B	AP 2020 14954 A	A 61 K 31/5025; A 61 K 31/395; C 07 D 495/04
P 2020 7168 B	AP 2020 15105 A	B 65 D 1/40
P 2020 7169 B	AP 2020 14683 A	A 61 K 31/4184; A 61 K 31/428; A 61 K 31/4439; A 61 K 31/41; A 61 P 31/04; C 07 D 413/14; C 07 D 401/10; C 07 D 403/10; C 07 D 403/14; C 07 D 403/12; C 07 D 413/10; C 07 D 417/10; C 07 D 417/14; C 07 D 471/04; C 07 D 407/14
P 2020 7170 B	AP 2020 14734 A	A 61 K 31/404; A 61 K 31/40; A 61 K 45/06; A 61 K 31/616

**CONCORDANCE TABLE OF APPLICATION NUMBERS, PUBLICATION NUMBERS
AND PATENTS**

NUMBER OF APPLICATION (21)	NUMBER OF PUBLISHED APPLICATION (10)	NUMBER OF PATENT (11)
AP 2015 14437	AP 2020 14437 A	P 2020 7166 B
AP 2015 14583	AP 2020 14583 A	P 2020 7154 B
AP 2016 14668	AP 2020 14668 A	P 2020 7162 B
AP 2016 14683	AP 2020 14683 A	P 2020 7169 B
AP 2016 14734	AP 2020 14734 A	P 2020 7170 B
AP 2016 14783	AP 2020 14783 A	P 2020 7157 B
AP 2017 14871	AP 2020 14871 A	P 2020 7163 B
AP 2017 14883	AP 2020 14883 A	P 2020 7164 B
AP 2017 14945	AP 2020 14945 A	P 2020 7158 B
AP 2017 14954	AP 2020 14954 A	P 2020 7167 B
AP 2017 14978	AP 2020 14978 A	P 2020 7160 B
AP 2017 14982	AP 2020 14982 A	P 2020 7161 B
AP 2019 14995	AP 2020 14995 A	P 2020 7153 B
AP 2019 14999	AP 2020 14999 A	P 2020 7156 B
AP 2019 15000	AP 2020 15000 A	P 2020 7155 B
AP 2017 15005	AP 2020 15005 A	P 2020 7159 B
AP 2017 15105	AP 2020 15105 A	P 2020 7168 B
AP 2019 15186	AP 2020 15186 A	P 2020 7165 B

UTILITY MODELS

**CONCORDANCE TABLE OF INTERNATIONAL CLASSIFICATION INDEX
AND PUBLICATION NUMBERS**

INTERNATIONAL CLASSIFICATION INDEXES (51)	NUMBER OF PUBLISHED APPLICATION (10)
A 61 N 5/00	AU 2020 14972 U
G 06 Q 20/36	AU 2020 15243 U

**CONCORDANCE TABLE OF PUBLICATION NUMBERS
AND INTERNATIONAL CLASSIFICATION INDEX**

NUMBER OF PUBLISHED APPLICATION (10)	INTERNATIONAL CLASSIFICATION INDEXES (51)
AU 2020 14972 U	A 61 N 5/00
AU 2020 15243 U	G 06 Q 20/36

**CONCORDANCE TABLE OF INTERNATIONAL CLASSIFICATION INDEX,
PATENT NUMBERS AND PUBLICATION NUMBERS**

INTERNATIONAL CLASSIFICATION INDEX (51)	NUMBER OF PATENT (11)	NUMBER OF PUBLISHED APPLICATION (10)
A 61 K 31/047; A 61 P 7/10	U 2020 2053 Y	AU 2020 15112 U

**CONCORDANCE TABLE OF PATENT NUMBERS,
PUBLICATION NUMBERS AND INTERNATIONAL CLASSIFICATION INDEX**

NUMBER OF PATENT (11)	NUMBER OF PUBLISHED APPLICATION (10)	INTERNATIONAL CLASSIFICATION INDEX (51)
U 2020 2053 Y	AU 2020 15112 U	A 61 K 31/047; A 61 P 7/10

**CONCORDANCE TABLE OF APPLICATION NUMBERS, PUBLICATION NUMBERS
AND PATENTS**

NUMBER OF APPLICATION (21)	NUMBER OF PUBLISHED APPLICATION (10)	NUMBER OF PATENT (11)
AU 2019 15112	AU 2020 15112 U	U 2020 2053 Y

DESIGNS

**CONCORDANCE TABLE OF INTERNATIONAL CLASSIFICATION INDEX
AND PUBLICATION NUMBERS**

INTERNATIONAL CLASSIFICATION INDEXES (51)	NUMBER OF PUBLISHED APPLICATION (10)
06-02	AD 2020 1158 S

**CONCORDANCE TABLE OF PUBLICATION NUMBERS
AND INTERNATIONAL CLASSIFICATION INDEX**

NUMBER OF PUBLISHED APPLICATION (10)	INTERNATIONAL CLASSIFICATION INDEXES (51)
AD 2020 1158 S	06-02

CONCORDANCE TABLE OF INTERNATIONAL CLASSIFICATION INDEX,
PATENT NUMBERS AND PUBLICATION NUMBERS

INTERNATIONAL CLASSIFICATION INDEX (51)	NUMBER OF PATENT (11)	NUMBER OF PUBLISHED APPLICATION (10)
09-01	D 2020 865 S	AD 2020 1144 S

CONCORDANCE TABLE OF PATENT NUMBERS,
PUBLICATION NUMBERS AND INTERNATIONAL CLASSIFICATION INDEX

NUMBER OF PATENT (11)	NUMBER OF PUBLISHED APPLICATION (10)	INTERNATIONAL CLASSIFICATION INDEX (51)
D 2020 865 S	AD 2020 1144 S	09-01

CONCORDANCE TABLE OF APPLICATION NUMBERS, PUBLICATION NUMBERS
AND PATENTS

NUMBER OF APPLICATION (21)	NUMBER OF PUBLISHED APPLICATION (10)	NUMBER OF PATENT (11)
AD 2020 1144	AD 2020 1144 S	D 2020 865 S

**DESIGN REGISTERED ACCORDING TO THE ACCELERATED
PROCEDURE**

CONCORDANCE TABLE OF INTERNATIONAL CLASSIFICATION INDEX
AND PUBLICATION NUMBERS

INTERNATIONAL CLASSIFICATION INDEXES (51)	NUMBER OF PUBLISHED APPLICATION (11)
11-01	D 2020 866 S
32-00	D 2020 867 S

CONCORDANCE TABLE OF PUBLICATION NUMBERS
AND INTERNATIONAL CLASSIFICATION INDEX

NUMBER OF PUBLISHED APPLICATION (11)	INTERNATIONAL CLASSIFICATION INDEXES (51)
D 2020 866 S	11-01
D 2020 867 S	32-00

CONCORDANCE TABLE OF APPLICATION NUMBERS,
PUBLICATION NUMBERS AND PATENTS

NUMBER OF APPLICATION (21)	NUMBER OF PATENT (11)
AD 2020 1180	D 2020 866 S
AD 2020 1178	D 2020 867 S

TRADEMARKS

CONCORDANCE TABLE OF REGISTRATION NUMBERS, APPLICATION NUMBERS, PUBLICATION NUMBERS AND BULLETIN NUMBERS

NUMBER OF REGISTRATION (111)	NUMBER OF APPLICATIONS (210)	NUMBER OF PUBLISHED APPLICATIONS (260)	NUMBER OF BULLETIN
1	2	3	4
M 2020 33139 R	AM 109765	–	19(551)2020
M 2020 33140 R	AM 109823	–	19(551)2020
M 2020 33141 R	AM 103323	AM 2020 103323 A	11(543)2020
M 2020 33142 R	AM 104566	AM 2020 104566 A	8(540)2020
M 2020 33143 R	AM 104925	AM 2020 104925 A	9(541)2020
M 2020 33144 R	AM 105007	AM 2020 105007 A	10(542)2020
M 2020 33145 R	AM 105008	AM 2020 105008 A	8(540)2020
M 2020 33146 R	AM 105019	AM 2020 105019 A	8(540)2020
M 2020 33147 R	AM 105127	AM 2020 105127 A	11(543)2020
M 2020 33148 R	AM 105152	AM 2020 105152 A	11(543)2020
M 2020 33149 R	AM 105153	AM 2020 105153 A	11(543)2020
M 2020 33150 R	AM 105156	AM 2020 105156 A	11(543)2020
M 2020 33151 R	AM 105157	AM 2020 105157 A	11(543)2020
M 2020 33152 R	AM 105210	AM 2020 105210 A	11(543)2020
M 2020 33153 R	AM 105225	AM 2020 105225 A	11(543)2020
M 2020 33154 R	AM 105250	AM 2020 105250 A	11(543)2020
M 2020 33155 R	AM 105348	AM 2020 105348 A	11(543)2020
M 2020 33156 R	AM 105349	AM 2020 105349 A	11(543)2020
M 2020 33157 R	AM 105353	AM 2020 105353 A	11(543)2020
M 2020 33158 R	AM 105354	AM 2020 105354 A	11(543)2020
M 2020 33159 R	AM 105355	AM 2020 105355 A	11(543)2020
M 2020 33160 R	AM 105429	AM 2020 105429 A	11(543)2020
M 2020 33161 R	AM 105446	AM 2020 105446 A	10(542)2020
M 2020 33162 R	AM 105545	AM 2020 105545 A	10(542)2020
M 2020 33163 R	AM 105563	AM 2020 105563 A	11(543)2020
M 2020 33164 R	AM 105673	AM 2020 105673 A	11(543)2020
M 2020 33165 R	AM 105750	AM 2020 105750 A	11(543)2020
M 2020 33166 R	AM 105756	AM 2020 105756 A	11(543)2020
M 2020 33167 R	AM 105758	AM 2020 105758 A	11(543)2020
M 2020 33168 R	AM 105769	AM 2020 105769 A	11(543)2020
M 2020 33169 R	AM 105770	AM 2020 105770 A	11(543)2020
M 2020 33170 R	AM 105771	AM 2020 105771 A	11(543)2020
M 2020 33171 R	AM 105772	AM 2020 105772 A	11(543)2020
M 2020 33172 R	AM 105778	AM 2020 105778 A	11(543)2020
M 2020 33173 R	AM 105875	AM 2020 105875 A	11(543)2020
M 2020 33174 R	AM 105891	AM 2020 105891 A	11(543)2020
M 2020 33175 R	AM 109747	–	19(551)2020
M 2020 33176 R	AM 109673	–	19(551)2020
M 2020 33177 R	AM 109748	–	19(551)2020
M 2020 33178 R	AM 109762	–	19(551)2020
M 2020 33179 R	AM 109738	–	19(551)2020
M 2020 33180 R	AM 109837	–	19(551)2020
M 2020 33181 R	AM 102521	AM 2019 102521 A	21(529)2019
M 2020 33182 R	AM 103582	AM 2020 103582 A	12(544)2020
M 2020 33183 R	AM 103943	AM 2020 103943 A	5(537)2020
M 2020 33184 R	AM 104552	AM 2020 104552 A	12(544)2020

1	2	3	4
M 2020 33185 R	AM 105224	AM 2020 105224 A	11(543)2020
M 2020 33186 R	AM 105237	AM 2020 105237 A	11(543)2020
M 2020 33187 R	AM 105238	AM 2020 105238 A	11(543)2020
M 2020 33188 R	AM 105239	AM 2020 105239 A	11(543)2020
M 2020 33189 R	AM 105240	AM 2020 105240 A	11(543)2020
M 2020 33190 R	AM 105241	AM 2020 105241 A	11(543)2020
M 2020 33191 R	AM 105255	AM 2020 105255 A	10(542)2020
M 2020 33192 R	AM 105350	AM 2020 105350 A	11(543)2020
M 2020 33193 R	AM 105676	AM 2020 105676 A	11(543)2020
M 2020 33194 R	AM 105743	AM 2020 105743 A	11(543)2020
M 2020 33195 R	AM 105744	AM 2020 105744 A	11(543)2020
M 2020 33196 R	AM 105745	AM 2020 105745 A	11(543)2020
M 2020 33197 R	AM 105763	AM 2020 105763 A	11(543)2020
M 2020 33198 R	AM 105803	AM 2020 105803 A	11(543)2020
M 2020 33199 R	AM 100070	AM 2019 100070 A	21(529)2019
M 2020 33199 R	AM 100070	AM 2020 100070 A	12(544)2020
M 2020 33200 R	AM 105146	AM 2020 105146 A	7(539)2020
M 2020 33201 R	AM 105447	AM 2020 105447 A	11(543)2020
M 2020 33202 R	AM 105458	AM 2020 105458 A	10(542)2020
M 2020 33203 R	AM 105459	AM 2020 105459 A	12(544)2020
M 2020 33204 R	AM 105679	AM 2020 105679 A	12(544)2020
M 2020 33205 R	AM 105792	AM 2020 105792 A	12(544)2020
M 2020 33206 R	AM 103692	AM 2020 103692 A	5(537)2020
M 2020 33207 R	AM 103974	AM 2020 103974 A	5(537)2020
M 2020 33208 R	AM 103975	AM 2020 103975 A	5(537)2020
M 2020 33209 R	AM 104425	AM 2020 104425 A	5(537)2020
M 2020 33210 R	AM 104426	AM 2020 104426 A	5(537)2020
M 2020 33211 R	AM 104427	AM 2020 104427 A	5(537)2020
M 2020 33212 R	AM 104428	AM 2020 104428 A	5(537)2020
M 2020 33213 R	AM 104429	AM 2020 104429 A	5(537)2020
M 2020 33214 R	AM 104430	AM 2020 104430 A	6(538)2020
M 2020 33215 R	AM 104432	AM 2020 104432 A	6(538)2020
M 2020 33216 R	AM 104906	AM 2020 104906 A	9(541)2020

CONCORDANCE TABLE OF PUBLICATION NUMBERS
AND APPLICATION NUMBERS

NUMBER OF PUBLISHED APPLICATION (260)	NUMBER OF APPLICATION (210)	1	2
1	2		
AM 2020 103187 A	AM 103187	AM 2020 107309 A	AM 107309
AM 2020 104202 A	AM 104202	AM 2020 107310 A	AM 107310
AM 2020 104203 A	AM 104203	AM 2020 107312 A	AM 107312
AM 2020 104204 A	AM 104204	AM 2020 107388 A	AM 107388
AM 2020 106943 A	AM 106943	AM 2020 107391 A	AM 107391
AM 2020 106944 A	AM 106944	AM 2020 107392 A	AM 107392
AM 2020 106955 A	AM 106955	AM 2020 107395 A	AM 107395
AM 2020 107057 A	AM 107057	AM 2020 107398 A	AM 107398
AM 2020 107058 A	AM 107058	AM 2020 107400 A	AM 107400
AM 2020 107149 A	AM 107149	AM 2020 107401 A	AM 107401
AM 2020 107152 A	AM 107152	AM 2020 107402 A	AM 107402
AM 2020 107159 A	AM 107159	AM 2020 107403 A	AM 107403
AM 2020 107165 A	AM 107165	AM 2020 107406 A	AM 107406
AM 2020 107167 A	AM 107167	AM 2020 107407 A	AM 107407
AM 2020 107182 A	AM 107182	AM 2020 107466 A	AM 107466
AM 2020 107185 A	AM 107185	AM 2020 107467 A	AM 107467
AM 2020 107266 A	AM 107266	AM 2020 107468 A	AM 107468
AM 2020 107267 A	AM 107267	AM 2020 107469 A	AM 107469
AM 2020 107287 A	AM 107287	AM 2020 107479 A	AM 107479
AM 2020 107288 A	AM 107288	AM 2020 107487 A	AM 107487
AM 2020 107302 A	AM 107302	AM 2020 107550 A	AM 107550
AM 2020 107303 A	AM 107303	AM 2020 107567 A	AM 107567
AM 2020 107304 A	AM 107304	AM 2020 107568 A	AM 107568
AM 2020 107305 A	AM 107305	AM 2020 107573 A	AM 107573
		AM 2020 107575 A	AM 107575
		AM 2020 107576 A	AM 107576
		AM 2020 107578 A	AM 107578
		AM 2020 107663 A	AM 107663

CONCORDANCE TABLE OF INDEX OF GOODS AND/OR SERVICES
AND APPLICATION NUMBERS

INDEX OF GOODS AND/OR SERVICES (511)	NUMBER OF PUBLISHED APPLICATIONS (26)	1	2
1	2		
1	AM 2020 107391 A	12	AM 2020 107468 A
1	AM 2020 107392 A	13	AM 2020 107400 A
1	AM 2020 107400 A	14	AM 2020 107400 A
2	AM 2020 107400 A	14	AM 2020 107550 A
3	AM 2020 107185 A	15	AM 2020 107400 A
3	AM 2020 107302 A	16	AM 2020 107400 A
3	AM 2020 107303 A	17	AM 2020 107400 A
3	AM 2020 107304 A	18	AM 2020 107400 A
3	AM 2020 107305 A	18	AM 2020 107550 A
3	AM 2020 107309 A	19	AM 2020 107395 A
3	AM 2020 107310 A	19	AM 2020 107400 A
3	AM 2020 107312 A	20	AM 2020 107400 A
3	AM 2020 107400 A	21	AM 2020 107309 A
3	AM 2020 107663 A	21	AM 2020 107310 A
4	AM 2020 107400 A	21	AM 2020 107400 A
5	AM 2020 106955 A	22	AM 2020 107400 A
5	AM 2020 107057 A	23	AM 2020 107400 A
5	AM 2020 107185 A	24	AM 2020 107395 A
5	AM 2020 107266 A	24	AM 2020 107400 A
5	AM 2020 107267 A	25	AM 2020 107400 A
5	AM 2020 107302 A	25	AM 2020 107487 A
5	AM 2020 107303 A	25	AM 2020 107550 A
5	AM 2020 107304 A	26	AM 2020 107400 A
5	AM 2020 107305 A	27	AM 2020 107400 A
5	AM 2020 107312 A	28	AM 2020 107400 A
5	AM 2020 107388 A	29	AM 2020 107400 A
5	AM 2020 107392 A	29	AM 2020 107469 A
5	AM 2020 107400 A	30	AM 2020 107182 A
5	AM 2020 107568 A	30	AM 2020 107388 A
5	AM 2020 107578 A	30	AM 2020 107400 A
6	AM 2020 107400 A	30	AM 2020 107401 A
7	AM 2020 107400 A	31	AM 2020 103187 A
8	AM 2020 107309 A	31	AM 2020 107400 A
8	AM 2020 107310 A	32	AM 2020 107398 A
8	AM 2020 107400 A	32	AM 2020 107400 A
9	AM 2020 107287 A	32	AM 2020 107401 A
9	AM 2020 107288 A	32	AM 2020 107406 A
9	AM 2020 107400 A	32	AM 2020 107407 A
9	AM 2020 107403 A	32	AM 2020 107479 A
9	AM 2020 107567 A	32	AM 2020 107568 A
9	AM 2020 107573 A	33	AM 2020 103187 A
9	AM 2020 107575 A	33	AM 2020 106943 A
10	AM 2020 107400 A	33	AM 2020 106944 A
11	AM 2020 107400 A	33	AM 2020 107149 A
12	AM 2020 107400 A	33	AM 2020 107152 A
12	AM 2020 107466 A	33	AM 2020 107165 A
12	AM 2020 107467 A	33	AM 2020 107167 A
		33	AM 2020 107400 A
		34	AM 2020 107400 A
		35	AM 2020 103187 A
		35	AM 2020 104202 A
		35	AM 2020 104203 A

1	2	1	2
35	AM 2020 104204 A	41	AM 2020 107573 A
35	AM 2020 107287 A	41	AM 2020 107575 A
35	AM 2020 107400 A	42	AM 2020 107159 A
35	AM 2020 107401 A	42	AM 2020 107400 A
35	AM 2020 107550 A	42	AM 2020 107567 A
35	AM 2020 107567 A	42	AM 2020 107573 A
35	AM 2020 107568 A	42	AM 2020 107575 A
35	AM 2020 107573 A	43	AM 2020 103187 A
35	AM 2020 107575 A	43	AM 2020 107058 A
36	AM 2020 107400 A	43	AM 2020 107149 A
37	AM 2020 107400 A	43	AM 2020 107152 A
38	AM 2020 107287 A	43	AM 2020 107400 A
38	AM 2020 107400 A	43	AM 2020 107401 A
38	AM 2020 107402 A	43	AM 2020 107479 A
38	AM 2020 107567 A	43	AM 2020 107576 A
38	AM 2020 107573 A	44	AM 2020 107400 A
38	AM 2020 107575 A	44	AM 2020 107567 A
39	AM 2020 107400 A	44	AM 2020 107573 A
40	AM 2020 107400 A	44	AM 2020 107575 A
41	AM 2020 107159 A	45	AM 2020 107400 A
41	AM 2020 107287 A	45	AM 2020 107567 A
41	AM 2020 107400 A	45	AM 2020 107573 A
41	AM 2020 107567 A	45	AM 2020 107575 A

CONCORDANCE TABLE OF INDEX OF GOODS AND/OR SERVICES
AND NUMBERS OF TRADEMARKS REGISTERED ACCORDING
TO THE ACCELERATED PROCEDURE

INDEX OF GOODS AND/OR SERVICES (511)	NUMBERS OF REGISTERED ACCORDING TO THE ACCELERATED PROCEDURE (111)
3	M 2020 33176 R
9	M 2020 33175 R
24	M 2020 33140 R
25	M 2020 33140 R
29	M 2020 33180 R
30	M 2020 33179 R
33	M 2020 33139 R
35	M 2020 33178 R
38	M 2020 33175 R
41	M 2020 33177 R
41	M 2020 33178 R
42	M 2020 33175 R

OFFICIAL BULLETIN OF THE INDUSTRIAL PROPERTY

INVENTIONS
UTILITY MODELS
DESIGNS
TRADEMARKS
GEOGRAPHICAL INDICATION

19(551)

EDITOR-IN-CHIEF: N. Bebrishvili

EDITOR-TRANSLATOR: E. Gabunia

PROOFREADER: A. Shikhashvili

COMPUTER LAYOUT: M. Ordenidze
K. Svanidze

www.sakpatenti.gov.ge

E-mail: info@sakpatenti.org.ge

**LIST OF CODES, IN ALPHABETIC SEQUENCE, AND THE CORRESPONDING (SHORT) NAMES OF STATES, OTHER ENTITIES AND INTERGOVERNMENTAL ORGANIZATIONS
(WIPO STANDARD ST.3)**

AD	Andorra				
AE	United Arab Emirates	GD	Grenada	NE	Niger
AF	Afghanistan	GG	Guernsey	NG	Nigeria
AG	Antigua and Barbuda	GH	Ghana	NI	Nicaragua
AI	Anguilla	GI	Gibraltar	NL	Netherlands
AL	Albania	GT	Guatemala	NO	Norway
AM	Armenia	GW	Guinea- Bissau	NP	Nepal
AN	Netherlands Antilles	GY	Guyana	NR	Nauru
AO	Angola	HK	The Hong Kong Special Administrative Region of the People's Republic of China	NZ	New Zealand
AP	African Regional Intellectual Property Organization (ARIPO)	HN	Honduras	OA	African Intellectual Property Organization (OAPI)
AR	Argentina	HR	Croatia	OM	Oman
AT	Austria	HT	Haiti	PA	Panama
AU	Australia	HU	Hungary	PE	Peru
AW	Aruba	IB	International Bureau of the World Intellectual Property Organization (WIPO)	PG	Papua New Guinea
AZ	Azerbaijan	ID	Indonesia	PH	Philippines
BA	Bosnia and Herzegovina	IE	Ireland	PK	Pakistan
BB	Barbados	IL	Israel	PL	Poland
BD	Bangladesh	IM	Isle of Man	PT	Portugal
BE	Belgium	IN	India	PW	Palau
BF	Burkina Faso	IQ	Iraq	PY	Paraguay
BG	Bulgaria	IR	Iran (Islamic Republic of)	QA	Qatar
BH	Bahrain	IS	Iceland	QZ	Community Plant Variety Office (European Community) (CPVO)
BI	Burundi	IT	Italy	RO	Romania
BJ	Benin	JE	Jersey	RS	Serbia
BM	Bermuda	JM	Jamaica	RU	Russian Federation
BN	Brunei Darussalam	JO	Jordan	RW	Rwanda
BO	Bolivia	JP	Japan	SA	Saudi Arabia
BR	Brazil	KE	Kenya	SB	Solomon Islands
BS	Bahamas	KG	Kyrgyzstan	SC	Seychelles
BT	Bhutan	KH	Cambodia	SD	Sudan
BV	Bouvet Island	KI	Kiribati	SG	Singapore
BW	Botswana	KM	Saint Kitts and Nevis	SH	Saint Helena
BX	Benelux Office for Intellectual Property (BOIP)	KP	Democratic People's Republic of Korea	SI	Slovenia
BY	Belarus	KR	Republic of Korea	SK	Slovakia
BZ	Belize	KW	Kuwait	SL	Sierra Leone
CA	Canada	KY	Cayman Islands	SM	San Marino
CD	Democratic Republic of the Congo	KZ	Kazakhstan	SN	Senegal
CF	Central African Republic	LA	Lao People's Democratic Republic	SO	Somalia
CG	Congo	LB	Lebanon	SR	Suriname
CH	Switzerland	LC	Saint Lucia	ST	Sao Tome and Principe
CI	Cote d'Ivoire	LI	Liechtenstein	SV	El Salvador
CK	Cook Islands	LK	Sri Lanka	SY	Syrian Arab Republic
CL	Chile	LR	Liberia	SZ	Swaziland
CM	Cameroon	LS	Lesotho	TC	Turks and Caicos Islands
CN	China	LT	Lithuania	TD	Chad
CO	Colombia	LU	Luxembourg	TG	Togo
CR	Costa Rica	LV	Latvia	TH	Thailand
CU	Cuba	LY	Libyan Arab Jamahiriya	TJ	Tajikistan
CV	Cape Verde	MA	Morocco	TL	Timor-Leste
CY	Cyprus	MC	Monaco	TM	Turkmenistan
CZ	Czech Republic	MD	Republic of Moldova	TN	Tunisia
DE	Germany	ME	Montenegro	TO	Tonga
DJ	Djibouti	MG	Madagascar	TR	Turkey
DM	Dominica	MK	The former Yugoslav Republic of Macedonia	SE	Sweden
DO	Dominican Republic	ML	Mali	TT	Trinidad and Tobago
DZ	Algeria	MM	Myanmar	TV	Tuvalu
EA	Eurasian Patent Organization (EAPO)	MN	Mongolia	TW	Taiwan, Province of China
EC	Ecuador	MO	Macao	TZ	United Republic of Tanzania
EE	Estonia	MP	Northern Mariana Islands	UA	Ukraine
EG	Egypt	MR	Mauritania	UG	Uganda
EH	Western Sahara	MS	Montserrat	US	United States of America
EM	Office for Harmonization in the Internal Market (Trademarks and Designs)(OHIM)	MT	Malta	UY	Uruguay
EP	European Patent Office (EPO)	MU	Mauritius	UZ	Uzbekistan
ER	Eritrea	MV	Maldives	VA	Holy See
ES	Spain	MW	Malawi	VC	Saint Vincent and the Grenadines
ET	Ethiopia	MX	Mexico	VE	Venezuela
FI	Finland	MY	Malaysia	VG	Virgin Islands (British)
FJ	Fiji	MZ	Mozambique	VN	Viet Nam
FK	Falkland Islands (Malvinas)	NA	Namibia	VU	Vanuatu
FO	Faroe Islands			WO	World Intellectual Property Organization (WIPO)
FR	France			WS	Samoa
GA	Gabon			XN	Nordic Patent Institute (NPI)
GB	United Kingdom			YE	Yemen
GC	Patent Office of the Cooperation Council for the Arab States of the Gulf (GCC)			ZA	South Africa
				ZM	Zambia
				ZW	Zimbabwe