



**NATIONAL INTELLECTUAL PROPERTY CENTER OF GEORGIA
SAKPATENTI**

**OFFICIAL BULLETIN
OF THE INDUSTRIAL PROPERTY**

20(480)

**2017
TBILISI**

INID CODES FOR IDENTIFICATION OF BIBLIOGRAPHIC DATA

INVENTIONS, UTILITY MODELS

- (10) Number of publication for application, which has been examined
- (11) Number of patent and kind of document
- (21) Serial number of application
- (22) Date of filing of the application
- (23) Date of exhibition or the date of the earlier filing and the number of application, if any
- (24) Date from which patent may have effect
- (31) Number of priority application
- (32) Date of filing of priority application
- (33) Code of the country or regional organization allotting priority application number
- (44) Date of publication of application not granted, but examined and number of bulletin
- (45) Date of publication of registered document
- (51) International Patent Classification Index
- (54) Title of the invention
- (57) Abstract
- (60) Number of examined patent document granted by foreign patent office, date from which patent has effect and country code
- (62) Number of the earlier application and in case of divided application, date of filing an application
- (71) Name, surname and address of applicant (country code)
- (72) Name, surname of inventor (country code)
- (73) Name, surname and address of patent owner (country code)
- (74) Name, surname of representative or patent attorney
- (85) Date of commencement of the national phase of International Application
- (86) Number and date of filing of international application
- (87) Number and date of publication of international application

DESIGNS

- (10) Number of publication for application
- (11) Number of patent and kind of document or number of registration
- (15) Date of registration/Date of patent renewal
- (18) Expected expiration date of patent or registration
- (21) Serial number of application
- (22) Date of filing of the application
- (23) Date of exhibition or the date of the earlier filing and the number of application, if any
- (24) Date from which patent may have effect
- (28) Number of designs included in the application
- (30) Data relating to priority (number of application, date of filing of application, two-letter code identifying the authority with whom the priority application was made)
- (31) Number of priority application
- (32) Date of filing of priority application
- (33) Code of the country or regional organization allotting priority application number
- (34) Two-letter code according to WIPO St.3 identifying the authority with which the priority application was made
- (44) Date of publication of design and number of bulletin (the first publication)
- (45) Date of publication of design registered by WIPO and number of bulletin
- (51) International Classification for designs (class and subclass of the Locarno Classification)
- (54) Title of the invention
- (55) Reproduction of the design
- (57) Description of characteristic features of the design including indication of colors
- (58) Date of recording of any kind of amendment in the Register
- (62) Number of the earlier application, registration and document number and if available the date of filing an application in case of divided application
- (71) Name, surname and address of applicant (country code)
- (72) Name, surname of creator (country code)
- (73) Name, surname and address of patent owner (country code)
- (74) Name, surname of representative or patent attorney
- (81) Contracting states concerned
 - II designated contracting states according to the 1960 Act
 - III designated contracting states according to the 1999 Act
- (85) Owner's permanent address
- (86) Owner's nationality
- (87) Owner's residence
- (88) State in which the owner has a real and effective industrial or commercial establishment

TRADEMARKS

- (111) – Number of registration
- (151) – Date of registration
- (156) – Date of the renewal
- (181) – Expected expiration date of registration
- (186) – Renewal expiration date of registration
- (141) – Date of cancel of duration of the mark
- (210) – Serial number of application
- (220) – Date of filing of the application
- (230) – Date concerning exhibition
- (260) – Number of application, for which favorable decision of examination about registration has been taken (publication number)
- (310) – Number of the first application
- (320) – Date of filing of the first application
- (330) – Code, identifying national or regional Office where the first application was made
- (511) – International Classification of Goods and Services for the purposes of registration of trade marks and/or list of goods and/or services classified according thereto
- (531) – Description of figurative elements of Trade Marks according to the International Classification of the Figurative Elements of Marks
- (540) – Reproduction of Trade Mark
- (550) – Nature and kind of Trade Mark
- (580) – Date of recording of any kind changes in respect of applications or registrations
- (591) – Information concerning colors claimed
- (731) – Name and address of the applicant
- (732) – Name and address of the holder of the registration
- (740) – Name and address of the representative
- (750) – Address for correspondence
- (770) – Name and address of the previous applicant or holder in case of change in ownership
- (771) – Previous name and address of the applicant or holder in case of change in ownership
- (791) – Name and address of the licensee
- (793) – Indication of conditions and/or restrictions under the license (Type of license, number of license agreement, data of license, data of validity of license)
- (800) – Certain data relating to the international registration of Trade Marks under the Protocol Relating to Madrid Agreement (International registration number)

CODES FOR PUBLICATION IN BULLETIN

- (21) AP 0000 000000 – serial number of application for invention
- (10) AP 0000 0000 A – number of published application for invention (first publication)
- (11) P 0000 0000 B – number of patent for invention (second publication)
- (21) API 0000 000000 – number of application for imported patent
- (11) PI 0000 0000 A – number of imported patent (first publication)
- (21) AU 0000 000000 – serial number of application for utility model
- (10) AU 0000 000 U – number of published application for utility model (first publication)
- (11) U 0000 000 Y – number of patent for utility model (second publication)
- (21) AD 0000 000000 – serial number of application for design
- (10) AD 0000 000 S – number of published application for design (first publication)
- (11) D 0000 000 S – number of patent for design (second publication)

INTERNATIONAL PATENT CLASSIFICATION FOR INVENTIONS AND UTILITY MODELS

- SECTION A – HUMAN NECESSITIES
- SECTION B – PERFORMING OPERATIONS; TRANSPORTING
- SECTION C – CHEMISTRY; METALLURGY
- SECTION D – TEXTILES; PAPER
- SECTION E – FIXED CONSTRUCTIONS
- SECTION F – MECHANICAL ENGINEERING; LIGHTING; HEATING; WEAPONS; BLASTING
- SECTION G – PHYSICS
- SECTION H – ELECTRICITY

-
- M – Trade Mark
 - (210) AM 0000 000000 – Serial number of application;
 - (260) AAM 0000 00000 A – Publication number of application;
 - (111) M 0000 00000 R – Number of registration;
 - (111) MMM0000 00000 Rn – Number of renewals, in which n=1,2,3;
 - (111) M 0000 00000 R(P) – Number of registration under partial assignment of rights
-

LIST OF CODES, IN ALPHABETIC SEQUENCE, AND THE CORRESPONDING (SHORT) NAMES OF STATES, OTHER ENTITIES AND INTERGOVERNMENTAL ORGANIZATIONS
(WIPO STANDARD ST.3)

AD	Andorra				
AE	United Arab Emirates				
AF	Afghanistan				
AG	Antigua and Barbuda				
AI	Anguilla				
AL	Albania				
AM	Armenia				
AN	Netherlands Antilles				
AO	Angola				
AP	African Regional Intellectual Property Organization (ARIPO)				
AR	Argentina				
AT	Austria				
AU	Australia				
AW	Aruba				
AZ	Azerbaijan				
BA	Bosnia and Herzegovina				
BB	Barbados				
BD	Bangladesh				
BE	Belgium				
BF	Burkina Faso				
BG	Bulgaria				
BH	Bahrain				
BI	Burundi				
BJ	Benin				
BM	Bermuda				
BN	Brunei Darussalam				
BO	Bolivia				
BR	Brazil				
BS	Bahamas				
BT	Bhutan				
BV	Bouvet Island				
BW	Botswana				
BX	Benelux Office for Intellectual Property (BOIP)				
BY	Belarus				
BZ	Belize				
CA	Canada				
CD	Democratic Republic of the Congo				
CF	Central African Republic				
CG	Congo				
CH	Switzerland				
CI	Cote d'Ivoire				
CK	Cook Islands				
CL	Chile				
CM	Cameroon				
CN	China				
CO	Colombia				
CR	Costa Rica				
CU	Cuba				
CV	Cape Verde				
CY	Cyprus				
CZ	Czech Republic				
DE	Germany				
DJ	Djibouti				
DM	Dominica				
DO	Dominican Republic				
DZ	Algeria				
EA	Eurasian Patent Organization (EAPO)				
EC	Ecuador				
EE	Estonia				
EG	Egypt				
EH	Western Sahara				
EM	Office for Harmonization in the Internal Market (Trademarks and Designs)(OHIM)				
EP	European Patent Office (EPO)				
ER	Eritrea				
ES	Spain				
ET	Ethiopia				
FI	Finland				
FJ	Fiji				
FK	Falkland Islands (Malvinas)				
FO	Faroe Islands				
FR	France				
GA	Gabon				
GB	United Kingdom				
GC	Patent Office of the Cooperation Council for the Arab States of the Gulf (GCC)				
GD	Grenada				
GG	Guernsey				
GH	Ghana				
GI	Gibraltar				
GT	Guatemala				
GW	Guinea- Bissau				
GY	Guyana				
HK	The Hong Kong Special Administrative Region of the People's Republic of China				
HN	Honduras				
HR	Croatia				
HT	Haiti				
HU	Hungary				
IB	International Bureau of the World Intellectual Property Organization (WIPO)				
ID	Indonesia				
IE	Ireland				
IL	Israel				
IM	Isle of Man				
IN	India				
IQ	Iraq				
ID	Indonesia				
IE	Ireland				
IL	Israel				
IM	Isle of Man				
IN	India				
IQ	Iraq				
IR	Iran (Islamic Republic of)				
IS	Iceland				
IT	Italy				
JE	Jersey				
JM	Jamaica				
JO	Jordan				
JP	Japan				
KE	Kenya				
KG	Kyrgyzstan				
KH	Cambodia				
KI	Kiribati				
KM	Saint Kitts and Nevis				
KP	Democratic People's Republic of Korea				
KR	Republic of Korea				
KW	Kuwait				
KY	Cayman Islands				
KZ	Kazakhstan				
LA	Lao People's Democratic Republic				
LB	Lebanon				
LC	Saint Lucia				
LI	Liechtenstein				
LK	Sri Lanka				
LR	Liberia				
LS	Lesotho				
LT	Lithuania				
LU	Luxembourg				
LV	Latvia				
LY	Libyan Arab Jamahiriya				
MA	Morocco				
MC	Monaco				
MD	Republic of Moldova				
ME	Montenegro				
MG	Madagascar				
MK	The former Yugoslav Republic of Macedonia				
ML	Mali				
MM	Myanmar				
MN	Mongolia				
MO	Macao				
MP	Northern Mariana Islands				
MR	Mauritania				
MS	Montserrat				
MT	Malta				
MU	Mauritius				
MV	Maldives				
MW	Malawi				
MX	Mexico				
MY	Malaysia				
MZ	Mozambique				
NA	Namibia				
NE	Niger				
NG	Nigeria				
NI	Nicaragua				
NL	Netherlands				
NO	Norway				
NP	Nepal				
NR	Nauru				
NZ	New Zealand				
OA	African Intellectual Property Organization (OAPI)				
OM	Oman				
PA	Panama				
PE	Peru				
PG	Papua New Guinea				
PH	Philippines				
PK	Pakistan				
PL	Poland				
PT	Portugal				
PW	Palau				
PY	Paraguay				
QA	Qatar				
QZ	Community Plant Variety Office (European Community) (CPVO)				
RO	Romania				
RS	Serbia				
RU	Russian Federation				
RW	Rwanda				
SA	Saudi Arabia				
SB	Solomon Islands				
SC	Seychelles				
SD	Sudan				
SG	Singapore				
SH	Saint Helena				
SI	Slovenia				
SK	Slovakia				
SL	Sierra Leone				
SM	San Marino				
SN	Senegal				
SO	Somalia				
SR	Suriname				
ST	Sao Tome and Principe				
SV	El Salvador				
SY	Syrian Arab Republic				
SZ	Swaziland				
TC	Turks and Caicos Islands				
TD	Chad				
TG	Togo				
TH	Thailand				
TJ	Tajikistan				
TL	Timor-Leste				
TM	Turkmenistan				
TN	Tunisia				
TO	Tonga				
TR	Turkey				
SE	Sweden				
TT	Trinidad and Tobago				
TV	Tuvalu				
TW	Taiwan, Province of China				
TZ	United Republic of Tanzania				
UA	Ukraine				
UG	Uganda				
US	United States of America				
UY	Uruguay				
UZ	Uzbekistan				
VA	Holy See				
VC	Saint Vincent and the Grenadines				
VE	Venezuela				
VG	Virgin Islands (British)				
VN	Viet Nam				
VU	Vanuatu				
WO	World Intellectual Property Organization (WIPO)				
WS	Samoa				
XN	Nordic Patent Institute (NPI)				
YE	Yemen				
ZA	South Africa				
ZM	Zambia				
ZW	Zimbabwe				

**NATIONAL INTELLECTUAL PROPERTY CENTER OF GEORGIA
SAKPATENTI**

**OFFICIAL BULLETIN
OF THE INDUSTRIAL PROPERTY**

20(480)

**INVENTIONS
UTILITY MODELS
DESIGNS
TRADEMARKS**

**DATE OF PUBLICATION
2017 10 25**

CONTENTS

PUBLISHED TITLES OF PROTECTION	2
INVENTIONS	
▪ APPLICATIONS APPROVED FOR GRANTING PATENT	4
▪ PATENTED INVENTIONS	8
UTILITY MODELS	
▪ APPLICATIONS APPROVED FOR GRANTING PATENT	12
▪ PATENTED INVENTIONS	14
DESIGNS	
▪ APPLICATIONS APPROVED FOR REGISTRATION	15
▪ REGISTERED DESIGN	17
▪ DESIGN REGISTERED ACCORDING TO THE ACCELERATED PROCEDURE	18
TRADEMARKS	
▪ APPLICATIONS FILED UNDER THE NATIONAL PROCEDURE APPROVED FOR REGISTRATION	21
▪ REGISTERED TRADEMARKS	31
▪ TRADEMARKS REGISTERED ACCORDING TO THE ACCELERATED PROCEDURE	36
▪ INTERNATIONAL TRADEMARKS FOR WHICH A DECISION ON GANTING PROTECTION IS TAKEN	40
▪ INTERNATIONAL TRADEMARKS PROTECTED IN GEORGIA	95
OFFICIAL NOTIFICATIONS	
INVENTIONS	
▪ RENEWAL OF PATENTS	100
▪ COMPLETE CANCELLATION OF PATENT BASED ON RE-EXAMINATION	101
UTILITY MODELS	
▪ RENEWAL OF PATENTS	101
TRADEMARKS	
▪ RENEWAL OF REGISTRATIONS	102
▪ COMPLETE TRANSFER OF RIGHTS	106
▪ CHANGES IN NAMES AND/OR ADDRESSES OF OWNERS	108
▪ INVALIDATION OF TRADEMARKS REGISTRATION	112
CLASSIFICATION INDEXES	
INVENTIONS	117
UTILITY MODELS	120
DESIGNS	121
TRADEMARKS	123

PUBLISHED TITLES OF PROTECTION

INVENTIONS

- **APPLICATIONS APPROVED FOR GRANTING PATENT:**
14218; 14107; 14080; 13499; 13972; 14176; 13909; 14275; 14228; 14106
- **PATENTED INVENTIONS:**
6752-6766

UTILITY MODELS

- **APPLICATIONS APPROVED FOR GRANTING PATENT:**
13949; 13988
- **PATENTED INVENTIONS:**
1952-1954

DESIGNS

- **APPLICATIONS APPROVED FOR REGISTRATION:**
949; 963
- **REGISTERED DESIGN:**
726
- **DESIGN REGISTERED ACCORDING TO THE ACCELERATED PROCEDURE:**
727

TRADEMARKS

- **APPLICATIONS FILED UNDER THE NATIONAL PROCEDURE APPROVED FOR REGISTRATION:**
88102, 88103; 89097*; 89783, 89784; 89965; 90054; 90477, 90478; 90557; 90765; 90876, 90877; 90928; 90931; 90940; 90953; 90997-91001; 91080; 91083, 91084; 91086; 91154; 91187; 91192, 91193; 91215; 91278; 91280; 91282, 91283; 91350; 91354-91357; 91359, 91360; 91377; 91395-91397; 91399, 91400; 91402; 91500-91502; 91515, 91516; 91529; 91530; 91532; 91534; 91609; 91640
- **REGISTERED TRADEMARKS:**
28959; 28979-29030
- **TRADEMARKS REGISTERED ACCORDING TO THE ACCELERATED PROCEDURE:**
28960-28978; 29031
- **INTERNATIONAL TRADEMARKS FOR WHICH A DECISION ON GRANTING PROTECTIONS IS TAKEN:**
86325*; 87032*; 88877; 88884; 88932; 89023; 89411; 89432; 89437; 89444, 89445; 89480; 89562; 89570; 89614; 89735; 89737; 89739, 89740; 89742; 89744-89746; 89749, 89750; 89752-89757; 89798; 89812; 89818; 89858-89860; 89862-89866; 89868-89877; 89900; 89902, 89903; 89905; 89907-89909; 89911, 89912; 89916; 89919; 89921, 89922; 89924-89926; 89928, 89929; 89931-89935; 89937; 89942; 89949; 89952; 89974-89977; 90007-90010; 90013-90017; 90021, 90022; 90041; 90057; 90083; 90108; 90111; 90114; 90168; 90170; 90179; 90189; 90195-90199; 90201; 90209; 90219; 90222; 90247-90250; 90252-90264; 90266-90271; 90277; 90309; 90311; 90323; 90340; 90397; 90469; 90470; 90472; 90474-90476; 90483; 90485; 90490-90492; 90497; 90660; 90713; 90714; 90716-90718; 90720; 90809; 90903; 90906; 90948
- **INTERNATIONAL TRADEMARKS PROTECTED IN GEORGIA:**
85809; 85966; 87185; 87205; 87865; 87957; 88032; 88058; 88095; 88190; 88193; 88262; 88275, 88276; 88291; 88299; 88466; 88518- 88520; 88588; 88592; 88595; 88604; 88607; 88697; 88704, 88705; 88708; 88710; 88712; 88716; 88719; 88722; 88730; 88740; 88743; 88750; 88754; 88756, 88757; 88759-88761; 88764; 88766; 88770-88772; 88775; 88778; 88799; 88801; 88839; 88841, 88842; 88902; 88906; 89109-89111; 89117

INVENTIONS

APPLICATIONS APPROVED FOR GRANTING PATENTS

The decision can be appealed at the Chamber of Appeal of Sakpatenti within 3 months from the publication or at the Mtskheta District Court Administrative Cases Board (Address: №17, Samkhedro str., Mtskheta), within 1 month following the publication.

PART A

A 61

(10) AP 2017 14218 A (51) Int. Cl. (2006)
A 61 C 8/00

- (21) AP 2016 014218 (22) 2016 07 22
(71) Tamar Barbakadze (GE)
Moskovis gamz. V kvart. korp. 7, b. 26,
0145, Tbilisi (GE);
Salome Barbakadze (GE)
Moskovis gamz. V kvart. korp. 7, b. 26,
0145, Tbilisi (GE)
(72) Tamar Barbakadze (GE);
Salome Barbakadze (GE)

(54) **TOOTH IMPLANT**

(57) An implant includes bearing sleeve 3 with persistent thread 2; connected thereby ring groove 4 and executed as persistent component the collet with the pins 5; at that, the bar-pusher 12 having a head and a lock-nut is disposed between the pins. Doubletee adjusting screw 9, which lower head 8 is inserted capable of vertical motion in pusher 10 bar aperture 11, is screwed into a bush. The pusher is connected to collet blade 6 by means of hinges 13 and separating bars 14; at that, the lock-nut 15 is screwed on the bush above adjusting screw, and a core 17 equipped with side rods 16 is hingedly installed on the lock-nut.

Claims: 1 independent

Fig.: 2

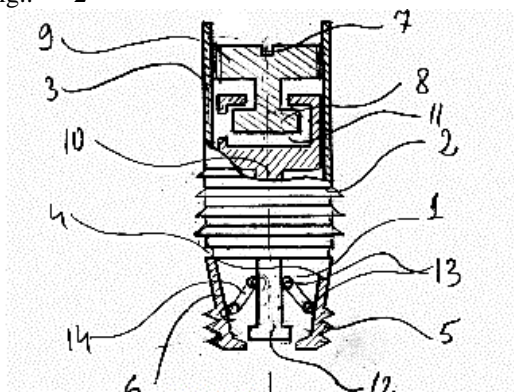


Fig. 1

(10) AP 2017 14107 A (51) Int. Cl. (2006)
A 61 K 31/56

- (21) AP 2014 014107 (22) 2014 09 05
(31) 61/874,450
(32) 2013 09 06
(33) US
(71) ADARE PHARMACEUTICALS INC. (US)
1200 Lenox Dr. Lawrenceville, NJ 08648 (US)
(72) GOSSELIN, Michael A. (US);
LAI, Jin-Wang (US);
VENKATESH, Gopi M. (US)
(74) Shalva Gvaramadze
(85) 2016 04 01
(86) PCT/US2014/054203, 2014 09 05
(54) **CORTICOSTEROID CONTAINING
ORALLY DISINTEGRATING TABLET
COMPOSITIONS FOR EOSINOPHILIC
ESOPHAGITIS**

(57) Composition contains corticosteroide with a content of 5% or less, carrier for corticosteroide adsorption and fast-dispersing microgranules.

Claims: 3 independent

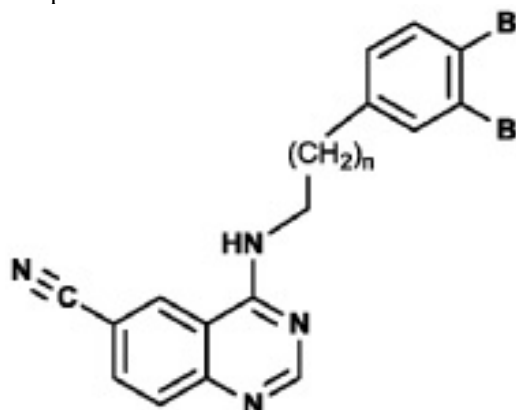
43 dependent

Fig.: 1

(10) AP 2017 14080 A (51) Int. Cl. (2006)
A 61 K 31/517
C 07 D 239/94
A 61 P 35/00

- (21) AP 2013 014080 (22) 2013 02 01
(62) AP 2013 13566
(31) 61/594,023; 61/673,419
(32) 2012 02 02; 2012 07 19
(33) US; US
(71) SENEX BIOTECHNOLOGY INC. (US)
715 Samptere St., Room 513, Coker Life
Science Bldg., Columbia, SC 29208 (US)
(72) ROBINSON, Igor (US);
PORTER, Donald C. (US);
VERTLAND, Mark P. (US)
(74) Larisa Amirkhanyan
(85) 2016 03 02
(86) PCT/US2013/024515, 2013 02 01
(54) **CDK8/CDK19 SELECTIVE
INHIBITORS AND THEIR USE IN
ANTI-METASTATIC AND CHEMOPRE-
VENTATIVE METHODS FOR CANCER**

(57) An invention relates to low-molecular compounds of formula



and pharmaceutical compositions containing them.

Claims: 8 independent
2 dependent

Fig.: 18

PART C

C 07

(10) AP 2017 13499 A (51) Int. Cl. (2006)
C 07 K 16/28
A 61 P 17/06

(21) AP 2012 013499 (22) 2012 11 14
(31) 61/560,554; 61/644,111; 61/713,713
(32) 2011 11 15; 2012 05 08; 2012 10 15
(33) US; US; US

(71) BOEHRINGER INGELHEIM
INTERNATIONAL GMBH (DE)
Binger Str. 173, 55216 Ingelheim
Am Rhein (DE)

(72) BROWN, Su-Ellen (US);
CANADA, Keith (US);
CHLEWICKI, Lukasz (US);
HOWELL, Michael (US);
MENNERICH, Detlev (DE);
WOSKA JR., Joseph Robert (US)

(74) Tamar Kochlamazashvili

(85) 2014 06 13

(86) PCT/US2012/064933, 2012 11 14

(54) **ANTY IL-36R ANTYBODIES**

(57) Anty-IL-36R-binding compounds are provided in the claims; particularly new anty-IL-36R antibodies and containing them compositions and their usage for therapeutic and diagnostic aims.

Claims: 9 independent
39 dependent

Fig.: 4

C 10

(10) AP 2017 13972 A (51) Int. Cl. (2006)
C 10 G 9/00
C 10 G 9/24
C 10 G 9/08
C 10 G 47/00

(21) AP 2015 013972 (22) 2015 10 23

(71) LEPL SHOTA RUSTAVELI

NATIONAL SCIENCE FOUNDATION (GE)

D. Aleksidzis q. 3, 0179, Tbilisi (GE);

LEPL IV. JAVAKHISHVILI TBILISI STATE
UNIVERSITY (GE)

I. Chavchavadzis gamz. 1, 0179, Tbilisi (GE);

Guram Khitiri (GE)

M. Kostavas q. 67/85, korp. 5, b. 18, Tbilisi (GE);

Ioseb Chikvaidze (GE)

Guramishvilis gamz. 9, b. 91, Tbilisi (GE)

(72) Guram Khitiri (GE);

Ioseb Chikvaidze (GE)

(74) Ioseb Chikvaidze

(54) **METHOD FOR PIPELINE SEDIMENTA-
TION WASTE-FREE UTILIZATION**

(57) A method for pipeline sedimentation waste-free utilization is executed by melting of sedimentation, fractionating of received goop by rectification at the 80-550°C and molecular distillation at the pressure of 10^{-3} mm. и молекулярной дистилляцией при давлении mercury column 1 AT-10⁻³ mm.

Claims: 1 independent
2 dependent

Table: 3

C 25

(10) AP 2017 14176 A (51) Int. Cl. (2006)
C 25 B 9/00
C 25 B 1/04

(21) AP 2016 014176 (22) 2016 06 14

(71) Artem Arakelyan (GE)

III masivi, me-10 kv., korp. 9, b. 23, 0182,
Tbilisi (GE);

Lasha Jikuri (GE)

Sop. Zemo Kedi, 1600, Dedoplis-

tskaros r-ni (GE)

(72) Artem Arakelyan (GE);

Lasha Jikuri (GE)

(54) **ELECTROLYZER**

(57) An electrolyzer includes comprising electrodes battery and equipped with branch for operating fluid inlet and gas outlet choke the system of vessels, fluid level sensor and safety valves. Electrodes battery includes set of cells as packages tightly clogged with stainless steel side plates. Each cell consists of couple of vertically disposed stainless steel perforated lamellar electrodes and stainless steel lamellar membrane, as well. The

electrolyzer additionally includes oxygen and hydrogen drying tanks, and oxygen and hydrogen collecting tanks. Electrodes battery cavity upper part is connected to oxygen and hydrogen collecting tanks upper parts by means of corresponding gas outlet pipes, and hydrogen collecting tank upper part is connected to hydrogen drying tank by means of corresponding gas outlet pipe.

Claims: 1 independent

4 dependent

Fig.: 2

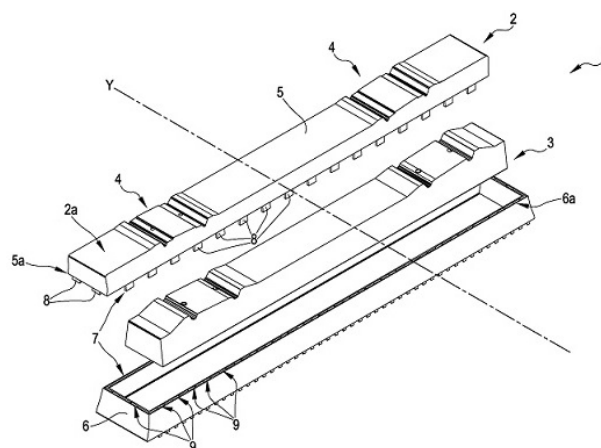


Fig. 1

PART E

E 01

(10) AP 2017 13909 A (51) Int. Cl. (2006)

E 01 B 3/44

(21) AP 2014 013909 (22) 2014 01 13

(31) 13425007.5

(32) 2013 01 14

(33) EP

(71) GREENRAIL S.R.L. (IT)

Via Giorgio Castriota, 9 IN-90139

Palermo (IT)

(72) DE LISI, Giovanni Maria (IT)

(74) Tamaz Shilakadze

(85) 2015 08 12

(86) PCT/IB2014/058216, 2014 01 13

(54) **COMPOSITE RAILWAY SLEEPER**

(57) A composite railway sleeper (1; 50; 100) comprising an outer coating shell (2; 51; 101) made of composite plastic material and a shaped structural core (3; 52; 102), made of a material comprising at least concrete contained within said outer coating shell (2; 51; 510; 101), wherein said outer coating shell (2; 51; 510; 101) presents in the upper outer face (2a; 51a; 101a) two distinct and opposite groups of grooves (4; 53) suitable to receive the angular guide plates belonging to pre-assembled elastic type fastening systems for the connection of two respective rails with said railway sleeper.

Claims: 2 independent

15 dependent

Fig.: 34

PART F

F 24

(10) AP 2017 14275 A (51) Int. Cl. (2006)

F 24 B 1/185

F 23 B 30/04

(21) AP 2016 014275 (22) 2016 09 21

(71) Nodar Kevkhishvili (GE)

Pl. Ioselianis q. 2, b. 15, 0115, Tbilisi (GE);

Nino Kevkhishvili (GE)

Pl. Ioselianis q. 2, b. 15, 0115, Tbilisi (GE)

(72) Nodar Kevkhishvili (GE);

Nino Kevkhishvili (GE)

(54) **FURNACE PLANT**

(57) A plant includes primary furnace 1, fuel bin 2, fuel pipe 3 passing through furnace front wall 4 to supply primary furnace with fuel, and cooling shield 5. Executed as a bush the guide 6 is rigidly connected to primary furnace 1. Guide 6 outer surface has cooling shield 7. The guide 6 is rigidly connected to air supplying channel 8 with its lower part. A lattice 9, which is elliptic disk inclined under angle of 5-50° to horizon is set inside of guide 6 with capability to slip. Elliptic shape of disk is overlapped with its inclination angle to horizon so that its projection on horizontal plane is circle-shaped; at that the disk is freely rotatable inside of guide. The lattice 9 is set on vertical shaft 11 rotatable around vertical axle.

Claims: 1 independent

Fig.: 1

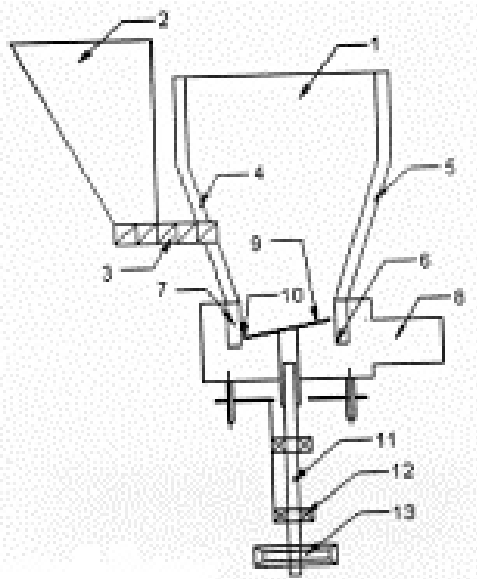


Fig. 1

PART G

G 05

(10) AP 2017 14228 A (51) Int. Cl. (2006)
G 05 B 17/00

(21) AP 2016 014228 (22) 2016 07 29

(71) Levan Tvildiani (GE)

I. Chavchavadzis gamz. 75, korp. 3a, b. 20,
0162, Tbilisi (GE);

Ketevan Janashia (GE)

Vazha-Pshavelas gamz. 28, b. 13, 0177,
Tbilisi (GE);

Aleksandre Tsibadze (GE)

Ioselianis q. 37, 0171, Tbilisi (GE);

Nikoloz Invia (GE)

Vazha-Pshavelas gamz. 57, b. 36, 0186,
Tbilisi (GE);

Elguja Kubaneishvili (GE)

Vazha-Pshavelas gamz. 75, b. 28, 0186,
Tbilisi (GE)

(72) Levan Tvildiani (GE);

Ketevan Janashia (GE);

Aleksandre Tsibadze (GE);

Nikoloz Invia (GE);

Elguja Kubaneishvili (GE)

(54) **METHOD FOR MODELLING
GEOMAGNETIC STORM**

(57) Method for modelling geomagnetic storm provides workspace inner and outer geomagnetic fields inductance measurement by means of digital magnetometer; measurement data introduction into modelling geomagnetic storm unit memory; out workspace measurement data subtraction from workspace measurement data; compensation of

workspace geomagnetic field variation based on subtraction by means of compensation unit and switching thereto magnetic system; modelling geomagnetic storm on the basis of out workspace measurement data by means of modelling geomagnetic fields unit and switched thereto magnetic system.

Claims: 1 independent

Fig.: 4

G 07

(10) AP 2017 14106 A (51) Int. Cl. (2006)
G 07 C 13/00

(21) AP 2016 014106 (22) 2016 03 31

(71) Archil Prangishvili (GE)

Pasteris q. 1a, b. 1, 0102, Tbilisi (GE);

Levan Imnaishvili (GE)

Nutsubidzis perdobi, IV mkr., korp. 11,
b. 46, 0183, Tbilisi (GE);

Maguli Bedineishvili (GE)

Nutsubidzis perdobi, IV mkr., korp. 11,
b. 46, 0183, Tbilisi (GE);

Natia Kirkitadze (GE)

R. Tabukashvilis q. 14, b. 14, 0178,

Tkibuli (GE)

(72) Archil Prangishvili (GE);

Levan Imnaishvili (GE);

Maguli Bedineishvili (GE);

Natia Kirkitadze (GE)

(54) **BIOMETRICAL ELECTIVE SYSTEM**

(57) There is represented biometrical elective system executed capable identifying the electorate accordingly various biometrical data at their registration and voting, generating digital elective bulletins, electing preferred candidate or cancelling bulletin, executing election and sizing up voting on the beat.

Claims: 1 independent

Fig.: 2

PATENTED INVENTIONS

PART A

A 61

(11) P 2017 6765 B **(51) Int. Cl. (2006)**
 A 61 K 8/37
 A 61 K 8/67
 A 61 Q 19/00
 A 61 Q 19/10
 A 61 K 8/97
 A 61 K 8/06

(10) AP 2017 14289 A (44) 13(473)/2017
 (21) AP 2015 014289
 (22) 2015 03 20
 (24) 2015 03 20
 (31) MI2014A000495
 (32) 2014 03 24
 (33) IT
 (86) PCT/EP2015/055927, 2015 03 20
 (73) BIO.LO.GA. S.R.L. (IT)
 Via Giuseppe Lazzarin, 66 I-31015
 Conegliano (Treviso) (IT)
 (72) PANIN, Giorgio (IT)
 (74) Nugzar Ksovreli
 (54) **FORMULATION FOR PERSONAL
 HYGIENE**

(11) P 2017 6758 B **(51) Int. Cl. (2006)**
 A 61 K 9/00
 A 69 K 9/28
 A 61 K 31/606
 A 61 K 47/32
 A 61 K 47/36

(10) AP 2017 13923 A (44) 13(473)/2017
 (21) AP 2013 013923
 (22) 2013 04 29
 (24) 2013 04 29
 (62) 61/6540.217 2012 04 30 (US);
 12166110.2 2012 04 30 (EP)
 (31) 61/640,217; 12166110.2
 (32) 2012 04 30; 2012 04 30
 (33) US; EP
 (86) PCT/EP2013/058921, 2013 04 29
 (73) TILLOTTS PHARMA AG (CH)
 Baslerstrasse 15 CH-4310 Rheinfelden (CH)
 (72) BRAVO GONZÁLEZ, Roberto Carlos (CH);
 BUSER, Thomas (CH);
 GOUTTE, Frédéric Jean-Claude (FR);
 BASIT, Abdul, Waseh (GB);
 VARUM, Felipe, José, Oliveria (CH);
 FREIRE, Ana, Cristina (GB)
 (74) Tamaz Shilakadze
 (54) **DELAYED RELEASE DRUG
 FORMULATION**

(11) P 2017 6753 B **(51) Int. Cl. (2006)**
 A 61 K 9/00
 A 61 K 9/28
 A 61 K 31/606
 A 61 K 47/32
 A 61 K 47/36

(10) AP 2017 13618 A (44) 13(473)/2017
 (21) AP 2013 013618
 (22) 2013 04 29
 (24) 2013 04 29
 (31) 12166110.2; 61/640,217
 (32) 2012 04 30; 2012 04 30
 (33) EP; US
 (86) PCT/EP2013/058923, 2013 04 29
 (73) TILLOTTS PHARMA AG (CH)
 Baslerstrasse 15 CH-4310 Rheinfelden (CH)
 (72) BRAVO GONZÁLEZ, Roberto Carlos (CH);
 BUSER, Thomas (CH);
 GOUTTE, Frédéric Jean-Claude (FR);
 BASIT, Abdul, Waseh (GB);
 VARUM, Felipe, José, Oliveria (CH);
 FREIRE, Ana, Cristina (GB)
 (74) Tamaz Shilakadze
 (54) **DELAYED RELEASE DRUG
 FORMULATION**

(11) P 2017 6759 B **(51) Int. Cl. (2006)**
 A 61 K 9/00
 A 61 K 9/28
 A 61 K 31/606
 A 61 K 47/32
 A 61 K 47/36

(10) AP 2017 13924 A (44) 13(473)/2017
 (21) AP 2013 013924
 (22) 2013 04 29
 (24) 2013 04 29
 (62) 61/640,217 2012 04 30 (US);
 12166110.2 2012 04 30 (EP)
 (31) 61/640,217; 12166110.2
 (32) 2012 04 30; 2012 04 30
 (33) US; EP
 (86) PCT/EP2013/058923, 2013 04 29
 (73) TILLOTTS PHARMA AG (CH)
 Baslerstrasse 15 CH-4310 Rheinfelden (CH)
 (72) BRAVO GONZÁLEZ, Roberto Carlos (CH);
 BUSER, Thomas (CH);
 GOUTTE, Frédéric Jean-Claude (FR);
 BASIT, Abdul, Waseh (GB);
 VARUM, Felipe, José, Oliveria (CH);
 FREIRE, Ana, Cristina (GB)
 (74) Tamaz Shilakadze

(54) DELAYED RELEASE DRUG FORMULATION

-
- (11) P 2017 6754 B** (51) **Int. Cl. (2006)**
A 61 K 9/48
 (10) AP 2017 13659 A (44) 13(473)/2017
 (21) AP 2013 013659
 (22) 2013 05 09
 (24) 2013 05 09
 (31) 61/644,996
 (32) 2012 05 09
 (33) US
 (86) PCT/US2013/040325, 2013 05 09
 (73) WESTERN UNIVERSITY OF HEALTH SCIENCES (US)
 309 E. Second Street Pomona, CA 91766 (US);
 TESORX PHARMA, LLC (US)
 325 Sharon Park Drive, Suite 739, Menlo Park, CA 94025 (US)
 (72) BETAGERI, Guru, V. (US);
 THIRUCOTE, Ramachandran (US);
 KADAJJI, Veeran, Gowda (US)
 (74) Tamar Kochlamazashvili
 (54) **PROLIPOSOMAL TESTOSTERONE FORMULATIONS**
-

- (11) P 2017 6755 B** (51) **Int. Cl. (2006)**
A 61 K 31/5517
A 61 K 31/4468
A 61 K 31/567
A 61 K 45/00
A 61 P 25/20
 (10) AP 2017 13771 A (44) 13(473)/2017
 (21) AP 2013 013771
 (22) 2013 08 30
 (24) 2013 08 30
 (31) 2012-192081
 (32) 2012 08 31
 (33) JP
 (86) PCT/JP2013/073414, 2013 08 30
 (73) PAION UK LIMITED (GB)
 Chivers Way, Histon, Cambridge, Cambridgeshire CB24 9ZR (GB)
 (72) KONDO, Maki (JP);
 KONOMI, Toshihiko (JP);
 SATO, Shigehito (JP)
 DOI Matsuyuki (JP)
 (74) Shalva Gvaramadze
 (54) **METHOD FOR ADMINISTERING HYPNOTIC/SEDATIVE AGENT**
-

- (11) P 2017 6766 B** (51) **Int. Cl. (2006)**
A 61 K 39/00
 (10) AP 2017 13225 A (44) 11(471)/2017
 (21) AP 2012 013225

- (22) 2012 07 20
 (24) 2012 07 20
 (31) 61/510,896
 (32) 2011 07 22
 (33) US
 (86) PCT/US2012/000328, 2012 07 20
 (73) LOS ANGELES BIOMEDICAL RESEARCH CENTER (US)
 1124 West Carson Street Torrance, CA 90502 (US);
 Novamedica ltd liability company (RU)
 107113, Office VII, Bld. 38, Sokolnicheskiy Val, Moscow (RU)
 (72) YEAMAN, Michael, R. (US);
 EDWARDS, John, E., Jr. (US);
 FILLER, Scott, G. (US);
 IBRAHIM, Ashraf, S (US);
 FU, Yue (US);
 HENNESSEY, John, P., Jr. (US)
 (74) Khatuna Imnadze
 (54) **METHODS AND COMPOSITIONS FOR VACCINATING AGAINST STAPHYLOCOCCUS AUREUS**
-

PART C**C 07**

- (11) P 2017 6756 B** (51) **Int. Cl. (2006)**
C 07 D 213/74
A 61 K 31/444
A 61 K 31/4545
A 61 K 31/46
A 61 K 31/496
A 61 K 31/4995
A 61 K 31/506
A 61 K 31/5377
A 61 K 31/5386
A 61 K 31/541
A 61 K 31/55
A 61 P 25/00
A 61 P 25/08
A 61 P 25/14
A 61 P 25/16
A 61 P 25/28
A 61 P 43/00
C 07 D 239/42
C 07 D 401/04
C 07 D 401/12
C 07 D 401/14
C 07 D 405/14
C 07 D 413/04
C 07 D 413/14
C 07 D 417/04
C 07 D 417/14

- C 07 D 451/02
 C 07 D 451/04
 C 07 D 487/10
 C 07 D 487/18
 C 07 D 491/18
 C 07 D 515/18
 C 12 N 9/99
 C 12 N 15/09
- (10) AP 2017 13877 A (44) 13(473)/2017
 (21) AP 2013 013877
 (22) 2013 12 10
 (24) 2013 12 10
 (31) 2012-270445; 2013-210439
 (32) 2012 12 11; 1013 10 07
 (33) JP; JP
 (86) PCT/JP2013/083140, 2013 12 10
 (73) TAKEDA PHARMACEUTICAL
 COMPANY LIMITED (JP)
 1-1, Doshomachi 4-chome, Chuo-ku,
 Osaka-shi, Osaka 5410045 (JP)
 (72) KOIKE, Tatsuki (JP);
 KAJITA, Yuichi (JP);
 YOSHIKAWA, Masato (JP);
 IKEDA, Shuhei (JP);
 KIMURA, Eiji (JP);
 HASUI, Tomoaki (JP);
 NISHI, Toshiya (JP);
 FUKUDA, Hiromi (JP)
 (74) Shalva Gvaramadze
 (54) **HETEROCYCLIC COMPOUND**
-
- (11) P 2017 6760 B** (51) **Int. Cl. (2006)**
C 07 D 307/85
A 61 K 31/343
A 61 P 29/00
A 61 P 35/00
- (10) AP 2017 13950 A (44) 13(473)/2017
 (21) AP 2014 013950
 (22) 2014 03 03
 (24) 2014 03 03
 (31) 61/772,191; 13/51898
 (32) 2013 03 04; 2013 03 04
 (33) US; FR
 (86) PCT/FR2014/050455, 2014 03 03
 (73) PHARMACYCLICS LLC (US)
 995 East Arques Avenue Sunnyvale,
 CA 94085 (US)
 (72) PIMONT-GARRO, Anne (FR);
 LETELLIER, Philippe (FR)
 (74) Tamaz Shilakadze
 (54) **NOVEL ABEXINOSTATE SALT,
 ASSOCIATED CRYSTALLINE FORM,
 PREPARATION METHOD THEREOF
 AND THE PHARMACEUTICAL
 COMPOSITIONS CONTAINING SAME**
-
- (11) P 2017 6761 B** (51) **Int. Cl. (2006)**
C 07 D 401/14
C 07 D 405/14
C 07 D 413/14
C 07 D 401/04
C 07 D 417/14
C 07 D 471/08
C 07 D 487/06
C 07 D 487/10
C 07 D 491/10
A 61 K 31/443
A 61 K 31/4433
A 61 K 31/4436
A 61 K 31/4545
A 61 K 31/496
- (10) AP 2017 13977 A (44) 13(473)/2017
 (21) AP 2014 013977
 (22) 2014 03 26
 (24) 2014 03 26
 (31) 61/916,715; 61/806,806
 (32) 2013 12 16; 2013 03 29
 (33) US; US
 (86) PCT/US2014/031918, 2014 03 26
 (73) TAKEDA PHARMACEUTICAL
 COMPANY LIMITED (JP)
 1-1, Doshomachi 4-chome, Chuo-ku
 Osaka-shi, 541-0045 (JP)
 (72) Jason, W. BROWN (US);
 Melinda DAVIS (US);
 Anthony IVETAC (US);
 Benjamin JONES (US);
 Andre, A. KIRYANOV (US);
 Jon KUEHLER (US);
 Marion LANIER (US);
 Joanne MIURA (US);
 Sean MURPHY (US);
 Xiaolun WANG (US)
 (74) Aleksandre Gegechkori
 (54) **6-(5-HYDROXY-1H-PYRAZOL-1-YL)
 NICOTINAMIDE DERIVATIVES AND
 THEIR USE AS PHD INHIBITORS**
-
- (11) P 2017 6764 B** (51) **Int. Cl. (2006)**
C 07 D 405/12
A 61 K 31/498
A 61 P 25/00
- (10) AP 2017 14180 A (44) 13(473)/2017
 (21) AP 2014 014180
 (22) 2014 12 18
 (24) 2014 12 18
 (31) PA2014000249; PA201300707
 (32) 2014 05 06; 2013 12 19
 (33) DK; DK
 (86) PCT/EP2014/078475, 2014 12 18
 (73) H. LUNDBECK A/S (DK)
 Ottiliavej 9 DK-2500 Valby (DK)

(72) KEHLER, Jan (DK);
RASMUSSEN, Lars Kyhn (DK);
LANGGÅRD, Morten (DK)

(74) Tamaz Shilakadze

(54) **QUINAZOLIN-THF-AMINES AS
PDE1 INHIBITORS**

(11) P 2017 6757 B (51) Int. Cl. (2006)
C 07 H 19/067
C 07 H 19/073
C 07 H 19/10
C 07 H 19/167
C 07 H 19/173
C 07 H 19/20
C 07 H 19/213
A 61 K 31/708
A 61 K 31/7076
A 61 K 31/7072
A 61 K 31/7068
A 61 P 31/14

(10) AP 2017 13892 A (44) 13(473)/2017

(21) AP 2013 013892

(22) 2013 12 19

(24) 2013 12 19

(31) 61/890,125; 61/745,466

(32) 2013 10 11; 2012 12 21

(33) US; US

(86) PCT/US2013/076740, 2013 12 19

(73) ALIOS BIOPHARMA, INC. (US)
260 E. Grand Ave, 2nd Floor South
San Francisco, CA 94080 (US)

(72) BEIGELMAN, Leonid (US);
WANG, Guangyi (US);
SMITH, David, Bernard (US)

(74) Aleksandre Gegechkori

(54) **SUBSTITUTED NUCLEOSIDES,
NUCLEOTIDES AND ANALOGS
THEREOF**

(11) P 2017 6762 B (51) Int. Cl. (2006)
C 07 K 14/605

(10) AP 2017 13984 A (44) 13(473)/2017

(21) AP 2014 013984

(22) 2014 05 27

(24) 2014 05 27

(31) 2013-111893

(32) 2015 05 28

(33) JP

(86) PCT/JP2014/002772, 2014 05 27

(73) TAKEDA PHARMACEUTICAL
COMPANY LIMITED [JP/JP];
1-1, Doshomachi 4-chome, Chuo-ku,
Osaka-shi, Osaka 5410045 (JP)

(72) ASAMI, Taiji (JP);
NIIDA, Ayumu (JP)

(74) Shalva Gvaramadze

(54) **PEPTIDE COMPOUND**

C 12

(11) P 2017 6763 B (51) Int. Cl. (2006)
C 12 N 7/00
A 61 K 35/76

(10) AP 2017 14061 A (44) 13(473)/2017

(21) AP 2014 014061

(22) 2014 07 16

(24) 2014 07 16

(31) 13176757.6

(32) 2013 07 16

(33) EP

(86) PCT/EP2014/065277, 2014 07 16

(73) DITESAN LTD. (LV)
Kudras iela 7-8 Olaine 2114 Olaines
novads (LV)

(72) VENSKUS, Dite (LV);
KALVINS, Ivars (LV);
PJANOVA, Dace (LV);
PETROVSKA, Ramona (LV);
AUZINS, Jurgis (LV)

(74) Lalisa Amirkhanyan

(54) **GENETICALLY STABLE
ONCOLYTIC RNA VIRUS, METHOD OF
MANUFACTURING AND USE
THEREOF**

(11) P 2017 6752 B (51) Int. Cl. (2006)
C 12 N 9/88
C 12 N 15/82

(10) AP 2017 12872 A (44) 13(473)/2017

(21) AP 2011 012872

(22) 2011 03 17

(24) 2011 03 17

(31) 61/314,901; 61/410,802; 61/417,132

(32) 2010 03 17; 2010 11 05; 2010 11 24

(33) US; US; US

(86) PCT/IB2011/000704, 2011 03 17

(73) BASF AGROCHEMICAL PRODUCTS
B.V. (NL)
Gebouw Rijnpoort Groningensingel 1
NL-6835 EA Arnhem (NL)

(72) VANTIEGHEM, Herve (DE);
PFENNING, Matthias (DE);
BREMER, Hagen (DE);
KEHLER, Ron (CA);
SCHOENHAMMER, Alfons (DE)

(74) Aleksandre Kartvelishvili

(54) **HERBICIDE-TOLERANT PLANTS**

UTILITY MODELS

APPLICATION APPROVED FOR GRANTING PATENT

The decision can be appealed at the Chamber of Appeal of Sakpatenti within 3 months from the publication or at the Mtskheta District Court Administrative Cases Board (Address: №17, Samkhedro str., Mtskheta), within 1 month following the publication.

PART B

B 03

(10) AU 2017 13949 U (51) Int. Cl. (2006)
B 03 B 13/04

(21) AU 2015 013949 (22) 2015 10 02

(71) Mikheil Gamtsemlidze (GE)

Panaskertelis q. korp. 15a, b. 43, 0194,
Tbilisi (GE);

Roin Enageli (GE)

Nikoladzis q. 8, b. 4, 3700, Rustavi (GE);

Teimuraz Rukhadze (GE)

Cholokashvili q. 47, 0113, Tbilisi (GE);

Manana Tutberidze (GE)

Panaskertelis q. korp. 15, b. 17, 0194,
Tbilisi (GE);

Neli Ghughunishvili (GE)

Zugdidis q. 3, 0154, Tbilisi (GE);

Nukri Samkharadze (GE)

G. Tabidzis q. 19, 0105, Tbilisi (GE)

(72) Mikheil Gamtsemlidze (GE);

Roin Enageli (GE);

Teimuraz Rukhadze (GE);

Manana Tutberidze (GE);

Neli Ghughunishvili (GE);

Nukri Samkharadze (GE)

(54) **METHOD FOR DIAPHRAGM
JIG AUTOCONTROL**

(57) A method provides technological parameters measurement, in particular, water discharge, oscillation quantity, main pulsation amplitude value, content of helthy componentry; recessed component motion value in hydrostatic pipe and forces acting on a frame in constant regime of technological process operation, and accepted algebraic amount stabilization with calculation of accepted corresponding measurement signals and correction coefficient, as well; stabilization is achieved by water pulsation amplitude control on the basis of measurement of helthy componentry content, water pulsation amplitude and frame motion speed control, correspondingly with changing of recessed component motion in hydrostatic pipe.

Claims: 1 independent

Fig.: 1

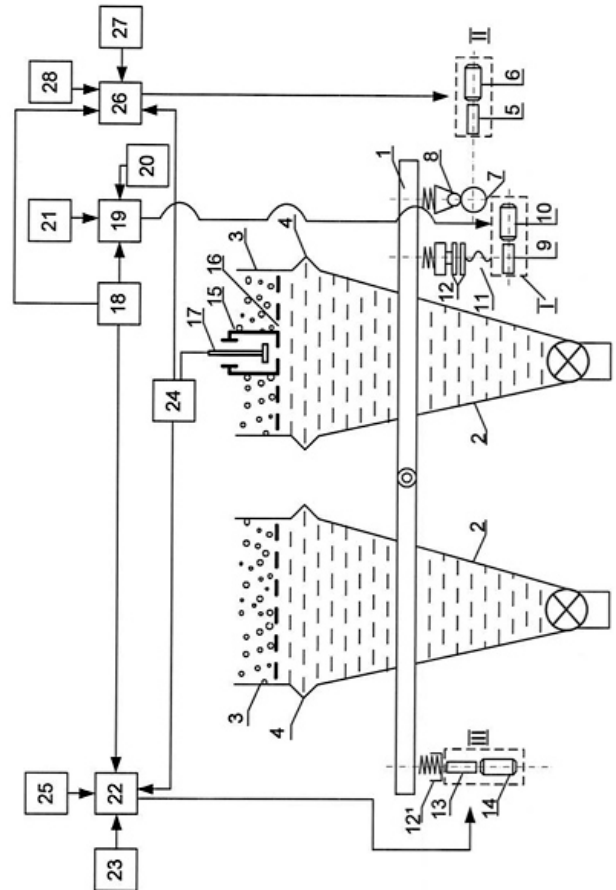


Fig. 1

PART C**C 25**

**(10) AU 2017 13988 U (51) Int. Cl. (2006)
C 25 B 11/04**

(21) AU 2015 013988 (22) 2015 11 09

(71) Temur Chakhunashvili (GE)

M. Aleksidzis q. 1, korp. 4, sadar. 2, b. 28,
0194, Tbilisi (GE);

Teimuraz Rokva (GE)

Vazha-Pshavelas gamz. V kvart., korp. 1,
b. 32, 0186, Tbilisi (GE);

Zhiuli Keadze (GE)

Nutsubidzis III mkr., II kvart., korp. 2,
b. 69, 0186, Tbilisi (GE);

Merab Dadunashvili (GE)

3 Javakhetis, korp. 5b, b. 37, 0182,

Tbilisi (GE);

Zinaida Vatsadze (GE)

Giorgi Brtskinvales q. 25, b. 34, 0153,
Tbilisi (GE)

(72) Temur Chakhunashvili (GE);

Teimuraz Rokva (GE);

Zhiuli Keadze (GE);

Merab Dadunashvili (GE);

Zinaida Vatsadze (GE)

**(54) ANODE FOR RECEIVING
ELECTROLYTIC MANGANESE
DIOXIDE**

(57) An anode for receiving electrolytic manganese dioxide includes operating part made of titanium disposed vertically with titanium current supply welded in its upper part and titanium bar for durability – in lower part; at that, the operating part is made with titanium plates or bars disposed on one plane in parallel, with distance of 1-3 mm, and connected together by means of joints disposed alternate.

Claims: 1 independent

Fig.: 1

DESIGNS

APPLICATION APPROVED FOR REGISTRATION

The decision can be appealed at the Chamber of Appeal of Sakpatenti within 3 months from the publication or at the Mtskheta District Court Administrative Cases Board (Address: №17, Samkhedro str., Mtskheta), within 1 month following the publication.

(10) AD 2017 949 S (51) 10-01

(21) AD 2017 000949 (22) 2017 03 15

(28) 3

(71) Vladimer Beridze (GE)

Dighmis masivi, tereverkos q. 36, sad. 3, b. 48, 0159, Tbilisi (GE)

(72) Vladimer Beridze (GE)

(54) 1.-3. WOODY CLOCK

(55)



REGISTERED DESIGN

- (11) D 2017 726 S** **(51) 19-02**
(10) AD 2017 941 S (44) 13(473)/2017
(21) AD 2017 000941
(22) 2017 02 08
(24) 2017 02 08
(28) 2
(18) 2022 02 08
(73) Mikheil Panjikidze (GE)
 Tamarashvilis q. 10, 0162, Tbilisi (GE)
(72) Mikheil Panjikidze (GE)
(54) **1.-2. CASING FOR BUSINESS CARDS,
 FLYERS OR MOBILE PHONES**
-

DESIGN REGISTERED ACCORDING TO THE ACCELERATED PROCEDURE

The decision can be appealed at the Chamber of Appeal of Sakpatenti within 3 months from the publication.

- (11) GE D 2017 727 S (51) 32-00
 (21) AD 2017 992 (22) 2017 09 20
 (24) 2017 09 20
 (28) 7
 (18) 2022 09 20
 (73) Levan Beriashvili (GE)
 Nutsubidzis perdobi, II m/r, II kvart., korp. 7, b. 16, Tbilisi (GE)
 (72) Levan Beriashvili (GE)
 (74) Vakhtang Torotadze (GE)
 (54) 1.-7. SURFACE AND COVER DESIGN
 (55)





3.1



4.1



5.1



TRADEMARKS

APPLICATIONS FILED UNDER THE NATIONAL PROCEDURE APPROVED FOR REGISTRATION

The decision can be appealed at the Chamber of Appeal of Sakpatenti within 3 months from the publication or at the Mtskheta District Court Administrative Cases Board (Address: №17, Samkhedro St., Mtskheta), within 1 month following the publication.

(260) AM 2017 88102 A
(210) AM 88102
(220) 2016 07 29
(731) Irma Pataraiia
Varketili 3, mkr. I, korp. 28, b. 26, 0163,
Tbilisi, Georgia
(740) Irma Pataraiia
(540)

Tri Sensor
თრი სენსორი

(511) 9

(260) AM 2017 88103 A
(210) AM 88103
(220) 2016 07 29
(731) Irma Pataraiia
Varketili 3, mkr. I, korp. 28, b. 26, 0163,
Tbilisi, Georgia
(540)

Twin Sensor
ტვინ სენსორი

(511) 9

(260) AM 2017 89097 A*
(210) AM 89097
(220) 2016 10 21
(731) ALTERA CORPORATION
101 Innovation Drive, San Jose, California,
95134, USA
(740) Tamaz Shilakadze
(540)

STRATIX

(511) 9

(260) AM 2017 89783 A
(210) AM 89783
(220) 2016 12 02
(731) LTD "WINERY NEKRESI"
V. Botchorishvilis q. 37a, sad. 1, sart. 3, b. 11
"A blok", 0171, Tbilisi, Georgia

(540)

ნეკრესის ველი
Nekresi Valley
Некреси Валлеи

(511) 33, 35

(260) AM 2017 89784 A
(210) AM 89784
(220) 2016 12 02
(731) LTD "WINERY NEKRESI"
V. Botchorishvilis q. 37a, sad. 1, sart. 3, b. 11
"A blok", 0171, Tbilisi, Georgia
(540)

მელვინეობა ნეკრესი

(511) 33, 35

(260) AM 2017 89965 A
(210) AM 89965
(220) 2016 12 13
(731) LTD "OLD CELAR TSINANDALI"
Sop. Tsinandali, Telavi, Georgia
(740) Shalva Akhobadze
(540)

New Marani

(511) 33

(260) AM 2017 90054 A
(210) AM 90054
(220) 2016 12 22
(731) ALLIANCE TIRE COMPANY LTD
P.O. Box 48, 1 Friedlander Street, Hadera,
Israel
(740) Tamar Kochlamazashvili

(540)

ALLIANCE

(511) 12

(260) AM 2017 90477 A
 (210) AM 90477
 (220) 2017 01 18
 (731) Avtandil Khorguashvili
 R. Tabukashvilis q. 16, b. 4, 4600, Kutaisi,
 Georgia
 (740) Avtandil Khorguashvili
 (540)

White Bridge

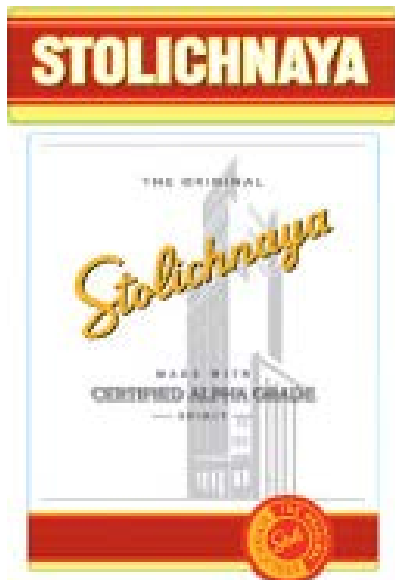
(511) 43

(260) AM 2017 90478 A
 (210) AM 90478
 (220) 2017 01 18
 (731) Avtandil Khorguashvili
 R. Tabukashvilis q. 16, b. 4, 4600, Kutaisi,
 Georgia
 (740) Avtandil Khorguashvili
 (540)

თეთრი ხიდი

(511) 43

(260) AM 2017 90557 A
 (210) AM 90557
 (220) 2017 01 20
 (731) ZHS IP Worldwide Sàrl
 Avenue Reverdil 14, 1260 Nyon,
 Switzerland
 (740) Davit Zurabishvili
 (540)



(591) Red, light golden, dark golden, white,
 light grey, dark grey, black
 (531) 07.01.12, 24.03.01, 24.03.07, 25.01.19,
 27.05.19, 27.05.24, 29.01.15
 (511) 33

(260) AM 2017 90765 A
 (210) AM 90765
 (220) 2017 02 08
 (731) SOCIÉTÉ DES PRODUITS NESTLÉ S.A.
 1800 Vevey, Switzerland
 (740) Tamaz Shilakadze
 (540)

SENSA

(511) 29, 32

(260) AM 2017 90876 A
 (210) AM 90876
 (220) 2017 02 17
 (731) E. I. DU PONT DE NEMOURS AND
 COMPANY
 Chestnut Run Plaza, 974 Centre Road,
 Wilmington, DE 19805, USA
 (740) Tamaz Shilakadze
 (540)

EXPRESS

(511) 5

(260) AM 2017 90877 A
 (210) AM 90877
 (220) 2017 02 17
 (731) E. I. DU PONT DE NEMOURS AND
 COMPANY
 Chestnut Run Plaza, 974 Centre Road,
 Wilmington, DE 19805, USA
 (740) Tamaz Shilakadze
 (540)

ექსპრესი

(511) 5

(260) AM 2017 90928 A
 (210) AM 90928
 (220) 2017 02 20
 (731) YIWU JINMIN ELECTRICAL APPLIANCES
 CO., LTD
 2f Building, No. 66, Jan Second Zouun, Houzhai,
 Yiwu, Zhejiang, China
 (740) Nino Bakhtadze
 (540)



(591) Black, white
 (531) 26.05.01, 27.05.01
 (511) 9, 11

- (260) AM 2017 90931 A
 (210) AM 90931
 (220) 2017 02 21
 (731) GELA SULABERIDZE
 Vazha-Pshavelas gamz., me-6 kvart., korp. 34,
 b. 24, 0186, Tbilisi, Georgia
 (740) Nugzar Ksovreli
 (540)



- (591) Yellow, black, golden
 (531) 05.07.02, 26.01.02, 28.19, 29.01.12
 (511) 29, 30

- (260) AM 2017 90940 A
 (210) AM 90940
 (220) 2017 02 22
 (310) 015795156
 (320) 2016 09 02
 (330) EUIPO
 (731) BRITISH AMERICAN TOBACCO
 (BRANDS) INC. (a Delaware corporation)
 2711 Centerville Road, Suite 300,
 Wilmington, Delaware 19808, USA
 (740) Tamar Kochlamazashvili
 (540)



- (591) Grey, light grey
 (531) 01.15.11, 26.01.12, 26.11.13, 27.05.01
 (511) 34

- (260) AM 2017 90953 A
 (210) AM 90953
 (220) 2017 02 22
 (731) LTD "SHATO GREMI"
 Budapeshtis q. 6, b. 28, Tbilisi, Georgia
 (740) Kasha Buadze
 (540)

თავანკარი
Tavankari

- (511) 33

- (260) AM 2017 90997 A
 (210) AM 90997
 (220) 2017 02 24
 (731) LTD "ALGETI GEORGIA"
 Bolo Aghmartis q. 1, Tbilisi, Georgia

- (740) Shalva Gvaramadze
 (540)



- (591) Red, white, blue, yellow, grey, black, brown,
 green, light purple
 (531) 03.04.02, 19.03.24, 28.05, 29.01.15
 (526) MACJO
 (511) 29

- (260) AM 2017 90998 A
 (210) AM 90998
 (220) 2017 02 24
 (731) LTD "ALGETI GEORGIA"
 Bolo Aghmartis q. 1, Tbilisi, Georgia
 (740) Shalva Gvaramadze
 (540)



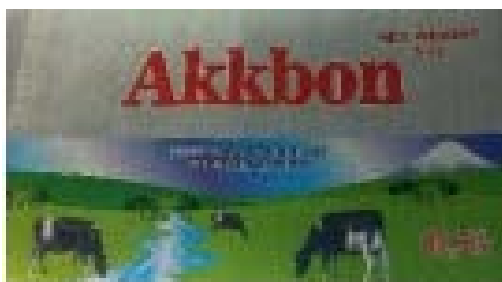
- (591) Red, white, cream, black, brown, golden,
 different tone yellow and green
 (531) 03.04.02, 25.01.01, 28.05, 29.01.15
 (511) 29

- (260) AM 2017 90999 A
 (210) AM 90999
 (220) 2017 02 24
 (731) LTD "ALGETI GEORGIA"
 Bolo Aghmartis q. 1, Tbilisi, Georgia
 (740) Shalva Gvaramadze
 (540)



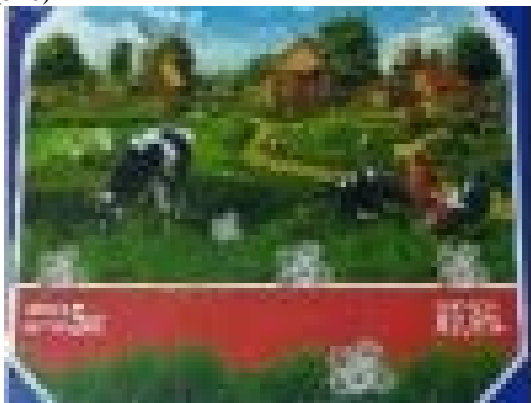
(591) Red, white, yellow, grey, black,
different tone yellow and green
(531) 02.03.01, 29.01.15, 25.01.01, 02.03.12,
02.03.21, 03.04.02
(511) 29

(260) AM 2017 91000 A
(210) AM 91000
(220) 2017 02 24
(731) LTD "ALGETI GEORGIA"
Bolo Aghmartis q. 1, Tbilisi, Georgia
(740) Shalva Gvaramadze
(540)



(591) Red, white, purple, grey, black, dark grey,
different tone green, sky-blue
(531) 03.04.02, 06.19.11, 27.05.17, 29.01.15
(511) 29

(260) AM 2017 91001 A
(210) AM 91001
(220) 2017 02 24
(731) LTD "ALGETI GEORGIA"
Bolo Aghmartis q. 1, Tbilisi, Georgia
(740) Shalva Gvaramadze
(540)



(591) Red, white, black, brown, different tone
sky-blue and green, yellow
(531) 03.04.02, 06.07.11, 06.07.25, 29.01.15
(511) 29

(260) AM 2017 91080 A
(210) AM 91080
(220) 2017 02 28
(731) CHOICE HOTELS INTERNATIONAL INC.
1 Choice Hotels Circle, Rockville, Maryland
20850, USA

(740) Tamaz Shilakadze
(540)

CHOICE PRIVILEGES

(511) 43

(260) AM 2017 91083 A
(210) AM 91083
(220) 2017 03 01
(731) LTD "GEOMIL"
Tchirnakhulis q. 4, 0151, Tbilisi, Georgia
(740) Davit Nozadze
(540)

AMAGI

(511) 29, 30, 32

(260) AM 2017 91084 A
(210) AM 91084
(220) 2017 03 01
(731) LTD "GEOMIL"
Tchirnakhulis q. 4, 0151, Tbilisi, Georgia
(740) Davit Nozadze
(540)

MADLI

(511) 29, 30, 32

(260) AM 2017 91086 A
(210) AM 91086
(220) 2017 03 01
(731) LTD "ASPHARMA Georgian
Pharmaceutical Company"
Mtskhethis q. 8, 0179, Tbilisi, Georgia
(740) Maia Samadashvili
(540)

CANDINA Кандина კანდინა

(511) 5

(260) AM 2017 91154 A
(210) AM 91154
(220) 2017 03 06
(731) JSC "SHATEAU MUKHRANI"
Sop. Mukhrani, 3309, Mtskheta,
Georgia

(740) Irine Pilauri
(540)



(591) Black, white, grey, golden
(531) 07.01.01, 27.05.10, 29.01.12
(526) The trademark is protected as a whole. "MUKHRANI" shall not be subject to independent legal protection.
(511) 33

(260) AM 2017 91187 A
(210) AM 91187
(220) 2017 03 09
(731) LTD "GEORGIAN WINE HOUSE"
Sop. Zegaani, Gurjaani, Georgia
(740) Amza Kakauridze
(540)



(591) Red, black, grey
(531) 27.05.24, 29.01.13, 25.01.19, 25.03.07,
25.03.13, 26.01.21, 26.11.09
(511) 33

(260) AM 2017 91192 A
(210) AM 91192
(220) 2017 03 10

(731) LTD "GEORGIAN WINE HOUSE"
Sop. Zegaani, Gurjaani, Georgia
(740) Amza Kakauridze
(540)

მშრალი ხიდი

(511) 33

(260) AM 2017 91193 A
(210) AM 91193
(220) 2017 03 10
(731) LTD "GEORGIAN WINE HOUSE"
Sop. Zegaani, Gurjaani, Georgia
(740) Amza Kakauridze
(540)



(591) Red, white
(531) 05.07.10, 26.01.21, 27.01.06, 27.01.12, 28.19,
29.01.12
(526) The trademark is protected as a whole. Verbal element shall not be subject to independent legal protection.
(511) 33

(260) AM 2017 91215 A
(210) AM 91215
(220) 2017 03 13
(731) I.J. TOBACCO INDUSTRY FZE
Al Jazeera Al Hamra, Ras Al Khaimah,
United Arab Emirates
(740) Davit Zurabishvili
(540)



(591) Black, white
 (531) 26.04.03, 26.04.18, 27.05.01, 28.01
 (511) 34

(260) AM 2017 91278 A
 (210) AM 91278
 (220) 2017 03 16
 (310) 2016734343
 (320) 2016 09 16
 (330) RU
 (731) PANDROL LIMITED
 Osprey House, 63 Station Road, Addlestone
 Weybridge, Surrey KT15 2AR, United
 Kindom
 (740) Shalva Gvaramadze
 (540)

Пандрол

(511) 6, 17, 19

(260) AM 2017 91280 A
 (210) AM 91280
 (220) 2017 03 16
 (310) 87323500
 (320) 2017 02 03
 (330) US
 (731) MERCK SHARP & DOHME CORP.
 One Merck Drive, Whitehouse Station,
 New Jersey, 08889, USA

(740) Tamaz Shilakadze
 (540)

INVENTING FOR LIFE

(591) Black, white
 (511) 16, 44

(260) AM 2017 91282 A
 (210) AM 91282
 (220) 2017 03 16
 (731) LTD "VINAGORA"
 G. Tabidzis q. 15, 0155, Tbilisi, Georgia
 (740) Tamara Zasukhina
 (540)

**თავადი
 TAVADI
 ТАВАДИ**

(511) 33

(260) AM 2017 91283 A
 (210) AM 91283
 (220) 2017 03 16
 (731) LTD "VINAGORA"
 G. Tabidzis q. 15, 0155, Tbilisi, Georgia
 (740) Tamara Zasukhina

(540)

**BISSONI
 БИСОНИ
 ბისონი**

(511) 33

(260) AM 2017 91350 A
 (210) AM 91350
 (220) 2017 03 22
 (731) LTD "SPORTS SAIENS GEORGIA"
 Manjgaladzis q. 16, 0101, Tbilisi, Georgia
 (740) Giorgi Okriashvili
 (540)



(591) Blue and white
 (531) 02.01.01, 29.01.12
 (511) 5, 29, 31, 32, 35, 41

(260) AM 2017 91354 A
 (210) AM 91354
 (220) 2017 03 22
 (731) JSC "GEFA"
 Sanapiros q. 6, Old Tbilisi r-n, Tbilisi,
 Georgia
 (740) Salome Jeladze
 (540)



(591) Blue, white
 (531) 05.05.20, 28.19, 29.01.12
 (511) 35, 44

(260) AM 2017 91355 A
 (210) AM 91355
 (220) 2017 03 22
 (731) JSC "GEFA"
 Sanapiros q. 6, dzveli Tbilisis raioni, Tbilisi,
 Georgia
 (740) Salome Jeladze

(540)



(591) Blue, white
 (531) 05.05.20, 28.19, 29.01.04
 (511)) 35, 44

(260) AM 2017 91356 A

(210) AM 91356

(220) 2017 03 22

(731) JSC "GEFA"

Sanapiros q. 6, dzveli Tbilisis raioni, Tbilisi,
 Georgia

(740) Salome Jeladze

(540)



(591) Blue, white
 (531) 05.05.20, 26.04.15, 29.01.12
 (511)) 35, 44

(260) AM 2017 91357 A

(210) AM 91357

(220) 2017 03 22

(731) JSC "GEFA"

Sanapiros q. 6, dzveli Tbilisis raioni, Tbilisi,
 Georgia

(740) Salome Jeladze

(540)



(591) Blue, white
 (531) 05.05.20, 29.01.12
 (511)) 35, 44

(260) AM 2017 91359 A

(210) AM 91359

(220) 2017 03 22

(731) UNDER CONTROL COMMERCIAL
 BROKERAGE L.L.C.

Office 1202, owned by Al Sheikh Batty Al
 Maktom, Deira, Riqqat Al Buttain, Dubai,
 United Arab Emirates

(740) Davit Zurabishvili

(540)



(591) Black, blue, white
 (531) 26.01.01, 26.01.04, 26.01.20, 26.01.24,
 27.05.01, 27.05.23, 27.05.24, 29.01.13
 (511) 34

(260) AM 2017 91360 A

(210) AM 91360

(220) 2017 03 22

(731) LEVAN GOBEJISHVILI

Shroshis q. 6, b. 9, 0179, Tbilisi, Georgia

(740) Davit Zurabishvili

(540)

**THE CHEESECAKE
 FACTORY**

ზე ჩიოჭქიქ უქტორი

(511) 43

(260) AM 2017 91377 A

(210) AM 91377

(220) 2017 03 23

(731) LTD "O LALA"

M. Aleksidzis q., N 1, ("Akademkalaki",
 kvart. I, korp. 6), C/P, sart. 1, 0171, Tbilisi,
 Georgia

(740) Lela Otashvili

(540)

City Style
 BEAUTY CENTER



(591) White, golden and black
 (531) 26.04.24, 27.05.01, 27.05.24, 29.01.12
 (511) 44

(260) AM 2017 91395 A
 (210) AM 91395
 (220) 2017 03 24
 (731) LTD "ASPHARMA Georgian
 Pharmaceutical Company"
 Mtskhethis q. 8, 0179, Tbilisi, Georgia
 (740) Maia Samadashvili
 (540)

ASFAMPICID
АСФАМПИЦИД
სსფამპისიდი

(511) 5

(260) AM 2017 91396 A
 (210) AM 91396
 (220) 2017 03 24
 (731) LTD "ASPHARMA Georgian
 Pharmaceutical Company"
 Mtskhethis q. 8, 0179, Tbilisi, Georgia
 (740) Maia Samadashvili
 (540)

ASFAMPICIDE
АСФАМПИЦИД
სსფამპისიდი

(511) 5

(260) AM 2017 91397 A
 (210) AM 91397
 (220) 2017 03 24
 (731) LTD "ASPHARMA Georgian
 Pharmaceutical Company"
 Mtskhethis q. 8, 0179, Tbilisi, Georgia
 (740) Maia Samadashvili
 (540)

ASFAMPISID
АСФАМПИЦИД
სსფამპისიდი

(511) 5

(260) AM 2017 91399 A
 (210) AM 91399
 (220) 2017 03 27

(731) KENTUCKY FRIED CHICKEN
 INTERNATIONAL HOLDINGS, LTD.
 7100 Corporate Drive, Plano, TX 75024, USA
 (740) Tamar Kochlamazashvili
 (540)

CHEFBURGER

(511) 29, 30

(260) AM 2017 91400 A
 (210) AM 91400
 (220) 2017 03 27
 (731) KENTUCKY FRIED CHICKEN
 INTERNATIONAL HOLDINGS, LTD.
 7100 Corporate Drive, Plano, TX 75024, USA
 (740) Tamar Kochlamazashvili
 (540)

შეფ ბურგერი

(511) 29, 30

(260) AM 2017 91402 A
 (210) AM 91402
 (220) 2017 03 27
 (731) LTD "TREVEL SERVIS GEORGIA"
 Solomon Meoris q. 7, b. 22, 5611, Khoni,
 Georgia
 (540)



(591) Yellow, sky-blue and blue
 (531) 01.15.21, 24.15.01, 27.05.10, 29.01.13
 (511) 39

(260) AM 2017 91500 A
 (210) AM 91500
 (220) 2017 03 28
 (731) LTD "HIGHWAY 2000"
 Anagis q. 4, b.75, Vake-Saburtalos raioni,
 Tbilisi, Georgia
 (740) Grigol Tabukashvili
 (540)



(591) Yellow, blue and white
 (531) 26.04.03, 26.04.09, 26.04.18, 28.19, 29.01.12
 (511) 35, 37

- (260) AM 2017 91501 A
 (210) AM 91501
 (220) 2017 03 28
 (731) I/E "MAIA GIORGOBIANI"
 Vazha-Pshavelas gamz.32, 0160 Tbilisi,
 Georgia
 (740) Marina Nasaridze
 (540)



- (591) Orange, black, white
 (531) 26.04.06, 26.04.07, 26.04.19, 27.05.01, 28.19,
 29.01.13
 (511) 41, 44

- (260) AM 2017 91502 A
 (210) AM 91502
 (220) 2017 03 29
 (731) BODEGAS OSBORNE, S.A.U.
 Fernán Caballero, 7, 11.500 Puerto de Santa
 María, Cádiz, Spain
 (740) Liliana Darakhvelidze
 (540)

CARLOS I

- (511) 33

- (260) AM 2017 91515 A
 (210) AM 91515
 (220) 2017 03 29
 (731) LTD "G.W.H."
 Gldani 3 m/r, korp. 72, b. 157, Tbilisi, Georgia
 (740) Giorgi Jamburidze
 (540)



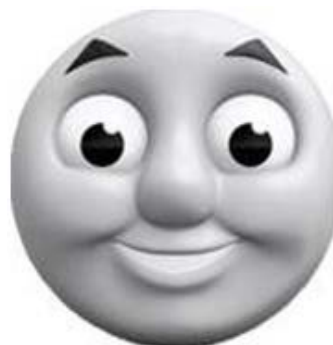
- (591) White, brick, black
 (531) 19.09.02, 27.05.01, 28.19, 29.01.12
 (511) 35

- (260) AM 2017 91516 A
 (210) AM 91516
 (220) 2017 03 29
 (731) Ketevan Abashidze-Muzhe
 K. Abashidzis q. 4, 0102, Tbilisi, Georgia;
 Paata Javakhishvili
 I. Javakhishvilis q. 66, 0102, Tbilisi, Georgia;
 Levan Tsintsadze
 I. Javakhishvilis q. 66, 0102, Tbilisi, Georgia
 (740) Ketevan Abashidze-Muzhe
 (540)



- (591) Purple, golden, white
 (531) 24.01.13, 24.09.01, 25.01.05, 27.07.01, 28.19,
 29.01.12
 (511) 30

- (260) AM 2017 91529 A
 (210) AM 91529
 (220) 2017 03 31
 (731) GULLANE (THOMAS) LIMITED
 Maple House, 149 Tottenham Court Road,
 London, W1T 7NF, United Kingdom
 (740) Konstantine Meipariani
 (540)



- (591) Black, white

(531) 02.01.01, 02.03.01, 02.05.01
(511) 28, 41

(260) AM 2017 91530 A
(210) AM 91530
(220) 2017 03 31
(731) BOLERO & COMPANY
Kuchishvilis q. 12-14-16, b. 13, Tbilisi,
Georgia
(740) Mamuka Potolashvili
(540)

რატიანი
РАТИАНИ
RATIANI

(511) 33

(260) AM 2017 91532 A
(210) AM 91532
(220) 2017 03 31
(731) BOLERO & COMPANY
Kuchishvilis q. 12-14-16, b. 13, Tbilisi,
Georgia
(740) Mamuka Potolashvili
(540)

ბეკაური
БЕКАУРИ
BEKAURI

(511) 33

(260) AM 2017 91534 A
(210) AM 91534
(220) 2017 03 31
(731) BOLERO & COMPANY
Kuchishvilis q. 12-14-16, b. 13, Tbilisi,
Georgia
(740) Mamuka Potolashvili
(540)

კლარჯი
КЛАРДЖ
KLARGE

(511) 33

(260) AM 2017 91609 A
(210) AM 91609
(220) 2017 04 06
(731) TAMAR KOBERIDZE
Atenis q., korp. 3, b. 32, 0179, Tbilisi,
Georgia

(740) Tamar Koberidze
(540)

ძიბა-ძიბა
DZIBA-DZIBA

(511) 29

(260) AM 2017 91640 A
(210) AM 91640
(220) 2017 04 11
(731) BASF SE
Carl-Bosch-Strasse 38, Ludwigshafen am
Rhein, Germany
(740) Giorgi Taktakishvili
(540)

METOLAT

(511) 1

REGISTERED TRADEMARKS

(111) M 2017 28959 R
 (151) 2017 10 05
 (181) 2027 10 05
 (260) AM 2017 87719 A
 (220) 2016 06 27
 (732) STEFEN BODINI
 Tchonkadzis q. 10a, Tbilisi, Georgia

(111) M 2017 28984 R
 (151) 2017 10 20
 (181) 2027 10 20
 (260) AM 2017 87417 A
 (220) 2016 05 30
 (732) LTD "CHIZKO"
 Lilo Industrial zone, 0192, Tbilisi, Georgia

(111) M 2017 28979 R
 (151) 2017 10 20
 (181) 2027 10 20
 (260) AM 2017 87486 A
 (220) 2016 06 01
 (732) JSC "TELA VI WINE CELLAR"
 Sop. Kurdghelauri, 2200, Telavi, Georgia

(111) M 2017 28985 R
 (151) 2017 10 20
 (181) 2027 10 20
 (260) AM 2017 87828 A
 (220) 2016 07 05
 (732) LEPL National Tourism Administration
 Sanapiros q. 4, 0105, Tbilisi, Georgia

(111) M 2017 28980 R
 (151) 2017 10 20
 (181) 2027 10 20
 (260) AM 2017 85008 A
 (220) 2015 12 03
 (732) LTD "CLEAN HOUSE"
 Temka X kv, trade centrei, Gldani-Nadzala
 devis r-ni, 0197, Tbilisi, Georgia

(111) M 2017 28986 R
 (151) 2017 10 20
 (181) 2027 10 20
 (260) AM 2017 87962 A
 (220) 2016 07 14
 (732) ANESTASS EL MURR
 El Murr Residence - Haret El Deir, Kfarchima –
 Baabda, Lebanon

(111) M 2017 28981 R
 (151) 2017 10 20
 (181) 2027 10 20
 (260) AM 2017 86579 A
 (220) 2016 03 15
 (732) MAKSTERMI
 Akaki Beliashvilis q. 149, 0159, Tbilisi,
 Georgia

(111) M 2017 28987 R
 (151) 2017 10 20
 (181) 2027 10 20
 (260) AM 2017 88005 A
 (220) 2016 07 22
 (732) LTD "GODES OF LIBERTY GROUP
 INVESTMENT "
 Dolidzis q., korp. 27, b. 43, 0162, Tbilisi,
 Georgia

(111) M 2017 28982 R
 (151) 2017 10 20
 (181) 2027 10 20
 (260) AM 2017 86864 A
 (220) 2016 04 04
 (732) LTD "MAKS DESIGN"
 Maksim Gorkis q. 12, 0102, Tbilisi,
 Georgia

(111) M 2017 28988 R
 (151) 2017 10 20
 (181) 2027 10 20
 (260) AM 2017 88164 A
 (220) 2016 08 04
 (732) LTD "Publisher of the Creator of the Angel"
 VII m/r, 26, b. 43, Rustavi, Georgia

(111) M 2017 28983 R
 (151) 2017 10 20
 (181) 2027 10 20
 (260) AM 2017 87020 A
 (220) 2016 04 15
 (732) Georgi Targamadze
 D. Tchonkadzis q. 7, b.11, 0105, Tbilisi,
 Georgia

(111) M 2017 28989 R
 (151) 2017 10 20
 (181) 2027 10 20
 (260) AM 2017 88205 A
 (220) 2016 08 09
 (732) Nikoloz Cholobargia
 Abashidzis q. 68, Tbilisi, Georgia

-
- (111) M 2017 28990 R
(151) 2017 10 20
(181) 2027 10 20
(260) AM 2017 88473 A
(220) 2016 09 01
(732) Public Joint Company "OBOLON"
3, Bohatyrskaya Street, 04212, Kyiv, Ukraine
-
- (111) M 2017 28991 R
(151) 2017 10 20
(181) 2027 10 20
(260) AM 2017 88479 A
(220) 2016 09 02
(732) JSC "Hotels and Restaurants Management
Group – M/GROUP"
Tengiz Chantladzis q. 40, Didi Lilo, Tetri khevis
dasakhleba, 0109, Tbilisi, Georgia
-
- (111) M 2017 28992 R
(151) 2017 10 20
(181) 2027 10 20
(260) AM 2017 88646 A
(220) 2016 09 20
(732) LTD "NEW PHARM GROUP"
D. Aghmasheneblis kheiv. me-12 km., korp. 2,
b. 43, 0131, Tbilisi, Georgia
-
- (111) M 2017 28993 R
(151) 2017 10 20
(181) 2027 10 20
(260) AM 2017 88669 A
(220) 2016 09 22
(732) LTD "OPTIMAL GROUP +"
I. Chavchavadzis gamz. 17 a, Tbilisi, Georgia
-
- (111) M 2017 28994 R
(151) 2017 10 20
(181) 2027 10 20
(260) AM 2017 88670 A
(220) 2016 09 23
(732) LTD "SAGA IMPEX"
A. Beliashvilis q. 145, 0159, Tbilisi, Georgia
-
- (111) M 2017 28995 R
(151) 2017 10 20
(181) 2027 10 20
(260) AM 2017 88816 A
(220) 2016 10 03
(732) LTD "AGRO POWER"
Dedoplistskaros q. II shesak. 1 (52/17)
(Commercial party 1ts), 0103, Tbilisi, Georgia
-
- (111) M 2017 28996 R
(151) 2017 10 20
(181) 2027 10 20
- (260) AM 2017 88817 A
(220) 2016 10 03
(732) LTD "AGRO POWER"
Dedoplistskaros q. II shesak. 1 (52/17)
(Commercial party 1ts), 0103, Tbilisi, Georgia
-
- (111) M 2017 28997 R
(151) 2017 10 21
(181) 2027 10 21
(260) AM 2017 88818 A
(220) 2016 10 05
(732) THE COCA-COLA COMPANY
One Coca-Cola Plaza, Atlanta, Georgia 30313,
USA
-
- (111) M 2017 28998 R
(151) 2017 10 21
(181) 2027 10 21
(260) AM 2017 88826 A
(220) 2016 10 05
(732) LTD "TIFLISSKIY VINNIY POGREB"
Iumashevis q. 27, 0198, Tbilisi, Georgia
-
- (111) M 2017 28999 R
(151) 2017 10 21
(181) 2027 10 21
(260) AM 2017 88828 A
(220) 2016 10 05
(732) LTD "TIFLISSKIY VINNIY POGREB"
Iumashevis q. 27, 0198, Tbilisi, Georgia
-
- (111) M 2017 29000 R
(151) 2017 10 21
(181) 2027 10 21
(260) AM 2017 88893 A
(220) 2016 10 07
(732) PILOTO CIGARS, INC.
1575 SW 1st Street, Miami, Florida 33135,
USA
-
- (111) M 2017 29001 R
(151) 2017 10 21
(181) 2027 10 21
(260) AM 2017 88929 A
(220) 2016 10 11
(732) LTD "VARDZIA"
Sop. Gogasheni, Akhalkalakis r-ni, 0500,
Vardzia, Georgia
-
- (111) M 2017 29002 R
(151) 2017 10 21
(181) 2027 10 21
(260) AM 2017 89012 A
-

(220) 2016 10 13
(732) LTD "MARNISKARI"
Sh. Askuravas q. 17, Tbilisi, Georgia

(111) M 2017 29003 R
(151) 2017 10 21
(181) 2027 10 21
(260) AM 2017 89015 A
(220) 2016 10 13
(732) LTD "MARNISKARI"
Sh. Askuravas q. 17, Tbilisi, Georgia

(111) M 2017 29004 R
(151) 2017 10 21
(181) 2027 10 21
(260) AM 2017 89042 A
(220) 2016 10 17
(732) KAREN VARDANYAN
Byron q. 3, b. 36, Erevan, Armenia

(111) M 2017 29005 R
(151) 2017 10 21
(181) 2027 10 21
(260) AM 2017 89046 A
(220) 2016 10 17
(732) KAREN VARDANYAN
Byron q. 3, b. 36, Erevan, Armenia

(111) M 2017 29006 R
(151) 2017 10 21
(181) 2027 10 21
(260) AM 2017 89048 A
(220) 2016 10 17
(732) KAREN VARDANYAN
Byron q. 3, b. 36, Erevan, Armenia

(111) M 2017 29007 R
(151) 2017 10 21
(181) 2027 10 21
(260) AM 2017 89067 A
(220) 2016 10 18
(732) MYLAN INSTITUTIONAL INC.
1718 Northrock Court Rockford, Illinois 61103,
USA

(111) M 2017 29008 R
(151) 2017 10 21
(181) 2027 10 21
(260) AM 2017 89073 A
(220) 2016 10 18
(732) GEORGI DEKANOZISHVILI
I. Chavchavadzis gamz. 5, b. 21, 0179, Tbilisi,
Georgia

(111) M 2017 29009 R
(151) 2017 10 21
(181) 2027 10 21
(260) AM 2017 89086 A
(220) 2016 10 20
(732) THE COCA-COLA COMPANY
One Coca-Cola Plaza, Atlanta, Georgia 30313,
USA

(111) M 2017 29010 R
(151) 2017 10 21
(181) 2027 10 21
(260) AM 2017 89087 A
(220) 2016 10 20
(732) MARIAM TSERTSVADZE
Panaskertelis q., korp. 19, b. 2, 0194, Tbilisi,
Georgia

(111) M 2017 29011 R
(151) 2017 10 21
(181) 2027 10 21
(260) AM 2017 89130 A
(220) 2016 10 25
(732) PHILIP MORRIS BRANDS SÀRL
Quai Jeanrenaud 3, 2000 Neuchâtel,
Switzerland

(111) M 2017 29012 R
(151) 2017 10 21
(181) 2027 10 21
(260) AM 2017 89174 A
(220) 2016 10 26
(732) LTD "KANTI"
Samgoris chikhi 4 (nakv. 8/89), 0120, Tbilisi,
Georgia

(111) M 2017 29013 R
(151) 2017 10 21
(181) 2027 10 21
(260) AM 2017 89185 A
(220) 2016 10 27
(732) DINZLER KAFFEERÖSTEREI AG
Wendling 15, 83737 Irschenberg, Germany

(111) M 2017 29014 R
(151) 2017 10 21
(181) 2027 10 21
(260) AM 2017 89208 A
(220) 2016 10 31
(732) INTERNATIONAL MASIS TABAK LTD
10 Gortsaranayin str., Industrial zone, 0802
Masis, Ararat region, Armenia

-
- (111) M 2017 29015 R
(151) 2017 10 21
(181) 2027 10 21
(260) AM 2017 89212 A
(220) 2016 10 31
(732) ABDI ÝBRAHİM ÝLAÇ SANAYİ VE
TİCARET ANONİM ŞİRKETİ
Reşitpaşa Mahallesi Eski Büyükdere Caddesi
No:4 34467 Maslak Sarıyer İstanbul, Turkey
-
- (111) M 2017 29016 R
(151) 2017 10 21
(181) 2027 10 21
(260) AM 2017 89213 A
(220) 2016 10 31
(732) ABDI ÝBRAHİM ÝLAÇ SANAYİ VE
TİCARET ANONİM ŞİRKETİ
Reşitpaşa Mahallesi Eski Büyükdere Caddesi
No:4 34467 Maslak Sarıyer İstanbul, Turkey
-
- (111) M 2017 29017 R
(151) 2017 10 21
(181) 2027 10 21
(260) AM 2017 89214 A
(220) 2016 10 31
(732) ABDI ÝBRAHİM ÝLAÇ SANAYİ VE
TİCARET ANONİM ŞİRKETİ
Reşitpaşa Mahallesi Eski Büyükdere Caddesi
No:4 34467 Maslak Sarıyer İstanbul, Turkey
-
- (111) M 2017 29018 R
(151) 2017 10 22
(181) 2027 10 22
(260) AM 2017 89215 A
(220) 2016 10 31
(732) ABDI ÝBRAHİM ÝLAÇ SANAYİ VE
TİCARET ANONİM ŞİRKETİ
Reşitpaşa Mahallesi Eski Büyükdere Caddesi
No:4 34467 Maslak Sarıyer İstanbul, Turkey
-
- (111) M 2017 29019 R
(151) 2017 10 22
(181) 2027 10 22
(260) AM 2017 89218 A
(220) 2016 10 31
(732) ETİ GIDA SANAYİ VE TİCARET ANONİM
ŞİRKETİ
ORGANİZE SANAYİ BÖLGESİ 11. CADDE
ESKİŞEHİR, Turkey
-
- (111) M 2017 29020 R
(151) 2017 10 22
(181) 2027 10 22
(260) AM 2017 89241 A
(220) 2016 11 02
-
- (111) M 2017 29021 R
(151) 2017 10 22
(181) 2027 10 22
(260) AM 2017 89242 A
(220) 2016 11 02
(732) GOLDEN LEAF (MACAU) TOBACCO'S
MANUFACTURING LIMITED
RUA DOS PESCADORES, N.66, BLOCO II,
3.ANDAR-A, MACAU, Macao
-
- (111) M 2017 29022 R
(151) 2017 10 22
(181) 2027 10 22
(260) AM 2017 89330 A
(220) 2016 11 07
(732) LTD "FIERNA"
L. Gotuas q. 12, Tbilisi, Georgia
-
- (111) M 2017 29023 R
(151) 2017 10 22
(181) 2027 10 22
(260) AM 2017 89406 A
(220) 2016 11 10
(732) LTD "ZENNI"
Nalbandyan q. 11, Yerevan, Armenia
-
- (111) M 2017 29024 R
(151) 2017 10 22
(181) 2027 10 22
(260) AM 2017 89431 A
(220) 2016 11 14
(732) CSL Behring GmbH
Emil-von-Behring-Str. 76 35041 Marburg
Germany
-
- (111) M 2017 29025 R
(151) 2017 10 22
(181) 2027 10 22
(260) AM 2017 89455 A
(220) 2016 11 15
(732) THE COCA-COLA COMPANY
One Coca-Cola Plaza, Atlanta, Georgia 30313,
USA
-
- (111) M 2017 29026 R
(151) 2017 10 22
(181) 2027 10 22
(260) AM 2017 89472 A
(220) 2016 11 15
-

(732) Schloss Kaltenberg Königliche Holding und
Lizenz KG
Schloßstraße 8, 82269 Geltendorf, Germany

(111) M 2017 29027 R
(151) 2017 10 22
(181) 2027 10 22
(260) AM 2017 89512 A
(220) 2016 11 16
(732) JSC "FRIENDS CELAR"
Sop. Shilda, Kvarlis r-ni, Georgia

(111) M 2017 29028 R
(151) 2017 10 22
(181) 2027 10 22
(260) AM 2017 89548 A
(220) 2016 11 21
(732) HIMALAYA GLOBAL HOLDINGS LTD.
06 Elizabethan Square, P.O. Box 1162,
Grand Cayman, KY1-1102, Cayman Islands

(111) M 2017 29029 R
(151) 2017 10 22
(181) 2027 10 22
(260) AM 2017 89549 A
(220) 2016 11 21
(732) HIMALAYA GLOBAL HOLDINGS LTD.
06 Elizabethan Square, P.O. Box 1162,
Grand Cayman, KY1-1102, Cayman Islands

(111) M 2017 29030 R
(151) 2017 10 22
(181) 2027 10 22
(260) AM 2017 89624 A
(220) 2016 11 25
(732) KRAFT FOODS DANMARK
INTELLECTUAL PROPERTY APS
Sondre Ringvej 55, Brøndby DK-2605,
Denmark

**TRADEMARKS REGISTERED ACCORDING TO THE
ACCELERATED PROCEDURE**

The decision can be appealed at the Chamber of Appeal of Sakpatenti within 3 months from the publication.

(111) M 2017 28960 R
(151) 2017 10 09
(181) 2027 10 09
(210) AM 91095
(220) 2017 03 01
(732) LTD "UNIMED GROUP CORP"
Giorgi Saakadzis Daghmarti 6, sart. 3,
O/P 11, Tbilisi, Georgia
(740) Devi Devidze
(540)

ანალგონ-დუალი
Analgon-Dual
Аналгон-Дуал

(511) 5

(111) M 2017 28961 R
(151) 2017 10 16
(181) 2027 10 16
(210) AM 94457
(220) 2017 10 05
(732) "CITY LOFT" LLC
26 Maisis Sakhelobis Moedani, 0171, Tbilisi,
Georgia
(740) Giorgi Taktakishvili
(540)

სტამბა

(591) Black, white
(531) 28.19
(511) 43

(111) M 2017 28962 R
(151) 2017 10 16
(181) 2027 10 16
(210) AM 94458
(220) 2017 10 05
(732) CITY LOFT LLC
26 Maisis Sakhelobis Moedani, 0171, Tbilisi,
Georgia
(740) Giorgi Taktakishvili

(540)

Stamba

(591) Black, white
(531) 26.04.22, 26.04.24, 27.05.17, 27.05.24
(511) 43

(111) M 2017 28963 R
(151) 2017 10 16
(181) 2027 10 16
(210) AM 94459
(220) 2017 10 05
(732) CITY LOFT LLC
26 Maisis Sakhelobis Moedani, 0171, Tbilisi,
Georgia
(740) Giorgi Taktakishvili
(540)

ფაბრიკა

(591) Black, white
(531) 26.04.02, 26.04.07, 26.04.24, 26.11.09, 28.19
(511) 43

(111) M 2017 28964 R
(151) 2017 10 16
(181) 2027 10 16
(210) AM 94460
(220) 2017 10 05
(732) CITY LOFT LLC
26 Maisis Sakhelobis Moedani, 0171, Tbilisi,
Georgia
(740) Giorgi Taktakishvili
(540)

FABRIKA

(591) Black, white

(531) 26.04.02, 26.04.07, 26.04.24, 26.11.09,
27.05.09, 27.05.10, 27.05.24
(511) 43

(111) M 2017 28965 R
(151) 2017 10 17
(181) 2027 10 17
(210) AM 94469
(220) 2017 10 06
(732) KAREN VARDANYAN
Byron Str. 3, ap. 36, Yerevan, Armenia
(740) Giorgi Taktakishvili
(540)



(591) White, red, pink, light brown, brown,
dark brown, yellow, milk, orange, blue,
blue, green, peach, Golden, black
(531) 08.01.23, 08.01.24, 24.01.10, 27.05.01,
29.01.15
(511) 30

(111) M 2017 28966 R
(151) 2017 10 17
(181) 2027 10 17
(210) AM 94470
(220) 2017 10 06
(732) SOCIÉTÉ DES PRODUITS NESTLÉ S.A.
1800 Vevey, Switzerland
(740) Tamaz Shilakadze
(540)



(591) Brown, orange, white, red
(531) 26.01.22, 26.01.24, 27.05.24, 29.01.14
(511) 30

(111) M 2017 28967 R
(151) 2017 10 17
(181) 2027 10 17
(210) AM 94090
(220) 2017 09 11
(732) LTD "FIRMA DISNA"
B-r Drujbi Narodov, d. 14-16, pomeschenie
500, 1103, Kiev, Ukraine
(740) Davit Zurabishvili
(540)

ALGETI VALLEY

ალგეთის ველები



(591) Black, white
(531) 07.01.03; 27.05.01; 28.19
(526) The trademark is protected as a whole. "AL-
GETI" shall not be subject to independent legal
protection.
(511) 33

(111) M 2017 28968 R
(151) 2017 10 17
(181) 2027 10 17
(210) AM 94240
(220) 2017 09 20
(732) LTD "GEO-KOOP"
Tvaltchrelidzis q. 2, 0182, Tbilisi, Georgia
(540)



(591) White, blue, red
(531) 26.11.13, 27.05.17, 29.01.13
(511) 29

(111) M 2017 28969 R
 (151) 2017 10 17
 (181) 2027 10 17
 (210) AM 94473
 (220) 2017 10 06
 (732) CJSC "CANONPHARMA PRODUCTION"
 Ul. Zarechnaia 105, 141100, G. Shelkovo
 M.o. Moscow, Russian Federation
 (740) Davit Chkopoia
 (540)

თიოფტია
Тіоптія
Тиюптия

(591) Black, white
 (511) 5

(111) M 2017 28970 R
 (151) 2017 10 18
 (181) 2027 10 18
 (210) AM 94366
 (220) 2017 09 29
 (732) Varlam Kutsia
 Vazha-Pshavelas gamz., kvart. VI, kopr. 3,
 b. 42, 0186, Tbilisi, Georgia
 (540)



(591) Black, red, yellow and sky-blue
 (531) 27.05.01, 27.05.02, 27.05.10, 27.05.17,
 29.01.14
 (511) 30

(111) M 2017 28971 R
 (151) 2017 10 18
 (181) 2027 10 18
 (210) AM 94453
 (220) 2017 10 05
 (732) Shalva Khecuriani
 Tamar Mepis Gamz. 17, Tbilisi, 0112,
 Georgia
 (740) Nestan Miadze
 (540)

Paolo
პაოლო
Паоло

(591) Black, white
 (511) 33, 41, 43

(111) M 2017 28972 R
 (151) 2017 10 18
 (181) 2027 10 18
 (210) AM 94461
 (220) 2017 10 05
 (732) LTD "NEW PHARM GROUP"
 Davit Agmasheneblis Kheiv. XII km, korp. 2,
 b. 43, Vake-Saburtalos R-ni, 0131, Tbilisi,
 Georgia
 (540)

ნიუცეფი
Newceph
Ньюцеф

(591) Black, white
 (511) 5

(111) M 2017 28973 R
 (151) 2017 10 19
 (181) 2027 10 19
 (210) AM 94464
 (220) 2017 10 06
 (732) LTD "GRAND ROYAL"
 V. Barnovis q. 10, (nak.38/3), Besikis q. 4,
 Old Tbilisi, 0108, Tbilisi, Georgia
 (540)



(591) Black, white
 (531) 24.09.12, 25.01.25, 27.05.10, 27.05.11
 (511) 39

(111) M 2017 28974 R
 (151) 2017 10 20
 (181) 2027 10 20
 (210) AM 94591
 (220) 2017 10 13
 (732) LTD "NEXTRA GROUP"

Irodion Evdoshvilis q. 18, Sart. 2, O/P 3,
Didube-Chuguretis r-ni, 0154, Tbilisi,
Georgia

(540)

ალერდექსი
Alerdex
Алердекс

(511) 5

(111) M 2017 28975 R
(151) 2017 10 20
(181) 2027 10 20
(210) AM 94596
(220) 2017 10 13
(732) LTD "NEXTRA GROUP"
Irodion Evdoshvilis q. 18, Sart. 2, O/P 3,
Didube-Chuguretis r-ni, 0154, Tbilisi,
Georgia

(540)

გლავოპტი
Glavopt
Главопт

(511) 5

(111) M 2017 28976 R
(151) 2017 10 20
(181) 2027 10 20
(210) AM 94598
(220) 2017 10 13
(732) LTD "NEXTRA GROUP"
Irodion Evdoshvilis q. 18, Sart. 2, O/P 3,
Didube-Chuguretis r-ni, 0154, Tbilisi,
Georgia

(540)

ტოპიდექსოლი
Topidexol
Топидексол

(511) 5

(111) M 2017 28977 R
(151) 2017 10 20
(181) 2027 10 20
(210) AM 94463
(220) 2017 10 05
(732) TCHAIKAPHARMA HIGH QUALITY
MEDICINES INC.
One G. M. Dimitrov Blvd., Sofia 1172, Sofia,
Bulgaria
(740) Davit Chkopoia

(540)

ლევლოგარდი
LEFLOGARD
ЛЕФЛОГАРД

(511) 5

(111) M 2017 28978 R
(151) 2017 10 20
(181) 2027 10 20
(210) AM 94476
(220) 2017 10 09
(732) LTD "NEXTRA GROUP"
Irodion Evdoshvilis q. 18, Sart. 2, O/P 3,
Didube-Chuguretis r-ni, 0154, Tbilisi,
Georgia

(540)

ტერბექსინი
Terbexin
Тербексин

(511) 5

(111) M 2017 29031 R
(151) 2017 10 23
(181) 2027 10 23
(210) AM 94497
(220) 2017 10 09
(732) LTD MYWAY AIRLINES CO
Varketili 3, Near IV M/D, Plot 14/428,
14/429, Vazisubanis III M/D, II Block,
Near Building 11, 0152, Tbilisi, Georgia

(540)



(591) Black, lilac, blue
(531) 03.07.17, 03.07.24, 29.01.13
(511) 12

INTERNATIONAL TRADEMARKS FOR WHICH A DECISION ON GRANTING PROTECTIONS IS TAKEN

The decision can be appealed at the Chamber of Appeal of Sakpatenti within 3 months from the publication or at the Mtskheta District Court Administrative Cases Board (Address: №17, Samkhedro str., Mtskheta), within 1 month following the publication.

(260) AM 2017 86325 A*

(800) 1288409

(891) 2015 08 27

(731) SEDES HOLDİNG ANONİM ŞİRKETİ
Levent Mah. Büyükdere Cad., Yapı Kredi
Plaza No:176 C Blok K:2, Levent
Beşiktaş, İSTANBUL, Turkey

(540)



(591) Blue, yellow, red

(526) "gratis"

(511)

3 – Bleaching and cleaning preparations, detergents other than for use in manufacturing operations and for medical purposes, laundry bleach, fabric softeners for laundry use, stain removers, dishwasher detergents; perfumery; cosmetics; fragrances; deodorants for personal use and animals; soaps; dental care preparations: dentifrices, denture polishes, tooth whitening preparations, mouth washes, not for medical purposes; abrasive preparations; emery cloth; sandpaper; pumice stone; abrasive pastes; polishing preparations for leather, vinyl, metal and wood, polishes and creams for leather, vinyl, metal and wood, wax for polishing.

5 – Pharmaceutical and veterinary preparations for medical purposes; chemical preparations for medical and veterinary purposes, chemical reagents for pharmaceutical and veterinary purposes; dietary supplements for pharmaceutical and veterinary purposes; dietary supplements; nutritional supplements; medical preparations for slimming purposes; food for babies; herbs and herbal beverages adapted for medicinal purposes; dental preparations and articles: teeth filling material, dental impression material, dental adhesives and material for repairing teeth, sanitary preparations for medical use; hygienic pads; hygienic tampons; plasters; materials for dressings; diapers, including those made of paper and textiles; preparations for destroying vermin; fungicides, herbicides; deodorants, other than for human beings or for animals; air deodorising preparations; disinfectants; antiseptics; detergents for medical purposes.

21 – Hand-operated non-electric cleaning instruments and appliances, brushes, other than paint-brushes, steel chips for cleaning, sponges for cleaning, steel wool for cleaning, cloths of textile for cleaning, gloves for dishwashing, non-electric polishing machines for household purposes, brooms for carpets, mops; toothbrushes, electric toothbrushes, dental floss, shaving brushes, hair brushes, combs; non-electric household or kitchen utensils, included in this class, [other than forks, knives, spoons], services [dishes], pots and pans, bottle openers, flower pots, drinking straws, non-electric cooking utensils; ironing boards and shaped covers therefor, drying racks for washing, clothes drying hangers; cages for household pets, indoor aquariums, vivariums and indoor terrariums for animals and plant cultivation; ornaments and decorative goods of glass, porcelain, earthenware or clay, included in this class, namely statues, figurines and vases, all made of glass, porcelain, earthenware or clay; mouse traps, insect traps, electric devices for attracting and killing flies and insects, fly catchers, fly swatters; perfume burners, perfume sprayers, perfume vaporizers, electric or non-electric make-up removing appliances, powder puffs, toilet cases; nozzles for sprinkler hose, nozzles for watering cans, watering devices, garden watering cans; unworked or semi-worked glass, except building glass, mosaics of glass and powdered glass for decoration, except for building, glass wool other than for insulation or textile use.

25 – Clothing, including underwear and outer-clothing, other than special purpose protective clothing; socks, mufflers [clothing], shawls, bandanas, scarves, belts [clothing]; footwear, shoes, slippers, sandals; headgear, hats, caps with visors, berets, caps [headwear], skull caps.

35 – Advertising, marketing and public relations; organization of exhibitions and trade fairs for commercial or advertising purposes; office functions; business management, business administration and business consultancy; accounting; commercial consultancy services; import-export agencies; business appraisal services for commercial or industrial products; auctioneering; the bringing together, for the benefit of others, of a variety of goods, enabling customers to conveniently view and purchase those goods, such services may be provided by retail stores, wholesale outlets, by means of electronic media or through mail order catalogues.

(260) AM 2017 87032 A*
 (800) 1295624
 (891) 2016 01 05
 (731) ANTONIO PUIG, S.A.
 Plaza Europa, 46-48, Hospitalet de Llobregat,
 E-08902 Barcelona, Spain

(540)

SCANDAL

(511)

3 – Bleaching preparations and other substances for laundry use; cleaning, polishing, degreasing and abrasive preparations; soaps; perfumery products, essential oils; cosmetics, except cosmetics for hair care, color cosmetics and make-up; dentifrices; toiletries; perfumery and fragrances; eau de Cologne; perfumes; scented preparations; mouth wash products; preparations for cleaning and care of the body; deodorants and antiperspirants; soaps and gels for personal use; bath preparations; preparations for skin care; exfoliants; talcum powders; wet wipes, cotton balls and hand wipes for sanitary, cosmetic and perfume purposes; lip balm (non-medicated); adhesives for cosmetic use; cosmetic preparations for slimming; shaving products; pre-shave preparations; after-shave preparations; non-medicated beauty preparations; cosmetic kits; preparations for perfuming; fragrances for the home; sachets for perfuming linen; aromatic extracts; products for the care and cleaning of animals; abrasives; shoemakers' and tailors' wax; preparations for cleaning and polishing leather and footwear.

(260) AM 2017 88877 A
 (800) 1311496
 (891) 2016 08 22
 (731) HILLEVI SAPERSTEIN
 Unit #393 E, 5100 San Felipe, Houston
 TX 77056, USA

(540)

MALIBU 1028

(526) The trademark is protected as a whole. „MALIBU“ shall not be subject to independent legal protection.

(511)

25 – Capri pants; headgear, namely, hats and caps; hosiery; lingerie; panties, shorts and briefs; shorts; slacks; t-shirts; underwear; women's clothing, namely, shirts, dresses, skirts, blouses; panties, shorts and briefs.

(260) AM 2017 88884 A
 (800) 1311801
 (891) 2016 04 29
 (731) YILDIZHAN TEKSTIL DERI SANAYI VE
 TICARET LTD.STI.
 Bezciler Sok. No:12/B, Yesildirek Istanbul,
 Turkey

(540)



(591) Red. The mark consists of the word "FSM" in red colored stylized lettering next to the word "1453" in the color black.

(526) The trademark is protected as a whole. „1453“ shall not be subject to independent legal protection.

(511)

25 – Clothing, namely, pants, dresses, sweatshirts, sweaters, t-shirts, blouses, shirts, pullovers, skirts, trousers, jackets, coats and overcoats, scarves and socks; footwear, namely, shoes, slippers; sandals; headgear, namely, hats, caps, berets.

(260) AM 2017 88932 A

(800) 817260

(891) 2016 04 25

(731) Publichnoe aktsionernoe obshchestvo
 "MAKARONNO-KONDITERSKOE
 PROIZVODSTVO"
 15A chaussée Nejegolskoe RU-309292
 CHEBEKINO, Belgorodskaja obl., Russian
 Federation

(540)



(591) Red, pale yellow, yellow, dark yellow, beige, orange, light brown, brown, dark brown, gray, black, white

(511)

30 – Coffee, tea, cocoa, sugar, rice, tapioca, sago, artificial coffee; flour; cereal preparations; pasta, macaroni, vermicelli; groats for human food, pastries; confectionery; edible ices; honey; golden syrup; yeast; baking powder; salt, mustard; vinegar, sauces (condiments); spices; ice for refreshment.

(260) AM 2017 89023 A

(800) 1314019

(891) 2016 08 12

(731) JT INTERNATIONAL SA
 Rue Kazem Radjavi 8, CH-1202 Genève,
 Switzerland

(540)

**AMERICAN
SPIRIT**

(591) black and white

(511)

34 – Tobacco, raw or manufactured; smoking tobacco, pipe tobacco, rolling tobacco, chewing tobacco, snus; cigarettes, cigars, cigarillos; snuff.

(260) AM 2017 89411 A

(800) 1316988

(891) 2016 07 11

(731) ITALGELATINE S.p.A.

Strada Statale Alba Bra, 201 I-12069 Santa Vittoria D'Alba (CN), Italy

(540)

MIE

(511)

30 – Caramels [candy], chocolates.

(260) AM 2017 89432 A

(800) 1318493

(891) 2016 06 14

(731) IGOR MIKHAILOVICH MANUILOV

Geologicheskaya Street/Roshchinskaya Street, No.28/10/2, RU-350000 Krasnodar, Russian Federation

(540)

Веня

(591) Black, white

(511)

30 – Noodle-based prepared meals; coffee flavorings; tapioca flour; maltose; almond paste; honey; molasses for food; caramels [candy]; relish [condiment]; cinnamon [spice]; meat tenderizers, for household purposes; mayonnaise; chicory [coffee substitute]; marzipan; corn flakes; powders for making ice cream; cake dough; cocoa beverages with milk; halvah; macarons [pastry]; crushed barley; beer vinegar; chow-chow [condiment]; nutmegs; turmeric; capers; potato flour; mustard meal; pasta; spring rolls; food flavorings, other than essential oils; corn, roasted; flour; tarts; ferments for pastes; baking soda [bicarbonate of soda for cooking purposes]; tea-based beverages; chutneys [condiments]; edible ices; linseed for human consumption; sushi; ice cream; cheeseburgers [sandwiches]; artificial coffee; hominy; dessert mousses [confectionery]; rice-based snack food; rusks; petits fours [cakes]; cooking salt;

chewing gum; cocoa; pralines; fruit jellies [confectionery]; rice; cereal-based snack food; cakes; peppers [seasonings]; mustard; thickening agents for cooking foodstuffs; macaroni; yeast; malt biscuits; tomato sauce; vanillin [vanilla substitute]; cereal preparations; pepper; seasonings; hominy grits; meat pies; tea; pastilles [confectionery]; groats for human food; ice, natural or artificial; golden syrup; flavorings, other than essential oils, for cakes; infusions, not medicinal; seaweed [condiment]; oat flakes; iced tea; barley meal; chocolate beverages with milk; cake frosting [icing]; oat-based food; peanut confectionery; leaven; sandwiches; ham glaze; dressings for salad; custard; soya sauce; glucose for culinary purposes; natural sweeteners; sauces [condiments]; sausage binding materials; malt for human consumption; bean meal; husked barley; unroasted coffee; wheat germ for human consumption; rice cakes; petit-beurre biscuits; saffron [seasoning]; cocoa-based beverages; allspice; sea water for cooking; crackers; dough; vinegar; coffee; fondants [confectionery]; ravioli; frozen yogurt [confectionery ices]; cloves [spice]; popcorn; celery salt; pasta sauce; waffles; liquorice [confectionery]; spices; preparations for stiffening whipped cream; sugar; oatmeal; tortillas; breadcrumbs; cake powder; palm sugar; unleavened bread; corn flour; cream of tartar for culinary purposes; gluten prepared as foodstuff; chips [cereal products]; bread; pastry dough; ice for refreshment; noodles; ginger [spice]; corn, milled; meat gravies; crushed oats; condiments; sherbets [ices]; aromatic preparations for food; spaghetti; buns; confectionery for decorating Christmas trees; star aniseed; sago; candy; tapioca; pies; coffee-based beverages; marinades; chocolate mousses; soya bean paste [condiment]; pancakes; bread rolls; peppermint sweets; vegetal preparations for use as coffee substitutes; baking powder; puddings; pastries; soya flour; malt extract for food; almond confectionery; fruit coulis [sauces]; flowers or leaves for use as tea substitutes; pâtés en croûte; royal jelly; propolis; pizzas; flavorings, other than essential oils, for beverages; wheat flour; couscous [semolina]; ketchup [sauce]; aniseed; vermicelli [noodles]; binding agents for ice cream [edible ices]; curry [spice]; tacos; high-protein cereal bars; chocolate-based beverages; husked oats; garden herbs, preserved [seasonings]; semolina; confectionery; salt for preserving foodstuffs; coffee beverages with milk; sweetmeats [candy]; chocolate; pesto [sauce]; tabbouleh; mint for confectionery; quiches; gingerbread; gluten additives for culinary purposes; essences for foodstuffs, except etheric essences and essential oils; cookies; starch for food; muesli; cereal bars; stick liquorice [confectionery].

(260) AM 2017 89437 A

(800) 1318186

(891) 2016 02 02

(731) SPLASH-TOYS, SAS
18 rue de la Côte Frileuse, F-27640
BREUILPONT, France

(540)



(591) Green, violet

(511)

25 – Clothing, footwear, headgear; shirts; clothing of leather or imitation of leather; belts (clothing); furs (clothing); gloves (clothing); scarves; neckties; hosiery; socks; bedroom slippers; beach, ski or sports footwear; underwear.

28 – Games, toys; controls for game consoles; decorations for Christmas trees; Christmas trees of synthetic materials; apparatus for physical education or gymnastics; fishing tackle; balls for games; billiard tables, cues or balls; playing cards or board games; ice or roller skates; scooters (toys); sailboards or surf boards; rackets; snowshoes; skis; protective padding (parts of sportswear); toy models; figurines (toys).

(260) AM 2017 89444 A

(800) 1318359

(891) 2015 11 30

(731) SHANDONG LINWO HEAVY
MACHINERY CO., LTD
Room 2801A, Building 6 Shuntai Plaza,
No.2000 Shunhua Road, High-Tech Zone
Jinan City, China

(540)



(591) Black, white

(511)

7 – Agricultural machines; mowing and reaping machines; sowers [machines]; engraving machines; packaging machines; loader; hoppers [mechanical discharging]; road rollers; excavators; extractors for mines; carry scraper (terms considered too vague by the International Bureau – rule 13.2.b) of the Common Regulations); derricks; generators of electricity; metalworking machines; road sweeping machines [self-propelled].

11 – Lighting apparatus and installations; light-emitting diodes [LED] lighting apparatus; lighting installations for air vehicles; vehicle reflectors; lamps for directional signals of automobiles; anti-dazzle

devices for automobiles [lamp-fittings]; miners' lamps; lamps; headlights for automobiles; automobile lights.

12 – Fork lift trucks; sprinkling trucks; trucks; trailers [vehicles]; tractors; waggons; concrete mixing vehicles; automobile chassis; tipping bodies for lorries [trucks]; automobile wheels; axles for vehicles; gear boxes for land vehicles; tyres for vehicle wheels; tilting-carts.

42 – Petroleum exploitation; geoexploration.

(260) AM 2017 89445 A

(800) 1318521

(891) 2016 06 24

(731) LINN MARKETING INC
Belize Marina Towers, Suite 303, Newtown
Barracks, Belize City, Belize

(540)

SLAVIAN STAR

(591) Black, white

(511)

32 – Kvass [non-alcoholic beverage]; aerated water; cider, non-alcoholic; peanut milk [non-alcoholic beverage]; table waters; aloe vera drinks, non-alcoholic; malt wort; extracts of hops for making beer; beer wort; syrups for beverages; soya-based beverages, other than milk substitutes; smoothies; grape must, unfermented; beer; syrups for lemonade; isotonic beverages; beer-based cocktails; fruit juices; non-alcoholic beverages flavored with coffee; fruit nectars, non-alcoholic; soda water; lithia water; non-alcoholic honey-based beverages; whey beverages; tomato juice [beverage]; non-alcoholic beverages flavored with tea; mineral water [beverages]; non-alcoholic fruit juice beverages; malt beer; lemonades; seltzer water; vegetable juices [beverages]; ginger beer; aperitifs, non-alcoholic; protein-enriched sports beverages; cocktails, non-alcoholic; sherbets [beverages]; sarsaparilla [non-alcoholic beverage].

33 – Alcoholic beverages, except beer; aperitifs; arack [arak]; baijiu [Chinese distilled alcoholic beverage]; brandy; wine; piquette; whisky; vodka; anisette [liqueur]; kirsch; gin; digesters [liqueurs and spirits]; cocktails; curacao; anise [liqueur]; liqueurs; pre-mixed alcoholic beverages, other than beer-based; alcoholic beverages containing fruit; distilled beverages; spirits [beverages]; mead [hydromel]; peppermint liqueurs; bitters; nira [sugarcane-based alcoholic beverage]; rum; sake; perry; cider; rice alcohol; alcoholic extracts; fruit extracts, alcoholic; alcoholic essences.

(260) AM 2017 89480 A

(800) 1317761

(891) 2016 08 29

(731) POLFARMEX S.A.
ul. Józefów 9, PL-99-300 Kutno, Poland

(540)
SETAL

(591) black and white

(511)

5 – Pharmaceutical preparations.

(260) AM 2017 89562 A

(800) 1319358

(891) 2016 09 26

(731) CAPBRAN HOLDINGS, LLC
11601 WILSHIRE BLVD., SUITE 2300,
LOS ANGELES CA 90025, USA

(540)

VEGGIE BULLET

(526) The trademark is protected as a whole. „VEGGIE“ shall not be subject to independent legal protection.

(511)

7 – Electric food blenders; electric food processors.

(260) AM 2017 89570 A

(800) 1318611

(891) 2015 01 13

(731) LAARA ENTERPRISES LIMITED
Suite 1003, Khalid Al Attar Tower, P.O. Box
No.71241, Sheikh Zayed Road, Dubai, United
Arab Emirates

(540)



(591) Black, white and grey.

(511)

3 – Abrasives; amber [perfume]; scale removing preparations for household purposes; antistatic preparations for household purposes; breath freshening sprays; canned pressurized air for cleaning and dusting purposes; shaving stones [astringents]; polishing stones; abrasive paper; emery paper; polishing paper; petroleum jelly for cosmetic purposes; cotton wool for cosmetic purposes; cotton swabs for cosmetic purposes; cake flavourings [essential oils]; flavorings [flavourings] for beverages [essential oils]; sachets for perfuming linen; scented water; javelle water; lavender water; toilet water; laundry wax; flo-

or wax; non-slipping wax for floors; moustache wax; tailors' wax; polish for furniture and flooring; shoe wax; heliotropine; dental bleaching gels; geraniol; make-up; deodorants for human beings or for animals; scented wood; perfumes; non-slipping liquids for floors; windshield cleaning liquids; greases for cosmetic purposes; volcanic ash for cleaning; dentifrices; perfumery; decorative transfers for cosmetic purposes; ionone [perfumery]; smoothing stones; eyebrow pencils; cosmetic pencils; silicon carbide [abrasive]; carbides of metal [abrasives]; alum stones [astringents]; tripoli stone for polishing; adhesives for affixing false eyelashes; adhesives for affixing false hair; quillaia bark for washing; corundum [abrasive]; laundry blueing; beard dyes; colorants for toilet purposes; cosmetic dyes; starch for laundry purposes; cosmetic creams; cream for whitening the skin; creams for leather; polishing rouge; incense; hair spray; nail polish; after-shave lotions; hair lotions; lotions for cosmetic purposes; beauty masks; oils for perfumes and scents; oils for cosmetic purposes; oils for toilet purposes; essential oils; essential oils of cedarwood; essential oils of lemon; oils for cleaning purposes; bergamot oil; gaultheria oil; jasmine oil; lavender oil; almond oil; rose oil; oil of turpentine for degreasing; adhesives for cosmetic purposes; whitening; cleaning chalk; almond milk for cosmetic purposes; cleansing milk for toilet purposes; musk [perfumery]; soap; disinfectant soap; deodorant soap; shaving soap; soap for brightening textile; cakes of toilet soap; medicated soap; antiperspirant soap; soap for foot perspiration; almond soap; mint for perfumery; cosmetic kits; emery; false nails; eau de cologne; bases for flower perfumes; joss sticks; perfumery, essential oils, cosmetics, hair lotions; polishing wax; pastes for razor strops; hydrogen peroxide for cosmetic purposes; abrasive cloth; glass cloth; lipsticks; pomades for cosmetic purposes; shaving preparations; cosmetic preparations for baths; toiletries; waving preparations for the hair; preparations for soaking laundry; sharpening preparations; smoothing preparations [starching]; leather bleaching preparations; bleaching preparations and other substances for laundry use; denture polishes; refurbishing preparations; mouth washes, not for medical purposes; cosmetic preparations for slimming purposes; starch glaze for laundry purposes; fabric softeners for laundry use; laundry bleach; dry-cleaning preparations; make-up removing preparations; floor wax removers [scouring preparations]; paint stripping preparations; lacquer-removing preparations; rust removing preparations; nail care preparations; cleaning preparations; preparations for cleaning dentures; wallpaper cleaning preparations; preparations for unblocking drain pipes; cleaning, polishing, scouring and abrasive preparations; colour-brightening chemicals for household purposes [laundry]; make-up powder; diamantine [abrasive]; scouring solutions; false eyelashes; tis-

sues impregnated with cosmetic lotions; safrol; turpentine, for degreasing; potpourris [fragrances]; bleaching soda; washing soda, for cleaning; bath salts, not for medical purposes; bleaching salts; leather preservatives [polishes]; fumigation preparations [perfumes]; ammonia [volatile alkali] [detergent]; astringents for cosmetic purposes; eyebrow cosmetics; stain removers; make-up preparations; sun-tanning preparations [cosmetics]; hair colorants; neutralizers for permanent waving; preparations to make the leaves of plants shiny; cosmetic preparations for eyelashes; depilatory preparations; cosmetic preparations for skin care; shoe cream; cosmetics; cosmetics for animals; mascara; detergents other than for use in manufacturing operations and for medical purposes; degreasers other than for use in manufacturing processes; bleaching preparations [decolorants] for cosmetic purposes; antiperspirants [toilettries]; talcum powder, for toilet use; terpenes [essential oils]; cloths impregnated with a detergent for cleaning; shampoos; shampoos for pets; glass paper; soda lye; ethereal essences; badian essence; mint essence [essential oil].

5 – Dental amalgams of gold; dental amalgams; amino acids for veterinary purposes; bandages for dressings; bracelets for medical purposes; anti-rheumatism bracelets; paper for mustard plasters; fly catching paper; mothproofing paper; petroleum jelly for medical purposes; oxygen baths; sea water for medicinal bathing; mineral waters for medical purposes; thermal water; dietary fiber; moulding wax for dentists; hematogen; sanitary preparations for medical purposes; mustard plasters; mud for baths; medicinal mud; disinfectants; deodorants, other than for human beings or for animals; deodorants for clothing and textiles; dietetic substances adapted for medical use; mineral food supplements; cod liver oil; insecticides; hemostatic pencils; wart pencils; caustic pencils; adhesives for dentures; corn rings for the feet; anti-rheumatism rings; candy, medicated; dental lacquer; adhesive plasters; lotions for veterinary purposes; dog lotions; gauze for dressings; anti-horsefly oils; dental mastics; dental abrasives; dental impression materials; teeth filling material; material for stopping teeth, dental wax; dressings, medical; surgical dressings; medicines for veterinary purposes; lacteal flour for babies; fly catching adhesives; medicine cases, portable, filled; antiparasitic collars for animals; pants, absorbent, for incontinents; napkins for incontinents; plasters, materials for dressings; poultices; compresses; scapulars for surgical purposes; bunion pads; breast-nursing pads; pomades for medical purposes; powder of cantharides; pyrethrum powder; belts for sanitary napkins [towels]; bacterial preparations for medical and veterinary use; bacteriological preparations for medical and veterinary use; biological preparations for veterinary purposes; veterinary preparations; air deodorising preparations; air purifying preparations; pre-

parations for destroying noxious animals; herbicides; preparations for destroying dry rot fungus; larvae exterminating preparations; fly destroying preparations; preparations for destroying mice; slug exterminating preparations; vermin destroying preparations; preparations of trace elements for human and animal use; enzyme preparations for veterinary purposes; chemical preparations for veterinary purposes; chemical preparations to treat wheat blight [smut]; vine disease treating chemicals; chemical preparations to treat mildew; chemical preparations for treating phylloxera; mothproofing preparations; chemical conductors for electrocardiograph electrodes; food for babies; menstruation bandages; panty liners [sanitary]; solvents for removing adhesive plasters; chemical reagents for medical or veterinary purposes; rubber for dental purposes; insect repellent incense; insect repellents; repellents for dogs; sanitary towels; tissues impregnated with pharmaceutical lotions; fumigating sticks; milking grease; greases for veterinary purposes; salts for mineral water baths; mineral water salts; semen for artificial insemination; alloys of precious metals for dental purposes; disinfectants for hygiene purposes; disinfectants for chemical toilets; parasiticides; animal washes; cattle washes; dog washes; remedies for perspiration; remedies for foot perspiration; vulnery sponges; smoking herbs for medical purposes; medicinal herbs; sanitary pants; porcelain for dental prostheses; enzymes for veterinary purposes; fungicides; diabetic bread adapted for medical use; cement for animal hooves; bone cement for surgical and orthopaedic purposes; dental cements; herbal teas for medicinal purposes; tobacco extracts [insecticides]; rat poison; poisons.

11 – Lamp shades; steam accumulators; heat accumulators; defrosters for vehicles; distillation apparatus; desiccating apparatus; disinfectant apparatus; air deodorising apparatus; tanning apparatus [sun beds]; ionization apparatus for the treatment of air or water; coffee roasters; beverage cooling apparatus; hand drying apparatus for washrooms; water purifying apparatus and machines; refrigerating apparatus and machines; drying apparatus and installations; freezers; drying apparatus; fruit roasters; framework of metal for ovens; coolers for furnaces; expansion tanks for central heating installations; refining towers for distillation; bidets; boilers, other than parts of machines; bath tubs; bath tubs for sitz baths; waffle irons, electric; fans [air-conditioning]; fans [parts of air-conditioning installations]; electric fans for personal use; rotisseries; refrigerating display cabinets [display cases]; water heaters; flushing apparatus; air reheaters; extractor hoods for kitchens; gas condensers, other than parts of machines; acetylene generators; hydrants; burners; acetylene burners; petrol burners; gas burners; burners for lamps; germicidal burners; incandescent burners; oxyhydrogen burners; laboratory burners; oil burners; alcohol bur-

ners; hot water bottles; footwarmers, electric or non-electric; bedwarmers; pocket warmers; lampshade holders; stills; showers; refrigerating containers; lighters; gas lighters; friction lighters for igniting gas; chimney blowers; coils [parts of distilling, heating or cooling installations]; furnace ash boxes; evaporators; shower cubicles [enclosures (Am.)]; turkish bath cabinets, portable; heating apparatus; refrigerating chambers; fireplaces, domestic; pressure cooking saucepans, electric; air valves for steam heating installations; level controlling valves in tanks; thermostatic valves [parts of heating installations]; electrically heated carpets; light bulbs; light bulbs, electric; solar thermal collectors [heating]; distillation columns; lamp globes; air conditioning apparatus; gas boilers; laundry room boilers; heating boilers; coffee machines, electric; taps [faucets]; mixer taps for water pipes; forges, portable; lava rocks for use in barbecue grills; electric lights for Christmas trees; acetylene flares; safety lamps; gas lamps; curling lamps; germicidal lamps for purifying air; lamps for directional signals of automobiles; arc lamps; laboratory lamps; oil lamps; ultraviolet ray lamps, not for medical purposes; miners' lamps; electric lamps; chandeliers; barbecues; bread baking machines; watering machines for agricultural purposes; disposable sterilization pouches; footmuffs, electrically heated; heaters, electric, for feeding bottles; heaters for baths; heaters for heating irons; immersion heaters; brackets for gas burners; anti-splash tap nozzles; heat pumps; filaments for electric lamps; magnesium filaments for lighting; luminous house numbers; bath linings; heating apparatus for defrosting windows of vehicles; hot air bath fittings; bath fittings; loading apparatus for furnaces; kiln furniture [supports]; sauna bath installations; refrigerating appliances and installations; blankets, electric, not for medical purposes; lamp reflectors; vehicle reflectors; pasteurisers; lamp casings; sockets for electric lights; coffee percolators, electric; furnaces, other than for laboratory use; stoves [heating apparatus]; bakers' ovens; hot air ovens; microwave ovens [cooking apparatus]; microwave ovens for industrial purposes; incinerators; kilns; solar furnaces; urinals [sanitary fixtures]; feeding apparatus for heating boilers; heating plates; cookers; aquarium heaters; aquarium lights; heating cushions [pads], electric, not for medical purposes; cooking utensils, electric; water intake apparatus; deodorizing apparatus, not for personal use; apparatus for dehydrating food waste; fumigation apparatus, not for medical purposes; gas scrubbing apparatus; oil-scrubbing apparatus; glue-heating appliances; forage drying apparatus; water filtering apparatus; air purifying apparatus and machines; ice machines and apparatus; cooling appliances and installations; cooking apparatus and installations; lighting apparatus and installations; sanitary apparatus and installations; cooking rings; lighting apparatus for vehicles; heating apparatus for solid,

liquid or gaseous fuels; heating apparatus, electric; hot air apparatus; steam facial apparatus [saunas]; safety accessories for water or gas apparatus and pipes; regulating and safety accessories for gas apparatus; regulating accessories for water or gas apparatus and pipes; regulating and safety accessories for water apparatus; regulating and safety accessories for gas pipes; roasting jacks; anti-dazzle devices for automobiles [lamp fittings]; plate warmers; electric appliances for making yogurt; radiator caps; diving lights; torches for lighting; washers for water taps; anti-glare devices for vehicles [lamp fittings]; radiators [heating]; central heating radiators; radiators, electric; sinks; disinfectant dispensers for toilets; drip irrigation emitters [irrigation fittings]; light diffusers; nuclear reactors; heat regenerators; flushing tanks; pressure water tanks; roasters; lamps; standard lamps; ceiling lights; toilet seats; lighting installations for air vehicles; gas scrubbers [parts of gas installations]; lamp glasses; sterilizers; water sterilizers; air sterilisers; air driers; laundry dryers, electric; hair dryers; malt roasters; tobacco roasters; heat exchangers, not parts of machines; bread toasters; discharge tubes, electric, for lighting; lamp chimneys; luminous tubes for lighting; flues for heating boilers; boiler pipes [tubes] for heating installations; pipes [parts of sanitary installations]; toilets [water-closets]; toilets, portable; humidifiers for central heating radiators; wash-hand basins [parts of sanitary installations]; toilet bowls; water conduits installations; bath installations; air conditioning installations and apparatus; desalination plants; processing installations for fuel and nuclear moderating material; watering installations, automatic; cooling installations for water; cooling installations for liquids; milk cooling installations; cooling installations for tobacco; water purification installations; purification installations for sewage; steam generating installations; water distribution installations; air filtering installations; swimming pool chlorinating apparatus; ventilation [air-conditioning] installations for vehicles; water softening apparatus and installations; cooling installations and machines; heating installations; heaters for vehicles; hot water heating installations; polymerisation installations; water supply installations; ash conveyor installations, automatic; whirlpool-jet apparatus; air cooling apparatus; aquarium filtration apparatus; flare stacks for use in the oil industry; headlights for automobiles; vehicle headlights; filters for air conditioning; filters for drinking water; automobile lights; bicycle lights; lights for vehicles; pocket searchlights; lanterns for lighting; Chinese lanterns; fountains; ornamental fountains; deep fryers, electric; oven fittings made of fireclay; fittings, shaped, for ovens; refrigerators; chromatography apparatus for industrial purposes; kettles, electric; dampers [heating]; ventilation hoods; ventilation hoods for laboratories; dental ovens; refrigerating cabi-

nets; ice chests; fuel economizers; carbon for arc lamps; heating elements.

21 – Indoor aquaria; buckets; china ornaments; dishes; paper plates; saucers; goblets; candy boxes; lunch boxes; bottles; demijohns; busts of porcelain, ceramic, earthenware or glass; vases; epergnes; fruit cups; bird baths; baby baths, portable; plungers for clearing blocked drains; waffle irons, non-electric; coolers [ice pails]; buckets made of woven fabrics; cooking skewers of metal; napkin holders; clothing stretchers; hair for brushes; birdcages; funnels; carpet beaters [hand instruments]; signboards of porcelain or glass; candle extinguishers; flower pots; chamber pots; glue-pots; cruets; decanters; large-toothed combs for the hair; combs for animals; abrasive sponges for scrubbing the skin; sponges for household purposes; toilet sponges; deodorising apparatus for personal use; sponge holders; toothpick holders; dishes for soap; stands for shaving brushes; toilet paper holders; ironing boards; cutting boards for the kitchen; bread boards; washing boards; strainers; smoke absorbers for household purposes; containers for household or kitchen use; kitchen containers; boxes of glass; glass jars [carboys]; heat insulated containers for beverages; thermally insulated containers for food; glass flasks [containers]; frying pans; closures for pot lids; chamois leather for cleaning; toothpicks; ceramics for household purposes; majolica; glassware, porcelain and earthenware not included in other classes; works of art of porcelain, ceramic, earthenware or glass; brush goods; cleaning instruments, hand-operated; cabarets [trays]; stew-pans; flower pot covers, not of paper; shaving brushes; cages for household pets; polishing leather; shoe trees [stretchers]; napkin rings; towel rails and rings; rings for birds; piggy banks; bread baskets, domestic; baskets for domestic use; mangers for animals; cookie jars; tea caddies; washtubs; earthenware saucepans; mess-tins; cauldrons; coffee percolators, non-electric; coffeepots, non-electric; coffee grinders, hand-operated; fused silica [semi-worked product], other than for building; beer mugs; tankards; rat traps; pot lids; aquarium hoods; butter-dish covers; dish covers; cheese-dish covers; button-hooks; jugs; perfume burners; non-electric portable coolers (am.); watering cans; insect traps; mixing spoons [kitchen utensils]; basting spoons [cooking utensils]; scoops [tableware]; tart scoops; spatulas [kitchen utensils]; butter dishes; polishing materials for making shiny, except preparations, paper and stone; noodle machines, hand-operated; polishing apparatus and machines, for household purposes, non-electric; pepper mills, hand-operated; feather-dusters; brooms; isothermic bags; confectioners' decorating bags [pastry bags]; bowls [basins]; mosaics of glass, not for building; saucepan scourers of metal; soap boxes; mouse traps; cooking pot sets; nozzles for watering cans; spouts; nozzles for watering hose; unworked or semi-worked glass (except glass

used in building); fitted picnic baskets, including dishes; toilet cases; floss for dental purposes; fibreglass thread, not for textile use; cookie [biscuit] cutters; pastry cutters; sprinklers; sprinklers for watering flowers and plants; cotton waste for cleaning; wool waste for cleaning; cleaning tow; chopsticks; cocktail stirrers; pepper pots; gloves for household purposes; polishing gloves; gardening gloves; plates to prevent milk boiling over; trays for domestic purposes; trays for domestic purposes, of paper; lazy susans; vegetable dishes; candelabra [candlesticks]; trivets [table utensils]; coasters, not of paper and other than table linen; menu card holders; knife rests for the table; flat-iron stands; egg cups; grill supports; abrasive pads for kitchen purposes; pads for cleaning; drinking troughs; powdered glass for decoration; pottery; cooking pots; autoclaves [pressure cookers], non-electric; painted glassware; tableware, other than knives, forks and spoons; porcelain ware; crockery; cosmetic utensils; toilet utensils; trouser presses; cruet sets for oil and vinegar; spice sets; toilet paper dispensers; apparatus for wax-polishing, non-electric; bottle openers; glove stretchers; boot jacks; crumb trays; tie presses; clothes-pegs; glass caps; powder compacts; perfume vaporizers; powder puffs; dusting apparatus, non-electric; soap dispensers; combs; brush-making materials; combs and sponges; electric combs; grills [cooking utensils]; sifters [household utensils]; drinking horns; shoe horns; candle rings; salad bowls; sugar bowls; beaters, non-electric; whisks, non-electric, for household purposes; services [dishes]; coffee services [tableware]; liqueur sets; tea services [tableware]; cinder sifters [household utensils]; tea strainers; siphons for carbonated water; pipettes [wine-tasters]; rolling pins, domestic; hot pots, not electrically heated; steel wool for cleaning; currycombs; blenders, non-electric, for household purposes; fruit presses, non-electric, for household purposes; salt shakers; drinking vessels; vessels of metal for making ices and iced drinks; refrigerating bottles; cups of paper or plastic; graters [household utensils]; vacuum bottles; indoor terrariums [plant cultivation]; indoor terrariums [vivariums]; cloth for washing floors; rags for cleaning; dusting cloths [rags]; furniture dusters; litter boxes [trays] for pets; urns; aerosol dispensers, not for medical purposes; water apparatus for cleaning teeth and gums; kitchen grinders, non-electric; wax-polishing appliances, non-electric, for shoes; sprinkling devices; utensils for household purposes; kitchen utensils; cooking utensils, non-electric; strainers for household purposes; coffee filters, non-electric; flasks; drinking flasks for travellers; moulds [kitchen utensils]; ice cube moulds; cookery molds [moulds]; deep fryers, non-electric; comb cases; bread bins; fly catchers [traps or whisks]; teapots; kettles, non-electric; cups; garlic presses [kitchen utensils]; ironing board covers, shaped; tea balls; glass bowls; mops; cocktail sha-

kers; corkscrews; pig bristles; brushes; brushes (except paintbrushes); dishwashing brushes; brushes for cleaning tanks and containers; lamp-glass brushes; horse brushes; scrubbing brushes; toothbrushes; toothbrushes, electric; animal bristles (brushware); carpet sweepers; brushes for footwear; toilet brushes; electric brushes, except parts of machines; eyebrow brushes; nail brushes; nest eggs, artificial; boxes of metal, for dispensing paper towels; dustbins; heaters for feeding bottles, non-electric; crystal [glassware].

(260) AM 2017 89614 A

(800) 1319482

(891) 2016 05 16

(731) Kennede Electronics MFG.Co., Ltd.
No.21, Jintong Road, Tangxia Town, Pengjiang District, Jiangmen City, Guangdong Province, China

(540)

KENNEDE

(591) Black, white

(511)

9 – Computer peripheral devices; battery chargers; batteries, electric; plates for batteries; weighing machines; transformers [electricity]; computer programs [downloadable software]; switches, electric; alarms; signal lanterns.

11 – Lamps; lighting apparatus and installations; torches for lighting; fans [air-conditioning]; air purifying apparatus and machines; radiators, electric; air conditioning installations; hair driers; refrigerators; light-emitting diodes [LED] lighting apparatus.

(260) AM 2017 89735 A

(800) 1320694

(891) 2016 08 23

(731) CELGENE CORPORATION
86 Morris Avenue, Summit NJ 07901, USA

(540)

TEMNIKA

(591) Black, white

(511)

5 – Pharmaceutical preparations for use in the treatment of beta thalassemia and myelodysplastic syndromes, autoinflammatory disease, autoimmune disease, blood disease, cancer, arthritis, musculoskeletal and skin diseases in the fields of oncology, immunology and inflammation; pharmaceutical preparations, namely, cytokine inhibitory drugs; pharmaceutical preparations that modulate the immune system.

(260) AM 2017 89737 A

(800) 1320249

(891) 2016 02 03

(731) WORLD MEDICINE İLAÇ SANAYİ VE TİCARET ANONİM ŞİRKETİ
Evren Mah. Camiyolu Cad. No.50 Kat 1 B
Zemin 4-5-6, Güneşli/Bağcılar İstanbul,
Turkey

(540)

DEFEJACT
ДЕФЕЖАКТ

(591) Black, white

(511)

5 – Medicines for human purposes, medicines for veterinary purposes, vitamin preparations, chemical preparations for medical purposes, dietetic substances adapted for medical use; dietetic foods adapted for medical purposes, baby foods, medicinal herbs, herbal beverages adapted for medical purposes, nutritional supplements, pollen dietary supplements, mineral food supplements, protein dietary supplements, dietary supplements for animals; fodder supplements for veterinary purposes; medicines for dental purposes, hygienic products for medical purposes including sanitary pads, breast-nursing pads and bunion pads, waddings for medical purposes, plasters for medical purposes, dressings for medical purposes, babies' napkins, preparations for destroying noxious plants, preparations for destroying noxious animals, fungicides, deodorants other than for human beings or for animals, air deodorising preparations, disinfectants for hygiene purposes, antiseptics, detergents for medical purposes.

(260) AM 2017 89739 A

(800) 1320271

(891) 2015 11 30

(731) SEPAHAN BATTERY INDUSTRIAL COMPLEX CO.
14th St. Oshtorjan Industrial Zone, Isfahan, Iran (Islamic Republic of)

(540)



(591) Black, white

(511)

9 – Battery for vehicles.

35 – Export services for vehicle batteries.

39 – Packaging of battery for vehicles.

(260) AM 2017 89740 A
 (800) 1320695
 (891) 2016 08 23
 (731) CELGENE CORPORATION
 86 Morris Avenue, Summit NJ 07901,
 USA

(540)
IDHIPLI

(591) Black, white

(511)

5 – Pharmaceutical preparations for use in the treatment of beta thalassemia and myelodysplastic syndromes, autoinflammatory disease, autoimmune disease, blood disease, cancer, arthritis, musculoskeletal and skin diseases in the fields of oncology, immunology and inflammation; pharmaceutical preparations, namely, cytokine inhibitory drugs; pharmaceutical preparations that modulate the immune system.

(260) AM 2017 89742 A
 (800) 1320354
 (891) 2016 06 30
 (731) HUGO BOSS
 Trade Mark Management GmbH & Co. KG
 Dieselstr. 12, 72555 Metzingen, Germany

(540)



(591) Dusky pink, gold and light pink.

(511)

3 – Soaps; perfumeries; essential oils; preparations for body and beauty care; hair lotions; dentifrices.

(260) AM 2017 89744 A
 (800) 1320357
 (891) 2016 07 13
 (731) MESSE MÜNCHEN GMBH
 Am Messesee 2, 81829 München, Germany

(540)



Messe München

(591) Black, white

(511)

16 – Printed matter.

35 – Organisation of exhibitions and trade fairs for commercial and advertising purposes; publication and issuance of advertising texts.

41 – Arranging of exhibitions for cultural and teaching purposes; organisation and arranging of congresses and meetings; publication and issuance of printed matter (except for advertising purposes).

(260) AM 2017 89745 A
 (800) 1229116
 (891) 2016 07 22
 (731) BEIERSDORF AG
 Unnastr. 48, 20253 Hamburg, Germany

(540)



(591) Red, yellow, white and black

(511)

5 – Plasters, materials for dressings.

10 – Elastic support and compression bandages for orthopaedic purposes.

(260) AM 2017 89746 A
 (800) 1307416
 (891) 2016 09 21
 (731) VIVIENNE COSMETIQUES, SAS
 81 rue Réaumur, F-75002 PARIS, France

(540)

VIVIENNE SABO

(591) Black, white

(511)

3 – Abrasives; amber [perfume]; scale removing preparations for household use; anti-static preparations for household use; air fragrances; flavorings for cakes [essential oils]; flavorings for beverages [essential oils]; aromatics [essential oils]; sprays for fresh breath; canned pressurized air for cleaning and dusting purposes; lotions not for medical use; lip gloss; smoothing stones; abrasive papers; emery paper;

polishing paper; petroleum jelly for cosmetic use; shoe wax; shoe polish; cobblers' wax; cotton wool for cosmetic use; sachets for perfuming linen; drying agents for dishwashing machines; adhesives for cosmetic use; scented water; Javelle water; lavender water; eaux de toilette; laundry wax; polishing wax; non-slipping wax for floors; depilatory wax; mustache wax; creams for leather; polish for furniture and flooring; shoemakers' wax; products to polish and shine surfaces; tailors' wax; massage gels other than for medical use; heliotropine; dental bleaching gels; geraniol; make-up products; deodorants for pets; deodorants [perfumery]; depilatories; scented wood; perfumes; non-slipping liquids for floors; windshield cleaning liquids; greases for cosmetic use; volcanic ash for cleaning; perfumery products; decorative transfers for cosmetic use; ionone [perfumery]; shaving stones [astringents]; smoothing stones; pencils for cosmetic use; eyebrow cosmetics; silicon carbide [abrasive]; carbides of metal [abrasives]; astringent stones for shaving; tripoli stone for polishing; adhesives for affixing false eyelashes; adhesives for fixing false hair; hair conditioners; quillaia bark for washing; corundum [abrasive]; beard dyes; colors for cosmetic purposes; cosmetic dyes; starch for laundry purposes; cleaning products for the luster of linen; polish for footwear; polishing creams; cosmetic creams; skin whitening cream; red polishing paste; incense; hair spray; nail polish; hair lotions; lotions for cosmetic use; after-shave lotions; beauty masks; oils for perfumes and fragrances; oils for cleaning purposes; oils for cosmetic use; oils for toilet purposes; essential oils; essential oils of cedarwood; essential oils of citron; essential oils of lemon; bergamot essential oils; gaultheria oil; jasmine oil; lavender oil; almond oil; rose oil; oil of turpentine for degreasing; whitening; cleaning chalk; almond milk for cosmetic use; cleansing milk for toilet purposes; musk [perfumery]; cakes of toilet soap; disinfectant soap; deodorant soaps; shaving soap; brightening soaps; soaps; medicated soaps; antiperspirant soap; soaps for foot perspiration; almond soap; mint for perfumery; beauty cases; emery; nail art stickers; false nails; eau de Cologne; bases for flower perfumes; incense sticks; pastes for razor strops; dentifrices; pumice stone; lipstick cases; hydrogen peroxide for cosmetic use; breath freshening strips; abrasive cloth; glass cloth; lipstick; pomades for cosmetic use; shaving products; cosmetic preparations for baths; bath preparations, not for medical use; hair straightening products; toiletries; hair waving preparations; products to soak the laundry; abrasive preparations; washes or deodorants for intimate hygiene; smoothing products [starching]; paint stripping products; leather bleaching products; refurbishing preparations; denture polishes; mouthwashes for non-medical use; cosmetic slimming preparations; starch glaze for laundry purposes; polishing preparations; fabric softeners for laundry use; laundry ble-

aches; preparations for dry cleaning; color-removing products; varnish-removing products; make-up removing products; floor wax removers; lacquer-removing products; rust removing products; nail care products; cleaning products; preparations for cleaning dentures; wallpaper cleaning products; preparations for unblocking drain pipes; laundry preparations; aloe vera preparations for cosmetic use; sun-screen preparations; color-brightening chemicals for household use [laundry]; shining products [polish]; make-up powder; diamantine [abrasive]; stain removers; scouring solutions; false eyelashes; tissues impregnated with cosmetic lotions; wipes impregnated with make-up removing products; safrol; bluing for laundry; potpourris [fragrances]; turpentine for degreasing; bleaching soda; washing soda, for cleaning; bath salts for non-medical use; bleaching salts; fumigating (preparations for) (perfumes); leather preservatives [polishes]; ammonia [alkali volati] used as detergent; astringents for cosmetic use; eyebrow cosmetics; make-up products; skin tanning preparations; hair dyes; neutralizers for permanent waving; preparations to make the leaves of plants shiny; cosmetics for eyelashes; cosmetic products for skin care; cosmetics; cosmetics for animals; mascara; detergents other than those used in manufacturing operations and for medical use; degreasers other than for use in manufacturing processes; bleaching preparations [decolorants] for cosmetic use; antiperspirants (toiletries); talcum powder for toilet use; cotton sticks for cosmetic use; terpenes [essential oils]; emery cloth; cloths impregnated with a detergent for cleaning; henna ink [cosmetic dye]; shampoos; shampoos for pets; dry shampoos; degreasing preparations; soda lye; extracts of flowers [perfumes]; ethereal essences; badian essence; mint essence.

(260) AM 2017 89749 A

(800) 1320362

(891) 2016 07 21

(731) DR. THEISS NATURWAREN GMBH

Michelinstr. 10, 66424 Homburg, Germany

(540)



(591) Blue and grey

(511)

3 – Bleaching preparations and other substances for laundry use; cleaning, polishing, scouring and abrasive preparations; soaps; perfumery, essential oils, cosmetics, including non-medical skin cleaning and care preparations, and hair care preparations; hair lotions; dentifrices.

5 – Pharmaceutical and veterinary preparations; medicines for human or veterinary purposes; sanitary preparations for medical purposes; dietetic foodstuffs and substances adapted for medical use; nutritional supplements, vitamin preparations, including beauty capsules.

(260) AM 2017 89750 A

(800) 1320388

(891) 2016 08 23

(731) CELGENE CORPORATION

86 Morris Avenue, Summit NJ 07901, USA

(540)

IDHIGA

(591) Black and white

(511)

5 – Pharmaceutical preparations for use in the treatment of beta thalassemia and myelodysplastic syndromes, autoinflammatory disease, autoimmune disease, blood disease, cancer, arthritis, musculoskeletal and skin diseases in the fields of oncology, immunology and inflammation; pharmaceutical preparations, namely, cytokine inhibitory drugs; pharmaceutical preparations that modulate the immune system.

(260) AM 2017 89752 A

(800) 1320431

(891) 2016 08 22

(731) VİKO ELEKTRİK VE ELEKTRONİK
ENDÜSTRİSİ SANAYİ VE TİCARET
ANONİM ŞİRKETİ

Abdurrahmangazi Mah., Ebubekir Cad. No:44,
Samandıra Kartal, TR-34887 İstanbul, Turkey

(540)

Linnera

(591) Orange and gray

(511)

9 – Apparatus and instruments for conducting, transforming, accumulating or controlling electricity, electric plugs, junction boxes [electricity], electric switches, circuit breakers, fuses, lighting ballasts, battery starter cables, electrical circuit boards, electric resistances, electric sockets, transformers [elec-

tricity], electrical adapters, battery chargers, electric door bells, electric and electronic cables, batteries, electric accumulators.

(260) AM 2017 89753 A

(800) 1320449

(891) 2016 02 25

(731) LİZAY KUYUMCULUK TİCARET
LİMİTED ŞİRKETİ

Mollafenari Mahallesi, Alibaba Türbe Sokak,
K:1-2-3-5-6, No:17, Fatih, İstanbul, Turkey

(540)



(591) Black and white

(511)

14 – Jewellery; imitation jewellery; gold; precious stones and jewellery made thereof; cufflinks; tie pins; statuettes and figurines of precious metal; clocks, watches and chronometrical instruments; chronometers and their parts; watch straps.

35 – Advertising, marketing and public relations; organisation of exhibitions and trade fairs for commercial or advertising purposes; office functions; secretarial services; arranging newspaper subscriptions for others; compilation of statistics; rental of office machines; systemization of information into computer databases; telephone answering for unavailable subscribers; business management, business administration and business consultancy; accounting; commercial consultancy services; personnel recruitment, personnel placement, employment agencies, import-export agencies; temporary personnel placement services; auctioneering; the bringing together, for the benefit of others, of a variety of goods, namely, jewellery, imitation jewellery, gold, precious stones and jewellery made thereof, cufflinks, tie pins, statuettes and figurines of precious metal, clocks, watches and chronometrical instruments, chronometers and their parts, watch straps, enabling customers to conveniently view and purchase those goods, such services may be provided by retail stores, wholesale outlets, by means of electronic media or through mail order catalogues.

(260) AM 2017 89754 A

(800) 1319759

(891) 2016 03 09

(731) EMME ANTINCENDIO S.R.L.
 Viale Giacomo Matteotti, 9, Firenze, Italy
 (540)



(591) Black and red.
 (511)

9 – Acoustic [sound] alarms; fire alarms; fire boats; fire beaters; shoes for protection against accidents, irradiation and fire; alarm bells, electric; protective helmets; buzzers; fire blankets; protection devices for personal use against accidents; fire extinguishers; mobile fire extinguishers; valves for fire extinguishers; signalling whistles; gloves for protection against accidents; sprinkler systems for fire protection; fireproof clothing; clothing for protection against accidents, irradiation and fire; fire hose nozzles; fire hose; pressure gauges; protective masks; respiratory masks, other than for artificial respiration; megaphones; pressure measuring apparatus; signalling panels, luminous or mechanical; asbestos screens for firemen; fire pumps; smoke detectors; detectors; sirens; fire detectors; fire-extinguishing systems; flame detection apparatus; protective eyewear; asbestos clothing for protection against fire; face shields, other than for medical purposes; safety markers; luminous safety beacons; fire engines; fire buckets; fire-resistant gloves; fire sensors; smoke alarms; lanyards for safety purposes for fall protection; headsets; gas masks; filters for respiratory masks; flame-retardant balaclavas; fire-extinguishing apparatus; scientific, nautical, surveying, photographic, cinematographic, optical, weighing, measuring, signalling, checking [supervision], life-saving and teaching apparatus and instruments; apparatus and instruments for conducting, switching, transforming, accumulating, regulating or controlling electricity; apparatus for recording, transmission or reproduction of sound or images; magnetic data carriers, recording discs; compact discs, DVDs and other digital recording media; mechanisms for coin-operated apparatus; cash registers, calculating machines, data processing equipment, computers; computer software.

35 – Retail and wholesale services, also on-line, of acoustic [sound] alarms, fire alarms, fire boats, fire beaters, shoes for protection against accidents, irradiation and fire, electric alarm bells, protective helmets, buzzers, fire blankets, protection devices for personal use against accidents, fire extinguishers, mobile fire extinguishers, valves for fire extinguishers, hydrants, signalling whistles, gloves for protection against accidents, sprinkler systems for fire protection, fireproof clothing, clothing for protection

against accidents, irradiation and fire; retail and wholesale services, also on-line, of fire hose nozzles, fire hose, pressure gauges, protective masks, respiratory masks, other than for artificial respiration, megaphones, pressure measuring apparatus, luminous or mechanical signalling panels, asbestos screens for firemen, fire pumps, smoke detectors, detectors, sirens, fire detectors, fire-extinguishing systems; retail and wholesale services, also on-line, of flame detection apparatus, protective eyewear, asbestos clothing for protection against fire, face shields, other than for medical purposes, safety markers, luminous safety beacons, fire engines, fire buckets, fire-resistant gloves, fire sensors, smoke alarms, lanyards for safety purposes for fall protection, headsets, gas masks, filters for respiratory masks, flame-retardant balaclavas; retail and wholesale services, also on-line, of fire extinguishing compositions, storage drums of plastic, metal fire resistant safes, crash barriers of metal, chains of metal, axes, spades [hand tools], hammers [hand tools], crow bars, cases fitted for medical instruments, furniture especially made for medical purposes, slings for medical purposes, hydrants for water supply, fire hydrants; retail and wholesale services, also on-line, of adhesive labels, adhesive tapes for industrial purposes, adhesive bands, other than stationery and not for medical or household purposes, crash barriers, not of metal, paving slabs, not of metal, fire-resistant boards and panels, not of metal, for building, tool boxes, not of metal [furniture], furniture, security cabinets, medicine cabinets, cabinets, cabinets of metal, tool cabinets of metal, chains, not of metal, synthetic cords and ropes, first-aid boxes, breakable cover sheets for boxes, stands for fire extinguishers and similar products; retail and wholesale services, also on-line, of signs [signage], labels, security, signalling and packaging tapes, metal boxes [fire extinguisher boxes, key boxes], first aid materials, machines for fire extinguisher maintenance, emergency lamps, hand sanitizers [detergents], instructional and teaching material [except apparatus], fall arrest equipment [lanyards, carabiners, slings], eye, head, hearing, hand and airways protection, security and fire-resistant safes, fire extinguishing foams, fire doors and spare parts and accessories thereof; retail and wholesale services, also on-line, of protective headgear, fire protection wear, luminous signs, resuscitation mannequins [teaching apparatus], protective face wear, gas analyzers, signal bells, electronic alarm bells, sign boards [luminous], sign boards [mechanical], safety lamps, signalling whistles, signalling lamps, sound alarms, other than for vehicles, electric alarms for smoke, security alarms; retail and wholesale services, also on-line, of smoke sensors, alarm sensors, gas leak alarm sensors, fire break glass units, fire control apparatus, emergency showers, fireproof gloves, systems for fire protection, fire sprinklers; presentation of goods on communication

media, for retail purposes; commercial information and advice for consumers [consumer advice shop]; provision of information and advisory services relating to e-commerce; sales promotion for others; administrative processing of purchase orders; administrative processing of purchase orders placed by telephone or computer; outsourcing services [business assistance]; procurement services for others [purchasing goods and services for other businesses]; demonstration of goods; shop window dressing; sponsorship search; business inquiries; business information; advertising; business management; business administration; office functions [services on behalf of third parties].

(260) AM 2017 89755 A

(800) 1319868

(891) 2016 09 14

(731) VP BRANDS INTERNATIONAL S.A.

Dunav bul. 5, BG-4000 Plovdiv, Bulgaria

(540)

ROYAL EAGLE

(591) Black, white

(511)

33 – Alcoholic extracts, alcoholic essences, alcoholic beverages [except beer], alcoholic beverages containing fruit, anisette [liqueur], anise [liqueur], aperitifs, arak [arrack]; baijiu [Chinese distilled alcoholic beverage], brandy, wine, kirsch, vodka; bitters, distilled beverages, gin, digesters [liqueurs and spirits], cocktails, perry, Curacao, liqueurs, mead [hydromel], peppermint liqueurs, nira [sugarcane-based alcoholic beverage], rice alcohol, piquette, fruit extracts [alcoholic]; pre-mixed alcoholic beverages, other than beer based; rum, cider, sake, spirits [beverages], whisky.

(260) AM 2017 89756 A

(800) 1319878

(891) 2016 09 23

(731) SEAT, S.A.

Autovia A-2 km. 585, E-08760 MARTORELL (BARCELONA), Spain

(540)

SEAT ARONA

(511)

12 – Vehicles; apparatus for locomotion by land; cars; vehicle parts and accessories.

(260) AM 2017 89757 A

(800) 1319879

(891) 2016 08 01

(731) ENI S.p.A.

Piazzale Enrico Mattei, 1, I-00144 ROMA (RM), Italy

(540)



(591) Black, white

(511)

1 – Chemicals used in industry, science and photography, as well as in agriculture, horticulture and forestry; unprocessed artificial resins, unprocessed plastics; manures; fire extinguishing compositions; tempering and soldering preparations; chemical substances for preserving foodstuffs; tanning substances; adhesives used in industry.

4 – Industrial oils and greases; lubricants; dust absorbing, wetting and binding compositions; fuels (including motor spirit) and illuminants; candles and wicks for lighting.

(260) AM 2017 89798 A

(800) 1321692

(891) 2016 06 03

(731) UAB "VICIŪNŪ GRUPĖ"

V. Krėvės pr.97, LT-50369 Kaunas, Lithuania

(540)

NORD DELIGHT

(511)

29 – Vegetable marrow paste; ajvar (preserved peppers); aloe vera prepared for human consumption; albumen for culinary purposes; albumin milk; alginates for culinary purposes; olive oil for food; anchovy; oysters, not live; aubergine paste; eggplant paste; protein milk; bacon; bouillon; potato flakes; potato fritters; potato crisps and chips; crystallized fruits; vegetable mousses; vegetable salads; vegetable soup preparations; vegetable juices for cooking; dates; sausages; sausages in batter; spiny lobsters, not live; jellies for food; coconut, desiccated; vegetables, dried; non-alcoholic eggnog; suet for food; animal marrow for food; sea-cucumbers, not live; hummus (chickpea paste); caviar; ginger jam; edible birds' nests; yoghurt; seaweed extracts for food; clams, not live; cocoa butter for food; liver; liver pastes; liver pate; pork; charcuterie; eggs; white of eggs; powdered eggs; yolk of eggs; kimchi (fermented vegetable dish); coconut oil; coconut fat; coconut butter; compotes; meat, preserved; meat, tinned; fish, preserved; fish, tinned; artichokes, preserved; preserved garlic; mushrooms, preserved; lentils, preserved; onions, preserved; truffles, preserved; fruit, preserved; fruits, tinned; peas, preserved; olives, preserved; vegetables, preserved; vegetables, tinned; beans, preserved; soya beans, preserved, for food; gherkins; black pudding (blood sausage); shrimps, not live; prawns, not live; croquettes; maize oil; ham; salmon, not live; game, not live; lecithin for

culinary purposes; lard; edible fats; isinglass for food; marmalade; meat; meat jellies; meat extracts; mussels, not live; milk of almonds for culinary purposes; shellfish, not live; poultry, not live; low-fat potato chips; apple puree; lobsters, not live; palm oil for food; palm kernel oil for food; hazelnuts, prepared; peanuts, prepared; fish roe, prepared; sunflower seeds, prepared; seeds, prepared; pectin for culinary purposes; rennet; piccalilli; pickles; tomato paste; tomato puree; tomato juice for cooking; colza oil for food; sauerkraut; raisins; fatty substances for the manufacture of edible fats; fat-containing mixtures for bread slices; sardines, not live; sunflower oil for food; linseed oil for culinary purposes; sesame oil; tahini (sesame seed paste); herrings, not live; toasted laver; almonds, ground; tofu; cranberry sauce (compote); fruit preserved in alcohol; snail eggs for consumption; soups; broth concentrates; preparations for making soup; broth; bouillon concentrates; preparations for making bouillon; salted fish; salted meats; cheese; frozen fruits; silkworm chrysalis, for human consumption; cocoa butter; tuna, not live; jams; fruit-based snack food; fruit, stewed; fruit pulp; fruit salads; fruit chips; fruit jellies; fruit peel; edible oils; bone oil, edible; curd; crustaceans, not live; crayfish, not live; vegetables, cooked; tripe; gelatine; peanut milk for culinary purposes; pollen prepared as foodstuff; fish-based foodstuffs; fish, not live; fish fillets; fish meal for human consumption; fish mousses.

(260) AM 2017 89812 A
(800) 1321289
(891) 2016 06 26
(731) CURVER Luxembourg sarl
Z.I. Haneboesch, L-4562 Niedercorn,
Luxembourg
(540)



(591) Black, white
(511)
19 – Portable non-metal buildings, non-metal fence posts, gates and fencing; non-metal trellises, non-metal storage sheds and storehouses; non-metallic transportable buildings; non-metal floor panels; roofing namely, plastic tiles; plastic water pipes.

20 – Furniture; picture frames; cases, namely, plastic storage containers and plastic bins for games and household items, toy boxes, boxes in the nature of furniture, drawers; storage systems, namely, plastic boxes, plastic crates, stackable drawers, closet organizers and plastic storage containers for holding, storing and organizing laundry, laundry supplies, toys, games, shoes, clothing, food, kitchen utensils, garden tools, toiletries, vehicle maintenance items,

computer accessories, household items and personal effects; portable pet kennels, lawn and outdoor furniture, boxes made of plastic, non-metal container closures, crates made of plastic, non-metal letter boxes, plastic lids for containers; portable kennels; portable pets crates; beds for household pets.

(260) AM 2017 89818 A
(800) 1321305
(891) 2016 06 14
(731) BAYER OY
Pansiontie 47FI-20210 Turku, Finland
(540)

KYLEENA

(591) Black, white
(511)
5 – Pharmaceutical preparations, namely, hormonal preparations for contraceptive use.
10 – Medical devices, namely, intrauterine devices for contraceptive use.

(260) AM 2017 89858 A
(800) 1320817
(891) 2015 12 16
(731) EGIS GYÓGYSZERGYÁR ZRT.
Keresztúri út 30-38, H-1106 Budapest,
Hungary
(540)

DEMIADA

(511)
5 – Pharmaceutical preparations for human use; dietetic substances adapted for medical use; vitamin compositions, mineral food supplements, dietary supplements; sanitary preparations for medical purposes.

(260) AM 2017 89859 A
(800) 1320818
(891) 2016 01 13
(731) CERSANIT TRADE MARK Sp. z o.o.
ul. Al. Solidarności 36, PL-25-323 Kielce,
Poland
(540)

(591) Black and white

(511)

11 – Sanitary and bath apparatus and installations made of ceramics; bidets, toilets with cisterns, toilet pans, urinals, wash basins, as parts of sanitary installations; wash basin pedestals, toilet seat, flushing sets, faucets, washbasin taps shower cubicles, shower units, sanitary fittings and fixtures, bath tubs, flushing cistern.

19 – Tiles and carpet strips not of metal, ceramic tiles, wall tiles, floor tiles, terracotta.

20 – Shelves, cabinets, mirrors, bathroom furniture.

(260) AM 2017 89860 A

(800) 1320845

(891) 2016 04 28

(731) INTERCEPT PHARMACEUTICALS, INC.
450 W. 15th Street, Suite 505, New York NY
10011, USA

(540)

Interconnect
SUPPORT SERVICES

(591) black and white

(526) SUPPORT SERVICES

(511)

35 – Administration of programs to provide medicines at low or no cost to underserved populations; administration of a program to provide discounts on prescription medicines; administration of programs to provide medicines at low or no cost to underserved populations through a charitable foundation; providing information regarding the reduction of healthcare costs and cost management of healthcare benefit plans via a website.

44 – Providing information on healthcare; providing information on patient support services and medication access; providing patient/physician adherence, self-management, and compliance outreach programs in the field of chronic liver diseases.

(260) AM 2017 89862 A

(800) 1320850

(891) 2016 03 28

(731) JIANGSU CEMT ENERGY EQUIPMENT
CO., LTD.

No.115 Xingmin South Road, Jiangning
Science Park, Nanjing, 211100 Jiangsu
Province, China

(540)



(591) black and white

(511)

7 – Blowing machines; machine equipment for bicycle industry; machine equipment for ceramic industry (including ceramic machinery for use in construction); engraving machines; machines for battery industry; packing machines; material processing and packing machines for use in pharmaceutical industry; plastic pouring machines; sulfuric acid manufacturing equipment; metalworking machines.

(260) AM 2017 89863 A

(800) 1320856

(891) 2016 04 09

(731) SMART ELECTRONIC INDUSTRIAL
(DONGGUAN) CO., LTD

Longjiantian Village, Huangjiang Town,

Dongguan City, Guangdong Province, China

(540)



(591) Black and white

(511)

9 – Data processing equipment; recorded computer programmes [programs]; computer peripheral equipment; computer keyboard; automatic teller machine (ATM); computer software (recorded); electric switch; remote control device; electronic anti-theft device; locks, electric.

(260) AM 2017 89864 A

(800) 1320900

(891) 2016 06 06

(731) KÖHLER ELEKTRİK SAYAÇLARI
SANAYİ VE TİCARET ANONİM ŞİRKETİ
Bankalar Cad. Yarukkapi, Tenha Sk. Uçarlar
Han No:10, Karaköy İSTANBUL, Turkey

(540)

KHLISM

(591) black and white

(511)

9 – Measurement apparatus and equipment including those for scientific, nautical, topographic, meteorologic, industrial and laboratory purposes, thermometers, not for medical purposes, barometers, ammeters, voltmeters, hygrometers, testing apparatus not for medical purposes, telescopes, periscopes, directional compasses, speed indicators, laboratory apparatus, microscopes, magnifying glasses, stills, ovens and furnaces for laboratory experiments; ap-

paratus for recording, transmission or reproduction of sound or images, cameras, photographic cameras, television apparatus, video recorders, CD and DVD players and recorders, MP3 players, computers, desktop computers, tablet computers, microphones, loudspeakers, earphones, telecommunications apparatus, apparatus for the reproduction of sound or images, computer peripheral devices, cell phones, covers for cell phones, telephone apparatus, computer printers, scanners [data processing equipment], photocopiers; magnetic and optic data carriers and computer software and programmes recorded thereto, downloadable and recordable electronic publications, encoded magnetic and optic cards; antennas, satellite antennas, amplifiers for antennas, parts of the aforementioned goods; ticket dispensers, automatic teller machines (ATM); electronic components used in the electronic parts of machines and apparatus, semi-conductors, electronic circuits, integrated circuits, chips [integrated circuits], diodes, transistors [electronic], magnetic heads for electronic apparatus, electronic locks, photocells, remote control apparatus for opening and closing doors, optical sensors; counters and quantity indicators for measuring the quantity of consumption, automatic time switches; clothing for protection against accidents, irradiation and fire, safety vests and life-saving apparatus and equipment; eyeglasses, sunglasses, optical lenses and cases, containers, parts and components thereof; apparatus and instruments for conducting, transforming, accumulating or controlling electricity, electric plugs, junction boxes [electricity], electric switches, circuit breakers, fuses, lighting ballasts, battery starter cables, electrical circuit boards, electric resistances, electric sockets, transformers [electricity], electrical adapters, battery chargers, electric door bells, electric and electronic cables, batteries, electric accumulators; alarms and anti-theft alarms, other than for vehicles, electric bells; signalling apparatus and instruments, luminous or mechanical signs for traffic use; fire extinguishing apparatus, fire engines, fire hose and fire hose nozzles; radar apparatus, sonars, night vision apparatus and instruments; decorative magnets; metronomes.

(260) AM 2017 89865 A
 (800) 1320909
 (891) 2016 08 01
 (731) VAFO PRAHA, s.r.o.
 K Brůdku 94, CZ-252 19 Chrášťany, Czech Republic



(591) Yellow, light brown, light blue, light green, dark grey and white

(511)
 5 – Vitamin and mineral supplements for pets.

29 – Meat and meat derivatives.

31 – Dry, semi-moist, wet complete and complementary pet food; pet treats.

(260) AM 2017 89866 A
 (800) 1320924
 (891) 2016 06 23
 (731) GUCCIO GUCCI S.P.A.
 Via Tornabuoni, 73/R, I-50123 FIRENZE, Italy

(540)



(591) Black and white

(511)

18 – Leather and imitations of leather; animal skins, hides; trunks and travelling bags; umbrellas and parasols; walking sticks; whips, harness and saddlery, bags; shoulder bags; handbags; boston bags; waist packs; sling bags for carrying infants; shopping bags; duffle bags; tote bags; evening handbags; clutch bags; wallets; purses; leather credit card cases and holders; business card cases; travelling cases of leather; shoe bags for travel; briefcases; attache cases; pouches of leather; carrying cases made of leather; school bags and satchels; suitcases; sports bags; bags and holdalls for sports clothing; key cases made of leather; backpacks; rucksacks; carry-on bags; vanity cases sold empty; shaving bags sold empty; beach bags.

25 – Clothing, footwear, headgear.

(260) AM 2017 89868 A
 (800) 1320978
 (891) 2016 09 14
 (731) SYSTENE LIMITED
 P.O. Box 3321, Drake Chambers, Road Town,
 Tortola, British Virgin Islands

(540)



(591) White, green, brown, light brown, dark brown,
gray, light gray, dark gray

(511)

11 – Electric lamps.

(260) AM 2017 89869 A

(800) 1106229

(891) 2016 09 08

(731) DESIGN FISHING Spółka z o.o.
ul. Szubińska 2, PL-86-005 Biale Blota,
Poland

(540)



(591) White and red

(511)

28 – Fishing tackle, articles for sport fishing, rods for fishing, reels for fishing, lines for fishing, fish hooks, floats for fishing, sinkers, artificial fishing bait, lures for hunting or fishing, covers and cases for rods for fishing.

31 – Fish food and bait.

(260) AM 2017 89870 A

(800) 1320990

(891) 2016 09 20

(731) DESSANGE INTERNATIONAL, Société par
Actions Simplifiée
39 avenue Franklin Roosevelt, F-75008
PARIS, France

(540)

DENSIPHYL

(591) black and white

(511)

3 – Soaps, perfumery, essential oils, cosmetics, make-up and make-up removing products, make-up, lipstick, powders, hair lotions, shampoos, beauty creams, cosmetic face and body creams and lotions, toiletries, hair dyes and bleaching products, hair colorants, depilatory wax, cosmetic products for slimming, cosmetic suntan preparations, deodorants for personal use, dentifrices.

(260) AM 2017 89871 A

(800) 1321010

(891) 2016 10 12

(731) Dr. THEISS Naturwaren GmbH
Michelinstr. 10, 66424 Homburg, Germany

(540)

Gracia

(511)

3 – Soaps; essential oils; preparations for body and beauty care, including massage oils.

5 – Pharmaceutical products, namely slimming products and appetite suppressants; products for medical purposes, namely homeopathic slimming, appetite suppressants and emaciation preparations; dietetic substances and foodstuffs for medical purposes; medicines for human purposes, namely slimming products and appetite suppressants.

44 – Health and beauty care for human beings.

(260) AM 2017 89872 A

(800) 1321015

(891) 2016 02 03

(731) WORLD MEDICINE İLAÇ SANAYİ VE
TİCARET LİMİTED ŞİRKETİ
Evren Mah. Camiyolu Cad. No.50 K.1B,
Zemin -4-5-6, GÜNEŞLİ/BAĞCILAR/
İSTANBUL, Turkey

(540)

**EPLEPADA
ЭПЛЕРАДА**

(591) black and white

(511)

5 – Medicines for human purposes, medicines for veterinary purposes, vitamin preparations, chemical preparations for medical purposes, dietetic substances adapted for medical use; dietetic foods adapted for medical purposes, baby foods, medicinal herbs, herbal beverages adapted for medical purposes, nutritional supplements, pollen dietary supplements, mineral food supplements, protein dietary supplements, dietary supplements for animals; fodder supplements for veterinary purposes; medicines for dental purposes, hygienic products for medical purposes including sanitary pads, breast-nursing pads and bunion pads, waddings for medical purposes, plasters for medical purposes, dressings for medical purposes, babies' napkins, preparations for destroying noxious plants, preparations for destroying noxious animals, fungicides, deodorants other than for human beings or for animals, air deodorising preparations, disinfectants for hygiene purposes, antiseptics, detergents for medical purposes.

(260) AM 2017 89873 A

(800) 1321041

(891) 2016 08 29

(731) Aktsionernoe obshchestvo "ESSEN

PRODUCTION AG"

New Passage 3, of. 95, Avtozavodsky district,
RU-445037 City of Tolyatti, Samara Region,
Russian Federation

(540)

КОРОЛЕВСКИЙ ВЫБОР

(591) black and white

(511)

30 – Confectionery; confectionery for decorating Christmas trees; sweetmeats; peppermint sweets; liquorice (confectionery); stick liquorice (confectionery); pastilles (confectionery); caramels (candy); chocolate; pastries; waffles; marzipan; almond biscuits; petits fours (cakes); biscuits; pastry; gingerbread; cakes; berry cakes; fruit cakes; pralines.

(260) AM 2017 89874 A

(800) 1321043

(891) 2016 02 02

(731) FXPRO FINANCIAL SERVICES LTD

Karyatidon 1, CY-4180 Ypsonas, Cyprus

(540)

FXPRO TRADE LIKE A PRO

(511)

36 – Financial and monetary services; provision of financial advice; brokerage services via the internet; securities brokerage services; stock brokerage services; financial investment services; financial portfolio management services; information, advice and consultancy in respect of each of the aforesaid services.

(260) AM 2017 89875 A

(800) 1321055

(891) 2016 03 18

(731) "SWORDSON" OOD

Severna promishlena zona No.1, BG-8400

Karnobat, Bulgaria

(540)



(591) black and white

(511)

3 – Bleaching preparations and other substances for laundry use; cleaning preparations; polishing preparations; scouring preparations; abrasive preparations; soaps; perfumery; essential oils; cosmetics; hair lotions; dentifrices; air fragrancing preparations; after-shave lotions; cosmetic preparations for skin care; cosmetics for human beings; cosmetics for animals; cloths impregnated with a detergent for cleaning;

cotton sticks for cosmetic purposes; cotton swabs for cosmetic purposes; disinfectant soap; deodorant soap; detergents other than for use in manufacturing operations and for medical purposes; dry-cleaning preparations; fabric softener and fragrancing preparations for laundry; laundry bleaching preparations; lotions for cosmetic purposes; medicated soap; oils for cosmetic purposes; oils for cleaning purposes; oils for toilet purposes; perfumes and deodorants for human beings or for animals; shampoos for human beings; shampoos for animals; stain removers; sachets for perfuming linen; tissues impregnated with cosmetic lotions; washing preparations for personal use and for use in households.

5 – Pharmaceutical and veterinary preparations; sanitary preparations for medical purposes; dietetic food and substances adapted for medical or veterinary use, food for babies; dietary supplements for humans and animals; plasters, materials for dressings; material for stopping teeth, dental wax; disinfectants; preparations for destroying vermin; fungicides, herbicides; absorbent cotton; absorbent wadding; air deodorising preparations; anti-bacterial preparations; anti-bacterial lotions for medical purposes and for personal hygiene; antibacterial wet wipes for medical purposes and for personal hygiene; babies' napkins [diapers]; babies' napkin-pants [diaper-pants]; belts for sanitary napkins [towels]; breast-nursing pads; cotton for medical purposes; corn plasters; deodorants, other than for human beings or for animals; deodorants for clothing and textiles; diapers for incontinents; disinfectants for hygiene purposes; disinfectants for chemical toilets; dry or wet tissues and wipes of paper or cellulose for drying and cleaning the baby, for hygiene purposes; fly catching paper; fumigating sticks; fumigating pastilles; hygienic bandages; lotions for pharmaceutical purposes; menstruation knickers; menstruation tampons; sanitary tampons; menstruation bandages; mothproofing preparations; mothproof paper; napkins for incontinents; pants, absorbent, for incontinents; pastilles for pharmaceutical purposes; plasters for medical purposes; preparations for destroying noxious animals; sanitary panties, sanitary pants; sanitary towels; sanitary napkins; sanitary knickers; sanitary pads; tinctures for medical purposes; tissues impregnated with pharmaceutical lotions; vermin destroying preparations.

16 – Paper; cardboard; printed matter; bookbinding material; photographs; stationery; adhesives for stationery or household purposes; artists' materials; paint brushes; typewriters and office requisites (except furniture); instructional and teaching material (except apparatus); plastic materials for packaging (not included in other classes); printers' type; printing blocks; bags [envelopes, pouches] of paper or plastics, for packaging; bags for microwave cooking; bibs of paper; boxes of cardboard or paper; coasters

of paper; face towels of paper; garbage bags of paper or of plastics; handkerchiefs of paper; hygienic paper; moisteners [office requisites]; packing paper; rubbish bags of paper or of plastics; silver paper; table linen of paper; table cloths of paper; table napkins of paper; tissues of paper for removing make-up; toilet paper; towels of paper; wrapping paper; wrappers [stationery].

21 – Combs and sponges; brushes (except paintbrushes); brush-making materials; articles for cleaning purposes; steel wool; unworked or semi-worked glass (except glass used in building); glassware, porcelain and earthenware not included in other classes; aerosol dispensers, not for medical purposes; abrasive sponges for scrubbing the skin; abrasive pads for kitchen purposes; blenders, non-electric, for household purposes; buckets; brooms; brush goods; brushes for footwear; brushes for cleaning; brushes for household purposes; buckets made of woven fabrics; bottles of glass or plastic; cocktail stirrers; cloths for cleaning; cleaning instruments [hand-operated]; covers, not of paper, for flower pots; clothes brushes; cloth for washing floors; coasters, not of paper and other than table linen; cleaning tow; cups and plates of paper or plastic; cups of glass; clothes-pegs; clothes-pins; candlesticks; candelabra; containers for household or kitchen use; containers for food and drinks; dustbins; dusting cloths [rags]; deodorising apparatus for personal use; dusting apparatus, non-electric; dishwashing brushes; dishes for soap; drinking vessels; dishes and utensils for preparing food and beverages; brushes; disposable table plates and cups; furniture dusters; fly swatters; fly catchers [traps or whisks]; feather-dusters; fruit presses, non-electric, for household purposes; flower pots and boxes; garbage cans; garlic presses [kitchen utensils]; gloves for household purposes; gardening gloves; insect traps; ironing board covers [shaped]; ironing boards; kitchen containers; kitchen utensils; knife rests for the table; napkin holders; mops; tableware [other than knives, forks and spoons]; polishing apparatus and machines, for household purposes, non-electric; polishing materials [for making shiny] [except preparations, paper and stone]; paper plates; pads for cleaning; rags for cleaning; refuse bins; sponges for household purposes; soap dispensers; scouring pads; skins of chamois for cleaning; shoe horns; services [dishes]; services for beverages; sifters [household utensils]; straws for drinking; salt cellars, salt shakers; steel wool for cleaning; soap holders; spice sets; sponge holders; scrubbing brushes; saucepan scourers of metal; trash cans; toothbrushes; trays for domestic purposes; trays for domestic purposes, of paper; toilet brushes; toilet paper holders; toothpick holders; utensils for household purposes; vessels for food or beverage; whisks, non-electric, for household purposes; washtubs and basins.

(260) AM 2017 89876 A
(800) 1321071
(891) 2016 05 26
(731) LE HOLDINGS (BEIJING) CO., LTD.
1102, 10F, Building No. 3, 105 Yaojiayuan
Road, Chaoyang District Beijing, China
(540)



(591) black and white
(511)

36 – Insurance underwriting; capital investments; providing financial information via a web site; financing services; issuance of tokens of value; art appraisal; real estate brokerage; brokerage; guarantees; charitable fund raising; lending against security; fiduciary.

37 – Car wash; photographic apparatus repair; paint spraying; application of protective or decorative coatings; rubber tire repair; electric appliance installation and repair; installation, maintenance and repair of computer hardware; vehicle maintenance; lighting apparatus installation and repair; motor vehicle maintenance and repair; furniture maintenance; vehicle service stations [refuelling and maintenance]; vehicle battery charging.

39 – Transport; boat rental; car transport; piloting; car rental; vehicle rental; chauffeur services; rental of warehouses; escorting of travellers; motor coach rental.

(260) AM 2017 89877 A
(800) 1321072
(891) 2016 06 01
(731) FATBOY THE ORIGINAL B.V.
De Steenbok 19-21, NL-5215 MG
's-HERTOGENBOSCH, Netherlands
(540)

LAMZAC

(511)
20 – Furniture; beanbags; lounge bags; air-filled beanbags, lounge bags, seat cushions, (lounge) chairs, chaise-longues, poufs and sunbeds; whether or not portable beds and cushions for pets; inflatable advertising objects.

(260) AM 2017 89900 A

(800) 1321966

(891) 2016 06 29

(731) PEARSON PLC

80 Strand, London WC2R 0RL, United Kingdom

(540)



(591) black and white

(511)

9 – Educational, teaching, instruction, research, training, testing, examination or assessment apparatus and instruments; electronic apparatus for teaching, training, testing, examination and assessment purposes; publications in electronic format; on-line electronic publications; downloadable electronic publications; downloadable electronic books, magazines, newsletters, newspapers, journals, and periodicals; downloadable instructional, teaching, training and educational materials; downloadable educational examination and test materials; downloadable study guides; downloadable instructional manuals for teaching; electronic book readers; apparatus for recording, transmission or reproduction of sound, data, text or images; computer software applications for educational, teaching, research, training, testing, examination and assessment purposes; computer software and computer software platforms for educational, teaching, research, training, testing, examination and assessment purposes; computer software for authoring, downloading, transmitting, receiving, editing, extracting, encoding, decoding, displaying, storing and organizing text and electronic publications; educational computer games software; optical data media; magnetic data media; data storage and data memory apparatus; media bearing electronic publications or educational, teaching, research, training, testing, examination and assessment software; compact discs, DVDs and other digital recording media for teaching, training or assessment purposes.

42 – Testing services for the certification of quality, standards, competence or expertise; testing services for the accreditation of quality, standards, competence or expertise; testing services for the certification and accreditation of information technology (IT), educational and vocational skills and achievements; conformance testing services; computer aided testing services; development of testing methods; computer aided diagnostic testing services; quality control tes-

ting services; information provided on-line from a computer database or the Internet relating to the provision of testing programs, testing methods, the certification of quality, standards, competence or expertise, and the accreditation of quality, standards, competence or expertise; computer services for the storing, enhancing and distribution of data relating to the provision of testing programs, testing methods, the certification of quality, standards, competence or expertise, and the accreditation of quality, standards, competence or expertise; software as a service (SAAS) in relation to testing programs, testing methods, certification of quality, standards, competence or expertise, and the accreditation of quality, standards, competence or expertise; platform as a service (PAAS) featuring computer software platforms for use in testing programs, testing methods, certification of quality, standards, competence or expertise, and the accreditation of quality, standards, competence or expertise; providing a web hosting platform for use in testing programs, testing methods, certification of quality or standards, and the accreditation of quality, standards, competence or expertise; providing temporary use of on-line, non-downloadable software, all relating to or for use in testing, certification or accreditation services; providing temporary use of non-downloadable computer software for use in the creation and publication of testing programs, testing methods, certification standards and accreditation standards; hosting of an interactive website for educational, testing, certification or accreditation instructors featuring technology that provides an online learning management system for aggregating course content and tracking class assignments, lesson plans, grade books and student performance, and other course data; application service provider (ASP) services featuring software for authoring, downloading, transmitting, receiving, editing, extracting, encoding, decoding, displaying, storing and organizing text and electronic publications; application service provider (ASP) services featuring software for use in connection with an online subscription service that enables users to access educational content; providing temporary use of non-downloadable software to enable users to access educational and training content and non-downloadable software for converting, analyzing and evaluating data pertaining to testing programs, testing methods and the certification of quality, standards, competence or expertise, and the accreditation of quality, standards, competence or expertise; certification of educational and vocational skills and achievements; information, advisory and consultancy services relating to all of the aforesaid services.

(260) AM 2017 89902 A

(800) 1321972

(891) 2015 11 09

(731) AVIGILON CORPORATION

Box 378 – #101 – 1001 West Broadway, V6H
4E4 Vancouver, BC, Canada

(540)

AVIGILON

(591) Blue

(511)

6 – Metal brackets for use in connection with housings for cameras and security equipment.

9 – Security surveillance hardware, namely, surveillance cameras, encoders, recorders, video analytics computer appliances; servers and power supplies; environmental enclosures, namely, structures specially adapted to hold and protect cameras from outside elements and tampering; optical lenses for closed-circuit television and video surveillance; security software, namely, user and/or operator software for controlling and monitoring live images from security surveillance cameras on a network and/or remotely via the internet; security software, namely, user and/or operator controlled software for automated recording, storage, retrieval, enhancement and analysis of images from security surveillance cameras; computer software and hardware for physical and logical identification of objects and access management, operating video surveillance and intrusion alarms, managing visitor controls and situational awareness event monitoring; joysticks used for controlling security surveillance equipment; keyboards; security and surveillance equipment for video and audio, namely, object recognition devices, motion detectors, sound detectors, traffic detectors, access door controllers, intrusion detectors; security and surveillance processing hardware and software for analyzing analog and digital video images to automatically extract, record and report information; computerized storage systems for video, audio and analytical information used for controlling security surveillance equipment; license plate recognition systems comprising vehicle recognition devices and license plate recognition devices; data processing apparatus; computer based apparatus for remotely accessing data; computer based apparatus for accessing data via wireless communications networks; computer based apparatus for accessing data via internet communications networks; encoded electronic integrated circuit cards and chip card reading devices; computer devices for reading smart cards, radio frequency identification devices and biometric information for monitoring security access, identification, inventory, or physical state; encoded electronic integrated circuits containing programming for use in controlling and monitoring security access, identification, inventory and physical state; radio frequency identification (RFID) credentials, namely, cards, tags; encoded electronic chip cards and integrated circuit cards, namely, smart cards, containing prog-

ramming used to control and monitor security access, identification, inventory and physical state; low light technology products in the nature of low light image sensors, noise reducing electronics, low light image processing software, semiconductors, and printed circuit boards containing same sold as an integral component of security surveillance cameras and systems; analytics equipment for point-of-sales (POS) security systems, namely, hardware and software for analyzing digital video images to extract, record and report information and associate that information with information received from POS equipment; housings for cameras and security equipment; camera mounts and enclosures; cloud computing software for use in video surveillance and access control software systems.

35 – Providing consumer product information and recommendations relating to security systems, namely video surveillance and access control systems.

36 – Financial appraisals of video surveillance and access control security systems.

37 – Installation and repair of video surveillance and access control systems; computer services, namely, installation, implementation, and maintenance of hardware for security surveillance systems and access control systems.

38 – Providing access to video surveillance and access control systems; providing access via telecommunications to video surveillance and access control systems; providing access via telecommunications to data pertaining to video surveillance and access control systems; providing access to video surveillance and access control systems, data and databases via wireless communications services; electronic transmission of messages, data and reports via fixed and mobile computers, terminals, personal digital assistants (PDAS), smartphones and devices enabling multiple users access to a global security surveillance and access control information network; transmission of audio and video signals, namely, multiplexing video/audio data streams together for transmission over networks for security surveillance and access control systems.

41 – Training services, namely, training regarding the installation, repair and use of security surveillance and access control hardware, software, and systems.

42 – Custom design and engineering of security surveillance and access control software and systems; providing temporary use of non-downloadable cloud computing software for use in the operation of video surveillance and access control systems; providing temporary use of a web-based non-downloadable software applications for use in video surveillance and access control services, consulting services in the field of the design and development of security

surveillance systems and access control systems; consulting services in the field of the design and development of security surveillance systems and access control systems; computer services, namely, installation, implementation, maintenance and support in the nature of diagnosing problems of software for security surveillance systems and access control systems.

45 – Computerized security services, namely, electronically monitoring, detecting and reporting on suspicious and abnormal patterns of activity.

(260) AM 2017 89903 A

(800) 1322050

(891) 2016 04 13

(731) SHANDONG DESHI PETROLEUM ENGINEERING GROUP CO., LTD.

Petroleum Business Park, Dongying, Shandong Province, China

(540)



(591) black and white

(511)

1 – Epihydrin; surface-active chemical agents; oil-separating chemicals; oil-purifying chemicals; purification preparations; water-purifying chemicals; additives, chemical, to drilling muds; anti-foaming agent; chemical reagents, other than for medical or veterinary purposes.

(260) AM 2017 89905 A

(800) 1322070

(891) 2016 05 03

(731) MASERATI S.P.A.

Via Ciro Menotti, 322, I-41100 MODENA, Italy

(540)



(591) Black and white

(511)

12 – Vehicles; cars; engines for land vehicles; couplings for land vehicles; suspension shock absorbers for vehicles; head-rests for automobile seats; automobile hoods; automobile chassis; reversing alarms for vehicles; luggage carriers for vehicles; tires for vehicle wheels; vehicle wheels; safety belts for vehicle seats; vehicle bumpers; motors, electric, for land vehicles; electric vehicles; clutches for land vehicles; casings for pneumatic tires [tyres]; windshield wipers; brakes for vehicles; transmissions, for land vehicles; jet engines for land vehicles; windcreens; pneumatic tires; doors for vehicles; rims for vehicle wheels; vehicle seats; turbines for land vehicles; anti-theft devices for vehicles; anti-glare devices for vehicles; automobile bodies; gear boxes for land vehicles; torque converters for land vehicles; steering wheels for vehicles; air bags [safety devices for automobiles]; cigar lighters for automobiles; sports cars; vehicle joysticks; torsion bars for vehicles; saddlebags adapted for bicycles; panniers adapted for motorcycles; strollers; automobile chains; hoods for vehicle engines; brake discs for vehicles; non-skid devices for vehicle tires [tyres]; seat covers for vehicles; brake linings for vehicles; direction signals for vehicles; propulsion mechanisms for land vehicles; vehicle suspension springs; motorcycles; mudguards; brake pads for automobiles; air pumps [vehicle accessories]; ski carriers for cars; rearview mirrors; safety seats for children, for vehicles; horns for vehicles; bicycle saddles; motorcycle saddles; kick sledges; side view mirrors for vehicles; spoilers for vehicles; caps for vehicle petrol [gas] tanks; snowmobiles; remote control vehicles, other than toys; windows for vehicles; yachts; bicycles.

37 – Repair, maintenance and overhaul of automobiles; mounting of specialized fittings on motor vehicles; custom installation of automobile interiors; consultancy relating to the installation, maintenance and repair of vehicles for locomotion by land; conversion and tuning of production automobiles and their engines; providing information relating to vehicle repair; upholstering of vehicle seats; installation of electric and electronic equipment in automobiles; installation, maintenance and repair of chassis parts and bodies for vehicles; automobile polishing; vehicle undercoating services; painting of metal surfaces of automobiles to prevent corrosion.

(260) AM 2017 89907 A

(800) 1322089

(891) 2016 05 13

(731) NEXTEV CO., LTD.

Suite 115, 569 Anchi Road, Anting Town, Jiading District, 201805 Shanghai, China

(540)

NEXTEV TCR

(591) black and white
 (511)
 12 – Sport cars; cars; motors for land vehicles; tires for vehicle wheels; steering wheels for vehicles; electric vehicles; motorcycles.

37 – Motor vehicle maintenance and repair; car washing; anti-rust treatment for vehicles; vehicle breakdown assistance [repair]; vehicle battery charging.

(260) AM 2017 89908 A
 (800) 1322092
 (891) 2016 06 08
 (731) BAYER OY
 Pansiontie 47, FI-20210 Turku, Finland
 (540)

KYLIENA

(511)
 5 – Pharmaceutical preparations; pharmaceutical preparations, namely, hormonal preparations for contraceptive use.

10 – Medical devices.

(260) AM 2017 89909 A
 (800) 1322093
 (891) 2016 06 08
 (731) Bayer Oy
 Pansiontie 47, FI-20210 Turku, Finland
 (540)

KYLEE

(511)
 5 – Pharmaceutical preparations; pharmaceutical preparations, namely, hormonal preparations for contraceptive use.

10 – Medical devices.

(260) AM 2017 89911 A
 (800) 1322094
 (891) 2016 06 08
 (731) Bayer Oy
 Pansiontie 47, FI-20210 Turku, Finland
 (540)

JAYMIGA

(511)
 5 – Pharmaceutical preparations; pharmaceutical preparations, namely, hormonal preparations for contraceptive use.

10 – Medical devices.

(260) AM 2017 89912 A
 (800) 1322095
 (891) 2016 06 08

(731) BAYER OY
 Pansiontie 47, FI-20210 Turku, Finland
 (540)

KAYLEEN

(511)
 5 – Pharmaceutical preparations; pharmaceutical preparations, namely, hormonal preparations for contraceptive use.

10 – Medical devices.

(260) AM 2017 89916 A
 (800) 1322230
 (891) 2016 09 22
 (731) HAIDAR, RAED
 1836 Baldwin Dr, MacLean VA 22101, USA
 (540)

nu

(511)
 4 – Charcoal; charcoal briquettes; charcoal briquettes (tadon); coconut charcoal for fuel.

34 – Tobacco; flavored tobacco; hookah tobacco; molasses tobacco; pipe tobacco; smocking tobacco.

(260) AM 2017 89919 A
 (800) 1322316
 (891) 2016 04 21
 (731) RIVACOLD S.R.L.
 Via Sicilia, 7, Frazione Montecchio
 VALLEFOGLIA (PS) I-61022, Italy
 (540)



(591) Dark grey (pantone 424C) and green (pantone 3155C).

(511)
 7 – Refrigeration condensers; compressors; compressors for refrigerators; heat exchangers [parts of machines]; aerocondensers; steam condensers [parts of machines].

11 – Refrigerant condensers; water coolers; refrigerating appliances and installations; heat exchangers, not parts of machines; fans [air-conditioning]; air conditioning apparatus; air conditioning installations; evaporators; cooling evaporators; refrigerating cabinets; refrigerating chambers; freezers.

35 – Business management; the bringing together, for the benefit of others, of a variety of goods, excluding the transport thereof, namely refrigeration condensers, compressors, compressors for refrigerators, heat exchangers in the nature of parts of machines, aerocondensers, steam condensers in the nature of parts of machines, refrigerant condensers, water coolers, refrigerating appliances and installa-

tions, heat exchangers not parts of machines, fans for air-conditioning, air conditioning apparatus, air conditioning installations, evaporators, cooling evaporators, refrigerating cabinets, refrigerating chambers, freezers, enabling customers to conveniently view and purchase those goods; on-line retail and wholesale store services featuring refrigeration condensers, compressors, compressors for refrigerators, heat exchangers in the nature of parts of machines, aerocondensers, steam condensers in the nature of parts of machines, refrigerant condensers, water coolers, refrigerating appliances and installations, heat exchangers not parts of machines, fans for air-conditioning, air conditioning apparatus, air conditioning installations, evaporators, cooling evaporators, refrigerating cabinets, refrigerating chambers, freezers; presentation of goods on communication media, for retail purposes; business merchandising display services; sales promotion for others; organization of events, exhibitions, fairs and shows for commercial, promotional and advertising purposes; advertising, including on-line advertising on a computer network; business administration; office functions.

(260) AM 2017 89921 A

(800) 1322409

(891) 2016 09 02

(731) Tovarystvo z obmezheniou vidpovidalnistiu Vyrobynycho-komertsiina firma "ELTA" vul. Muzychna, 2, Zaporizhzhia 69083, Ukraine

(540)

NOGOTOK

(591) Black, white

(511)

44 – Aerial and surface spreading of fertilizers and other agricultural chemicals; alternative medicine services; animal breeding; animal grooming; aquaculture services; aromatherapy services; artificial insemination services; beauty salon services; blood bank services; body piercing; chiropractic; convalescent home services; dentistry services; depilatory waxing; farming equipment rental; in vitro fertilization services; flower arranging; gardening; hair implantation; hairdressing; health care; health spa services; health center services; health counseling; horticulture; hospice services; hospital services; landscape gardening; landscape design; lawn care; manicuring; massage; medical clinic services; medical assistance; medical equipment rental; medical advice for individuals with disabilities; midwife services; nursing home services; nursing, medical; opticians' services; orthodontic services; palliative care; pet grooming; pharmacists' services to make up prescriptions; pharmacy advice; physiotherapy; plant nursery services; plastic surgery; services of a psychologist; public bath services for hygiene purposes; refo-

restation services; rehabilitation for substance abuse patients; rest home services; sanatorium services; rental of sanitation facilities; sauna services; solarium services; speech therapy services; tattooing; telemedicine services; therapy services; tree surgery; tree planting for carbon offsetting purposes; Turkish bath services; vermin exterminating for agriculture, horticulture and forestry; veterinary assistance; visagists' services; weed killing; wreath making.

(260) AM 2017 89922 A

(800) 1322410

(891) 2016 08 08

(731) Chastnoe torgovoe unitarnoe predpriyatie "SLAVNET"

kom.22, d.28, ul. Platonova, 220005 g. Minsk, Belarus

(540)

pfaiz

(591) Black, white

(511)

3 – Bleaching preparations and other substances for laundry use; cleaning, polishing, scouring and abrasive preparations; soaps; perfumery, essential oils, cosmetics, hair lotions; dentifrices.

35 – Advertising; business management; business administration; office functions.

(260) AM 2017 89924 A

(800) 1322486

(891) 2016 09 01

(731) RICHTER GEDEON NYRT.

Gyömrői út 19-21, H-1103 Budapest, Hungary

(540)

ESPARTIN

(591) Black, white

(511)

5 – Pharmaceutical preparations.

(260) AM 2017 89925 A

(800) 1322541

(891) 2016 05 13

(731) Puresseintiel TM, société anonyme

28, Place de la Gare, L-1616

LUXEMBOURG, Luxembourg

(540)

PURESSENTIEL

(511)

3 – Bleaching preparations and other substances for laundry use; cleaning, polishing, degreasing and ab-

rasive preparations; soaps; perfumery, essential oils, cosmetics, hair lotions; dentifrices; make-up removing products; make-up products; hair lotions; bath salts not for medical use; perfumes; perfumery products; cosmetic products for skin, face and body care; cleansing milk for toilet purposes; antiperspirants (toiletries); deodorants; depilatories; make-up removing products; lipstick; beauty masks; shaving products; preservatives for leather (polishes); creams for leather; talcum powder; shampoo; hair conditioners; body milks; bath foams; mouth, skin and tooth care products; amber [perfume]; aromatics [essential oils]; flavorings for beverages [essential oils]; astringents for cosmetic use; bases for flower perfumes; cotton sticks for cosmetic use; scented wood; colorants for toilet purposes; cosmetics; cosmetic creams; bleaching preparations [decolorants] for cosmetic use; deodorants [perfumery]; scented water; incense; badian essence; bergamot oil; mint essence; ethereal essences; extracts of flowers [perfumes]; massage gels other than for medical use; greases for cosmetic use; almond oil; gaultheria oil; jasmine oil; lavender oil; rose oil; oils for cosmetic use; oils for toilet purposes; essential oils; essential oils of cedarwood; essential oils of lemon; oils for perfumes and scents; ionone [perfumery]; almond milk for cosmetic use; lotions for cosmetic use; mint for perfumery; decorative transfers for cosmetic use; musk [perfumery]; cosmetic kits; cotton wool for cosmetic use; air fragrances; cosmetic preparations for baths; aloe vera preparations for cosmetic use; sunscreen preparations; douching preparations for intimate hygiene, deodorant preparations or for sanitary purposes [toiletries]; bath preparations, not for medical use; cosmetic products for skin care; cleaning products; toiletries; almond soap; cakes of toilet soap; disinfectant soaps; medicated soaps; tissues impregnated with cosmetic lotions; shampoos; talcum powder for toilet use; baby oils [toiletries]; baby wipes; baby lotions [toiletries]; baby powders [toiletries]; shampoos for babies; hair conditioners for babies; oils for babies [toiletries]; baby wipes for cosmetic use; lotions for babies [toiletries]; powders for babies [toiletries].

5 – Pharmaceutical and veterinary products; sanitary products for medical purposes; dietetic food and substances for medical or veterinary use, food for babies; food supplements for humans and animals; plasters, materials for dressings; material for dental fillings and dental impressions; disinfectants; products for destroying vermin; fungicides, herbicides; medicated baths; sanitary pads, panties or towels; chemical preparations for medical or pharmaceutical use; medicinal herbs; herbal teas; parasiticides; sugar for medical use; alloys of precious metals for dental use; medical preparations for slimming; cotton for medical use; deodorants other than for personal use; insect repellent incense; absorbent cotton; menthol; smelling salts; remedies for foot perspiration; creams

for medical use; medicinal creams for the skin; anti-fungal creams for medical use; moisturizing creams for pharmaceutical use; acne creams [pharmaceutical products]; night creams for medical use; creams for babies [for medical use]; after-sun creams for medical use; protective creams for medical use; beauty creams for medical use; beverages for babies; diapers for babies; baby diapers of paper; disposable diaper-pants for babies; lacteal flour for babies; medicated oils for babies; powdered milk for babies; medicated powders for babies; menthol vapor bath preparations for babies.

44 – Medical services; veterinary services; hygienic and beauty care for human beings or animals; massage; beauty salons; hairdressing salons; treatment salons; tattooing; medical assistance; cosmetic surgery; hospital services; nursing homes; convalescence or rest homes; opticians' services; face care services; hair care services; hair beauty care; body beauty care; cosmetic face care; hygienic and beauty care; nail care services; cosmetic services [beauty care]; treatment of allergies [medical care]; skin care services [beauty and sanitary care]; application of cosmetic products on the body [beauty care service]; application of cosmetic products on the face (beauty care service).

(260) AM 2017 89926 A

(800) 1322554

(891) 2016 07 12

(731) LOUIS DREYFUS TRADEMARKS B.V.
World Trade Center, Amsterdam Tower H -,
Level 25 – Zuidplein 208, NL-1077 XV
Amsterdam, Netherlands

(540)

LDC.
Louis Dreyfus Company

(591) Black, white

(511)

1 – Chemicals used in industry, science and photography, as well as in agriculture, horticulture and forestry; unprocessed artificial resins, unprocessed plastics; manures; fire extinguishing compositions; tempering and soldering preparations; chemical substances for preserving foodstuffs; tanning substances; adhesives used in industry.

3 – Bleaching preparations and other substances for laundry use; cleaning, polishing, scouring and abrasive preparations; soaps; perfumery, essential oils, cosmetics, hair lotions; dentifrices.

4 – Industrial oils and greases; lubricants; dust absorbing, wetting and binding compositions; fuels (including motor spirit) and illuminants; biodiesel fuel; combustible gases for lighting; solidified gases

(fuel); gasoline; gaseous fuels; petrol; hydrocarbon fuel; paraffin; raw or refined petroleum.

6 – Common metals and their alloys; metal building materials; transportable buildings of metal; materials of metal for railway tracks; non-electric cables and wires of common metal; ironmongery, small items of metal hardware; pipes and tubes of metal; safes; ores; buildings of metal; packaging containers of metal; ducts and pipes of metal for transporting energy-producing materials, in particular gas and petroleum; tanks of metal for containing gas, oil and their derivatives.

7 – Machines and machine tools; motors and engines (except for land vehicles); machine coupling and transmission components (except for land vehicles); agricultural implements other than hand-operated; incubators for eggs; mechanical tools for the energy, chemical, metal, food, beverages and agricultural industries.

12 – Vehicles; apparatus for locomotion by land and air.

19 – Building materials (non-metallic); non-metallic rigid pipes for building; asphalt, pitch and bitumen; non-metallic transportable buildings; monuments, not of metal; non-metal pipes and ducts for transporting energy-producing materials (petroleum, gas and derivatives thereof), asphalt, bitumen.

22 – Ropes and string; nets; tents, awnings and tarpaulins; sails; sacks (bags) of textile, for packaging; bags (sacks) for the transport and storage of materials in bulk (not included in other classes); padding and stuffing materials (except of paper, cardboard, rubber or plastics); raw fibrous textile; raw fibrous textile materials; raw cotton.

23 – Yarns and threads, for textile use; cotton thread and yarn.

24 – Textiles and textile goods, not included in other classes; bed and table covers; textiles; bath linen (except clothing); bed linen; household linen; table linen of textile; face towels of textile; canvas for tapestry or embroidery; cloth; travelling rugs (lap robes); curtains of textile; wall hangings of textile; nonwoven textile fabrics; cotton fabrics.

29 – Meat, fish, poultry and game; meat extracts; preserved, frozen, dried and cooked fruits and vegetables; jellies, jams, compotes; eggs; milk and milk products; edible oils and fats.

30 – Coffee, tea, cocoa and artificial coffee; rice; tapioca and sago; flour and preparations made from cereals; bread, pastries and confectionery; edible ices; sugar, honey, treacle; yeast, baking-powder; salt; mustard; vinegar, sauces (condiments); spices; ice.

31 – Agricultural, horticultural and forestry products; raw and unprocessed grains and seeds; fresh

fruits and vegetables; natural plants and flowers; live animals; foodstuffs for animals; malt.

32 – Beers; mineral and aerated waters and other non-alcoholic beverages; fruit beverages and fruit juices; syrups and other preparations for making beverages.

35 – Advertising; business management; business administration; office functions; market studies; import-export agency services; wholesale services; import and export agency services for products in the energy, chemical, metal, food, beverage and agricultural industries; layout services for advertising purposes in the energy, chemical, food, metal, beverage and agricultural industries; retail or wholesale of energy, chemical, food, beverage, metal and agricultural products; distribution of sample for energy, chemical, metal, food, beverage and agricultural products; public relations.

36 – Insurance; financial affairs; monetary affairs; real estate affairs; financing services; credit and loans services; electronic funds transfer and insurance.

37 – Building construction; repair; installation services.

39 – Transport (by land or air); packaging and storage of energy, chemical, metal, food, beverage and agricultural products.

40 – Material treatment services; processing and transforming of energy and metal; processing of chemicals; processing of raw materials.

42 – Scientific and technological services and research and design relating thereto; industrial analysis and research services; design and development of computer hardware and software; scientific and industrial research and design relating to geological surveys; geological exploration services; geological prospecting; surveying; research analysis; chemical research and development; engineering in the field of energy; physics research and development; inspection of oilfield and natural gas wells; computer programming; computer software design; chemical analysis; bacteriological research.

(260) AM 2017 89928 A

(800) 1322570

(891) 2016 07 18

(731) TISSOT SA

Chemin des Tourelles 17, CH-2400 Le Locle,
Switzerland

(540)



(591) Black, white

(511)

14 – Precious metals and their alloys and goods made of these materials or coated therewith included in this class, namely split rings for keys, busts, statues, figurines, trophies, badges, medals, medallions, ornamental pins, hat ornaments, footwear ornaments, works of art; jewelry, namely rings, earrings, cuff links, bracelets, charms, brooches, chains, necklaces, tie pins, tie clips, jewelry caskets, jewelry cases; precious stones; timepieces and chronometric instruments, namely chronometers, chronographs, clocks, watches, wristwatches, wall clocks, alarm clocks and parts and accessories for the aforesaid goods, namely, hands, anchors, pendulums, barrels, watch cases, watch straps, watch dials, clockworks, watch chains, movements for watchmaking, blanks for watches, watch springs, watch glasses, presentation cases for timepieces, cases for timepieces.

42 – Technological services for combating counterfeiting; technological services for marking and tracking products; technological services for authenticating and tracing products.

(260) AM 2017 89929 A

(800) 1322099

(891) 2016 06 16

(731) HELROM LIMITED

One New Change, London EC4M 9AF,
United Kingdom

(540)

HELROM

(511)

12 – Vehicles; apparatus for locomotion by rail, land, air and water; electric vehicles; locomotives and related spare parts; engines for land vehicles.

38 – Telecommunications services; distribution, broadcasting and relaying of telecommunications and information signals via wireless, cable, digital and analog networks; telecommunications by means of online platforms and portals; dissemination, distribution and forwarding of telecommunications and data signals via wireless and/or wired digital and analogue networks; provision of Internet access; services enabling the sending and receipt of electronic messages; providing access to internet platforms and web portals for transportation, navigation, information management and booking services in connection with travel, freight and transportation services.

39 – Transportation services; packaging, goods handling, storage and delivery of goods; transport and distribution of goods; freight services; transport of persons and goods by road, rail, water and air; loading and unloading of ships, vehicles, railway rolling stock and aeroplanes; storage of goods of all kinds; packaging of goods of all kinds, in particular

repackaging and handling of goods for sale and/or for further transport; rental and storage of transport and storage pallets of wood, plastic or metal, and transport of storage containers of wood, plastic or metal, by road, rail or water; transport brokerage of goods by road, rail and water; electronic tracking of freight and delivery services.

42 – Planning of infrastructure systems for railways, namely planning and development of railways, transport management, operations management and safety systems therefor; creation and development of computer programs for controlling and operating transport on water, land and air and for storing and packaging goods; development and creation of computer programs and networks for data processing related to rail transport infrastructure; hosting of databases.

(260) AM 2017 89931 A

(800) 1322770

(891) 2016 04 06

(731) A.B.S. All Brake Systems B.V.

Tinbergenlaan 7, NL-3401 MT IJSSELSTEIN,
Netherlands

(540)



(591) Black, white, grey and red

(511)

1 – Power steering fluid; automobile power steering system leak sealants.

4 – Lubricating oils for wheels.

9 – wheel alignment measuring apparatus.

12 – Steering wheels; handlebars; covers for steering wheels; steering units; handlebar dampers; steering columns; handlebar grips; vehicle wheels; tires; wheel hubs; hub caps; spoke clips for wheels; wheel arch extensions; wheel suspensions; wheel trims; range spacers for wheels; tires for wheels; wheel bearings; wheel covers; repair outfits for tires; loader swivel axles; fender flares; wheel axles; tire chains; chains for wheels; steering wheel locks; handlebar stems.

(260) AM 2017 89932 A

(800) 1322656

(891) 2016 09 02

(731) Tovarystvo z obmezhenoiu vidpovidalnistiu
Vyrobnnycho-komertsiina firma "ELTA"
vul. Muzychna, 2, Zaporizhzhia 69083,
Ukraine

(540)

НОГОТОК

(591) Black, white

(511)

44 – Aerial and surface spreading of fertilizers and other agricultural chemicals; alternative medicine services; animal breeding; animal grooming; aquaculture services; aromatherapy services; artificial insemination services; beauty salon services; blood bank services; body piercing; chiropractic; convalescent home services; dentistry services; depilatory waxing; farming equipment rental; in vitro fertilization services; flower arranging; gardening; hair implantation; hairdressing; health care; health spa services; health center services; health counseling; horticulture; hospice services; hospital services; landscape gardening; landscape design; lawn care; manicuring; massage; medical clinic services; medical assistance; medical equipment rental; medical advice for individuals with disabilities; midwife services; nursing home services; nursing, medical; opticians' services; orthodontic services; palliative care; pet grooming; pharmacists' services to make up prescriptions; pharmacy advice; physiotherapy; plant nursery services; plastic surgery; services of a psychologist; public bath services for hygiene purposes; reforestation services; rehabilitation for substance abuse patients; rest home services; sanatorium services; rental of sanitation facilities; sauna services; solarium services; speech therapy services; tattooing; telemedicine services; therapy services; tree surgery; tree planting for carbon offsetting purposes; Turkish bath services; vermin exterminating for agriculture, horticulture and forestry; veterinary assistance; visa-gists' services; weed killing; wreath making.

(260) AM 2017 89933 A

(800) 1322807

(891) 2016 09 05

(731) BIOFARMA

50 rue Carnot, F-92284 SURESNES cedex,
France

(540)

ORVINET

(591) Black, white

(511)

5 – Pharmaceutical and veterinary products; sanitary products for medical purposes; dietetic food and substances for medical or veterinary use; food for babies; food supplements for humans and animals; plasters, materials for dressings; material for dental fillings and dental impressions; disinfectants; pro-

ducts for destroying vermin; fungicides, herbicides; medicated baths; chemical preparations for medical or pharmaceutical use; medicinal herbs; herbal teas; parasiticides; alloys of precious metals for dental use.

(260) AM 2017 89934 A

(800) 1322687

(891) 2016 08 30

(731) SATIUS LLC

ofis 192, etaj 2, korp. 3, d. 38, prospect
Andropova, RU-115487 Moscow, Russian
Federation

(540)

STREPTATEST

(591) Black, white

(511)

10 – Surgical, medical, dental and veterinary apparatus and instruments; medical apparatus and instruments; surgical apparatus and instruments; diagnostic apparatus for medical purposes; instrument cases for use by doctors; blood testing apparatus; medical testing apparatus.

(260) AM 2017 89935 A

(800) 1322692

(891) 2016 11 08

(731) JANSSEN PHARMACEUTICA NV

Turnhoutseweg 30, B-2340 Beerse, Belgium

(540)

ONDURLI

(511)

5 – Human pharmaceutical preparations.

(260) AM 2017 89937 A

(800) 1322703

(891) 2016 06 01

(731) Obshchestvo s ogranichennoi otvetstvennostyu

"Mashinostroitelnoe predpriyatie "KOMPO"
ul. Ya. Kupaly 108 D, 224032 Brest, Belarus

(540)



(591) Black, white

(511)

6 – Common metals and their alloys; goods of common metals and their alloys not included in other classes; metal building materials; non-electric cables and wires of common metal; aluminium wire, iron wire, steel wire crampons of metal [cramps]; rivets of metal; rings of metal; strap-hinges of metal; steel strip; aluminium clips for clipping foodstuffs and non food.

7 – Machines and machine tools, motors and engines (except for land vehicles); clutches, coupling and transmission components (except for land vehicles); agricultural implements included into Class 07; parts and units for machines and motors included into Class 07; electrical apparatus for sealing plastics [packaging]; shredders [machines] for industrial use; tools [parts of machines]; packaging machines; bottling machines; dishwashing machines; sausage making machines; machines for making butter; machines for processing milk; peeling machines; machines for making pasta; machines for the production of sugar; grinding machines; wrapping machines; marking machines; cutting machines; mixing machines; packing machines, molding machines; sealing machines for industrial purposes; machines for stamping; labelling machines; sausage tying machines; mixers [machines]; meat choppers [machines]; blood processing machines [food industry]; molds for making ham and delicious meat, products; adhesive tape dispensers [machines]; washing apparatus; food preparation machines, electromechanical; devices to be used in food industry, including vacuum fillers designed for filling casings with various filling agents, loading devices for filling hopper of the vacuum filler, devices for portioning mincemeat, precise dosing machines for paste-like products, choppers for vacuum fillers designed for simultaneous grinding and filling; clippers designed for clipping various fillers in casings, nettings and hags; labellers.

8 – Hand tools and implements, hand-operated; stamping-out tools [hand tools]; clippers, hand-operated.

16 – Polyethylene labelling tape used for marking the product expiry date.

22 – Glass fibers [fibres], carbon fibers [fibres] for textile use; packing string; packing rope; cords and twines in natural or artificial textile fibres; string loops for hanging foodstuffs and nonfoods; tapes for packing and tying, not of mineral.

35 – Sales promotion of the above mentioned goods for others; presentation of goods on communication media, for retail purposes; commercial information and advice for consumers [consumer advice shop]; organization of exhibitions for commercial or advertising purposes; advertising; on-line advertising on a computer network; procurement services for others [purchasing said goods for other businesses].

37 – Building construction; repair; installation services; installation; repair and maintenance of doors and windows; cabinet making [repair].

41 – Providing of training; arranging and conducting of seminars; practical training [demonstration]; arranging and conducting of workshops [training].

(260) AM 2017 89942 A

(800) 1322890

(891) 2016 08 09

(731) AQUA NRG IMENTS LIMITENVESTD

Lampousas 1, P.C., CY-1095 Nicosia, Cyprus

(540)



SHAKE

COCKTAILS

(591) Black, white

(511)

32 – Beers; mineral and aerated waters and other non-alcoholic beverages; fruit beverages and fruit juices; syrups and other preparations for making beverages; aperitifs, non-alcoholic; peanut milk [non-alcoholic beverage]; non-alcoholic beverages; non-alcoholic beverages flavored with coffee; non-alcoholic beverages flavored with tea; non-alcoholic honey-based beverages; non-alcoholic fruit extracts; non-alcoholic fruit juice beverages; grape must, unfermented; waters [beverages]; aerated water; extracts of hops for making beer; essences for making beverages; seltzer water; isotonic beverages; ginger beer; kvass [non-alcoholic beverage]; cocktails, non-alcoholic; beer-based cocktails; lemonades; lithia water; milk of almonds [beverage]; mineral water [beverages]; aloe vera drinks, non-alcoholic; whey beverages; rice-based beverages, other than milk substitutes; soya-based beverages, other than milk substitutes; vegetable juices [beverages]; orgeat; beer wort; beer; powders for effervescing beverages; sarsaparilla [non-alcoholic beverage]; syrups for beverages; syrups for lemonade; preparations for making aerated water; preparations for making liqueurs; preparations for making mineral water; preparations for making beverages; smoothies; soda water; fruit juice; malt beer; malt wort; protein-enriched sports beverages; table waters; must; pastilles for effervescing beverages; tomato juice [beverage]; fruit nectars, non-alcoholic; sherbets [beverages]; cider, non-alcoholic.

(260) AM 2017 89949 A

(800) 1322759

(891) 2015 11 27

(731) SHANDONG RENFENG SPECIAL MATERIALS CO., LTD.

Huagou, Qifeng, Huantai, Zibo, 250000

Shandong, China

(540)



(591) Black, white

(511)

16 – Paper; wood pulp paper; filtering materials [paper]; fluting paper; box paper board; wrapping paper; wallpaper base [raw materials] (terms too vague in the opinion of the International Bureau – Rule 13(2)(b) of the Common Regulations); release paper; medicated paper; glassine paper for industrial use.

(260) AM 2017 89952 A

(800) 1322902

(891) 2016 07 04

(731) Limited Liability Company "Association
"SOYUZPICHSHEPROM"
pos. Melkombinat-2, uchastok 1, d. 37,
RU-454080 Chelyabinsk, Russian Federation

(540)



(591) White, black, light brown

(511)

29 – Albumin milk; bouillon concentrates; colza oil for food; corn oil; edible oils; fruit chips; fruit-based snack food; lecithin for culinary purposes; linseed oil for culinary purposes; low-fat potato chips; milk shakes; potato chips; potato flakes; powdered milk; rice milk [milk substitute]; soups; soya beans, preserved, for food; soya milk [milk substitute]; sunflower oil for food; sunflower seeds, prepared; tofu; vegetable soup preparations.

30 – Baking powder; baozi [stuffed buns]; barley meal; batter mixes for okonomiyaki [Japanese savory pancakes]; bread; bread rolls; breadcrumbs; buns; burritos; cake dough; cakes; cereal bars; cereal-based snack food; cheeseburgers [sandwiches]; chips [cereal products]; chocolate beverages with milk; cocoa beverages with milk; coffee beverages with milk; cookies; corn flakes; corn flour; corn, milled; corn, roasted; couscous [semolina]; crackers; crushed barley; crushed oats; dough; edible paper; edible rice paper; ferments for pastes; flour; gimbap [korean rice dish]; gingerbread; gluten additives for culinary purposes; gluten prepared as foodstuff; groats for human food; halvah; high-protein cereal bars; hominy; hominy grits; husked barley; husked oats; jiaozi [stuffed dumplings]; linseed for human consu-

mption; macaroni; macaroons [pastry]; malt biscuits; malt extract for food; malt for human consumption; maltose; meat pies; meat tenderizers, for household purposes; molasses for food; muesli; natural sweeteners; noodle-based prepared meals; noodles; oat flakes; oat-based food; oatmeal; okonomiyaki [Japanese savory pancakes]; pancakes; pasta; pasta sauce; pastries; pastry dough; pelmeni [dumplings stuffed with meat]; petit-beurre biscuits; petits fours [cakes]; pies; pizzas; popcorn; potato flour; preparations for stiffening whipped cream; quiches; ramen [Japanese noodle-based dish]; ravioli; rice; rice cakes; rice pudding; rice pulp for culinary purposes; rice-based snack food; rusks; sago; sandwiches; sausage binding materials; semolina; soya flour; spaghetti; spring rolls; starch for food; tacos; tarts; thickening agents for cooking foodstuffs; tortillas; unleavened bread; vareniki [stuffed dumplings]; vermicelli [noodles]; waffles; wheat flour; wheat germ for human consumption.

(260) AM 2017 89974 A

(800) 1143172

(891) 2016 01 15

(731) PRIVÉE AG KABUSHIKI KAISHA
10-1, Roppongi 6-chome, Minato-ku, Tokyo,
Japan

(540)

P r i m o m o

(591) Black, white

(511)

16 – Crayons, stationery.

(260) AM 2017 89975 A

(800) 1191517

(891) 2016 11 23

(731) IECnet
Espace Descartes, 16 rue Albert Einstein,
F-77420 Champs sur Marne, France

(540)



(591) Blue, white

(511)

35 – Business management; business management assistance; accounting; business management and organization consultancy; tax preparation; book-keeping; auditing.

45 – Legal services; legal research.

(260) AM 2017 89976 A
 (800) 1245284
 (891) 2016 09 09
 (731) ATACOM GIDA TURIZM EMLAK İŞAAT
 MEDİKAL SAN. VE TIC. LTD. ŞTİ.
 Ayvali Cad. 10/C, Etilik Ankara, Turkey
 (540)

**Resta
Ruboon**

(591) Black, red
 (511)
 18 – Unworked or semi-worked leather and animal skins, imitations of leather, stout leather, leather used for linings; goods made of leather, imitations of leather or other materials, designed for carrying items, included in this class; bags; boxes and trunks made of leather or stout leather; key cases; umbrellas; parasols; sun umbrellas; walking sticks; whips; harness; saddlery; stirrups; straps of leather (saddlery).

(260) AM 2017 89977 A
 (800) 1316599
 (891) 2016 11 23
 (731) L'OREAL, Société Anonyme
 14 rue Royale, F-75008 PARIS, France
 (540)

NYX
 ♥
**PROFESSIONAL
MAKEUP**

(591) Black, white
 (511)
 3 – Cosmetics; make-up products.

(260) AM 2017 90007 A
 (800) 1323850
 (891) 2016 08 09
 (731) ASCANIA GROUP Ltd
 Novopechersky lane 5, Kyiv 01042, Ukraine
 (540)



(591) White, red and lightgreen
 (526) The trademark is protected as a whole. "®" shall not be subject to independent legal protection.
 (511)
 11 – Arc lamps; electric lamps; lamp chimneys; lamp reflectors; lamp glasses; lamp mantles; lanterns for lighting; burners for lamps; ceiling lights; light bulbs; light bulbs, electric; lamps; lighting apparatus and installations.

(260) AM 2017 90008 A
 (800) 1323857
 (891) 2016 10 11
 (731) MBPT, LLC
 44191 Plymouth Oaks Blvd, Suite 600,
 Plymouth MI 48170, USA
 (540)

BARWIS METHODS

(526) The trademark is protected as a whole. "METHODS" shall not be subject to independent legal protection.
 (511)
 9 – Digital media, namely, pre-recorded video cassettes, digital video discs, digital versatile discs, and DVDs featuring strength and conditioning training.
 16 – Publications, namely, books, manuals and guides in the fields of strength and conditioning training.
 25 – Athletic apparel, namely, shirts and jackets.
 41 – Education services, namely, providing workshops, internships and apprenticeships in the field of strength and conditioning training; personal training services, namely, strength and conditioning training.

(260) AM 2017 90009 A
 (800) 1323862
 (891) 2016 08 24
 (731) Limited liability company "BELPRODUKT"
 k.5, d.12, ul. Dobrushskaya, 246009 Gomel,
 Belarus
 (540)



(591) Black, white, yellow and its shades and red and its shades
 (526) The trademark is protected as a whole. "ИЗ НАТУРАЛЬНОГО КАРТОФЕЛЯ, ЧИПС" shall not be subject to independent legal protection.

(511)
29 – Potato chips, including low-fat potato chips.

(260) AM 2017 90010 A
(800) 1323879
(891) 2016 09 20
(731) Akzo Nobel Coatings International B.V.
Velperweg 76, NL-6824 BM Arnhem,
Netherlands

(540)

MIXIT

(511)
9 – Computer programs; computer software; data processing apparatus for use in connection with colour tinting apparatus.

(260) AM 2017 90013 A
(800) 1323930
(891) 2016 05 13
(731) NEXTEV CO., LTD.
Suite 115, 569 Anchi Road, Anting Town,
Jiading District, 201805 Shanghai, China

(540)

NEO 650R

(591) Black, white
(511)
12 – Sport cars; cars; motors for land vehicles; tires for vehicle wheels; steering wheels for vehicles; electric vehicles; motorcycles.

37 – Motor vehicle maintenance and repairs- car washing; anti-rust treatment for vehicles; vehicle breakdown assistance [repair]; vehicle battery charging.

(260) AM 2017 90014 A
(800) 1323947
(891) 2016 06 10
(731) TADIM GIDA MADDELERİ SANAYİ VE
TİCARET ANONİM ŞİRKETİ
Gebze Organize Sanayi Bölgesi 1100. Sok.
No:1105, Çayırova Kocaeli, Turkey

(540)



(591) Light green, grey, white, beige, green, dark green, maroon, brown, red and black

(511)
29 – Prepared nuts as snacks; hazelnut and peanut paste; tahini (sesame seed paste).

(260) AM 2017 90015 A
(800) 1323978
(891) 2016 08 29
(731) KALCEKS, AS
Krustpils iela 53 LV-1057 Rīga, Latvia

(540)

AUXILEN АУКСИЛЕН

(591) Black, white
(511)
5 – Pharmaceutical preparations and substances with anti-inflammatory and analgesic properties.

(260) AM 2017 90016 A
(800) 1323980
(891) 2016 01 25
(731) IFBEWO PATENTS & MARKS, INC.
6220 S. Orange Blossom Trail, Suite 600,
Orlando FL 32809, USA

(540)

MYOCA

(511)
17 – Wall system consisting of insulated concrete block, namely, insulated concrete blocks designed to fit together to form a wall.

19 – Concrete building materials, namely, concrete blocks for use as a system of construction for assembling a building without using mortar; concrete building materials, namely, wall system consisting of reinforced, dry-stacked, engineered concrete block with insulating core and coated with surface bond cement.

(260) AM 2017 90017 A
(800) 1324012
(891) 2016 08 03
(731) LODESTAR ANSTALT (a Liechtenstein company)
Lova-Center, PO Box 1150, FL-9490 Vaduz,
Liechtenstein

(540)

ROUTE 66

(511)
32 – Non-alcoholic beverages; soft drinks; energy drinks; fruit drinks and fruit juices; mineral and aerated waters; preparations for making beverages; beers; lagers; non-alcoholic beers; non-alcoholic lagers; preparations for making beers, lagers, non-alcoholic beers and non-alcoholic lagers.

(260) AM 2017 90021 A
 (800) 1324044
 (891) 2016 06 09
 (731) MAR-KO FLEISCHWAREN GMBH & CO.
 KG
 Waldecker Straße 15, 99444 Blankenhain,
 Germany

(540)
SALAMINI COMBO

(511)
 29 – Meat, fish, poultry and game, including ham; all aforesaid goods also further processed into charcuterie, also in preserved form; meat products, meatballs, sausage, charcuterie, uncooked charcuterie, also to be stored unrefrigerated; long-life charcuterie; salami in various forms, in particular mini salami; snacks made from the aforementioned products; beef-based snack products; meat extracts.

30 – Ready-made pastry rolls and/or dumplings and/or pita bread, filled and/or topped with meat and/or charcuterie and/or ham and/or vegetables and/or sauces; ready-baked pastry rolls of wheat flour dough filled with salami or salami-like sausage; snacks based on pasta products.

(260) AM 2017 90022 A
 (800) 1324118
 (891) 2016 08 10
 (731) HAGLEITNER HYGIENE
 INTERNATIONAL GMBH
 Lunastr. 5, A-5700 Zell am See, Austria

(540)
XIBU

(511)
 11 – Air deodorising apparatus, disinfectant dispensers, in particular for toilets; air deodorising apparatus, namely electric air deodorising apparatus, electric room deodorising units, dispensing units for room fragrances, electric air deodorising apparatus with disinfectant dispensers; water purification apparatus, water disinfecting apparatus and installations; sanitary apparatus and installations; hand drying apparatus for washrooms; electric hand drying apparatus for washrooms and contactless hand drying apparatus; apparatus for supplying water; bath plumbing fixtures; taps [faucets]; contactless washstand fittings for wash-hand basins; contactless fittings for sanitary purposes; water closets; water purifying installations, water desalinating apparatus and water conditioning installations; desalination apparatus.

21 – Dispensers, in particular mechanical and contactless dispensers for dispensing sanitary articles, toilet paper, towels of paper, sanitary bags, cleaning cloths; dispensers for cosmetics; dispensers for dispensing perfumery, cosmetics; dispensers for dispensing hand creams and body creams, essential oils,

scented oils; dispensers for laundry preparations, cleaning preparations, bleaching preparations, fur-bishing preparations; dispensers for dispensing degreasing preparations, dishwashing detergents, shining preparations (polish), soaps, abrasives; dispensers for dispensing abrasive soaps, soaps containing particles for mechanical cleaning, hand soaps, liquid soaps and foam soaps; dispensers for dispensing bubble bath, shower gels; dispensers for fabric softeners, laundry bleach; dispensers for household fragrances, room fragancing preparations; dispensers for water purifying chemicals, scale removing preparations and water softening preparations, in particular for descaling dishwashers, glass rinsing machines and coffee machines; dispensers for dispensing disinfectants, in particular for sanitary purposes, fungicides, herbicides; accessories for dispensers, in particular stands, wall mounts, drip trays; dustbins; waste paper baskets; toilet brushes and accessories; cleaning articles; transportable containers for cleaning preparations and cleaning equipment; brooms; mops, mop wringers; parts and fittings for the aforesaid goods; dispensers for dispensing wipes, in particular moisturised disinfectant wipes; rubber gloves, rubber gloves for household use, disposable rubber gloves.

(260) AM 2017 90041 A
 (800) 1305575
 (891) 2016 11 18
 (731) VIASAT, INC.
 6155 El Camino Real, Carlsbad, CA 92009,
 USA

(540)
VIA

(511)
 38 – Internet service provider (ISP); satellite communication services; wireless broadband and wireless narrowband communication services; managed wifi services.

(260) AM 2017 90057 A
 (800) 1323295
 (891) 2016 10 24
 (731) BAYER INTELLECTUAL PROPERTY
 GMBH
 Alfred-Nobel-Str. 10, 40789 Monheim am
 Rhein, Germany

(540)
CENTARGO

(511)
 10 – Medical instruments and apparatus.

(260) AM 2017 90083 A
 (800) 1323571A
 (891) 2015 09 17
 (731) AIDA SATYVALDIEVA
 Başakşehir Mah. Mehmet Akif Ersoy Cad.
 No:18C/8 Basakşehir/Istanbul, Turkey

(540)



(591) Blue, white, dark blue, yellow, grey, green
 (511)
 5 – Sanitary preparations for medical use; hygienic pads; hygienic tampons; plasters; materials for dressings; diapers, including those made of paper and textiles.

(260) AM 2017 90108 A
 (800) 1323639
 (891) 2016 08 31
 (731) HORPHAG RESEARCH MANAGEMENT
 SA
 Avenue Louis-Casaï 71, CH-1217 Meyrin,
 Switzerland

(540)

Прелокс

(591) Black, white
 (511)
 5 – Pharmaceutical products; pharmaceutical products for sexual libido stimulation and treatment of sexual dysfunctions; natural food supplements for sexual libido stimulation and treatment of sexual dysfunctions.

(260) AM 2017 90111 A
 (800) 1323688
 (891) 2016 09 05
 (731) BIOFARMA
 50 rue Carnot, F-92284 Suresnes cedex, France

(540)

ОРВИНЕТ

(511)
 5 – Pharmaceutical and veterinary products; sanitary products for medical purposes; dietetic food and substances for medical or veterinary use; food for babies; food supplements for humans and animals; plasters, materials for dressings; material for dental fillings and dental impressions; disinfectants; products for destroying vermin; fungicides, herbicides;

medicated baths; chemical preparations for medical or pharmaceutical use; medicinal herbs; herbal teas; parasiticides; alloys of precious metals for dental use.

(260) AM 2017 90114 A
 (800) 1323752
 (891) 2016 03 16
 (731) CB EXCHANGE LP
 Suite 2, 5 St.Vincent Street, The Scottish
 Borders, Edinburgh EH36SW (United
 Kingdom), United Kingdom

(540)

coinsbank

(511)
 9 – Computer software for analyzing market information; computer software programs for database management; software for facilitating secure credit card transactions; computer e-commerce software to allow users to perform electronic business transactions via a global computer network; magnetically encoded credit cards; magnetically encoded debit cards; terminals for electronically processing credit card payments.

35 – Administrative data processing; business consulting services in the field of cryptocurrency; advisory services relating to electronic data processing; arranging of trading transactions and commercial contracts; business advice and analysis of cryptocurrency market; computerized on-line ordering services; electronic processing of orders for others; market analysis and research; providing business information via a website; providing business information in the field of cryptocurrency.

36 – Electronic cash transactions; electronic money transfer services; electronic credit card transactions; advisory services relating to financial investments; brokerage of currency; brokerage services; brokerage services relating to financial instruments; brokerage services relating to the securities markets; currency exchange and advice; currency trading and exchange services; financial advisory and consultancy services; financial analysis and research services; financial information for investors; financial information in the nature of rates of exchange; foreign currency exchange; foreign exchange transaction; provision of financial services by means of a global computer network or the internet; provision of information relating to rates of exchange; provision of stock market information; provision of stock exchange quotations.

42 – Computer programming; rental of computer software; maintenance of computer software; computer programming in the field of cryptocurrency exchange.

(260) AM 2017 90168 A
 (800) 1071147
 (891) 2016 08 12
 (731) "CAMCO" LTD
 "Gen. Radko Dimitriev" Str. 1, BG-4000
 PLOVDIV, Bulgaria
 (540)



(591) Blue, black, grey and dark-blue
 (511)
 3 – Bleaching preparations and other substances for laundry use; cleaning, polishing, scouring and abrasive preparations; soaps; perfumery, essential oils, cosmetics, hair lotions; dentifrices.

(260) AM 2017 90170 A
 (800) 1103702
 (891) 2016 10 12
 (731) Obschestvo s ogranichennoy otvetstvennostyu
 "DURAN MEDIA" (Duran Media, Limited
 Liabiliy Company)
 4B Vakhitova Lane, RU-603001 Nizhny
 Novgorod, Russian Federation
 (540)



(591) Red, black
 (511)
 1 – Antifreeze; brake fluids; detergent additives to petrol [gasoline]; fluids for hydraulic circuits; liquids for industrial purposes; transmission fluid.
 4 – Cutting fluids; industrial oil; lubricants; lubricating oil; motor oil.

(260) AM 2017 90179 A
 (800) 1324424
 (891) 2016 09 15
 (731) HELL ENERGY Magyarország Kft.
 Karoly krt 1, H-1075 Budapest, Hungary
 (540)

XIXO

(511)
 30 – Tea-based beverages; tea essences; flavourings of tea; instant tea; iced tea; tea-based beverages with fruit flavoring; fruit teas; flavourings, other than essential oils, for beverages.
 32 – Non-alcoholic beverages flavoured with tea; fruit-flavoured beverages; nutritionally fortified beverages; essences for making beverages; flavoured waters.

(260) AM 2017 90189 A
 (800) 1324580
 (891) 2016 08 25
 (731) SHISEIDO COMPANY, LIMITED
 7-5-5 Ginza, Chuo-ku, Tokyo 104-0061, Japan
 (540)

Rouge Rouge

ルージュ ルージュ

(591) black and white
 (511)
 3 – Soaps and detergents; cosmetics; perfumery; incense; dentifrices.

(260) AM 2017 90195 A
 (800) 1306014
 (891) 2016 09 19
 (731) Closed Joint-Stock Company "Fabrika
 "RUSSKIY SHOKOLAD"
 d. 29, str. 143, ul. Vereyskaya B RU-121357
 Moscow, Russian Federation
 (540)

**ХОРОШАЯ
 КОМПАНИЯ**

(591) Black, white
 (511)
 30 – Confectionery, namely, waffles, confectionery for decorating Christmas trees, cakes, pastries, almond confectionery, peanut confectionery, sweetmeats [candy], caramels [candy], liquorice [confectionery], peppermint sweets, crackers, pastilles [confectionery], biscuits, fondants [confectionery], pralines, gingerbread, petits fours [cakes], halvah, chocolate.

(260) AM 2017 90196 A
 (800) 1324772
 (891) 2016 09 06
 (731) RAUCH FRUCHTSÄFTE GMBH
 Langgasse 1, A-6830 Rankweil, Austria
 (540)



(591) Yellow, white, and blue

(526) The trademark is protected as a whole. "Ice Tea" shall not be subject to independent legal protection.

(511)

30 – Tea; iced tea; tea-based beverages; tea-based drinks.

32 – Non-alcoholic beverages; non-alcoholic beverages containing tea or tea extracts or with a tea flavour.

(260) AM 2017 90197 A

(800) 1306662

(891) 2016 09 15

(731) Joint Stock Company "VALENTA PHARMACEUTICALS"
2, Fabrichnaya st., RU-141101 Schyolkovo,
Moscow region, Russian Federation

(540)

ДИОКСИДИН

(511)

5 – Medical preparations.

(260) AM 2017 90198 A

(800) 1324773

(891) 2016 09 06

(731) RAUCH Fruchtsäfte GmbH
Langgasse 1, A-6830 Rankweil, Austria

(540)



(591) Yellow, white, and red

(526) The trademark is protected as a whole. "Ice Tea" shall not be subject to independent legal protection.

(511)

30 – Tea; iced tea; tea-based beverages; tea-based drinks.

32 – Non-alcoholic beverages; non-alcoholic beverages containing tea or tea extracts or with a tea flavour.

(260) AM 2017 90199 A

(800) 1317931

(891) 2016 09 29

(731) AUMA Riester GmbH & Co. KG

Auma Str. 1 79379 Müllheim, Germany

(540)

auma

(511)

7 – Drive units, other than for land vehicles; actuators for valves; electrical drives for machines; hydraulic controls for machines, motors and engines; gears, other than for land vehicles; motors, other than for land vehicles; pneumatic controls for motors; hydraulic controls for machines; pneumatic controls for machines; hydraulic controls for motors; system control instruments (mechanical -); power transmission couplings for machines; process control units [mechanical]; process control units [pneumatic]; process control units [hydraulic]; torque converters other than for land vehicles; hydraulic actuators; control mechanisms for machines, engines or motors; die holders for use with machines; engines, powertrains, and generic machine parts.

9 – Process control units [electric]; process controlling apparatus [electric]; process controlling apparatus [electronic]; controllers (regulators); measuring, counting, alignment and calibrating instruments; revolution counters; databases (electronic); software; electricity indicators; electrical controls; electronic controllers; current rectifiers; transformers [electricity]; frequency transformers; commutators; switching power supply apparatus; industrial controls incorporating software; computer hardware; data communications hardware; data processing equipment; magnets; apparatus, instruments and cables for electricity; programmable controllers; electronic controls for motors.

(260) AM 2017 90201 A

(800) 1324788

(891) 2016 08 17

(731) WOLF OIL CORPORATION N.V.

Georges Gilliotstraat 52, B-2620 Hemiksem,
Belgium

(540)

ЧЕМПИОН

(511)

1 – Antifreezes and compounds of antifreeze.

3 – Cleaning, polishing, scouring and abrasive preparations; soap; cleaning oils; stain removers; polishing paper; liquids for cleaning windows of vehicles.

4 – Industrial oils and greases; lubricants; products for absorbing, wetting and binding of dust, fuels (including motor spirit) and illuminants.

(260) AM 2017 90209 A
 (800) 1325007
 (891) 2016 10 05
 (731) ABBOTT PRODUCTS OPERATIONS AG
 Hegenheimermattweg 127, CH-4123
 Allschwil, Switzerland

(540)


(591) Purple, pink.

(511)

9 – Computer software; data processing apparatus and equipment; electronic publications, being downloadable; applications for electronic apparatus, in particular for computers and mobile telephones.

16 – Instructional or teaching material (except apparatus); printing products (printed matter); printed publications, books, teaching documents, pamphlets, manuals, calendars, posters, placards of paper or cardboard, paintings, stickers, stamps.

41 – Education; training, also electronically, also on the Internet; provision of video on the Internet, not downloadable; preparation and hosting of colloquiums, conferences, congresses, seminars and workshops in the field of health care.

(260) AM 2017 90219 A
 (800) 1325964
 (891) 2016 04 18
 (731) LAUNCH TECH CO., LTD.
 2-8F Xinyang Building, 4th Bagua Road,
 Futian District, Shenzhen City, Guangdong
 Province, China

(540)


(591) Black, white

(511)

7 – Spray guns for paint; paint-spraying machines; electrostatic coating machines; car washing installation; fuel system cleaning machine; fuel nozzle cleaning machines; tyre removing and installing machines; air compressors for inflating tires; disc brakes for machines; refrigerant recovery pumps; transmission fluid changing machines; hoist; lifting apparatus.

(260) AM 2017 90222 A
 (800) 1326013
 (891) 2016 04 29
 (731) Tovarichtchestvo s ogranitchennoy
 otvetstvennostyu "ASIA SU
 KOMPANIYASY"
 ul. Kunaeva, 130/31, Almaty, Kazakstan

(540)



(591) Blue, red and white

(511)

32 – Aperitifs, non-alcoholic; lithia water; seltzer water; soda water; waters [beverages]; aerated water; mineral water [beverages]; table waters; kvass [non-alcoholic beverage]; cocktails, non-alcoholic; lemonades; peanut milk [non-alcoholic beverage]; milk of almonds [beverage]; non-alcoholic beverages; isotonic beverages; non-alcoholic honey-based beverages; aloe vera drinks, non-alcoholic; whey beverages; non-alcoholic fruit juice beverages; fruit nectars, non-alcoholic; orgeat; beer; ginger beer; malt beer; powders for effervescing beverages; sarsaparilla [non-alcoholic beverage]; syrups for lemonade; syrups for beverages; smoothies; tomato juice [beverage]; cider, non-alcoholic; vegetable juices [beverages]; fruit juices; preparations for making aerated water; preparations for making liqueurs; preparations for making mineral water; preparations for making beverages; must; grape must, unfermented; beer wort; malt wort; pastilles for effervescing beverages; sherbets [beverages]; non-alcoholic fruit extracts; extracts of hops for making beer; essences for making beverages.

33 – Aperitifs; arrack [arak]; brandy; wine; piquette; whisky; vodka; anisette [liqueur]; kirsch; gin; digesters [liqueurs and spirits]; cocktails; curacao; anise [liqueur]; liqueurs; pre-mixed alcoholic beverages, other than beer-based; alcoholic beverages, except beer; alcoholic beverages containing fruit; spirits [beverages]; distilled beverages; mead [hydromel]; peppermint liqueurs; bitters; rum; sake; perry; cider; rice alcohol; alcoholic extracts; fruit extracts, alcoholic; alcoholic essences.

35 – Arranging subscriptions to telecommunication services for others; import-export agency services; commercial information agency services; advertising agency services; cost price analysis; rental of advertising space; account auditing; employment agency services; computerized file management; bookkeeping; invoicing; business efficiency expert services; demonstration of goods; transcription of communications [office functions]; opinion polling; market studies; business information; commercial information and advice for consumers [consumer advice shop]; business investigations; business research; marketing research; personnel recruitment; business management and organization consultancy; business organization consultancy; business management co-

nsultancy; personnel management consultancy; professional business consultancy; layout services for advertising purposes; marketing; business management of performing artists; business management of sports people; news clipping services; updating of advertising material; word processing; organization of exhibitions for commercial or advertising purposes; arranging newspaper subscriptions for others; organization of fashion shows for promotional purposes; organization of trade fairs for commercial or advertising purposes; shop window dressing; business appraisals; payroll preparation; data search in computer files for others; sponsorship search; business management assistance; commercial or industrial management assistance; presentation of goods on communication media, for retail purposes; economic forecasting; auctioneering; sales promotion for others; production of advertising films; office machines and equipment rental; rental of advertising time on communication media; publicity material rental; rental of vending machines; rental of photocopying machines; publication of publicity texts; radio advertising; bill-posting; distribution of samples; dissemination of advertising matter; direct mail advertising; writing of publicity texts; advertising; on-line advertising on a computer network; advertising by mail order; television advertising; document reproduction; compilation of statistics; systemization of information into computer databases; business inquiries; compilation of information into computer databases; advisory services for business management; tax preparation; drawing up of statements of accounts; providing advertising space in newspapers; telemarketing services; psychological testing for the selection of personnel; business management of hotels; commercial administration of the licensing of the goods and services of others; administrative processing of purchase orders; public relations; modelling for advertising or sales promotion; typing; relocation services for businesses; price comparison services; secretarial services; procurement services for others [purchasing goods and services for other businesses]; shorthand; outsourcing services [business assistance]; telephone answering for unavailable subscribers; photocopying services.

(260) AM 2017 90247 A

(800) 1325769

(891) 2016 09 16

(731) ŠKODA AUTO a.s.

Tr. Václava Klementa 869, CZ-293 60 Mladá Boleslav, Czech Republic

(540)

Amundsen

(511)

9 – Vehicle radios, navigation apparatus for vehicles.

(260) AM 2017 90248 A

(800) 1325362

(891) 2016 11 08

(731) ZHEJIANG XINGBAO UMBRELLA CO., LTD.

Linghui Street, Xietang Town, Shangyu District, Shaoxing City, Zhejiang Province, China

(540)



(591) black and white

(511)

18 – Umbrellas; umbrella covers; parasols; umbrella or parasol ribs; imitation leather; bags; trimmings of leather for furniture; leather laces; walking sticks; clothing for pets.

(260) AM 2017 90249 A

(800) 1325770

(891) 2016 09 16

(731) SKODA AUTO a.s.

Tr. Václava Klementa 869, CZ-293 01 Mladá Boleslav, Czech Republic

(540)

Bolero

(511)

9 – Vehicle radios, navigation apparatus for vehicles.

(260) AM 2017 90250 A

(800) 1325382

(891) 2015 11 27

(731) MEDICE Arzneimittel Pütter GmbH & Co. KG

Kuhloweg 37, 58638 Iserlohn, Germany

(540)

Pütter

(511)

5 – Medical preparations; medicines for human purposes; medicines and natural remedies; dietary preparations and dietary supplements; homeopathic medicines; medical dressings; pharmaceutical drugs; pharmaceutical products; bandages, dressing materials, masking materials; applicators (medical).

10 – Compression bandages, elastic bandages.

(260) AM 2017 90252 A
 (800) 1325401
 (891) 2016 05 12
 (731) MAR-KO FLEISCHWAREN GMBH & CO.
 KG
 Waldecker Straße 15, 99444 Blankenhain,
 Germany

(540)

PIZZARELLA

(511)

29 – Meat, fish, poultry and game, including ham; all aforementioned goods also further processed into charcuterie, also in preserved form; meat products, meatballs, sausages, charcuterie, uncooked charcuterie, long-life charcuterie, salami in various forms, in particular mini salami; snacks made from the aforementioned products.

30 – Ready-made pastry rolls with a filling made of meat and/or charcuterie and/or vegetables and/or sauce; ready-made dumplings with a filling made of meat and/or charcuterie and/or vegetables and/or sauce; ready-made pita breads with a topping made of meat and/or charcuterie and/or vegetables and/or sauce.

(260) AM 2017 90253 A
 (800) 508360
 (891) 2016 12 14
 (731) GENERICON PHARMA Gesellschaft m.b.H.
 Hafnerstrasse 211, A-8054 Graz, Austria

(540)

GENERICON

(511)

5 – Pharmaceutical and sanitary products.

(260) AM 2017 90254 A
 (800) 1325477
 (891) 2016 08 01
 (731) Obshchestvo s ogranichennoi otvetstvennostyu
 "VSK"
 ul. 50-let Oktyabrya, 113, g. Dimitrovgrad,
 RU-433502 Ulyanovskaya oblast, Russian
 Federation

(540)

Дуб и Обруч

(511)

32 – Aperitifs, non-alcoholic; waters [beverages]; kvass [non-alcoholic beverage]; cocktails, non-alcoholic; lemonades; non-alcoholic beverages; isotonic beverages; whey beverages; non-alcoholic fruit juice beverages; beer; syrups for lemonade; syrups for beverages; vegetable juices [beverages]; fruit juices; preparations for making aerated water; preparations for making liqueurs; preparations for making mineral water; preparations for making beverages; must;

grape must, unfermented; beer wort; malt wort; pastilles for effervescing beverages; sherbets [beverages]; non-alcoholic fruit extracts; extracts of hops for making beer; essences for making beverages.

(260) AM 2017 90255 A
 (800) 1325478
 (891) 2016 08 01
 (731) Obshchestvo s ogranichennoi otvetstvennostyu
 "VSK"
 ul. 50-let Oktyabrya, 113, g. Dimitrovgrad,
 RU-433502 Ulyanovskaya oblast, Russian
 Federation

(540)

Ячменное поле

(511)

32 – Aperitifs, non-alcoholic; waters [beverages]; kvass [non-alcoholic beverage]; cocktails, non-alcoholic; lemonades; non-alcoholic beverages; isotonic beverages; whey beverages; non-alcoholic fruit juice beverages; beer; syrups for lemonade; syrups for beverages; vegetable juices [beverages]; fruit juices; preparations for making aerated water; preparations for making liqueurs; preparations for making mineral water; preparations for making beverages; must; grape must, unfermented; beer wort; malt wort; pastilles for effervescing beverages; sherbets [beverages]; non-alcoholic fruit extracts; extracts of hops for making beer; essences for making beverages.

(260) AM 2017 90256 A
 (800) 628472
 (891) 2016 10 25
 (731) MARIE BRIZARD WINE & SPIRITS FRANCE
 19 boulevard Paul Vaillant Couturier, F-94200
 IVRY SUR SEINE, France

(540)

WILLIAM PEEL

(511)

33 – Wines, spirits and liqueurs.

(260) AM 2017 90257 A
 (800) 1325776
 (891) 2016 08 23
 (731) Limited Liability Company "TZNZ"
 Magnitogorskaya street, 51, lit. E, 300 RU-195027
 Saint-Petersburg, Russian Federation

(540)



(591) Yellow, red, brown, light brown, dark brown and white.

(511)
30 – Sushi; soya sauce; noodle-based prepared meals; rice-based snack food; noodles; rice cakes.

35 – Import-export agency services; marketing; tele-marketing services; demonstration of goods; sales promotion for others; distribution of samples; administrative processing of purchase orders; procurement services for others [purchasing goods and services for other businesses].

43 – Snack-bar services; café services; cafeteria services; restaurant services; self-service restaurant services; canteen services; bar services; food and drink catering.

(260) AM 2017 90258 A

(800) 1325479

(891) 2016 08 01

(731) Obshchestvo s ogranichennoi otvetstvennostyu "VSK"
ul. 50-let Oktyabrya, 113, g. Dimitrovgrad,
RU-433502 Ulyanovskaya oblast, Russian
Federation

(540)

Искусство варить

(511)

32 – Aperitifs, non-alcoholic; waters [beverages]; kvass [non-alcoholic beverage]; cocktails, non-alcoholic; lemonades; non-alcoholic beverages; isotonic beverages; whey beverages; non-alcoholic fruit juice beverages; beer; syrups for lemonade; syrups for beverages; vegetable juices [beverages]; fruit juices; preparations for making aerated water; preparations for making liqueurs; preparations for making mineral water; preparations for making beverages; must; grape must, unfermented; beer wort; malt wort; pastilles for effervescing beverages; sherbets [beverages]; non-alcoholic fruit extracts; extracts of hops for making beer; essences for making beverages.

(260) AM 2017 90259 A

(800) 1325511

(891) 2015 12 25

(731) KONYA ŞEKER SANAYİ VE TİCARET
ANONİM ŞİRKETİ
Beysşehir Yolu Üzeri, Merkez Konya, Turkey

(540)

Torku tam

(591) black and white

(511)

29 – Meat; meat, preserved; fish meal for human consumption; fish, not live; fish, tinned; foods made

from fish; poultry, not live; nuts, prepared; chocolate nut butter; soups; preparations for making soup; bouillon; olives, preserved; olive oil for food; milk; milk beverages, milk predominating; condensed milk; milk products; vegetables, dried; vegetables, cooked; vegetables, preserved; vegetables, tinned; frozen fruits; fruit jellies; fruit peel; fruit, stewed; fruit-based snack food; fruits, tinned; peanut butter; peanuts, prepared; tahini [sesame seed paste]; eggs; powdered eggs; potato chips; potato crisps; potato flakes; edible oils.

30 – Coffee; cocoa; tea; coffee-based beverages; cocoa-based beverages; chocolate-based beverages; pasta; ravioli; noodles; bread; bagels; pastries; pastry dough; puddings; rice pudding; custard; honey; royal jelly; propolis; seasonings; condiments; sauces [condiments]; baking powder; flour; yeast; yeast extracts for human consumption; starch for food; semolina; sugar; granulated sugar; cube sugar; powdered sugar; tea; iced tea; confectionery made of sugar; candy; chocolate; chocolate confections; biscuits; petit-beurre biscuits; crackers; waffles; chewing gum; edible ices; cooking salt; processed wheat for human consumption, crushed barley for human consumption, processed oats for human consumption, processed grains for human consumption; molasses for food.

32 – Beer; beer wort; mineral water [beverages]; aerated mineral waters; carbonated mineral waters; soda water; table waters; spring water; fruit beverages and fruit juices; fruit-flavored beverages; non-alcoholic fruit juice beverages; vegetable juice beverages, non-alcoholic; vegetable juice drinks, non-alcoholic; soft drinks; non-carbonated soft drinks; soft drinks, non-carbonated; non-alcoholic vegetable juice beverages; non-alcoholic vegetable juice drinks; fruit juices; fruit nectars, non-alcoholic; isotonic beverages; lemonades; non-alcoholic energy drinks.

(260) AM 2017 90260 A

(800) 1325544

(891) 2016 10 06

(731) CHIESI FARMACEUTICI S.P.A.
Via Palermo, 26, A, I-43122 Parma (PR),
Italy

(540)

TRIMBOW

(511)

5 – Pharmaceutical preparations and medicinal preparations; medical preparations and substances; medicated plasters; hygienic preparations and articles; disinfectants and antiseptics; medical dressings, coverings and applicators.

(260) AM 2017 90261 A
 (800) 663679
 (891) 2016 11 07
 (731) OBO Bettermann GmbH. & Co. KG.
 52, Hüingser Ring, 58710 Menden,
 Germany

(540)

OBO BETTERMANN

(511)

6 – Ironware products, weld pins, pin welding components, materials for electrotechnical installations, namely pipe rings and cable clamps, rings for power lines, clamps, shaped rails, slotted bands, parts for cable conduits, metal pins, nails, threaded bolts; materials for television aerial and metric wave installations, namely post fasteners; sanitary installation equipment, namely flanges, pipes, flanges in rows for pipes, gutter hooks, radiator consoles, radiator racks, clips for heating pipes, clips for plastic pipes, pipe mounting devices, structural elements for protection against lightning, namely grounding rings; wall conduits, suspended and underground, preformed in metal for installation purposes, metal cable shelves and guides; metal cable carrier devices for conserving operational functionality in case of fire, metal carrier devices for cables providing protection against earthquakes.

9 – Equipment for electrotechnical installations, namely junction boxes, plugs and junction boxes, crossings for sealed bushings, grounding materials, namely cross-shaped grounding conductors, pipes and soil components; materials for installing television aerials and metric wave installations; installation elements for protection against lightning, namely lightning conductor rods, roof bushing, cable fittings, connection terminals for cables and flat and round conductors, gullies in the ground, connection parts, backflow preventers; electrical devices for voltage surge protection; electrical devices for soldering pins; electrical devices and instruments for measuring, signalling and monitoring, devices for recording, transmission and reproduction of electrical signals; data carriers for magnetic tapes, data processing equipment and computers.

20 – Electrotechnical installation materials, namely plastic clamps for cables and pipes, plastic dowels; plastic cable conduits and cable boxes, preformed for installation purposes; plastic cable shelves and guides for installation purposes; plastic grommets with screws.

(260) AM 2017 90262 A
 (800) 1325564
 (891) 2016 07 11
 (731) ETA SA Manufacture Horlogère Suisse
 Schild-Rust-Strasse 17, CH-2540 Grenchen,
 Switzerland

(540)



(591) black and white

(511)

14 – Precious metals and their alloys, included in this class, trophies; jewelry, namely rings, earrings, cuff links, bracelets, charms, brooches, chains, necklaces, tie pins, tie clips, jewelry caskets (cases), cases; precious stones, semi-precious stones; timepieces and chronometric instruments namely chronometers, chronographs, clocks, watches, wristwatches, wall clocks, alarm clocks as well as parts and accessories for the aforesaid goods namely hands, anchors, pendulums, barrels, watch cases, watch straps, watch dials, clockworks, watch chains, movements for timepieces, watch springs, watch glasses, presentation cases for timepieces, cases for timepieces.

16 – Paper, cardboard and goods made of these materials, included in this class; paper figurines, cardboard figurines in another form than the one presented; printing products; bookbinding material; photographs; stationery; adhesives (glues) for stationery or household purposes; artists' materials; paintbrushes; typewriters and office requisites (except furniture); instructional or teaching material (except apparatus); plastic materials for packaging (included in this class); printing type; printing blocks.

18 – Leather and imitation leather, goods made of these materials not included in other classes; animal skins; trunks and suitcases; umbrellas and parasols; walking sticks; saddlery whips.

28 – Games; gymnastic and sporting articles included in this class; decorations for Christmas trees.

(260) AM 2017 90263 A
 (800) 745085
 (891) 2016 11 03
 (731) ROCHE DIAGNOSTICS GMBH
 Sandhofer Str. 116, 68305 Mannheim,
 Germany

(540)

URISYS

(511)

5 – In vitro diagnostic agents and reagents for medical purposes; control solutions and calibration strips for medical purposes.

10 – Medical apparatus for the analysis and evaluation of in vitro diagnostic tests; medical apparatus for the detection of substances in the urine; dispensers for taking up and selecting of reagent carriers for medical purposes.

(260) AM 2017 90264 A

(800) 1325565

(891) 2016 08 08

(731) PHILIP MORRIS PRODUCTS S.A.

Quai Jeanrenaud 3, CH-2000 Neuchâtel,
Switzerland

(540)

IQOS HEATCONTROL

(511)

9 – Batteries for electronic cigarettes; batteries for electronic devices that are used for heating tobacco, chargers for electronic devices that are used for heating tobacco; USB chargers for electronic devices that are used for heating tobacco; car chargers for electronic cigarettes; car chargers for devices that are used for heating tobacco; battery chargers for electronic cigarettes.

11 – Electronic vaporizers except electronic cigarettes; apparatus for heating liquids; apparatus for generating vapor.

34 – Wired vaporizers for electronic cigarettes and electronic smoking devices; tobacco, raw or manufactured; tobacco products, including cigars, cigarettes, cigarillos, tobacco for roll-your-own cigarettes, pipe tobacco, chewing tobacco, snuff tobacco, kretek; snus; tobacco substitutes (not for medical purposes); smokers' articles, including cigarette paper and tubes, cigarette filters, tobacco tins, cigarette cases and ashtrays, pipes, pocket apparatus for rolling cigarettes, lighters; matches; tobacco sticks, tobacco products for the purpose of being heated, electronic devices and their parts for the purpose of heating cigarettes or tobacco in order to release nicotine-containing aerosol for inhalation; liquid nicotine solutions for use in electronic cigarettes; electronic smoking devices; electronic cigarettes; electronic cigarettes as substitute for traditional cigarettes; electronic devices for the inhalation of nicotine-containing aerosol; oral vaporizing devices for use by smokers, tobacco products and tobacco substitutes; smokers' articles for electronic cigarettes; parts and fittings for the aforesaid products included in this class; extinguishing devices for cigarettes and cigars and tobacco heated rods; electronic rechargeable cigarette cases.

(260) AM 2017 90266 A

(800) 750314

(891) 2016 11 07

(731) BAYERISCHE MOTOREN WERKE

Petuelring 130, 80809 München, Germany

(540)

X7

(511)

12 – Motor vehicles and their parts, except tires, included in this class; apparatus for locomotion by land, air or water.

(260) AM 2017 90267 A

(800) 1325642

(891) 2016 09 14

(731) MAGNUM-D EOOD

Suhodolska str. No: 54, Suhodol quarter, Krasna
Poliana region, BG-1373 Sofia, Bulgaria

(540)



(591) black and white

(511)

9 – Scientific, nautical, surveying, photographic, cinematographic, optical, weighing, measuring, signalling, checking [supervision], life-saving and teaching apparatus and instruments; apparatus and instruments for conducting, switching, transforming, accumulating, regulating and controlling electricity; apparatus for recording, transmission or reproduction of sound or images; magnetic data carriers, recording discs; coin-operated mechanisms for vending machines and mechanisms for coin-operated apparatus; cash registers, calculating machines, data processing equipment and computers; fire-extinguishing apparatus.

11 – Apparatus for lighting, heating, steam generating, cooking, refrigerating, drying, ventilating, water supply and sanitary purposes.

(260) AM 2017 90268 A

(800) 1325649

(891) 2016 03 04

(731) CURTCO ROBB MEDIA, LLC

29160 Heathercliff Road, Suite 200, Malibu
CA 90265, USA

(540)

ROBB REPORT

(511)

9 – Electronic publications recorded on computer media, namely, magazines, articles, information, and commentary featuring luxury items, real estate, homes, resorts, hotels, business, sports, health, fitness, travel, leisure activities, entertainment, technology,

communications, electronics, computers, audio and visual products, self-improvement, photography, music, video, automobiles, tools, boating, aviation, fashion, apparel, clothing, footwear, eyewear, jewelry, beauty products, food, beverages, cigars, dining, and cooking; computer application software for mobile phones, computers, handheld computers, and mobile electronic devices, namely, software to access, search, and display information, articles, videos, and commentary on luxury items, real estate, homes, resorts, hotels, business, sports, health, fitness, travel, leisure activities, entertainment, technology, communications, electronics, computers, audio and visual products, self-improvement, photography, music, video, automobiles, tools, boating, aviation, fashion, apparel, clothing, footwear, eyewear, jewelry, beauty products, food, beverages, cigars, dining, and cooking; computer application software for mobile phones, computers, handheld computers, and mobile electronic devices, namely, software to search for, locate, identify, describe, comment on, and purchase goods and services; computer application software for mobile phones, computers, handheld computers, and mobile electronic devices, namely, software to search for, locate, identify, provide directions to, comment on, and provide information and videos about manufacturers, service providers and retailers and their goods and services; computer application software for mobile phones, computers, handheld computers, and mobile electronic devices, namely, software to search, display, and notify users about retail offers and discounts on goods and services.

35 – Providing advertising space in print and electronic periodicals and magazines; providing consumer information relating to goods and services in the fields of luxury items, real estate, homes, resorts, hotels, business, sports, health, fitness, travel, leisure activities, entertainment, technology, communications, electronics, computers, audio and visual products, self-improvement, photography, music, video, automobiles, tools, boating, aviation, fashion, apparel, clothing, footwear, eyewear, jewelry, beauty products, food, beverages, cigars, dining, and cooking, via a website; online retail store services featuring consumer goods, sports equipment, luggage, apparel, clothing, jewelry, footwear, consumer electronics, tools, fitness equipment, and audio and video equipment; membership club services, namely, providing on-line information about consumer goods and services and providing discounts to members on the products and services of others such as luxury items, accommodations, technology, and consumer goods; arranging, organizing, producing of experiential marketing events.

39 – Providing on-line information in the field of travel; membership club services, namely, organizing travel.

41 – Magazine publishing; publication of magazines, articles, information, and commentary; publication of electronic magazines, articles, information, and commentary; multimedia publishing of magazines, articles, information, commentary, and electronic publications; providing non-downloadable publications in the nature of magazines, articles, information, and commentary in the fields of luxury items, real estate, homes, resorts, hotels, business, sports, health, fitness, travel, leisure activities, entertainment, technology, communications, electronics, computers, audio and visual products, self-improvement, photography, music, video, automobiles, tools, boating, aviation, fashion, apparel, clothing, footwear, eyewear, jewelry, beauty products, food, beverages, cigars, dining, and cooking, via a website; providing online magazines in the fields of luxury items, real estate, homes, resorts, hotels, business, sports, health, fitness, travel, leisure activities, entertainment, technology, communications, electronics, computers, audio and visual products, self-improvement, photography, music, video, automobiles, tools, boating, aviation, fashion, apparel, clothing, footwear, eyewear, jewelry, beauty products, food, beverages, cigars, dining, and cooking; membership club services, namely, organizing and hosting events, leisure activities, entertainment, recreation, and sporting activities; entertainment services in the nature of arranging, organizing, producing and hosting entertainment, social events, dining events, and competitions; educational services in the nature of arranging, organizing, producing and hosting meetings, seminars, and conferences in the fields of business, marketing, luxury goods and services, consumer products and services, and brand awareness; providing on-line information in the fields of leisure activities, entertainment, recreation, and sporting activities.

43 – Providing on-line information in the field of catering; membership club services, namely, arranging for the provision of food and beverages.

(260) AM 2017 90269 A

(800) 857107

(891) 2016 11 29

(731) SWAROVSKI AKTIENGESELLSCHAFT
Dröschstrasse 15, FL-9495 Triesen,
Liechtenstein

(540)

SWAROVSKI

(511)

11 – Chandeliers and chandelier pendants, chandelier parts of glass, lighting apparatus; reflectors for vehicles; bath and kitchen fittings.

14 – Watches and clocks and their parts; natural or synthetic precious stones of all types and for every purpose; gem stones, cut glass stones, genuine and imitation jewellery, jewellery ornaments, small je-

jewellery objects of glass, plastic or metal for personal use.

16 – Writing materials, paper weights.

20 – Furniture, in particular closets, show-cases, beds, sofas, chairs, hallstands, racks, trolley tables; curtain rails, mirrors, frames, wind chimes and curtains for decoration.

25 – Clothing, in particular outerwear, trousers, jeans, pullovers, knitwear, T-shirts, blouses, shawls, belts, muffs, gloves, tights, scarves, ties, jackets; headgears, in particular hats; footwear.

28 – Decorations for Christmas trees.

35 – Retail services, in particular for gem stones, jewellery, decorative articles primarily made of glass, spectacles, bags, clothing, cosmetics, lighting apparatus and furniture; business management and organisation consultancy; shop window dressing; organisation of exhibitions for commercial or advertising purposes; publicity, sales promotion for others; advertising, in particular presentation of goods for advertising purposes.

(260) AM 2017 90270 A

(800) 1325664

(891) 2016 08 08

(731) Chastnoe torgovoe unitarnoe predpriyatie "SLAVNET"

kom.22, d.28, ul. Platonova, 220005 g. Minsk, Belarus

(540)

СТРАНА СКАЗОК

(591) black and white

(511)

3 – Bleaching preparations and other substances for laundry use; cleaning, polishing, scouring and abrasive preparations; soaps; perfumery, essential oils, cosmetics, hair lotions; dentifrices.

5 – Pharmaceutical and veterinary preparations; sanitary preparations for medical purposes; dietetic food and substances adapted for medical or veterinary use, food for babies; dietary supplements for humans and animals; plasters, materials for dressings; material for stopping teeth, dental wax; disinfectants; preparations for destroying vermin; fungicides, herbicides.

35 – Advertising; business management; business administration; office functions.

(260) AM 2017 90271 A

(800) 1325684

(891) 2016 08 09

(731) CORPORACIÓN DE RADIO Y

TELEVISIÓN ESPAÑOLA, S.A.

Avda. Radio Televisión, 4, Edif. Prado del Rey, E-28223 POZUELO DE ALARCÓN (MADRID), Spain

(540)



(591) White and red

(511)

38 – Telecommunication services: communications by radio broadcasting, by satellite, by cable, by fiber-optic networks, by computer terminals, communications via global computer networks; transmission and broadcasting of radio and television programs.

41 – Education and entertainment.

(260) AM 2017 90277 A

(800) 1325778

(891) 2016 08 26

(731) Limited liability company

"INTERNET SOLUTIONS"

Chapaevsky lane, h. 14, RU-125252 Moscow, Russian Federation

(540)



(591) Blue, dark blue, light blue, white, green, orange, red and purple.

(526) ".ru"

(511)

9 – Computer software, recorded; computer software applications, downloadable; computer programs, recorded; computer game software; computer programs [downloadable software].

36 – Financial services; credit services; issuance of credit cards; rental of real estate; real estate affairs; processing of debit card payments; processing of credit card payments; electronic funds transfer.

39 – Rental of warehouses; message delivery; parcel delivery; delivery of goods by mail order; storage information; transportation logistics; hauling; car transport; portage; rental of storage containers; stevedoring; courier services [messages or merchandise]; transport; physical storage of electronically stored data or documents; freight forwarding; transport, delivery, packaging, and storage of goods.

42 – Design of computer hardware and software; development of computer hardware and software; computer system analysis; recovery of computer data; computer virus protection services; installation of computer software; information technology [IT] consultancy; computer software consultancy; software as a service [SaaS]; maintenance of computer software; conversion of data or documents from physical to electronic media; providing information on computer technology and programming via a web site; data conversion of computer programs and data [not physical conversion]; computer system design; rental of computer software; hosting computer sites [web sites]; server hosting; creating and maintaining web sites for others; computer programming; copying of computer programs; electronic data storage.

(260) AM 2017 90309 A

(800) 1327333

(891) 2016 09 01

(731) IMEX GROUP LLC

Tbilisyan Highway 25, 0052 Yerevan,
Armenia

(540)

IDEAL 

(591) Red, white

(511)

7 – Machines and machine tools; motors and engines [except for land vehicles]; machine coupling and transmission components (except for land vehicles); agricultural implements other than hand-operated; incubators for eggs; automatic vending machines.

8 – Hand tools and implements (hand-operated); cutlery; side arms; razors.

9 – Scientific, nautical, surveying, photographic, cinematographic, optical, weighing, measuring, signaling, checking (supervision), life-saving and teaching apparatus and instruments; apparatus and instruments for conducting, switching, transforming, accumulating, regulating or controlling electricity; apparatus for recording, transmission or reproduction of sound or images; magnetic data carriers, recording discs; mechanisms for coin-operated apparatus; cash registers, calculating machines, data processing equipment and computers; fire-extinguishing apparatus.

11 – Apparatus for lighting, heating, steam generating, cooking, refrigerating, drying, ventilating, water supply and sanitary purposes.

17 – Rubber, gutta-percha, gum, asbestos, mica and goods made from these materials and not included in other classes; plastics in extruded form for use in manufacture; packing, stopping and insulating materials; flexible pipes, not of metal.

20 – Furniture, mirrors, picture frames; goods (not included in other classes) of wood, cork, reed, cane, wicker, horn, bone, ivory, whalebone, shell, amber, mother-of-pearl, meerschaum and substitutes for all these materials, or of plastics.

37 – Building construction; repair; installation services.

(260) AM 2017 90311 A

(800) 1327370

(891) 2016 10 03

(731) SIA "GREEN TRACE"

Biekensalas iela, LV-1004 Riga, Latvia

(540)

YOGAhealthline

(511)

11 – Lamp shades; steam accumulators, including fog generators for household purposes, fog generators for industrial purposes; heat accumulators; defrosters for vehicles; distillation apparatus; desiccating apparatus; hydromassage bath apparatus; disinfectant apparatus; air deodorising apparatus, including electric air deodorizing apparatus; tanning apparatus [sun beds]; ionization apparatus for the treatment of air or water; coffee roasters; beverage cooling apparatus; hand drying apparatus for washrooms; fruit roasters; water purifying apparatus and machines; refrigerating apparatus and machines; drying apparatus and installations; freezers; drying apparatus; structural plates for ovens; coolers for furnaces; expansion tanks for central heating installations; flushing tanks; refining towers for distillation; bidets; boilers, other than parts of machines; bath tubs; spa baths [vessels]; bath tubs for sitz baths; waffle irons, electric; fans [air-conditioning]; fans [parts of air-conditioning installations]; electric fans for personal use; roasting spits; refrigerating display cabinets; heated display cabinets; water heaters; water heaters [apparatus]; water flushing installations; extractor hoods for kitchens; gas condensers, other than parts of machines; acetylene generators; hydrants; burners; acetylene burners; petrol burners; gas burners; burners for lamps; germicidal burners; incandescent burners; oxyhydrogen burners; laboratory burners; oil burners; alcohol burners; hot water bottles; footwarmers, electric or non-electric; bed warmers; pocket warmers; warming pans; grills [cooking appliances]; lampshade holders; stills; showers; refrigerating containers; lighters; gas lighters; friction lighters for igniting gas; chimney blowers; coils [parts of distilling, heating or cooling installations]; furnace ash boxes; evaporators, including air humidifiers for household purposes; industrial air humidifiers; torches for lighting; shower cubicles [enclosures (Am.)]; Turkish bath cabinets, portable; heating apparatus; refrigerating chambers; fireplaces, domestic; chimney flues; pressure cooking sa-

ucepans, electric; air valves for steam heating installations; level controlling valves in tanks; thermostatic valves [parts of heating installations]; electrically heated carpets; light bulbs; light bulbs, electric; solar thermal collectors [heating]; distillation columns; furnace grates; ventilation hoods; ventilation hoods for laboratories; lamp globes; air conditioning apparatus; air conditioners for vehicles; gas boilers; laundry room boilers; heating boilers; coffee machines, electric; taps [cocks, spigots] [faucets (Am.)] for pipes; taps [faucets]; mixer taps for water pipes; forges, portable; lava rocks for use in barbecue grills; electric lights for Christmas trees; acetylene flares; safety lamps; gas lamps; curling lamps; germicidal lamps for purifying air; lamps for directional signals of automobiles; light bulbs for directional signals for vehicles; arc lamps; laboratory lamps; oil lamps; ultraviolet ray lamps, not for medical purposes; miners' lamps; electric lamps; chandeliers; barbecues; bread baking machines; watering machines for agricultural purposes; disposable sterilization pouches; multicookers; footmuffs, electrically heated; heaters for baths; heaters for heating irons; immersion heaters; brackets for gas burners; anti-splash tap nozzles; heat pumps; filaments for electric lamps; magnesium filaments for lighting; heating filaments, electric; luminous house numbers; stoves; heating apparatus for defrosting windows of vehicles; hot air bath fittings; bath fittings; loading apparatus for furnaces; kiln furniture [supports]; sauna bath installations; refrigerating appliances and installations; blankets, electric, not for medical purposes; fabric steamers; lamp reflectors; vehicle reflectors; hearths; food steamers, electric; steam boilers, other than parts of machines; pasteurisers; lamp mantles; sockets for electric lights; coffee percolators, electric; stoves [heating apparatus]; bakers' ovens; hot air ovens; kitchen ranges [ovens]; microwave ovens [cooking apparatus]; microwave ovens for industrial purposes; incinerators; kilns; solar furnaces; dental ovens; furnaces, other than for laboratory use; urinals [sanitary fixtures]; feeding apparatus for heating boilers; heating plates; cookers; hot plates; heaters, electric, for feeding bottles; aquarium heaters; aquarium lights; heating cushions [pads], electric, not for medical purposes; clean chambers [sanitary installations]; tortilla presses, electric; water intake apparatus; deodorising apparatus, not for personal use; apparatus for dehydrating food waste; fumigation apparatus, not for medical purposes; gas scrubbing apparatus; oil-scrubbing apparatus; glue-heating appliances; forage drying apparatus; water filtering apparatus; air purifying apparatus and machines, including air purifying apparatus for household purposes; ice machines and apparatus; cooling appliances and installations; cooking apparatus and installations; lighting apparatus and installations; sanitary apparatus and installations; cooking rings; lighting apparatus for vehi-

les; light-emitting diodes [LED] lighting apparatus; heating apparatus for solid, liquid or gaseous fuels; heating apparatus, electric; hot air apparatus; steam facial apparatus [saunas]; safety accessories for water or gas apparatus and pipes; regulating and safety accessories for gas apparatus; regulating accessories for water or gas apparatus and pipes; regulating and safety accessories for water apparatus; regulating and safety accessories for gas pipes; roasting jacks; plate warmers; electric appliances for making yogurt; anti-dazzle devices for automobiles [lamp fittings]; anti-glare devices for vehicles [lamp fittings]; rotisseries; radiator caps; diving lights; washers for water taps; radiators [heating]; central heating radiators; radiators, electric; sinks; disinfectant dispensers for toilets; light diffusers; drip irrigation emitters [irrigation fittings]; nuclear reactors; heat regenerators; pressure water tanks; roasters; lamps; street lamps; ceiling lights; toilet seats; lighting installations for air vehicles; pressure cookers [autoclaves], electric; gas scrubbers [parts of gas installations]; lamp glasses; sterilizers; water sterilizers; air sterilisers; air dryers; laundry dryers, electric; hair dryers; malt roasters; tobacco roasters; heat exchangers, not parts of machines; bread toasters; discharge tubes, electric, for lighting; lamp chimneys; luminous tubes for lighting; pipes [parts of sanitary installations]; flues for heating boilers; boiler pipes [tubes] for heating installations; toilets [water-closets]; toilets, portable; humidifiers for central heating radiators; wash-hand basins [parts of sanitary installations]; toilet bowls; water conduits installations; bath installations; air conditioning installations; desalination plants; installations for processing nuclear fuel and nuclear moderating material; watering installations, automatic; cooling installations for water; cooling installations for liquids; milk cooling installations; cooling installations for tobacco; water purification installations; purification installations for sewage; steam generating installations; water distribution installations; air filtering installations, including air filtering installations using water; swimming pool chlorinating apparatus; ventilation [air-conditioning] installations and apparatus; ventilation [air-conditioning] installations for vehicles; water softening apparatus and installations; cooling installations and machines; heating installations; heaters for vehicles; hot water heating installations; polymerisation installations; water supply installations; flare stacks for use in the oil industry; ash conveyor installations, automatic; whirlpool-jet apparatus; air cooling apparatus; aquarium filtration apparatus; cooking utensils, electric; flares; headlights for automobiles; vehicle headlights; filters for air conditioning; filters for drinking water; lights for automobiles; bicycle lights; motorcycle lights; lights for vehicles; pocket torches, electric; lanterns for lighting; Chinese lanterns; fountains; ornamental fountains; deep fryers, electric; fittings, shaped, for

ovens; oven fittings made of fireclay; bread-making machines; refrigerators; chromatography apparatus for industrial purposes; kettles, electric; dampers [heating]; refrigerating cabinets; ice boxes; book sterilization apparatus; fuel economizers; carbon for arc lamps; heating elements.

35 – Arranging subscriptions to telecommunication services for others; import-export agency services; commercial information agency services; advertising agency services; cost price analysis; rental of advertising space; business auditing; employment agency services; computerized file management; book-keeping; invoicing; demonstration of goods; transcription of communications [office functions]; opinion polling; market studies; business information; commercial information and advice for consumers [consumer advice shop]; business investigations; business research; marketing research; personnel recruitment; business management and organization consultancy; business organization consultancy; business management consultancy; personnel management consultancy; professional business consultancy; layout services for advertising purposes; marketing; business management of performing artists; business management of sports people; writing of resumes for others; news clipping services; updating of advertising material; updating and maintenance of data in computer databases; word processing; organization of exhibitions for commercial or advertising purposes; arranging newspaper subscriptions for others; organization of fashion shows for promotional purposes; organization of trade fairs for commercial or advertising purposes; shop window dressing; design of advertising materials; business appraisals; payroll preparation; data search in computer files for others; sponsorship search; business management assistance; commercial or industrial management assistance; commercial intermediation services; provision of commercial and business contact information; providing business information via a web site; provision of an on-line marketplace for buyers and sellers of goods and services; web indexing for commercial or advertising purposes; presentation of goods on communication media, for retail purposes; economic forecasting; auctioneering; sale of small retail or small wholesale and retail and wholesale of goods included in Class 11; sales promotion for others; production of advertising films; office machines and equipment rental; rental of advertising time on communication media; publicity material rental; rental of billboards [advertising boards]; rental of vending machines; rental of sales stands; rental of photocopying machines; publication of publicity texts; radio advertising; bill-posting; distribution of samples; dissemination of advertising matter; direct mail advertising; writing of publicity texts; advertising; on-line advertising on a computer network; advertising by mail order; television advertising; document reproduction; compilation of sta-

tistics; compilation of information into computer databases; business inquiries; systemization of information into computer databases; advisory services for business management; negotiation and conclusion of commercial transactions for third parties; tax preparation; drawing up of statements of accounts; telemarketing services; psychological testing for the selection of personnel; outsourced administrative management for companies; business management of hotels; business management for freelance service providers; commercial administration of the licensing of the goods and services of others; business management of reimbursement programs for others; business project management services for construction projects; administration of frequent flyer programs; administration of consumer loyalty programs; administrative processing of purchase orders; public relations; modelling for advertising or sales promotion; typing; relocation services for businesses; tax filing services; search engine optimization for sales promotion; price comparison services; pay per click advertising; secretarial services; procurement services for others [purchasing goods and services for other businesses], including via Internet; shorthand; outsourcing services [business assistance]; appointment scheduling services [office functions]; telephone answering for unavailable subscribers; photocopying services; web site traffic optimization; business efficiency expert services.

(260) AM 2017 90323 A

(800) 1326294

(891) 2016 07 01

(731) ATEL TEKSTİL SANAYİ VE TİCARET
ANONİM ŞİRKETİ

Yakuplu Mermereçiler Sanayi Sitesi, 5. Cadde
No:9, Beylikdüzü, İstanbul, Turkey

(540)

wigglesteps

(591) black and white

(511)

25 – Clothing, namely, trousers, jackets, overcoats, coats, skirts, suits, jerseys, waistcoats, shirts, ready-made leather linings (parts of clothing), T-shirts, sweatshirts, dresses, bermuda shorts, shorts, pajamas, pullovers, jeans, tracksuits, rainwear, beachwear, bathing suits, swimming suits; clothing for sports (for exclusive use for sports), clothing for babies, namely, shirts, pants, coats, dresses; underclothing, namely, boxer shorts, brassieres, briefs, pants; socks; footwear, namely shoes excluding orthopedic shoes, sandals, waterproof boots, walking boots, booties, sporting shoes, slippers; shoe parts namely heelpieces, insoles for footwear, footwear uppers; headgear, namely caps, skull caps, sports caps, hats, berets; gloves (clothing), stockings, belts

(clothing), camisoles, sarongs, scarves, neck scarves, shawls, collars, neckties, ties, suspender belts.

(260) AM 2017 90340 A

(800) 1326379

(891) 2016 09 08

(731) KEUNE IP B.V.

Koningsweg 15, NL-3762 EA Soest,
Netherlands

(540)

KEUNE TINTA COLOR

(511)

3 – Cosmetics; hair strengthening preparations [cosmetics]; hair creams; hair weaving preparations; hair spray; color-removing preparations for hair; hair coloring preparations; permanent waving lotions; hair mousse; hair gel; hair lotions; shampoos.

(260) AM 2017 90397 A

(800) 1135742

(891) 2016 12 16

(731) DANIEL WELLINGTON AB

Västra Agatan 16, SE-753 09 Uppsala,
Sweden

(540)

DANIEL WELLINGTON

(511)

9 – Sunglasses, cases and bags adapted therefor; sunglasses; eyeglass bags.

14 – Watch straps; jewellery; cloisonné jewellery; jewellery of amber; alarm clocks; horological instruments; clock hands; clocks; watches; wrist watch bands; watch straps; dials (clockmaking and watchmaking); clockworks; chronographs (watches); cases for clock and watch making; clocks; movements for clocks and watches.

(260) AM 2017 90469 A

(800) 1327580

(891) 2016 06 23

(731) INLEX IP EXPERTISE, Société par actions
simplifiée

5 rue Feydeau, F-75002 Paris, France;
INLEX IP EXPERTISE, Société par actions
simplifiée
5 rue Feydeau, F-75002 Paris, France

(540)

ACT BEAUTIFUL

(591) black and white

(511)

3 – Bleaching preparations and other substances for laundry use; cleaning, polishing, degreasing and abrasive preparations; cosmetics; soaps; deodorants for

personal use; perfumes and perfumery products; home perfuming products excluding vaporizers; essential oils; cosmetic products for face and body care; cosmetic products for bathing and showering; cosmetic make-up products; make-up removing products; shaving and after-shave products; sunscreens; products for the treatment, maintenance and embellishment of the hair; cosmetic products for foot and hand care; cosmetic products for nail care; dentifrices.

35 – Advertising; commercial administration; office functions; services for the sales promotion via a customer loyalty service using loyalty cards, discount cards; organization of home meetings for commercial or advertising purposes; advertising by billposting, mail advertising, product demonstration and window-dressing; dissemination and distribution of advertising material and documents, namely, leaflets, brochures, printed matter, samples; rental of advertising space and rental of advertising time in any communication media; organization of exhibitions for commercial or advertising purposes; sales promotion for others; dissemination of advertisements; publication of advertising texts; radio, television, photographic, cinematographic, mail advertising; business information and consultancy services in the field of body and face care, cosmetics, maintenance or textiles; compilation of information; computer file management services; collection of data in a central file; subscriptions to a global telecommunications network (the Internet) or a private access network (intranet); subscription services for a database or multimedia server center; subscription services for computer communication and telephone services; subscription to a center providing access to a computer network for telecommunication or data transmission, subscriptions to electronic newspapers, subscription to a telecommunications service; business information dissemination by electronic means, especially via global communication networks (Internet) or private access networks (Intranet); Electronic on-line dissemination of advertising matter over a computer network, particularly via global communication networks (the Internet) or private access networks (intranets); grouping on behalf of third parties of a variety of cosmetic, maintenance or textile products enabling customers to view and purchase these products in retail stores or department stores (except transportation); grouping on behalf of third parties of a variety of cosmetic, maintenance or textile products enabling the customer to view and purchase these products in a general catalog of merchandise or direct mail order by mail (except transport); grouping on behalf of third parties of a variety of cosmetic, maintenance or textile products enabling the customer to view and purchase such products on a Website or television or any other form of electronic communications media (except transport); retail of cosmetics, cleaning or tex-

tile products; retail of perfumery products; retail of nutritional supplements intended for the beauty and care of the skin, body, face, hair or nails; retail of infusions and herbal teas; retail of dietetic beverages; commercial administration of the licensing of the goods and services of others; commercial and administrative business management; business management and organization consultancy.

44 – Hygienic and beauty care for human beings; beauty salons; hairdressing salons; manicure salons; massage services, relaxation care; consulting services on beauty, makeup, nutrition and perfumery; aromatherapy, thalassotherapy, balneotherapy, chromatherapy services, treatments by means of sounds; fitness services using saunas, hammams and pressurized water sprays; horticulture and forestry services.

(260) AM 2017 90470 A
(800) 1327624
(891) 2016 11 09
(731) THE GILLETTE COMPANY LLC
ONE GILLETTE PARK, BOSTON MA
02127, USA

(540)

TREASURES

(591) black and white
(511)

8 – Razors and razor blades; dispensers, cassettes, holders, and cartridges, all specifically designed for and containing razor blades; parts and fittings for all the aforesaid goods.

(260) AM 2017 90472 A
(800) 1327665
(891) 2016 05 09
(731) CHEN SHICHUN
13, Shantian, Xiaqingtang Village, Chen
Islet, Zhugang Town, Yuhuan County,
Zhejiang Province, China

(540)

LEOMIX

(591) black and white
(511)

6 – Water-pipe valves of metal; water-pipes of metal; valves of metal, other than parts of machines; nozzles of metal; elbows of metal for pipes; drain traps [valves] of metal; steel pipes; junctions of metal for pipes; jets of metal; sleeves [metal hardware].

11 – Taps [faucets]; heating installations; solar water heaters; hot steam bath installations; hot air apparatus; water purification installations; air conditioning apparatus; radiators; ornamental fountains; refrigerating apparatus and machines.

(260) AM 2017 90474 A
(800) 1327695
(891) 2016 09 16
(731) APPLE INC.
1 Infinite Loop, Cupertino CA 95014, USA
(540)

macOS

(591) black and white
(511)

42 – Design and development of computer software; computer software consulting services; support and consultation services for developing computer systems, databases and applications, namely, providing information on computer technology and programming via a web site; providing information in the fields of technology and software development via an on-line website; maintenance and updating of computer software.

(260) AM 2017 90475 A
(800) 1327719
(891) 2016 10 11
(731) KUNMING BAKER NORTON
PHARMACEUTICAL CO., LTD.
Qigongli, West suburb, Kunming, Yunnan,
China

(540)



(591) black and white
(511)

5 – Chemical preparations for pharmaceutical purposes; liquorice for pharmaceutical purposes; nutritional supplements; medicines for human purposes.

(260) AM 2017 90476 A
(800) 1328094
(891) 2016 06 14
(731) CONDEVO S.p.A.
Via Giacomo Leopardi, 20, I-20123
MILANO, Italy

(540)



(591) Black, white
(511)

11 – Heating installations, namely heating boilers, heating elements and their parts, namely, gas-water heat exchangers, stainless steel plate heat exchangers and three-way valves for heating installations.

(260) AM 2017 90483 A
 (800) 1328099
 (891) 2016 06 30
 (731) NUOVA INDUSTRIA BISCOTTI CRICH
 S.p.A.
 Vicolo De Gasperi, 11, I-31050 Zenson di
 Piave (TV), Italy
 (540)



(591) Black, white
 (511)
 5 – Food for babies; candy, medicated; diabetic bread adapted for medical use; digestives for pharmaceutical purposes; flour for pharmaceutical purposes; lacteal flour for babies; chewing gum for medical purposes; lactose for pharmaceutical purposes; yeast for pharmaceutical purposes; biological preparations for medical purposes; dietetic beverages adapted for medical purposes; medical preparations for slimming purposes; dietetic substances adapted for medical use; dietetic foods adapted for medical purposes.

30 – Cookies; petit-beurre biscuits; biscuits; cereal-based snack food; rice-based snack food; waffles; cakes; candies [sweets]; buns; chocolate; pastries; bread rolls; bread substitutes; gluten-free crackers; gluten-free biscuits; pizzas; pralines; caramels [candy]; chewing gum; confectionery; pasta; ice cream; rice; sugar; honey; cocoa; flour; wafers; crackers; coffee; vegetal preparations for use as coffee substitutes; tea.

(260) AM 2017 90485 A
 (800) 1328133
 (891) 2016 10 11
 (731) PURPLE INC.
 Corner Hutson & Eyre Street, Blake Building,
 Suite 302, Belize

(540)



(591) Dark blue, red, green, yellow, lilac and black
 (511)
 2 – Paints, varnishes, lacquers; preservatives against deterioration of wood; colorants; mordants; raw natural resins; metals in foil and powder form for use in painting, decorating, printing and art; asbestos paints; watercolor paints for use in art; alizarine dyes; aluminium powder for painting; aluminium

paints; aniline dyes; annatto (dyestuff); auramine; bactericidal paints; toner cartridges, filled for printers and photocopiers; shoe dyes; ink for leather; wood stains; ink for skin-dressing; colorants for butter; dyewood; dyes; bitumen varnish; bronze powder for painting; fireproof paints; litharge; primers; titanium dioxide (pigment); printers' pastes [ink]; printing ink; engraving ink; dyewood extracts; enamels for painting; enamels (varnishes); silver emulsions (pigments); thickeners for paints; indigo (colorant); edible inks; gum resins; Canada balsam; colophony; caramel (food colorant); carbonyl (wood preservative); edible ink cartridges, filled, for printers; ceramic paints; binding preparations for paints; badigeon; copal; copal varnish; cochineal carmine; creosote for wood preservations; turmeric (colorant); black japan; bronzing lacquers; marking ink for animals; metal foil for use in painting, decorating, printing and art; cobalt oxide (colorant); zinc oxide (pigment); oils for the preservation of wood; oil paints for use in art; paper for dyeing Easter eggs; pigments; coatings (paints); wood coatings (paints); glazes (paints, lacquers); silvering powders; anti-fouling paints; anti-corrosive bands; wood preservatives; mordants; mordants for leather; wood mordants; thinners for paints; thinners for lacquers; whitewash; soot (colorant); carbon black (pigment); lamp black (pigment); sandarac; white lead; minium; siccatives (drying agents) for paints; Sienna earth; turpentine (thinner for paints); malt caramel (food colorant); malt colorants; silver paste; sumac for varnishes; distempers; toners (ink) for photocopiers; automobile paints; coatings for roofing felt (paints); repositionable paint patches; fixatives (varnishes); fixatives for watercolors (watercolours); yellowwood (colorant); food dyes; saffron (colorant); gum-lac.

(260) AM 2017 90490 A
 (800) 1328234
 (891) 2016 09 23
 (731) GIONEE COMMUNICATION
 EQUIPMENT CO., LTD. SHENZHEN
 21/F Times Technology Building, No.7028
 Avenue Shennan, Futian District, 518040
 Shenzhen, China

(540)



(591) Black, white
 (511)
 12 – Civilian drones; air vehicles; vehicles for locomotion by land, air, water or rail; aeronautical apparatus, machines and appliances; remote control ve-

hicles [other than toys]; baby carriages; bicycle pumps; tyres for vehicle wheels; vehicle bumpers; carts.

(260) AM 2017 90491 A

(800) 1328253

(891) 2016 04 11

(731) ISTİLL ARSER İŞ MAKİNALARI SERVİS VE TİCARET ANONİM ŞİRKETİ
Osmangazi Mahallesi, Yıldızhan Caddesi,
No.5, Sancaktepe, Istanbul, Turkey

(540)



(591) Blue and dark blue

(511)

37 – Construction services; rental of construction machines and equipment; vehicles service stations for land vehicles; maintenance, repair and refueling of land vehicles.

39 – Land, water and air transport services; rental of land, water or air vehicles; arranging of travel tours; travel reservation; issuing of tickets for travel; courier services (messages or merchandise).

(260) AM 2017 90492 A

(800) 1328295

(891) 2016 05 19

(731) ACEITES DEL SUR-COOSUR S.A.
Carretera de la Carolina, 29, E-23220 Vilches
(Jaén), Spain

(540)



(591) Black, white

(526) The trademark is protected as a whole. "1840" shall not be subject to independent legal protection.

(511)

29 – Edible oils and fats; processed fruits, mushrooms and vegetables (including nuts and vegetables); eggs and egg products; fish, seafood and shellfish; milk products and milk substitutes; snack foods based on vegetables of all kinds; nut-based snacks; potato snacks; bouillon; vegetable chips; prepared frozen meals mainly consisting of vegetables; prepared meals mainly consisting of meat substitutes; prepared meals mainly consisting of fish; prepared meals containing eggs [primarily]; prepared meals

containing meat [primarily consisting of meat]; spreads; stews; falafel; prepared nuts; French fries; main courses based on vegetables of all kinds; pollen prepared as foodstuff; fruit desserts; dairy desserts; snack foods based on vegetables; tomato paste; Spanish tortilla with lightly fried potatoes; French omelette; jellies, jams, compotes, fruit and vegetable spreads; canned olives; prepared olives; processed edible algae; snacks based on dried fruits; vegetable juice concentrates for food; pickles; prepared salads; processed edible flowers; dried edible flowers; seaweed extracts for food; edible nuts; prepared vegetable products; vegetable terrines; processed roots; edible seeds; prepared seeds; prepared mushrooms; fermented tofu; preserved vegetables; processed seeds; seed butter; sesame seed paste [tahini]; snack bars based on seeds and nuts; prepared meat dishes; fish dishes; fish-based dishes; processed roots; vegetable preparations (soups -); prepared vegetable products; vegetable spreads, vegetable products for food.

30 – Edible oils and fats; processed fruits, mushrooms and vegetables (including nuts and vegetables); eggs and egg products; fish, seafood and shellfish; milk products and milk substitutes; snack foods based on vegetables of all kinds; nut-based snacks; potato snacks; bouillon; vegetable chips; prepared frozen meals mainly consisting of vegetables; prepared meals mainly consisting of meat substitutes; prepared meals mainly consisting of fish; prepared meals containing eggs [primarily]; prepared meals containing meat [primarily consisting of meat]; spreads; stews; falafel; prepared nuts; French fries; main courses based on vegetables of all kinds; pollen prepared as foodstuff; fruit desserts; dairy desserts; snack foods based on vegetables; tomato paste; Spanish tortilla with lightly fried potatoes; French omelette; jellies, jams, compotes, fruit and vegetable spreads; canned olives; prepared olives; processed edible algae; snacks based on dried fruits; vegetable juice concentrates for food; pickles; prepared salads; processed edible flowers; dried edible flowers; seaweed extracts for food; edible nuts; prepared vegetable products; vegetable terrines; processed roots; edible seeds; prepared seeds; prepared mushrooms; fermented tofu; preserved vegetables; processed seeds; seed butter; sesame seed paste [tahini]; snack bars based on seeds and nuts; prepared meat dishes; fish dishes; fish-based dishes; processed roots; vegetable preparations (soups -); prepared vegetable products; vegetable spreads, vegetable products for food.

(260) AM 2017 90497 A

(800) 1328442

(891) 2016 06 02

(731) SGB-SMIT Management GmbH
Ohmstraße 10, 93055 Regensburg, Germany

(540)



(591) Black, white

(511)

9 – Transformers; housings for transformers.

(260) AM 2017 90660 A

(800) 1328841

(891) 2016 08 24

(731) SC CHINA TOBACCO INTERNATIONAL
EUROPE COMPANY
Cernica Street 21, 077145 PANTELIMON,
Romania

(540)

DUBAO

(511)

35 – Advertising; business management; business
administration; office functions.

(260) AM 2017 90713 A

(800) 1329908

(891) 2016 08 26

(731) MİSBİS GIDA SANAYİ VE TİCARET
ANONİM ŞİRKETİ
Selimpasa Sanayi Bölgesi Araptepe Mevkii
5007 Sok. No:10 PK, TR-34930 Silivri –
Istanbul, Turkey

(540)

KİNOS

(511)

30 – Chocolate, wafers, chewing gums.

(260) AM 2017 90714 A

(800) 1329913

(891) 2016 09 08

(731) BERKO İLAÇ VE KİMYA SANAYİ A.Ş.
Yenisehir Mah. Ozgur, Sok. No:16-18,
Atasehir Istanbul, Turkey

(540)

Kafesit

(591) Black, white

(511)

5 – Pharmaceutical and veterinary preparations for
medical purposes; chemical preparations for medical
purposes; chemical elements for pharmaceutical pur-
poses; nutritional supplements.

(260) AM 2017 90716 A

(800) 1329914

(891) 2016 09 08

(731) BERKO İLAÇ VE KİMYA SANAYİ
ANONİM ŞİRKETİ
Yenisehir Mah., Ozgur Sok. No:16-18,
Atasehir Istanbul, Turkey

(540)

CUCA

(591) Black, white

(511)

5 – Pharmaceutical and veterinary preparations for
medical purposes; chemical preparations for medical
purposes; chemical elements for pharmaceutical pur-
poses; nutritional supplements.

(260) AM 2017 90717 A

(800) 1329918

(891) 2016 10 25

(731) XIAMEN SEEBEST TECHNOLOGY CO.,
LTD.
South Building, No.31 Xiangyue Road, Torch
Industrial Zone, Xiang'an block, Xiamen City
Fujian Province, China

(540)

seebest

(591) Black, white

(511)

7 – Machines and apparatus for cleaning, electric;
road sweeping machines [self-propelled]; dust remo-
ving installations for cleaning purposes; washing ap-
paratus; cleaning appliances utilizing steam; vacuum
cleaners; dishwashers; washing machines [laundry];
dry cleaning machine; rinsing machines.9 – Flashing lights [luminous signals]; signal lan-
terns; traffic-light apparatus [signaling devices];
flash-bulbs [photography]; cables, electric; wires, el-
ectric; magnetic wires; identification threads for el-
ectric wires; identification sheaths for electric wires;
telegraph wires; coils (holders for electric-); mate-
rials for electricity mains [wires, cables]; copper wi-
re, insulated; telephone wires; junction sleeves for
electric cables; starter cables for motors; coaxial ca-
bles; amplifiers; switches, electric; connections, el-
ectric; sockets, plugs and other contacts [electric
connections]; distribution boxes [electricity]; distri-
bution boards [electricity]; covers for electric out-
lets; lighting ballasts; fluorescent screens; remote
control apparatus; cell switches [electricity]; batte-
ries, electric; solar batteries.11 – Lamps; electric lamps; daylight fluorescent
lamp tube; lights for automobiles; ceiling lights; lan-

terns for lighting; lighting apparatus and installations; air vehicles (lighting installations for-); torches for lighting; headlights for automobiles.

(260) AM 2017 90718 A

(800) 1329475

(891) 2016 08 22

(731) CODAN Holding GmbH

Stig Husted-Andersen Straße 11. 23738

Lensahn, Germany

(540)

INFUSITE

(511)

10 – Valves for use in medical infusion instruments; subcutaneous valves for implantation; hypodermic needles for use in infusion therapy; medical and veterinary apparatus and instruments; medical infusion pumps; intravenous infusion pumps for medical purposes; infusion pumps to deliver medication; infusion pumps; injection syringes; infusion apparatus for therapeutic purposes; surgical and wound treating equipment.

(260) AM 2017 90720 A

(800) 958141

(891) 2016 07 26

(731) ITALFARMACO, S.A.

c/ San Rafael, 3 Polígono Industrial

Alcobendas, E-28108 ALCOBENDAS

(Madrid), Spain

(540)

GELISTROL

(511)

5 – Pharmaceutical and veterinary products, dietetic substances adapted for medical use.

(260) AM 2017 90809 A

(800) 1329651

(891) 2016 09 14

(731) Aktsionernoe obshchestvo "ESSEN PRODUCTION AG"

New Passage 3, of. 95, Avtozavodsky district,

RU-445037 City of Tolyatti, Samara Region,

Russian Federation

(540)

НОВЫЙ ГУЛЛИВЕР

(591) Black, white

(511)

30 – Peanut confectionery; waffles; confectionery for decorating Christmas trees; caramels (candy);

confectionery; pastries; sweetmeats; peppermint sweets; liquorice (confectionery); stick liquorice (confectionery); marzipan; almond confectionery; almond biscuits; pastilles (confectionery); petits fours (cakes); biscuits; cookies; petit-beurre biscuits; pastries; pralines; gingerbread; cakes; berry cakes; fruit cakes; chocolate.

(260) AM 2017 90903 A

(800) 1111860

(891) 2016 11 29

(731) MONCIGALE

Quai de la Pa, F-30300 BEAUCAIRE, France

(540)



(591) Red, black, yellow, white

(511)

33 – Wine-based aromatic beverages, wine-based cocktails.

(260) AM 2017 90906 A

(800) 1164775

(891) 2016 11 09

(731) NARI GROUP CORPORATION

Building No.D11, Nanjing Hi-Tech

Development District, Nanjing, China

(540)

NARI

(591) Black, white

(511)

9 – Computers; computer peripheral devices; computer software, recorded; microprocessors; integrated circuits; modems; counters; surveying apparatus and instruments; sounding apparatus and machines; cables, electric; condensers [capacitors]; converters, electric; circuit breakers; collectors, electric; relays, electric; electric apparatus for commutation; data processing apparatus; plugs, sockets and other contacts [electric connections]; time switches, automatic; electric installations for the remote control of industrial operations; distribution boxes [electricity]; distribution consoles [electricity]; alarms; electrodynamic apparatus for the remote control of signals.

(260) AM 2017 90948 A

(800) 1331496

(891) 2016 08 30

(731) RECHI PRECISION CO., LTD.

No.943 Chenggong Road, Section 2, Guanyin
District, Taoyuan City, 328490 Taiwan, China

(540)



(591) Black and white

(511)

7 – Alternators; starters for motors and engines; motors, other than for land vehicles; motors, electric, other than for land vehicles; pumps [parts of machines, engines or motors]; compressors [machines]; blowing machines for the compression, sucking and carrying of grain; compressed air machines; compressors for refrigerators.

INTERNATIONAL TRADEMARKS PROTECTED IN GEORGIA

(260) AM 2017 85809 A
(800) 1283500
(151) 2015 10 21
(181) 2025 10 21
(891) 2015 10 21
(511) 09, 28, 41

(260) AM 2017 88058 A
(800) 1302650
(151) 2016 04 14
(181) 2026 04 14
(891) 2016 04 14
(511) 32, 33

(260) AM 2017 85966 A
(800) 1284618
(151) 2015 04 30
(181) 2025 04 30
(891) 2015 04 30
(511) 20

(260) AM 2017 88095 A
(800) 1303607
(151) 2016 03 14
(181) 2026 03 14
(891) 2016 03 14
(511) 03

(260) AM 2017 87185 A
(800) 1296330
(151) 2015 11 16
(181) 2025 11 16
(891) 2015 11 16
(511) 08, 12

(260) AM 2017 88190 A
(800) 1061768
(151) 2010 08 16
(181) 2020 08 16
(891) 2016 03 30
(511) 05, 29

(260) AM 2017 87205 A
(800) 1176374
(151) 2013 06 24
(181) 2023 06 24
(891) 2016 02 22
(511) 07, 37

(260) AM 2017 88193 A
(800) 1120937
(151) 2012 01 24
(181) 2022 01 24
(891) 2016 03 30
(511) 05, 29

(260) AM 2017 87865 A
(800) 1300597
(151) 2015 12 23
(181) 2025 12 23
(891) 2015 12 23
(511) 01, 02, 11, 19, 21, 35, 36, 37, 39, 42

(260) AM 2017 88262 A
(800) 1305104
(151) 2016 05 11
(181) 2026 05 11
(891) 2016 05 11
(511) 30

(260) AM 2017 87957 A
(800) 1301494
(151) 2016 02 29
(181) 2026 02 28
(891) 2016 02 29
(511) 30, 43

(260) AM 2017 88275 A
(800) 1305212
(151) 2016 02 06
(181) 2026 02 06
(891) 2016 02 06
(511) 03, 18, 25, 27, 29, 30, 31, 32, 35, 39, 41, 43, 44

(260) AM 2017 88032 A
(800) 1303001
(151) 2016 03 14
(181) 2026 03 14
(891) 2016 03 14
(511) 29, 30

(260) AM 2017 88276 A
(800) 1305219
(151) 2016 01 22
(181) 2026 01 22
(891) 2016 01 22
(511) 20

(260) AM 2017 88291 A
(800) 1304908
(151) 2016 03 29
(181) 2026 03 29
(891) 2016 03 29
(511) 09, 28, 35, 41

(260) AM 2017 88299 A
(800) 1305383
(151) 2016 03 22
(181) 2026 03 22
(891) 2016 03 22
(511) 10, 11

(260) AM 2017 88466 A
(800) 1306876
(151) 2016 05 19
(181) 2026 05 19
(891) 2016 05 19
(511) 12

(260) AM 2017 88518 A
(800) 1307454
(151) 2016 06 29
(181) 2026 06 29
(891) 2016 06 29
(511) 09, 18

(260) AM 2017 88519 A
(800) 1307479
(151) 2016 03 14
(181) 2026 03 14
(891) 2016 03 14
(511) 09, 11

(260) AM 2017 88520 A
(800) 1307504
(151) 2016 03 14
(181) 2026 03 14
(891) 2016 03 14
(511) 19

(260) AM 2017 88588 A
(800) 1307828
(151) 2016 05 26
(181) 2026 05 26
(891) 2016 05 26
(511) 11, 37

(260) AM 2017 88592 A
(800) 1307895
(151) 2016 03 11
(181) 2026 03 11

(891) 2016 03 11
(511) 05

(260) AM 2017 88595 A
(800) 1308032
(151) 2016 06 08
(181) 2026 06 08
(891) 2016 06 08
(511) 03

(260) AM 2017 88604 A
(800) 1308299
(151) 2016 05 05
(181) 2026 05 05
(891) 2016 05 05
(511) 05

(260) AM 2017 88607 A
(800) 1308300
(151) 2016 05 06
(181) 2026 05 06
(891) 2016 05 06
(511) 05

(260) AM 2017 88697 A
(800) 1309526
(151) 2016 05 13
(181) 2026 05 13
(891) 2016 05 13
(511) 30

(260) AM 2017 88704 A
(800) 1309557
(151) 2016 06 03
(181) 2026 06 03
(891) 2016 06 03
(511) 05, 10

(260) AM 2017 88705 A
(800) 1309589
(151) 2016 08 10
(181) 2026 08 10
(891) 2016 08 10
(511) 04

(260) AM 2017 88708 A
(800) 1309598
(151) 2016 07 23
(181) 2026 07 23
(891) 2016 07 23
(511) 04

(260) AM 2017 88710 A
(800) 1309669
(151) 2016 04 29
(181) 2026 04 29
(891) 2016 04 29
(511) 32

(260) AM 2017 88712 A
(800) 1309674
(151) 2016 04 06
(181) 2026 04 06
(891) 2016 04 06
(511) 07

(260) AM 2017 88716 A
(800) 1309676
(151) 2016 04 04
(181) 2026 04 04
(891) 2016 04 04
(511) 30

(260) AM 2017 88719 A
(800) 1309677
(151) 2016 05 23
(181) 2026 05 23
(891) 2016 05 23
(511) 01, 30

(260) AM 2017 88722 A
(800) 1309706
(151) 2016 04 29
(181) 2026 04 29
(891) 2016 04 29
(511) 30

(260) AM 2017 88730 A
(800) 1309721
(151) 2016 06 08
(181) 2026 06 08
(891) 2016 06 08
(511) 05

(260) AM 2017 88740 A
(800) 1310182
(151) 2016 03 25
(181) 2026 03 25
(891) 2016 03 25
(511) 12, 37

(260) AM 2017 88743 A
(800) 1310184
(151) 2016 03 25

(181) 2026 03 25
(891) 2016 03 25
(511) 12, 37

(260) AM 2017 88750 A
(800) 1310266
(151) 2016 05 02
(181) 2026 05 02
(891) 2016 05 02
(511) 06, 22

(260) AM 2017 88754 A
(800) 1310007
(151) 2016 03 09
(181) 2026 03 09
(891) 2016 03 09
(511) 09

(260) AM 2017 88756 A
(800) 1310059
(151) 2016 03 18
(181) 2026 03 18
(891) 2016 03 18
(511) 01, 05

(260) AM 2017 88757 A
(800) 1310363
(151) 2016 05 20
(181) 2026 05 20
(891) 2016 05 20
(511) 05

(260) AM 2017 88759 A
(800) 1310383
(151) 2016 05 20
(181) 2026 05 20
(891) 2016 05 20
(511) 14

(260) AM 2017 88760 A
(800) 1310096
(151) 2016 04 06
(181) 2026 04 06
(891) 2016 04 06
(511) 09

(260) AM 2017 88761 A
(800) 1310097
(151) 2016 04 06
(181) 2026 04 06
(891) 2016 04 06
(511) 42

(260) AM 2017 88764 A
(800) 1310136
(151) 2016 03 31
(181) 2026 03 31
(891) 2016 03 31
(511) 07, 09, 35, 37

(260) AM 2017 88766 A
(800) 1310137
(151) 2016 03 31
(181) 2026 03 31
(891) 2016 03 31
(511) 07, 09, 35, 37

(260) AM 2017 88770 A
(800) 1310435
(151) 2016 04 29
(181) 2026 04 29
(891) 2016 04 29
(511) 30

(260) AM 2017 88771 A
(800) 1310448
(151) 2016 07 01
(181) 2026 07 01
(891) 2016 07 01
(511) 09

(260) AM 2017 88772 A
(800) 1310460
(151) 2016 06 17
(181) 2026 06 17
(891) 2016 06 17
(511) 05, 07, 09, 10, 42, 44

(260) AM 2017 88775 A
(800) 1310549
(151) 2015 12 16
(181) 2025 12 16
(891) 2015 12 16
(511) 06, 09, 16, 20, 35, 37, 39, 41, 42, 43

(260) AM 2017 88778 A
(800) 1310575
(151) 2016 02 11
(181) 2026 02 11
(891) 2016 02 11
(511) 01, 03

(260) AM 2017 88799 A
(800) 1310595
(151) 2016 02 03

(181) 2026 02 03
(891) 2016 02 03
(511) 05

(260) AM 2017 88801 A
(800) 1310636
(151) 2016 03 21
(181) 2026 03 21
(891) 2016 03 21
(511) 10

(260) AM 2017 88839 A
(800) 1311025
(151) 2016 05 18
(181) 2026 05 18
(891) 2016 05 18
(511) 05

(260) AM 2017 88841 A
(800) 1311032
(151) 2016 06 10
(181) 2026 06 10
(891) 2016 06 10
(511) 05

(260) AM 2017 88842 A
(800) 1311033
(151) 2016 05 26
(181) 2026 05 26
(891) 2016 05 26
(511) 03

(260) AM 2017 88902 A
(800) 1096110
(151) 2011 02 25
(181) 2021 02 25
(891) 2016 09 14
(511) 07, 09, 37

(260) AM 2017 88906 A
(800) 1268794
(151) 2015 07 27
(181) 2025 07 27
(891) 2016 09 09
(511) 05

(260) AM 2017 89109 A
(800) 1315083
(151) 2016 06 14
(181) 2026 06 14
(891) 2016 06 14
(511) 14

(260) AM 2017 89110 A
(800) 1315202
(151) 2016 04 27
(181) 2026 04 27
(891) 2016 04 27
(511) 12

(260) AM 2017 89111 A
(800) 1315237
(151) 2016 07 01
(181) 2026 07 01
(891) 2016 07 01
(511) 01, 03, 04

(260) AM 2017 89117 A
(800) 352783A
(151) 1968 12 11
(181) 2018 12 11
(891) 2016 08 05
(511) 03

OFFICIAL NOTIFICATIONS

INVENTIONS

RENEWAL OF PATENTS

(11) P 2012 5533 B

(73) Inside Holdings Copropration (US)

(54) SALTS OF THE JANUS KINASE INHIBITOR (R)-3-(4-(7H-PYRROLO[2,3-D]PYRIMIDIN-4-YL)-1H-PYRAZOL-1-YL)-3-CYCLOPENTYL PROPANENTRILE

DATE OF RENEWAL: 25 10 2017

(11) P 2012 5618 B

(73) Ramaz Katsarava (GE);

Davit Tughushi (GE)

(54) BIODEGRADED COPOLYMERS POLY (ESTER UREA) AND METHOD OF THEIR RECEPTION

DATE OF RENEWAL: 25 10 2017

(11) P 2013 5990 B

(73) Vladimer Loladze (GE);

Shakhi Bakanidze (GE);

Giorgi Loladze (GE);

Nino Mskhiladze (GE);

Vakhtang Pirmisashvili (GE);

Vakhtang Loladze (GE)

(54) POLYLAYER, MULTIFUNCTION ENVELOPE

DATE OF RENEWAL: 25 10 2017

(11) P 2017 6667 B

(73) BERLIN - CHEMIE AG (DE)

(54) ANTIBODIES TO ADP-RIBOSYL CYCLASE 2

DATE OF RENEWAL: 25 10 2017

(11) P 2017 6698 B

(73) VERTEX PHARMACEUTICALS INCORPORATED (US)

(54) INHIBITORS OF INFLUENZA VIRUSES REPLICATION

DATE OF RENEWAL: 25 10 2017

(11) P 2015 6274 B

(73) Zurab Yskitishvili (GE)

(54) METHOD OF "NADUGI" PREPARATION

DATE OF RENEWAL: 25 10 2017

(11) P 2015 6275 B

(73) Zurab Tskitishvili (GE)

(54) METHOD FOR COTTAGE CHEESE PRODUCTION WITH RESTORED MILK AND EQUIPMENT EMBODYING THEREOF

DATE OF RENEWAL: 25 10 2017

COMPLETE CANCELLATION OF PATENT BASED ON RE-EXAMINATION

(11) P 2011 5311 B **(51) Int. Cl. (2006)**

A 24 D 1/04

(21) AP 2010 011711 (22) 2010 03 02

(24) 2010 03 02

(73) Allied Global Tobacco Limited (GB)

Wey Court West, Union Road, Farnham, Surrey GU 9 7PT (GB)

(72) Mariam Gurgenzidze (GE)

(74) Givi Akopashvili

(54) FILTER FREE CIGARETTE

UTILITY MODELS

RENEWAL OF PATENTS

(11) U 2011 1643 Y

(73) LEPL TSMU TBILISI STATE MEDICAL UNIVERSITY (GE)

(54) METHOD OF RECEPTION OF SPIROSTAN GLYCOSIDES WITH ANTIFUNGAL ACTION

DATE OF RENEWAL: 25 10 2017

(11) U 2012 1697 Y

(73) Nino Urushadze (GE)

(54) METHOD OF MANUFACTURE OF MEDICAL AND MEDICAL-COSMETIC

APPLICATIONS WITH THE USE OF BENTONITIC (AQUAMARINE) CLAY EXTRACTED IN ASKANA VILLAGE OF OZURGETI AREA

DATE OF RENEWAL: 25 10 2017

TRADEMARKS

RENEWAL OF REGISTRATIONS

(111) M 2007 17539 R1
(156) 2017 09 01
(186) 2027 06 08
(732) LELA KALANDARISHVILI
Kazbegis gamz., 24a, me-3 sad., me-5 sart.,
b. 42, 0177, Tbilisi, Georgia

(111) M 2007 17714 R1
(156) 2017 08 04
(186) 2027 07 30
(732) ORION CORPORATION
13, Baekbeom-ro 90 da-gil, Yongsan-gu,
Seoul, Republic of Korea

(111) M 2007 17715 R1
(156) 2017 08 04
(186) 2027 07 30
(732) ORION CORPORATION
13, Baekbeom-ro 90 da-gil, Yongsan-gu,
Seoul, Republic of Korea

(111) M 2007 17762 R1
(156) 2017 09 18
(186) 2027 09 18
(732) H. LUNDBECK A/S
Ottiliavej 9, DK-2500 Copenhagen-Valby,
Denmark

(111) M 2007 17996 R1
(156) 2017 11 13
(186) 2027 11 13
(732) MAAZA INTERNATIONAL CO. L.L.C.
P.O. Box 6081 Dubai, United Arab Emirates

(111) M 2007 18046 R1
(156) 2017 11 13
(186) 2027 11 13
(732) YAMAHA CORPORATION
10-1, Nakazawa-cho, Hamamatsu-shi,
Shizuoka, Japan

(111) M 2007 18072 R1
(156) 2017 11 30
(186) 2027 11 30
(732) AJINOMOTO CO., INC.
15-1, Kyobashi, 1-Chome, Chuo-ku, Tokyo,
Japan

(111) M 2008 18178 R1
(156) 2018 01 16
(186) 2028 01 16
(732) GILEAD SCIENCES, INC.
Delaware Corporation
333 Lakeside Drive, Foster City, California
94404, USA

(111) M 1997 5559 R2
(156) 2017 06 11
(186) 2027 06 11
(732) Closed Joint Stock Cimpany
"BRITISH AMERICAN TOBACCO-CPB"
(CJSC "BRITISH AMERICAN TOBACCO-
CPB)
38, 3 Konnaya Lahta Street, st. Petersburg
197229, Russian Federation

(111) M 1997 5560 R2
(156) 2017 06 11
(186) 2027 06 11
(732) Closed Joint Stock Cimpany
"BRITISH AMERICAN TOBACCO-CPB"
(CJSC "BRITISH AMERICAN TOBACCO-
CPB)
38, 3 Konnaya Lahta Street, st. Petersburg
197229, Russian Federation

111) M 1997 5404 R2
(156) 2017 05 29
(186) 2027 05 29
(732) Closed Joint Stock Cimpany
"BRITISH AMERICAN TOBACCO-CPB"
(CJSC "BRITISH AMERICAN TOBACCO-
CPB)
38, 3 Konnaya Lahta Street, st. Petersburg
197229, Russian Federation

(111) M 1997 5561 R2
(156) 2017 06 11
(186) 2027 06 11
(732) Closed Joint Stock Cimpany
"BRITISH AMERICAN TOBACCO-CPB"
(CJSC "BRITISH AMERICAN TOBACCO-
CPB)
38, 3 Konnaya Lahta Street, st. Petersburg
197229, Russian Federation

(111) M 1997 5993 R2
(156) 2017 07 22
(186) 2027 07 22
(732) R & A BAILEY & CO
Nangor House, Western Estate, Dublin 12,
Ireland

(111) M 1997 6478 R2
(156) 2017 08 22
(186) 2027 08 22
(732) BULOVA CORPORATION
a NEW YORK CORPORATION
One Bulova Avenue, Woodside, New York,
USA

(111) M 1997 6556 R2
(156) 2017 08 29
(186) 2027 08 29
(732) GROUPE CANAL +
1 Place du Spectacle, 92130
ISSY LES MOULINEAUX, France

(111) M 1997 6578 R2
(156) 2017 09 01
(186) 2027 09 01
(732) BENETTON GROUP S.r.l.
Via Villa Minelli 1, 31050 Ponzano Veneto
(Treviso), Italy

(111) M 1997 6642 R2
(156) 2017 09 04
(186) 2027 09 04
(732) NORDSON CORPORATION
28601 Clemens Road, Westlake, Ohio 44145,
USA

(111) M 1997 6643 R2
(156) 2017 09 04
(186) 2027 09 04
(732) NORDSON CORPORATION
28601 Clemens Road, Westlake, Ohio 44145,
USA

(111) M 1997 6652 R2
(156) 2017 09 04
(186) 2027 09 04
(732) SWISS PHARMA INTERNATIONAL AG
Waldmannstrasse 8, 8001 Zurich,
Switzerland

(111) M 1997 6691 R2
(156) 2017 09 08
(186) 2027 09 08

(732) BENETTON GROUP S.r.l.
Via Villa Minelli 1, 31050 Ponzano Veneto
(Treviso), Italy

(111) M 1997 6878 R2
(156) 2017 09 22
(186) 2027 09 22
(732) EMERY OLEOCHEMICALS GMBH
Paul-Thomas-Strasse 56, 40599 Duesseldorf,
Germany

(111) M 1997 6887 R2
(156) 2017 09 23
(186) 2027 09 23
(732) KARELIA TOBACCO COMPANY, INC.
Athinon avenue, 24100 Kalamata, Greece

(111) M 1997 6977 R2
(156) 2017 09 26
(186) 2027 09 26
(732) SUZUKI MOTOR CORPORATION
300 Takatsuka-cho, Hamamatsu-shi,
Shizuoka-ken, Japan

(111) M 1997 6978 R2
(156) 2017 09 26
(186) 2027 09 26
(732) SUZUKI MOTOR CORPORATION
300 Takatsuka-cho, Hamamatsu-shi,
Shizuoka-ken, Japan

(111) M 1997 7039 R2
(156) 2017 10 06
(186) 2027 10 06
(732) DIAGEO IRELAND
St. James's Gate, Dublin 8, Ireland

(111) M 1997 7130 R2
(156) 2017 10 09
(186) 2027 10 09
(732) NINA RICCI
39, avenue Montaigne, PARIS, France

(111) M 1997 7209 R2
(156) 2017 10 16
(186) 2027 10 16
(732) TOYOTA JIDOSHA KABUSHIKI KAISHA
(TOYOTA MOTOR CORPORATION)
1, Toyota-Cho, Toyota-Shi, Aichi-Ken, Japan

(111) M 1997 7210 R2
(156) 2017 10 16
(186) 2027 10 16
(732) TOYOTA JIDOSHA KABUSHIKI KAISHA
(TOYOTA MOTOR CORPORATION)
1, Toyota-Cho, Toyota-Shi, Aichi-Ken, Japan

(111) M 1997 7211 R2
(156) 2017 10 16
(186) 2027 10 16
(732) TOYOTA JIDOSHA KABUSHIKI KAISHA
(TOYOTA MOTOR CORPORATION)
1, Toyota-Cho, Toyota-Shi, Aichi-Ken, Japan

(111) M 1997 7212 R2
(156) 2017 10 16
(186) 2027 10 16
(732) TOYOTA JIDOSHA KABUSHIKI KAISHA
(TOYOTA MOTOR CORPORATION)
1, Toyota-Cho, Toyota-Shi, Aichi-Ken, Japan

(111) M 1997 7213 R2
(156) 2017 10 16
(186) 2027 10 16
(732) TOYOTA JIDOSHA KABUSHIKI KAISHA
(TOYOTA MOTOR CORPORATION)
1, Toyota-Cho, Toyota-Shi, Aichi-Ken, Japan

(111) M 1997 7214 R2
(156) 2017 10 16
(186) 2027 10 16
(732) TOYOTA JIDOSHA KABUSHIKI KAISHA
(TOYOTA MOTOR CORPORATION)
1, Toyota-Cho, Toyota-Shi, Aichi-Ken, Japan

(111) M 1997 7215 R2
(156) 2017 10 16
(186) 2027 10 16
(732) TOYOTA JIDOSHA KABUSHIKI KAISHA
(TOYOTA MOTOR CORPORATION)
1, Toyota-Cho, Toyota-Shi, Aichi-Ken, Japan

(111) M 1997 6809 R2
(156) 2017 09 17
(186) 2027 09 17
(732) SCANIA CV AB
15187 Sodertalje, Sweden

(111) M 1997 7229 R2
(156) 2017 10 16
(186) 2027 10 16
(732) SEPTODONT OU SEPTODONT SAS OU
SPECIALITES SEPTODONT

58, rue du Pont de Creteil, 94100 Saint-
Mour-Des-Fosses, France

(111) M 1997 7230 R2
(156) 2017 10 16
(186) 2027 10 16
(732) TAITTINGER COMPAGNIE
COMMERCIALE ET VITICOLE
CHAMPENOISE
9 Place Saint Nicaise, 51100 Reims, France

(111) M 1997 7239 R2
(156) 2017 10 17
(186) 2027 10 17
(732) LABORATORI GUIDOTTI S.P.A.
Via Livornese 897 La Vettola, Pisa, Italy

(111) M 1997 7261 R2
(156) 2017 10 21
(186) 2027 10 21
(732) PARFUMS CARON
99 rue de Faubourg Saint-Honoré, 75008
Paris, France

(111) M 1997 7262 R2
(156) 2017 10 21
(186) 2027 10 21
(732) NINA RICCI
Societe a responsabilite limitee
39, avenue Montaigne, F-75008 Paris, France

(111) M 1997 7263 R2
(156) 2017 10 21
(186) 2027 10 21
(732) NINA RICCI
Societe a responsabilite limitee
39, avenue Montaigne, F-75008 Paris, France

(111) M 1997 7301 R2
(156) 2017 10 22
(186) 2027 10 22
(732) TEIJIN ARAMID B. V.
Velperweg 76, 6824 BM Arnhem,
Netherlands

(111) M 1997 7340 R2
(156) 2017 10 29
(186) 2027 10 29
(732) DIAGEO SCOTLAND LIMITED
Edinburgh Park, 5 Lochside Way, Edinburgh
EH12 9DT Scotland, United Kingdom

(111) M 1997 7413 R2
(156) 2017 11 07
(186) 2027 11 07
(732) INOVA PATENT GmbH
Rickenbacherstrasse 8-10, Wolfurt, Austria,
Austria

(111) M 1997 7478 R2
(156) 2017 11 12
(186) 2027 11 12
(732) ISCAR LTD.
P.O. Box 11, Tefen 24959, Israel

(111) M 1997 7707 R2
(156) 2017 11 24
(186) 2027 11 24
(732) DAIKIN INDUSTRIES, LTD
Umeda Center Bldg, 4-12 Nakazaki-Nishi,
2-chome, Kita-ku, Osaka, Japan

(111) M 1997 7716 R2
(156) 2017 11 25
(186) 2027 11 25
(732) Closed Joint Stock Cimpany
"BRITISH AMERICAN TOBACCO-CPB"
(CJSC "BRITISH AMERICAN TOBACCO-
CPB)
38, 3 Konnaya Lahta Street, st. Petersburg
197229, Russian Federation

(111) M 1997 7741 R2
(156) 2017 11 28
(186) 2027 11 28
(732) PARLOPHONE RECORDS LIMITED
28 Kensington Church Street, London,
England W8 4EP, United Kingdom

(111) M 1997 7765 R2
(156) 2017 12 05
(186) 2027 12 05
(732) MASTERCARD EUROPE S.A.
Claussee de Tervuren 198 A, 1410 Waterloo,
Belgium

(111) M 1998 8345 R2
(156) 2018 02 17
(186) 2028 02 17
(732) THE GLAD PRODUCTS COMPANY,
a Delaware Corporation
1221 Broadway, Oakland, California 94612,
USA

(111) M 1998 8387 R2
(156) 2018 02 20
(186) 2028 02 20
(732) SALOMON S.A.S.
Les Croiselets, 74370 METZ-TESSY, France

(111) M 1998 9048 R2
(156) 2018 04 29
(186) 2028 04 29
(732) CALVIN KLEIN TRADEMARK TRUST
Rodney Square North, 1100 North Market
Street, Wilmington, DE 19890, USA

(111) M 1998 9049 R2
(156) 2018 04 29
(186) 2028 04 29
(732) CALVIN KLEIN TRADEMARK TRUST
Rodney Square North, 1100 North Market
Street, Wilmington, DE 19890, USA

(111) M 1998 9935 R2
(156) 2018 07 07
(186) 2028 07 07
(732) CALVIN KLEIN TRADEMARK TRUST
Rodney Square North, 1100 North Market
Street, Wilmington, DE 19890, USA

COMPLETE TRANSFER OF RIGHTS

(111) M 1996 001506 R2
(732) INEOS Styrolution Group GmbH,
Mainzer Landstr. 50, 60325 Frankfurt am
Main, Germany
(770) LANXESS DEUTSCHLAND GmbH
51369 Leverkusen, Germany
(580) 2017 10 06

(111) M 2007 017790 R1
(732) GIORGI TALAKHADZE
Saakadzis q. 2, 1200, Borjomi, Georgia
(770) LTD "BORJOMI PRODUCT"
dasakhleba larebi, 1200, borjomi, Georgia
(580) 2017 10 10

(111) M 2013 023764 R
(732) Pentair Technical Solutions UK Limited
a Private limited company
3 Rutherford Road, Stephenson Industrial
Estate, Washington, Tyne And Wear, NE37
3HX, United Kingdom
(770) RAYCHEM HTS LIMITED
43 London Wall London EC2M 5TF,
United Kingdom
(580) 2017 10 18

(111) M 2013 024172 R
(732) INTELLECTUAL COMPANY LLC
Budynok 3, SPORTYVNA PLOSHCHA,
01601 m.Kyiv, Ukraine
(770) AQUA NRG INVESTMENTS LIMITED
Lampousas 1, P.S. 1095, Nicosia, Cyprus
(580) 2017 10 05

(111) M 2013 024312 R
(732) LTD "GEORGIAN BROTHERS"
Nutsubidzis ferdobi, me-4 m/r, korp. 10b,
b. 42, Tbilisi, Georgia
(770) "FELLBROOK HOLDINGS" LTD
3rd floor, Iris House, John Kennedy street,
3106 Limassol, Cyprus
(580) 2017 10 09

(111) M 2014 024693 R
(732) GIORGI TALAKHADZE
Saakadzis q. 2, 1200, Borjomi, Georgia
(770) LTD "EKOREST"
Meskhetis q. 29a, b. 15, 1200, Borjomi,
Georgia
(580) 2017 10 13

(111) M 2014 025070 R
(732) Obshestvo s ogranichennoi otvetstvennostiu
"VINIMPORT"
107140 q. Moskovi, ul. Krasnoprudnaia,
d.12/1, str.1, pom. 15,17, Russian Federation
(770) "FELLBROOK HOLDINGS" LTD
3rd floor, Iris House, John Kennedy street,
3106 Limassol, Cyprus
(580) 2017 10 09

(111) M 2015 025654 R
(732) LTD "GEORGIAN BROTHERS"
Nutsubidzis ferdobi, me-4 m/r, korp. 10b,
b. 42, Tbilisi, Georgia
(770) FELLBROOK HOLDINGS LTD
3rd floor, Iris House, John Kennedy street,
3106 Limassol, Cyprus
(580) 2017 10 09

(111) M 1996 002624 R2
(732) MERCK KGaA
Frankfurter Strasse 250, 64293 DARMSTADT,
Germany
(770) ARES TRADING S.A.
Zone Industrielle de l'Ouriettaz, CH-1170
Aubonne, Switzerland
(580) 2017 10 11

(111) M 1996 003657 R2
(732) MERCK KGaA
Frankfurter Strasse 250, 64293 DARMSTADT,
Germany
(770) ARES TRADING S.A.
Zone Industrielle de l'Ouriettaz, CH-1170
Aubonne, Switzerland
(580) 2017 10 11

(111) M 1996 003658 R2
(732) MERCK KGaA
Frankfurter Strasse 250, 64293 DARMSTADT,
Germany
(770) ARES TRADING S.A.
Zone Industrielle de l'Ouriettaz, CH-1170
Aubonne, Switzerland
(580) 2017 10 11

(111) M 1996 004070 R2
(732) BODEGA LAS COPAS, S.L.
Monuel Maria González, 12, Jerez de la
frontera, Cádiz, Spain
(770) PERNOD RICARD ESPANA SA

Avenida Ortega y Gasset n° 201, 29006
Malaga, Spain
(580) 2017 10 18

(111) M 1996 004170 R2
(732) BODEGA LAS COPAS, S.L.
Monuel Maria González, 12, Jerez de la
frontera, Cádiz, Spain
(770) PERNOD RICARD ESPANA SA
Avenida Ortega y Gasset n° 201, 29006
Malaga, Spain
(580) 2017 10 18

(111) M 1997 004314 R2
(732) BODEGA LAS COPAS, S.L.
Monuel Maria González, 12, Jerez de la
frontera, Cádiz, Spain
(770) PERNOD RICARD MEXICO, S.A. de C.V.
Paseo de los Tamarindos No:100, Floors 3 &
4, Col. Bosques de las Lomas, Cuajimalpa de
Morelos 05120, Mexico D.F., Mexico
(580) 2017 10 18

(111) M 1997 004315 R2
(732) BODEGA LAS COPAS, S.L.
Monuel Maria González, 12, Jerez de la
frontera, Cádiz, Spain
(770) PERNOD RICARD MEXICO, S.A. de C.V.
Paseo de los Tamarindos No:100, Floors 3 &
4, Col. Bosques de las Lomas, Cuajimalpa de
Morelos 05120, Mexico D.F., Mexico
(580) 2017 10 18

(111) M 1997 004317 R2
(732) BODEGA LAS COPAS, S.L.
Monuel Maria González, 12, Jerez de la
frontera, Cádiz, Spain
(770) PERNOD RICARD MEXICO, S.A. de C.V.
Paseo de los Tamarindos No:100, Floors 3 &
4, Col. Bosques de las Lomas, Cuajimalpa de
Morelos 05120, Mexico D.F., Mexico
(580) 2017 10 18

(111) M 1997 004318 R2
(732) BODEGA LAS COPAS, S.L.
Monuel Maria González, 12, Jerez de la
frontera, Cádiz, Spain
(770) PERNOD RICARD MEXICO, S.A. de C.V.
Paseo de los Tamarindos No:100, Floors 3 &
4, Col. Bosques de las Lomas, Cuajimalpa de
Morelos 05120, Mexico D.F., Mexico
(580) 2017 10 18

(111) M 1997 005421 R2
(732) JOHNSON CONTROLS HYBRID AND
RECYCLING GmbH
Am Leineufer 51, 30419 Hannover, Germany
(770) VARTA ALTIENGESELLSCHAFT
Am Leineufer 51, 30419 Hannover, Germany
(580) 2017 10 13

(111) M 1997 005674 R2
(732) JOHNSON CONTROLS HYBRID AND
RECYCLING GmbH
Am Leineufer 51, 30419 Hannover, Germany
(770) VARTA ALTIENGESELLSCHAFT
Am Leineufer 51, 30419 Hannover, Germany
(580) 2017 10 13

(111) M 1997 006241 R1
(732) AURELIUS RHO GTM DEVELOPMENT
LIMITED
35 Rosemount Business Park, Ballycoolin,
Dublin II, Ireland
(770) VIKING OFFICE PRODUCTS, INC.
6600 North Millitary Trail, Boca Raton,
Florida 33496, USA
(580) 2017 10 11

(111) M 1997 006556 R2
(732) GROUPE CANAL +
1 Place du Spectacle, 92130 ISSY
LES MOULINEAUX, France
(770) CANAL + FRANCE, GROUPE CANAL +
1 Place du Spectacle, 92130
ISSY LES MOULINEAUX, France
(580) 2017 10 09

(111) M 1997 007747 R2
(732) NUTRICHEM COMPANY LIMITED
No.27 Life Science Park Road, Changping
District, Beijing, 102206, China
(770) DOW AGROSCIENCES LLC
9330 Zionsville Road, Indianapolis, Indiana
46268, USA
(580) 2017 10 10

(111) M 1998 008140 R1
(732) AURELIUS RHO GTM DEVELOPMENT
LIMITED
35 Rosemount Business Park, Ballycoolin,
Dublin II, Ireland
(770) VIKING OFFICE PRODUCTS, INC.
6600 North Millitary Trail, Boca Raton,
Florida 33496, USA
(580) 2017 10 11

CHANGES IN NAMES AND/OR ADDRESSES OF OWNERS

(111) M 1996 001559 R2
 (732) CCM Hockey AB
 Gårdsuägen 13, 16927 Solna, Sweden
 (770) Reebok-CCM Hockey AB
 Gårdsuägen 13, 16927 Solna, Sweden
 (580) 2017 10 13

(111) M 2007 017714 R1
 (732) ORION CORPORATION
 13, Baekbeom-ro 90 da-gil, Yongsan-gu,
 Seoul, Republic of Korea
 (770) ORION Corporation
 30-10, Munbae-Dong, Yongsan-Ku, Seoul,
 Republic of Korea
 (580) 2017 10 09

(111) M 2007 017715 R1
 (732) ORION CORPORATION
 13, Baekbeom-ro 90 da-gil, Yongsan-gu,
 Seoul, Republic of Korea
 (770) ORION Corporation
 30-10, Munbae-Dong, Yongsan-Ku, Seoul,
 Republic of Korea
 (580) 2017 10 09

(111) M 2007 017905 R
 (732) LTD "ASFARMA" - saqartvelos
 Farmatsevtuli kompania
 Mtskhethis q. 8, 0179, Tbilisi, Georgia
 (770) LTD "ASPHARMA" - Saqartvelos
 pharmatsevtuli kompania
 Shevchenkos q. , 12, 0108, Tbilisi, Georgia
 (580) 2017 10 09

(111) M 2007 017908 R
 (732) LTD "ASFARMA" - saqartvelos
 Farmatsevtuli kompania
 Mtskhethis q. 8, 0179, Tbilisi, Georgia
 (770) LTD "ASPHARMA" - Saqartvelos
 pharmatsevtuli kompania
 Shevchenkos q. , 12, 0108, Tbilisi, Georgia
 (580) 2017 10 09

(111) M 2007 017909 R
 (732) LTD "ASFARMA" - saqartvelos
 Farmatsevtuli kompania
 Mtskhethis q. 8, 0179, Tbilisi, Georgia
 (770) LTD "ASPHARMA" - Saqartvelos
 pharmatsevtuli kompania
 Shevchenkos q. , 12, 0108, Tbilisi, Georgia
 (580) 2017 10 09

(111) M 2007 017912 R
 (732) LTD "ASPHARMA - Georgian Paramceuti-
 cal Company"
 Mtskhethis q. 8, 0179, Tbilisi, Georgia
 (770) "ASPHARMA - Georgian Paramceuti-
 cal Company"
 Shevchenkos q. 12, 0108, Tbilisi, Georgia
 (580) 2017 10 09

(111) M 2007 018078 R
 (732) LTD "ASPHARMA - Georgian Paramceuti-
 cal Company"
 Mtskhethis q. 8, 0179, Tbilisi, Georgia
 (770) "ASPHARMA - Georgian Paramceuti-
 cal Company"
 Shevchenkos q. 12, 0108, Tbilisi, Georgia
 (580) 2017 10 09

(111) M 2012 022262 R
 (732) LTD "ASPHARMA - Georgian Paramceuti-
 cal Company"
 Mtskhethis q. 8, 0179, Tbilisi, Georgia
 (770) "ASPHARMA - Georgian Paramceuti-
 cal Company"
 Shevchenkos q. 12, 0108, Tbilisi, Georgia
 (580) 2017 10 09

(111) M 2012 022712 R
 (732) LTD "ALFA FUD"
 Agladzis q. 32, 0119, Tbilisi, Georgia
 (770) LTD MIAD GEORGIA miad jeorjia
 Agladzis q. 32, 0119, Tbilisi, Georgia
 (580) 2017 10 13

(111) M 2012 022713 R
 (732) LTD "ALFA FOOD"
 Agladzis q. 32, 0119, Tbilisi, Georgia
 (770) LTD "MIAD GEORGIA – MIAD GEORGIA"
 Agladzis q. 32, 0119, Tbilisi, Georgia
 (580) 2017 10 13

(111) M 2012 022714 R
 (732) LTD "ALFA FOOD"
 Agladzis q. 32, 0119, Tbilisi, Georgia
 (770) LTD "MIAD GEORGIA – MIAD GEORGIA"
 Agladzis q. 32, 0119, Tbilisi, Georgia
 (580) 2017 10 13

(111) M 2013 023764 R
 (732) RAYCHEM HTS LIMITED
 Security Hause the Summit Hanworth
 Road Sudbury on Thames Middlesex
 TW16 5DB, United Kingdom

(770) RAYCHEM HTS LIMITED
Victoria Road, Leeds, West Yorkshire
LS11 5UG, United Kingdom
(580) 2017 10 18

(111) M 2013 023764 R
(732) RAYCHEM HTS LIMITED
C/O Safety Systems UK Ltd Sharp Street
Worsley Manchester M28 3NA, United
Kingdom
(770) RAYCHEM HTS LIMITED
Security Hause the Summit Hanworth Road
Sudbury on Thames Middlesex TW16 5DB,
United Kingdom
(580) 2017 10 18

(111) M 2013 023764 R
(732) RAYCHEM HTS LIMITED
PO Box 471 Sharp Street Walkden
Manchester M28 8BU, United Kingdom
(770) RAYCHEM HTS LIMITED
C/O Safety Systems UK Ltd Sharp
Street Worsley Manchester M28 3NA,
United Kingdom
(580) 2017 10 18

(111) M 2013 023764 R
(732) RAYCHEM HTS LIMITED
43 London Wall London EC2M 5TF,
United Kingdom
(770) RAYCHEM HTS LIMITED
PO Box 471 Sharp Street Walkden
Manchester M28 8BU, United Kingdom
(580) 2017 10 18

(111) M 2014 025508 R
(732) FASHION ONE TELEVISION LLC.
246 West Broadway, New York, NY-10013,
USA
(770) FASHION ONE TELEVISION LLC.,
820 Meridian Ave, Suite 100, 33139 Miami
Beach, Florida, USA
(580) 2017 10 17

(111) M 2015 025614 R
(732) FASHION ONE TELEVISION LLC.
246 West Broadway, New York, NY-10013,
USA
(770) FASHION ONE TELEVISION LLC.
820 Meridian Ave, Suite 100, 33139 Miami
Beach, Florida, USA
(580) 2017 10 17

(111) M 1997 005404 R2
(732) Closed Joint Stock Cimpany
"BRITISH AMERICAN TOBACCO-CPB"
(CJSC "BRITISH AMERICAN TOBACCO-
CPB)
38, 3 Konnaya Lahta Street, st. Petersburg
197229, Russian Federation
(770) AKTSIONERNOE OBSHCHESTVO
OTKRYTOGO TIPA "JAVA-TABAK"
3-JA ULICA JAMSKOGO POLJA 9, 125040
MOSCOW, Russian Federation
(580) 2017 10 09

(111) M 1997 005559 R2
(732) Closed Joint Stock Cimpany
"BRITISH AMERICAN TOBACCO-CPB"
(CJSC "BRITISH AMERICAN TOBACCO-
CPB)
38, 3 Konnaya Lahta Street, st. Petersburg
197229, Russian Federation
(770) AKTSIONERNOE OBSHCHESTVO
OTKRYTOGO TIPA "JAVA-TABAK"
3-JA ULICA JAMSKOGO POLJA 9, 125040
MOSCOW, Russian Federation
(580) 2017 10 09

(111) M 1997 005560 R2
(732) Closed Joint Stock Cimpany
"BRITISH AMERICAN TOBACCO-CPB"
(CJSC "BRITISH AMERICAN TOBACCO-
CPB)
38, 3 Konnaya Lahta Street, st. Petersburg
197229, Russian Federation
(770) AKTSIONERNOE OBSHCHESTVO
OTKRYTOGO TIPA "JAVA-TABAK"
3-JA ULICA JAMSKOGO POLJA 9, 125040
MOSCOW, Russian Federation
(580) 2017 10 09

(111) M 1997 005561 R2
(732) Closed Joint Stock Cimpany
"BRITISH AMERICAN TOBACCO-CPB"
(CJSC "BRITISH AMERICAN TOBACCO-
CPB)
38, 3 Konnaya Lahta Street, st. Petersburg
197229, Russian Federation
(770) AKTSIONERNOE OBSHCHESTVO
OTKRYTOGO TIPA "JAVA-TABAK"
3-JA ULICA JAMSKOGO POLJA 9, 125040
MOSCOW, Russian Federation
(580) 2017 10 09

(111) M 1997 006578 R2
(732) BENETTON GROUP S.r.l.
Via Villa Minelli 1, 31050 Ponzano Veneto
(Treviso), Italy

(770) BENCOM S.r.l.
Via Villa Minelli 1, 31050 Ponzano Veneto
(Treviso), Italy
(580) 2017 10 10

(111) M 1997 006691 R2
(732) BENETTON GROUP S.r.l.
Via Villa Minelli 1, 31050 Ponzano Veneto
(Treviso), Italy
(770) BENCOM S.r.l.
Via Villa Minelli 1, 31050 Ponzano Veneto
(Treviso), Italy
(580) 2017 10 10

(111) M 1997 006809 R2
(732) SCANIA CV AB
15187 Sodertalje, Sweden
(770) SCANIA CV AB
Fack, S-14187 Sodertalje, Sweden
(580) 2017 10 06

(111) M 1997 006878 R2
(732) EMERY OLEOCHEMICALS GMBH
Paul-Thomas-Strasse 56, 40599 Duesseldorf,
Germany
(770) EMERY OLEOCHEMICALS GMBH
Henlekstrasse 67, 40589 Duesseldorf,
Germany
(580) 2017 10 11

(111) M 1997 007229 R2
(732) SEPTODONT OU SEPTODONT SAS OU
SPECIALITES SEPTODONT
58, rue du Pont de Creteil, 94100 Saint-
Mour-Des-Fosses, France
(770) SEPTODONT SAS OU SPECIALITES
SEPTODONT
58, rue du Pont de Creteil, 94107 Saint-
Mour-Des-Fosses, France
(580) 2017 10 13

(111) M 1997 007239 R2
(732) LABORATORI GUIDOTTI S.P.A.
Via Livornese 897 La Vettola, Pisa, Italy
(770) LABORATORI GUIDOTTI S.P.A.
Via Trieste 40, Pisa, Italy
(580) 2017 10 09

(111) M 1997 007301 R2
(732) TEIJIN ARAMID B. V.
Velperweg 76, 6824 BM Arnhem,
Netherlands
(770) TEIJIN TWRON B. V.

Westervoortsedijk 73,6827 AV Arnhem,
Netherlands
(580) 2017 10 18

(111) M 1997 007479 R1
(732) ALCATEL LUCENT
3 Avenue Octave Greard, 75007 Paris, France
(770) ALCATEL LUCENT
54, rue La Boetie, 75008 Paris, France
(580) 2017 10 13

(111) M 1997 007479 R1
(732) ALCATEL LUCENT
148/152 route de la Reine, 92100 Boulogne-
Billancourt, France
(770) ALCATEL LUCENT
3 Avenue Octave Greard, 75007 Paris, France
(580) 2017 10 13

(111) M 1997 007716 R2
(732) Closed Joint Stock Cimpany
"BRITISH AMERICAN TOBACCO-CPB"
(CJSC "BRITISH AMERICAN TOBACCO-
CPB)
38, 3 Konnaya Lahta Street, st. Petersburg
197229, Russian Federation
(770) AKTSIONERNOE OBSHCHESTVO
OTKRYTOGO TIP "JAVA-TABAK"
3-JA ULICA JAMSKOGO POLJA 9, 125040
MOSCOW, Russian Federation
(580) 2017 10 09

(111) M 1997 007765 R2
(732) MASTERCARD EUROPE S.A.
Claussee de Tervuren 198 A, 1410 Waterloo,
Belgium
(770) EUROPAY INTERNATIONAL S.A.
Claussee de Tervuren 198 A, B-1410
Waterloo, Belgium
(580) 2017 10 13

(111) M 1997 007765 R2
(732) MASTERCARD EUROPE SPRL
Claussee de Tervuren 198 A, 1410 Waterloo,
Belgium
(770) MASTERCARD EUROPE S.A.,
Claussee de Tervuren 198 A, 1410 Waterloo,
Belgium
(580) 2017 10 13

(111) M 1997 007765 R2
(732) MASTERCARD EUROPE S.A.
Claussee de Tervuren 198 A, 1410 Waterloo,
Belgium

(770) MASTERCARD EUROPE SPRL
Claussee de Tervuren 198 A, 1410 Waterloo,
Belgium
(580) 2017 10 13

(111) M 1998 008140 R1
(732) VIKING OFFICE PRODUCTS, INC.
6600 North Military Trail, Boca Raton,
Florida 33496, USA
(770) VIKING OFFICE PRODUCTS, INC.
13809 South Figueroa Street, Los Angeles,
California, USA
(580) 2017 10 11

(111) M 1998 008387 R2
(732) SALOMON S.A.S.
Les Croiselets, 74370 METZ-TESSY, France
(770) SALOMON S.A.
Les Croiselets, 74370 METZ TESSY-,
France
(580) 2017 10 06

CHANGES IN NAMES AND/OR ADDRESSES OF OWNERS

(111) M 2007 17345 R
(141) 2017 06 02, Is not payed for prolongation
of registration on the following of 10 years
(732) LTD "MEGVINEOBA KHAREBA"
Davit Agmasheneblis kheivani me-6 km.,
0131, Tbilisi, Georgia

(111) M 2007 17353 R
(141) 2017 06 16, Is not payed for prolongation
of registration on the following of 10 years
(732) JSC "TELASI"
Vanis q. 3, 0154, Tbilisi, Georgia

(111) M 2007 17354 R
(141) 2017 06 16, Is not payed for prolongation
of registration on the following of 10 years
(732) GIORGI GACHECHILADZE
Ilia Chavchavadzis gamz. 50a, 0179, Tbilisi,
Georgia

(111) M 2007 17355 R
(141) 2017 06 16, Is not payed for prolongation
of registration on the following of 10 years
(732) GIORGI GACHECHILADZE
Ilia Chavchavadzis gamz. 50a, 0179, Tbilisi,
Georgia

(111) M 2007 17359 R
(141) 2017 06 26, Is not payed for prolongation
of registration on the following of 10 years
(732) LTD "IBERIA-KONSTRAKSHENI"
Ilia Chavchavadzis gamz. 49a, 0162,
Tbilisi, Georgia

(111) M 2007 17360 R
(141) 2017 06 26, Is not payed for prolongation
of registration on the following of 10 years
(732) VERIZON TRADEMARK SERVICES LLC
a limited liability company of Delaware
1320 North Court House Road, Arlington,
Virginia 22201, USA

(111) M 2007 17361 R
(141) 2017 06 26, Is not payed for prolongation
of registration on the following of 10 years
(732) VERIZON TRADEMARK SERVICES LLC
a limited liability company of Delaware
1320 North Court House Road, Arlington,
Virginia 22201, USA

(111) M 2007 17362 R
(141) 2017 06 26, Is not payed for prolongation
of registration on the following of 10 years
(732) VERIZON TRADEMARK SERVICES LLC
a limited liability company of Delaware
1320 North Court House Road, Arlington,
Virginia 22201, USA

(111) M 2007 17363 R
(141) 2017 06 26, Is not payed for prolongation
of registration on the following of 10 years
(732) ALDEMON TECHNOLOGIES LIMITED
Arch. Makariou III, 2-4 CAPITAL CENTER,
9th floor, P.C. 1065, Nicosia, Cyprus

(111) M 2007 17364 R
(141) 2017 06 26, Is not payed for prolongation
of registration on the following of 10 years
(732) LTD "KAFFE RUSTAVELI"
Rustavelis gamz., 30, 0108, Tbilisi, Georgia

(111) M 2007 17367 R
(141) 2017 06 26, Is not payed for prolongation
of registration on the following of 10 years
(732) HARRINGTON DEVELOPMENT INC.
Arango-Orillac Bldg. East 54 th street,
Panama, Panama

(111) M 2007 17368 R
(141) 2017 06 26, Is not payed for prolongation
of registration on the following of 10 years
(732) ABDI IBRAHIM İLAÇ SANAYİ VE
TİCARET ANONİM ŞİRKETİ
Eski Büyükdere Cad. Ayazağa Yolu 34398
No:5 Maslak, İstanbul, Turkey

(111) M 2007 17369 R
(141) 2017 06 26, Is not payed for prolongation
of registration on the following of 10 years
(732) ABDI IBRAHIM İLAÇ SANAYİ VE
TİCARET ANONİM ŞİRKETİ
Eski Büyükdere Cad. Ayazağa Yolu 34398
No:5 Maslak, İstanbul, Turkey

(111) M 2007 17370 R
(141) 2017 06 26, Is not payed for prolongation
of registration on the following of 10 years
(732) ABDI IBRAHIM İLAÇ SANAYİ VE
TİCARET ANONİM ŞİRKETİ
Eski Büyükdere Cad. Ayazağa Yolu 34398
No:5 Maslak, İstanbul, Turkey

(111) M 2007 17371 R
 (141) 2017 06 26, Is not payed for prolongation
 of registration on the following of 10 years
 (732) ABDI İBRAHİM İLAÇ SANAYİ VE
 TİCARET ANONİM ŞİRKETİ
 Eski Büyükdere Cad. Ayazağa Yolu 34398
 No:5 Maslak, İstanbul, Turkey

(111) M 2007 17373 R
 (141) 2017 06 26, Is not payed for prolongation
 of registration on the following of 10 years
 (732) FMTM DISTRIBUTION LTD
 Skelton Building, Main Street, Road Town,
 Tortola, British Virgin Islands

(111) M 1997 4735 R1
 (141) 2007 06 18, Is not payed for prolongation
 of registration on the following of 10 years
 (732) SOLVAY ADVANCED POLYMERS,
 L.L.C.
 4500 MC GINNIS FERRY ROAD,
 ALPHARETTA, GEORGIA, USA

(111) M 1997 4739 R1
 (141) 2007 06 18, Is not payed for prolongation
 of registration on the following of 10 years
 (732) CORK OAK HOLDING LIMITED
 ISell Close, Cheshunt Hertfordshire, EN7
 6XE, GB

(111) M 1997 4741 R1
 (141) 2007 06 18, Is not payed for prolongation
 of registration on the following of 10 years
 (732) NTERNATIONAL BUSINESS MACHINES
 CORPORATION
 Old Orchard Road, Armonk,
 NY 10504, USA

(111) M 1997 4742 R1
 (141) 2007 06 18, Is not payed for prolongation
 of registration on the following of 10 years
 (732) NTERNATIONAL BUSINESS MACHINES
 CORPORATION
 Old Orchard Road, Armonk, NY 10504, USA

(111) M 1997 4746 R1
 (141) 2007 06 18, Is not payed for prolongation
 of registration on the following of 10 years
 (732) FUNAI ELECTRIC COMPANY LIMITED
 7-1, 7-chome, Nakagaito, Daito, Osaka,
 Japan

(111) M 1997 4751 R1
 (141) 2007 06 19, Is not payed for prolongation
 of registration on the following of 10 years
 (732) HENKEL CONSUMER GOODS INC.
 1) 615 South Du Pont Highway, the City of
 Dover, County Kent, Delaware
 2) 15501 North Dial Boulevard, Scottsdale,
 Arizona 85260-1619, USA

(111) M 1997 4752 R1
 (141) 2007 06 19, Is not payed for prolongation
 of registration on the following of 10 years
 (732) MARIO VALENTINO S.P.A.
 Via Fontanello, 85 801136, NAPOLI, Italy

(111) M 1997 4753 R1
 (141) 2007 06 19, Is not payed for prolongation
 of registration on the following of 10 years
 (732) THOMSON
 46 Quai Alphonse le Gallo, 92100 Boulogne-
 Billancourt, France

(111) M 1997 4754 R1
 (141) 2007 06 19, Is not payed for prolongation
 of registration on the following of 10 years
 (732) MARIO VALENTINO S.P.A.
 Via Fontanello, 85 801136, NAPOLI, Italy

(111) M 1997 4761 R1
 (141) 2007 06 20, Is not payed for prolongation
 of registration on the following of 10 years
 (732) PHILIP MORRIS PRODUCTS S. A.
 Quai Jeanrenaud 3, 2000 Neuchâtel, CH

(111) M 1997 4765 R1
 (141) 2007 06 20, Is not payed for prolongation
 of registration on the following of 10 years
 (732) EXXON MOBIL CORPORATION
 a New Jersey corporation
 5959 Las Colinas Boulevard, Irving, Texas,
 USA

(111) M 1997 4775 R1
 (141) 2007 06 25, Is not payed for prolongation
 of registration on the following of 10 years
 (732) PHILIP MORRIS PRODUCTS S. A.
 Quai Jeanrenaud 3, 2000 Neuchâtel, CH

(111) M 1997 4777 R1
 (141) 2007 06 25, Is not payed for prolongation
 of registration on the following of 10 years

(732) PHILIP MORRIS PRODUCTS S. A.
Quai Jeanrenaud 3, 2000 Neuchâtel, CH

(111) M 1997 4778 R1
(141) 2007 06 25, Is not paid for prolongation
of registration on the following of 10 years

(732) PHILIP MORRIS PRODUCTS S. A.
Quai Jeanrenaud 3, 2000
Neuchâtel, CH

(111) M 1997 4780 R1
(141) 2007 06 25, Is not paid for prolongation
of registration on the following of 10 years

(732) PHILIP MORRIS PRODUCTS S. A.
Quai Jeanrenaud 3, 2000
Neuchâtel, CH

(111) M 1997 4783 R1
(141) 2007 06 25, Is not paid for prolongation
of registration on the following of 10 years

(732) BROOKS SPORTS, INC.
2025 First Avenue, Suite 830 Seattle,
Washington 98121, USA

(111) M 1997 4801 R1
(141) 2007 06 26, Is not paid for prolongation
of registration on the following of 10 years

(732) EMERSON RADIO CORPORATION
One Emerson Lane, North Bergen,
New Jersey 07047, USA

(111) M 1997 4803 R1
(141) 2006 12 27, Is not paid for prolongation
of registration on the following of 10 years

(732) ESSELTE METO INTERNATIONAL
PRODUKTIONS GmbH
Brentanostrasse, D-6932 HIRSCHHORH,
Germany

(111) M 1997 4805 R1
(141) 2007 06 26, Is not paid for prolongation
of registration on the following of 10 years

(732) INTERLEMO HOLDING S.A.
Chemin de Russel 5 bis, 1025
Saint-Sulpice, CH

(111) M 1997 4808 R1
(141) 2007 06 27, Is not paid for prolongation
of registration on the following of 10 years

(732) LAMPRECHT AG
Althardstrasse 246, 8105 Regensdorf, CH

(111) M 1997 4826 R1
(141) 2007 06 27, Is not paid for prolongation
of registration on the following of 10 years
(732) SABIC Global Technologies B. V.
Plasticslaan 1, 4612 PX Bergen op Zoom,
Netherlands

(111) M 1997 4828 R1
(141) 2007 06 27, Is not paid for prolongation
of registration on the following of 10 years
(732) JAPAN TOBACCO INC.
2-2-1, Toranomom, Minato-ku, Tokyo, Japan

(111) M 1997 4829 R1
(141) 2007 06 27, Is not paid for prolongation
of registration on the following of 10 years
(732) JAPAN TOBACCO INC.
2-2-1, Toranomom, Minato-ku, Tokyo,
Japan

(111) M 1997 4831 R1
(141) 2007 06 27, Is not paid for prolongation
of registration on the following of 10 years
(732) JAPAN TOBACCO INC.
2-2-1, Toranomom, Minato-ku, Tokyo,
Japan

(111) M 1997 4832 R1
(141) 2007 06 27, Is not paid for prolongation
of registration on the following of 10 years
(732) JAPAN TOBACCO INC.
2-2-1, Toranomom, Minato-ku, Tokyo, Japan

(111) M 1997 4833 R1
(141) 2007 06 27, Is not paid for prolongation
of registration on the following of 10 years
(732) JAPAN TOBACCO INC.
2-2-1, Toranomom, Minato-ku, Tokyo, Japan

(111) M 1997 4834 R1
(141) 2007 06 27, Is not paid for prolongation
of registration on the following of 10 years
(732) JAPAN TOBACCO INC.
2-2-1, Toranomom, Minato-ku, Tokyo, Japan

(111) M 1997 4838 R1
(141) 2007 06 28, Is not paid for prolongation
of registration on the following of 10 years
(732) NEEDLE INDUSTRIES LIMITED
1 The Square, Stockley Park, Uxbridge,
Middlesex, England, GB

(111) M 1997 4844 R1
(141) 2007 06 28, Is not payed for prolongation
of registration on the following of 10 years
(732) PHILIP MORRIS PRODUCTS S. A.
Quai Jeanrenaud 3, 2000 Neuchâtel, CH

(111) M 1997 4846 R1
(141) 2007 06 28, Is not payed for prolongation
of registration on the following of 10 years
(732) J.&P. COATS, Limited
1 George Square, Glasgow G2 1AL,
Scotland, United Kingdom

(111) M 1997 4883 R1
(141) 2007 01 03, Is not payed for prolongation
of registration on the following of 10 years
(732) MERCK SANTE, SAS
37, rue St. Romain, 69008 Lyon, France

(111) M 1997 4896 R1
(141) 2007 07 02, Is not payed for prolongation
of registration on the following of 10 years
(732) KELLOGG COMPANY
One Kellogg Square, P.O. Box 3599 Battle
Creek, Michigan 49016-3599, USA

(111) M 1997 4907 R1
(141) 2007 07 02, Is not payed for prolongation
of registration on the following of 10 years
(732) KODAK S.A.
26, Rue Villiot, 75012 Paris, France

(111) M 1997 4925 R1
(141) 2007 07 03, Is not payed for prolongation
of registration on the following of 10 years
(732) ARAMIS INC. a Delaware Corporation
767 Fifth Avenue, New York, New York,
USA

(111) M 1997 4930 R1
(141) 2007 07 03, Is not payed for prolongation
of registration on the following of 10 years
(732) TECHNICOLOR
1-5 rue Jeanne d'Arc, 92130 Issy Les
Moulineaux, France

(111) M 1997 4933 R1
(141) 2007 07 03, Is not payed for prolongation
of registration on the following of 10 years
(732) LARIOS PERNOD RICARD S.A.
Calle Cesar Vallejo, 24, Poligono Industrial
Guadalhorce, Malaga, ES

(111) M 1997 4952 R1
(141) 2007 01 04, Is not payed for prolongation
of registration on the following of 10 years
(732) GLAXOSMITHKLINE TRADING
SERVICES LIMITED
Currabinny, Carrigaline, County Cork,
Ireland

(111) M 1997 4953 R1
(141) 2007 07 04, Is not payed for prolongation
of registration on the following of 10 years
(732) RANCILIO MACCHINE PER
CAFFEE S.P.A.
40, Viale della Repubblica, I-20010
Villastanza di Parabiago, Milan, Italy

(111) M 1997 4964 R1
(141) 2007 07 04, Is not payed for prolongation
of registration on the following of 10 years
(732) JAPAN TOBACCO INC.
2-2-1, Toranomon, Minato-ku, Tokyo, Japan

(111) M 1997 4966 R1
(141) 2007 07 04, Is not payed for prolongation
of registration on the following of 10 years
(732) VTB Bank (France) SA)
79-81, Boulevard Haussmann, 75008
Paris, France

(111) M 1997 4973 R1
(141) 2007 07 04, Is not payed for prolongation
of registration on the following of 10 years
(732) COATES LORILLEUX S.A.
Immuble Le Diamant 16, rue de la
Republigus 92800 Puteaux, France

(111) M 1997 4975 R1
(141) 2007 07 04, Is not payed for prolongation
of registration on the following of 10 years
(732) CCC ACQUISITION CORP.
(a Delaware corporation)
6040 Bandini Boulevard, Los Angeles,
California 90040 USA

(111) M 1997 4976 R1
(141) 2007 07 09, Is not payed for prolongation
of registration on the following of 10 years
(732) CCC ACQUISITION CORP.
(a Delaware corporation)
6040 Bandini Boulevard, Los Angeles,
California 90040 USA

(111) M 1997 4980 R1
 (141) 2007 07 09, Is not payed for prolongation
 of registration on the following of 10 years
 (732) KABUSHIKI KAISHA HITACHI
 SEISAKUSHO
 6-6, Marunouchi 1-chome, Chiyoda-ku,
 Tokio, Japan

(111) M 1997 4991 R1
 (141) 2007 07 09, Is not payed for prolongation
 of registration on the following of 10 years
 (732) PHILIP MORRIS BELGIUM BVBA/SPRL.
 Berchemstadionstraat 72, 2600 Anvers, BE

(111) M 1997 4995 R1
 (141) 2007 07 09, Is not payed for prolongation
 of registration on the following of 10 years
 (732) PHILIP MORRIS PRODUCTS S. A.
 Quai Jeanrenaud 3, 2000 Neuchâtel, CH

(111) M 1997 4996 R1
 (141) 2007 07 09, Is not payed for prolongation
 of registration on the following of 10 years
 (732) PHILIP MORRIS PRODUCTS S. A.
 Quai Jeanrenaud 3, 2000 Neuchâtel, CH

(111) M 1997 5002 R1
 (141) 2007 07 09, Is not payed for prolongation
 of registration on the following of 10 years
 (732) UNICHEMA CHEMIE B. V.
 Buurtje 1, 2802 BE GOUDA, NL

(111) M 1997 5003 R1
 (141) 2007 07 09, Is not payed for prolongation
 of registration on the following of 10 years
 (732) UNICHEMA CHEMIE B. V.
 Buurtje 1, 2802 BE GOUDA, NL

(111) M 1997 5004 R1
 (141) 2007 07 09, Is not payed for prolongation
 of registration on the following of 10 years
 (732) UNICHEMA CHEMIE B. V.
 Buurtje 1, 2802 BE GOUDA, NL

(111) M 1997 5006 R1
 (141) 2007 07 09, Is not payed for prolongation
 of registration on the following of 10 years
 (732) UNICHEMA CHEMIE B. V.
 Buurtje 1, 2802 BE GOUDA, NL

(111) M 1997 5011 R1
 (141) 2007 07 09, Is not payed for prolongation
 of registration on the following of 10 years
 (732) TERAPIA S.A., Company of SHARE
 HOLDERS
 124, Fabricii Street, 3400 Clui-Napoca, RO

(111) M 1997 5018 R1
 (141) 2007 07 09, Is not payed for prolongation
 of registration on the following of 10 years
 (732) MARS, INCORPORATED, a Delaware
 Corporation
 6885 Elm Street, McLean, Virginia
 22101-3883, USA

(111) M 1997 5019 R1
 (141) 2007 07 09, Is not payed for prolongation
 of registration on the following of 10 years
 (732) MARS INC.
 6885 Elm Street, McLean, Virginia, USA

(111) M 1997 5022 R1
 (141) 2007 07 09, Is not payed for prolongation
 of registration on the following of 10 years
 (732) MARS INC.
 6885 Elm Street, McLean, Virginia, USA

(111) M 1997 5025 R1
 (141) 2007 07 11, Is not payed for prolongation
 of registration on the following of 10 years
 (732) MARS, INCORPORATED, a Delaware
 Corporation
 6885 Elm Street, McLean, Virginia
 22101-3883, USA

CLASSIFICATION INDEXES

INVENTIONS

CONCORDANCE TABLE OF INTERNATIONAL CLASSIFICATION INDEX AND PUBLICATION NUMBERS

INTERNATIONAL CLASSIFICATION INDEXES (51)	NUMBER OF PUBLISHED APPLICATION (10)
A 61 C 8/00	AP 2017 14218 A
A 61 K 31/56	AP 2017 14107 A
A 61 K 31/517; C 07 D 239/94; A 61 P 35/00	AP 2017 14080 A
C 07 K 16/28; A 61 P 17/06	AP 2017 13499 A
C 10 G 9/00, 9/24, 9/08, 47/00	AP 2017 13972 A
C 25 B 9/00, 1/04	AP 2017 14176 A
E 01 B 3/44	AP 2017 13909 A
F 24 B 1/185; F 23 B 30/04	AP 2017 14275 A
G 05 B 17/00	AP 2017 14228 A
G 07 C 13/00	AP 2017 14106 A

CONCORDANCE TABLE OF PUBLICATION NUMBERS AND INTERNATIONAL CLASSIFICATION INDEX

NUMBER OF PUBLISHED APPLICATION (10)	INTERNATIONAL CLASSIFICATION INDEXES (51)
AP 2017 13499 A	C 07 K 16/28; A 61 P 17/06
AP 2017 13909 A	E 01 B 3/44
AP 2017 13972 A	C 10 G 9/00, 9/24, 9/08, 47/00
AP 2017 14080 A	A 61 K 31/517; C 07 D 239/94; A 61 P 35/00
AP 2017 14106 A	G 07 C 13/00
AP 2017 14107 A	A 61 K 31/56
AP 2017 14176 A	C 25 B 9/00, 1/04
AP 2017 14218 A	A 61 C 8/00
AP 2017 14228 A	G 05 B 17/00
AP 2017 14275 A	F 24 B 1/185; F 23 B 30/04

CONCORDANCE TABLE OF INTERNATIONAL CLASSIFICATION INDEX, PATENT NUMBERS AND PUBLICATION NUMBERS

INTERNATIONAL CLASSIFICATION INDEX (51)	NUMBER OF PATENT (11)	NUMBER OF PUBLISHED APPLICATION (10)
1	2	3
A 61 K 8/37; A 61 K 8/67; A 61 Q 19/00; A 61 Q 19/10; A 61 K 8/97; A 61 K 8/06	P 2017 6765 B	AP 2017 14289 A
A 61 K 9/00; A 61 K 9/28; A 61 K 31/606; A 61 K 47/32; A 61 K 47/36	P 2017 6753 B	AP 2017 13618 A
A 61 K 9/00; A 69 K 9/28; A 61 K 31/606; A 61 K 47/32; A 61 K 47/36	P 2017 6758 B	AP 2017 13923 A

1	2	3
A 61 K 9/00; A 61 K 9/28; A 61 K 31/606; A 61 K 47/32; A 61 K 47/36	P 2017 6759 B	AP 2017 13924 A
A 61 K 9/48	P 2017 6754 B	AP 2017 13659 A
A 61 K 31/5517; A 61 K 31/4468; A 61 K 31/567; A 61 K 45/00; A 61 P 25/20	P 2017 6755 B	AP 2017 13771 A
A 61 K 39/00	P 2017 6766 B	AP 2017 13225 A
C 07 D 213/74; A 61 K 31/444; A 61 K 31/4545; A 61 K 31/46; A 61 K 31/496; A 61 K 31/4995; A 61 K 31/506; A 61 K 31/5377; A 61 K 31/5386; A 61 K 31/541; A 61 K 31/55; A 61 P 25/00; A 61 P 25/08; A 61 P 25/14; A 61 P 25/16; A 61 P 25/28; A 61 P 43/00; C 07 D 239/42; C 07 D 401/04; C 07 D 401/12; C 07 D 401/14; C 07 D 405/14; C 07 D 413/04; C 07 D 413/14; C 07 D 417/04; C 07 D 417/14; C 07 D 451/02; C 07 D 451/04; C 07 D 487/10; C 07 D 487/18; C 07 D 491/18; C 07 D 515/18; C 12 N 9/99; C 12 N 15/09	P 2017 6756 B	AP 2017 13877 A
C 07 D 307/85; A 61 K 31/343; A 61 P 29/00; A 61 P 35/00	P 2017 6760 B	AP 2017 13950 A
C 07 D 401/14; C 07 D 405/14; C 07 D 413/14; C 07 D 401/04; C 07 D 417/14; C 07 D 471/08; C 07 D 487/06; C 07 D 487/10; C 07 D 491/10; A 61 K 31/443; A 61 K 31/4433; A 61 K 31/4436; A 61 K 31/4545; A 61 K 31/496	P 2017 6761 B	AP 2017 13977 A
C 07 D 405/12; A 61 K 31/498; A 61 P 25/00	P 2017 6764 B	AP 2017 14180 A
C 07 H 19/067; C 07 H 19/073; C 07 H 19/10; C 07 H 19/167; C 07 H 19/173; C 07 H 19/20; C 07 H 19/213; A 61 K 31/708; A 61 K 31/7076; A 61 K 31/7072; A 61 K 31/7068; A 61 P 31/14	P 2017 6757 B	AP 2017 13892 A
C 07 K 14/605	P 2017 6762 B	AP 2017 13984 A
C 12 N 7/00; A 61 K 35/76	P 2017 6763 B	AP 2017 14061 A
C 12 N 9/88; C 12 N 15/82	P 2017 6752 B	AP 2017 12872 A

**CONCORDANCE TABLE OF PATENT NUMBERS,
PUBLICATION NUMBERS AND INTERNATIONAL CLASSIFICATION INDEX**

NUMBER OF PATENT (11)	NUMBER OF PUBLISHED APPLICATION (10)	INTERNATIONAL CLASSIFICATION INDEX (51)
1	2	3
P 2017 6752 B	AP 2017 12872 A	C 12 N 9/88; C 12 N 15/82
P 2017 6753 B	AP 2017 13618 A	A 61 K 9/00; A 61 K 9/28; A 61 K 31/606; A 61 K 47/32; A 61 K 47/36
P 2017 6754 B	AP 2017 13659 A	A 61 K 9/48
P 2017 6755 B	AP 2017 13771 A	A 61 K 31/5517; A 61 K 31/4468; A 61 K 31/567; A 61 K 45/00; A 61 P 25/20
P 2017 6756 B	AP 2017 13877 A	C 07 D 213/74; A 61 K 31/444; A 61 K 31/4545; A 61 K 31/46; A 61 K 31/496; A 61 K 31/4995; A 61 K 31/506; A 61 K 31/5377; A 61 K 31/5386; A 61 K 31/541; A 61 K 31/55; A 61 P 25/00; A 61 P 25/08; A 61 P 25/14; A 61 P 25/16; A 61 P 25/28; A 61 P 43/00; C 07 D 239/42; C 07 D 401/04; C 07 D 401/12; C 07 D 401/14; C 07 D 405/14; C 07 D 413/04; C 07 D 413/14;

1	2	3
		C 07 D 417/04; C 07 D 417/14; C 07 D 451/02; C 07 D 451/04; C 07 D 487/10; C 07 D 487/18; C 07 D 491/18; C 07 D 515/18; C 12 N 9/99; C 12 N 15/09
P 2017 6757 B	AP 2017 13892 A	C 07 H 19/067; C 07 H 19/073; C 07 H 19/10; C 07 H 19/167; C 07 H 19/173; C 07 H 19/20; C 07 H 19/213; A 61 K 31/708; A 61 K 31/7076; A 61 K 31/7072; A 61 K 31/7068; A 61 P 31/14;
P 2017 6758 B	AP 2017 13923 A	A 61 K 9/00; A 69 K 9/28; A 61 K 31/606; A 61 K 47/32; A 61 K 47/36
P 2017 6759 B	AP 2017 13924 A	A 61 K 9/00; A 61 K 9/28; A 61 K 31/606; A 61 K 47/32; A 61 K 47/36
P 2017 6760 B	AP 2017 13950 A	C 07 D 307/85; A 61 K 31/343; A 61 P 29/00; A 61 P 35/00
P 2017 6761 B	AP 2017 13977 A	C 07 D 401/14; C 07 D 405/14; C 07 D 413/14; C 07 D 401/04; C 07 D 417/14; C 07 D 471/08; C 07 D 487/06; C 07 D 487/10; C 07 D 491/10; A 61 K 31/443; A 61 K 31/4433; A 61 K 31/4436; A 61 K 31/4545; A 61 K 31/496
P 2017 6762 B	AP 2017 13984 A	C 07 K 14/605
P 2017 6763 B	AP 2017 14061 A	C 12 N 7/00; A 61 K 35/76
P 2017 6764 B	AP 2017 14180 A	C 07 D 405/12; A 61 K 31/498; A 61 P 25/00
P 2017 6765 B	AP 2017 14289 A	A 61 K 8/37; A 61 K 8/67; A 61 Q 19/00; A 61 Q 19/10; A 61 K 8/97; A 61 K 8/06
P 2017 6766 B	AP 2017 13225 A	A 61 K 39/00

**CONCORDANCE TABLE OF APPLICATION NUMBERS, PUBLICATION NUMBERS
AND PATENTS**

NUMBER OF APPLICATION (21)	NUMBER OF PUBLISHED APPLICATION (10)	NUMBER OF PATENT (11)
AP 2011 012872	AP 2017 12872 A	P 2017 6752 B
AP 2012 013225	AP 2017 13225 A	P 2017 6766 B
AP 2013 013618	AP 2017 13618 A	P 2017 6753 B
AP 2013 013659	AP 2017 13659 A	P 2017 6754 B
AP 2013 013771	AP 2017 13771 A	P 2017 6755 B
AP 2013 013877	AP 2017 13877 A	P 2017 6756 B
AP 2013 013892	AP 2017 13892 A	P 2017 6757 B
AP 2013 013923	AP 2017 13923 A	P 2017 6758 B
AP 2013 013924	AP 2017 13924 A	P 2017 6759 B
AP 2014 013950	AP 2017 13950 A	P 2017 6760 B
AP 2014 013977	AP 2017 13977 A	P 2017 6761 B
AP 2014 013984	AP 2017 13984 A	P 2017 6762 B
AP 2014 014061	AP 2017 14061 A	P 2017 6763 B
AP 2014 014180	AP 2017 14180 A	P 2017 6764 B
AP 2015 014289	AP 2017 14289 A	P 2017 6765 B

UTILITY MODELS

CONCORDANCE TABLE OF INTERNATIONAL CLASSIFICATION INDEX AND PUBLICATION NUMBERS

INTERNATIONAL CLASSIFICATION INDEXES (51)	NUMBER OF PUBLISHED APPLICATION (10)
B 03 B 13/04	AU 2017 13949 U
C 25 B 11/04	AU 2017 13988 U

CONCORDANCE TABLE OF PUBLICATION NUMBERS AND INTERNATIONAL CLASSIFICATION INDEX

NUMBER OF PUBLISHED APPLICATION (10)	INTERNATIONAL CLASSIFICATION INDEXES (51)
AU 2017 13949 U	B 03 B 13/04
AU 2017 13988 U	C 25 B 11/04

CONCORDANCE TABLE OF INTERNATIONAL CLASSIFICATION INDEX, PATENT NUMBERS AND PUBLICATION NUMBERS

INTERNATIONAL CLASSIFICATION INDEX (51)	NUMBER OF PATENT (11)	NUMBER OF PUBLISHED APPLICATION (10)
A 61 K 36/00, 35/64; A 61 P 1/16, 1/18	U 2017 1954 Y	AU 2017 14346 U
B 65 D 75/08; B 65 D 75/78	U 2017 1952 Y	AU 2017 14096 U
B 65 D 75/08; B 65 D 75/58	U 2017 1953 Y	AU 2017 14097 U

CONCORDANCE TABLE OF PATENT NUMBERS, PUBLICATION NUMBERS AND INTERNATIONAL CLASSIFICATION INDEX

NUMBER OF PATENT (11)	NUMBER OF PUBLISHED APPLICATION (10)	INTERNATIONAL CLASSIFICATION INDEX (51)
U 2017 1952 Y	AU 2017 14096 U	B 65 D 75/08; B 65 D 75/78
U 2017 1953 Y	AU 2017 14097 U	B 65 D 75/08; B 65 D 75/58
U 2017 1954 Y	AU 2017 14346 U	A 61 K 36/00, 35/64; A 61 P 1/16, 1/18

CONCORDANCE TABLE OF APPLICATION NUMBERS, PUBLICATION NUMBER AND NUMBER OF PATENTS

NUMBER OF APPLICATION (21)	NUMBER OF PUBLISHED APPLICATION (10)	NUMBER OF PATENT (11)
AU 2013 014096	AU 2017 14096 U	U 2017 1952 Y
AU 2013 014097	AU 2017 14097 U	U 2017 1953 Y
AU 2016 014346	AU 2017 14346 U	U 2017 1954 Y

DESIGNS**CONCORDANCE TABLE OF INTERNATIONAL CLASSIFICATION INDEX
AND PUBLICATION NUMBERS**

INTERNATIONAL CLASSIFICATION INDEXES (51)	NUMBER OF PUBLISHED APPLICATION (10)
10-01	AD 2017 949 S
19-08	AD 2017 963 S

**CONCORDANCE TABLE OF PUBLICATION NUMBERS
AND INTERNATIONAL CLASSIFICATION INDEX**

NUMBER OF PUBLISHED APPLICATION (10)	INTERNATIONAL CLASSIFICATION INDEXES (51)
AD 2017 949 S	10-01
AD 2017 963 S	19-08

**CONCORDANCE TABLE OF INTERNATIONAL CLASSIFICATION INDEX,
PATENT NUMBERS AND PUBLICATION NUMBERS**

INTERNATIONAL CLASSIFICATION INDEX (51)	NUMBER OF PATENT (11)	NUMBER OF PUBLISHED APPLICATION (10)
19-02	D 2017 726 S	AD 2017 941 S

**CONCORDANCE TABLE OF PATENT NUMBERS,
PUBLICATION NUMBERS AND INTERNATIONAL CLASSIFICATION INDEX**

NUMBER OF PATENT (11)	NUMBER OF PUBLISHED APPLICATION (10)	INTERNATIONAL CLASSIFICATION INDEX (51)
D 2017 726 S	AD 2017 941 S	19-02

**CONCORDANCE TABLE OF APPLICATION NUMBERS, PUBLICATION NUMBERS
AND PATENTS**

NUMBER OF APPLICATION (21)	NUMBER OF PUBLISHED APPLICATION (10)	NUMBER OF PATENT (11)
AD 2017 000941	AD 2017 941 S	D 2017 726 S

DESIGN REGISTERED ACCORDING TO THE ACCELERATED PROCEDURE

CONCORDANCE TABLE OF INTERNATIONAL CLASSIFICATION INDEX AND PUBLICATION NUMBERS

INTERNATIONAL CLASSIFICATION INDEXES (51)	NUMBER OF PUBLISHED APPLICATION (11)
32-00	D 2017 727 S

CONCORDANCE TABLE OF PUBLICATION NUMBERS AND INTERNATIONAL CLASSIFICATION INDEX

NUMBER OF PUBLISHED APPLICATION (11)	INTERNATIONAL CLASSIFICATION INDEXES (51)
D 2017 727 S	32-00

CONCORDANCE TABLE OF APPLICATION NUMBERS, PUBLICATION NUMBERS AND PATENTS

NUMBER OF APPLICATION (21)	NUMBER OF PATENT (11)
AD 2017 992	D 2017 727 S

TRADEMARKS

CONCORDANCE TABLE OF REGISTRATION NUMBERS, APPLICATION NUMBERS, PUBLICATION NUMBERS AND BULLETIN NUMBERS

NUMBER OF REGISTRATION (111)	NUMBER OF APPLICATIONS (210)	NUMBER OF PUBLISHED APPLICATIONS (260)	NUMBER OF BULLETIN
M 2017 28959 R	AM 87719	AM 2017 87719 A	9(469)2017
M 2017 28960 R	AM 91095	-	20(480)2017
M 2017 28961 R	AM 94457	-	20(480)2017
M 2017 28962 R	AM 94458	-	20(480)2017
M 2017 28963 R	AM 94459	-	20(480)2017
M 2017 28964 R	AM 94460	-	20(480)2017
M 2017 28965 R	AM 94469	-	20(480)2017
M 2017 28966 R	AM 94470	-	20(480)2017
M 2017 28967 R	AM 94090	-	20(480)2017
M 2017 28968 R	AM 94240	-	20(480)2017
M 2017 28969 R	AM 94473	-	20(480)2017
M 2017 28970 R	AM 94366	-	20(480)2017
M 2017 28971 R	AM 94453	-	20(480)2017
M 2017 28972 R	AM 94461	-	20(480)2017
M 2017 28973 R	AM 94464	-	20(480)2017
M 2017 28974 R	AM 94591	-	20(480)2017
M 2017 28975 R	AM 94596	-	20(480)2017
M 2017 28976 R	AM 94598	-	20(480)2017
M 2017 28977 R	AM 94463	-	20(480)2017
M 2017 28978 R	AM 94476	-	20(480)2017
M 2017 28979 R	AM 87486	AM 2017 87486 A	3(463) 2017
M 2017 28980 R	AM 85008	AM 2017 85008 A	12(472)2017
M 2017 28981 R	AM 86579	AM 2017 86579 A	12(472)2017
M 2017 28982 R	AM 86864	AM 2017 86864 A	7(467)2017
M 2017 28983 R	AM 87020	AM 2017 87020 A	11(471)2017
M 2017 28984 R	AM 87417	AM 2017 87417 A	12(472)2017
M 2017 28985 R	AM 87828	AM 2017 87828 A	9(469)2017
M 2017 28986 R	AM 87962	AM 2017 87962 A	11(471)2017
M 2017 28987 R	AM 88005	AM 2017 88005 A	5(465)2017
M 2017 28988 R	AM 88164	AM 2017 88164 A	11(471)2017
M 2017 28989 R	AM 88205	AM 2017 88205 A	6(466)2017
M 2017 28990 R	AM 88473	AM 2017 88473 A	7(467)2017
M 2017 28991 R	AM 88479	AM 2017 88479 A	11(471)2017
M 2017 28992 R	AM 88646	AM 2017 88646 A	10(470)2017
M 2017 28993 R	AM 88669	AM 2017 88669 A	12(472)2017
M 2017 28994 R	AM 88670	AM 2017 88670 A	10(470)2017
M 2017 28995 R	AM 88816	AM 2017 88816 A	12(472)2017
M 2017 28996 R	AM 88817	AM 2017 88817 A	8(468)2017
M 2017 28997 R	AM 88818	AM 2017 88818 A	12(472)2017
M 2017 28998 R	AM 88826	AM 2017 88826 A	12(472)2017
M 2017 28999 R	AM 88828	AM 2017 88828 A	12(472)2017
M 2017 29000 R	AM 88893	AM 2017 88893 A	12(472)2017
M 2017 29001 R	AM 88929	AM 2017 88929 A	12(472)2017
M 2017 29002 R	AM 89012	AM 2017 89012 A	12(472)2017
M 2017 29003 R	AM 89015	AM 2017 89015 A	12(472)2017
M 2017 29004 R	AM 89042	AM 2017 89042 A	11(471)2017

1	2	3	4
M 2017 29005 R	AM 89046	AM 2017 89046 A	12(472)2017
M 2017 29006 R	AM 89048	AM 2017 89048 A	12(472)2017
M 2017 29007 R	AM 89067	AM 2017 89067 A	10(470)2017
M 2017 29008 R	AM 89073	AM 2017 89073 A	10(470)2017
M 2017 29009 R	AM 89086	AM 2017 89086 A	11(471)2017
M 2017 29010 R	AM 89087	AM 2017 89087 A	11(471)2017
M 2017 29011 R	AM 89130	AM 2017 89130 A	12(472)2017
M 2017 29012 R	AM 89174	AM 2017 89174 A	11(471)2017
M 2017 29013 R	AM 89185	AM 2017 89185 A	9(469)2017
M 2017 29014 R	AM 89208	AM 2017 89208 A	12(472)2017
M 2017 29015 R	AM 89212	AM 2017 89212 A	11(471)2017
M 2017 29016 R	AM 89213	AM 2017 89213 A	11(471)2017
M 2017 29017 R	AM 89214	AM 2017 89214 A	11(471)2017
M 2017 29018 R	AM 89215	AM 2017 89215 A	11(471)2017
M 2017 29019 R	AM 89218	AM 2017 89218 A	10(470)2017
M 2017 29020 R	AM 89241	AM 2017 89241 A	11(471)2017
M 2017 29021 R	AM 89242	AM 2017 89242 A	11(471)2017
M 2017 29022 R	AM 89330	AM 2017 89330 A	12(472)2017
M 2017 29023 R	AM 89406	AM 2017 89406 A	13(473)2017
M 2017 29024 R	AM 89431	AM 2017 89431 A	11(471)2017
M 2017 29025 R	AM 89455	AM 2017 89455 A	12(472)2017
M 2017 29026 R	AM 89472	AM 2017 89472 A	12(472)2017
M 2017 29027 R	AM 89512	AM 2017 89512 A	12(472)2017
M 2017 29028 R	AM 89548	AM 2017 89548 A	12(472)2017
M 2017 29029 R	AM 89549	AM 2017 89549 A	12(472)2017
M 2017 29030 R	AM 89624	AM 2017 89624 A	11(471)2017
M 2017 29031R	AM 94497	-	20(480)2017

**CONCORDANCE TABLE OF PUBLICATION NUMBERS
AND APPLICATION NUMBERS**

NUMBER OF PUBLISHED APPLICATION (260)	NUMBER OF APPLICATION (210)	1	2
		1	2
AM 2017 88102 A	AM 88102 A	AM 2017 90997 A	AM 90997 A
AM 2017 88103 A	AM 88103 A	AM 2017 90998 A	AM 90998 A
AM 2017 89097 A*	AM 89097 A*	AM 2017 90999 A	AM 90999 A
AM 2017 89783 A	AM 89783 A	AM 2017 91000 A	AM 91000 A
AM 2017 89784 A	AM 89784 A	AM 2017 91001 A	AM 91001 A
AM 2017 89965 A	AM 89965 A	AM 2017 91080 A	AM 91080 A
AM 2017 90054 A	AM 90054 A	AM 2017 91083 A	AM 91083 A
AM 2017 90477 A	AM 90477 A	AM 2017 91084 A	AM 91084 A
AM 2017 90478 A	AM 90478 A	AM 2017 91086 A	AM 91086 A
AM 2017 90557 A	AM 90557 A	AM 2017 91154 A	AM 91154 A
AM 2017 90765 A	AM 90765 A	AM 2017 91187 A	AM 91187 A
AM 2017 90876 A	AM 90876 A	AM 2017 91192 A	AM 91192 A
AM 2017 90877 A	AM 90877 A	AM 2017 91193 A	AM 91193 A
AM 2017 90928 A	AM 90928 A	AM 2017 91215 A	AM 91215 A
AM 2017 90931 A	AM 90931 A	AM 2017 91278 A	AM 91278 A
AM 2017 90940 A	AM 90940 A	AM 2017 91280 A	AM 91280 A
AM 2017 90953 A	AM 90953 A	AM 2017 91282 A	AM 91282 A
		AM 2017 91283 A	AM 91283 A
		AM 2017 91350 A	AM 91350 A
		AM 2017 91354 A	AM 91354 A
		AM 2017 91355 A	AM 91355 A
		AM 2017 91356 A	AM 91356 A

1	2
AM 2017 91359 A	AM 91359 A
AM 2017 90997 A	AM 90997 A
AM 2017 91360 A	AM 91360 A
AM 2017 91377 A	AM 91377 A
AM 2017 91395 A	AM 91395 A
AM 2017 91396 A	AM 91396 A
AM 2017 91397 A	AM 91397 A
AM 2017 91399 A	AM 91399 A
AM 2017 91400 A	AM 91400 A
AM 2017 91402 A	AM 91402 A
AM 2017 91500 A	AM 91500 A

1	2
AM 2017 91501 A	AM 91501 A
AM 2017 91502 A	AM 91502 A
AM 2017 91515 A	AM 91515 A
AM 2017 91516 A	AM 91516 A
AM 2017 91529 A	AM 91529 A
AM 2017 91530 A	AM 91530 A
AM 2017 91532 A	AM 91532 A
AM 2017 91534 A	AM 91534 A
AM 2017 91609 A	AM 91609 A
AM 2017 91640 A	AM 91640 A

CONCORDANCE TABLE OF INDEX OF GOODS AND/OR SERVICES
AND APPLICATION NUMBERS

INDEX OF GOODS AND/OR SERVICES (511)	NUMBER OF PUBLISHED APPLICATIONS (26)
1	2
1	AM 2017 91640 A
5	AM 2017 90876 A
5	AM 2017 90877 A
5	AM 2017 91086 A
5	AM 2017 91350 A
5	AM 2017 91395 A
5	AM 2017 91396 A
5	AM 2017 91397 A
6	AM 2017 91278 A
9	AM 2017 88102 A
9	AM 2017 88103 A
9	AM 2017 89097 A*
9	AM 2017 90928 A
11	AM 2017 90928 A
12	AM 2017 90054 A
16	AM 2017 91280 A
17	AM 2017 91278 A
19	AM 2017 91278 A
28	AM 2017 91529 A
29	AM 2017 90765 A
29	AM 2017 90931 A
29	AM 2017 90997 A
29	AM 2017 90998 A
29	AM 2017 90999 A
29	AM 2017 90100 A
29	AM 2017 90101 A
29	AM 2017 91083 A
29	AM 2017 91084 A
29	AM 2017 91350 A
29	AM 2017 91399 A
29	AM 2017 91400 A
29	AM 2017 91609 A
30	AM 2017 90931 A
30	AM 2017 91083 A

1	2
30	AM 2017 91083 A
30	AM 2017 91084 A
30	AM 2017 91399 A
30	AM 2017 91400 A
30	AM 2017 91516 A
31	AM 2017 91350 A
32	AM 2017 90765 A
32	AM 2017 91083 A
32	AM 2017 91084 A
32	AM 2017 91350 A
33	AM 2017 89783 A
33	AM 2017 89784 A
33	AM 2017 89965 A
33	AM 2017 90557 A
33	AM 2017 90953 A
33	AM 2017 91154 A
33	AM 2017 91187 A
33	AM 2017 91192 A
33	AM 2017 91193 A
33	AM 2017 91282 A
33	AM 2017 91283 A
33	AM 2017 91502 A
33	AM 2017 91530 A
33	AM 2017 91532 A
33	AM 2017 91534 A
34	AM 2017 90940 A
34	AM 2017 91215 A
34	AM 2017 91359 A
35	AM 2017 89783 A
35	AM 2017 89784 A
35	AM 2017 91350 A
35	AM 2017 91354 A
35	AM 2017 91355 A
35	AM 2017 91356 A
35	AM 2017 91357 A
35	AM 2017 91500 A
35	AM 2017 91515 A
37	AM 2017 91500 A
39	AM 2017 91402 A

1	2
41	AM 2017 91350 A
41	AM 2017 91501 A
41	AM 2017 91529 A
43	AM 2017 90477 A
43	AM 2017 90478 A
43	AM 2017 91080 A
43	AM 2017 91359 A
43	AM 2017 91360 A

1	2
44	AM 2017 91280 A
44	AM 2017 91354 A
44	AM 2017 91355 A
44	AM 2017 91356 A
44	AM 2017 91357 A
44	AM 2017 91377 A
44	AM 2017 91501 A

CONCORDANCE TABLE OF INDEX OF GOODS AND/OR SERVICES
AND NUMBERS OF TRADEMARKS REGISTERED ACCORDING
TO THE ACCELERATED PROCEDURE

INDEX OF GOODS AND/OR SERVICES (511)	NUMBERS OF REGISTERED ACCORDING TO THE ACCELERATED PROCEDURE (111)
5	M 2017 28960 R
5	M 2017 28969 R
5	M 2017 28972 R
5	M 2017 28974 R
5	M 2017 28975 R
5	M 2017 28976 R
5	M 2017 28977 R
5	M 2017 28978 R
12	M 2017 29031 R
29	M 2017 28968 R
30	M 2017 28965 R
30	M 2017 28966 R
30	M 2017 28970 R
33	M 2017 28967 R
33	M 2017 28971 R
39	M 2017 28973 R
41	M 2017 28971 R
43	M 2017 28961 R
43	M 2017 28962 R
43	M 2017 28963 R
43	M 2017 28964 R
43	M 2017 28971 R

OFFICIAL BULLETIN OF THE INDUSTRIAL PROPERTY

20(480)

EDITOR-IN-CHIEF: N. Bebrishvili

EDITORS-TRANSLATORS: E. Gabunia

PROOFREADER: A. Shikhashvili

COMPUTER LAYOUT: M. Ordenidze
K. Svanidze

www.sakpatenti.org.ge

E-mail: info@sakpatenti.org.ge