



**NATIONAL INTELLECTUAL PROPERTY CENTER OF GEORGIA
SAKPATENTI**

**OFFICIAL BULLETIN
OF THE INDUSTRIAL PROPERTY**

21(433)

**2015
TBILISI**

INID CODES FOR IDENTIFICATION OF BIBLIOGRAPHIC DATA

INVENTIONS, UTILITY MODELS

- (10) Number of publication for application, which has been examined
- (11) Number of patent and kind of document
- (21) Serial number of application
- (22) Date of filing of the application
- (23) Date of exhibition or the date of the earlier filing and the number of application, if any
- (24) Date from which patent may have effect
- (31) Number of priority application
- (32) Date of filing of priority application
- (33) Code of the country or regional organization allotting priority application number
- (44) Date of publication of application not granted, but examined and number of bulletin
- (45) Date of publication of registered document
- (51) International Patent Classification Index
- (54) Title of the invention
- (57) Abstract
- (60) Number of examined patent document granted by foreign patent office, date from which patent has effect and country code
- (62) Number of the earlier application and in case of divided application, date of filing an application
- (71) Name, surname and address of applicant (country code)
- (72) Name, surname of inventor (country code)
- (73) Name, surname and address of patent owner (country code)
- (74) Name, surname of representative or patent attorney
- (85) Date of commencement of the national phase of International Application
- (86) Number and date of filing of international application
- (87) Number and date of publication of international application

DESIGNS

- (10) Number of publication for application
- (11) Number of patent and kind of document or number of registration
- (15) Date of registration/Date of patent renewal
- (18) Expected expiration date of patent or registration
- (21) Serial number of application
- (22) Date of filing of the application
- (23) Date of exhibition or the date of the earlier filing and the number of application, if any
- (24) Date from which patent may have effect
- (28) Number of designs included in the application
- (30) Data relating to priority (number of application, date of filing of application, two-letter code identifying the authority with whom the priority application was made)
- (31) Number of priority application
- (32) Date of filing of priority application
- (33) Code of the country or regional organization allotting priority application number
- (34) Two-letter code according to WIPO St.3 identifying the authority with which the priority application was made
- (44) Date of publication of design and number of bulletin (the first publication)
- (45) Date of publication of design registered by WIPO and number of bulletin
- (51) International Classification for designs (class and subclass of the Locarno Classification)
- (54) Title of the invention
- (55) Reproduction of the design
- (57) Description of characteristic features of the design including indication of colors
- (58) Date of recording of any kind of amendment in the Register
- (62) Number of the earlier application, registration and document number and if available the date of filing an application in case of divided application
- (71) Name, surname and address of applicant (country code)
- (72) Name, surname of creator (country code)
- (73) Name, surname and address of patent owner (country code)
- (74) Name, surname of representative or patent attorney
- (81) Contracting states concerned
 - II designated contracting states according to the 1960 Act
 - III designated contracting states according to the 1999 Act
- (85) Owner's permanent address
- (86) Owner's nationality
- (87) Owner's residence
- (88) State in which the owner has a real and effective industrial or commercial establishment

TRADEMARKS

- (111) – Number of registration
- (151) – Date of registration
- (156) – Date of the renewal
- (181) – Expected expiration date of registration
- (186) – Renewal expiration date of registration
- (141) – Date of cancel of duration of the mark
- (210) – Serial number of application
- (220) – Date of filing of the application
- (230) – Date concerning exhibition
- (260) – Number of application, for which favorable decision of examination about registration has been taken (publication number)
- (310) – Number of the first application
- (320) – Date of filing of the first application
- (330) – Code, identifying national or regional Office where the first application was made
- (511) – International Classification of Goods and Services for the purposes of registration of trade marks and/or list of goods and/or services classified according thereto
- (531) – Description of figurative elements of Trade Marks according to the International Classification of the Figurative Elements of Marks
- (540) – Reproduction of Trade Mark
- (550) – Nature and kind of Trade Mark
- (580) – Date of recording of any kind changes in respect of applications or registrations
- (591) – Information concerning colors claimed
- (731) – Name and address of the applicant
- (732) – Name and address of the holder of the registration
- (740) – Name and address of the representative
- (750) – Address for correspondence
- (770) – Name and address of the previous applicant or holder in case of change in ownership
- (771) – Previous name and address of the applicant or holder in case of change in ownership
- (791) – Name and address of the licensee
- (793) – Indication of conditions and/or restrictions under the license (Type of license, number of license agreement, data of license, data of validity of license)
- (800) – Certain data relating to the international registration of Trade Marks under the Protocol Relating to Madrid Agreement (International registration number)

CODES FOR PUBLICATION IN BULLETIN

- (21) AP 0000 000000 – serial number of application for invention
- (10) AP 0000 0000 A – number of published application for invention (first publication)
- (11) P 0000 0000 B – number of patent for invention (second publication)
- (21) API 0000 000000 – number of application for imported patent
- (11) PI 0000 0000 A – number of imported patent (first publication)
- (21) AU 0000 000000 – serial number of application for utility model
- (10) AU 0000 000 U – number of published application for utility model (first publication)
- (11) U 0000 000 Y – number of patent for utility model (second publication)
- (21) AD 0000 000000 – serial number of application for design
- (10) AD 0000 000 S – number of published application for design (first publication)
- (11) D 0000 000 S – number of patent for design (second publication)

INTERNATIONAL PATENT CLASSIFICATION FOR INVENTIONS AND UTILITY MODELS

- SECTION A – HUMAN NECESSITIES
- SECTION B – PERFORMING OPERATIONS; TRANSPORTING
- SECTION C – CHEMISTRY; METALLURGY
- SECTION D – TEXTILES; PAPER
- SECTION E – FIXED CONSTRUCTIONS
- SECTION F – MECHANICAL ENGINEERING; LIGHTING; HEATING; WEAPONS; BLASTING
- SECTION G – PHYSICS
- SECTION H – ELECTRICITY

-
- M – Trade Mark
 - (210) AM 0000 000000 – Serial number of application;
 - (260) AAM 0000 00000 A – Publication number of application;
 - (111) M 0000 00000 R – Number of registration;
 - (111) MMM0000 00000 Rn – Number of renewals, in which n=1,2,3;
 - (111) M 0000 00000 R(P) – Number of registration under partial assignment of rights
-

**NATIONAL INTELLECTUAL PROPERTY CENTER OF GEORGIA
SAKPATENTI**

**OFFICIAL BULLETIN
OF THE INDUSTRIAL PROPERTY**

21(433)

**INVENTIONS
UTILITY MODELS
DESIGNS
TRADEMARKS**

DATE OF PUBLICATION

2015 11 10

CONTENTS

PUBLISHED TITLES OF PROTECTION	3
INVENTIONS	
▪ APPLICATIONS APPROVED FOR GRANTING PATENTS	4
▪ PATENTED INVENTIONS	7
UTILITY MODELS	
▪ APPLICATION APPROVED FOR GRANTING PATENTS	10
▪ PATENTED UTILITY MODELS	11
DESIGNS	
▪ REGISTERED DESIGN	12
▪ DESIGNS REGISTERED WITH THE INTERNATIONAL BUREAU CLAIMING PRIORITY ON THE TERRITORY OF GEORGIA	13
TRADEMARKS	
▪ APPLICATIONS FILED UNDER THE NATIONAL PROCEDURE APPROVED FOR REGISTRATION	49
▪ REGISTERED TRADEMARKS	54
▪ TRADEMARKS REGISTERED ACCORDING TO THE ACCELERATED PROCEDURE	59
▪ INTERNATIONAL TRADEMARKS FOR WHICH A DECISION ON GANTING PROTECTION IS TAKEN	62
▪ INTERNATIONAL TRADEMARKS PROTECTED IN GEORGIA	107
OFFICIAL NOTIFICATIONS	
TRADEMARKS	
▪ RENEWAL OF REGISTRATIONS	117
▪ COMPLETE TRANSFER OF RIGHTS	119
▪ CHANGES IN NAMES AND/OR ADDRESSES OF OWNERS	122
▪ INVALIDATION OF TRADEMARK REGISTRATIONS	126
CLASSIFICATION INDEXES	
INVENTIONS	128
UTILITY MODELS	130
DESIGNS	131
TRADEMARKS	132

PUBLISHED TITLES OF PROTECTION

INVENTIONS

- **APPLICATIONS APPROVED FOR GRANTING PATENTS:**
13368; 12733; 13200; 13535; 12738; 13436; 12974
- **PATENTED INVENTIONS:**

UTILITY MODELS

- **APPLICATION APPROVED FOR GRANTING PATENTS:**
6390-6401
- **PATENTED UTILITY MODELS:**
1876-1878

DESIGNS

- **REGISTERED DESIGNS:**
650, 651
- **DESIGNS REGISTERED WITH THE INTERNATIONAL BUREAU CLAIMING PRIORITY ON THE TERRITORY OF GEORGIA:**
85628; 85635-85638; 85683-85685; 85693, 85694; 85702-85705; 85708; 85719; 85739; 85780; 85928; 86421; 87214; 87227; 87252

TRADEMARKS

- **APPLICATIONS FILED UNDER THE NATIONAL PROCEDURE APPROVED FOR REGISTRATION:**
79268*;79708; 79841; 79975; 80490, 80491; 80575; 80583; 80606; 80616; 80654; 80685; 80709; 80719; 80721, 80723; 80725; 80766; 80808; 80810; 80909; 80921, 80922; 80928; 81021, 81022; 81026; 81039; 81076; 81141; 81233, 81234; 81297; 81570; 81576
- **REGISTERED TRADEMARKS:**
26381-26433
- **TRADEMARKS REGISTERED ACCORDING TO THE ACCELERATED PROCEDURE:**
26377-26380; 26464; 26467-26475
- **INTERNATIONAL TRADEMARKS FOR WHICH A DECISION ON GRANTING PROTECTIONS IS TAKEN:**
75963*; 76109*; 76516*; 77239*; 77422*; 77434*; 77752*; 78450*; 79279; 79313; 79626; 79772; 79891; 80344; 80352; 80408-80410; 80414; 80424-80426; 80428-80434; 80530, 80531; 80535, 80536; 80545, 80546; 80550; 80562, 80563; 80568; 80570; 80572, 80573; 80584; 80586; 80588-80593; 80608; 80610; 80613, 80614; 80618-80620; 80629; 80631; 80645; 80650; 80652, 80653; 80657; 80659; 80661, 80662; 80667; 80670-80673; 80683, 80684; 80690; 80692; 80694-80700; 80702; 80705-80708; 80712; 80714, 80715; 80720; 80722; 80724; 80729, 80730; 80733, 80734; 80737-80739; 80741; 80744-80748; 80750-80756; 80897, 80898; 80900; 80902; 80904
- **INTERNATIONAL TRADEMARKS PROTECTED IN GEORGIA:**
75297; 75492; 75507; 75779; 76134; 76385; 76806; 77091; 77319; 77337; 77478; 77647; 77650; 77652; 77672-77674; 77743, 77854; 77976, 77977; 78007; 78019; 78029; 78078; 78084; 78091; 78099; 78101; 78104; 78107, 78108; 78135; 78152; 78173; 78302, 78303; 78306, 78307; 78346, 78347; 78389; 78398; 78418; 78468, 78469; 78473, 78474; 78496; 78503; 78507; 78516; 78518; 78520-78522; 78529; 78533, 78534; 78536; 78539, 78540; 78545; 78547-78549; 78552; 78575; 78589; 78595; 78598-78600; 78614; 78616; 78619, 78620; 78622--78627; 78644; 78650-78653; 78676, 78677; 78686; 78982, 78983; 78987-78990; 78992, 78993; 78995-79000; 79002; 79084; 79086; 79088, 79089; 79093-79096; 79098, 79099; 79101; 79103; 79106-79109; 79111; 79125; 79317; 79320; 79362, 79363; 79365; 79367; 79369; 79371; 79710, 79711; 79713; 79715; 79720; 79757; 80333

INVENTIONS

APPLICATIONS APPROVED FOR GRANTING PATENTS

The decision can be appealed at the Chamber of Appeal of Sakpatenti within 3 months from the publication or at the Mtskheta District Court Administrative Cases Board (Address: №17, Samkhedro str., Mtskheta), within 1 month following the publication.

PART A

A 61

(10) AP 2015 13368 A (51) Int. Cl. (2006)
A 61 K 36/064
A 61 K 38/44
A 61 P 3/04

(21) AP 2012 013368 (22) 2012 08 02
(31) MI2011A001488
(32) 2011 08 03
(33) IT
(71) GNOSIS S.P.A. (IT)
Piazza del Carmine, 4 I-20121 Milano (IT)
(72) CASTAGLIUOLO, Ignazio (IT);
BRUN, Paola (IT);
BUSIELLO, Immacolata (IT);
MIRAGLIA, Niccolò (IT)

(74) Shalva Gvaramadze
(85) 2014 01 31
(86) PCT/EP2012/065119, 2012 08 02
(54) **FORMULATIONS COMPRISING
SACCHAROMYCES BOULARDII AND
SUPEROXIDE DISMUTASE FOR
CONTROLLING OBESITY**

(57) Composition contains *Saccharomyces cerevisiae* var *boulardii* and superoxide dismutase. Said composition is applied to prevent and treat obesity and disorders related thereto.

Claims: 5 independent
2 dependent

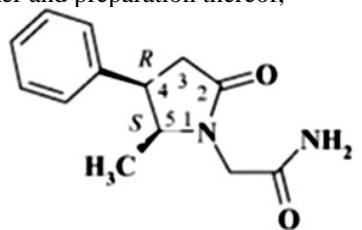
Fig.: 9

(71) GRINDEKS, A JOINT STOCK
COMPANY (LV)
53, Krustpils street LV-1057 Riga (LV)
(72) KALVINS, Ivars (LV);
LEBEDEVIS, Antons (LV);
CERNOBROVIJS, Aleksandrs (LV);
DAMBROVA, Maija (LV);
ZVEJNIECE, Liga (LV);
VORONA, Maksims (LV);
VEINBERGS, Grigorijs (LV)

(74) Khatuna Imnadze
(85) 2012 06 04
(86) PCT/EP2010/066767, 2010 11 04

(54) **4R,5 S-ENANTIOMER OF
2-(5-METHYL-2-OXO-4-PHENYL-
PYRROLIDIN-1-YL)-ACETAMIDE
WITH NOOTROPIC ACTIVITY**

(57) Present invention relates to 2-(5-dimethyl-2-oxo-4-phenyl pyrrolidine-1-yl)-acetamide 5S,4R-enantiomer and preparation thereof,



containing 5S-methyl-4R phenyl pyrrolidine -2-one synthesis, N-alkylation therewith ethyl haloacetate and intermediate 2-(5S-methyl-2-oxo-4R phenyl pyrrolidine-1-yl)-acetate treatment with ammonium.

Claims: 6 independent
8 dependent

PART C

C 07

(10) AP 2015 12733 A (51) Int. Cl. (2006)
C 07 D 207/263
A 61 K 31/4015
A 61 P 25/00
A 61 P 25/28

(21) AP 2010 012733 (22) 2010 11 04
(31) P-09-193
(32) 2009 11 05
(33) LV

(10) AP 2015 13200 A (51) Int. Cl. (2006)
C 07 D 487/04
A 61 K 31/53
A 61 P 25/18

(21) AP 2012 013200 (22) 2012 02 09
(31) 61/445,617
(32) 2011 02 23
(33) US
(71) PFIZER INC. (US)
235 East 42nd Street New York, New York
10017 (US)
(72) CHAPPIE, Thomas Allen (US);
HUMPHREY, John Michael (US);

VERHOEST, Patrick Robert (US);
 YANG, Eddie (US);
 HELAL, Christopher John (US)

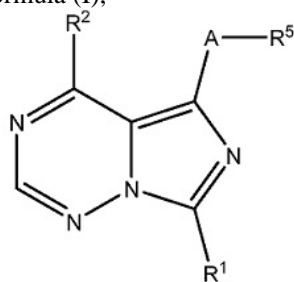
(74) Shalva Gvaramadze

(85) 2013 08 21

(86) PCT/IB2012/050589, 2012 02 09

(54) **IMIDAZO [5,1-f][1,2,4]TRIAZINES FOR THE TREATMENT OF NEUROLOGICAL DISORDERS**

(57) Present invention relates to imidazo [5,1-f][1,2,4] triazines of formula (I),



(I)

pharmaceutically acceptable salts thereof, preparation methods thereof, intermediate compounds applied for preparation thereof, and compositions containing said compounds; as well as, application thereof the treatment of diseases or conditions, such as central nervous system disorders, cognitive disorders, schizophrenia, dementia, etc.

Claims: 6 independent
 8 dependent

(10) **AP 2015 13535 A** (51) **Int. Cl. (2006)**
C 07 D 487/04
A 61 K 31/4188
A 61 P 35/00

(21) AP 2013 013535 (22) 2013 01 25

(31) 61/591,001; 61/669,902;

PCT/CN2012/086703

(32) 2012 01 26; 2012 07 10; 2012 12 14

(33) US; US; CN

(71) NOVARTIS AG (CH)

Lichtstrasse 35 CH-4056 Basel (CH)

(72) FURET, Pascal (CH);

GUAGNANO, Vito (CH);

HOLZER, Philipp (CH);

KALLEN, Joerg (CH);

LIAO, Lv (CN);

MAH, Robert (CH);

MAO, Liang (CN);

MASUYA, Keiichi (CH);

SCHLAPBACH, Achim (CH);

STUTZ, Stefan (CH);

VAUPEL, Andrea (CH)

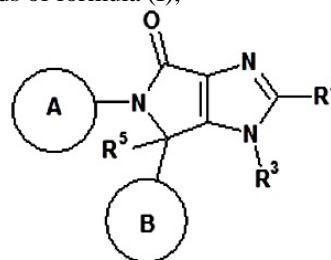
(74) Aleksandre Kartvelishvili

(85) 2014 07 25

(86) PCT/IB2013/050655, 2013 01 25

(54) **IMIDAZOPYRROLIDINONE COMPOUNDS**

(57) Present invention relates to imidazopyridinone compounds of formula (I),



pharmaceutical compositions containing them, application thereof the treatment of disorders or diseases caused by MDM2 and/or MDM4 activity.

Claims: 15 independent
 24 dependent

Fig.: 7

(10) **AP 2015 12738 A** (51) **Int. Cl. (2006)**
C 07 K 7/08
C 07 K 14/47

(21) AP 2010 012738 (22) 2010 11 09

(31) 61/259,264

(32) 2009 11 09

(33) US

(71) IRONWOOD PHARMACEUTICALS, INC. (US)

301 Binney Street Cambridge,

MA 02142 (US)

(72) CURRIE, Mark, G. (US);

FRETZEN, Angelika (DE);

KESSLER, Marco (US);

ZIMMER, Daniel, P. (US)

(74) Shalva Gvaramadze

(85) 2012 06 05

(86) PCT/US2010/056042, 2010 11 09

(54) **TREATMENTS FOR GASTROINTESTINAL DISORDERS**

(57) Present invention relates to peptides, pharmaceutical compositions and one-time dosage forms applicable for the treatment of gastrointestinal disorders.

Claims: 5 independent
 20 dependent

Fig.: 4

C 12

(10) **AP 2015 13436 A** (51) **Int. Cl. (2006)**
C 12 G 3/06

(21) AP 2014 013436 (22) 2014 04 03

(71) Iuri Ramazashvili (GE)

Nutsubidzis perd. IV mkr., korp. 28, b. 41,

0186, Tbilisi (GE);

Aleksandre Ustiashvili (GE)

Adigenis q. 2, 0102, Tbilisi (GE);

Lukhum Vacheishvili (GE)

Sop. Lechuri, 2214, Telavis raioni (GE)

- (72) Iuri Ramazashvili (GE);
Aleksandre Ustiashvili (GE);
Lukhum Vacheishvili (GE)
- (54) **ALCOHOLIC BEVERAGE WITH
BIO-PROTECTIVE CHARACTERISTICS**
- (57) A beverage contains in g/l: sodium humate 0.05-1, potassium humate 0.05-1, fulvene acid 0.05-1, hynamatomelane acid 0.05-1, grape seed extraction powder 0.5-5 and the rest is water/spirit solution.
Claims: 1 independent
-

C 22

- (10) AP 2015 12974 A (51) Int. Cl. (2006)

C 22 C 1/05
C 22 C 14/00
C 22 C 29/14
C 22 C 38/14
B 22 F 3/02

- (21) AP 2013 012974 (22) 2013 01 22
- (71) Zurab Aslamazashvili (GE)
Davit Tavkhelidzis q. 1, b. 58, 0186,
Tbilisi (GE);
Giorgi Oniashvili (GE)
Bazaletis q. 7, b. 6, 0179, Tbilisi (GE);
Garegin Zakharov (GE)
Ertsov q. 11, b. 9, 0192, Tbilisi (GE);
Giorgi Tavadze (GE)
D. Uznadzis q. 4, b. 77, 0102, Tbilisi (GE);
Avtandil Khvadagiani (GE)
Kandelakis q. 6, b. 10, 0160, Tbilisi (GE);
Otar Okrostsvardze (GE)
Meunargias q. 73, b. 26, 0101,
Tbilisi (GE);
Alexander Berner (IL)
32682 Haifa, Mitzpe Str. Ap. 8, Israel (IL)
- (72) Zurab Aslamazashvili (GE);
Giorgi Oniashvili (GE);
Garegin Zakharov (GE);
Giorgi Tavadze (GE);
Avtandil Khvadagiani (GE);
Otar Okrostsvardze (GE);
Alexander Berner (IL)

- (54) **HARD ALLOY**

(57) Hard alloy contains component including titanium, additionally – transition metals of IV period or alloys on their base (Me), and as component including titanium it contains titanium-boron (TiB, TiB₂) and titanium-nitrogen (TiN, Ti₂N) alloys in fine dispersed condition of size 150 nm, with following correlation of componentry, mass%:
Titanium-boron (TiB, TiB₂) alloy – 72-78;
Transition metals of IV period or alloys on their base (Me) – 2-10.
Claims: 1 independent
Table: 1
Fig.: 3

PATENTED INVENTIONS

PART A

A 01

(11) P 2015 6396 B **(51) Int. Cl. (2006)**

A 01 N 25/02
A 01 N 25/30
A 01 N 37/48
A 01 N 41/06
A 01 N 43/18
A 01 N 43/50
A 01 N 43/80
A 01 N 43/88
A 01 P 13/00

(10) AP 2015 13308 A (44) 14(426)/2015
 (21) AP 2012 013308
 (22) 2012 04 25
 (24) 2012 04 25
 (31) 61/481,744; 11164529.7
 (32) 2011 05 03; 2011 05 03
 (33) US; EP
 (86) PCT/EP2012/057579, 2012 04 25
 (73) BASF SE (DE)

67056 Ludwigshafen (DE)
 (72) SCHNABEL, Gerhard (DE);
 PFENNING, Matthias (DE)
 (74) Tamar Kochlamazashvili
 (54) **ADJUVANT COMPRISING
 DIMETHYLSULFOXIDE AND
 A PHOSPHATE ESTER**

A 43

(11) P 2015 6393 B **(51) Int. Cl. (2006)**

A 43 B 7/08
A 43 B 7/12

(10) AP 2015 12443 A (44) 14(426)/2015
 (21) AP 2010 012443
 (22) 2010 03 12
 (24) 2010 03 12
 (31) 09425137.8
 (32) 2009 04 10
 (33) EP
 (86) PCT/EP2010/053220, 2010 03 12
 (73) GEOX S.P.A. (IT)
 Via Feltrina Centro, 16 I-31044 Montebelluna,
 Località Biadene - (Treviso) (IT)
 (72) POLEGATO MORETTI, Mario (IT)
 (74) Aleksandre Gegechkori
 (54) **WATERPROOF AND
 VAPOR-PERMEABLE SHOE**

(11) P 2015 6394 B

(51) Int. Cl. (2006)

A 43 B 7/08
A 43 B 7/12
A 43 B 9/12
A 43 D 8/34
B 29 D 35/06

(10) AP 2015 12444 A (44) 14(426)/2015
 (21) AP 2010 012444
 (22) 2010 03 12
 (24) 2010 03 12
 (31) 09425138.6
 (32) 2009 04 10
 (33) EP
 (86) PCT/EP2010/053225, 2010 03 12
 (73) GEOX S.P.A. (IT)

Via Feltrina Centro, 16 I-31044 Montebelluna,
 Località Biadene - (Treviso) (IT)

(72) POLEGATO MORETTI, Mario (IT)

(74) Aleksandre Gegechkori

(54) **METHOD FOR MANUFACTURING
 WATERPROOF AND VAPOR-
 PERMEABLE SHOE**

A 47

(11) P 2015 6391 B

(51) Int. Cl. (2006)

A 47 B 47/04
A 47 B 96/20
F 16 B 12/26
B 32 B 21/00

(10) AP 2015 12297 A (44) 14(426)/2015
 (21) AP 2009 012297
 (22) 2009 10 29
 (24) 2009 10 29

(31) BE2008/0677; 61/175,596;
 20 2009 008 825.1

(32) 2008 12 17; 2009 05 05; 2009 06 26

(33) BE; US; DE

(86) PCT/IB2009/054812, 2009 10 29

(73) UNILIN, BVBA (BE)

Ooigemstraat 3 B-8710 Wielsbeke (BE)

(72) MAERTENS, Luc (BE);

CAPPELLE, Mark (BE);

VANHASTEL, Luc (BE);

DEMAN, Luc; (BE);

VAN HOOYDONCK, Guy (BE)

(74) Shalva Gvaramadze

(54) **COMPOSED ELEMENT**

PART C**C 07**

- (11) P 2015 6401 B** (51) **Int. Cl. (2006)**
C 07 C 273/04
- (10) AP 2015 13419 A (44) 14(426)/2015
(21) AP 2012 013419
(22) 2012 08 17
(24) 2012 08 17
(31) 11177848.6
(32) 2011 08 17
(33) EP
(86) PCT/NL2012/050577, 2012 08 17
(73) STAMICARBON B.V. (NL)
Mercator 3 NL-6135 KW Sittard (NL)
(72) MENNEN, Johannes Henricus (NL)
(74) Tamar Kochlamazashvili
(54) **UREA PRODUCTION PROCESS
CHARACTERIZED BY SHORT UREA
MELT TRANSPORTATION TIME
BETWEEN LAST CONCENTRATOR
AND PRILLING TOWER**

- (11) P 2015 6395 B** (51) **Int. Cl. (2006)**
C 07 D 209/52
A 61 K 31/403
A 61 P 25/00
C 07 C 235/42
- (10) AP 2015 12735 A (44) 14(426)/2015
(21) AP 2012 012735
(22) 2012 06 05
(24) 2012 06 05
(31) 11.01746
(32) 2011 06 08
(33) FR
(73) LES LABORATOIRES SERVIER (FR)
35, rue de Verdun, 92284 Suresnes
Cedex (FR)
(72) ROBERT, Nicolas (FR);
LERESTIF, Jean-Michel (FR);
LECOUVE, Jean-Pierre (FR);
GAILLARD, Marina (FR);
MEUNIER, Loie (FR);
LETELLIER, Philippe (FR);
BOIRET, Mathieu (FR)
(74) Tamaz Shilakadze
(54) **SYNTHESIS PROCESS, AND
CRYSTALLINE FORM OF 4-{3-[CIS-
HEXAHYDROCYCLOPENTA[C]PYRR
OL-2(1H)-YL]PROPOXY}BENZAMIDE
HYDROCHLORIDE AND PHARMA-
CEUTICAL COMPOSITIONS
CONTAINING THEREOF**

- (11) P 2015 6392 B** (51) **Int. Cl. (2006)**
C 07 D 2776/56
A 61 K 38/55
C 07 K 5/08
- (10) AP 2015 12421 A (44) 14(426)/2015
(21) AP 2010 012421
(22) 2010 03 22
(24) 2010 03 22
(31) 61/162,196; 61/180,561
(32) 2009 03 20; 2009 02 22
(33) US; US
(86) PCT/US2010/028126, 2010 03 22
(73) ONYX THERAPEUTICS, INC. (US)
249 E. Grand Avenue South San Francisco,
CA 94080 (US)
(72) PHIASIVONGSA, Pasit (US);
SEHL, Louis, C. (US)
(74) Shalva Gvaramadze
(54) **CRYSTALLINE TRIPEPTIDE
EPOXY KETONE PROTEASE
INHIBITORS**

- (11) P 2015 6397 B** (51) **Int. Cl. (2006)**
C 07 D 303/36
C 07 D 413/10
C 07 D 413/14
- (10) AP 2015 13310 A (44) 14(426)/2015
(21) AP 2012 013310
(22) 2012 05 04
(24) 2012 05 04
(31) P 11 00240; P 11 00239; P 11 00238
(32) 2011 05 06; 2011 05 06; 2011 05 06
(33) HU; HU; HU
(86) PCT/HU2012/000033, 2012 05 04
(73) EGIS GYÓGYSZERGYÁR
NYILVÁNOSAN MŰKÖDŐ RÉSZVÉNY-
TÁRSASÁG (HU)
Keresztúri út 30-38 H-1106 Budapest (HU)
(72) SIPOS, Éva (HU);
KOVÁNYINÉ LAX, Györgyi (HU);
HAVASI, Balázs (HU);
VOLK, Balázs (HU);
KRASZNAI, György (HU);
RUZSICS, György (HU);
BARKÓCZY, József (HU);
TÓTHNÉ LAURITZ, Mária (HU);
LUKÁCS, Gyula (HU);
BOZA, András (HU);
HEGEDŰS, LászlóJózsef (HU);
TÁBORINE TÓTH, Mária Júlia (HU);
PÉCSI, Éva (HU)
(74) Liliana Darakhvelidze
(54) **PROCESS FOR THE PREPARATION
OF A RIVAROXABAN AND
INTERMEDIATES FORMED IN
SAID PROCESS**

- (11) P 2015 6399 B** **(51) Int. Cl. (2006)**
C 07 D 401/06
C 07 D 401/12
C 07 D 401/14
C 07 D 403/06
C 07 D 403/12
C 07 D 403/14
A 01 N 43/56
A 01 N 43/54
- (10) AP 2015 13365 A (44) 14(426)/2015
(21) AP 2012 013365
(22) 2012 06 27
(24) 2012 06 27
(31) 61/503,257
(32) 2011 06 30
(33) US
(86) PCT/EP2012/062428, 2012 06 27
(73) SYNGENTA PARTICIPATIONS
AG [CH/CH]; Schwarzwaldallee 215
CH-4058 Basel (CH)
(72) SULZER-MOSSE, Sarah (FR);
LAMBERTH, Clemens (DE);
CEDERBAUM, Fredrik Emil Malcolm (SE)
(74) Tamar Kochlamazashvili
(54) **MICROBIOCIDAL HETEROCYCLES**

- (11) P 2015 6398 B** **(51) Int. Cl. (2006)**
C 07 D 471/04
C 07 D 487/04
A 61 K 31/437
A 61 K 31/55
A 61 P 11/00
- (10) AP 2015 13360 A (44) 14(426)/2015
(21) AP 2012 013360
(22) 2012 07 11
(24) 2012 07 11
(31) 65/512,144; PCT/IB2012/053546
(32) 2011 07 27; 2012 07 11
(33) US; WO
(86) PCT/IB2012/053546, 2012 07 11
(73) PFIZER LIMITED (GB)
RamsgateRoad Sandwich Kent
CT13 9NJ (GB)
(72) COE, Jotham, Wadsworth (US);
DEHNHARDT, Christoph, Martin (DE);
JONES, Peter (GB);
KORTUM, Steven Wade (US);
SABNIS, Yogesh, Anil (IN);
WAKENHUT, Florian, Michel (FR);
WHITLOCK, Gavin, Alistair (GB)
(74) Shalva Gvaramadze
(54) **INDAZOLES**

C 12

- (11) P 2015 6390 B** **(51) Int. Cl. (2006)**
C 12 P 21/08
- (10) AP 2015 11904 A (44) 14(426)/2015
(21) AP 2008 011904
(22) 2008 12 24
(24) 2008 12 24
(31) 61/018,816; 61/022,767
(32) 2008 01 03; 2008 01 22
(33) US; US
(86) PCT/US2008/088337, 2008 12 24
(73) THE SCRIPPS RESEARCH
INSTITUTE (US) Mail Drop TPC-8 10550
North Torrey Pines Road La Jolla,
CA 92037 (US)
(72) BARBAS III, Carlos, F. (US)
(74) Shalva Gvaramadze
(54) **ANTIBODY TARGETING
THROUGH A MODULAR
RECOGNITION DOMAIN**

PART E**E 02**

- (11) P 2015 6400 B** **(51) Int. Cl. (2006)**
E 02 F 3/85
- (10) AP 2015 13370 A (44) 14(426)/2015
(21) AP 2014 013370
(22) 2014 01 31
(24) 2014 01 31
(73) Vazha Gogadze (GE)
9 Aprilis Kheivani 15/57, 4400, Poti (GE);
Mamuka Gogadze (GE)
9 Aprilis Kheivani 15/57, 4400, Poti (GE);
Ledi Iremadze (GE)
Sop. Khutsubani, Kobuleti R-ni, (GE)
(72) Vazha Gogadze (GE);
Mamuka Gogadze (GE);
Ledi Iremadze (GE)
(54) **MOTOR GRADER OPERATIONAL
EQUIPMENT**

UTILITY MODELS

APPLICATIONS APPROVED FOR GRANTING PATENT

The decision can be appealed at the Chamber of Appeal of Sakpatenti within 3 months from the publication or at the Mtskheta District Court Administrative Cases Board (Address: №17, Samkhedro str., Mtskheta), within 1 month following the publication.

PART A

A 23

(10) AU 2015 13620 U (51) Int. Cl. (2006)
A 23 K 1/22

(21) AU 2014 013620 (22) 2014 10 31
(71) Iamze Beshkenadze (GE)
Vazisubani, IV mkr., I kvart., korp. 8.,
b. 99, 0152, Tbilisi (GE)

(72) Iamze Beshkenadze (GE);
Nani Zhorzholiani (GE);
Maia Gogaladze (GE);
Spartak Urotadze (GE);
Avtandil Chagelishvili (GE);
Givi Begheluri (GE)

(54) ADDITIVE CONTAINING
HETERONUCLEAR CITRATES FOR
BIRDSEED

(57) An additive in weight parts contains hetero-
nuclear chelate citrates of Mn, Zn, Fe, Co, and Cu.
Claims: 1 independent

A 61

(10) AU 2015 13782 U (51) Int. Cl. (2006)
A 61 M 5/14

(21) AU 2015 013782 (22) 2015 04 03
(71) Zurab Chkhaidze (GE)
Broses q. 2, 0108, Tbilisi (GE);
Nodar Khodeli (GE)
Budapeshtis q. 40, 0160, Tbilisi (GE);
Otar Shengelia (GE)
Garejis q. 49, 0141, Tbilisi (GE)

(72) Zurab Chkhaidze (GE);
Nodar Khodeli (GE);
Otar Shengelia (GE)

(54) ARTIFICIAL APPARATUS FOR
BLOOD CIRCULATION

(57) A pump used in artificial apparatus for blood
circulation consists of couple of tanks 1 and 2,
blood-, air- and vacuum pipelines 4, 5, 6, 7, 8, 9,
10, 11 connected thereby connecting pipes and
equipped with outer locks 15, 16, 17, 18, 19, 20, 21,
22 united in a unit 12. Each tank serves as venous

blood receiving and pressing chamber, at the same
time. Outlet overall blood pipeline is equipped with
a pulsator 3 and vaccum pipelines 6 and 7 intended
to create negative pressure in the tanks.

Claims: 1 independent
Fig.: 2

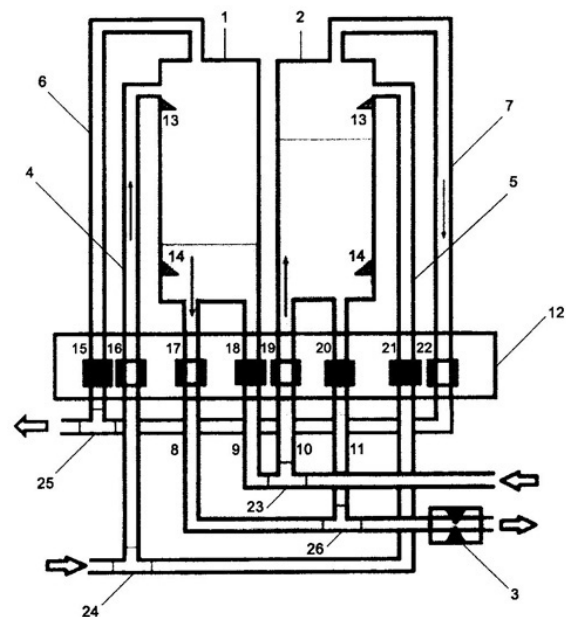


Fig. 1

PATENTED UTILITY MODELS**PART A****A 01**

- (11) U 2015 1878 Y (51) Int. Cl. (2006)
A 01 G 13/02
- (10) AU 2015 13669 U (44) 14(426)/2015
(21) AU 2014 013669
(22) 2014 12 22
(24) 2014 12 22
- (73) Raul Turmanidze (GE)
Panaskertelis q. 19, b. 134, 0194, Tbilisi (GE);
Giorgi Popkhadze (GE)
Kazbegis q. 14 a, b. 12, 0177, Tbilisi (GE)
- (72) Raul Turmanidze (GE);
Giorgi Popkhadze (GE)
- (54) **EQUIPMENT FOR VINE PLANTS
PROTECTION**
-

- (11) U 2015 1877 Y (51) Int. Cl. (2006)
A 01 K 47/00
- (10) AU 2015 13574 U (44) 14(426)/2015
(21) AU 2014 013574
(22) 2014 09 15
(24) 2014 09 15
- (73) Davit Chichinadze (GE)
Mirza Gelovanis Shes. 2, b. 3, Okrokana,
0105, Tbilisi (GE)
- (72) Davit Chichinadze (GE)
- (74) Tamaz Shilakadze
- (54) **DEMOUNTABLE-PREFABRICATED
BEEHIVE**
-

A 21

- (11) U 2015 1876 Y (51) Int. Cl. (2006)
A 21 D 2/00
- (10) AU 2015 13486 U (44) 14(426)/2015
(21) AU 2014 013486
(22) 2014 06 04
(24) 2014 06 04
- (73) Nugzar Joglidze (GE)
Miminoshvilis q. 6, 0103, Tbilisi (GE);
Konstantine Maghradze (GE)
Kipshidzis q. 12 b. 10, 0162, Tbilisi (GE)
- (72) Nugzar Joglidze (GE);
Konstantine Maghradze (GE)
- (54) **PRODUCT OF CLINICAL NUTRITION**
-

DESIGNS

REGISTERED DESIGNS

(11) D 2015 650 S **(51) 06-13**
(10) AD 2015 845 S (44) 14(426)/2015
(21) AD 2015 000845
(22) 2015 03 12
(24) 2015 03 12
(18) 2020 03 12
(73) Nikoloz Nutsubidze (GE)
Panaskertel-Tsitsishvilis q. 11, b. 68, 0194,
Tbilisi (GE)
(72) Nikoloz Nutsubidze (GE)
(54) **GEORGIAN TABLECLOTH**

(11) D 2015 651 S **(51) 19-08**
(10) AD 2015 802 S (44) 14(426)/2015
(21) AD 2014 000802
(22) 2014 06 27
(24) 2014 06 27
(18) 2019 06 27
(73) LTD "MARNISKARI" (GE)
Askuravas q. 17b, 0101, Tbilisi (GE)
(72) Davit Lortkipanidze (GE)
(74) Davit Lortkipanidze
(54) **LABEL**

DESIGNS, WHICH HAVE BEEN REGISTERED WITH THE INTERNATIONAL BUREAU CLAIMING PRIORITY ON THE TERRITORY OF GEORGIA

The decision can be appealed at the Chamber of Appeal of Sakpatenti within 3 months from the publication or at the Mtskheta District Court Administrative Cases Board (Address: №17, Samkhedro Str., Mtskheta), within 1 month following the publication.

(11) **DM/085628**

(51) **10-07**

(15) 2015 02 17

(45) 2015/33 (2015 08 21)

(22) 2015 02 17

(28) 4

(73) GLASHÜTTER UHRENBETRIEB GMBH

Altenberger Straße 1, 01768 Glashütte (DE)

(85) DE, EM

(86) DE, EM

(87) DE, EM

(88) DE, EM

(89) DE

(81) II. BZ, MA. III. AL, AM, AZ, BA, CH, EM, GE, KG, KR, LI, MC, MD, ME, MK, MN, NO, OM, SG, TN, TR, UA

(72) 1: Katharina STEGMANN

Am Mühlefeld 84, 01744 Paulsdorf, Germany;

2: Anika ENGELBRECHT

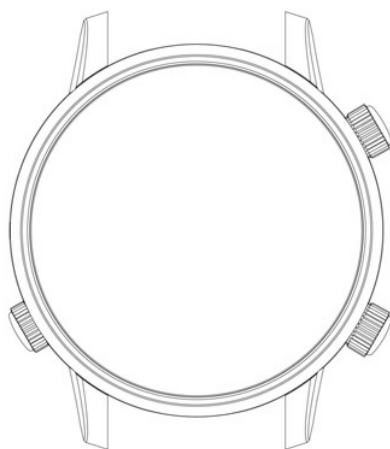
Scheunenhofstrasse 2, 01097 Dresden, Germany;

3,4: Julia SCHELLENBERG

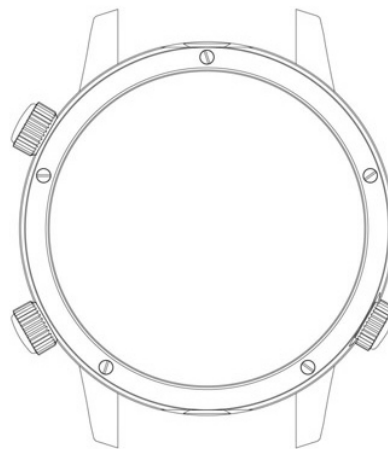
Trauernstrasse 40, 01279 Dresden, Germany

(54) 1. Watch case; 2.-4. Watch dials

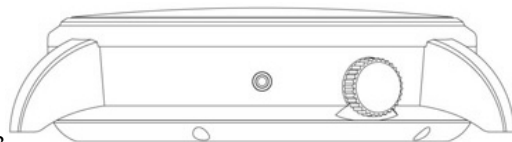
(55)



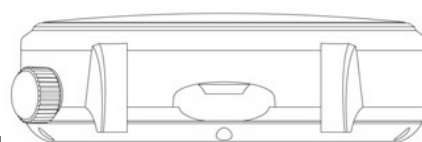
1.1



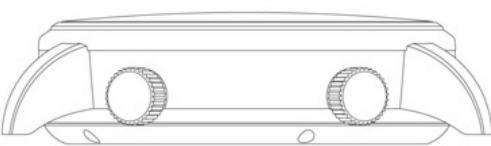
1.2



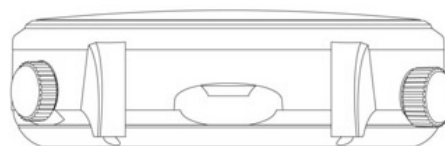
1.3



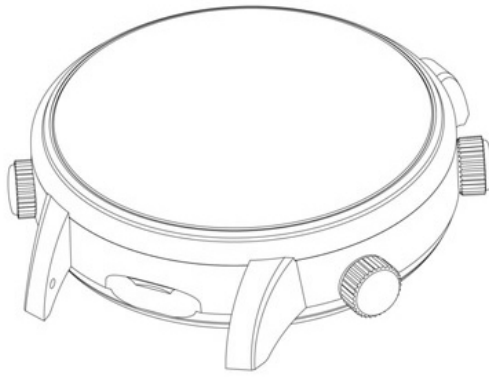
1.4



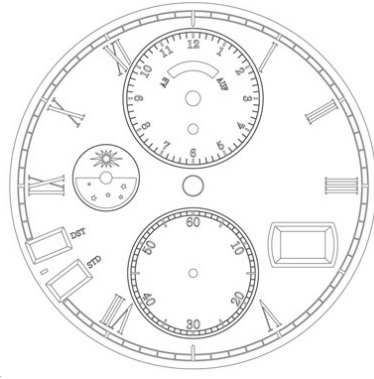
1.5



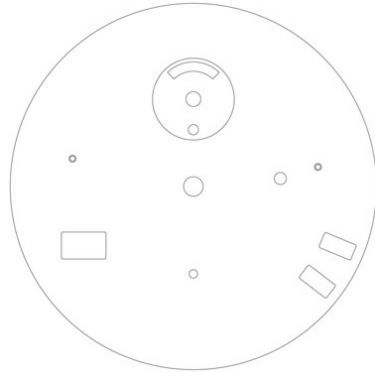
1.6



1.7



2.1



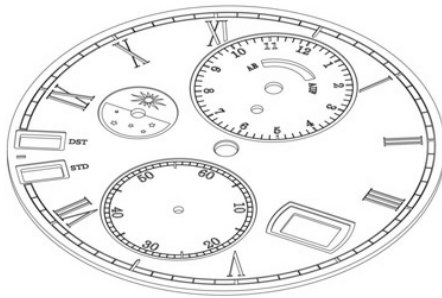
2.2



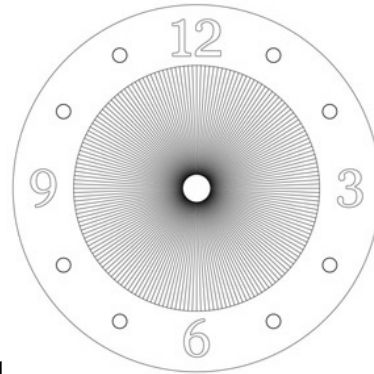
2.3



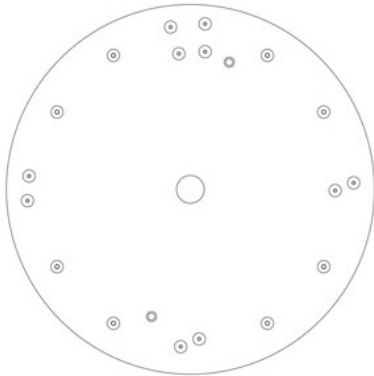
2.4



2.5



3.1



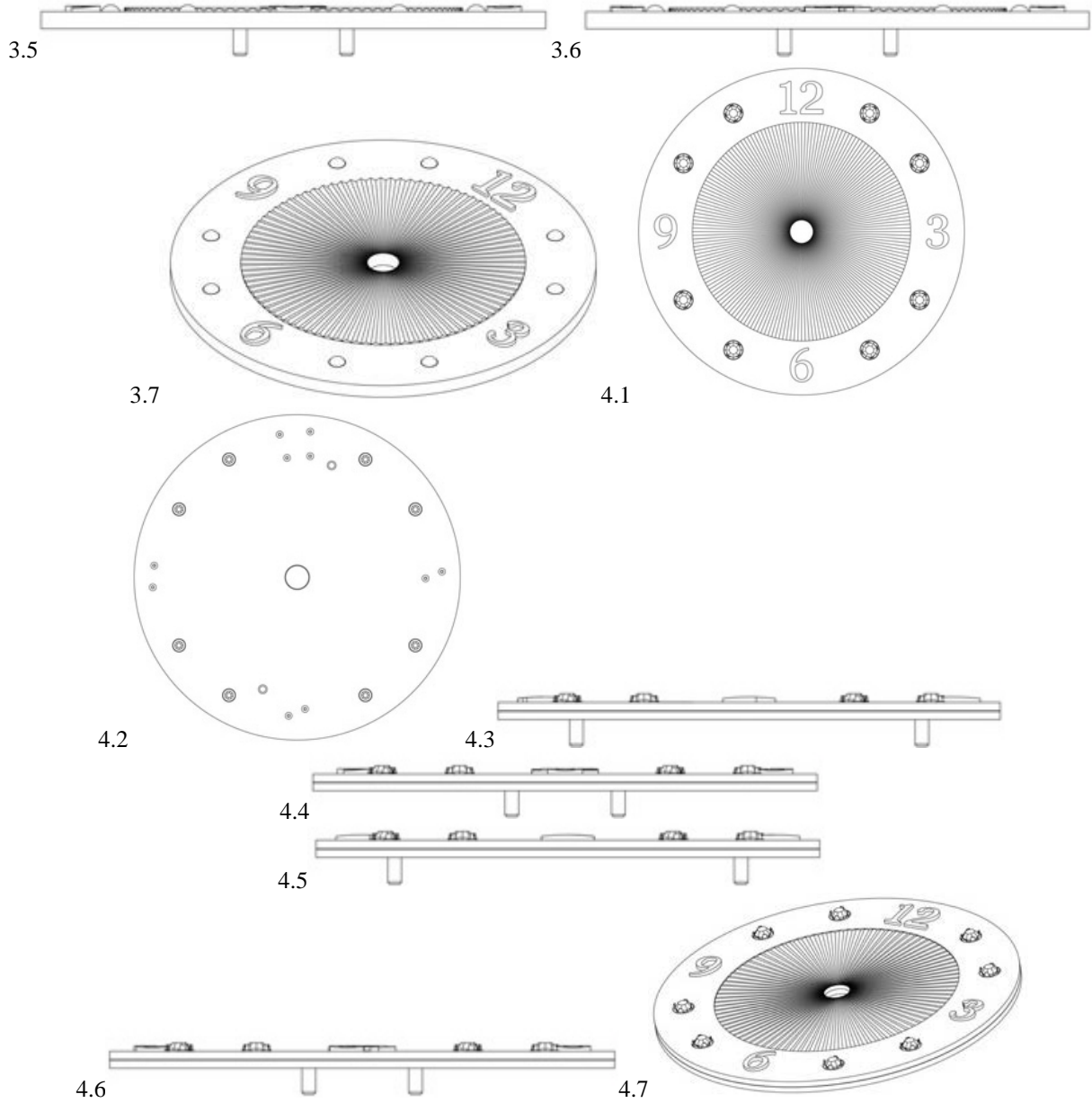
3.2



3.3



3.4



(11) DM/085635

(51) 10-07

(15) 2015 02 18

(45) 2015/33 (2015 08 21)

(22) 2015 02 18

(28) 7

(73) TISSOT SA (TISSOT AG) (TISSOT LTD)

Chemin des Tourelles 17, CH-2400 Le Locle (CH)

(85) CH

(86) CH

(87) CH

(88) CH

(89) CH

(81) II. BZ, MA. III. AL, AM, AZ, BA, CH, EM, GE, KG, KR, LI, MC, MD, ME, MK, MN, NO, OM, SG, TN, TR, UA

(72) 1,2,3: Fernando Antonio SOARES

Rue de l'Hôpital 4, 2000 Neuchâtel, Suisse;

4,5,6: Laetitia VOIROL DUBOIS

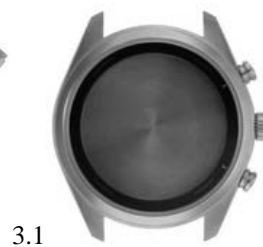
Mettlenweg 48, 2504 Biel/Bienne, Suisse;

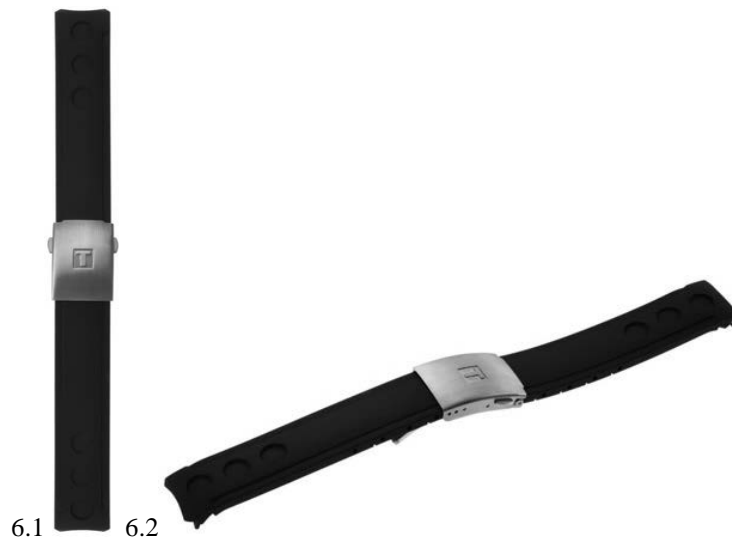
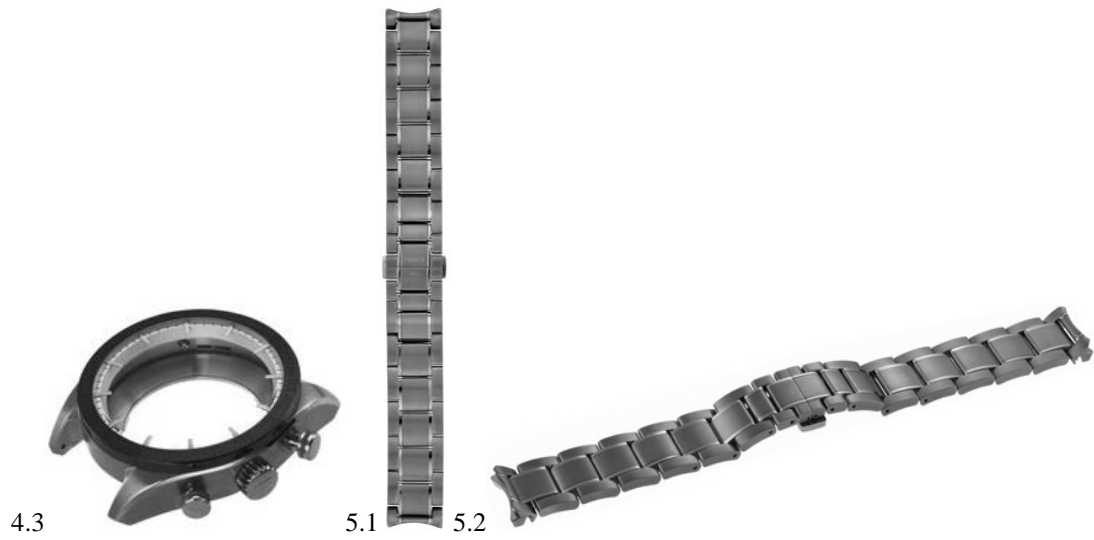
7: David QUINCHE

Quai Philippe-Suchard 12, 2000 Neuchâtel, Suisse

(54) 1. Watch case; 2. Watch bracelet; 3.-4. Watch cases; 5.-6. Watch bracelets; 7. Dial

(55)





(11) DM/085636

(51) 11-01

(15) 2015 02 18

(45) 2015/33 (2015 08 21)

(22) 2015 02 18

(28) 7

(73) TISSOT SA (TISSOT AG) (TISSOT LTD)

Chemin des Tourelles 17, CH-2400 Le Locle (CH)

(85) CH

(86) CH

(87) CH

(88) CH

(89) CH

(81) II. BZ, MA. III. AL, AM, AZ, BA, CH, EM, GE, KG, KR, LI, MC, MD, ME, MK, MN, NO, OM, SG, TN, TR, UA

(72) 1: Sandra BRISEBARD

2, rue des Amadouviens, 25140 Charquemont, France;

1: Sébastien PERRET

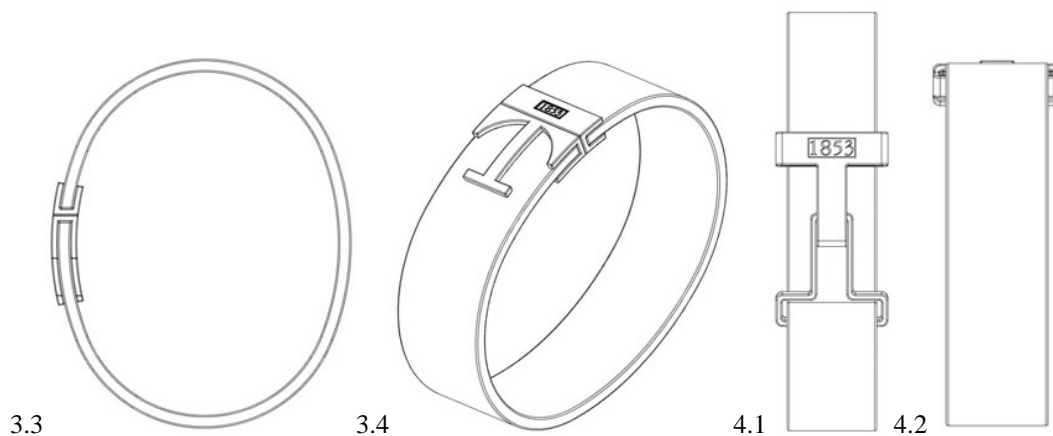
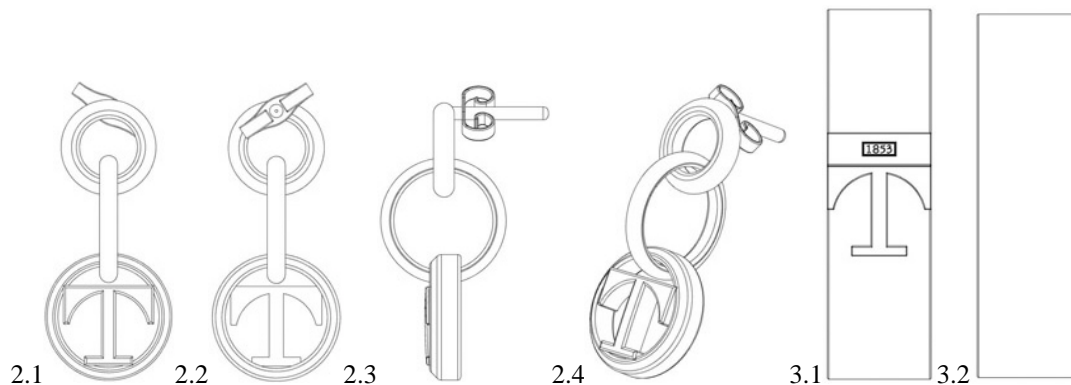
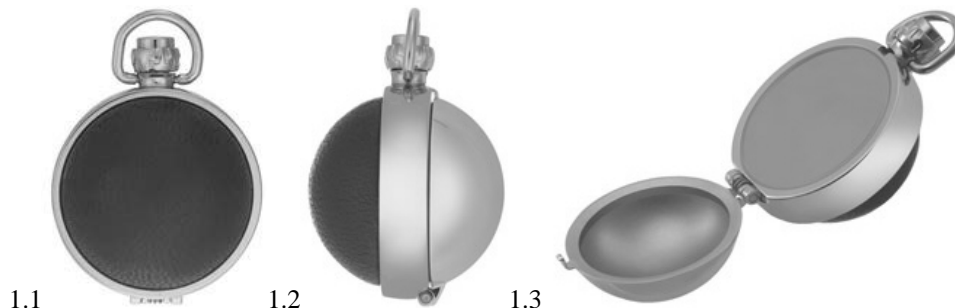
Rue du Temple 27A, 2014 Bôle, Suisse;

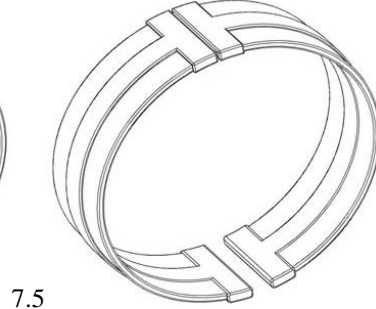
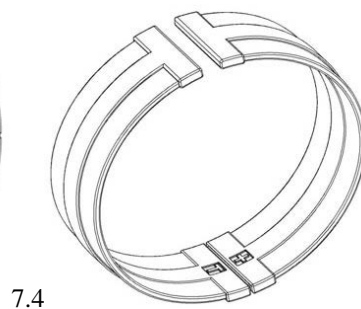
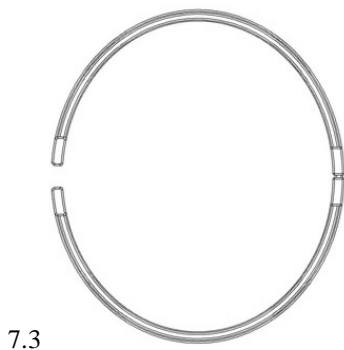
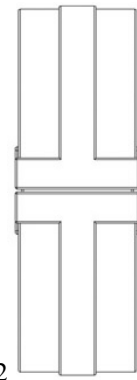
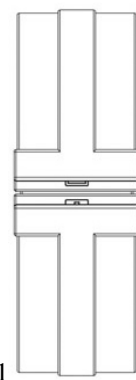
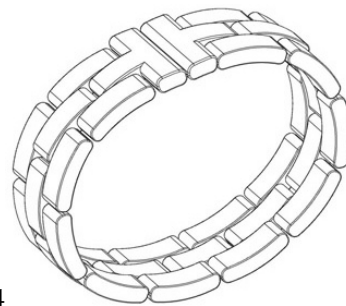
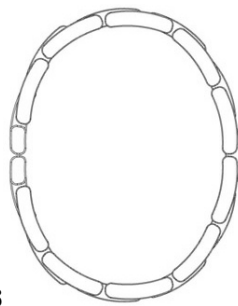
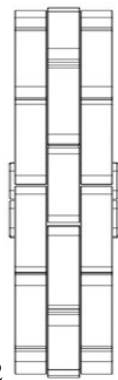
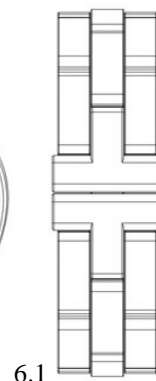
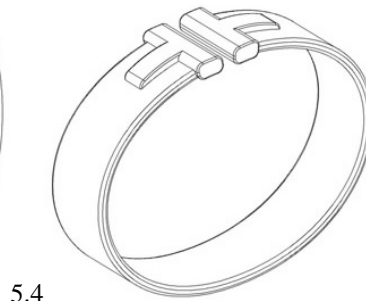
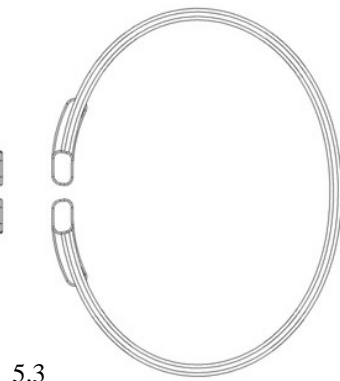
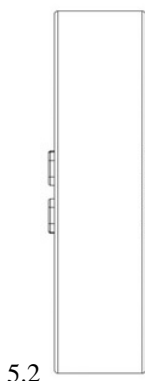
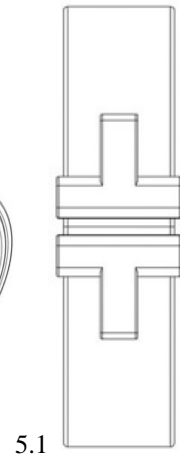
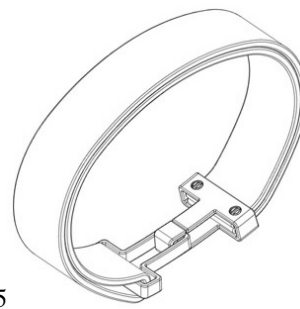
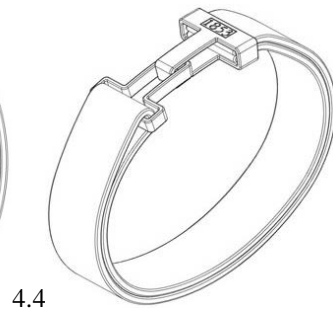
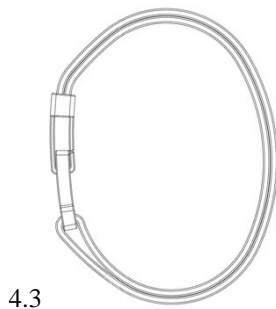
2,3,4,5,6,7: Fernando Antonio SOARES

Rue de l'Hôpital 4, 2000 Neuchâtel, Suisse

(54) 1. Pendant; 2. Earring; 3.-7. Bracelets

(55)





(11) DM/085637

(51) 10-07

(15) 2015 02 18

(45) 2015/33 (2015 08 21)

(22) 2015 02 18

(28) 13

(73) TISSOT SA (TISSOT AG) (TISSOT LTD)

Chemin des Tourelles 17, CH-2400 Le Locle (CH)

(85) CH

(86) CH

(87) CH

(88) CH

(89) CH

(81) II. BZ, MA. III. AL, AM, AZ, BA, CH, EM, GE, KG, KR, LI, MC, MD, ME, MK, MN, NO, OM, SG, TN, TR, UA

(72) 1: Pierre-André NOIRJEAN

Chemin du Moulin 3, 2802 Devilier, Suisse;

2,13: Sandra BRISEBARD

2, rue des Amadouviars, 25140 Charquemont, France;

3: Benoît VIANIN

Rue de la Banque 13, 2400 Le Locle, Suisse;

4,5,6: David QUINCHE

Quai Philippe-Suchard 12, 2000 Neuchâtel, Suisse;

7,8,9: Nicolas CLERC

Chemin de la Butte, 2400 Le Locle, Suisse;

7,8,9,10: Albiona LOKAJ

Rue Jean d'Aarberg 12, 2400 Le Locle, Suisse;

11,12: Laurie SAUNDERS

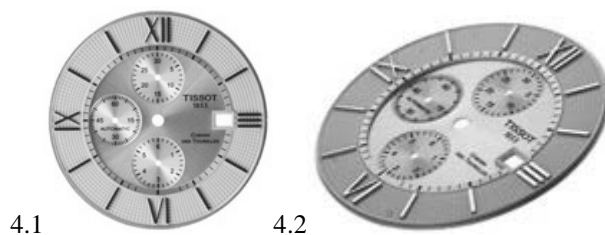
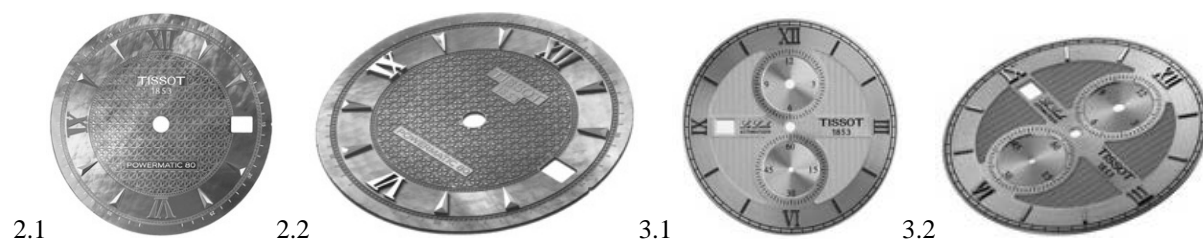
Scheuerackerweg 5, 3210 Kerzers, Suisse;

13: Sébastien PERRET

Rue du Temple 27A, 2014 Bôle, Suisse

(54) 1. Watch case; 2.-4. Dials; 5. Watch case; 6. Watch bracelet; 7.-10. Watch cases; 11.-12. Watch bracelets; 13. Watch case

(55)





5.1



5.2



5.3



6.1



6.2



7.1



7.2



8.1



8.2



9.1



9.2



10.1



10.2



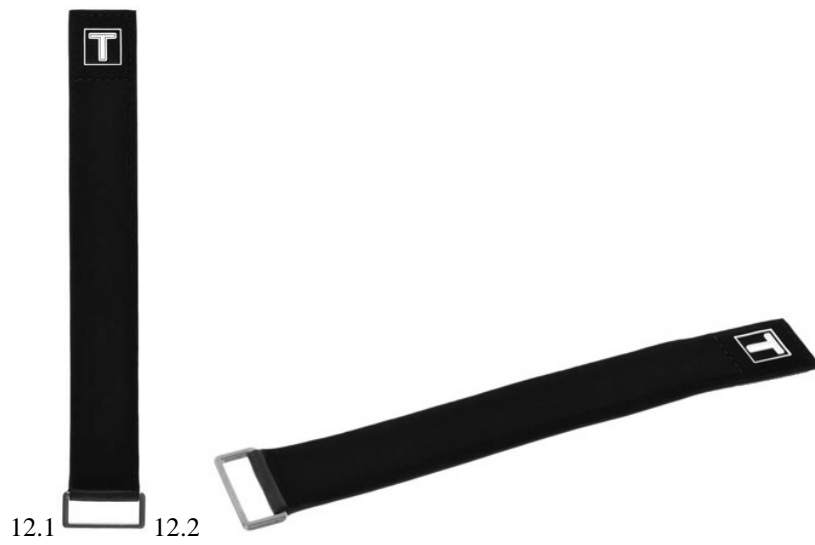
10.3



11.1



11.2



(11) DM/085638**(51) 02-07**

(15) 2015 02 18

(45) 2015/33 (2015 08 21)

(22) 2015 02 18

(28) 1

(73) TISSOT SA (TISSOT AG) (TISSOT LTD)

Chemin des Tourelles 17, CH-2400 Le Locle (CH)

(85) CH

(86) CH

(87) CH

(88) CH

(89) CH

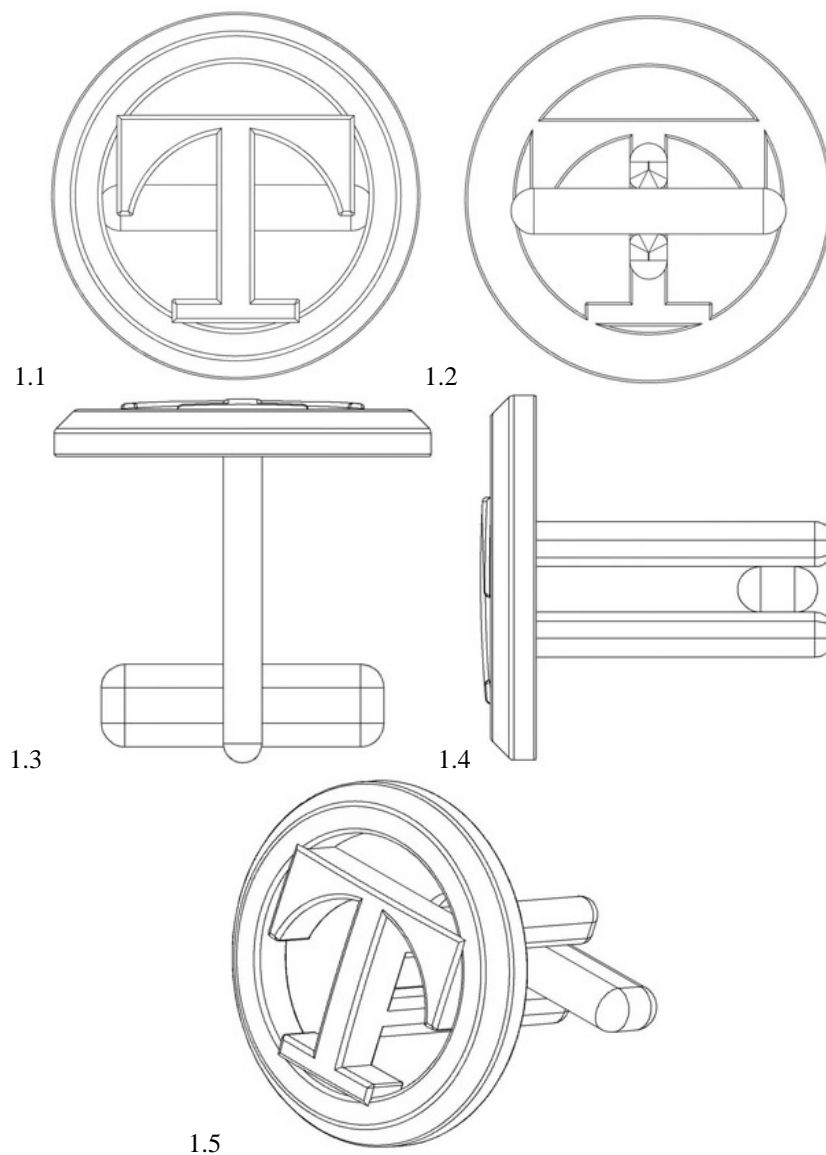
(81) II. BZ, MA. III. AL, AM, AZ, BA, CH, EM, GE, KG, KR, LI, MC, MD, ME, MK, MN, NO, OM, SG, TN, TR, UA

(72) 1: Fernando Antonio SOARES

Rue de l'Hôpital 4, 2000 Neuchâtel, Suisse

(54) 1. Cuff link

(55)



(11) DM/085683

(51) 10-07

(15) 2015 02 18

(45) 2015/33 (2015 08 21)

(22) 2015 02 18

(28) 2

(73) COMPAGNIE DES MONTRES LONGINES, FRANCILLON S.A.

(LONGINES WATCH CO., FRANCILLON LTD.)

CH-2610 St-Imier (CH)

(85) CH

(86) CH

(87) CH

(88) CH

(89) CH

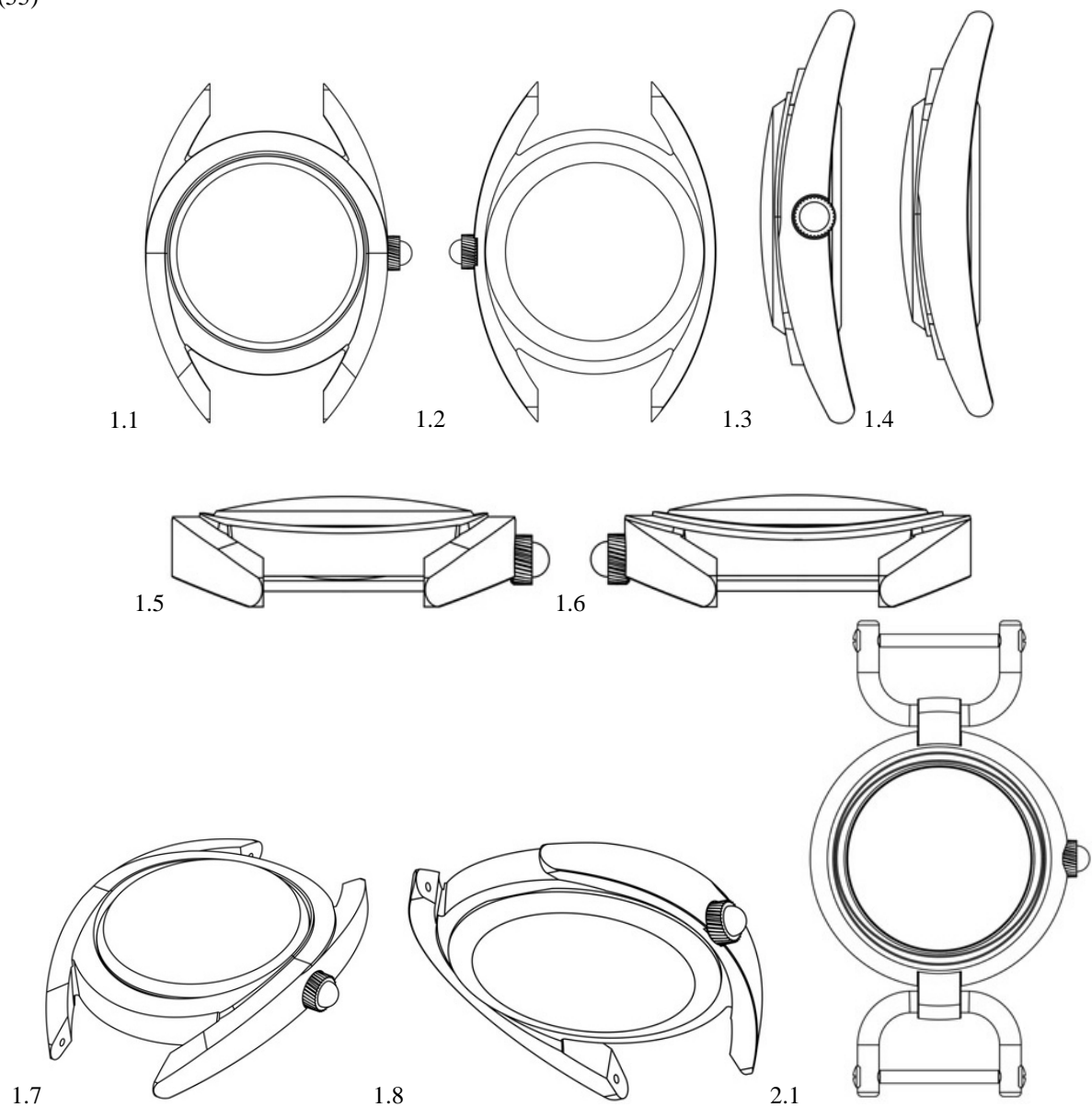
(81) II. BZ, MA. III. AL, AM, AZ, BA, CH, EM, GE, KG, KR, LI, MC, MD, ME, MK, MN, NO, OM, SG, TN, TR, UA

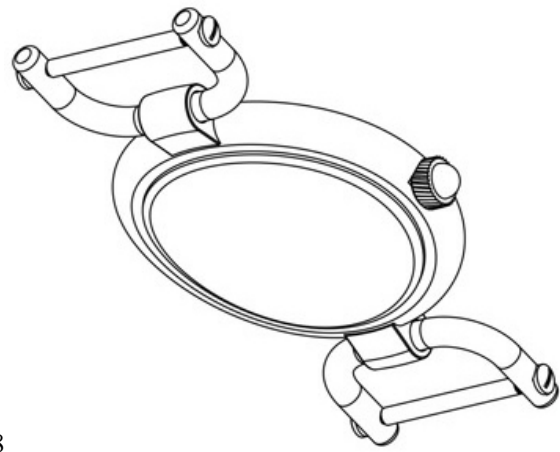
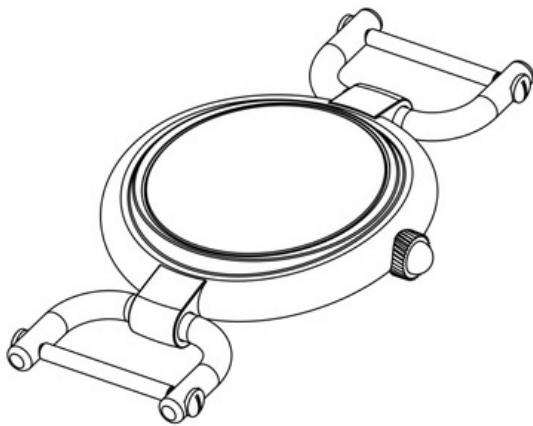
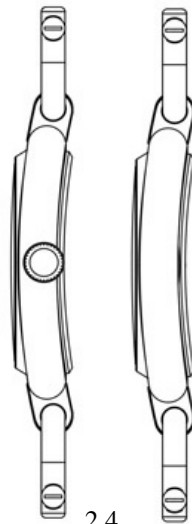
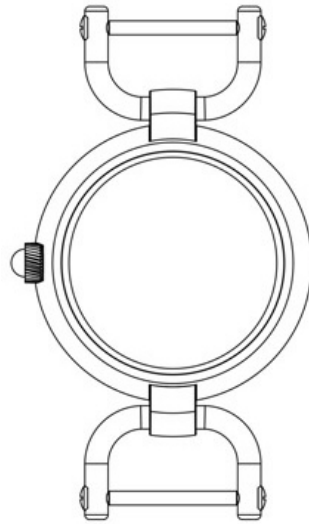
(72) 1-2: Alexandre VOIRIN

19 rue Victor Hugo, 25500 MORTEAU, France

(54) 1.-2. Watch cases

(55)





(11) DM/085684

(51) 10-07

(15) 2015 02 18

(45) 2015/33 (2015 08 21)

(22) 2015 02 18

(28) 1

(73) COMPAGNIE DES MONTRES LONGINES, FRANCILLON S.A.

(LONGINES WATCH CO., FRANCILLON LTD.)

CH-2610 St-Imier (CH)

(85) CH

(86) CH

(87) CH

(88) CH

(89) CH

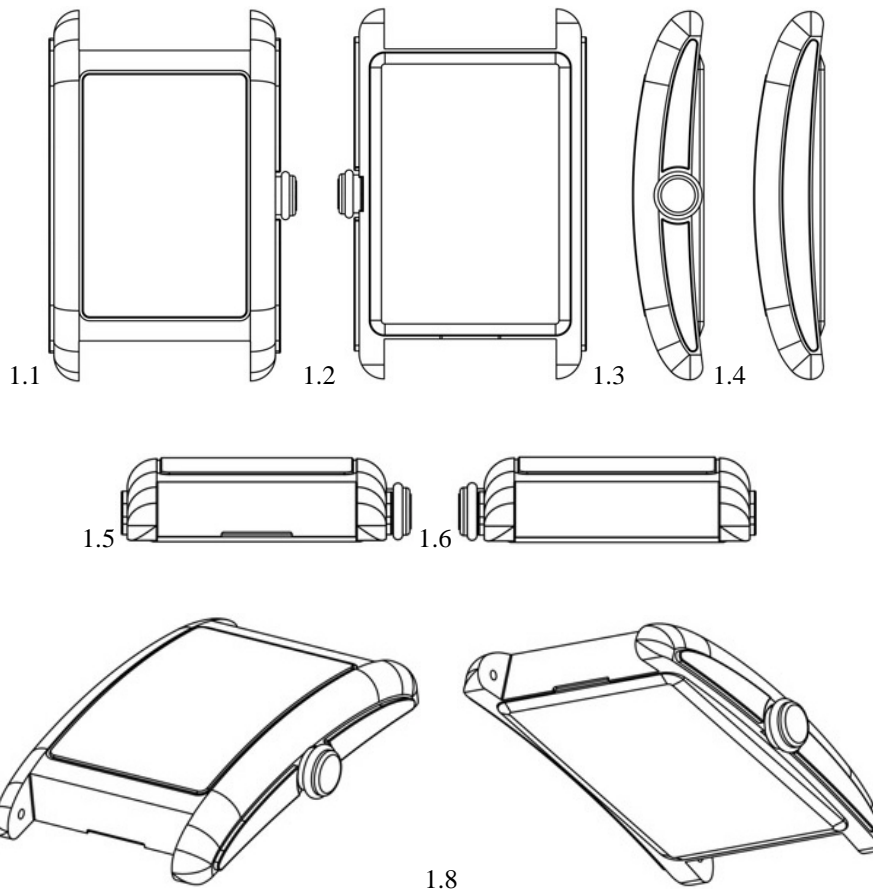
(81) II. BZ, MA. III. AL, AM, AZ, BA, CH, EM, GE, KG, KR, LI, MC, MD, ME, MK, MN, NO, OM, SG, TN, TR, UA

(72) 1: Alexandre VOIRIN

19 rue Victor Hugo, 25500 MORTEAU, France

(54) 1. Watch case

(55)



(11) DM/085685**(51) 10-07**

(15) 2015 02 18

(45) 2015/33 (2015 08 21)

(22) 2015 02 18

(28) 2

(73) COMPAGNIE DES MONTRES LONGINES, FRANCILLON S.A.

(LONGINES WATCH CO., FRANCILLON LTD.)

CH-2610 St-Imier (CH)

(85) CH

(86) CH

(87) CH

(88) CH

(89) CH

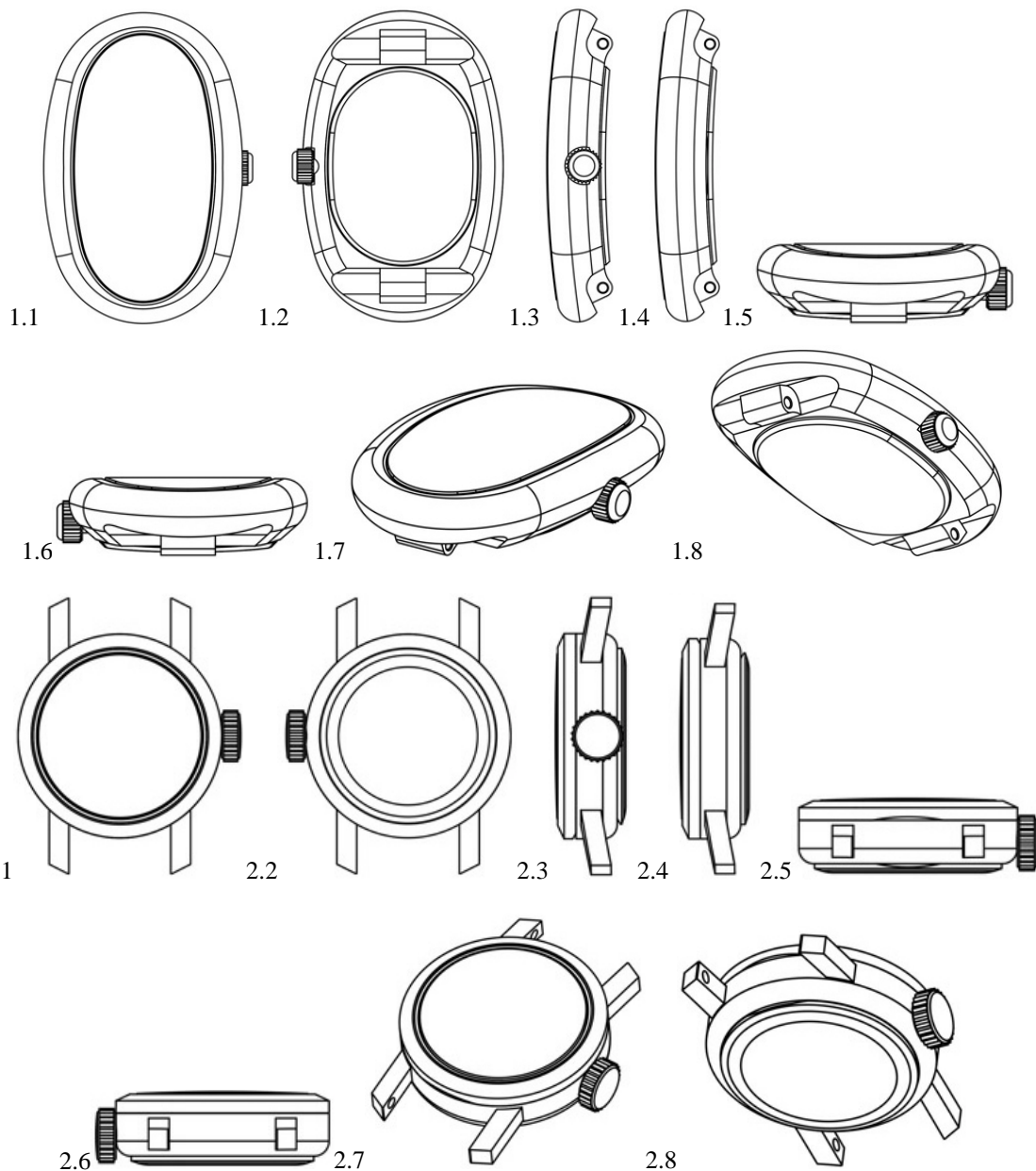
(81) II. BZ, MA. III. AL, AM, AZ, BA, CH, EM, GE, KG, KR, LI, MC, MD, ME, MK, MN, NO, OM, SG, TN, TR, UA

(72) 1-2: Alexandre VOIRIN

19 rue Victor Hugo, 25500 MORTEAU, France

(54) 1.-2. Watch cases

(55)



(11) DM/085693

(51) 11-01

(15) 2015 02 23

(45) 2015/34 (2015 08 28)

(22) 2015 02 23

(28) 3

(73) HARRY WINSTON SA

Chemin du Tourbillon 8, CH-1228 Plan-les-Ouates (CH)

(85) CH

(86) CH

(87) CH

(88) CH

(89) CH

(81) II. BZ, MA, III. AL, AM, AZ, BA, CH, EM, GE, KG, KR, LI, MC, MD, ME, MK, MN, NO, OM, SG, TN, TR, UA

(72) 1: Coralie BLOOTACKER

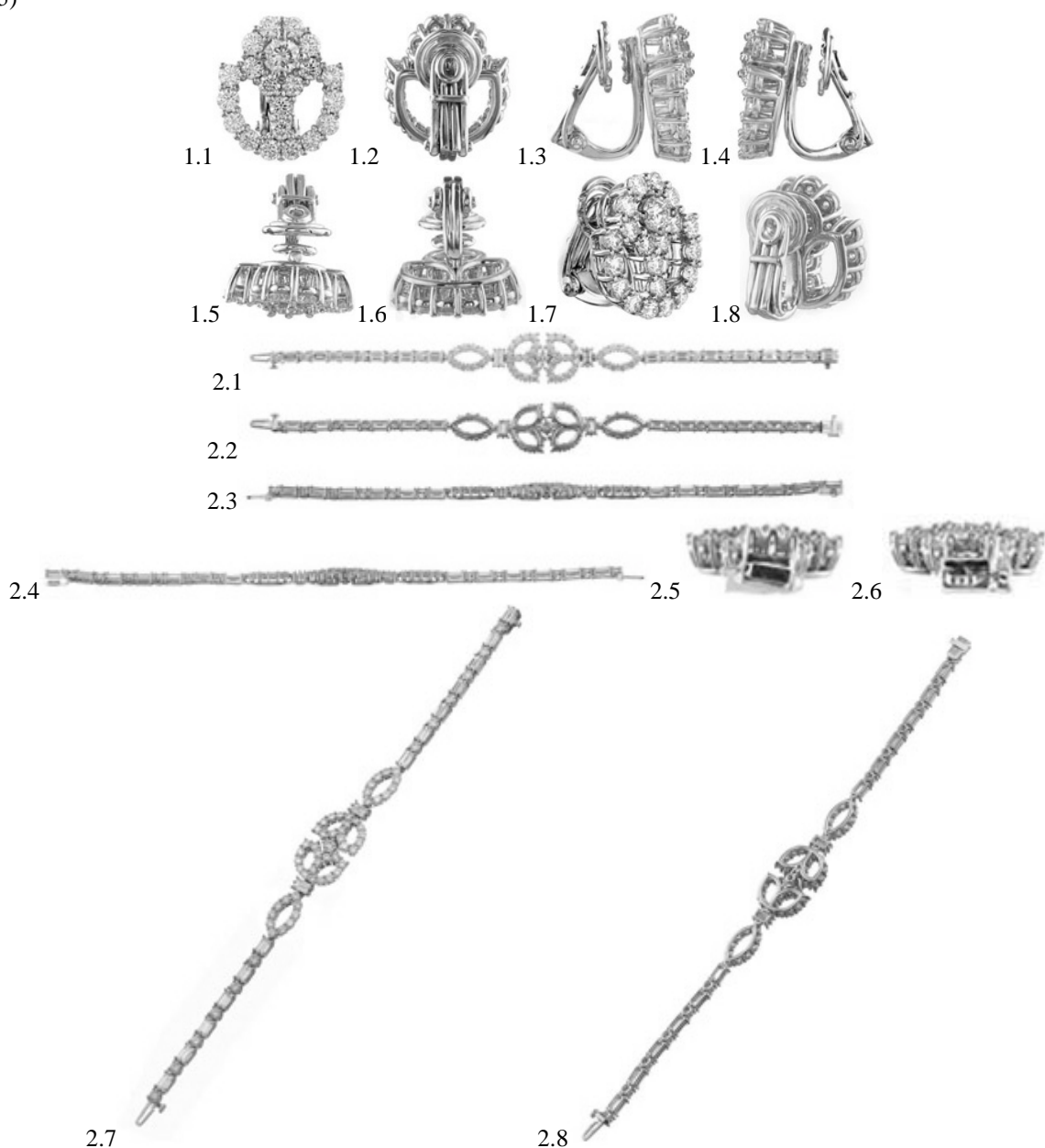
30, place des Aviateurs Appt.201, Montée C, 74580 VIRY, France;

2,3: Emmanuelle DOMINGUEZ

285, rue de la Luchette, 74580 VIRY, France

(54) 1. Earring; 2.-3. Bracelets

(55)





(11) DM/085694

(51) 10-07

(15) 2015 02 23

(45) 2015/34 (2015 08 28)

(22) 2015 02 23

(28) 1

(73) SWATCH AG (SWATCH SA) (SWATCH LTD.)

Jakob-Stämpfli-Strasse 94, CH-2502 Biel/Bienne (CH)

(85) CH

(86) CH

(87) CH

(88) CH

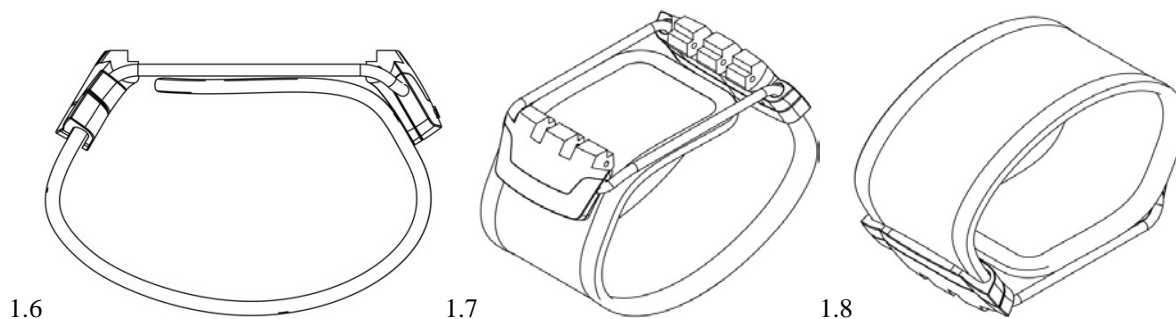
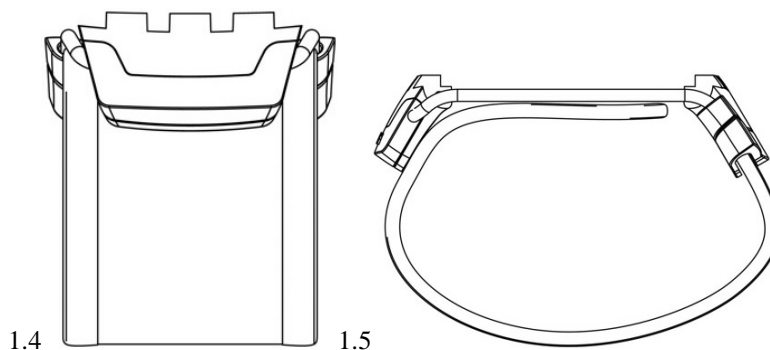
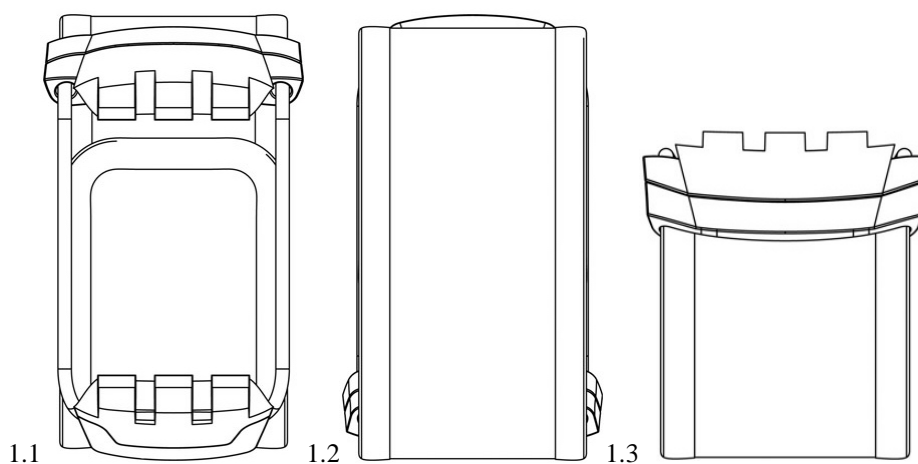
(89) CH

(81) II. BZ, MA, III. AL, AM, AZ, BA, CH, EM, GE, KG, KR, LI, MC, MD, ME, MK, MN, NO, OM, SG, TN, TR, UA

(72) 1: Matthias Zäh, Rainstrasse 14, 8134 Adliswil, Suisse

(54) 1. Watch strap

(55)



(11) DM/085702**(51) 10-02**

(15) 2015 02 24

(45) 2015/34 (2015 08 28)

(22) 2015 02 24

(28) 8

(73) THE SWATCH GROUP MANAGEMENT SERVICES AG (THE SWATCH GROUP MANAGEMENT SERVICES SA) (THE SWATCH GROUP MANAGEMENT SERVICES LTD.)

Seevorstadt 6, CH-2502 BIEL/BIENNE (CH)

(85) CH

(86) CH

(87) CH

(88) CH

(89) CH

(81) II. BZ, MA, III. AL, AM, AZ, BA, CH, EM, GE, KG, KR, LI, MC, MD, ME, MK, MN, NO, OM, SG, TN, TR, UA

(72) 1,2,4,5,6: Fernando Soares

Rue de Fleury 5, 2000 Neuchâtel, Suisse;

3,8: Fabrice Duport

Av. de la Gare 4, 2000 Neuchâtel, Suisse;

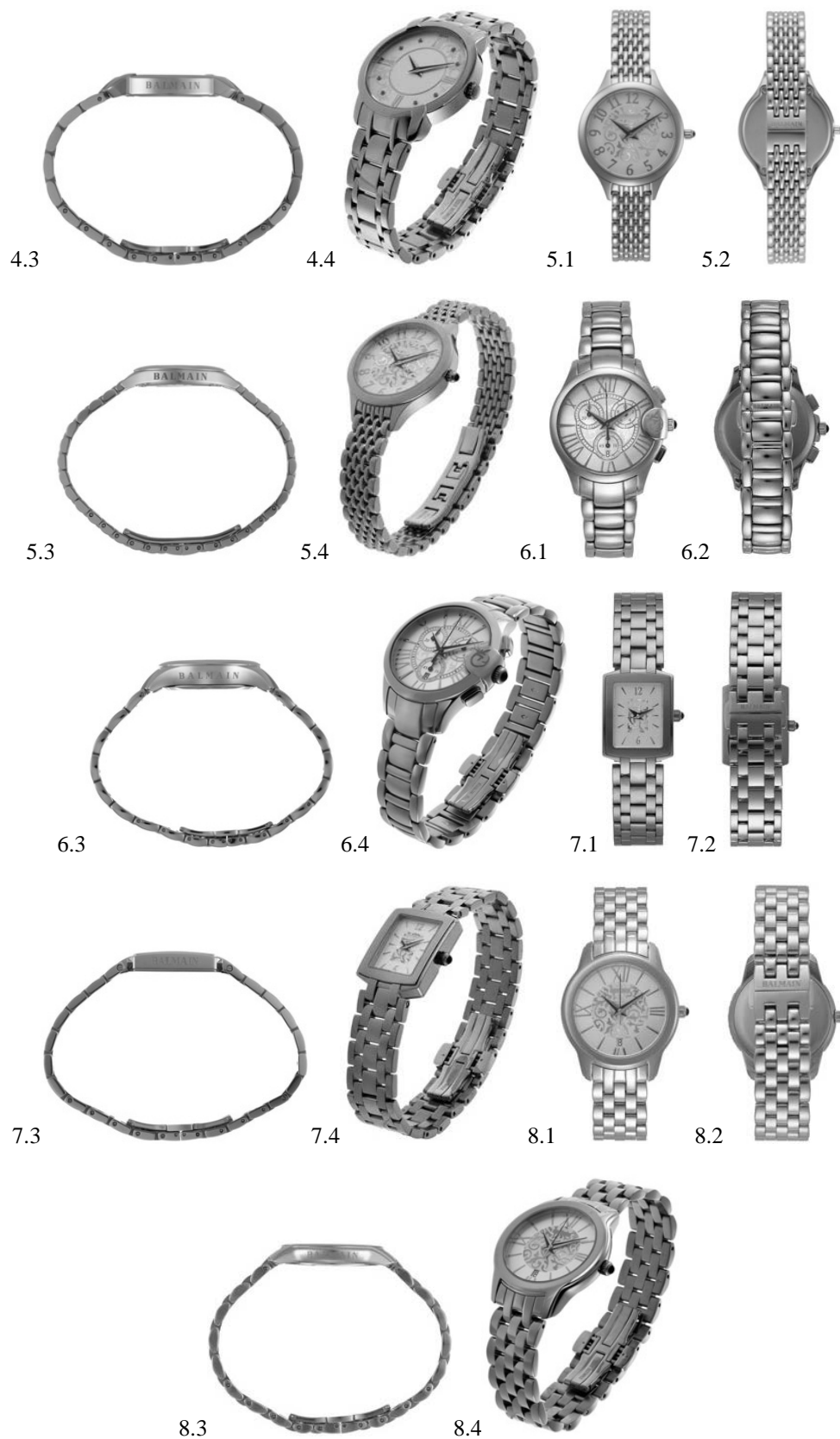
7: Michèle Berri

La Rouette 4, 2516 Lamboing, Suisse

(54) 1.-8. Wristwatches

(55)





(11) DM/085703**(51) 10-02**

(15) 2015 02 24

(45) 2015/34 (2015 08 28)

(22) 2015 02 24

(28) 2

(73) SWATCH AG (SWATCH SA) (SWATCH LTD.)

Jakob-Stämpfli-Strasse 94, CH-2502 Biel/Bienne (CH)

(85) CH

(86) CH

(87) CH

(88) CH

(89) CH

(81) II. BZ, MA. III. AL, AM, AZ, BA, CH, EM, GE, KG, KR, LI, MC, MD, ME, MK, MN, NO, OM, SG, TN, TR, UA

(72) 1-2: MIN KIM

St. Alban-Ring 238, 4052 Basel, Suisse

(54) 1.-2. Wristwatches

(55)



1.1



1.2



2.1



2.2

(11) DM/085704

(51) 10-07

(15) 2015 02 24

(45) 2015/34 (2015 08 28)

(22) 2015 02 24

(28) 1

(73) HARRY WINSTON SA

Chemin du Tourbillon 8, CH-1228 Plan-les-Ouates (CH)

(85) CH

(86) CH

(87) CH

(88) CH

(89) CH

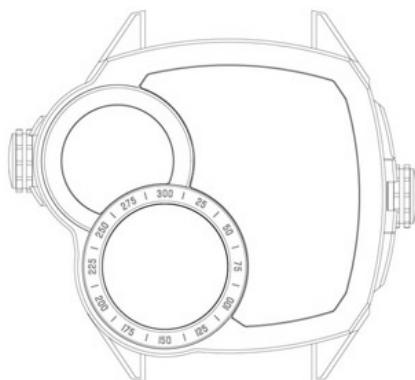
(81) II. BZ, MA. III. AL, AM, AZ, BA, CH, EM, GE, KG, KR, LI, MC, MD, ME, MK, MN, NO, OM, SG, TN, TR, UA

(72) 1: Antoine TSCHUMI

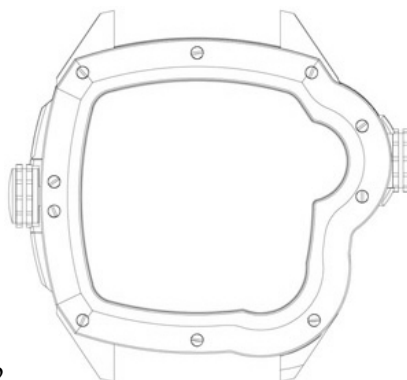
Promenade Noire 5, 2000 Neuchâtel, Suisse

(54) 1. Watch case

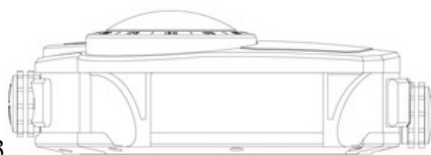
(55)



1.1



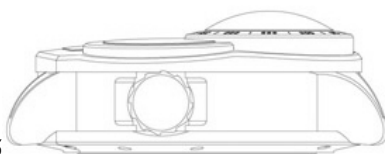
1.2



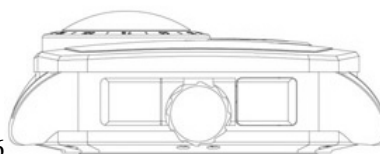
1.3



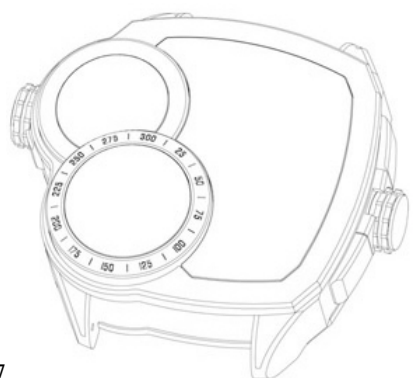
1.4



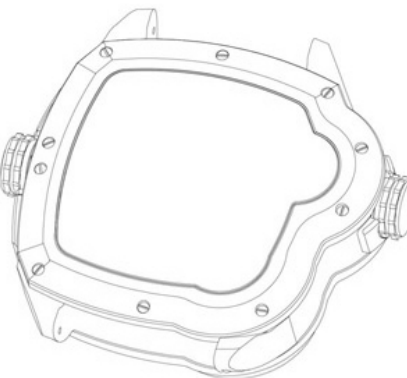
1.5



1.6



1.7



1.8

(11) DM/085705**(51) 11-01**

(15) 2015 02 25

(45) 2015/34 (2015 08 28)

(22) 2015 02 25

(28) 3

(73) MONTRES BREGUET S.A.

Place de la Tour 23, CH-1344 L'ABBAYE (CH)

(85) CH

(86) CH

(87) CH

(88) CH

(89) CH

(81) II. BZ, MA. III. AL, AM, AZ, BA, CH, EM, GE, KG, KR, LI, MC, MD, ME, MK, MN, NO, OM, SG, TN, TR, UA

(72) 1-3: Vincent LAUCELLA

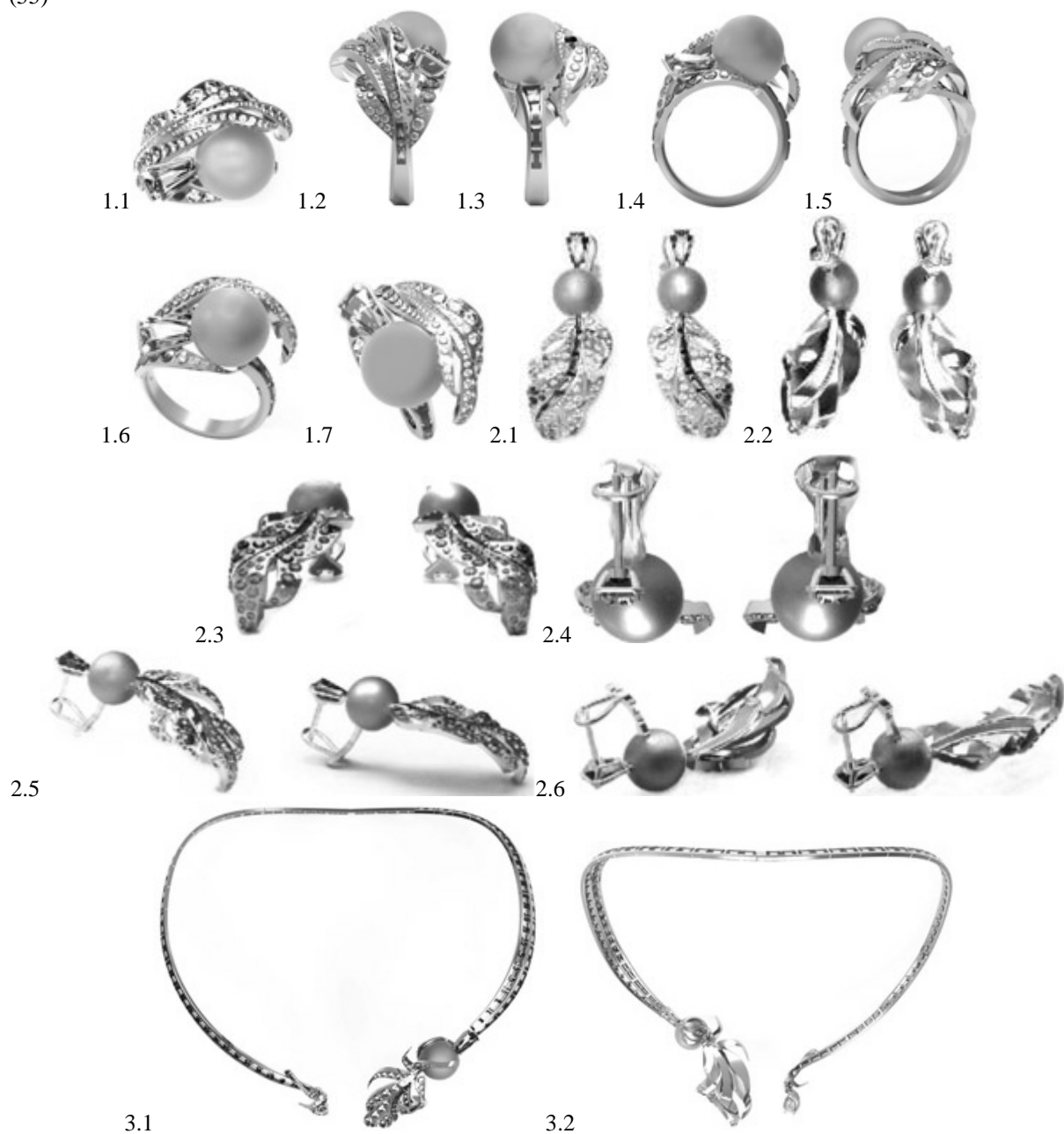
Route de France 38, 1348 Le Brassus, Suisse;

1-3: Coralie DELMONT

Grande Rue 17, 1347 Le Sentier, Suisse

(54) 1. Finger ring; 2. Earrings; 3. Necklace

(55)





(11) DM/085708

(51) 10-02

(15) 2015 02 26

(45) 2015/34 (2015 08 28)

(22) 2015 02 26

(28) 4

(73) MONTRES BREGUET S.A.

Place de la Tour 23, CH-1344 L'ABBAYE (CH)

(85) CH

(86) CH

(87) CH

(88) CH

(89) CH

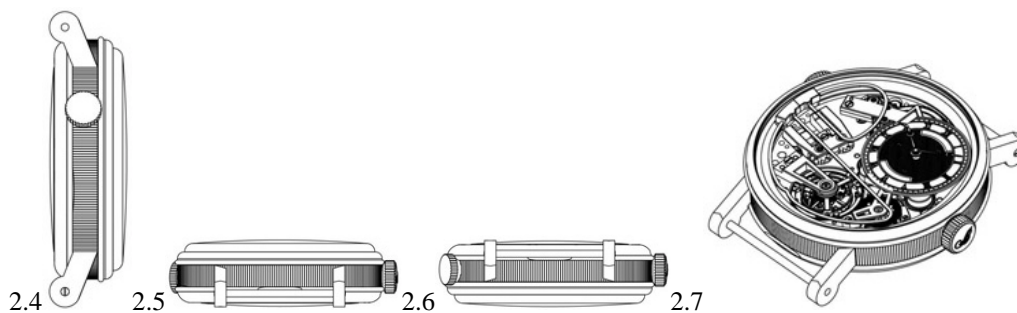
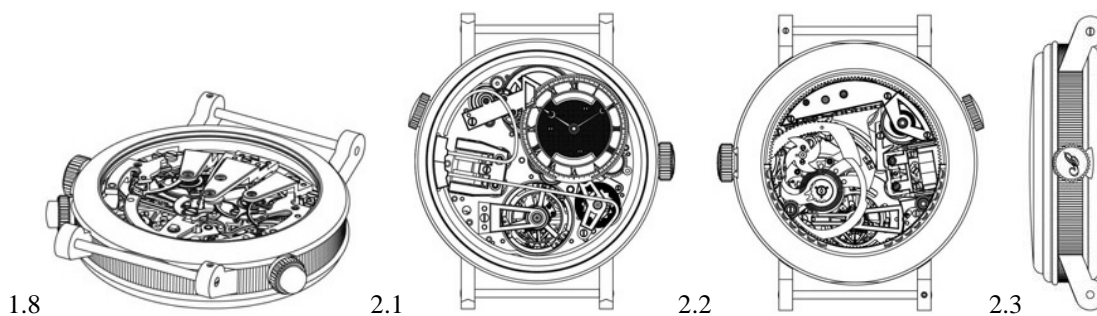
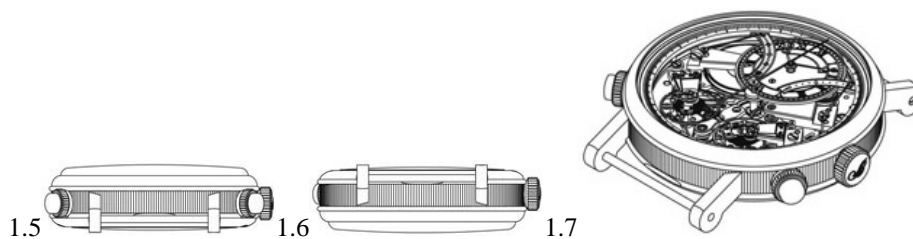
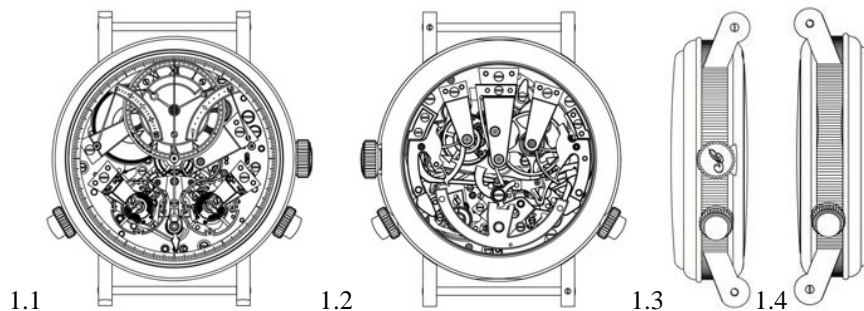
(81) IL, BZ, MA, III, AL, AM, AZ, BA, CH, EM, GE, KG, KR, LI, MC, MD, ME, MK, MN, NO, OM, SG, TN, TR, UA

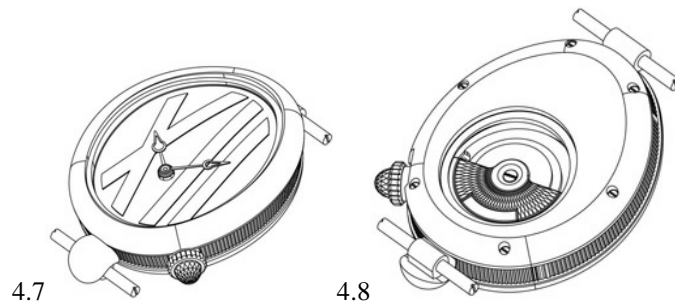
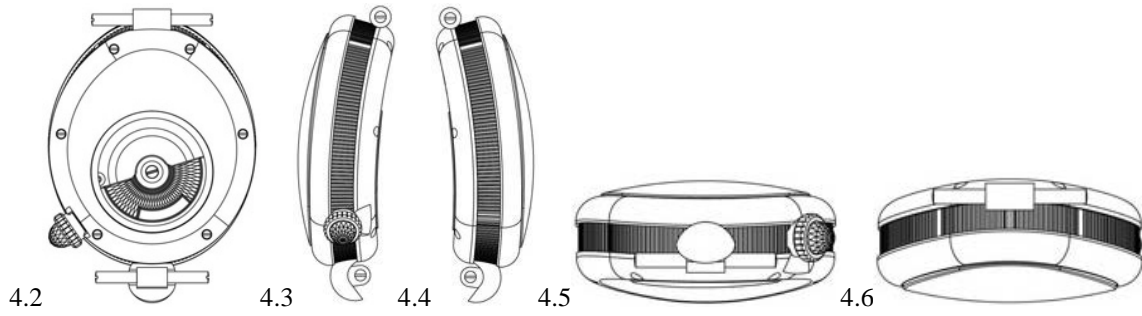
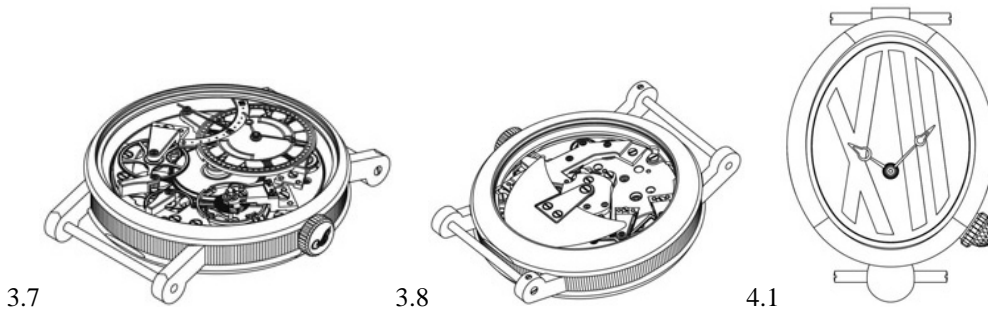
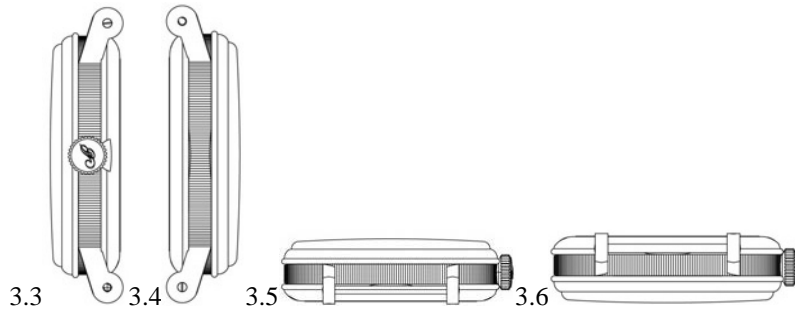
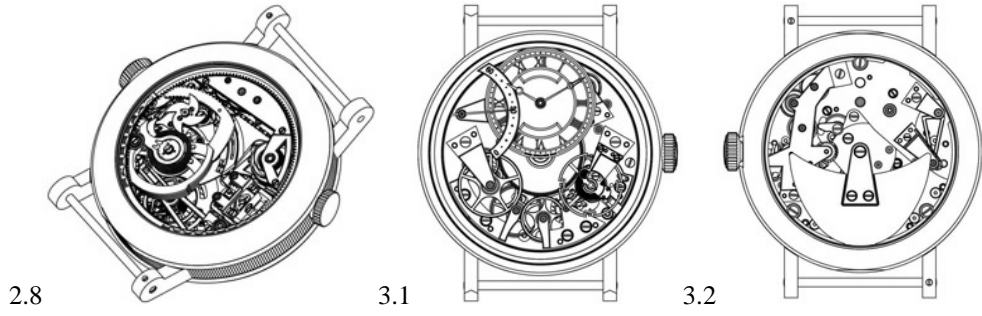
(72) 1-4: Vincent LAUCELLA

Route de France 38, 1348 Le Brassus, Suisse

(54) 1.-4. Watches

(55)





(11) DM/085719

(51) 10-02

(15) 2015 02 24

(45) 2015/34 (2015 08 28)

(22) 2015 02 24

(28) 5

(73) SWATCH AG (SWATCH SA) (SWATCH LTD.)

Jakob-Stämpfli-Strasse 94, CH-2502 Biel/Bienne (CH)

(85) CH

(86) CH

(87) CH

(88) CH

(89) CH

(81) II. BZ, MA, III. AL, AM, AZ, BA, CH, EM, GE, KG, KR, LI, MC, MD, ME, MK, MN, NO, OM, SG, TN, TR, UA

(72) 1-5: Matthias Zäh

Rainstrasse 14, 8134 Adliswil, Suisse

(54) 1.-5. Wristwatches

(55)



1.1



1.2



1.3



1.4



1.5



1.6



1.7



1.8



2.1



2.2



2.3





(11) DM/085739

(51) 18-03

(15) 2015 02 23

(45) 2015/34 (2015 08 28)

(22) 2015 02 23

(28) 1

(73) SWATCH AG (SWATCH SA) (SWATCH LTD.)

Jakob-Stämpfli-Strasse 94, CH-2502 Biel/Bienne (CH)

(85) CH

(86) CH

(87) CH

(88) CH

(89) CH

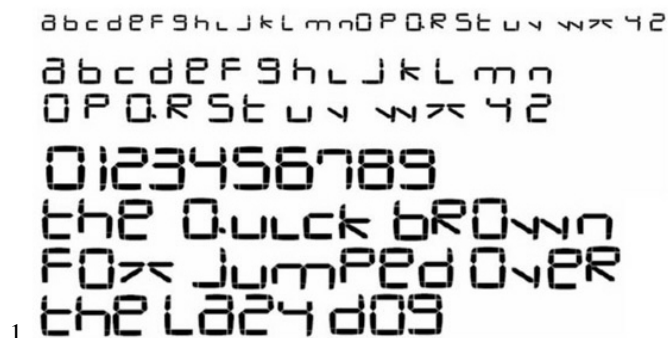
(81) II. BZ, MA. III. AL, AM, AZ, BA, CH, EM, GE, KG, KR, LI, MC, MD, ME, MK, MN, NO, OM, SG, TN, TR, UA

(72) Alphonse ARELLANO, WUAKA

Rue des Echelettes 9, 1004 Lausanne, Suisse

(54) 1. Set of characters and typographic symbols for printing and digital display

(55)



(11) DM/085780

(51) 14-04

(15) 2015 02 26

(45) 2015/34 (2015 08 28)

(22) 2015 02 26

(28) 3

(73) SWATCH AG (SWATCH SA) (SWATCH LTD.)

Jakob-Stämpfli-Strasse 94, CH-2502 Biel/Bienne (CH)

(85) CH

(86) CH

(87) CH

(88) CH

(89) CH

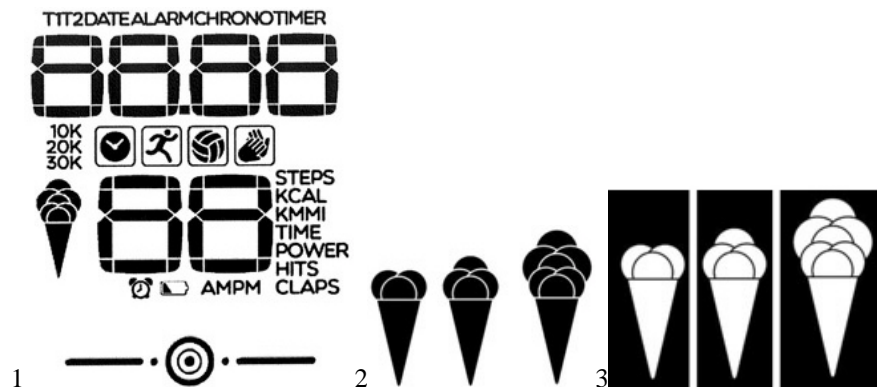
(81) II. BZ, MA. III. AL, AM, AZ, BA, CH, EM, GE, KG, KR, LI, MC, MD, ME, MK, MN, NO, OM, SG, TN, TR, UA

(72) 1-3: Alphonse ARELLANO, WUAKA

Rue des Echelettes 9, 1004 Lausanne, Suisse; 1: Min KIM, St. Alban-Ring 238, 4052 Basel, Suisse

(54) 1. Display elements; 2.-3. Icon sets

(55)



(11) DM/085928

(51) 32-00

(15) 2015 02 27

(45) 2015/34 (2015 08 28)

(22) 2015 02 27

(28) 13

(73) JAPAN TOBACCO INC.

2-2-1 Toranomom, Minato-ku, Tokyo (JP)

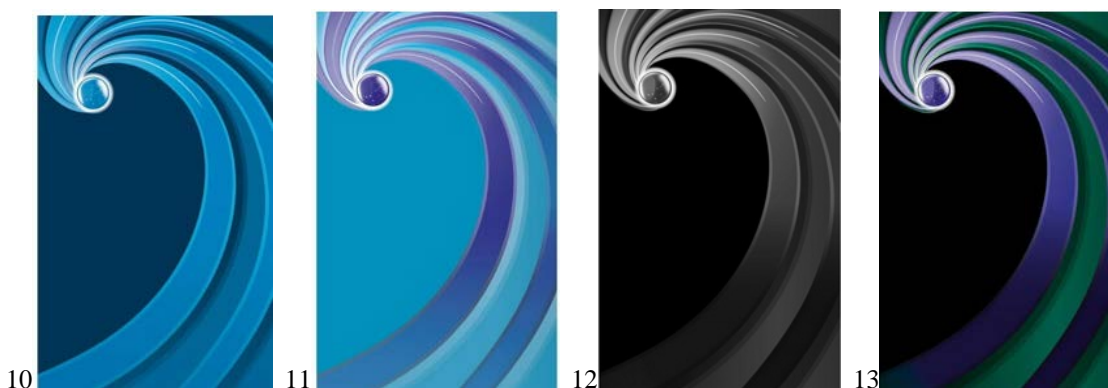
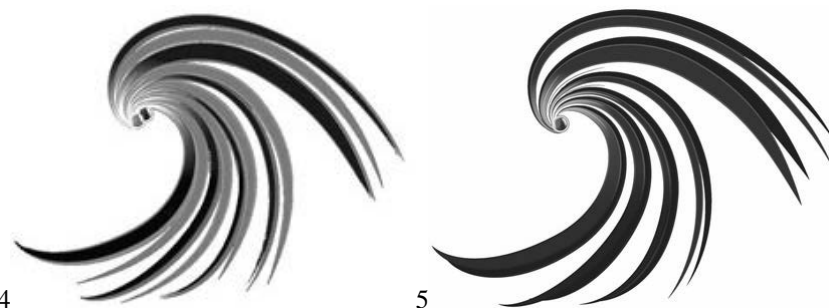
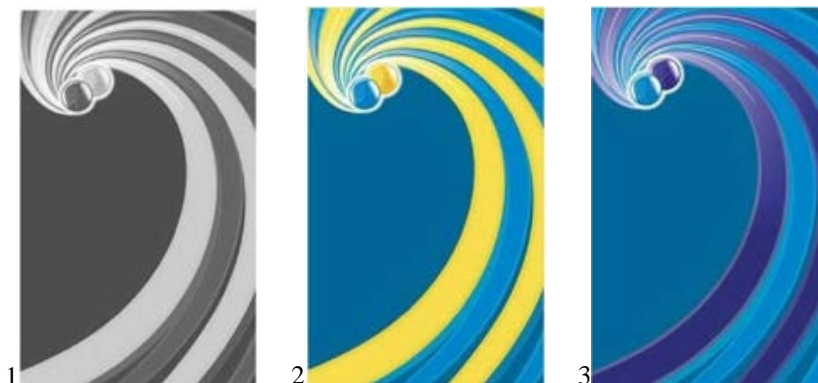
(88) CH

(89) CH

(81) III. AL, AM, AZ, BA, CH, EM, GE, HR, MD, ME, MK, OM, SG, TN, TR, UA

(54) 1.-13. Graphic designs

(55)



(11) DM/086421

(51) 10-02

(15) 2015 02 23

(45) 2015/34 (2015 08 28)

(22) 2015 02 23

(28) 1

(73) SWATCH AG (SWATCH SA) (SWATCH LTD.)

Jakob-Stämpfli-Strasse 94, CH-2502 Biel/Bienne (CH)

(85) CH

(86) CH

(87) CH

(88) CH

(89) CH

(81) II. BZ, MA. III. AL, AM, AZ, BA, CH, EM, GE, KG, KR, LI, MC, MD, ME, MK, MN, NO, OM, SG, TN, TR, UA

(72) 1: Alphonse ARELLANO, WUAKA

Rue des Echelettes 9, 1004 Lausanne, Suisse;

1: Raphaël WAECKER

Rue des Brues 9, 2615 Sonvilier, Suisse;

1: Min KIM

St. Alban-Ring 238, 4052 Basel, Suisse

(54) 1. Watch with digital display

(55)



(11) DM/087214**(51) 25-01**

(15) 2015 02 27

(45) 2015/34 (2015 08 28)

(22) 2015 02 27

(28) 1

(30) 02.09.2014; 2014 3839; FR

(73) SAINT-GOBAIN GLASS FRANCE

"Les Miroirs" 18, avenue d'Alsace, F-92400 COURBEVOIE (FR)

(85) FR, EM

(86) FR, EM

(87) FR, EM

(88) FR, EM

(89) FR

(81) III. CH, EG, EM, GE, KR, LI, NO, TR, UA

(72) 1: Gilles ROZÉ

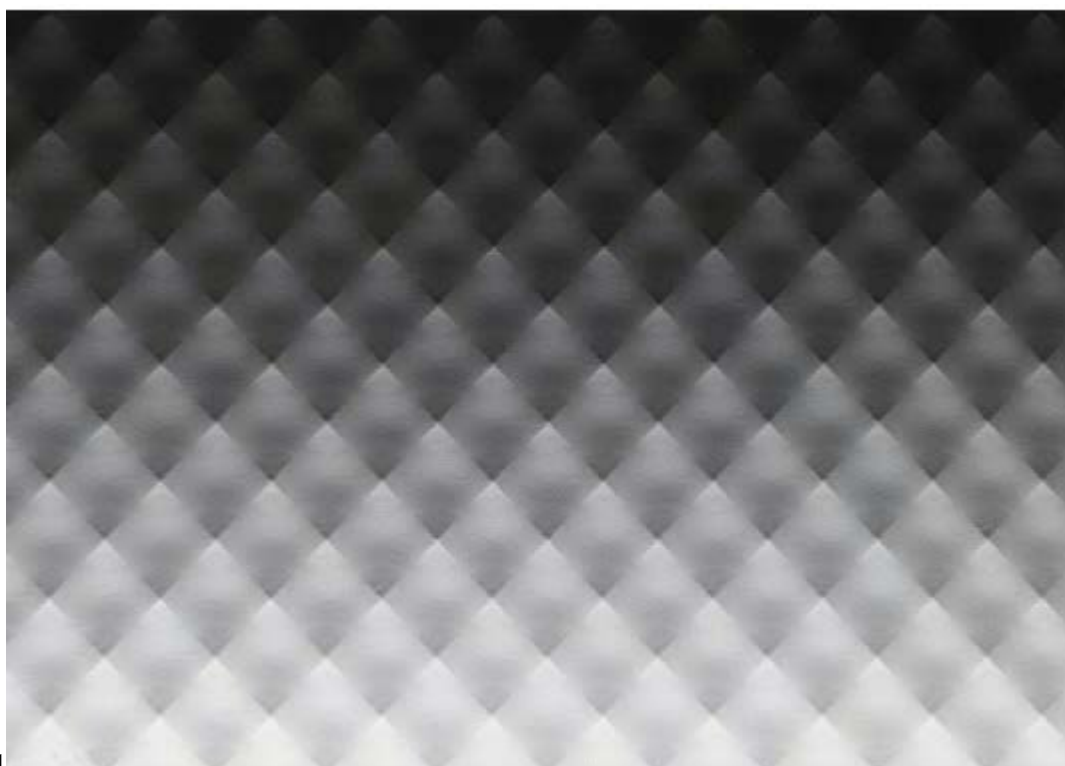
71 rue du Général de Gaulle, 89340 Villeneuve la Guyard, France;

1: Yves SAVINEL

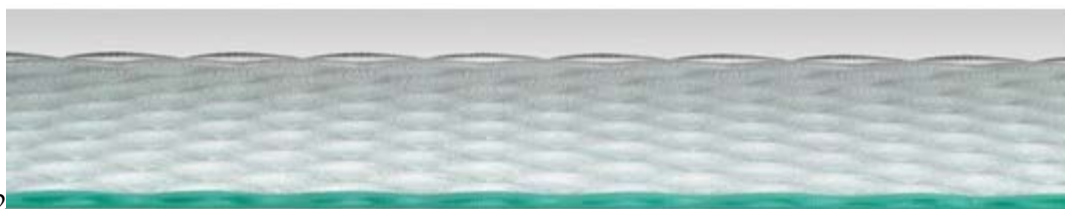
4 rue des Cheverrures, 78600 Le Mesnil le Roi, France

(54) 1. Printed glass

(55)



1.1



1.2

(11) DM/087227

(15) 2015 06 17

(22) 2015 06 17

(73) MACOM S.R.L.

Via G. da Procida, 10, I-20149 MILANO (IT)

(85) EM

(86) IT, EM

(87) IT, EM

(88) IT, EM

(89) EM

(81) II. KP, MA, III. AL, BA, CH, EG, EM, GE, IS, JP, KR, LI, MC, MD, ME, MK, MN, NO, OA, RS, SG, TN, TR, UA, US

(72) 1: Mattia MELOCCHI

Via Ippolito Nievo, 9, 20145 MILANO, Italy

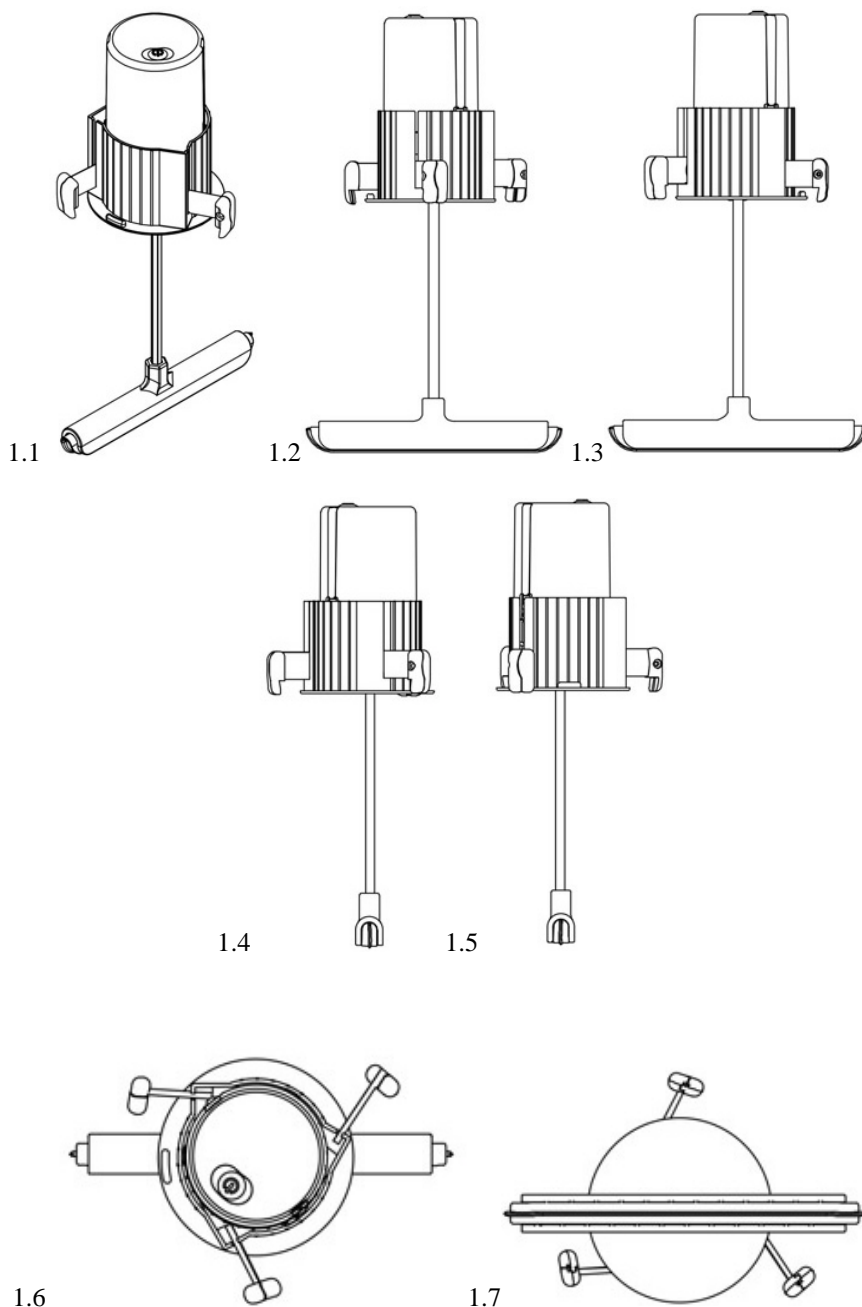
(54) 1. Stirrer

(55)

(51) 07-02

(45) 2015/34 (2015 08 28)

(28) 1



(11) DM/087252**(51) 03-01**

(15) 2015 08 07

(45) 2015/34 (2015 08 28)

(22) 2015 08 07

(28) 3

(30) for designs No(s) 1, 2, 3: 25.02.2015; 002640870; EM

(73) GUCCIO GUCCI S.P.A.

Via Tornabuoni, 73/R, I-50123 FIRENZE (IT)

(86) IT, EM

(87) IT, EM

(88) IT, EM (89) EM

(81) II. BJ, BZ, CI, GA, KP, MA, ML, NE, SN, SR. III. AL, AM, AZ, BA, BN, BW, CH, EG, GE, GH, IS, JP, KG, KR, LI, MC, MD, ME, MK, MN, NA, NO, OA, OM, RS, RW, SG, ST, SY, TJ, TN, TR, UA

(72) 1,2,3: MICHELE Alessandro

c/o GUCCIO GUCCI S.P.A. Creative Department, Via Del Banco Di Santo Spirito, 12, Roma, Italy

(54) 1.-3. Handbags

(55)



1.1



1.2



1.3



1.4



1.5



2.1



2.2



2.3



2.4



2.5



3

TRADEMARKS

APPLICATIONS FILED UNDER THE NATIONAL PROCEDURE APPROVED FOR REGISTRATION

The decision can be appealed at the Chamber of Appeal of Sakpatenti within 3 months from the publication or at the Mtskheta District Court Administrative Cases Board (Address: №17, Samkhedro St., Mtskheta), within 1 month following the publication.

(260) AM 2015 79268 A*
(210) AM 79268
(220) 2014 10 30
(731) N(N)LE "OZHIO CELLAR"
Sop. Ozhio, 0906, Akhmeta, Georgia
(740) Aleksandre Kvernadze
(540)

ღვინის ცვარო

(511) 33

(260) AM 2015 79708 A
(210) AM 79708
(220) 2014 12 01
(731) Karen Vardanyan
Bairon Str. 3, Ap. 36, Yerevan, Armenia
(740) Davit Zurabishvili
(540)

Dolche Vita Дольче Вита

(511) 30

(260) AM 2015 79841 A
(210) AM 79841
(220) 2014 12 08
(310) UK00003064882
(320) 2014 07 18
(330) GB
(731) BRITISH AMERICAN TOBACCO
(BRANDS) INC (a Delaware corporation)
2711 Centerville Road, Suite 300,
Wilmington, Delaware 19808, USA
(740) Tamar Kochlamazashvili
(540)

871 COLD

(511) 34

(260) AM 2015 79975 A
(210) AM 79975
(220) 2014 12 22
(310) 840834020
(320) 2014 06 26
(330) BR
(731) ALVEAN SUGAR INTERMEDIACÃO E
AGENCIAMENTO LTDA

Avenida Paulista, N287, 2a andar, Sala C,
CER 01311-000, São Paulo/ SP, Brazil
(740) Giorgi Taktakishvili
(540)

ALVEAN

(511) 36

(260) AM 2015 80490 A
(210) AM 80490
(220) 2015 01 27
(731) LTD "VERTEX"
Nutsbidzis q.11a, me-4 sar., b.19, Tbilisi,
Georgia
(740) Tamar Chkhetia
(540)



(591) Black, golden
(511) 35, 36, 37

(260) AM 2015 80491 A
(210) AM 80491
(220) 2015 01 27
(731) SHELL BRANDS INTERNATIONAL AG
Baareratte, 6340 Baar, Switzerland
(740) Tamaz Shilakadze
(540)

PUREPLUS

(511) 4

(260) AM 2015 80575 A
(210) AM 80575
(220) 2015 01 30
(731) LTD "FINANCIAL ORGANIZATION
BERMELI"
Parnavaz Mepis q. 93, 6000, Batumi, Georgia
(540)

ბერმელი

BERMELI

(511) 35, 36

(260) AM 2015 80583 A
 (210) AM 80583
 (220) 2015 02 03
 (731) GILEAD SCIENCES IRELAND UC
 IDA Business and Technology Park,
 Carrigtohill, Co. Cork, Ireland
 (740) Shalva Gvaramadze
 (540)

ГЕНВОЯ

(511) 5

(260) AM 2015 80606 A
 (210) AM 80606
 (220) 2015 02 04
 (731) Tatiana Siroegina
 I. Chavchavadzis gamz. 15, 0179, Tbilisi,
 Georgia
 (740) Tatiana Siroegina
 (540)



(591) Red, blue, white
 (531) 26.01.18, 26.04.12, 27.01.12, 29.01.13
 (511) 39

(260) AM 2015 80616 A
 (210) AM 80616
 (220) 2015 02 05
 (731) LTD "4 BROS"
 Sop. Velistsikhe, 1506, Gurjaanis raioni,
 Georgia
 (740) Giorgi Gelashvili
 (540)

**ჰობზო
 PINGO
 ПИНГО**

(511) 29, 30 35

(260) AM 2015 80654 A
 (210) AM 80654
 (220) 2015 02 09
 (731) DAVITI MASKHARASHVILI
 Besikis q. 21, 0108, Tbilisi,
 Georgia
 (740) Davit Maskharashvili

(540)



(591) Emerald green, silver
 (531) 26.15.01, 28.19, 29.01.12
 (511) 35, 38

(260) AM 2015 80685 A
 (210) AM 80685
 (220) 2015 02 10
 (731) STARBUCKS CORPORATION D/B/A
 STARBUCKS COFFEE COMPANY
 (a Washington corporation)
 2401 Utah Avenue South, Seattle, Washington
 98134, USA
 (740) Tamar Kochlamazashvili
 (540)

STARBUCKS REFRESHA

(511) 30, 32

(260) AM 2015 80709 A
 (210) AM 80709
 (220) 2015 02 11
 (731) LITTLE CAESAR ENTERPRISES, INC
 2211 Woodward Avenue, Detroit, Michigan
 48201-3400, USA
 (740) Shalva Gvaramadze
 (540)

LITTLE CAESARS

(511) 30, 43

(260) AM 2015 80719 A
 (210) AM 80719
 (220) 2015 02 11
 (731) LITTLE CAESAR ENTERPRISES, INC
 2211 Woodward Avenue, Detroit, Michigan
 48201-3400, USA
 (740) Shalva Gvaramadze
 (540)

CRAZY BREAD

(511) 30

(260) AM 2015 80721 A
 (210) AM 80721
 (220) 2015 02 11
 (731) LITTLE CAESAR ENTERPRISES, INC
 2211 Woodward Avenue, Detroit, Michigan
 48201-3400, USA
 (740) Shalva Gvaramadze

(540)



(591) Black, white, brick-red, grey
 (531) 26.01.02, 26.01.20, 26.01.24, 27.05.02,
 27.05.24, 29.01.13
 (511) 43

(260) AM 2015 80723 A
 (210) AM 80723
 (220) 2015 02 11
 (731) LITTLE CAESAR ENTERPRISES, INC
 2211 Woodward Avenue, Detroit, Michigan
 48201-3400, USA
 (740) Shalva Gvaramadze
 (540)



(591) Black, white
 (531) 04.05.05, 26.04.06, 27.05.10, 27.05.17
 (526) The trademark is protected as a whole.
 "PIZZA! PIZZA!" shall not be subject to independent legal protection.
 (511) 30, 43

(260) AM 2015 80725 A
 (210) AM 80725
 (220) 2015 02 11
 (731) LITTLE CAESAR ENTERPRISES, INC
 2211 Woodward Avenue, Detroit, Michigan
 48201-3400, USA
 (740) Shalva Gvaramadze
 (540)

DEEP!DEEP!

(511) 30

(260) AM 2015 80766 A
 (210) AM 80766
 (220) 2015 02 13
 (731) HARRY WINSTON SA
 Chemin du Tourbillon 8, 1228 Plan-les-
 Ouates, Switzerland
 (740) Giorgi Meipariani
 (540)

WINSTON

(511) 14

(260) AM 2015 80808 A
 (210) AM 80808
 (220) 2015 02 16
 (731) Nato Chagelishvili
 Ir. Evdoshvilis q. 2/10, korp. 5, b.45, 0154,
 Tbilisi, Georgia
 (740) Giorgi Taktakishvili
 (540)



(591) White, bordeaux
 (531) 26.04.22, 26.04.24, 26.05.18, 27.05.17,
 27.05.22, 29.01.12
 (511) 5

(260) AM 2015 80810 A
 (210) AM 80810
 (220) 2015 02 16
 (731) AZBIL CORPORATION
 2-7-3 Marunouchi, Chiyoda-ku, Tokyo
 100-6419, Japan
 (740) Tamaz Shilakadze
 (540)

azbil

(591) Black, white
 (531) 27.05.17
 (511) 6, 7, 9, 10, 11, 35 36, 37, 38, 39, 40, 41, 42,
 43, 44, 45

(260) AM 2015 80909 A
 (210) AM 80909
 (220) 2015 02 19
 (731) GSH Trademarks Limited
 Afroditis, 25, 2nd floor, office 204, Nicosia,
 Cyprus
 (740) Shalva Gvaramadze
 (540)



(591) Black, white
 (531) 02.01.02, 02.01.20, 24.01.08, 26.04.22,
 27.05.24
 (526) The trademark is protected as a whole.
 "TETRI" shall not be subject to independent legal protection.
 (511) 33

(260) AM 2015 80921 A
 (210) AM 80921
 (220) 2015 02 20
 (731) LTD "B M C GORGIA"
 Sokhumis q. 10, Batumi, Georgia
 (740) Giorgi Taktakishvili
 (540)



(591) Yellow, blue
 (531) 07.01.09, 26.03.16, 26.04.22, 28.19, 29.01.12
 (526) The trademark is protected as a whole.
 „შენებლობა“ and „რემონტი“ shall not be
 subject to independent legal protection.
 (511) 35, 39

(260) AM 2015 80922 A
 (210) AM 80922
 (220) 2015 02 20
 (731) LTD "B M C GORGIA"
 Sokhumis q. 10, Batumi, Georgia
 (740) Giorgi Taktakishvili
 (540)



(591) Yellow, blue
 (531) 07.01.09, 26.03.16, 26.04.22, 26.04.24,
 27.05.10, 27.05.09, 29.01.12
 (526) The trademark is protected as a whole.
 "CONSTRUCTION" and "REFURBISHMENT"
 shall not be subject to independent legal protection.
 (511) 35, 39

(260) AM 2015 80928 A
 (210) AM 80928
 (220) 2015 02 23
 (731) DIANATUS MANAGEMENT LIMITED
 Arch. Makariou III, 69, Tlais Tower, 3rd floor,
 office 301, Cyprus
 (740) Vakhtang Torotadze
 (540)

fantee

(511) 6, 21

(260) AM 2015 81021 A
 (210) AM 81021
 (220) 2015 02 26
 (731) LTD "GLOBALPHARM"
 Almasianis q. 3a/Berbutis q. 8, 0171, Tbilisi,
 Georgia

(540)
იზიძრე გლობალურად
ДУМАЙТЕ ГЛОБАЛЬНО
THINK GLOBAL
 (511) 5, 35

(260) AM 2015 81022 A
 (210) AM 81022
 (220) 2015 02 26
 (731) LTD "GLOBALPHARM"
 Almasianis q. 3a/Berbutis q. 8, 0171,
 Tbilisi, Georgia
 (540)



(591) Green, violet, sky-blue
 (531) 01.05.23, 28.19, 29.01.13, 01.05.02
 (511) 5, 35

(260) AM 2015 81026 A
 (210) AM 81026
 (220) 2015 02 26
 (731) LTD "PAGA"
 26 Maisis moedani 1, 0160, Tbilisi, Georgia
 (740) Ekaterine Kiknadze
 (540)

პაგა
Paga
Para

(511) 36

(260) AM 2015 81039 A
 (210) AM 81039
 (220) 2015 03 02
 (731) THE GILLETTE COMPANY
 One Gillette Park, Boston, Massachusetts
 02127, USA
 (740) Shalva Gvaramadze
 (540)

EMBRACE

(511) 8

(260) AM 2015 81076 A
 (210) AM 81076
 (220) 2015 03 05
 (731) GITI TIRE PTE. LTD
 9 OXLEY RISE, N01-02, THE OXLEY,

SINGAPORE 238697, Singapore
 (740) Pavle Meipariani
 (540)

RUNWAY ENDURO

(591) Black, white
 (511) 12

(260) AM 2015 81141 A
 (210) AM 81141
 (220) 2015 03 09
 (731) "INTER AUTO"
 Isani-Samgoris raioni, Sartitchalis q. 34, 0103,
 Tbilisi, Georgia
 (740) Zaza Mestvirishvili
 (540)



(591) Red, black, grey
 (531) 14.03.01, 27.01.04, 27.05.05, 29.01.12
 (511) 1, 4, 7, 9, 12, 35, 37

(260) AM 2015 81233 A
 (210) AM 81233
 (220) 2015 03 16
 (731) YILDIZ HOLDING A.Ş.
 Kısıklı Mahallesi, Çeşme Çıkmazi Sokak
 No:6/1 Üsküdar İstanbul, Turkey
 (740) Shalva Gvaramadze
 (540)

ÜLKER SMARTT

(511) 29, 30

(260) AM 2015 81234 A
 (210) AM 81234
 (220) 2015 03 16
 (731) BESLER GIDA VE KİMYA SANAYİ VE
 TİCARET ANONİM ŞİRKETİ
 Şeyhli Ramazanoğlu Mah. Mahmut Bayram
 Cad. No:88 Pendik İstanbul, Turkey
 (740) Shalva Gvaramadze
 (540)

BES CHOCO

(511) 29

(260) AM 2015 81297 A
 (210) AM 81297
 (220) 2015 03 18
 (731) LTD "BG ზღ"
 Sanzona, korp. 6, b. 28, 0141, Tbilisi, Georgia
 (740) Eter Chkhaberidze

(540)

Jaba ჯაბა

(511) 36

(260) AM 2015 81570 A
 (210) AM 81570
 (220) 2015 04 03
 (731) "ELITE GOLD" LTD
 Portcullis Trustnet Chambers, P.O. Box 3444,
 Road Town, Tortola, Virgin Islands, (GB)
 (740) Giorgi Taktakishvili
 (540)



(591) White, red, yellow, brown, green, khaki,
 beige, black
 (531) 02.01.01, 05.07.01, 09.07.17, 11.03.04,
 27.05.24, 29.01.15
 (511) 30

(260) AM 2015 81576 A
 (210) AM 81576
 (220) 2015 04 06
 (731) TISH & SNOOKY'S N.Y.C. INC.
 a New York Corporation
 4th Floor, 21-07 Borden Avenue, Long Island
 City, New York 11101, USA
 (740) Davit Zurabishvili
 (540)

MANIC PANIC

(591) Black, white
 (531) 26.11.09, 27.05.01
 (511) 25

REGISTERED TRADEMARKS

-
- (111) M 2015 26381 R
(151) 2015 10 26
(181) 2025 10 26
(260) AM 2015 77564 A
(220) 2014 06 16
(732) LTD "TBC GROUP"
Dighmis Sastsavlo Satsdeli Meurneobis
Teritoria, Tbilisi, Georgia
-
- (111) M 2015 26382 R
(151) 2015 10 26
(181) 2025 10 26
(260) AM 2015 77586 A
(220) 2014 06 17
(732) Kakhaber Onashvili
Zedazenis q. 16, 0180, Tbilisi, Georgia
-
- (111) M 2015 26383 R
(151) 2015 10 26
(181) 2025 10 26
(260) AM 2015 77618 A
(220) 2014 06 19
(732) KAREN VARDANYAN
Bairon Str. 3, ap. 36, Yerevan, Armenia
-
- (111) M 2015 26384 R
(151) 2015 10 26
(181) 2025 10 26
(260) AM 2015 77620 A
(220) 2014 06 19
(732) KAREN VARDANYAN
Bairon Str. 3, ap. 36, Yerevan, Armenia
-
- (111) M 2015 26385 R
(151) 2015 10 26
(181) 2025 10 26
(260) AM 2015 77621 A
(220) 2014 06 19
(732) KAREN VARDANYAN
Bairon Str. 3, ap. 36, Yerevan, Armenia
-
- (111) M 2015 26386 R
(151) 2015 10 26
(181) 2025 10 26
(260) AM 2015 77623 A
(220) 2014 06 19
(732) KAREN VARDANYAN
Bairon Str. 3, ap. 36, Yerevan, Armenia
-
- (111) M 2015 26387 R
(151) 2015 10 26
(181) 2025 10 26
- (260) AM 2015 77624 A
(220) 2014 06 19
(732) KAREN VARDANYAN
Bairon Str. 3, ap. 36, Yerevan, Armenia
-
- (111) M 2015 26388 R
(151) 2015 10 26
(181) 2025 10 26
(260) AM 2015 77654 A
(220) 2014 06 23
(732) N(N)LE Agriculture Project Management
Agency
Marshal Gelovanis gamz. 6, 0159, Tbilisi,
Georgia
-
- (111) M 2015 26389 R
(151) 2015 10 26
(181) 2025 10 26
(260) AM 2015 77677 A
(220) 2014 06 24
(732) THE PROCTER & GAMBLE COMPANY
One Procter & Gamble Plaza,
Cincinnati Ohio 45202, USA
-
- (111) M 2015 26390 R
(151) 2015 10 26
(181) 2025 10 26
(260) AM 2015 77691 A
(220) 2014 06 25
(732) THE COCA-COLA COMPANY
One Coca-Cola Plaza, Atlanta, Georgia
30313, USA
-
- (111) M 2015 26391 R
(151) 2015 10 26
(181) 2025 10 26
(260) AM 2015 77726 A
(220) 2014 06 27
(732) SHENZHEN ITZR TECHNOLOGY
CO., LTD
ITZR industrial Park,TangQian, GuanLan
Town, Shenzhen City, China
-
- (111) M 2015 26392 R
(151) 2015 10 26
(181) 2025 10 26
(260) AM 2015 77728 A
(220) 2014 06 27
(732) Shenzhen Bilian Electronic Limited
268 FuQian Rd., Ju Tang Community,
Guanlan Town, Longhua new District,
Shenzhen city, 518110, China
-

(111) M 2015 26393 R
(151) 2015 10 26
(181) 2025 10 26
(260) AM 2015 77809 A
(220) 2014 07 04
(732) BERLIN-CHEMIE AG
Glienicke Weg 125 12489 Berlin, Germany

(111) M 2015 26394 R
(151) 2015 10 26
(181) 2025 10 26
(260) AM 2015 77810 A
(220) 2014 07 04
(732) BERLIN-CHEMIE AG
Glienicke Weg 125 12489 Berlin, Germany

(111) M 2015 26395 R
(151) 2015 10 26
(181) 2025 10 26
(260) AM 2015 77811 A
(220) 2014 07 04
(732) BERLIN-CHEMIE AG
Glienicke Weg 125 12489 Berlin, Germany

(111) M 2015 26396 R
(151) 2015 10 26
(181) 2025 10 26
(260) AM 2015 77812 A
(220) 2014 07 04
(732) BERLIN-CHEMIE AG
Glienicke Weg 125 12489 Berlin, Germany

(111) M 2015 26397 R
(151) 2015 10 26
(181) 2025 10 26
(260) AM 2015 77842 A
(220) 2014 07 07
(732) SWISS PHARMA INTERNATIONAL AG
Waldmannstrasse 8, 8001 Zurich, Switzerland

(111) M 2015 26398 R
(151) 2015 10 26
(181) 2025 10 26
(260) AM 2015 77843 A
(220) 2014 07 07
(732) SWISS PHARMA INTERNATIONAL AG
Waldmannstrasse 8, 8001 Zurich, Switzerland

(111) M 2015 26399 R
(151) 2015 10 26
(181) 2025 10 26
(260) AM 2015 77844 A
(220) 2014 07 07
(732) DAEWOONG PHARMACEUTICAL CO., LTD

244, Galmachi-ro, Jungwon-gu, Seongnam-si,
Gyeonggi-do, Republic of Korea

(111) M 2015 26400 R
(151) 2015 10 26
(181) 2025 10 26
(260) AM 2015 77845 A
(220) 2014 07 07
(732) DAEWOONG PHARMACEUTICAL CO., LTD
244, Galmachi-ro, Jungwon-gu, Seongnam-si,
Gyeonggi-do, Republic of Korea

(111) M 2015 26401 R
(151) 2015 10 26
(181) 2025 10 26
(260) AM 2015 77846 A
(220) 2014 07 07
(732) DAEWOONG PHARMACEUTICAL CO., LTD
244, Galmachi-ro, Jungwon-gu, Seongnam-si,
Gyeonggi-do, Republic of Korea

(111) M 2015 26402 R
(151) 2015 10 26
(181) 2025 10 26
(260) AM 2015 77848 A
(220) 2014 07 07
(732) DAEWOONG PHARMACEUTICAL CO., LTD
244, Galmachi-ro, Jungwon-gu, Seongnam-si,
Gyeonggi-do, Republic of Korea

(111) M 2015 26403 R
(151) 2015 10 26
(181) 2025 10 26
(260) AM 2015 77849 A
(220) 2014 07 07
(732) DAEWOONG PHARMACEUTICAL CO., LTD
244, Galmachi-ro, Jungwon-gu, Seongnam-si,
Gyeonggi-do, Republic of Korea

(111) M 2015 26404 R
(151) 2015 10 26
(181) 2025 10 26
(260) AM 2015 77883 A
(220) 2014 07 09
(732) LTD "SI-TI PARK"
Kandelakis 47, 0160 Tbilisi, Georgia

(111) M 2015 26405 R
(151) 2015 10 26
(181) 2025 10 26
(260) AM 2015 77907 A
(220) 2014 07 11
(732) ROCKTAPE, INC., A CALIFORNIA
CORPORATION

1610 Dell Avenue, Suite S, Campbell, California 95008, USA	(732) QUALCOMM INCORPORATED 5775 Morehouse Drive, San Diego, CA 92121-1714, USA
(111) M 2015 26406 R (151) 2015 10 26 (181) 2025 10 26 (260) AM 2015 77931 A (220) 2014 07 14 (732) THE GILLETTE COMPANY One Gillete Park, Boston, Massachusetts 02127, USA	(111) M 2015 26412 R (151) 2015 10 26 (181) 2025 10 26 (260) AM 2015 78035 A (220) 2014 07 22 (732) NODAR ESIAVA Simon Chikovani str. 4/10, b. 51, 0171, Tbilisi, Georgia; BESARION SURMAVA Ghrmaghelis dasakhleba, Sanzona, korp. 7, b. 4, Tbilisi, Georgia
(111) M 2015 26407 R (151) 2015 10 26 (181) 2025 10 26 (260) AM 2015 77944 A (220) 2014 07 14 (732) EURODRUG LABORATORIES B.V Laan Copes van Cattenburch 74, 2585GD The Hague, Netherlands	(111) M 2015 26413 R (151) 2015 10 26 (181) 2025 10 26 (260) AM 2015 78040 A (220) 2014 07 22 (732) ARAMEX INTERNATIONAL LLC Business Central Towers, A2302, Dubai Media City (TECOM), Sheikh Zayed Road, P.O.Box 95946, Dubai, United Arab Emirates
(111) M 2015 26408 R (151) 2015 10 26 (181) 2025 10 26 (260) AM 2015 77948 A (220) 2014 07 14 (732) OLD NAVY (ITM) INC. 2 Folsom Street, San Francisco, CA 94105, USA	(111) M 2015 26414 R (151) 2015 10 26 (181) 2025 10 26 (260) AM 2015 78041 A (220) 2014 07 22 (732) ARAMEX INTERNATIONAL LLC Business Central Towers, A2302, Dubai Media City (TECOM), Sheikh Zayed Road, P.O.Box 95946, Dubai, United Arab Emirates
(111) M 2015 26409 R (151) 2015 10 26 (181) 2025 10 26 (260) AM 2015 77986 A (220) 2014 07 16 (732) MERCK SHARP & DOHME CORP. One Merck Drive, Whitehouse Station, New Jersey, 08889, USA	(111) M 2015 26415 R (151) 2015 10 26 (181) 2025 10 26 (260) AM 2015 78120 A (220) 2014 07 29 (732) BAYER INTELLECTUAL PROPERTY GMBH Alfred-Nobel-St. 10, 40789 Monheim am Rhein, Germany
(111) M 2015 26410 R (151) 2015 10 26 (181) 2025 10 26 (260) AM 2015 77987 A (220) 2014 07 16 (732)) MERCK SHARP & DOHME CORP. One Merck Drive, Whitehouse Station, New Jersey, 08889, USA	(111) M 2015 26416 R (151) 2015 10 26 (181) 2025 10 26 (260) AM 2015 78200 A (220) 2014 08 01 (732) DD IP Holder LLC 130 Royall Street, Canton, Massachusetts 02021, USA
(111) M 2015 26411 R (151) 2015 10 26 (181) 2025 10 26 (260) AM 2015 77988 A (220) 2014 07 16	

(111) M 2015 26417 R
(151) 2015 10 26
(181) 2025 10 26
(260) AM 2015 78201 A
(220) 2014 08 01
(732) DD IP Holder LLC.
130 Royall Street, Canton, Massachusetts
02021, USA

(111) M 2015 26418 R
(151) 2015 10 26
(181) 2025 10 26
(260) AM 2015 78202 A
(220) 2014 08 01
(732) DD IP Holder LLC.
130 Royall Street, Canton, Massachusetts
02021, USA

(111) M 2015 26419 R
(151) 2015 10 26
(181) 2025 10 26
(260) AM 2015 78204 A
(220) 2014 08 01
(732) DD IP Holder LLC.
130 Royall Street, Canton, Massachusetts
02021, USA

(111) M 2015 26420 R
(151) 2015 10 27
(181) 2025 10 27
(260) AM 2015 78206 A
(220) 2014 08 01
(732) HANKOOK TIRE WORLDWIDE CO., LTD.
647-15, Yoksam-dong, Kangnam-gu, Seoul,
Republic of Korea

(111) M 2015 26421 R
(151) 2015 10 27
(181) 2025 10 27
(260) AM 2015 78216 A
(220) 2014 08 04
(732) ICON HEALTH & FITNESS INC
1500 South 1000 West, Logan UT 843211500,
USA

(111) M 2015 26422 R
(151) 2015 10 27
(181) 2025 10 27
(260) AM 2015 78217 A
(220) 2014 08 05
(732) LTD "GEORGIAN LEGEND"
Gogebashvilis me-3 shes. 4, b. 20, 0179,
Tbilisi, Georgia

(111) M 2015 26423 R
(151) 2015 10 27
(181) 2025 10 27
(260) AM 2015 78235 A
(220) 2014 08 07
(732) LTD "JEOSCELL"
Gotuas q. 3, Mtkvris marjvena sanapiro, 0160,
Tbilisi, Georgia

(111) M 2015 26424 R
(151) 2015 10 27
(181) 2025 10 27
(260) AM 2015 78240 A
(220) 2014 08 07
(732) LTD "JEOSCELL"
Gotuas q. 3, Mtkvris marjvena sanapiro, 0160,
Tbilisi, Georgia

(111) M 2015 26425 R
(151) 2015 10 27
(181) 2025 10 27
(260) AM 2015 78246 A
(220) 2014 08 08
(732) DAW SE
Rossoerfer Str. 50, D-64372 Ober-Ramstadt,
Germany

(111) M 2015 26426 R
(151) 2015 10 27
(181) 2025 10 27
(260) AM 2015 78255 A
(220) 2014 08 09
(732) HANKOOK TIRE WORLDWIDE CO., LTD.
133, Teheran-ro (Yeoksam-dong), Gangnam-gu,
Seoul, 135-723, Republic of Korea

(111) M 2015 26427 R
(151) 2015 10 27
(181) 2025 10 27
(260) AM 2015 78256 A
(220) 2014 08 09
(732) HANKOOK TIRE WORLDWIDE CO., LTD.
133, Teheran-ro (Yeoksam-dong), Gangnam-gu,
Seoul, 135-723, Republic of Korea

(111) M 2015 26428 R
(151) 2015 10 27
(181) 2025 10 27
(260) AM 2015 78257 A
(220) 2014 08 09
(732) HANKOOK TIRE WORLDWIDE CO., LTD.
133, Teheran-ro (Yeoksam-dong), Gangnam-gu,
Seoul, 135-723, Republic of Korea

(111) M 2015 26429 R
(151) 2015 10 27
(181) 2025 10 27
(260) AM 2015 78258 A
(220) 2014 08 09
(732) HANKOOK TIRE WORLDWIDE CO., LTD.
133, Teheran-ro (Yeoksam-dong), Gangnam-gu,
Seoul, 135-723, Republic of Korea

(111) M 2015 26430 R
(151) 2015 10 27
(181) 2025 10 27
(260) AM 2015 78264 A
(220) 2014 08 11
(732) MASTERCARD INTERNATIONAL
INCORPORATED
a Delaware corporation
2000 Purchase Street, Purchase, New York
10577, USA

(111) M 2015 26431 R
(151) 2015 10 27
(181) 2025 10 27
(260) AM 2015 78267 A
(220) 2014 08 12
(732) DAEWOONG PHARMACEUTICAL
CO., LTD
244, Galmachi-ro, Jungwon-gu, Seongnam-si,
Gyeonggi-do, Republic of Korea

(111) M 2015 26432 R
(151) 2015 10 27
(181) 2025 10 27
(260) AM 2015 78268 A
(220) 2014 08 12
(732) DAEWOONG PHARMACEUTICAL
CO., LTD
244, Galmachi-ro, Jungwon-gu, Seongnam-si,
Gyeonggi-do, Republic of Korea

(111) M 2015 26433 R
(151) 2015 10 27
(181) 2025 10 27
(260) AM 2015 78269 A
(220) 2014 08 12
(732) DAEWOONG PHARMACEUTICAL
CO., LTD
244, Galmachi-ro, Jungwon-gu, Seongnam-si,
Gyeonggi-do, Republic of Korea

TRADEMARKS REGISTERED ACCORDING TO THE ACCELERATED PROCEDURE

The decision can be appealed at the Chamber of Appeal of Sakpatenti within 3 months from the publication.

(111) M 2015 26377 R

(151) 2015 10 23

(181) 2025 10 23

(210) AM 84095

(220) 2015 10 08

(732) LTD "MALTISOFT"

Oniashvilis q. 67, Vake-Saburtalos raioni,
shenoba-nageboba N1, II sart., 0160, Tbilisi,
Georgia

(740) Zura Lutidze

(540)



(591) Green, red, white

(531) 26.15.01, 26.04.24, 28.05, 29.01.13

(526) The trademark is protected as a whole. "КИНОХИТ" shall not be subject to independent legal protection.

(511) 38

(111) M 2015 26378 R

(151) 2015 10 23

(181) 2025 10 23

(210) AM 84097

(220) 2015 10 08

(732) LTD "MALTISOFT"

Oniashvilis q. 67, Vake-Saburtalos raioni,
shenoba-nageboba N1, II sart., 0160, Tbilisi,
Georgia

(740) Zura Lutidze

(540)



(591) Red, white, black

(531) 26.01.04, 28.05, 29.01.13, 26.01.18

(526) The trademark is protected as a whole. "КИНО", "Кино" shall not be subject to independent legal protection.

(511) 38

(111) M 2015 26379 R

(151) 2015 10 23

(181) 2025 10 23

(210) AM 84037

(220) 2015 09 29

(732) LTD "WINE-MAKING GRANELI"

Kvareli, meurneobis dasakhleba, Georgia

(740) Khatuna Imnadze

(540)

მამული
Mamuli
Мамули

(511) 33

(111) M 2015 26380 R

(151) 2015 10 23

(181) 2025 10 23

(210) AM 84088

(220) 2015 10 06

(732) Taniel Khokhobashvili

Pekinis q. 17, b. 24, Tbilisi, Georgia

(740) Vakhtang Torotadze

(540)



(591) Black, light sky-blue

(531) 26.04.04, 26.04.22, 27.05.15, 28.19, 29.01.12

(511) 21

(111) M 2015 26464 R

(151) 2015 10 27

(181) 2025 10 27

(210) AM 84230

(220) 2015 10 16

(732) JSC "ICAPITAL "

I. Chavchavadzis gamz. 74, 0162, Tbilisi,
Georgia

(740) Tamar Tsirekidze

(540)



(591) White, red, green, yellow, blue, brown,
violet, cornelian-red and grey.

(531) 27.05.02, 29.01.15

(511) 36

(111) M 2015 26467 R
 (151) 2015 10 28
 (181) 2025 10 28
 (210) AM 84094
 (220) 2015 10 08
 (732) Giorgi Kikabidze
 I. Chavchavadzis gamz. 41a, 0179, Tbilisi,
 Georgia
 (740) Giorgi Taktakishvili
 (540)

გურჯი
GURJI
 ГУРДЖИ

(511) 32, 33

(111) M 2015 26468 R
 (151) 2015 10 28
 (181) 2025 10 28
 (210) AM 84159
 (220) 2015 10 09
 (732) LTD "International Corporation I C R"
 D. Agmasheneblis gamz. 173, 0112, Tbilisi,
 Georgia
 (740) Tinatin Narimanidze
 (540)



(591) Red, green
 (531) 01.01.10, 09.09.03, 09.09.07, 26.01.16, 28.19,
 29.01.12
 (526) The trademark is protected as a whole.
 „იტალია“, "R" shall not be subject to independent
 legal protection.
 (511) 25, 35

(111) M 2015 26469 R
 (151) 2015 10 28
 (181) 2025 10 28
 (210) AM 84160
 (220) 2015 10 09
 (732) LTD "International Corporation I C R"
 D. Agmasheneblis gamz. 173, 0112, Tbilisi,
 Georgia
 (740) Tinatin Narimanidze
 (540)



(591) Red, green
 (531) 01.01.10, 09.09.03, 09.09.07, 26.01.16,
 27.05.05, 29.01.12
 (526) The trademark is protected as a whole.
 "ITALIA", "R" shall not be subject to independent
 legal protection.
 (511) 25, 35

(111) M 2015 26470 R
 (151) 2015 10 30
 (181) 2025 10 30
 (210) AM 84085
 (220) 2015 10 06
 (732) LTD "TELECLINIC"
 Iakob Nikoladze q. 6, 0179, Tbilisi, Georgia
 (740) Shalva Gvaramadze
 (540)

MEDI PRIVÉ
 — ქონების მფლობელები —

(591) Black, white
 (531) 26.04.22, 26.04.24, 27.05.01, 27.05.11,
 27.05.24
 (511) 44

(111) M 2015 26471 R
 (151) 2015 10 30
 (181) 2025 10 30
 (210) AM 84157
 (220) 2015 10 09
 (732) PAKSHOO INDUSTRIAL GROUP
 Beheshti Ave., Pakistan st., second Alley,
 N29, Tehran, Iran (Islamic Republic of)
 (740) Irakli Gvilia
 (540)



(591) Whitw, blue, grey and sky-blue
 (531) 05.03.15, 26.01.22, 26.01.24, 27.05.24,
 29.01.14
 (511) 3

(111) M 2015 26472 R
 (151) 2015 11 05
 (181) 2025 11 05
 (210) AM 75041
 (220) 2013 12 04
 (732) LTD "GEORGIAN BROTHERS"
 Nutsbidzis perdobi, me-4 m/r, korp. 10b,
 b. 42, Tbilisi, Georgia
 (740) Khatuna Imnadze
 (540)

KARTVELLI KAPTBEJLI

(591) Black, white
 (511) 32, 33

(111) M 2015 26473 R
 (151) 2015 11 06
 (181) 2025 11 06

(210) AM 83881
(220) 2015 09 21
(732) LTD "GEORGIAN BROTHERS"
Nutsubidzis perdobi, me-4 m/r, korp. 10b,
b. 42, Tbilisi, Georgia
(740) Khatuna Imnadze
(540)

KARTVELI КАРТВЕЛИ

(511) 32, 33

(111) M 2014 26474 R
(151) 2015 11 06
(181) 2025 11 06
(210) AM 83934
(220) 2015 09 24
(732) JSC "GEORGIAN BEER COMPANY"
Sop. Saguramo, 3311, Mtskheta,
Georgia
(740) Edisher Khimshiashvili
(540)

შავი არაგვი

**ШАВИ АРАГВИ
SHAVI ARAGVI**

(511) 32

(111) M 2015 26475 R
(151) 2015 11 06
(181) 2025 11 06
(210) AM 83935
(220) 2015 09 24
(732) JSC "GEORGIAN BEER COMPANY"
Sop. Saguramo, 3311, Mtskheta,
Georgia
(740) Edisher Khimshiashvili
(540)

თეთრი არაგვი

**ТЕТРИ АРАГВИ
TETRI ARAGVI**

(511) 32

INTERNATIONAL TRADEMARKS FOR WHICH A DECISION ON GRANTING PROTECTIONS IS TAKEN

The decision can be appealed at the Chamber of Appeal of Sakpatenti within 3 months from the publication or at the Mtskheta District Court Administrative Cases Board (Address: №17, Samkhedro str., Mtskheta), within 1 month following the publication.

(260) AM 2015 75963 A*

(800) 1015273

(891) 2013 10 31

(731) CONSITEX S.A.

Via Ligornetto 13, CH-6855 Stabio,
Switzerland

(540)

ERMENEGILDO ZEGNA

(511)

18 – Leather and imitations of leather, goods made of these materials and not included in other classes; animal skins and hides; trunks and travelling bags; umbrellas, parasols and walking sticks; whips, harness and saddlery.

(260) AM 2015 76109 A*

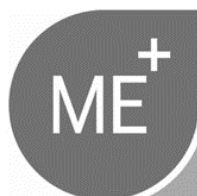
(800) 1192812

(891) 2013 11 14

(731) WELLA GMBH

Sulzbacher Straße 40, 65824 Schwalbach am
Taunus, Germany

(540)



(591) Grey, white, silver

(511)

1 – Chemical preparations used for the production of cosmetic hair colour products.

3 – Cosmetic preparations for the care, treatment and beautification of the scalp and hair.

(260) AM 2015 76516 A*

(800) 1195728

(891) 2013 09 30

(731) SCHAEFFLER TECHNOLOGIES AG & CO.
KG

Industriestraße 1-3, 91074 Herzogenaurach,
Germany

(540)

SCHAEFFLER



(591) Black, white

(511)

12 – Agricultural vehicle parts, insofar as included in category 12; release forks; automatic transmission systems for agricultural vehicles as well as their components, in particular brake brands and lamellas; brakes for vehicles; brake parts and brake pads; torque limiters, parts of the aforementioned goods as well as lamellas and disk springs as vehicle parts; electronic transmission systems for agricultural vehicles transmission systems of agricultural vehicles; struts for agricultural vehicles; rims; window lifters; universal joint and drive shafts for agricultural vehicles hydraulic clutch actuation for agricultural vehicles and parts in particular lines, pipes, master and slave cylinders, release bearings, shaft sealing rings; hydraulic and mechanical belt drives, hydraulic and mechanical valve clearance adjusters and chain drives, insofar as included in category 12; power transmission systems for vehicles, which means clutches, ball bearings, rolling bearings, tapered roller bearings and plain bearings, clutches, clutch disks and clutch release bearings, clutch disks, release bearings, release and actuation mechanisms transmission systems; clutch elements; pilot or clutch guidance bearings; wheel bearing units; windshield wiper systems, basically consisting of windshield wiper motors, windshield wiper rods and windshield wiper blades; vibration dampers, insofar as included in category 12; control valves, insofar as included in category 12; shock absorbers for vehicles; manifolds (vehicle parts); water pumps.

35 – Retail services in the fields of: engines, tools and metalware; retail services in the fields of: vehicles and vehicle accessories; Internet retail services in the fields of machinery, tools and metalware; Internet retail services in the fields of vehicles and vehicle accessories; online or catalogue mail-order services in the fields of: machinery, tools and metalware; online or catalogue mail-order services in the fields of: vehicles and vehicle accessories; Internet wholesale services in the fields of machinery, tools and metalware; Internet wholesale services in the fields of vehicles and automotive engineering; wholesale services in the fields of: machinery, tools and metalware; wholesale services in the fields of: vehicles and vehicle accessories.

(260) AM 2015 77239 A*

(800) 1202047

(891) 2013 12 06

(731) BYSTRONIC LASER AG

Industriestrasse 21, CH-3362 Niederönz,
Switzerland

(540)

BYSTRONIC XCITE

(511)

7 – Bending machines; bending presses; stamping machines; presses (machines for industrial use); straighteners; deep-drawing presses; molding machines; drills; drilling heads (parts of machines); chisels for machines; engraving machines; milling machines; punching machines; stamping machines; saws (machines); cutting machines; cutting machines (cutters); lathes; electric generators; coils for machines; control apparatus for machines, motors or engines; controllers (parts of machines); filtering machines; filters (parts of machines, motors or engines); pumps (machines); pumps (parts of machines, motors or engines); pump diaphragms; sludge collectors (machines); vacuum pumps (machines); guides for machines; bearings (machine parts); machine housings; machine wheels; machine stands; tables for machines; axles for machines; tools (parts of machines); tool holders (parts of machines); roller bearings; chucks (parts of machines); machine bearings; gas-operated cutting torches; plasma cutting and welding machines; gas-operated welding apparatus; gas-operated welding machines; glass-working machines; machine tools for glass processing, namely for the manufacture of structural glazing and glazing and glass plates for land vehicles and aircraft; glass cutting machines; lifting platform; lifting apparatus; elevating apparatus; loading equipment, namely for installations for transport and storage of raw materials and semi-finished and finished parts; automatic magazines; mechanical storage installations; hydraulic motors and engines; hydraulic drives for machines, motors and engines; pneumatic drives for machines, motors and engines; cylinders for machines; cylinder pistons; electric arc cutting apparatus; electric arc welding apparatus; welding apparatus (electric); welding machines (electric); automatic welding machines (electric); machines for the textile industry; sugar making machines; machines for making pasta; machines for the food industry; metal processing machines; machine tools; robots (machines); machine tools for beam machining of workpieces; water jet cutting machines; laser cutting machines; laser welding machines; accessories and auxiliary equipment (machines and machine parts) for beam machining of workpieces, spare parts for these items; parts and accessories of the above machines and tools, insofar as included in this class, in particular machine tools, handling equipment; spare parts for machines.

9 – Anodes; cathodes; transformers to increase the voltage; distance measuring apparatus; range fin-

ders; distance measuring equipment; measuring machines, measuring apparatus and instruments; frequency meters; speed indicators; length meters; geometers; electronic publications (downloadable); control devices for loading apparatus; numerical controls for machine tools; electronic controllers; sensors, electrical and electronic apparatus for remote control of industrial operations; transmitters and receivers for electronic signals; detectors; dosing apparatus; pressure gauges; pressure recorders; high-frequency apparatus; lasers, not for medical use, in particular for material processing, marking lasers; light guides; laser sources, not for medical use; electrical, hydraulic, pneumatic and optical adjustment devices for lasers and laser beams; beam and mirror guides, positioning components, optical fiber components, facilities for beam and process forming as well as sensors for this purpose; objectives (lenses) (optics); optical fiber cables; optical lenses; lens hoods; prisms (optics); mirrors (optics); accelerometers; logs [measuring instruments]; magnifying glasses (optics); microphones; bar code readers; compasses (measuring instruments).

40 – Information about material processing; milling; engraving; cutting; water jet cutting; laser cutting; laser engraving; metal machining; sawing; sanding; welding; water jet machining; water treatment; custom assembling of materials (for others); identifying and marking; rental of machines for material machining; providing information in the field of material processing, especially of machine-specific information, on the Internet and on screen.

(260) AM 2015 77422 A*

(800) 1204078

(891) 2014 03 04

(731) AVON PRODUCTS, INC.

World Headquarters, 777 Third Avenue,
New York NY 10017, USA

(540)

PREMIERE LUXE

(511)

3 – Non-medicated toilet preparations; toiletries; skin care preparations; skin moisturizers; body and beauty care preparations; powders, creams and lotions, all for the face, hands and body; beauty masks; nail polish; nail polish remover; enamel for nails; false nails; adhesives for cosmetic purposes; cosmetics; eye makeup remover, eye shadow, eye liner, mascara, lipstick, lip liner, lipgloss; make-up foundation; blusher; tissues impregnated with cosmetic lotions; cotton sticks for cosmetic purposes; cotton wool for cosmetic purposes; preparations for cleaning the teeth; shaving and aftershave preparations; perfumes, fragrances, toilet waters, cologne; deodorants for human beings; anti-perspirants for personal use (toiletries); essential oils (cosmetic).

(260) AM 2015 77434 A*

(800) 1204105

(891) 2014 01 08

(731) CNH INDUSTRIAL N.V.

Cranes Farm Road, Basildon ESSEX

SS143AD, United Kingdom

(540)

CNH INDUSTRIAL

(511)

7 – Machines and machine tools; motors and engines (except for land vehicles); machine coupling and transmission components (except for land vehicles); agricultural implements other than hand-operated; agricultural elevators; agricultural implements other than hand-operated; agricultural machines; anti-pollution devices for motors and engines; axles for machines; ball-bearings; ball rings for bearings; basket presses; bearing brackets for machines; bearings for transmission shafts; bearings [parts of machines]; belt conveyors; belts for conveyors; belts for machines; belts for motors and engines; binding apparatus for hay; brake linings other than for vehicles; brake pads other than for vehicles; brake segments other than for vehicles; brake shoes other than for vehicles; bulldozers; catalytic converters; chisels for machines; clutches other than for land vehicles; compressed air engines; connecting rods for machines, motors and engines; control cables for machines, engines or motors; control mechanisms for machines, engines or motors; converters for steelworks; conveyors [machines]; corn husking machines; couplings other than for land vehicles; cranes [lifting and hoisting apparatus]; crank shafts; crankcases for machines, motors and engines; cranks [parts of machines]; crushing machines; cultivators [machines]; cutters [machines]; cutting blow pipes, gas-operated; cutting machines; cylinder heads for engines; cylinders for machines; cylinders for motors and engines; diggers [machines]; driving chains other than for land vehicles; driving motors other than for land vehicles; drums [parts of machines]; earth moving machines; electric hammers; emergency power generators; engines for air cushion vehicles; engines for boats; excavators; exhaust manifold for engines; exhausts for motors and engines; expansion tanks [parts of machines]; fan belts for motors and engines; fans for motors and engines; fans for the compression, sucking and carrying of grain; feeders [parts of machines]; filters for cleaning cooling air, for engines; filters [parts of machines or engines]; freewheels other than for land vehicles; fuel conversion apparatus for internal combustion engines; fuel economisers for motors and engines; gear boxes other than for land vehicles; gears, other than for land vehicles; glow plugs for diesel engines; glue guns, electric; grain separators; grease boxes [parts of machines]; grease rings [parts of machines]; handling apparatus for loading and unloading; handling machines, automatic [manipulators]; harrows; harvest-

ing machines; heat exchangers [parts of machines]; hoods [parts of machines]; housings [parts of machines]; hydraulic controls for machines, motors and engines; hydraulic engines and motors; igniting devices for internal combustion engines; igniting magnets; injectors for engines; joints [parts of engines]; knives for mowing machines; knives [parts of machines]; lawnmowers [machines]; lift belts; lift operating apparatus; lifting apparatus; lifts, other than ski-lifts; lubricating pumps; lubricators [parts of machines]; machine wheels; machine wheelwork; metalworking machines; motorized cultivators; motors, electric, other than for land vehicles; motors for boats; motors, other than for land vehicles; moving pavements [sidewalks]; mufflers for motors and engines; piston rings; pistons for cylinders; pistons for engines; pistons [parts of machines or engines]; planing machines; ploughs; ploughshares; plunger pistons; pneumatic controls for machines, motors and engines; presses [machines for industrial purposes]; pressure reducers [parts of machines]; pressure regulators [parts of machines]; pressure valves [parts of machines]; propulsion mechanisms other than for land vehicles; pulleys; pulleys [parts of machines]; pumps [machines]; pumps [parts of machines, engines or motors]; rack and pinion jacks; radiators [cooling] for motors and engines; rakes for raking machines; raking machines; rams [machines]; reapers; reapers and binders; reapers and threshers; reduction gears other than for land vehicles; reels [parts of machines]; regulators [parts of machines]; road making machines; road rollers; road sweeping machines [self-propelled]; robots [machines]; roller bearings; self-oiling bearings; self-regulating fuel pumps; separators; shaft couplings [machines]; shovels, mechanical; sieves [machines or parts of machines]; snow ploughs; sowers [machines]; sparking plugs for internal combustion engines; speed governors for machines, engines and motors; springs [parts of machines]; stalk separators [machines]; starters for motors and engines; superchargers; superheaters; tedding machines; threshing machines; tools [parts of machines]; torque converters other than for land vehicles; transmission chains other than for land vehicles; transmission shafts, other than for land vehicles; transmissions for machines; transmissions, other than for land vehicles; turf removing ploughs; universal joints [cardan joints]; vacuum pumps [machines]; valves [parts of machines]; vibrators [machines] for industrial use; weeding machines; winches; winnowers; wrapping machines.

12 – Vehicles; apparatus for locomotion by land, air or water; air balloons; air cushion vehicles; air pumps [vehicle accessories]; ambulances; anti-theft alarms for vehicles; anti-theft devices for vehicles; automobile chassis; automobile hoods; automobile tires [tyres]; automobiles; axle journals; axles for vehicles; balance weights for vehicle wheels; bands for wheel hubs; brake discs for vehicles; brake linings

for vehicles; brake pads for automobiles; brake segments for vehicles; brake shoes for vehicles; brakes for vehicles; bumpers for automobiles; caps for vehicle petrol [gas] tanks; clutches for land vehicles; connecting rods for land vehicles, other than parts of motors and engines; couplings for land vehicles; covers for vehicle steering wheels; crankcases for land vehicle components, other than for engines; disengaging gear for boats; driving chains for land vehicles; driving motors for land vehicles; electric vehicles; fork lift trucks; gear boxes for land vehicles; gearing for land vehicles; hoods for vehicle engines; hoods for vehicles; horns for vehicles; hub caps; hydraulic circuits for vehicles; military vehicles for transport; motor buses; motor coaches; motors, electric, for land vehicles; motors for land vehicles; mudguards; non-skid devices for vehicle tires; omnibuses; propulsion mechanisms for land vehicles; rearview mirrors; reduction gears for land vehicles; remote control vehicles, other than toys; reversing alarms for vehicles; shock absorbers for automobiles; shock absorbing springs for vehicles; spare tire covers; spoilers for vehicles; steering wheels for vehicles; suspension shock absorbers for vehicles; tilt trucks; tilting-carts; tipping apparatus, parts of trucks and waggons; tipping bodies for lorries [trucks]; tires for vehicle wheels; tires, solid, for vehicle wheels; torque converters for land vehicles; torsion bars for vehicles; traction engines; tractors; trailer hitches for vehicles; trailers [vehicles]; transmission chains for land vehicles; transmission shafts for land vehicles; transmissions, for land vehicles; trucks; turn signals for vehicles; undercarriages for vehicles; upholstery for vehicles; valves for vehicle tires [tyres]; vans [vehicles]; vehicle bumpers; vehicle chassis; vehicle covers [shaped]; vehicle running boards; vehicle seats; vehicle suspension springs; vehicle wheel hubs; vehicle wheel rims; vehicle wheel spokes; vehicle wheel tires [tyres]; vehicle wheels; vehicles for locomotion by land, air, water or rail; waggons; windows for vehicles; windscreen wipers; windscreens.

(260) AM 2015 77752 A*
 (800) 1206785
 (891) 2014 04 29
 (731) INTELSAT INVESTMENTS S.A.
 4, rue Albert Borschette, L-1246 Luxembourg,
 Luxembourg

(540)



(591) Black, white
 (511)
 38 – Satellite communication services.

(260) AM 2015 78450 A*
 (800) 1212512
 (891) 2014 01 31
 (731) REVLON CONSUMER PRODUCTS
 CORPORATION
 One New York Plaza, NEW YORK,
 NY 10004, USA

(540)

REVLON PROFESSIONAL BE FABULOUS

(511)

3 – Skin moisturizers, skin cleansers, depilatory lotions, oils, creams, astringents and depilatory products for the body, excluding the face; hair shampoos, conditioners, gels, hair pomades, creams and lotions for the hair, hair styling lotions, hair sprays, permanent wave products, hair dyeing preparations, hair colorants, hair straighteners, hair relaxing products, nail care products, specifically, preparations for removing nail polish, cuticle removers, nail strengthening products, nail creams, nail wraps, nail lengthening preparations, false nails, all for professional salons and professional trade.

(260) AM 2015 79279 A
 (800) 1164824
 (891) 2014 06 20
 (731) GREINER BIO-ONE GMBH
 Bad Haller Straße 32, A-4550 Kremsmünster,
 Austria

(540)

GREINER BIO-ONE

(511)

5 – Chemical preparations for pharmaceutical, veterinary and medical purposes, in particular analysis reagents.

20 – Packaging containers of plastic or composed of various materials like wood, cork; palettes of plastic, wood or cork for packaging containers for separating and holding in position several medical apparatus, in particular pipette tips, tube holders, tubes, test tubes or cannulae.

(260) AM 2015 79313 A
 (800) 1220191
 (891) 2014 05 08
 (731) LEO Pharma A/S
 Trademarks, Designs and Domain Names
 Industriparken 55, DK-2750 Ballerup, Denmark

(540)

MILSENSA

(511)

3 – Non-medicated skin and hair care preparations; cosmetic preparations, including, preparations for

the reconditioning of hair and skin after medicinal treatments; medicated soaps; medicated shampoos; talcum powders; artificial fingernails for medical use.

10 – Medical apparatus and instruments, including, medical devices for applying pharmaceutical preparations and for introducing pharmaceutical preparations into the human body; medical and non-medical devices for the treatment of cancer and dermatological, hematological, renal and endocrine disorders, medical apparatus and units for dosage, measuring and monitoring, including, drug introducing devices and systems, medical devices, including, devices for measuring body surface area affected by disease; medical devices for the treatment of cancer, dermatological, hematological, renal and endocrine disorders, including biofeedback sensors; micro needles for medical use; containers specially for medical waste and storage of drugs.

(260) AM 2015 79626 A

(800) 887509

(891) 2014 10 22

(731) BOURJOIS

12-14 rue Victor Noir, F-92200 NEUILLY-SUR-SEINE, France

(540)

SWEET KISS

(511)

3 – Perfumery; cosmetic products for skin care and body care.

(260) AM 2015 79772 A

(800) 1224028

(891) 2014 06 10

(731) Otkrytoe Aktsionernoe Obschestvo

"MINSK KRISTALL"

d.15, ul. Oktyabrskaya, 220030 Minsk, Belarus

(540)

БЕЛАЯ РУСЬ

(511)

33 – Alcoholic beverages, except beer, including alcoholic beverages containing fruits; aperitifs, included in this class; arak [arrack]; brandy; wine; piquette; whisky; vodka; gin; digesters [liqueurs and spirits]; cocktails, included in this class; liqueurs; spirits [beverages]; distilled beverages; hydromel [mead]; peppermint liqueurs; bitters; rum; sake; cider; rice alcohol; alcoholic extracts; fruit extracts, alcoholic; alcoholic essences.

(260) AM 2015 79891 A

(800) 1225201

(891) 2014 04 24

(731) ONOFF TELECOM

26 boulevard de Bonne Nouvelle, F-75010

PARIS, France

(540)

ONOFF

(511)

35 – And dissemination of advertising information, rental of advertising space via the global computer network, mobile phone application; sales promotion of goods and services of others via the Internet; file management of contact information.

38 – Telecommunication services; protocol telecommunication services via voice over internet protocol (VOIP); voice telecommunications services via and on mobile telephones) PBX (private branch exchanges; telephone and videoconferencing services on the Internet; mail services and instant messaging on the Internet; short messaging services (SMS) and multimedia messaging services (MMS) computer and via a mobile phone network; electronic data transmission and telecommunication, texts by means of mobile communications networks and the global information network between mobile telephones, portable media players, and handheld computers; provision (transmission) of digital data; providing (transmitting) information on-line interactive boards, forums and chatrooms for transmission of messages among users of global computer and wireless networks; providing online access to telecommunication and data storage; communications via electronic platforms; electronic data interchange edi services; telecommunications services via the Internet and private communication networks; providing multiple users with access to electronic communications networks, including the Internet, extranets and broadband access; wireless transfer of data; providing access to telecommunication; transmission via mobile telephone communication; providing telecommunications connections to computer databases and the Internet; delivery of messages by electronic transmission; providing telecommunications connections to electronic communications networks, for the transmission or reception of audio, video or multimedia content; providing wireless telecommunications via electronic communication networks; wireless digital messaging, messaging services, and electronic mail services, including services enabling a user to send and/or receive of messages via wireless data network; one-way and two-way messaging services; communications by computer terminals, communication between computers; telephone services; provision of access and links via telecommunications to computer databases and to the Internet; electronic transmission of audio and video files by streaming and downloadable by computer and other communication networks; webcasting services (transmission); delivery of messages via electronic transmission; providing access to software for contact information

management and communication; provision of access time to telecommunication networks of electronic communications for identifying, locating, grouping, distributing, and managing data and links to third-party computer servers, computer processors; providing access to software for communication via voice over internet protocol (VOIP) on a computer network, telecommunications via voice by mobile telephones and private branch exchange (PBX); providing access to online software for downloading by others that allows subscribers to utilize protocol communication services via voice over internet protocol (VOIP) and voice telecommunications by mobile phone; voice over IP services (transmission) of speech; provision of access to customers of user access to data for the benefit of communications and wireless user profile of their behalf, for management of accounts, accounting; telecommunication and electronic messaging services social networks; mail services and instant messaging, including video messaging services on the Internet; communication services, transmission and receiving text, images, audio files, video and audio-visual and other data for the facilitation of communications between two or multiple users via computer networks, communication networks and the global computer network; text and instant messaging services; audio and video teleconferencing; telecommunication services, namely, providing prepaid minutes for use on cell phones abroad and/or on the national territory.

42 – Services for the design, development, updating, installation, installation of software for communication via voice over internet protocol (VOIP) on a computer network, telecommunications via voice by mobile telephones and private branch exchange (PBX); design, development, updating, installation, software maintenance services for mail and instant messaging; services, computer rental and computer software for enabling managing simultaneous. Multiple modes of communication over a computer network, and electric mobile telecommunication, communication networks and the global information network via instant messaging, voice over internet protocol (VOIP), video conferencing, audio conferencing, computer desktop sharing, file transfer, sensing and providing user presence information, and telephony, and accessing remotely stored data for such applications; software and rental of temporary use of non-downloadable applications for instant messaging, the enabling and managing simultaneous. Multiple modes of communication over local area networks and the Internet via instant messaging, voice over Internet protocol (VOIP), video conferencing, audio conferencing, computer desktop sharing, file transfer, sensing and providing user presence information, and telephony; technical information services in the field of computer software; design services provider services featuring computer software; mobile telephone and/or computer program-

ming; installation, updating and maintenance of software for mobile applications; design of mobile application software, websites, social services and information of a social nature.

45 – Dating, social networking and appointment services; information services in social networking; licensing in the fields of technology, source codes, software and other intellectual property.

(260) AM 2015 80344 A

(800) 1229845

(891) 2014 04 14

(731) Obshchestvo s ogranichennoy

otvetstvennostyu "UPECO"

Chaplygina ul. 13/2, office 104, RU-103062

Moscow, Russian Federation

(540)



(591) Black, white, orange and red

(511)

1 – Antistatic preparations, other than for household purposes; bacterial preparations other than for medical and veterinary use; leather glues; cement for footwear; oils for currying leather; mastic for leather; clarification preparations; bleaching preparations for industrial purposes; corrosive substances used for treating (terms too vague in the opinion of the International Bureau – rule 13.2.b) of the Common Regulations); leather-renovating chemicals; leather-dressing chemicals; leather-waterproofing chemicals; leather-impregnating chemicals; textile-impregnating chemicals; stain-preventing chemicals for use on fabrics.

2 – Fixers for dyes; paints; ink for leather goods for products made of suede for products made of nubuck, including in aerosol packing and cream (terms too vague in the opinion of the International Bureau – rule 13.2.b) of the Common Regulations); dyes for leather and shoes, including for glaze (terms too vague in the opinion of the International Bureau – rule 13.2.b) of the Common Regulations).

3 – Canned pressurized air for cleaning and dusting purposes; balms for leather goods and shoes; polishing stones; petroleum jelly for cosmetic purposes; cobblers' wax; creams and waxes for leather; toiletries; polishing and glaze preparations; laundry bleach; cleaning preparations; scouring solutions; tissues impregnated with cosmetic lotions; leather preservatives [polishes]; preparations for deducing of stains (terms too vague in the opinion of the International Bureau – rule 13.2.b) of the Common Regulations); preparations for cleaning and polishing of

shoes in different pack (terms too vague in the opinion of the International Bureau – rule 13.2.b) of the Common Regulations); preparations for cleaning suede and nubuck; detergents other than for use in manufacturing operations and for medical purposes; degreasers other than for use in manufacturing processes; shampoos, including in aerosol and foam packaging (terms too vague in the opinion of the International Bureau – rule 13.2.b) of the Common Regulations).

4 – Grease for leather; grease for shoes; oil for the preservation of leather; paraffin; dust removing preparations for leather; dust laying compositions; lubricants.

5 – Deodorants, other than for human beings or for animals; deodorants for clothing and textiles; deodorizers for shoes; adhesive plasters; sticking plasters for medical purposes; bacterial preparations for medical and veterinary use; air deodorizing preparations; mothproofing preparations; solvents for removing adhesive plasters; tissues impregnated with pharmaceutical lotions; antiseptics.

20 – Non-metal boxes for clothes and shoes; furniture; cupboards.

21 – Cleaning sponges; shoe horns; cloths for polishing; wax-polishing appliances, non-electric, for shoes; animal bristles [brushware]; brush goods.

25 – Gaiters; socks; clothing; footwear; fittings of metal for footwear; waterproof clothing; non-slip-ping devices for footwear; welts for footwear; inner soles; stockings.

26 – Shoe fasteners; shoe hooks; buckles [clothing accessories]; shoe buckles; shoe ornaments, not of precious metal; trimmings for clothing, not of precious metal.

35 – Import-export agencies; commercial information agencies; distribution of samples; organization of exhibitions for commercial or advertising purposes; demonstration of goods; marketing studies; advertising; sales promotion for others, including wholesale and retail store services.

(260) AM 2015 80352 A

(800) 1229944

(891) 2014 07 16

(731) İNCİ AKÜ SANAYİ VE TİCARET
ANONİM ŞİRKETİ

Organize Sanayi Bölgesi, MANİSA, Turkey

(540)

ENERGYMAX

(591) Black, white

(511)

9 – Electric plugs, electric sockets, electric junction boxes, electric switches, circuit breakers, electrical

fuses, lighting ballasts, electric control panels, electronic controller panel to manage the power, movement and functions of an elevators, electric connectors and sockets; adaptors for use with portable electronic devices and battery chargers, electric wires and cables, fiber optic cables used in electronics and also in telephone lines, electrical power supplies, electrical accumulators; batteries, solar cells, uninterruptible power supplies for computers.

(260) AM 2015 80408 A

(800) 1230554

(891) 2014 07 28

(731) DIVERSE BRAND & MARKETING

SP. Z O.O.

ul. Grzybowska 5A, PL-00-132 Warszawa,
Poland

(540)

CLTN

(511)

3 – Body and haircare preparations, perfumery, essential oils, toiletries for washing and shaving.

9 – Spectacles, spectacle cases.

18 – Travelling bags, sports bags, shopping bags, beach bags, rucksacks, bags for campers, suitcases, school haversacks, office attache cases, attache cases, travel cases, cases of leather and imitations of leather, key cases, ladies handbags, wallets, purses.

25 – Clothing, footwear, headgear, furs, coats, jackets, suits, jackets, waistcoats, sweatshirts, suits, trousers, shorts, skirts, shirts, blouses, dresses, jumpers, pullovers, tracksuits, baby ware and adults underwear, socks, tights, stocking, hats, caps, belts, neckerchiefs, shawls, ties, bow ties.

32 – Beers, mineral and aerated waters and other non-alcoholic drinks, fruit drinks and fruit juices, syrups and other preparations for making beverages, energy drinks.

35 – Wholesale and retail shop services with clothing, footwear, caps and other headgear, tights, underwear, cosmetics, toilet agents, spectacles, spectacle cases, travelling bags, bags, sports bags, shopping bags, rucksacks, bags for campers, suitcases, school haversacks, office attache cases, attache cases, cases, suitcases, ladies handbags, wallets, purses, home, office, stores and hotel furniture; management of a retail enterprise for others; commercial business management; wholesale and retail shop services with beers, mineral and aerated waters and other non-alcoholic drinks, fruit drinks and fruit juices, syrups and other preparations for making beverages, energy drinks.

(260) AM 2015 80409 A
 (800) 1230579
 (891) 2014 09 02
 (731) SHANDONG KERUI GROUP HOLDING
 CO., LTD.
 Shengli Industrial Park, Dongying City,
 Shandong Province, China

(540)


(591) Black, white
 (511)
 35 – Marketing studies; marketing research; import-export agencies; auctioneering; sales promotion for others.

37 – Repair information; construction; underwater repair; commercial housing construction; mining extraction; drilling of wells; drilling of deep oil or gas-wells; boiler cleaning and repair; burner maintenance and repair; electric appliance installation and repair; machinery installation, maintenance and repair; rebuilding engines that have been worn or partially destroyed; rebuilding machines that have been worn or partially destroyed.

(260) AM 2015 80410 A
 (800) 1230582
 (891) 2014 09 02
 (731) SHANDONG KERUI GROUP HOLDING
 CO., LTD.
 Shengli Industrial Park, Dongying City,
 Shandong Province, China

(540)


(591) Black, white
 (511)
 9 – Aerials; measuring apparatus; measuring instruments; materials for electricity mains (wires, cables); converters, electric; distribution consoles (electricity); voltage regulators; low-voltage power supply; electrolyzers; ionization apparatus not for the treatment of air or water; electrobath.

22 – Ropes; car towing ropes.

(260) AM 2015 80414 A
 (800) 1230601
 (891) 2014 09 11
 (731) BALBOA APPS LLC
 1209 Orange Street, Wilmington DE 1980,
 USA

(540)


(511)
 9 – Computer software for Internet search and browsing, e-mail, electronic messaging, and application

development; computer operating system software and computers.

(260) AM 2015 80424 A
 (800) 1230663
 (891) 2014 09 22
 (731) Obshchestvo s ogranichennoy
 otvetstvennostyu "SIBIRSKIY DELIKATES"
 ul. Mira, d. 59A, Omskiy r-n, Omskaya
 oblast', RU-644510 Krasnoyarka, Russian
 Federation

(540)



(591) Brown, light brown, red, orange, green, white and light yellow

(511)
 30 – Pelmeni [meat stuffed dumplings].

(260) AM 2015 80425 A
 (800) 1230667
 (891) 2014 10 24
 (731) AVON PRODUCTS, INC.
 World Headquarters, 777 Third Avenue
 New York NY 10017, USA

(540)

AVON CÉLÈBRE

(511)
 3 – Non-medicated toilet preparations; powders, creams and lotions, all for the face, hands and body; nail polish; nail polish remover; cosmetics; soaps; shower and bath preparations; preparations for the hair; preparations for cleaning the teeth; shaving and aftershave preparations; perfumes, colognes, toilet waters, eau de colognes; deodorants and anti-perspirants for personal use; toilet articles; essential oils.

(260) AM 2015 80426 A
 (800) 1230669
 (891) 2014 09 26
 (731) BIOTA BİTKİSEL İLAÇ VE KOZMETİK
 LABORATUARLARI A.Ş.
 Emek Mah. Sivataş Yolu Cad. No:9, Sancaktepe
 İstanbul, Turkey

(540)

SOLFASOL

(591) Black, white

(511)

5 – Pharmaceutical preparations; sanitary preparations for medical purposes; dietetic food and substances adapted for medical use, food for babies; dietary supplements for humans; plasters, materials for dressings; material for stopping teeth, dental wax; disinfectants; fungicides, herbicides; none of the aforesaid goods relating to veterinary products or products for animals.

(260) AM 2015 80428 A

(800) 1230691

(891) 2014 09 12

(731) TATYANA GERMANOVNA

GOROKHOVSKAYA

Krasnyi prospekt, d. 49, kv. 58, RU-630091

Novosibirsk, Russian Federation

(540)

ZHIVINKA

(591) Black, white

(511)

3 – Adhesives for cosmetic purposes; after-shave lotions; almond milk for cosmetic purposes; aloe vera preparations for cosmetic purposes; amber [perfume]; antiperspirant soap; astringents for cosmetic purposes; balms other than for medical purposes; bath salts, not for medical purposes; beauty masks; breath freshening sprays; cakes of toilet soap; cleansing milk for toilet purposes; cosmetics; cosmetic creams; cosmetic dyes; cosmetic kits; cosmetic pencils; cosmetic preparations for baths; cosmetic preparations for eyelashes; cosmetic preparations for skin care; cosmetic preparations for slimming purposes; cotton sticks for cosmetic purposes; cotton wool for cosmetic purposes; decorative transfers for cosmetic purposes; dentifrices; deodorant soap; depilatories; douching preparations for personal sanitary or deodorant purposes [toiletries]; Eau de Cologne; eyebrow cosmetics; fumigation preparations [perfumes]; greases for cosmetic purposes; hair colorants; hair lotions; hair spray; hair waving preparations; joss sticks; lip glosses; lipsticks; lotions for cosmetic purposes; make-up; make-up preparations; make-up powder; make-up removing preparations; mascara; massage gels other than for medical purposes; medicated soap; mouth washes, not for medical purposes; nail care preparations; nail polish; neutralizers for permanent waving; oils for cosmetic purposes; oils for perfumes and scents; oils for toilet purposes; perfumery; perfumes; pomades for cosmetic purposes; potpourris [fragrances]; scented water; scented wood; shampoos; skin whitening creams; soap; sunscreen preparations; sun-tanning prepara-

tions [cosmetics]; tissues impregnated with cosmetic lotions; toiletries; toilet water.

(260) AM 2015 80429 A

(800) 1230693

(891) 2014 10 20

(731) EFES BREWERIES INTERNATIONAL N.V.

Strawinskylaan 1227, NL-1077 XX

AMSTERDAM, Netherlands

(540)



(591) Black, white

(554) Three - Dimensional

(526) 1881

(511)

32 – Beers; mineral and aerated waters and other non-alcoholic drinks; fruit drinks and fruit juices; syrups and other preparations for making beverages; carbonated non-alcoholic drinks, carbonated beer-based low-alcoholic drinks, drinks consisting principally of juices.

33 – Alcoholic beverages (except beers), including vodka, brandy, Armenian brandy, wines, sparkling wines; carbonated low-alcoholic drinks, other than beer-based.

(260) AM 2015 80430 A

(800) 1230705

(891) 2014 06 16

(731) FILIPPO D'ANTUONO LUIGI

Via Viareggio, 70, Cesena (FC), Italy

(540)



(591) Cinder blue, green, light green, grayish green, orange-yellow, light blue, red, blue and purplish red

(511)

39 – Travel arrangement: arranging excursions for tourists; arranging of excursions as part of package holidays; arranging of excursions, day trips and sightseeing tours; arranging of travel, excursions and cruises; arranging of travel tours; conducting of tra-

vel tours; conducting sightseeing tours for others; consultancy relating to tourist travel and sightseeing; coordinating travel arrangements for individuals and for groups; escorting of travellers; information relating to travel and travel services provided on-line; organization of excursions; organization of travel for excursions, sightseeing, holidays and tours; organization of travel tour guide services; organization of trips; organizing and conducting adaptive travel excursions; personal travel tour guide services; providing information relating to travel and sightseeing; providing information to tourists relating to excursions and sightseeing; providing tourist travel information; tourist information services relating to travel; travel consultancy and information services; travel tour guide services.

41 – Education; providing of training; entertainment; sporting and cultural activities: adult education; arranging and conducting of conferences, conventions and exhibitions for cultural or educational purposes; arranging and conducting of day school courses for adults; arranging and conducting of meetings in the field of education; conducting guided tours of wineries for educational purposes; conducting of cultural events; conducting of educational events; consultancy regarding training, further training and education; continuous training; cultural activities; educational consultancy; education and entertainment activities provided in connection with cruises and tours; education and training relating to nature conservation and the environment; entertainment and cultural activities; organization of educational, entertainment, sporting and cultural events; organization of training courses; organizing and conducting cultural and recreational activities; photographic reporting; photography; publication of educational and training guides; publication of on-line guide books, travel maps, city directories and listings for use by travellers, not downloadable; wine tasting events for educational purposes; writing of texts, other than publicity texts.

43 – Services for providing food and drink; temporary accommodation: advice concerning cooking recipes; consultancy services in the field of culinary arts; providing on-line advice and information services relating to wine and food pairings.

(260) AM 2015 80431 A

(800) 1230735

(891) 2014 10 15

(731) NEW LOOK LIMITED

New Look House, Mercery Road, Weymouth,
Dorset DT3 5HJ, United Kingdom

(540)



(591) Black, white

(511)

25 – Clothing; footwear; headgear; coats; jackets [clothing]; raincoats; suits; dresses; sweaters; knitwear [clothing]; blouses; shirts; t-shirts; cardigans; trousers; skirts; jeans; shorts; swimwear; underwear; pants; bras; hosiery; tights; stockings; socks; vests; pyjamas; dressing gowns; hats; caps [headwear]; berets; scarves; gloves [clothing]; mittens; belts [clothing]; shoes; boots.

(260) AM 2015 80432 A

(800) 1230765

(891) 2014 08 06

(731) BRAY INTERNATIONAL, INC.

13333 Westland E. Blvd., Houston TX 77041,
USA

(540)

CHECK RITE

(511)

6 – CHECK-VALVES.

(260) AM 2015 80433 A

(800) 1230767

(891) 2013 11 21

(731) ECZACIBASI HOLDING ANONIM
SIRKETI

Kanyon Ofis Buyukdere Cad. No:185, Levent,
Istanbul, Turkey

(540)

Eczacıbaşı
PROFESYONEL

(591) white, khaki

(526) PROFESYONEL

(511)

1 – Chemicals used in industry, science and photography, as well as in agriculture, horticulture and forestry; unprocessed artificial resins, unprocessed plastics; manures; fire extinguishing compositions; tempering and soldering preparations; chemical substances for preserving foodstuffs; tanning substances; adhesives used in industry.

3 – Bleaching preparations and other substances for laundry use; cleaning, polishing, scouring and abrasive preparations; soaps; perfumery, essential oils, cosmetics, hair lotions; dentifrices.

5 – Pharmaceutical and veterinary preparations; sanitary preparations for medical purposes; dietetic food and substances adapted for medical or veterinary use, food for babies; dietary supplements for humans and animals; plasters, materials for dressings; material for stopping teeth, dental wax; disinfectants; preparations for destroying vermin; fungicides, herbicides.

10 – Surgical, medical, dental and veterinary apparatus and instruments, artificial limbs, eyes and teeth; orthopedic articles; suture materials.

16 – Paper, cardboard and goods made from these materials, not included in other classes; printed matter; bookbinding material; photographs; stationery; adhesives for stationery or household purposes; artists' materials; paint brushes; typewriters and office requisites (except furniture); instructional and teaching material (except apparatus); plastic materials for packaging (not included in other classes); printers' type; printing blocks.

21 – Household or kitchen utensils and containers; combs and sponges; brushes (except paint brushes); brush-making materials; articles for cleaning purposes; steelwool; unworked or semi-worked glass (except glass used in building); glassware, porcelain and earthenware not included in other classes.

24 – Textiles and textile goods, not included in other classes; bed covers; table covers.

29 – Meat, fish, poultry and game; meat extracts; preserved, frozen, dried and cooked fruits and vegetables; jellies, jams, compotes; eggs; milk and milk products; edible oils and fats.

30 – Coffee, tea, cocoa and artificial coffee; rice; tapioca and sago; flour and preparations made from cereals; bread, pastry and confectionery; ices, sugar, honey, treacle; yeast, baking-powder; salt; mustard; vinegar, sauces (condiments); spices; ice.

32 – Beers; mineral and aerated waters and other non-alcoholic beverages; fruit beverages and fruit juices; syrups and other preparations for making beverages.

35 – Advertising; marketing and public relations (including organization of exhibitions or trade fairs for commercial or advertising purposes), office services, business management, business administration, consultancy, accounting services, business appraisals relating to commercial and industrial products; auctioneering, demonstration of goods, presentation of goods for retail purposes, namely, chemicals used in industry, science and photography, as well as in agriculture, horticulture and forestry, unprocessed artificial resins, unprocessed plastics, manures, fire extinguishing compositions, tempering and soldering preparations, chemical substances for preserving foodstuffs, tanning substances, adhesives used in industry, bleaching preparations and other substances for laundry use, cleaning, polishing, scouring and abrasive preparations, soaps, perfumery, essential oils, cosmetics, hair lotions, dentifrices, pharmaceutical and veterinary preparations, sanitary preparations for medical purposes, dietetic food and substances adapted for medical or veterinary use, food for babies, dietary supplements for humans and animals, plasters, materials for dressings, material for

stopping teeth, dental wax, disinfectants, preparations for destroying vermin, fungicides, herbicides, common metals and their alloys, metal building materials, transportable buildings of metal, materials of metal for railway tracks, non-electric cables and wires of common metal, ironmongery, small items of metal hardware, pipes and tubes of metal, safes, goods of common metal included in class 6, ores, machines and machine tools, motors and engines (except for land vehicles), machine coupling and transmission components (except for land vehicles), agricultural implements other than hand-operated, incubators for eggs, automatic vending machines, hand tools and implements (hand-operated), cutlery, side arms, razors, scientific, nautical, surveying, photographic, cinematographic, optical, weighing, measuring, signalling, checking (supervision), life-saving and teaching apparatus and instruments, apparatus and instruments for conducting, switching, transforming, accumulating, regulating or controlling electricity, apparatus for recording, transmission or reproduction of sound or images, magnetic data carriers, recording discs, compact discs, DVDs and other digital recording media, mechanisms for coin-operated apparatus, cash registers, calculating machines, data processing equipment, computers, computer software, fire-extinguishing apparatus, surgical, medical, dental and veterinary apparatus and instruments, artificial limbs, eyes and teeth, orthopedic articles, suture materials, apparatus for lighting, heating, steam generating, cooking, refrigerating, drying, ventilating, water supply and sanitary purposes, paper, cardboard and goods made from these materials included in class 16, printed matter, bookbinding material, photographs, stationery, adhesives for stationery or household purposes, artists' materials, paint brushes, typewriters and office requisites (except furniture), instructional and teaching material (except apparatus), plastic materials for packaging (included in class 16), printers' type, printing blocks, rubber, guttapercha, gum, asbestos, mica and goods made from these materials included in class 17, plastics in extruded form for use in manufacture, packing, stopping and insulating materials, flexible pipes, not of metal, leather and imitations of leather, and goods made of these materials included in class 18, animal skins, hides, trunks and travelling bags, umbrellas and parasols, walking sticks, whips, harness and saddlery, building materials (non-metallic), non-metallic rigid pipes for building, asphalt, pitch and bitumen, non-metallic transportable buildings, monuments, not of metal, furniture, mirrors, picture frames, goods (included in class 20) of wood, cork, reed, cane, wicker, horn, bone, ivory, whalebone, shell, amber, mother-of-pearl, meerschaum and substitutes for all these materials, or of plastics, household or kitchen utensils and containers, combs and sponges, brushes (except paint brushes), brush-making materials, articles for cleaning purposes, ste-

elwool, unworked or semi-worked glass (except glass used in building), glassware, porcelain and earthenware included in class 21, ropes, string, nets, tents, awnings, tarpaulins, sails, sacks and bags, padding and stuffing materials (except of rubber or plastics), raw fibrous textile materials, textiles and textile goods included in class 24, bed covers, table covers, clothing, footwear, headgear, meat, fish, poultry and game, meat extracts, preserved, frozen, dried and cooked fruits and vegetables, jellies, jams, compotes, eggs, milk and milk products, edible oils and fats, coffee, tea, cocoa and artificial coffee, rice, tapioca and sago, flour and preparations made from cereals, bread, pastry and confectionery, ices, sugar, honey, treacle, yeast, baking-powder, salt, mustard, vinegar, sauces (condiments), spices, ice, beers, mineral and aerated waters and other non-alcoholic beverages, fruit beverages and fruit juices, syrups and other preparations for making beverages.

(260) AM 2015 80434 A
(800) 1230768
(891) 2014 01 13
(731) ARVENTO MOBIL SISTEMLER ANONIM ŞİRKETİ
Ankara Teknoloji Geliştirme Bölgesi
Cyberpark, Cyberplaza A, Blok Kat:5
N:501/A, BİLKENT ANKARA, Turkey
(540)



(591) Blue, grey
(526) Mobile Systems
(511)
9 – Apparatus for recording, transmission or reproduction of sound or images; data processing apparatus, telecommunication apparatus, sound or image reproducing apparatus, computer peripheral devices; devices and software used for vehicle tracking and fleet management systems (systems forming an intelligent network which intercommunicate via a number of communication protocol by interconnecting and sharing information; systems providing wireless communication between the information center and the machines; systems used for sending, processing and receiving data from wireless access devices remotely; information control and data collection systems, apparatus for recording, transmission or reproduction of data, such as communications equipment, computer hardware and computer software; remote control and monitoring systems, and computer hardware and software relating thereto; electronic components used in the electronic parts of machines and apparatus; counters and quantity indicators for measuring the quantity of consumption, automatic time switches; apparatus and instruments for conducting, transforming, accumulating or cont-

rolling electricity; electric cables and electrical power supplies, batteries, electric accumulators; signalling apparatus and instruments, luminous or mechanical signs for traffic use; automatic controllers for doors, electric mechanisms for operating automatic tollgates for buildings; electronic or remote controlled on-off mechanisms for buildings and vehicles.

(260) AM 2015 80530 A
(800) 1231891
(891) 2014 10 09
(731) MARCO WÖRENKÄMPER
Wiesenstrasse 13 B 34246 Vellmar, Germany
(540)

MAXNOMIC

(511)
20 – Furniture, in particular office furniture and their spare parts and accessories; goods of wood, cork, reed, cane, wicker, horn, bone, ivory, whalebone, shell, amber, mother-of-pearl, meerscham and substitutes for all these materials, or of plastics.

35 – Retail services, wholesale services, online or catalogue mail order and postal mail order services with computers, computer peripherals, computer software (recorded and downloadable), office requisites, printed matter, furniture, electric and electronic apparatus, in particular amplifiers and loudspeaker boxes.

(260) AM 2015 80531 A
(800) 1231907
(891) 2014 10 28
(731) BRISTOL-MYERS SQUIBB SARL
3, rue Joseph Monier, F-92500 Rueil
Malmaison, France
(540)



(591) Black, white
(511)
5 – Pharmaceutical products for human use.

(260) AM 2015 80535 A
(800) 1231937
(891) 2014 09 17
(731) BEIJING QIHOO TECHNOLOGY
COMPANY LIMITED
Room 112, Area D (Desheng Park), No. 28
Xinjiekouwqi Street, Xicheng District,
100088 Beijing, China

(540)



(591) Black, white

(511)

9 – Computer programmes [programs], recorded; computer software, recorded; computer software, recorded; computer programs [downloadable software]; network communication equipment; calculating machines; computers; computer game programs; notebook computers; laptops.

38 – Message sending; computer aided transmission of messages and images; electronic mail; providing telecommunications connections to a global computer network; providing user access to global computer networks; providing Internet chatrooms; providing access to databases; voice mail services; news agencies; communications by computer terminals.

42 – Research and development for others; computer software design; conversion of data or documents from physical to electronic media; creating and maintaining websites for others; computer virus protection services; providing search engines for the Internet; upgrade of computer software; installation of computer software; computer software consultancy; data conversion of computer programs and data [not physical conversion].

(260) AM 2015 80536 A

(800) 1231939

(891) 2014 01 16

(731) Dimitar Hristov BALEV

Blvd. Vitosha No.137, apt. 17, BG-1408
Sofia, Bulgaria

(540)

Beep Beep

(591) Black, white

(511)

3 – Bleaching preparations and other substances for laundry use; cleaning, polishing, scouring and abrasive preparations; soaps; perfumery, essential oils, cosmetics; potpourris [fragrances]; aromatic air fragrancing preparations; aromatics [essential oils]; air fragrancing preparations; air fragrancing preparations for rooms; sachets for perfuming linen; scented wood; scented water; perfumed tissues; perfumed soaps; tissues impregnated with cosmetic lotions; tissues impregnated with a detergent for cleaning; bath salts, not for medical purposes.

5 – Salts for mineral water baths; air-purifying preparations; air deodorising preparations for hygienic use; deodorants for clothing and textiles; air deodorising preparations; sanitizing wipes; paper diapers; sanitizers for household use, namely sanitary preparations.

12 – Rims for vehicle wheels; wheel covers [for vehicles]; covers for vehicle steering wheels; spare tyre covers; seat covers for vehicles; luggage nets for vehicles; head-rests for vehicle seats; vehicle covers [shaped]; covers for baby carriages; hoods for baby carriages; sun-blinds adapted for automobiles; windshield wipers for vehicles; upholstery for vehicles.

(260) AM 2015 80545 A

(800) 1231895

(891) 2014 09 24

(731) CALZATURIFICIO SPERONI S.R.L.

Via Vittorio Alfieri, 42, I-47029 Vigevano, Italy

(540)



(591) White, black and bordeaux

(511)

18 – Goods made of leather or of imitations of leather namely boxes of leather or leatherboard, envelopes of leather; trunks, valises, travelling bags, garment bags for travel, vanity cases, rucksacks, handbags, beach bags, shopping bags, shoulder bags, attaché cases, briefcases, pouches; fine leather goods namely pocket wallets, purses, key cases, card cases; umbrellas, parasols; animal skins; walking sticks; collars for animals.

25 – Clothing, namely dresses, trousers, skirts, T-shirts, jackets (clothing), raincoats, shirts, blouses, scarves, cardigans, jumpsuits, sweaters, jerseys, pullovers; hosiery; clothing of leather, fur coats; fur stoles; babies' pants; underwear, lingerie, pants, bras, vests, slips, boxer shorts; stockings, tights, socks, leg warmers, suspenders; pajamas, night shirts, dressing gowns; bathing suits and bathing trunks, wrap around skirts, bath robes; dance cloth; masquerade costumes; wedding cloth; foulards, scarf; ties, turbans, boas; gloves (clothing), belts (clothing); headgear for wear, namely hats and caps; footwear, namely leather shoes, rubber shoes, court shoes or half boots, winter boots, beach shoes, sandals, running shoes, rain boots, long boots, boots.

(260) AM 2015 80546 A

(800) 1232030

(891) 2014 09 17

(731) SHANGHAI HUIZHONG AUTOMOTIVE
MANUFACTURING CO., LTD.
1493 South PuDong Road, PuDong New
District, 200122 Shanghai, China

(540)



(591) Black, white

(511)

12 – Electric vehicles; vans (vehicles); cars; automob-
iles; vehicle bumpers; clutches for land vehicles;
vehicles seats; bodies for vehicles; repair outfits for
inner tubes; tires for vehicle wheels.

37 – Machinery installation, maintenance and repair;
rebuilding machines that have been worn or partially
destroyed; electric appliance installation and repair;
air conditioning apparatus installation and repair;
motor vehicle maintenance and repair; vehicle ser-
vice stations (refueling and maintenance); vehicle
breakdown assistance (repair); retreading of tires;
burglar alarm installation and repair.

39 – Transport; packaging of goods; car transport;
traffic information; taxi transport; vehicle rental;
chauffeur services; storage of goods; courier servi-
ces (messages or merchandise); sightseeing (tou-
rism).

(260) AM 2015 80550 A

(800) 1232090

(891) 2014 10 08

(731) HETTICH MARKETING- UND
VERTRIEBS GMBH & CO. KG
Vahrenkampstraße 12-16, 32278
Kirchlengern, Germany

(540)

Castwerk

(511)

6 – Metal building materials; cables and wires of
common metal; ironmongery, small items of metal
hardware; hinges of metal for motor vehicles.

7 – Crankcases for machines, motors and engines;
motor and engine parts of all kinds (except those for
land vehicles).

9 – Housings for electronic equipment; apparatus for
the reproduction of sound or images, and parts there-
for; frames for electronic components.

12 – Automobile parts, as far as included in this
class; dashboard mounts and instrument panels for
use in vehicles of all kinds; mounts for central
consoles in motor vehicles, housings and mounts for
navigation apparatus and displays; drive housings

for motor vehicles, in particular tailgates for motor
vehicles, parts for electric or mechanical drives for
window opening systems in motor vehicles, parts for
opening and closing mechanisms for vehicle doors
and glove compartments for vehicles, guide rails for
central armrests in motor vehicles.

19 – Building materials (non-metallic).

(260) AM 2015 80562 A

(800) 1232238

(891) 2014 10 31

(731) BIOFARMA

50 rue Carnot, F-92284 SURESNES CEDEX,
France

(540)

ALCARTIS

(591) Black, white

(511)

5 – Pharmaceutical and veterinary products; sanitary
products for medical purposes; dietetic substances
for medical use, food for babies; plasters, materials
for dressings; material for dental fillings and dental
impressions; disinfectants; products for destroying
vermin; fungicides, herbicides.

(260) AM 2015 80563 A

(800) 1232250

(891) 2014 10 08

(731) HAINAN QIERTE INVESTMENT CO.,
LTD.

Room 102, Waimao Building, Shanzhuang
Road, Wuzhishan City, HAINAN PROVINCE,
China

(540)

New bunren

(591) Black, white

(511)

25 – Clothing; sports shoes; layettes [clothing]; foot-
ball shoes; footwear; hats; hosiery; leather belts for
clothing; scarves; gloves [clothing].

(260) AM 2015 80568 A

(800) 1232321

(891) 2014 09 25

(731) AVON PRODUCTS, INC.

World Headquarters, 777 Third Avenue,
New York NY 10017, USA

(540)

AVON BE ROMANTIC

(511)

3 – Non-medicated toilet preparations; toiletries;
skin care preparations; skin moisturizers; body and

beauty care preparations; powders, creams and lotions, all for the face, hands and body; cosmetic sun-tan preparations; soaps; shower and bath preparations; beauty masks; talcum powder; nail polish; nail polish remover; enamel for nails; false nails; adhesives for cosmetic purposes; cosmetics; eye makeup remover, eye shadow, eye liner, mascara, lipstick, lip liner, lip gloss; make-up foundation; blusher; tissues impregnated with cosmetic lotions; cotton sticks for cosmetic purposes; cotton wool for cosmetic purposes; preparations for cleaning, moisturising, colouring and styling the hair; preparations for cleaning the teeth; shaving and aftershave preparations; perfumes, fragrances, toilet waters, eau de cologne; deodorants and anti-perspirants for personal use; essential oils (cosmetic).

(260) AM 2015 80570 A

(800) 1232327

(891) 2014 10 02

(731) Zakrytoe akcionerhoe obshchestvo
"VOSTOK-SERVIS-SPETSKOMPLEKT"
Rabochaya ul., d. 46-a, Noginsky r-n,
Moskovskaya obl., RU-142400 Noginsk,
Russian Federation

(540)



(591) Blue

(511)

25 – Head sweatbands; underwear; sweat-absorbent underwear; half-boots; breeches for wear; trousers; galoshes; gaiters; vests; hosiery; hoods [clothing]; visors [headwear]; combinations [clothing]; suits; jackets [clothing]; fishing vests; sports singlets; ear muffs [clothing]; footwear; clothing; outerclothing; ready-made clothing; clothing of leather; clothing of imitations of leather; waterproof clothing; knitwear [clothing]; uniforms; gloves [clothing]; headbands [clothing]; lace boots; dress shields; braces for clothing [suspenders]; belts [clothing]; non-slipping devices for footwear; shirts; wooden shoes; inner soles; headgear for wear; aprons [clothing]; dressing gowns.

35 – Commercial information and advice for consumers [consumer advice shop]; business investigations; business research; marketing research; business management and organization consultancy; business organization consultancy; professional business consultancy; marketing; business management of performing artists; business management assistance; commercial or industrial management assistance; commercial intermediation services; sales promotion for others; negotiation and conclusion of commercial transactions for third parties; business project management services for construction projects; administrative processing of purchase orders; procurement

services for others [purchasing goods and services for other businesses]; outsourcing services [business assistance].

37 – Renovation of clothing; mending clothing; shoe repair; clothing repair; washing; cleaning of clothing; leather care, cleaning and repair; fur care, cleaning and repair.

40 – Applying finishes to textiles; skin dressing; embroidery services; stripping finishes; tanning; material treatment information; permanent-press treatment of fabrics; leather staining; fur dyeing; shoe staining; cloth dyeing; textile dyeing; leather working; cloth edging; fur conditioning; textile mothproofing; fabric waterproofing; crease-resistant treatment for clothing; cloth fireproofing; textile treating; wool treating; fabric bleaching; clothing alteration; dressmaking; cloth cutting; warping [looms]; fulling of cloth; dyeing services.

42 – Industrial design; graphic arts design; technical project studies; engineering; material testing; textile testing; research and development of new products for others; scientific research; technical research; dress designing.

(260) AM 2015 80572 A

(800) 1232329

(891) 2014 09 26

(731) EGIS GYÓGYSZERGYÁR ZRT.
Keresztúri út 30-38, H-1106 Budapest,
Hungary

(540)

TIGITRAX

(511)

5 – Pharmaceutical preparations for human use.

(260) AM 2015 80573 A

(800) 1232330

(891) 2014 09 26

(731) EGIS GYÓGYSZERGYÁR ZRT.
Keresztúri út 30-38, H-1106 Budapest,
Hungary

(540)

TICOTROMB

(511)

5 – Pharmaceutical preparations for human use.

(260) AM 2015 80584 A

(800) 1232340

(891) 2014 09 23

(731) QUANZHOU JIYOU SHOES CO., LTD.
Huinan Industrial District, (Zhangban), Hui'an
County, Quanzhou City, 362123 Fujian
province, China

(540)



(591) Black, white

(511)

25 – Clothing; layettes [clothing]; bathing suits; waterproof clothing; masquerade costumes; sports shoes; Footwear; hats; hosiery; gloves [clothing]; neckties; leather belts for clothing; wedding gowns.

(260) AM 2015 80586 A

(800) 1232372

(891) 2014 05 23

(731) WINE & SPIRIT EDUCATION TRUST

International House, 39-45 Bermondsey Street, London SE1 3XF, United Kingdom

(540)

AIWS

(511)

9 – Pre-recorded magnetic data carriers featuring information about alcoholic beverages; compact discs featuring information about alcoholic beverages; downloadable electronic publications in the nature of manuals, newsletters, magazine articles, presentation packs and books in the field of alcoholic beverages; electronic publications (downloadable), namely, books, magazines and manuals featuring information about alcoholic beverages recorded on computer media; photographic slide transparencies featuring information about alcoholic beverages; and pre-recorded video tapes featuring alcoholic beverages.

16 – Printed matter and publications, namely newsletters featuring the promotion of wine and spirits and the wine and spirit trade, awards, charts, emblems, forms, guides for wine and spirit appreciation, invitations, seminar notes, and survey answer sheets; printed instructional and teaching materials, namely, lesson plans, plastic overhead transparencies, paper and plastic overhead transparencies, course books, reference and text books and manuals, assessment material, examination papers, paper awards, certificates, diplomas, scholarship certificates, and paper badges, all for the promotion of wine and spirit appreciation and the wine and spirit trade.

35 – Publicity, business management, advertising services provided over the internet, production of radio and television advertising, trade fairs, provision of business information, conducting on-line exhibitions and displays and interactive exhibits (for business and advertising purposes), opinion polling all in the field of wines and spirits.

41 – Educational services, namely, conducting classes, seminars, conferences, workshops, lecture series, distance learning programmes and tutorials in the field of the wine and spirit NOTIFICATION

(continued) appreciation trade and distributing course materials therewith; educational services, namely, conducting on-line exhibitions and displays and interactive exhibits in the field of wine and spirit trade; publication of education course materials for others; educational services, namely, providing incentives to people and organizations to demonstrate excellence in the field of wine and spirit appreciation through the issuance of awards.

43 – Providing food and drink.

(260) AM 2015 80588 A

(800) 1232448

(891) 2014 11 11

(731) DOUBLE COIN HOLDINGS LTD.

63 Si Chuan Road (M), 200002 Shanghai, China

(540)



(591) Black, white

(511)

12 – Vehicle wheel tires.

(260) AM 2015 80589 A

(800) 1232460

(891) 2014 11 03

(731) SANOFI

54 rue La Boétie, F-75008 Paris, France

(540)

ESARI

(511)

5 – Pharmaceutical products.

(260) AM 2015 80590 A

(800) 1232480

(891) 2014 11 06

(731) BOURJOIS

12-14 rue Victor Noir, F-92200 NEUILLY-SUR-SEINE, France

(540)

AIR MAT

(511)

3 – Foundations.

(260) AM 2015 80591 A

(800) 1232483

(891) 2014 11 12

(731) SANOFI

54 rue La Boétie, F-75008 Paris, France

(540)

KEVZARA

(511)

5 – Pharmaceutical products.

(260) AM 2015 80592 A

(800) 1232484

(891) 2014 11 19

(731) SOCIETE FRANCAISE DE PARFUMERIE
(SOFRAPAR)

53 rue Gutenberg, F-75015 PARIS, France

(540)

ECOBIOS

(591) Black, white

(511)

1 – Chemical products for use in industry, science, photography, as well as in agriculture, horticulture and forestry; soil fertilizers; chemical products used for preserving foodstuffs; preserving salt, other than for foodstuffs; salts for industrial use; chemical reagents other than for medical or veterinary use; bleaching agents for industrial use.

5 – Pharmaceutical and veterinary products; sanitary products for medical purposes; dietetic substances for medical use; food for babies; plasters, materials for dressings; material for dental fillings and dental impressions; disinfectants; products for destroying vermin; fungicides, herbicides; medicated bath preparations, sanitary pads, panties or towels; chemical preparations for medical or pharmaceutical use; medicinal herbs; herbal teas; parasiticides; sugar for medical use; alloys of precious metals for dental use.

(260) AM 2015 80593 A

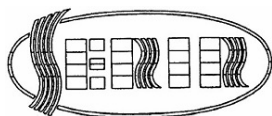
(800) 627824

(891) 2014 11 25

(731) FONDITAL S.P.A.

Via Cerreto, 40, VOBARNO (Brescia), Italy

(540)



(591) Black, white

(511)

11 – Aluminum radiators for heating and for the bathroom.

(260) AM 2015 80608 A

(800) 910529A

(891) 2014 12 08

(731) Sovmestnoe obschestvo s ogranichennoy
otvetstvennostyu "BELWINGROUP"
ul. Nakhimova, of. 402, d. 20, 220033 Minsk,
Belarus

(540)

СЯБРЫ

(591) Black, white

(511)

32 – Beers; mineral and aerated waters and other non-alcoholic drinks; fruit drinks and fruit juices; syrups and other preparations for making beverages, cocktails, non-alcoholic.

33 – Low-alcohol drinks, low-alcohol cocktails.

(260) AM 2015 80610 A

(800) 923992

(891) 2014 10 20

(731) Starwood Hotels & Resorts Worldwide, Inc.
One StarPoint, Stamford Connecticut 06902,
USA

(540)

ALOFT

(511)

43 – Hotel services, motel services, resort lodging services, tourist inn services; restaurant services, bar and cocktail lounge services; hotel concierge services.

(260) AM 2015 80613 A

(800) 952841

(891) 2014 10 17

(731) EUROLUB GmbH

Freisinger Str. 25, 85386 Eching, Germany

(540)



(591) Black, white

(511)

1 – Chemical hardening and/or chemical quenching fluids; chemicals, namely copper paste, in particular in gaseous form; refrigerating preparations; chemicals used in industry, science and photography, as well as in agriculture, horticulture and forestry; unprocessed artificial resins, unprocessed plastics; tempering and soldering preparations for metals; adhesives for industrial purposes; gases, included in this class; chemical additives for fuels; chemical additives for lubricants; chemical preparations for reducing fuel consumption; chemicals, namely preparations for octane number enhancement; chemical viscosity improvers for oils; combusting preparations (chemical additives to fuel); coolants (chemical); anti-boil preparations for coolants used in vehicles; coolants for vehicle motors; transmission fluids and/or power steering fluids; antifreeze preparations for cooling radiators; chemicals for preventing the misting and freezing of car windows; de-icing preparations; impregnating chemicals for vehicle motors and automobile bodies; antifreeze and de-icing pre-

parations; chemical de-icing preparations; chemical solvents; antifreeze preparations, in particular for window washing installations of motor vehicles; detergents for industrial purposes; tensio-active agents; de-icing preparations for windows; de-icing preparations for door locks; silicates; oil-purifying chemicals; oil separating chemicals; cleaning additives for fuels; silicones, in particular in gaseous form; solvents for organic matter and for technical purposes; solvents for chemical products; solvents for plastics; solvents for cleaning purposes; emulsion binding agents; binding preparations for oils; emulsifying agents for technical oils; emulsions for technical purposes; chemical binding preparations; water repellent preparations included in this class; distilled water; chemicals, namely coating liquids for metals; tyre repair compounds; tyre repair spray; tyre repair preparations included in this class; tyre sprays to facilitate starting in ice and snow; chemical parting agents for concrete; acids for filling accumulators and/or batteries; brake fluids; hydraulic liquids; transmission fluids.

4 – Industrial oils and greases; lubricants; dust absorbing, wetting and binding compositions; fuels (including motor spirit) and illuminants; fuels; lubricating grease; lubricating oil; lubricants, namely lead substitutes and lead substitute substances; lubricants, namely copper paste, in particular in gaseous form; kerosene; additives for lubricants; industrial oils, namely white mineral oils, spark erosion oils, heat transmission oils, adhesive oils, turbine oils, compressor oils, transformer oils, hydraulic oils; plant based industrial oils; industrial oils, namely hypoid oil, hardening oils, circulation oils, motor oils, transmission oils, concrete formwork releasing oils; industrial oils, namely forming and/or formwork releasing oils; industrial oils, namely resin oils, cold oils; oils and/or substances containing oil for lubricating and/or cooling tools and/or machines.

(260) AM 2015 80614 A

(800) 1138504

(891) 2014 11 14

(731) LATIBERIA MOTORS, SIA

Hanzas iela 7/2, LV-1045 Riga, Latvia

(540)

NÓLÓ

(591) Black, white

(511)

14 – Precious metals and their alloys and goods in precious metals or coated therewith, not included in other classes; jewelry, precious stones; horological and chronometric instruments.

18 – Leather and imitations of leather, and goods made of these materials and not included in other classes; animal skins, hides; trunks and traveling bags; umbrellas and parasols; walking sticks.

25 – Clothing, footwear, headgear, accessories of the aforementioned goods (included in this class); socks, stockings, tights, underclothing.

(260) AM 2015 80618 A

(800) 1169475

(891) 2014 11 14

(731) STRELLSON AG

Sonnenwiesenstrasse 21, CH-8280

Kreuzlingen, Switzerland

(540)



(591) Black, white

(511)

3 – Washing and bleaching agents; cleaning, polishing, scouring and abrasive preparations; soaps, perfumes, essential oils, preparations for body and beauty care, hair lotions, dentifrices; deodorants for personal use, perfumes, cosmetics, scented water, eau de parfum, eau de toilette, after-shave preparations, shampoos, hair care preparations, cosmetic articles, eye shadow, mascara, eye make-up, lipsticks, lip gloss, lip balsams not for medical purposes, lip liner pencils, foundation, face powder, rouge, powder foundation, cosmetic cleansers, make-up removing preparations, cosmetic preparations for skin care, skin creams, cosmetic lotions, cosmetic masks, body creams, body oils, gels for use on the body, peeling products for the face and body, shaving preparations and shaving care preparations, after-shave lotions, non-medical bath compositions, bath crystals, washing foams for shower, shower gels, massage oils, nail varnish, nail care preparations, sunscreen preparations, sun block, shoe wax.

9 – Scientific, nautical, surveying, photographic, cinematographic, optical, weighing, measuring, signaling, checking (supervision), life-saving and teaching apparatus and instruments; apparatus and instruments for conducting, switching, transforming, accumulating, regulating or controlling electricity; apparatus for recording, transmission or reproduction of sound or images; magnetic data carriers, vinyl records; CDs, DVDs and other digital recording media; mechanisms for coin-operated apparatus; cash registers, calculating machines, data processing equipment and computers; fire-extinguishing apparatus; spectacles; spectacle frames, spectacle lenses, sunglasses and accessories for glasses and sunglasses included in this class; ski goggles, spectacle cases, protective helmets, leather cases and bags for mobile data processing apparatus, in parti-

cular mobile telephones, laptops, smartphones; binoculars.

14 – Precious metals and their alloys and goods in precious metals or coated therewith not included in other classes; jewelry, precious stones; timepieces and chronometric instruments; badges of precious metal, agate, scrolls (jewelry), brooches (jewelry), straps for watches (jewelry), wristwatches, bars of precious metal, trinkets, jewelry of yellow amber, brooches (jewelry), busts of precious metal, chronographs (timepieces), chronometers (chronometric instruments), chronoscopes, diamonds, boxes of precious metal, plated articles (precious metal), threads of precious metal (jewelry), electric watches, precious stones, ivory (jewelry), cases of precious metal, cases for watches of precious metal, figurines (statuettes) of precious metal, watch cases, watch glasses; gold and silverware (except cutlery, forks and spoons), gold thread (jewelry), semi-precious stones, necklaces (jewelry), ornaments for hats of precious metal, boxes of precious metal, necklaces (jewelry), collar-watches, cuff links, tie pins, tie pins, works of art of precious metal, medals, medallions (jewelry), parts, fashion jewelry, needles (jewelry) jewelry, needles, needles of precious metal, earrings, pearls (jewelry), platinum, ambroid, pearls made of ambroid (pressed amber), rings (jewelry), key rings, jewelry boxes of precious metal, buckles of precious metal, shoe ornaments made of precious metal, spun silver (silver wire), silver jewelry, solar watches, spinel (precious stones), statuettes of precious metal, chronometers, glitter (imitated precious stones), pocket watches, watches, pendulums (clock and watch making) jewelry, cases for watches, watch straps, alarm clocks.

18 – Leather and imitation leather, goods made from these materials not included in other classes; animal hides; trunks and suitcases; umbrellas, parasols and walking sticks; whips, harness and saddlery; briefcases, document cases, beach bags, packaging pouches (covers and bags) of leather, linings of leather for furniture, wallets, bags for campers, hide coverings (furs), document cases, boxes of leather or leather board, boxes and cases of vulcanized fiber, net bags for shopping, shopping bags; key cases (leather goods); skins (furs), holders umbrellas, purses (coin purses), cast mesh purses (not of precious metal), suitcases, handbags, hunting bags, card cases (notecases), boxes of leather or leather board, garment bags for travel, suitcases, traveling trunks, vanity cases, umbrellas, travel bags, rucksacks, boxes of leather or leatherboard, school bags, school bags, parasols, sticks (walking sticks), trolley cases with wheels, knapsacks (satchels), tool bags of leather, kid; fittings for tableware of precious metal, purses of precious metal, cast mesh purses of precious metal.

25 – Clothing, footwear, headgear; underwear; bow ties (clothing), scarves, pareus; belts (clothing),

suits, baby linen, bathing suits, bathing trunks, bath robes, bathing caps, bath sandals, bath slippers, bandannas (scarves), imitation leather clothing, fittings of metal for shoes and boots, bodysuits (teddies, bodies), brassieres, clothing for gymnastics, gymnastic shoes, high boots (half-boots), scarves, gloves, slippers, blouses, shirts, trousers, braces, hats, jackets, clothing of jersey fabric, pockets for clothing (prefabricated)), ready-made clothing, bodices, corsets, ties, bibs (not of paper)), clothing of leather, underwear, coats, corsets, dressing gowns, muffs (clothing), caps (headgear), outer clothing, ear muffs (clothing), slippers, parkas, hoods, furs (clothing), petticoats, pullovers, pajamas, cyclists' clothing, raincoats, skirts, sandals, shoulder sashes, scarves symbolic, pajamas and nightgowns, veils (clothing), headscarves, chest, pants, footwear (shoes, lace boots), aprons, ski boots, briefs, socks, sock suspenders, boots for sports, boots, laced boots, headbands (clothing), textile shoes (espadrilles), pajamas, shawls, beach, beach shoes, stockings suspenders, socks, stockings, sweatshirts, t-shirts, togas (garments), clothing, knitwear, jerseys, overcoats (clothing), clothing worn under a holding, pants, underwear, lingerie (clothing), wet suits for water-skiing, jackets, knitwear (clothing), clothing, shoes and hats for sports, in particular for jogging, physical training, gymnastics, yoga, golf, tennis, squash, badminton, water sport, sailing sports, windsurfing, canoeing and diving, rowing, alpine skiing, cross-country skiing, snowboarding, football, basketball, handball, volleyball, baseball, in-line skates, skateboarding, roller-skates, hockey, ice hockey, skating, football, cycling, horse riding; knitwear clothing, clothing for hiking, trekking, outdoor and climbing, shoes for hiking, trekking, outdoor and climbing.

(260) AM 2015 80619 A

(800) 1174137

(891) 2014 10 20

(731) PREFERRED GUEST, INC.

One StarPoint, Stamford CT 06902, USA

(540)

SPG

(591) Black, white

(511)

39 – Travel and tour ticket reservation service.

(260) AM 2015 80620 A

(800) 1108196

(891) 2013 12 30

(731) JOINT STOCK COMPANY GAZPROM
NEFT

5, lit A, Galernaya ul., RU-190000
St-Petersburg, Russian Federation

(540)



(591) Orange, white, black, and grey
 (526) ADAPTIVE COMPONENTS FORMULA.
 (511)

1 – Fluids for hydraulic circuits; brake fluid; power steering fluid; transmission fluid; coolants for vehicle engines.

4 – Industrial oils and greases; cutting fluids; combustible oil; fuel oil; lubricating oil; motor oil; lubricants; lubricating grease; grease for belts; illuminants.

(260) AM 2015 80629 A

(800) 1232515

(891) 2014 10 01

(731) FERRERO S.P.A.

Piazzale Pietro Ferrero, 1, I-12051 Alba,
 Cuneo, Italy

(540)



(591) Brown, light brown and dark brown
 (511)

30 – Pastries and confectionery; chocolate and chocolate products; edible ices.

(260) AM 2015 80631 A

(800) 1232542

(891) 2014 10 30

(731) PAREXGROUP SA

19 Place de la Résistance, F-92440 ISSY LES
 MOULINEAUX, France

(540)

LANKOREP

(511)

1 – Unprocessed artificial resins.

2 – Anti-corrosion products.

19 – Building materials, not of metal; mortars, cements, concretes; resin mortars (building materials not of metal); grout, namely powders based on special cements for building.

(260) AM 2015 80645 A

(800) 1232613

(891) 2014 08 22

(731) DAW SE

Roßdörfer Str. 50, 64372 Ober-Ramstadt,
 Germany

(540)



(591) Red, orange and white, Black, white
 (511)

1 – Chemicals used in industry; preservative and damp-proofing preparations for masonry, roofing tiles, cement and concrete, except paints and oils; unprocessed artificial resins, synthetic resins and plastics (in the form of powders, granules, liquids or pastes); solvents for varnishes; adhesives used in industry; adhesives for wallpaper; adhesives used in building; fillers for subsurface treatment for paints (not included in other classes).

2 – Paints, varnishes, lacquers, glazes (included in this class), preservatives against rust; primers; colorants, dyes, dye pastes, mordants; thickeners for paints; fixatives, siccatives (drying agents) for paints; natural resins, included in this class; thinning and binding preparations for paints and lacquers; solvents for thinning paints; wood preservatives, wood stains, oils for the preservation of wood; paints (included in this class), including structuring paints; bactericidal and fungicidal paints; anti-corrosive preparations; protective preparations for metals; metals in foil and powder form for painters, decorators, printers and artists.

16 – Printed matter; stickers, included in this class; photographs; stationery; adhesives for stationery or household purposes; artists' materials; paintbrushes; instructional and teaching material (except apparatus); plastic materials for packaging (not included in other classes); colour and/or sample cards; colour and/or sample cards, colour and/or sample card collections, colour and/or sample boards; colour and sample board collections, the aforesaid goods included in this class; coloured paper.

17 – Packing, stopping and insulating materials, included in this class; insulating paints, varnishes, fabrics and plaster; substances for insulating buildings against moisture; artificial and synthetic resins (semi-finished products); fibreglass fabrics for insulation; insulating tape and band; heat insulators; insulation panels; grid mats of glass fabric and/or plastic; expansion joint profiles of glass fabric and/or plastic (all for heat insulating bonded systems); plastic film other than for wrapping; adhesive tapes for building; insulating paints for roofs, walls and floors against moisture.

19 – Building materials (non-metallic); profile rails and brackets, not of metal, for building, in particular edging profiles; aligning and equalising parts, not of metal, for building; non-metallic building materials, namely spacers; window ledges, not of metal; natu-

ral and artificial stones; mortar and quartz (building materials); plaster, included in this class; coatings (building materials); wall and ceiling panels (not of metal, for building); fabric embedding compounds for building; fillers (building materials).

27 – Wall coverings, not of textile, including structural wall coverings combined with paints; wall hangings (other than of textile).

(260) AM 2015 80650 A
(800) 1232651
(891) 2014 09 30
(731) EGIS GYÓGYSZERGYÁR ZRT.
Keresztúri út 30-38, H-1106 Budapest,
Hungary
(540)

OBABON

(511)
5 – Pharmaceutical preparations for human use; sanitary preparations for medical purposes.

(260) AM 2015 80652 A
(800) 1232653
(891) 2014 09 26
(731) EGIS GYÓGYSZERGYÁR ZRT.
Keresztúri út 30-38, H-1106 Budapest,
Hungary
(540)

VEFIN

(511)
5 – Pharmaceutical preparations for human use.

(260) AM 2015 80653 A
(800) 1232654
(891) 2014 09 26
(731) EGIS GYÓGYSZERGYÁR ZRT.
Keresztúri út 30-38, H-1106 Budapest,
Hungary
(540)

TIGRAL

(511)
5 – Pharmaceutical preparations for human use.

(260) AM 2015 80657 A
(800) 1232659
(891) 2014 11 04
(731) FARMAPRIM S.R.L.
Str. Crinilor nr. 5, Porumbeni, MD-4829
Criuleni, Republic of Moldova
(540)

**DUOMICTIN
ДУОМИКТИН**

(591) Black, white
(511)
5 – Pharmaceutical and veterinary products; sanitary products for medical purposes; dietetic food and substances for medical or veterinary use, food for babies; food supplements for humans and animals; plasters, materials for dressings; material for dental fillings and dental impressions; disinfectants; products for destroying vermin; fungicides, herbicides.

(260) AM 2015 80659 A
(800) 1232670
(891) 2014 09 30
(731) PIRELLI TYRE S.P.A.
Viale Piero e Alberto Pirelli, 25, I-20126
MILANO, Italy
(540)

AMTEL

(591) Black, white
(511)
12 – Tires, solid, for vehicle wheels; pneumatic, semi-pneumatic and/or solid tyres; vehicle wheels and components and/or accessories therefor; wheel rims; inner tubes and mousses for vehicle tyres.

(260) AM 2015 80661 A
(800) 1232704
(891) 2014 11 28
(731) BIOFARMA
50 rue Carnot, F-92284 SURESNES CEDEX,
France
(540)

ПРЕСТИЛОЛ

(511)
5 – Pharmaceutical and veterinary products; sanitary products for medical purposes; dietetic food and substances for medical or veterinary use, food for babies; food supplements for humans and animals; plasters, materials for dressings; material for dental fillings and dental impressions; disinfectants; products for destroying vermin; fungicides, herbicides.

(260) AM 2015 80662 A
(800) 1232713
(891) 2014 09 23
(731) AVON PRODUCTS, INC.
World Headquarters, 777 Third Avenue,
New York NY 10017, USA
(540)

AVON NUTRA EFFECTS

(511)
3 – Non-medicated toilet preparations; toiletries; skin care preparations; skin moisturizers; body and beauty care preparations; powders, creams and lo-

tions, all for the face, hands and body; cosmetic sun-tan preparations; soaps; shower and bath preparations; beauty masks; talcum powder; nail polish; nail polish remover; enamel for nails; false nails; adhesives for cosmetic purposes; cosmetics; eye makeup remover, eye shadow, eye liner, mascara, lipstick, lip liner, lip gloss; make-up foundation; blusher; tissues impregnated with cosmetic lotions; cotton sticks for cosmetic purposes; cotton wool for cosmetic purposes; preparations for cleaning, moisturising, colouring and styling the hair; preparations for cleaning the teeth; shaving and aftershave preparations; perfumes, fragrances, toilet waters, eau de cologne; deodorants and anti-perspirants for personal use; essential oils (cosmetic).

(260) AM 2015 80667 A
(800) 1232721
(891) 2014 10 10
(731) Open - Type Joint Stock Company
"CONFECTIONARY CONCERN
BABAYEVSKY"
ul. Malaya Krasnoselskaya, d. 7, RU-107140
Moscow, Russian Federation

(540)

ЛЕСНАЯ ЛАКОМКА

(591) Black, white
(511)
30 – Confectionery.

(260) AM 2015 80670 A
(800) 1232763
(891) 2014 12 05
(731) ACTELION PHARMACEUTICALS LTD
Gewerbstrasse 16, CH-4123 Allschwil,
Switzerland

(540)

АПТРАДИ

(591) Black, white
(511)
5 – Pharmaceutical preparations.

(260) AM 2015 80671 A
(800) 1232764
(891) 2014 12 05
(731) ACTELION PHARMACEUTICALS LTD
Gewerbstrasse 16, CH-4123 Allschwil,
Switzerland

(540)

UPTRADI

(511)
5 – Pharmaceutical preparations.

(260) AM 2015 80672 A
(800) 1232765
(891) 2014 12 05
(731) ACTELION PHARMACEUTICALS LTD
Gewerbstrasse 16, CH-4123 Allschwil,
Switzerland

(540)

АПБРАВИ

(591) Black, white
(511)
5 – Pharmaceutical preparations.

(260) AM 2015 80673 A
(800) 1232766
(891) 2014 12 05
(731) ACTELION PHARMACEUTICALS LTD
Gewerbstrasse 16, CH-4123 Allschwil,
Switzerland

(540)

UPBRAVI

(511)
5 – Pharmaceutical preparations.

(260) AM 2015 80683 A
(800) 1232826
(891) 2014 10 10
(731) ALMIRALL HERMAL GMBH
Scholtzstrasse 3, 21465 Reinbek, Germany

(540)

ГЕЛАСЕТ

(511)
1 – Food preserving products.

3 – Soap preparations for medical and hygienic purposes.

5 – Pharmaceutical preparations and substances, dietetic substances for medical use, medical food supplements, medicines, pesticides and herbicides, disinfectants; food supplements for non medical use made with albumen, fats, fatty acids, with added vitamins, mineral substances, trace elements, alone or in combination; food supplements for non-medical use made with carbohydrates, bulk substances, with added vitamins, mineral substances, trace elements, alone or in combination.

29 – Dietetic foods included in this class.

30 – Dietetic foods included in this class

(260) AM 2015 80684 A
(800) 1232827
(891) 2014 10 10
(731) ALMIRALL HERMAL GMBH
Scholtzstrasse 3, 21465 Reinbek, Germany

(540)

ГЕЛИАЦЕТ

(511)

1 – Food preserving products.

3 – Soap preparations for medical and hygienic purposes.

5 – Pharmaceutical preparations and substances, dietetic substances for medical use, medical food supplements, medicines, pesticides and herbicides, disinfectants; food supplements for non medical use made with albumen, fats, fatty acids, with added vitamins, mineral substances, trace elements, alone or in combination; food supplements for non-medical use made with carbohydrates, bulk substances, with added vitamins, mineral substances, trace elements, alone or in combination.

29 – Dietetic foods included in this class.

30 – Dietetic foods included in this class.

(260) AM 2015 80690 A

(800) 1232859

(891) 2014 11 04

(731) "ROSAIMPEX" OOD

8, Tsar Kaloyan", BG-4000 Plovdiv, Bulgaria

(540)

LEGANZA

(511)

3 – Bleaching preparations and other substances for laundry use; cleaning, polishing, scouring and abrasive preparations; soaps; perfumery, essential oils, cosmetics, hair lotions; dentifrices.

5 – Balms for medical purposes; balsamic preparations for medical purposes; biological preparations for medical purposes; vitamin preparations; lotions for pharmaceutical purposes; sunburn preparations for pharmaceutical purposes.

(260) AM 2015 80692 A

(800) 1232898

(891) 2014 11 20

(731) SOCIÉTÉ JAS HENNESSY & CO.

rue de la Richonne, F-16100 Cognac, France

(540)

JAMES HENNESSY

(511)

33 – Alcoholic beverages (except beers); alcoholic cocktails.

(260) AM 2015 80694 A

(800) 1232906

(891) 2014 08 25

(731) MERKUR GAMING GMBH

Borsigstr. 22, 32312 Lübbecke, Germany

(540)

Queen 's Citadel

(591) Black, white

(511)

9 – Scientific, nautical, surveying, photographic, cinematographic, optical, weighing, measuring, signalling, checking (supervision), life-saving and teaching apparatus and instruments; apparatus and instruments for conducting, switching, transforming, accumulating, regulating or controlling electricity; apparatus for recording, transmission or reproduction of sound or images; magnetic data carriers, recording discs; compact discs, DVDs and other digital recording media; cash registers, calculating machines, data processing equipment, computers; computer software; fire-extinguishing apparatus; musical jukeboxes and parts for the aforesaid automatic machines; automatic cash dispensers, automatic money counting and money changing machines; coin-operated mechanisms; computer and video games software; games software for use on any computer platform, including electronic entertainment and games consoles; computer game programs; computer games; video games (software); computer games software provided through a global computer network or supplied by means of multi-media electronic broadcast or through telecommunications or electronic transmission or via the internet; computer games, leisure and recreational software, video games and computer software, all being provided in the form of storage media; programs for operating electric and electronic apparatus for games, amusement and/or entertainment purposes; electronic terminals for generating lottery tickets; computer software for computer games on the internet; online games (software), in particular for online betting games, online prize games, online gambling games, online games of skill and online casino games; computer software in the form of an app for mobile devices and computers; calculating apparatus in coin-operated machines and parts for the aforesaid goods; apparatus for recording, transmission, processing or reproduction of data, including sound or images, including parts for all the aforesaid goods, except radio sets, television receivers, hi-fi systems, video recorders, telephone apparatus, fax machines and telephone answering machines; computer hardware and software for casino and amusement arcade games, for gaming machines, slot machines or video lottery gaming machines or games of chance via the internet; electric, electronic, optical or automatic apparatus, for identifying data carriers, identity cards and credit cards, bank notes and coins; electric, electronic or optical alarm and monitoring installations, including video cameras and apparatus for image transmission and image processing; data processing apparatus and computers, including data processing apparatus and computers being components for data networks and

parts facilitating data network communications; electric wiring harnesses; circuit boards, printed circuit boards (electronic components) and combinations thereof, being assemblies and parts for apparatus, included in this class.

28 – Slot machines (gaming devices); coin-operated arcade games (machines); games for amusement arcades (included in this class); coin-operated video gaming apparatus; video games apparatus adapted for use with external screens or monitors only; casino fittings, namely roulette tables, roulette wheels; coin-operated automatic gaming machines and gaming machines, in particular for gaming arcades, with or without a prize payout; electronic or electro-technical gaming apparatus, automatic gaming machines, gaming machines, slot machines operated by coins, tokens, banknotes, tickets or by means of electronic, magnetic or biometric storage media, in particular for commercial use in casinos and amusement arcades, with or without a prize payout; automatic gaming machines and gaming machines, in particular for commercial use in casinos and gaming arcades, with or without a prize payout; coin-operated gaming machines and/or electronic money-based gaming apparatus (machines), with or without prizes; housings adapted for gaming machines, gaming apparatus and automatic gaming machines, operated by means of coins, tokens, tickets or by means of electronic, magnetic or biometric storage media, in particular for commercial use in casinos and gaming arcades, with or without a prize payout; electronic games; electronic game entertainment apparatus and accessories; video output game machines; drawing apparatus for prize games and lotteries, draws or raffles; housings of metal, plastic and/or wood for coin-operated automatic machines; apparatus for games (including video games), other than adapted for use with external screens or monitors only; electropneumatic and electric pulling machines (gaming machines); gaming tables, in particular for table football, billiards, sliding games; arrows and flying discs (toys); electric, electronic or electromechanical apparatus for bingo games, lotteries or video lottery games and for betting offices, networked or unnetworked; LCD games consoles; automatic gaming machines, including all the aforesaid automatic machines, machines and apparatus operating in networks; apparatus and devices for accepting and storing money, being fittings for the aforesaid automatic machines, included in this class.

(260) AM 2015 80695 A

(800) 1232914

(891) 2014 09 04

(731) LAARA ENTERPRISES LIMITED

Suite 1003, Khalid Al Attar Tower, P.O.

Box No:71241, Sheikh Zayed Road, Dubai,

United Arab Emirates

(540)



(591) Blue, white and light blue

(511)

3 – Scale removing preparations for household purposes; antistatic preparations for household purposes; aromatics [essential oils]; air fragrancing preparations; canned pressurized air for cleaning and dusting purposes; sachets for perfuming linen; drying agents for dishwashing machines; scented water; toilet water; laundry wax; parquet floor wax; non-slipping wax for floors; polish for furniture and flooring; polishing wax; deodorants for pets; scented wood; perfumes; non-slipping liquids for floors; windshield cleaning liquids; perfumery; colorants for toilet purposes; laundry starch; laundry glaze; oils for cleaning purposes; cleaning chalk; soap; disinfectant soap; deodorant soap; soap for brightening textile; cakes of toilet soap; joss sticks; laundry soaking preparations; smoothing preparations [starching]; polishing preparations; starch glaze for laundry purposes; refurbishing preparations; fabric softeners for laundry use; laundry bleach; dry-cleaning preparations; cleaning preparations; preparations for unblocking drain pipes; laundry preparations; color-brightening chemicals for household purposes [laundry]; shining preparations [polish]; stain removers; scouring solutions; laundry blueing; bleaching soda; washing soda, for cleaning; bleaching salts; fumigation preparations [perfumes]; ammonia [volatile alkali] [detergent]; detergents other than for use in manufacturing operations and for medical purposes; degreasers other than for use in manufacturing processes; cloths impregnated with a detergent for cleaning.

5 – Germicides; fly catching paper; mothproofing paper; air deodorising preparations; deodorants, other than for human beings or for animals; deodorants for clothing and textiles; insecticides; fly glue; air purifying preparations; preparations for destroying noxious animals; herbicides; preparations for destroying dry rot fungus; larvae exterminating preparations; fly destroying preparations; preparations for destroying mice; slug exterminating preparations; vermin destroying preparations; mothproofing preparations; insect repellents; insect repellent incense; repellents for dogs; tissues impregnated with pharmaceutical lotions; fumigating sticks; parasiticides.

(260) AM 2015 80696 A

(800) 1232921

(891) 2014 05 29

(731) BORA CREATIONS S.L.
 Calle Rey Sancho, 7, Local 3, E-07180 Santa
 Ponsa, Mallorca, Spain
 (540)



(591) Purple and white

(511)
 3 – Preparations for cleaning, care and beautification of the skin, nails and hair; hair colorants; hair dyes; hair styling products; hair lotions; hair care products; soaps; perfumery; fragrances; perfumes; eau de toilette; eau de parfum; cosmetics; cosmetic products for decorative purposes; eye make-up removers; make-up removing preparations; nail polish remover; make-up; BB cream (blemish balm); cosmetic powder; rouge; tinted facial cream; tinted body cream; cosmetic concealer; cosmetic blemish stick; highlighter for the beautification of the skin; tattoo pencils; mascara; powder for increasing eyelash volume; eye shadow powder; eye shadow cream; eye shadow foundation; eyebrow powder; eyebrow cream; eyebrow pencils; liquid eye liner, powder eye liner, eye liner pencils, eye liner gel; koyal eye pencils; lip glosses; lip balm; lipstick; lip liner; nail polish; express drying drops for nail polish; artificial nails; nail pencil for French manicure; nail whitening pencils; nail whiteners; nail polish correction pencils; nail care pencils; nail gel; primer for preparation of gel manicure; cleanser; nail polish base coat; nail polish top coat; nail hardener; oils for treatment of nails and cuticles; stickers for beautification, care and protection of finger nails; French manicure tip guides; products for sculpting and making of false fingernails (cosmetics); nail polish with metallic or other effects; nail decoration glitter; cosmetic powders; gems and accessories for decorating nails; nail care products (included in this class); products for sculpting and making of gel nails (cosmetics); hand creams; glitter spray; body tattoos; false eyelashes.

4 – Candles; scented candles (included in this class).

8 – Hand-operated hand tools and instruments for the cosmetic and decorative care of finger and foot nails; nail files; nail polishing files; emery files; nail scissors; nail clippers; rosewood sticks; tongs; tweezers; applicators for false eyelashes.

9 – Sunglasses; spectacles; spectacle cases; covers for mobile telephones and for smartphones; covers for iPads; covers for laptops.

16 – Stationery; paper, cardboard and goods made from these materials not included in other classes.

18 – Empty cosmetic bags; vanity cases; handbags; umbrellas; leather goods and goods of imitations of leather not included in other classes.

21 – Combs; hair brushes, body brushes; nail brushes; cosmetic sponges; cosmetic brushes; applicators for cosmetics; glassware; porcelain goods not included in other classes.

25 – Kerchiefs (clothing); belts; clothing; footwear; headgear; clothing accessories included in this class; underwear; stockings; tights; gaiters (underwear).

26 – Hair ornaments; barrettes [hair-slides]; hair bands; bows for the hair.

35 – Retail store services featuring cosmetic and beauty products.

44 – Beauty care services.

(260) AM 2015 80697 A

(800) 1232939

(891) 2014 09 25

(731) Sichuan CRUN Co., Ltd.

No.1, Rongchuan Road, High-tech Industrial
 Park, Zigong Sichuan, China

(540)



(591) Black, white

(511)

7 – Machines and equipment for oil development and refinement; boiler and its accessory equipment for power station; hydropower equipment; pumps [machines]; lubricating pumps; compressors [machines]; hydraulic component (not including vehicle hydraulic system); papermaking machines; pharmaceutical industrial processing machinery; embossing machines; fertilizer plant; machinery and equipment for geological exploration, mining, mineral separation; road making machines; hoists; hydraulic press; lubrication equipment.

(260) AM 2015 80698 A

(800) 1232943

(891) 2014 09 26

(731) JIANGSU ANCHOR TOOLS CO., LTD.

No.88, Tiemao Road, Binhai Xinqu,
 Haimen City, 226100 Jiangsu Province,
 China

(540)



(591) Black, white

(511)

7 – Stone cutters; electric hammers; woodworking machines; engraving machines; cutting machines; machines and apparatus for polishing [electric]; sweep-saws; hand-held tools, other than hand-operated; electric hand tools; lawn mowers.

(260) AM 2015 80699 A
 (800) 1232950
 (891) 2014 09 10
 (731) Dr. Stefan Ihde
 Snakes Resort 1, 85315 Vrba/Tudorovići,
 Budva, Crna Gora, Montenegro

(540)
**Мастер Немедленной
 нагрузки**

(511)
 9 – Electronic publications.

16 – Books, journals.

35 – Advertising.

41 – Education, electronic education, healthcare education, academic education, educational services, educational information, educational examination, providing on-line electronic publications (not downloadable), publication of books, publication of electronic books and journals on-line.

(260) AM 2015 80700 A
 (800) 1232963
 (891) 2014 06 16
 (731) DR. SERTUS İLAÇ SANAYİ VE TİCARET
 LİMİTED ŞİRKETİ
 Evren Mah. Camiyolu Cad. No.50 K.2,
 Güneşli, Bağcılar İstanbul, Turkey

(540)
**BODRIN
 БОДРИН**

(591) Black, white

(511)
 5 – Medicines for human purposes, medicines for veterinary purposes, vitamin preparations, chemical preparations for medical purposes, dietetic substances adapted for medical use; dietetic foods adapted for medical purposes; baby foods, medicinal herbs, herbal beverages adapted for medical purposes, nutritional supplements, pollen dietary supplements, mineral food supplements, protein dietary supplements; dietary supplements for animals; fodder supplements for veterinary purposes; medicines for dental purposes, hygienic products for medical purposes including sanitary pads, breast-nursing pads and bunion pads, waddings for medical purposes, plasters for medical purposes, dressings for medical purposes, babies' napkins, preparations for destroying noxious plants, preparations for destroying noxious animals, fungicides, deodorants other than for human beings or for animals, air deodorising preparations, disinfectants for hygiene purposes, antiseptics, detergents for medical purposes.

(260) AM 2015 80702 A
 (800) 1232979
 (891) 2014 10 03
 (731) EGIS GYÓGYAZERGYÁR ZRT.
 Keresztúri út 30-38, H-1106 Budapest,
 Hungary

(540)
SKINELIN

(511)
 5 – Human pharmaceutical preparations available on prescription for the treatment of dermatological and central nervous system diseases.

(260) AM 2015 80705 A
 (800) 1233124
 (891) 2014 12 01
 (731) Obshchestvo s ogranichennoy
 otvetstvennostyu "KDV Yashkino"
 Molodezhnaya str., 1a RU-652030 pgt.
 Yashkino, Kemerovskaya oblast, Russian
 Federation

(540)
**ЧИО-РИО
 CHIO-RIO**

(591) Black, white

(511)
 30 – Aromatic preparations for food; waffles; cakes; pastries; pasta; frozen yogurt [confectionery ices]; boiled sweets; sweetmeats [candy]; crackers; cous-cous [semolina]; farinaceous foods; noodles; candy; fruit jellies [confectionery]; custard; ice cream; fruit ice creams; pastilles [confectionery]; petits fours [cakes]; cookies; pies; popcorn; powders for ice cream; condiments; gingerbread; pastry dough; confectionery; rusks; fruit cakes.

(260) AM 2015 80706 A
 (800) 1233125
 (891) 2014 12 01
 (731) Obschestvo s ogranichennoy otvetstvennostyu
 "KDV Nizhny Tagil"
 Frunze str., bld. 83, RU-622022 Nizhny
 Tagil, Sverdlovskaya oblast, Russian
 Federation

(540)
**ФУРОР
 FUROR**

(591) Black, white

(511)
 30 – Aromatic preparations for food; pancakes; bread rolls; vanillin [vanilla substitute]; vanilla [flavoring]; waffles; vermicelli [noodles]; coffee flavor-

rings [flavourings]; natural sweeteners; thickening agents for cooking foodstuffs; rice-based snack food; cereal-based snack food; artificial coffee; confectionery for decorating Christmas trees; fruit jellies [confectionery]; cakes; peanut confectionery; almond confectionery; pasta; cocoa; capers; caramels [candy]; sweetmeats [candy]; liquorice [confectionery]; peppermint sweets; coffee; crackers; farinaceous foods; noodles; ice, natural or artificial; edible ices; candy; hominy; marzipan; custard; honey; ice cream; fruit ice creams; flour; muesli; cocoa beverages with milk; coffee-based beverages; tea-based beverages; chocolate beverages with milk; chocolate-based beverages; cocoa-based beverages; pastilles [confectionery]; molasses for food; petits fours [cakes]; cookies; pies; pizzas; fondants [confectionery]; powders for ice cream; popcorn; pralines; gingerbread; cake powder; chewing gum; spring rolls; cake dough; confectionery; spaghetti; preparations for stiffening whipped cream; almond paste; tortillas; fruit cakes; candy decorations for cakes; ferments for pastes; halvah; chocolate; essences for foodstuffs, except etheric essences and essential oils.

(260) AM 2015 80707 A

(800) 1233126

(891) 2014 10 13

(731) LINN MARKETING INC

Belize Marina Towers, Suite 303, Newtown
Barracks Belize City, Belize

(540)

СДОБНАЯ

(591) Black, white

(511)

33 – Aperitifs; arrack [arak]; baijiu [Chinese distilled alcoholic beverage]; brandy; wine; piquette; whisky; vodka; anisette [liqueur]; kirsch; gin; digesters [liqueurs and spirits]; cocktails; curacao; anise [liqueur]; liqueurs; alcoholic beverages, except beer; pre-mixed alcoholic beverages, other than beer-based; alcoholic beverages containing fruit; distilled beverages; spirits [beverages]; mead [hydromel]; peppermint liqueurs; bitters; rum; sake; perry; cider; rice alcohol; alcoholic extracts; fruit extracts, alcoholic; alcoholic essences; nira [sugarcane-based alcoholic beverage].

(260) AM 2015 80708 A

(800) 1233127

(891) 2014 10 13

(731) LINN MARKETING INC

Belize Marina Towers, Suite 303, Newtown
Barracks, Belize City, Belize

(540)

ЗОЛОТАЯ ИВА

(591) Black, white

(511)

33 – Aperitifs; arrack [arak]; baijiu [Chinese distilled alcoholic beverage]; brandy; wine; piquette; whisky; vodka; anisette [liqueur]; kirsch; gin; digesters [liqueurs and spirits]; cocktails; curacao; anise [liqueur]; liqueurs; alcoholic beverages, except beer; pre-mixed alcoholic beverages, other than beer-based; alcoholic beverages containing fruit; distilled beverages; spirits [beverages]; mead [hydromel]; peppermint liqueurs; bitters; rum; sake; perry; cider; rice alcohol; alcoholic extracts; fruit extracts, alcoholic; alcoholic essences; nira [sugarcane-based alcoholic beverage].

(260) AM 2015 80712 A

(800) 1233139

(891) 2014 07 07

(731) WORLD MEDICINE İLAÇ SANAYİ VE
TİCARET ANONİM ŞİRKETİ

Evren Mah. Camiyolu Cad. No:50 K:1 B,
Zemin 4-5-6, Güneşli Bağcılar, İstanbul, Turkey

(540)

ENGILEN
ЭНГИЛЕН

(591) Black, white

(511)

5 – Medicines for human purposes, medicines for veterinary purposes, vitamin preparations, chemical preparations for medical purposes, dietetic substances adapted for medical use; dietetic foods adapted for medical purposes; baby foods, medicinal herbs, herbal beverages adapted for medical purposes, nutritional supplements, pollen dietary supplements, mineral food supplements, protein dietary supplements; dietary supplements for animals; fodder supplements for veterinary purposes; medicines for dental purposes, hygienic products for medical purposes including sanitary pads, breast-nursing pads and bunion pads, waddings for medical purposes, plasters for medical purposes, dressings for medical purposes, babies' napkins, preparations for destroying noxious plants, preparations for destroying noxious animals, fungicides, deodorants other than for human beings or for animals, air deodorizing preparations, disinfectants for hygiene purposes, antiseptics, detergents for medical purposes.

(260) AM 2015 80714 A

(800) 1233162

(891) 2014 10 23

(731) SWM Motorcycles S.r.l.

Via Nino Bixio, 8, I-21024 Biandronno (VA)
(Italy), Italy

(540)

SWM

(511)

9 – Scientific, electric, cinematographic, optical, weighing, measuring, signalling, checking (supervision) and life-saving apparatus and instruments, helmets, goggles, survival suits and protective clothing, protection devices for personal use against accidents; apparatus for recording, transmission and reproduction of sound or images; magnetic data carriers, recording disc; mechanisms for coin operated apparatus; cash registers, calculating machines, data processing equipment and computers; fire extinguishers.

12 – Vehicles; apparatus for locomotion on land, air and water.

25 – Clothing, shoes, headgear.

(260) AM 2015 80715 A

(800) 1233169

(891) 2014 12 02

(731) TAIZHOU YONGAN REDIRECTOR CO., LTD.

Kanmen Dongfeng Industrial Zone, Zhugang Town, Yuhuan County, Taizhou City, ZHEJIANG PROVINCE, China

(540)

YAS

(591) Black, white

(511)

12 – Automobile chassis; hydraulic circuits for vehicles; clutches for land vehicles; motors for land vehicles; gear boxes for land vehicles; transmission shafts for land vehicles; vehicle bumpers; axles for vehicles; steering wheels for vehicles; motorcycles.

(260) AM 2015 80720 A

(800) 1233174

(891) 2014 04 04

(731) TURKUAZ SERAMİK SANAYİ VE TİCARET ANONİM ŞİRKETİ

1. Organize Sanayi Bölgesi 6, Cadde No:15, TR-38070 Melikgazi Kayseri, Turkey

(540)

Turkuaz

(591) Turquoise

(511)

11 – Apparatus for lighting, cooking, drying, water supply and sanitary purposes.

(260) AM 2015 80722 A

(800) 1233188

(891) 2014 01 27

(731) ONET

36 Boulevard de l'Océan, F-13009 MARSEILLE, France

(540)



(591) Blue (Pantone 281), dark gray (Pantone 446) and dark red (Pantone 446)

(511)

1 – Chemical products for use in industry, water treatment, the sciences, agriculture, horticulture, forestry, disinfecting, pest control, rat extermination, pollution control; chemical products for use in industrial decontamination, especially nuclear, chemical and bacteriological decontamination; artificial and synthetic resins and unprocessed plastics (in the form of powders, liquids or pastes); natural and artificial fertilizers and manures, fire extinguishing compositions, chemical tempers and preparations for soldering metals, cleaning, disinfecting and pollution control; chemical products for cleaning, disinfecting or decontamination operations, whether by bath, smear, peel, grinding, sand blasting, or any other means; chemical products for preventing the tarnishing of glass, chemical products for opacifying glass, soluble glass (silicate), anti-tarnishing chemicals for windows; chemical products (chemical substances and preparations for deodorizing and eliminating odors), propellant gases for aerosols; wallpaper removing products.

2 – Colorants, paints, varnishes, lacquers, white lead, thinners, thinners for lacquers, binding agents, binders, binding agents for paint, thickeners for paints, dyes and colors for primers, whitewash, whitewash, whites, blues (paints), anti-rust oils and greases, preservatives against rust and against deterioration of wood, coatings, mordants, dyes, colorants and colorant extracts for wood, oils and products for preserving wood, carbonyl (wood preservative), dye-wood, fixatives, dyestuffs, raw natural resins; metals in foil and powder form for painters, decorators, printers and artists; aluminum paints and aluminum powders for painting; bactericidal paints, anti-fouling paints, fireproofing preparations; anti-corrosive bands and products, glazes, mastics [natural resins], putty, glaziers' putty, distempers, ink cartridges for printers and photocopiers, products for cleaning iron and ferrous metal, protective products and products for preventing the tarnishing of metal.

3 – Bleaching preparations and other substances for laundry use; cleaning, polishing, degreasing, abrasive, grinding, sanding, decontaminating preparations; detergents and soaps, abrasives and abrasive papers, ammonia used as detergent, refurbishing preparations, bleaching salts and soda, bleaching preparations [laundry], bleaching laundry wax, shining preparations [polish], metal carbides [abrasives], volcanic ash for cleaning, parquet floor wax, polishing wax, scouring solutions for parquet floor wax, colorants for laund-

ry and for bleaching; products for removing colors and dyes, rust-removing products; cleaning chalk, preparations for unblocking drain pipes, scouring solutions, stain removers, polish for furniture and flooring, oil of turpentine [for degreasing], perfumery, perfumes; essential oils, jasmine, lavender and rose oil; cosmetics; deodorant soap, disinfectant soap, amber [perfume]; star anise, bergamot and mint essences; cedarwood and lemon essential oils; scented water, lavender water; incense, flower extracts [perfumery], towels permeated with cosmetic lotions; oils for cleaning and for perfumery, products for washing, cleaning, dry cleaning and laundry; glass paper, for emery and polishing; wallpaper cleaning preparations, polishing cloth, potpourris [fragrances], glass cloth, for emery and polishing; products for deodorizing fabrics, rugs, carpets and household appliances, all these products in the form of liquids, aerosols, solid blocks or liquid sprays, the aforementioned products not for use with optical items; permeated gauze.

4 – Industrial oils and greases, oil for the preservation of masonry, oils for paints, bees wax, spirit fuel, lubricants, dust binding compositions; dust laying compositions, fuel compositions and lighting fuels, tapers, candles, nightlights and wicks, dust removing preparations, candles, wicks (lighting).

5 – Hygiene products, disinfectants for hygiene purposes, products for purifying, freshening and deodorizing the air, disinfectants and deodorants, all these products in the form of liquids, aerosols, solid or liquid blocks, deodorants other than for personal use; disinfectants for chemical toilets, solid products and preparations, liquids or gases for killing weeds and vermin, fungicides, germicides, mothproofing products, slug exterminating products, rat poison, fly destroying preparations, fly glue, fly catching paper, sulphur sticks for disinfection, smelling salts, products for disinfecting, pest control, rat extermination, mosquito control, pest control, weedkillers, herbicides, insecticides, insect repellents, insect-repelling incense, insect-repelling cedarwood.; acaricides, larvae exterminating preparations, parasiticides, mothproofing paper, pesticides, pyrethrum powder, herbicides, evacuants, preparations for washing animals and livestock.

6 – Common metals and their alloys, metal building materials, transportable metal buildings; railway material of metal; non-electric cables, wires and ironmongery of metal; ironmongery and small items of metal hardware; pipes of metal; access apparatus, notably locks, doors, gates, turnstiles, rotating drums, tunnels; safes [strong boxes]; baskets of metal; metal double-compartment baskets, safety cash-boxes, metal packaging and transport containers, tinfoil packings, metal containers, floating containers of metal, metal bags, cash boxes of metal, boxes of common metal; ores of metal, framework of metal

for building; frames of metal [for building]; metal frames for windows, doors and greenhouses; metal guttering, metal chests, metal buildings, metal roof coverings; window stops, window frames, window pulleys and metal fittings for windows; non-electric door closers, metal grids, door frames, wainscoting of metal, suspenders, metal straps and slings for handling loads, metal handling pallets, paint spraying booths of metal, doors of metal, reinforcing materials, stops, frames, fittings of metal, rollers, metal door knockers and panels, metal door handles, door bells, door bolts, non-electric door openers, locks of metal, other than electric, locks of metal for vehicles, safety chains of metal, flat bolts, casement windows of metal, scaffolding of metal, ladders of metal, slings of metal for handling loads; telescopic and demountable metal poles, of aluminum, titanium, tungsten, carbon with metal cleaning.

7 – Machines; namely, machines for the construction, cleaning or maintenance and surveillance of buildings, premises, floors, walls and facades, surfaces, vehicles of all kinds, aircraft, ships, rolling stock, machines, industrial installations, professional or scientific, diverse objects, pipes, green spaces, means of communication; electric cleaning machines and apparatus, namely, electric machines and apparatus for carpet shampooing, electric dust removing apparatus, self-propelled road sweeping machines, conveyor belts, electric parquet floor waxers, floor polishing machines; waste compacting machines, grinding machines, garbage [waste] disposals, electric grinders/crushers for household purposes, washing machines, coin-operated, laundry washing machines, pulverizers [machines], darning machines, ironing machines, robots [machines], electric machines for shampooing carpets, moving pavements, dyeing machines, earth-moving machines, lawnmowers [machines], dishwashers; high pressure cleaning apparatus, namely, high pressure cleaners (cold water, hot water, three-phase hot water), electrically-heated high-pressure cleaners, steam cleaners, pure water cleaners (reverse osmosis), carpet cleaners; vacuum cleaning systems and installations, vacuum systems, steam systems, thinning systems, retention and hygiene systems, self-propelled mowers, electric self-propelled mowers, thermal hedge trimmers, heat blowers, thermal brush cutters, outdoor vacuum cleaners, vacuum cleaners, industrial vacuum cleaners, backpack and brush-type vacuum cleaners, for water and dust, dust vacuum cleaners, battery-powered dust vacuum cleaners, multi-function brush-type vacuum cleaners, water vacuum cleaners, injection and retrieval machines, foam guns, sprayers, integrated mobile sprayers, pre-pressure sprayers, single disc floor cleaners, low and high speed single disc floor cleaners, floor polishing machines, stand-alone battery-powered floor polishing machines, floor washers, industrial sweepers, professional sweepers, self-propelled road sweeping machines, mobile wa-

shing installations, namely, stand-alone battery-powered cleaning machines specially designed for cleaning transport equipment, machines specifically designed for cleaning train carriages; apparatus, machines and installations for lifting, handling; robotic cleaning, handling, surveillance and security machines, for advertising; vacuum cleaner bags, vacuum cleaners and vacuum cleaner hoses, vacuum cleaner attachments for disseminating perfumes and disinfectants, suction machines for industrial use, air suction machines, installations for vacuum cleaning, hydraulic door openers and closers [parts of machines], pneumatic door openers and closers [parts of machines], hoppers for mechanical unloading, shredders [machines] for industrial use, turf removing plows, emergency power generators, washing apparatus, washing installations for vehicles, machines and spray guns for paint, compressed air pumps, roller bridges; electric door-opening devices; fuel pumps; dust removing installations for industrial use; dust exhausting installations for industrial use; incinerators.

8 – Hand-operated hand tools and implements; hand-operated abrading implement, cutlery, forks and spoons, side arms, razors, insecticide sprayers [hand tools], truncheons, lawn clippers [hand implements], hand-operated hand tools for gardening, scythes, sickles forks, hand-operated agricultural implements.

9 – Scientific, nautical, surveying, photographic, cinematographic, optical, weighing, measuring apparatus and instruments; railway traffic safety appliances, electric monitoring apparatus; distribution boxes [electricity]; transmitting sets [telecommunication]; special cables for the railway industry and airports, rigid conductor cables, flexible conductor cables, enameled copper wires, telephone cables for installations, overhead network and underground network, cables for computer networks, cables gathered in a harness, polyethylene-insulated cables, cables for signaling circuits and fixed installation telephony, television cables, cables for public and industrial energy distribution, insulated conductors gathered in a harness for overhead networks, cable sheaths for L.V. industrial installations, rigid conductors, flexible conductors, homogeneous aluminum conductors, mixed steel and aluminum conductors, homogeneous almelec conductors, almelec/steel mixed conductors, hard copper cables, electric wires and cables and fiber optic cables for electronics and electric installations; Ethernet cables, modem cables and power cables; scientific, signaling, checking (inspection), emergency (life-saving) and teaching apparatus and instruments; equipment for data processing and computers; apparatus and instruments for conducting, switching, transforming, accumulating, regulating or controlling electricity; extinguishers; electric and electronic alarms, security and monitoring robots; electric monitoring appa-

ratus, anti-theft warning apparatus, electric theft prevention installations, detectors, alarms, anti-interference devices [electricity], fire alarms, whistle alarms, metal detectors for industrial or military purposes, smoke detectors, central alarm posts and stations; electric and electronic apparatus and installations for access control and security, video surveillance and cameras; apparatus for monitoring and controlling industrial processes; digital video storage systems for analogue, IP or mixed cameras, multi-directional instruction sending, touch-screen image selection, remote monitoring, wall-mounted security boxes, apparatus for recording time and presence; closed circuit television cameras; electric and electronic apparatus for the recording, processing, transmission, storage and production of data; control (supervision) and data reception apparatus; electronic security systems; dongles; remote controls; security systems continuously controlling the guarded transport of valuables; security systems that can detect abnormal situations and, if need be, the securities to destroy or render unusable; systems for protection during the transport and storage of valuables; systems for recording and locating vehicles which are transporting valuables; software for all the aforementioned products; special clothing for protection against nuclear or other contamination, including boots, slippers, shoes, gloves, masks, respiratory apparatus, divers' apparatus, protective goggles, namely, latex gloves on cotton/polyester media, reinforced mechanical protective gloves, handling gloves, leather gloves, PVC gloves, supported latex dipped gloves, waterproof and airtight gloves, disposable gloves, gloves for working in dry and humid environments, gloves for protection against accidents, gloves for divers, asbestos gloves for protection against accidents, clothing for protection, namely, suits with elastic protective hoods [clothing], suits with protective balaclavas [clothing], suits for cleaning in low-risk liquid environments [clothing], polypropylene suits [clothing], diving suits, clothing [for protection against fire], special clothing for laboratories, clothing for protection against accidents, irradiation and fire, protective footwear, safety footwear, safety boots, footwear for protection against accidents, irradiation and fire; vacuum gauges; protective helmets, clothing for protection against accidents,; devices for protecting personnel against accidents, radiation, fire, nuclear or chemical contamination, asbestos; nets for protection against accidents; breathing apparatus for underwater swimming, divers' apparatus, divers' apparatus (terms too vague in the opinion of the International Bureau – rule 13.2.b) of the implementing regulations), diving suits, gloves for divers, divers' masks, ear plugs for divers, gloves for protection against X-rays for industrial use, protective masks, filters for respiratory masks, face masks for breathing, respiratory masks other than for artificial respiration, air analysis

apparatus, respirators for filtering air, respirators for filtering air, decompression chambers; fixed and mobile confinement enclosures for decontaminating all equipment and personnel; time clocks [time recording devices], video tapes, calculating machines and data processing equipment, computer programs, monitors [computer programs], computers, computer keyboards, floppy disks, computer peripheral devices, mouse pads, printers for use with computers, photocopiers; software, software for managing construction sites and maintaining buildings and reactors, and for quality measurement and control; cathodic anti-corrosion apparatus, optical fibers, lasers not for medical use, ultraviolet rays, speedometers, walkie-talkies, intercom apparatus, radio pagers, fax machines, portable telephones, telephone apparatus, television apparatus, antennas, navigation apparatus for vehicles [on-board computers], transmitters of electronic signals; dosimeters, peepholes [magnifying lenses] for doors, optical goods, sunglasses, sports glasses; multi-purpose goggles, goggles for working with dust and debris, visitors' goggles for dangerous environments, mask goggles with adjustable straps for dusty environments, helmets, worksite helmets, noise-canceling headphones and earplugs, headphones, protective helmets; fire extinguishers and alarms or theft and fire protection apparatus, access control apparatus, automatic rotating drums (terms too vague in the opinion of the International Bureau – rule 13.2.b) of the implementing regulations), apparatus for detecting objects, especially weapons, time management apparatus, intercommunication apparatus, television apparatus; downloadable electronic publications, electronic, optical, digital and computer data carriers; apparatus and the frame of services carried out; computerized anti-theft monitoring systems; video protection supervision systems, touch-screen selection systems for diffusion, and security, intrusion and video applications systems; intrusion, detection and access control software.

11 – Apparatus for disinfecting, lighting, heating, generating steam for cooking, refrigerating, distributing, sanitizing and purifying air or water; sanitary installations, hair driers, drying apparatus and installations, hand driers, disinfectant dispensers for toilets, machines and apparatus for deodorizing air and for purifying air and sterilizers; filters for air conditioning, air filtering installations, fumigation apparatus, not for medical purposes, germicidal burners, germicidal lamps for purifying air, purification installations for sewage, cooling installations and machines; deodorizing apparatus not for personal use, namely, electric and mechanical diffusers of sanitizing products; incinerators.

12 – Vehicles; machines, apparatus and installations for the transport and movement of people, machines, equipment, warehousing services, structures and various loads; vehicles for the collection and transport of waste; sweeping, cleaning, sanitizing and monito-

ring vehicles; trolleys, self-guiding or not, ensuring functions of cleaning floors and all surfaces, messaging, monitoring and handling; trolleys for transporting recipients and containers made of plastic or metal for household use, skips, electric vehicles, tractors, vans, vans, carriages [railways], automobiles, motor cars, trucks, vans, delivery tricycles, two-wheeled trolleys, cable transport apparatus and installations, anti-theft alarms for vehicles, anti-theft devices for vehicles, sprinkling trucks; compact high pressure trailers [hot water, fuel oil for rapid response], rapid response cleaning vehicles, self-washers, sweeping machines, snow removers, salters, integrated or mounted on vehicles [trucks], electric roadway vacuum cleaners, self-propelled washing machines with ride-on conductor specially adapted for the maintenance of transport vehicles, trolleys for household purposes, handling carts, lifting cars [lift cars], hotel linen washing trolleys, double-bucket washing trolleys, selective sorting trolleys, multi-purpose trolleys, selective sorting trolleys for paper/general industrial waste, sanitary/toilet trolleys, train trolleys, electric vehicles designed to fulfill diverse utility functions in varied environments [collectives, litter industry, railway stations], namely, refuse collection, emptying toilets, recovering water from graffiti, [tilt trucks], bicycles, tipping bodies for trucks, hose carts, tailboard lifts [parts of land vehicles], vans [vehicles], trailer hitches for vehicles, electric road sweepers, multi-function road sweepers, electric town vehicles [transport of people], electric utility vehicles, modular electric utility vehicles, vehicles for the physically handicapped and those with reduced mobility.

14 – Boxes of precious metal.

16 – Paper, cardboard and goods made of these materials, paper and paper articles, namely, toilet paper, letter paper, bags for garbage, garbage bags, garbage bags made of OXO biodegradable plastics, paper and plastic bags and sachets for packaging, garbage bags made of OXO biodegradable plastics, bags, envelopes, pouches for packaging (made of paper or of plastics), paper or cardboard boxes, paper bibs, hand towels of paper, handkerchiefs of paper, tissues of paper for removing make-up, tablecloths of paper, table napkins of paper, table linen of paper, filter paper, coffee filters, coasters of paper, mats for beer glasses, tablemats of paper, holders for checkbooks, paperweights; cardboard and cardboard articles, namely, cardboard articles, letter trays, cardboard [garbage], printing goods, printed matter, newspapers and periodicals, books, bookmarks, bookends, tear-off calendars, calendars, writing or drawing books, notebooks, manuals, almanacs, albums, bookbinding material, prospectuses, brochures, catalogs, posters and display boards, advertisement boards of paper or cardboard, posters, signboards of paper or cardboard, stickers [stationery], comic books, photographs,

printing blocks, stationery articles, adhesive materials, materials for artists, paintbrushes, typewriters and office requisites [except furniture], staples for offices, blocks, collectors of biodegradable paper in recycled cardboard, writing pads, pen holders, pencils, pencil holders, pencil sharpeners, pencil lead holders, pens, ball-point pens, fountain pens, stands for pens and pencils, inking pads, rubber erasers, ruling pens, paper cutters [office supplies], envelopes, labels not of fabric, office hole punches, transfers [decalcomanias], adhesive tape dispensers, blotters, binders [office requisites], folders for papers, adhesives for stationery or household purposes,; instructional and teaching material, printing type, art engravings, terrestrial globes, house painters' rollers; coils of paper towels.

18 – School bags, card cases of leather, travel chests, boxes intended for toiletry articles, briefcases, bags [envelopes, pouches] for packaging [of leather], attaché cases, change purses not of precious metal, umbrellas, umbrella covers, parasols, beach bags; handbags, wheelie bags or travel bags; leather briefcases, traveling sets, suitcases.

19 – Non-metallic building materials, non-metallic rigid pipes for building, asphalt, pitch and bitumen, transportable constructions, not of metal, monuments, not of metal, devices for providing access, especially not of metal, advertisement columns, not of metal, door casings, not of metal, furrings of wood, cabanas not of metal, huts, folding doors, not of metal, installations, not of metal, for parking bicycles, woodwork, paint spraying booths, not of metal, window framing, not of metal, door cases, not of metal, building frames, not of metal, window frames, not of metal, door frames, not of metal, greenhouse frames, not of metal, roof gutters not of metal, partitions, not of metal, fences, not of metal, door frames not of metal, wainscoting, not of metal, furrings of wood, parquet floor boards, laths not of metal, stair-treads [steps] not of metal, insect screens not of metal; non-metallic, non-luminous and non-mechanical signaling panels; non-metallic building wall linings, non-metallic paving blocks, lighting slabs, veneer wood, wood veneers, non-metallic ceilings, non-metallic floors, planks [wood for building], non-metallic gates, non-metallic door panels, non-metallic doors, non-metallic building coverings; outdoor blinds not of metal and not of textile; casement windows, not of metal, shutters, not of metal, scaffolding, not of metal; non-metallic rigid pipes for building; access apparatus, especially not of metal; monuments, not of metal.

20 – Baskets, containers, bins, floating containers or any other recipients not of metal or plastic for the collection, storage, transport, treatment and processing of industrial and household waste, mainly of office paper for recycling and disposal; trash cans, plastic cases, plastic packaging containers, wooden

or plastic boxes, chests not of metal; telescopic poles not of metal, pole angles not of metal; broom handles not of metal, baskets not of metal, double-compartment baskets not of metal, containers not of metal; packaging containers of plastic; sales stands and sales containers.

21 – Non-electric utensils, instruments, equipment and containers for household purposes, namely, sponges, brushes, sponges for household purposes, brush-making materials and equipment; handle sets with self-closing dustpan and brush, mops, mechanical brushes, brushes for applying emulsion and routine maintenance, brushes with tanks, pro flat brushes, 3m brushes, trapezium brushes, scissor brushes, automatic mop bases, fringed, cotton, mixed microfibers, articulated mop bases with pins, handled mop bases with pins, folding mop bases, aluminum mop bases, presses for cleaning, jaw-action presses for cleaning, lateral presses for cleaning, buckets, containers for household or kitchen use not of precious metals, mop buckets with two trays and drain valve, ergonomic mop buckets, special window cleaning buckets, single tray buckets with wringer, tray and storage pallet, two-tray buckets with wringer, washing brushes, sweeping brushes,; household utensils, namely, steel wool for cleaning, scrubbing brushes, cloths for washing floors, natural or synthetic chamois leathers; cleaning cloths, gloves for household purposes, furniture dusters, gauze for sweeping, polishing gloves, gardening gloves, abrasive pads, abrasive rolls, abrasive discs for single disc floor cleaners and mini single disc floor cleaners, scouring discs, washing discs, spray discs, lustering and polishing discs, discs for care of parquet flooring and marble; microfibers, microfiber refills, hand-operated decontamination equipment and instruments, electric brushes, steel wool pads for cleaning, saucepan scourers of metal, tubs, swimming pools, trash cans, trash cans for selective sorting and waste collection, baskets for domestic use, toilet paper dispensers, soap dispensers, non-electric parquet wax-polishers, non-electric wax-polishers for shoes, non-electric dust removers, table brushes, clips for picking up waste, plastic clip for fringe, floor scrapers for household purposes, floor squeegees for household purposes, plastic squeegees with foam for household purposes, brushes for dusting, brushes [parts of machines], window equipment for household purposes, namely: wetting sponges, scrapers, squeegees, refills, rubber blade barrette, works of art made of porcelain, terracotta or of glass, non-electric household grinders, boxes of glass, demijohns, flower-pot covers not of paper, cauldrons, cooking pots, swimming pools; aerosol dispensers not for medical purposes, sanitizing and deodorizing products; flasks not of precious metal in the form of wick diffusers of deodorizing products, perfume burners, perfume sprayers, perfume vaporizers; vases of precious metal, containers for household or kitchen use of pre-

cius metal; flasks; sanitary care products and accessories, namely, soap dispensers, paper towels and dispensers, (dispensers, toilet paper), toilet paper holders; electric devices for attracting and killing insects; baskets for domestic use of precious metal; vases of precious metal; containers of precious metal for household or kitchen use; wiping cloths; baskets for domestic use, not of precious metal.

25 – Clothing, shoes, headgear, namely, parkas [clothing], jackets [clothing], trousers [clothing], overalls, jackets, fleece jackets, tunics, shirts, trousers, vests, bermuda shorts, caps, chasubles, polar wear, tee-shirts, polo shirts, thermal clothing, rain suits, suits, neckties, sweatshirts, wind-resistant jackets, sports bags, coveralls, singlets, bathing suits, bath robes, shorts, socks, suspenders, gloves, belts [clothing], fleece jackets, clogs, slippers, non-slipping devices for footwear, work boots, bedroom slippers, uniforms, bathing caps, bathing trunks, swimsuits, clothing for baths [bath sandals, bath slippers], short-sleeve shirts, collars, sashes for wear, sock suspenders, gabardines [clothing], raincoats, coats, shirt fronts, pullovers, underwear, brassieres, aprons [clothing], jackets, paper clothing.

27 – Carpets, non-slip mats, door mats, carpets for automobiles, doormats, mats, linoleum and other products for protecting floors, plastic and synthetic coverings for floors, walls and facades, bath mats, wallpaper, floorboard and floor coverings, vinyl floor coverings, floor mats, mats with scratching and absorbent fibers, double-fiber mats on a latex backing, vinyl mouth mats, vinyl foot-wiping tiles for heavy dirt.

35 – Advertising, business management, distribution of advertising materials and documents, computer file management, rental of office equipment and advertising material; rental of billboards, rental of non-metallic, non-luminous, non-mechanical "slippery floor" warning signs, pictos, hazard symbols, use of equipment symbols, PPE symbols (terms too vague in the opinion of the International Bureau – rule 13.2.b) of the implementing regulations), publication of publicity texts, publicity mailing, direct mail advertising, dissemination of advertising matter; rental of billboards and interactive communication and information screens in public spaces, in commercial and industrial premises, in public buildings; displays for vehicles, rental of vehicles fitted with a display and communication system, rental of static or mobile display panels, organization of exhibitions for commercial or advertising purposes, rental of vending machines; business assistance, consultancy, information or technical business inquiries; assistance for industrial, commercial, agricultural, financial, research or management services companies, the management and organization of their business and more particularly assistance for businesses, namely, consultancy, business information or inquiries in the

fields of construction and light work as well as those specialized in building maintenance, cleaning, roadway works, pollution control, decontamination, market research and prospecting on decontamination, dismantling or decommissioning of installations, buildings, equipment, machines, vehicles, contaminated areas or zones, in the following sectors: nuclear, industry, collection, transport, treatment (transformation), decategorization and reusing of waste, environmental protection, transport, handling, collective catering, temporary work, surveillance of people, surveillance of industrial installations and premises; conducting market research on their behalf, analysis of cost price, non-quality costs and productivity defects or reasons for dissatisfaction among their customers or users; conducting businesses appraisals relating to the aforementioned sectors with a view to their transfer or acquisition; market research, market opportunities, potential customers on their behalf in the aforementioned sectors; conducting statistical work, assistance and consultancy for said businesses in the formulation of their responses to calls for tenders and awards of public or private customers in the aforementioned sectors of activity; auditing and consulting services in document management and records management, assistance in planning and coordinating their interventions (business organization and management), managing working time, recruiting personnel, coordinating work (business organization), directing companies; assistance to the clients of said companies in drafting calls for tenders, establishing and defining requirements, drafting project specifications within the aforementioned sectors of activity; carrying out business organization audits, carrying out personnel management audits, accounting assistance in managing and implementing their business projects, particularly in respect of lead times, costs, quality control of services in said sectors of activity; procurement services for others [purchasing goods and services for other businesses] in the field of construction and light work as well as those specialized in building maintenance, cleaning, roadway works, pollution control, decontamination, the collection and destruction of waste, environmental protection, transport, handling, collective catering, temporary work, surveillance of people, surveillance of industrial installations or premises; technical advice for the sourcing and procurement of raw materials and services for businesses in the building construction and light work sector as well as those specializing in the maintenance of buildings, cleaning, road works, pollution clean-up, decontamination the collection and disposal of waste, environmental protection, transportation, handling, catering, temporary work, monitoring of people, surveillance of premises or industrial plants; compilation of information into computer databases; businesses performing statistical work, tabulating, typing, accounting, document reproduction, support for performing

administrative tasks at home, help with work time management, payroll preparation, tax statement preparation; secretarial services, opinion polling, document reproduction, employment agencies; provision of temporary personnel, placing of interim personnel, personnel management consultancy, personnel selection using psychometric techniques, temporary provision to any public or private company of personnel with all levels of qualifications; personnel management consultancy; selection and recruitment services, recruitment and placement services for professionals, assistance in recruiting domestic staff, career mediation and career management services; business management consultancy services; computerized file management; business consultancy, information or inquiries; information online or through the distribution of printed documents in the fields of career mediation, career management and business management; administrative outsourcing services specialized in the areas of information technology, engineering, finance; provision of statistical information; conducting studies; psychological testing for the selection of personnel, namely, organizing personnel recruitment tests and behavioral tests; personnel consultancy, namely conducting evaluations of an individual's knowledge regarding office functions, secretarial work, word processing, data input, information management systems and in technical and industrial sectors; services relating to the retail sale and supply of wheelchairs, walking frames for use in the context of the aforementioned activities; business advice for procuring and purchasing products; retail sale of all equipment and apparatus for use in the activities of guarding, security, protection of people and property (goods and buildings), information services, night guards, technical monitoring and inspection; services for taking orders, processing orders and administrative stock management; market research in decontamination, dismantling or decommissioning of installations, buildings, equipment, machines, vehicles, contaminated areas or zones in the nuclear and industrial sector; sale of installation of all equipment and apparatus for use in the context of the aforementioned activities; retail sale or wholesale services for pharmaceutical preparations, veterinary and sanitary preparations, medical supplies, wholesale services, retail sale of products, retail sale or wholesale services for food and beverage products, retail sale or wholesale services for fruits and vegetables, retail sale or wholesale services for confectionery, breads and buns, concierge services, namely, providing business relations services for clients in connection with service providers, event marketing services; stock management, flow management; administrative services; technical consultancy for taking orders, processing orders and administrative stock management; sale and provision of installations for all equipment and apparatus; market research in decontamination, dismantling or de-

commissioning of installations, buildings, equipment, machines, vehicles, contaminated areas or zones in the nuclear and industrial sector; concierge services for others consisting of organization and reservation services for people in order to meet the needs of employees.

36 – Insurance underwriting, insurance consultancy and information, insurance brokerage, accident insurance underwriting, real estate agencies, establishing real estate leasing agreements, real estate management, sales, purchase and rental of business assets and buildings, real estate appraisals, management of real estate, buildings, accommodation bureaux, renting of apartments, offices, real estate brokers, real estate evaluation, rent collection, debt collection agency, credit agency, financial analysis, financial affairs, capital investment, sureties, financing services, financial consultancy, financial information, loans, credit services, fund investment, financial transactions, services provided in financial and monetary affairs, fiscal valuations, fiscal assessments; asset management; professional consultancy concerning the compensation of persons.

37 – Providing local services to individuals, associations, administrations and businesses, namely, laundering and DIY work; home help; maintenance, cleaning, namely, washing, cleaning of buildings [interior], furniture, tableware, maintenance of the household and housework, sweeping, laundering, washing, cleaning, ironing, tidying, renovation, dyeing; steam pressing of clothing, clothes, linen; dry cleaning; maintenance, cleaning and repair of leathers and furs; repair and maintenance of premises; shoe repair, cobblers' services, maintenance and repair of timepieces; services for installing, commissioning, supporting and repairing computers and multimedia equipment, office computers, laptop computers, peripheral devices and especially printers, game consoles, digital products, networking products, computer and communication networks, television monitors and audiovisual products; repairing railways, roads, streets, squares, paths; maintenance of oil pipelines; oil changes,; air conditioning apparatus installation and repair, processing and distribution of air, outside air intake for blasting and filtering air; information relating to maintenance, upkeep, washing and cleaning; public works, earth moving; construction and repair of buildings, constructions, warehouses; lifting and assembly of building frameworks, metal bridges and foot-bridges, cladding panels, roofing, silos; erection of scaffolding for hoppers, gates, dams, frame cofferdams, apparatus for lifting and shoring mines; rental of tools and equipment for building, cleaning and public works; rental of bulldozers, rental of building site machinery, rental of cleaning machines; rental of equipment for industrial or household cleaning, disinfecting and insect eradication; rental of road sweeping machines, rental of

machines and equipment for tree removal; construction, light work and masonry works, partitioning works, locksmithing, lighting and plastering works, wallpapering, rustproofing, painting, interior and exterior, plumbing, works of decontamination, dismantling, decommissioning (terms too vague in the opinion of the International Bureau – rule 13.2.b) of the implementing regulations), building and sites, equipment, machines, vehicles and contaminated areas or zones; removing and fitting partitions, false ceilings, false floors, carpeting, tiles, floor tiles, floor coverings, linoleum, parquet flooring and floorboards; sanding, varnishing, especially of parquet flooring, vitrification of floors, insulation works; kitchen equipment installation; sealing services; upkeep, cleaning disinfecting and repair of all pipes, casings, refuse chutes, horizontal and vertical ducts in all types of buildings and at any location; chimney sweeping, repair and installation of boilers, installation and repair of electric, electronic and audiovisual equipment and installations; cleaning (outdoor and indoor), maintenance, upkeep and repair of edifices, buildings, offices, commercial premises, warehouses, factories, laboratories and all industrial or professional facilities; boiler fitting business services; painting, resurfacing and cleaning of facades, walls, ceilings, floors, windows, window panes; upkeep, cleaning, repair and washing of vehicles, fixed or moving equipment, trailers, workshops, aircraft, carriages, automobiles, trucks, buses, industrial, agricultural and scientific machines; servicing and washing of vehicles, automobiles; vehicle polishing, vehicle lubrication; service stations; vehicle breakdown assistance [repair]; furniture restoration and repair, specifically in the agri-food, pharmaceutical, computer, nuclear, hospital, medical or paramedical and research laboratory industries; specific cleaning in the context of the nuclear industry, maintenance, namely, cleaning of installations, premises (floors, windows, walls, ceilings), equipment (towers, trays, etc), tools, transport vehicles, carriages (railways), trucks, semi-trailers, ships, aeroplanes and zones; elimination by rubbing, tearing off (cleaning), grinding, sanding or any other process, of soiled, polluted or contaminated parts of platforms, carriages, trucks, floor or wall coverings; underwater works, underwater construction and repair; demolition of buildings; rental of cleaning machines; rental of equipment for industrial or household cleaning, disinfecting, insect eradication; rental of road sweeping machines, installation, maintenance and repair of machines, cleaning, surveillance, security, service call-out and handling equipment; mending, laundry, washing, cleaning, ironing, renovation; steam pressing of clothing, clothes, linen; maintenance, cleaning and repair of leathers and furs; installation and repair of devices for irrigation, insect eradication, mosquito eradication, pest control, rat exterminating, disinfecting and vermin exterminating (other than

for agriculture); rental of machines and equipment for tree removal; installation, maintenance and repair of alarm devices and security systems against fire or theft of computers; installation, maintenance and repair of machines and cleaning, security, service call-out and handling equipment; installation and maintenance services for buildings, premises, installation and maintenance services for building security systems; construction of buildings and installations, dismantling of installations, maintenance and installation of all equipment and apparatus for use in the context of the aforementioned activities, repair and maintenance of rolling or fixed equipment, trailers, workshops; quarrying services; installation services, maintenance, repair and upkeep of fire alarm systems, services of installation, upkeep, repair, construction and maintenance of electric and electronic equipment, namely: security systems and computer hardware, remote surveillance machine, video surveillance, video security, monitoring, security devices and security products, electric and electronic alarms, building security systems, service call-out and handling, manufacture of electric cables, renovation, repair, cleaning of building interiors, building exteriors or windows; textile dry cleaning services, fabric and clothing dry cleaning services; washing and ironing linen, textile ironing services, fabric ironing services, clothes ironing services, textile pressing services; laundering; locksmithing services; motor vehicle maintenance and repair, namely, servicing, shoe repair; repair and maintenance of fixed or mobile equipment, trailers, workshops; quarrying services; mending clothing; underwater works; underwater repair; maintenance of installations for all equipment and apparatus.

38 – Telecommunication services; data transmission via multi-service company telecommunication networks; services of telecommunication, electronic mail via internal or external global information network, Extranet and Intranet; secure electronic mail services, press and news agency services; communication services via radio, telephone and telegraph equipment as well as through any data communication means and videotex, and particularly on terminals, computer peripherals or electronic and/or digital equipment, via videophone, video-intercom and video-conferencing; sending, transmitting dispatches and messages; data transmission services, in particular packet transmission services, electronic document dispatching, transmission, electronic mail services; telephone call transfer or telecommunication services; cellular telephone communication, satellite transmission, broadcasting of television programs and more generally of multimedia programs (computer editing of texts and/or images, still or animated, and/or musical or of musical or non-musical sounds) for interactive or other use; telex services, transmission of telegrams, transmission of data by teletypewriter; communication by computer termi-

nals; services for transmission of information by data communication means with a view to obtaining information held in data banks and image banks, communication services (transmission) over computer networks in general, rental services for remote computing and data communication apparatus and instruments, technical consulting and advice in the field of telecommunications; rental of access time to a database server center.

39 – Water supplies, transport brokerage, transport commission agency services, transportation information, booking for transport; providing local services to individuals, associations, administrations and businesses, namely, delivery of shopping, parcels; collection and delivery of ironed linen, transport of people or goods, by road, rail, air, sea and waterways, by pipeline; services for transport of people or goods by automobile, portage, especially home delivery of meals, medicines, shopping; packaging, handling and transport of items of furniture, transport, packaging, handling of contaminated materials, machines and apparatus as well as of nuclear, industrial or other waste; removal of furniture, tanks, machine tools and more generally any unusually large or heavy equipment; transport, ambulance transport, securities transport, transport and dumping of waste, transport of hydrocarbon slurry or any other industrial, household, medical, agricultural, nuclear waste and equipment in the context of the aforementioned activities; taxi services, loading and conveying of animals, towing, salvage of ships; inspection and sanitizing of vehicles prior to their transport; hauling, portage; unloading of ships, rail cars, trucks, trailers, handling and forwarding services; vehicle breakdown assistance [towing], handling services; delivery of mail, parcels; parcels, meal trays; delivery of products, delivery of goods, shipping of products, packaging of products, warehousing services, storage, storage of goods, information relating to storage and transport, warehousing of goods in a warehouse for safekeeping purposes, provision of garages for vehicles, rental of vehicles fitted with a display and communication system, vehicle garage, rental of vehicle roof racks; rental of lifting equipment and machinery, rental of transport vehicles, vehicles, automobiles, rail cars, boats; warehouse rental, garage, parking space rental; car parking, travel arrangement, travel booking, excluding hotel room reservations; refrigerator rental; distribution of iced water and hot water; refrigerator rental; ice water and hot water dispensing, organization of logistics on large sites, namely, technical consulting in the field of transport, handling, delivery; supply of raw materials for businesses in the building industry, and light work industry as well as those specialized in building maintenance, cleaning, roadway works, pollution control, decontamination, the collection and destruction of waste, environmental protection, transport, handling, collective catering, temporary

work, surveillance of people, surveillance of industrial installations and premises, airport services, provision of expert solutions in airport assistance on the runway and in the terminal, provision of airport installations for aviation; transport, grouping, freight forwarding, unloading and storage services in the fields of the collection, transport, treatment (transformation), decategorization and reusing of waste; delivery services, namely: delivery of flowers, delivery of bread, delivery of plants, delivery of fruits and vegetables excluding organic, delivery of pharmaceutical and parapharmaceutical preparations, parcel delivery, delivery of goods, delivery of products, delivery of journals [magazines], delivery of magazines, delivery of newspapers, delivery of goods by mail order, pizza delivery services, document delivery services, restaurant meal delivery services, delivery of cooked dishes, collection and delivery of textile products, delivery of goods by road or rail; postal services, namely: delivery of mail, parcels, newspapers, dispatching mail and parcels, franking of mail, correspondence delivery by post and/or messenger, transport and delivery of goods, samples and merchandise of all kinds by road, rail and ship, delivery of letters, mail, journals (magazines), packages, parcels, newspapers, freight and goods, delivery services for gift baskets featuring an assortment of goods for special events or occasions; transport reservation services, namely: taxi services, chauffeur services, courier services; organization of logistics on large sites, namely, technical consulting in the field of transport and handling; provision of shopping and parcels; collection and delivery of airport linen; storage of hydrocarbon slurry and all other waste industrial or not; information relating to collection and transport; organization relating to transport and handling.

40 – Air purification, water treatment, wastewater treatment, chemical treatment and filtration of water, treatment of solutions for cleaning, disinfecting and decontaminating, eradicating insects, exterminating rats, mosquito control, pest control and pollution control; decontamination of hazardous materials, treatment of radioactive fuels, namely, destruction of such fuels; decontamination; grinding of waste, destruction and treatment of industrial, urban and agricultural waste, treatment and destruction of household waste, recycling of waste and trash, incineration of household, industrial and other waste and trash, storage treatment of hydrocarbon slurry and all other waste industrial or not; conducting of the aforementioned works by personnel specialized for operations of decontamination, pollution control, asbestos removal, selective sorting, sanitizing, window tinting by surface treatment and treatment of materials, of metal; preservation services, preservation of the environment, ecology and sustainable development, namely sorting of waste, treatment of soil and subsoil; abrasion, decontamination works by laser,

woodworking, coppersmithing, polishing, optical glass grinding, soldering, laser scribing, metal coating, lustering, sertinage (incomprehensible terms in the opinion of the International Bureau – rule 13.2.b) of the implementing regulations), dyeing, waterproofing, pattern printing, treatment of cloth and fur, mothproofing, fabric waterproofing, cloth, furs, clothing, wool, textiles and leathers,; bleaching of fabric, food and drink preservation, printing; treatment or incineration of industrial and nuclear waste; material treatment information in the fields of treatment (transformation), decategorization and reusing of waste; global service for the treatment, sorting, decategorization, reusing, elimination, transformation and reclamation of waste and more generally all technical services for the storage, management and treatment of waste; sewing services, clothing alteration and retouching, laundry care, key copying services; water treatment; sorting and removal of household waste and industrial or medical waste; management of controlled landfills and industrial waste; decontamination intervention; disinfecting services; radiation protection services; decontamination of buildings, installations, premises (floors, windows, walls, ceilings), equipment (towers, trays, etc), tools, transport vehicles, carriages, trucks, semi-trailers, ships, aircraft and zones; decontamination of clothing, equipment and personal property; decontamination of clothing, equipment and personal property; radioactive cleaning by decontamination in nuclear or hospital environments; process of heat treating radioactive and/or asbestos waste, installations dedicated to storage, to nuclear energy.

41 – Education, teaching, training and sensitizing in ecology to promote respect for the environment; organization and conducting of colloquiums, conferences, congresses; organization of exhibitions for cultural or educational purposes; production of audiovisual programs; organization of training workshops, symposiums, seminars; organization of sports competitions, organization and conducting of practical training [demonstration]; consultancy in the field of education and training, vocational guidance and training of personnel; training services in the areas of home help for families, the elderly, the sick, the disabled; conducting of workshops online or in person, in the areas of job search techniques, career networking, career management, business management and training of executive staff; correspondence courses and education, organization of internships in the fields of commercial and industrial business management, organization, administration and operation and more specifically with users and clients of firms involved in cleaning, surveillance, security, intervention and mechanized, automated or robotic handling, hygiene, technical cleaning, transport and logistics, construction, maintenance, light work and the environment; production of educational films and pamphlets; production and rental of films, cas-

ettes, video cassettes, or technical or commercial video recordings; show production; publishing of texts; publishing and lending books; publishing of journals, illustrations, periodicals, magazines, publications of all types and in all forms, including electronic and digital publications, for audio and/or visual media, multimedia carriers, (interactive discs, CD-roms), multimedia programs (computer formatting of texts and/or images, still or animated), games and especially televisual and audiovisual games; editing of radio and television programs; publication of books, manuals relating to these activities, sound recordings, videotape recording [filming], phonographic recordings, cinematographic projection apparatus and accessories for theater decoration; rental of videotapes; rental of films; rental of sound and/or visual recordings and multimedia carriers, video tape editing; publication of technical or commercial information; education; training; entertainment; sporting, cultural and awakening activities, outdoor coaching and development on leisure activities; home-based tutoring and support, monitoring of homework, training of domestic staff; entertainment information; leisure services; organization of cultural events and exhibitions; booking of seats for shows; training in the field of engineering, inspection, control, piloting of industrial projects, project management support, technical assistance applied to large projects on dismantling, and on the design and construction of new installations in the fields of nuclear power, industry and the environment; conducting of workshops online or in person, in the areas of job search techniques, career networking, career management, business management and training of executive staff; training services in the field of home-based assistance for handicapped people; film production.

42 – Geological surveys and prospecting, material testing, laboratory services, namely, biological research, bacteriological research, chemical research, cosmetic science research, mechanical research, geological research; technical research, scientific research for medical purposes; surveying, engineering and design department for designing and commissioning systems and installations implementing cleaning, surveillance or computer-integrated manufacturing techniques and their operation; surveying, project studies for the design and conducting of works of decontamination, dismantling, decommissioning of sites, buildings, equipment or vehicles, and treatment or incineration of waste, technical assistance in the management and completion of their projects, particularly in respect of timescales, costs, quality control of services in said sectors of activity; technical advice and inspections relating to the use of computer-integrated manufacturing techniques in the mechanization and automation of the cleaning of buildings, premises, vehicles and rolling equipment, aircraft, ships, cleaning robots, survei-

llance, security, service call-out and handling robots; industrial design services; prospecting; advice, technical information and inspections for businesses relating to bacteriological quality and the presence of microorganisms in collective kitchens and restaurant kitchens, in the agri-food, pharmaceutical and cosmetic science industries, in hospitals and all sterile environments; organization of logistics on large sites, namely, technical advice for customers (terms too vague in the opinion of the International Bureau – rule 13.2.b) of the implementing regulations); computer programming for electronic apparatus and instruments, for remote computing and computer communication systems, for multimedia equipment and hardware and reports; rental of computer software, installation of computer software, updating of computer software, computer software design, maintenance of computer hardware and software; physics research, bacteriological research; technical research; chemical analyses; consultation in environmental protection relating to sustainable development and ecology; quality control; contamination or pollution control; underwater exploration; design of interior decor; engineering work; professional consulting in the field of fire detection and drawing up of plans unrelated to the conducting of business; laboratory research services; rental of equipment in the context of the aforementioned activities; project studies for the design and development of works in contamination, dismantling, decommissioning of sites, buildings, equipment or vehicles and treatment or incineration of waste; measuring and monitoring levels of initial or residual contamination, of equipment, machines, pipes, pumps, electric motors, cameras, objects and products being treated; rental of computer apparatus and instruments, technical consulting and advice in the field of computing, engineering and design offices for designing and commissioning systems and installations implementing computer-integrated manufacturing techniques, their environment and operation; engineering work; professional consultancy and drawing up of plans unrelated to business operations; computer software design and development of security systems and computer hardware; drafting of expert reports by engineers in the field of surveillance, energy distribution, electricity, security of goods and people; research and development in the fields of the aforementioned services; quality control and traceability services in the context of the services carried out; measuring and monitoring initial or residual contamination or pollution levels; specific interior design in the agri-food, pharmaceutical, computer, nuclear, hospital, medical or paramedical industries and research laboratories; monitoring levels of initial or residual contamination of equipment, machines, pipes, pumps, electric motors, cameras, objects and products being treated; collection, treatment and analysis of treatment solutions; design of electric

and electronic alarms, alarms or protection against theft and fire, access control apparatus, automatic rotating drums, apparatus for detecting objects, especially weapons, time management apparatus, intercommunication apparatus, television apparatus, access apparatus, especially turnstiles, locks, hosting of Internet sites.

43 – Temporary accommodation; canteens, dormitories and hotels; services for providing food and drink; food and drink catering; procurement of food and drink in the field of construction and light work, in building maintenance, cleaning, roadway works, pollution control, decontamination, the collection and destruction of waste, environmental protection, transport, handling, collective catering, temporary work, surveillance of people and surveillance of industrial installations or premises; cafeterias; institutional food services; preparation of meals, especially for eating at home; distribution of meal trays; self-service restaurants; permanent snack bar services; hotel services; boarding houses; bar services, cafés, restaurants; rental of transportable buildings; rental of meeting rooms; motel services; hotel reservations; childcare outside the home (day nurseries, nursery schools, stop-over centers, extracurricular daycare centers, authorized maternal assistance; operation of campground facilities; retirement homes; restaurant services; food and drink catering; hotel services; individual or collective childcare services (crèche services); restaurants also providing home delivery; cooking services at home or in the work place; reservation of restaurants; rental of rooms, furniture, table linen and tableware; rental of tents; take-out restaurant services; boarding for animals.

44 – Horticulture, forestry, gardening and landscape gardening services, plant nurseries, opticians' services, beauty salons, pedicure and hairdressing services at home, massage; washing of people, medical services, medical assistance at home, health care, nursing homes, convalescence or rest homes, hygienic and beauty treatments for human beings, medical nursing excluding treatments, home care services (hospices), hospital services, home help services, plant nurseries, rental of farming equipment; creation and maintenance of green spaces, lawns, parks and gardens, plantations, flower arranging, tree removal; tree surgery, killing of animals harmful to agriculture and forestry, weed killing, rest homes, beauty treatments at home, hygienic and beauty treatments for human beings or animals; pet grooming, care, treatments and walking of pets; beauty care services, namely: hair, massages, relaxation, beauty care, manicures, hair removal, face and body care, nail care services, cosmetic body care services, hygiene, treatment services, beauty for animals, hygienic and beauty care for animals, care of animals, gardening services, plant care services, organization and booking services for people and at their request

(appointment-making) for the aforementioned services.

45 – Home help services, namely, escorting in society [chaperoning], assistance with taking medication, assistance with eating meals; monitoring the radioactivity of installations, security and remote surveillance services intended to ensure the protection of individuals and personal property and buildings; escorting [personal body guarding]; civil protection (guards); technical surveillance and inspection; security consultancy; guards; fire-extinguishing services; surveillance of construction, workshops; opening of security locks; security services for the protection of property and individuals (excluding the transport thereof); night guards; monitoring of burglar and security alarms; security consultancy; personal body guard services; detective agencies; opening of security locks; civil protection (guards); security consultancy; surveillance and monitoring of anti-intrusion and anti-theft security alarms; computerized security services for business; computerized security services for private organizations; computerized security services for corporate organizations; computerized security services for households; security services in the field of aeronautics; identification services, namely identifying individuals; advisory services in the field of security; consultancy services in the field of fire protection; rental of personal property in the form of alarms, security devices and safety products; surveillance of industrial plants; monitoring of alarms at alarm centers; alarm management; centralization of alarms; security services for the protection of property and individuals (excluding the transport thereof); escorting suspects, prisoners and those in custody from prisons, temporary detention centers, police stations and other similar institutions to court and vice versa; surveillance; rental of safes; legal research; monitoring the radioactivity of installations, security and remote surveillance services intended to ensure the protection of individuals and personal property, buildings, escorts [close protection], technical surveillance and inspection, guards, fire-fighting services, surveillance of workshops, of construction sites; professional consulting in video surveillance and fire detection; companionship services for the elderly and disabled; services for escorting handicapped people and those with reduced mobility; legal and administrative information services in the field of home help for families, the elderly, the sick, the disabled; home help, legal help in the management and carrying out of projects especially in respect of timescales, costs, quality control services; litigation services, baby sitting, pet care and walking; baby sitting; legal and administrative information services in the field of home help for families, the elderly, the sick, the disabled, for carrying out their projects especially in terms of legal services; video; baby sitting.

(260) AM 2015 80724 A

(800) 1233203

(891) 2014 02 26

(731) KARACA ZÜCCACIYE TICARET VE SANAYI ANONİM ŞİRKETİ

Yakuplu Mahallesi Beysan sanayi, Sitesi
Birlik Cad. No:24, İstanbul, Turkey

(540)



(591) Black, white

(511)

8 – Forks; spoons; knives and non-electric cutters; hand-operated slicers; non-electric peelers for kitchen use, including those made of precious metals; side arms and blades (weapons); hair-removing tweezers, manicure sets; pedicure sets; nail files; shaving cases; razor blades; beard clippers; razors electric or non-electric; manicure sets electric; depilation appliances electric or non-electric; electrical hair straightener and electrical hair curlers; scissors; hand-operated hand tools included in this class for the repair of machines, apparatus and vehicles and for use in construction, agriculture, horticultural and forestry, none of them being power tools; electric or non-electric irons; steam irons.

11 – Lighting installations; lights for vehicles; heating and steam generating installations; stoves for heating purposes using solid, liquid or gas fuels; electric stoves for heating purposes; kitchen stoves; installations for air-conditioning and ventilating; cooling installations and freezers; electric and gas-powered devices, installations and apparatus for cooking, drying and boiling; electric laundry driers; hair driers; hand drying apparatus; electric and gas-powered devices, installations and apparatus for cooking, drying and boiling; electric laundry driers; hair driers; hand drying apparatus; sanitary installations; taps (faucets); shower installations; toilets (water-closets); shower and bathing cubicles; bath tubs; sinks; wash-hand basins (parts of sanitary installations); water softening apparatus; water purification apparatus; water purification installations; waste water purification installations; electric bed warmers and electric blankets, not for medical use; electric pillow warmers; electric or non-electric footwarmers; hot water bottles; filters for aquariums and aquarium filtration apparatus; industrial type installations for cooking, drying and cooling purposes; pasteurizers and sterilizers.

20 – Mattresses; pillows; air mattresses and cushions, not for medical purposes; sleeping bags for camping; water beds, not for medical purposes; mirrors; beehives; artificial honeycombs and sections of wood for honeycombs; bouncing chairs for babies;

playpens for babies; cradles; infant walkers; display boards; frames for pictures and paintings; identification plates; identification tags; nameplates; identification labels made of wood or synthetic materials; packaging containers of wood or plastics; casks for use in transportation or storage; barrels; storage drums; tanks; boxes; storage containers; transportation containers; chests; loading pallets and closures for the aforementioned goods, of wood or plastics; ornaments and decorative goods of wood, wax, beeswax, plastic or plaster bone, ivory or plaster, included in this class; baskets, fishing baskets; kennels, nesting boxes and beds for household pets; portable ladders and mobile boarding stairs of wood or synthetic materials; bamboo curtains, roller indoor blinds, slatted indoor blinds, strip curtains; bead curtains for decoration; curtain hooks; curtain rings; curtain tie-backs; curtain rods.

21 – Hand-operated non-electric cleaning instruments; brushes, other than paintbrushes; steel chips for cleaning; sponges for cleaning; steel wool for cleaning; cloths of textile for cleaning; gloves for dishwashing; non-electric polishing machines for household purposes; brooms for carpets; mops; electric brushes, except parts of machines; toothbrushes; electric toothbrushes; dental floss; shaving brushes; hair brushes; combs; electric and non-electric appliances for removing make-up; non-electric household or kitchen utensils, included in this class; clothes-pegs; pots and pans; vases including those made of precious metals; ironing boards; ironing board covers, shaped; drying racks for washing; clothes drying hangers; cages for household pets; indoor aquariums, terrariums and vivariums for animal and plant cultivation; ornaments and decorative goods of glass, porcelain, earthenware or clay, included in this class; mouse traps; insect traps; fly catchers; fly swatters; fly whisks; plastic taps for toilet holes for use against rats and insects, not parts of sanitary installations; electric devices for attracting and killing flies and insects; perfume burners; perfume sprayers; perfume vaporizers; electric or non-electric make-up removing appliances; powder puffs; toilet cases; nozzles for sprinkler hose; nozzles for watering cans; watering devices; garden watering cans; unworked or semi-worked glass, except building glass; mosaics of glass and powdered glass for decoration, except for building; glass wool other than for insulation or textile use; coupes as rewards for sports events.

24 – Woven or non-woven textile fabrics; textile goods for household use, not included in other classes; curtains; bed covers; sheets (textile); pillowcases; blankets; quilts; towels; flags; pennants; labels of textile.

25 – Clothing, including underwear and outer clothing, other than special purpose protective clothing; socks; footwear; headgear.

27 – Carpets; rugs; mats; prayer rugs; linoleum, artificial turf, linoleum for covering floors; gymnasium mats; wallpaper, wall hangings not of textile.

35 – Business management, business administration and business consultancy; accounting; commercial consultancy services; personnel placement; employment agencies; personnel recruitment; import-export agencies; business appraisal services for commercial or industrial products; auctioneering; the bringing together, for the benefit of others, of a variety of goods, namely, forks; spoons; knives and non-electric cutters; hand-operated slicers; non-electric peelers for kitchen use, including those made of precious metals; side arms and blades (weapons); hair-removing tweezers, manicure sets; pedicure sets; nail files; shaving cases; razor blades; beard clippers; razors electric or non-electric; manicure sets electric; depilation appliances electric or non-electric; electrical hair straightener and electrical hair curlers; scissors; hand-operated hand tools for the repair of machines, apparatus and vehicles and for use in construction, agriculture, horticultural and forestry, none of them being power tools; electric or non-electric irons; steam irons; lighting installations; lights for vehicles; heating and steam generating installations; stoves for heating purposes using solid, liquid or gas fuels; electric stoves for heating purposes; kitchen stoves; installations for air-conditioning and ventilating; cooling installations and freezers; electric and gas-powered devices, installations and apparatus for cooking, drying and boiling; electric laundry driers; hair driers; hand drying apparatus; electric and gas-powered devices, installations and apparatus for cooking, drying and boiling; electric laundry driers; hair driers; hand drying apparatus; sanitary installations; taps (faucets); shower installations; toilets (water-closets); shower and bathing cubicles; bath tubs; sinks; wash-hand basins (parts of sanitary installations); water softening apparatus; water purification apparatus; water purification installations; waste water purification installations; electric bed warmers and electric blankets, not for medical use; electric pillow warmers; electric or non-electric foot-warmers; hot water bottles; filters for aquariums and aquarium filtration apparatus; industrial type installations for cooking, drying and cooling purposes; pasteurizers and sterilizers; mattresses; pillows; air mattresses and cushions, not for medical purposes; sleeping bags for camping; water beds, not for medical purposes; mirrors; beehives; artificial honeycombs and sections of wood for honeycombs; bouncing chairs for babies; playpens for babies; cradles; infant walkers; display boards; frames for pictures and paintings; identification plates; identification tags; nameplates; identification labels made of wood or synthetic materials; packaging containers of wood or plastics; casks for use in transportation or storage; barrels; storage drums; tanks; boxes; storage

containers; transportation containers; chests; loading pallets and closures for the aforementioned goods, of wood or plastics; ornaments and decorative goods of wood, wax, beeswax, plastic or plaster bone, ivory or plaster, included in this class; baskets, fishing baskets; kennels, nesting boxes and beds for household pets; portable ladders and mobile boarding stairs of wood or synthetic materials; bamboo curtains, roller indoor blinds, slatted indoor blinds, strip curtains; bead curtains for decoration; curtain hooks; curtain rings; curtain tie-backs; curtain rods; hand-operated non-electric cleaning instruments; brushes, other than paintbrushes; steel chips for cleaning; sponges for cleaning; steel wool for cleaning; cloths of textile for cleaning; gloves for dishwashing; non-electric polishing machines for household purposes; brooms for carpets; mops; electric brushes, except parts of machines; toothbrushes; electric toothbrushes; dental floss; shaving brushes; hair brushes; combs; electric and non-electric appliances for removing make-up; non-electric household or kitchen utensils, included in this class; clothes-pegs; pots and pans; vases including those made of precious metals; ironing boards; ironing board covers, shaped; drying racks for washing; clothes drying hangers; cages for household pets; indoor aquariums, terrariums and vivariums for animal and plant cultivation; ornaments and decorative fly swatter; fly whisks; plastic taps for toilet holes for use against rats and insects, not parts of sanitary installations; electric devices for attracting and killing flies and insects; perfume burners; perfume sprayers; perfume vaporizers; electric or non-electric make-up removing appliances; powder puffs; toilet cases; nozzles for sprinkler hose; nozzles for watering cans; watering devices; garden watering cans; unworked or semi-worked glass, except building glass; mosaics of glass and powdered glass for decoration, except for building; glass wool other than for insulation or textile use; coupes as rewards for sports events; woven or non-woven textile fabrics; curtains; bed covers; sheets (textile); pillowcases; blankets; quilts; towels; flags; pennants; labels of textile; clothing, including underwear and outer clothing, other than special purpose protective clothing; socks; footwear; headgear; carpets; rugs; mats; prayer rugs; linoleum, artificial turf, linoleum for covering floors; gymnasium mats; wallpaper, wall hangings not of textile, enabling customers to conveniently view and purchase those goods.

(260) AM 2015 80729 A
 (800) 1233216
 (891) 2014 10 20
 (731) Joint Stock Company "TAKF"
 ul. Oktyabrskaya, d. 22, RU-392000 Tambov,
 Russian Federation

(540)

ВЕСЕЛАЯ СЕМЕЙКА

(591) Black, white
 (511)
 30 – Confectionery; caramels [candy]; chocolate; sweetmeats [candy]; gingerbread; biscuits; waffles.

(260) AM 2015 80730 A
 (800) 1233225
 (891) 2014 07 17
 (731) SIGMA-TAU INDUSTRIE
 FARMACEUTICHE RIUNITE S.P.A
 Viale Shakespeare, 47, I-00144 ROMA, Italy
 (540)

EJEREX

(591) Black, white
 (511)
 5 – Pharmaceutical and veterinary preparations; sanitary preparations for medical purposes; dietetic food and substances adapted for medical or veterinary use, food for babies; dietary supplements for humans and animals; plasters, materials for dressings; material for stopping teeth, dental wax; disinfectants; preparations for destroying vermin; fungicides, herbicides.

(260) AM 2015 80733 A
 (800) 1233257
 (891) 2014 07 03
 (731) BORA CREATIONS S.L.
 Calle Rey Sancho, 7, Local 3, E-07180 Santa
 Ponsa, Mallorca, Spain
 (540)



(591) Purple and white
 (511)
 3 – Preparations for cleaning, care and beautification of the skin, nails and hair; hair colorants; hair dyes; hair styling products; hair lotions; hair care products; soaps; perfumery; fragrances; perfumes; eau de toilette; eau de parfum; cosmetics; cosmetic products for decorative purposes; eye make-up removers; make-up removing preparations; nail polish remover; make-up; BB cream (blemish balm); cosmetic powder; rouge; tinted facial cream; tinted body cream; cosmetic concealer; cosmetic blemish stick; highlighter for the beautification of the skin; tattoo pencils; mascara; powder; eye shadow powder; eye shadow cream; eye shadow foundation; eyebrow powder; eyebrow cream; eyebrow pencils; liquid eye liner; powder eye liner, eye liner pencils, eye liner gel; ka-

yal eye pencils; lip glosses; lip balm; lipstick; lip liner; nail polish; express drying drops for nail polish; artificial nails; nail pencil for French manicure; nail whitening pencils; nail whiteners; nail polish correction pencils; nail care pencils; nail gel; primer for preparation of gel manicure; cleanser; nail polish base coat; nail polish top coat; nail hardener; oils for treatment of nails and cuticles; stickers for beautification, care and protection of finger nails; French manicure tip guides; products for sculpting and making of false fingernails (cosmetics); nail polish with metallic or other effects; nail decoration glitter; cosmetic powders; gems and accessories for decorating nails; nail care products (included in this class); products for sculpting and making of gel nails (cosmetics); hand creams; glitter spray; body tattoos; false eyelashes.

8 – Hand-operated hand tools and instruments for the cosmetic and decorative care of finger and foot nails; nail files; nail polishing files; emery files; nail scissors; nail clippers; rosewood sticks; tongs; tweezers; applicators for false eyelashes.

9 – Covers for mobile telephones and smartphones; covers for iPads; covers for laptops.

18 – Empty cosmetic bags; vanity cases; handbags; umbrellas; leather goods and goods of imitations of leather not included in other classes.

21 – Combs; hair brushes; body brushes; nail brushes; cosmetic sponges; cosmetic brushes; applicators for cosmetics; glassware; porcelain goods not included in other classes.

25 – Kerchiefs (clothing); belts; clothing; footwear; headgear; clothing accessories included in this class; underwear; stockings; tights; gaiters (underwear).

(260) AM 2015 80734 A

(800) 1233260

(891) 2014 07 17

(731) Obschestvo s ogranichennoy
otvetstvennostyu "FORTUNA"
d. 50/1, str. 1A, Novoslobodskaya ul.,
RU-127055 Moscow, Russian Federation

(540)

PEREGRIN

(591) Black, white

(511)

5 – Solutions for contact lenses; disinfectants for contact lenses.

9 – Contact lenses; containers for contact lenses.

(260) AM 2015 80737 A

(800) 1233304

(891) 2014 10 07

(731) BROCK BEAUTY INC.
840 Oak Harbor Blvd., Slidell LA 70458, USA

(540)

CAPILSANA

(511)

5 – Hair vitamin supplement; skin vitamin supplements; medicated bath preparations; medicated cosmetics; medicated skin care preparations.

(260) AM 2015 80738 A

(800) 1233315

(891) 2014 09 30

(731) EGIS GYÓGYSZERGYÁR ZRT.
Keresztúri út 30-38, H-1106 Budapest,
Hungary

(540)

KRUFTON

(511)

5 – Pharmaceutical preparations for human use; sanitary preparations for medical purposes.

(260) AM 2015 80739 A

(800) 1233316

(891) 2014 09 30

(731) EGIS GYÓGYSZERGYÁR ZRT.
Keresztúri út 30-38, H-1106 Budapest,
Hungary

(540)

NEUTICOL

(511)

5 – Pharmaceutical preparations for human use.

(260) AM 2015 80741 A

(800) 1233317

(891) 2014 09 30

(731) EGIS GYÓGYSZERGYÁR ZRT.
Keresztúri út 30-38, H-1106 Budapest,
Hungary

(540)

TORIXOR

(511)

5 – Pharmaceutical preparations for human use.

(260) AM 2015 80744 A

(800) 1233318

(891) 2014 09 30

(731) EGIS GYÓGYSZERGYÁR ZRT.
Keresztúri út 30-38, H-1106 Budapest,
Hungary

(540)

JOMITIN

(511)

5 – Pharmaceutical preparations for human use; sanitary preparations for medical purposes.

(260) AM 2015 80745 A

(800) 1233324

(891) 2014 10 29

(731) Otkrytoe aktsionernoe obshchestvo
"Moskovskaya Birzha MMVB-RTS"
Bolshoy Kislovskiy per., 13, RU-125009
Moskva, Russian Federation

(540)

MOEX

(591) Black, white

(511)

9 – Computer software, recorded; computer programmes [programs], recorded; computer game software; computer programs [downloadable software]; data processing apparatus.

35 – Arranging subscriptions to telecommunication services for others; commercial information agencies; computerized file management; business information; business investigations; professional business consultancy; organization of exhibitions for commercial or advertising purposes; payroll preparation; economic forecasting; auctioneering; publication of publicity texts; on-line advertising on a computer network; compilation of information into computer databases; business inquiries; systemization of information into computer databases.

36 – Financial analysis; issue of tokens of value; capital investment; financial information; clearing, financial; financial consultancy; stock exchange quotations; brokerage; financial management; online banking; electronic funds transfer; surety services; securities brokerage; loans [financing]; pawnbrokerage; financial sponsorship; banking; mutual funds; financing services.

38 – Electronic bulletin board services [telecommunications services]; providing user access to global computer networks; providing access to databases; providing telecommunications connections to a global computer network; message sending; computer aided transmission of messages and images; electronic mail; communications by fiber [fibre] optic networks; communications by computer terminals.

41 – Academies [education]; organization of exhibitions for cultural or educational purposes; publication of books; arranging and conducting of colloquiums; arranging and conducting of congresses; organization of competitions [education or entertainment]; arranging and conducting of conferences; correspondence courses; publication of texts, other than publicity texts; educational examination.

42 – Computer system analysis; recovery of computer data; computer virus protection services; installation of computer software; consultancy in the design and development of computer hardware; computer software consultancy; updating of computer software; maintenance of computer software;

conversion of data or documents from physical to electronic media; data conversion of computer programs and data [not physical conversion]; computer system design; rental of computer software; hosting computer sites [web sites]; duplication of computer programs; computer software design; computer programming; surveying.

(260) AM 2015 80746 A

(800) 1233333

(891) 2014 11 11

(731) NINGBO GEMAY INDUSTRY CO., LTD
Room 603, Building 5, No.22 Henghe Road,
Beilun, Ningbo, 315000 Zhejiang, China

(540)



(591) Black, white

(511)

7 – Hand-held tools, other than hand-operated; pumps [machines]; saws [machines]; metalworking machines; foundry machines; machines and apparatus for cleaning [electric]; electromechanical machines for chemical industry, handling apparatus for loading and unloading; agricultural machines; electric hammers.

(260) AM 2015 80747 A

(800) 1233344

(891) 2014 10 22

(731) EVER Neuro Pharma GmbH
Oberburgau 3, A-4866 Unterach am Attersee,
Austria

(540)



(591) Red, white, grey

(511)

5 – Pharmaceutical and veterinary preparations; hygienic preparations adapted for medical use; dietetic substances and dietary supplements adapted for medical use.

10 – Surgical, medical, dental and veterinary apparatus and instruments, artificial limbs, eyes and teeth; orthopedic articles; suture materials.

(260) AM 2015 80748 A

(800) 1233346

(891) 2014 11 20

(731) Dechert LLP
Cira Centre 2929 Arch Street, Philadelphia,
PA 19103, USA

(540)

DECHERT

(511)

45 – Legal services, legal information and legal research services, all included in this class.

(260) AM 2015 80750 A

(800) 1233351

(891) 2014 10 27

(731) Obshchestvo s ogranichennoy otvetstvennost'yu "Koordiniroyushchy raspredelitel'ny tsentr "EFKO-Kaskad" ul. Frunze 4, RU-309850 Belgorodskaya obl., g. Alekseevka, Russian Federation

(540)



(591) Black, white

(554) Three - Dimensional

(511)

29 – Milk and milk products; edible oils.

32 – Beers; non-alcoholic beverages; fruit beverages and fruit juices; syrups and other preparations for making beverages.

35 – Advertising of the above-mentioned goods of classes 29 and 32; sales promotion for others, including wholesaling and retailing of the above-mentioned goods of classes 29 and 32.

(260) AM 2015 80751 A

(800) 1233352

(891) 2014 10 24

(731) Joint-Stock Company "VORONEZHSKAYA CONDITERSKAYA FABRIKA" ul. Koltsovskaya, d. 40, RU-394030 Voronezh, Russian Federation

(540)

ЛАСТОЧКА –**ВЕСТНИЦА ВЕСНЫ**

(591) Black, white

(511)

30 – Confectionery; sweetmeats [candy].

(260) AM 2015 80752 A

(800) 1233353

(891) 2014 10 24

(731) Joint Stock Company "YASNAYA POLYANA"

83, Odoyevskoye shosse, RU-300036 g. Tula, Russian Federation

(540)

МАКОВ ЦВЕТ

(511)

30 – Confectionery; crackers; caramels [candy]; sweetmeats [candy]; chocolate; pralines; gingerbread; biscuits; bread rolls; waffles.

(260) AM 2015 80753 A

(800) 1233354

(891) 2014 10 10

(731) Open-Type Joint Stock Company "CONFECTIONARY CONCERN BABAYEVSKY"

ul. Malaya Krasnoselskaya 7, RU-107140 Moscow, Russian Federation

(540)

ПЕТУШОК, МАСЛЯНА ГОЛОВУШКА

(591) Black, white

(511)

30 – Confectionery.

(260) AM 2015 80754 A

(800) 1233360

(891) 2014 10 20

(731) Joint-Stock Company "Sormovskaya confectionery factory" pl. Bazarnaya, 10, RU-603003 Nizhny Novgorod, Russian Federation

(540)

АПШЕТИТКИ

(591) Black, white

(511)

30 – Cocoa; pastry; confectionery made of sugar, namely candy, sweets, pralines, chocolate, pastilles [confectionery], halvah, waffles; honey.

(260) AM 2015 80755 A

(800) 364846A

(891) 2014 11 06

(731) Carlsberg Breweries A/S Ny Carlsberg Vej 100, DK-1760 Copenhagen V, Denmark

(540)

BIRELL

(511)

32 – Beer.

(260) AM 2015 80756 A
 (800) 596607
 (891) 2015 01 14
 (731) Zott SE & Co. KG
 Dr.-Steichele-Straße 4, 86690 Mertingen,
 Germany
 (540)

Jogobella

(511)
 29 – Milk, dairy products, namely fluid milk, clotted milk, buttermilk, yoghurt, fruit yoghurt, chocolate or cocoa yoghurt, mixed milk drinks, kephir, cream, soft white cheese, soft white cheese with fruits and fine herbs, sweet whey and acid whey for foodstuffs, desserts consisting essentially of milk and aromatics with gelatin and/or starch as binders, butter, cooled butter oil, cheeses and preparations made from cheese, milk and whey powders as foodstuffs; dietetic yoghurt for non-medical use.

30 – Edible ices, edible ices in powder form, puddings.

31 – Sweet whey and acid whey for animal feed, milk powder for making dairy product substitutes for animal feed.

32 – Non-alcoholic mixed drinks, beverages containing sweet whey and acid whey.

(260) AM 2015 80897 A
 (800) 468505
 (891) 2014 11 25
 (731) LABORATOIRES DES REALISATIONS
 THÉRAPEUTIQUES ELERTE,
 (société par actions simplifiée)
 181-183 rue André Karman, F-93300
 AUBERVILLIERS, France
 (540)

COQUELUSEDAL

(591) Black, white
 (511)

5 – Pharmaceutical, sanitary and veterinary products, fabrics and materials for dressings, disinfectants, dietetic and diet foodstuffs.

(260) AM 2015 80898 A
 (800) 589879
 (891) 2014 11 19
 (731) LOEWE S.A.
 Calle Goya, 4, E-28001 MADRID, Spain
 (540)

ESENCIA LOEWE

(591) Black, white
 (511)

3 – Perfumery products and cosmetics.

(260) AM 2015 80900 A
 (800) 836845
 (891) 2014 11 19
 (731) LOEWE S.A.
 Calle Goya, 4, E-28001 MADRID, Spain
 (540)

SOLO LOEWE

(591) Black, white
 (511)

3 – Perfumery, perfumes, fragrance, eau-de-toilette, eau-de-Cologne, essential oils, beauty creams, lotions, deodorants for personal use, shaving products, after-shave preparations.

(260) AM 2015 80902 A
 (800) 1217013
 (891) 2015 01 09
 (731) Įmonių grupė "ALITA"
 AB Miškininkų g. 17, LT-62200 Alytus,
 Lithuania
 (540)

ALITA RUBY

(591) Black, white
 (511)

33 – Alcoholic beverages (except beers).

(260) AM 2015 80904 A
 (800) 1226502
 (891) 2014 11 26
 (731) HAN LOON CHONG
 Flat 4, Victoria House, 121 Long Acre,
 LONDON WC2E 9PA, United Kingdom
 (540)

self-portrait

(591) Black, white
 (511)

25 – Beach clothes; clothing, footwear, headgear.

INTERNATIONAL TRADEMARKS PROTECTED IN GEORGIA

(260) AM 2015 75297 A
(800) 1185555
(151) 2013 11 06
(181) 2023 11 06
(891) 2013 11 06
(511) 07

(260) AM 2015 77091 A
(800) 1200833
(151) 2014 01 21
(181) 2024 01 21
(891) 2014 01 21
(511) 09, 16, 28, 35, 38, 41, 42, 45

(260) AM 2015 75492 A
(800) 1187011
(151) 2013 10 03
(181) 2023 10 03
(891) 2013 10 03
(511) 34

(260) AM 2015 77319 A
(800) 901864
(151) 2006 08 11
(181) 2016 08 11
(891) 2014 03 18
(511) 29

(260) AM 2015 75507 A
(800) 1187228
(151) 2013 11 14
(181) 2023 11 14
(891) 2013 11 14
(511) 33

(260) AM 2015 77337 A
(800) 1203207
(151) 2014 04 02
(181) 2024 04 02
(891) 2014 04 02
(511) 32, 33, 35

(260) AM 2015 75779 A
(800) 1190369
(151) 2013 07 09
(181) 2023 07 09
(891) 2013 07 09
(511) 07, 09, 11, 12, 16, 17

(260) AM 2015 77478 A
(800) 1204518
(151) 2014 03 14
(181) 2024 03 14
(891) 2014 03 14
(511) 07

(260) AM 2015 76134 A
(800) 830015
(151) 2004 02 27
(181) 2024 02 27
(891) 2013 11 22
(511) 12, 16, 21, 25, 35, 39, 41, 43

(260) AM 2015 77647 A
(800) 1205902
(151) 2014 04 25
(181) 2024 04 25
(891) 2014 04 25
(511) 03, 18, 25, 35

(260) AM 2015 76385 A
(800) 340871A
(151) 1967 11 07
(181) 2017 11 07
(891) 2013 12 17
(511) 05

(260) AM 2015 77650 A
(800) 1205930
(151) 2014 04 14
(181) 2024 04 14
(891) 2014 04 14
(511) 32, 33

(260) AM 2015 76806 A
(800) 1198046
(151) 2013 12 05
(181) 2023 12 05
(891) 2013 12 05
(511) 06, 40

(260) AM 2015 77652 A
(800) 1205976
(151) 2014 02 17
(181) 2024 02 17
(891) 2014 02 17
(511) 03, 08, 21, 24, 27

(260) AM 2015 77672 A
(800) 1206324
(151) 2014 04 14
(181) 2024 04 14
(891) 2014 04 14
(511) 32, 33, 35, 43

(260) AM 2015 77673 A
(800) 1206330
(151) 2014 03 18
(181) 2024 03 18
(891) 2014 03 18
(511) 19

(260) AM 2015 77674 A
(800) 1206350
(151) 2014 02 03
(181) 2024 02 03
(891) 2014 02 03
(511) 35, 36, 45

(260) AM 2015 77743 A
(800) 1206727
(151) 2013 10 28
(181) 2023 10 28
(891) 2013 10 28
(511) 27

(260) AM 2015 77854 A
(800) 1207114
(151) 2013 12 26
(181) 2023 12 26
(891) 2013 12 26
(511) 05

(260) AM 2015 77976 A
(800) 1208401
(151) 2014 05 15
(181) 2024 05 15
(891) 2014 05 15
(511) 33

(260) AM 2015 77977 A
(800) 1208420
(151) 2014 03 10
(181) 2024 03 10
(891) 2014 03 10
(511) 29

(260) AM 2015 78007 A
(800) 1162591
(151) 2013 03 15

(181) 2023 03 15
(891) 2014 04 04
(511) 19

(260) AM 2015 78019 A
(800) 1208923
(151) 2013 12 09
(181) 2023 12 09
(891) 2013 12 09
(511) 25, 35, 37, 40, 42, 43, 44, 45

(260) AM 2015 78029 A
(800) 1209012
(151) 2014 05 06
(181) 2024 05 06
(891) 2014 05 06
(511) 43

(260) AM 2015 78078 A
(800) 1209545
(151) 2014 04 02
(181) 2024 04 02
(891) 2014 04 02
(511) 16, 21

(260) AM 2015 78084 A
(800) 1209587
(151) 2013 11 27
(181) 2023 11 27
(891) 2013 11 27
(511) 30

(260) AM 2015 78091 A
(800) 1209702
(151) 2014 01 13
(181) 2024 01 13
(891) 2014 01 13
(511) 09

(260) AM 2015 78099 A
(800) 824000
(151) 2003 12 09
(181) 2023 12 09
(891) 2014 03 11
(511) 01, 02, 03, 04, 05, 06, 07, 08, 11, 16, 17, 18,
19, 20, 21, 25, 27, 35, 37, 38, 39, 40, 41

(260) AM 2015 78101 A
(800) 1062646
(151) 2010 11 27
(181) 2020 11 27
(891) 2014 04 11
(511) 30

(260) AM 2015 78104 A
(800) 1159710
(151) 2013 02 15
(181) 2023 02 15
(891) 2014 04 30
(511) 09, 36, 38

(260) AM 2015 78107 A
(800) 1196843
(151) 2013 12 20
(181) 2023 12 20
(891) 2014 04 16
(511) 07, 09

(260) AM 2015 78108 A
(800) 1198295
(151) 2013 12 20
(181) 2023 12 20
(891) 2014 04 16
(511) 07

(260) AM 2015 78135 A
(800) 1209949
(151) 2014 03 24
(181) 2024 03 24
(891) 2014 03 24
(511) 01, 03, 16, 17

(260) AM 2015 78152 A
(800) 1210182
(151) 2014 02 28
(181) 2024 02 29
(891) 2014 02 28
(511) 33

(260) AM 2015 78173 A
(800) 1210371
(151) 2014 02 28
(181) 2024 02 29
(891) 2014 02 28
(511) 20, 35

(260) AM 2015 78302 A
(800) 1210592
(151) 2014 03 28
(181) 2024 03 28
(891) 2014 03 28
(511) 38, 41, 42

(260) AM 2015 78303 A
(800) 1210593
(151) 2014 03 28

(181) 2024 03 28
(891) 2014 03 28
(511) 09, 38, 39, 42

(260) AM 2015 78306 A
(800) 1210655
(151) 2014 03 12
(181) 2024 03 12
(891) 2014 03 12
(511) 16, 35

(260) AM 2015 78307 A
(800) 1210677
(151) 2014 03 20
(181) 2024 03 20
(891) 2014 03 20
(511) 34

(260) AM 2015 78346 A
(800) 1211186
(151) 2014 05 07
(181) 2024 05 07
(891) 2014 05 07
(511) 05

(260) AM 2015 78347 A
(800) 1211187
(151) 2014 05 07
(181) 2024 05 07
(891) 2014 05 07
(511) 05

(260) AM 2015 78389 A
(800) 1211654
(151) 2014 02 19
(181) 2024 02 19
(891) 2014 02 19
(511) 05

(260) AM 2015 78398 A
(800) 1211702
(151) 2014 04 11
(181) 2024 04 11
(891) 2014 04 11
(511) 41

(260) AM 2015 78418 A
(800) 1211845
(151) 2014 05 12
(181) 2024 05 12
(891) 2014 05 12
(511) 05

(260) AM 2015 78468 A
(800) 1212721
(151) 2014 02 26
(181) 2024 02 26
(891) 2014 02 26
(511) 06, 09, 20

(260) AM 2015 78469 A
(800) 1212725
(151) 2014 02 14
(181) 2024 02 14
(891) 2014 02 14
(511) 05, 09, 10, 11, 42

(260) AM 2015 78473 A
(800) 1212773
(151) 2014 02 17
(181) 2024 02 17
(891) 2014 02 17
(511) 05

(260) AM 2015 78474 A
(800) 1212774
(151) 2014 02 17
(181) 2024 02 17
(891) 2014 02 17
(511) 05

(260) AM 2015 78496 A
(800) 1212965
(151) 2013 12 17
(181) 2023 12 17
(891) 2013 12 17
(511) 30

(260) AM 2015 78503 A
(800) 1213095
(151) 2013 12 31
(181) 2023 12 31
(891) 2013 12 31
(511) 37

(260) AM 2015 78507 A
(800) 1213130
(151) 2014 03 24
(181) 2024 03 24
(891) 2014 03 24
(511) 09, 36, 38, 41, 42

(260) AM 2015 78516 A
(800) 1213189
(151) 2014 05 07

(181) 2024 05 07
(891) 2014 05 07
(511) 30

(260) AM 2015 78518 A
(800) 1213202
(151) 2014 05 14
(181) 2024 05 14
(891) 2014 05 14
(511) 16, 21, 35

(260) AM 2015 78520 A
(800) 1213217
(151) 2014 05 27
(181) 2024 05 27
(891) 2014 05 27
(511) 05

(260) AM 2015 78521 A
(800) 1213223
(151) 2014 05 21
(181) 2024 05 21
(891) 2014 05 21
(511) 05, 30, 32, 35, 39, 40, 42

(260) AM 2015 78522 A
(800) 1213289
(151) 2014 04 17
(181) 2024 04 17
(891) 2014 04 17
(511) 06

(260) AM 2015 78529 A
(800) 1213334
(151) 2014 03 05
(181) 2024 03 05
(891) 2014 03 05
(511) 01, 04, 06, 09, 11, 17, 19, 25, 37, 39, 40, 42

(260) AM 2015 78533 A
(800) 1213426
(151) 2014 07 03
(181) 2024 07 03
(891) 2014 07 03
(511) 05

(260) AM 2015 78534 A
(800) 1213467
(151) 2014 05 08
(181) 2024 05 08
(891) 2014 05 08
(511) 03, 18, 25

(260) AM 2015 78536 A
(800) 1213482
(151) 2013 03 13
(181) 2023 03 13
(891) 2013 03 13
(511) 07

(260) AM 2015 78539 A
(800) 1213499
(151) 2014 01 17
(181) 2024 01 17
(891) 2014 01 17
(511) 29, 35

(260) AM 2015 78540 A
(800) 1213511
(151) 2014 02 26
(181) 2024 02 26
(891) 2014 02 26
(511) 24

(260) AM 2015 78545 A
(800) 1213615
(151) 2014 05 08
(181) 2024 05 08
(891) 2014 05 08
(511) 33

(260) AM 2015 78547 A
(800) 1213628
(151) 2014 05 30
(181) 2024 05 30
(891) 2014 05 30
(511) 19

(260) AM 2015 78548 A
(800) 1213637
(151) 2014 04 24
(181) 2024 04 24
(891) 2014 04 24
(511) 21, 24, 26, 35

(260) AM 2015 78549 A
(800) 1213655
(151) 2014 06 06
(181) 2024 06 06
(891) 2014 06 06
(511) 07

(260) AM 2015 78552 A
(800) 1213679
(151) 2014 05 23

(181) 2024 05 23
(891) 2014 05 23
(511) 07

(260) AM 2015 78575 A
(800) 1213938
(151) 2014 03 13
(181) 2024 03 13
(891) 2014 03 13
(511) 37

(260) AM 2015 78589 A
(800) 1100217
(151) 2011 11 07
(181) 2021 11 07
(891) 2014 05 06
(511) 05

(260) AM 2015 78595 A
(800) 1214034
(151) 2014 03 06
(181) 2024 03 06
(891) 2014 03 06
(511) 07, 09, 11

(260) AM 2015 78598 A
(800) 1214087
(151) 2013 10 10
(181) 2023 10 10
(891) 2013 10 10
(511) 07, 09, 35, 37, 38, 41, 42

(260) AM 2015 78599 A
(800) 1214104
(151) 2013 11 26
(181) 2023 11 26
(891) 2013 11 26
(511) 03, 05, 10

(260) AM 2015 78600 A
(800) 1214117
(151) 2014 03 19
(181) 2024 03 19
(891) 2014 03 19
(511) 05, 29, 30, 32

(260) AM 2015 78614 A
(800) 1214415
(151) 2014 06 11
(181) 2024 06 11
(891) 2014 06 11
(511) 09, 11, 34

(260) AM 2015 78616 A
(800) 1214419
(151) 2014 04 30
(181) 2024 04 30
(891) 2014 04 30
(511) 30

(260) AM 2015 78619 A
(800) 1214428
(151) 2014 05 15
(181) 2024 05 15
(891) 2014 05 15
(511) 35

(260) AM 2015 78620 A
(800) 1214436
(151) 2014 06 23
(181) 2024 06 23
(891) 2014 06 23
(511) 05

(260) AM 2015 78622 A
(800) 1214502
(151) 2014 03 28
(181) 2024 03 28
(891) 2014 03 28
(511) 05

(260) AM 2015 78623 A
(800) 1214521
(151) 2014 03 28
(181) 2024 03 28
(891) 2014 03 28
(511) 05

(260) AM 2015 78624 A
(800) 1214522
(151) 2014 03 28
(181) 2024 03 28
(891) 2014 03 28
(511) 05

(260) AM 2015 78625 A
(800) 1214529
(151) 2014 05 13
(181) 2024 05 13
(891) 2014 05 13
(511) 01, 02, 03

(260) AM 2015 78626 A
(800) 1214536
(151) 2014 05 28

(181) 2024 05 28
(891) 2014 05 28
(511) 17

(260) AM 2015 78627 A
(800) 1214543
(151) 2014 06 06
(181) 2024 06 06
(891) 2014 06 06
(511) 19, 24, 27

(260) AM 2015 78644 A
(800) 828710
(151) 2004 02 10
(181) 2024 02 10
(891) 2014 04 15
(511) 03, 18, 24, 25, 35

(260) AM 2015 78650 A
(800) 1011717
(151) 2009 06 10
(181) 2019 06 10
(891) 2014 04 17
(511) 05, 10

(260) AM 2015 78651 A
(800) 1031521
(151) 2010 02 04
(181) 2020 02 04
(891) 2014 06 17
(511) 03

(260) AM 2015 78652 A
(800) 1075614
(151) 2011 04 08
(181) 2021 04 08
(891) 2014 07 28
(511) 05

(260) AM 2015 78653 A
(800) 1091001
(151) 2011 07 30
(181) 2021 07 30
(891) 2014 05 12
(511) 39

(260) AM 2015 78676 A
(800) 1214940
(151) 2014 03 28
(181) 2024 03 28
(891) 2014 03 28
(511) 05

(260) AM 2015 78677 A
(800) 1214961
(151) 2014 05 19
(181) 2024 05 19
(891) 2014 05 19
(511) 05

(260) AM 2015 78686 A
(800) 1215059
(151) 2014 06 19
(181) 2024 06 19
(891) 2014 06 19
(511) 03, 07, 21

(260) AM 2015 78982 A
(800) 1217396
(151) 2014 06 23
(181) 2024 06 23
(891) 2014 06 23
(511) 33

(260) AM 2015 78983 A
(800) 1217402
(151) 2014 03 31
(181) 2024 03 31
(891) 2014 03 31
(511) 05

(260) AM 2015 78987 A
(800) 1217428
(151) 2014 03 28
(181) 2024 03 28
(891) 2014 03 28
(511) 38, 41, 42

(260) AM 2015 78988 A
(800) 1217452
(151) 2014 05 06
(181) 2024 05 06
(891) 2014 05 06
(511) 34

(260) AM 2015 78989 A
(800) 1217484
(151) 2014 05 30
(181) 2024 05 30
(891) 2014 05 30
(511) 39

(260) AM 2015 78990 A
(800) 1217495
(151) 2014 05 21

(181) 2024 05 21
(891) 2014 05 21
(511) 09

(260) AM 2015 78992 A
(800) 1217583
(151) 2014 07 21
(181) 2024 07 21
(891) 2014 07 21
(511) 34

(260) AM 2015 78993 A
(800) 1217594
(151) 2014 06 23
(181) 2024 06 23
(891) 2014 06 23
(511) 05

(260) AM 2015 78995 A
(800) 1217644
(151) 2014 03 31
(181) 2024 03 31
(891) 2014 03 31
(511) 05

(260) AM 2015 78996 A
(800) 1217645
(151) 2014 03 31
(181) 2024 03 31
(891) 2014 03 31
(511) 05

(260) AM 2015 78997 A
(800) 1217646
(151) 2014 03 31
(181) 2024 03 31
(891) 2014 03 31
(511) 05

(260) AM 2015 78998 A
(800) 1217647
(151) 2014 03 31
(181) 2024 03 31
(891) 2014 03 31
(511) 05

(260) AM 2015 78999 A
(800) 1217648
(151) 2014 03 31
(181) 2024 03 31
(891) 2014 03 31
(511) 05

(260) AM 2015 79000 A
(800) 1217649
(151) 2014 03 31
(181) 2024 03 31
(891) 2014 03 31
(511) 05

(260) AM 2015 79002 A
(800) 1217691
(151) 2014 03 24
(181) 2024 03 24
(891) 2014 03 24
(511) 32

(260) AM 2015 79084 A
(800) 1218242
(151) 2014 07 03
(181) 2024 07 03
(891) 2014 07 03
(511) 34

(260) AM 2015 79086 A
(800) 1218251
(151) 2014 07 02
(181) 2024 07 02
(891) 2014 07 02
(511) 03

(260) AM 2015 79088 A
(800) 1218265
(151) 2014 07 17
(181) 2024 07 17
(891) 2014 07 17
(511) 06, 35, 36, 37, 39, 40

(260) AM 2015 79089 A
(800) 1218292
(151) 2014 03 06
(181) 2024 03 06
(891) 2014 03 06
(511) 05

(260) AM 2015 79093 A
(800) 1218293
(151) 2014 03 31
(181) 2024 03 31
(891) 2014 03 31
(511) 05

(260) AM 2015 79094 A
(800) 1218302
(151) 2014 06 04

(181) 2024 06 04
(891) 2014 06 04
(511) 03

(260) AM 2015 79095 A
(800) 1218303
(151) 2014 06 04
(181) 2024 06 04
(891) 2014 06 04
(511) 03

(260) AM 2015 79096 A
(800) 1218310
(151) 2014 07 03
(181) 2024 07 03
(891) 2014 07 03
(511) 30

(260) AM 2015 79098 A
(800) 1218313
(151) 2014 08 07
(181) 2024 08 07
(891) 2014 08 07
(511) 19

(260) AM 2015 79099 A
(800) 1218371
(151) 2014 03 31
(181) 2024 03 31
(891) 2014 03 31
(511) 05

(260) AM 2015 79101 A
(800) 1218419
(151) 2014 06 12
(181) 2024 06 12
(891) 2014 06 12
(511) 05

(260) AM 2015 79103 A
(800) 1218432
(151) 2014 07 09
(181) 2024 07 09
(891) 2014 07 09
(511) 14, 35, 37, 40

(260) AM 2015 79106 A
(800) 1218439
(151) 2014 06 25
(181) 2024 06 25
(891) 2014 06 25
(511) 03

(260) AM 2015 79107 A
(800) 1218449
(151) 2014 07 18
(181) 2024 07 18
(891) 2014 07 18
(511) 03

(260) AM 2015 79108 A
(800) 1218490
(151) 2014 08 29
(181) 2024 08 29
(891) 2014 08 29
(511) 31

(260) AM 2015 79109 A
(800) 1218491
(151) 2014 08 26
(181) 2024 08 26
(891) 2014 08 26
(511) 05

(260) AM 2015 79111 A
(800) 1218492
(151) 2014 08 26
(181) 2024 08 26
(891) 2014 08 26
(511) 05

(260) AM 2015 79125 A
(800) 1218493
(151) 2014 08 26
(181) 2024 08 26
(891) 2014 08 26
(511) 05

(260) AM 2015 79317 A
(800) 1220327
(151) 2014 09 12
(181) 2024 09 12
(891) 2014 09 12
(511) 01, 03

(260) AM 2015 79320 A
(800) 1220347
(151) 2014 04 17
(181) 2024 04 17
(891) 2014 04 17
(511) 36

(260) AM 2015 79362 A
(800) 1220568
(151) 2014 05 22

(181) 2024 05 22
(891) 2014 05 22
(511) 33

(260) AM 2015 79363 A
(800) 1220579
(151) 2014 07 24
(181) 2024 07 24
(891) 2014 07 24
(511) 09, 16, 35, 38, 41, 42

(260) AM 2015 79365 A
(800) 1220628
(151) 2014 05 26
(181) 2024 05 26
(891) 2014 05 26
(511) 05

(260) AM 2015 79367 A
(800) 1220651
(151) 2014 07 04
(181) 2024 07 04
(891) 2014 07 04
(511) 03, 25

(260) AM 2015 79369 A
(800) 1220685
(151) 2014 03 31
(181) 2024 03 31
(891) 2014 03 31
(511) 05

(260) AM 2015 79371 A
(800) 1220712
(151) 2014 05 23
(181) 2024 05 23
(891) 2014 05 23
(511) 10

(260) AM 2015 79710 A
(800) 1223406
(151) 2014 05 14
(181) 2024 05 14
(891) 2014 05 14
(511) 35, 41, 43

(260) AM 2015 79711 A
(800) 1223476
(151) 2014 09 02
(181) 2024 09 02
(891) 2014 09 02
(511) 18, 25, 35, 40

(260) AM 2015 79713 A
(800) 1223511
(151) 2014 08 18
(181) 2024 08 18
(891) 2014 08 18
(511) 05

(260) AM 2015 79715 A
(800) 1223561
(151) 2014 03 28
(181) 2024 03 28
(891) 2014 03 28
(511) 41, 42

(260) AM 2015 79720 A
(800) 1223676
(151) 2014 07 15
(181) 2024 07 15
(891) 2014 07 15
(511) 35, 38, 41

(260) AM 2015 79757 A
(800) 1223820
(151) 2014 08 11
(181) 2024 08 11
(891) 2014 08 11
(511) 09, 11, 34

(260) AM 2015 80333 A
(800) 1072439
(151) 2011 03 21
(181) 2021 03 21
(891) 2014 11 24
(511) 39, 43

OFFICIAL NOTIFICATIONS

TRADEMARKS

RENEWAL OF REGISTRATIONS

(111) M 1995 1055 R2

(156) 2015 09 26

(186) 2025 09 26

(732) HENKEL CONSUMER GOODS INC.

7201 E. Henkel Way, Scottsdale, Arizona
85255, USA

(111) M 1995 1058 R2

(156) 2015 09 26

(186) 2025 09 26

(732) TORAY KABUSHIKI KAISHA

(TORAY INDUSTRIES Inc.)
Tokyo, Japan

(111) M 1995 1077 R2

(156) 2015 09 28

(186) 2025 09 28

(732) MITSUBISHI RAYON Co., LTD;

1-1, Marunouchi 1-chome, Chiyoda-Ku,
Tokyo 100-8253, Japan

(111) M 1995 1185 R2

(156) 2015 11 16

(186) 2025 11 16

(732) DSM IP ASSETS B.V.

Het Overloon 1, 6411 TE Heerlen,
The Netherlands, Netherlands

(111) M 1995 1194 R2

(156) 2015 11 20

(186) 2025 11 20

(732) BLOCKBUSTER L.L.C.

9601 S. Meridian Blvd., Englewood,
Colorado 80112, USA

(111) M 1995 1213 R2

(156) 2015 11 28

(186) 2025 11 28

(732) DAIMLER AG

Mercedesstrasse 137, 70327 Stuttgart,
Germany

(111) M 1995 1214 R2

(156) 2015 11 28

(186) 2025 11 28

(732) Valeo Vision

34, rue Saint-Andre, 93012 Bobigny, France

(111) M 1995 1217 R2

(156) 2015 11 29

(186) 2025 11 29

(732) DAIMLER AG

Mercedesstrasse 137, 70327 Stuttgart,
Germany

(111) M 1995 1228 R2

(156) 2015 12 01

(186) 2025 12 01

(732) L' OREAL

14 Rue Royale, 75008 Paris, France

(111) M 1995 1229 R2

(156) 2015 12 01

(186) 2025 12 01

(732) L' OREAL

14 Rue Royale, 75008 Paris, France

(111) M 1995 1296 R2

(156) 2015 12 27

(186) 2025 12 27

(732) COLGATE-PALMOLIVE COMPANY,

a Delaware corporation;
300 Park Avenue, New York, New York
10022, USA

(111) M 1996 1436 R2

(156) 2016 02 02

(186) 2026 02 02

(732) Post Foods, LLC, Delaware Limited Liability

Company
1 Upper Pond Road, Porsippany, NJ 07054, USA

(111) M 1996 1462 R2

(156) 2016 02 06

(186) 2026 02 06

(732) Post Foods, LLC, Delaware Limited Liability

Company
1 Upper Pond Road, Porsippany, NJ 07054, USA

(111) M 1996 1569 R2
(156) 2016 02 19
(186) 2026 02 19
(732) NOVO NORDISK HEALTH CARE AG
Thurgauerstrasse 36/38, CH-8050 Zürich,
Switzerland

(111) M 2005 16190 R1
(156) 2015 09 19
(186) 2025 09 19
(732) Kanin (India) Ltd;
A-46, Mohan Cooperative Industrial Estate
Ltd. Delhi-Mathura Road, New Delhi-110
044, India

(111) M 2005 16203 R1
(156) 2015 09 19
(186) 2025 09 19
(732) KONICA MINOLTA, INC.;;
2-7-2, Marunouchi, Chiyoda-ku, Tokyo,
Japan

(111) M 2005 16206 R1
(156) 2015 09 19
(186) 2025 09 19
(732) KONICA MINOLTA, INC.
2-7-2, Marunouchi, Chiyoda-ku, Tokyo,
Japan

(111) M 2005 16392 R1
(156) 2015 12 16
(186) 2025 12 16
(732) Publichne aktsionerne Tovarystvo "Mondelez
Ukraina"
vul. Naberezhna, 28A, Trostyanets, Sumaska
obl., 42600, Ukraine

(111) M 2005 16397 R1
(156) 2015 12 16
(186) 2025 12 16
(732) Astellas Pharma Inc.
3-11, Nihonbashi-Honcho, 2-Chome, Chuo-
ku, Tokyo, Japan

(111) M 1995 970 R2
(156) 2015 09 20
(186) 2025 09 20
(732) KONICA MINOLTA, INC.
2-7-2, Marunouchi, Chiyoda-ku, Tokyo,
Japan

COMPLETE TRANSFER OF RIGHTS

-
- | | |
|---|---|
| <p>(111) M 1995 001194 R2
 (732) BLOCKBUSTER L.L.C.
 9601 S. Meridian Blvd., Englewood,
 Colorado 80112, USA
 (770) BLOCKBUSTER INC.
 1201 Elm Street, Dallas, Texas 75270, USA
 (580) 2015 10 15</p> | <p>8 Canada Square, London, E14 5HQ,
 United Kingdom
 (770) HSBC HOLDINGS INC.
 8 Canada Square, London, E14 5HQ,
 United Kingdom
 (580) 2015 10 13</p> |
|---|---|
-
- | | |
|---|---|
| <p>(111) M 2003 014924 R1
 (732) CNH Industrial N.V.
 Cranes Farm Road, Basildon ESSEX SS14
 3AD, United Kingdom
 (770) CNH GLOBAL N.V.
 World Trade Center Amsterdam Airport,
 Schiphol Boulevard 217, 118 BH Schiphol
 Airport, Netherlands
 (580) 2015 10 23</p> | <p>(111) M 2010 020291 R
 (732) BPI HOLDINGS INTERNATIONAL, INC.,
 4400 Prime Parkway, McHenry, Illinois
 60050, USA
 (770) AFFINIA INTERNATIONAL INC.,
 a Delaware corporation
 1 Wix Way, Gastonia, NC 28054, USA
 (580) 2015 10 13</p> |
|---|---|
-
- | | |
|---|---|
| <p>(111) M 2003 014925 R1
 (732) CNH Industrial N.V.
 Cranes Farm Road, Basildon ESSEX SS14
 3AD, United Kingdom
 (770) CNH GLOBAL N.V.
 World Trade Center Amsterdam Airport,
 Schiphol Boulevard 217, 118 BH Schiphol
 Airport, Netherlands
 (580) 2015 10 23</p> | <p>(111) M 2010 020777 R
 (732) HSBC GROUP MANAGMENT SERVICES
 LIMITED
 8 Canada Square, London, E14 5HQ,
 United Kingdom
 (770) HSBC Holdings plc
 8 Canada Square, London, E14 5HQ,
 United Kingdom
 (580) 2015 10 13</p> |
|---|---|
-
- | | |
|---|--|
| <p>(111) M 2007 017660 R
 (732) ABB ASEA BROWN BOVERI LTD
 Affolternstrasse 44, CH-8050 Zurich,
 Switzerland
 (770) ELBI ELEKTRIK ULUSLARARASI
 TICARET VE SANAYI ANONIM SIRKETI
 Mehmet Akif Ersoy Mah. Maltepe Cad.
 No:72 Arnavutkoy, Istanbul, Turkey
 (580) 2015 10 15</p> | <p>(111) M 2011 022181 R
 (732) LTD "NIKORA TREIDI"
 M. Qavtaradzis 11, 0180, Tbilisi, Georgia
 (770) LTD "NUGESHI"
 Akaki Tseretlis gamz. 117, Tbilisi, Georgia
 (580) 2015 10 23</p> |
|---|--|
-
- | | |
|---|---|
| <p>(111) M 2007 017886 R
 (732) HSBC GROUP MANAGMENT SERVICES
 LIMITED
 8 Canada Square, London, E14 5HQ,
 United Kingdom
 (770) HSBC Holdings plc
 8 Canada Square, London, E14 5HQ,
 United Kingdom
 (580) 2015 10 13</p> | <p>(111) M 2014 024639 R
 (732) JT INTERNATIONAL SA
 Rue de la Gabelle 1, 1211 Geneva 26,
 Switzerland
 (770) PAX Labs, Inc.
 660 Alabama Street, Floor 2, San Francisco,
 California, 94110, USA
 (580) 2015 10 15</p> |
|---|---|
-
- | | |
|--|---|
| <p>(111) M 2009 019907 R
 (732) HSBC GROUP MANAGMENT SERVICES
 LIMITED</p> | <p>(111) M 2014 024640 R
 (732) JT INTERNATIONAL SA
 Rue de la Gabelle 1, 1211 Geneva 26,
 Switzerland
 (770) PAX Labs, Inc.
 660 Alabama Street, Floor 2, San Francisco,
 California, 94110, USA
 (580) 2015 10 15</p> |
|--|---|
-

(111) M 2014 024641 R
(732) JT INTERNATIONAL SA
Rue de la Gabelle 1, 1211 Geneva 26,
Switzerland
(770) PAX Labs, Inc.
660 Alabama Street, Floor 2, San Francisco,
California, 94110, USA
(580) 2015 10 15

(111) M 2014 024642 R
(732) JT INTERNATIONAL SA
Rue de la Gabelle 1, 1211 Geneva 26,
Switzerland
(770) PAX Labs, Inc.
660 Alabama Street, Floor 2, San Francisco,
California, 94110, USA
(580) 2015 10 15

(111) M 2014 025324 R
(732) FASHION TELE SETTLEMENT
CORPORATION LIMITED
3rd Floor, 207 Regent Street, London W1B
3HH, United Kingdom
(770) Fashion TV LLC.
3250 Mary Street, Suite 100, 33133 Miami,
Florida, USA
(580) 2015 10 15

(111) M 2015 025658 R
(732) SOUDAL, naomloze vennootschap,
Everdongenlaan 18, 2300 Turnhout, Belgium
(770) LTD "TEQNOLOGI GRUP"
Sof. sartichala, 1324, Gardabnis raioni,
Georgia
(580) 2015 10 28

(111) M 2015 025676 R
(732) JT INTERNATIONAL SA
Rue de la Gabelle 1, 1211 Geneva 26,
Switzerland
(770) PAX Labs, Inc.
660 Alabama Street, Floor 2, San Francisco,
California, 94110, USA
(580) 2015 10 15

(111) M 1996 003804 R1
(732) MONDELEZ SLOVAKIA HOLDING A.S.
Račianska street no. 44, 83242 Bratislava,
Slovakia
(770) KRAFT FOODS SCHWEIZ HOLDING
GMBH
Chollerstrasse 4, 6301 Zug, Switzerland
(580) 2015 10 15

(111) M 1996 003804 R1
(732) MONDELEZ SLOVAKIA
INTELLECTUAL PROPERTY S.R.O
Račianska street no. 44, 83242 Bratislava-
Nové Mesto, Slovakia
(770) MONDELEZ SLOVAKIA HOLDING A.S.
Račianska street no. 44, 83242 Bratislava,
Slovakia
(580) 2015 10 15

(111) M 1997 005287 R1
(732) MONDELEZ SLOVAKIA HOLDING A.S.
Račianska street no. 44, 83242 Bratislava,
Slovakia
(770) KRAFT FOODS SCHWEIZ HOLDING
GMBH
Chollerstrasse 4, 6301 Zug, Switzerland
(580) 2015 10 15

(111) M 1997 005287 R1
(732) MONDELEZ SLOVAKIA
INTELLECTUAL PROPERTY S.R.O
Račianska street no. 44, 83242 Bratislava-
Nové Mesto, Slovakia
(770) MONDELEZ SLOVAKIA HOLDING A.S.
Račianska street no. 44, 83242 Bratislava,
Slovakia
(580) 2015 10 15

(111) M 1997 005290 R1
(732) MONDELEZ SLOVAKIA HOLDING A.S.
Račianska street no. 44, 83242 Bratislava,
Slovakia
(770) KRAFT FOODS SCHWEIZ HOLDING
GMBH
Chollerstrasse 4, 6301 Zug, Switzerland
(580) 2015 10 15

(111) M 1997 005290 R1
(732) MONDELEZ SLOVAKIA
INTELLECTUAL PROPERTY S.R.O
Račianska street no. 44, 83242 Bratislava-
Nové Mesto, Slovakia
(770) MONDELEZ SLOVAKIA HOLDING A.S.
Račianska street no. 44, 83242 Bratislava,
Slovakia
(580) 2015 10 15

(111) M 1997 005291 R1
(732) MONDELEZ SLOVAKIA HOLDING A.S.
Račianska street no. 44, 83242 Bratislava,
Slovakia
(770) MONDELEZ SLOVAKIA HOLDING A.S.

Račianska street no. 44, 83242 Bratislava,
Slovakia
(580) 2015 10 15

(111) M 1997 005291 R1
(732) MONDELEZ SLOVAKIA
INTELLECTUAL PROPERTY S.R.O
Račianska street no. 44, 83242 Bratislava-
Nové Mesto, Slovakia
(770) MONDELEZ SLOVAKIA HOLDING A.S.
Račianska street no. 44, 83242 Bratislava,
Slovakia
(580) 2015 10 15

(111) M 1997 007585 R1
(732) SOLENIS TECHNOLOGIES CAYMAN,
L.P.
Rheinweg 11, 8200 Schaffhausen,
Switzerland
(770) ASCHLAND LICENSING AND
INTELLECTUAL PROPERTY LLC
5200 Blazer Parkway, Dublin, Ohio 43017,
USA
(580) 2015 10 13

(111) M 1998 009226 R1
(732) WD-40 Manufacturing Company
1061 Cudahy Place, San Diego, California
92110, USA
(770) WD-40 COMPANY
1061 Cudahy Place, San Diego, California
92110, USA
(580) 2015 10 13

(111) M 1998 009304 R1
(732) BLOCKBUSTER L.L.C.
9601 S. Meridian Blvd., Englewood,
Colorado
80112, USA
(770) BLOCKBUSTER INC.
1201 Elm Street, Dallas, Texas 75270, USA
(580) 2015 10 15

(111) M 1998 009871 R1
(732) SOLENIS TECHNOLOGIES CAYMAN,
L.P.
Rheinweg 11, 8200 Schaffhausen,
Switzerland
(770) HERCULES INCORPORATED
Hercules Plaza, Wilmington, DE 19894,
USA
(580) 2015 10 13

(111) M 1998 009885 R1
(732) HSBC GROUP MANAGMENT SERVICES
LIMITED
8 Canada Square, London, E14 5HQ, United
Kingdom
(770) HSBC Holdings Inc.
8 Canada Square, London, E14 5HQ, United
Kingdom
(580) 2015 10 13

(111) M 1998 009886 R1
(732) HSBC GROUP MANAGMENT SERVICES
LIMITED
8 Canada Square, London, E14 5HQ, United
Kingdom
(770) HSBC Holdings Inc.,
8 Canada Square, London, E14 5HQ, Un
Kingdom
(580) 2015 10 13

CHANGES IN NAMES AND/OR ADDRESSES OF OWNERS

- (111) M 1995 001012 R1
(732) NOVUS INTERNATIONAL, INC
20 Research Park Drive, St. Charles, MO
63304, USA
(770) NOVUS INTERNATIONAL, INC.
530 Maryville Centre Drive, St. Louis, MO
63141, USA
(580) 2015 10 09
-
- (111) M 1995 001077 R2
(732) MITSUBISHI RAYON Co., LTD
1-1, Marunouchi 1-chome, Chiyoda-Ku,
Tokyo 100-8253, Japan
(770) MITSUBISHI RAYON Co., LTD
6-41, Konan 1-chome, Minato-Ku, Tokyo,
Japan
(580) 2015 10 09
-
- (111) M 1999 012341 R1
(732) SABIC Global Technologies B.V.
Plasticslaan 1, 4612 PX Bergen op Zoom,
Netherlands
(770) SABIC Innovative Plastics IP B.V.
Plasticslaan 1, 4612 PX Bergen op Zoom,
Netherlands
(580) 2015 10 09
-
- (111) M 2005 016380 R1
(732) PENETRON INTERNATIONAL LTD
45 Research Way - Suite, 203 East Setauket,
New York 11733, USA
(770) ICS PENETRON INTERNATIONAL LTD,
45 Research Way - Suite, 203 East Setauket,
New York 11733, USA
(580) 2015 10 07
-
- (111) M 2007 017660 R
(732) ELBI ELEKTRIK ULUSLARARASI
TICARET VE SANAYI ANONIM SIRKETI
Mehmet Akif Ersoy Mah. Maltepe Cad.
No:72 Arnavutkoy, Istanbul, Turkey
(770) ELBI ELEKTRIK ULUSLARARASI
TICARET VE SANAYI ANONIM SIRKETI
Tasoluk-Mehmet Akif Ersoy Mah. Maltepe
Cad. # 15 Arnavutkoy-Gaziosmanpasa,
Istanbul, Turkey (580) 2015 10 15
-
- (111) M 2009 019189 R
(732) LTD " GLOBALPHARM"
Almasianis 13a/ berbutis q.8, 0171, Tbilisi,
Georgia
- (770) LTD "GLOBALPHARM"
Tamar Mefis gamz. 7/13, 0112, Tbilisi,
Georgia
(580) 2015 10 22
-
- (111) M 2010 020291 R
(732) AFFINIA INTERNATIONAL INC.
a Delaware corporation
1 Wix Way, Gastonia, NC 28054, USA
(770) AFFINIA INTERNATIONAL INC.
a Delaware corporation
1101 Technology Drive, Ann Arbor,
Michigan 48108, USA
(580) 2015 10 13
-
- (111) M 2010 020792 R
(732) LTD " GLOBALPHARM"
Almasianis 13a/ berbutis q.8, 0171, Tbilisi,
Georgia
(770) LTD " GLOBALPHARM"
Tamar Mefis gamz. 7/13, 0112, Tbilisi,
Georgia
(580) 2015 10 22
-
- (111) M 1996 002421 R1
(732) SABIC Global Technologies B.V.
Plasticslaan 1, 4612 PX Bergen op Zoom,
Netherlands
(770) SABIC Innovative Plastics IP B.V.
Plasticslaan 1, 4612 PX Bergen op Zoom,
Netherlands
(580) 2015 10 09
-
- (111) M 2014 024639 R
(732) PAX Labs, Inc.
660 Alabama Street, Floor 2, San Francisco,
California, 94110, USA
(770) PLOOM, INC
660 Alabama Street, Floor 2, San Francisco,
California, 94110, USA
(580) 2015 10 13
-
- (111) M 2014 024640 R
(732) PAX Labs, Inc.
660 Alabama Street, Floor 2, San Francisco,
California, 94110, USA
(770) PLOOM, INC
660 Alabama Street, Floor 2, San Francisco,
California, 94110, USA
(580) 2015 10 15
-

(111) M 2014 024641 R
(732) PAX Labs, Inc.
660 Alabama Street, Floor 2, San Francisco,
California, 94110, USA
(770) PLOOM, INC
660 Alabama Street, Floor 2, San Francisco,
California, 94110, USA
(580) 2015 10 15

(111) M 2014 024642 R
(732) PAX Labs, Inc.
660 Alabama Street, Floor 2, San Francisco,
California, 94110, USA
(770) PLOOM, INC
660 Alabama Street, Floor 2, San Francisco,
California, 94110, USA
(580) 2015 10 15

(111) M 2015 025676 R
(732) PLOOM, INC
660 Alabama Street, Floor 2, San Francisco,
California, 94110, USA
(770) PLOOM, INC
2415 3rd Street #271, San-Francisco,
Kalifornia 94107, USA
(580) 2015 02 17

(111) M 1996 003119 R1
(732) SABIC Global Technologies B.V.
Plasticslaan 1, 4612 PX Bergen op Zoom,
Netherlands
(770) SABIC Innovative Plastics IP B.V.
Plasticslaan 1, 4612 PX Bergen op Zoom,
Netherlands
(580) 2015 10 09

(111) M 1996 003120 R1
(732) SABIC Global Technologies B.V.
Plasticslaan 1, 4612 PX Bergen op Zoom,
Netherlands
(770) SABIC Innovative Plastics IP B.V.
Plasticslaan 1, 4612 PX Bergen op Zoom,
Netherlands
(580) 2015 10 09

(111) M 1996 003123 R1
(732) SABIC Global Technologies B.V.
Plasticslaan 1, 4612 PX Bergen op Zoom,
Netherlands
(770) SABIC Innovative Plastics IP B.V.
Plasticslaan 1, 4612 PX Bergen op Zoom,
Netherlands
(580) 2015 10 09

(111) M 1996 003924 R1
(732) NOVUS INTERNATIONAL, INC
20 Research Park Drive, St. Charles,
MO 63304, USA
(770) NOVUS INTERNATIONAL INC.
530 Maryville Centre Drive, St. Louis,
Missouri 63141, USA
(580) 2015 10 09

(111) M 1995 000452 R2
(732) LACOSTE
23-25 rue de Provence 75009 Paris, France
(770) LACOSTE
8, rue de Castiglione, 75001 PARIS, France
(580) 2015 10 07

(111) M 1995 000454 R2
(732) LACOSTE
23-25 rue de Provence 75009 Paris, France
(770) LACOSTE
8, rue de Castiglione, 75001 PARIS, France
(580) 2015 10 07

(111) M 1997 004826 R1
(732) SABIC Global Technologies B.V.
Plasticslaan 1, 4612 PX Bergen op Zoom,
Netherlands
(770) SABIC Innovative Plastics IP B.V.
Plasticslaan 1, 4612 PX Bergen op Zoom,
Netherlands
(580) 2015 10 09

(111) M 1997 005909 R1
(732) REVLON CONSUMER PRODUCTS
CORPORATION
One New York Plaza, New York, New York
10004, USA
(770) REVLON CONSUMER PRODUCTS
CORPORATION
237 Park Avenue, New York, New York
10017, USA
(580) 2015 10 02

(111) M 1997 006838 R1
(732) SABIC Global Technologies B.V.
Plasticslaan 1, 4612 PX Bergen op Zoom,
Netherlands
(770) SABIC Innovative Plastics IP B.V.
Plasticslaan 1, 4612 PX Bergen op Zoom,
Netherlands
(580) 2015 10 09

(111) M 1997 006839 R1
(732) SABIC Global Technologies B.V.
Plasticslaan 1, 4612 PX Bergen op Zoom,
Netherlands
(770) SABIC Innovative Plastics IP B.V.
Plasticslaan 1, 4612 PX Bergen op Zoom,
Netherlands
(580) 2015 10 09

(111) M 1997 006843 R1
(732) SABIC Global Technologies B.V.
Plasticslaan 1, 4612 PX Bergen op Zoom,
Netherlands
(770) SABIC Innovative Plastics IP B.V.
Plasticslaan 1, 4612 PX Bergen op Zoom,
Netherlands
(580) 2015 10 09

(111) M 1997 006844 R1
(732) SABIC Global Technologies B.V.
Plasticslaan 1, 4612 PX Bergen op Zoom,
Netherlands
(770) SABIC Innovative Plastics IP B.V.
Plasticslaan 1, 4612 PX Bergen op Zoom,
Netherlands
(580) 2015 10 09

(111) M 1997 006845 R1
(732) SABIC Global Technologies B.V.
Plasticslaan 1, 4612 PX Bergen op Zoom,
Netherlands
(770) SABIC Innovative Plastics IP B.V.
Plasticslaan 1, 4612 PX Bergen op Zoom,
Netherlands
(580) 2015 10 09

(111) M 1997 007201 R1
(732) SPX FLOW TECHNOLOGY LONDON
LIMITED
Portland House, Bressenden Place, London
SW1E 5BF, United Kingdom
(770) APV systems limited
Portland House, Bressenden Place, London
SW1E 5BF, United Kingdom
(580) 2015 10 15

(111) M 1998 008468 R1
(732) FISCHERWERKE GMBH & CO. KG
Klaus-Fischer-Str. 1, 72178 Waldachtal,
Germany
(770) FISCHERWERKE GMBH & CO. KG
Weinhalde 14-18, D-72178 Waldachtal,
Germany
(580) 2015 10 09

(111) M 1998 008469 R1
(732) OSHKOSH B'GOSH, INC.
1170 Peachtree Street, Atlanta, Georgia
30309, USA
(770) OSHKOSH B'GOSH, INC.
112, Otter Avenue, Oshkosh, Wisconsin, USA
(580) 2015 10 09

(111) M 1998 008469 R1
(732) OSHKOSH B'GOSH, INC.
3438 Peachtree Road NE, Suite 1800,
Atlanta, Georgia 30326, USA
(770) OSHKOSH B'GOSH, INC.
1170 Peachtree Street, Atlanta, Georgia
30309, USA
(580) 2015 10 09

(111) M 1998 008937 R1
(732) INTELSAT, LTD.
Wellesley House North, 2nd Floor, 90 Pitts
Bay Road, Pembroke HM 08, Bermuda
(770) INTELSAT, LTD
14 Dundonald Street West, Hamilton BM 09,
Bermuda
(580) 2015 10 09

(111) M 1998 008937 R1
(732) INTELSAT, LTD
23, avenue Monterey, L-2086 ,
Luxembourg
(770) INTELSAT, LTD
Wellesley House North, 2nd Floor, 90 Pitts
Bay Road, Pembroke HM 08, Bermuda
(580) 2015 10 09

(111) M 1998 008937 R1
(732) INTELSAT S.A.
23, avenue Monteeey, L-2086,
Luxembourg
(770) INTELSAT, LTD
23, avenue Monterey, L-2086,
Luxembourg
(580) 2015 10 09

(111) M 1998 008937 R1
(732) INTELSAT S.A.
4, rue Albert Borshette, L-1246,
Luxembourg
(770) INTELSAT S.A.
23, avenue Monterey, L-2086,
Luxembourg
(580) 2015 10 09

(111) M 1998 008937 R1
(732) Intelsat Investments S.A.
4, rue Albert Borshette, L-1246,
Luxembourg
(770) Intelsat S.A.
4, rue Albert Borshette, L-1246,
Luxembourg
(580) 2015 10 09

(111) M 1998 008938 R1
(732) INTELSAT, LTD
Wellesley House North, 2nd Floor, 90 Pitts
Bay Road, Pembroke HM 08, Bermuda
(770) INTELSAT, LTD
14 Dundonald Street West, Hamilton BM 09,
Bermuda
(580) 2015 10 09

(111) M 1998 008938 R1
(732) INTELSAT, LTD
23, avenue Monterey, L-2086,
Luxembourg
(770) INTELSAT, LTD
Wellesley House North, 2nd Floor, 90 Pitts
Bay Road, Pembroke HM 08, Bermuda
(580) 2015 10 09

(111) M 1998 008938 R1
(732) INTELSAT S.A.
23, avenue Monterey, L-2086,
Luxembourg
(770) INTELSAT, LTD.
23, avenue Monterey, L-2086,
Luxembourg
(580) 2015 10 09

(111) M 1998 008938 R1
(732) Intelsat S.A.
4, rue Albert Borshette, L-1246,
Luxembourg
(770) Intelsat S.A.
23, avenue Monterey, L-2086,
Luxembourg
(580) 2015 10 09

(111) M 1998 008938 R1
(732) Intelsat Investments S.A.
4, rue Albert Borshette, L-1246,
Luxembourg
(770) Intelsat S.A.
4, rue Albert Borshette, L-1246,
Luxembourg
(580) 2015 10 09

INVALIDATION OF TRADEMARKS REGISTRATION

(111) M 2004 15769 R
(141) 2015 06 10, Not payment for prolongation
of registration on the following of 10 years
(732) INTERSUN HOLDING FZE corporation
P.O. box: 61051 Jebel Ali Free Zone,
Dubai, AE

(111) M 2004 15810 R
(141) 2015 06 16, Not payment for prolongation
of registration on the following of 10 years
(732) JOHNSON SUISE HOLDING AG
c/o ARNOLD LEGAL AG, Gotthardstrasse
3, 6300 Zug, CH

(111) M 2004 15812 R
(141) 2015 06 16, Not payment for prolongation
of registration on the following of 10 years
(732) PHILIP MORRIS BRANDS SARL
Quai Jeanrenaud 3, 2000 Neuchâtel, CH

(111) M 2005 15818 R
(141) 2015 07 07, Not payment for prolongation
of registration on the following of 10 years
(732) MARS, INCORPORATED (a Delaware
corporation)
6885 Elm Street, McLean, Virginia
22101-3883, USA

(111) M 2005 15826 R
(141) 2015 07 07, Not payment for prolongation
of registration on the following of 10 years
(732) Wyeth LLC
Five Giralda Farms, Madison, New Jersey,
07940, USA

(111) M 2005 15827 R
(141) 2015 07 07, Not payment for prolongation
of registration on the following of 10 years
(732) LTD "VAZI -1"
Sop. Tserovani, 3318, Mtskhethis raioni
Georgia

(111) M 2005 15828 R
(141) 2015 07 07, Not payment for prolongation
of registration on the following of 10 years
(732) WYETH
Five Giralda Farms, Madison, New Jersey
07940, USA

(111) M 2005 15829 R
(141) 2015 07 07, Not payment for prolongation
of registration on the following of 10 years
(732) MARS, INCORPORATED
(a Delaware corporation)
6885 Elm Street, McLean, Virginia
22101-3883, USA

(111) M 2005 15831 R
(141) 2015 07 14, Not payment for prolongation
of registration on the following of 10 years
(732) JSC "J P C"
Sanapiros q. 6, dzveli Tbilisis raioni
0108, Tbilisi, Georgia

(111) M 2005 15832 R
(141) 2015 07 14, Not payment for prolongation
of registration on the following of 10 years
(732) Office 1 Superstores International Inc.,
Delaware Corporation
125 Apaquogue Rd., PO Box: 5093, East
Hampton, NY 11937, USA

(111) M 2005 15835 R
(141) 2015 07 28, Not payment for prolongation
of registration on the following of 10 years
(732) G.D. Searle LLC
235 East 42 nd Street, New York, New York
10017, USA

(111) M 2005 15839 R
(141) 2015 07 28, Not payment for prolongation
of registration on the following of 10 years
(732) MERCK SHARP & DOHME CORP.
One Merck Drive, Whitehouse Station, New
Jersey 08889, USA

(111) M 2005 15842 R
(141) 2015 07 28, Not payment for prolongation
of registration on the following of 10 years
(732) JSC "KLAUSS"
Shio Mgvimelis q. 15, 0179, Tbilisi, Georgia

(111) M 2005 15844 R
(141) 2015 08 11, Not payment for prolongation
of registration on the following of 10 years
(732) LTD "A-B-C PHARMACEUTICALS"
Lisis tba 1, 0171, Tbilisi, Georgia

(111) M 2005 15845 R
(141) 2015 08 11, Not payment for prolongation
of registration on the following of 10 years
(732) LTD "A-B-C PHARMACEUTICALS"
Lisis tba 1, 0171, Tbilisi, Georgia

(111) M 2005 15850 R
(141) 2015 08 11, Not payment for prolongation
of registration on the following of 10 years
(732) PHILIP MORRIS UKRAINE
a Ukraine Joint-Stock Company
Netechenska Street25-a, KHARKIV-125,
61125, UA

(111) M 2005 15851 R
(141) 2015 08 11, Not payment for prolongation
of registration on the following of 10 years
(732) NTT DoCoMo, Inc.
11-1, Nagata-cho 2-Chome, Chiyoda-ku,
Tokyo 100-6150, JP

(111) M 2005 15852 R
(141) 2015 08 11, Not payment for prolongation
of registration on the following of 10 years
(732) NTT DoCoMo, Inc.
11-1, Nagata-cho 2-Chome, Chiyoda-ku,
Tokyo 100-6150, JP

(111) M 2005 15857 R
(141) 2015 09 01, Not payment for prolongation
of registration on the following of 10 years
(732) LTD "ML"
Toris q. 41, Borjomi, Georgia

(111) M 2007 17397 R
(141) 2015 08 26, Court decision
(732) SHALVA KURDADZE
leningradis q. 11, 5700, Khashuri, Georgia

(111) M 2013 23513 R
(141) 2015 09 29, Court decision
(732) LTD "PRIMA-VITA"
Saq. Samkhedro gzisa da Akhmetelis quchis
gadakveta, 0159, Tbilisi, Georgia

CLASSIFICATION INDEXES

INVENTIONS

CONCORDANCE TABLE OF INTERNATIONAL CLASSIFICATION INDEX AND PUBLICATION NUMBERS

INTERNATIONAL CLASSIFICATION INDEXES (51)	NUMBER OF PUBLISHED APPLICATION (10)
A 61 K 36/064; A 61 K 38/44; A 61 P 3/04	AP 2015 13368 A
C 07 D 207/263; A 61 K 31/4015; A 61 P 25/00; A 61 P 25/28	AP 2015 12733 A
C 07 D 487/04; A 61 K 31/53; A 61 P 25/18	AP 2015 13200 A
C 07 D 487/04; A 61 K 31/4188; A 61 P 35/00	AP 2015 13535 A
C 07 K 7/08; C 07 K 14/47	AP 2015 12738 A
C 12 G 3/06	AP 2015 13436 A
C 22 C 1/05, 14/00, 29/14, 38/14; B 22 F 3/02	AP 2015 12974 A

CONCORDANCE TABLE OF PUBLICATION NUMBERS AND INTERNATIONAL CLASSIFICATION INDEX

NUMBER OF PUBLISHED APPLICATION (10)	INTERNATIONAL CLASSIFICATION INDEXES (51)
AP 2015 12733 A	C 07 D 207/263; A 61 K 31/4015; A 61 P 25/00; A 61 P 25/28
AP 2015 12738 A	C 07 K 7/08; C 07 K 14/47
AP 2015 12974 A	C 22 C 1/05, 14/00, 29/14, 38/14; B 22 F 3/02
AP 2015 13200 A	C 07 D 487/04; A 61 K 31/53; A 61 P 25/18
AP 2015 13368 A	A 61 K 36/064; A 61 K 38/44; A 61 P 3/04
AP 2015 13436 A	C 12 G 3/06
AP 2015 13535 A	C 07 D 487/04; A 61 K 31/4188; A 61 P 35/00

CONCORDANCE TABLE OF INTERNATIONAL CLASSIFICATION INDEX, PATENT NUMBERS AND PUBLICATION NUMBERS

INTERNATIONAL CLASSIFICATION INDEX (51)	NUMBER OF PATENT (11)	NUMBER OF PUBLISHED APPLICATION (10)
A 01 N 25/02; A 01 N 25/30; A 01 N 37/48; A 01 N 41/06; A 01 N 43/18; A 01 N 43/50; A 01 N 43/80; A 01 N 43/88; A 01 P 13/00	P 2015 6396 B	AP 2015 13308 A
A 43 B 7/08; A 43 B 7/12	P 2015 6393 B	AP 2015 12443 A
A 43 B 7/08; A 43 B 7/12; A 43 B 9/12; A 43 D 8/34; B 29 D 35/06	P 2015 6394 B	AP 2015 12444 A
A 47 B 47/04; A 47 B 96/20; F 16 B 12/26; B 32 B 21/00	P 2015 6391 B	AP 2015 12297 A
C 07 C 273/04	P 2015 6401 B	AP 2015 13419 A
C 07 D 209/52; A 61 K 31/403; A 61 P 25/00; C 07 C 235/42	P 2015 6395 B	AP 2015 12735 A
C 07 D 2776/56; A 61 K 38/55; C 07 K 5/08	P 2015 6392 B	AP 2015 12421 A
C 07 D 303/36; C 07 D 413/10; C 07 D 413/14	P 2015 6397 B	AP 2015 13310 A
C 07 D 401/06; C 07 D 401/12; C 07 D 401/14; C 07 D 403/06; C 07 D 403/12; C 07 D 403/14; A 01 N 43/56; A 01 N 43/54	P 2015 6399 B	AP 2015 13365 A
C 07 D 471/04; C 07 D 487/04; A 61 K 31/437; A 61 K 31/55; A 61 P 11/00	P 2015 6398 B	AP 2015 13360 A
C 12 P 21/08	P 2015 6390 B	AP 2015 11904 A
E 02 F 3/85	P 2015 6400 B	AP 2015 13370 A

**CONCORDANCE TABLE OF PATENT NUMBERS,
PUBLICATION NUMBERS AND INTERNATIONAL CLASSIFICATION INDEX**

NUMBER OF PATENT (11)	NUMBER OF PUBLISHED APPLICATION (10)	INTERNATIONAL CLASSIFICATION INDEX (51)
P 2015 6390 B	AP 2015 11904 A	C 12 P 21/08
P 2015 6391 B	AP 2015 12297 A	A 47 B 47/04; A 47 B 96/20; F 16 B 12/26; B 32 B 21/00
P 2015 6392 B	AP 2015 12421 A	C 07 D 2776/56; A 61 K 38/55; C 07 K 5/08
P 2015 6393 B	AP 2015 12443 A	A 43 B 7/08; A 43 B 7/12
P 2015 6394 B	AP 2015 12444 A	A 43 B 7/08; A 43 B 7/12; A 43 B 9/12; A 43 D 8/34; B 29 D 35/06
P 2015 6395 B	AP 2015 12735 A	C 07 D 209/52; A 61 K 31/403; A 61 P 25/00; C 07 C 235/42
P 2015 6396 B	AP 2015 13308 A	A 01 N 25/02; A 01 N 25/30; A 01 N 37/48; A 01 N 41/06; A 01 N 43/18; A 01 N 43/50; A 01 N 43/80; A 01 N 43/88; A 01 P 13/00
P 2015 6397 B	AP 2015 13310 A	C 07 D 303/36; C 07 D 413/10; C 07 D 413/14
P 2015 6398 B	AP 2015 13360 A	C 07 D 471/04; C 07 D 487/04; A 61 K 31/437; A 61 K 31/55; A 61 P 11/00
P 2015 6399 B	AP 2015 13365 A	C 07 D 401/06; C 07 D 401/12; C 07 D 401/14; C 07 D 403/06; C 07 D 403/12; C 07 D 403/14; A 01 N 43/56; A 01 N 43/54
P 2015 6400 B	AP 2015 13370 A	E 02 F 3/85
P 2015 6401 B	AP 2015 13419 A	C 07 C 273/04

**CONCORDANCE TABLE OF APPLICATION NUMBERS, PUBLICATION NUMBERS
AND PATENTS**

NUMBER OF APPLICATION (21)	NUMBER OF PUBLISHED APPLICATION (10)	NUMBER OF PATENT (11)
AP 2008 011904	AP 2015 11904 A	P 2015 6390 B
AP 2009 012297	AP 2015 12297 A	P 2015 6391 B
AP 2010 012421	AP 2015 12421 A	P 2015 6392 B
AP 2010 012443	AP 2015 12443 A	P 2015 6393 B
AP 2010 012444	AP 2015 12444 A	P 2015 6394 B
AP 2012 012735	AP 2015 12735 A	P 2015 6395 B
AP 2012 013308	AP 2015 13308 A	P 2015 6396 B
AP 2012 013310	AP 2015 13310 A	P 2015 6397 B
AP 2012 013360	AP 2015 13360 A	P 2015 6398 B
AP 2012 013365	AP 2015 13365 A	P 2015 6399 B
AP 2014 013370	AP 2015 13370 A	P 2015 6400 B
AP 2012 013419	AP 2015 13419 A	P 2015 6401 B
AP 2012 013419	AP 2015 13419 A	P 2015 6401 B

UTILITY MODELS

CONCORDANCE TABLE OF INTERNATIONAL CLASSIFICATION INDEX AND PUBLICATION NUMBERS

INTERNATIONAL CLASSIFICATION INDEXES (51)	NUMBER OF PUBLISHED APPLICATION (10)
A 23 K 1/22	AU 2015 13620 U
A 61 M 5/14	AU 2015 13782 U

CONCORDANCE TABLE OF PUBLICATION NUMBERS AND INTERNATIONAL CLASSIFICATION INDEX

NUMBER OF PUBLISHED APPLICATION (10)	INTERNATIONAL CLASSIFICATION INDEXES (51)
AU 2015 13620 U	A 23 K 1/22
AU 2015 13782 U	A 61 M 5/14

CONCORDANCE TABLE OF INTERNATIONAL CLASSIFICATION INDEX, PATENT NUMBERS AND PUBLICATION NUMBERS

INTERNATIONAL CLASSIFICATION INDEX (51)	NUMBER OF PATENT (11)	NUMBER OF PUBLISHED APPLICATION (10)
A 01 G 13/02	U 2015 1878 Y	AU 2015 13669 U
A 01 K 47/00	U 2015 1877 Y	AU 2015 13574 U
A 21 D 2/00	U 2015 1876 Y	AU 2015 13486 U

CONCORDANCE TABLE OF PATENT NUMBERS, PUBLICATION NUMBERS AND INTERNATIONAL CLASSIFICATION INDEX

NUMBER OF PATENT (11)	NUMBER OF PUBLISHED APPLICATION (10)	INTERNATIONAL CLASSIFICATION INDEX (51)
U 2015 1876 Y	AU 2015 13486 U	A 21 D 2/00
U 2015 1877 Y	AU 2015 13574 U	A 01 K 47/00
U 2015 1878 Y	AU 2015 13669 U	A 01 G 13/02

CONCORDANCE TABLE OF APPLICATION NUMBERS, PUBLICATION NUMBERS AND PATENTS

NUMBER OF APPLICATION (21)	NUMBER OF PUBLISHED APPLICATION (10)	NUMBER OF PATENT (11)
AU 2014 013486	AU 2015 13486 U	U 2015 1876 Y
AU 2014 013574	AU 2015 13574 U	U 2015 1877 Y
AU 2014 013669	AU 2015 13669 U	U 2015 1878 Y

DESIGNS**CONCORDANCE TABLE OF INTERNATIONAL CLASSIFICATION INDEX,
PATENT NUMBERS AND PUBLICATION NUMBERS**

INTERNATIONAL CLASSIFICATION INDEX (51)	NUMBER OF PATENT (11)	NUMBER OF PUBLISHED APPLICATION (10)
06-13	D 2015 650 S	AD 2015 845 S
19-08	D 2015 651 S	AD 2015 802 S

**CONCORDANCE TABLE OF PATENT NUMBERS,
PUBLICATION NUMBERS AND INTERNATIONAL CLASSIFICATION INDEX**

NUMBER OF PATENT (11)	NUMBER OF PUBLISHED APPLICATION (10)	INTERNATIONAL CLASSIFICATION INDEX (51)
D 2015 650 S	AD 2015 845 S	06-13
D 2015 651 S	AD 2015 802 S	19-08

**CONCORDANCE TABLE OF APPLICATION NUMBERS,
PUBLICATION NUMBERS AND PATENTS**

NUMBER OF APPLICATION (21)	NUMBER OF PUBLISHED APPLICATION (10)	NUMBER OF PATENT (11)
AD 2014 000802	AD 2015 802 S	D 2015 651 S
AD 2015 000845	AD 2015 845 S	D 2015 650 S

TRADEMARKS

CONCORDANCE TABLE OF REGISTRATION NUMBERS, APPLICATION NUMBERS, PUBLICATION NUMBERS AND BULLETIN NUMBERS

NUMBER OF REGISTRATION (111)	NUMBER OF APPLICATIONS (210)	NUMBER OF PUBLISHED APPLICATIONS (260)	NUMBER OF BULLETIN
M 2015 26377 R	AM 84086	-	21(433)2015
M 2015 26378 R	AM 84086	-	21(433)2015
M 2015 26379 R	AM 84086	-	21(433)2015
M 2015 26380 R	AM 84086	-	21(433)2015
M 2015 26381 R	AM 77564	AM 2015 77564 A	9(421) 2015
M 2015 26382 R	AM 77586	AM 2015 77586 A	8(420) 2015
M 2015 26383 R	AM 77618	AM 2015 77618 A	3(415) 2015
M 2015 26384 R	AM 77620	AM 2015 77620 A	5(417) 2015
M 2015 26385 R	AM 77621	AM 2015 77621 A	5(417) 2015
M 2015 26386 R	AM 77623	AM 2015 77623 A	5(417) 2015
M 2015 26387 R	AM 77624	AM 2015 77624 A	6(418) 2015
M 2015 26388 R	AM 77654	AM 2015 77654 A	5(417) 2015
M 2015 26389 R	AM 77677	AM 2015 77677 A	10(422) 2015
M 2015 26390 R	AM 77691	AM 2015 77691 A	12(424) 2015
M 2015 26391 R	AM 77726	AM 2015 77726 A	8(420) 2015
M 2015 26392 R	AM 77728	AM 2015 77728 A	8(420) 2015
M 2015 26393 R	AM 77809	AM 2015 77809 A	11(423) 2015
M 2015 26394 R	AM 77810	AM 2015 77810 A	11(423) 2015
M 2015 26395 R	AM 77811	AM 2015 77811 A	11(423) 2015
M 2015 26396 R	AM 77812	AM 2015 77812 A	11(423) 2015
M 2015 26397 R	AM 77842	AM 2015 77842 A	9(421) 2015
M 2015 26398 R	AM 77843	AM 2015 77843 A	9(421) 2015
M 2015 26399 R	AM 77844	AM 2015 77844 A	9(421) 2015
M 2015 26400 R	AM 77845	AM 2015 77845 A	9(421) 2015
M 2015 26401 R	AM 77846	AM 2015 77846 A	9(421) 2015
M 2015 26402 R	AM 77848	AM 2015 77848 A	8(420) 2015
M 2015 26403 R	AM 77849	AM 2015 77849 A	5(417) 2015
M 2015 26404 R	AM 77883	AM 2015 77883 A	4(416) 2015
M 2015 26405 R	AM 77907	AM 2015 77907 A	5(417) 2015
M 2015 26406 R	AM 77931	AM 2015 77931 A	10(422) 2015
M 2015 26407 R	AM 77944	AM 2015 77944 A	7(419) 2015
M 2015 26408 R	AM 77948	AM 2015 77948 A	11(423) 2015
M 2015 26409 R	AM 77986	AM 2015 77986 A	10(422) 2015
M 2015 26410 R	AM 77987	AM 2015 77987 A	10(422) 2015
M 2015 26411 R	AM 77988	AM 2015 77988 A	5(417) 2015
M 2015 26412 R	AM 78035	AM 2015 78035 A	8(420) 2015
M 2015 26413 R	AM 78040	AM 2015 78040 A	8(420) 2015
M 2015 26414 R	AM 78041	AM 2015 78041 A	8(420) 2015
M 2015 26415 R	AM 78120	AM 2015 78120 A	10(422) 2015
M 2015 26416 R	AM 78200	AM 2015 78200 A	10(422) 2015
M 2015 26417 R	AM 78201	AM 2015 78201 A	10(422) 2015
M 2015 26418 R	AM 78202	AM 2015 78202 A	10(422) 2015
M 2015 26419 R	AM 78204	AM 2015 78204 A	8(420) 2015
M 2015 26420 R	AM 78206	AM 2015 78206 A	8(420) 2015
M 2015 26421 R	AM 78216	AM 2015 78216 A	9(421) 2015
M 2015 26422 R	AM 78217	AM 2015 78217 A	9(421) 2015
M 2015 26423 R	AM 78235	AM 2015 78235 A	8(420) 2015
M 2015 26424 R	AM 78240	AM 2015 78240 A	10(422) 2015

1	2	3	4
M 2015 26425 R	AM 78246	AM 2015 78246 A	9(421) 2015
M 2015 26426 R	AM 78255	AM 2015 78255 A	8(420) 2015
M 2015 26427 R	AM 78256	AM 2015 78256 A	8(420) 2015
M 2015 26428 R	AM 78257	AM 2015 78257 A	8(420) 2015
M 2015 26429 R	AM 78258	AM 2015 78258 A	8(420) 2015
M 2015 26430 R	AM 78264	AM 2015 78264 A	8(420) 2015
M 2015 26431 R	AM 78267	AM 2015 78267 A	8(420) 2015
M 2015 26432 R	AM 78268	AM 2015 78268 A	7(419) 2015
M 2015 26433 R	AM 78269	AM 2015 78269 A	8(420) 2015
M 2015 26377 R	AM 84095	-	21(433)2015
M 2015 26378 R	AM 84097	-	21(433)2015
M 2015 26379 R	AM 84037	-	21(433)2015
M 2015 26380 R	AM 84088	-	21(433)2015
M 2015 26464 R	AM 84230	-	21(433)2015
M 2015 26467 R	AM 84094	-	21(433)2015
M 2015 26468 R	AM 84159	-	21(433)2015
M 2015 26469 R	AM 84160	-	21(433)2015
M 2015 26470 R	AM 84085	-	21(433)2015
M 2015 26471 R	AM 84157	-	21(433)2015
M 2015 26472 R	AM 75041	-	21(433)2015
M 2015 26473 R	AM 83881	-	21(433)2015
M 2015 26474 R	AM 83934	-	21(433)2015
M 2015 26475 R	AM 83935	-	21(433)2015

**CONCORDANCE TABLE OF PUBLICATION NUMBERS
AND APPLICATION NUMBERS**

NUMBER OF PUBLISHED APPLICATION (260)	NUMBER OF APPLICATION (210)	1	2
		1	2
AM 2015 79268 A*	AM 79268	AM 2015 80723 A	AM 80723
AM 2015 79708 A	AM 79708	AM 2015 80725 A	AM 80725
AM 2015 79841 A	AM 79841	AM 2015 80766 A	AM 80766
AM 2015 79975 A	AM 79975	AM 2015 80808 A	AM 80808
AM 2015 80490 A	AM 80490	AM 2015 80810 A	AM 80810
AM 2015 80491 A	AM 80491	AM 2015 80909 A	AM 80909
AM 2015 80575 A	AM 80575	AM 2015 80921 A	AM 80921
AM 2015 80583 A	AM 80583	AM 2015 80922 A	AM 80922
AM 2015 80606 A	AM 80606	AM 2015 80928 A	AM 80928
AM 2015 80616 A	AM 80616	AM 2015 81021 A	AM 81021
AM 2015 80654 A	AM 80654	AM 2015 81022 A	AM 81022
AM 2015 80685 A	AM 80685	AM 2015 81026 A	AM 81026
AM 2015 80709 A	AM 80709	AM 2015 81039 A	AM 81039
AM 2015 80719 A	AM 80719	AM 2015 81076 A	AM 81076
AM 2015 80721 A	AM 80721	AM 2015 81141 A	AM 81141
		AM 2015 81233 A	AM 81233
		AM 2015 81234 A	AM 81234
		AM 2015 81297 A	AM 81297
		AM 2015 81570 A	AM 81570
		AM 2015 81576 A	AM 81576

CONCORDANCE TABLE OF INDEX OF GOODS AND/OR SERVICES
AND APPLICATION NUMBERS

INDEX OF GOODS AND/OR SERVICES (511)	NUMBER OF PUBLISHED APPLICATIONS (260)	1	2
1	2		
1	AM 2015 81141 A	32	AM 2015 80685 A
4	AM 2015 80491 A	33	AM 2015 79268 A*
4	AM 2015 81141 A	33	AM 2015 80909 A
5	AM 2015 80583 A	34	AM 2015 79841 A
5	AM 2015 80808 A	35	AM 2015 80490 A
5	AM 2015 81021 A	35	AM 2015 80575 A
5	AM 2015 81022 A	35	AM 2015 80616 A
6	AM 2015 80810 A	35	AM 2015 80654 A
6	AM 2015 80928 A	35	AM 2015 80810 A
7	AM 2015 80810 A	35	AM 2015 80921 A
7	AM 2015 81141 A	35	AM 2015 80922 A
8	AM 2015 81039 A	35	AM 2015 81021 A
9	AM 2015 80810 A	35	AM 2015 81022 A
9	AM 2015 81141 A	35	AM 2015 81021 A
10	AM 2015 80810 A	35	AM 2015 81022 A
11	AM 2015 80810 A	35	AM 2015 81141 A
12	AM 2015 81076 A	36	AM 2015 79975 A
12	AM 2015 81141 A	36	AM 2015 80490 A
14	AM 2015 80766 A	36	AM 2015 80575 A
21	AM 2015 80928 A	36	AM 2015 80810 A
25	AM 2015 81576 A	36	AM 2015 81026 A
29	AM 2015 80616 A	36	AM 2015 81297 A
29	AM 2015 81233 A	37	AM 2015 80490 A
29	AM 2015 81234 A	37	AM 2015 80810 A
30	AM 2015 79708 A	37	AM 2015 81141 A
30	AM 2015 80616 A	38	AM 2015 80654 A
30	AM 2015 80685 A	38	AM 2015 80810 A
30	AM 2015 80709 A	39	AM 2015 80606 A
30	AM 2015 80719 A	39	AM 2015 80810 A
30	AM 2015 80723 A	39	AM 2015 80921 A
30	AM 2015 80725 A	39	AM 2015 80922 A
30	AM 2015 81233 A	40	AM 2015 80810 A
30	AM 2015 81570 A	41	AM 2015 80810 A
		42	AM 2015 80810 A
		43	AM 2015 80709 A
		43	AM 2015 80721 A
		43	AM 2015 80723 A
		43	AM 2015 80810 A
		44	AM 2015 80810 A
		45	AM 2015 80810 A

CONCORDANCE TABLE OF INDEX OF GOODS AND/OR SERVICES
AND NUMBERS OF TRADEMARKS REGISTERED ACCORDING
TO THE ACCELERATED PROCEDURE

INDEX OF GOODS AND/OR SERVICES (511)	NUMBERS OF REGISTERED ACCORDING TO THE ACCELERATED PROCEDURE (111)
3	M 2015 26471 R
21	M 2015 26380 R
25	M 2015 26468 R
25	M 2015 26469 R
32	M 2015 26467 R
32	M 2015 26472 R
32	M 2015 26473 R
32	M 2015 26474 R
32	M 2015 26475 R
33	M 2015 26379 R
33	M 2015 26467 R
33	M 2015 26472 R
33	M 2015 26473 R
35	M 2015 26468 R
35	M 2015 26469 R
36	M 2015 26464 R
38	M 2015 26377 R
38	M 2015 26378 R
44	M 2015 26470 R

OFFICIAL BULLETIN OF THE INDUSTRIAL PROPERTY

21(433)

EDITOR-IN-CHIEF: N. Bebrishvili

EDITORS-TRANSLATORS: E. Gabunia

PROOFREADER: A. Shikhashvili

COMPUTER LAYOUT: M. Ordenidze
K. Svanidze

www.sakpatenti.org.ge

E-mail: info@sakpatenti.org.ge