

# Official Bulletin of the Industrial Property

Inventions

Utility Models

Designs

Trademarks

Appellations of Origin of Goods and  
Geographical Indications



საქართველოს ინტელექტუალური  
საკუთრების ეროვნული ცენტრი

**საქპატენტი**

**SAKPATENTI**

NATIONAL INTELLECTUAL PROPERTY  
CENTER OF GEORGIA

[www.sakpatenti.gov.ge](http://www.sakpatenti.gov.ge)

Date of Publication – 2021 02 10

**2(558)**

# INID CODES FOR IDENTIFICATION OF BIBLIOGRAPHIC DATA

## INVENTIONS, UTILITY MODELS

- (10) Number of publication for application, which has been examined
- (11) Number of patent and kind of document
- (21) Serial number of application
- (22) Date of filing of the application
- (23) Date of exhibition or the date of the earlier filing and the number of application, if any
- (24) Date from which patent may have effect
- (31) Number of priority application
- (32) Date of filing of priority application
- (33) Code of the country or regional organization allotting priority application number
- (44) Date of publication of application not granted, but examined and number of bulletin
- (45) Date of publication of registered document
- (51) International Patent Classification Index

- (54) Title of the invention
- (57) Abstract
- (60) Number of examined patent document granted by foreign patent office, date from which patent has effect and country code
- (62) Number of the earlier application and in case of divided application, date of filing an application
- (71) Name, surname and address of applicant (country code)
- (72) Name, surname of inventor (country code)
- (73) Name, surname and address of patent owner (country code)
- (74) Name, surname of representative or patent attorney
- (85) Date of commencement of the national phase of International Application
- (86) Number and date of filing of international application
- (87) Number and date of publication of international application
- (94) Calculated date of expiry of the SPC or the duration of the SPC

## DESIGNS

- (10) Number of publication for application
- (11) Number of patent and kind of document or number of registration
- (15) Date of registration/Date of patent renewal
- (18) Expected expiration date of patent or registration
- (21) Serial number of application
- (22) Date of filing of the application
- (23) Date of exhibition or the date of the earlier filing and the number of application, if any
- (24) Date from which patent may have effect
- (28) Number of designs included in the application
- (30) Data relating to priority (number of application, date of filing of application, two-letter code identifying the authority with whom the priority application was made)
- (31) Number of priority application
- (32) Date of filing of priority application
- (33) Code of the country or regional organization allotting priority application number
- (34) Two-letter code according to WIPO St.3 identifying the authority with which the priority application was made
- (44) Date of publication of design and number of bulletin (the first publication)
- (45) Date of publication of design registered by WIPO and number of bulletin

- (51) International Classification for designs (class and subclass of the Locarno Classification)
- (54) Title of the invention
- (55) Reproduction of the design
- (57) Description of characteristic features of the design including indication of colors
- (58) Date of recording of any kind of amendment in the Register
- (62) Number of the earlier application, registration and document number and if available the date of filing an application in case of divided application
- (71) Name, surname and address of applicant (country code)
- (72) Name, surname of creator (country code)
- (73) Name, surname and address of patent owner (country code)
- (74) Name, surname of representative or patent attorney
- (81) Contracting states concerned
  - II designated contracting states according to the 1960 Act
  - III designated contracting states according to the 1999 Act
- (85) Owner's permanent address
- (86) Owner's nationality
- (87) Owner's residence
- (88) State in which the owner has a real and effective industrial or commercial establishment

## TRADEMARKS

- (111) - Number of registration
- (151) - Date of registration
- (156) - Date of the renewal
- (181) - Expected expiration date of registration
- (186) - Renewal expiration date of registration
- (141) - Date of cancel of duration of the mark
- (210) - Serial number of application
- (220) - Date of filing of the application
- (230) - Data concerning exhibition
- (260) - Number of application, for which favorable decision of examination about registration has been taken (publication number)
- (310) - Number of the first application
- (320) - Date of filing of the first application
- (330) - Code, identifying national or regional Office where the first application was made
- (511) - International Classification of Goods and Services for the purposes of registration of trade marks and/or list of goods and/or services classified according thereto
- (526) - Disclaimer
- (531) - Description of figurative elements of Trade Marks according to the International Classification of the Figurative Elements of Marks

- (540) - Reproduction of Trade Mark
- (550) - Nature and kind of Trade Mark
- (551) - Indication to the effect that the mark is a collective mark, a certification mark or a guarantee mark
- (554) - Three-dimensional mark
- (580) - Date of recording of any kind changes in respect of applications or registrations
- (591) - Information concerning colors claimed
- (731) - Name and address of the applicant
- (732) - Name and address of the holder of the registration
- (740) - Name and address of the representative
- (750) - Addreses for correspondence
- (770) - Name and address of the previous applicant or holder in case of change in ownership
- (771) - Previous name and address of the applicant or holder in case of change in ownership
- (791) - Name and address of the licensee
- (793) - Indication of conditions and/or restrictions under the license (Type of license, number of license agreement, data of license, data of validity of license)
- (800) - Certain data relating to the international registration of Trade Marks under the Protocol Relating to Madrid Agreement (International registration number
- (852) - Partial cancellation of the list of goods and services
- (891) - Date of subsequent designation

## CODES FOR PUBLICATION IN BULLETIN

- (21) AP 0000 000000 - serial number of application for invention
- (10) AP 0000 0000 A - number of published application for invention (first publication)
- (11) P 0000 0000 B - number of patent for invention (second publication)
- (21) API 0000 000000 - number of application for imported patent
- (11) PI 0000 0000 A - number of imported patent (first publication)
- (21) AU 0000 000000 - serial number of application for utility model
- (10) AU 0000 000 U - number of published application for utility model (first publication)
- (11) U 0000 000 Y - number of patent for utility model (second publication)
- (21) AD 0000 000000 - serial number of application for design
- (10) AD 0000 000 S - number of published application for design (first publication)
- (11) D 0000 000 S - registered design

## INTERNATIONAL PATENT CLASSIFICATION FOR INVENTIONS AND UTILITY MODELS

- SECTION A - HUMAN NECESSITIES
- SECTION B - PERFORMING OPERATIONS; TRANSPORTING
- SECTION C - CHEMISTRY; METALLURGY
- SECTION D - TEXTILES; PAPER
- SECTION E - FIXED CONSTRUCTIONS
- SECTION F - MECHANICAL ENGINEERING; LIGHTING; HEATING; WEAPONS; BLASTING
- SECTION G - PHYSICS
- SECTION H - ELECTRICITY

- 
- M - Trade Mark
  - (210) AM 0000 000000 - Serial number of application;
  - (260) AAM 0000 00000 A - Publication number of application;
  - (111) M 0000 00000 R - Number of registration;
  - (111) MMM0000 00000 Rn - Number of renewals, in which n=1,2,3;
  - (111) M 0000 00000 R(P) - Number of registration under partial assignment of rights
-

# Official Bulletin of the Industrial Property

Inventions

Utility Models

Designs

Trademarks

Appellations of Origin of Goods and  
Geographical Indications

# CONTENTS

<b>PUBLISHED TITLES OF PROTECTION</b> .....	3
<b>INVENTIONS</b>	
▪ APPLICATIONS APPROVED FOR GRANTING PATENTS .....	4
▪ PATENTED INVENTIONS .....	7
<b>UTILITY MODELS</b>	
▪ APPLICATIONS APPROVED FOR GRANTING PATENT .....	10
▪ PATENTED UTILITY MODEL .....	11
<b>DESIGNS</b>	
▪ APPLICATIONS APPROVED FOR REGISTRATION .....	12
▪ REGISTERED DESIGNS .....	17
▪ DESIGN REGISTERED ACCORDING TO THE ACCELERATED PROCEDURE .....	18
▪ DESIGNS, WICH HAVE BEEN REGISTERED WITH THE INTERNATIONAL BUREAU CLAIMING PRIORITY ON THE TERRITORY OF GEORGIA .....	19
<b>TRADEMARKS</b>	
▪ APPLICATIONS FILED UNDER THE NATIONAL PROCEDURE APPROVED FOR REGISTRATION .....	33
▪ REGISTERED TRADEMARKS .....	45
▪ TRADEMARKS REGISTERED ACCORDING TO THE ACCELERATED PROCEDURE .....	54
▪ INTERNATIONAL TRADEMARKS FOR WHICH A DECISION ON GRANTING PROTECTION IS TAKEN .....	58
▪ INTERNATIONAL TRADEMARKS PROTECTED IN GEORGIA .....	128
<b>APPELLATIONS OF ORIGIN OF GOODS AND GEOGRAPHICAL INDICATIONS</b>	
▪ APPELLATIONS OF ORIGIN OF GOODS FILED IN GEORGIA FOR EXAMINATION UNDER LISBON AGREEMENT, ON THE BASIS OF THE INTERNATIONAL REGISTRATION .....	135
<b>OFFICIAL NOTIFICATIONS</b>	
<b>INVENTIONS</b>	
▪ EXPIRATION OF PATENTS RESTORATION .....	136
▪ ABOLITION OF PATENTS WITH THE RIGHT TO RESTORE .....	136
▪ EXPIRATION OF TERM OF RESTORATION OF PATENT .....	141
▪ EXPIRATION OF PATENTS .....	143
▪ CHANGES OF NAMES AND/OR ADDRESSES OF PATENTOWNER .....	144
▪ TECHNICAL DEFECT DETECTED IN THE PUBLISHED INFORMATION .....	144
<b>UTILITY MODELS</b>	
▪ ABOLITION OF PATENTS WITH THE RIGHT TO RESTORE .....	145
▪ EXPIRATION OF TERM OF RESTORATION OF PATENTS .....	146
<b>DESIGN</b>	
▪ EXTENSION OF REGISTRATION OF DESIGN .....	147
▪ CANCELLATION OF REGISTRATION OF DESIGNS .....	147
▪ EXTENSION OF REGISTRATION OF INTERNATIONAL DESIGNS .....	149
▪ CANCELLATION OF REGISTRATION OF INTERNATIONAL DESIGNS .....	155
<b>TRADEMARKS</b>	
▪ RENEWAL OF REGISTRATIONS .....	157
▪ COMPLET TRANSFER OF RIGHTS .....	163
▪ CHANGES OF NAMES AND/OR ADDRESSES OF OWNER .....	166
▪ CANCELLATION OF TRADEMARKS REGISTRATION .....	169
▪ INTERNATIONAL LICENSE AGREEMENT .....	171
<b>CLASSIFICATION INDEXES</b>	
INVENTIONS .....	172
UTILITY MODELS .....	174
DESIGNS .....	175
TRADEMARKS .....	177

## **PUBLISHED TITLES OF PROTECTION**

### **INVENTIONS**

- **APPLICATIONS APPROVED FOR GRANTING PATENT:**  
14794; 15184; 15218; 15037; 15279; 15055; 15264
- **PATENTED INVENTIONS:**  
7215-7224

### **UTILITY MODELS**

- **APPLICATIONS APPROVED FOR GRANTING PATENT:**  
15406; 15299
- **PATENTED UTILITY MODEL:**  
2069

### **DESIGNS**

- **APPLICATIONS APPROVED FOR REGISTRATION:**  
1179; 1183
- **REGISTERED DESIGNS:**  
874-877
- **DESIGN REGISTERED ACCORDING TO THE ACCELERATED PROCEDURE:**  
876
- **DESIGNS, WHICH HAVE BEEN REGISTERED WITH THE INTERNATIONAL BUREAU CLAIMING PRIORITY ON THE TERRITORY OF GEORGIA:**  
211014; 211066; 211021; 211007; 210999; 211119; 211326; 211516; 211741

### **TRADEMARKS**

- **APPLICATIONS FILED UNDER THE NATIONAL PROCEDURE APPROVED FOR REGISTRATION:**  
106666; 108062; 108298; 108489; 108593; 108594; 108610; 108662; 108675; 108693; 108695; 108742; 108743; 108747; 108749; 108750; 108752; 108753; 108755; 108757; 108759; 108761-108766; 108773; 108780; 108783; 108788; 108848; 108851; 108852; 108859-108861; 108863; 108865; 108869; 108872; 108879-108881; 108886; 108887; 108889; 108891; 108893; 108943; 108945; 108946; 108950; 108955; 108958; 108959; 108967-108969; 109028; 109030; 109049; 109110-109114; 109128; 109134; 109135; 109221
- **REGISTERED TRADEMARKS:**  
33534-33589; 33604-33653
- **TRADEMARKS REGISTERED ACCORDING TO THE ACCELERATED PROCEDURE:**  
33533; 33590-33603; 33654-33657
- **INTERNATIONAL TRADEMARKS FOR WHICH A DECISION ON GRANTING PROTECTIONS IS TAKEN:**  
104797\*; 106992; 107003; 107601; 107754; 107847; 107851; 107852; 107867; 107870; 107871; 107877; 107947; 107987; 107988-107995; 108002; 108009; 108032-108034; 108045; 108051; 108105; 108108; 108109; 108140-108144; 108150-108154; 108157-108159; 108161; 108175-108185; 108190; 108233-108242; 108275-108277; 108279; 108280; 108344; 108345; 108351; 108352; 108355; 108366; 108368-108370; 108372; 108374; 108437; 108443; 108445-108447; 108458; 108459; 108634
- **INTERNATIONAL TRADEMARKS PROTECTED IN GEORGIA:**  
102286; 103408; 103606; 103636; 104239; 104247; 106146; 106200; 106232; 106235; 106342; 106347; 106387; 106395; 106438-106440; 106446-106450; 106452; 106453; 106460; 106462; 106466; 106477; 106478; 106480-106486; 106493; 106501-106507; 106535; 106556; 106557; 106565-106568; 106580; 106581; 106583; 106631-106636; 106638; 106639; 106704; 106729; 106732-106736; 106743; 106746-106748; 106850; 106851; 106853; 106854; 106870; 106875; 106876; 106920-106925; 106927-106929; 106991; 106998; 107199; 107409-107413; 107415-107417; 107420; 107422

### **APPELLATIONS OF ORIGIN OF GOODS AND GEOGRAPHICAL INDICATIONS**

1150, 1151

---

# INVENTIONS

## APPLICATIONS APPROVED FOR GRANTING PATENTS

The decision can be appealed at the Chamber of Appeal of Sakpatenti within 3 months from the publication or at the Mtskheta District Court Administrative Cases Board (Address: №17, Samkhedro str., Mtskheta), within 1 month following the publication.

### PART A

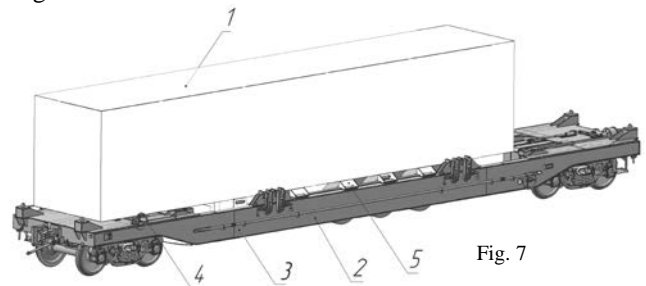
#### A 61

- (10) AP 2021 14794 A (51) Int. Cl. (2006)  
A 61 P 31/14  
C 07 K 16/10
- (21) AP 2016 14794 (22) 2016 10 27  
(31) 62/247,841; 62/367,359  
(32) 2015 10 29; 2016 07 27  
(33) US; US
- (71) MERCK SHARP & DOHME CORP. (US)  
126 East Lincoln Ave. Rahway,  
NJ 07065-0907, USA (US)
- (72) VORA, Kalpit, A. (US);  
COX, Kara, S. (US);  
TANG, Aimin (US);  
CHEN, Zhifeng (US);  
DISTEFANO, Daniel (US);  
ZHANG, Lan (US);  
SU, Hua-Poo (US)
- (74) Shalva Gvaramadze
- (85) 2018 05 24
- (86) PCT/US2016/058975, 2016 10 27
- (54) ANTIBODY NEUTRALIZING HUMAN  
RESPIRATORY SYNCYTIAL VIRUS
- (57) Present invention relates to isolated antibody or antigen-binding fragment thereof having high anti-RSV neutralizing titers. The invention further relates to isolated nucleic acids encoding the antibodies disclosed in the invention and host cells transformed therewith. The invention relates to usage of composition comprising said antibodies for RSV infection diagnosis, therapy or prevention, as well.
- Claims: 13 independents  
14 dependents
- Fig.: 7
- 

### PART B

#### B 61

- (10) AP 2021 15184 A (51) Int. Cl. (2006)  
B 61 D 47/00  
B 66 F 7/02
- (21) AP 2019 15184 (22) 2019 09 10  
(31) 2018132416  
(32) 2018 09 11  
(33) RU
- (71) IVANOV, Vladimir Vladimirovich (RU)  
Ul. Krasina 21, qu. 27, 123056, Moscow,  
Russian Federation (RU)
- (72) VDOVIN, Roman Borisevich (RU)
- (74) Tamaz Shilakadze
- (54) METHOD FOR AUTOMOTIVE  
SEMITRAILER CARRIAGE-PLATFORM  
LOADING
- (57) A method provides placement of basket 5 on the ground, and semitrailer 1 – into opening basket by means of tractor, where the semitrailer wheels are placed and fixed in basket pockets formed with transverse poles 10 to avoid displacement; and semitrailer is placed on support legs relied onto basket additional crossbar 11, as well; and then the basket together with semitrailer are lifted by means of cargo lift, and placed on carriage-platform 2; at that, carriage-platform and the basket interact by means of support brackets 8 and energy-absorbing buffers 9 located thereon.
- Claims: 1 independent
- Fig.: 7



**B 65**

- (10) AP 2021 15218 A (51) Int. Cl. (2006)  
B 65 G 27/02  
H 02 K 33/02
- (21) AP 2019 15218 (22) 2019 11 12
- (71) Viktor Zviadauri (GE)  
Vazha-Pshavela Av., V quarter, corp. 4,  
app. 79, 0186, Tbilisi, Georgia (GE);  
Merab Tedoshvili (GE)  
Temka, XI mcr., quarter I, app. 6, 0197, Tbilisi,  
Georgia (GE);  
Merab Chelidze (GE)  
Chitaia St. 38, 0164, Tbilisi, Georgia (GE)
- (72) Viktor Zviadauri (GE);  
Merab Tedoshvili (GE);  
Merab Chelidze (GE)
- (54) ELECTROMAGNETIC VIBRATING FEEDER
- (57) Electromagnetic vibrating feeder includes a hopper 11 and a vibrator, wherein the vibrator has a case 8 with a stator 1 fixed thereon, an anchor 2 and flexible component 3 connecting the anchor with the case. The anchor is executed with capability to maintain permanent circular air gap 9 provided fixable relative to stator by means a shaft 5 inserted in the bearings passing through the case 8 and the hopper 11. Said anchor is rigid onto the part passing through shaft case, and a cylinder 12 having screw groove is formed on hopper part; furthermore, a coil fixed on the anchor is switched to variable power supply, and a coil fixed on the stator is switched to permanent power supply.

Claims: 1 independent

Fig.: 1

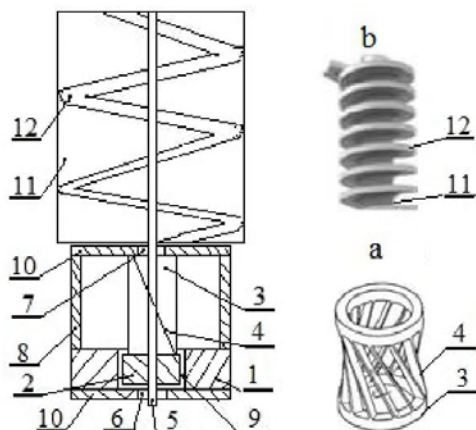


Fig. 1

**PART C****C 02**

- (10) AP 2021 15037 A (51) Int. Cl. (2006)  
C 02 F 1/52  
C 02 F 1/57
- (21) AP 2019 15037 (22) 2019 03 28
- (71) LLC "GEORGIAN MINERALS GROUP" (GE)  
Al. Griboedov St. 31, app. 19, Ozurgeti,  
Georgia (GE)
- (72) Tengiz Sharashidze (GE);  
Sergey Ayrapetyan (AM)
- (74) Irakli Gogoladze
- (54) COMPOSITE FLOCCULANT
- (57) Composite flocculant is based on inorganic (bentonite, diatomite) and organic high molecular materials, and; at that, it comprises cationic and anionic polyacrylamide polyelectrolytes, aluminum polyoxychloride (calculated on  $Al_2O_3$ ), paper and peat (with unmodified and modified iron and aluminum chlorides), in certain correlation.
- Claims: 1 independent
- Table: 3

**C 04**

- (10) AP 2021 15279 A (51) Int. Cl. (2006)  
C 04 B 14/00  
C 04 B 14/04  
C 04 B 14/36  
C 04 B 18/14
- (21) AP 2020 15279 (22) 2020 02 15
- (71) Akaki Skhvitaridze (GE)  
Tatishvili St. 17, 0179, Tbilisi, Georgia (GE)
- (72) Akaki Skhvitaridze (GE);  
Razhden Skhvitaridze (GE)
- (54) COMPLEX MINERAL ADDITIVE FOR CONCRETES, CONSTRUCTION SOLUTIONS, AND DRY MIXTURES
- (57) Complex mineral additive for concretes, construction solutions, and dry mixtures comprises inert component – river crushed stone, pozzolanic component – tuff containing zeolite, technogenic component – granular slag, with the following ratio of componentry in mass%:
- |                         |       |
|-------------------------|-------|
| river crushed stone     | 45-55 |
| tuff containing zeolite | 8-12  |
| granular slag           | 35-45 |
- at that, MnO content in slag is no more than 10 mass%.
- Claims: 1 independent
- Table: 3

**C 07**

- (10) AP 2021 15055 A (51) Int. Cl. (2006)  
C 07 K 16/28
- (21) AP 2017 15055 (22) 2017 09 25  
(31) 62/399,837; 62/546,214  
(32) 2016 09 26; 2017 08 16  
(33) US; US
- (71) MERCK SHARP & DOHME CORP. (US)  
126 East Lincoln Ave. Rahway,  
NJ 07065-0907, USA (US);  
MERCK SHARP & DOHME B.V. (NL)  
Waarderweg 39, 2031 BN Haarlem,  
Netherlands (NL)
- (72) FISCHMANN, Thierry, Olivier (US);  
PROSISE, Winifred, W. (US);  
VAN EENENNAAM, Hans (NL);  
BEEBE, Amy, M. (US);  
WONG, Jerelyn (US);  
VAN ELSAS, Andrea (NL);  
GUELEN, Lars (NL);  
JUAN, Veronica (US);  
FAYADAT-DILMAN, Laurence (US);  
SADEKOVA, Svetlana (US);  
CHEUNG, Jason, Ka Jen (US)
- (74) Shalva Gvaramadze  
(85) 2019 04 22  
(86) PCT/US2017/053204, 2017 09 25  
(54) ANTI-CD27 ANTIBODIES  
(57) Present invention relates to human anti-CD27 antibodies, as well as usage of said antibodies in the treatment of diseases such as cancer and infectious disease.  
Claims: 16 independents  
9 dependents  
Fig.: 144

- (74) Aleksandre Gegechkori  
(85) 2020 01 28  
(86) PCT/RU2018/050066, 2018 06 27  
(54) SAFETY DEVICE  
(57) The invention relates to electrical engineering field, and can be used in electrical installations to protect single-phase power or measuring transformer from short-circuits up to 20 kV in transformer secondary winding, as well, to protect the transformer from overheating in the conditions of activation of protection from 0.3 amps. Technical result is a simplification of constructive execution of safing device, the absence of reaction to current changes caused by voltage surges, to eliminate consumer's unwarranted cutting off, to produce information about actuation of device, and to increase safety. The device comprises a housing (1) in the form of tube with contact caps (2, 3), electromagnetic tripping mechanism (4), tripping mechanism controlling unit (5), trip-free release mechanism (6), and actuation indicator (7). Electromagnetic tripping mechanism (4) comprises magnetic conductor (8) and inductance coil (9) with magnetic core (10), and an armature (11). Tripping mechanism controlling unit (5) comprises resettable fuse (12) and variable resistor (13) connected in parallel. Trip-free release mechanism (6) comprises guide element (15), a bushing (16), opening spring (17), damping spring (18), and monofilament thread (19).  
Claims: 1 independent  
8 dependents  
Fig.: 4

**PART H****H 01**

- (10) AP 2021 15264 A (51) Int. Cl. (2006)  
H 01 H 73/00  
H 02 H 9/04
- (21) AP 2018 15264 (22) 2018 06 27  
(31) 2017123107  
(32) 2017 06 29  
(33) RU
- (71) OOO "Svel-Silovye Transformatory" (RU)  
Ul. Cherniahovskogo 61, 620010, Ekaterinburg,  
Russian Federation (RU)
- (72) TOKAREV, Aleksey Anatolyevich (RU);  
LAVROV, Ivan Pavlovich (RU);  
MARCHENKO, Igor Nikolaevich (RU)



# PATENTED INVENTIONS

## PART A

### A 01

- (11) P 2021 7216 B (51) Int. Cl. (2006)  
A 01 N 33/02  
A 01 N 25/28  
A 01 N 25/22  
A 01 N 25/04  
A 01 N 25/02  
B 01 J 13/02
- (10) AP 2020 15194 A (44) 16(548)/2020  
(21) AP 2018 15194  
(22) 2018 03 16  
(24) 2018 03 16  
(31) 62/472,628  
(32) 2017 03 17  
(33) US  
(86) PCT/US2018/022771, 2018 03 16  
(73) DOW AGROSCIENCES LLC (US)  
9330 Zionsville Road, Indianapolis, Indiana  
46268, USA (US)
- (72) WILSON, Stephen L. (US);  
WILLIAMS, Alex (US);  
POWELS, Greg (US);  
LOGAN, Martin C. (US);  
LI, Mei (US)
- (74) Shalva Gvaramadze  
(54) MICROENCAPSULATED NITRIFICATION  
INHIBITOR COMPOSITIONS

### A 22

- (11) P 2021 7219 B (51) Int. Cl. (2006)  
A 22 B 7/00  
A 22 B 5/00
- (10) AP 2020 14798 A (44) 19(551)/2020  
(21) AP 2016 14798  
(22) 2016 10 27  
(24) 2016 10 27  
(31) 2015904389  
(32) 2015 10 27  
(33) AU  
(86) PCT/AU2016/000366, 2016 10 27  
(73) Feltrim Pastoral Company Pty LTD (AU)  
2 Jude Rd., Howlong NSW 2643,  
Australia (AU)
- (72) STAUGHTON, Simon (AU)  
(74) Shalva Gvaramadze  
(54) APPARATUS FOR STORING ORGANIC  
MATERIAL

### A 61

- (11) P 2021 7221 B (51) Int. Cl. (2006)  
A 61 K 31/4245  
C 07 D 271/08
- (10) AP 2020 10418 A (44) 15(547)/2020  
(21) AP 2006 10418  
(22) 2006 05 09  
(24) 2006 05 09  
(31) 60/679,507  
(32) 2005 05 10  
(33) US  
(86) PCT/US2006/017983, 2006 05 09  
(73) INCYTE HOLDINGS CORPORATION (US)  
1801 Augustine Cut-Off, Wilmington,  
DE 19803, USA (US)
- (72) COMBS, Andrew, P. (US);  
YUE, Eddy, W. (US)
- (74) Tamaz Shilakadze  
(54) MODULATORS OF INDOLEAMINE  
2,3-DIOXYGENASE AND METHODS  
OF USING THE SAME

- (11) P 2021 7223 B (51) Int. Cl. (2006)  
A 61 K 31/675  
A 61 P 19/02  
C 07 F 9/576
- (10) AP 2020 14976 A (44) 20(552)/2020  
(21) AP 2014 14976  
(22) 2014 12 12  
(24) 2014 12 12  
(62) AP 2014 14203 2014 12 12  
(31) 61/915,937  
(32) 2013 12 13  
(33) US  
(86) PCT/US2014/069916, 2014 12 12  
(73) Vertex Pharmaceuticals Incorporated (US)  
50 Northern Av., Boston, MA 02210,  
USA (US)
- (72) KESHAVARZ-SHOKRI, Ali (US);  
HADIDA-RUAH, Sara, Sabina (US);  
ANDERSON, Corey (US);  
ZHANG, Beili (US);  
LITTLER, Benjamin, Joseph (US);  
GOLEC, Julian Marian, Charles (GB);  
BELMONT, Daniel, T. (US);  
ALCACIO, Tim, Edward (US)
- (74) Shalva Gvaramadze  
(54) PRODRUGS OF PYRIDONE AMIDES  
USEFUL AS MODULATORS OF SODIUM  
CHANNELS

**PART C****C 07**

- (11) P 2021 7217 B (51) Int. Cl. (2006)  
C 07 C 275/26  
C 07 D 295/06
- (10) AP 2020 14994 A (44) 18(550)/2020  
(21) AP 2017 14994  
(22) 2017 07 07  
(24) 2017 07 07  
(31) P1700197; P1600420  
(32) 2017 05 09; 2016 07 08  
(33) HU; HU  
(86) PCT/IB2017/054094, 2017 07 07  
(73) RICHTER GEDEON NYRT. (HU)  
Gyömrői út 19-21, H-1103 Budapest,  
Hungary (HU)  
(72) NEU, József (HU);  
GARADNAY, Sándor (HU);  
SZABÓ, Tamás (HU)  
(74) Liliana Darakhvelidze  
(54) INDUSTRIAL PROCESS FOR THE  
PREPARATION OF CARIPRAZINE

- (11) P 2021 7220 B (51) Int. Cl. (2006)  
C 07 K 16/18  
C 07 K 16/28
- (10) AP 2020 14812 A (44) 19(551)/2020  
(21) AP 2016 14812  
(22) 2016 11 17  
(24) 2016 11 17  
(31) 62/257,009  
(32) 2015 11 18  
(33) US  
(86) PCT/US2016/062394, 2016 11 17  
(73) MERCK SHARP & DOHME CORP. (US)  
126 East Lincoln Ave. Rahway,  
NJ 07065-0907, USA (US)  
(72) BUYSE, Marie-Ange (BE);  
DOMBRECHT, Bruno (BE);  
KASTELEIN, Robert A. (US);  
VLERICK, David (BE);  
BOUTTON, Carlo (BE);  
BOWMAN, Edward (US);  
BEAUMONT, Maribel (US)  
(74) Shalva Gvaramadze  
(54) PD1 AND/OR LAG3 BINDERS

- (11) P 2021 7222 B (51) Int. Cl. (2006)  
C 07 K 16/18
- (10) AP 2020 14957 A (44) 17(549)/2020  
(21) AP 2017 14957  
(22) 2017 07 07  
(24) 2017 07 07  
(31) PA201600416; PA201700005;

- PA201700008; PA201700179  
(32) 2016 07 12; 2017 01 04; 2017 01 04;  
2017 03 14  
(33) DK; DK; DK; DK  
(86) PCT/EP2017/067067, 2017 07 07  
(73) H. LUNDBECK A/S (DK)  
Ottiliavej 9, Valby, DK-2500, Denmark (DK)  
(72) TAGMOSE, Lena (DK);  
MARIGO, Mauro (DK);  
DAVID, Laurent (DK);  
ASUNI, Ayodeji Abdur-Rasheed (DK);  
CHRISTENSEN, Søren (DK);  
PEDERSEN, Jan, Torleif (DK);  
KJÆRGAARD, Kristian (DK);  
ROSENQVIST, Nina, Helen (DK);  
JENSEN, Thomas (DK);  
VOLBRACHT, Christiane (DK);  
PEDERSEN, Lars, Østergaard (DK);  
HELBO, Lone (DK);  
DAECHSEL, Justus, Claus, Alfred (DK);  
JUHL, Karsten (DK)  
(74) Tamaz Shilakadze  
(54) ANTIBODIES SPECIFIC FOR  
HYPERPHOSPHORYLATED TAU AND  
METHODS OF USE THEREOF

**PART E****E 02**

- (11) P 2021 7224 B (51) Int. Cl. (2006)  
E 02 F 9/28  
E 02 F 9/28
- (10) AP 2020 14935 A (44) 20(552)/2020  
(21) AP 2017 14935  
(22) 2017 05 11  
(24) 2017 05 11  
(31) 62/335,789; 62/441,779; 15/589,647  
(32) 2016 05 13; 2017 01 03; 2017 05 08  
(33) US; US; US  
(86) PCT/US2017/032242, 2017 05 11  
(73) HENSLEY INDUSTRIES, INC. (US)  
2108 Joe Field Rd. Dallas, TX 75229,  
USA (US)  
(72) BILAL, Mohamad (US);  
DIAZ, Isai (US);  
(74) Giorgi Kartvelishvili  
(54) STABILIZING FEATURES IN WEAR  
MEMBER ASSEMBLY

---

**E 21**

- (11) P 2021 7215 B (51) Int. Cl. (2006)  
E 21 B 49/10  
(10) AP 2020 14946 A (44) 19(551)/2020  
(21) AP 2017 14946  
(22) 2017 05 05  
(24) 2017 05 05  
(31) P20160101333  
(32) 2016 05 09  
(33) AR  
(86) PCT/EP2017/060793, 2017 05 05  
(73) AQUARESOURCE SA (AR)  
Avenida Leandro N. Alem 619, 3ER. Piso,  
Buenos Aires, C1001AAB, Argentina (AR)  
(72) MORGAN, Enrique, Juan (AR)  
(74) Tamaz Shilakadze  
(54) UNDERGROUND TOOL PROVIDING  
ON-LINE INFORMATION FOR IN  
SITU ASSESSMENT OF AQUIFER  
QUALITY AND FLOW RATE
- 

**PART G****G 07**

- (11) P 2021 7218 B (51) Int. Cl. (2006)  
G 07 D 7/00  
G 07 D 7/12  
G 07 D 7/1205  
(10) AP 2020 14970 A (44) 16(548)/2020  
(21) AP 2017 14970  
(22) 2017 07 05  
(24) 2017 07 05  
(31) 16178155.4  
(32) 2016 07 06  
(33) EP  
(86) PCT/EP2017/066772, 2017 07 05  
(73) SICPA HOLDING SA (CH)  
Av. de Florissant 41, 1008 Prilly,  
Switzerland (CH)  
(72) DECOUX, Eric (CH);  
MILOS-SCHOUWINK, Mia (CH);  
(74) Liliana Darakhvelidze  
(54) METHOD FOR AUTHENTICATING  
SECURITY MARKING UTILIZING  
LONG AFTERGLOW EMISSION, AND  
SECURITY MARKING COMPRISING  
ONE OR MORE AFTERGLOW  
COMPOUND
-

---

# UTILITY MODELS

## APPLICATIONS APPROVED FOR GRANTING PATENT

The decision can be appealed at the Chamber of Appeal of Sakpatenti within 3 months from the publication or at the Mtskheta District Court Administrative Cases Board (Address: №17, Samkhedro str., Mtskheta), within 1 month following the publication.

### PART A

#### A 01

(10) AU 2021 15406 U (51) Int. Cl. (2006)

A 01 G 17/14

(21) AU 2020 15406 (22) 2020 08 09

(71) Nona Dadvani (GE)

D. Lazareishvili St. 39, 1100, Bolnisi,  
Georgia (GE)

(72) Nona Dadvani (GE)

(74) Davit Dzamukashvili

(54) VINEYARD POLE

(57) Vineyard pole is made with polymeric material, e.g. polypropylene, or polystyrene or a content appropriate of combination thereof, wherein the componentry are taken in equal or any different proportions; either made with suitable composition of combination of polypropylene, polystyrene and polyethylene; at that, pole body is made with wire-passing perforation or rings providing same function, fixed thereto.

Claims: 1 independent

1 dependent

---

generated from said variable power supply, and control appropriate contact outputs for switching controlable electricity accouter to the exits of said variable power supply.

Claims: 1 independent

3 dependents

Fig.: 2

---

### PART G

#### G 01

(10) AU 2021 15299 U (51) Int. Cl. (2006)

G 01 R 35/04

(21) AU 2020 15299 (22) 2020 03 15

(71) JSC "ENERGO-PRO-GEORGIA" (GE)

Zurab Anjaparidze St. 19, 0186, Tbilisi,  
Georgia (GE)

(72) TIMKOVA, Anna (CZ);

Shota Metreveli (GE);

Mikheil Gurgenidze (GE)

(54) CONTROL DEVICE FOR ACCOUNTING  
ELECTRICITY ACCURACY CONSUMPED  
BY ELECTRIC COUNTER

(57) A device includes variable power supply accouter to provide certain loading, electricity parameters measuring tools, namely voltage, power and capacity, to measure the parameters of electricity

---

**PATENTED UTILITY MODEL****PART G****G 06**

- (11) U 2021 2069 Y (51) Int. Cl. (2006)  
G 06 Q 20/36
- (10) AU 2020 15243 U (44) 19(551)/2020
- (21) AU 2019 15243
- (22) 2019 12 20
- (24) 2019 12 20
- (73) Levan Sharangia (GE)  
Otar Lortkipanidze St. 6, app. 10, Tbilisi,  
Georgia (GE);  
Davit Pirvelashvili (GE)  
Medea Chakhava St. 4, app. 11, Tbilisi,  
Georgia (GE)
- (72) Levan Sharangia (GE);  
Davit Pirvelashvili (GE)
- (54) E-WALLET SERVICE COLLECTIVE  
USAGE SYSTEM
-

---

# DESIGNS

## APPLICATIONS APPROVED FOR REGISTRATION

The decision can be appealed at the Chamber of Appeal of Sakpatenti within 3 months from the publication or at the Mtskheta District Court Administrative Cases Board (Address: №17, Samkhedro str., Mtskheta), within 1 month following the publication.

- (10) AD 2021 1179 S (51) 11-01  
(21) AD 2020 1179 (22) 2020 09 08  
(28) 5  
(71) Mamuka Nachkebia (GE)  
Ir. Abashidze St. 68, app. 52, 0162, Tbilisi, Georgia (GE)  
(72) Mamuka Nachkebia (GE)  
(74) Nino Bakhtadze (GE)  
(54) 1.-2. EARRING; 3.-4. PENDANT WITH NECKLACE; 5. PENDANT  
(55)



1.1



1.2



2.1



2.2



2.3



2.4



3.1



3.2



3.3



3.4



4.1



4.2



4.3



4.4



4.5



4.6





5.1



5.2



5.3



5.4



5.5

- (10) AD 2021 1183 S      (51) 32-00
- (21) AD 2020 1183      (22) 2020 10 01
- (28) 1
- (71) LTD "TEGETA MOTORS" (GE)  
D. Aghmashenebeli Alley, 12<sup>th</sup> km., 5, 0131, Tbilisi, Georgia (GE)
- (72) Luka Todua (GE)
- (74) Giorgi Kartvelishvili (GE)
- (54) VEHICLE DESIGN PACKAGING
- (55)



1.1



1.2



1.3



1.4

---

**REGISTERED DESIGNS**

(11) D 2021 874 S (51) 06-02  
(10) AD 2020 1158 S (44) 2020 10 12 №19  
(21) AD 2020 1158  
(22) 2020 06 16  
(24) 2020 06 16  
(28) 5  
(18) 2025 06 16  
(73) Giorgi Chiradze (GE)  
Tiripebi St. 2, app. 20, 0186, Tbilisi,  
Georgia (GE)  
(72) Giorgi Chiradze (GE)  
(54) FURNITURE

---

(11) D 2021 877 S (51) 09-01  
(10) AD 2020 1161 S (44) 2020 10 26 №20  
(21) AD 2020 1161  
(22) 2020 06 24  
(24) 2020 06 24  
(28) 1  
(18) 2025 06 24  
(73) LLC "KVARELI CELLAR" (GE)  
Vill. Chikaani, 4814, Kvareli, Georgia (GE)  
(72) Vazha Ghvaladze (GE)  
(74) Khatuna Imnadze (GE)  
(54) BOTTLE

---

(11) D 2021 875 S (51) 19-04  
(10) AD 2020 1159 S (44) 2020 10 26 №20  
(21) AD 2020 1159  
(22) 2020 06 18  
(24) 2020 06 18  
(28) 3  
(18) 2025 06 18  
(73) Teona Dalakishvili (GE)  
Gldani, III mcr., corp. 5, app. 36, 0167, Tbilisi,  
Georgia (GE)  
(72) Teona Dalakishvili (GE)  
(54) NOTEBOOK

---

## DESIGN REGISTERED ACCORDING TO THE ACCELERATED PROCEDURE

The decision can be appealed at the Chamber of Appeal of Sakpatenti within 3 months from the publication.

- (11) D 2021 876 S           (51) 09-01  
(21) AD 2021 1198       (22) 2021 01 15  
(24) 2021 01 15  
(28) 1  
(18) 2026 01 15  
(73) LTD "KAKHETIAN TRADITIONAL WINEMAKING" (GE)  
      Tsintsadze St. 12, 0160, Tbilisi, Georgia (GE)  
(72) Lasha Imnadze (GE)  
(54) BOTTLE  
(55)



1.1

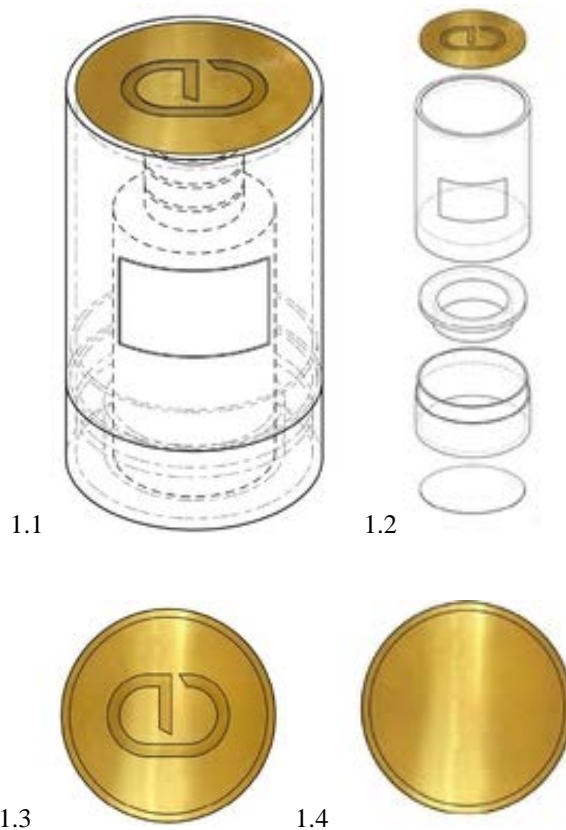


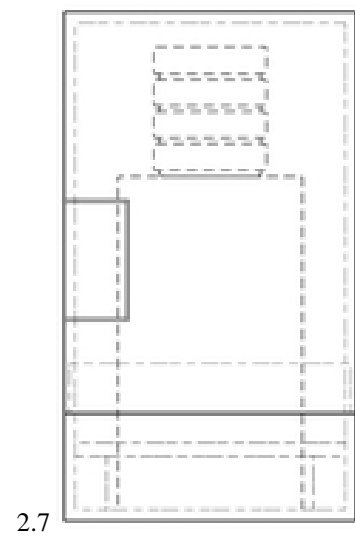
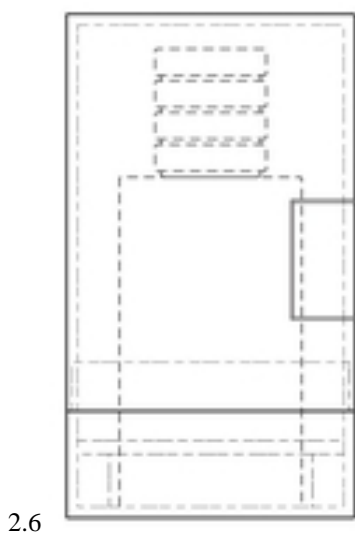
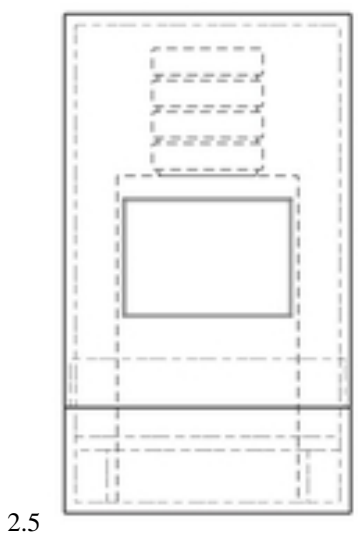
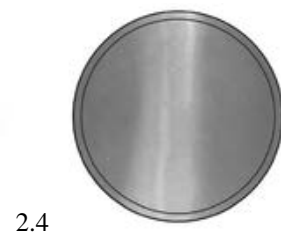
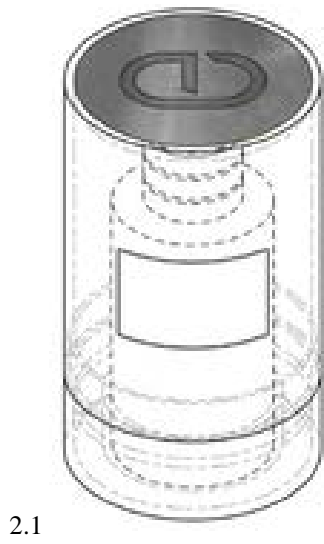
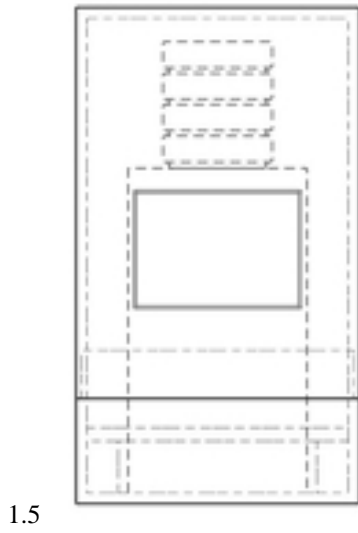
1.2

## DESIGNS, WHICH HAVE BEEN REGISTERED WITH THE INTERNATIONAL BUREAU CLAIMING PRIORITY ON THE TERRITORY OF GEORGIA

The decision can be appealed at the Chamber of Appeal of Sakpatenti within 3 months from the publication or at the Mtskheta District Court Administrative Cases Board (Address: №17, Samkhedro Str., Mtskheta), within 1 month following the publication.

- (11) DM/211 014 (51) 09-03  
 (15) 2020 10 22 (44) 45/2020 (2020 11 06)  
 (22) 2020 10 22  
 (28) 2  
 (73) Lahcene FARES  
 3 Rue Albert Jacquard, 92230 Gennevilliers (FR)  
 (85) –  
 (86) FR  
 (87) FR  
 (88) FR  
 (89) FR  
 (81) II. MA III. AM, IS, VN, MD, TJ, BW, MN, GH, ST, SR, TR, KH, GB, TN, KR, JP, KP, CH, IL, BN, UA, AL, MX, AZ, TM, BZ, ME, MC, SG, NA, OA, RS, NO, BA, OM, CA, GE, MK, US, LI, WS, KG, SM, SY, RW, RU, EG  
 (72) Lahcene FARES  
 3 Rue Albert Jacquard, 92230 Gennevilliers (FR)  
 (74) Cabinet BENSIMHON & ASSOCIES  
 17 Rue Théodule RIBOT, 75017 Paris (FR)  
 (54) 1. Perfume bottle packaging, 2. Perfume bottle packaging  
 (55)





- (11) DM/211 066 (51) 09-03  
(15) 2020 09 21 (44) 46/2020 (2020 11 13)  
(22) 2020 09 21  
(28) 2  
(73) AKTÜL KAĞIT ÜRETİM PAZARLAMA ANONİM ŞİRKETİ  
Beylik Yerleri Mevkii, Gökgöz Köyü, Pamukova SAKARYA (TR)  
(85) TR  
(86) TR  
(87) TR  
(88) TR  
(89) TR  
(81) III. US, GE, EM, IL  
(72) BURCU CEZİK  
Beylik Yerleri Mevkii, Gökgöz Köyü, Pamukova, SAKARYA (TR)  
(74) DESTEK PATENT ANONİM ŞİRKETİ  
Ruzi Plaza, Konak Mh. İzmir Yolu Cd, Kudret Sk. No: 20 D:Kat 6 BEŞEVLER NİLÜFER,  
16110 BURSA (TR)  
(54) 1.-2. Graphic design for packaging  
(55)



1.1

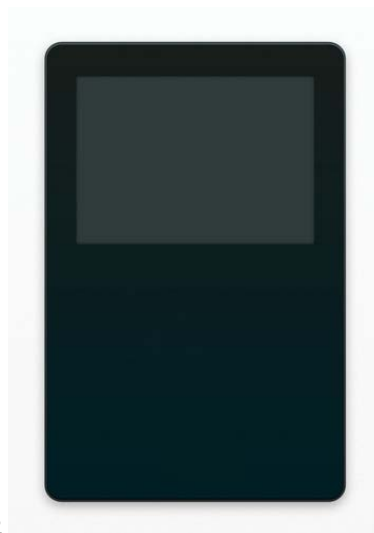


2.1

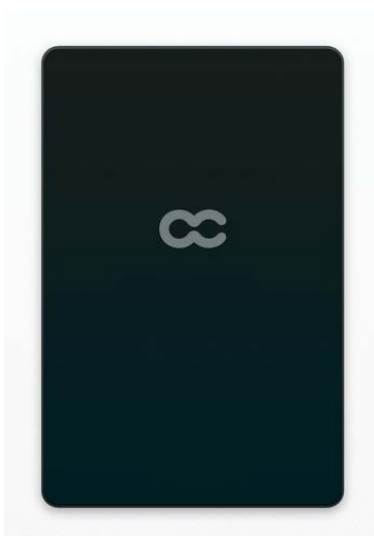
- (11) DM/211 021 (51) 14-02  
(15) 2020 11 15 (44) 45/2020 (2020 11 06)  
(22) 2020 11 15  
(28) 1  
(73) Mikhail Yurievich Kirillov  
Ul. Fevralskaya, D. 10/27, Kv. 61, RU-142116, Podolsk (RU)  
(85) –  
(86) RU  
(87) RU  
(88) –  
(89) RU  
(81) III. AM, IS, MD, TJ, BW, GH, ST, MN, TR, KH, GB, TN, KR, JP, KP, CH, BN, UA, AZ, ME, MC, SG,  
NA, OA, RS, NO, BA, OM, GE, MK, US, LI, KG, EM, SY, RW, EG  
(72) Mikhail Yurievich Kirillov  
Ul. Fevralskaya, D. 10/27, Kv. 61, RU-142116, Podolsk (RU)  
(74) Dmitry Markin  
Ul. Trofimova, D. 8A, Kv. 12, RU-115432 Moscow (RU)  
(54) 1. Hardware cryptocurrency wallet  
(55)



1.1



1.2



1.3



1.4

1.5



- (11) DM/211 007 (51) 28-02  
 (15) 2020 04 09 (44) 45/2020 (2020 11 06)  
 (22) 2020 04 09  
 (28) 1  
 (30) No1: 13.01.2020; 3020200001492; KR  
 (73) Da-in Park  
 (Ganseok-dong) 1st Floor, 21, Juan-ro 241beon-gil, Namdong-gu, 21506 Incheon (KR)  
 (85) –  
 (86) KR  
 (87) KR  
 (88) –  
 (89) KR  
 (81) III. AM, IS, VN, MD, TJ, BW, ST, MN, GH, TR, KH, GB, TN, JP, KP, CH, IL, UA, BN, AL, AZ, TM, ME,  
 BZ, MC, BX, SG, NA, OA, RS, NO, BA, GE, US, MK, OM, CA, LI, KG, WS, SM, EM, SY, RW, RU, EG  
 (72) Da-in Park  
 (Ganseok-dong) 1st Floor, 21, Juan-ro 241beon-gil, Namdong-gu, 21506 Incheon (KR)  
 (74) Duke-Young Choi  
 (Gasam-dong, Hoseo Univ. Venture Tower) Suite 802, 70, Gasan Digital 1-ro, Geumcheon-gu,  
 08590 Seoul (KR)  
 (54) 1. Soap  
 (55)



1.1



1.2



1.3



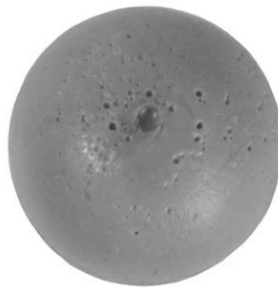
1.4



1.5



1.6



1.7

(11) DM/210 999

(51) 32-00

(15) 2020 07 22

(44) 45/2020 (2020 11 06)

(22) 2020 07 22

(28) 1

(73) ARSAN KİMYA SANAYİ VE TİCARET ANONİM ŞİRKETİ  
CUMHURİYET MAHALLESİ, GÜRPINAR YOLU CADDESİ, KAYA MİLLENNIUM İŞ MERKEZİ C  
BLOK KAT:6 NO:135-136-137-138 BÜYÜKÇEKMECE İSTANBUL (TR)

(85) TR

(86) TR

(87) TR

(88) TR

(89) TR

(81) III. UA, AM, AL, TM, AZ, ME, MD, TJ, SG, RS, NO, GH, BA, MK, US, OM, GE, KG, EM, RU

(72) ORHAN IRMAK

GÖKSU EVLERİ SİTESİ POLMİYE CADDESİ C/12 ANADOLU HİSARI, İSTANBUL (TR)

(74) DESTEK PATENT ANONİM ŞİRKETİ

Ruzi Plaza, Konak Mh. İzmir Yolu Cd, Kudret Sk. No: 20 D:Kat 6 BEŞEVLER NİLÜFER,  
16110 BURSA (TR)

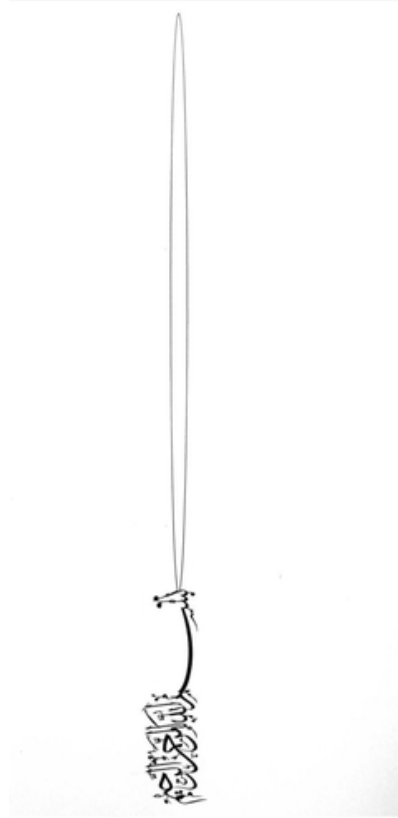
(54) 1. Surface pattern

(55)



1.1

- (11) DM/211 119 (51) 11-01  
(15) 2020 01 28 (44) 46/2020 (2020 11 13)  
(22) 2020 01 28  
(28) 1  
(73) FIRAT KAÇMAZ  
Maltepe Mah. Londra Asfaltı Cad. 4. Blok 32H Kale Avrupa Konutları Sitesi Kat:8 Daire:51 Zeytinburnu  
İstanbul (TR)  
(85) –  
(86) TR  
(87) –  
(88) –  
(89) TR  
(81) III. BN, AL, HR, AZ, TM, TJ, OA, BA, MK, GE, CA, US, OM, KG, GB, TN, EM, SY, CH, IL, FI, RU, EG  
(30) No. 1: 30.07.2019; 2019/04676; TR  
(72) FIRAT KAÇMAZ  
Maltepe Mah. Londra Asfaltı Cad. 4. Blok 32H Kale Avrupa Konutları Sitesi Kat:8 Daire:51 Zeytinburnu  
İstanbul (TR)  
(74) RABİA ÇETİN  
Mecidiyeköy Mah. Eski Osmanlı Sok. Arıkan İş Merkezi No:30 D:18 Mecidiyeköy ŞİŞLİ İstanbul (TR)  
(54) 1. Necklace  
(55)



1.1

(11) DM/211 326  
(15) 2020 11 05  
(22) 2020 11 05  
(28) 2

(51) 15-07  
(44) 48/2020 (2020 11 27)

(73) TALAT SEMİH ONAL

GÖKTÜRK MAHALLESİ İSTANBUL CADDESİ N0: 25 A2 BLOK DAİRE 3 EYÜP İSTANBUL (TR)

(85) TR

(86) TR

(87) TR

(88) –

(89) TR

(81) III. GE, AZ, EM

(72) TALAT SEMİH ONAL

GÖKTÜRK MAHALLESİ İSTANBUL CADDESİ N0: 25 A2 BLOK DAİRE 3 EYÜP İSTANBUL (TR)

(54) 1. Refrigerating apparatus, 2. Refrigerating apparatus

(55)



1.1



1.2

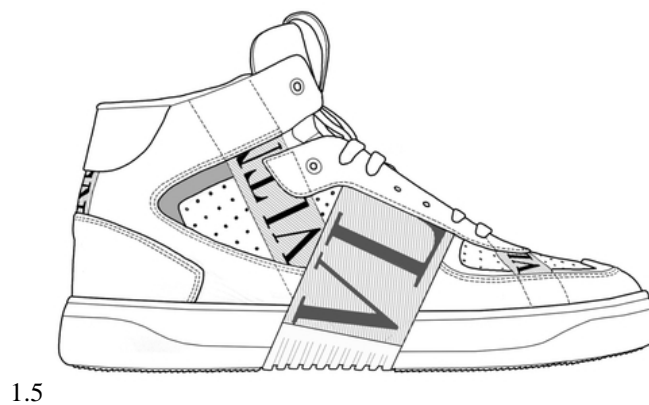
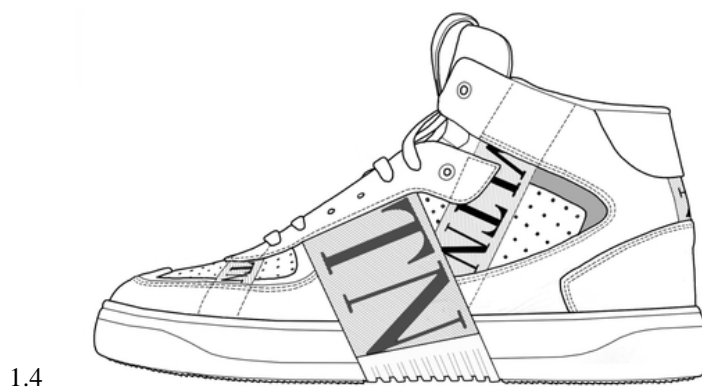
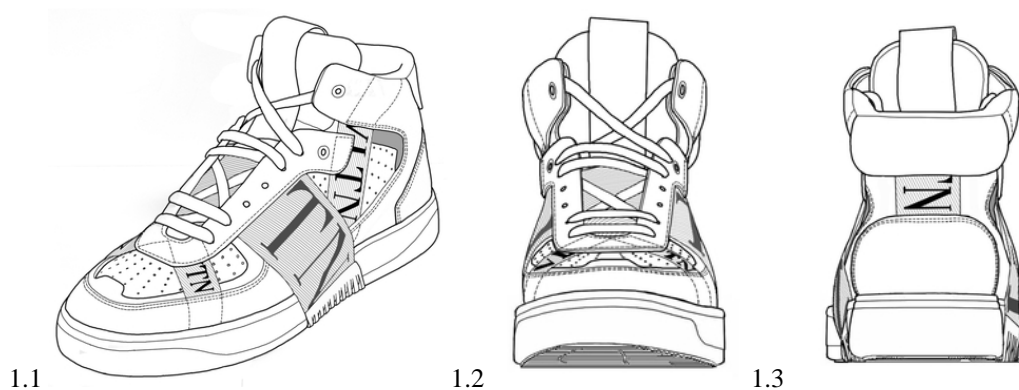


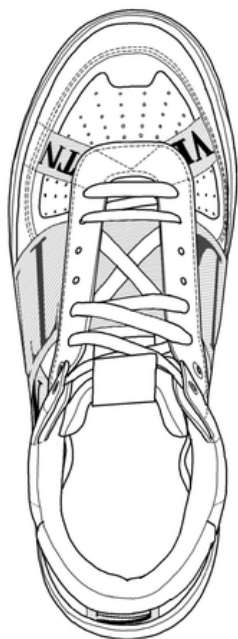
1.3



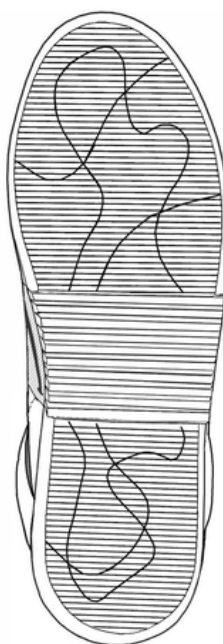
2.1

- (11) DM/211 516 (51) 02-04  
(15) 2020 11 25 (44) 50/2020 (2020 12 11)  
(22) 2020 11 25  
(28) 1  
(73) Valentino S.p.A  
Via Turati 16/18, I-20121 Milano (EM)  
(85) –  
(86) EM, IT  
(87) EM; IT  
(88) EM, IT  
(89) EM  
(81) III. US, TR, GE, UA, KG, AZ, EM, KR, TJ, JP, RU  
(72) Jacopo VENTURINI  
C/o VALENTINO S.p.A. Via Turati 16/18, I-2021, Milano (IT)  
(74) Salvatore Giovanni Pennacchio  
C/o Jacobacci & Partners Via Senato, 8, I-20121 Milano (IT)  
(54) 1. Shoe  
(55)

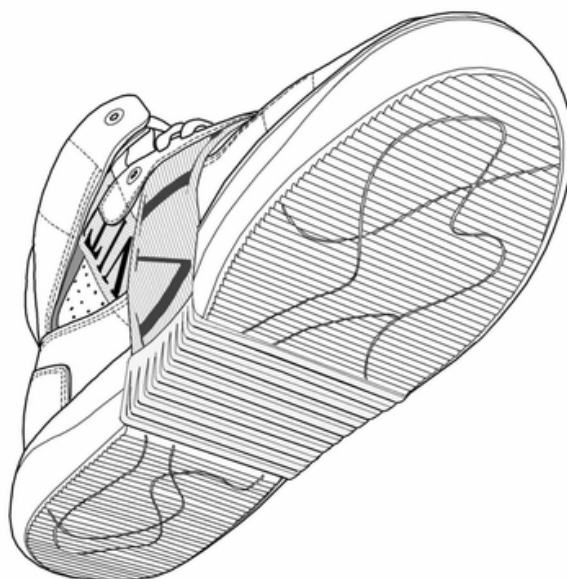




1.6

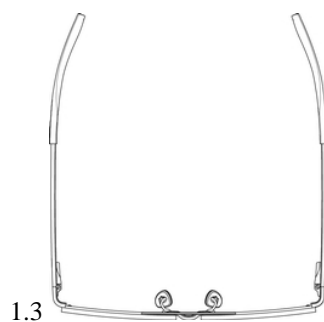


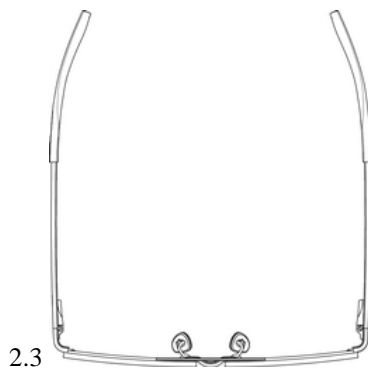
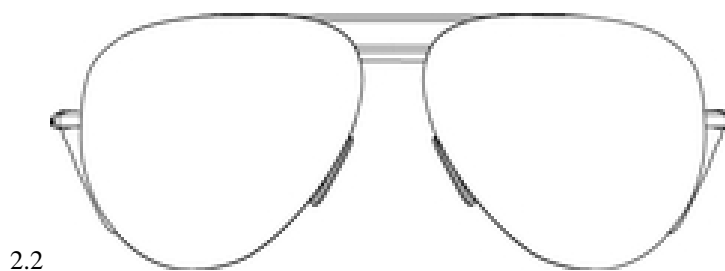
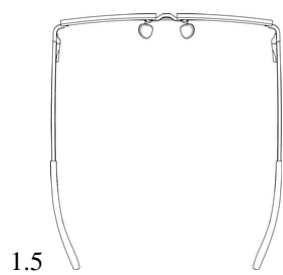
1.7



1.8

- (11) DM/211 741 (51) 16-06  
(15) 2020 12 11 (44) 52/2020 (2020 12 25)  
(22) 2020 12 11  
(28) 3  
(30) No1: 30.06.2020; 008023147; EM; No2: 30.06.2020; 008023147; EM; No3: 30.06.2020; 008023147; EM  
(73) Daniel Wellington AB  
Vasagatan 12, 111 20 Stockholm (SE)  
(85) –  
(86) EM  
(87) –  
(88) EM  
(89) EM  
(81) III. AM, IS, VN, MD, TJ, BW, MN, ST, GH, SR, TR, KH, TN, KR, JP, CH, KP, IL, UA, BN, MX, AL, AZ,  
TM, ME, BZ, MC, SG, NA, OA, NO, RS, BA, US, CA, OM, GE, MK, LI, WS, KG, SM, SY, RW, RU, EG  
(72) Filip Tysander  
Vasagatan 12, 111 20, Stockholm (SE)  
(74) AWA Sweden AB  
Box 46086, 104 30 Stockholm (SE)  
(54) 1.-3. Sunglasses  
(55)

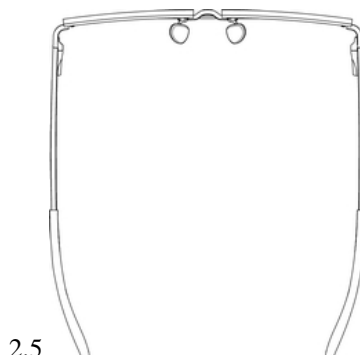




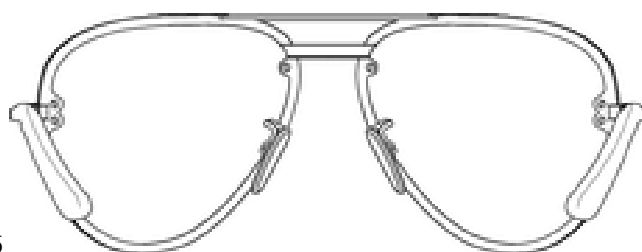




2.4



2.5



2.6



2.7



3.1



3.2



3.3



3.4



3.5



3.6



3.7

# TRADEMARKS

## APPLICATIONS FILED UNDER THE NATIONAL PROCEDURE APPROVED FOR REGISTRATION

The decision can be appealed at the Chamber of Appeal of Sakpatenti within 3 months from the publication or at the Mtskheta District Court Administrative Cases Board (Address: №17, Samkhedro St., Mtskheta), within 1 month following the publication.

(260) AM 2021 106666 A

(210) AM 106666

(220) 2020 07 14

(731) LTD "JANK FOOD"

M. Tamarashvili Av. 130, app. 163, Tbilisi,  
Georgia

(540)

(591) Black-white

(531) 27.05.01; 27.05.09; 27.05.17

(511) 30, 32, 33, 35, 43

(531) 02.07.04; 03.04.07; 05.01.19; 25.01.19;

26.01.22; 26.04.16; 29.01.15

(511) 33

(260) AM 2021 108298 A

(210) AM 108298

(220) 2020 05 18

(731) JSC "Corporation Kindzmarauli"

Ilia Chavchavadze St. 55, 4800, Kvareli,  
Georgia

(540)



(591) Yellow, red, white

(531) 05.07.10; 05.13.06; 24.01.10; 24.01.18;

24.01.25; 25.01.05; 27.05.22; 27.05.24; 28.19;  
29.01.12

(526) KINDZMARAULI

(511) 33

(260) AM 2021 108062 A

(210) AM 108062

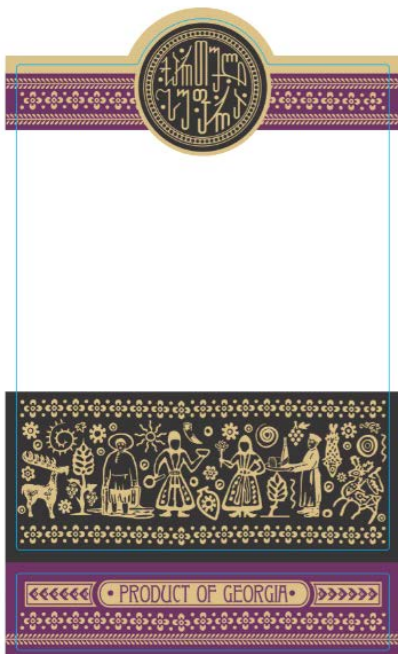
(220) 2020 04 28

(731) LLC "Georgian Wine House"

Vil. Zegaani, 1500, Gurjaani, Georgia

(740) Sopio Vacheishvili

(540)



(591) 695B35 golden, 355C49 dark green,  
6D3363 dark lilac, 51555C grey,  
943132 carnelian, 304C7D blue,  
6D3363 lilac

(260) AM 2021 108489 A

(210) AM 108489

(220) 2020 05 29

(731) LLC "LEVANTO"

Ak. Tsereteli St. 192, Kutaisi, Georgia

(540)



(591) Blue, white

(531) 26.04.22; 26.04.24; 26.13.25; 28.19; 29.01.12

(511) 25, 35

(260) AM 2021 108593 A  
 (210) AM 108593  
 (220) 2020 06 09  
 (731) INPHA LLP REPRESENTATIVE OFFICE IN  
 GEORGIA

Plot 46/10 nearby Besiki St. 4, 0108,  
 Tbilisi, Georgia

(540)

**Capsiol**  
**Капсиол**  
**კაფსიოლ**  
**კაპსიოლ**

(591) Black-white  
 (511) 5

(260) AM 2021 108594 A  
 (210) AM 108594  
 (220) 2020 06 09  
 (731) Vetements Group AG  
 Binzstrasse 44, Zürich, 8045, Switzerland  
 (740) Nino Bakhtadze  
 (540)

**VETEMENTS**

(591) Black-white  
 (531) 27.05.01; 27.05.17  
 (511) 3, 9, 14, 18, 25, 35

(260) AM 2021 108610 A  
 (210) AM 108610  
 (220) 2020 06 11  
 (731) Reckitt Benckiser LLC  
 399 Interpace Parkway, Parsippany,  
 NJ 07054, USA  
 (740) Liliana Darakhvelidze  
 (540)

**LYSOL**

(591) Black-white  
 (511) 3, 5, 21

(260) AM 2021 108662 A  
 (210) AM 108662  
 (220) 2020 06 14  
 (731) LLC "Hashterra FT"  
 Nearby Lilo Destination, Samgori District,  
 Tbilisi Georgia

(540)



(591) Sky-blue, green, black  
 (531) 01.03.01; 01.03.13; 01.03.15; 01.03.18;  
 27.05.01; 29.01.13  
 (511) 5

(260) AM 2021 108675 A  
 (210) AM 108675  
 (220) 2020 06 16  
 (731) Ramil Ilurovich Rakhimov  
 Republic of Tatarstan, Alabuga,  
 Neftyanik Av. 68, app. 39, Russian  
 Federation  
 (740) Shalva Gvaramadze  
 (540)

**YOKOSUN**

(591) Black-white  
 (511) 3, 5, 10

(260) AM 2021 108693 A  
 (210) AM 108693  
 (220) 2020 06 18  
 (731) Marriott Worldwide, Inc.  
 10400 Fernwood Rd, Bethesda,  
 MD 20817, USA  
 (740) Tamaz Shilakadze  
 (540)

**JW MARRIOTT**

(591) Black-white  
 (511) 44

(260) AM 2021 108695 A  
 (210) AM 108695  
 (220) 2020 06 18  
 (731) Marriott Worldwide, Inc.  
 10400 Fernwood Rd, Bethesda,  
 MD 20817, USA  
 (740) Tamaz Shilakadze

(540)



(591) Black-white  
(531) 04.03.01; 04.03.20  
(511) 44

(260) AM 2021 108742 A  
(210) AM 108742  
(220) 2020 06 22  
(731) LTD "PARK GIDA"  
5<sup>th</sup> District, St. 46a, Vil. Khutsubani,  
6200, Kobuleti, Georgia  
(740) Dato Jaiani  
(540)

# G.

(591) Black-white  
(511) 32

(260) AM 2021 108743 A  
(210) AM 108743  
(220) 2020 06 22  
(731) LTD "IMPEXPHARM"  
On the right bank of the River Mtkvari, nearby  
downway of Bacteriophage, 0160,  
Tbilisi, Georgia  
(740) Nugzar Ksovreli  
(540)

## Desloben

(591) Black-white  
(511) 5

(260) AM 2021 108747 A  
(210) AM 108747  
(220) 2020 06 23  
(731) Troikaa Pharmaceuticals Ltd.  
Commerce House - 1, Satya Marg, Bodakdev,  
Ahmedabad, Gujarat 380054, India  
(740) Giorgi Taktakishvili  
(540)

## DYNAPAR

(591) Black-white  
(511) 5

(260) AM 2021 108749 A  
(210) AM 108749  
(220) 2020 06 23  
(731) LTD "ARSON TECHNOLOGY"  
Tsabadze St. 8b, bld. 2, Shop 3, 0112,  
Didube District, Tbilisi, Georgia  
(540)



(591) Orange, black  
(531) 26.04.02; 26.04.09; 26.04.22; 26.04.24; 28.19;  
29.01.12  
(511) 35

(260) AM 2021 108750 A  
(210) AM 108750  
(220) 2020 06 23  
(731) LTD "AMALTEA"  
Vazha-Pshavela Av. 6, app. 29, Tbilisi,  
Georgia  
(540)



(591) Blue, white  
(531) 08.03.01; 08.03.08; 08.03.09; 08.03.12;  
08.03.25; 19.07.16; 19.09.01; 19.09.02;  
26.01.01; 26.01.05; 26.01.16; 26.01.21; 28.19;  
29.01.12  
(511) 29, 30

(260) AM 2021 108752 A  
(210) AM 108752  
(220) 2020 06 23  
(731) Abdi İbrahim İlaç Sanayi ve Ticaret Anonim  
Şirketi  
Reşitpaşa Mahallesi Eski Büyükdere Caddesi  
No:4 34467 Maslak Sarıyer İstanbul, Turkey  
(740) Tamaz Shilakadze  
(540)

## TARVIO

(591) Black-white  
(511) 5

(260) AM 2021 108753 A  
(210) AM 108753  
(220) 2020 06 23  
(731) Abdi İbrahim İlaç Sanayi ve Ticaret Anonim  
Şirketi  
Reşitpaşa Mahallesi Eski Büyükdere Caddesi  
No:4 34467 Maslak Sarıyer İstanbul, Turkey  
(740) Tamaz Shilakadze  
(540)

ტარგომ

(591) Black-white  
(511) 5

(260) AM 2021 108755 A  
(210) AM 108755  
(220) 2020 06 23  
(731) LTD "ARSON TECHNOLOGY"  
Tsabadze St. 8b, bld. 2, Shop 3, 0112,  
Didube District, Tbilisi, Georgia  
(540)

  
Just for You

(591) White, black, red  
(531) 26.03.01; 26.03.05; 26.03.24; 26.11.09;  
27.01.05; 27.05.01; 29.01.12  
(511) 35

(260) AM 2021 108757 A  
(210) AM 108757  
(220) 2020 06 23  
(731) LLC "NILI"  
XII mcr. 19, app. 6, Rustavi, Georgia  
(540)



(591) Green, white, black, golden  
(531) 26.04.05; 26.04.16; 26.04.22; 26.04.24;  
26.11.03; 26.11.06; 26.11.12; 27.05.01;  
27.05.24; 29.01.14  
(511) 4, 35

(260) AM 2021 108759 A  
(210) AM 108759  
(220) 2020 06 23  
(731) Philip Morris Products S.A.  
Quai Jeanrenaud 3, 2000 Neuchâtel,  
Switzerland  
(740) Pavle Meipariani  
(540)

## HEETS YELLOW SELECTION

(591) Black-white  
(511) 34

(260) AM 2021 108761 A  
(210) AM 108761  
(220) 2020 06 23  
(731) VALIO LTD  
Meijeritie 6, Helsinki, FI-00370, Finland  
(740) Giorgi Kartvelishvili  
(540)

## ODDLYGOOD

(591) Black-white  
(511) 29, 30, 32

(260) AM 2021 108762 A  
(210) AM 108762  
(220) 2020 06 23  
(731) Philip Morris Products S.A.  
Quai Jeanrenaud 3, 2000 Neuchâtel,  
Switzerland  
(740) Pavle Meipariani  
(540)

## TURQUOISE SELECTION

(591) Black-white  
(511) 34

(260) AM 2021 108763 A  
(210) AM 108763  
(220) 2020 06 23  
(731) Philip Morris Products S.A.  
Quai Jeanrenaud 3, 2000 Neuchâtel,  
Switzerland  
(740) Pavle Meipariani  
(540)

## HEETS SILVER SELECTION

(591) Black-white  
(511) 34

(260) AM 2021 108764 A  
 (210) AM 108764  
 (220) 2020 06 23  
 (731) Philip Morris Products S.A.  
 Quai Jeanrenaud 3, 2000 Neuchâtel,  
 Switzerland  
 (740) Pavle Meipariani  
 (540)

## IQOS DUO

(591) Black-white  
 (511) 34

(260) AM 2021 108765 A  
 (210) AM 108765  
 (220) 2020 06 23  
 (731) Philip Morris Products S.A.  
 Quai Jeanrenaud 3, 2000 Neuchâtel,  
 Switzerland  
 (740) Pavle Meipariani  
 (540)

## PURPLE WAVE

(591) Black-white  
 (511) 34

(260) AM 2021 108766 A  
 (210) AM 108766  
 (220) 2020 06 24  
 (731) LLC "ORI NABIJI"  
 Navtlughi St. 39-41, 0113, Isani District,  
 Tbilisi, Georgia  
 (540)



(591) Light green, dark green  
 (531) 26.04.17; 28.19; 29.01.03  
 (511) 35

(260) AM 2021 108773 A  
 (210) AM 108773  
 (220) 2020 06 24  
 (731) LLC "ORI NABIJI"  
 Navtlughi St. 39-41, 0113, Isani district,  
 Tbilisi, Georgia  
 (540)



(591) White, brown, dark khaki, dark carnelian

(531) 05.07.10; 06.19.07; 06.19.16; 25.01.19;  
 28.19; 29.01.15  
 (511) 33

(260) AM 2021 108780 A  
 (210) AM 108780  
 (220) 2020 06 25  
 (731) Chery Commercial Vehicle (Anhui) Co., Ltd.  
 8th Building, Science and Technology  
 Industrial Park, No.717 Zhongshan Road  
 (South), Yijiang Area, Wuhu City, Anhui  
 Province, China  
 (740) Merab Kvimsadze  
 (540)



(591) Black-white  
 (531) 24.11.25; 26.01.02; 26.01.03; 26.01.22  
 (511) 12, 37

(260) AM 2021 108783 A  
 (210) AM 108783  
 (220) 2020 06 25  
 (731) Elena Jishiashvili  
 Tbilisi St. 16, app. 13, Tkibuli, Georgia  
 (740) Shalva Gvaramadze  
 (540)



(591) Black-white  
 (531) 24.01.01; 24.01.03; 24.01.25; 24.09.02;  
 24.09.12; 24.09.24; 24.09.25; 26.04.01;  
 26.04.03; 26.04.07; 26.04.09; 26.11.11  
 (511) 29, 30

(260) AM 2021 108788 A  
 (210) AM 108788  
 (220) 2020 06 26  
 (731) LTD "HEOPHARM"  
 Davit Agmashenebeli Alley, 12<sup>th</sup> km, 0131,  
 Tbilisi, Georgia

(540)



(591) Green, red  
(531) 26.13.25; 28.19; 29.01.12  
(511) 3, 5

(260) AM 2021 108859 A  
(210) AM 108859  
(220) 2020 06 29  
(731) Enriko Beridze  
T. Tabidze St. 10, Lane I, Tbilisi, Georgia  
(740) Salome Jeladze  
(540)

**ხაღისი**  
**HALISI**

(591) Black-white  
(511) 33

(260) AM 2021 108848 A  
(210) AM 108848  
(220) 2020 06 26  
(731) Levan Gvaramadze  
Aleksandre Kazbegi St. 2, app. 12, 0160,  
Tbilisi, Georgia  
(540)

**დამპიტაური**

(591) Black-white  
(511) 33

(260) AM 2021 108860 A  
(210) AM 108860  
(220) 2020 06 29  
(731) Enriko Beridze  
T. Tabidze St. 10, Lane I, Tbilisi, Georgia  
(740) Salome Jeladze  
(540)

**ხაღისიანო**  
**HALISIANI**

(591) Black-white  
(511) 33

(260) AM 2021 108851 A  
(210) AM 108851  
(220) 2020 06 29  
(731) Archil Utmelidze  
Nutsbidze Plateau III mcr, III qu.,  
corp. 11, app. 52, Tbilisi, Georgia  
(540)

**საქმიანეზო**  
**saqmianiezo**

(591) Black-white  
(511) 9, 35, 36, 37

(260) AM 2021 108861 A  
(210) AM 108861  
(220) 2020 06 29  
(731) Enriko Beridze  
T. Tabidze St. 10, Lane I, Tbilisi, Georgia  
(740) Salome Jeladze  
(540)

**სანუკვარი**  
**SANUKVARI**

(591) Black-white  
(511) 33

(260) AM 2021 108852 A  
(210) AM 108852  
(220) 2020 06 29  
(731) LTD "Georgian Vine & Wine Company"  
Davit Aghmashenebeli Av. 179a, app. 25,  
0112, Tbilisi, Georgia  
(540)

**ნალივინი**  
**Наливайн**  
**Naliwine**

(591) Black-white  
(511) 33

(260) AM 2021 108863 A  
(210) AM 108863  
(220) 2020 06 29  
(731) Soremartec S.A.  
16 Route de Trèves, L-2633, Senningerberg,  
Luxembourg  
(740) Giorgi Sarajishvili  
(540)

**Famous Amos**



(591) Blue, white  
 (531) 27.05.02; 27.05.03; 29.01.12  
 (511) 30

(260) AM 2021 108865 A  
 (210) AM 108865  
 (220) 2020 06 30  
 (731) LTD "DINAMO ARENA"  
 Dighomi, III qu., Football Training Base,  
 0159, Tbilisi, Georgia  
 (740) Giorgi Taktakishvili  
 (540)



(591) Blue  
 (531) 26.01.02; 26.01.19; 26.03.04; 28.19; 29.01.04  
 (511) 14, 16, 18, 21, 24, 25, 28, 35, 41

(260) AM 2021 108869 A  
 (210) AM 108869  
 (220) 2020 06 30  
 (731) Genadiy Vasilievich Zhuravlev  
 Federation Av., bld. 28, app. 47, 111399,  
 Moscow, Russian Federation  
 (740) Shalva Gvaramadze  
 (540)

**KVEBA**  
**КВЕБА**  
 კვება

(591) Black-white  
 (511) 33, 35

(260) AM 2021 108872 A  
 (210) AM 108872  
 (220) 2020 06 30  
 (731) LTD "TAHA 14"  
 Uznadze St. 111, app. 11, bld. 2,  
 Tbilisi, Georgia  
 (540)



(591) Grey, yellow, green  
 (531) 01.01.05; 01.01.10; 07.01.06; 07.01.08;  
 07.01.12; 27.05.01; 29.01.14  
 (511) 37

(260) AM 2021 108879 A  
 (210) AM 108879  
 (220) 2020 07 01  
 (731) Genadiy Vasilievich Zhuravlev  
 Federation Av., bld. 28, app. 47, 111399,  
 Moscow, Russian Federation  
 (740) Shalva Gvaramadze  
 (540)

**AZATI**  
**АЗАТИ**  
 აზათი

(591) Black-white  
 (511) 33

(260) AM 2021 108880 A  
 (210) AM 108880  
 (220) 2020 07 01  
 (310) 34996  
 (320) 2020 05 15  
 (330) AD  
 (731) Philip Morris Products S.A.  
 Quai Jeanrenaud 3, 2000 Neuchâtel,  
 Switzerland  
 (740) Pavle Meipariani  
 (540)

**SMARTCORE**  
**INDUCTION SYSTEM**

(591) Black-white  
 (511) 34

(260) AM 2021 108881 A  
 (210) AM 108881  
 (220) 2020 07 01  
 (310) 34994  
 (320) 2020 05 15  
 (330) AD  
 (731) Philip Morris Products S.A.  
 Quai Jeanrenaud 3, 2000 Neuchâtel,  
 Switzerland  
 (740) Pavle Meipariani  
 (540)

**SMARTCORE STICKS**

(591) Black-white  
 (511) 34

(260) AM 2021 108886 A  
 (210) AM 108886  
 (220) 2020 07 02  
 (731) LTD "PARK GIDA"  
 5<sup>th</sup> district, St. 46a, Vil. Khutsubani,  
 6200, Kobuleti, Georgia  
 (740) Dato Jaiani  
 (540)

## 7 Night

(591) Black-white  
 (511) 32

(260) AM 2021 108887 A  
 (210) AM 108887  
 (220) 2020 07 02  
 (310) 2020704323  
 (320) 2020 01 31  
 (330) RU  
 (731) UCB Biopharma SRL  
 Allee de la Recherche 60, Brussels, B-1070,  
 Belgium  
 (740) Tamaz Shilakadze  
 (540)

## Артлегия

(591) Black-white  
 (511) 5

(260) AM 2021 108889 A  
 (210) AM 108889  
 (220) 2020 07 02  
 (310) 018233769  
 (320) 2020 05 05  
 (330) EP  
 (731) Intercontinental Great Brands LLC  
 100 Diforist Aveniu, Ist Hanoveri,  
 New Jersey, 07936, USA  
 (740) Giorgi Taktakishvili  
 (540)



(591) Yellow, orange, red, green, black, white  
 (531) 26.03.01; 26.03.05; 26.03.19; 27.05.01;  
 27.05.07; 29.01.15  
 (511) 30

(260) AM 2021 108891 A  
 (210) AM 108891  
 (220) 2020 07 02  
 (731) Intercontinental Great Brands LLC  
 100 Diforist Aveniu, Ist Hanoveri,  
 New Jersey, 07936, USA  
 (740) Giorgi Taktakishvili  
 (540)



(591) White, blue, pale sky-blue, blue, red, black  
 (531) 01.15.15; 05.03.13; 05.03.14; 26.03.24;  
 26.04.02; 26.04.05; 26.04.15; 26.04.22;  
 27.05.01; 27.05.02; 27.05.07; 27.05.10;  
 29.01.14  
 (511) 30

(260) AM 2021 108893 A  
 (210) AM 108893  
 (220) 2020 07 03  
 (731) David Chrelashvili  
 Kavsadze St. 3, "C" block, app. 23, 0179,  
 Tbilisi, Georgia  
 (740) Shalva Gvaramadze  
 (540)



(591) Brownish black, orange, white  
 (531) 05.07.02; 28.19; 29.01.13  
 (511) 29, 30, 43

(260) AM 2021 108943 A  
 (210) AM 108943  
 (220) 2020 07 04  
 (731) David Gabrichidze  
 Nutsubidze St. 30, 0177, Tbilisi, Georgia  
 (540)



(591) Lilac

(531) 02.09.04; 27.03.01; 27.03.03; 27.03.15;  
29.01.12  
(511) 42

(260) AM 2021 108945 A  
(210) AM 108945  
(220) 2020 07 05  
(731) Ani Kachkashvili  
Saakadze St. 4, b. 47, 3700, Rustavi, Georgia  
(540)

**ღედას ლიქიორი**

(591) Black-white  
(511) 33

(260) AM 2021 108946 A  
(210) AM 108946  
(220) 2020 07 06  
(731) RK South Asia SDN. BHD  
No. 2440, Lorong Perusahaan 10,  
Prai Industrial Estate, Prai Penang, 13600,  
Malaysia  
(740) Tamar Kotchlamazashvili  
(540)

**RK**  
**TAKASAGO CHAIN**

(591) Black-white  
(531) 27.05.01; 27.05.10; 27.05.17; 27.05.23  
(511) 12

(260) AM 2021 108950 A  
(210) AM 108950  
(220) 2020 07 07  
(731) LLC "POLAR SEAFOOD RUSSIA"  
Starye Kremenki St., 90, Jukovskiy District,  
Kremenki, RU-249185 Kalujskaya  
Region, Russian Federation  
(740) Shalva Gvaramadze  
(540)



**POLAR**

(591) White, different tones of blue and sky-blue  
(531) 03.01.14; 26.01.15; 27.05.01; 27.05.17;  
29.01.12  
(511) 29

(260) AM 2021 108955 A  
(210) AM 108955  
(220) 2020 07 08  
(731) PT. BUKIT PERAK  
JL. Raya Semarang Kendal km 10.5,  
Semarang 50153, Indonesia  
(740) Shalva Gvaramadze  
(540)

**BEA**

(591) Black-white  
(511) 5

(260) AM 2021 108958 A  
(210) AM 108958  
(220) 2020 07 08  
(731) LLC "Slent Company"  
Panaskerteli St. 14, app. 4, 0194, Tbilisi,  
Georgia  
(540)



(591) Straw-coloured, black  
(531) 05.07.02; 27.05.11; 28.19; 29.01.12  
(511) 30

(260) AM 2021 108959 A  
(210) AM 108959  
(220) 2020 07 08  
(731) Enriko Beridze  
T. Tabidze St. 10, Lane I, Tbilisi, Georgia  
(740) Salome Jeladze  
(540)

**ბიძაშვილი**  
**BIDZASHVILO**

(591) Black-white  
(511) 33

(260) AM 2021 108967 A  
 (210) AM 108967  
 (220) 2020 07 09  
 (731) LTD "ZOOSTANDART"  
 I. Nikoladze St. 4, app. 1, 0179, Tbilisi,  
 Georgia

(540)



(591) White, bordeaux, grey  
 (531) 03.01.06; 05.07.16; 26.04.04; 26.04.05;  
 26.04.06; 26.04.22; 26.04.24; 27.05.01;  
 27.05.09; 27.05.10; 27.05.24; 29.01.12  
 (511) 31

(260) AM 2021 108968 A  
 (210) AM 108968  
 (220) 2020 07 09  
 (731) LTD "ZOOSTANDART"  
 I. Nikoladze St. 4, app. 1, 0179, Tbilisi,  
 Georgia

(540)



(591) White, bordeaux, grey  
 (531) 03.01.08; 05.07.16; 26.04.04; 26.04.05;  
 26.04.06; 26.04.22; 26.04.24; 27.05.08;  
 27.05.09; 27.05.10; 27.05.24; 29.01.12  
 (511) 31

(260) AM 2021 108969 A  
 (210) AM 108969  
 (220) 2020 07 09  
 (310) 80466  
 (320) 2020 05 22  
 (330) JM  
 (731) INTEL CORPORATION  
 2200 Mission College Boulevard,  
 Santa Clara, CA 95052, USA

(740) Tamaz Shilakadze  
 (540)

## DO SOMETHING WONDERFUL

(591) Black-white  
 (511) 9, 42

(260) AM 2021 109028 A  
 (210) AM 109028  
 (220) 2020 07 13  
 (731) LTD "OCEAN"  
 Merab Kavtaradze St. 11, 0180, Tbilisi,  
 Georgia

(740) Melano Gogisvanidze  
 (540)



(591) FFFFFFF white, ED3237 red, 00AFEF  
 sky-blue, 2A507A blue  
 (531) 03.09.01; 03.09.24; 25.01.05; 25.01.06;  
 27.05.01; 28.19; 29.01.14  
 (511) 29

(260) AM 2021 109030 A  
 (210) AM 109030  
 (220) 2020 07 13  
 (731) Enriko Beridze  
 T. Tabidze St. 10, Lane I, Tbilisi, Georgia  
 (740) Salome Jeladze  
 (540)

## CATACOMBA კატაკომბა

(591) Black-white  
 (511) 35, 43

(260) AM 2021 109049 A  
 (210) AM 109049  
 (220) 2020 07 16  
 (731) LTD "Mzareuli 1"  
 Merab Kavtaradze St. 11, 0180, Tbilisi,  
 Georgia  
 (740) Melano Gogisvanidze

(540)



(591) FFFFFFF white 29525A dark turquoise  
 (531) 26.01.01; 26.01.03; 26.01.20; 26.01.24; 28.19;  
 29.01.12  
 (511) 30

(260) AM 2021 109110 A  
 (210) AM 109110  
 (220) 2020 07 17  
 (731) Giorgi Kikabidze  
 Il. Chavchavadze Av. 54a, 0179, Tbilisi,  
 Georgia  
 (740) Giorgi Taktakishvili  
 (540)

**პორტი მეგრელო**  
**Port Megrelo**  
**Порт Мегрело**

(591) Black-white  
 (511) 32, 33, 43

(260) AM 2021 109111 A  
 (210) AM 109111  
 (220) 2020 07 17  
 (731) Il. Chavchavadze Av. 54a, 0179, Tbilisi,  
 Georgia  
 (740) Giorgi Taktakishvili  
 (540)



**СТАРЫЙ БАТУМИ**

(591) Black-white  
 (531) 18.04.02; 18.04.03; 26.01.01; 26.01.04;  
 26.01.21; 27.05.01; 28.05; 28.19  
 (526) BATUMI ბათუმი БАТУМИ  
 (511) 32, 33

(260) AM 2021 109112 A  
 (210) AM 109112  
 (220) 2020 07 17  
 (731) BASF SE  
 Carl-Bosch-Strasse 38, Ludwigshafen  
 am Rhein, Germany  
 (740) Giorgi Taktakishvili  
 (540)

**იდელტისი**

(591) Black-white  
 (531) 28.19  
 (511) 1, 5, 31

(260) AM 2021 109113 A  
 (210) AM 109113  
 (220) 2020 07 17  
 (731) BASF Agricultural Solutions Seed US LLC  
 100 Park Avenue, Florham Park,  
 NJ, USA  
 (740) Giorgi Taktakishvili  
 (540)

**ინვიგორი**

(591) Black-white  
 (531) 28.19  
 (511) 1, 31

(260) AM 2021 109114 A  
 (210) AM 109114  
 (220) 2020 07 17  
 (731) BASF Agricultural Solutions Seed US LLC  
 100 Park Avenue, Florham Park,  
 NJ, USA  
 (740) Giorgi Taktakishvili  
 (540)

**ინსანი**

(591) Black-white  
 (531) 28.19  
 (511) 1, 31

(260) AM 2021 109128 A  
 (210) AM 109128  
 (220) 2020 07 20  
 (731) LLC "ECO BOHEMIA"  
 Vil. Tserovani, 3318, Mtskheta, Georgia  
 (540)



(591) Green, red, white

(531) 05.03.13; 05.03.14; 26.04.02; 26.04.15;  
26.04.22; 26.04.24; 27.03.11; 27.05.01;  
27.05.24; 28.19; 29.01.13  
(511) 5

---

(260) AM 2021 109134 A  
(210) AM 109134  
(220) 2020 07 21  
(731) LLC "CONCEPT PHARMA"  
University St. 2, app. 5, Block A, 0177,  
Tbilisi, Georgia  
(740) Nugzar Ksovreli  
(540)

**ფლოქსაზოლი**  
**Floxazol**  
**Флоксазол**

(591) Black-white  
(511) 5

---

(260) AM 2021 109135 A  
(210) AM 109135  
(220) 2020 07 21  
(731) LLC "CONCEPT PHARMA"  
University St. 2, app. 5, Block A, 0177,  
Tbilisi, Georgia  
(740) Nugzar Ksovreli  
(540)

**იბუტამოლ დუო**  
**Ibutamol duo**  
**Ибутамол дуо**

(591) Black-white  
(511) 5

---

(260) AM 2021 109221 A  
(210) AM 109221  
(220) 2020 07 29  
(731) MARTINEZ NIETO, S.A.  
Crta. La Aljorra, km. 4,6, 30391 La Guía,  
Cartagena (Murcia), Spain  
(740) Liliana Darakhvelidze  
(540)

**NEOCARBON**

(591) Black-white  
(511) 5

---

**REGISTERED TRADEMARKS**

(111) M 2021 33534 R  
(151) 2021 01 22  
(181) 2031 01 22  
(260) AM 2020 103860 A  
(220) 2020 02 26

(732) LTD "VIPGROUP"  
Kekelidze St. 25, corp. 6, app. 1, Tbilisi,  
Georgia

---

(111) M 2021 33535 R  
(151) 2021 01 22  
(181) 2031 01 22  
(260) AM 2020 105431 A  
(220) 2020 03 17

(732) LLC "Qvevry Research Company"  
Barakoni St. 4, Tbilisi, Georgia

---

(111) M 2021 33536 R  
(151) 2021 01 22  
(181) 2031 01 22  
(260) AM 2019 105439 A  
(220) 2019 10 22

(732) LTD "GEMOVANI"  
Krtsanisi St. 22-24, app. 44, Tbilisi, Georgia

---

(111) M 2021 33537 R  
(151) 2021 01 22  
(181) 2031 01 22  
(260) AM 2019 105444 A  
(220) 2019 10 22

(732) Natia Gurgenzidze  
T. Abuladze St. 3, 0162, Tbilisi, Georgia

---

(111) M 2021 33538 R  
(151) 2021 01 22  
(181) 2031 01 22  
(260) AM 2019 105653 A  
(220) 2019 11 05

(732) LTD "ZEARIS"  
Richard Holbrooke St. 13, Tbilisi, Georgia

---

(111) M 2021 33539 R  
(151) 2021 01 22  
(181) 2031 01 22  
(260) AM 2019 105669 A  
(220) 2019 11 07

(732) LTD "Zala Restaurant"  
I. Chavchavadze Av. 37L, app. 62, Block B,  
Tbilisi, Georgia

---

(111) M 2021 33540 R  
(151) 2021 01 22  
(181) 2031 01 22  
(260) AM 2019 105677 A  
(220) 2019 11 08

(732) LTD "Kakhetian Wine Cellar"  
Nutsubidze St. 171, 0186, Tbilisi, Georgia

---

(111) M 2021 33541 R  
(151) 2021 01 22  
(181) 2031 01 22  
(260) AM 2019 105965 A  
(220) 2019 11 29

(732) LTD "IAA MOTORS"  
Al. Kazbegi Av. 12a, Vake-Saburtalo district  
Tbilisi, Georgia

---

(111) M 2021 33542 R  
(151) 2021 01 22  
(181) 2031 01 22  
(260) AM 2019 106045 A  
(220) 2019 12 06

(732) LTD "STARI"  
Kindzmarauli St. 17, stream III exit 216,  
Near Nakaduli III, 216 (plot N8 / 42), 0145,  
Samgori district, Tbilisi, Georgia

---

(111) M 2021 33543 R  
(151) 2021 01 22  
(181) 2031 01 22  
(260) AM 2019 106093 A  
(220) 2019 12 12

(732) Giorgi Gabunia  
D. Uznadze St. 2, app. 44, Tbilisi, Georgia;  
Nika Gvaramia  
Levan Mikeladze St. (Former Abuladze St.)  
19, app. 28, Tbilisi, Georgia;  
Dimitri Sadzaglishvili  
Kakheti Highway 36/6, app. 79, Tbilisi, Georgia

---

(111) M 2021 33544 R  
(151) 2021 01 22  
(181) 2031 01 22  
(260) AM 2019 106164 A  
(220) 2019 12 16

(732) LTD "Berika"  
I. Chavchavadze Av., I Lane 6, app. 80, 0179,  
Tbilisi, Georgia

---

(111) M 2021 33545 R  
(151) 2021 01 22  
(181) 2031 01 22  
(260) AM 2019 106171 A  
(220) 2019 12 17  
(732) AF Development Holding Limited  
Unit S317, Level 3, Emirates Financial  
Towers, Dubai International Financial Centre,  
P. O. Box 79947, Dubai, United Arab Emirates

(111) M 2021 33546 R  
(151) 2021 01 22  
(181) 2031 01 22  
(260) AM 2019 106182 A  
(220) 2019 12 18  
(732) Geox S.p.a.  
Feltrina Centro 16, Frazione Biadene, 31044  
Montebelluna (Treviso), Italy

(111) M 2021 33547 R  
(151) 2021 01 22  
(181) 2031 01 22  
(260) AM 2020 106586 A  
(220) 2020 01 10  
(732) ETİ GIDA SANAYİ VE TİCARET ANONİM  
ŞİRKETİ  
ORGANİZE SANAYİ BÖLGESİ 11. CADDE  
ESKİŞEHİR, Turkey

(111) M 2021 33548 R  
(151) 2021 01 22  
(181) 2031 01 22  
(260) AM 2020 106610 A  
(220) 2020 01 16  
(732) LTD "Tbilisi Free University"  
David Agmashenebeli Alley 240, Tbilisi, Georgia

(111) M 2021 33549 R  
(151) 2021 01 22  
(181) 2031 01 22  
(260) AM 2020 106612 A  
(220) 2020 01 16  
(732) N(N)LE "Georgian Agrarian University"  
David Agmashenebeli Alley 240, Tbilisi, Georgia

(111) M 2021 33550 R  
(151) 2021 01 22  
(181) 2031 01 22  
(260) AM 2020 106613 A  
(220) 2020 01 16  
(732) N(N)LE "Georgian Agrarian University"  
David Agmashenebeli Alley 240, Tbilisi,  
Georgia

(111) M 2021 33551 R  
(151) 2021 01 22  
(181) 2031 01 22  
(260) AM 2020 106676 A  
(220) 2020 01 23  
(732) INPHA LLP Representative Office in Georgia  
adjacent to Besiki St. 4, (Plot 46/10), 0108,  
Tbilisi, Georgia

(111) M 2021 33552 R  
(151) 2021 01 22  
(181) 2031 01 22  
(260) AM 2020 106681 A  
(220) 2020 01 23  
(732) INPHA LLP Representative Office in Georgia  
adjacent to Besiki St. 4, (Plot 46/10), 0108,  
Tbilisi, Georgia

(111) M 2021 33553 R  
(151) 2021 01 22  
(181) 2031 01 22  
(260) AM 2020 106682 A  
(220) 2020 01 23  
(732) INPHA LLP Representative Office in Georgia  
adjacent to Besiki St. 4, (Plot 46/10), 0108,  
Tbilisi, Georgia

(111) M 2021 33554 R  
(151) 2021 01 22  
(181) 2031 01 22  
(260) AM 2020 106753 A  
(220) 2020 01 24  
(732) QTERMINALS  
P.O. Box 11112, Doha, Qatar

(111) M 2021 33555 R  
(151) 2021 01 22  
(181) 2031 01 22  
(260) AM 2020 106757 A  
(220) 2020 01 24  
(732) INPHA LLP Representative Office in Georgia  
Adjacent to Besiki St. 4, (plot 46/10), 0108,  
Tbilisi, Georgia

(111) M 2021 33556 R  
(151) 2021 01 22  
(181) 2031 01 22  
(260) AM 2020 106758 A  
(220) 2020 01 24  
(732) INPHA LLP Representative Office in Georgia  
Adjacent to Besiki St. 4, (plot 46/10), 0108,  
Tbilisi, Georgia



(111) M 2021 33557 R  
(151) 2021 01 22  
(181) 2031 01 22  
(260) AM 2020 106759 A  
(220) 2020 01 24  
(732) INPHA LLP Representative Office in Georgia  
Adjacent to Besiki St. 4, (plot 46/10), 0108,  
Tbilisi, Georgia

---

(111) M 2021 33558 R  
(151) 2021 01 22  
(181) 2031 01 22  
(260) AM 2020 106801 A  
(220) 2020 01 30  
(732) LTD "MAGTI"  
Davit Aghmashenebeli Av. 152, 0112, Tbilisi,  
Georgia

---

(111) M 2021 33559 R  
(151) 2021 01 22  
(181) 2031 01 22  
(260) AM 2020 106802 A  
(220) 2020 01 30  
(732) LLC "MAGTI"  
Davit Aghmashenebeli Av. 152, 0112, Tbilisi,  
Georgia

---

(111) M 2021 33560 R  
(151) 2021 01 22  
(181) 2031 01 22  
(260) AM 2020 106803 A  
(220) 2020 01 30  
(732) LLC "MAGTI"  
Davit Aghmashenebeli Av. 152, 0112, Tbilisi,  
Georgia

---

(111) M 2021 33561 R  
(151) 2021 01 22  
(181) 2031 01 22  
(260) AM 2020 106805 A  
(220) 2020 01 30  
(732) LLC "MAGTI"  
Davit Aghmashenebeli Av. 152, 0112, Tbilisi,  
Georgia

---

(111) M 2021 33562 R  
(151) 2021 01 22  
(181) 2031 01 22  
(260) AM 2020 106806 A  
(220) 2020 01 30  
(732) LLC "MAGTI"  
Davit Aghmashenebeli Av. 152, 0112, Tbilisi,  
Georgia

---

(111) M 2021 33563 R  
(151) 2021 01 22  
(181) 2031 01 22  
(260) AM 2020 106807 A  
(220) 2020 01 30  
(732) LLC "MAGTI"  
Davit Aghmashenebeli Av. 152, 0112, Tbilisi,  
Georgia

---

(111) M 2021 33564 R  
(151) 2021 01 22  
(181) 2031 01 22  
(260) AM 2020 106808 A  
(220) 2020 01 30  
(732) Victoria's Secret Stores Brand Management Inc.  
4 Limited Parkway, Reynoldsburg  
OH 43068, USA

---

(111) M 2021 33565 R  
(151) 2021 01 22  
(181) 2031 01 22  
(260) AM 2020 106811 A  
(220) 2020 01 30  
(732) LTD "MAGTI"  
Davit Aghmashenebeli Av. 152, 0112, Tbilisi,  
Georgia

---

(111) M 2021 33566 R  
(151) 2021 01 22  
(181) 2031 01 22  
(260) AM 2020 106813 A  
(220) 2020 01 30  
(732) LTD "MAGTI"  
Davit Aghmashenebeli Av. 152, 0112, Tbilisi,  
Georgia

---

(111) M 2021 33567 R  
(151) 2021 01 22  
(181) 2031 01 22  
(260) AM 2020 106814 A  
(220) 2020 01 30  
(732) LTD "MAGTI"  
Davit Aghmashenebeli Av. 152, 0112, Tbilisi,  
Georgia

---

(111) M 2021 33568 R  
(151) 2021 01 22  
(181) 2031 01 22  
(260) AM 2020 106938 A  
(220) 2020 02 04  
(732) LLC "G-M-P"  
Vill. Ponitchala 65, 0165, Tbilisi, Georgia

---

(111) M 2021 33569 R  
(151) 2021 01 22  
(181) 2031 01 22  
(260) AM 2020 106946 A  
(220) 2020 02 05  
(732) LTD "RANAM"  
Rustavi Highway 19, corp. 3, floor I,  
0165, Tbilisi, Georgia

---

(111) M 2021 33570 R  
(151) 2021 01 22  
(181) 2031 01 22  
(260) AM 2020 106947 A  
(220) 2020 02 05  
(732) LTD "RANAM"  
Rustavi Highway 19, corp. 3, floor I,  
0165, Tbilisi, Georgia

---

(111) M 2021 33571 R  
(151) 2021 01 22  
(181) 2031 01 22  
(260) AM 2020 106965 A  
(220) 2020 02 06  
(732) LLC "TSNORI BEER"  
D. Aghmashenebeli St. 42, Tsnori, Georgia

---

(111) M 2021 33572 R  
(151) 2021 01 22  
(181) 2031 01 22  
(260) AM 2020 107051 A  
(220) 2020 02 11  
(732) LTD "KAPILON"  
Chabua Amirejibi St. 7, Telavi, Georgia

---

(111) M 2021 33573 R  
(151) 2021 01 22  
(181) 2031 01 22  
(260) AM 2020 107053 A  
(220) 2020 02 11  
(732) LLC "BRAVO 18"  
Chabua Amirejibi St. 7, Telavi, Georgia

---

(111) M 2021 33574 R  
(151) 2021 01 22  
(181) 2031 01 22  
(260) AM 2020 107059 A  
(220) 2020 02 11  
(732) Iana Bedoidze  
Tskneti St. 13/23, Tbilisi, Georgia

---

(111) M 2021 33575 R  
(151) 2021 01 22  
(181) 2031 01 22  
(260) AM 2020 107067 A  
(220) 2020 02 13  
(732) Irine Gvetadze  
Dolidze St., bld. 11, Ent. 2, app. 40, Tbilisi,  
Georgia

---

(111) M 2021 33576 R  
(151) 2021 01 22  
(181) 2031 01 22  
(260) AM 2020 107150 A  
(220) 2020 02 14  
(732) LTD "NEOLET"  
Liziko Kavtaradze St. 1, ent. 3, block 3, app. 63,  
0179, Tbilisi, Georgia

---

(111) M 2021 33577 R  
(151) 2021 01 22  
(181) 2031 01 22  
(260) AM 2020 107169 A  
(220) 2020 02 19  
(732) LLC "BORAN LIGHT"  
Marneuli St. 44, 0165, Ponichala, Tbilisi,  
Georgia

---

(111) M 2021 33578 R  
(151) 2021 01 22  
(181) 2031 01 22  
(260) AM 2020 107268 A  
(220) 2020 02 21  
(732) Vans Inc.  
1588 South Coast Drive, Costa Mesa, California  
92626, USA

---

(111) M 2021 33579 R  
(151) 2021 01 22  
(181) 2031 01 22  
(260) AM 2020 107385 A  
(220) 2020 02 28  
(732) LLC "NOVA"  
R. Agladze St. 45, 0119, Tbilisi, Georgia

---

(111) M 2021 33580 R  
(151) 2021 01 22  
(181) 2031 01 22  
(260) AM 2020 107459 A  
(220) 2020 03 06  
(732) LTD "Georgian Wine Corporation"  
Simon Chikovani St. 35, Tbilisi, Georgia

---

(111) M 2021 33581 R  
(151) 2021 01 22  
(181) 2031 01 22  
(260) AM 2020 107460 A  
(220) 2020 03 06  
(732) LTD "Georgian Wine Corporation"  
Simon Chikovani St. 35, Tbilisi, Georgia

---

(111) M 2021 33582 R  
(151) 2021 01 22  
(181) 2031 01 22  
(260) AM 2020 107493 A  
(220) 2020 03 12  
(732) Sipsmith Limited  
83 Cranbrook Road, London, England W42LJ,  
United Kingdom

---

(111) M 2021 33583 R  
(151) 2021 01 22  
(181) 2031 01 22  
(260) AM 2020 107494 A  
(220) 2020 03 12  
(732) Living Proof Inc.  
301 Binney Street, Cambridge Massachusetts  
02142, USA

---

(111) M 2021 33584 R  
(151) 2021 01 22  
(181) 2031 01 22  
(260) AM 2020 107495 A  
(220) 2020 03 12  
(732) ORION CORPORATION  
Orionintie 1, Espoo, 02200, Finland

---

(111) M 2021 33585 R  
(151) 2021 01 22  
(181) 2031 01 22  
(260) AM 2020 107496 A  
(220) 2020 03 12  
(732) ORION CORPORATION  
Orionintie 1, Espoo, 02200, Finland

---

(111) M 2021 33586 R  
(151) 2021 01 22  
(181) 2031 01 22  
(260) AM 2019 104546 A  
(220) 2019 08 15  
(732) SIX CONTINENTS HOTELS, INC.  
3 Ravinia Drive, Atlanta, Georgia, USA

---

(111) M 2021 33587 R  
(151) 2021 01 22  
(181) 2031 01 22  
(260) AM 2019 104547 A  
(220) 2019 08 15  
(732) SIX CONTINENTS HOTELS INC.  
3 Ravinia Drive, Atlanta, Georgia, USA

---

(111) M 2021 33588 R  
(151) 2021 01 22  
(181) 2031 01 22  
(260) AM 2019 104548 A  
(220) 2019 08 15  
(732) SIX CONTINENTS HOTELS INC.  
3 Ravinia Drive, Atlanta, Georgia, USA

---

(111) M 2021 33589 R  
(151) 2021 01 22  
(181) 2031 01 22  
(260) AM 2019 105145 A  
(220) 2019 10 02  
(732) Irakli Shioshvili  
Al. Chavchavadze lane 2, Tskneti,  
House 4, 0181, Tbilisi, Georgia

---

(111) M 2021 33604 R  
(151) 2021 02 04  
(181) 2031 02 04  
(260) AM 2019 103464 A  
(220) 2019 06 04  
(732) Sport & Fashion Management Pte. Ltd.  
6 Shenton Vei, 18-11, Oue Dauntaun 2,  
068809, Singapore

---

(111) M 2021 33605 R  
(151) 2021 02 04  
(181) 2031 02 04  
(260) AM 2019 104455 A  
(220) 2019 08 08  
(732) Hyundai Heavy Industries Holdings CO., LTD  
50, Techno sunhwan-ro 3-gil, Yuga-eup,  
Dalseong-gun, Daegu, Republic of Korea

---

(111) M 2021 33606 R  
(151) 2021 02 04  
(181) 2031 02 04  
(260) AM 2019 105890 A  
(220) 2019 11 28  
(732) LTD "AVERSI-PHARMA"  
D. Aghmashenebeli Av. 148/2, 0112,  
Tbilisi, Georgia

---

---

(111) M 2021 33607 R (151) 2021 02 04 (181) 2031 02 04 (260) AM 2019 105892 A (220) 2019 11 28 (732) LTD "AVERSI-PHARMA" D. Aghmashenebeli Av. 148/2, 0112, Tbilisi, Georgia	4D83, Longsheng Mobile Phone Accessories City, Huafa North Road, Futian District, Shenzhen, China
(111) M 2021 33608 R (151) 2021 02 04 (181) 2031 02 04 (260) AM 2019 105982 A (220) 2019 12 04 (732) BASF Agro B.V. Arnhem (NL), Zweigniederlassung Freienbach Huobstrasse 3, Pfäffikon SZ, Switzerland	(111) M 2021 33613 R (151) 2021 02 04 (181) 2031 02 04 (260) AM 2020 106524 A (220) 2020 01 09 (732) LABORATORIOS CASASCO S.A.I.C. Boyacá 237, Ciudad de Buenos Aires, Argentina
(111) M 2021 33609 R (151) 2021 02 04 (181) 2031 02 04 (260) AM 2019 105985 A (220) 2019 12 05 (732) LTD "MARNISKARI" Apakidze St. 11, app. 125, Tbilisi, Georgia	(111) M 2021 33614 R (151) 2021 02 04 (181) 2031 02 04 (260) AM 2020 106525 A (220) 2020 01 09 (732) LABORATORIOS CASASCO S.A.I.C. Boyacá 237, Ciudad de Buenos Aires, Argentina
(111) M 2021 33610 R (151) 2021 02 04 (181) 2031 02 04 (260) AM 2019 106065 A (220) 2019 12 10 (732) Kraft Foods Danmark Intellectual Property ApS Ringager 2 A, 2.tv, DK-2605 Brøndby, Denmark	(111) M 2021 33615 R (151) 2021 02 04 (181) 2031 02 04 (260) AM 2020 106526 A (220) 2020 01 09 (732) LABORATORIOS CASASCO S.A.I.C. Boyacá 237, Ciudad de Buenos Aires, Argentina
(111) M 2021 33611 R (151) 2021 02 04 (181) 2031 02 04 (260) AM 2019 106285 A (220) 2019 12 23 (732) Saharchin Salamat Company Suite 218, 2nd Fl (administraciuli), N450, Bazar Bozorg Mirdamad Building, on the corner of Dafineh St., Mirdamad Blvd., Tehran, Islamic Republic of Iran	(111) M 2021 33616 R (151) 2021 02 04 (181) 2031 02 04 (260) AM 2020 106527 A (220) 2020 01 09 (732) LABORATORIOS CASASCO S.A.I.C. Boyacá 237, Ciudad de Buenos Aires, Argentina
(111) M 2021 33612 R (151) 2021 02 04 (181) 2031 02 04 (260) AM 2019 106437 A (220) 2019 12 31 (732) SHENZHEN YINCHEN TECHNOLOGY CO., LTD.	(111) M 2021 33617 R (151) 2021 02 04 (181) 2031 02 04 (260) AM 2020 106605 A (220) 2020 01 15 (732) Brams Institute Anna Politkovskaya St. 43, app. 43, 0186, Tbilisi Georgia

---

(111) M 2021 33618 R  
(151) 2021 02 04  
(181) 2031 02 04  
(260) AM 2020 106641 A  
(220) 2020 01 17  
(732) Vasu Healthcare Pvt. Ltd  
967/4 G. I. D. C. Makarpura, Vadodara 390  
010, Gujarat, India

---

(111) M 2021 33619 R  
(151) 2021 02 04  
(181) 2031 02 04  
(260) AM 2020 106804 A  
(220) 2020 01 30  
(732) Marriott International Inc.  
10400 Fernwood Road, Bethesda, Maryland  
20817, USA

---

(111) M 2021 33620 R  
(151) 2021 02 04  
(181) 2031 02 04  
(260) AM 2020 106824 A  
(220) 2020 01 31  
(732) LLC "CITRON"  
O. Lortkipanidze St. 18/5, Tbilisi, Georgia

---

(111) M 2021 33621 R  
(151) 2021 02 04  
(181) 2031 02 04  
(260) AM 2020 106953 A  
(220) 2020 02 05  
(732) Majid Sedaghatpisheh  
Unit 4, 4 Floor, Pam Tower, Zafar St.  
Afrika Blvd, Tehran, Islamic Republic  
of Iran

---

(111) M 2021 33622 R  
(151) 2021 02 04  
(181) 2031 02 04  
(260) AM 2020 107033 A  
(220) 2020 02 07  
(732) LTD "LAZI"  
Tskaltubo St. 6, app. 82, Tbilisi, Georgia

---

(111) M 2021 33623 R  
(151) 2021 02 04  
(181) 2031 02 04  
(260) AM 2020 107058 A  
(220) 2020 02 11  
(732) LTD "ALEGRO"  
Samghebro St. 21 (Plot 64/39), Tbilisi,  
Georgia

---

(111) M 2021 33624 R  
(151) 2021 02 04  
(181) 2031 02 04  
(260) AM 2020 107064 A  
(220) 2020 02 12  
(732) Khayrat Al-Manafa for General Trade and  
Public Transport Limited Liability Company  
27, Saborni Str. Varna, Bulgaria

---

(111) M 2021 33625 R  
(151) 2021 02 04  
(181) 2031 02 04  
(260) AM 2020 107165 A  
(220) 2020 02 19  
(732) JSC "Corporation Kindzmarauli"  
I. Chavchavadze St. 55, 4800, Kvareli, Georgia

---

(111) M 2021 33626 R  
(151) 2021 02 04  
(181) 2031 02 04  
(260) AM 2020 107167 A  
(220) 2020 02 19  
(732) JSC "Corporation Kindzmarauli"  
I. Chavchavadze St. 55, 4800, Kvareli, Georgia

---

(111) M 2021 33627 R  
(151) 2021 02 04  
(181) 2031 02 04  
(260) AM 2020 107182 A  
(220) 2020 02 20  
(732) Société des Produits Nestlé S.A.  
1800 Veve, Switzerland

---

(111) M 2021 33628 R  
(151) 2021 02 04  
(181) 2031 02 04  
(260) AM 2020 107288 A  
(220) 2020 02 24  
(732) Exxon Mobil Corporation  
5959 Las Colinas Boulevard, Irving, Texas  
75039, USA

---

(111) M 2021 33629 R  
(151) 2021 02 04  
(181) 2031 02 04  
(260) AM 2020 107302 A  
(220) 2020 02 27  
(732) ORION CORPORATION  
Orionintie 1, 02200 Espoo, Finland

---

(111) M 2021 33630 R  
(151) 2021 02 04  
(181) 2031 02 04  
(260) AM 2020 107303 A  
(220) 2020 02 27  
(732) ORION CORPORATION  
Orionintie 1, 02200 Espoo, Finland

---

(111) M 2021 33631 R  
(151) 2021 02 04  
(181) 2031 02 04  
(260) AM 2020 107395 A  
(220) 2020 03 04  
(732) DuPont Safety & Construction Inc.  
974 Centre Road, Wilmington, Delaware  
19805, USA

---

(111) M 2021 33632 R  
(151) 2021 02 04  
(181) 2031 02 04  
(260) AM 2020 107398 A  
(220) 2020 03 04  
(732) Monster Energy Company  
a Delaware corporation  
1 Monster Way, Corona, California 92879, USA

---

(111) M 2021 33633 R  
(151) 2021 02 04  
(181) 2031 02 04  
(260) AM 2020 107400 A  
(220) 2020 03 04  
(732) LLC "RAS AL KHAIMAH INVESTMENT  
AUTHORITY GEORGIA"  
Telavi St. 20, 0183, Isani District, Tbilisi,  
Georgia

---

(111) M 2021 33634 R  
(151) 2021 02 04  
(181) 2031 02 04  
(260) AM 2020 107401 A  
(220) 2020 03 04  
(732) Vakhtang Iurievich Kasradze  
Maiakovskiy St, house 49, app. 19, Omsk,  
644010, Russian Federation

---

(111) M 2021 33635 R  
(151) 2021 02 04  
(181) 2031 02 04  
(260) AM 2020 107402 A  
(220) 2020 03 04  
(732) LLC "MAGTICOM"  
A. Politkovskaya St. 7, 0186, Tbilisi,  
Georgia

---

(111) M 2021 33636 R  
(151) 2021 02 04  
(181) 2031 02 04  
(260) AM 2020 107403 A  
(220) 2020 03 04  
(732) Xiaomi Inc.  
Flor 13, Reinbou Siti Shoping Mol II of China  
Resursiz, №68, Qinghe Midl Strit, Haidian  
Distriqti, Beijing, China

---

(111) M 2021 33637 R  
(151) 2021 02 04  
(181) 2031 02 04  
(260) AM 2020 107406 A  
(220) 2020 03 05  
(732) Monster Energy Company  
a Delaware corporation  
1 Monster Way, Corona, California 92879, USA

---

(111) M 2021 33638 R  
(151) 2021 02 04  
(181) 2031 02 04  
(260) AM 2020 107407 A  
(220) 2020 03 05  
(732) Monster Energy Company  
a Delaware corporation  
1 Monster Way, Corona, California 92879, USA

---

(111) M 2021 33639 R  
(151) 2021 02 04  
(181) 2031 02 04  
(260) AM 2020 107466 A  
(220) 2020 03 06  
(732) Hyundai Motor Company  
12, Heolleung-ro, Seocho-gu, Seoul, Republic of  
Korea

---

(111) M 2021 33640 R  
(151) 2021 02 04  
(181) 2031 02 04  
(260) AM 2020 107467 A  
(220) 2020 03 06  
(732) Hyundai Motor Company  
12, Heolleung-ro, Seocho-gu, Seoul, Republic of  
Korea

---

(111) M 2021 33641 R  
(151) 2021 02 04  
(181) 2031 02 04  
(260) AM 2020 107468 A  
(220) 2020 03 06  
(732) Hyundai Motor Company  
12, Heolleung-ro, Seocho-gu, Seoul, Republic of  
Korea

---

(111) M 2021 33642 R  
(151) 2021 02 04  
(181) 2031 02 04  
(260) AM 2020 107470 A  
(220) 2020 03 06  
(732) Giorgi Dalakishvili  
Vill. Mukhrani, 3309, Mtskheta District, Georgia

---

(111) M 2021 33643 R  
(151) 2021 02 04  
(181) 2031 02 04  
(260) AM 2020 107487 A  
(220) 2020 03 11  
(732) Wang Tengying  
Group 13, Hezhai Village, Niansanli Street,  
Yiwu, Zhejiang, China

---

(111) M 2021 33644 R  
(151) 2021 02 04  
(181) 2031 02 04  
(260) AM 2020 107497 A  
(220) 2020 03 12  
(732) LTD "GLAVSPIRTPROM"  
Lilo Settlement 51, 0198, Tbilisi, Georgia

---

(111) M 2021 33645 R  
(151) 2021 02 04  
(181) 2031 02 04  
(260) AM 2020 107550 A  
(220) 2020 03 13  
(732) LTD "ICR TRADE"  
Dighomi Training Experimental Farm, fl. 5,  
0131, Tbilisi, Georgia

---

(111) M 2021 33646 R  
(151) 2021 02 04  
(181) 2031 02 04  
(260) AM 2020 107556 A  
(220) 2020 03 14  
(732) Tamar Megrelishvili  
Kiacheli-Akhvlediani St. 12/9, Old Tbilisi, 0108,  
Tbilisi, Georgia

---

(111) M 2021 33647 R  
(151) 2021 02 04  
(181) 2031 02 04  
(260) AM 2020 107567 A  
(220) 2020 03 17  
(732) DingTalk Holding (Cayman) Limited  
Vistra (Cayman) Limited, P.O. Box 31119 Grand  
Pavilion, Hibiscus Way, 802 West Bay Road,  
Grand Cayman, KY1 - 1205, Cayman Islands

---

(111) M 2021 33648 R  
(151) 2021 02 04  
(181) 2031 02 04  
(260) AM 2020 107573 A  
(220) 2020 03 17  
(732) DingTalk Holding (Cayman) Limited  
Vistra (Cayman) Limited, P.O. Box 31119 Grand  
Pavilion, Hibiscus Way, 802 West Bay Road,  
Grand Cayman, KY1 - 1205, Cayman Islands

---

(111) M 2021 33649 R  
(151) 2021 02 04  
(181) 2031 02 04  
(260) AM 2020 107575 A  
(220) 2020 03 17  
(732) DingTalk Holding (Cayman) Limited  
Vistra (Cayman) Limited, P.O. Box 31119 Grand  
Pavilion, Hibiscus Way, 802 West Bay Road,  
Grand Cayman, KY1 - 1205, Cayman Islands

---

(111) M 2021 33650 R  
(151) 2021 02 04  
(181) 2031 02 04  
(260) AM 2020 107576 A  
(220) 2020 03 17  
(732) TMH Worldwide LLC  
22 Sylvan Way, Parsippany, New Jersey  
07054, USA

---

(111) M 2021 33651 R  
(151) 2021 02 04  
(181) 2031 02 04  
(260) AM 2020 107670 A  
(220) 2020 03 31  
(732) Philip Morris Products S.A.  
Quai Jeanrenaud 3, 2000 Neuchâtel, Switzerland

---

(111) M 2021 33652 R  
(151) 2021 02 04  
(181) 2031 02 04  
(260) AM 2020 107923 A  
(220) 2020 04 15  
(732) LTD "KRINTI"  
Vill. Kazreti, Madneuli St. 10, 1103, Bolnisi,  
Georgia

---

(111) M 2021 33653 R  
(151) 2021 02 04  
(181) 2031 02 04  
(260) AM 2020 106955 A  
(220) 2020 02 06  
(732) LLC "ARTPHARMA"  
Gamrekeli St. 19(512), 0160, Tbilisi, Georgia

---

## TRADEMARKS REGISTERED ACCORDING TO THE ACCELERATED PROCEDURE

The decision can be appealed at the Chamber of Appeal of Sakpatenti within 3 months from the publication.

(111) M 2021 33533 R  
(151) 2021 01 21  
(181) 2031 01 21  
(210) AM 111092  
(220) 2020 12 30  
(732) LTD "Georgian Lemonade "  
Aleksidze St., qu. I, corp. 4, app. 25,  
0122, Tbilisi, Georgia  
(540)

**ლომონ10**

(591) Black-white  
(511) 32

(111) M 2021 33590 R  
(151) 2021 01 22  
(181) 2031 01 22  
(210) AM 111276  
(220) 2021 01 12  
(732) LTD "Khairat Al Manafie Co.  
For Transport And General Trading"  
27 Saborni Blvd., Varna 9000 Bulgaria  
(740) Irakli Gvilia  
(540)

**HP**

(591) Black-white  
(511) 34

(111) M 2021 33591 R  
(151) 2021 01 22  
(181) 2031 01 22  
(210) AM 111277  
(220) 2021 01 12  
(732) LTD "Khairat Al Manafie Co.  
For Transport And General Trading"  
27 Saborni Blvd., Varna 9000 Bulgaria  
(740) Irakli Gvilia  
(540)

**HGP**

(591) Black-white  
(511) 34

(111) M 2021 33592 R  
(151) 2021 01 25  
(181) 2031 01 25  
(210) AM 111279  
(220) 2021 01 13

(732) LLC "ELEVEN"  
(740) Giorgi Zhorzholiani  
(540)

**eleve11**

(591) FD2027 red, 000000 black  
(531) 27.05.01; 27.07.01; 27.07.12; 29.01.12  
(511) 43

(111) M 2021 33593 R  
(151) 2021 01 26  
(181) 2031 01 26  
(210) AM 111080  
(220) 2020 12 29  
(732) LTD "REMEDIUM SYSTEM"  
Al. Kazbegi Av. 24g, 0166, Tbilisi, Georgia  
(540)

**molecula**

(591) F9F9F9 white, 070000 black  
(531) 27.05.01  
(511) 5, 44

(111) M 2021 33594 R  
(151) 2021 01 26  
(181) 2031 01 26  
(210) AM 111321  
(220) 2021 01 18  
(732) Dolce International Holdings Inc.  
22 Sylvan Way, Parsippany, NJ  
07054, USA  
(740) Tamaz Shilakadze  
(540)

**DOLCE**

(591) Black-white  
(511) 43

(111) M 2021 33595 R  
(151) 2021 01 26  
(181) 2031 01 26  
(210) AM 111324  
(220) 2021 01 18  
(732) LLC "SILK GASTRONOME"  
Kote Marjanishvili St. 6, Gori, Georgia  
(740) Rusudan Otiashvili



(540)

**გასტრონომი****GASTRONOME**

(591) Brown, white

(531) 08.03.08; 08.05.01; 08.05.02; 08.05.03;  
08.05.04; 08.05.15; 26.01.15; 26.01.16;  
29.01.07; 29.01.12

(511) 29, 30, 32, 35, 43

(111) M 2021 33596 R

(151) 2021 01 26

(181) 2031 01 26

(210) AM 111328

(220) 2021 01 18

(732) LTD "GLOBALPHARM"

Almasyan St. 13a/Berbuti St. 8, 0171, Tbilisi,  
Georgia

(740) Natia Urushadze

(540)

**რონესილ**  
**РОНЕСИЛ**  
**RONESIL**

(591) Black-white

(511) 5

(111) M 2021 33597 R

(151) 2021 01 26

(181) 2031 01 26

(210) AM 111346

(220) 2021 01 22

(732) NOBEL ILAC SANAYII VE TICARET

ANONIM SIRKETI

REPRESENTATIVE IN GEORGIA

Liberty Sq. 4, 0105, Tbilisi, Georgia

(740) Tinatin Tskhvediani

(540)

**Talong**  
**ტალონგი**

(591) Black-white

(511) 5, 35

(111) M 2021 33598 R

(151) 2021 01 26

(181) 2031 01 26

(210) AM 111347

(220) 2021 01 22

(732) NOBEL ILAC SANAYII VE TICARET

ANONIM SIRKETI

REPRESENTATIVE IN GEORGIA

Liberty Sq. 4, 0105, Tbilisi, Georgia

(740) Tinatin Tskhvediani

(540)

**Parbolo**  
**პარბოლო**

(591) Black-white

(511) 5, 35

(111) M 2021 33599 R

(151) 2021 01 26

(181) 2031 01 26

(210) AM 111402

(220) 2021 01 22

(732) LTD "JAKARTA"

Davit Aghmashenebeli Av. 179, app. 39,  
Tbilisi, Georgia

(540)



(591) Black, white, silver, light sky-blue, grey

(531) 01.15.15; 01.15.19; 27.05.01; 27.05.10;  
27.05.11; 29.01.12

(511) 33

(111) M 2021 33600 R

(151) 2021 01 28

(181) 2031 01 28

(210) AM 111159

(220) 2021 01 06

(732) Ilya Mischenko

Aghmashenebeli St. 1, 1100, Bolnisi, Georgia

(540)

**ფრეშიკო**  
**Freshiko**  
**Фрешико**

(591) Black-white

(511) 43

(111) M 2021 33601 R

(151) 2021 02 01

(181) 2031 02 01

(210) AM 111409

(220) 2021 01 24

(732) LTD "MUSLIM"  
Valerian Gunia St. II exit 11, 0108,  
Mtatsminda District, Tbilisi, Georgia  
(540)



(591) White, green  
(531) 25.01.13; 25.01.25; 27.05.01; 28.19; 29.01.03  
(511) 29

(111) M 2021 33602 R  
(151) 2021 02 03  
(181) 2031 02 03  
(210) AM 111504  
(220) 2021 01 30  
(732) LTD "IDEAL"  
Mikheil Javakhishvili St. I Lane 7, 0108,  
Tskneti, Tbilisi, Georgia  
(740) Tamar Donadze  
(540)



(591) FCF9F9 white, 020202 black, C90C1F red,  
60605E grey, B7B6B3 light grey, 89662E  
beige, D1A15E light beige, E8D686 ivory  
(531) 05.07.16; 07.01.24; 07.03.01; 08.01.09;  
08.01.12; 08.01.15; 29.01.14  
(511) 30

(111) M 2021 33603 R  
(151) 2021 02 03  
(181) 2031 02 03  
(210) AM 111431  
(220) 2021 01 27

(732) Gabriel Lituashvili  
Dadiani St. 223, Tbilisi, Georgia  
(540)



(591) Black-white  
(531) 01.15.15; 01.15.19; 26.04.02; 26.04.05;  
26.04.13; 26.04.22; 26.04.24; 27.05.08;  
27.05.24  
(511) 29, 30, 43

(111) M 2021 33654 R  
(151) 2021 02 04  
(181) 2031 02 04  
(210) AM 111343  
(220) 2021 01 21  
(732) LTD "ASBC"  
Akaki Beliashvili St. 104, 0159, Tbilisi,  
Georgia  
(540)



(591) FFFFFFF white, 55C724 green, 1329AD  
blue  
(531) 24.17.04; 27.05.01; 27.05.10; 29.01.12  
(511) 35

(111) M 2021 33655 R  
(151) 2021 02 04  
(181) 2031 02 04  
(210) AM 111437  
(220) 2021 01 27  
(732) Novartis AG  
4002 Basel, Switzerland  
(740) Shalva Gvaramadze  
(540)

**SYBRAVA**

(591) Black-white  
(511) 5

(111) M 2021 33656 R  
(151) 2021 02 04  
(181) 2031 02 04  
(210) AM 111405  
(220) 2021 01 22

(732) LTD "GIGI"  
Shalva Nutsubidze Plateau, III mcr.,  
I qu., corp. 16, app. 4, Saburtalo District,  
Tbilisi, Georgia  
(740) Tamar Machavariani  
(540)



(591) Red, yellow, green, orange, white  
(531) 05.03.13; 05.03.16; 26.01.01; 26.01.03;  
26.01.24; 28.19; 29.01.13  
(511) 31

---

(111) M 2021 33657 R  
(151) 2021 02 05  
(181) 2031 02 05  
(210) AM 111507  
(220) 2021 02 01  
(732) UNITED COMPANY  
Shota Nadirashvili St. 44, app. 24, Isani  
District, Tbilisi, Georgia  
(540)

ჰანუტაზი  
**HANUTAZ**  
**XAHYTA3**

(591) Black-white  
(511) 5

---

## INTERNATIONAL TRADEMARKS FOR WHICH A DECISION ON GRANTING PROTECTIONS IS TAKEN

The decision can be appealed at the Chamber of Appeal of Sakpatenti within 3 months from the publication or at the Mtskheta District Court Administrative Cases Board (Address: №17, Samkhedro str., Mtskheta), within 1 month following the publication.

(260) AM 2021 104797 A\*  
 (800) 1012690  
 (151) 2009 08 05  
 (891) 2019 08 21  
 (731) BOGE KOMPRESSOREN Otto Boge GmbH & Co. KG  
 Otto-Boge-Str. 1-7, 33739 Bielefeld,  
 Germany

(540)



(591) Black, white  
 (531) 26.01.10; 26.03.01; 26.07.03; 27.05.17  
 (511)

7 – Compressors (machines), air compressors (machines); compressed-air reservoirs and pressure tanks being parts of machines; compressed air tools; compressed-air plants (machines) principally consisting of a compressor mounted on receiver; compressed-air stations (machines) principally consisting of a compressor including built-in dryer; compressed-air centres (machines) principally consisting of a compressor and dryer mounted on receiver; oil-water separators (machines), automatic grease devices (machine parts), internal filters for compressors (machine parts), internal dryers for compressors (machine parts); condensate drains (machine parts); converter for generating oil-free compressed-air (machine parts); compressor controls as included in this class, all the aforementioned goods excluding elastic couplings, bumpers and bearings of rubber for wheel suspensions, springs of rubber and shock absorbers/dampers

(260) AM 2021 106992 A  
 (800) 1512587  
 (151) 2019 12 12  
 (891) 2019 12 12  
 (731) Obschestvo s ogranichennoy otvetstvennostyu "Babkiny semechki"  
 Prospekt Mira, 20, 3d floor, room 4, Tomsk,  
 RU-634057 Tomskaya oblast, Russian  
 Federation

(540)



(591) White, gray, black, red and its shades, green and its shades, yellow and its shades, blue and its shades, beige

(531) 02.03.01; 16.03.13; 26.01.14; 28.05; 29.01.15  
 (511)

29 – Peanuts, prepared; nut-based snack foods; almonds, processed; flavored nuts; walnuts, prepared; roasted nuts; candied nuts; pine nuts, processed; cashews, processed; nuts, prepared; roasted sunflower seeds; salted sunflower seeds; roasted pumpkin seeds; salted pumpkin seeds; sunflower seeds, prepared; pumpkin seeds, prepared; roasted mixed nuts; hazelnuts, prepared.

30 – Peanut confectionery; almond confectionery; brittle; chocolate-coated nuts; chocolate-coated sunflower seeds; halvah.

31 – Peanuts, fresh; edible sesame, unprocessed; almonds [fruits]; nuts [fruits]; sunflower seeds, unprocessed; pumpkin seeds, unprocessed.

35 – Computerized file management; demonstration of goods; marketing research; commercial information and advice for consumers in the choice of products and services; marketing; organization of exhibitions for commercial or advertising purposes; organization of trade fairs for commercial or advertising purposes; commercial intermediation services; presentation of goods on communication media, for retail purposes; sales promotion for others; promotion of goods and services through sponsorship of sports events; rental of sales stands; distribution of samples; dissemination of advertising matter; direct mail advertising; advertising by mail order; compilation of information into computer databases; systemization of information into computer databases; negotiation of business contracts for others; negotiation and conclusion of commercial transactions for third parties; drawing up of statements of accounts; commercial administration of the licensing of the goods and services of others; business

management of reimbursement programs for others; administration of consumer loyalty programs; administrative processing of purchase orders; public relations; market intelligence services; search engine optimization for sales promotion; retail or wholesale services for food and beverages; retail services provided by convenience stores; procurement services for others [purchasing goods and services for other businesses]; outsourcing services [business assistance].

(260) AM 2021 107003 A

(800) 1513041

(151) 2019 09 18

(891) 2019 09 18

(731) AO Kaspersky Lab

Leningradskoe shosse, 39A/2, RU-125212  
Moscow, Russian Federation

(540)

## MIDORI KUMA

(591) Black, white

(511)

9 – Monitors [computer programs]; computer programs [recorded]; computer programs [downloadable]; computer operating programs; electronic publications, downloadable in the form of manuals, books, brochures and newsletters in the field of detection and curing computer viruses, operating systems and software.

42 – Web site design consultancy; computer software design; installation of computer software; computer virus protection services.

45 – Licensing of computer software [legal services].

(260) AM 2021 107601 A

(800) 1520357

(151) 2019 11 18

(891) 2019 11 18

(731) LORO PIANA S.p.A.

Corso Rolandi, 10, I-13017 QUARONA (VC),  
Italy

(540)

## AUSTRALIS

(591) Black, white

(511)

23 – Yarns and threads, for textile use; chenille yarn; spun thread and yarn; spun cotton; yarn; true hemp thread and yarn; rubber thread for textile use; coir thread and yarn; cotton yarn; jute thread and yarn; worsted; linen thread and yarn; threads of plastic materials for textile use; rayon thread and yarn; silk yarn; fiberglass thread for textile use; elastic thread and yarn for textile use; sewing thread and yarn; darning thread and yarn; embroidery thread and yarn; worsted yarn; spun silk.

24 – Textiles and textile goods; textile fabrics for clothing and household furnishings; woven or knitted fabrics; non-woven textile fabrics; apparel fabrics; bed covers; table covers; travelling rugs [lap robes]; bed covers; curtains of textile or plastic; linens; cushion covers; quilts; bed linen; bed sheets; hooded towels; towels of textile; face towels; guest towels; beach towels; table linen; textile napkins; placemats; labels of textile; upholstery fabrics; traced cloth for embroidery; fabric for footwear; linings [textile]; lingerie fabric; woven fabrics for furniture; wall hangings of textile; table linen; table mats; fabrics for textile use; sofa covers.

25 – Clothing for men, women, and children; pyjamas; lounging robes; nighties; layettes [clothing]; robes; briefs; robes; bathrobes; bathing drawers; swimming costumes; sweaters; waistcoats; knitwear (clothing); shirts; short-sleeve shirts; ready-to-wear clothing; underwear; slippers [underclothing]; tee-shirts; trousers; bermuda shorts; jackets [clothing]; gowns; clothing for men and women; dress handkerchiefs; ladies' suits; uniforms; mantles; coats; blousons; rainproof clothing; topcoats; parkas; pea coats; skirts; boots; half-boots; men's, women's and children's shoes; beach shoes; casual shoes; sandals; bath sandals; mules; hats; berets; bonnets; gloves [clothing]; sashes for wear; shoulder scarves; neckties; bow tie; waist belts; money belts (clothing); foulards [clothing articles]; beach wraps; shawls; stockings; socks; tights; clothing of leather and of imitations of leather; stoles of fur; pelisses.

(260) AM 2021 107754 A

(800) 1519358

(151) 2019 10 16

(891) 2020 03 12

(731) British American Tobacco (Brands) Limited

Globe House, 4 Temple Place, London  
WC2R 2PG, United Kingdom

(540)

## VELO

(591) Black, white

(511)

5 – Dietary and nutritional supplements; hemp extract products; CBD oil; dietary preparations containing CBD oil; gum containing nicotine; pouches containing nicotine for use as aids to stop smoking; patches containing nicotine for medical purposes; food supplements; vitamin, mineral and nutritional supplements; herbal supplements; vitamin and mineral drinks; vitamin and mineral fortified preparations for oral use sold in pouch form; vitamin and mineral fortified lozenges; nutritional supplement meal replacement products for boosting energy; tobacco-free cigarettes for medical purposes; tobacco substitutes for medical purposes; herbs for medicinal purposes

including dried herbs, liquid herbal extracts and herbal capsules; nicotine preparations for medical purposes, including loose and pre-packaged powder tobacco (snus); transdermal patches.

(260) AM 2021 107847 A

(800) 1524006

(151) 2019 11 11

(891) 2019 11 11

(731) BİGES GÜVENLİ HAYAT TEKNOLOJİLERİ ELEKTRONİK ANONİM ŞİRKETİ

Halide Edip Adıvar Mah., Darülaceze Cad.

No: 18, Şişli, İstanbul, Turkey

(540)



(591) Blue and red

(531) 26.01.02; 27.05.01; 29.01.12

(511)

9 – Measurement apparatus and equipment including those for scientific, nautical, topographic, meteorologic, industrial and laboratory purposes, thermometers, not for medical purposes, barometers, ammeters, voltmeters, hygrometers, testing apparatus not for medical purposes, telescopes, periscopes, directional compasses, speed indicators, laboratory apparatus, microscopes, magnifying glasses, stills for laboratory experiments, binoculars, ovens and furnaces for laboratory experiments, apparatus for recording, transmission or reproduction of sound or images, cameras, photographic cameras, television apparatus, video recorders, CD and DVD players and recorders, MP3 players, computers, desktop computers, tablet computers, wearable technological devices, namely, smartwatches, smart wristbands and head-mounted cameras; microphones, loudspeakers, earphones, telecommunications apparatus, apparatus for the reproduction of sound or images, computer peripheral devices, cell phones, covers for cell phones, telephone apparatus, computer printers, scanners [data processing equipment], photocopiers, magnetic and optical data carriers and computer software and programmes recorded thereto, downloadable and recordable electronic publications, encoded magnetic and optic cards, movies, TV series and video music clips recorded on magnetic, optical and electronic media, antennas, satellite antennas, amplifiers for antennas, parts of the aforementioned goods, ticket dispensers, automatic teller machines (ATM), electronic components used in the electronic parts of machines and apparatus, semi-conductors, electronic circuits, integrated circuits, chips [integrated circuits], diodes, transistors [electronic], magnetic heads for electronic apparatus, electronic locks, photocells, remote control apparatus for opening and closing doors, optical sensors, counters and quantity indicators for measuring the quantity of consumption, automatic ti-

me switches, clothing for protection against accidents, irradiation and fire, safety vests and life-saving apparatus and equipment, eyeglasses, sunglasses, optical lenses and cases, containers, parts and components thereof, apparatus and instruments for conducting, transforming, accumulating or controlling electricity, electric plugs, junction boxes [electricity], electric switches, circuit breakers, fuses, lighting ballasts, battery starter cables, electrical circuit boards, electric resistances, electric sockets, transformers [electricity], electrical adapters, battery chargers, electric door bells, electric and electronic cables, batteries, electric accumulators, solar panels for production of electricity, alarms and anti-theft alarms, other than for vehicles, electric bells, signalling apparatus and instruments, luminous or mechanical signs for traffic use, fire extinguishing apparatus, fire engines, fire hose and fire hose nozzles, radar apparatus, sonars, night vision apparatus and instruments, decorative magnets, metronomes.

42 – Scientific and industrial analysis and research services; engineering; engineering and architectural design services; testing services for the certification of quality and standards, computer services, namely, computer programming, computer virus protection services, computer system design, creating, maintaining and updating websites for others, computer software design, updating and rental of computer software, providing search engines for the internet, hosting websites, consultancy in the design and development of computer hardware, rental of computer hardware, industrial design services, other than engineering, computer and architectural design; graphic arts designing, authenticating works of art.

(260) AM 2021 107851 A

(800) 1524110

(151) 2019 09 10

(891) 2019 09 10

(731) Zhuk Igor' Vasil'evich

ul. Matrosa Zheleznyaka, 57, kv. 65,

RU-197434 Saint-Petersburg, Russian

Federation

(540)



(591) Red, blue, yellow, green and white

(531) 05.01.03; 05.01.05; 18.02.01; 23.05.05; 24.01.03; 24.01.05; 24.01.10; 24.01.13; 24.01.15; 24.01.18; 24.01.19; 24.01.20; 26.13.25; 28.05; 29.01.15

(511)

16 – Fountain pens; watercolors [paintings]; albums; almanacs; document laminators for office use; aluminium foil applying machines; mimeograph apparatus and machines; atlases; posters; pen ink cartridges; banknotes; banners; banners of paper; paper bows, other than haberdashery or hair decorations; badges [paper and cardboard products]; name badges [office requisites]; table linen of paper; tickets; baggage claim check tags of paper; forms, printed; announcement cards [stationery]; glitter for stationery purposes; note books; pads [stationery]; drawing pads; wristbands for the retention of writing instruments; pamphlets; booklets; paper sheets [stationery]; waxed paper; découpage paper; paper for medical examination tables; paper for recording machines; paper for radiograms; papers for painting and calligraphy; electrocardiograph paper; drawer liners of paper, perfumed or not; wood pulp paper; carbon paper; copying paper [stationery]; hairdresser's paper; parchment paper; writing paper; rice paper; magnetic paper; luminous paper; toilet paper; wrapping paper; filter paper; filter paper for tea bags; Japanese paper; paper; paper and cardboard; blotters; newsletters; rollers for typewriters; house painters' rollers; composing sticks; adhesives [glues] for stationery or household purposes; modelling wax, not for dental purposes; signboards of paper or cardboard; sewing patterns; bunting of paper; newspapers; electrotypes; hectographs; modelling clay; polymer modelling clay; terrestrial globes; drawing sets; engravings; slate pencils; pencil leads; gouache; holders for money, for checkbooks, for records; document holders [stationery]; pencil holders; chalk holders; holders for cheque books; holders for stamps [seals]; page holders; name badge holders [office requisites]; diagrams; design paper; table runners of paper; engraving plates; writing slates; blackboards; galley racks [printing]; drawing boards; advertisement boards of paper or cardboard; duplicators; punches [office requisites]; cream containers of paper; magazines [periodicals]; log books; blanks for decorating; money clips; clips for name badge holders [office requisites]; tags for index cards; pen clips; bookmarkers; etching needles; tracing needles for drawing purposes; periodicals; printed publications; drawing products for artists and designers, including paint cups, easels and palettes, rollers and paint trays; cardboard and paper products, including bags, envelopes and paper containers for packing statues, figurines and art objects of paper or cardboard, papier-mâché figurines, lithographs, paintings and watercolors without frames or framed; book and magazine products; art printing products; paper shredders for office use; graphic representations; credit card imprinters, non-electric; graining combs; drawing instruments; calendars; tracing paper; tracing cloth; tracing patterns; gums [adhesives] for stationery or household purposes; lithographic stones; ink stones [ink reservoirs]; pencils; pencil lead holders; lithographic pencils; charcoal pencils; pictures; transfers

[decalcomanias]; paintings [pictures], framed or unframed; cardboard; wood pulp board [stationery]; electrical insulating cardboard; hat boxes of cardboard; cards; index cards [stationery]; geographical maps; paper tapes and cards for the recordal of computer programmes; trading cards, other than for games; perforated cards for Jacquard looms; catalogues; spools for inking ribbons; covers of paper for flower pots; paintbrushes; painters' brushes; writing brushes; typewriter keys; glue for stationery or household purposes; isinglass for stationery or household purposes; gluten [glue] for stationery or household purposes; starch paste [adhesive] for stationery or household purposes; printing blocks; books; manifolds [stationery]; checkbooks; comic books; drawing pins; cigar bands; envelopes [stationery]; boxes of paper or cardboard; cases for stamps [seals]; paint boxes for use in schools; correcting fluids [office requisites]; stained glass paints; kraft paper; printed coupons; laminating machines for home and office use; stencils [stationery]; French curves; paper tapes; typewriter ribbons; barcode ribbons; gummed tape [stationery]; adhesive bands for stationery or household purposes; correcting tapes [office requisites]; inking ribbons; adhesive tapes for stationery or household purposes; self-adhesive tapes for stationery or household purposes; square rulers for drawing; drawing rulers; absorbent sheets of paper or plastic for foodstuff packaging; humidity control sheets of paper or plastic for foodstuff packaging; viscose sheets for wrapping; sheets of reclaimed cellulose for wrapping; plastic bubble packs for wrapping or packaging; textured sheets; plastic sheets, films and bags for wrapping and packaging; steel letters; type [numerals and letters]; lithographs; letter trays; paint trays; architects' models; postage stamps; plastics for modelling; palette knife; graphic prints; materials for découpage; aluminium foil laminated paper for printing purposes; modelling materials; teaching materials [except apparatus]; bookbinding material; sealing compounds for stationery purposes; stuffing of paper or cardboard; bookbinding apparatus and machines [office equipment]; packing [cushioning, stuffing] materials of paper or cardboard; packaging material made of starches; filtering materials of paper; table mats of paper; office machines, including printing, copying and franking office correspondence; polymer clay rolling machines; addressing machines; duplicating machines; pencil sharpening machines, electric or non-electric; typewriters, electric or non-electric; paper creasers [office requisites]; franking machines for office use; chalk for lithography; writing chalk; tailors' chalk; marking chalk; spray chalk; bags [envelopes, pouches] of paper or plastics, for packaging; garbage bags of paper or of plastics; plastic bags for pet waste disposal; painters' easels; hand-rests for painters; printing sets, portable [office requisites]; bibs of paper; bibs, sleeved, of paper; stickers [stationery]; finger-stalls [office requisites]; writing cases [stationery]; cords for bookbinding; paper knives [let-

ter openers]; printed sheet music; numbering apparatus; bottle envelopes of paper or cardboard; sealing wafers; covers [stationery]; passport holders; plastic cling film, extensible, for palletization; embroidery designs [patterns]; handwriting specimens for copying; disposable paper products, including bibs, scarves and table linen; oleographs; musical greeting cards; greeting cards; postcards; etchings; conical paper bags; paper bags for use in the sterilization of medical instruments; bags for microwave cooking; palettes for painters; ink sticks; pantographs [drawing instruments]; loose-leaf binders; files [office requisites]; folders for papers; papier mâché; pastels [crayons]; modelling paste; pen cases; pen wipers; office perforators; pens [office requisites]; nibs of gold; nibs; steel pens; drawing pens; song books; seals [stamps]; sealing stamps; clipboards; address plates for addressing machines; handkerchiefs of paper; plastic film for wrapping; desk mats; trays for sorting and counting money; coasters of paper; bookends; stamp stands; mats for beer glasses; stands for pens and pencils; photograph stands; obliterating stamps; inking pads; stamp pads; binding strips [bookbinding]; towels of paper; inking sheets for duplicators; inking sheets for document reproducing machines; bookbinding cloth; gummed cloth for stationery purposes; printers' blankets, not of textile; portraits; posters made of paper; paperweights; writing cases [sets]; inkstands; artists' and drawing materials; office stationery; office requisites, except furniture; writing materials; writing instruments; drawing materials; school supplies [stationery]; adhesive tape dispensers [office requisites]; hand labelling appliances; printed matter; lithographic works of art; prospectuses; printed timetables; ledgers [books]; printers' galleys; indexes; paper cutters [office requisites]; rubber erasers; elastic bands for offices; T-squares for drawing; graphic reproductions; duplicators; retractable reels for name badge holders [office requisites]; penholders; marking pens [stationery]; tissues of paper for removing makeup; paper wipes for cleaning; disposable paper napkins; dental tray covers of paper; face towels of paper; place mats of paper; table napkins of paper; tablecloths of paper; paper clasps; document files [stationery]; scrapers [erasers] for offices; paper-clips; staples for offices; reference books; erasing products; biological samples for use in microscopy [teaching materials]; histological sections for teaching purposes; figurines of papier mâché; steatite [tailor's chalk]; staplers [office requisites]; fountain pens refills; writing board erasers; composing frames [printing]; sealing wax; arithmetical tables; placards of paper or cardboard; highlighters; writing or drawing books; fabrics for bookbinding; stationery; stationery and office requisites, except furniture; thick scrapbooking paper; pencil sharpeners, electric or non-electric; pencil sharpeners; transparencies [stationery]; stencil plates; stencils for decorating food and beverages; cardboard tubes; Indian inks; moisteners [office requisites]; moisteners for

gummed surfaces [office requisites]; squares for drawing; chart pointers, non-electronic; bottle wrappers of paper or cardboard; envelope sealing machines for offices; sealing machines for offices; vignetting apparatus; apparatus for mounting photographs; stapling presses [office requisites]; manuals [handbooks]; file folders; figures for decoration, cut out of plywood or cardboard; paper coffee filters; flags of paper; flyers; felt-tip pens; silver paper; molds for modelling clays [artists' materials]; photograph albums; photo-engravings; photographs [printed]; stencil cases; cases, covers and devices for fastening or storage of paper products; canvas for painting; chromolithographs [chromos]; animation cels; compasses for drawing; numbers [type]; artists' watercolor saucers; correcting ink [heliography]; ink; inkwells; blueprints; clip boards of wood for office use; stencils; erasing shields; balls for ball-point pens; cabinets for stationery [office requisites]; printing type; printers' type, printing blocks; stamps; address stamps; stamps [seals]; extruder; shields [paper seals]; prints [engravings]; labels.

21 – Autoclaves, non-electric, for cooking; indoor aquaria; aquariums, terrariums and vivariums, indoor; kitchen utensils accessories; pet brushes; pet drinking bowls; pet grooming gloves; pet litter boxes; scoops for the disposal of pet waste; wine aerators; buckets; jars; cookie jars; candle jars [holders]; china ornaments; dishes; paper plates; vegetable dishes; saucers; mugs; candy boxes; bottles; demijohns; decorative sand bottles; busts of porcelain, ceramic, earthenware, terra-cotta or glass; vases; epergnes; fruit cups; foldable vases; inflatable bath tubs for babies; bird baths; baby baths, portable; plungers for clearing blocked drains; waffle irons, non-electric; coolers [ice pails]; mop wringer buckets; buckets made of woven fabrics; whisks, non-electric, for household purposes; cooking skewers of metal; ham makers; rails and rings for towels; clothing stretchers; non-electric woks; hair for brushes; horsehair for brush-making; birdcages; funnels; carpet beaters [hand instruments]; signboards of porcelain or glass; candle extinguishers; portable beverage dispensers; heads for electric toothbrushes; flower pots; chamber pots; glue-pots; cruets; decanters; large-toothed combs for the hair; combs for animals; tea cosies; non-electric griddles [cooking utensils]; abrasive sponges for scrubbing the skin; makeup sponges; sponges for household purposes; toilet sponges; flower holders; kitchen roll holders; napkin holders; soap holders; towel holders; sponge holders; stands for portable baby baths; toothpick holders; soap holders; table napkin holders; holders for flowers and plants [flower arranging]; tea bag rests; stands for shaving brushes; trash bag holders; toilet paper holders; soap dispensers; toilet paper dispensers; plug-in diffusers for mosquito repellents; aromatic oil diffusers, other than reed diffusers; pump dispensers for household purposes; household or kitchen utensils and containers; ironing boards; cutting boards for the



kitchen; bread boards; kitchen boards; washing boards; crushers for kitchen use, non-electric; strainers for household purposes; smoke absorbers for household purposes; household and kitchen containers, including vases, bottles, piggy banks, buckets, shakers, pans and frying pans, kettles and pressure cookers, non-electric; containers for household or kitchen use; food storage jars; kitchen containers; glass jars [carboys]; heat-insulated containers; heat-insulated containers for beverages; thermally insulated containers for food; glass flasks [containers]; brushes; heat resistant ceramic molds for preparing and serving portioned dishes; closures for pot lids; tablecloth holders; chamois leather for cleaning; toothpicks; ceramics for household purposes; majolica; glassware, porcelain and earthenware; porcelain, ceramic or glass products; works of art of porcelain, ceramic, earthenware, terracotta or glass; kitchen grinders, non-electric; eyelash care tools included in class 21; cleaning instruments, hand-operated; cabarets [trays]; stew-pans; couscous cooking pots, non-electric; covers, not of paper, for flower pots; cake brushes; shaving brushes; make-up brushes; basting brushes; cages for household pets; baking mats; ladles for serving wine; polishing leather; hot pots, not electrically heated; glass bulbs [receptacles]; shoe trees; napkin rings; poultry rings; rings for birds; coin banks; piggy banks; bread baskets for household purposes; baskets for household purposes; waste paper baskets; feeding troughs; mangers for animals; feeding troughs for cattle; lunch boxes; tea caddies; washtubs; earthenware saucepans; mess-tins; cauldrons; coffee percolators, non-electric; coffee-pots, non-electric; coffee grinders, hand-operated; ramekins; fused silica [semi-worked product], other than for building; beer mugs; tankards; non-spill mugs; rat traps; lids for cans; pot lids; aquarium hoods; butter-dish covers; dish covers; cheese-dish covers; reusable silicone food covers; buttonhooks; reusable ice cubes; pitchers; perfume burners; bush (scrub) canes; paw plungers; watering cans; fly traps; insect traps; wasps traps; traps for snails; spoons [kitchen utensils]; ice cream scoops; mixing spoons [kitchen utensils]; basting spoons [cooking utensils]; tart scoops; spatulas for cleaning dishes; cosmetic spatulas; spatulas for kitchen use; litter boxes for pets; candle cuffs; glass tags; butter dishes; articles for cleaning purposes; material for brush-making; polishing materials for making shiny, except preparations, paper and stone; tablemats, not of paper or textile; noodle machines, hand-operated; lint removers, electric or non-electric; pasta makers, hand-operated; polishing apparatus and machines, for household purposes, non-electric; ice mills; pepper mills, hand-operated; mills for household purposes, hand-operated; sectional plates; feather-dusters; brooms; isothermic bags; confectioners' decorating bags [pastry bags]; bowls [basins]; mosaics of glass, not for building; milk cookers; milk cans; cream jugs; saucepan scourers of metal; soap boxes; mouse traps; cookware and tableware, except

forks, knives and spoons; fondue sets; cooking pot sets; roses for watering cans; pouring spouts; cake decorating tips and tubes; nozzles for watering hose; fitted picnic baskets, including dishes; toilet cases; floss for dental purposes; fiberglass thread, other than for textile use; cookie [biscuit] cutters; pastry cutters; omelette makers for microwave ovens, sprinklers; sprinklers for watering flowers and plants; egg yolk separators; cotton waste for cleaning; wool waste for cleaning; cleaning tow; cold packs for chilling food and beverages; chopsticks; cocktail stirrers; food steamers, non-electric; pepper pots; barbecue mitts; animal grooming gloves; gloves for household purposes; car washing mitts; polishing gloves; gardening gloves; potato peeling gloves; pestles for kitchen use; droppers for household purposes; wine-tasting pipettes; droppers for cosmetic purposes; plates for diffusing aromatic oil; plates to prevent milk boiling over; dripping pans; trays for household purposes; trays of paper, for household purposes; lazy susans; heaters for feeding bottles, non-electric; candelabra [candlesticks]; trivets [table utensils]; coasters, not of paper or textile; grill supports; holders for kitchen utensils; menu card holders; knife rests for the table; tableware holders; cake bases; flat-iron stands; coasters for tea bags; egg cups; coasters for dishes and decanters; abrasive pads for kitchen purposes; scouring pads; drinking troughs; ladles; serving ladles; powdered glass for decoration; pottery; pots; drinking utensils; cooking pots; heat resistant cookware; painted glassware; cookware [pots and pans]; disposable tableware for food storage; disposable tableware included in class 21; tableware, other than knives, forks and spoons; porcelain ware; earthenware; crystal [glassware]; cosmetic utensils; toilet utensils; able mats; table plates; trivets [table utensils]; trouser presses; tortilla presses, non-electric [kitchen utensils]; deodorising apparatus for personal use; cruet sets for oil and vinegar; make-up removing appliances; spice sets; cosmetic and cleaning instruments; cosmetic brushes; make-up sponge; cleaning, washing and polishing accessories; hairdressing devices included in class 21; garden accessories, including garden gloves, flower boxes, watering cans and nozzles for watering cans; devices for washing windows; apparatus for wax-polishing, non-electric; bottle openers, electric and non-electric; glove stretchers; boot jacks; crumb trays; tie presses; clothes brushes; non-electric wax-polishing appliances for shoes; manual kitchen or house appliances and small-sized appliances; compact kitchen utensils for chopping, grinding, pressing or crushing, manually operated, including garlic squeezers, nuts tongs, pestles and mortars; potholders; clothes-pegs; glass stoppers; baking trays; powder compacts; perfume vaporizers; powder puffs; dusting apparatus, non-electric; foam toe separators for use in pedicures; flame spreaders for gas stoves; combs and sponges; electric combs; grills [cooking utensils]; sifters [household utensils]; drinking horns; shoe horns; candle drip

rings; broom handles; salad bowls; place mats, not of paper or textile; samovars, non-electric; sugar bowls; beaters, non-electric; egg separators, non-electric, for household purposes; services [dishes]; coffee services [tableware]; liqueur sets; tea services [tableware]; cooking mesh bags, other than for microwaves; sieves [household utensils]; cinder sifters [household utensils]; tea strainers; siphon bottles for aerated water; cream siphons; rolling pins, domestic; frying pans; squeegees [cleaning instruments]; steel wool for cleaning; currycombs; blenders, non-electric, for household purposes; scoops for household purposes; juice boilers; fruit presses, non-electric, for household purposes; drinking straws; salt cellars; drinking vessels; vessels of metal for making ices and iced drinks; refrigerating bottles; sauceboats; bulb basters; cups of paper or plastic; glasses [receptacles]; drinking glasses; statues of porcelain, ceramic, earthenware, terracotta or glass; figurines of porcelain, ceramic, earthenware, terra-cotta or glass; glass for vehicle windows [semi-finished product]; glossy glass; alloyed glass; plate glass [raw material]; opal glass; glass, unworked or semi-worked, except building glass; opaline glass; glass incorporating fine electrical conductors; enamelled glass, not for building; glass wool, other than for insulation; vitreous silica fibres, other than for textile use; fiberglass, other than for insulation or textile use; mortars for kitchen use; thermal insulation bags; portable cool boxes, non-electric; soup bowls; drying racks for laundry; rotary washing lines; bottle dryers; dryers for dishes; tagines, non-electric; basins [receptacles]; table plates; disposable table plates; graters for kitchen use; thermal containers and thermoses; indoor terrariums [plant cultivation]; indoor terrariums [vivariums]; cloth for washing floors; polishing cloths; cloths for cleaning; dusting cloths [rags]; furniture dusters; urns; aerosol dispensers, not for medical purposes; wax-polishing appliances, non-electric, for shoes; water apparatus for cleaning teeth and gums; electric devices for attracting and killing insects; sprinkling devices; utensils for household purposes; household and kitchen utensils, including fly swatters, clothes pins, mixing spoons, meat spoons, corkscrews, serving items, sugar tongs, ice tongs, cake shovels and soup ladles; household or kitchen utensils and containers; kitchen utensils; cooking utensils, non-electric; toilet and cosmetic utensils, including electric and non-electric combs and toothbrushes, dental flosses, foam separators for fingers used in pedicures, powder puffs, toilet bags; utensils, including toilet and cosmetic, glass and some products from porcelain, ceramics, faience, terracotta and glass; coffee filters, non-electric; flasks; hip flasks; drinking bottles for sports; boot trees; molds [kitchen utensils]; egg poachers; cake moulds; ice cube molds; cookery moulds; French press; deep fryers, non-electric; toothbrush cases; toothpick cases; comb cases; bread bins; fly swatters; teapots; kettles, non-electric;

pan handles; cups; garlic presses [kitchen utensils]; ironing board covers, shaped; tea infusers; glass bowls; mop wringers; mops; cocktail shakers; corkscrews, electric and non-electric; skimmers for kitchen use; animal bristles [brushware]; pig bristles for brush-making; dishwashing brushes; ski wax brushes; brushes for cleaning tanks and containers; lamp-glass brushes; horse brushes; scrubbing brushes; toothbrushes; toothbrushes, electric; carpet sweepers; brushes for footwear; tar-brushes, long handled; toilet brushes; electric brushes, except parts of machines; brushes, except paintbrushes; eyebrow brushes; nail brushes; eyelash brushes; nutcrackers; ice tongs; salad tongs; sugar tongs; decanter tags; nest eggs, artificial; boxes for dispensing paper towels; garbage cans; window-boxes; boxes of glass.

25 – Anoraks [parkas]; wimples; mock turtleneck shirts; balaclaves; bandanas [neckerchiefs]; baseball caps; underclothes; children's underwear; underwear; sweat-absorbent underwear; berets; Bermuda shorts; peakless caps; overalls; boas [necklets]; teddies [underclothing]; boxer shorts; boleros; boardshorts; ankle boots; ski boots; boots for sports; straps for bras; breeches for wear; trousers; football shoes; brassieres; bustiers; valenki [felted boots]; mittens; collars [clothing]; detachable collars; shirt yokes; veils [clothing]; gabardines [clothing]; galoshes; neckties; ascots; leggings [leg warmers]; gaiters; boot uppers; knee-high stockings; corselets; clothing, headgear, shoes and parts thereof, including cuffs, pockets, ready-made linings, heels and heelpieces, visors for caps and hat frames; jumpers; jerseys [clothing]; jeans; suit jackets; vests; jockey caps; articles of clothing for babies and toddlers; garter products; sports jerseys; hosiery; heels; hoods [clothing]; hat frames [skeletons]; pockets for clothing; neck scarfs [mufflers]; sneakers; peaked caps; caps being headwear; kilts; kimonos; cap peaks; visors being headwear; tights; combidresses; slippers [underclothing]; combinations [clothing]; wet suits for water-skiing; bodices [lingerie]; corsets [underclothing]; suits; costumes for shows in the form of animals or cartoon characters; bathing suits; masquerade costumes; beach clothes; kerchiefs; jogging shoes; leotards; jackets [clothing]; jackets for carrying baby in sling; stuff jackets [clothing]; hunting jackets; fishing vests; leggings [trousers]; liveries; camisoles; sports singlets; cuffs; short-sleeve shirts; mantillas; coats; sleep masks; furs [clothing]; fingerless gloves; miters [hats]; muffs [clothing]; footmuffs, not electrically heated; muffs, not electrically heated; bibs, not of paper; bibs, sleeved, not of paper; capelets; fur stoles; hairdressing capes; heel protectors for shoes; ear muffs [clothing]; socks; sweat-absorbent socks; martial arts shoes; shoes for snowboarders; beach shoes; sports shoes; paper clothing; outerclothing; embroidered clothing; ready-made clothing; outerwear; children's clothing; motorists' clothing; maternity clothing; cyclists' clothing; clothing for gymnastics; clot-

hes for winter sports; tennis clothing; motorcyclists' clothing [other than for protection against accident or injury]; clothes for the beach and leisure; holiday clothes; clothes and shoes for sports, including ski gloves, sports shirts, clothes for cyclists, clothing for judo and karate, boots, gymnastics shoes, ski boots; clothing of imitations of leather; clothing of leather; national clothes; waterproof clothing; casual clothing; wedding wear; sportswear; uniforms; clothes, hats and other items of clothing of paper; clothing, footwear, headwear; clothing containing slimming substances; fittings of metal for footwear; maniples; shoulder scarves; overcoats; panties; pareus; parkas; pelerines; sash; gloves [clothing]; ski gloves; smoking jackets; pajamas; baby booties; fur lined coat; bathing trunks; shirt fronts; scarves; scarfs; pocket squares; dresses; headbands [clothing]; garters; sock suspenders; stocking suspenders; ready-made linings [parts of clothing]; dress shields; soles for footwear; heelpieces for footwear; footlets; suspenders; romper suits; half-boots; lace boots; gumshoes; ponchos; girdles; belts [clothing]; money belts [clothing]; articles of clothing; layettes [clothing]; non-slipping devices for footwear; non-slipping devices for boots and shoes; dance slippers; sweaters; heelpieces for stockings; welts for footwear; short baby's undershirts without buttons (wraparound garments); chasubles; shirts; wooden shoes; sandals; bath sandals; rain boots; boots; jumper dresses; saris; sarongs; sling jacket; snoods; nightgowns; footwear uppers; inner soles; self-heating insoles; albs; bath slippers; tennis shoes; thermal underwear; thermal socks; thermal gloves; togas; heavy coats; hooded sweatshirts; tops; trench coats; knitwear [clothing]; underpants; gymnastic shoes; slippers; mules; shoes; skull caps; turbans; headwear and parts thereof; aprons [clothing]; judo uniforms; karate uniforms; service cap; tee-shirts; training t-shirts; dressing gowns; bath robes; top hats; tips for footwear; stockings; sweat-absorbent stockings; shawls; paper hats [clothing]; shower caps; cardinals' hats; bathing caps; bloomers; sashes for wear; studs for football boots; toques; hats; shorts; quick-drying swimming shorts; babies' pants [underwear]; trouser straps; pelisses; esparto shoes or sandals; skirts; petticoats; skorts.

26 – Appliqués [haberdashery]; haberdashery bows; fringes; hair curlers; beads, other than for making jewellery; mica spangles; shoe eyelets; false beards; charms, other than for jewellery, key rings or key chains; brooches [clothing accessories]; hat pins, other than jewellery; entomological pins; pins, other than jewellery; beads, other than for making jewelry; hair rollers; velcro [contact tape]; wreaths of artificial flowers; artificial Christmas wreaths; artificial Christmas wreaths incorporating lights; false hair; human hair; lace for edgings; artificial garlands; artificial Christmas garlands; artificial Christmas garlands incorporating lights; darning lasts; expanding bands for holding

sleeves; frills [lacework]; trouser clips for cyclists; hair grips; hair barrettes; heat adhesive patches for repairing textile articles; clasp fasteners; blouse fasteners; shoe fasteners; fastenings for clothing; fastenings for suspenders; belt clasps; hook and pile fastening tapes; slide fasteners [zippers]; zippers for bags; badges for wear, not of precious metal; competitors' numbers; badges for various purposes included in class 26; pins; embroidery needles; needles for wool combing machines; binding needles; needles for lifting loops; felting needles; saddlers' needles; needles for various purposes; shoemakers' needles; sewing needles; darning needles; boxes for needles; passementerie; haberdashery products for finishing; haberdashery products for decoration; haberdashery [dressmakers' articles], except thread; decorative articles for the hair; heat adhesive patches for decoration of textile articles [haberdashery]; products for curling hair, included in class 26, including electric and non-electric curlers, hair pins, hairpots (curlers); decorative articles for the hair; edgings for clothing; braids; gold embroidery; silver embroidery; tools and accessories for felting; tools and accessories for sewing and needlework; borders and edgings for clothing; bobbins for retaining embroidery floss or wool [not parts of machines]; tassels [haberdashery]; snap fasteners; cockades [haberdashery products]; bobbins; sewing boxes; plaited hair; false hems; lace, braid and embroidery, and haberdashery ribbons and bows; hooks [haberdashery]; crochet needles; rug hooks; hooks for corsets; shoe hooks; haberdashery ribbons; ribbons for the hair; ribbons and bows for haberdashery or for hair, regardless of their material; ribbons and bows, not of paper, for gift wrapping; prize ribbons; hatbands; elastic ribbons; eyelets; letters for marking linen; numerals for marking linen; numerals or letters for marking linen; sewing kits; toupees; sewing thimbles; needle-threaders; skirt flounces; bows for the hair; spangles for clothing; hair curling papers; wigs; wigs, toupees, and false beards; feathers [clothing accessories]; birds' feathers [clothing accessories]; ostrich feathers [clothing accessories]; eyelets for clothing; picot [lace]; corset busks; hair bands; arm bands [clothing accessories]; tapes for curtain headings; shoulder pads for clothing; pin cushions; needle cushions; top-knots [pompoms]; hair curlers, electric and non-electric, other than hand implements; devices for weaving cords; buckles [clothing accessories]; shoe buckles; buckles and zippers; buttons, hooks and eyes, pins and needles; ornamental novelty badges [buttons]; artificial plants, other than Christmas trees; rosettes [haberdashery]; frills for clothing; hair nets; chenille [passementerie]; knitting needles; bugles [haberdashery]; soutache; cords for trimming; hair decorations; shoe trimmings; trimmings for clothing; hat trimmings; false moustaches; festoons [embroidery]; artificial fruit; sewing fittings; needle cases; rivets [haberdashery]; artificial flowers; shuttles for making fishing nets; hair coloring caps; bodkins; hair extensions; shoe laces;

cords for clothing; woollen laces; hair pins; hair curling pins; collar supports; embroidered emblems.

35 – Arranging subscriptions to telecommunication services for others; import-export agency services; commercial information agency services; advertising agencies; cost price analysis; rental of office equipment in co-working facilities; rental of advertising space; business auditing; financial auditing; business intermediary services relating to the matching of potential private investors with entrepreneurs needing funding; employment agency services; computerized file management; book-keeping; record keeping; maintaining of personal correspondence; invoicing; publication of advertising material; dissemination of advertising material [leaflets, brochure and printed matter]; demonstration of goods; business administration; transcription of communications [office functions]; opinion polling; market studies; business information; commercial information and advice for consumers in the choice of products and services; business investigations; business research; marketing research; personnel recruitment; business management and organization consultancy; business organization consultancy; business management consultancy; personnel management consultancy; professional business consultancy; consultancy regarding advertising communication strategies; consultancy regarding public relations communication strategies; layout services for advertising purposes; marketing; marketing in the framework of software publishing; targeted marketing; business management of performing artists; business management; business management of sports people; writing of résumés for others; scriptwriting for advertising purposes; news clipping services; updating and maintenance of information in registries; updating and maintenance of data in computer databases; updating of advertising material; word processing; payroll preparation; online retail services for downloadable and pre-recorded music and movies; online retail services for downloadable ring tones; online retail services for downloadable digital music; organization of exhibitions for commercial or advertising purposes; arranging newspaper subscriptions for others; organization of fashion shows for promotional purposes; organization of trading and purchasing activities; organization of trade fairs for commercial or advertising purposes; shop window dressing; design of advertising materials; business appraisals; data search in computer files for others; sponsorship search; administrative assistance in responding to calls for tenders; business management assistance; help in the management of business affairs or commercial functions of an industrial or commercial enterprise; commercial or industrial management assistance; assistance in operation or management of commercial enterprise; commercial intermediation services; providing business information via a web site; provision of commercial and business contact information; providing

mannequins for advertising; provision of an online marketplace for buyers and sellers of goods and services; web indexing for commercial or advertising purposes; presentation of goods on communication media, for retail purposes; media relations services; conducting promotional activities; economic forecasting; auctioneering; wholesale services for pharmaceutical, veterinary and sanitary preparations and medical supplies; retail services for works of art provided by art galleries; retail services for pharmaceutical, veterinary and sanitary preparations and medical supplies; sales promotion for others; promotion of goods and services through sponsorship of sports events; production of teleshopping programmes; production of advertising films; office machines and equipment rental; rental of advertising time on communication media; publicity material rental; rental of billboards [advertising boards]; rental of vending machines; rental of sales stands; rental of photocopying machines; publication of publicity texts; radio advertising; bill-posting; distribution of samples; dissemination of advertising matter; direct mail advertising; registration of written communications and data; writing of publicity texts; advertising; advertising in periodicals, brochures and newspapers; on-line advertising on a computer network; outdoor advertising; advertising by mail order; television advertising; document reproduction; the bringing together, for the benefit of others, of a variety of goods, excluding the transport thereof, enabling customers to conveniently view and purchase those goods, including via retail and wholesale stores, automatic dispensers, postal sales catalogs, electronic means, television shops or Internet sites; compilation of statistics; compilation of information into computer databases; business inquiries; systemization of information into computer databases; office functions; advisory services for business management; corporate communications services; negotiation of business contracts for others; negotiation and conclusion of commercial transactions for third parties; compiling indexes of information for commercial or advertising purposes; tax preparation; drawing up of statements of accounts; copywriting; telemarketing services; psychological testing for the selection of personnel; interim business management; outsourced administrative management for companies; business management of hotels; business management for freelance service providers; procurement management; business project management services for construction projects; commercial administration of the licensing of the goods and services of others; business management of reimbursement programs for others; administration of consumer loyalty programs; administration of frequent flyer programs; administrative processing of purchase orders; pay per click advertising; public relations; human resources services; commercial lobbying services; competitive intelligence services; retail and wholesale services; modelling for advertising or sales promotion; typing; analysis and forecasting of business

trends; analysis of response to advertising; consumer research; market intelligence services; appointment reminder services [office functions]; web site traffic optimization; relocation services for businesses; tax filing services; marketing innovation development; preparation of advertising campaigns; search engine optimization for sales promotion; appointment scheduling services [office functions]; retail delivery trade; placing advertisements for others; distribution of prospects and samples directly and via mail; dissemination of advertisements; collection, systematization, compilation and analysis of business data, statistics, information and indexes of information for commercial or advertising purposes; gift registry services; price comparison services; retail sale of goods using tele-shopping or internet sites; retail and wholesale store services; secretarial services; procurement services for others [purchasing goods and services for other businesses]; shorthand; outsourcing services [business assistance]; telephone answering for unavailable subscribers; photocopying services; show room services, included in class 35; advertising agencies services, providing mainly user feedback and informing via all means of media about goods and services of all kinds; business efficiency expert services; innovative marketing; search engine optimization.

42 – Water analysis; computer system analysis; handwriting analysis [graphology]; chemical analysis; energy auditing; environmental auditing; recovery of computer data; business card design; graphic design of promotional materials; interior design; industrial design; graphic arts design; computer virus protection services; oil-field surveys; geological surveys; engineering; installation of computer software; meteorological information; clinical trials; material testing; oil well testing; textile testing; testing of equipment; bacteriological research; biological research; geological research; research in the field of environmental protection; cosmetic research; mechanical research; research in the field of welding; agricultural research; research in the field of building construction; research in the field of telecommunications technology; research in the field of physics; chemical research; analysis for gas-field exploitation; research and development of new products for others; medical research; scientific and technological research relating to patent mapping; scientific and technological research in the field of natural disasters; scientific research; analysis for oil-field exploitation; underwater exploration; technological research; calibration [measuring]; web site design consultancy; computer security consultancy; information technology [IT] consultancy; consultancy in the design and development of computer hardware; architectural consultancy; internet security consultancy; computer software consultancy; data security consultancy; consultancy relating to the creation of home-pages and internet pages; technological consultancy; oil-well testing; quality control; vehicle roadworthi-

ness testing; land surveying; dress designing; updating of computer software; monitoring of computer systems to detect breakdowns; monitoring of computer systems by remote access; scientific research for medical purposes; scientific and technological services and research and design relating thereto; software as a service [SaaS]; maintenance of computer software; authenticating works of art; design of interior decor; quality evaluation of standing timber; quality evaluation of wool; digitization of documents [scanning]; conversion of texts to digital format; conversion of data or documents from physical to electronic media; urban planning; providing temporary use of web-based software; providing information on computer technology and programming via a web site; provision of scientific information, advice and consultancy in relation to carbon offsetting; providing search engines for the internet; platform as a service [PaaS]; conversion of computer programs and data, other than physical conversion; preclinical studies of drugs; conducting technical project studies; computer system design; rental of web servers; computer rental; rental of computer software; Unlocking of mobile phones; geological prospecting; oil prospecting; hosting computer sites [web sites]; server hosting; design and development of computer hardware and software; development of computer platforms; development of new medical methods; construction drafting; computer software design; software development in the framework of software publishing; cloud seeding; gemstone certification; consultancy in the field of energy-saving; creating and designing website-based indexes of information for others [information technology services]; creating and maintaining web sites for others; creation, installation and maintenance of information systems; computer programming; technical writing; topographical surveying; duplication of computer programs; cloud computing; architectural services; design and industrial aesthetics services; clinical trial optimization services; services in field of technology and informatics regarding protection of information and personal data in financial field and detection of unauthorized access to data and information; chemistry services; outsource service providers in the field of information technology; surveying services; packaging design; off-site data backup; services of engineers and scientists who undertake evaluations, estimations, research and reports in scientific and technological fields, including consultation in field of technology; computer technology consultancy; telecommunications technology consultancy; scientific and technical services in the field of oil and gas; scientific and technical services in field of medicine and pharmacology; scientific laboratory services; industrial analysis and industrial research services; services in development of methods and programs of tests; styling [industrial design]; cartography services; technical testing and control services; exploration services in the field of the oil, gas and mining industries; data enc-

ryption services; services provided by specialists in fields of chemistry, physics, engineering, programming; electronic data storage; oil field expertise; surveying; electronic monitoring of credit card activity to detect fraud via the internet; electronic monitoring of personally identifying information to detect identity theft via the internet.

(260) AM 2021 107852 A

(800) 1524122

(151) 2019 10 28

(891) 2019 10 28

(731) GUANGDONG OPPO MOBILE  
TELECOMMUNICATIONS CORP., LTD.  
No.18 Haibin Road, Wusha, Chang'an,  
Dongguan, Guangdong, China

(540)

## HeyTap

(591) Black, white

(511)

9 – Computers; computer programs, recorded; computer game software, downloadable; computer peripheral devices; computer programs, downloadable; smartwatches; smartglasses; interactive touch screen terminals; humanoid robots with artificial intelligence; wearable computers; pedometers; apparatus to check franking; counterfeit coin detectors; ticket dispensers; voting machines; face recognition device; biometric scanners; facsimile machines; scales; measures; signal lanterns; network communication equipment; navigational instruments; cell phones; covers for smartphones; wearable activity trackers; virtual reality headsets; loudspeakers; earphones; microphones; portable media players; camcorders; cameras [photography]; measuring apparatus; magnifying glasses [optics]; USB cables; semi-conductors; electronic chips; capacitors; transformers [electricity]; video screens; remote control apparatus; optical fibres [light conducting filaments]; electric apparatus for commutation; lightning arresters; electrolyzers; fire extinguishing apparatus; radiology screens for industrial purposes; protection devices for personal use against accidents; electric buzzers; eyeglasses; chargers for electric batteries; batteries, electric; rechargeable batteries; animated cartoons; biochips; air analysis apparatus; devices for wireless radio transmission; egg-candlers; dog whistles; decorative magnets; electrified fences; electronic collars to train animals; sports whistles; headphones; earphones for cellular telephones; wireless headsets for smartphones; smartphones.

35 – Advertising; television advertising; advertising agency services; online advertising on a computer network; promotion of goods and services through sponsorship of sports events; editing of publicity texts for Internet webpage advertising; provide advertising space on the web sites for goods and services; online ad-

vertising via a computer communications network; presentation of goods on communication media, for retail purposes; business management consultancy; sales promotion for others; import-export agency services; provision of an online marketplace for buyers and sellers of goods and services; personnel management consultancy; relocation services for businesses; compilation of information into computer databases; accounting; rental of sales stands; retail services for pharmaceutical, veterinary and sanitary preparations and medical supplies; rental of vending machines; sponsorship search.

36 – Insurance brokerage; financial information; installment loans; processing of debit card payments; processing of credit card payments; provident fund services; electronic funds transfer; art appraisal; real estate agency services; financial customs brokerage services; surety services; charitable fund raising; fiduciary; lending against security.

38 – Television broadcasting; webcasting services; communications by cellular phones; providing telecommunications connections to a global computer network; providing online forums; sound and picture transmission via satellite; voice over internet protocol (VOIP) services; rental of videophones; providing online chat rooms for social networking; transmission of electronic mail; communications by telephone; teleconferencing services; message sending; video-on-demand transmission; news agency services; electronic bulletin board services [telecommunications services].

41 – Toy rental; games equipment rental; presentation of musical performances; videotaping; conducting guided tours; modelling for artists; educational services; arranging and conducting of conferences; organization of fashion show for entertainment purposes; zoological garden services; lending library services; publication of books; videotape distribution; publication of electronic newspapers accessible via a global computer network; online electronic publishing of books and periodicals; online publication of electronic books and journals; cinema presentations; entertainment services; virtual reality game services provided on-line from a computer network; health club services [health and fitness training]; providing online electronic publications, not downloadable; arranging and conducting of concerts; music video production; providing online music, not downloadable; providing online videos, not downloadable; electronic games services provided by means of the internet.

42 – Technological research; surveying; cosmetic research; biological research; meteorological information; material testing; packaging design; design of interior decor; dress designing; computer programming; computer software design; rental of computer software; recovery of computer data; conversion of data or documents from physical to electronic media; creating and maintaining web sites for others; installation of

computer software; computer software consultancy; software as a service [SaaS]; information technology [IT] consultancy; cloud computing; unlocking of mobile phones; platform as a service [PaaS]; updating and maintenance of computer software; updating of smartphone software; smartphone software design; design and development of software in the field of mobile applications; recovery of smartphone data; authenticating works of art; quality control; graphic arts designing; cloud seeding; handwriting analysis [graphology]; cartography services; business card design.

(260) AM 2021 107867 A

(800) 1524667

(151) 2020 02 27

(891) 2020 02 27

(731) David Tonoyan

550 North Brand Blvd., 20th Fl, Glendale  
CA 91203, USA

(540)

## PLAT

(591) Black, white

(511)

42 – Web-based platform software as a service (saas) services featuring marketing tracking software for use by companies to track and manage the performance of online marketing and advertising campaigns, manage affiliate networks, deliver and track online marketing traffic and leads, and track traffic and leads to the ad, keyword search, email, social media site, or specific campaign from which it came.

(260) AM 2021 107870 A

(800) 1524734

(151) 2019 11 28

(891) 2019 11 28

(731) GuangDong OPPO Mobile

Telecommunications Corp., Ltd.  
No.18 Haibin Road, Wusha, Chang'an,  
Dongguan, 100044 Guangdong, China

(540)

## HeyThings

(591) Black, white

(531) 27.05.01

(511)

9 – Computer programs, recorded; computer software, recorded; computer software applications, downloadable; downloadable mobile software applications; computer programs (downloadable software); computers; computer peripheral devices; tablet computers; computer hardware; smart watches (data processing); smart glasses (data processing); smart ring (data processing); data processing apparatus; pedometers; ap-

paratus to check franking; cash registers; mechanisms for coin-operated apparatus; dictating machines; facial recognition equipment; handprint readers; facsimile machines; electronic bathroom scale; measures; signal lanterns; telephone apparatus; cell phones; smartphones; telecommunication apparatus in the form of jewellery; equipment for communication network; communication transmission equipment; sound transmitting apparatus; earphones; cabinets for loudspeakers; virtual reality headsets; video projectors; selfie lenses; surveying apparatus and instruments; air analysis apparatus; speed checking apparatus for vehicles; connected bracelets [measuring instruments]; audiovisual teaching apparatus; inductors [electricity]; metal detectors for industrial or military purposes; optical apparatus and instruments; materials for electricity mains [wires, cables]; semi-conductors; integrated circuits; electronic chips; semi-conductor devices; sensors; video screens; remote control apparatus; light conducting filaments [optical fibers [fibres]]; electric installations for the remote control of industrial operations; lightning arresters; electrolyzers; fire-extinguishing apparatus; radiological apparatus for industrial purposes; protection devices for personal use against accidents; electronic access control systems for interlocking doors; 3D spectacles; batteries, electric; animated cartoons; egg-candlers; dog whistles; decorative magnets; electrified fences; electronic collars to train animals; sports whistles; portable remote control car stop; fridge magnetic stickers; holograms; hemline markers; voting machines; electronic terminals for generating lottery tickets.

35 – Publicity; online advertising on a computer network; presentation of goods on communication media, for retail purposes; providing advertising space for goods and services on a website; business management assistance; commercial information and advice for consumers in the choice of products and services; providing business information via a web site; provision of an on-line marketplace for buyers and sellers of goods and services; sales promotion for others; marketing for others' goods and services; marketing in the framework of software publishing; personnel management consultancy; relocation services for businesses; search engine optimization for sales promotion; web site traffic optimization; updating and maintenance of data in computer databases; systemization of information into computer databases; compilation of information into computer databases; accounting; rental of sales stands; rental of vending machines; sponsorship search; retail services for pharmaceutical, veterinary and sanitary preparations and medical supplies.

38 – Internet broadcasting; web broadcasting service; message sending; computer terminal communication; computer aided transmission of messages and images; providing online forums for transferring information between computer users; providing user access to glo-

bal computer networks; transmission of sound, picture and data signals; digital network communication services; providing access to databases.

41 – Education; tuition; training in communication technology; arranging and conducting of conferences; arranging and conducting of symposiums; arranging and conducting of seminars; bookmobile services; providing on-line electronic publications, not downloadable; rental of videotapes; providing on-line music, not downloadable; providing on-line videos, not downloadable; game services provided on-line from a computer network; providing sports facilities; toy rental; games equipment rental; conducting guided tours; animal training; modelling for artists; organization of lotteries; rental of indoor aquaria; organization of sweepstakes.

42 – Technical research; research in the field of telecommunications technology; telecommunications technology consultancy; quality testing; surveying; chemistry services; biological research; weather forecasting; material testing; industrial design; interior design; dress designing; development of computer platforms; software development in the framework of software publishing; platform as a service [PaaS]; software as a service [SaaS]; cloud computing; providing information on computer technology and programming via a web site; information technology services provided by outsourcers; computer technology consultancy; computer software design; maintenance of computer software; updating of computer software; computer system design; computer system analysis; debug computer software for others; graphic arts design; cloud seeding; handwriting analysis [graphology]; cartography services; evaluation of product design; weighing of goods for others; providing set design services for drama companies; authenticating works of art.

(260) AM 2021 107871 A

(800) 1524737

(151) 2019 09 30

(891) 2019 09 30

(731) Obschestvo s ogranichennoy otvetstvennostyu "MotoVeloZavod"  
pr-t Partizanskiy, d. 8, korp. 28, kab. 15,  
220033 Minsk, Belarus

(540)



(591) Red

(531) 27.05.01; 27.05.11; 27.05.17; 27.05.19;  
29.01.01

(511)

9 – Measuring, signalling, checking [supervision] apparatus and instruments; measures; distance measu-

ring apparatus; speed indicators; bicycle speedometers; apparatus and instruments for conducting, switching, transforming, accumulating, regulating or controlling electricity; accumulators; bicycle accumulators; data processing apparatus; computers; bike computers; eyeglasses; sunglasses; goggles for sports; eyeglasses for cyclists; safety helmets (protective and safety equipment); headgear being protective helmets; head guards for sports; protective helmets; protective helmets for sports; protective helmets for cyclists.

12 – Vehicles; apparatus for locomotion by land; electric vehicles; remote control vehicles, other than toys; bicycles; electric bicycles; run bikes [balance bikes]; scooters [vehicles]; motorcycles; mopeds; motor scooters; quad bikes [vehicles]; push scooters [vehicles]; self-balancing scooters; self-balancing electric unicycles; parts and accessories of bicycles, electric bicycles, run bikes [balance bikes], scooters [vehicles], motorcycles, mopeds, motor scooters, quad bikes [vehicles], push scooters [vehicles], self-balancing scooters, self-balancing electric unicycles, included in this class; repair outfits for inner tubes.

28 – Sporting articles; machines for physical exercises; stationary exercise bicycles; protective paddings [parts of sports suits]; knee guards [sports articles]; elbow guards [sports articles]; shin guards [sports articles]; apparatus for games and sports; tricycles for infants [toys]; scooters [toys]; run bikes [toys].

(260) AM 2021 107877 A

(800) 632472

(151) 1995 03 20

(891) 2020 02 13

(731) Gebro Holding GmbH

A-6391 Fieberbrunn, Austria

(540)

# SERACTIL

(591) Black, white

(531) 27.05.17

(511)

5 – Medicines, chemical products for healing and sanitary purposes, pharmaceutical drugs, plasters, materials for dressings, herbicides and preparations for destroying vermin, disinfectants.

(260) AM 2021 107947 A

(800) 1525417

(151) 2019 11 16

(891) 2019 11 16

(731) Open Joint-Stock Company "Klimovichskij likero-vodochnyj zavod"  
d. 10, ul. Naberezhnaja, g. Klimovichi,  
Klimovichskij rajon, 213633 Mogilevskaja oblast', Belarus



(540)

**НОВАЯ ЗЕМЛЯ**

(591) Black, white

(531) 28.05

(511)

33 – Alcoholic beverages, except beer; alcoholic preparations for making beverages.

35 – Advertising; shop window dressing; presentation of goods on communication media, for retail purposes; demonstration of goods; organization of exhibitions for commercial or advertising purposes; organization of trade fairs for commercial or advertising purposes; import-export agency services; marketing; sales promotion for others; promotion of goods and services through sponsorship of sports events; auctioneering; telemarketing services; procurement services for others [purchasing goods and services for other businesses]; commercial information and advice for consumers in the choice of products and services; provision of an online marketplace for buyers and sellers of goods and services; administrative processing of purchase orders; retail and wholesale services for alcoholic beverages, except beer, alcoholic preparations for making beverages, including by means of shops, on the Internet or by means of catalogs.

(260) AM 2021 107987 A

(800) 1526050

(151) 2020 02 06

(891) 2020 02 06

(731) WOCA Denmark A/S

Tværvej 6, DK-6640 Lunderskov, Denmark

(540)



(591) Black, white

(531) 07.01.18; 25.01.09; 27.05.10; 27.05.11

(511)

2 – Paints; varnishes, lacquers; anti-rust preparations and wood preservatives; colorants; mordants; raw natural resins; metal in foil and powder form for painters, decorators, printers and artists.

3 – Bleaching preparations and other substances for laundry use; cleaning, polishing, scouring and abrasive preparations; soaps; perfumery, essential oils, cosmetics, hair lotions; dentifrices.

(260) AM 2021 107988 A

(800) 1526051

(151) 2020 02 10

(891) 2020 02 10

(731) Beiersdorf AG

Unnastrasse 48, 20253 Hamburg, Germany

(540)

**ROSE CARE**

(591) Black, white

(511)

3 – Non-medicated cosmetics; non-medicated skin cleansing preparations; non-medicated skin care preparations.

(260) AM 2021 107989 A

(800) 1526114

(151) 2020 03 13

(891) 2020 03 13

(731) KIA MOTORS CORPORATION

12, Heolleung-ro, Seocho-gu, Seoul 06797, Republic of Korea

(540)



(591) Black, white

(531) 27.05.01; 27.05.19; 27.05.22; 27.05.23

(511)

35 – Auctioneering; advertising; secretarial services; office functions; providing business and marketing information; organisation of exhibitions for commercial, promotional and publicity purposes; demonstration of goods; import-export agency services; wholesale services for automobiles; retail services for automobiles; retail services for parts and accessories for automobiles; wholesale services for parts and accessories for automobiles; rental of vending machines; business intermediary services relating to mail order by telecommunications; arranging subscriptions to information media; compilation of information into computer databases; retail services for used automobiles; wholesale services for used automobiles; providing of job information; sales promotion for others.

(260) AM 2021 107990 A

(800) 1526142

(151) 2019 12 18

(891) 2019 12 18

(731) ASRY TEKSTİL SANAYİ VE TİCARET LİMİTED ŞİRKETİ

Firuzköy Mahallesi, Aziz Caddesi, No.24, B Blok. Avcılar – İstanbul, Turkey

(540)

**DOREANSE**

(591) Black, white

(531) 27.05.01

(511)

18 – Unworked or semi-worked leather and animal skins, imitations of leather, stout leather, leather used for linings; goods made of leather, imitations of leather or other materials, designed for carrying items,

included in this class; bags, wallets, boxes and trunks made of leather or stout leather; keycases, trunks [luggage], suitcases; umbrellas; parasols; sun umbrellas; walking sticks; whips; harness; saddlery; stirrups; straps of leather (saddlery).

25 – Clothing, including underwear and outer clothing, other than special purpose protective clothing; socks, mufflers [clothing], shawls, bandanas, scarves, belts [clothing]; footwear, shoes, slippers, sandals; headgear, hats, caps with visors, berets, caps [headwear], skull caps.

(260) AM 2021 107991 A

(800) 1526152

(151) 2020 01 16

(891) 2020 01 16

(731) TEOXANE S.A

Rue de Lyon 105, CH-1203 Genève,  
Switzerland

(540)

## TEOXANE

(591) Black, white

(511)

3 – Washing and bleaching preparation; cleaning, polishing, scouring and abrasive preparations.

10 – Surgical, medical, dental and veterinary apparatus and instruments; suture material; lasers for cosmetic treatment of the skin and face; genetic analysis apparatus for medical use; clinical diagnosis apparatus; diagnostic imaging apparatus for medical use.

35 – Commercial administration; commercial project management and administration; bill-posting; commercial or industrial company management assistance; business management assistance; analysis of data from market studies; company management analysis and advice to companies; assistance in company management and marketing of products in the framework of a franchise agreement; compilation of data in computer databases; accounting; demonstration of goods; development of promotional campaigns; dissemination of advertisements; distribution of leaflets, brochures, printed products and samples for advertising purposes; statistical evaluations of marketing data; provision of commercial information via the Internet; business management of wholesale and retail sale outlets; computerized file management; human resources management; stock management; sales management; marketing; provision of information to consumers in relation to goods and services; development of marketing strategies and concepts; arranging and conducting of promotional events; organization and holding of events, exhibitions, fairs and shows for commercial, promotional and advertising purposes; organization and conducting of trade fairs; organization of customer loyalty programs; organization of competitions

and games for advertising purposes; organization and conducting of product presentation; presentation of goods on all communication media, for retail sale; publication of advertising texts; advertising; rental of advertising space and advertising time on all communication means; conducting of market study including opinion polling; public relations; administrative services; online ordering services; data processing by means of computers; collection, systematization, compilation and analysis of data and information in computer databases; Retail or online sales services for preparation for washing and bleaching, preparations for cleaning, polishing, scouring and abrading, surgical, medical, dental and veterinary apparatus and instruments, suture material, lasers for cosmetic treatment of the face, skin, genetic analysis apparatus for medical use, clinical diagnostic apparatus, diagnostic imaging apparatus for medical use.

42 – Product development and design evaluation and analysis; chemical and biological analyses; analysis of technical data; laboratory analysis in the field of cosmetic products; scientific research and analysis; design and development of pharmaceutical and cosmetic products; design of websites for advertising and commercial purposes; design, development, maintenance and updating of software for word processing, data processing and process control; design and development of testing and analysis methods; design and development of diagnostic apparatus; design and development of software for logistics, supply chain management and e-commerce portals; quality control; development of pharmaceutical and medical preparations; conducting of clinical trials for pharmaceutical and cosmetic products; scientific feasibility study; evaluation of pharmaceutical and cosmetic products; surveying [engineering work]; chemical engineering; hosting of digital content on the Internet; provision of scientific research results and information in searchable online databases; provision of information concerning results of clinical trials for pharmaceutical and cosmetic products; development and testing of chemical production methods; preparation of biological samples for testing and analysis in research laboratories; preparation of reports relating to scientific research; research and development in the field of pharmaceutical and cosmetic products; laboratory research; consultant services in the field of pharmaceutical and cosmetic research; scientific laboratory service; process supervision for quality assurance purposes.

44 – Cosmetic surgery; plastic surgery; distribution of pharmaceutical and cosmetic products; provision of medical information from websites; provision of medical information in the field of dermatology; preparation of reports in connection with medical matters; provision of advice regarding beauty; services provided by consultants in the field of cosmetics; services provided by consultants relating to beauty care; con-

ducting of medical examinations; cosmetic body care services; services provided by cosmetic and plastic surgery clinics; medical clinic services; medical and surgical diagnostic services; beauty salon services; treatment services using injectable fillers for cosmetic use; cosmetic treatment services for the body, face and hair; beauty treatment services; medical imaging services; health care, hygiene and beauty services; medical tests for diagnostic or treatment purposes; skin rejuvenation services.

(260) AM 2021 107992 A  
 (800) 1526161  
 (151) 2020 03 19  
 (891) 2020 03 19  
 (731) Merkenbureau Knijff & Partners B.V.  
 Leeuwenveldseweg 12, NL-1382 LX Weesp,  
 Netherlands  
 (540)

## EVO

(591) Black, white  
 (511)  
 34 – Raw or manufactured tobacco; smoking tobacco, pipe tobacco, hand-rolling tobacco, chewing tobacco, snus; cigarettes, tobacco sticks for smoking; tobacco products to be heated; all the aforementioned products not including cigars; cigarillos; cigar cutters; cigar holders; cigar lighters; cigar cases and boxes; cigar humidors.

(260) AM 2021 107993 A  
 (800) 1526188  
 (151) 2020 01 30  
 (891) 2020 01 30  
 (731) Open-Type Joint Stock Company,  
 "Yuzhuralkonditer"  
 ul. Darvina, d. 12, Chelyabinsk, RU-454087  
 Chelyabinskaya oblast, Russian Federation  
 (540)

## ПРОкофе

(591) Black, white  
 (531) 28.05  
 (511)  
 30 – Waffles; candy decorations for cakes; confectionery for decorating Christmas trees; cakes; pastries; peanut confectionery; almond confectionery; caramels [sweets]; sweets; liquorice [confectionery]; peppermint sweets; dulce de leche; macarons; marzipan; dessert mousses [confectionery]; chocolate mousses; muesli; chocolate-coated nuts; stick liquorice [confectionery]; pastilles [confectionery]; cookies; petit-beurre biscuits; fondants [confectionery]; cereal preparations; gingerbread; puddings; confectionery; halvah;

chips [cereal products]; corn flakes; oat flakes; chocolate.

(260) AM 2021 107994 A  
 (800) 1526217  
 (151) 2019 10 28  
 (891) 2019 10 28  
 (731) VIE MUSICALI OOD  
 Pimen Zografski 4 Str., Business building 2,  
 fl. 3, BG-1172 Sofia, Bulgaria  
 (540)

## MATIA BAZAR

(591) Black, white  
 (511)  
 9 – Audio and video receivers; video tapes; video recorders; disk drives [for computers]; equalizers [audio apparatus]; electric and electronic effect instruments for musical instruments; electronic bulletin boards; electronic digital displays; downloadable emoticons for mobile phones; sound reproduction apparatus; sound recorders; recording discs; recording tapes; recording media; sound-producing apparatus and machines; sound transmission apparatus; portable media players; portable stereo tape recorders or CD players.

16 – Brochures; printed images; advertising boards of paper or cardboard.

41 – Video recording services; organisation of discos; sound recording studios; entertainment information services; composing music; microfilming; provision of entertainment services through video tapes; sound recording for films, radio and television programs; arranging and conducting of concerts; arranging and conducting symposia; rental of audio equipment; rental of camcorders; rental of video tapes; rental of video recorders; rental of sound recordings; songwriting; writing texts; providing online videos, not downloadable; providing online music, not downloadable; production of music; production of radio and television programs; organization of live music performances.

(260) AM 2021 107995 A  
 (800) 1526247  
 (151) 2020 01 30  
 (891) 2020 01 30  
 (731) Open-Type Joint Stock Company  
 "Confectionary Concern Babayevsky"  
 ul. Malaya Krasnoselskaya, d. 7, RU-107140  
 Moscow, Russian Federation  
 (540)

## КИРПИЧКИ

(591) Black, white  
 (531) 28.05

(511)

30 – Aromatic preparations for food; star aniseed; high-protein cereal bars; pancakes; buns; bread rolls; natural sweeteners; sausage binding materials; binding agents for ice cream; flour; malt biscuits; cake frosting [icing]; mustard; yeast; leaven; artificial coffee; sugar; fruit jellies [confectionery]; confectionery for decorating Christmas trees; pastries; peanut confectionery; almond confectionery; ground ginger; cocoa; curry [spice]; caramels [sweets]; molasses for food; cookies; pies; pizzas; popcorn; golden syrup; liquorice [confectionery]; peppermint sweets; coffee; crackers; noodles; edible ices; ice for refreshment; mayonnaise; macaroni; marzipan; honey; royal jelly; ice cream; dessert mousses [confectionery]; cocoa beverages with milk; pastilles [confectionery]; coffee beverages with milk; tea-based beverages; chocolate-based beverages; tea; chocolate beverages with milk; nutmegs; stick liquorice [confectionery]; vinegar; powders for making ice cream; pralines; condiments; cereal preparations; halvah; gingerbread; puddings; rice; chewing gum; spaghetti; rusks; sushi; cake dough; tortillas; confectionery; salt; sorbets [ices]; sauces [condiments]; bread; chocolate; cheeseburgers [sandwiches].

(260) AM 2021 108002 A

(800) 1526376

(151) 2020 03 20

(891) 2020 03 20

(731) HUAWEI TECHNOLOGIES CO., LTD.

Administration Building, Huawei Technologies Co., Ltd., Bantian, Longgang District, Shenzhen, China

(540)

# Danika

(591) Black, white

(531) 27.05.01

(511)

9 – Anti-theft warning apparatus; eyeglasses; electric batteries; photocopiers (photographic, electrostatic, thermic); computers; computer programs (downloadable software); navigation apparatus for vehicles (on-board computers); satellite navigational apparatus; wearable computers; smartwatches; wearable activity trackers; cabinets for loudspeakers; television apparatus; camcorders; television cameras; projection apparatus; data processing apparatus; speed checking apparatus for vehicles; optical communication equipment; network communication apparatus; network routers; smartphones; bathroom scales; intercommunication apparatus; television apparatus for vehicles; earphones; set-top boxes; cameras (photography); 3D spectacles; baby monitors; downloadable mobile phone software applications; computer programs, recorded; tablet computers; personal digital assistants

(PDAs); virtual reality headsets; smart rings; electronic key fobs being remote control apparatus; telecommunication apparatus in the form of jewellery; human face recognition devices; selfie sticks for mobile phones; wearable video display monitors; security surveillance robots; telepresence robots; mobile power source (rechargeable batteries); remote control apparatus for household purposes; interactive touch screen terminals; smartglasses; document printers for use with computers; rearview cameras for vehicles; humanoid robots with artificial intelligence; detectors; measuring apparatus; automatic indicators of low pressure in vehicle tyres; steering apparatus, automatic, for vehicles; integrated circuits; portable media players; sensors; video screens; remote control apparatus; dictating machines; navigational instruments; radios (vehicle -); laptop computers.

42 – Monitoring of computer systems by remote access; meteorological information; providing search engines for the internet; electronic data storage; technical project studies; computer software design; maintenance of computer software; computer systems analysis; off-site data backup; cloud computing; unlocking of mobile phones; data encryption services; weather forecasting; research and development of new products for others; software as a service (SaaS); computer virus protection services; updating of computer software; recovery of computer data; installation of computer software; data conversion of computer programs and data (not physical conversion); rental of web servers; outsource service providers in the field of information technology.

(260) AM 2021 108009 A

(800) 1526581

(151) 2020 02 25

(891) 2020 02 25

(731) KMEW CO., LTD.

2-27, Shiromi 1-chome, Chuo-ku, Osaka-shi, Osaka 540-6013, Japan

(540)

# NEOROCK

(591) Black, white

(511)

6 – Iron and steel; nonferrous metals and their alloys; ores of metal; metal materials for building or construction; prefabricated building assembly kits of metal; metal moulds for forming cement products; metal junctions for pipes; metal flanges; road signs of metal [not luminous nor mechanical]; beacons of metal, non-luminous; internal floating lids of aluminium for use with gas or liquefied gas storage tanks; liquefied gas storage tanks of metal; gas storage tanks of metal; containers of metal for transport; metal hardware, not including "security locks, keys of metal for locks, ring of metal for keys and padlocks"; wire nets and gauzes;

metal nameplates and door nameplates; letter boxes of metal; water tanks of metal for household purposes; towel dispensers of metal; metal joinery fittings; safes; outdoor blinds of metal; upright signboards of metal; transportable greenhouses of metal for household use; metal tombs and metal tomb plaques.

19 – Ceramic building materials, bricks and refractory products; plastic building materials; synthetic building materials; asphalt, and asphalt building or construction materials; rubber building or construction materials; plaster for building purposes; lime building or construction materials; building or construction materials of plaster; rockslide retention nets of textiles [construction materials]; buildings, not of metal; cement and its products; building timber; building stone; building glass; non-metallic minerals for building or construction; joinery fittings, not of metal; tar; pitch; flagpoles [structures], not of metal; erosion control mats integrating plants seeds; plastic security windows allowing communication; moulds for forming cement products, not of metal; water-pipe valves, not of metal or plastics; reservoirs, not of metal or plastics; letter boxes of masonry; outdoor blinds, not of metal or textile; transportable greenhouses, not of metal, for household use; nonmetallic mineral materials [unworked or partly worked].

(260) AM 2021 108032 A  
(800) 1527072  
(151) 2020 02 28  
(891) 2020 02 28  
(731) SP Group A/S  
Snavevej 6-10, DK-5471 Søndersø, Denmark  
(540)

## Accoat

(591) Black, white  
(511)  
10 – Medical guidewires.

(260) AM 2021 108033 A  
(800) 1527076  
(151) 2020 01 16  
(891) 2020 01 16  
(731) Joint stock company ALADUSHKIN Group  
4-J Predportovyy proezd, d. 5, litera SH,  
RU-196240 Saint-Petersburg, Russian  
Federation  
(540)



(591) White, light brown  
(531) 05.07.02; 05.07.05; 08.01.01; 26.04.22; 28.05;  
29.01.12

(511)  
30 – Food flavorings, other than essential oils; vermicelli [noodles]; pasta; coffee; starch for food; groats for human food; semolina; gruel, with a milk base, for food; corn, roasted; flour; flour, including wheat flour, oat flour; pancake flour; muesli; crushed oats; husked oats; baking-powder; popcorn; powders for making ice cream; condiments; cereal preparations; oat-based food; spices; sugar; confectionery; prepared flour mixes for dough preparation; prepared flour mixes for baking flour products, including cupcakes, cookies, pies, bread, pizza, pancakes and fritters; prepared flour mixes for preparation of pasta; prepared flour mixes to prepare flour confectionery products; spaghetti; seasonings; breakfast cereals; yeast dough; chips [cereal products]; oat flakes; tea.

(260) AM 2021 108034 A  
(800) 1527081  
(151) 2020 03 11  
(891) 2020 03 11  
(731) J. Choo Limited  
10 Howick Place, London SW1P 1GW,  
United Kingdom  
(540)

## JC JIMMY CHOO

(591) Black, white  
(531) 27.05.01  
(511)  
14 – Precious metals and their alloys; jewellery; jewellery in the nature of jewellery ornaments; jewellery for use on shoes and handbags; jewellery in the nature of clip-on jewellery for use as fashion accessories; costume jewellery; costume jewellery in the nature of jewellery ornaments; costume jewellery for use on shoes and handbags; costume jewellery in the nature of clip-on jewellery for use as fashion accessories; earrings, bracelets, chains, necklaces, clip on jewellery, arm cuffs (jewellery), wrist bands (jewellery); jewellery made of leather; key rings (trinkets or fobs); key fobs; trinkets of metal; key fobs of leather or imitations of leather incorporating key rings; key holders; horological and chronometric instruments; watches, bracelets and straps for watches, cases adapted to contain watches; jewellery boxes, presentation boxes for jewellery, boxes of precious metals; tie clips, cufflinks; shoe ornaments and handbag ornaments of precious metal; ornaments (jewellery); key rings; key chains; parts and fittings for the aforesaid goods.

18 – Handbags, travelling bags, weekend bags, trunks, trunks for storing shoes, purses, wallets, clutch bags, travel wallets, luggage tags, luggage label holders, co-

smetic bags, make-up bags, vanity bags, vanity cases not fitted, pouches, carrying cases, bags, shoe bags, textile shopping bags, backpacks, garment bags, beach bags, briefcases, suitcases, attaché cases; cases of leather or leather board or imitation leather; key cases, key bags, key wallets; card cases; card holders, credit card holders, debit card holders, bank card holders, business card cases; document cases; hat boxes made of leather or imitations of leather; parasols, umbrellas, walking sticks; parts and fittings for the aforesaid goods; laces (leather): leashes; collars and leads for animals; garments and clothing for pets.

25 – Clothing, footwear and headgear; scarves; gloves, hats, belts, swimming hats; raincoats, hosiery, sashes for wear, wedding dresses, stoles of imitation fur, muffs of imitation fur, ear muffs, fur hats, hats of imitation fur, coats of imitation fur; kaftans; swimwear; underclothing; outerclothing.

---

(260) AM 2021 108045 A  
 (800) 1244474  
 (151) 2014 12 23  
 (891) 2020 03 09  
 (731) Curaden AG  
 Amlehnstrasse 22, CH-6010 Kriens,  
 Switzerland  
 (540)

## CURAPROX

(591) Black, white  
 (511)  
 3 – Personal care products, not for medical purposes, for daily use in maintaining and improving oral hygiene, washing preparations, cleaning preparations, polishing preparations and abrasives for use in dentistry and dental technology, toothpastes; cleaning and polishing preparations for dentures; oral rinses and mouthwashes not for medical purposes; cosmetics, particularly preparations for body and beauty care; soaps; perfumery products; essential oils, hair lotions.

10 – Dental apparatus, apparatus and instruments for dental care including tools for the therapeutic and preventive treatment of teeth and gums as well as explorers for determining the correct interdental brush suitable for the spaces between teeth; portable apparatus for stimulating gums through massage for daily dental care; tongue scrapers, tongue depressors; pacifiers (teats) for babies, pacifier clips, pacifier holders; teething rings; feeding bottles, baby bottles.

21 – Apparatus for daily dental care, especially toothbrushes, electric toothbrushes, interdental brushes, interdental brush holders, gum stimulators, mouthwashes, dental floss, dental floss holders, toothpicks; toothpick holders; cosmetic apparatus; toothbrushes and training toothbrushes for babies; brushes for cleaning dentures.

(260) AM 2021 108051 A  
 (800) 1495325  
 (151) 2019 09 20  
 (891) 2020 02 28  
 (731) EuroChem Group AG  
 Baarerstrasse 37, CH-6300 Zug, Switzerland  
 (540)

## Aqualis

(591) Black, white  
 (511)  
 1 – Chemical products used in agriculture, horticulture and forestry; fertilizers; chemical products for fertilizers.

---

(260) AM 2021 108105 A  
 (800) 1528292  
 (151) 2020 03 05  
 (891) 2020 03 05  
 (731) Riemser Pharma GmbH  
 An der Wiek 7, 17493 Greifswald – Insel  
 Riems, Germany  
 (540)

## LEDERMIX

(591) Black, white  
 (511)  
 5 – Pharmaceutical preparations, in particular glucocorticoids, analgesics, antibiotics, antiphlogistics; medicines for dental purposes; material for stopping teeth and dental wax for dental and dental-technology purposes; dental amalgams; alloys of precious metals for dental purposes, gold (dental amalgams of -), rubber for dental purposes, dental abrasives, moulding wax for dentists; adhesives for dentures, porcelain for dental prostheses; dental mastics, dental lacquers.

---

(260) AM 2021 108108 A  
 (800) 1401111  
 (151) 2018 01 30  
 (891) 2020 02 27  
 (731) Armacell Enterprise GmbH & Co. KG  
 Zeppelinstraße 1; 12529 Schönefeld OT  
 Waltersdorf, Germany  
 (540)

## ArmaGel

(591) Black, white  
 (511)  
 11 – Heating, ventilating, and air conditioning and purification equipment (ambient); refrigerating and freezing equipment; sanitary installations, water supply and sanitation equipment.  
 12 – Parts and fittings for vehicles.  
 17 – Flexible pipes, tubes, hoses and fittings therefor (including valves), and fittings for rigid pipes, all non-

metallic; non-metallic insulated pipes; pipe jackets, not of metal; insulation and barrier articles and materials; acoustic insulation articles and materials; fire resistant and fire preventive articles and materials; thermal insulation articles and materials; insulation for building purposes; shock-absorbing materials, vibration dampers; aerogels for insulating purposes; seals, sealants and fillers; waterproofing and moisture proofing articles and materials; elastomers; adhesive tapes, strips, bands and films.

19 – Building and construction materials and elements, not of metal; rigid pipes and valves therefor, non-metallic; non-metallic heating ducts; non-metallic insulated pipes for water; non-metallic fire protection materials for use in building.

(260) AM 2021 108109 A  
(800) 1489504  
(151) 2019 04 23  
(891) 2020 03 03  
(731) GUANGDONG OPPO MOBILE,  
TELECOMMUNICATIONS CORP., LTD.  
No. 18 Haibin Road, Wusha, Chang'an,  
Dongguan, Guangdong, China

(540)



(591) Black, white  
(531) 27.05.01; 27.05.22  
(511)

9 – Connections, electric; electronic chip cards; eyeglasses; batteries, electric; chargers for electric batteries; power bank (rechargeable batteries); cell phone battery chargers for use in vehicles; computers; notebook computers; computer programs [downloadable software]; smartphone software applications, downloadable; smartwatches; smartglasses; humanoid robots with artificial intelligence; body fat scales for household use; cell phones; smartphones; mobile telephones; covers for smartphones; DVD players; portable media players; earphones; wireless earbuds; keyboards for smartphones; cabinets for loudspeakers; wireless speakers; electronic book readers; camcorders; virtual reality headsets; headsets for virtual reality games; selfie sticks [hand-held monopods]; selfie lenses.

42 – Platform as a service [PaaS]; software as a service [SaaS]; data encryption services; cloud computing.

(260) AM 2021 108140 A  
(800) 1528452  
(151) 2020 04 08  
(891) 2020 04 08  
(731) Zhejiang Ship Electronics & Technology, Co., Ltd.  
Science and Technology Park of, Jiangshan Town, Yinzhou District, Ningbo City, 315000 Zhejiang Province, China  
(540)



(591) Black, white  
(531) 24.17.20; 27.05.01  
(511)

9 – Computer cabinet; optical communication instrument; materials for electricity mains [wires, cables]; monitoring apparatus, other than for medical purposes; plugs, sockets and other contacts [electric connect]; distribution boxes [electricity]; inverters [electricity]; batteries, electric; current rectifiers; cell switches [electricity]; circuit breakers; distribution boards [electricity]; voltage surge protectors; fiber optic cables.

11 – Filters for air conditioning; air cooling apparatus; air-conditioning installations; fans [air-conditioning]; ventilation [air-conditioning] installations and apparatus; heating apparatus, electric; industrial humidifiers; air conditioning installations for industrial purposes; air-conditioning apparatus for industrial purposes.

(260) AM 2021 108141 A  
(800) 1528473  
(151) 2020 01 29  
(891) 2020 01 29  
(731) PUBLIC JOINT STOCK COMPANY  
GAZPROM NEFT  
Pochtamtskaya ulitsa, dom 3-5, liter A, ch.pom.  
1N, kab. 2401, RU-190000 St Petersburg,  
Russian Federation

(540)



(591) Blue, pale-blue and white  
(531) 01.15.05; 26.13.25; 29.01.04  
(511)

1 – Acetate of cellulose, unprocessed; acetates [chemicals]; acetic anhydride; acetone; acetylene; acetylene tetrachloride; acid proof chemical compositions; acids; acidulated water for recharging accumulators; acidulated water for recharging batteries; acrylic re-

sins, unprocessed; actinium; activated carbon; activated charcoal; additives, chemical, to drilling muds; chemical additives to drilling muds; additives, chemical, to fungicides; chemical additives to fungicides; additives, chemical, to insecticides; chemical additives to insecticides; additives, chemical, to motor fuel; chemical additives to motor fuel; adhesive preparations for surgical bandages; adhesives for billposting; adhesives for industrial purposes; adhesives for wall-paper; adhesives for paperhanging; adhesives for wall tiles; agar-agar; agglutinants for concrete; agricultural chemicals, except fungicides, herbicides, insecticides and parasiticides; albumenized paper; albumin [animal or vegetable, raw material]; alcohol; aldehydes; alginates for industrial purposes; alkalies; alkaline-earth metals; alkaline iodides for industrial purposes; alkaline metals; alkaloids; alum; alumina; aluminium acetate; aluminium alum; aluminium chloride; aluminium hydrate; aluminium iodide; aluminium silicate; americium; ammonia; ammonia alum; ammoniacal salts; ammonia [volatile alkali] for industrial purposes; volatile alkali [ammonia] for industrial purposes; ammonium aldehyde; ammonium salts; amyl acetate; amyl alcohol; anhydrides; anhydrous ammonia; animal albumen [raw material]; animal carbon; animal carbon preparations; animal charcoal; anthranilic acid; anti-boil preparations for engine coolants; anti-frothing solutions for accumulators; anti-frothing solutions for batteries; anti-incrustants; anti-knock substances for internal combustion engines; anti-sprouting preparations for vegetables; anti-tarnishing chemicals for windows; antifreeze; antimony; antimony oxide; antimony sulfide; argon; arsenic; arsenious acid; artificial sweeteners [chemical preparations]; astatine; auxiliary fluids for use with abrasives; bacterial preparations, other than for medical and veterinary use; bacteriological preparations, other than for medical and veterinary use; bacteriological preparations for acetification; barium; barium compounds; barium sulfate; baryta; baryta paper; barytes; bases [chemical preparations]; basic gallate of bismuth; bate for dressing skins; dressing, except oils, for skins; bauxite; beer-clarifying and preserving agents; beer preserving agents; bentonite; benzene; benzene-based acids; benzene derivatives; benzoic acid; benzoic sulfimide; berkelium; bicarbonate of soda for chemical purposes; bichloride of tin; bichromate of potassium; bichromate of soda; biochemical catalysts; biological preparations, other than for medical or veterinary purposes; bismuth; bismuth subnitrate for chemical purposes; bleaching preparations [decolorants] for industrial purposes; decolorants for industrial purposes; blood charcoal; blueprint cloth; blueprint paper; blue vitriol; copper sulfate [blue vitriol]; bone charcoal; borax; boric acid for industrial purposes; brake fluid; brazing fluxes; brazing preparations; brickwork preservatives, except paints and oils; bromine for chemical purposes; by-products of the processing of cereals for industrial purposes; caesium; calcined soda; calcium

carbide; calcium salts; californium; camphor, for industrial purposes; carbide; carbolineum for the protection of plants; carbon; carbonates; carbon black for industrial purposes; carbon disulfide; carbon for filters; carbonic acid; carbonic hydrates; carbon tetrachloride; casein for industrial purposes; casein for the food industry; catalysts; catechu; caustic alkali; caustics for industrial purposes; caustic soda for industrial purposes; cellulose; cellulose derivatives [chemicals]; cellulose esters for industrial purposes; cellulose ethers for industrial purposes; cement-waterproofing chemicals, except paints; cement for footwear; cement for mending broken articles; cement preservatives, except paints and oils; cement [metallurgy]; ceramic compositions for sintering [granules and powders]; ceramic glazings; ceramic materials in particulate form, for use as filtering media; cerium; chemical additives for oils; chemical condensation preparations; chemical intensifiers for rubber; chemical preparations for facilitating the alloying of metals; chemical preparations for scientific purposes, other than for medical or veterinary use; chemical preparations for smoking meat; chemical preparations for use in photography; chemical preparations to prevent diseases affecting vine plants; chemical preparations to prevent mildew; chemical preparations to prevent wheat blight; chemical preparations to prevent wheat smut; chemical reagents, other than for medical or veterinary purposes; chemicals, except pigments, for the manufacture of enamel; chemicals for the manufacture of paints; chemicals for use in forestry, except fungicides, herbicides, insecticides and parasiticides; chemical substances for analyses in laboratories, other than for medical or veterinary purposes; chemical preparations for analyses in laboratories, other than for medical or veterinary purposes; chemical substances for preserving foodstuffs; chimney cleaners, chemical; chlorates; chlorides; chlorine; cholic acid; chromates; chrome alum; chrome salts; chromic acid; chromic salts; chromium oxide; cinematographic films, sensitized but not exposed; cinematographic film, sensitized but not exposed; citric acid for industrial purposes; coal saving preparations; cobalt oxide for industrial purposes; collodion; color-brightening chemicals for industrial purposes; colour-brightening chemicals for industrial purposes; combusting preparations [chemical additives to motor fuel]; compositions for repairing inner tubes of tyres; compositions for repairing inner tubes of tires; compositions for repairing tyres; compositions for repairing tires; compositions for the manufacture of phonograph records; compositions for the manufacture of technical ceramics; compositions for threading; compost; concrete-aeration chemicals; concrete preservatives, except paints and oils; condensation-preventing chemicals; coolants for vehicle engines; corrosive preparations; cream of tartar for chemical purposes; cream of tartar for industrial purposes; cream of tartar for the food industry; creosote for chemical purposes; crotonic aldehyde; cryogenic prepara-



tions; curium; currying preparations for leather; currying preparations for skins; cyanides [prussiates]; prussiates; cymene; damp-proofing chemicals, except paints, for masonry; defoliant; degreasing preparations for use in manufacturing processes; grease-removing preparations for use in manufacturing processes; degumming preparations; gum solvents; dehydrating preparations for industrial purposes; descaling preparations, other than for household purposes; detergent additives to gasoline; detergent additives to petrol; detergents for use in manufacturing processes; diagnostic preparations, other than for medical or veterinary purposes; diastase for industrial purposes; diatomaceous earth; diazo paper; disincrustants; dispersions of plastics; distilled water; dolomite for industrial purposes; drilling muds; dysprosium; electrophoresis gels; emollients for industrial purposes; emulsifiers; enamel-staining chemicals; engine-decarbonising chemicals; chemical preparations for decarbonising engines; enzyme preparations for industrial purposes; enzyme preparations for the food industry; enzymes for industrial purposes; enzymes for the food industry; epoxy resins, unprocessed; erbium; esters; ethane; ethers; ethyl alcohol; ethyl ether; europium; expanded clay for hydroponic plant growing [substrate]; fat-bleaching chemicals; fatty acids; ferments for chemical purposes; fermium; ferrocyanides; ferrotype plates [photography]; fertilizers; fertilisers; fertilizing preparations; fertilising preparations; filtering materials of chemical substances; filtering materials of mineral substances; filtering materials of unprocessed plastics; filtering materials of vegetable substances; filtering preparations for the beverages industry; finishing preparations for use in the manufacture of steel; fire extinguishing compositions; fireproofing preparations; fissionable material for nuclear energy; fixing baths [photography]; fixing solutions [photography]; flashlight preparations; flour for industrial purposes; flower preservatives; flowers of sulfur for chemical purposes; fluids for hydraulic circuits; liquids for hydraulic circuits; fluorine; fluorspar compounds; formic acid; formic aldehyde for chemical purposes; foundry binding substances; foundry molding preparations; foundry moulding preparations; foundry sand; francium; fuel-saving preparations; fuel for nuclear reactors; fuller's earth for use in the textile industry; fulling preparations; fulling preparations for use in the textile industry; gadolinium; gallic acid for the manufacture of ink; gallium; gallnuts; gallotannic acid; galvanizing baths; baths for galvanizing; galvanizing preparations; gambier; gas purifying preparations; preparations for the purification of gas; gelatine for industrial purposes; gelatine for photographic purposes; getters [chemically active substances]; glass-frosting chemicals; glass-staining chemicals; glaziers' putty; glucose for industrial purposes; glucose for the food industry; glucosides; glue for industrial purposes; gluten [glue], other than for stationery or household purposes; glutinous tree-grafting preparations; glutinous tree-banding pre-

parations; glutinous preparations for tree-banding; glutinous preparations for tree-grafting; glycerides; glycerine for industrial purposes; glycol; glycol ether; gold salts; grafting mastic for trees; grafting wax for trees; graphite for industrial purposes; guano; gum arabic for industrial purposes; gums [adhesives] for industrial purposes; gum tragacanth for industrial purposes; gurjun balsam for use in the manufacture of varnish; heavy water; helium; holmium; hormones for hastening the ripening of fruit; horticultural chemicals, except fungicides, herbicides, insecticides and parasiticides; humus; humus top dressing; hydrates; hydrazine; hydrochlorates; hydrochloric acid; hydrofluoric acid; hydrogen; hydrogen peroxide for industrial purposes; hypochlorite of soda; hyposulfites; industrial chemicals; iodic acid; iodine for chemical purposes; iodine for industrial purposes; iodised albumen; iodised salts; ion exchangers [chemicals]; iron salts; isinglass, other than for stationery, household or alimentary purposes; isotopes for industrial purposes; kainite; kaolin; china slip; china clay; ketones; kieselgur; krypton; lactic acid; lamp black for industrial purposes; lanthanum; lead acetate; lead arsenate; lead oxide; leather-dressing chemicals; leather-impregnating chemicals; leather-renovating chemicals; leather-waterproofing chemicals; leather glues; lecithin [raw material]; lime acetate; lime carbonate; lime chloride; limestone hardening substances; liquids for removing sulfates from accumulators; liquids for removing sulfates from batteries; lithia [lithium oxide]; lithium; litmus paper; loam; lutetium [cassiopium]; cassiopium [lutetium]; magnesite; magnesium carbonate; magnesium chloride; magnetic fluid for industrial purposes; malt albumen; manganate; manganese dioxide; mangrove bark for industrial purposes; masonry preservatives, except paints and oils; mastic for leather; mastic for tires; mastic for tyres; meat tenderizers for industrial purposes; mercuric oxide; mercury; mercury salts; metal annealing preparations; metal hardening preparations; metalloids; metal tempering preparations; methane; methyl benzol; methyl ether; milk ferments for chemical purposes; milk ferments for industrial purposes; milk ferments for the food industry; mineral acids; moderating materials for nuclear reactors; moistening [wetting] preparations for use in bleaching; wetting preparations for use in bleaching; moistening [wetting] preparations for use in dyeing; wetting preparations for use in dyeing; moistening [wetting] preparations for use in the textile industry; wetting preparations for use in the textile industry; mold-release preparations; mould-release preparations; mordants for metals; naphthalene; neodymium; neon; neptunium; nitrate paper; nitrates; nitric acid; nitrogen; nitrogenous fertilisers; nitrogenous fertilizers; nitrous oxide; oenological bactericides [chemical preparations for use in wine making]; oil-bleaching chemicals; oil-purifying chemicals; oil-separating chemicals; oil cement [putty]; oil dispersants; oils for currying leather; oils for preparing leather in the cour-

se of manufacture; oils for tanning leather; oils for the preservation of food; oleic acid; olivine [silicate mineral]; opacifiers for enamel; opacifiers for glass; oxalates; oxalic acid; oxygen for industrial purposes; palladium chloride; paper pulp; peat pots for horticulture; peat [fertiliser]; peat [fertilizer]; pectin [photography]; perborate of soda; percarbonates; perchlorates; persulfates; persulfuric acid; petroleum dispersants; phenol for industrial purposes; phosphates [fertilisers]; phosphates [fertilizers]; phosphatides; phosphoric acid; phosphorus; photographic developers; photographic emulsions; photographic paper; photographic sensitizers; photometric paper; photosensitive plates; picric acid; plant growth regulating preparations; plasticizers; plastisols; plutonium; polish removing substances; substances for removing polish; polonium; polymer resins, unprocessed; potash; potash water; potassium; potassium dioxalate; potato flour for industrial purposes; praseodymium; preparations for preventing the tarnishing of glass; preparations for preventing the tarnishing of lenses; preparations for stimulating cooking for industrial purposes; preparations for the separation of greases; preparations of microorganisms, other than for medical and veterinary use; preparations of the distillation of wood alcohol; preparations of trace elements for plants; preservatives for tiles, except paints and oils; promethium; propellant gases for aerosols; protactinium; protective gases for welding; protein [raw material]; purification preparations; clarification preparations; pyrogallol; quebracho for industrial purposes; radiator flushing chemicals; radioactive elements for scientific purposes; radium for scientific purposes; radon; reducing agents for use in photography; refrigerants; renovating preparations for phonograph records; rhenium; rock salt; rubber preservatives; rubidium; saccharin; sal ammoniac; sal ammoniac spirits; salicylic acid; salt, raw; salt for preserving, other than for foodstuffs; saltpeter; salpetre; salts for coloring metal; salts for colouring metal; salts for galvanic cells; salts for galvanic batteries; salts for industrial purposes; salts from rare earth metals; salts of alkaline metals; salts of precious metals for industrial purposes; salts [chemical preparations]; salts [fertilisers]; salts [fertilizers]; samarium; sauce for preparing tobacco; scandium; seawater for industrial purposes; seaweeds [fertilizers]; seaweeds [fertilisers]; sebacic acid; seed preserving substances; selenium; self-toning paper [photography]; sensitized cloth for photography; sensitized films, unexposed; sensitized paper; sensitized photographic plates; sensitized plates for offset printing; separating and unsticking [ungluing] preparations; ungluing preparations; unsticking and separating preparations; silicates; silicon; silicones; silver nitrate; silver salt solutions for silvering; size for use in the textile industry; sizing preparations; slag [fertilisers]; slag [fertilizers]; soap [metallic] for industrial purposes; soda ash; sodium; sodium salts [chemical compounds]; soil conditioning preparations; soil for growing; solidified gases for industrial

purposes; solutions for cyanotyping; solvents for varnishes; soot for industrial or agricultural purposes; sorrel salt; spinel [oxide mineral]; spirits of salt; spirits of vinegar [dilute acetic acid]; stain-preventing chemicals for use on fabrics; starch-liquifying chemicals [ungluing agents]; ungluing agents [chemical preparations for liquifying starch]; starch for industrial purposes; starch paste [adhesive], other than for stationery or household purposes; stearic acid; strontium; substances for preventing runs in stockings; substrates for soil-free growing [agriculture]; sulfates; sulfides; sulfonic acids; sulfur; sulfuric acid; sulfuric ether; sulfurous acid; sumac for use in tanning; superphosphates [fertilisers]; superphosphates [fertilizers]; surface-active chemical agents; tensio-active agents; synthetic materials for absorbing oil; synthetic resins, unprocessed; artificial resins, unprocessed; talc [magnesium silicate]; tan; tan-wood; tannic acid; tannin; tanning substances; tapioca flour for industrial purposes; tartar, other than for pharmaceutical purposes; tartaric acid; technetium; tellurium; terbium; test paper, chemical; tetrachlorides; textile-brightening chemicals; textile-impregnating chemicals; textile-waterproofing chemicals; thallium; thiocarbanilide; thorium; thulium; titanite; titanium dioxide for industrial purposes; toluene; toluol; toning baths [photography]; toning salts [photography]; toxic gas neutralizers; transmission fluid; tree cavity fillers [forestry]; tungstic acid; uranium; uranium nitrate; uranium oxide; vinic alcohol; viscose; vulcanization accelerators; vulcanizing preparations; wallpaper removing preparations; water-purifying chemicals; water-softening preparations; water glass [soluble glass]; wax-bleaching chemicals; welding chemicals; soldering chemicals; wine finings; witherite; wood alcohol; wood pulp; wood vinegar [pyrolygneous acid]; pyrolygneous acid [wood vinegar]; X-ray films, sensitized but not exposed; xenon; xylene; xylol; ytterbium; yttrium; zirconia.

4 – Additives, non-chemical, to motor fuel; alcohol [fuel]; anthracite; beeswax; belting wax; benzene fuel; benzine; bone oil for industrial purposes; carnauba wax; castor oil for industrial purposes; ceresine; charcoal [fuel]; Christmas tree candles; coal; coal briquettes; coal dust [fuel]; coal naphtha; coal tar oil; coke; combustible briquettes; cutting fluids; diesel oil; gas oil; dust absorbing compositions; dust laying compositions; dust removing preparations; electrical energy; firewood; fish oil, not edible; fuel; fuel gas; fuel oil; combustible oil; fuel with an alcohol base; gas for lighting; grease for arms [weapons]; grease for belts; grease for footwear; grease for leather; illuminating grease; illuminating wax; industrial grease; industrial oil; industrial wax; kerosene; lamp wicks; lanolin; wool grease; lighting fuel; lignite; ligroin; lubricants; lubricating graphite; lubricating grease; lubricating oil; mazut; methylated spirit; mineral fuel; moistening oil; motor oil; naphtha; nightlights [candles]; non-slipping preparations for belts; oil-gas; oils for paints;

oils for releasing form work [building]; oils for the preservation of leather; oils for the preservation of masonry; oleine; ozokerite; ozocerite; paraffin; peat briquettes [fuel]; peat [fuel]; perfumed candles; petrol; gasoline; petroleum, raw or refined; petroleum ether; petroleum jelly for industrial purposes; producer gas; rape oil for industrial purposes; colza oil for industrial purposes; solidified gases [fuel]; soya bean oil preparations for non-stick treatment of cooking utensils; stearine; sunflower oil for industrial purposes; tallow; textile oil; vaporized fuel mixtures; wax [raw material]; wicks for candles; wood briquettes; wood spills for lighting.

7 – Acetylene cleaning apparatus; adhesive bands for pulleys; adhesive tape dispensers [machines]; aerating pumps for aquaria; aerocondensers; aeronautical engines; aeroplane engines; agricultural elevators; agricultural machines; air brushes for applying colour; air cushion devices for moving loads; air pumps [garage installations]; air suction machines; alternators; anti-friction bearings for machines; anti-friction pads for machines; apparatus for aerating water; apparatus for drawing up beer under pressure; aprons [parts of machines]; carriage aprons; automatic grapnels for marine purposes; axles for machines; ball-bearings; bearing brackets for machines; bearings for transmission shafts; bearings [parts of machines]; beaters, electric; beating machines; beer pumps; belt conveyors; belts for conveyors; belts for machines; belts for motors and engines; bending machines; beverage preparation machines, electromechanical; bicycle assembling machines; bicycle dynamos; binding apparatus for hay; trussing apparatus for hay; bitumen making machines; blade holders [parts of machines]; blade sharpening [stropping] machines; stropping machines; blades [parts of machines]; blenders, electric, for household purposes; blowing machines; blowing machines for the compression, exhaustion and transport of gases; blowing machines or fans for the compression, sucking and carrying of grain; blowing machines for the compression, sucking and carrying of grain; fans for the compression, sucking and carrying of grain; bobbins for weaving looms; reels for weaving looms; boiler tubes [parts of machines]; bookbinding apparatus and machines for industrial purposes; bottle capping machines; bottle filling machines; bottle sealing machines; bottle stoppering machines; bottle washing machines; boxes for matrices [printing]; braiding machines; brake linings, other than for vehicles; brake pads, other than for vehicles; brake segments, other than for vehicles; brake shoes, other than for vehicles; bread cutting machines; brewing machines; brushes, electrically operated [parts of machines]; brushes [parts of machines]; bulldozers; butter machines; calendars; mangles; can openers, electric; tin openers, electric; capstans; carbon brushes [electricity]; carburetter feeders; carburetters; card clothing [parts of carding machines]; carding machines; carriages for

knitting machines; sliders for knitting machines; slides for knitting machines; cartridges for filtering machines; catalytic converters; central vacuum cleaning installations; centrifugal machines; centrifuges [machines]; centrifugal mills; centrifugal pumps; chaff cutter blades; chaff cutters; straw [chaff] cutters; chain saws; chisels for machines; chucks [parts of machines]; churns; cigarette machines for industrial purposes; clack valves [parts of machines]; cleaning appliances utilizing steam; clippers [machines]; clutches, other than for land vehicles; coal-cutting machines; coffee grinders, other than hand-operated; coin-operated washing machines; compressed air engines; compressed air guns for the extrusion of mastics; compressed air machines; compressed air pumps; compressors for refrigerators; compressors [machines]; concrete mixers [machines]; condensing installations; connecting rods for machines, motors and engines; control mechanisms for machines, engines or motors; converters for steelworks; conveyors [machines]; cord making machines; couplings, other than for land vehicles; cowlings [parts of machines]; guards [parts of machines]; hoods [parts of machines]; cranes [lifting and hoisting apparatus]; crankcases for machines, motors and engines; cranks [parts of machines]; cream/milk separators; crushers for kitchen use, electric; crushing machines; cultivators [machines]; current generators; curtain drawing devices, electrically operated; cutters [machines]; cutting blow pipes, gas-operated; cylinder heads for engines; cylinders for machines; cylinders for motors and engines; dairy machines; darning machines; de-aerators for feedwater; degreasers [machines]; derricks; die-cutting and tapping machines; nut-tapping machines; die-stamping machines; diggers [machines]; dishwashers; disintegrators; ditchers [ploughs]; dividing machines; door closers, hydraulic; door closers, pneumatic; door openers, hydraulic; door openers, pneumatic; drainage machines; drill chucks [parts of machines]; drilling bits [parts of machines]; drilling heads [parts of machines]; drilling machines; drilling rigs, floating or non-floating; driving chains, other than for land vehicles; driving motors, other than for land vehicles; drums [parts of machines]; dust exhausting installations for cleaning purposes; dust removing installations for cleaning purposes; dyeing machines; dynamo belts; dynamo brushes; dynamos; earth moving machines; ejectors; electric hammers; electric hand drills; electromechanical machines for chemical industry; electroplating machines; elevating apparatus; elevator chains [parts of machines]; elevator operating apparatus; lift operating apparatus; elevators [lifts]; embossing machines; emergency power generators; engines for air cushion vehicles; engines for boats; engraving machines; excavators; exhaust manifold for engines; expansion tanks [parts of machines]; extractors for mines; haulage apparatus [mining]; fan belts for motors and engines; fans for motors and engines; feeders [parts of machines]; feeding apparatus for engine boilers; fil-

ling machines; filter presses; filters being parts of machines or engines; filters for cleaning cooling air, for engines; finishing machines; fleshing machines; flour mill machines; flues for engine boilers; fodder presses; food preparation machines, electromechanical; food processors, electric; forge blowers; foundry machines; freewheels, other than for land vehicles; friezing machines; fruit presses, electric, for household purposes; fuel conversion apparatus for internal combustion engines; fuel economisers for motors and engines; gear boxes, other than for land vehicles; gears, other than for land vehicles; gears for weaving looms; generators of electricity; glass-working machines; glaziers' diamonds [parts of machines]; glow plugs for Diesel engines; glue guns, electric; grain husking machines; corn husking machines; corn and grain husking machines; grain separators; grease boxes [parts of machines]; grease rings [parts of machines]; grinding machines; grindstones [parts of machines]; sharpening wheels [parts of machines]; guides for machines; guns [tools using explosives]; hair clipping machines for animals; shearing machines for animals; hair cutting machines for animals; hammers [parts of machines]; handling apparatus for loading and unloading; handling machines, automatic [manipulators]; hangers [parts of machines]; harrows; harvesting machines; mowing and reaping machines; heat exchangers [parts of machines]; hemming machines; hoists; holding devices for machine tools; hoppers [mechanical discharging]; hosiery looms; housings [parts of machines]; hydraulic engines and motors; hydraulic turbines; igniting devices for internal combustion engines; igniting magnetos; incubators for eggs; industrial robots; injectors for engines; ironing machines; jacks [machines]; jet engines, other than for land vehicles; journal boxes [parts of machines]; journals [parts of machines]; juice extractors, electric; kick starters for motorcycles; kitchen machines, electric; kneading machines; knitting machines; knives, electric; knives for mowing machines; knives [parts of machines]; labellers [machines]; lace making machines; lasts for shoes [parts of machines]; shoe lasts [parts of machines]; lathes [machine tools]; lawnmowers [machines]; leather-working machines; leather paring machines; lifting apparatus; lifts, other than ski-lifts; loading ramps; looms; loom shafts; lubricating pumps; lubricators [parts of machines]; machine fly-wheels; machines and apparatus for carpet shampooing, electric; machines and apparatus for cleaning, electric; machines and apparatus for polishing [electric]; machines and apparatus for wax-polishing, electric; machines for the mineralisation of drinking water; machines for the mineralization of drinking water; machines for the production of sugar; machines for the textile industry; machine tools; machine wheels; machine wheelwork; matrices for use in printing; meat choppers [machines]; meat mincers [machines]; mechanized livestock feeders; metal drawing machines; metalworking machines; milking machines; mil-

ling machines; mills for household purposes, other than hand-operated; millstones; mills [machines]; mine borers; mineworking machines; mixers [machines]; molding machines; moulding machines; molds [parts of machines]; moulds [parts of machines]; mortising machines; paring machines; motors, electric, other than for land vehicles; motors, other than for land vehicles; engines, other than for land vehicles; motors for boats; moving sidewalks; moving walkways; moving staircases [escalators]; escalators; mud catchers and collectors [machines]; mufflers for motors and engines; silencers for motors and engines; net hauling machines [fishing]; notchers [machine tools]; oil refining machines; ore treating machines; packing machines; painting machines; paper feeders [printing]; paper machines; parquet wax-polishers, electric; pasta making machines, electric; pedal drives for sewing machines; peeling machines; pepper mills, other than hand-operated; piston segments; piston rings; pistons for cylinders; pistons for engines; pistons [parts of machines or engines]; planing machines; ploughs; ploughshares; pneumatic hammers; pneumatic transporters; pneumatic tube conveyors; tube conveyors, pneumatic; potters' wheels; presses [machines for industrial purposes]; pressure regulators [parts of machines]; pressure valves [parts of machines]; printing cylinders; printing machines; printing machines for use on sheet metal; printing plates; printing presses; puddling machines; pulleys; pulleys [parts of machines]; pulverisers [machines]; atomisers [machines]; spraying machines; pump diaphragms; pumps for heating installations; pumps [machines]; pumps [parts of machines, engines or motors]; punches for punching machines; punching machines; rack and pinion jacks; racket stringing machines; radiators [cooling] for motors and engines; rail-laying machines; railroad constructing machines; railway wagon lifts; rakes for raking machines; raking machines; rammers [machines]; rams [machines]; reapers; reapers and binders; reapers and threshers; reduction gears, other than for land vehicles; reeling apparatus, mechanical; reels, mechanical, for flexible hoses; reels [parts of machines]; regulators [parts of machines]; rinsing machines; riveting machines; road making machines; road building machines; road sweeping machines, self-propelled; roller bearings; roller bridges; rolling mill cylinders; rolling mills; rotary printing presses; rotary steam presses, portable, for fabrics; satinizing machines; sausage making machines; saw benches [parts of machines]; saw blades [parts of machines]; saws [machines]; scale collectors for machine boilers; scissors, electric; sealing machines for industrial purposes; self-oiling bearings; sewage pulverizers; sewage pulverisers; sewing machines; shaft couplings [machines]; sharpening machines; sheaf-binding machines; shock absorber plungers [parts of machines]; dashpot plungers [parts of machines]; plunger pistons; shoe polishers, electric; shovels, mechanical; shredders [machines] for industrial use; shuttles [parts of machines];

sieves [machines or parts of machines]; sifting installations; sizing machines; slide rests [parts of machines]; smoothing presses; snow ploughs; soldering blow pipes, gas-operated; soldering irons, gas-operated; sorting machines for industry; sowers [machines]; sparking plugs for internal combustion engines; speed governors for machines, engines and motors; spin driers [not heated]; spin dryers [not heated]; spinning machines; spinning wheels; spray guns for paint; springs [parts of machines]; stalk separators [machines]; stamping machines; stands for machines; starters for motors and engines; stators [parts of machines]; steam/oil separators; steam condensers [parts of machines]; steam engine boilers; steam engines; steamrollers; road rollers; steam traps; stereotype machines; stitching machines; stone-working machines; stuffing boxes [parts of machines]; suction cups for milking machines; teat cups for milking machines; suction machines for industrial purposes; superchargers; superheaters; swaging machines; tables for machines; tambours for embroidery machines; taps [parts of machines, engines or motors]; faucets [parts of machines, engines or motors]; tarring machines; tedding machines; thermic lances [machines]; threading machines; threshing machines; tilt hammers; tobacco processing machines; tools [parts of machines]; torque converters, other than for land vehicles; transmissions, other than for land vehicles; transmissions for machines; trimming machines; apparatus for dressing; apparatus for machining; trueing machines; turbines, other than for land vehicles; turbocompressors; turf removing ploughs; tympan [parts of printing presses]; type-setting machines [photocomposition]; type-setting machines [printing]; typesetting machines; typographic machines; typographic presses; universal joints [Cardan joints]; vacuum cleaner attachments for disseminating perfumes and disinfectants; vacuum cleaner bags; vacuum cleaner hoses; vacuum cleaners; vacuum pumps [machines]; valves [parts of machines]; vulcanization apparatus; washing apparatus; washing installations for vehicles; vehicle washing installations; washing machines [laundry]; waste compacting machines; trash compacting machines; waste disposal units; garbage disposal units; water heaters [parts of machines]; water separators; drain cocks; weeding machines; welding apparatus, gas-operated; soldering apparatus, gas-operated; welding machines, electric; whisks, electric, for household purposes; whitewashing machines; colour-washing machines; wind turbines; wine presses; winnowers; woodworking machines; wrapping machines; wringing machines for laundry.

12 – Adhesive rubber patches for repairing inner tubes; aerial conveyors; aeronautical apparatus, machines and appliances; aeroplanes; air bags [safety devices for automobiles]; aircraft; air pumps [vehicle accessories]; airships; dirigible balloons; air vehicles; ambulances; amphibious airplanes; anti-glare devices

for vehicles; anti-dazzle devices for vehicles; anti-skid chains; anti-theft alarms for vehicles; anti-theft devices for vehicles; automobile bodies; automobile chains; automobile chassis; automobile hoods; automobile tyres; automobile tires; axle journals; axles for vehicles; balance weights for vehicle wheels; bands for wheel hubs; barges; baskets adapted for bicycles; bicycle bells; bicycle brakes; bicycle chains; bicycle cranks; bicycle frames; bicycle handlebars; bicycle kickstands; bicycle motors; bicycle mudguards; bicycle pedals; bicycles; bicycle saddles; bicycle tyres; bicycle tires; bicycle wheels; boat hooks; boats; bodies for vehicles; bogies for railway cars; brake pads for automobiles; brakes for vehicles; brake shoes for vehicles; buffers for railway rolling stock; bumpers for automobiles; cable transport apparatus and installations; caps for vehicle fuel tanks; caravans; cars; automobiles; motor cars; cars for cable transport installations; carts; casings for pneumatic tires; casings for pneumatic tyres; casters for trolleys [vehicles]; casters for carts [vehicles]; casting carriages; casting cars; ladle carriages; ladle cars; chairlifts; cleaning trolleys; cleats [nautical]; clutches for land vehicles; concrete mixing vehicles; connecting rods for land vehicles, other than parts of motors and engines; couplings for land vehicles; covers for vehicle steering wheels; crankcases for land vehicle components, other than for engines; davits for boats; delivery tricycles; carrier tricycles; dining cars; dining carriages; disengaging gear for boats; doors for vehicles; dredgers [boats]; dress guards for bicycles; driverless cars [autonomous cars]; self-driving cars; driving chains for land vehicles; driving motors for land vehicles; ejector seats for aircraft; engines for land vehicles; motors for land vehicles; fenders for ships; ferry boats; flanges for railway wheel tyres; flanges for railway wheel tires; forklift trucks; freewheels for land vehicles; funiculars; funnels for locomotives; funnels for ships; gear boxes for land vehicles; gearing for land vehicles; gears for bicycles; golf carts [vehicles]; golf cars [vehicles]; handling carts; head-rests for vehicle seats; hoods for vehicles; horns for vehicles; hot air balloons; hub caps; hubs for bicycle wheels; bicycle wheel hubs; hubs for vehicle wheels; vehicle wheel hubs; hydraulic circuits for vehicles; inner tubes for bicycle tires; inner tubes for bicycle tyres; inner tubes for pneumatic tyres; inner tubes for pneumatic tires; jet engines for land vehicles; kick sledges; launches; locomotives; luggage carriers for vehicles; luggage nets for vehicles; masts for boats; mine cars; mine cart wheels; mopeds; motor buses; motorcycle chains; motorcycle engines; motorcycle frames; motorcycle handlebars; motorcycle kickstands; motorcycles; motorcycle saddles; motor racing cars; motors, electric, for land vehicles; mudguards; non-skid devices for vehicle tires; non-skid devices for vehicle tyres; oars; omnibuses; paddles for canoes; panniers adapted for bicycles; panniers adapted for motorcycles; parachutes; pneumatic tires [tyres]; pneumatic tyres; pontoons; ortho-

les; pumps for bicycles, cycles; bicycle pumps; pushchair hoods; stroller hoods; pushchairs; strollers; push scooters [vehicles]; railway carriages; railway couplings; rearview mirrors; reduction gears for land vehicles; refrigerated railway wagons; refrigerated vehicles; repair outfits for inner tubes; rescue sleds; reversing alarms for vehicles; rims for bicycle wheels; bicycle wheel rims; rims for vehicle wheels; vehicle wheel rims; robotic cars; roll cage trolleys; rolling stock for funicular railways; rolling stock for railways; rowlocks; oarlocks; rudders; saddle covers for bicycles; saddle covers for motorcycles; safety belts for vehicle seats; safety seats for children, for vehicles; screw-propellers; screw-propellers for boats; screws [propellers] for ships; sculls; stern oars; seaplanes; seat covers for vehicles; security harness for vehicle seats; ship hulls; ships; shock absorbers for automobiles; shock absorbing springs for vehicles; shopping trolleys; shopping carts; side cars; side view mirrors for vehicles; signal arms for vehicles; ski carriers for cars; ski lifts; sleeping berths for vehicles; sleeping cars; sleighs [vehicles]; solid tires for vehicle wheels; solid tyres for vehicle wheels; space vehicles; spars for ships; spikes for tires [tyres]; studs for tires [tyres]; spoke clips for wheels; spokes for bicycle wheels; bicycle wheel spokes; sports cars; sprinkling trucks; steering gears for ships; stroller covers; pushchair covers; sun-blinds adapted for automobiles; suspension shock absorbers for vehicles; telfer railways [cable cars]; cable cars; tilting-carts; tilt trucks; timbers [frames] for ships; tipping apparatus [parts of railway wagons]; tipping bodies for lorries; tipping bodies for trucks; torque converters for land vehicles; torsion bars for vehicles; tractors; trailer hitches for vehicles; trailers [vehicles]; tramcars; transmissions for land vehicles; treads for retreading tyres; treads for retreading tires; tricycles; trolleys; hand cars; trucks; lorries; tubeless tires for bicycles; tubeless tyres for bicycles; turbines for land vehicles; two-wheeled trolleys; luggage trucks; sack-barrows; upholstery for vehicles; valves for vehicle tyres; valves for vehicle tires; vans [vehicles]; vehicle bumpers; vehicle chassis; vehicle running boards; vehicle seats; vehicles for locomotion by land, air, water or rail; vehicle suspension springs; vehicle wheels; vehicle wheel spokes; water vehicles; wheelbarrows; wheelchairs; windows for vehicles; windscreens; windshields; windshield wipers; windscreen wipers; yachts.

37 – Airplane maintenance and repair; anti-rust treatment for vehicles; artificial snow-making services; asphaltting; boiler cleaning and repair; bricklaying; building construction supervision; building insulating; building of fair stalls and shops; building sealing; damp-proofing [building]; burglar alarm installation and repair; burner maintenance and repair; carpentry services; chimney sweeping; cleaning of buildings [exterior surface]; cleaning of buildings [interior]; cleaning of clothing; clock and watch repair; clothing

repair; construction; construction information; demolition of buildings; diaper cleaning; disinfecting; drilling of wells; dry cleaning; electric appliance installation and repair; elevator installation and repair; lift installation and repair; factory construction; film projector repair and maintenance; fire alarm installation and repair; freezing equipment installation and repair; fur care, cleaning and repair; furnace installation and repair; furniture maintenance; furniture restoration; harbour construction; heating equipment installation and repair; installation, maintenance and repair of computer hardware; installation and repair of air-conditioning apparatus; installation of doors and windows; interference suppression in electrical apparatus; irrigation devices installation and repair; kitchen equipment installation; knife sharpening; laundering; leather care, cleaning and repair; linen ironing; machinery installation, maintenance and repair; masonry; mining extraction; motor vehicle maintenance and repair; office machines and equipment installation, maintenance and repair; painting, interior and exterior; painting or repair of signs; paper hanging; wallpapering; parasol repair; pest control services, other than for agriculture, aquaculture, horticulture and forestry; photographic apparatus repair; pier breakwater building; pipeline construction and maintenance; plastering; plumbing; pressing of clothing; pumicing; pump repair; quarrying services; rat exterminating; re-tinning; rebuilding engines that have been worn or partially destroyed; rebuilding machines that have been worn or partially destroyed; refilling of ink cartridges; refilling of toner cartridges; renovation of clothing; rental of cleaning machines; rental of construction equipment; rental of road sweeping machines; repair information; repair of security locks; restoration of musical instruments; restoration of works of art; retreading of tires; retreading of tyres; riveting; road paving; roofing services; rustproofing; safe maintenance and repair; scaffolding; shipbuilding; shoe repair; street cleaning; strong-room maintenance and repair; swimming-pool maintenance; telephone installation and repair; umbrella repair; underwater construction; underwater repair; upholstering; upholstery repair; varnishing; vehicle cleaning; vehicle greasing; vehicle lubrication; vehicle maintenance; vehicle polishing; vehicle service stations [refuelling and maintenance]; vehicle washing; vermin exterminating, other than for agriculture, aquaculture, horticulture and forestry; vulcanization of tires [repair]; vulcanization of tyres [repair]; warehouse construction and repair; washing; washing of linen; window cleaning.

39 – Air transport; arranging of cruises; boat rental; boat storage; boat transport; booking of seats for travel; bus transport; car parking; car rental; carting; car transport; chauffeur services; courier services [messages or merchandise]; delivery of goods; delivery of goods by mail order; delivery of newspapers; newspaper delivery; distribution of energy; electricity distri-

bution; escorting of travellers; ferry-boat transport; flower delivery; franking of mail; freight brokerage [forwarding (Am.)]; freight brokerage; freight forwarding; freighting; freight [shipping of goods]; garage rental; guarded transport of valuables; hauling; horse rental; ice-breaking; launching of satellites for others; lighterage services; marine transport; message delivery; operating canal locks; packaging of goods; parcel delivery; parking place rental; passenger transport; physical storage of electronically stored data or documents; piloting; pleasure boat transport; portage; railway transport; railway truck rental; refloating of ships; refrigerator rental; frozen-food locker rental; removal services; rental of diving bells; rental of diving suits; rental of motor racing cars; rental of storage containers; rental of vehicle roof racks; rental of warehouses; rental of wheelchairs; rescue operations [transport]; river transport; salvage of ships; salvaging; shipbrokerage; stevedoring; storage; warehousing; storage information; storage of goods; streetcar transport; tram transport; taxi transport; towing; traffic information; transport; transport and storage of trash; transport and storage of waste; transportation information; transport brokerage; transport by pipeline; transporting furniture; transport of travellers; transport reservation; transport services for sightseeing tours; travel reservation; underwater salvage; unloading cargo; vehicle breakdown towing services; vehicle rental; water distribution; water supplying.

(260) AM 2021 108142 A

(800) 1528498

(151) 2020 01 31

(891) 2020 01 31

(731) Aktsionernoe obshchestvo "VERTEX"  
doroga v Kamenku, d. 62, litera A, RU-197350  
Saint-Petersburg, Russian Federation

(540)

**ФРИНОЗОЛ**

(591) Black, white

(531) 28.05

(511)

5 – Drugs for medical purposes; medicines for human purposes; pharmaceutical preparations; chemico-pharmaceutical preparations; chemical preparations for pharmaceutical purposes.

(260) AM 2021 108143 A

(800) 1528511

(151) 2020 03 13

(891) 2020 03 13

(731) KIA MOTORS CORPORATION

12, Heolleung-ro, Seocho-gu, Seoul 06797,  
Republic of Korea

(540)



(591) Black, white

(531) 27.05.19; 27.05.19; 27.05.22; 27.05.23

(511)

7 – 3D printers; housework assistance robots for household purposes; machines for manufacturing dry cells; industrial robots; sorting machines for industrial use; backhoe loaders; metalworking machines; machine coupling and transmission components except for land vehicles; taps [machine tools]; brakes for machines; pumps for machines; hydraulic accumulators being parts of machines; dairy machines; painting machines; control mechanisms for robotic machines; motors and engines [except for land vehicles]; generators of electricity; washing machines for industrial purposes; aerating pumps for aquaria; mechanical engine parts for land vehicles; printing machines; sewing machines; electric starter motors; electric door opening and closing apparatus; gas pumps (gas station equipment); cranes; civil engineering machinery.

(260) AM 2021 108144 A

(800) 1528532

(151) 2020 01 02

(891) 2020 01 02

(731) CHINA KWEICHOW MOUTAI DISTILLERY  
(GROUP) CO., LTD.

No. 4 East Mountain Lane, East Road of  
Outside Loop, Guiyang City, 200030  
Guizhou Province, China

(540)



(591) Black, white

(531) 28.03

(511)

33 – Edible alcohol; gin; digesters [liqueurs and spirits]; curacao; baijiu [chinese distilled alcoholic beverage]; nira [sugarcane-based alcoholic beverage]; pre-mixed alcoholic beverages, other than beer-based; vodka; rum; rice alcohol; alcoholic beverages containing fruit; alcoholic beverages, except beer; alcoholic extracts; alcoholic essences; whisky; sake; perry; piquette; yellow rice wine; peppermint liqueurs; arrack; light sparkling wine; cocktails; cider; distilled beverages; arak [arrack]; aperitifs; anisette [liqueur]; anise

[liqueur]; bitters; fruit extracts, alcoholic; brandy; spirits [beverages]; kirsch; hydromel [mead]; liqueurs; wine.

(260) AM 2021 108150 A

(800) 1528691

(151) 2019 12 04

(891) 2019 12 04

(731) ALSTOM

48 rue Albert Dhalenne, F-93400 Saint Ouen,  
France

(540)


 The logo for ALSTOM, featuring the word "ALSTOM" in a bold, blue, sans-serif font. The letter "O" is replaced by a red circular graphic consisting of two concentric arcs, resembling a stylized eye or a gear.

(591) Red Pantone "Red warm red C" and Blue  
Pantone "2189 C"

(531) 01.15.23; 27.03.12; 27.05.09; 29.01.12

(511)

9 – Scientific, research, nautical, geodesic, audiovisual, optical, weighing, measuring, signaling, detection, testing, checking, life-saving and teaching apparatus and instruments; apparatus and instruments for conducting, switching, transforming, accumulating, regulating or controlling the distribution or use of electricity; apparatus and instruments for recording, transmitting, reproducing or processing sound, images or data; downloadable or recorded media, software, blank digital or analog recording and storage media; mechanisms for coin-operated apparatus; cash registers, calculating device; computers and computer peripherals; fire extinguishers; all goods for land vehicles, buses, coaches, autonomous electric vehicles and rail vehicles for transporting passengers and/or goods, railway rolling stock, including locomotives, rail cars and self-propelled vehicles, high-speed and very high-speed rail vehicles, underground trains and other sets of passenger vehicles, automatic or non-automatic, namely iron-wheeled rail vehicles or guided vehicles with pneumatic or other types of ground liaison, railway couplings, railway infrastructures, coatings, rails and their components parts; smart meters, devices connected by computer or electronic means enabling guidance and orientation of people taking transport and validating their tickets.

12 – Vehicles, particularly buses, coaches, autonomous electric vehicles and rail vehicles; railway rolling stock, including locomotives, rail cars and self-propelled vehicles, high-speed and very high-speed rail vehicles; underground trains and other sets of passenger vehicles, automatic or non-automatic, namely iron-wheeled rail vehicles or guided vehicles on wheels with pneumatic or other types of ground liaison; motor buses; motor coaches; railway couplings; electric vehicles in particular trams and buses; unmanned vehicles; the aforesaid motors for land vehicles and their parts; pneumatic shock absorbers for the afore-

mentioned land vehicles; drive belts and related gearings for the aforementioned land vehicles; air pumps (vehicle accessories); transmission shafts for the aforementioned land vehicles; propulsion mechanisms for the aforementioned land vehicles; brakes, axles, wagon bodies; carriages [railway]; railway couplings; tank wagons, parts for land vehicles; shock absorbers for road and rail vehicles; rail vehicle bogies, vehicle engines, vehicle traction systems.

37 – Construction, management of works, servicing, repair, renovation, maintenance and installation; information on construction and repair of land vehicles including buses, coaches, autonomous electric vehicles and rail vehicles for transporting passengers and/or goods, railway rolling stock, including locomotives, rail cars and self-propelled vehicles, high-speed and very high-speed rail vehicles, underground trains and other sets of passenger vehicles, automatic or non-automatic, namely iron-wheeled rail vehicles or guided vehicles with pneumatic or other types of ground liaison, railway couplings, railway infrastructures, coatings, rails and their components parts; technical construction consultancy.

42 – Engineering, research and development work for new equipment and apparatus; coordination of engineering work, research and development work for new equipment and apparatus; project planning, issuing scientific and technological reports, research and industrial research and analysis services rendered by engineers and/or experts; advice related to energy saving; quality control; surveying [engineering work]; testing of materials; mechanical research; research and development of new products for third parties; technical research; technical project study; engineering; industrial tests; design, development, maintenance, updating and installation of computer systems and software; urban planning; environmental protection-related research; monitoring services for rail and road infrastructures; software consultancy; software as a service [SaaS]; scientific research and design services relating to the establishment of modeling (static or dynamic) and integration of such models (engineering work) for road and rail applications; engineering services; technological assistance (consultancy) services for operation and supervision of computer and television broadcasting networks; technical support (advice) services in the field of computing; creation (design) of programs for processing business data and text; technological consultations and research in the field of telecommunications and television broadcasting; technical consulting and advice in the field of telecommunications and information technology; consultancy relating to computers; rental of programs on computer media and via telecommunications; design (development) of computer systems, telecommunication systems and television broadcasting systems; technical project studies and research in the field of maintenance (servicing, installation, repair) of computer



telecommunication and television broadcasting hardware; technical advice on information technology; code and format conversion between different types of text; creation and installation of web pages; design and maintenance of Internet sites; design, installation, maintenance, updating or rental of software, of databases; monitoring services (control, surveillance) of computer networks for digitally securing railway and/or road operations; design and development of computer languages for simulation and modeling; design of computer systems and embedded systems; provision of computer programs for plotting of maps and routes and guidance via a communication network; telecommunication technology consultancy services; all in the field of railways, road transport, transport of passengers and/or goods.

(260) AM 2021 108151 A  
 (800) 1528695  
 (151) 2020 02 20  
 (891) 2020 02 20  
 (731) CHOYA UMESHU CO., LTD.  
 160-1 KOMAGATANI, HABIKINO-SHI,  
 OSAKA 583-0841, Japan  
 (540)

## CHOYA

(591) Black, white  
 (511)  
 33 – Liquor flavored with Japanese plum extracts (umeshu); alcoholic beverages (except beers).

(260) AM 2021 108152 A  
 (800) 1528698  
 (151) 2020 03 18  
 (891) 2020 03 18  
 (731) FNC International BV  
 Rijksweg 7, NL-3316 EE Dordrecht,  
 Netherlands  
 (540)



Fragrance.com

(591) Purple and white  
 (531) 10.05.19; 19.07.01; 19.07.10; 19.07.12;  
 19.07.17; 19.07.25; 27.05.10; 29.01.05  
 (511)  
 35 – Online wholesale and retail store services in the fields of cosmetics, perfumery, aromatherapy, candles and haircare preparation; wholesale and retail store services in the fields of cosmetics, perfumery, aromatherapy, candles and haircare preparation.

(260) AM 2021 108153 A  
 (800) 1528701  
 (151) 2020 02 28  
 (891) 2020 02 28  
 (731) SP Group A/S  
 Snavevej 6-10, DK-5471 Søndersø, Denmark  
 (540)

## SP Medical

(591) Black, blue and red  
 (531) 26.04.01; 27.05.07; 27.05.11; 27.05.17;  
 29.01.13  
 (511)  
 10 – Surgical, medical, dental and veterinary apparatus and instruments; artificial limbs, eyes and teeth; orthopedic articles; suture materials; therapeutic and assistive devices adapted for persons with disabilities; massage apparatus; apparatus, devices and articles for nursing infants; sexual activity apparatus, devices and articles; medical dispensers, implants (artificial limbs), needles and cannulas for medical and surgical purposes, push syringes for medical use, medical disposable medical devices for hospitals, medical guidewires, injection moulded components for medical equipment for diagnostics, examination and monitoring.

(260) AM 2021 108154 A  
 (800) 1528715  
 (151) 2020 02 11  
 (891) 2020 02 11  
 (731) "Delta Medical Promotions AG"  
 Oetenbachgasse 26, CH-8001 Zurich,  
 Switzerland  
 (540)

## ФЛЕКСТРА

(591) Black, white  
 (531) 28.05  
 (511)  
 3 – Breath freshening sprays; amber [perfume]; air fragrancing preparations; balms, other than for medical purposes; cosmetic dyes; bergamot oil; shaving preparations; astringents for cosmetic purposes; petroleum jelly for cosmetic purposes; bath preparations, not for medical purposes; bath salts, not for medical purposes; cotton wool for cosmetic purposes; cotton swabs for cosmetic purposes / cotton sticks for cosmetic purposes; skin whitening creams; laundry bleaching preparations; dental bleaching gels; depilatory preparations; hair lotions; make-up; make-up preparations; make-up removing preparations; deodorants for pets; deodorants for human beings or for animals; deodorant soap; shampoos for pets [non-medicated grooming preparations]; scented water; extracts of flowers [perfumes]; ethereal essences; ethereal oils; greases for cosmetic purposes; aromatics [essential

oils]; flavourings for beverages [essential oils]; cake flavourings [essential oils]; dentifrices; bases for flower perfumes; adhesives for cosmetic purposes; cosmetics; cosmetics for animals; make-up powder; beauty masks; cosmetic kits; cosmetic preparations for slimming purposes; cosmetic creams; cakes of toilet soap; lavender water; lavender oil; essential oils of lemon; lotions for cosmetic purposes; tissues impregnated with cosmetic lotions; mint for perfumery; mint essence [essential oil]; massage gels, other than for medical purposes; almond oil; almond soap; almond milk for cosmetic purposes; soap; soap for foot perspiration; antiperspirant soap; cleansing milk for toilet purposes; musk [perfumery]; nail care preparations; fumigation preparations [perfumes]; eau de Cologne; cosmetic pencils; oils for perfumes and scents; oils for cosmetic purposes; oils for toilet purposes; oils for cleaning purposes; breath freshening strips; scouring solutions; perfumery; perfumes; mouthwashes, not for medical purposes; pomades for cosmetic purposes; aloe vera preparations for cosmetic purposes; sun-tanning preparations [cosmetics]; sunscreen preparations; douching preparations for personal sanitary or deodorant purposes [toiletries]; potpourris [fragrances]; dry shampoos; talcum powder, for toilet use; terpenes [essential oils]; rose oil; toilet water, cosmetic dyes; shampoos; cosmetic preparations for skin care.

5 – Dental abrasives; acaricides; aconitine; alkaloids for medical purposes; alginates for pharmaceutical purposes; alginate dietary supplements; algicides; aldehydes for pharmaceutical purposes; aluminium acetate for pharmaceutical purposes; dental amalgams; amino acids for veterinary purposes; amino acids for medical purposes; analgesics; angostura bark for medical purposes; anaesthetics; antibiotics; appetite suppressants for medical purposes; first-aid boxes, filled; acetates for pharmaceutical purposes; tonics [medicines]; germicides; bacterial poisons; bacterial preparations for medical and veterinary use; bouillons for bacteriological cultures; bacteriological preparations for medical and veterinary use; balms for medical purposes; balsamic preparations for medical purposes; aseptic cotton; bandages for dressings; tobacco-free cigarettes for medical purposes; albuminous preparations for medical purposes; albuminous foodstuffs for medical purposes; biological preparations for veterinary purposes; biological preparations for medical purposes; biocides; bismuth preparations for pharmaceutical purposes; bismuth subnitrate for pharmaceutical purposes; wart pencils; linseed meal for pharmaceutical purposes; flour for pharmaceutical purposes; bromine for pharmaceutical purposes; bronchodilating preparations; vaginal washes for medical purposes; chemical preparations for the diagnosis of pregnancy; petroleum jelly for medical purposes; vaccines; therapeutic preparations for the bath; salts for mineral water baths; oxygen baths; bath salts for medical purposes; lime-based pharmaceutical preparations; wad-

ding for medical purposes; absorbent wadding; veterinary preparations; tartar for pharmaceutical purposes; chemical preparations for treating diseases affecting vine plants; vitamin preparations; sea water for medicinal bathing; mineral waters for medical purposes; hydrated chloral for pharmaceutical purposes; dietary fibre; medicinal hair growth preparations; charcoal for pharmaceutical purposes; gases for medical purposes; gallic acid for pharmaceutical purposes; guaiacol for pharmaceutical purposes; haematogen; haemoglobin; haemorrhoid preparations; herbicides; sanitary tampons; sanitary panties; sanitary towels; hydrastine; hydrastinine; mustard for pharmaceutical purposes; mustard oil for medical purposes; mustard plasters; vermifuges; glycerine for medical purposes; glycerophosphates; glucose for medical purposes; breast-nursing pads; headache relief sticks; hormones for medical purposes; preparations for destroying dry rot fungus; soil-sterilizing preparations; mud for baths; medicinal mud; rubber for dental purposes; gum for medical purposes; gamboge for medical purposes; gurgun balsam for medical purposes; disinfectants for hygiene purposes; disinfectants for chemical toilets; deodorants for clothing and textiles; deodorants, other than for human beings or for animals; air deodorizing preparations; detergents for medical purposes; digitalin; powdered milk for babies; babies' diaper-pants; diabetic bread adapted for medical use; diagnostic preparations for medical purposes; diastase for medical purposes; dietary supplements for animals; glucose dietary supplements; linseed dietary supplements; royal jelly dietary supplements; pollen dietary supplements; propolis dietary supplements; wheat germ dietary supplements; dietetic beverages adapted for medical purposes; dietetic substances adapted for medical use; dietetic foods adapted for medical purposes; milking grease; yeast for pharmaceutical purposes; yeast dietary supplements; eucalyptus for pharmaceutical purposes; eucalyptol for pharmaceutical purposes; chemical conductors for electrocardiograph electrodes; elixirs [pharmaceutical preparations]; esters for pharmaceutical purposes; ethers for pharmaceutical purposes; gelatine for medical purposes; cod liver oil; greases for veterinary purposes; greases for medical purposes; jujube, medicated; chewing gum for medical purposes; vulnerary sponges; medicines for alleviating constipation; semen for artificial insemination; nervines; chemical preparations for treating diseases affecting cereal plants; personal sexual lubricants; dental amalgams of gold; preparations to facilitate teething; teeth filling material; dental impression materials; dental lacquer, dental mastics; adhesives for dentures; dental cements; isotopes for medical purposes; immunostimulants; insecticides; Irish moss for medical purposes; caustics for pharmaceutical purposes; caustic pencils; iodine for pharmaceutical purposes; alkaline iodides for pharmaceutical purposes; iodides for pharmaceutical purposes; iodoform; casein dietary supplements; potassium salts for medical purposes; calomel [fungi-

cide]; camphor for medical purposes; camphor oil for medical purposes; capsules for medicines; carbolinum [parasiticide]; cachou for pharmaceutical purposes; quassia for medical purposes; quebracho for medical purposes; oxygen for medical purposes; acids for pharmaceutical purposes; bone cement for surgical and orthopaedic purposes; fly glue; cocaine; collodion for pharmaceutical purposes; insect repellents; insect repellent incense; compresses; condurango bark for medical purposes; solutions for contact lenses; contact lens cleaning preparations; cedar wood for use as an insect repellent; barks for pharmaceutical purposes; quinquina for medical purposes; medicinal roots; rhubarb roots for pharmaceutical purposes; lint for medical purposes; cream of tartar for pharmaceutical purposes; creosote for pharmaceutical purposes; blood plasma; blood for medical purposes; depuratives; haemostatic pencils; styptic preparations; dill oil for medical purposes; croton bark; starch for dietetic or pharmaceutical purposes; cultures of microorganisms for medical or veterinary use; curare; smoking herbs for medical purposes; lactose for pharmaceutical purposes; adhesive plasters; lecithin for medical purposes; lecithin dietary supplements; larvae exterminating preparations; medicinal alcohol; medicine cases, portable, filled; medicines for veterinary purposes; medicines for human purposes; medicines for dental purposes; medicinal tea; medicinal herbs; remedies for foot perspiration; medicinal drinks; medicinal infusions; medicinal oils; liniments; liquorice for pharmaceutical purposes; lotions for veterinary purposes; lotions for pharmaceutical purposes; pharmaceutical preparations for treating dandruff; lupulin for pharmaceutical purposes; lozenges for pharmaceutical purposes; linseed for pharmaceutical purposes; mint for pharmaceutical purposes; magnesia for pharmaceutical purposes; ointments for pharmaceutical purposes; mangrove bark for pharmaceutical purposes; gauze for dressings; royal jelly for pharmaceutical purposes; melissa water for pharmaceutical purposes; menthol; almond milk for pharmaceutical purposes; myrobalan bark for pharmaceutical purposes; preparations for destroying mice; preparations of trace elements for human and animal use; nutritive substances for microorganisms; mothproofing paper; mothproofing preparations; mineral water salts; mineral food supplements; preparations for callouses; moleskin for medical purposes; milk ferments for pharmaceutical purposes; fly catching paper; fly destroying preparations; powder of cantharides; scapulars for surgical purposes; vesicants; narcotics; tincture of iodine; tinctures for medical purposes; sodium salts for medical purposes; antiparasitic collars for animals; smelling salts; fumigation preparations for medical purposes; fumigating sticks; frostbite salve for pharmaceutical purposes; chilblain preparations; oil of turpentine for pharmaceutical purposes; opiates; opium; preparations for the treatment of bums; opodeldoc; opotherapy preparations; poisons; collyrium; eyepatches for medical

purposes; leeches for medical purposes; stick liquorice for pharmaceutical purposes; sulfur sticks [disinfectants]; paper for mustard plasters; vermin destroying preparations; parasitocides; pectin for pharmaceutical purposes; babies' diapers; diapers for incontinence; pepsins for pharmaceutical purposes; peptones for pharmaceutical purposes; dressings, medical; surgical dressings; surgical implants comprised of living tissues; pearl powder for medical purposes; hydrogen peroxide for medical purposes; pesticides; tanning pills; appetite suppressant pills; slimming pills; antioxidant pills; pyrethrum powder; remedies for perspiration; air purifying preparations; nutritional supplements; mouthwashes for medical purposes; pomades for medical purposes; porcelain for dental prostheses; laxatives; aloe vera preparations for pharmaceutical purposes; poultices; food for babies; purgatives; propolis for pharmaceutical purposes; protein dietary supplements; protein supplements for animals; asthmatic tea; febrifuges; chemical contraceptives; antiseptic cotton; antiseptics; corn rings for the feet; antiparasitic preparations; anti-uric preparations; anticryptogamic preparations; radium for medical purposes; radioactive substances for medical purposes; chemical reagents for medical or veterinary purposes; radiological contrast substances for medical purposes; insect repellents for dogs; fish meal for pharmaceutical purposes; ergot for pharmaceutical purposes; tissues impregnated with pharmaceutical lotions; solvents for removing adhesive plasters; mercurial ointments; sarsaparilla for medical purposes; lead water; serotherapeutic medicines; siccatives [drying agents] for medical purposes; serums; syrups for pharmaceutical purposes; turpentine for pharmaceutical purposes; slug exterminating preparations; soporifics; dog washes [insecticides]; bicarbonate of soda for pharmaceutical purposes; salts for medical purposes; malt for pharmaceutical purposes; malted milk beverages for medical purposes; sunburn ointments; alloys of precious metals for dental purposes; douching preparations for medical purposes; sterilizing preparations; steroids; stem cells for veterinary purposes; stem cells for medical purposes; strychnine; sulfonamides [medicines]; animal washes [insecticides]; thermal water; thymol for pharmaceutical purposes; gentian for pharmaceutical purposes; herbal teas for medicinal purposes; digestives for pharmaceutical purposes; panty liners [sanitary]; tobacco extracts [insecticides]; pharmaceutical preparations; phenol for pharmaceutical purposes; fennel for medical purposes; ferments for pharmaceutical purposes; enzyme preparations for veterinary purposes; chemical preparations for treating phylloxera; formic aldehyde for pharmaceutical purposes; moulding wax for dentists; phosphates for pharmaceutical purposes; fungicides; chemico-pharmaceutical preparations; chemical preparations for veterinary purposes; chemical preparations for medical purposes; chemical preparations for pharmaceutical purposes; quinine for medical purposes; chinoline for

medical purposes; chloroform; extracts of hops for pharmaceutical purposes; cattle washes [insecticides]; flowers of sulfur for pharmaceutical purposes; cellulose esters for pharmaceutical purposes; cellulose ethers for pharmaceutical purposes; medicated candies; sugar for medical purposes; pharmaceutical preparations for skin care; rat poison; jalap.

10 – Aerosol dispensers for medical purposes; obstetric apparatus; forceps; anaesthetic apparatus; arterial blood pressure measuring apparatus; bandages, elastic; soporific pillows for insomnia; dental burs; vaginal syringes; cases fitted for medical instruments; veterinary apparatus and instruments; arch supports for footwear; orthopaedic footwear; traction apparatus for medical purposes; castrating pincers; hot air vibrators for medical purposes; bed vibrators; vibromassage apparatus; containers especially made for medical waste; basins for medical purposes; waterbeds for medical purposes; hair prostheses; ear plugs [ear protection devices]; ear picks; galvanic belts for medical purposes; galvanic therapeutic appliances; pacifiers for babies; strait jackets; hot air therapeutic apparatus; gastroscopes; bed pans; hypogastric belts; plaster bandages for orthopaedic purposes; apparatus for the treatment of deafness; feeding bottle teats; clips for pacifiers; needles for medical purposes; suture needles; acupuncture needles; electric acupuncture instruments; artificial breasts; surgical sponges; defibrillators; mirrors for dentists; mirrors for surgeons; diagnostic apparatus for medical purposes; dialyzers; drainage tubes for medical purposes; medical guidewires; radiology screens for medical purposes; elastic stockings for surgical purposes; stockings for varices; electrodes for medical use; electrocardiographs; heating cushions, electric, for medical purposes; clips, surgical; protection devices against X-rays, for medical purposes; probes for medical purposes; corn knives; dental apparatus and instruments; teething rings; dental apparatus, electric; sets of artificial teeth; injectors for medical purposes; inhalers; incubators for babies; incubators for medical purposes; insufflators; cannulae; heart pacemakers; catheters; quartz lamps for medical purposes; catgut; artificial limbs; enema apparatus for medical purposes; thermo-electric compresses [surgery]; compressors [surgical]; corsets for medical purposes; abdominal corsets; esthetic massage apparatus; dropper bottles for medical purposes; droppers for medical purposes; dentists' armchairs; armchairs for medical or dental purposes; blood testing apparatus; lasers for medical purposes; lamps for medical purposes; lancets; beds specially made for medical purposes; medical apparatus and instruments; spoons for administering medicine; lenses [intraocular prostheses] for surgical implantation; love dolls [sex dolls]; massage apparatus; gloves for massage; masks for use by medical personnel; uterine syringes; childbirth mattresses; furniture especially made for medical purposes; crutches; tips for crutches; microdermabrasion

apparatus; douche bags; breast pumps; instrument cases for use by doctors; air mattresses for medical purposes; air pillows for medical purposes; air cushions for medical purposes; knee bandages, orthopaedic; finger guards for medical purposes; feeding bottles; thread, surgical; scissors for surgery; knives for surgical purposes; ambulance stretchers; stretchers, wheeled; fumigation apparatus for medical purposes; operating tables; orthodontic appliances; orthopedic articles; orthopaedic soles; orthopaedic belts; ophthalmometers; ophthalmoscopes; artificial eyes; gloves for medical purposes; pessaries; saws for surgical purposes; slings [supporting bandages]; draw-sheets for sick beds; hypodermic syringes; supports for flat feet; spittoons for medical purposes; bandages for joints, anatomical; cushions for medical purposes; pads for preventing pressure sores on patient bodies; pumps for medical purposes; appliances for washing body cavities; receptacles for applying medicines; maternity belts; belts, electric, for medical purposes; belts for medical purposes; condoms; pulse meters; balling guns; incontinence sheets; umbilical belts; radiological apparatus for medical purposes; resuscitation apparatus; X-ray apparatus for medical purposes; X-ray tubes for medical purposes; X-ray photographs for medical purposes; respirators for artificial respiration; surgical cutlery; urinals being vessels; scalpels; tongue scrapers; hearing aids; ear trumpets; clothing especially for operating rooms; spirometers [medical apparatus]; stents; sterile sheets, surgical; stethoscopes; commode chairs; thermal packs for first aid purposes; thermometers for medical purposes; water bags for medical purposes; ice bags for medical purposes; trocars; radium tubes for medical purposes; blankets, electric, for medical purposes; filters for ultraviolet rays, for medical purposes; ultraviolet ray lamps for medical purposes; urethral probes; urethral syringes; urological apparatus and instruments; physical exercise apparatus for medical purposes; physiotherapy apparatus; surgical apparatus and instruments; surgical implants comprised of artificial materials; boots for medical purposes; abdominal belts; suture materials; splints, surgical; syringes for injections; syringes for medical purposes; pins for artificial teeth; artificial skin for surgical purposes; apparatus for artificial respiration.

(260) AM 2021 108157 A

(800) 1528800

(151) 2019 09 02

(891) 2019 09 02

(731) SETU TEKSTİL, SANAYİ VE TİCARET  
LİMİTED ŞİRKETİ  
MEHMET AKİF CD. DEFNE, SK. NO.3  
MERTER, Güngören, İstanbul, Turkey

(540)

**QUZU**

(591) Black, white

(511)

25 – Clothing, including underwear and outer clothing, other than special purpose protective clothing; socks, mufflers [clothing], shawls, bandanas, scarves, belts [clothing]; footwear, shoes, slippers, sandals; headgear, hats, caps with visors, berets, caps [headwear], skull caps.

35 – Advertising; business management; business administration; the bringing together, for the benefit of others, clothing; including underwear and outer clothing, other than special purpose protective clothing, socks, mufflers [clothing], shawls, bandanas, scarves, belts [clothing], footwear, jewelry, watches, shoes, slippers, sandals, headgear, hats, caps with visors, berets, caps [headwear], skull caps, enabling customers to conveniently view and purchase those goods; such services may be provided by retail stores, wholesale outlets, through mail order catalogues or by means of electronic media, for example, through web sites or television shopping programmes.

(260) AM 2021 108158 A

(800) 1528806

(151) 2020 02 07

(891) 2020 02 07

(731) "Beluga Brands", LLC

Proletarskaya street, 40A, 112, Zvenigorod city,  
RU-143180 Moscow region, Russian  
Federation

(540)



(591) Blue and grey

(531) 02.01.01; 02.01.04; 02.01.23; 25.01.25;  
27.05.01; 29.01.12

(511)

33 – Vodka.

(260) AM 2021 108159 A

(800) 1528835

(151) 2020 03 20

(891) 2020 03 20

(731) OBSHCHESTVO S OGRANICHENNOY

OTVETSTVENNOSTYU "DZHAPAN

TEKHNOLODZHI GRUPP KO. LTD"

ul. Urbanskogo, building 1, office 6, g. Artem,  
RU-692770 Primorskij kraj, Russian Federation

(540)



(591) White, red and grey

(531) 27.01.12; 27.05.02; 27.05.03; 27.05.17;  
29.01.13

(511)

5 – Babies' diapers; babies' diaper-pants.

(260) AM 2021 108161 A

(800) 1528853

(151) 2019 06 19

(891) 2019 06 19

(731) INDUSTRIA DE DISEÑO TEXTIL, S.A.,  
(INDITEX, S.A.)

Avda. de la Diputación, Edificio Inditex,  
E-15142 ARTEIXO (A CORUÑA), Spain

(540)



(591) Black, white

(531) 26.11.25; 26.13.25

(511)

3 – Non-medicinal toiletry preparations and cosmetic products; non-medicinal dentifrices; perfumery products, essential oils; bleaching preparations and other substances for laundry use; cleaning, polishing, degreasing and abrasive preparations; non-medicinal soaps; cosmetics; non-medicinal hair lotions; shoe creams and polishes; tailors' wax; shoemakers' wax; waxes for leather; depilatory wax; laundry wax; parquet floor wax; shampoos; cosmetic kits; depilatory products; make-up removing preparations; deodorants for human beings or animals [perfumery products]; lipsticks; pencils for cosmetic use; hair sprays; nail varnish; lacquer-removing products; tissues impregnated with cosmetic lotions; cloths impregnated with a detergent for cleaning; after-shave lotions; lotions for cosmetic use; make-up products; pomades for cosmetic use; stain removers; sachets for perfuming linen; nail care products; bleaches for cosmetic use; flower extracts (perfumery products); incense; scented wood; decorative patterns for cosmetic use; false eyelashes and nails; pumice stone; potpourris [fragrances]; cosmetic preparations for slimming; bath preparations for cosmetic use; hair waving preparations; detergents for laundrettes; toiletries; oral hygiene products other than for medical use; bath salts other than for medical use; oils for toiletry purposes; sunscreen products; eau

de Cologne; deodorant soaps; talcum powder, for toilet use; adhesives for cosmetic use; greases for cosmetic use; abrasives; shaving products; color-brightening chemicals for household use (laundry); cotton sticks for cosmetic use; beauty masks; mustache wax; bleaching products for household use; hair colorants; eyebrow cosmetics; cleaning chalk; shampoos for pets [non-medicinal sanitary preparations]; cosmetics for animals; cosmetic creams; bars of soap; soap for foot perspiration; detergents other than for use in manufacturing operations and for medical use; laundry starch; cleansing milk for toilet purposes; Javelle water; dry-cleaning products; scented water; perfumes; cosmetic preparations for eyelashes; cosmetic products for skin care; make-up powder; adhesives for affixing false hair; fabric softeners for laundry use; cosmetic dyes; color-removing products; eau de toilette.

9 – Scientific, nautical, surveying, photographic, cinematographic, optical, weighing, measuring, signaling, checking (supervision), life-saving and teaching apparatus and instruments; apparatus and instruments for conducting, switching, transforming, accumulating, regulating or controlling electricity; apparatus for recording, transmission or reproduction of sound or images; magnetic recording media, sound recording disks; compact discs, DVDs and digital recording media; mechanisms for coin-operated apparatus; cash registers, calculating machines, data processing equipment, computers; software; fire extinguishers; computer peripheral devices; anti-glare glasses; pince-nez; optical lenses; chains for pince-nez; contact lenses; cords for pince-nez; spectacles (optics); spectacle glasses; spectacle cases; frames for spectacles and pince-nez; sunglasses; cases for spectacles (pince-nez) and for contact lenses; footwear for protection against accidents, irradiation and fire; bullet-proof vests; life jackets; clothing for protection against accidents, irradiation and fire; gloves for divers; gloves for protection against accidents; diving suits; encoded magnetic cards; protective suits for aviators; electronic agendas; telephone apparatus; weighbridges (weighing apparatus); directional compasses; accounting machines; protective helmets; telescopes; chronographs (time recording apparatus); measuring spoons; pedometers; optical compact disks; mirrors (optics); binoculars (optics); temperature indicators; computer game software; cassette players; bar code readers; signal, magic and optical lanterns; magnifying glasses (optics); dictating machines; mechanisms for counter-operated apparatus; weights; electric, galvanic and solar cells and batteries; recorded computer programs; electronic pocket translators; transistors (electronics); thermometers not for medical use; intercommunication apparatus; video cassettes; animated cartoons; portable telephones (walkie-talkies); downloadable electronic publications; egg timers [sandglasses]; acoustic (sound) alarms; anti-theft alarms; fire alarms; mouse pads; loudspeakers; amplifiers; antennas; anti-glare visors;

headphones; answering machines; counterfeit coin detectors; teeth protectors; money counting and sorting machines; apparatus for measuring the thickness of skins and leather; electronic tags for goods; goggles for sports; magnets; light-emitting electronic pointers; mobile telephones; enlarging apparatus (photography); apparatus and instruments for astronomy; thermionic (radio) valves; coin-operated musical automata [juke boxes]; scales; life-saving rafts; magnetic tape recorders; head cleaning tapes; video tapes; magnetic tapes; demagnetizing apparatus for magnetic tapes; barometers; ticket dispensers; thermostats; cameras [photography]; cinematographic apparatus; video cameras; video game cartridges; magnetic encoders; revolution counters; transparencies; slide projectors; dynamometers; reflecting discs for wear, for the prevention of traffic accidents; hemline markers; dispensers; socket covers; radiotelephony apparatus; scanners (data processing equipment) (computing); flash-bulbs (photography); photocopiers; holograms; compact disc players; luminous signs; neon signs (advertising); video recorders; megaphones; computer memory devices; microphones; microprocessors; modems; diving snorkels; objectives (lenses) (optics); ozonizers; projection screens; electric switches; dog whistles; push buttons for bells; radios; receivers (audio, video); wrist rests for use with computers; balances (steelyards); television apparatus; record players; word processing equipment; video telephones; carrying cases and holders for portable computers, cases and covers for mobile phones, smartphones, protective cases and covers for digital book readers; smartphones; smart watches; magnetic wires; radiological apparatus for industrial use; personal stereos.

18 – Leather and imitation leather; animal skins; luggage and carrier bags; umbrellas and parasols; walking sticks; whips, harness and saddlery items; collars, leashes and clothing for animals; bags for climbers, campers and the beach; handbag frames; frames for umbrellas or parasols; alpenstocks; bags for sports; net bags for shopping; travel bags; bags (envelopes, pouches) of leather, for packaging; bags; bags; travel cases and key cases (leather goods); attaché cases; coin purses, not of precious metal; hat boxes of leather; leather backpacks for carrying infants; wheeled shopping bags; cases and boxes of leather or leather board; boxes of vulcanized fiber; card cases (notecases); wallets; school satchels; vanity cases; leather laces; umbrella covers; covers for horse-saddles; haversacks; backpacks; reins for horses; leather laces; suitcase handles; handles for walking sticks and umbrellas; whips; horse blankets; furniture coverings of leather; umbrella rings; blinders (harness); harness for animals; harness fittings; canes incorporating seats; shoulder belts [straps] of leather; empty tool bags of leather; muzzles; bridles [harness]; halters; leather board; bands of leather; traveling trunks; shopping bags; straps for soldiers' equipment; harness straps;

leather straps (harnesses); straps for skates; trimmings of leather for furniture; leather straps; leather butt hides; curried skins; covers and blankets for animals; stirrups; parts of rubber for stirrups; bits for animals (harness); reins; suitcases; moleskin (imitation of leather); chamois leather other than for cleaning purposes; nosebags; casings, of leather, for springs; kneepads for horses; horse riding saddles; fastenings for saddles; straps (harnesses); valves of leather.

25 – Clothing, footwear, headwear; clothing for motorists and cyclists; bibs not of paper; headbands (clothing); bath robes; bathing suits; bathing caps and sandals; boas (clothing); scarves; sports shoes and beach shoes; hoods (clothing); shawls; belts (clothing); money belts (clothing); wet suits for water-skiing; neckties; corsets (girdles); fur stoles; foulards; caps [headwear]; caps; gloves (clothing); raincoats; girdles (underwear); body linen [garments]; mantillas; stockings; socks; neckerchiefs; furs (clothing); pajamas; soles (for footwear); heels; veils (clothing); suspenders; layettes (clothing); shoulder wraps; sports jerseys; mittens; ear muffs (clothing); inner soles; wristbands (clothing); dress shields; beach wear; dressing gowns; pockets for clothing; sock suspenders; stocking suspenders; petticoats; tights or leotards; aprons (clothing); fancy-dress costumes; uniforms; cap peaks; wooden shoes; caps; coats; esparto shoes or sandals; non-slip devices for footwear; bath slippers; birettas; blouses; bodysuits (clothing); berets; footmuffs, not electrically heated; lace boots; boots; boot uppers; studs for football boots; ankle boots; fittings of metal for footwear; toe caps for footwear; heelpieces for footwear; shirts; shirt yokes; shirt fronts; T-shirts; short-sleeved tee-shirts; bodices [lingerie]; vests; jackets; fishing vests; stuff jackets; slippers (underwear); ready-made clothing; detachable collars and collars; clothing of leather; clothing of imitation leather; shower caps; slippers; skirts; trousers; ready-made linings (parts of clothing); overcoats (coats); trench coats (clothing); gymnastic shoes; jerseys (clothing); pullovers; sweaters; liveries; muffs (clothing); footwear uppers; pocket squares; parkas; pelerines; pelisses; spats; leggings; knitwear [clothing]; clothing for gymnastics; underwear; sandals; saris; underpants; hats; wimples (clothing); togas; trouser straps; suits; turbans; clothing; slippers; shoes; footwear for sports.

35 – Advertising services; commercial business management; commercial administration; office functions; retail sale and wholesale in stores, via global computer networks, catalog, by mail order, by telephone, via radio and television, and via other electronic media for tanning substances, adhesives [glues] for industry, paints, varnishes, lacquers, colorants, ink for leather, indigo [colorant], ink for skin-dressing, bleaching preparations and other substances for laundry use, cleaning preparations, polishing preparations, scouring and abrasive preparations [abrasive preparations], soaps, perfumery, essential oils, cosmetics, hair loti-

ons, dentifrices, shaving products, waxes, shampoos, cosmetic kits, depilatory products, deodorants for personal use [perfumery], make-up preparations, products for perfuming clothes, incense, eau de cologne, perfumes, lubricants, candles, deodorants other than for human beings or for animals, common metals and their alloys, metal chests, money boxes of metal, poles of metal, knobs not of metal, handles of metal, door handles of metal, cutlery, forks and spoons, razors, manicure sets, cases and razor cases, scientific apparatus and instruments, nautical apparatus and instruments, surveying apparatus and instruments, photographic apparatus and instruments, cinematographic apparatus and instruments, optical apparatus and instruments, weighing apparatus and instruments, measuring apparatus and instruments, signaling apparatus and instruments, control apparatus and instruments [inspection], life-saving apparatus and instruments, teaching apparatus and instruments, apparatus and instruments for conducting electricity, power distribution, transforming electricity, accumulating electricity, regulating electricity, controlling electricity, apparatus for recording sound or images, transmission of sound or images, reproduction of sound or images, recording discs, automatic vending machines and mechanisms for coin-operated apparatus, cash registers, data processing equipment and computers, fire-extinguishing apparatus, computer peripheral devices, contact lenses, pince-nez cords, dressmakers' measures, spectacle cases, cases for eyeglasses and for contact lenses, spectacle frames and lenses [pince-nez], spectacles [optics], sunglasses, magnetic cards, telephone apparatus, protective helmets, chronographs [time recording apparatus], compact discs [audio-video], printers for use with computers, games programs, bar code readers, magnifying glasses [optics], computer software [recorded programs], mice [computer], apparatus for games adapted for use with television receivers only, intercommunication apparatus, electronic publications [downloadable electronically], sand glasses, headphones, mouse pads, protective helmets for sports, goggles for sports, computer memories, lighting apparatus, heating apparatus, steam generating apparatus, cooking apparatus, refrigerating apparatus, drying apparatus, ventilating apparatus, apparatus for water supply and sanitary installations, lanterns, lamp globes, lamps, lanterns, screens, vehicles, safety seats for children [for vehicles], seat covers for vehicles, bicycles, structural parts for bicycles, parts for supporting bicycles, parts and accessories for land vehicles, trolleys for babies with removable media for children, covers for baby carriages, dashboards for baby carriages, covers and hoods for baby carriages, car fasteners for use with baby carriages, pushchairs, covers, hoods, canopies, integrated cradles, all for prams, precious metals and their alloys, jewelry, costume jewelry, precious stones, horological and chronometric instruments, ornamental pins, fancy key rings, badges of precious metal, shoe and hat orna-

ments of precious metal, cuff links, watches, watch cases, watch bands, jewelry boxes, charms [jewelry], pearls [costume jewelry], earrings, rings, chaplets, headbands, musical instruments, musical boxes, cases for musical instruments, paper, cardboard, printed matter, publications, photographs, stationery, adhesives for stationery or household purposes, artists' materials, paintbrushes, office requisites [except furniture], instructional and teaching material [except apparatus], plastic materials for wrapping, boxes of cardboard or paper, hat boxes, albums, almanacs, calendars, posters, catalogs, wrapping paper, paperweights, mats for beer glasses [discs], bookmarks, book holder, terrestrial globes, leather and imitations of leather, animal skins, trunks and suitcases, umbrellas, parasols and walking sticks, whips, harness and saddlery, bags for climbers, bags for campers, beach bags, handbag frames, frames for umbrellas or parasols, mountaineering sticks, bags, handbags, traveling bags, travel and key cases [leatherware], attaché cases, purses not of precious metal, school bags, garment covers [for travel, bags of leather [or cloth] for carrying infants, wheeled shopping bags, boxes of leather or leather board, briefcases [folders], pocket wallets, briefcases [leatherware], collars for animals, backpacks, briefcases, moleskin [imitation of leather], furniture, mirrors, frames, fans, pillows, curtain tie-backs, benches [furniture], table tops, chests for toys, screens, boxes of wood or plastic, beds, settees [armchairs], baskets not of metal, cushions, mattresses, cradles, desks, shelves, jewelry cases not of precious metal, tables, umbrella stands, hangers for coats and hats, coatstands, latches not of metal, desks, chairs, armchairs, sofas, stools, corks for bottles, high chairs for babies, utensils and containers for household and kitchen [not of precious metal], combs and sponges, brushes [except paintbrushes], glassware, porcelain and earthenware, bottle openers, oil cruets, candle extinguishers, sugar bowls, dishes, bowls, tea bags, candy boxes, bottles, boxes, shoe horns, candlesticks, epergnes, fitted picnic baskets [including dishes], shakers, ice buckets, coolers, decanters, salad bowls, trays [dishes], shoe trees [molds], piggy banks not of metal, soap holders, jugs, vases, bird cages, butter dishes, plates, knobs of porcelain, bottle holders and coasters not of paper and other than table linen, perfume burners [perfume], crumb scoops, table mats, corkscrews, salt cellars, coffee and tea services, napkin holders, soup bowls, cups, mugs, teapots, tableware, glasses [receptacles], cruets, ropes, strings, nets, tent shops, bags, padding and stuffing materials [except rubber or plastics], eiderdown [feathers], yarns and threads for textile use, textiles and textile goods, bed and table covers, bath linen [except clothing], towels of textile, travel blankets, eiderdowns [down coverlets], covers for cushions, sleeping bags [sheeting], bedspreads, tablecloths [other than of paper], sheets, table napkins [textile], bed covers, pillow cases, bed blankets, ready-made clothing for women, ready-made clothing for men and

children, footwear [except orthopedic footwear], headgear, clothing for motorists and cyclists, bibs not of paper, headbands [clothing], bath robes, bathing suits, bathing caps and sandals, boas [necklets], underwear, scarves, hoods [clothing], shawls, belts [clothing], money belts [clothing], water ski suits, neckties, echarpes, stoles, girdles [underwear], scarves, caps, caps, gloves [clothing], underwear, shawls, stockings, socks, neck scarves, fur handkerchiefs [clothing], pyjamas, veils [clothing], suspenders, gymnastic and sports outfits, layettes, jerseys, mittens, ear muffs [clothing], bow ties, sarongs, masquerade costumes, visors [headgear], dressing gowns, petticoats, tights [complete stockings or leotards], aprons [clothing], headwear, wooden shoes, headgear, caps [headwear], blouses, bodysuits [leotards], berets, heated footmuffs other than electric, boots, shirts, combinations [clothing], collars, pelerines, gaiters [stockings], saris, brassieres, headcloth [clothing], togas, turbans, lace and embroidery, ribbons and braid, buttons, hooks and eyes, pins and needles, artificial flowers, hair ornaments, hat and shoe ornaments [other than of precious metal], hair bands, carpets, rugs, mats, wallpaper, wallpaper, games, toys, gymnastic and sporting articles, decorations for Christmas trees, meat, fish, poultry and game, meat extracts, fruits and vegetables, preserved vegetables, frozen greens and vegetables, dried and cooked vegetables, jellies, jams, compotes, eggs, milk and milk products, edible oils and fats, coffee, tea, cocoa, sugar, rice, tapioca, sago, artificial coffee, flour and preparations made from cereals, bread, pastry and confectionery, ices, honey, treacle, yeast, baking powder, salt, mustard, vinegar, sauces [condiments], spices, ice, agricultural products, horticultural products, forestry products and grains, live animals, fruit and fresh vegetables, natural plants and flowers, foodstuffs for animals, malt, beer, mineral and aerated waters, non-alcoholic beverages, fruit drinks and fruit juices, syrups and other preparations for making beverages; retail sale and wholesale in stores, via global computer networks, catalog, by mail order, by telephone, via radio and television, and via other electronic media for alcoholic beverages (except beers), tobacco, smokers' articles, matches, cigar boxes (with humidifiers), cigarette cases, tobacco pouches, cigarette cases, ashtrays for smokers, lighters for smokers; commercial or industrial company management and operation assistance services; organization of exhibitions for commercial or advertising purposes; promotion of third-party goods and services through loyalty card programs; modeling for advertising or sales promotion; editing of advertising texts; shop-window dressing; services providing assistance with the operation of a franchised business; demonstration of goods; organization of trade fairs for commercial or advertising purposes; sales promotion for others; auctioneering; promotion and management of shopping malls; import-export agencies; online advertising via computer networks; procurement services for others



(purchasing of goods and services for other businesses); newspaper subscription services (for others); dissemination of advertising material [leaflets, prospectuses, printed matter, samples]; computer file management; public relations; commercial information agencies; advertising agencies; rental of vending machines; rental of advertising space; dissemination of advertisements; business management assistance; data search in computer files (for others); compilation of data in computer databases; transcription of communications; distribution of advertising matter by mail; business management of performing artists; updating of advertising material; document reproduction; market study; bill posting (ads); opinion polling; systemization of information into computer databases; advertising by mail order; radio advertising; television advertising; presentation of goods on communication media for retail purposes.

(260) AM 2021 108175 A

(800) 1529388

(151) 2019 12 23

(891) 2019 12 23

(731) SAAT VE SAAT SANAYİ VE TİCARET  
ANONİM ŞİRKETİ

Maslak Mah, Büyükdere Cad, Noramin İş  
Merkezi No:237/D Kat B-2, Sarıyer, İstanbul,  
Turkey

(540)

# Jacques Philippe

(591) Black, white

(531) 27.05.01

(511)

9 – Measurement apparatus and equipment including those for scientific, nautical, topographic, meteorologic, industrial and laboratory purposes, thermometers, not for medical purposes, barometers, ammeters, voltmeters, hygrometers, testing apparatus not for medical purposes, telescopes, periscopes, directional compasses, speed indicators, laboratory apparatus, microscopes, magnifying glasses, stills for laboratory experiments, binoculars, ovens and furnaces for laboratory experiments; apparatus for recording, transmission or reproduction of sound or images, cameras, photographic cameras, television apparatus, video recorders, CD and DVD players and recorders, MP3 players, computers, desktop computers, tablet computers, wearable technological devices, namely, smart watches, wristbands and head-mounted cameras; microphones, loudspeakers, earphones, telecommunications apparatus, apparatus for the reproduction of sound or images, computer peripheral devices, cell phones, covers for cell phones, telephone apparatus, computer printers, scanners [data processing equipment], photocopiers; magnetic and optic data carriers and computer software and programmes recorded thereto,

downloadable and recorded electronic publications, encoded magnetic and optic cards; movies, tv series and video music clips recorded on magnetic, optical and electronic media; antennas, satellite antennas, amplifiers for antennas, parts of the aforementioned goods; ticket dispensers, automatic teller machines (ATM); electronic components used in the electronic parts of machines and apparatus, semi-conductors, electronic circuits, integrated circuits, chips [integrated circuits]; diodes, transistors [electronic], magnetic heads for electronic apparatus, electronic locks, photocells, remote control apparatus for opening and closing doors, optical sensors; counters and quantity indicators for measuring the quantity of consumption, automatic time switches; clothing for protection against accidents, irradiation and fire, safety vests and life-saving apparatus and equipment; eyeglasses, sunglasses, optical lenses and cases, containers, parts and components thereof; apparatus and instruments for conducting, transforming, accumulating or controlling electricity, electric plugs, junction boxes [electricity], electric switches, circuit breakers, fuses, lighting ballasts, battery starter cables, electrical circuit boards, electric resistances, electric sockets, transformers [electricity], electrical adapters, battery chargers, electric door bells, electric and electronic cables, batteries, electric accumulators, solar panels for production of electricity; alarms and anti-theft alarms, other than for vehicles, electric bells; signalling apparatus and instruments, luminous or mechanical signs for traffic use; fire extinguishing apparatus, fire engines, fire hose and fire hose nozzles; radar apparatus, sonars, night vision apparatus and instruments; decorative magnets; metronomes.

14 – Jewellery; imitation jewellery; gold; precious stones and jewellery made thereof; cufflinks; tie pins; statuettes and figurines of precious metal; clocks, watches and chronometrical instruments; chronometers and their parts; watch straps.

35 – Advertising, marketing and public relations; organization of exhibitions and trade fairs for commercial or advertising purposes; design for advertising; provision of an online marketplace for buyers and sellers of goods and services; office functions; secretarial services; arranging newspaper subscriptions for others; compilation of statistics; rental of office machines; systemization of information into computer databases; telephone answering for unavailable subscribers; business management, business administration and business consultancy; accounting; commercial consultancy services; personnel recruitment, personnel placement, employment agencies, import-export agencies; temporary personnel placement services; auctioneering; the bringing together, for the benefit of others, of a variety of goods, namely, measurement apparatus and equipment including those for scientific, nautical, topographic, meteorologic, industrial and laboratory purposes, thermometers, not for medi-

cal purposes, barometers, ammeters, voltmeters, hygrometers, testing apparatus not for medical purposes, telescopes, periscopes, directional compasses, speed indicators, laboratory apparatus, microscopes, magnifying glasses, stills, binoculars, ovens and furnaces for laboratory experiments, apparatus for recording, transmission or reproduction of sound or images, cameras, photographic cameras, television apparatus, video recorders, CD and DVD players and recorders; MP3 players, computers, desktop computers, tablet computers, wearable technological devices (smart watches, wristbands, head-mounted devices) microphones, loudspeakers, earphones, telecommunications apparatus, apparatus for the reproduction of sound or images, computer peripheral devices, cell phones, covers for cell phones, telephone apparatus, computer printers, scanners [data processing equipment], photocopyers, magnetic and optic data carriers and computer software and programmes recorded thereto, downloadable and recordable electronic publications, encoded magnetic and optic cards, movies, tv series and video music clips recorded on magnetic, optical and electronic media, antennas, satellite antennas, amplifiers for antennas, parts of the aforementioned goods, ticket dispensers, automatic teller machines (ATM), electronic components used in the electronic parts of machines and apparatus, semi-conductors, electronic circuits, integrated circuits, chips [integrated circuits]; diodes, transistors [electronic], magnetic heads for electronic apparatus, electronic locks, photocells, remote control apparatus for opening and closing doors, optical sensors; counters and quantity indicators for measuring the quantity of consumption, automatic time switches, clothing for protection against accidents, irradiation and fire, safety vests and life-saving apparatus and equipment; eyeglasses, sunglasses, optical lenses and cases, containers, parts and components thereof, apparatus and instruments for conducting, transforming, accumulating or controlling electricity, electric plugs, junction boxes [electricity], electric switches, circuit breakers, fuses, lighting ballasts, battery starter cables, electrical circuit boards, electric resistances, electric sockets, transformers [electricity], electrical adapters, battery chargers, electric door bells, electric and electronic cables, batteries, electric accumulators, solar panels for production of electricity; alarms and anti-theft alarms, other than for vehicles, electric bells, signalling apparatus and instruments, luminous or mechanical signs for traffic use; fire extinguishing apparatus, fire engines, fire hose and fire hose nozzles; radar apparatus, sonars, night vision apparatus and instruments, decorative magnets, metronomes, jewellery, imitation jewellery, gold, precious stones and jewellery made thereof, tie pins, statuettes and figurines of precious metal, clocks, watches and chronometrical instruments, chronometers and their parts, watch straps enabling customers to conveniently view and purchase those goods, such services may be provided by retail stores, wholesale

outlets, by means of electronic media or through mail order catalogues.

(260) AM 2021 108176 A

(800) 1529398

(151) 2020 03 03

(891) 2020 03 03

(731) LUKASHYN SERGII

Partizanska street, building 49 A, Dergachivsky district, Kharkiv region, Mala Danylivka settlement 62343, Ukraine

(540)

## torgsoft

(591) Black, white

(511)

9 – 3D spectacles; abacuses; accelerometers; accumulators, electric; accumulators, electric, for vehicles / batteries, electric, for vehicles; acid hydrometers; acidimeters for batteries; acoustic alarms / sound alarms; acoustic conduits; acoustic couplers; actinometers; adding machines; aerometers; air analysis apparatus; alarm bells, electric; alarms; alcohol meters; alidades; altimeters; ammeters; amplifiers; amplifying tubes / amplifying valves; anemometers; animated cartoons; anode batteries / high tension batteries; anodes; answering machines; antennas / aerials; anti-glare glasses; anti-interference devices [electricity]; anti-theft warning apparatus; anticathodes; apertometers [optics]; apparatus and installations for the production of X-rays, not for medical purposes; apparatus and instruments for astronomy; apparatus and instruments for physics; apparatus for changing record player needles; apparatus for editing cinematographic film; apparatus for fermentation [laboratory apparatus]; apparatus for measuring the thickness of skins; apparatus to check franking / apparatus to check stamping mail; appliances for measuring the thickness of leather; armatures [electricity]; asbestos clothing for protection against fire; asbestos gloves for protection against accidents; asbestos screens for firemen; audio- and video-receivers; audiovisual teaching apparatus; automated teller machines [ATM]; automatic indicators of low pressure in vehicle tires / automatic indicators of low pressure in vehicle tyres; azimuth instruments; baby monitors; baby scales; bags adapted for laptops; balances [steelyards]; lever scales [steelyards]; steelyards [lever scales]; balancing apparatus; bar code readers; barometers; bathroom scales; batteries, electric; batteries for lighting; battery boxes / accumulator boxes; battery chargers; battery jars / accumulator jars; beacons, luminous; bells [warning devices]; betatrons; binoculars; blueprint apparatus; boiler control instruments; branch boxes [electricity]; breathing apparatus, except for artificial respiration; breathing apparatus for underwater swimming; bullet-proof clothing; bullet-proof waistcoats / bullet-proof vests / fibre optic cables fiber optic cables; buzzers; cabinets for loudspeakers;

cables, electric; calculating machines; calibrating rings; calipers; calorimeters; camcorders; cameras [photography]; capillary tubes; carpenters' rules; carriers for dark plates [photography]; cases especially made for photographic apparatus and instruments; cases for smartphones; cash registers; cassette players; cathodes; cathodic anti-corrosion apparatus; cell phone straps; cell switches [electricity], reducers [electricity]; cellular phones / mobile telephones / cell phones; centering apparatus for photographic transparencies; chargers for electric batteries; chargers for electronic cigarettes; chemistry apparatus and instruments; chips [integrated circuits]; choking coils [impedance]; chromatography apparatus for laboratory use; chronographs [time recording apparatus]; cinematographic cameras; cinematographic film, exposed; circuit breakers; circuit closers; circular slide rules; cleaning apparatus for sound recording discs / cleaning apparatus for phonograph records; climate control digital thermostats; close-up lenses; clothing especially made for laboratories; clothing for protection against accidents, irradiation and fire; clothing for protection against fire / garments for protection against fire; coaxial cables; coils, electric; coin-operated mechanisms for television sets; coin-operated musical automata [juke boxes] / juke boxes, musical; collectors, electric; commutators; compact disc players; compact discs [audio- video]; compact discs [read-only memory]; comparators; compasses for measuring; computer game software, downloadable; computer game software, recorded; computer hardware; computer keyboards; computer memory devices; computer operating programs, recorded; computer peripheral devices; computer programs, downloadable; computer programs, recorded; computers; computer software, recorded; computer software applications, downloadable; condensers [capacitors] / capacitors; conductors, electric; connected bracelets [measuring instruments]; connections for electric lines; connectors [electricity]; contact lenses; contacts, electric; containers for contact lenses; containers for microscope slides; control panels [electricity]; converters, electric; copper wire, insulated; cordless telephones; correcting lenses [optics]; cosmographic instruments; counterfeit [false] coin detectors; counters meters; couplers [data processing equipment]; couplings, electric / connections, electric; covers for electric outlets; covers for smartphones; covers for tablet computers; crash test dummies; crucibles [laboratory] / cupels [laboratory]; current rectifiers; cyclotrons; darkroom lamps [photography]; darkrooms [photography]; data processing apparatus; decompression chambers; decorative magnets; demagnetizing apparatus for magnetic tapes; densimeters; densitometers; detectors; diagnostic apparatus, not for medical purposes; diaphragms for scientific apparatus; diaphragms [acoustics]; diaphragms [photography]; dictating machines; diffraction apparatus [microscopy]; digital photo frames; digital signs; digital weather stations; directional compasses; disc-

harge tubes, electric, other than for lighting / electric discharge tubes, other than for lighting; disk drives for computers; disks, magnetic; distance measuring apparatus; distance recording apparatus / apparatus for recording distance; distillation apparatus for scientific purposes; distribution boards [electricity]; distribution boxes [electricity]; distribution consoles [electricity]; divers' masks; diving suits; DNA chips; dog whistles; dosage dispensers, dosimeters; downloadable image files; downloadable music files; downloadable ring tones for mobile phones; drainers for use in photography, photographic racks; dressmakers' measures; droppers for measuring, other than for medical or household purposes; drying apparatus for photographic prints; drying racks [photography]; ducts [electricity]; DVD players; dynamometers; ear plugs for divers; egg-candlers; egg timers [sandglasses] / hourglasses; electrical adapters; electric apparatus for commutation; electric door bells; electric installations for the remote control of industrial operations; electricity conduits; electric loss indicators; electric plugs; electric sockets; electrified fences; electrified rails for mounting spot lights; electro- dynamic apparatus for the remote control of railway points; electro-dynamic apparatus for the remote control of signals; electrolyzers; electromagnetic coils; electronic agendas; electronic book readers; electronic collars to train animals; electronic key fobs being remote control apparatus; electronic notice boards; electronic pens [visual display units]; electronic pocket translators; electronic publications, downloadable; electronic tags for goods; encoded identification bracelets, magnetic; encoded key cards; encoded magnetic cards; enlarging apparatus [photography]; epidiascopes; ergometers; exposure meters [light meters]; eyeglass cases / spectacle cases; eyeglass chains / spectacle chains; eyeglass cords / spectacle cords; eyeglasses/spectacles; eyeglass frames/spectacle frames; eyepieces; eyewear; facsimile machines; fibre optic cables / fiber optic cables; film cutting apparatus; films, exposed; filters for respiratory masks; filters for ultraviolet rays, for photography; filters for use in photography; finger sizers; fire alarms; fire beaters; fire blankets; fire boats; fire engines; fire escapes; fire extinguishers; fire extinguishing apparatus; fire hose; fire hose nozzles; fire pumps; flash-bulbs [photography]; flashing lights [luminous signals]; flashlights [photography]; floppy disks; flowmeters; fluorescent screens; fog signals, non-explosive; food analysis apparatus; frames for photographic transparencies; frequency meters; furnaces for laboratory use, ovens for laboratory use; furniture especially made for laboratories; fuses; fuse wire; galena crystals [detectors]; galvanic batteries; galvanic cells; galvanometers; gasoline gauges / petrol gauges; gasometers [measuring instruments]; gas testing instruments; gauges; glazing apparatus for photographic prints; Global Positioning System [GPS] apparatus; gloves for divers; gloves for protection against accidents; gloves for protection against X- rays for industrial purposes;

googles for sports; hairdressing training heads [teaching apparatus]; hands-free kits for telephones; head cleaning tapes [recording]; headgear being protective helmets; head guards for sports; headphones; heat regulating apparatus; height measuring instruments; heliographic apparatus; hemline markers; high-frequency apparatus; holders for electric coils; holograms; horns for loudspeakers; hydrometers; hygrometers; identification sheaths for electric wires; identification threads for electric wires; identity cards, magnetic; igniting apparatus, electric, for igniting at a distance / electric apparatus for remote ignition; incubators for bacteria culture; inductors [electricity]; infrared detectors; instruments containing eyepieces; integrated circuit cards [smart cards]/ smart cards [integrated circuit cards]; integrated circuits; intercommunication apparatus; interfaces for computers; inverters [electricity]; invoicing machines; ionization apparatus not for the treatment of air or water; jigs [measuring instruments]; joysticks for use with computers, other than for video games; juke boxes for computers; junction boxes [electricity]; junction sleeves for electric cables; kilometer recorders for vehicles / mileage recorders for vehicles; knee-pads for workers; laboratory centrifuges; laboratory trays; lactodensimeters; lactometers; laptop computers; lasers, not for medical purposes; lenses for astrophotography; lens hoods; letter scales; levelling instruments; levelling staffs [surveying instruments] / rods [surveying instruments]; levels [instruments for determining the horizontal]; life-saving capsules for natural disasters; life-saving rafts; life bells; lifeboats; life buoys; life jackets; life saving apparatus and equipment; light-emitting diodes [LED]; light-emitting electronic pointers; light dimmers [regulators], electric / light regulators [dimmers], electric; lighting ballasts; lightning rods / lightning arresters / lightning conductors; limiters [electricity]; locks, electric; logs [measuring instruments]; loudspeakers; magic lanterns; magnetic data media; magnetic encoders; magnetic tapes; magnetic tape units for computers; magnetic wires; magnets; magnifying glasses [optics]; marine compasses; marine depth finders; marking buoys; marking gauges [joinery]; masts for wireless aerials; materials for electricity mains [wires, cables]; material testing instruments and machines; mathematical instruments; measures; measuring apparatus; measuring devices, electric; measuring glassware / graduated glassware; measuring instruments; measuring spoons; mechanical signs; mechanisms for coin-operated apparatus; mechanisms for counter-operated apparatus; megaphones; memory cards for video game machines; mercury levels; metal detectors for industrial or military purposes; meteorological balloons; meteorological instruments; metronomes; micrometers / micrometer gauges; micrometer screws for optical instruments; microphones; microprocessors; microscopes; microtomes; mirrors for inspecting work; mirrors [optics]; modems; money counting and sorting machines; monitoring apparatus, other than for

medical purposes; monitors [computer hardware]; monitors [computer programs]; mouse pads; mouse [computer peripheral]; mouth guards for sports; nanoparticle size analysers / nanoparticle size analyzers; nautical apparatus and instruments; naval signalling apparatus; navigational instruments; navigation apparatus for vehicles [on-board computers]; needles for record players / styli for record players; neon signs; nets for protection against accidents; nose clips for divers and swimmers; notebook computers; objectives [lenses] [optics]; observation instruments; octants; ohmmeters; optical apparatus and instruments; optical character readers; optical condensers; optical data media; optical discs; optical fibers [fibres] [light conducting filaments] / optical fibers [light conducting filaments]; optical glass; optical lamps / optical lanterns; optical lenses; oscillographs; oxygen transvasing apparatus; ozonisers [ozonators]; parking meters; particle accelerators; pedometers; peepholes [magnifying lenses] for doors; periscopes; personal stereos; Petri dishes; photocopiers [photographic, electrostatic, thermic]; photometers; phototelegraphy apparatus; photovoltaic cells; pince-nez; Pilot tubes; plane tables [surveying instruments]; planimeters; plates for batteries; plotters; plumb bobs; plumb lines; pocket calculators; polarimeters; portable media players; precision balances; precision measuring apparatus; pressure gauges / manometers; pressure indicator plugs for valves; pressure indicators; pressure measuring apparatus; printed circuit boards; printed circuits; printers for use with computers; prisms [optics]; probes for scientific purposes; processors [central processing units] / central processing units [processors]; projection apparatus; projection screens; protection devices against X-rays, not for medical purposes; protection devices for personal use against accidents; protective films adapted for computer screens; protective helmets; protective helmets for sports; protective masks; protective suits for aviators; protractors [measuring instruments]; punched card machines for offices; push buttons for bells; pyrometers; quantity indicators; radar apparatus; radio pagers; radios; radiotelegraphs sets; radiotelephony sets; railway traffic safety appliances; range finders / telemeters; readers [data processing equipment]; record players; reflective articles for wear, for the prevention of accidents; reflective safety vests; refractometers; refractors; regulating apparatus, electric; relays, electric; remote control apparatus; rescue flares, non-explosive and non-pyrotechnic; rescue laser signalling flares; resistances, electric; respirators for filtering air; respiratory masks, other than for artificial respiration; resuscitation mannequins [teaching apparatus]; resuscitation training simulators; retorts; retorts' stands; revolution counters; rheostats; riding helmets; ring sizers; road signs, luminous or mechanical; rods for water diviners; rulers [measuring instruments]; rules [measuring instruments]; saccharometers; safety nets / life nets; safety restraints, other than for vehicle seats and sports equipment; safely tarpau-

lins; salinometers; satellite navigational apparatus; satellites for scientific purposes; scales; scales with body mass analysers / scales with body mass analyzers; scanners [data processing equipment]; screens for photoengraving; screens [photography]; screw-tapping gauges; selfie lenses; selfie sticks [hand-held monopods]; semi-conductors; sextants; sheaths for electric cables; shoes for protection against accidents, irradiation and fire; shutter releases [photography]; shutters [photography]; sighting telescopes for firearms / telescopic sights for firearms; signal bells; signal lanterns; signalling buoys; signalling panels, luminous or mechanical; signalling whistles; signals, luminous or mechanical, signs, luminous; simulators for the steering and control of vehicles; sirens; sleeves for laptops; slide-rules; slide calipers; slide projectors / transparency projection apparatus; slope indicators / clinometers / gradient indicators / inclinometers; smartglasses; smartphones; smartwatches; smoke detectors; solar batteries; solar panels for the production of electricity; solderers' helmets; solenoid valves [electromagnetic switches]; sonars; sounding apparatus and machines; sounding leads; sounding lines; sound locating instruments; sound recording apparatus; sound recording carriers; sound recording discs / phonograph records; sound recording strips; sound reproduction apparatus; sound transmitting apparatus; spark-guards; speaking tubes; spectacle lenses / eyeglass lenses; spectrograph apparatus; spectrosopes; speed checking apparatus for vehicles; speed indicators; speed measuring apparatus [photography]; speed regulators for record players; spherometers; spirit levels; spools [photography]; sports whistles; sprinkler systems for fire protection; square rulers for measuring; squares for measuring; stage lighting regulators; stands adapted for laptops; stands for photographic apparatus; starter cables for motors; steering apparatus, automatic, for vehicles; step-up transformers; stereoscopes; stereoscopic apparatus; stills for laboratory experiments; stroboscopes; sulfimeters; sunglasses; surveying apparatus and instruments; surveying chains; surveying instruments; surveyors' levels; survival blankets; switchboards; switchboxes [electricity]; switches, electric; T-squares for measuring; tablet computers; tachometers; tape recorders; taximeters; teaching apparatus; teaching robots; teeth protectors; telegraphs [apparatus]; telegraph wires; telephone apparatus; telephone receivers; telephone transmitters; telephone wires; telepresence robots; teleprinters / teletypewriters; teleprompters; telerupters; telescopes; telescopic sights for artillery; television apparatus; temperature indicator labels, not for medical purposes; temperature indicators; terminals [electricity]; testing apparatus not for medical purposes; test tubes; theft prevention installations, electric; theodolites; thermionic tubes / thermionic valves; thermo-hygrometers; thermometers, not for medical purposes; thermostats; thermostats for vehicles; thin client computers; thread counters; ticket dispensers; time clocks

[time recording devices]; time recording apparatus; time switches, automatic; tone arms for record players; toner cartridges, unfilled, for printers and photocopiers; totalizers; trackballs [computer peripherals]; traffic-light apparatus [signalling devices]; traffic cones; transformers [electricity]; transistors [electronic]; transmitters of electronic signals; transmitters [telecommunication]; transmitting sets [telecommunication]; transparencies [photography] / slides [photography]; transponders; triodes; tripods for cameras; urinometers; USB flash drives; vacuum gauges; vacuum tubes [radio]; variometers; vehicle breakdown warning triangles; vehicle radios; verniers; video baby monitors; video cassettes; video game cartridges; video recorders; video screens; videotapes; video telephones; viewfinders, photographic; viscosimeters; visors for helmets; voltage regulators for vehicles; voltage surge protectors; voltmeters; voting machines; wafers for integrated circuits; walkie-talkies; washing trays [photography]; water level indicators; wavemeters; wearable activity trackers; wearable computers; weighbridges; weighing apparatus and instruments; weighing machines; weights; whistle alarms; wind socks for indicating wind direction; wire connectors [electricity]; wires, electric; workmen's protective face-shields; wrist rests for use with computers; X-ray apparatus not for medical purposes; X-ray films, exposed; X-ray photographs, other than for medical purposes; X-ray tubes not for medical purposes.

41 – Academies [education]; amusement park services; providing amusement arcade services; animal training; rental of audio equipment; arranging of beauty contests; boarding school education; booking of seats for shows; calligraphy services; providing casino facilities [gambling]; cinema presentations; rental of cinematographic apparatus; club services [entertainment or education]; coaching [training]; arranging and conducting of colloquiums; arranging and conducting of concerts; arranging and conducting of conferences; arranging and conducting of congresses; correspondence courses; disc jockey services; discotheque services; dubbing; education information; educational examination; electronic desktop publishing; entertainer services; entertainment services; entertainment information; film production, other than advertising films; conducting fitness classes; gambling services; game services provided on-line from a computer network; games equipment rental; providing golf facilities; conducting guided tours; gymnastic instruction; health club services [health and fitness training]; holiday camp services [entertainment]; arranging and conducting of in-person educational forums; karaoke services; language interpreter services; layout services, other than for advertising purposes; lending library services; rental of lighting apparatus for theatrical sets or television studios; microfilming; mobile library services; modelling for artists; rental of motion pictures; movie studio services; providing museum facilities

[presentation, exhibitions]; music composition services; production of music; news reporters services; nightclub services [entertainment]; nursery schools; on-line publication of electronic books and journals; providing on-line electronic publications, not downloadable; providing on-line music, not downloadable; providing on-line videos, not downloadable; orchestra services; organization of competitions [education or entertainment]; organization of exhibitions for cultural or educational purposes; organization of sports competitions; organization of lotteries; organization of balls; organization of shows [impresario services]; organization of fashion shows for entertainment purposes; party planning [entertainment]; personal trainer services [fitness training]; photographic reporting; photography; physical education; practical training [demonstration]; presentation of circus performances; presentation of variety shows; presentation of live performances; publication of texts, other than publicity texts; publication of books; radio entertainment; rental of radio and television sets; production of radio and television programmes; recording studio services; providing recreation facilities; recreation information; religious education; services of schools [education]; screenplay writing; scriptwriting, other than for advertising purposes; arranging and conducting of seminars; rental of show scenery; production of shows; sign language interpretation; rental of skin diving equipment; songwriting; rental of sound recordings; sport camp services; providing sports facilities; rental of sports equipment, except vehicles; rental of sports grounds; rental of stadium facilities; rental of stage scenery; subtitling; arranging and conducting of symposiums; educational services; television entertainment; rental of tennis courts; theatre productions; ticket agency services [entertainment]; timing of sports events; toy rental; translation; tutoring; rental of video cassette recorders; rental of video cameras; videotape editing; rental of videotapes; videotaping; vocational guidance [education or training advice]; vocational retraining; arranging and conducting of workshops [training]; writing of texts; zoological garden services.

42 – Analysis for oil-field exploitation; architectural services; architectural consultancy; authenticating works of art; bacteriological research; biological research; calibration [measuring]; cartography services; chemical analysis; chemical research; chemistry services; clinical trials; cloud seeding; cloud computing; computer rental; computer programming; computer software design; rental of computer software; computer system analysis; computer system design; computer software consultancy; computer virus protection services; computer technology consultancy; computer security consultancy; construction drafting; consultancy in the design and development of computer hardware; consultancy in the field of energy-saving; conversion of data or documents from physical to electronic media; cosmetic research; creating and main-

taining web sites for others; data conversion of computer programs and data [not physical conversion]; design of interior decor; interior design; digitization of documents [scanning]; dress designing; duplication of computer programs; electronic data storage; energy auditing; engineering; geological surveys; geological prospecting; geological research; graphic arts design; handwriting analysis [graphology]; hosting computer sites [web sites]; industrial design; information technology [IT] consultancy; providing information on computer technology and programming via a web site; installation of computer software; land surveying; maintenance of computer software; mechanical research; meteorological information; monitoring of computer systems by remote access; off-site data backup; oil prospecting; oil-field surveys; oil-well testing; outsource service providers in the field of information technology; packaging design; research in field of physics; quality control; quality evaluation of standing timber; quality evaluation of wool; recovery of computer data; research and development of new products for others; research in the field of environmental protection; provision of scientific information, advice and consultancy in relation to carbon offsetting; scientific laboratory services; scientific research; providing search engines for the internet; server hosting; software as a service [SaaS]; styling [industrial design]; surveying; technical research; technical project studies; technical writing; technological consultancy; telecommunications technology consultancy; material testing; textile testing; underwater exploration, updating of computer software; urban planning; vehicle roadworthiness testing; water analysis; weather forecasting; rental of web servers; web site design consultancy.

(260) AM 2021 108177 A

(800) 1529461

(151) 2019 12 30

(891) 2019 12 30

(731) LYKSOR KİMYA A.Ş.

Halilbeyli OSB No:9/1, Kemalpaşa, İzmir,  
Turkey

(540)

**LYKSOR**  
I n n o v a t i o n | T r u s t

(591) Black, white, green

(531) 27.05.10; 29.01.12

(511)

1 – Chemicals used in industry, science, photography, agriculture, horticulture and forestry, additives for cement and concrete; fire extinguishing compositions; adhesives not for medical, household and stationery purposes, adhesives for faience and marble, silicones, mastic silicones, mastics.

(260) AM 2021 108178 A  
 (800) 1529521  
 (151) 2020 04 02  
 (891) 2020 04 02  
 (731) SOREMARTEC S.A.  
 16, Route de Trèves, L-2633 Senningerberg,  
 Luxembourg  
 (540)



(591) Black, red-orange, white, dark brown, light brown, light blue, green and beige  
 (531) 01.15.15; 05.07.06; 05.07.22; 05.11.01; 08.01.19; 08.03.01; 08.07.01; 11.03.02; 26.11.13; 27.05.09; 27.05.10; 29.01.15  
 (511)  
 30 – Pastry and confectionery, biscuits, filled wafers, coated wafers, chocolate and chocolate-based confectionery.

(260) AM 2021 108179 A  
 (800) 1529547  
 (151) 2020 03 18  
 (891) 2020 03 18  
 (731) Obshchestvo s ogranichennoy otvetstvennostyu "OKTAVA HOLDING"  
 Proezd Shokalskogo, d. 50, RU-127224  
 Moscow, Russian Federation  
 (540)



(591) Grey, blue, red and white  
 (531) 26.04.04; 26.04.09; 26.04.18; 26.04.24; 27.05.24; 29.01.14  
 (511)  
 3 – Bleaching preparations and other substances for laundry use; cleaning, polishing, scouring and abrasive preparations; soap; perfumery, essential oils, cosmetics, hair lotions; non-medicated dentifrices.  
 5 – Pharmaceutical preparations; medicines; dietetic substances adapted for medical use; mineral food supplements; nutritional supplements for medical purposes; dietary supplements.

(260) AM 2021 108180 A  
 (800) 1529554  
 (151) 2020 03 30  
 (891) 2020 03 30  
 (731) Apple Inc.  
 One Apple Park Way, Cupertino CA 95014,  
 USA  
 (540)

## REALITY CONVERTER

(591) Black, white  
 (511)  
 9 – Downloadable computer software used in developing other software applications; downloadable application development software; downloadable computer software used in editing, customizing, and producing three-dimensional effects.

(260) AM 2021 108181 A  
 (800) 1529556  
 (151) 2020 04 02  
 (891) 2020 04 02  
 (731) SOREMARTEC S.A.  
 16, Route de Trèves, L-2633 Senningerberg,  
 Luxembourg  
 (540)



(591) Black, red-orange, white, dark brown, light brown, light blue, green and beige  
 (531) 01.15.15; 05.07.06; 05.07.22; 05.11.01; 08.01.19; 08.03.01; 08.07.01; 11.03.02; 26.11.13; 27.05.01; 27.05.09; 27.05.10; 29.01.15  
 (511)  
 30 – Pastry and confectionery, biscuits, filled wafers, coated wafers, chocolate and chocolate-based confectionery.

(260) AM 2021 108182 A  
 (800) 1529568  
 (151) 2020 01 28  
 (891) 2020 01 28  
 (731) SALMAN TEKSTİL SANAYİ VE TİCARET LİMİTED ŞİRKETİ  
 İstoç Tic. Merk. 32., Yol Sok. 29. Ada  
 No:17-19, Bağcılar, İstanbul, Turkey

(540)



(591) Black, red, yellow, blue, green, white, orange and gray

(531) 24.17.21; 25.07.01; 26.04.18; 27.03.01; 27.05.02; 29.01.15

(511)

24 – Woven or non-woven textile fabrics; textile goods for household use, not included in other classes; curtains, bed covers, sheets (textile), pillowcases, blankets, quilts, towels; flags, pennants, labels of textile; swaddling blankets; sleeping bags for camping.

27 – Carpets, rugs, mats; prayer rugs; linoleum, artificial turf, linoleum for covering floors; gymnasium mats; wallpaper, wall hanging not of textile.

35 – Advertising, marketing and public relations; organization of exhibitions and trade fairs for commercial or advertising purposes; development of advertising concepts; provision of an online marketplace for buyers and sellers of goods and services; office functions; secretarial services; arranging newspaper subscriptions for others; compilation of statistics; rental of office machines; systemization of information into computer databases; telephone answering for unavailable subscribers; business management, business administration and business consultancy; accounting; commercial consultancy services; personnel recruitment, personnel placement, employment agencies, import-export agencies; temporary personnel placement services; auctioneering; the bringing together, for the benefit of others, of a variety of goods, namely, chemicals used in industry, science, photography, agriculture, horticulture and forestry, manures and soils, unprocessed artificial resins and unprocessed plastics, fire extinguishing compositions, adhesives not for medical, household and stationery purposes, paints, varnishes, lacquers, preservatives against rust, preservatives against deterioration of wood, thinners and binders for paints, pigments, preservatives for metals, shoe dyes, printing dyes and ink, toners (including filled loner cartridges), colorants for food, pharmaceuticals and beverages, raw natural resins, metals in foil and powder form for painters, decorators, printers and artists, bleaching and cleaning preparations, detergents other than for use in manufacturing operations and for medical purposes, laundry bleach, fabric softeners for laundry use, stain removers, dishwasher detergents, perfumery, non-medicated cosmetics, fragrances, deodorants for personal use and animals, soaps, dental care preparations: dentifrices, denture polishes, tooth whitening preparations, mouth washes, not for medical purposes, abrasive preparations, emery cloth, sandpaper, pumice stone, abrasive pastes, polishing preparations for leather, vinyl, metal and wo-

od, polishes and creams for leather, vinyl, metal and wood, wax for polishing, pharmaceutical and veterinary preparations for medical purposes, chemical preparations for medical and veterinary purposes, chemical reagents for pharmaceutical and veterinary purposes, medicated cosmetics, dietary supplements for pharmaceutical and veterinary purposes, dietary supplements, nutritional supplements, medical preparations for slimming purposes, food for babies, herbs and herbal beverages adapted for medicinal purposes, dental preparations and articles: teeth filling material, dental impression material, dental adhesives and material for repairing teeth, sanitary preparations for medical use, hygienic pads, hygienic tampons, plasters, materials for dressings, diapers made of paper and textiles for babies, adults and pets, preparations for destroying vermin, herbicides, fungicides, preparations for destroying rodents, deodorants, other than for human beings or for animals, air purifying preparations, air deodorising preparations, disinfectants, antiseptics, detergents for medical purposes, medicated soaps, disinfectant soaps, antibacterial hand lotions, ores of non-precious metal, common metals and their alloys and semi-finished products made of these materials, irons for construction, mats and stirrups of common metals for buildings, common metals in the form of plate, billet, stick, profile, sheet and sheeting, goods of common metal for filtering and sifting purposes, doors, windows, shutters, jalousies and their cases and fittings of metal, non-electric cables and wires of metal, ironmongery, small hardware of metal, screws of metal, nails, bolts of metal, nuts of metal, pegs of metal, flakes of metal, pitons of metal, metal chains, furniture casters of metal, fittings of metal for furniture, industrial metal wheels, door handles of metal, window handles of metal, hinges of metal, metal latches, metal locks, metal keys for locks, metal rings, metal pulleys, ventilation ducts, vents, vent covers, pipes, chimney caps, manhole covers, grilles of metal for ventilation, heating, sewage, telephone, underground electricity and air conditioning installations, metal panels or boards (non-luminous and non-mechanical) used for signalling, route showing, publicity purposes, signboards of metal, advertisement columns of metal, signaling panels of metal, non-luminous and non-mechanical traffic signs of metal, pipes of metal for transportation of liquids and gas, drilling pipes of metal and their metal fittings, valves of metal, couplings of metal for pipes, elbows of metal for pipes, clips of metal for pipes, connectors of metal for pipes, safes (strong boxes) of metal, metal railway materials, metal rails, metal railway ties, railway switches, bollards of metal, floating docks of metal, mooring buoys of metal, anchors, metal moulds for casting, other than machine parts, works of art made of common metals or their alloys, trophies of common metal, metal closures, bottle caps of metal, metal poles, metal pillars, scaffolding of metal, metal stakes, metal towers, metal pallets and metal ropes for lifting, loading



and transportation purposes, metal hangers, ties, straps, tapes and bands used for load-lifting and load-carrying, wheel chocks made primarily of metal, metal profile laths for vehicles for the purposes of decoration, machines, machine tools and industrial robots for processing and shaping wood, metals, glass, plastics and minerals, 3D printers, construction machines and robotic mechanisms (machines) for use in construction: bulldozers, diggers (machines), excavators, road construction and road paving machines, drilling machines, rock drilling machines, road sweeping machines, lifting, loading and transmission machines and robotic mechanisms (machines) for lifting, loading and transmission purposes: elevators, escalators and cranes, machines and robotic mechanisms (machines) for use in agriculture and animal breeding, machines and robotic mechanisms (machines) for processing cereals, fruits, vegetables and food, machines for preparing and processing beverages, engines and motors, other than for land vehicles, parts and fittings therefor: hydraulic and pneumatic controls for engines and motors, brakes other than for vehicles, brake linings for engines, crankshafts, gearboxes, other than for land vehicles, gearboxes, cylinders for engines, pistons for engines, turbines, not for land vehicles, filters for engines and motors, oil, air and fuel fillers for land vehicle engines, exhausts for land vehicle engines, exhaust manifolds for land vehicle engines, engine cylinders for land vehicles, engine cylinder heads for land vehicles, pistons for land vehicle engines, carburetors for land vehicles, fuel conversion apparatus for land vehicle engines, injectors for land vehicle engines, fuel economisers for land vehicle engines, pumps for land vehicle engines, valves for land vehicle engines, starter motors for land vehicles, dynamos for land vehicle engines, sparking plugs for land vehicle engines, bearings (parts of machines), roller or ball bearings, machines for mounting and detaching tires, alternators, current generators, electric generators, current generators operated with solar energy, painting machines, automatic spray guns for paint, electric, hydraulic and pneumatic punching machines and guns, electric adhesive tape dispensers (machines), electric guns for compressed gas or liquid spraying machines, electric hand drills, electric hand saws, electric jigsaw machines, spiral machines, compressed air machines, compressors (machines), vehicle washing installations, robotic mechanisms (machines) with the abovementioned functions, electric and gas-operated welding apparatus, electric arc welding apparatus, electric soldering apparatus, electric arc cutting apparatus, electrodes for welding machines, industrial robots (machines) with the abovementioned functions, printing machines, packaging machines, filling, plugging and sealing machines, labellers (machines), sorting machines, industrial robots (machines) with the abovementioned functions, electric packing machines for plugging and sealing of plastics, machines for textile processing, sewing machines, industrial robots

(machines) with the abovementioned functions, pumps other than parts of machines or engines, fuel dispensing pumps for service stations, self-regulating fuel pumps, electric kitchen machines for chopping, grinding, crushing, mixing and mincing foodstuff, washing machines, laundry washing machines, dishwashers, spin driers (not heated), electric cleaning machines for cleaning floors, carpets or floorings, vacuum cleaners and parts thereof, automatic vending machines, galvanizing and electroplating machines, electric door openers and closers, gaskets for engines and motors, forks, spoons, knives and non-electric cutters, slicers, peelers for kitchen use, including those made of precious metals, side arms and blades (weapons), tools and apparatus for personal beauty care use: tools and apparatus for shaving, epilation, manicure and pedicure, electric hand implements for straightening and curling hair, scissors, hand-operated [non-electric] hand tools for the repair of machines, apparatus and vehicles and for use in construction, agriculture, horticulture and forestry, none of them being power tools, electric or non-electric irons, steam irons, handles for hand-operated hand tools, measurement apparatus and equipment including those for scientific, nautical, topographic, meteorologic, industrial and laboratory purposes, thermometers, not for medical purposes, barometers, ammeters, voltmeters, hygrometers, testing apparatus not for medical purposes, telescopes, periscopes, directional compasses, speed indicators, laboratory apparatus, microscopes, magnifying glasses, stills, binoculars, ovens and furnaces for laboratory experiments, apparatus for recording, transmission or reproduction of sound or images, cameras, photographic cameras, television apparatus, video recorders, CD and DVD players and recorders, MP3 players, computers, desktop computers, tablet computers, wearable technological devices (smart watches, wristbands, head-mounted devices) microphones, loudspeakers, earphones, telecommunications apparatus, apparatus for the reproduction of sound or images, computer peripheral devices, cell phones, covers for cell phones, telephone apparatus, computer printers, scanners [data processing equipment], photocopiers, magnetic and optic data carriers and computer software and programmes recorded thereto, downloadable and recordable electronic publications, encoded magnetic and optic cards, movies, tv series and video music clips recorded on magnetic, optical and electronic media, antennas, satellite antennas, amplifiers for antennas, parts of the aforementioned goods, ticket dispensers, automatic teller machines (ATM), electronic components used in the electronic parts of machines and apparatus, semi-conductors, electronic circuits, integrated circuits, chips [integrated circuits], diodes, transistors [electronic], magnetic heads for electronic apparatus, electronic locks, photocells, remote control apparatus for opening and closing doors, optical sensors, counters and quantity indicators for measuring the quantity of consumption,

automatic time switches, clothing for protection against accidents, irradiation and fire, safety vests and life-saving apparatus and equipment, eyeglasses, sunglasses, optical lenses and cases, containers, parts and components thereof, apparatus and instruments for conducting, transforming, accumulating or controlling electricity, electric plugs, junction boxes [electricity], electric switches, circuit breakers, fuses, lighting ballasts, battery starter cables, electrical circuit boards, electric resistances, electric sockets, transformers [electricity], electrical adapters, battery chargers, electric door bells, electric and electronic cables, batteries, electric accumulators, solar panels for production of electricity, alarms and anti-theft alarms, other than for vehicles, electric bells, signalling apparatus and instruments, luminous or mechanical signs for traffic use, fire extinguishing apparatus, fire engines, fire hose and fire hose nozzles, radar apparatus, sonars, night vision apparatus and instruments, decorative magnets, metronomes, surgical, medical, dental and veterinary apparatus and instruments, furniture especially made for medical purposes, artificial limbs and prostheses, medical orthopaedic articles: corsets for medical purposes, orthopaedic shoes, elastic bandages and supportive bandages, surgical gowns and surgical sterile sheets, adult sexual aids, condoms, babies' bottles, babies' pacifiers, teats, teethers for babies, bracelets and rings for medical purposes, anti-rheumatism bracelets, anti-rheumatism rings, lighting installations, lights for vehicles and interior-exterior spaces, heating installations using solid, liquid or gas fuels or electricity, central heating boilers, boilers for heating installations, radiators [heating], heat exchangers, not pails of machines, stoves, kitchen stoves, solar thermal collectors [heating], steam, gas and fog generators, steam boilers, other than parts of machines, acetylene generators, oxygen generators, nitrogen generators, installations for air-conditioning and ventilating, cooling installations and freezers, electric and gas-powered devices, installations and apparatus for cooking, drying and boiling: cookers, electric cooking pots, electric water heaters, barbecues, electric laundry driers, hair driers, hand drying apparatus, sanitary installations, taps [faucets], shower installations, toilets [water-closets], shower and bathing cubicles, bath tubs, toilet seats, sinks, wash-hand basins [parts of sanitary installations], washers for water taps, stuffings (tap valves), water softening apparatus, water purification apparatus, water purification installations, waste water purification installations, electric bed warmers and electric blankets, not for medical use, electric pillow warmers, electric or non-electric foot-warmers, hot water bottles, electrically heated socks, filters for aquariums and aquarium filtration apparatus, industrial type installations for cooking, drying and cooling purposes, pasteurizers and sterilizers, motor land vehicles, motorcycles, mopeds, engines and motors for land vehicles, clutches for land vehicles, transmissions, transmission belts and transmission

chains for land vehicles, gearing for land vehicles, brakes, brake discs and brake linings for land vehicles, vehicle chassis, automobile bonnets, vehicle suspension springs, shock absorbers for automobiles, gearboxes for land vehicles, steering wheels for vehicles, rims for vehicle wheels, bicycles and their bodies, handlebars and mudguards for bicycles, vehicle bodies, tipping bodies for trucks, trailers for tractors, frigorific bodies for land vehicles, trailer hitches for vehicles, vehicle seals, head-rests for vehicle seats, safety seats for children, for vehicles, seat covers for vehicles, vehicle covers (shaped), sun-blinds adapted for vehicles, direction signals and arms for direction signals for vehicles, windscreen wipers and wiper arms for vehicles, inner and outer tires for vehicle wheels, tubeless tires, tire-fixing sets comprised of tire patches and tire valves for vehicles, windows for vehicles, safety windows for vehicles, rearview mirrors and wing mirrors for vehicles, anti-skid chains for vehicles, luggage carriers for vehicles, bicycle and ski carriers for cars, saddles for bicycles or motorcycles, air pumps for vehicles, for inflating tires, anti-theft alarms for vehicles, horns for vehicles, safety belts for vehicle seats, air bags (safety devices for automobiles), baby carriages, wheelchairs, pushchairs, wheelbarrows, shopping carts, single or multi-wheeled wheelbarrows, shopping trolleys, grocery carts, handling carts, rail vehicles: locomotives, trains, trams, waggons, cable cars, chairlifts, vehicles for locomotion by water and their parts, other than their motors and engines, vehicles for locomotion by air and their parts, other than their motors and engines, firearms, air pistols (weapons), spring-loaded firearms, adapted cases and shoulder straps therefor, heavy weapons, mortars and rockets, fireworks, sprays for personal defence purposes, jewellery, imitation jewellery, gold, precious stones and jewellery made thereof, cufflinks, tie pins, statuettes and figurines of precious metal, clocks, watches and chronometrical instruments, chronometers and their parts, watch straps, trophies made of precious metal, rosaries, musical instruments and cases for musical instruments, paper and cardboard, paper and cardboard for packaging and wrapping purposes, cardboard boxes, paper towels, toilet paper, paper napkins, plastic materials for packaging and wrapping purposes, printing blocks and types, bookbinding material, printed publications, printed matter, books, magazines, newspapers, bill books, printed dispatch notes, printed vouchers, calendars, posters, photographs [printed], paintings, slicers [stationery], postage stamps, stationery, office stationery, instructional and teaching material [except furniture and apparatus], writing and drawing implements, artists' materials, paper products for stationery purposes, adhesives for stationery purposes, pens, pencils, erasers, adhesive tapes for stationery purposes, cardboard cartons [artists' materials], writing paper, copying paper, paper rolls for cash registers, drawing materials, chalkboards, painting pencils, watercolors

[paintings], office requisites, paint rollers and paint-brushes for painting, rubber, gutta-percha, gum, asbestos, mica and semi-finished synthetic goods made from these materials in the form of powder, bars, panels and foils, insulation, stopping and sealing materials; insulation paints, insulation fabrics, insulating tape and band, insulation covers for industrial machinery, joint sealant compounds for joints, gaskets, O-rings for sealing purposes (other than gaskets for motors, cylinders and washer for water taps), flexible pipes made from rubber and plastic, hoses made of plastic and rubber, including those used for vehicles, junctions for pipes of plastic and rubber, pipe jackets of plastic and rubber, hoses of textile material, junctions for pipes, not of metal, pipe jackets, not of metal, connecting hose for vehicle radiators, profile laths made of synthetic materials for vehicles for the purposes of decoration, unworked or semi-worked leather and animal skins, imitations of leather, stout leather, leather used for linings, goods made of leather, imitations of leather or other materials, designed for carrying items, bags, wallets, boxes and trunks made of leather or stout leather, keycases, trunks [luggage], suitcases, umbrellas, parasols, sun umbrellas, walking sticks, whips, harness, saddlery, stirrups, straps of leather (saddlery), sand, gravel, crushed stone, asphalt, bitumen, cement, gypsum, plaster, concrete, marble blocks for construction, traffic signs not of metal, non-luminous and non-mechanical, for roads, monuments and statuettes of stone, concrete and marble, building glass, prefabricated swimming pools not of metal (structures), aquarium sand, furniture, made of any kind of material, mattresses, pillows, air mattresses and cushions, not for medical purposes, water beds, mirrors, beehives, artificial honeycombs and sections of wood for honeycombs, bouncing chairs for babies, playpens for babies, cradles, infant walkers, display boards, frames for pictures and paintings, identification plates, identification tags, nameplates, identification labels made of wood or synthetic materials, packaging containers of wood or plastics, casks for use in transportation or storage, barrels, storage drums, tanks, boxes, storage containers, transportation containers, chests, loading pallets and closures for the aforementioned goods, of wood or plastics, small hardware goods of wood or synthetic materials, furniture fittings, of wood or synthetic materials, opening and closing mechanisms of wood or synthetic materials, ornaments and decorative goods of wood, cork, reed, cane, wicker, horn, bone, ivory, whalebone, shell, amber, mother-of-pearl, meerschaum, beeswax, plastic or plaster namely figurines, holiday ornaments for walls, sculptures, trophies, baskets, fishing baskets, kennels, nesting boxes and beds for household pets, portable ladders and mobile boarding stairs of wood or synthetic materials, bamboo curtains, roller indoor blinds [for interiors], slatted indoor blinds, strip curtains, bead curtains for decoration, curtain hooks, curtain rings, curtain tie-backs, curtain rods,

non-metal wheel chocks, hand-operated non-electric cleaning instruments and appliances, brushes, other than paintbrushes, steel chips for cleaning, sponges for cleaning, steel wool for cleaning, cloths of textile for cleaning, gloves for dishwashing, non-electric polishing machines for household purposes, brooms for carpets, mops, toothbrushes, electric toothbrushes, dental floss, shaving brushes, hair brushes, combs, non-electric household or kitchen utensils, [other than forks, knives, spoons], services [dishes], pots and pans, bottle openers, flower pots, drinking straws, non-electric cooking utensils, ironing boards and shaped covers therefor, drying racks for washing, clothes drying hangers, cages for household pets, indoor aquariums, vivariums and indoor terrariums for animals and plant cultivation, ornaments and decorative goods of glass, porcelain, earthenware or clay namely statues, figurines, vases and trophies, mouse traps, insect traps, electric devices for attracting and killing flies and insects, fly catchers, fly swatters, perfume burners, perfume sprayers, perfume vaporizers, electric or non-electric make-up removing appliances, powder puffs, toilet cases, nozzles for sprinkler hose, nozzles for watering cans, watering devices, garden watering cans, unworked or semi-worked glass, except building glass, mosaics of glass and powdered glass for decoration, except for building, glass wool other than for insulation or textile use, ropes, strings, rope ladders, hammocks, fishing nets, tents, awnings, tarpaulins, sails, vehicle covers, not fitted, bags of textile, for packaging, padding and stuffing materials, except of rubber and plastics, including those of wool and cotton, textile fibers, raw spun fiber, glass fibers for textile use, yarns and threads for textile use, threads and yarns for sewing, embroidery and knitting, thread, elastic yarns and threads for textile use, woven or non-woven textile fabrics, textile goods for household use, curtains, bed covers, sheets (textile), pillowcases, blankets, quilts, towels, flags, pennants, labels of textile, swaddling blankets, sleeping bags for camping, clothing, including underwear and outerwear, other than special purpose protective clothing, socks, mufflers [clothing], shawls, bandanas, scarves, belts [clothing], footwear, shoes, slippers, sandals, headgear, hats, caps with visors, berets, caps [headwear], skull caps, laces and embroidery, guipures, festoons, ribbons (haberdashery), ribbons and braid, fastening tapes for clothing, cords for clothing, letters and numerals for marking linen, embroidered emblems, badges for wear, not of precious metal, shoulder pads for clothing, buttons for clothing, fasteners for clothing, eyelets for clothing, zippers, buckles for shoes and belts, fasteners, shoe and belt buckles, pins, other than jewellery, adhesive patches for decoration of textile articles, laces, needles, sewing needles, needles for sewing machines, needles for knitting and embroidery, boxes for needles, needle cushions, artificial flowers, artificial fruits, hair pins, hair buckles, hair bands, decorative articles for the hair, not made of precious

metal, wigs, hair extensions, electric or non-electric hair curlers, other than hand implements, carpets, rugs, mats, prayer rugs, linoleum, artificial turf, linoleum for covering floors, gymnasium mats, wallpaper, wall hangings not of textile, games and toys, arcade video game machines, game apparatus and machines for use with an external display screen and monitor, including those coin-operated, toys for animals, toys for outdoor playgrounds, parks and game parks, gymnastic and sporting articles, fishing tackle, artificial fishing bait, decoys for hunting and fishing, Christmas trees of artificial material, ornaments for Christmas trees, artificial snow for Christmas trees, rattles (playthings), novelties for parties, dances (party favors), paper party hats, meat, fish, poultry and game, processed meat products, dried pulses, soups, bouillon, processed olives, olive paste, milks of animal origin, milks of herbal origin, milk products, butter, edible oils, dried, preserved, frozen, cooked, smoked or salted fruits and vegetables, tomato paste, prepared nuts and dried fruits as snacks, hazelnut spreads and peanut butter, tahini (sesame seed paste), eggs and powdered eggs, potato chips, coffee, cocoa, coffee or cocoa based beverages, chocolate based beverages, pasta, stuffed dumplings, noodles, pastries and bakery products based on flour, desserts based on flour and chocolate, bread, simit [Turkish ring-shaped bagel covered with sesame seeds], poğaç [Turkish bagel], pita, sandwiches, katmer [Turkish pastry], pies, cakes, baklava [Turkish dessert based on dough coated with syrup], kadayıf [Turkish dessert based on dough], desserts based on dough coated with syrup, puddings, custard, kazandibi [Turkish pudding], rice pudding, keşkül [Turkish pudding], honey, bee glue for human consumption, propolis for food purposes, condiments for foodstuff, vanilla (flavoring), spices, sauces (condiments), tomato sauce, yeast, baking powder, flour, semolina, starch for food, sugar, cube sugar, powdered sugar, tea, ice tea, confectionery, chocolate, biscuits, crackers, wafers, chewing gums, ice-cream, edible ices, salt, cereal-based snack food, popcorn, crushed oats, corn chips, breakfast cereals, processed wheat for human consumption, crushed barley for human consumption, processed oats for human consumption, processed rye for human consumption, rice, molasses for food, agricultural and horticultural products, seeds, forestry products, live animals, fertilized eggs for hatching, plants, dried plants for decoration, fresh garden herbs, dried garden herbs for decoration, animal foodstuffs, malt not for human consumption, underlays for pets, cat litters, beers, preparations for making beer, mineral water, spring water, table water, soda water, fruit and vegetable juices, fruit and vegetable concentrates and extracts for making beverages, non-alcoholic soft drinks, energy drinks, protein-enriched sports beverages, alcoholic beverages (except beers), wines, raki [traditional Turkish alcoholic drink], whiskey, liqueurs, alcoholic cocktails, tobacco, chewing tobacco, cigarettes, cigars, smokers' articles including

those made of precious metals: pipes, mouthpieces for cigars and cigarettes, ashtrays, tobacco boxes, pocket apparatus for rolling cigarettes, cigarette paper, tobacco pipes, firestones, lighters for smokers, electronic cigarettes and their cartridges, matches, enabling customers to conveniently view and purchase those goods, such services may be provided by retail stores, wholesale outlets, by means of electronic media or through mail order catalogues.

(260) AM 2021 108183 A  
 (800) 1529586  
 (151) 2020 01 17  
 (891) 2020 01 17  
 (731) VIENNA INSURANCE GROUP AG, Wiener  
 Versicherung Gruppe  
 Schottenring 30, A-1010 Wien, Austria  
 (540)

**SIGMA**   
**INTERALBANIAN**  
 VIENNA INSURANCE GROUP

(591) White, red and black  
 (531) 26.03.03; 26.11.08; 27.05.10; 29.01.12  
 (511)  
 36 – Insurance; financial affairs; monetary affairs; real estate affairs.

(260) AM 2021 108184 A  
 (800) 1529593  
 (151) 2020 02 21  
 (891) 2020 02 21  
 (731) "Truffle bee", LLC  
 Proletarskaya street, 40A, 111, Zvenigorog city,  
 RU-143180 Moscow region, Russian  
 Federation  
 (540)



**TRUFFLE BEE**  
 Estd. 2019

(591) Black, white  
 (531) 03.13.04; 03.13.24; 14.09.01; 27.01.12;  
 27.05.10; 27.07.01  
 (526) Noble home textile", "estd. 2019  
 (511)  
 23 – Embroidery thread and yarn; jute thread and  
 yarn; coir thread and yarn; rayon thread and yarn;  
 threads of plastic materials for textile use; fiberglass  
 thread for textile use; linen thread and yarn; hemp

thread and yarn; rubber thread for textile use; spun thread and yarn; thread of metal for embroidery; cotton thread and yarn; sewing thread and yarn; silk thread and yarn; woollen thread and yarn; darning thread and yarn; elastic thread and yarn for textile use; spun cotton; spun silk; spun wool; chenille yarn.

24 – Velvet; household linen; diapered linen; bath linen, except clothing; bed linen; table linen, not of paper; buckram; fustian; felt; table runners, not of paper; drugget; shower curtains of textile or plastic; net curtains; canvas for tapestry or embroidery; bolting cloth; baby buntings; furniture coverings of textile; fabrics for textile use; wall hangings of textile; non-woven textile fabrics; textile material; sleeping bags for babies; pillowcases; bed blankets; diaper changing cloths for babies; handkerchiefs of textile; picnic blankets; travelling rugs [lap robes]; coasters of textile; bed valances; curtain holders of textile material; bed covers; towels of textile; cloth; door curtains; sheets [textile]; eiderdowns [down coverlets]; glass cloths [towels]; cloths for removing make-up; face towels of textile; place mats of textile; table napkins of textile; tablecloths, not of paper; fabric; lingerie fabric; trellis [cloth]; covers for cushions; fitted toilet lid covers of fabric; covers [loose] for furniture; pillow shams.

25 – Clothing, footwear, headwear.

26 – Haberdashery bows; fringes; haberdashery [dressmakers' articles]\*, except thread; heat adhesive patches for decoration of textile articles [haberdashery]; edgings for clothing; braids; gold embroidery; silver embroidery; tassels [haberdashery]; ribbons for the hair; skirt flounces; frills for clothing; cords for trimming; festoons [embroidery].

35 – Demonstration of goods; organization of exhibitions for commercial or advertising purposes; organization of trade fairs for commercial or advertising purposes; presentation of goods on communication media, for retail purposes; distribution of samples; dissemination of advertising matter; direct mail advertising; advertising; procurement services for others [purchasing goods and services for other businesses].

(260) AM 2021 108185 A

(800) 1529615

(151) 2019 12 17

(891) 2019 12 17

(731) B.R.A.H.M.S GmbH

Neuendorfstr. 25, 16761 Hennigsdorf, Germany

(540)

## **B.R.A.H.M.S Fast Screen**

(591) Black, white

(511)

9 – Computer programs and software, including those for the evaluation and processing of medical, analytical and diagnostic data; data processing equipment,

including those with integrated software; computers, including those with integrated software; apparatus, instruments and devices for scientific research and laboratories, including those with integrated software; measuring, detecting and monitoring instruments, devices and regulators, including those with integrated software; instruments, apparatus, devices and computers for performing diagnostic integrated software; parts and accessories for all the aforesaid goods, included in this class.

10 – Medical apparatus and instruments; instruments, apparatus and devices for conducting diagnostic examinations in the medical field; medical analysis apparatus and devices; medical measuring and regulating apparatus and devices; parts and accessories for all the aforesaid goods, included in this class.

(260) AM 2021 108190 A

(800) 497318

(151) 1985 11 07

(891) 2020 03 20

(731) Ludovico Martelli S.p.A.

Via Faentina 169/12, I-50014 Fiesole,

Firenze, Italy

(540)

## **PRORASO**

(591) Black, white

(531) 27.05.01; 27.05.17

(511)

3 – Perfumery and toiletries in general, particularly shaving preparations in liquid, ointment or solid form, after-shave products, skin creams, powders, cosmetics, scented waters, soaps, toilet soaps, facial lotions, brilliantine, eau-de-Cologne, lavender water.

(260) AM 2021 108233 A

(800) 1529771

(151) 2020 04 03

(891) 2020 04 03

(731) UAB "VALENTIS"

Molėtų pl. 11, Vilnius, Lithuania

(540)

## **LOTAMILE**

(591) Black, white

(511)

5 – Pharmaceuticals; medicines for human purposes.

(260) AM 2021 108234 A

(800) 1529789

(151) 2020 04 02

(891) 2020 04 02

(731) CELEBRITY INK IP HOLDINGS PTY LTD

SP066, 2 CAVILL AVENUE, SURFERS

PARADISE QLD 4217, Australia

(540)

**Celebrity Ink**

(591) Black, white

(511)

44 – Tattoo parlour services; tattooing.

(260) AM 2021 108235 A

(800) 1529822

(151) 2019 11 28

(891) 2019 11 28

(731) Oriflame Cosmetics AG

c/o Oriflame Global Management AG,  
Bleicheplatz 3, CH-8200 Schaffhausen,  
Switzerland

(540)

**ORIFLAME LOST IN  
YOU**

(591) Black, white

(511)

3 – Non-medicated conditioning and care preparations for application to the hair, scalp, skin and nails; shampoos; hair conditioner; soaps; perfumes; perfumery; eau de cologne; toilet waters; essential and herbal oils; cosmetics; make-up; make-up preparations; lipsticks; nail varnishes; nail varnish removers; eyeliner; mascara; non-medicated toilet preparations; hair lotions; hair sprays and hair gels; preparations for use in the bath or shower; bath and shower oils, gels, creams and foams; face and body masks; face and body scrubs; facial washes; skin cleansers and hydrators; skin toners; skin moisturizers; blemish creams and blemish gels; deodorants; antiperspirants; shaving soaps; shaving creams; shaving gels; after-shave preparations; pre-shave preparations; talcum powders; toiletries; dentifrices; toothpastes; foot care preparations (non-medicated).

(260) AM 2021 108236 A

(800) 1529827

(151) 2020 02 10

(891) 2020 02 10

(731) August Storck KG

Waldstraße 27, 13403 Berlin, Germany

(540)



(591) Light green, dark green, orange, pink, brown, white, blue, red, black, yellow, grey

(531) 01.15.21; 04.05.05; 05.01.12; 05.07.24;  
11.03.06; 16.03.13; 19.07.01; 27.05.02;  
27.05.19; 27.05.24; 28.05; 29.01.15

(511)

30 – Confectionery; chocolate; chocolate products; pastries; ice-cream; preparations for making the aforementioned goods included in this class.

(260) AM 2021 108237 A

(800) 1529836

(151) 2020 01 31

(891) 2020 01 31

(731) YANDEX LLC

Leo Tolstoy Str., 16, RU-119021 Moscow,  
Russian Federation

(540)

**Yandex Go**

(591) Red and black

(531) 27.05.10; 29.01.12

(511)

9 – 3D spectacles; dvd players; ticket dispensers; juke boxes, musical; answering machines; electrical adapters; batteries for electronic cigarettes; accumulators, electric; accumulators, electric, for vehicles; accelerometers; actinometers; alidades; altimeters; ear pads for headphones; ammeters; nanoparticle size analyzers; anemometers; anodes; antennas; anticathodes; apertometers [optics]; high-frequency apparatus; testing apparatus not for medical purposes; remote control apparatus; electro-dynamic apparatus for the remote control of railway points; electro-dynamic apparatus for the remote control of signals; monitoring apparatus, other than for medical purposes; sound recording apparatus; global Positioning System [GPS] apparatus; distillation apparatus for scientific purposes; diffracton apparatus [microscopy]; air analysis apparatus; apparatus to check franking; sound transmitting apparatus; apparatus for fermentation [laboratory apparatus]; breathing apparatus for underwater swimming; breathing apparatus, except for artificial respiration; apparatus and installations for the production of X-rays, not for medical purposes; cash registers; electric apparatus for commutation; magnetic resonance imaging [MRI] apparatus, not for medical purposes; intercommunication apparatus; stills for laboratory experiments; projection apparatus; fire extinguishing apparatus; radiological apparatus for industrial purposes; roentgen apparatus not for medical purposes; blueprint apparatus; blinkers [signalling lights]; stereoscopic apparatus; telephone apparatus; facsimile machines; phototelegraphy apparatus; igniting apparatus, electric, for igniting at a distance; acid hydrometers; salinometers; acidimeters for batteries; aerometers; beacons, luminous; battery jars; automated teller machines [ATM]; barometers; anode batteries; galvanic batteries; batteries for lighting; solar batteries; solar panels for the production of electricity; batteries, elec-

tric; balances [steelyards]; betatrons; binoculars; bioc-hips; electronic tags for goods; lens hoods; magnetic tape units for computers; computer memories; fire hose nozzles; encoded identification bracelets, magnetic; connected bracelets [measuring instruments]; safety tarpaulins; electronic key fobs being remote control apparatus; bullet-proof clothing; signalling buoys; life buoys; marking buoys; directional compasses; vacuum gauges; electrolyzers; variometers; verniers; scales; baby scales; bathroom scales; letter scales; weighbridges; precision balances; scales with body mass analysers; levelling staffs [surveying instruments]; camcorders; video baby monitors; video cassettes; video telephones; video screens; viewfinders, photographic; electric plugs; micrometer screws for optical instruments; viscosimeters; circuit closers; wavemeters; voltmeters; mechanical signs; signs, luminous; switchboxes [electricity]; current rectifiers; gas testing instruments; gasometers [measuring instruments]; galvanometers; hands-free kits for telephones; heliographic apparatus; hygrometers; hydrometers; weights; peepholes [magnifying lenses] for doors; hairdressing training heads [teaching apparatus]; holograms; plotters; loudspeakers; sounding leads; plumb bobs; range finders; piezoelectric sensors; densimeters; densitometers; detectors; smoke detectors; infrared detectors; counterfeit [false] coin detectors; joysticks for use with computers, other than for video games; slides [photography]; slide projectors; diaphragms [photography]; dictating machines; dynamometers; light-emitting diodes [LED]; quantum dot light-emitting diodes [QLED]; organic light-emitting diodes [OLED]; floppy disks; phonograph records; disks, magnetic; optical discs; disk drives for computers; juke boxes for computers; wearable video display monitors; electronic numeric displays; dna chips; electronic interactive whiteboards; electronic notice boards; electric wire harnesses for automobiles; bullet-proof waistcoats; life jackets; reflective safety vests; identification threads for electric wires; nose clips for divers and swimmers; locks, electric; bells [warning devices]; alarm bells, electric; electric door bells; signal bells; audio interfaces; acoustic conduits; mirrors for inspecting work; road signs, luminous or mechanical; downloadable emoticons for mobile phones; marine depth finders; probes for scientific purposes; buzzers; needles for surveying compasses; needles for record players; eyewear; reflective articles for wear, for the prevention of accidents; gauges; pressure measuring apparatus; simulators for the steering and control of vehicles; inverters [electricity]; pressure indicators; automatic indicators of low pressure in vehicle tires; temperature indicators; incubators for bacteria culture; measuring instruments; cosmographic instruments; mathematical instruments; levelling instruments; instruments containing eyepieces; surveying instruments; azimuth instruments; interfaces for computers; ionization apparatus not for the treatment of air or water; satellite finder meters; spark-guards; coaxial cables;

fiber optic cables; cables, electric; calipers; slide calipers; screw-tapping gauges; calorimeters; calculating machines; pocket calculators; decompression chambers; rearview cameras for vehicles; cinematographic cameras; thermal imaging cameras; mouth guards for sports; life-saving capsules for natural disasters; electronic pens [visual display units]; holders for electric coils; identity cards, magnetic; video game cartridges; toner cartridges, unfilled, for printers and photocopiers; ink cartridges, unfilled, for printers and photocopiers; memory cards for video game machines; encoded magnetic cards; riding helmets; protective helmets; carriers for dark plates [photography]; cathodes; spools [photography]; choking coils [impedance]; coils, electric; electromagnetic coils; cinematographic film, exposed; computer keyboards; solenoid valves [electromagnetic switches]; wire connectors [electricity]; thin client computers; encoded key cards; electronic book readers; electronic agendas; push buttons for bells; mouse pads; magnetic encoders; visors for helmets; collectors, electric; calibrating rings; smart rings; ring sizers; protective suits for aviators; commutators; compact discs [audio-video]; compact discs [read-only memory]; comparators; marine compasses; computers; laptop computers; tablet computers; notebook computers; wearable computers; capacitors; contacts, electric; wind socks for indicating wind direction; traffic cones; branch boxes [electricity]; distribution boxes [electricity]; junction boxes [electricity]; connectors [electricity]; accumulator boxes; cabinets for loudspeakers; diving suits; galena crystals [detectors]; circular slide rules; covers for electric outlets; logs [measuring instruments]; lasers, not for medical purposes; lactodensimeters; lactometers; vacuum tubes [radio]; darkroom lamps [photography]; thermionic tubes; amplifying tubes; flashlights [photography]; head cleaning tapes [recording]; magnetic tapes; videotapes; surveying chains; fire escapes; rulers [measuring instruments]; square rulers for measuring; slide-rules; contact lenses; correcting lenses [optics]; close-up lenses; optical lenses; optical condensers; sounding lines; electricity conduits; measuring spoons; magnifying glasses [optics]; thread counters; magnets; decorative magnets; crash test dummies; resuscitation mannequins [teaching apparatus]; mouse [computer peripheral]; trackballs [computer peripherals]; manometers; security tokens [encryption devices]; divers' masks; solderers' helmets; protective masks; respiratory masks, other than for artificial respiration; materials for electricity mains [wires, cables]; voting machines; money counting and sorting machines; material testing instruments and machines; furniture especially made for laboratories; megaphones; portable media players; diaphragms [acoustics]; diaphragms for scientific apparatus; metal detectors for industrial or military purposes; digital weather stations; metronomes; rules [measuring instruments]; carpenters' rules; dressmakers' measures; mechanisms for coin-operated apparatus; mechanisms for counter-operated

apparatus; coin-operated mechanisms for television sets; shutter releases [photography]; micrometer gauges; microprocessors; microscopes; microtomes; microphones; audio mixers; modems; lightning arresters; monitors [computer hardware]; monitors [computer programs]; selfie sticks [hand-held monopods]; terminals [electricity]; junction sleeves for electric cables; teeth protectors; temperature indicator labels, not for medical purposes; knee-pads for workers; headphones; surveyors' levels; sound recording carriers; magnetic data media; optical data media; electronic sheet music, downloadable; computer software, recorded; sheaths for electric cables; identification sheaths for electric wires; weighing machines; computer hardware; punched card machines for offices; life saving apparatus and equipment; shoes for protection against accidents, irradiation and fire; objectives [lenses] [optics]; lenses for astrophotography; selfie lenses; egg-candlers; fire extinguishers; rescue laser signalling flares; electrified fences; limiters [electricity]; clothing for protection against accidents, irradiation and fire; clothing for protection against fire; asbestos clothing for protection against fire; clothing especially made for laboratories; survival blankets; ozonisers [ozonators]; octants; eyepieces; ohmmeters; wrist rests for use with computers; spectacle frames; oscillographs; plumb lines; mirrors [optics]; spectacles [optics]; sunglasses; goggles for sports; electronic collars to train animals; finger sizers; signalling panels, luminous or mechanical; wah-wah pedals; radio pagers; eyeglasses; electronic pocket translators; transmitters [telecommunication]; telephone transmitters; transmitters of electronic signals; switches, electric; periscopes; data gloves; gloves for divers; gloves for protection against accidents; gloves for protection against X-rays for industrial purposes; asbestos gloves for protection against accidents; furnaces for laboratory experiments; droppers for measuring, other than for medical or household purposes; laboratory pipettes; pyrometers; planimeters; plane tables [surveying instruments]; plates for batteries; computer software platforms, recorded or downloadable; wafers for integrated circuits; printed circuit boards; compact disc players; cassette players; protective films adapted for computer screens; protective films adapted for smartphones; sound recording strips; roentgen films, exposed; films, exposed; life-saving rafts; laboratory trays; digital signs; stands adapted for laptops; semi-conductors; polarimeters; personal digital assistants [PDAs]; fire engines; measuring glassware; life belts; fuses; circuit breakers; converters, electric; telerupters; food analysis apparatus; diagnostic apparatus, not for medical purposes; distance recording apparatus; distance measuring apparatus; speed measuring apparatus [photography]; apparatus for measuring the thickness of skins; speed checking apparatus for vehicles; teaching apparatus; time recording apparatus; apparatus and instruments for astronomy; surveying apparatus and instruments; weighing apparatus and instruments;

nautical apparatus and instruments; optical apparatus and instruments; apparatus and instruments for physics; chemistry apparatus and instruments; measuring apparatus; measuring devices, electric; boiler control instruments; meteorological instruments; naval signalling apparatus; observation instruments; navigation apparatus for vehicles [on-board computers]; satellite navigational apparatus; regulating apparatus, electric; telecommunication apparatus in the form of jewelry; precision measuring apparatus; audio- and video-receivers; prisms [optics]; computer software applications, downloadable; printers for use with computers; hemline markers; retorts' stands; apparatus for changing record player needles; drainers for use in photography; cleaning apparatus for phonograph records; fire beaters; sighting telescopes for firearms; telescopic sights for artillery; test tubes; pressure indicator plugs for valves; magnetic wires; telegraph wires; telephone wires; wires, electric; conductors, electric; copper wire, insulated; fuse wire; computer operating programs, recorded; computer game software, downloadable; computer game software, recorded; computer programs, downloadable; computer screen saver software, recorded or downloadable; record players; central processing units [processors]; rods for water diviners; electronic publications, downloadable; distribution consoles [electricity]; control panels [electricity]; radar apparatus; baby monitors; masts for wireless aerials; transmitting sets [telecommunication]; radios; vehicle radios; sprinkler systems for fire protection; frames for photographic transparencies; screens for photoengraving; flowmeters; walkie-talkies; voltage surge protectors; voltage regulators for vehicles; stage lighting regulators; light dimmers [regulators], electric; speed regulators for record players; cell switches [electricity]; washing trays [photography]; marking gauges [joinery]; t-squares for measuring; time switches, automatic; relays, electric; safety restraints, other than for vehicle seats and sports equipment; x-ray photographs, other than for medical purposes; rheostats; respirators for filtering air; retorts; refractometers; refractors; grids for batteries; security surveillance robots; laboratory robots; teaching robots; telepresence robots; humanoid robots with artificial intelligence; electric sockets; height measuring instruments; speaking tubes; horns for loudspeakers; subwoofers; saccharometers; optical fibers [light conducting filaments]; traffic-light apparatus [signalling devices]; dog whistles; signalling whistles; sports whistles; sextants; inductors [electricity]; life nets; nets for protection against accidents; fire alarms; signals, luminous or mechanical; rescue flares, non-explosive and non-pyrotechnic; sirens; electronic access control systems for interlocking doors; scanners [data processing equipment]; hand-held electronic dictionaries; integrated circuit cards [smart cards]; smartglasses; smartphones; smartwatches; connections for electric lines; connections, electric; sonars; sound locating instruments; lighting ballasts; resistances, elec-



tric; spectrograph apparatus; spectrosopes; speed indicators; alcoholmeters; satellites for scientific purposes; protection devices for personal use against accidents; audiovisual teaching apparatus; charging stations for electric vehicles; radiotelegraphy sets; radiotelephony sets; spectacle lenses; anti-glare glasses; optical glass; personal stereos; stereoscopes; stands for photographic apparatus; stroboscopes; fire boats; sulphitometers; bags adapted for laptops; drying racks [photography]; spherometers; integrated circuits; printed circuits; counters; parking meters; kilometer recorders for vehicles; revolution counters; abacuses; egg timers [sandglasses]; taximeters; ear plugs for divers; tachometers; television apparatus; telegraphs [apparatus]; telescopes; teleprompters; teleprinters; mobile telephones; cordless telephones; cellular phones; theodolites; interactive touch screen terminals; thermohygrometers; thermometers, not for medical purposes; thermostats; thermostats for vehicles; climate control digital thermostats; crucibles [laboratory]; tone arms for record players; totalizers; transistors [electronic]; transponders; protractors [measuring instruments]; transformers [electricity]; battery chargers; resuscitation training simulators; vehicle breakdown warning triangles; triodes; starter cables for motors; discharge tubes, electric, other than for lighting; capillary tubes; neon signs; pitot tubes; X-ray tubes not for medical purposes; telephone receivers; headgear being protective helmets; squares for measuring; quantity indicators; gasoline gauges; water level indicators; electric loss indicators; light-emitting electronic pointers; clinometers; levels [instruments for determining the horizontal]; mercury levels; spirit levels; urinometers; amplifiers; particle accelerators; electric installations for the remote control of industrial operations; steering apparatus, automatic, for vehicles; balancing apparatus; video recorders; sound reproduction apparatus; invoicing machines; tape recorders; protection devices against x-rays [roentgen rays], not for medical purposes; railway traffic safety appliances; data processing apparatus; oxygen transvasing apparatus; theft prevention installations, electric; devices for the projection of virtual keyboards; film cutting apparatus; drying apparatus for photographic prints; optical character readers; centering apparatus for photographic transparencies; dosage dispensers; chargers for electric accumulators; chargers for electronic cigarettes; acoustic [sound] alarms; sounding apparatus and machines; editing appliances for cinematographic films; cathodic anti-corrosion apparatus; couplers [data processing equipment]; wearable activity trackers; anti-theft warning apparatus; computer peripheral devices; anti-interference devices [electricity]; demagnetizing apparatus for magnetic tapes; acoustic couplers; alarms; fog signals, non-explosive; whistle alarms; adding machines; readers [data processing equipment]; heat regulating apparatus; photocopiers [photographic, electrostatic, thermic]; electric and electronic effects units for musical instru-

ments; bar code readers; downloadable ring tones for mobile phones; downloadable image files; downloadable music files; animated cartoons; filters for respiratory masks; filters for ultraviolet rays, for photography; filters [photography]; uSB flash drives; magic lanterns; optical lamps; signal lanterns; cameras [photography]; glazing apparatus for photographic prints; shutters [photography]; darkrooms [photography]; photometers; flash-bulbs [photography]; digital photo frames; enlarging apparatus [photography]; photovoltaic cells; containers for contact lenses; spectacle cases; containers for microscope slides; cases for smartphones; cases especially made for photographic apparatus and instruments; chromatography apparatus for laboratory use; chronographs [time recording apparatus]; laboratory centrifuges; eyeglass chains; cyclotrons; compasses for measuring; frequency meters; time clocks [time recording devices]; petri dishes; sleeves for laptops; covers for personal digital assistants [PDAs]; covers for tablet computers; covers for smartphones; fire blankets; chips [integrated circuits]; jigs [measuring instruments]; pedometers; meteorological balloons; electrified rails for mounting spot lights; asbestos screens for firemen; fire hose; virtual reality headsets; protective helmets for sports; head guards for sports; lifeboats; snorkels; cell phone straps; eyeglass cords; switchboards; distribution boards [electricity]; equalizers [audio apparatus]; screens [photography]; workmen's protective face-shields; projection screens; radiology screens for industrial purposes; fluorescent screens; exposure meters [light meters]; ducts [electricity]; galvanic cells; downloadable graphics for mobile phones; epidiascopes; ergometers; armatures [electricity]; black boxes [data recorders].

12 – Motor buses; motor coaches; motor homes; gyrocopters; driverless cars [autonomous cars]; motor racing cars; cars; robotic cars; sports cars; concrete mixing vehicles; refrigerated vehicles; caravans; shock absorbers for automobiles; suspension shock absorbers for vehicles; space vehicles; aircraft; aeronautical apparatus, machines and appliances; air cushion vehicles; hot air balloons; ski carriers for cars; luggage carriers for vehicles; bumpers for automobiles; vehicle bumpers; tires for vehicle wheels; barges; brake shoes for vehicles; tailboard lifts [parts of land vehicles]; armored vehicles; buffers for railway rolling stock; waggons; tilt trucks; railway carriages; sleeping cars; dining cars; refrigerated wagons [railroad vehicles]; transmission shafts for land vehicles; bicycles; electric bicycles; valves for vehicle tires; helicopters; helicams; automobile hoods; stroller hoods; hoods for vehicles; oars; paddles for canoes; sculls; screws [propellers] for ships; lug nuts for vehicle wheels; hydroplanes; self-balancing scooters; flanges for railway wheel tires; lorries; trucks with a crane feature incorporated; horns for vehicles; treads for vehicles [tractor type]; doors for vehicles; bicycle motors; motorcycle

engines; engines for land vehicles; jet engines for land vehicles; driving motors for land vehicles; screw-propellers; screw-propellers for boats; airships; brake discs for vehicles; cable cars; self-balancing boards; dredgers [boats]; hand cars; military drones; civilian drones; delivery drones; camera drones; clips adapted for fastening automobile parts to automobile bodies; vehicle bonnet pins; adhesive rubber patches for repairing inner tubes; bicycle bells; rearview mirrors; side view mirrors for vehicles; portholes; cars for cable transport installations; inner tubes for pneumatic tires; inner tubes for bicycle tires; canoes; hoods for vehicle engines; crankcases for land vehicle components, other than for engines; boats; caissons [vehicles]; bicycle wheels; vehicle wheels; mine cart wheels; steering wheels for vehicles; casters for trolleys [vehicles]; brake pads for automobiles; hub caps; baby carriages; pet strollers; side cars; brake linings for vehicles; ships; baskets adapted for bicycles; gear boxes for land vehicles; ships' hulls; panniers adapted for bicycles; panniers adapted for motorcycles; fenders for ships; bands for wheel hubs; ejector seats for aircraft; wheelchairs; caps for vehicle fuel tanks; boat hooks; automobile bodies; tipping bodies for lorries [trucks]; bodies for vehicles; treads for retreading tires; locomotives; masts for boats; golf carts [vehicles]; sprinkling trucks; propulsion mechanisms for land vehicles; self-balancing electric unicycles; mopeds; motor scooters; motorcycles; garbage trucks; tire mousse inserts; fitted footmuffs for pushchairs; fitted footmuffs for prams; freewheels for land vehicles; clutches for land vehicles; repair outfits for inner tubes; air pumps [vehicle accessories]; pumps for bicycle tires; upholstery for vehicles; rims for bicycle wheels; rims for vehicle wheels; windows for vehicles; engine mounts for land vehicles; axles for vehicles; headlight wipers; parachutes; ferry boats; bicycle pedals; ashtrays for automobiles; gearing for land vehicles; carts; headrests for vehicle seats; bicycle kickstands; vehicle running boards; air bags [safety devices for automobiles]; ski lifts; chairlifts; casings for pneumatic tires; sleeping berths for vehicles; pontoons; torque converters for land vehicles; cigar lighters for automobiles; non-skid devices for vehicle tires; anti-dazzle devices for vehicles; anti-theft devices for vehicles; sun-blinds adapted for automobiles; trailers for transporting bicycles; bicycle trailers; balance weights for vehicle wheels; shock absorbing springs for vehicles; bicycle frames; motorcycle frames; spars for ships; reduction gears for land vehicles; safety belts for vehicle seats; security harness for vehicle seats; vehicle suspension springs; rudders; bicycle handle bars; motorcycle handlebars; vehicle joysticks; bicycle cranks; aeroplanes; amphibious airplanes; sleighs [vehicles]; rescue sleds; kick sledges; brake segments for vehicles; bicycle saddles; motorcycle saddles; luggage nets for vehicles; dress guards for bicycles; fitted pushchair mosquito nets; anti-theft alarms for vehicles; reversing alarms for vehicles; safety seats for children, for

vehicles; vehicle seats; bellows for articulated buses; hydraulic circuits for vehicles; push scooters [vehicles]; mobility scooters; snowmobiles; rolling stock for railways; rolling stock for funicular railways; spokes for bicycle wheels; vehicle wheel spokes; spoilers for vehicles; air vehicles; vehicles for locomotion by land, air, water or rail; ambulances; autonomous underwater vehicles for seabed inspections; water vehicles; remotely operated vehicles for underwater inspections; remote control vehicles, other than toys; electric vehicles; tricycles; carrier tricycles; inclined ways for boats; windscreens; windscreen wipers; motorcycle kickstands; hubs for bicycle wheels; hubs for vehicle wheels; bags adapted for pushchairs; saddlebags adapted for bicycles; railway couplings; trailer hitches for vehicles; couplings for land vehicles; wheelbarrows; handling carts; luggage trucks; shopping trolleys; fishing trolleys; hose carts; bogies for railway cars; casting carriages; tilting-carts; roll cage trolleys; fork lift trucks; cleaning trolleys; bicycle brakes; brakes for vehicles; torsion bars for vehicles; tractors; tramcars; transmissions, for land vehicles; military vehicles for transport; aerial conveyors; trailers [vehicles]; funnels for ships; funnels for locomotives; cleats [nautical]; turbines for land vehicles; signal arms for vehicles; rowlocks; disengaging gear for boats; steering gears for ships; cable transport apparatus and installations; spoke clips for wheels; tipping apparatus, parts of trucks and waggons; funiculars; vans [vehicles]; automobile chains; bicycle chains; motorcycle chains; driving chains for land vehicles; anti-skid chains; transmission chains for land vehicles; undercarriages for vehicles; stroller covers; spare wheel covers; covers for vehicle steering wheels; saddle covers for bicycles; saddle covers for motorcycles; seat covers for vehicles; vehicle covers [shaped]; automobile chassis; vehicle chassis; connecting rods for land vehicles, other than parts of motors and engines; axle journals; gears for bicycles; tubeless tires for bicycles; bicycle tires [tyres]; automobile tires [tyres]; pneumatic tires [tyres]; solid tires for vehicle wheels; spikes for tires [tyres]; davits for boats; launches; timbers [frames] for ships; mudguards; bicycle mudguards; tow trucks; motors, electric, for land vehicles; yachts.

18 – Alpenstocks; slings for carrying infants; luggage tags; pocket wallets; saddlecloths for horses; business card cases; reins; reins for guiding children; sling bags for carrying infants; harness fittings; credit card cases [wallets]; parts of rubber for stirrups; chamois leather, other than for cleaning purposes; umbrellas; parasols; saddlery; frames for umbrellas or parasols; handbag frames; card cases [notecases]; cases of leather or leatherboard; valves of leather; whips; imitation leather; leather, unworked or semi-worked; leatherboard; casings, of leather, for springs; umbrella rings; hat boxes of leather; boxes of leather or leather board; boxes of vulcanised fibre; purses; chain mesh purses; fastenings for saddles; butts [parts of hides]; saddle trees;

bags [envelopes, pouches] of leather, for packaging; moleskin [imitation of leather]; travelling sets [leatherware]; knee-pads for horses; muzzles; halters; vanity cases, not fitted; furniture coverings of leather; clothing for pets; covers for animals; trimmings of leather for furniture; collars for animals; hiking sticks; conference folders; music cases; gold beaters' skin; cat o' nine tails; leather leashes; pads for horse saddles; horseshoes; girths of leather; leathercloth; horse blankets; garment bags for travel; shoulder belts [straps] of leather; briefcases; traces [harness]; fur; randsels [Japanese school satchels]; haversacks; leather straps; straps for soldiers' equipment; harness straps; straps for skates; straps of leather [saddlery]; chin straps, of leather; stirrup leathers; umbrella handles; walking cane handles; suitcase handles; grips for holding shopping bags; backpacks; travelling bags; riding saddles; net bags for shopping; umbrella or parasol ribs; stirrups; bags; bags for climbers; tool bags, empty; handbags; beach bags; saddlebags; compression cubes adapted for luggage; bags for sports; bags for campers; shopping bags; wheeled shopping bags; school bags; pouch baby carriers; travelling trunks; trunks [luggage]; nose bags [feed bags]; bridoons; canes; umbrella sticks; walking stick seats; tefillin [phylacteries]; bits for animals [harness]; bridles [harness]; harness for animals; key cases; horse collars; motorized suitcases; suitcases with wheels; suitcases; attache cases; covers for horse-saddles; umbrella covers; kid; curried skins; animal skins; cattle skins; leather laces; blinkers [harness]; labels of leather; game bags [hunting accessories].

25 – Wimples; bandanas [neckerchiefs]; corselets; sweat-absorbent underclothing [underwear]; berets; overalls; boas [necklets]; teddies [undergarments]; boxer shorts; ankle boots; ski boots; boots for sports; breeches for wear; trousers; football boots; brassieres; valenki [felted boots]; mittens; collars [clothing]; detachable collars; shirt yokes; veils [clothing]; gabardines [clothing]; galoshes; neckties; ascots; leggings [leg warmers]; gaiters; boot uppers; jerseys [clothing]; vests; singlets; hosiery; heels; hoods [clothing]; hat frames [skeletons]; pockets for clothing; caps being headwear; kimonos; cap peaks; visors being headwear; tights; slips [undergarments]; combinations [clothing]; wet suits for water-skiing; bodices [lingerie]; corsets [underclothing]; suits; bathing suits; masquerade costumes; beach clothes; leotards; jackets [clothing]; stuff jackets [clothing]; fishing vests; leggings [trousers]; liveries; camisoles; sports singlets; cuffs; chemisettes [shirt fronts]; mantillas; coats; sleep masks; furs [clothing]; miters [hats]; muffs [clothing]; footmuffs, not electrically heated; bibs, not of paper; bibs, sleeved, not of paper; fur stoles; hairdressing capes; heel protectors for shoes; ear muffs [clothing]; socks; sweat-absorbent socks; footwear; beach shoes; clothing; paper clothing; outerclothing; embroidered clothing; ready-made clothing; motorists' clothing;

cyclists' clothing; clothing for gymnastics; clothing of imitations of leather; clothing of leather; waterproof clothing; uniforms; clothing containing slimming substances; iron fittings for boots; maniples; overcoats; panties; parkas; pelerines; gloves [clothing]; fingerless gloves; ski gloves; pajamas; bathing drawers; shirt fronts; scarfs; pocket squares; dresses; headbands [clothing]; garters; sock suspenders; stocking suspenders; ready-made linings [parts of clothing]; dress shields; soles for footwear; heelpieces for footwear; braces for clothing [suspenders]; half-boots; lace boots; ponchos; girdles; belts [clothing]; money belts [clothing]; layettes [clothing]; non-slipping devices for boots and shoes; pullovers; heelpieces for stockings; welts for boots and shoes; chasubles; shirts; wooden shoes; sandals; bath sandals; boots; jumper dresses; saris; sarongs; sweaters; footwear uppers; inner soles; albs; bath slippers; togas; knitwear [clothing]; underpants; shoes; gymnastic shoes; slippers; skull caps; turbans; headwear; aprons [clothing]; judo uniforms; karate uniforms; tee-shirts; bath robes; top hats; tips for footwear; stockings; sweat-absorbent stockings; shawls; paper hats [clothing]; shower caps; bathing caps; sashes for wear; studs for football boots; hats; babies' pants [underwear]; gaiter straps; pelisses; esparto shoes or sandals; skirts; petticoats; skorts.

35 – Arranging subscriptions to telecommunication services for others; import-export agency services; commercial information agency services; advertising agency services; cost price analysis; rental of office equipment in co-working facilities; rental of advertising space; business auditing; financial auditing; business intermediary services relating to the matching of potential private investors with entrepreneurs needing funding; employment agency services; computerized file management; book-keeping; invoicing; demonstration of goods; transcription of communications [office functions]; opinion polling; market studies; business information; commercial information and advice for consumers in the choice of products and services; business research; marketing research; personnel recruitment; business management and organization consultancy; business organization consultancy; business management consultancy; personnel management consultancy; professional business consultancy; consultancy regarding advertising communication strategies; consultancy regarding public relations communication strategies; layout services for advertising purposes; marketing; marketing in the framework of software publishing; targeted marketing; business management of performing artists; business management of sports people; writing of resumes for others; scriptwriting for advertising purposes; news clipping services; updating and maintenance of information in registries; updating and maintenance of data in computer databases; updating of advertising material; word processing; online retail services for downloadable and pre-recorded music and movies; online retail services for

downloadable ring tones; online retail services for downloadable digital music; retail and wholesale services, including via the Internet; organization of exhibitions for commercial or advertising purposes; arranging newspaper subscriptions for others; organization of fashion shows for promotional purposes; organization of trade fairs for commercial or advertising purposes; shop window dressing; development of advertising concepts; business appraisals; payroll preparation; data search in computer files for others; sponsorship search; administrative assistance in responding to calls for tenders; business management assistance; commercial or industrial management assistance; commercial intermediation services; providing business information via a web site; provision of commercial and business contact information; provision of an on-line marketplace for buyers and sellers of goods and services; web indexing for commercial or advertising purposes; provision of an online marketplace for buyers and sellers of goods and services; presentation of goods on communication media, for retail purposes; media relations services; economic forecasting; auctioneering; wholesale services for pharmaceutical, veterinary and sanitary preparations and medical supplies; retail services for works of art provided by art galleries; retail services for pharmaceutical, veterinary and sanitary preparations and medical supplies; sales promotion for others; promotion of goods and services through sponsorship of sports events; production of teleshopping programs; production of advertising films; office machines and equipment rental; rental of advertising time on communication media; publicity material rental; rental of billboards [advertising boards]; rental of vending machines; rental of sales stands; rental of photocopying machines; publication of publicity texts; radio advertising; billposting; distribution of samples; direct mail advertising; registration of written communications and data; writing of publicity texts; advertising; on-line advertising on a computer network; outdoor advertising; advertising by mail order; television advertising; document reproduction being photocopying services; compilation of statistics; compilation of information into computer databases; business inquiries; systemization of information into computer databases; advisory services for business management; corporate communications services; negotiation of business contracts for others; negotiation and conclusion of commercial transactions for third parties; compiling indexes of information for commercial or advertising purposes; tax preparation; drawing up of statements of accounts; telemarketing services; psychological testing for the selection of personnel; interim business management; outsourced administrative management for companies; business management of hotels; business management for freelance service providers; business project management services for construction projects; commercial administration of the licensing of the goods and services of others; business manage-

ment of reimbursement programs for others; administration of consumer loyalty programs; administration of frequent flyer programs; administrative processing of purchase orders; public relations; commercial lobbying services; competitive intelligence services; modelling for advertising or sales promotion; typing; market intelligence services; appointment reminder services [office functions]; web site traffic optimization; administrative services for the relocation of businesses; tax filing services; search engine optimization for sales promotion; appointment scheduling services [office functions]; gift registry services; price comparison services; pay per click advertising; secretarial services; procurement services for others [purchasing goods and services for other businesses]; shorthand; outsourcing services [business assistance]; telephone answering for unavailable subscribers; photocopying services; business efficiency expert services.

36 – Credit bureau services; debt collection agency services; real estate agency services; financial analysis; rental of apartments; rental of offices for co-working; rental of real estate; rental of offices [real estate]; rental of farms; hire-purchase financing; savings bank services; accommodation bureau services [apartments]; rent collection; issuing of travellers' checks [cheques]; issuance of credit cards; issue of tokens of value; capital investments; insurance information; financial information; financial research; clearing, financial; insurance consultancy; financial consultancy; debt advisory services; stock exchange quotations; lending against security; business liquidation services, financial; brokerage; financial management; exchanging money; online banking; processing of debit card payments; processing of credit card payments; factoring; organization of monetary collections; arranging finance for construction projects; antique appraisal; jewellery appraisal; financial evaluation of standing timber; stamp appraisal; real estate appraisal; numismatic appraisal; art appraisal; financial evaluation of development costs relating to the oil, gas and mining industries; financial evaluation of wool; financial evaluation [insurance, banking, real estate]; financial appraisals in responding to requests for proposals [RFPs]; repair costs evaluation [financial appraisal]; electronic funds transfer; securities brokerage; real estate brokerage; brokerage of carbon credits; insurance brokerage; providing rebates at participating establishments of others through use of a membership card; loans [financing]; providing financial information via a web site; check verification; investment of funds; charitable fund raising; stocks and bonds brokerage; financial sponsorship; mortgage banking; instalment loans; accident insurance underwriting; life insurance underwriting; health insurance underwriting; marine insurance underwriting; fire insurance underwriting; apartment house management; real estate management; financial management of reimbursement pay-

ments for others; actuarial services; banking; stock brokerage services; retirement payment services; bail-bonding; trusteeship; provident fund services; financial customs brokerage services; mutual funds; financing services; safe deposit services; deposits of valuables; fiscal valuation.

37 – Asphaltting; drilling of deep oil or gas-wells; drilling of wells; rebuilding engines that have been worn or partially destroyed; rebuilding machines that have been worn or partially destroyed; renovation of clothing; retreading of tires; vulcanization of tires [repair]; building sealing; linen ironing; pressing of clothing; disinfecting; rat exterminating; mining extraction; vehicle battery charging; knife sharpening; building insulating; repair information; construction information; bricklaying; riveting; construction consultancy; varnishing; re-tinning; installation of utilities in construction sites; scaffolding; road paving; window cleaning; vehicle washing; building construction supervision; tuning of musical instruments; upholstering; rustproofing; anti-rust treatment for vehicles; sanding; pumicing; strong-room maintenance and repair; vehicle maintenance; paper hanging; painting or repair of signs; cleaning of buildings [exterior surface]; vehicle polishing; vehicle breakdown repair services; rental of bulldozers; rental of drainage pumps; rental of dish drying machines; rental of road sweeping machines; rental of cleaning machines; rental of cranes [construction equipment]; rental of dishwashing machines; rental of laundry washing machines; rental of construction equipment; rental of excavators; laying of cable; plumbing; masonry; roofing services; painting, interior and exterior; carpentry services; underwater repair; plastering; quarrying services; repair of security locks; umbrella repair; parasol repair; motor vehicle maintenance and repair; burner maintenance and repair; film projector repair and maintenance; airplane maintenance and repair; safe maintenance and repair; clock and watch repair; repair of power lines; pump repair; upholstery repair; shoe repair; clothing repair; photographic apparatus repair; furniture restoration; restoration of musical instruments; restoration of works of art; vehicle lubrication [greasing]; demolition of buildings; warehouse construction and repair; vehicle service stations [refuelling and maintenance]; sterilization of medical instruments; washing of linen; construction; pier breakwater building; pipeline construction and maintenance; underwater construction; harbour construction; factory construction; building of fair stalls and shops; shipbuilding; cleaning of buildings [interior]; snow removal; street cleaning; vermin exterminating, other than for agriculture, aquaculture, horticulture and forestry; tire balancing; pest control services, other than for agriculture, aquaculture, horticulture and forestry; hydraulic fracturing services; refilling of toner cartridges; refilling of ink cartridges; artificial snow-making services; laundering; services of electricians; installa-

tion of doors and windows; irrigation devices installation and repair; elevator installation and repair; installation and repair of flood protection equipment; heating equipment installation and repair; burglar alarm installation and repair; furnace installation and repair; telephone installation and repair; air conditioning apparatus installation and repair; fire alarm installation and repair; freezing equipment installation and repair; electric appliance installation and repair; kitchen equipment installation; installation, maintenance and repair of computer hardware; machinery installation, maintenance and repair; office machines and equipment installation, maintenance and repair; interference suppression in electrical apparatus; swimming-pool maintenance; furniture maintenance; chimney sweeping; boiler cleaning and repair; cleaning of clothing; dry cleaning; vehicle cleaning; diaper cleaning; leather care, cleaning and repair; fur care, cleaning and repair.

39 – Air transport; motor coach rental; boat rental; garage rental; rental of vehicle roof racks; aircraft rental; parking place rental; rental of electric wine cellars; rental of warehouses; rental of tractors; booking of seats for travel; travel reservation; transport reservation; towing; vehicle breakdown towing services; bottling services; water distribution; delivery of newspapers; message delivery; parcel delivery; delivery of goods; delivery of goods by mail order; flower delivery; replenishment of vending machines; launching of satellites for others; traffic information; transportation information; storage information; transportation logistics; rescue operations [transport]; arranging of cruises; arranging of passenger transportation services for others via an online application; arranging of transportation for travel tours; armored-car transport; hauling; carting; transport and storage of trash; transporting furniture; lighterage services; ferry-boat transport; removal services; transport of travellers; guarded transport of valuables; bus transport; car transport; barge transport; boat transport; railway transport; marine transport; passenger transport; river transport; ambulance transport; streetcar transport; portorage; refloating of ships; cash replenishment of automated teller machines; shipbrokerage; transport brokerage; freight brokerage; providing driving directions for travel purposes; car rental; truck rental; rental of diving bells; rental of diving suits; rental of motor racing cars; rental of aircraft engines; railway coach rental; rental of wheelchairs; rental of storage containers; horse rental; rental of freezers; rental of navigational systems; frozen-food locker rental; vehicle rental; stevedoring; unloading cargo; electricity distribution; distribution of energy; packaging of goods; collection of recyclable goods [transport]; ice-breaking; piloting; water supplying; escorting of travellers; transport by pipeline; wrapping of goods; operating canal locks; car parking; chauffeur services; pleasure boat transport; car sharing services; courier

services [messages or merchandise]; salvaging; salvage of ships; gift wrapping; underwater salvage; taxi transport; transport; transport services for sightseeing tours; luggage storage; franking of mail; freight [shipping of goods]; freighting; physical storage of electronically-stored data or documents; boat storage; storage of goods; storage; freight forwarding.

41 – Modelling for artists; academies [education]; rental of indoor aquaria; rental of artwork; rental of sports grounds; rental of tennis courts; lending library services; booking of seats for shows; videotaping; physical education; production of music; discotheque services; animal training; dubbing; gambling services; publication of books; education information; recreation information; entertainment information; film distribution; movie studio services; health club services [health and fitness training]; nightclub services [entertainment]; layout services, other than for advertising purposes; microfilming; videotape editing; production of radio and television programmes; screenplay writing; religious education; aikido instruction; gymnastic instruction; judo instruction; correspondence courses; practical training [demonstration]; training services provided via simulators; organization of balls; organization of exhibitions for cultural or educational purposes; providing recreation facilities; arranging and conducting of colloquiums; arranging and conducting of congresses; arranging and conducting of conferences; arranging and conducting of concerts; arranging and conducting of workshops [training]; arranging and conducting of in-person educational forums; arranging and conducting of seminars; arranging and conducting of symposiums; organization of competitions [education or entertainment]; arranging of beauty contests; organization of cosplay entertainment events; organization of lotteries; organization of fashion shows for entertainment purposes; organization of shows [impresario services]; organization of sports competitions; vocational guidance [education or training advice]; amusement park services; sign language interpretation; know-how transfer [training]; television entertainment; mobile library services; vocational retraining; providing on-line videos, not downloadable; providing on-line music, not downloadable; providing television programmes, not downloadable, via video-on-demand services; providing films, not downloadable, via video-on-demand services; providing golf facilities; providing sports facilities; providing amusement arcade services; cinema presentations; providing online electronic publications, not downloadable; presentation of circus performances; presentation of variety shows; presentation of live performances; theatre productions; conducting guided climbing tours; conducting fitness classes; educational examination; film production, other than advertising films; rental of audio equipment; rental of video cameras; rental of video cassette recorders; rental of videotapes; rental of show scenery; rental of sound re-

cordings; toy rental; rental of cinematographic apparatus; rental of motion pictures; games equipment rental; rental of stadium facilities; rental of lighting apparatus for theatrical sets or television studios; rental of radio and television sets; rental of skin diving equipment; rental of sports equipment, except vehicles; rental of stage scenery; electronic desktop publishing; publication of electronic books and journals on-line; publication of texts, other than publicity texts; radio entertainment; entertainer services; entertainment services; writing of texts; sado instruction [tea ceremony instruction]; zoological gardens; news reporters services; film directing, other than advertising films; party planning [entertainment]; music composition services; subtitling; tutoring; holiday camp services [entertainment]; video editing services for events; conducting guided tours; disc jockey services; sound engineering services for events; game services provided online from a computer network; personal trainer services [fitness training]; providing casino facilities [gambling]; calligraphy services; karaoke services; club services [entertainment or education]; songwriting; cultural, educational or entertainment services provided by art galleries; providing museum facilities [presentation, exhibitions]; educational services; educational services provided by special needs assistants; educational services provided by schools; orchestra services; translation; scriptwriting, other than for advertising purposes; ticket agency services [entertainment]; educational examination for users to qualify to pilot drones; coaching [training]; lighting technician services for events; sport camp services; recording studio services; language interpreter services; nursery schools; photography; photographic reporting; timing of sports events; boarding school education; production of shows.

42 – Water analysis; computer systems analysis; handwriting analysis [graphology]; chemical analysis; energy auditing; recovery of computer data; business card design; graphic design of promotional materials; interior design; industrial design; graphic arts designing; computer virus protection services; oil-field surveys; geological surveys; engineering; installation of computer software; meteorological information; clinical trials; material testing; textile testing; bacteriological research; biological research; geological research; research in the field of environmental protection; cosmetic research; mechanical research; research in the field of welding; research in the field of building construction; research in the field of telecommunications technology; physics [research]; chemical research; research and development of new products for others; medical research; scientific and technological research relating to patent mapping; scientific and technological research in the field of natural disasters; scientific research; analysis for oil-field exploitation; underwater exploration; technological research; calibration [measuring]; web site design consultancy; co-

computer security consultancy; information technology [IT] consultancy; consultancy in the design and development of computer hardware; architectural consultancy; internet security consultancy; computer software consultancy; data security consultancy; technological consultancy; oil-well testing; quality control; vehicle roadworthiness testing; land surveying; dress designing; updating of computer software; monitoring of computer systems to detect breakdowns; monitoring of computer systems for detecting unauthorized access or data breach; monitoring of computer systems by remote access; software as a service [SaaS]; maintenance of computer software; authenticating works of art; design of interior decor; quality evaluation of standing timber; quality evaluation of wool; digitization of documents [scanning]; conversion of data or documents from physical to electronic media; urban planning; providing information on computer technology and programming via a web site; provision of scientific information, advice and consultancy in relation to carbon offsetting; providing search engines for the internet; platform as a service [PaaS]; conversion of computer programs and data, other than physical conversion; conducting technical project studies; computer system design; rental of web servers; computer rental; rental of computer software; unlocking of mobile phones; geological prospecting; oil prospecting; hosting computer sites [web sites]; server hosting; development of computer platforms; construction drafting; computer software design; software development in the framework of software publishing; cloud seeding; consultancy in the field of energy-saving; creating and designing website-based indexes of information for others [information technology services]; creating and maintaining web sites for others; computer programming; technical writing; duplication of computer programs; cloud computing; architectural services; chemistry services; outsource service providers in the field of information technology; packaging design services; off-site data backup; computer technology consultancy; telecommunications technology consultancy; scientific laboratory services; weather forecasting; styling [industrial design]; cartography services; exploration services in the field of the oil, gas and mining industries; data encryption services; electronic data storage; surveying; electronic monitoring of credit card activity to detect fraud via the internet; electronic monitoring of personally identifying information to detect identity theft via the internet.

43 – Accommodation bureau services [hotels, boarding houses]; rental of temporary accommodation; rental of meeting rooms; tourist home services; hotel reservations; boarding house bookings; temporary accommodation reservations; hotel services; retirement home services; snack-bar services; information and advice in relation to the preparation of meals; cafe services; cafeteria services; motel services; boarding

house services; boarding for animals; rental of cooking apparatus; rental of chairs, tables, table linen, glassware; rental of lighting apparatus; rental of tents; rental of transportable buildings; rental of drinking water dispensers; restaurant services; self-service restaurant services; reception services for temporary accommodation [management of arrivals and departures]; food sculpting; canteen services; decorating of food; cake decorating; holiday camp services [lodging]; bar services; providing campground facilities; personal chef services; food and drink catering; washoku restaurant services; udon and soba restaurant services; day-nursery [crèche] services.

(260) AM 2021 108238 A

(800) 1529858

(151) 2020 03 20

(891) 2020 03 20

(731) COMPAGNIE GERVAIS DANONE

17 boulevard Haussmann, F-75009 PARIS,  
France

(540)



(591) Blue, red, white

(531) 02.09.01; 26.11.01; 26.11.12; 28.05; 29.01.13

(511)

29 – Milk, dairy products and substitutes thereof; powdered milk; flavored jellied milks and buttermilk; milk desserts; yogurts; drinking yogurts; white cheese; petit suisse; beverages mainly consisting of milk or dairy products; milk beverages, milk predominating; milk beverages containing fruit; unflavored or flavored fermented dairy products; milk substitutes of vegetable origin; substitutes of dairy products based on plants or nuts; fruit or vegetable beverages consisting mainly of milk products; compotes, fruit compotes.

30 – Cocoa, chocolate, cocoa-based beverages, chocolate-based beverages, coffee-based beverages, tea-based beverages; custard; chocolate mousses, dessert mousses [confectionery], confectionery, sugar confectionery, sugar, puffed rice, preparations made from cereals, breakfast cereals; biscuits (sweet or savory); cakes; pastries; waffles; cereal-based desserts; rice cakes; semolina cakes; rice pudding, rice-based snack food, cereal-based snack food; edible ices, edible ices consisting primarily of yogurt, ice-cream, sherbet (edible ices), frozen yogurts (edible ices), edible ice-cream made with flavored frozen water; fruit coulis [sauces].

32 – Still or sparkling waters (mineral or other), fruit or vegetable juices, beverages with fruits or vegetables, lemonades, soda water, sherbets (beverages), preparations for making beverages, syrups for beverages, vegetable or fruit extract without alcohol, non-alcoholic beverages; plant-based beverages; vegetable-based beverages.

(260) AM 2021 108239 A  
 (800) 1529879  
 (151) 2020 03 05  
 (891) 2020 03 05  
 (731) Armacell Enterprise GmbH & Co. KG  
 Zeppelinstraße 1, 12529 Schönefeld, Germany  
 (540)

## ArmaComp

(591) Black, white  
 (511)

17 – Unprocessed and semi-processed rubber, gutta-percha, gum, asbestos, mica and substitutes for all these materials; plastics and resins in extruded form for use in manufacture; packing, stopping and insulating materials; flexible pipes, tubes and hoses, not of metal; acoustic insulation articles and materials; fire resistant and fire preventive articles and materials; thermal insulation articles and materials; insulation for building purposes; insulating materials for technical equipment and technical installations; shock-absorbing materials; waterproofing and moisture proofing articles and materials.

(260) AM 2021 108240 A  
 (800) 1529887  
 (151) 2020 03 30  
 (891) 2020 03 30  
 (731) Monsieur Shogoro UEMURA  
 Route de Drize 3B, CH-1227 CAROUGE,  
 Switzerland  
 (540)

## Osoji

(591) Black, white  
 (511)

3 – Essential oils; aromatic essential oils; plant-based essential oils; essential oils for food; essential oils for food flavorings; flavorings for beverages [essential oils].

5 – Food supplements in liquid form; food supplements in the form of beverages; food supplements for non-medical use; beverage mixtures used as food supplements; plant-based food supplements for persons with special dietary needs; powdered fruit-flavored mixtures for beverages for use as dietary supplements; food supplements with cosmetic effect; beverages for medicinal use; dietetic beverages for medical use; pre-

parations for making medicated beverages; herbal beverages for medicinal use.

32 – Vegetable juices [beverages]; non-alcoholic beverages; fruit-based beverages; plant-based beverages; extracts for making beverages; non-alcoholic preparations for making beverages; preparations to be diluted for preparing beverages; non-alcoholic fruit extracts for making beverages.

(260) AM 2021 108241 A  
 (800) 1529913  
 (151) 2019 12 24  
 (891) 2019 12 24  
 (731) Shenzhen USAMS Trading Co., Ltd  
 304, Building 2, Winlead Park, Fada Road,  
 Bantian, Longgang District, Shenzhen, 518000  
 Guangdong, China

(540)

# USAMS

(591) Black, white  
 (531) 27.05.01  
 (511)

9 – USB cables; glasses; camera flashes; selfie lenses; USB cable for mobile phone.

(260) AM 2021 108242 A  
 (800) 1529963  
 (151) 2020 03 10  
 (891) 2020 03 10  
 (731) Limited Liability Company "Consortium-PIQ"  
 Oruzheyniy pereulok, d. 25, str. 1,  
 pomescheniye 1/etazh 1/komnata 21,  
 RU-125047 Moscow, Russian Federation

(540)

# ПОЛИГЕЛЬ

(591) Black, white  
 (531) 28.05  
 (511)

5 – Pharmaceuticals and veterinary preparations; sanitary preparations for medical purposes; dietetic food and substances adapted for medical or veterinary use, food for babies; dietary supplements for human beings and animals; plasters, materials for dressings; material for stopping teeth, dental wax; disinfectants; preparations for destroying vermin; fungicides, herbicides.



(260) AM 2021 108275 A  
 (800) 1530819  
 (151) 2020 03 05  
 (891) 2020 03 05  
 (731) Armacell Enterprise GmbH & Co. KG  
 Zeppelinstraße 1, 12529 Schönefeld OT  
 Waltersdorf, Germany  
 (540)

## ArmaLight

(591) Black, white  
 (511)  
 17 – Unprocessed and semi-processed rubber, gutta-percha, gum, asbestos, mica and substitutes for all these materials; plastics and resins in extruded form for use in manufacture; packing, stopping and insulating materials; flexible pipes, tubes and hoses, not of metal; acoustic insulation articles and materials; fire resistant and fire preventive articles and materials; thermal insulation articles and materials; insulation for building purposes; insulating materials for technical equipment and technical installations; shock-absorbing materials; waterproofing and moisture proofing articles and materials; insulation materials and articles made of plastic or thermoplastic foam material for thermal and acoustic insulation, as well as for protection purposes of pipes and vessels on heating, sanitary, air-conditioning and refrigeration installations within building equipment and industrial installations; profiles made from plastic foams [semi-finished products], especially round profiles for the insulation of joints.

(260) AM 2021 108276 A  
 (800) 1530821  
 (151) 2020 03 25  
 (891) 2020 03 25  
 (731) Obschestvo s ogranichennoy  
 otvetstvennostyu "Bauservice"  
 Domodedovskoye sh., 1B, korpus pom.  
 ofisnogo tipa, etazh 1, p. Selhoztehnika,  
 g. Podolsk, RU-142116 Moskovskaya obl.,  
 Russian Federation

(540)



(591) Black, white  
 (531) 03.09.18; 10.03.07; 26.01.12; 26.11.12  
 (511)

19 – Materials, not of metal, for building and construction; asphalt, pitch and bitumen; buildings, transportable, not of metal; monuments, not of metal; stained-glass windows; parquet floor boards; jalousies, not of metal; works of stonemasonry; works of art of stone, concrete or marble; buildings, not of metal; roofing, not of metal; mosaics for building; duckboards, not of metal; wall claddings, not of metal, for building;

wall linings, not of metal, for building; wainscoting, not of metal; parquet flooring; wall tiles, not of metal; floor tiles, not of metal; tiles, not of metal, for building; paving slabs, not of metal; cement slabs; tile floorings, not of metal; slabs, not of metal, for building; paving blocks, not of metal; roof coverings, not of metal; wooden floor boards; cladding, not of metal, for building; linings, not of metal, for building; sills, not of metal; floors, not of metal; ceilings, not of metal; agglomerated cork for building; vinyl siding; safety glass; building glass; rigid pipes, not of metal, for building; cement; concrete building elements; tar; pitch; laths, not of metal.

20 – Furniture, mirrors, picture frames; containers, not of metal, for storage or transport; unworked or semi-worked bone, horn, ivory, whalebone or mother-of-pearl; shells; meerscham; yellow amber; troughs, not of metal, for mixing mortar; packaging containers of plastic; containers, not of metal [storage, transport]; mattresses; furniture of metal; office furniture; pillows; furniture fittings, not of metal; window fittings, not of metal; door fittings, not of metal; bedding, except linen; works of art of wood, wax, plaster or plastic; wickerwork.

35 – Advertising; business management; business administration; import-export agency services; business intermediary services relating to the matching of potential private investors with entrepreneurs needing funding; business management of performing artists; organization of exhibitions for commercial or advertising purposes; shop window dressing; commercial intermediation services; sales promotion for others; distribution of samples; dissemination of advertising matter; commercial administration of the licensing of the goods and services of others; administrative processing of purchase orders; business efficiency expert services; publication of publicity texts; publication of publicity materials and texts; providing business information via a web site; commercial information agency services; web indexing for commercial or advertising purposes; administrative assistance in responding to calls for tenders; negotiation of business contracts for others; negotiation and conclusion of commercial transactions for third parties; business project management services for construction projects; business management of reimbursement programs for others; outsourcing services [business assistance]; provision of space on web sites for advertising goods and services; computerized file management; demonstration of goods; providing business information; updating and maintenance of data in computer databases; data search in computer files for others; online advertising on a computer network; procurement services for others [purchasing goods and services for other businesses]; computerized online retail store services; providing commercial information and advice for consumers in the choice of products and services; provision of an online mar-

ketplace for buyers and sellers of goods and services; presentation of goods on communication media, for retail purposes.

42 – Scientific and technological services and research and design relating thereto; industrial analysis and industrial research services; design and development of computer hardware and software; industrial design; graphic arts design; engineering; installation of computer software; interior design; material testing; research and development of new products for others; information technology [IT] consultancy; architectural consultancy; computer software consultancy; technological consultancy; quality control; design of interior decor; conducting technical project studies; construction drafting; architectural services; technical writing; packaging design; surveying; software as a service [SaaS]; hosting computer sites [web sites]; creating and designing website-based indexes of information for others [information technology services]; creating and maintaining web sites for others; computer programming; computer technology consultancy.

(260) AM 2021 108277 A

(800) 1530833

(151) 2019 11 27

(891) 2019 11 27

(731) UPL LTD.

upl house, 610 b/2, bandra village, off western express highway, bandra (east), mumbai, maharashtra 400051, India

(540)

**KUMINA**

(591) Black, white

(531) 27.05.01

(511)

1 – Fertilizer and chemical products for use in agriculture, plant nutrient, additive chemical to fungicides, additive chemical to insecticides, flower preservatives, chemicals for forestry, phosphorus, plant growth regulating preparations, carbolineum for the protection of plant.

5 – Pesticides, insecticides, fungicides, herbicides, vermicides, rodenticides, weedicides, preparations for killing weeds and destroying vermin.

(260) AM 2021 108279 A

(800) 1530843

(151) 2020 03 05

(891) 2020 03 05

(731) OSRAM GmbH

Marcel-Breuer-Straße 6, 80807 München, Germany

(540)

**CLIQXLS**

(591) Black, white

(511)

11 – Apparatus for lighting, especially electric lamps and luminaries; lighting apparatus and systems consisting of lighting apparatus, especially lighting apparatus and systems based on light emitting diodes (LEDs), including organic light-emitting diodes, LED lamps and LED luminaries and their parts, lighting lamps and lighting apparatus and facilities consisting of lighting lamps and lighting apparatus as well as their parts (included in class 11) on basis of light emitting diodes (LED); LED-modules, namely modules constructed of LED's (inclusive organic LED's) with light functions and for lighting applications.

(260) AM 2021 108280 A

(800) 1530859

(151) 2020 02 03

(891) 2020 02 03

(731) VOLTA MOTOR SANAYİ VE TİCARET ANONİM ŞİRKETİ

MERKEZ MH. YILDIZTEPE CD. NO:10,

GÜMÜŞOVA OSB., GÜMÜŞOVA, TR-34300

DÜZCE, Turkey

(540)



(591) Black, green

(531) 03.07.17; 27.05.01; 27.05.17; 29.01.12

(511)

12 – Vehicles; apparatus for locomotion by land, air or water.

(260) AM 2021 108344 A

(800) 1531457

(151) 2020 04 03

(891) 2020 04 03

(731) ZAKRYTOE AKTSIONERNOE

OBSHCHESTVO "BRIDGETOWN FOODS"

3, Kuybishev street, Vladimir, RU-600026

Vladimirskaja oblast, Russian Federation

(540)



(591) Red, white, gray, mustard, burgundy, dark brown, brown, light brown, beige, green, dark green, light green, light blue, dark blue, black and light yellow

(531) 04.05.02; 04.05.05; 09.07.05; 11.03.03; 22.01.15; 25.03.03; 27.07.02; 28.05; 29.01.15

(511)

30 – Flour and preparations made from cereals; bread, pastries and confectionery; pancakes; bread rolls; burritos; waffles; cereal-based snack food; cakes; pastries; peanut confectionery; almond confectionery; caramels [sweets]; quiches; sweets; liquorice [confectionery]; peppermint sweets; crackers; rice cakes; dessert mousses [confectionery]; chocolate mousses; stick liquorice [confectionery]; pelmeni; cookies; petit-beurre biscuits; pies; pizzas; fondants [confectionery]; popcorn; gingerbread; puddings; rice pudding; confectionery; rusks; breadcrumbs; tacos; halvah; bread; unleavened bread; cheeseburgers [sandwiches]; chocolate.

(260) AM 2021 108345 A

(800) 1531498

(151) 2020 01 29

(891) 2020 01 29

(731) Yara International ASA

P.O. Box 343 Skøyen, N-0213 Oslo,  
Norway

(540)



(591) Black, white

(531) 18.03.01; 18.03.03

(511)

9 – Scientific, nautical, surveying, photographic, cinematographic, optical, weighing, measuring, signaling, checking (supervision), life-saving and teaching apparatus, instruments and sensors, including apparatus, instruments and sensors for measuring the chlorophyll content in plants, apparatus, instruments and sensors for measuring the fertilizer content of the soil, apparatus, instruments and sensors for measuring of crop nitrogen requirements and apparatus and instruments for measuring and dosing of fertilizers, fertilizer injection units, namely, devices connected to a water distribution line, which automatically injects a predetermined proportion of fertilizer into an irrigation system used by a greenhouse complex, apparatus, instruments and sensors for measuring precipitation, apparatus, instruments and sensors for measuring the content of minerals in the soil; computer data proces-

sing equipment and computer software for controlling and regulating the dispersion of fertilizers; automatic dose metering units for measuring, dosing and mixing of gases and fluids, comprised primarily of software, electronic control panel, sensors, injectors, flow meters, flow and pressure switches, pressure indicators and regulators, metering valves and warning unit; gas detectors; manometer; apparatus for recording, transmission or reproduction of sound or images; magnetic data carriers, recording discs; compact discs, DVDs and other digital recording media; calculating machines, data processing equipment, computers; computer software, including software for measuring of crop nitrogen requirements and software for measuring, varying and distributing of fertilizers, software for measuring chlorophyll content in plants, software for measuring fertilizer content of the soil, software for measuring the content of minerals in the soil software for measuring dosing and mixing of gas and fluids; applications (apps); apparatus, instruments and sensors for NO<sub>x</sub> and SO<sub>x</sub> emission control; laboratory apparatus, instruments and sensors for NO<sub>x</sub> and SO<sub>x</sub> abatement; computer software for measuring dosing and mixing of gas and fluids, computer software for NO<sub>x</sub> and SO<sub>x</sub> emission control, computer software for NO<sub>x</sub> and SO<sub>x</sub> abatement; measuring and controlling electronic apparatus and instruments, sensors for use in agriculture, horticulture, aquaculture and forestry and maritime services; apparatus, instruments and sensors for dispensing liquid fuels, fuel additives, chemical additives, petrol and diesel for service stations and their accessories, in particular metering devices, monitoring devices and dosage dispensers; computer software for dispensing liquid fuels, fuel additives, chemical additives, petrol and diesel for service stations and their accessories, in particular metering devices, monitoring devices and dosage dispensers.

42 – Scientific and technological services and research and design relating thereto; industrial analysis and research services; design and development of computer hardware and software; scientific and technological services relating to agriculture, horticulture, aquaculture and forestry and maritime services; industrial analysis and research services relating to agriculture, horticulture, aquaculture and forestry and maritime services; industrial analysis and research services relating to measuring the chlorophyll content in plants, measuring the fertilizer content of the soil, measuring of crop nitrogen requirements and measuring, varying and distributing of fertilizers, measuring precipitation, measuring the content of minerals in the soil, NO<sub>x</sub> and SO<sub>x</sub> emission control, NO<sub>x</sub> and SO<sub>x</sub> abatement.

(260) AM 2021 108351 A  
 (800) 1531615  
 (151) 2020 01 10  
 (891) 2020 01 10  
 (731) DENTAL-Kosmetik GmbH & Co. KG  
 Katharinenstraße 4, 01099 Dresden,  
 Germany  
 (540)

**novamed**

(591) Black, white  
 (511)  
 3 – Oral, dental and denture care products for non medical purposes.

5 – Oral, dental and denture care products for medical purposes; pharmaceutical products and preparations for health care, namely for oral mucosa and dental prophylaxis; dental fillers and impression materials for dental purposes.

(260) AM 2021 108352 A  
 (800) 1531664  
 (151) 2020 04 01  
 (891) 2020 04 01  
 (731) JBP KOREA Co., Ltd.  
 (Gaepo-dong, Seoul Gangnam Postal Bldg.),  
 6th Floor, Gaepo-ro 619, Gangnam-gu,  
 Seoul, Republic of Korea

(540)

 **Nanoneedle**

(591) The colors RED, LIGHT ORANGE, DARK ORANGE and BLACK are claimed as a feature of the mark

(531) 27.05.09; 27.05.10; 29.01.14

(511)  
 10 – Medical apparatus and instruments; injectors for medical purposes; injection needles for medical use; thread for medical use; lifting thread for medical purposes; biomaterials made of artificial material for dermatology; implants made of artificial material for skin regeneration; medical apparatus for injecting fillers.

(260) AM 2021 108355 A  
 (800) 1531771  
 (151) 2020 04 27  
 (891) 2020 04 27  
 (731) BLACKCAT TIRE (FUJIAN) CO., LTD  
 No.1 Dangan Road, Dingban Village,  
 Xiyuan Town, Zhangping City, 364413 Fujian  
 Province, China

(540)



**BLACK CAT**

(591) Black, white  
 (531) 03.01.06; 03.01.16; 03.01.24  
 (511)  
 12 – Outer tube of pneumatic tyre; inner tubes (repair outfits for -); airplane tyre; bicycle inner tube.

(260) AM 2021 108366 A  
 (800) 1532127  
 (151) 2020 04 08  
 (891) 2020 04 08  
 (731) Zoetis Services LLC  
 10 Sylvan Way, Parsippany NJ 07054, USA

(540)



(591) Black, white  
 (531) 02.09.25; 15.07.01; 16.03.03; 19.07.25;  
 19.13.01; 19.13.21; 24.15.03; 26.02.07

(511)  
 44 – Providing information and advice in the field of animal health and veterinary medicine, livestock and companion animal genetics, livestock and companion animal diagnostics and treatments, livestock and companion animal nutrition, animal husbandry and livestock production, and veterinary practice management.

(260) AM 2021 108368 A  
 (800) 1532159  
 (151) 2020 03 10  
 (891) 2020 03 10  
 (731) ZHEJIANG GEELY HOLDING GROUP CO., LTD.  
 1760 Jiangling Road, Binjiang District,  
 Hangzhou, Zhejiang, China

(540)

**48VEMS**

(591) Black, white  
 (531) 27.05.01; 27.07.01

(511)

12 – Electric vehicles; vehicles for locomotion by land, air, water or rail; gear boxes for land vehicles; propulsion mechanisms for land vehicles; motorcycles; automobiles; automobile chassis; tyres for vehicle wheels; brakes for vehicles; vehicle seats.

(260) AM 2021 108369 A

(800) 1532183

(151) 2020 03 10

(891) 2020 03 10

(731) Celgene Corporation

86 Morris Avenue, Summit NJ 07901, USA

(540)

**Reblozyl** 

(591) Purple and pink

(531) 24.17.02; 26.01.06; 29.01.12

(511)

5 – Pharmaceutical preparations for use in the treatment of anemia, beta thalassemia, myelodysplastic syndromes, autoinflammatory disease, autoimmune disease, blood disease, cancer, arthritis, musculoskeletal and skin diseases in the fields of oncology, immunology and inflammation; pharmaceutical preparations, namely, cytokine inhibitory drugs; pharmaceutical preparations that modulate the immune system; pharmaceutical preparations for use in the treatment of anemia, beta thalassemia, blood disease, cancer.

(260) AM 2021 108370 A

(800) 1532211

(151) 2020 03 30

(891) 2020 03 30

(731) DANHSON-BG OOD

St. "Otets Paisiy" 26, BG-2400 Radomir, Bulgaria

(540)

**ХИГИЛИН HIGILIN**

(591) Black, white

(531) 28.05

(511)

5 – Astringents [pharmaceutical]; antibacterial soap; anti-bacterial preparations; balms for pharmaceutical purposes; veterinary preparations and substances; feminine hygiene products; disinfectants and antiseptics; alcohol-based antibacterial skin sanitizer gels; disinfectants for veterinary use; disinfectants for medical use; disinfectant soap; detergents for medical purposes; body creams [medicated]; medicated and sanitising soaps and detergents; medicine; medical preparations; feminine hygiene products; sanitary preparations and articles; pharmaceuticals; pharmaceutical

drugs; pharmaceutical compositions; pharmaceutical preparations and substances; pharmaceutical creams; chemico-pharmaceutical preparations; hygienic preparations for veterinary use; chemical preparations for sanitary purposes.

(260) AM 2021 108372 A

(800) 429839

(151) 1977 03 29

(891) 2020 04 17

(731) PIERREL SpA

Strada Statale Appia, 7/bis 46/48, I-81043 CAPUA (CE), Italy

(540)

**PIERREL**

(591) Black, white

(531) 27.05.17

(511)

5 – Pharmaceutical products, proprietary medicines, zootechnical, veterinary and sanitary products, dietetic products for children and the sick (including chocolate tablets), materials for dressings, products for filling teeth and for dental impressions, preparations for destroying weeds and vermin, various lotions for animals; mouthwashes, powders and adhesive pastes for dental prostheses; tampons.

(260) AM 2021 108374 A

(800) 851915

(151) 2004 10 19

(891) 2019 10 04

(731) IL BISONTE S.P.A.

Via del Parione, 11, I-50123 FIRENZE, Italy

(540)



(591) Black, white

(531) 01.01.01; 01.01.02; 03.04.01; 03.04.04; 27.01.01

(511)

9 – Spectacles, spectacle cases.

14 – Timepieces, jewelry.

18 – Leather and imitation leather, goods made of these materials not included in other classes; animal skins and hides; trunks and suitcases; umbrellas, parasols and walking sticks; whips and saddlery.

25 – Clothing, footwear, headgear.

(260) AM 2021 108437 A

(800) 1532355

(151) 2020 03 12

(891) 2020 03 12

(731) Vetprom AD

St. "Otets Paisiy" 26, BG-2400 Radomir,  
Bulgaria

(540)

**ДИКЛОФАРМ DICLOPHARM**

(591) Black, white

(531) 28.05

(511)

5 – Alcohol for pharmaceutical purposes; amino acids for medical purposes; analgesics; anaesthetics; antibiotics; antiseptics; bacterial preparations for medical and veterinary use; bacteriological preparations for medical and veterinary use, bactericides; balms for medical purposes; balsamic preparations for medical purposes; albuminous preparations for medical purposes; pain relief medications; biological preparations for medical purposes; veterinary preparations; vitamin preparations; mouthwashes for medical purposes; glucose for medical purposes; dietetic substances adapted for medical use; dietetic beverages adapted for medical purposes; dietetic foods adapted for medical purposes; elixirs [pharmaceutical preparations]; enzymes for medical purposes; enzyme dietary supplements; medicines; medicines for veterinary purposes; medicines for human purposes; liniments; mineral nutritional supplements; decoctions for pharmaceutical purposes; syrups for pharmaceutical purposes; tinctures for medical purposes; pharmaceutical preparations; chemico-pharmaceutical preparations; chemical preparations for medical purposes; chemical preparations for pharmaceutical purposes; food supplements; dietary supplements for animals; infant formula; herbicides, cachets for pharmaceutical purposes; sedatives.

(260) AM 2021 108443 A

(800) 1532388

(151) 2020 03 11

(891) 2020 03 11

(731) SMOGMOON TOBACCO TÛTÛN

MAMÛLLERİ, SANAYİ TİCARET LİMİTED  
ŞİRKETİ

Yalınca Mah. Yalınca Rize Cad., No:105  
İç Kapı No:1 Ortahisar, Trabzon, Turkey

(540)

**SMOGMÖON**

(591) Gold, grey

(531) 01.15.11; 27.05.01; 29.01.12

(511)

34 – Tobacco, chewing tobacco, cigarettes, cigars; smokers' articles including those made of precious metals; pipes, mouthpieces for cigars and cigarettes, ashtrays, tobacco boxes, pocket apparatus for rolling cigarettes, cigarette paper, tobacco pipes, firestones, lighters for smokers, electronic cigarettes and cartridges for electronic cigarettes; matches.

(260) AM 2021 108445 A

(800) 1532414

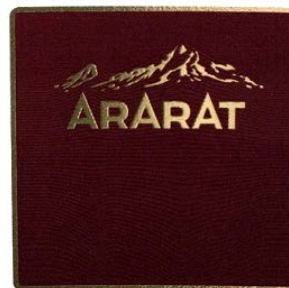
(151) 2020 02 25

(891) 2020 02 25

(731) Yerevan Brandy Company, CJSC

Admiral Isakov Avenue 2, 0082 Yerevan,  
Armenia

(540)



(591) Gold and burgundy

(531) 06.01.02; 06.01.04; 25.01.15; 25.07.15;  
27.05.10; 29.01.12

(511)

33 – Armenian brandy; brandy, vodka, fruit vodka; wines; whiskey, alcoholic drinks; cider; herbs bitter, anise-flavored liqueur, anise-flavored vodka, aperitifs, distilled drinks, cocktails; gin, rum, liqueurs; alcoholic drinks, alcoholic spirit (essences), alcohol solvents, alcoholic drinks containing fruit.

(260) AM 2021 108446 A

(800) 1532421

(151) 2020 03 12

(891) 2020 03 12

(731) SERHAT İTHALAT VE PAZARLAMA  
ANONİM ŞİRKETİ

Evren Mh. Gülbahar Cd. No:9 K:6,  
Bağcılar, İSTANBUL, Turkey

(540)

**DAVID GUNER**

(591) Black, white

(511)

14 – Jewellery; imitation jewellery; gold; precious stones and jewellery made thereof; cufflinks; tie pins; statuettes and figurines of precious metal; clocks, watches and chronometrical instruments; chronometers and their parts; watch straps.

(260) AM 2021 108447 A

(800) 1532482

(151) 2020 04 27

(891) 2020 04 27

(731) YIWU XILIN MACHINERY CO., LTD.  
Room 302, No. 1, Building 33, Futian Second  
District, Futian Community, Futian Street,  
Yiwu City, Zhejiang Province, China

(540)



(591) Black, white

(531) 26.03.05; 26.04.22; 27.05.01; 27.05.10;  
27.05.24

(526) DISCOVER YOUR POWER

(511)

7 – Welding machines, electric; washing apparatus; spraying machines; jacks [machines]; pumps [parts of machines, engines or motors]; electric hand drills; lawnmowers [machines]; gasoline engines not for land vehicles; circular saw blades being parts of machines; air brushes for applying colour; hydraulic jacks; thermic lances [machines]; dust exhausting installations for cleaning purposes; mixing machines; dynamos; compressed air pumps; painting machines; hoists; angle grinder.

(260) AM 2021 108458 A

(800) 1532777

(151) 2020 03 16

(891) 2020 03 16

(731) KRKA, tovarna zdravil, d.d., Novo mesto  
Šmarješka cesta 6, SI-8000 Novo mesto,  
Slovenia

(540)

**FINGOMED**

(591) Black, white

(511)

5 – Pharmaceutical preparations.

(260) AM 2021 108459 A

(800) 1532783

(151) 2019 12 13

(891) 2019 12 13

(731) SNAM S.P.A.  
Piazza Santa Barbara, 7; I-20097 San Donato  
Milanese (MI), Italy

(540)



(591) White, Blue, Light blue, Green

(531) 26.01.03; 26.01.12; 26.01.18; 26.01.24;  
27.05.24; 29.01.13

(511)

1 – Solidified gases for industrial purposes; gases for use as blowing agents; test gases; industrial gases; industrial gases for use in electronics; inert gases for industrial use; gas in dissolved form for industrial use; gas in liquid form for industrial use; oxidising gases; gases for industrial purposes; gases for use in refrigeration systems; gases for industrial use; rare gases other than for medical use; synthetic gas for industrial use; solidified gases for industrial purposes; gaseous hydrocarbons; gas mixtures for use in industry; chemicals for use in the gas industry.

4 – Gaseous fuels; butane gas for use as a fuel; fuel gas; gas for lighting; oil-gas; coal gas; landfill gas; liquefied petroleum gas; liquefied petroleum gases to be used for domestic purposes; liquefied petroleum gases to be used for industrial purposes; liquefied natural gas; liquefied gas; liquid gas; liquefied natural gas; natural gas; gas oil for domestic heating; gas oil for industrial heating; gases for use in cooking; gases for use in heating; gases for flame heating; producer gas; propane gas sold in cylinders for use in torches; synthetic gas [fuel]; solidified gases [fuel]; gas mixtures; combustible substances for use in heating apparatus.

6 – Steel cylinders for compressed gas; metal bottles for compressed gas; pressure gas cylinders made of metal; gas cylinders made of metal; cylinders of metal for use with compressed gas; cylinders of metal for gas; metal cylinders for compressed gas or liquids [empty]; ducts made of metal for trunking conduits for gases; ducts made of metal for trunking pipes for gases; containers of metal for liquid gas; containers made of metal for use in the storage of gases; pressure gas vials made of metal; elbows of metal for connecting gas piping to gas appliances; metal gas pipe parts; containers of metal for compressed gas or liquid air; tanks of metal for the transportation of compressed gases; tanks of metal for the transportation of liquefied gases; tanks of metal for the storage of compressed gases; gas storage tanks of metal; metal pipes for liquid and gas transfer; metal tubes for gas; metal valves for controlling the flow of gases in pipelines.

7 – Electric soldering apparatus; compressors for gases; gas converters; filters for gases [machines]; aerators; inert gas generators [machines]; gas welding machines; pumps for the extraction of gases [machines]; gas-operated soldering irons; blowing machines for the compression, exhaustion and transport of gases; fuel economisers for motors and engines.

9 – Recorded computer software; protection devices for personal use against accidents.

11 – Friction lighters for igniting gas; gas lighters; regulating and safety accessories for gas apparatus; regulating and safety accessories for gas pipes; regulating accessories for water or gas apparatus and pipes; safety accessories for water or gas apparatus and pipes; feeding apparatus for heating boilers; gas operated apparatus for cooking; gas pre-heating apparatus for industrial use; regulating apparatus for gas pipe installations; gas operated apparatus for heating; gas space heaters; heating apparatus for gaseous fuels; gas recovery apparatus; gas purifying apparatus; gas scrubbing apparatus; gas boilers; gas boilers [other than parts of machines]; gas fired boilers for producing domestic hot water; gas condensers, other than parts of machines; flues and installations for conveying exhaust gases; gas scrubbers [parts of gas installations]; gas operated devices used in cooling; pressure controllers [regulators] for gas pipes; gas regulators; regulating apparatus for gas apparatus; pressure supervision apparatus [safety apparatus for gas apparatus]; gas operated devices used in boiling; gas operated devices used in drying; gas scrubbers [parts of gas installations]; gas purifying devices; filters for gas extractors; filters for gases [household or industrial installations]; gas fired furnaces; gas fires; gas ovens; gas heat generators; cooling installations for gas; heating installations for use with gaseous fuels; gas fired heating installations; gas fired space heating apparatus; gas fuelled central heating installations; gas fired heating installations; installations for the burning off of gases; installations for controlling the flow of gases; processing installations for fuel and nuclear moderating material; gas scrubbing and purifying apparatus; installations for the collection of gases; gas purification installations; electrostatic precipitators for cleaning gases; gas scrubbing and purifying apparatus; gas operated apparatus for heating; reactors for gas reactions; reactors for gas-solids reactions; taps [cocks, spigots] [faucets (am.)] for pipes; boiler pipes [tubes] for heating installations.

35 – Gas meter reading for billing purposes.

37 – Construction of structures for the storage of natural gas; construction of structures for the transportation of natural gas; construction of structures for the production of natural gas; extraction of gas; machinery installation, maintenance and repair; installation of gas supply and distribution apparatus; installation of gas and water pipelines; installation of pipe systems for conducting of gases; beneath ground construction work relating to gas supply mains; beneath ground construction work relating to gas supply pipes; plumbing and gas and water installation; maintenance and repair of gas turbines; rental of gas or air compressors; boiler cleaning and repair; grout reinforcement for gas platforms; emergency servicing of gas supply apparatus; repair of gas cylinders; repair of gas supply systems; maintenance and repair of gas and electricity installations; repair or maintenance of gas water heaters;

natural gas refuelling service for motor vehicles; drilling of deep oil or gas wells; gas drilling; oil and gas drilling; construction of prospecting pipelines; plant maintenance; construction of pipelines; building of underground structures; civil engineering construction; beneath ground construction work relating to pipework; construction of water supply systems; beneath ground construction work relating to water supply mains.

39 – Storage of gaseous fuels; electricity distribution; distribution of energy; distribution of gas; gas supplying [distribution]; gas storage services; storage of gas; storage of liquefied natural gas on ships; pipeline transport of gases; transport of liquefied natural gas by sea; transportation of dry gas; transport and distribution of natural gas and liquefied gas; marine transport of liquefied natural gas.

40 – Filtration of gases; incineration of gases; petroleum gas liquefaction; natural gas liquefaction services; energy production; generation of gas and electricity; purification of gases; refining of gas; recovery of hydrocarbons from gas; recycling of chlorofluorocarbon (CFC) containing gases; recycling of insulating gases from freezers; recycling of insulating gases from refrigerators; recycling of insulating gases from air conditioning plant; gas compression services; gas manufacture services; gas production services; chemical treatment of exhaust gases from fossil fuel combustion; processing of gas and oil; treatment of hazardous gases; processing of dry gas.

42 – Conducting feasibility studies relative to gas exploitation; conducting feasibility studies relative to gas exploration; exploration and searching of oil and gas; geophysical exploration for the oil, gas and mining industries; monitoring of contaminated land for gas; technical design and planning of pipelines for gas, water and waste water; exploration of gas and oil; geophysical exploration for the gas industry; exploration services to locate gas; gas exploration; engineering services relating to gas transport and supply systems; engineering services in the field of electrical power and natural gas production; engineering services for the gas industry; research in relation to energy sources of all kinds; engineering design; design of storage systems; engineering services; civil engineering.

(260) AM 2021 108634 A

(800) 1535204

(151) 2019 08 26

(891) 2019 08 26

(731) Obshchestvo s ogranichennoy otvetstvennostyu

"MotoVeloZavod"

pr-t Partizanskiy, d. 8, korp. 28, kab. 15,

220033 Minsk, Belarus

(540)

**AIST**



(591) Black, white

(511)

9 – Measuring, signalling, checking [supervision] apparatus and instruments; measures; distance measuring apparatus; speed indicators; bicycle speedometers; apparatus and instruments for conducting, switching, transforming, accumulating, regulating or controlling electricity; accumulators; bicycle accumulators; data processing apparatus; computers; bike computers; eyeglasses; sunglasses; goggles for sports; eyeglasses for cyclists; protective hard hat (protective and safety equipment); headgear being protective helmets; head guards for sports; protective helmets; protective helmets for sports; protective helmets for cyclists.

12 – Vehicles; apparatus for locomotion by land; electric vehicles; remote control vehicles, other than toys; bicycles; electric bicycles; run bikes [balance bikes]; scooters [vehicles]; motorcycles; mopeds; motor scooters; quad bikes [vehicles]; push scooters [vehicles]; self-balancing scooters; self-balancing electric unicycles; parts and accessories of bicycles, electric bicycles, run bikes [balance bikes], scooters [vehicles], motorcycles, mopeds, motor scooters, quad bikes [vehicles], push scooters [vehicles], self-balancing scooters, self-balancing electric unicycles, included in this class; repair outfits for inner tubes.

28 – Sporting articles; machines for physical exercises; stationary exercise bicycles; apparatus for games and sports; tricycles for infants [toys]; scooters [toys]; run bikes [toys].

---

**INTERNATIONAL TRADEMARKS PROTECTED IN GEORGIA**

(260) AM 2021 102286 A  
(800) 1456499  
(151) 2018 11 15  
(181) 2028 11 15  
(891) 2018 11 15  
(511) 12, 35, 36, 39

---

(260) AM 2021 103408 A  
(800) 1469417  
(151) 2018 11 14  
(181) 2028 11 14  
(891) 2018 11 14  
(511) 01, 02, 04, 05, 06, 07, 09, 11, 12, 14, 16, 17, 18,  
19, 20, 25, 28, 35, 36, 37, 38, 39, 40, 41, 42, 43,  
45

---

(260) AM 2021 103606 A  
(800) 1471639  
(151) 2018 12 19  
(181) 2028 12 19  
(891) 2018 12 19  
(511) 04, 07, 09, 12, 35, 37

---

(260) AM 2021 103636 A  
(800) 1472297  
(151) 2019 01 02  
(181) 2029 01 02  
(891) 2019 01 02  
(511) 05, 38, 42, 44

---

(260) AM 2021 104239 A  
(800) 1478534  
(151) 2019 05 08  
(181) 2029 05 08  
(891) 2019 05 08  
(511) 04

---

(260) AM 2021 104247 A  
(800) 1478739  
(151) 2019 05 28  
(181) 2029 05 28  
(891) 2019 05 28  
(511) 42

---

(260) AM 2021 106146 A  
(800) 1095763  
(151) 2011 09 29  
(181) 2021 09 29

(891) 2019 11 21  
(511) 25

---

(260) AM 2021 106200 A  
(800) 1503711  
(151) 2019 06 28  
(181) 2029 06 28  
(891) 2019 06 28  
(511) 44

---

(260) AM 2021 106232 A  
(800) 1504385  
(151) 2019 10 10  
(181) 2029 10 10  
(891) 2019 10 10  
(511) 33

---

(260) AM 2021 106235 A  
(800) 1504422  
(151) 2019 10 31  
(181) 2029 10 31  
(891) 2019 10 31  
(511) 35

---

(260) AM 2021 106342 A  
(800) 1505331  
(151) 2019 09 19  
(181) 2029 09 19  
(891) 2019 09 19  
(511) 09

---

(260) AM 2021 106347 A  
(800) 1505389  
(151) 2019 10 21  
(181) 2029 10 21  
(891) 2019 10 21  
(511) 09, 28

---

(260) AM 2021 106387 A  
(800) 239091  
(151) 1961 01 07  
(181) 2021 01 07  
(891) 2019 12 03  
(511) 05, 30

---

(260) AM 2021 106395 A  
(800) 1399837  
(151) 2017 09 18  
(181) 2027 09 18  
(891) 2019 07 03  
(511) 25, 35

---

(260) AM 2021 106438 A  
(800) 1506344  
(151) 2019 11 12  
(181) 2029 11 12  
(891) 2019 11 12  
(511) 03

---

(260) AM 2021 106439 A  
(800) 1506405  
(151) 2019 11 15  
(181) 2029 11 15  
(891) 2019 11 15  
(511) 30

---

(260) AM 2021 106440 A  
(800) 1506421  
(151) 2019 10 17  
(181) 2029 10 17  
(891) 2019 10 17  
(511) 12

---

(260) AM 2021 106446 A  
(800) 1506479  
(151) 2019 08 09  
(181) 2029 08 09  
(891) 2019 08 09  
(511) 05

---

(260) AM 2021 106447 A  
(800) 1506510  
(151) 2019 11 28  
(181) 2029 11 28  
(891) 2019 11 28  
(511) 09, 42

---

(260) AM 2021 106448 A  
(800) 1506540  
(151) 2019 11 06  
(181) 2029 11 06  
(891) 2019 11 06  
(511) 31

---

(260) AM 2021 106449 A  
(800) 1506565  
(151) 2019 09 27

(181) 2029 09 27  
(891) 2019 09 27  
(511) 05, 32

---

(260) AM 2021 106450 A  
(800) 1506653  
(151) 2019 08 06  
(181) 2029 08 06  
(891) 2019 08 06  
(511) 25, 35

---

(260) AM 2021 106452 A  
(800) 1506738  
(151) 2019 12 03  
(181) 2029 12 03  
(891) 2019 12 03  
(511) 07

---

(260) AM 2021 106453 A  
(800) 1506755  
(151) 2019 09 25  
(181) 2029 09 25  
(891) 2019 09 25  
(511) 24

---

(260) AM 2021 106460 A  
(800) 1506897  
(151) 2019 09 05  
(181) 2029 09 05  
(891) 2019 09 05  
(511) 29, 30

---

(260) AM 2021 106462 A  
(800) 1506932  
(151) 2019 10 22  
(181) 2029 10 22  
(891) 2019 10 22  
(511) 25

---

(260) AM 2021 106466 A  
(800) 1506990  
(151) 2019 10 30  
(181) 2029 10 30  
(891) 2019 10 30  
(511) 43

---

(260) AM 2021 106477 A  
(800) 1507311  
(151) 2019 11 22  
(181) 2029 11 22  
(891) 2019 11 22  
(511) 03, 41, 44

---

(260) AM 2021 106478 A  
(800) 1507340  
(151) 2019 11 18  
(181) 2029 11 18  
(891) 2019 11 18  
(511) 03

---

(260) AM 2021 106480 A  
(800) 1507373  
(151) 2019 06 17  
(181) 2029 06 17  
(891) 2019 06 17  
(511) 06, 11

---

(260) AM 2021 106481 A  
(800) 1507409  
(151) 2019 11 06  
(181) 2029 11 06  
(891) 2019 11 06  
(511) 31

---

(260) AM 2021 106482 A  
(800) 1507496  
(151) 2019 05 31  
(181) 2029 05 31  
(891) 2019 05 31  
(511) 29, 32

---

(260) AM 2021 106483 A  
(800) 1507500  
(151) 2019 06 26  
(181) 2029 06 26  
(891) 2019 06 26  
(511) 09, 11

---

(260) AM 2021 106484 A  
(800) 1507516  
(151) 2019 10 25  
(181) 2029 10 25  
(891) 2019 10 25  
(511) 09

---

(260) AM 2021 106485 A  
(800) 1507600  
(151) 2019 09 12  
(181) 2029 09 12  
(891) 2019 09 12  
(511) 09, 28, 35, 36, 41, 42

---

(260) AM 2021 106486 A  
(800) 1507606  
(151) 2019 07 29

(181) 2029 07 29  
(891) 2019 07 29  
(511) 35

---

(260) AM 2021 106493 A  
(800) 964285  
(151) 2007 10 19  
(181) 2027 10 19  
(891) 2019 12 11  
(511) 03, 05, 10, 21, 42

---

(260) AM 2021 106501 A  
(800) 1353561  
(151) 2017 03 29  
(181) 2027 03 29  
(891) 2019 12 17  
(511) 32, 33

---

(260) AM 2021 106502 A  
(800) 1385571  
(151) 2017 09 27  
(181) 2027 09 27  
(891) 2019 11 14  
(511) 32, 33, 43

---

(260) AM 2021 106503 A  
(800) 1415314  
(151) 2018 04 04  
(181) 2028 04 04  
(891) 2019 12 12  
(511) 03, 05

---

(260) AM 2021 106504 A  
(800) 1434583  
(151) 2018 08 10  
(181) 2028 08 10  
(891) 2019 08 09  
(511) 32

---

(260) AM 2021 106505 A  
(800) 1493601  
(151) 2019 09 25  
(181) 2029 09 25  
(891) 2019 12 10  
(511) 34

---

(260) AM 2021 106506 A  
(800) 1494251  
(151) 2019 07 17  
(181) 2029 07 17  
(891) 2019 12 12  
(511) 11

---

(260) AM 2021 106507 A  
(800) 1495159  
(151) 2019 09 11  
(181) 2029 09 11  
(891) 2019 12 12  
(511) 05, 10

---

(260) AM 2021 106535 A  
(800) 1507797  
(151) 2019 11 15  
(181) 2029 11 15  
(891) 2019 11 15  
(511) 05

---

(260) AM 2021 106556 A  
(800) 1508335  
(151) 2019 10 31  
(181) 2029 10 31  
(891) 2019 10 31  
(511) 02

---

(260) AM 2021 106557 A  
(800) 1508349  
(151) 2019 07 16  
(181) 2029 07 16  
(891) 2019 07 16  
(511) 05

---

(260) AM 2021 106565 A  
(800) 1508523  
(151) 2019 09 14  
(181) 2029 09 14  
(891) 2019 09 14  
(511) 12, 17

---

(260) AM 2021 106566 A  
(800) 1508524  
(151) 2019 11 11  
(181) 2029 11 11  
(891) 2019 11 11  
(511) 09

---

(260) AM 2021 106567 A  
(800) 1508533  
(151) 2019 12 03  
(181) 2029 12 03  
(891) 2019 12 03  
(511) 09

---

(260) AM 2021 106568 A  
(800) 1508555  
(151) 2019 10 14

(181) 2029 10 14  
(891) 2019 10 14  
(511) 17, 19

---

(260) AM 2021 106580 A  
(800) 1332548  
(151) 2016 06 10  
(181) 2026 06 10  
(891) 2019 12 13  
(511) 04, 07, 09, 11

---

(260) AM 2021 106581 A  
(800) 1433509  
(151) 2018 05 11  
(181) 2028 05 11  
(891) 2019 08 19  
(511) 29, 30, 32

---

(260) AM 2021 106583 A  
(800) 1463202  
(151) 2019 03 04  
(181) 2029 03 04  
(891) 2019 12 20  
(511) 12

---

(260) AM 2021 106631 A  
(800) 1509272  
(151) 2019 10 24  
(181) 2029 10 24  
(891) 2019 10 24  
(511) 05

---

(260) AM 2021 106632 A  
(800) 1509278  
(151) 2019 12 13  
(181) 2029 12 13  
(891) 2019 12 13  
(511) 06, 07, 08, 09

---

(260) AM 2021 106633 A  
(800) 1509304  
(151) 2019 11 11  
(181) 2029 11 11  
(891) 2019 11 11  
(511) 05

---

(260) AM 2021 106634 A  
(800) 1509348  
(151) 2019 07 22  
(181) 2029 07 22  
(891) 2019 07 22  
(511) 35, 36

---

(260) AM 2021 106635 A  
(800) 1509368  
(151) 2019 07 19  
(181) 2029 07 19  
(891) 2019 07 19  
(511) 05, 29, 30

---

(260) AM 2021 106636 A  
(800) 1509371  
(151) 2019 07 10  
(181) 2029 07 10  
(891) 2019 07 10  
(511) 29, 30

---

(260) AM 2021 106638 A  
(800) 1509403  
(151) 2019 07 10  
(181) 2029 07 10  
(891) 2019 07 10  
(511) 29, 30

---

(260) AM 2021 106639 A  
(800) 471656  
(151) 1982 08 27  
(181) 2022 08 27  
(891) 2019 12 05  
(511) 32

---

(260) AM 2021 106704 A  
(800) 1509806  
(151) 2019 11 26  
(181) 2029 11 26  
(891) 2019 11 26  
(511) 05

---

(260) AM 2021 106729 A  
(800) 1510221  
(151) 2019 11 13  
(181) 2029 11 13  
(891) 2019 11 13  
(511) 30, 43

---

(260) AM 2021 106732 A  
(800) 1510243  
(151) 2019 07 16  
(181) 2029 07 16  
(891) 2019 07 16  
(511) 30

---

(260) AM 2021 106733 A  
(800) 1510253  
(151) 2019 11 26

(181) 2029 11 26  
(891) 2019 11 26  
(511) 05

---

(260) AM 2021 106734 A  
(800) 1510269  
(151) 2019 10 23  
(181) 2029 10 23  
(891) 2019 10 23  
(511) 09

---

(260) AM 2021 106735 A  
(800) 1510350  
(151) 2019 09 27  
(181) 2029 09 27  
(891) 2019 09 27  
(511) 30

---

(260) AM 2021 106736 A  
(800) 1510351  
(151) 2019 09 11  
(181) 2029 09 11  
(891) 2019 09 11  
(511) 03, 05, 35

---

(260) AM 2021 106743 A  
(800) 1074351  
(151) 2011 02 08  
(181) 2021 02 08  
(891) 2020 01 08  
(511) 09, 25

---

(260) AM 2021 106746 A  
(800) 1416717  
(151) 2018 01 05  
(181) 2028 01 05  
(891) 2019 12 18  
(511) 09, 14, 18

---

(260) AM 2021 106747 A  
(800) 1418248  
(151) 2017 12 27  
(181) 2027 12 27  
(891) 2019 07 31  
(511) 20

---

(260) AM 2021 106748 A  
(800) 1470751  
(151) 2019 01 18  
(181) 2029 01 18  
(891) 2019 12 11  
(511) 03, 04, 09, 14, 16, 18, 21

---

(260) AM 2021 106850 A  
(800) 1510530  
(151) 2019 10 25  
(181) 2029 10 25  
(891) 2019 10 25  
(511) 23

---

(260) AM 2021 106851 A  
(800) 1510618  
(151) 2019 11 26  
(181) 2029 11 26  
(891) 2019 11 26  
(511) 05

---

(260) AM 2021 106853 A  
(800) 1510646  
(151) 2019 11 26  
(181) 2029 11 26  
(891) 2019 11 26  
(511) 05

---

(260) AM 2021 106854 A  
(800) 1510658  
(151) 2019 12 11  
(181) 2029 12 11  
(891) 2019 12 11  
(511) 05

---

(260) AM 2021 106870 A  
(800) 1510955  
(151) 2019 12 16  
(181) 2029 12 16  
(891) 2019 12 16  
(511) 09

---

(260) AM 2021 106875 A  
(800) 1511013  
(151) 2019 11 18  
(181) 2029 11 18  
(891) 2019 11 18  
(511) 09, 14, 18, 25

---

(260) AM 2021 106876 A  
(800) 1511020  
(151) 2019 11 15  
(181) 2029 11 15  
(891) 2019 11 15  
(511) 05

---

(260) AM 2021 106920 A  
(800) 870597  
(151) 2004 09 02

(181) 2024 09 02  
(891) 2020 01 09  
(511) 35, 36, 41, 42

---

(260) AM 2021 106921 A  
(800) 959897  
(151) 2007 12 27  
(181) 2027 12 27  
(891) 2019 11 21  
(511) 30

---

(260) AM 2021 106922 A  
(800) 1042376  
(151) 2010 05 17  
(181) 2020 05 17  
(891) 2019 12 12  
(511) 03, 05, 44

---

(260) AM 2021 106923 A  
(800) 1088951  
(151) 2011 06 20  
(181) 2021 06 20  
(891) 2020 01 13  
(511) 29, 30, 32

---

(260) AM 2021 106924 A  
(800) 1350798  
(151) 2017 02 24  
(181) 2027 02 24  
(891) 2019 12 20  
(511) 31

---

(260) AM 2021 106925 A  
(800) 1372811  
(151) 2017 09 08  
(181) 2027 09 08  
(891) 2019 11 26  
(511) 09, 42

---

(260) AM 2021 106927 A  
(800) 1438975  
(151) 2018 10 12  
(181) 2028 10 12  
(891) 2019 12 24  
(511) 03

---

(260) AM 2021 106928 A  
(800) 1479796  
(151) 2019 03 11  
(181) 2029 03 11  
(891) 2020 01 15  
(511) 09

---

(260) AM 2021 106929 A  
(800) 1503883  
(151) 2019 10 30  
(181) 2029 10 30  
(891) 2020 01 16  
(511) 09, 11

---

(260) AM 2021 106991 A  
(800) 1512573  
(151) 2019 09 20  
(181) 2029 09 20  
(891) 2019 09 20  
(511) 05

---

(260) AM 2021 106998 A  
(800) 1512790  
(151) 2019 11 14  
(181) 2029 11 14  
(891) 2019 11 14  
(511) 12, 37

---

(260) AM 2021 107199 A  
(800) 1515023  
(151) 2019 12 27  
(181) 2029 12 27  
(891) 2019 12 27  
(511) 29, 30, 31

---

(260) AM 2021 107409 A  
(800) 1517599  
(151) 2020 01 09  
(181) 2030 01 09  
(891) 2020 01 09  
(511) 14

---

(260) AM 2021 107410 A  
(800) 1517648  
(151) 2019 05 20  
(181) 2029 05 20  
(891) 2019 05 20  
(511) 29, 30, 43

---

(260) AM 2021 107411 A  
(800) 1517651  
(151) 2019 05 20  
(181) 2029 05 20  
(891) 2019 05 20  
(511) 29, 30, 43

---

(260) AM 2021 107412 A  
(800) 1517660  
(151) 2019 05 03

(181) 2029 05 03  
(891) 2019 05 03  
(511) 29, 30, 43

---

(260) AM 2021 107413 A  
(800) 1517690  
(151) 2019 12 12  
(181) 2029 12 12  
(891) 2019 12 12  
(511) 03, 21, 29, 30, 31, 32, 33, 43, 45

---

(260) AM 2021 107415 A  
(800) 1517744  
(151) 2019 11 22  
(181) 2029 11 22  
(891) 2019 11 22  
(511) 06, 11, 17, 19, 35, 37, 42

---

(260) AM 2021 107416 A  
(800) 1517795  
(151) 2019 11 26  
(181) 2029 11 26  
(891) 2019 11 26  
(511) 07, 11, 14

---

(260) AM 2021 107417 A  
(800) 1517847  
(151) 2020 01 13  
(181) 2030 01 13  
(891) 2020 01 13  
(511) 05

---

(260) AM 2021 107420 A  
(800) 1518000  
(151) 2020 01 31  
(181) 2030 01 31  
(891) 2020 01 31  
(511) 12

---

(260) AM 2021 107422 A  
(800) 1518028  
(151) 2019 09 09  
(181) 2029 09 09  
(891) 2019 09 09  
(511) 29, 30

---



---

# APPELLATIONS OF ORIGIN OF GOODS AND GEOGRAPHICAL INDICATIONS

## APPELLATIONS OF ORIGIN OF GOODS FILED IN GEORGIA FOR EXAMINATION UNDER LISBON AGREEMENT, ON THE BASIS OF THE INTERNATIONAL REGISTRATION

The decision can be appealed at the Chamber of Appeal of Sakpatenti within 3 months from the publication or at the Mtskheta District Court Administrative Cases Board (Address: №17, Samkhedro St., Mtskheta), within 1 month following the publication.

- (800) 1150  
(151) 2020 03 03  
(210) 3500  
(731) SMSA Zaitouna Société Mutuelle des Services Agricoles  
SMSA Zaitouna Société Mutuelle des Services Agricoles Rue 9 Avril Immeuble  
UTAP Tébourouk 9040 Béja, Tunisia  
(540) Huile d'Olive Tébourouk

تبرسق زي تون زيت

- (511)  
29 – Olive oil.
- 

- (800) 1151  
(151) 2020 08 07  
(210) 3501  
(731) Centro Agrícola Cantonal de Tarrazú is the holder of the appellation of origin  
TARRAZÚ, which may only be used with the authorization of the Asociación  
Consejo Administrator de origen Tarrazú San José, Tarrazú San Marcos, Upas Los  
Santos Building, located 100 north and 100 east of the San Bosco Gas Station,  
Costa Rica  
(540)

**TARRAZÚ**

- (511)  
30 – Coffee.
-

---

# OFFICIAL NOTIFICATIONS

## INVENTIONS

### EXPIRATION OF PATENT RESTORATION

(21) AP 2018 14975  
(11) P 2020 7134 B  
(73) Tamar Berberashvili;  
Habibollah Bakhtiar;  
Paata Kervalishvili  
(54) IMAGE CONVERTER  
DATE OF CANCELLATION OF PATENT: 2020 12 27  
THE TERM OF RESTORATION OF PATENT: 2021 02 10

---

### ABOLITION OF PATENTS WITH THE RIGHT TO RESTORE

(21) AP 2007 10444  
(11) P 2010 5072 B  
(73) Limited Liability Company Coordinating Distribution Center "EFCO-CASCADE"  
(54) SUNFLOWER OIL WITH INCREASED CONTENTS OF OLEINIC ACID AND METHOD FOR ITS  
RECEPTION  
DATE OF CANCELLATION OF PATENT: 2020 12 19  
THE TERM OF RESTORATION OF PATENT: 2021 12 19

---

(21) AP 2006 11203  
(11) P 2011 5246 B  
(73) Sergazy Adekenov  
(54) METHOD FOR PRODUCTION OF HYDROCHLORIDE 1(10) BETA-EPOXY-13-DIMETHYLAMINO-  
5,7 ALPHA, 6,11 BETA (H)-GUAIA-3(4)-EN-6,12-OLIDE, LYOPHILIZED ANTITUMOR  
PREPARATION "ARGLABIN"  
DATE OF CANCELLATION OF PATENT: 2020 12 21  
THE TERM OF RESTORATION OF PATENT: 2021 12 21

---

(21) AP 2007 11384  
(11) P 2012 5438 B  
(73) Les Laboratoires Servier  
(54) 3-SUBSTITUTED-[1,2,3]-BENZOTRIAZINONE COMPOUND FOR ENHANCING GLUTAMATERGIC  
SYNAPTIC RESPONSES  
DATE OF CANCELLATION OF PATENT: 2020 12 28  
THE TERM OF RESTORATION OF PATENT: 2021 12 28

---

(21) AP 2005 11830  
(11) P 2013 5824 B  
(73) Geox S.P.A.  
(54) SHOE WITH BREATHABLE AND WATERPROOF SOLE AND UPPER  
DATE OF CANCELLATION OF PATENT: 2021 01 20  
THE TERM OF RESTORATION OF PATENT: 2022 01 20

---

(21) AP 2008 11898  
(11) P 2012 5636 B  
(73) Aziende Chimiche Riunite Angelini Francesco A.C.R.A.F. S.p.A.  
(54) SLOW-RELEASE FORMULATION BASED ON GLYCOGEN AND ALGINATE ASSOCIATION  
DATE OF CANCELLATION OF PATENT: 2020 12 23  
THE TERM OF RESTORATION OF PATENT: 2021 12 23

---

(21) AP 2009 12313  
(11) P 2013 5820 B  
(73) Pierre Fabre Dermo-Cosmetique  
(54) POLYUNSATURATED FATTY ACID AND DIOL ESTER AS ANTI-ACNE AGENT  
DATE OF CANCELLATION OF PATENT: 2020 12 21  
THE TERM OF RESTORATION OF PATENT: 2021 12 21

---

(21) AP 2010 12344  
(11) P 2014 6013 B  
(73) Aziende Chimiche Riunite Angelini Francesco A.C.R.A.F. S.p.A.  
(54) CONTROLLED RELEASE PHARMACEUTICAL OR FOOD FORMULATION AND  
METHOD OF PREPARATION THEREOF  
DATE OF CANCELLATION OF PATENT: 2021 01 08  
THE TERM OF RESTORATION OF PATENT: 2022 01 08

---

(21) AP 2010 12807  
(11) P 2014 6078 B  
(73) H. Lundbeck A/S  
(54) PROCESSES FOR PHARMACEUTICALLY ACTIVE AGENT MANUFACTURE  
DATE OF CANCELLATION OF PATENT: 2020 12 20  
THE TERM OF RESTORATION OF PATENT: 2021 12 20

---

(21) AP 2011 12849  
(11) P 2014 6177 B  
(73) GB007 Inc.  
(54) PYRAZOLE COMPOUNDS AS CRTH2 ANTAGONISTS  
DATE OF CANCELLATION OF PATENT: 2021 01 24  
THE TERM OF RESTORATION OF PATENT: 2022 01 24

---

(21) AP 2011 12850  
(11) P 2017 6635 B  
(73) Geox S.P.A.  
(54) SHOE WITH WATERPROOF AND VAPOR-PERMEABLE UPPER AND SOLE  
DATE OF CANCELLATION OF PATENT: 2021 01 24  
THE TERM OF RESTORATION OF PATENT: 2022 01 24

---

(21) AP 2012 12943  
(11) P 2015 6270 B  
(73) Badur Chunashvili;  
Alexander Petrosyan  
(54) METHOD FOR REACTIVE POWER COMPENSATOR CONTROL  
DATE OF CANCELLATION OF PATENT: 2020 12 26  
THE TERM OF RESTORATION OF PATENT: 2021 12 26

---

(21) AP 2011 13169  
(11) P 2016 6508 B  
(73) Aza.Tek GMBH  
(54) RAW MATERIAL FOR PRODUCING BASALT FIBERS  
DATE OF CANCELLATION OF PATENT: 2020 12 21  
THE TERM OF RESTORATION OF PATENT: 2021 12 21

---

(21) AP 2011 13178  
(11) P 2016 6449 B  
(73) Preglem SA  
(54) TREATMENT OF PAIN ASSOCIATED WITH DISLOCATION OF BASAL ENDOMETRIUM  
DATE OF CANCELLATION OF PATENT: 2020 12 23  
THE TERM OF RESTORATION OF PATENT: 2021 12 23

---

(21) AP 2012 13179  
(11) P 2016 6576 B  
(73) Les Laboratoires Servier  
(54) NOVEL PROCESS FOR SYNTHESIZING AGOMELATINE  
DATE OF CANCELLATION OF PATENT: 2021 01 04  
THE TERM OF RESTORATION OF PATENT: 2022 01 04

---

(21) AP 2012 13180  
(11) P 2015 6365 B  
(73) Les Laboratoires Servier  
(54) NEW METHOD FOR AGOMELATINE SYNTHESIZES AND INTERMEDIATES  
DATE OF CANCELLATION OF PATENT: 2021 01 04  
THE TERM OF RESTORATION OF PATENT: 2022 01 04

---

(21) AP 2012 13204  
(11) P 2015 6332 B  
(73) GB007 Inc.  
(54) PYRAZOLES AS CRTH2 ANTAGONISTS  
DATE OF CANCELLATION OF PATENT: 2021 01 20  
THE TERM OF RESTORATION OF PATENT: 2022 01 20

---

(21) AP 2013 13329  
(11) P 2015 6334 B  
(73) Nikoloz Iakobidze;  
Nikoloz Iakobidze  
(54) DEVICE FOR PRODUCING MOLDED ARTICLES  
DATE OF CANCELLATION OF PATENT: 2020 12 18  
THE TERM OF RESTORATION OF PATENT: 2021 12 18

---

(21) AP 2012 13347  
(11) P 2017 6666 B  
(73) Crystal Lagoons (Curacao) B.V.  
(54) LOCALIZED DISINFECTION SYSTEM FOR LARGE WATER BODIES  
DATE OF CANCELLATION OF PATENT: 2020 12 19  
THE TERM OF RESTORATION OF PATENT: 2021 12 19

---

(21) AP 2012 13534  
(11) P 2017 6641 B  
(73) My Partners And Global Stars Investments (MP&GSI) LTD  
(54) ELECTRONIC CHEQUE-BASED PAYMENT SYSTEM AND METHODS TO ISSUE,  
TRANSFER, PAY AND VERIFY ELECTRONIC CHEQUES  
DATE OF CANCELLATION OF PATENT: 2020 12 28  
THE TERM OF RESTORATION OF PATENT: 2021 12 28

---

(21) AP 2015 13698  
(11) P 2016 6549 B  
(73) Jondo Togonidze  
(54) METHOD FOR GUILDING LARGESPAN BRIDGES  
DATE OF CANCELLATION OF PATENT: 2021 01 21  
THE TERM OF RESTORATION OF PATENT: 2022 01 21

---

(21) AP 2014 14150  
(11) P 2018 6906 B  
(73) Crystal Lagoons (Curacao) B.V.  
(54) SYSTEM AND METHOD FOR MAINTAINING WATER QUALITY IN LARGE WATER BODIES  
DATE OF CANCELLATION OF PATENT: 2020 12 29  
THE TERM OF RESTORATION OF PATENT: 2021 12 29

---

(21) AP 2014 14214  
(11) P 2019 7054 B  
(73) Invention Center KFT.  
(54) IRON (III) OXIDE CONTAINING SOIL-BINDING COMPOSITION  
DATE OF CANCELLATION OF PATENT: 2020 12 22  
THE TERM OF RESTORATION OF PATENT: 2021 12 22

---

(21) AP 2015 14558  
(11) P 2019 7013 B  
(73) Mega Industri Kontrol Sistemleri Tic. LTD STI  
(54) AN ELECTRONIC SYSTEM FOR PRODUCT IDENTIFICATION AND FILLING MANAGEMENT  
DATE OF CANCELLATION OF PATENT: 2020 12 31  
THE TERM OF RESTORATION OF PATENT: 2021 12 31

---

(21) AP 2017 14658  
(11) P 2019 7048 B  
(73) LEPL Raphael Dvali Institute of Mechanical Engineering  
(54) RADIAL-FORGING MACHINE FOR OBTAINING AXISYMMETRIC LONGDIMENSIONAL  
ARTICLES  
DATE OF CANCELLATION OF PATENT: 2020 12 22  
THE TERM OF RESTORATION OF PATENT: 2021 12 22

---

(21) AP 2017 14662  
(11) P 2020 7141 B  
(73) Valerian Kharitonashvili;  
Nikoloz Titvinidze  
(54) VEHICLE SPEEDOMETER  
DATE OF CANCELLATION OF PATENT: 2020 12 28  
THE TERM OF RESTORATION OF PATENT: 2021 12 28

---

(21) AP 2017 14853  
(11) P 2020 7092 B  
(73) Les Laboratoires Servier  
(54) NOVEL PHOSPHINANE AND AZAPHOSPHINANE DERIVATIVES, METHOD FOR  
PREPARING SAME AND PHARMACEUTICAL COMPOSITIONS CONTAINING SAME  
DATE OF CANCELLATION OF PATENT: 2021 01 13  
THE TERM OF RESTORATION OF PATENT: 2022 01 13

---

(21) AP 2018 14975  
(11) P 2020 7134 B  
(73) Tamar Berberashvili;  
Habibollah Bakhtiar;  
Paata Kervalishvili  
(54) IMAGE CONVERTER  
DATE OF CANCELLATION OF PATENT: 2020 12 27  
THE TERM OF RESTORATION OF PATENT: 2022 12 27

---

(21) AP 2018 14977  
(11) P 2020 7088 B  
(73) Malkhaz Akhvlediani;  
Zaur Balamsarashvili;  
Zaur Chitidze;  
Beka Beriashvili;  
Tamaz Mchedlishvili;  
Malkhaz Narimanashvili;  
Tinatin Gogishvili;  
Ramaz Tkemaladze;  
Khatuna Amkoladze;  
Vakhtang Abaishvili;  
Nino Nikvashvili  
(54) TWO-SIDED CABLE SKIDDING DEVICE WITH TWO TRACTION CABLES AND  
ADJUSTABLE CROSSWISE BEARING CLOSED CIRCUIT CABLE  
DATE OF CANCELLATION OF PATENT: 2020 12 28  
THE TERM OF RESTORATION OF PATENT: 2021 12 28

---

(21) AP 2004 8568  
(11) P 2006 4003 B  
(73) Nizhegorodski Khimiko-Farmatsevticheskij Zavod OAO "NIZHPHARM"  
(54) AGENT FOR TREATMENT OF ARTICULATION DISEASE  
DATE OF CANCELLATION OF PATENT: 2020 12 29  
THE TERM OF RESTORATION OF PATENT: 2021 12 29

---

(21) AP 2005 9505  
(11) P 2011 5256 B  
(73) Geox S.P.A.  
(54) SHOE WITH BREATHABLE AND WATERPROOF SOLE AND UPPER  
DATE OF CANCELLATION OF PATENT: 2021 01 20  
THE TERM OF RESTORATION OF PATENT: 2022 01 20

---

(21) AP 2006 9798  
(11) P 2008 4457 B  
(73) Anzor Getsadze;  
Leila Getsadze;  
David Getsadze

(54) VEGETATIVE GATHER FOR TREATMENT OF DISEASES OF THE LIVER AND THE GALL-BLADDER

DATE OF CANCELLATION OF PATENT: 2020 12 28

THE TERM OF RESTORATION OF PATENT: 2021 12 28

---

## EXPIRATION OF TERM OF RESTORATION OF PATENTS

(21) AP 2006 10166

(11) P 2009 4784 B

(73) Gilead Sciences Inc.

(54) SUSTAINED RELEASE PHARMACEUTICAL FORMULATIONS

DATE OF CANCELLATION OF PATENT: 2020 01 05

THE TERM OF RESTORATION OF PATENT VALIDITY HAS EXPIRED: 2021 01 05

---

(21) AP 2009 11063

(11) P 2011 5223 B

(73) Devi Vasadze

(54) REMOTELY-OPERATED SUBSCRIBER'S RECEIVING UNIT FOR WIRED RADIO BROADCASTING

DATE OF CANCELLATION OF PATENT: 2020 01 15

THE TERM OF RESTORATION OF PATENT VALIDITY HAS EXPIRED: 2021 01 15

---

(21) AP 2009 11610

(11) P 2012 5491 B

(73) Les Laboratoires Servier

(54) NEW PROCESS FOR THE SYNTHESIS OF IVABRADINE AND ADDITION SALTS THEREOF WITH A PHARMACEUTICALLY ACCEPTABLE ACID

DATE OF CANCELLATION OF PATENT: 2019 12 18

THE TERM OF RESTORATION OF PATENT VALIDITY HAS EXPIRED: 2020 12 18

---

(21) AP 2010 12328

(11) P 2015 6210 B

(73) Saipem S.P.A.

(54) PROCESS FOR RECOVERY OF AMMONIA FROM GASEOUS STREAM

DATE OF CANCELLATION OF PATENT: 2020 01 11

THE TERM OF RESTORATION OF PATENT VALIDITY HAS EXPIRED: 2021 01 11

---

(21) AP 2012 12929

(11) P 2015 6245 B

(73) Les Laboratoires Servier

(54) NEW PROCESS FOR SYNTHESIS OF IVABRADINE AND ADDITION SALTS THEREOF WITH PHARMACEUTICALLY ACCEPTABLE ACID

DATE OF CANCELLATION OF PATENT: 2019 12 18

THE TERM OF RESTORATION OF PATENT VALIDITY HAS EXPIRED: 2020 12 18

---

(21) AP 2013 12973

(11) P 2014 6165 B

(73) Zurab Dzneladze;

Zaal Dugladze;

Gia Antadze;

Gocha Dzneladze;

David Dugladze;

Bichiko Antadze

(54) METHOD OF ALCOHOL BRAND SPIRIT PREPARATION  
DATE OF CANCELLATION OF PATENT: 2020 01 21  
THE TERM OF RESTORATION OF PATENT VALIDITY HAS EXPIRED: 2021 01 21

---

(21) AP 2012 13185  
(11) P 2017 6786 B  
(73) Takeda Pharmaceutical Company Limited;  
Zinfandel Pharmaceuticals Inc.  
(54) METHODS AND DRUG PRODUCTS FOR TREATING ALZHEIMER'S DISEASE  
DATE OF CANCELLATION OF PATENT: 2020 01 09  
THE TERM OF RESTORATION OF PATENT VALIDITY HAS EXPIRED: 2021 01 09

---

(21) AP 2012 13220  
(11) P 2015 6296 B  
(73) Ge Renewable Technologies  
(54) CURVED CONDUIT PERTAINING TO HYDRAULIC MACHINE, DISTRIBUTION  
GROUP FOR PELTON TURBINE WHEEL, AND HYDRAULIC MACHINE  
DATE OF CANCELLATION OF PATENT: 2020 01 17  
THE TERM OF RESTORATION OF PATENT VALIDITY HAS EXPIRED: 2021 01 17

---

(21) AP 2014 13683  
(11) P 2015 6384 B  
(73) David Sakhvadze;  
Gigo Jandieri;  
Teimuraz Tsirekidze;  
Ivan Gorbenko  
(54) DEVICE FOR PRODUCING METALLIC POWDER FROM MELT  
DATE OF CANCELLATION OF PATENT: 2019 12 26  
THE TERM OF RESTORATION OF PATENT VALIDITY HAS EXPIRED: 2020 12 26

---

(21) AP 2013 13844  
(11) P 2018 6857 B  
(73) Universite De Droit Et De La Sante De Lille 2  
(54) SATURATED NITROGEN AND N-ACYLATED HETEROCYCLES POTENTIATING THE ACTIVITY  
OF AN ACTIVE ANTIBIOTIC AGAINST MYCOBACTERIA  
DATE OF CANCELLATION OF PATENT: 2019 12 20  
THE TERM OF RESTORATION OF PATENT VALIDITY HAS EXPIRED: 2020 12 20

---

(21) AP 2013 13892  
(11) P 2017 6757 B  
(73) Alios Biopharma Inc.  
(54) SUBSTITUTED NUCLEOSIDES, NUCLEOTIDES AND ANALOGS THEREOF  
DATE OF CANCELLATION OF PATENT: 2019 12 19  
THE TERM OF RESTORATION OF PATENT VALIDITY HAS EXPIRED: 2020 12 19

---

(21) AP 2014 14194  
(11) P 2018 6930 B  
(73) Santen Pharmaceutical Co., LTD  
(54) INJECTABLE AGENT AND DEPOT FORMATION METHOD  
DATE OF CANCELLATION OF PATENT: 2019 12 25  
THE TERM OF RESTORATION OF PATENT VALIDITY HAS EXPIRED: 2020 12 25

---



(21) AP 2015 14237  
(11) P 2019 6983 B  
(73) Millennium Pharmaceuticals Inc.  
(54) HETEROARYLS AND USES THEREOF  
DATE OF CANCELLATION OF PATENT: 2020 01 13  
THE TERM OF RESTORATION OF PATENT VALIDITY HAS EXPIRED: 2021 01 13

---

(21) AP 2016 14364  
(11) P 2018 6862 B  
(73) LEPL Raphael Dvali Institute of Mechanical Engineering  
(54) RADIAL-SQUEEZING MACHINE  
DATE OF CANCELLATION OF PATENT: 2019 12 27  
THE TERM OF RESTORATION OF PATENT VALIDITY HAS EXPIRED: 2020 12 27

---

(21) AP 2003 6780  
(11) P 2005 3533 B  
(73) Revaz Torozashvili;  
Lamara Aivazov;  
Vazha Kvaliashvili  
(54) METHOD FOR PRODUCTION OF MATERIAL FOR APPLE ALCOHOLIC DRINK AND MATERIAL  
FOR APPLE FORTIFIED ALCOHOLIC DRINK  
DATE OF CANCELLATION OF PATENT: 2020 01 21  
THE TERM OF RESTORATION OF PATENT VALIDITY HAS EXPIRED: 2021 01 21

---

(21) AP 2003 8910  
(11) P 2008 4486 B  
(73) Mountain View Pharmaceuticals Inc.  
(54) POLYMER CONJUGATES OF INTERFERON-BETA WITH ENHANCED BIOLOGICAL POTENCY  
DATE OF CANCELLATION OF PATENT: 2019 12 23  
THE TERM OF RESTORATION OF PATENT VALIDITY HAS EXPIRED: 2020 12 23

---

## EXPIRATION OF PATENTS

(21) AP 2000 6535  
(11) P 2005 3540 B  
(73) Les Laboratoires Servier  
(54) MATRIX TABLET FOR SUSTAINED RELEASE OF TRIMETAZIDINE AFTER ORAL  
ADMINISTRATION  
EXPIRATION DATE OF PATENT: 15 12 2020

---

(21) AP 2001 6554  
(11) P 2004 3299 B  
(73) Bristol-Myers Squibb Company  
(54) GLYBURIDE COMPOZITION  
EXPIRATION DATE OF PATENT: 04 01 2021

---

(21) AP 2001 6594  
(11) P 2005 3504 B  
(73) Bristol-Myers Squibb Holdings Ireland Unlimited Company

(54) LOW DOSE ENTECAVIR PHARMACEUTICAL COMPOSITION AND USE THEREOF FOR TREATMENT OF HEPATITIS B  
EXPIRATION DATE OF PATENT: 26 01 2021

---

### CHANGES OF NAMES AND/OR ADDRESSES OF PATENTOWNER

(21) AP 2015 14523  
(11) P 2020 7086 B  
(54) SYRINGE PLUNGER SYSTEM WITH SELF-LOCKING THREADED GEOMETRY  
New Name and/or Address: Tolmar International Limited (IE)  
10 Earlsfort Terrace, Dublin 2, DO2 T380, Ireland (IE)  
Former Name and/or Address: Tolmar Therapeutics Inc.  
701 Centre Avenue, Fort Collins, CO 80526, USA (US)  
Date of Registration: 01 02 2021

---

(21) AP 2005 9756  
(11) P 2010 4895 B  
(54) PREPARATION OF PREGABALIN AND RELATED COMPOUNDS  
New Name and/or Address: Upjohn US 1 LLC (US)  
235 East 42nd Street, New York, NY 10017, USA (US)  
Former Name and/or Address: Warner-Lambert Company LLC  
235 East 42nd Street, New York, NY 10017, USA (US)  
Date of Registration: 20 01 2021

### TECHNICAL DEFECT DETECTED IN THE PUBLISHED INFORMATION

17(549) 2020

BULLETIN №	NUMBER OF APPLICATION (110)	PG.	PUBLISHED	MUST BE
17(549)/2020	AP 2020 15190 A	5	(72) Gari Grebenchuk (GE); Nazi Ivanishvili (GE); Davit Nadareishvili (GE); Mikheil Gogebashvili (GE)	(72) Gari Grebenchuk (GE); Mikheil Gogebashvili (GE); Davit Nadareishvili (GE); Nazi Ivanishvili (GE)

24(556) 2020

BULLETIN №	NUMBER OF PATENT (11)	PG.	PUBLISHED	MUST BE
24(556)/2020	P 2020 7206 B	10	(72) Gari Grebenchuk (GE); Nazi Ivanishvili (GE); Davit Nadareishvili (GE); Mikheil Gogebashvili (GE)	(72) Gari Grebenchuk (GE); Mikheil Gogebashvili (GE); Davit Nadareishvili (GE); Nazi Ivanishvili (GE)

## UTILITY MODELS

## ABOLITION OF PATENTS WITH THE RIGHT TO RESTORE

(21) AU 2013 12956  
(11) U 2016 1909 Y  
(73) Davit Zukakishvili  
(54) LOWER JAW DENTAL MODEL MEASURING SPOON  
DATE OF CANCELLATION OF PATENT: 2021 01 09  
THE TERM OF RESTORATION OF PATENT: 2022 01 09

---

(21) AU 2015 14021  
(11) U 2016 1914 Y  
(73) Shakespeare Yusufov;  
Daniel Iosebashvili;  
Mukhran Bedianidze  
(54) METHOD FOR BAKING BREAD  
DATE OF CANCELLATION OF PATENT: 2020 12 21  
THE TERM OF RESTORATION OF PATENT: 2021 12 21

---

(21) AU 2016 14353  
(11) U 2019 2009 Y  
(73) Georgian Technical University  
(54) ELECTROCHEMICAL SENSOR DETERMINING CONCENTRATION OF OXYGEN IN SOLUTIONS  
OR GASES  
DATE OF CANCELLATION OF PATENT: 2020 12 19  
THE TERM OF RESTORATION OF PATENT: 2021 12 19

---

(21) AU 2016 14354  
(11) U 2018 1959 Y  
(73) Revaz Melkadze;  
David Kiladze;  
Alexander Kiladze  
(54) NON-ALCOHOLIC NON CARBONATED BEVERAGE GEO VITAMIN  
DATE OF CANCELLATION OF PATENT: 2020 12 20  
THE TERM OF RESTORATION OF PATENT: 2021 12 20

---

(21) AU 2016 14374  
(11) U 2017 1951 Y  
(73) Levan Aleksishvili  
(54) TELECOMMUNICATION SYSTEM FOR FOOD AND CONSUMER COMMODITY PURCHASE AND  
DELIVERY TO PLACE  
DATE OF CANCELLATION OF PATENT: 2020 12 30  
THE TERM OF RESTORATION OF PATENT: 2021 12 30

---

(21) AU 2017 14590  
(11) U 2019 1998 Y  
(73) Revaz Arveladze;  
Mikheil Gverdtsiteli;  
Paul page red  
(54) CONTROL DEVICE FOR DEMANDING AND MANAGING ELECTRIC ENERGY  
DATE OF CANCELLATION OF PATENT: 2020 12 28  
THE TERM OF RESTORATION OF PATENT: 2021 12 28

---

(21) AU 2018 14973  
(11) U 2020 2052 Y  
(73) Sergo Jorbenadze;  
Malkhaz Tsiskarishvili;  
Nikoloz Melitauri;  
Alexander Shermazanashvili  
(54) AUTOPARKING ELEVATOR  
DATE OF CANCELLATION OF PATENT: 2020 12 25  
THE TERM OF RESTORATION OF PATENT: 2021 12 25

---

(21) AU 2019 14986  
(11) U 2020 2044 Y  
(73) Nia Natbiladze;  
Zaal Uplisashvili;  
Alexander Ioramashvili  
(54) ROTARY PRINTING MACHINE  
DATE OF CANCELLATION OF PATENT: 2021 01 16  
THE TERM OF RESTORATION OF PATENT: 2022 01 16

---

## EXPIRATION OF TERM OF RESTORATION OF PATENTS

(21) AU 2012 12936  
(11) U 2013 1790 Y  
(73) LTD "Aversi-Rational"  
(54) ANTISEPTIC SUCKING TABLET WITH RASPBERRY, HONEY, LEMON AND ORANGE  
FLAVOUR  
DATE OF CANCELLATION OF PATENT: 2019 12 21  
THE TERM OF RESTORATION OF PATENT VALIDITY HAS EXPIRED: 2020 12 21

---

(21) AU 2016 14355  
(11) U 2018 1968 Y  
(73) Sergo Taliuridze  
(54) BOTTLE LID  
DATE OF CANCELLATION OF PATENT: 2019 12 21  
THE TERM OF RESTORATION OF PATENT VALIDITY HAS EXPIRED: 2020 12 21

---

(21) AU 2016 14357  
(11) U 2017 1950 Y  
(73) Nugzar Meladze  
(54) ANALGESIC AND ANTI-INFLAMMATORY OINTMENT "GRAVARTOL"  
DATE OF CANCELLATION OF PATENT: 2019 12 22  
THE TERM OF RESTORATION OF PATENT VALIDITY HAS EXPIRED: 2020 12 22

---

(21) AU 2016 14358  
(11) U 2018 1966 Y  
(73) Nugzar Meladze  
(54) BIOACTIVE FOOD ADDITIVE "REZIGRAV"  
DATE OF CANCELLATION OF PATENT: 2019 12 22  
THE TERM OF RESTORATION OF PATENT VALIDITY HAS EXPIRED: 2020 12 22

---

(21) AU 2016 14360  
(11) U 2018 1967 Y  
(73) Amiran Gardapkhadze  
(54) NONALCOHOLIC TONIC BEVERAGE  
DATE OF CANCELLATION OF PATENT: 2019 12 22  
THE TERM OF RESTORATION OF PATENT VALIDITY HAS EXPIRED: 2020 12 22

---

## DESIGNS

### EXTENSION OF REGISTRATION OF DESIGN

(11) D 2016 692 S  
(73) Giorgi Zautashvili (GE)  
M. Kantaria St. 10, app. 2, 0186, Tbilisi, Georgia (GE)  
(54) BOTTLE LABEL  
(28) 2  
(24) 2016 01 13  
(18) 2026 01 13  
(58) 2021 01 22

---

### CANCELLATION OF REGISTRATION OF DESIGNS

(11) D 2011 468 S  
(73) ALLIED GLOBAL TOBACCO LTD (GB)  
Wey Court West Union Road Farnham Surrey GU9 7PT, United Kingdom (GB)  
(54) FILTER FREE CIGARETTES  
(18) 2020 07 15  
(58) 2021 01 27

---

(11) D 2015 654 S  
(73) Karen Vardanyan (AM)  
app. 36, Bairon St. 3, Yerevan, Armenia (AM)  
(54) ICE-CREAM PACKAGING  
(18) 2020 06 03  
(58) 2021 01 27

---

(11) D 2016 666 S  
(73) LTD "Kartu-Universal" (GE)  
Kakheti Highway, II-Lane 11, 0190, Tbilisi, Georgia (GE)  
(54) LABEL  
(18) 2020 07 17  
(58) 2021 01 26

---

(11) D 2016 667 S  
(73) LTD "Kartu-Universal" (GE)  
Kakheti Highway, II-Lane 11, 0190, Tbilisi, Georgia (GE)  
(54) LABEL  
(18) 2020 07 17  
(58) 2021 01 26

---

(11) D 2016 668 S  
(73) LTD "Kartu-Universal" (GE)  
Kakheti Highway, II-Lane 11, 0190, Tbilisi, Georgia (GE)  
(54) LABEL  
(18) 2020 07 17  
(58) 2021 01 26

---

(11) D 2016 669 S  
(73) LTD "Kartu-Universal" (GE)  
Kakheti Highway, II-Lane 11, 0190, Tbilisi, Georgia (GE)  
(54) LABEL  
(18) 2020 07 17  
(58) 2021 02 02

---

(11) D 2016 670 S  
(73) LTD "Kartu-Universal" (GE)  
Kakheti Highway, II-Lane 11, 0190, Tbilisi, Georgia (GE)  
(54) LABEL  
(18) 2020 07 17  
(58) 2021 02 02

---

(11) D 2016 671 S  
(73) LTD "Kartu-Universal" (GE)  
Kakheti Highway, II-Lane 11, 0190, Tbilisi, Georgia (GE)  
(54) LABEL  
(18) 2020 07 17  
(58) 2021 02 02

---

(11) D 2016 664 S  
(73) Guram Gelashvili (GE)  
Digomi, V qu., building 25B, app. 35, 0159, Tbilisi, Georgia (GE)  
(54) CLOCK  
(18) 2020 07 21  
(58) 2021 02 02

---

## EXTENSION OF REGISTRATION OF INTERNATIONAL DESIGNS

(11) DM/67233  
(73) SWATCH AG (SWATCH SA) (SWATCH LTD.)  
94, Rue Jakob Stämpfli, CH-2502 BIENNE (CH)  
(15) 2005 12 06  
(24) 2005 12 06  
(18) 2025 12 06  
(28) 1  
(28') 1  
(54) Wristwatch

---

(11) DM/67243  
(73) SWATCH AG (SWATCH SA) (SWATCH LTD.)  
94, Rue Jakob Stämpfli, CH-2502 BIENNE (CH)  
(15) 2005 12 06  
(24) 2005 12 06  
(18) 2025 12 06  
(28) 7  
(28') 7  
(54) Wristwatches

---

(11) DM/67244  
(73) SWATCH AG (SWATCH SA) (SWATCH LTD.)  
94, Rue Jakob Stämpfli, CH-2502 BIENNE (CH)  
(15) 2005 12 06  
(24) 2005 12 06  
(18) 2025 12 06  
(28) 1  
(28') 1  
(54) Wristwatch

---

(11) DM/67245  
(73) SWATCH AG (SWATCH SA) (SWATCH LTD.)  
94, Rue Jakob Stämpfli, CH-2502 BIENNE (CH)  
(15) 2005 12 06  
(24) 2005 12 06  
(18) 2025 12 06  
(28) 1  
(28') 1  
(54) Wristwatch

---

(11) DM/67247  
(73) SWATCH AG (SWATCH SA) (SWATCH LTD.)  
94, Rue Jakob Stämpfli, CH-2502 BIENNE (CH)  
(15) 2005 12 06  
(24) 2005 12 06  
(18) 2025 12 06  
(28) 1  
(28') 1  
(54) Wristwatch

---

(11) DM/67248  
(73) SWATCH AG (SWATCH SA) (SWATCH LTD.)  
94, Rue Jakob Stämpfli, CH-2502 BIENNE (CH)  
(15) 2005 12 06  
(24) 2005 12 06  
(18) 2025 12 06  
(28) 2  
(28') 2  
(54) Wristwatches

---

(11) DM/67250  
(73) SWATCH AG (SWATCH SA) (SWATCH LTD.)  
94, Rue Jakob Stämpfli, CH-2502 BIENNE (CH)  
(15) 2005 12 06  
(24) 2005 12 06  
(18) 2025 12 06  
(28) 2  
(28') 2  
(54) Wristwatches

---

(11) DM/67251  
(73) SWATCH AG (SWATCH SA) (SWATCH LTD.)  
94, Rue Jakob Stämpfli, CH-2502 BIENNE (CH)  
(15) 2005 12 06  
(24) 2005 12 06  
(18) 2025 12 06  
(28) 7  
(28') 4  
(54) Wristwatches

---

(11) DM/67303  
(73) SWATCH AG (SWATCH SA) (SWATCH LTD.)  
94, Rue Jakob Stämpfli, CH-2502 BIENNE (CH)  
(15) 2005 12 22  
(24) 2005 12 22  
(18) 2025 12 22  
(28) 1  
(28') 1  
(54) Wristwatch

---

(11) DM/67304  
(73) SWATCH AG (SWATCH SA) (SWATCH LTD.)  
94, Rue Jakob Stämpfli, CH-2502 BIENNE (CH)  
(15) 2005 12 22  
(24) 2005 12 22  
(18) 2025 12 22  
(28) 2  
(28') 2  
(54) Wristwatches

---

(11) DM/67305  
(73) SWATCH AG (SWATCH SA) (SWATCH LTD.)  
94, Rue Jakob Stämpfli, CH-2502 BIENNE (CH)  
(15) 2005 12 22



(24) 2005 12 22  
(18) 2025 12 22  
(28) 1  
(28') 1  
(54) Wristwatch

---

(11) DM/67306  
(73) TISSOT S.A.  
Chemin des Tourelles 17, CH-2400 LE LOCLE (CH)  
(15) 2005 12 22  
(24) 2005 12 22  
(18) 2025 12 22  
(28) 1  
(28') 1  
(54) Wristwatch case with band

---

(11) DM/67309  
(73) SWATCH AG (SWATCH SA) (SWATCH LTD.)  
94, Rue Jakob Stämpfli, CH-2502 BIENNE (CH)  
(15) 2005 12 22  
(24) 2005 12 22  
(18) 2025 12 22  
(28) 4  
(28') 4  
(54) Wristwatches

---

(11) DM/67347  
(73) COMPAGNIE DES ARTS DE LA TABLE  
23, rue Boissy d'Anglas, F-75008 PARIS (FR)  
(15) 2005 12 06  
(24) 2005 12 06  
(18) 2025 12 06  
(28) 21  
(28') 4  
(54) 1. Knife, 2. Fork, 3. Spoon, 4. Cutlery holders, 5.-21. Ornamental patterns for tableware

---

(11) DM/67396  
(73) TISSOT S.A.  
Chemin des Tourelles 17, CH-2400 LE LOCLE (CH)  
(15) 2005 12 22  
(24) 2005 12 22  
(18) 2025 12 22  
(28) 1  
(28') 1  
(54) Watch case

---

(11) DM/67433  
(73) VOLKSWAGEN AKTIENGESELLSCHAFT  
38436 Wolfsburg (DE)  
(15) 2006 01 24  
(24) 2006 01 24  
(18) 2026 01 24  
(28) 14  
(28') 10

(54) 11. Rear bumper cover for vehicle, 12. Front bumper cover for vehicles, 13.-14. Rear bumper covers for vehicles, 1.-4. Front bumper covers for vehicles, 5. Rear bumper cover for vehicles, 6. Front bumper cover for vehicles, 7.-10. Trim panel parts for vehicles

---

(11) DM/67750  
(73) AKRAPOVIC IGOR  
Rozna dolina c. VIII/10a, SI-1000 LJUBLJANA (SI)  
(15) 2005 12 28  
(24) 2005 12 28  
(18) 2025 12 28  
(28) 1  
(28') 1  
(54) Muffler for motor vehicles

---

(11) DM/74873  
(73) SWATCH AG (SWATCH SA) (SWATCH LTD.)  
Jakob-Stämpfli-Strasse 94, CH-2502 Biel/Bienne (CH)  
(15) 2010 12 13  
(24) 2010 12 13  
(18) 2025 12 13  
(28) 1  
(28') 1  
(54) Wristwatch

---

(11) DM/75742  
(73) NEMIROFF INTELLECTUAL PROPERTY ESTABLISHMENT  
Städtle 31, FL-9490 Vaduz (LI)  
(15) 2011 03 31  
(24) 2011 03 31  
(18) 2026 03 31  
(28) 1  
(28') 1  
(54) Bottle

---

(11) DM/87688  
(73) TISSOT SA (TISSOT AG) (TISSOT LTD)  
Chemin des Tourelles 17, CH-2400 Le Locle (CH)  
(15) 2015 09 24  
(24) 2015 09 24  
(18) 2025 09 24  
(28) 3  
(28') 2  
(54) 1. Watch case, 2. Watch case with strap, 3. Dial

---

(11) DM/88807  
(73) FICOSOTA OOD  
Madara Blvd. 48, BG-9700 Shumen (BG)  
(15) 2015 12 14  
(24) 2015 12 14  
(18) 2025 12 14  
(28) 4  
(28') 4  
(54) Packages for diapers and napkin-pants

---

(11) DM/88885  
(73) HARRY WINSTON SA  
Chemin du Tourbillon 8, CH-1228 Plan-les-Ouates (CH)  
(15) 2016 01 06  
(24) 2016 01 06  
(18) 2026 01 06  
(28) 3  
(28') 3  
(54) Bracelet,Finger ring,Necklace

---

(11) DM/88923  
(73) HARRY WINSTON SA  
Chemin du Tourbillon 8, CH-1228 Plan-les-Ouates (CH)  
(15) 2016 01 13  
(24) 2016 01 13  
(18) 2026 01 13  
(28) 1  
(28') 1  
(54) Earring

---

(11) DM/88964  
(73) CERTINA AG (CERTINA SA) (CERTINA LTD.)  
17, chemin des Tourelles, CH-2400 LE LOCLE (CH)  
(15) 2016 01 14  
(24) 2016 01 14  
(18) 2026 01 14  
(28) 1  
(28') 1  
(54) Watch case

---

(11) DM/88965  
(73) OMEGA SA (OMEGA AG) (OMEGA LTD.)  
Jakob-Stämpfli-Strasse 96, CH-2502 Biel/Bienne (CH)  
(15) 2016 01 15  
(24) 2016 01 15  
(18) 2026 01 15  
(28) 1  
(28') 1  
(54) Dial

---

(11) DM/88983  
(73) ETI GIDA SANAYI VE TICARET ANONIM SIRKETI  
Organize Sanayi Bolgesi 11 Cadde, ESKISEHIR (TR)  
(15) 2016 01 08  
(24) 2016 01 08  
(18) 2026 01 08  
(28) 4  
(28') 4  
(54) Chocolates

---

(11) DM/89008  
(73) HAMILTON INTERNATIONAL AG (HAMILTON INTERNATIONAL SA) (HAMILTON INTERNATIONAL LTD)  
Mattenstrasse 149, CH-2503 Biel/Bienne (CH)

(15) 2016 01 04  
(24) 2016 01 04  
(18) 2026 01 04  
(28) 4  
(28') 4  
(54) Dial, Watch, Watch case

---

(11) DM/89088  
(73) RADO UHREN AG (RADO WATCH CO. LTD.) (MONTRES RADO SA)  
Bielstrasse 43, CH-2543 LENGNAU (CH)  
(15) 2016 01 22  
(24) 2016 01 22  
(18) 2026 01 22  
(28) 1  
(28') 1  
(54) Watch case with strap

---

(11) DM/89178  
(73) SWATCH AG (SWATCH SA) (SWATCH LTD.)  
Jakob-Stämpfli-Strasse 94, CH-2502 Biel/Bienne (CH)  
(15) 2016 01 28  
(24) 2016 01 28  
(18) 2026 01 28  
(28) 1  
(28') 1  
(54) Watch case

---

(11) DM/89180  
(73) MONTRES JAQUET DROZ SA (MONTRES JAQUET DROZ AG) (MONTRES JAQUET DROZ LTD.)  
Allée du Tourbillon 2, CH-2300 La Chaux-de-Fonds (CH)  
(15) 2016 01 28  
(24) 2016 01 28  
(18) 2026 01 28  
(28) 10  
(28') 10  
(54) Dials, Oscillating weight

---

(11) DM/89200  
(73) HARRY WINSTON SA  
Chemin du Tourbillon 8, CH-1228 Plan-les-Ouates (CH)  
(15) 2016 01 29  
(24) 2016 01 29  
(18) 2026 01 29  
(28) 3  
(28') 3  
(54) 1.-2. Bracelets, 3. Finger ring

---

(11) DM/89201  
(73) OMEGA SA (OMEGA AG) (OMEGA LTD.)  
Jakob-Stämpfli-Strasse 96, CH-2502 Biel/Bienne (CH)  
(15) 2016 01 29  
(24) 2016 01 29  
(18) 2026 01 29

---

(28) 2  
(28') 2  
(54) 1. Watch dial with watch hands, 2. Disk with moons

---

(11) DM/89497  
(73) OMEGA SA (OMEGA AG) (OMEGA LTD.)  
Jakob-Stämpfli-Strasse 96, CH-2502 Biel/Bienne (CH)  
(15) 2016 01 28  
(24) 2016 01 28  
(18) 2026 01 28  
(28) 5  
(28') 5  
(54) 1.-2. Watchband ends, 3.-5. Watch case rims

---

## CANCELLATION OF INTERNATIONAL DESIGNS REGISTRATION

(11) DM/84588  
(73) GIANVITO ROSSI S.R.L. UNIPERSONALE  
Via Gramsci, 9, I-47030 SAN MAURO PASCOLI (FC) (IT)  
Date of cancellation of registration: 2019 09 09  
(58) 2021 01 22

---

(11) DM/84742  
(73) "FREY WILLE" GMBH & CO. KG.  
Gumpendorferstrasse 81, A-1060 Wien (EM)  
Date of cancellation of registration: 2019 10 24  
(58) 2021 01 22

---

(11) DM/84774  
(73) SWATCH AG (SWATCH SA) (SWATCH LTD.)  
Jakob-Stämpfli-Strasse 94, CH-2502 Biel/Bienne (CH)  
Date of cancellation of registration: 2019 10 24  
(58) 2021 01 22

---

(11) DM/84874  
(73) W.L. GORE & ASSOCIATES INC.  
555 Paper Mill Road, Newark, DE 19714-9206 (US)  
Date of cancellation of registration: 2019 09 05  
(58) 2021 01 22

---

(11) DM/84999  
(73) IMAGO TECHMEDIA LIMITED  
The Malt House, 25/29 High Street, Kingston upon Thames, KT1 1LL (EM)  
Date of cancellation of registration: 2019 08 14  
(58) 2021 01 22

---

(11) DM/85101

(73) THE SWATCH GROUP MANAGEMENT SERVICES AG (THE SWATCH GROUP MANAGEMENT SERVICES SA) (THE SWATCH GROUP MANAGEMENT SERVICES LTD.)

Seevorstadt 6, CH-2502 BIEL/BIENNE (CH)

Date of cancellation of registration: 2019 10 07

(58) 2021 01 22

---

(11) DM/85359

(73) VALENTINO S.P.A.

Via Turati, 16/18, I-20121 MILANO (EM)

Date of cancellation of registration: 2019 12 10

(58) 2021 01 22

---

(11) DM/85639

(73) CON BRIO, Antwerpsesteenweg 573, B-9040 Gent (BE)

LABEUR, Kattenberg 2, B-9000 Gent (BE)

Date of cancellation of registration: 2019 08 26

(58) 2021 01 22

---

# TRADEMARKS

## RENEWAL OF REGISTRATIONS

(111) M 2001 13755 R2

(156) 2001 02 20

(186) 2031 02 20

(732) THE PROCTER & GAMBLE COMPANY

One Procter & Gamble Plaza, Cincinnati,  
Ohio, USA

(111) M 2001 13836 R2

(156) 2001 04 04

(186) 2031 04 04

(732) Siemens Trademark GmbH & Co.

Bürgermeister-Högl-Straße 2, 95478 Kemnath,  
Germany

(111) M 2001 13683 R2

(156) 2001 01 22

(186) 2031 01 22

(732) NEXEN TIRE CORPORATION

355, Chungnyeol-ro, Yangsan-si,  
Gyeongsangnam-do, Republic of Korea

(111) M 2001 13730 R2

(156) 2001 02 20

(186) 2031 02 20

(732) Berlin-Chemie AG

Glienicker Weg 125, D-12489, Berlin,  
Germany

(111) M 2001 13694 R2

(156) 2001 01 30

(186) 2031 01 30

(732) SERICOL LIMITED

Patricia Way, Pysons Road Industrial Estate,  
Broadstairs, Kent CT10 2LE, England,  
United Kingdom

(511) 01, 02

(111) M 2001 13731 R2

(156) 2001 02 20

(186) 2031 02 20

(732) Berlin-Chemie AG

Glienicker Weg 125, D-12489, Berlin,  
Germany

(111) M 2001 13734 R2

(156) 2001 02 20

(186) 2031 02 20

(732) AZIENDE CHIMICHE RIUNITE ANGELINI

FRANCESCO A.C.R.A.F. S.p.A.  
Viale Amelia 70, 00181 Roma, Italy

(111) M 2001 13729 R2

(156) 2001 02 20

(186) 2031 02 20

(732) Berlin-Chemie AG

Glienicker Weg 125, D-12489, Berlin,  
Germany

(111) M 2001 13736 R2

(156) 2001 02 20

(186) 2031 02 20

(732) AZIENDE CHIMICHE RIUNITE ANGELINI

FRANCESCO A.C.R.A.F. S.p.A.  
Viale Amelia 70, 00181 Roma, Italy

(111) M 2001 13732 R2

(156) 2001 02 20

(186) 2031 02 20

(732) Berlin-Chemie AG

Glienicker Weg 125, D-12489, Berlin,  
Germany

(111) M 2001 13704 R2

(156) 2001 01 30

(186) 2031 01 30

(732) COLGATE-PALMOLIVE COMPANY,

Delaware corporation  
300 Park Avenue, New York, NY 10022, USA

(111) M 2001 13775 R2

(156) 2001 02 22

(186) 2031 02 22

(732) COLGATE-PALMOLIVE COMPANY,

Delaware corporation  
300 Park Avenue, New York, NY 10022, USA

(111) M 2001 13834 R2

(156) 2001 04 04

(186) 2031 04 04

(732) MARS, INCORPORATED

6885, Elm Street, McLean, Virginia, USA

(111) M 2001 13783 R2  
(156) 2001 02 22  
(186) 2031 02 22  
(732) BIFA BISKUVI VE GIDA SANAYI  
ANONIM SIRKETI  
Eregli Yolu Uzori KARAMAN, Turkey

---

(111) M 2001 13861 R2  
(156) 2001 05 29  
(186) 2031 05 29  
(732) MARS INCORPORATED  
6885, Elm Street, McLean, Virginia, USA

---

(111) M 2001 14190 R2  
(156) 2001 12 13  
(186) 2031 12 13  
(732) MARS INCORPORATED  
6885, Elm Street, McLean, Virginia, USA

---

(111) M 2001 14167 R2  
(156) 2001 12 04  
(186) 2031 12 04  
(732) MARS INCORPORATED  
6885, Elm Street, McLean, Virginia, USA

---

(111) M 2011 21303 R1  
(156) 2011 03 24  
(186) 2031 03 24  
(732) LTD "GLOBALPHARM"  
Tamar Mepe Av. 7/13, 0112, Tbilisi, Georgia

---

(111) M 2011 21080 R1  
(156) 2011 01 18  
(186) 2031 01 18  
(732) LTD "GLOBALPHARM"  
Tamar Mepe Av. 7/13, 0112, Tbilisi, Georgia

---

(111) M 2011 21237 R1  
(156) 2011 03 14  
(186) 2031 03 14  
(732) LTD "G-M-P"  
Vill. Ponitchala 65, 0165, Tbilisi, Georgia

---

(111) M 2010 20685 R1  
(156) 2010 08 20  
(186) 2030 08 20  
(732) Retail Royalty Copany  
101 Convention Center Drive Las Vegas,  
89109, USA

---

(111) M 2010 20976 R1  
(156) 2010 12 13  
(186) 2030 12 13  
(732) JSC "GOODWILL"  
I. Chavchavadze Av. 9, Vake-Saburtalo  
District, Tbilisi, Georgia

---

(111) M 2010 20982 R1  
(156) 2010 12 13  
(186) 2030 12 13  
(732) Apollo Tyres AG  
Landis + Gyr-Strasse 1, 6300 Zug, Switzerland

---

(111) M 2011 21172 R1  
(156) 2011 02 24  
(186) 2031 02 24  
(732) LTD "GLOBALPHARM"  
Tamar Mepe Av. 7/13, 0112, Tbilisi, Georgia

---

(111) M 2011 21158 R1  
(156) 2011 02 14  
(186) 2031 02 14  
(732) Bilal Mohammad AL Hamwi  
Real Estate N5668, AL Hai Alshamali, 40 th  
Street, Madamet AL Sham, Reef Damascus,  
Syrian Arab Republic

---

(111) M 2011 21159 R1  
(156) 2011 02 14  
(186) 2031 02 14  
(732) Swiss Pharma International AG  
Lindenstrasse 22, 8008 Zurich, Switzerland

---

(111) M 2010 21052 R1  
(156) 2010 12 29  
(186) 2030 12 29  
(732) "INTERCHEM" SUBSIDIARY LIABILITY  
COMPANY  
86, Lustdorfskaya doroga, Odessa, 65080,  
Ukraine

---

(111) M 2011 21249 R1  
(156) 2011 03 14  
(186) 2031 03 14  
(732) MARS, INCORPORATED  
6885 Elm Striti, Mak-lini, Virginia  
22101-3883, USA

---



(111) M 2011 21175 R1  
(156) 2011 02 24  
(186) 2031 02 24  
(732) LTD "GLOBALPHARM"  
Tamar Mepe Av. 7/13, 0112, Tbilisi, Georgia

---

(111) M 2011 21177 R1  
(156) 2011 02 24  
(186) 2031 02 24  
(732) LTD "GLOBALPHARM"  
Tamar Mepe Av. 7/13, 0112, Tbilisi, Georgia

---

(111) M 2011 21178 R1  
(156) 2011 02 24  
(186) 2031 02 24  
(732) LTD "GLOBALPHARM"  
Tamar Mepe Av. 7/13, 0112, Tbilisi, Georgia

---

(111) M 2011 21182 R1  
(156) 2011 02 24  
(186) 2031 02 24  
(732) LTD "GLOBALPHARM"  
Tamar Mepe Av. 7/13, 0112, Tbilisi, Georgia

---

(111) M 2011 21112 R1  
(156) 2011 01 27  
(186) 2031 01 27  
(732) Angel Yeast Co., Ltd.  
N24, Zhongnan Road, Yichang, Hubei 443003,  
China

---

(111) M 2011 21113 R1  
(156) 2011 01 27  
(186) 2031 01 27  
(732) Angel Yeast Co., Ltd.  
N24, Zhongnan Road, Yichang, Hubei 443003,  
China

---

(111) M 2011 21166 R1  
(156) 2011 02 14  
(186) 2031 02 14  
(732) Berlin-Chemie AG  
Glienicke Weg 125, 12489 Berlin, Germany

---

(111) M 2011 21167 R1  
(156) 2011 02 14  
(186) 2031 02 14  
(732) Berlin-Chemie AG  
Glienicke Weg 125, 12489 Berlin, Germany

---

(111) M 2011 21187 R1  
(156) 2011 02 24  
(186) 2031 02 24  
(732) Mubadala trade Marks Holding Company –  
LLC  
P.O. Box 45005, Abu Dhabi, United Arab  
Emirates

---

(111) M 2011 21363 R1  
(156) 2011 04 13  
(186) 2031 04 13  
(732) MARS, INCORPORATED  
6885 ELM Street, McLean, Virginia  
22101-3883, USA

---

(111) M 2011 21308 R1  
(156) 2011 03 24  
(186) 2031 03 24  
(732) MARS, INCORPORATED  
6885 ELM Street, McLean, Virginia  
22101-3883, USA

---

(111) M 2011 21194 R1  
(156) 2011 02 25  
(186) 2031 02 25  
(732) ENERGYBEVERAGES LLC, a Delaware  
Limited Liability company  
2390 Anselmo Drive, Corona,  
California, USA

---

(111) M 2011 21521 R1  
(156) 2011 05 27  
(186) 2031 05 27  
(732) LTD "GLOBALPHARM"  
Tamar Mepe Av. 7/13, 0112, Tbilisi, Georgia

---

(111) M 2011 21527 R1  
(156) 2011 05 27  
(186) 2031 05 27  
(732) LTD "GLOBALPHARM"  
Tamar Mepe Av. 7/13, 0112, Tbilisi, Georgia

---

(111) M 2011 21259 R1  
(156) 2011 03 14  
(186) 2031 03 14  
(732) LTD "G-M-P"  
Vill. Ponitchala 65, 0165, Tbilisi, Georgia

---

(111) M 2011 21317 R1  
 (156) 2011 03 24  
 (186) 2031 03 24  
 (732) LTD "G-M-P"  
 Vill. Ponitchala 65, 0165, Tbilisi, Georgia

Vill. Ponitchala 65, 0165, Tbilisi, Georgia

(111) M 2011 21261 R1  
 (156) 2011 03 14  
 (186) 2031 03 14  
 (732) LLC "PSP PHARMA"  
 Iakob Tsurtaveli St. 54, 1700, Dmanisi,  
 Georgia

(111) M 2011 21544 R1  
 (156) 2011 06 14  
 (186) 2031 06 14  
 (732) Reckitt & Colman (Overseas) Health Limited  
 103-105 Bat Roudi, Slou, Berqshiri, SL1 3UH,  
 United Kingdom

(111) M 2011 21263 R1  
 (156) 2011 03 14  
 (186) 2031 03 14  
 (732) LLC "PSP PHARMA"  
 Iakob Tsurtaveli St. 54, 1700, Dmanisi,  
 Georgia

(111) M 2011 21482 R1  
 (156) 2011 05 16  
 (186) 2031 05 16  
 (732) Thermo Fisher Scientific, Inc.  
 81 Wymen Street, Waltham, MA 02454, USA

(111) M 2011 21264 R1  
 (156) 2011 03 14  
 (186) 2031 03 14  
 (732) "PSP PHARMA" LLC  
 Iakob Curtaveli St.54, 1700, Dmanisi, Georgia

(111) M 2011 21328 R1  
 (156) 2011 03 24  
 (186) 2031 03 24  
 (732) Japan Tobacco Inc.  
 2-2-1, Toranomom, Minato-ku, Tokyo, Japan

(111) M 2011 21265 R1  
 (156) 2011 03 14  
 (186) 2031 03 14  
 (732) LLC "PSP PHARMA"  
 Iakob Tsurtaveli St. 54, 1700, Dmanisi,  
 Georgia

(111) M 2011 21508 R1  
 (156) 2011 05 25  
 (186) 2031 05 25  
 (732) MARS, INCORPORATED  
 6885 Elm Street Mclean, Virginia  
 22101-3883, USA

(111) M 2011 21477 R1  
 (156) 2011 05 16  
 (186) 2031 05 16  
 (732) British American Tobacco (Brands) Inc.  
 (A Delaware corporation)  
 251 Little Falls Drive, Suite 100, Wilmington,  
 DE 19808-1674, USA

(111) M 2011 21694 R1  
 (156) 2011 08 23  
 (186) 2031 08 23  
 (732) AbbVie Inc., a corporation of the State of  
 Delaware  
 1 N. Waukegan Road, North Chicago, Illinois  
 60064, USA

(111) M 2011 21417 R1  
 (156) 2011 04 27  
 (186) 2031 04 27  
 (732) MARS, INCORPORATED  
 6885 ELM Street, McLean, Virginia  
 22101-3883, USA

(111) M 2011 21695 R1  
 (156) 2011 08 23  
 (186) 2031 08 23  
 (732) AbbVie Inc., a corporation of the State of  
 Delaware  
 1 N. Waukegan Road, North Chicago, Illinois  
 60064, USA

(111) M 2011 21418 R1  
 (156) 2011 04 27  
 (186) 2031 04 27  
 (732) LTD "G-M-P"

(111) M 2011 21547 R1  
 (156) 2011 06 14  
 (186) 2031 06 14  
 (732) AbbVie Inc., a corporation of the State  
 of Delaware  
 1 N. Waukegan Road, North Chicago, Illinois  
 60064, USA

(111) M 2011 21548 R1  
(156) 2011 06 14  
(186) 2031 06 14  
(732) AbbVie Inc., a corporation of the State of Delaware  
1 N. Waukegan Road, North Chicago, Illinois  
60064, USA

---

(111) M 2011 21454 R1  
(156) 2011 05 11  
(186) 2031 05 11  
(732) Dow AgroSciences LLC, a Delaware limited liability company  
9330 Zionsville Road, Indianapolis, Indiana  
46268, USA

---

(111) M 2011 21626 R1  
(156) 2011 07 13  
(186) 2031 07 13  
(732) Agio Pharmaceuticals Ltd.  
A-38, Nandjyot, Ind. Estate, Kurla-Andheri Road, Safedpool, Mumbai 400 072, India

---

(111) M 2011 21627 R1  
(156) 2011 07 13  
(186) 2031 07 13  
(732) Agio Pharmaceuticals Ltd.  
A-38, Nandjyot, Ind. Estate, Kurla-Andheri Road, Safedpool, Mumbai 400 072, India

---

(111) M 2011 21628 R1  
(156) 2011 07 13  
(186) 2031 07 13  
(732) Agio Pharmaceuticals Ltd.  
A-38, Nandjyot, Ind. Estate, Kurla-Andheri Road, Safedpool, Mumbai 400 072, India

---

(111) M 2011 21630 R1  
(156) 2011 07 13  
(186) 2031 07 13  
(732) ZVL SLOVAKIA a.s.  
010 09 Žilina, Na Stanicu 22, Slovakia

---

(111) M 2011 21720 R1  
(156) 2011 08 23  
(186) 2031 08 23  
(732) AbbVie Inc., a corporation of the State of Delaware  
1 N. Waukegan Road, North Chicago, Illinois  
60064, USA

---

(111) M 2011 21721 R1  
(156) 2011 08 23  
(186) 2031 08 23  
(732) AbbVie Inc., a corporation of the State of Delaware  
1 N. Waukegan Road, North Chicago, Illinois  
60064, USA

---

(111) M 2011 21878 R1  
(156) 2011 10 17  
(186) 2031 10 17  
(732) TROPICANA PRODUCTS INC.  
(a Delaware Corporation)  
1001, 13th Avenue, East Bradenton, Florida  
34208, USA

---

(111) M 2011 21931 R1  
(156) 2011 10 28  
(186) 2031 10 28  
(732) American-Cigarette Company (Overseas) Limited  
Rut De Frans 17, Bonkur 2926, Switzerland

---

(111) M 2011 22015 R1  
(156) 2011 11 30  
(186) 2031 11 30  
(732) AbbVie Inc., a corporation of the State of Delaware  
1 N. Waukegan Road, North Chicago, Illinois  
60064, USA

---

(111) M 2011 22018 R1  
(156) 2011 11 30  
(186) 2031 11 30  
(732) "INTERCHEM" SUBSIDIARY LIABILITY COMPANY  
86, Lustdorskaya doroga, Odessa, 65080, Ukraine

---

(111) M 2011 21129 R1  
(156) 2011 02 10  
(186) 2031 02 10  
(732) LTD "IBER-INFO"  
Vaja-Phshavela. ave. 41, 4th floor, 0177, Tbilisi, Georgia

---

(111) M 2011 21428 R1  
(156) 2011 04 28  
(186) 2031 04 28  
(732) Japan Tobacco Inc.  
2-2-1, Toranomom, Minato-ku, Tokyo, Japan

---

(111) M 2011 21427 R1  
(156) 2011 04 27  
(186) 2031 04 27  
(732) LTD "WOTER LENDY"  
Al. Mirtskhulava St. 1, app. 3,  
Didube-Chughureti District, Georgia

---

(111) M 2011 21960 R1  
(156) 2011 11 08  
(186) 2031 11 08  
(732) Grand Candy LLC  
31 Masis St. 0061, Yerevan, Armenia

---

(111) M 2001 13951 R2  
(156) 2001 06 26  
(186) 2031 06 26  
(732) American-Cigarette Company (Overseas)  
Limited  
Route de France 17, 2926, Boncourt,  
Switzerland

---

## COMPLETE TRANSFER OF RIGHTS

---

(111) M 2020 32396 R

(732) LTD "KRINTI"

D. Kazreti, Madneuli St. 10, 1103, Bolnisi,  
Georgia

(770) LTD "BORAN LIGHT"

Mareuli St. 44, 0165, Tbilisi Georgia

(580) 2020 12 30

---

(111) M 2019 31307 R

(732) LTD "KRINTI"

D. Kazreti, Madneuli St. 10, 1103, Bolnisi,  
Georgia

(770) LTD "BORAN LIGHT"

Ponitchala, Marneuli St. 44, 0165, Tbilisi,  
Georgia

(580) 2020 12 30

---

(111) M 2020 32742 R

(732) LTD "KRINTI"

D. Kazreti, Madneuli St. 10, 1103, Bolnisi,  
Georgia

(770) LTD "BORAN LIGHT"

Ponitchala, Marneuli St. 44, 0165, Tbilisi,  
Georgia

(580) 2020 12 30

---

(111) M 2020 32989 R

(732) LTD "KRINTI"

D. Kazreti, Madneuli St. 10, 1103, Bolnisi,  
Georgia

(770) LTD "BORAN LIGHT"

Ponitchala, Marneuli St. 44, 0165, Tbilisi,  
Georgia

(580) 2020 12 30

---

(111) M 2020 32835 R

(732) LTD "KRINTI"

D. Kazreti, Madneuli St. 10, 1103, Bolnisi,  
Georgia

(770) LTD "BORAN LIGHT"

Ponitchala, Marneuli St. 44, 0165, Tbilisi,  
Georgia

(580) 2020 12 30

---

(111) M 2019 32134 R

(732) LTD "UNIX DEVELOPMENT"

G. Mazniashvili St. 6, Samtredia, Georgia

(770) UNIX LLC

Rustavi Roadway. 8, Flt. 8, Tbilisi, Georgia

(580) 2021 01 11

---

(111) M 2020 33320 R

(732) LTD "KRINTI"

D. Kazreti, Madneuli St. 10, 1103, Bolnisi,  
Georgia

(770) LTD "BORAN LIGHT"

Ponitchala, Marneuli St. 44, 0165, Tbilisi  
Georgia

(580) 2020 12 30

---

(111) M 2021 33577 R

(732) LTD "KRINTI"

Borough Kazreti, Madneuli St. 10, Bolnisi,  
Georgia

(770) LTD "BORAN LIGHT"

Fonichala, Marneuli St. 44, Tbilisi, 0165,  
Georgia

(580) 2021 01 26

---

(111) M 2004 15807 R

(732) NEPENTES PHARMA SP z.o.o.

Bonifraterska St. 17, 00-203 Warsaw, Poland

(770) NEPENTES S. A.

Gwiazdzista Street 69F, 01-651 Warsaw,  
Poland

(580) 2020 12 25

---

(111) M 2006 16619 R

(732) Radisson Hospitality Belgium BV/SRL a  
Belgium private limited liability company  
Avenue du Bourget 44, B-1130 Brussels,  
Belgium

(770) Radisson Hotels International, Inc.  
(a Delaware Corporation)

Carlson Parkway, P.O. Box 59159,  
Minneapolis, Minnesota 55459-8249, USA

(580) 2021 01 25

---

(111) M 1999 12341 R

(732) SHPP Global Technologies B.V.

Plasticslaan 1, 4612 PX Bergen op Zoom,  
Netherlands

(770) SABIC Global Technologies B.V.

Plasticslaan 1, 4612 PX Bergen op Zoom,  
Netherlands

(580) 2020 12 22

---

(111) M 1997 6838 R

(732) SHPP Global Technologies B.V.

Plasticslaan 1, 4612 PX Bergen op Zoom,  
Netherlands

(770) SABIC Global Technologies B.V.  
 Plasticslaan 1, 4612 PX Bergen op Zoom,  
 Netherlands  
 (580) 2020 12 22

---

(111) M 2010 20976 R  
 (732) LTD "GE-MARTI"  
 I. Chavchavadze Av. 9, Vake-Saburtalo  
 District, Tbilisi, Georgia  
 (770) LTD "GOODWILL"  
 Panavaz Mepe Av. 1, 0131, Tbilisi Georgia  
 (580) 2021 01 29

---

(111) M 2012 22563 R  
 (732) Vertiv IT Systems, Inc.  
 4991 Corporate Drive, Huntsville, Alabama  
 35805, USA  
 (770) Avocent Huntsville LLC  
 4991 Korporeit Draivi, Hanstvili, Alabama  
 35805, USA  
 (580) 2020 12 10

---

(111) M 2016 27128 R  
 (732) RC Global Beverages Inc.  
 c/o 11th Floor, Dah Sing Life Building,  
 99 Des Voeux Road Central, Hong Kong  
 (770) Refresco Beverages LLC  
 1001 10th Avenue, Columbus, Georgia  
 31901, USA  
 (580) 2021 01 20

---

(111) M 2016 27316 R  
 (732) RC Global Beverages Inc.  
 c/o 11th Floor, Dah Sing Life Building,  
 99 Des Voeux Road Central, Hong Kong  
 (770) Refresco Beverages LLC  
 1001 10th Avenue, Columbus, Georgia  
 31901, USA  
 (580) 2021 01 20

---

(111) M 2017 28922 R  
 (732) RC Global Beverages Inc.  
 c/o 11th Floor, Dah Sing Life Building,  
 99 Des Voeux Road Central, Hong Kong  
 (770) Refresco Beverages LLC  
 1001 10th Avenue, Columbus, Georgia  
 31901, USA  
 (580) 2021 01 20

---

(111) M 2001 13951 R  
 (732) American-Cigarette Company (Overseas)  
 Limited  
 Route de France 17, 2926, Boncourt,  
 Switzerland

(770) DALLAS CIGARETTE COMPANY  
 LIMITED  
 Zaehlerweg 4, 6300 Zug, Switzerland  
 (580) 2021 01 28

---

(111) M 1996 3929 R  
 (732) ZF SERVICES UK LIMITED  
 Abbeyfield Road, Lenton Nottingham,  
 NG7 2SX, United Kingdom  
 (770) ZF INTERNATIONAL UK LIMITED  
 Stratford Road, Solihull, West Midlands  
 B90 4 AX, United Kingdom  
 (580) 2020 11 17

---

(111) M 1996 3123 R  
 (732) SHPP Global Technologies B.V.  
 Plasticslaan 1, 4612 PX Bergen op Zoom,  
 Netherlands  
 (770) SABIC Global Technologies B.V.  
 Plasticslaan 1, 4612 PX Bergen op Zoom,  
 Netherlands  
 (580) 2020 12 22

---

(111) M 1997 4361 R  
 (732) RC Global Beverages Inc.  
 c/o 11th Floor, Dah Sing Life Building,  
 99 Des Voeux Road Central, Hong Kong  
 (770) Refresco Beverages LLC  
 1001 10th Avenue, Columbus, Georgia  
 31901, USA  
 (580) 2021 01 20

---

(111) M 1997 4362 R  
 (732) RC Global Beverages Inc.  
 c/o 11th Floor, Dah Sing Life Building,  
 99 Des Voeux Road Central, Hong Kong  
 (770) Refresco Beverages LLC  
 1001 10th Avenue, Columbus, Georgia  
 31901, USA  
 (580) 2021 01 20

---

(111) M 2019 30905 R  
 (732) LTD "KRINTI"  
 D. Kazreti, Madneuli St. 10 1103, Bolnisi,  
 Georgia  
 (770) LTD "BORUN LIGHT"  
 Marneuli St. 44, 0165, Kvemo Ponitchala,  
 Tbilisi, Georgia  
 (580) 2020 12 30

---

(111) M 2019 30910 R

(732) LTD "KRINTI"

Madneuli St. 10, 1103, D. Kazreti, Bolnisi,  
Georgia

(770) LTD "BORAN LAITI"

Marneuli St. 44, Kvemo Ponitchala, Tbilisi,  
Georgia

(580) 2020 12 30

---

## CHANGES OF NAMES AND/OR ADDRESS OF OWNERS

(111) M 2020 32953 R  
(732) SG Gaming Inc.  
6601 Bermuda Road, Las Vegas, Nevada  
89119, USA

(770) Bally Gaming Inc.  
6601 Bermuda Road, Las Vegas, Nevada  
89119, USA

(580) 2021 01 12

---

(111) M 2020 32954 R  
(732) SG Gaming Inc.  
6601 Bermuda Road, Las Vegas, Nevada  
89119, USA

(770) Bally Gaming Inc.  
6601 Bermuda Road, Las Vegas, Nevada  
89119, USA

(580) 2021 01 12

---

(111) M 2020 32955 R  
(732) SG Gaming Inc.  
6601 Bermuda Road, Las Vegas, Nevada  
89119, USA

(770) Bally Gaming Inc.  
6601 Bermuda Road, Las Vegas, Nevada  
89119, USA

(580) 2021 01 12

---

(111) M 1998 10973 R  
(732) TOTAL SE  
2, place Jean Millier, La Defense 6, F-92400  
Courbevoie, France

(770) TOTAL SA  
2, place Jean Millier, La Defense 6, F-92400  
Courbevoie, France

(580) 2020 12 23

---

(111) M 1998 10974 R  
(732) TOTAL SE  
2, place Jean Millier, La Defense 6,  
F-92400 Courbevoie, France

(770) TOTAL SA  
2, place Jean Millier, La Defense 6,  
F-92400 Courbevoie, France

(580) 2020 12 23

---

(111) M 1998 10976 R  
(732) TOTAL SE  
2, place Jean Millier, La Defense 6,  
F-92400 Courbevoie, France

(770) TOTAL SA  
2, place Jean Millier, La Defense 6,  
F-92400 Courbevoie, France

(580) 2020 12 23

---

(111) M 1998 10977 R  
(732) TOTAL SE  
2, place Jean Millier, La Defense 6,  
F-92400 Courbevoie, France

(770) TOTAL SA  
2, place Jean Millier, La Defense 6,  
F-92400 Courbevoie, France

(580) 2020 12 23

---

(111) M 1997 7586 R  
(732) ABBOTT GMBH  
Max-Planck-Ring 2, 65205 Wiesbaden,  
Germany

(770) ABBOTT GMBH & CO.KG  
Max-Planck-Ring 2, 65205 Wiesbaden,  
Germany

(580) 2020 12 23

---

(111) M 1997 7594 R  
(732) ABBOTT GMBH  
Max-Planck-Ring 2, 65205 Wiesbaden,  
Germany

(770) ABBOTT GMBH & CO.KG  
Max-Planck-Ring 2, 65205 Wiesbaden,  
Germany

(580) 2020 12 23

---

(111) M 2001 13683 R  
(732) NEXEN TIRE CORPORATION  
355, Chungnyeol-ro, Yangsan-si,  
Gyeongsangnam-do, Republic of Korea

(770) NEXEN TIRE CORPORATION  
30, Yusan-Dong, Yangsan City,  
Kyongsangnam-Do (South), Republic of Korea

(580) 2021 01 12

---

(111) M 2004 15807 R  
(732) NEPENTES S. A.  
Gwiazdzista Street 69F, 01-651 Warsaw,  
Poland

(770) NEPENTES Sp. z o.o.  
Ul. Bema 57a, 01-244 Warsaw, Poland

(580) 2020 12 25

---



(111) M 2011 21237 R  
(732) "G-M-P" LTD  
Vill. Ponitchala 65, 0165, Tbilisi, Georgia  
(770) "G-M-P" LTD  
Zemo Vedzisi St. 103, 0160, Tbilisi, Georgia  
(580) 2021 01 18

---

(111) M 2010 20976 R  
(732) JSC "GOODWILL"  
I. Chavchavadze Av. 9, Vake-Saburtalo  
District, Tbilisi, Georgia  
(770) LTD "GOODWILL"  
I. Chavchavadze Av. 9, Vake-Saburtalo  
District, Tbilisi, Georgia  
(580) 2021 01 29

---

(111) M 2011 21159 R  
(732) Swiss Pharma International AG  
Lindenstrasse 22, 8008 Zurich, Switzerland  
(770) Swiss Pharma International AG  
Waldmannstrasse 8, 8001 Zurich, Switzerland  
(580) 2021 01 20

---

(111) M 2010 21052 R  
(732) "INTERCHEM" SUBSIDIARY LIABILITY  
COMPANY  
86, Lustdorfskaya doroga, Odessa, 65080,  
Ukraine  
(770) Open Joint-Stock Company "International  
Ukrainian-Belgian Chemical Enterprises  
"INTERCHEM" (JV "INTERCHEM")  
86, Lustdorfskaya doroga, Odessa, 65080,  
Ukraine  
(580) 2020 12 29

---

(111) M 2011 21259 R  
(732) LTD "G-M-P"  
Vill. Ponitchala 65, 0165, Tbilisi, Georgia  
(770) LTD "G-M-P"  
Zemo Vedzisi St. 103, 0160, Tbilisi, Georgia  
(580) 2021 01 18

---

(111) M 2011 21317 R  
(732) LTD "G-M-P"  
Vill. Ponitchala 65, 0165, Tbilisi, Georgia  
(770) LTD "G-M-P"  
Zemo Vedzisi St. 103, 0160, Tbilisi, Georgia  
(580) 2021 01 18

---

(111) M 2011 21418 R  
(732) LTD "G-M-P"  
Vill. Ponitchala 65, 0165, Tbilisi, Georgia

(770) LTD "G-M-P"  
Zemo Vedzisi St. 103, 0160, Tbilisi, Georgia  
(580) 2021 01 18

---

(111) M 2011 22016 R  
(732) ABBOTT GMBH  
Max-Planck-Ring 2, 65205 Wiesbaden,  
Germany  
(770) ABBOTT GMBH & CO.KG  
Max-Planck-Ring 2, 65205 Wiesbaden,  
Germany  
(580) 2020 12 23

---

(111) M 2011 22018 R  
(732) "INTERCHEM" SUBSIDIARY  
LIABILITY COMPANY  
86, Lustdorskaya doroga, Odessa, 65080,  
Ukraine  
(770) Open Joint-Stock Company "International  
Ukrainian-Belgian Chemical Enterprises  
"INTERCHEM" (JV "INTERCHEM")  
86, Lustdorskaya doroga, Odessa, 65080,  
Ukraine  
(580) 2020 12 29

---

(111) M 2012 22563 R  
(732) Vertiv IT Systems Inc.  
1209 Orange Street, Wilmington, Delaware  
19801, USA  
(770) Vertiv IT Systems Inc.  
4991 Corporate Drive, Huntsville, Alabama  
35805, USA  
(580) 2020 12 10

---

(111) M 2016 27128 R  
(732) Refresco Beverages LLC  
1001 10th Avenue, Columbus, georgia  
31901, USA  
(770) Cott Beverages LLC  
1001 10th Avenue, Columbus, georgia  
31901, USA  
(580) 2021 01 20

---

(111) M 2016 27316 R  
(732) Refresco Beverages LLC  
1001 10th Avenue, Columbus, georgia  
31901, USA  
(770) Cott Beverages LLC  
1001 10th Avenue, Columbus, georgia  
31901, USA  
(580) 2021 01 20

---

(111) M 2017 28922 R  
(732) Refresco Beverages LLC  
1001 10th Avenue, Columbus, georgia  
31901, USA  
(770) Cott Beverages LLC  
1001 10th Avenue, Columbus, georgia  
31901, USA  
(580) 2021 01 20

---

(111) M 1996 3929 R  
(732) ZF INTERNATIONAL UK LIMITED  
Stratford Road, Solihull, West Midlands  
B90 4 AX, United Kingdom  
(770) LUCAS INDUSTRIES LIMITED  
Stratford Road, Solihull, West Midlands  
B90 4 AX, United Kingdom  
(580) 2020 11 17

---

(111) M 1997 4361 R  
(732) Refresco Beverages LLC  
1001 10th Avenue, Columbus, georgia  
31901, USA  
(770) Cott Beverages LLC  
1001 10th Avenue, Columbus, georgia  
31901, USA  
(580) 2021 01 20

---

(111) M 1997 4362 R  
(732) Refresco Beverages LLC  
1001 10th Avenue, Columbus, georgia  
31901, USA  
(770) Cott Beverages LLC  
1001 10th Avenue, Columbus, georgia  
31901, USA  
(580) 2021 01 20

---

## CANCELLATION TRADEMARKS REGISTRATION

(111) M 2000 13388 R  
(151) 2000 06 30  
(732) ASCOM NETWORK TESTING AB  
Laboratorgränd 3, 93162 Skekäfteå, Sweden  
(141) 2021 01 27

---

(111) M 2000 13414 R  
(151) 2000 07 04  
(732) WILLIS GROUP LIMITED  
51 Lime Street, London EC3M 7DQ,  
Kingdom  
(141) 2021 01 27

---

(111) M 2000 13406 R  
(151) 2000 06 30  
(732) COLGATE-PALMOLIVE COMPANY  
300 Park Avenue, New York, NY 10022,  
USA  
(141) 2021 01 27

---

(111) M 2000 13405 R  
(151) 2000 06 30  
(732) MARS, INCORPORATED  
6885, Elm Street, McLean, Virginia, USA  
(141) 2021 01 27

---

(111) M 1997 5682 R  
(151) 1997 06 23  
(732) GlaxoSmithKline Consumer Healthcare B.V.  
Huis ter Heideweg 62, 3707 LZ, Zeist,  
Netherlands  
(141) 2021 01 27

---

(111) M 2010 20580 R  
(151) 2010 07 14  
(732) TMD Friction Services GmbH  
Schlebuscher Straße 99, 51381 Leverkusen,  
Germany  
(141) 2021 01 29

---

(111) M 2010 20576 R  
(151) 2010 06 28  
(732) LTD "LIBO"  
Bakhrioni St. 20, 0194, Tbilisi, Georgia  
(141) 2021 01 27

---

(111) M 2010 20569 R  
(151) 2010 06 28  
(732) LTD "ZEBRA GROUP"  
Bakhrioni St. 28, 0194, Tbilisi, Georgia  
(141) 2021 01 27

---

(111) M 2010 20581 R  
(151) 2010 07 14  
(732) JSC "GEFA"  
Sanapiro St. 6, 0108, Tbilisi, Georgia  
(141) 2021 01 29

---

(111) M 2010 20582 R  
(151) 2010 07 14  
(732) JSC "G-P-C"  
Marjanishvili St. 26, 0102, Tbilisi, Georgia  
(141) 2021 01 29

---

(111) M 2010 20573 R  
(151) 2010 06 28  
(732) Sviyatoslav Nechytaylo  
Zankovetska St.4, flat 27, Kiev, 01001, Ukraine  
(141) 2021 01 27

---

(111) M 2010 20577 R  
(151) 2010 06 28  
(732) LTD "A-B-C PHARMACY"  
Sanapiro St. 10a, 0108, Tbilisi, Georgia  
(141) 2021 01 27

---

(111) M 2010 20583 R  
(151) 2010 07 14  
(732) Kakhaber Sutidze  
Tsagareli St. 43, 0194, Tbilisi, Georgia  
(141) 2021 01 29

---

(111) M 2010 20574 R  
(151) 2010 06 28  
(732) LTD "A-B-C PHARMACY"  
Sanapiro St. 10a, 0108, Tbilisi, Georgia  
(141) 2021 01 27

---

(111) M 2010 20579 R  
(151) 2010 06 30  
(732) LTD "GUR QAINAQI"  
Davit Aghmashenebeli Av. 144, 0102, Tbilisi,  
Georgia  
(141) 2021 01 27

---

(111) M 2010 20590 R  
(151) 2010 07 15  
(732) LTD "NEW WAY"  
Mitropane Laghidze St. 21, 0108, Tbilisi,  
Georgia  
(141) 2021 02 02

---

(111) M 2010 20584 R  
(151) 2010 07 14  
(732) LTD "SALKHINO"  
Tseretli Av. 55, corp. 2, en. 2, app. 41,  
0112, Tbilisi, Georgia  
(141) 2021 01 29

---

(111) M 2010 20591 R  
(151) 2010 07 15  
(732) Intervet International B.V.  
Wim de Körverstraat 35, 5831 AN Boxmeer,  
Netherlands  
(141) 2021 02 02

---

(111) M 2010 20586 R  
(151) 2010 07 14  
(732) Elguja Gvilava  
I. Petritsi St. 6, app. 62, 0131, Tbilisi, Georgia  
(141) 2021 01 29

---

(111) M 2010 20596 R  
(151) 2010 07 16  
(732) Patron Spirits International AG  
Quaistrasse 11, 8200 Schaffhausen,  
Switzerland  
(141) 2021 02 02

---

## INTERNATIONAL LICENSE AGREEMENT

(800) 1418239

(732) ENIGMA Ltd.

Rojen Blvd 25V, BG-1220 Sofia,  
Bulgaria

(791) LTD "Enigma Fireworks Georgia"

Sulkhan Tsintsadze St. 45, app. 57, Tbilisi,  
Georgia

(793) №1620

License type: Exclusive

Validity period: 19 11 2020 with the validity  
period of the mark

Class: 13

---

---

# CLASSIFICATION INDEXES

## INVENTIONS

### CONCORDANCE TABLE OF INTERNATIONAL CLASSIFICATION INDEX AND PUBLICATION NUMBERS

INTERNATIONAL CLASSIFICATION INDEXES (51)	NUMBER OF PUBLISHED APPLICATION (10)
A 61 P 31/14; C 07 K 16/10	AP 2021 14794 A
B 61 D 47/00; B 66 F 7/02	AP 2021 15184 A
B 65 G 27/02; H 02 K 33/02	AP 2021 15218 A
C 02 F 1/52; C 02 F 1/57	AP 2021 15037 A
C 04 B 14/00; C 04 B 14/04; C 04 B 14/36; C 04 B 18/14	AP 2021 15279 A
C 07 K 16/28	AP 2021 15055 A
H 01 H 73/00; H 02 H 9/04	AP 2021 15264 A

### CONCORDANCE TABLE OF PUBLICATION NUMBERS AND INTERNATIONAL CLASSIFICATION INDEX

NUMBER OF PUBLISHED APPLICATION (10)	INTERNATIONAL CLASSIFICATION INDEXES (51)
AP 2021 14794 A	A 61 P 31/14; C 07 K 16/10
AP 2021 15037 A	C 02 F 1/52; C 02 F 1/57
AP 2021 15055 A	C 07 K 16/28
AP 2021 15184 A	B 61 D 47/00; B 66 F 7/02
AP 2021 15218 A	B 65 G 27/02; H 02 K 33/02
AP 2021 15264 A	H 01 H 73/00; H 02 H 9/04
AP 2021 15279 A	C 04 B 14/00; C 04 B 14/04; C 04 B 14/36; C 04 B 18/14

### CONCORDANCE TABLE OF INTERNATIONAL CLASSIFICATION INDEX, PATENT NUMBERS AND PUBLICATION NUMBERS

INTERNATIONAL CLASSIFICATION INDEX (51)	NUMBER OF PATENT (11)	NUMBER OF PUBLISHED APPLICATION (10)
A 01 N 33/02; A 01 N 25/28; A 01 N 25/22; A 01 N 25/04; A 01 N 25/02; B 01 J 13/02	P 2021 7216 B	AP 2020 15194 A
A 22 B 7/00; A 22 B 5/00	P 2021 7219 B	AP 2020 14798 A
A 61 K 31/4245; C 07 D 271/08	P 2021 7221 B	AP 2020 10418 A
A 61 K 31/675; A 61 P 19/02; C 07 F 9/576	P 2021 7223 B	AP 2020 14976 A
C 07 C 275/26; C 07 D 295/06	P 2021 7217 B	AP 2020 14994 A
C 07 K 16/18; C 07 K 16/28	P 2021 7220 B	AP 2020 14812 A
C 07 K 16/18	P 2021 7222 B	AP 2020 14957 A
E 02 F 9/28; E 02 F 9/28	P 2021 7224 B	AP 2020 14935 A
E 21 B 49/10	P 2021 7215 B	AP 2020 14946 A
G 07 D 7/00; G 07 D 7/12; G 07 D 7/1205	P 2021 7218 B	AP 2020 14970 A

**CONCORDANCE TABLE OF PATENT NUMBERS,  
PUBLICATION NUMBERS AND INTERNATIONAL CLASSIFICATION INDEX**

NUMBER OF PATENT (11)	NUMBER OF PUBLISHED APPLICATION (10)	INTERNATIONAL CLASSIFICATION INDEX (51)
P 2021 7215 B	AP 2020 14946 A	E 21 B 49/10
P 2021 7216 B	AP 2020 15194 A	A 01 N 33/02; A 01 N 25/28; A 01 N 25/22; A 01 N 25/04; A 01 N 25/02; B 01 J 13/02
P 2021 7217 B	AP 2020 14994 A	C 07 C 275/26; C 07 D 295/06
P 2021 7218 B	AP 2020 14970 A	G 07 D 7/00; G 07 D 7/12; G 07 D 7/1205
P 2021 7219 B	AP 2020 14798 A	A 22 B 7/00; A 22 B 5/00
P 2021 7220 B	AP 2020 14812 A	C 07 K 16/18; C 07 K 16/28
P 2021 7221 B	AP 2020 10418 A	A 61 K 31/4245; C 07 D 271/08
P 2021 7222 B	AP 2020 14957 A	C 07 K 16/18
P 2021 7223 B	AP 2020 14976 A	A 61 K 31/675; A 61 P 19/02; C 07 F 9/576
P 2021 7224 B	AP 2020 14935 A	E 02 F 9/28; E 02 F 9/28

**CONCORDANCE TABLE OF APPLICATION NUMBERS, PUBLICATION NUMBERS  
AND PATENTS**

NUMBER OF APPLICATION (21)	NUMBER OF PUBLISHED APPLICATION (10)	NUMBER OF PATENT (11)
AP 2006 10418	AP 2020 10418 A	P 2021 7221 B
AP 2016 14798	AP 2020 14798 A	P 2021 7219 B
AP 2016 14812	AP 2020 14812 A	P 2021 7220 B
AP 2017 14935	AP 2020 14935 A	P 2021 7224 B
AP 2017 14946	AP 2020 14946 A	P 2021 7215 B
AP 2017 14957	AP 2020 14957 A	P 2021 7222 B
AP 2017 14970	AP 2020 14970 A	P 2021 7218 B
AP 2014 14976	AP 2020 14976 A	P 2021 7223 B
AP 2017 14994	AP 2020 14994 A	P 2021 7217 B
AP 2018 15194	AP 2020 15194 A	P 2021 7216 B

## UTILITY MODELS

### CONCORDANCE TABLE OF INTERNATIONAL CLASSIFICATION INDEX AND PUBLICATION NUMBERS

INTERNATIONAL CLASSIFICATION INDEXES (51)	NUMBER OF PUBLISHED APPLICATION (10)
A 01 G 17/14	AU 2021 15406 U
G 01 R 35/04	AU 2021 15299 U

### CONCORDANCE TABLE OF PUBLICATION NUMBERS AND INTERNATIONAL CLASSIFICATION INDEX

NUMBER OF PUBLISHED APPLICATION (10)	INTERNATIONAL CLASSIFICATION INDEXES (51)
AU 2021 15299 U	G 01 R 35/04
AU 2021 15406 U	A 01 G 17/14

### CONCORDANCE TABLE OF INTERNATIONAL CLASSIFICATION INDEX, PATENT NUMBERS AND PUBLICATION NUMBERS

INTERNATIONAL CLASSIFICATION INDEX (51)	NUMBER OF PATENT (11)	NUMBER OF PUBLISHED APPLICATION (10)
G 06 Q 20/36	U 2021 2069 Y	AU 2020 15243 U

### CONCORDANCE TABLE OF PATENT NUMBERS, PUBLICATION NUMBERS AND INTERNATIONAL CLASSIFICATION INDEX

NUMBER OF PATENT (11)	NUMBER OF PUBLISHED APPLICATION (10)	INTERNATIONAL CLASSIFICATION INDEX (51)
U 2021 2069 Y	AU 2020 15243 U	G 06 Q 20/36

### CONCORDANCE TABLE OF APPLICATION NUMBERS, PUBLICATION NUMBERS AND PATENTS

NUMBER OF APPLICATION (21)	NUMBER OF PUBLISHED APPLICATION (10)	NUMBER OF PATENT (11)
AU 2019 15243	AU 2020 15243 U	U 2021 2069 Y



**DESIGNS****CONCORDANCE TABLE OF INTERNATIONAL CLASSIFICATION INDEX  
AND PUBLICATION NUMBERS**

INTERNATIONAL CLASSIFICATION INDEXES (51)	NUMBER OF PUBLISHED APPLICATION (10)
11-01	AD 2021 1179 S
32-00	AD 2021 1183 S

**CONCORDANCE TABLE OF PUBLICATION NUMBERS  
AND INTERNATIONAL CLASSIFICATION INDEX**

NUMBER OF PUBLISHED APPLICATION (10)	INTERNATIONAL CLASSIFICATION INDEXES (51)
AD 2021 1179 S	11-01
AD 2021 1183 S	32-00

**CONCORDANCE TABLE OF INTERNATIONAL CLASSIFICATION INDEX,  
PATENT NUMBERS AND PUBLICATION NUMBERS**

INTERNATIONAL CLASSIFICATION INDEX (51)	NUMBER OF PATENT (11)	NUMBER OF PUBLISHED APPLICATION (10)
06-02	D 2021 874 S	AD 2020 1158 S
09-01	D 2021 877 S	AD 2020 1161 S
19-04	D 2021 875 S	AD 2020 1159 S

**CONCORDANCE TABLE OF PATENT NUMBERS,  
PUBLICATION NUMBERS AND INTERNATIONAL CLASSIFICATION INDEX**

NUMBER OF PATENT (11)	NUMBER OF PUBLISHED APPLICATION (10)	INTERNATIONAL CLASSIFICATION INDEX (51)
D 2021 874 S	AD 2020 1158 S	06-02
D 2021 877 S	AD 2020 1161 S	09-01
D 2021 875 S	AD 2020 1159 S	19-04

CONCORDANCE TABLE OF APPLICATION NUMBERS, PUBLICATION NUMBERS  
AND PATENTS

NUMBER OF APPLICATION (21)	NUMBER OF PUBLISHED APPLICATION (10)	NUMBER OF PATENT (11)
AD 2020 1158	AD 2020 1158 S	D 2021 874 S
AD 2020 1161	AD 2020 1161 S	D 2021 877 S
AD 2020 1159	AD 2020 1159 S	D 2021 875 S

**DESIGN REGISTERED ACCORDING TO THE ACCELERATED  
PROCEDURE**

CONCORDANCE TABLE OF INTERNATIONAL CLASSIFICATION INDEX  
AND PUBLICATION NUMBERS

INTERNATIONAL CLASSIFICATION INDEXES (51)	NUMBER OF PUBLISHED APPLICATION (11)
09-01	D 2021 876 S

CONCORDANCE TABLE OF PUBLICATION NUMBERS  
AND INTERNATIONAL CLASSIFICATION INDEX

NUMBER OF PUBLISHED APPLICATION (11)	INTERNATIONAL CLASSIFICATION INDEXES (51)
D 2021 876 S	09-01

CONCORDANCE TABLE OF APPLICATION NUMBERS,  
PUBLICATION NUMBERS AND PATENTS

NUMBER OF APPLICATION (21)	NUMBER OF PATENT (11)
AD 2021 1198	D 2021 876 S

## TRADEMARKS

### CONCORDANCE TABLE OF REGISTRATION NUMBERS, APPLICATION NUMBERS, PUBLICATION NUMBERS AND BULLETIN NUMBERS

NUMBER OF REGISTRATION (111)	NUMBER OF APPLICATIONS (210)	NUMBER OF PUBLISHED APPLICATIONS (260)	NUMBER OF BULLETIN
1	2	3	4
M 2021 33533 R	AM 111092	–	2(558)2021
M 2021 33534 R	AM 103860	AM 2020 103860 A	18(550)2020
M 2021 33535 R	AM 105431	AM 2020 105431 A	18(550)2020
M 2021 33536 R	AM 105439	AM 2020 105439 A	12(544)2020
M 2021 33537 R	AM 105444	AM 2020 105444 A	11(543)2020
M 2021 33538 R	AM 105653	AM 2020 105653 A	12(544)2020
M 2021 33539 R	AM 105669	AM 2020 105669 A	12(544)2020
M 2021 33540 R	AM 105677	AM 2020 105677 A	12(544)2020
M 2021 33541 R	AM 105965	AM 2020 105965 A	12(544)2020
M 2021 33542 R	AM 106045	AM 2020 106045 A	12(544)2020
M 2021 33543 R	AM 106093	AM 2020 106093 A	16(548)2020
M 2021 33544 R	AM 106164	AM 2020 106164 A	12(544)2020
M 2021 33545 R	AM 106171	AM 2020 106171 A	15(547)2020
M 2021 33546 R	AM 106182	AM 2020 106182 A	14(546)2020
M 2021 33547 R	AM 106586	AM 2020 106586 A	15(547)2020
M 2021 33548 R	AM 106610	AM 2020 106610 A	18(550)2020
M 2021 33549 R	AM 106612	AM 2020 106612 A	18(550)2020
M 2021 33550 R	AM 106613	AM 2020 106613 A	18(550)2020
M 2021 33551 R	AM 106676	AM 2020 106676 A	16(548)2020
M 2021 33552 R	AM 106681	AM 2020 106681 A	16(548)2020
M 2021 33553 R	AM 106682	AM 2020 106682 A	16(548)2020
M 2021 33554 R	AM 106753	AM 2020 106753 A	15(547)2020
M 2021 33555 R	AM 106757	AM 2020 106757 A	17(549)2020
M 2021 33556 R	AM 106758	AM 2020 106758 A	17(549)2020
M 2021 33557 R	AM 106759	AM 2020 106759 A	17(549)2020
M 2021 33558 R	AM 106801	AM 2020 106801 A	18(550)2020
M 2021 33559 R	AM 106802	AM 2020 106802 A	17(549)2020
M 2021 33560 R	AM 106803	AM 2020 106803 A	17(549)2020
M 2021 33561 R	AM 106805	AM 2020 106805 A	17(549)2020
M 2021 33562 R	AM 106806	AM 2020 106806 A	17(549)2020
M 2021 33563 R	AM 106807	AM 2020 106807 A	17(549)2020
M 2021 33564 R	AM 106808	AM 2020 106808 A	17(549)2020
M 2021 33565 R	AM 106811	AM 2020 106811 A	18(550)2020
M 2021 33566 R	AM 106813	AM 2020 106813 A	18(550)2020
M 2021 33567 R	AM 106814	AM 2020 106814 A	18(550)2020
M 2021 33568 R	AM 106938	AM 2020 106938 A	18(550)2020
M 2021 33569 R	AM 106946	AM 2020 106946 A	18(550)2020
M 2021 33570 R	AM 106947	AM 2020 106947 A	18(550)2020
M 2021 33571 R	AM 106965	AM 2020 106965 A	18(550)2020
M 2021 33572 R	AM 107051	AM 2020 107051 A	18(550)2020
M 2021 33573 R	AM 107053	AM 2020 107053 A	18(550)2020
M 2021 33574 R	AM 107059	AM 2020 107059 A	18(550)2020
M 2021 33575 R	AM 107067	AM 2020 107067 A	17(549)2020
M 2021 33576 R	AM 107150	AM 2020 107150 A	18(550)2020
M 2021 33577 R	AM 107169	AM 2020 107169 A	18(550)2020
M 2021 33578 R	AM 107268	AM 2020 107268 A	18(550)2020

1	2	3	4
M 2021 33579 R	AM 107385	AM 2020 107385 A	18(550)2020
M 2021 33580 R	AM 107459	AM 2020 107459 A	18(550)2020
M 2021 33581 R	AM 107460	AM 2020 107460 A	18(550)2020
M 2021 33582 R	AM 107493	AM 2020 107493 A	18(550)2020
M 2021 33583 R	AM 107494	AM 2020 107494 A	18(550)2020
M 2021 33584 R	AM 107495	AM 2020 107495 A	18(550)2020
M 2021 33585 R	AM 107496	AM 2020 107496 A	18(550)2020
M 2021 33586 R	AM 104546	AM 2020 104546 A	7(539)2020
M 2021 33587 R	AM 104547	AM 2020 104547 A	7(539)2020
M 2021 33588 R	AM 104548	AM 2020 104548 A	7(539)2020
M 2021 33589 R	AM 105145	AM 2020 105145 A	11(543)2020
M 2021 33590 R	AM 111276	–	2(558)2021
M 2021 33591 R	AM 111277	–	2(558)2021
M 2021 33592 R	AM 111279	–	2(558)2021
M 2021 33593 R	AM 111080	–	2(558)2021
M 2021 33594 R	AM 111321	–	2(558)2021
M 2021 33595 R	AM 111324	–	2(558)2021
M 2021 33596 R	AM 111328	–	2(558)2021
M 2021 33597 R	AM 111346	–	2(558)2021
M 2021 33598 R	AM 111347	–	2(558)2021
M 2021 33599 R	AM 111402	–	2(558)2021
M 2021 33600 R	AM 111159	–	2(558)2021
M 2021 33601 R	AM 111409	–	2(558)2021
M 2021 33602 R	AM 111504	–	2(558)2021
M 2021 33603 R	AM 111431	–	2(558)2021
M 2021 33604 R	AM 103464	AM 2020 103464 A	14(546)2020
M 2021 33605 R	AM 104455	AM 2020 104455 A	18(550)2020
M 2021 33606 R	AM 105890	AM 2020 105890 A	13(545)2020
M 2021 33607 R	AM 105892	AM 2020 105892 A	13(545)2020
M 2021 33608 R	AM 105982	AM 2020 105982 A	14(546)2020
M 2021 33609 R	AM 105985	AM 2020 105985 A	17(549)2020
M 2021 33610 R	AM 106065	AM 2020 106065 A	14(546)2020
M 2021 33611 R	AM 106285	AM 2020 106285 A	14(546)2020
M 2021 33612 R	AM 106437	AM 2020 106437 A	14(546)2020
M 2021 33613 R	AM 106524	AM 2020 106524 A	15(547)2020
M 2021 33614 R	AM 106525	AM 2020 106525 A	15(547)2020
M 2021 33615 R	AM 106526	AM 2020 106526 A	15(547)2020
M 2021 33616 R	AM 106527	AM 2020 106527 A	15(547)2020
M 2021 33617 R	AM 106605	AM 2020 106605 A	20(552)2020
M 2021 33618 R	AM 106641	AM 2020 106641 A	16(548)2020
M 2021 33619 R	AM 106804	AM 2020 106804 A	17(549)2020
M 2021 33620 R	AM 106824	AM 2020 106824 A	18(550)2020
M 2021 33621 R	AM 106953	AM 2020 106953 A	16(548)2020
M 2021 33622 R	AM 107033	AM 2020 107033 A	17(549)2020
M 2021 33623 R	AM 107058	AM 2020 107058 A	19(551)2020
M 2021 33624 R	AM 107064	AM 2020 107064 A	18(550)2020
M 2021 33625 R	AM 107165	AM 2020 107165 A	19(551)2020
M 2021 33626 R	AM 107167	AM 2020 107167 A	19(551)2020
M 2021 33627 R	AM 107182	AM 2020 107182 A	19(551)2020
M 2021 33628 R	AM 107288	AM 2020 107288 A	19(551)2020
M 2021 33629 R	AM 107302	AM 2020 107302 A	19(551)2020
M 2021 33630 R	AM 107303	AM 2020 107303 A	19(551)2020
M 2021 33631 R	AM 107395	AM 2020 107395 A	19(551)2020
M 2021 33632 R	AM 107398	AM 2020 107398 A	19(551)2020
M 2021 33633 R	AM 107400	AM 2020 107400 A	19(551)2020
M 2021 33634 R	AM 107401	AM 2020 107401 A	19(551)2020

---

1	2	3	4
M 2021 33635 R	AM 107402	AM 2020 107402 A	19(551)2020
M 2021 33636 R	AM 107403	AM 2020 107403 A	19(551)2020
M 2021 33637 R	AM 107406	AM 2020 107406 A	19(551)2020
M 2021 33638 R	AM 107407	AM 2020 107407 A	19(551)2020
M 2021 33639 R	AM 107466	AM 2020 107466 A	19(551)2020
M 2021 33640 R	AM 107467	AM 2020 107467 A	19(551)2020
M 2021 33641 R	AM 107468	AM 2020 107468 A	19(551)2020
M 2021 33642 R	AM 107470	AM 2020 107470 A	20(552)2020
M 2021 33643 R	AM 107487	AM 2020 107487 A	19(551)2020
M 2021 33644 R	AM 107497	AM 2020 107497 A	20(552)2020
M 2021 33645 R	AM 107550	AM 2020 107550 A	19(551)2020
M 2021 33646 R	AM 107556	AM 2020 107556 A	20(552)2020
M 2021 33647 R	AM 107567	AM 2020 107567 A	19(551)2020
M 2021 33648 R	AM 107573	AM 2020 107573 A	19(551)2020
M 2021 33649 R	AM 107575	AM 2020 107575 A	19(551)2020
M 2021 33650 R	AM 107576	AM 2020 107576 A	19(551)2020
M 2021 33651 R	AM 107670	AM 2020 107670 A	20(552)2020
M 2021 33652 R	AM 107923	AM 2020 107923 A	20(552)2020
M 2021 33653 R	AM 106955	AM 2020 106955 A	19(551)2020
M 2021 33654 R	AM 111343	–	2(558)2021
M 2021 33655 R	AM 111437	–	2(558)2021
M 2021 33656 R	AM 111405	–	2(558)2021
M 2021 33657 R	AM 111507	–	2(558)2021

CONCORDANCE TABLE OF PUBLICATION NUMBERS  
AND APPLICATION NUMBERS

NUMBER OF PUBLISHED APPLICATION (260)	NUMBER OF APPLICATION (210)	1	2
1	2		
AM 2021 106666 A	AM 106666	AM 2021 108852 A	AM 108852
AM 2021 108062 A	AM 108062	AM 2021 108859 A	AM 108859
AM 2021 108298 A	AM 108298	AM 2021 108860 A	AM 108860
AM 2021 108489 A	AM 108489	AM 2021 108861 A	AM 108861
AM 2021 108593 A	AM 108593	AM 2021 108863 A	AM 108863
AM 2021 108594 A	AM 108594	AM 2021 108865 A	AM 108865
AM 2021 108610 A	AM 108610	AM 2021 108869 A	AM 108869
AM 2021 108662 A	AM 108662	AM 2021 108872 A	AM 108872
AM 2021 108675 A	AM 108675	AM 2021 108879 A	AM 108879
AM 2021 108693 A	AM 108693	AM 2021 108880 A	AM 108880
AM 2021 108695 A	AM 108695	AM 2021 108881 A	AM 108881
AM 2021 108742 A	AM 108742	AM 2021 108886 A	AM 108886
AM 2021 108743 A	AM 108743	AM 2021 108887 A	AM 108887
AM 2021 108747 A	AM 108747	AM 2021 108889 A	AM 108889
AM 2021 108749 A	AM 108749	AM 2021 108891 A	AM 108891
AM 2021 108750 A	AM 108750	AM 2021 108893 A	AM 108893
AM 2021 108752 A	AM 108752	AM 2021 108893 A	AM 108893
AM 2021 108753 A	AM 108753	AM 2021 108943 A	AM 108943
AM 2021 108755 A	AM 108755	AM 2021 108945 A	AM 108945
AM 2021 108757 A	AM 108757	AM 2021 108946 A	AM 108946
AM 2021 108759 A	AM 108759	AM 2021 108950 A	AM 108950
AM 2021 108761 A	AM 108761	AM 2021 108955 A	AM 108955
AM 2021 108762 A	AM 108762	AM 2021 108958 A	AM 108958
AM 2021 108763 A	AM 108763	AM 2021 108959 A	AM 108959
AM 2021 108764 A	AM 108764	AM 2021 108967 A	AM 108967
AM 2021 108765 A	AM 108765	AM 2021 108968 A	AM 108968
AM 2021 108766 A	AM 108766	AM 2021 108969 A	AM 108969
AM 2021 108773 A	AM 108773	AM 2021 109028 A	AM 109028
AM 2021 108780 A	AM 108780	AM 2021 109030 A	AM 109030
AM 2021 108783 A	AM 108783	AM 2021 109049 A	AM 109049
AM 2021 108788 A	AM 108788	AM 2021 109110 A	AM 109110
AM 2021 108848 A	AM 108848	AM 2021 109111 A	AM 109111
AM 2021 108851 A	AM 108851	AM 2021 109112 A	AM 109112
		AM 2021 109113 A	AM 109113
		AM 2021 109114 A	AM 109114
		AM 2021 109128 A	AM 109128
		AM 2021 109134 A	AM 109134
		AM 2021 109135 A	AM 109135
		AM 2021 109221 A	AM 109221

CONCORDANCE TABLE OF INDEX OF GOODS AND/OR SERVICES  
AND APPLICATION NUMBERS

INDEX OF GOODS AND/OR SERVICES (511)	NUMBER OF PUBLISHED APPLICATIONS (260)	1	2
1	2		
1	AM 2021 109112 A	29	AM 2021 109028 A
1	AM 2021 109113 A	30	AM 2021 106666 A
1	AM 2021 109114 A	30	AM 2021 108750 A
3	AM 2021 108594 A	30	AM 2021 108761 A
3	AM 2021 108610 A	30	AM 2021 108783 A
3	AM 2021 108675 A	30	AM 2021 108863 A
3	AM 2021 108788 A	30	AM 2021 108889 A
4	AM 2021 108757 A	30	AM 2021 108891 A
5	AM 2021 108593 A	30	AM 2021 108893 A
5	AM 2021 108610 A	30	AM 2021 108958 A
5	AM 2021 108662 A	30	AM 2021 109049 A
5	AM 2021 108675 A	30	AM 2021 108967 A
5	AM 2021 108743 A	31	AM 2021 108968 A
5	AM 2021 108747 A	31	AM 2021 109112 A
5	AM 2021 108752 A	31	AM 2021 109113 A
5	AM 2021 108753 A	31	AM 2021 109114 A
5	AM 2021 108788 A	31	AM 2021 109111 A
5	AM 2021 108887 A	32	AM 2021 106666 A
5	AM 2021 108955 A	32	AM 2021 108742 A
5	AM 2021 109112 A	32	AM 2021 108761 A
5	AM 2021 109128 A	32	AM 2021 108886 A
5	AM 2021 109134 A	32	AM 2021 109110 A
5	AM 2021 109135 A	32	AM 2021 109111 A
5	AM 2021 109221 A	32	AM 2021 109111 A
9	AM 2021 108594 A	33	AM 2021 106666 A
9	AM 2021 108851 A	33	AM 2021 108062 A
9	AM 2021 108969 A	33	AM 2021 108298 A
10	AM 2021 108675 A	33	AM 2021 108773 A
12	AM 2021 108780 A	33	AM 2021 108848 A
12	AM 2021 108946 A	33	AM 2021 108852 A
14	AM 2021 108594 A	33	AM 2021 108859 A
14	AM 2021 108865 A	33	AM 2021 108860 A
16	AM 2021 108865 A	33	AM 2021 108861 A
18	AM 2021 108594 A	33	AM 2021 108869 A
18	AM 2021 108865 A	33	AM 2021 108879 A
21	AM 2021 108610 A	33	AM 2021 108945 A
21	AM 2021 108865 A	33	AM 2021 108959 A
24	AM 2021 108865 A	33	AM 2021 109110 A
25	AM 2021 108489 A	33	AM 2021 109111 A
25	AM 2021 108594 A	34	AM 2021 108759 A
25	AM 2021 108865 A	34	AM 2021 108762 A
28	AM 2021 108865 A	34	AM 2021 108763 A
29	AM 2021 108750 A	34	AM 2021 108764 A
29	AM 2021 108761 A	34	AM 2021 108765 A
29	AM 2021 108783 A	34	AM 2021 108880 A
29	AM 2021 108893 A	34	AM 2021 108881 A
29	AM 2021 108950 A	35	AM 2021 106666 A
		35	AM 2021 108489 A
		35	AM 2021 108594 A
		35	AM 2021 108749 A
		35	AM 2021 108755 A
		35	AM 2021 108757 A
		35	AM 2021 108766 A
		35	AM 2021 108851 A

1	2	1	2
35	AM 2021 108865 A	42	AM 2021 108943 A
35	AM 2021 108869 A	42	AM 2021 108969 A
35	AM 2021 109030 A	43	AM 2021 106666 A
36	AM 2021 108851 A	43	AM 2021 108893 A
37	AM 2021 108780 A	43	AM 2021 109030 A
37	AM 2021 108851 A	43	AM 2021 109110 A
37	AM 2021 108872 A	44	AM 2021 108693 A
41	AM 2021 108865 A	44	AM 2021 108695 A

CONCORDANCE TABLE OF INDEX OF GOODS AND/OR SERVICES  
AND NUMBERS OF TRADEMARKS REGISTERED ACCORDING  
TO THE ACCELERATED PROCEDURE

INDEX OF GOODS AND/OR SERVICES (511)	NUMBERS OF REGISTERED ACCORDING TO THE ACCELERATED PROCEDURE (111)
5	M 2021 33593 R
5	M 2021 33596 R
5	M 2021 33597 R
5	M 2021 33598 R
5	M 2021 33655 R
5	M 2021 33657 R
29	M 2021 33595 R
29	M 2021 33601 R
29	M 2021 33603 R
30	M 2021 33595 R
30	M 2021 33602 R
30	M 2021 33603 R
31	M 2021 33656 R
32	M 2021 33533 R
32	M 2021 33595 R
33	M 2021 33599 R
34	M 2021 33590 R
34	M 2021 33591 R
35	M 2021 33595 R
35	M 2021 33597 R
35	M 2021 33598 R
35	M 2021 33654 R
43	M 2021 33592 R
43	M 2021 33594 R
43	M 2021 33595 R
43	M 2021 33600 R
43	M 2021 33603 R
44	M 2021 33593 R



# OFFICIAL BULLETIN OF THE INDUSTRIAL PROPERTY

INVENTIONS  
UTILITY MODELS  
DESIGNS  
TRADEMARKS  
APPELLATIONS OF ORIGIN OF GOODS  
AND GEOGRAPHICAL INDICATIONS

## 2(558)

EDITOR-IN-CHIEF: N. Bebrishvili

EDITOR-TRANSLATOR: E. Gabunia

PROOFREADER: A. Shikhashvili

COMPUTER LAYOUT: M. Ordenidze  
K. Svanidze

[www.sakpatenti.gov.ge](http://www.sakpatenti.gov.ge)

E-mail: [info@sakpatenti.org.ge](mailto:info@sakpatenti.org.ge)