



**NATIONAL INTELLECTUAL PROPERTY CENTER OF GEORGIA  
SAKPATENTI**

**OFFICIAL BULLETIN  
OF THE INDUSTRIAL PROPERTY**

**22(482)**

**2017  
TBILISI**

# INID CODES FOR IDENTIFICATION OF BIBLIOGRAPHIC DATA

## INVENTIONS, UTILITY MODELS

- (10) Number of publication for application, which has been examined
- (11) Number of patent and kind of document
- (21) Serial number of application
- (22) Date of filing of the application
- (23) Date of exhibition or the date of the earlier filing and the number of application, if any
- (24) Date from which patent may have effect
- (31) Number of priority application
- (32) Date of filing of priority application
- (33) Code of the country or regional organization allotting priority application number
- (44) Date of publication of application not granted, but examined and number of bulletin
- (45) Date of publication of registered document
- (51) International Patent Classification Index
- (54) Title of the invention
- (57) Abstract
- (60) Number of examined patent document granted by foreign patent office, date from which patent has effect and country code
- (62) Number of the earlier application and in case of divided application, date of filing an application
- (71) Name, surname and address of applicant (country code)
- (72) Name, surname of inventor (country code)
- (73) Name, surname and address of patent owner (country code)
- (74) Name, surname of representative or patent attorney
- (85) Date of commencement of the national phase of International Application
- (86) Number and date of filing of international application
- (87) Number and date of publication of international application

## DESIGNS

- (10) Number of publication for application
- (11) Number of patent and kind of document or number of registration
- (15) Date of registration/Date of patent renewal
- (18) Expected expiration date of patent or registration
- (21) Serial number of application
- (22) Date of filing of the application
- (23) Date of exhibition or the date of the earlier filing and the number of application, if any
- (24) Date from which patent may have effect
- (28) Number of designs included in the application
- (30) Data relating to priority (number of application, date of filing of application, two-letter code identifying the authority with whom the priority application was made)
- (31) Number of priority application
- (32) Date of filing of priority application
- (33) Code of the country or regional organization allotting priority application number
- (34) Two-letter code according to WIPO St.3 identifying the authority with which the priority application was made
- (44) Date of publication of design and number of bulletin (the first publication)
- (45) Date of publication of design registered by WIPO and number of bulletin
- (51) International Classification for designs (class and subclass of the Locarno Classification)
- (54) Title of the invention
- (55) Reproduction of the design
- (57) Description of characteristic features of the design including indication of colors
- (58) Date of recording of any kind of amendment in the Register
- (62) Number of the earlier application, registration and document number and if available the date of filing an application in case of divided application
- (71) Name, surname and address of applicant (country code)
- (72) Name, surname of creator (country code)
- (73) Name, surname and address of patent owner (country code)
- (74) Name, surname of representative or patent attorney
- (81) Contracting states concerned
  - II designated contracting states according to the 1960 Act
  - III designated contracting states according to the 1999 Act
- (85) Owner's permanent address
- (86) Owner's nationality
- (87) Owner's residence
- (88) State in which the owner has a real and effective industrial or commercial establishment

## TRADEMARKS

- (111) – Number of registration
- (151) – Date of registration
- (156) – Date of the renewal
- (181) – Expected expiration date of registration
- (186) – Renewal expiration date of registration
- (141) – Date of cancel of duration of the mark
- (210) – Serial number of application
- (220) – Date of filing of the application
- (230) – Date concerning exhibition
- (260) – Number of application, for which favorable decision of examination about registration has been taken (publication number)
- (310) – Number of the first application
- (320) – Date of filing of the first application
- (330) – Code, identifying national or regional Office where the first application was made
- (511) – International Classification of Goods and Services for the purposes of registration of trade marks and/or list of goods and/or services classified according thereto
- (531) – Description of figurative elements of Trade Marks according to the International Classification of the Figurative Elements of Marks
- (540) – Reproduction of Trade Mark
- (550) – Nature and kind of Trade Mark
- (580) – Date of recording of any kind changes in respect of applications or registrations
- (591) – Information concerning colors claimed
- (731) – Name and address of the applicant
- (732) – Name and address of the holder of the registration
- (740) – Name and address of the representative
- (750) – Address for correspondence
- (770) – Name and address of the previous applicant or holder in case of change in ownership
- (771) – Previous name and address of the applicant or holder in case of change in ownership
- (791) – Name and address of the licensee
- (793) – Indication of conditions and/or restrictions under the license (Type of license, number of license agreement, data of license, data of validity of license)
- (800) – Certain data relating to the international registration of Trade Marks under the Protocol Relating to Madrid Agreement (International registration number)

## CODES FOR PUBLICATION IN BULLETIN

- (21) AP 0000 000000 – serial number of application for invention
- (10) AP 0000 0000 A – number of published application for invention (first publication)
- (11) P 0000 0000 B – number of patent for invention (second publication)
- (21) API 0000 000000 – number of application for imported patent
- (11) PI 0000 0000 A – number of imported patent (first publication)
- (21) AU 0000 000000 – serial number of application for utility model
- (10) AU 0000 000 U – number of published application for utility model (first publication)
- (11) U 0000 000 Y – number of patent for utility model (second publication)
- (21) AD 0000 000000 – serial number of application for design
- (10) AD 0000 000 S – number of published application for design (first publication)
- (11) D 0000 000 S – number of patent for design (second publication)

## INTERNATIONAL PATENT CLASSIFICATION FOR INVENTIONS AND UTILITY MODELS

- SECTION A – HUMAN NECESSITIES
- SECTION B – PERFORMING OPERATIONS; TRANSPORTING
- SECTION C – CHEMISTRY; METALLURGY
- SECTION D – TEXTILES; PAPER
- SECTION E – FIXED CONSTRUCTIONS
- SECTION F – MECHANICAL ENGINEERING; LIGHTING; HEATING; WEAPONS; BLASTING
- SECTION G – PHYSICS
- SECTION H – ELECTRICITY

- 
- M – Trade Mark
  - (210) AM 0000 000000 – Serial number of application;
  - (260) AAM 0000 00000 A – Publication number of application;
  - (111) M 0000 00000 R – Number of registration;
  - (111) MMM0000 00000 Rn – Number of renewals, in which n=1,2,3;
  - (111) M 0000 00000 R(P) – Number of registration under partial assignment of rights
-

**LIST OF CODES, IN ALPHABETIC SEQUENCE, AND THE CORRESPONDING (SHORT) NAMES OF STATES, OTHER ENTITIES AND INTERGOVERNMENTAL ORGANIZATIONS**  
(WIPO STANDARD ST.3)

AD	Andorra				
AE	United Arab Emirates				
AF	Afghanistan				
AG	Antigua and Barbuda				
AI	Anguilla				
AL	Albania				
AM	Armenia				
AN	Netherlands Antilles				
AO	Angola				
AP	African Regional Intellectual Property Organization (ARIPO)				
AR	Argentina				
AT	Austria				
AU	Australia				
AW	Aruba				
AZ	Azerbaijan				
BA	Bosnia and Herzegovina				
BB	Barbados				
BD	Bangladesh				
BE	Belgium				
BF	Burkina Faso				
BG	Bulgaria				
BH	Bahrain				
BI	Burundi				
BJ	Benin				
BM	Bermuda				
BN	Brunei Darussalam				
BO	Bolivia				
BR	Brazil				
BS	Bahamas				
BT	Bhutan				
BV	Bouvet Island				
BW	Botswana				
BX	Benelux Office for Intellectual Property (BOIP)				
BY	Belarus				
BZ	Belize				
CA	Canada				
CD	Democratic Republic of the Congo				
CF	Central African Republic				
CG	Congo				
CH	Switzerland				
CI	Cote d'Ivoire				
CK	Cook Islands				
CL	Chile				
CM	Cameroon				
CN	China				
CO	Colombia				
CR	Costa Rica				
CU	Cuba				
CV	Cape Verde				
CY	Cyprus				
CZ	Czech Republic				
DE	Germany				
DJ	Djibouti				
DM	Dominica				
DO	Dominican Republic				
DZ	Algeria				
EA	Eurasian Patent Organization (EAPO)				
EC	Ecuador				
EE	Estonia				
EG	Egypt				
EH	Western Sahara				
EM	Office for Harmonization in the Internal Market (Trademarks and Designs)(OHIM)				
EP	European Patent Office (EPO)				
ER	Eritrea				
ES	Spain				
ET	Ethiopia				
FI	Finland				
FJ	Fiji				
FK	Falkland Islands (Malvinas)				
FO	Faroe Islands				
FR	France				
GA	Gabon				
GB	United Kingdom				
GC	Patent Office of the Cooperation Council for the Arab States of the Gulf (GCC)				
GD	Grenada				
GG	Guernsey				
GH	Ghana				
GI	Gibraltar				
GT	Guatemala				
GW	Guinea- Bissau				
GY	Guyana				
HK	The Hong Kong Special Administrative Region of the People's Republic of China				
HN	Honduras				
HR	Croatia				
HT	Haiti				
HU	Hungary				
IB	International Bureau of the World Intellectual Property Organization (WIPO)				
ID	Indonesia				
IE	Ireland				
IL	Israel				
IM	Isle of Man				
IN	India				
IQ	Iraq				
ID	Indonesia				
IE	Ireland				
IL	Israel				
IM	Isle of Man				
IN	India				
IQ	Iraq				
IR	Iran (Islamic Republic of)				
IS	Iceland				
IT	Italy				
JE	Jersey				
JM	Jamaica				
JO	Jordan				
JP	Japan				
KE	Kenya				
KG	Kyrgyzstan				
KH	Cambodia				
KI	Kiribati				
KM	Saint Kitts and Nevis				
KP	Democratic People's Republic of Korea				
KR	Republic of Korea				
KW	Kuwait				
KY	Cayman Islands				
KZ	Kazakhstan				
LA	Lao People's Democratic Republic				
LB	Lebanon				
LC	Saint Lucia				
LI	Liechtenstein				
LK	Sri Lanka				
LR	Liberia				
LS	Lesotho				
LT	Lithuania				
LU	Luxembourg				
LV	Latvia				
LY	Libyan Arab Jamahiriya				
MA	Morocco				
MC	Monaco				
MD	Republic of Moldova				
ME	Montenegro				
MG	Madagascar				
MK	The former Yugoslav Republic of Macedonia				
ML	Mali				
MM	Myanmar				
MN	Mongolia				
MO	Macao				
MP	Northern Mariana Islands				
MR	Mauritania				
MS	Montserrat				
MT	Malta				
MU	Mauritius				
MV	Maldives				
MW	Malawi				
MX	Mexico				
MY	Malaysia				
MZ	Mozambique				
NA	Namibia				
NE	Niger				
NG	Nigeria				
NI	Nicaragua				
NL	Netherlands				
NO	Norway				
NP	Nepal				
NR	Nauru				
NZ	New Zealand				
OA	African Intellectual Property Organization (OAPI)				
OM	Oman				
PA	Panama				
PE	Peru				
PG	Papua New Guinea				
PH	Philippines				
PK	Pakistan				
PL	Poland				
PT	Portugal				
PW	Palau				
PY	Paraguay				
QA	Qatar				
QZ	Community Plant Variety Office (European Community) (CPVO)				
RO	Romania				
RS	Serbia				
RU	Russian Federation				
RW	Rwanda				
SA	Saudi Arabia				
SB	Solomon Islands				
SC	Seychelles				
SD	Sudan				
SG	Singapore				
SH	Saint Helena				
SI	Slovenia				
SK	Slovakia				
SL	Sierra Leone				
SM	San Marino				
SN	Senegal				
SO	Somalia				
SR	Suriname				
ST	Sao Tome and Principe				
SV	El Salvador				
SY	Syrian Arab Republic				
SZ	Swaziland				
TC	Turks and Caicos Islands				
TD	Chad				
TG	Togo				
TH	Thailand				
TJ	Tajikistan				
TL	Timor-Leste				
TM	Turkmenistan				
TN	Tunisia				
TO	Tonga				
TR	Turkey				
SE	Sweden				
TT	Trinidad and Tobago				
TV	Tuvalu				
TW	Taiwan, Province of China				
TZ	United Republic of Tanzania				
UA	Ukraine				
UG	Uganda				
US	United States of America				
UY	Uruguay				
UZ	Uzbekistan				
VA	Holy See				
VC	Saint Vincent and the Grenadines				
VE	Venezuela				
VG	Virgin Islands (British)				
VN	Viet Nam				
VU	Vanuatu				
WO	World Intellectual Property Organization (WIPO)				
WS	Samoa				
XN	Nordic Patent Institute (NPI)				
YE	Yemen				
ZA	South Africa				
ZM	Zambia				
ZW	Zimbabwe				

**NATIONAL INTELLECTUAL PROPERTY CENTER OF GEORGIA  
SAKPATENTI**

**OFFICIAL BULLETIN  
OF THE INDUSTRIAL PROPERTY**

**22(482)**

**INVENTIONS  
UTILITY MODELS  
DESIGNS  
TRADEMARKS**

DATE OF PUBLICATION  
2017 11 27

# CONTENTS

<b>PUBLISHED TITLES OF PROTECTION .....</b>	<b>2</b>
<b>INVENTIONS</b>	
▪ APPLICATIONS APPROVED FOR GRANTING PATENT .....	4
▪ PATENTED INVENTIONS .....	6
<b>UTILITY MODELS</b>	
▪ APPLICATIONS APPROVED FOR GRANTING PATENTS .....	10
<b>DESIGNS</b>	
▪ APPLICATION APPROVED FOR REGISTRATION .....	12
▪ REGISTERED DESIGN .....	17
▪ DESIGNS REGISTERED ACCORDING TO THE ACCELERATED PROCEDURE .....	18
<b>TRADEMARKS</b>	
▪ APPLICATIONS FILED UNDER THE NATIONAL PROCEDURE APPROVED FOR REGISTRATION .....	19
▪ REGISTERED TRADEMARKS .....	21
▪ TRADEMARKS REGISTERED ACCORDING TO THE ACCELERATED PROCEDURE .....	23
▪ INTERNATIONAL TRADEMARKS FOR WHICH A DECISION ON GRANTING PROTECTION IS TAKEN .....	27
▪ INTERNATIONAL TRADEMARKS PROTECTED IN GEORGIA .....	41
<b>OFFICIAL NOTIFICATIONS</b>	
<b>TRADEMARKS</b>	
▪ RENEWAL OF REGISTRATIONS .....	48
▪ COMPLETE TRANSFER OF RIGHTS .....	50
▪ CHANGES IN NAMES AND/OR ADDRESSES OF OWNERS .....	51
▪ LICENSE AGREEMENTS .....	53
<b>CLASSIFICATION INDEXES</b>	
INVENTIONS .....	54
UTILITY MODELS .....	56
DESIGNS .....	56
TRADEMARKS .....	58

## **PUBLISHED TITLES OF PROTECTION**

### **INVENTIONS**

- **APPLICATIONS APPROVED FOR GRANTING PATENT:**  
14098; 14253
- **PATENTED INVENTIONS:**  
6771-6785

### **UTILITY MODELS**

- **APPLICATIONS APPROVED FOR GRANTING PATENT:**  
14321; 14309; 13989; 14451

### **DESIGNS**

- **APPLICATIONS APPROVED FOR REGISTRATION:**  
974; 973
- **REGISTERED DESIGN:**  
733
- **DESIGN REGISTERED ACCORDING TO THE ACCELERATED PROCEDURE:**  
734

### **TRADEMARKS**

- **APPLICATIONS FILED UNDER THE NATIONAL PROCEDURE APPROVED FOR REGISTRATION:**  
65154\*\*; 87241; 90095; 90614; 90776; 91093; 91132; 91170-91172; 91225; 91227; 91232; 91519
- **REGISTERED TRADEMARKS:**  
29103; 29106-29120
- **TRADEMARKS REGISTERED ACCORDING TO THE ACCELERATED PROCEDURE:**  
29088-29102; 29104, 29105
- **INTERNATIONAL TRADEMARKS FOR WHICH A DECISION ON GRANTING PROTECTIONS IS TAKEN:**  
90221; 90471; 90621; 90623, 90624; 90637; 90639-90641; 90643; 90653-90658; 90703; 90952; 91020; 91115, 91116; 91119; 91295; 91303; 91463; 91465; 91467; 91469; 91471, 91472; 91478; 91481; 91484; 91612, 91613; 91621; 91625; 91630
- **INTERNATIONAL TRADEMARKS PROTECTED IN GEORGIA:**  
86179; 88528; 88747; 88827; 88829; 88868; 88872; 88874; 88879; 88881; 88885-88887; 88899; 88901; 88917, 88918; 88922-88926; 88933, 88934; 88937; 88939-88941; 89024; 89026, 89027; 89030; 89043; 89051; 89057, 89058; 89070; 89079; 89137, 89138; 89140; 89142, 89143; 89147; 89153; 89180-89182; 89187-89190; 89192, 89193; 89198-89201; 89205, 89206; 89222, 89223; 89225-89227; 89229-89234; 89237-89240; 89244, 89245; 89335; 89345; 89347, 89348; 89352; 89597; 89626; 89629; 89762; 89766-89771; 89773-89777; 89779

# INVENTIONS

## APPLICATIONS APPROVED FOR GRANTING PATENTS

The decision can be appealed at the Chamber of Appeal of Sakpatenti within 3 months from the publication or at the Mtskheta District Court Administrative Cases Board (Address: №17, Samkhedro str., Mtskheta), within 1 month following the publication.

### PART B

#### B 65

(10) AP 2017 14098 A (51) Int. Cl. (2006)

B 65 D 19/00

(21) AP 2014 014098 (22) 2014 08 19

(31) VE2013A000044; PCT/IB2014/001562

(32) 2013 08 23; 2014 08 19

(33) IT; IB

(71) PISANO, Roberto (IT)

Via C. Goldoni, 29, I-31100-Treviso (IT)

(72) PISANO, Roberto (IT)

(74) Aleksandre Gegechkori

(85) 2016 03 22

(86) PCT/IB2014/001562, 2014 08 19

(54) METAL PALLET WITH

ASSEMBLABLE COMPONENTS

(57) Assemblable metal pallet with at least two plinths 18, each provided with a cut-out and with loading platform 20 characterized by consisting of plurality of components 4, 6, 8, 10, 60, 62, 64, 66, all obtained from single piece of basic metal profile 2, 2' the shape of which is symmetrical about the longitudinal central plane and is provided with at least one longitudinal rib 12 of rectangular cross-section and of constant height extending from one and the same part with respect to base plane 14, and with two outer lateral webs 16 having their edge bent inwards and at least partly coplanar with the top 17 of said rib 12, said components comprising first component 4, 60 consisting of a piece of basic profile 2 bent to C-shape with aperture facing upwards, second component 6, 62 consisting of a piece of same basic profile 2 bent to inverted U-shape, further component 8, 64, 68 formed from a piece of same basic profile 2, and constituting a crosspiece for connecting together said plinths.

Claims: 1 independent

35 dependent

Fig.: 52

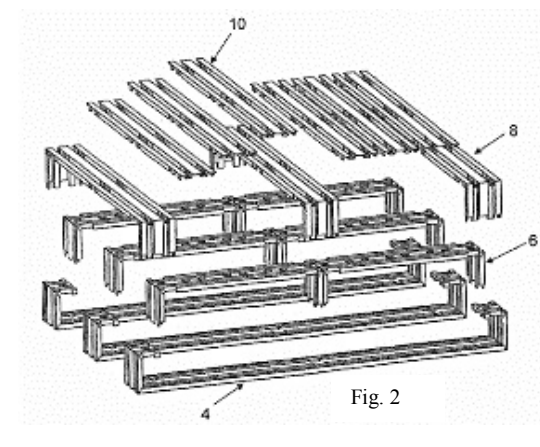


Fig. 2

### PART F

#### F 27

(10) AP 2017 14253 A (51) Int. Cl. (2006)

F 27 D 25/00

B 08 B 7/00

F 23 J 3/02

F 28 G 7/00

(21) AP 2015 014253 (22) 2015 02 04

(31) 177/14

(32) 2014 02 11

(33) CH

(71) BANG & CLEAN GMBH (CH)

Bünzweg 15 5504 Othmarsingen (CH)

(72) FLURY, Rainer (CH);

BÜRGIN, Markus (CH)

(74) Aleksandre Gegechkori

(85) 2016 08 30

(86) PCT/CH2015/000011, 2015 02 04

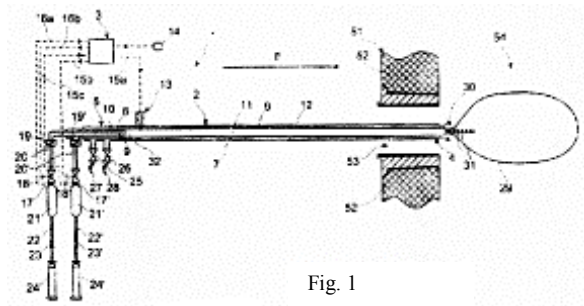
(54) METHOD AND DEVICE FOR  
CLEANING INTERIORS OF  
CONTAINERS AND SYSTEMS

(57) The invention relates to a method and cleaning device 1, 101 for removing deposits from interiors 54 of containers and systems 51 by means of explosive technology. The cleaning device 1, 101 contains cleaning appliance 2, 102 having receiving space 11, 111 and at least one pressure container

21, 21'; 121, 121' connected to cleaning appliance 2, 102 via at least one metering fitting 18, 18'; 118, 118'. The introduction of at least one gaseous component into cleaning appliance is controlled in accordance with the principle of pressure difference between maximum pressure at the start of introduction and desired residual pressure following completion of introduction. To this end, desired residual pressure in the pressure container is defined on the basis of quantity of gaseous component to be introduced, starting from maximum pressure, and the introduction of at least one gaseous component is stopped when desired residual pressure is achieved. The desired residual pressure is in this case in the positive pressure range.

Claims: 2 independent  
18 dependent

Fig.: 2





# PATENTED INVENTIONS

## PART A

### A 01

- (11) P 2017 6781 B**      **(51) Int. Cl. (2006)**  
**A 01 G 31/00**  
 (10) AP 2017 14089 A      (44) 15(475)/2017  
 (21) AP 2014 014089  
 (22) 2014 08 11  
 (24) 2014 08 11  
 (31) 2013-169317  
 (32) 2013 08 19  
 (33) JP  
 (86) PCT/JP2014/071141, 2014 08 11  
 (73) MEBIOL INC. (JP)  
 1-25-8 Nakahara, Hiratsuka-shi, Kanagawa  
 2540075 (JP)  
 (72) YOSHIOKA, Hiroshi (JP);  
 MORI, Yuichi (JP);  
 OKAMOTO, Akihiro (JP);  
 MIURA, Shigeki (JP);  
 MIZUTANI, Tomoyoshi (JP)  
 (74) Shalva Gvaramadze  
 (54) **PLANT CULTIVATION SYSTEM  
 AND PLANT CULTIVATION METHOD**

### A 61

- (11) P 2017 6772 B**      **(51) Int. Cl. (2006)**  
**A 61 K 31/422**  
**A 61 P 33/00**  
 (10) AP 2017 13567 A      (44) 15(475)/2017  
 (21) AP 2013 013567  
 (22) 2013 01 31  
 (24) 2013 01 31  
 (31) 61/595,463  
 (32) 2012 02 06  
 (33) US  
 (86) PCT/US2013/023969, 2013 01 31  
 (73) MERIAL INC. (US)  
 3239 Satellite Blvd., Bldg. 500, Duluth,  
 GA 30096 (US)  
 (72) SOLL, Mark, D. (US);  
 LARSEN, Diane (US);  
 CADY, Susan, Mancini (US);  
 CHEIFETZ, Peter (US);  
 GALESKA, Izabela (US);  
 GONG, Saijun (US)  
 (74) Liliana Darakhvelidze  
 (54) **PARASITICIDAL ORAL VETERINARY  
 COMPOSITIONS COMPRISING**

## SYSTEMICALLY-ACTING ACTIVE AGENTS, METHODS AND USES THEREOF

- (11) P 2017 6771 B**      **(51) Int. Cl. (2006)**  
**A 61 K 31/517**  
 (10) AP 2017 13442 A      (44) 15(475)/2017  
 (21) AP 2012 013442  
 (22) 2012 09 13  
 (24) 2012 09 13  
 (31) 61/534,081  
 (32) 2011 09 13  
 (33) US  
 (86) PCT/US2012/055064, 2012 09 13  
 (73) RONINSON, Igor (US)  
 225 Porth Circle, Lexington, South  
 Carolina 29072 (US)  
 (72) RONINSON, Igor (US)  
 (74) Larisa Amirkhanyan  
 (54) **TREATMENT OF DISEASE OR  
 DISORDERS CAUSED BY INDUCED  
 NFκB TRANSCRIPTIONAL ACTIVITY**

- (11) P 2017 6776 B**      **(51) Int. Cl. (2006)**  
**A 61 K 45/06**  
**A 61 K 31/27**  
**A 61 K 31/4045**  
**A 61 K 31/445**  
**A 61 K 31/55**  
**A 61 P 25/28**  
 (10) AP 2017 13752 A      (44) 15(475)/2017  
 (21) AP 2013 013752  
 (22) 2013 09 06  
 (24) 2013 09 06  
 (31) 61/782,084; 61/698,664  
 (32) 2013 03 14; 2012 09 09  
 (33) US; US  
 (86) PCT/EP2013/068516, 2013 09 06  
 (73) H. LUNDBECK A/S (DK)  
 Ottiliavej 9 DK-2500 Valby (DK)  
 (72) SCHMIDT, Ellen (DK);  
 AREBERG, Johan (SE)  
 (74) Shalva Gvaramadze  
 (54) **METHODS OF TREATING  
 ALZHEIMER'S DISEASE AND  
 PHARMACEUTICAL COMPOSITIONS  
 THEREOF**

**PART C****C 07**

- (11) P 2017 6779 B** (51) **Int. Cl. (2006)**  
**C 07 D 277/593**
- (10) AP 2017 13956 A (44) 15(475)/2017  
(21) AP 2014 013956  
(22) 2014 03 06  
(24) 2014 03 06  
(31) 61/779,091  
(32) 2013 03 13  
(33) US  
(86) PCT/US2014/021080, 2014 03 06  
(73) THERAVANCE BIOPHARMA  
ANTIBIOTICS IP, LLC (US)  
901 Gateway Boulevard South San Francisco,  
California 94080 (US)  
(72) ZHANG, Weijiang (US);  
TRACEY, Michael R. (US);  
LEE, Junning (US)  
(74) Tamaz Shilakadze  
(54) **CRYSTALLINE FORM OF A  
SUBSTITUTED THIAZOLYLACETIC  
ACID TRIETHYLAMINE SALT**

- (11) P 2017 6778 B** (51) **Int. Cl. (2006)**  
**C 07 D 401/14**  
**C 07 D 401/04**  
**C 07 D 403/14**  
**A 61 K 31/4725**  
**A 61 P 35/00**
- (10) AP 2017 13953 A (44) 15(475)/2017  
(21) AP 2014 013953  
(22) 2014 03 10  
(24) 2014 03 10  
(31) 61/776,445  
(32) 2013 03 11  
(33) US  
(86) PCT/US2014/022801, 2014 03 10  
(73) TAKEDA PHARMACEUTICAL  
COMPANY LIMITED (JP)  
1-1, Doshomachi 4-chome, Chuo-ku  
Osaka-shi, Osaka 541-0045 (JP)  
(72) LAWSON, John David (US);  
SABAT, Mark (US);  
SCORAH, Nicholas (US);  
SMITH, Christopher (US);  
VU, Phong H. (US);  
WANG, Haixia (US)  
(74) Aleksandre Gegechkori  
(54) **PYRIDINYL AND FUSED PYRIDINYL  
TRIAZOLONE DERIVATIVES**

- (11) P 2017 6774 B** (51) **Int. Cl. (2006)**  
**C 07 D 471/04**
- (10) AP 2017 13596 A (44) 15(475)/2017  
(21) AP 2013 013596  
(22) 2013 03 11  
(24) 2013 03 11  
(31) 288/KOL/2012  
(32) 2012 03 14  
(33) IN  
(86) PCT/IB2013/051915, 2013 03 11  
(73) LUPIN LIMITED (IN)  
159 CST Road, Kalina Santacruz (East),  
State of Maharashtra, India.  
Mumbai 400 098 (IN)  
(72) DAVE, Bhavesh (IN);  
BANERJEE, Rakesh, Kumar (IN);  
PHUKAN, Samiron (IN);  
KHOJE, Abhijit, Datta (IN);  
HANGARGE, Rajkumar (IN);  
JADHAV, Jitendra, Sambhaji (IN);  
PALLE, Venkata, P. (IN);  
KAMBOJ, Rajender, Kumar (IN)  
(74) Larisa Amirkhanyan  
(54) **HETEROCYCLYL COMPOUNDS**

- (11) P 2017 6783 B** (51) **Int. Cl. (2006)**  
**C 07 D 471/04**
- (10) AP 2017 14210 A (44) 15(475)/2017  
(21) AP 2014 014210  
(22) 2014 12 19  
(24) 2014 12 19  
(31) 61/919,661  
(32) 2013 12 20  
(33) US  
(86) PCT/US2014/071543, 2014 12 19  
(73) TAKEDA PHARMACEUTICAL  
COMPANY LIMITED (JP)  
1-1, Doshomachi 4-chome Chuo-ku  
Osaka-shi, Osaka 541-0045 (JP)  
(72) BROWN, Jason (US);  
HITCHCOCK, Stephen (US);  
HOPKINS, Maria (US);  
KIKUCHI, Shota (US);  
MONENSCHN, Holger (US);  
REICHARD, Holly (US);  
SCHLEICHER, Kristin (US);  
SUN, Hukai (US);  
MACKLIN, Todd (US)  
(74) Aleksandre Gegechkori  
(54) **TETRAHYDROPYRIDOPYRAZINES  
MODULATORS OF GPR6**

- (11) P 2017 6780 B** (51) **Int. Cl. (2006)**  
**C 07 D 471/08**  
**A 61 K 31/439**  
**A 61 P 11/00**  
**A 61 P 17/00**

A 61 P 27/00

A 61 P 15/00

A 61 P 37/00

A 61 P 35/00

A 61 P 31/00

- (10) AP 2017 13959 A (44) 15(475)/2017  
 (21) AP 2014 013959  
 (22) 2014 03 12  
 (24) 2014 03 12  
 (31) 13159240.4; 13170005.6  
 (32) 2013 03 14; 2013 05 31  
 (33) EP; EP  
 (86) PCT/EP2014/054794, 2014 03 12  
 (73) BOEHRINGER INGELHEIM  
 INTERNATIONAL GMBH (DE)  
 Binger Str. 173 55216 Ingelheim  
 Am Rhein (DE)  
 (72) ANDERSKEWITZ, Ralf (DE);  
 GRAUERT, Matthias (DE);  
 GRUNDL, Marc (DE);  
 HAEBEL, Peter, Wilhelm (DE);  
 OOST, Thorsten; (DE);  
 PAUTSCH, Alexander (DE);  
 PETERS, Stefan (DE);  
 BINDER, Florian (DE);  
 VINTONYAK, Viktor (DE)  
 (74) Tamar Kochlamazashvili  
 (54) **SUBSTITUTED 2-AZA-BICYCLO  
 [2.2.1]HEPTANE-3-CARBOXYLIC ACID  
 (BENZYL-CYANO-METHYL)-AMIDES  
 INHIBITORS OF CATHEPSIN C**

(11) P 2017 6773 B (51) Int. Cl. (2006)  
 C 07 K 16/28

- (10) AP 2017 13583 A (44) 15(475)/2017  
 (21) AP 2013 013583  
 (22) 2013 02 25  
 (24) 2013 02 25  
 (31) 61/603,622  
 (32) 2012 02 27  
 (33) US  
 (86) PCT/US2013/027580, 2013 02 25  
 (73) BOEHRINGER INGELHEIM  
 INTERNATIONAL GMBH (DE)  
 Binger Strasse 173 55216 Ingelheim  
 am Rhein (DE)  
 (72) SINGH, Sanjaya (US);  
 WATERMAN, Alisa K. (US);  
 DEPLA, Erik (BE);  
 LAEREMANS, Toon (BE);  
 VAN HOORICK, Diane (BE);  
 VERVERKEN, Cedric Jozef Néotère (BE)  
 (74) Tamar Kochlamazashvili  
 (54) **CX3CRI-BINDING POLYPEPTIDES**

## C 12

(11) P 2017 6775 B (51) Int. Cl. (2006)  
 C 12 B 1/225  
 C 12 Q 1/02  
 C 12 N 1/20

- (10) AP 2017 13744 A (44) 15(475)/2017  
 (21) AP 2013 013744  
 (22) 2013 09 03  
 (24) 2013 09 03  
 (31) 61/696,277  
 (32) 2012 09 03  
 (33) US  
 (86) PCT/EP2013/068202, 2013 09 03  
 (73) BIOGAIA AB (SE)  
 Kungsbrolan 3A, P.O. Box 3242,  
 S-103 64 Stockholm (SE)  
 (72) CONNOLLY, Eamonn (SE);  
 KUNZE, Wolfgang (CA);  
 BIENENSTOCK, John (CA)  
 (74) Shalva Gvaramadze  
 (54) **METHOD FOR SELECTION OF  
 AGENTS INFLUENCING INTESTINAL  
 MOTILITY DISORDERS AND PAIN**

## PART E

## E 02

(11) P 2017 6785 B (51) Int. Cl. (2006)  
 E 02 B 3/06

- (10) AP 2017 14241 A (44) 15(475)/2017  
 (21) AP 2016 014241  
 (22) 2016 08 10  
 (24) 2016 08 10  
 (73) Zaur Tsikhelashvili (GE)  
 Dighmis mas., V kvart., korp. 20, b. 42,  
 0159, Tbilisi (GE);  
 Ioseb Tsikhelashvili (GE)  
 Dighmis mas., V kvart., korp. 20, b. 42,  
 0159, Tbilisi (GE);  
 Shota Tsikhelashvili (GE)  
 Dighmis mas., V kvart., korp. 20, b. 42,  
 0159, Tbilisi (GE);  
 Paata Giorgadze (GE)  
 Bakhtrionis q. 26, b. 48, 0184, Tbilisi (GE)  
 (72) Zaur Tsikhelashvili (GE);  
 Ioseb Tsikhelashvili (GE);  
 Shota Tsikhelashvili (GE);  
 Paata Giorgadze (GE)  
 (54) **FLOATING BANK PROTECTION  
 CONSTRUCTION**

**PART G****G 07**

- (11) P 2017 6782 B**      **(51) Int. Cl. (2006)**  
**G 07 D 7/12**  
(10) AP 2017 14139 A      (44) 15(475)/2017  
(21) AP 2014 014139  
(22) 2014 10 10  
(24) 2014 10 10  
(31) 61/889,779  
(32) 2013 10 11  
(33) US  
(86) PCT/EP2014/071765, 2014 10 10  
(73) SICPA HOLDING SA (CH)  
Avenue de Florissant 41 CH-1008 Prilly (CH)  
(72) HEUSCH, Guillaume (CH)  
(74) Larisa Amirkhanyan  
(54) **HAND-HELD DEVICE AND METHOD**  
**FOR AUTHENTICATING A MARKING**

- (72) MESCHINI, Alberto (IT);  
RIGATO, Riccardo (IT);  
SCAROZZA, Davide (IT)  
(74) Shalva Gvaramadze  
(85) 2015 06 01  
(86) PCT/IB2013/059894, 2013 11 04  
(54) **LARGE DEPLOYABLE REFLECTOR**  
**FOR SATELLITE ANTENNA**

**PART H****H 01**

- (11) P 2017 6784 B**      **(51) Int. Cl. (2006)**  
**H 01 C 7/00**  
(10) AP 2017 14217 A      (44) 15(475)/2017  
(21) AP 2016 014217  
(22) 2016 07 22  
(24) 2016 07 22  
(73) LEPL RAPHIEL DVALI INSTITUTE  
OF MASHINE MECHANICS (GE)  
Mindelis q. 10, 0186, Tbilisi (GE)  
(72) Jimsher Aneli (GE);  
Lana Shamanauri (GE)  
(54) **RESISTANCE COMPOSITION**

- (11) P 2017 6777 B**      **(51) Int. Cl. (2006)**  
**H 01 Q 15/16**  
**B 64 G 1/22**  
(10) AP 2017 13843 A      (44) 15(475)/2017  
(21) AP 2013 013843  
(22) 2013 11 04  
(24) 2013 11 04  
(31) 13159073.9; 12425177.8  
(32) 2013 03 13; 2012 11 05  
(33) EP; EP  
(86) PCT/IB2013/059894, 2013 11 04  
(73) THALES ALENIA SPACE ITALIA S.P.A.  
CON UNICO SOCIO (IT)  
Via Saccomuro, 24, I-Roma (IT)

---

# UTILITY MODELS

## APPLICATIONS APPROVED FOR GRANTING PATENTS

The decision can be appealed at the Chamber of Appeal of Sakpatenti within 3 months from the publication or at the Mtskheta District Court Administrative Cases Board (Address: №17, Samkhedro str., Mtskheta), within 1 month following the publication.

### PART B

#### B 27

**(10) AU 2017 14321 U (51) Int. Cl. (2006)  
B 27 N 3/02**

- (21) AU 2016 014321 (22) 2016 11 14  
(71) Merab Diasamidze (GE)  
Makatsarias q. 3, b. 20, 6001, Batumi (GE);  
Merab Topchiashvili (GE)  
Sop. Dighomi, Tbilisi (GE);  
Zurab Suladze (GE)  
Gazapkhulis q. 21, 0177, Tbilisi (GE);  
Davit Suladze (GE)  
Gazapkhulis q. 21, 0177, Tbilisi (GE)  
(72) Merab Diasamidze (GE);  
Merab Topchiashvili (GE);  
Zurab Suladze (GE);  
Davit Suladze (GE)

**(54) METHOD FOR ARTICLE  
MANUFACTURE WITH WOOD-  
POLYMER COMPOSITE**

(57) A method provides wood grinding, drying, and mixing with polyethylene granules of low or high pressure in mixing device, and receiving the fusion by particles friction at required conditions of temperature regime, graining of received mass, and granules technological aging in thermoplastic automatic machine with press mold.

Claims: 1 independent

---

**(10) AU 2017 14309 U (51) Int. Cl. (2006)  
C 25 B 1/40  
C 25 B 9/14**

- (21) AU 2016 014309 (22) 2016 10 27  
(71) Temur Chakhunashvili (GE)  
Panaskertelis q., korp. 17, b. 15, 0194,  
Tbilisi (GE);  
Teimuraz Rokva (GE)  
Vazha-Pshavelas V kvart., korp. 1, b. 32,  
0186, Tbilisi (GE);  
Zhiuli Keadze (GE)  
Nutsbidzis me-3 mkr., kvart. 2, korp. 2, b. 69,  
0183, Tbilisi (GE);  
Zinaida Vatsadze (GE)  
Giorgi Brtskinvales q. 25, b. 34, 0153,  
Tbilisi (GE)  
(72) Temur Chakhunashvili (GE);  
Teimuraz Rokva (GE);  
Zhiuli Keadze (GE);  
Zinaida Vatsadze (GE)

**(54) ELECTROLYTIC BATH FOR  
RECEIVING MANGANESE DIOXIDE**

(57) Close electrolytic bath for receiving manganese dioxide has a cover of electrolytic bath on lower side whereof the rubber pads are glued, which by usage of bolted joint is rigidly connected to bath case ledge, on upper side whereof the rubber pads are glued, between whereof the ribbon current contact jaw having thickness of 1-5 mm, and executed with corrosion-resistant metal or alloy thereof, is placed.

Claims: 1 independent

Fig.: 1

---

**(10) AU 2017 13989 U (51) Int. Cl. (2006)  
C 25 B 11/04**

- (21) AU 2015 013989 (22) 2015 11 09  
(71) Temur Chakhunashvili (GE)  
M. Aleksidzis q. 1, korp. 4, sadar. 2, b. 28,  
0194, Tbilisi (GE);  
Teimuraz Rokva (GE)  
Vazha-Pshavelas V kvart., korp. 1, b. 32,  
0186, Tbilisi (GE);  
Zhiuli Keadze (GE)  
Nutsbidzis III mkr., II kvart., korp. 2,  
b. 69, 0186, Tbilisi (GE);

Zinaida Vatsadze (GE)  
Giorgi Brtskinvales Q. 25, b. 34, 0153,  
Tbilisi (GE);  
Merab Dadunashvili (GE)  
Javakhetis q. 3, korp. 5b, b. 37, 0182,  
Tbilisi (GE)

(72) Temur Chakhunashvili (GE);

Teimuraz Rokva (GE);  
Zhiuli Keadze (GE);  
Zinaida Vatsadze (GE);

Merab Dadunashvili (GE)

(54) **CATHODE FOR RECEIVING  
ELECTROLYTIC MANGANESE  
DIOXIDE**

(57) A cathode for receiving electrolytic manganese dioxide includes current contact jaw executed with multicomponent alloyed steel and body connected thereto vertically in a form of plates or bars disposed vertically and executed with corrosion-resistant carbon-base material fixed with horizontal Teflon bars, bushes and bolts passed therein, and current contact jaw consists of plates or bars executed with multicomponent alloyed steel.

Claims: 1 independent

Table: 1

Fig.: 1

## PART G

### G 07

(10) AU 2017 14451 U (51) Int. Cl. (2006)  
G 07 F 1/04

(21) AU 2017 014451 (22) 2017 03 15

(71) Konstantine Mchedlishvili (GE)

Dighmis mas. III kvart., korp. 38, b. 76,  
0159, Tbilisi (GE);

Davit Gegeshidze (GE)

Mitskevichis q. 20, b. 86, 0194, Tbilisi (GE)

(72) Konstantine Mchedlishvili (GE);

Davit Gegeshidze (GE)

(54) **FACILITY FOR RECEIVING COINS  
WITH PROTECTING MEANS FROM  
KNAVISH ACTIONS**

(57) A facility for receiving coins includes a case with coin slot, channel and lever executed therein. Rectangular windows are executed in front and rare case walls. The lever is disposed inclined relative to horizontal plane and passes from front window to the rare.

Claims: 1 independent

1 dependent

Fig.: 2

---

# DESIGNS

## APPLICATIONS APPROVED FOR REGISTRATION

The decision can be appealed at the Chamber of Appeal of Sakpatenti within 3 months from the publication or at the Mtskheta District Court Administrative Cases Board (Address: №17, Samkhedro str., Mtskheta), within 1 month following the publication.

- (10) AD 2017 974 S      (51) 07-06  
(21) AD 2017 974      (22) 2017 08 01  
(28) 2  
(71) Tea Kurtanidze (GE)  
    Tsminda Ninos q. 22, 3300, Mtskheta (GE)  
(72) Tea Kurtanidze (GE)  
(54) **KHINKALI-SHAPED VESSELS: SALTCELLAR AND PEPPER POT**  
(55)



1.1



1.2



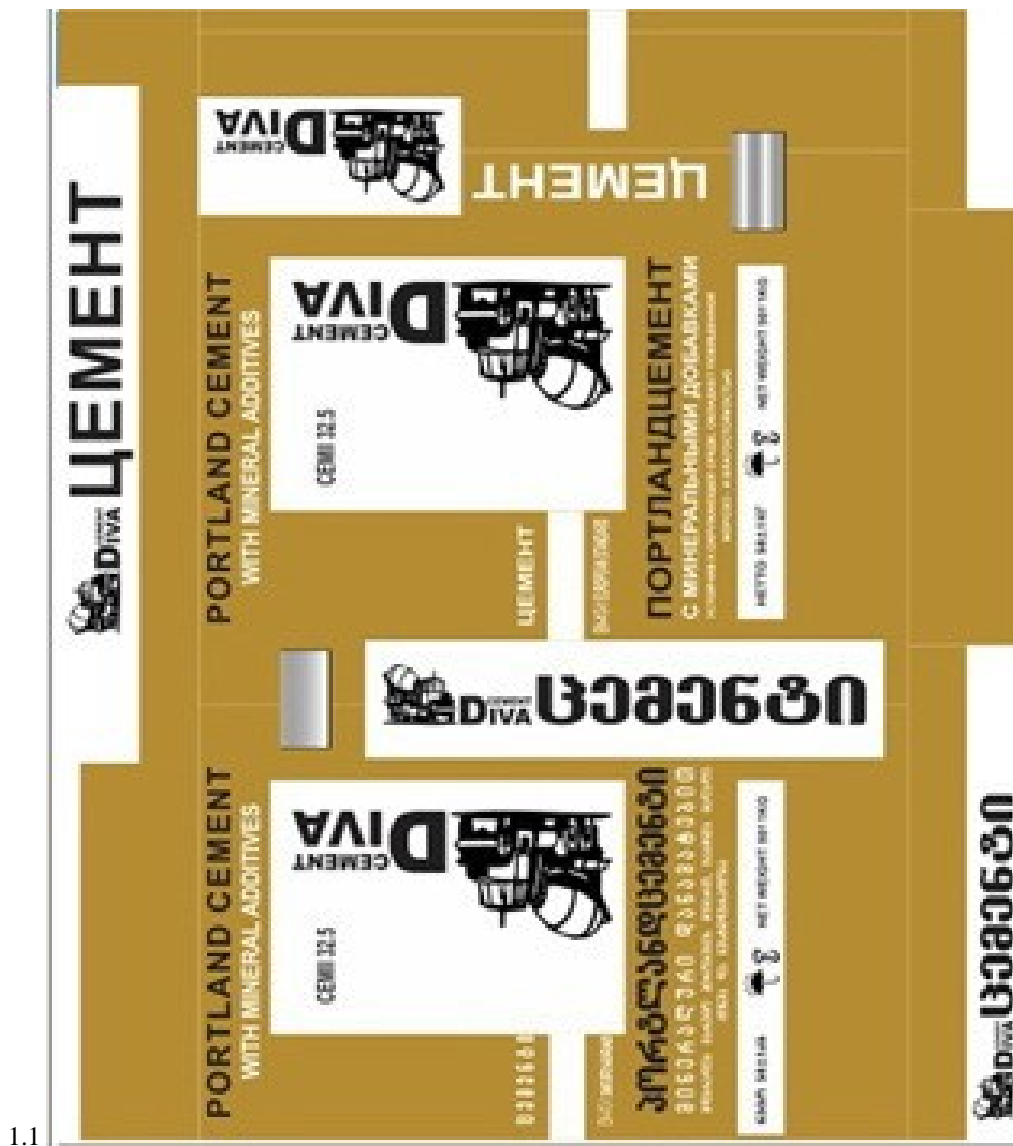
2.1



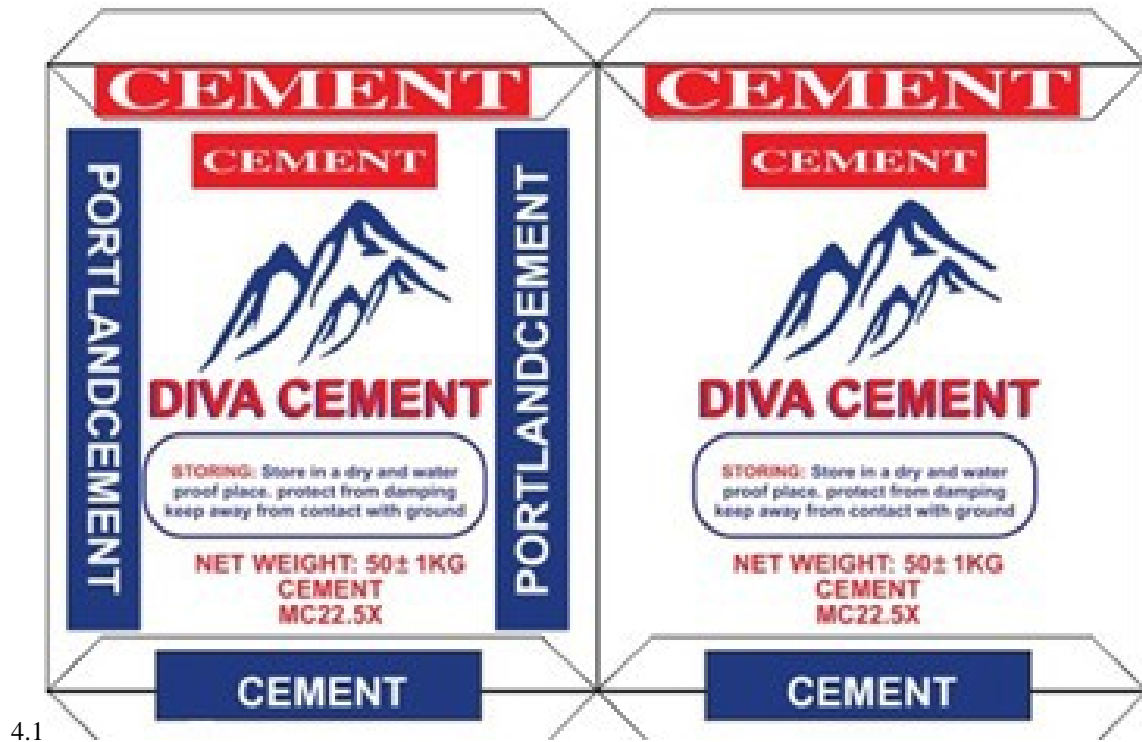
2.2



- (10) AD 2017 973 S      (51) 09-05
- (21) AD 2017 973      (22) 2017 07 31
- (28) 4
- (71) Davit Zurabishvili (GE)  
I. Grishashvilis q. 30, 0181, daba Tskneti, Tbilisi (GE)
- (72) Davit Zurabishvili (GE)
- (74) Davit Dzamukashvili (GE)
- (54) BAG FOR CEMENT
- (55)







4.1

## REGISTERED DESIGN

- (11) D 2017 733 S**      **(51) 27-02**  
(10) AD 2017 948 S      (44) 15(475)/2017  
(21) AD 2017 000948  
(22) 2017 03 09  
(24) 2017 03 09  
(28) 1  
(18) 2022 03 09  
(73) Kakhaber Janiashvili (GE)  
    Vazha-Pshavelas gamz. 8, b. 20, 0160, Tbilisi (GE);  
    Ucha Nemsadze (GE)  
    M. Asatianis q. 12, 0177, Tbilisi (GE)  
(72) Kakhaber Janiashvili (GE);  
    Ucha Nemsadze (GE)  
**(54) TOBACCO SMOKING FACILITY**
-

## DESIGN REGISTERED ACCORDING TO THE ACCELERATED PROCEDURE

The decision can be appealed at the Chamber of Appeal of Sakpatenti within 3 months from the publication.

(11) D 2017 734 S

(21) AD 2017 1000

(24) 2017 10 30

(28) 2

(18) 2022 10 30

(73) Chen Zhong Feng (GE)

Shatberashvilis khevi 10a, 0179, Tbilisi (GE)

(72) Chen Zhong Feng (GE)

(74) Shalva Gvaramadze (GE)

(54) 1. COLORED WINE VESSEL, 2. WHITE WINE VESSEL

(55)

(51) 09-01

(22) 2017 10 30



1.1



1.2



1.3



1.4



1.5



2.1

---

# TRADEMARKS

## APPLICATIONS FILED UNDER THE NATIONAL PROCEDURE APPROVED FOR REGISTRATION

The decision can be appealed at the Chamber of Appeal of Sakpatenti within 3 months from the publication or at the Mtskheta District Court Administrative Cases Board (Address: №17, Samkhedro St., Mtskheta), within 1 month following the publication.

(260) AM 2017 65154 A\*\*

(210) AM 65154

(220) 2011 11 30

(731) Association "MEOKHI"

Veriko Anjaparidzis q. 9, 0179,  
Tbilisi, Georgia

(540)

წმინდა ანდრეას ჯვარი

Cross of St.Andrea



(591) Black, white

(531) 24.13.01-05.13.06-27.05.05-28.19.00-

(511) 41

---

(260) AM 2017 87241 A

(210) AM 87241

(220) 2016 05 16

(732) PICKFORDS 1646 LIMITED

Pickfords Park Laxcon Close,  
Drury Way, London, NW10 0TG,  
United Kingdom of Great Britain  
and Northern Ireland

(740) Shalva Gvaramadze

(540)

**PICKFORDS**

(511) 39

---

(260) AM 2017 90095 A

(210) AM 90095

(220) 2016 12 23

(732) LTD "Bolero & Company"

Guchishvilis q. 12-14-16, 0179,  
Tbilisi, Georgia

(740) Mamuka Potolashvili

(540)

ბალანჩინის ლეგენდა  
ЛЕГЕНДА БАЛАНЧИНА  
BALANCHINE'S LEGEND

(511) 33

---

(260) AM 2017 90614 A

(210) AM 90614

(220) 2017 01 27

(732) LTD "GEORGIAN WINE"

Vakhtang Mosidzis q. 6, 0108, Tbilisi,  
Georgia

(540)



(591) Black, white

(531) 05.07.10, 19.09.02

(511) 33

---

(260) AM 2017 90776A

(210) AM 90776

(220) 2017 02 10

(732) STAR BRANDZ NORTH AMERICA INC.

30 Bakston Farm road Stamford, Conektikut  
06905, USA

(740) Shalva Gvaramadze

(540)

**FLIPZ**

(511) 30

---

(260) AM 2017 91093 A

(210) AM 91093

(220) 2017 03 01

(731) "HOSEIN PAPEY"

Asuretis q. 31, 0101, Tbilisi, Georgia

(740) Mariam Gogitidze

(540)

Giorgiana's  
ჯორჯიანა'ზ

(511) 29, 30, 43

---

(260) AM 2017 91132 A  
 (210) AM 91132  
 (220) 2017 03 06  
 (731) LTD "AGROKARTLI"  
 Tskhinvalis gzatk. 4, 1400, Gori, Georgia  
 (740) Davit Dzamukashvili  
 (540)

**დიტიმეგა**

(511) 1, 5

(260) AM 2017 91170 A  
 (210) AM 91170  
 (220) 2017 03 07  
 (731) LTD "AGROBEST GEORGIA"  
 Varketili 3, I m/r, korp. 2, b. 68, Tbilisi,  
 Georgia  
 (740) Giorgi Taktakishvili  
 (540)

**კალსონი**  
**Kalson**

(511) 5

(260) AM 2017 91171 A  
 (210) AM 91171  
 (220) 2017 03 07  
 (731) LTD "AGROBEST GEORGIA"  
 Varketili 3, I m/r, korp. 2, b. 68, Tbilisi,  
 Georgia  
 (740) Giorgi Taktakishvili  
 (540)

**Agrobest Group**

(511) 5

(260) AM 2017 91172 A  
 (210) AM 91172  
 (220) 2017 03 07  
 (731) LTD "AGROBEST GEORGIA"  
 Varketili 3, I m/r, korp. 2, b. 68, Tbilisi,  
 Georgia  
 (740) Giorgi Taktakishvili  
 (540)

**აგრობესტ გრუპი**

(511) 5

(260) AM 2017 91225 A  
 (210) AM 91225  
 (220) 2017 03 13  
 (732) L'OREAL (SOCIETE ANONYME)  
 14 rue Royale, 75008 Pariz, France  
 (740) Tamar Kochlamazashvili

(540)  
**BOTANIC THERAPY.**  
 (511) 3

(260) AM 2017 91227 A  
 (210) AM 91227  
 (220) 2017 03 13  
 (732) AVON PRODUCTS, INC.  
 601 Midland Avenue, RI, New York,  
 10580, USA  
 (740) Tamar Kochlamazashvili

(540)

AVON  TRUE  
 სილამაზე იწყება შენით

(591) Black, white  
 (531) 26.13.25, 27.05.11, 28.19  
 (511) 3

(260) AM 2017 91232 A  
 (210) AM 91232  
 (220) 2017 03 14  
 (731) AKCIJU SABIEDRIBA "OLAINPHARM"  
 5 Rupnicu str., LV-2114, Olaine, Latvia  
 (740) Giorgi Taktakishvili  
 (540)

**FURASOL ΦΥΡΑСОЛ**

(511) 5

(260) AM 2017 91519 A  
 (210) AM 91519  
 (220) 2017 03 30  
 (732) GENERAL MOTORS LLC  
 300 Renaissance Center, City of Detroit,  
 MI 48265-3000, USA  
 (740) Giorgi Taktakishvili  
 (540)

**TRACER**

(511) 12

## REGISTERED TRADEMARKS

(111) M 2017 29103 R  
 (151) 2017 11 22  
 (181) 2027 11 22  
 (260) AM 2017 87082 A  
 (220) 2016 04 20  
 (732) LTD "ASKANELI BROTHERS"  
 Kakhetis gzat. 110a, 0198, Tbilisi, Georgia

---

(111) M 2017 29106 R  
 (151) 2017 11 24  
 (181) 2027 11 24  
 (260) AM 2017 87779 A  
 (220) 2016 06 29  
 (732) P.K. Overseas (P) LTD  
 4039/3, Naya Bazar, Lahori Gate,  
 Delhi-110 006, India

---

(111) M 2017 29107 R  
 (151) 2017 11 24  
 (181) 2027 11 24  
 (260) AM 2017 88171 A  
 (220) 2016 08 05  
 (732) LTD "EUROPHARMA GEORGIA"  
 Machabelis q. 5, Tbilisi, Georgia

---

(111) M 2017 29108 R  
 (151) 2017 11 24  
 (181) 2027 11 24  
 (260) AM 2017 88172 A  
 (220) 2016 08 05  
 (732) LTD "EUROPHARMA GEORGIA"  
 Machabelis q. 5, Tbilisi, Georgia

---

(111) M 2017 29109 R  
 (151) 2017 11 24  
 (181) 2027 11 24  
 (260) AM 2017 88223 A  
 (220) 2016 08 10  
 (732) LTD "BARAMBO"  
 Sop. Natakheta, 3308, Mtkheta, Georgia

---

(111) M 2017 29110 R  
 (151) 2017 11 24  
 (181) 2027 11 24  
 (260) AM 2017 88327 A  
 (220) 2016 08 17  
 (732) Gocha Akubardia  
 Nutsubidzis I plato, korp. 7, b. 26, 0183,  
 Tbilisi, Georgia

---

(111) M 2017 29111 R  
 (151) 2017 11 24  
 (181) 2027 11 24  
 (260) AM 2017 88347 A  
 (220) 2016 08 19  
 (732) LTD "GEO PHARMA"  
 Al. Kazbegis gamz. 24b, sart. 3, office 5, 0160,  
 Tbilisi, Georgia

---

(111) M 2017 29112 R  
 (151) 2017 11 24  
 (181) 2027 11 24  
 (260) AM 2017 88408 A  
 (220) 2016 08 25  
 (732) LTD "GEORGIAN DISTRIBUTION  
 MARKETING COMPANY"  
 Moskovis gamz. 31b, Isani-Samgoris r-ni,  
 0120, Tbilisi, Georgia

---

(111) M 2017 29113 R  
 (151) 2017 11 24  
 (181) 2027 11 24  
 (210) 88810/3  
 (260) AM 2017 88810 A  
 (220) 2016 10 02  
 (732) LTD "MODUSI"  
 Gamsakhurdias gamz. 2, b. 41, Tbilisi, Georgia

---

(111) M 2017 29114 R  
 (151) 2017 11 24  
 (181) 2027 11 24  
 (260) AM 2017 89194 A  
 (220) 2016 10 27  
 (732) LTD "Bureau of Health Care  
 Systems -GMSB"  
 M. Mamardashvilis q. 54, Tbilisi, Georgia

---

(111) M 2017 29115 R  
 (151) 2017 11 24  
 (181) 2027 11 24  
 (260) AM 2017 89195 A  
 (220) 2016 10 27  
 (732) LTD "Bureau of Health Care  
 Systems -GMSB"  
 M. Mamardashvilis q. 54, Tbilisi, Georgia

---

(111) M 2017 29116 R  
 (151) 2017 11 24  
 (181) 2027 11 24



(260) AM 89197 A  
(220) 2016 10 27  
(732) JSC "AI ARSI"  
M. Mamardashvilis q. 54, Tbilisi, Georgia

---

(111) M 2017 29117 R  
(151) 2017 11 24  
(181) 2027 11 24  
(260) AM 2017 89203 A  
(220) 2016 10 28  
(732) Pax Computer Technology (Shenzhen) Co., Ltd  
Room 401-402, Building 3, Shenzhen Software  
Park, Nanshan District, Shenzhen, China

---

(111) M 2017 29118 R  
(151) 2017 11 24  
(181) 2027 11 24  
(260) AM 2017 89464 A  
(220) 2016 11 15  
(732) LTD "ASPHARMA GEORGIAN  
PHARMACEUTICAL COMPANY"  
Mckhetis q. 8, 0179, Tbilisi, Georgia

---

(111) M 2017 29119 R  
(151) 2017 11 24  
(181) 2027 11 24  
(260) AM 2017 89747 A  
(220) 2016 12 01  
(732) Siemens Aktiengesellschaft  
Wittelsbacherplatz 2. 80333 Muenchen,  
Germany

---

(111) M 2017 29120 R  
(151) 2017 11 24  
(181) 2027 11 24  
(260) AM 2017 89867 A  
(220) 2016 12 07  
(732) Qingdao Maggie Jin Industry CO., LTD  
Room 1202, Unit 2, Blok 1, Dongfanggin  
Building, Shuangzhou Road, Huangdao  
Distric, Kinngdao City, Shandong province,  
China

---

## TRADEMARKS REGISTERED ACCORDING TO THE ACCELERATED PROCEDURE

The decision can be appealed at the Chamber of Appeal of Sakpatenti within 3 months from the publication.

(111) M 2017 29088 R  
(151) 2017 11 06  
(181) 2027 11 06  
(210) AM 94708  
(220) 2017 10 19  
(732) Harrington Development Inc.  
Elvira Mendez Street, Vallarino Bldg, 3-rd  
Floor, Panama, Republic of Panama  
(740) Givi Akopashvili  
(540)

**Drive chibukhi**

(591) Black, white  
(511) 34

(111) M 2017 29089 R  
(151) 2017 11 07  
(181) 2027 11 07  
(210) AM 94740  
(220) 2017 10 23  
(732) LTD "NEXTRA GROUP"  
Irodion Evdoshvilis q. 18, Sart. 2, S/P 3,  
Didube-Chughuretis r-ni, 0154, Tbilisi,  
Georgia  
(540)

**ფლუდროპი  
FLUDROP  
ФЛУДРОП**

(511) 5

(111) M 2017 29090 R  
(151) 2017 11 08  
(181) 2027 11 08  
(210) AM 93809  
(220) 2017 08 17  
(732) JSC "GEPHA"  
Sanapiros q. 6, 0108, Tbilisi, Georgia  
(740) Salome Jeladze  
(540)



(591) White, blue  
(531) 05.05.20, 26.04.22, 26.04.24, 28.19, 29.01.12  
(511) 35, 44

(111) M 2017 29091 R  
(151) 2017 11 09  
(181) 2027 11 09  
(210) AM 94858  
(220) 2017 11 01  
(732) LTD "NEXTRA GROUP"  
Irodion Evdoshvilis q. 18, Sart. 2, S/P 3,  
Didube-Chughuretis r-ni, 0154, Tbilisi,  
Georgia  
(541)

**სორპონი**

**Sorpon  
Сорпон**

(511) 5

(111) M 2017 29092 R  
(151) 2017 11 10  
(181) 2027 11 10  
(210) AM 94729  
(220) 2017 10 23  
(732) ADAMA AGAN LTD  
Northern Industrial Zone, 7710201 Ashdod,  
Israel  
(740) Merab Kvimsadze  
(541)

**ADAMA**

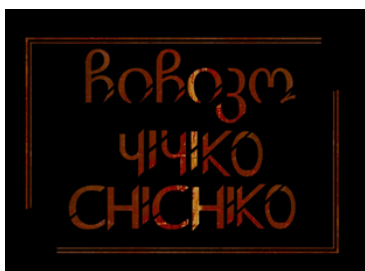
(591) Black, white  
(511) 44

(111) M 2017 29093 R  
(151) 2017 11 10  
(181) 2027 11 10  
(210) AM 94730  
(220) 2017 10 23  
(732) ADAMA AGAN LTD  
Northern Industrial Zone, 7710201 Ashdod,  
Israel  
(740) Merab Kvimsadze  
(540)



(591) Black, white  
 (531) 26.03.02, 26.03.06  
 (511) 1, 5, 44

(111) M 2017 29094 R  
 (151) 2017 11 10  
 (181) 2027 11 10  
 (210) AM 94913  
 (220) 2017 11 03  
 (732) LTD "BAKLACHOFF"  
 Vardanyantsi str., korp. 8, Territory 1/4,  
 Yerevan, Armenia  
 (740) Sopio Khutchua  
 (540)



(591) Black, brown, dark yellow  
 (531) 26.04.22, 26.04.24, 27.05.24, 28.05, 28.19,  
 29.01.12  
 (511) 43

(111) M 2017 29095 R  
 (151) 2017 11 14  
 (181) 2027 11 14  
 (210) AM 94800  
 (220) 2017 10 30  
 (732) LTD "ATCHARA BATUMI"  
 Rustavelis q. 28, 6000, Batumi,  
 Georgia  
 (540)



(591) Sky-blue, black  
 (531) 26.11.03, 26.11.07, 26.11.08, 26.11.09,  
 27.05.01, 27.05.10, 27.05.11, 27.05.13,  
 29.01.12  
 (511) 43

(111) M 2017 29096 R  
 (151) 2017 11 16  
 (181) 2027 11 16  
 (210) AM 94982

(220) 2017 11 07  
 (732) LTD "NEXTRA GROUP"  
 Irodion Evdoshvilis q. 18, Sart. 2, S/P 3,  
 Didube-Chughuretis r-ni, 0154, Tbilisi,  
 Georgia

(541)

**კეტალდინი**  
**Ketaldin**  
**Кеталдин**

(511) 5

(111) M 2017 29097 R  
 (151) 2017 11 17  
 (181) 2027 11 17  
 (210) AM 94797  
 (220) 2017 10 30  
 (732) LTD "NEW PHARM GROUP"  
 D. Aghmasheneblis Kheiv. XII Km/ Kor. 2  
 b. 43, Vake-Saburtalos r-ni, 0131, Tbilisi,  
 Georgia

(541)

**მაკროფლუდი**  
**Macroflud**  
**Макрофлуд**

(511) 5

(111) M 2017 29098 R  
 (151) 2017 11 17  
 (181) 2027 11 17  
 (210) AM 94925  
 (220) 2017 11 03  
 (732) Ana Gamgebeli  
 I. Chavchavadzis q. 36, 1900, Vani,  
 Georgia

(540)



(591) White, black, yellow, green, sky-blue, brown  
 (531) 03.04.11, 05.01.03, 29.01.15  
 (511) 29

(111) M 2017 29099 R  
 (151) 2017 11 17  
 (181) 2027 11 17  
 (210) AM 94989  
 (220) 2017 11 08  
 (732) Abuladze Iuri  
 Broses q. 5/9, 4600, Kutaisi, Georgia  
 (541)

## OKYOTO OIL

(591) Black, white  
 (511) 4

(111) M 2017 29100 R  
 (151) 2017 11 20  
 (181) 2027 11 20  
 (210) AM 94855  
 (220) 2017 11 01  
 (732) LTD "Primera Golf and Residence"  
 Tavisuplebis moedani, 4, (nakveti 66/17),  
 Sart. 6, 0105, Tbilisi, Georgia  
 (740) Tamar Archaia  
 (540)



**TBILISI**  
 EST. **HILLS** 2014  
 GOLF RESORT

(591) Black, lilac, white  
 (531) 24.01.05, 24.01.15, 27.05.10, 27.05.22,  
 29.01.13  
 (526) The trademark is protected as a whole. "TBILISI" shall not be subject to independent legal protection.  
 (511) 41, 43

(111) M 2017 29101 R  
 (151) 2017 11 20  
 (181) 2027 11 20  
 (210) AM 94856  
 (220) 2017 11 01  
 (732) LTD "Primera Golf and Residence"  
 Tavisuplebis moedani, 4, (nakveti 66/17),  
 Sart. 6, 0105, Tbilisi, Georgia  
 (740) Tamar Archaia



**TBILISI**  
 EST. **HILLS** 2014  
 RESIDENCES

(591) Black, lilac, white  
 (531) 24.01.05, 24.01.15, 27.05.10, 27.05.22,  
 29.01.13  
 (526) The trademark is protected as a whole. "TBILISI" shall not be subject to independent legal protection.  
 (511) 37, 41, 43

(111) M 2017 29102 R  
 (151) 2017 11 20  
 (181) 2027 11 20  
 (210) AM 94857  
 (220) 2017 11 01  
 (732) LTD "Primera Golf and Residence"  
 Tavisuplebis moedani, 4, (nakveti 66/17),  
 Sart. 6, 0105, Tbilisi, Georgia  
 (740) Tamar Archaia



**TBILISI**  
**HILLS**

(591) Black, lilac, white  
 (531) 24.01.05, 24.01.15, 27.05.05, 27.05.22,  
 29.01.13  
 (526) The trademark is protected as a whole. "TBILISI" shall not be subject to independent legal protection.  
 (511) 37, 41, 43

(111) M 2017 29104 R  
 (151) 2017 11 22  
 (181) 2027 11 22  
 (210) AM 94806  
 (220) 2017 10 31  
 (732) ANKER TECHNOLOGY CO., LIMITED  
 Room 1318-19, Hollywood Commercial  
 Center, 610 Nathan Road, Mongkok,  
 Kowloon, Hong Kong  
 (740) Giorgi Taktakishvili  
 (540)

**ANKER**

(591) Black, white  
 (531) 01.15.03, 27.05.01, 27.05.17  
 (511) 9

(111) M 2017 29105 R  
 (151) 2017 11 22  
 (181) 2027 11 22  
 (210) AM 94981

(220) 2017 11 07

(732) LTD "TS Foundation for Education,  
Science and Technology Development  
for Tomorrow's Success"  
Broses q. 2, opisi 21, 0108, Tbilisi, Georgia

(740) Tamar Tsitsishvili

(540)



(591) Light green, light brown and dark brown

(531) 05.03.11, 05.03.13, 05.03.15, 19.09.01,  
29.01.12

(511) 5, 29, 30, 31, 32

---

## INTERNATIONAL TRADEMARKS FOR WHICH A DECISION ON GRANTING PROTECTIONS IS TAKEN

The decision can be appealed at the Chamber of Appeal of Sakpatenti within 3 months from the publication or at the Mtskheta District Court Administrative Cases Board (Address: №17, Samkhedro str., Mtskheta), within 1 month following the publication.

(260) AM 2017 90221 A

(800) 1325993

(891) 2016 01 29

(731) APEX MICROELECTRONICS COMPANY LIMITED

Areas B, 7/F 4 Bld., No. 63, Mingzhubei road, Qianshan, Zhuhai city, 519000 Guangdong Province, China

(540)



(591) Black, white

(511)

9 – Printers flour knife (terms considered too vague by the International Bureau – rule 13(2)(b) of the Common Regulations); print heads; wiper doctor blades (terms considered too vague by the International Bureau – rule 13(2)(b) of the Common Regulations); development rollers (terms considered too vague by the International Bureau – rule 13(2)(b) of the Common Regulations); toner supply rollers (terms considered too vague by the International Bureau – rule 13(2)(b) of the Common Regulations); transfer rollers (terms considered too vague by the International Bureau – rule 13(2)(b) of the Common Regulations); part of photocopiers, copying machines, printers and/or scanning machines, namely photoconductive drums; magnetic rollers (terms considered too vague by the International Bureau – rule 13(2)(b) of the Common Regulations); integrated circuits; chip (integrated circuits).

(260) AM 2017 90471 A

(800) 1328072

(891) 2016 09 13

(731) SOPRO BAUCHEMIE GMBH

Biebricher Str. 74, 65203 Landscheid, Germany

(540)

**MasterTec**

(511)

3 – Cleaning, polishing, degreasing and abrasive preparations; cleaning and maintenance preparations for mineral subsoil, metal, plastic or wood; cleaning preparations being aids for washing off jointing compounds, included in this class; hand cleaners; cleaning preparations for tools; paintstripper; paint-removing preparations; waxes (polishing).

11 – Heating equipment, electric heating mats and sanitary installations.

24 – Textiles and textile goods (included in this class).

27 – Carpets, rugs, mats and matting, linoleum and other materials for covering existing floors; wall hangings (non-textile).

37 – Building construction, construction information, namely relating to areas of application of building materials, rental of construction tools and building materials; repair in the fields of structural and civil engineering and interior fittings.

(260) AM 2017 90621 A

(800) 1329082

(891) 2016 04 13

(731) BRAND GMBH + CO KG

Otto-Schott-Strasse 2, 97877 WERTHEIM, Germany

(540)

**BRAND. For lab. For life.**

(511)

9 – Laboratory apparatus and instruments; manual, motorized and automatic dosing devices, dispensers, bottle-top dispensers, bottle-top burettes, single-channel or multichannel handheld piston-operated pipettes with or without air-displacement, pipetting robots, aspirators for aspiration of liquids, in particular bottle-top aspirators, pipette leak testing units, manual and motorized pipette controllers, burettes and titration apparatus made of glass, density bottles, hydrometers, desiccators; spare parts and accessories for bottle-top dispensers and bottle-top burettes, in particular discharge tubes, valves, bottle adapters, bottle stands, filling tubes, seals, air vent caps, discharge tubes, drying tubes, cylinder/piston assemblies, dosing pistons, dispensing cylinders; spare parts and accessories for dispensers, in particular rack mounts, bench-top racks and charging docks; spare

parts and accessories for piston-operated pipettes, in particular individual stands, bench-top racks, filters, battery packs, power supplies, charging docks; spare parts and accessories for pipetting robots, in particular height adapters, single-channel and multi-channel pipetting modules, also as robotic tips, cooling and heating elements adapted for pipetting modules, components for nanolitre dispensing; spare parts and accessories for pipette controllers, in particular membrane filters, adapters, valves, pipetting bulbs, battery packs, power supplies; spare parts and accessories for pipette leak testing units, in particular single-channel or multichannel pipette adapters, filters, power supplies; labware, especially from glass and / or plastics, in particular reaction tubes, caps for reaction tubes, reaction tube racks, mini coolers for reaction tube racks, single Polymerase Chain Reaction (PCR) tubes, PCR-strips with and without caps, single PCR caps and PCR cap strips, pcr-plates, microplates, receptacles for PCR tubes, strips and plates, PCR sealing films, deep-well plates, cuvettes, cuvette racks, stirring tools, pipette tips with and without filters, pipette tip boxes, dispenser tips (pd-tips), reagent containers, sample containers, volumetric tanks, volumetric flasks with or without caps, graduated cylinders, mixing cylinders, tilt measure dispensers, bulb pipettes, graduated pipettes, reservoir bottles, oxygen flasks, centrifuge tubes, sedimentation cones, racks for sedimentation cones, sample cups, disposal bags, storage boxes, dispenser boxes, petri dishes, inoculation loops, test tubes, culture tubes, centrifuge tubes, pe-stoppers, sample tubes, sedimentation tubes, dropping pipettes, pasteur pipettes, test tube racks, rubber bulbs, counting chambers, microscope slides, slide boxes, staining troughs, spotting tiles, erlenmeyer-flasks, evaporating dishes, watch glasses, mortars with pestles, funnels, filter flasks, wash bottles, tubings, tubing connectors, tube valves, stopcocks, ground joint sleeves, sockets, stoppers, stirrers, magnetic stirring bars, spatulas, forceps, scoops, weighing dishes, storage bottles, wash bottles, dropping bottles, atomizers computer software for control, operation, user-communication, and calibration of laboratory apparatus and instruments.

(260) AM 2017 90623 A

(800) 1329123

(891) 2016 08 31

(731) EXELIXIS, INC.

210 East Grand Avenue, South San Francisco  
CA 94080, USA

(540)



(591) Black, white

(511)

5 – Pharmaceutical preparations for the treatment of cancer, pain, infection, inflammation, hormone disorders, bone disorders, and mental disorders; analgesics; hormones; psychotropics; anti-infectives; anti-inflammatories; anti-cancer preparations.

(260) AM 2017 90624 A

(800) 1329141

(891) 2016 05 03

(731) WENZHO WANGEL PRODUCTS CO., LTD.

Room 1503, Block 2, JinTing Garden,  
XinCheng Road, Wenzhou, Zhejiang, China

(540)



(591) Black, white

(511)

11 – Taps [faucets]; water-pipes for sanitary installations; floor drains; showers; bath installations; toilets; sanitary apparatus and installations; shower cubicles [enclosures (Am.)]; heat lamps for baths; sinks; toilet seats; urinals [sanitary fixtures]; bath tubs; water purification installations; heating installations; lamps; kettles, electric; refrigerators; air conditioning installations; hair driers; regulating accessories for water or gas apparatus and pipes; radiators, electric.

20 – Furniture; washstands [furniture]; beauty cabinet (furniture); mirrors; casks, not of metal; plastic trunking for cables supplying electricity; coathooks, not of metal; bathtub grab bars, not of metal; clips, not of metal, for fastening pipes; mats, removable, for sinks; office furniture; sofas; tea tables; racks [furniture].

21 – Kitchen utensils; household glassware (including cups, plates, pots and jugs); porcelain ware; soap holders; toilet utensils; towel rails and rings; toilet paper holders; toilet brushes; cleaning instruments, hand-operated; bath sponge; dustbins.

(260) AM 2017 90637 A

(800) 1329143

(891) 2016 05 17

(731) FULYA KOZMETİK ISLAK MENDİL  
İMALAT VE PAZARLAMA LİMİTED  
ŞİRKETİ

Osmangazi Mah. Küçük Ayazma Cad. No:17,  
Esenyurt, İstanbul, Turkey

(540)

**NEMDİL**

(591) Black, white

(511)

3 – Detergents other than for use in manufacturing operations and for medical purposes; laundry-starch; laundry bleach; fabric softeners for laundry use, laundry blueing; scale removing preparations for household purposes; soaps; bleaching and cleaning preparations; perfumes; essential oils; eau de cologne; lotions for cosmetic purposes; after-shave lotions; deodorants for human beings or for animals; rose water, cosmetics; lipsticks; mascara; cosmetic creams; hair dyes; shampoos; hair conditioners; eyebrow pencils; shower gel, make-up powder; after-shave lotions; henna (cosmetic dye); cosmetic preparations for slimming purposes; tissues impregnated with make-up removing preparations; cotton sticks for cosmetic purposes; cotton wool for cosmetic purposes; disinfectant soap; dental care preparations; dentifrices, mouth washes, not for medical purposes; abrasive preparations; emery cloth; sandpaper; pumice stone; abrasive pastes; shining preparations [polish]; polish for furniture and flooring; nail polish removers.

(260) AM 2017 90639 A

(800) 808376

(891) 2016 08 02

(731) SUMITOMO (SHI) DEMAG PLASTICS  
MACHINERY GMBH

Altdorfer Str. 1, 90571 Schwaig, Germany

(540)

**Demag**

(511)

7 – Machines, machine tools and installations namely those for the production of plastic products, in particular injection molding machines and accessory devices thereof, namely closing units, form tools, plastification and injection devices, plastification screws, backflow regulating valves, hydraulic and electronic drive and control units, hydraulic motors, pumps and electrical drives; mechanical tools and devices for handling of parts and removal of sprue; mechanical and hydraulic quick acting mold tool mounting devices, automatic mold tool changing devices and mold tool conveyor cars; all the aforementioned goods for use in the plastics processing field.

9 – Instruments, apparatuses and devices for weighing, measuring, controlling and in the field of plastic articles' production included in this class; electric and electronic controls for plastics forming and treatment machines; computer programs for the control

of plastics forming and treatment machines, in particular injection molding machines; data carriers with software for the control of plastics forming and treatment machines, in particular for injection molding machines; data carriers of all types in machine readable form for use in the plastics processing field.

37 – Production and maintenance of electric, electronic and mechanical precision devices, and of machines and hydraulic tools in the area of injection molding technology of plastics; maintenance of machinery, machines and machine instruments and installations for the forming and treatment of plastics; operation, repair and maintenance of robotic systems in the plastics processing field.

(260) AM 2017 90640 A

(800) 1044729

(891) 2016 05 04

(731) AM.PM AG

Torstrasse 177, 10115 Berlin, Germany

(540)

**AM · PM**

(591) Black, white

(511)

11 – Apparatus for lighting, heating, steam generating, cooking, refrigerating, drying, ventilating, water supply and sanitary purposes.

20 – Furniture, mirrors, picture frames; goods (not included in other classes) of wood, cork, reed, cane, wicker, horn, bone, ivory, whalebone, shell, amber, mother-of-pearl, meerschaum and substitutes for all these materials, or of plastics.

21 – Household or kitchen utensils and containers; combs and sponges; brushes (except paint brushes); brush-making materials; articles for cleaning purposes; steelwool; unworked or semi-worked glass (except glass used in building); glassware, porcelain and earthenware not included in other classes.

37 – Building construction; repair; installation services.

42 – Scientific and technological services and research and design relating thereto; industrial analysis and research services; design and development of computer hardware and software.

(260) AM 2017 90641 A

(800) 1165855

(891) 2016 09 26

(731) GREY ANT, INC

209 W 38th Street, 805, New York NY 10018,  
USA



(540)

**GreyAnt**

(591) Black, white

(511)

9 – Cases for eyeglasses and sunglasses; cases for spectacles and sunglasses; eyewear, namely, sunglasses, eyeglasses and ophthalmic frames and cases therefor; eyewear, namely, sunglasses; frames for spectacles and sunglasses; lenses for sunglasses; spectacles and sunglasses; sunglass lenses; sunglasses; sunglasses and spectacles (based on intent to use) chains for spectacles and for sunglasses; nose guards which can be worn by attachment to eyewear such as sunglasses and ski goggles; sunglass chains and cords.

(260) AM 2017 90643 A

(800) 1197341

(891) 2016 10 04

(731) BUYUK SEFLER GIDA TURIZM TEKSTIL DANISMANLIK ORGANIZASYON EGITIM SANAYI VE TICARET ANONIM SIRKETI

Etiler Mah. Nispetiye, Cad. No:89, Besiktas Istanbul, Turkey

(540)



(591) Red, white and light brown

(526) R

(511)

43 – Services for providing food and drink; temporary accommodation services (including day-nurseries [crèches]).

(260) AM 2017 90653 A

(800) 1328679

(891) 2016 07 20

(731) PHILIP MORRIS PRODUCTS S.A.

Quai Jeanrenaud 3, CH-2000 Neuchâtel, Switzerland

(540)

**HEETS**

(591) black, white, gray

(511)

9 – Batteries for electronic cigarettes; batteries for electronic devices that are used for heating tobacco, chargers for electronic devices that are used for heating tobacco; USB chargers for electronic devices that are used for heating tobacco; car chargers for electronic cigarettes; car chargers for devices that are used for heating tobacco; battery chargers for electronic cigarettes.

11 – Electronic vaporizers except electronic cigarettes; apparatus for heating liquids; apparatus for generating vapor.

34 – Wired vaporizers for electronic cigarettes and electronic smoking devices; tobacco, raw or manufactured; tobacco products, including cigars, cigarettes, cigarillos, tobacco for roll-your-own cigarettes, pipe tobacco, chewing tobacco, snuff tobacco, kretek; snus; tobacco substitutes (not for medical purposes); smokers' articles, including cigarette paper and tubes, cigarette filters, tobacco tins, cigarette cases and ashtrays, pipes, pocket apparatus for rolling cigarettes, lighters; matches; tobacco sticks, tobacco products for the purpose of being heated, electronic devices and their parts for the purpose of heating cigarettes or tobacco in order to release nicotine-containing aerosol for inhalation; liquid nicotine solutions for use in electronic cigarettes; electronic smoking devices; electronic cigarettes; electronic cigarettes as substitute for traditional cigarettes; electronic devices for the inhalation of nicotine-containing aerosol; oral vaporizing devices for use by smokers, tobacco products and tobacco substitutes; smokers' articles for electronic cigarettes; parts and fittings for the aforesaid products included in this class; extinguishers for heated cigarettes and cigars as well as heated tobacco sticks; electronic rechargeable cigarette cases.

(260) AM 2017 90654 A

(800) 1328692

(891) 2016 08 09

(731) PRYVATNE PIDPRYEMSTVO "PLAI" vul. Amosova, 2, of. 10, Kyiv 03141, Ukraine

(540)



(591) black and white

(511)

35 – Modelling for advertising or sales promotion; rental of advertising space; publicity material rental; publication of publicity texts; advertising by mail order; advertising agency services; updating of advertising material; dissemination of advertising matter; advertising; bill-posting; outdoor advertising; direct mail advertising; commercial information and advice for consumers (consumer advice shop); television advertising; distribution of samples; radio advertising; shop window dressing; sales promotion for others; compilation of statistics; business information.

39 – Bus transport; car rental; car parking; car transport; armored-car transport; towing; vehicle breakdown towing services; chauffeur services; piloting; delivery of goods; freight forwarding; storage; storage information; transportation information; transporting furniture; rental of vehicle roof racks; garage rental; horse rental; parking place rental; railway coach rental; rental of warehouses; vehicle rental; packaging of goods; passenger transport; transport; transport brokerage; removal services; hauling; carting; transport and storage of trash; transport of travellers; portering; transport reservation; freight brokerage; refrigerator rental; taxi transport.

(260) AM 2017 90655 A

(800) 1328728

(891) 2016 05 12

(731) WORLD MEDICINE İLAÇ SANAYİ VE TİCARET ANONİM ŞİRKETİ  
Evren Mah. Camiyolu Cad. No.50 Kat 1 B,  
Zemin 4-5-6, Güneşli/Bağcılar İstanbul,  
Turkey

(540)

**EVERZAT**  
**ЭВЕРЗАТ**

(591) Black and white

(511)

5 – Medicines for human purposes, medicines for veterinary purposes, vitamin preparations, chemical preparations for medical purposes, dietetic substances adapted for medical use; dietetic foods adapted for medical purposes, baby foods, medicinal herbs, herbal beverages adapted for medical purposes, nutritional supplements, pollen dietary supplements, mineral food supplements, protein dietary supplements, dietary supplements for animals; fodder supplements for veterinary purposes; medicines for dental purposes, hygienic products for medical purposes

including sanitary pads, breast-nursing pads and bunion pads, waddings for medical purposes, plasters for medical purposes, dressings for medical purposes, babies' napkins, preparations for destroying noxious plants, preparations for destroying noxious animals, fungicides, deodorants other than for human beings or for animals, air deodorising preparations, disinfectants for hygiene purposes, antiseptics, detergents for medical purposes.

(260) AM 2017 90656 A

(800) 1328729

(891) 2016 05 12

(731) WORLD MEDICINE İLAÇ SANAYİ VE TİCARET ANONİM ŞİRKETİ  
Evren Mah. Camiyolu Cad. No.50 Kat 1 B,  
Zemin 4-5-6, Güneşli/Bağcılar İstanbul,  
Turkey

(540)

**AGOMELT**  
**АГОМЕЛЬТ**

(591) Black and white

(511)

5 – Medicines for human purposes, medicines for veterinary purposes, vitamin preparations, chemical preparations for medical purposes, dietetic substances adapted for medical use; dietetic foods adapted for medical purposes; baby foods, medicinal herbs, herbal beverages adapted for medical purposes, nutritional supplements, pollen dietary supplements, mineral food supplements, protein dietary supplements; dietary supplements for animals; fodder supplements for veterinary purposes; medicines for dental purposes, hygienic products for medical purposes including sanitary pads, breast-nursing pads and bunion pads, waddings for medical purposes, plasters for medical purposes, dressings for medical purposes, babies' napkins, preparations for destroying noxious plants, preparations for destroying noxious animals, fungicides, deodorants other than for human beings or for animals, air deodorising preparations, disinfectants for hygiene purposes, antiseptics, detergents for medical purposes.

(260) AM 2017 90657 A

(800) 1328730

(891) 2016 05 12

(731) WORLD MEDICINE İLAÇ SANAYİ VE TİCARET ANONİM ŞİRKETİ  
Evren Mah. Camiyolu Cad. No.50 Kat 1 B,  
Zemin 4-5-6, Güneşli/Bağcılar İstanbul,  
Turkey

(540)

# APRISTAL АПРИСТАЛЬ

(591) black and white

(511)

5 – Medicines for human purposes, medicines for veterinary purposes, vitamin preparations, chemical preparations for medical purposes, dietetic substances adapted for medical use; dietetic foods adapted for medical purposes, baby foods, medicinal herbs, herbal beverages adapted for medical purposes, nutritional supplements, pollen dietary supplements, mineral food supplements, protein dietary supplements; dietary supplements for animals, fodder supplements for veterinary purposes; medicines for dental purposes, hygienic products for medical purposes including sanitary pads, breast-nursing pads and bunion pads, waddings for medical purposes, plasters for medical purposes, dressings for medical purposes, babies' napkins, preparations for destroying noxious plants, preparations for destroying noxious animals, fungicides, deodorants other than for human beings or for animals, air deodorising preparations, disinfectants for hygiene purposes, antiseptics, detergents for medical purposes.

(260) AM 2017 90658 A

(800) 1328734

(891) 2016 06 23

(731) Otkrytoe aktsionernoe obshchestvo  
"NEVSKAYA KOSMETIKA"  
prospect Oboukhovskoy oborony, 80,  
RU-192029 Saint-Petersburg, Russian  
Federation

(540)

# SARMA

(591) Red, pink

(511)

3 – Abrasives; scale removing preparations for household purposes; aromatics [essential oils]; air fragrancing preparations; breath freshening sprays; canned pressurized air for cleaning and dusting purposes; balms other than for medical purposes; lip glosses; petroleum jelly for cosmetic purposes; cotton wool for cosmetic purposes; sachets for perfuming linen; drying agents for dishwashing machines; toilet water; laundry wax; massage gels other than for medical purposes; dental bleaching gels; perfumes; windshield cleaning liquids; windscreen cleaning liquids; perfumery; quillaia bark for washing; colorants for toilet purposes; cosmetic dyes; creams for leather; waxes for leather; cosmetic creams; skin

whitening creams; hair spray; nail polish; hair lotions; lotions for cosmetic purposes; after-shave lotions; beauty masks; oils for perfumes and scents; oils for cosmetic purposes; oils for toilet purposes; essential oils of citron; oils for cleaning purposes; bergamot oil; gaultheria oil; jasmine oil; lavender oil; almond oil; rose oil; oil of turpentine for degreasing; almond milk for cosmetic purposes; cleansing milk for toilet purposes; soap; disinfectant soap; deodorant soap; shaving soap; cakes of toilet soap; medicated soap; antiperspirant soap; soap for foot perspiration; almond soap; cosmetic kits; cotton sticks for cosmetic purposes; dentifrices; breath freshening strips; lipsticks; pomades for cosmetic purposes; shaving preparations; cosmetic preparations for baths; toiletries; laundry soaking preparations; douching preparations for personal sanitary or deodorant purposes [toiletries]; denture polishes; mouthwashes, not for medical purposes; refurbishing preparations; fabric softeners for laundry use; laundry bleach; dry-cleaning preparations; make-up removing preparations; nail care preparations; cleaning preparations; preparations for cleaning dentures; laundry preparations; aloe vera preparations for cosmetic purposes; sunscreen preparations; scouring solutions; tissues impregnated with cosmetic lotions; potpourris [fragrances]; bleaching soda; washing soda, for cleaning; bath salts, not for medical purposes; bleaching salts; cosmetic preparations for skin care; mascara; detergents other than for use in manufacturing operations and for medical purposes; cloths impregnated with a detergent for cleaning; shampoos; ethereal essences.

5 – Balms for medical purposes; antiseptic cotton; wadding for medical purposes; glycerine for medical purposes; air deodorising preparations; deodorants for clothing and textiles; lotions for pharmaceutical purposes; sunburn ointments; babies' diapers [napkins]; pomades for medical purposes; aloe vera preparations for pharmaceutical purposes; sanitary towels; sanitary pads; panty liners [sanitary]; chewing gum for medical purposes; tissues impregnated with pharmaceutical lotions; mouthwashes for medical purposes; detergents for medical purposes; babies' napkin-pants.

(260) AM 2017 90703 A

(800) 1329259

(891) 2016 08 09

(731) ORIFLAME COSMETICS AG  
c/o Oriflame Global Management AG,  
Bleicheplatz 3, CH-8200 Schaffhausen,  
Switzerland

(540)

# ORIFLAME INCOGNITO

(511)

3 – Non-medicated preparations for the application to, conditioning and care of hair, scalp, skin and nails; soaps; perfumes; perfumery; eau de cologne; toilet waters; essential and herbal oils; cosmetics; make-up preparations; lipsticks; nail varnishes; nail varnish removers; non-medicated toilet preparations; hair lotions; hair sprays and hair gels; preparations for use in the bath or shower; bath and shower oils, gels, creams and foams; face and body masks; face and body scrubs; facial washes; skin cleansers and hydrators; skin toners; skin moisturizers; blemish creams and blemish gels; deodorants; antiperspirants; preparations for use before shaving and after shaving; shaving soaps; shaving creams; shaving gels; after-shave preparations; pre-shave preparations; talcum powders; toiletries; dentifrices; tooth-pastes.

(260) AM 2017 90952 A

(800) 1331067

(891) 2016 10 25

(731) Galina Sergeevna KORSAK

kv. 5, d. 2E, ul. Zhasminovaya, 220114 Minsk, Belarus

(540)



(591) Light olive

(511)

41 – Arranging and conducting of workshops [training].

(260) AM 2017 91020 A

(800) 1332757

(891) 2016 11 21

(731) BEIJING QIHOO TECHNOLOGY COMPANY LIMITED

Room 112, Area D (Desheng Park), No.28  
Xinjiekouwai Street, Xicheng District, 100088  
Beijing, China

(540)



(591) Black, white

(511)

9 – Computer software, recorded; computer programs [downloadable software].

38 – Television broadcasting; message sending; communications by telephone; communications by computer terminals; computer aided transmission of messages and images; transmission of electronic mail; electronic bulletin board services [telecommunications services]; providing telecommunications connections to a global computer network; teleconferencing services; transmission of greeting cards online.

42 – Computer programming; computer software design; maintenance of computer software; computer system design; conversion of data or documents from physical to electronic media; creating and maintaining web sites for others; installation of computer software; data conversion of computer programs and data [not physical conversion]; computer virus protection services; providing search engines for the Internet.

(260) AM 2017 91115 A

(800) 1332896

(891) 2016 06 28

(731) PHILIP MORRIS PRODUCTS S.A.

Quai Jeanrenaud 3, CH-2000 Neuchâtel, Switzerland

(540)



(591) Blue, dark blue, green, light green, brown, black, red, dark red, pale pink and gray

(511)

9 – Batteries for electronic cigarettes; batteries for electronic devices that are used for heating tobacco, chargers for electronic devices that are used for heating tobacco; USB chargers for electronic devices that are used for heating tobacco; car chargers for electronic cigarettes; car chargers for devices that are used for heating tobacco; battery chargers for electronic cigarettes.

11 – Electronic vaporizers except electronic cigarettes; apparatus for heating liquids; apparatus for generating vapor.

34 – Wired vaporizers for electronic cigarettes and electronic smoking devices; cigarettes, tobacco sticks, tobacco products for the purpose of being heated, electronic devices and their parts for the

purpose of heating cigarettes or tobacco in order to release nicotine-containing aerosol for inhalation; liquid nicotine solutions for use in electronic cigarettes; electronic smoking devices; electronic cigarettes; electronic cigarettes as substitutes for traditional cigarettes; electronic devices for the inhalation of nicotine-containing aerosol; oral vaporizing devices for smokers, tobacco products and tobacco substitutes; smokers' articles for electronic cigarettes; parts and fittings for the aforesaid products included in this class; extinguishers for heated cigarettes and cigars as well as heated tobacco sticks; electronic rechargeable cigarette cases; tobacco, raw or manufactured; tobacco products, including cigars, cigarettos, tobacco for roll-your-own cigarettes, pipe tobacco, chewing tobacco, snuff tobacco, kretek; snus; tobacco substitutes (not for medical purposes); smokers' articles, including cigarette paper and tubes, cigarette filters, tobacco tins, cigarette cases and ashtrays, pipes, pocket apparatus for rolling cigarettes, lighters; matches.

(260) AM 2017 91116 A  
(800) 1332915  
(891) 2016 07 28  
(731) PIDILITE INDUSTRIES LIMITED  
regent chambers, 7th floor, jamnalal bajaj  
marg, 208, nariman point, mumbai-400021,  
India

(540)

## FEVICOL

(511)  
1 – Chemical products used in industry, science, photography, agriculture, horticulture, forestry, artificial and synthetic resins, adhesive substances used in industry, plastics in the form of powders, liquids or pastes, for industrial use, manures (natural, artificial), fire extinguishing compositions, tempering substances and chemical preparations for soldering, chemical substances for preserving foodstuffs, tanning substances.

(260) AM 2017 91119 A  
(800) 1332942  
(891) 2016 10 28  
(731) Closed joint-stock Company "DOMINANTA-SERVIS"  
Komsomolskaya str., 1, RU-142100 Podolsk,  
Moscow Region, Russian Federation

(540)

**ПОМОРИН**

**POMORIN**

(591) black and white

(511)  
3 – Soaps; perfumery; essential oils; cosmetics; hair lotions; dentifrices.  
5 – Sanitary preparations for medical purposes; lotions for pharmaceutical purposes; medicines for dental purposes; disinfectants for hygiene purposes; detergents for pharmaceutical purposes; mouthwashes for medical purposes; elixirs [pharmaceutical preparations].

(260) AM 2017 91295 A  
(800) 1335335  
(891) 2016 10 12  
(731) TAPMARK, Société de droit belge  
Rue Beyaert, 54, B-7500 TOURNAI  
(Belgium), Belgium

(540)



(591) Black, white

(511)

25 – Clothing and underwear for children and babies; ski jackets; anoraks [parkas]; after-ski boots; children's headgear; footwear and headgear for babies and infants; wind-resistant clothing; articles of clothing for theatrical use; ballet flats [flat shoes]; bandanas [neckerchiefs]; headbands [clothing]; stockings and tights; romper suits; baby bottoms; children's and infants' cloth bibs; plastic baby bibs; Bermuda shorts; blazers; overalls; blue jeans; bodysuits for babies; teddies [undergarments]; knotted caps for babies; bathing caps; shower caps; ski hats; snowboard boots; boots and shoes; half-boots; suspenders; caps; caps with visors; leather belts [clothing]; belts made from imitation leather; belts of textile [clothing]; rain hats; hats for infants, babies, toddlers and children; socks; baby booties; dance slippers; beach footwear; footwear for sports; shoes and boots for young children; short-sleeve shirts; blouses; woolen tights; ski suits; pram suits; pajamas, dressing gowns; dresses, skirts, trousers, jackets, coats, sweaters; fleece pullovers; ponchos; jumper suits.

35 – Advertising; commercial business management; commercial administration; office functions; retail (or wholesale) store services and services of a retail store on any online (Internet), mobile, wireless or remote (mail order, tele-shopping) means of communication for bleaching preparations and other substances for laundry use, preparations for cleaning, polishing, scouring and abrasion, soaps, perfumery products, essential oils, cosmetics, hair lotions, dentifrices, cotton sticks and cotton wool for cosmetic use, tissues impregnated with cosmetic lotions, cosmetic sets, personal stereos and portable media players, pre-recorded DVDs, DVDs, DVD players, holders

and cases for compact discs, DVDs and compact discs featuring music, pre-recorded musical compact discs, CD-ROMs and interactive compact discs, spectacles, cases for spectacles and sunglasses, swimming goggles, diving goggles, ski goggles, sports goggles, children's spectacles, frames for spectacles, snow goggles, precious metals and their alloys other than for dental use, jewelry, jewelry products, precious stones, timepieces, chronometric instruments, diving watches, sports watches, jewelry watches, watches, watches with a game function, watches for outdoor activities, costume jewelry, jewelry cases, crosses [jewelry], pendants [jewelry], ornamental jewelry for the head, paper, cardboard, cardboard articles, printed materials, characters (numbers and letters), letters (printed script), bookbinding apparatus and machines (office equipment), bookbindings, articles for bookbinding (office equipment), photographs (printed), printing blocks, stationery, adhesives (adhesive materials) for stationery, instructional or teaching material (excluding apparatus), printed matter, albums, books, newspapers, comic books, magazines (periodicals), manuals, almanacs, brochures, writing or drawing books, notebooks, catalogs, calendars, lithographs, graphic representations, engravings, pictures, posters, decals, modeling paste, rospectuses, signboards of paper or cardboard, stickers (stationery articles), pencils, pens, bibs, paper towels and handkerchiefs, bibs and napkins of paper for babies, table linen of paper, color pencils, felt pens, felt marking pens, paper or plastic bags and sachets (envelopes, pouches) for packaging, backpacks, handbags, travel bags, travel kits (leather goods), wheeled bags, suitcases, sling bags for carrying infants, wallets, coin purses not of precious metals, satchels, umbrellas, bum-bags, handbags, book bags, shoulder bags, souvenir bags, school bags, bags for campers, gym bags, beach bags, sports bags, duffel bags, bolster bags, small clutch bags [handbags], small handbags, leather bags and wallets, wheeled rucksacks, small backpacks, day-packs, hiking backpacks, fabrics, upholstery fabrics, bath linen (excluding clothing), namely, bath towels and toiletry gloves, bed linen, namely, sheets, pillowcases, fitted bed sheets, duvet covers, mattress protectors, pillow and cushion protectors, bed blankets, bed covers, eiderdowns (down coverlets), curtains of textile or plastic, table linen, namely, tablecloths, mats and napkins of fabric, oilcloth (tablecloths), tie-backs of textile, washing mitts, towels of textile, beach towels, sleeping bags (sewn envelopes replacing sheets), lap robes, travel rugs, handkerchiefs of textile, fabric labels, banners, calicoes, flags of textile, curtains and blinds of textiles or plastic, crib canopies, quilts of textile, baby blankets, children's towels, towels of textiles with American football team logos, vinyl place mats, individual place mats of textile, clothing and underwear for children and babies, ski anoraks, anoraks [parkas],

afterski boots, children's headgear, footwear and headgear for babies and toddlers, wind-resistant articles of clothing, articles of clothing for theatrical use, ballet flats [flat shoes], bandanas [neckerchiefs], headbands [clothing], stockings and tights, romper suits, baby bottoms, children's and infants' cloth bibs, plastic baby bibs, Bermuda shorts, blazers, gowns, blue jeans, bodysuits for babies, teddies [undergarments], knotted caps for babies, bathing caps, shower caps, ski hats, snowboard boots, boots and shoes, half-boots, suspenders, caps, caps with visors, leather belts [clothing], belts of imitation leather, belts of textile [clothing], rain hats, hats for infants, babies, toddlers and children, socks, baby booties, dance slippers, beach footwear, footwear for sports, shoes and boots for young children, shortsleeve shirts, blouses, woolen tights, ski suits, pram suits for babies, pajamas, dressing gowns, dresses, skirts, trousers, jackets, coats, pullovers, fleece pullovers, ponchos, jumper suits, hair bands, barrettes (hair slides), hair ornaments, hair pins, hair nets, plaited hair, false hairpieces (hair), headbands, fastenings for suspenders, sewing boxes, buckles (clothing accessories), embroidery for garments, hair scrunchies, lace and embroidery, ribbons and laces, child restraining devices in the nature of harnesses of fabric for chairs, artificial Christmas garlands incorporating lights, spangles for clothing, clown wigs, games, toys, mobiles (toys), teddy bears, plush toys (toys), dolls and dolls' clothing accessories [garments], puppets, balls for games, gymnastic and sporting articles, apparatus for games, hand-held games with liquid crystal displays, playing cards, building games, board games, toy animals, apparatus for video games adapted for use with an external control screen or display, hand-held electronic games apparatus adapted for use with an independent display screen or monitor, toy weapons, party articles in the nature of small toys, aircraft and football tables (toys), seesaws, watches as toys, puzzles (games), skipping ropes, paper party favors, decorations and ornaments for Christmas trees, flying discs [toys], practical jokes, baby rattles, baby rattles incorporating teething rings, squeeze toys, surprise effect toys, riding toys, push and pull toys, toys for babies, enabling customers to view and purchase those goods conveniently, presentation on any means of communication for the retail sale of household linen, table linen, bed linen, garments (clothing), footwear, headgear, toys, games and books, magazines and periodicals, writing or drawing books, and pens; marketing activity; publication of advertising texts; dissemination of advertising material (leaflets, prospectuses, printed matter, samples); outdoor advertising; demonstration of goods; sales promotion for others; commercial information and advice for consumers (consumer advice shop); administrative processing of purchase orders; sales promotion services for others using customer loyalty schemes, loyalty scheme services

involving or not involving the use of a card; organization of exhibitions and tests of sports goods for commercial or advertising purposes; small advertisements; personnel recruitment.

(260) AM 2017 91303 A

(800) 1334605

(891) 2016 11 29

(731) DE GRISOGONO SA

chemin du Champ-des-Filles 39, CH-1228  
Plan-les-Ouates, Switzerland

(540)

## VENTAGLIO BY DE GRISOGONO

(511)

14 – Jewelry, precious stones, timepieces and chronometric instruments.

(260) AM 2017 91463 A

(800) 1336049

(891) 2016 11 11

(731) APPLE INC.

1 Infinite Loop, Cupertino CA 95014, USA

(540)



(591) Pink, red, white, dark blue and light blue.

(511)

42 – Design and development of computer software; computer software consulting services; support for developing computer systems, namely, troubleshooting of computer software problems; consultation services for developing computer systems, databases and applications; providing information in the field of computer software development online.

(260) AM 2017 91465 A

(800) 985323

(891) 2017 01 16

(731) KURKDJIAN Francis

17 rue Faubourg Saint Martin, F-75010  
PARIS, France

(540)



(591) Black, white

(511)

3 – Soaps, perfumery, perfumes, essential oils, cosmetics, hair lotions, deodorants for personal use (perfumery), dentifrices; scented room fragrances, fragrance substances for scented room fragrance dispensers, perfumed waters, lavender waters, toilet waters, extracts of flowers, bases for flower perfumes, oils as perfumes for the home, oils for perfumes and scents, air freshening products; amber (perfumery), musk (perfumery), patchouli; scented wood, potpourris and perfumed incense, scented paper, bleaching preparations and other substances for laundry use, bleaching preparations, cleaning, polishing, scouring and abrasive preparations, perfumed soap bubbles; sachets for perfuming linen.

(260) AM 2017 91467 A

(800) 1335819

(891) 2016 11 07

(731) Dochirnie pidpriemstvo "A.E.T. DZHOIN AP!"

vul. Lisova, 66 B, kv.6 m. Kyiv 04075, Ukraine;

Dochirnie pidpriemstvo "A.E.T. DZHOIN AP!"

vul. Lisova, 66 B, kv.6 m. Kyiv 04075, Ukraine

(540)



(591) gray, black and white

(526) туператор

(511)

39 – Transport; packaging and storage of goods; travel arrangement; motor coach rental; bus transport; car rental; rental of motor racing cars; car transport; barge transport; railway truck rental; freight [shipping of goods]; freight forwarding; arranging of cruises; chauffeur services; boat transport; transport services for sightseeing tours; traffic information; transportation information; horse rental; aircraft rental; transportation logistics; marine transport; passenger transport; transport brokerage; removal services; transport of travellers; air transport; travel reservation; escorting of travellers; booking of seats for travel; transport reservation; ferry-boat transport; shipbrokerage; freight brokerage; taxi transport;

tram transport; vehicle rental; railway coach rental; boat rental.

43 – Services for providing food and drink; temporary accommodation; tourist home services; bar services; hotel services; hotel reservations; temporary accommodation reservations; rental of temporary accommodation; accommodation bureau services [hotels, boarding houses]; boarding house bookings; canteen services; café services; cafeteria services; motel services; rental of tents; providing campground facilities; boarding house services; boarding for animals; food and drink catering; rental of meeting rooms; restaurant services; self-service restaurant services; rental of chairs, tables, table linen, glassware; holiday camp services [lodging]; snack-bar services.

(260) AM 2017 91469 A

(800) 1047930

(891) 2016 11 30

(731) CVETIC MARINA

Via San Silvestro, 35, I-66010 SAN  
MARTINO SULLA MARRUCINA (CH),  
Italy

(540)

**MARINA CVETIC**

(511)

33 – Alcoholic beverages (except beers).

(260) AM 2017 91471 A

(800) 1336060

(891) 2016 06 03

(731) ARTIC INVESTMENTS S.A.

avenue de la gare 65, L-1611 Luxemburg,  
Luxembourg

(540)

**RODACO**

(511)

7 – Replacement parts in the fields of agricultural machinery and undercarriage systems for agricultural machines, for industrial machines, for construction machines, for landscaping, gardening machines and for handling machines.

12 – Tires, machinery tracks, track systems in the fields of agricultural machinery and undercarriage systems for agricultural machines, for industrial machines, for construction machines, for landscaping, gardening machines, for military machines and for handling machines; tires, machinery tracks, track systems and replacement parts for all-terrain vehicles; replacement parts for all-terrain vehicles and for military machines.

35 – Wholesale and retail services in the field of tires, machinery tracks, track systems and replacement

parts; marketing, sale and advertising flyer distribution services in the field of tires, machinery tracks, track systems and replacement parts; marketing and mobile application marketing for machinery tracks, track systems, tires for land vehicles and replacements parts in the fields of agricultural machinery and undercarriage systems for agricultural machines, for industrial machines, for construction machines, for all-terrain vehicles, for landscaping/ gardening machines, for military machines and for handling machines.

42 – Research, development, engineering, material testing and quality control for machinery tracks, track systems, tires for land vehicles and replacement parts in the fields of agricultural machinery and undercarriage systems for agricultural machines, for industrial machines, for construction machines, for all-terrain vehicles, for landscaping/gardening machines, for military machines and for handling machines.

(260) AM 2017 91472 A

(800) 1082498

(891) 2017 01 20

(731) MARBURGER TAPETENFABRIK J.B.

SCHAEFER GMBH & CO. KG  
Bertram-Schaefer-Str. 11, 35274 Kirchhain  
(DE), Germany

(540)

**MARBURG**

(511)

27 – Carpets, rugs, mats and matting, linoleum and other materials for covering existing floors; wall paper and wall hangings (non-textile); wall hangings, not of textile, with anti-bugging and electromagnetic compatibility; sample cards for non-textile wall hangings.

(260) AM 2017 91478 A

(800) 1325666

(891) 2017 03 06

(731) A&M RARE LLC

6-9 premises, 7th floor, Amiryan 4/7, Yerevan,  
Armenia

(540)



RARE



(591) Light blue, dark blue, silver, white and black  
(511)  
32 – Mineral and aerated waters and other non-alcoholic beverages.

(260) AM 2017 91481 A  
(800) 1325667  
(891) 2017 03 06  
(731) A&M RARE LLC  
6-9 premises, 7th floor, Amiryan 4/7, Yerevan, Armenia  
(540)



(591) Gold, silver, white, orange and black  
(511)  
32 – Mineral and aerated waters and other non-alcoholic beverages.

(260) AM 2017 91484 A  
(800) 1336073  
(891) 2016 11 21  
(731) LE SHI HOLDINGS (BEIJING) LIMITED  
Room 1102, 10/F, Building 3, No.105  
Yaojiayuan Road, Chaoyang District, Beijing, China  
(540)

**LeSEE**

(591) Black, white  
(511)  
7 – Brewing machines; apparatus for aerating water; beverage preparation machines, electromechanical; bicycle assembling machines; dishwashers; food processors, electric; fruit presses, electric, for household purposes; kitchen machines, electric; beaters, electric; washing machines [laundry]; dry-cleaning machines; ski edge sharpening tools, electric; air filters for automobile engines; fans for motors and engines; starters for motors and engines; mufflers for motors and engines; compressors [machines]; taps [parts of machines, engines or motors]; pumps [parts of machines, engines or motors]; pneumatic cylinder (machine parts); universal joints [cardan joints]; door closers, electric; control mechanisms for machines, engines or motors; bearings [parts of machi-

nes]; brushes for vacuum cleaners; vacuum cleaners; curtain drawing devices, electrically operated.

9 – Pedometers; photocopiers [photographic, electrostatic, thermic]; weighing apparatus and instruments; measures; measuring apparatus; speed checking apparatus for vehicles; diagnostic apparatus, not for medical purposes; connected bracelets [measuring instruments]; instruments containing eyepieces; stereoscopes; materials for electricity mains [wires, cables]; chips [integrated circuits]; converters, electric; video screens; remote control apparatus; plugs, sockets and other contacts [electric connections]; igniting apparatus, electric, for igniting at a distance; protective helmets; goggles for sports; reflective safety vests; theft prevention installations, electric; locks, electric; eyeglasses; chargers for electric batteries; batteries, electric; mobile power pack; cinematographic film, exposed.

11 – Motorcycle lights; lamps; lights for vehicles; acetylene flares; cooking utensils, electric; cooking apparatus and installations; bread toasters; autoclaves [electric pressure cookers]; microwave ovens [cooking apparatus]; coffee machines, electric; freezers; refrigerators; electric fans for personal use; air conditioners for vehicles; air cooling apparatus; air purifying apparatus and machines; air conditioning installations; hair driers; heating installations; bath heaters; solar water heaters; drinking fountains; water purification installations; water filtering apparatus; disinfectant cupboard; disinfectant apparatus; pocket warmers; radiators, electric; gas lighters; nuclear reactors.

12 – Refrigerated waggons [railroad vehicles]; remote control vehicles, other than toys; electric vehicles; vehicles for locomotion by land, air, water or rail; rearview mirrors; automobiles wheels; motorcycles; sports cars; driverless cars [autonomous cars]; hubs for automobiles wheels; engines for land vehicles; automobile bodies; ashtrays for automobiles; automobiles; direction indicators for bicycles; tricycles; bicycles; mobility scooters; bicycle wheels; audible warning systems for bicycles; electric bicycles; pushchair covers; prams; casters for trolleys [vehicles]; pushchairs; wheelbarrows; carts; omnibuses; inner tubes for bicycle tires; solid tyres for vehicle wheels; tubeless tyres for bicycles; air vehicles; parachutes; launches; steering wheels for vehicles; upholstery for vehicles; vehicle chassis; windscreens; anti-theft alarms for vehicles; side view mirrors for vehicles; vehicle joysticks; safety seats for children, for vehicles.

36 – Insurance brokerage; insurance information; online banking; financing services; financial management; providing financial information via a web site; processing of debit card payments; financial information; providing rebates at participating establishments of others through use of a membership

card; electronic funds transfer; processing of credit card payments; stocks and bonds brokerage; jewellery appraisal; real estate brokerage; brokerage; surety services; charitable fund raising; fiduciary; pawnbrokerage.

37 – Repair information; mining extraction; upholstery; heating equipment installation and repair; electric appliance installation and repair; installation, maintenance and repair of computer hardware; lighting apparatus installation and repair; vehicle washing; vehicle service stations [refuelling and maintenance]; vehicle battery charging; motor vehicle maintenance and repair; vehicle cleaning; vehicle maintenance; airplane maintenance and repair; shipbuilding; photographic apparatus repair; clock and watch repair; repair of security locks; varnishing; vulcanization of tyres [repair]; furniture maintenance; clothing repair; disinfecting; tuning of musical instruments.

39 – Transport; transport services for sightseeing tours; boat rental; vehicle breakdown towing services; car transport; piloting; rental of navigational systems; air transport; car rental; vehicle rental; motor coach rental; chauffeur services; rental of tractors; rental of warehouses; rental of diving suits; distribution of energy; operating canal locks; courier services [messages or merchandise]; escorting of travellers; transport by pipeline.

41 – Educational services; organization of competitions [education or entertainment]; organization of sports competitions; bookmobile services; on-line publication of electronic books and journals; film production, other than advertising films; television entertainment; distribution of motion-picture films; screenplay writing; providing sports facilities; presentation of variety shows; songwriting; providing on-line videos, not downloadable; club services [entertainment or education]; entertainment services; health club services [health and fitness training]; game services provided on-line from a computer network; animal training; organization of lotteries.

(260) AM 2017 91612 A  
(800) 1336830  
(891) 2016 10 21  
(731) EUROCHEM AGRO GMBH  
Reichskanzler-Müller-Straße 23, 68165  
Mannheim, Germany  
(540)

## CRENEL

(511)  
1 – Chemicals for use in agriculture, horticulture and forestry; fertilizer; bacteriological preparations for use in agriculture, horticulture and forestry; plant biostimulants; coating agents for fertilizers; fertilizer

containing a biostimulant, in particular fertilizer coated with a biostimulant.

(260) AM 2017 91613 A  
(800) 1336859  
(891) 2016 12 09  
(731) APPLE INC.  
1 Infinite Loop, Cupertino CA 95014 (United States of America), USA

(540)



(591) Wite, Blue, Light blue

(511)

42 – Providing search engines for obtaining data via the internet and other electronic communications networks; providing online non-downloadable application development software, and support and consultation services for developing computer applications.

(260) AM 2017 91621 A  
(800) 1336946  
(891) 2016 06 28  
(731) BORMIOLI ROCCO S.p.A.  
Via Martiri della Libertà, 1,I-43036 FIDENZA  
(Parma), Italy

(540)



(591) Black, white

(511)

6 – Metallic capsules [containers]; moulds of metal for the manufacture of articles of glass; sealing caps of metal for bottles; metal lids and caps.

20 – Containers of plastic (packaging); packaging containers of wood or plastic; screwcaps and caps of plastic for the closure of containers.

21 – Containers for household and kitchen use, and small household and kitchen utensils; beverage glassware; mugs; beer jugs; plates; trivets (table utensils); vases; kitchen pots; flower pots; bottles; jars; decanters; teapots; tea-infuser mugs; drink containers; food storage containers; glasses [receptacles]; storage jars; dishes for microwave ovens; oil cruets; salt shakers; coupes; salad bowls; meal trays; cups; dishes; candlesticks.

---

(260) AM 2017 91625 A

(800) 1337036

(891) 2016 10 12

(731) ILKO ILAC SANAYİ VE TİCARET

ANONİM ŞİRKETİ

Veysel Karani Mah, Colakoglu Sok. No:10,

Kat:7-8-9 Sancaktepe, Istanbul, Turkey

(540)

# ocnarin

(591) Black, white

(511)

3 – Bleaching and cleaning preparations: detergents, bleaches, fabric softeners, stain removers, dishwashing materials; perfumery; cosmetics, fragrances, deodorants for personal use and animals; soaps; dental care preparations: dentifrices, dental bleaching gels, denture polishes, mouth washes not for medical purposes; abrasive preparations: abrasive clothes, abrasive papers, polishing stones (pumice stones), emery pastes; leather, vinyl, metal and wood polishing and care preparations; polishes, polishing creams, polish waxes.

5 – Pharmaceutical and veterinary preparations for medical purposes; chemical preparations for medical and veterinary purposes, chemical reagents for pharmaceutical and veterinary purposes; dietary supplements for pharmaceutical and veterinary purposes; dietary supplements; nutritional supplements; medical preparations for slimming purposes; food for babies; herbs and herbal beverages adapted for medicinal purposes; dental preparations and articles; teeth filling material, dental impression material, dental adhesives and material for repairing teeth; sanitary preparations for medical use; hygienic pads; hygienic tampons; plasters; materials for dressings; diapers, including those made of paper and textiles; preparations for destroying vermin; fungicides, herbicides; deodorants, other than for human beings or for animals; air deodorising preparations; disinfectants; antiseptics; detergents for medical purposes.

---

(260) AM 2017 91630 A

(800) 1275419

(891) 2017 03 14

(731) KRKA, tovarna zdravil, d.d., Novo mesto  
Šmarješka cesta 6, SI-8000 Novo mesto,  
Slovenia

(540)

## METAZERO

(511)

5 – Pharmaceutical preparations.

---

---

**INTERNATIONAL TRADEMARKS PROTECTED IN GEORGIA**

(260) AM 2017 86179 A  
(800) 1286840  
(151) 2015 08 20  
(181) 2025 08 20  
(891) 2015 08 20  
(511) 09, 28, 41

---

(260) AM 2017 88874 A  
(800) 1311357  
(151) 2016 05 18  
(181) 2026 05 18  
(891) 2016 05 18  
(511) 05

---

(260) AM 2017 88528 A  
(800) 1308254  
(151) 2016 03 08  
(181) 2026 03 08  
(891) 2016 03 08  
(511) 09

---

(260) AM 2017 88879 A  
(800) 1311625  
(151) 2016 03 12  
(181) 2026 03 12  
(891) 2016 03 12  
(511) 03, 05

---

(260) AM 2017 88747 A  
(800) 1310221  
(151) 2016 05 04  
(181) 2026 05 04  
(891) 2016 05 04  
(511) 05, 10

---

(260) AM 2017 88881 A  
(800) 1311671  
(151) 2016 03 23  
(181) 2026 03 23  
(891) 2016 03 23  
(511) 18, 25, 35, 40, 42

---

(260) AM 2017 88827 A  
(800) 1310786  
(151) 2016 05 12  
(181) 2026 05 12  
(891) 2016 05 12  
(511) 04, 35

---

(260) AM 2017 88885 A  
(800) 1311821  
(151) 2016 06 08  
(181) 2026 06 08  
(891) 2016 06 08  
(511) 05, 42

---

(260) AM 2017 88829 A  
(800) 1310798  
(151) 2016 03 23  
(181) 2026 03 23  
(891) 2016 03 23  
(511) 09, 18, 26, 35, 41

---

(260) AM 2017 88886 A  
(800) 1311834  
(151) 2016 04 27  
(181) 2026 04 27  
(891) 2016 04 27  
(511) 05

---

(260) AM 2017 88868 A  
(800) 1311323  
(151) 2016 05 17  
(181) 2026 05 17  
(891) 2016 05 17  
(511) 05, 10

---

(260) AM 2017 88887 A  
(800) 1311849  
(151) 2016 05 30  
(181) 2026 05 30  
(891) 2016 05 30  
(511) 03

---

(260) AM 2017 88872 A  
(800) 1311351  
(151) 2016 06 10  
(181) 2026 06 10  
(891) 2016 06 10  
(511) 05, 41, 44

---

(260) AM 2017 88899 A  
(800) 1056631  
(151) 2010 09 16  
(181) 2020 09 16  
(891) 2016 06 09  
(511) 30

---

(260) AM 2017 88901 A  
(800) 1095932  
(151) 2011 02 25  
(181) 2021 02 25  
(891) 2016 09 14  
(511) 07, 09, 37

---

(260) AM 2017 88917 A  
(800) 1312859  
(151) 2016 06 07  
(181) 2026 06 07  
(891) 2016 06 07  
(511) 19, 20

---

(260) AM 2017 88918 A  
(800) 1312905  
(151) 2016 07 04  
(181) 2026 07 04  
(891) 2016 07 04  
(511) 01, 02, 03, 05

---

(260) AM 2017 88922 A  
(800) 1313041  
(151) 2016 04 14  
(181) 2026 04 14  
(891) 2016 04 14  
(511) 07, 11, 18

---

(260) AM 2017 88923 A  
(800) 1313079  
(151) 2016 07 08  
(181) 2026 07 08  
(891) 2016 07 08  
(511) 30

---

(260) AM 2017 88924 A  
(800) 1313080  
(151) 2016 07 08  
(181) 2026 07 08  
(891) 2016 07 08  
(511) 30

---

(260) AM 2017 88925 A  
(800) 146657A  
(151) 1950 04 24  
(181) 2020 04 24  
(891) 2016 06 29  
(511) 05

---

(260) AM 2017 88926 A  
(800) 166985  
(151) 1953 02 09  
(181) 2023 02 09

(891) 2016 06 07  
(511) 03, 05, 21

---

(260) AM 2017 88933 A  
(800) 985415  
(151) 2008 07 16  
(181) 2018 07 16  
(891) 2016 07 05  
(511) 10

---

(260) AM 2017 88934 A  
(800) 1141758  
(151) 2012 11 12  
(181) 2022 11 12  
(891) 2016 06 17  
(511) 25

---

(260) AM 2017 88937 A  
(800) 1174324  
(151) 2013 07 04  
(181) 2023 07 04  
(891) 2016 09 13  
(511) 03, 35

---

(260) AM 2017 88939 A  
(800) 1222275  
(151) 2014 09 11  
(181) 2024 09 11  
(891) 2016 09 20  
(511) 03

---

(260) AM 2017 88940 A  
(800) 1246980  
(151) 2015 02 03  
(181) 2025 02 03  
(891) 2016 07 07  
(511) 43

---

(260) AM 2017 88941 A  
(800) 1312013  
(151) 2016 07 26  
(181) 2026 07 26  
(891) 2016 07 26  
(511) 01, 05

---

(260) AM 2017 89024 A  
(800) 1314041  
(151) 2016 07 25  
(181) 2026 07 25  
(891) 2016 07 25  
(511) 39

---

(260) AM 2017 89026 A  
(800) 1314047  
(151) 2016 03 11  
(181) 2026 03 11  
(891) 2016 03 11  
(511) 07, 09, 14, 16, 20, 21, 25, 35, 36, 42, 45

---

(260) AM 2017 89027 A  
(800) 1314048  
(151) 2016 03 11  
(181) 2026 03 11  
(891) 2016 03 11  
(511) 07, 09, 14, 16, 20, 21, 25, 35, 36, 42, 45

---

(260) AM 2017 89030 A  
(800) 1314136  
(151) 2016 05 18  
(181) 2026 05 18  
(891) 2016 05 18  
(511) 29, 30

---

(260) AM 2017 89043 A  
(800) 988064  
(151) 2008 07 16  
(181) 2018 07 16  
(891) 2016 07 05  
(511) 05, 10

---

(260) AM 2017 89051 A  
(800) 1313105  
(151) 2015 12 23  
(181) 2025 12 23  
(891) 2015 12 23  
(511) 35, 43

---

(260) AM 2017 89057 A  
(800) 1313405  
(151) 2016 06 01  
(181) 2026 06 01  
(891) 2016 06 01  
(511) 07

---

(260) AM 2017 89058 A  
(800) 1313420  
(151) 2016 05 18  
(181) 2026 05 18  
(891) 2016 05 18  
(511) 27

---

(260) AM 2017 89070 A  
(800) 1313708  
(151) 2016 07 08  
(181) 2026 07 08

(891) 2016 07 08  
(511) 30

---

(260) AM 2017 89079 A  
(800) 1313831  
(151) 2015 12 25  
(181) 2025 12 25  
(891) 2015 12 25  
(511) 29, 30, 32

---

(260) AM 2017 89137 A  
(800) 1239438  
(151) 2014 11 27  
(181) 2024 11 27  
(891) 2016 08 11  
(511) 07, 12

---

(260) AM 2017 89138 A  
(800) 1245013  
(151) 2015 01 06  
(181) 2025 01 06  
(891) 2016 07 08  
(511) 32, 33

---

(260) AM 2017 89140 A  
(800) 1300470  
(151) 2016 03 09  
(181) 2026 03 09  
(891) 2016 06 29  
(511) 12

---

(260) AM 2017 89142 A  
(800) 1300861  
(151) 2016 04 07  
(181) 2026 04 07  
(891) 2016 09 27  
(511) 10

---

(260) AM 2017 89143 A  
(800) 1305484  
(151) 2016 03 30  
(181) 2026 03 30  
(891) 2016 08 18  
(511) 05

---

(260) AM 2017 89147 A  
(800) 1314307  
(151) 2016 02 03  
(181) 2026 02 03  
(891) 2016 02 03  
(511) 05

---

(260) AM 2017 89153 A  
(800) 1314317  
(151) 2016 07 11  
(181) 2026 07 11  
(891) 2016 07 11  
(511) 05

---

(260) AM 2017 89180 A  
(800) 1314335  
(151) 2016 05 06  
(181) 2026 05 06  
(891) 2016 05 06  
(511) 39

---

(260) AM 2017 89181 A  
(800) 1314347  
(151) 2015 12 25  
(181) 2025 12 25  
(891) 2015 12 25  
(511) 29, 30, 32

---

(260) AM 2017 89182 A  
(800) 1314386  
(151) 2016 03 21  
(181) 2026 03 21  
(891) 2016 03 21  
(511) 03, 09, 14, 18, 25, 26, 35, 41

---

(260) AM 2017 89187 A  
(800) 1314429  
(151) 2016 04 05  
(181) 2026 04 05  
(891) 2016 04 05  
(511) 03

---

(260) AM 2017 89188 A  
(800) 1314438  
(151) 2016 04 06  
(181) 2026 04 06  
(891) 2016 04 06  
(511) 12

---

(260) AM 2017 89189 A  
(800) 1314441  
(151) 2016 05 18  
(181) 2026 05 18  
(891) 2016 05 18  
(511) 01, 06, 17, 19

---

(260) AM 2017 89190 A  
(800) 1314445  
(151) 2016 05 02  
(181) 2026 05 02

(891) 2016 05 02  
(511) 09, 10, 21, 25

---

(260) AM 2017 89192 A  
(800) 1314480  
(151) 2016 06 07  
(181) 2026 06 07  
(891) 2016 06 07  
(511) 04

---

(260) AM 2017 89193 A  
(800) 1314597  
(151) 2016 07 11  
(181) 2026 07 11  
(891) 2016 07 11  
(511) 05

---

(260) AM 2017 89198 A  
(800) 1314694  
(151) 2016 04 08  
(181) 2026 04 08  
(891) 2016 04 08  
(511) 39

---

(260) AM 2017 89199 A  
(800) 1314743  
(151) 2016 06 22  
(181) 2026 06 22  
(891) 2016 06 22  
(511) 30

---

(260) AM 2017 89200 A  
(800) 1314762  
(151) 2016 06 08  
(181) 2026 06 08  
(891) 2016 06 08  
(511) 30

---

(260) AM 2017 89201 A  
(800) 1314763  
(151) 2016 06 17  
(181) 2026 06 17  
(891) 2016 06 17  
(511) 28, 30

---

(260) AM 2017 89205 A  
(800) 1314788  
(151) 2016 07 06  
(181) 2026 07 06  
(891) 2016 07 06  
(511) 33

---

(260) AM 2017 89206 A  
(800) 1314810  
(151) 2016 04 27  
(181) 2026 04 27  
(891) 2016 04 27  
(511) 05

---

(260) AM 2017 89222 A  
(800) 1314879  
(151) 2016 04 27  
(181) 2026 04 27  
(891) 2016 04 27  
(511) 03, 05, 16, 40, 41, 42

---

(260) AM 2017 89223 A  
(800) 1314885  
(151) 2016 05 23  
(181) 2026 05 23  
(891) 2016 05 23  
(511) 09, 35, 36, 37, 38, 41, 42, 45

---

(260) AM 2017 89225 A  
(800) 1314908  
(151) 2016 04 29  
(181) 2026 04 29  
(891) 2016 04 29  
(511) 34

---

(260) AM 2017 89226 A  
(800) 1314952  
(151) 2016 06 03  
(181) 2026 06 03  
(891) 2016 06 03  
(511) 05

---

(260) AM 2017 89227 A  
(800) 1314953  
(151) 2016 06 03  
(181) 2026 06 03  
(891) 2016 06 03  
(511) 05

---

(260) AM 2017 89229 A  
(800) 1315015  
(151) 2016 09 28  
(181) 2026 09 28  
(891) 2016 09 28  
(511) 05

---

(260) AM 2017 89230 A  
(800) 1315016  
(151) 2016 09 28  
(181) 2026 09 28

(891) 2016 09 28  
(511) 05

---

(260) AM 2017 89231 A  
(800) 1315017  
(151) 2016 09 28  
(181) 2026 09 28  
(891) 2016 09 28  
(511) 05

---

(260) AM 2017 89232 A  
(800) 1315020  
(151) 2016 09 08  
(181) 2026 09 08  
(891) 2016 09 08  
(511) 05

---

(260) AM 2017 89233 A  
(800) 1315023  
(151) 2016 09 28  
(181) 2026 09 28  
(891) 2016 09 28  
(511) 32

---

(260) AM 2017 89234 A  
(800) 1315025  
(151) 2016 09 28  
(181) 2026 09 28  
(891) 2016 09 28  
(511) 05

---

(260) AM 2017 89237 A  
(800) 1316410  
(151) 2016 04 26  
(181) 2026 04 26  
(891) 2016 04 26  
(511) 09, 10, 11

---

(260) AM 2017 89238 A  
(800) 1316421  
(151) 2016 04 01  
(181) 2026 04 01  
(891) 2016 04 01  
(511) 09, 16, 35, 38, 41

---

(260) AM 2017 89239 A  
(800) 1316528  
(151) 2016 07 19  
(181) 2026 07 19  
(891) 2016 07 19  
(511) 09, 11

---



(260) AM 2017 89240 A  
(800) 1316543  
(151) 2016 06 05  
(181) 2026 06 05  
(891) 2016 06 05  
(511) 20

---

(260) AM 2017 89244 A  
(800) 1316466  
(151) 2016 04 30  
(181) 2026 04 30  
(891) 2016 04 30  
(511) 12

---

(260) AM 2017 89245 A  
(800) 1316548  
(151) 2016 06 12  
(181) 2026 06 12  
(891) 2016 06 12  
(511) 07

---

(260) AM 2017 89335 A  
(800) 1198231  
(151) 2013 12 27  
(181) 2023 12 27  
(891) 2016 02 09  
(511) 32, 33, 35, 43

---

(260) AM 2017 89345 A  
(800) 1317270  
(151) 2015 10 21  
(181) 2025 10 21  
(891) 2015 10 21  
(511) 03, 04, 05, 06, 08, 09, 11, 14, 16, 18, 20, 21,  
22, 24, 25, 26, 34, 35

---

(260) AM 2017 89347 A  
(800) 1317284  
(151) 2016 02 02  
(181) 2026 02 02  
(891) 2016 02 02  
(511) 36

---

(260) AM 2017 89348 A  
(800) 1317293  
(151) 2016 02 08  
(181) 2026 02 08  
(891) 2016 02 08  
(511) 12, 35

---

(260) AM 2017 89352 A  
(800) 1317353  
(151) 2016 05 11

(181) 2026 05 11  
(891) 2016 05 11  
(511) 08, 21

---

(260) AM 2017 89597 A  
(800) 1318752  
(151) 2016 04 27  
(181) 2026 04 27  
(891) 2016 04 27  
(511) 05

---

(260) AM 2017 89626 A  
(800) 493685  
(151) 1985 04 30  
(181) 2025 04 30  
(891) 2016 09 23  
(511) 05

---

(260) AM 2017 89629 A  
(800) 802675  
(151) 2003 04 22  
(181) 2023 04 22  
(891) 2016 10 28  
(511) 03, 05

---

(260) AM 2017 89762 A  
(800) 1320495  
(151) 2016 02 22  
(181) 2026 02 22  
(891) 2016 02 22  
(511) 01, 03, 05, 09

---

(260) AM 2017 89766 A  
(800) 1320565  
(151) 2016 04 22  
(181) 2026 04 22  
(891) 2016 04 22  
(511) 29

---

(260) AM 2017 89767 A  
(800) 1319932  
(151) 2016 08 10  
(181) 2026 08 10  
(891) 2016 08 10  
(511) 11

---

(260) AM 2017 89768 A  
(800) 1319964  
(151) 2016 04 13  
(181) 2026 04 13  
(891) 2016 04 13  
(511) 07, 08, 11, 21

---

(260) AM 2017 89769 A  
(800) 1320005  
(151) 2016 08 19  
(181) 2026 08 19  
(891) 2016 08 19  
(511) 07, 09, 12

---

(260) AM 2017 89770 A  
(800) 1320012  
(151) 2016 08 09  
(181) 2026 08 09  
(891) 2016 08 09  
(511) 17

---

(260) AM 2017 89771 A  
(800) 1320113  
(151) 2016 04 14  
(181) 2026 04 14  
(891) 2016 04 14  
(511) 09, 35, 38, 41, 42

---

(260) AM 2017 89773 A  
(800) 1320040  
(151) 2016 10 13  
(181) 2026 10 13  
(891) 2016 10 13  
(511) 09

---

(260) AM 2017 89774 A  
(800) 1320065  
(151) 2016 10 21  
(181) 2026 10 21  
(891) 2016 10 21  
(511) 33, 38, 41

---

(260) AM 2017 89775 A  
(800) 1320082  
(151) 2016 02 03  
(181) 2026 02 03  
(891) 2016 02 03  
(511) 16, 35, 41

---

(260) AM 2017 89776 A  
(800) 1320114  
(151) 2016 05 26  
(181) 2026 05 26  
(891) 2016 05 26  
(511) 30

---

(260) AM 2017 89777 A  
(800) 1320155  
(151) 2016 07 27

(181) 2026 07 27  
(891) 2016 07 27  
(511) 03

---

(260) AM 2017 89779 A  
(800) 1320203  
(151) 2016 09 23  
(181) 2026 09 23  
(891) 2016 09 23  
(511) 05

---

**OFFICIAL NOTIFICATIONS****TRADEMARKS****RENEWAL OF REGISTRATIONS**

- 
- (111) M 2006 17142 R1  
(156) 2017 06 21  
(186) 2026 12 14  
(732) JSC "GEFA"  
Sanapiros q. 6, 0108, Tbilisi, Georgia
- 
- (111) M 2007 17416 R1  
(156) 2017 10 13  
(186) 2027 04 13  
(732) JSC "GEFA"  
Sanapiros q. 6, 0108, Tbilisi, Georgia
- 
- (111) M 2007 17418 R1  
(156) 2017 09 29  
(186) 2027 04 13  
(732) JSC "GEFA"  
Sanapiros q. 6, 0108, Tbilisi, Georgia
- 
- (111) M 2007 17737 R1  
(156) 2017 10 05  
(186) 2027 09 18  
(732) JSC "TBC BANK"  
Ilia Chavchavadzis gamz. 11, 0179, Tbilisi,  
Georgia
- 
- (111) M 2007 17811 R1  
(156) 2017 11 03  
(186) 2027 09 18  
(732) BRIDGESTONE LICENSING SERVICES,  
INC.  
535 Marriott Drive, Nashville, Tennessee  
37214, USA
- 
- (111) M 2007 17880 R1  
(156) 2017 10 10  
(186) 2027 10 10  
(732) "INTERRIBFLOT-UKRAINA" LTD  
8 Kyivska Str., Vyshneve, Kyievo-  
Svyatoshynsky district, Kyiv region, 08132,  
Ukraine
- 
- (111) M 2007 18067 R1  
(156) 2017 11 14  
(186) 2027 11 14
- (732) LTD "G-M-P"  
Sop. Ponitchala 65, 0165, Tbilisi, Georgia
- 
- (111) M 2007 18068 R1  
(156) 2017 11 14  
(186) 2027 11 14  
(732) LTD "G-M-P"  
Sop. Ponitchala 65, 0165, Tbilisi, Georgia
- 
- (111) M 2007 18069 R1  
(156) 2017 11 14  
(186) 2027 11 14  
(732) LTD "G-M-P"  
Sop. Ponitchala 65, 0165, Tbilisi, Georgia
- 
- (111) M 1997 5052 R2  
(156) 2017 04 15  
(186) 2027 04 15  
(732) CHIQUITA BRANDS, L.L.C.  
1855 Griffin Road, Suite C-436, Fort  
Lauderdale, Florida 33004-2275, USA
- 
- (111) M 1997 5713 R2  
(156) 2017 06 24  
(186) 2027 06 24  
(732) VELCRO INDUSTRIES B.V.  
Castorweg 22-24, Curacao, Netherlands  
Antilles
- 
- (111) M 1997 6306 R2  
(156) 2017 08 11  
(186) 2027 08 11  
(732) Von Roll Schweiz AG  
Passwangstrasse 20, 4226 Breitenbach,  
Switzerland
- 
- (111) M 1997 6560 R2  
(156) 2017 08 29  
(186) 2027 08 29  
(732) A. MENARINI INDUSTRIE  
FARMACEUTICHE RIUNITE S.R.L.  
3, Via Sette Santi, 50131 Firenze, Italy
-

---

(111) M 1997 6561 R2

(156) 2017 08 29

(186) 2027 08 29

(732) A. MENARINI INDUSTRIE  
FARMACEUTICHE RIUNITE S.R.L.  
3, Via Sette Santi, 50131 Firenze, Italy

---

(111) M 1997 6562 R2

(156) 2017 08 29

(186) 2027 08 29

(732) A. MENARINI INDUSTRIE  
FARMACEUTICHE RIUNITE S.R.L.  
3, Via Sette Santi, 50131 Firenze, Italy

---

(111) M 1997 6564 R2

(156) 2017 08 29

(186) 2027 08 29

(732) A. MENARINI INDUSTRIE  
FARMACEUTICHE RIUNITE S.R.L.  
Via Sette Santi 3, 50131 Firenze, Italy

---

(111) M 1997 7115 R2

(156) 2017 10 09

(186) 2027 10 09

(732) LABORATOIRES EXPANSCIENCE  
1 Place des Saisons, 92048 PARIS LA  
DEFENSE CEDEX, France

---

(111) M 1997 7428 R2

(156) 2017 11 10

(186) 2027 11 10

(732) APPLE INC.  
1 Infinite loop, Cupertino, California 95014,  
USA

---

(111) M 1997 7661 R2

(156) 2017 11 21

(186) 2027 11 21

(732) SOREMARTEC S.A.  
Findel Business Center, Complexe B, Rue  
de Treves, L-2632 Findel, Luxembourg

---

(111) M 1997 7677 R2

(156) 2017 11 24

(186) 2027 11 24

(732) STADA ARZNEIMITTEL AG  
Stadastrasse 2-18, D-61118 Bad Vilbel,  
Germany

---

(111) M 1997 7795 R2

(156) 2017 12 09

(186) 2027 12 09

(732) SABIC Global Technologies B.V.

Plasticslaan 1, 4612 PX Bergen op Zoom,  
Netherlands

---

(111) M 1997 7848 R2

(156) 2017 12 15

(186) 2027 12 15

(732) BAYER CROPSCIENCE AG  
Alfred-Nobel-Str. 50, 40789 Monheim,  
Germany

---

(111) M 1997 7868 R2

(156) 2017 12 16

(186) 2027 12 16

(732) FIAT AUTO S.P.A.  
Corso Giovanni Agnelli 200, 10135 Torino,  
Italy

---

(111) M 1998 8015 R2

(156) 2018 01 08

(186) 2028 01 08

(732) WYETH HOLDINGS LLC  
235 East 42nd Street New York, New York  
10017, USA

---

(111) M 1998 8020 R2

(156) 2018 01 08

(186) 2028 01 08

(732) WYETH HOLDINGS LLC  
235 East 42nd Street New York, New York  
10017, USA

---

(111) M 1998 8348 R2

(156) 2018 02 17

(186) 2028 02 17

(732) MEDTECH PRODUCTS, INC.  
660 White Plains Road, Suite 250,  
Tarrytown, NY 10591, USA

---

## COMPLETE TRANSFER OF RIGHTS

(111) M 1999 011639 R1  
(732) SOCIETE CIVILE DU CHATEAU  
POTENSAC  
CHATEAU LEOVILLE LAS CASES, 33250  
SAINT JULIEN BEYCHEVELLE, France  
(770) SAS LES LIONS  
CHATEAU LEOVILLE LAS CASES, 33250  
SAINT JULIEN BEYCHEVELLE, France  
(580) 2017 10 31

---

(111) M 1996 003017 R2  
(732) SANOFI-AVENTIS DEUTSCHLAND  
GMBH  
Brueningstrasse 50, D-65926 Frankfurt am  
Main, Germany  
(770) Boehringer Ingelheim Pharma GmbH & Co.  
KG  
55218 Ingelheim, Germany  
(580) 2017 11 07

---

(111) M 2006 017142 R1  
(732) JSC "GEFA"  
Sanapiros q. 6, 0108, Tbilisi, Georgia  
(770) JSC "A-B-C PHARMACY"  
Sanapiros q. 10, 0108, Tbilisi, Georgia  
(580) 2017 11 03

---

(111) M 2007 017418 R1  
(732) JSC "GEFA"  
Sanapiros q. 6, 0108, Tbilisi, Georgia  
(770) LTD "GPC - Pharmacy"  
M. Tsinamdzgvrishvilis q. 106, 0164, Tbilisi,  
Georgia  
(580) 2017 11 03

---

(111) M 2008 018947 R  
(732) EX HACIENDA LOS CAMICHINES, S.A.  
DE C.V.  
Periferico Sur No.8500, Tramo Morelia  
Chapala Tlaquepaque, Jalisco, C.P. 45609,  
Mexico  
(770) AGAVERA CAMICHINES, S.A. DE C.V.  
Periferico Sur N 8500, Tramo Morelia  
ChapalaTlaquepaque, Jalisco, CP 45601,  
Mexico  
(580) 2017 10 31

---

(111) M 2008 018948 R  
(732) EX HACIENDA LOS CAMICHINES, S.A.  
DE C.V.  
Periferico Sur No. 8500, Tramo Morelia  
Chapala Tlaquepaque, Jalisco, C.P. 45609,  
Mexico  
(770) AGAVERA CAMICHINES, S.A. DE C.V.  
Periferico Sur N 8500, Tramo Morelia  
ChapalaTlaquepaque, Jalisco, CP 45601,  
Mexico  
(580) 2017 10 31

---

## CHANGES IN NAMES AND/OR ADDRESSES OF OWNERS

- (111) M 1998 010957 R1  
 (732) KRAFT FUDS DANMARK  
 INTELLECTUAL PROPERTY APS  
 Roskildevej 161, DK-2620 Albertslund,  
 Denmark  
 (770) DANDY A/S  
 Dandyvej DK-7100 Vejle, Denmark, Denmark  
 (580) 2017 11 01
- 
- (111) M 1998 010957 R1  
 (732) KRAFT FUDS DANMARK  
 INTELLECTUAL PROPERTY APS  
 Sandre Ringvej 55, DK-2605 Brendby,  
 Denmark  
 (770) KRAFT FUDS DANMARK  
 INTELLECTUAL PROPERTY APS  
 Roskildevej 161, DK-2620 Albertslund, Denmark  
 (580) 2017 11 01
- 
- (111) M 2006 017142 R1  
 (732) JSC "A-B-C FARMACY"  
 Sanapiros q. 10, 0108, Tbilisi, Georgia  
 (770) LTD "A-B-C PHARMASEUTICALS"  
 Lisis tba 1, 0171, Tbilisi, Georgia  
 (580) 2017 11 03
- 
- (111) M 2007 017416 R1  
 (732) JSC "GEFA"  
 Sanapiros q. 6, 0108, Tbilisi, Georgia  
 (770) LTD "GPC"  
 Marjanishvilis q. 26, 0102, Tbilisi, Georgia  
 (580) 2017 11 01
- 
- (111) M 2007 018067 R1  
 (732) LTD "G-M-P"  
 Sop. Ponitchala 65, 0165, Tbilisi, Georgia  
 (770) LTD "G-M-P"  
 Zemo Vedzisis q. 103, 0160, Tbilisi, Georgia  
 (580) 2017 11 20
- 
- (111) M 2007 018068 R1  
 (732) LTD "G-M-P"  
 Sop. Ponitchala 65, 0165, Tbilisi, Georgia  
 (770) LTD "G-M-P"  
 Zemo Vedzisis q. 103, 0160, Tbilisi, Georgia  
 (580) 2017 11 20
- 
- (111) M 2007 018069 R1  
 (732) LTD "G-M-P"  
 Sop. Ponitchala 65, 0165, Tbilisi, Georgia
- (770) LTD "G-M-P"  
 Zemo Vedzisis q. 103, 0160, Tbilisi, Georgia  
 (580) 2017 11 20
- 
- (111) M 1997 005052 R2  
 (732) CHIQUITA BRANDS, L.L.C.  
 250 East Fifth Street, Cincinnati, Ohio 45202,  
 USA  
 (770) CHIQUITA BRENDS, INC.  
 250 East Fifth Street, Cincinnati, Oh 45202,  
 USA  
 (580) 2017 10 31
- 
- (111) M 1997 005052 R2  
 (732) CHIQUITA BRANDS, L.L.C.  
 550 South Coldwell Street, Charlotte, North  
 Carolina 28202, USA  
 (770) CHIQUITA BRANDS, L.L.C.  
 250 East Fifth Street, Cincinnati, Ohio 45202,  
 USA  
 (580) 2017 10 31
- 
- (111) M 1997 005052 R2  
 (732) CHIQUITA BRANDS, L.L.C.  
 2051 SE 35th Street, P.O. 22817, Fort  
 Lauderdale, Florida 33316, USA  
 (770) CHIQUITA BRANDS, L.L.C.  
 550 South Coldwell Street, Charlotte, North  
 Carolina 28202, USA  
 (580) 2017 10 31
- 
- (111) M 1997 005052 R2  
 (732) CHIQUITA BRANDS, L.L.C.  
 1855 Griffin Road, Suite C-436, Fort  
 Lauderdale, Florida 33004-2275, USA  
 (770) CHIQUITA BRANDS, L.L.C.  
 2051 SE 35th Street, P.O. 22817, Fort  
 Lauderdale, Florida 33316, USA  
 (580) 2017 10 31
- 
- (111) M 1997 007115 R2  
 (732) LABORATOIRES EXPANSCIENCE  
 1 Place des Saisons, 92048 PARIS LA  
 DEFENSE CEDEX, France  
 (770) LABORATOIRES EXPANSCIENCE  
 10 avenue de l'Aerch, 92400 Courbevoie,  
 France  
 (580) 2017 11 20
-

(111) M 1997 007795 R2

(732) SABIC Global Technologies B.V.  
Plasticslaan 1, 4612 PX Bergen op Zoom,  
Netherlands

(770) SABIC Innovative Plastics IP B.V.  
Plasticslaan 1, 4612 PX Bergen op Zoom,  
Netherlands

(580) 2017 11 20

---

## LICENSE AGREEMENTS

(111) 20147  
 (732) NTERSUN HOLDING FZCO  
 P.O. box: 61051, Jebel Ali Free Zone, Dubai,  
 AE  
 (791) LTD "DAPNA"  
 Lilos dacakhleba, nakveti 05/004, 0198,  
 Tbilisi, Georgia  
 (580) 2017 08 11  
 (793) Kind of License: Simple  
 (793) 1526  
 (793) 2017 08 11  
 (793) 2020 01 21  
 (511) 16, 29, 30, 31, 35

---

(580) 2017 10 30  
 (793) Kind of License: Simple  
 (793) 1530  
 (793) 2017 10 30  
 (793) Lifetime  
 (511) 3

---

(111) 24384  
 (732) BEYAZ KAĞIT VE HİJYENİK  
 ÜRÜNLER TEMİZLİK İNŞAAT SANAYİ  
 TİCARET ANONİM ŞİRKETİ, Hacı  
 Sabancı Organise Sanayi Bölgesi Anavarza  
 Caddesi No:3 Sarıçam - Adana DANA,  
 Turkey  
 (791) LTD "LIBO GROUP"  
 II Kheivnis q, 2 chikhi 21 Tbilisi, Georgia  
 (580) 2017 08 29  
 (793) Kind of License: Simple  
 (793) 1527  
 (793) 2017 07 10  
 (793) 2017 12 31  
 (511) 3, 5, 16

---

(111) 4199  
 (732) BEIERSDORF AG  
 Unnastrasse 48, 20253 Hamburg, Germany  
 (791) BAYERSDORF KAZAKHSTAN LLP  
 42, Abais prospeqti, sart. 5, ALMAATI  
 050022, Republic of Kazakhstan  
 (580) 2017 10 30  
 (793) Kind of License: Simple  
 (793) 1529  
 (793) 2017 10 30  
 (793) Lifetime  
 (511) 3, 5, 10

---

(111) 7697  
 (732) BEIERSDORF AG  
 Unnastrasse 48, D-20253 Hamburg, Germany  
 (791) BAYERSDORF KAZAKHSTAN LLP  
 42, Abais prospeqti, sart. 5, ALMAATI  
 050022, Republic of Kazakhstan



---

# CLASSIFICATION INDEXES

## INVENTIONS

### CONCORDANCE TABLE OF INTERNATIONAL CLASSIFICATION INDEX AND PUBLICATION NUMBERS

INTERNATIONAL CLASSIFICATION INDEXES (51)	NUMBER OF PUBLISHED APPLICATION (10)
B 65 D 19/00	AP 2017 14098 A
F 27 D 25/00; B 08 B 7/00; F 23 J 3/02; F 28 G 7/00	AP 2017 14253 A

### CONCORDANCE TABLE OF PUBLICATION NUMBERS AND INTERNATIONAL CLASSIFICATION INDEX

NUMBER OF PUBLISHED APPLICATION (10)	INTERNATIONAL CLASSIFICATION INDEXES (51)
AP 2017 14098 A	B 65 D 19/00
AP 2017 14253 A	F 27 D 25/00; B 08 B 7/00; F 23 J 3/02; F 28 G 7/00

### CONCORDANCE TABLE OF INTERNATIONAL CLASSIFICATION INDEX, PATENT NUMBERS AND PUBLICATION NUMBERS

INTERNATIONAL CLASSIFICATION INDEX (51)	NUMBER OF PATENT (11)	NUMBER OF PUBLISHED APPLICATION (10)
A 01 G 31/00	P 2017 6781 B	AP 2017 14089 A
A 61 K 31/422; A 61 P 33/00	P 2017 6772 B	AP 2017 13567 A
A 61 K 31/517	P 2017 6771 B	AP 2017 13442 A
A 61 K 45/06; A 61 K 31/27; A 61 K 31/4045; A 61 K 31/445; A 61 K 31/55; A 61 P 25/28	P 2017 6776 B	AP 2017 13752 A
C 07 D 277/593	P 2017 6779 B	AP 2017 13956 A
C 07 D 401/14; C 07 D 401/04; C 07 D 403/14; A 61 K 31/4725; A 61 P 35/00	P 2017 6778 B	AP 2017 13953 A
C 07 D 471/04	P 2017 6774 B	AP 2017 13596 A
C 07 D 471/04	P 2017 6783 B	AP 2017 14210 A
C 07 D 471/08; A 61 K 31/439; A 61 P 11/00; A 61 P 17/00; A 61 P 27/00; A 61 P 15/00; A 61 P 37/00; A 61 P 35/00; A 61 P 31/00	P 2017 6780 B	AP 2017 13959 A
C 07 K 16/28	P 2017 6773 B	AP 2017 13583 A
C 12 B 1/225; C 12 Q 1/02; C 12 N 1/20	P 2017 6775 B	AP 2017 13744 A
E 02 B 3/06	P 2017 6785 B	AP 2017 14241 A
G 07 D 7/12	P 2017 6782 B	AP 2017 14139 A
H 01 C 7/00	P 2017 6784 B	AP 2017 14217 A
H 01 Q 15/16; B 64 G 1/22	P 2017 6777 B	AP 2017 13843 A

**CONCORDANCE TABLE OF PATENT NUMBERS,  
PUBLICATION NUMBERS AND INTERNATIONAL CLASSIFICATION INDEX**

NUMBER OF PATENT (11)	NUMBER OF PUBLISHED APPLICATION (10)	INTERNATIONAL CLASSIFICATION INDEX (51)
P 2017 6771 B	AP 2017 13442 A	A 61 K 31/517
P 2017 6772 B	AP 2017 13567 A	A 61 K 31/422; A 61 P 33/00
P 2017 6773 B	AP 2017 13583 A	C 07 K 16/28
P 2017 6774 B	AP 2017 13596 A	C 07 D 471/04
P 2017 6775 B	AP 2017 13744 A	C 12 B 1/225; C 12 Q 1/02; C 12 N 1/20
P 2017 6776 B	AP 2017 13752 A	A 61 K 45/06; A 61 K 31/27; A 61 K 31/4045; A 61 K 31/445; A 61 K 31/55; A 61 P 25/28
P 2017 6777 B	AP 2017 13843 A	H 01 Q 15/16; B 64 G 1/22
P 2017 6778 B	AP 2017 13953 A	C 07 D 401/14; C 07 D 401/04; C 07 D 403/14; A 61 K 31/4725; A 61 P 35/00
P 2017 6779 B	AP 2017 13956 A	C 07 D 277/593
P 2017 6780 B	AP 2017 13959 A	C 07 D 471/08; A 61 K 31/439; A 61 P 11/00; A 61 P 17/00; A 61 P 27/00; A 61 P 15/00; A 61 P 37/00; A 61 P 35/00; A 61 P 31/00
P 2017 6781 B	AP 2017 14089 A	A 01 G 31/00
P 2017 6782 B	AP 2017 14139 A	G 07 D 7/12
P 2017 6783 B	AP 2017 14210 A	C 07 D 471/04
P 2017 6784 B	AP 2017 14217 A	H 01 C 7/00
P 2017 6785 B	AP 2017 14241 A	E 02 B 3/06

**CONCORDANCE TABLE OF APPLICATION NUMBERS, PUBLICATION NUMBERS  
AND PATENTS**

NUMBER OF APPLICATION (21)	NUMBER OF PUBLISHED APPLICATION (10)	NUMBER OF PATENT (11)
AP 2012 013442	AP 2017 13442 A	P 2017 6771 B
AP 2013 013567	AP 2017 13567 A	P 2017 6772 B
AP 2013 013583	AP 2017 13583 A	P 2017 6773 B
AP 2013 013596	AP 2017 13596 A	P 2017 6774 B
AP 2013 013744	AP 2017 13744 A	P 2017 6775 B
AP 2013 013752	AP 2017 13752 A	P 2017 6776 B
AP 2013 013843	AP 2017 13843 A	P 2017 6777 B
AP 2014 013953	AP 2017 13953 A	P 2017 6778 B
AP 2014 013956	AP 2017 13956 A	P 2017 6779 B
AP 2014 013959	AP 2017 13959 A	P 2017 6780 B
AP 2014 014089	AP 2017 14089 A	P 2017 6781 B
AP 2014 014139	AP 2017 14139 A	P 2017 6782 B
AP 2014 014210	AP 2017 14210 A	P 2017 6783 B
AP 2016 014217	AP 2017 14217 A	P 2017 6784 B
AP 2016 014241	AP 2017 14241 A	P 2017 6785 B

## UTILITY MODELS

### CONCORDANCE TABLE OF INTERNATIONAL CLASSIFICATION INDEX AND PUBLICATION NUMBERS

INTERNATIONAL CLASSIFICATION INDEXES (51)	NUMBER OF PUBLISHED APPLICATION (10)
B 27 N 3/02	AU 2017 14321 U
C 25 B 1/40, 9/14	AU 2017 14309 U
C 25 B 11/04	AU 2017 13989 U
G 07 F 1/04	AU 2017 14451 U

### CONCORDANCE TABLE OF PUBLICATION NUMBERS AND INTERNATIONAL CLASSIFICATION INDEX

NUMBER OF PUBLISHED APPLICATION (10)	INTERNATIONAL CLASSIFICATION INDEXES (51)
AU 2017 13989 U	C 25 B 11/04;
AU 2017 14309 U	C 25 B 1/40, 9/14
AU 2017 14321 U	B 27 N 3/02
AU 2017 14451 U	G 07 F 1/04

## DESIGNS

### CONCORDANCE TABLE OF INTERNATIONAL CLASSIFICATION INDEX AND PUBLICATION NUMBERS

INTERNATIONAL CLASSIFICATION INDEXES (51)	NUMBER OF PUBLISHED APPLICATION (10)
07-06	AD 2017 974 S
09-05	AD 2017 973 S

### CONCORDANCE TABLE OF PUBLICATION NUMBERS AND INTERNATIONAL CLASSIFICATION INDEX

NUMBER OF PUBLISHED APPLICATION (10)	INTERNATIONAL CLASSIFICATION INDEXES (51)
AD 2017 973 S	09-05
AD 2017 974 S	07-06

CONCORDANCE TABLE OF INTERNATIONAL CLASSIFICATION INDEX,  
PATENT NUMBERS AND PUBLICATION NUMBERS

INTERNATIONAL CLASSIFICATION INDEX (51)	NUMBER OF PATENT (11)	NUMBER OF PUBLISHED APPLICATION (10)
27-02	D 2017 733 S	AD 2017 948 S

CONCORDANCE TABLE OF PATENT NUMBERS,  
PUBLICATION NUMBERS AND INTERNATIONAL CLASSIFICATION INDEX

NUMBER OF PATENT (11)	NUMBER OF PUBLISHED APPLICATION (10)	INTERNATIONAL CLASSIFICATION INDEX (51)
D 2017 733 S	AD 2017 948 S	27-02

CONCORDANCE TABLE OF APPLICATION NUMBERS, PUBLICATION NUMBERS  
AND PATENTS

NUMBER OF APPLICATION (21)	NUMBER OF PUBLISHED APPLICATION (10)	NUMBER OF PATENT (11)
AD 2017 000948	AD 2017 948 S	D 2017 733 S

**DESIGN REGISTERED ACCORDING TO THE ACCELERATED  
PROCEDURE**

CONCORDANCE TABLE OF INTERNATIONAL CLASSIFICATION INDEX  
AND PUBLICATION NUMBERS

INTERNATIONAL CLASSIFICATION INDEXES (51)	NUMBER OF PUBLISHED APPLICATION (11)
09-01	D 2017 734 S

CONCORDANCE TABLE OF PUBLICATION NUMBERS  
AND INTERNATIONAL CLASSIFICATION INDEX

NUMBER OF PUBLISHED APPLICATION (11)	INTERNATIONAL CLASSIFICATION INDEXES (51)
D 2017 734 S	09-01

CONCORDANCE TABLE OF APPLICATION NUMBERS,  
PUBLICATION NUMBERS AND PATENTS

NUMBER OF APPLICATION (21)	NUMBER OF PATENT (11)
AD 2017 1000	D 2017 734 S

## TRADEMARKS

### CONCORDANCE TABLE OF REGISTRATION NUMBERS, APPLICATION NUMBERS, PUBLICATION NUMBERS AND BULLETIN NUMBERS

NUMBER OF REGISTRATION (111)	NUMBER OF APPLICATIONS (210)	NUMBER OF PUBLISHED APPLICATIONS (260)	NUMBER OF BULLETIN
M 2017 29088 R	AM 94708	-	22(482)2017
M 2017 29089 R	AM 94740	-	22(482)2017
M 2017 29090 R	AM 93809	-	22(482)2017
M 2017 29091 R	AM 94858	-	22(482)2017
M 2017 29092 R	AM 94729	-	22(482)2017
M 2017 29093 R	AM 94730	-	22(482)2017
M 2017 29094 R	AM 94913	-	22(482)2017
M 2017 29095 R	AM 94800	-	22(482)2017
M 2017 29096 R	AM 96982	-	22(482)2017
M 2017 29097 R	AM 94797	-	22(482)2017
M 2017 29098 R	AM 94925	-	22(482)2017
M 2017 29099 R	AM 94989	-	22(482)2017
M 2017 29100 R	AM 94855	-	22(482)2017
M 2017 29101 R	AM 94856	-	22(482)2017
M 2017 29102 R	AM 94857	-	22(482)2017
M 2017 29103 R	AM 87082	AM 2017 87082 A	7(467)2017
M 2017 29106 R	AM 87779	AM 2017 87779 A	3(463)2017
M 2017 29107 R	AM 88171	AM 2017 88171 A	8(468)2017
M 2017 29108 R	AM 88172	AM 2017 88172 A	8(468)2017
M 2017 29109 R	AM 88223	AM 2017 88223 A	6(466)2017
M 2017 29110 R	AM 88327	AM 2017 88327 A	7(467)2017
M 2017 29111 R	AM 88347	AM 2017 88347 A	7(467)2017
M 2017 29112 R	AM 88408	AM 2017 88408 A	7(467)2017
M 2017 29113 R	AM 88810	AM 2017 88810 A	8(468)2017
M 2017 29114 R	AM 89194	AM 2017 89194 A	12(472)2017
M 2017 29115 R	AM 89195	AM 2017 89195 A	12(472)2017
M 2017 29116 R	AM 89197	AM 2017 89197 A	12(472)2017
M 2017 29117 R	AM 89203	AM 2017 89203 A	11(471)2017
M 2017 29118 R	AM 89464	AM 2017 89464 A	12(472)2017
M 2017 29119 R	AM 89747	AM 2017 89747 A	13(473)2017
M 2017 29120 R	AM 89867	AM 2017 89867 A	13(473)2017

**CONCORDANCE TABLE OF PUBLICATION NUMBERS  
AND APPLICATION NUMBERS**

NUMBER OF PUBLISHED APPLICATION (260)	NUMBER OF APPLICATION (210)	1	2
1	2		
AM 2017 65154 A **	AM 65154	AM 2017 91093 A	AM 91093
AM 2017 87241 A	AM 87241	AM 2017 91132 A	AM 91132
AM 2017 90095 A	AM 90095	AM 2017 91170 A	AM 91170
AM 2017 90614 A	AM 90614	AM 2017 91171 A	AM 91171
AM 2017 90776A	AM 90776	AM 2017 91172 A	AM 91172
		AM 2017 91225 A	AM 91225
		AM 2017 91227 A	AM 91227
		AM 2017 91232 A	AM 91232
		AM 2017 91519 A	AM 91519

**CONCORDANCE TABLE OF INDEX OF GOODS AND/OR SERVICES  
AND APPLICATION NUMBERS**

INDEX OF GOODS AND/OR SERVICES (511)	NUMBER OF PUBLISHED APPLICATIONS (260)
1	AM 2017 91132 A
3	AM 2017 91225 A
3	AM 2017 91227 A
5	AM 2017 91132 A
5	AM 2017 91170 A
5	AM 2017 91171 A
5	AM 2017 91172 A
5	AM 2017 91232 A
12	AM 2017 91519 A
29	AM 2017 91093 A
30	AM 2017 90776A
30	AM 2017 91093 A
33	AM 2017 90095 A
33	AM 2017 90614 A
39	AM 2017 87241 A
41	AM 2017 65154 A **
43	AM 2017 91093 A

CONCORDANCE TABLE OF INDEX OF GOODS AND/OR SERVICES  
AND NUMBERS OF TRADEMARKS REGISTERED ACCORDING  
TO THE ACCELERATED PROCEDURE

INDEX OF GOODS AND/OR SERVICES (511)	NUMBERS OF REGISTERED ACCORDING TO THE ACCELERATED PROCEDURE (111)
1	M 2017 29093 R
4	M 2017 29099 R
5	M 2017 29089 R
5	M 2017 29091 R
5	M 2017 29093 R
5	M 2017 29096 R
5	M 2017 29097 R
5	M 2017 29105 R
9	M 2017 29104 R
29	M 2017 29098 R
29	M 2017 29105 R
30	M 2017 29105 R
31	M 2017 29105 R
32	M 2017 29105 R
34	M 2017 29088 R
35	M 2017 29090 R
37	M 2017 29101 R
37	M 2017 29102 R
41	M 2017 29100 R
41	M 2017 29101 R
41	M 2017 29102 R
43	M 2017 29094 R
43	M 2017 29095 R
43	M 2017 29100 R
43	M 2017 29101 R
43	M 2017 29102 R
44	M 2017 29090 R
44	M 2017 29092 R
44	M 2017 29093 R

# OFFICIAL BULLETIN OF THE INDUSTRIAL PROPERTY

## 22(482)

EDITOR-IN-CHIEF: N. Bebrishvili

EDITORS-TRANSLATORS: E. Gabunia

PROOFREADER: A. Shikhashvili

COMPUTER LAYOUT: M. Ordenidze  
K. Svanidze

[www.sakpatenti.org.ge](http://www.sakpatenti.org.ge)

E-mail: [info@sakpatenti.org.ge](mailto:info@sakpatenti.org.ge)