



საქართველოს ინტელექტუალური საკუთრების ეროვნული ცენტრი  
NATIONAL INTELLECTUAL PROPERTY CENTER OF GEORGIA

საქპატენტი  
SAKPATENTI

**OFFICIAL BULLETIN  
OF THE INDUSTRIAL PROPERTY**

**23(531)**

2019  
TBILISI

# INID CODES FOR IDENTIFICATION OF BIBLIOGRAPHIC DATA

## INVENTIONS, UTILITY MODELS

- (10) Number of publication for application, which has been examined
- (11) Number of patent and kind of document
- (21) Serial number of application
- (22) Date of filing of the application
- (23) Date of exhibition or the date of the earlier filing and the number of application, if any
- (24) Date from which patent may have effect
- (31) Number of priority application
- (32) Date of filing of priority application
- (33) Code of the country or regional organization allotting priority application number
- (44) Date of publication of application not granted, but examined and number of bulletin
- (45) Date of publication of registered document
- (51) International Patent Classification Index

- (54) Title of the invention
- (57) Abstract
- (60) Number of examined patent document granted by foreign patent office, date from which patent has effect and country code
- (62) Number of the earlier application and in case of divided application, date of filing an application
- (71) Name, surname and address of applicant (country code)
- (72) Name, surname of inventor (country code)
- (73) Name, surname and address of patent owner (country code)
- (74) Name, surname of representative or patent attorney
- (85) Date of commencement of the national phase of International Application
- (86) Number and date of filing of international application
- (87) Number and date of publication of international application
- (94) Calculated date of expiry of the SPC or the duration of the SPC

## DESIGNS

- (10) Number of publication for application
- (11) Number of patent and kind of document or number of registration
- (15) Date of registration/Date of patent renewal
- (18) Expected expiration date of patent or registration
- (21) Serial number of application
- (22) Date of filing of the application
- (23) Date of exhibition or the date of the earlier filing and the number of application, if any
- (24) Date from which patent may have effect
- (28) Number of designs included in the application
- (30) Data relating to priority (number of application, date of filing of application, two-letter code identifying the authority with whom the priority application was made)
- (31) Number of priority application
- (32) Date of filing of priority application
- (33) Code of the country or regional organization allotting priority application number
- (34) Two-letter code according to WIPO St.3 identifying the authority with which the priority application was made
- (44) Date of publication of design and number of bulletin (the first publication)
- (45) Date of publication of design registered by WIPO and number of bulletin

- (51) International Classification for designs (class and subclass of the Locarno Classification)
- (54) Title of the invention
- (55) Reproduction of the design
- (57) Description of characteristic features of the design including indication of colors
- (58) Date of recording of any kind of amendment in the Register
- (62) Number of the earlier application, registration and document number and if available the date of filing an application in case of divided application
- (71) Name, surname and address of applicant (country code)
- (72) Name, surname of creator (country code)
- (73) Name, surname and address of patent owner (country code)
- (74) Name, surname of representative or patent attorney
- (81) Contracting states concerned
  - II designated contracting states according to the 1960 Act
  - III designated contracting states according to the 1999 Act
- (85) Owner's permanent address
- (86) Owner's nationality
- (87) Owner's residence
- (88) State in which the owner has a real and effective industrial or commercial establishment

## TRADEMARKS

- (111) - Number of registration
- (151) - Date of registration
- (156) - Date of the renewal
- (181) - Expected expiration date of registration
- (186) - Renewal expiration date of registration
- (141) - Date of cancel of duration of the mark
- (210) - Serial number of application
- (220) - Date of filing of the application
- (230) - Data concerning exhibition
- (260) - Number of application, for which favorable decision of examination about registration has been taken (publication number)
- (310) - Number of the first application
- (320) - Date of filing of the first application
- (330) - Code, identifying national or regional Office where the first application was made
- (511) - International Classification of Goods and Services for the purposes of registration of trade marks and/or list of goods and/or services classified according thereto
- (526) - Disclaimer
- (531) - Description of figurative elements of Trade Marks according to the International Classification of the Figurative Elements of Marks

- (540) - Reproduction of Trade Mark
- (550) - Nature and kind of Trade Mark
- (551) - Indication to the effect that the mark is a collective mark, a certification mark or a guarantee mark
- (554) - Three-dimensional mark
- (580) - Date of recording of any kind changes in respect of applications or registrations
- (591) - Information concerning colors claimed
- (731) - Name and address of the applicant
- (732) - Name and address of the holder of the registration
- (740) - Name and address of the representative
- (750) - Addreses for correspondence
- (770) - Name and address of the previous applicant or holder in case of change in ownership
- (771) - Previous name and address of the applicant or holder in case of change in ownership
- (791) - Name and address of the licensee
- (793) - Indication of conditions and/or restrictions under the license (Type of license, number of license agreement, data of license, data of validity of license)
- (800) - Certain data relating to the international registration of Trade Marks under the Protocol Relating to Madrid Agreement (International registration number
- (852) - Partial cancellation of the list of goods and services
- (891) - Date of subsequent designation

## CODES FOR PUBLICATION IN BULLETIN

- (21) AP 0000 000000 - serial number of application for invention
- (10) AP 0000 0000 A - number of published application for invention (first publication)
- (11) P 0000 0000 B - number of patent for invention (second publication)
- (21) API 0000 000000 - number of application for imported patent
- (11) PI 0000 0000 A - number of imported patent (first publication)
- (21) AU 0000 000000 - serial number of application for utility model
- (10) AU 0000 000 U - number of published application for utility model (first publication)
- (11) U 0000 000 Y - number of patent for utility model (second publication)
- (21) AD 0000 000000 - serial number of application for design
- (10) AD 0000 000 S - number of published application for design (first publication)
- (11) D 0000 000 S - registered design

## INTERNATIONAL PATENT CLASSIFICATION FOR INVENTIONS AND UTILITY MODELS

- SECTION A - HUMAN NECESSITIES
- SECTION B - PERFORMING OPERATIONS; TRANSPORTING
- SECTION C - CHEMISTRY; METALLURGY
- SECTION D - TEXTILES; PAPER
- SECTION E - FIXED CONSTRUCTIONS
- SECTION F - MECHANICAL ENGINEERING; LIGHTING; HEATING; WEAPONS; BLASTING
- SECTION G - PHYSICS
- SECTION H - ELECTRICITY

- 
- M - Trade Mark
  - (210) AM 0000 000000 - Serial number of application;
  - (260) AAM 0000 00000 A - Publication number of application;
  - (111) M 0000 00000 R - Number of registration;
  - (111) MMM0000 00000 Rn - Number of renewals, in which n=1,2,3;
  - (111) M 0000 00000 R(P) - Number of registration under partial assignment of rights
-

**LIST OF CODES, IN ALPHABETIC SEQUENCE, AND THE CORRESPONDING (SHORT) NAMES OF STATES, OTHER ENTITIES AND INTERGOVERNMENTAL ORGANIZATIONS  
(WIPO STANDARD ST.3)**

AD	Andorra				
AE	United Arab Emirates	GD	Grenada	NE	Niger
AF	Afghanistan	GG	Guernsey	NG	Nigeria
AG	Antigua and Barbuda	GH	Ghana	NI	Nicaragua
AI	Anguilla	GI	Gibraltar	NL	Netherlands
AL	Albania	GT	Guatemala	NO	Norway
AM	Armenia	GW	Guinea- Bissau	NP	Nepal
AN	Netherlands Antilles	GY	Guyana	NR	Nauru
AO	Angola	HK	The Hong Kong Special Administrative Region of the People's Republic of China	NZ	New Zealand
AP	African Regional Intellectual Property Organization (ARIPO)	HN	Honduras	OA	African Intellectual Property Organization (OAPI)
AR	Argentina	HR	Croatia	OM	Oman
AT	Austria	HT	Haiti	PA	Panama
AU	Australia	HU	Hungary	PE	Peru
AW	Aruba	IB	International Bureau of the World Intellectual Property Organization (WIPO)	PG	Papua New Guinea
AZ	Azerbaijan	ID	Indonesia	PH	Philippines
BA	Bosnia and Herzegovina	IE	Ireland	PK	Pakistan
BB	Barbados	IL	Israel	PL	Poland
BD	Bangladesh	IM	Isle of Man	PT	Portugal
BE	Belgium	IN	India	PW	Palau
BF	Burkina Faso	IQ	Iraq	PY	Paraguay
BG	Bulgaria	ID	Indonesia	QA	Qatar
BH	Bahrain	IE	Ireland	QZ	Community Plant Variety Office (European Community) (CPVO)
BI	Burundi	IL	Israel	RO	Romania
BJ	Benin	IM	Isle of Man	RS	Serbia
BM	Bermuda	IN	India	RU	Russian Federation
BN	Brunei Darussalam	IQ	Iraq	RW	Rwanda
BO	Bolivia	IR	Iran (Islamic Republic of)	SA	Saudi Arabia
BR	Brazil	IS	Iceland	SB	Solomon Islands
BS	Bahamas	IT	Italy	SC	Seychelles
BT	Bhutan	JE	Jersey	SD	Sudan
BV	Bouvet Island	JM	Jamaica	SG	Singapore
BW	Botswana	JO	Jordan	SH	Saint Helena
BX	Benelux Office for Intellectual Property (BOIP)	JP	Japan	SI	Slovenia
BY	Belarus	KE	Kenya	SK	Slovakia
BZ	Belize	KG	Kyrgyzstan	SL	Sierra Leone
CA	Canada	KH	Cambodia	SM	San Marino
CD	Democratic Republic of the Congo	KI	Kiribati	SN	Senegal
CF	Central African Republic	KM	Saint Kitts and Nevis	SO	Somalia
CG	Congo	KP	Democratic People's Republic of Korea	SR	Suriname
CH	Switzerland	KR	Republic of Korea	ST	Sao Tome and Principe
CI	Cote d'Ivoire	KW	Kuwait	SV	El Salvador
CK	Cook Islands	KY	Cayman Islands	SY	Syrian Arab Republic
CL	Chile	KZ	Kazakhstan	SZ	Swaziland
CM	Cameroon	LA	Lao People's Democratic Republic	TC	Turks and Caicos Islands
CN	China	LB	Lebanon	TD	Chad
CO	Colombia	LC	Saint Lucia	TG	Togo
CR	Costa Rica	LI	Liechtenstein	TH	Thailand
CU	Cuba	LK	Sri Lanka	TJ	Tajikistan
CV	Cape Verde	LR	Liberia	TL	Timor-Leste
CY	Cyprus	LS	Lesotho	TM	Turkmenistan
CZ	Czech Republic	LT	Lithuania	TN	Tunisia
DE	Germany	LU	Luxembourg	TO	Tonga
DJ	Djibouti	LV	Latvia	TR	Turkey
DM	Dominica	LY	Libyan Arab Jamahiriya	SE	Sweden
DO	Dominican Republic	MA	Morocco	TT	Trinidad and Tobago
DZ	Algeria	MC	Monaco	TV	Tuvalu
EA	Eurasian Patent Organization (EAPO)	MD	Republic of Moldova	TW	Taiwan, Province of China
EC	Ecuador	ME	Montenegro	TZ	United Republic of Tanzania
EE	Estonia	MG	Madagascar	UA	Ukraine
EG	Egypt	MK	The former Yugoslav Republic of Macedonia	UG	Uganda
EH	Western Sahara	ML	Mali	US	United States of America
EM	Office for Harmonization in the Internal Market (Trademarks and Designs)(OHIM)	MM	Myanmar	UY	Uruguay
EP	European Patent Office (EPO)	MN	Mongolia	UZ	Uzbekistan
ER	Eritrea	MO	Macao	VA	Holy See
ES	Spain	MP	Northern Mariana Islands	VC	Saint Vincent and the Grenadines
ET	Ethiopia	MR	Mauritania	VE	Venezuela
FI	Finland	MS	Montserrat	VG	Virgin Islands (British)
FJ	Fiji	MT	Malta	VN	Viet Nam
FK	Falkland Islands (Malvinas)	MU	Mauritius	VU	Vanuatu
FO	Faroe Islands	MV	Maldives	WO	World Intellectual Property Organization (WIPO)
FR	France	MW	Malawi	WS	Samoa
GA	Gabon	MX	Mexico	XN	Nordic Patent Institute (NPI)
GB	United Kingdom	MY	Malaysia	YE	Yemen
GC	Patent Office of the Cooperation Council for the Arab States of the Gulf (GCC)	MZ	Mozambique	ZA	South Africa
		NA	Namibia	ZM	Zambia
				ZW	Zimbabwe

**OFFICIAL BULLETIN  
OF THE INDUSTRIAL PROPERTY**

**23(531)**

**INVENTIONS  
UTILITY MODELS  
DESIGNS  
TRADEMARKS**

DATE OF PUBLICATION: 2019 12 10

# CONTENTS

<b>PUBLISHED TITLES OF PROTECTION</b> .....	3
<b>INVENTIONS</b>	
▪ APPLICATIONS APPROVED FOR GRANTING PATENTS .....	4
▪ PATENTED INVENTIONS .....	10
<b>UTILITY MODELS</b>	
▪ PATENTED UTILITY MODELS .....	12
<b>DESIGNS</b>	
▪ DESIGNS REGISTERED ACCORDING TO THE ACCELERATED PROCEDURE .....	13
▪ DESIGNS, WHICH HAVE BEEN REGISTERED WITH THE INTERNATIONAL BUREAU CLAIMING PRIORITY ON THE TERRITORY OF GEORGIA .....	16
<b>TRADEMARKS</b>	
▪ APPLICATIONS FILED UNDER THE NATIONAL PROCEDURE APPROVED FOR REGISTRATION .....	72
▪ REGISTERED TRADEMARKS .....	78
▪ TRADEMARKS REGISTERED ACCORDING TO THE ACCELERATED PROCEDURE .....	82
▪ INTERNATIONAL TRADEMARKS FOR WHICH A DECISION ON GRANTING PROTECTION IS TAKEN .....	85
▪ INTERNATIONAL TRADEMARKS PROTECTED IN GEORGIA .....	155
<b>OFFICIAL NOTIFICATIONS</b>	
<b>INVENTIONS</b>	
▪ EXPIRATION OF PATENTS RESTORATION .....	162
▪ ABOLITION OF PATENTS WITH THE RIGHT TO RESTORE .....	163
▪ EXPIRATION OF TERM OF RESTORATION OF PATENTS .....	164
▪ CHANGES OF NAMES AND/OR ADDRESSES OF OWNERS .....	165
<b>UTILITY MODELS</b>	
▪ EXPIRATION OF PATENTS RESTORATION .....	166
<b>DESIGNS</b>	
▪ EXPIRATION OF PATENTS RESTORATION .....	167
▪ EXTENSION OF REGISTRATION OF INTERNATIONAL DESIGNS .....	168
<b>TRADEMARKS</b>	
▪ RENEWAL OF REGISTRATIONS .....	181
▪ COMPLETE TRANSFER OF RIGHTS .....	182
▪ CHANGES OF NAMES AND/OR ADDRESSES OF OWNERS .....	183
▪ TERMINATION OF TRADEMARKS REGISTRATION .....	184
<b>CLASSIFICATION INDEXES</b>	
INVENTIONS .....	191
UTILITY MODELS .....	192
DESIGNS .....	193
TRADEMARKS .....	194

# PUBLISHED TITLES OF PROTECTION

## INVENTIONS

- **APPLICATIONS APPROVED FOR GRANTING PATENT:**  
14711; 14523; 14853; 14659; 14738; 14223; 14795; 14721; 14743; 14866
- **PATENTED INVENTIONS:**  
7046-7050

## UTILITY MODELS

- **PATENTED UTILITY MODELS:**  
2024-2026

## DESIGNS

- **DESIGNS REGISTERED ACCORDING TO THE ACCELERATED PROCEDURE:**  
829, 830
- **DESIGNS, WHICH HAVE BEEN REGISTERED WITH THE INTERNATIONAL BUREAU CLAIMING PRIORITY ON THE TERRITORY OF GEORGIA:**  
202412; 200997; 201013, 201014; 201001, 201002; 202384; 202464; 200704; 202514; 200694; 200989; 200691; 201865; 200689; 200973; 200692; 200701; 202611

## TRADEMARKS

- **APPLICATIONS FILED UNDER THE NATIONAL PROCEDURE APPROVED FOR REGISTRATION:**  
98443; 102232; 102534; 102540; 102548; 102567; 102810; 102817; 102822; 102827, 102828; 102842, 102843; 102914; 102921; 102928; 102932, 102933; 103005, 103006; 103014; 103027; 103029, 103030; 103098; 103105-103107; 103109; 103122; 103222; 103310
- **REGISTERED TRADEMARKS:**  
32018-32060
- **TRADEMARKS REGISTERED ACCORDING TO THE ACCELERATED PROCEDURE:**  
32013-32017; 32061-32070
- **INTERNATIONAL TRADEMARKS FOR WHICH A DECISION ON GRANTING PROTECTIONS IS TAKEN:**  
97101\*; 98870\*; 99108\*; 99110\*; 99116\*; 99128\*; 99132\*; 99137\*, 99138\*; 101704; 101752; 101762, 101763; 101796, 101797; 101799; 101802; 101812-101817; 101820-101829; 101831; 101846; 101860-101867; 101872-101874; 101880-101883; 101937-101943; 101951-101955; 101957-101964; 101980; 101986; 101989-101993; 101999-102005; 102015; 102090; 102092; 102109-102111; 102113; 102124-102128; 102135-102138; 102184; 102192; 102205; 102207; 102211, 102212; 102226-102228; 102296; 102298; 102300, 102301; 102311-102314; 102324; 102435; 102437-102439; 102442; 102444; 102446; 102448; 102482, 102583; 102795, 102796; 102798, 102799; 102893-102896
- **INTERNATIONAL TRADEMARKS PROTECTED IN GEORGIA:**  
95387; 96491; 96849; 97147; 97630; 98333; 98335; 99738; 99812, 99813; 100107; 100143; 100146; 100173, 100174; 100178-100181; 100184; 100189; 100228; 100242; 100245, 100246; 100248; 100250, 100251; 100257, 100258; 100261; 100263-100265; 100267; 100269; 100271; 100277; 100281; 100283-100287; 100289; 100291-100293; 100296-100299; 100301-100304; 100346; 100362-100365; 100367; 100471, 100472; 100474, 100475; 100482; 100504; 100508; 100510-100513; 100539-100544; 100560-100563; 100634, 100635; 100646; 100649, 100650; 100656; 101045, 101046; 101049; 101052, 101053

# INVENTIONS

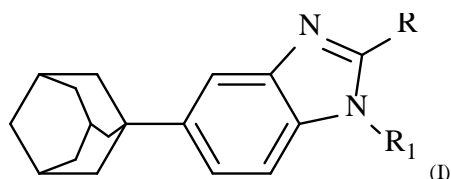
## APPLICATIONS APPROVED FOR GRANTING PATENTS

The decision can be appealed at the Chamber of Appeal of Sakpatenti within 3 months from the publication or at the Mtskheta District Court Administrative Cases Board (Address: №17, Samkhedro str., Mtskheta), within 1 month following the publication.

### PART A

#### A 61

- (10) AP 2019 14711 A (51) Int. Cl. (2006)  
A 61 K 31/4184  
C 07 D 235/04  
(21) AP 2018 14711 (22) 2018 02 27  
(71) LEPL IV. JAVAKHISHVILI TBILISI STATE  
UNIVERSITY (GE)  
I. Chavchavadze Ave. 1, 0179, Tbilisi (GE);  
LEPL SHOTA RUSTAVELI NATIONAL  
SCIENCE FOUNDATION OF GEORGIA  
(GE)  
M. Aleksidze St. 1, 0193, Tbilisi (GE)  
(72) Davit Zurabishvili (GE);  
Marina Trapidze (GE);  
Medea Lomidze (GE);  
Ivane Gogolashvili (GE)  
(74) Davit Zurabishvili  
(54) **NEW DERIVATIVES OF ADAMANTIX  
BENZIMIDAZOLE AS ANTHELMIN-  
TIC, ANTIVIRAL AND ANTIBACTE-  
RIAL AGENTS**  
(57) Compound of formula (I)



wherein values of R and R<sub>1</sub> substitutes are provided in the claims or pharmaceutically acceptable salts thereof, pharmaceutical composition on the basis thereof, and their usage for diseases caused by viral and bacterial infections, and helminthic diseases treatment.

Claims: 6 independent  
3 dependent

Table: 5

- (10) AP 2019 14523 A (51) Int. Cl. (2006)  
A 61 M 5/315  
(21) AP 2015 14523 (22) 2015 12 04  
(31) 62/087,436  
(32) 2014 12 04  
(33) US  
(71) TOLMAR THERAPEUTICS, INC. (US)  
701 Centre Avenue Fort Collins, CO 80526  
(US)  
(72) MADRIL, Dominic (US);  
MCCANN, Kevin (US);  
MUGOYE, Eric (US)  
(74) Shalva Gvaramadze  
(85) 2017 06 20  
(86) PCT/US2015/063934, 2015 12 04  
(54) **SYRINGE PLUNGER SYSTEM WITH  
SELF-LOCKING THREADED  
GEOMETRY**

(57) Plunger rod one end comprises threaded member 4 of certain geometry providing connection with the plunger or multiplexing ring 26; at that, threaded member includes a shaft 8 and fixing component 6 providing increased contradiction against rod or multiplexing ring removal.

Claims: 2 independent  
9 dependent

Fig.: 5

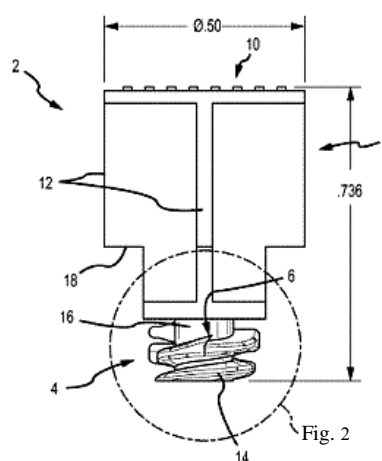


Fig. 1

(10) AP 2019 14853 A (51) Int. Cl. (2006)

A 61 P 9/00

A 61 K 31/675

C 07 F 9/6584

(21) AP 2017 14853 (22) 2017 01 13

(31) 16/70004

(32) 2016 01 14

(33) FR

(71) LES LABORATOIRES SERVIER (FR)

35 rue de Verdun 92284 Suresnes (FR)

(72) RUPIN, Alain (FR);

SANSILVESTRI-MOREL, Patricia (FR);

SCHAFFNER, Arnaud-Pierre (FR);

GLOANEC, Philippe (FR);

VALLEZ, Marie-Odile (FR);

MENNECIER, Philippe (FR)

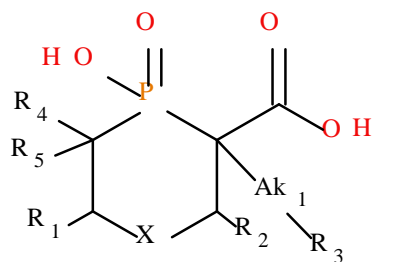
(74) Tamaz Shilakadze

(85) 2018 08 07

(86) PCT/FR2017/050075, 2017 01 13

(54) **NOVEL PHOSPHINANE AND  
AZAPHOSPHINANE DERIVATIVES,  
METHOD FOR PREPARING SAME  
AND PHARMACEUTICAL  
COMPOSITIONS CONTAINING SAME**

(57) Compound of formula (I),



(I)

wherein values of Ak<sub>1</sub>, X, R<sub>1</sub>, R<sub>2</sub>, R<sub>3</sub>, R<sub>4</sub>, R<sub>5</sub> substituents are provided in the claims, optical isomers thereof, and pharmaceutically acceptable acid-additive salts, pharmaceutical compositions on the basis thereof, and their usage as TAFIa inhibitors for diseases treatment such as cerebrovascular diseases, myocard infarct, stenocardia, lower extremities arthrytis, thrombosis, especially vein thrombosis, pulmonary embolism, aortic aneurysm or dementia.

Claims: 5 independent

15 dependent

Table: 1

**PART B****B 01**

(10) AP 2019 14659 A (51) Int. Cl. (2006)

B 01 D 47/02

(21) AP 2015 14659 (22) 2015 11 02

(31) 62/169,856

(32) 2015 06 02

(33) US

(71) PACIFIC GREEN TECHNOLOGIES INC. (US)

5205 Prospect Road Suite 135-226 San Jose,  
CA 95129 (US)

(72) MCCLELLAND, Kenneth James (CA)

(74) Aleksandre Gegechkori

(85) 2017 12 27

(86) PCT/CA2015/000563, 2015 11 02

(54) **MULTI-LEVEL GAS SCRUBBER WITH  
MULTIPLE FLOODED SCRUBBER HEADS**

(57) Present invention relates to gas scrubber containing a plurality of nozzles 12,14 in gas scrubber column 11, horizontal orientation and operational characteristics thereof allow to complete wet scrubbing in several interaction zones at flooded with liquid by usage of various neutralizing reagents in each zone. Usage of several scrubbing zones improves overall pollutant removal efficiency by adding polishing interaction zones for particulate and acid gas removal systems or by broadening the range of pollutants being removed by operating with a different neutralizing solution or a combination of these operating conditions. Flooded head design approach allows single scrubber to accomplish high levels of removal efficiency for multiple pollutants which reduces cost, and footprint interaction complexities of the multiple devices it replaces. Flooded head scrubbers have application in combustion flue gas pollutant removal and in chemical and industrial applications that generate dust, odors and acid gases.

Claims: 9 independent

7 dependent

Fig.: 3

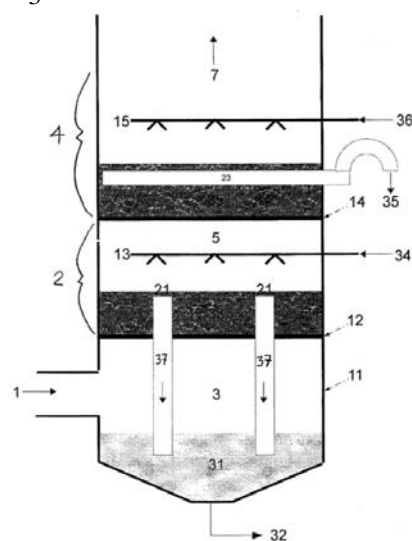


Fig. 2



**PART C**

**C 10**

(10) AP 2019 14738 A (51) Int. Cl. (2006)

C 10 G 1/00  
C 10 G 1/02  
E 21 B 43/24  
E 21 B 43/16  
E 21 B 43/00

(21) AP 2016 14738 (22) 2016 09 29

(31) 62/235,091

(32) 2015 09 30

(33) US

(71) RED LEAF RESOURCES, INC. (US)  
32 West 200 South, #552 Salt Lake City,  
UT 84101 (US)

(72) OTTERSTROM, Gary (US);  
PLIKAS, Tom (CA);  
SHAH, Umesh (CA)

(74) Shalva Gvaramadze

(85) 2018 03 28

(86) PCT/US2016/054523, 2016 09 29

(54) **STAGED ZONE HEATING OF  
HYDROCARBONS BEARING  
MATERIALS**

(57) A method provides heating material body zones, sequentially, particularly, formation (100A) of crushed hydrocarbonaceous material body having a first zone and a second zone. First zone can be heated (120A) in first heating stage to form a dynamic high temperature production region in the first zone (120A). A cooling fluid can then be injected into first zone after the high temperature production region (130A) so, that high temperature production region can move into the second zone in a second heating stage. Hydrocarbons can be collected from the body of crushed hydrocarbonaceous material during both the first and second heating stages (140 A). The invention relates to hydrocarbons removal from crushed hydrocarbonaceous material, as well.

Claims: 2 independent  
17 dependent

Fig.: 20

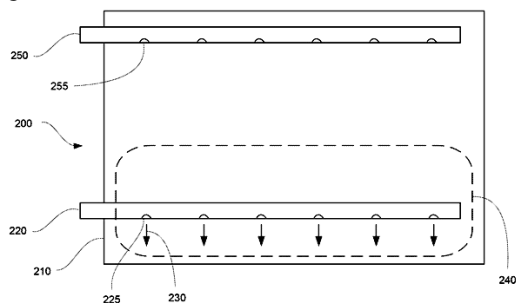


Fig. 2A

**C 22**

(10) AP 2019 14223 A (51) Int. Cl. (2006)

C 22 C 33/02

C 22 C 38/40

F 28 F 19/06

F 28 F 21/08

(21) AP 2014 014223 (22) 2014 12 23

(31) 13199704.1

(32) 2013 12 27

(33) EP

(71) STAMICARBON B.V. (NL)  
Mercator 3 NL-6135 KW Sittard (NL)

(72) LARSSON, Linn (SE);  
GULLBERG, Daniel (SE);  
KIVISÄKK, Ulf (SE);  
ÖSTLUND, Martin (SE);  
SCHEERDER, Alexander Aleida Antonius  
(NL)

(74) Liliana Darakhvelidze

(85) 2016 07 26

(86) PCT/NL2014/050902, 2014 12 23

(54) **CORROSION RESISTANT DUPLEX  
STEEL ALLOY, OBJECTS MADE  
THEREOF, AND METHOD OF MAKING  
THE ALLOY**

(57) The usage of an object obtained by processing ferritic-austenitic steel alloy powder by hot isostatic pressing, wherein ferritic-austenitic steel powder contains, in mass%:

C – 0-0.05;

Si – 0-0.8;

Mn – 0-4.0;

Cr – 26-35;

Ni – 3.0-10;

Mo – 0-4.0;

N – 0.30-0.55;

Cu – 0-1.0;

W – 0-3.0;

S – 0-0.03;

Ce – 0-0.2;

Fe and unavoidable impurities are the rest; as a structural material in urea plant componentry manufacture, requiring mechanical processing, drilling and combination thereof.

Claims: 4 independent

12 dependent

Fig.: 7

**PART D****D 04**

- (10) AP 2019 14795 A (51) Int. Cl. (2006)  
D 04 B 27/24  
D 04 B 21/12
- (21) AP 2016 14795 (22) 2016 10 13  
(31) 10 2015 119 867.3  
(32) 2015 11 17  
(33) DE  
(71) KARATZIS S.A. INDUSTRIAL &  
HOTELIER ENTERPRISES (GR)  
1490 Melidochori Perfecture N. Kazantzaki  
Heraclion (GR)  
(72) KARATZIS, Antonios (GR)  
(74) Shalva Gvaramadze  
(85) 2018 05 24  
(86) PCT/EP2016/074610, 2016 10 13  
(54) **RASCHEL MACHINE, NET, AND USE  
OF THE RASCHEL MACHINE TO  
PRODUCE A NET**

(57) A Raschel machine 100 comprises a plurality of first guide needles 110 arranged along a first direction for guiding warp threads 210, a plurality of second guide needles 150 arranged along the first direction for guiding weft threads 220, and a plurality of needles 180 arranged along the first direction for creating interlocked loops formed by threads, whereby the warp threads are created. The first guide needles are held by a first needle bar 120, the second guide needles are held by a second needle bar 160, and the second needle bar is moved back and forth between two respective neighbouring first guide needles. The space between neighbouring first guide needles is 50.8 mm.

Claims: 3 independent  
10 dependent

Fig.: 7

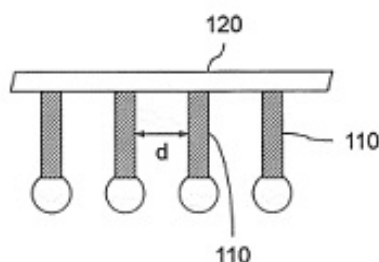


Fig. 2A

**PART E****E 04**

- (10) AP 2019 14721 A (51) Int. Cl. (2006)  
E 04 H 6/00
- (21) AP 2018 14721 (22) 2018 03 05  
(71) Sergo Jorbenadze (GE)  
R. Tabukashvili St. 46, ap. 8, 0108, Tbilisi  
(GE);  
Levan Jorbenadze (GE)  
R. Tabukashvili St. 46, ap. 8, 0108, Tbilisi  
(GE);  
Giorgi Chichinadze (GE)  
Rustaveli Ave. 52, ap. 10, 0108, Tbilisi (GE)  
(72) Sergo Jorbenadze (GE);  
Levan Jorbenadze (GE);  
Giorgi Chichinadze (GE)

(54) **MULTI-STAGE MECHANIZED  
MODULAR GARAGE**

(57) A garage includes metallic frame 1 and lifting mechanism 3, both equipped with the guides, loading platform 6 having rolls 7 with removable rest 10 installed thereon; at that, loading platform is equipped with fixing mechanism 17 in frame stage cells and removable rest lifting-fixing mechanism 12; furthermore, removable rest has at least one socket 13 for wedge-like fixing means 14 located on garage frame; at that, lifting mechanism front side has fork-like 4 consol shape for removable rest location.

Claims: 1 independent

Fig.: 5

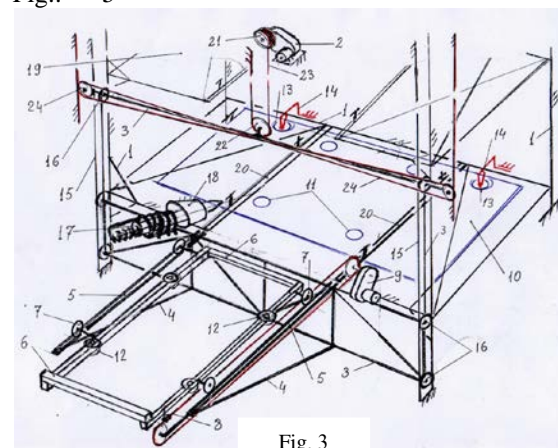


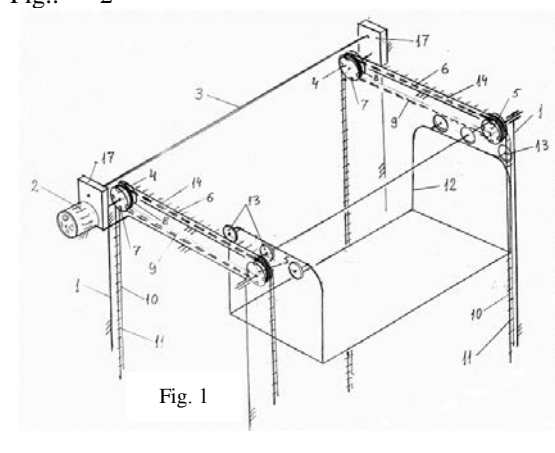
Fig. 3

- (10) AP 2019 14743 A (51) Int. Cl. (2006)  
E 04 H 6/00
- (21) AP 2018 14743 (22) 2018 04 02  
(71) Sergo Jorbenadze (GE)  
R. Tabukashvili St. 46, ap. 8, 0108, Tbilisi  
(GE)  
(72) Sergo Jorbenadze (GE)  
(54) **GARAGE WITH CATENAS**  
(57) Reach stacker includes its boom 2 with working equipment mounted onto basical tractor 1 by

means of transverse axial spherical and vertical axial hinges 3; at that, hydraulic cylinders 4 are disposed on both sides of boom, wherein each therefrom are connected to basal tractor with one end, and to reach stacker boom – with another, both by means of spherical hinge.

Claims: 1 independent

Fig.: 2



## PART F

### F 02

(10) AP 2019 14866 A (51) Int. Cl. (2006)  
F 02 B 57/00

(21) AP 2018 14866 (22) 2018 08 27

(71) Giorgi Chilashvili (GE)

Patardzeuli St. 12, 0144, Tbilisi (GE)

(72) Giorgi Chilashvili (GE);

Varlam Chilashvili (GE)

(54) **FIVE-CYCLE ROTARY INTERNAL  
COMBUSTION ENGINE WITH FULL  
VOLUME EXPANSION**

(57) An engine comprises housing-stator 2 having inner cylindrical surface and a cover 36, with liquid cooling system channels 32 located therein, two – inner 9 and outer 6 rotors are installed rotatable in the case; furthermore, it is equipped with combustion chamber 1, working chamber, an atmospheric air inlet channel 96 and exhaust gas removal channel 95 into the atmosphere, a channel 58 connecting combustion chamber with working chamber, a channel 57 for purging residual combustion gases from combustion chamber into working chamber and output shaft 24; at that, outer rotor is located in the center, and the inner one is eccentric, in the case, the number of pistons is two and each therefrom are made plate piston shaped, one wherefrom is designed for compression-expansion 65, connected to the external rotor and simultaneously movable connection 94 is connected to internal rotor, and another is inlet-outlet 28, mounted onto output shaft, passed in inner rotor movable connection 78 and fits capable of sliding to outer rotor inner surface; at that, said working chamber is arranged to move changeable in volume in different zones, and is formed in the space between outer rotor inner cylindrical surface, part of inner rotor outer cylindrical surface and the pistons; furthermore, the engine is additionally equipped with floating ring 4 having channels located between outer rotor and stator housing inner cylindrical surface, between stator housing inner cylindrical surface and floating ring, there is elastic sealing component 3 made of thermally expanding graphite, and honeycomb sealing element 5 is placed between floating ring and outer rotor; at that, at least one path for gas distribution is formed between honeycomb sealing component and outer rotor outer surface, the engine is equipped with self-braking wedge mechanisms 21 and 46 containing detecting force sensors having signal amplifier 38, wedge mechanism drive 48, assessment and control unit providing constant compaction of outer and inner rotors co-adjacent radial surfaces, as well.

Claims: 1 independent

8 dependent

Fig.: 9

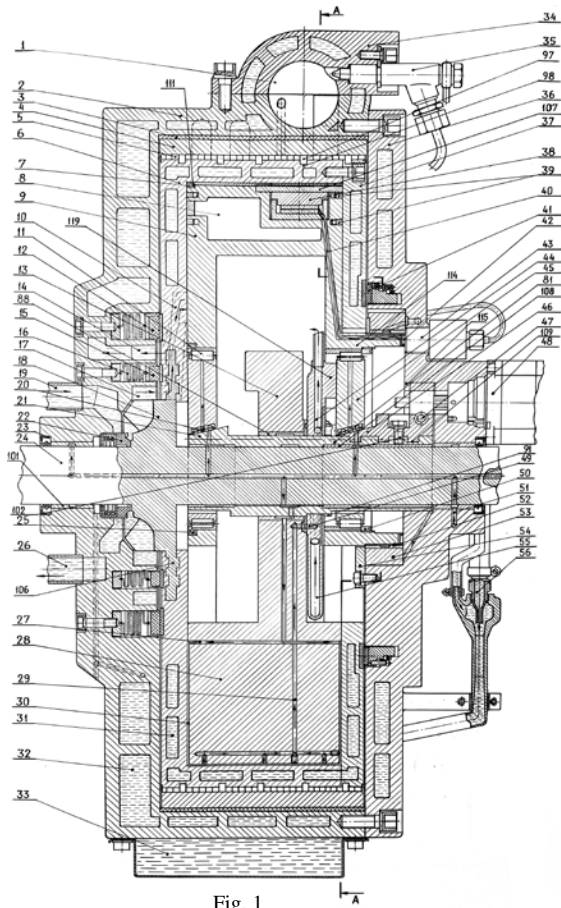


Fig. 1

## PATENTED INVENTIONS

### PART A

#### A 61

- (11) P 2019 7047 B**      **(51) Int. Cl. (2006)**  
**A 61 K 31/44**  
**A 61 K 3/506**  
**C 07 D 239/24**
- (10) AP 2019 14395 A      (44) 11(519)/2019  
(21) AP 2015 14395  
(22) 2015 06 30  
(24) 2015 06 30  
(31) 62/185,678; 62/019,756  
(32) 2015 06 28; 2014 07 01  
(33) US; US  
(86) PCT/US2015/038712, 2015 06 30  
(73) Millennium Pharmaceuticals Inc. (US)  
40 Landsdowne Street Cambridge,  
MA 02139 (US)  
(72) DUFFEY, Matthew O. (US);  
ENGLAND, Dylan (CA);  
FREEZE, Scott (US);  
HU, Zhigen (CN);  
LANGSTON, Steven, P. (US);  
MCINTYRE, Charles (US);  
MIZUTANI, Hirotake (US);  
ONO, Koji (JP);  
XU, He (CN)  
(74) Shalva Gvaramadze  
(54) **HETEROARYL COMPOUNDS USEFUL  
AS INHIBITORS OF SUMO CTIVATING  
ENZYME**

- (11) P 2019 7046 B**      **(51) Int. Cl. (2006)**  
**A 61 K 31/4439**  
**A 61 P 9/00**  
**A 61 P 27/02**  
**C 07 D 401/10**  
**C 07 D 413/10**  
**C 07 D 401/14**  
**C 07 D 413/14**
- (10) AP 2019 14692 A      (44) 15(523)/2019  
(21) AP 2016 14692  
(22) 2016 07 05  
(24) 2016 07 05  
(31) 16157350.6; 15176099.8  
(32) 2016 02 25; 2015 07 09  
(33) EP; EP  
(86) PCT/EP2016/065787, 2016 07 05  
(73) Bayer Pharma Aktiengesellschaft (DE)  
Müllerstraße 178 13353 Berlin (DE)  
(72) JIMENEZ NUNEZ, Eloisa (DE);  
ELLERBROCK, Pascal (DE);

- MEIBOM, Daniel (DE);  
STAMPFUSS, Jan (DE);  
ACKERSTAFF, Jens (DE);  
HILLISCH, Alexander (DE);  
HEITMEIER, Stefan (DE);  
RÖHRIG, Susanne (DE);  
MEIER, Katharina (DE);  
LANG, Dieter (DE);  
TERSTEEGEN, Adrian (DE)  
(74) Giorgi Kartvelishvili  
(85) 2018 02 06  
(86) PCT/EP2016/065787, 2016 07 05  
(54) **SUBSTITUTED OXOPYRIDINE  
DERIVATIVES**

- (11) P 2019 7049 B**      **(51) Int. Cl. (2006)**  
**A 61 P 17/00**  
**A 61 K 36/71**  
**A 61 K 36/258**  
**A 61 K 36/886**
- (10) AP 2019 13925 A      (44) 13(521)/2019  
(21) AP 2014 13925  
(22) 2014 01 29  
(24) 2014 01 29  
(31) 61/849,590  
(32) 2013 01 30  
(33) US  
(86) PCT/US2014/013471, 2014 01 29  
(73) GORINSHTEYN, Boris (US)  
3075 Fenwood Trail, Roswell,  
GA 30075 (US)  
(72) GORINSHTEYN, Boris (US)  
(74) Liliana Darakhvelidze  
(54) **COMPOSITIONS AND METHODS  
FOR TREATING SURFACE WOUNDS**

---

**PART B****B 21**

- (11) **P 2019 7048 B** (51) **Int. Cl. (2006)**  
**B 21 B 5/00**
- (10) AP 2019 14658 A (44) 14(522)/2019  
(21) AP 2017 14658  
(22) 2017 12 22  
(24) 2017 12 22  
(73) LEPL "Raphiel Dvali Institute of Mashine  
Mechanics" (GE)  
Mindeli St. 10, 0186, Tbilisi (GE)  
(72) Slava Mebonia (GE);  
Giorgi Chagelishvili (GE);  
Tamaz Morchadze (GE)  
(54) **RADIAL-FORGING MACHINE FOR  
OBTAINING AXISYMMETRIC LONG-  
DIMENSIONAL ARTICLES**
- 

**PART C****C 07**

- (11) **P 2019 7050 B** (51) **Int. Cl. (2006)**  
**C 07 D 471/04**
- (10) AP 2019 14545 A (44) 15(523)/2019  
(21) AP 2015 14545  
(22) 2015 12 17  
(24) 2015 12 17  
(31) 62/093,564; 62/115,223; 62/180,222  
(32) 2014 12 18; 2015 02 12; 2015 06 16  
(33) US; US; US  
(86) PCT/IB2015/002489, 2015 12 17  
(73) Takeda Pharmaceutical Company Limited (JP)  
1-1, Doshomachi 4-chome Chuo-ku, Osaka-shi  
Osaka, 541-0045 (JP)  
(72) O'BRYAN, Colin (US);  
CHEN, Rongliang (US);  
MOTOYOSHI, Hajime (JP);  
YOSHIKAWA, Naoki (JP);  
ICHIBAKASE, Tomonori (JP);  
MATTHEWS, Christopher (US);  
YAJI, Kentaro (JP);  
MA, Chunrong (US)  
(74) Shalva Gvaramadze  
(54) **SOLID STATE FORMS OF FUSED  
HETEROAROMATIC PYRROLIDI-  
NONES**
-

---

# UTILITY MODELS

## PATENTED UTILITY MODELS

### PART A

#### A 01

- (11) U 2019 2025 Y (51) Int. Cl. (2006)  
A 01 M 01/22
- (10) AU 2019 14942 U (44) 13(521)/2019  
(21) AU 2018 14942  
(22) 2018 11 27  
(24) 2018 11 27  
(73) Akaki Gigineishvili (GE)  
Mukhiani IV mkr., korp. 3, ap. 28,  
Tbilisi (GE);  
David Dadiani (GE)  
Giorgi Brtskinvale St. 13, Senaki (GE);  
Teimuraz Dadiani (GE)  
Tevdore Mghvdeli St. 49, ap. 19, 0154,  
Tbilisi (GE);  
David Gzirishvili (GE)  
Laituri St. 68, Tbilisi (GE);  
Tengiz Kukava (GE)  
Demetre Tavdadebuli St. 22, ap. 16,  
Tbilisi (GE);  
Iuri Sichinava (GE)  
Zhghenti St. 2a, ap. 25, Tbilisi (GE)
- (72) Akaki Gigineishvili (GE);  
David Dadiani (GE);  
Teimuraz Dadiani (GE);  
David Gzirishvili (GE);  
Tengiz Kukava (GE);  
Iuri Sichinava (GE)
- (54) **APPARATUS FOR DESTRUCTION OF  
MARBLE BUGS WITH ELECTRICITY**
- 

#### A 63

- (11) U 2019 2026 Y (51) Int. Cl. (2006)  
A 63 G 21/00
- (10) AU 2019 14921 U (44) 15(523)/2019  
(21) AU 2018 14921  
(22) 2018 11 09  
(24) 2018 11 09  
(73) Anton Frolov (US)  
2 Concho Ln., Bell Canyon, CA 91307 (US)  
(72) Anton Frolov (US)  
(74) Tamaz Shilakadze  
(54) **GROUND ENTERTAINMENT  
ATTRACTION**
- 

### PART C

#### C 25

- (11) U 2019 2024 Y (51) Int. Cl. (2006)  
C 25 D 03/00
- (10) AU 2019 14904 U (44) 14(522)/2019  
(21) AU 2018 14904  
(22) 2018 10 15  
(24) 2018 10 15  
(73) Davit Gogoli (GE)  
Ana Politkovskaya St. 1a, korp. 8, ap. 29,  
0186, Tbilisi (GE)
- (72) Olgha Tvaradze (GE);  
Gigla Tsurtsunia (GE);  
Davit Gogoli (GE)
- (54) **ELECTROLYTE FOR PLATING OF  
ZINC-BISMUT-MANGANESE ALLOY  
COATING**
-

---

# DESIGNS

## DESIGNS REGISTERED ACCORDING TO THE ACCELERATED PROCEDURE

The decision can be appealed at the Chamber of Appeal of Sakpatenti within 3 months from the publication.

(11) D 2019 829 S (51) 02-03

(21) AD 2019 1118 (22) 2019 11 11

(24) 2019 11 11

(28) 4

(18) 2024 11 11

(73) Nargiz Gvalia (GE)

Paliashvili St. 108, ap. 15, 0162, Tbilisi (GE)

(72) Nargiz Gvalia (GE)

(54) 1.-3. NATURAL FABRIC SCARF WITH EMBROIDERY ORNAMENT ;

4. NATURAL FABRIC "KABALAKHI" (SCARF WITH HOOD) WITH EMBROIDERY  
ORNAMENT

(55)



1.1



1.2



2.1



2.2





3.1



3.2



4.1



4.2



4.3

(11) D 2019 830 S (51) 03-01

(21) AD 2019 1119 (22) 2019 11 18

(24) 2019 11 18

(28) 2

(18) 2024 11 18

(73) Nargiz Gvalia (GE)

Paliashvili St. 108, ap. 15, 0162, Tbilisi (GE)

(72) Nargiz Gvalia (GE)

(54) 1.-3. NATURAL FABRIC HANDBAG WITH EMBROIDERY ORNAMENT

(55)



1.1



1.2



2.1



2.2

**DESIGNS, WHICH HAVE BEEN REGISTERED WITH THE INTERNATIONAL BUREAU CLAIMING PRIORITY ON THE TERRITORY OF GEORGIA**

The decision can be appealed at the Chamber of Appeal of Sakpatenti within 3 months from the publication or at the Mtskheta District Court Administrative Cases Board (Address: №17, Samkhedro Str., Mtskheta), within 1 month following the publication.

- (11) **DM/202 412**                      **(51) 09-01**  
(15) 2019 10 26                      (44) 34/2019 (2019 08 23)  
(22) 2019 10 26  
(28) 1  
(73) Nakhid Zakhid Ogly Madatov  
      D.12 Kv. 190, Ul. Sholokhova, 119634, Moscow (RU)  
(85) RU  
(86) RU  
(88) RU  
(89) RU  
(81) III. GE, UA, AZ  
(72) Nakhid Zakhid Ogly Madatov  
      D. 12, Kv. Ul. Sholokhova, 119634 Moscow (RU)  
(74) Alla E. Grunina  
      Mail Box 15, G-165, 121165 Moscow (RU)  
(54) 1. Bottle  
(55)

**1.1**



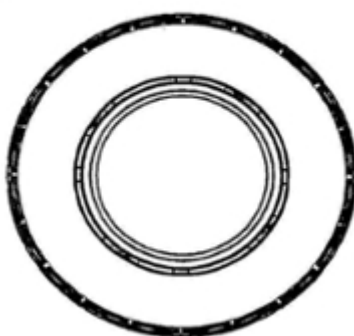
**1.2**



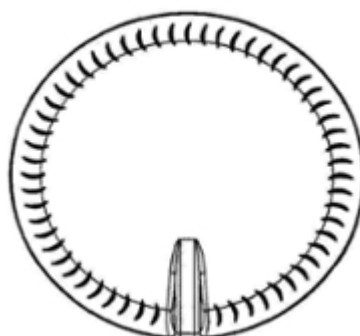
1.3



1.4



1.5



1.6



(11) DM/200 997

(51) 10-02

(15) 2019 02 22

(44) 34/2019 (2019 08 23)

(22) 2019 02 22

(28) 2

(73) Montres Breguet SA (Montres Breguet AG) (Montres Breguet Ltd)

Place De La Tour 23, 1344 L'ABBAYE (CH)

(85) CH

(86) CH

(87) GH

(88) CH

(89) CH

(81) II. MA III. UA, AM, AL, AZ, ME, BZ, MD, MC, SG, NO, MN, BA, MK, OM, GE, TR, LI, KG, GB, TN, EM, CH

(72) Vincent Laucella

Route De France 38, 1348 Le Brassus (CH)

(74) The Swatch Group SA (The Swatch Group AG) (The Swatch Group Ltd.)

Faubourg Du Lac 6, 2501 BIEL/BIENNE (CH)

(54) 1. Watch, 2. Watch

(55)

1.1



1.2



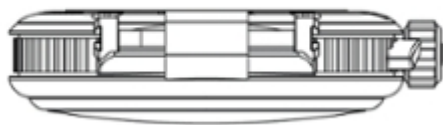
1.3



1.4



1.5



1.6



1.7



1.8



2.1



2.2



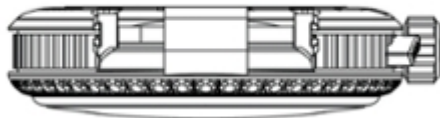
2.3



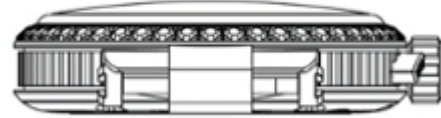
2.4



2.5



2.6



2.7



2.8



**(11) DM/201 013**

(15) 2019 02 18

(22) 2019 02 18

(28) 1

(73) RADO UHREN AG (RADO WATCH CO. LTD.) (MONTRES RADO SA)

Bielstrasse 45, 2543 Lengnau (CH)

(85) CH

(86) CH

(87) GH

(88) CH

(89) CH

(81) II. MA III. UA, AM, AL, AZ, BZ, ME, MD, MC, SG, NO, MN, BA, GE, OM, TR, MK, LI, KG, GB, TN, EM, CH

(72) Mélanie Armenti

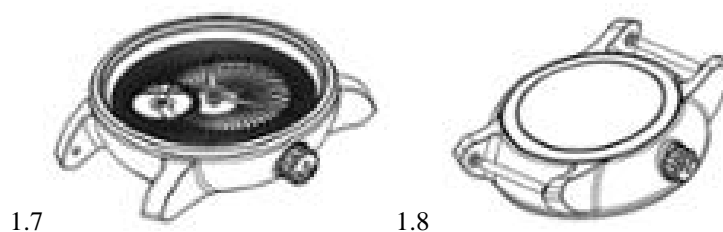
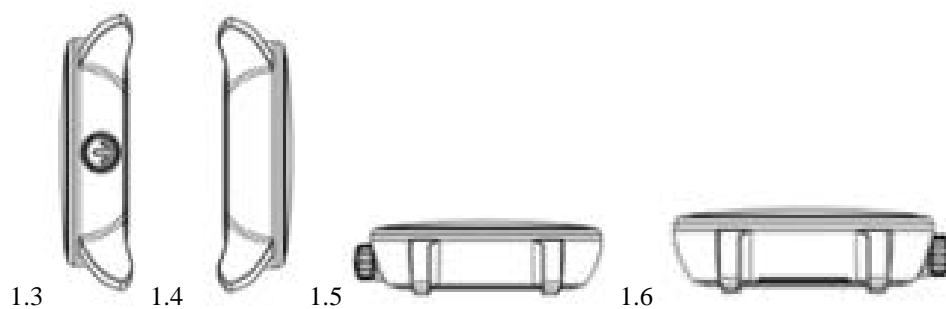
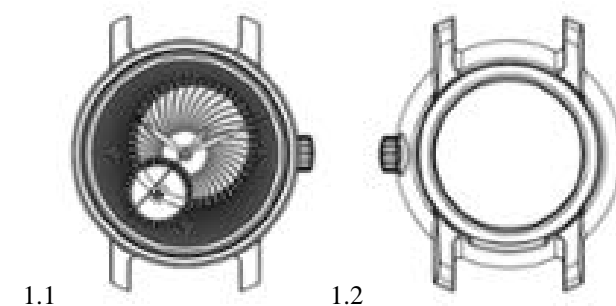
Mittelstrasse 29, 2560 Nidau (CH)

(74) The Swatch Group AG (The Swatch Group SA) (The Swatch Group Ltd.)

Faubourg Du Lac 6, 2501 BIEL/BIENNE (CH)

(54) 1. Watch

(55)





(11) DM/201 014

(51) 10-02

(15) 2019 02 18

(44) 34/2019 (2019 08 23)

(22) 2019 02 18

(28) 1

(73) OMEGA SA (OMEGA AG) (OMEGA LTD.)

Jakob-Stämpfli-Strasse 96, 2502 BIEL/BIENNE (CH)

(85) CH

(86) CH

(87) GH

(88) CH

(89) CH

(81) IL, MA, III, AM, UA, AL, AZ, BZ, ME, MD, MC, SG, MN, NO, BA, GE, MK, TR, OM, LI, KG, GB, TN, EM, CH

(72) Jean-Claude Monachon

Rue Alice-de-Chambrier 1, 2022 Bevaix (CH)

(74) The Swatch Group AG (The Swatch Group SA) (The Swatch Group Ltd.)

6, Faubourg Du Lac, 2501 BIEL/BIENNE (CH)

(54) 1. Watch

(55)

1.1



1.2



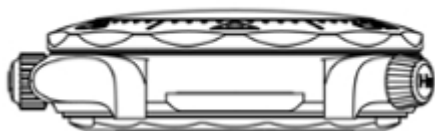
1.3



1.4



1.5

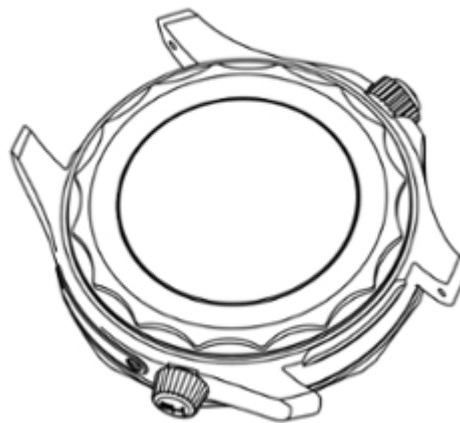


1.6



1.8

1.7



(11) DM/201 001

(15) 2019 02 20

(22) 2019 02 20

(28) 4

(73) HARRY WINSTON SA

Chemin Du Tourbillon 8, 1228 Plan-Les-Ouates (CH)

(85) CH

(86) CH

(87) GH

(88) CH

(89) CH

(81) II. MA III. UA, AM, AL, AZ, ME, BZ, MD, MC, SG, MN, NO, BA, MK, GE, OM, TR, LI, KG, GB, TN, EM, CH

(72) Delphine ABDOURAHIM

C/o Harry Winston Inc. 718 Fifth Avenue, 10019 New York (US)

(74) The Swatch Group AG (The Swatch Group SA) (The Swatch Group Ltd.)

Faubourg Du Lac 6, 2501 BIEL/BIENNE (CH)

(54) 1. Bracelet, 2. Necklace, 3. Earring, 4. Finger ring

(55)

**1.1**



**1.2**



**1.3**



**1.4**



**1.5**



**1.6**



**1.7**



**1.8**



2.1



2.2



2.3



2.4



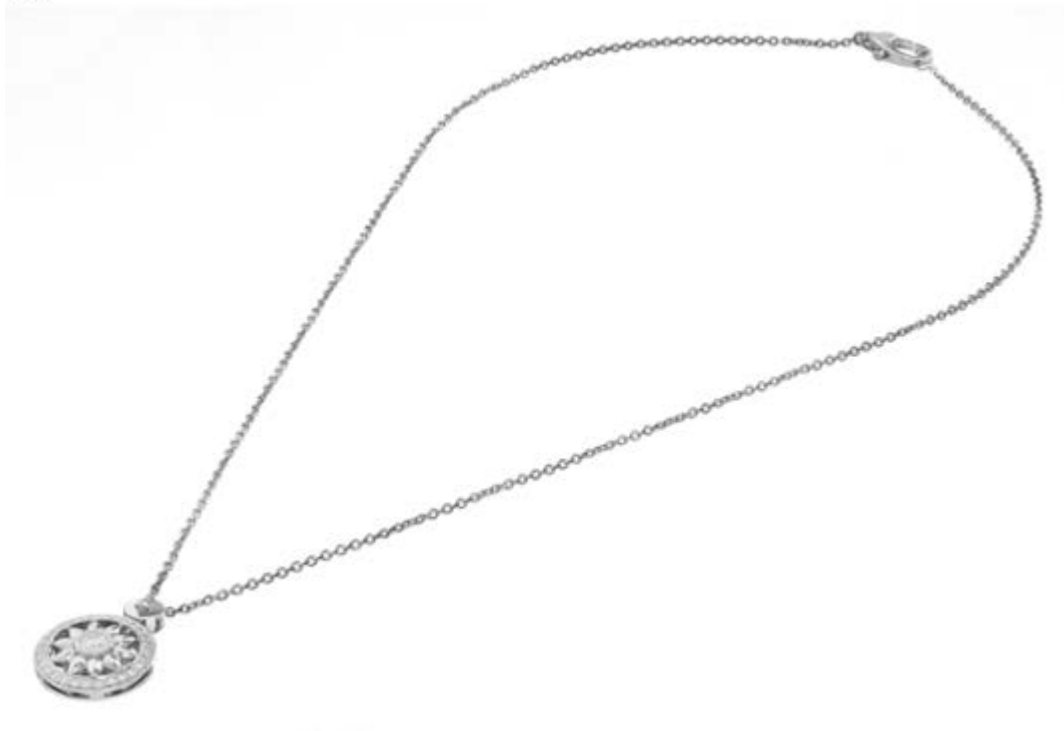
2.5



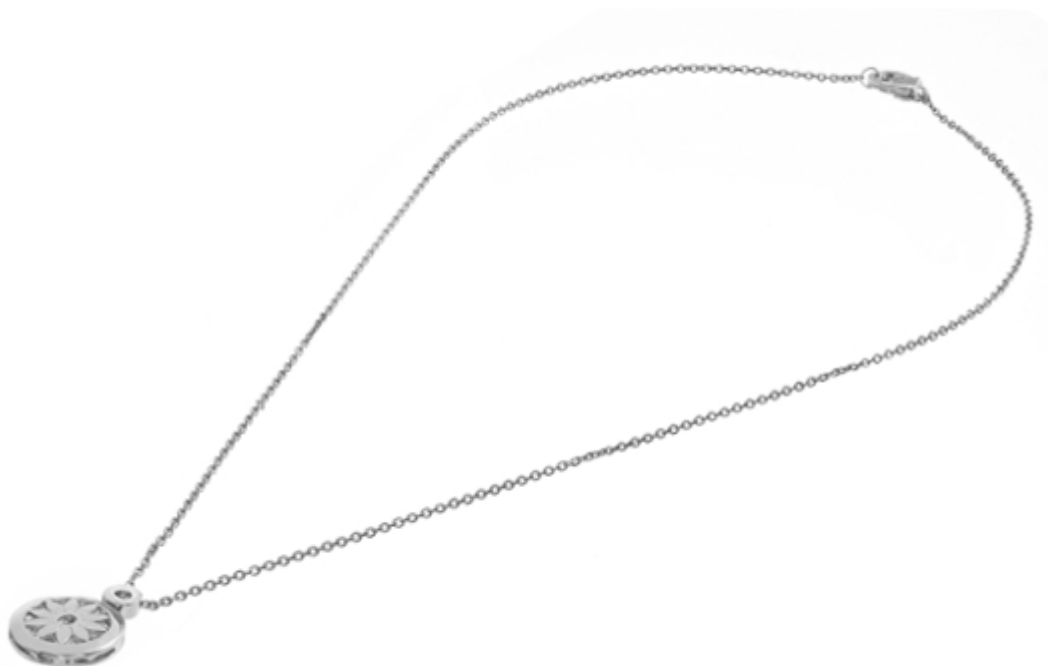
2.6



2.7



2.8



3.1



3.3



3.2



3.4



3.5



3.6



3.7



3.8



4.1



4.2



4.3



4.4



4.5



4.6



4.7



4.8



**(11) DM/201 002**

(15) 2019 02 22

(22) 2019 02 22

(28) 1

(73) HARRY WINSTON SA

Chemin Du Tourbillon 8, 1228 Plan-Les-Ouates (CH)

(85) CH

(86) CH

(87) CH

(88) CH

(89) CH

(81) IL, MA, III, UA, AM, AL, AZ, ME, BZ, MD, MC, SG, MN, NO, BA, TR, MK, OM, GE, LI, KG, GB, TN, EM, CH

(72) Emmanuelle DOMINGUEZ

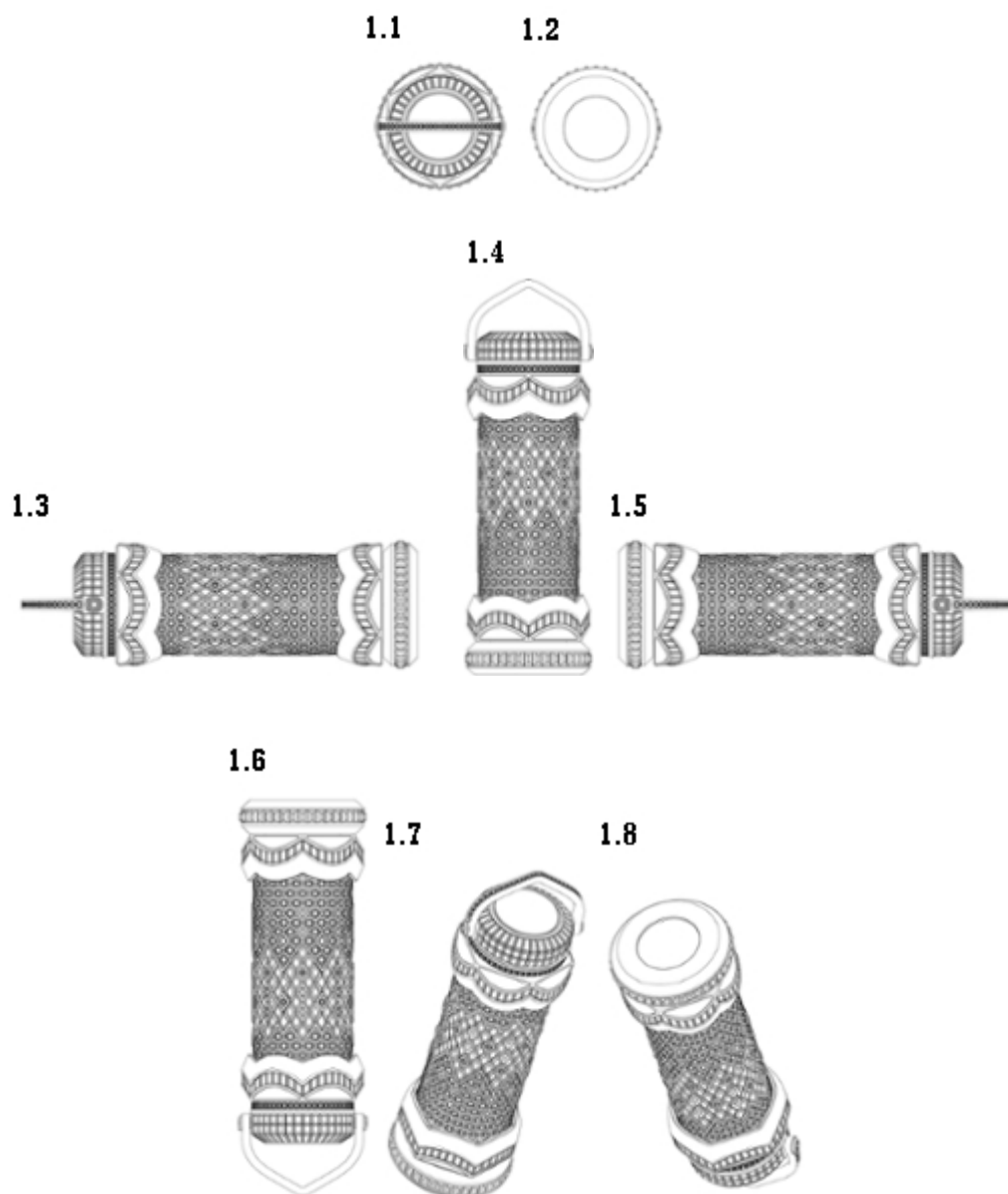
C/o Harry Winston SA Chemin Du Tourbillon 8, 1228 Plan-les-Ouates (CH)

(74) The Swatch Group AG (The Swatch Group SA) (The Swatch Group Ltd.)

Faubourg Du Lac 6, 2501 BIEL/BIENNE (CH)

(54) 1. Pendant

(55)





(11) DM/202 384

(51) 12-16

(15) 2019 09 04

(44) 34/2019 (2019 08 23)

(22) 2019 09 04

(28) 1

(30) No1: 01.03.2018; 29638885; US

(73) Mahindra Vehicle Sales And Service, Inc.

1055 W. Square Lake Road , 48098 Troy (US)

(85) –

(86) US

(87) US

(88) US

(89) US

(81) III. AM, IS, MD, TJ, BW, MN, GH, ST, TR, KH, TN, KR, JP, CH, UA, BN, AL, AZ, TM, ME, MC, SG, NA, OA, RS, NO, BA, MK, GE, OM, LI, KG, EM, RW, RU, EG

(72) Jeffrey Davis

6656 Cowell Road, 48116 Brighton(MI) (US);

Andrew DiSalvo

15537 Bellaire, 48101 Allen Park(MI) (US);

Paul Lewis

5520 Savoy Drive, 48327 Waterford(MI) (US);

Robert Fehan

5799 S. Main Street, 48347 Clarkston(MI) (US)

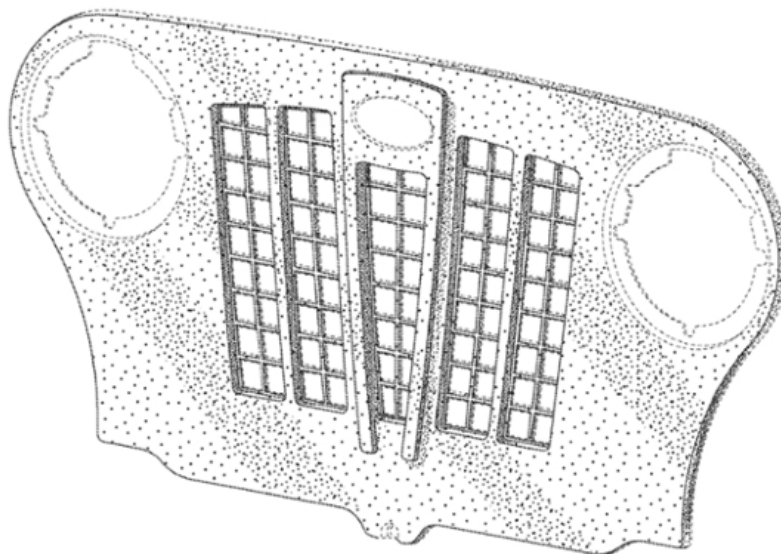
(74) Bryan J. Schomer

2600 W. Big Beaver Rd., Suite 300, 48084 Troy (US)

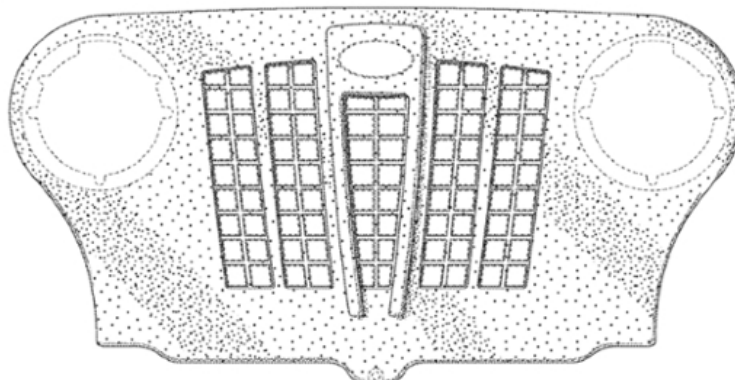
(54) I. Vehicle grille

(55)

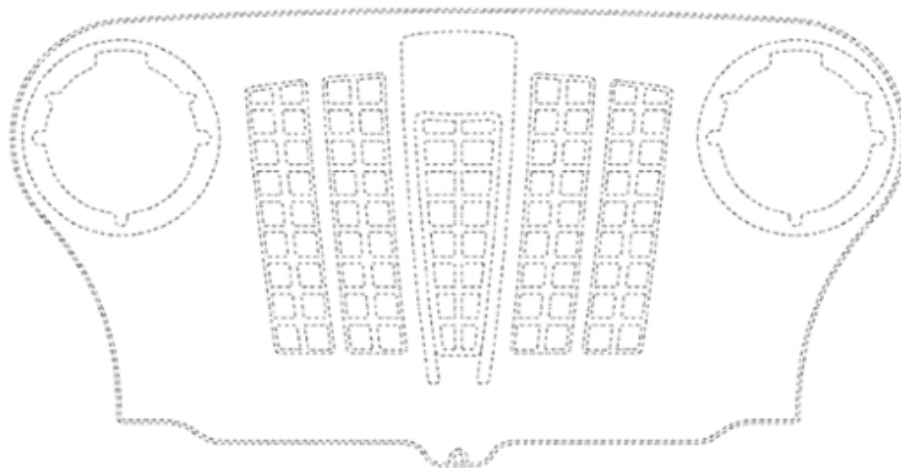
1.1



1.2



1.3



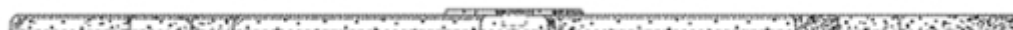
1.4



1.6



1.5



**(11) DM/202 464**

(15) 2019 02 18

(22) 2019 02 18

(28) 7

(73) PREMIATA S.r.l.

VIA FRIULI, 54, 20135 MILANO (IT)

(85) –

(86) IT, EM

(87) IT

(88) IT

(89) EM

(81) IL. MA III. AM, BN, UA, AL, AZ, BZ, ME, MC, SG, RS, NO, BA, TR, MK, US, GE, OM, KH, TN, KR, CH, KP, EG

(72) 1.-7. GRAZIANO MAZZA

LUNGOMARE GRAMSCI, 19, 63822 PORTO SAN GIORGIO (FM) (IT)

(74) INNOVA & PARTNERS S.r.l.

Via Giacomo Leopardi, 2, 60122 ANCONA (AN) (IT)

(54) 1.-4. Shoe sole, 5.-6. Shoe, 7. Shoe decoration

(55)

**1.1**



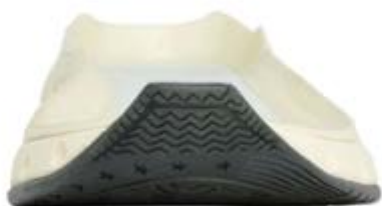
**1.2**



**1.3**



1.4



1.5



1.6



1.7



2.1



2.2



2.3



2.4



2.5



2.6



2.7



3.1



3.2



3.3



3.4



3.5



3.6



3.7



4.1



4.2



4.3



4.4



4.5



4.6



4.7



5.1



5.2



5.3



5.6

5.4



5.5



5.7



6.1



6.2



6.3



6.4



6.5



6.6



6.7



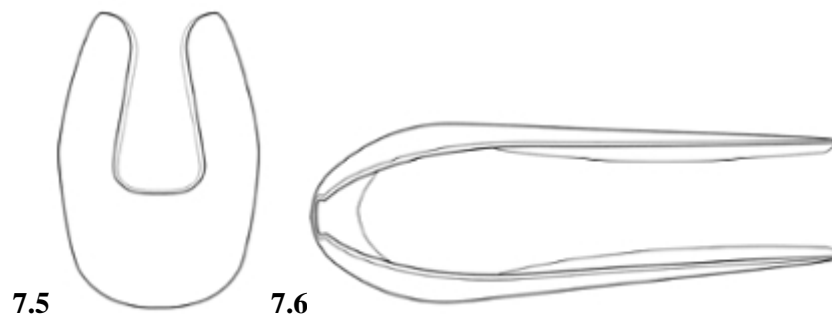
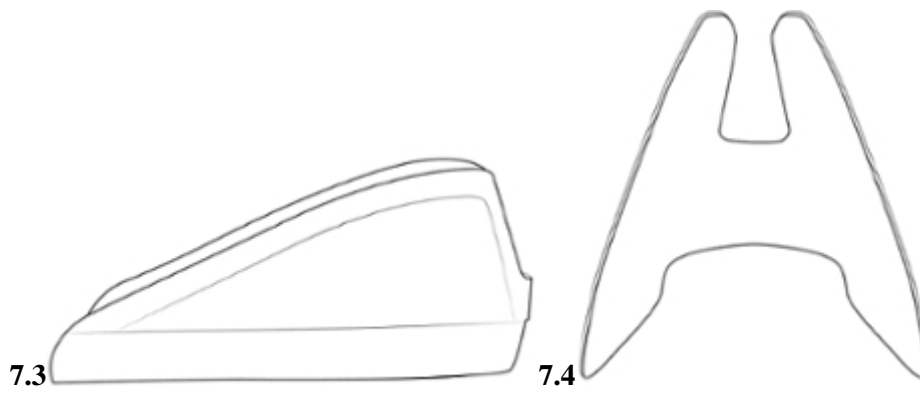
7.1



7.2







**(11) DM/200 704**

(15) 2019 02 28

(22) 2019 02 28

(28) 2

(73) The Swatch Group Management Services AG (The Swatch Group Management Services SA) (Ltd.)  
Seevorstadt 6, 2502 Biel/Bienne (CH)

(85) CH

(86) CH

(87) CH

(88) CH

(89) CH

(81) II. MA III. AM, UA, AL, AZ, BZ, ME, MD, MC, SG, NO, MN, BA, GE, OM, TR, MK, LI, KG, GB,  
TN, EM, CH

(72) 1 Fernando SOARES

Rue Des Pacôts 12, 2075 Wavre (CH);

2 Fabrice DUPORT

Avenue De La Gare 4, 2000 Neuchâtel (CH)

(74) The Swatch Group SA (The Swatch Group AG) (The Swatch Group Ltd.)

Faubourg Du Lac 6, 2501 Biel/Bienne (CH)

(54) 1. Montre-bracelet, 2. Montre-bracelet

(55)

**(51) 10-02**

(44) 35/2019 (2019 08 30)

**1.1****1.2****1.3****1.4**

2.1



2.2



2.3



2.4



**(11) DM/202 514****(51) 06-04**

(15) 2019 08 06

(44) 36/2019 (2019 09 06)

(22) 2019 08 06

(28) 1

(73) AMBOS S.R.L.

Via Chiesaccia 9 Loc. Crespellano, 40053 VALSAMOGGIA, BO (IT)

(85) EM

(86) IT

(87) IT

(88) IT

(89) EM

(81) II. MA III. AM, UA, TM, AZ, MD, TJ, RS, EE, TR, GE, KH, TN, EM, CH, RU

(72) Daniele AGOSTINI

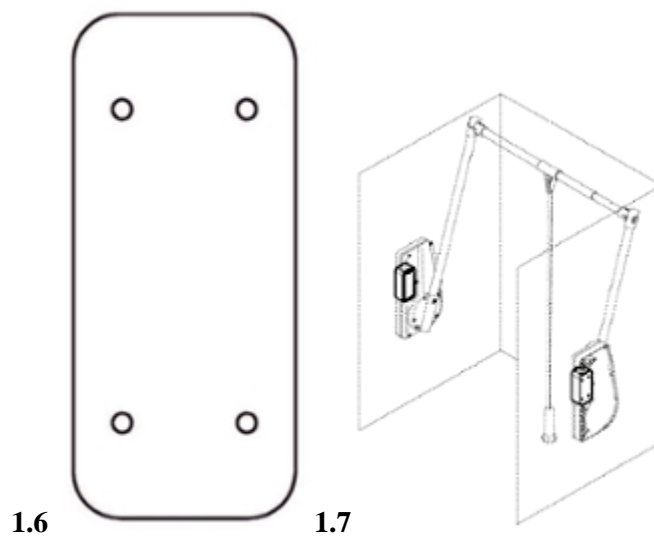
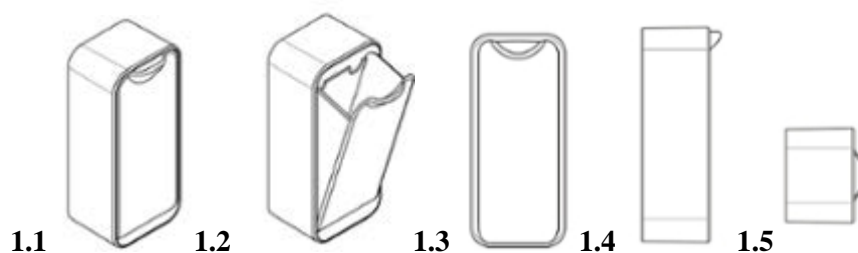
c/o. AMBOS S.R.L., Via Chiesaccia 9 Loc. Crespellano, 40053 VALSAMOGGIA (BO) (IT)

(74) Giampaolo AGAZZANI

c/o. AGAZZANI &amp; ASSOCIATI S.R.L., Via dell'Angelo Custode 11/6, 40141 BOLOGNA (IT)

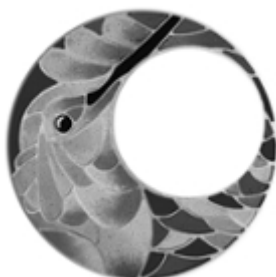
(54) 1. Storage box

(55)

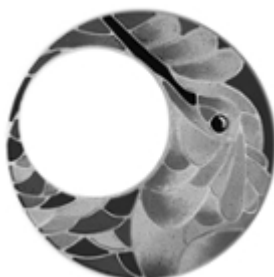


- (11) **DM/200 694** (51) **10-02; 10-07**  
 (15) 2019 03 06 (44) 36/2019 (2019 09 06)  
 (22) 2019 03 06  
 (28) 5  
 (73) MONTRES JAQUET DROZ SA (Montres Jaquet Droz AG) (Montres Jaquet Droz Ltd.)  
 Allée du Tourbillon 2, 2300 La Chaux-de-Fonds (CH)  
 (85) CH  
 (86) CH  
 (87) CH  
 (88) CH  
 (89) CH  
 (81) II. MA III. UA, AM, AL, AZ, BZ, ME, MD, MC, SG, MN, NO, BA, OM, TR, GE, MK, LI, KG, GB,  
 TN, EM, CH  
 (72) 1: Yann Leiggene  
 Rue du Nord 47, 2300 La Chaux-de-Fonds (CH);  
 1-5: Christian Lattmann  
 Chemin du Château-Neuf 17, 1125 Monnaz (CH);  
 2-4: Thanh Le Ngoc  
 1 Rue du Clos de la Fontaine, 25500 Le Belieu (FR);  
 5: Simon Perrolle  
 Rue du Mont d'Amin 7, 2300 La Chaux-de-Fonds (CH)  
 (74) The Swatch Group AG (The Swatch Group SA) (The Swatch Group Ltd.)  
 Faubourg du Lac 6, 2501 BIEL/BIENNE (CH)  
 (54) 1.-4. Dial, 5. Watch  
 (55)

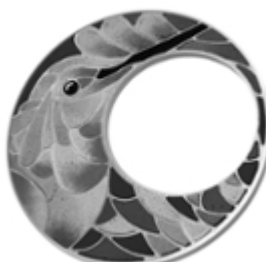
1.1



1.2



1.3



2.1



2.2



2.3



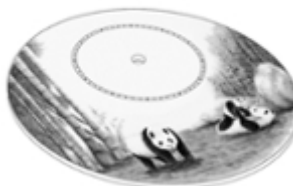
3.1



3.2



3.3



4.1



4.2



4.3



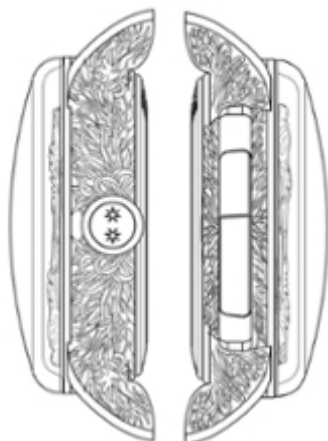
5.1



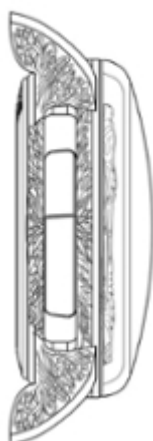
5.2



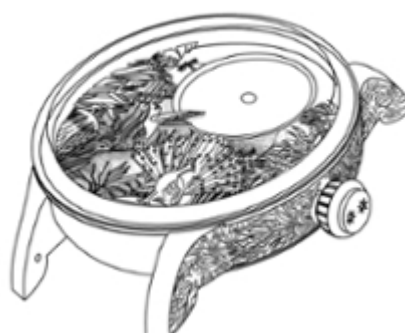
5.3



5.4



5.5



(11) DM/200 989

(51) 10-02; 10-07

(15) 2019 03 05

(44) 36/2019 (2019 09 06)

(22) 2019 03 05

(28) 2

(73) Montres Breguet SA (Montres Breguet AG) (Montres Breguet Ltd)

Place de la Tour 23, 1344 L'ABBAYE (CH)

(85) CH

(86) CH

(87) CH

(88) CH

(89) CH

(81) II. MA III. UA, AM, AL, AZ, ME, BZ, MD, MC, SG, NO, MN, BA, GE, OM, TR, MK, LI, KG, GB, TN, EM, CH

(72) Vincent Laucella

Route de France 38, 1348 Le Brassus (CH)

(74) The Swatch Group SA (The Swatch Group AG) (The Swatch Group Ltd.)

Faubourg du Lac 6, 2501 BIEL/BIENNE (CH)

(54) 1. Watch, 2. Watch bracelet

(55)

1.1



1.2



1.3



1.4



1.5



1.6



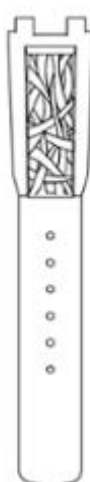
1.7



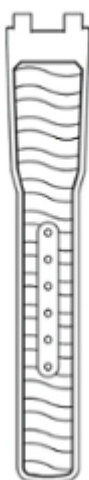
1.8



2.1



2.2



2.3



2.4



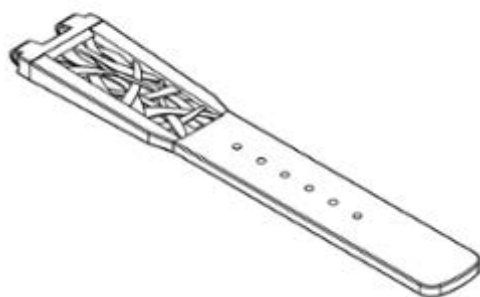
2.5



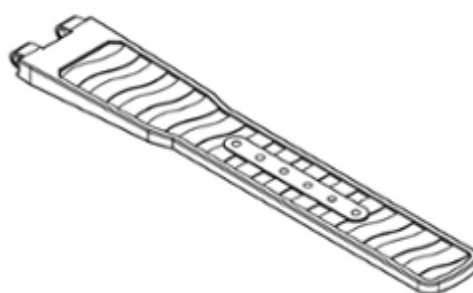
2.6



2.7



2.8





(11) DM/200 691

(51) 10-07

(15) 2019 03 04

(44) 36/2019 (2019 09 06)

(22) 2019 03 04

(28) 6

(73) HARRY WINSTON SA

Chemin du Tourbillon 8, 1228 Plan-Les-Ouates (CH)

(85) CH

(86) CH

(87) CH

(88) CH

(89) CH

(81) IL, MA, III, UA, AM, AL, AZ, ME, BZ, MD, MC, SG, NO, MN, BA, OM, TR, MK, GE, LI, KG, GB, TN, EM, CH

(72) 1-2: Antoine TSCHUMI

c/o Harry Winston SA Chemin du Tourbillon 8, 1228 Plan-les-Ouates (CH);

3: Sandra GARSAUD

c/o Harry Winston SA Chemin du Tourbillon 8, 1228 Plan-les-Ouates (CH);

4-5: Emmanuelle DOMINGUEZ

c/o Harry Winston SA Chemin du Tourbillon 8, 1228 Plan-les-Ouates (CH);

6: Steve KAMILINDI

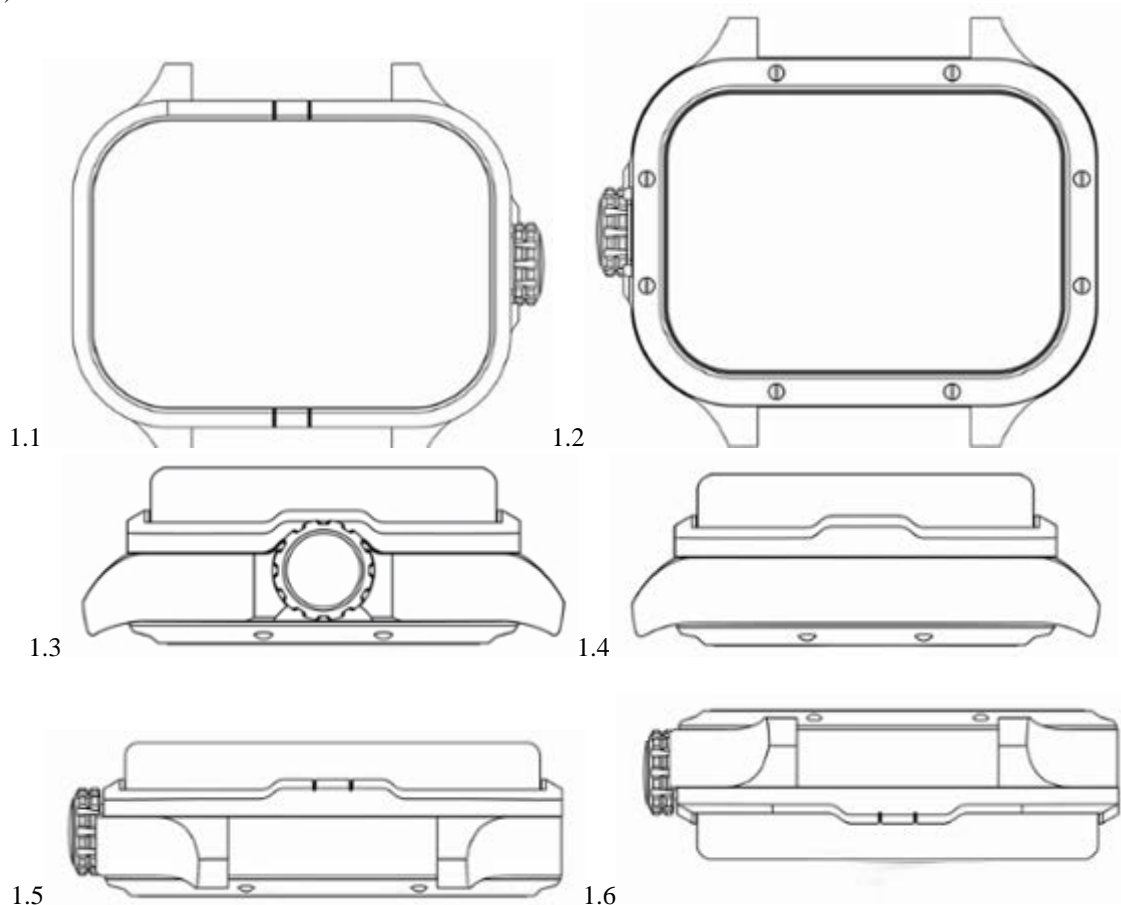
c/o Harry Winston SA Chemin du Tourbillon 8, 1228 Plan-les-Ouates (CH)

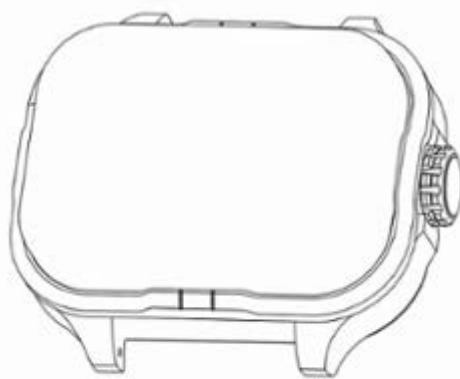
(74) The Swatch Group AG (The Swatch Group SA) (The Swatch Group Ltd.)

Faubourg du Lac 6, 2501 BIEL/BIENNE (CH)

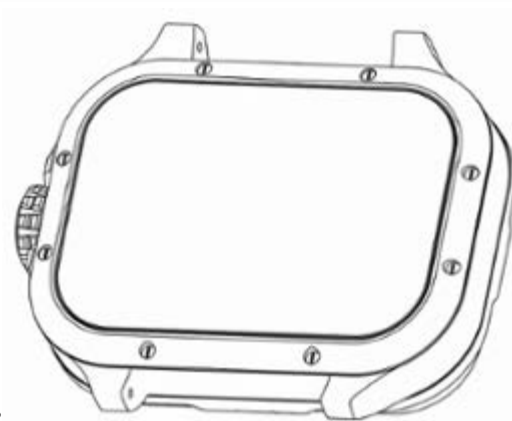
(54) 1. Watch case, 2.-6. Dial

(55)

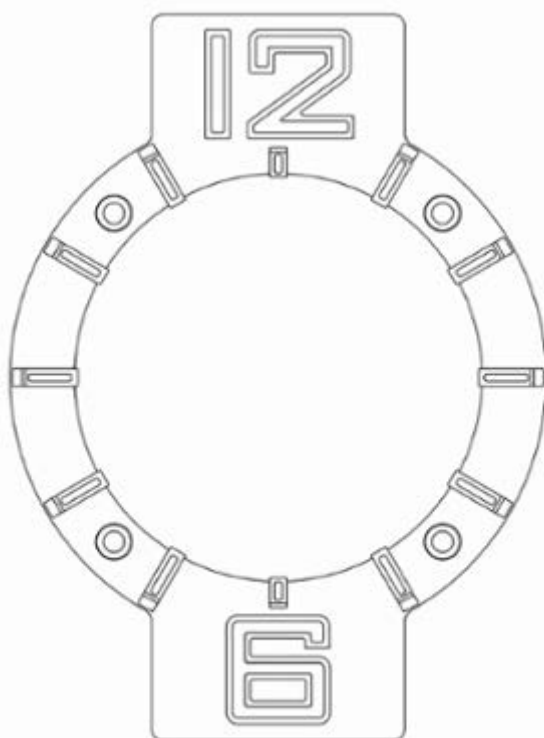




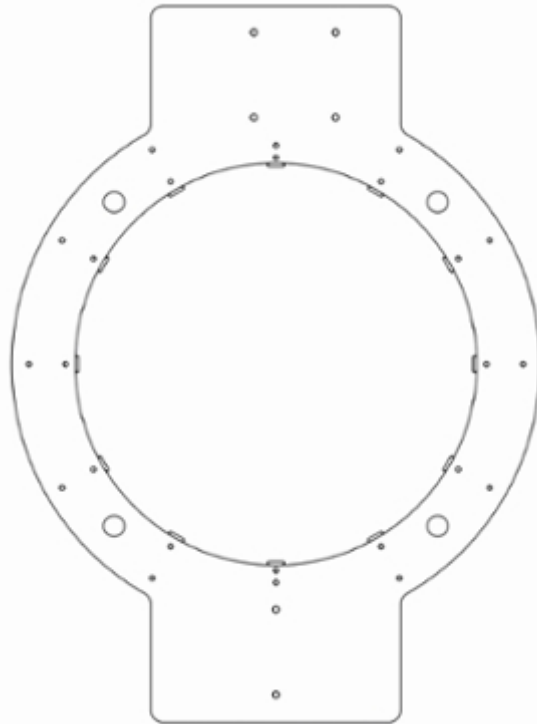
1.7



1.8



2.1



2.2



2.3



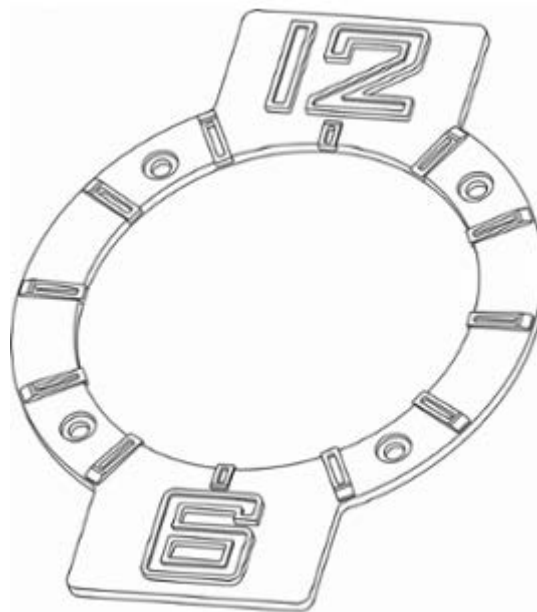
2.4



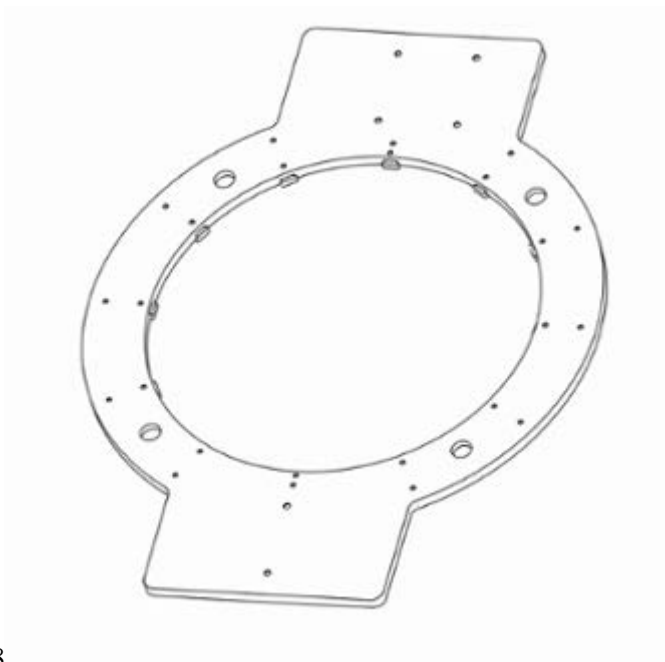
2.5



2.6



2.7



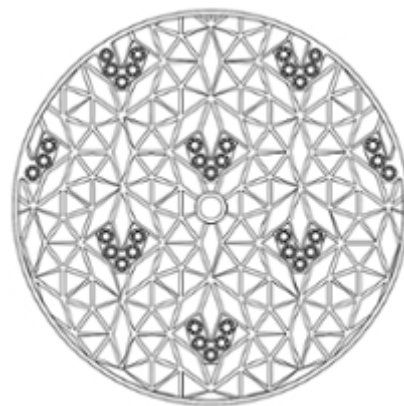
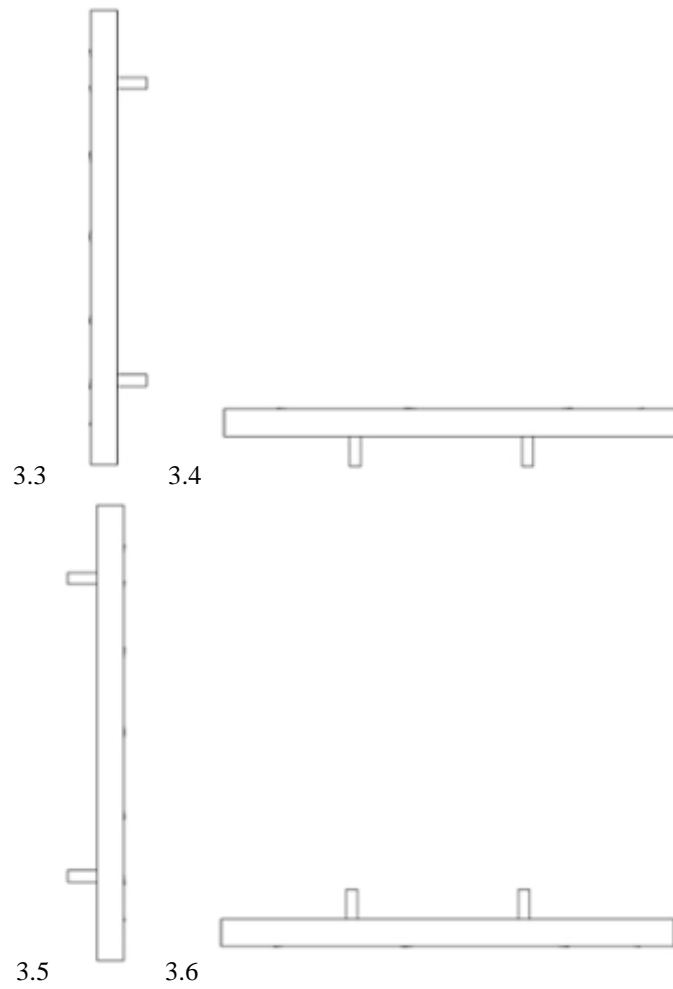
2.8

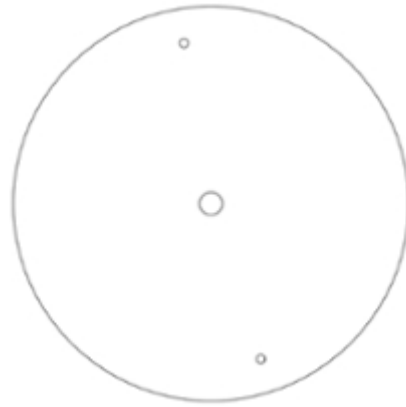


3.1



3.2





4.2



4.3



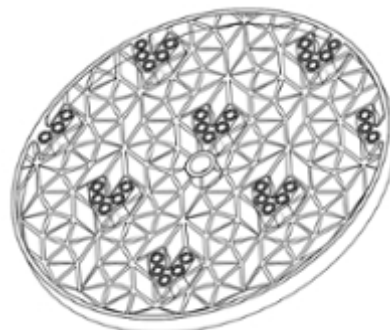
4.5



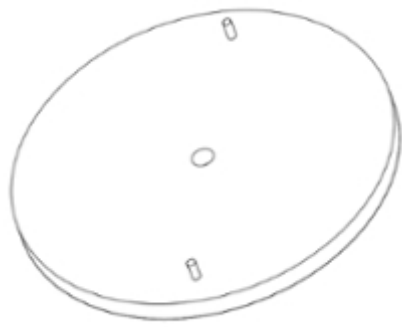
4.4



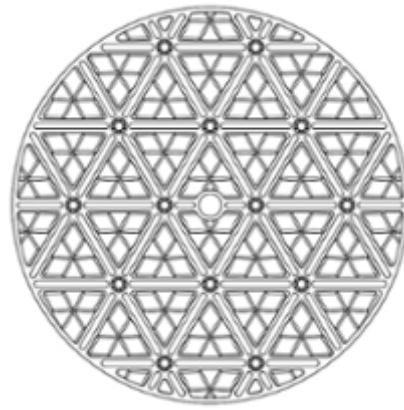
4.6



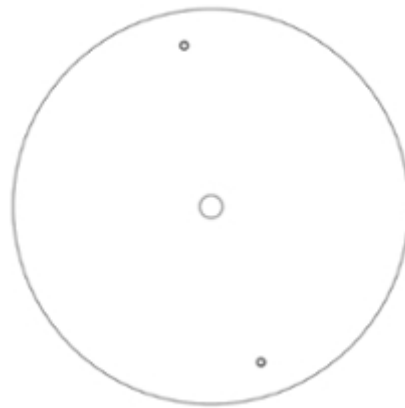
4.7



4.8



5.1



5.2



5.3



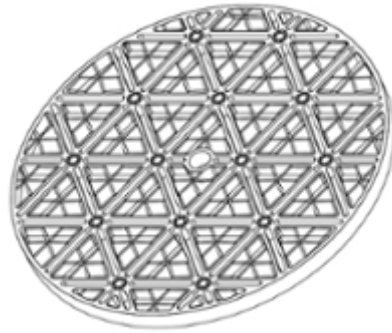
5.4



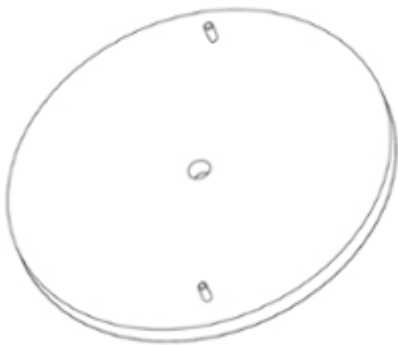
5.5



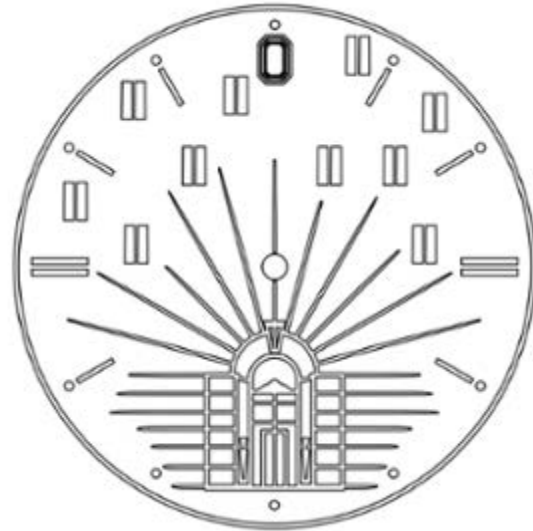
5.6



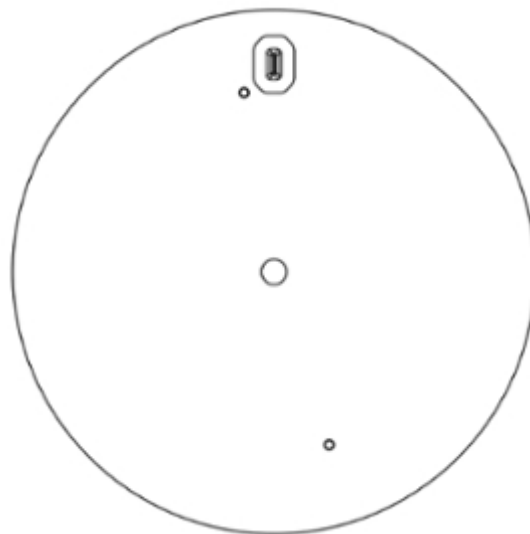
5.7



5.8



6.1



6.2



6.3

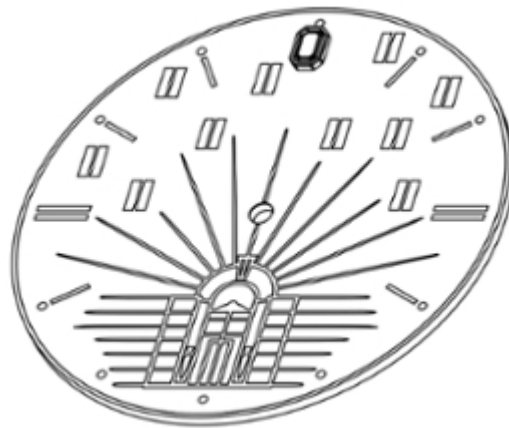


6.4

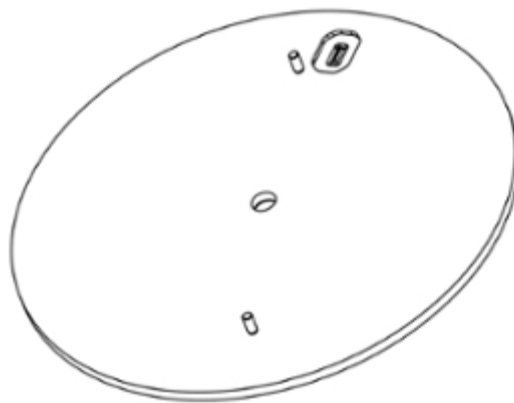


6.5





6.7



6.8

---

**(11) DM/201 865****(51) 16-06**

(15) 2019 03 05

(44) 36/2019 (2019 09 06)

(22) 2019 03 05

(28) 2

(30) No1: 28.12.2018; 2018-028871; JP; No2: 28.12.2018; 2018-028872; JP

(73) Hazuki Company Kabushiki Kaisha

10-1, Roppongi 6-chome, Minato-ku Tokyo (JP)

(85) –

(86) JP

(87) –

(88) –

(89) JP

(81) III. ES, HU, IS, MN, PL, GB, LT, FR, BN, AL, HR, LV, TM, BZ, MC, SG, NA, DE, BA, MK, LI, KG, FI, RU, EG, AM, MD, TJ, BW, GH, ST, TR, KH, TN, CH, KP, UA, AZ, ME, BX, SI, OA, NO, RS, EE, GE, OM, RO, SM, EM, DK, SY, RW, BG

(72) Kenzo MATSUMURA

c/o Hazuki Company Kabushiki Kaisha, 10-1, Roppongi 6-chome, Minato-ku, Tokyo (JP)

(74) Shuya KOHHARA

Acropolis 21 Bldg, 8th Floor, 4-10, Higashi Nihonbashi 3-chome, Chuo-Ku Tokyo (JP)

(54) 1.-2 Magnifying glasses

(55)

**1.1****1.2****1.4****1.3**

1.5



1.6

1.7



1.8



1.9



1.10



2.1

2.2



2.4

2.3



2.5



2.6



2.7



2.8



2.9



2.10



**(11) DM/200 689**

(15) 2019 03 12

(22) 2019 03 12

(28) 2

(73) OMEGA SA (OMEGA AG) (OMEGA LTD.)

Jakob-Stämpfli-Strasse 96, 2502 BIEL/BIENNE (CH)

(85) CH

(86) CH

(87) CH

(88) CH

(89) CH

(81) II. MA III. AM, UA, AL, AZ, ME, BZ, MD, MC, SG, NO, MN, BA, GE, TR, MK, OM, LI, KG, GB, TN, EM, CH

(72) Jean-Claude Monachon

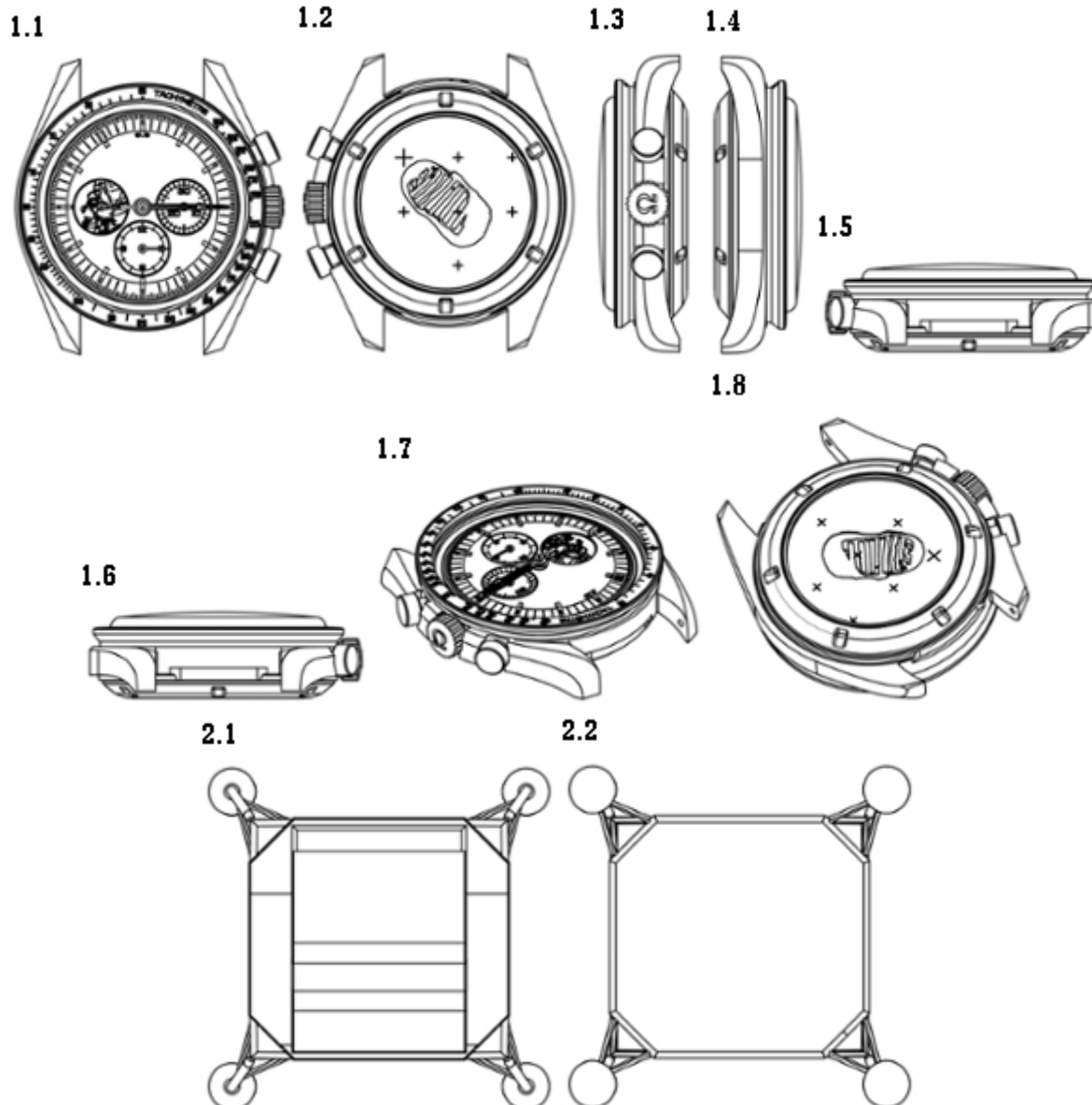
Rue Alice-de-Chambrier 1, 2022 Bevaix (CH)

(74) The Swatch Group AG (The Swatch Group SA) (The Swatch Group Ltd.)

6, Faubourg du Lac, 2501 BIEL/BIENNE (CH)

(54) 1. Watch, 2. Wristwatch holder

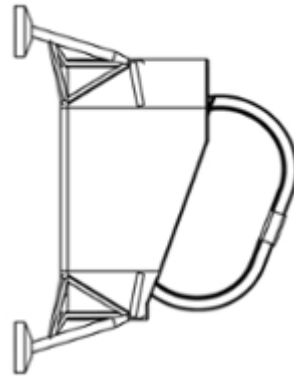
(55)



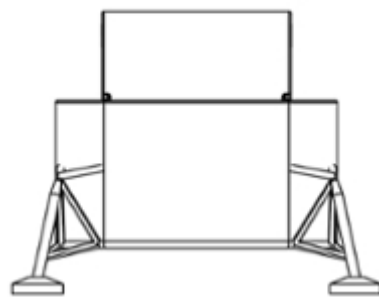
2.3



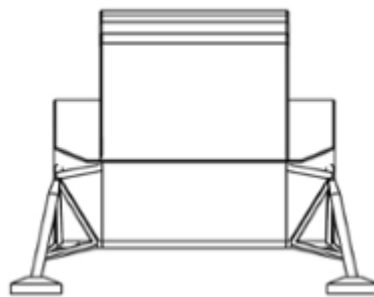
2.4



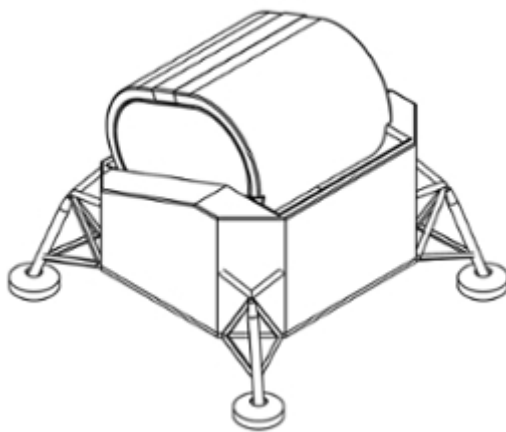
2.5



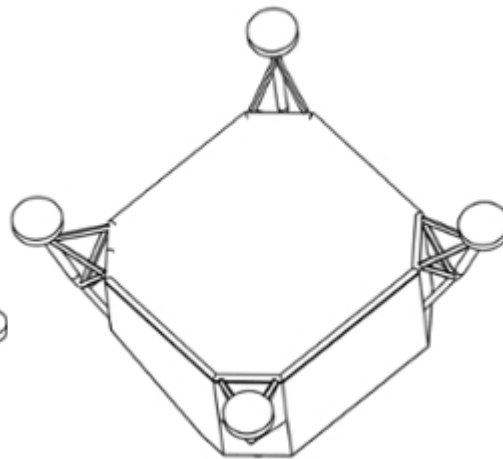
2.6



2.7



2.8



**(11) DM/200 973****(51) 10-07**

(15) 2019 03 08

(44) 37/2019 (2019 09 13)

(22) 2019 03 08

(28) 1

(73) OMEGA SA (OMEGA AG) (OMEGA LTD.)

Jakob-Stämpfli-Strasse 96, 2502 BIEL/BIENNE (CH)

(85) CH

(86) CH

(87) CH

(88) CH

(89) CH

(81) II. MA III. AM, UA, AL, AZ, ME, BZ, MD, MC, SG, MN, NO, BA, OM, TR, MK, GE, LI, KG, GB, TN, EM, CH

(72) Jean-Claude Monachon

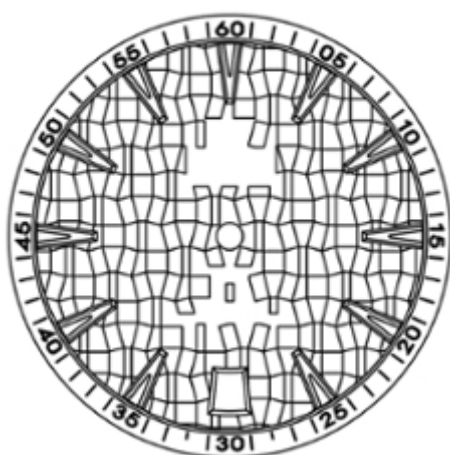
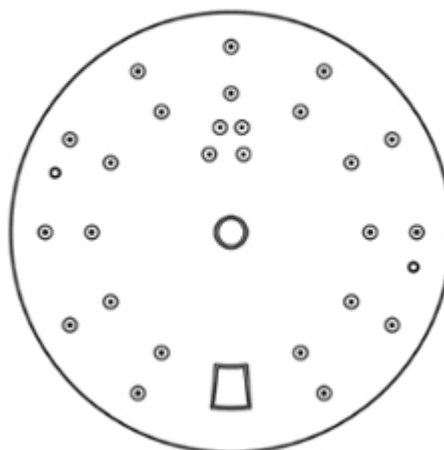
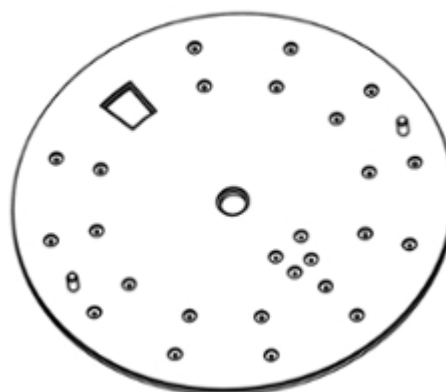
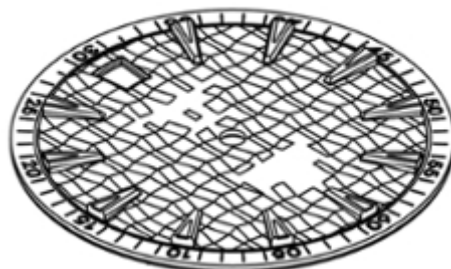
Rue Alice-de-Chambrier 1, 2022 Bevaix (CH)

(74) The Swatch Group AG (The Swatch Group SA) (The Swatch Group Ltd.)

6, Faubourg Du Lac, 2501 BIEL/BIENNE (CH)

(54) 1. Dial

(55)

**1.1****1.2****1.3****1.4****1.5****1.6****1.8****1.7**



**(11) DM/200 692**

(15) 2019 03 11

(22) 2019 03 11

(28) 3

(73) HARRY WINSTON SA

Chemin Du Tourbillon 8, 1228 Plan-Les-Ouates (CH)

(85) CH

(86) CH

(87) CH

(88) CH

(89) CH

(81) IL, MA, III, AM, UA, AL, AZ, ME, BZ, MD, MC, SG, NO, MN, BA, MK, TR, OM, GE, LI, KG, GB, TN, EM, CH

(72) 1. Rie YATSUGI-KANG

C/o Harry Winston Inc. 718 Fifth Avenue, 10019 New York (US);

2. Kia SCHWANINGER

C/o Harry Winston Inc. 718 Fifth Avenue, 10019 New York (US);

3. Delphine ABDOURAHIM

C/o Harry Winston Inc. 718 Fifth Avenue, 10019 New York (US)

(74) The Swatch Group AG (The Swatch Group SA) (The Swatch Group Ltd.)

Faubourg Du Lac 6, 2501 BIEL/BIENNE (CH)

(54) 1. Earring, 2. Earrings, 3. Necklace

(55)



1.1



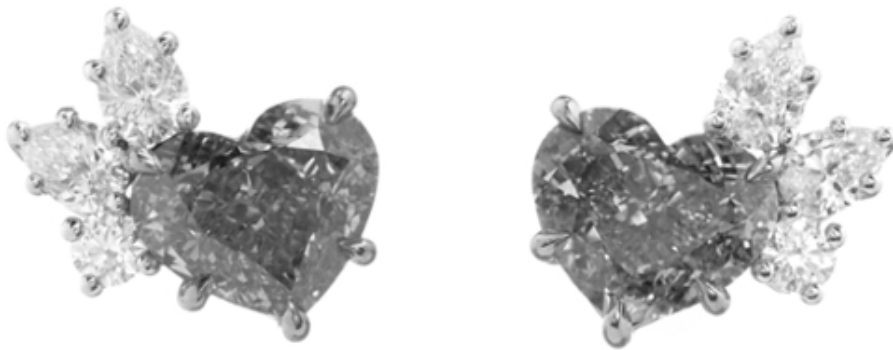
1.2



1.3



2.1



2.2



2.3



2.4



2.5



2.6



2.7



2.8



3.1



3.2



3.3



3.4



3.5



3.6



3.7



3.8



(11) DM/200 701

(15) 2019 03 13

(22) 2019 03 13

(28) 1

(73) HARRY WINSTON SA

Chemin Du Tourbillon 8, 1228 Plan-Les-Ouates (CH)

(85) CH

(86) CH

(87) CH

(88) CH

(89) CH

(81) IL, MA, III, UA, AM, AL, AZ, BZ, ME, MD, MC, SG, NO, MN, BA, GE, OM, TR, MK, LI, KG, GB, TN, EM, CH

(72) Rie YATSUGI-KANG

C/o Harry Winston Inc. 718 Fifth Avenue, 10019 New York (US)

(74) The Swatch Group AG (The Swatch Group SA) (The Swatch Group Ltd.)

Faubourg Du Lac 6, 2501 BIEL/BIENNE (CH)

(54) 1. Earring

(55)

(51) 11-01

(44) 37/2019 (2019 09 13)

1.1



1.2



1.3



1.4



1.5



1.6



1.7



1.8



(11) DM/202 611

(15) 2019 01 30

(22) 2019 01 30

(28) 1

(73) Izabella Michalak

Ul. Wiązowa 56, Lusówko, 62-080 Tarnowo Podgórne (PL)

(85) PL, EM

(86) PL, EM

(87) PL, EM

(88) PL, EM

(89) PL

(81) III. NO, RS, BA, GE, MK, TR, ME, EM, CH

(72) Izabella Michalak

Ul. Wiązowa 56, Lusówko, 62-080 Tarnowo Podgórne (PL)

(74) Iwona Jakubiak Vel Wojtczak

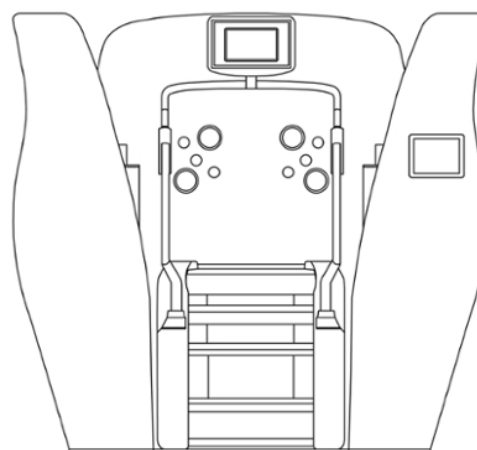
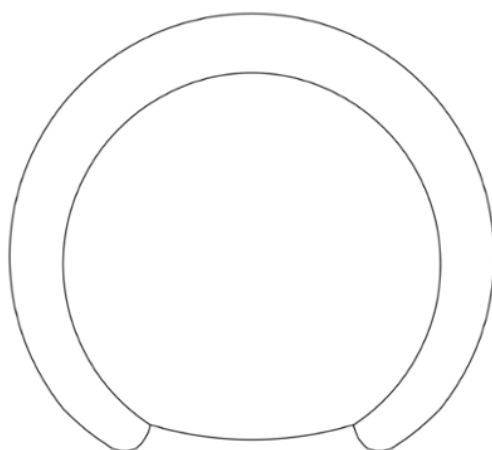
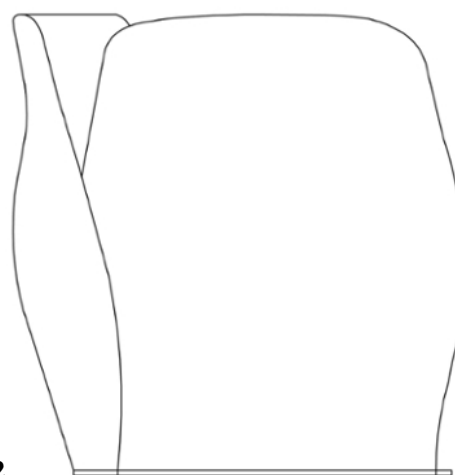
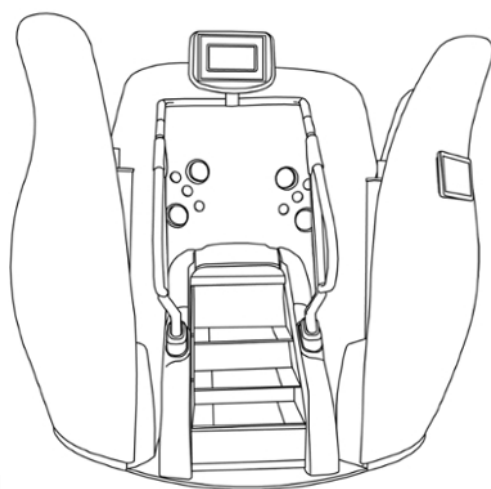
Ul. Alabastrowa 5, Baranowo, 62-081 Przeźmierowo (PL)

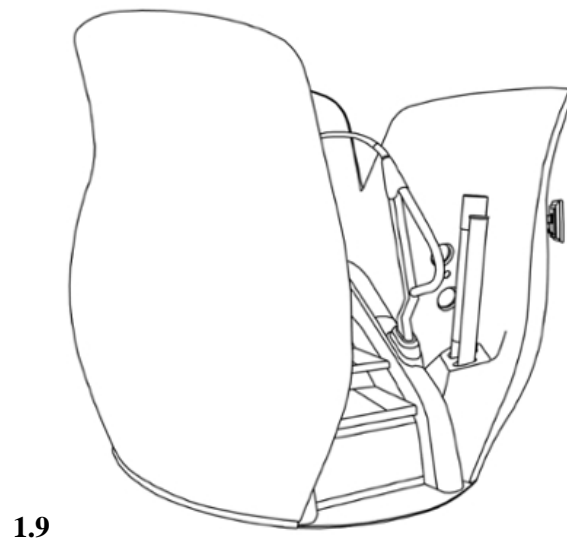
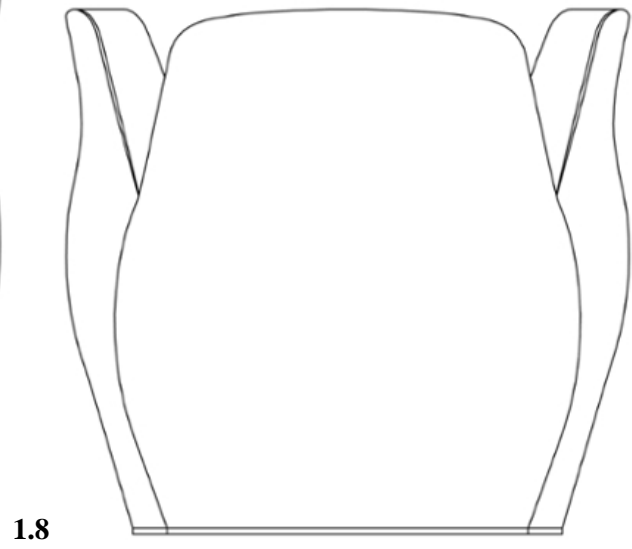
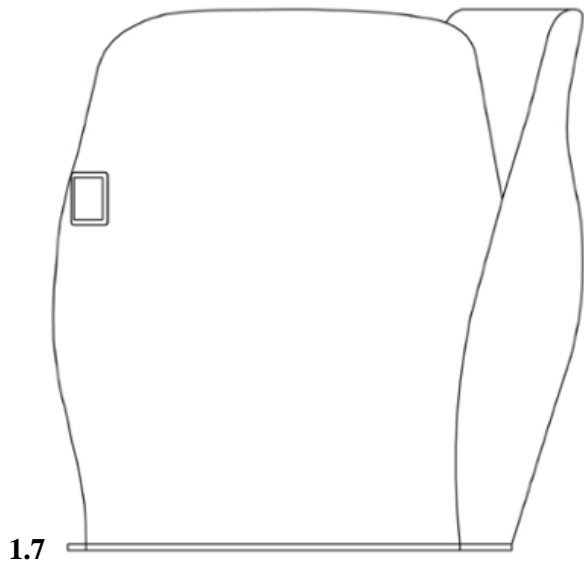
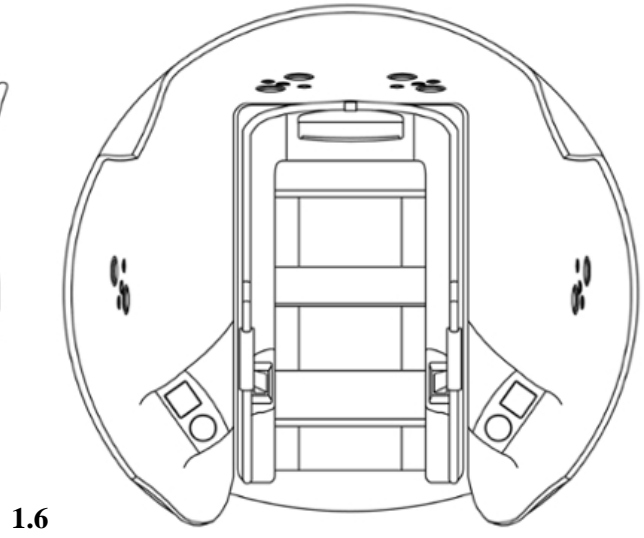
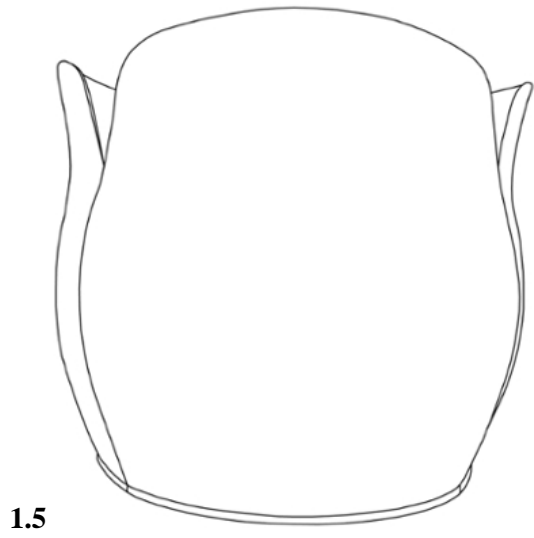
(54) 1. Exercising apparatus

(55)

(51) 21-02

(44) 37/2019 (2019 09 13)





---

# TRADEMARKS

## APPLICATIONS FILED UNDER THE NATIONAL PROCEDURE APPROVED FOR REGISTRATION

The decision can be appealed at the Chamber of Appeal of Sakpatenti within 3 months from the publication or at the Mtskheta District Court Administrative Cases Board (Address: №17, Samkhedro St., Mtskheta), within 1 month following the publication.

(260) AM 2019 98443 A  
(210) AM 98443  
(220) 2018 07 16  
(731) LTD "Miniso Georgia"  
Ana Kalandadze St. 4, Ent. 1, office  
Space A5, Tbilisi, Georgia  
(540)



(591) Sky-blue, white  
(531) 27.05.01; 27.05.15; 27.05.17; 29.01.03  
(511) 16, 28

---

(260) AM 2019 102232 A  
(210) AM 102232  
(220) 2019 03 15  
(731) Giorgi Zardiashvili  
Village Vachnadziani, Gurjaani Region,  
Georgia  
(740) George Taktakishvili  
(540)

**KZG CHATEAU  
VACHNADZIANI**

(591) Black, white  
(526) VACHNADZIANI  
(511) 33, 43

---

(260) AM 2019 102534 A  
(210) AM 102534  
(220) 2019 04 05  
(731) LTD "GLAVSPIRTPROM"  
Lilo St. 51, 0198, Tbilisi, Georgia  
(540)

**ТИФЛИССКАЯ КРЕПОСТЬ  
ტიფლისისკაია კრეპოსტი**

(591) Black, white  
(511) 33

---

(260) AM 2019 102540 A  
(210) AM 102540  
(220) 2019 04 08  
(731) LTD "e-space"  
Kazbegi St. 3-5, Tbilisi, Georgia  
(740) Giorgi Taktakishvili  
(540)



(591) White, light sky-blue, sky-blue, blue  
(531) 26.13.25; 27.05.01; 27.05.24; 29.01.12  
(511) 37

---

(260) AM 2019 102548 A  
(210) AM 102548  
(220) 2019 04 10  
(731) LTD "G-M-P"  
Vill. Ponitchala 65, 0165, Tbilisi, Georgia  
(740) Nugzar Ksovreli  
(540)

**მაგ B6  
MAG B6  
MAG B6**

(591) Black, white  
(511) 5

---

(260) AM 2019 102567 A  
(210) AM 102567  
(220) 2019 04 11  
(731) Enriko Beridze  
T. Tabidze St. 10, Lane 1, Tbilisi, Georgia  
(740) Salome Jeladze  
(540)

**SEZONES**

---

(591) Black, white  
(511) 35

(260) AM 2019 102810 A  
(210) AM 102810  
(220) 2019 04 19  
(731) JSC "GEFA"  
Ak. Beliashvili St. 142, 0159, Tbilisi, Georgia  
(740) Salome Jeladze  
(540)

**HEALTHDEPOT**

(591) Black, white  
(511) 35, 44

(260) AM 2019 102817 A  
(210) AM 102817  
(220) 2019 04 22  
(731) LTD "TBS LEASING"  
Il. Chavchavadze Av. 76M, Vake-Saburtalo  
District, Tbilisi, Georgia  
(540)



თბილისი ლიზინგი  
**TBC LEASING**

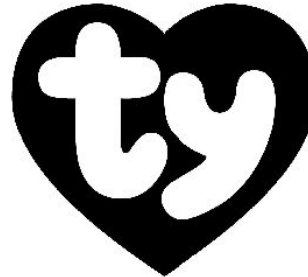
(591) Gray, Blue  
(531) 26.03.03; 26.03.04; 26.03.06; 26.03.24;  
27.05.01; 28.19; 29.01.13  
(511) 36

(260) AM 2019 102822 A  
(210) AM 102822  
(220) 2019 04 23  
(731) LTD "KVARELI 2017"  
Village Gagelaanebi, 4800, Kvareli, Georgia  
(540)



(591) Golden  
(531) 05.07.10; 19.09.02; 27.05.01; 29.01.13  
(511) 33

(260) AM 2019 102827 A  
(210) AM 102827  
(220) 2019 04 24  
(731) TY INC.  
280 Chestnut Avenue, Westmont, Illinois  
60559, USA  
(740) Tamaz Shilakadze  
(540)



(591) Black, white  
(531) 02.09.01; 27.05.17; 27.05.23; 27.05.24  
(511) 28

(260) AM 2019 102828 A  
(210) AM 102828  
(220) 2019 04 24  
(731) TY INC.  
280 Chestnut Avenue, Westmont, Illinois  
60559, USA  
(740) Tamaz Shilakadze  
(540)

**TY**

(591) Black, white  
(511) 28, 35

(260) AM 2019 102842 A  
(210) AM 102842  
(220) 2019 04 25  
(731) INNER MONGOLIA YILI  
INDUSTRIAL GROUP CO., LTD.  
No.1 Jinshan Road, Jinshan Development  
Zone, Hohhot, China  
(740) Giorgi Batlidze  
(540)

**Yili**

(591) Black, white  
(531) 27.05.17  
(511) 5, 29, 32

(260) AM 2019 102843 A  
 (210) AM 102843  
 (220) 2019 04 25  
 (731) INNER MONGOLIA YILI  
 INDUSTRIAL GROUP CO., LTD.  
 No.1 Jinshan Road, Jinshan Development  
 Zone, Hohhot, China

(740) Giorgi Batlidze  
 (540)



(591) Black, white  
 (531) 26.01.01; 26.01.03; 26.01.20; 26.11.12;  
 27.05.17  
 (511) 5, 29, 32

(260) AM 2019 102914 A  
 (210) AM 102914  
 (220) 2019 04 29  
 (731) QINGDAO VITOUR UNITED CORP.  
 ROOM 605, No.1 VIENNA ROAD,  
 BAOSHUI DISTRICT, QINGDAO, China  
 (740) Giorgi Kartvelishvili  
 (540)

**VITOUR**

(591) Black, white  
 (531) 27.05.01; 27.05.17  
 (511) 12

(260) AM 2019 102921 A  
 (210) AM 102921  
 (220) 2019 04 30  
 (731) DIAGEO SCOTLAND LIMITED  
 Edinburg Park, 5 Lokhsaid Vei, Shotlandia,  
 Edinburgh, EH12 9DT, United Kingdom  
 (740) Tamar Kochlamazashvili  
 (540)

**TALISKER**

(591) Black, white  
 (511) 33

(260) AM 2019 102928 A  
 (210) AM 102928  
 (220) 2019 05 01  
 (731) COMPAGNIE GENERALE DES  
 ETABLISSEMENTS MICHELIN  
 23, Plas De Karm-desho, 63000 Klermon-  
 feran, France  
 (740) Liliana Darakhvelidze

(540)



(591) Black, white  
 (531) 02.01.23; 04.05.04; 04.05.05  
 (511) 6, 12, 35, 41

(260) AM 2019 102932 A  
 (210) AM 102932  
 (220) 2019 05 02  
 (731) Enriko Beridze  
 T. Tabidze St. 10, Lane 1, Tbilisi, Georgia  
 (740) Salome Jeladze  
 (540)

**MARKETKING**

(591) Black, white  
 (511) 35, 44

(260) AM 2019 102933 A  
 (210) AM 102933  
 (220) 2019 05 03  
 (731) LTD "GEO LATEX"  
 Didi Dighomi, D. Tavdadebuli St. 30,  
 0131, Tbilisi, Georgia  
 (740) Giorgi Taktakishvili  
 (540)



(591) White, green, orange, bordeaux, blue  
 (531) 25.05.01; 25.05.25; 26.04.02; 26.04.09;  
 26.04.18; 29.01.15  
 (511) 20

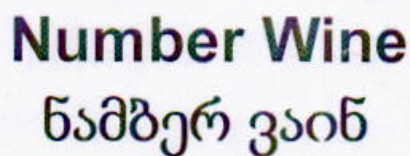
(260) AM 2019 103005 A  
 (210) AM 103005  
 (220) 2019 05 03  
 (731) UNILEVER N.V.  
 Weena 455, 3013 AL Rotterdam, Netherlands  
 (740) Shalva Gvaramadze

(540)



(591) Black, white  
(531) 27.05.02; 27.05.22  
(511) 3, 21

(260) AM 2019 103006 A  
(210) AM 103006  
(220) 2019 05 03  
(731) LTD "Dugladze Wine Company"  
Orkhevi, Chantladze Lane 8, 0109,  
Tbilisi, Georgia  
(740) Dimitri Dzamukashvili  
(540)



(591) Black, white  
(511) 33

(260) AM 2019 103014 A  
(210) AM 103014  
(220) 2019 05 07  
(731) H GROUP CONSTRUCTION  
Rustaveli Av. 22, ap. 30, 6010, Batumi,  
Georgia  
(540)



# 7th Heaven

RESIDENCE

(591) Beige, dark violet  
(531) 03.07.01; 03.07.16; 27.05.01; 27.05.09;  
29.01.12  
(526) 7 (Seven)  
(511) 37

(260) AM 2019 103027 A  
(210) AM 103027  
(220) 2019 05 08  
(731) HARD ROCK LIMITED  
13-14 Esplanada, Sent-helieri, Jerzi JE1 1EE  
Channel Islands, United Kingdom  
(740) Tamaz Shilakadze

(540)

## HARD ROCK 24-KARAT GOLD LEAF

(591) Black, white  
(511) 30

(260) AM 2019 103029 A  
(210) AM 103029  
(220) 2019 05 08  
(731) HARD ROCK LIMITED  
13-14 Esplanada, Sent-helieri, Jerzi JE1 1EE  
Channel Islands, United Kingdom  
(740) Tamaz Shilakadze  
(540)

## ONE NIGHT IN

(591) Black, white  
(511) 29

(260) AM 2019 103030 A  
(210) AM 103030  
(220) 2019 05 08  
(731) LTD "EDAJ"  
Sulkhan-Saba Orbeliani St. 5, 6010, Batumi,  
Georgia  
(540)



## SUPER PARASÜT

(591) Yellow, red, light blue, dark blue  
(531) 18.05.05; 18.05.06; 27.05.01; 29.01.14  
(511) 25

(260) AM 2019 103098 A  
(210) AM 103098  
(220) 2019 05 14  
(731) COSTA LIMITED  
Costa House, Houghton Hall Business Park,  
Porz Avenue, Houghton Regis, Dunstable,  
Bedfordshire, LU5 5YG, United Kingdom  
(740) Shalva Gvaramadze

(540)

**COSTA**  
**COFFEE**

(591) Black, white

(531) 27.05.01; 27.05.09; 27.05.10

(511) 7, 29, 30, 32, 43

(260) AM 2019 103105 A

(210) AM 103105

(220) 2019 05 14

(731) JSC "GEFA"

Ak. Beliashvili St. 142, 0159, Tbilisi, Georgia

(740) Salome Jeladze

(540)

**DIOPTREX**

(591) Black, white

(511) 35, 44

(260) AM 2019 103106 A

(210) AM 103106

(220) 2019 05 14

(731) JSC "GEFA"

Ak. Beliashvili St. 142, 0159, Tbilisi, Georgia

(740) Salome Jeladze

(540)

**ZEOPTIX**

(591) Black, white

(511) 35, 44

(260) AM 2019 103107 A

(210) AM 103107

(220) 2019 05 14

(731) LTD "Georgian Wine House"

Vill. Zegaani, 1500, Gurjaani District  
Georgia

(740) Sopio Vacheishvili

(540)



(591) Black, green, purple, white

(531) 02.01.02; 02.01.04; 07.01.01; 19.09.02;

23.01.01; 23.05.01; 23.05.05; 24.01.03;  
24.01.05; 24.01.11; 24.01.15; 24.01.17;  
24.01.18; 24.01.20; 25.01.05; 27.01.12

(511) 33

(260) AM 2019 103109 A

(210) AM 103109

(220) 2019 05 15

(731) FAYA

1, Rue Loitière, Tracy-sur-mer, 14117, France

(740) Tamar Kochlamazashvili

(540)



(591) Gray, white

(531) 27.05.02; 27.05.23

(511) 12

(260) AM 2019 103122 A

(210) AM 103122

(220) 2019 05 16

(731) LTD "KARTVELIV"

Kakheti Highway 110a, Isani-Samgori  
District, 0151, Tbilisi, Georgia

(740) Davit Dzamukashvili

(540)



(591) Brown, black

(531) 05.01.05; 05.01.11; 26.01.15; 27.01.12;  
27.07.01

(511) 33

(260) AM 2019 103222 A

(210) AM 103222

(220) 2019 05 24

(731) LTD "RICH GROUP"

Vill. Mughanlo, Marneuli District, Georgia

(540)

**Guthion**

**გუთიონი**

(591) Black, white

(511) 5

(260) AM 2019 103310 A  
(210) AM 103310  
(220) 2019 05 28  
(731) ASTRAZENECA AB  
SE-151 85 Södertälje, Sweden  
(740) Tamaz Shilakadze  
(540)

**VEGDURIS**

(591) Black, white  
(511) 5

---



## REGISTERED TRADEMARKS

<p>(111) M 2019 32018 R            (151) 2019 11 27            (181) 2029 11 27            (260) AM 2018 100411 A            (220) 2018 11 16            (732) LTD "L COMPANY"            Gldani, VII mkr., Bl. 15, ap. 39, Tbilisi,            Georgia</p>	<p>(111) M 2019 32024 R            (151) 2019 11 27            (181) 2029 11 27            (260) AM 2018 100604 A            (220) 2018 11 29            (732) JSC "BAZISI"            Mukhiani St. 2a, Gldani-Nadzaladevi District,            0141, Tbilisi, Georgia</p>
<p>(111) M 2019 32019 R            (151) 2019 11 27            (181) 2029 11 27            (260) AM 2018 100421 A            (220) 2018 11 19            (732) LTD "MINISO GEORGIA"            A. Kalandadze St. 4, Entr. I, Offise space 5A,            Tbilisi, Georgia</p>	<p>(111) M 2019 32025 R            (151) 2019 11 27            (181) 2029 11 27            (260) AM 2018 100707 A            (220) 2018 12 07            (732) DKH Retail Limited            Iunit 60, Ze Rannings, Cheltenham,            Glostershiri GL51 9NW, United Kingdom</p>
<p>(111) M 2019 32020 R            (151) 2019 11 27            (181) 2029 11 27            (260) AM 2018 100422 A            (220) 2018 11 19            (732) LTD "MINISO GEORGIA"            A. Kalandadze St. 4, Entr. I, Offise space 5A,            Tbilisi, Georgia</p>	<p>(111) M 2019 32026 R            (151) 2019 11 27            (181) 2029 11 27            (260) AM 2018 100776 A            (220) 2018 12 12            (732) LTD "I GPS Operator"            T. Tabidze St. 86, 0179, Tbilisi, Vake district,            Georgia</p>
<p>(111) M 2019 32021 R            (151) 2019 11 27            (181) 2029 11 27            (260) AM 2019 100465 A            (220) 2019 04 23            (732) GÜNSAN ELEKTRİK MALZEMELERİ            SANAYİ VE TİCARET ANONİM ŞİRKETİ            Osmangazi Mah. Yıldırım Beyazıt Cad. No:29            Sancaktepe İstanbul, Turkey</p>	<p>(111) M 2019 32027 R            (151) 2019 11 27            (181) 2029 11 27            (260) AM 2018 100778 A            (220) 2018 12 12            (732) LTD "G-M-P"            Vill. Ponitchala 65, 0165, Tbilisi, Georgia</p>
<p>(111) M 2019 32022 R            (151) 2019 11 27            (181) 2029 11 27            (260) AM 2018 100595 A            (220) 2018 11 27            (732) LLC "AGRONOM"            Gotua St. 12a, 0160, Tbilisi, Georgia</p>	<p>(111) M 2019 32028 R            (151) 2019 11 27            (181) 2029 11 27            (260) AM 2018 100785 A            (220) 2018 12 13            (732) NUCTECH COMPANY LIMITED            2nd Floor, Block A, TongFang Building,            Shuangqinglu, Haidian District, Beijing,            China</p>
<p>(111) M 2019 32023 R            (151) 2019 11 27            (181) 2029 11 27            (260) AM 2018 100597 A            (220) 2018 11 27            (732) LLC "AGRONOM"            Gotua St. 12a, 0160, Tbilisi, Georgia</p>	<p>(111) M 2019 32029 R            (151) 2019 11 27            (181) 2029 11 27            (260) AM 2018 100786 A            (220) 2018 12 13            (732) NUCTECH COMPANY LIMITED</p>

2nd Floor, Block A, TongFang Building,  
Shuangqinglu, Haidian District, Beijing,  
China

(111) M 2019 32030 R

(151) 2019 11 27

(181) 2029 11 27

(260) AM 2018 100790 A

(220) 2018 12 14

(732) SUNDARAM-CLAYTON LIMITED  
'Jaialakshmi Isteits' No. 29 (dzveli No. 8),  
Hedouz Roudi, Chenai 600 006, India

(111) M 2019 32031 R

(151) 2019 11 27

(181) 2029 11 27

(260) AM 2018 100804 A

(220) 2018 12 18

(732) THE PROCTER & GAMBLE COMPANY  
One Procter & Gamble Plaza, Cincinnati,  
Ohio 45202, USA

(111) M 2019 32032 R

(151) 2019 11 27

(181) 2029 11 27

(260) AM 2018 100805 A

(220) 2018 12 18

(732) Facebook Inc. (Delaware Corporation)  
1601 Willow Road, Menlo Park  
California, 94025, USA

(111) M 2019 32033 R

(151) 2019 11 27

(181) 2029 11 27

(260) AM 2018 100815 A

(220) 2018 12 19

(732) RMP NAGAMOCHI Technology Japan K.K.  
1-6-26 ACE BUILDING 601  
HIGASHIBENZAI, Asakashi, Saitama,  
351-0022, Japan

(111) M 2019 32034 R

(151) 2019 11 27

(181) 2029 11 27

(260) AM 2018 100858 A

(220) 2018 12 21

(732) JSC "Hotels and Restaurants  
Management Group-M|Group"  
T. Chantladze St. 40, 0109, White Grove  
Settlement, Didi Lilo, Georgia

(111) M 2019 32035 R

(151) 2019 11 27

(181) 2029 11 27

(260) AM 2018 100866 A

(220) 2018 12 22

(732) LTD "AUTOTEST GEORGIA"  
Tsameti Asureli Mamis St. 128,  
Vill. Dighomi, 0159, Tbilisi, Georgia

(111) M 2019 32036 R

(151) 2019 11 27

(181) 2029 11 27

(260) AM 2018 100875 A

(220) 2018 12 25

(732) LTD "GREEN SYSTEM"  
Ilia Chavchavadze Av. 75, Bl. 10, Ap. 46,  
Vake district, Tbilisi, Georgia

(111) M 2019 32037 R

(151) 2019 11 27

(181) 2029 11 27

(260) AM 2018 100893 A

(220) 2018 12 27

(732) Mayoral Moda Infantil S.A.  
La Orotava, 118-Polg. San Luis, Malaga,  
29006, Spain

(111) M 2019 32038 R

(151) 2019 11 27

(181) 2029 11 27

(260) AM 2019 101252 A

(220) 2019 01 18

(732) LTD "PRINTAREA"  
Sh. Rustaveli Av. 40/1, 0108, Tbilisi,  
Old Tbilisi district, Georgia

(111) M 2019 32039 R

(151) 2019 11 27

(181) 2029 11 27

(260) AM 2019 101254 A

(220) 2019 01 18

(732) LTD "BARAMBO"  
Vill. Natakhtari, 3308, Mtskheta, Georgia

(111) M 2019 32040 R

(151) 2019 11 27

(181) 2029 11 27

(260) AM 2019 101289 A

(220) 2019 01 18

(732) NNP "PROPAGANDA"  
Pekin Av., ap. 67, Tbilisi, Georgia

(111) M 2019 32041 R

(151) 2019 11 27

(181) 2029 11 27

(260) AM 2019 101290 A

(220) 2019 01 18

(732) LTD "ALFA"  
Tevdore Mghvdeli St. 53, 0154, Tbilisi,  
Georgia

Gorgiladze St. 2, ap. 29, 6010, Batumi,  
Georgia

(111) M 2019 32042 R  
(151) 2019 11 27  
(181) 2029 11 27  
(260) AM 2019 101291 A  
(220) 2019 01 18  
(732) LTD "ALFA"  
Tevdore Mghvdeli St. 53, 0154, Tbilisi,  
Georgia

(111) M 2019 32048 R  
(151) 2019 11 27  
(181) 2029 11 27  
(260) AM 2018 99469 A  
(220) 2018 09 24  
(732) LTD "Lithuanian Bakery +"  
T. Eristavi Str. 1, 0192, Tbilisi, Georgia

(111) M 2019 32043 R  
(151) 2019 11 27  
(181) 2029 11 27  
(260) AM 2019 101409 A  
(220) 2019 01 30  
(732) DE' LONGHI APPLIANCES S.R.L.  
Via L. Seitci, 47, Trevizo, 31100, Italy

(111) M 2019 32049 R  
(151) 2019 11 27  
(181) 2029 11 27  
(260) AM 2018 99470 A  
(220) 2018 09 24  
(732) LTD "Lithuanian Bakery +"  
T. Eristavi Str. 1, 0192, Tbilisi, Georgia

(111) M 2019 32044 R  
(151) 2019 11 27  
(181) 2029 11 27  
(260) AM 2019 101418 A  
(220) 2019 01 31  
(732) LTD "AGRONOM"  
L. Gotua St. 12a, 0160, Tbilisi, Georgia

(111) M 2019 32050 R  
(151) 2019 11 27  
(181) 2029 11 27  
(260) AM 2018 99484 A  
(220) 2018 09 24  
(732) LTD Coordination-Distribution Center  
"Efko-Cascad"  
Ul. Frunze, Bl. 4, Alekseevka, 309850,  
Belgorodskaya oblast, Russian Federation

(111) M 2019 32045 R  
(151) 2019 11 27  
(181) 2029 11 27  
(260) AM 2019 104827 A  
(220) 2019 09 11  
(732) ADP GAUSELMANN GMBH  
Mercur-Allee 1-15, 32339, Espelkamp,  
Germany

(111) M 2019 32051 R  
(151) 2019 11 27  
(181) 2029 11 27  
(260) AM 2018 99485 A  
(220) 2018 09 24  
(732) LTD Coordination-Distribution Center  
"Efko-Cascad"  
Ul. Frunze, Bl. 4, Alekseevka, 309850,  
Belgorodskaya oblast, Russian Federation

(111) M 2019 32046 R  
(151) 2019 11 27  
(181) 2029 11 27  
(260) AM 2013 74568 A  
(220) 2013 11 01  
(732) De Longhi Benelux S.A.  
49, Boulevard Prince Henri, Grand Duchy  
of Luxembourg, L-1724, Luxembourg

(111) M 2019 32052 R  
(151) 2019 11 27  
(181) 2029 11 27  
(260) AM 2018 99486 A  
(220) 2018 09 24  
(732) LTD Coordination-Distribution Center  
"Efko-Cascad"  
Ul. Frunze, Bl. 4, Alekseevka, 309850,  
Belgorodskaya oblast, Russian Federation

(111) M 2019 32047 R  
(151) 2019 11 27  
(181) 2029 11 27  
(260) AM 2019 99157 A  
(220) 2019 01 16  
(732) LTD "AVAZA"

(111) M 2019 32053 R  
(151) 2019 11 27  
(181) 2029 11 27  
(260) AM 2018 99517 A

(220) 2018 09 26  
(732) City Sightseeing Limited  
Stanley House, 49a High Street, Henley-in-  
Arden, Warwickshire B95 5AA, United  
Kingdom

---

(111) M 2019 32054 R  
(151) 2019 11 27  
(181) 2029 11 27  
(260) AM 2018 99751 A  
(220) 2018 10 05  
(732) Ltd RESEARCH AND PRODUCTION  
Firm "MATERIA MEDICA HOLDING"  
III Samotechniy Lane 9, 127473, Moscow,  
Russian Federation

---

(111) M 2019 32055 R  
(151) 2019 11 27  
(181) 2029 11 27  
(260) AM 2018 99754 A  
(220) 2018 10 08  
(732) LTD "KATAEFF & PARTNERS"  
Consulting Group  
Kobaladze St. 8a, ap. 614, 6010, Batumi,  
Georgia

---

(111) M 2019 32056 R  
(151) 2019 11 27  
(181) 2029 11 27  
(260) AM 2018 99775 A  
(220) 2018 10 10  
(732) Al Saily Commerce & Industry Tobacco  
A Shoha bemelk Sobh Abu Alenien Abu  
Alenien Alfar, Mansoura Center,  
Al Dakahleya, Egypt

---

(111) M 2019 32057 R  
(151) 2019 11 27  
(181) 2029 11 27  
(260) AM 2018 99910 A  
(220) 2018 10 18  
(732) Hellenic Fuels And Lubricants Industrial  
and Commercial S.A  
also trading as "EKO ABEE"  
8A Cheimarras street, 15125 Marousi, Greece

---

(111) M 2019 32058 R  
(151) 2019 11 27  
(181) 2029 11 27  
(260) AM 2018 99953 A  
(220) 2018 10 22  
(732) JSC "LIBERTY BANK"  
I. Chavchavadze Av. 74, 0162, Tbilisi,  
Georgia

---

(111) M 2019 32059 R  
(151) 2019 11 27  
(181) 2029 11 27  
(260) AM 2018 99954 A  
(220) 2018 10 22  
(732) JSC "LIBERTY BANK"  
I. Chavchavadze Av. 74, 0162, Tbilisi,  
Georgia

---

(111) M 2019 32060 R  
(151) 2019 11 27  
(181) 2029 11 27  
(260) AM 2018 99966 A  
(220) 2018 10 22  
(732) EMPRESA CUBANA DEL TABACO  
(CUBATABACO)  
Calle Nueva No. 75 e/ Universidad y Pedroso,  
municipio Cerro, provincia La Habana, Cuba

---

## TRADEMARKS REGISTERED ACCORDING TO THE ACCELERATED PROCEDURE

The decision can be appealed at the Chamber of Appeal of Sakpatenti within 3 months from the publication.

(111) M 2019 32013 R  
(151) 2019 11 22  
(181) 2029 11 22  
(210) AM 105746  
(220) 2019 11 09  
(732) JSC "Goodwill"  
Ilia Chavchavadze Av. 9, Vake-Saburtalo  
District, Tbilisi, Georgia

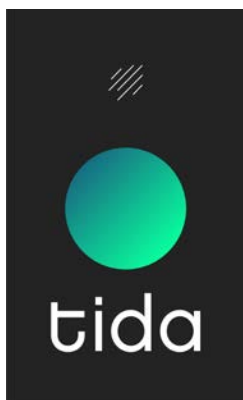
(540)



(591) Green, yellow, light green  
(531) 05.03.08; 26.01.01; 26.01.03; 26.01.18;  
26.04.22; 26.04.24; 29.01.13  
(511) 43

(111) M 2019 32014 R  
(151) 2019 11 26  
(181) 2029 11 26  
(210) AM 105760  
(220) 2019 11 13  
(732) JSC "TBC Bank"  
K. Marjanishvili St. 7, 0102, Tbilisi,  
Georgia

(540)



(591) White, black, light gradient, gradient  
(531) 01.15.09; 26.01.01; 26.01.03; 26.01.24;  
26.04.02; 26.04.05; 26.04.10; 26.04.22;  
26.04.24; 26.11.03; 26.11.05; 26.11.09;  
26.15.01; 29.01.13  
(511) 36

(111) M 2019 32015 R  
(151) 2019 11 26  
(181) 2029 11 26  
(210) AM 105650  
(220) 2019 11 05  
(732) JSC "Liberty Bank"  
Ilia Chavchavadze Av.74, 0162, Tbilisi,  
Georgia

(740) Mikhail Kvaraia  
(540)



(591) White, black, crimson  
(531) 27.01.01; 27.01.06; 27.05.04; 27.05.10;  
29.01.12; 29.01.13  
(511) 36, 39

(111) M 2019 32016 R  
(151) 2019 11 26  
(181) 2029 11 26  
(210) AM 105651  
(220) 2019 11 05  
(732) JSC "Liberty Bank"  
Ilia Chavchavadze Av.74, 0162, Tbilisi,  
Georgia

(740) Mikhail Kvaraia  
(540)



(591) White, lilac, pink  
(531) 27.01.12; 27.01.25; 27.05.01; 27.05.03;  
27.05.17; 27.05.21; 29.01.01  
(511) 35, 36

(111) M 2019 32017 R  
(151) 2019 11 26  
(181) 2029 11 26  
(210) AM 105670  
(220) 2019 11 07

- (732) Ltd "Gudauri 2018"  
Petre Kavtaradze St., I Lane 10,  
Office Space 12b, Tbilisi, Georgia  
(540)

**გეოგრაფი**  
**GeoGraphy**

- (591) Black, white  
(511) 43

- (111) M 2019 32061 R  
(151) 2019 11 28  
(181) 2029 11 28  
(210) AM 104813  
(220) 2019 09 09  
(732) LTD "LOTUS"  
Apakidze St. 11, Tbilisi, Georgia  
(540)



- (591) White, turquoise  
(531) 05.05.16; 29.01.12  
(511) 41, 44

- (111) M 2019 32062 R  
(151) 2019 11 28  
(181) 2029 11 28  
(210) AM 105544  
(220) 2019 10 26  
(732) LTD "Alpen Milk"  
David Aghmashenebeli St. 28/1,  
Akhalkalaki, Georgia  
(740) Shalva Gvaramadze  
(540)



- (591) White, black, different tones orange,  
different tones green, gray, light blue,  
blue, beige  
(531) 03.04.02; 03.04.12; 06.07.25; 06.19.11;  
07.01.09; 19.03.24; 28.05; 29.01.15  
(511) 29

- (111) M 2019 32063 R  
(151) 2019 11 29  
(181) 2029 11 29  
(210) AM 105631  
(220) 2019 11 01  
(732) ULTRAQUIMIA AGRICOLA,  
S.A. de C.V.  
Indiana №260, Int. 604, Ciudad De Los  
Deportes, Benito Juárez, Mexico City,  
03710, Mexico  
(740) Vakhtang Torotadze  
(540)

**PROGRANIC MEGA**

- (591) Black, white  
(511) 1, 5

- (111) M 2019 32064 R  
(151) 2019 11 29  
(181) 2029 11 29  
(210) AM 105633  
(220) 2019 11 01  
(732) ULTRAQUIMIA AGRICOLA,  
S.A. de C.V.  
Indiana №260, Int. 604, Ciudad De Los  
Deportes, Benito Juárez, Mexico City,  
03710, Mexico  
(740) Vakhtang Torotadze  
(540)

**PROGRANIC NEEMACAR**

- (591) Black, white  
(511) 1, 5

- (111) M 2019 32065 R  
(151) 2019 11 29  
(181) 2029 11 29  
(210) AM 105634  
(220) 2019 11 01  
(732) ULTRAQUIMIA AGRICOLA,  
S.A. de C.V.  
Indiana №260, Int. 604, Ciudad De Los  
Deportes, Benito Juárez, Mexico City,  
03710, Mexico  
(740) Vakhtang Torotadze  
(540)

**BIO DIE**

- (591) Black, white  
(511) 1, 5

- (111) M 2019 32066 R  
(151) 2019 12 02  
(181) 2029 12 02  
(210) AM 105630  
(220) 2019 11 01  
(732) ULTRAQUIMIA AGRICOLA,

S.A. de C.V.  
Indiana №260, Int. 604, Ciudad De Los  
Deportes, Benito Juárez, Mexico City,  
03710, Mexico

(740) Vakhtang Torotadze  
(540)

## PROWET OVI-DIE

(591) Black, white  
(511) 1, 5

(111) M 2019 32067 R

(151) 2019 12 02

(181) 2029 12 02

(210) AM 105632

(220) 2019 11 01

(732) ULTRAQUIMIA AGRICOLA, S.A. de C.V.  
Indiana №260, Int. 604, Ciudad De Los  
Deportes, Benito Juárez, Mexico City,  
03710, Mexico

(740) Vakhtang Torotadze  
(540)

## PROGRANIC GAMMA

(591) Black, white  
(511) 1, 5

(111) M 2019 32068 R

(151) 2019 12 04

(181) 2029 12 04

(210) AM 105813

(220) 2019 11 20

(732) LTD "PRESTIGE"  
Petre Sarajishvili St. 17a, Tbilisi, Georgia

(540)

სიკაპულის ცენტრი

ისი პარიზი  
ICI PARIS

CENTRE DE BEAUTE

(591) Black, golden, white  
(531) 27.05.01; 27.05.09; 27.05.10; 27.05.17; 28.19;  
29.01.12  
(511) 35, 44

(111) M 2019 32069 R

(151) 2019 12 04

(181) 2029 12 04

(210) AM 105781

(220) 2019 11 18

(732) LTD "Global Beer Georgia"  
Tsilkan (Aisi Factory), 3319, Mtskheta,  
Georgia

(540)

## MOME COLA

მომე კოლა

(591) Black, white  
(511) 32

(111) M 2019 32070 R

(151) 2019 12 04

(181) 2029 12 04

(210) AM 105782

(220) 2019 11 18

(732) LTD "Global Beer Georgia"  
Tsilkan (Aisi Factory), 3319, Mtskheta,  
Georgia

(540)

## mome orange

მომე ფორთოხალი

(591) Black, white  
(511) 32

## INTERNATIONAL TRADEMARKS FOR WHICH A DECISION ON GRANTING PROTECTIONS IS TAKEN

The decision can be appealed at the Chamber of Appeal of Sakpatenti within 3 months from the publication or at the Mtskheta District Court Administrative Cases Board (Address: №17, Samkhedro str., Mtskheta), within 1 month following the publication.

(260) AM 2019 97101 A\*

(800) 1395043

(151) 2017 10 26

(891) 2017 10 26

(731) QUESOS VEGA SOTUÉLAMOS, SL

Finca Sotuelamos, Pedania de Sotuelamos,

E-02610 El Bonillo, Albacete, Spain

(540)

### VEGA SOTUELAMOS

(591) Black, white

(531) 27.05.01; 27.05.17

(511)

29 – Cheese.

(260) AM 2019 98870 A\*

(800) 1416405

(151) 2018 04 20

(891) 2018 04 20

(731) SWISS KRONO Tec GmbH

Friedrichstraße 94, 10117 Berlin, Germany

(540)

### KRONOPOL

(591) Black, white

(511)

19 – Goods for structural building with timber, namely construction kits for prefabricated houses or non-metal parts for prefabricated houses, especially prefabricated house construction kits for building external cellars, bicycle storage, or sheds; building materials [non-metallic], especially building materials consisting of biomaterial, including, but not limited to, organic raw materials of biological origin, such as wood, wood fibres, grasses or biomaterials, especially wood-based materials or materials of plastics, including, but not limited to, bioplastics or biomaterial-plastic composite materials or biomaterial-plastic material mixes; the above-mentioned materials with or without the addition of mineral or other fillers; wood-based materials; boards and moulded bodies not of metal, for building; boards and moulded bodies from wood or wood-based materials, especially boards and moulded bodies from chipped wood, wood particles or hard-fibre material, or from plastic or other non-metal materials, for building, the above-mentioned goods also with wood-veneer protective layers; boards and moulded bodies from a

mixture of wood, wood-based materials, especially chipped wood, wood particles, hard-fibre material, as well as plastic, or other non-metal materials or as composite material, made of the above-mentioned materials, for building, the above-mentioned goods also with wood-veneer protective layers; wood-plastic composite materials, wood-plastic material mixes, wood-based material-plastic composite materials, and wood-based material-plastic material mixes, for building, the above-mentioned goods also with wood-veneer protective layers; hybrid boards, especially with bamboo middle layer, for building; chipboard, veneered chipboard, laminated chipboard, fire-resistant, fire-proof or refractory chipboard panels and moulded bodies, the above-mentioned goods for building; thin chipboard, oriented strand board, boards from long, flat, oriented chips, the above-mentioned goods especially for building; fibreboards and moulded bodies made of fibres for building; wood fibreboards, veneered fibreboards, laminated fibreboard, melamine-resin-coated medium density fibreboards; the above-mentioned goods especially for building; wood-fibre polymer materials for building; floor coverings, not of metal, especially from biomaterial, such as wood or wood-based materials, or from plastic or other non-metal materials; wooden flooring, parquet flooring and parquet slabs, parquet flooring made of cork, parquet wood flooring, especially with a middle layer of wood-based materials; paper and paper moulded bodies for building, namely paper impregnated with artificial resin for laminates; laminates (non-metallic), especially consisting of biomaterial, such as wood or wood-based materials, or plastics or other non-metal materials especially for building; high-pressure laminates and laminates grouted directly or continuously, not of metal; panels, not of metal, especially laminate panels, especially consisting of biomaterial, such as wood or wood-based materials, or plastics or other non-metal materials, for building; wood, also manufactured timber, compressible wood, wood, semi-worked; timber boarding; wooden beams; timber planking; wood sheeting; wooden doors; wood strips; planks of wood; wood veneers; terrace boards; floor slabs, not of metal; mouldings for building; wood; planks of wood for building; sawn timber; plywood; glue-laminated wood, especially with a lacquered surface; the above-mentioned goods for



building; doors, especially sliding doors, not of metal, especially consisting of biomaterial such as wood or wood-based materials, or plastics; shuttering (non-metallic), especially concrete casings, for building; borders, not of metal, especially for building; radiator covers, not of metal, especially consisting of biomaterial, such as wood or wood-based materials, or plastics; floor coverings and terrace decking, floor laminates and floor panels, laminates, panels and claddings for walls, ceilings and facades made of non-metallic materials, especially for building, and especially consisting of biomaterial, including, but not limited to, organic raw materials of biological origin, such as wood, wood fibres, grasses, or plastics including, but not limited to, bioplastics or biomaterials, especially wood-based materials, or biomaterial-plastic composite materials or biomaterial-plastic material mixes; floor coverings and terrace decking, floor laminates and floor panels, laminates, panels and claddings for walls, ceilings and facades made of non-metallic materials, especially for building and especially consisting of biomaterial including, but not limited to, organic raw materials of biological origin, such as wood, wood fibres, grasses or plastics including, but not limited to, bioplastics or biomaterials, especially wood-based materials, or biomaterial-plastic composite materials or biomaterial-plastic material mixes, the above-mentioned materials with or without the addition of mineral or other fillers as well as the above-mentioned goods having a decorative and/or abrasion-resistant surface and/or having soundproofing properties and/or being water-repellent or waterproof and/or being fire-resistant, fire-proof, or refractory; non-metallic transportable buildings; floor coverings, especially consisting of biomaterial including, but not limited to, organic raw materials of biological origin, such as wood, wood fibres, grasses, or plastics including, but not limited to, bioplastics or biomaterial-plastic composite materials or biomaterial-plastic material mixes, the above-mentioned materials with or without the addition of mineral or other fillers; laminate panels [floor coverings]; high-pressure laminates and laminates grouted directly or continuously as floor coverings.

27 – Floor coverings; wall and ceiling coverings for indoor and outdoor applications, to the extent included in this class; floor coverings and artificial ground coverings; floor coverings of plastic, especially vinyl floor coverings; floor coverings made of wood-plastic composite materials or wood-based material-plastic composite materials; floor tiles made of plastic, especially polyvinyl chloride; wall hangings [non-textile]; wall paper of vinyl; wall coverings, also vinyl wall coverings; carpet tiles for covering floors consisting of biomaterial including, but not limited to, organic raw materials of biological origin, such as wood, wood fibres, grasses, or plastics including, but not limited to, bioplastics or biomaterial-

plastic composite materials or biomaterial-plastic material mixes-the above-mentioned materials with or without the addition of mineral or other fillers; linoleum.

35 – Retail and wholesale services in relation to building materials, floor coverings, wall coverings, ceiling coverings, and facade and terrace cladding.

(260) AM 2019 99108 A\*

(800) 1419296

(151) 2018 04 20

(891) 2018 04 20

(731) SWISS KRONO Tec GmbH

Friedrichstraße 94, 10117 Berlin, Germany

(540)



**BY SWISS KRONO GROUP**

(591) Black, white

(531) 24.13.01; 24.13.05; 24.13.22; 24.13.26;  
26.01.03; 26.01.18; 26.01.24; 27.05.09;  
27.05.10

(511)

19 – Goods for structural building with timber, namely construction kits for prefabricated houses or non-metal parts for prefabricated houses, especially prefabricated house construction kits for building external cellars, bicycle storage, or sheds; building materials [non-metallic], especially building materials consisting of biomaterial, including, but not limited to, organic raw materials of biological origin, such as wood, wood fibres, grasses or biomaterials, especially wood-based materials or materials of plastics, including, but not limited to, bioplastics or biomaterial-plastic composite materials or biomaterial-plastic material mixes; the above-mentioned materials with or without the addition of mineral or other fillers; wood-based materials; boards and moulded bodies not of metal, for building; boards and moulded bodies from wood or wood-based materials, especially boards and moulded bodies from chipped wood, wood particles or hard-fibre material, or from plastic or other non-metal materials, for building, the above-mentioned goods also with wood-veneer protective layers; boards and moulded bodies from a mixture of wood, wood-based materials, especially chipped wood, wood particles, hard-fibre material, as well as plastic, or other non-metal materials or as composite material, made of the above-mentioned materials, for building, the above-mentioned goods also with wood-veneer protective layers; wood-plastic composite materials, wood-plastic material mixes, wood-based material-plastic composite materials, and wood-based material-plastic material mixes, for building, the above-mentioned goods also with wood-veneer protective layers; hybrid boards, espe-

cially with bamboo middle layer, for building; chipboard, veneered chipboard, laminated chipboard, fire-resistant, fire-proof or refractory chipboard panels and moulded bodies, the above-mentioned goods for building; thin chipboard, oriented strand board, boards from long, flat, oriented chips, the above-mentioned goods especially for building; fibreboards and moulded bodies made of fibres for building; wood fibreboards, veneered fibreboards, laminated fibreboard, melamine-resin-coated medium density fibreboards; melamine-resin-coated high density fibreboards, the above-mentioned goods especially for building; wood-fibre polymer materials for building; floor coverings, not of metal, especially from biomaterial, such as wood or wood-based materials, or from plastic or other non-metal materials; wooden flooring, parquet flooring and parquet slabs, parquet flooring made of cork, parquet wood flooring, especially with a middle layer of wood-based materials; paper and paper moulded bodies for building, namely paper impregnated with artificial resin for laminates; laminates (non-metallic), especially consisting of biomaterial, such as wood or wood-based materials, or plastics or other non-metal materials especially for building; high-pressure laminates and laminates grouted directly or continuously, not of metal; panels, not of metal, especially laminate panels, especially consisting of biomaterial, such as wood or wood-based materials, or plastics or other non-metal materials, for building; wood, also manufactured timber, compressible wood, wood, semi-worked; timber boarding; wooden beams; timber planking; wood sheeting; wooden doors; wood strips; planks of wood; wood veneers; terrace boards; floor slabs, not of metal; mouldings for building; wood; planks of wood for building; sawn timber; plywood; glue-laminated wood, especially with a lacquered surface; the above-mentioned goods for building; doors, especially sliding doors, not of metal, especially consisting of biomaterial such as wood or wood-based materials, or plastics; shuttering (non-metallic), especially concrete casings, for building; borders, not of metal, especially for building; radiator covers, not of metal, especially consisting of biomaterial, such as wood or wood-based materials, or plastics; floor coverings and terrace decking, floor laminates and floor panels, laminates, panels and claddings for walls, ceilings and facades made of non-metallic materials, especially for building, and especially consisting of biomaterial, including, but not limited to, organic raw materials of biological origin, such as wood, wood fibres, grasses, or plastics including, but not limited to, bioplastics or biomaterials, especially wood-based materials, or biomaterial-plastic composite materials or biomaterial-plastic material mixes; floor coverings and terrace decking, floor laminates and floor panels, laminates, panels and claddings for walls, ceilings and facades made of non-metallic materials,

especially for building and especially consisting of biomaterial including, but not limited to, organic raw materials of biological origin, such as wood, wood fibres, grasses or plastics including, but not limited to, bioplastics or biomaterials, especially wood-based materials, or biomaterial-plastic composite materials or biomaterial-plastic material mixes, the above-mentioned materials with or without the addition of mineral or other fillers as well as the above-mentioned goods having a decorative and/or abrasion-resistant surface and/or having soundproofing properties and/or being water-repellent or waterproof and/or being fire-resistant, fire-proof, or refractory; non-metallic transportable buildings; floor coverings, especially consisting of biomaterial including, but not limited to, organic raw materials of biological origin, such as wood, wood fibres, grasses, or plastics including, but not limited to, bioplastics or biomaterial-plastic composite materials or biomaterial-plastic material mixes, the above-mentioned materials with or without the addition of mineral or other fillers; laminate panels [floor coverings]; high-pressure laminates and laminates grouted directly or continuously as floor coverings.

27 – Floor coverings; wall and ceiling coverings for indoor and outdoor applications, to the extent included in this class; floor coverings and artificial ground coverings; floor coverings of plastic, especially vinyl floor coverings; floor coverings made of wood-plastic composite materials or wood-based material-plastic composite materials; floor tiles made of plastic, especially polyvinyl chloride; wall hangings [non-textile]; wall paper of vinyl; wall coverings, also vinyl wall coverings; carpet tiles for covering floors consisting of biomaterial including, but not limited to, organic raw materials of biological origin, such as wood, wood fibres, grasses, or plastics including, but not limited to, bioplastics or biomaterial-plastic composite materials or biomaterial-plastic material mixes-the above-mentioned materials with or without the addition of mineral or other fillers; linoleum.

35 – Retail and wholesale services in relation to building materials, floor coverings, wall coverings, ceiling coverings, and facade and terrace cladding.

(260) AM 2019 99110 A\*

(800) 1419304

(151) 2018 04 20

(891) 2018 04 20

(731) SWISS KRONO Tec GmbH

Friedrichstraße 94, 10117 Berlin, Germany

(540)



(591) Red, grey and white

(531) 24.13.01; 24.13.05; 24.13.22; 24.13.26;  
26.01.03; 26.01.18; 26.01.24; 27.05.09;  
27.05.10; 29.01.13

(511)

19 – Goods for structural building with timber, namely construction kits for prefabricated houses or non-metal parts for prefabricated houses, especially prefabricated house construction kits for building external cellars, bicycle storage, or sheds; building materials [non-metallic], especially building materials consisting of biomaterial, including, but not limited to, organic raw materials of biological origin, such as wood, wood fibres, grasses or biomaterials, especially wood-based materials or materials of plastics, including, but not limited to, bioplastics or biomaterial-plastic composite materials or biomaterial-plastic material mixes; the above-mentioned materials with or without the addition of mineral or other fillers; wood-based materials; boards and moulded bodies not of metal, for building; boards and moulded bodies from wood or wood-based materials, especially boards and moulded bodies from chipped wood, wood particles or hard-fibre material, or from plastic or other non-metal materials, for building, the above-mentioned goods also with wood-veneer protective layers; boards and moulded bodies from a mixture of wood, wood-based materials, especially chipped wood, wood particles, hard-fibre material, as well as plastic, or other non-metal materials or as composite material, made of the above-mentioned materials, for building, the above-mentioned goods also with wood-veneer protective layers; wood-plastic composite materials, wood-plastic material mixes, wood-based material-plastic composite materials, and wood-based material-plastic material mixes, for building, the above-mentioned goods also with wood-veneer protective layers; hybrid boards, especially with bamboo middle layer, for building; chipboard, veneered chipboard, laminated chipboard, fire-resistant, fire-proof or refractory chipboard panels and moulded bodies, the above-mentioned goods for building; thin chipboard, oriented strand board, boards from long, flat, oriented chips, the above-mentioned goods especially for building; fibreboards and moulded bodies made of fibres for building; wood fibreboards, veneered fibreboards, laminated fibreboard, melamine-resin-coated medium density fibreboards; melamine-resin-coated high density fibreboards, the above-mentioned goods especially for building; wood-fibre polymer materials for building; floor coverings, not of metal, especially from biomaterial, such as wood or wood-based materials, or from plastic or other non-metal materials; wooden flooring, parquet flooring and parquet slabs, parquet flooring made of cork, parquet wood flooring, especially with a middle layer of wood-based materials; paper and paper moulded bodies for building, namely paper impregnated with artificial resin

for laminates; laminates (non-metallic), especially consisting of biomaterial, such as wood or wood-based materials, or plastics or other non-metal materials especially for building; high-pressure laminates and laminates grouted directly or continuously, not of metal; panels, not of metal, especially laminate panels, especially consisting of biomaterial, such as wood or wood-based materials, or plastics or other non-metal materials, for building; wood, also manufactured timber, compressible wood, wood, semi-worked; timber boarding; wooden beams; timber planking; wood sheeting; wooden doors; wood strips; planks of wood; wood veneers; terrace boards; floor slabs, not of metal; mouldings for building; wood; planks of wood for building; sawn timber; plywood; glue-laminated wood, especially with a lacquered surface; the above-mentioned goods for building; doors, especially sliding doors, not of metal, especially consisting of biomaterial such as wood or wood-based materials, or plastics; shuttering (non-metallic), especially concrete casings, for building; borders, not of metal, especially for building; radiator covers, not of metal, especially consisting of biomaterial, such as wood or wood-based materials, or plastics; floor coverings and terrace decking, floor laminates and floor panels, laminates, panels and claddings for walls, ceilings and facades made of non-metallic materials, especially for building, and especially consisting of biomaterial, including, but not limited to, organic raw materials of biological origin, such as wood, wood fibres, grasses, or plastics including, but not limited to, bioplastics or biomaterials, especially wood-based materials, or biomaterial-plastic composite materials or biomaterial-plastic material mixes; floor coverings and terrace decking, floor laminates and floor panels, laminates, panels and claddings for walls, ceilings and facades made of non-metallic materials, especially for building and especially consisting of biomaterial including, but not limited to, organic raw materials of biological origin, such as wood, wood fibres, grasses or plastics including, but not limited to, bioplastics or biomaterials, especially wood-based materials, or biomaterial-plastic composite materials or biomaterial-plastic material mixes, the above-mentioned materials with or without the addition of mineral or other fillers as well as the above-mentioned goods having a decorative and/or abrasion-resistant surface and/or having soundproofing properties and/or being water-repellent or waterproof and/or being fire-resistant, fire-proof, or refractory; non-metallic transportable buildings; floor coverings, especially consisting of biomaterial including, but not limited to, organic raw materials of biological origin, such as wood, wood fibres, grasses, or plastics including, but not limited to, bioplastics or biomaterial-plastic composite materials or biomaterial-plastic material mixes, the above-mentioned materials with or without the addition of mineral or other fillers; laminate

panels [floor coverings]; high-pressure laminates and laminates grouted directly or continuously as floor coverings.

27 – Floor coverings; wall and ceiling coverings for indoor and outdoor applications, to the extent included in this class; floor coverings and artificial ground coverings; floor coverings of plastic, especially vinyl floor coverings; floor coverings made of wood-plastic composite materials or wood-based material-plastic composite materials; floor tiles made of plastic, especially polyvinyl chloride; wall hangings [non-textile]; wall paper of vinyl; wall coverings, also vinyl wall coverings; carpet tiles for covering floors consisting of biomaterial including, but not limited to, organic raw materials of biological origin, such as wood, wood fibres, grasses, or plastics including, but not limited to, bioplastics or biomaterial-plastic composite materials or biomaterial-plastic material mixes-the above-mentioned materials with or without the addition of mineral or other fillers; linoleum.

35 – Retail and wholesale services in relation to building materials, floor coverings, wall coverings, ceiling coverings, and facade and terrace cladding.

(260) AM 2019 99116 A\*

(800) 1419617

(151) 2018 04 20

(891) 2018 04 20

(731) SWISS KRONO Tec GmbH

Friedrichstraße 94, 10117 Berlin, Germany

(540)

## **KRONOTEX**

(591) Black, white

(511)

19 – Goods for structural building with timber, namely construction kits for prefabricated houses or non-metal parts for prefabricated houses, especially prefabricated house construction kits for building external cellars, bicycle storage, or sheds; building materials [non-metallic], especially building materials consisting of biomaterial, including, but not limited to, organic raw materials of biological origin, such as wood, wood fibres, grasses or biomaterials, especially wood-based materials or materials of plastics, including, but not limited to, bioplastics or biomaterial-plastic composite materials or biomaterial-plastic material mixes; the above-mentioned materials with or without the addition of mineral or other fillers; wood-based materials; boards and moulded bodies not of metal, for building; boards and moulded bodies from wood or wood-based materials, especially boards and moulded bodies from chipped wood, wood particles or hard-fibre material, or from plastic or other non-metal materials, for building, the above-mentioned goods also with wood-veneer protective layers; boards and moulded bodies from a

mixture of wood, wood-based materials, especially chipped wood, wood particles, hard-fibre material, as well as plastic, or other non-metal materials or as composite material, made of the above-mentioned materials, for building, the above-mentioned goods also with wood-veneer protective layers; wood-plastic composite materials, wood-plastic material mixes, wood-based material-plastic composite materials, and wood-based material-plastic material mixes, for building, the above-mentioned goods also with wood-veneer protective layers; hybrid boards, especially with bamboo middle layer, for building; chipboard, veneered chipboard, laminated chipboard, fire-resistant, fire-proof or refractory chipboard panels and moulded bodies, the above-mentioned goods for building; thin chipboard, oriented strand board, boards from long, flat, oriented chips, the above-mentioned goods especially for building; fibreboards and moulded bodies made of fibres for building; wood fibreboards, veneered fibreboards, laminated fibreboard, melamine-resin-coated medium density fibreboards; melamine-resin-coated high density fibreboards, the above-mentioned goods especially for building; wood-fibre polymer materials for building; floor coverings, not of metal, especially from biomaterial, such as wood or wood-based materials, or from plastic or other non-metal materials; wooden flooring, parquet flooring and parquet slabs, parquet flooring made of cork, parquet wood flooring, especially with a middle layer of wood-based materials; paper and paper moulded bodies for building, namely paper impregnated with artificial resin for laminates; laminates (non-metallic), especially consisting of biomaterial, such as wood or wood-based materials, or plastics or other non-metal materials especially for building; high-pressure laminates and laminates grouted directly or continuously, not of metal; panels, not of metal, especially laminate panels, especially consisting of biomaterial, such as wood or wood-based materials, or plastics or other non-metal materials, for building; wood, also manufactured timber, compressible wood, wood, semi-worked; timber boarding; wooden beams; timber planking; wood sheeting; wooden doors; wood strips; planks of wood; wood veneers; terrace boards; floor slabs, not of metal; mouldings for building; wood; planks of wood for building; sawn timber; plywood; glue-laminated wood, especially with a lacquered surface; the above-mentioned goods for building; doors, especially sliding doors, not of metal, especially consisting of biomaterial such as wood or wood-based materials, or plastics; shuttering (non-metallic), especially concrete casings, for building; borders, not of metal, especially for building; radiator covers, not of metal, especially consisting of biomaterial, such as wood or wood-based materials, or plastics; floor coverings and terrace decking, floor laminates and floor panels, laminates, panels and claddings for walls, ceilings and facades made of

non-metallic materials, especially for building, and especially consisting of biomaterial, including, but not limited to, organic raw materials of biological origin, such as wood, wood fibres, grasses, or plastics including, but not limited to, bioplastics or biomaterials, especially wood-based materials, or biomaterial-plastic composite materials or biomaterial-plastic material mixes; floor coverings and terrace decking, floor laminates and floor panels, laminates, panels and claddings for walls, ceilings and facades made of non-metallic materials, especially for building and especially consisting of biomaterial including, but not limited to, organic raw materials of biological origin, such as wood, wood fibres, grasses or plastics including, but not limited to, bioplastics or biomaterials, especially wood-based materials, or biomaterial-plastic composite materials or biomaterial-plastic material mixes, the above-mentioned materials with or without the addition of mineral or other fillers as well as the above-mentioned goods having a decorative and/or abrasion-resistant surface and/or having soundproofing properties and/or being water-repellent or waterproof and/or being fire-resistant, fire-proof, or refractory; non-metallic transportable buildings; floor coverings, especially consisting of biomaterial including, but not limited to, organic raw materials of biological origin, such as wood, wood fibres, grasses, or plastics including, but not limited to, bioplastics or biomaterial-plastic composite materials or biomaterial-plastic material mixes, the above-mentioned materials with or without the addition of mineral or other fillers; laminate panels [floor coverings]; high-pressure laminates and laminates grouted directly or continuously as floor coverings.

27 – Floor coverings; wall and ceiling coverings for indoor and outdoor applications, to the extent included in this class; floor coverings and artificial ground coverings; floor coverings of plastic, especially vinyl floor coverings; floor coverings made of wood-plastic composite materials or wood-based material-plastic composite materials; floor tiles made of plastic, especially polyvinyl chloride; wall hangings [non-textile]; wall paper of vinyl; wall coverings, also vinyl wall coverings; carpet tiles for covering floors consisting of biomaterial including, but not limited to, organic raw materials of biological origin, such as wood, wood fibres, grasses, or plastics including, but not limited to, bioplastics or biomaterial-plastic composite materials or biomaterial-plastic material mixes-the above-mentioned materials with or without the addition of mineral or other fillers; linoleum; carpets; door mats; mats.

35 – retail and wholesale services in relation to building materials, floor coverings, wall coverings, ceiling coverings, and facade and terrace cladding.

(260) AM 2019 99128 A\*

(800) 1419955

(151) 2018 04 20

(891) 2018 04 20

(731) SWISS KRONO Tec GmbH

Friedrichstraße 94, 10117 Berlin, Germany

(540)



(591) Black, white

(531) 24.13.01; 24.13.05; 24.13.22; 24.13.26;  
26.01.03; 26.01.18; 26.01.24; 27.05.09;  
27.05.10

(511)

19 – Goods for structural building with timber, namely construction kits for prefabricated houses or non-metal parts for prefabricated houses, especially prefabricated house construction kits for building external cellars, bicycle storage, or sheds; building materials [non-metallic], especially building materials consisting of biomaterial, including, but not limited to, organic raw materials of biological origin, such as wood, wood fibres, grasses or biomaterials, especially wood-based materials or materials of plastics, including, but not limited to, bioplastics or biomaterial-plastic composite materials or biomaterial-plastic material mixes; the above-mentioned materials with or without the addition of mineral or other fillers; wood-based materials; boards and moulded bodies not of metal, for building; boards and moulded bodies from wood or wood-based materials, especially boards and moulded bodies from chipped wood, wood particles or hard-fibre material, or from plastic or other non-metal materials, for building, the above-mentioned goods also with wood-veneer protective layers; boards and moulded bodies from a mixture of wood, wood-based materials, especially chipped wood, wood particles, hard-fibre material, as well as plastic, or other non-metal materials or as composite material, made of the above-mentioned materials, for building, the above-mentioned goods also with wood-veneer protective layers; wood-plastic composite materials, wood-plastic material mixes, wood-based material-plastic composite materials, and wood-based material-plastic material mixes, for building, the above-mentioned goods also with wood-veneer protective layers; hybrid boards, especially with bamboo middle layer, for building; chipboard, veneered chipboard, laminated chipboard, fire-resistant, fire-proof or refractory chipboard panels and moulded bodies, the above-mentioned goods for building; thin chipboard, oriented strand board, boards from long, flat, oriented chips, the above-mentioned goods especially for building; fibreboards and moulded bodies made of fibres for building; wood fibreboards, veneered fibreboards, laminated fibreboard, melamine-resin-coated medium density fibreboards; melamine-resin-coated high

density fibreboards, the above-mentioned goods especially for building; wood-fibre polymer materials for building; floor coverings, not of metal, especially from biomaterial, such as wood or wood-based materials, or from plastic or other non-metal materials; wooden flooring, parquet flooring and parquet slabs, parquet flooring made of cork, parquet wood flooring, especially with a middle layer of wood-based materials; paper and paper moulded bodies for building, namely paper impregnated with artificial resin for laminates; laminates (non-metallic), especially consisting of biomaterial, such as wood or wood-based materials, or plastics or other non-metal materials especially for building; high-pressure laminates and laminates grouted directly or continuously, not of metal; panels, not of metal, especially laminate panels, especially consisting of biomaterial, such as wood or wood-based materials, or plastics or other non-metal materials, for building; wood, also manufactured timber, compressible wood, wood, semi-worked; timber boarding; wooden beams; timber planking; wood sheeting; wooden doors; wood strips; planks of wood; wood veneers; terrace boards; floor slabs, not of metal; mouldings for building; wood; planks of wood for building; sawn timber; plywood; glue-laminated wood, especially with a lacquered surface; the above-mentioned goods for building; doors, especially sliding doors, not of metal, especially consisting of biomaterial such as wood or wood-based materials, or plastics; shuttering (non-metallic), especially concrete casings, for building; borders, not of metal, especially for building; radiator covers, not of metal, especially consisting of biomaterial, such as wood or wood-based materials, or plastics; floor coverings and terrace decking, floor laminates and floor panels, laminates, panels and claddings for walls, ceilings and facades made of non-metallic materials, especially for building, and especially consisting of biomaterial, including, but not limited to, organic raw materials of biological origin, such as wood, wood fibres, grasses, or plastics including, but not limited to, bioplastics or biomaterials, especially wood-based materials, or biomaterial-plastic composite materials or biomaterial-plastic material mixes; floor coverings and terrace decking, floor laminates and floor panels, laminates, panels and claddings for walls, ceilings and facades made of non-metallic materials, especially for building and especially consisting of biomaterial including, but not limited to, organic raw materials of biological origin, such as wood, wood fibres, grasses or plastics including, but not limited to, bioplastics or biomaterials, especially wood-based materials, or biomaterial-plastic composite materials or biomaterial-plastic material mixes, the above-mentioned materials with or without the addition of mineral or other fillers as well as the above-mentioned goods having a decorative and/or abrasion-resistant surface and/or having soundproofing properties and/or being

water-repellent or waterproof and/or being fire-resistant, fire-proof, or refractory; non-metallic transportable buildings; floor coverings, especially consisting of biomaterial including, but not limited to, organic raw materials of biological origin, such as wood, wood fibres, grasses, or plastics including, but not limited to, bioplastics or biomaterial-plastic composite materials or biomaterial-plastic material mixes, the above-mentioned materials with or without the addition of mineral or other fillers; laminate panels [floor coverings]; high-pressure laminates and laminates grouted directly or continuously as floor coverings.

27 – Floor coverings; wall and ceiling coverings for indoor and outdoor applications, to the extent included in this class; floor coverings and artificial ground coverings; floor coverings of plastic, especially vinyl floor coverings; floor coverings made of wood-plastic composite materials or wood-based material-plastic composite materials; floor tiles made of plastic, especially polyvinyl chloride; wall hangings [non-textile]; wall paper of vinyl; wall coverings, also vinyl wall coverings; carpet tiles for covering floors consisting of biomaterial including, but not limited to, organic raw materials of biological origin, such as wood, wood fibres, grasses, or plastics including, but not limited to, bioplastics or biomaterial-plastic composite materials or biomaterial-plastic material mixes-the above-mentioned materials with or without the addition of mineral or other fillers; linoleum.

35 – Retail and wholesale services in relation to building materials, floor coverings, wall coverings, ceiling coverings, and facade and terrace cladding.

(260) AM 2019 99132 A\*

(800) 1419995

(151) 2018 04 20

(891) 2018 04 20

(731) SWISS KRONO Tec GmbH

Friedrichstraße 94, 10117 Berlin, Germany

(540)



(591) Black, white

(531) 24.13.01; 24.13.05; 24.13.22; 24.13.26;  
26.01.03; 26.01.18; 26.01.24; 27.05.09;  
27.05.10

(511)

19 – Goods for structural building with timber, namely construction kits for prefabricated houses or non-metal parts for prefabricated houses, especially prefabricated house construction kits for building external cellars, bicycle storage, or sheds; building materials [non-metallic], especially building mate-

rials consisting of biomaterial, including, but not limited to, organic raw materials of biological origin, such as wood, wood fibres, grasses or biomaterials, especially wood-based materials or materials of plastics, including, but not limited to, bioplastics or biomaterial-plastic composite materials or biomaterial-plastic material mixes; the above-mentioned materials with or without the addition of mineral or other fillers; wood-based materials; boards and moulded bodies not of metal, for building; boards and moulded bodies from wood or wood-based materials, especially boards and moulded bodies from chipped wood, wood particles or hard-fibre material, or from plastic or other non-metal materials, for building, the above-mentioned goods also with wood-veneer protective layers; boards and moulded bodies from a mixture of wood, wood-based materials, especially chipped wood, wood particles, hard-fibre material, as well as plastic, or other non-metal materials or as composite material, made of the above-mentioned materials, for building, the above-mentioned goods also with wood-veneer protective layers; wood-plastic composite materials, wood-plastic material mixes, wood-based material-plastic composite materials, and wood-based material-plastic material mixes, for building, the above-mentioned goods also with wood-veneer protective layers; hybrid boards, especially with bamboo middle layer, for building; chipboard, veneered chipboard, laminated chipboard, fire-resistant, fire-proof or refractory chipboard panels and moulded bodies, the above-mentioned goods for building; thin chipboard, oriented strand board, boards from long, flat, oriented chips, the above-mentioned goods especially for building; fibreboards and moulded bodies made of fibres for building; wood fibreboards, veneered fibreboards, laminated fibreboard, melamine-resin-coated medium density fibreboards; melamine-resin-coated high density fibreboards, the above-mentioned goods especially for building; wood-fibre polymer materials for building; floor coverings, not of metal, especially from biomaterial, such as wood or wood-based materials, or from plastic or other non-metal materials; wooden flooring, parquet flooring and parquet slabs, parquet flooring made of cork, parquet wood flooring, especially with a middle layer of wood-based materials; paper and paper moulded bodies for building, namely paper impregnated with artificial resin for laminates; laminates (non-metallic), especially consisting of biomaterial, such as wood or wood-based materials, or plastics or other non-metal materials especially for building; high-pressure laminates and laminates grouted directly or continuously, not of metal; panels, not of metal, especially laminate panels, especially consisting of biomaterial, such as wood or wood-based materials, or plastics or other non-metal materials, for building; wood, also manufactured timber, compressible wood, wood, semi-worked; timber boarding; wooden beams; timber

planking; wood sheeting; wooden doors; wood strips; planks of wood; wood veneers; terrace boards; floor slabs, not of metal; mouldings for building; wood; planks of wood for building; sawn timber; plywood; glue-laminated wood, especially with a lacquered surface; the above-mentioned goods for building; doors, especially sliding doors, not of metal, especially consisting of biomaterial such as wood or wood-based materials, or plastics; shuttering (non-metallic), especially concrete casings, for building; borders, not of metal, especially for building; radiator covers, not of metal, especially consisting of biomaterial, such as wood or wood-based materials, or plastics; floor coverings and terrace decking, floor laminates and floor panels, laminates, panels and claddings for walls, ceilings and facades made of non-metallic materials, especially for building, and especially consisting of biomaterial, including, but not limited to, organic raw materials of biological origin, such as wood, wood fibres, grasses, or plastics including, but not limited to, bioplastics or biomaterials, especially wood-based materials, or biomaterial-plastic composite materials or biomaterial-plastic material mixes; floor coverings and terrace decking, floor laminates and floor panels, laminates, panels and claddings for walls, ceilings and facades made of non-metallic materials, especially for building and especially consisting of biomaterial including, but not limited to, organic raw materials of biological origin, such as wood, wood fibres, grasses or plastics including, but not limited to, bioplastics or biomaterials, especially wood-based materials, or biomaterial-plastic composite materials or biomaterial-plastic material mixes, the above-mentioned materials with or without the addition of mineral or other fillers as well as the above-mentioned goods having a decorative and/or abrasion-resistant surface and/or having soundproofing properties and/or being water-repellent or waterproof and/or being fire-resistant, fire-proof, or refractory; non-metallic transportable buildings; floor coverings, especially consisting of biomaterial including, but not limited to, organic raw materials of biological origin, such as wood, wood fibres, grasses, or plastics including, but not limited to, bioplastics or biomaterial-plastic composite materials or biomaterial-plastic material mixes, the above-mentioned materials with or without the addition of mineral or other fillers; laminate panels [floor coverings]; high-pressure laminates and laminates grouted directly or continuously as floor coverings.

27 – Floor coverings; wall and ceiling coverings for indoor and outdoor applications, to the extent included in this class; floor coverings and artificial ground coverings; floor coverings of plastic, especially vinyl floor coverings; floor coverings made of wood-plastic composite materials or wood-based material-plastic composite materials; floor tiles made of plastic, especially polyvinyl chloride; wall hangings

[non-textile]; wall paper of vinyl; wall coverings, also vinyl wall coverings; carpet tiles for covering floors consisting of biomaterial including, but not limited to, organic raw materials of biological origin, such as wood, wood fibres, grasses, or plastics including, but not limited to, bioplastics or biomaterial-plastic composite materials or biomaterial-plastic material mixes-the above-mentioned materials with or without the addition of mineral or other fillers; linoleum.

35 – retail and wholesale services in relation to building materials, floor coverings, wall coverings, ceiling coverings, and facade and terrace cladding.

(260) AM 2019 99137 A\*

(800) 1420043

(151) 2018 04 20

(891) 2018 04 20

(731) SWISS KRONO Tec GmbH

Friedrichstraße 94, 10117 Berlin, Germany

(540)



(591) Black, white

(531) 24.13.01; 24.13.05; 24.13.22; 24.13.26;

26.01.03; 26.01.18; 26.01.24; 27.05.09;

27.05.10

(511)

19 – Goods for structural building with timber, namely construction kits for prefabricated houses or non-metal parts for prefabricated houses, especially prefabricated house construction kits for building external cellars, bicycle storage, or sheds; building materials [non-metallic], especially building materials consisting of biomaterial, including, but not limited to, organic raw materials of biological origin, such as wood, wood fibres, grasses or biomaterials, especially wood-based materials or materials of plastics, including, but not limited to, bioplastics or biomaterial-plastic composite materials or biomaterial-plastic material mixes; the above-mentioned materials with or without the addition of mineral or other fillers; wood-based materials; boards and moulded bodies not of metal, for building; boards and moulded bodies from wood or wood-based materials, especially boards and moulded bodies from chipped wood, wood particles or hard-fibre material, or from plastic or other non-metal materials, for building, the above-mentioned goods also with wood-veneer protective layers; boards and moulded bodies from a mixture of wood, wood-based materials, especially chipped wood, wood particles, hard-fibre material, as well as plastic, or other non-metal materials or as composite material, made of the above-mentioned materials, for building, the above-mentioned goods also with wood-veneer protective layers; wood-plas-

tic composite materials, wood-plastic material mixes, wood-based material-plastic composite materials, and wood-based material-plastic material mixes, for building, the above-mentioned goods also with wood-veneer protective layers; hybrid boards, especially with bamboo middle layer, for building; chipboard, veneered chipboard, laminated chipboard, fire-resistant, fire-proof or refractory chipboard panels and moulded bodies, the above-mentioned goods for building; thin chipboard, oriented strand board, boards from long, flat, oriented chips, the above-mentioned goods especially for building; fibreboards and moulded bodies made of fibres for building; wood fibreboards, veneered fibreboards, laminated fibreboard, melamine-resin-coated medium density fibreboards; melamine-resin-coated high density fibreboards, the above-mentioned goods especially for building; wood-fibre polymer materials for building; floor coverings, not of metal, especially from biomaterial, such as wood or wood-based materials, or from plastic or other non-metal materials; wooden flooring, parquet flooring and parquet slabs, parquet flooring made of cork, parquet wood flooring, especially with a middle layer of wood-based materials; paper and paper moulded bodies for building, namely paper impregnated with artificial resin for laminates; laminates (non-metallic), especially consisting of biomaterial, such as wood or wood-based materials, or plastics or other non-metal materials especially for building; high-pressure laminates and laminates grouted directly or continuously, not of metal; panels, not of metal, especially laminate panels, especially consisting of biomaterial, such as wood or wood-based materials, or plastics or other non-metal materials, for building; wood, also manufactured timber, compressible wood, wood, semi-worked; timber boarding; wooden beams; timber planking; wood sheeting; wooden doors; wood strips; planks of wood; wood veneers; terrace boards; floor slabs, not of metal; mouldings for building; wood; planks of wood for building; sawn timber; plywood; glue-laminated wood, especially with a lacquered surface; the above-mentioned goods for building; doors, especially sliding doors, not of metal, especially consisting of biomaterial such as wood or wood-based materials, or plastics; shuttering (non-metallic), especially concrete casings, for building; borders, not of metal, especially for building; radiator covers, not of metal, especially consisting of biomaterial, such as wood or wood-based materials, or plastics; floor coverings and terrace decking, floor laminates and floor panels, laminates, panels and claddings for walls, ceilings and facades made of non-metallic materials, especially for building, and especially consisting of biomaterial, including, but not limited to, organic raw materials of biological origin, such as wood, wood fibres, grasses, or plastics including, but not limited to, bioplastics or biomaterials, especially wood-based materials, or biomaterial-plastic compo-



site materials or biomaterial-plastic material mixes; floor coverings and terrace decking, floor laminates and floor panels, laminates, panels and claddings for walls, ceilings and facades made of non-metallic materials, especially for building and especially consisting of biomaterial including, but not limited to, organic raw materials of biological origin, such as wood, wood fibres, grasses or plastics including, but not limited to, bioplastics or biomaterials, especially wood-based materials, or biomaterial-plastic composite materials or biomaterial-plastic material mixes, the above-mentioned materials with or without the addition of mineral or other fillers as well as the above-mentioned goods having a decorative and/or abrasion-resistant surface and/or having soundproofing properties and/or being water-repellent or waterproof and/or being fire-resistant, fire-proof, or refractory; non-metallic transportable buildings; floor coverings, especially consisting of biomaterial including, but not limited to, organic raw materials of biological origin, such as wood, wood fibres, grasses, or plastics including, but not limited to, bioplastics or biomaterial-plastic composite materials or biomaterial-plastic material mixes, the above-mentioned materials with or without the addition of mineral or other fillers; laminate panels [floor coverings]; high-pressure laminates and laminates grouted directly or continuously as floor coverings.

27 – Floor coverings; wall and ceiling coverings for indoor and outdoor applications, to the extent included in this class; floor coverings and artificial ground coverings; floor coverings of plastic, especially vinyl floor coverings; floor coverings made of wood-plastic composite materials or wood-based material-plastic composite materials; floor tiles made of plastic, especially polyvinyl chloride; wall hangings [non-textile]; wall paper of vinyl; wall coverings, also vinyl wall coverings; carpet tiles for covering floors consisting of biomaterial including, but not limited to, organic raw materials of biological origin, such as wood, wood fibres, grasses, or plastics including, but not limited to, bioplastics or biomaterial-plastic composite materials or biomaterial-plastic material mixes-the above-mentioned materials with or without the addition of mineral or other fillers; linoleum.

35 – retail and wholesale services in relation to building materials, floor coverings, wall coverings, ceiling coverings, and facade and terrace cladding.

(260) AM 2019 99138 A\*

(800) 1420105

(151) 2018 04 20

(891) 2018 04 20

(731) SWISS KRONO Tec GmbH

Friedrichstraße 94, 10117 Berlin,  
Germany

(540)



BY SWISS KRONO GROUP

(591) Red, blue, light blue, grey, white

(531) 24.13.01; 24.13.05; 24.13.22; 24.13.26;  
26.01.03; 26.01.18; 26.01.24; 27.05.09;  
27.05.10; 29.01.14

(511)

19 – Goods for structural building with timber, namely construction kits for prefabricated houses or non-metal parts for prefabricated houses, especially prefabricated house construction kits for building external cellars, bicycle storage, or sheds; building materials [non-metallic], especially building materials consisting of biomaterial, including, but not limited to, organic raw materials of biological origin, such as wood, wood fibres, grasses or biomaterials, especially wood-based materials or materials of plastics, including, but not limited to, bioplastics or biomaterial-plastic composite materials or biomaterial-plastic material mixes; the above-mentioned materials with or without the addition of mineral or other fillers; wood-based materials; boards and moulded bodies not of metal, for building; boards and moulded bodies from wood or wood-based materials, especially boards and moulded bodies from chipped wood, wood particles or hard-fibre material, or from plastic or other non-metal materials, for building, the above-mentioned goods also with wood-veneer protective layers; boards and moulded bodies from a mixture of wood, wood-based materials, especially chipped wood, wood particles, hard-fibre material, as well as plastic, or other non-metal materials or as composite material, made of the above-mentioned materials, for building, the above-mentioned goods also with wood-veneer protective layers; wood-plastic composite materials, wood-plastic material mixes, wood-based material-plastic composite materials, and wood-based material-plastic material mixes, for building, the above-mentioned goods also with wood-veneer protective layers; hybrid boards, especially with bamboo middle layer, for building; chipboard, veneered chipboard, laminated chipboard, fire-resistant, fire-proof or refractory chipboard panels and moulded bodies, the above-mentioned goods for building; thin chipboard, oriented strand board, boards from long, flat, oriented chips, the above-mentioned goods especially for building; fibreboards and moulded bodies made of fibres for building; wood fibreboards, veneered fibreboards, laminated fibreboard, melamine-resin-coated medium density fibreboards; melamine-resin-coated high density fibreboards, the above-mentioned goods especially for building; wood-fibre polymer materials for building; floor coverings, not of metal, especially from biomaterial, such as wood or wood-based materials, or from plastic or other non-metal materials; wooden floor-

ring, parquet flooring and parquet slabs, parquet flooring made of cork, parquet wood flooring, especially with a middle layer of wood-based materials; paper and paper moulded bodies for building, namely paper impregnated with artificial resin for laminates; laminates (non-metallic), especially consisting of biomaterial, such as wood or wood-based materials, or plastics or other non-metal materials especially for building; high-pressure laminates and laminates grouted directly or continuously, not of metal; panels, not of metal, especially laminate panels, especially consisting of biomaterial, such as wood or wood-based materials, or plastics or other non-metal materials, for building; wood, also manufactured timber, compressible wood, wood, semi-worked; timber boarding; wooden beams; timber planking; wood sheeting; wooden doors; wood strips; planks of wood; wood veneers; terrace boards; floor slabs, not of metal; mouldings for building; wood; planks of wood for building; sawn timber; plywood; glue-laminated wood, especially with a lacquered surface; the above-mentioned goods for building; doors, especially sliding doors, not of metal, especially consisting of biomaterial such as wood or wood-based materials, or plastics; shuttering (non-metallic), especially concrete casings, for building; borders, not of metal, especially for building; radiator covers, not of metal, especially consisting of biomaterial, such as wood or wood-based materials, or plastics; floor coverings and terrace decking, floor laminates and floor panels, laminates, panels and claddings for walls, ceilings and facades made of non-metallic materials, especially for building, and especially consisting of biomaterial, including, but not limited to, organic raw materials of biological origin, such as wood, wood fibres, grasses, or plastics including, but not limited to, bioplastics or biomaterials, especially wood-based materials, or biomaterial-plastic composite materials or biomaterial-plastic material mixes; floor coverings and terrace decking, floor laminates and floor panels, laminates, panels and claddings for walls, ceilings and facades made of non-metallic materials, especially for building and especially consisting of biomaterial including, but not limited to, organic raw materials of biological origin, such as wood, wood fibres, grasses or plastics including, but not limited to, bioplastics or biomaterials, especially wood-based materials, or biomaterial-plastic composite materials or biomaterial-plastic material mixes, the above-mentioned materials with or without the addition of mineral or other fillers as well as the above-mentioned goods having a decorative and/or abrasion-resistant surface and/or having soundproofing properties and/or being water-repellent or water-proof and/or being fire-resistant, fire-proof, or refractory; non-metallic transportable buildings; floor coverings, especially consisting of biomaterial including, but not limited to, organic raw materials of biological origin, such as wood, wood fibres, gras-

ses, or plastics including, but not limited to, bioplastics or biomaterial-plastic composite materials or biomaterial-plastic material mixes, the above-mentioned materials with or without the addition of mineral or other fillers; laminate panels [floor coverings]; high-pressure laminates and laminates grouted directly or continuously as floor coverings.

27 – Floor coverings; wall and ceiling coverings for indoor and outdoor applications, to the extent included in this class; floor coverings and artificial ground coverings; floor coverings of plastic, especially vinyl floor coverings; floor coverings made of wood-plastic composite materials or wood-based material-plastic composite materials; floor tiles made of plastic, especially polyvinyl chloride; wall hangings [non-textile]; wall paper of vinyl; wall coverings, also vinyl wall coverings; carpet tiles for covering floors consisting of biomaterial including, but not limited to, organic raw materials of biological origin, such as wood, wood fibres, grasses, or plastics including, but not limited to, bioplastics or biomaterial-plastic composite materials or biomaterial-plastic material mixes-the above-mentioned materials with or without the addition of mineral or other fillers; linoleum.

35 – retail and wholesale services in relation to building materials, floor coverings, wall coverings, ceiling coverings, and facade and terrace cladding.

---

(260) AM 2019 101704 A

(800) 1449227

(151) 2019 01 16

(891) 2019 01 16

(731) FORANS International AG

Haldenstrasse 5, CH-6340 Baar, Switzerland

(540)

## Medrull

(591) Black, white

(511)

10 – Surgical, medical, dental and veterinary apparatus and instruments; orthopedic articles; massage apparatus; apparatus, devices and articles for child care; apparatus, devices and articles for sexual activities.

---

(260) AM 2019 101752 A

(800) 1449961

(151) 2018 11 15

(891) 2018 11 15

(731) INTERMAPS SOFTWARE GMBH

Schönbrunner Straße 80/6, A-1050 Wien, Austria

(540)

## INTERMAPS

(591) Black, white

(511)

9 – Testing apparatus not for medical purposes; thermometers, not for medical purposes; distance recording apparatus; range finders; distance measuring apparatus; time recording apparatus; ticket dispensers; mileage recorders for vehicles; speed indicators; speed checking apparatus for vehicles; speed measuring apparatus [photography]; global positioning system [GPS] apparatus; altimeters; gradient indicators; surveyors' levels; levelling instruments; barometers; observation instruments; pressure measuring apparatus; temperature indicating apparatus; protective helmets for sports; electronic notice boards; electronic publications, downloadable; electronic agendas; audio- and video-receivers; downloadable image files; phototelegraphy apparatus; video telephones; optical apparatus and instruments, other than for protection against accidents, irradiation and fire; eyeglasses (optics), other than for protection against accidents, irradiation and fire; spectacle frames, other than for protection against accidents, irradiation and fire; sunglasses, other than for protection against accidents, irradiation and fire; goggles for sports, other than for protection against accidents, irradiation and fire; mirrors [optics]; binoculars; binoculars; telescopes; films, exposed; camera filters; viewfinders, photographic; cameras; photovoltaic cells; hands free kits for phones; telephones; telephone transmitters; cell phones; cell phone straps; radio pagers; headphones; chargers for electric batteries; chargers for electric batteries; radios; vehicle radios; sleeves for laptops; laptop computers; bags adapted for laptops; mouse [computer peripheral]; mouse pads; computer operating programs; computer programs, in particular apps; computer hardware; computer software; games software; interfaces for computers; modems; monitors (computer hardware and computer programs); notebook computers; bar code readers; USB flash drives; apparatus for recording, transmission or reproduction of sound or images; data processing apparatus.

10 – Blood testing apparatus, sphygmomanometers.

16 – Printed matter; instructional and teaching material (except apparatus); photographs [printed].

25 – Clothing, in particular ski wear, footwear, headgear.

26 – Competitors' numbers, embroidery.

28 – Stationary exercise bicycles, appliances for gymnastics, machines for physical exercises, paragliders, leisure equipment and sport articles namely sleds, ice skates, sole coverings for skis, ski bindings, skis, edges of skis, snowboards, water-skis, bags especially designed for skis and surfboards, climbers' harness, knee guards, nets for sports, camouflage screens, men's athletic supporters, apparatus for games, portable games with liquid crystal displays, gloves for games, practical jokes (novelties).

35 – Sponsorship search; cost price analysis; business inquiries; business management of sports people; business management of hotels; business management and organization consultancy; advisory services for business management; consumers (commercial information and advice for -) [consumer advice shop]; procurement services for others [purchasing goods and services for other businesses]; professional business consulting, compilation of statistics; commercial administration of the licensing of the goods and services of others; market research; telemarketing services; marketing studies; public relations services; arranging subscriptions to telecommunication services for others; arranging newspaper subscription; computerized file management; database services, in particular systemisation and compilation of information into computer databases; retailing, wholesaling, online retailing and online wholesaling for computer hardware, computer programs, in particular apps, testing apparatus, not for medical purposes, thermometers, not for medical purposes, distance recording apparatus, range finders, distance measuring apparatus, time recording apparatus, ticket dispensers, mileage recorders for vehicles, speed indicators, speed checking apparatus for vehicles, speed measuring apparatus (photography), global positioning system (GPS) apparatus, altimeters, inclinometers, surveyors' levels, levelling instruments, barometers, observation instruments, pressure measuring apparatus, temperature indicators, protective helmets for sports, electronic notice boards, downloadable electronic publications, electronic agendas, audio and video receivers, downloadable image files, phototelegraphy apparatus, video telephones, optical apparatus and instruments (other than for protection against accidents, irradiation and fire), eyeglasses (optics) (other than for protection against accidents, irradiation and fire), spectacle frames (other than for protection against accidents, irradiation and fire), sunglasses (other than for protection against accidents, irradiation and fire), goggles for sports (other than for protection against accidents, irradiation and fire), optical mirrors, binoculars, spyglasses, telescopes, exposed films, filters (photography), photographic viewfinders, cameras (photography), photovoltaic cells, hands-free kits for telephones, telephone apparatus, telephone transmitters, mobile telephones, mobile telephone straps, radio pagers, headphones, battery chargers, chargers for electric batteries, radios, vehicle radios, sleeves for laptops, laptop computers, bags adapted for laptops, mouse (computer peripheral), mouse pads, computer operating programs, computer programs, in particular apps, computer hardware, computer software, computer game software, interfaces for computers, modems, monitors (computer hardware and computer programs), notebook computers, bar-code readers, USB flash drives, blood testing apparatus, sphygmomanometers, clothing, in particular

skiwear, footwear, headgear, competitors' numbers, embroidery, automobile carpets, mats of woven rope for ski slopes, gymnasium mats, stationary exercise bicycles, appliances for gymnastics, machines for physical exercises, paragliders, sleds, ice skates, sole coverings for skis, ski bindings, skis, edges of skis, scrapers for skis; wax for skies, snowboard, water skis, bags especially designed for skis and surfboards, climbing belts, knee-pads, nets for sports, camouflage screens, boxes and suspensory bandages, apparatus for games, portable games with an LCD display, gloves for games, practical jokes [novelties]; advertising; advertising agencies; updating of advertising material; on-line advertising on a computer network; bill-posting; sample distribution; direct mail advertising; demonstration of goods for promotional purposes; dissemination of advertising matter; rental of advertising space; publicity material rental; rental of advertising time on communication media; presentation of goods on communication media, for retail purposes; price comparison services.

38 – Telecommunications, in particular the computer-aided transmission of messages and images; arranging access to computer databases; information about telecommunication; providing user access to global computer networks; providing internet chatrooms; provision of on-line forums; providing telecommunication channels for teleshopping services; wireless broadcasting; electronic bulletin board services; transmission of electronic mail; communications by fibre optic networks; communications by computer terminals; communications by telephone; telecommunications routing and junction services; communications by cellular phones; paging services [radio, telephone or other means of electronic communication]; satellite transmission; voice mail services; facsimile transmission; telephone services; transmission of digital files; transmission of greeting cards online; message sending.

42 – Design and development of computer hardware; software as a service [saas]; information technology [IT] consultancy; provision of search engines for the internet; advisory services relating to computer programming; writing, development, maintenance, installation, updating, rental and design of computer software, in particular ski apps for providing information relating to skiing areas, weather, slope and lift information, ski schools and sports shops with reservation options and relating to hotels and restaurants; computer system design; creating and maintaining web sites for others; graphic art design; hosting computer sites; scientific and industrial research; computer programming.

(260) AM 2019 101762 A  
(800) 1450159  
(151) 2019 01 10

(891) 2019 01 10  
(731) LONDON DOLLAR LTD  
Kemp House, 160 City Road, London  
EC1V 2NX, United Kingdom

(540)

## SAN MARTIN

(591) Black, white  
(511)  
34 – Cigarettes; cigarettes containing tobacco substitutes, e-cigarettes, vapour cigarettes, all smoking substitutes, not for medical purposes; cigarillos; cigars; chewing tobacco; any tobacco product; herbs for smoking; snuff; snuff boxes, tobacco, smokers' articles; molasses tobacco; shisha tobacco; hookah; hookah tobacco; matches.

(260) AM 2019 101763 A  
(800) 1450176  
(151) 2019 01 18  
(891) 2019 01 18  
(731) Menarini International Operations  
Luxembourg S.A.  
1, avenue de la Gare, L-1611 Luxembourg,  
Luxembourg

(540)

## VERIKTAR

(591) Black, white  
(511)  
5 – Antibiotics.

(260) AM 2019 101796 A  
(800) 1450475  
(151) 2018 10 25  
(891) 2018 10 25  
(731) WEICON GmbH & Co. KG  
Königsberger Str. 255, 48157 Münster,  
Germany

(540)



(591) Blue, white  
(531) 26.04.09; 26.04.18; 27.05.15; 29.01.12

(511)

1 – Chemicals used in industry, science and photography; unprocessed artificial resins, unprocessed plastics; filled epoxy resins; tempering and soldering preparations; adhesives used in industry; epoxy resins, unprocessed; unprocessed synthetic resins; silicones; solvents for varnishes and lacquers.

2 – Anti-corrosive preparations; paints, varnishes, lacquers; preservatives against the deterioration of wood; colorants; mordants; raw natural resins; artificial resin paints with a base of zinc, aluminium or

copper; spray coatings containing metals, in particular zinc, aluminium or copper.

(260) AM 2019 101797 A

(800) 1450494

(151) 2018 10 16

(891) 2018 10 16

(731) AMADEUS ALS GMBH

Wipplingerstrasse 1/2 Top 1, A-1010 Vienna, Austria

(540)

## Bim&Ba

(591) Black, white

(511)

29 – Meat, fish, poultry and game; meat extracts; preserved, frozen, dried and cooked fruits and vegetables; jellies, jams, compotes; eggs; milk and milk products; oils and fats for food; peanuts, prepared; peanut butter; potato-based dumplings; flavored nuts; nuts, prepared; nut fillings, paste, toppings; nut and fruit, nut and poppy seeds, fruit and poppy seeds mixes, paste, toppings; cranberry compote; fruit-based snack food; candied peanuts; candied nuts; whipped cream; condensed milk; whipping cream; yogurt; fruit-flavoured yogurts; beverages made from yogurt; fermented milk; lactic acid drinks; coconut, desiccated; milk shakes; fruit milk shakes; arrangements of processed fruit; gherkins; corn dogs; vegetable-based cream; croquettes; marmalade; butter; clarified butter; cocoa butter; buttercream; almonds, ground; milk cream; cocoa milk cream with hazelnuts; desserts made primarily from milk products; seeds, prepared, including salted, fried seeds; prepared flavoured seeds; pumpkin seeds, prepared; sunflower seeds, prepared; vegetable-based snack foods; fruit-based snack food; vegetable chips; vegetables, dried; pollen prepared as foodstuff; pressed fruit paste; raisins; crystallized raisins; cheese; cheese bars with raisins; sweet cheese bars; cottage cheese fritters; cheese puddings; snack mixes consisting of raisins, nuts, seeds, dehydrated fruit; nut-based spreads; freeze-dried vegetables; fat-containing mixtures for bread slices; dried berries; tahini (sesame seed paste); dates; crystallized fruits; fruit preserved in alcohol; fruit peel; fruit pulp; pressed fruit paste; fruit jellies; fruits, tinned; fruit chips; hazelnuts, prepared; candied fruits; potato chips.

30 – Coffee, tea, cocoa and artificial coffee; rice; tapioca and sago; flour and preparations made from cereals; bread, pastries and confectionery; edible ices; sugar, honey, treacle; yeast, baking-powder; salt; mustard; vinegar, sauces (condiments); spices; ice cream; peanut confectionery; chocolate-coated peanuts; aromatic preparations for food; cereal bars; high-protein cereal bars; processed cereal bars with various fillings, including cereal bars with berries, fruits, dehydrated fruits, dates, coconuts, candied

fruits, honey, nuts, seeds, raisins, juice, cinnamon, chocolate; rice bars with various fillings; granola bars; sponge cakes; vareniki (stuffed dumplings); waffles; waffle cakes; flour-based dumplings; flapjacks (oat bars); cookies; chocolate-coated nuts; peanut brittle; chocolate desserts; mirror icing (mirror glaze); jelly beans; dulce de leche; fruit jellies (confectionery); fruit jelly candy; cereal-based snack food; rice-based snack food; frozen yogurt (confectionery ices); frozen mixes for making bakery products; wheat germ for human consumption; cereal-based snacks; zephyr (confectionery); cupcakes; caramels (candy); muffins; sunflower brittle; sesame brittle; sugar confectionery; confectionery for decorating Christmas trees; crackers; croissants; croutons; corn, roasted; Turkish delight; macaroons (pastry); marzipan; marzipan paste; honey; honey with nuts and raisins; honey with nuts and dehydrated fruits; almond cookies; almond confectionery; nougat; chocolate-coated seeds; processed seeds for use as a seasoning; onigiri (rice balls); pastila (confectionery); pastilles (confectionery); petits fours (cakes); chips (cereal products); fondants (confectionery); doughnuts; popcorn; pralines; candy decorations for cakes; gingerbread; puddings; processed rice bars with various fillings, including rice bars with berries, fruits, dehydrated fruits, dates, coconuts, candied fruits, honey, nuts, seeds, raisins, juice, cinnamon, chocolate; rice crackers; rice pudding; rice cakes; chocolate-coated raisins; bread rolls; senbei (rice crackers); sweetmeats (candy); sherbets (ices); chocolate-based spreads; chocolate spreads containing nuts; freeze-dried dishes with the main ingredient being rice; dessert souffles; chocolate souffles; rusks; petit-beurre biscuits; tarts; cakes; fruit and berry jellies (confectionery); halvah; vanilla halvah; glazed halvah; milk halvah; sesame halvah; sunflower halvah; chocolate halvah; pistachio halvah; halvah with nuts, raisins, peanuts, cocoa, dried apricots, pistachios, sesame; cotton candy; baked goods; crispbread; grain-based chips; chocolate; chocolate covered curd cheese bars (confectionery).

(260) AM 2019 101799 A

(800) 1450514

(151) 2018 10 04

(891) 2018 10 04

(731) EVUM MOTORS GMBH

Joseph-Dollinger-Bogen 26, 80807 München, Germany

(540)

## Evum

(591) Black, white

(511)

12 – Vehicles and conveyances.

39 – Vehicle parking and storage; transport; packaging and storage of goods; distribution of electrical

energy, gas, water and district heating by pipelines and cables; provision of vehicle parking and storage, vessel mooring facilities.

42 – Design services; IT consultancy, advisory and information services; testing, authentication and quality control; scientific and technological services.

(260) AM 2019 101802 A

(800) 1450623

(151) 2018 09 04

(891) 2018 09 04

(731) Obschestvo s ogranichennoy otvetstvennostyu "GAMMA"  
ul. Sr. Kalitnikovskaya, 28, str. 4, RU-109029  
Moscow, Russian Federation

(540)



(591) Black, white, light green, pink, dark blue, violet-coloured, green

(531) 05.05.20; 29.01.15

(511)

20 – Animal hooves; works of art of wood, wax, plaster or plastic; bamboo; book rests; coral; decorations of plastic for foodstuffs; embroidery frames; figurines [statuettes] of wood, wax, plaster or plastic; ivory, unworked or semi-worked; mirrors, picture frames; mobiles [decoration]; mother-of-pearl, other than jewelry; plaited straw, except matting; racks [furniture]; screens [furniture]; shells; showcases [furniture]; tortoiseshell; works of yellow amber, other than jewelry.

21 – Household or kitchen utensils and containers; combs and sponges; brushes, except paint brushes; brush making materials; unworked or semi-worked glass, except glass used in building; glassware, porcelain and earthenware; candy boxes; busts of porcelain, earthenware or glass; flower pots; nozzles for watering cans; syringes for watering flowers and plants; clothes-pegs; statues of porcelain, earthenware or glass; ornaments for bouquets of porcelain, earthenware or glass.

31 – Natural plants and flowers; animal foodstuffs; malt; wreaths of natural flowers; wreaths of dried flowers; bushes; trees; natural turf; unsawn timber; Christmas trees; flower bulbs; rose bushes; lemons, fresh; vine plants; onions, fresh; oats; fishing bait, live; dried plants for decoration; live plants used as aquarium landscapes; fruit plants; dried flowers for decoration.

(260) AM 2019 101812 A

(800) 1450802

(151) 2018 12 03

(891) 2018 12 03

(731) RICHTER GEDEON NYRT.

Gyömrői út 19-21, H-1103 Budapest, Hungary

(540)

**Фемфетин**

(591) Black, white

(531) 28.05

(511)

5 – Pharmaceutical preparations.

(260) AM 2019 101813 A

(800) 1450814

(151) 2018 12 17

(891) 2018 12 17

(731) INBEV BELGIUM SPRL

Boulevard Industriel 21, B-1070 Brussels, Belgium

(540)



**Leffe**

(591) Black, white

(531) 07.01.03; 07.01.24; 24.01.03; 24.01.11;  
27.05.01

(511)

32 – Beers.

(260) AM 2019 101814 A

(800) 1450823

(151) 2018 11 19

(891) 2018 11 19

(731) RICHTER GEDEON NYRT.

Gyömrői út 19-21, H-1103 Budapest, Hungary

(540)

**LONELIX**

(591) Black, white

(511)

5 – Pharmaceutical preparations.

(260) AM 2019 101815 A

(800) 1450834

(151) 2018 11 19

(891) 2018 11 19

(731) RICHTER GEDEON NYRT.

Gyömrői út 19-21, H-1103 Budapest, Hungary

(540)

**NALUNDA**

(591) Black, white

(511)

5 – Pharmaceutical preparations.

(260) AM 2019 101816 A

(800) 1450835

(151) 2018 11 19

(891) 2018 11 19

(731) RICHTER GEDEON NYRT.

Gyömrői út 19-21, H-1103 Budapest, Hungary

(540)

**NOVOLEX**

(591) Black, white

(511)

5 – Gynecological pharmaceutical preparations.

(260) AM 2019 101817 A

(800) 1450865

(151) 2018 11 19

(891) 2018 11 19

(731) RICHTER GEDEON NYRT.

Gyömrői út 19-21, H-1103 Budapest, Hungary

(540)

**NEOBRILL**

(591) Black, white

(511)

5 – Pharmaceutical preparations.

(260) AM 2019 101820 A

(800) 1450889

(151) 2018 12 03

(891) 2018 12 03

(731) RICHTER GEDEON NYRT.

Gyömrői út 19-21, H-1103 Budapest, Hungary

(540)

**Климда**

(591) Black, white

(531) 28.05

(511)

5 – Pharmaceutical preparations.

(260) AM 2019 101821 A

(800) 1450890

(151) 2018 12 03

(891) 2018 12 03

(731) RICHTER GEDEON NYRT.

Gyömrői út 19-21, H-1103 Budapest, Hungary

(540)

**Генератрикс**

(591) Black, white

(531) 28.05

(511)

5 – Pharmaceutical preparations.

(260) AM 2019 101822 A

(800) 1450898

(151) 2018 12 03

(891) 2018 12 03

(731) RICHTER GEDEON NYRT.

Gyömrői út 19-21, H-1103 Budapest, Hungary

(540)

**Климелла**

(591) Black, white

(531) 28.05

(511)

5 – Pharmaceutical preparations.

(260) AM 2019 101823 A

(800) 1450941

(151) 2018 07 17

(891) 2018 07 17

(731) EURO GAMES TECHNOLOGY LTD.

"Maritsa" Str. 4, "Vranya-Lozen-Triugulnika",  
BG-1151 Sofia, Bulgaria

(540)

**Halloween**

(591) Brown, yellow, green and red

(531) 04.05.01; 04.05.21; 05.09.14; 27.03.11;

27.05.02; 29.01.14

(511)

9 – Apparatus for recording, transmission or reproduction of sound or image, computer software /recorded, monitors/computer hardware.

28 – Games, that are not included in other classes, gaming machines operating with coins, banknotes and cards; gaming machines for gambling.

(260) AM 2019 101824 A

(800) 1450962

(151) 2019 01 14

(891) 2019 01 14

(731) LALLEMAND PHARMA AG

Via Selva 2, CH-6900 Massagno, Switzerland

(540)

**L'SEA**

(591) Black, white

(511)

5 – Medicinal preparations; medicinal sprays; decongestant nasal sprays.

(260) AM 2019 101825 A  
 (800) 1451020  
 (151) 2018 12 10  
 (891) 2018 12 10  
 (731) DR. THEISS NATURWAREN GMBH  
 Michelinstr. 10, 66424 Homburg, Germany  
 (540)

**pharmatheiss**  
 cosmetics

**PHYTO**  
**HAIR**  
**BOOSTER**

(591) Blue, white, light green  
 (531) 26.11.02; 26.11.13; 27.05.09; 27.05.10;  
 27.05.11; 29.01.12

(511)  
 3 – Bleaching preparations and other substances for laundry use; cleaning, polishing, scouring and abrasive preparations; soaps; perfumery, essential oils, cosmetics, including non-medical skin cleaning and care preparations, and hair care preparations; eyelashes (false -); hair lotion; dentifrices.

5 – Pharmaceutical and veterinary preparations; medicines for human or veterinary purposes; sanitary preparations for medical purposes; dietetic foodstuffs and substances adapted for medical use; nutritional supplements; vitamin preparations, including beauty capsules.

(260) AM 2019 101826 A  
 (800) 1451022  
 (151) 2018 08 03  
 (891) 2018 08 03  
 (731) KMEW Co., Ltd.  
 2-27, Shiromi 1-chome, Chuo-ku, Osaka-shi,  
 Osaka 540-6013, Japan  
 (540)

**KMEW**

(591) Black, white  
 (531) 27.05.01  
 (511)

6 – Iron and steel; nonferrous metals and their alloys; ores of metal; metal materials for building or construction; prefabricated building assembly kits of metal; loading and unloading pallets of metal; turntables for load handling; traversers for load handling; artificial fish reefs of metal; prefabricated sectional poultry houses of metal; paint spraying booths of metal; metal moulds for forming cement products; metal pulleys, springs and valves [not including machine elements]; metal junctions for pipes; metal

flanges; machine keys; cotter pins of metal; railway points; road signs of metal [not luminous nor mechanical]; beacons of metal [non-luminous]; reservoirs of metal; anchors; mooring bits of metal; mooring bollards of metal; containers of metal for transport; anvils; swage blocks; metal hardware; wire ropes; wire nets and gauzes; industrial packaging containers of metal; metal nameplates and door nameplates; chains for dogs; metal stepladders and ladders; letter boxes of metal; hat-hanging hooks of metal; water tanks of metal for household purposes; tool boxes of metal, empty; towel dispensers of metal; metal joinery fittings; safes; upright signboards of metal; transportable greenhouses of metal for household use; metal tombs and metal tomb plaques; buckles of metal; ferrules of metal for canes and walking-sticks; crampons [climbing irons]; carabiners; pitons of metal [mountaineering equipment]; diving platforms of metal; spurs; sculptures of metal.

19 – Tar and pitch; non-metallic minerals for building or construction; ceramic building materials, bricks and refractory products; plastic building materials; synthetic building materials; asphalt, and asphalt building or construction materials; rubber building or construction materials; plaster for building purposes; lime building or construction materials; building or construction materials of plaster; rockslide retention nets of textiles [construction materials]; buildings, not of metal; erosion control mats integrating plants seeds; plastic security windows allowing communication; road and field marking sheets and strips; cement and its products; building timber; building stone; building glass; artificial fish reefs, not of metal; poultry houses, not of metal; paint spraying booths, not of metal; moulds for forming cement products, not of metal; water-pipe valves, not of metal or plastics; road signs, not of metal, non-luminous, and non-mechanical; beacons [not of metal, non-luminous]; reservoirs, not of metal or plastics; non-metal mooring bits and bollards; letter boxes of masonry; joinery fittings, not of metal; stone lanterns; transportable greenhouses, not of metal, for household use; gravestones and tomb plaques, not of metal; diving platforms not of metal; stone sculptures; concrete sculptures; marble sculptures; non-metallic mineral materials [unworked or partly worked].

37 – Construction; construction consultancy; operation and maintenance of building equipment; shipbuilding; repair or maintenance of vessels; aircraft repair or maintenance; repair of bicycles; repair or maintenance of automobiles; repair or maintenance of railway rolling stocks; repair or maintenance of two-wheeled motor vehicles; repair or maintenance of cinematographic machines and apparatus; repair or maintenance of optical machines and apparatus; repair or maintenance of photographic machines and apparatus; repair or maintenance of loading-unload-



ding machines and apparatus; repair or maintenance of fire alarms; repair or maintenance of office machines and equipment; repair or maintenance of air-conditioners; repair or maintenance of burners; repair or maintenance of boilers; repair or maintenance of pumps; repair or maintenance of freezing machines and apparatus; repair or maintenance of electronic machines and apparatus; repair or maintenance of telecommunication machines and apparatus; repair or maintenance of construction machines and apparatus; repair or maintenance of consumer electric appliances; repair or maintenance of electric lighting apparatus; repair or maintenance of power distribution or control machines and apparatus; repair or maintenance of power generators; repair or maintenance of electric motors; repair or maintenance of laboratory apparatus and instruments; repair or maintenance of measuring and testing machines and instruments; repair or maintenance of medical apparatus and instruments; repair or maintenance of firearms; repair or maintenance of printing or bookbinding machines and apparatus; repair or maintenance of chemical processing machines and apparatus; repair or maintenance of glassware manufacturing machines and apparatus; repair or maintenance of fishing machines and instruments; repair or maintenance of metalworking machines and tools; repair or maintenance of shoe making machines; repair or maintenance of industrial furnaces; repair or maintenance of mining machines and apparatus; repair or maintenance of rubber-goods manufacturing machines and apparatus; repair or maintenance of integrated circuits manufacturing machines and systems; repair or maintenance of semiconductor manufacturing machines and systems; repair or maintenance of machines and apparatus for processing foods or beverages; repair or maintenance of machines and apparatus for lumbering, woodworking, or veneer or plywood making; repair or maintenance of textile machines and apparatus; repair or maintenance of tobacco processing machines; repair or maintenance of painting machines and apparatus; repair or maintenance of agricultural machines and implements; repair or maintenance of machines and apparatus for pulp-making, papermaking or paper-working; repair or maintenance of plastic processing machines and apparatus; repair or maintenance of packing or wrapping machines and apparatus; repair or maintenance of sewing machines; repair or maintenance of reservoirs; repair or maintenance of gasoline station equipment; repair or maintenance of mechanical parking systems; repair or maintenance of bicycle parking apparatus; repair or maintenance of industrial dish washers; repair or maintenance of cooking equipment for industrial purposes; repair or maintenance of electric washing machines for industrial purposes; repair or maintenance of vehicle washing installations; repair or maintenance of vending machines; repair or maintenance of power-driven floor cleaning

machines; repair or maintenance of amusement machines and apparatus; repair or maintenance of apparatus and instruments for use in beauty salons or barbers' shops; repair or maintenance of water pollution control equipment; repair or maintenance of water purifying apparatus; repair or maintenance of waste compacting machines; repair or maintenance of waste crushing machines and apparatus; repair or maintenance of divers' apparatus; repair or maintenance of nuclear power plants; repair or maintenance of chemical plants; furniture restoration; umbrella repair; repair or maintenance of musical instruments; safe maintenance or repair; shoe repair; clock and watch repair or maintenance; sharpening of scissors and kitchen knives; setup or repair of locks; repair or maintenance of gas water heaters; repair or maintenance of cooking heaters; repair or maintenance of cooking pots and pans; repair or maintenance of signboards; repair of bags or pouches; repair of personal ornaments; repair of toys or dolls; repair of sports equipment; repair of billiard equipment; repair of game machines and apparatus; repair or maintenance of bath fittings; repair of toilet stool units with a washing water squirts; repair of fishing tackle; repair of spectacles; fur care and repair; laundering; pressing of clothing; clothing repair [mending clothing]; repair of tatami mats; chimney sweeping; cleaning of building exterior surfaces; window cleaning; carpet and rug cleaning; floor polishing; septic tank cleaning; bathtub and bath boiler cleaning; street cleaning; reservoirs cleaning; disinfecting of telephone hand-sets; vermin exterminating, other than for agriculture, horticulture and forestry; sterilization of medical apparatus and instruments; rental of construction machines and apparatus; rental of floor cleaning machines; rental of mops; rental of car-washing apparatus; rental of electric washing machines; rental of laundry dryers; rental of spin dryers for clothes; rental of mining machines and apparatus.

(260) AM 2019 101827 A

(800) 1451037

(151) 2018 07 17

(891) 2018 07 17

(731) EURO GAMES TECHNOLOGY LTD.

"Maritsa" Str. 4, "Vranya-Lozen-Triugulnika",  
BG-1151 Sofia, Bulgaria

(540)



(591) Orange, red, purple, yellow, gray, black,  
white and pink

(531) 05.05.19; 05.05.20; 27.05.02; 27.05.03;  
27.05.04; 27.05.08; 29.01.15

(511)

9 – Utility software; computer gaming software;  
computer software packages; computer operating

system software; application software; computer software; interfaces for computers; software drivers; interactive computer software; computer application software; virtual reality software; computer software for encryption; computer video game software; games software; software programs for video games; software programmable microprocessors; data, communications software; software for card readers; programmed video games contained on cartridges [software]; computer programs for network management; computer software that permits games to be played; operating computer software for main frame computers; video games on disc [computer software]; interactive entertainment software for use with personal computers; computer games programs recorded on tapes [software]; computer software to enhance the audio-visual capabilities of multimedia applications; monitors [computer hardware]; computer hardware; computer networking hardware; communications servers [computer hardware]; distance recording apparatus; apparatus for the transmission of images; apparatus for recording images; power-line transmission apparatus; voice transmitting apparatus; apparatus for transmission of communications; apparatus for reproduction of sound and images; monitors [computer programs]; recorded computer game programs; computer joysticks; interactive multimedia computer game programs; video games [computer games] in the form of computer programs recorded on data carriers; computer programmes for interactive television and for interactive games and/or quizzes; computer chips; chips [integrated circuits]; multiprocessor chips; electronic memory integrated circuit chips.

28 – Gaming machines for gambling; chips for gambling; mah-jong; gaming machines (arcade games); amusement machines, operating with coins, banknotes, cards; parlour games; gaming chips; gaming tables; LCD game machines; slot machines [gaming machines]; chips (gaming equipment).

41 – Providing amusement arcade services; rental of slot machines with images of fruits; gambling services.

(260) AM 2019 101828 A  
(800) 1451041  
(151) 2018 12 14  
(891) 2018 12 14  
(731) SENNHEISER ELECTRONIC GMBH & CO.KG  
Am Labor 1, 30900 Wedemark, Germany  
(540)



(591) Black, white  
(531) 25.05.03; 26.04.05; 26.04.18; 26.11.01;  
26.11.13; 27.05.01; 27.05.21  
(511)  
9 – Apparatus for recording, transmission and reproduction of sound, images and data; microphones; loudspeakers; headphones; headsets; telecommunications apparatus and telecommunications equipment; data carriers, namely compact discs, floppy discs, DVDs, videos, USB flash drives, memory cards; computer software; application software, including apps; covers and cases for the aforementioned goods; parts and accessories of the aforementioned goods.

(260) AM 2019 101829 A  
(800) 1451046  
(151) 2018 11 23  
(891) 2018 11 23  
(731) ZJG WOKIN INDUSTRIAL CO., LTD.  
No.350, Yangjin Road, Hexing, Jinfeng Town,  
Zhangjiagang City, Jiangsu Province, China  
(540)

**WOKiN**

(591) Black, white  
(531) 27.05.19  
(511)  
7 – Agricultural implements, other than hand-operated; saw blades [parts of machines]; pneumatic jacks; hand-held tools, other than hand-operated; screwdrivers, electric.  
8 – Abrading instruments [hand instruments]; hand tools, hand-operated; agricultural implements, hand-operated; garden tools, hand-operated; scraping tools [hand tools]; pliers; ratchets [hand tools]; spatulas [hand tools]; hobby knives [scalpels]; secateurs.  
9 – Telescopes; protection devices for personal use against accidents; protective helmets; counters; scales; slide calipers; measures; measuring instruments.

(260) AM 2019 101831 A  
(800) 1451064  
(151) 2018 12 03  
(891) 2018 12 03  
(731) RICHTER GEDEON NYRT.  
Gyömrői út 19-21, H-1103 Budapest, Hungary  
(540)

**АМТЕНЗОН**

(591) Black, white  
(531) 28.05  
(511)  
5 – Pharmaceutical preparations.

(260) AM 2019 101846 A  
 (800) 1451185  
 (151) 2018 07 17  
 (891) 2018 07 17  
 (731) EURO GAMES TECHNOLOGY LTD.  
 "Maritsa" Str. 4, "Vranya-Lozen-Triugulnika",  
 BG-1151 Sofia, Bulgaria  
 (540)



(591) Pink, red, purple, yellow, brown, black and white  
 (531) 05.05.16; 05.05.20; 05.05.21; 27.05.02;  
 27.05.03; 27.05.08; 29.01.15  
 (511)  
 9 – Utility software; computer gaming software; computer software packages; computer operating system software; application software; computer software; interfaces for computers; software drivers; interactive computer software; computer application software; virtual reality software; computer software for encryption; computer video game software; games software; software programs for video games; software programmable microprocessors; data communications software; software for card readers; programmed video games contained on cartridges [software]; computer programs for network management; computer software that permits games to be played; operating computer software for main frame computers; video games on disc [computer software]; interactive entertainment software for use with personal computers; computer games programs recorded on tapes [software]; computer software to enhance the audio-visual capabilities of multimedia applications; monitors [computer hardware]; computer hardware; computer networking hardware; communications-servers [computer hardware]; distance recording apparatus; apparatus for the transmission of images; apparatus for recording images; power-line transmission apparatus; voice transmitting apparatus; apparatus for transmission of communications; apparatus for reproduction of sound and images; monitors [computer programs]; recorded computer game programs; computer joysticks; interactive multimedia computer game programs; video games [computer games] in the form of computer programs recorded on data carriers; computer programmes for interactive television and for interactive games and/or quizzes; computer chips; chips [integrated circuits]; multiprocessor chips; electronic memory integrated circuit chips.

(260) AM 2019 101860 A  
 (800) 1451594  
 (151) 2019 01 09  
 (891) 2019 01 09

(731) INEXTO SA  
 Avenue Edouard-Dapples 7, CH-1006  
 Lausanne, Switzerland  
 (540)

## INEXTRACE

(591) Black, white  
 (511)  
 9 – Electronic equipment and software for the marking (encoding and serializing), marking reading, tracking, tracing, control of volume production as well as the authentication of manufactured products; computer software for the aforesaid functions; software that can be downloaded via smartphones, mobile telephones, mobile terminals or other office laptop applications; database and application integration software; application programs.  
 42 – Scientific and technological services as well as research and design services relating thereto, industrial research and analysis services, design and development of computer hardware and software, assessment, estimates, research and reports intended for marking (encoding), tracking, tracing, controlling of production volume and authentication of manufactured products, computer system analysis, computer technology consulting services, conversion of computer data and programs other than physical conversion, consulting in information technology, information relating to computer technology and programming via websites, software installation, remote monitoring of computer systems, technical research, maintenance of computer software; computer programming services relating to applications.

(260) AM 2019 101861 A  
 (800) 1451606  
 (151) 2018 11 26  
 (891) 2018 11 26  
 (731) AKTSIONERNOYE OBSHESTVO  
 "YUZHMOREYBFLOT"  
 ul. Zavodskaya, 16, p. Yuzhno-Morskoy,  
 g. Nakhodka, RU-692954 Primorsky kray,  
 Russian Federation  
 (540)



(591) Navy-blue; grey; blue; white; red  
 (531) 07.01.16; 24.07.01; 28.05; 29.01.14  
 (526) САЙПА тихоокеанская натуральная  
 (511)  
 29 – Fish, preserved.

(260) AM 2019 101862 A  
 (800) 1451618  
 (151) 2018 11 02  
 (891) 2018 11 02  
 (731) ÖZERDEN PLASTİK SANAYİ VE  
 TİCARET ANONİM ŞİRKETİ  
 Huzur Mahallesi, Ayazağa Cendere Caddesi,  
 No:8, Şişli, Kağıthane, İSTANBUL, Turkey  
 (540)



(591) Red, dark red, blue and turquoise  
 (531) 26.11.01; 26.11.09; 26.11.12; 27.05.01;  
 29.01.13  
 (511)  
 16 – Plastic reflective radiant heat barrier foils (with  
 or without bubble) for wrapping, packaging, cover-  
 ing, and lining.  
 17 – Plastic or metal reflective radiant heat barrier  
 insulation foils (with or without bubble) for thermal  
 insulation, covering, lining, and blocking.

(260) AM 2019 101863 A  
 (800) 1451622  
 (151) 2018 10 09  
 (891) 2018 10 09  
 (731) Limited Liability Company "ORIMI"  
 15/4 plot, 1-st Microrayon Street, Sverdlov  
 factory settlement, Vsevolozhsk district,  
 RU-188682 Leningrad oblast, Russian  
 Federation  
 (540)

**SHAH SHAX**

(591) Black, white  
 (531) 28.05  
 (511)  
 30 – Tea.

(260) AM 2019 101864 A  
 (800) 1451623  
 (151) 2019 01 09  
 (891) 2019 01 09  
 (731) INEXTO SA  
 Avenue Edouard-Dapples 7, CH-1006  
 Lausanne, Switzerland  
 (540)

**INEXTRACK**

(591) Black, white  
 (511)  
 9 – Electronic equipment and software for the mar-  
 king (encoding and serializing), marking reading,

tracking, tracing, control of volume production as  
 well as the authentication of manufactured products;  
 computer software for the aforesaid functions; soft-  
 ware that can be downloaded via smartphones, mo-  
 bile telephones, mobile terminals or other office lap-  
 top applications; database and application integra-  
 tion software; application programs.

42 – Scientific and technological services as well as  
 research and design services relating thereto, indus-  
 trial research and analysis services, design and deve-  
 lopment of computer hardware and software, assess-  
 ment, estimates, research and reports intended for  
 marking (encoding), tracking, tracing, controlling of  
 production volume and authentication of manufac-  
 tured products, computer system analysis, computer  
 technology consulting services, conversion of com-  
 puter data and programs other than physical conver-  
 sion, consulting in information technology, informa-  
 tion relating to computer technology and program-  
 ming via websites, software installation, remote  
 monitoring of computer systems, technical research,  
 maintenance of computer software; computer pro-  
 gramming services relating to applications.

(260) AM 2019 101865 A  
 (800) 1451626  
 (151) 2019 01 09  
 (891) 2019 01 09  
 (731) INEXTO SA  
 Avenue Edouard-Dapples 7, CH-1006  
 Lausanne, Switzerland  
 (540)

**INEXTEND**

(591) Black, white  
 (511)  
 9 – Electronic equipment and software for the mar-  
 king (encoding and serializing), marking reading,  
 tracking, tracing, control of volume production as  
 well as the authentication of manufactured products;  
 computer software for the aforesaid functions; soft-  
 ware that can be downloaded via smartphones, mo-  
 bile telephones, mobile terminals or other office lap-  
 top applications; database and application integra-  
 tion software; application programs.

42 – Scientific and technological services as well as  
 research and design services relating thereto, indus-  
 trial research and analysis services, design and deve-  
 lopment of computer hardware and software, assess-  
 ment, estimates, research and reports intended  
 for marking (encoding), tracking, tracing, controlling  
 of production volume and authentication of manu-  
 factured products, computer system analysis, com-  
 puter technology consulting services, conversion of  
 computer data and programs other than physical  
 conversion, consulting in information technology,  
 information relating to computer technology and  
 programming via websites, software installation, re-

mote monitoring of computer systems, technical research, maintenance of computer software; computer programming services relating to applications.

(260) AM 2019 101866 A

(800) 1451627

(151) 2018 07 25

(891) 2018 07 25

(731) TAV HAVALİMANLARI HOLDİNG  
ANONİM ŞİRKETİ  
İstanbul Atatürk Havalimanları, Dış  
Hatlar Terminali, TR-34149 Yeşilköy  
Bakırköy İstanbul, Turkey

(540)



(591) Black, white

(531) 01.05.01; 18.05.01; 26.11.21; 27.05.24

(511)

9 – Measurement apparatus and equipment including those for scientific, nautical, topographic, meteorologic, industrial and laboratory purposes, thermometers, not for medical purposes, barometers, ammeters, voltmeters, hygrometers, testing apparatus not for medical purposes, telescopes, periscopes, directional compasses, speed indicators, laboratory apparatus, microscopes, magnifying glasses, stills, binoculars, ovens and furnaces for laboratory experiments; apparatus for recording, transmission or reproduction of sound or images, cameras, photographic cameras, television apparatus, video recorders, CD and DVD players and recorders, MP3 players, computers, desktop computers, tablet computers, wearable technological devices (smartwatches, smart wristbands and head-mounted cameras), microphones, loudspeakers, earphones, telecommunications apparatus, apparatus for the reproduction of sound or images, computer peripheral devices, cell phones, covers for cell phones, telephone apparatus, computer printers, scanners [data processing equipment], photocopiers; magnetic and optic data carriers and computer software and programmes recorded thereto, downloadable and recordable electronic publications, encoded magnetic and optic cards, cinematographic films, sequences and video music clips recorded on magnetic, optical and electronic media; antennas, satellite antennas, amplifiers for antennas, parts of the aforementioned goods; ticket dispensers, automatic teller machines (ATM); electronic compo-

nents used in the electronic parts of machines and apparatus, semi-conductors, electronic circuits, integrated circuits, chips [integrated circuits], diodes, transistors [electronic], magnetic heads for electronic apparatus, electronic locks, photocells, remote control apparatus for opening and closing doors, optical sensors; counters and quantity indicators for measuring the quantity of consumption, automatic time switches; clothing for protection against accidents, irradiation and fire, safety vests and life-saving apparatus and equipment; eyeglasses, sunglasses, optical lenses and cases, containers, parts and components thereof; apparatus and instruments for conducting, transforming, accumulating or controlling electricity, electric plugs, junction boxes [electricity], electric switches, circuit breakers, fuses, lighting ballasts, battery starter cables, electrical circuit boards, electric resistances, electric sockets, transformers [electricity], electrical adapters, battery chargers, electric door bells, electric and electronic cables, batteries, electric accumulators; solar panels for electricity generation; alarms and anti-theft alarms, other than for vehicles, electric bells; signalling apparatus and instruments, luminous or mechanical signs for traffic use; fire extinguishing apparatus, fire engines, fire hose and fire hose nozzles; radar apparatus, sonars, night vision apparatus and instruments; decorative magnets; metronomes.

43 – Services for providing food and drink; temporary accommodation; reservation services for temporary accommodation, wedding hall rental services, space provision for conferences and various meetings; day-nurseries (crèches); boarding for animals.

(260) AM 2019 101867 A

(800) 1451634

(151) 2018 10 31

(891) 2018 10 31

(731) TOPNET, INC.

10730 McCune Avenue, Los Angeles  
CA 90034, USA

(540)

## OVENTE

(591) Black, white

(511)

11 – Blankets, electric, not for medical purposes; charcoal grills; chocolate fountains, electric; coffee machines, electric; coffee percolators, electric; deep fat fryers; deep fryer, electric; deep fryers, electric; electric blankets for household purposes; electric blankets not for medical purposes; electric coffee pots; electric coffee brewers; electric coffee machines; electric coffee makers; electric coffee percolators; electric coffee roasters; electric deep fryers; electric espresso machines; electric French presses; electric kettles; electric kettles for household purposes; electric panini grills; electric panini makers; electric

panini presses; electric samovars; electric sandwich makers; electric sandwich toasters; electric skillets; electric tea pots; electric toaster ovens; electric tea kettles; hair dryers; hair dryers for beauty salon use; hair dryers for household purposes; heaters for vehicles; humidifiers; humidifiers for household purposes; humidifiers for household use; industrial deep fryers; kettles, electric; air humidifying apparatus; baking ovens; baking ovens; barbecue grills; bathroom heaters; ceramic stoves; combination steamers and ovens; cooking ovens; cooking stoves; electric hair dryers; electric heaters for commercial use; electric stoves; electric beverage heaters; electric cooking ovens; electric cooking ovens; electric cooking stoves; electric food steamers; electric food warmers; electric food warmers in the nature of convertible stainless steel electric warming tray and buffet server with temperature controller, indicator light, cool-touch handle; electric indoor grills; electric outdoor grills; electric vegetable steamers; food steamers, electric; hand-held electric hair dryers; hot water heaters; immersion heaters; portable stoves; portable electric heaters; programmable electronic devices for setting temperatures and cook times which also feature recipes, sold as a component of gas cooking ovens, electric cooking ovens and electric deep fryers; water heaters.

(260) AM 2019 101872 A  
 (800) 1451665  
 (151) 2019 01 09  
 (891) 2019 01 09  
 (731) INEXTO SA  
 Avenue Edouard-Dapples 7, CH-1006  
 Lausanne, Switzerland  
 (540)

## INEXTOR

(591) Black, white  
 (511)  
 9 – Electronic equipment and software for the marking (encoding and serializing), marking reading, tracking, tracing, control of volume production as well as the authentication of manufactured products; computer software for the aforesaid functions; software that can be downloaded via smartphones, mobile telephones, mobile terminals or other office laptop applications; database and application integration software; application programs.

42 – Scientific and technological services as well as research and design services relating thereto, industrial research and analysis services, design and development of computer hardware and software, assessment, estimates, research and reports intended for marking (encoding), tracking, tracing, controlling of production volume and authentication of manufactured products, computer system analysis, computer technology consulting services, conversion of com-

puter data and programs other than physical conversion, consulting in information technology, information relating to computer technology and programming via websites, software installation, remote monitoring of computer systems, technical research, maintenance of computer software; computer programming services relating to applications.

(260) AM 2019 101873 A  
 (800) 1451700  
 (151) 2018 11 12  
 (891) 2018 11 12  
 (731) Sovmestnoe obchtchestvo s ogranitchennoy otvetstvennostiyu "CONTE SPA"  
 d. 30, Pobedy Street, 230026 Grodno, Belarus  
 (540)



(591) Red and black  
 (531) 27.05.10; 29.01.12  
 (526) Women's collection  
 (511)  
 25 – Wimples; bandanas [neckerchiefs]; underwear; sweat-absorbent underwear; berets; overalls; boas [necklets]; teddies [underclothing]; boots, included in this class; ski boots; boots for sports; breeches for wear; trousers; football boots; brassieres; detachable collars; collars [clothing]; pelerines; shirt yokes; veils [clothing]; gabardines [clothing]; neckties; ascots; leggings [leg warmers]; gaiters; knee-high stockings; corselets; jerseys [clothing]; vests; sports jerseys; hosiery; long underwear; hoods [clothing]; tights; slippers [underclothing]; combinations [clothing]; wet suits for water-skiing; bodices [lingerie]; corsets [underclothing]; suits; bathing suits; masquerade costumes; beach clothes; jackets [clothing]; stuff jackets [clothing]; fishing vests; leggings [trousers]; liveries; camisoles; cuffs; short-sleeve shirts; mantillas; sleep masks; mittens; muffs [clothing]; footmuffs, not electrically heated; bibs, not of paper; fur stoles; ear muffs [clothing]; socks; footwear, included in this class; paper clothing; outerclothing; ready-made clothing; motorists clothing; cyclists' clothing; clothing for gymnastics; clothing of imitations of leather; clothing of leather; uniforms; clothing; pajamas; bathing trunks; scarfs; pocket squares; dresses; headbands [clothing]; garters; sock suspenders; stocking suspenders; ready-made linings [parts of clothing]; dress shields; ponchos; girdles; belts [clothing]; money belts [clothing]; layettes [clothing]; pullovers; heelpieces for stockings; shirts; sarongs; jumper dresses; saris; sweaters; togas; knitwear [clothing]; underpants; skull caps; turbans; headgear for wear; aprons [clothing]; tee-shirts; bathrobes; stockings; sweat-absorbent stockings; shawls; paper hats [clothing].

hing]; caps [headwear]; paper hats [clothing]; shower caps; caps for sauna; bathing caps; sashes for wear; hats; babies' pants [underwear]; trouser straps; pelisses; esparto shoes or sandals; skirts; petticoats; skorts.

35 – Advertising; on-line advertising on a computer network; rental of advertising space; organization of fashion shows for promotional purposes; business management; marketing; opinion polling; market studies; business administration; office functions; procurement services for others [purchasing goods and services for other businesses]; demonstration of goods, including via global computer networks on internet web sites; sales promotion for others; retail services connected to the sale of clothing, footwear, headgear, bags, purses, wallet, perfumery, non-medicated cosmetics, trimmings for clothing, hair decorations, fashion jewelry, sunglasses, umbrellas; presentation of goods on communication media, for retail purposes; commercial information and advice for consumers [information on goods for consumers]; administrative processing of purchase orders; distribution of samples.

(260) AM 2019 101874 A

(800) 1451715

(151) 2018 10 12

(891) 2018 10 12

(731) DOPRINDA IRYNA BORYSIVNA

vul. Dunaievskoho, 1, kv. 6A, m. Dnipro  
49017, Ukraine

(540)



(591) Black, white

(531) 01.07.06; 26.11.01; 26.11.12

(526) BARK

(511)

12 – Oars; paddles for canoes; sculls; fishing trolleys; screw-propellers for boats; steering wheels for vehicles; ships; ship hulls; oarlocks; fenders for ships; cleats (nautical); steering gears for ships; pontoon boats; inclined ways for boats; water vehicles (yachts, motorboats, inflatable boats, fishing boats); air-cushion vehicles; boats; covers for vehicle steering wheels; vehicle covers (shaped); solid tyres for vehicle wheels; davits for boats (boat davits); launches; timbers (frames) for ships; masts for boats; yachts; motorboats; inflatable boats; fishing boats.

35 – Demonstration of goods; commercial information and advice for consumers in the choice of products and services; marketing services; provision

of an on-line marketplace for buyers and sellers of goods and services; organization of exhibitions for commercial or advertising purposes; organization of trade fairs for commercial or advertising purposes; presentation of goods on communication media, for retail purposes; advertising; pay per click advertising; outdoor advertising; advertising by mail order; on-line advertising on computer networks; sales promotion for others.

(260) AM 2019 101880 A

(800) 1451859

(151) 2018 08 06

(891) 2018 08 06

(731) SEGAFREDO ZANETTI COFFEE SYSTEM  
S.P.A.

Via Peschiere, 51 – Fraz. Conschio, I-31032  
CASALE SUL SILE (Treviso), Italy

(540)

## LIONLAP

(591) Black, white

(511)

30 – Coffee (roasted, in grain form, in powder form, in pod form, freeze-dried), decaffeinated coffee, artificial coffee (or coffee substitutes), coffee-based beverages; sugar; bread; preparations for making beverages; tea-based beverages and tea-based beverages with fruit flavoring; drinks made with coffee; coffee beverages with milk; coffee-flavoured syrups used to prepare drinks; flavourings for beverages; prepared coffee beverages; preparations for making beverages [coffee based]; preparations for making beverages [tea based]; prepared coffee and coffee-based beverages; coffee-based beverages containing ice cream (affogato); extracts of coffee for use as flavours in beverages; pasta; tarts; honey; spices.

32 – Energy drinks [not for medical purposes]; energy drinks containing caffeine; energy drinks; non-alcoholic beverages; flavoured carbonated beverages; low-calorie soft drinks; preparations for making beverages; beverages containing vitamins; sports drinks; non-alcoholic beverages flavoured with coffee; non-alcoholic beverages flavoured with tea; functional water-based beverages; concentrates for use in the preparation of soft drinks; all the above mentioned products with the exclusion of all beverage with chocolate or chocolateflavoured.

(260) AM 2019 101881 A

(800) 1451887

(151) 2018 12 31

(891) 2018 12 31

(731) HUAWEI TECHNOLOGIES CO., LTD.

ADMINISTRATION BUILDING, HUAWEI  
TECHNOLOGIES CO., LTD. BANTIAN,  
LONGGANG DISTRICT, SHENZHEN,  
China

(540)

# AI VISION

(591) Black, white

(531) 27.05.01

(511)

9 – Optical lenses; smartphones; filters [photography]; cameras; camera shutters; lenses for photographic apparatus; selfie lenses; lens shutter; flash-bulbs [photography]; flashlamps for cameras.

(260) AM 2019 101882 A

(800) 1451938

(151) 2018 12 05

(891) 2018 12 05

(731) Cinionic BVBA

Beneluxpark 21, B-8500 Kortrijk, Belgium

(540)

# CINIONIC

(591) Black, white

(511)

9 – Monitors; picture projectors; image intensifiers; image processors; cine projectors; cameras; audio and audio-visual recordings; apparatus for editing cinematographic films; film editing machines; projection screens; audio equipment for use in cinema facilities; sound projectors; amplifiers; audio mixing consoles; sound reproduction apparatus; sound and picture recording apparatus; playing devices for sound and image carriers; downloadable image files; apparatus for the reproduction of images; apparatus for the transmission of images; apparatus for the processing of images; apparatus for the broadcasting of sound, data and images; LCD displays; computer software for the reproduction, projection and sharing of images and sound; image recognition software; three dimensional picture manipulators; software for processing digital images; all of the aforesaid goods only for use in cinemas; cloud computing software intended exclusively for cinemas; computer software for storing and sending audio-visual files via the cloud intended exclusively for cinemas.

36 – Insurance for cinema hardware and software; provision of finance for leasing.

37 – Installation, repair and maintenance of cinema hardware.

38 – Transmission of vision [images] via interactive multimedia networks; transmission of sound, picture and data signals; communication services for the electronic transmission of images; computer-aided transmission of images; sound and picture transmission via satellite; secure transmission of sound and images; network transmission of sound, images and data; wireless electronic transmission of images and sound; transmission of sound and vision via interactive multimedia networks; transmission and distribu-

tion of audio-visual images via a global computer network or the Internet; rental of apparatus for transmitting images; all of the aforesaid services intended exclusively for/ granted by cinemas.

41 – Rental of sound and video recording apparatus; cinema theaters; film distribution; leasing of motion picture projectors; leasing of film projection apparatus; leasing of cinemas; leasing of cine-film apparatus; provision of entertainment services in the form of cinema performances; providing non-downloadable digital sound recordings and image recordings from the Internet; providing of training; all of the aforesaid services intended exclusively for/granted by cinemas.

42 – Image processing software design; development and design of digital sound and image carriers; design of image processing software; electronic storage of digital images; rental of computer hardware and software; installation, repair and maintenance of software; all of the aforesaid services intended exclusively for/granted by cinemas.

(260) AM 2019 101883 A

(800) 1451965

(151) 2018 10 04

(891) 2018 10 04

(731) VIENNA INSURANCE GROUP AG Wiener

Versicherung Gruppe

Schottenring 30, A-1010 Wien, Austria

(540)



(591) Black, white, orange and red

(531) 26.03.04; 26.03.05; 27.05.10; 27.05.11; 29.01.14

(511)

36 – Insurance, financial affairs, monetary affairs, real estate affairs.

(260) AM 2019 101937 A

(800) 1452075

(151) 2019 01 21

(891) 2019 01 21

(731) Joint-Stock Company "VORONEZHSKAYA

CONDITERSKAYA FABRIKA"

ul. Koltsovskaya, d. 40, RU-394030

Voronezh, Russian Federation

(540)

# SWEET STORIES

(591) Black, white



(511)

30 – Aromatic preparations for food; flavorings, other than essential oils, for cakes; flavorings, other than essential oils, for beverages; coffee flavorings; food flavorings, other than essential oils; star aniseed; high-protein cereal bars; pancakes; noodle-based prepared meals; buns; bread rolls; vanillin [vanilla substitute]; waffles; vermicelli [noodles]; natural sweeteners; sausage binding materials; binding agents for ice cream; sea water for cooking; seaweed [condiment]; malt biscuits; cloves [spice]; cake frosting [icing]; mustard; gluten additives for culinary purposes; yeast; thickening agents for cooking foodstuffs; rice-based snack food; cereal-based snack food; artificial coffee; vegetal preparations for use as coffee substitutes; dressings for salad; fruit jellies [confectionery]; confectionery for decorating Christmas trees; cakes; pastries; peanut confectionery; almond confectionery; pasta; ginger [spice]; frozen yogurt [confectionery ices]; cocoa; capers; caramels [candy]; curry [spice]; ketchup [sauce]; quiches; gluten prepared as foodstuff; sweetmeats [candy]; liquorice [confectionery]; peppermint sweets; cinnamon [spice]; coffee; unroasted coffee; starch for food; crackers; custard; groats for human food; hominy grits; semolina; oatmeal; crushed barley; corn, milled; corn, roasted; meat pies; turmeric; couscous [semolina]; noodles; ice for refreshment; ice, natural or artificial; edible ices; rice cakes; mayonnaise; macarons [pastry]; macaroni; maltose; hominy; marinades; marzipan; honey; royal jelly; ice cream; flour; bean meal; tapioca flour; potato flour; corn flour; wheat flour; soya flour; barley meal; dessert mousses [confectionery]; chocolate mousses; muesli; mint for confectionery; cocoa beverages with milk; coffee beverages with milk; coffee-based beverages; tea-based beverages; chocolate beverages with milk; chocolate-based beverages; cocoa-based beverages; infusions, not medicinal; crushed oats; husked oats; nutmegs; stick liquorice [confectionery]; soya bean paste [condiment]; pastilles [confectionery]; molasses for food; pepper; allspice; peppers [seasonings]; pesto [sauce]; cookies; petit-beurre biscuits; pies; pizzas; meat gravies; fondants [confectionery]; popcorn; powders for making ice cream; baking powder; mustard meal; pralines; condiments; meat tenderizers for household purposes; cereal preparations; oat-based food; propolis; gingerbread; spices; petits fours [cakes]; puddings; cake powder; fruit coulis [sauces]; ravioli; chewing gum; relish [condiment]; rice; wheat germ for human consumption; spring rolls; sago; sugar; aniseed; golden syrup; confectionery; baking soda [bicarbonate of soda for cooking purposes]; malt for human consumption; salt for preserving foodstuffs; cooking salt; celery salt; sherbets [ices]; ham glaze; soya sauce; tomato sauce; sauces [condiments]; spaghetti; seasonings; preparations for stiffening whipped cream; rusks; breadcrumbs; sushi; sandwiches; tabbouleh; tacos; tapioca; cream of

tartar for culinary purposes; tarts; almond paste; tortillas; garden herbs, preserved [seasonings]; beer vinegar; vinegar; ferments for pastes; halvah; bread; unleavened bread; corn flakes; oat flakes; chicory [coffee substitute]; tea; iced tea; chutneys [condiments]; cheeseburgers [sandwiches]; chow-chow [condiment]; saffron [seasoning]; malt extract for food; essences for foodstuffs, except etheric essences and essential oils; husked barley.

(260) AM 2019 101938 A

(800) 1452116

(151) 2018 06 12

(891) 2018 06 12

(731) Fédération Internationale de Football Association (FIFA)  
FIFA-Strasse 20, CH-8044 Zürich,  
Switzerland

(540)

## LIVING FOOTBALL

(591) Black, white

(511)

4 – Industrial oils and greases; lubricants; lubricating oils and greases; motor oils and fuels; gasoline (fuel); natural petroleum; gasoline for motors and engines; kerosene; liquefied petroleum gas; raw or refined petroleum; motor oils, industrial oils, combustible oils, lubricating oils, refined oils; diesel oil; diesel fuel; fuel gas; fuel oil; biofuel; natural gas; non-chemical additives for motor fuels, lubricants and greases; candles; waxes.

9 – Eyeglasses, sunglasses, diving and swimming goggles, cases, cords and chains for sunglasses and eyeglasses; binoculars; magnets and decorative magnets; directional compasses; automotive batteries; electronic monitoring instrument clusters; radiator thermostats; electronic control mechanisms for automobile propellants; electronic control mechanisms for automobile bodies and chassis; remote door locking systems; Hi-Fi audio systems and components; apparatus for recording, transmitting, editing, mixing and reproducing of sound and images; radios; televisions; flat screens; liquid crystal display screens; high-definition and plasma screens; home cinema system apparatus; video recorders; compact disk players; portable CD players; DVD players; MP3 players; players containing music in digital format; cassette players; portable cassette players; mini-disk players; portable radios; loudspeakers; headphones; earphones; microphones; remote controls, voice-activated remote controls; navigation apparatus; personal digital assistants (PDAs); computers; data processing apparatus; computer keyboards; computer screens; modems; computer carrying cases; computer mice; mouse pads; electronic pocket translators; dictating apparatus; electronic notebooks and agendas; scanners; printers; photocopiers; fac-

simile machines; telephone apparatus; telephone answering machines; video telephones; cellular telephones; cases for cellular telephones; devices for handsfree use of mobile phones; earphones and headsets for cellular telephones; keyboards for cellular telephones; cellular telephone straps; special bags for carrying cellular telephones; mobile telephone handsets which include a camera feature; photographic cameras and video cameras integrated into cellular telephones; smartwatches; calculating machines; credit card readers; cash exchanging machines; automated teller machines; automated teller machine (ATM); video cameras, portable video cameras with built-in videocassette recorders (camcorders); photographic equipment, photographic apparatus, cameras (cinematographic apparatus), projectors, exposed films, photographic slides, flash-bulbs (photography); special cases and cords for photographic apparatus and instruments; electric batteries and cells; karaoke apparatus and programs for karaoke; video game disks; voice-activated or manually-activated remote controls; software (recorded computer programs), including software for games; computer programs; data bank management software; screensaver software; magnetic, digital or analog recording media, recorded or not, for sounds or images; video disks, video tapes, magnetic tapes, magnetic disks, DVDs, floppy disks, optical disks, compact disks, mini-disks, CD-ROMs, all the aforesaid goods being blank or pre-recorded with music, sound or images (which may be animated); holograms; magnetic cards (encoded), including gift vouchers; memory adapters (computer equipment); memory cards; memory sticks (blank or prerecorded); integrated circuit cards (smart cards); microchip or magnetic credit cards, microchip or magnetic phone cards, microchip or magnetic cards for cash dispensers, microchip or magnetic cards for automated teller and money exchange machines, microchip or magnetic prepaid cards for mobile phones, microchip or magnetic travel and entertainment cards, microchip or magnetic check guarantee and debit cards; non-magnetic credit cards; digital dashboards; electronic controllers for vehicles and chassis; alarms; remote control apparatus for opening and closing vehicle doors; windsocks (for indicating wind direction); photovoltaic cells and solar electric panels; gauges; distance measuring apparatus; speed measurement and indication equipment; tire pressure sensors; tire pressure gauges; downloadable electronic publications; downloadable electronic road maps; audio receivers, sound amplifiers; television tubes; cathode ray tubes; computer software and hardware, including set-top boxes, which can convert, supply, receive and transmit audio and video data; disk drives for computers; semi-conductors; protected semi-conductors; integrated circuits containing programs for audio, video or computer data processing; rechargeable batteries; audio and video data processors and converters; data

transmission cables; speedometer cables and their spare parts; protective helmets for sports; magnetic identification bracelets; electronic tickets; tickets in the form of magnetic cards; contact lenses, receptacles for cleaning and storing contact lenses; virtual reality helmets.

12 – Bicycles, motorcycles, scooters, cars, recreational vehicles (including SUV), trucks, vans, motor homes, buses, minibuses, trailers, refrigerated vehicles; motor homes (electric, gasoline or diesel-powered or any other type of engine known or otherwise, including hybrid engines); airplanes; boats; air balloons, dirigible balloons [airships]; tires, inner tubes for tires, rubber reinforcements for retreading tires, equipment and kits for repairing tires and inner tubes; adhesive rubber patches for repairing tires and inner tubes, valves for tires, tire inflation apparatus, non-skid devices for vehicle tires such as spikes and snow chains; wheels, wheel rims, spacers for wheel rims, hubcaps; solid tires for vehicle wheels; brake parts for vehicles; vehicle wheel spokes; accessories for vehicles, namely, sun screens, roof racks, ski racks, bicycle racks, seat cushions and covers for vehicles; protective covers for vehicles (vehicle accessories); protective covers for tail lights; spoilers for vehicles; headlight glasses; red taillight glasses; convertible tops; sun roofs for vehicles; spoilers; grille guards; air bags for vehicles; safety belt cushions; steering wheels; number plate holders; alarm systems for motor vehicles; spare vehicle parts; dashboards for vehicles; stands for land vehicle engines; seat-belt pads; rearview mirror covers; baby carriages, strollers; safety seats for babies and children (for vehicles); anti-skid chains; engines and motors for land vehicles.

14 – Jewelry; necklaces; jewelry; precious stones; jewelry articles made of crystal; gemstones; watches; wristwatches; watch bands; clocks; wall clocks; chronographs; chronometers, cases for watches, pendulums; medallions, pendants, brooches; bracelets, bracelets of leather; pins (jewelry); team and player pins (jewelry); tie clips and tie pins; cuff links; medals; commemorative medals of precious metal; medallions, trophies, statues and sculptures of precious metal; decorative pins (jewelry) for hats, all of precious metal; key rings [trinkets or fobs]; coins; medals and badges for clothing of precious metal; decorative key holders; lanyards [key cords]; medallions, not of precious metal; collectors' printed caps (pogs) made of precious metal.

16 – Money clips for holding bank notes; tablecloths of paper; napkins of paper; bags of paper; invitation cards; greeting cards; cardboard packaging boxes in collapsible form; gift-wrapping paper; coasters of paper, doilies and place mats of paper; garbage bags of paper or of plastics; food wrappers; coffee filters of paper; labels of paper or cardboard, hand towels of paper; toilet paper; tissues of paper for removing

make-up; boxed tissues; tissues of paper; writing materials and school supplies (except apparatus); magnetic boards; typewriters; paper for typewriters, paper for copiers and letter paper (stationery); envelopes, themed pads of paper; notepads; writing books; scribble pads; binders, archiving boxes; document sleeves, book covers; bookmarks; lithographs; framed or unframed paintings (pictures); painting pads, drawing pads, books of games, crosswords and puzzles; luminous paper; self-adhesive labels, not of textile; crêpe paper; tissue paper, staples; staplers; flags of paper; pennants (flags) of paper; writing instruments; nibs; pencils; pens; pen sets; pencil sets; felt pens, felt-tip pens; ballpoint pens; felt-tip markers; ink; inking pads; rubber stamps; paint boxes; coloring and drawing pencils; chalks; decorations for pencils (stationery articles); printing blocks; magazines; newspapers; books and journals, particularly concerning athletes and sports events; printed teaching material; schedules (for recording results); event programs; event albums; photograph albums; autograph books; address books; diaries (planners); diaries (personal journals), road maps; entry tickets; airplane tickets and boarding passes; checks; printed timetables; circulars and pamphlets; comic strips; collectable trading cards; collectable trading cards in the field of sports; stickers for cars; stickers; sticker albums; calendars; posters; photographs; postcards; stamps; postage stamps, commemorative stamp sheets; advertising signs and banners of paper or cardboard; transfers (decalcomanias); office requisites (except furniture); correcting fluids; rubber erasers; pencil sharpeners; stands for pens and pencils; paper clips; thumbtacks; drawing rulers, adhesive tapes for stationery; adhesive tape dispensers; stencils; stencil plates; clipboards; notepad holders; bookends; stamps (seals); telephone, ATM, travel and entertainment, check guarantee and account cards made of paper or cardboard, credit cards (not encoded) of paper or cardboard; passport holders; cords for identity cards of paper.

18 – Leather and imitations of leather; thongs [straps] of leather; umbrellas, parasols; sports bags (other than those adapted for products they are designed to contain); sports bags with wheels; duffel bags; leisure bags; traveling bags; backpacks; carrier bags; school bags; bags for hanging on belts; handbags; leather bags; ball-shaped leather bags; beach bags; garment bags for travel; suitcases; belts for suitcases; holdalls; briefcases of leather; toiletry cases (vanity cases) (empty); toiletry bags; key cases of leather; business card cases; identity card holders; luggage tags of leather; briefcases; wallets; purses (coin purses); check holders; clothing for pets; collars for pets; leashes for animals; luggage tags.

21 – Household or kitchen utensils and containers (non-electric); portable cooking kits for outdoor use; glass bottles (containers); spoons for mixing (kitchen

utensils); fruit presses (non-electric) for household needs; cutting boards for the kitchen; trays for household needs; ice buckets; manual mixers (shakers); shakers; sugar bowls; beer mugs, beer jugs, mugs, cups and drinking glasses; decanters; plates and dishes, coasters for glasses or bottles, saucers, glasses; teapots; household gloves; corkscrews; bottle openers; bottle cap removers; bottles; insulating flasks; non-electric containers for food and beverages; combs and hair brushes; toothbrushes; dental floss; flossing devices; interdental stimulators; statues, sculptures, figurines, ornaments and trophies of terracotta or glass; decorative bottles for cosmetic use; drying racks for laundry; waste paper baskets; piggy banks (not of metal); souvenir table plates; feeding bowls and cages for pets; commemorative plates.

25 – Clothing; footwear; headgear; shirts; knitwear (clothing); pullovers, sweatshirts; slipovers; t-shirts; vests; singlets; dresses; sports dresses; skirts; sports skirts; underwear; swimsuits, two-piece swimsuits (bikinis); tankinis; dressing gowns (robes); shorts; trousers; sweaters; caps (bonnets); caps; hats; scarves; headscarves; sashes for wear; shawls; visors; peaked caps; tracksuits; sweatshirts; jackets; sports jackets; stadium jackets; blazers; waterproof clothing; coats; uniforms; neckties; wristbands (clothing); wristbands against perspiration; headbands (clothing); bands for rings; silicone sports wristbands; gloves; aprons; bibs (not of paper); pajamas; play suits for infants and children; clothing for babies; socks and stockings; garters; belts; suspenders; sandals, flip-flops; sports shoes, namely, outdoor shoes, hiking shoes, basketball shoes, cross-training shoes, cycling shoes, indoor sports shoes, footwear for track and field athletics, tap shoes, football shoes (indoor and outdoor), football boots, canvas shoes, tennis shoes, street sports shoes, sailing shoes, aerobic shoes; clothing for athletic use, namely, fleece sweaters, jogging suits, sports knitwear, sports pants, polo shirts, sweatshirts, running pants, football style jerseys, rugby style jerseys, socks, bathing suits, warming tights and stockings, tracksuits, functional underwear, jerseys, tops with integrated bra, leotards, snow suits, snow jackets, snow pants.

28 – Games and toys; play balloons; board games; tables for indoor football; dolls and plush toys; micro-jerseys (miniature replicas of football style shirt products for toys); vehicles (toys); jigsaw puzzles; balloons; inflatable toys; playing cards; confetti; gymnastic and sporting articles; appliances for gymnastics; football equipment, namely footballs, gloves, knee, elbow and shoulder pads, shin guards and football goals; kick-at-goal walls; sports bags and containers (adapted to objects) for carrying sports articles; party hats (toys); hand-held electronic games adapted for use with television receivers only; joysticks for video games; video games; apparatus

for video games; game consoles; electronic game machines with liquid crystal displays; hand-held electronic games other than those adapted for use with television receivers only; game pads; steering wheels and dancing mats for video games; foam hands (toys); robots (toys) for entertainment, arcade games; scale model airplanes; toys for household pets; scratch cards for playing lottery games; kites; roller skates; scooters (toys); skateboards; virtual reality helmets for game consoles.

32 – Non-alcoholic beverages; juices, beverages containing juice and flavored with juice; concentrates, syrups and powders for making non-alcoholic beverages; mineral and aerated waters; other non-alcoholic beverages; energy drinks, isotonic drinks, hypertonic drinks, hypotonic drinks; fruit and vegetable drinks and juices; diet beverages; sports beverages; iced fruit beverages; flavored, iced drinks, non-carbonated and non-alcoholic; beverages enriched with added vitamins (not for medical purposes); beers; lagers and ales; strong beers (stout); low-alcohol beers; non-alcoholic beers.

35 – Advertising; commercial business management; commercial administration; employment agency services; personnel recruitment; advertising services through sponsorship; online advertising services; information and advisory services in relation to commercial business management and commercial administration provided online or via the Internet; advertising and promotional services; dissemination of advertising and promotional materials; provision and rental of advertising space and advertising material; publication of advertising material and texts; rental of advertising time in film credits; television advertising, radio advertising; promotion of sports events in the field of football; promotion of the goods and services of third parties; company sponsorship research (sponsoring via advertising promotion) in relation to football competitions; compilation of advertisements for use as web pages on the Internet or on wireless electronic communication devices; provision of space on web sites for advertising goods and services; provision of an online marketplace for buyers and sellers of goods and services; online auction services; collection of directories for publication on the Internet and on wireless electronic communication networks; promotional marketing services; services provided by an agency for sports promotion and public relations; market study services; marketing research services; public opinion polling services; organization of events, exhibitions, trade fairs and shows for commercial, promotional purposes; organization of advertising for trade fairs; data bank management services; compilation of statistics; collection of data, statistics and other information on sports performances; advice regarding company organization and management; business consultancy for companies; organization of promotional compe-

titions; provision of commercial information; advertising for sports events in the field of football; retail sale services, including online retail sale services, in connection with goods of common metals, machines and machine tools, tools and utensils, optical, audiovisual, magnetic, electric and electronic apparatus and equipment, medical apparatus and equipment, apparatus and equipment for lighting, heating, cooking, refrigerating, drying and ventilating, vehicles and accessories therefor, articles of precious metals, jewelry and watchmaking and timekeeping instruments, badges and pins, musical instruments, paper and cardboard goods, printed matter and stationery, tickets for sports events, leather and imitation leather goods, luggage and bags, umbrellas, household goods, furniture, promotional and exhibition articles, textile goods, clothing, footwear and headgear, embroidery and ribbons, cords and derivatives, floor coverings, games, toys, sporting articles, food and food products, alcoholic and non-alcoholic beverages, solvents, paraffin, wax, bitumen and petroleum, fuels, oils, lubricants, transmission fluids, brake fluids, anti-freeze agents, cooling fluids, hydraulic fluids, greases, gasoline, gasoline for engines, diesel fuel, fuel oil, fuel gas, fuel gas, bio-fuel, hub caps, tires, casings for pneumatic tires, alloys for wheels, sun screens, roof racks, holders for carrying sports equipment, seat covers, covers for cars, potato chips, french fries, milk, milk beverages, drinking yogurts, milk shakes, milk products, cheese, soy milk (milk substitute), non-alcoholic beverages, mineral and aerated waters, energy drinks, isotonic beverages, fruit and vegetable beverages and juices, beers, lagers and ales, non-alcoholic beers, coffee, tea, cocoa, cakes, biscuits, crackers, candies, edible ices, confectionery, chocolate confectionery, chocolate, corn chips, mustard, vinegar, sauces (condiments), hamburgers (sandwiches), cheeseburgers (sandwiches), sandwiches with fish, meat or vegetables, hotdogs (sandwiches), enabling customers to view and purchase those goods in stores or via the Internet or via wireless electronic communication; retail services of foodstuffs and beverages; retail sale and filling of dispensers with food and beverages enabling customers to conveniently view and purchase those food and beverages; food retailing services in restaurants, school dining rooms, bakeries, delicatessen, corporate dining rooms, specialty food stores (ice cream shops, yogurt shops, coffee shops, cookie shops); retail sale services, including online retail sale services, in connection with fuel, kerosene, fuel gas, bio-fuel, motor oils and greases, lubricants and greases, hydraulic transmission oils and fluids, fluids for hydraulic circuits and hydraulic oils, enabling customers to view and purchase those goods in stores or via the Internet or via wireless electronic communication; commercial administration services for the processing of sales made on the Internet or on wireless electronic communication devices; business ad-

ministration services, namely, billing; sales promotion, namely creation of preferential programs for customers; ticket sale promotion services; customer loyalty services and customer club services for commercial, promotional and/or advertising purposes; compilation of data into a central file, namely still or animated images.

36 – Insurance services; financial services; monetary affairs; real estate management services; management of payment; issuing of tokens of value as a reward for customer loyalty, that can hold personal information about the identity of the card holder and enabling control of access to sports stadiums; issuance and management of credit cards and travelers' checks; banking services; automatic teller machine services (ATM); processing of electronic payments carried out by means of prepaid cards; mobile commerce payment services; credit and investment services; check guarantee card services; financial services relating to cyber cash; electronic wallet services (payment services); electronic fund transfer services; processing of standing orders (including giro accounts); telegraphic transfer services (banking); online and remote bill payment services; transactions in financial derivatives; foreign currency exchange services; safe deposit services; remote online home banking services; checking account services; deposits of valuables; subscription services for stocks and bonds (creating an online virtual environment for stock trading); financial consultancy; stock and bonds brokerage; fiduciary services for corporates and individuals; financial sponsorship of sports events; provision of online information in relation to financial, banking, insurance and investment services; Internet banking; payment services via wireless electronic communication apparatus and equipment; credit card, debit card and electronic check transaction processing services; retail banking, namely, loans and leasing, mortgages and lending against the net value of real estate, personal loans and student loans and credit margins relating thereto, business and commercial credits and related factoring services, real estate loans, financing and leasing of equipment, management and syndication of mortgages and loans, financing and leasing of automobiles, negotiation of financial products, investment deposits, financial guarantees (deposit); currency and exchange services, letters of credit and documentary credit, sales and trading services, asset management, strong currency; charitable fundraising services; collection of charitable donations and charitable fund raising for others; organization of charitable collections; organization of charitable fund raising for football competitions; charitable fund raising by means of entertainment events.

37 – Service station services, namely cleaning, lubricating, maintenance and repair of vehicles; anti-rust treatment for vehicles, engines and machines; clea-

ning, polishing, greasing, lubricating, maintenance and repair of aircraft and trailers; cleaning of motor vehicles; mounting and repair of tires for vehicles; installation and maintenance of wireless electronic communication networks (hardware); installation and repair of computer hardware; real estate construction services, including construction and refurbishment of houses, recreation facilities, commercial premises, offices, shopping malls, luxury yachts and pleasure boats; construction, installation and repair of sports fields of natural or artificial turf; construction and maintenance of electric power plants; construction and maintenance of pipelines; installation and assembly of structures for the extraction of crude oil; installation of equipment for the extraction of crude oil; installation of solar panels; installation of wind power systems; installation of hydraulic power systems; mining extraction services.

38 – Telecommunication services; communications by telephones and mobile telephones; electronic communication services by telephone; radio communications; facsimile communications; paging services; teleconferencing services; television program broadcasting; radio program broadcasting; press and news agency services; rental of telephone apparatus, facsimile and other telecommunication apparatus; transmission of commercial Internet pages online or via wireless electronic communication devices; radio and television programming and broadcasting services provided via satellite, cable or wireless networks; electronic transmission of messages; provision of access time to a blog, chat room, bulletin board or discussion service; provision of access to live chat rooms online and electronic bulletin boards enabling transmission of messages, comments and multimedia content among users, for creating a network of contacts; provision of access time to Internet sites containing road maps, information about driving directions and the location of businesses; computer-aided transmission of messages and images; rental of access time to private and commercial purchasing and ordering services via computer, a global computer network and/or interactive communication technologies; electronic mail services; provision of connections for telecommunications via data banks or the Internet; provision of access time to websites for listening to digital music on the Internet via wireless electronic communication devices; transmission (or broadcasting) of radio and television programs relating to sports and sports events; broadcasting of radio or television programs related to sports and sports events; provision of connections to computer installations (telecommunication services); rental of access time to a centralized computer and to data banks; rental of access time on the Internet via a global computer network or via wireless electronic communication devices; real-time transmission (streaming) of video and audio material from the Internet; real-time transmission (streaming) of audio, vi-

deo and television material; provision of access time to search engines; public re-transmission of sporting events for entertainment purposes.

39 – Travel agency services, namely, travel arrangement and reservation; reservation of travel tickets, information relating to travel and sale of travel tickets; airplane, train, boat, bus and truck transportation services; air transportation services featuring a frequent flyer bonus program; boat excursion services; tour operation services; vehicle rental services; rental of parking spaces; taxi services; merchandise delivery services; transport of goods by motor vehicles, trucks, trains, boats and airplanes; packaging of goods; transport and delivery of goods, namely documents, packages, parcels and letters; postal, messenger and courier services, particularly newspaper, magazine and book delivery services; warehousing; distribution of water, heating, gas or electricity; distribution (delivery) of films and sound and image recordings; distribution of tickets; satellite-assisted navigation services; distribution (transport), delivery and storage of gasoline, petroleum, hydrocarbons, gas, lubricants, solvents, paraffin, wax and bitumen; transmission and distribution of electricity; transport of oil or gas through pipelines; transport and disposal of waste; consultancy relating to the delivery of energy and electricity; rescue operations (transport); salvaging services (transport); transport of merchandise for humanitarian purposes.

41 – Education; training; provision of training courses; entertainment; entertainment services provided at or relating to sports events; organization of sporting and cultural events and activities; organization of lotteries and competitions; organization of sporting competitions and events in the field of football; providing sports facilities; fun park services; health and fitness club services; rental of audio and video equipment; production, presentation, publication and/or rental of films, sound and video recordings; publication and/or rental of interactive educational and entertainment products, namely films, books, compact discs, DVDs, mini-discs, CD-ROMs; publication of statistics and other information on sports performances; publication of radio and television reviews of sporting events; production and editing services for radio and television programs; photography services; photographic, audio and video recording services; production of cartoons; production of animated television programs; seat booking services for entertainment and sporting events; ticket reservation services for entertainment and sporting events; ticket sales agency services for sports events; timing of sports events; recording of sports events; organization of beauty contests; interactive entertainment; gambling services; provision of raffle services; online game services; providing online entertainment in the nature of tournaments; organization of computer game competitions including online ga-

me competitions; information relating to entertainment or education, provided on-line from a computer database or the Internet or on wireless electronic communication devices; electronic game services provided by means of the Internet or on wireless electronic communication devices (entertainment); editing of books; electronic publication of books and journals online; entertainment services in the form of chat rooms on the Internet or via wireless electronic communication devices; entertainment services in the form of cinema performances; translation services; interpreter services; reception and hospitality services, namely, customer reception services, including tickets in connection with sports or entertainment events; provision of online information concerning sport and sports events from a computer databank or the Internet; organization, presentation and production of shows and live performances; live performance and stage performances of a character in costume as entertainment; production of television, mobile phone television and radio programs; publication of specialized information in the medical and scientific field.

42 – Rental of computer software and computer hardware; computer consulting services; data processing (programming); computer software development; creation, design, compilation and maintenance of websites or sites on wireless electronic communication networks; installation and maintenance of computer software; creation and maintenance of electronic communication networks; compilation of websites in computer networks (particularly the Internet) or via wireless electronic communication devices; introduction of websites on the Internet or on wireless electronic communication networks; hosting of websites on the Internet or on wireless electronic communication sites; provision of software; provision of search engines for the Internet; provision of downloadable software enabling users to create and share texts, documents, images, photos, videos, maps and road maps; development of computer systems, namely creating virtual communities for users to organize groups and events, participate in discussions and engage in social, business and community networking; hosting websites on the Internet enabling others to organize colloquiums, events and interactive discussions via communication networks; application service provider (ASP) services, namely hosting software applications for others; development of software applications for computers; cloud computing services; design and development of operating software for accessing and using a cloud computing network; providing software to enable or facilitate the uploading, downloading, streaming, posting, displaying, blogging, linking, sharing or otherwise providing electronic media or information over communication networks; providing customized platforms (software) on the Internet as well as on mobile telephone networks, including a content genera-

ted by the user or a specific content, personal profiles, sound, videos, images, texts, graphics and data; providing temporary use of non-downloadable software for social networking, creating a virtual community, and transmission of audio and video data, photographic images, texts, graphics and data; provision of software through a web site featuring a technology that enables online users to create personal profiles featuring social networking information and to transfer and share such information among multiple websites; exploration services to locate oil and gas; geological exploration; analysis services for exploiting oilfields; research, development, analysis, advice, design and consultancy relating to technology in the oil industry; technical consulting, design and planning in the field of photovoltaic installations; technical consulting, design and planning of wind installations; research, development and analysis, expertise and consultancy in relation to electronic control units for managing solar electric and/or wind power installations; design of energy and power systems; analysis relating to energy and power needs of others; development of energy and power management systems; project study and professional consultancy services relating to power and energy needs of others; design services for power plants; computer security services for protection against unauthorized network access.

43 – Restaurant services, fast food restaurant services; retail services for providing food and drink, at a counter or a window, at the table and on site, or outside, for home delivery; snack bar services; reception and hospitality services, namely, providing accommodation, providing food and beverages at sports sites and outside and during sporting events; temporary care services, namely, providing accommodation, food and beverages on and off site at sports venues; take-away food and drink services (take-out) in supermarkets, grocery stores and service stations; catering services; hotel services; lodging and boarding services, reservation of hotels and temporary lodgings; rental of conference rooms, namely, VIP lounges and lodges inside and outside the stadiums.

(260) AM 2019 101939 A

(800) 1452168

(151) 2018 10 31

(891) 2018 10 31

(731) Beot(Shijiazhuang) Inorganic Membrane Separation Equipment Co., Ltd.  
(Shi Dai Fang Zhou Building), No.36  
Guang'an Street, Shijiazhuang, Hebei, China

(540)

**BEOT**

(591) Black, white

(531) 27.05.17

(511)

7 – Filter elements; filtering machines; filters [parts of machines or engines]; filter screen device; separator; cartridges for filtering machines; waste disposal units; sifting machines; steam/oil separators; sifters.

(260) AM 2019 101940 A

(800) 1452194

(151) 2018 06 11

(891) 2018 06 11

(731) HELIOS Tovarna barv, lakov in umetnih smol  
Količevo, d.o.o.

Količevo 65, SI-1230 Domžale, Slovenia

(540)

**ROOF  
EXPERT**  
ADVANCED ROOFING SYSTEMS



(591) Black and blue.

(531) 20.01.09; 26.04.22; 27.03.15; 29.01.12

(511)

1 – Resins and chemicals for waterproofing of roofs; unprocessed epoxy resins, unprocessed epoxy coverings, in particular adapted for industrial floors, except paints and oils; chemicals and semi-finished chemicals used in industry, science and photography; synthetic resins, unprocessed; unprocessed artificial plastics; chemical additives for oils; chemical additives to drilling muds; chemical additives to fungicides; chemical additives to insecticides; chemical additives to motor fuel; additives for plastic; antioxidants, stabilisers, plasticisers; chemicals used in industry, science and photography, namely, separators, accelerators, thinners, fillers; adhesive substances for use in industry; chemicals used in industry, science and photography, namely, binding preparations used in industry; adhesives for the construction industry; epoxy glues for general bonding and repair purposes; polyurethane adhesives; methacrylic adhesives; thermofusible adhesives; chemicals used in industry, science and photography, namely, flexible and sealing adhesives; light-cured adhesives for industrial purposes; silicone adhesives; cyanoacrylate and anaerobic adhesives; ultraviolet (UV) cured adhesives for industrial purposes; ultraviolet (UV) cured artificial resins; chemicals used in industry, science and photography, namely, epoxy resins for laminating; chemicals used in industry, science and photography, namely, resins for laminating; chemicals used in industry, science and photography, namely, resins for the manufacture of laminates (composites); chemicals used in industry, science and photography, namely, resins for use in wet winding techniques; unprocessed epoxy and polyurethane resins; chemicals used in industry, science and pho-

tography, namely, emulsions (chemical); chemicals used in industry, science and photography, namely, unprocessed plastic materials in powder form; chemicals used in industry, science and photography, namely, chemicals in the form of gel coats; artificial and synthetic pultrusion resins, unprocessed; chemicals used in industry, science and photography, namely, polyvinyl chloride resins, unprocessed; chemicals used in industry, science and photography, namely, polyethylene resins, unprocessed; PU (polyurethanes); synthetic resins for impregnation of windings and for laminates; synthetic resins for use in manufacture of mouldings and insulators; synthetic resins for use in manufacture of chemical preservatives; unprocessed synthetic resin compounds and chemicals for use in transformers, cable sockets, power modules and mining equipment, included in this class; chemicals used in industry, science and photography, namely, masking compounds for the manufacture of printed circuit boards; resins for the manufacture of light-emitting diodes; chemicals used in industry, science and photography, namely, EP/PUR resins for encapsulating, impregnating and moulding purposes; solvent type processing compositions for use in the electronics industry; adhesives for electronics; brazing preparations; electrically conductive adhesives; soldering pastes; soldering powders and microspheres; moulding silicones; chemicals used in industry, science and photography, namely, condensation silicones (RTV-2); chemicals used in industry, science and photography, namely, additive silicones (RTV-2); special silicones; chemicals used in industry, science and photography, namely, LSR and HTV silicones for pressing and injection; room temperature vulcanization (RTV) silicones; chemicals used in industry, science and photography, namely, decorative acrylic resins; chemicals used in industry, science and photography, namely, UV-cured resins; resins for stereolithography; surface gel coats in the nature of unprocessed polyolefin resins; polyester gel coats; orthophthalic gel coats; isophthalic gel coats; chemicals used in industry, science and photography, namely, Isophthalic-Neopentyl glycol (iso-NPG); vinyl ester gel coats; gel coats for moulds in the nature of unprocessed polyolefin resins; wax separating and unsticking [ungluing] preparations; semi-permanent separating and unsticking [ungluing] preparations; unprocessed synthetic resins for use in manufacture of prototypes; chemicals used in industry, science and photography, namely, chemicals in the form of modelling pastes and putties; chemical preparations in the form of pastes for laminating purposes; chemicals for manufacture using vacuum bagging and infusion methods; chemicals used in industry, science and photography, namely, chemicals in the form of non-organic paper; duroplasts-thermosetting moulding compounds for pressing and injection; epoxy moulding compounds; polyester moulding compounds;

phenolic moulding compounds; vinyl ester and polyurethane moulding resins; unprocessed synthetic resins for use in manufacture of prototypes, models and moulds; chemicals used in industry, science and photography, namely, penetrating agents; chemical-based and solvent-based cleaning preparations for industrial use; separating preparations, included in this class; agents for moulds, namely, silicone separators, silicone-free separators; chemicals used in industry, science and photography as ingredients in mould cleaners; chemicals used in industry, science and photography, namely, materials for the maintenance of moulds; chemicals used in industry, science and photography, namely, silicone, fluoro-silicone and phenyl-silicone rubber in the HCR (High Consistency Rubber), HTV (High Temperature Vulcanized), RTV (Room Temperature Vulcanized) and LSR (Liquid Silicone Rubber) forms; chemicals used in industry, science and photography, namely, chemical compounds based on silicones and siloxanes; chemicals used in industry, science and photography, namely, silicones and siloxanes; chemicals used in industry, science and photography, namely, silicone resins; anhydrides, amines, catalysts, peroxides; unsaturated polyester resins (UP) and vinyl ester resins (VE), including with thinners, monomers and additives; drying agents for putties; agglutinants for putty; chemicals for use as additives in coatings; processed minerals for use as additives to colorants.

2 – Acrylic and poliurethane coatings for waterproofing of roofs [paints]; epoxy primer; water-based epoxy primer; solvent-free epoxy coating; coatings, paints, varnish, lacquers, mastic [natural resin], colorants for floor coverings; glue dye; coloured paints for facades; dyestuffs; synthetic dyes; colorants for use in formulating paints; polymer colours; natural dyes; pigments; electrically conductive pigments for use in the manufacture of lacquers; organic pigments for the production of colouring matters; water dispersed pigments for use in colouring concrete; liquid colours; colouring substances; mordants for use in industry; mordants [fixatives] in the nature of varnishes; paints and washes; varnishes; preservatives against rust and against deterioration of wood; materials for colouring ceramic substrates; materials for the decoration [coloration] of wood; coating materials for protection of surfaces exposed to galvanic corrosion [paints]; coating materials in the nature of oils; coating compositions for preserving stonework [paints]; coating compositions for preserving concrete [paints]; coating compositions for preserving masonry [paints]; coating compositions for application to concrete [paints or oils]; coating compositions for application to stonework [paints]; coating compositions for application to brickwork [paints or oils]; coating compositions having waterproofing properties [paints or oils]; coating compositions in the nature of oils; floor sealing compounds [paints and oils]; anti-weathering compositions [paints or



oils]; ingot mould coatings; coatings for the finishing of concrete; coatings for the finishing of surfaces [paints or oils]; coatings for the finishing of masonry [paints or oils]; coatings to protect stone from water [paints or oils]; coatings to protect concrete from water [paints or oils]; coatings for preventing staining [other than chemicals]; elastomer coatings for oil pipes; epoxy coatings; ground coatings [paints and oil]; coatings being intumescent [paints or oils, other than building materials]; finishing preparations for treating wood; corrosion inhibitors in the form of a coating, namely, resinous coatings for masonry surfaces; protective preparations for metals; antiquing treatments [paints]; coating preparations for protection against friction [paints]; coating preparations for protection against wear; coating preparations having water repellent properties [paints or oils]; stabilising preparations in the nature of coatings; finishing products for waxes; powders in the nature of paint for use as coatings; silver paste; drying agents for paints; organic binding agents for paints; solvent dyes for wood; preparations for thinning lacquer; thinning preparations for paints and for coatings; thinners for dyestuffs; thinners for paints; thinners for varnishes; thinners for lacquers; primer thinners; binding agents for paints; bonding agents for lacquers; agglutinants for paints; sealant primers; thickeners for colours; thickeners for lacquers; UV-cured lacquers.

17 – Water-resistant sealing strips, water-resistant sealants; adhesive tapes, other than for medicine, stationery or household purposes; synthetic resins (semi-finished products); sealing beads being expansion joint fillers; glass fibers for insulation; regenerated cellulose sheets other than for packaging; insulating metal sheets; glass wool for insulation; materials to prevent radiation from heat; insulating compositions against humidity in buildings; insulating fabrics; felt for insulation; insulating materials; insulation paper; insulating coatings; insulating tape; insulating varnish; latex (rubber); raw or semi-worked mica; mineral wool (insulation); heat-insulating products; padding materials of rubber or plastics; films of plastics other than for packaging; semi-finished plastics; raw or semi-processed gum; slag wool (insulation); soundproofing materials; synthetic resins (semi-finished products); synthetic rubber; rubber, gutta-percha, gum, asbestos, mica and goods made from these materials not included in other classes; semi-finished plastic products; caulking, stopping and insulating materials; flexible hoses, not of metal.

(260) AM 2019 101941 A  
 (800) 1452205  
 (151) 2018 10 11  
 (891) 2018 10 11  
 (731) S.C. JOHNSON & SON, INC.

1525 Howe Street, Racine, Wisconsin  
 53403-2236, USA

(540)

**scJohnson**

(591) Black, red

(531) 27.05.10; 29.01.12

(511)

1 – Waterproofing chemicals for footwear, leather or textiles; chemical shoe stretching compositions.

2 – Dyes, colorants, mordants and inks for use in the manufacture of footwear and goods of leather.

3 – Preparations for anti-fouling and stain-preventing pretreatment of textiles including clothing, upholstery and carpets and rugs; stain removers for removing dirt and stains for textiles, including clothing, upholstery, carpets and rugs; soaps other than for body care; detergents other than for personal care; waxes for floors; furniture polish; protective coatings (waxes, sealants, polishes) for furniture, floors; preparations for unblocking pipe systems; cleaners for hard surfaces; bleaching preparations and other substances for use on textiles; disposable wipes impregnated with cleaning chemicals or chemical compounds for household use; products for scouring and removing varnishes; preparations in the form of waxes for application to untreated or finished surfaces; preparations for scouring and removing wax; all-purpose household cleaners; toilet bowl detergents; all-purpose cleaners for glass, windows and multi-surfaces; wipes and synthetic cellulose sheets impregnated with preparations for use in washing machines for the absorption of dirt and for anti-fading during a wash; air fragrancing preparations; room or atmosphere perfumes; essential oils for perfuming the atmosphere; potpourris [fragrances]; incense; cleaning, polishing, degreasing and abrasive preparations; polishes, creams and pigmented dressings for footwear and leather goods; products for the preservation of leather, namely, waxes for the preservation of leather, creams for the preservation of leather; dry-cleaning preparations, namely, dry chemical preparations in the form of tablets, of powder for cleaning and other preparations for cleaning leather, suede, vinyl, plastic and products made of these materials; scuff remover from leather and vinyl goods; polish and cream for footwear and leather goods, including for covering scuff marks; products for the preservation of footwear and goods made of leather, namely, polish for footwear and goods of leather; wipes impregnated with cleaning and polishing preparations; oil for the protection of feet against cracks or crevices (not for medical use).

4 – Candles (lighting), liquid or solidified melted scented wax; citronella candles for use as insect re-

pellent, namely, candles containing an insect repellent; perfumed candles.

5 – Liquid and spray disinfectants other than for personal use; air sanitizing products; air room or atmosphere deodorizers; deodorants (not for personal use); air purifying preparations; indoor deodorants for carpets and rugs, deodorants for fabrics and textile materials; insect repellents, insecticides and insect repellents; wipes pre-moistened with an insect repellent preparation for use on the body; Anti-mosquito coils; insect baits containing insecticides to control insects and pests and vermin; medicated ointments to soothe and treat itching and redness caused by insect bites; Antifungal spray preparation for feet; shoe deodorizers.

11 – Electric dispensers for air fresheners; candle lanterns and lamps for insect repellents.

16 – Plastic bags for all domestic uses; plastic vacuum-closable storage bags for household use; plastic packaging; adhesives for repairing shoes, rain-wear and other surfaces of leather, rubber, nylon, plastics, canvas, linen or vinyl.

21 – Plastic containers for household use; small utensils and containers for household use (not of precious metals nor coated therewith); shoe horns; shoe trees (stretchers); cloths for cleaning, polishing, waxing, glossing; waxing and polishing sponges; shoe brushes; hand tool for cleaning glass containing cleaning pads; scrubbing brushes for household use.

25 – Non-slipping devices for footwear; anti-skid soles and insoles for footwear; soles, inner soles and pads (soles) for footwear; heels and heelpieces for footwear; heel plates for footwear, heel pads for footwear, heels and stocking protectors (socks) for stockings and tights; socks, stockings and tights.

26 – Shoe laces.

---

(260) AM 2019 101942 A  
 (800) 1452219  
 (151) 2018 12 13  
 (891) 2018 12 13  
 (731) SWISS PHARMA INTERNATIONAL AG  
 Waldmannstrasse 8, CH-8001 Zürich,  
 Switzerland  
 (540)



(591) Dark blue (Pantone 2747 C) and light blue (Pantone 278 C)  
 (531) 26.01.12; 26.02.01; 26.02.07; 27.05.01;  
 29.01.12  
 (511)  
 3 – Soaps; perfumery, essential oils, cosmetics, hair lotions; dentifrices.

5 – Pharmaceutical preparations; hygienic products for medical use; dietetic foodstuffs and substances adapted for medical use; food supplements for human beings.

---

(260) AM 2019 101943 A  
 (800) 1452230  
 (151) 2018 10 11  
 (891) 2018 10 11  
 (731) S.C. JOHNSON & SON, INC.  
 1525 Howe Street, Racine, Wisconsin  
 53403-2236, USA  
 (540)



(591) Black, red  
 (531) 27.05.10; 29.01.12  
 (511)  
 1 – Waterproofing chemicals for footwear, leather or textiles; chemical shoe stretching compositions.  
 2 – Dyes, colorants, mordants and inks for use in the manufacture of footwear and goods of leather.  
 3 – Preparations for anti-fouling and stain-preventing pretreatment of textiles including clothing, upholstery and carpets and rugs; stain removers for removing dirt and stains for textiles, including clothing, upholstery, carpets and rugs; soaps other than for body care; detergents other than for personal care; waxes for floors; furniture polish; protective coatings (waxes, sealants, polishes) for furniture, floors; preparations for unblocking pipe systems; cleaners for hard surfaces; bleaching preparations and other substances for use on textiles; disposable wipes impregnated with cleaning chemicals or chemical compounds for household use; products for scouring and removing varnishes; preparations in the form of waxes for application to untreated or finished surfaces; preparations for scouring and removing wax; all-purpose household cleaners; toilet bowl detergents; all-purpose cleaners for glass, windows and multi-surfaces; wipes and synthetic cellulose sheets impregnated with preparations for use in washing machines for the absorption of dirt and for anti-fading during a wash; air fragrancing preparations; room or atmosphere perfumes; essential oils for perfuming the atmosphere; potpourris [fragrances]; incense; cleaning, polishing, degreasing and abrasive preparations; polishes, creams and pigmented dressings for footwear and leather goods; products for the preservation of leather, namely, waxes for the preservation of leather, creams for the preservation of leather; dry-cleaning preparations, namely, dry chemical preparations in the form of tablets, of pow-

der for cleaning and other preparations for cleaning leather, suede, vinyl, plastic and products made of these materials; scuff remover from leather and vinyl goods; polish and cream for footwear and leather goods, including for covering scuff marks; products for the preservation of footwear and goods made of leather, namely, polish for footwear and goods of leather; wipes impregnated with cleaning and polishing preparations; oil for the protection of feet against cracks or crevices (not for medical use).

4 – Candles (lighting), liquid or solidified melted scented wax; citronella candles for use as insect repellent, namely, candles containing an insect repellent; perfumed candles.

5 – Liquid and spray disinfectants other than for personal use; air sanitizing products; air room or atmosphere deodorizers; deodorants (not for personal use); air purifying preparations; indoor deodorants for carpets and rugs, deodorants for fabrics and textile materials; insect repellents, insecticides and insect repellents; wipes pre-moistened with an insect repellent preparation for use on the body; Anti-mosquito coils; insect baits containing insecticides to control insects and pests and vermin; medicated ointments to soothe and treat itching and redness caused by insect bites; Antifungal spray preparation for feet; shoe deodorizers.

11 – Electric dispensers for air fresheners; candle lanterns and lamps for insect repellents.

16 – Plastic bags for all domestic uses; plastic vacuum-closable storage bags for household use; plastic packaging; adhesives for repairing shoes, rain-wear and other surfaces of leather, rubber, nylon, plastics, canvas, linen or vinyl.

21 – Plastic containers for household use; small utensils and containers for household use (not of precious metals nor coated therewith); shoe horns; shoe trees (stretchers); cloths for cleaning, polishing, waxing, glossing; waxing and polishing sponges; shoe brushes; hand tool for cleaning glass containing cleaning pads; scrubbing brushes for household use.

25 – Non-slipping devices for footwear; anti-skid soles and insoles for footwear; soles, inner soles and pads (soles) for footwear; heels and heelpieces for footwear; heel plates for footwear, heel pads for footwear, heels and stocking protectors (socks) for stockings and tights; socks, stockings and tights.

26 – Shoe laces.

---

(260) AM 2019 101951 A  
(800) 1452317  
(151) 2018 11 19  
(891) 2018 11 19  
(731) RICHTER GEDEON NYRT.  
Gyömrői út 19-21, H-1103 Budapest, Hungary

(540)

## ZORATEN

(591) Black, white

(511)

5 – Pharmaceutical preparations; all the aforesaid excluding pharmaceutical preparations acting on the central nervous system.

---

(260) AM 2019 101952 A

(800) 1452318

(151) 2018 11 19

(891) 2018 11 19

(731) RICHTER GEDEON NYRT.

Gyömrői út 19-21, H-1103 Budapest, Hungary

(540)

## VIZAPOLE

(591) Black, white

(511)

5 – Pharmaceutical preparations.

---

(260) AM 2019 101953 A

(800) 1452321

(151) 2018 11 19

(891) 2018 11 19

(731) RICHTER GEDEON NYRT.

Gyömrői út 19-21, H-1103 Budapest, Hungary

(540)

## REMINTER

(591) Black, white

(511)

5 – Pharmaceutical preparations.

---

(260) AM 2019 101954 A

(800) 1452332

(151) 2018 12 03

(891) 2018 12 03

(731) RICHTER GEDEON NYRT.

Gyömrői út 19-21, H-1103 Budapest, Hungary

(540)

## Туксевид

(591) Black, white

(531) 28.05

(511)

5 – Pharmaceutical preparations.

---

(260) AM 2019 101955 A

(800) 1452333

(151) 2018 12 03

(891) 2018 12 03

(731) RICHTER GEDEON NYRT.

Gyömrői út 19-21, H-1103 Budapest, Hungary

(540)

**Необрилл**

(591) Black, white

(531) 28.05

(511)

5 – Pharmaceutical preparations.

(260) AM 2019 101957 A

(800) 1452362

(151) 2018 11 19

(891) 2018 11 19

(731) RICHTER GEDEON NYRT.

Gyömrői út 19-21, H-1103 Budapest, Hungary

(540)

**RENIXOLA**

(591) Black, white

(511)

5 – Pharmaceutical preparations.

(260) AM 2019 101958 A

(800) 1452368

(151) 2018 12 20

(891) 2018 12 20

(731) ELLIS ENTERPRISES B.V.

Wieldrechtseweg 39, NL-3316 BG Dordrecht,  
Netherlands

(540)



(591) Red, dark red and white

(531) 24.01.15; 24.01.25; 27.05.21; 29.01.12

(511)

2 – Anti-rust preparations; anti-corrosion preparations.

3 – Rust-removing preparations.

4 – Lubricants.

17 – Insulating coatings; insulation paints; sound absorbing materials.

40 – Treatment of metal to prevent rust and corrosion; treatment of metal (sound dampening).

(260) AM 2019 101959 A

(800) 1452412

(151) 2018 12 14

(891) 2018 12 14

(731) Obshchestvo s ogranichennoi otvetstvennostyu  
"VSK"ul. 50-let Oktyabrya, 113, Dimitrovgrad,  
RU-433502 Uljyanovskaya oblast, Russian  
Federation

(540)

**OAK AND HOOP**

(591) Black, white

(531) 27.05.01

(511)

32 – Aperitifs, non-alcoholic; waters [beverages]; kvass [non-alcoholic beverage]; cocktails, non-alcoholic; lemonades; non-alcoholic beverages; isotonic beverages; non-alcoholic honey-based beverages; whey beverages; non-alcoholic fruit juice beverages; fruit nectars, non-alcoholic; orgeat; beer; powders for effervescing beverages; sarsaparilla [non-alcoholic beverage]; syrups for lemonade; syrups for beverages; tomato juice [beverage]; cider, non-alcoholic; vegetable juices [beverages]; fruit juices; preparations for making aerated water; preparations for making liqueurs; preparations for making beverages; must; grape must, unfermented; beer wort; malt wort; pastilles for effervescing beverages; sherbets [beverages]; non-alcoholic fruit extracts; extracts of hops for making beer; essences for making beverages.

(260) AM 2019 101960 A

(800) 1452415

(151) 2019 01 22

(891) 2019 01 22

(731) SOREMARTEC SA

Findel Business Center, Complexe B,  
Rue de Trèves, L-2632 Findel, Luxembourg

(540)



(591) White, red, silver and grey

(531) 05.05.19; 05.05.20; 08.01.15; 08.01.19;  
09.01.10; 11.03.09; 19.03.03; 19.03.25;  
29.01.13

(554) მოცულობითი

(511)

30 – Pastry and confectionery; biscuits; filled wafers; coated wafers; chocolate and chocolate-based products; pralines; edible ices.

(260) AM 2019 101961 A  
 (800) 1452426  
 (151) 2018 12 14  
 (891) 2018 12 14  
 (731) Obshchestvo s ogranichennoi otvetstvennostyu "VSK"  
 ul. 50-let Oktyabrya, 113, g. Dimitrovgrad,  
 RU-433502 Ul'yanovskaya oblast, Russian  
 Federation  
 (540)

## DUB I OBRUCH

(591) Black, white  
 (531) 27.05.01  
 (511)  
 32 – Aperitifs, non-alcoholic; waters [beverages]; kvass [non-alcoholic beverage]; cocktails, non-alcoholic; lemonades; non-alcoholic beverages; isotonic beverages; non-alcoholic honey-based beverages; whey beverages; non-alcoholic fruit juice beverages; fruit nectars, non-alcoholic; orgeat; beer; powders for effervescing beverages; sarsaparilla [non-alcoholic beverage]; syrups for lemonade; syrups for beverages; tomato juice [beverage]; cider, non-alcoholic; vegetable juices [beverages]; fruit juices; preparations for making aerated water; preparations for making liqueurs; preparations for making beverages; must; grape must, unfermented; beer wort; malt wort; pastilles for effervescing beverages; sherbets [beverages]; non-alcoholic fruit extracts; extracts of hops for making beer; essences for making beverages.

(260) AM 2019 101962 A  
 (800) 1452462  
 (151) 2018 12 03  
 (891) 2018 12 03  
 (731) RICHTER GEDEON NYRT.  
 Gyömrői út 19-21, H-1103 Budapest, Hungary  
 (540)

## Зоратен

(591) Black, white  
 (531) 28.05  
 (511)  
 5 – Pharmaceutical preparations; all the aforesaid excluding pharmaceutical preparations acting on the central nervous system.

(260) AM 2019 101963 A  
 (800) 1452467  
 (151) 2018 05 03  
 (891) 2018 05 03  
 (731) RIMOWA GMBH  
 Richard-Byrd-Strasse 13, 50829 Köln,  
 Germany

(540)  
**RIMOWA**

(591) Black, white  
 (531) 27.05.01  
 (511)  
 3 – Polishing paste for suitcases; buffing compounds and cleaning agents for suitcases; perfumery, soaps, cosmetics.

9 – Camera cases of metal or of plastic or of fabric material or a combination of the aforesaid materials; cases especially made for photographic apparatus and instruments; bags adapted for laptops; covers for smart phones; covers for tablet computers; covers for personal digital assistants [PDAs]; protective covers for smart phones; protective covers for tablet computers; protective covers for personal digital assistants [PDAs]; electrical adapters; accumulators, electric; batteries, electric; battery chargers; chargers for mobile phones; power banks; spectacles; sunglasses; spectacle cases; computer software applications, downloadable; electronic publications, downloadable; computers for storing, transmitting and display of data and images; electronic memories; electrophoretic displays; electronic tags; bar code labels, encoded; labels with integrated RFID chips.

16 – Stickers [stationery]; paper identification tags; money holders; pictures; pens; pads [stationery]; booklets; warranty booklets; user manuals; paperweights; letter trays; writing paper; appointment books; brochures; books; office requisites, except furniture; document holders [stationery]; printed matter; labels of paper or cardboard; flags of paper; bottle envelopes of paper or cardboard; flyers; photographs [printed]; greeting cards; manuals [handbooks]; envelopes [stationery]; covers for notebooks; passport covers; calendars; catalogues; adhesive tapes for stationery or household purposes; clipboards; bookmarkers; posters; postcards; prospectuses; checkbook covers; signboards of paper or cardboard; pencil boxes; inkstands; writing materials; writing or drawing books; writing cases [stationery]; sealing stamps; printed tickets; tickets; blackboards; drawing pads; drawing sets; periodicals; newspapers; announcement cards [stationery]; plastic film for wrapping; sheets of reclaimed cellulose for wrapping; stuffing of paper or cardboard; paper cartons for delivering goods; bags [envelopes, pouches] of paper or plastics, for packaging; bags and articles for packaging, wrapping and storage made of paper, cardboard or plastics.

18 – Travelling trunks; valises; suitcases with wheels; wheels for suitcases; wheel housings for suitcases and bags; holdalls; bags; roller bags; suitcase handles; telescopic handles for suitcases; leather straps; straps of leather [saddlery]; attaché cases; briefcases; vanity cases, not fitted; travelling sets [leat-

herware]; rucksacks; hipsacks; shoe bags for travel; gym bags; garment bags for travel; bags for sports; handbags; clutch bags; leather, unworked or semi-worked; imitation leather; wallets; purses; business card cases; credit card cases [wallets]; keycases; luggage tags; labels of leather; bags [envelopes, pouches] of leather, for packaging; fitted protective covers for luggage; grips for holding shopping bags; shopping bags; umbrellas; parasols; casual bags sold empty, cosmetic bags sold empty, cosmetic purses, toiletry bags; duffel bags; clear plastic bags for travel; clear cosmetic bags.

35 – Advertising; retail services and wholesale services and online retail services relating to traveling trunks, valises, suitcases with wheels, wheels for suitcases, wheel housings for suitcases and bags, holdalls, bags, roller bags, suitcase handles, telescopic handles for cases, leather straps, straps of leather [saddlery], attaché cases, briefcases, vanity cases, not fitted, travelling sets [leatherware], rucksacks, hipsacks, shoe bags for travel, gym bags, garment bags for travel, bags for sports, wallets, purses, business card cases, credit card cases [wallets], keycases, luggage tags, labels of leather, bags [envelopes, pouches] of leather, for packaging, fitted protective covers for luggage, protective covers for travel documents, grips for holding shopping bags, shopping bags, umbrellas, parasols, polishing paste for suitcases, buffing compounds and cleaning agents for suitcases, perfumery, soaps, cosmetics, tool chests of metal, empty, manicure sets, cases for manicure instruments, camera cases of metal or of plastic or of fabric material or a combination of the aforesaid materials, cases especially made for photographic apparatus and instruments, bags adapted for laptops, covers for smart phones, covers for tablet computers, covers for personal digital assistants [PDAs], protective covers, electrical adapters, accumulators, electric, batteries, electric, battery chargers, chargers for mobile phones, power banks, spectacles, sunglasses, spectacle cases, key rings [split rings with trinket or decorative fob], clocks, watches, bags specially adapted for holding musical instruments, cases for musical instruments, clothing, headgear, footwear, tee-shirts, sweaters, knitwear [clothing], sports jerseys, shirts, stockings, pullovers, polo shirts, bandanas [neckerchiefs], scarves, neck scarves [mufflers], sashes for wear, rainwear, caps [headwear], baseball caps; provision of an on-line marketplace for buyers and sellers of goods and services; provision of information and advisory services relating to e-commerce; procurement services for others [purchasing goods and services for others]; data searches in computerised files for others; staff recruitment services; business management; business administration; office functions; public relations services; customer club services, for commercial, promotional and/or advertising purposes.

(260) AM 2019 101964 A

(800) 1452473

(151) 2018 12 03

(891) 2018 12 03

(731) RICHTER GEDEON NYRT.

Gyömrői út 19-21, H-1103 Budapest, Hungary

(540)

# Ксиверон

(591) Black, white

(531) 28.05

(511)

5 – Pharmaceutical preparations.

(260) AM 2019 101980 A

(800) 1452828

(151) 2018 12 17

(891) 2018 12 17

(731) Nemiroff Intellectual Property Establishment

Städtle 31, FL-9490 Vaduz, Liechtenstein

(540)

## BOLD CHARACTER SINCE 1872

(591) Black, white

(511)

35 – Advertising; rental of billboards [advertising boards]; business management; business administration; organization of exhibitions for commercial or advertising purposes; organization of trade fairs for commercial or advertising purposes; promotion of goods and services through sponsorship of sports events; radio advertising; telemarketing services; television advertising.

(260) AM 2019 101986 A

(800) 1452938

(151) 2018 11 13

(891) 2018 11 13

(731) HUAWEI TECHNOLOGIES CO., LTD.

ADMINISTRATION BUILDING, HUAWEI

TECHNOLOGIES CO., LTD., BANTIAN,

LONGGANG DISTRICT, 518129

SHENZHEN, China

(540)

# GPU TURBO

(591) Black, white

(531) 26.04.02; 26.04.22; 26.04.24; 27.05.10

(511)

9 – Humanoid robots with artificial intelligence; computer application softwares, downloadable; images, charts and word processing software; graphics accelerator; virtual reality headsets; smartphones; smart watch for data processing; wearable activity

trackers; notebook computers; computer program for editing images, sounds and videos; virtual reality game software; computer hardware; computer software, recorded; HD integrated graphics chip; smart glasses for data processing.

(260) AM 2019 101989 A

(800) 1453065

(151) 2018 12 21

(891) 2018 12 21

(731) Obschestvo s ogranichennoj otvetstvennostju "SPODUMEN"

ul. Shosseynaya, d. 1, der., Yakovlevo,  
g. Podolsk, RU-142152 Moskovskaya oblast,  
Russian Federation

(540)

**БОДРОСТЬ**

(591) Black, white

(531) 28.05

(511)

30 – Tea.

(260) AM 2019 101990 A

(800) 1453096

(151) 2018 12 12

(891) 2018 12 12

(731) BYVIN HOLDING GROUP CO.,LTD  
18TH FLOOR, NO.2 OF BYVIN ROAD,  
ZHULIU TOWN, CHANGLE COUNTY,  
WEIFANG CITY, 262400 SHANDONG  
PROVINCE, China

(540)

**LEVDEO**

(591) Black, white

(531) 27.05.01

(511)

12 – Vehicles for locomotion by land, air, water or rail; motor vehicles; electric vehicles; electric bicycles; pumps for bicycle tires; aerial conveyors; trolleys; sleighs [vehicles]; tires for vehicle wheels; repair outfits for inner tubes; air vehicles; boats; air pumps [vehicle accessories].

(260) AM 2019 101991 A

(800) 1453152

(151) 2018 10 17

(891) 2018 10 17

(731) Sovmestnoe obchtchestvo s ogranichennoy otvetstvennostiyu "CONTE SPA"  
d. 30, Pobedy Street, 230026 Grodno, Belarus

(540)

**Conte.kids**

(591) Red, blue, orange, green, purple and black

(531) 24.17.02; 27.05.02; 29.01.15

(511)

25 – Wimples; underwear; sweat-absorbent underwear; berets; overalls; boas [necklets]; boxer shorts; ankle boots; ski boots; boots for sports; breeches for wear; trousers; football boots; brassieres; valenki [felted boots]; collars [clothing]; detachable collars; shirt yokes; veils [clothing]; gabardines [clothing]; galoshes; neckties; ascots; leggings [leg warmers]; gaiters; boot uppers; corselets; jerseys [clothing]; vests; sports jerseys; hosiery; heels; hoods [clothing]; hat frames [skeletons]; pockets for clothing; neck scarfs [mufflers]; kimonos; visors [headwear]; tights; slips [underclothing]; wet suits for water-skiing; combinations [clothing]; bodices [lingerie]; corsets [underclothing]; suits; bathing suits; masquerade costumes; beach clothes; leotards; stuff jackets [clothing]; jackets [clothing]; fishing vests; leggings [trousers]; liveries; camisoles; sports singlets; cuffs; short-sleeve shirts; mantillas; coats; sleep masks; furs [clothing]; mittens; miters [hats]; footmuffs, not electrically heated; muffs [clothing]; bibs, not of paper; bibs, sleeved, not of paper; fur stoles; ear muffs [clothing]; socks; sweat-absorbent socks; footwear; beach shoes; sports shoes; clothing; paper clothing; outerclothing; ready-made clothing; cyclists' clothing; clothing for gymnastics; clothing of imitations of leather; clothing of leather; waterproof clothing; uniforms; fittings of metal for footwear; overcoats; panties; parkas; pelerines; ski gloves; gloves [clothing]; pajamas; bathing trunks; shirt fronts; scarfs; pocket squares; dresses; sock suspenders; stocking suspenders; ready-made linings [parts of clothing]; dress shields; soles for footwear; braces for clothing [suspenders]; half-boots; lace boots; ponchos; girdles; money belts [clothing]; belts [clothing]; layettes [clothing]; non-slipping devices for footwear; heel-pieces for stockings; welts for footwear; chasubles; shirts; wooden shoes; sandals; bath sandals; boots; jumper dresses; saris; sarongs; sweaters; footwear uppers; inner soles; albs; bath slippers; togas; knitwear [clothing]; underpants; shoes; gymnastic shoes; slippers; skull caps; turbans; headgear for wear; aprons [clothing]; judo uniforms; karate uniforms; tee-shirts; dressing gowns; bath robes; top hats; sweat-absorbent stockings; shawls; paper hats [clothing]; caps [headwear]; shower caps; bathing caps; sashes for wear; studs for football boots; hats; babies' pants [underwear]; trouser straps; pelisses; esparto shoes or sandals; skirts; petticoats; skorts.

35 – Import-export agency services; commercial information agency services; rental of advertising space; computerized file management; demonstration of goods; opinion polling; market studies; business information; commercial information and advice for consumers in the choice of products and services; marketing research; marketing; targeted marketing; updating and maintenance of data in computer da-

tabases; online retail services for downloadable and pre-recorded music and movies; online retail services for downloadable ring tones; online retail services for downloadable digital music; organization of exhibitions for commercial or advertising purposes; arranging and conducting of marketing events; arranging and conducting of advertising events; organization of fashion shows for promotional purposes; organization of trade fairs for commercial or advertising purposes; business appraisals; business management assistance; commercial intermediation services; provision of an on-line marketplace for buyers and sellers of goods and services; presentation of goods on communication media, for retail purposes; conducting online surveys; auctioneering; sales promotion for others; promotion of goods and services through sponsorship of sports events; production of teleshopping programmes; office machines and equipment rental; rental of vending machines; rental of sales stands; publication of publicity texts; radio advertising; direct mail advertising; on-line advertising on a computer network; advertising by mail order; advertising; television advertising; telemarketing services; commercial administration of the licensing of the goods and services of others; business management of reimbursement programs for others; administration of consumer loyalty programs; administrative processing of purchase orders; modelling for advertising or sales promotion; procurement services for others [purchasing goods and services for other businesses]; outsourcing services [business assistance], retail services connected to the sale of clothing, footwear, headgear, accessories for decorating clothes and caring for clothes, including via online stores.

(260) AM 2019 101992 A

(800) 1453193

(151) 2018 10 31

(891) 2018 10 31

(731) XI'AN MUYI HOUSEHOLD PRODUCTS CO., LTD.

Room B1702-B1706, No. 9 Harbour Road,  
Xi'an International Port Area, Xi'an, Shaanxi  
Province, China

(540)

**佳帮手**

(591) Black, white

(531) 28.03

(511)

6 – Ironmongery; fittings of metal for furniture; hooks of metal for clothes rails; works of art of common metal; towel dispensers, fixed, of metal; trellis of metal; ladders of metal; staircases of metal; clothes hooks of metal.

21 – Blenders, non-electric, for household purposes; cutting boards for the kitchen; graters for kitchen use; containers for household or kitchen use; kitchen utensils; noodle machines, hand-operated; iron ladle for kitchen; household enamel and plastic utensils (including plates, dishes, bowls, pots and cups); porcelain ware; pottery for daily use (including pots, bowls, plates, jars, jars, casseroles, pots, crockery); drinking bottles for sports; boxes for dispensing paper towels; soap boxes; dustbins; towel rails and rings; toilet paper holders; toothbrushes; toothbrush cases; toilet cases; abrasive sponges for scrubbing the skin; ice cube molds; steel wool for cleaning; brooms; chamois leather for cleaning; sponges for household purposes; dusting cloths [rags]; gloves for household purposes; carpet sweepers; mouse traps; mosquito eradicator; brushes; pottery with tricolored glaze of tang dynasty; beer mugs; mops; clothes rack; rags for cleaning; glass bowls; soap holders; fly swatters; basins [bowls]; dustbins of metal.

24 – Loose covers for furniture; coverings for furniture; bath mitts; tablecloths, not of paper; bath towel; shower curtains in the shape of tent; wall hangings of textile; fitted toilet lid covers of fabric; upholstery fabrics; table mats (not of paper).

27 – Carpets; reed mat; bath mats; gymnasium mats; door mats; non-slip mats; floor mats; rubber mats; car mats; gym mats.

(260) AM 2019 101993 A

(800) 1453231

(151) 2018 10 16

(891) 2018 10 16

(731) JAPAN CHEMICAL INNOVATIONS CORPORATION K.K.

Toranomon 40MT Building 7F, 5-13-1,  
Toranomon, Minato-ku 105-0001, Tokyo,  
Japan

(540)



**TAKAYAMA**

(591) Red, black

(531) 04.03.03; 27.05.01; 29.01.12

(511)

37 – Rebuilding engines that have been worn or partially destroyed; rebuilding machines that have been worn or partially destroyed; retreading of tires [tyres]; vulcanization of tires [tyres] [repair]; vehicle battery charging; repair information; vehicle washing; anti-rust treatment for vehicles; vehicle maintenance; vehicle polishing; vehicle breakdown repair



services; motor vehicle maintenance and repair; vehicle lubrication [greasing]; vehicle service stations [refuelling and maintenance]; tire balancing; machinery installation, maintenance and repair; vehicle cleaning.

(260) AM 2019 101999 A

(800) 1453322

(151) 2018 12 04

(891) 2018 12 04

(731) UWE-BERND ROSE

Parkstr. 19 d, 61462 Königstein, Germany

(540)

## TUMEVEN

(591) Black, white

(511)

1 – Chemicals for use in industry, in particular bases, raw materials, auxiliaries and active ingredients, in particular based on natural substance concentrates and/or high-concentration natural substances for manufacturing medicines, medical and cosmetic preparations and toiletry preparations.

3 – Cosmetics, essential oils, soaps, dentifrices.

5 – Medicines (prescriptions and formulations), in particular for the fields of application/indications of anti-inflammatory, anti-tumoural, antiangiogenic, and antimetastatic-antiangiogenic; pharmaceutical and sanitary preparations; dietetic food adapted for medical purposes, dietary supplements.

(260) AM 2019 102000 A

(800) 1453330

(151) 2019 01 22

(891) 2019 01 22

(731) LAMYRA LLP

3rd Floor, 49 Farringdom Road, London

EC1M 3JP, United Kingdom

(540)

## MULTIZAN

(591) Black, white

(511)

3 – Perfumery, essential oils; cosmetics, lotions for hair, toothpastes and tooth powders.

5 – Pharmaceuticals, medical preparations; dietetic food and substances adapted for medical use, food for babies; dietary supplements for humans and animals.

(260) AM 2019 102001 A

(800) 1453340

(151) 2018 11 07

(891) 2018 11 07

(731) SOPRO BAUCHEMIE GMBH

Biebricher Straße 74, 65203 Wiesbaden,

Germany

(540)

## eScann

(591) Black, white

(511)

19 – Building materials (non-metallic), in particular with damping and insulating properties (terms considered too vague by the International Bureau – rule 13 (2) (b) of the Common Regulations); building materials (non-metallic), namely hydraulic binding agents such as cement, lime, gypsum and as additives for binding and hardening concrete, mortar and stony-type building materials (terms considered too vague by the International Bureau – rule 13 (2) (b) of the Common Regulations); building materials (non-metallic), namely hydraulic binding agents and mixtures composed thereof containing aggregates, pozzolanic materials (concrete admixtures) and/or chemical substances (concrete admixtures); mortar (building material); plaster (building material); screeds (building material); reinforcing fabrics (non-metallic) for building purposes; contact sludges (non-metallic) for building purposes; building materials, non-metallic, in the form of filling materials for building purposes for preparing surfaces made of concrete, mortar and other stony-type building materials; silica sand for building purposes; bitumen; bituminous products for building; pipes, not of metal, for building purposes; concrete; concrete building elements; roof coverings, not of metal; bituminous coatings for roofing (except for sealing and insulating purposes); windows, not of metal; felts for building; gravel; sand for building purposes; prefabricated swimming pools (not of metal); prefabricated chimneys, not of metal; floor tiles, not of metal; tile floorings, not of metal; binding material for road repair; road coating materials.

37 – Construction services; providing information relating to building construction; providing online information relating to building construction; provision of construction information, in particular with respect to the field of application and use of building materials; on site project management relating to the construction of buildings; construction project management in the course of building construction (construction supervision); rental of building tools; rental of building materials; repair in the field of buildings above ground, underground engineering and completion of interiors; construction of interior accommodation.

42 – Testing, authentication and quality control; science and technology services; advisory services relating to material testing; consultancy services relating to quality control; technical measuring and testing; quality checking and testing; material testing for fault detection; materials testing and analyzing; quality control of completed buildings; quality control of building materials; environmental testing and inspection services; design services relating to civil en-

engineering; research on building construction and building materials; technical review in particular review of sealing and waterproofing defects; technical consultancy services relating to civil engineering; engineering consultancy relating to manufacture; technical consulting in the field of environmental engineering; civil engineering planning services; architectural and engineering services; engineering consultancy services.

(260) AM 2019 102002 A

(800) 1453355

(151) 2018 11 23

(891) 2018 11 23

(731) SHANTOU CHENGHAI LONGJUN TOY FACTORY

No.4, East National Road, Zhulin Village,  
Lianshang Town, Chenghai District, Shantou  
City, Guangdong, China

(540)



(591) Red, white, orange and black

(531) 27.05.02; 28.03; 29.01.12

(511)

28 – Intelligent toys; toys started by laser; toy models; toy vehicles; controllers for toys; scale model kits [toys]; toys; building blocks [toys]; scale model vehicles; radio-controlled toy vehicles.

(260) AM 2019 102003 A

(800) 1453385

(151) 2018 10 23

(891) 2018 10 23

(731) FOSCHI SRL

Via Lucrezia Romana, 120, I-00178 Roma  
(RM), Italy

(540)



(591) Black, white

(531) 19.13.01; 19.13.25; 27.03.15; 27.05.01

(511)

9 – Scientific apparatus and instruments.

10 – Latex gloves for surgical purposes; surgical, medical, dental and veterinary apparatus and instruments (included artificial limbs, eyes and teeth).

25 – Clothing.

(260) AM 2019 102004 A

(800) 1453433

(151) 2018 11 09

(891) 2018 11 09

(731) UNIFI, INC.

7201 West Friendly Avenue, Greensboro  
NC 27410, USA

(540)

## REPREEVE

(591) Black, white

(511)

24 – Yarn for use in the manufacture of shirts, t-shirts, pants, shorts, dresses, skirts, sweatshirts, pullovers, jackets, vests, underwear, sleepwear, lounge-wear, hats and caps, socks, hosiery, and swimwear.

(260) AM 2019 102005 A

(800) 1453450

(151) 2018 12 19

(891) 2018 12 19

(731) F.S. MACKENZIE INTERNATIONAL LIMITED

Bowden House, Luckyn Lane, Basildon,  
Essex SS14 3AX, United Kingdom

(540)



(591) Light blue, dark blue and green

(531) 26.11.08; 27.05.23; 29.01.13

(511)

39 – Transport; transportation logistics; collection, transport and delivery of goods; packaging of goods; storage of goods; transport of persons and goods by land, air and water; freight forwarding; freight tracking and tracing services; shipping services; information, consultancy and advisory services in relation to the aforesaid services.

(260) AM 2019 102015 A

(800) 1166408

(151) 2013 05 30

(891) 2019 02 01

(731) Otkrytoe aktsionernoe obshchestvo,  
"GRODNENSKAYA TABACHNAYA  
FABRIKA "NEMAN"

18, ul. Ordzhonikidze, 230771 Grodno,  
Belarus

(540)

**NZ**

(591) Black, white

(511)

34 – Tobacco; smokers' articles; matches.

(260) AM 2019 102090 A

(800) 1453995

(151) 2018 09 04

(891) 2018 09 04

(731) CHINASINO PANDA HOLDING CO., LTD.

Room 3811, Main Tower, No.580, Nanjing

West Road, Jing'an District, Shanghai, China

(540)



(591) The colors claimed are white, black and creamy white

(531) 03.01.15; 03.01.24; 24.17.15

(511)

9 – Cabinets for loudspeakers; computers; protection devices for personal use against accidents; diving suits; navigational instruments; eyeglasses; solar batteries; electronic burglar alarm; wires, electric; smartphones.

18 – Skins (animal -); backpacks; trimmings of leather for furniture; leather straps; umbrellas; canes; clothing for pets; pocket wallets; handbags; bags.

28 – Toys; games; chess games; games (balls for -); body-training apparatus; archery implements; physical exercise apparatus; boxing gloves; ornaments for Christmas trees, except illumination articles and confectionery; tackle (fishing -).

(260) AM 2019 102092 A

(800) 1454030

(151) 2018 11 28

(891) 2018 11 28

(731) OMNIREs Sp. z o.o.

ul. Kleszczowa 18, PL-02-485 Warszawa,

Poland

(540)

**OMNIREs**

(591) Black, white

(531) 27.05.01

(511)

11 – Sanitary and bathroom installations and plumbing fittings; sanitary and bathroom fittings; over-

head showers; bathroom and kitchen taps; stand pipes for bathroom taps; bathtubs with accessories; hydromassage bathtubs; decorative covers for bathtub legs; washbasins; sinks; toilet bowls; toilet seats; urinals; bidets; water flushing devices and tanks therefor; shower installations; shower cubicles; shower doors and shower side walls; bathtub screens; shower seats being components of shower cubicles; steam bath cubicles; sauna installations; bathing showers; showers and their accessories; shower pans; bathroom traps; sink waste strainers; wastes for washbasin traps; water conditioning apparatus; bath fittings; elements and installations for distribution of drinking water, water for sanitary purposes, and water for central heating; pipes of plastic for central heating and water installations; electric water heaters; electric and gas hot-water heaters; bathroom heating stoves; shower hoses; boiler pipes for heating installations; pipes being parts of sanitary installations; pipe elbows and adapters of plastic for installation of heaters; central heating boilers; gas boilers; boilers and heaters; water heaters; valves for regulating the level of water in tanks; mixing valves for water pipes; air vent valves; thermostatic valves; water non-return valves; combined valves being parts of sanitary installations; distribution valves and cut-off valves; filters for water installations; water strainer filters of brass; filters for use with heating apparatus; hand dryers; hair dryers; clothes dryers; dispensers of disinfectants for bathrooms; holders for hand showers; cistern lever handles; heated towel rails; washstand lamps; sconces as electric light fixtures.

21 – Toilet paper dispensers; soap trays; soap dispensers; bathroom cups; holders for bathroom glasses; towel racks and railings as bathroom accessories; holders and stands for toilet paper; bathroom baskets; holders for kitchen paper towels; tissue boxes as bathroom accessories; perfume sprayers [sold empty]; toilet brushes and cleaning brushes; toilet brush stands; containers and sorting baskets for garbage; waste baskets; detergent dispensers; drying racks and baskets for kitchen; plastic bath racks [caddies].

35 – Commercial intermediation services; sales promotion; consumer advice services; import and export services; wholesale and retail sales services of the following goods: sanitary and bathroom installations and plumbing fittings, sanitary and bathroom fittings, overhead showers, bathroom and kitchen taps, stand pipes for bathroom taps, bathtubs with accessories, hydromassage bathtubs, decorative covers for bathtub legs, shelves of plastics for bathtubs, washbasins, sinks, toilet bowls, toilet seats, urinals, bidets, water flushing devices and tanks therefor, shower installations; wholesale and retail sales services of the following goods: shower cubicles, shower doors and shower side walls, bathtub screens, sho-

wer seats being components of shower cubicles, steam bath cubicles, sauna installations, bathing showers, showers and their accessories, shower pans, bathroom traps, sink waste strainers, wastes for washbasin traps, water conditioning apparatus, bath fittings; wholesale and retail sales services of the following goods: elements and installations for distribution of drinking water, water for sanitary purposes and water for water central heating, pipes of plastic for central heating and water installations, hooks of plastic, holders and clips for fastening the aforesaid pipes, compensating mufflers for central heating pipes, electric water heaters, electric and gas hot-water heaters, bathroom heating stoves; wholesale and retail sales services of the following goods: shower hoses, boiler pipes for heating installations, pipes being parts of sanitary installations, pipe elbows and adapters of plastic for installation of heaters, central heating boilers, gas boilers, boilers and heaters, water heaters, valves for regulating the level of water in tanks, mixing valves for water pipes, air vent valves, thermostatic valves, water non-return valves, combined valves; wholesale and retail sales services of the following goods: distribution valves and cut-off valves, filters for water installations, water strainer filters of brass; wholesale and retail sales services of the following goods: filters for use with heating apparatus, hand dryers, hair dryers, clothes dryers, dispensers of disinfectants for bathrooms, holders for hand showers, cistern lever handles, heated towel rails, washstand lamps, sconces as electric light fixtures, shelves for body wash products, toilet paper dispensers, soap trays, soap dispensers, bathroom cups; wholesale and retail sales services of the following goods: holders for bathroom glasses, towel racks and railings as bathroom accessories, holders and stands for toilet paper, bathroom hooks hangers for towels, bathroom baskets, holders for kitchen paper towels, tissue boxes as bathroom accessories, fragrance sprays sold empty, toilet brushes and cleaning brushes, toilet brush stands; wholesale and retail sales services of the following goods: containers and sorting baskets for garbage, waste baskets, detergent dispensers, drying racks and baskets for kitchen, bathroom furniture, mirrors, anti-slip mats, bathroom mats and carpets, shower loudspeakers.

(260) AM 2019 102109 A

(800) 1454264

(151) 2018 11 23

(891) 2018 11 23

(731) JIAN LONG XU

No.14, Hetian Yanjiang Road, Oubei town,  
Yongjia County, 325101 Zhejiang, China

(540)

**TUHAO 鉅豪**

(591) Black, white

(531) 27.05.24; 28.03

(511)

9 – Computers; wires, electric; coils, electric; switches, electric; current rectifiers; electric door bells; batteries, electric.

(260) AM 2019 102110 A

(800) 1454265

(151) 2018 11 06

(891) 2018 11 06

(731) ONESPAN

Romeinsesteenweg 564C, B-1853

Strombeek-Bever, Belgium

(540)

**ONESPAN**

(591) Black, white

(511)

9 – Software; computer software; server software; client software; computer application software; mobile application software; software in the field of machine learning and artificial intelligence; cyber security software; authentication server software; authentication library software; downloadable computer security software; software for network and device security; software for application, transaction and identity security related to mobile device applications; software for data security; software for ensuring the security of electronic mail; software for virus tracking and virus neutralization; electronic publications, downloadable, relating to the field of cyber security, Internet security, computer security, computer network security, data security and cryptography; software development kits (SDKs); computer security SDKs (Software Development Kits); mobile application security SDKs; authentication SDKs; biometric SDKs; real-time fraud prevention software; software for monitoring, detecting and blocking of fraudulent transactions; software for logging, monitoring and securing of Internet and mobile services; software for analyzing, and detecting unusual patterns in user and transaction data including behavioral and contextual data; software for behavioral analytics; mobile application security software; software for protecting mobile applications; software for detecting, preventing and reporting mobile cyber attacks; anti-malware software; runtime application selfprotection software; jailbreak and root detection software; device identification and device binding software; software for identifying an individual electronic device; software for binding an application instance to an individual electronic device; device fingerprinting software; secure storage software; secure communications software; computer hardware, data processing equipment; electronic apparatus for enabling secure telecommunications; computer peripheral equipment; smart card readers;

electronic devices capable of exchanging data using a wireless data communication protocol; USB hardware; USB smart card readers; USB tokens; USB sticks; smart cards; PKI smart cards; parts and fittings for all the aforesaid goods; electronic data storage devices; electronic data capture apparatus; electronic encoding and decoding apparatus and instruments; electronic coding units; electronic decoders; electronic apparatus, USB hardware, USB tokens, encoded smart cards containing programming used for security, authentication and encryption; cards encoded with security features for identification purposes; data encryption apparatus; electronic encryption units; electronic security tags; electronic identification tags; electronic apparatus, computer peripheral equipment, USB hardware, USB tokens, smart cards, smart card readers, authentication tokens and software, server software and mobile application software, for use in the field of cyber security, Internet security, computer security, computer network security and cryptography; electronic apparatus, computer peripheral equipment, USB hardware, USB tokens, smart cards, smart card readers, authentication tokens and software, server software and mobile application software, used all for the protection of online transactions and data transfer by electronic means; electronic apparatus, computer peripheral equipment, USB hardware, USB tokens, smart cards, smart card readers, authentication tokens and software, server software and mobile application software, all for electronic generation and verification of authentication credentials and signatures; electronic apparatus, computer peripheral equipment, USB hardware, USB tokens, smart cards, smart card readers, authentication tokens and software, server software and mobile application software, all for use in, for connecting to and for providing Public Key Infrastructures (PKI); electronic identification devices programmed with specific parameters to obtain an authentication code for securing electronic transactions, bank operations, remote application access and securing data transfers; electronic security tokens in the nature of a fob-like device used by an authorized user of a computer system to facilitate authentication to access computers, web sites, remote computer based applications, electronic networks and databases; software, mobile application software, electronic apparatus, authentication tokens and smart card readers adapted to optically capture digital information; software, mobile application software, electronic apparatus, authentication tokens and smart card readers for capturing and decoding 2D-barcodes; electronic apparatus and software for use in the field of biometric verification; electronic apparatus and software for biometric systems for the identification and authentication of persons; biometric access control systems; biometric identification systems; biometric voice recognition systems; electronic apparatus and software for

capturing, analyzing and verifying biometric traits; electronic apparatus and software for capturing, analyzing and verifying fingerprints, retinal scan, voice, heartbeat, gait and vein patterns; biometric readers; fingerprint readers; biometric retinal scanners; face recognition software; electronic apparatus and software for use in the field of behavioral biometrics; electronic apparatus and software for capturing, analyzing and verifying behavioral biometrics; behavioral authentication software; electronic apparatus and software for behavioral biometrics, including dynamic keystrokes and swiping patterns; electronic apparatus and software for capturing, analyzing and verifying geolocation data; electronic apparatus and software for recording, processing, manipulating and analyzing sounds and images; electronic apparatus and software for use in the field of cyber security, Internet security, computer security, computer network security, data security and cryptography; electronic apparatus, authentication tokens and smart card readers and software, server software and mobile application software for security, data security, authentication and data encryption; Electronic apparatus and software for providing multi-factor authentication; electronic apparatus and software for providing layered security; electronic apparatus and software for continuous, transparent and frictionless authentication; software for coordinating and orchestrating authentication and cyber security; electronic apparatus and software for protecting digital channels; electronic apparatus and software for securing telecommunications, data communications, electronic communications and digital communications; electronic apparatus and software for securing access to and operation on the Internet; electronic apparatus and software for the security of data-transfer by electronic means and via computer networks; electronic apparatus and software for identification of persons; electronic apparatus and software for providing, verifying and proving the identity of persons; electronic apparatus and computer software used to identify and authenticate users of intranet and Internet websites and used to authenticate user access to intranet and Internet sites, wide area networks (WAN) and local area networks (LAN) in order to secure online communications and transactions; electronic apparatus and software for the security of physical and virtual objects; electronic apparatus and software for controlling user access; electronic apparatus and software for access control to physical and virtual spaces, to electronic systems, to computers, to electronic networks, to websites, to computer based applications and to electronic databases; electronic apparatus and computer software used for remote control of access to computers, computer based applications and telecommunications networks; electronic apparatus and software for use in the field of Public Key Infrastructures (PKI); electronic apparatus and software used for securing electronic and online

transactions; Electronic apparatus and software for providing non-repudiation of electronic and online transactions; electronic apparatus and software for the certification of orders given via computer and certifying electronic instructions; electronic apparatus and software for secure transaction authentication for use in the field of banking and online consumer transactions; electronic apparatus and software used for ensuring the security of banking operations and bank transactions; electronic apparatus and software for securing Internet banking; electronic apparatus and software used for ensuring the security and authentication of orders given by computer; electronic apparatus and software for use in the field of risk analysis, including risk analysis of electronic and remote transactions, transaction requests, and access requests; software for assessing the risk associated with end user identities; electronic apparatus and software in the field of fraud detection, risk detection, risk management, fraud management, risk analysis, fraud analysis and fraud prevention, all related to electronic, digital, online and remote transactions; electronic apparatus and software for securing and protecting virtual, electronic and digital assets; digital apparatus for securing storage of, access to and handling of digital money, electronic and digital currencies and cryptocurrencies; software in the field of digital money, electronic and digital currencies and cryptocurrencies; digital apparatus for securing computer based applications using distributed ledgers and blockchains; software in the field of distributed ledgers and blockchains; electronic apparatus and software in the field of protecting digital data; electronic apparatus and software for ensuring the confidentiality, integrity and authenticity of digital data; electronic apparatus for protecting access to digital copyrighted material and for supporting digital rights management mechanisms; software in the field of digital rights management; electronic apparatus and software for controlling the use, modification, and distribution of copyrighted works; electronic apparatus and software in the field of protecting personal data; electronic apparatus and software in the field of privacy protection; electronic apparatus and software in the field of identity management; electronic apparatus and software for trusted identity management; electronic apparatus and software for digital identity management; software for customer enrollment, customer management and electronic transaction facilitation; electronic apparatus and software for securing electronic payment services, Internet banking and mobile banking services; electronic apparatus and software in the field of e-government; software for electronic signature applications and systems, including administrative and user applications and digital storage systems; software programs allowing users to electronically approve documents using secure electronic signatures; electronic apparatus and software for the recording, the mani-

pulation, the archiving, the security, the encoding of sound, images and data, including via the Internet; software for capturing an approval of an electronic or online transaction; software for generating and capturing electronic proof of authorization of electronic and online transactions and documents; software for generating electronic signatures; software for electronically signing electronic and online transactions; software for signing electronic documents; software for capturing electronic document signatures; electronic signature software; transaction management software programs; software for electronic document management; software allowing users to electronically send, sign, receive and manage documents as part of an electronic business transaction; software for ensuring the legal enforceability, regulatory compliance and auditability of documents or transactions; software for obtaining secure electronic forensic evidence relating to the business transaction process and documents; electronic signature and transaction management software programs allowing users to electronically send, sign, receive and manage documents as part of an electronic business transaction, to ensure the legal enforceability, regulatory compliance and auditability of the documents and transactions, and to obtain secure electronic forensic evidence relating to the business transaction process and documents; software for capturing and storing electronic evidence data; software for capturing and storing audit trail data; software for capturing and storing electronic signature data; software for capturing and storing electronic evidence data that allows reproducing exactly what a signer saw and did; software for capturing and storing audit trail data that allows reproducing exactly what a signer of an electronic document saw and did; software for capturing and storing data documenting an electronic signature process; software for capturing and storing data documenting electronic delivery of documents and information; software for viewing and reviewing electronic evidence data; software for viewing and reviewing audit trail data; software for viewing and reviewing electronic signature data; software for viewing and reviewing electronic evidence data that allows reproducing exactly what a signer saw and did; software for viewing and reviewing audit trail data that allows reproducing exactly what a signer of an electronic document saw and did; software for viewing and reviewing data documenting an electronic signature process; software for viewing and reviewing data documenting electronic delivery of documents and information; software for reviewing and verifying electronic forensic evidence; software for reproducing an authorization and approval process of electronic transactions and documents; software for reproducing a signing process of electronic transactions and documents; software for securely storing electronic documents; electronic vaulting software.

42 – Computer hosted, online and cloud-based cyber security services; services in the field of data protection and data traffic, encryption; issuing and management of digital certificates; electronic authorization, authentication and identification of persons' data; it services in the field of electronic and digital signatures, data protection and data traffic, encryption; data encryption; development of electronic identification (id); online authentication of electronic signatures, namely, electronic signature verification services in connection with banking services; online authentication services; online computer security services; provision of security services for computer networks, computer access and computerized transactions; computer security services for protection against illegal and illegitimate network access; online authentication of electronic signatures; online security services, namely, providing security for electronic transactions; computer security services, namely, restricting access to and by computer networks to and of web sites, media, and individuals; computer security services, namely, protecting computers, web sites and databases against unauthorized access; providing access control to computers, electronic networks, web sites and databases; providing security of data transmission and of transactions via computer networks; providing security of web sites, computers and databases; computer security services for protection against illegal network access; computer and technology services for securing computer data and personal and financial information and for the detection of unauthorized access to data and information; providing secured online transactions and secured data transfer by electronic means; online security services, namely, providing security for electronic transactions in the nature of providing fraud detection services for electronic funds transfer, credit and debit card and electronic check transactions via a global computer network; providing user authentication services, namely, verifying digital signatures and passwords; providing user authentication services, namely, verifying digital signatures and passwords used to authorize transactions and access networks and online services; monitoring of computer systems for security purposes in the nature of monitoring data transmission and online transactions; providing user authentication services in e-commerce transactions; electronic signature verification services for security purposes; online identity management services; online trusted identity management services; digital identity management services; identity verification services; online access management services; online generation and verification of authentication credentials and electronic signatures; online personal attributes (data) management services; data security services; computer hosted, online and cloud-based services in the field of digital rights management; computer hosted, online and cloud-based services for controlling the use, modification,

and distribution of copyrighted works; online services in the field of protecting digital data; online services for ensuring the confidentiality, integrity and authenticity of digital data; online services in the field of protecting personal data; computer security services for protecting the privacy of persons interacting with computer based applications; online and cloud-based real-time fraud prevention services; computer hosted, online and cloud-based services and software as a service for monitoring, detecting and blocking of fraudulent transactions; computer hosted, online and cloud-based services and software as a service for analyzing, and detecting unusual patterns in user and transaction data including behavioral and contextual data; hosting services and software as a service [saas] and rental of software; providing temporary use of non-downloadable software applications accessible via a web site; rental of internet security programs; providing and rental of computer software for use in the field of application, transaction and identity security, cyber security, internet security, computer network security, data security, authentication, electronic signatures, biometrics, identification of persons, securing data communication, fraud detection and prevention, risk management, customer enrollment, electronic document management; computer hosted and online and cloud based services and software as a service in the field of fraud detection, risk detection, risk management, fraud management, risk analysis, fraud analysis and fraud prevention, all related to electronic, digital, online and remote transactions; computer hosted and online and cloud based services and software as a service for risk analysis, including risk analysis of electronic and remote transactions, transaction requests, and access requests; computer hosted and online and cloud based services and software as a service for assessing the risk associated with end user identities; computer hosted, online and cloud-based services and software as a service for coordination and orchestration of authentication and cybersecurity; computer hosted, online and cloud-based services and software as a service for securing electronic and online transactions; computer hosted, online and cloud-based services and software as a service for capturing an approval of an electronic and online transaction; computer hosted, online and cloud-based services and software as a service for generating and capturing electronic proof of an authorization of an electronic and online transactions and documents; computer hosted, online and cloud-based services and software as a service for generating electronic signatures; computer hosted, online and cloud-based services and software as a service for electronically signing electronic and online transactions; computer hosted, online and cloud-based services and software as a service for signing electronic documents; computer hosted, online and cloud-based services and software as a service for capturing elec-

tronic document signatures; computer hosted, online and cloud-based services and software as a service allowing users to electronically send, sign, receive and manage documents as part of an electronic business transaction; computer hosted, online and cloud-based services and software as a service for ensuring the legal enforceability, regulatory compliance and auditability of documents and transactions; computer hosted, online and cloud-based services and software as a service for obtaining secure electronic forensic evidence relating to the business transaction process and documents; computer hosted, online and cloud-based services and software as a service allowing users to electronically send, sign, receive and manage documents as part of an electronic business transaction, to ensure the legal enforceability, regulatory compliance and auditability of the documents and transactions, and to obtain secure electronic forensic evidence relating to the business transaction process and documents; electronic signature and transaction management software as a service allowing users to electronically send, sign, receive and manage documents as part of an electronic business transaction, to ensure the legal enforceability, regulatory compliance and auditability of the documents and transactions, and to obtain secure electronic forensic evidence relating to the business transaction process and documents; computer hosted, online and cloud-based services and software as a service for capturing and storing electronic evidence data; computer hosted, online and cloud-based services and software as a service for capturing and storing audit trail data; computer hosted, online and cloud-based services and software as a service for capturing and storing electronic signature data; computer hosted, online and cloud-based services and software as a service for capturing and storing data documenting an electronic signature process; computer hosted, online and cloud-based services and software as a service for capturing and storing data documenting electronic delivery of documents and information; computer hosted, online and cloud-based services and software as a service for viewing and reviewing electronic evidence data; computer hosted, online and cloud-based services and software as a service for viewing and reviewing audit trail data; computer hosted, online and cloud-based services and software as a service for viewing and reviewing electronic signature data; computer hosted and online services and software as a service for viewing and reviewing electronic evidence data that allows reproducing exactly what a signer saw and did; computer hosted and online services and software as a service for viewing and reviewing audit trail data that allows reproducing exactly what a signer of an electronic document saw and did; computer hosted, online and cloud-based services and software as a service for viewing and reviewing data documenting an electronic signature process; computer hosted,

online and cloud-based services and software as a service for viewing and reviewing data documenting electronic delivery of documents and information; computer hosted, online and cloud-based services and software as a service for reviewing and verifying electronic forensic evidence; computer hosted, online and cloud-based services and software as a service for reproducing an authorization and approval process of an electronic transaction and document; computer hosted, online and cloud-based services and software as a service for reproducing a signing process of an electronic transaction and document; computer hosted, online and cloud-based services for the digitization and automation of business workflows such as onboarding a new customer; services for the secure storage of electronic documents; electronic vaulting services; information, advice and consultancy relating to the aforesaid services, whether or not via the internet; consultancy in the field of computers; technical consultancy in the field of ICT, telecommunications and data communications; consultancy in the field of cyber security, internet security, computer security, computer network security, data security, cryptography, electronic signatures, electronically signing documents, and making secure data transfers and bank operations via computer networks and telecommunication networks; consultancy in the field of electronic document management; services provided by computer professionals in the field of security and certification of telecommunications; security testing of telecommunications; cyber security vulnerability testing; vulnerability testing and security testing of electronic systems, computer systems, computer based applications, remotely accessible applications, computer software, sever software and mobile application software; consultancy in the field of fraud detection, risk detection, risk management, fraud analysis and fraud prevention, all related to electronic, digital, online and remote transactions; programming and customization of data processing equipment; programming and customization of electronic apparatus for enabling secure communications, smart card readers, usb tokens, authentication tokens, electronic apparatus for use in the field of biometric verification, electronic apparatus for generation and verification of authentication credentials and signatures, electronic apparatus for securing telecommunications, electronic apparatus for computer security, electronic apparatus for the identification of persons; software research; project studies relating to software; design, development, customization, installation, updating and maintenance of computer software; computer programming; website design, development and maintenance; webhosting; technical research; scientific research; design of a digital archive; development of software for managing and providing access to documents, archives and documentation; design, development, implementation, management and operati-



on of data communications networks and software for data communications networks; design, development, customization, installation, updating and maintenance of computer software for use in the field of application, transaction and identity security, cyber security, internet security, computer network security, data security, authentication, electronic signatures, biometrics, identification of persons, securing data communication, fraud detection and prevention, risk management, customer enrollment, electronic document management; designing, developing, customizing, installing, updating and maintaining computer software in the field of cyber security, internet security, computer security, computer network security, data security, cryptography, electronic signatures, electronically signing documents, and making secure data transfers and bank operations via computer networks and telecommunication networks; computer programming services for electronic data security; design and development of electronic data security systems; programming of internet security programs; design and development of internet security programs; design, development, customization, installation, updating and maintenance of computer software relating to computer security and prevention of computer risks; testing, analysis and evaluation services in the telecommunications field, for the purpose of certification and designing, updating and maintaining computer software of others used for security and certification of electronic instructions; designing, developing, updating and maintaining computer software in the field of electronic document management; research relating to security; technical research relating to automatic identification systems; provision of security services for online transactions by electronic means; it security services for remote communication.

(260) AM 2019 102111 A

(800) 1454365

(151) 2018 12 29

(891) 2018 12 29

(731) Zakrytoe akcionerhoe obschestvo  
"KONDITIONERSKAJA FABRIKA  
"KRASNAJA ZVEZDA"  
Sibirskaja str., bld. 10, RU-634029 Tomsk,  
Russian Federation

(540)

ДЖУМКА

(591) Black, white

(531) 28.05

(511)

30 – Aromatic preparations for food; flavorings, other than essential oils, for beverages; food flavorings, other than essential oils; flavorings, other than essential oils, for cakes; star aniseed; pancakes; buns; bread rolls; vanillin [vanilla substitute]; waff-

les; vermicelli [noodles]; coffee flavorings; natural sweeteners; glucose for culinary purposes; yeast; artificial coffee; vegetal preparations for use as coffee substitutes; pastries; confectionery for decorating Christmas trees; fruit jellies [confectionery]; cakes; peanut confectionery; almond confectionery; pasta; frozen yogurt [confectionery ices]; cocoa; caramels [candy]; quiches; gluten prepared as foodstuff; sweetmeats [candy]; liquorice [confectionery]; peppermint sweets; coffee; unroasted coffee; starch for food; crackers; meat pies; noodles; candy; marzipan; custard; honey; royal jelly; ice cream; sherbets [ices]; flour; muesli; mint for confectionery; cocoa beverages with milk; coffee beverages with milk; coffee-based beverages; tea-based beverages; chocolate beverages with milk; chocolate-based beverages; cocoa-based beverages; nutmegs; pastilles [confectionery]; molasses for food; petits fours [cakes]; cookies; pies; pizzas; fondants [confectionery]; popcorn; powders for making ice cream; pralines; condiments; propolis; gingerbread; spices; puddings; cake powder; chewing gum; sugar; aniseed; cake dough; confectionery; spaghetti; rusks; breadcrumbs; almond paste; ferments for pastes; halvah; bread; unleavened bread; chips [cereal products]; chocolate; essences for foodstuffs, except etheric essences and essential oils.

(260) AM 2019 102113 A

(800) 1454404

(151) 2018 11 23

(891) 2018 11 23

(731) Swatch AG (Swatch SA) (Swatch Ltd.)

Nicolas G. Hayek Strasse 1, CH-2502

Biel/Bienne, Switzerland

(540)

swatch  
Glam

(591) Black, white

(531) 27.05.09; 27.05.10

(511)

9 – Computers to be worn on the wrist, smartwatches, handheld electronic devices for detection, storage, monitoring, surveillance and transmission of data relating to user activity, namely position, itinerary, distance traveled, heart rate; optical apparatus and instruments, particularly spectacles, sunglasses, magnifying glasses; cases for spectacles, sunglasses and magnifying glasses; batteries for electronic apparatus and computers, batteries for timepieces and chronometric instruments.

14 – Precious metals and their alloys and goods made of these materials or coated therewith included in this class, namely figurines, trophies; jewelry, namely rings, earrings, cuff links, bracelets, charms, brooches, chains, necklaces, tie pins, tie clips, jewelry

caskets and jewelry cases; precious stones, semi-precious stones; timepieces and chronometric instruments, namely chronometers, chronographs, clocks, watches, bracelets, wall clocks, alarm clocks as well as parts and accessories for the aforesaid goods, namely hands, anchors, pendulums, barrels, watch cases, watch bracelets, watch dials, clockworks, watch chains, movements for timepieces, watch springs, watch glasses, presentation cases for timepieces, cases for timepieces; apparatus for timing sports events.

(260) AM 2019 102124 A

(800) 413942

(151) 1975 02 22

(891) 2019 02 06

(731) BAREX ITALIANA S.R.L.

Via Grazia, 11, I-40069 ZOLA PREDOSA  
(BOLOGNA), Italy

(540)

**Joe**

(591) Black, white

(531) 27.05.01; 27.05.17

(511)

3 – Hair lotions, particularly preparations for hair styling reinforcement and setting, friction products, shampoos.

(260) AM 2019 102125 A

(800) 618598

(151) 1994 05 12

(891) 2019 02 06

(731) BAREX ITALIANA S.R.L.

Via Grazia, 11, I-40069 ZOLA PREDOSA  
(BOLOGNA), Italy

(540)

**OLIOSETA**

(591) Black, white

(531) 27.05.17

(511)

3 – Hair care preparations; shampoos; hair balms; hair conditioning oils; hair styling and protecting preparations; hair lotions.

(260) AM 2019 102126 A

(800) 940409

(151) 2007 05 23

(891) 2019 02 01

(731) TÖPFER GMBH

Heisinger Strasse 6, 87463 Dietmannsried,  
Germany

(540)

**TÖPFER**

(591) Black, white

(511)

3 – Cosmetics.

5 – Dietetic substances adapted for medical purposes, preparations for health care, dietary supplements for medical purposes, food for babies; pharmaceutical and veterinary preparations, in particular medicine to be purchased over the counter, pharmaceutical drugs, medicinal teas and tea mixtures; fresh plant juices made from medicinal herbs, being suitable also for children, sick persons and for diabetics and persons being sensitive with regard to sodium salt as well as for baby food; dietetic substitutes for cooking salt and sugar adapted for medical use.

29 – Milk; milk powder for the human diet; whey; dietetic food, also in the form of semi-finished dietetic food, or dietary supplements for non-medical purposes on the basis of proteins and fats, also with added fatty acids, vitamins, minerals and trace elements, either separately or in combination (included in this class).

30 – Dietetic food or dietary supplements for non-medical purposes on the basis of carbohydrates and dietary fibre, also with added vitamins, minerals, trace elements, either separately or in combination (included in this class); cereal or rice-based desserts containing milk; semi-finished and finished products for the human diet (included in this class).

(260) AM 2019 102127 A

(800) 957465

(151) 2006 06 29

(891) 2019 01 03

(731) APPLE INC.

One Apple Park Way, Cupertino CA 95014,  
USA

(540)



(591) Black, white

(531) 05.07.13

(511)

15 – Electric and electronic musical instruments; musical instruments adapted to programmed system sequences; electronic pianos, electronic keyboard instruments; electric or electronic percussion or drum systems music and sound synthesizers; elec-

tronic tone generators; musical instruments controlled by computer software.

(260) AM 2019 102128 A

(800) 957487

(151) 2008 01 04

(891) 2019 02 01

(731) TÖPFER GMBH

Heisinger Strasse 6, 87463 Dietmannsried,  
Germany

(540)



(591) Black, white

(531) 26.01.20; 27.05.24

(511)

3 – Cosmetics.

5 – Dietetic substances adapted for medical use, products for sanitary purposes, food supplements for medical use, food for babies; pharmaceutical and veterinary preparations, especially medicines available without prescription, pharmaceutical drugs, medicinal infusions and tea blends; fresh plant juices made with medicinal herbs, also recommended for children, the sick and diabetics as well as persons sensitive to sodium salt as well as for food for babies; dietetic substitutes for cooking salt and sugar for medical purposes.

29 – Milk; milk powder for dietary purposes; whey; health food, also in the form of semi-finished health food or food supplements for non-medical use made with proteins, lipids, fatty acids, also with added vitamins, minerals and trace elements, either separately or in combination (included in this class).

30 – Health food or food supplements for non-medical use made with carbohydrates and dietary fiber, also with added vitamins, minerals and trace elements, either separately or in combination (included in this class); milk gruel for food; diet products finished and semi-finished (included in this class).

44 – Hygiene and beauty care; consulting relating to foodstuffs and dieting.

(260) AM 2019 102135 A

(800) 1360828

(151) 2017 04 11

(891) 2019 02 06

(731) BAREX ITALIANA S.R.L.

Via Grazia, 11, I-40069 ZOLA PREDOSA  
(BOLOGNA), Italy

(540)

## BAREX ITALIANA

(591) Black, white

(511)

3 – Shower gel, not for medical use; hair emollients; hair treatment preparations; bath soaps in gel form, not for medical use; face and body creams for cosmetic use; hair spray; hair dyes; hair lighteners; hair lacquers; nail polish; cosmetic hair lotions; hair removing creams; eye make-up; cosmetic preparations for the face; hair conditioners; shampoos; hair oils; cosmetic preparations for the hair; cosmetic preparations for skin care; perfumery; potpourris (fragrances); hair gels; cosmetic preparations for body care; colour-removing preparations; shining preparations (polish); cosmetic preparations for baths; cosmetic preparations for skin care; hair care creams for cosmetic use.

(260) AM 2019 102136 A

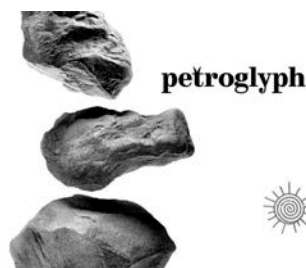
(800) 1430671

(151) 2018 08 20

(891) 2019 02 14

(731) Obshchestvo s ogranichennoy  
otvetstvennostyu "PETROGLYPH"  
per. Lesozavodskoy, 2, Altayskiy rayon,  
s. Altayskoe, RU-659653 Altayskiy kray,  
Russian Federation

(540)



(591) Black, white and gray

(531) 01.03.02; 06.01.01; 26.01.05; 27.05.01

(511)

30 – Flavourings, other than essential oils, for beverages; ice cubes; ice for refreshment; ice, natural or artificial; edible ices; chamomile-based beverages; tea-based beverages; infusions, not medicinal; tea; iced tea.

32 – Aperitifs, non-alcoholic; lithia water; seltzer water; soda water; waters [beverages]; aerated water; mineral water [beverages]; table waters; cocktails, non-alcoholic; lemonades; non-alcoholic beverages; isotonic beverages; non-alcoholic honey-based beverages; rice-based beverages, other than milk substitutes; soya-based beverages, other than milk substitutes; aloe vera drinks, non-alcoholic; protein-enriched sports beverages; non-alcoholic beverages flavoured with coffee; non-alcoholic beverages flavoured with tea; non-alcoholic fruit juice beverages.

(260) AM 2019 102137 A  
 (800) 1442163  
 (151) 2018 08 21  
 (891) 2019 02 06  
 (731) Obshestvo s dopolnitelnoy otvetstvennostyu  
 "FARMIN"  
 of. 62, d. 177, pr. Nezavisimosti, 220125  
 g. Minsk, Belarus

(540)

# INDIGO

(591) Black, white  
 (531) 27.05.01; 27.05.17  
 (511)

10 – Gloves for medical purposes; surgical sponges; finger guards for medical purposes; gloves for massage; condoms; babies' pacifiers [teats]; feeding bottle valves; feeding bottle teats; masks for use by medical personnel; orthodontic rubber bands; medical apparatus and instruments; orthopedic articles.

(260) AM 2019 102138 A  
 (800) 1450002  
 (151) 2018 11 06  
 (891) 2019 02 18  
 (731) INDUSTRIAS TAYG, S.L.U  
 Avda. Real de Madrid (Norte), N° 70, E-46469  
 Beniparrell (Valencia), Spain

(540)



(591) Red, purple and white  
 (531) 26.03.23; 26.04.05; 26.07; 26.07.15; 29.01;  
 29.01.13

(511)

9 – Electrical extension cords; multiple socket outlets with surge protection; electric connectors, plugs, sockets and other contacts; material for electrical conductors (cables and wires).

20 – Storage containers not of metal; tool boxes (not of metal); tool cases, small cases and chests (not of metal); index cabinets [furniture]; shelving trays; shelving units; shelves for filing-cabinets; stackable plastic boxes; stackable furniture; storage modules; cases for transportation (not made of metal); plastic boxes for storage; plastic separators (trays) for tool boxes; non-metallic containers for storage and transport of waste; drums not of metal.

35 – Advertising services; commercial business management; commercial administration; office functions; wholesale and retail services in stores, as well

as via global computer networks for electrical extension cords, multiple socket outlets, electric connectors, plugs, sockets and other contacts, cables and wires, portable lamps, fluorescent tubes, LED diodes, searchlights, LED lamps, LED lighting fixtures and luminaires, plastic storage containers, toolboxes of plastic, tool cases, small cases and chests, index cabinets and stackable furniture, shelving trays, shelving units, shelves for filing cabinets, stackable plastic boxes, storage modules, plastic boxes for transport and storage, plastic separators for tool boxes, drums not of metal, tool carts, tool belts, tool-holder backpacks, tool-holder vests, cable reels, floor and wall spacers, pliers, levelers, floor supports and shuttering spacers; import and export services; assistance services for the operation of commercial companies as franchises; organization of exhibitions for commercial or advertising purposes.

(260) AM 2019 102184 A  
 (800) 1454986  
 (151) 2018 12 12  
 (891) 2018 12 12  
 (731) Joint-Stock Company "FABRIKA "RUSSKIY SHOKOLAD"  
 ul. Vereyskaya, d. 29, str. 143, RU-121357  
 Moscow, Russian Federation

(540)



(591) White, yellow, black and red  
 (531) 01.01.15; 19.03.25; 27.05.02; 29.01.13  
 (511)

30 – Confectionery.

(260) AM 2019 102192 A  
 (800) 1455341  
 (151) 2018 12 14  
 (891) 2018 12 14  
 (731) DAW SE  
 Roßdörfer Str. 50, 64372 Ober-Ramstadt,  
 Germany

(540)

## ArteVelvet

(591) Black, white  
 (511)

19 – Building materials, not of metal or mainly not of metal, in particular profile rails and corner irons, finishing profiles; adjusting and levelling parts, spa-

cers for building, sills, all not of metal or mainly not of metal; natural and artificial stone; mortar (building materials); quartz; plaster [building materials]; coatings (building materials); wall and ceiling panels (not of metal or mainly not of metal, for building); fabric embedding compounds for building; fillers (building materials); fabrics for building, not of metal or mainly not of metal, in particular stabilising fabrics.

27 – Wall hangings (non-textile); wallpaper; floor coverings.

(260) AM 2019 102205 A

(800) 1455568

(151) 2018 09 13

(891) 2018 09 13

(731) HUAWEI TECHNOLOGIES CO., LTD.

Administration Building, Huawei  
Technologies Co., Ltd., Bantian, Longgang  
District, Shenzhen, China

(540)

**HONOR MagicBook**

(591) Black, white

(531) 27.05.01

(511)

9 – Computer programs, recorded; computer memory devices; computer keyboards; integrated circuit cards [smart cards]; mouse [computer peripheral]; laptop computers; bags adapted for laptops; computer software applications, downloadable; notebook computers; sleeves for laptops; switchboards; tablet computers; transmitters of electronic signals; scales; pedometers; transponders; transmitting sets [telecommunication]; radios; smartphones; modems; loudspeakers; cabinets for loudspeakers; exchange facilities for programmable phone; equipment for communication network; microphones; portable media players; sound transmitting apparatus; headphones; camcorders; digital photo frames; optical lenses; gas testing instruments; cameras [photography]; air analysis apparatus; earphones; electronic chips; battery chargers; materials for electricity mains [wires, cables]; integrated circuits; video screens; smartwatches [data processing]; smartglasses [data processing]; batteries, electric; power banks [rechargeable batteries]; computer hardware; cases for smartphones; electric and electronic video surveillance installations; wearable activity trackers; connected bracelets [measuring instruments]; selfie sticks [hand-held monopods]; USB cables; interactive touch screen terminals; computer software for creating and editing music and sounds; security tokens [encryption devices]; black boxes [data recorders]; human face recognition device; humanoid robots with artificial intelligence; electronic sheet music, downloadable; smart rings [data processing]; fingerprint scanners; electric and electronic effects units for musical ins-

truments; bathroom scales; equalizers [audio apparatus]; scales with body mass analysers; audio interfaces; virtual reality headsets; set-top boxes; thermal imaging cameras; infrared detectors; car video recorders; personal digital assistants [PDAs]; computer software platforms, recorded or downloadable; digital weather stations; biochips; electronic key fobs being remote control apparatus; computer screen saver software, recorded or downloadable; hand-held electronic dictionaries; downloadable graphics for mobile phones; wearable computers; thin client computers; security surveillance robots; wearable video display monitors; selfie sticks adapted for cellular phones; selfie lenses; telecommunication apparatus in the form of jewellery; laboratory robots; teaching robots.

(260) AM 2019 102207 A

(800) 1455607

(151) 2018 10 24

(891) 2018 10 24

(731) MONUS d.o.o.

Aleksandra Dubčeka 14, 11080 Beograd-  
Zemun, Serbia

(540)



(591) Gray, black and white

(531) 03.01.02; 05.03.01; 25.07.07; 26.04.09;  
26.04.24; 27.05.09; 27.05.10

(511)

34 – Tobacco; rolling tobacco; tobacco products; chewing tobacco; smokers' articles; cigarette filters; matches; cigarettes; cigars.

(260) AM 2019 102211 A

(800) 1455772

(151) 2019 02 07

(891) 2019 02 07

(731) DR. THEISS NATURWAREN GMBH

Michelinstr. 10, 66424 Homburg, Germany

(540)

**Pedicustop**

(591) Black, white

(511)

5 – Pharmaceuticals; medical preparations; veterinary preparations; sanitary preparations for medical

purposes; disinfectants; preparations for destroying vermin; lice treatment preparations [pediculicides]; pediculicidal shampoos; anti-lice treatment preparations; fungicides; herbicides.

(260) AM 2019 102212 A

(800) 1455802

(151) 2018 09 10

(891) 2018 09 10

(731) VITASLIM OOD

Shipchenski Prohod Blvd 18, Galaxy  
Trade Center, floor 8, office 802, BG-1113  
Sofia, Bulgaria

(540)

## Collanol

(591) Black, white

(511)

5 – Herbal extracts for medical purposes; herbal teas for medicinal purposes; dietetic food preparations adapted for medical purposes; dietetic substances adapted for medical use; dietetic beverages adapted for medical purposes; dietetic foods adapted for medical purposes; medicines for human purposes; pharmaceuticals; medicinal drinks; medicinal oils; mineral food-supplements; decoctions for pharmaceutical purposes; plasters for medical purposes; adjuvants for medical purposes; tonics [medicine]; chemico-pharmaceutical preparations; nutritional additives.

35 – Online advertising on a computer network; pay per click advertising; provision of an online marketplace for buyers and sellers of goods and services; providing business information via a web site; presentation of goods on communication media, for retail purposes; publication of publicity texts; advertising.

44 – Health spa services; health care; convalescent home services; medical clinics; sanatorium services; nursing home services.

(260) AM 2019 102226 A

(800) 1307915

(151) 2016 03 29

(891) 2019 02 26

(731) Healy International AG

Darritzer Str. 6, 16818 Kränzlin, Germany

(540)

## HEALY

(591) Black, white

(511)

9 – Scientific apparatus and instruments; software and computer programs; information technology apparatus; electronic, magnetic and photonic signal appliances; measuring, detecting and monitoring instruments, indicators and controllers; parts and acces-

sories for all the aforesaid goods, included in this class.

10 – Physical therapy equipment; sex aids; medical apparatus and instruments, including medical analysers, parts and accessories for all the aforesaid goods, included in this class.

(260) AM 2019 102227 A

(800) 1339994

(151) 2017 01 11

(891) 2019 02 08

(731) NU TEKSTİL VE KONFEKSİYON

ÜRÜNLERİ SANAYİ VE TİCARET

LİMİTED ŞİRKETİ

Akgül Sok. No:7, Çağlayan İstanbul, Turkey

(540)



(591) Black, white

(531) 26.04.18; 27.05.01

(511)

18 – Leather and imitations of leather; luggage; all-purpose carrying bags; umbrellas and parasols.

25 – Clothing, footwear, headgear.

35 – Retail services in relation to clothing; retail services in relation to footwear; retail services in relation to headgear; retail services in relation to bags.

(260) AM 2019 102228 A

(800) 1404015

(151) 2017 10 12

(891) 2019 02 13

(731) No Ordinary Designer Label Limited,

t/a Ted Baker

The Ugly Brown Building,; 6a St Pancras

Way; London NW1 0TB, United Kingdom

(540)

## TED BAKER

(591) Black, white

(511)

14 – Precious metals and their alloys; jewellery, precious and semi-precious stones; horological and chronometric instruments; alarm clocks; ankle bracelets; badges of precious metal; beads for making jewellery; boxes of precious metal; bracelets [jewellery]; brooches [jewellery]; chains [jewellery]; charms for key rings; key rings and key chains; cuff links; decorative hat pins; earrings; gemstones; jewel cases; jewellery boxes; jewellery rolls; lockets [jewellery]; medals; necklaces [jewellery]; rings [jewellery]; presentation boxes for watches; presentation boxes for jewellery; statuettes of precious metal and precious metal alloys; tie clips; wall clocks; watch

bands; watches; pet jewellery; parts and fittings relating to the aforesaid goods.

35 – Advertising; business management; business administration; office functions; organisation, operation and supervision of loyalty schemes and incentive schemes; organisation, operation and supervision of sales incentive schemes; on-line administration and supervision of a discount, special offer and gift voucher schemes; loyalty card services; advertising, marketing and promotional services; dissemination of advertising and promotional materials; direct mail advertising services; on-line advertising on a computer network; market research and marketing services; advertising and marketing services provided by means of blogging; production of advertising films; business information; advisory services for business management; computerised file management; compilation, analysis and retrieval of business information and data; compilation and arranging of statistical information; price comparison services; price analysis services; compilation and provision of price, feature and suitability information relating to goods and services; compilation and provision of statistical information; management of a retail store and or supermarket; rental of advertising space; presentation of goods on communication media, for retail purposes; public relations; commercial information and advice for consumers; sales promotion for others; shop window dressing; distribution of samples; arranging newspaper subscriptions for others; rental of vending machines; accounting; commercial administration of the licensing of the goods and services of others; payroll preparation; retail and online retail services connected with the sale of non-medicated toiletries, aromatherapy oils, cosmetics, make-up, eau de toilette and eau de Cologne, nail care preparations, pet odor removers, shaving preparations, candles, cutlery, razors, tweezers, manicure sets, pedicure sets, electric hairstyling apparatus, clocks [time recording devices], electronic publications, computer software, sunglasses, eyewear, smart jewellery, cases for tablets, cases for electronic devices [namely, mobile phones, tablets, laptops, computers, smartphones, MP3 players and photographic equipment], headphones, audio speakers, application software, lighting apparatus and instruments, electric fairy lights, reading lights, hair dryers, jewellery, precious and semi-precious stones, horological and chronometric instruments, cuff links, jewellery boxes, statuettes of precious metals and precious metal alloys, pet jewellery, key rings and key chains, paper and cardboard, printed matter, stationery, albums, gift vouchers, collars for animals, leashes for animals, clothing for animals, bags, toiletry and cosmetic bags, wallets, hat boxes, leather laces, tie cases, purses, floor tiles [not of metal], furniture, mirrors, picture frames, beds for household pets, household or kitchen utensils and containers, combs and sponges, glassware, porcelain and ear-

thenware, applicators for cosmetics, chinaware, crockery, clothes brushes, cocktail shakers, drinking receptacles, piggy banks, scent sprays [atomizers], wash bags [fitted], pet feeding and drinking bowls, textiles and substitutes for textiles, bed linen, towels, table linen, blankets, blankets for household pets, clothing, footwear, headgear, t-shirts, skirts and dresses, suits, trousers, jackets, lace and embroidery, hair decorations, brooches [clothing accessories], heat adhesive patches for decoration of textile articles, carpets, rugs, mats, wallpapers, yoga mats, pet feeding mats, games, toys and playthings, board games, exercise weights, toys and plaything for pets, party novelties and decorations for Christmas trees; information, advisory and consultancy services relating to the aforesaid.

---

(260) AM 2019 102296 A

(800) 1456659

(151) 2018 12 17

(891) 2018 12 17

(731) AMBROSSO DIŞ TICARET ANONİM ŞİRKETİ

İstasyon Mahallesi, Ahaltı Caddesi, Yurtbay A.Ş. Apartmanı No:5 A/A, Çaycuma, Zonguldak, Turkey

(540)



(591) Black, white

(531) 27.05.01; 27.05.09; 27.05.10; 27.05.19

(511)

19 – Sand, gravel, crushed stone, asphalt, bitumen, cement, gypsum, plaster, concrete, marble blocks for construction, included in this class; building materials (as finished products) made of concrete, gypsum, clay, potters' clay, stone, marble, wood, plastics and synthetic materials for building, construction, road construction purposes, included in this class; non-metallic buildings, non-metallic building materials, poles not of metal for power lines, barriers not of metal; natural and synthetic coatings in the form of panels and sheets, being building materials; bitumen cardboard coatings for roofing; bitumen coating for roofing; doors and windows of wood and synthetic materials; traffic signs not of metal, non-luminous and non-mechanical, for roads; aquarium sands; building glass; prefabricated swimming pools not of metal (structures); monuments and statuettes of stone, concrete and marble.

---

(260) AM 2019 102298 A

(800) 1456699

(151) 2018 12 26

(891) 2018 12 26

(731) Zakrytoe aktsionernoe obschestvo

"ENERGOSISTEMY I TEKHNOLOGII"

ul. Energetikov, 18, Moskovskaya obl.,  
RU-140091 g. Dzerzhinskiy, Russian  
Federation

(540)

# ULTRAFLASH

(591) Black, white

(511)

11 – Apparatus for lighting, heating, steam generating, cooking, refrigerating, drying, ventilating, water supply.

(260) AM 2019 102300 A

(800) 1456745

(151) 2019 01 10

(891) 2019 01 10

(731) Obshchestvo s ogranichennoy  
otvetstvennostyu "BIOTEHNOS"  
pr-kt Andropova, d.18, korp. 6, pom.XI,  
kom. 7, RU-115432 Moscow, Russian  
Federation

(540)



(591) Black, white

(531) 02.09.14; 02.09.22; 26.01.03; 26.01.14

(511)

5 – Pharmaceuticals, medical and veterinary preparations.

35 – Advertising; business management; business administration; office functions.

(260) AM 2019 102301 A

(800) 1456760

(151) 2019 01 10

(891) 2019 01 10

(731) Obshchestvo s ogranichennoy  
otvetstvennostyu, "BIOTEHNOS"  
pr-kt Andropova, d.18, korp. 6, pom.XI,  
kom. 7, RU-115432 Moscow, Russian  
Federation

(540)

# АДЕНОПРОСИН

(591) Black, white

(531) 28.05

(511)

5 – Pharmaceuticals, medical and veterinary preparations.

35 – Advertising; business management; business administration; office functions.

(260) AM 2019 102311 A

(800) 1456977

(151) 2018 09 27

(891) 2018 09 27

(731) Oleksienko Valerii Mykhailovych  
vul. Pohrebniaka, bud. 13, kv. 96,  
s. Chubynske, Boryspilskyi r-n, Kyivska obl.  
08231, Ukraine;  
Mazunin Oleksandr Volodymyrovych  
vul. Maiakovskoho, bud. 20, kv. 134,  
m. Kyiv 02230, Ukraine

(540)

# АДЕЛИВ

(591) Black, white

(531) 28.05

(511)

5 – Pharmaceuticals, medical and veterinary preparations; sanitary preparations for medical purposes; dietetic food and substances adapted for medical or veterinary use, food for babies; dietary supplements for humans and animals; plasters, materials for dressings; disinfectants; adjuvants for medical purposes; nutritional supplements; albumin dietary supplements; alginate dietary supplements; amino acids for medical purposes; analgesics; anaesthetics; antibiotics; anti-oxidants for pharmaceutical purposes; multicomponent preparations for medical purposes; germicides; balms for medical purposes; medicinal herb, fruit and root balms; balsamic preparations for medical purposes; royal jelly for pharmaceutical purposes; albuminous preparations for medical purposes; albuminous dietary supplements; albuminous foodstuffs for medical purposes; biological preparations for medical purposes; veterinary and pharmaceutical substances; decoctions for pharmaceutical purposes; vitamin fortified beverages for medical purposes; vitamin and mineral preparations; dietary fiber; homeopathic medicines; homogenized food adapted for medical purposes; dietary supplements for humans; dietary supplements for reducing fatigue evidences during exercises and mental work loads; dietary supplements with antioxidant and general tonic properties for humans; dietary supplements that contribute to normalization of the functioning of gastrointestinal tract, fat metabolism improvement, immunity improvement, improvement of vision acuity, ageing process inhibition for humans; dietary supplements that normalize metabolism and cholesterol level; royal jelly dietary supplements; glucose dietary supplements; pollen dietary supplements; dietary supplements with a cosmetic effect; linseed dietary supplements; linseed oil dietary supplements; acai powder dietary supplements; propolis dietary supplements; wheat germ dietary supplements; die-



tary supplements based on plant and natural ingredients; dietary supplements adapted for supplement to diet for health; dietetic beverages adapted for medical purposes; dietetic substances adapted for medical use; dietetic foods adapted for medical purposes; yeast dietary supplements; plant extracts for pharmaceutical purposes; herbal extracts for medical purposes; elixirs (pharmaceutical preparations); enzyme dietary supplements; enzyme preparations for medical purposes; gastrointestinal treatment preparations; febrifuges; meal replacement and dietary supplement drink mixes for medical purposes; nervines; immunobiological preparations for medical purposes; immunomodulating preparations for medical purposes; immunostimulants; casein dietary supplements; barks for pharmaceutical purposes; depuratives; starch for dietetic or pharmaceutical purposes; lecithin dietary supplements; medicines for human purposes; medicated toiletry preparations; medicinal roots; medicinal tea; medicinal water; medicated dentifrices; medicinal drinks; medicinal oils; herbal preparations for medical purposes; medicinal herbs; therapeutic drugs and agents; liniments; mineral food supplements; vitamin supplement patches; linseed for pharmaceutical purposes; tinctures for medical purposes; pastilles for pharmaceutical purposes; antioxidant pills; by-products of the processing of cereals for dietetic or medical purposes; nutritional supplements; antioxidant pills; pre-filled syringes for medical purposes; bath preparations for medical purposes; preparations for renewal sexual activity; preparations for the treatment and the prevention of various diseases, including cardiovascular diseases, diffuse diseases of the connective tissue and joints, diseases of female and male genital zone, diseases of endocrine system and endocrine disorders, brain disorders, nervous emotional disturbances, diseases of the nervous system, diseases of the digestive system, urinary diseases, diseases of the respiratory system, upper respiratory tract diseases, blood diseases, immunologic diseases, ophthalmological diseases, dermatological diseases, viral infections, inflammatory conditions, impotency and sterility, allergic manifestations and others; ophotherapy preparations; preparations for increasing concentration and endurance strength (medicinal preparations); preparations of trace elements for human and animal use; preparations to accelerate rehabilitation process during recovery for medical purposes; preparations to normalize blood pressure; preparations to improve work of nervous system and to improve memory and attention (medicinal preparations); preparations to restore muscle work after strenuous exercise for medical purposes; preparations to normalize metabolism and cholesterol level (medicinal preparations); preparations to improve vision (medicinal preparations); preparations to improve heart function; propolis for pharmaceutical purposes; protein dietary supplements; asthmatic tea; antivirals; anti-inflammatories;

antiparasitic preparations; antitumor drugs; syrups for pharmaceutical purposes; sorbents for pharmaceutical purposes; sport nutrition (dietary supplements); freeze-dried meat adapted for medical purposes; therapeutic preparations for the bath; tonics (medicines); herbal teas for medicinal purposes; pharmaceuticals; phytocomposites for medical purposes; phytotherapy preparations for medical purposes; functional foodstuffs for medical purposes; candy, medicated; candy for medical purposes.

(260) AM 2019 102312 A

(800) 1457052

(151) 2018 09 26

(891) 2018 09 26

(731) EURO GAMES TECHNOLOGY LTD.

"Maritsa" Str. 4, "Vranya-Lozen-Triugulnika",  
BG-1151 Sofia, Bulgaria

(540)



(591) Yellow, gold, gray, black and white

(531) 26.04.04; 26.04.05; 26.04.18; 27.05.02;  
27.05.03; 27.05.09; 27.05.10; 29.01.15

(511)

9 – Software; computer gaming software; computer software packages; computer operating system software; computer software, recorded; software drivers; virtual reality software; games software; entertainment software for computer games; computer programs for network management; operating computer software for mainframe computers; monitors (computer hardware); computer hardware; apparatus for recording images; monitors (computer programs); computer game programs; computer programs for recorded games; apparatus for recording, transmission or reproduction of sound or images; communications servers [computer hardware]; electronic components for gambling machines; computer application software featuring games and, gaming; computer software for the administration of on-line games and gaming; computer hardware for games and gaming; electronic components and computer software for gambling, gambling machines, gambling games on the internet and via telecommunication network.

28 – Gaming machines for gambling; chips for gambling; mah-jong; arcade games; gambling machines operating with coins, notes and cards; games; electronic games; parlor games; gaming chips; gaming tables; slot machines [gaming machines]; LCD game machines; slot machines and gaming devices; coin-operated amusement machines; roulette chips; poker chips; chips and dice [gaming equipment]; equipment for casinos; roulette tables; gaming roulette wheels; casino games; gambling machines and amusement machines, automatic and coin-operated; co-

in-operated amusement machines and/or electronic coin-operated amusement machines with or without the possibility of gain; boxes for coin-operated machines, slot machines and gaming machines; electronic or electrotechnical amusement machines and apparatus, gaming machines, coin-operated entertainment machines; housings for coin-operated machines, gaming equipment, gaming machines, machines for gambling; electropneumatic and electrical slot machines (gaming machines for gambling).

41 – Gambling; services related to gambling; gaming services for entertainment purposes; casino, gaming and gambling services; training in the development of software systems; provision of equipment for gambling halls; providing casino equipment [gambling]; gaming machine entertainment services; providing casino facilities [gambling]; gaming hall services; amusement arcade services; games equipment rental; rental of gaming machines; providing amusement arcade services; rental of gaming machines with images of fruits; editing or recording of sounds and images; sound recording and video entertainment services; hire of sound reproducing apparatus; provision of gaming equipment for casinos; providing of casino facilities; online gambling services; casino, gaming and gambling services; provision of gaming establishments, gaming halls, Internet casinos, online gaming services.

(260) AM 2019 102313 A

(800) 1457096

(151) 2018 09 27

(891) 2018 09 27

(731) Oleksiienko Valerii Mykhailovych  
vul. Pohrebniaka, bud. 13, kv. 96,  
s. Chubynske, Boryspil'skyi r-n, Kyiv'ska obl.  
08231, Ukraine;  
Mazunin Oleksandr Volodymyrovych  
vul. Maiakovskoho, bud. 20, kv. 134,  
m. Kyiv 02230, Ukraine

(540)

## КВИНОФОЛИК

(591) Black, white

(531) 28.05

(511)

5 – Pharmaceuticals, medical and veterinary preparations; sanitary preparations for medical purposes; dietetic food and substances adapted for medical or veterinary use, food for babies; dietary supplements for humans and animals; plasters, materials for dressings; disinfectants; adjuvants for medical purposes; nutritional supplements; albumin dietary supplements; alginate dietary supplements; amino acids for medical purposes; analgesics; anaesthetics; antibiotics; anti-oxidants for pharmaceutical purposes; multicomponent preparations for medical purposes;

germicides; balms for medical purposes; medicinal herb, fruit and root balms; balsamic preparations for medical purposes; royal jelly for pharmaceutical purposes; albuminous preparations for medical purposes; albuminous dietary supplements; albuminous foodstuffs for medical purposes; biological preparations for medical purposes; veterinary and pharmaceutical substances; decoctions for pharmaceutical purposes; vitamin fortified beverages for medical purposes; vitamin and mineral preparations; dietary fiber; homeopathic medicines; homogenized food adapted for medical purposes; dietary supplements for humans; dietary supplements for reducing fatigue evidences during exercises and mental work loads; dietary supplements with antioxidant and general tonic properties for humans; dietary supplements that contribute to normalization of the functioning of gastrointestinal tract, fat metabolism improvement, immunity improvement, improvement of vision acuity, ageing process inhibition for humans; dietary supplements that normalize metabolism and cholesterol level; royal jelly dietary supplements; glucose dietary supplements; pollen dietary supplements; dietary supplements with a cosmetic effect; linseed dietary supplements; linseed oil dietary supplements; acai powder dietary supplements; propolis dietary supplements; wheat germ dietary supplements; dietary supplements based on plant and natural ingredients; dietary supplements adapted for supplement to diet for health; dietetic beverages adapted for medical purposes; dietetic substances adapted for medical use; dietetic foods adapted for medical purposes; yeast dietary supplements; plant extracts for pharmaceutical purposes; herbal extracts for medical purposes; elixirs (pharmaceutical preparations); enzyme dietary supplements; enzyme preparations for medical purposes; gastrointestinal treatment preparations; febrifuges; meal replacement and dietary supplement drink mixes for medical purposes; nervines; immunobiological preparations for medical purposes; immunomodulating preparations for medical purposes; immunostimulants; casein dietary supplements; barks for pharmaceutical purposes; depuratives; starch for dietetic or pharmaceutical purposes; lecithin dietary supplements; medicines for human purposes; medicated toiletry preparations; medicinal roots; medicinal tea; medicinal water; medicated dentifrices; medicinal drinks; medicinal oils; herbal preparations for medical purposes; medicinal herbs; therapeutic drugs and agents; liniments; mineral food supplements; vitamin supplement patches; linseed for pharmaceutical purposes; tinctures for medical purposes; pastilles for pharmaceutical purposes; antioxidant pills; by-products of the processing of cereals for dietetic or medical purposes; nutritional supplements; antioxidant pills; pre-filled syringes for medical purposes; bath preparations for medical purposes; preparations for renewal sexual activity; preparations for the treatment and the prevention of

various diseases, including cardiovascular diseases, diffuse diseases of the connective tissue and joints, diseases of female and male genital zone, diseases of endocrine system and endocrine disorders, brain disorders, nervous emotional disturbances, diseases of the nervous system, diseases of the digestive system, urinary diseases, diseases of the respiratory system, upper respiratory tract diseases, blood diseases, immunologic diseases, ophthalmological diseases, dermatological diseases, viral infections, inflammatory conditions, impotency and sterility, allergic manifestations and others; ootherapy preparations; preparations for increasing concentration and endurance strength (medicinal preparations); preparations of trace elements for human and animal use; preparations to accelerate rehabilitation process during recovery for medical purposes; preparations to normalize blood pressure; preparations to improve work of nervous system and to improve memory and attention (medicinal preparations); preparations to restore muscle work after strenuous exercise for medical purposes; preparations to normalize metabolism and cholesterol level (medicinal preparations); preparations to improve vision (medicinal preparations); preparations to improve heart function; propolis for pharmaceutical purposes; protein dietary supplements; asthmatic tea; antivirals; anti-inflammatories; antiparasitic preparations; antitumor drugs; syrups for pharmaceutical purposes; sorbents for pharmaceutical purposes; sport nutrition (dietary supplements); freeze-dried meat adapted for medical purposes; therapeutic preparations for the bath; tonics (medicines); herbal teas for medicinal purposes; pharmaceuticals; phytocomposites for medical purposes; phytotherapy preparations for medical purposes; functional foodstuffs for medical purposes; candy, medicated; candy for medical purposes.

---

(260) AM 2019 102314 A

(800) 1457110

(151) 2019 02 12

(891) 2019 02 12

(731) BIOFARMA

50 rue Carnot, F-92284 Suresnes Cedex,  
France

(540)

## QUADRIXAM

(591) Black, white

(511)

5 – Pharmaceutical products; medical preparations; veterinary preparations; sanitary products for medical purposes; dietetic substances and foodstuffs for medical or veterinary use, food for babies; food supplements for humans and animals; plasters, materials for dressings; material for dental fillings and dental impressions; disinfectants; products for destroying vermin; fungicides, herbicides.

---

(260) AM 2019 102324 A

(800) 1457406

(151) 2018 12 06

(891) 2018 12 06

(731) HANSGROHE SE

Auestr. 5-9, 77761 Schiltach, Germany

(540)

## hansgrohe

(591) Black, white

(511)

9 – Electronic databases, also recorded; downloadable digital music; electronic publications, downloadable; downloadable electronic brochures; downloadable electronic product information sheets; audio and image recordings; application software, in particular for mobile devices (mobile apps); software downloadable from the internet; software (recorded); firmware; data carriers, also including data recorded thereon; computer hardware; measuring, detecting and monitoring instruments; checking (supervision) apparatus and instruments; sensors and detectors; all of the aforesaid goods in particular in connection with sanitary products, in particular for bath and kitchen.

35 – Consultancy, for others, for business purposes, in particular in the field of interior design, bathroom design and kitchen design; providing business information via website; information and consultancy for consumers and customers regarding the selection of products to be purchased, also including on the Internet and for the purposes of e-commerce; marketing, sales promotion and advertising, in particular through online websites; online advertisements on web-sites for advertising goods and services; arranging of displays for goods for commercial purposes; presentation of goods and services in the media and on the Internet, in particular on websites, for retail purposes and sales promotion; advertising supporting e-commerce; compilation and systematization of information into computer databases.

42 – Hosting platforms for electronic commerce on the Internet; consultancy relating to architectural planning and interior architectural planning; consultancy relating to space planning, in particular in terms of bathrooms and kitchens; scientific and technological services and design services relating thereto; development, programming, implementation and rental of software; computer hardware development; rental of computer hardware; technical consultancy in relation to computer hardware and computer software; quality checking and testing; material testing; product testing; product quality testing; water analysis; water quality control services; providing temporary use of mobile applications.

---

(260) AM 2019 102435 A

(800) 1458286

(151) 2018 12 04

(891) 2018 12 04

(731) ROLF Lubricants GmbH

Friedrich-Ebert-Strasse 325, Hemptark

Leverkusen, building 9115, 51373

Leverkusen, Germany

(540)



(591) Black, white

(531) 26.04.09; 26.04.24; 27.05.02; 27.05.17

(511)

3 – Air fragrancing preparations; polishing wax; windshield cleaning liquids; windscreen cleaning liquids; dry-cleaning preparations; rust removing preparations; cleaning preparations; shining preparations [polish]; tissues impregnated with cosmetic lotions; preservatives for leather [polishes]; leather preservatives [polishes]; degreasers, other than for use in manufacturing processes; cloths impregnated with a detergent for cleaning; scouring solutions.

7 – Fuel conversion apparatus for internal combustion engines; filters [parts of machines or engines]; filters for cleaning cooling air, for engines; brushes [parts of machines]; brushes, electrically operated [parts of machines]; sparking plugs for internal combustion engines.

(260) AM 2019 102437 A

(800) 1458327

(151) 2018 09 13

(891) 2018 09 13

(731) EPIC GAMES, INC.

620 Crossroads Boulevard, Cary NC 27518,

USA

(540)



(591) Black, white

(531) 26.04.22; 26.04.24; 27.05.24

(511)

9 – Computer peripherals and accessories, namely, mouse pads and headsets; phone cases.

14 – Necklaces.

16 – Computer game instruction manuals and hint books; printed material, namely, novels and series of fiction books and short stories featuring scenes and characters based on video games; comic books; calendars and posters.

25 – Hats; headwear; hooded pullovers; hooded sweat shirts; t-shirts.

28 – Toy action figures.

41 – Providing a website featuring blogs and non-downloadable publications in the nature of articles in the field of gaming (term considered too vague by the International Bureau – rule 13 (2) (b) of the Common Regulations); arranging and conducting live, interactive gaming tournaments featuring video games; organizing live fan meetings and conferences in which there is interactive gameplay between conference participants in the fields of gaming, video games, and e-sports; organizing live video game and e-sports competitions.

42 – Developing customized web pages featuring user-defined computer game information; providing customized on-line web pages and data feeds, featuring user-defined information, which includes blog posts, new media content, other on-line content, and on-line web links to other websites, and which excludes social networking services.

(260) AM 2019 102438 A

(800) 1458340

(151) 2018 10 31

(891) 2018 10 31

(731) BBK Communication Technology Co., Ltd.

255#, BBK Road, Wusha, Chang'An,

Dongguan, Guangdong, China

(540)



(591) Black, white

(531) 27.05.17; 27.05.23

(511)

9 – Computers; electronic pocket translators; notebook computers; apparatus for speech recording and replaying; microphones; chargers for electric batteries; transformers [electricity]; voltage stabilizing power supply; couplings, electric; optical discs; memory cards for video game machines; facsimile machines; computer keyboards; mouse [computer peripheral]; video telephones; radios; tape recorders; camcorders; electronic calendars; telephone apparatus; mobile telephones; radio pagers; indicator lights for telecommunications apparatus; video disk players; cabinets for loudspeakers; power amplifiers; television apparatus; remote control apparatus for household appliances; acoustic amplifier; electronic agendas; headphones; earphones.

(260) AM 2019 102439 A

(800) 1458349

(151) 2019 01 24

(891) 2019 01 24

(731) VALIO LTD

Meijeritie 6, FI-00370 Helsinki, Finland

(540)



(591) Light yellow, yellow, dark yellow, dark blue, red, brown, white, grey, blue and black

(531) 02.03.01; 02.03.23; 29.01.15

(511)

29 – Meat, fish, poultry and game; meat extracts; preserved, frozen, dried and cooked fruits and vegetables; jellies, jams, compotes; eggs; milk, cheese, butter, yoghurt and other milk products; oils and fats for food.

30 – Coffee, tea, cocoa and artificial coffee; rice, pasta and noodles; tapioca and sago; flour and preparations made from cereals; bread, pastries and confectionery; chocolate; ice cream, sorbets and other edible ices; sugar, honey, treacle; yeast, baking-powder; salt, seasonings, spices, preserved herbs; vinegar, sauces and other condiments; ice (frozen water).

32 – Beers; non-alcoholic beverages; mineral and aerated waters; fruit beverages and fruit juices; syrups and other non-alcoholic preparations for making beverages.

(260) AM 2019 102442 A

(800) 1458535

(151) 2018 10 22

(891) 2018 10 22

(731) "SMARTPOLKA" LLC

ulitsa Evropeyskaia, dom 22, kvartira 6,  
derevnya Chyornaya, Istrinskii rayon,  
RU-143530 Moskovskaia oblast, Russian  
Federation

(540)

(591) Black, white

(531) 27.05.01; 27.05.19

(511)

5 – Alkaloids for medical purposes; alginates for pharmaceutical purposes; algicides; aldehydes for pharmaceutical purposes; dental amalgams; amino acids for medical purposes; analgesics; anaesthetics; antibiotics; antiseptics; medicine cases, portable, fil-

led; first-aid boxes, filled; aluminium acetate for pharmaceutical purposes; acetates for pharmaceutical purposes; germicides; balms for medical purposes; bandages for dressings; diagnostic biomarker reagents for medical purposes; biocides; bromine for pharmaceutical purposes; paper for mustard plasters; reagent paper for medical purposes; petroleum jelly for medical purposes; vaccines; antiseptic cotton; aseptic cotton; absorbent cotton; wadding for medical purposes; cotton for medical purposes; dietetic substances adapted for medical use; melissa water for pharmaceutical purposes; mineral waters for medical purposes; thermal water; dietary fiber; molding wax for dentists; gases for medical purposes; guaiacol for pharmaceutical purposes; sexual stimulant gels; hematogen; hemoglobin; hydrastine; hydrastinine; glycerine for medical purposes; glycerophosphates; glucose for medical purposes; gentian for pharmaceutical purposes; hormones for medical purposes; mustard for pharmaceutical purposes; mustard plasters; mud for baths; medicinal mud; gamboge for medical purposes; gurjun balsam for medical purposes; disinfectants; air deodorising preparations; diastase for medical purposes; digitalin; vitamin supplement patches; mineral food supplements; nutritional supplements; albumin dietary supplements; yeast dietary supplements; alginate dietary supplements; glucose dietary supplements; casein dietary supplements; linseed oil dietary supplements; propolis dietary supplements; protein dietary supplements; royal jelly dietary supplements; pollen dietary supplements; wheat germ dietary supplements; linseed dietary supplements; acai powder dietary supplements; dietary supplements with a cosmetic effect; enzyme dietary supplements; yeast for pharmaceutical purposes; gelatine for medical purposes; cod liver oil; immunostimulants; iodine for pharmaceutical purposes; iodides for pharmaceutical purposes; alkaline iodides for pharmaceutical purposes; iodoform; tartar for pharmaceutical purposes; camphor for medical purposes; capsules for medicines; cachets for pharmaceutical purposes; hemostatic pencils; wart pencils; caustic pencils; caustics for pharmaceutical purposes; cachou for pharmaceutical purposes; gallic acid for pharmaceutical purposes; acids for pharmaceutical purposes; adhesives for dentures; surgical glues; collagen for medical purposes; collodion for pharmaceutical purposes; corn rings for the feet; candy, medicated; angostura bark for medical purposes; barks for pharmaceutical purposes; condurango bark for medical purposes; croton bark; mangrove bark for pharmaceutical purposes; myrobalan bark for pharmaceutical purposes; quinquina for medical purposes; medicinal roots; rhubarb roots for pharmaceutical purposes; lint for medical purposes; starch for dietetic or pharmaceutical purposes; creosote for pharmaceutical purposes; curare; dental lacquer; liquorice for pharmaceutical purposes; lactose for pharmaceutical purposes; candy for

medical purposes; adhesive plasters; medicines for alleviating constipation; adhesive tapes for medical purposes; lecithin for medical purposes; medicated hair lotions; lotions for pharmaceutical purposes; medicated after-shave lotions; personal sexual lubricants; lupulin for pharmaceutical purposes; magnesia for pharmaceutical purposes; liniments; ointments for pharmaceutical purposes; sunburn ointments; mercurial ointments; frostbite salve for pharmaceutical purposes; gauze for dressings; medicinal oils; mustard oil for medical purposes; camphor oil for medical purposes; castor oil for medical purposes; oil of turpentine for pharmaceutical purposes; dill oil for medical purposes; dental mastics; dental abrasives; dental impression materials; teeth filling material; dressings, medical; surgical dressings; drugs for medical purposes; serotherapeutic medicines; medicines for human purposes; medicines for dental purposes; menthol; medicinal drinks; moleskin for medical purposes; almond milk for pharmaceutical purposes; powdered milk for babies; royal jelly for pharmaceutical purposes; milk ferments for pharmaceutical purposes; Irish moss for medical purposes; flour for pharmaceutical purposes; linseed meal for pharmaceutical purposes; fish meal for pharmaceutical purposes; antibacterial soap; disinfectant soap; medicated soap; mint for pharmaceutical purposes; dietetic beverages adapted for medical purposes; malted milk beverages for medical purposes; medicinal infusions; tincture of iodine; eucalyptol for pharmaceutical purposes; tinctures for medical purposes; opodeldoc; decoctions for pharmaceutical purposes; cotton sticks for medical purposes; stick liquorice for pharmaceutical purposes; sulfur sticks [disinfectants]; pastilles for pharmaceutical purposes; medicated dentifrices; pectin for pharmaceutical purposes; pepsins for pharmaceutical purposes; peptones for pharmaceutical purposes; hydrogen peroxide for medical purposes; food for babies; leeches for medical purposes; nicotine patches for use as aids to stop smoking; eyepatches for medical purposes; poultices; compresses; scapulars for surgical purposes; babies' diaper-pants; diapers for incontinents; bunion pads; breast-nursing pads; pomades for medical purposes; powder of cantharides; pyrethrum powder; anti-uric preparations; bacterial preparations for medical use; bacteriological preparations for medical use; balsamic preparations for medical purposes; albuminous preparations for medical purposes; biological preparations for medical purposes; bismuth preparations for pharmaceutical purposes; vitamin preparations; diagnostic preparations for medical purposes; bath preparations for medical purposes; therapeutic preparations for the bath; hemorrhoid preparations; preparations for callouses; lice treatment preparations [pediculicides]; acne treatment preparations; preparations to facilitate teething; preparations for the treatment of burns; fumigation preparations for medical purposes; opot-

herapy preparations; air purifying preparations; bronchodilating preparations; preparations for reducing sexual activity; sterilising preparations; corn remedies; pharmaceutical preparations for treating dandruff; vermin destroying preparations; pharmaceutical preparations for skin care; contact lens cleaning preparations; cultures of microorganisms for medical or veterinary use; lime-based pharmaceutical preparations; hemostatic preparations; medicated eye-washes; medicinal hair growth preparations; nutraceutical preparations for therapeutic or medical purposes; opiates; aloe vera preparations for pharmaceutical purposes; preparations of trace elements for human use; sulfonamides [medicines]; pharmaceutical preparations; pharmaceutical preparations for treating sunburn; enzyme preparations for medical purposes; phytotherapy preparations for medical purposes; chemico-pharmaceutical preparations; chemical preparations for the diagnosis of pregnancy; chemical preparations for medical purposes; chemical preparations for pharmaceutical purposes; chilblain preparations; collyrium; lead water; albuminous foodstuffs for medical purposes; dietetic foods adapted for medical purposes; by-products of the processing of cereals for dietetic or medical purposes; homogenized food adapted for medical purposes; freeze-dried food adapted for medical purposes; pharmaceuticals; sanitary towels; panty liners [sanitary]; propolis for pharmaceutical purposes; pearl powder for medical purposes; hydrated chloral for pharmaceutical purposes; solvents for removing adhesive plasters; vaginal washes for medical purposes; solutions for contact lenses; chemical reagents for medical purposes; gum for medical purposes; rubber for dental purposes; chewing gum for medical purposes; nicotine gum for use as an aid to stop smoking; insect repellents; insect repellent incense; tissues impregnated with pharmaceutical lotions; sarsaparilla for medical purposes; sugar for medical purposes; asthmatic tea; fumigating sticks; medicated massage candles; suppositories; linseed for pharmaceutical purposes; tobacco-free cigarettes for medical purposes; siccatives [drying agents] for medical purposes; syrups for pharmaceutical purposes; turpentine for pharmaceutical purposes; greases for medical purposes; lacteal flour for babies; infant formula; soporifics; bicarbonate of soda for pharmaceutical purposes; bath salts for medical purposes; salts for mineral water baths; salts for medical purposes; potassium salts for medical purposes; sodium salts for medical purposes; smelling salts; mineral water salts; malt for pharmaceutical purposes; alcohol for pharmaceutical purposes; medicinal alcohol; ergot for pharmaceutical purposes; cooling sprays for medical purposes; antibacterial handwashes; adjuvants for medical purposes; astringents for medical purposes; vermifuges; disinfectants for hygiene purposes; disinfectants for chemical toilets; douching preparations for medical purposes; appetite suppres-

sants for medical purposes; medical preparations for slimming purposes; mouthwashes for medical purposes; febrifuges; depuratives; detergents for medical purposes; vesicants; purgatives; remedies for perspiration; remedies for foot perspiration; chemical contraceptives; antiparasitic preparations; sedatives; laxatives; tonics [medicines]; medicated toiletry preparations; digestives for pharmaceutical purposes; nervines; steroids; strychnine; serums; tanning pills; appetite suppressant pills; slimming pills; jujube, medicated; antioxidant pills; sanitary tampons; vulnery sponges; thymol for pharmaceutical purposes; smoking herbs for medical purposes; medicinal herbs; pants, absorbent, for incontinents; sanitary panties; charcoal for pharmaceutical purposes; fennel for medical purposes; phenol for pharmaceutical purposes; enzymes for medical purposes; ferments for pharmaceutical purposes; formic aldehyde for pharmaceutical purposes; phosphates for pharmaceutical purposes; quinine for medical purposes; chinoline for medical purposes; diabetic bread adapted for medical use; chloroform; flowers of sulfur for pharmaceutical purposes; medicinal tea; herbal teas for medicinal purposes; medicated shampoos; pediculicidal shampoos; medicated dry shampoos; pre-filled syringes for medical purposes; eucalyptus for pharmaceutical purposes; herbal extracts for medical purposes; plant extracts for pharmaceutical purposes; tobacco extracts [insecticides]; extracts of hops for pharmaceutical purposes; elixirs [pharmaceutical preparations]; ethers for pharmaceutical purposes; esters for pharmaceutical purposes; cellulose esters for pharmaceutical purposes; cellulose ethers for pharmaceutical purposes.

9 – Computer software platforms, recorded or downloadable; audio interfaces; acoustic conduits; microphones; sound reproduction apparatus; monitors [computer programs]; computer software, recorded; computer software applications, downloadable; computer programs, recorded; computer programs [downloadable software]; computer operating programs, recorded.

29 – Ajvar [preserved peppers]; aloe vera prepared for human consumption; alginates for culinary purposes; anchovy, not live; peanuts, prepared; artichokes, preserved; albumen for culinary purposes; white of eggs; beans, preserved; soya beans, preserved, for food; bouillon; ginger jam; ham; fatty substances for the manufacture of edible fats; fried seaweeds; edible birds' nests; sea-cucumbers, not live; peas, preserved; mushrooms, preserved; guacamole [mashed avocado]; game, not live; gelatine; meat jellies; jellies for food; fruit jellies; yolk of eggs; coconut fat; bone oil for food; lard; suet for food; edible fats; rennet; fruit-based snack food; milk substitutes; charcuterie; raisins; caviar; eggplant paste; vegetable marrow paste; fish roe, processed; yogurt; galbi [grilled meat dish]; sauerkraut; kephir

[milk beverage]; kimchi [fermented vegetable dish]; isinglass for food; clams, not live; potato-based dumplings; milk shakes; black pudding; onion rings; arrangements of processed fruit; compotes; meat, tinned; vegetables, tinned; fish, tinned; fruits, tinned; bouillon concentrates; corn dogs; gherkins; shrimps, not live; prawns, not live; buttercream; croquettes; silkworm chrysalis for human consumption; sweet corn, processed; kumys [milk beverage]; spiny lobsters, not live; lecithin for culinary purposes; salmon, not live; onions, preserved; margarine; marmalade; oils for food; peanut butter; cocoa butter for food; coconut oil for food; coconut butter; corn oil for food; sesame oil for food; linseed oil for culinary purposes; extra virgin olive oil; olive oil for food; palm oil for food; palm kernel oil for food; sunflower oil for food; colza oil for food; butter; soya bean oil for food; shellfish, not live; almonds, ground; animal marrow for food; mussels, not live; milk; peanut milk; peanut milk for culinary purposes; coconut milk; coconut milk for culinary purposes; almond milk; almond milk for culinary purposes; oat milk; rice milk; rice milk for culinary purposes; albumin milk; condensed milk; soya milk; powdered milk; fish meal for human consumption; vegetable mousses; fish mousses; fruit pulp; meat; meat, preserved; freeze-dried meat; milk beverages, milk predominating; peanut milk-based beverages; coconut milk-based beverages; almond milk-based beverages; edible insects, not live; sausage casings, natural or artificial; vegetables, preserved; freeze-dried vegetables; vegetables, dried; vegetables, cooked; potato fritters; olives, preserved; lobsters, not live; flavored nuts; candied nuts; coconut, desiccated; nuts, prepared; tomato purée; liver pâté; pectin for culinary purposes; liver; pickles; jams; powdered eggs; milk products; fish-based foodstuffs; prostokvasha [soured milk]; poultry, not live; bulgogi [Korean beef dish]; pollen prepared as foodstuff; cranberry compote; apple purée; crayfish, not live; crustaceans, not live; fish, preserved; fish, not live; salted fish; ryazhenka [fermented baked milk]; vegetable salads; fruit salads; bacon; sardines, not live; pork; herrings, not live; seeds, prepared; sunflower seeds, prepared; cream [dairy products]; whipped cream; vegetable-based cream; fat-containing mixtures for bread slices; smetana [sour cream]; lemon juice for culinary purposes; tomato juice for cooking; vegetable juices for cooking; salted meats; sausages; sausages in batter; hot dog sausages; preparations for making bouillon; preparations for making soup; nut-based spreads; tripe; soups; vegetable soup preparations; whey; cheese; tahini [sesame seed paste]; tofu; truffles, preserved; tuna, not live; oysters, not live; falafel; milk ferments for culinary purposes; fish fillets; dates; crystallized fruits; frozen fruits; fruit, preserved; fruit preserved in alcohol; fruit, stewed; hazelnuts, prepared; potato flakes; hummus [chickpea paste]; fruit peel; preserved garlic; lentils, preserved; potato

chips; low-fat potato chips; fruit chips; non-alcoholic eggnog; seaweed extracts for food; meat extracts; escamoles [edible ant larvae, prepared]; berries, preserved; snail eggs for consumption; eggs; yakitori.

30 – Vanilla flavorings for culinary purposes; flavorings, other than essential oils, for cakes; flavorings, other than essential oils, for beverages; coffee flavorings; food flavorings, other than essential oils; star aniseed; baozi [stuffed buns]; cereal bars; high-protein cereal bars; pancakes; noodle-based prepared meals; freeze-dried dishes with the main ingredient being pasta; freeze-dried dishes with the main ingredient being rice; buns; bread rolls; edible rice paper; edible paper; burritos; vanillin [vanilla substitute]; vareniki [stuffed dumplings]; waffles; vermicelli [noodles]; natural sweeteners; sausage binding materials; binding agents for ice cream; sea water for cooking; seaweed [condiment]; malt biscuits; cloves [spice]; mirror icing [mirror glaze]; cake frosting [icing]; glucose for culinary purposes; mustard; gluten additives for culinary purposes; yeast; thickening agents for cooking foodstuffs; leaven; rice-based snack food; cereal-based snack food; artificial coffee; vegetal preparations for use as coffee substitutes; dressings for salad; fruit jellies [confectionery]; candy; candy decorations for cakes; confectionery for decorating Christmas trees; cakes; pastries; peanut confectionery; almond confectionery; pasta; ginger [spice]; frozen yogurt [confectionery ices]; cocoa; cream of tartar for culinary purposes; capers; caramels [candy]; curry [spice]; ketchup [sauce]; gimbap [Korean rice dish]; quiches; gluten prepared as foodstuff; flour-based dumplings; sweetmeats [candy]; liquorice [confectionery]; peppermint sweets; dulce de leche; cinnamon [spice]; coffee; unroasted coffee; starch for food; crackers; custard; hominy grits; semolina; oatmeal; crushed barley; groats for human food; ice cubes; corn, milled; corn, roasted; meat pies; turmeric; couscous [semolina]; noodles; ice for refreshment; ice, natural or artificial; edible ices; rice cakes; mayonnaise; macaroons [pastry]; macaroni; maltose; hominy; piccalilli; marinades; marzipan; honey; soya bean paste [condiment]; royal jelly; ice cream; bean meal; tapioca flour; potato flour; corn flour; nut flours; flour; wheat flour; soya flour; barley meal; dessert mousses [confectionery]; chocolate mousses; muesli; mint for confectionery; cocoa beverages with milk; coffee beverages with milk; coffee-based beverages; cocoa-based beverages; chamomile-based beverages; tea-based beverages; chocolate beverages with milk; chocolate-based beverages; infusions, not medicinal; crushed oats; husked oats; okonomiyaki [Japanese savory pancakes]; onigiri [rice balls]; nutmegs; chocolate-coated nuts; stick liquorice [confectionery]; pastilles [confectionery]; molasses for food; pâtés en croûte; pelmeni [dumplings stuffed with meat]; pepper; allspice; peppers [seasonings]; pesto [sauce]; cookies; petit-beurre biscuits; bibimbap [rice mixed

with vegetables and beef]; pies; pizzas; meat gravies; fondants [confectionery]; popcorn; powders for making ice cream; baking powder; mustard meal; pralines; aromatic preparations for food; condiments; meat tenderizers for household purposes; cereal preparations; oat-based food; propolis; gingerbread; spices; petits fours [cakes]; rice pudding; puddings; cake powder; fruit coulis [sauces]; ravioli; ramen [Japanese noodle-based dish]; chewing gum; relish [condiment]; rice; instant rice; wheat germ for human consumption; spring rolls; sago; palm sugar; sugar; sesame seeds [seasonings]; linseed for culinary purposes [seasoning]; processed seeds for use as a seasoning; aniseed; agave syrup [natural sweetener]; golden syrup; confectionery; batter mixes for okonomiyaki [Japanese savory pancakes]; baking soda [bicarbonate of soda for cooking purposes]; malt for human consumption; salt for preserving foodstuffs; cooking salt; celery salt; sherbets [ices]; ham glaze; soya sauce; tomato sauce; sauces [condiments]; pasta sauce; spaghetti; seasonings; chocolate-based spreads; chocolate spreads containing nuts; preparations for stiffening whipped cream; rusks; bread-crumbs; sushi; sandwiches; tabbouleh; tacos; tapioca; tarts; dough; pastry dough; almond paste; rice pulp for culinary purposes; cake dough; tortillas; garden herbs, preserved [seasonings]; chocolate decorations for cakes; vinegar; beer vinegar; ferments for pastes; halvah; bread; unleavened bread; chips [cereal products]; corn flakes; oat flakes; hot dog sandwiches; flowers or leaves for use as tea substitutes; jiaozi [stuffed dumplings]; chicory [coffee substitute]; tea; iced tea; chutneys [condiments]; minced garlic [condiment]; cheeseburgers [sandwiches]; chow-chow [condiment]; saffron [seasoning]; chocolate; malt extract for food; essences for foodstuffs, except etheric essences and essential oils; husked barley.

31 – Fruits.

32 – Aperitifs, non-alcoholic; lithia water; seltzer water; soda water; waters [beverages]; aerated water; mineral water [beverages]; table waters; kvass [non-alcoholic beverage]; cocktails, non-alcoholic; beer-based cocktails; lemonades; non-alcoholic beverages; isotonic beverages; non-alcoholic honey-based beverages; rice-based beverages, other than milk substitutes; soya-based beverages, other than milk substitutes; aloe vera drinks, non-alcoholic; whey beverages; protein-enriched sports beverages; soft drinks; non-alcoholic beverages flavored with coffee; non-alcoholic beverages flavored with tea; non-alcoholic fruit juice beverages; fruit nectars, non-alcoholic; orgeat; beers; ginger beer; malt beer; powders for effervescing beverages; sarsaparilla [non-alcoholic beverage]; syrups for lemonade; syrups for beverages; smoothies; tomato juice [beverage]; cider, non-alcoholic; vegetable juices [beverages]; fruit juices; preparations for making aerated water;



preparations for making liqueurs; preparations for making beverages; must; grape must, unfermented; beer wort; malt wort; pastilles for effervescing beverages; sorbets [beverages]; non-alcoholic fruit extracts; extracts of hops for making beer; essences for making beverages.

33 – Aperitifs; arrack [arak]; baijiu [Chinese distilled alcoholic beverage]; brandy; wine; piquette; whisky; vodka; anisette [liqueur]; kirsch; gin; digesters [liqueurs and spirits]; cocktails; curacao; anise [liqueur]; liqueurs; pre-mixed alcoholic beverages, other than beer-based; alcoholic beverages, except beer; alcoholic beverages containing fruit; spirits [beverages]; distilled beverages; mead [hydromel]; peppermint liqueurs; bitters; nira [sugarcane-based alcoholic beverage]; rum; sake; perry; cider; rice alcohol; alcoholic extracts; fruit extracts, alcoholic; alcoholic essences.

34 – Flavorings, other than essential oils, for use in electronic cigarettes; flavorings, other than essential oils, for tobacco; gas containers for cigar lighters; absorbent paper for tobacco pipes; cigarette paper; lighters for smokers; tobacco pouches; books of cigarette papers; humidors; matchboxes; firestones; cigar cutters; cigar holders; cigarette holders; mouthpieces for cigarette holders; tips of yellow amber for cigar and cigarette holders; ashtrays for smokers; spittoons for tobacco users; pipe racks for tobacco pipes; pipe cleaners for tobacco pipes; liquid solutions for use in electronic cigarettes; electronic cigarettes; cigarettes; cigarettes containing tobacco substitutes, not for medical purposes; cigarillos; cigars; tobacco jars; match holders; matches; oral vaporizers for smokers; tobacco; chewing tobacco; snuff; snuffboxes; herbs for smoking; tobacco pipes; pocket machines for rolling cigarettes; cigarette filters; cigarette tips; cigar cases; cigarette cases.

35 – Computerized file management; message recording; data search in computer files for others; provision of commercial and business contact information; compilation of statistics; compilation of information into computer databases; systemization of information into computer databases; search engine optimization for sales promotion; updating and maintenance of data in computer databases.

36 – Financial analysis; rental of offices for co-working; lease-purchase financing; capital investment; insurance information; financial information; insurance consultancy; financial consultancy; debt advisory services; financial management; financial evaluation [insurance, banking, real estate]; financial appraisals in responding to calls for tenders; providing financial information via a web site; insurance underwriting; financial customs brokerage services; financing services; fiscal valuation.

42 – Installation of computer software; consultancy in the design and development of computer hard-

ware; computer software consultancy; updating of computer software; maintenance of computer software; providing temporary use of online non-downloadable operating software for accessing and using a cloud computing network; conversion of computer programs and data, other than physical conversion; conducting technical project studies; computer system design; computer software design; computer programming; cloud computing; telecommunications technology consultancy; electronic data storage; rental of web servers; server hosting.

(260) AM 2019 102444 A

(800) 1458540

(151) 2019 01 04

(891) 2019 01 04

(731) Oriflame Cosmetics AG

c/o Oriflame Global Management AG,  
Bleicheplatz 3, CH-8200 Schaffhausen,  
Switzerland

(540)



(591) Black, white

(531) 26.01.01; 26.01.04; 26.01.12

(511)

3 – Face, body, scalp, nail and hair care lotions, creams and preparations; shampoos; hair conditioners; soaps; perfumes; perfumery products; eau de Cologne; eaux de toilette; essential oils; aromatic oils, scented oils, oils for cosmetic purposes; cosmetics and toiletries; make-up; make-up products; lipstick; nail polish; nail polish removers; eyeliners; mascara; non-medicated toilet preparations; hair lotions; hair sprays, hair gels; bath and shower preparations; bath oils, bath gels, bath creams, shower and bath foams, oils, shower creams and gels; beauty masks, facial masks, body masks; facial scrubs, body scrubs; facial cleansers; skin cleansers, skin moisturisers; skin tonics; moisturizing preparations (cosmetics); concealers for spots and blemishes; deodorants for body care; antiperspirants (toiletries); preparations, including creams, gels and foams, for use before, during and after shaving; shaving soap; shaving creams; shaving gels; after-shave preparations; pre-shave and after-shave preparations; talcum powders; dentifrices; toothpastes; non-medicated foot care preparations.

(260) AM 2019 102446 A

(800) 1458561

(151) 2018 09 25

(891) 2018 09 25

(731) Limited liability company "SAS Industrial"  
Pekinsky Prospekt, 18, China-Belarus  
Industrial Park, "The Great Stone",  
Smolevichi District, 222210 Minsk Region,  
Belarus

(540)



(591) Orange, blue and red

(531) 26.02.07; 28.05; 29.01; 29.01.13

(511)

11 – Hot air ovens; bath fittings; heaters for baths; boilers, other than parts of machines; radiator caps; water heaters; fans [air-conditioning]; heating apparatus; heating installations; hot water heating installations/heating installations [water]; heating boilers; heating apparatus for solid, liquid or gaseous fuels; heating apparatus, electric; central heating radiators; humidifiers for central heating radiators; heating elements; heaters for heating irons; plate warmers; immersion heaters; water distribution installations; drying apparatus; air-conditioning apparatus; glue-heating appliances; water conduits installations; pipes [parts of sanitary installations]/water-pipes for sanitary installations; cooking utensils, electric; cookers/cooking stoves; cooking apparatus and installations; heat exchangers, other than parts of machines; radiators, electric; stoves [heating apparatus]; refrigerating apparatus and machines; gas burners; gas boilers; hot plates; radiators [heating]; oil burners, heating plates; kitchen ranges [ovens]; air valves for steam heating installations; water heaters [apparatus]; water supply installations; heaters, electric, for feeding bottles; deep fryers, electric; heat pumps; solar thermal collectors [heating]; hot water bottles; warming pans; multicookers.

21 – Cooking pots; frying pans; pots; deep fryers, non-electric; kitchen utensils; hot pots, not electrically heated.

(260) AM 2019 102448 A

(800) 1458593

(151) 2019 01 09

(891) 2019 01 09

(731) Limited Liability Company "ORIMI"  
1-st Microrayon Street, 15/4 plot, Sverdlov,  
factory settlement, Vsevolozhsk district,  
RU-188682 Leningrad oblast, Russian  
Federation

(540)



ПРИНЦЕССА  
НУРИ

(591) White, beige

(531) 02.03.01; 02.03.16; 28.05; 29.01.12

(511)

30 – Tea; iced tea; tea-based beverages.

(260) AM 2019 102482 A

(800) 1082834

(151) 2011 03 21

(891) 2019 01 14

(731) TETRA GMBH

Herrenteich 78, 49324 Melle, Germany

(540)

# Тетра

(591) Black, white

(531) 28.05

(511)

1 – Water conditioners to be used in aquaria and garden ponds, fertilizers, chemicals for the determination of characteristics of chemical and physical properties of water in aquaria and garden ponds.

7 – Aerating pumps, water pumps (machines) to be used in aquaria, terrarium and garden ponds.

11 – Lighting and aerating apparatus, air filters to be used in aquaria, terrarium and garden ponds, water filters to be used in aquaria, terrarium and garden ponds.

(260) AM 2019 102583 A

(800) 1459184

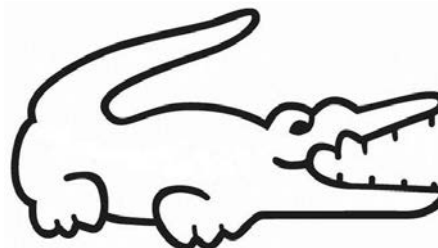
(151) 2019 02 08

(891) 2019 02 08

(731) LACOSTE

23-25 rue de Provence, F-75009 Paris, France

(540)



(591) Black, white

(531) 03.11.09; 03.11.24

(511)

3 – Dentifrices; sunscreens; body lotions; soaps; essential oils; shower gel; perfumes; shaving products; make-up removing products; cosmetics; after-shave lotions; preservatives for leather (polishes); lipstick; shampoos; beauty masks; creams for leather; depilatories; after-sun moisturizers; deodorants; shaving creams; exfoliants; hair lotions.

9 – Neon signs; battery chargers for use with telephones; optical lenses; MP3 players; straps for portable telephones; mobile telephones; image recording apparatus; telephone apparatus; holders adapted for mobile telephones; cordless headphones; image reproduction apparatus; spectacle lenses; sunglasses; information processing apparatus; image transmission apparatus; mechanisms for coin-operated apparatus; sound recording apparatus; contact lenses; goggles for sports; sound recording disks; sound transmitting apparatus; spectacle frames; covers for portable telephones; chains for spectacles; earphones; spectacle cases; computers; hands-free kits for telephones; fixed-line telephones; hard covers for smartphones; fire extinguishers; calculating machines; spectacle cords; sound reproduction apparatus; containers for contact lenses; telephones; binoculars; spectacles [optics]; telephone receivers; cases for mobile telephones; advertising signs [illuminated]; contact lenses; magnetic recording media; cash registers.

14 – Wristwatches; fashion jewelry; wall clocks; timepieces and chronometric instruments; fashion jewelry; chronometric instruments; jewelry articles; pendulums [clock and watch making]; clock cases; statues of precious metals and their alloys; precious stones; trinkets (jewelry); watches; watch glasses; pearl; jewelry; watch cases; clock hands [clock and watch making]; cases for timepieces; electric clocks; dials [timepieces]; key rings (trinkets or fobs); badges of precious metal; ornaments [jewelry]; chronometers; alarm clocks; medals; clocks; medallions; watch bands; necklaces; watch chains; presentation cases for timepieces; statuettes of precious metal.

18 – Suitcases; clutch bags; leather and imitations of leather; shoe bags; harnesses; saddlery; beach bags; animal skins; toiletry sets (empty); backpacks; trunks [luggage]; briefcases; walking sticks; card holders; satchels; gym bags; whips; umbrellas; sports bags; belt bags; handbags; luggage; wallets; parasols; purses; coin purses (not of precious metal).

24 – Household linen; tablecloths of textile; bed linen; table napkins of textile; curtains of textile material; towels of textile materials; covers for cushions; fabrics for textile use; pillowcases; fitted bed sheets; comforters [bedding]; bath linen; labels of cloth; washing mitts; duvet covers; eiderdowns [quilts]; place mats of textile material; bath towels; bed covers; sheets; bed blankets; table linen; beach towels [of textile materials].

25 – Dresses; raincoats; belts [clothing]; slips [underwear]; hats; scarves; sweaters; boxer shorts; shirts; tee-shirts; jackets; short-sleeve shirts; sports jerseys; skirts; brassieres; socks; sports footwear; esparto shoes or sandals; bathing trunks; blouses; polo shirts; cardigans; shoes; stockings; vests; reefer jackets; boots; coats; suits; sashes for wear; slippers; Bermuda shorts; jumper suits; overcoats; neckties; briefs; caps; pajamas; sports shoes; blousons; bathing suits; chasubles; sandals; caps (bonnets); sports pants and shorts; blazers; shoe soles; bath sandals; parkas; jeans; tights; trousers; sports shirts; bath robes; gloves [clothing]; panties; shorts; beach footwear; tops [clothing]; sleeveless sweaters; dressing gowns.

35 – Rental of advertising time on communication media; market study; modeling services for advertising or sales promotion purposes; organization of exhibitions for commercial or advertising purposes; public relations; rental of advertising spaces; advertising; presentation of goods on all communication media, for retail purposes; dissemination of advertising material (leaflets, printed matter, samples, prospectuses); online advertising on a computer network; advertising mail; shop window dressing; business information; dissemination of advertisements; television advertising; publication of advertising texts; outdoor advertising; radio advertising; advertising by mail order; updating of advertising material.

(260) AM 2019 102795 A

(800) 1462280

(151) 2019 03 05

(891) 2019 03 05

(731) INFINITO-COM S.R.L., societate comercială  
Str. Balneară nr. 1, ap. 36, MD-2046 Vadul lui  
Vodă, Chișinău, Republic of Moldova

(540)



(591) Black, white

(531) 27.05.01; 27.05.19

(511)

35 – Retail store services in the field of clothing.

(260) AM 2019 102796 A

(800) 1462305

(151) 2018 12 21

(891) 2018 12 21

(731) Joint-stock company "AKKOND"  
Skladskoy proezd, d. 16, RU-428022  
Cheboksary, Russian Federation

(540)



(591) Dark brown, beige and white color  
 (531) 26.01.04; 26.01.18; 26.04.09; 27.05.03;  
 29.01.13

(526) All the words, except the word, "AKKOND" are unprotected elements.

(511)

30 – Confectionery, namely waffles, fruit jellies [confectionery]; confectionery for decorating Christmas trees; pastries, including, cakes, bread rolls, waffles; caramels [candy]; candy; pralines; pastilles [confectionery]; crackers; cookies; biscuits; petit-beurre biscuits; gingerbread; rusks; breadcrumbs; bread; unleavened bread.

35 – Sales promotion for others; advertising services; demonstration of goods.

(260) AM 2019 102798 A

(800) 1462346

(151) 2018 09 06

(891) 2018 09 06

(731) ÇIĞIR KİMYA, SANAYİ VE TİCARET ANONİM ŞİRKETİ  
 Yeşilköy Mahallesi, Atatürk Caddesi Bulvarı,  
 No:12, Egs Business Park, B2 Blok, No:1  
 Bakırköy; İstanbul, Turkey

(540)

**Silver**

(591) Black, white

(531) 27.05.01; 27.05.02; 27.05.25

(511)

3 – Perfumery; fragrances.

(260) AM 2019 102799 A

(800) 526413

(151) 1988 03 10

(891) 2019 03 19

(731) SANTOS (Société par Actions Simplifiée)  
 140-150, avenue Roger Salengro, F-69120  
 VAULX-EN-VELIN, France

(540)

(591) Black, white

(531) 26.04.18; 27.01.01; 27.05.21

(511)

7 – Coffee grinders, other than hand-operated; cheese grating machines; meat choppers (machines); electric citrus juicers for fruit juices; electric ice cube crushers; centrifuges for fruit juices; kneading machines; electric beaters; mixers; electrical appliances for kitchens, communities, bars, hotels and grocery stores.

8 – Vegetable slicers; mincing knives (tools); hand-operated hand implements for kitchens, communities, bars, hotels and grocery stores.

21 – Hand-operated coffee grinders; cheese graters (household utensils); non-electric citrus juicers for fruit juices; non-electric ice cube crushers; non-electric beaters; non-electric apparatus for kitchens, communities, bars, hotels and grocery stores.

(260) AM 2019 102893 A

(800) 1463527

(151) 2019 01 21

(891) 2019 01 21

(731) STOEV ANDREY GENNADIEVICH  
 Bryanskaya Str, 81, RU-350020 city  
 Krasnodar, Russian Federation

(540)



(591) White, yellow, green and light green

(531) 01.03.01; 06.01.04; 27.03.15; 27.05.08;  
 29.01.14

(511)

29 – Black pudding; charcuterie; meat; ham; sausages; meat, preserved; meat, tinned; meat, canned; sausage casings, natural or artificial.

(260) AM 2019 102894 A

(800) 1463587

(151) 2018 12 06

(891) 2018 12 06

(731) Obshestvo s ogranichennoy otvetstvennostyu  
 "J-UNITED GROUP»  
 OOO "J-UNITED GROUP", 83, Beruniy  
 street, Olmazarskiy district, Tashkent city  
 100020, Uzbekistan

(540)



(591) Violet and white  
 (531) 25.01.25; 29.01.12  
 (511)  
 30 – Coffee, tea, cocoa and artificial coffee; rice; tapioca and sago; flour and preparations made from cereals; bread, pastries and confectionery; edible ices; sugar, honey, treacle; yeast, baking-powder; salt; mustard; vinegar, sauces [condiments]; spices; ice [frozen water].

(260) AM 2019 102895 A  
 (800) 1463595  
 (151) 2019 03 22  
 (891) 2019 03 22  
 (731) BAYLOR COLLEGE OF MEDICINE  
 One Baylor Plaza, Mail Slot BCM 105,  
 Houston TX 77030, USA  
 (540)

## SMART POD

(591) Black, white  
 (511)  
 6 – Prefabricated portable buildings made substantially of metal for use as medical and health care clinics, pharmacies, medical laboratories and medical research facilities; modular metallic buildings for use as medical and health care clinics, pharmacies, medical laboratories and medical research facilities.

(260) AM 2019 102896 A  
 (800) 1463606  
 (151) 2018 11 21  
 (891) 2018 11 21  
 (731) DTN, LLC  
 9110 W. Dodge Road, Suite 200, Omaha  
 NE 68114, USA  
 (540)

**DTN** 

(591) The color(s) black, blue, green and white is/are claimed as a feature of the mark.  
 (531) 26.01.03; 27.05.01; 27.05.23; 29.01.14  
 (511)  
 9 – Computer software for use in displaying, managing, storing, tracking, distributing and analyzing news, information, data, weather information and forecasts, market prices, commodity prices, commentary, and survey results in the fields of agriculture, agribusiness and energy; computer software for use in managing business operations and managing and tracking inventory, production, market positions, purchases and sales in the fields of agriculture, agribusiness and energy; computer software for use in displaying and tracking weather information and forecasts in the fields of aviation, construction,

transportation, sports and public safety; cameras for use with insect traps, namely, internet-enabled cameras for use in detecting, distinguishing, counting and reporting insects; software for use in managing, tracking and monitoring crop production, use of pesticides and the presence of insects.

16 – Printed periodical publication providing news and information of interest to farmers and livestock producers.

21 – Insect traps; insect traps containing a camera integrated into the insect trap.

35 – Providing business information, data analysis, and market research surveys to those in the agriculture, agribusiness and energy fields; providing an online marketplace for buyers and sellers of agricultural inputs, agricultural outputs, commodities and fuels.

36 – Providing financial and financial market news, information, and information in the form of pricing and quotes to agricultural producers, fuel suppliers and fuel producers; online brokerage in the field of agricultural goods and commodities; providing stock/securities market news and information for those in the agriculture, agribusiness and energy industries; providing financial news and information, and data in the form of commodity quotations to those in the agriculture, agribusiness, and energy industries.

38 – Communication and data transmission services, namely, providing customizable data and video streams of news, information, weather information and forecasts, market prices and commodity prices related to agriculture.

42 – Providing temporary use of non-downloadable software for use in displaying, managing, storing, tracking, distributing and analyzing news, information, data, weather information and forecasts, market prices, commodity prices, commentary and survey results in the fields of agriculture, agribusiness and energy; providing temporary use of non-downloadable software for use in displaying and tracking weather information and forecasts in the fields of aviation, construction, transportation, sports and public safety; providing temporary use of non-downloadable software for use in managing business operations and management and tracking inventory, production, market positions, purchases and sales in the fields of agriculture, agribusiness and energy; weather forecasting, reporting and information services; design and development of software and hardware for agriculture; providing weather information and forecasts.

---

**INTERNATIONAL TRADEMARKS PROTECTED IN GEORGIA**

(260) AM 2019 95387 A  
(800) 1377953  
(151) 2016 09 14  
(181) 2026 09 14  
(891) 2016 09 14  
(511) 05

---

(260) AM 2019 96491 A  
(800) 1331148  
(151) 2016 02 10  
(181) 2026 02 10  
(891) 2018 01 23  
(511) 03, 05, 06, 08, 09, 10, 11, 12, 16, 18, 20, 21,  
24, 25, 28, 35

---

(260) AM 2019 96849 A  
(800) 731115  
(151) 2000 03 08  
(181) 2020 03 08  
(891) 2018 02 08  
(511) 09, 10

---

(260) AM 2019 97147 A  
(800) 1104137  
(151) 2011 09 29  
(181) 2021 09 29  
(891) 2018 03 13  
(511) 25

---

(260) AM 2019 97630 A  
(800) 1400422  
(151) 2018 02 01  
(181) 2028 02 01  
(891) 2018 02 01  
(511) 09, 28

---

(260) AM 2019 98333 A  
(800) 1409699  
(151) 2018 01 26  
(181) 2028 01 26  
(891) 2018 01 26  
(511) 05

---

(260) AM 2019 98335 A  
(800) 1409710  
(151) 2018 04 11  
(181) 2028 04 11

(891) 2018 04 11  
(511) 05

---

(260) AM 2019 99738 A  
(800) 1426875  
(151) 2018 07 02  
(181) 2028 07 02  
(891) 2018 07 02  
(511) 14, 18, 25, 35

---

(260) AM 2019 99812 A  
(800) 1427337  
(151) 2018 09 06  
(181) 2028 09 06  
(891) 2018 09 06  
(511) 03

---

(260) AM 2019 99813 A  
(800) 1427347  
(151) 2018 02 08  
(181) 2028 02 08  
(891) 2018 02 08  
(511) 29, 30, 31, 32, 35

---

(260) AM 2019 100107 A  
(800) 1428654  
(151) 2018 06 11  
(181) 2028 06 11  
(891) 2018 06 11  
(511) 02, 42

---

(260) AM 2019 100143 A  
(800) 1429407  
(151) 2018 05 10  
(181) 2028 05 10  
(891) 2018 05 10  
(511) 30, 35, 39

---

(260) AM 2019 100146 A  
(800) 1429527  
(151) 2018 08 03  
(181) 2028 08 03  
(891) 2018 08 03  
(511) 01

---

(260) AM 2019 100173 A  
(800) 1430166  
(151) 2018 06 05  
(181) 2028 06 05  
(891) 2018 06 05  
(511) 03

---

(260) AM 2019 100174 A  
(800) 1430187  
(151) 2018 07 12  
(181) 2028 07 12  
(891) 2018 07 12  
(511) 33

---

(260) AM 2019 100178 A  
(800) 1430256  
(151) 2018 07 30  
(181) 2028 07 30  
(891) 2018 07 30  
(511) 09, 11, 37

---

(260) AM 2019 100179 A  
(800) 1430281  
(151) 2018 06 26  
(181) 2028 06 26  
(891) 2018 06 26  
(511) 09, 38, 41, 42

---

(260) AM 2019 100180 A  
(800) 1430354  
(151) 2018 08 15  
(181) 2028 08 15  
(891) 2018 08 15  
(511) 38

---

(260) AM 2019 100181 A  
(800) 1430388  
(151) 2018 05 08  
(181) 2028 05 08  
(891) 2018 05 08  
(511) 29, 30

---

(260) AM 2019 100184 A  
(800) 1430420  
(151) 2018 08 15  
(181) 2028 08 15  
(891) 2018 08 15  
(511) 16, 28

---

(260) AM 2019 100189 A  
(800) 1430573  
(151) 2018 08 15  
(181) 2028 08 15

(891) 2018 08 15  
(511) 12, 16, 28, 37

---

(260) AM 2019 100228 A  
(800) 1431064  
(151) 2018 08 20  
(181) 2028 08 20  
(891) 2018 08 20  
(511) 12, 16, 28, 37

---

(260) AM 2019 100242 A  
(800) 1431347  
(151) 2018 06 05  
(181) 2028 06 05  
(891) 2018 06 05  
(511) 16, 28, 35, 37, 39, 41, 42

---

(260) AM 2019 100245 A  
(800) 1431439  
(151) 2018 07 26  
(181) 2028 07 26  
(891) 2018 07 26  
(511) 12

---

(260) AM 2019 100246 A  
(800) 1431442  
(151) 2018 09 26  
(181) 2028 09 26  
(891) 2018 09 26  
(511) 01, 02, 19

---

(260) AM 2019 100248 A  
(800) 1431460  
(151) 2018 09 26  
(181) 2028 09 26  
(891) 2018 09 26  
(511) 01, 02, 19

---

(260) AM 2019 100250 A  
(800) 1431468  
(151) 2018 09 26  
(181) 2028 09 26  
(891) 2018 09 26  
(511) 01, 02, 19

---

(260) AM 2019 100251 A  
(800) 1431472  
(151) 2018 09 27  
(181) 2028 09 27  
(891) 2018 09 27  
(511) 33

---

(260) AM 2019 100257 A  
(800) 1431520  
(151) 2018 07 11  
(181) 2028 07 11  
(891) 2018 07 11  
(511) 37

---

(260) AM 2019 100258 A  
(800) 1431522  
(151) 2018 09 24  
(181) 2028 09 24  
(891) 2018 09 24  
(511) 30

---

(260) AM 2019 100261 A  
(800) 1431541  
(151) 2018 09 24  
(181) 2028 09 24  
(891) 2018 09 24  
(511) 30

---

(260) AM 2019 100263 A  
(800) 1431564  
(151) 2018 09 24  
(181) 2028 09 24  
(891) 2018 09 24  
(511) 30

---

(260) AM 2019 100264 A  
(800) 1431603  
(151) 2018 05 14  
(181) 2028 05 14  
(891) 2018 05 14  
(511) 32, 33

---

(260) AM 2019 100265 A  
(800) 1431611  
(151) 2018 09 25  
(181) 2028 09 25  
(891) 2018 09 25  
(511) 30

---

(260) AM 2019 100267 A  
(800) 1431633  
(151) 2018 07 26  
(181) 2028 07 26  
(891) 2018 07 26  
(511) 08, 16

---

(260) AM 2019 100269 A  
(800) 1431652  
(151) 2018 06 19  
(181) 2028 06 19

(891) 2018 06 19  
(511) 35, 41, 45

---

(260) AM 2019 100271 A  
(800) 1431711  
(151) 2018 09 17  
(181) 2028 09 17  
(891) 2018 09 17  
(511) 05

---

(260) AM 2019 100277 A  
(800) 1431857  
(151) 2018 08 06  
(181) 2028 08 06  
(891) 2018 08 06  
(511) 30

---

(260) AM 2019 100281 A  
(800) 1432001  
(151) 2018 08 13  
(181) 2028 08 13  
(891) 2018 08 13  
(511) 30

---

(260) AM 2019 100283 A  
(800) 1432024  
(151) 2018 09 26  
(181) 2028 09 26  
(891) 2018 09 26  
(511) 12

---

(260) AM 2019 100284 A  
(800) 1432046  
(151) 2018 09 26  
(181) 2028 09 26  
(891) 2018 09 26  
(511) 12

---

(260) AM 2019 100285 A  
(800) 1432050  
(151) 2018 09 26  
(181) 2028 09 26  
(891) 2018 09 26  
(511) 12

---

(260) AM 2019 100286 A  
(800) 1432064  
(151) 2018 05 04  
(181) 2028 05 04  
(891) 2018 05 04  
(511) 09, 35, 37, 38, 42, 45

---



(260) AM 2019 100287 A  
(800) 1432182  
(151) 2018 01 24  
(181) 2028 01 24  
(891) 2018 01 24  
(511) 35, 41

---

(260) AM 2019 100289 A  
(800) 1432230  
(151) 2018 05 21  
(181) 2028 05 21  
(891) 2018 05 21  
(511) 39, 41, 43

---

(260) AM 2019 100291 A  
(800) 1432354  
(151) 2018 09 05  
(181) 2028 09 05  
(891) 2018 09 05  
(511) 25, 35

---

(260) AM 2019 100292 A  
(800) 1432370  
(151) 2018 04 11  
(181) 2028 04 11  
(891) 2018 04 11  
(511) 03, 09, 14, 18, 25

---

(260) AM 2019 100293 A  
(800) 1432405  
(151) 2018 03 28  
(181) 2028 03 28  
(891) 2018 03 28  
(511) 06, 07, 11, 37, 42

---

(260) AM 2019 100296 A  
(800) 337016  
(151) 1967 06 16  
(181) 2027 06 16  
(891) 2018 07 02  
(511) 10

---

(260) AM 2019 100297 A  
(800) 898683  
(151) 2006 07 12  
(181) 2026 07 12  
(891) 2018 10 15  
(511) 01, 44

---

(260) AM 2019 100298 A  
(800) 921295  
(151) 2007 03 21  
(181) 2027 03 21

(891) 2018 10 15  
(511) 01

---

(260) AM 2019 100299 A  
(800) 970825  
(151) 2008 02 08  
(181) 2028 02 08  
(891) 2018 10 15  
(511) 01, 13, 44

---

(260) AM 2019 100301 A  
(800) 1197577  
(151) 2014 02 26  
(181) 2024 02 26  
(891) 2018 09 14  
(511) 19

---

(260) AM 2019 100302 A  
(800) 1291809  
(151) 2015 10 15  
(181) 2025 10 15  
(891) 2018 10 16  
(511) 01, 07, 37

---

(260) AM 2019 100303 A  
(800) 1328834  
(151) 2016 10 14  
(181) 2026 10 14  
(891) 2018 10 15  
(511) 01

---

(260) AM 2019 100304 A  
(800) 1336749  
(151) 2016 10 19  
(181) 2026 10 19  
(891) 2018 05 23  
(511) 03, 05

---

(260) AM 2019 100346 A  
(800) 1433278  
(151) 2018 08 20  
(181) 2028 08 20  
(891) 2018 08 20  
(511) 12, 16, 28, 37

---

(260) AM 2019 100362 A  
(800) 789180  
(151) 2002 10 09  
(181) 2022 10 09  
(891) 2018 10 05  
(511) 18, 25

---

(260) AM 2019 100363 A  
(800) 987225  
(151) 2008 09 27  
(181) 2028 09 27  
(891) 2018 10 16  
(511) 05

---

(260) AM 2019 100364 A  
(800) 1104829  
(151) 2011 12 07  
(181) 2021 12 07  
(891) 2018 10 02  
(511) 31, 42

---

(260) AM 2019 100365 A  
(800) 1379843  
(151) 2017 05 15  
(181) 2027 05 15  
(891) 2018 09 20  
(511) 30

---

(260) AM 2019 100367 A  
(800) 1423274  
(151) 2018 03 23  
(181) 2028 03 23  
(891) 2018 09 20  
(511) 09, 38

---

(260) AM 2019 100471 A  
(800) 1433807  
(151) 2018 08 09  
(181) 2028 08 09  
(891) 2018 08 09  
(511) 12

---

(260) AM 2019 100472 A  
(800) 1433809  
(151) 2018 09 21  
(181) 2028 09 21  
(891) 2018 09 21  
(511) 07, 11, 37

---

(260) AM 2019 100474 A  
(800) 1433837  
(151) 2018 06 27  
(181) 2028 06 27  
(891) 2018 06 27  
(511) 03, 09, 16, 21, 35, 41

---

(260) AM 2019 100475 A  
(800) 1433848  
(151) 2018 04 27  
(181) 2028 04 27

(891) 2018 04 27  
(511) 03

---

(260) AM 2019 100482 A  
(800) 1433978  
(151) 2018 08 22  
(181) 2028 08 22  
(891) 2018 08 22  
(511) 09, 36, 38, 39, 42

---

(260) AM 2019 100504 A  
(800) 1434572  
(151) 2018 09 07  
(181) 2028 09 07  
(891) 2018 09 07  
(511) 42

---

(260) AM 2019 100508 A  
(800) 1248177  
(151) 2015 03 20  
(181) 2025 03 20  
(891) 2018 10 29  
(511) 03, 05, 11

---

(260) AM 2019 100510 A  
(800) 1359377  
(151) 2017 04 28  
(181) 2027 04 28  
(891) 2018 10 19  
(511) 05

---

(260) AM 2019 100511 A  
(800) 1375106  
(151) 2017 10 10  
(181) 2027 10 10  
(891) 2018 10 01  
(511) 34

---

(260) AM 2019 100512 A  
(800) 1407292  
(151) 2018 02 06  
(181) 2028 02 06  
(891) 2018 10 25  
(511) 36

---

(260) AM 2019 100513 A  
(800) 1414436  
(151) 2017 10 09  
(181) 2027 10 09  
(891) 2018 10 02  
(511) 09, 11

---

(260) AM 2019 100539 A  
(800) 1435329  
(151) 2018 08 10  
(181) 2028 08 10  
(891) 2018 08 10  
(511) 35

---

(260) AM 2019 100540 A  
(800) 1435351  
(151) 2018 10 16  
(181) 2028 10 16  
(891) 2018 10 16  
(511) 09

---

(260) AM 2019 100541 A  
(800) 1435357  
(151) 2018 10 16  
(181) 2028 10 16  
(891) 2018 10 16  
(511) 09

---

(260) AM 2019 100542 A  
(800) 1435368  
(151) 2018 10 22  
(181) 2028 10 22  
(891) 2018 10 22  
(511) 35

---

(260) AM 2019 100543 A  
(800) 1435408  
(151) 2018 06 19  
(181) 2028 06 19  
(891) 2018 06 19  
(511) 35, 39, 42, 43, 45

---

(260) AM 2019 100544 A  
(800) 1435439  
(151) 2018 10 17  
(181) 2028 10 17  
(891) 2018 10 17  
(511) 05

---

(260) AM 2019 100560 A  
(800) 1435709  
(151) 2018 09 04  
(181) 2028 09 04  
(891) 2018 09 04  
(511) 33

---

(260) AM 2019 100561 A  
(800) 1435726  
(151) 2018 08 09  
(181) 2028 08 09

(891) 2018 08 09  
(511) 09

---

(260) AM 2019 100562 A  
(800) 1435771  
(151) 2018 05 22  
(181) 2028 05 22  
(891) 2018 05 22  
(511) 35

---

(260) AM 2019 100563 A  
(800) 1435800  
(151) 2018 09 23  
(181) 2028 09 23  
(891) 2018 09 23  
(511) 09

---

(260) AM 2019 100634 A  
(800) 1437124  
(151) 2018 06 15  
(181) 2028 06 15  
(891) 2018 06 15  
(511) 28

---

(260) AM 2019 100635 A  
(800) 1437133  
(151) 2018 06 15  
(181) 2028 06 15  
(891) 2018 06 15  
(511) 28

---

(260) AM 2019 100646 A  
(800) 1437387  
(151) 2018 09 19  
(181) 2028 09 19  
(891) 2018 09 19  
(511) 09, 12, 18, 25, 28

---

(260) AM 2019 100649 A  
(800) 332474  
(151) 1967 01 13  
(181) 2027 01 13  
(891) 2018 09 17  
(511) 05

---

(260) AM 2019 100650 A  
(800) 741353  
(151) 2000 07 25  
(181) 2020 07 25  
(891) 2018 11 12  
(511) 05

---

(260) AM 2019 100656 A  
(800) 1312206  
(151) 2016 05 18  
(181) 2026 05 18  
(891) 2018 07 10  
(511) 05

---

(260) AM 2019 101045 A  
(800) 1441392  
(151) 2018 11 16  
(181) 2028 11 16  
(891) 2018 11 16  
(511) 30

---

(260) AM 2019 101046 A  
(800) 1441421  
(151) 2018 10 16  
(181) 2028 10 16  
(891) 2018 10 16  
(511) 30

---

(260) AM 2019 101049 A  
(800) 1441536  
(151) 2018 07 06  
(181) 2028 07 06  
(891) 2018 07 06  
(511) 30

---

(260) AM 2019 101052 A  
(800) 1441631  
(151) 2018 07 18  
(181) 2028 07 18  
(891) 2018 07 18  
(511) 09, 35, 36, 42

---

(260) AM 2019 101053 A  
(800) 1441651  
(151) 2018 11 14  
(181) 2028 11 14  
(891) 2018 11 14  
(511) 28, 41

---

---

# OFFICIAL NOTIFICATION

## INVENTIONS

### EXPIRATION OF PATENTS RESTORATION

(21) AP 2012 12880

**(11) P 2014 6048 B**

(73) Sopio Burjanadze

**(54) CAVITATION-ELECTROLYSIS DEVICE FOR HYDROGEN GENERATION**

DATE OF CANCELLATION OF PATENT: 2019 10 26

DATE OF RESTORATION OF PATENT: 2019 12 10

---

(21) AP 2014 13602

**(11) P 2015 6404 B**

(73) Merab Lekveishvili

**(54) DRUG FOR TREATMENT OF CONDITIONS RELATED TO OXIDATIVE STRESS**

DATE OF CANCELLATION OF PATENT: 2019 10 20

DATE OF RESTORATION OF PATENT: 2019 12 10

---

(21) AP 2013 13832

**(11) P 2017 6717 B**

(73) VALERIA RESEARCH S.R.L.;

NIOSIS S.P.A

**(54) FIBRINOLYTIC COMPOSITIONS COMPRISING BROMELAIN AND NATTOKINASE FOR PREVENTION AND TREATMENT OF PHLEBOTHROMBTIC STATES**

DATE OF CANCELLATION OF PATENT: 2019 11 06

DATE OF RESTORATION OF PATENT: 2019 12 10

---

(21) AP 2018 14972

**(54) THE USE OF A SILVER GLASS GAS-FILLED ELECTRIC TUB FOR THE TREATMENT OF VARIOUS DISEASES**

DATE OF RESTORATION OF PATENT: 2019 12 10

---

## ABOLITION OF PATENTS WITH THE RIGHT TO RESTORE

(21) AP 2009 12272

**(11) P 2013 5775 B**

(73) Aziende Chimiche Riunite Angelini Francesco A.C.R.A.F. S.p.A. (IT)

(54) **PACKAGING MATERIAL WITH COLOURED ELEMENT DISCOLOURING PARTIALLY REVEALING MARKING AT RPEDETERMINED TEMPERATURE, AND METHOD OF PRODUCTION THEREOF**

DATE OF CANCELLATION OF PATENT: 2019 11 13

LIMIT DATE OF RESTORATION OF PATENT: 2020 11 13

---

(21) AP 2009 12273

**(11) P 2013 5789 B**

(73) Aziende Chimiche Riunite Angelini Francesco A.C.R.A.F. S.p.A. (IT)

(54) **PACKAGING MATERIAL FOR PHARMACEUTICAL PRODUCT WITH SUCH COLOURED ELEMENT AT PRELIMINARILY SPECIFIED TEMPERATURE DISCOLOURING PARTIALLY REVEALING MARKING, AND METHOD OF SUCH MATERIAL PRODUCTION**

DATE OF CANCELLATION OF PATENT: 2019 11 13

LIMIT DATE OF RESTORATION OF PATENT: 2020 11 13

---

(21) AP 2012 12889

**(11) P 2015 6350 B**

(73) LES LABORATOIRES SERVIER

(54) **NEW PROCESS FOR SYNTHESIS OF IVABRADINE AND THEIR ADDITIONAL SALTS WITH PHARMACEUTICALLY ACCEPTABLE ACID**

DATE OF CANCELLATION OF PATENT: 2019 11 08

LIMIT DATE OF RESTORATION OF PATENT: 2020 11 08

---

(21) AP 2012 13496

**(11) P 2018 6928 B**

(73) Amgen Research (Munich) GMBH;  
Amgen Inc.

(54) **BINDING MOLECULES FOR BCMA AND CD3**

DATE OF CANCELLATION OF PATENT: 2019 11 15

LIMIT DATE OF RESTORATION OF PATENT: 2020 11 15

---

(21) AP 2014 14167

**(11) P 2019 6966 B**

(73) ECZACIBAŞI TÜKETİM ÜRÜNLERİ SANAYİ VE TİCARET A.Ş

(54) **DISPENSER COMPRISING PRODUCT LEVEL INDICATOR**

DATE OF CANCELLATION OF PATENT: 2019 11 17

LIMIT DATE OF RESTORATION OF PATENT: 2020 11 17

---

## EXPIRATION OF TERM OF RESTORATION OF PATENTS

(21) AP 2007 10370

**(11) P 2009 4696 B**

(73) Yuza Vasadze;

Nadezhna Mirotadze;

Lali Goginava;

Natrell Mikadze

(54) **INTENSIVE TYPE METHOD FOR CULTIVATION OF FILBERT INDUSTRIAL GARDENS**

DATE OF CANCELLATION OF PATENT: 2018 11 14

THE TERM OF RESTORATION OF PATENT VALIDITY HAS EXPIRED: 2019 11 14

---

(21) AP 2007 11327

**(11) P 2012 5570 B**

(73) Aziende Chimiche Riunite Angelini Francesco A.C.R.A.F. S.p.A. (IT)

(54) **USE OF INDAZOLEMETHOXYALKANOIC ACID FOR DECREASING LEVELS OF TRIGLYCERIDES, CHOLESTEROL AND GLUCOSE**

DATE OF CANCELLATION OF PATENT: 2018 11 13

THE TERM OF RESTORATION OF PATENT VALIDITY HAS EXPIRED: 2019 11 13

---

(21) AP 2009 12221

**(11) P 2013 5805 B**

(73) WYETH LLC

(54) **1-(ARYLSULFONYL)-4-(PIPERAZIN-1-YL)-1H-BENZIMIDAZOLES AS 5-HYDROXYTRYPTAMINE-6 LIGANDS**

DATE OF CANCELLATION OF PATENT: 2018 11 10

THE TERM OF RESTORATION OF PATENT VALIDITY HAS EXPIRED: 2019 11 10

---

(21) AP 2009 12257

**(11) P 2017 6719 B**

(73) INTERMUNE INC.

(54) **PIRFENIDONE TREATMENT FOR PATIENTS WITH ATYPICAL LIVER FUNCTION**

DATE OF CANCELLATION OF PATENT: 2018 11 09

THE TERM OF RESTORATION OF PATENT VALIDITY HAS EXPIRED: 2019 11 09

---

(21) AP 2009 12261

**(11) P 2013 5724 B**

(73) MERCK SHARP & DOHME CORP.

(54) **AMINOTETRAHYDROPYRANS AS DIPEPTIDYL PEPTIDASE-IV INHIBITORS FOR TREATMENT OR PREVENTION OF DIABETES**

DATE OF CANCELLATION OF PATENT: 2018 11 11

THE TERM OF RESTORATION OF PATENT VALIDITY HAS EXPIRED: 2019 11 11

---

(21) AP 2010 12738

**(11) P 2016 6435 B**

(73) IRONWOOD PHARMACEUTICALS INC.

(54) **TREATMENTS FOR GASTROINTESTINAL DISORDERS**

DATE OF CANCELLATION OF PATENT: 2018 11 09

THE TERM OF RESTORATION OF PATENT VALIDITY HAS EXPIRED: 2019 11 09

---

---

(21) AP 2001 6955

**(11) P 2005 3461 B**

(73) TAKEDA GmbH

(54) **FREEZE-DRIED PANTOPRAZOLE PREPARATION AND PANTOPRAZOLE INJECTION**

DATE OF CANCELLATION OF PATENT: 2018 11 17

THE TERM OF RESTORATION OF PATENT VALIDITY HAS EXPIRED: 2019 11 17

---

(21) AP 2004 9463

**(11) P 2008 4547 B**

(73) Les Laboratoires Servier

(54) **METHOD FOR SYNTHESIS OF PERINDOPRIL AND PHARMACEUTICALLY ACCEPTABLE SALTS THEREOF**

DATE OF CANCELLATION OF PATENT: 2018 11 18

THE TERM OF RESTORATION OF PATENT VALIDITY HAS EXPIRED: 2019 11 18

---

## CHANGES OF NAMES AND/OR ADDRESSES OF PATENTOWNER

(21) AP 2010 11644

**(11) P 2012 5618 B**

(54) **BIODEGRADED COPOLYMERS POLY (ESTER UREA) AND METHOD OF THEIR RECEPTION**

NEW NAME AND ADDRESSES:

Faglax Inc. (KY)

CO Services Cayman Limited, P.O. Box 10008, Willow House-Cricket Square, Georgetown, Grand Cayman, Cayman Islands, KY1-1001 (KY)

LAST NAME AND ADDRESSES:

Davit Tughushi

Milorava St. 6, ap. 8, 0179, Tbilisi, Georgia;

Ramaz Katsarava

Janashia St. 28, ap. 26, 0179, Tbilisi, Georgia

DATE OF REGISTRY:

18 11 2019

---



## UTILITY MODELS

### EXPIRATION OF PATENTS RESTORATION

(21) AU 2013 13287

**(11) U 2014 1824 Y**

(73) Lia Gventsadze;

Elguja Kutelia;

David Gventsadze

(54) **COMPOSITE MATERIAL OF FRICTION PLATE**

DATE OF CANCELLATION OF PATENT: 2019 11 11

LIMIT DATE OF RESTORATION OF PATENT: 2020 11 11

---

(21) AU 2015 13988

**(11) U 2018 1977 Y**

(73) Temur Chakhunashvili;

Teimuraz Rokva;

Zhuli Keadze;

Merab Dadunashvili;

Zinaida Vatsadze

(54) **ANODE FOR RECEIVING ELECTROLYTIC MANGANESE DIOXIDE**

DATE OF CANCELLATION OF PATENT: 2019 11 09

LIMIT DATE OF RESTORATION OF PATENT: 2020 11 09

---

(21) AU 2015 13989

**(11) U 2018 1978 Y**

(73) Temur Chakhunashvili;

Teimuraz Rokva;

Zhuli Keadze;

Zinaida Vatsadze;

Merab Dadunashvili

(54) **CATHODE FOR RECEIVING ELECTROLYTIC MANGANESE DIOXIDE**

DATE OF CANCELLATION OF PATENT: 2019 11 09

LIMIT DATE OF RESTORATION OF PATENT: 2020 11 09

---

(21) AU 2014 14168

**(11) U 2018 1994 Y**

(73) Ejzajibashi Tuqetim Urunleri Sanaii Ve Tijaret Anonim Shirqeti

(54) **DISPENSER COMPRISING A PRODUCT LOADING AND UNLOADING MECHANISM**

DATE OF CANCELLATION OF PATENT: 2019 11 17

LIMIT DATE OF RESTORATION OF PATENT: 2020 11 17

---

(21) AU 2014 14170

**(11) U 2018 1992 Y**

(73) Ejzajibashi Tuqetim Urunleri Sanaii Ve Tijaret Anonim Shirqeti

(54) **DISPENSER ENABLING THE PRODUCT LEVEL REMAINING THEREIN TO BE SEEN**

DATE OF CANCELLATION OF PATENT: 2019 11 17

LIMIT DATE OF RESTORATION OF PATENT: 2020 11 17

---

(21) AU 2016 14321

**(11) U 2018 1964 Y**

(73) Merab Diasamidze;

Merab Topchiashvili;

Zurab Suladze;

David Suladze

(54) **METHOD FOR ARTICLE MANUFACTURE WITH WOOD- POLYMER COMPOSITE**

DATE OF CANCELLATION OF PATENT: 2019 11 14

LIMIT DATE OF RESTORATION OF PATENT: 2020 11 14

---

## DESIGNS

### CANCELLATION OF DESIGNS REGISTRATION

**(11) D 2014 583 S**

(73) LTD "SUPERBET 2014" (GE)

Baratashvilis St. 2, 0105, Tbilisi, Georgia (GE)

(54) **COMPUTER GAME**

(18) 2018 12 24

(58) 2019 11 29

---

**(11) D 2015 622 S**

(73) LTD "AURORA" (GE)

Didi Dighomi, IV mkr., korp. 6, ap. 2, Tbilisi, Georgia (GE)

(54) **BISCUIT**

(18) 2019 03 28

(58) 2019 11 29

---

**(11) D 2014 594 S**

(73) Akaki Razmadze (GE)

Kondoli St. 19, 0101, Tbilisi, Georgia (GE)

(54) **FONT "MELANI"**

(18) 2019 04 01

(58) 2019 11 29

---

**(11) D 2014 595 S**

(73) Akaki Razmadze (GE)

Kondoli St.19, 0101, Tbilisi, Georgia (GE)

(54) **FONT "Open Sans" GEORGIAN VARIANT**

(18) 2019 04 01

(58) 2019 11 29

---

**(11) D 2014 598 S**

(73) LTD "Oran Sophia Chemistry " (GE)

Marneuli St. 44, 0165, Tbilisi, Georgia (GE)

(54) **GRAPHIC SYMBOL**

(18) 2019 04 17

(58) 2019 11 29

---

**(11) D 2014 599 S**

- (73) Eter Chkadua (GE)  
Tamarashvili St. 11, ap. 64, 0162, Tbilisi, Georgia (GE);  
Gocha Tchkadua (GE)  
Tamarashvili St. 11, ბ. 64, 0162, Tbilisi, Georgia (GE)
- (54) **TOY**  
(18) 2019 05 14  
(58) 2019 11 29
- 

## EXTENSION OF REGISTRATION OF INTERNATIONAL DESIGNS

**(11) DM/65091**

- (73) SWATCH AG (SWATCH SA) (SWATCH LTD.)  
94, Rue Jakob Stämpfli BIENNE CH-2502 (CH)
- (15) 2004 02 24  
(24) 2004 02 24  
(18) 2024 02 24  
(28) 20  
(28') 5  
(54) Wristwatches
- 

**(11) DM/65140**

- (73) SWATCH AG (SWATCH SA) (SWATCH LTD.)  
94, Rue Jakob Stämpfli, CH-2502 BIENNE (CH)
- (15) 2004 02 11  
(24) 2004 02 11  
(18) 2024 02 11  
(28) 23  
(28') 4  
(54) Jewellery
- 

**(11) DM/65465**

- (73) SWATCH AG (SWATCH SA) (SWATCH LTD.)  
94, Rue Jakob Stämpfli BIENNE CH-2502 (CH)
- (15) 2004 06 17  
(24) 2004 06 17  
(18) 2024 06 17  
(28) 2  
(28') 2  
(54) Wristwatches
- 

**(11) DM/65467**

- (73) SWATCH AG (SWATCH SA) (SWATCH LTD.)  
94, Rue Jakob Stämpfli BIENNE CH-2502 (CH)
- (15) 2004 06 17  
(24) 2004 06 17  
(18) 2024 06 17  
(28) 1  
(28') 1  
(54) Wristwatch
-

**(11) DM/65471**

(73) SWATCH AG (SWATCH SA) (SWATCH LTD.)

94, Rue Jakob Stämpfli BIENNE CH-2502 (CH)

(15) 2004 06 18

(24) 2004 06 18

(18) 2024 06 18

(28) 2

(28') 2

(54) Wristwatches

**(11) DM/65505**

(73) SWATCH AG (SWATCH SA) (SWATCH LTD.)

94, Rue Jakob Stämpfli BIENNE CH-2502 (CH)

(15) 2004 06 17

(24) 2004 06 17

(18) 2024 06 17

(28) 3

(28') 1

(54) Rings, Strap

**(11) DM/65592**

(73) SWATCH AG (SWATCH SA) (SWATCH LTD.)

94, Rue Jakob Stämpfli BIENNE CH-2502 (CH)

(15) 2004 07 19

(24) 2004 07 19

(18) 2024 07 19

(28) 2

(28') 1

(54) Watch bracelets

**(11) DM/65595**

(73) SWATCH AG (SWATCH SA) (SWATCH LTD.)

94, Rue Jakob Stämpfli BIENNE CH-2502 (CH)

(15) 2004 07 19

(24) 2004 07 19

(18) 2024 07 19

(28) 3

(28') 1

(54) Wristwatches

**(11) DM/65609**

(73) SWATCH AG (SWATCH SA) (SWATCH LTD.)

94, Rue Jakob Stämpfli BIENNE CH-2502 (CH)

(15) 2004 07 20

(24) 2004 07 20

(18) 2024 07 20

(28) 3

(28') 1

(54) Wristwatches

**(11) DM/71252**

(73) MONTRES JAQUET DROZ SA (MONTRES JAQUET DROZ AG) (MONTRES JAQUET DROZ LTD.)

5, rue Jaquet Droz, CH-2300 La Chaux-de-Fonds (CH)

(15) 2009 01 26

(24) 2009 01 26  
(18) 2024 01 26  
(28) 1  
(28') 1  
(54) Watch dial

---

**(11) DM/71300**

(73) H AG (SWATCH SA) (SWATCH LTD.)  
Jakob-Stämpfli-Strasse 94, CH-2502 Biel/Bienne (CH)  
(15) 2009 01 27  
(24) 2009 01 27  
(18) 2024 01 27  
(28) 5  
(28') 2  
(54) Wristwatches

---

**(11) DM/71326**

(73) TOVARYSTVO Z OBMEZHENOJU VIDPOVIDALNISTIU "NATSIONALNA GORYLCHANA  
KOMPANIJA"  
Smilianske shose, 8-j km, bud. 2, s. Stepanyky, Cherkasky rajon, Cherkaska oblast, 19632 (UA)  
(15) 2009 02 10  
(24) 2009 02 10  
(18) 2024 02 10  
(28) 1  
(28') 1  
(54) Bottle

---

**(11) DM/71327**

(73) SWATCH AG (SWATCH SA) (SWATCH LTD.)  
Jakob-Stämpfli-Strasse 94, CH-2502 Biel/Bienne (CH)  
(15) 2009 02 13  
(24) 2009 02 13  
(18) 2024 02 13  
(28) 4  
(28') 4  
(54) Display units

---

**(11) DM/71344**

(73) SWATCH AG (SWATCH SA) (SWATCH LTD.)  
Jakob-Stämpfli-Strasse 94, CH-2502 Biel/Bienne (CH)  
(15) 2009 02 18  
(24) 2009 02 18  
(18) 2024 02 18  
(28) 3  
(28') 3  
(54) Wristwatches

---

**(11) DM/71367**

(73) SWATCH AG (SWATCH SA)(SWATCH LTD)  
Jakob-Stämpfli-Strasse 94, CH-2502 BIEL/BIENNE (CH)  
(15) 2009 02 18  
(24) 2009 02 18  
(18) 2024 02 18  
(28) 4

---

(28') 1  
(54) Wristwatches

---

**(11) DM/71418**

(73) OMEGA SA (OMEGA AG) (OMEGA LTD.)  
Jakob-Stämpfli-Strasse 96, CH-2502 Biel/Bienne (CH)  
(15) 2009 03 02  
(24) 2009 03 02  
(18) 2024 03 02  
(28) 1  
(28') 1  
(54) Wristwatch

---

**(11) DM/71421**

(73) MIDO AG (MIDO SA) (MIDO LTD)  
Chemin des Tourelles 17, CH-2400 Le Locle (CH)  
(15) 2009 03 06  
(24) 2009 03 06  
(18) 2024 03 06  
(28) 3  
(28') 2  
(54) Dials

---

**(11) DM/71423**

(73) TISSOT S.A.  
Chemin des Tourelles, CH-2400 Le Locle (CH)  
(15) 2009 03 06  
(24) 2009 03 06  
(18) 2024 03 06  
(28) 3  
(28') 2  
(54) Watch cases with bracelets

---

**(11) DM/71424**

(73) RADO UHREN AG (RADO WATCH CO.LTD.) (MONTRES RADO SA)  
Bielstrasse 45, CH-2543 LENGNAU (CH)  
(15) 2009 03 06  
(24) 2009 03 06  
(18) 2024 03 06  
(28) 2  
(28') 2  
(54) Watches

---

**(11) DM/71425**

(73) MONTRES BREGUET S.A.  
CH-1344 L'ABBAYE (CH)  
(15) 2009 03 06  
(24) 2009 03 06  
(18) 2024 03 06  
(28) 1  
(28') 1  
(54) Watch

---

**(11) DM/71432**

(73) SWATCH AG (SWATCH SA) (SWATCH LTD.)  
Jakob-Stämpfli-Strasse 94, CH-2502 Biel/Bienne (CH)  
(15) 2009 03 03  
(24) 2009 03 03  
(18) 2024 03 03  
(28) 1  
(28') 1  
(54) Watch bracelet

---

**(11) DM/71434**

(73) SWATCH AG (SWATCH SA) (SWATCH LTD.)  
Jakob-Stämpfli-Strasse 94, CH-2502 Biel/Bienne (CH)  
(15) 2009 03 04  
(24) 2009 03 04  
(18) 2024 03 04  
(28) 1  
(28') 1  
(54) Display unit

---

**(11) DM/71442**

(73) BREITLING SA  
Schlachthausstrasse, 2 Case postale 1132, CH-2540 Grenchen (CH)  
(15) 2009 03 11  
(24) 2009 03 11  
(18) 2024 03 11  
(28) 1  
(28') 1  
(54) Watch case

---

**(11) DM/71457**

(73) MONTRES BREGUET S.A.  
CH-1344 L'ABBAYE (CH)  
(15) 2009 02 26  
(24) 2009 02 26  
(18) 2024 02 26  
(28) 4  
(28') 4  
(54) Watches

---

**(11) DM/71482**

(73) ETA SA MANUFACTURE HORLOGERE SUISSE  
CH-2540 GRENCHE (CH)  
(15) 2009 03 17  
(24) 2009 03 17  
(18) 2024 03 17  
(28) 5  
(28') 5  
(54) Clock and watch movement,clock and watch movement parts,oscillating weight,oscillating weight lock

---

**(11) DM/71490**

(73) GLASHÜTTER UHRENBETRIEBE GMBH  
Altenberger Straße 1, 01768 Glashütte/SA (DE)  
(15) 2009 03 11

---

(24) 2009 03 11  
(18) 2024 03 11  
(28) 3  
(28') 3  
(54) dials, Watch case

---

**(11) DM/71519**

(73) SWATCH AG (SWATCH SA)(SWATCH LTD)  
Jakob-Stämpfli-Strasse 94, CH-2502 BIEL/BIENNE (CH)  
(15) 2009 03 02  
(24) 2009 03 02  
(18) 2024 03 02  
(28) 1  
(28') 1  
(54) Sales kiosk

---

**(11) DM/71536**

(73) LÉON HATOT SA (LÉON HATOT AG) (LÉON HATOT LTD)  
Avenue de Beauregard 3, CH-2012 Auvernier (CH)  
(15) 2009 03 25  
(24) 2009 03 25  
(18) 2029 03 25  
(28) 1  
(28') 1  
(54) Wristwatch

---

**(11) DM/71536**

(73) LÉON HATOT SA (LÉON HATOT AG) (LÉON HATOT LTD)  
Avenue de Beauregard 3, CH-2012 Auvernier (CH)  
(15) 2009 03 25  
(24) 2009 03 25  
(18) 2029 03 25  
(28) 1  
(28') 1  
(54) Wristwatch

---

**(11) DM/71589**

(73) MONTRES BREGUET S.A.  
CH-1344 L'ABBAYE (CH)  
(15) 2009 04 01  
(24) 2009 04 01  
(18) 2024 04 01  
(28) 1  
(28') 1  
(54) Wristwatch

---

**(11) DM/71590**

(73) MONTRES BREGUET S.A.  
CH-1344 L'ABBAYE (CH)  
(15) 2009 04 01  
(24) 2009 04 01  
(18) 2024 04 01  
(28) 10  
(28') 10

---



(54) 1., 2. and 10. Jewelry, in particular rings; 3. and 9. earrings; 4., 5. and 8. necklaces; 6. and 7. bracelets

---

**(11) DM/71697**

(73) WORLD FAMILY OF RADIO MARIA

Via del Pettiroso, 20, I-00169 ROMA (IT)

(15) 2009 04 24

(24) 2009 04 24

(18) 2024 04 24

(28) 2

(28') 2

(54) Radio receivers

---

**(11) DM/71742**

(73) TISSOT S.A.

Chemin des Tourelles 17, CH-2400 LE LOCLE (CH)

(15) 2009 05 04

(24) 2009 05 04

(18) 2024 05 04

(28) 5

(28') 4

(54) Watch case, Watch cases with bracelets

---

**(11) DM/71783**

(73) KRÜGER GMBH & CO. KG

Senefelderstraße 44, 51469 Bergisch Gladbach (DE)

(15) 2009 05 05

(24) 2009 05 05

(18) 2024 05 05

(28) 1

(28') 1

(54) Packaging for foodstuff

---

**(11) DM/71784**

(73) TURLLEN HOLDING SA C/O C.M. MANAGEMENT SERVICES S.A.

Rue de l'Avenir 23, CH-2800 Delémont (CH)

(15) 2009 05 12

(24) 2009 05 12

(18) 2024 05 12

(28) 1

(28') 1

(54) Diver's tourbillon wristwatch

---

**(11) DM/71833**

(73) JT INTERNATIONAL S.A.

Rue de la Gabelle 1, CH-1211 Geneva 26 (CH)

(15) 2009 04 16

(24) 2009 04 16

(18) 2024 04 16

(28) 1

(28') 1

(54) Cigarette or cigar pack

---

**(11) DM/71847**

(73) OMEGA SA (OMEGA AG) (OMEGA LTD.)  
Jakob-Stämpfli-Strasse 96, CH-2502 Biel/Bienne (CH)  
(15) 2009 05 25  
(24) 2009 05 25  
(18) 2024 05 25  
(28) 2  
(28') 2  
(54) Wristwatches

---

**(11) DM/71891**

(73) SWATCH AG (SWATCH SA) (SWATCH LTD.)  
Jakob-Stämpfli-Strasse 94, CH-2502 Biel/Bienne (CH)  
(15) 2009 06 22  
(24) 2009 06 22  
(18) 2024 06 22  
(28) 3  
(28') 3  
(54) Wristwatches

---

**(11) DM/72583**

(73) ALFRED KÄRCHER GMBH & CO. KG  
Alfred-Kärcher-Str. 28-40, 71364 Winnenden (DE)  
(15) 2009 07 31  
(24) 2009 07 31  
(18) 2024 07 31  
(28) 4  
(28') 4  
(54) High pressure cleaners

---

**(11) DM/72649**

(73) ALFRED KÄRCHER GMBH & CO. KG  
Alfred-Kärcher-Str. 28-40, 71364 Winnenden (DE)  
(15) 2009 10 29  
(24) 2009 10 29  
(18) 2024 10 29  
(28) 5  
(28') 5  
(54) Parts of vacuum cleaners, Vacuum cleaners

---

**(11) DM/72800**

(73) ALFRED KÄRCHER GMBH & CO. KG  
Alfred-Kärcher-Str. 28-40, 71364 Winnenden (DE)  
(15) 2009 09 09  
(24) 2009 09 09  
(18) 2024 09 09  
(28) 2  
(28') 2  
(54) Vacuum cleaners

---

**(11) DM/83091**

(73) HARRY WINSTON SA  
Chemin du Tourbillon 8, CH-1228 Plan-les-Ouates (CH)  
(15) 2014 03 10

---

(24) 2014 03 10  
(18) 2024 03 10  
(28) 9  
(28') 9  
(54) 1.-2. Watches; 3. Watch bracelet; 4. Dial; 5-6: Watches; 7.-8. Dials; 9. Watch

---

**(11) DM/83112**

(73) BLANCPAIN SA  
Le Rocher 12, CH-1348 LE BRASSUS (CH)  
(15) 2014 03 12  
(24) 2014 03 12  
(18) 2024 03 12  
(28) 2  
(28') 2  
(54) Dials

---

**(11) DM/83128**

(73) HARRY WINSTON SA  
Chemin du Tourbillon 8, CH-1228 Plan-les-Ouates (CH)  
(15) 2014 03 12  
(24) 2014 03 12  
(18) 2024 03 12  
(28) 2  
(28') 2  
(54) Jewelry articles

---

**(11) DM/83149**

(73) OMEGA SA (OMEGA AG) (OMEGA LTD.)  
Jakob-Stämpfli-Strasse 96, CH-2502 Biel/Bienne (CH)  
(15) 2014 03 13  
(24) 2014 03 13  
(18) 2024 03 13  
(28) 9  
(28') 9  
(54) Jewelry articles

---

(11) DM/83150

**(73) HARRY WINSTON SA**

Chemin du Tourbillon 8, CH-1228 Plan-les-Ouates (CH)  
(15) 2014 03 13  
(24) 2014 03 13  
(18) 2024 03 13  
(28) 8  
(28') 8  
(54) Dials, Watch

---

**(11) DM/83152**

(73) OMEGA SA (OMEGA AG) (OMEGA LTD.)  
Jakob-Stämpfli-Strasse 96, CH-2502 Biel/Bienne (CH)  
(15) 2014 03 19  
(24) 2014 03 19  
(18) 2024 03 19  
(28) 1

---

(28') 1  
(54) Earrings

---

**(11) DM/83163**

(73) MONTRES JAQUET DROZ SA (MONTRES JAQUET DROZ AG) (MONTRES JAQUET DROZ LTD.)  
Allée du Tourbillon 2, CH-2300 La Chaux-de-Fonds (CH)

(15) 2014 03 14  
(24) 2014 03 14  
(18) 2024 03 14  
(28) 2  
(28') 2  
(54) Cuff links

---

**(11) DM/83164**

(73) MONTRES JAQUET DROZ SA (MONTRES JAQUET DROZ AG) (MONTRES JAQUET DROZ LTD.)  
Allée du Tourbillon 2, CH-2300 La Chaux-de-Fonds (CH)

(15) 2014 03 14  
(24) 2014 03 14  
(18) 2024 03 14  
(28) 2  
(28') 2  
(54) Pocket watch, Winding key for a pocket watch

---

**(11) DM/83172**

(73) OMEGA SA (OMEGA AG) (OMEGA LTD.)  
Jakob-Stämpfli-Strasse 96, CH-2502 Biel/Bienne (CH)

(15) 2014 03 17  
(24) 2014 03 17  
(18) 2024 03 17  
(28) 2  
(28') 2  
(54) Bracelet, Finger ring

---

**(11) DM/83173**

(73) OMEGA SA (OMEGA AG) (OMEGA LTD.)  
Jakob-Stämpfli-Strasse 96, CH-2502 Biel/Bienne (CH)

(15) 2014 03 17  
(24) 2014 03 17  
(18) 2024 03 17  
(28) 1  
(28') 1  
(54) Cuff link

---

**(11) DM/83174**

(73) OMEGA SA (OMEGA AG) (OMEGA LTD.)  
Jakob-Stämpfli-Strasse 96, CH-2502 Biel/Bienne (CH)

(15) 2014 03 17  
(24) 2014 03 17  
(18) 2024 03 17  
(28) 1  
(28') 1  
(54) Wristwatch

---

**(11) DM/83175**

(73) OMEGA SA (OMEGA AG) (OMEGA LTD.)

Jakob-Stämpfli-Strasse 96, CH-2502 Biel/Bienne (CH)

(15) 2014 03 17

(24) 2014 03 17

(18) 2024 03 17

(28) 1

(28') 1

(54) Wristwatch

---

**(11) DM/83182**

(73) SWATCH AG (SWATCH SA) (SWATCH LTD.)

Jakob-Stämpfli-Strasse 94, CH-2502 Biel/Bienne (CH)

(15) 2014 03 20

(24) 2014 03 20

(18) 2024 03 20

(28) 1

(28') 1

(54) Wristwatch

---

**(11) DM/83245**

(73) VALENTINO S.P.A.

Via Turati, 16/18, I-20121 Milano (EM)

(15) 2014 03 31

(24) 2014 03 31

(18) 2024 03 31

(28) 4

(28') 4

(54) Bags

---

**(11) DM/83554**

(73) REKSOİL PETROKİMYA SANAYİ VE TİCARET ANONİM ŞİRKETİ

İçerenköy Mah. Erkut Sok. Üner Plaza No:12 K:15, Ataşehir İSTANBUL (TR)

(15) 2014 04 14

(24) 2014 04 14

(18) 2024 04 14

(28) 1

(28') 1

(54) Oil jerry can

---

**(11) DM/83754**

(73) DRUSTVO ZA PROIZVODSTVO I TRGOVIJA FEYDOM FURNITURE DOO SKOPJE

ul.1550 br.52, 1000 Skopje (MK)

(15) 2014 02 20

(24) 2014 02 20

(18) 2024 02 20

(28) 2

(28') 2

(54) Modular seats

---

**(11) DM/83901**

(73) COLUMBUS MCKINNON INDUSTRIAL PRODUCTS GMBH

Yale-Allee 30, 42329 Wuppertal (DE)

(15) 2014 06 13

---

(24) 2014 06 13  
(18) 2024 06 13  
(28) 4  
(28') 4  
(54) Endless rope winches

---

**(11) DM/83957**

(73) VALENTINO S.P.A.  
Via Turati, 16/18, I-20121 Milano (EM)  
(15) 2014 07 08  
(24) 2014 07 08  
(18) 2024 07 08  
(28) 1  
(28') 1  
(54) Shoe

---

**(11) DM/83962**

(73) SAVERGLASS  
3 rue de la Gare, F-60960 FEUQUIERES (FR)  
(15) 2014 07 10  
(24) 2014 07 10  
(18) 2024 07 10  
(28) 1  
(28') 1  
(54) Bottle

---

**(11) DM/83983**

(73) VALENTINO S.P.A.  
Via Turati, 16/18, I-20121 Milano (EM)  
(15) 2014 07 09  
(24) 2014 07 09  
(18) 2024 07 09  
(28) 1  
(28') 1  
(54) Decorative element

---

**(11) DM/84122**

(73) ROLEX SA  
3-5-7 rue François-Dussaud, CH-1211 Genève 26 (CH)  
(15) 2014 06 20  
(24) 2014 06 20  
(18) 2024 06 20  
(28) 14  
(28') 14  
(54) Watch cases, Watch clasp, Watch dials, Watch hand sets, Watch rim, Watch winding crown, Wristwatches

---

**(11) DM/84142**

(73) MURATBEY GIDA VE SÜT ÜRÜNLERİ PAZARLAMA SANAYİ VE TİCARET LİMİTED ŞİRKETİ  
Kocatepe Mah. Megacenter A Blok No:1243-1250, Bayrampaşa İSTANBUL (TR)  
(15) 2014 07 25  
(24) 2014 07 25  
(18) 2024 07 25  
(28) 5

---

(28') 5

(54) Double helicoid cheese, Fivefold helicoid cheese, Fourfold helicoid cheese, Sixfold helicoid cheese,  
Triple helicoid cheese

---

**(11) DM/84546**

(73) VALENTINO S.P.A.

Via Turati, 16/18, I-20121 MILANO (EM)

(15) 2014 09 30

(24) 2014 09 30

(18) 2024 09 30

(28) 7

(28') 7

(54) Ornamentation

---

# TRADEMARKS

## RENEWAL OF REGISTRATIONS

<p>(111) M 1999 12849 R2 (156) 1999 10 22 (186) 2029 10 22 (732) OOO "Nauchno Tekhnologicheskaya Farmaceuticheskaya Firma "Polisan" Ul. Salova, D.72, Kor. 2, Lit. A, 192102 Sankt-Peterburg, Russian Federation</p>	<p>One Procter &amp; Gamble Plaza, Cincinnati, Ohio, USA</p>
<p>(111) M 1999 12889 R2 (156) 1999 11 03 (186) 2029 11 03 (732) THE PROCTER &amp; GAMBLE COMPANY One Procter &amp; Gamble Plaza, Cincinnati, Ohio, USA</p>	<p>(111) M 2009 19977 R1 (156) 2009 11 18 (186) 2029 11 18 (732) THE PROCTER &amp; GAMBLE COMPANY One Procter &amp; Gamble Plaza, Cincinnati, Ohio, USA</p>
<p>(111) M 2009 19391 R1 (156) 2009 06 03 (186) 2029 06 03 (732) Tornike Archvadze A. Tsereteli Av. 77, Korp. 5, ap. 26, 0119, Tbilisi, Georgia</p>	<p>(111) M 2009 19987 R1 (156) 2009 11 18 (186) 2029 11 18 (732) QUALITY IS OUR RECIPE, LLC One Dave Thomas Boulevard, Dublin, Ohio 43017, USA</p>
<p>(111) M 2009 19965 R1 (156) 2009 11 18 (186) 2029 11 18 (732) INTERNATIONAL FOODSTUFFS CO. Al-Wahda Street, Industrial Area N1, P.O. BOX 4115, Sharjah, United Arab Emirates</p>	<p>(111) M 2009 19988 R1 (156) 2009 11 18 (186) 2029 11 18 (732) QUALITY IS OUR RECIPE, LLC One Dave Thomas Boulevard, Dublin, Ohio 43017, USA</p>
<p>(111) M 2009 19967 R1 (156) 2009 11 18 (186) 2029 11 18 (732) SHIMANO INC. 3-77, Oimatsu-cho, Sakai-ku, Sakai City, Osaka, Japan</p>	<p>(111) M 2010 20277 R1 (156) 2010 02 26 (186) 2030 02 26 (732) ZIPPO MANUFACTURING COMPANY 33 Barbour Street, Bradford, PA16701, USA</p>
<p>(111) M 2009 19930 R1 (156) 2009 11 02 (186) 2029 11 02 (732) NGK SPARK PLUG CO., LTD 14-18, Takatsuji-cho, Mizuho-ku, Nagoya City, 467-8525, Japan</p>	<p>(111) M 2010 20651 R1 (156) 2010 08 16 (186) 2030 08 16 (732) Individualuri metsarme morozov viqtor Aleqsandrovich Ul. kosmonavtov, d.5, korp. r, kv.40, 344092 rostov-na-donu, Russian Federation</p>
<p>(111) M 2009 19976 R1 (156) 2009 11 18 (186) 2029 11 18 (732) THE PROCTER &amp; GAMBLE COMPANY</p>	



## COMPLETE TRANSFER OF RIGHTS

(111) M 2002 14362 R  
(732) Alkon Ink.  
Rue Louis-d'Affry 6, CH-1701 Fribourg,  
Switzerland  
(770) NOVARTIS AG  
CH-4002 Basel, Switzerland  
(580) 21 11 2019

---

(111) M 2017 28802 R  
(732) LTD "Palitra"  
Gldanis Raioni, Andronikashvilis (ulianovis)  
Me-2 Shesakhvevi, 27, Tbilisi, Georgia  
(770) TAMAZ SHILAKADZE  
Bakhtrioni St. 6, ap. 24, Tbilisi, Georgia  
(580) 30 10 2019

---

(111) M 1996 3445 R  
(732) Adamed Pharma S.A.  
Pienkovi, Ul. Mariana Adamkievicha  
6a 05-152 Chesnuvi, Poland  
(770) Admarka Sp. z o.o.  
Pieńków 149, 05-152 Czosnów, Poland  
(580) 18 11 2019

---

(111) M 2009 19116 R  
(732) Alcon Inc.  
Rue Louis-d'Affry 6, CH-1701 Fribourg,  
Switzerland  
(770) NOVARTIS AG  
CH-4002 Basel, Switzerland  
(580) 21 11 2019

---

(111) M 1997 7969 R  
(732) Alcoa USA CORP.  
201 Isabella Street, Pittsburgh, Pennsylvania  
15212, USA  
(770) ALCOA INC. Alcoa Corporate Center  
201 Isabella Street, Pittsburgh, Pennsylvania  
15212-5858, USA  
(580) 14 11 2019

---

(111) M 1998 8942 R  
(732) SUMITOMO RUBBER INDUSTRIES, LTD.  
6-9, Wakinohamacho 3-chome, Chuo-ku,  
Kobe-shi, Hyogo 651-0072, Japan  
(770) NIPPON STEEL CORPORATION  
6-1, Marunouchi 2-chome, Chiyoda-ku,  
Tokyo 100-8071, Japan  
(580) 30 10 2019

---

(111) M 1998 8942 R  
(732) NIPPON STEEL CORPORATION  
6-1, Marunouchi 2-chome, Chiyoda-ku,  
Tokyo 100-8071, Japan  
(580) 30 10 2019

---

## CHANGES OF NAMES AND/OR ADDRESS OF OWNERS

---

(111) M 2011 21754 R

(732) JSC "GEPHA"

Akaki Belashvili St. 142, 0159, Tbilisi,  
Georgia

(770) JSC "A-B-C PHARMACY"

Sanapiro St. 10, 0108, Tbilisi, Georgia

(580) 26 11 2019

---

(770) Obshestvo S Ogranichennoi Otvetstvennostiu  
"GAZ CONSALTING"

Ul. Bolshaya Gruzinskaya, D. 30a, St. 1,  
Pom. 217, Moscow, 123056, Russian  
Federation

---

---

(111) M 2011 22036 R

(732) JSC "GEPHA"

Akaki Belashvili St. 142, 0159, Tbilisi,  
Georgia

(770) JSC "A-B-C PHARMACY"

Sanapiro St. 10, 0108, Tbilisi, Georgia

(580) 26 11 2019

---

---

(111) M 2011 21831 R

(732) SWISS KRONO Tex GmbH & Co. KG

Wittstocker Chaussee 1, 16909 Heiligengrabe,  
Germany

(770) Kronotex GmbH & Co. KG

Wittstocker Chaussee 1, 16909 Heiligengrabe,  
Germany

(580) 19 11 2019

---

---

(111) M 1998 8942 R

(732) Nippon Steel Corporation

6-1, Marunouchi 2-chome, Chiyoda-ku,  
Tokyo 100-8071, Japan

(770) Nippon Steel & Sumitomo Metal Corporation

6-1, Marunouchi 2-chome, Chiyoda-ku,  
Tokyo 100-8071, Japan

(580) 30 10 2019

---

---

(111) M 2017 28650 R

(732) "INTERNATIONAL MASIS TABAK" LLC

10 Hrant Vardanyan str., 0802, Masis,  
Ararat region, Armenia

(770) "INTERNATIONAL MASIS TABAK" LLC

10 Gortsaranayin str., Industrial zone,  
0802 Masis, Ararat region, Armenia

---

---

(111) M 2019 31713 R

(732) Obshestvo S Ogranichennoi Otvetstvennostiu

"DIGITRONIK"

Ul. Bolshaia Gruzinskaya, D. 30a, St. 1,  
Pom. 217, Moscow, 123056, Russian  
Federation

## TERMINATION OF TRADEMARKS REGISTRATIONS

(111) M 1999 12210 R

(151) 1999 05 14

(732) SIEMENS AKTIENGESELLSCHAFT

Werner-von-Siemens-Str. 1, 80333 Munchen,  
Germany

(141) 2019 11 28

(851) Non-payment of invoice for extension of  
registration validity

---

(111) M 1999 12228 R

(151) 1999 05 14

(732) Philip Morris Brands SARL

Quai Jeanrenaud 3, 2000 Neuchâtel,  
Switzerland

(141) 2019 11 28

(851) Non-payment of invoice for extension of  
registration validity

---

(111) M 1999 12217 R

(151) 1999 05 14

(732) HFC Prestige International Holding

Switzerland Sàrl  
Chemin Louis-Hubert 1-3, 1213 Petit-Lancy,  
Switzerland

(141) 2019 11 28

(851) Non-payment of invoice for extension of  
registration validity

---

(111) M 1999 12234 R

(151) 1999 05 14

(732) GLAXO GROUP LIMITED

980 Great West Road, Brentford, Middlesex  
TW8 9GS, United Kingdom

(141) 2019 11 28

(851) Non-payment of invoice for extension of  
registration validity

---

(111) M 1999 12238 R

(151) 1999 05 14

(732) UNILEVER N.V.

Weena 455, NL-3013 AL Rotterdam,  
Netherlands

(141) 2019 11 28

(851) Non-payment of invoice for extension of  
registration validity

---

(111) M 1999 12243 R

(151) 1999 05 14

(732) BIOFARMA

50, rue Carnot, 92284 Suresnes cedex, France

(141) 2019 11 28

(851) Non-payment of invoice for extension of  
registration validity

---

(111) M 1999 12244 R

(151) 1999 05 14

(732) BIOFARMA

50, rue Carnot, 92284 Suresnes cedex, France

(141) 2019 11 28

(851) Non-payment of invoice for extension of  
registration validity

---

(111) M 1999 12246 R

(151) 1999 05 14

(732) STATOIL ASA

Forusbeen 50, N-4035 Stavanger, Norway

(141) 2019 11 28

(851) Non-payment of invoice for extension of  
registration validity

---

(111) M 1999 12204 R

(151) 1999 05 14

(732) BAYER INTELLECTUAL PROPERTY  
GMBH

Alfred-Nobel-Strasse 10, 40789 Monheim am  
Rhein, Germany

(141) 2019 11 28

(851) Non-payment of invoice for extension of  
registration validity

---

(111) M 1999 12254 R

(151) 1999 05 14

(732) MERCK SHARP & DOHME AP. V

Waarderweg 39, 2013 BN Haarlem,  
Netherlands

(141) 2019 11 28

(851) Non-payment of invoice for extension of  
registration validity

---

(111) M 1999 12256 R

(151) 1999 05 14

(732) VIIV HEALTHCARE UK LIMITED

980 Great West Road, Brentford, Middlesex  
TW8 9GS, United Kingdom

(141) 2019 11 28

(851) Non-payment of invoice for extension of  
registration validity

---

(111) M 1999 12258 R

(151) 1999 05 14

(732) Philip Morris Brands SARL

Quai Jeanrenaud 3, 2000 Neuchâtel,  
Switzerland  
(141) 2019 11 28  
(851) Non-payment of invoice for extension of  
registration validity

---

(111) M 1999 12262 R  
(151) 1999 05 14  
(732) NOVARTIS AG  
4002 Basel, Switzerland  
(141) 2019 11 28  
(851) Non-payment of invoice for extension of  
registration validity

---

(111) M 1999 12263 R  
(151) 1999 05 14  
(732) NOVARTIS AG  
4002 Basel, Switzerland  
(141) 2019 11 28  
(851) Non-payment of invoice for extension of  
registration validity

---

(111) M 1999 12212 R  
(151) 1999 05 14  
(732) Wacker Neuson SE  
Preußenstraße 41, 80809 München,  
Germany  
(141) 2019 11 28  
(851) Non-payment of invoice for extension of  
registration validity

---

(111) M 1999 12198 R  
(151) 1999 05 14  
(732) ASTA MEDICA AKTIENGESELLSCHAFT  
Weismüllerstrasse 45, D-60314 Frankfurt,  
Germany  
(141) 2019 11 28  
(851) Non-payment of invoice for extension of  
registration validity

---

(111) M 1999 12200 R  
(151) 1999 05 14  
(732) ASTA MEDICA AKTIENGESELLSCHAFT  
Weismüllerstrasse 45, D-60314 Frankfurt,  
Germany  
(141) 2019 11 28  
(851) Non-payment of invoice for extension of  
registration validity

---

(111) M 1999 12097 R  
(151) 1999 05 10  
(732) MARS, INCORPORATED  
6885 Elm Street Mclean, Virginia  
22101-3883, USA

(141) 2019 11 22  
(851) Non-payment of invoice for extension of  
registration validity

---

(111) M 2009 19291 R  
(151) 2009 05 15  
(732) Genting International Management Limited  
International Houser, Castle Hill, Victoria  
Road, Douglas, Isle of Man, IM2 4 RB, Isle  
of Man  
(141) 2019 11 28  
(851) Non-payment of invoice for extension of  
registration validity

---

(111) M 2009 19296 R  
(151) 2009 05 15  
(732) LTD "Stromosi"  
Iliia Chavchavadzis Pirveli Chikhi, 33, ap. 40,  
0179, Tbilisi, Georgia  
(141) 2019 11 28  
(851) Non-payment of invoice for extension of  
registration validity

---

(111) M 2009 19297 R  
(151) 2009 05 15  
(732) Payless ShoeSource Worldwide, Inc.  
Jayhawk Towers, 700 SW Jackson Street,  
Suite 202, Topeka, KS 66603, USA  
(141) 2019 11 28  
(851) Non-payment of invoice for extension of  
registration validity

---

(111) M 2009 19298 R  
(151) 2009 05 15  
(732) Payless ShoeSource Worldwide, Inc.  
Jayhawk Towers, 700 SW Jackson Street,  
Suite 202, Topeka, KS 66603, USA  
(141) 2019 11 28  
(851) Non-payment of invoice for extension of  
registration validity

---

(111) M 2009 19299 R  
(151) 2009 05 15  
(732) Payless ShoeSource Worldwide, Inc.  
Jayhawk Towers, 700 SW Jackson Street,  
Suite 202, Topeka, KS 66603, USA  
(141) 2019 11 28  
(851) Non-payment of invoice for extension of  
registration validity

---

(111) M 2009 19300 R  
(151) 2009 05 15  
(732) Payless ShoeSource Worldwide, Inc.

Jayhawk Towers, 700 SW Jackson Street,  
Suite 202, Topeka, KS 66603, USA  
(141) 2019 11 28  
(851) Non-payment of invoice for extension of  
registration validity

---

(111) M 2009 19301 R  
(151) 2009 05 15  
(732) Payless ShoeSource Worldwide, Inc.  
Jayhawk Towers, 700 SW Jackson Street,  
Suite 202, Topeka, KS 66603, USA  
(141) 2019 11 28  
(851) Non-payment of invoice for extension of  
registration validity

---

(111) M 2009 19302 R  
(151) 2009 05 15  
(732) Payless ShoeSource Worldwide, Inc.  
Jayhawk Towers, 700 SW Jackson Street,  
Suite 202, Topeka, KS 66603, USA  
(141) 2019 11 28  
(851) Non-payment of invoice for extension of  
registration validity

---

(111) M 2009 19303 R  
(151) 2009 05 15  
(732) Payless ShoeSource Worldwide, Inc.  
Jayhawk Towers, 700 SW Jackson Street,  
Suite 202, Topeka, KS 66603, USA  
(141) 2019 11 28  
(851) Non-payment of invoice for extension of  
registration validity

---

(111) M 2009 19304 R  
(151) 2009 05 15  
(732) Payless ShoeSource Worldwide, Inc.  
Jayhawk Towers, 700 SW Jackson Street,  
Suite 202, Topeka, KS 66603, USA  
(141) 2019 11 28  
(851) Non-payment of invoice for extension of  
registration validity

---

(111) M 2009 19305 R  
(151) 2009 05 15  
(732) Payless ShoeSource Worldwide, Inc.  
Jayhawk Towers, 700 SW Jackson Street,  
Suite 202, Topeka, KS 66603, USA  
(141) 2019 11 28  
(851) Non-payment of invoice for extension of  
registration validity

---

(111) M 2009 19306 R  
(151) 2009 05 15  
(732) Biznesisa da parlamentis saertashoriso

asotsiatsia-saqartvelo  
Kostavas 76, 0171, Tbilisi, Georgia  
(141) 2019 11 28  
(851) Non-payment of invoice for extension of  
registration validity

---

(111) M 2009 19308 R  
(151) 2009 05 15  
(732) Payless ShoeSource Worldwide, Inc.  
Jayhawk Towers, 700 SW Jackson Street,  
Suite 202, Topeka, KS 66603, USA  
(141) 2019 11 28  
(851) Non-payment of invoice for extension of  
registration validity

---

(111) M 2009 19309 R  
(151) 2009 05 15  
(732) Payless ShoeSource Worldwide, Inc.  
Jayhawk Towers, 700 SW Jackson Street,  
Suite 202, Topeka, KS 66603, USA  
(141) 2019 11 28  
(851) Non-payment of invoice for extension of  
registration validity

---

(111) M 2009 19313 R  
(151) 2009 05 15  
(732) Teimurazi Chitorelidze  
P. Bagrationis q.72a, 0194, Tbilisi, Georgia  
(141) 2019 11 28  
(851) Non-payment of invoice for extension of  
registration validity

---

(111) M 2009 19318 R  
(151) 2009 05 15  
(732) Hai Teq Kompiuter Korporeishen  
N23, Qsinghua Roudi, Taoiuansiti, Taoiuan  
Qaunti 330, Taivani, R.O.C., Taiwan,  
Province of China  
(141) 2019 11 28  
(851) Non-payment of invoice for extension of  
registration validity

---

(111) M 2009 19325 R  
(151) 2009 05 15  
(732) L'OREAL-SOCIETE ANONYME  
14, rue Royal, F-75008, Paris, France  
(141) 2019 11 28  
(851) Non-payment of invoice for extension of  
registration validity

---

(111) M 2009 19326 R  
(151) 2009 05 15  
(732) L'OREAL-SOCIETE ANONYME  
14, rue Royal, F-75008, Paris, France

(141) 2019 11 28  
 (851) Non-payment of invoice for extension of  
 registration validity

---

(111) M 2009 19327 R  
 (151) 2009 05 15  
 (732) L'OREAL-SOCIETE ANONYME  
 14, rue Royal, F-75008, Paris, France  
 (141) 2019 11 28  
 (851) Non-payment of invoice for extension of  
 registration validity

---

(111) M 2009 19328 R  
 (151) 2009 05 15  
 (732) L'OREAL-SOCIETE ANONYME  
 14, rue Royal, F-75008, Paris, France  
 (141) 2019 11 28  
 (851) Non-payment of invoice for extension of  
 registration validity

---

(111) M 2009 19331 R  
 (151) 2009 05 15  
 (732) L'OREAL-SOCIETE ANONYME  
 14, rue Royal, F-75008, Paris, France  
 (141) 2019 11 28  
 (851) Non-payment of invoice for extension of  
 registration validity

---

(111) M 2009 19332 R  
 (151) 2009 05 15  
 (732) LTD "Agroaliansi"  
 Chiqovanis q.17, 0177, Tbilisi, Georgia  
 (141) 2019 11 28  
 (851) Non-payment of invoice for extension of  
 registration validity

---

(111) M 2009 19335 R  
 (151) 2009 05 15  
 (732) Giorgi Shalibashvili  
 Dmanisis St. 12, 0103, Tbilisi, Georgia  
 (141) 2019 11 28  
 (851) Non-payment of invoice for extension of  
 registration validity

---

(111) M 2009 19336 R  
 (151) 2009 05 15  
 (732) Giorgi Shalibashvili  
 Dmanisis St. 12, 0103, Tbilisi, Georgia  
 (141) 2019 11 28  
 (851) Non-payment of invoice for extension of  
 registration validity

---

(111) M 2009 19337 R  
 (151) 2009 05 15  
 (732) Giorgi Shalibashvili  
 Dmanisis St. 12, 0103, Tbilisi, Georgia  
 (141) 2019 11 28  
 (851) Non-payment of invoice for extension of  
 registration validity

---

(111) M 2009 19338 R  
 (151) 2009 05 15  
 (732) Giorgi Shalibashvili  
 Dmanisis St. 12, 0103, Tbilisi, Georgia  
 (141) 2019 11 28  
 (851) Non-payment of invoice for extension of  
 registration validity

---

(111) M 2009 19339 R  
 (151) 2009 05 15  
 (732) Giorgi Shalibashvili  
 Dmanisis St. 12, 0103, Tbilisi, Georgia  
 (141) 2019 11 28  
 (851) Non-payment of invoice for extension of  
 registration validity

---

(111) M 2009 19341 R  
 (151) 2009 05 15  
 (732) Certain Teed Corporation  
 750 E. Swedesford Road, Valley Forge,  
 Pennsylvania 19482, USA  
 (141) 2019 11 28  
 (851) Non-payment of invoice for extension of  
 registration validity

---

(111) M 2009 19342 R  
 (151) 2009 05 15  
 (732) LTD "Research Center for Medical Polymers  
 and Biomaterials"  
 Kapanadze St. 3, 0132, Tbilisi, Georgia  
 (141) 2019 11 28  
 (851) Non-payment of invoice for extension of  
 registration validity

---

(111) M 2009 19343 R  
 (151) 2009 05 15  
 (732) VIACOM INTERNATIONAL INC.  
 1515 Broadway, New York, New York 10036,  
 USA  
 (141) 2019 11 28  
 (851) Non-payment of invoice for extension of  
 registration validity

---

(111) M 2009 19344 R  
 (151) 2009 05 15  
 (732) VIACOM INTERNATIONAL INC.

1515 Broadway, New York, New York  
10036, USA  
(141) 2019 11 28  
(851) Non-payment of invoice for extension of  
registration validity

---

(111) M 2009 19346 R  
(151) 2009 05 15  
(732) Kraft Foods France Intellectual Property  
S.A.S.  
6 AV Réaumur, 92140 Clamart, France  
(141) 2019 11 28  
(851) Non-payment of invoice for extension of  
registration validity

---

(111) M 2009 19347 R  
(151) 2009 05 15  
(732) Kraft Foods France Intellectual Property  
S.A.S.  
6 AV Réaumur, 92140 Clamart, France  
(141) 2019 11 28  
(851) Non-payment of invoice for extension of  
registration validity

---

(111) M 2009 19348 R  
(151) 2009 05 15  
(732) Steven Madden, Ltd.  
52-16 Barnett Avenue, Long Island City,  
New York 11104, USA  
(141) 2019 11 28  
(851) Non-payment of invoice for extension of  
registration validity

---

(111) M 2009 19349 R  
(151) 2009 05 15  
(732) Roin Nachkebia  
Akaki Tseretlis Av. 55, 2 korp., 2 sad.,  
ap. 41 b, Tbilisi, 380054, Georgia  
(141) 2019 11 28  
(851) Non-payment of invoice for extension of  
registration validity

---

(111) M 1999 12053 R  
(151) 1999 05 10  
(732) MARS INCORPORED, a Delaware  
Corporation  
6885 ELM Street, McLEAN, VIRGINIA  
22101-3883, USA  
(141) 2019 11 22  
(851) Non-payment of invoice for extension of  
registration validity

---

(111) M 1999 12135 R  
(151) 1999 05 12  
(732) DAME ANNE PALOMA RUIZ-PICASSO,  
EPOUSE LOPEZ CAMBIL  
14 Avenue Mon Repos, Case Postale 7602,  
Lausanne CH 1002, Switzerland  
(141) 2019 11 28  
(851) Non-payment of invoice for extension of  
registration validity

---

(111) M 1999 12158 R  
(151) 1999 05 12  
(732) MEGMILK SNOW BRAND CO., LTD  
1-1, Naebo-cho, 6-chome, Higashi-ku,  
Sapporo, Japan  
(141) 2019 11 28  
(851) Non-payment of invoice for extension of  
registration validity

---

(111) M 1999 12159 R  
(151) 1999 05 12  
(732) MEGMILK SNOW BRAND CO., LTD  
1-1, Naebo-cho, 6-chome, Higashi-ku,  
Sapporo, Japan  
(141) 2019 11 28  
(851) Non-payment of invoice for extension of  
registration validity

---

(111) M 1999 12160 R  
(151) 1999 05 12  
(732) MEGMILK SNOW BRAND CO., LTD  
1-1, Naebo-cho, 6-chome, Higashi-ku,  
Sapporo, Japan  
(141) 2019 11 28  
(851) Non-payment of invoice for extension of  
registration validity

---

(111) M 1999 12140 R  
(151) 1999 05 12  
(732) REMA TIP TOP AG  
Gruber Strasse 65, 85586 Poing, Germany  
(141) 2019 11 28  
(851) Non-payment of invoice for extension of  
registration validity

---

(111) M 1999 12162 R  
(151) 1999 05 12  
(732) Bayer Intellectual Property GmbH  
Alfred-Nobel-Strasse 10, 40789 Monheim  
am Rhein, Germany  
(141) 2019 11 28  
(851) Non-payment of invoice for extension of  
registration validity

---

(111) M 1999 12183 R (151) 1999 05 13 (732) Merck Sharp & Dohme AP. V Waarderweg 39, 2013 BN Haarlem, Netherlands (141) 2019 11 28 (851) Non-payment of invoice for extension of registration validity	Grootvenstraat 8, 5048 AT Tilburg, Netherlands (141) 2019 11 22 (851) Non-payment of invoice for extension of registration validity
(111) M 1999 12171 R (151) 1999 05 12 (732) HENKEL AG & Co. KgaA Henkelstrasse 67, 40589 Dusseldorf, Germany (141) 2019 11 28 (851) Non-payment of invoice for extension of registration validity	(111) M 1999 12081 R (151) 1999 05 10 (732) Glaxo Group Limited 980 Great West Road, Brentford, Middlesex TW8 9GS, United Kingdom (141) 2019 11 22 (851) Non-payment of invoice for extension of registration validity
(111) M 1999 12173 R (151) 1999 05 12 (732) HENKEL AG & Co. KgaA Henkelstrasse 67, 40589 Dusseldorf, Germany (141) 2019 11 28 (851) Non-payment of invoice for extension of registration validity	(111) M 1999 11976 R (151) 1999 05 10 (732) Glaxo Group Limited 980 Great West Road, Brentford, Middlesex TW8 9GS, United Kingdom (141) 2019 11 22 (851) Non-payment of invoice for extension of registration validity
(111) M 1999 12174 R (151) 1999 05 12 (732) HENKEL AG & Co. KgaA Henkelstrasse 67, 40589 Dusseldorf, Germany (141) 2019 11 28 (851) Non-payment of invoice for extension of registration validity	(111) M 1999 12113 R (151) 1999 05 10 (732) DEVIDE CAMPARI-MILANO S.p.A. Via Franco Sacchetti, 20, 20099 Sesto San Giovanni, Milan, Italy (141) 2019 11 22 (851) Non-payment of invoice for extension of registration validity
(111) M 1999 12177 R (151) 1999 05 12 (732) HENKEL AG & Co. KgaA Henkelstrasse 67, 40589 Dusseldorf, Germany (141) 2019 11 28 (851) Non-payment of invoice for extension of registration validity	(111) M 1999 12018 R (151) 1999 05 10 (732) J.&P. COATS, Limited 1 George Square, Glasgow G2 1AL, Scotland, United Kingdom (141) 2019 11 22 (851) Non-payment of invoice for extension of registration validity
(111) M 1999 12010 R (151) 1999 05 10 (732) Vent Solutions (UK) Limited 3 Rutherford Road, Stephenson Industrial Estate, Washington, Tyne & Wear, NE37 3HX, United Kingdom (141) 2019 11 22 (851) Non-payment of invoice for extension of registration validity	(111) M 1999 11982 R (151) 1999 05 10 (732) BRACCO S.P.A. 50, via Egidio Folli, I-20134 Milano, Italy (141) 2019 11 22 (851) Non-payment of invoice for extension of registration validity
(111) M 1999 12014 R (151) 1999 05 10 (732) DISTILLEERDERIJ COOYMANS AP. V.	(111) M 1999 12126 R (151) 1999 05 10 (732) BRASSERIE KRONENBOURG



68, route d'Oberhausbergen, F-67200  
Strasbourg, France  
(141) 2019 11 22  
(851) Non-payment of invoice for extension of  
registration validity

---

(111) M 1999 12026 R  
(151) 1999 05 10  
(732) EUROPAISCHE PATENTORGANISATION  
27, Erhardstrasse, D-80331 Munchen 2,  
Germany  
(141) 2019 11 22  
(851) Non-payment of invoice for extension of  
registration validity

---

(111) M 1999 12027 R  
(151) 1999 05 10  
(732) EUROPAISCHE PATENTORGANISATION  
27, Erhardstrasse, D-80331 Munchen 2,  
Germany  
(141) 2019 11 22  
(851) Non-payment of invoice for extension of  
registration validity

---

(111) M 1999 12029 R  
(151) 1999 05 10  
(732) PHILIPS FRANCE  
33, rue de Verdun-BP 313, 92156  
Suresnes Cedex, France  
(141) 2019 11 22  
(851) Non-payment of invoice for extension of  
registration validity

---

(111) M 1999 12191 R  
(151) 1999 05 13  
(732) Glaxo Group Limited  
980 Great West Road, Brentford, Middlesex  
TW8 9GS, United Kingdom  
(141) 2019 11 28  
(851) Non-payment of invoice for extension of  
registration validity

---

(111) M 1999 12275 R  
(151) 1999 05 17  
(732) COGNIS IP MANAGEMENT GmbH  
Henkelstrasse 67, 40589 Dusseldorf, Germany  
(141) 2019 11 28  
(851) Non-payment of invoice for extension of  
registration validity

---

# CLASSIFICATION INDEXES

## INVENTIONS

### CONCORDANCE TABLE OF INTERNATIONAL CLASSIFICATION INDEX AND PUBLICATION NUMBERS

INTERNATIONAL CLASSIFICATION INDEXES (51)	NUMBER OF PUBLISHED APPLICATION (10)
A 61 K 31/4184; C 07 D 235/04	AP 2019 14711 A
A 61 M 5/315	AP 2019 14523 A
A 61 P 9/00; A 61 K 31/675; C 07 F 9/6584	AP 2019 14853 A
B 01 D 47/02	AP 2019 14659 A
C 10 G 1/00; C 10 G 1/02; E 21 B 43/24; E 21 B 43/16; E 21 B 43/00	AP 2019 14738 A
C 22 C 33/02; C 22 C 38/40; F 28 F 19/06; F 28 F 21/08	AP 2019 14223 A
D 04 B 27/24; D 04 B 21/12	AP 2019 14795 A
E 04 H 6/00	AP 2019 14721 A
E 04 H 6/00	AP 2019 14743 A
F 02 B 57/00	AP 2019 14866 A

### CONCORDANCE TABLE OF PUBLICATION NUMBERS AND INTERNATIONAL CLASSIFICATION INDEX

NUMBER OF PUBLISHED APPLICATION (10)	INTERNATIONAL CLASSIFICATION INDEXES (51)
AP 2019 14223 A	C 22 C 33/02; C 22 C 38/40; F 28 F 19/06; F 28 F 21/08
AP 2019 14523 A	A 61 M 5/315
AP 2019 14659 A	B 01 D 47/02
AP 2019 14711 A	A 61 K 31/4184; C 07 D 235/04
AP 2019 14721 A	E 04 H 6/00
AP 2019 14738 A	C 10 G 1/00; C 10 G 1/02; E 21 B 43/24; E 21 B 43/16; E 21 B 43/00
AP 2019 14743 A	E 04 H 6/00
AP 2019 14795 A	D 04 B 27/24; D 04 B 21/12
AP 2019 14853 A	A 61 P 9/00; A 61 K 31/675; C 07 F 9/6584
AP 2019 14866 A	F 02 B 57/00

### CONCORDANCE TABLE OF INTERNATIONAL CLASSIFICATION INDEX, PATENT NUMBERS AND PUBLICATION NUMBERS

INTERNATIONAL CLASSIFICATION INDEX (51)	NUMBER OF PATENT (11)	NUMBER OF PUBLISHED APPLICATION (10)
A 61 K 31/44; A 61 K 3/506; C 07 D 239/24	P 2019 7047 B	AP 2019 14395 A
A 61 K 31/4439; A 61 P 9/00; A 61 P 27/02; C 07 D 401/10; C 07 D 413/10; C 07 D 401/14; C 07 D 413/14	P 2019 7046 B	AP 2019 14692 A
A 61 P 17/00; A 61 K 36/71; A 61 K 36/258; A 61 K 36/886	P 2019 7049 B	AP 2019 13925 A
B 21 B 5/00	P 2019 7048 B	AP 2019 14658 A
C 07 D 471/04	P 2019 7050 B	AP 2019 14545 A

**CONCORDANCE TABLE OF PATENT NUMBERS,  
PUBLICATION NUMBERS AND INTERNATIONAL CLASSIFICATION INDEX**

NUMBER OF PATENT (11)	NUMBER OF PUBLISHED APPLICATION (10)	INTERNATIONAL CLASSIFICATION INDEX (51)
P 2019 7046 B	AP 2019 14692 A	A 61 K 31/4439; A 61 P 9/00; A 61 P 27/02; C 07 D 401/10; C 07 D 413/10; C 07 D 401/14; C 07 D 413/14
P 2019 7047 B	AP 2019 14395 A	A 61 K 31/44; A 61 K 3/506; C 07 D 239/24
P 2019 7048 B	AP 2019 14658 A	B 21 B 5/00
P 2019 7049 B	AP 2019 13925 A	A 61 P 17/00; A 61 K 36/71; A 61 K 36/258; A 61 K 36/886
P 2019 7050 B	AP 2019 14545 A	C 07 D 471/04

**CONCORDANCE TABLE OF APPLICATION NUMBERS, PUBLICATION NUMBERS AND PATENTS**

NUMBER OF APPLICATION (21)	NUMBER OF PUBLISHED APPLICATION (10)	NUMBER OF PATENT (11)
AP 2014 13925	AP 2019 13925 A	P 2019 7049 B
AP 2015 14395	AP 2019 14395 A	P 2019 7047 B
AP 2015 14545	AP 2019 14545 A	P 2019 7050 B
AP 2017 14658	AP 2019 14658 A	P 2019 7048 B
AP 2016 14692	AP 2019 14692 A	P 2019 7046 B

## UTILITY MODELS

**CONCORDANCE TABLE OF INTERNATIONAL CLASSIFICATION INDEX,  
PATENT NUMBERS AND PUBLICATION NUMBERS**

INTERNATIONAL CLASSIFICATION INDEX (51)	NUMBER OF PATENT (11)	NUMBER OF PUBLISHED APPLICATION (10)
A 01 M 01/22	U 2019 2025 Y	AU 2019 14942 U
A 63 G 21/00	U 2019 2026 Y	AU 2019 14921 U
C 25 D 03/00	U 2019 2024 Y	AU 2019 14904 U

**CONCORDANCE TABLE OF PATENT NUMBERS,  
PUBLICATION NUMBERS AND INTERNATIONAL CLASSIFICATION INDEX**

NUMBER OF PATENT (11)	NUMBER OF PUBLISHED APPLICATION (10)	INTERNATIONAL CLASSIFICATION INDEX (51)
U 2019 2024 Y	AU 2019 14904 U	C 25 D 03/00
U 2019 2025 Y	AU 2019 14942 U	A 01 M 01/22
U 2019 2026 Y	AU 2019 14921 U	A 63 G 21/00

**CONCORDANCE TABLE OF APPLICATION NUMBERS, PUBLICATION NUMBERS  
AND PATENTS**

NUMBER OF APPLICATION (21)	NUMBER OF PUBLISHED APPLICATION (10)	NUMBER OF PATENT (11)
AU 2018 14904	AU 2019 14904 U	U 2019 2024 Y
AU 2018 14921	AU 2019 14921 U	U 2019 2026 Y
AU 2018 14942	AU 2019 14942 U	U 2019 2025 Y

**DESIGNS**

**DESIGN REGISTERED ACCORDING TO THE ACCELERATED  
PROCEDURE**

**CONCORDANCE TABLE OF INTERNATIONAL CLASSIFICATION INDEX  
AND PUBLICATION NUMBERS**

INTERNATIONAL CLASSIFICATION INDEXES (51)	NUMBER OF PUBLISHED APPLICATION (11)
02-03	D 2019 829 S
03-01	D 2019 830 S

**CONCORDANCE TABLE OF PUBLICATION NUMBERS  
AND INTERNATIONAL CLASSIFICATION INDEX**

NUMBER OF PUBLISHED APPLICATION (11)	INTERNATIONAL CLASSIFICATION INDEXES (51)
D 2019 829 S	02-03
D 2019 830 S	03-01

**CONCORDANCE TABLE OF APPLICATION NUMBERS,  
PUBLICATION NUMBERS AND PATENTS**

NUMBER OF APPLICATION (21)	NUMBER OF PATENT (11)
AD 2019 1118	D 2019 829 S
AD 2019 1119	D 2019 830 S

## TRADEMARKS

### CONCORDANCE TABLE OF REGISTRATION NUMBERS, APPLICATION NUMBERS, PUBLICATION NUMBERS AND BULLETIN NUMBERS

NUMBER OF REGISTRATION (111)	NUMBER OF APPLICATIONS (210)	NUMBER OF PUBLISHED APPLICATIONS (260)	NUMBER OF BULLETIN
M 2019 32013 R	AM 105746	–	23(531)2019
M 2019 32014 R	AM 105760	–	23(531)2019
M 2019 32015 R	AM 105650	–	23(531)2019
M 2019 32016 R	AM 105651	–	23(531)2019
M 2019 32017 R	AM 105670	–	23(531)2019
M 2019 32018 R	AM 100411	AM 2019 100411 A	11(519) 2019
M 2019 32019 R	AM 100421	AM 2019 100421 A	15(523) 2019
M 2019 32020 R	AM 100422	AM 2019 100422 A	15(523) 2019
M 2019 32021 R	AM 100465	AM 2019 100465 A	13(521) 2019
M 2019 32022 R	AM 100595	AM 2019 100595 A	13(521) 2019
M 2019 32023 R	AM 100597	AM 2019 100597 A	13(521) 2019
M 2019 32024 R	AM 100604	AM 2019 100604 A	14(522) 2019
M 2019 32025 R	AM 100707	AM 2019 100707 A	15(523) 2019
M 2019 32026 R	AM 100776	AM 2019 100776 A	15(523) 2019
M 2019 32027 R	AM 100778	AM 2019 100778 A	15(523) 2019
M 2019 32028 R	AM 100785	AM 2019 100785 A	15(523) 2019
M 2019 32029 R	AM 100786	AM 2019 100786 A	15(523) 2019
M 2019 32030 R	AM 100790	AM 2019 100790 A	14(522) 2019
M 2019 32031 R	AM 100804	AM 2019 100804 A	13(521) 2019
M 2019 32032 R	AM 100805	AM 2019 100805 A	15(523) 2019
M 2019 32033 R	AM 100815	AM 2019 100815 A	13(521) 2019
M 2019 32034 R	AM 100858	AM 2019 100858 A	15(523) 2019
M 2019 32035 R	AM 100866	AM 2019 100866 A	15(523) 2019
M 2019 32036 R	AM 100875	AM 2019 100875 A	13(521) 2019
M 2019 32037 R	AM 100893	AM 2019 100893 A	15(523) 2019
M 2019 32038 R	AM 101252	AM 2019 101252 A	15(523) 2019
M 2019 32039 R	AM 101254	AM 2019 101254 A	15(523) 2019
M 2019 32040 R	AM 101289	AM 2019 101289 A	14(522) 2019
M 2019 32041 R	AM 101290	AM 2019 101290 A	15(523) 2019
M 2019 32042 R	AM 101291	AM 2019 101291 A	15(523) 2019
M 2019 32043 R	AM 101409	AM 2019 101409 A	14(522) 2019
M 2019 32044 R	AM 101418	AM 2019 101418 A	15(523) 2019
M 2019 32045 R	AM 104827	–	23(531)2019
M 2019 32046 R	AM 74568	AM 2019 74568 A	14(522) 2019
M 2019 32047 R	AM 99157	AM 2019 99157 A	15(523) 2019
M 2019 32048 R	AM 99469	AM 2019 99469 A	8(516) 2019
M 2019 32049 R	AM 99470	AM 2019 99470 A	8(516) 2019
M 2019 32050 R	AM 99484	AM 2019 99484 A	15(523) 2019
M 2019 32051 R	AM 99485	AM 2019 99485 A	15(523) 2019
M 2019 32052 R	AM 99486	AM 2019 99486 A	15(523) 2019
M 2019 32053 R	AM 99517	AM 2019 99517 A	9(517) 2019
M 2019 32054 R	AM 99751	AM 2019 99751 A	10(518) 2019
M 2019 32055 R	AM 99754	AM 2019 99754 A	8(516) 2019
M 2019 32056 R	AM 99775	AM 2019 99775 A	11(519) 2019
M 2019 32057 R	AM 99910	AM 2019 99910 A	14(522) 2019
M 2019 32058 R	AM 99953	AM 2019 99953 A	9(517) 2019
M 2019 32059 R	AM 99954	AM 2019 99954 A	9(517) 2019

1	2	3	4
M 2019 32060 R	AM 99966	AM 2019 99966 A	14(522) 2019
M 2019 32061 R	AM 104813	–	23(531)2019
M 2019 32062 R	AM 105544	–	23(531)2019
M 2019 32063 R	AM 105631	–	23(531)2019
M 2019 32064 R	AM 105633	–	23(531)2019
M 2019 32065 R	AM 105634	–	23(531)2019
M 2019 32066 R	AM 105630	–	23(531)2019
M 2019 32067 R	AM 105632	–	23(531)2019
M 2019 32068 R	AM 105813	–	23(531)2019
M 2019 32069 R	AM 105781	–	23(531)2019
M 2019 32070 R	AM 105782	–	23(531)2019

**CONCORDANCE TABLE OF PUBLICATION NUMBERS  
AND APPLICATION NUMBERS**

NUMBER OF PUBLISHED APPLICATION (260)	NUMBER OF APPLICATION (210)	1	2
1	2		
AM 2019 98443 A	AM 98443	AM 2019 102921 A	AM 102921
AM 2019 102232 A	AM 102232	AM 2019 102928 A	AM 102928
AM 2019 102534 A	AM 102534	AM 2019 102932 A	AM 102932
AM 2019 102540 A	AM 102540	AM 2019 102933 A	AM 102933
AM 2019 102548 A	AM 102548	AM 2019 103005 A	AM 103005
AM 2019 102567 A	AM 102567	AM 2019 103006 A	AM 103006
AM 2019 102810 A	AM 102810	AM 2019 103014 A	AM 103014
AM 2019 102817 A	AM 102817	AM 2019 103027 A	AM 103027
AM 2019 102822 A	AM 102822	AM 2019 103029 A	AM 103029
AM 2019 102827 A	AM 102827	AM 2019 103030 A	AM 103030
AM 2019 102828 A	AM 102828	AM 2019 103098 A	AM 103098
AM 2019 102842 A	AM 102842	AM 2019 103105 A	AM 103105
AM 2019 102843 A	AM 102843	AM 2019 103106 A	AM 103106
AM 2019 102914 A	AM 102914	AM 2019 103107 A	AM 103107
		AM 2019 103109 A	AM 103109
		AM 2019 103122 A	AM 103122
		AM 2019 103222 A	AM 103222
		AM 2019 103310 A	AM 103310

CONCORDANCE TABLE OF INDEX OF GOODS AND/OR SERVICES  
AND APPLICATION NUMBERS

INDEX OF GOODS AND/OR SERVICES (511)	NUMBER OF PUBLISHED APPLICATIONS (26)	1	2
1	2	30	AM 2019 103098 A
3	AM 2019 103005 A	32	AM 2019 102842 A
5	AM 2019 102548 A	32	AM 2019 102843 A
5	AM 2019 102842 A	32	AM 2019 103098 A
5	AM 2019 102843 A	33	AM 2019 102232 A
5	AM 2019 103222 A	33	AM 2019 102534 A
5	AM 2019 103310 A	33	AM 2019 102822 A
6	AM 2019 102928 A	33	AM 2019 102921 A
7	AM 2019 103098 A	33	AM 2019 103006 A
12	AM 2019 102914 A	33	AM 2019 103007 A
12	AM 2019 102928 A	33	AM 2019 103122 A
12	AM 2019 103009 A	35	AM 2019 102567 A
16	AM 2019 98443 A	35	AM 2019 102810 A
20	AM 2019 102933 A	35	AM 2019 102828 A
21	AM 2019 103005 A	35	AM 2019 102928 A
25	AM 2019 103030 A	35	AM 2019 102932 A
28	AM 2019 98443 A	35	AM 2019 103105 A
28	AM 2019 102827 A	35	AM 2019 103106 A
28	AM 2019 102828 A	36	AM 2019 102817 A
29	AM 2019 102842 A	37	AM 2019 102540 A
29	AM 2019 102843 A	37	AM 2019 103014 A
29	AM 2019 103029 A	41	AM 2019 102928 A
29	AM 2019 103098 A	43	AM 2019 102232 A
30	AM 2019 103027 A	43	AM 2019 103098 A
		44	AM 2019 102810 A
		44	AM 2019 102932 A
		44	AM 2019 103105 A
		44	AM 2019 103106 A

CONCORDANCE TABLE OF INDEX OF GOODS AND/OR SERVICES  
AND NUMBERS OF TRADEMARKS REGISTERED ACCORDING  
TO THE ACCELERATED PROCEDURE

INDEX OF GOODS AND/OR SERVICES (511)	NUMBERS OF REGISTERED ACCORDING TO THE ACCELERATED PROCEDURE (111)
1	M 2019 32063 R
1	M 2019 32064 R
1	M 2019 32065 R
1	M 2019 32066 R
1	M 2019 32067 R
5	M 2019 32063 R
5	M 2019 32064 R
5	M 2019 32065 R
5	M 2019 32066 R
5	M 2019 32067 R
29	M 2019 32062 R
32	M 2019 32069 R
32	M 2019 32070 R
35	M 2019 32016 R
35	M 2019 32068 R
36	M 2019 32014 R
36	M 2019 32015 R
36	M 2019 32016 R
39	M 2019 32015 R
41	M 2019 32061 R
43	M 2019 32013 R
43	M 2019 32017 R
44	M 2019 32061 R
44	M 2019 32068 R



# OFFICIAL BULLETIN OF THE INDUSTRIAL PROPERTY

INVENTIONS  
UTILITY MODELS  
DESIGNS  
TRADEMARKS

**23(531)**

EDITOR-IN-CHIEF: N. Bebrishvili

EDITOR-TRANSLATOR: E. Gabunia

PROOFREADER: A. Shikhashvili

COMPUTER LAYOUT: M. Ordenidze  
K. Svanidze

[www.sakpatenti.gov.ge](http://www.sakpatenti.gov.ge)

E-mail: [info@sakpatenti.org.ge](mailto:info@sakpatenti.org.ge)