



საქართველოს ინტელექტუალური საკუთრების ეროვნული ცენტრი
NATIONAL INTELLECTUAL PROPERTY CENTER OF GEORGIA

საქპატენტი
SAKPATENTI

**OFFICIAL BULLETIN
OF THE INDUSTRIAL PROPERTY**

24(532)

2019
TBILISI

INID CODES FOR IDENTIFICATION OF BIBLIOGRAPHIC DATA

INVENTIONS, UTILITY MODELS

- (10) Number of publication for application, which has been examined
- (11) Number of patent and kind of document
- (21) Serial number of application
- (22) Date of filing of the application
- (23) Date of exhibition or the date of the earlier filing and the number of application, if any
- (24) Date from which patent may have effect
- (31) Number of priority application
- (32) Date of filing of priority application
- (33) Code of the country or regional organization allotting priority application number
- (44) Date of publication of application not granted, but examined and number of bulletin
- (45) Date of publication of registered document
- (51) International Patent Classification Index

- (54) Title of the invention
- (57) Abstract
- (60) Number of examined patent document granted by foreign patent office, date from which patent has effect and country code
- (62) Number of the earlier application and in case of divided application, date of filing an application
- (71) Name, surname and address of applicant (country code)
- (72) Name, surname of inventor (country code)
- (73) Name, surname and address of patent owner (country code)
- (74) Name, surname of representative or patent attorney
- (85) Date of commencement of the national phase of International Application
- (86) Number and date of filing of international application
- (87) Number and date of publication of international application
- (94) Calculated date of expiry of the SPC or the duration of the SPC

DESIGNS

- (10) Number of publication for application
- (11) Number of patent and kind of document or number of registration
- (15) Date of registration/Date of patent renewal
- (18) Expected expiration date of patent or registration
- (21) Serial number of application
- (22) Date of filing of the application
- (23) Date of exhibition or the date of the earlier filing and the number of application, if any
- (24) Date from which patent may have effect
- (28) Number of designs included in the application
- (30) Data relating to priority (number of application, date of filing of application, two-letter code identifying the authority with whom the priority application was made)
- (31) Number of priority application
- (32) Date of filing of priority application
- (33) Code of the country or regional organization allotting priority application number
- (34) Two-letter code according to WIPO St.3 identifying the authority with which the priority application was made
- (44) Date of publication of design and number of bulletin (the first publication)
- (45) Date of publication of design registered by WIPO and number of bulletin

- (51) International Classification for designs (class and subclass of the Locarno Classification)
- (54) Title of the invention
- (55) Reproduction of the design
- (57) Description of characteristic features of the design including indication of colors
- (58) Date of recording of any kind of amendment in the Register
- (62) Number of the earlier application, registration and document number and if available the date of filing an application in case of divided application
- (71) Name, surname and address of applicant (country code)
- (72) Name, surname of creator (country code)
- (73) Name, surname and address of patent owner (country code)
- (74) Name, surname of representative or patent attorney
- (81) Contracting states concerned
 - II designated contracting states according to the 1960 Act
 - III designated contracting states according to the 1999 Act
- (85) Owner's permanent address
- (86) Owner's nationality
- (87) Owner's residence
- (88) State in which the owner has a real and effective industrial or commercial establishment

TRADEMARKS

- (111) - Number of registration
- (151) - Date of registration
- (156) - Date of the renewal
- (181) - Expected expiration date of registration
- (186) - Renewal expiration date of registration
- (141) - Date of cancel of duration of the mark
- (210) - Serial number of application
- (220) - Date of filing of the application
- (230) - Data concerning exhibition
- (260) - Number of application, for which favorable decision of examination about registration has been taken (publication number)
- (310) - Number of the first application
- (320) - Date of filing of the first application
- (330) - Code, identifying national or regional Office where the first application was made
- (511) - International Classification of Goods and Services for the purposes of registration of trade marks and/or list of goods and/or services classified according thereto
- (526) - Disclaimer
- (531) - Description of figurative elements of Trade Marks according to the International Classification of the Figurative Elements of Marks

- (540) - Reproduction of Trade Mark
- (550) - Nature and kind of Trade Mark
- (551) - Indication to the effect that the mark is a collective mark, a certification mark or a guarantee mark
- (554) - Three-dimensional mark
- (580) - Date of recording of any kind changes in respect of applications or registrations
- (591) - Information concerning colors claimed
- (731) - Name and address of the applicant
- (732) - Name and address of the holder of the registration
- (740) - Name and address of the representative
- (750) - Addreses for correspondence
- (770) - Name and address of the previous applicant or holder in case of change in ownership
- (771) - Previous name and address of the applicant or holder in case of change in ownership
- (791) - Name and address of the licensee
- (793) - Indication of conditions and/or restrictions under the license (Type of license, number of license agreement, data of license, data of validity of license)
- (800) - Certain data relating to the international registration of Trade Marks under the Protocol Relating to Madrid Agreement (International registration number
- (852) - Partial cancellation of the list of goods and services
- (891) - Date of subsequent designation

CODES FOR PUBLICATION IN BULLETIN

- (21) AP 0000 000000 - serial number of application for invention
- (10) AP 0000 0000 A - number of published application for invention (first publication)
- (11) P 0000 0000 B - number of patent for invention (second publication)
- (21) API 0000 000000 - number of application for imported patent
- (11) PI 0000 0000 A - number of imported patent (first publication)
- (21) AU 0000 000000 - serial number of application for utility model
- (10) AU 0000 000 U - number of published application for utility model (first publication)
- (11) U 0000 000 Y - number of patent for utility model (second publication)
- (21) AD 0000 000000 - serial number of application for design
- (10) AD 0000 000 S - number of published application for design (first publication)
- (11) D 0000 000 S - registered design

INTERNATIONAL PATENT CLASSIFICATION FOR INVENTIONS AND UTILITY MODELS

- SECTION A - HUMAN NECESSITIES
- SECTION B - PERFORMING OPERATIONS; TRANSPORTING
- SECTION C - CHEMISTRY; METALLURGY
- SECTION D - TEXTILES; PAPER
- SECTION E - FIXED CONSTRUCTIONS
- SECTION F - MECHANICAL ENGINEERING; LIGHTING; HEATING; WEAPONS; BLASTING
- SECTION G - PHYSICS
- SECTION H - ELECTRICITY

-
- M - Trade Mark
 - (210) AM 0000 000000 - Serial number of application;
 - (260) AAM 0000 00000 A - Publication number of application;
 - (111) M 0000 00000 R - Number of registration;
 - (111) MMM0000 00000 Rn - Number of renewals, in which n=1,2,3;
 - (111) M 0000 00000 R(P) - Number of registration under partial assignment of rights
-

**LIST OF CODES, IN ALPHABETIC SEQUENCE, AND THE CORRESPONDING (SHORT) NAMES OF STATES, OTHER ENTITIES AND INTERGOVERNMENTAL ORGANIZATIONS
(WIPO STANDARD ST.3)**

AD	Andorra				
AE	United Arab Emirates	GD	Grenada	NE	Niger
AF	Afghanistan	GG	Guernsey	NG	Nigeria
AG	Antigua and Barbuda	GH	Ghana	NI	Nicaragua
AI	Anguilla	GI	Gibraltar	NL	Netherlands
AL	Albania	GT	Guatemala	NO	Norway
AM	Armenia	GW	Guinea- Bissau	NP	Nepal
AN	Netherlands Antilles	GY	Guyana	NR	Nauru
AO	Angola	HK	The Hong Kong Special Administrative Region of the People's Republic of China	NZ	New Zealand
AP	African Regional Intellectual Property Organization (ARIPO)	HN	Honduras	OA	African Intellectual Property Organization (OAPI)
AR	Argentina	HR	Croatia	OM	Oman
AT	Austria	HT	Haiti	PA	Panama
AU	Australia	HU	Hungary	PE	Peru
AW	Aruba	IB	International Bureau of the World Intellectual Property Organization (WIPO)	PG	Papua New Guinea
AZ	Azerbaijan	ID	Indonesia	PH	Philippines
BA	Bosnia and Herzegovina	IE	Ireland	PK	Pakistan
BB	Barbados	IL	Israel	PL	Poland
BD	Bangladesh	IM	Isle of Man	PT	Portugal
BE	Belgium	IN	India	PW	Palau
BF	Burkina Faso	IQ	Iraq	PY	Paraguay
BG	Bulgaria	IR	Iran (Islamic Republic of)	QA	Qatar
BH	Bahrain	IS	Iceland	QZ	Community Plant Variety Office (European Community) (CPVO)
BI	Burundi	IT	Italy	RO	Romania
BJ	Benin	JE	Jersey	RS	Serbia
BM	Bermuda	JM	Jamaica	RU	Russian Federation
BN	Brunei Darussalam	JO	Jordan	RW	Rwanda
BO	Bolivia	JP	Japan	SA	Saudi Arabia
BR	Brazil	KE	Kenya	SB	Solomon Islands
BS	Bahamas	KG	Kyrgyzstan	SC	Seychelles
BT	Bhutan	KH	Cambodia	SD	Sudan
BV	Bouvet Island	KI	Kiribati	SG	Singapore
BW	Botswana	KM	Saint Kitts and Nevis	SH	Saint Helena
BX	Benelux Office for Intellectual Property (BOIP)	KP	Democratic People's Republic of Korea	SI	Slovenia
BY	Belarus	KR	Republic of Korea	SK	Slovakia
BZ	Belize	KW	Kuwait	SL	Sierra Leone
CA	Canada	KY	Cayman Islands	SM	San Marino
CD	Democratic Republic of the Congo	KZ	Kazakhstan	SN	Senegal
CF	Central African Republic	LA	Lao People's Democratic Republic	SO	Somalia
CG	Congo	LB	Lebanon	SR	Suriname
CH	Switzerland	LC	Saint Lucia	ST	Sao Tome and Principe
CI	Cote d'Ivoire	LI	Liechtenstein	SV	El Salvador
CK	Cook Islands	LK	Sri Lanka	SY	Syrian Arab Republic
CL	Chile	LR	Liberia	SZ	Swaziland
CM	Cameroon	LS	Lesotho	TC	Turks and Caicos Islands
CN	China	LT	Lithuania	TD	Chad
CO	Colombia	LU	Luxembourg	TG	Togo
CR	Costa Rica	LV	Latvia	TH	Thailand
CU	Cuba	LY	Libyan Arab Jamahiriya	TJ	Tajikistan
CV	Cape Verde	MA	Morocco	TL	Timor-Leste
CY	Cyprus	MC	Monaco	TM	Turkmenistan
CZ	Czech Republic	MD	Republic of Moldova	TN	Tunisia
DE	Germany	ME	Montenegro	TO	Tonga
DJ	Djibouti	MG	Madagascar	TR	Turkey
DM	Dominica	MK	The former Yugoslav Republic of Macedonia	SE	Sweden
DO	Dominican Republic	ML	Mali	TT	Trinidad and Tobago
DZ	Algeria	MM	Myanmar	TV	Tuvalu
EA	Eurasian Patent Organization (EAPO)	MN	Mongolia	TW	Taiwan, Province of China
EC	Ecuador	MO	Macao	TZ	United Republic of Tanzania
EE	Estonia	MP	Northern Mariana Islands	UA	Ukraine
EG	Egypt	MR	Mauritania	UG	Uganda
EH	Western Sahara	MS	Montserrat	US	United States of America
EM	Office for Harmonization in the Internal Market (Trademarks and Designs)(OHIM)	MT	Malta	UY	Uruguay
EP	European Patent Office (EPO)	MU	Mauritius	UZ	Uzbekistan
ER	Eritrea	MV	Maldives	VA	Holy See
ES	Spain	MW	Malawi	VC	Saint Vincent and the Grenadines
ET	Ethiopia	MX	Mexico	VE	Venezuela
FI	Finland	MY	Malaysia	VG	Virgin Islands (British)
FJ	Fiji	MZ	Mozambique	VN	Viet Nam
FK	Falkland Islands (Malvinas)	NA	Namibia	VU	Vanuatu
FO	Faroe Islands			WO	World Intellectual Property Organization (WIPO)
FR	France			WS	Samoa
GA	Gabon			XN	Nordic Patent Institute (NPI)
GB	United Kingdom			YE	Yemen
GC	Patent Office of the Cooperation Council for the Arab States of the Gulf (GCC)			ZA	South Africa
				ZM	Zambia
				ZW	Zimbabwe

**OFFICIAL BULLETIN
OF THE INDUSTRIAL PROPERTY**

24(532)

**INVENTIONS
UTILITY MODELS
DESIGNS
TRADEMARKS
APPELLATIONS OF ORIGIN OF GOODS**

DATE OF PUBLICATION: 2019 12 25

CONTENTS

PUBLISHED TITLES OF PROTECTION	3
INVENTIONS	
▪ APPLICATIONS APPROVED FOR GRANTING PATENTS	4
▪ PATENTED INVENTIONS	7
UTILITY MODELS	
▪ APPLICATION APPROVED FOR GRANTING PATENT	8
▪ PATENTED UTILITY MODELS	9
DESIGNS	
▪ REGISTERED DESIGN.....	10
▪ DESIGNS, WHICH HAVE BEEN REGISTERED WITH THE INTERNATIONAL BUREAU CLAIMING PRIORITY ON THE TERRITORY OF GEORGIA	11
TRADEMARKS	
▪ APPLICATIONS FILED UNDER THE NATIONAL PROCEDURE APPROVED FOR REGISTRATION	13
▪ REGISTERED TRADEMARKS	25
▪ TRADEMARKS REGISTERED ACCORDING TO THE ACCELERATED PROCEDURE	35
▪ INTERNATIONAL TRADEMARKS FOR WHICH A DECISION ON GRANTING PROTECTION IS TAKEN	38
▪ INTERNATIONAL TRADEMARKS PROTECTED IN GEORGIA	88
APPELLATIONS OF ORIGIN OF GOODS	
▪ WINE OJALESHI SALKHINO SPECIFICATION	101
▪ APPELLATIONS OF ORIGIN OF GOODS FILED IN GEORGIA FOR EXAMINATION UNDER LISBON AGREEMENT, ON THE BASIS OF THE INTERNATIONAL REGISTRATION	106
OFFICIAL NOTIFICATIONS	
INVENTIONS	
▪ EXPIRATION OF PATENTS RESTORATION	107
▪ ABOLITION OF PATENTS WITH THE RIGHT TO RESTORE	108
▪ EXPIRATION OF TERM OF RESTORATION OF PATENTS	111
▪ CHANGES OF NAMES AND/OR ADDRESSES OF OWNERS	112
UTILITY MODELS	
▪ EXPIRATION OF PATENTS RESTORATION	112
▪ ABOLITION OF PATENTS WITH THE RIGHT TO RESTORE	113
▪ EXPIRATION OF TERM OF RESTORATION OF PATENTS	113
DESIGNS	
▪ EXTENSION OF REGISTRATION VALIDITY	114
▪ CANCELLATION OF DESIGN REGISTRATION	114
▪ EXTENSION OF REGISTRATION OF INTERNATIONAL DESIGNS	115
▪ CANCELLATION OF INTERNATIONAL DESIGNS REGISTRATION	122

TRADEMARKS

- RENEWAL OF REGISTRATIONS 131
- COMPLET TRANSFER OF RIGHTS 133
- CHANGES OF NAMES AND/OR ADDRESSES OF OWNERS 135
- TERMINATION OF TRADEMARKS REGISTRATION 136
- LICENSE AGREEMENTS 139

CLASSIFICATION INDEXES

- INVENTIONS140
- UTILITY MODELS141
- DESIGNS142
- TRADEMARKS144

PUBLISHED TITLES OF PROTECTION

INVENTIONS

- **APPLICATIONS APPROVED FOR GRANTING PATENT:**
14711; 14523; 14853; 14659; 14738; 14223; 14795; 14721; 14743; 14866
- **PATENTED INVENTIONS:**
7046-7050

UTILITY MODELS

- **PATENTED UTILITY MODELS:**
2024-2026

DESIGNS

- **DESIGNS REGISTERED ACCORDING TO THE ACCELERATED PROCEDURE:**
829, 830
- **DESIGNS, WHICH HAVE BEEN REGISTERED WITH THE INTERNATIONAL BUREAU CLAIMING PRIORITY ON THE TERRITORY OF GEORGIA:**
202412; 200997; 201013, 201014; 201001, 201002; 202384; 202464; 200704; 202514; 200694; 200989; 200691; 201865; 200689; 200973; 200692; 200701; 202611

TRADEMARKS

- **APPLICATIONS FILED UNDER THE NATIONAL PROCEDURE APPROVED FOR REGISTRATION:**
98443; 102232; 102534; 102540; 102548; 102567; 102810; 102817; 102822; 102827, 102828; 102842, 102843; 102914; 102921; 102928; 102932, 102933; 103005, 103006; 103014; 103027; 103029, 103030; 103098; 103105-103107; 103109; 103122; 103222; 103310
- **REGISTERED TRADEMARKS:**
32018-32060
- **TRADEMARKS REGISTERED ACCORDING TO THE ACCELERATED PROCEDURE:**
32013-32017; 32061-32070
- **INTERNATIONAL TRADEMARKS FOR WHICH A DECISION ON GRANTING PROTECTIONS IS TAKEN:**
97110*; 98870*; 99108*; 99110*; 99116*; 99128*; 99132*; 99137*, 99138*; 101704; 101752; 101762, 101763; 101796, 101797; 101799; 101802; 101812-101817; 101820-101829; 101831; 101846; 101860-101867; 101872-101874; 101880-101883; 101937-101943; 101951-101955; 101957-101964; 101980; 101986; 101989-101993; 101999-102005; 102015; 102090; 102092; 102109-102111; 102113; 102124-102128; 102135-102138; 102184; 102192; 102205; 102207; 102211, 102212; 102226-102228; 102296; 102298; 102300, 102301; 102311-102314; 102324; 102435; 102437-102439; 102442; 102444; 102446; 102448; 102482, 102583; 102795, 102796; 102798, 102799; 102893-102896
- **INTERNATIONAL TRADEMARKS PROTECTED IN GEORGIA:**
95387; 96491; 96849; 97147; 97630; 98333; 98335; 99738; 99812, 99813; 100107; 100143; 100146; 100173, 100174; 100178-100181; 100184; 100189; 100228; 100242; 100245, 100246; 100248; 100250, 100251; 100257, 100258; 100261; 100263-100265; 100267; 100269; 100271; 100277; 100281; 100283-100287; 100289; 100291-100293; 100296-100299; 100301-100304; 100346; 100362-100365; 100367; 100471, 100472; 100474, 100475; 100482; 100504; 100508; 100510-100513; 100539-100544; 100560-100563; 100634, 100635; 100646; 100649, 100650; 100656; 101045, 101046; 101049; 101052, 101053

APPELLATIONS OF ORIGIN OF GOODS

- **WINE OJALESHI SALKHINO SPECIFICATION:**
SALKHINO OJALESHI
- **APPELLATION OF ORIGIN OF GOODS FILED IN GEORGIA FOR EXAMINATION UNDER LISBON AGREEMENT, ON THE BASIS OF THE INTERNATIONAL REGISTRATION:**
1131

INVENTIONS

APPLICATIONS APPROVED FOR GRANTING PATENTS

The decision can be appealed at the Chamber of Appeal of Sakpatenti within 3 months from the publication or at the Mtskheta District Court Administrative Cases Board (Address: №17, Samkhedro str., Mtskheta), within 1 month following the publication.

PART A

A 01

(10) AP 2019 14716 A (51) Int. Cl. (2006)
A 01 G 31/00

(21) AP 2018 14716 (22) 2018 02 28

(71) Evgeni Ushveridze (GE)

Pekini St. 13, ap. 57, 0171, Tbilisi (GE)

(72) Evgeni Ushveridze (GE);

(54) **METHOD FOR PLANT CULTIVATION AND IMPLEMENTATION COMPLEX THEREOF**

(57) A method provides cultivation of various culture plants isolated from surrounding environment, at least, in two storeyed building, on vertical vegetative modules made with double-layer fabric, and movable in horizontal plane. Plant attendance on all stages of development is executed in permanent lightening and heating conditions. A complex is, at least, two storeyed building, one wherefrom is grains cultivating department I, e.g. wheat, and wherein fabric vertical vegetative modules 5 are installed by means conveyor 4. Second store is mushrooms, planting stocks of rare varieties and medicinal plants cultivating department II, wherein cultivation stellites 8 for mushrooms and fabric vertical vegetative modules for planting stocks of rare varieties and medicinal plants are installed by means conveyor.

Claims: 2 independent
8 dependent

Fig.: 2

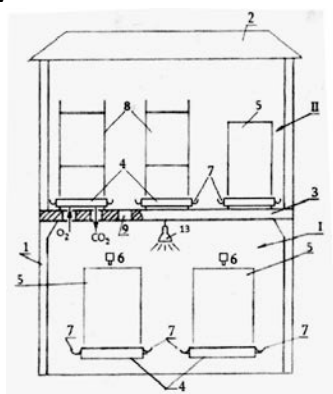


Fig. 1

A 23

(10) AP 2019 14528 A (51) Int. Cl. (2006)

A 23 L 29/244

A 23 L 29/256

A 23 L 29/269

A 23 L 33/21

A 61 K 31/731

A 61 K 31/736

A 61 K 31/723

(21) AP 2015 14528

(22) 2015 11 26

(31) PI2014703525

(32) 2017 11 26

(33) MY

(71) OMEGA PHARMA INNOVATION & DEVELOPMENT NV (BE)

Venecoveg 26, 9810, Nazareth (BE)

(72) LIM, Yee Mae (MY);

TAN, Min Pau (MY);

WONG, Pui Ee (MY)

(74) **Tamar Kochlamazashvili**

(85) 2017 06 26

(86) PCT/MY2015/000099, 2015 11 26

(54) **DIETARY FIBRE COMPOSITION**

(57) Composition comprises glucomannan, carrageenan, xanthan gum and salt with mono- or divalent cation.

Claims: 6 independent
19 dependent

Fig.: 1

A 61

(10) AP 2019 14616 A (51) Int. Cl. (2006)

A 61 K 31/568

A 61 K 9/06

A 61 P 27/02

(21) AP 2016 14616

(22) 2016 04 01

(31) 2015-076889

(32) 2015 04 03

(33) JP

(71) Santen Pharmaceutical CO., LTD (JP)

9-19, Shimoshinjo 3-chome,

Higashiyodogawa-ku, Osaka-shi, Osaka

5338651 (JP)

(72) OKI, Kenji (JP);

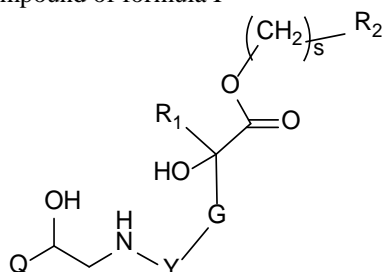
- FUJII, Shinobu (JP);
 ENDO, Kenichi (JP)
 (74) Shalva Gvaramadze
 (85) 2017 10 26
 (86) PCT/JP2016/060927, 2016 04 01
 (54) **DRY EYE THERAPEUTIC AGENT
 HAVING AS ACTIVE INGREDIENT
 NANDROLONE OR ESTER THEREOF
 OR METHENOLONE OR ESTER
 THEREOF**
 (57) Nandrolone or methenolone are used for dry
 eye sundrome treatment.
 Claims: 1 independent
 7 dependent
 Fig.: 3

- (10) **AP 2019 14563 A** (51) **Int. Cl. (2006)**
A 61 K 31/4709
A 61 P 11/06
A 61 P 11/08
C 07 D 403/12
C 07 D 453/04
C 07 D 453/02
C 07 D 401/14
C 07 D 401/12

- (21) AP 2016 14563 (22) 2016 02 10
 (31) 15154917.7
 (32) 2015 02 12
 (33) EP
 (71) CHIESI FARMACEUTICI S.P.A. (IT)
 Via Palermo, 26/A 43100 Parma (IT)
 (72) RIZZI, Andrea (IT);
 RANCATI, Fabio (IT);
 KNIGHT, Chris (IT);
 SCHMIDT, Wolfgang (IT);
 CARZANIGA, Laura (IT);
 LINNEY, Ian (IT)

- (74) Shalva Gvaramadze
 (85) 2017 08 09
 (86) PCT/EP2016/052812, 2016 02 10
 (54) **COMPOUNDS HAVING MUSCARINIC
 RECEPTOR ANTAGONIST AND BETA2
 ADRENERGIC RECEPTOR AGONIST
 ACTIVITY**

- (57) Compound of formula I



wherein values of Q, Y, G и R₁ substitutes, pharmaceutically acceptable salt or solvent, and pharmaceutical composition on the basis thereof are provided in the claims. Usage of said compound for

prevention and/or treatment of broncho obstructive or inflammatory diseases, asthma, chronic bronchitis or chronic obstructive pulmonary diseases (COPD).

Claims: 5 independent
 10 dependent

Table: 37

- (10) **AP 2019 15008 A** (51) **Int. Cl. (2006)**
A 61 K 36/752
A 61 K 36/61
A 61 K 31/355
A 61 K 36/53
A 61 P 31/10
A 61 P 17/00

- (21) AP 2017 15008 (22) 2017 10 20
 (31) 102016000109403
 (32) 2016 10 28
 (33) IT
 (71) BIO.LO.GA. S.R.L (IT)
 Via Giuseppe Lazzarin, 66 31015 Conegliano
 (TV) (IT)
 (72) PANIN, Giorgio (IT)
 (74) Nugzar Ksovreli
 (85) 2019 02 18
 (86) PCT/EP2017/076807, 2017 10 20
 (54) **COMPOSITION FOR TOPICAL
 APPLICATION WITH ANTIFUNGAL
 ACTIVITY**
 (57) Composition contains Melaleuca alternifolia, Origanum vulgare and lime essential oils, and an ester of vitamin E.
 Claims: 1 independent
 11 dependent

PART A F

F 03

- (10) **AP 2019 14819 A** (51) **Int. Cl. (2006)**
F 03 G 7/06

- (21) AP 2018 14819 (22) 2018 06 27
 (71) LEPL RAPHAEL DVALI INSTITUTE OF
 MACHINE MECHANICS (GE)
 Mindeli St. 10, 0186, Tbilisi (GE)
 (72) Aleksandre Shermazanashvili (GE);
 Nunu Rusadze (GE);
 Tamaz Morchadze (GE)
 (54) **MARTENSITIC HEAT ENGINE**
 (57) An engine includes drive 4 and driven 1 wheels set on the shafts connected together with a differential 2, and the wheels with – additional drive 3 executed as a chain including an axis 6 and the rolls 7 fixed from both sides thereof, in its turn; con-

necting member the axis is executed as plate spring detail 8 made of material with shape memory; at that, they are set on parallel axes in front of each other. Furthermore, the axes are twined by means chain plates 5; at that, each plate has cuts to be set easily on the axis, for changing chain length.

Claims: 1 independent

Fig.: 2

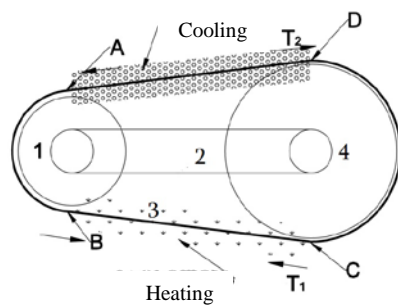


Fig. 1

PATENTED INVENTIONS

PART A

A 61

- (11) P 2019 7052 B** (51) **Int. Cl. (2006)**
A 61 K 39/00
 (10) AP 2019 13226 A (44) 13(521)/2019
 (21) AP 2012 13226
 (22) 2012 09 14
 (24) 2012 09 14
 (31) 61/534,734; 61/564,201
 (32) 2011 09 14; 2011 11 28
 (33) US; US
 (86) PCT/US2012/055604, 2012 09 14
 (73) LOS ANGELES BIOMEDICAL
 RESEARCH INSTITUTE AT HARBOR-
 UCLA MEDICAL CENTER (US)
 1124 West Carson Street Torrance,
 CA 90502 (US)
 (72) IBRAHIM, Ashraf, S. (US);
 YEAMAN, Michael, R. (US);
 EDWARDS, John, E. Jr. (US);
 LUO, Guanpingsheng (US);
 FU, Yue (US)
 (74) Khatuna Imnadze
 (54) **HYRI-DERIVED COMPOSITIONS**
AND METHODS OF TREATMENT
USING SAME

-
- (11) P 2019 7053 B** (51) **Int. Cl. (2006)**
A 61 K 39/395
C 07 K 16/28
C 07 K 17/14
 (10) AP 2019 14100 A (44) 16(524)/2019
 (21) AP 2014 14100
 (22) 2014 08 20
 (24) 2014 08 20
 (31) 61/990,475; 13198784; 61/907,749; 61/869,510
 (32) 2014 05 08; 2013 12 20; 2013 11 22; 2013 08 23
 (33) US; EP; US; US
 (86) PCT/US2014/051790, 2014 08 20
 (73) MACROGENICS INC. (US)
 9640 Medical Center Drive Rockville,
 MD 20850 (US)
 (72) BONVINI, Ezio (US);
 JOHNSON, Leslie, S. (US);
 HUANG, Ling (US);
 MOORE, Paul, A (US);
 CHICHILI, Gurunadh, Reddy (US);
 ALDERSON, Ralph, Froman (US)
 (74) Tamaz Shilakadze
 (54) **BI-SPECIFIC MONOVALENT**
DIABODIES THAT ARE CAPABLE OF
BINDING CD123 AND CD3, AND USES
THEROF

PART B

B 42

- (11) P 2019 7051 B** (51) **Int. Cl. (2006)**
B 42 D 25/41
 (10) AP 2019 14610 A (44) 15 (523) 2019
 (21) AP 2016 14610
 (22) 2016 03 22
 (24) 2016 03 22
 (31) 2014520
 (32) 2015 03 25
 (33) NL
 (86) PCT/NL2016/050197, 2016 03 22
 (73) MORPHO B.V. (NL)
 Oudeweg 32 2031 CC Haarlem (NL)
 (72) VAN DEN BERG, Jan (NL)
 (74) Tamaz Shilakadze
 (54) **METHOD OF PROVIDING AN**
IMPRINTED SECURITY FEATURE

PART C

C 05

- (11) P 2019 7054 B** (51) **Int. Cl. (2006)**
C 05 G 3/04
C 05 G 3/06
C 05 D 9/02
 (10) AP 2019 14214 A (44) 16(524)/2019
 (21) AP 2014 14214
 (22) 2014 12 22
 (24) 2014 12 22
 (31) P13 00753
 (32) 2013 12 23
 (33) HU
 (86) PCT/HU2014/000129, 2014 12 22
 (73) INVENTION CENTER KFT. (HU)
 Liphthay u.9. H-1027 Budapest (HU)
 (72) VATTAY, Antal (HU);
 VATTAY, Rikárd (HU);
 POSTA, Katalin Andrea (HU);
 PÓTI, Péter (HU);
 VARGA, Imre (HU);
 ZÁRAY, Gyula (HU);
 LÓCZI, Miklós (HU);
 SZUROP, Gábor Miklós (HU)
 (74) Tamaz Shilakadze
 (54) **IRON (III) OXIDE CONTAINING**
SOIL-BINDING COMPOSITION

UTILITY MODELS

APPLICATION APPROVED FOR GRANTING PATENT

The decision can be appealed at the Chamber of Appeal of Sakpatenti within 3 months from the publication or at the Mtskheta District Court Administrative Cases Board (Address: №17, Samkhedro str., Mtskheta), within 1 month following the publication.

PART B

B 28

(10) AU 2019 15097 U (51) Int. Cl. (2006)
B 28 B 5/00

(21) AU 2019 15097 (22) 2019 05 30

(71) Revaz Sikharulidze (GE)

Tkibuli St. 16, 0178, Tbilisi

(72) Revaz Sikharulidze (GE)

(54) **DEVICE FOR PRODUCING TWO-LAYER BLOCKS**

(57) A device includes a plate 4 equipped with the guides 5. A frame 6 whereon a form 7 is placed is inserted in the guides 5. The form 7 is executed without bottom and formed with two side and two edge borders, and movable in vertical plane together with the frame. Furthermore, the device includes a table 15 placed in a framework 16. The framework with flexible componentry 17 is installed on the supports connected to the plate. The table has size giving opportunity to be installed and removed from said form without bottom. The device is equipped with vibrating drive on/off switch foot bar 22 and a mechanism for handle motion of frame with form, as well.

Claims: 1 independent

6 dependent

Fig.: 3

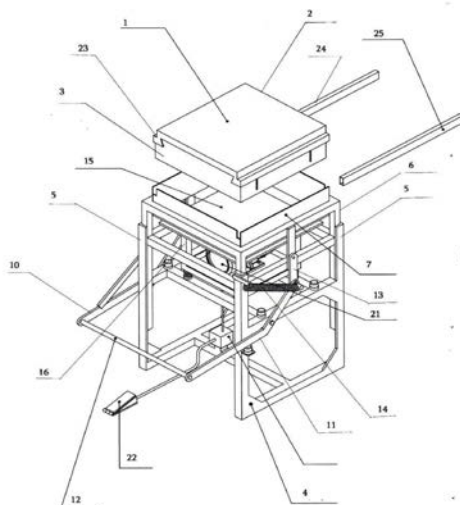


Fig. 1

PATENTED UTILITY MODELS**PART A****A 61**

- (11) U 2019 2028 Y (51) Int. Cl. (2006)
A 61 K 36/00
A 61 K 35/57
A 61 K 9/06
- (10) AU 2019 15003 U (44) 16 (524) 2019
(21) AU 2019 15003
(22) 2019 02 14
(24) 2019 02 14
(73) Bezhan Khabeishvili (GE)
Vill. Dablatsikhe, 4907, Chokhatauri
District (GE)
(72) Bezhan Khabeishvili (GE)
(54) **OINTMENT KHABEISHVILI
"SALBUNI" – OINTMENT FOR SKIN
PATHOLOGY, OSTEOARTICULAR
AND SEX SYSTEMS AND
HEMORRHOID**
-
- (11) U 2019 2029 Y (51) Int. Cl. (2006)
A 61 H 15/00
- (10) AU 2019 14468 U (44) 16(524)/2019
(21) AU 2017 14468
(22) 2017 04 05
(24) 2017 04 05
(73) Lamzira Todua (GE)
Radiani St. 17, 0179, Tbilisi, Georgia (GE);
Nino Kapanadze (GE)
Darialis shes. 12, 0162, Tbilisi, Georgia (GE);
Tinatin Shatilova (GE)
Romi St. 4, 0102, Tbilisi, Georgia (GE);
Giorgi Shukakidze (GE)
Kipshidzi St. 6, ap. 60, 0162, Tbilisi,
Georgia (GE)
(72) Lamzira Todua (GE);
Nino Kapanadze (GE);
Tinatin Shatilova (GE);
Giorgi Shukakidze (GE)
(54) **MECHANICAL MASSAGER FOR EYES**
-

PART C**C 02**

- (11) U 2019 2027 Y (51) Int. Cl. (2006)
C 02 F 3/32
- (10) AU 2019 14896 U (44) 14 (522) 2019
(21) AU 2018 14896
(22) 2018 10 08
(24) 2018 10 08
(73) Liana Chokheli (GE)
Kandelaki St. 8a, ap. 14, 0160, Tbilisi (GE);
Marine Pruidze (GE)
Gamsakhurdia Av. 36, ap. 44, 0160,
Tbilisi (GE);
Georgian Agrarian University (GE)
D. Aghasheneblis kheivani 240, Kakha
Bendukidze University Campus, 0159,
Tbilisi (GE);
Maritsa Kurashvili (GE)
Vazha-Pshavela Av., II kvart., korp. 25,
ap. 32, 0186, Tbilisi (GE);
Giorgi Gigolashvili (GE)
Didi Dighomi, Ioane Petritsi St. 8a, ap. 19,
0131, Tbilisi (GE);
Gia Khatisashvili (GE)
Didi Dighomi, III mkr., korp. 15, ap. 222,
0131, Tbilisi (GE);
Giorgi Adamia (GE)
M. Tamarashvili Av. 15/52, 0177,
Tbilisi (GE);
Shota Rustaveli National Science Foundation
of Georgia (GE)
M. Aleksidze St. 1, 0193, Tbilisi (GE);
Tamar Varazi (GE)
Pasteri St. 7, 0102, Tbilisi (GE)
(72) Marine Pruidze (GE);
Maritsa Kurashvili (GE);
Giorgi Gigolashvili (GE);
Gia Khatisashvili (GE);
Giorgi Adamia (GE);
Tamar Varazi (GE);
Liana Chokheli (GE)
(54) **METHOD FOR PURIFYING POLLUTED
DICHLORODIPHENYLTRICHLOROET
HANE (DDT) WATERS BY USAGE
OF BLUE-GREEN ALGAE SPIRULIN**
-

DESIGNS

REGISTERED DESIGN

(11) D 2019 831 S **(51) 11-01**
(10) AD 2019 1086 S (44) 2019 09 10 №17
(21) AD 2019 1086
(22) 2019 04 16
(24) 2019 04 16
(28) 22
(18) 2024 04 16
(73) LTD "ZARAPKHANA" (GE)
 Lubiana St. 15, 0159, Tbilisi (GE)
(72) Nana Gogichaishvili (GE)
(54) **1.-22. BIJOUTERIE**

DESIGNS, WHICH HAVE BEEN REGISTERED WITH THE INTERNATIONAL BUREAU CLAIMING PRIORITY ON THE TERRITORY OF GEORGIA

The decision can be appealed at the Chamber of Appeal of Sakpatenti within 3 months from the publication or at the Mtskheta District Court Administrative Cases Board (Address: №17, Samkhedro Str., Mtskheta), within 1 month following the publication.

(11) DM/200 974

(51) 10-02

(15) 2019 03 05

(44) 36/2019 (2019 09 06)

(22) 2019 12 05

(28) 2

(73) BLANCPAIN SA

Le Rocher 12, 1348 LE BRASSUS (CH)

(85) CH

(86) CH

(87) CH

(88) CH

(89) CH

(81) II. MA III. AM, UA, AL, AZ, ME, BZ, MD, MC, SG, NO, MN, BA, TR, OM, MK, GE, LI, KG, GB, TN, EM, CH

(72) 1: Fabien HENRIET

57A Impasse de la Colombière, 74200 Marin (FR);

1-2: Xuân-Nhi NGUYEN TANG

32 Avenue Blanc, 1202 Genève (CH);

2: Daniel VILLARD

Chemin de la Fauvette 1, 1185 Mont-sur-Rolle (CH)

(74) The Swatch Group SA (The Swatch Group AG) (The Swatch Group Ltd.)

Faubourg du Lac 6, 2501 BIEL/BIENNE (CH)

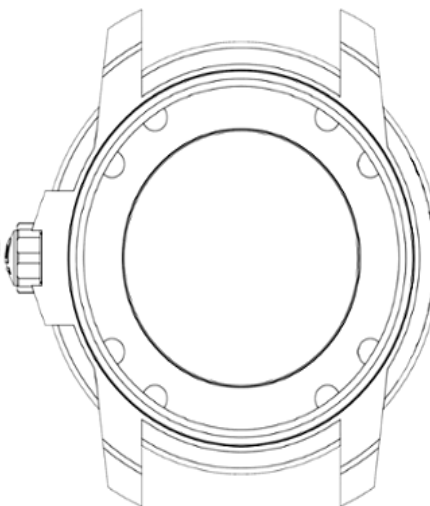
(54) 1.-2. Watch

(55)

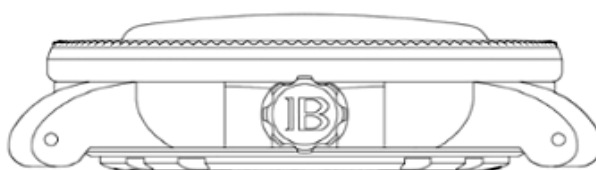
1.1



1.2



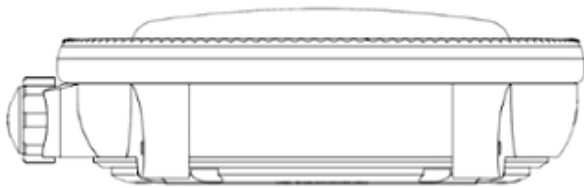
1.3



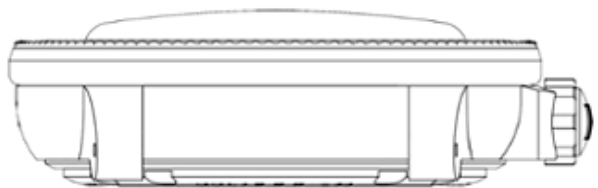
1.4



1.5



1.6



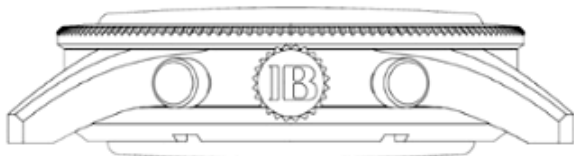
2.1



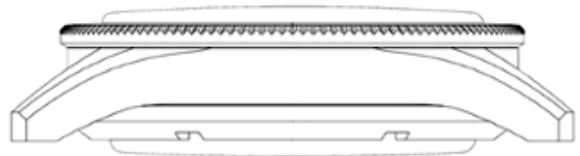
2.2



2.3



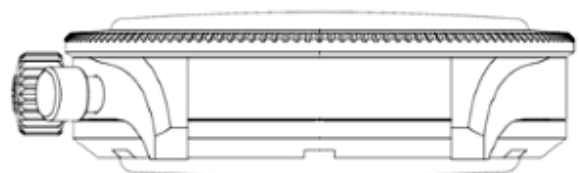
2.4



2.5



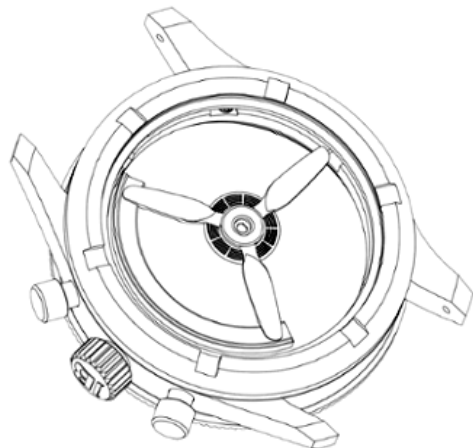
2.6



2.7



2.8



TRADEMARKS

APPLICATIONS FILED UNDER THE NATIONAL PROCEDURE APPROVED FOR REGISTRATION

The decision can be appealed at the Chamber of Appeal of Sakpatenti within 3 months from the publication or at the Mtskheta District Court Administrative Cases Board (Address: №17, Samkhedro St., Mtskheta), within 1 month following the publication.

(260) AM 2019 98992 A
(210) AM 98992
(220) 2019 05 31
(731) JSC "Elite Electronics"
Kazbegi Av. 24, 0160, Tbilisi, Georgia
(540)



(591) Red, white, gray, brown, lilac
(531) 25.07.03; 25.07.08; 25.07.25; 27.05.01;
27.05.10; 27.05.22; 28.19; 29.01.15
(511) 35

(260) AM 2019 100781 A
(210) AM 100781
(220) 2019 05 20
(731) THE COCA-COLA COMPANY
One Coca-Cola Plaza, Atlanta, Georgia 30313,
USA
(740) Giorgi Taktakishvili
(540)

ფანტა ტროპიკი

(591) Black, white
(531) 28.19
(511) 32

(260) AM 2019 100782 A
(210) AM 100782
(220) 2019 05 20
(731) THE COCA-COLA COMPANY
One Coca-Cola Plaza, Atlanta, Georgia 30313,
USA
(740) Giorgi Taktakishvili
(540)

ფანტა მსხალი

(591) Black, white
(531) 28.19
(511) 32

(260) AM 2019 100783 A
(210) AM 100783
(220) 2019 05 20
(731) THE COCA-COLA COMPANY
One Coca-Cola Plaza, Atlanta, Georgia
30313, USA
(740) Giorgi Taktakishvili
(540)

ფანტა ყურძენი

(591) Black, white
(531) 28.19
(511) 32

(260) AM 2019 102064 A
(210) AM 102064
(220) 2019 03 07
(310) 33498 (Reg. No. 39396)
(320) 21 11 2018
(330) AD
(731) PHILIP MORRIS BRANDS SÀRL
Quai Jeanrenaud 3, 2000 Neuchâtel,
Switzerland
(740) Shalva Gvaramadze
(540)

JOURNEY FORWARD

(591) Black, white
(511) 34

(260) AM 2019 102718 A
(210) AM 102718
(220) 2019 04 15
(731) Vladimir Tavadze
Nino Ramishvili St. 35b, b36, Tbilisi,
Georgia
(540)



(591) Green, red, opalesce yellow, golden yellow, white
 (531) 07.01.14; 07.11.21; 07.11.25; 14.01.02; 14.01.03; 15.01.01; 15.01.17; 15.01.25; 28.19; 29.01.14
 (511) 43

(260) AM 2019 102930 A
 (210) AM 102930
 (220) 2019 05 02
 (731) SOPHARMA AD
 16, Iliensko shose str. 1220 Sofia, Bulgaria
 (740) Shalva Gvaramadze
 (540)

**ANTIALLERSIN
 SOPHARMA**

(591) Black, white
 (511) 5

(260) AM 2019 103004 A
 (210) AM 103004
 (220) 2019 05 03
 (731) JSC "Polimat Group"
 David Agmashenebeli Ave. 79, 0102, Tbilisi Georgia
 (740) Giorgi Taktakishvili
 (540)

area.ge

(591) Black, white
 (511) 9, 35, 36

(260) AM 2019 103013 A
 (210) AM 103013
 (220) 2019 05 07
 (731) Asharudhin Cholakkaparambil
 Ortachala St. 7, Krtsanisi district, Tbilisi Georgia
 (740) Salome Gorduladze
 (540)



(591) Red, white
 (531) 26.04.02; 26.04.22; 26.04.24; 27.05.01; 27.05.09; 27.05.24; 29.01.12
 (511) 30

(260) AM 2019 103018 A
 (210) AM 103018
 (220) 2019 05 08
 (731) LTD "Elementary Business and Innovation Investment Fund"
 Iosebidge St.49, 0160, Tbilisi, Georgia
 (540)



ქართული ღვინის ფესტივალი
 Georgian Wine Festival
 фестиваль грузинского вина

(591) Red, grey
 (531) 11.03.02; 19.09.02; 27.05.10; 29.01.13
 (511) 16, 32, 33, 35, 41, 43

(260) AM 2019 103019 A
 (210) AM 103019
 (220) 2019 05 08
 (731) LTD "Bolero & Company"
 Kuchishvili St.12-14-16, Fl. 6, 0179, Tbilisi, Georgia
 (540)



(591) Black, white
 (531) 03.04.11; 03.04.13
 (511) 33

(260) AM 2019 103020 A
 (210) AM 103020
 (220) 2019 05 08
 (731) LTD "Bolero & Company"
 Kuchishvili St. 12-14-16, Fl. 6, 0179, Tbilisi, Georgia
 (540)



ანაკლია
Анаклия
 ANAKLIA

(591) Black, white, dark green, cornelian-red
(531) 03.04.11; 03.04.13; 27.05.01; 28.05; 28.19;
29.01.13

(526) ანაკლია, Анаклия, ANAKLIA
(511) 33

(260) AM 2019 103028 A
(210) AM 103028
(220) 2019 05 08
(731) LTD "Kvareli Wine Company"
Lermontov St. 3, Kvareli, Georgia
(540)



(591) Black, golden, silver, cornelian-red
(531) 01.03.06; 01.03.15; 02.03.23; 05.01.16;
05.01.19; 05.07.10; 25.01.19; 29.01.14
(511) 32, 33, 35

(260) AM 2019 103032 A
(210) AM 103032
(220) 2019 05 10
(731) LTD "BMG"
Gamrekeli St. 19, Fl. 3, Office 6,
Saburtalo District, Tbilisi, Georgia
(740) Giorgi Taktakishvili
(540)

საქმიანები

(591) Black, white
(511) 38, 41

(260) AM 2019 103033 A
(210) AM 103033
(220) 2019 05 10
(731) LTD "B M G"
Gamrekeli St. 19, Fl. 3, Office 6,
Saburtalo District, Tbilisi, Georgia
(740) Giorgi Taktakishvili

(540)

**ბი ემ ჯი
BMG**

(591) Black, white
(511) 38, 41

(260) AM 2019 103034 A
(210) AM 103034
(220) 2019 05 10
(731) LTD "GRUZVINPROM"
Kostava St. 1, 1500, Gurgaani, Georgia
(540)



(591) White, black, red
(531) 19.09.02; 26.04.02; 26.04.22; 26.04.24;
27.05.11; 27.05.24; 28.19; 29.01.13
(511) 33

(260) AM 2019 103097 A
(210) AM 103097
(220) 2019 05 14
(731) RETAILER
Nino Zhvania St. 28, ap. 21, Vake District,
0179, Tbilisi, Georgia
(540)



(591) Black, Yellow, red
(531) 24.17.05; 26.04.02; 26.04.07; 26.04.09;
26.04.10; 26.04.22; 26.04.24; 27.05.24; 28.19;
29.01.13
(511) 6, 20, 42

(260) AM 2019 103102 A
(210) AM 103102
(220) 2019 05 14
(731) JSC "Kindzmarauli Corporation"
I. Chavchavadze St. 55, 4800, Kvareli,
Georgia
(540)



(591) Light brown, pink, lilac, yellow, white,
brown, black
(531) 01.15.21; 04.05.02; 04.05.05; 19.09.02; 28.19;
29.01.15
(511) 43

(260) AM 2019 103103 A
(210) AM 103103
(220) 2019 05 14
(731) JSC "Kindzmarauli Corporation"
I. Chavchavadze St. 55, 4800, Kvareli,
Georgia
(540)

ძვრალი ხუობო
Пьяное мороженое
Drunk Ice Cream

(591) Black, white
(511) 43

(260) AM 2019 103104 A
(210) AM 103104
(220) 2019 05 14
(731) JSC "Kindzmarauli Corporation"
I. Chavchavadze St. 55, 4800, Kvareli,
Georgia
(540)

1533

(591) Black, white
(511) 33

(260) AM 2019 103108 A
(210) AM 103108
(220) 2019 05 14
(731) Novartis Ag
4002 Basel, Switzerland
(740) Pavle Meipariani
(540)

RUNAPLAX

(591) Black, white
(511) 5

(260) AM 2019 103111 A
(210) AM 103111
(220) 2019 05 15
(731) REISING MOTOR DEVELOPMENT LTD
3/F Jonsim Place, 228 Queen,s Road,
Hong-Kong, Hong Kong
(740) Tamar Kochlamazashvili
(540)



(591) Black, grey
(531) 26.04.02; 26.04.18; 26.04.22; 26.11.07;
27.05.01; 27.05.04; 27.05.06; 27.05.21;
27.05.22
(511) 12

(260) AM 2019 103112 A
(210) AM 103112
(220) 2019 05 16
(731) Laboratorios Lansier S.A.C.
Jr. General Varela No. 461-475, Breña,
Lima, Peru
(740) Pavle Meipariani
(540)

LAMOFLOX

(591) Black, white
(511) 5

(260) AM 2019 103114 A
(210) AM 103114
(220) 2019 05 16
(731) Khayrat Al-Manafa for General
Trade end Public Transport Limited
Liability Company
27, Saborni St., Varna, Bulgaria
(740) Liliana Darakhvelidze
(540)

EREBUNI

(591) Black, white
(511) 34

(260) AM 2019 103115 A
(210) AM 103115
(220) 2019 05 16
(731) Khayrat Al-Manafa for General
Trade end Public Transport Limited
Liability Company
27, Saborni St., Varna, Bulgaria
(740) Liliana Darakhvelidze
(540)

RED LINE

(591) Black, white
(511) 34

(260) AM 2019 103119 A
(210) AM 103119
(220) 2019 05 16
(731) Khayrat Al-Manafa for General
Trade end Public Transport Limited
Liability Company
27, Saborni St., Varna, Bulgaria
(740) Liliana Darakhvelidze

(540)

M7(591) Black, white
(511) 34(260) AM 2019 103120 A
(210) AM 103120
(220) 2019 05 16
(731) Khayrat Al-Manafa for General
Trade end Public Transport Limited
Liability Company
27, Saborni St., Varna, Bulgaria
(740) Liliana Darakhvelidze
(540)**VAN**(591) Black, white
(511) 34(260) AM 2019 103123 A
(210) AM 103123
(220) 2019 05 16
(731) LTD "Idea Development"
Pekin Av. 2, ap. 59, Saburtalo District,
Tbilisi, Georgia
(740) Tamar Kharazishvili
(540)(591) Black, white
(531) 07.01.09; 07.01.24; 26.03.04; 26.03.23;
27.05.10; 28.19
(511) 36, 37(260) AM 2019 103179 A
(210) AM 103179
(220) 2019 05 17
(310) 2018-145370
(320) 26 11 2018
(330) JP
(731) TOSHIBA MEMORY CORPORATION
1-1, Shibaura 1-chome, Minato-ku, Tokyo,
Japan
(740) Tamaz Shilakadze
(540)**KIOXIA**(591) Black, white
(511) 7, 9, 35, 41, 42(260) AM 2019 103182 A
(210) AM 103182
(220) 2019 05 20
(310) 88/389,914
(320) 17 04 2019
(330) US
(731) Reign Beverage Company LLC
1547 N. Knoulz Aveniu, Los Anjelesi,
Kalifornia, 90063, USA
(740) Natela Otaridze
(540)**REFUEL. REFRESH.
RECOVER.**(591) Black, white
(511) 32(260) AM 2019 103183 A
(210) AM 103183
(220) 2019 05 20
(310) 88/389,914
(320) 17 04 2019
(330) US
(731) Reign Beverage Company LLC
1547 N. Knoulz Aveniu, Los Anjelesi,
Kalifornia, 90063, USA
(740) Natela Otaridze
(540)**YOUR REIGN, YOUR
RULES**(591) Black, white
(511) 32(260) AM 2019 103189 A
(210) AM 103189
(220) 2019 05 21
(731) NINGBO WIN-WIN MEDICAL
INSTRUMENTS CO., LTD.
RM.6-5,NO.9,SHUBO ROAD, YINZHOU,
NINGBO, China
(740) Khatuna Imnadze
(540)

(591) Black, white
(531) 26.11.02; 26.11.06; 26.11.13; 27.05.01;
27.05.21
(511) 10(260) AM 2019 103191 A
(210) AM 103191
(220) 2019 05 21

- (731) LTD "ISI ROIALTI"
Ul. Riabinovaya, dom 26, Stroenie 1,
Etazh 7, komnata 4, Moscow, 121417,
Russian Federation
(740) Tamar Kochlamazashvili
(540)



- (591) Yellow, pink, black, gray, orange
(531) 02.01.18; 06.07.01; 06.07.02; 06.07.04;
07.01.01; 15.07.09; 19.09.02
(511) 33

- (260) AM 2019 103193 A
(210) AM 103193
(220) 2019 05 21
(731) Niko Beridze
T. Tabidze St., I Lane 10, 0179, Tbilisi,
Georgia
(540)



- (591) Black, yellow, blue
(531) 01.01.05; 01.01.10; 28.19; 29.01.13
(511) 9, 25, 28, 35, 42

- (260) AM 2019 103194 A
(210) AM 103194
(220) 2019 05 21
(731) CJSC "Pharmaceutical Enterprise
"MELIGEN"
P. Shcheglovo, 53-A Leningradskaya
Oblast, Vsevolzhskiy Raion, 188676,
Russian Federation

- (740) Nino Bakhtadze
(540)

СПАСАТЕЛЪ

- (591) Black, white
(511) 3, 5

- (260) AM 2019 103199 A
(210) AM 103199
(220) 2019 05 22
(310) 88207168
(320) 27 11 2018
(330) US
(731) Reign Beverage Company LLC
1547 N. Knoulz Aveniu, Los Anjelesi,
Kalifornia, 90063, USA
(740) Natela Otardidze
(540)



- (591) Black, white, yellow, blue
(531) 04.05.21; 24.09.02; 24.09.09; 27.05.09;
27.05.10; 29.01.14
(511) 32

- (260) AM 2019 103200 A
(210) AM 103200
(220) 2019 05 22
(310) 88207138
(320) 27 11 2018
(330) US
(731) Reign Beverage Company LLC
1547 N. Knoulz Aveniu, Los Anjelesi,
Kalifornia, 90063, USA
(740) Natela Otardidze
(540)



REIGN
TOTAL BODY FUEL

- (591) Black, white
(531) 04.05.21; 24.09.02; 24.09.09; 24.09.11;
27.05.01; 27.05.09; 27.05.10
(511) 32

(260) AM 2019 103203 A
 (210) AM 103203
 (220) 2019 05 22
 (731) Dali Gogitashvili
 Racha St. 17, 4800, Kvareli, Georgia
 (740) Khatuna Imnadze
 (540)

ХАЛХУРИ

(591) Black, white
 (511) 33

(260) AM 2019 103205 A
 (210) AM 103205
 (220) 2019 05 22
 (731) JSC "LOMISI"
 Vill. Natakhtari, 3308, Mtskheta, Georgia
 (540)

Radler

რადლერი

(591) Black, white
 (511) 33

(260) AM 2019 103206 A
 (210) AM 103206
 (220) 2019 05 22
 (731) Olga Mikhalujk
 Obolonskiy Prospekt 27A, ap 150, Kiyv,
 Ukraine;
 Aleksandr Davidyants
 Gldani, II mkr., korp. 38, ap. 50, 0167,
 Tbilisi, Georgia
 (540)

CASH GAME
W E E K E N D

(591) White, black, red
 (531) 27.05.01; 29.01.12
 (511) 41

(260) AM 2019 103216 A
 (210) AM 103216
 (220) 2019 05 23
 (731) VITRINOR VITRIFICADOS DEL NORTE
 S.A.L.
 Barrio De Rioseko, S/N, Guriezo
 (CANTABRIA), 39788, Spain
 (740) Liliana Darakhvelidze
 (540)



(591) Black, red, white
 (531) 26.04.01; 26.04.02; 26.04.04; 26.04.07;
 26.04.22; 26.11.03; 26.11.06; 26.11.07;
 27.05.01; 29.01.13
 (511) 21

(260) AM 2019 103218 A
 (210) AM 103218
 (220) 2019 05 23
 (310) № 076850
 (320) 04 02 2019
 (330) JM
 (731) ALCON INC.
 Rue Louis-d'Affry 6, CH-1701 Fribourg,
 Switzerland
 (740) Merab Kvimsadze
 (540)

See Brilliantly

(591) Black, white
 (531) 27.01.01
 (511) 5, 9, 10, 35, 37, 41

(260) AM 2019 103221 A
 (210) AM 103221
 (220) 2019 05 24
 (731) LTD "RICH GROUP"
 Vill. Mughanlo, Marneuli District, Georgia
 (540)

Sedaflor B

სედაფლორ ბ

(591) Black, white
 (511) 5

(260) AM 2019 103304 A
 (210) AM 103304
 (220) 2019 05 24
 (731) LTD "STARTLET GROUP"
 R. Tabukashvili St. 119, ap. 49, Kutaisi,
 Georgia
 (740) Giorgi Taktakishvili
 (540)



(591) Black, white
 (531) 26.01.18; 26.04.10
 (511) 30

(260) AM 2019 103306 A
 (210) AM 103306
 (220) 2019 05 27
 (731) LTD "NEW FORS CONSTRUCTION"
 King Archil St. 9, Tbilisi, Georgia
 (740) Salome Dvalishvili
 (540)



(591) Blue, green, white
 (531) 28.19; 29.01.13
 (511) 6, 36, 37, 42

(260) AM 2019 103307 A
 (210) AM 103307
 (220) 2019 05 27
 (731) LTD "NEW FORS CONSTRUCTION"
 King Archil St. 9, Tbilisi, Georgia
 (740) Salome Dvalishvili
 (540)

გრადა/Grada/Града

(591) Black, white
 (511) 6, 36, 37, 42

(260) AM 2019 103308 A
 (210) AM 103308
 (220) 2019 05 27
 (731) LTD "WINEMAN"
 Gudiashvili St. 11, 0105, Tbilisi, Georgia
 (740) Shalva Gvaramadze
 (540)



(591) White, light golden
 (531) 24.01.03; 24.01.05; 24.01.10; 24.01.13;
 24.01.15; 24.09.02; 24.09.05; 24.09.12;
 24.13.01; 25.01.05; 27.05.01; 29.01.12
 (511) 33

(260) AM 2019 103317 A
 (210) AM 103317
 (220) 2019 05 29
 (310) 82833/2018
 (320) 10 12 2018
 (330) CH
 (731) ABBOTT LABORATORIES
 100 Abbott Park Road, Illinois, Ebot Parki,
 60064, USA

(740) Tamar Kochlamazashvili
 (540)

IBERET

(591) Black, white
 (511) 5

(260) AM 2019 103320 A
 (210) AM 103320
 (220) 2019 05 29
 (310) 88/255,430
 (320) 09 01 2019
 (330) US
 (731) BIOVERATIV THERAPEUTICS INC.
 225 Second Avenue, Waltham,
 Massachusetts 02451, 02451, USA
 (740) Shalva Gvaramadze
 (540)

ENJAYMO

(591) Black, white
 (511) 5

(260) AM 2019 103324 A
 (210) AM 103324
 (220) 2019 05 30
 (731) PRIME LEGAL
 Toneti Square 5, Krtsanisi District,
 Tbilisi, Georgia
 (540)



(591) Light blue, dark blue
 (531) 27.05.01; 27.05.09; 27.05.10; 27.05.11;
 27.05.22; 29.01.04
 (511) 45

(260) AM 2019 103326 A
 (210) AM 103326
 (220) 2019 05 30
 (731) M. H. Alshaya Co. W.L.L.
 P. O. Box 181, Safat, 13002, Kuwait
 (740) Merab Kvimsadze
 (540)



(591) Black, white
 (531) 27.05.01; 27.05.09; 27.05.10; 27.05.21; 28.01
 (511) 35

(260) AM 2019 103330 A
 (210) AM 103330
 (220) 2019 05 30
 (731) M. H. Alshaya Co. W.L.L.
 P. O. Box 181, Safat, 13002, Kuwait
 (740) Merab Kvimsadze
 (540)



(591) Black, white
 (531) 27.05.01; 27.05.09; 27.05.10; 27.05.21; 28.01
 (511) 35

(260) AM 2019 103332 A
 (210) AM 103332
 (220) 2019 05 30
 (731) M. H. Alshaya Co. W.L.L.
 P. O. Box 181, Safat, 13002, Kuwait
 (740) Merab Kvimsadze
 (540)



(591) Black, white
 (531) 27.05.01; 27.05.09; 27.05.10; 27.05.21; 28.01
 (511) 35

(260) AM 2019 103334 A
 (210) AM 103334
 (220) 2019 05 30
 (731) M. H. Alshaya Co. W.L.L.
 P. O. Box 181, Safat, 13002, Kuwait
 (740) Merab Kvimsadze
 (540)



(591) Black, white
 (531) 27.05.01; 27.05.09; 27.05.10; 27.05.21; 28.01
 (511) 35

(260) AM 2019 103336 A
 (210) AM 103336
 (220) 2019 05 30

(731) M. H. Alshaya Co. W.L.L.
 P. O. Box 181, Safat, 13002, Kuwait
 (740) Merab Kvimsadze
 (540)



(591) Black, white
 (531) 27.05.01; 27.05.09; 27.05.10; 27.05.21; 28.01
 (511) 35

(260) AM 2019 103341 A
 (210) AM 103341
 (220) 2019 05 30
 (731) FRASER RESEARCH LABS. INC.
 25 Sheppard Avenue West, Suite 300,
 Toronto, Ontario, M2N 6S6, Canada
 (740) Merab Kvimsadze
 (540)



(591) Black, white
 (531) 27.05.10
 (511) 3

(260) AM 2019 103342 A
 (210) AM 103342
 (220) 2019 05 30
 (731) FRASER RESEARCH LABS. INC.
 25 Sheppard Avenue West, Suite 300,
 Toronto, Ontario, M2N 6S6, Canada
 (740) Merab Kvimsadze
 (540)



(591) Black, white
 (531) 27.05.09; 27.05.10
 (511) 3, 5

(260) AM 2019 103343 A
 (210) AM 103343
 (220) 2019 05 30
 (731) SHENZHEN BAILUO TECHNOLOGY CO.,
 LTD.
 Room C628, Mingyou Center, Baoyuan Road,
 Xixiang, Bao'an District, Shenzhen, China
 (740) Nino Bakhtadze

(540)

VIPARSPECTRA

(591) Black, white
(531) 27.05.01
(511) 11

(260) AM 2019 103345 A

(210) AM 103345

(220) 2019 05 31

(731) ACE OF SPADES HOLDINGS, LLC
540 W. 26th Street, NY, New York, 10001,
USA

(740) Tamar Kochlamazashvili

(540)

ACE OF SPADES

(591) Black, white
(511) 33

(260) AM 2019 103346 A

(210) AM 103346

(220) 2019 05 31

(731) ACE OF SPADES HOLDINGS, LLC
540 W. 26th Street, NY, New York, 10001,
USA

(740) Tamar Kochlamazashvili

(540)

ARMAND DE BRIGNAC

(591) Black, white
(511) 33

(260) AM 2019 103347 A

(210) AM 103347

(220) 2019 05 31

(731) ACE OF SPADES HOLDINGS, LLC
540 W. 26th Street, NY, New York, 10001,
USA

(740) Tamar Kochlamazashvili



(591) Black, white
(531) 21.01.02; 27.05.21
(511) 33

(260) AM 2019 103429 A

(210) AM 103429

(220) 2019 05 31

(731) LTD "MEAMA"
Givi Amilakhvari St. 2, Samgori District,
Tbilisi, Georgia

(540)



(591) Grey

(531) 27.05.01; 27.05.09; 27.05.14; 27.05.21

(511) 7, 9, 11, 21, 30, 32, 33, 35, 37, 43

(260) AM 2019 103435 A

(210) AM 103435

(220) 2019 06 03

(731) MIRAGE GRANITO CERAMICO S.P.A.
Via Jardini Nordi, 225, 41026 Pavullo-nel-
friniano (modena), Italy

(740) Tamaz Shilakadze

(540)

**INFINITY ENGINEERED
SURFACE**

(591) Black, white
(511) 19

(260) AM 2019 103436 A

(210) AM 103436

(220) 2019 06 03

(731) DUPONT AGRICULTURAL CARIBE
INDUSTRIES, LTD.
Clarendon House, 2 Church Street, HM11
Hamilton, Bermuda

(740) Tamaz Shilakadze

(540)

FLUENCE

(591) Black, white
(511) 5

(260) AM 2019 103437 A

(210) AM 103437

(220) 2019 06 03

(731) DUPONT AGRICULTURAL CARIBE
INDUSTRIES, LTD.
Clarendon House, 2 Church Street, HM11
Hamilton, Bermuda

(740) Tamaz Shilakadze

(540)

RELSERA

(591) Black, white
(511) 5

(260) AM 2019 103465 A
 (210) AM 103465
 (220) 2019 06 04
 (731) Sport&Fashion Management PTE. LTD
 6 Shenton Vei, №18-11, Oue Dauntaun 2,
 068809, Singapore
 (740) Vakhtang Torotadze
 (540)



(591) White, black, blue
 (531) 26.01.01; 26.01.18; 26.01.24; 27.05.01;
 27.05.21; 27.05.24; 29.01.13
 (511) 8, 9, 18, 20, 21, 22, 24

(260) AM 2019 103466 A
 (210) AM 103466
 (220) 2019 06 04
 (731) Sport&Fashion Management PTE. LTD
 6 Shenton Vei, №18-11, Oue Dauntaun 2,
 068809, Singapore
 (740) Vakhtang Torotadze
 (540)

CYCLOTECH

(591) Black, white
 (511) 6, 8, 9, 11, 12, 18, 21, 25

(260) AM 2019 103467 A
 (210) AM 103467
 (220) 2019 06 04
 (731) Sport&Fashion Management PTE. LTD
 6 Shenton Vei, №18-11, Oue Dauntaun 2,
 068809, Singapore
 (740) Vakhtang Torotadze
 (540)



(591) Blue, red, white
 (531) 02.01.23; 04.05.03; 24.15.03; 24.15.21;
 26.03.23; 27.01.01; 29.01.13
 (511) 18, 35

(260) AM 2019 103473 A
 (210) AM 103473
 (220) 2019 06 05
 (731) MIDEA GROUP CO., LTD
 B26-28F, Midea Headquarter Building,
 No.6 Midea Avenue, Beijiao, Shunde,
 Foshan, Guangdong, Foshan, Guandun,
 China

(740) Liliana Darakhvelidze
 (540)

BreezeleSS⁺

(591) Black, white
 (531) 24.13.14; 24.13.25; 24.17.05; 27.05.01
 (511) 11

(260) AM 2019 103479 A
 (210) AM 103479
 (220) 2019 06 06
 (731) LTD "Favite Style"
 Chubinashvili St. 50, Chughureti District,
 0164, Tbilisi, Georgia
 (540)



(591) Sky-blue, red, pink, orange, yellow, blue,
 green, light green
 (531) 26.11.12; 26.13.25; 27.01.05; 27.05.01;
 27.05.10; 28.19; 29.01.13
 (511) 16, 35, 40, 41, 42

(260) AM 2019 103564 A
 (210) AM 103564
 (220) 2019 06 10
 (731) Tamar Aksznder
 I. Chavchavadze Av. 51, korp. 1, ap. 12,
 Tbilisi, Georgia
 (540)



(591) Black, white
 (531) 26.04.09; 26.04.24; 27.05.24
 (511) 25, 41

(260) AM 2019 103665 A
 (210) AM 103665
 (220) 2019 06 17
 (731) Irakli Kirtskhalia
 R. Japaridze St. 9, 0179, Tbilisi, Georgia
 (740) Vakhtang Torotadze

(540)



(591) Black, white

(531) 26.04.02; 26.04.22; 26.04.24; 27.05.11;
27.05.24; 28.19

(526) სასტუმრო, Hotel

(511) 43

REGISTERED TRADEMARKS

(111) M 2019 32074 R
 (151) 2019 12 09
 (181) 2029 12 09
 (260) AM 2018 100086 A
 (220) 2018 11 06

(732) ZENPIA CO., LTD
 2F, Etang Bldg., Hakdong-ro 11-gil 6,
 Gangnam-Gu, Seoul, Republic of Korea;
 Jin Oh JOUNG
 N105-2802, 12, Yeongdong-daero 138-gil,
 Gangnam-gu, Seoul, Republic of Korea

(732) LTD "LADY HEALTHCARE"
 Yuri Gagarin St. 5, office 6, Tbilisi, Georgia

(111) M 2019 32080 R
 (151) 2019 12 09
 (181) 2029 12 09
 (260) AM 2018 100694 A
 (220) 2018 12 05

(732) LTD "LADY HEALTHCARE"
 Yuri Gagarin St. 5, office 6, Tbilisi, Georgia

(111) M 2019 32075 R
 (151) 2019 12 09
 (181) 2029 12 09
 (260) AM 2018 100664 A
 (220) 2018 11 30

(732) FRANK MAYER
 Maler-Ernst-Strasse 1, 67098 Bad Dürkheim,
 Germany

(111) M 2019 32081 R
 (151) 2019 12 09
 (181) 2029 12 09
 (260) AM 2018 100695 A
 (220) 2018 12 05

(732) LTD "LADY HEALTHCARE"
 Yuri Gagarin St. 5, office 6, Tbilisi, Georgia

(111) M 2019 32076 R
 (151) 2019 12 09
 (181) 2029 12 09
 (260) AM 2018 100672 A
 (220) 2018 12 03

(732) LTD "LADY HEALTHCARE"
 Yuri Gagarin St. 5, office 6, Tbilisi, Georgia

(111) M 2019 32082 R
 (151) 2019 12 09
 (181) 2029 12 09
 (260) AM 2018 100787 A
 (220) 2018 12 14

(732) LTD "SUKHISHVILEBI"
 D. Aghmashenebeli Av. 123b, 0164, Tbilisi,
 Georgia

(111) M 2019 32077 R
 (151) 2019 12 09
 (181) 2029 12 09
 (260) AM 2018 100674 A
 (220) 2018 12 03

(732) LTD "LADY HEALTHCARE"
 Yuri Gagarin St. 5, office 6, Tbilisi, Georgia

(111) M 2019 32083 R
 (151) 2019 12 09
 (181) 2029 12 09
 (260) AM 2018 100859 A
 (220) 2018 12 21

(732) JSC "m² Real Estate"
 Iliia Chavchavadze Av. 29, Fl. 3, Tbilisi,
 Georgia

(111) M 2019 32078 R
 (151) 2019 12 09
 (181) 2029 12 09
 (260) AM 2018 100675 A
 (220) 2018 12 03

(732) LTD "LADY HEALTHCARE"
 Yuri Gagarin St. 5, office 6, Tbilisi, Georgia

(111) M 2019 32084 R
 (151) 2019 12 09
 (181) 2029 12 09
 (260) AM 2018 100860 A
 (220) 2018 12 21

(732) JSC "m² Real Estate"
 Iliia Chavchavadze Av. 29, Fl. 3, Tbilisi,
 Georgia

(111) M 2019 32079 R
 (151) 2019 12 09
 (181) 2029 12 09
 (260) AM 2018 100676 A
 (220) 2018 12 03

(111) M 2019 32085 R
 (151) 2019 12 09
 (181) 2029 12 09

(260) AM 2018 100861 A
(220) 2018 12 21
(732) JSC "m² Real Estate"
Ilia Chavchavadze Av. 29, Fl. 3, Tbilisi,
Georgia

(111) M 2019 32086 R
(151) 2019 12 09
(181) 2029 12 09
(260) AM 2018 100862 A
(220) 2018 12 21
(732) JSC "m² Real Estate"
Ilia Chavchavadze Av. 29, Fl. 3, Tbilisi,
Georgia

(111) M 2019 32087 R
(151) 2019 12 09
(181) 2029 12 09
(260) AM 2018 100863 A
(220) 2018 12 21
(732) JSC "m² Real Estate"
Ilia Chavchavadze Av. 29, Fl. 3, Tbilisi,
Georgia

(111) M 2019 32088 R
(151) 2019 12 09
(181) 2029 12 09
(260) AM 2018 100864 A
(220) 2018 12 21
(732) JSC "m² Real Estate"
Ilia Chavchavadze Av. 29, Fl. 3, Tbilisi,
Georgia

(111) M 2019 32089 R
(151) 2019 12 09
(181) 2029 12 09
(260) AM 2018 100890 A
(220) 2018 12 27
(732) ETER KERESLIDZE
Gldani, VII mkr., Bl. 19, Ap. 44, Tbilisi,
Georgia

(111) M 2019 32090 R
(151) 2019 12 09
(181) 2029 12 09
(260) AM 2019 100928 A
(220) 2019 01 09
(732) PHILIP MORRIS BRANDS SÀRL
Quai Jeanrenaud 3, 2000 Neuchâtel,
Switzerland

(111) M 2019 32091 R
(151) 2019 12 09
(181) 2029 12 09

(260) AM 2019 100930 A
(220) 2019 01 09
(732) PHILIP MORRIS BRANDS SÀRL
Quai Jeanrenaud 3, 2000 Neuchâtel,
Switzerland

(111) M 2019 32092 R
(151) 2019 12 09
(181) 2029 12 09
(260) AM 2019 100931 A
(220) 2019 01 09
(732) PHILIP MORRIS BRANDS SÀRL
Quai Jeanrenaud 3, 2000 Neuchâtel,
Switzerland

(111) M 2019 32093 R
(151) 2019 12 09
(181) 2029 12 09
(260) AM 2019 100933 A
(220) 2019 01 09
(732) PHILIP MORRIS BRANDS SÀRL
Quai Jeanrenaud 3, 2000 Neuchâtel,
Switzerland

(111) M 2019 32094 R
(151) 2019 12 09
(181) 2029 12 09
(260) AM 2019 101215 A
(220) 2019 01 10
(732)) LTD "I-DI DEVELOPMENT"
G. Kvinitadze St. 8, Old Tbilisi District, Tbilisi,
Georgia

(111) M 2019 32095 R
(151) 2019 12 09
(181) 2029 12 09
(260) AM 2019 101237 A
(220) 2019 01 16
(732) SANRIO COMPANY, LTD.
1-6-1 Osaki, Shinagawa-ku, Tokyo, Japan

(111) M 2019 32096 R
(151) 2019 12 09
(181) 2029 12 09
(260) AM 2019 101238 A
(220) 2019 01 16
(732) SANRIO COMPANY, LTD.
1-6-1 Osaki, Shinagawa-ku, Tokyo, Japan

(111) M 2019 32097 R
(151) 2019 12 09
(181) 2029 12 09
(260) AM 2019 101240 A

(220) 2019 01 17
 (732) LTD "CHACHA"
 G. Lortkipanidze St. 11/P. Iashvili St. 17,
 Area 16, Mtatsminda District, Tbilisi, Georgia

One Discovery Drive, SWIFTWATER, PA
 18370, USA

(111) M 2019 32098 R
 (151) 2019 12 09
 (181) 2029 12 09
 (260) AM 2019 101241 A
 (220) 2019 01 17
 (732) LTD "WINEMAN LTD"
 Gudiashevili St. 11, 0105, Tbilisi, Georgia

(111) M 2019 32104 R
 (151) 2019 12 09
 (181) 2029 12 09
 (260) AM 2019 101299 A
 (220) 2019 01 23
 (732) SANOFI PASTEUR INC.
 One Discovery Drive, SWIFTWATER, PA
 18370, USA

(111) M 2019 32099 R
 (151) 2019 12 09
 (181) 2029 12 09
 (260) AM 2019 101247 A
 (220) 2019 01 17
 (732) JSC "m² Real Estate"
 Iliia Chavchavadze Av. 29, Fl. 3, Tbilisi,
 Georgia

(111) M 2019 32105 R
 (151) 2019 12 09
 (181) 2029 12 09
 (260) AM 2019 101300 A
 (220) 2019 01 23
 (732) SANOFI PASTEUR INC.
 One Discovery Drive, SWIFTWATER, PA
 18370, USA

(111) M 2019 32100 R
 (151) 2019 12 09
 (181) 2029 12 09
 (260) AM 2019 101248 A
 (220) 2019 01 17
 (732) JSC "m² Real Estate"
 Iliia Chavchavadze Av. 29, Fl. 3, Tbilisi,
 Georgia

(111) M 2019 32106 R
 (151) 2019 12 09
 (181) 2029 12 09
 (260) AM 2019 101371 A
 (220) 2019 01 25
 (732) JIM BIM BRENDZ CO.
 222 West Merchandise Mart Plaza, Suit 1600,
 Chikago, Illinois State, 60654, USA

(111) M 2019 32101 R
 (151) 2019 12 09
 (181) 2029 12 09
 (260) AM 2019 101288 A
 (220) 2019 01 18
 (732) LTD "Georgia Travel"
 Eg. Ninoshvili St. 66, 1400, Gori, Georgia

(111) M 2019 32107 R
 (151) 2019 12 09
 (181) 2029 12 09
 (260) AM 2019 101376 A
 (220) 2019 01 25
 (732) THE BODY SHOP INTERNATIONAL
 LIMITED
 Watersmead, Littlehampton, West Sussex,
 BN17 6LS, United Kingdom

(111) M 2019 32102 R
 (151) 2019 12 09
 (181) 2029 12 09
 (260) AM 2019 101297 A
 (220) 2019 01 22
 (732) LTD "QOSHER CORNER"
 Tabidze St. 108, ap. 10, 0162, Tbilisi, Georgia

(111) M 2019 32108 R
 (151) 2019 12 09
 (181) 2029 12 09
 (260) AM 2019 101393 A
 (220) 2019 01 29
 (732) JSC "Georgian Beer Company"
 Vill. Saguramo, 3311, Mtskheta, Georgia

(111) M 2019 32103 R
 (151) 2019 12 09
 (181) 2029 12 09
 (260) AM 2019 101298 A
 (220) 2019 01 23
 (732) SANOFI PASTEUR INC.

(111) M 2019 32109 R
 (151) 2019 12 09
 (181) 2029 12 09
 (260) AM 2019 101394 A
 (220) 2019 01 29

(732) JSC "Georgian Beer Company"
Vill. Saguramo, 3311, Mtskheta, Georgia

(111) M 2019 32110 R
(151) 2019 12 09
(181) 2029 12 09
(260) AM 2019 101395 A
(220) 2019 01 29
(732) JSC "Georgian Beer Company"
Vill. Saguramo, 3311, Mtskheta, Georgia

(111) M 2019 32111 R
(151) 2019 12 09
(181) 2029 12 09
(260) AM 2019 101600 A
(220) 2019 02 08
(732) LTD "N Plus"
Queen Tamar's Shore 42, 6200, Kobuleti,
Georgia

(111) M 2019 32112 R
(151) 2019 12 09
(181) 2029 12 09
(260) AM 2019 104901 A
(220) 2019 09 16
(732) Satius LLC
Ul. Kaspiiskaia, dom 22, k.1, str. 5, et. 3,
pom.7, Komnata 17, 115034, Moskovi, Russian
Federation

(111) M 2019 32113 R
(151) 2019 12 09
(181) 2029 12 09
(260) AM 2018 98673 A
(220) 2018 07 24
(732) "CCLA" LLC
S. Tsintsadze Str. 26, Entrance 3, Floor 3,
Ap. 3-01, Blok II, Vake-Saburtalo
District, 0160, Tbilisi, Georgia

(111) M 2019 32114 R
(151) 2019 12 09
(181) 2029 12 09
(260) AM 2018 98962 A
(220) 2018 08 10
(732) LTD "Lithuanian Bakery+"
T. Eristavi Str. 1, 0192, Tbilisi, Georgia

(111) M 2019 32115 R
(151) 2019 12 09
(181) 2029 12 09
(260) AM 2019 99063 A
(220) 2019 01 10

(732) LTD "FORMOSA"
R. Mamisashvili St. 31a, 0182, Tbilisi,
Georgia

(111) M 2019 32116 R
(151) 2019 12 09
(181) 2029 12 09
(260) AM 2018 99302 A
(220) 2018 09 07
(732)) LLC "Dinamo Football Club Tbilisi"
B. Paichadze Str. 11, 0159, Tbilisi, Georgia

(111) M 2019 32117 R
(151) 2019 12 09
(181) 2029 12 09
(260) AM 2018 99326 A
(220) 2018 09 12
(732) GENADI VASILEVICH JURAVLIOV
Federaciuli Prospekti, Sakhli 28, b. 47, 111399,
Moskovi, Russian Federation

(111) M 2019 32118 R
(151) 2019 12 09
(181) 2029 12 09
(260) AM 2018 99779 A
(220) 2018 10 11
(732) JOHNSON & JOHNSON
ONE JOHNSON & JOHNSON PLAZA
New Brunswick, New Jersey
08933, USA

(111) M 2019 32119 R
(151) 2019 12 10
(181) 2029 12 10
(260) AM 2018 100387 A
(220) 2018 11 12
(732) LTD "Bolero & Company"
Marshal Gelovani Av. 13, floor 9,
0159, Tbilisi, Georgia

(111) M 2019 32120 R
(151) 2019 12 10
(181) 2029 12 10
(260) AM 2018 100388 A
(220) 2018 11 12
(732) LTD "Bolero & Company"
Marshal Gelovani Av. 13, floor 9,
0159, Tbilisi, Georgia

(111) M 2019 32121 R
(151) 2019 12 10
(181) 2029 12 10
(260) AM 2018 100793 A

(220) 2018 12 14
(732) LTD "Chigogidze Wine"
Jorbenadze St. 31, Isani-Samgori district,
0103, Tbilisi, Georgia

(111) M 2019 32122 R
(151) 2019 12 10
(181) 2029 12 10
(260) AM 2018 100799 A
(220) 2018 12 17
(732) LTD "United Tobacco Agency"
Krtsanisi II lane 15, Bl. 2, ap. 25, Tbilisi,
Georgia

(111) M 2019 32123 R
(151) 2019 12 10
(181) 2029 12 10
(260) AM 2019 101234 A
(220) 2019 01 16
(732) COLGATE-PALMOLIVE COMPANY
a Delaware corporation
300 Park Avenue, New York, New York
10022, USA

(111) M 2019 32124 R
(151) 2019 12 10
(181) 2029 12 10
(260) AM 2019 101235 A
(220) 2019 01 16
(732) COLGATE-PALMOLIVE COMPANY
a Delaware corporation
300 Park Avenue, New York, New York
10022, USA

(111) M 2019 32125 R
(151) 2019 12 10
(181) 2029 12 10
(260) AM 2019 101304 A
(220) 2019 01 24
(732) COLGATE-PALMOLIVE COMPANY
a Delaware corporation
300 Park Avenue, New York, New York
10022, USA

(111) M 2019 32126 R
(151) 2019 12 10
(181) 2029 12 10
(260) AM 2019 101374 A
(220) 2019 01 25
(732) COLGATE-PALMOLIVE COMPANY
a Delaware corporation
300 Park Avenue, New York, New York
10022, USA

(111) M 2019 32127 R
(151) 2019 12 10
(181) 2029 12 10
(260) AM 2019 101375 A
(220) 2019 01 25
(732) COLGATE-PALMOLIVE COMPANY
a Delaware corporation
300 Park Avenue, New York, New York
10022, USA

(111) M 2019 32128 R
(151) 2019 12 10
(181) 2029 12 10
(260) AM 2019 101507 A
(220) 2019 02 04
(732) LTD "G-M-P"
Vill. Ponitchala 65, 0165, Tbilisi, Georgia

(111) M 2019 32129 R
(151) 2019 12 10
(181) 2029 12 10
(260) AM 2019 101524 A
(220) 2019 02 07
(732) LTD "G-M-P"
Vill. Ponitchala 65, 0165, Tbilisi, Georgia

(111) M 2019 32130 R
(151) 2019 12 10
(181) 2029 12 10
(260) AM 2018 99524 A
(220) 2018 09 26
(732) Obshestvo s Ogranichennoy Otvetstvennostiu
Coordination-Distribution Center
"EFKO-CASCAD"
Frunze St., Bl. 4, Alekseevka, 309850,
Belgorodskaya District, Russian Federation

(111) M 2019 32131 R
(151) 2019 12 10
(181) 2029 12 10
(260) AM 2018 99525 A
(220) 2018 09 26
(732)) Obshestvo s Ogranichennoy Otvetstvennostiu
Coordination-Distribution Center
"EFKO-CASCAD"
Frunze St., Bl. 4, Alekseevka, 309850,
Belgorodskaya District, Russian Federation

(111) M 2019 32132 R
(151) 2019 12 10
(181) 2029 12 10
(260) AM 2018 99527 A
(220) 2018 09 26
(732) Obshestvo s Ogranichennoy Otvetstvennostiu

Coordination-Distribution Center "EFKO-CASCAD" Frunze St., Bl. 4, Alekseevka, 309850, Belgorodskaya District, Russian Federation	(111) M 2019 32145 R (151) 2019 12 18 (181) 2029 12 18 (260) AM 2018 100413 A (220) 2018 11 16 (732) LTD "L COMPANY" Gldani, VII mkr., Bl. 15, ap. 39, Tbilisi, Georgia
(111) M 2019 32140 R (151) 2019 12 18 (181) 2029 12 18 (260) AM 2018 100001 A (220) 2018 10 23 (732) LTD "Georgian Wine House" Village Zegaani, 1500, Gurjaani district, Georgia	(111) M 2019 32146 R (151) 2019 12 18 (181) 2029 12 18 (260) AM 2018 100439 A (220) 2018 11 21 (732) Getz Pharma International FZ LLC Office No. 1307, 13th Floor, Al-Thuraya Tower 1, Dubai Media City, Dubai, United Arab Emirates
(111) M 2019 32141 R (151) 2019 12 18 (181) 2029 12 18 (260) AM 2018 100071 A (220) 2018 11 01 (732) Alibaba Group Holding Limited Fourth Floor, One Capital Place, P. O. Box 847, George Town, Grand Cayman, Cayman Islands	(111) M 2019 32147 R (151) 2019 12 18 (181) 2029 12 18 (260) AM 2018 100692 A (220) 2018 12 05 (732) Neicha Republik Ko., LTD 534, Teheran-ro, Gangnam-gu, Seoul, Republic of Korea
(111) M 2019 32142 R (151) 2019 12 18 (181) 2029 12 18 (260) AM 2018 100373 A (220) 2018 11 09 (732) VLADIMER CHIRGADZE I. Gagarin St. 4/4, Entrance 2, Fl. 7, Ap. 56, 0160, Tbilisi, Georgia	(111) M 2019 32148 R (151) 2019 12 18 (181) 2029 12 18 (260) AM 2018 100819 A (220) 2018 12 20 (732) Sheraton International IP LLC One Starpoint, Stamford, Connecticut 06902, USA
(111) M 2019 32143 R (151) 2019 12 18 (181) 2029 12 18 (260) AM 2018 100393 A (220) 2018 11 13 (732) LTD "გლორია LLC GLORIA" Gorgasali St. 3, 0105, Tbilisi, Krtsanisi district, Georgia	(111) M 2019 32149 R (151) 2019 12 18 (181) 2029 12 18 (260) AM 2019 101243 A (220) 2019 01 17 (732) KIA MOTORS CORPORATION 12, Heolleung-ro, Seocho-gu, Seoul, Republic of Korea
(111) M 2019 32144 R (151) 2019 12 18 (181) 2029 12 18 (260) AM 2018 100412 A (220) 2018 11 16 (732) LTD "L COMPANY" Gldani, VII mkr., Bl. 15, ap. 39, Tbilisi, Georgia	(111) M 2019 32150 R (151) 2019 12 18 (181) 2029 12 18 (260) AM 2019 101244 A (220) 2019 01 17 (732) KIA MOTORS CORPORATION 12, Heolleung-ro, Seocho-gu, Seoul, Republic of Korea

(111) M 2019 32151 R
 (151) 2019 12 18
 (181) 2029 12 18
 (260) AM 2019 101245 A
 (220) 2019 01 17
 (732) KIA MOTORS CORPORATION
 12, Heolleung-ro, Seocho-gu, Seoul, Republic
 of Korea

(111) M 2019 32152 R
 (151) 2019 12 18
 (181) 2029 12 18
 (260) AM 2019 101246 A
 (220) 2019 01 17
 (732) KIA MOTORS CORPORATION
 12, Heolleung-ro, Seocho-gu, Seoul, Republic
 of Korea

(111) M 2019 32153 R
 (151) 2019 12 18
 (181) 2029 12 18
 (260) AM 2019 101249 A
 (220) 2019 01 17
 (732) KIA MOTORS CORPORATION
 12, Heolleung-ro, Seocho-gu, Seoul, Republic
 of Korea

(111) M 2019 32154 R
 (151) 2019 12 18
 (181) 2029 12 18
 (260) AM 2019 101513 A
 (220) 2019 02 05
 (732) VIVO MOBILE COMMUNICATION CO.,
 LTD.
 283, BBK Road, Wusha, Chang'An,
 Dongguan, Guangdong, China

(111) M 2019 32155 R
 (151) 2019 12 18
 (181) 2029 12 18
 (260) AM 2019 101614 A
 (220) 2019 02 11
 (732) JSC "DEGUSTO INTERNATIONAL"
 Bakhrioni St. 11, ap. 22, Saburtalo district,
 0194, Tbilisi, Georgia

(111) M 2019 32156 R
 (151) 2019 12 18
 (181) 2029 12 18
 (260) AM 2019 101615 A
 (220) 2019 02 11
 (732) JSC "DEGUSTO INTERNATIONAL"
 Bakhrioni St. 11, ap. 22, Saburtalo district,
 0194, Tbilisi, Georgia

(111) M 2019 32157 R
 (151) 2019 12 18
 (181) 2029 12 18
 (260) AM 2019 101629 A
 (220) 2019 02 12
 (732) LTD "ORNADO MEDICINE ორნადო
 მედიცინა"
 Village Irganchai, 1707, Dmanisi District,
 Georgia

(111) M 2019 32158 R
 (151) 2019 12 18
 (181) 2029 12 18
 (260) AM 2019 101630 A
 (220) 2019 02 12
 (732) LTD "NOVATOR PHARMA"
 Village Irganchai, 1707, Dmanisi District,
 Georgia

(111) M 2019 32159 R
 (151) 2019 12 18
 (181) 2029 12 18
 (260) AM 2019 101632 A
 (220) 2019 02 12
 (732) LTD "NOVATOR PHARMA"
 Village Irganchai, 1707, Dmanisi District,
 Georgia

(111) M 2019 32160 R
 (151) 2019 12 18
 (181) 2029 12 18
 (260) AM 2019 101636 A
 (220) 2019 02 12
 (732) LTD "NOVATOR PHARMA"
 Village Irganchai, 1707, Dmanisi District,
 Georgia

(111) M 2019 32161 R
 (151) 2019 12 18
 (181) 2029 12 18
 (260) AM 2019 101637 A
 (220) 2019 02 12
 (732) LTD "NOVATOR PHARMA"
 Village Irganchai, 1707, Dmanisi District,
 Georgia

(111) M 2019 32162 R
 (151) 2019 12 18
 (181) 2029 12 18
 (260) AM 2019 104807 A
 (220) 2019 09 06
 (732) ORION CORPORATION
 Orionintie 1, 02200 Espoo, Finland

(111) M 2019 32163 R
(151) 2019 12 18
(181) 2029 12 18
(260) AM 2017 95362 A
(220) 2017 12 05
(732) AMAZON EUROPE CORE S.À R.L.
38 avenue John F. Kennedy, L-1855,
Luxembourg, Luxembourg

(111) M 2019 32164 R
(151) 2019 12 18
(181) 2029 12 18
(260) AM 2018 96297 A
(220) 2018 02 09
(732) Apple Inc.
One Apple Park Way, California,
Cupertino, 95014, USA

(111) M 2019 32165 R
(151) 2019 12 18
(181) 2029 12 18
(260) AM 2018 97782 A
(220) 2018 05 22
(732) MJN U.S. Holdings LLC
225 North Canal Street, 25th Floor, Chicago,
Illinois 60606, USA

(111) M 2019 32166 R
(151) 2019 12 18
(181) 2029 12 18
(260) AM 2018 98412 A
(220) 2018 07 10
(732) VWR International Holdings Inc.
2751 Senterville Road, Suite 358,
Wilmington, Delaware 19808, USA

(111) M 2019 32167 R
(151) 2019 12 18
(181) 2029 12 18
(260) AM 2019 98448 A
(220) 2019 01 14
(732) LTD "South Juice Company"
Ul. Pobedi 132, Belorechensk, 352630,
Russian Federation

(111) M 2019 32168 R
(151) 2019 12 19
(181) 2029 12 19
(260) AM 2018 99298 A
(220) 2018 09 07
(732) LLC "Dinamo Football Club Tbilisi"
B. Paichadze St. 11, 0159, Tbilisi, Georgia

(111) M 2019 32169 R
(151) 2019 12 19
(181) 2029 12 19
(260) AM 2018 99994 A
(220) 2018 10 23
(732) LTD "AVERSI-PHARMA"
D. Aghmashenebeli Ave. 148/2, 0112,
Tbilisi, Georgia

(111) M 2019 32170 R
(151) 2019 12 19
(181) 2029 12 19
(260) AM 2018 100040 A
(220) 2018 10 25
(732) Ltd "BERIKA"
I. Chavchavadze Av. 1, Lane. 6, ap. 80,
0179, Tbilisi, Georgia

(111) M 2019 32171 R
(151) 2019 12 19
(181) 2029 12 19
(260) AM 2018 100041 A
(220) 2018 10 25
(732) Ltd "BERIKA"
I. Chavchavadze Av. 1, Lane. 6, ap. 80,
0179, Tbilisi, Georgia

(111) M 2019 32172 R
(151) 2019 12 19
(181) 2029 12 19
(260) AM 2019 101499 A
(220) 2019 02 03
(732) "VEYSELOGLU" Limited Liability Company
Baki Town, Nizami district, 2nd Street, cross
2, Baku, Azerbaijan

(111) M 2019 32173 R
(151) 2019 12 19
(181) 2029 12 19
(260) AM 2019 101500 A
(220) 2019 02 03
(732) "VEYSELOGLU" Limited Liability Company
Baki Town, Nizami district, 2nd Street, cross
2, Baku, Azerbaijan

(111) M 2019 32174 R
(151) 2019 12 19
(181) 2029 12 19
(260) AM 2019 101501 A
(220) 2019 02 03
(732) "VEYSELOGLU" Limited Liability Company
Baki Town, Nizami district, 2nd Street, cross
2, Baku, Azerbaijan

(111) M 2019 32175 R
 (151) 2019 12 19
 (181) 2029 12 19
 (260) AM 2019 101502 A
 (220) 2019 02 03
 (732) "VEYSELOGLU" Limited Liability Company
 Baki Town, Nizami district, 2nd Street, cross
 2, Baku, Azerbaijan

(111) M 2019 32176 R
 (151) 2019 12 19
 (181) 2029 12 19
 (260) AM 2019 101503 A
 (220) 2019 02 03
 (732) "VEYSELOGLU" Limited Liability Company
 Baki Town, Nizami district, 2nd Street, cross
 2, Baku, Azerbaijan

(111) M 2019 32177 R
 (151) 2019 12 19
 (181) 2029 12 19
 (260) AM 2019 101508 A
 (220) 2019 02 04
 (732) "VEYSELOGLU" Limited Liability Company
 Baki Town, Nizami district, 2nd Street, cross
 2, Baku, Azerbaijan

(111) M 2019 32178 R
 (151) 2019 12 19
 (181) 2029 12 19
 (260) AM 2019 101916 A
 (220) 2019 02 27
 (732) TENG YING WANG
 Group 13, Hezhai Village, Niansanli Street,
 Yiwu, Zhejiang, China

(111) M 2019 32179 R
 (151) 2019 12 19
 (181) 2029 12 19
 (260) AM 2018 99760 A
 (220) 2018 10 09
 (732) LTD "G-M-T Mtatsminda"
 Freedom Square 4, 0105, Tbilisi Georgia

(111) M 2019 32180 R
 (151) 2019 12 19
 (181) 2029 12 19
 (260) AM 2018 99764 A
 (220) 2018 10 09
 (732) LTD "G-M-T Mtatsminda"
 Freedom Square 4, 0105, Tbilisi Georgia

(111) M 2019 32181 R
 (151) 2019 12 19
 (181) 2029 12 19
 (260) AM 2018 99765 A
 (220) 2018 10 09
 (732) LTD "G-M-T Mtatsminda"
 Freedom Square 4, 0105, Tbilisi Georgia

(111) M 2019 32182 R
 (151) 2019 12 19
 (181) 2029 12 19
 (260) AM 2018 99767 A
 (220) 2018 10 09
 (732) LTD "G-M-T Mtatsminda"
 Freedom Square 4, 0105, Tbilisi Georgia

(111) M 2019 32183 R
 (151) 2019 12 19
 (181) 2029 12 19
 (260) AM 2018 99768 A
 (220) 2018 10 09
 (732) LTD "G-M-T Mtatsminda"
 Freedom Square 4, 0105, Tbilisi Georgia

(111) M 2019 32184 R
 (151) 2019 12 19
 (181) 2029 12 19
 (260) AM 2018 99770 A
 (220) 2018 10 09
 (732) LTD "G-M-T Mtatsminda"
 Freedom Square 4, 0105, Tbilisi Georgia

(111) M 2019 32185 R
 (151) 2019 12 19
 (181) 2029 12 19
 (260) AM 2018 99772 A
 (220) 2018 10 09
 (732) LTD "G-M-T Mtatsminda"
 Freedom Square 4, 0105, Tbilisi Georgia

(111) M 2019 32186 R
 (151) 2019 12 19
 (181) 2029 12 19
 (260) AM 2018 99870 A
 (220) 2018 10 16
 (732) LTD "G-M-T Mtatsminda"
 Freedom Square 4, 0105, Tbilisi Georgia

(111) M 2019 32187 R
 (151) 2019 12 19
 (181) 2029 12 19
 (260) AM 2018 99871 A
 (220) 2018 10 16

(732) LTD "G-M-T Mtatsminda"
Freedom Square 4, 0105, Tbilisi Georgia

(111) M 2019 32191 R
(151) 2019 12 19
(181) 2029 12 19
(260) AM 2018 98977 A
(220) 2018 08 14
(732) BTA HAVALIMANLARI YIYECEK VE
IÇECEK HİZMETLERİ A.S.
Atatürk Havalimani Dishatlar Terminali
Airport Hotel YESILKÖY-BAKIRKÖY,
Istanbul, 34831, Turkey

(111) M 2019 32192 R
(151) 2019 12 19
(181) 2029 12 19
(260) AM 2018 98553 A
(220) 2018 07 17
(732) Natela Sheklashvili
P. Iashvili Str., Lane 3, Sachkhere, Georgia

(111) M 2019 32193 R
(151) 2019 12 19
(181) 2029 12 19
(260) AM 2018 100056 A
(220) 2018 10 30
(732) Vache Chinchaladze
A. Apakidze St. 7, ap. 27, Tbilisi, Georgia

TRADEMARKS REGISTERED ACCORDING TO THE ACCELERATED PROCEDURE

The decision can be appealed at the Chamber of Appeal of Sakpatenti within 3 months from the publication.

(111) M 2019 31309 R
(151) 2019 06 11
(732) LTD "POLYMETRIA"
Vazha-Pshavela Av. 71, block 2, zone 5, Vake district, 0186, Tbilisi, Georgia
(511) 3, 5, 35, 42, 44

(111) M 2019 32071 R
(151) 2019 12 05
(181) 2029 12 05
(210) AM 105886
(220) 2019 11 27
(732) LTD "ALPEN MILK"
D. Aghmashenebeli St. 28/1, Akhalkalaki, Georgia
(740) Shalva Gvaramadze
(540)



(591) White, milky, dark blue, light blue
(531) 03.04.02; 25.01.18; 26.11.12; 28.05; 28.19; 29.01.04
(511) 29

(111) M 2019 32072 R
(151) 2019 12 06
(181) 2029 12 06
(210) AM 105966
(220) 2019 12 02
(732) LTD "INTER GEORGIA"
Kerchi St., Tbilisi, Georgia
(540)



(591) Black, white, red
(531) 26.01.03; 26.04.10; 26.04.22; 26.11.11
(511) 19

(111) M 2019 32073 R
(151) 2019 12 09
(181) 2029 12 09
(210) AM 103023
(220) 2019 05 08
(732) LTD "POLIMETRIA"
Vazha-Pshavela Av. 71, Block 2, Party 5, Vake district, 0186, Tbilisi, Georgia
(740) Shalva Gvaramadze
(540)

POLYMETRIA

(591) Black, white
(511) 3, 5, 10, 35, 42, 44

(111) M 2019 32133 R
(151) 2019 12 11
(181) 2029 12 11
(210) AM 105815
(220) 2019 11 20
(732) LTD "GLOBAL BEER GEORGIA"
Tsilkani, Mtskheta, 3319, Georgia
(540)



(591) Green, white, black
(531) 06.01.01; 06.01.04; 27.05.01; 28.19; 29.01.13
(526) ყაზბეგი KAZBEGI
(511) 32

(111) M 2019 32134 R
(151) 2019 12 13
(181) 2029 12 13
(210) AM 106051
(220) 2019 12 06
(732) LTD "UNIX"
Rustavi Road 8, ap. 8, Tbilisi, Georgia
(540)

უნიქს
Unix

(591) Black, white
(511) 30, 37

(111) M 2019 32135 R
(151) 2019 12 16
(181) 2029 12 16
(210) AM 105981

(220) 2019 12 03
 (732) LTD "Viking Group"
 Corner of streets Zovreti and Mgaloblishvili,
 Vake-Saburtalo District, Tbilisi, Georgia
 (740) Pavle Meipariani
 (540)

MARJAN PLAZA
მარჯან პლაზა

(591) Black, white
 (511) 43

(111) M 2019 32136 R
 (151) 2019 12 16
 (181) 2029 12 16
 (210) AM 106079
 (220) 2019 12 11
 (732) LTD "AGRONOM"
 B. Kvernadze St. 35, II Lane, fl. 3,
 0171, Tbilisi, Georgia
 (540)

MUSTANG
მუსტანგი
МУСТАНГ

(591) Black, white
 (511) 5

(111) M 2019 32137 R
 (151) 2019 12 16
 (181) 2029 12 16
 (210) AM 106080
 (220) 2019 12 11
 (732) LTD "AGRONOM"
 B. Kvernadze St. 35, II Lane, fl. 3,
 0171, Tbilisi, Georgia
 (540)

PRIMO
პრიმო
ПРИМО

(591) Black, white
 (511) 5

(111) M 2019 32138 R
 (151) 2019 12 17
 (181) 2029 12 17
 (210) AM 106091
 (220) 2019 12 12
 (732) LTD "Hayden Industries of Georgia "
 A. Tsereteli Av. 116, Tbilisi, Georgia
 (740) Koba Bochorishvili

(540)



(591) White, black, red, grey
 (531) 02.09.01; 24.09.11; 24.09.12; 27.05.07;
 27.05.21; 29.01.13
 (511) 3

(111) M 2019 32139 R
 (151) 2019 12 17
 (181) 2029 12 17
 (210) AM 106092
 (220) 2019 12 12
 (732) Giorgi Iosava
 Ioseliani St. 12/14, Tbilisi, Georgia
 (540)

ბია
bia

(591) Black, white
 (511) 43

(111) M 2019 32188 R
 (151) 2019 12 19
 (181) 2029 12 19
 (210) AM 105979
 (220) 2019 12 03
 (732) JSC "Georgian Beer Company"
 Vill. Saguramo, 3311, Mtskheta, Georgia
 (540)

ვანო საქართველოდან
Вано из Грузии
Vano from Georgia

(591) Black, white
 (511) 32

(111) M 2019 32189 R
 (151) 2019 12 19
 (181) 2029 12 19
 (210) AM 106084
 (220) 2019 12 11
 (732) JSC "LOMISI"
 Vill. Natakhari, 3308, Mtskheta, Georgia

(540)



(591) Green
 (531) 19.07.16; 19.07.23; 29.01.03
 (554) Three-dimensional
 (511) 32

(111) M 2019 32195 R
 (151) 2019 12 23
 (181) 2029 12 23
 (210) AM 106082
 (220) 2019 12 11
 (732) JSC "SEVSAMORA"
 V. Barnov St. 60, ap.18, Tbilisi, Georgia
 (740) Salome Bukhrikidze
 (540)

ს ე ვ ს ა მ ო რ ა

რ ე მ ო რ ო ბ ი & ს ა მ ო რ ა

(591) Black, white
 (531) 27.05.22; 28.19
 (511) 43

(111) M 2019 32190 R
 (151) 2019 12 19
 (181) 2029 12 19
 (210) AM 106086
 (220) 2019 12 11
 (732) JSC "LOMISI"
 Vill. Natakhtari, 3308, Mtskheta, Georgia
 (540)



(591) Green
 (531) 19.07.01; 19.07.16; 19.07.23; 29.01.03
 (554) Three-dimensional
 (511) 32

(111) M 2019 32194 R
 (151) 2019 12 23
 (181) 2029 12 23
 (210) AM 105980
 (220) 2019 12 03
 (732) Natalia Berezhnich
 Kanevskaya District, Kanevskaya
 Stanitsa, Protivnaya St., House 15,
 Krasnodar District, Russia Federation
 (740) Naira Badalyan
 (540)

CARAT

(591) Black, white
 (511) 29

INTERNATIONAL TRADEMARKS FOR WHICH A DECISION ON GRANTING PROTECTIONS IS TAKEN

The decision can be appealed at the Chamber of Appeal of Sakpatenti within 3 months from the publication or at the Mtskheta District Court Administrative Cases Board (Address: №17, Samkhedro str., Mtskheta), within 1 month following the publication.

(260) AM 2019 101716 A

(800) 1449316

(151) 2018 11 30

(891) 2018 11 30

(731) Aktsionernoye obshchestvo "Raimbek-GROUP"

ul. Zhambula, dom 111/72, Almalinskiy raion,
050012 g. Almaty, Kazakhstan

(540)

**MAMMA
MIA**

(591) Black, white

(511)

29 – Vegetables, cooked, including tomato paste, tomato purée, tomato juice for cooking.

30 – Coffee, tea, cocoa and artificial coffee; rice; tapioca and sago; flour and preparations made from cereals; bread, pastries and confectionery; ice cream; sugar, honey, treacle; yeast, baking-powder; salt; mustard; vinegar, sauces [condiments]; spices; edible ices.

43 – Services for providing food and drink; providing temporary accommodation.

(260) AM 2019 101956 A

(800) 1452349

(151) 2018 12 03

(891) 2018 12 03

(731) RICHTER GEDEON NYRT.

Gyömrői út 19-21, H-1103 Budapest, Hungary

(540)

Налунда

(591) Black, white

(531) 28.05

(511)

5 – Pharmaceutical preparations.

(260) AM 2019 101987 A

(800) 1452939

(151) 2018 12 31

(891) 2018 12 31

(731) SHANDONG JINYU TIRE CO., LTD.

No.260 QINGKEN ROAD, DAWANG

TOWN, GUANGRAO COUNTY,

DONGYING 257335, 250101 SHANDONG,

China

(540)

GENT IRE

(591) Black, white

(531) 27.05.01

(511)

12 – Tires for vehicle wheels; tread for vehicles (tractor type); automobile tires; vehicle tires; casings for pneumatic tires; pneumatic tires; bicycle and tricycle tires; tires, solid, for vehicle wheels.

(260) AM 2019 101988 A

(800) 1453018

(151) 2018 09 27

(891) 2018 09 27

(731) ATESSÖNMEZ KIMYA SAN. VE TIC. A.Ş.

3. organize böl. m. batalli blv. 5., cad. no:3

baspinar sehitekamil, Gaziantep, Turkey

(540)

CLONEX

(591) Black, white

(531) 26.04.22; 27.05.01

(511)

3 – Bleaching and cleaning preparations; perfumery; cosmetics; fragrances; deodorants for personal use and animals; soaps; dental care preparations; abrasive preparations; emery cloth; sandpaper; pumice stone; abrasive pastes; polishing preparations for leather, vinyl, metal, wood.

(260) AM 2019 102079 A

(800) 1453591

(151) 2018 10 30

(891) 2018 10 30

(731) ADP, LLC

One ADP Boulevard, Roseland NJ 07086,
USA

(540)

Celergo

(591) Black, white

(511)

35 – Data processing services in the field of payroll.

(260) AM 2019 102080 A

(800) 1453602

(151) 2018 12 11

(891) 2018 12 11

(731) KRKA, tovarna zdravil, d.d., Novo mesto
Šmarješka cesta 6, SI-8000 Novo mesto,
Slovenia

(540)

FITCOR

(591) Black, white

(511)

5 – Veterinary preparations.

(260) AM 2019 102081 A

(800) 1453627

(151) 2018 12 27

(891) 2018 12 27

(731) Bionorica SE

Kerscheneinerstrasse 11-15, 92318
Neumarkt, Germany

(540)

TONZILQON

(591) Black, white

(511)

5 – Pharmaceuticals; medicine; dietetic preparations
and food supplements; nutritional supplements for
humans; nutritional supplements for animals; medi-
cinal preparations; veterinary preparations.

(260) AM 2019 102082 A

(800) 1453715

(151) 2019 01 09

(891) 2019 01 09

(731) 13METRIQUADRI

Viale Paolo Guidi, 102, I-47814 BELLARIA
IGEA MARINA (RN), Italy

(540)

TMO

tredicimetriquadri

(591) Black, white

(531) 27.05.10

(511)

35 – Advertising, marketing and promotional servi-
ces; retail services in relation to lighting; retail
services in relation to clothing; retail services in re-
lation to sporting articles; retail services in relation

to sporting equipment; retail services in relation to
hygienic implements for humans; retail services in
relation to beauty implements for humans; retail ser-
vices in relation to furnishings; wholesale services in
relation to toiletries; wholesale services in relation to
food cooking equipment; wholesale services in re-
lation to lighting; wholesale services in relation to
fabrics; wholesale services in relation to luggage;
wholesale services in relation to cleaning prepara-
tions; wholesale services in relation to fragranc-
ing preparations; wholesale services in relation to spor-
ting articles; wholesale services in relation to spor-
ting equipment; wholesale services in relation to
clothing; wholesale services in relation to beauty
implements for humans; retail services connected
with the sale of furniture; online retail services rela-
ting to clothing; online retail services relating to to-
ys; mail order retail services connected with clothing
accessories; online retail services relating to lugga-
ge; mail order retail services for clothing; mail order
retail services for cosmetics; retail services relating
to fake furs; retail services in relation to mobile pho-
nes; retail services relating to home textiles; retail
store services in the field of clothing; retail services
connected with the sale of clothing and clothing ac-
cessories; retail services connected with stationery;
retail services in relation to kitchen appliances; retail
services in relation to computer hardware; shop
retail services connected with carpets; retail services
relating to kitchen knives; retail services in relation
to pushchairs; retail services relating to fragranc-
ing preparations; retail services relating to food prepara-
tion implements; retail services relating to audiovi-
sual equipment; retail services in relation to fashion
accessories; retail services in relation to clothing ac-
cessories; retail services in relation to domestic elec-
trical equipment; online retail services relating to
handbags; online retail services relating to cosme-
tics; online retail services relating to jewelry.

36 – Issuing of vouchers for use as money; issuance
of tokens of value; issuing tokens of value as a re-
ward for customer loyalty; issuing tokens of value as
part of a customer membership scheme; issuing of
tokens of value in relation to incentive schemes; is-
suing of tokens of value in relation to customer lo-
yalty schemes; issuing tokens of value in the nature
of gift vouchers; issuing of payment gift vouchers;
issuing of discount coupons; issuing stored value
cards; issuing gift certificates which may then be
redeemed for goods or services; issue of phone card
services; issue of tokens, coupons and vouchers of
value; financial sponsorship; financial and monetary
services, and banking.

(260) AM 2019 102083 A

(800) 1453732

(151) 2018 12 27

(891) 2018 12 27

(731) THE COCA-COLA COMPANY
One Coca-Cola Plaza, Atlanta, Georgia
30313, USA
(540)



(591) Black, white
(531) 26.01.03; 26.01.18; 26.01.24; 27.05.09;
27.05.10; 27.05.24; 29.01.12
(511)
32 – Beverages, namely drinking waters, flavored waters, mineral and aerated waters and other non-alcoholic beverages, namely, soft drinks, energy drinks and sports drinks; fruit drinks and juices; syrups, concentrates and powders for making beverages, namely flavoured waters, mineral and aerated waters, soft drinks, energy drinks, sports drinks, fruit drinks and juices.

(260) AM 2019 102089 A
(800) 1453993
(151) 2018 09 04
(891) 2018 09 04
(731) YIWU JIN MIN ELECTRICAL
APPLIANCES CO., LTD.
2F, Building 6, Yian 2 Zone, Houzhai Street,
Yiwu, Jinhua, Zhejiang, China
(540)



(591) Black, white
(531) 27.05.01; 27.05.22
(511)
9 – Computers; electricity meters; signal lanterns; wires, electric; resistance wires; printed circuits; remote control apparatus; test pencil; branch boxes [electricity]; lightning conductors; protection devices for personal use against accidents; electric door bells; loudspeaker cabinets; switches, electric; plugs, sockets and other contacts [electric connections]; fire extinguishers; batteries.

11 – Solar thermal collectors [heating]; water heating installations; faucets; electric fans for personal use; electric heaters; electric flashlights; lamps; sockets for electric lights; lighting apparatus and installations; electric hair driers.

(260) AM 2019 102093 A
(800) 1454035
(151) 2018 12 21
(891) 2018 12 21
(731) BAUSCH & LOMB INCORPORATED
1400 North Goodman Street, Rochester,
New York 14609, USA

(540)
BAUSCH + LOMB ZENLENS
(591) Black, white
(531) 24.17.05; 24.17.07
(511)
9 – Contact lenses, scleral lenses; containers for contact lenses.

(260) AM 2019 102114 A
(800) 1454421
(151) 2018 10 03
(891) 2018 10 03
(731) PACIFIC PHARMACEUTICALS PTE LTD
101 Cecil Street, #17-07 Tong Eng Building,
Singapore 069533, Singapore
(540)



(591) Black, white
(531) 24.13.01; 24.13.13; 27.05.01; 27.05.24
(511)
5 – Mineral dietary supplements for humans; pharmaceutical drugs.

(260) AM 2019 102115 A
(800) 1454450
(151) 2018 12 18
(891) 2018 12 18
(731) AUDI AG
85045 Ingolstadt, Germany
(540)

e-tron

(591) Black, white
(511)
18 – Umbrellas and parasols; walking sticks; luggage, bags, wallets and other carriers; leather and imitation leather; saddlery, whips and apparel for ani-

mals; and parts and fittings of all the aforesaid goods, included in the class.

21 – Statues, figurines, plaques and works of art, included in the class; unworked and semiworked glass, not specified for use; brushes and other articles for cleaning, brushmaking materials; tableware, cookware and containers; cosmetic and toilet utensils and bathroom articles; articles for animals namely aquaria and vivaria, devices for pest and vermin control, bird baths, cages, feeding and drinking articles, fish bowls, grooming articles, nesting articles, tags, waste disposal articles, articles for the care for clothing and footwear namely boot jacks and shoehorns, buttonhooks, clothes racks, clothes stretchers, ironing and clothes pressing articles, shoe polishers, shoe stretchers and shapers; and parts and fittings of all the aforesaid goods, included in the class.

25 – Headgear; clothing; footwear; and parts and fitting of all the aforesaid goods, included in the class.

39 – Transport.

(260) AM 2019 102116 A

(800) 1454475

(151) 2018 11 20

(891) 2018 11 20

(731) BLBR GmbH

Lil-Dagover-Ring 5, 82031 Grünwald,
Germany

(540)

BlitzBrush

(591) Black, white

(511)

3 – Preparations for the care and hygiene of the mouth, teeth, throat, gums and buccal cavity; rinsing preparations for preventing tartar and caries; dentifrices; preparations for the care of the teeth; dentifrices; mouthwashes; mouthsprays; dental gels; fluor gels, fluor mouth washes; cleaning powder; teeth whitening dentifrices in the form of solid tablets.

10 – Odontological and dental apparatus and instruments; electric gum massaging instruments; electric tooth cleaning instruments; dental mirrors; interdental brushes for use in dental treatment.

21 – Toothbrushes; toothbrushes, electric; brush-making materials; replaceable toothbrush heads; toothbrush holders; dental floss, dental floss holders, toothpicks, toothpicks holders, brushes; denture brushes; holders and containers for dental floss.

(260) AM 2019 102117 A

(800) 1454482

(151) 2018 12 27

(891) 2018 12 27

(731) THE COCA-COLA COMPANY

One Coca-Cola Plaza, Atlanta, Georgia 30313,
USA

(540)

COCA-COLA ENERGY

(591) Black, white

(511)

32 – Beverages, namely drinking waters, flavored waters, mineral and aerated waters and other non-alcoholic beverages, namely, soft drinks, energy drinks and sports drinks; fruit drinks and juices; syrups, concentrates and powders for making beverages, namely flavoured waters, mineral and aerated waters, soft drinks, energy drinks, sports drinks, fruit drinks and juices.

(260) AM 2019 102118 A

(800) 1454499

(151) 2018 10 23

(891) 2018 10 23

(731) DECA – SOCIETÀ A RESPONSABILITÀ
LIMITATA

Via Lucrezia Romana, 120, I-00178 Roma
(RM), Italy

(540)



(591) Black, white

(531) 03.01.16; 26.01.03; 26.01.15; 27.05.10

(511)

3 – Cosmetics for animals; shampoos and conditioners for animals; shampoos and conditioners for pets [non-medicated grooming preparations]; animal grooming preparations; deodorants for animals; deodorants for pets; cleaners for litter trays; breath fresheners for animals; non-medicated mouth washes for pets.

5 – Pharmaceutical preparations for animals; dietary supplements for animals; medicated animal feed; vitamins for animals; dietary supplements for pets; protein supplements for animals; veterinary preparations; lotions for veterinary purposes; medicines for veterinary purposes; vaccines for veterinary use; biological preparations for veterinary purposes; diagnostic preparations for veterinary purposes; antiparasitic collars for animals; animal repellents; diapers for pets; deodorizers for litter trays.

18 – Clothing for pets; bags for carrying pets; collars, leads and leashes for animals; leather leashes.

20 – Kennels for household pets; pet cushions; beds for household pets; pet crates; portable beds for pets; safety gates of metal for babies, children, and pets [furniture]; safety gates, not of metal, for babies,

children, and pets [furniture]; playhouses for pets; hutches for animals; pet grooming tables.

21 – Pet feeding dishes; non-mechanized animal feeders; electronic pet feeders; cages for household pets; combs for animals; brushes for pets; electric hair brushes for pets; litter boxes for pet; litter trays; scoops for collecting pet excrement.

31 – Live animals; foodstuffs and beverages for animals; pet food; edible chews for animals; beverages for pets; meal for animals; litter for animals; sanded paper [litter] for pets; aromatic sand [litter] for pets; algae for animal consumption; bran mash for animal consumption; animal fattening preparations; strengthening animal forage.

35 – Presentation of goods on communication media, for retail or wholesale purposes; retail or wholesale services, also provided on line, for pharmaceutical, veterinary and sanitary preparations and medical supplies; retail or wholesale, also provided via the Internet, of goods and foodstuffs for animals, including: cosmetics and washes, shampoos for animals, pharmaceuticals, sanitary and veterinary preparations, animal disinfectants, goods of leather, collars and leads for animals, clothing for animals, kennels and beds for animals, litter for animals, bowls and containers for animal food, combs and brushes for animals, food and beverages for animals, live animals; business advice relating to franchising; providing assistance in the management of franchised businesses.

(260) AM 2019 102121 A
(800) 1454628
(151) 2018 10 18
(891) 2018 10 18
(731) MIKADO-KYOWA SEED CO., LTD.
1-4-11 Ohnodai, Midori-ku, Chiba-shi,
Chiba 267-0056, Japan
(540)



(591) Light brown: PANTONE 4635C, orange:
PANTONE 7578C, yellow: PANTONE
7549C, beige: PANTONE 7407C, dark brown:
PANTONE 4625C and black

(531) 26.13.25; 27.05.01; 29.01.15

(511)

31 – Seeds for planting; plant seeds; agricultural seeds; horticultural seeds; vegetable garden seeds; plant bulbs, seedlings; seeds and bulbs.

(260) AM 2019 102122 A
(800) 1454634
(151) 2018 10 04
(891) 2018 10 04
(731) GC S.R.L.

Via Melchiorre Gioia, 8, MILANO, Italy
(540)



(591) Black, white

(531) 26.04.22

(511)

3 – Perfumes; eau de toilette and eau de Cologne; deodorants for human beings or for animals; incense; joss sticks; air fragrancing preparations; sachets for perfuming linen; air fragrance reed diffusers; scented room sprays; extracts of flowers [perfumes]; potpourris [fragrances]; essential oils for personal use; oils for toilet purposes; henna [cosmetic dye]; make-up; eyeshadow; cosmetic pencils; eyeliner; foundation; foundation creams; make-up powder; pressed face powder; creamy face powder; face powder [for cosmetic use]; talcum powder, for toilet use; blusher; lipsticks; lipstick cases; lip glosses; non-medicated lip balms; cocoa butter for cosmetic purposes; mascara; sunscreen preparations; sun-tanning preparations [cosmetics]; skin bronzing creams; self-tanning creams; sun-tanning creams and lotions; after-sun creams and preparations; sun protectors for lips [cosmetics]; cosmetic preparations to protect against sunburn; nail polish; beauty masks; facial scrubs [cosmetic]; skin exfoliants; face creams for cosmetic purposes; cosmetic body creams; cosmetic creams; pomades for cosmetic purposes; cosmetic preparations for slimming purposes; creams for cellulite reduction for cosmetic use; hair spray; cosmetic hair lotions; hair bleaching preparations; hair dyes; hair coloring preparations; hair rinses [shampoo-conditioners]; hair lighteners; hair conditioners; hair moisturizers; preparations for the permanent waving of hair; gels, sprays, mousses and balms for hair styling and hair care; brillianine; depilatory preparations; depilatory creams; hair straightening preparations; tissues impregnated with make-up removing preparations; tissues impregnated with make-up removing preparations; tissues impregnated with make-up removing preparations; tissues impregnated with make-up removing preparations; tissues impregnated with make-up removing preparations; nail art stickers; false nails; adhesives for cosmetic purposes; nail conditioners; cotton sticks for cosmetic purposes; pre-moistened or impregnated cleansing pads, tissues or wipes; cosmetic patches containing sunscreen and sun block for use on the skin; facial concealer; under-eye enhancers; non-medicated foot creams; skin whitening creams; bleaching preparations [decolorants] for cosmetic purposes; massage gels, other than for medical purposes; clea-

nsing milk for toilet purposes; hair mascara; gel eye masks; decorative transfers for cosmetic purposes; cotton wool for cosmetic purposes; cloths impregnated with a detergent for cleaning spectacles; eye-washes, not for medical purposes; antiperspirants [toilettries]; make-up removing preparations; hand soap; cosmetic soap; facial soaps; skin cleansing creams; skin cleansing lotions; shower gel; bubble bath preparations [for cosmetic use]; bath oils, not for medical purposes; bath pearls, not for medical purposes; non-medicated bath salts; cosmetic creams and lotions for face and body care; shaving balms; shaving creams; shaving soap; after-shave balms; after-shave cologne; after-shave lotions; hair shampoos; bath preparations, not for medical purposes; cleansers for intimate personal hygiene purposes, non medicated; non-medicated cosmetics and toilet-ry preparations; non-medicated dentifrices; perfume-ry, essential oils; bleaching preparations and other substances for laundry use; cleaning, polishing, sco-uring and abrasive preparations.

9 – Eyeglasses; sunglasses; anti-glare glasses; goggles for sports; swim goggles; eyeglass and sunglass cases; eyeglass and sunglass lenses; eyeglass and sunglass frames; eyeglass and sunglass chains; eyeg-lass and sunglass cords; pince-nez; pince-nez cases; pince-nez chains; pince-nez cords; pince-nez moun-tings; cases for laptops; cases for compact discs; eyewear cases; covers for telephone receivers; cases for smartphones; cases adapted for cellular phones; carrying cases adapted for computers; leather cases for cellular phones; covers for tablet computers; co-vers for personal digital assistants [PDAs]; scienti-fic, nautical, surveying, photographic, cinematograp-hic, optical, weighing, measuring, signalling, chec-king [supervision], life-saving and teaching appara-tus and instruments; apparatus and instruments for conducting, switching, transforming, accumulating, regulating or controlling electricity; apparatus for re-cording, transmission or reproduction of sound or images; magnetic data carriers, recording discs; compact discs, DVDs and other digital recording media; mechanisms for coin-operated apparatus; cash registers, calculating machines, data processing equipment, computers; computer software; fire-ex-tinguishing apparatus.

14 – Charms in precious metals or coated therewith [jewelry]; rings [jewelry]; split rings of precious me-tal for keys; plastic jewelry; jewelry plated with precious metals; shoe jewelry; hat jewelry; timepie-ces; jewelry cases [caskets], not of precious metal; cases for clocks and watches; watch pouches; bang-les; bracelets made of embroidered textile [jwelle-ry]; watch bands; watch cases [parts of watches]; watch chains; chains [jewelry]; neck chains; jewelry chains; clasps for jewelry; watch bands of metal; watch bands of plastic; watch bands of leather; key fobs of common metal; key fobs of leather; jewellery

charms; key fobs of imitation leather; necklaces [je-welry]; chokers; boxes for timepieces; lanyards [key-cords]; crosses [jewelry]; tie clips; watch clasps; figures of precious metal; gold thread [jewelry]; jewelry findings; cuff links; precious and semi-pre-cious gems; medals; earrings; ear clips; ear studs; shoe ornaments of precious metal; hat ornaments of precious metal; wristwatches; watches for outdoor use; automatic watches; pocket watches; table clocks; clocks and watches, electric; clocks and parts therefor; watches made of precious metals or coated therewith; sports watches; jewelry watches; diving watches; travel clocks; parts for clocks; jewel pen-dants; key fobs of metal; key rings, not of metal; key rings of leather; wooden jewelry boxes; jewelry rolls; jewelry cases [caskets] of precious metal; tips of precious metal for bolo ties; jewelry boxes; clo-isonné pins; tie pins; pins [jewelry]; precious metals and their alloys; jewellery, precious and semi-pre-cious stones.

18 – Boxes of leather or leatherboard; cases of leat-her or leatherboard; straps of leather [saddlery]; card cases [notecases]; credit card cases [wallets]; busi-ness card cases; furniture coverings of leather; card cases; document cases; bags [envelopes, pouches] of leather, for packaging; labels of leather; leather, un-worked or semi-worked; moleskin [imitation of leat-her]; fur; raw skins; bags; handbags; evening purses [handbags]; shopping bags; leather shopping bags; wheeled shopping bags; duffle bags; hip bags; Bos-ton bags; shoulder bags; travelling trunks; beach bags; clutch bags; attaché cases; school bags; school satchels; school backpacks; randsels [Japanese scho-ol satchels]; bags for sports; garment bags for travel; purses; wallets; pocket wallets; carrying cases for documents; key cases; key bags; key wallets; brief-cases; pouches, of leather, for packaging; luggage; pouches for holding make-up, keys and other per-sonal items; shoe bags for travel, all-purpose sports bags; saddlebags; daypacks; rucksacks; haversacks; overnight suitcases; trunks [luggage]; vanity cases, not fitted; hat boxes for travel; hat boxes of leather; handbag frames; key cases of leather; shoulder belts [straps] of leather; leather straps; pouches of leather; suitcases; suitcases with wheels; travelling sets [leat-herware]; travelling bags of leather; bags for cam-pers; bags for climbers; conference folders; confe-rence portfolios; clothing for pets; collars for pets; bags for carrying animals; leather and imitations of leather; animal skins and hides; luggage and car-rying bags; umbrellas and parasols; walking sticks; whips, harness and saddlery; collars, leashes and clothing for animals.

25 – Jackets [clothing]; sleeved or sleeveless jackets; heavy jackets; lightweight jackets; bomber jackets; reversible jackets; rain jackets; leather jackets; pad-ded jackets; wind-resistant jackets; waterproof jac-kets; stuff jackets [clothing]; down jackets; sleeve-

less down jackets; sports jackets; ski jackets; snowboard jackets; long jackets; windcheaters; ski windcheaters; snowboard windcheaters; anoraks [parkas]; down anoraks; parkas; down parkas; fur jackets; waistcoats; waistcoats with removable lining; overcoats; coats; fur coats; raincoats; cardigans; pullovers, shirts; tee-shirts; polo shirts; sport shirts; undershirts; shirts for wear with suits; chemises; camisoles; blouses; blousons; sweatshirts; sweaters; jerseys [clothing]; sports jerseys; trousers; ski pants; snowboard pants; ski trousers; shorts; Bermuda shorts; jeans; skirts; skorts; work overalls; clothing for gymnastics; jogging suits; jogging trousers; training suits; gym suits; ski suits; snowboard suits; suits; dresses for women; evening gowns; gowns; blazers; formal wear; petticoats; corselets; wrist bands [clothing]; headbands [clothing]; twinsets; leggings [trousers]; leggings [leg warmers]; leg warmers; dungarees; ponchos; veils [clothing]; wedding dresses; ready-made clothing; outerclothing; masquerade costumes; tops [clothing]; tank tops; knitwear [clothing]; hosiery; clothing of leather or imitations of leather; furs [clothing]; waterproof clothing; pants; sport pants; pelerines; jumper dresses; tuxedos; romper suits; bodies [clothing]; gabardines [clothing]; slacks; tunics; school uniforms; athletic uniforms; breeches for wear; golf clothing, other than gloves; cuffs; dance clothing; overalls; aprons [clothing]; ski balac-lavas; bathing suits; bathing caps; swim caps; shower caps; beach cover-ups; beach clothes; swimming wear; bathing drawers for men; bathing trunks; bikinis; bath robes; pareus; socks; stockings; tights; sports socks; leotards; unitards; garters; sock suspenders; stocking suspenders, shoes; leather shoes; sports shoes; gymnastic shoes; beach shoes; mountaineering shoes; running shoes; skiing shoes; après-ski shoes; footwear for snowboarding; rain shoes; sneakers; slippers; bath slippers; sandals; bath sandals; flip-flops [footwear]; heels; heelpieces for boots and shoes; inner soles; tips for footwear; soles for footwear; footwear uppers; boots; half-boots; lace boots; rain boots; ski boots; snow boots; snowboard boots; boots for sports; riding boots; wooden shoes; overshoes; galoshes; gaiters; valenki [felted boots]; sashes for wear; shawls; stoles; fur stoles; bandanas [neckerchiefs]; foulards [clothing articles]; neckties; bow ties; ascots; neckerchiefs; pocket squares, neck scarves [mufflers], gloves [clothing]; muffs [clothing]; mittens; ski gloves; snowboard gloves, belts [clothing]; braces for clothing [suspenders]; waistbands [parts of clothing]; money belts [clothing]; sashes [clothing]; boas [necklets]; collars [clothing]; neck scarfs [mufflers]; underwear; singlets; sports singlets; slips [underclothing]; panties; underpants; drawers [clothing]; briefs; boxer briefs; pajamas; dressing gowns; nightgowns; vests; brassieres; corsets [underclothing]; bodices [lingerie]; girdles; teddies [underclothing]; sleep masks; small hats; hats; cap peaks; caps with visors; berets; hoods

[clothing]; ear muffs [clothing]; visors [headwear]; clothing, footwear, headgear.

35 – Franchising, namely services rendered by a franchisor, that is transfer of business and organisational know-how, assistance in the development and management of a commercial enterprise; advice in the field of business management and marketing; advertising; business management; business administration; office functions.

42 – Franchising, namely services rendered by a franchisor, that is transfer of technical know-how (technological consultancy); consultancy relating to the planning and layout design of shops, the interior decor of shops and related signs; scientific and technological services and research and design relating thereto; industrial analysis and research services; design and development of computer hardware and software.

(260) AM 2019 102129 A

(800) 1001467

(151) 2009 03 17

(891) 2019 02 06

(731) BAREX ITALIANA S.r.l.

Via Grazia, 11, I-40069 ZOLA PREDOSA

(BO), Italy

(540)

Permēsse

(591) Black, white

(531) 27.05.07

(511)

3 – Cosmetics for care, beauty and treatment of hair; shampoos; hair creams; hair gel; hair dyes and colorants; hair lotions; cosmetic hair repair preparations; bubble bath; perfumery; essential oils; cosmetics; soaps.

(260) AM 2019 102185 A

(800) 1455053

(151) 2018 12 29

(891) 2018 12 29

(731) Obshchestvo s ogranichennoy otvetstvennostju "KDV Voronezh"

Lesnaya str., Bld. 31, Ramonskij rajon,

Derevnya Bogdanovo, RU-396039

Voronezhskaya oblast, Russian Federation

(540)



(591) Black, white, grey, blue, orange and its shades, green, brown

(531) 03.01.08; 03.01.25; 27.03.03; 27.05.01; 29.01.14

(511)

30 – Cereal bars; high-protein cereal bars; pancakes; noodle-based prepared meals; buns; bread rolls; edible rice paper; edible paper; burritos; vareniki [stuffed dumplings]; waffles; malt biscuits; mirror icing [mirror glaze]; cake frosting [icing]; rice-based snack food; cereal-based snack food; artificial coffee; vegetal preparations for use as coffee substitutes; fruit jellies [confectionery]; candy decorations for cakes; confectionery for decorating Christmas trees; cakes; pastries; peanut confectionery; almond confectionery; frozen yogurt [confectionery ices]; cocoa; caramels [candy]; sweetmeats [candy]; liquorice [confectionery]; peppermint sweets; dulce de leche; crackers; custard; candy; ice, natural or artificial; rice cakes; marzipan; honey; royal jelly; ice cream; nut flours; dessert mousses [confectionery]; chocolate mousses; muesli; mint for confectionery; cocoa beverages with milk; coffee beverages with milk; coffee-based beverages; cocoa-based beverages; chamomile-based beverages; tea-based beverages; chocolate beverages with milk; chocolate-based beverages; infusions, not medicinal; okonomiyaki [Japanese savory pancakes]; onigiri [rice balls]; chocolate-coated nuts; nutmegs; stick liquorice [confectionery]; pastilles [confectionery]; cookies; petit-beurre biscuits; pies; pizzas; fondants [confectionery]; popcorn; powders for making ice cream; pralines; cereal preparations; oat-based food; gingerbread; petits fours [cakes]; puddings; cake powder; fruit coulis [sauces]; chewing gum; spring rolls; sugar; golden syrup; agave syrup [natural sweetener]; confectionery; sherbets [ices]; rusks; sandwiches; tabbouleh; tacos; pastry dough; almond paste; cake dough; tortillas; chocolate decorations for cakes; halvah; corn flakes; oat flakes; chips [cereal products]; hot dog sandwiches; flowers or leaves for use as tea substitutes; chicory [coffee substitute]; tea; iced tea; cheeseburgers [sandwiches]; chocolate.

32 – Aperitifs, non-alcoholic; lithia water; seltzer water; soda water; aerated water; mineral water [beverages]; waters [beverages]; table waters; kvass [non-alcoholic beverage]; cocktails, non-alcoholic; lemonades; non-alcoholic beverages; non-alcoholic honey-based beverages; rice-based beverages, other than milk substitutes; soya-based beverages, other than milk substitutes; aloe vera drinks, non-alcoholic; whey beverages; soft drinks; non-alcoholic beverages flavored with coffee; non-alcoholic beverages flavored with tea; non-alcoholic fruit juice beverages; fruit nectars, non-alcoholic; powders for effervescent beverages; syrups for lemonade; syrups for beverages; smoothies; vegetable juices [beverages]; fruit juices; tomato juice [beverage]; cider, non-alcoholic; preparations for making aerated water; pre-

parations for making beverages; pastilles for effervescent beverages; sherbets [beverages]; non-alcoholic fruit extracts; essences for making beverages.

(260) AM 2019 102187 A

(800) 1455210

(151) 2018 12 18

(891) 2018 12 18

(731) RICHTER GEDEON NYRT.

Gyömrői út 19-21, H-1103 Budapest, Hungary

(540)

SITADIAB

(591) Black, white

(511)

5 – Pharmaceutical preparations.

(260) AM 2019 102188 A

(800) 1455214

(151) 2018 12 18

(891) 2018 12 18

(731) RICHTER GEDEON NYRT.

Gyömrői út 19-21, H-1103 Budapest, Hungary

(540)

ИВЕЛЛИС

(591) Black, white

(531) 28.05

(511)

5 – Pharmaceutical preparations.

(260) AM 2019 102194 A

(800) 1455423

(151) 2018 12 18

(891) 2018 12 18

(731) ZHEJIANG TRUST HOUSEWARES CO., LTD.

Fanrong Street, Yuanqiao, Huangyan, Taizhou, Zhejiang Province, China

(540)

Trust

(591) Black, white

(531) 27.05.01

(511)

20 – Pallets, not of metal; boxes of wood or plastic; removable mats or covers for sinks; mirrors [looking glasses]; pet cushions; hooks, not of metal, for clothes rails; cushions; curtain hooks.

21 – Cups of paper or plastic; flower pots; dustbins; clothes drying racks; toothpick holders, not of precious metal; feather-dusters; plate glass [raw material]; fly swatters.

(260) AM 2019 102195 A
 (800) 1455434
 (151) 2018 12 17
 (891) 2018 12 17
 (731) SHANGHAI ASA CERAMIC CO., LTD.
 No.3988, Hongmei South Road, Minhang
 District, 201100 Shanghai, China

(540)

ASA

(591) Black, white
 (531) 27.05.17; 27.05.23
 (511)
 19 – Ceramic tiles; bricks; mosaics for building; tiles, not of metal, for building; coatings [building materials]; binding material for road repair; binding agents for making stones.

(260) AM 2019 102209 A
 (800) 1455761
 (151) 2019 01 22
 (891) 2019 01 22
 (731) CJ HealthCare Corporation
 100, Eulji-ro, Jung-gu, Seoul, Republic of
 Korea

(540)

K-CAB

(591) Black, white
 (511)
 5 – Pharmaceutical agents affecting digestive organs; medicines for treating intestinal disorders; gastric acid secretion suppressants; medicines for the treatment of gastrointestinal diseases; ethical medicinal preparations.

(260) AM 2019 102214 A
 (800) 1455832
 (151) 2019 01 10
 (891) 2019 01 10
 (731) JAPAN TOBACCO INC.
 2-2-1 Toranomon, Minato-ku, Tokyo, Japan

(540)



(591) Black, white
 (531) 03.07.01; 03.07.16; 25.07.25; 26.11.02;
 26.11.09; 26.11.13; 26.15.01; 27.05.01

(511)
 34 – Tobacco, raw or manufactured; smoking tobacco, pipe tobacco, rolling tobacco, chewing tobacco, snus; cigarettes, electronic cigarettes, cigars, cigarettos; snuff; smokers' articles included in class 34; cigarette paper, cigarette tubes and matches.

(260) AM 2019 102215 A
 (800) 1455859
 (151) 2018 11 30
 (891) 2018 11 30
 (731) Yarmoshchuk Oleh Valentynovych
 Olshantsiv Str, 280, Mykolayiv 54051,
 Ukraine;
 "Amalgame Luxe", Community with limited
 Responsibility
 Hromadyanska Str, 119, of. 109, Mykolayiv
 54017, Ukraine

(540)

SULSEN

(591) Black, white
 (511)
 3 – Abrasives; abrasive cloth; glass cloth [abrasive cloth]; abrasive paper; breath freshening sprays; diamantine [abrasive]; alum stones [astringents]; amber [perfume]; antistatic preparations for household purposes; air fragrancing preparations; balms, other than for medical purposes; color-brightening chemicals for household purposes [laundry]; bergamot oil; sachets for perfuming linen; preparations to make the leaves of plants shiny; lip glosses; laundry glaze; badian essence; beard dyes; cosmetic dyes; pastes for razor strops; shaving stones [astringents]; shaving soap; shaving preparations; eyebrow cosmetics; eyebrow pencils; petroleum jelly for cosmetic purposes; cosmetic preparations for baths; bath salts, not for medical purposes; cotton wool for cosmetic purposes; cotton sticks for cosmetic purposes; shoe cream; bleaching soda; skin whitening creams; laundry bleach; bleaching salts; dental bleaching gels; bleaching preparations [decolorants] for cosmetic purposes; leather bleaching preparations; decorative transfers for cosmetic purposes; cosmetic preparations for eyelashes; false eyelashes; adhesives for affixing false eyelashes; mustache wax; tailors' wax; polishing wax; shoemakers' wax; windshield cleaning liquids; hair dyes; hair lotions; hair waving preparations; volcanic ash for cleaning; astringents for cosmetic purposes; cloths impregnated with a detergent for cleaning; gaultheria oil; heliotropine; geraniol; make-up; make-up removing preparations; make-up preparations; lipsticks; deodorant soap; deodorants for pets; deodorants for human beings or for animals; shampoos for pets [non-medicated grooming preparations]; scented water; scented wood; extracts of flowers [perfumes]; ethereal essences; essential oils; Javelle water; jasmine oil; greases for cosmetic purposes; aromatics [essential

oils]; flavorings for beverages [essential oils]; cake flavorings [essential oils]; preservatives for leather [polishes]; color-removing preparations; degreasers, other than for use in manufacturing processes; descaling preparations for household purposes; dentifrices; denture polishes; ionone [perfumery]; rust removing preparations; silicon carbide [abrasive]; bases for flower perfumes; essential oils of cedarwood; adhesives for affixing false hair; adhesives for cosmetic purposes; quillaia bark for washing; corundum [abrasive]; cosmetics; cosmetics for animals; make-up powder; beauty masks; cosmetic kits; cosmetic preparations for slimming purposes; cleaning chalk; creams for leather; cosmetic creams; starch glaze for laundry purposes; cakes of toilet soap; lavender water; lavender oil; varnish-removing preparations; hair spray; nail polish; essential oils of lemon; polishing paper; polishing stones; polishing preparations; polish for furniture and flooring; lotions for cosmetic purposes; tissues impregnated with cosmetic lotions; after-shave lotions; smoothing preparations [starching]; massage gels, other than for medical purposes; non-slipping wax for floors; almond oil; almond soap; almond milk for cosmetic purposes; washing soda, for cleaning; soap; soap for brightening textile; soap for foot perspiration; antiperspirant soap; cleansing milk for toilet purposes; musk [perfumery]; fabric softeners for laundry use; mint for perfumery; mint essence [essential oil]; emery; emery cloth; emery paper; neutralizers for permanent waving; nail art stickers; nail care preparations; false nails; perfumes; eau de Cologne; cosmetic pencils; oils for perfumes and scents; oils for cosmetic purposes; oils for cleaning purposes; oil of turpentine for degreasing; breath freshening strips; drying agents for dishwashing machines; refurbishing preparations; perfumery; pumice stone; hydrogen peroxide for cosmetic purposes; non-slipping liquids for floors; floor wax removers [scouring preparations]; stain removers; canned pressurized air for cleaning and dusting purposes; polishing rouge; lacquer-removing preparations; mouthwashes, not for medical purposes; pomades for cosmetic purposes; dry-cleaning preparations; aloe vera preparations for cosmetic purposes; depilatory preparations; safrol; laundry blueing; turpentine for degreasing; sun-tanning preparations [cosmetics]; soda lye; sunscreen preparations; douching preparations for personal sanitary or deodorant purposes [toiletries]; preparations for unblocking drain pipes; potpourris [fragrances]; shampoos; dry shampoos; talcum powder, for toilet use; terpenes [essential oils]; grinding preparations; tripoli stone for polishing; rose oil; toilet water; mascara; paint stripping preparations; essential oils of citron; cleaning preparations; scouring solutions; cosmetic preparations for skin care; sandpaper; smoothing stones; wallpaper cleaning preparations.

(260) AM 2019 102216 A
 (800) 1455869
 (151) 2018 09 07
 (891) 2018 09 07
 (731) ZHEJIANG SUNCHANG BAMBOO & WOOD CO., LTD
 Huixi Industrial Park, Songyuan Town,
 Qingyuan County, Zhejiang Province, China

(540)


 The logo for Suncha features the word "Suncha" in a stylized, lowercase, sans-serif font. The letter "S" is large and incorporates a leaf-like shape on its left side. The "u" has a small leaf-like shape above it. The "n" and "c" are simple, and the "h" has a small leaf-like shape above it. The "a" is also simple.

(591) Black, white
 (531) 05.03.11; 05.03.13; 05.03.15; 27.05.05;
 27.05.08

(511)

3 – Shampoos; stain removers; polishing preparation; abrasives; perfumery; anti-wrinkle cream; cosmetics; dentifrices; incense; cosmetics for animals.

20 – Furniture; baskets, not of metal; work benches; picture frames; woven bamboo products, excluding hats, mats, cushions; works of art of bamboo and wood; bamboo; bed fittings, not of metal; pillows; curtain rings.

21 – Containers for household or kitchen use; cutting boards for the kitchen; rolling pins, domestic; pie servers; chopsticks; spatulas [kitchen utensils]; thermally insulated containers for food; fly swatters; toothbrushes; works of art of crystal.

(260) AM 2019 102220 A
 (800) 1455923
 (151) 2018 10 29
 (891) 2018 10 29
 (731) SINOTRANS & CSC Holdings Co., Ltd.
 Sinotrans Plaza A, A43 Xizhimen Beidajie,
 100044 Beijing, China

(540)



(591) Black, white
 (531) 01.05.02; 01.05.06; 27.05.01

(511)

39 – Parcel delivery; delivery of goods by mail order; freight forwarding; packaging of goods; light-rage services; storage; storage information; travel arrangement; travel reservation; transport and storage of trash; transportation information; piloting; boat rental; delivery of goods; freighting; transport; trans-

port of travellers; freight brokerage [forwarding (Am.)]; transport brokerage; transport reservation; transportation logistics; unloading cargo; wrapping of goods; shipbrokerage; refloating of ships; salvaging; stevedoring; pleasure boat transport; ferry-boat transport; river transport; freight [shipping of goods]; boat transport; marine transport; barge transport; hauling; car transport; railway transport; air transport; car parking; vehicle rental; rental of warehouses; storage of goods; rental of storage containers; courier services [messages or merchandise].

(260) AM 2019 102221 A

(800) 1455931

(151) 2018 12 14

(891) 2018 12 14

(731) DAW SE

Roßdörfer Str. 50, 64372 Ober-Ramstadt,
Germany

(540)

ArteLasur

(591) Black, white

(511)

2 – Paints; varnishes; lacquers; glazes; coatings; preservatives against rust; primers; colorants; dyestuffs; dye pastes; mordants; paint thickeners; fixatives; siccatives for paints; raw natural resins; thinning and binding preparations for paints and lacquers; solvents for thinning paints; preparations for preserving wood; wood mordants; wood preserving oils; paints, including structuring paints; bactericidal and/or fungicidal paints; anti-corrosion preparations; protective preparations for metals; metals in foil and powder form for painters, decorators, printers and artists.

19 – Building materials, not of metal or mainly not of metal, in particular profile rails and corner irons, finishing profiles; adjusting and levelling parts, spacers for building, sills, all not of metal or mainly not of metal; natural and artificial stone; mortar (building materials); quartz; plaster [building materials]; coatings (building materials); wall and ceiling panels (not of metal or mainly not of metal, for building); fabric embedding compounds for building; fillers (building materials); fabrics for building, not of metal or mainly not of metal, in particular stabilising fabrics.

27 – Wall hangings (non-textile); wallpaper; floor coverings.

(260) AM 2019 102222 A

(800) 1455938

(151) 2018 12 10

(891) 2018 12 10

(731) NEW TECHNOLOGIES LTD.

ul. Zemlyanoi Val, 7, pom. III, kom. 3, et. 3,
RU-105064 Moscow, Russian Federation

(540)



(591) Black, blue, light blue, green, red, orange,
yellow and violet

(531) 21.01.25; 27.05.10; 29.01.15

(511)

9 – Scientific, nautical, surveying, photographic, cinematographic, optical, weighing, measuring, signalling, checking (supervision), life-saving and teaching apparatus and instruments; apparatus and instruments for conducting, switching, transforming, accumulating, regulating or controlling electricity; apparatus for recording, transmission or reproduction of sound or images; magnetic data carriers, recording discs; compact discs, DVDs and other digital recording media; mechanisms for coin-operated apparatus; cash registers, calculating machines, data processing equipment, computers; computer software; 3D spectacles; DVD players; ticket dispensers; coin-operated musical automata [juke boxes]; fire engines; answering machines; electrical adapters; batteries for electronic cigarettes; accumulators, electric; accumulators, electric, for vehicles; accelerometers; actinometers; alidades; altimeters; ammeters; anemometers; anodes; antennas; anticathodes; apertometers [optics]; high-frequency apparatus; testing apparatus not for medical purposes; electro-dynamic apparatus for the remote control of railway points; electro-dynamic apparatus for the remote control of signals; remote control apparatus; monitoring apparatus, electric; sound recording apparatus; Global Positioning System [GPS] apparatus; distillation apparatus for scientific purposes; diffraction apparatus [microscopy]; air analysis apparatus; apparatus to check franking; sound transmitting apparatus; apparatus for fermentation [laboratory apparatus]; breathing apparatus for underwater swimming; breathing apparatus, except for artificial respiration; apparatus and installations for the production of X-rays, not for medical purposes; cash registers; electric apparatus for commutation; intercommunication apparatus; stills for laboratory experiments; projection apparatus; fire extinguishing apparatus; radiological apparatus for industrial purposes; X-ray apparatus not for medical purposes; blueprint apparatus; blinkers [signalling lights]; stereoscopic apparatus; facsimile machines; phototelegraphy apparatus; electric apparatus for remote ignition; acid hydrometers; salinometers; acidimeters for batteries; aerometers; beacons, luminous; accumulator jars; barometers; anode batteries; galvanic batteries; batteries for lighting; solar batteries; solar panels for the production of electricity; batteries, electric; lever scales [steelyards]; betatrons; binoculars; biochips; electronic tags for goods; lens hoods; magnetic tape units for computers; computer memory devices; fire hose nozzles; encoded

identification bracelets, magnetic; connected bracelets [measuring instruments]; safety tarpaulins; electronic key fobs being remote control apparatus; bullet-proof clothing; signalling buoys; life buoys; marking buoys; directional compasses; vacuum gauges; electrolyzers; variometers; scales; baby scales; bathroom scales; letter scales; weighbridges; precision balances; scales with body mass analyzers; levelling staffs [surveying instruments]; camcorders; video baby monitors; video cassettes; video telephones; video screens; viewfinders, photographic; plugs, sockets and other contacts [electric connections]; micrometer screws for optical instruments; viscosimeters; circuit closers; wavemeters; mechanical signs; signs, luminous; switchboxes [electricity]; current rectifiers; gas testing instruments; gasometers [measuring instruments]; galvanometers; hands-free kits for telephones; heliographic apparatus; hygrometers; hydrometers; weights; peepholes [magnifying lenses] for doors; holograms; plotters; loudspeakers; sounding leads; plumb bobs; telemeters; densimeters; densitometers; optical goods; detectors; smoke detectors; infrared detectors; false coin detectors; joysticks for use with computers, other than for video games; transparencies [photography]; slide projectors; diaphragms [photography]; dictating machines; dynamometers; light-emitting diodes [LED]; floppy disks; phonograph records; disks, magnetic; circular slide rules; disk drives for computers; juke boxes for computers; DNA chips; electronic interactive whiteboards; electronic notice boards; bullet-proof waistcoats; life jackets; reflective safety vests; identification threads for electric wires; nose clips for divers and swimmers; locks, electric; bells [warning devices]; alarm bells, electric; electric door bells; signal bells; audio interfaces; acoustic conduits; mirrors for inspecting work; road signs, luminous or mechanical; marine depth finders; probes for scientific purposes; buzzers; needles for surveying compasses; needles for record players; measures; pressure measuring apparatus; simulators for the steering and control of vehicles; inverters [electricity]; pressure indicators; temperature indicators; incubators for bacteria culture; rulers [measuring instruments]; cosmographic instruments; mathematical instruments; levelling instruments; instruments containing eyepieces; surveying instruments; azimuth instruments; interfaces for computers; ionization apparatus not for the treatment of air or water; spark-guards; coaxial cables; fibre [fiber (Am.)] optic cables; cables, electric; calipers; slide calipers; screw-tapping gauges; calorimeters; calculating machines; pocket calculators; decompression chambers; cinematographic cameras; thermal imaging cameras; mouth guards for sports; life-saving capsules for natural disasters; electronic pens [visual display units]; holders for electric coils; identity cards, magnetic; video game cartridges; toner cartridges, unfilled, for printers and photocopiers; memory cards for video game machines; enco-

ded magnetic cards; riding helmets; protective helmets; carriers for dark plates [photography]; automated teller machines [ATM]; spools [photography]; choking coils [impedance]; coils, electric; electromagnetic coils; cinematographic film, exposed; computer keyboards; solenoid valves [electromagnetic switches]; wire connectors [electricity]; encoded key cards; electronic book readers; electronic agendas; push buttons for bells; mouse pads; magnetic encoders; anti-dazzle shades; collectors, electric; calibrating rings; smart rings; protective suits for aviators; commutators; compact discs [audio-video]; compact discs [read-only memory]; comparators; marine compasses; computers; laptop computers; tablet computers; notebook computers; capacitors; contacts, electric; wind socks for indicating wind direction; traffic cones; branch boxes [electricity]; distribution boxes [electricity]; junction boxes [electricity]; connectors [electricity]; accumulator boxes; cabinets for loudspeakers; diving suits; galena crystals [detectors]; reflective articles for wear, for the prevention of accidents; covers for electric outlets; logs [measuring instruments]; lasers, not for medical purposes; lactodensimeters; lactometers; vacuum tubes [radio]; darkroom lamps [photography]; thermionic valves; amplifying valves; flashlights [photography]; head cleaning tapes [recording]; magnetic tapes; videotapes; surveying chains; fire escapes; square rulers for measuring; contact lenses; correcting lenses [optics]; close-up lenses; optical lenses; optical condensers; sounding lines; electricity conduits; measuring spoons; magnifying glasses [optics]; thread counters; magnets; decorative magnets; crash test dummies; resuscitation mannequins [teaching apparatus]; mouse [computer peripheral]; manometers; security tokens [encryption devices]; divers' masks; solderers' helmets; protective masks; respiratory masks, other than for artificial respiration; materials for electricity mains [wires, cables]; voting machines; money counting and sorting machines; material testing instruments and machines; furniture especially made for laboratories; megaphones; portable media players; diaphragms [acoustics]; diaphragms for scientific apparatus; metal detectors for industrial or military purposes; digital weather stations; metronomes; carpenters' rules; dressmakers' measures; mechanisms for counter-operated apparatus; coin-operated mechanisms for television sets; shutter releases [photography]; micrometers; microprocessors; microscopes; microtomes; microphones; audio mixers; modems; lightning conductors; monitors [computer hardware]; monitors [computer programs]; selfie sticks [hand-held monopods]; terminals [electricity]; junction sleeves for electric cables; teeth protectors; temperature indicator labels, not for medical purposes; knee-pads for workers; headphones; surveyors' levels; sound recording carriers; magnetic data media; optical data media; electronic sheet music, downloadable; computer software, recorded; sheaths for el-

electric cables; identification sheaths for electric wires; weighing machines; computer hardware; punched card machines for offices; life saving apparatus and equipment; shoes for protection against accidents, irradiation and fire; objectives [lenses] [optics]; lenses for astrophotography; egg-candlers; fire extinguishers; electrified fences; limiters [electricity]; clothing for protection against accidents, irradiation and fire; asbestos clothing for protection against fire; clothing especially made for laboratories; ozonisers [ozonators]; octants; eyepieces; ohmmeters; wrist rests for use with computers; eyeglass frames; oscillographs; plumb lines; mirrors [optics]; eyeglasses; sunglasses; goggles for sports; electronic collars to train animals; signalling panels, luminous or mechanical; radio pagers; pince-nez; electronic pocket translators; transmitting sets [telecommunication]; telephone transmitters; transmitters of electronic signals; switches, electric; periscopes; gloves for divers; gloves for protection against accidents; gloves for protection against X-rays for industrial purposes; asbestos gloves for protection against accidents; ovens for laboratory use; pipettes; pyrometers; planimeters; plane tables [surveying instruments]; plates for batteries; wafers for integrated circuits; printed circuit boards; compact disc players; cassette players; protective films adapted for computer screens; protective films adapted for smartphones; sound recording strips; X-ray films, exposed; films, exposed; life-saving rafts; laboratory trays; digital signs; semiconductor; polarimeters; fire pumps; graduated glassware; life belts; fuses; circuit breakers; converters, electric; telerupters; food analysis apparatus; diagnostic apparatus, not for medical purposes; apparatus for recording distance; distance measuring apparatus; speed measuring apparatus [photography]; appliances for measuring the thickness of leather; apparatus for measuring the thickness of skins; speed checking apparatus for vehicles; teaching apparatus; time recording apparatus; apparatus and instruments for astronomy; surveying apparatus and instruments; weighing apparatus and instruments; nautical apparatus and instruments; navigational instruments; optical apparatus and instruments; apparatus and instruments for physics; chemistry apparatus and instruments; measuring apparatus; measuring devices, electric; boiler control instruments; meteorological instruments; naval signalling apparatus; observation instruments; navigation apparatus for vehicles [on-board computers]; satellite navigational apparatus; regulating apparatus, electric; precision measuring apparatus; audio- and video-receivers; prisms [optics]; computer software applications, downloadable; printers for use with computers; hemline markers; retorts' stands; apparatus for changing record player needles; drainers for use in photography; cleaning apparatus for sound recording discs; fire beaters; telescopic sights for firearms; telescopic sights for artillery; test tubes; pressure indicator plugs for val-

ves; magnetic wires; telegraph wires; telephone wires; wires, electric; conductors, electric; copper wire, insulated; wires of metal alloys [fuse wire]; computer game software; computer programs [downloadable software]; computer operating programs, recorded; record players; central processing units [processors]; rods for water diviners; electronic publications, downloadable; distribution consoles [electricity]; control panels [electricity]; radar apparatus; baby monitors; masts for wireless aerials; radios; vehicle radios; sprinkler systems for fire protection; frames for photographic transparencies; screens for photoengraving; flowmeters; walkie-talkies; voltage surge protectors; voltage regulators for vehicles; stage lighting regulators; light dimmers [regulators], electric; speed regulators for record players; reducers [electricity]; washing trays [photography]; marking gauges [joinery]; T-squares for measuring; time switches, automatic; relays, electric; safety restraints, other than for vehicle seats and sports equipment; X-ray photographs, other than for medical purposes; rheostats; respirators for filtering air; retorts; refractometers; refractors; grids for batteries; humanoid robots with artificial intelligence; speaking tubes; horns for loudspeakers; subwoofers; saccharometers; light conducting filaments [optical fibers [fibres]]; traffic-light apparatus [signalling devices]; dog whistles; signalling whistles; sextants; inductors [electricity]; life nets; nets for protection against accidents; fire alarms; signals, luminous or mechanical; sirens; electronic access control systems for interlocking doors; scanners [data processing equipment]; smart cards [integrated circuit cards]; smartglasses; smartphones; smartwatches; connections for electric lines; connections, electric; sonars; sound locating instruments; lighting ballasts; resistances, electric; spectrograph apparatus; spectroscopes; speed indicators; alcoholmeters; satellites for scientific purposes; protection devices for personal use against accidents; audiovisual teaching apparatus; charging stations for electric vehicles; radiotelegraphy sets; radiotelephony sets; spectacle lenses; anti-glare glasses; optical glass; personal stereos; stereoscopes; stands for photographic apparatus; stroboscopes; fire boats; sulfitometers; bags adapted for laptops; drying racks [photography]; spherometers; integrated circuits; printed circuits; meters; parking meters; mileage recorders for vehicles; revolution counters; abacuses; egg timers [sandglasses]; taximeters; ear plugs for divers; tachometers; television apparatus; telegraphs [apparatus]; telescopes; teleprompters; teletypewriters; cellular phones; cordless telephones; theodolites; interactive touch screen terminals; thermo-hygrometers; thermometers, not for medical purposes; thermostats; thermostats for vehicles; cupels [laboratory]; tone arms for record players; totalizers; transistors [electronic]; transponders; protractors [measuring instruments]; transformers [electricity]; step-up transformers; vehicle breakdown war-

ning triangles; triodes; starter cables for motors; discharge tubes, electric, other than for lighting; capillary tubes; neon signs; Pitot tubes; X-ray tubes not for medical purposes; telephone receivers; squares for measuring; gauges; quantity indicators; automatic indicators of low pressure in vehicle tires [tyres]; petrol gauges; water level indicators; electric loss indicators; light-emitting electronic pointers; inclinometers; levels [instruments for determining the horizontal]; mercury levels; spirit levels; urinometers; amplifiers; particle accelerators; electric installations for the remote control of industrial operations; steering apparatus, automatic, for vehicles; balancing apparatus; video recorders; sound reproduction apparatus; invoicing machines; tape recorders; protection devices against X-rays, not for medical purposes; railway traffic safety appliances; data processing apparatus; oxygen transpiring apparatus; theft prevention installations, electric; film cutting apparatus; drying apparatus for photographic prints; optical character readers; centering apparatus for photographic transparencies; dosimeters; battery chargers; chargers for electric batteries; chargers for electronic cigarettes; sound alarms; sounding apparatus and machines; apparatus for editing cinematographic film; cathodic anti-corrosion apparatus; couplers [data processing equipment]; wearable activity trackers; anti-theft warning apparatus; computer peripheral devices; anti-interference devices [electricity]; demagnetizing apparatus for magnetic tapes; acoustic couplers; alarms; fog signals, non-explosive; whistle alarms; adding machines; readers [data processing equipment]; heat regulating apparatus; photocopiers [photographic, electrostatic, thermic]; electric and electronic effects units for musical instruments; bar code readers; downloadable ring tones for mobile phones; downloadable image files; downloadable music files; animated cartoons; filters [photography]; filters for respiratory masks; filters for ultraviolet rays, for photography; USB flash drives; magic lanterns; optical lanterns; signal lanterns; cameras [photography]; glazing apparatus for photographic prints; shutters [photography]; darkrooms [photography]; photometers; flash-bulbs [photography]; digital photo frames; enlarging apparatus [photography]; photovoltaic cells; containers for contact lenses; spectacle cases; containers for microscope slides; cases for smartphones; cases especially made for photographic apparatus and instruments; chromatography apparatus for laboratory use; chronographs [time recording apparatus]; laboratory centrifuges; eyeglass chains; cyclotrons; compasses for measuring; frequency meters; time clocks [time recording devices]; Petri dishes; sleeves for laptops; covers for personal digital assistants [PDAs]; covers for tablet computers; covers for smartphones; fire blankets; chips [integrated circuits]; jigs [measuring instruments]; pedometers; meteorological balloons; electrified rails for mounting spot lights; asbestos screens for firemen; fire ho-

se; virtual reality headsets; protective helmets for sports; head guards for sports; cell phone straps; eyeglass cords; tripods for cameras; switchboards; distribution boards [electricity]; equalisers [audio apparatus]; screens [photography]; workmen's protective face-shields; projection screens; radiology screens for industrial purposes; fluorescent screens; exposure meters [light meters]; ducts [electricity]; galvanic cells; epidiascopes; ergometers; armatures [electricity]; black boxes [data recorders].

42 – Scientific and technological services and research and design relating thereto; industrial analysis and research services; design and development of computer hardware and software; water analysis; computer system analysis; handwriting analysis [graphology]; chemical analysis; energy auditing; recovery of computer data; interior design; industrial design; graphic arts design; computer virus protection services; oil-field surveys; geological surveys; engineering; installation of computer software; meteorological information; clinical trials; material testing; textile testing; bacteriological research; biological research; geological research; research in the field of environmental protection; cosmetic research; mechanical research; chemical research; research and development of new products for others; scientific research; analysis for oil-field exploitation; underwater exploration; technical research; calibration [measuring]; web site design consultancy; computer security consultancy; information technology [IT] consultancy; consultancy in the design and development of computer hardware; architectural consultancy; internet security consultancy; computer software consultancy; data security consultancy; technological consultancy; oil-well testing; quality control; vehicle roadworthiness testing; land surveying; dress designing; updating of computer software; monitoring of computer systems to detect breakdowns; monitoring of computer systems for detecting unauthorized access or data breach; monitoring of computer systems by remote access; software as a service [SaaS]; maintenance of computer software; authenticating works of art; design of interior decor; quality evaluation of standing timber; quality evaluation of wool; digitization of documents [scanning]; conversion of data or documents from physical to electronic media; urban planning; providing information on computer technology and programming via a web site; provision of scientific information, advice and consultancy in relation to carbon offsetting; providing search engines for the internet; conversion of computer programs and data, other than physical conversion; conducting technical project studies; computer system design; rental of web servers; computer rental; rental of computer software; unlocking of mobile phones; geological prospecting; oil prospecting; hosting computer sites [web sites]; server hosting; construction drafting; computer software design; cloud seeding; consultancy in the field of

energy-saving; creating and designing website-based indexes of information for others [information technology services]; creating and maintaining web sites for others; computer programming; technical writing; duplication of computer programs; cloud computing; architectural services; chemistry services; outsource service providers in the field of information technology; packaging design; off-site data backup; computer technology consultancy; telecommunications technology consultancy; scientific laboratory services; weather forecasting; styling [industrial design]; cartography services; data encryption services; electronic data storage; surveying; electronic monitoring of personally identifying information to detect identity theft via the internet.

(260) AM 2019 102269 A

(800) 1455960

(151) 2019 01 24

(891) 2019 01 24

(731) IMC TOYS, S.A.

Pare Llaurador, 172, E-08224 TERRASSA,
Spain

(540)



(591) Black, white

(531) 01.15.15; 19.08.01; 26.04.05; 26.04.08;
26.04.18; 27.05.02; 27.05.03; 27.05.07;
27.05.09; 27.05.10

(511)

28 – Dolls.

(260) AM 2019 102270 A

(800) 1456030

(151) 2018 12 27

(891) 2018 12 27

(731) BIONORICA SE

Kerschensteinerstrasse 11-15, 92318
Neumarkt, Germany

(540)

კანეფრონი

(591) Black, white

(531) 28.19

(511)

5 – Pharmaceuticals; medicine; dietetic preparations and food supplements; nutritional supplements for humans; nutritional supplements for animals; medicinal preparations; veterinary preparations.

(260) AM 2019 102272 A

(800) 1456099

(151) 2018 11 22

(891) 2018 11 22

(731) ONISHCHUK HANNA TROKHMYMIVNA

Vul. Didrikhsona, 27 kv. 62, m. Odesa 65029,
Ukraine

(540)



(591) Gray, white and green

(531) 02.09.19; 26.04.14; 26.04.22; 29.01.12

(511)

10 – Massage apparatus; body rehabilitation apparatus for medical purposes; traction apparatus for medical purposes; testing apparatus for medical purposes; physical exercise apparatus for medical purposes; supportive bandages; bracelets for medical purposes; cases fitted for medical instruments; orthopaedic footwear; vibromassage apparatus; basins for medical purposes; hypogastric belts; diagnostic apparatus for medical purposes; corsets for medical purposes; beds specially made for medical purposes; gloves for massage; medical apparatus and instruments; instrument cases for use by doctors; cooling patches for medical purposes; finger guards for medical purposes; corn knives; walking frames for disabled persons; orthopedic articles; knee bandages, orthopaedic; orthopaedic soles; orthopaedic belts; elastic stockings for surgical purposes; stockings for varices; slings [supporting bandages]; invalids' hoists; draw-sheets for sick beds; plaster bandages for orthopaedic purposes; air cushions for medical purposes; anti-rheumatism bracelets; anti-rheumatism rings; toe separators for orthopaedic purposes; arch supports for footwear; walking sticks for medical purposes; quad canes for medical purposes; supports for flat feet; physiotherapy apparatus; wheeled walkers to aid mobility; boots for medical purposes; abdominal corsets; abdominal belts; abdominal pads; splints, surgical.

25 – Ankle boots; football boots; footwear; bath slippers; non-slipping devices for footwear; half-boots; tips for footwear; clothing; hosiery; stockings; sweat-absorbent stockings; footwear uppers; soles for footwear; heelpieces for stockings; welts for footwear; sandals; boots for sports; shoes; sports shoes; inner soles; boot uppers; boots; sweat-absorbent socks.

44 – Health counselling; massage; medical assistance; health care; medical advice for individuals with disabilities; nursing, medical; alternative medicine services; nursing home services; health spa services;

hospital services; medical clinic services; health center services; convalescent home services; rest home services; beauty salon services; sanatorium services; sauna services; solarium services; telemedicine services; medical equipment rental; rental of sanitation facilities; therapy services; pharmacy advice; physical therapy.

(260) AM 2019 102273 A

(800) 1456116

(151) 2018 12 01

(891) 2018 12 01

(731) SHANDONG NANFENG TYRE CO., LTD
1/F-216 EAST OFFICE BUILDING, NO.45
BEIJING ROAD, QINGDAO BONDED
PORT AREA, SHANDONG PROVINCE,
(BUSINESS SECRETARY COMPANY,
266555 TRUSTEESHIP ADDRESS)(A),
China

(540)

PEARLY

(591) Black, white

(531) 27.05.17

(511)

12 – Inner tubes for pneumatic tires; repair outfits for inner tubes; tires for vehicle wheels; casings for pneumatic tires [tyres]; spikes for tires; solid tires for vehicle wheels; pneumatic tires; adhesive rubber patches for repairing inner tubes; inner tubes for bicycle tires; automobile tires.

(260) AM 2019 102274 A

(800) 1456123

(151) 2019 02 15

(891) 2019 02 15

(731) LALLEMAND PHARMA AG
Via Selva 2, CH-6900 Massagno, Switzerland

(540)

RESPIBIOME

(591) Black, white

(511)

5 – Medical preparations; medicinal sprays; decongestant nasal sprays.

(260) AM 2019 102294 A

(800) 1456616

(151) 2018 09 25

(891) 2018 09 25

(731) Toruńskie Zakłady Materiałów
Opatrunkowych, Spółka Akcyjna
Żółkiewskiego 20/26, PL-87-100 Toruń,
Poland

(540)

 **TZMO SA**

(591) White, dark blue, navy blue and white

(531) 24.13.01; 24.13.13; 27.05.01; 27.05.08;
29.01.12

(511)

3 – Cotton wool for cosmetic purposes, goods from cotton wool for cosmetic purposes, cotton sticks for cosmetic purposes, cosmetic pads, tissues impregnated with cosmetic liquids, wipes for removing make-up, lotion, creams for body care, lotions for body wash, cosmetics for children, bath lotion, baby oil, baby powder, shampoo, cosmetics kits for children.

5 – Sanitary towels, panty liners, menstruation tampons, lactation pads, tissues impregnated with antibacterial preparations, urological pads for men, anatomic pads for incontinence women, disposable diapers for incontinence persons, disposable diaper-pants for incontinence persons, disposable pants for incontinent persons, disposable diapers made from paper and/or cellulose, disposable diaper-pants made from paper and/or cellulose, gynaecological towels, compresses, set of compresses, dressings, gauze dressing, eye dressing pads, nose dressings, cotton and cotton wool for medical purposes, goods made from cotton and cotton wool for hygienic purposes, cotton wool made cellulose for medical purposes, plasters, adhesive tapes, tampons for medical purposes, adhesive tapes with sterilization indicators, liquids for intimate hygiene, cotton and cotton wool for hygienic purposes, goods made from cotton and cotton wool for hygienic purposes, diapers for baby made from textile; surgical dressings; sanitary napkins for use during operations.

10 – Elastic bandages, supporting bandages, plaster casts for orthopaedic purposes, lining beneath cast bandages, medical bedding, namely protective bedclothes, bed underpads, bed underpads for incontinence persons; surgical gowns, apron for operating, caps for surgeon, gloves for medical purposes, liquid pouches, pouches for organs; set of surgical cutlery for use during operations; medical trays; sterile sheets, surgical; tubular bandages sleeves, clips for bandages, protective cloth for use during operations.

16 – Disposable bibs made from paper or cellulose, disposable paper napkins, toilet paper, paper towels, tissues of paper for removing make-up, bags and purses for packaging, disposable reels for packaging.

24 – Bedclothes, sheets; textile napkins; textile handkerchiefs.

25 – Clothing made from paper, disposable clothing, waterproof clothing, nursing caps, aprons, reusable clothing, bibs made from textile materials.

(260) AM 2019 102295 A

(800) 1456656

(151) 2018 12 17

(891) 2018 12 17

(731) QINGDAO GRIP TYRE CO., LTD.
11-3B Area Consists of Five Layers, No.34,
Shanghai Road, Bonded Area, Qingdao City,
Shandong Province, China

(540)

SureGrip

(591) Black, white

(531) 27.05.01

(511)

12 – Automobile wheels; automobile hubcap; inner tubes for pneumatic tires; tires for bicycle wheels; treads for retreading tires; pneumatic tires; tires for vehicle wheels; cars; automobile tires.

(260) AM 2019 102304 A

(800) 1456775

(151) 2018 10 22

(891) 2018 10 22

(731) LIMITED LIABILITY COMPANY "ALAN"

Startova street, 26, Dnipro 49000, Ukraine

(540)



(591) Black, white

(531) 03.04.04; 03.04.24; 27.05.01

(526) GREAT MEAT

(511)

29 – Bacon; albumen for culinary purposes; milk protein for culinary purposes; bouillons; preparations for making bouillon; bouillon concentrates; game, not live; meat jellies; suet for food; animal marrow for food; charcuterie; blood sausage; meat extracts; meat, canned; meat; meat, preserved; salted meats; liver pastes; liver; sausages; sausages in batter; ham.

(260) AM 2019 102317 A

(800) 1457160

(151) 2018 11 16

(891) 2018 11 16

(731) PopSockets LLC

5757 Central Ave, Boulder CO 80301, USA

(540)

POP

(591) Black, white

(511)

12 – Vehicle accessories.

(260) AM 2019 102318 A

(800) 1457223

(151) 2018 11 16

(891) 2018 11 16

(731) APPLE INC.

One Apple Park Way, Cupertino CA 95014,
USA

(540)

TURI CREATE

(591) Black, white

(511)

9 – Computer software used in developing other software applications; application development software.

42 – Software as a service (SAAS) services, namely, hosting software for use by others in data analytics and data analysis; providing temporary use of non-downloadable computer software for machine learning and artificial intelligence in the field of transaction processing to provide statistical analysis and produce notifications and reports; providing temporary use of non-downloadable computer software development tools for the creation of software for data analytics and data analysis; providing temporary use of non-downloadable computer software for creating searchable databases of information and data; computer software consulting; software development consulting; consulting services in the field of computer machine learning and artificial intelligence software development; technical consulting services in the fields of computer database architecture software development and implementation of software for data analytics and data analysis; development of computer software.

(260) AM 2019 102319 A

(800) 1457247

(151) 2019 01 04

(891) 2019 01 04

(731) RED HAT, INC.

100 East Davie Street, Raleigh NC 27601,
USA

(540)



(591) The color(s) red and black is/are claimed as a feature of the mark

(531) 09.07.01; 09.07.17; 09.07.25; 29.01.12

(511)

9 – Computer software, namely, computer programs for operating systems, computer programs for sys-

tem administration, downloadable computer programs for network administration services delivered over a global computer network, namely, software used to provide software maintenance, updates and enhancements and software used to provide network security maintenance, updates and enhancements and software used for managing network assets; computer software used for performance measurement, benchmarking and capacity planning of computer networks; computer software to facilitate online commercial transactions, namely, software to perform verifications of credit card and other types of non-cash transactions over a global computer network; computer software for use in development, modification, debugging, troubleshooting, enhancement of speed and stability of computer systems, profiling and simulation of software; computer software and computer hardware for host and embedded microprocessor systems for use in development, modification, debugging, troubleshooting, performance enhancement, profiling and simulation of software; embedded system computer hardware, real-time system computer hardware and computer software for use as an operating system and for use in controlling embedded computing devices, namely, cell phones, Internet access devices, personal data assistants and microprocessors, in real time; embedded application programming interface software; computer software development tools; computer software for operating systems that run on a broad range of hardware and in physical, virtual, container, and cloud environments; computer software for deployment, scaling, management and administration of systems and networks, including system provisioning, configuration management, content management, and overall security across physical servers, virtualized servers and container formats as well as on public, private and hybrid clouds; computer software for failover services between nodes in a cluster; computer software for enabling a shared storage or clustered file system to access storage over networks; computer software for load balancing to provide redundancy for servers, databases, networking, and storage; computer software for providing software security updates, upgrades, monitoring, analysis, fixes, and support; computer software for virtualization allowing improved resource allocation and operational efficiency on multiple operating systems and applications; computer middleware software for developing, deploying, and managing applications, integrating applications, data, and services, and automating business processes across physical, virtual, cloud, container and mobile environments; computer software for use in creating cloud computing environments, including deploying, monitoring, and management of services across cloud service providers, virtualization, and container-based solutions including infrastructure-as-a-service; computer software for use in a cloud environment as an application platform, or platform-as-a-service,

that automates the hosting, configuration, deployment and administration of web sites, web services, mobile application services, data-stores and messaging interconnects; computer software for building and managing private, public, and hybrid infrastructure-as-a-service clouds; computer software for developing, integrating, deploying, and managing mobile applications; computer software for a software-defined storage platform allowing treatment of storage as virtualized resources; computer software for executing computer program applications using containerization; computer software that provides an environment for building, hosting and deploying applications and services; computer software that provides a webserver for websites and web applications; computer software that provides a scalable, distributed in-memory data grid; computer software that provides messaging and integration tools for distributed applications; computer software that enables integration of distributed data sources; computer software for deploying and integrating services-oriented architecture services and business processes; computer software for business rules management and complex event processing; computer software that provides a management platform that combines business rules management and complex event processing with a business process management system; computer software that provides an integrated development environment for developing, testing and deploying web applications, enterprise applications and service-oriented architecture services; computer software that provides management and monitoring capabilities to administer application environments; computer software that provides scalable and secure framework to establish and maintain trusted identities and keep communications private; computer software that provides an operating system-independent, network-based registry for storing application settings, user profiles, group data, policies, and access control information.

41 – Educational services, namely, training others in the use, maintenance, updating, configuration, installation, support, and programming of computer software; providing educational services over a global computer network, namely, conducting classes and seminars over the Internet in the fields of operating system software, application software and programming languages.

42 – Computer software design for others; computer technology consultation; computer diagnostic services; computer software diagnostic services; computer systems analysis; installation, maintenance, and updating of computer software; technical support services, namely, troubleshooting in the nature of diagnosing computer hardware and software problems via telephone and e-mail; technical support services, namely, troubleshooting of computer software problems via telephone and e-mail; computer

configuration services, namely, configuring operating system software to provide specific functions, namely, firewall, print server, file server, web server and database functions; computer programming for others; computer technology consulting in the fields of performance measurement, benchmarking and capacity planning services for computer networks delivered over a global computer network; providing information on computer hardware design and development, and software design, programming, and debugging techniques over a global computer network; providing consultation in the field of computer software; provision of temporary use of online computer programs for network administration services delivered over a global computer network, namely, online non-downloadable software used to provide software maintenance, updates and enhancements and online non-downloadable software used to provide network security maintenance, updates and enhancements and online non-downloadable software used for managing network assets; testing, analysis, and evaluation of skills and competencies of others for purposes of certification.

(260) AM 2019 102320 A

(800) 1457279

(151) 2019 01 11

(891) 2019 01 11

(731) WOLF GMBH

Industriestr. 1, 84048 Mainburg, Germany

(540)

CGG

(591) Black, white

(511)

7 – Pumps for heating installations; combustion engines with coupled heat exchangers for electricity and heat generation, being complete units (combined heat and power plants); circulating pumps.

9 – Electric and electronic measuring, control and regulating apparatus, and regulating valves, in particular for heating installations and heating regulators, none of the aforesaid goods in connection with cooking or kitchen appliances; electric/electronic regulating valves, not for use in connection with cooking or kitchen appliances; time switches, automatic; thermostats, not for use in connection with cooking or kitchen appliances; data carriers of all types; computer software; electric and electronic installations for the remote control of heating, ventilating, air conditioning, water supply and steam generating installations and solar collectors and photovoltaic installations, none of the aforesaid goods being in connection with cooking or kitchen appliances; signalling apparatus; photovoltaic installations, mainly consisting of solar modules for generating electricity, impedance converters, control and regulating ap-

paratus and parts therefor; regulating accessories for photovoltaic installations, electric memory blocks.

11 – Apparatus for heating, ventilating, refrigerating, drying, water supply and steam generating purposes, in particular oil, gas and dual-fuel burners, and non-electric parts therefor, other than cooking or kitchen appliances or parts therefor; air conditioning installations and parts therefor, in particular fans, heater parts, cooler parts, washer parts, mixing and ventilating parts, sound damping parts, tubular heat exchangers, rotary heat exchangers; central heating systems consisting mainly of boilers, oil, gas or dual-fuel burners and/or solar collectors, heat accumulators, hydraulic distributors, other than cooking or kitchen appliances or parts therefor; lighters, not for use in connection with cooking or kitchen appliances; hot water tanks and water heaters, not for use in connection with cooking or kitchen appliances; heat pumps (heating technology), not for use in connection with cooking or kitchen appliances; solar thermal collectors, and heating installations consisting predominantly of solar collectors and parts therefor; regulating and safety accessories for oil and gas installations and oil and gas pipes, water apparatus and pipes; regulating and safety accessories for apparatus and pipes of heating installations featuring solar collectors; water heaters, mainly consisting of heat exchangers and reservoirs.

37 – Installation, assembly services relating to the installation, maintenance and repair of heating, ventilating, water supply and air conditioning installations, and solar collectors and photovoltaic installations; none of the aforesaid services being in connection with cooking or kitchen appliances.

42 – Technological consultancy and architectural and construction planning in the fields of heating, ventilating, solar, photovoltaic and air conditioning technology, in particular for heating technology installations and air conditioning installations, and the installation, assembly, maintenance and servicing thereof, none of the aforesaid services being in connection with cooking or kitchen appliances; construction drafting, technical project studies; research and development in the field of technology, in particular heating, ventilating, solar, photovoltaic and air conditioning technology, none of the aforesaid services being in connection with cooking or kitchen appliances; engineering services; surveying; rental, maintenance, updating of computer software, computer programming.

(260) AM 2019 102321 A

(800) 1457364

(151) 2018 10 18

(891) 2018 10 18

(731) PopSockets LLC

5757 Central Ave, Boulder CO 80301, USA

(540)

POPTIVISM

(591) Black, white

(511)

9 – Hand grips, stands, and mounts adapted for handheld electronic devices, namely, smartphones, tablet computers, cameras, and portable sound and video players.

35 – Retail sale of custom hand grips, stands, and mounts adapted for handheld electronic devices, namely, smartphones, tablet computers, cameras, and portable sound and video players and directing a portion of customer payments to a charity of the customer's choice.

40 – Custom manufacture of hand grips, stands, and mounts adapted for handheld electronic devices, namely, smartphones, tablet computers, cameras, and portable sound and video players for others for purposes of charitable fundraising.

(260) AM 2019 102322 A

(800) 1457368

(151) 2018 11 23

(891) 2018 11 23

(731) ZHEJIANG DINGLI MACHINERY CO., LTD.

NO.1255 BAIYUN SOUTH ROAD,
LEIDIAN TOWN DEQING, HUZHOU
CITY, 310004 ZHEJIANG, China

(540)



The logo for Dingli features a large, bold, black letter 'D' with a white outline. To its right, the word 'Dingli' is written in a black, sans-serif font.

(591) Black, white

(531) 27.05.03

(511)

7 – Lift operating device; lift (except for transporting skiers uphill); crane; lifting equipment; stereo garage parking equipment in the nature of mechanical transporting systems comprising lifting apparatus for lifting, moving, shifting, parking and storing land vehicles; lifting device; loading and unloading equipment; crane (lifting device); cantilever crane; lifting machine; transporting machines.

(260) AM 2019 102325 A

(800) 1457459

(151) 2019 01 22

(891) 2019 01 22

(731) MANN & SCHRÖDER GMBH

Bahnhofstrasse 14, 74936 Siegelbach,
Germany

(540)

sanomed

(591) Black, white

(511)

3 – Soaps, cosmetics, preferably for infants, children and their mothers and pregnant women, particularly cosmetic bath preparations, shampoos, cosmetic creams and lotions, pre-moistened cosmetic wipes, moist paper hand towels impregnated with a cosmetic lotion, tissues impregnated with cosmetic lotions, oils for cosmetic purposes, oil for cleaning purposes, conditioning creams, impregnated cleaning pads impregnated with toilet preparations, baby care products (non-medicated -), hand creams, cosmetics in the form of powders, non-medicated diaper rash cream, night creams, bath oil, cosmetics for protecting the skin from sunburn, after-sun preparations for cosmetic use, after-sun milk, sunscreen preparations, sun cream, massage oils, shower creams, shower and bath gel, shower preparations, cosmetics in the form of gels, cosmetic preparations for dry skin during pregnancy, cleansing lotion, particularly lotion for personal sanitary purposes; essential oils and aromatic extracts; cleaning and fragrancng preparations; perfumery; hair lotions; dentifrice; all the aforesaid goods excluding nutritional supplements.

5 – Skin care preparations for medical use, medicated skin creams, medicated skin lotions, pharmaceutical skin lotions, skin care lotions [medicated], skin care creams for medical use, pharmaceutical preparations for skin care; medicated creams for skin care, medicinal creams for the protection of the skin, pharmaceutical preparations for treating epidermal problems, pharmaceutical preparations for treating skin disorders, medicated ointments for application to the skin, preparations for cleansing the skin for medical use, the aforesaid goods in particular intended for care and treatment of extremely dry skin having a tendency to atopy and to eczemas and of neurodermitis; all the aforesaid goods excluding nutritional supplements; breast-nursing pads.

(260) AM 2019 102326 A

(800) 1457485

(151) 2018 11 23

(891) 2018 11 23

(731) ANYANG XIANGYU MEDICAL EQUIPMENT CO., LTD.

Middle Section of Diku Avenue, Neihuang
County, Anyang City, Henan Province, China

(540)



翔宇医疗
XIANGYU MEDICAL

(591) Black, white

(531) 24.13.01; 24.13.22; 26.01.18; 26.15.01; 28.03
(526) MEDICAL, and the last two Chinese
characters

(511)
10 – Physiotherapy apparatus; hot air therapeutic apparatus; massage apparatus; electric acupuncture instruments; medical apparatus and instruments; dental apparatus and instruments; body rehabilitation apparatus for medical purposes; traction apparatus for medical purposes; fumigation apparatus for medical purposes.

(260) AM 2019 102341 A

(800) 1389532

(151) 2017 04 10

(891) 2019 03 01

(731) TICKETSOCKET, INC.

2901 W. Coast Highway, Suite 305, Newport
Beach CA 92663, USA

(540)

TICKETSOCKET

(591) Black, white

(511)

35 – Marketing and consulting services in the field of promoting goods, services, and brands of others through public communication means.

42 – Software as a service (SAAS) services featuring software for management of event and activity ticketing and management of marketing to event and activity patrons.

(260) AM 2019 102342 A

(800) 1392534

(151) 2017 12 05

(891) 2019 01 31

(731) TAIZHOU YIHONG INDUSTRIAL CO.,
LTD.

No.346 Liudao Road, Kanmen Street,
Yuhuan County, Taizhou City, Zhejiang
Province, China

(540)

GNS

(591) Black, white

(531) 27.05.01; 27.05.17; 27.05.23

(511)

7 – Automobile engine spark plugs; fuel economisers; carburetors; automobile engine cooling fan clutches; automobile engine cooling radiator pipes; automobile engine petrol pumps; automobile oil pumps; automobile water pumps; automobile engine camshafts; universal joints [cardan joints].

12 – Couplings for land vehicles; trailer hitches for vehicles; automobile chains; gearing for land vehicles;

transmissions, for land vehicles; transmission chains for land vehicles; torque converters for land vehicles; reduction gears for land vehicles; connecting rods for land vehicles, other than parts of motors and engines; transmission shafts for land vehicles.

(260) AM 2019 102343 A

(800) 1396249

(151) 2017 12 21

(891) 2019 02 12

(731) THE BODY SHOP INTERNATIONAL
LIMITED

Watersmead, Littlehampton, West Sussex
BN17 6LS, United Kingdom

(540)

FRESH NUDE

(591) Black, white

(511)

3 – Cosmetics, foundation, concealer, eye shadow, lipstick, lip liner, lip balm, face powder, bronzer, blusher, powdered cosmetic tissues, tissues impregnated with cosmetic lotions, kits and gift sets containing cosmetics.

(260) AM 2019 102344 A

(800) 1403281

(151) 2017 10 23

(891) 2019 02 28

(731) GR SARANTIS ANONYMI

VIOMICHANIKI & EMPORIKI ETAIRIA

KALLYNTIKON ENDYMATON

OIKIAKON, & FARMAKEFTIKON EIDON

Amarousiou-Halandriou 26, GR-151 25

Amarousio, Greece

(540)



(591) Dark yellow, orange and bright red

(531) 01.03.01; 01.03.13; 26.07.05; 29.01.12

(511)

3 – Cosmetics, sun-tanning oil, sun-tanning oil (non-greasy composition), gel for intensive sun-tanning, sunscreen body milk, sunscreen face cream, after-sun moisturizing body milk, after-sun moisturizing body cream, sunscreen face stick for sensitive skin, sunscreen emulsion for children, sunscreen spray for hair, sunscreen face and body roll on, water spray for the face.

(260) AM 2019 102345 A

(800) 1451866

(151) 2018 07 04

(891) 2019 03 06

(731) KAPMAN AB

Linbanegatan 12, SE-745 34 ENKÖPING,
Sweden

(540)



(591) Black, white

(531) 03.09.01; 03.09.24; 14.03.11; 24.15.01;
24.15.13; 27.05.17; 29.01.12

(511)

7 – Machines and machine tools, namely, pistol shaped air-powered tools, air-powered tools including spray guns for paint, drills, rivet guns, pneumatic ratchet wrenches, cut off tools, grinders, air hammers, blow guns and hoses, band saws, circular saw blades, impact sockets, impact wrenches, jigsaw blades, machine powered jacks, pneumatic and electric secateurs, pneumatic grinders, power operated ratchets, pneumatic sanders, pneumatic screwdrivers; machines and machine tools, namely, power drills, power hole saws, power saw blades, power tools in the nature of rotary burrs, reciprocating saw blades for power saws, reciprocating saws, power tools, namely, rotary burrs, tyre inflating machines (garage installations), tyre mounting machines, tyre pressing machines, tyre removers (machines), tyre trimming machines, power operated jacks, lifting machines and apparatus; as well as tool boxes specially designed for the abovementioned goods; electric soldering apparatus and electric soldering irons; impact bits (parts of machine tools).

8 – Hand tools and implements, including axes, gardening tools in the nature of digging spades and forks, bits, bolt cutters, bottle jacks, bow saws, brake piston tools, forestry and carpentry tools in the form of breaking bars, bulb planters, cable cutters, chisels and gouges, clamps; hand tools and implements, including cold chisels, lawn and garden tools, namely, cultivators, cutters, daisy grubbers, dibbers, drills, drill bits, edge shears, pliers for use with electronics and fine mechanics, engine timing tool sets, removal tools, namely, extractors, files, forks, grafting knives, grass shears, grinding stones, hacksaw blades, hammers, hand hacksaw frames; hand tools and implements, including hand powered jacks, handsaws, heavy duty jacks, lifting tools, hedge shears, hexagonal keys and keys for Torx screws, slotted screws, Pozidriv and/or Phillips screws, hoes, hand operated impact wrenches and bits therefore, insulated tools including screwdrivers, pliers, wrenches and scissors; hand tools and implements, including knives,

lawn edge irons, lawn rakes, lawn shears, long shafted tools in the nature of spades, loppers, mauls, mini rakes, mini saws, mitre box, multipliers in the form of hand-operated torque multipliers, nippers, nut drivers, plasterboard tools, plasterer's rails, pliers, pipe tools namely, pipe wrenches, tube benders, tube cutters, plastic cutters, tube reamers and deburrer tools, flaring tools and wad punches, poles namely extension poles for hand tools, including gardening tools, post hole diggers, pruners, pruning knives, pruning saws, pry bars; hand tools and implements, including pullers, punches, ratchets, rakes, rasps, riveting tools, saws, scissors, scrapers, screw extractors, screwdrivers, secateurs, sharpeners, shears, shovels, snips, sockets and accessories in the form of extension bars, adaptors, universal joints, socket sets, spades, spanners, squares, telescopic poles for pruning tools, top pruners; hand tools and implements, including torque multipliers, torque screwdrivers, trowels, tube cutters and benders, tweezers, wad punches, weeding blades, weeding forks, splitting and felling wedges, wire strippers, wrecking bars, vices, wire cutters, wrenches (such as adjustable, pipe, torque); as well as tool boxes specially designed for the abovementioned goods.

9 – Weighing, measuring and monitoring apparatus and instruments, including engine setting tools (timing), measuring tapes and measuring wheels; tyre monitoring gauges; rules; levels; squares (measuring); apparatus and instruments for inspection and analysis, including endoscope and borescopes, other than for medical use; battery boosters and chargers; battery charging apparatus and equipment; battery starters; battery testers; socket/plug testers; brake fluid testers.

12 – Tool trolleys.

20 – Tool storage cabinets; tool storage modules; work benches; tool boxes (non metal, empty); plastic inserts [trays] for tool boxes.

(260) AM 2019 102408 A

(800) 1457674

(151) 2019 02 15

(891) 2019 02 15

(731) APPLE INC.

One Apple Park Way, Cupertino CA 95014,
USA

(540)

SMART FOLIO

(591) Black, white

(511)

9 – Accessory for a handheld mobile digital electronic device that functions as a protective and decorative case and a stand; cases adapted for computers; covers for tablet computers.

(260) AM 2019 102409 A

(800) 1457688

(151) 2018 11 28

(891) 2018 11 28

(731) NIWAKA Corporation

105 Fukunaga-cho, Tominokoji-dori,
Sanjo-agaru, Nakagyo-ku, Kyoto 604-8084,
Japan

(540)

NIWAKA

(591) Black, white

(531) 27.05.01

(526)

(511)

14 – Precious metals; personal ornaments in the
nature of jewellery; clocks and watches.

(260) AM 2019 102443 A

(800) 1458536

(151) 2019 03 01

(891) 2019 03 01

(731) BARDAHL MANUFACTURING
CORPORATIONP.O. Box 70607, Seattle WA 98127-0607,
USA

(540)

FULL METAL

(591) Black, white

(511)

1 – Chemical motor-oil additives.

(260) AM 2019 102449 A

(800) 1458632

(151) 2018 11 02

(891) 2018 11 02

(731) İBRAHİM KESİCİ

Gümüşova OSB, Merkez Mahallesi, Zafer
Caddesi No:12, Gümüşova/Düzce, Turkey;
ABDURRAHMAN KARADEMİRGümüşova OSB, Merkez Mahallesi, Zafer
Caddesi No:12, Gümüşova/Düzce, Turkey;
MİTHAT DOĞANGümüşova OSB, Merkez Mahallesi, Zafer
Caddesi No:12, Gümüşova/Düzce, Turkey

(540)



(591) White, brown

(531) 07.01.08; 07.01.24; 15.01.19; 29.01; 29.01.01

(511)

7 – Machines, machine tools and industrial robots
for processing and shaping wood, metals, glass, plas-
tics and minerals, construction machinery, robotic
mechanisms with the same function; lifting, loading
and transmission machines and robotic mechanisms
(machines) for lifting, loading and transmission pur-
poses; elevators, escalators and cranes.

(260) AM 2019 102451 A

(800) 1458645

(151) 2018 12 03

(891) 2018 12 03

(731) INDIVIDUAL ENTREPRENEUR GIGANI
NIKOLAY ELGUDZHAEVICHSadovaya-Kudrinskaya st., 14/16, apt. 9,
RU-123001 Moscow, Russian Federation

(540)



(591) Black, white

(531) 05.01.16; 06.01.04; 07.01.03; 27.05.01

(511)

33 – Aperitifs; arrack [arak]; brandy; wine; piquette;
vodka; anisette [liqueur]; kirsch; digesters [liqueurs
and spirits]; pre-mixed alcoholic beverages, other
than beer-based; alcoholic beverages, except beer;
alcoholic beverages containing fruit; spirits [beverage-
s]; distilled beverages; mead [hydromel]; pepper-
mint liqueurs; bitters; rum; perry; cider; alcoholic
extracts; fruit extracts, alcoholic.

(260) AM 2019 102454 A

(800) 1458680

(151) 2019 01 15

(891) 2019 01 15

(731) TOVARYSTVO Z OBMEZHENOIU
VIDPOVIDALNISTIU "PU DEVELOPERS"
vul. Kazymyra Malevycha, 86 D, of. 3.2,
m. Kyiv 03150, Ukraine

(540)

Orbuculum

(591) Black, white

(511)

9 – Steering apparatus, automatic, for vehicles; accu-
mulators, electric; remote control apparatus; data
processing apparatus; Global Positioning System
[GPS] apparatus; audio- and video-receivers; audio-
visual teaching apparatus; audio interfaces; batteries,

electric; cordless telephones; computer memory devices; connected bracelets [measuring instruments]; measuring instruments; measures; high-frequency apparatus; video screens; camcorders; video baby monitors; video telephones; hands-free kits for telephones; virtual reality headsets; dictating machines; disk drives for computers; telerupters; transparencies [photography]; screens [photography]; electro-dynamic apparatus for the remote control of signals; electronic publications, downloadable; electronic pocket translators; electronic tags for goods; encoded identification bracelets, magnetic; electronic agendas; battery chargers; sound alarms; sound recording carriers; sound recording apparatus; sound transmitting apparatus; connections, electric; buzzers; readers [data processing equipment]; bar code readers; interfaces for computers; cables, electric; integrated circuit cards [smart cards]; cinematographic cameras; computers; computer hardware; computer game software including parts thereof; computer software including parts thereof, recorded; joysticks for use with computers, other than for video games; computer keyboards; computer peripheral devices; printers for use with computers; magnetic tape units for computers; computer programs [downloadable software] including parts thereof; computer programs, recorded including parts thereof; computer operating programs, recorded including parts thereof; counters; magnetic data media; videotapes; materials for electricity mains [wires, cables]; portable media players; mouse [computer peripheral]; microprocessors; mobile telephones; monitors [computer hardware]; monitors [computer programs]; notebook computers, limiters [electricity]; eyeglasses; optical data media; selfie sticks [hand-held monopods]; transmitters of electronic signals; switchboxes [electricity]; amplifiers; tablet computers; DVD players; computer software applications, downloadable including parts thereof; weighing apparatus and instruments; video recorders; electronic book readers; record players; theft prevention installations, electric; central processing units [processors]; control panels [electricity]; radio pagers; downloadable ring tones for mobile phones; life saving apparatus and equipment; subwoofers; light-emitting diodes [LED]; alarms; scanners [data processing equipment]; smartwatches; smart rings; smartglasses; smartphones; solar batteries; bags adapted for laptops; television apparatus; telephone apparatus; transistors [electronic]; tripods for cameras; downloadable music files; USB flash drives; cameras [photography]; sleeves for laptops.

42 – Computer system analysis; recovery of computer data; off-site data backup; duplication of computer programs; electronic data storage; providing information on computer technology and programming via a web site; providing search engines for the Internet; installation of computer software; computer programming; conversion of data or documents from physical to electronic media; conversion of computer

programs and data, other than physical conversion; computer technology consultancy; computer software consultancy; computer security consultancy; consultancy in the design and development of computer hardware; information technology [IT] consultancy; web site design consultancy; monitoring of computer systems for detecting unauthorized access or data breach; monitoring of computer systems to detect breakdowns; monitoring of computer systems by remote access; maintenance of computer software; updating of computer software; data encryption services; computer virus protection services; software as a service [SaaS]; computer software design; rental of web servers; computer rental; rental of computer software; unlocking of mobile phones; hosting computer sites [web sites]; computer system design; creating and maintaining web sites for others; creating and designing website-based indexes of information for others [information technology services]; technological consultancy; cloud computing; server hosting.

(260) AM 2019 102455 A

(800) 1458686

(151) 2019 01 24

(891) 2019 01 24

(731) DEMAROX Holding B.V.

Nobelstraat 43, NL-3846 CE Harderwijk,
Netherlands

(540)

Qimarox

(591) Black, white

(511)

7 – Machines for stacking of products; machines for stacking of pallets and boxes in a certain pattern (palletising machines); hoists, vertical conveyors; pallet handling systems (machines); machines for manipulating, moving and turning of products; lifts for the transport of goods; pallet lift systems (machines); machines for (temporarily) buffering of boxes, trays and products; carton or film dispensers (machines); belt conveyors; roller conveyors.

(260) AM 2019 102456 A

(800) 1458716

(151) 2018 11 30

(891) 2018 11 30

(731) Yarmoshchuk Oleh Valentynovych

Olshantsiv Str, 280, Mykolayiv 54051,
Ukraine;

"Amalgame Luxe", Community with limited
Responsibility

Hromadyanska str, 119, of. 109, Mykolayiv
54017, Ukraine

(540)

СУЛЬСЕНОВАЯ

(591) Black, white

(531) 28.05

(511)

3 – Abrasives; abrasive cloth; glass cloth [abrasive cloth]; abrasive paper; breath freshening sprays; diamantine [abrasive]; alum stones [astringents]; amber [perfume]; antistatic preparations for household purposes; balms, other than for medical purposes; beard dyes; hair dyes; cosmetic dyes; bergamot oil; joss sticks; lip glosses; nail polish; polishing preparations; badian essence; petroleum jelly for cosmetic purposes; cotton wool for cosmetic purposes; cotton sticks for cosmetic purposes; bleaching soda; laundry bleach; bleaching salts; bleaching preparations [decolorants] for cosmetic purposes; leather bleaching preparations; decorative transfers for cosmetic purposes; shoe wax; creams for leather; mustache wax; volcanic ash for cleaning; astringents for cosmetic purposes; cloths impregnated with a detergent for cleaning; gaultheria oil; dental bleaching gels; heliotropine; geraniol; make-up; lipsticks; deodorants for pets; deodorants for human beings or for animals; deodorant soap; depilatory preparations; scented water; scented wood; ethereal essences; essential oils; essential oils of cedarwood; Javelle water; jasmine oil; greases for cosmetic purposes; aromatics [essential oils]; flavorings for beverages [essential oils]; cake flavorings [essential oils]; preservatives for leather [polishes]; varnish-removing preparations; lacquer-removing preparations; color-removing preparations; degreasers, other than for use in manufacturing processes; descaling preparations for household purposes; dentifrices; ionone [perfumery]; shaving stones [astringents]; silicon carbide [abrasive]; carbides of metal [abrasives]; extracts of flowers [perfumes]; adhesives for affixing false hair; adhesives for affixing false eyelashes; adhesives for cosmetic purposes; quillaia bark for washing; corundum [abrasive]; cosmetics; eyebrow cosmetics; cosmetics for animals; make-up powder; beauty masks; cosmetic kits; cosmetic preparations for skin care; sun-tanning preparations [cosmetics]; cosmetic preparations for slimming purposes; cosmetic preparations for baths; tailors' wax; shoe cream; skin whitening creams; cosmetic creams; laundry starch; starch glaze for laundry purposes; cakes of toilet soap; lavender water; lavender oil; incense; hair spray; essential oils of lemon; polishing wax; polishing paper; polishing stones; shoe polish; denture polishes; polish for furniture and flooring; hair lotions; lotions for cosmetic purposes; after-shave lotions; smoothing preparations [starching]; massage gels, other than for medical purposes; non-slipping wax for floors; almond oil; almond soap; almond milk for cosmetic purposes; washing soda, for cleaning; soap; shaving soap; soap for brightening textile; soap for foot perspiration; musk [perfumery]; fabric softeners for laundry use; mint for perfumery; mint essence [essential oil]; emery; emery cloth; emery paper; nail

art stickers; neutralizers for permanent waving; fumigation preparations [perfumes]; eau de Cologne; eyebrow pencils; cosmetic pencils; oils for perfumes and scents; oils for cosmetic purposes; oils for cleaning purposes; oil of turpentine for degreasing; bases for flower perfumes; drying agents for dishwashing machines; cleansing milk for toilet purposes; cleansers for intimate personal hygiene purposes, non-medicated; furbishing preparations; perfumery; perfumes; pastes for razor strops; pumice stone; hydrogen peroxide for cosmetic purposes; polishing rouge; pomades for cosmetic purposes; laundry blueing; bleaching preparations and other substances for laundry use; laundry preparations; air fragrancing preparations; shaving preparations; stain removers; rust removing preparations; make-up preparations; nail care preparations; laundry glaze; paint stripping preparations; make-up removing preparations; hair waving preparations; preparations to make the leaves of plants shiny; mouthwashes, not for medical purposes; preparations for unblocking drain pipes; dry-cleaning preparations; preparations for cleaning dentures; bath preparations, not for medical purposes; aloe vera preparations for cosmetic purposes; non-slipping liquids for floors; antiperspirant soap; windshield cleaning liquids; floor wax removers [scouring preparations]; safrol; sachets for perfuming linen; tissues impregnated with cosmetic lotions; turpentine for degreasing; sandpaper; breath freshening strips; soda lye; bath salts, not for medical purposes; sunscreen preparations; douching preparations for personal sanitary or deodorant purposes [toiletries]; canned pressurized air for cleaning and dusting purposes; potpourris [fragrances]; dry shampoos; talcum powder, for toilet use; terpenes [essential oils]; grinding preparations; tripoli stone for polishing; rose oil; toilet water; mascara; lipstick cases; color-brightening chemicals for household purposes [laundry]; henna [cosmetic dye]; essential oils of citron; cleaning chalk; cleaning preparations; wallpaper cleaning preparations; scouring solutions; shampoos; shampoos for pets [non-medicated grooming preparations]; shoemakers' wax; smoothing stones; false eyelashes; false nails.

(260) AM 2019 102457 A

(800) 1458717

(151) 2019 01 03

(891) 2019 01 03

(731) DEEP.KBB GmbH

Ayhauser Allee 2a, 26160 Bad Zwischenahn,
Germany

(540)

DEEP.KBB

(591) Black, white

(511)

37 – Mining extraction, installation, supervision and maintenance of installations for the production of

brine and salt, in particular halite and potassium salt; construction, maintenance and monitoring of underground cavities, in particular caverns and pore storage facilities for the storage of gases or liquids for energy supplying purposes or disposals for waste; carrying out drilling and underground work; brine extraction from rock salt for storage and dumping systems and salt extraction; construction supervision.

39 – Transport services; operating storage facilities of gases or liquids for energy supplying purposes or disposals for waste in underground cavities, in particular caverns and pore storage facilities for the storage; storage of gases and liquids for energy supplying purposes; operating disposals for waste.

42 – Technical planning and monitoring of underground cavities, in particular caverns and pore storage facilities for the storage of gases or liquids for energy supplying purposes and underground disposals for waste; engineering; engineering and appraisal consultancy, in particular project planning, software development, technical testing and quality control services of installations for the storage of gases and liquids and waste material; drawing up of expert technical opinions in connection with the testing of safety in mines and technical safety; providing of geological and geotechnical expert opinions; research and development in the field of underground storage in salt and rock caverns or pore storage facilities; preparation and compilation of geoscientific data for determining storage parameters; technical preparation, conducting and documentation of geological engineering in particular in connection with safety-in-mines and environmental protection; preparation, conducting and documentation of geotechnical work; preparation of technical risk assessments and approval procedures; performance of environmental impact assessments; development of geological projects; preparation, implementation and documentation of engineering- geological works; planning and design of underground storage reservoirs in abandoned mines; hydrodynamic and gas dynamic tests in pore storage facilities; technical preparation, implementation and evaluation of work on surface and underground landfills; technological consultancy in the field of hydrogeology; technical and scientific investigations of contaminated sites; technical development and monitoring of brine stations, brine immersing equipment, filling installations and flooding installations; measuring and testing technology services in the field of underground storage and underground disposal technology; planning and carrying out exploratory drilling for geothermal and balneological applications; technical supervision of operating facilities for the production of brine and salt.

(260) AM 2019 102458 A

(800) 1458737

(151) 2018 10 22

(891) 2018 10 22

(731) KLABORG GRUPP LLC

KOROLEVA PROSPEKT, DOM № 5D,
1 KORPUS, POMESHCHENIE 59,
KABINET 5, RU-141078 KOROLEV,
Russian Federation

(540)



(591) White, black, dark brown and dark blue

(531) 10.05.04; 10.05.05; 26.01.19; 27.05.10;
29.01.13

(526) BARBERSHOP; est.; 2015

(511)

3 – Depilatory preparations; aromatics [essential oils]; balms, other than for medical purposes; adhesives for cosmetic purposes; toilet water; depilatory wax; mustache wax; creams for leather; massage gels, other than for medical purposes; perfumes; products for hygienic purposes, classified as perfumes and cosmetics; perfumery; shaving stones [astringents]; smoothing stones; cosmetic pencils; adhesives for affixing false eyelashes; adhesives for affixing false hair; hair conditioners; beard dyes; cosmetic dyes; cosmetic creams; hair spray; nail polish; hair lotions; lotions for cosmetic purposes; after-shave lotions; beauty masks; oils for cosmetic purposes; oils for cleaning purposes; almond milk for cosmetic purposes; cleansing milk for toilet purposes; soap; shaving soap; cakes of toilet soap; cosmetic kits; nail art stickers; false nails; eau de Cologne; pastes for razor strops; shaving preparations; hair straightening preparations; hair waving preparations; grinding preparations; paint stripping preparations; nail care preparations; collagen preparations for cosmetic purposes; aloe vera preparations for cosmetic purposes; false eyelashes; eyebrow cosmetics; hair dyes; neutralizers for permanent waving; cosmetic preparations for eyelashes; cosmetic preparations for skin care; cosmetics; mascara; bleaching preparations [decolorants] for cosmetic purposes; henna [cosmetic dye]; shampoos; dry shampoos.

35 – Retail and wholesale store services of depilatory preparations, aromatics [essential oils], balms, other than for medical purposes, adhesives for cosmetic purposes, toilet water, depilatory wax, mustache wax, creams for leather, massage gels, other than for medical purposes, perfumes, products for hygienic purposes, classified as perfumes and cosmetics, per-

fumery, shaving stones [astringents], smoothing stones, cosmetic pencils, adhesives for affixing false eyelashes, adhesives for affixing false hair, hair conditioners, beard dyes, cosmetic dyes, cosmetic creams, hair spray, nail polish, hair lotions, lotions for cosmetic purposes, after-shave lotions, beauty masks, oils for cosmetic purposes, oils for cleaning purposes, almond milk for cosmetic purposes, cleansing milk for toilet purposes, soap, shaving soap, cakes of toilet soap, cosmetic kits, nail art stickers, false nails, eau de Cologne, pastes for razor strops, shaving preparations, hair straightening preparations, hair waving preparations, grinding preparations, paint stripping preparations, nail care preparations, collagen preparations for cosmetic purposes, aloe vera preparations for cosmetic purposes, false eyelashes, eyebrow cosmetics, hair dyes, neutralizers for permanent waving, cosmetic preparations for eyelashes, cosmetic preparations for skin care, cosmetics, mascara, bleaching preparations [decolorants] for cosmetic purposes, henna [cosmetic dye], shampoos, dry shampoos; retail store services provided through web sites or television shopping programmes related to depilatory preparations, aromatics [essential oils], balms, other than for medical purposes, adhesives for cosmetic purposes, toilet water, depilatory wax, mustache wax, creams for leather, massage gels, other than for medical purposes, perfumes, products for hygienic purposes, classified as perfumes and cosmetics, perfumery, shaving stones [astringents], smoothing stones, cosmetic pencils, adhesives for affixing false eyelashes, adhesives for affixing false hair, hair conditioners, beard dyes, cosmetic dyes, cosmetic creams, hair spray, nail polish, hair lotions, lotions for cosmetic purposes, after-shave lotions, beauty masks, oils for cosmetic purposes, oils for cleaning purposes, almond milk for cosmetic purposes, cleansing milk for toilet purposes, soap, shaving soap, cakes of toilet soap, cosmetic kits, nail art stickers, false nails, eau de Cologne, pastes for razor strops, shaving preparations, hair straightening preparations, hair waving preparations, grinding preparations, paint stripping preparations, nail care preparations, collagen preparations for cosmetic purposes, aloe vera preparations for cosmetic purposes, false eyelashes, eyebrow cosmetics, hair dyes, neutralizers for permanent waving, cosmetic preparations for eyelashes, cosmetic preparations for skin care, cosmetics, mascara, bleaching preparations [decolorants] for cosmetic purposes, henna [cosmetic dye], shampoos, dry shampoos.

44 – Depilatory waxing; manicuring; massage; hair-dressing; body piercing; beauty salon services; tattooing; visagists' services; solarium services.

(260) AM 2019 102459 A
(800) 1458761
(151) 2018 12 27

(891) 2018 12 27
(731) BIONORICA SE
Kerschensteinerstrasse 11-15, 92318
Neumarkt, Germany

(540)

კლიმადიზონი

(591) Black, white

(531) 28.19

(511)

5 – Pharmaceuticals; medicine; dietetic preparations and food supplements; nutritional supplements for humans; nutritional supplements for animals; medicinal preparations; veterinary preparations.

(260) AM 2019 102460 A

(800) 1458771

(151) 2018 12 27

(891) 2018 12 27

(731) BIONORICA SE

Kerschensteinerstrasse 11-15; 92318

Neumarkt, Germany

(540)

ციკლოდიზონი

(591) Black, white

(531) 28.19

(511)

5 – Pharmaceuticals; medicine; dietetic preparations and food supplements; nutritional supplements for humans; nutritional supplements for animals; medicinal preparations; veterinary preparations.

(260) AM 2019 102461 A

(800) 1458778

(151) 2018 12 27

(891) 2018 12 27

(731) BIONORICA SE

Kerschensteinerstrasse 11-15, 92318

Neumarkt, Germany

(540)

ტონზილგონი

(591) Black, white

(531) 28.19

(511)

5 – Pharmaceuticals; medicine; dietetic preparations and food supplements; nutritional supplements for humans; nutritional supplements for animals; medicinal preparations; veterinary preparations.

(260) AM 2019 102462 A

(800) 1458781

(151) 2018 12 27

(891) 2018 12 27

(731) BIONORICA SE

Kerschensteinerstrasse 11-15, 92318

Neumarkt, Germany

(540)

ბრონქიპრეტი

(591) Black, white

(531) 28.19

(511)

5 – Pharmaceuticals; medicine; dietetic preparations and food supplements; nutritional supplements for humans; nutritional supplements for animals; medicinal preparations; veterinary preparations.

(260) AM 2019 102463 A

(800) 1458786

(151) 2018 09 13

(891) 2018 09 13

(731) EURO GAMES TECHNOLOGY LTD.

"Maritsa" Str. 4, "Vranya-Lozen-Triugulnika",
BG-1151 Sofia, Bulgaria

(540)

GREEN
COLLECTION PRO

(591) Green, gray, black, white and dark green

(531) 27.05.03; 27.05.09; 27.05.10; 27.05.24;
29.01.14

(511)

9 – Software; computer gaming software; computer software packages; computer operating system software; computer software, recorded; software drivers; virtual reality software; games software; entertainment software for computer games; computer programs for network management; operating computer software for main frame computers; monitors (computer hardware); computer hardware; apparatus for recording images; monitors (computer programs); computer game programs; computer programs for recorded games; apparatus for recording, transmission or reproduction of sound or images; communications servers [computer hardware]; electronic components for gambling machines; computer application software featuring games and gaming; computer software for the administration of on-line games and gaming; computer hardware for games and gaming; electronic components and computer software for gambling, gambling machines, gambling games on the Internet and via telecommunication network.

28 – Gaming machines for gambling; chips for gambling; mah-jong; arcade games; gambling machines operating with coins, notes and cards; games; electronic games; parlor games; gaming chips; gaming tables; slot machines [gaming machines]; LCD game machines; slot machines, bingo machines and arcade game machines; coin-operated amusement machines; roulette chips; poker chips; chips and dice [gaming equipment]; equipment for casinos; roulette tables; gaming roulette wheels; casino games; gambling machines and amusement machines, automatic and coin-operated; coin-operated amusement machines

and/or electronic coin-operated amusement machines with or without the possibility of gain; boxes for coin-operated machines, slot machines and gaming machines; electronic or electrotechnical amusement machines and apparatus, gaming machines, coin-operated entertainment machines; housings for coin-operated machines, gaming equipment, gaming machines, machines for gambling; electropneumatic and electrical gambling machines (slot machines).

41 – Gambling; services related to gambling; gaming services for entertainment purposes; casino, gaming and gambling services; training in the development of software systems; provision of equipment for gambling halls; providing casino equipment [gambling]; gaming machine entertainment services; providing casino facilities [gambling]; gaming hall services; amusement arcade services; games equipment rental; rental of gaming machines; providing amusement arcade services; rental of gaming machines with images of fruits; editing or recording of sounds and images; sound recording and video entertainment services; hire of sound reproducing apparatus; provision of gaming equipment for casinos; providing of casino facilities; online gambling services; casino, gaming and gambling services; provision of gaming establishments, gaming halls, Internet casinos, online gaming services.

(260) AM 2019 102468 A

(800) 1458811

(151) 2019 01 24

(891) 2019 01 24

(731) JEAN PATOU

242 rue Jean Goujon, F-75008 Paris, France;
PARFUMS CHRISTIAN DIOR
33 Avenue Hoche, F-75008 Paris, France

(540)

JOY
DIOR

(591) Black, white

(531) 27.05.05

(511)

3 – Perfumery products, make-up products, cosmetic products.

(260) AM 2019 102469 A

(800) 1458826

(151) 2018 11 08

(891) 2018 11 08

(731) CALZATURIFICIO PANDA SPORT S.R.L.

Contrada Colucci, 154, I-72014
CISTERNINO (BR), Italy

(540)



(591) Black and orange
 (531) 27.05.05; 27.05.09; 27.05.10; 27.05.12;
 27.05.21; 29.01.12
 (511)
 9 – Safety clothing for protection against accident or injury; safety footwear for protection against accident or injury.

(260) AM 2019 102484 A
 (800) 1308285
 (151) 2016 05 05
 (891) 2019 02 06
 (731) CONTEMPORA S.R.L.
 Via matteotti, 4, I-44011 ARGENTA
 (FERRARA), Italy

(540)

CONTEMPORA

(591) Black, white
 (511)
 3 – Shower gel, not for medical use; hair emollients; hair treatment preparations; bath soaps in gel form, not for medical use; face and body creams for cosmetic use; hair spray; hair dyes; hair lighteners; hair lacquers; nail polish; cosmetic hair lotions; hair removing creams; eye make-up; cosmetic preparations for the face; hair conditioners; shampoos; hair oils; cosmetic preparations for the hair; cosmetic preparations for skin care; perfumery; potpourris (fragrances); hair gels; cosmetic preparations for body care; colour removing preparations; shining preparations (polish); cosmetic preparations for baths; cosmetic preparations for skin care; hair care creams for cosmetic use.

44 – Hairdressing; beauty salon services.

(260) AM 2019 102485 A
 (800) 1322615
 (151) 2016 08 04
 (891) 2019 02 01
 (731) Limited liability company "FARSH CITY GROUP"
 2-ya Zvenigorodskaya street, 13, building
 43, 7th floor, block XI, room 2, RU-123032
 Moscow, Russian Federation

(540)

#Farsh

(591) Black, white
 (531) 24.17.10; 24.17.14; 24.17.25; 28.05
 (511)
 43 – Bar services; cafés; food and drink catering; restaurants; services for providing food and drink.

(260) AM 2019 102487 A
 (800) 1398885
 (151) 2017 12 04
 (891) 2019 02 25
 (731) İDEA MODA KONFEKSİYON SANAYİ
 VE TİCARET LİMİTED ŞİRKETİ
 Sıracevizler Caddesi Güvenç Sokak
 No:3, Bomonti İş Merkezi Kat:2,
 D:18-19-20-21-22-23, ŞİŞLİ/İSTAN-
 BUL, Turkey

(540)

BIRÉLIN

(591) Black and white.
 (531) 27.05.01; 27.05.15
 (511)
 25 – Clothing, including underwear and outerclot-
 hing, other than special purpose protective clothing;
 socks, mufflers [clothing], shawls, bandanas, scarves,
 belts [clothing]; footwear, shoes, slippers, sandals;
 headgear, hats, caps with visors, berets, caps [head-
 wear], skull caps.

(260) AM 2019 102488 A
 (800) 1402047
 (151) 2017 12 15
 (891) 2019 01 30
 (731) LİNA HAZİR GİYİM TEKSTİL SANAYİ
 VE TİCARET LİMİTED ŞİRKETİ
 Mehmet Nesih Özmen Mah., Gülsever
 Sk. No:24-26 60, Güngören, İstanbul, Turkey

(540)



(591) Dark red, white and black
 (531) 25.03.01; 25.03.07; 26.01.04; 26.01.19;
 27.05.02; 27.05.11; 29.01.13
 (511)
 25 – Clothing, including underwear and outerclot-
 hing, other than special purpose protective clothing;
 socks, mufflers clothing, shawls, bandanas, scarves,
 belts, clothing; footwear, shoes, slippers, sandals;
 headgear, hats, caps with visors, berets, caps, head-
 wear, skull caps.

(260) AM 2019 102489 A
 (800) 1415598
 (151) 2017 12 14
 (891) 2019 03 12
 (731) Women's International Shipping & Trading Association Limited
 Carewell Lodge, Racecourse Road, Dormansland, Lingfield, Surrey RH7 6PP, United Kingdom
 (540)

WISTA

(591) Black, white
 (511)
 35 – Association services, namely, promotional services for the interests of women in the maritime industry; arranging of business introductions.
 41 – Educational services in the field of the shipping and maritime industries; education services, namely, mentoring in the field of the shipping and maritime industries; arranging and conducting conferences in the field of the maritime industry.

(260) AM 2019 102490 A
 (800) 1440638
 (151) 2018 08 17
 (891) 2019 03 11
 (731) Naukovo-vyrobnyche pidpriemstvo "NYVA" u vyhliadi tovarystva z obmezhenoiu vidpovidalnistiu vul. 40-richchia Peremohy 1, smt. Tairove, Ovidiopolskyi raion, Odeska oblast 65496, Ukraine
 (540)

CHANTEL

(591) Black, white
 (531) 27.05.17
 (511)
 33 – Alcoholic beverages, except beer; alcoholic beverages containing fruit; aperitifs; brandy; wine; whisky; vodka; kirsch; perry; gin; digesters [liqueurs and spirits]; cocktails; liqueurs; pre-mixed alcoholic beverages, other than beer-based; piquette; rum; cider; alcoholic extracts; fruit extracts, alcoholic; spirits [beverages].

(260) AM 2019 102568 A
 (800) 1458988
 (151) 2018 11 27
 (891) 2018 11 27
 (731) UNIPHARM, INC.
 350 Fifth Avenue, Suite 6701, New York NY 10118, USA
 (540)

НАЙТВЕЛЛ

(591) Black, white
 (531) 28.05
 (511)
 10 – Surgical, medical, dental and veterinary apparatus and instruments; artificial limbs, eyes and teeth; orthopaedic articles; suture materials; therapeutic and assistive devices adapted for the disabled; massage apparatus; apparatus, devices and articles for nursing infants; sexual activity apparatus, devices and articles.

44 – Medical services; veterinary services; hygienic and beauty care for human beings or animals; agriculture, horticulture and forestry services.

(260) AM 2019 102569 A
 (800) 1458989
 (151) 2018 11 27
 (891) 2018 11 27
 (731) UNIPHARM, INC.
 350 Fifth Avenue, Suite 6701, New York NY 10118, USA
 (540)

NIGHTWELL

(591) Black, white
 (531) 27.01.01
 (511)
 10 – Surgical, medical, dental and veterinary apparatus and instruments; artificial limbs, eyes and teeth; orthopaedic articles; suture materials; therapeutic and assistive devices adapted for the disabled; massage apparatus; apparatus, devices and articles for nursing infants; sexual activity apparatus, devices and articles.

44 – Medical services; veterinary services; hygienic and beauty care for human beings or animals; agriculture, horticulture and forestry services.

(260) AM 2019 102615 A
 (800) 1460009
 (151) 2018 12 28
 (891) 2018 12 28
 (731) SELÇUKLU GİYİM AKSESUAR VE TEKSTİL ÜRÜNLERİ SANAYİ TİCARET LİMİTED ŞİRKETİ
 Etiler Mahallesi, İncesu Sokak, Erguvan Apartmanı, No:11/2; Beşiktaş, İstanbul, Turkey
 (540)



(591) Brown and black

(531) 03.01.14; 26.04.05; 26.04.15;
26.04.18; 27.05.09; 27.05.10; 27.05.11;
29.01.12

(526) Clothing and accessories co.

(511)

18 – Unworked or semi-worked leather and animal skins, imitations of leather, stout leather, leather used for linings; goods made of leather, imitations of leather or other materials, designed for carrying items, included in this class; bags, wallets, boxes and trunks made of leather or stout leather; keycases, trunks [luggage], suitcases; umbrellas; parasols; sun umbrellas; walking sticks; whips; harness; saddlery; stirrups; straps of leather (saddlery).

25 – Clothing, including underwear and outerclot-
hing, other than special purpose protective clothing;
socks, mufflers [clothing], shawls, bandanas, scar-
ves, belts [clothing]; footwear, shoes, slippers, san-
dals; headgear, hats, caps with visors, berets, caps
[headwear], skull caps.

35 – Advertising, marketing and public relations; or-
ganization of exhibitions and trade fairs for commer-
cial or advertising purposes; design of advertising
materials; provision of an online marketplace for
buyers and sellers of goods and services; office fun-
ctions; secretarial services; arranging newspaper
subscriptions for others; compilation of statistics;
rental of office machines; systemization of informa-
tion into computer databases; telephone answering
for unavailable subscribers; business management,
business administration and business consultancy;
accounting; commercial consultancy services; perso-
nnel recruitment, personnel placement, employment
agencies, import-export agencies; temporary perso-
nnel placement services; auctioneering; the bringing
together, for the benefit of others, of a variety of go-
ods, namely, bleaching and cleaning preparations,
detergents other than for use in manufacturing ope-
rations and for medical purposes, laundry bleach,
fabric softeners for laundry use, stain removers, dis-
hwasher detergents, perfumery, cosmetics (except
medicated cosmetics), fragrances, deodorants for
personal use and animals, soaps (except medicated
soap), dental care preparations, dentifrices, denture
polishes, tooth whitening preparations, mouth was-
hes, not for medical purposes, abrasive preparations,
emery cloth, sandpaper, pumice stone, abrasive pas-
tes, polishing preparations for leather, vinyl, metal
and wood, polishes and creams for leather, vinyl,
metal and wood, wax for polishing, jewellery, imi-
tation jewellery, gold, precious stones and jewellery
made thereof, cufflinks, tie pins, statuettes and figu-
rines of precious metal, clocks, watches and chro-
nometrical instruments, chronometers and their
parts, watch straps, unworked or semi-worked lea-
ther and animal skins, imitations of leather, stout
leather, leather used for linings, goods made of leat-

her, imitations of leather or other materials, designed
for carrying items, bags, wallets, boxes and trunks
made of leather or stout leather, keycases, trunks [lu-
ggage], suitcases, umbrellas, parasols, sun umbre-
llas, walking sticks, whips, harness, saddlery, stir-
rups, straps of leather (saddlery), woven or non-wo-
ven textile fabrics, textile goods for household use,
curtains, bed covers, sheets (textile), pillowcases,
blankets, quilts, towels, flags, pennants, labels of te-
xtile, clothing, including underwear and outerclot-
hing, other than special purpose protective clothing,
socks, mufflers [clothing], shawls, bandanas, scar-
ves, belts [clothing], footwear, shoes, slippers, san-
dals, headgear, hats, caps with visors, berets, caps
[headwear], skull caps, swaddling blankets, enabling
customers to conveniently view and purchase those
goods, such services may be provided by retail sto-
res, wholesale outlets, by means of electronic media
or through mail order catalogues.

(260) AM 2019 102616 A

(800) 1460039

(151) 2018 11 29

(891) 2018 11 29

(731) Grupa LOTOS S.A.

ul. Elbląska 135, PL-80-718 Gdańsk, Poland

(540)



(591) Black, red and blue

(531) 01.15.05; 01.15.15; 27.05.10;
29.01.13

(511)

4 – Synthetic oils for petrol engines, diesel engines
and heavy duty engines, industrial oils, gear oils.

(260) AM 2019 102618 A

(800) 1460044

(151) 2018 11 29

(891) 2018 11 29

(731) Grupa LOTOS S.A.

ul. Elbląska 135, PL-80-718 Gdańsk,
Poland

(540)



(591) Green

(531) 27.05.01; 29.01.03

(511)

4 – Synthetic oils for petrol engines, diesel engines
and heavy duty engines, industrial oils, gear oils.

(260) AM 2019 102619 A
 (800) 1460046
 (151) 2019 01 11
 (891) 2019 01 11
 (731) Bestwood Pharma, Limited Liability
 Company
 Smolnaya street, 24A, Office 814, RU-125445
 Moscow, Russian Federation

(540)

ЛОСТЕРИН

(591) Black, white

(531) 28.05

(511)

35 – Import-export agency services; commercial information agency services; demonstration of goods; market studies; business investigations; marketing research; organization of exhibitions for commercial or advertising purposes; organization of trade fairs for commercial or advertising purposes; shop window dressing; data search in computer files for others; commercial or industrial management assistance; presentation of goods on communication media, for retail purposes; auctioneering; sales promotions at point of purchase or sale, for others; rental of vending machines; distribution of samples; compilation of information into computer databases; administrative processing of purchase orders; modelling for advertising or sales promotion; procurement services for others [purchasing goods and services for other businesses].

(260) AM 2019 102620 A
 (800) 1460057
 (151) 2019 02 13
 (891) 2019 02 13
 (731) CHERY COMMERCIAL VEHICLE
 (ANHUI) CO., LTD.
 NO.16 CHANGCHUN ROAD, ECONOMY
 & TECHNOLOGY, DEVELOPMENT ZONE,
 WUHU CITY, 100045 ANHUI, China

(540)

JETOUR

(591) Black, white

(531) 27.05.01

(511)

12 – Automobile bodies; motor coaches; motor homes; trucks; automobiles; waggons; driverless cars [autonomous cars]; tires for vehicle wheels; cars; sports cars.

37 – Leather care, cleaning and repair; vehicle service stations [refuelling and maintenance]; heating equipment installation and repair; rebuilding engines that have been worn or partially destroyed; retreading of tires; vehicle breakdown repair services; painting or repair of signs; vehicle battery charging; motor vehicle maintenance and repair.

(260) AM 2019 102621 A
 (800) 1460060
 (151) 2019 02 05
 (891) 2019 02 05
 (731) DR. THEISS NATURWAREN GMBH
 Michelinstr. 10, 66424 Homburg, Germany

(540)



(591) Grey, black and red

(531) 01.15.21; 26.02.05; 26.02.07; 26.02.08;
 26.11.13; 26.15.01; 27.05.09; 27.05.10;
 27.05.11; 29.01.13

(511)

3 – Bleaching preparations and laundry preparations; cleaning, polishing, scouring and abrasive preparations; perfumery, essential oils, non-medicated cosmetics, including non-medicated skin cleaning and skin care preparations and hair care preparations; non-medicated dentifrices.

5 – Pharmaceutical and veterinary preparations; medicines for human purposes; medicines for veterinary purposes; sanitary preparations for medical purposes; dietetic foodstuffs and substances adapted for medical use; nutritional supplements for humans and animals; vitamin preparations.

(260) AM 2019 102622 A
 (800) 1460066
 (151) 2019 01 22
 (891) 2019 01 22
 (731) DR. THEISS NATURWAREN GMBH
 Michelinstr. 10, 66424 Homburg, Germany

(540)



(591) Yellow, gold, orange, black

(531) 01.15.21; 26.01.01; 26.01.06; 26.01.16;
 26.01.18; 26.15.01; 27.05.10; 27.05.11;
 29.01.12

(511)

3 – Bleaching preparations and laundry preparations; Cleaning, polishing, scouring and abrasive prepara-

tions; Perfumery, essential oils, non-medicated cosmetics, including non-medicated skin cleaning and skin care preparations, and hair care preparations; Non-medicated dentifrices.

5 – Pharmaceutical and veterinary preparations; Medicines for human purposes; Medicines for veterinary purposes; Sanitary preparations for medical purposes; Dietetic foodstuffs and substances adapted for medical use; Nutritional supplements for humans and animals; Vitamin preparations.

(260) AM 2019 102623 A

(800) 1460070

(151) 2019 02 13

(891) 2019 02 13

(731) SHANGHAI BAOYU FOOTWEAR CO., LTD.

Y461, NO. 925, YECHENG ROAD,
JIADING DISTRICT, SHANGHAI, China

(540)



(591) Black, white

(531) 27.05.13

(511)

25 – Footwear*; boots*; caps [headwear]; gloves [clothing].

(260) AM 2019 102624 A

(800) 1460071

(151) 2018 11 29

(891) 2018 11 29

(731) PUMA SE

PUMA Way 1, 91074 Herzogenaurach,
Germany

(540)



(591) Black, white

(531) 03.01.04; 03.01.21; 03.01.24

(511)

9 – Scientific, nautical, surveying, photographic, cinematographic, optical, weighing, measuring, signaling, checking [supervision], life-saving and teaching apparatus and instruments; apparatus for the recording/transmission or reproduction of sound and images; audio amplifiers; audio speakers; electronic docking stations for use with electronic book rea-

ders, tablet computers, MP3 players, MP4 players, mobile phones, smart phones and smart watches; camcorders; computer software; mobile telephone software; downloadable software in the nature of a mobile applications, for processing images, graphics, audio, video, numbers and text as well as for sending and receiving of electronic messages, graphics, images, audio and audio visual content; downloadable software in the nature of a mobile applications for creating, recording, managing, editing, organizing, uploading, downloading, accessing, viewing, posting, displaying, tagging, modifying, transferring, linking, storage and use of data and information; computer software for personal information management, and data synchronization software; sensors for determining distance, acceleration, timing, and pressure for communicating sport, fitness, and activity data to electronic devices; pedometers; receivers used for capturing fitness data from a sensor, namely, time, distance, pace, and calories burned; electronic monitoring devices incorporating microprocessors, digital display, and accelerometers, for detecting, storing, reporting, monitoring, uploading and downloading sport, fitness training, and activity data to the internet, and communication with gaming consoles and personal computers, regarding time, pace, speed, steps taken, athletic skill, calories burned, heart and body rate, global positioning, direction, distance, altitude, navigational and weather information; computer and mobile phone software for fitness and weight management; computer and mobile phone software for use with video game consoles; cases, straps, wrist and arm bands for electronic monitoring devices; electronic monitoring devices incorporating indicators that light up and change color based on wearer's cumulative activity level; telephones; video telephones; mobile phones; smart phones; cables for mobile phones; straps and ribbons for mobile phones; holders adapted for mobile phones; headphones; stereo headphones; in-ear headphones; stereo boxes; loudspeakers; connecting apparatus and chargers for mobile and handheld mobile digital devices; parts and fittings for mobile phones included in class 09; covers, cases and bags adapted for mobile phones, tablet computers and laptops; covers for mobile phones made of fabric or other textile materials; batteries; rechargeable batteries; chargers; USB chargers; hands frees kits and snap on cases adapted for mobile phones and tablet computers; audio docking stations; screen protective films adapted for mobile phones and table computers and portable speakers; MP3 players; Personal Digital Assistants (PDAs); portable computers; portable media player; smart watches; tablet computers; electronic notebooks; wearable computers; wearable smartphones; wearable watches; wearable telecommunication apparatus; wearable communications devices in the form of wristwatches; downloadable mobile applications for use with wearable computer devices; wearable digi-

tal electronic communication devices; wearable computer peripherals; peripherals for mobile devices; wearable peripherals for mobile devices; sunglasses; glasses; spectacle lenses and frames; spectacle cases; contact lenses; spectacle chains; clothing for protection against accidents, including footwear; clothing especially made for rescue purpose, face-protection shields, protective eyewear and masks; helmets, including protective helmets for motorists and cyclists as well as protective helmets for sports; special containers (cases, sheaths, housings), adapted to the apparatus and instruments included in class 09; signaling whistles; respiratory devices for divers; photo and photo-reporter bags included in class 09; mouse pads; watches that communicate data to personal digital assistants, smart phones, table PCs, PDA, and personal computers through internet websites and other computer and electronic communication networks; watchbands that communicate data to personal digital assistants, smart phones, table PCs, PDA, and personal computers through internet websites and other computer and electronic communication networks; bracelets that communicate data to personal digital assistants, smart phones, table PCs, PDA, and personal computers through internet websites and other computer and electronic communication networks; none of the above mentioned is related to vehicles, mobility, travel and transportation.

(260) AM 2019 102625 A
 (800) 1460073
 (151) 2019 02 12
 (891) 2019 02 12
 (731) DR. THEISS NATURWAREN GMBH
 Michelinstr. 10, 66424 Homburg, Germany
 (540)



(591) Yellow, gold and grey
 (531) 01.15.21; 26.01.01; 26.01.03; 26.01.16;
 26.01.18; 26.15.01; 27.05.10; 27.05.11;
 29.01.12
 (511)
 3 – Bleaching preparations and laundry preparations; cleaning, polishing, scouring and abrasive preparations; perfumery, essential oils, non-medicated cosmetics, including non-medicated skin cleaning and skin care preparations, and hair care preparations; non-medicated dentifrices.

5 – Pharmaceutical and veterinary preparations; medicines for human purposes; medicines for veterinary purposes; sanitary preparations for medical purposes; dietetic foodstuffs and substances adapted for medical use; nutritional supplements for humans and animals; vitamin preparations.

(260) AM 2019 102637 A
 (800) 1452978
 (151) 2019 01 17
 (891) 2019 03 10
 (731) LODGEWORKS PARTNERS, L.P.
 8100 E. 22nd Street, Building 500,
 Wichita KS 67226, USA
 (540)

ARCHER

(591) Black, white
 (511)
 43 – Hotel services; hotel services, namely, providing online information regarding hotel accommodation rates; hotel services featuring incentive programs providing special guest services, amenities and awards to members.

(260) AM 2019 102638 A
 (800) 1456147
 (151) 2018 08 31
 (891) 2019 03 08
 (731) MAXELL HOLDINGS, LTD.
 1 Koizumi, Oyamazaki, Oyamazaki-cho,
 Otokuni-gun, Kyoto 618-8525, Japan
 (540)

maxell

(591) Black, white
 (531) 27.05.01; 27.05.17
 (511)
 9 – Projectors, projection apparatus and their parts; digital projectors; video projectors; overhead projectors; multimedia projectors; photography projectors; sound projectors; liquid crystal projectors; portable projectors; video recorders; video recording apparatus and apparatus for video transmission; video capture apparatus; visual display units; display apparatus; touch screens; photographic apparatus; cinematographic machines and apparatus; optical instruments or apparatus; telecommunications equipment; microphones; personal digital assistants in the shape of a watch; smartphones; computers and their peripherals; integrated circuit cards [smart cards]; computer keyboards; computer monitors; wrist rests for use with computers; mouse pads; USB flash drives; bags adapted for laptops; USB adapters; USB hubs; display screen filters; headphones; earphones; loudspeakers; optical data media; tape measures; measu-

ring or testing machines and instruments; selfie sticks [hand-held monopods]; selfie sticks for use with smartphones; selfie sticks for use with digital cameras; covers for smartphones; cases for smartphones; protective films adapted for smartphones; NOTIFICATION (continued) magnetic data media; ozonisers [ozonators]; electrolyzers; battery chargers for use with telephones; chargers for electric batteries; battery chargers for cellular phones; battery chargers; uninterruptible electrical power supplies; electrical power supplies to be used when power failure such as power failure; electrical power supplies using storage battery; power distribution or control machines and apparatus; electrical adapters; power adapters; plug adapters; rotary converters; phase modifiers; electrical cells and batteries; sound recorded magnetic cards, sheets and tapes; audio compact discs; sound recording discs; downloadable music files; downloadable image files; recorded video disks and video tapes.

(260) AM 2019 102662 A

(800) 1460749

(151) 2019 01 11

(891) 2019 01 11

(731) ALTANA AG

Abelstr. 43, 46483 Wesel, Germany

(540)

ALTANA

(591) Black, white

(511)

1 – Chemical products and chemical substances for commercial purposes; chemical additives; silicates; phyllosilicates; chemical products for gelling; thickening agents or thixotropic agents for suspensions or fluids; bentonite; emulsifying agents, hardeners, dispersing agents; material for influencing the surface tension of paints and lacquers (tensides) during manufacturing; unprocessed synthetic resins and plastics; adhesives for commercial purposes; adhesives for the manufacture of adhesive tapes; silicones; catalysts; chemical additives for resins; conductive resins; unprocessed synthetic resins and unprocessed artificial resins, thermosetting resins and plastics; thermo plastic resins (unprocessed); unprocessed epoxy resins; unprocessed epoxy polyurethane resins; reaction resins (unprocessed synthetic resins); synthetic resin compounds (unprocessed); emulsifiers for resins; wetting agents; liquid elastomers, thermoplastic elastomers, plastisols, polyvinyl chloride plastisols; polyvinyl chloride plastisols for hot-dip applications; thermoplastic elastomers based on styrol block copolymers.

2 – Paints, varnishes, lacquers; powder colours and powder paints; anti-corrosives; antirust preparations; dyes; unprocessed natural resins; coatings for surfaces in the form of paints; wire enamel; gum resins;

natural resins for coatings; coatings based on natural resins for application onto metals, synthetic materials and paper; binding agent for paints based on resins, as far as contained in class 2; agents and compounds for drying paints and lacquers; thinning and thickening agents for paints, lacquers and ink; binding agents, thickeners, fixing agents (all being additives for paints and lacquers); aluminium paints; pigments, in particular iron pigments, pearl gloss pigments, metal effect pigments, interference pigments; metals in foil and metals in powder form for painters and decorators; printing pastes (ink), printing liquid (inks); inks for printing purposes; inks in cartridges; printing paints containing metal effect pigments.

6 – Common metals and their alloys in the form of grit and powders as well as pastes made from these powders for industrial purposes, other than for use in painting, decorating, printing and art; cut up foils made of common metal in regular forms, in particular in leaf shape; foils made of common metals (not for painters, decorators or insulating purposes).

7 – Printing machines, 3D printers; printing presses, printing rollers (machine parts), printing controllers (machine parts), printing masks (machine parts), print heads for printers (machine parts); printing controls (controllers and valves) as machine parts; printing filters of textile materials (machine parts); coating machines; dispensing machines (except vending machines); embossing machines, embossing presses, embossing printing machines; pneumatic, hydraulic and mechanical control systems for machines; sealing joints (parts of machines); seals (parts of machines).

9 – Measuring and testing apparatus and instruments, including their parts and accessories for the aforementioned goods; calibrating apparatus and adapted containers and cases for storage and transport of the aforementioned goods; data processing apparatus and computers, including their parts and accessories, namely monitors, keyboards, input and output devices, memory and function expansion units and interfaces for transmitting measuring data to external computers; data recorded on data carriers; software; electric and electronic controllers; digital process controlling apparatus; printers; electric controls for machines; electrical conductors and electrical circuit boards; electronic control systems for machines.

17 – Insulation material made of natural rubber, gutta-percha, rubber or mica; natural rubber, gutta-percha, rubber, mica and goods made from these materials, namely sealing materials, rubber solutions, insulators for electric wires, insulation paints; mica, in particular synthetic mica, also coated in the form of powders, plates, flakes, pellets or granules as well as in the form of pastes for printers and artists and for

industrial purposes (included in this class); plastic substances (semi-manufactured); sealing, packing and insulating materials; gaskets; wiper seals (non-metallic); liquid material for electric insulation; electrical insulation articles and materials; sealants for the closures of bottles, glasses and cans; hoses (not of metal); sealing tapes; rubber sheets, silicone rubber compositions; adhesive tapes (not for medical purposes, for stationery or household purposes); adhesive tapes for electrical insulating purposes; synthetic resins in liquid form (semi-finished products); synthetic, conductive and thermosetting resins (semi-finished products); elastomer polymers (semi-finished product).

21 – Glass particles, also coated, for industrial purposes (included in this class); glass in form of powders, platelets, flakes or granules, also coated for industrial purposes (included in this class) and for decorative or functional purposes.

37 – Maintenance, servicing, repair and cleaning of printing, coating, dispensing and embossing machines; maintenance, repair and installation of machines and control systems of machines.

42 – Scientific and technological services and research work and services of a designer; industrial analysis and research services; design and development of computer hardware and software.

(260) AM 2019 102663 A
(800) 1460755
(151) 2019 01 29
(891) 2019 01 29
(731) Joint Stock Company "INSTITUT VZRYVA"
ul. Akademika Vargi, d. 8, korp. 1,
floor 13, off. 9, RU-117133 Moscow,
Russian Federation
(540)

Коршун

(591) Black, white
(531) 28.05
(511)

13 – Explosives for industrial use; ammonium nitrate explosives for industrial use; primings [fuses] for industrial use; detonators for industrial use; detonating fuses for explosives for industrial use.

17 – Pipe mufflers, not of metal; junctions, not of metal, for pipes.

(260) AM 2019 102664 A
(800) 1460760
(151) 2019 03 07
(891) 2019 03 07
(731) Società Italo-Britannica L. Manetti – H.
Roberts & C. p.A.
Via Pellicceria, 8, I-50123 Firenze, Italy

(540)

LABORATOIRES VENDOME

(591) Black, white
(511)

3 – Bleaching preparations and other substances for laundry use; cleaning, polishing, scouring and abrasive preparations; soaps, toiletry and body care preparations; perfumery, essential oils, beauty and cosmetics preparations, hair lotions; toothpaste.

5 – Pharmaceutical, veterinary and sanitary preparations; dietetic substances adapted for medical use, food for babies; vitamin, mineral or trace element preparations for dietary supplements; plasters, materials for dressings; material for stopping teeth, dental wax; disinfectants; preparations for destroying vermin; fungicides, herbicides.

(260) AM 2019 102667 A
(800) 1460837
(151) 2019 02 07
(891) 2019 02 07
(731) PETER RICKEN
Zeunerstraße 32, 45133 Essen, Germany
(540)

KARA Arzneimittel

(591) Black, white
(511)

5 – Medicine; pharmaceutical drugs; non-prescription medicines; non-steroidal anti-inflammatory drugs; medicines for human purposes.

35 – Retail and wholesale services, also provided via the Internet, with the following goods: medicine, pharmaceutical drugs, non-prescription medicines, non-steroidal anti-inflammatory drugs, medicines for human purposes; advertising, marketing and sales promotion, also provided via the Internet.

(260) AM 2019 102668 A
(800) 1460903
(151) 2019 03 06
(891) 2019 03 06
(731) APPLE INC.
One Apple Park Way, Cupertino CA 95014,
USA
(540)

IPOD

(591) Black, white
(511)

41 – Providing non-downloadable publications in the nature of pamphlets and brochures on the subjects of computer hardware and software applications; pro-

viding information, advice and consultation services relating to all the aforesaid.

(260) AM 2019 102670 A
 (800) 1460942
 (151) 2019 02 19
 (891) 2019 02 19
 (731) REAL MADRID CLUB DE FUTBOL
 Calle Concha Espina, 1, E-28036 Madrid,
 Spain
 (540)



Realmadrid

(591) Black, white
 (531) 24.01.03; 24.01.15; 24.01.18; 24.01.25;
 24.09.01; 24.09.13; 27.05.22
 (511)
 25 – Ready-made clothing for women, men and children; footwear (except orthopedic footwear) and headgear.

(260) AM 2019 102752 A
 (800) 1461334
 (151) 2018 12 20
 (891) 2018 12 20
 (731) MJÓLKURSAMSALAN EHF.
 Bítruhálsi 1, IS-110 Reykjavík, Iceland
 (540)

ÍSEY

(591) Black, white
 (511)
 29 – Milk and milk products.

(260) AM 2019 102754 A
 (800) 1461366
 (151) 2018 10 09
 (891) 2018 10 09
 (731) Engelhart CTP Holding (UK) Limited
 Berkeley Square House, 4-19 Berkeley
 Square, London W1J 6BR, United
 Kingdom
 (540)

ENGELHART

(591) Black, white
 (511)
 35 – Retail services and marketing services in relation to of all commodities, namely oil, gas, crude oil,

gold, silver, platinum, copper, precious metals, common metals, agricultural goods, meat and livestock, processed consumer goods namely cocoa, coffee, cotton and sugar and live animals for foodstuffs; retail services and marketing services in relation to chemicals, resins, plastics, adhesives, minerals, natural elements, oils, crude oil, fuels, coal, coke, gases, metals, base metals, alloys, cables, ores, fossilized carbon; retail services and marketing services in relation to all commodities including precious metals and their alloys, precious stones, ropes, string, raw fibrous textile materials, raw cotton, goods made of textiles and fibres, raw textile fibres and substitutes, food, drinks, flavourings, grains, agricultural, horticultural and forestry products, fresh fruits and vegetables, seeds, natural plants and flowers; information, consultancy and advisory services relating to the aforesaid services; collecting and systematic ordering of information and data in a computer database; maintenance of data in computer databases; arranging commercial transactions, for others; arranging of contracts, for others, for the purchase and sale of goods and energy; arranging of contracts, for others, for the providing of services; consulting services in the commodities field; preparation of business reports; commercial trading and consumer information services; business assistance, analysis, management and administrative services.

36 – Trading physical commodities; trading financial commodities; financial services; equity and bond trading; futures and options trading; derivatives trading; financial risk management and hedging; financial asset management; security trade execution services; clearing services; asset management; providing information for prices, price ranges, volume data, and other market data on commodity contracts, equities, bonds and other assets; financial information services; automated trading of commodities; financial information management and financial analysis services; exchange and/or clearing services; provision of pricing information relating to commodities, futures and indices; trade matching and clearing services; financial services to balance demand and supply of electricity and gas to ensure the security and quality of supply; guarantee services; insurance services; electronic trading services, namely trading of commodities via electronic platforms; brokerage services; financial services relating to dealing in commodities; financing services; banking services; advisory services relating to the above; provision of financial reports; carbon offset trading; environmental commodity trading; information, consultancy and advisory services relating to the aforesaid services.

39 – Storage of goods; consultation services related to distribution, transmission and storage of all commodities; commodity supply services for others featuring the storage of commodities; transmitting, ter-

minaling, transporting, storing, handling and distributing of commodities; consultation services related to distribution, transportation and storage of commodities; utility services, namely the distribution and supply of electricity, gas, LNG, crude oil, refined products and other energy related commodities; provision of warehousing services relating to physical commodities; information, consultancy and advisory services relating to the aforesaid services.

(260) AM 2019 102758 A

(800) 1461496

(151) 2019 02 26

(891) 2019 02 26

(731) BEIJING JINGDONG 360 DU

E-COMMERCE LTD.

ROOM 222, FLOOR 2, BUILDING C,

NO. 18, KECHUANG 11 STREET,

BEIJING ECONOMIC AND

TECHNOLOGICAL, DEVELOPMENT

ZONE, 100176 BEIJING, China

(540)

JDMALL

(591) Black, white

(531) 27.05.01

(511)

35 – Advertising; demonstration of goods; presentation of goods on communication media, for retail purposes; on-line advertising on a computer network; providing business information via a web site; organizing fashion shows for advertisement and sales; business management and organization consultancy; import-export agencies; sales promotion for others; providing on-line marketplaces for buyers and sellers of goods and services; personnel management consultancy; relocation services for businesses; administrative processing of purchase orders; updating and maintenance of data in computer databases; drawing up of statements of accounts; rental of vending machines; sponsorship search; rental of sales stands; retail services for pharmaceutical, veterinary and sanitary preparations and medical products.

(260) AM 2019 102767 A

(800) 1461829

(151) 2018 10 09

(891) 2018 10 09

(731) Zakrytoe aktsionernoe obshchestvo

"MINSKIY TRANZITNYY BANK"

ul. Tolstogo d.10, 220007 Minsk, Belarus

(540)

ХАЛВА

(591) Black, white

(531) 28.05

(511)

36 – Insurance; financial affairs; monetary affairs; real estate affairs; credit bureau services; debt collection agency services; real estate agency services; financial analysis; lease-purchase financing; savings bank services; issuance of credit cards; issuance of tokens of value; financial information; clearing, financial; financial consultancy; debt advisory services; lending against security; brokerage; financial management; exchanging money; online banking; processing of debit card payments; processing of credit card payments; factoring; organization of collections; arranging finance for construction projects; financial evaluation [insurance, banking, real estate]; electronic funds transfer; securities brokerage; brokerage of carbon credits; insurance brokerage; pawn-brokerage; loans [financing]; providing financial information via a web site; check verification; charitable fund raising; financial sponsorship; mortgage banking; installment loans; banking; stock brokerage services; actuarial services; retirement payment services; provident fund services; financing services; installment loans.

(260) AM 2019 102862 A

(800) 1462691

(151) 2019 01 18

(891) 2019 01 18

(731) ENDEKS KİMYA SANAYİ VE TİCARET ANONİM ŞİRKETİ

Adnan Kahveci Mah., Davutpaşa Cad.

No:17, Beylikdüzü, İstanbul, Turkey

(540)

DAC

(591) Black, white

(511)

3 – Bleaching and cleaning preparations, detergents other than for use in manufacturing operations and for medical purposes, laundry bleach, fabric softeners for laundry use, stain removers, dishwasher detergents; dental care preparations: dentifrices, denture polishes, tooth whitening preparations, mouth washes, not for medical purposes; abrasive preparations; emery cloth; sandpaper; pumice stone; abrasive pastes; polishing preparations for leather, vinyl, metal and wood, polishes and creams for leather, vinyl, metal and wood, wax for polishing.

(260) AM 2019 102866 A

(800) 1462780

(151) 2019 02 15

(891) 2019 02 15

(731) TAKEDA PHARMACEUTICAL COMPANY LIMITED

1-1, Doshomachi 4-chome, Chuo-ku, OSAKA

540-8645, Japan

(540)

ВОЦИНТИ

(591) Black, white

(531) 28.05

(511)

5 – Pharmaceutical preparations.

(260) AM 2019 102908 A

(800) 1225387

(151) 2014 10 10

(891) 2019 02 12

(731) THE BODY SHOP INTERNATIONAL LIMITED

Watersmead, Littlehampton, West Sussex
BN17 6LS, United Kingdom

(540)

**OILS OF LIFE**

(591) Black, white

(531) 01.15.15; 26.11.12

(511)

3 – Cosmetics; cosmetics in the form of milks; cosmetic moisturisers; skin care lotions [cosmetic]; skin care preparations; make-up preparations; cosmetic creams.

(260) AM 2019 102909 A

(800) 1314393

(151) 2016 03 21

(891) 2019 01 22

(731) GIORGETTI S.p.a.

Via Manzoni, 20, I-20821 MEDA (MB), Italy

(540)

GIORGETTI

(591) Black, white

(511)

11 – Lighting apparatus for bathrooms and toilets; lighting apparatus for mirrors; apparatus for water supply and sanitary purposes; cocks and taps for sanitary installations; mixer taps for hot and cold water; drainage and overflow fittings for bathrooms; taps with a pre-programmed flow duration; water purifying and treatment apparatus; water filtering apparatus; drinking fountains; fittings for water and sanitation pipes, including with thermostat and/or

sensor control; bath tubs; cubicles for shower baths; spa baths (vessels); sinks; bidets; toilets (water-closets); saunas; cubicles for Turkish baths; showers; massage showers; hand-held showers and overhead showers; shower fittings, including shower trays; spray nozzles and spray heads; shower enclosures; shower columns and seats; complete shower cubicles; parts and fittings for the aforesaid goods.

20 – Garment covers (storage); covers for clothing (wardrobe); clothes hooks, not of metal; coat hangers; air pillows, not for medical purposes; air mattresses, not for medical purposes; cupboards; works of art, of wood, wax, plaster or plastic; towel closets; hooks, not of metal, for clothes rails; coatstands; cable or pipe clips of plastics; unworked or semi-worked ivory; picture frame brackets; curtain rods; benches (furniture); workbenches; chests, not of metal; library shelves; bookshelves; sideboards; dinner wagons (furniture); settees; reeds (plaiting materials); hat stands; trolleys (furniture); chests, not of metal; crates of wood or plastic; crates, not of metal; chests for toys; lockers; trestles (furniture); hampers (baskets); baskets, not of metal; keyboards for hanging keys; cabinets (furniture); vanities; mobiles (decoration); containers, not of metal; coral; cork bands; curtain holders, not of textile material; animal horns; picture frames; mouldings for picture frames; tea carts; kennels for household pets; cushions; pet cushions; drafting tables; meat chests, not of metal; divans; staves of wood; display stands; baby changing platforms; figurines (statuettes) of wood, wax, plaster or plastic; wax figurines; curtain hooks; rattan; pillows; fittings, not of metal, for beds; fittings, not of metal, for furniture; door fittings, not of metal; fittings, not of metal, for windows; picture frames; mirror tiles; removable mats or covers for sinks; lecterns; wood ribbon; spring mattresses; bed casters, not of metal; beds; bedsteads of wood; book rests (furniture); picture rods (frames); unworked or semi-worked mother-of-pearl; dressmakers' dummies; mattresses; brackets, not of metal, for furniture; furniture; edgings of plastic for furniture; furniture partitions of wood; doors for furniture; furniture shelves; furniture casters, not of metal; inflatable furniture; furniture of metal; office furniture; furniture; school furniture; wickerwork; wind chimes (decoration); inflatable publicity objects; umbrella stands; straw edgings; straw plaits; plaited straw, except matting; screens (furniture); bead curtains for decoration; table tops; tent pegs, not of metal; flower-pot pedestals; armchairs; knobs, not of metal; magazine racks; napkin holders (furniture); door handles, not of metal; shelves for storage; curtain rails; curtain rollers; racks (furniture); shelving units; step stools, not of metal; boxes of wood or plastic; filing cabinets; fireplace screens; writing desks; desks; seats; sun loungers; chairs; seats of metal; footstools; sofas; mirrors (looking glasses); statues of wood, wax, plaster or plastic; dressing tables; tables

of metal; washstands (furniture); trolleys for computers (furniture); curtain rings; curtain poles; curtain tie-backs; interior textile window blinds; trays, not of metal; slatted indoor blinds; non-electric fans for personal use; showcases (furniture); stakes for flowers and plants.

21 – Household or kitchen utensils and containers; tableware; glassware; sugar bowls; beer glasses; bottle openers; bowls; candelabra (candlesticks), not of precious metal; bone china ornaments; cookware; corkscrews; soap dispensers; statuettes of bone china, crystal, majolica, glass, porcelain, earthenware; perfume sprayers; plates; saucepans; soap holders; soap containers; vases; flower baskets; parts and fittings for all of the aforesaid goods.

35 – Advertising; business management; business administration; office functions; dissemination of advertising matter; direct mail advertising; rental of advertising space; commercial and industrial business management assistance and consultancy, professional business consultancy, modelling for advertising or business promotion, franchising, namely services rendered by a franchiser in the form of commercial business assistance, management and development (services, for others), relating to the marketing of lighting apparatus, lighting apparatus for bathrooms and toilets, lighting apparatus for mirrors, apparatus for water supply and sanitary purposes, cocks and taps for sanitary installations, mixer taps for hot and cold water, drainage and overflow fittings for bathrooms, taps with a pre-programmed flow duration, water purifying and treatment apparatus, water filtering apparatus, drinking fountains, fittings for water and sanitation pipes, including with thermostat and/or sensor control, bath tubs, cubicles for shower baths, spa baths (vessels), sinks, bidets, toilets (water-closets), saunas, cubicles for Turkish baths, showers, massage showers, hand-held showers and overhead showers, shower fittings, including shower trays, spray nozzles and spray heads, shower enclosures, shower columns and seats, complete shower cubicles, parts and fittings for the aforesaid goods, garment covers (storage), covers for clothing (wardrobe), clothes hooks, not of metal, coat hangers, air pillows, not for medical purposes, air mattresses, not for medical purposes, cupboards, works of art, of wood, wax, plaster or plastic, towel closets, hooks, not of metal, for clothes rails, coatstands, cable or pipe clips of plastics, unworked or semi-worked ivory, picture frame brackets, curtain rods, benches (furniture), workbenches, chests, not of metal, library shelves, bookshelves, sideboards, dinner wagons (furniture), settees, reeds (plaiting materials), hat stands, trolleys (furniture), chests, not of metal, crates of wood or plastic, crates, not of metal, chests for toys, lockers, trestles (furniture), hampers (baskets), baskets, not of metal, keyboards for hanging keys, cabinets (furniture), vanities, mobiles

(decoration), containers, not of metal, coral, cork bands, curtain holders, not of textile material, animal horns, picture frames, mouldings for picture frames, tea carts, kennels for household pets, cushions, pet cushions, drafting tables, meat chests, not of metal, divans, staves of wood, display stands, baby changing platforms, figurines (statuettes) of wood, wax, plaster or plastic, wax figurines, curtain hooks, rattan, pillows, fittings, not of metal, for beds, fittings, not of metal, for furniture, door fittings, not of metal, fittings, not of metal, for windows, frames, mirror tiles, removable mats or covers for sinks, lecterns, wood ribbon, spring mattresses, bed casters, not of metal, beds, bedsteads of wood, book rests (furniture), picture rods (frames), unworked or semi-worked mother-of-pearl, dressmakers' dummies, mattresses, brackets, furniture, edgings of plastic for furniture, furniture partitions of wood, doors for furniture, furniture shelves, furniture casters, not of metal, inflatable furniture, furniture of metal, office furniture, furniture, school furniture, wickerwork, wind chimes (decoration), inflatable publicity objects, umbrella stands, straw edgings, straw plaits, plaited straw, except matting, screens (furniture), bead curtains for decoration, table tops, tent pegs, not of metal, flower-pot pedestals, armchairs, knobs, not of metal, magazine racks, napkin holders (furniture), door handles, not of metal, shelves for storage, curtain rails, curtain rollers, racks (furniture), shelving units, step stools, not of metal, boxes of wood or plastic, filing cabinets, fireplace screens, writing desks, desks, seats, sun loungers, chairs, seats of metal, footstools, sofas, mirrors (looking glasses), statues of wood, wax, plaster or plastic, dressing tables, tables of metal, washstands (furniture), trolleys for computers (furniture), curtain rings, curtain poles, curtain tie-backs, interior textile window blinds, trays, not of metal, slatted indoor blinds, non-electric fans for personal use, showcases (furniture), household or kitchen utensils and containers, tableware, glassware, sugar bowls, beer glasses, bottle openers, bowls, candelabra (candlesticks), not of precious metal, bone china ornaments, cookware, corkscrews, soap dispensers, statuettes of bone china, crystal, majolica, glass, porcelain, earthenware, stakes for flowers and plants, perfume sprayers, plates, saucepans, soap holders, soap containers, vases, flower baskets, parts and fittings for all of the aforesaid goods, enabling customers to view and purchase the aforesaid goods in retail outlets.

(260) AM 2019 102910 A

(800) 1337188

(151) 2016 06 07

(891) 2019 04 04

(731) Zebra A/S

Strandgade 71-73, DK-1401 Copenhagen K,
Denmark

(540)



(591) Black, white

(531) 03.02.01; 03.02.24; 27.03.01; 27.03.03;
27.05.08; 27.05.21

(511)

35 – Advertising; business management; business administration; office functions; import-export agency services; retail and wholesale services, also via the Internet in relation to paints and varnishes for artists and crafts purposes, toner cartridges (filled), bleaching preparations and other substances for laundry use, preparations for polishing, cleaning and for scouring, abrasive preparations, soaps, perfumery, essential oils, cosmetics, make-up, make-up preparations, hair tonic, dentifrices, shampoos, shower gels, exfoliants, lotions for body and face, bath salt, conditioner, nail polish, false nails, false nail tips, nail art stickers, preparations for reinforcing the nails, antiperspirants [toilettries], deodorants for personal use, shaving preparations, including shaving foam, shaving soaps, shaving gels, shaving foam and after-shave preparations, hair dye, eyeshadow, rouge, false eyelashes, sunblock, cotton-wool and cotton sticks for cosmetic use, joss sticks, breath freshening sprays, SPF sun block sprays, scented sachets, face packs, candles and wicks of lighting, Christmas tree candles, scented candles, illuminants, food supplements for humans, plasters, materials for dressings, dental wax, disinfectants, including sanitary disinfectants, vermin repelling preparations, fungicides, herbicides, insect repellent incense, insecticides and insect repellents, antiseptic wipes, air deodorants, mosquito sprays, remedies for perspiration, nasal sprays for medical purposes, ironmongery, goods of common metal, i.e. door handles, door bells (non-electric), letters and numerals (of common metal), but not type, chains of metal, bells for animals, coat hooks and hooks of metal, keys, key chains, padlocks and lockable boxes, hand tools and implements (hand-operated), cutlery, forks, knives and spoons, side arms (other than firearms), razors, manicure sets, nail files, nail clippers, tweezers, scissors and hair cutters, mouse pads, magnets including decorative magnets, reflecting discs, for clothing to prevent traffic accidents, head protection, magnifying glasses [optics], music CDs, DVDs being films, concert recordings and fictional comics, blank mag-

netic data carriers, recording discs, CDs, DVDs and other digital recordable media for data recording and storage, 3D glasses, vehicle warning triangle signs, switchboxes [electricity], alcoholmeters, weighing apparatus and instruments, bathroom scales, baby monitors, video baby monitors, batteries, electric, battery chargers, fire alarms, letter scales, sunglasses, spectacle cases, spectacles [optics], anti-glare glasses, portable media players, tape recorders, CD players, record players, computer software, recorded, decorative magnets, apparatus and instruments for microscopy, microscopes, cell phones, digital photo frames, dictating machines, downloadable image files, downloadable music files, electronic publications, downloadable, DVD players, long-playing records, scuba masks, electronic book readers, single use cameras, electric apparatus for remote ignition, electric door bells, electric connectors (plugs), electric wires, electronic agendas, electronic publications, downloadable, spectacle cases, cases especially made for photographic apparatus and instruments, remote contact switches, remote control apparatus, connectors (plugs) for electric cables, junction boxes for electrical purposes, stands for photographic cameras, resuscitating mannequin [teaching apparatus], galvanic batteries, Global Positioning System [GPS] apparatus, memory cards for video game machines, punched card machines for offices, dog whistles, hygrometers, altimeters, loudspeakers, wrist rests for use with computers, fire extinguishers, juke boxes [music], power cables, battery jars, binoculars, electric couplings, compasses [measuring instruments], electric switches, contact lenses, electric timers, digital egg timers, abacuses, spectacle chains, electric conductors, electric wires, electric cords, calculators, sound recordings, sound transmitting apparatus, readers [data processing equipment], electronic locks, magnetic tapes, microscopes, mouse [computer peripheral], measuring glassware, measuring instruments, gauges, measuring spoons, measuring rulers, neon signs, nose clips for divers and swimmers, battery chargers, optical glass, optical apparatus and instruments, opticians' goods, parking meters, electronic pens [equipment for monitors], petri dishes, prisms, radios, radio pagers, test tubes, lifebelts, life vests, calculators, slide-rules, cleaners for phonograph records, directional compasses, riding helmets, smoke alarms, junction boxes [electricity], signalling whistles, pedometers, measuring tapes, sleeves for portable computers, personal stereos, socks, electrically heated, solar batteries, speed indicators, sports glasses, camera tripods, plugs and sockets and other circuits [electrical junctions], mouthpiece being teeth protectors, bags adapted for laptops, cases especially made for photographic apparatus and instruments, computer keyboards, animated cartoons, egg timers [sandglasses], rulers, anti-theft fittings [other than for vehicles] and anti-theft alarms, anemometers, protractors [meas-

ring instruments], walkie-talkies, ear plugs for divers, memory chips, memory boards, multimedia cards, SD-cards (secure digital cards) and SIM cards, memory sticks, external hard disk, projectors and screens for home theatres, home cinema systems, toner cartridges, unfilled, for printers and photocopiers, kitchen weighing scales, measuring cups, bathroom scales, bicycle accessories, i.e. helmets and computers for use with bicycles, apparatus for lighting, heating, steam generating, cocking, refrigerating, drying, ventilating, water supply and sanitary purposes, lamps, bicycle lights, light bulbs, pocket searchlights, lamp glasses, lamp shades, igniters, air deodorising apparatus, air freshener dispensing systems, lighting apparatus, apparatus for ventilating, apparatus for the supply of water and for sanitary purposes for use in bathrooms, shower heads, shower pans, shower stalls, steam showers, hand held showers, bathtubs, toilets [water-closets], toilet seats, sinks, taps [faucets], lighting apparatus for use in bathrooms, shower hoses of metal, vehicles, land and water vehicles, including bicycles, bicycle accessories, including bicycle bells, baskets adapted for cycles, pumps for bicycles, luggage carriers and nets for vehicles, inner tubes for bicycles and panniers, rubber patches (adhesive) for repairing inner tubes, anti-theft devices for vehicles, anti-theft alarms for vehicles, pyrotechnics, clocks and watches, imitation jewellery [costume jewellery], costume jewellery, craft supplies being beads used in jewellery (craft projects), musical instruments, paper and cardboard, bookbinding materials, stationery, glue for stationery or household use, artists' materials, paintbrushes, typewriters and office requisites (except furniture), teaching and instructional material (except devices), plastic materials for packaging, printing type, printing blocks, modelling wax, not for dental purposes, pen and pencil cases, document files (binders), file folders, rubber erasers, facial tissues of paper, book markers, book ends, dictation books, bibs of paper, greeting cards, musical greeting cards, tablecloths of paper, table napkins of paper, printed matters being novels, short stories and biographies, fiction comics, storage boxes of cardboard or paper, including office requisites, general purpose plastic bags, including for household use, bags of paper, cardboard or plastics, for packaging, watercolour pegboards, leather and imitations of leather and goods made of these materials, i.e. luggage tags, clothing for pets, dog collars and leashes, trunks and travelling bags, bags, umbrellas, parasols and walking sticks, bags of leather for packaging, net bags for shopping, furniture, mirrors, picture frames, goods of wood, cork, reed, cane, wicker, horn, bone, ivory, whalebone, shell, amber, mother-of-pearl, meerschaum and substitutes for all these materials, or of plastics, i.e. table tops, basin plugs, doorknobs of wood, horn, bone or plastics, door stops, identification tags of plastic for animals, clamps, plant hangers, plant supports, drawer

pulls, sticks for holding candy or ice cream, weather vanes, table decorations, busts, decorations of plastic for foodstuffs, decorative sculptures, dreamcatchers [decoration], party ornaments, works of art of wood, horn, bone or plastics, miniature car models and model aeroplanes [ornaments] made of wood or plastic, plastic models for decoration, adhesive wall decorations of wood or plastic, ornamental sculptures of horn, bone, wood or plastic, pet houses, baskets for dogs and cats, pet cushions, beds for household pets, reeds [plaiting materials], lock boxes, boxes of wood or plastic, portable boxes [containers] of plastic containers of bone or horn, containers being kegs, containers being bins, packaging containers, crates, baskets, wickerwork, storage boxes, wood planters, letter boxes, caskets made of bone, horn or ivory, step stools, step ladders, shop fittings, furniture for shops and shelving units, shop furniture, clothes hangers, curtain hooks, curtain rings, clothes hooks, not of metal, figurines [statuettes] of wood, wax, plaster or plastic in the shape of animals for decoration purposes, storage boxes [furniture], bottle stoppers, curtain rings, coat hooks, curtain hooks, curtain tie-backs and curtain rings for use in bathrooms, bathroom furniture, shower curtain rods, towel stands [furniture], towel shelves for use in bathrooms, hooks for use in bathrooms (not of metal), baskets for use in bathrooms, dressing tables, boxes of plastic for use in bathrooms, bath grips (not of metal), sliding rails for showers, textile furniture coverings (fitted) for household use, household and kitchen utensils and containers, bands/belts, specially adapted for lunch boxes and household or kitchen containers, combs and sponges, brushes (other than paint brushes), brush-making materials, articles for cleaning purposes, steel wool, unworked or semi-worked glass (except glass for use in buildings), glassware, porcelain and earthenware, drinking flasks, fly traps, clothes-pegs, candelabra [candlesticks], pepper pots, napkin rings, shoe horns, piggy banks, including of metal, drinking straws, toothpicks, floss for dental purposes, toilet brushes, toilet cases, toothbrush containers, shaving brushes, toilet roll dispensers, water closet brush holders, soap brackets, dispensers for liquid soap, in particular for use in bathrooms, including soap dishes for use in bathrooms, toothbrush holders for use in bathrooms, potholders, ropes, string, nets, tents, awnings and tarpaulins, sails, sacks, padding and stuffing materials (except of rubber or plastics), raw fibrous textile materials, sacks [bags] of textile, for packaging, yarns and threads, for textile use, fabrics, textiles [piece goods], textiles, including bed covers, table covers, unfitted furniture coverings of textile for household use, table cloths, table linen, towels, dish towels for drying, clothing, footwear and headgear, costumes for children, lace and embroidery, ribbons and braid, buttons, hooks and eyes, pins and needles, artificial flowers, hair accessories, i.e. hair ornaments, hair

bands, snap clips [hair accessories], elastic for tying hair, hair nets, false hair and wigs, craft supplies being beads used in craft projects, i.e. for cards, scrapbooks, woodcrafts, ink stamping and for clothing decorations, carpets, rugs and mats, toys, games, gymnastics and sporting articles, decorations for Christmas trees, fancy dress outfits being children's playthings, costume masks romper suits and costumes for play, hang gliders, kites, gut for fishing, swimming belts and water wings, toys being cars, boats, tractors, aeroplanes, helicopters, trains and water pistols, flippers for swimming, lifejackets, soap bubbles, dolls, doll houses, dolls' clothes, balls, spinning tops, toy weapons, round balloons, pegboards [toys] and water balloons, accessories for water balloons, novelties being whoopee cushions, false moustaches and novelty glasses, fishing tackle, face masks for sports, toys for domestic pets, meat, fish, poultry and game, preserved, frozen, dried and cooked fruits and vegetables, jellies, jams, compotes, eggs, milk and milk products, edible oils and fats, fruit jellies, snack foods, coffee, tea, cocoa and artificial coffee, rice, tapioca and sago, flour and preparations made from cereals, cereals, bread, biscuits, pastry and confectionery, ice cream, sugar, honey, treacles, yeast, baking-powder, salt, mustard, vinegar, sauces (condiments), seasonings, ice, chocolate, frozen yogurt [confectionery ices], liquorice [confectionery], noodles, pasta, chewing gum, coffee and cocoa based beverages, fruit jellies [confectionery], mineral and aerated waters and other non-alcoholic drinks, fruit beverages and fruit juices, syrups and other preparations for making beverages, smoothies, beer and alcoholic beverages (except beer).

(260) AM 2019 102936 A
 (800) 1463765
 (151) 2019 03 07
 (891) 2019 03 07
 (731) DR. THEISS NATURWAREN GMBH
 Michelinstr. 10, 66424 Homburg, Germany
 (540)

pharmatheiss
 cosmetics

SKIN IN BALANCE



(591) Black, white
 (531) 05.03.17; 26.11.02; 26.11.13
 (511)
 3 – Bleaching preparations and other substances for laundry use; cleaning, polishing, scouring and abrasive preparations; soaps; perfumery, essential oils, cosmetics, including non-medical skin cleaning and care preparations, and hair care preparations; hair lotions.

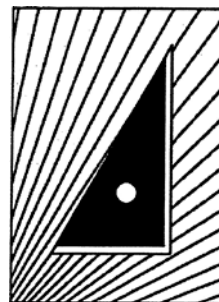
5 – Pharmaceutical preparations and substances; lotions for pharmaceutical purposes; nutritional supplements; vitamin preparations, including beauty capsules; natural and homeopathic preparations and substances for medical purposes.

(260) AM 2019 102992 A
 (800) 935643
 (151) 2007 05 15
 (891) 2019 03 29
 (731) DALLAN S.P.A.
 Via per Salvatronda, 50, I-31033
 CASTELFRANCO VENETO (TV), Italy
 (540)

DALCOS

(591) Black, white
 (511)
 6 – Common metals and their alloys; metal building materials; transportable buildings of metal; materials of metal for railway tracks; non-electric cables and wires of common metal; ironmongery; small items of metal hardware; pipes and tubes of metal; safes; goods of common metal not included in other classes; ores.
 7 – Machines and machine tools; motors and engines (except for land vehicles); machine coupling and transmission components (except for land vehicles); agricultural implements other than hand-operated; incubators for eggs.

(260) AM 2019 102993 A
 (800) 947888
 (151) 2007 10 24
 (891) 2019 03 29
 (731) DALLAN S.P.A.
 Via per Salvatronda, 50, I-31033
 CASTELFRANCO VENETO (TV), Italy
 (540)



(591) Black, white
 (531) 17.05.09; 26.03.01; 26.04.11; 26.04.12;
 26.11.03; 26.11.09
 (511)
 6 – Common metals and their alloys; metal building materials; transportable buildings of metal; materials of metal for railway tracks; non-electric cables and wires of common metal; ironmongery; small items

of metal hardware; pipes and tubes of metal; safes; goods of common metal not included in other classes; ores.

7 – Machines and machine tools; motors and engines (except for land vehicles); machine coupling and transmission components (except for land vehicles); agricultural implements other than hand-operated; incubators for eggs.

(260) AM 2019 102994 A

(800) 951366

(151) 2007 10 02

(891) 2019 03 29

(731) BOMBARDIER TRANSPORTATION

GMBH

Eichhornstrasse 3, 10785 Berlin, Germany

(540)

EBI

(591) Black, white

(531) 27.05.17; 27.05.23

(511)

9 – Signalling, automatic train control, interlocking and control room systems, comprising computers, computer software, radios, communication equipment and wayside equipment for main line and urban traffic management and control.

37 – Maintenance and repair of signalling, automatic train control, interlocking and control room systems, comprising computers, radios, communication equipment and wayside equipment for main line and urban traffic management and control.

(260) AM 2019 102995 A

(800) 985013

(151) 2008 10 17

(891) 2019 04 11

(731) TAM Fashion GmbH

Maria-Louisenstraße 8, 22301 Hamburg, Germany

(540)

Zabaione

(591) Black, white

(511)

3 – Perfumery, essential oils, cosmetics, hair lotions, soaps.

14 – Goods made of precious metals and their alloys or coated therewith (included in this class); jewellery, precious stones; costume jewellery, buttons (jewellery); horological and chronometric instruments.

18 – Goods made of leather and imitations of leather (included in this class), in particular bags as well as small leather goods, in particular purses, pocket wa-

llets, key cases; trunks and travelling bags (included in this class); umbrellas, parasols and walking sticks.

(260) AM 2019 102996 A

(800) 1166748

(151) 2013 02 06

(891) 2019 03 22

(731) MANIFATTURA DEL SEVESO S.P.A.

Via Monte Grappa, N. 7, I-24121

BERGAMO, Italy

(540)

ISOBELL

(591) Black, white

(531) 27.05.01

(511)

17 – Insulating products and insulating materials including thermo-insulators, acoustic insulators, continuous insulating facades, insulating floors and insulating walls with exclusion of those made of cellulose fibres.

19 – Building materials and construction materials not of metal with exclusion of non-metallic building materials and those made of cellulose fibres.

27 – Coverings for continuous insulating facades, insulating floors, insulating walls and insulation soils; wall paper.

(260) AM 2019 103061 A

(800) 1465711

(151) 2018 12 07

(891) 2018 12 07

(731) EGIS GYÓGYSZERGYÁR ZRT.

Keresztúri út 30-38., H-1106 Budapest, Hungary

(540)

PREDYSTIC

(591) Black, white

(511)

5 – Diagnostic preparations for medical purposes in the field of diagnostics; diagnostic biomarker reagents for medical purposes in the field of diagnostics.

10 – Medical apparatus and instruments, namely medical apparatus for sample collection and testing; diagnostic apparatus for medical purposes, namely diagnostic apparatus for the prognosis of treatment efficiency; blood testing apparatus, apparatus for use in medical analysis; all the aforesaid in the field of diagnostics.

42 – Scientific laboratory services in the field of diagnostics.

44 – Health counselling, medical clinic services and therapy services; all the aforesaid in the field of diagnostics.

- (260) AM 2019 103062 A
 (800) 1465745
 (151) 2019 02 11
 (891) 2019 02 11
 (731) CROSTALIA TRADING LIMITED
 Totalserve Trust Company Limited,
 Trust Offices, P.O. Box 3540, Road Town,
 Tortola VG1110, Virgin Islands (British)

(540)



- (591) Black, white, red, dark red, light red, brown, dark brown, light brown, yellow, light yellow, green, light green, dark green, light green, purple, beige, light beige, dark beige, gray and gold

(531) 02.01.11; 08.05.10; 08.07.03; 08.07.05; 28.05; 29.01.15

(511)

29 – Poultry, not live, namely grilled chicken; meat extracts, namely chicken meat extracts.

30 – Pasta, namely noodles; noodle-based prepared meals, namely noodles with taste of grilled chicken.

- (260) AM 2019 103083 A
 (800) 1466134
 (151) 2018 12 29
 (891) 2018 12 29
 (731) "MY REPUBLIC" Ltd.
 Pohodniy proezd, building 14, lev/plac/room
 5/II/№5, RU-125373 Moscow, Russian
 Federation

(540)

BATH MELODY

- (591) Black, white

(511)

6 – Aluminium; vats of metal; swimming pools [structures] of metal; ingots of common metal; bolts of metal; eye bolts; casks of metal; barrels of metal; bronze; bells; letters and numerals of common metal, except type; valves of metal, other than parts of machines; screws of metal; sleeves [metal hardware]; signboards of metal; nuts of metal; doors of metal; wall plugs of metal; packaging containers of metal; jalousies of metal; outdoor blinds of metal; iron slabs; clips of metal for sealing bags; binding screws of metal for cables; crampons of metal [cramps]; rivets of metal; padlocks; locks of metal, other than

electric; spring locks; closures of metal for containers; bungs of metal; latches of metal; tension links; works of art of common metal; hardware of metal, small; cabanas of metal; jerrycans of metal; keys of metal; elbows of metal for pipes; bed casters of metal; furniture casters of metal; window pulleys; manifolds of metal for pipelines; bottle caps of metal; sealing caps of metal; pegs of metal; copper rings; door fittings of metal; brackets of metal for building; buildings of metal; steel buildings; containers of metal [storage, transport]; baskets of metal; tool boxes of metal, empty; faucets of metal for casks; brackets of metal for furniture; hooks [metal hardware]; sash fasteners of metal for windows; hooks of metal for clothes rails; bag hangers of metal; clothes hooks of metal; wrapping or binding bands of metal; building materials of metal; cermets; moldings of metal for building; moldings of metal for cornices; pipe mufflers of metal; flashing of metal for building; jets of metal; duckboards of metal; thread of metal for tying-up purposes; wall claddings of metal for building; barrel hoops of metal; wall linings of metal for building; wainscoting of metal; building panels of metal; partitions of metal; lintels of metal; strap-hinges of metal; shims; floor tiles of metal; tiles of metal for building; trays of metal; stakes of metal for plants or trees; cladding of metal for building; linings of metal for building; fireplace mantles of metal; floors of metal; bathtub grab bars of metal; collars of metal for fastening pipes; aluminium wire; iron wire; wire of common metal; wire of common metal alloys, except fuse wire; steel wire; springs [metal hardware]; frames of metal for building; crucifixes of common metal, other than jewelry; tanks of metal; grilles of metal; door handles of metal; knobs of metal; junctions of metal for pipes; silver-plated tin alloys; bindings of metal; statues of common metal; figurines [statuettes] of common metal; cask stands of metal; steps [ladders] of metal; stair treads [steps] of metal; chests of metal; wire rope; penstock pipes of metal; water-pipes of metal; gutter pipes of metal; ducts of metal for ventilating and air-conditioning installations; drain pipes of metal; pipes of metal; steel pipes; angle irons of metal; door fasteners of metal; stops of metal; door panels of metal; flanges of metal [collars]; weather- or wind-vanes of metal; foundry molds of metal; fittings of metal for furniture; clips of metal for cables and pipes; chains of metal; roller blinds of steel; latch bars of metal; labels of metal; lock bolts; cashboxes [metal or non-metal]; tool chests of metal, empty; boxes of common metal.

11 – Lamp shades; desiccating apparatus; hydromassage bath apparatus; disinfectant apparatus; air deodorizing apparatus; hand drying apparatus for washrooms; water purifying apparatus and machines; refrigerating apparatus and machines; drying apparatus and installations; drying apparatus; expansion tanks for central heating installations; flushing tanks; bidets; boilers, other than parts of machines; bath

tubs; spa baths [vessels]; bath tubs for sitz baths; fans [air-conditioning]; fans [parts of air-conditioning installations]; electric fans for personal use; water heaters; water heaters [apparatus]; water flushing installations; air reheaters; lampshade holders; stills; showers; coils [parts of distilling, heating or cooling installations]; evaporators; shower enclosures; level controlling valves in tanks; thermostatic valves [parts of heating installations]; electrically heated carpets; distillation columns; air-conditioning apparatus; heating boilers; taps; faucets for pipes and pipelines; mixer faucets for water pipes; germicidal lamps for purifying air; electric lamps; chandeliers; heaters for baths; anti-splash tap nozzles; heat pumps; bath fittings; sauna bath installations; urinals [sanitary fixtures]; water intake apparatus; deodorizing apparatus, not for personal use; water filtering apparatus; lighting apparatus and installations; sanitary apparatus and installations; light-emitting diodes [LED] lighting apparatus; heating apparatus for solid, liquid or gaseous fuels; heating apparatus, electric; hot air apparatus; steam facial apparatus [saunas]; sinks; disinfectant dispensers for toilets; light diffusers; pressure water tanks; lamps; street lamps; ceiling lights; toilet seats; lamp glasses; sterilizers; water sterilizers; air sterilizers; air dryers; laundry dryers, electric; hair dryers; toilets [water-closets]; humidifiers for central heating radiators; wash-hand basins [parts of sanitary installations]; toilet bowls; water conduits installations; air-conditioning installations; water purification installations; purification installations for sewage; water distribution installations; air filtering installations; ventilation [air-conditioning] installations and apparatus; water softening apparatus and installations; heating installations; water supply installations; filters for air conditioning; filters for drinking water; ornamental fountains; heating elements.

16 – Banners of paper; table linen of paper; forms, printed; pads [stationery]; pamphlets; booklets; paper; toilet paper; wrapping paper; filter paper; newsletters; signboards of paper or cardboard; magazines [periodicals]; tags for index cards; periodicals; printed publications; graphic representations; calendars; pictures; transfers [decalcomanias]; paintings [pictures], framed or unframed; cardboard; wood pulp board [stationery]; cards; index cards [stationery]; trading cards, other than for games; catalogues; envelopes [stationery]; printed coupons; flyers; humidity control sheets of paper or plastic for foodstuff packaging; paint trays; graphic prints; bags [envelopes, pouches] of paper or plastics, for packaging; garbage bags of paper or of plastics; stickers [stationery]; bottle envelopes of paper or cardboard; sealing wafers; conical paper bags; handkerchiefs of paper; coasters of paper; towels of paper; hand labelling appliances; printed matter; prospectuses; tissues of paper for removing make-up; face towels of paper; tablecloths of paper; bottle wrappers of paper or car-

board; apparatus for mounting photographs; figurines [statuettes] of papier mâché; photo-engravings; photographs [printed]; labels of paper or cardboard.

18 – Saddlery; cases of leather or leatherboard; whips; leather, unworked or semi-worked; umbrella rings; bags [envelopes, pouches] of leather, for packaging; vanity cases, not fitted; furniture coverings of leather; trimmings of leather for furniture; straps of leather [saddlery]; suitcase handles; grips for holding shopping bags; travelling bags; bags; handbags; beach bags; bags for sports; shopping bags; wheeled shopping bags; key cases; suitcases; suitcases with wheels; valises.

19 – Door frames, not of metal; beams, not of metal; balustrades, not of metal; joists, not of metal; building paper; busts of stone, concrete or marble; stained-glass windows; gypsum [building material]; plaster; granite; wood for making household utensils; outdoor blinds, not of metal and not of textile; jalousies, not of metal; roof gutters, not of metal; works of stonemasonry; works of art of stone, concrete or marble; stone; artificial stone; framework, not of metal, for building; pillars, not of metal, for building; buildings, not of metal; buildings, transportable, not of metal; stringers [parts of staircases], not of metal; manufactured timber; sawn timber; staircases, not of metal; pitch; building materials, not of metal; refractory construction materials, not of metal; mosaics for building; moldings, not of metal, for cornices; moldings, not of metal, for building; marble; flashing, not of metal, for building; roof flashing, not of metal; duckboards, not of metal; wall claddings, not of metal, for building; laths, not of metal; wood panelling; wall linings, not of metal, for building; building panels, not of metal; parquet flooring; partitions, not of metal; lintels, not of metal; floor tiles, not of metal; tiles, not of metal, for building; cement slabs; roof coverings, not of metal; wooden floor boards; cladding, not of metal, for building; linings, not of metal, for building; floors, not of metal; sills, not of metal; tanks of masonry; scantlings [carpentry]; furrings of wood; vinyl siding; statues of stone, concrete or marble; figurines [statuettes] of stone, concrete or marble; alabaster glass; safety glass; window glass for building; window glass, other than vehicle window glass; building glass; plate glass [windows] for building; enamelled glass, for building; stair-treads [steps], not of metal; water-pipes, not of metal; gutter pipes, not of metal; ducts, not of metal, for ventilating and air-conditioning installations; drain pipes, not of metal; rigid pipes, not of metal, for building; angle irons, not of metal; door panels, not of metal; foundry molds, not of metal; wood veneers.

20 – Pulleys of plastics for blinds; bolts, not of metal; casks, not of metal; barrels, not of metal; busts of wood, wax, plaster or plastic; valet stands; coats-stands; screws, not of metal; showcases [furniture];

collars, not of metal, for fastening pipes; nuts, not of metal; doors for furniture; curtain holders, not of textile material; pegs [pins], not of metal; plugs [dowels], not of metal; packaging containers of plastic; curtain tie-backs; binding screws, not of metal, for cables; rivets, not of metal; locks, other than electric, not of metal; closures, not of metal, for containers; latches, not of metal; mirrors [looking glasses]; hand-held mirrors [toilet mirrors]; bamboo; coral; meerscham; rattan; wickerwork; hampers [baskets] for the transport of items; works of art of wood, wax, plaster or plastic; cabinet work; settees; jerrycans, not of metal; curtain rods; curtain rings; chests of drawers; console tables; containers, not of metal [storage, transport]; baskets, not of metal; Moses baskets; bottle casings of wood; tool boxes, not of metal, empty; faucets, not of metal, for casks; edgings of plastic for furniture; brackets, not of metal, for furniture; screw tops, not of metal, for bottles; sash fasteners, not of metal, for windows; hooks, not of metal, for clothes rails; curtain hooks; clothes hooks, not of metal; bag hangers, not of metal; ladders of wood or plastics; furniture of metal; inflatable furniture; curtain rails; legs for furniture; feet for furniture; barrel hoops, not of metal; mirror tiles; head-rests [furniture]; trays, not of metal; magazine racks; furniture shelves; shelves for storage; towel stands [furniture]; bathtub grab bars, not of metal; tanks, not of metal nor of masonry; curtain rollers; door handles, not of metal; knobs, not of metal; benches [furniture]; bungs, not of metal; statues of wood, wax, plaster or plastic; figurines of wood, wax, plaster or plastic; silvered glass [mirrors]; shelving units; dressing tables; washstands [furniture]; step stools, not of metal; shower chairs; chests, not of metal; door fittings, not of metal; furniture fittings, not of metal; garment covers [storage]; screens [furniture]; bamboo curtains; slatted indoor blinds; lockers; tool chests, not of metal, empty; boxes of wood or plastic; bottle racks.

21 – Candle jars [holders]; china ornaments; dishes; bottles; demijohns; vases; inflatable bath tubs for babies; plungers for clearing blocked drains; buckets; coolers [ice pails]; mop wringer buckets; buckets made of woven fabrics; towel rails and rings; chamber pots; large-toothed combs for the hair; sponges for household purposes; toilet sponges; sponge holders; stands for portable baby baths; soap holders; table napkin holders; shaving brush stands; toilet paper holders; soap dispensers; toilet paper dispensers; washing boards; containers for household or kitchen use; glass jars [carboys]; heat-insulated containers; ceramics for household purposes; brush goods; baskets for household purposes; waste paper baskets; cauldrons; pitchers; watering cans; cosmetic spatulas; material for brush-making; mills for household purposes, hand-operated; mosaics of glass, not for building; soap boxes; dripping pans; candelabra [candlesticks]; scouring pads; toilet utensils; deodo-

rizing apparatus for personal use; sifters [household utensils]; broom handles; scoops for household purposes; refrigerating bottles; glasses [receptacles]; statues of porcelain, ceramic, earthenware, terra-cotta or glass; figurines of porcelain, ceramic, earthenware, terra-cotta or glass; opal glass; glass, unworked or semi-worked, except building glass; enameled glass, not for building; drying racks for laundry; rotary washing lines; basins [receptacles]; cloth for washing floors; polishing cloths; cloths for cleaning; dusting cloths [rags]; furniture dusters; urns; aerosol dispensers, not for medical purposes; utensils for household purposes; flasks; comb cases; ironing board covers, shaped; glass bowls; mops; mop wringers; brushes; basting brushes; brushes for footwear; tar-brushes, long handled; toilet brushes; dustbins; boxes of glass.

24 – Household linen; bed linen; table linen, not of paper; shower curtains of textile or plastic; curtains of textile or plastic; net curtains; fabrics for textile use; wall hangings of textile; plastic material [substitute for fabrics]; textile material; pillowcases; mattress covers; bed blankets; blankets for household pets; brocades; handkerchiefs of textile; curtain holders of textile material; bed covers; towels of textile; cloth; door curtains; sheets [textile]; bath mitts; glass cloths [towels]; face towels of textile; place mats of textile; table napkins of textile; calico; fabric; lingerie fabric; covers for cushions; fitted toilet lid covers of fabric; covers [loose] for furniture; pillow shams; labels of textile.

27 – Yoga mats; carpets; decorative wall hangings, not of textile; bath mats; non-slip mats; linoleum; floor coverings.

35 – Computerized file management; book-keeping; invoicing; demonstration of goods; transcription of communications [office functions]; opinion polling; market studies; business information; commercial information and advice for consumers in the choice of products and services; marketing research; marketing; updating and maintenance of information in registries; updating and maintenance of data in computer databases; updating of advertising material; word processing; online retail services for downloadable digital music; organization of exhibitions for commercial or advertising purposes; organization of trade fairs for commercial or advertising purposes; shop window dressing; design of advertising materials; payroll preparation; data search in computer files for others; providing business information via a web site; provision of an on-line marketplace for buyers and sellers of goods and services; web indexing for commercial or advertising purposes; sales promotion for others; on-line advertising on a computer network; systemization of information into computer databases; wholesale services for pharmaceutical, veterinary and sanitary preparations and medical supplies; retail services for pharmaceutical, veterina-

ry and sanitary preparations and medical supplies; gift registry services; procurement services for others [purchasing goods and services for other businesses].

(260) AM 2019 103084 A
(800) 1466137
(151) 2019 04 08
(891) 2019 04 08
(731) ALDER BIOPHARMACEUTICALS, INC.
11804 North Creek Parkway South, Bothell
WA 98011, USA

(540)

EPZEETA

(591) Black, white
(511)
5 – Pharmaceutical preparations used for the prevention, management and treatment of headaches, migraines, pain, immune and inflammatory disorders and diseases, and neurological disorders and conditions.

(260) AM 2019 103085 A
(800) 1466138
(151) 2019 04 08
(891) 2019 04 08
(731) ALDER BIOPHARMACEUTICALS, INC.
11804 North Creek Parkway South,
Bothell WA 98011, USA

(540)

VYEPTI

(591) Black, white
(511)
5 – Pharmaceutical preparations used for the prevention, management and treatment of headaches, migraines, pain, immune and inflammatory disorders and diseases, and neurological disorders and conditions.

(260) AM 2019 103125 A
(800) 1466178
(151) 2019 03 27
(891) 2019 03 27
(731) SHENZHEN 2WIN TECH LIMITED
12TH/13TH XIATUN INDUSTRIAL
BUILDING, HESHUIKOU VILLAGE,
GONGMING TOWN, GUANGMING NEW
DISTRICT, SHENZHEN CITY, 510000
GUANGDONG PROVINCE, China

(540)

BOBO BIRD

(591) Black, white
(531) 27.05.01

(511)
14 – Watch bands; watches; clocks; chronometric instruments; jewelry; jewelry boxes; precious metals, unwrought or semi-wrought; wristwatches.

(260) AM 2019 103170 A
(800) 1201385
(151) 2013 10 23
(891) 2019 04 04
(731) "VITASLIM" OOD
j.k. "Geo Milev" bl. 107, vh. A, ap. 1,
BG-1113 Sofia, Bulgaria

(540)

PROCOMBO

(591) Black, white
(511)
5 – Pharmaceutical preparations for skin care; chewing gum for medical purposes; medicines for human purposes; medicinal tea; medical preparations for slimming purposes; medicinal hair growth preparations; slimming tea for medical purposes; plasters for medical purposes; adjuvants for medical purposes; appetite suppressants for medical purposes; slimming pills; appetite suppressant pills; tonics [medicine]; nutritional supplements.

(260) AM 2019 103171 A
(800) 1256033
(151) 2015 02 12
(891) 2019 04 24
(731) AK-KIM KIMYA A SANAYI VE TICARET
ANONIM SIRKETI
Visnezade Mahallesi Süleyman, Seba
Caddesi No:82, Maçka Besiktas Istanbul,
Turkey

(540)



(591) Black, pink, purple
(531) 25.07.06; 25.07.07; 26.01.06; 27.05.07;
29.01.13

(511)
1 – Chemicals used in industry, science, photography, agriculture, horticulture and forestry; unprocessed artificial resins and unprocessed plastics; manures and soils, fire extinguishing compositions, adhesives not for household and stationery purposes.

(260) AM 2019 103172 A
(800) 1286275
(151) 2015 11 13
(891) 2018 09 26
(731) LIMITED LIABILITY COMPANY
"FINEXPERTIZA NETWORK"

Leningradsky prospect, d.47, p.3., et.3,
pom.H, com.6, RU-125167 Moscow,
Russian Federation

(540)



(591) Raspberry pink, white

(531) 26.04.22; 26.04.24; 27.05.01; 27.05.24;
29.01.12

(511)

35 – Advertising; business management; business
administration; office functions.36 – Insurance; financial affairs; monetary affairs;
real estate affairs.

(260) AM 2019 103173 A

(800) 1301907

(151) 2016 02 29

(891) 2019 04 16

(731) Tadeusz Ogrodnik TROPICAL

ul. Wolności 69, PL-41-500 Chorzów, Poland

(540)

(591) Black, white

(531) 27.05.02

(511)

31 – Food for dogs in the form of flakes, granulates,
extrudates, tablets, dried and lyophilised natural food
for dogs; food containing nutritional preparations for
dogs (not for medical purposes); bones and edible
rewards for chewing and gnawing for dogs; gravel
bedding and sand for pets.

(260) AM 2019 103177 A

(800) 1447229

(151) 2018 12 12

(891) 2019 04 10

(731) JOUZ TECHNOLOGY (SHENZHEN) CO.,
LIMITEDRoom 406, Block A, Jianxing Technology
Building, Emerging Industrial Park, No.3151
Shahe West Road, Xili Street, Nanshan
District, Shenzhen, Guangdong, China

(540)

(591) Black, white

(531) 27.05.01

(511)

34 – Electronic cigarettes; liquid solutions for use in
electronic cigarettes; cigarettes; cigarettes containingtobacco substitutes, not for medical purposes; oral
vaporizers for smokers; cigarette tips; cigarette fil-
ters; flavourings, other than essential oils, for use in
electronic cigarettes; electronic cigars; cigarette ca-
ses.

(260) AM 2019 103290 A

(800) 1259722

(151) 2015 04 24

(891) 2019 04 05

(731) NIPPON KAYAKU KABUSHIKI KAISHA

1-1, Marunouchi 2-chome, Chiyoda-ku,
Tokyo 100-0005, Japan

(540)

(591) Black, white

(511)

5 – Biocides; pesticides; insecticides; biocides for
agricultural use; pesticides for agricultural use; inse-
cticides for agricultural use; fungicides, weedkillers,
herbicides and parasiticides for agricultural use.

(260) AM 2019 103291 A

(800) 1267008

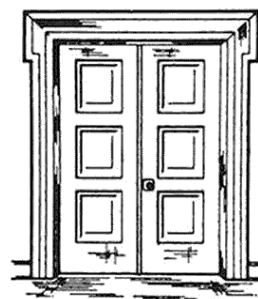
(151) 2015 02 05

(891) 2019 04 30

(731) ANDERSEN TAX LLC

1177 Avenue of the Americas, 18th Floor,
New York NY 10036, USA

(540)



(591) Black, white

(531) 07.03.01

(511)

35 – Tax preparation and consulting services; busi-
ness management consulting services; business stra-
tegy and business plan consulting services; merger,
acquisition and divestiture consulting and advisory
services; business consultation services, namely, ac-
counting services; conducting of business appraisals;
advice on accounting, tax preparation, business and
business management; business risk management
consultancy; consulting and risk assessment services
in the field of tax; providing information in the field
of taxation.36 – Financial advice relating to tax planning; finan-
cial consulting and advisory services relating to tax.

(260) AM 2019 103292 A
 (800) 1292207
 (151) 2016 02 03
 (891) 2019 03 08
 (731) COMPAÑIA ESPAÑOLA DE PETRÓLEOS,
 S.A.U.
 Paseo de la Castellana, 259A, E-28046
 MADRID, Spain

(540)



(591) Red
 (531) 01.01; 01.01.02; 01.01.09; 01.01.25; 26.03.23;
 29.01; 29.01.01

(511)

4 – Oils and greases for industrial use; motor oils, gear oils, final transmission oils for engines; illuminant fuels; non-chemical additives for oils and fuels; lubricants and lubricating greases; compositions for absorbing, wetting and binding dust; fuels (including motor gasoline); illuminant materials; waxes (raw material); petroleum jelly for industrial use; candles and wicks for lighting.

(260) AM 2019 103293 A
 (800) 1292454
 (151) 2015 09 19
 (891) 2019 01 03
 (731) PRO.MED.CS Praha a.s.
 Telčská 1, CZ-140 00 Praha 4, Czech
 Republic

(540)

REBAGIT

(591) Black, white
 (511)
 5 – Pharmaceutical preparations.

(260) AM 2019 103294 A
 (800) 1303433
 (151) 2016 02 29
 (891) 2019 04 16
 (731) Tadeusz Ogrodnik TROPICAL
 ul. Wolności 69, PL-41-500 Chorzów, Poland

(540)



(591) Black, white
 (531) 27.05.02
 (511)
 31 – Food for cats in the form of flakes, granulates, extrudates, tablets, dried and lyophilised natural food for cats; foodcontaining nutritional preparations for cats (not for medical purposes); edible rewards for chewing and gnawing for cats; gravel bedding and sand for pets.

(260) AM 2019 103295 A
 (800) 1363755
 (151) 2017 06 12
 (891) 2019 04 24
 (731) MARCUS SCHMIEKE
 Darritzer Str. 6, 16818 Kränzlin,
 Germany

(540)

TIMEWAVER

(591) Black, white
 (511)
 9 – Instruments for scientific research; computer software; computer peripheral devices; computers; testing apparatus not for medical purposes.

10 – Analysers for medical purposes; medical apparatus and instruments.

44 – Medical services, medical diagnosis and treatment; hygienic and beauty care.

(260) AM 2019 103352 A
 (800) 1468649
 (151) 2019 03 01
 (891) 2019 03 01
 (731) PHILIP MORRIS PRODUCTS S.A.
 Quai Jeanrenaud 3, CH-2000 Neuchâtel,
 Switzerland

(540)

UNSMOKE

(591) Black, white
 (511)
 41 – Education; training, providing educational information; publication of texts.

(260) AM 2019 103353 A
 (800) 1468655
 (151) 2019 03 20
 (891) 2019 03 20
 (731) ALMIRALL, S.A.
 Ronda General Mitre, 151; E-08022
 Barcelona, Spain

(540)

RYNUVIAK

(591) Black, white
 (511)
 5 – Pharmaceutical preparations; pharmaceutical preparations for the treatment of skin diseases and disorders; pharmaceutical preparations for the treatment of keratinocyte-derived precancerous and cancerous skin conditions.

INTERNATIONAL TRADEMARKS PROTECTED IN GEORGIA

(260) AM 2019 98626 A
(800) 1413533
(151) 2018 04 19
(181) 2028 04 19
(891) 2018 04 19
(511) 30

(260) AM 2019 100266 A
(800) 1431627
(151) 2018 03 28
(181) 2028 03 28
(891) 2018 03 28
(511) 06, 07, 11, 37, 42

(260) AM 2019 99281 A
(800) 1421851
(151) 2018 04 09
(181) 2028 04 09
(891) 2018 04 09
(511) 05, 16

(260) AM 2019 100270 A
(800) 1431692
(151) 2018 07 01
(181) 2028 07 01
(891) 2018 07 01
(511) 03

(260) AM 2019 99733 A
(800) 1426705
(151) 2018 06 18
(181) 2028 06 18
(891) 2018 06 18
(511) 08

(260) AM 2019 100272 A
(800) 1431754
(151) 2018 03 29
(181) 2028 03 29
(891) 2018 03 29
(511) 32, 43

(260) AM 2019 100117 A
(800) 1428926
(151) 2018 03 29
(181) 2028 03 29
(891) 2018 03 29
(511) 06, 07, 09, 11

(260) AM 2019 100282 A
(800) 1432014
(151) 2018 06 22
(181) 2028 06 22
(891) 2018 06 22
(511) 06, 07, 09, 12, 16, 35, 37, 39, 40, 42

(260) AM 2019 100259 A
(800) 1431531
(151) 2018 09 24
(181) 2028 09 24
(891) 2018 09 24
(511) 30

(260) AM 2019 100288 A
(800) 1432225
(151) 2018 04 06
(181) 2028 04 06
(891) 2018 04 06
(511) 03, 35

(260) AM 2019 100260 A
(800) 1431534
(151) 2018 09 24
(181) 2028 09 24
(891) 2018 09 24
(511) 30

(260) AM 2019 100290 A
(800) 1432234
(151) 2018 02 28
(181) 2028 02 28
(891) 2018 02 28
(511) 39

(260) AM 2019 100262 A
(800) 1431555
(151) 2018 03 29
(181) 2028 03 29
(891) 2018 03 29
(511) 25, 35

(260) AM 2019 100295 A
(800) 1432432
(151) 2018 05 24
(181) 2028 05 24
(891) 2018 05 24
(511) 34

(260) AM 2019 100300 A
(800) 1006082
(151) 2009 02 27
(181) 2019 02 27
(891) 2018 09 13
(511) 07, 11, 12, 37, 40

(260) AM 2019 100306 A
(800) 1432469
(151) 2018 08 10
(181) 2028 08 10
(891) 2018 08 10
(511) 09

(260) AM 2019 100308 A
(800) 1432491
(151) 2018 07 26
(181) 2028 07 26
(891) 2018 07 26
(511) 39

(260) AM 2019 100310 A
(800) 1432589
(151) 2018 07 30
(181) 2028 07 30
(891) 2018 07 30
(511) 02

(260) AM 2019 100311 A
(800) 1432624
(151) 2018 06 05
(181) 2028 06 05
(891) 2018 06 05
(511) 01, 02, 03, 04, 05, 06, 07, 08, 09, 11, 12, 16,
17, 20, 22, 27, 28, 35, 37, 39, 41, 42

(260) AM 2019 100313 A
(800) 1432704
(151) 2017 08 29
(181) 2027 08 29
(891) 2017 08 29
(511) 10, 20, 22, 24

(260) AM 2019 100315 A
(800) 1432718
(151) 2018 04 12
(181) 2028 04 12
(891) 2018 04 12
(511) 41

(260) AM 2019 100317 A
(800) 1432736
(151) 2018 09 28

(181) 2028 09 28
(891) 2018 09 28
(511) 35

(260) AM 2019 100318 A
(800) 1432762
(151) 2018 06 07
(181) 2028 06 07
(891) 2018 06 07
(511) 29, 30, 35

(260) AM 2019 100319 A
(800) 1432785
(151) 2018 10 11
(181) 2028 10 11
(891) 2018 10 11
(511) 05

(260) AM 2019 100320 A
(800) 1432790
(151) 2018 08 02
(181) 2028 08 02
(891) 2018 08 02
(511) 25

(260) AM 2019 100321 A
(800) 1432793
(151) 2018 08 30
(181) 2028 08 30
(891) 2018 08 30
(511) 05

(260) AM 2019 100322 A
(800) 1432799
(151) 2018 06 29
(181) 2028 06 29
(891) 2018 06 29
(511) 04

(260) AM 2019 100323 A
(800) 1432802
(151) 2018 08 10
(181) 2028 08 10
(891) 2018 08 10
(511) 09

(260) AM 2019 100324 A
(800) 1432806
(151) 2018 06 29
(181) 2028 06 29
(891) 2018 06 29
(511) 04

(260) AM 2019 100325 A
(800) 1432810
(151) 2018 08 02
(181) 2028 08 02
(891) 2018 08 02
(511) 25

(260) AM 2019 100326 A
(800) 1432845
(151) 2018 08 02
(181) 2028 08 02
(891) 2018 08 02
(511) 25

(260) AM 2019 100327 A
(800) 1432849
(151) 2018 08 02
(181) 2028 08 02
(891) 2018 08 02
(511) 25

(260) AM 2019 100328 A
(800) 1432852
(151) 2018 10 10
(181) 2028 10 10
(891) 2018 10 10
(511) 33

(260) AM 2019 100329 A
(800) 1432867
(151) 2018 08 02
(181) 2028 08 02
(891) 2018 08 02
(511) 18, 25, 28

(260) AM 2019 100330 A
(800) 1432891
(151) 2018 07 31
(181) 2028 07 31
(891) 2018 07 31
(511) 03, 05

(260) AM 2019 100331 A
(800) 1432895
(151) 2018 07 31
(181) 2028 07 31
(891) 2018 07 31
(511) 03, 05

(260) AM 2019 100334 A
(800) 1432932
(151) 2018 09 29
(181) 2028 09 29

(891) 2018 09 29
(511) 10

(260) AM 2019 100473 A
(800) 1433835
(151) 2018 09 03
(181) 2028 09 03
(891) 2018 09 03
(511) 44

(260) AM 2019 100476 A
(800) 1433854
(151) 2018 05 15
(181) 2028 05 15
(891) 2018 05 15
(511) 29

(260) AM 2019 100477 A
(800) 1433862
(151) 2018 09 28
(181) 2028 09 28
(891) 2018 09 28
(511) 03

(260) AM 2019 100480 A
(800) 1433937
(151) 2018 09 13
(181) 2028 09 13
(891) 2018 09 13
(511) 09, 14, 18, 25, 26, 28

(260) AM 2019 100481 A
(800) 1433939
(151) 2018 09 13
(181) 2028 09 13
(891) 2018 09 13
(511) 09, 14, 18, 25, 26, 28

(260) AM 2019 100483 A
(800) 1434016
(151) 2018 09 05
(181) 2028 09 05
(891) 2018 09 05
(511) 09

(260) AM 2019 100485 A
(800) 1434172
(151) 2018 08 02
(181) 2028 08 02
(891) 2018 08 02
(511) 29, 35

(260) AM 2019 100487 A
(800) 1434194
(151) 2018 09 25
(181) 2028 09 25
(891) 2018 09 25
(511) 30

(260) AM 2019 100488 A
(800) 1434211
(151) 2018 05 10
(181) 2028 05 10
(891) 2018 05 10
(511) 03

(260) AM 2019 100489 A
(800) 1434232
(151) 2018 08 10
(181) 2028 08 10
(891) 2018 08 10
(511) 35

(260) AM 2019 100490 A
(800) 1434248
(151) 2018 07 17
(181) 2028 07 17
(891) 2018 07 17
(511) 01, 16, 17

(260) AM 2019 100491 A
(800) 1434296
(151) 2018 09 28
(181) 2028 09 28
(891) 2018 09 28
(511) 05

(260) AM 2019 100492 A
(800) 1434303
(151) 2018 08 13
(181) 2028 08 13
(891) 2018 08 13
(511) 34

(260) AM 2019 100493 A
(800) 1434318
(151) 2018 09 17
(181) 2028 09 17
(891) 2018 09 17
(511) 14

(260) AM 2019 100506 A
(800) 961259
(151) 2008 01 30
(181) 2028 01 30

(891) 2018 09 17
(511) 31

(260) AM 2019 100514 A
(800) 1422967
(151) 2018 02 21
(181) 2028 02 21
(891) 2018 10 16
(511) 09, 16

(260) AM 2019 100515 A
(800) 1434664
(151) 2018 05 22
(181) 2028 05 22
(891) 2018 05 22
(511) 05

(260) AM 2019 100516 A
(800) 1434687
(151) 2018 08 10
(181) 2028 08 10
(891) 2018 08 10
(511) 14

(260) AM 2019 100519 A
(800) 1434840
(151) 2018 09 10
(181) 2028 09 10
(891) 2018 09 10
(511) 01, 27

(260) AM 2019 100520 A
(800) 1434850
(151) 2018 02 06
(181) 2028 02 06
(891) 2018 02 06
(511) 09, 28

(260) AM 2019 100521 A
(800) 1434884
(151) 2018 07 02
(181) 2028 07 02
(891) 2018 07 02
(511) 36, 37

(260) AM 2019 100522 A
(800) 1434891
(151) 2018 08 02
(181) 2028 08 02
(891) 2018 08 02
(511) 05

(260) AM 2019 100523 A
(800) 1434897
(151) 2018 07 02
(181) 2028 07 02
(891) 2018 07 02
(511) 09

(260) AM 2019 100525 A
(800) 1434951
(151) 2018 09 07
(181) 2028 09 07
(891) 2018 09 07
(511) 09

(260) AM 2019 100526 A
(800) 1434972
(151) 2018 04 04
(181) 2028 04 04
(891) 2018 04 04
(511) 06, 17, 19

(260) AM 2019 100527 A
(800) 1435013
(151) 2018 05 13
(181) 2028 05 13
(891) 2018 05 13
(511) 05

(260) AM 2019 100528 A
(800) 1435027
(151) 2018 03 23
(181) 2028 03 23
(891) 2018 03 23
(511) 01, 04, 37

(260) AM 2019 100529 A
(800) 1435037
(151) 2018 04 11
(181) 2028 04 11
(891) 2018 04 11
(511) 03, 09, 14, 18, 25

(260) AM 2019 100530 A
(800) 1435054
(151) 2018 07 04
(181) 2028 07 04
(891) 2018 07 04
(511) 12, 37, 39, 42

(260) AM 2019 100531 A
(800) 1435165
(151) 2018 09 11
(181) 2028 09 11

(891) 2018 09 11
(511) 33, 35

(260) AM 2019 100532 A
(800) 1435166
(151) 2018 09 11
(181) 2028 09 11
(891) 2018 09 11
(511) 33, 35

(260) AM 2019 100534 A
(800) 1435254
(151) 2018 04 20
(181) 2028 04 20
(891) 2018 04 20
(511) 09, 25, 35

(260) AM 2019 100537 A
(800) 1435321
(151) 2018 08 17
(181) 2028 08 17
(891) 2018 08 17
(511) 29, 30

(260) AM 2019 100538 A
(800) 1435322
(151) 2018 07 31
(181) 2028 07 31
(891) 2018 07 31
(511) 03, 05

(260) AM 2019 100547 A
(800) 1435511
(151) 2018 06 20
(181) 2028 06 20
(891) 2018 06 20
(511) 36

(260) AM 2019 100548 A
(800) 1435519
(151) 2018 08 17
(181) 2028 08 17
(891) 2018 08 17
(511) 03

(260) AM 2019 100550 A
(800) 1435581
(151) 2018 09 27
(181) 2028 09 27
(891) 2018 09 27
(511) 28

(260) AM 2019 100551 A
(800) 1435608
(151) 2018 08 22
(181) 2028 08 22
(891) 2018 08 22
(511) 05

(260) AM 2019 100552 A
(800) 1435620
(151) 2018 04 12
(181) 2028 04 12
(891) 2018 04 12
(511) 03

(260) AM 2019 100553 A
(800) 1435633
(151) 2018 08 20
(181) 2028 08 20
(891) 2018 08 20
(511) 30

(260) AM 2019 100554 A
(800) 1435636
(151) 2018 08 17
(181) 2028 08 17
(891) 2018 08 17
(511) 03

(260) AM 2019 100632 A
(800) 1437101
(151) 2018 09 11
(181) 2028 09 11
(891) 2018 09 11
(511) 03, 05, 06, 16, 21, 24

(260) AM 2019 100633 A
(800) 1437107
(151) 2018 07 24
(181) 2028 07 24
(891) 2018 07 24
(511) 30

(260) AM 2019 100636 A
(800) 1437172
(151) 2018 09 06
(181) 2028 09 06
(891) 2018 09 06
(511) 05

(260) AM 2019 100637 A
(800) 1437173
(151) 2018 09 27
(181) 2028 09 27

(891) 2018 09 27
(511) 29

(260) AM 2019 100638 A
(800) 1437177
(151) 2018 09 24
(181) 2028 09 24
(891) 2018 09 24
(511) 12

(260) AM 2019 100639 A
(800) 1437192
(151) 2018 08 23
(181) 2028 08 23
(891) 2018 08 23
(511) 29

(260) AM 2019 100640 A
(800) 1437289
(151) 2018 09 24
(181) 2028 09 24
(891) 2018 09 24
(511) 01, 02, 03, 04, 07, 08, 09, 11, 12, 17

(260) AM 2019 100641 A
(800) 1437301
(151) 2017 05 08
(181) 2027 05 08
(891) 2017 05 08
(511) 29, 30, 43

(260) AM 2019 100642 A
(800) 1437324
(151) 2018 10 23
(181) 2028 10 23
(891) 2018 10 23
(511) 03

(260) AM 2019 100643 A
(800) 1437332
(151) 2018 10 16
(181) 2028 10 16
(891) 2018 10 16
(511) 36, 39, 43

(260) AM 2019 100645 A
(800) 1437347
(151) 2018 08 17
(181) 2028 08 17
(891) 2018 08 17
(511) 03

(260) AM 2019 100647 A
(800) 1437392
(151) 2018 07 02
(181) 2028 07 02
(891) 2018 07 02
(511) 05

(260) AM 2019 100648 A
(800) 1437397
(151) 2018 08 27
(181) 2028 08 27
(891) 2018 08 27
(511) 11, 20, 35

(260) AM 2019 100653 A
(800) 1277485
(151) 2015 09 11
(181) 2025 09 11
(891) 2018 11 08
(511) 06, 07, 09, 11, 19, 20, 37
(551) Collective

(260) AM 2019 100654 A
(800) 1302914
(151) 2016 03 10
(181) 2026 03 10
(891) 2018 10 12
(511) 09, 10, 35, 44

(260) AM 2019 100655 A
(800) 1312203
(151) 2016 05 18
(181) 2026 05 18
(891) 2018 07 10
(511) 05

(260) AM 2019 100659 A
(800) 1363816
(151) 2017 07 10
(181) 2027 07 10
(891) 2018 10 31
(511) 03

(260) AM 2019 100660 A
(800) 1409443
(151) 2018 02 01
(181) 2028 02 01
(891) 2018 10 15
(511) 11

(260) AM 2019 100709 A
(800) 1437483
(151) 2018 08 10
(181) 2028 08 10

(891) 2018 08 10
(511) 08, 09

(260) AM 2019 100713 A
(800) 1437592
(151) 2018 08 08
(181) 2028 08 08
(891) 2018 08 08
(511) 01, 05

(260) AM 2019 100720 A
(800) 1437822
(151) 2018 08 30
(181) 2028 08 30
(891) 2018 08 30
(511) 03

(260) AM 2019 100727 A
(800) 1437975
(151) 2018 09 20
(181) 2028 09 20
(891) 2018 09 20
(511) 01

(260) AM 2019 100728 A
(800) 1437979
(151) 2018 09 07
(181) 2028 09 07
(891) 2018 09 07
(511) 12

(260) AM 2019 100730 A
(800) 1438119
(151) 2018 07 13
(181) 2028 07 13
(891) 2018 07 13
(511) 09, 12, 16, 25, 35, 36, 39

(260) AM 2019 100732 A
(800) 1438141
(151) 2018 07 12
(181) 2028 07 12
(891) 2018 07 12
(511) 09, 12, 16, 25, 35, 36, 39

(260) AM 2019 100733 A
(800) 1438154
(151) 2018 08 20
(181) 2028 08 20
(891) 2018 08 20
(511) 29, 30

(260) AM 2019 100739 A
(800) 1438259
(151) 2018 10 04
(181) 2028 10 04
(891) 2018 10 04
(511) 02, 04, 16, 35

(260) AM 2019 100743 A
(800) 1438364
(151) 2018 10 08
(181) 2028 10 08
(891) 2018 10 08
(511) 30

(260) AM 2019 100744 A
(800) 1438370
(151) 2018 01 23
(181) 2028 01 23
(891) 2018 01 23
(511) 16, 20, 22, 23, 24, 25, 27, 35

(260) AM 2019 100745 A
(800) 1438380
(151) 2018 10 18
(181) 2028 10 18
(891) 2018 10 18
(511) 29, 30, 32, 43

(260) AM 2019 100746 A
(800) 1438384
(151) 2018 06 21
(181) 2028 06 21
(891) 2018 06 21
(511) 01, 02, 17

(260) AM 2019 100747 A
(800) 1438408
(151) 2018 02 26
(181) 2028 02 26
(891) 2018 02 26
(511) 41, 42

(260) AM 2019 100748 A
(800) 1438440
(151) 2018 10 17
(181) 2028 10 17
(891) 2018 10 17
(511) 09

(260) AM 2019 100750 A
(800) 1154434
(151) 2013 03 08
(181) 2023 03 08

(891) 2018 11 09
(511) 23

(260) AM 2019 100752 A
(800) 1229451
(151) 2014 03 26
(181) 2024 03 26
(891) 2018 11 05
(511) 03

(260) AM 2019 100753 A
(800) 1374387
(151) 2017 07 06
(181) 2027 07 06
(891) 2018 11 22
(511) 07, 09, 11, 35, 36, 37

(260) AM 2019 100754 A
(800) 1374828
(151) 2017 07 06
(181) 2027 07 06
(891) 2018 11 22
(511) 07, 09, 11, 35, 36, 37

(260) AM 2019 100756 A
(800) 1378424
(151) 2017 07 06
(181) 2027 07 06
(891) 2018 11 22
(511) 07, 09, 11, 35, 36, 37

(260) AM 2019 100758 A
(800) 1414017
(151) 2018 03 19
(181) 2028 03 19
(891) 2018 07 13
(511) 09, 35, 38, 41, 42

(260) AM 2019 100830 A
(800) 1439754
(151) 2018 07 12
(181) 2028 07 12
(891) 2018 07 12
(511) 02, 03, 05, 09, 10, 14, 16, 18, 21, 25, 26, 28, 35

(260) AM 2019 100833 A
(800) 1439860
(151) 2018 11 07
(181) 2028 11 07
(891) 2018 11 07
(511) 25

(260) AM 2019 100834 A
(800) 1439976
(151) 2018 09 07
(181) 2028 09 07
(891) 2018 09 07
(511) 12

(260) AM 2019 100835 A
(800) 1439988
(151) 2018 11 12
(181) 2028 11 12
(891) 2018 11 12
(511) 19

(260) AM 2019 100836 A
(800) 1440027
(151) 2017 12 04
(181) 2027 12 04
(891) 2017 12 04
(511) 04, 09, 12

(260) AM 2019 100838 A
(800) 1440055
(151) 2018 10 16
(181) 2028 10 16
(891) 2018 10 16
(511) 03

(260) AM 2019 100839 A
(800) 1440068
(151) 2018 06 21
(181) 2028 06 21
(891) 2018 06 21
(511) 09, 28

(260) AM 2019 100840 A
(800) 1440077
(151) 2018 10 09
(181) 2028 10 09
(891) 2018 10 09
(511) 25

(260) AM 2019 100847 A
(800) 1440287
(151) 2018 08 10
(181) 2028 08 10
(891) 2018 08 10
(511) 31

(260) AM 2019 100946 A
(800) 1438588
(151) 2018 09 04
(181) 2028 09 04

(891) 2018 09 04
(511) 33

(260) AM 2019 100947 A
(800) 1438596
(151) 2018 06 21
(181) 2028 06 21
(891) 2018 06 21
(511) 09, 28

(260) AM 2019 100951 A
(800) 1438666
(151) 2018 09 04
(181) 2028 09 04
(891) 2018 09 04
(511) 35

(260) AM 2019 100956 A
(800) 1438688
(151) 2018 09 13
(181) 2028 09 13
(891) 2018 09 13
(511) 34

(260) AM 2019 100967 A
(800) 1438922
(151) 2018 11 09
(181) 2028 11 09
(891) 2018 11 09
(511) 30

(260) AM 2019 100968 A
(800) 1438932
(151) 2018 10 16
(181) 2028 10 16
(891) 2018 10 16
(511) 33

(260) AM 2019 100969 A
(800) 1438977
(151) 2018 11 10
(181) 2028 11 10
(891) 2018 11 10
(511) 09

(260) AM 2019 100970 A
(800) 1439019
(151) 2018 08 09
(181) 2028 08 09
(891) 2018 08 09
(511) 09, 28, 35, 41, 42

(260) AM 2019 100971 A
(800) 1439023
(151) 2018 06 06
(181) 2028 06 06
(891) 2018 06 06
(511) 35, 41, 42

(260) AM 2019 100973 A
(800) 1439119
(151) 2018 10 18
(181) 2028 10 18
(891) 2018 10 18
(511) 12

(260) AM 2019 100975 A
(800) 1439195
(151) 2018 11 01
(181) 2028 11 01
(891) 2018 11 01
(511) 09, 42

(260) AM 2019 100976 A
(800) 1439337
(151) 2018 11 07
(181) 2028 11 07
(891) 2018 11 07
(511) 01

(260) AM 2019 101043 A
(800) 1441346
(151) 2018 11 30
(181) 2028 11 30
(891) 2018 11 30
(511) 03

(260) AM 2019 101060 A
(800) 1247157
(151) 2015 01 17
(181) 2025 01 17
(891) 2018 07 12
(511) 11, 35

(260) AM 2019 101066 A
(800) 1441974
(151) 2018 10 19
(181) 2028 10 19
(891) 2018 10 19
(511) 05

(260) AM 2019 101067 A
(800) 1441990
(151) 2018 10 22

(181) 2028 10 22
(891) 2018 10 22
(511) 19

(260) AM 2019 101068 A
(800) 1441992
(151) 2018 09 13
(181) 2028 09 13
(891) 2018 09 13
(511) 18, 21, 25

(260) AM 2019 101069 A
(800) 1442017
(151) 2018 08 03
(181) 2028 08 03
(891) 2018 08 03
(511) 03, 08, 21

(260) AM 2019 101070 A
(800) 1442057
(151) 2018 06 21
(181) 2028 06 21
(891) 2018 06 21
(511) 09, 28

(260) AM 2019 101105 A
(800) 1442770
(151) 2018 09 07
(181) 2028 09 07
(891) 2018 09 07
(511) 09

(260) AM 2019 101114 A
(800) 1442915
(151) 2018 10 04
(181) 2028 10 04
(891) 2018 10 04
(511) 03, 04

(260) AM 2019 101115 A
(800) 1442926
(151) 2018 11 09
(181) 2028 11 09
(891) 2018 11 09
(511) 30

(260) AM 2019 101116 A
(800) 1442954
(151) 2018 11 06
(181) 2028 11 06
(891) 2018 11 06
(511) 05

(260) AM 2019 101118 A
(800) 1443029
(151) 2018 07 17
(181) 2028 07 17
(891) 2018 07 17
(511) 03

(260) AM 2019 101119 A
(800) 1443066
(151) 2018 06 28
(181) 2028 06 28
(891) 2018 06 28
(511) 25

(260) AM 2019 101120 A
(800) 1443186
(151) 2018 06 13
(181) 2028 06 13
(891) 2018 06 13
(511) 29, 30, 32, 33, 35, 43

(260) AM 2019 101148 A
(800) 1443560
(151) 2018 10 15
(181) 2028 10 15
(891) 2018 10 15
(511) 34

(260) AM 2019 101150 A
(800) 1443617
(151) 2018 08 10
(181) 2028 08 10
(891) 2018 08 10
(511) 07

(260) AM 2019 101151 A
(800) 1443618
(151) 2018 10 08
(181) 2028 10 08
(891) 2018 10 08
(511) 03, 05

(260) AM 2019 101152 A
(800) 1443622
(151) 2018 10 08
(181) 2028 10 08
(891) 2018 10 08
(511) 03, 05

(260) AM 2019 101153 A
(800) 1443629
(151) 2018 10 08

(181) 2028 10 08
(891) 2018 10 08
(511) 03, 05

(260) AM 2019 101155 A
(800) 1443648
(151) 2018 10 08
(181) 2028 10 08
(891) 2018 10 08
(511) 03, 05

(260) AM 2019 101156 A
(800) 1443673
(151) 2018 07 09
(181) 2028 07 09
(891) 2018 07 09
(511) 09, 35, 38, 41, 42

(260) AM 2019 101268 A
(800) 1444795
(151) 2018 07 03
(181) 2028 07 03
(891) 2018 07 03
(511) 09, 35, 42

(260) AM 2019 101269 A
(800) 1444814
(151) 2018 11 05
(181) 2028 11 05
(891) 2018 11 05
(511) 10

(260) AM 2019 101309 A
(800) 1445129
(151) 2018 12 12
(181) 2028 12 12
(891) 2018 12 12
(511) 25

(260) AM 2019 101311 A
(800) 1445203
(151) 2018 11 21
(181) 2028 11 21
(891) 2018 11 21
(511) 34

(260) AM 2019 101312 A
(800) 1445236
(151) 2018 09 11
(181) 2028 09 11
(891) 2018 09 11
(511) 03

(260) AM 2019 101313 A
(800) 1445239
(151) 2018 11 23
(181) 2028 11 23
(891) 2018 11 23
(511) 12

(260) AM 2019 101314 A
(800) 1445248
(151) 2018 12 04
(181) 2028 12 04
(891) 2018 12 04
(511) 03

(260) AM 2019 101315 A
(800) 1445249
(151) 2018 12 05
(181) 2028 12 05
(891) 2018 12 05
(511) 03

(260) AM 2019 101316 A
(800) 1445259
(151) 2018 11 23
(181) 2028 11 23
(891) 2018 11 23
(511) 09

(260) AM 2019 101317 A
(800) 1445275
(151) 2018 06 26
(181) 2028 06 26
(891) 2018 06 26
(511) 07

(260) AM 2019 101318 A
(800) 1445278
(151) 2018 10 03
(181) 2028 10 03
(891) 2018 10 03
(511) 07, 37

(260) AM 2019 101339 A
(800) 1445705
(151) 2018 11 08
(181) 2028 11 08
(891) 2018 11 08
(511) 05, 30

(260) AM 2019 101340 A
(800) 1445730
(151) 2018 10 08

(181) 2028 10 08
(891) 2018 10 08
(511) 41

(260) AM 2019 101341 A
(800) 1445733
(151) 2018 10 12
(181) 2028 10 12
(891) 2018 10 12
(511) 12

(260) AM 2019 101343 A
(800) 1445771
(151) 2018 07 06
(181) 2028 07 06
(891) 2018 07 06
(511) 07, 09

(260) AM 2019 101344 A
(800) 1445844
(151) 2018 11 29
(181) 2028 11 29
(891) 2018 11 29
(511) 09

(260) AM 2019 101345 A
(800) 1445892
(151) 2018 11 23
(181) 2028 11 23
(891) 2018 11 23
(511) 01, 02, 06, 17, 19, 20

(260) AM 2019 101346 A
(800) 1445902
(151) 2018 11 06
(181) 2028 11 06
(891) 2018 11 06
(511) 03

(260) AM 2019 101347 A
(800) 1445905
(151) 2018 07 02
(181) 2028 07 02
(891) 2018 07 02
(511) 06, 11

(260) AM 2019 101473 A
(800) 1447674
(151) 2018 09 25
(181) 2028 09 25
(891) 2018 09 25
(511) 29, 31, 32

(260) AM 2019 101479 A
(800) 1447725
(151) 2018 10 12
(181) 2028 10 12
(891) 2018 10 12
(511) 03, 41, 44

APPELLATION OF ORIGIN OF GOODS

AO (Appellation of Origin) Wine "Salkhino Ojaleshi" Specification

In accordance with Article 8(4) of the Law of Georgia "On Appellations of Origin and Geographical Indications of Goods", the LEPL National Intellectual Property Center of Georgia Sakpatenti shall publish the application materials submitted by N(N)LE (Non-entrepreneurial (Non-commercial) Legal Entity) – Salkhino Ojaleshi.

If within 3 months from the publication of the application materials, additional information concerning these materials is submitted to SAKPATENTI, this information shall be sent for examination to the Ministry of Environment Protection and Agriculture of Georgia.

If additional information is submitted to Sakpatenti within 3 months from the publication of the application materials, it shall be sent for examination to the Ministry of Environment Protection and Agriculture of Georgia.

SALKHINO OJALESHI

1. NAME: " SALKHINO OJALESHI"

2. ADDITIONAL SIGNS: "OJALESHI SALKHINO"

3. TYPE, COLOR AND MAIN REQUIREMENTS

" Salkhino Ojaleshi" is sec (dry) wine, which shall satisfy the following requirements::

- Color – dark (garnet) red;
- Aroma and taste – full, perfect, cheerful, extracted and harmonic, having aroma characterizing the location with intensively expressed bouquet of fruit tones developed with aging;
- Volumetric spirit content – no less than 11 %;
- Concentration of finished extract mass – no less than 24 g/l;
- Sugar content – no more than 4 g/l;
- Titrated/ Volatile acidity – no less than 5 g/l;
- Other characteristics shall meet requirements provided by the legislation of Georgia.

4. SPECIFIC ZONE AVAILABLE AREAS

The micro-zone "Salkhino" is located in the administrative borders of Martvili Municipality, from the left bank of the River Tekhura to the North-Eastern till the hills of Kvibia Mountains. It is serounded with the villages Gachedili and Balda, from the South-East, and Nobulevi – from the North. It is separated from Didi Chkoni and Taleri with the River Tekhuri, in the South-West. It is situated on 250 m above the sea level.

5. VINE VARIETIES

Wine " Salkhino Ojaleshi" shall be prepared exclusively from the grapes of Ojaleshi, vintage takes place in the micro-zone Salkhino. Usage of other grape varieties is not permitted.

6. VINEYARD CULTIVATION, SHAPE OF PRUNING AND CARE:

- The micro-zone for "Salkhino Ojaleshi" vineyards are situated on 250 m above sea level.
- Distance between the rows in the vineyards – 1-3 m;
- Distance between the vines in the row – 0.8-1.5 m;
- Height of stem – 60-90 cm;
- Shape of pruning – one-sided or Georgian two-sided or free.

Wine cultivation, shape and puring, pests and diseases control, and soil treatment, fertilization, and other operations, shall be provided according to agro-technical activities selected by wine-makers.

7. GRAPE MATURITY, VINTAGE, TRANSPORTATION:

- "Salkhino Ojaleshi " shall be produced only with ripe grapes. Sugar content shall be no less than 22%, at the vintage;
- Grapes transportation is permitted only with wooden or plastic boxes, with bodyworks made of stainless steel or painted with special colour;
- Usage of polyethylene packages and/or bags is not allowed;
- The grapes shall be protected from dirtying at the transportation.

8. VINTAGE AND WINE PRODUCTION

Vintage on 1 ha vineyard shall be no more than 8 tons.

Wine production shall be no more than:

- 500 liters – from 1 ton grapes;
- 4000 liters – from 1 ha vineyard.

9. GRAPE PROCESSING, WINEMAKING AND BOTTLING

Grapes for producing wine "Salkhino Ojaleshi" shall be only from the vineyards of the micro-zone Salkhino.

Grapes processing and winemaking shall be provided exclusively within the borders of the micro-zone Salkhino.

"Salkhino Ojaleshi" is made by complete alcoholic fermentation of must.

"Salkhino Ojaleshi" shall be represented on consumer market only packed in the consumer vessels.

In the production of wine "Ojaleshi Salkhino" it is permissible to use only the operations, materials and substances permitted by the legislation of Georgia.

10. LINK BETWEEN EXCLUSIVE QUALITY, REPUTATION AND GEOGRAPHICAL AREA

CLIMATE. Climate formation in the micro-zone Salkhino is defined by its location nearby sea from the West, and Samegrelo and Kodori ranges from the North. The area includes Kolkheti Valley, on 250 m from the sea level.

The climate is sea humid subtropical, with mild winter and hot summer.

Annual duration of sunlight varies within 2000-2050 hours, and during the vegetation period the sunshine continues 1500 hours.

The average annual air temperature is +14°C, +22.5°C of the warmest months (July and August) and +4.8°C – of the coldest month (January).

Sum of active temperatures in the micro-zone is +8562-5350°C.

The annual sum of atmospheric precipitations in the micro-zone, during the vegetation period, is 1070 mm, and annual – 1810 mm.

Relative air annual humidity is 76%.

No sustained snow cover is observed in the micro-zone. Snow cover is created in average during the last decade of January, which is disappeared in mid-March. The number of snow days is 18.

Annual average value of hailing days is 0.6.

There are mostly prevailing the Western – (31%) and Eastern (29%) Rumb winds. Days without winds are 30%, averagely. Wind average speed is 1.8 m/s.

SOIL. Soil varieties and sub-varieties distinguished in the Village Salkhino are the following:

1. Alluvial meadow, loamy and sandy, slightly thick and leptosol;

2. Alluvial meadow, not carbonated, moderately loam and clay;
3. Black-carbonated, moderately thick, heavy loam and clay, in some places slightly developed and washed, developed on limestones and lime conglomerates;
4. Black-carbonated, heavy loam and clay, somewhere slightly thick, very washed, developed on marls and limy sand-stones;
5. Slightly grove, moderately and very thick, heavy loam and clay, somewhere foggy, developed on old alluvial stony and sand-stony layers;
6. Terracotta, typical and transferred to glove, heavy loam and clay, developed on flowed rocks and lake-rivers old layers drained barks;
7. Ochre, typical and transferred to glove, heavy loam and clay, developed on clay-stone, sand-stone conglomerates drained barks.

Soils enumerated above and represented on this territory with climatic conditions, together give opportunity to produce high quality wine "Ojaleshi Salkhino".

HUMAN FACTOR. "Viticulture and winemaking have occupied an honourable place in the agricultural field of Samegrelo from time immemorial and were highly developed. This is attested by a number of writers and travellers of the ancient period – beginning from Homer, as well as of the newer period: Chardin, Lamberti, Contarini, Dubois de Montpéreux, Haksthausen, and many others.

Almost in every village of Samegrelo we find stone parts of grape pusher the present generation of the population being unaware even of their names. In addition, the people have maintained numerous customs and rest days, instituted in honour of viticulture and winemaking", - writes Ermile Nakashidze.

Samegrelo is a region having an ancient and highly-developed culture of winegrowing, which is also indicated by the fact that here more than fifty vine varieties were cultivated.

In the second half of the 19th c., in the revival of viticulture and winemaking of Samegrelo, including Salkhino, a great contribution was made by Prince Achille Murat. In Salkhino and Chkaduashi he laid out vineyards with Ojaleshi vine variety. Wine Ojaleshi, made by Murat, was awarded with various medals and letters of commendation at various international exhibitions.

From 1942 a red semi-sweet wine named "Ojaleshi" was produced, which enjoyed quite great popularity.

At present, a red dry wine is produced under the name of "Salkhino Ojaleshi", which is greatly appraised both in Georgia and abroad. The geographical location of the Salkhino micro-zone, the characteristic climate: sea humid subtropical climate with warm, mild winter and hot summer, moderate amount of precipitations, diversity of soils, special features of grape variety Ojaleshi, characteristic only of this micro-zone, and the local, centuries-old tradition of viticulture and winemaking define the unique organoleptic features of wine Ojaleshi, characteristic only of this wine.

11. TRANSITIONAL PROVISIONS

Wine "Salkhino Ojaleshi" preparation and/or bottling is permitted outside the micro-zone Salkhino until 31/12/2030; at that, grapes and or wine taking out from the area for the treatment or bottling is permitted under strong accounting and control conditions.

12. SPECIAL LABELING RULES

The name "Salkhino Ojaleshi" and the sign – PDO (Protected Designation of Origin) on the label, package, in the documents accompanying the wine, and advertising materials, used in foreign languages, shall appear as follows:

With Latin font – **SALKHINO OJALESHI**

Protected Designation of Origin and/or PDO

Cyrillic font – **САЛХИНО ОДЖАЛЕШИ**

Защищённое наименование места происхождения

13. ACCOUNTING AND NOTIFICATION

Accounting and notification of production and storage technological processes of " Salkhino Ojaleshi" is carried out, in accordance with the rules established by the legislation of Georgia.

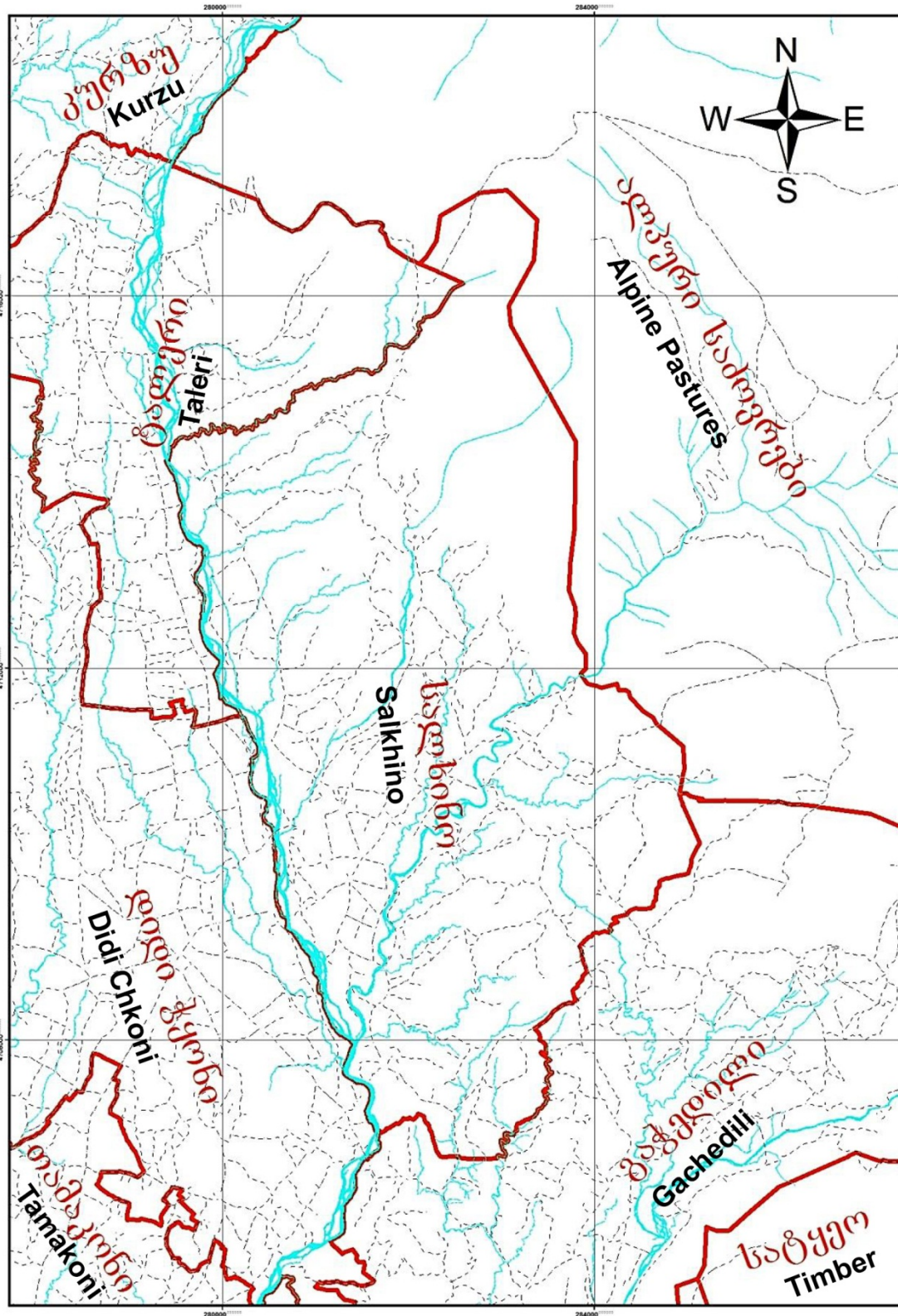
14. MAIN CONTROLLABLE POINTS

During control of the PDO wine "Ojaleshi Salkhino" production process the producer shall satisfy the requirements established by LEPL National Wine Agency, and shall comply with the following parameters:

Main Controllable Points	Evaluation Methods
1	2
Vineyard location	Cadaster map, control on the place
Area	Vineyard accounting magazine, cadaster
Vine variety	Vineyard accounting journal, control on the place
Cultivation methods	Journal of registration of Agrotechnical Measures, treating journal, control on the place
Vintage and transportation	Vintage journal
Grape harvest per ha	Vintage journal
Grape harvest in total	Vintage journal
Grape processing and winemaking	Grape receiving journal, grape processing journal, product turnover calculation journal, laboratory analysis journals, notifications, control on the place
Wine bottling, packaging and storage place and conditions	Bottling journal, journal for motion of ready product in the storehouse, laboratory analysis journals
Physico-chemical characteristics of the wine at winemaking, before and after bottling	Laboratory analysis journals
Organoleptic characteristics of the wine	Tasting commission protocols
Traceability	Technological and laboratory records

15. CONTROL BODY OF PRODUCTION

State control for observance of production specification and lawful usage of the appellation of origin PDO shall be carried out by LEPL National Wine Agency, according to the rules established by the legislation of Georgia.



**APPELLATIONS OF ORIGIN OF GOODS FILED IN GEORGIA FOR EXAMINATION
UNDER LISBON AGREEMENT, ON THE BASIS OF THE INTERNATIONAL
REGISTRATION**

The decision can be appealed at the Chamber of Appeal of Sakpatenti within 3 months from the publication or at the Mtskheta District Court Administrative Cases Board (Address: №17, Samkhedro str., Mtskheta), within 1 month after publication.

(800) 1131

(151) 2019 07 07

(210) 3491

(731) Producer or groups of producers benefiting from the appellation of origin concerned: Union of Handicrafts Cooperatives of Fars Province; Mr. Jalal Gholami, khatam artist of Shiraz /Region of Shiraz, Iran

(540) **KHATAME SIRAZ**

خاتم شیراز

(511)

19 – Khatam.

OFFICIAL NOTIFICATION

INVENTIONS

EXPIRATION OF PATENTS RESTORATION

(21) AP 2010 11816

(11) P 2013 5760 B

(73) Anzor Getsadze;

Leila Getsadze;

Tamar Machitidze;

Natalie Samkharadze

(54) **DRUG TREATING HIGHMORITIS AND FRONTITIS**

DATE OF CANCELLATION OF PATENT: 2019 05 28

DATE OF RESTORATION OF PATENT: 2019 12 25

(21) AP 2010 11817

(11) P 2013 5761 B

(73) Anzor Getsadze;

Leila Getsadze

(54) **VEGETABLE COLLECTION TREATING BRONCHITIS (ACUTE, HRONIC) AND BRONCHIAL ASTHMA**

DATE OF CANCELLATION OF PATENT: 2019 05 28

DATE OF RESTORATION OF PATENT: 2019 12 25

(21) AP 2010 11818

(11) P 2013 5762 B

(73) Anzor Getsadze;

Leila Getsadze

(54) **COLLECTION TREATING HEMORRHOID**

DATE OF CANCELLATION OF PATENT: 2019 05 28

DATE OF RESTORATION OF PATENT: 2019 12 25

(21) AP 2010 12757

(11) P 2014 6206 B

(73) RV LIZENZ AG

(54) **THERMAL-CHEMICAL UTILIZATION OF CARBON-CONTAINING MATERIALS, IN PARTICULAR**

FOR THE EMISSION-FREE GENERATION OF ENERGY

DATE OF CANCELLATION OF PATENT: 2019 11 19

DATE OF RESTORATION OF PATENT: 2019 12 25

(21) AP 2012 13496

(11) P 2018 6928 B

(73) Amgen Research (Munich) GMBH; Amgen Inc.

(54) **BINDING MOLECULES FOR BCMA AND CD3**

DATE OF CANCELLATION OF PATENT: 2019 11 15

DATE OF RESTORATION OF PATENT: 2019 12 25

(21) AP 2014 13592

(11) P 2016 6516 B

(73) LTD "Georgian Natural Product"

(54) **COMPOSITION OF INGREDIENTS FOR BIOACTIVE SUPPLEMENT "GRAIL"**

DATE OF CANCELLATION OF PATENT: 2019 10 06

DATE OF RESTORATION OF PATENT: 2019 12 25

(21) AP 2006 9766

(11) P 2011 5355 B

(73) Ramzan Gaitemirov;

Aslan Gaitemirov

(54) **INTERNAL COMBUSTION ENGINE**

DATE OF CANCELLATION OF PATENT: 2018 12 15

DATE OF RESTORATION OF PATENT: 2019 12 25

(21) AP 2006 9767

(11) P 2011 5287 B

(73) Ramzan Gaitemirov

(54) **INTERNAL COMBUSTION ENGINE**

DATE OF CANCELLATION OF PATENT: 2018 12 15

DATE OF RESTORATION OF PATENT: 2019 12 25

ABOLITION OF PATENTS WITH THE RIGHT TO RESTORE

(21) AP 2005 10172

(11) P 2009 4589 B

(73) Aziende Chimiche Riunite Angelini Francesco A.C.R.A.F. S.p.A.

(54) **ORALLY DISPERSIBLE PHARMACEUTICAL COMPOSITION AND PROCESS FOR THE PREPARATION THEREOF**

DATE OF CANCELLATION OF PATENT: 2019 11 25

LIMIT DATE OF RESTORATION OF PATENT: 2020 11 25

(21) AP 2007 10391

(11) P 2009 4746 B

(73) Les Laboratoires Servier

(54) **USE OF AGOMELATINE TO OBTAIN MEDICATION AIMED AT TREATING SMITH-MAGENIS SYNDROME**

DATE OF CANCELLATION OF PATENT: 2019 11 22

LIMIT DATE OF RESTORATION OF PATENT: 2020 11 22

(21) AP 2007 10392

(11) P 2009 4747 B

(73) Les Laboratoires Servier

(54) **USE OF AGOMELATINE TO OBTAIN MEDICATION AIMED AT TREATING PERIVENTRICULAR LEUKOMALACIA**

DATE OF CANCELLATION OF PATENT: 2019 11 22

LIMIT DATE OF RESTORATION OF PATENT: 2020 11 22

(21) AP 2008 10990

(11) P 2011 5232 B

(73) Kokhta Japaridze;
Tsisana Zourabichvili;
Gia Petriashvili

(54) **METHOD FOR RECEPTION OF PHOTSENSITIVE LIQUID-CRYSTAL POLYMERIC FILM AND THE FILM OBTAINED BY THIS METHOD**

DATE OF CANCELLATION OF PATENT: 2019 11 27

LIMIT DATE OF RESTORATION OF PATENT: 2020 11 27

(21) AP 2007 11320

(11) P 2012 5414 B

(73) Aziende Chimiche Riunite Angelini Francesco A.C.R.A.F. S.p.A.

(54) **2 -ALKYL- INDAZOLE COMPOUNDS FOR THE TREATMENT OF CERTAIN CNS-RELATED DISORDERS**

DATE OF CANCELLATION OF PATENT: 2019 11 19

LIMIT DATE OF RESTORATION OF PATENT: 2020 11 19

(21) AP 2009 11498

(11) P 2010 4997 B

(73) GENENTECH INC.

(54) **COMPOSITION COMPRISING ANTHER2 ANTIBODIES**

DATE OF CANCELLATION OF PATENT: 2019 10 07

LIMIT DATE OF RESTORATION OF PATENT: 2020 10 07

(21) AP 2000 11523

(11) P 2010 4998 B

(73) GENENTECH INC.

(54) **HUMANIZED ANTIBODY WHICH BINDS ERBB2 AND BLOCKS ACTIVATION BY LIGAND RECEPTOR OF ERBB2 (VARIANTS) AND USE OF THE COMPOSITION COMPRISING THESE ANTIBODIES METHODS FOR TREATING CANCER**

DATE OF CANCELLATION OF PATENT: 2019 10 22

LIMIT DATE OF RESTORATION OF PATENT: 2020 10 22

(21) AP 2009 12270

(11) P 2014 6072 B

(73) BOEHRINGER INGELHEIM INTERNATIONAL GMBH

(54) **NEW COMPOUNDS**

DATE OF CANCELLATION OF PATENT: 2019 11 24

LIMIT DATE OF RESTORATION OF PATENT: 2020 11 24

(21) AP 2010 12757

(11) P 2014 6206 B

(73) RV LIZENZ AG

(54) **THERMAL-CHEMICAL UTILIZATION OF CARBON-CONTAINING MATERIALS, IN PARTICULAR FOR THE EMISSION-FREE GENERATION OF ENERGY**

DATE OF CANCELLATION OF PATENT: 2019 11 19

LIMIT DATE OF RESTORATION OF PATENT: 2021 11 19

(21) AP 2013 13309

(11) P 2015 6413 B

(73) LES LABORATOIRES SERVIER

(54) **NEW PROCESS FOR SYNTHESIS OF 3-(2-BROMO-4,5-DIMETHOXYBENZYL) PROPANENITRILE, AND APPLICATION IN SYNTHESIS OF IVABRADINE AND ADDITION SALTS THEREWITH PHARMACEUTICALLY ACCEPTABLE ACID**

DATE OF CANCELLATION OF PATENT: 2019 12 04

LIMIT DATE OF RESTORATION OF PATENT: 2020 12 04

(21) AP 2013 13849

(11) P 2017 6710 B

(73) PFIZER LIMITED

(54) **IMIDAZOPYRIDAZINE DERIVATIVES AS GABAA RECEPTOR MODULATORS**

DATE OF CANCELLATION OF PATENT: 2019 12 04

LIMIT DATE OF RESTORATION OF PATENT: 2020 12 04

(21) AP 2014 14198

(11) P 2018 6847 B

(73) LES LABORATOIRES SERVIER

(54) **NOVEL METHOD FOR SYNTHESIS OF 7-METHOXY-NAPHTHALENE-1- CARBALDEHYDE AND USAGE THEREIN SYNTHESIS OF AGOMELATINE**

DATE OF CANCELLATION OF PATENT: 2019 12 04

LIMIT DATE OF RESTORATION OF PATENT: 2020 12 04

(21) AP 2016 14333

(11) P 2018 6844 B

(73) Guram Dgebuadze;

Tamaz Batsikadze;

Zurab Razmadze;

Aleksandre Mikaberidze

(54) **FACILITY/MODULE FOR CONTROLLED LOWTEMPERATURE NUCLEAR REACTION EXECUTION**

DATE OF CANCELLATION OF PATENT: 2019 11 30

LIMIT DATE OF RESTORATION OF PATENT: 2020 11 30

(21) AP 2016 14336

(11) P 2018 6815 B

(73) Jimsher Chkhaidze

(54) **METHOD FOR WHISKY PREPARATION**

DATE OF CANCELLATION OF PATENT: 2019 12 02

LIMIT DATE OF RESTORATION OF PATENT: 2020 12 02

(21) AP 2015 14430

(11) P 2019 7003 B

(73) PFIZER Inc.

(54) **AMINOPYRIMIDINYL COMPOUNDS AS JAK INHIBITORS**

DATE OF CANCELLATION OF PATENT: 2019 08 07

LIMIT DATE OF RESTORATION OF PATENT: 2020 08 07

(21) AP 2016 14582

(11) P 2019 7008 B

(73) CAPBRAN HOLDINGS LLC

(54) **FOOD PROCESSOR**

DATE OF CANCELLATION OF PATENT: 2019 11 11

LIMIT DATE OF RESTORATION OF PATENT: 2021 11 11

(21) AP 2017 14629

(11) P 2019 7022 B

(73) Tamaz Agladze;
Marine Donadze;

Shota Rustaveli National Science Foundation of Georgia

(54) **METHOD FOR SILVER MONODISPERSE NANOPARTICLES PREPARATION**

DATE OF CANCELLATION OF PATENT: 2019 11 20

LIMIT DATE OF RESTORATION OF PATENT: 2020 11 20

EXPIRATION OF TERM OF RESTORATION OF PATENTS

(21) AP 2009 11580

(11) P 2011 5346 B

(73) Omar Lomtadze;
Mikhail Zhgenti;
Givi Chimakadze

(54) **WATER-IN-OIL EMULSION CONCENTRATE WITH ACARICIDE PROPERTIES**

DATE OF CANCELLATION OF PATENT: 2018 11 30

THE TERM OF RESTORATION OF PATENT VALIDITY HAS EXPIRED: 2019 11 30

(21) AP 2010 12737

(11) P 2016 6426 B

(73) Intermoon Inc.

(54) **PIRFENIDONE THERAPY AND INDUCERS OF CYTOCHROME P450**

DATE OF CANCELLATION OF PATENT: 2018 12 03

THE TERM OF RESTORATION OF PATENT VALIDITY HAS EXPIRED: 2019 12 03

(21) AP 2010 12762

(11) P 2015 6312 B

(73) DOW AGROSCIENCES LLC

(54) **IMPROVED PROCESS FOR PREPARING SOLUBLE GRANULES OF SALTS OF PYRIDINE – CARBOXYLIC ACIDS**

DATE OF CANCELLATION OF PATENT: 2018 11 22

THE TERM OF RESTORATION OF PATENT VALIDITY HAS EXPIRED: 2019 11 22

(21) AP 2010 12775

(11) P 2016 6455 B

(73) Intermoon Inc.

(54) **METHODS OF ADMINISTERING PIRFENIDONE THERAPY**

DATE OF CANCELLATION OF PATENT: 2018 12 03

THE TERM OF RESTORATION OF PATENT VALIDITY HAS EXPIRED: 2019 12 03

(21) AP 2002 8330

(11) P 2006 3761 B

(73) Aziende Chimiche Riunite Angelini Francesco A.C.R.A.F. S.p.A.

(54) **METHOD FOR PREPARING GLUCOSAMINE COMPOUND**

DATE OF CANCELLATION OF PATENT: 2018 12 02

THE TERM OF RESTORATION OF PATENT VALIDITY HAS EXPIRED: 2019 12 02

(21) AP 2004 9412

(11) P 2008 4528 B

(73) Pfizer Inc.

(54) **5,7-DIAMINOPYRAZOLO [4,3-d] PYRIMIDINES WITH PDE-5 INHIBITING ACTIVITY**

DATE OF CANCELLATION OF PATENT: 2018 11 12

THE TERM OF RESTORATION OF PATENT VALIDITY HAS EXPIRED: 2019 11 12

CHANGES OF NAMES AND/OR ADDRESSES OF PATENTOWNER

(21) AP 2010 11644

(11) P 2012 5618 B

(54) **BIODEGRADED COPOLYMERS POLY (ESTER UREA) AND METHOD OF THEIR RECEPTION**

NEW NAME AND ADDRESSES: Sujen LLC (US)
235 East 42nd Street, New York, 10017 (US)

LAST NAME AND ADDRESSES: Sujen Inc.
230 East Grand Avenue, South San Francisco, CA 94080, USA

DATE OF REGISTRY: 17 12 2019

UTILITY MODELS

EXPIRATION OF PATENTS RESTORATION

(21) AU 2015 13993

(11) U 2017 1920 Y

(73) Khvicha Tvalabeishvili

(54) **THERAPEUTIC AGENT FOR LACTOSTASIS, MASTOPATHY, AND MASTITIS TREATMENT AND/OR PROPHYLAXIS**

DATE OF CANCELLATION OF PATENT: 2019 11 12

DATE OF RESTORATION OF PATENT: 2019 12 25

(21) AU 2016 14321

(11) U 2018 1964 Y

(73) Merab Diasamidze;

Merab Topchiashvili;

Zurab Suladze;

David Suladze

(54) **METHOD FOR ARTICLE MANUFACTURE WITH WOOD- POLYMER COMPOSITE**

DATE OF CANCELLATION OF PATENT: 2019 11 14

DATE OF RESTORATION OF PATENT: 2019 12 25

ABOLITION OF PATENT WITH THE RIGHT TO RESTORE

(21) AU 2015 13993

(11) U 2017 1920 Y

(73) Khvicha Tvalabeishvili

(54) **THERAPEUTIC AGENT FOR LACTOSTASIS, MASTOPATHY, AND MASTITIS TREATMENT AND/OR PROPHYLAXIS**

DATE OF CANCELLATION OF PATENT: 2019 11 12

LIMIT DATE OF RESTORATION OF PATENT: 2020 11 12

EXPIRATION OF TERM OF RESTORATION OF PATENTS

(21) AU 2014 13639

(11) U 2015 1869 Y

(73) Marine Zedgenidze

(54) **SWEET MADE OF DRY FRUITS**

DATE OF CANCELLATION OF PATENT: 2018 11 19

THE TERM OF RESTORATION OF PATENT VALIDITY HAS EXPIRED: 2019 11 19

(21) AU 2016 14330

(11) U 2017 1945 Y

(73) Irine Ugrekheldidze;

Jumber Uplisashvili;

Tea Baramashvili;

George Gabison

(54) **TAMPON PRINTING FACILITY**

DATE OF CANCELLATION OF PATENT: 2018 11 25

THE TERM OF RESTORATION OF PATENT VALIDITY HAS EXPIRED: 2019 11 25

(21) AU 2016 14331

(11) U 2018 1971 Y

(73) Gia Bokhua

(54) **SLIDING ROOF**

DATE OF CANCELLATION OF PATENT: 2018 11 28

THE TERM OF RESTORATION OF PATENT VALIDITY HAS EXPIRED: 2019 11 28

DESIGNS

EXTENSION OF REGISTRATION VALIDITY

(11) D 2015 651 S

(73) LTD "MARNISKARI" (GE)

Askurava St. 17B, 0101, Tbilisi, Georgia (GE)

(54) **ETIQUETTE**

(28) 6

(24) 2014 06 27

(18) 2024 06 27

(58) 2019 12 17

(11) D 2016 659 S

(73) LTD "Fruit Master Group" (GE)

Varketili 3, III mkr., korp. 340, ap. 5, 0163, Tbilisi, Georgia (GE)

(54) **BOX**

(28) 1

(24) 2015 02 02

(18) 2025 02 02

(58) 2019 12 09

(11) D 2015 638 S

(73) IE Karina Irekovna Boguslavskaya (RU)

Ul. Bogataya 1, Matushino, Lyashevskiy

Municipality, 422824, Republic of

Tatarstan (RU)

(54) **PACKAGING FOR WASHING AGENT**

(28) 2

(24) 2015 02 23

(18) 2025 02 23

(58) 2019 12 05

(11) D 2015 653 S

(73) LTD "Publishing House Palitra L" (GE)

Iosebidge St. 49, 0160, Tbilisi, Georgia (GE)

(54) **SOFT-VOICE TOY**

(28) 1

(24) 2015 02 27

(18) 2025 02 27

(58) 2019 12 17

CANCELLATION OF DESIGN REGISTRATION

(11) D 2014 592 S

(73) Romeo Tsinadze (GE)

Tbilisi St. 12/5, 3700, Rustavi, Georgia (GE);

Lasha Tetrade (GE)

Leonidze St. 14/112, 3700, Rustavi, Georgia (GE)

(54) **PAVING BRICKS**

(18) 2019 03 24

(58) 2019 12 12

EXTENSION OF REGISTRATION OF INTERNATIONAL DESIGNS

(11) DM/64806

(73) ROLEX SA

Rue François-Dussaud 3-5-7 Genève 24, CH-1211 (CH)

(15) 2004 01 05

(24) 2004 01 05

(18) 2024 01 05

(28) 1

(28') 1

(54) Pointer for indicating time

(11) DM/64877

(73) SWATCH AG (SWATCH SA) (SWATCH LTD.),

94, Rue Jakob Stämpfli BIENNE, CH-2502 (CH)

(15) 2004 01 19

(24) 2004 01 19

(18) 2024 01 19

(28) 3

(28') 3

(54) Wristwatches

(11) DM/65017

(73) THE SWATCH GROUP MANAGEMENT SERVICES AG (THE SWATCH GROUP MANAGEMENT SERVICES SA) (THE SWATCH GROUP MANAGEMENT SERVICES LTD.),

Seevorstadt 6 BIENNE, CH-2502 (CH)

(15) 2004 02 04

(24) 2004 02 04

(18) 2024 02 04

(28) 5

(28') 1

(54) Wristwatches

(11) DM/65815

(73) SWATCH AG (SWATCH SA) (SWATCH LTD.)

94, Rue Jakob Stämpfli BIENNE, CH-2502 (CH)

(15) 2004 08 31

(24) 2004 08 31

(18) 2024 08 31

(28) 3

(28') 1

(54) Wristwatches

(11) DM/65818

(73) SWATCH AG (SWATCH SA) (SWATCH LTD.)

94, Rue Jakob Stämpfli BIENNE, CH-2502 (CH)

(15) 2004 08 31

(24) 2004 08 31

(18) 2024 08 31

(28) 1

(28') 1

(54) Wristwatch

(11) DM/65819

(73) SWATCH AG (SWATCH SA) (SWATCH LTD.)

94, Rue Jakob Stämpfli BIENNE, CH-2502 (CH)

(15) 2004 08 31

(24) 2004 08 31

(18) 2024 08 31

(28) 1

(28') 1

(54) Wristwatch

(11) DM/65839

(73) THE SWATCH GROUP MANAGEMENT SERVICES AG (THE SWATCH GROUP MANAGEMENT SERVICES SA) (THE SWATCH GROUP MANAGEMENT SERVICES LTD.)

Seevorstadt 6 BIENNE, CH-2502 (CH)

(15) 2004 09 15

(24) 2004 09 15

(18) 2024 09 15

(28) 2

(28') 1

(54) Wristwatches

(11) DM/65883(73) MONTRES BREGUET S.A.

L'ABBAYE, CH-1344 (CH)

(15) 2004 09 24

(24) 2004 09 24

(18) 2024 09 24

(28) 1

(28') 1

(54) Hinged clasp for watch straps

(11) DM/65910

(73) BRAUN GMBH

Frankfurter Strasse 145, 61476 Kronberg (DE)

(15) 2004 09 27

(24) 2004 09 27

(18) 2024 09 27

(28) 5

(28') 5

(54) Electric shaver,Electric shavers,Electric shaver with a long hair trimmer attachment,Long hair trimmer attachment for an electric shaver

(11) DM/65911

(73) SARA LEE HOUSEHOLD AND BODY CARE NEDERLAND B.V.

Traverse 2, NL-3905 NL Veenendaal (NL)

(15) 2004 09 17

(24) 2004 09 17

(18) 2024 09 17

(28) 1

(28') 1

(54) Apparatus for air freshening

(11) DM/65914

(73) SARA LEE HOUSEHOLD AND BODY CARE NEDERLAND B.V.

Traverse 2, NL-3905 NL Veenendaal (NL)

(15) 2004 09 17
(24) 2004 09 17
(18) 2024 09 17
(28) 1
(28') 1
(54) Apparatus for air freshening

(11) DM/66019

(73) PHILIP MORRIS PRODUCTS S.A
Quai Jeanrenaud 3, CH-2000 Neuchâtel (CH)
(15) 2004 08 23
(24) 2004 08 23
(18) 2024 08 23
(28) 1
(28') 1
(54) Packaging container for the transport or handling of goods such as tobacco and smokers' articles

(11) DM/66020

(73) PHILIP MORRIS PRODUCTS S.A
Quai Jeanrenaud 3, CH-2000 Neuchâtel (CH)
(15) 2004 08 23
(24) 2004 08 23
(18) 2024 08 23
(28) 2
(28') 2
(54) Package and container for the transport or handling of goods such as tobacco and smokers' articles

(11) DM/71681

(73) NOKIA CORPORATION
Keilalahdentie 4, FI-02150 Espoo (EM)
(15) 2009 01 23
(24) 2009 01 23
(18) 2024 01 23
(28) 4
(28') 4
(54) Handsets

(11) DM/71999

(73) KRÜGER GMBH & CO. KG
Senefelderstraße 44, 51469 Bergisch Gladbach (DE)
(15) 2009 06 26
(24) 2009 06 26
(18) 2024 06 26
(28) 8
(28') 8
(54) Food containers

(11) DM/72007

(73) THE SWATCH GROUP MANAGEMENT SERVICES AG (THE SWATCH GROUP MANAGEMENT SERVICES SA) (THE SWATCH GROUP MANAGEMENT SERVICES
Seevorstadt 6, CH-2501 BIEL/BIENNE (CH)
(15) 2009 06 30
(24) 2009 06 30
(18) 2024 06 30

(28) 4
(28') 1
(54) watches, Wristwatches

(11) DM/72111

(73) IPEK KAGIT SANAYI VE TICARET ANONIM SirkETI
Kanyon Ofis Kat:20 Buyukdere Cad. No: 185, TR-34394 Levent/Istanbul (TR)
(15) 2009 07 23
(24) 2009 07 23
(18) 2024 07 23
(28) 1
(28') 1
(54) Embossing pattern for articles of absorbent paper

(11) DM/72130

(73) THE SWATCH GROUP MANAGEMENT SERVICES AG (THE SWATCH GROUP MANAGEMENT SERVICES SA) (THE SWATCH GROUP MANAGEMENT SERVICES LTD.)
Seevorstadt 6, CH-2501 BIEL/BIENNE (CH)
(15) 2009 07 29
(24) 2009 07 29
(18) 2024 07 29
(28) 9
(28') 1
(54) Watches, Wristwatches

(11) DM/72288

(73) COMPAGNIE DES MONTRES LONGINES, FRANCILLON S.A. (LONGINES WATCH CO., FRANCILLON LTD.)
CH-2610 SAINT-IMIER (CH)
(15) 2009 09 01
(24) 2009 09 01
(18) 2024 09 01
(28) 1
(28') 1
(54) Watch case

(11) DM/72316

(73) SWATCH AG (SWATCH SA)(SWATCH LTD)
Jakob-Stämpfli-Strasse 94, CH-2502 BIEL/BIENNE (CH)
(15) 2009 09 16
(24) 2009 09 16
(18) 2024 09 16
(28) 5
(28') 2
(54) Wristwatches

(11) DM/72318

(73) SWATCH AG (SWATCH SA)(SWATCH LTD)
Jakob-Stämpfli-Strasse 94, CH-2502 BIEL/BIENNE (CH)
(15) 2009 09 16
(24) 2009 09 16
(18) 2024 09 16
(28) 9
(28') 3

(54) Wristwatches

(11) DM/72326

(73) BLANCPAIN SA

Le Rocher 12, CH-1348 LE BRASSUS (CH)

(15) 2009 09 01

(24) 2009 09 01

(18) 2024 09 01

(28) 2

(28') 2

(54) Oscillating weight, wristwatch

(11) DM/72330

(73) ROLEX SA

Rue François-Dussaud 3-5-7, CH-1211 Genève 24 (CH)

(15) 2009 09 11

(24) 2009 09 11

(18) 2024 09 11

(28) 2

(28') 2

(54) Dials

(11) DM/72334

(73) SWATCH AG (SWATCH SA) (SWATCH LTD.)

Jakob-Stämpfli-Strasse 94, CH-2502 Biel/Bienne (CH)

(15) 2009 09 23

(24) 2009 09 23

(18) 2024 09 23

(28) 3

(28') 2

(54) Wristwatches

(11) DM/72370

(73) THE SWATCH GROUP MANAGEMENT SERVICES AG (THE SWATCH GROUP MANAGEMENT SERVICES SA) (THE SWATCH GROUP MANAGEMENT SERVICES LTD.)

Seevorstadt 6, CH-2501 BIEL/BIENNE (CH)

(15) 2009 09 29

(24) 2009 09 29

(18) 2024 09 29

(28) 6

(28') 3

(54) 1, 3. Wristwatches; 2. and 4-6. Watches

(11) DM/72475

(73) ALFRED KÄRCHER GMBH & CO. KG

Alfred-Kärcher-Str. 28-40, 71364 Winnenden (DE)

(15) 2009 10 26

(24) 2009 10 26

(18) 2024 10 26

(28) 18

(28') 18

(54) Vacuum cleaners

(11) DM/72518

(73) SANOFI-AVENTIS
174 avenue de France, F-75013 Paris (FR)
(15) 2009 10 02
(24) 2009 10 02
(18) 2024 10 02
(28) 1
(28') 1
(54) Marking on a tablet

(11) DM/72537

(73) RAUMPLUS GMBH & CO. KG
Dortmunder Str. 35, 28199 Bremen (DE)
(15) 2009 11 11
(24) 2009 11 11
(18) 2024 11 11
(28) 1
(28') 1
(54) Part of a door

(11) DM/83733

(73) SWATCH AG (SWATCH SA) (SWATCH LTD.)
Jakob-Stämpfli-Strasse 94, CH-2502 Biel/Bienne (CH)
(15) 2014 06 03
(24) 2014 06 03
(18) 2024 06 03
(28) 1
(28') 1
(54) Wristwatch

(11) DM/84150

(73) HARRY WINSTON SA
Chemin du Tourbillon 8, CH-1228 Plan-les-Ouates (CH)
(15) 2014 06 12
(24) 2014 06 12
(18) 2024 06 12
(28) 11
(28') 11
(54) Jewelry article, Necklaces

(11) DM/84342

(73) ST HUBERT
13/15 rue du Pont des Halles, F-94150 RUNGIS (FR)
(15) 2014 08 28
(24) 2014 08 28
(18) 2024 08 28
(28) 1
(28') 1
(54) Food packaging tray

(11) DM/84446

(15) 2014 08 22
(24) 2014 08 22
(18) 2024 08 22

(28) 17
(28') 1
(54) Cigarette packagings

(11) DM/84447

(73) GEDIK HOLDING ANONIM ŞİRKETİ
Ankara Caddesi No. 306, Şeyhli, TR-34913 PENDİK/İSTANBUL (TR)
(15) 2014 08 22
(24) 2014 08 22
(18) 2024 08 22
(28) 1
(28') 1
(54) Package

(11) DM/84462

(73) DE GRISOGONO S.A.
Route de St-Julien 176bis, CH-1228 Plan-les-Ouates (CH)
(15) 2014 09 24
(24) 2014 09 24
(18) 2024 09 24
(28) 10
(28') 10
(54) Earrings,Jewellery,Pendants (jewellery),Rings (jewellery),Sautoir

(11) DM/85307

(73) ITALGELATINE S.P.A.
Strada Statale Alba-Bra, 201, I-12069 Santa Vittoria D'Alba (CN) (IT)
(15) 2014 10 20
(24) 2014 10 20
(18) 2024 10 20
(28) 8
(28') 8
(54) Confectionery products

CANCELLATION OF REGISTRATION OF INTERNATIONAL DESIGNS

(11) DM/64752

(73) SWATCH AG (SWATCH SA) (SWATCH LTD.),
94, Rue Jakob Stämpfli, CH-2502 BIENNE (CH)

Cancellation Date: 2018 12 17

(58) 2019 12 09

(11) DM/64885

(73) SWATCH AG (SWATCH SA) (SWATCH LTD.),
94, Rue Jakob Stämpfli, CH-2502 BIENNE (CH)

Cancellation Date: 2019 01 19

(58) 2019 12 10

(11) DM/65699

(73) BRAUN GMBH

Frankfurter Straße 145, 61476 Kronberg (DE)

Cancellation Date: 2019 03 04

(58) 2019 12 11

(11) DM/70973

(73) NOKIA CORPORATION

Keilalahdentie 4, FI-02150 Espoo (EM)

Cancellation Date: 2019 09 26

(58) 2019 12 04

(11) DM/71088

(73) DE GRISOGONO SA

176bis route de Saint Julien, CH-1228 Plan-les-Ouates (CH)

Cancellation Date: 2019 12 19

(58) 2019 12 09

(11) DM/71193

(73) KIA CORPORATION

Keilalahdentie 4, FI-02150 Espoo (EM)

Cancellation Date: 2018 09 24

(58) 2019 12 04

(11) DM/71535

(73) RADO UHREN AG (RADO WATCH CO. LTD.) (MONTRES RADO SA)

Bielstrasse 43, CH-2543 LENGNAU (CH)

Cancellation Date: 2019 03 24

(58) 2019 12 11

(11) DM/71544

(73) KISLING AG

Ringstrasse 30, CH-8317 Tagelswangen (CH)

Cancellation Date: 2019 01 06

(58) 2019 12 10

(11) DM/71670

(73) NOKIA CORPORATION

Keilalahdentie 4, FI-02150 Espoo (EM)

Cancellation Date: 2019 03 06

(58) 2019 12 11

(11) DM/72217

(73) MERCIS BV

Johannes Vermeerplein 3, NL-1071 DV Amsterdam (NL)

Cancellation Date: 2019 03 20

(58) 2019 12 11

(11) DM/81658

(73) VALENTINO S.P.A

Via Turati, 16/18, I-20121 MILANO (EM)

Cancellation Date: 2018 09 02

(58) 2019 12 05

(11) DM/81760

(73) NEBES LIMITED

Kirchstrasse 39, FL-9490 Vaduz (LI)

Cancellation Date: 2018 09 17

(58) 2019 12 04

(11) DM/81783

(73) SWATCH AG (SWATCH SA) (SWATCH LTD.)

Jakob-Stämpfli-Strasse 94, CH-2502 Biel/Bienne (CH)

Cancellation Date: 2018 09 17

(58) 2019 12 04

(11) DM/81833

(73) FICOSOTA SYNTEZ OOD

Madara Blvd. 48, BG-9700 SHUMEN (BG)

Cancellation Date: 2018 09 18

(58) 2019 12 04

(11) DM/81883

(73) SWATCH AG (SWATCH SA) (SWATCH LTD.)

Jakob-Stämpfli-Strasse 94, CH-2502 Biel/Bienne (CH)

Cancellation Date: 2018 10 04

(58) 2019 12 04

(11) DM/81931

(73) SWATCH AG (SWATCH SA) (SWATCH LTD.)

Jakob-Stämpfli-Strasse 94, CH-2502 Biel/Bienne (CH)

Cancellation Date: 2018 10 14

(58) 2019 12 05

(11) DM/81932

(73) SWATCH AG (SWATCH SA) (SWATCH LTD.)

Jakob-Stämpfli-Strasse 94, CH-2502 Biel/Bienne (CH)

Cancellation Date: 2018 10 14
(58) 2019 12 05

(11) DM/81940

(73) SWATCH AG (SWATCH SA) (SWATCH LTD.)
Jakob-Stämpfli-Strasse 94, CH-2502 Biel/Bienne (CH)
Cancellation Date: 2018 10 09
(58) 2019 12 04

(11) DM/81961

(73) SWATCH AG (SWATCH SA) (SWATCH LTD.)
Jakob-Stämpfli-Strasse 94, CH-2502 Biel/Bienne (CH)
Cancellation Date: 2018 10 04
(58) 2019 12 04

(11) DM/82005

(73) SWATCH AG (SWATCH SA) (SWATCH LTD.)
Jakob-Stämpfli-Strasse 94, CH-2502 Biel/Bienne (CH)
Cancellation Date: 2018 10 16
(58) 2019 12 05

(11) DM/82067

(73) THE SWATCH GROUP MANAGEMENT SERVICES AG (THE SWATCH GROUP MANAGEMENT SERVICES SA) (THE SWATCH GROUP MANAGEMENT SERVICES LTD.)
Seevorstadt 6, CH-2502 BIEL/BIENNE (CH)
Cancellation Date: 2018 10 28
(58) 2019 12 05

(11) DM/82074

(73) TFS GLOBAL HANGER MANAGEMENT GMBH
Hoher Weg 2, 48529 Nordhorn (DE)
Cancellation Date: 2018 10 31
(58) 2019 12 05

(11) DM/82081

(73) SWATCH AG (SWATCH SA) (SWATCH LTD.)
Jakob-Stämpfli-Strasse 94, CH-2502 Biel/Bienne (CH)
Cancellation Date: 2018 11 04
(58) 2019 12 09

(11) DM/82084

(73) SWATCH AG (SWATCH SA) (SWATCH LTD.)
Jakob-Stämpfli-Strasse 94, CH-2502 Biel/Bienne (CH)
Cancellation Date: 2018 10 22
(58) 2019 12 05

(11) DM/82085

(73) SWATCH AG (SWATCH SA) (SWATCH LTD.)
Jakob-Stämpfli-Strasse 94, CH-2502 Biel/Bienne (CH)

Cancellation Date: 2018 10 22
(58) 2019 12 05

(11) DM/82086

(73) SWATCH AG (SWATCH SA) (SWATCH LTD.)
Jakob-Stämpfli-Strasse 94, CH-2502 Biel/Bienne (CH)
Cancellation Date: 2018 10 22
(58) 2019 12 05

(11) DM/82087

(73) SWATCH AG (SWATCH SA) (SWATCH LTD.)
Jakob-Stämpfli-Strasse 94, CH-2502 Biel/Bienne (CH)
Cancellation Date: 2018 10 22
(58) 2019 12 05

(11) DM/82088

(73) SWATCH AG (SWATCH SA) (SWATCH LTD.)
Jakob-Stämpfli-Strasse 94, CH-2502 Biel/Bienne (CH)
Cancellation Date: 2018 10 24
(58) 2019 12 05

(11) DM/82154

(73) SHACKLETON MADRID SL
Arturo Soria, 245, E-28033 MADRID (ES)
Cancellation Date: 2018 10 28
(58) 2019 12 05

(11) DM/82212

(73) SWATCH AG (SWATCH SA) (SWATCH LTD.)
Jakob-Stämpfli-Strasse 94, CH-2502 Biel/Bienne (CH)
Cancellation Date: 2018 11 15
(58) 2019 12 09

(11) DM/82213

(73) SWATCH AG (SWATCH SA) (SWATCH LTD.)
Jakob-Stämpfli-Strasse 94, CH-2502 Biel/Bienne (CH)
Cancellation Date: 2018 11 15
(58) 2019 12 09

(11) DM/82214

(73) SWATCH AG (SWATCH SA) (SWATCH LTD.)
Jakob-Stämpfli-Strasse 94, CH-2502 Biel/Bienne (CH)
Cancellation Date: 2018 11 15
(58) 2019 12 09

(11) DM/82215

(73) SWATCH AG (SWATCH SA) (SWATCH LTD.)
Jakob-Stämpfli-Strasse 94, CH-2502 Biel/Bienne (CH)
Cancellation Date: 2018 11 15
(58) 2019 12 09

(11) DM/82216

(73) SWATCH AG (SWATCH SA) (SWATCH LTD.)
Jakob-Stämpfli-Strasse 94, CH-2502 Biel/Bienne (CH)
Cancellation Date: 2018 11 15
(58) 2019 12 09

(11) DM/82227

(73) MAGIC PRODUCTION GROUP S.A.
Findel Business Center, Complexe B, Rue de Trèves, L-2632 Findel (BX)
Cancellation Date: 2018 10 21
(58) 2019 12 05

(11) DM/82229

(73) SWATCH AG (SWATCH SA) (SWATCH LTD.)
Jakob-Stämpfli-Strasse 94, CH-2502 Biel/Bienne (CH)

Cancellation Date: 2018 11 15
(58) 2019 12 09

(11) DM/82238

(73) SWATCH AG (SWATCH SA) (SWATCH LTD.)
Jakob-Stämpfli-Strasse 94, CH-2502 Biel/Bienne (CH)
Cancellation Date: 2018 11 15
(58) 2019 12 09

(11) DM/82245

(73) SWATCH AG (SWATCH SA) (SWATCH LTD.)
Jakob-Stämpfli-Strasse 94, CH-2502 Biel/Bienne (CH)
Cancellation Date: 2018 10 22
(58) 2019 12 05

(11) DM/82250

(73) THE SWATCH GROUP MANAGEMENT SERVICES AG (THE SWATCH GROUP MANAGEMENT SERVICES SA) (THE SWATCH GROUP MANAGEMENT SERVICES LTD)
Seevorstadt 6, CH-2502 Biel/Bienne (CH)
Cancellation Date: 2018 11 18
(58) 2019 12 09

(11) DM/82254

(73) SWATCH AG (SWATCH SA) (SWATCH LTD.)
Jakob-Stämpfli-Strasse 94, CH-2502 Biel/Bienne (CH)
Cancellation Date: 2018 11 15
(58) 2019 12 09

(11) DM/82255

(73) SWATCH AG (SWATCH SA) (SWATCH LTD.)
Jakob-Stämpfli-Strasse 94, CH-2502 Biel/Bienne (CH)
Cancellation Date: 2018 11 15
(58) 2019 12 09

(11) DM/82288

(73) TARIMSAN TARIM SANAYI VE TICARET ANONIM SIRKETI

Sirasögütler Mah. Beyazit Cad. No:24, Gebze, Kocaeli (TR)

Cancellation Date: 2018 09 19

(58) 2019 12 04

(11) DM/82289

(73) GUNSAN ELEKTRIK MALZEMELERI SANAYI VE TICARET ANONIM SIRKETI

Osmangazi Mahallesi Yildirim Beyazit Caddesi No:29, Sancaktepe/Istanbul (TR)

Cancellation Date: 2018 09 27

(58) 2019 12 04

(11) DM/82319

(73) SWATCH AG (SWATCH SA) (SWATCH LTD.)

Jakob-Stämpfli-Strasse 94, CH-2502 Biel/Bienne (CH)

Cancellation Date: 2018 11 29

(58) 2019 12 09

(11) DM/82320

(73) SWATCH AG (SWATCH SA) (SWATCH LTD.)

Jakob-Stämpfli-Strasse 94, CH-2502 Biel/Bienne (CH)

Cancellation Date: 2018 11 29

(58) 2019 12 09

(11) DM/82334

(73) CHINDIA AS

Nordraaksgate 14, N-0260 Oslo (NO)

Cancellation Date: 2018 11 05

(58) 2019 12 09

(11) DM/82355

(73) SWATCH AG (SWATCH SA) (SWATCH LTD.)

Jakob-Stämpfli-Strasse 94, CH-2502 Biel/Bienne (CH)

Cancellation Date: 2018 11 29

(58) 2019 12 09

(11) DM/82543

(73) THE SWATCH GROUP MANAGEMENT SERVICES AG (THE SWATCH GROUP MANAGEMENT SERVICES SA) (THE SWATCH GROUP MANAGEMENT SERVICES LTD.)

Seevorstadt 6, CH-2502 BIENNE (CH)

Cancellation Date: 2018 12 24

(58) 2019 12 11

(11) DM/82605

(73) "FREY WILLE" GMBH & CO. KG.

Gumpendorferstrasse 81, A-1060 Vienna (EM)

Cancellation Date: 2019 01 10

(58) 2019 12 10

(11) DM/82627

(73) "FREY WILLE" GMBH & CO. KG.
Gumpendorferstrasse 81, A-1060 Vienna (EM)
Cancellation Date: 2019 01 10
(58) 2019 12 10

(11) DM/82743

(73) SWATCH AG (SWATCH SA) (SWATCH LTD.)
94, rue Jakob Stämpfli, CH-2502 Biel/Bienne (CH)
Cancellation Date: 2019 01 28
(58) 2019 12 10

(11) DM/82901

(73) JOINT UKRAINIAN-POLISH ENTERPRISE IN THE FORM OF THE COMPANY WITH LIMITED
RESPONSIBILITY "MODERN-EXPO"
Rivnenska Str., 4 Lutsk District Volyn Region, Strumivka 45603 (UA)
Cancellation Date: 2019 02 11
(58) 2019 12 10

(11) DM/82902

(73) JOINT UKRAINIAN-POLISH ENTERPRISE IN THE FORM OF THE COMPANY WITH LIMITED
RESPONSIBILITY "MODERN-EXPO"
Rivnenska Str., 4 Lutsk District Volyn Region, Strumivka 45603 (UA)
Cancellation Date: 2019 02 13
(58) 2019 12 10

(11) DM/82903

(73) JOINT UKRAINIAN-POLISH ENTERPRISE IN THE FORM OF THE COMPANY WITH LIMITED
RESPONSIBILITY "MODERN-EXPO"
Rivnenska Str., 4 Lutsk District Volyn Region, Strumivka 45603 (UA)
Cancellation Date: 2019 02 13
(58) 2019 12 10

(11) DM/82945

(73) "FREY WILLE" GMBH & CO. KG.
Gumpendorferstrasse 81, A-1060 Wien (EM)
Cancellation Date: 2019 02 21
(58) 2019 12 11

(11) DM/83014

(73) VERTU CORPORATION LIMITED
Beacon Hill Road Church Crookham, Hampshire GU52 8DY (EM)
Cancellation Date: 2019 03 03
(58) 2019 12 11

(11) DM/83123

(73) VERTU CORPORATION LIMITED
Beacon Hill Road Church Crookham, Hampshire GU52 8DY (EM)
Cancellation Date: 2019 02 25
(58) 2019 12 11

(11) DM/83199

(73) SEGAFREDO ZANETTI ESPRESSO WORLDWIDE S.A.

Rue du Rhône 67, CH-1207 Geneva (CH)

Cancellation Date: 2019 03 24

(58) 2019 12 11

(11) DM/83238

(73) HAYAT KİMYA SANAYİ ANONİM ŞİRKETİ

Mahir İz Caddesi No. 25, TR-34662 Altunizade İstanbul (TR)

Cancellation Date: 2018 09 10

(58) 2019 12 04

(11) DM/83263

(73) SWATCH AG (SWATCH SA) (SWATCH LTD.)

Jakob-Stämpfli-Strasse 94, CH-2502 Biel/Bienne (CH)

Cancellation Date: 2019 04 02

(58) 2019 12 11

(11) DM/83274

(73) SWATCH AG (SWATCH SA) (SWATCH LTD.)

Jakob-Stämpfli-Strasse 94, CH-2502 Biel/Bienne (CH)

Cancellation Date: 2019 04 02

(58) 2019 12 11

(11) DM/83331

(73) SWATCH AG (SWATCH SA) (SWATCH LTD.)

Jakob-Stämpfli-Strasse 94, CH-2502 Biel/Bienne (CH)

Cancellation Date: 2019 04 08

(58) 2019 12 11

(11) DM/83374

(73) PATROIS GUILLAUME

55 avenue Marceau, F-75016 Paris (FR)

Cancellation Date: 2019 02 15

(58) 2019 12 11

(11) DM/83495

(73) SWATCH AG (SWATCH SA) (SWATCH LTD.)

Jakob-Stämpfli-Strasse 94, CH-2502 Biel/Bienne (CH)

Cancellation Date: 2019 04 25

(58) 2019 12 11

(11) DM/83548

(73) "FREY WILLE" GMBH & CO KG

Gumpendorferstrasse 81, A-1060 Vienna (EM)

Cancellation Date: 2019 05 08

(58) 2019 12 11

(11) DM/83558

(73) CERTINA AG (CERTINA SA) (CERTINA LTD.)
17, chemin des Tourelles, CH-2400 LE LOCLE (CH)
Cancellation Date: 2019 05 02
(58) 2019 12 11

(11) DM/83572

(73) SWATCH AG (SWATCH SA) (SWATCH LTD.)
Jakob-Stämpfli-Strasse 94, CH-2502 Biel/Bienne (CH)
Cancellation Date: 2019 05 09
(58) 2019 12 12

(11) DM/83574

(73) SWATCH AG (SWATCH SA) (SWATCH LTD.)
Jakob-Stämpfli-Strasse 94, CH-2502 Biel/Bienne (CH)
Cancellation Date: 2019 05 09
(58) 2019 12 12

(11) DM/83614

(73) PETER VANHECKE
Bogdana Khmelnitskogo street 80 app. 14, Kiev 01030 (UA)
Cancellation Date: 2019 05 08
(58) 2019 12 11

(11) DM/83808

(73) GRANBERG AS
Innbjoa, N-5584 Bjoa (NO)
Cancellation Date: 2019 03 06
(58) 2019 12 11

(11) DM/84367

(73) BIBITA GROUP SHPK
Rruga e Bogdaneve, Pall. EUROCOL, Kati V, Tirana (AL)
Cancellation Date: 2019 05 12
(58) 2019 12 12

(11) DM/84821

(73) EVELINE COSMETICS SA S.K.A.
ul. Żytnia 19, PL-05-506 LESZNOWOLA (PL)
Cancellation Date: 2019 04 14
(58) 2019 12 11

(11) DM/85197

(73) YORULMAZER, RAFET EREN
Askerocagi Caddesi No:15, Suzer Plaza Kat:30/31,
Sisli Istanbul (TR)
Cancellation Date: 2019 03 07
(58) 2019 12 11

TRADEMARKS

RENEWAL OF REGISTRATIONS

(111) M 1998 10447 R2

(156) 1998 08 20

(186) 2028 08 20

(732) BEKO PLC

Beko House, Caxton Way, Watford,
WD18 8UF, United Kingdom

(111) M 2009 19376 R1

(156) 2009 05 27

(186) 2029 05 27

(732) LTD "AGUNA"

Tabukashvilis 19, 0108, Tbilisi, Georgia

(111) M 2000 13585 R2

(156) 2000 11 13

(186) 2030 11 13

(732) LES PUBLICATIONS CONDE NAST S.A.

56A, rue du Faubourg Saint-Honore,
75008 Paris, France

(111) M 2009 19972 R1

(156) 2009 11 18

(186) 2029 11 18

(732) ANCHOR HEALTH AND BEAUTY CARE
PVT.LTD.

Marathon Nextgen, Innova 201, 'C' Wing, Off
Ganpatrao Kadam Marg, Lower Parel (West),
Mumbai-400013, India

(111) M 1999 12950 R2

(156) 1999 11 09

(186) 2029 11 09

(732) CORNELIANI S.P.A.

Via Panizza 5, 46100 Mantova, Italy

(111) M 2009 20095 R1

(156) 2009 12 15

(186) 2029 12 15

(732) THE PROCTER & GAMBLE COMPANY

One Procter & Gamble Plaza, Cincinnati,
Ohio, USA

(111) M 2000 13069 R2

(156) 2000 01 04

(186) 2030 01 04

(732) Societe des Produits Nestle S.A.

CH-1800 Vevey, Switzerland

(111) M 2010 20211 R1

(156) 2010 01 26

(186) 2030 01 26

(732) COLGATE-PALMOLIVE COMPANY

300 Park Avenue, NEW YORK, N.Y.
10022, USA

(111) M 2010 20367 R1

(156) 2010 04 15

(186) 2030 04 15

(732) ABDI IBRAHIM İLAÇ SANAYİ VE

TİCARET ANONİM ŞİRKETİ

Reşitpaşa Mahallesi Eski Büyükdere Caddesi
No:4 34467 Maslak Sarıyer İstanbul, Turkey

(111) M 2010 20212 R1

(156) 2010 01 26

(186) 2030 01 26

(732) COLGATE-PALMOLIVE COMPANY

300 Park Avenue, NEW YORK, N.Y.
10022, USA

(111) M 2009 19293 R1

(156) 2009 05 15

(186) 2029 05 15

(732) GENTING INTERNATIONAL

MANAGEMENT LIMITED

First Names House, Victoria Road, Douglas
IM2 4D, Isle of Man

(111) M 2010 20335 R1

(156) 2010 03 25

(186) 2030 03 25

(732) Ontex Tüketim Urunleri Sanayi ve Ticaret

nonim Şirketi

Oruç Reis Mah., Tekstil Kent Cad. Koza Plaza
A Blk, No:12B İç K.N:021-022-024 Esenler-
İstanbul, Turkey

(111) M 2010 20214 R1

(156) 2010 01 29

(186) 2030 01 29

(732) SOCIÉTÉ DES PRODUITS NESTLÉ S.A.

CH-1800 Vevey, Switzerland

(111) M 2010 20336 R1

(156) 2010 03 25

(186) 2030 03 25

(732) Ontex Tuketim Urunleri Sanayi ve Ticaret
Anonim Şirketi
YENIBOSNA MERKEZ MAH. ASENA
SOK. NO.2 BAHCELIEVLER, Turkey

(111) M 2010 20424 R1
(156) 2010 04 27
(186) 2030 04 27
(732) Abdi İbrahim İlaç Sanayi ve Ticaret Anonim
Şirketi
Reşitpaşa Mahallesi Eski Büyükdere Caddesi
No: 4 34467 Maslak-Sarıyer-İstanbul, Turkey

(111) M 2010 20481 R1
(156) 2010 05 13
(186) 2030 05 13
(732) MARY KAY INC. (a Delaware corporation)
16251 Dallas Parkway, Addison, Texas
75001, USA

(111) M 2010 20482 R1
(156) 2010 05 13
(186) 2030 05 13
(732) Mary Kay Inc. (a Delaware corporation)
16251 Dallas Parkway, Addison, Texas
75001, USA

(111) M 1999 12996 R2
(156) 1999 12 10
(186) 2029 12 10
(732) BACARDI & COMPANY LIMITED
Aeulestrasse 5, 9490 Vaduz, Liechtenstein

COMPLETE TRANSFER OF RIGHTS

(111) M 2001 13687 R
 (732) ALCON INC.
 Rue Louis-d'Affry 6, CH-1701 Fribourg,
 Switzerland
 (770) NOVARTIS AG
 4002 Basel, Switzerland
 (580) 06 12 2019

(111) M 2001 13837 R
 (732) ALCON INC.
 Rue Louis-d'Affry 6, CH-1701 Fribourg,
 Switzerland
 (770) NOVARTIS AG
 4002 Basel, Switzerland
 (580) 06 12 2019

(111) M 2001 13807 R
 (732) ALCON INC.
 Rue Louis-d'Affry 6, CH-1701 Fribourg,
 Switzerland
 (770) NOVARTIS AG
 4002 Basel, Switzerland
 (580) 06 12 2019

(111) M 2001 13808 R
 (732) ALCON INC.
 Rue Louis-d'Affry 6, CH-1701 Fribourg,
 Switzerland
 (770) NOVARTIS AG
 4002 Basel, Switzerland
 (580) 06 12 2019

(111) M 1997 7516 R
 (732) HBI Branded Apparel Enterprises, LLC
 1000 Ist Heins Mil Roudi, Uinston-salemi,
 Chrdiloet Karolina 27105, USA
 (770) HBI Branded Apparel Limited, Inc.
 a Delaware corporation
 1000 East Hanes Mill Road, Winston-Salem,
 North Carolina 27105, USA
 (580) 09 12 2019

(111) M 1997 7517 R
 (732) HBI Branded Apparel Enterprises, LLC
 1000 Ist Heins Mil Roudi, Uinston-salemi,
 Chrdiloet Karolina 27105, USA
 (770) HBI Branded Apparel Limited, Inc.
 a Delaware corporation
 1000 East Hanes Mill Road, Winston-Salem,
 North Carolina 27105, USA
 (580) 09 12 2019

(111) M 2003 14902 R
 (732) LEO Pharma A/S
 Industriparken 55, 2750 Ballerup, Denmark
 (770) Bayer Pharma Aktiengesellschaft
 Mullerstrasse 178, 13353 Berlin, Germany
 (580) 04 12 2019

(111) M 2010 20500 R
 (732) ALCON INC.
 Rue Louis-d'Affry 6, CH-1701 Fribourg,
 Switzerland
 (770) NOVARTIS AG
 4002 Basel, Switzerland
 (580) 06 12 2019

(111) M 2011 21826 R
 (732) ALCON INC.
 Rue Louis-d'Affry 6, CH-1701 Fribourg,
 Switzerland
 (770) NOVARTIS AG
 4002 Basel, Switzerland
 (580) 06 12 2019

(111) M 2011 21894 R
 (732) ALCON INC.
 Rue Louis-d'Affry 6, CH-1701 Fribourg,
 Switzerland
 (770) NOVARTIS AG
 4002 Basel, Switzerland
 (580) 06 12 2019

(111) M 2011 21984 R
 (732) ALCON INC.
 Rue Louis-d'Affry 6, CH-1701 Fribourg,
 Switzerland
 (770) NOVARTIS AG
 4002 Basel, Switzerland
 (580) 06 12 2019

(111) M 2013 23890 R
 (732) HBI Branded Apparel Enterprises, LLC
 1000 Ist Heins Mil Roudi, Uinston-salemi,
 Chrdiloet Karolina 27105, USA
 (770) HPI Branded Apparel Limited, Inc.
 1000 Hanes Mill Road Winston-Salem
 NC 27105, USA
 (580) 09 12 2019

(111) M 1994 230 R
 (732) HBI Branded Apparel Enterprises, LLC
 1000 Ist Heins Mil Roudi, Uinston-salemi,
 Chrdiloet Karolina 27105, USA

(770) HBI Branded Apparel Limited, Inc
a Delaware corporation
1000 East Hanes Mill Road, Winston-Salem,
North Carolina 27105, USA
(580) 09 12 2019

(111) M 1994 448 R
(732) HBI Branded Apparel Enterprises, LLC
1000 Ist Heins Mil Roudi, Uinston-salemi,
Chrdiloet Karolina 27105, USA
(770) HBI Branded Apparel Limited, Inc.,
a Delaware corporation
1000 East Hanes Mill Road, Winston-Salem,
North Carolina 27105, USA
(580) 09 12 2019

(111) M 2018 30019 R
(732) LEO Pharma A/S
Industriparken 55, 2750 Ballerup, Denmark
(770) BAYER AKTIENGESELLSCHAFT
Kaizer-vilhem-ale, 51373 Leverkusen,
Germany
(580) 04 12 2019

CHANGES OF NAMES AND/OR ADDRESS OF OWNERS

(111) M 1998 10724 R
 (732) ABC DETERJAN SANAYI VE TICARET ANONIM SİRKETİ
 Rüzgarlibahçe Mahallesi KavaK Sk. Smart Plaza Apt No:31/1/8, Beykoz, İstanbul, Turkey
 (770) ABC DETERJAN SANAYI VE TICARET ANONIM SİRKETİ
 Rüzgarlibahçe Mahallesi, Cumhuriyet Caddesi, Güllsan Plaza No:22 K.4 Kavacik 34829 Beykoz, İstanbul, Turkey
 (580) 04 12 2019

(111) M 2002 14852 R
 (732) SI Group Switzerland (CHAA) GmbH
 Kasteliweg 7, 4133 Pratteln, Switzerland
 (770) ADDIVANT SWITZERLAND GMBH
 Angensteinerstrasse 6, 4153 Reinach BL, Switzerland
 (580) 26 11 2019

(111) M 1997 7305 R
 (732) Eastman Chemical Finance B.V.
 Watermanweg 70, 3067 GG Rotterdam, Netherlands
 (770) Eastman Chemical Finance B.V.
 Fascinatio Boulevard 602, 2909 VA Capelle ann den Ijssel, Netherlands
 (580) 18 11 2019

(111) M 2010 20367 R
 (732) Abdi İbrahim İlaç Sanayi ve Ticaret Anonim Şirketi
 Reşitpaşa Mahallesi Eski Büyükdere Caddesi No:4 34467 Maslak Sarıyer İstanbul, Turkey
 (770) Abdi İbrahim İlaç Sanayi ve Ticaret Anonim Şirketi
 Eski Büyükdere Cad. Ayazağa Yolu 34398 No:5 Maslak, İstanbul, Turkey
 (580) 27 11 2019

(111) M 2009 19293 R
 (732) Genting International Management Limited
 First Names House, Victoria Road, Douglas IM2 4D, Isle of Man
 (770) Genting International Management Limited
 International Houser, Castle Hill, Victoria Road, Douglas, Isle of Man, IM2 4 RB, Isle of Man
 (580) 13 11 2019

(111) M 1998 8012 R
 (732) SI Group Switzerland (CHAA) GmbH
 Kasteliweg 7, 4133 Pratteln, Switzerland
 (770) ADDIVANT SWITZERLAND GMBH
 Angensteinerstrasse 6, 4153 Reinach BL, Switzerland
 (580) 26 11 2019

(111) M 1998 8013 R
 (732) SI Group Switzerland (CHAA) GmbH
 Kasteliweg 7, 4133 Pratteln, Switzerland
 (770) ADDIVANT SWITZERLAND GMBH
 Angensteinerstrasse 6, 4153 Reinach BL, Switzerland
 (580) 26 11 2019

(111) M 2017 29127 R
 (732) LTD "BLACK C-FESIFIQ INVESTMENT END TRADING"
 Besiki St. 4, fl. 3, Office party 305, Mtatsminda District, 0186, Tbilisi, Georgia
 (770) LTD "BLACK C-FESIFIQ INVESTMENT END TRADING"
 Tskneti Road 16-18 House place 3-3, Vake-Saburtalo District, 0186, Tbilisi Georgia
 (580) 06 12 2019

TERMINATION OF TRADEMARKS REGISTRATIONS

-
- (111) M 1999 12296 R
(151) 1999 05 24
(732) MERCK SHARP & DOHME CORP.
One Merck Drive, Whitehouse Station,
New Jersey 08889, USA
(141) 2019 12 05
(851) Non-payment of invoice for extension of
registration validity
-
- (111) M 1999 12289 R
(151) 1999 05 24
(732) PERFETTI VAN MELLE BENELUX B.V.
Zoete Inval 20, 4815 HK Breda, Netherlands
(141) 2019 12 05
(851) Non-payment of invoice for extension of
registration validity
-
- (111) M 1999 12293 R
(151) 1999 05 24
(732) RELOJES LOTUS, S.A.
Via Layetana 20, 4a planta 08003 Barcelona,
Spain
(141) 2019 12 05
(851) Non-payment of invoice for extension of
registration validity
-
- (111) M 1999 12313 R
(151) 1999 05 24
(732) SONY KABUSHIKI KAISHA
(SONY CORPORATION)
7-35, Kitashinagawa 6-chome, Shinagawa-ku,
Tokio, Japan
(141) 2019 12 05
(851) Non-payment of invoice for extension of
registration validity
-
- (111) M 1999 12314 R
(151) 1999 05 24
(732) SONY KABUSHIKI KAISHA
(SONY CORPORATION)
7-35, Kitashinagawa 6-chome, Shinagawa-ku,
Tokio, Japan
(141) 2019 12 05
(851) Non-payment of invoice for extension of
registration validity
-
- (111) M 2009 19358 R
(151) 2009 05 27
(732) PAYLESS SHOESOURCE WORLDWIDE,
INC.
Jayhawk Towers, 700 SW jackson Street,
Suite 202, Topeka, KS 66603, USA
(141) 2019 12 05
(851) Non-payment of invoice for extension of
registration validity
-
- (141) 2019 12 05
(851) Non-payment of invoice for extension of
registration validity
-
- (111) M 2009 19359 R
(151) 2009 05 27
(732) PAYLESS SHOESOURCE WORLDWIDE,
INC.
Jayhawk Towers, 700 SW jackson Street,
Suite 202, Topeka, KS 66603, USA
(141) 2019 12 05
(851) Non-payment of invoice for extension of
registration validity
-
- (111) M 2009 19360 R
(151) 2009 05 27
(732) PAYLESS SHOESOURCE WORLDWIDE,
INC.
Jayhawk Towers, 700 SW jackson Street,
Suite 202, Topeka, KS 66603, USA
(141) 2019 12 12
(851) Non-payment of invoice for extension of
registration validity
-
- (111) M 2009 19361 R
(151) 2009 05 27
(732) PAYLESS SHOESOURCE WORLDWIDE,
INC.
Jayhawk Towers, 700 SW jackson Street,
Suite 202, Topeka, KS 66603, USA
(141) 2019 12 05
(851) Non-payment of invoice for extension of
registration validity
-
- (111) M 2009 19362 R
(151) 2009 05 27
(732) PAYLESS SHOESOURCE WORLDWIDE,
INC.
Jayhawk Towers, 700 SW jackson Street,
Suite 202, Topeka, KS 66603, USA
(141) 2019 12 05
(851) Non-payment of invoice for extension of
registration validity
-
- (111) M 2009 19363 R
(151) 2009 05 27
(732) PAYLESS SHOESOURCE WORLDWIDE,
INC.
Jayhawk Towers, 700 SW jackson Street,
Suite 202, Topeka, KS 66603, USA
(141) 2019 12 05
-

(851) Non-payment of invoice for extension of registration validity

(111) M 2009 19364 R

(151) 2009 05 27

(732) PAYLESS SHOESOURCE WORLDWIDE, INC.

Jayhawk Towers, 700 SW jackson Street, Suite 202, Topeka, KS 66603, USA

(141) 2019 12 05

(851) Non-payment of invoice for extension of registration validity

(111) M 2009 19365 R

(151) 2009 05 27

(732) PAYLESS SHOESOURCE WORLDWIDE, INC.

Jayhawk Towers, 700 SW jackson Street, Suite 202, Topeka, KS 66603, USA

(141) 2019 12 05

(851) Non-payment of invoice for extension of registration validity

(111) M 2009 19366 R

(151) 2009 05 27

(732) PAYLESS SHOESOURCE WORLDWIDE, INC.

Jayhawk Towers, 700 SW Jackson Street, Suite 202, Topeka, KS 66603 , USA

(141) 2019 12 05

(851) Non-payment of invoice for extension of registration validity

(111) M 2009 19367 R

(151) 2009 05 27

(732) PAYLESS SHOESOURCE WORLDWIDE, INC.

Jayhawk Towers, 700 SW jackson Street, Suite 202, Topeka, KS 66603, USA

(141) 2019 12 05

(851) Non-payment of invoice for extension of registration validity

(111) M 2009 19368 R

(151) 2009 05 27

(732) PAYLESS SHOESOURCE WORLDWIDE, INC.

Jayhawk Towers, 700 SW jackson Street, Suite 202, Topeka, KS 66603, USA

(141) 2019 12 05

(851) Non-payment of invoice for extension of registration validity

(111) M 2009 19369 R

(151) 2009 05 27

(732) PAYLESS SHOESOURCE WORLDWIDE, INC.

Jayhawk Towers, 700 SW jackson Street, Suite 202, Topeka, KS 66603, USA

(141) 2019 12 05

(851) Non-payment of invoice for extension of registration validity

(111) M 2009 19370 R

(151) 2009 05 27

(732) PAYLESS SHOESOURCE WORLDWIDE, INC.

Jayhawk Towers, 700 SW jackson Street, Suite 202, Topeka, KS 66603, USA

(141) 2019 12 05

(851) Non-payment of invoice for extension of registration validity

(111) M 2009 19372 R

(151) 2009 05 27

(732) JSC "Georgian Holding "BAGRATIONI" Mosashvili St. 22, 0162, Tbilisi, Georgia

(141) 2019 12 05

(851) Non-payment of invoice for extension of registration validity

(111) M 2009 19373 R

(151) 2009 05 27

(732) JSC "Georgian Holding "BAGRATIONI" Mosashvili St. 22, 0162, Tbilisi, Georgia

(141) 2019 12 05

(851) Non-payment of invoice for extension of registration validity

(111) M 2009 19374 R

(151) 2009 05 27

(732) JSC "Georgian Holding "BAGRATIONI" Mosashvili St. 22, 0162, Tbilisi, Georgia

(141) 2019 12 05

(851) Non-payment of invoice for extension of registration validity

(111) M 2009 19375 R

(151) 2009 05 27

(732) JSC "Georgian Holding "BAGRATIONI" Mosashvili St. 22, 0162, Tbilisi, Georgia

(141) 2019 12 05

(851) Non-payment of invoice for extension of registration validity

(111) M 2009 19380 R
(151) 2009 05 27
(732) UNILEVER N.V.
Weena 455, 3013 AL Rotterdam, Netherlands
(141) 2019 12 05
(851) Non-payment of invoice for extension of
registration validity

(111) M 2009 19386 R
(151) 2009 05 27
(732) NOVARTIS AG
4002 Basel, Switzerland
(141) 2019 12 05
(851) Non-payment of invoice for extension of
registration validity

(111) M 2009 19388 R
(151) 2009 05 27
(732) NOVARTIS AG
4002 Basel, Switzerland
(141) 2019 12 05
(851) Non-payment of invoice for extension of
registration validity

(111) M 2009 19389 R
(151) 2009 05 27
(732) NOVARTIS AG
4002 Basel, Switzerland
(141) 2019 12 05
(851) Non-payment of invoice for extension of
registration validity

(111) M 2009 19390 R
(151) 2009 05 27
(732) NOVARTIS AG
CH-4002 Basel, Switzerland
(141) 2019 12 05
(851) Non-payment of invoice for extension of
registration validity

LICENSE AGREEMENTS

(111) M 2006 16566 R
(732) I/E Mosesov Vladimir Vladimirovich
Ul. M. Tuskaya, D. 2/1, Korp. 20, kv. 544,
115191 Moscow, Russian Federation
(791) LTD "DACHA GEORGIA"
Panjikidze St. 2, 0160, Tbilisi, Georgia
(793) 1591
(793) 07 10 2019 on the validity of the mark
(793) Special
(793) 29

(111) M 2011 22182 R
(732) I/E Mosesov Vladimir Vladimirovich
Ul. M. Tuskaya, D. 2/1, Korp. 20, kv. 544,
115191 Moscow, Russian Federation
(791) LTD "DACHA GEORGIA"
Panjikidze St. 2, 0160, Tbilisi, Georgia
(793) 1592
(793) 07 10 2019 on the validity of the mark
(793) Special
(793) 29

(111) M 2014 25087 R
(732) LTD "DOMOQIMI"
Across Isani Market, Plot 27/50, Tbilisi,
Georgia
(791) LTD "SALO"
I. Javlishvili St. 9, Tetrtskaro, Georgia
(793) 1593
(793) 17 12 2019 – 28 07 2024
(793) Special
(793) 3

CLASSIFICATION INDEXES

INVENTIONS

CONCORDANCE TABLE OF INTERNATIONAL CLASSIFICATION INDEX AND PUBLICATION NUMBERS

INTERNATIONAL CLASSIFICATION INDEXES (51)	NUMBER OF PUBLISHED APPLICATION (10)
A 01 G 31/00	AP 2019 14716 A
A 23 L 29/244; A 23 L 29/256; A 23 L 29/269; A 23 L 33/21; A 61 K 31/731; A 61 K 31/736; A 61 K 31/723	AP 2019 14528 A
A 61 K 31/568; A 61 K 9/06; A 61 P 27/02	AP 2019 14616 A
A 61 K 31/4709; A 61 P 11/06; A 61 P 11/08; C 07 D 403/12; C 07 D 453/04; C 07 D 453/02; C 07 D 401/14; C 07 D 401/12	AP 2019 14563 A
A 61 K 36/752; A 61 K 36/61; A 61 K 31/355; A 61 K 36/53; A 61 P 31/10; A 61 P 17/00	AP 2019 15008 A
F 03 G 7/06	AP 2019 14819 A

CONCORDANCE TABLE OF PUBLICATION NUMBERS AND INTERNATIONAL CLASSIFICATION INDEX

NUMBER OF PUBLISHED APPLICATION (10)	INTERNATIONAL CLASSIFICATION INDEXES (51)
AP 2019 14716 A	A 01 G 31/00
AP 2019 14528 A	A 23 L 29/244; A 23 L 29/256; A 23 L 29/269; A 23 L 33/21; A 61 K 31/731; A 61 K 31/736; A 61 K 31/723
AP 2019 14616 A	A 61 K 31/568; A 61 K 9/06; A 61 P 27/02
AP 2019 14563 A	A 61 K 31/4709; A 61 P 11/06; A 61 P 11/08; C 07 D 403/12; C 07 D 453/04; C 07 D 453/02; C 07 D 401/14; C 07 D 401/12
AP 2019 15008 A	A 61 K 36/752; A 61 K 36/61; A 61 K 31/355; A 61 K 36/53; A 61 P 31/10; A 61 P 17/00
AP 2019 14819 A	F 03 G 7/06

CONCORDANCE TABLE OF INTERNATIONAL CLASSIFICATION INDEX, PATENT NUMBERS AND PUBLICATION NUMBERS

INTERNATIONAL CLASSIFICATION INDEX (51)	NUMBER OF PATENT (11)	NUMBER OF PUBLISHED APPLICATION (10)
A 61 K 39/00	P 2019 7052 B	AP 2019 13226 A
A 61 K 39/395; C 07 K 16/28; C 07 K 17/14	P 2019 7053 B	AP 2019 14100 A
B 42 D 25/41	P 2019 7051 B	AP 2019 14610 A
C 05 G 3/04; C 05 G 3/06; C 05 D 9/02	P 2019 7054 B	AP 2019 14214 A

**CONCORDANCE TABLE OF PATENT NUMBERS,
PUBLICATION NUMBERS AND INTERNATIONAL CLASSIFICATION INDEX**

NUMBER OF PATENT (11)	NUMBER OF PUBLISHED APPLICATION (10)	INTERNATIONAL CLASSIFICATION INDEX (51)
P 2019 7051 B	AP 2019 14610 A	B 42 D 25/41
P 2019 7052 B	AP 2019 13226 A	A 61 K 39/00
P 2019 7053 B	AP 2019 14100 A	A 61 K 39/395; C 07 K 16/28; C 07 K 17/14
P 2019 7054 B	AP 2019 14214 A	C 05 G 3/04; C 05 G 3/06; C 05 D 9/02

**CONCORDANCE TABLE OF APPLICATION NUMBERS, PUBLICATION NUMBERS
AND PATENTS**

NUMBER OF APPLICATION (21)	NUMBER OF PUBLISHED APPLICATION (10)	NUMBER OF PATENT (11)
AP 2012 13226	AP 2019 13226 A	P 2019 7052 B
AP 2014 14100	AP 2019 14100 A	P 2019 7053 B
AP 2016 14610	AP 2019 14610 A	P 2019 7051 B
AP 2014 14214	AP 2019 14214 A	P 2019 7054 B

UTILITY MODELS

**CONCORDANCE TABLE OF INTERNATIONAL CLASSIFICATION INDEX
AND PUBLICATION NUMBERS**

INTERNATIONAL CLASSIFICATION INDEXES (51)	NUMBER OF PUBLISHED APPLICATION (10)
B 28 B 5/00	AU 2019 15097 U

**CONCORDANCE TABLE OF PUBLICATION NUMBERS
AND INTERNATIONAL CLASSIFICATION INDEX**

NUMBER OF PUBLISHED APPLICATION (10)	INTERNATIONAL CLASSIFICATION INDEXES (51)
AU 2019 15097 U	B 28 B 5/00

**CONCORDANCE TABLE OF INTERNATIONAL CLASSIFICATION INDEX,
PATENT NUMBERS AND PUBLICATION NUMBERS**

INTERNATIONAL CLASSIFICATION INDEX (51)	NUMBER OF PATENT (11)	NUMBER OF PUBLISHED APPLICATION (10)
A 61 K 36/00; A 61 K 35/57; A 61 K 9/06	U 2019 2028 Y	AU 2019 15003 U
A 61 H 15/00	U 2019 2029 Y	AU 2019 14468 U
C 02 F 3/32	U 2019 2027 Y	AU 2019 14896 U

**CONCORDANCE TABLE OF PATENT NUMBERS,
PUBLICATION NUMBERS AND INTERNATIONAL CLASSIFICATION INDEX**

NUMBER OF PATENT (11)	NUMBER OF PUBLISHED APPLICATION (10)	INTERNATIONAL CLASSIFICATION INDEX (51)
U 2019 2027 Y	AU 2019 14896 U	C 02 F 3/32
U 2019 2028 Y	AU 2019 15003 U	A 61 K 36/00; A 61 K 35/57; A 61 K 9/06
U 2019 2029 Y	AU 2019 14468 U	A 61 H 15/00

**CONCORDANCE TABLE OF APPLICATION NUMBERS, PUBLICATION NUMBERS
AND PATENTS**

NUMBER OF APPLICATION (21)	NUMBER OF PUBLISHED APPLICATION (10)	NUMBER OF PATENT (11)
AU 2019 15003	AU 2019 15003 U	U 2019 2028 Y
AU 2017 14468	AU 2019 14468 U	U 2019 2029 Y
AU 2018 14896	AU 2019 14896 U	U 2019 2027 Y

DESIGN

REGISTERED DESIGN

**CONCORDANCE TABLE OF INTERNATIONAL CLASSIFICATION INDEX,
PATENT NUMBERS AND PUBLICATION NUMBERS**

INTERNATIONAL CLASSIFICATION INDEX (51)	NUMBER OF PATENT (11)	NUMBER OF PUBLISHED APPLICATION (10)
11-01	D 2019 831 S	AD 2019 1086 S

CONCORDANCE TABLE OF PATENT NUMBERS,
PUBLICATION NUMBERS AND INTERNATIONAL CLASSIFICATION INDEX

NUMBER OF PATENT (11)	NUMBER OF PUBLISHED APPLICATION (10)	INTERNATIONAL CLASSIFICATION INDEX (51)
D 2019 831 S	AD 2019 1086 S	11-01

CONCORDANCE TABLE OF APPLICATION NUMBERS, PUBLICATION NUMBERS
AND PATENTS

NUMBER OF APPLICATION (21)	NUMBER OF PUBLISHED APPLICATION (10)	NUMBER OF PATENT (11)
AD 2019 1086	AD 2019 1086 S	D 2019 831 S

TRADEMARKS

CONCORDANCE TABLE OF REGISTRATION NUMBERS, APPLICATION NUMBERS, PUBLICATION NUMBERS AND BULLETIN NUMBERS

NUMBER OF REGISTRATION (111)	NUMBER OF APPLICATIONS (210)	NUMBER OF PUBLISHED APPLICATIONS (260)	NUMBER OF BULLETIN
M 2019 31309 R	AM 103024	-	12(520)2019
M 2019 32071 R	AM 105886	-	24(532)2019
M 2019 32072 R	AM 105966	-	24(532)2019
M 2019 32073 R	AM 103023	-	24(532)2019
M 2019 32074 R	AM 100086	AM 2019 100086 A	11(519)2019
M 2019 32075 R	AM 100664	AM 2019 100664 A	14(522)2019
M 2019 32076 R	AM 100672	AM 2019 100672 A	13(521)2019
M 2019 32077 R	AM 100674	AM 2019 100674 A	13(521)2019
M 2019 32078 R	AM 100675	AM 2019 100675 A	13(521)2019
M 2019 32079 R	AM 100676	AM 2019 100676 A	13(521)2019
M 2019 32080 R	AM 100694	AM 2019 100694 A	13(521)2019
M 2019 32081 R	AM 100695	AM 2019 100695 A	13(521)2019
M 2019 32082 R	AM 100787	AM 2019 100787 A	15(523)2019
M 2019 32083 R	AM 100859	AM 2019 100859 A	16(524)2019
M 2019 32084 R	AM 100860	AM 2019 100860 A	16(524)2019
M 2019 32085 R	AM 100861	AM 2019 100861 A	16(524)2019
M 2019 32086 R	AM 100862	AM 2019 100862 A	16(524)2019
M 2019 32087 R	AM 100863	AM 2019 100863 A	16(524)2019
M 2019 32088 R	AM 100864	AM 2019 100864 A	16(524)2019
M 2019 32089 R	AM 100890	AM 2019 100890 A	13(521)2019
M 2019 32090 R	AM 100928	AM 2019 100928 A	15(523)2019
M 2019 32091 R	AM 100930	AM 2019 100930 A	14(522)2019
M 2019 32092 R	AM 100931	AM 2019 100931 A	15(523)2019
M 2019 32093 R	AM 100933	AM 2019 100933 A	15(523)2019
M 2019 32094 R	AM 101215	AM 2019 101215 A	16(524)2019
M 2019 32095 R	AM 101237	AM 2019 101237 A	16(524)2019
M 2019 32096 R	AM 101238	AM 2019 101238 A	16(524)2019
M 2019 32097 R	AM 101240	AM 2019 101240 A	16(524)2019
M 2019 32098 R	AM 101241	AM 2019 101241 A	15(523)2019
M 2019 32099 R	AM 101247	AM 2019 101247 A	16(524)2019
M 2019 32100 R	AM 101248	AM 2019 101248 A	16(524)2019
M 2019 32101 R	AM 101288	AM 2019 101288 A	16(524)2019
M 2019 32102 R	AM 101297	AM 2019 101297 A	16(524)2019
M 2019 32103 R	AM 101298	AM 2019 101298 A	16(524)2019
M 2019 32104 R	AM 101299	AM 2019 101299 A	16(524)2019
M 2019 32105 R	AM 101300	AM 2019 101300 A	16(524)2019
M 2019 32106 R	AM 101371	AM 2019 101371 A	16(524)2019
M 2019 32107 R	AM 101376	AM 2019 101376 A	16(524)2019
M 2019 32108 R	AM 101393	AM 2019 101393 A	16(524)2019
M 2019 32109 R	AM 101394	AM 2019 101394 A	16(524)2019
M 2019 32110 R	AM 101395	AM 2019 101395 A	16(524)2019
M 2019 32111 R	AM 101600	AM 2019 101600 A	16(524)2019
M 2019 32112 R	AM 104901	AM 2019 104901 A	-
M 2019 32113 R	AM 98673	AM 2019 98673 A	9(517)2019
M 2019 32114 R	AM 98962	AM 2019 98962 A	9(517)2019
M 2019 32115 R	AM 99063	AM 2019 99063 A	16(524)2019
M 2019 32116 R	AM 99302	AM 2019 99302 A	9(517)2019

1	2	3	4
M 2019 32117 R	AM 99326	AM 2019 99326 A	16(524)2019
M 2019 32118 R	AM 99779	AM 2019 99779 A	11(519)2019
M 2019 32119 R	AM 100387	AM 2019 100387 A	11(519)2019
M 2019 32120 R	AM 100388	AM 2019 100388 A	11(519)2019
M 2019 32121 R	AM 100793	AM 2019 100793 A	11(519)2019
M 2019 32122 R	AM 100799	AM 2019 100799 A	15(523)2019
M 2019 32123 R	AM 101234	AM 2019 101234 A	16(524)2019
M 2019 32124 R	AM 101235	AM 2019 101235 A	16(524)2019
M 2019 32125 R	AM 101304	AM 2019 101304 A	16(524)2019
M 2019 32126 R	AM 101374	AM 2019 101374 A	16(524)2019
M 2019 32127 R	AM 101375	AM 2019 101375 A	16(524)2019
M 2019 32128 R	AM 101507	AM 2019 101507 A	16(524)2019
M 2019 32129 R	AM 101524	AM 2019 101524 A	16(524)2019
M 2019 32130 R	AM 99524	AM 2019 99524 A	16(524)2019
M 2019 32131 R	AM 99525	AM 2019 99525 A	16(524)2019
M 2019 32132 R	AM 99527	AM 2019 99527 A	16(524)2019
M 2019 32133 R	AM 105815	–	24(532)2019
M 2019 32134 R	AM 106051	–	24(532)2019
M 2019 32135 R	AM 105981	–	24(532)2019
M 2019 32136 R	AM 106079	–	24(532)2019
M 2019 32137 R	AM 106080	–	24(532)2019
M 2019 32138 R	AM 106091	–	24(532)2019
M 2019 32139 R	AM 106092	–	24(532)2019
M 2019 32140 R	AM 100001	AM 2019 100001 A	11(519)2019
M 2019 32141 R	AM 100071	AM 2019 100071 A	10(518)2019
M 2019 32142 R	AM 100373	AM 2019 100373 A	12(520)2019
M 2019 32143 R	AM 100393	AM 2019 100393 A	15(523)2019
M 2019 32144 R	AM 100412	AM 2019 100412 A	11(519)2019
M 2019 32145 R	AM 100413	AM 2019 100413 A	11(519)2019
M 2019 32146 R	AM 100439	AM 2019 100439 A	12(520)2019
M 2019 32147 R	AM 100692	AM 2019 100692 A	14(522)2019
M 2019 32148 R	AM 100819	AM 2019 100819 A	15(523)2019
M 2019 32149 R	AM 101243	AM 2019 101243 A	16(524)2019
M 2019 32150 R	AM 101244	AM 2019 101244 A	16(524)2019
M 2019 32151 R	AM 101245	AM 2019 101245 A	16(524)2019
M 2019 32152 R	AM 101246	AM 2019 101246 A	16(524)2019
M 2019 32153 R	AM 101249	AM 2019 101249 A	16(524)2019
M 2019 32154 R	AM 101513	AM 2019 101513 A	16(524)2019
M 2019 32155 R	AM 101614	AM 2019 101614 A	17(525)2019
M 2019 32156 R	AM 101615	AM 2019 101615 A	17(525)2019
M 2019 32157 R	AM 101629	AM 2019 101629 A	17(525)2019
M 2019 32158 R	AM 101630	AM 2019 101630 A	17(525)2019
M 2019 32159 R	AM 101632	AM 2019 101632 A	17(525)2019
M 2019 32160 R	AM 101636	AM 2019 101636 A	17(525)2019
M 2019 32161 R	AM 101637	AM 2019 101637 A	17(525)2019
M 2019 32162 R	AM 104807	AM 2019 104807 A	–
M 2019 32163 R	AM 95362	AM 2018 95362 A	19(503)2018
M 2019 32164 R	AM 96297	AM 2019 96297 A	10(518)2019
M 2019 32165 R	AM 97782	AM 2019 97782 A	2(510)2019
M 2019 32166 R	AM 98412	AM 2019 98412 A	15(523)2019
M 2019 32167 R	AM 98448	AM 2019 98448 A	15(523)2019
M 2019 32168 R	AM 99298	AM 2019 99298 A	10(518)2019
M 2019 32169 R	AM 99994	AM 2019 99994 A	9(517)2019
M 2019 32170 R	AM 100040	AM 2019 100040 A	10(518)2019
M 2019 32171 R	AM 100041	AM 2019 100041 A	10(518)2019
M 2019 32172 R	AM 101499	AM 2019 101499 A	17(525)2019

1	2	3	4
M 2019 32173 R	AM 101500	AM 2019 101500 A	17(525)2019
M 2019 32174 R	AM 101501	AM 2019 101501 A	17(525)2019
M 2019 32175 R	AM 101502	AM 2019 101502 A	17(525)2019
M 2019 32176 R	AM 101503	AM 2019 101503 A	17(525)2019
M 2019 32177 R	AM 101508	AM 2019 101508 A	17(525)2019
M 2019 32178 R	AM 101916	AM 2019 101916 A	17(525)2019
M 2019 32179 R	AM 99760	AM 2019 99760 A	11(519)2019
M 2019 32180 R	AM 99764	AM 2019 99764 A	11(519)2019
M 2019 32181 R	AM 99765	AM 2019 99765 A	11(519)2019
M 2019 32182 R	AM 99767	AM 2019 99767 A	11(519)2019
M 2019 32183 R	AM 99768	AM 2019 99768 A	11(519)2019
M 2019 32184 R	AM 99770	AM 2019 99770 A	11(519)2019
M 2019 32185 R	AM 99772	AM 2019 99772 A	11(519)2019
M 2019 32186 R	AM 99870	AM 2019 99870 A	11(519)2019
M 2019 32187 R	AM 99871	AM 2019 99871 A	11(519)2019
M 2019 32188 R	AM 105979	–	24(532)2019
M 2019 32189 R	AM 106084	–	24(532)2019
M 2019 32190 R	AM 106086	–	24(532)2019
M 2019 32191 R	AM 98977	AM 2019 98977 A	6(514)2019
M 2019 32192 R	AM 98553	AM 2019 98553 A	10(518)2019
M 2019 32193 R	AM 100056	AM 2018 100056 A	10(518)2019
M 2019 32194 R	AM 105980	–	24(532)2019
M 2019 32195 R	AM 106082	–	24(532)2019

CONCORDANCE TABLE OF PUBLICATION NUMBERS
AND APPLICATION NUMBERS

NUMBER OF PUBLISHED APPLICATION (260)	NUMBER OF APPLICATION (210)	1	2
1	2		
AM 2019 98992 A	AM 98992	AM 2019 103194 A	AM 103194
AM 2019 100781 A	AM 100781	AM 2019 103199 A	AM 103199
AM 2019 100782 A	AM 100782	AM 2019 103200 A	AM 103200
AM 2019 100783 A	AM 100783	AM 2019 103203 A	AM 103203
AM 2019 102064 A	AM 102064	AM 2019 103205 A	AM 103205
AM 2019 102718 A	AM 102718	AM 2019 103206 A	AM 103206
AM 2019 102930 A	AM 102930	AM 2019 103216 A	AM 103216
AM 2019 103004 A	AM 103004	AM 2019 103218 A	AM 103218
AM 2019 103013 A	AM 103013	AM 2019 103221 A	AM 103221
AM 2019 103018 A	AM 103018	AM 2019 103304 A	AM 103304
AM 2019 103019 A	AM 103019	AM 2019 103306 A	AM 103306
AM 2019 103020 A	AM 103020	AM 2019 103307 A	AM 103307
AM 2019 103028 A	AM 103028	AM 2019 103308 A	AM 103308
AM 2019 103032 A	AM 103032	AM 2019 103317 A	AM 103317
AM 2019 103033 A	AM 103033	AM 2019 103320 A	AM 103320
AM 2019 103034 A	AM 103034	AM 2019 103324 A	AM 103324
AM 2019 103097 A	AM 103097	AM 2019 103326 A	AM 103326
AM 2019 103102 A	AM 103102	AM 2019 103330 A	AM 103330
AM 2019 103103 A	AM 103103	AM 2019 103332 A	AM 103332
AM 2019 103104 A	AM 103104	AM 2019 103334 A	AM 103334
AM 2019 103108 A	AM 103108	AM 2019 103336 A	AM 103336
AM 2019 103111 A	AM 103111	AM 2019 103341 A	AM 103341
AM 2019 103112 A	AM 103112	AM 2019 103342 A	AM 103342
AM 2019 103114 A	AM 103114	AM 2019 103343 A	AM 103343
AM 2019 103115 A	AM 103115	AM 2019 103345 A	AM 103345
AM 2019 103119 A	AM 103119	AM 2019 103346 A	AM 103346
AM 2019 103120 A	AM 103120	AM 2019 103347 A	AM 103347
AM 2019 103123 A	AM 103123	AM 2019 103429 A	AM 103429
AM 2019 103179 A	AM 103179	AM 2019 103435 A	AM 103435
AM 2019 103182 A	AM 103182	AM 2019 103436 A	AM 103436
AM 2019 103183 A	AM 103183	AM 2019 103437 A	AM 103437
AM 2019 103189 A	AM 103189	AM 2019 103465 A	AM 103465
AM 2019 103191 A	AM 103191	AM 2019 103466 A	AM 103466
AM 2019 103193 A	AM 103193	AM 2019 103467 A	AM 103467
		AM 2019 103473 A	AM 103473
		AM 2019 103479 A	AM 103479
		AM 2019 103564 A	AM 103564
		AM 2019 103665 A	AM 103665

**CONCORDANCE TABLE OF INDEX OF GOODS AND/OR SERVICES
AND APPLICATION NUMBERS**

INDEX OF GOODS AND/OR SERVICES (511)	NUMBER OF PUBLISHED APPLICATIONS (26)	1	2
1	2		
3	AM 2019 103194 A	21	AM 2019 103466 A
3	AM 2019 103341 A	22	AM 2019 103465 A
3	AM 2019 103342 A	24	AM 2019 103465 A
5	AM 2019 102930 A	25	AM 2019 103193 A
5	AM 2019 103108 A	25	AM 2019 103466 A
5	AM 2019 103112 A	25	AM 2019 103564 A
5	AM 2019 103194 A	28	AM 2019 103193 A
5	AM 2019 103218 A	30	AM 2019 103013 A
5	AM 2019 103221 A	30	AM 2019 103304 A
5	AM 2019 103317 A	30	AM 2019 103429 A
5	AM 2019 103320 A	32	AM 2019 100781 A
5	AM 2019 103342 A	32	AM 2019 100782 A
5	AM 2019 103436 A	32	AM 2019 100783 A
5	AM 2019 103437 A	32	AM 2019 103018 A
6	AM 2019 103097 A	32	AM 2019 103028 A
6	AM 2019 103306 A	32	AM 2019 103182 A
6	AM 2019 103307 A	32	AM 2019 103183 A
6	AM 2019 103466 A	32	AM 2019 103199 A
7	AM 2019 103179 A	32	AM 2019 103200 A
7	AM 2019 103429 A	32	AM 2019 103429 A
8	AM 2019 103465 A	33	AM 2019 103018 A
8	AM 2019 103466 A	33	AM 2019 103019 A
9	AM 2019 103004 A	33	AM 2019 103020 A
9	AM 2019 103179 A	33	AM 2019 103028 A
9	AM 2019 103193 A	33	AM 2019 103034 A
9	AM 2019 103218 A	33	AM 2019 103104 A
9	AM 2019 103429 A	33	AM 2019 103191 A
9	AM 2019 103465 A	33	AM 2019 103203 A
9	AM 2019 103466 A	33	AM 2019 103205 A
10	AM 2019 103189 A	33	AM 2019 103308 A
10	AM 2019 103218 A	33	AM 2019 103345 A
11	AM 2019 103343 A	33	AM 2019 103346 A
11	AM 2019 103429 A	33	AM 2019 103347 A
11	AM 2019 103466 A	33	AM 2019 103429 A
11	AM 2019 103473 A	34	AM 2019 102064 A
12	AM 2019 103111 A	34	AM 2019 103114 A
12	AM 2019 103466 A	34	AM 2019 103115 A
16	AM 2019 103018 A	34	AM 2019 103119 A
16	AM 2019 103479 A	34	AM 2019 103120 A
18	AM 2019 103465 A	35	AM 2019 98992 A
18	AM 2019 103466 A	35	AM 2019 103004 A
18	AM 2019 103467 A	35	AM 2019 103018 A
19	AM 2019 103435 A	35	AM 2019 103028 A
20	AM 2019 103097 A	35	AM 2019 103179 A
20	AM 2019 103465 A	35	AM 2019 103193 A
21	AM 2019 103216 A	35	AM 2019 103218 A
21	AM 2019 103429 A	35	AM 2019 103326 A
21	AM 2019 103465 A	35	AM 2019 103330 A
		35	AM 2019 103332 A
		35	AM 2019 103334 A
		35	AM 2019 103336 A
		35	AM 2019 103429 A
		35	AM 2019 103467 A

1	2
35	AM 2019 103479 A
36	AM 2019 103004 A
36	AM 2019 103123 A
36	AM 2019 103306 A
36	AM 2019 103307 A
37	AM 2019 103123 A
37	AM 2019 103218 A
37	AM 2019 103306 A
37	AM 2019 103307 A
37	AM 2019 103429 A
38	AM 2019 103032 A
38	AM 2019 103033 A
40	AM 2019 103479 A
41	AM 2019 103018 A
41	AM 2019 103032 A
41	AM 2019 103033 A
41	AM 2019 103179 A

1	2
41	AM 2019 103206 A
41	AM 2019 103218 A
41	AM 2019 103479 A
41	AM 2019 103564 A
42	AM 2019 103097 A
42	AM 2019 103179 A
42	AM 2019 103193 A
42	AM 2019 103306 A
42	AM 2019 103307 A
42	AM 2019 103479 A
43	AM 2019 102718 A
43	AM 2019 103018 A
43	AM 2019 103102 A
43	AM 2019 103103 A
43	AM 2019 103429 A
43	AM 2019 103665 A
45	AM 2019 103324 A

CONCORDANCE TABLE OF INDEX OF GOODS AND/OR SERVICES
AND NUMBERS OF TRADEMARKS REGISTERED ACCORDING
TO THE ACCELERATED PROCEDURE

INDEX OF GOODS AND/OR SERVICES (511)	NUMBERS OF REGISTERED ACCORDING TO THE ACCELERATED PROCEDURE (111)
3	M 2019 32073 R
3	M 2019 32138 R
5	M 2019 32073 R
5	M 2019 32136 R
5	M 2019 32137 R
10	M 2019 32073 R
19	M 2019 32072 R
29	M 2019 32071 R
29	M 2019 32194 R
32	M 2019 32133 R
32	M 2019 32188 R
32	M 2019 32189 R
32	M 2019 32190 R
36	M 2019 32134 R
37	M 2019 32134 R
42	M 2019 32073 R
43	M 2019 32135 R
43	M 2019 32139 R
43	M 2019 32195 R
44	M 2019 32073 R

OFFICIAL BULLETIN OF THE INDUSTRIAL PROPERTY

INVENTIONS
UTILITY MODELS
DESIGNS
TRADEMARKS
APPELLATIONS OF ORIGIN OF GOODS

24(532)

EDITOR-IN-CHIEF: N. Bebrishvili

EDITOR-TRANSLATOR: E. Gabunia

PROOFREADER: A. Shikhashvili

COMPUTER LAYOUT: M. Ordenidze
K. Svanidze

www.sakpatenti.gov.ge

E-mail: info@sakpatenti.org.ge