



**NATIONAL INTELLECTUAL PROPERTY CENTER OF GEORGIA
SAKPATENTI**

**OFFICIAL BULLETIN
OF THE INDUSTRIAL PROPERTY**

3(415)

**2015
TBILISI**

INID CODES FOR IDENTIFICATION OF BIBLIOGRAPHIC DATA

INVENTIONS, UTILITY MODELS

- (10) Number of publication for application, which has been examined
- (11) Number of patent and kind of document
- (21) Serial number of application
- (22) Date of filing of the application
- (23) Date of exhibition or the date of the earlier filing and the number of application, if any
- (24) Date from which patent may have effect
- (31) Number of priority application
- (32) Date of filing of priority application
- (33) Code of the country or regional organization allotting priority application number
- (44) Date of publication of application not granted, but examined and number of bulletin
- (45) Date of publication of registered document
- (51) International Patent Classification Index
- (54) Title of the invention
- (57) Abstract
- (60) Number of examined patent document granted by foreign patent office, date from which patent has effect and country code
- (62) Number of the earlier application and in case of divided application, date of filing an application
- (71) Name, surname and address of applicant (country code)
- (72) Name, surname of inventor (country code)
- (73) Name, surname and address of patent owner (country code)
- (74) Name, surname of representative or patent attorney
- (85) Date of commencement of the national phase of International Application
- (86) Number and date of filing of international application
- (87) Number and date of publication of international application

DESIGNS

- (10) Number of publication for application
- (11) Number of patent and kind of document or number of registration
- (15) Date of registration/Date of patent renewal
- (18) Expected expiration date of patent or registration
- (21) Serial number of application
- (22) Date of filing of the application
- (23) Date of exhibition or the date of the earlier filing and the number of application, if any
- (24) Date from which patent may have effect
- (28) Number of designs included in the application
- (30) Data relating to priority (number of application, date of filing of application, two-letter code identifying the authority with whom the priority application was made)
- (31) Number of priority application
- (32) Date of filing of priority application
- (33) Code of the country or regional organization allotting priority application number
- (34) Two-letter code according to WIPO St.3 identifying the authority with which the priority application was made
- (44) Date of publication of design and number of bulletin (the first publication)
- (45) Date of publication of design registered by WIPO and number of bulletin
- (51) International Classification for designs (class and subclass of the Locarno Classification)
- (54) Title of the invention
- (55) Reproduction of the design
- (57) Description of characteristic features of the design including indication of colors
- (58) Date of recording of any kind of amendment in the Register
- (62) Number of the earlier application, registration and document number and if available the date of filing an application in case of divided application
- (71) Name, surname and address of applicant (country code)
- (72) Name, surname of creator (country code)
- (73) Name, surname and address of patent owner (country code)
- (74) Name, surname of representative or patent attorney
- (81) Contracting states concerned
 - II designated contracting states according to the 1960 Act
 - III designated contracting states according to the 1999 Act
- (85) Owner's permanent address
- (86) Owner's nationality
- (87) Owner's residence
- (88) State in which the owner has a real and effective industrial or commercial establishment

TRADEMARKS

- (111) – Number of registration
- (151) – Date of registration
- (156) – Date of the renewal
- (181) – Expected expiration date of registration
- (186) – Renewal expiration date of registration
- (141) – Date of cancel of duration of the mark
- (210) – Serial number of application
- (220) – Date of filing of the application
- (230) – Date concerning exhibition
- (260) – Number of application, for which favorable decision of examination about registration has been taken (publication number)
- (310) – Number of the first application
- (320) – Date of filing of the first application
- (330) – Code, identifying national or regional Office where the first application was made
- (511) – International Classification of Goods and Services for the purposes of registration of trade marks and/or list of goods and/or services classified according thereto
- (531) – Description of figurative elements of Trade Marks according to the International Classification of the Figurative Elements of Marks
- (540) – Reproduction of Trade Mark
- (550) – Nature and kind of Trade Mark
- (580) – Date of recording of any kind changes in respect of applications or registrations
- (591) – Information concerning colors claimed
- (731) – Name and address of the applicant
- (732) – Name and address of the holder of the registration
- (740) – Name and address of the representative
- (750) – Address for correspondence
- (770) – Name and address of the previous applicant or holder in case of change in ownership
- (771) – Previous name and address of the applicant or holder in case of change in ownership
- (791) – Name and address of the licensee
- (793) – Indication of conditions and/or restrictions under the license (Type of license, number of license agreement, data of license, data of validity of license)
- (800) – Certain data relating to the international registration of Trade Marks under the Protocol Relating to Madrid Agreement (International registration number)

CODES FOR PUBLICATION IN BULLETIN

- (21) AP 0000 000000 – serial number of application for invention
- (10) AP 0000 0000 A – number of published application for invention (first publication)
- (11) P 0000 0000 B – number of patent for invention (second publication)
- (21) API 0000 000000 – number of application for imported patent
- (11) PI 0000 0000 A – number of imported patent (first publication)
- (21) AU 0000 000000 – serial number of application for utility model
- (10) AU 0000 000 U – number of published application for utility model (first publication)
- (11) U 0000 000 Y – number of patent for utility model (second publication)
- (21) AD 0000 000000 – serial number of application for design
- (10) AD 0000 000 S – number of published application for design (first publication)
- (11) D 0000 000 S – number of patent for design (second publication)

INTERNATIONAL PATENT CLASSIFICATION FOR INVENTIONS AND UTILITY MODELS

- SECTION A – HUMAN NECESSITIES
- SECTION B – PERFORMING OPERATIONS; TRANSPORTING
- SECTION C – CHEMISTRY; METALLURGY
- SECTION D – TEXTILES; PAPER
- SECTION E – FIXED CONSTRUCTIONS
- SECTION F – MECHANICAL ENGINEERING; LIGHTING; HEATING; WEAPONS; BLASTING
- SECTION G – PHYSICS
- SECTION H – ELECTRICITY

-
- M – Trade Mark
 - (210) AM 0000 000000 – Serial number of application;
 - (260) AAM 0000 00000 A – Publication number of application;
 - (111) M 0000 00000 R – Number of registration;
 - (111) MMM0000 00000 Rn – Number of renewals, in which n=1,2,3;
 - (111) M 0000 00000 R(P) – Number of registration under partial assignment of rights
-

LIST OF CODES, IN ALPHABETIC SEQUENCE, AND THE CORRESPONDING (SHORT) NAMES OF STATES, OTHER ENTITIES AND INTERGOVERNMENTAL ORGANIZATIONS
(WIPO STANDARD ST.3)

AD	Andorra				
AE	United Arab Emirates				
AF	Afghanistan				
AG	Antigua and Barbuda				
AI	Anguilla				
AL	Albania				
AM	Armenia				
AN	Netherlands Antilles				
AO	Angola				
AP	African Regional Intellectual Property Organization (ARIPO)				
AR	Argentina				
AT	Austria				
AU	Australia				
AW	Aruba				
AZ	Azerbaijan				
BA	Bosnia and Herzegovina				
BB	Barbados				
BD	Bangladesh				
BE	Belgium				
BF	Burkina Faso				
BG	Bulgaria				
BH	Bahrain				
BI	Burundi				
BJ	Benin				
BM	Bermuda				
BN	Brunei Darussalam				
BO	Bolivia				
BR	Brazil				
BS	Bahamas				
BT	Bhutan				
BV	Bouvet Island				
BW	Botswana				
BX	Benelux Office for Intellectual Property (BOIP)				
BY	Belarus				
BZ	Belize				
CA	Canada				
CD	Democratic Republic of the Congo				
CF	Central African Republic				
CG	Congo				
CH	Switzerland				
CI	Cote d'Ivoire				
CK	Cook Islands				
CL	Chile				
CM	Cameroon				
CN	China				
CO	Colombia				
CR	Costa Rica				
CU	Cuba				
CV	Cape Verde				
CY	Cyprus				
CZ	Czech Republic				
DE	Germany				
DJ	Djibouti				
DM	Dominica				
DO	Dominican Republic				
DZ	Algeria				
EA	Eurasian Patent Organization (EAPO)				
EC	Ecuador				
EE	Estonia				
EG	Egypt				
EH	Western Sahara				
EM	Office for Harmonization in the Internal Market (Trademarks and Designs)(OHIM)				
EP	European Patent Office (EPO)				
ER	Eritrea				
ES	Spain				
ET	Ethiopia				
FI	Finland				
FJ	Fiji				
FK	Falkland Islands (Malvinas)				
FO	Faroe Islands				
FR	France				
GA	Gabon				
GB	United Kingdom				
GC	Patent Office of the Cooperation Council for the Arab States of the Gulf (GCC)				
GD	Grenada				
GG	Guernsey				
GH	Ghana				
GI	Gibraltar				
GT	Guatemala				
GW	Guinea- Bissau				
GY	Guyana				
HK	The Hong Kong Special Administrative Region of the People's Republic of China				
HN	Honduras				
HR	Croatia				
HT	Haiti				
HU	Hungary				
IB	International Bureau of the World Intellectual Property Organization (WIPO)				
ID	Indonesia				
IE	Ireland				
IL	Israel				
IM	Isle of Man				
IN	India				
IQ	Iraq				
ID	Indonesia				
IE	Ireland				
IL	Israel				
IM	Isle of Man				
IN	India				
IQ	Iraq				
IR	Iran (Islamic Republic of)				
IS	Iceland				
IT	Italy				
JE	Jersey				
JM	Jamaica				
JO	Jordan				
JP	Japan				
KE	Kenya				
KG	Kyrgyzstan				
KH	Cambodia				
KI	Kiribati				
KM	Saint Kitts and Nevis				
KP	Democratic People's Republic of Korea				
KR	Republic of Korea				
KW	Kuwait				
KY	Cayman Islands				
KZ	Kazakhstan				
LA	Lao People's Democratic Republic				
LB	Lebanon				
LC	Saint Lucia				
LI	Liechtenstein				
LK	Sri Lanka				
LR	Liberia				
LS	Lesotho				
LT	Lithuania				
LU	Luxembourg				
LV	Latvia				
LY	Libyan Arab Jamahiriya				
MA	Morocco				
MC	Monaco				
MD	Republic of Moldova				
ME	Montenegro				
MG	Madagascar				
MK	The former Yugoslav Republic of Macedonia				
ML	Mali				
MM	Myanmar				
MN	Mongolia				
MO	Macao				
MP	Northern Mariana Islands				
MR	Mauritania				
MS	Montserrat				
MT	Malta				
MU	Mauritius				
MV	Maldives				
MW	Malawi				
MX	Mexico				
MY	Malaysia				
MZ	Mozambique				
NA	Namibia				
NE	Niger				
NG	Nigeria				
NI	Nicaragua				
NL	Netherlands				
NO	Norway				
NP	Nepal				
NR	Nauru				
NZ	New Zealand				
OA	African Intellectual Property Organization (OAPI)				
OM	Oman				
PA	Panama				
PE	Peru				
PG	Papua New Guinea				
PH	Philippines				
PK	Pakistan				
PL	Poland				
PT	Portugal				
PW	Palau				
PY	Paraguay				
QA	Qatar				
QZ	Community Plant Variety Office (European Community) (CPVO)				
RO	Romania				
RS	Serbia				
RU	Russian Federation				
RW	Rwanda				
SA	Saudi Arabia				
SB	Solomon Islands				
SC	Seychelles				
SD	Sudan				
SG	Singapore				
SH	Saint Helena				
SI	Slovenia				
SK	Slovakia				
SL	Sierra Leone				
SM	San Marino				
SN	Senegal				
SO	Somalia				
SR	Suriname				
ST	Sao Tome and Principe				
SV	El Salvador				
SY	Syrian Arab Republic				
SZ	Swaziland				
TC	Turks and Caicos Islands				
TD	Chad				
TG	Togo				
TH	Thailand				
TJ	Tajikistan				
TL	Timor-Leste				
TM	Turkmenistan				
TN	Tunisia				
TO	Tonga				
TR	Turkey				
SE	Sweden				
TT	Trinidad and Tobago				
TV	Tuvalu				
TW	Taiwan, Province of China				
TZ	United Republic of Tanzania				
UA	Ukraine				
UG	Uganda				
US	United States of America				
UY	Uruguay				
UZ	Uzbekistan				
VA	Holy See				
VC	Saint Vincent and the Grenadines				
VE	Venezuela				
VG	Virgin Islands (British)				
VN	Viet Nam				
VU	Vanuatu				
WO	World Intellectual Property Organization (WIPO)				
WS	Samoa				
XN	Nordic Patent Institute (NPI)				
YE	Yemen				
ZA	South Africa				
ZM	Zambia				
ZW	Zimbabwe				

**NATIONAL INTELLECTUAL PROPERTY CENTER OF GEORGIA
SAKPATENTI**

**OFFICIAL BULLETIN
OF THE INDUSTRIAL PROPERTY**

**ОФИЦИАЛЬНЫЙ БЮЛЛЕТЕНЬ
ПРОМЫШЛЕННОЙ СОБСТВЕННОСТИ**

3(415)

**INVENTIONS
UTILITY MODELS
DESIGNS
TRADEMARKS**

**DATE OF PUBLICATION
2015 02 10**

CONTENTS

PUBLISHED TITLES OF PROTECTION	3
INVENTIONS	
▪ APPLICATIONS APPROVED FOR GRANTING PATENTS	4
▪ PATENTED INVENTIONS	7
UTILITY MODELS	
▪ APPLICATIONS APPROVED FOR GRANTING PATENTS	10
▪ PATENTED UTILITY MODELS	11
DESIGNS	
▪ DESIGNS REGISTERED ACCORDING TO THE ACCELERATED PROCEDURE	12
TRADEMARKS	
▪ APPLICATIONS FILED UNDER THE NATIONAL PROCEDURE APPROVED FOR REGISTRATION	15
▪ REGISTERED TRADEMARKS	18
▪ TRADEMARKS REGISTERED ACCORDING TO THE ACCELERATED PROCEDURE	23
▪ INTERNATIONAL TRADEMARKS FOR WHICH A DECISION ON GRANTING PROTECTION IS TAKEN	26
▪ INTERNATIONAL TRADEMARKS PROTECTED IN GEORGIA	77
OFFICIAL NOTIFICATIONS	
TRADEMARKS	
▪ RENEWAL OF REGISTRATIONS	88
▪ COMPLETE TRANSFER OF RIGHTS	93
▪ CHANGES IN NAMES AND/OR ADDRESSES OF OWNERS	95
▪ INVALIDATION OF TRADEMARK REGISTRATION	98
▪ CANCELLING OF TRADEMARK REGISTRATION	98
▪ CORRECTION OF PUBLISHED INFORMATIONS	99
CLASSIFICATION INDEXES	
INVENTIONS	100
UTILITY MODELS	102
DESIGNS	103
TRADEMARKS	104

PUBLISHED TITLES OF PROTECTION

INVENTIONS

- **APPLICATIONS APPROVED FOR GRANTING PATENTS:**
12609; 12864; 13084; 13410; 13008; 13093
- **PATENTED INVENTIONS:**
6240-6248

UTILITY MODELS

- **APPLICATIONS APPROVED FOR GRANTING PATENTS:**
13416; 13455
- **PATENTED UTILITY MODELS:**
1843-1845

DESIGNS

- **DESIGNS REGISTERED ACCORDING TO THE ACCELERATED PROCEDURE:**
614-617

TRADEMARKS

- **APPLICATIONS FILED UNDER THE NATIONAL PROCEDURE APPROVED FOR REGISTRATION:**
67596**; 74050; 75101; 75484; 76802; 77448; 77450; 77465; 77467; 77547; 77552; 77618; 77622; 77639; 77703
- **REGISTERED TRADEMARKS:**
25594-25650
- **TRADEMARKS REGISTERED ACCORDING TO THE ACCELERATED PROCEDURE:**
25589-25593; 25651-25659
- **INTERNATIONAL TRADEMARKS FOR WHICH A DECISION ON GRANTING PROTECTIONS IS TAKEN:**
72796*; 74427*; 74443*; 74731*; 75297; 75386, 75387; 75398; 75521, 75522; 75524; 75550-75553; 75556; 75565; 75579; 75587; 75589, 75590; 75593-75596; 75598-75604; 75606, 75607; 75609; 75611, 75612; 75646; 75649; 75651; 75655-75661; 75663-75668; 75672, 75673; 75675, 75676; 75678-75680; 75682-75684; 75686; 75690; 75699; 75709; 75713, 75714; 75753; 75793; 75810; 75813, 75814; 75816, 75817; 75819-75827; 75832-75834; 75935-75938; 75941-75943; 75945-75952; 75999-76001; 76003; 76005; 76007; 76008; 76010; 76011; 76015; 76021; 76022; 76025; 76043; 76050; 76051; 76091; 76092; 76101, 76102; 76104; 76106-76108; 76163; 76185; 76278, 76279; 76318; 76510; 76512, 76513; 76519; 76530-76533; 76595-76597; 76600; 76605; 76607; 76612; 76614; 76619, 76620; 76622; 76654, 76655; 76930; 76954; 76993-76996
- **INTERNATIONAL TRADEMARKS PROTECTED IN GEORGIA:**
72846; 73047; 73198; 73282; 73284-73287; 73294; 73300, 73301; 73306; 73308; 73370; 73493; 73496-73503; 73506-73509; 73516; 73519; 73528, 73529; 73542; 73544-73547; 73550, 73551; 73631, 73632; 73636-73639; 73642, 73643; 73650; 73652, 73653; 73655; 73658; 73661-73663; 73670-73672; 73726-73729; 73823-73827; 74015-74030; 74032-74034; 74036; 74038; 74040; 74069-74072; 74074-74077; 74083; 74086; 74154, 74155; 74157; 74162; 74164-74166; 74170-74179; 74186; 74455; 74532-74539; 74549, 74550; 74552-74558; 74563-74567; 74577, 74578; 74580; 74721-74725; 74727-74730; 74732; 74734; 74805; 74807; 75018-75021; 75023-75028; 75030-75034; 75043; 75137; 75147, 75148; 75150, 75151; 75156, 75157

INVENTIONS

APPLICATIONS APPROVED FOR GRANTING PATENTS

The decision can be appealed at the Chamber of Appeal of Sakpatenti within 3 months from the publication or at the Mtskheta District Court Administrative Cases Board (Address: №17, Samkhedro str., Mtskheta), within 1 month following the publication.

PART A

A 23

(10) AP 2015 12609 A (51) Int. Cl. (2006)

A 23 L 1/056

A 23 L 1/30

A 61 K 31/715

A 61 K 35/56

(21) AP 2010 012609 (22) 2010 07 29

(31) 09425315.0

(32) 2009 08 03

(33) EP

(71) AZIENDE CHIMICHE RIUNITE ANGELINI
FRANCESCO A.C.R.A.F. S.P.A. (IT)
Viale Amelia 70, I-00181 Roma (IT)

(72) RUSSO, Vincenzo (IT);
LIBERATI, Elisa (IT);
BIONDI, Giuseppe (IT)

(74) Liliana Darakhvelidze

(85) 2012 03 02

(86) PCT/EP2010/061002, 2010 07 29

(54) **FOOD FORMULATION COMPRISING
GLYCOGEN**

(57) Present invention relates to artificial food formulation with controlled glucose release. Said invention relates to glycogen application for this formulation preparation, as well.

Claims: 2 independent

14 dependent

A 61

(10) AP 2015 12864 A (51) Int. Cl. (2006)

A 61 K 31/4184

A 61 K 31/4745

A 61 K 39/395

A 61 K 45/06

A 61 K 35/00

A 61 P 35/02

(21) AP 2008 012864 (22) 2008 12 10

(62) 61/012,762 2007 12 10 (US)

(31) 61/012,762

(32) 2007 12 10

(33) US

(71) BIOCRYST PHARMACEUTICALS,
INC. (US)

2190 Parkway Lake Drive Birmingham,
AL 35244 (US)

(72) BANTIA, Shanta (US);
BREITFELD, Philip (US);
BABU, Yarlagadda, S. (IN)

(74) Shalva Gvaramadze

(85) 2012 09 27

(86) PCT/US2008/086256, 2008 12 10

(54) **USAGE OF PURINE NUCLEOSIDE
PHOSPHORYLASE (PNP) INHIBITORS
SUCH AS FORODESINE IN
COMBINATION WITH ALKYLATING
AGENTS AND ANTI-CD20 AGENTS TO
TREAT HEMATOLOGIC CANCERS**

(57) Present invention relates to hematologic cancers treatment including application of purine nucleoside phosphorylase (PNP) inhibitor combination with alkylating agent and anti-CD20 agent. Invention also relates to compositions containing said combination, and kit additionally including system supplying such combination.

Claims: 3 independent

25 dependent

Fig.: 6

PART B

B 22

(10) AP 2015 13084 A (51) Int. Cl. (2006)

B 22 F 3/23

(21) AP 2013 013084 (22) 2013 05 10

(71) Merab Poladashvili (GE)
Cholokashvili q. 15, 2700, Lagodekhi (GE);
Giorgi Tavadze (GE)
D. Uznadzis q. 4, b. 77, 0102, Tbilisi (GE);
Otar Okrostsvavidze (GE)
Meunargias q. 73, b. 26, 0101, Tbilisi (GE);
Zurab Aslamazashvili (GE)
Davit Tavkheldzis q. 1, b. 58, 0186,
Tbilisi (GE);
Garegin Zakharov (GE)
Ertso q.11, b. 9, 0192, Tbilisi (GE);
Giorgi Oniashvili (GE)
Bazaletis q. 7, b. 6, 0179, Tbilisi (GE);
Giorgi Mikaberidze (GE)

Gamsakhurdias Gamz. 14, b. 34, 0171,
Tbilisi (GE);
Avtandil Khvadagiani (GE)
Kandelakis q. 6, b. 10, 0160, Tbilisi (GE)

- (72) Merab Poladashvili (GE);
Giorgi Tavadze (GE);
Otar Okrostsvardize (GE);
Zurab Aslamazashvili (GE);
Garegin Zakharov (GE);
Giorgi Oniashvili (GE);
Giorgi Mikaberidze (GE);
Avtandil Khvadagiani (GE)

(54) **METHOD OF ARTICLE FROM
POWDERED EXOTHERMIC CHARGE**

(57) There is represented a method providing preparation of exothermic reaction charge, briquetting thereof, briquette placement into honeycomb heat-insulated casing between two electrodes and then, in steel press mold. Electromagnetic resonant effect, powerful chemical activation on microparticles level and synthesis initiation are executed by means of electrodes. At that, electromagnetic resonant frequency is executed within 80 Hz up to 3 000 MHz supplied as specific sawteeth, sinusoidal or quadratic impulses. Hot product received together with honeycomb heat-insulated casing is pressed.

Claims: 1 independent

Fig.: 2

B 61

(10) AP 2015 13410 A (51) Int. Cl. (2006)
B 61 B 7/00
B 61 B 7/02

- (21) AP 2014 013410 (22) 2014 03 06
(71) Zaur Balamtsarashvili (GE)
Sulkhan Tsintsadzis q. 7, b. 12, 0160,
Tbilisi (GE);
Zaur Chitidze (GE)
Tarkhnishvilis q. 16, 0179, Tbilisi (GE);
Ramaz Tkemaladze (GE)
Sop. Etseri, 5510, Chiatura (GE);
Natia Chelidze-Tkeshelashvili (GE)
Sop. Pirveli Tola, 0418, Ambro-
lauris R-ni (GE);
Davit Mosulishvili (GE)
Megobrobis Gamz., korp. 41, b. 64, 3700,
Rustavi (GE);
Vakhtang Abaishvili (GE)
Shartavas q. 6, b. 53, 0160, Tbilisi (GE);
Maia Gogotishvili (GE)
Galis q. 23, 0179, Tbilisi (GE)
(72) Zaur Balamtsarashvili (GE);
Zaur Chitidze (GE);
Ramaz Tkemaladze (GE);
Natia Chelidze-Tkeshelashvili (GE);

Davit Mosulishvili (GE);
Vakhtang Abaishvili (GE);
Maia Gogotishvili (GE)

(54) **TWO-SIDED CABLE LOGGING
MACHINE FOR WOOD TRANSVERSAL
TRANSFER**

(57) There is represented a machine comprising main bearer cable 12 with main load trolley 14 moving thereon, a stop 15, two-sided transversally moving bearer cables 34 and 35 with auxiliary trolleys 22 and 23 moving thereon, and a winch 1. At that, tracking cables 4 and 5 of auxiliary trolleys are passed through load block 19 consisting of two insulated single-groove blocks 17 and 18, which is amounted on the stop and disposed symmetrically of main bearer cable vertical plane; at that, tracking cable 2 of main trolley, at first, is passed through single-groove block 16 amounted on the stop above load block intended for auxiliary tracking cable, in vertical plane of bearer cable, and then, through single-groove load block 13 of main trolley.

Claims: 1 independent

1 dependent

Fig.: 2

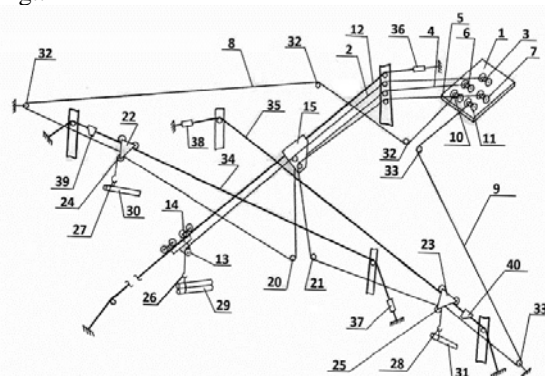


Fig. 1

PART C

C 07

(10) AP 2015 13008 A (51) Int. Cl. (2006)
C 07 D 487/04
C 07 D 493/14
C 07 D 495/14
C 07 D 498/14
A 61 K 31/517
A 61 P 35/00

- (21) AP 2011 013008 (22) 2011 07 22
(31) 10170683.6
(32) 2010 07 23
(33) EP
(71) BOEHRINGER INGELHEIM
INTERNATIONAL GMBH (DE)

Binger Strasse 173, 55216 Ingelheim
am Rhein (DE)

(72) TREU, Matthias (AT)

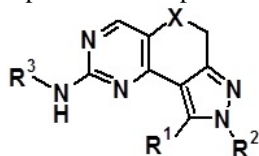
(74) Tamar Kochlamazashvili

(85) 2013 02 22

(86) PCT/EP2011/062683, 2011 07 22

(54) **NEW AMINOPYRAZOLOQUINAZO-
LINES**

(57) There is represented compound of formula (I),



(I)

pharmaceutical preparations on basis thereof and
application thereat cancer treatment.

Claims: 7 independent

20 dependent

Table: 18

PART F

F 16

(10) **AP 2015 13093 A** (51) **Int. Cl. (2006)
F 16 C 7/04**

(21) AP 2013 013093 (22) 2013 05 22

(71) Givi Arabidze (GE)

Lisis Tbis Kveda Dasakhleba 7, 0177,
Tbilisi (GE)

(72) Givi Arabidze (GE)

(54) **INTERNAL COMBUSTION ENGINE
CONNECTING ROD**

(57) There is represented internal combustion engine connecting rod comprising upper 2 and lower 1 heads and a bar separated on two parts connecting thereof; at that, lower part is executed as a cylinder 3, and upper – as a piston 4 fixed on a rod. At least one ring 5 is fixed on the rod, and needle valve 7 for oil outlet is inserted their by means of spring 9; furthermore, the rod is inserted in the cylinder by means of spring 8. A valve 6 for oil inlet is placed in cylinder basis, as well.

Claims: 1 independent

Fig.: 5

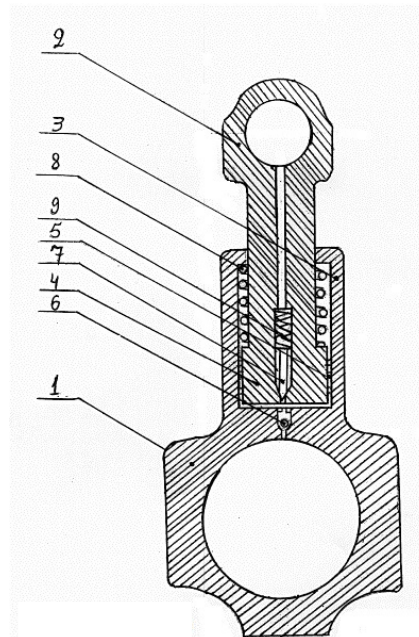


Fig. 1

PATENTED INVENTIONS

PART A

A 01

- (11) **P 2015 6248 B** (51) **Int. Cl. (2006)**
A 01 G 13/02
 (10) AP 2014 13123 A (44) 20(408)/2014
 (21) AP 2013 013123
 (22) 2013 06 19
 (24) 2013 06 19
 (73) Shota Nadiradze (GE)
 Varketili 3, II mkr., korp. 15, b. 5, 0182,
 Tbilisi (GE)
 (72) Shota Nadiradze (GE)
 (54) **DEVICE PROTECTING FARMING**
PLANTS DISPOSED ON TRELLIS
WIRES FROM HAIL

A 61

- (11) **P 2015 6240 B** (51) **Int. Cl. (2006)**
A 61 B 6/00
G 01 N 21/35
 (10) AP 2014 12607 A (44) 19(407)/2014
 (21) AP 2012 012607
 (22) 2012 03 01
 (24) 2012 03 01
 (73) Besarion Partsvania (GE)
 Vazha-Pshavela V kvart., korp. 4, b. 196,
 0186 Tbilisi (GE);
 Gia Petriashvili (GE)
 Varketili 3, II mkr., korp. 21, b. 16, 0163
 Tbilisi (GE)
 (72) Besarion Partsvania (GE);
 Gia Petriashvili (GE)
 (54) **DEVICE FOR BIOLOGICAL TISSUE**
HETEROGENEITY DETERMINATION

PART C

C 07

- (11) **P 2015 6244 B** (51) **Int. Cl. (2006)**
C 07 D 215/48
C 07 D 401/06
C 07 D 401/12
C 07 D 407/06
C 07 D 407/12
C 07 D 417/06
C 07 D 491/113
A 61 K 31/4709
A 61 P 31/10

- (10) AP 2014 12809 A (44) 20(408)/2014
 (21) AP 2010 012809
 (22) 2010 12 28
 (24) 2010 12 28
 (31) 09180902.0
 (32) 2009 12 29
 (33) EP
 (86) PCT/EP2010/070790, 2010 12 28
 (73) POLICHEM S.A. (LU)
 50, Val Fleuri L-1526 Luxembourg (LU)
 (72) GAGLIARDI, Stefania (IT);
 DEL SORDO, Simone (IT);
 MAILLAND, Federico (CH);
 LEGORA, Michela (IT)
 (74) Aleksandre Gegechkori
 (54) **NEW TERTIARY**
8-HYDROXYQUINOLINE-7-
CARBOXAMIDE DERIVATIVES AND
USAGE THEREOF

- (11) **P 2015 6245 B** (51) **Int. Cl. (2006)**
C 07 D 223/16
 (10) AP 2014 12929 A (44) 20(408)/2014
 (21) AP 2012 012929
 (22) 2012 12 18
 (24) 2012 12 18
 (31) 11.03934
 (32) 2011 12 20
 (33) FR
 (73) LES LABORATOIRES SERVIER (FR)
 35, rue de Verdun 92284 Suresnes Cedex (FR)
 (72) RENAUD, Jean-Lue (FR);
 PANNETIER, Nicolas (FR);
 GAILLARD, Sylvain (FR);
 LECOUBE, Jean-Pierre (FR);
 VAYSSE-LUDOT, Lucile (FR)
 (74) Tamaz Shilakadze
 (54) **NEW PROCESS FOR SYNTHESIS OF**
IVABRADINE AND ADDITION SALTS
THEREOF WITH PHARMACEUTI-
CALLY ACCEPTABLE ACID

- (11) **P 2015 6247 B** (51) **Int. Cl. (2006)**
C 07 D 291/08
A 61 K 31/551
A 61 P 25/00
 (10) AP 2014 13048 A (44) 20(408)/2014
 (21) AP 2011 013048
 (22) 2011 09 15
 (24) 2011 09 15
 (31) 1003683
 (32) 2010 09 16
 (33) FR

- (86) PCT/FR2011/000502, 2011 09 15
 (73) LES LABORATOIRES SERVIER (FR)
 35, rue de Verdun 92284 Suresnes Cedex (FR)
 (72) CORDI, Alexis (FR);
 DESOS, Patrice (FR);
 LESTAGE, Pierre (FR);
 DANOBER, Laurence (FR)

(74) Tamaz Shilakadze

(54) **NOVEL DIHYDROBENZOXATHI-AZEPINE DERIVATIVES, PREPARATION THEREOF, AND PHARMACEUTICAL COMPOSITIONS CONTAINING THEM**

(11) P 2015 6243 B (51) Int. Cl. (2006)
 C 07 D 471/04
 C 07 D 487/04
 A 61 K 31/437
 A 61 K 31/519
 A 61 P 7/00
 A 61 P 11/00
 A 61 P 17/00
 A 61 P 19/00
 A 61 P 35/00
 A 61 P 37/00
 A 61 P 29/00

- (10) AP 2014 12794 A (44) 20(408)/2014
 (21) AP 2010 012794
 (22) 2010 12 17
 (24) 2010 12 17
 (31) 61/289,969; 61/386,964
 (32) 2009 12 23; 2010 09 27
 (33) US; US
 (86) PCT/US2010/061146, 2010 12 17
 (73) TAKEDA PHARMACEUTICAL COMPANY LIMITED (JP)
 1-1, Doshomachi 4-chome, Chuo-ku Osaka-shi, Osaka 541-0045 (JP)
 (72) ARIKAWA, Yasuyoshi (JP);
 JONES, Benjamin (US);
 LAM, Betty (US);
 NIE, Zhe (CN);
 SMITH, Christopher (GB);
 TAKAHASHI, Masashi (JP);
 DONG, Qing (US);
 FEHER, Victoria (US)

(74) Alexander Gegechkori

(54) **FUSED HETEROAROMATIC PYRROLIDINONES AS SYK INHIBITORS**

(11) P 2015 6241 B (51) Int. Cl. (2006)
 C 07 D 471/04
 C 07 D 487/04
 A 61 K 31/519
 A 61 P 25/00

- (10) AP 2014 12785 A (44) 20(408)/2014
 (21) AP 2010 012785

- (22) 2010 12 15
 (24) 2010 12 15
 (31) PA2009 01339; 61/287,315
 (32) 2009 12 17; 2009 12 17
 (33) DK; US
 (86) PCT/DK2010/050341, 2010 12 15
 (73) H. LUNDBECK A/S (DK)
 Ottiliavej 9 DK-2500 Valby (DK)
 (72) PÜSCHL, Ask (DK);
 NIELSEN, Jacob (DK);
 KEHLER, Jan (DK);
 KILBURN, John, Paul (GB);
 MARIGO, Mauro (IT);
 LANGGÅRD, Morten (DK)

(74) Shalva Gvaramadze

(54) **HETEROAROMATIC PHENYLIMIDAZOLE DERIVATIVES AS PDE10A ENZYME INHIBITORS**

(11) P 2015 6242 B (51) Int. Cl. (2006)
 C 07 D 471/04
 C 07 D 487/04
 A 61 K 31/519
 A 61 P 25/00

- (10) AP 2014 12787 A (44) 20(408)/2014
 (21) AP 2010 012787
 (22) 2010 12 15
 (24) 2010 12 15
 (31) PA200901341
 (32) 2009 12 17
 (33) DK
 (86) PCT/DK2010/050343, 2010 12 15
 (73) H. LUNDBECK A/S (DK)
 Ottiliavej 9 DK-2500 Valby (DK)
 (72) PÜSCHL, Ask (DK);
 NIELSEN, Jacob (DK);
 KEHLER, Jan (DK);
 KILBURN, John, Paul (GB);
 MARIGO, Mauro (IT);
 LANGGÅRD, Morten (DK)
 (74) Shalva Gvaramadze
 (54) **2-ARYLIMIDAZOLE DERIVATIVES AS PDE10A ENZYME INHIBITORS**

PART G**G 02**

- (11) P 2015 6246 B (51) Int. Cl. (2006)
 G 02 C 11/08
 A 61 F 9/02
 G 02 C 5/12
 G 02 C 5/14
- (10) AP 2014 13010 A (44) 20(408)/2014
(21) AP 2011 013010
(22) 2011 07 06
(24) 2011 07 06
(31) PD2010A000237
(32) 2010 07 27
(33) IT
(86) PCT/EP2011/061434, 2011 07 06
(73) GEOX S.P.A. (IT)
 Via Feltrina Centro, 16 I-31044 Montebelluna,
 Località Biadene-(Treviso) (IT)
- (72) POLEGATO MORETTI, Mario (IT)
(74) Aleksandre Gegechkori
- (54) **FRAME FOR GLASSES, MASKS FOR
PROFESSIONAL OR SPORTS USE, AND
THE LIKE**
-

UTILITY MODELS

APPLICATION APPROVED FOR GRANTING PATENT

The decision can be appealed at the Chamber of Appeal of Sakpatenti within 3 months from the publication or at the Mtskheta District Court Administrative Cases Board (Address: №17, Samkhedro str., Mtskheta), within 1 month following the publication.

PART B

B 21

(10) AU 2015 13416 U (51) Int. Cl. (2006)

B 21 F 27/06

(21) AU 2014 013416 (22) 2014 03 11

(71) Mamuka Tsinadze (GE)

Ioseliani q. 7, 4600, Kutaisi (GE);

Gia Shainidze (GE)

Sop. Nigvziani, 2810, Lanchkhuti (GE)

(72) Mamuka Tsinadze (GE);

Gia Shainidze (GE)

(74) Archil Geguchadze

(54) **FACILITY FOR BRAIDING**

WIRECLOTHS WITH HEXAGONAL BAYS

(57) There is represented a facility comprising a frame 1, cylindrical lugs 2 disposed on their edges to fix a wirecloth. One extreme cross bar 3 of frame is equipped with two rows of lugs 4 and 5. Cylindrical lugs 7 are disposed on frame extreme longerons 6 between which shift transversal rack 8 is located, whereon, as on edge cross bar, two rows of cylindrical transversal lugs 9 and 10 are executed, which are disposed in same space and parallel relative to each other; at that, the lugs 9 are shifted relative to lugs 10 on half of distance between lugs. One by one, cylindrical lugs 11 are executed on the extremes of shift transversal rack to fix wirecloth, and longerons on edges have guides 12 to shift the transversal rack.

Claims: 1 independent

Fig.: 5

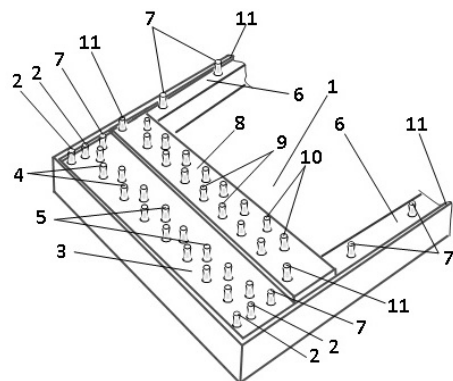


Fig. 1

PART G

G 03

(10) AU 2015 13455 U (51) Int. Cl. (2006)

G 03 B 27/00

(21) AU 2014 013455 (22) 2014 04 30

(71) Gabriel Meliva (GE)

Khelovanta q. 4, 0163, Tbilisi (GE)

(72) Gabriel Meliva (GE)

(54) **METHOD OF PHOTOCOPYING**

(57) There is represented a method providing in photo booth, from ad hoc networks, for example, from instagram, by means of especial application program, sampling the best photographs, selection of print source on photo booth display main page, introducing personal name in search window, application of information on the photograph, payment of fee, and then, printing.

Claims: 1 independent

Fig.: 3

PATENTED UTILITY MODELS**PART A****A 23**

- (11) U 2015 1843 Y (51) Int. Cl. (2006)
A 23 B 4/044
(10) AU 2014 13298 U (44) 20(408)/2014
(21) AU 2013 013298
(22) 2013 11 25
(24) 2013 11 25
(73) Nikoloz Osikmishvili (GE)
A. Tseretlis q. 9, 3800, Sagarejo (GE)
(72) Nikoloz Osikmishvili (GE)
(54) **OVEN FOR SMOKING FOODSTUFF**
-

- (11) U 2015 1844 Y (51) Int. Cl. (2006)
A 23 L 1/221
(10) AU 2014 13398 U (44) 20(408)/2014
(21) AU 2014 013398
(22) 2014 02 25
(24) 2014 02 25
(73) Merab Baghaturia (GE)
I. Chavchavadze Gamz. 34/3, 4600 Kutaisi (GE)
(72) Merab Baghaturia (GE)
(74) Archil Geguchadze
(54) **PASTE TUBE "SATSEBELI"**
-

PART C**C 12**

- (11) U 2015 1845 Y (51) Int. Cl. (2006)
C 12 G 1/00
(10) AU 2014 13411 U (44) 20(408)/2014
(21) AU 2014 013411
(22) 2014 03 07
(24) 2014 03 07
(73) Konstantine Balavadze (GE)
Gldanis Khevi, korp. 2, b. 162, 0178 Tbilisi (GE)
(72) Konstantine Balavadze (GE)
(54) **PREPARATION METHOD OF STRONG
WINE OF MADEIRA-TYPE**
-

DESIGNS REGISTERED ACCORDING TO THE ACCELERATED PROCEDURE

The decision can be appealed at the Chamber of Appeal of Sakpatenti within 3 months from the publication.

- (11) **D 2015 617 S** (51) **01-01**
(21) AD 2015 000833 (22) 2015 01 14
(24) 2015 01 14
(28) 1
(18) 2020 01 14
(73) Levan Ghambashidze (GE)
XVII mkr., korp. 23, b. 32, 3702, Rustavi (GE)
(72) Levan Ghambashidze (GE)
(74) Vakhtang Torotadze
(54) **BREAD**
(55)



1.1



1.2



1.3



1.4



1.5

(11) D 2015 615 S (51) 19-08
(21) AD 2015 000832 (22) 2015 01 12
(24) 2015 01 12
(28) 2
(18) 2020 01 12
(73) Guram Abramidze (GE)
Vazisubani, III mkr., kv. II, korp.10, b. 227, 0152, Tbilisi (GE)
(72) Guram Abramidze (GE)
(54) **STICKER SPECIFYING RADIATION BACKGROUND IN CARS**
(55)



1.1



1.2

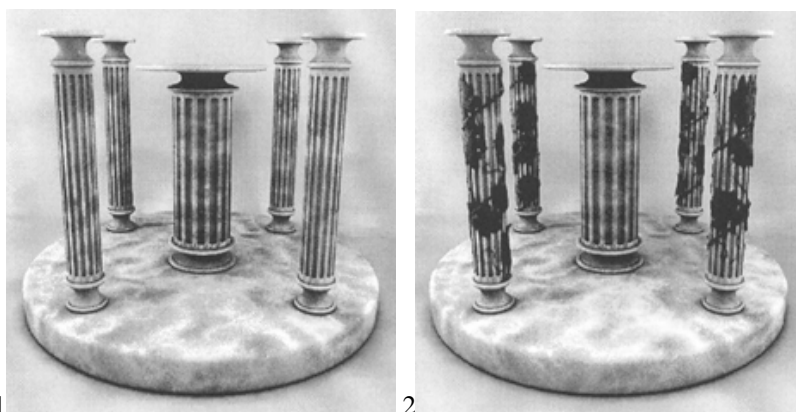


2.1



2.2

(11) D 2015 616 S **(51) 20-02**
(21) AD 2015 000831 (22) 2015 01 09
(24) 2015 01 09
(28) 2
(18) 2020 01 09
(73) Gocha Pipia (GE)
Budapeshtis q. 11, b. 55, 0160, Tbilisi (GE)
(72) Gocha Pipia (GE)
(74) Aleksandre Kvernadze
(54) ADVERTISING DEVICE WITH COLUMNS
(55)



(11) D 2015 614 S **(51) 31-00**
(21) AD 2015 000830 (22) 2015 01 09
(24) 2015 01 09
(28) 1
(18) 2020 01 09
(73) Aleksandre Kvernadze (GE)
P.O. Box 77, 0108, Tbilisi (GE)
(72) Aleksandre Kvernadze (GE)
(54) ALCOHOL DISTILLATION APPARATUS
(55)



TRADEMARKS

APPLICATIONS FILED UNDER THE NATIONAL PROCEDURE APPROVED FOR REGISTRATION

The decision can be appealed at the Chamber of Appeal of Sakpatenti within 3 months from the publication or at the Mtskheta District Court Administrative Cases Board (Address: №17, Samkhedro str., Mtskheta), within 1 month following the publication.

(260) AM 2015 67596 A**
(210) AM 67596
(220) 2012 06 08
(731) E.I. DU PONT DE NEMOURS AND
COMPANY
1007 Market Street, Wilmington, DE 19898,
USA
(740) Tamaz Shilakadze
(540)

EXPRESS

(591) Black, white
(511) 5

(260) AM 2015 2015 74050 A
(210) AM 74050
(220) 2014 05 16
(731) LTD "GLORIA LLC GLORIA"
Gorgaslis q. 3, 0105, Tbilisi, Georgia
(740) Lia Svanidze
(540)



(591) Dark beige, light beige, white
(531) 25.12.03-26.01.22-27.05.01-29.01.00-
(526) The trademark is protected as a whole. The
words "Tiflis" and "PALACE" included therein shall
not be subject to independent legal protection.
(511) 43

(260) AM 2015 2015 75101 A
(210) AM 75101
(220) 2014 02 20
(731) BAYADERA MANAGEMENT LIMITED
Karpensiou, 30, P.C. 1660 Nicosia, Cyprus
(740) Vakhtang Torotadze
(540)



(591) Black, white
(531) 28.07.00-
(511) 32, 33

(260) AM 2015 75484 A
(210) AM 75484
(220) 2014 01 17
(731) LTD "ORISI"
Al. Kazbegis gamziri 12b, sart. 5
Tbilisi, Georgia
(740) Giorgi Kartvelishvili
(540)



(591) White, red, grey, black
(531) 26.02.07, 26.04.22, 28.19, 29.01.14
(526) The trademark is protected as a whole. The
word „ბუღალტერი“ included therein shall not
be subject to independent legal protection.
(511) 9, 35, 36, 37, 38, 41, 42

(260) AM 2015 76802 A
(210) AM 76802
(220) 2014 04 25
(731) MARK MEAUT MULLEN
Rustavelis gamz. 34, Tbilisi, Georgia
(740) Levan Nanobashvili
(540)



(591) Red
(531) 03.09.04, 27.05.15, 29.01.01
(526) The trademark is protected as a whole. The
word "GEORGIA" included therein shall not be sub-
ject to independent legal protection.
(511) 36

(260) AM 2015 77448 A
(210) AM 77448
(220) 2014 06 06

(731) ALANDALUS FOR FLAVORED
TOBACCO AND MOLASSES COMPANY
Free Zone, Zarqa, Jordan
(740) Giorgi Meipariani
(540)

BLUE AROMA

(511) 34

(260) AM 2015 77450 A
(210) AM 77450
(220) 2014 06 06
(731) ALANDALUS FOR FLAVORED
TOBACCO AND MOLASSES COMPANY
Free Zone, Zarqa, Jordan
(740) Giorgi Meipariani
(540)

الريان

ALRAYAN

(591) Black, white
(531) 27.05.01, 28.01
(511) 34

(260) AM 2015 77465 A
(210) AM 77465
(220) 2014 06 09
(731) LTD "KOORDINIRUYSHCHI
RASPREDELITELNI TSENTR"
EFKO-KASKAD"
309850, Belgorodskaya oblast, g. Alekseevka,
ul. Phrunze, d. 4, Russian Federation
(740) Tamaz Shilakadze
(540)



(591) Black, white
(531) 26.03.06, 26.03.19, 27.05.03
(511) 3

(260) AM 2015 77467 A
(210) AM 77467
(220) 2014 06 09
(731) LTD "KOORDINIRUYSHCHI
RASPREDELITELNI TSENTR"
EFKO-KASKAD"
309850, Belgorodskaya oblast, g. Alekseevka,
ul. Phrunze, d. 4, Russian Federation

(740) Tamaz Shilakadze
(540)



(591) Black, white
(531) 01.15.21, 26.01.20, 26.01.24, 03.01.14,
27.05.24
(511) 3

(260) AM 2015 77547 A
(210) AM 77547
(220) 2014 06 13
(731) GENERAL MOTORS LLC
300 Renaissance Center, City of Detroit, State
of Michigan 48265-3000, USA
(740) Giorgi Taktakishvili
(540)

ZORA

(511) 12

(260) AM 2015 77552 A
(210) AM 77552
(220) 2014 06 13
(731) THE PROCTER & GAMBLE COMPANY
One Procter & Gamble Plaza, Cincinnati
Ohio 45202, USA
(740) Shalva Gvaramadze
(540)

GERMSHIELD

(511) 3

(260) AM 2015 77618 A
(210) AM 77618
(220) 2014 06 19
(731) KAREN VARDANYAN
Bairon Str. 3, ap. 36, Yerevan, Armenia
(740) Davit Zurabishvili
(540)

COIO3

(511) 30

(260) AM 2015 77622 A
(210) AM 77622
(220) 2014 06 19
(731) NEW PRODUCTS LLC
Sportivna ploscha 3, 01033 Kyiv, Ukraine
(740) Tamaz Shilakadze

(540)



(591) Black, white
(531) 01.01.10, 26.11.09, 27.05.10, 27.05.24
(511) 32, 33

(260) AM 2015 77639 A
(210) AM 77639
(220) 2014 06 20
(731) IPEK KAGIT SANAYI VE TICARET
ANONIM SIRKETI
Kanyon Ofis Buyukdere Cad., No:185 Levent
Istanbul, Turkey
(740) Larisa Amirkhanyan
(540)

"selpaki. mudam Tqven gverdiT."

(591) Black, white
(531) 27.05.05
(511) 3, 16

(260) AM 2015 77703 A
(210) AM 77703
(220) 2014 06 26
(731) TOYOTA JIDOSHA KABUSHIKI KAISHA
(also trading as Toyota Motor Corporation)
1, Toyota-cho, Toyota-shi, Aichi-ken, Japan
(740) Tamar Kochlamazashvili
(540)

AVENSIS

(511) 12

REGISTERED TRADEMARKS

(111) M 2015 025594 R
(151) 2015 01 27
(181) 2025 01 27
(260) AM 2014 71680 A
(220) 2014 01 21
(732) LTD "ADAMIUMI"
Rubiniansi Str. 21/3, ap. 19, Yerevan,
Armenia

(111) M 2015 025595 R
(151) 2015 01 27
(181) 2025 01 27
(260) AM 2014 71924 A
(220) 2013 04 17
(732) STAFFORD-MILLER (IRELAND)
LIMITED
Clocherane, Youghal Road, Dungarvan, Co.
Waterford, Ireland

(111) M 2015 025596 R
(151) 2015 01 27
(181) 2025 01 27
(260) AM 2014 71993 A
(220) 2013 04 22
(732) ASPEN PHARMACARE HOLDINGS
LIMITED
Asoen Park, 98 Armstrong Avenue, La Lucia
Ridge, 4019 Durban, South Africa

(111) M 2015 025597 R
(151) 2015 01 27
(181) 2025 01 27
(260) AM 2014 72524 A
(220) 2013 06 06
(732) LTD "KAKHURI"
Tbilisis gzatketsili 1, 2200, Telavi, Georgia

(111) M 2015 025598 R
(151) 2015 01 27
(181) 2025 01 27
(260) AM 2014 72568 A
(220) 2013 06 10
(732) KAREN VARDANYAN
Baironi Str. 3, ap. 36, Yerevan, Armenia

(111) M 2015 025599 R
(151) 2015 01 27
(181) 2025 01 27
(260) AM 2014 72569 A
(220) 2013 06 10
(732) KAREN VARDANYAN
Baironi Str. 3, ap. 36, Yerevan, Armenia

(111) M 2015 025600 R
(151) 2015 01 27
(181) 2025 01 27
(260) AM 2014 72570 A
(220) 2013 06 10
(732) KAREN VARDANYAN
Baironi Str. 3, ap. 36, Yerevan, Armenia

(111) M 2015 025601 R
(151) 2015 01 27
(181) 2025 01 27
(260) AM 2014 72571 A
(220) 2013 06 10
(732) KAREN VARDANYAN
Baironi Str. 3, ap. 36, Yerevan, Armenia

(111) M 2015 025602 R
(151) 2015 01 27
(181) 2025 01 27
(260) AM 2014 72572 A
(220) 2013 06 10
(732) KAREN VARDANYAN
Baironi Str. 3, ap. 36, Yerevan, Armenia

(111) M 2015 025603 R
(151) 2015 01 27
(181) 2025 01 27
(260) AM 2014 72573 A
(220) 2013 06 10
(732) KAREN VARDANYAN
Baironi Str. 3, ap. 36, Yerevan, Armenia

(111) M 2015 025604 R
(151) 2015 01 27
(181) 2025 01 27
(260) AM 2014 72574 A
(220) 2013 06 10
(732) KAREN VARDANYAN
Baironi Str. 3, ap. 36, Yerevan, Armenia

(111) M 2015 025605 R
(151) 2015 01 27
(181) 2025 01 27
(260) AM 2014 72576 A
(220) 2013 06 10
(732) KAREN VARDANYAN
Baironi Str. 3, ap. 36, Yerevan, Armenia

(111) M 2015 025606 R
(151) 2015 01 27
(181) 2025 01 27
(260) AM 2014 72577 A
(220) 2013 06 10
(732) KAREN VARDANYAN
Baironi Str. 3, ap. 36, Yerevan, Armenia

(111) M 2015 025607 R
(151) 2015 01 27
(181) 2025 01 27
(260) AM 2014 72579 A
(220) 2013 06 10
(732) KAREN VARDANYAN
Baironi Str. 3, ap. 36, Yerevan, Armenia

(111) M 2015 025608 R
(151) 2015 01 27
(181) 2025 01 27
(260) AM 2014 72599 A
(220) 2013 06 11
(732) KAREN VARDANYAN
Baironi Str. 3, ap. 36, Yerevan, Armenia

(111) M 2015 025609 R
(151) 2015 01 27
(181) 2025 01 27
(260) AM 2014 72600 A
(220) 2013 06 11
(732) KAREN VARDANYAN
Baironi Str. 3, ap. 36, Yerevan, Armenia

(111) M 2015 025610 R
(151) 2015 01 27
(181) 2025 01 27
(260) AM 2014 72601 A
(220) 2013 06 11
(732) KAREN VARDANYAN
Baironi Str. 3, ap. 36, Yerevan, Armenia

(111) M 2015 025611 R
(151) 2015 01 27
(181) 2025 01 27
(260) AM 2014 72647 A
(220) 2013 06 12
(732) LTD "VAINMEN SHPS"
Gudiashvilis q. 11, 0105, Tbilisi, Georgia

(111) M 2015 025612 R
(151) 2015 01 27
(181) 2025 01 27
(260) AM 2014 72698 A
(220) 2013 06 14

(732) SHULTON, INC.
One Procter & Gamble Plaza,
Cincinnati Ohio 45202, USA

(111) M 2015 025613 R
(151) 2015 01 27
(181) 2025 01 27
(260) AM 2014 73108 A
(220) 2013 07 15
(732) TACO BELL CORP.
CALIFORNIA KORPORATION
1 Glen Bell Way, Irvine, California 92618,
USA

(111) M 2015 025614 R
(151) 2015 01 27
(181) 2025 01 27
(260) AM 2014 73172 A
(220) 2013 07 23
(732) FASHION ONE TELEVISION LLC.
820 Meridian Ave, Suite 100, 33139 Miami
Beach, Florida, USA

(111) M 2015 025615 R
(151) 2015 01 27
(181) 2025 01 27
(260) AM 2014 73341 A
(220) 2013 08 02
(732) EGIS Pharmaceuticals PLC
Kereszturi ut 30-38, 1106 Budapest, Hungary

(111) M 2015 025616 R
(151) 2015 01 27
(181) 2025 01 27
(260) AM 2014 73486 A
(220) 2013 08 09
(732) TOYOTA JIDOSHA KABUSHIKI KAISHA
(also trading as TOYOTA MOTOR
CORPORATION)
1, Toyota-Cho, Toyota-Shi, Aichi-Ken, Japan

(111) M 2015 025617 R
(151) 2015 01 27
(181) 2025 01 27
(260) AM 2014 73552 A
(220) 2013 08 15
(732) HONGTA TOBACCO (GROUP) CO., LTD
No:118, Hongta Avenue, Hongta District,
Yuxi, Yunnan, China

(111) M 2015 025618 R
(151) 2015 01 27
(181) 2025 01 27

(260) AM 2014 73780 A
(220) 2013 08 30
(732) ORION ELEKTRONIKAI KFT
H-1106 Budapest, Jaszberenyi ut 29,
Hungary

(111) M 2015 025619 R
(151) 2015 01 27
(181) 2025 01 27
(260) AM 2014 73866 A
(220) 2013 09 05
(732) PHILIP MORRIS BRANDS SÀRL
Quai Jeanrenaud 3, 2000 Neuchâtel,
Switzerland

(111) M 2015 025620 R
(151) 2015 01 27
(181) 2025 01 27
(260) AM 2014 73869 A
(220) 2013 09 06
(732) JSC "TELAVIS GVINIS MARANI"
Sop. Kurdgelauri, 2200, Telavi, Georgia

(111) M 2015 025621 R
(151) 2015 01 27
(181) 2025 01 27
(260) AM 2014 73870 A
(220) 2013 09 06
(732) JSC "TELAVIS GVINIS MARANI"
Sop. Kurdgelauri, 2200, Telavi, Georgia

(111) M 2015 025622 R
(151) 2015 01 27
(181) 2025 01 27
(260) AM 2014 73871 A
(220) 2013 09 06
(732) BRITISH AMERICAN TOBACCO
(BRANDS) LIMITED
Global House, 4 Temple Place, London
WC2R 2 PG, United Kingdom

(111) M 2015 025623 R
(151) 2015 01 27
(181) 2025 01 27
(260) AM 2014 73968 A
(220) 2013 09 20
(732) LTD "TECHNO BUMI"
Vazha-Phshavelas gamz. 30a, 0160, Tbilisi,
Georgia

(111) M 2015025624 R
(151) 2015 01 27
(181) 2025 01 27

(260) AM 2014 73969 A
(220) 2013 09 20
(732) LTD "TECHNO BUMI"
Vazha-Phshavelas gamz. 30a, 0160, Tbilisi,
Georgia

(111) M 2015 025625 R
(151) 2015 01 27
(181) 2025 01 27
(260) AM 2014 73970 A
(220) 2013 09 20
(732) LTD "TECHNO BUMI"
Vazha-Phshavelas gamz. 30a, 0160, Tbilisi,
Georgia

(111) M 2015 025626 R
(151) 2015 01 27
(181) 2025 01 27
(260) AM 2014 73971 A
(220) 2013 09 20
(732) LTD "TECHNO BUMI"
Vazha-Phshavelas gamz. 30a, 0160, Tbilisi,
Georgia

(111) M 2015 025627 R
(151) 2015 01 27
(181) 2025 01 27
(260) AM 2014 73972 A
(220) 2013 09 20
(732) LTD "TECHNO BUMI"
Vazha-Phshavelas gamz. 30a, 0160, Tbilisi,
Georgia

(111) M 2015 025628 R
(151) 2015 01 27
(181) 2025 01 27
(260) AM 2014 74102 A
(220) 2013 09 30
(732) UNION TOBACCO & CIGARETTE
INDUSTRIES CO.
P.O. Box 851015, Amman 11185, Jordan

(111) M 2015 025629 R
(151) 2015 01 27
(181) 2025 01 27
(260) AM 2014 74346 A
(220) 2013 10 15
(732) "THE YOKOHAMA RUBBER CO., LTD"
36-11, 5-chome Shimbashi, Minato-ku,
Tokyo, Japan

(111) M 2015 025630 R
(151) 2015 01 27
(181) 2025 01 27

(260) AM 2014 74396 A
(220) 2013 10 21
(732) CAJUN FUNDING CORP.
980 Hammond Drive, Suite 1100, Atlanta,
Georgia 30328, USA

(111) M 2015 025631 R
(151) 2015 01 27
(181) 2025 01 27
(260) AM 2014 74485 A
(220) 2013 10 25
(732) MEGAINPHARM GMBH
Wörthersee-Süduferstr. 163 c. 5, 9082 Maria
Wörth, Austria

(111) M 2015 025632 R
(151) 2015 01 27
(181) 2025 01 27
(260) AM 2014 74546 A
(220) 2013 10 30
(732) Fisher Controls International LLC
205 South Center St., Marshalltown, Iowa
50158, USA

(111) M 2015 025633 R
(151) 2015 01 27
(181) 2025 01 27
(260) AM 2014 74672 A
(220) 2013 11 07
(732) LTD "PI DA JI JGUFU"
Kostavas gamz. 1-17, 3700, Rustavi, Georgia

(111) M 2015 025634 R
(151) 2015 01 27
(181) 2025 01 27
(260) AM 2014 74673 A
(220) 2013 11 07
(732) LTD "PI DA JI JGUFU"
Kostavas gamz. 1-17, 3700, Rustavi, Georgia

(111) M 2015 025635 R
(151) 2015 01 27
(181) 2025 01 27
(260) AM 2014 74716 A
(220) 2013 11 12
(732) BRISTOL-MYERS SQUIBB SARL
3, rue Joseph Monier, 92500 Rueil-
Melmaison, France

(111) M 2015 025636 R
(151) 2015 01 27
(181) 2025 01 27
(260) AM 2014 74717 A
(220) 2013 11 12

(732) BRISTOL-MYERS SQUIBB SARL
3, rue Joseph Monier, 92500 Rueil-
Melmaison, France

(111) M 2015 025637 R
(151) 2015 01 27
(181) 2025 01 27
(260) AM 2014 74718 A
(220) 2013 11 12
(732) BRISTOL-MYERS SQUIBB SARL
3, rue Joseph Monier, 92500 Rueil-
Melmaison, France

(111) M 2015 025638 R
(151) 2015 01 27
(181) 2025 01 27
(260) AM 2014 74754 A
(220) 2013 11 15
(732) LTD "GEO-ALKO"
Lilos 51, 0103, Tbilisi, Georgia

(111) M 2015 025639 R
(151) 2015 01 27
(181) 2025 01 27
(260) AM 2014 74776 A
(220) 2013 11 19
(732) LTD IDS Borjomi Beverages Co. N.V.
Pareraweg 45, Curacao, Netherlands Antilles

(111) M 2015 025640 R
(151) 2015 01 27
(181) 2025 01 27
(260) AM 2014 74777 A
(220) 2013 11 19
(732) LTD IDS Borjomi Beverages Co. N.V.
Pareraweg 45, Curacao, Netherlands Antilles

(111) M 2015 025641 R
(151) 2015 01 27
(181) 2025 01 27
(260) AM 2014 74802 A
(220) 2013 11 20
(732) PHILIP MORRIS BRANDS SÀRL.
Quai Jeanrenaud 3, 2000 Neuchâtel,
Switzerland

(111) M 2015 025642 R
(151) 2015 01 27
(181) 2025 01 27
(260) AM 2014 75009 A
(220) 2013 12 03
(732) "MEDA AB"
Box 906, SE-170 09 Solna, Sweden

(111) M 2015 025643 R
 (151) 2015 01 27
 (181) 2025 01 27
 (260) AM 2014 75076 A
 (220) 2013 12 06
 (732) LTD "KARTLIS MENEJMENTI"
 Kostavas q. 75g, I sartuli, 0160, Tbilisi,
 Georgia

(111) M 2015 025649 R
 (151) 2015 01 27
 (181) 2025 01 27
 (260) AM 2014 75121 A
 (220) 2013 12 13
 (732) TERUMO CORPORATION
 44-1, 2-Chome, Hatagaya Shibuya-ku, Tokyo,
 Japan

(111) M 2015 025644 R
 (151) 2015 01 27
 (181) 2025 01 27
 (260) AM 2014 75077 A
 (220) 2013 12 06
 (732) LTD "KARTLIS MENEJMENTI"
 Kostavas q. 75g, I sartuli, 0160, Tbilisi,
 Georgia

(111) M 2015 025650 R
 (151) 2015 01 27
 (181) 2025 01 27
 (260) AM 2014 75134 A
 (220) 2013 12 16
 (732) LTD "JEOTREIDI"
 Agladzis q. 26, korp. 4, b. 33, 0102, Tbilisi,
 Georgia

(111) M 2015 025645 R
 (151) 2015 01 27
 (181) 2025 01 27
 (260) AM 2014 75078 A
 (220) 2013 12 06
 (732) LTD "KARTLIS MENEJMENTI"
 Kostavas q. 75g, I sartuli, 0160, Tbilisi,
 Georgia

(111) M 2015 025646 R
 (151) 2015 01 27
 (181) 2025 01 27
 (260) AM 2014 75079 A
 (220) 2013 12 06
 (732) LTD "KARTLIS MENEJMENTI"
 Kostavas q. 75g, I sartuli, 0160, Tbilisi,
 Georgia

(111) M 2015 025647 R
 (151) 2015 01 27
 (181) 2025 01 27
 (260) AM 2014 75104 A
 (220) 2013 12 11
 (732) HOLMARK QARDS PI EL SI
 Bingli roud, bredfordi, uest iorkshiri, bd9 6sd,
 United Kingdom

(111) M 2015 025648 R
 (151) 2015 01 27
 (181) 2025 01 27
 (260) AM 2014 75120 A
 (220) 2013 12 13
 (732) TOYOTA JIDOSHA KABUSHIKI KAISHA
 (also trading as TOYOTA MOTOR
 CORPORATION)
 1, Toyota-Cho, Toyota-Shi, Aichi-Ken, Japan

TRADEMARKS REGISTERED ACCORDING TO THE ACCELERATED PROCEDURE

The decision can be appealed at the Chamber of Appeal of Sakpatenti within 3 months from the publication.

(111) M 2015 25589 R

(151) 2015 01 20

(181) 2025 01 20

(210) AM 080015

(220) 2014 12 30

(732) JSC "CHEMI OJAKHIS KLINIKA"

Vazha-Phshavelas gamz. 40, 0177, Tbilisi,

Georgia

(740) Nino Sioridze

(540)



(591) Turquoise, grey

(531) 05.05.20-28.19.00-29.01.12-

(526) The trademark is protected as a whole. The words „ჩემი კლინიკა“, „სამედიცინო კორპორაცია“ included therein shall not be subject to independent legal protection.

(511) 44

(111) M 2015 25590 R

(151) 2015 01 23

(181) 2025 01 23

(210) AM 079971

(220) 2014 12 19

(732) LTD "CASTEL GEORGIA"

Ak. Tseretlis gamz. 87, 0119, Tbilisi, Georgia

(740) Roland Gabadze

(540)



(591) Golden, yellow, red, black, white

(531) 24.03.15-25.01.05-25.01.19-26.01.19-27.05.24-29.01.15-

(526) The trademark is protected as a whole. The word "Beer" included therein shall not be subject to independent legal protection.

(511) 32, 35

(111) M 2015 25591 R

(151) 2015 01 26

(181) 2025 01 26

(210) AM 080258

(220) 2015 01 15

(732) JSC "LOMISI"

Sop. Natakhtari, 3308, Mtskhetsi raioni,

Georgia

(740) Elguja Amozashvili

(540)



(591) Green, black, beige, red

(531) 20.05.05-24.03.18-25.01.19-27.07.17-28.19.00-29.01.14-

(526) The trademark is protected as a whole. The words included therein except „34“ shall not be subject to independent legal protection.

(511) 32

(111) M 2015 25592 R

(151) 2015 01 26

(181) 2025 01 26

(210) AM 080259

(220) 2015 01 15

(732) JSC "LOMISI"

Sop. Natakhtari, 3308, Mtskhetsi raioni,

Georgia

(740) Elguja Amozashvili

(540)

სპეც ლუდი 34

(526) The trademark is protected as a whole. The words „სპეც“, „ლუდი“ included therein shall not be subject to independent legal protection.

(511) 32

(111) M 2015 25593 R
 (151) 2015 01 26
 (181) 2025 01 26
 (210) AM 080260
 (220) 2015 01 15
 (732) SAAQTSIO SAZOGADOEBA "LOMISI"
 Sop. Nataktari, 3308, Mtskhetsis raioni,
 Georgia
 (740) Elguja Amozashvili
 (540)

34

(591) Black, white
 (511) 32

(111) M 2015 25651 R
 (151) 2015 01 29
 (181) 2025 01 29
 (210) AM 079233
 (220) 2014 10 28
 (732) TOO "KazAzot"
 103333, Republic of Kazakhstan,
 Mangistauskaya Oblast, g. Aktau,
 Promzona, PO-2, P.O.Box 494, Kazakstan
 (740) Giorgi Taktakishvili
 (540)



(591) Sky-blue
 (531) 01.15.05-28.05.00-29.01.04-
 (511) 1

(111) M 2015 25652 R
 (151) 2015 01 29
 (181) 2025 01 29
 (210) AM 080300
 (220) 2015 01 16
 (732) JSC "PASHA BANK OF GEORGIA"
 Rustavelis gamz. №15, 0108, Tbilisi, Georgia
 (740) Giorgi Tsiklauri
 (540)



სპირApp

(591) Black, red, green
 (531) 26.04.08-26.04.09-27.05.23-28.19.00-
 29.01.13-
 (511) 9, 35, 42

(111) M 2015 25653 R
 (151) 2015 02 02
 (181) 2025 02 02
 (210) AM 080018
 (220) 2014 12 30
 (732) JSC "CHEMI OJAKHIS KLINIKA"
 Vazha-Phshavelas gamz. 40, 0177, Tbilisi,
 Georgia
 (740) Nino Sioridze
 (540)



(591) Turquoise, grey
 (531) 05.05.20-28.19.00-29.01.12-
 (526) The trademark is protected as a whole. The
 words „თბილისის ამბულატორიული ცენტრი“
 and „სამედიცინო კორპორაცია“ included the-
 rein shall not be subject to independent legal
 protection.
 (511) 44

(111) M 2015 25654 R
 (151) 2015 02 02
 (181) 2025 02 02
 (210) AM 080179
 (220) 2015 01 12
 (732) FELLBROOK HOLDINGS LTD
 3rd floor, Iris House, John Kennedy street,
 3106 Limassol, Cyprus
 (740) Khatuna Imnadze
 (540)

ILLARIONI

(511) 32, 33

(111) M 2015 25655 R
 (151) 2015 02 02
 (181) 2025 02 02
 (210) AM 080361
 (220) 2015 01 20
 (732) LTD "BABY FOOD"
 Tevdore-Mghvdlis q. 51-53, 0154, Tbilisi,
 Georgia
 (740) Nugzar Ksovreli
 (540)

PINE

(511) 3, 5, 16

(111) M 2015 25656 R
 (151) 2015 02 03
 (181) 2025 02 03
 (210) AM 078082
 (220) 2014 07 28
 (732) LTD "INTEL"

117556, Gorod Moskva, Varshavskoe shosse,
Dom 75, Korp. 1, Russian Federation
(740) Shalva Gvaramadze
(540)



(591) Mustard-yellow, Brown
(531) 18.05.01-28.05.00-26.11.12-29.01.13-
(511) 33

Sop. Saguramo, 3311, Mtskheta, Georgia
(740) Edisher Khimshiashvili
(540)

ბაიხო
BAIKHO
БАЙХО

(591) Black, white
(531) 27.05.05-28.05.00-28.19.00-
(511) 32

(111) M 2015 25657 R
(151) 2015 02 04
(181) 2025 02 04
(210) AM 080016
(220) 2014 12 30
(732) JSC "CHEMI OJAKHIS KLINIKA"
Vazha-Pshavelas gamz. 40, 0177, Tbilisi,
Georgia
(740) Nino Sioridze
(540)



(591) Turquoise, grey
(531) 05.05.20-27.05.10-29.01.12-
(511) 44

(111) M 2015 25658 R
(151) 2015 02 04
(181) 2025 02 04
(210) AM 080161
(220) 2015 01 09
(732) LTD "TECHNOLOGY GROUP"
Sop. Sartichala, 1324, Gardabnis raioni,
Georgia
(740) Megi Lebanidze
(540)


SUDAL

(591) Red, black, white
(531) 26.04.02-26.04.24-27.05.17-29.01.12-
(511) 2, 35

(111) M 2015 25659 R
(151) 2015 02 04
(181) 2025 02 04
(210) AM 080229
(220) 2015 01 14
(732) JSC "GEORGIAN COMPANY OF BEER"

INTERNATIONAL TRADEMARKS FOR WHICH A DECISION ON GRANTING PROTECTIONS IS TAKEN

The decision can be appealed at the Chamber of Appeal of Sakpatenti within 3 months from the publication or at the Mtskheta District Court Administrative Cases Board (Address: №17, Samkhedro str., Mtskheta), within 1 month following the publication.

(260) AM 2015 72796 A*
(800) 1056696
(731) CAMUS LA GRANDE MARQUE
29 rue Marguerite de Navarre, F-16100
COGNAC, France
(540)

CAMUS

(591) Black, white
(511)
30 – Coffee, tea, chocolate, sugar, rice, tapioca, sago, artificial coffee; flour and cereal preparations, bread, pastry and confectionery, edible ices; honey, treacle; yeast, baking-powder; salt, mustard; vinegar, sauces (condiments), spices; ice for refreshment.

(260) AM 2015 74427 A*
(800) 733058
(731) KIKO S.r.l.
Via Giorgio Paglia, 1/D, I-24122 BERGAMO,
Italy
(540)

KIKO

(591) Black, white
(511)
3 – Talcum powders, bath salts, bath foam, depilatory preparations; nail enamels and polishes; excluding goods for infants and children up to 11 years old.

(260) AM 2015 74443 A*
(800) 1177752
(731) ROCHE DIAGNOSTICS GMBH
Sandhofer Str. 116, 68305 Mannheim,
Germany
(540)

VENTANA

(591) Black, white
(511)
1 – Chemical, biochemical and biological preparations for scientific and research purposes; chemicals for diagnostic, scientific research or laboratory purposes; chemical reagents for research or laboratory purposes.

5 – Chemical, biochemical and biological reagents for medical and diagnostic purposes in the fields of histology and pathology.

9 – Scientific apparatus and instruments; laboratory apparatus used in research, science and industry; pathology and clinical laboratory apparatus; computer operated automation systems for laboratory instruments; computer hardware and computer software; computer programs for use with equipment for medical and veterinary purposes; laboratory information management software.

10 – Medical diagnostic and analytical apparatus, medical apparatus and instrument for diagnostic use; medical device used for digitizing images of biological tissue for use in connection with pathology.

42 – Scientific and technological services and research and design, relating thereto; industrial analysis and research services.

(260) AM 2015 74731 A*
(800) 1180596
(731) AVISTA OIL AG
Bahnhofstraße 82, 31311 UETZE,
Germany
(540)

PENNASOL

(591) Black, white
(511)
4 – Wax; lighting fuel; industrial oils and greases; lubricants and petrol.

(260) AM 2015 75297 A
(800) 1185555
(891) 2013 11 06
(731) TIANJIN LOVOL HEAVY INDUSTRY CO.,
LTD.
West of Jinwei Road, Beichen District,
Tianjin
(540)

FOTON

(591) Black, white
(511)
7 – Road making machines; excavators; loaders; concrete mixers (machines); cranes; drilling machines.

(260) AM 2015 75386 A
(800) 1038681
(891) 2013 11 26

(731) BOEHRINGER INGELHEIM
INTERNATIONAL GMBH
55218 Ingelheim, Germany

(540)



(591) Light green, dark green, white and black

(511)

5 – Pharmaceutical preparations.

16 – Printed matter; patient record cards and prescription pads (paper goods and stationery); medical and pharmaceutical information leaflets; books in the fields of medicine and pharmaceuticals; printed publications, magazines, newsletters, pamphlets, reports (printed matter), instructional and informational leaflets, and posters in the fields of medicine and pharmaceuticals; instructional and teaching materials (except apparatus) relating to the pharmaceutical, health care and medical fields.

35 – Advertising in the field of pharmaceutical preparations.

(260) AM 2015 75387 A

(800) 1176410

(891) 2013 11 08

(731) FEDERAL EXPRESS CORPORATION
3620 Hacks Cross Road, Bldg B, 3rd Floor,
Memphis, TN 38125, USA

(540)



(591) Purple and orange

(511)

39 – Pick-up, transportation, delivery, tracking and storage of documents, packages and cargo by land and air.

(260) AM 2015 75398 A

(800) 1186294

(891) 2012 12 17

(731) BAŞAK TRAKTÖR TARIM ZİRAAT VE
İŞ MAKİNALARI SANAYİ TİCARET
ANONİM ŞİRKETİ
Sani Konukoğlu Bulvarı, Burak Mahallesi,
No:221, Şehit Kamil – Gaziantep, Turkey

(540)



(591) Blue and yellow

(511)

7 – Machines, machine tools and industrial robots to process and give shape to wood, metal, glass, plastic materials and mined materials; electrolysis apparatus for electroplating purposes and galvanizing machines; construction machines, glass working machines, stone working machines, leather working machines, metal working machines, wood working machines; lifting, carrying and transmission machines including elevators, moving staircases and winches; machines and robots to process grain, fruit, vegetable and food; agricultural machinery and tools other than hand-operated; engines and motors not for land vehicles, electrical motors, their parts and apparatus except for land vehicles; bearings, ball and rolling bearings; alternators, generators, electricity generator, solar-powered electricity generators; machines for painting, automatic spray guns for paint, electric punching machines and guns, electric glue guns, spray guns for paints; compressed air guns for the extrusion of mastics, electric hand drills, hand saws (machines), electric air compressors, washing installations for vehicles; welding machines, namely electric arc welding machines, electric soldering machines, electric arc cutting apparatus, electrodes for welding machines and industrial robots; printing machines and apparatus; packaging machines, bottling and capping machines, industrial printing machines, namely, labelers, classifiers; machine tools for forming, riveting, swaging and flaring of metal and plastics, electrical apparatus for sealing plastic (packaging); textile machines, sewing machines; centrifugal pumps, compresses air pumps, pumps for heating installations; fuel dispensing pumps for service stations, self regulating fuel pumps; electrically operated kitchen machines used for chopping, grinding, crushing, trimming and crumbling; washing machines, dishwashers, spin driers (not heated), floor polishing machines, carpet cleaning machines; electric vacuum cleaners and their parts; automatic vending machines.

8 – Manually operated hand tools, namely, adzes, saws, planes, gardening shears and scissors, pipe wrenches, spanners, spatulas, scythes, hatchets, hammers, mauls, hand operated pumps, hand operated tools for applying paint to surfaces, chisels, screwdrivers, drills, sharpening stones, shovels, sharpening wheels for knives and blades, socket sets, socket wrenches, pliers, pincers, hand jacks, crow-bars.

12 – Automobiles, trucks, buses, tow trucks, tractors, refrigerated vehicles, namely, trailers, trucks, concrete mixing and transporting vehicles, military vehicles for transport purposes, namely, boats, automobiles; ambulances, watering trucks, hose trucks, sports cars, motorized golf carts, garbage trucks, mobile funeral service vehicles, namely, hearses; trailers for transporting mobile kitchens, forklifts,

namely, fork lift trucks, sewage trucks, automobile engines, automobile chassis, axles for land vehicles; automobile parts, namely, axletrees, connecting rods for land vehicles other than parts of motors and engines; transmissions gearboxes, parts for land vehicles, namely, clutches; jet engines for use with land vehicles, transmission chains for land vehicles, gears for vehicles, land vehicle tires, wheel rims for vehicles, connecting pushrods for land vehicles, not being engine parts; automobile bodies, automobile bumpers, land vehicle doors, automobile hoods, automobile fenders, vehicle parts, namely shock absorbers; hydraulic, pneumatic, electric or mechanical suspension springs for motor cars, vehicle parts, namely cylinders and parts, namely, springs for shock absorbers for motor cars, brake cylinders; brakes for land vehicles, brake linings and shoes for land vehicles, fuel tanks for vehicles, namely, land vehicles, automobiles; mudguards of bicycles and motorbikes, bicycles, motorbikes, mopeds and motorized scooters, and their bodies, handlebars; land vehicle trunks, tipping bodies for lorries, tractor trailers, frigorific trunks for trailers; vehicle seats, head supports for motor car seats, safety seats for children in vehicles, shaped and fitted vehicle covers, sunshades for automobile windshields, trailer hitches for vehicles; directional signals for vehicles, windshield wipers for vehicles, windshield wiper arms for land vehicles; tires, inner tubes and tubeless tires, all for vehicles; tire-fixing sets comprised of tire patches and tire valves; rubber patches for vehicle tires, adhesive rubber patches for repairing inner tubes; valves for vehicle tires; windows for vehicles, safety windows for vehicles, rearview mirrors and side mirrors for vehicles; land vehicle parts, namely tire chains; bicycle and ski carriers, saddles for vehicles, namely, bicycles; tire inflating pumps; anti-theft alarms for motor cars, horns for vehicles, namely automobiles; safety belts for automobiles, airbags for vehicles, vehicle seat covers; baby strollers, wheelchairs, baby carriages; railway hand cars, shopping carts, carrier tricycles, and household goods handling carts, namely shopping carts; railway vehicles, namely locomotives, trains, tramways, street cars, wagon cars; water vehicles and parts, namely, rowboats, motorboats, ships, yachts, cutter boats, boats, ferryboats, canoes, steering gears, rudders, spars, timbers, fenders, screw propellers, funnels (smokestacks), hulls for water vehicles; air vehicles and parts, namely dirigible air balloons, airplanes, helicopters, space vehicles and parachutes.

(260) AM 2015 75521 A
 (800) 1187421
 (891) 2013 06 06
 (731) EMPERADOR DISTILLERS, INC.
 7th Floor, 1880 Eastwood Avenue, Eastwood
 Cyberpark, 188 E. Rodriguez Jr. Avenue (C5),

Bagumbayan (Libis), Quezon City 1110,
 Philippines

(540)

EMPERADOR

(591) Black, white
 (511)
 33 – Whisky, rum, gin and brandy.

(260) AM 2015 75522 A
 (800) 1187449
 (891) 2013 10 17
 (731) "SK HOLDING" LIMITED LIABILITY
 COMPANY
 Luganskaya str., 7, RU-115304 Moscow,
 Russian Federation

(540)

PALLADINGOLD
ПАЛЛАДИНГОЛД

(511)
 2 – Metals in powder form for painters, decorators,
 printers and artists.

14 – Ingots of precious metals; alloys of precious
 metal; precious metals, unwrought or semi-wrought;
 Jewelry, namely objects of personal decorations and
 accessories in the nature of bracelets, necklaces,
 jewelry rings, jewelry charms, jewelry pins, broo-
 ches, cufflinks, tie clips, women's jewelry, boxes of
 precious metal, ornaments of precious metal; parts
 of watches and clocks of precious metal.

40 – Engraving; metal tempering; gilding; Informa-
 tion on material treatment; metal casting; metal
 treating; silver-plating.

(260) AM 2015 75524 A
 (800) 1187454
 (891) 2013 11 07
 (731) LIMITED LIABILITY COMPANY
 "NEARMEDIC PHARMA"
 ul. Koroleva, 4, office 402, RU-249030
 Obninsk, Kaluzhskaya oblast, Russian Federation

(540)

 **Nearmedic
 Pharma**

(591) Red-brown
 (526) The trademark is protected as a whole. The
 word "PHARMA" included therein shall not be sub-
 ject to independent legal protection.
 (511)
 1 – Chemicals used in industry, science.

5 – Pharmaceutical and veterinary preparations.

42 – Scientific and technological services and rese-
 arch and design relating thereto.

44 – Medical services; veterinary services; hygienic and beauty care for human beings or animals.

(260) AM 2015 7550 A

(800) 1187747

(891) 2013 10 21

(731) BIOFARMA

50 rue Carnot, F-92284 SURESNES CEDEX,
France

(540)

ЭУВАКОР

(511)

5 – Pharmaceutical products used for treating and/or preventing cardiovascular diseases; veterinary products; sanitary products for medicine; dietetic food and substances for medical or veterinary use; all the aforesaid goods used for treating and/or preventing cardiovascular diseases; food for babies; plasters; materials for dressings; material for dental fillings and dental impressions; disinfectants; products for destroying vermin; fungicides; herbicides.

(260) AM 2015 75551 A

(800) 1187751

(891) 2013 11 12

(731) ANHUI EARTH-PANDA ADVANCE

MAGNETIC MATERIAL CO., LTD

Economic Development Zone, Lujiang
county, Hefei City, 231500 Anhui province,
China

(540)



(591) Black, white

(511)

9 – Magnets; magnetic material and apparatus; electric sound compounding piece; loudspeakers; insert earphones; acoustic pickups; vibrating membranes; microphones; megaphone; horn speakers.

(260) AM 2015 75552 A

(800) 1187763

(891) 2013 11 15

(731) BEIERSDORF AG

Unnastrasse 48, 20253 Hamburg, Germany

(540)



(591) Blue, silver, red and white.

(511)

3 – Cosmetics, deodorants and anti-perspirants for personal use.

(260) AM 2015 75553 A

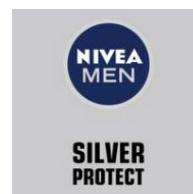
(800) 1187771

(891) 2013 11 18

(731) BEIERSDORF AG

Unnastrasse 48, 20253 Hamburg, Germany

(540)



(591) White, silver, blue and black.

(511)

3 – Cosmetics, deodorants and anti-perspirants for personal use.

(260) AM 2015 75556 A

(800) 1187889

(891) 2013 05 30

(731) HANCHUAN CITY YABEI CHILDREN'S
PRODUCTION CO., LTD

Huayan Farms, Hanchuan, 431607 Hubei,
China

(540)



(591) Black, white

(511)

12 – Prams [baby carriages]; golf carts; safety seats for children, for vehicles; prams [baby carriages]; wheelchairs; pushchair covers; covers for baby carriages; hoods for baby carriages; shopping trolleys [carts (Am.)]; pucker luggage barrow (terms considered too vague by the International Bureau – rule 13.2.b) of the Common Regulations).

(260) AM 2015 75565 A

(800) 1187986

(891) 2013 11 12

(731) STEEL MATE CO., LTD.

Renanjie, Dongfulu, Dongfengzhen,
Zhongshanshi, 528415 Guangdong, China

(540)

STEEL MATE

(591) Black, white

(511)

9 – Navigation apparatus for vehicles [on-board computers]; satellite navigational apparatus; cabinets

for loudspeakers; distance measuring apparatus; automatic indicators of low pressure in vehicle tires; alarms; theft prevention installations, electric; anti-theft warning apparatus; electric locks.

12 – Automobiles; vehicle bumpers; reversing alarms for vehicles; upholstery for vehicles; anti-theft alarms for vehicles; rearview mirrors; anti-theft devices for vehicles; motorcycles; bicycles; tires for vehicle wheels.

(260) AM 2015 75579 A

(800) 1188178

(891) 2013 08 07

(731) YUNUSOV TIMUR ILDAROVICH
apt. 64, bld. 8, Sergeya Radonezhskogo Street,
RU-105120 Moscow, Russian Federation

(540)

Black Star

(511)

25 – Wimples; bandanas [neckerchiefs]; body linen [garments]; sweat-absorbent underclothing [underwear]; berets; overalls; boas [necklets]; teddies [undergarments]; half-boots; ski boots; boots for sports; breeches for wear; trousers; football boots; brasieres; detachable collars; collars [clothing]; veils [clothing]; gabardines [clothing]; galoshes; neckties; ascots; leg warmers; gaiters; corselets; jerseys [clothing]; vests; singlets; hosiery; drawers [clothing]; pockets for clothing; collar protectors; tights; slips [undergarments]; combinations [clothing]; wet suits for water-skiing; bodices [lingerie]; corsets [underclothing]; suits; jackets [clothing]; stuff jackets [clothing]; fishing vests; leggings [trousers]; camisoles; cuffs; coats; furs [clothing]; muffs [clothing]; bibs, not of paper; fur stoles; ear muffs [clothing]; socks; beach shoes; sports shoes; footwear; paper clothing; outerclothing; ready-made clothing; motorists' clothing; cyclists' clothing; clothing of imitations of leather; clothing of leather; uniforms; clothing; top coats; parkas; pelerines; gloves [clothing]; ski gloves; pajamas (Am.); bathing drawers; scarfs; pocket squares; dresses; waterproof clothing; headbands [clothing]; garters; sock suspenders; braces for clothing [suspenders]; ponchos; belts [clothing]; layettes [clothing]; jumpers [pullovers]; shirts; wooden shoes; sandals; bath sandals; boots; jumper dresses; saris; sweaters; bath slippers; knitwear [clothing]; underpants; gymnastic shoes; slippers; shoes; headgear for wear; aprons [clothing]; tee-shirts; dressing gowns; bath robes; stockings; shawls; caps [headwear]; shower caps; bathing caps; sashes for wear; hats; babies' pants [clothing]; pelisses; esparto shoes or sandals; skirts; petticoats; skorts.

(260) AM 2015 75587 A

(800) 1188377

(891) 2013 11 07

(731) Limited Liability Company
"NEARMEDIC PHARMA"
ul. Koroleva, 4, office 402, RU-249030
Obninsk, Kaluzhskaya oblast, Russian
Federation

(540)



(591) Red-brown.

(511)

1 – Chemicals used in industry, science.

5 – Pharmaceutical and veterinary preparations.

42 – Scientific and technological services and research and design relating thereto.

44 – Medical services; veterinary services; hygienic and beauty care for human beings or animals.

(260) AM 2015 75589 A

(800) 1188399

(891) 2013 07 15

(731) DR. SERTUS İLAÇ SANAYİ VE TİCARET
LİMİTED ŞİRKETİ
Evren Mah. Camiyolu Cad. No:50 K.2,
Güneşli, Bağcılar, İstanbul, Turkey

(540)

ЦУНАМИ TSUNAMI

(511)

5 – Medicines for human purposes, medicines for veterinary purposes, vitamin preparations, chemical preparations for medical purposes, dietetic substances adapted for medical use; dietetic foods adapted for medical purposes; baby foods, medicinal herbs, herbal beverages adapted for medical purposes, nutritional supplements, pollen dietary supplements, mineral food supplements, protein dietary supplements; medicines for dental purposes, hygienic products for medical purposes including pads, waddings for medical purposes, plasters for medical purposes, dressings for medical purposes, babies' napkins, preparations for destroying noxious plants, preparations for destroying noxious animals, fungicides, deodorants other than for human beings or for animals, disinfectants for hygiene purposes, antiseptics, detergents for medical purposes.

(260) AM 2015 75590 A

(800) 1188411

(891) 2013 09 24

(731) BURSA PAZARI İNŞAAT SANAYİ VE
TİCARET ANONİM ŞİRKETİ
Rüstempaşa Mah. Asmaaltı, Kalçın Sk. No:27,
Eminönü İstanbul, Turkey

(540)



(591) Blue and green

(511)

16 – Paper, cardboard and goods made from these materials included in this class, other than stationery products; paper towels; toilet paper; paper napkins; paper for packaging and wrapping purposes; cardboard boxes; plastic materials for packaging and wrapping purposes; printing blocks and types; bookbinding material; printed matter; printed publications; calendars; posters; photographs (printed); paintings; stickers (stationery); postage stamps; stationery, office stationery, instructional and teaching material (except furniture and apparatus); writing and drawing implements; artists' materials; paper products for stationery purposes; adhesives for stationery purposes; office requisites; paint rolls and paintbrushes for painting.

(260) AM 2015 75593 A

(800) 1188564

(891) 2013 11 12

(731) LIMITED LIABILITY COMPANY
"PREMIUM STYLE"Magistralny tupik 1-st, d.5a, RU-123290
Moscow, Russian Federation

(540)

Уездные рецепты

(511)

29 – Beans, preserved; soya beans, preserved, for food; toasted laver; peas, preserved; mushrooms, preserved; caviar; processed fish spawn; jellies for food; fruit jellies; fruit-based snack food; sauerkraut; compotes; vegetables, tinned; fruits, tinned; gherkins; onions, preserved; piccalilli; marmalade; vegetable mousses; fruit pulp; vegetables, preserved; vegetables, dried; vegetables, cooked; olives, preserved; nuts, prepared; tomato puree; jams; cranberry sauce [compote]; apple puree; vegetable salads; fruit salads; vegetable juices for cooking; crystallized fruits; fruit, preserved; fruit, stewed; fruit peel; preserved garlic; lentils, preserved.

(260) AM 2015 75594 A

(800) 1188574

(891) 2013 11 19

(731) BRAY INTERNATIONAL, INC.
13333 WESTLAND EAST BLVD, Houston
TX 77041, USA

(540)

SEVERE-TEK

(511)

6 – Metal valves not being parts of machines.

(260) AM 2015 75595 A

(800) 1188581

(891) 2013 12 04

(731) Capstone Atlantic Markenrechte Rainer und
Karolina Alzinger GbR, vertreten durch
Rainer Alzinger und Dr. Karolina Alzinger
Pleikershoferstraße 101, 90556 Cadolzburg,
Germany

(540)



(591) Black, white

(511)

5 – Pharmaceutical and veterinary preparations; food supplements and dietary supplemental drinks for medical and non-medical use; vitamin preparations; vitamin drinks.

(260) AM 2015 75596 A

(800) 1188585

(891) 2013 03 21

(731) BETA ALIŞVERİŞ MERKEZLERİ İNŞAAT
GIDA TURİZM YATIRIMCILIK SANAYİ
VE DIŞ TİCARET A.ŞMetroport Busidence Eski Londra, Asfaltı
Kültür Sokak No:1 Kat:10 D:173,
Bahçelievler İstanbul, Turkey

(540)



(591) Yellow, Gray and White

(511)

30 – Coffee, tea, cocoa, sugar, rice, artificial coffee; flour and preparations made from cereals, bread, pastry and confectionery, ices; honey, treacle; yeast, baking powder; salt, mustard; vinegar, sauces (condiments); spices; ice.

(260) AM 2015 75598 A

(800) 1188621

(891) 2013 08 06

(731) WORLD VET İLAÇ SANAYİ VE TİCARET
LİMİTED ŞİRKETİEvren Mah. Camiyolu Cad: No.50 K:1
GÜNEŞLİ İSTANBUL, Turkey

(540)

ДИФФИКАРВ ДИФФИКАРБ

(511)

5 – Medicines for human purposes, medicines for veterinary purposes, vitamin preparations, chemical preparations for medical purposes, dietetic substances adapted for medical use; dietetic foods adapted for medical purposes; baby foods, medicinal herbs,

herbal beverages adapted for medical purposes, nutritional supplements, pollen dietary supplements, mineral food supplements, protein dietary supplements; medicines for dental purposes, hygienic products for medical purposes including pads, wadings for medical purposes, plasters for medical purposes, dressings for medical purposes, babies' napkins, preparations for destroying noxious plants, preparations for destroying noxious animals, fungicides, deodorants other than for human beings or for animals, air deodorising preparations, disinfectants for hygiene purposes, antiseptics, detergents for medical purposes.

(260) AM 2015 75599 A

(800) 1188659

(891) 2013 11 18

(731) ZHUHAI HAOYINBAO PRINTING
CONSUMABLES CO., LTD.

2nd Floor, Phase 2 workshop, No:3 Pingxi 5th
Road, Nanping Technical Industrial Park,
Zhuhai City, Guangdong Province, China

(540)



(591) Black, white

(511)

2 – Colorants; dyes; colorants for beverages; printing ink; carbon powder for copiers; ink box for computer, printer, word processor; ink tank for laser printers; paints; colophony; protective preparations for metals.

(260) AM 2015 75600 A

(800) 1188686

(891) 2013 10 10

(731) PEGASUS HAVA TAŞIMACILIĞI
ANONİM ŞİRKETİ

AEROPARK Yenişehir Mahallesi, Osmanlı
Bulvarı No:11, Kurtkoy Pendik, İstanbul,
Turkey

(540)

Pegasus Airlines

(511)

39 – Land, sea and air transport services; rental services for land, sea and air vehicles; arranging of travel and tours; travel reservation and booking services; courier services.

(260) AM 2015 75601 A

(800) 1188690

(891) 2013 10 21

(731) GHOST FRAGRANCES LIMITED

Amertrans Park, Bushey Mill Lane, Watford,
Herts. WD24 7JG, United Kingdom

(540)

GHOST ECLIPSE

(511)

3 – Soaps, perfumery, essential oils, cosmetics, hair lotions, dentifrices.

(260) AM 2015 75602 A

(800) 1188692

(891) 2013 11 27

(731) Limited liability partnership "OSKR"

Tsiolkovsky street, 120A, 140011 Pavlodar,
Kazakstan

(540)



(591) Green, light green, yellow and red

(511)

30 – Pasta.

(260) AM 2015 75603 A

(800) 1188696

(891) 2013 10 18

(731) PAKSHOO MANUFACTURING &
CHEMICAL CO

No:29, The 2nd Alley, Pakistan St., Beheshti
Ave, Tehran, Iran (Islamic Republic of)

(540)



(591) Black, white

(511)

3 – Cosmetics and hygiene detergents for household use and laundry preparations, shampoo, body shampoo, soap, hand washing liquid, cleaner gel, toothpastes, dish washing liquids, hair conditioner, and towel and clothes softeners, bleaches, window and glass cleaners, whiteners, bathroom detergents, car cleaners, Laundromat and manual laundry powders, laundry and dishwasher detergent tablets, dishwasher salt and powder and liquid supplements laundry liquids, surface cleaners-cream and liquid, carpet shampoos-liquid and foam, all purpose liquids, faucet and pipe and drain opener, lime & stain removers.

35 – Advertising, export services, marketing.

(260) AM 2015 75604 A
 (800) 1188729
 (891) 2013 11 15
 (731) SANOFI
 54 rue La Boétie, F-75008 Paris, France
 (540)

KIMUVIB

(511)
 5 – Pharmaceutical products for the treatment of autoimmune diseases, inflammatory diseases, rheumatoid arthritis and ankylosing spondylarthritis.

(260) AM 2015 75606 A
 (800) 686197
 (891) 2013 12 02
 (731) PRADA S.A.
 23, rue Aldringen, L-1118 Luxembourg,
 Luxembourg
 (540)

MIU MIU

(591) Black, white
 (511)
 3 – Cosmetics, namely day and night creams, cleansing preparations for the face and body, bubble baths; shaving foam, after-shave, make-up, foundation, nail varnish, deodorants for men and women (perfumery), hand soaps and baby soaps, shampoos, hair rinsing products, dentifrices; perfumes, eau-de-toilette and essential oils for personal use, for men and women; hair care products, in the form of sprays.
 9 – Lenses; spectacles; sunglasses; lenses for spectacles and for sunglasses; frames for spectacles and for sunglasses; spectacle cases.
 14 – Watches, clocks, jewellery articles; precious stones.

(260) AM 2015 75607 A
 (800) 784962
 (891) 2013 11 15
 (731) BINZ GMBH & CO. KG
 Maierhofstrasse 15, 73547 Lorch, Germany
 (540)

BINZ

(591) Black, grey
 (511)
 12 – Vehicles, including sedans, vehicles with an open box (pick-up vehicles), off-road vehicles, police vehicles, vehicles with technical criminal equipment, community vehicles, hearses, taxis, catastrophe prevention vehicles, vehicles with laboratory equipment, vehicles with measuring devices for environmental tests, vehicles with office equipment, ambulances, emergency services vehicles, fire fighting

vehicles, vehicles with devices to take blood, vehicles with devices for medical care on site, vehicles with leisure devices, vehicles for border patrolling, business vehicles and special vehicles.

(260) AM 2015 75609 A
 (800) 865888
 (891) 2013 11 27
 (731) Obschestvo s ogranichennoj otvetstvennost'yu "LABORATORIYA SOVREMENNOGO ZDOROV'YA"
 ul. Khimzavodskaja, 11/20, Novosibirskaja obl., RU-633004 Berdsk, Russian Federation
 (540)

CLEARWAYS

(511)
 5 – Albuminous foodstuffs for medical purposes; albuminous preparations for medical purposes; antiseptics; bacterial preparations for medical and veterinary use; balms for medical purposes; biocides; biological preparations for medical purposes; diabetic bread; dietetic beverages adapted for medical purposes; dietetic foods adapted for medical purposes; dietetic substances adapted for medical use; digestives for pharmaceutical purposes; disinfectants for hygiene purposes; ferments for pharmaceutical purposes; food for babies; fumigating sticks; germicides; herbs teas for medicinal purposes; lacteal flour (for babies); liniments; lotions for pharmaceutical purposes; medicinal herbs; medicinal infusions; medicinal mud; medicinal oils; medicinal roots; mineral food-supplements; mouthwashes for medical purposes; nervines; nutritional additives for medical purposes; organotherapy preparations; pharmaceutical preparations for skin care; pharmaceutical preparations for treating dandruff; preparations of trace elements for human and animal use; remedies for perspiration; sanitary towels; sea water for medicinal bathing; serums; styptic preparations; therapeutic preparations for the bath; tissues impregnated with pharmaceutical lotions; tonics (medicine); vitamin preparations.

(260) AM 2015 75611 A
 (800) 1037830
 (891) 2013 08 19
 (731) OYSTER COSMETICS S.P.A.
 Via Barzizza, 37/A, I-46043 Castiglione delle Stiviere (MN), Italy
 (540)

FREECOLOR

(511)
 3 – Bleaching preparations and other substances for laundry use; cleaning, polishing, scouring and abrasive preparations; soaps; perfumery, essential oils, cosmetics, hair lotions; dentifrices.


(260) AM 2015 75612 A
 (800) 1093147
 (891) 2013 09 11
 (731) NATURAL BALANCE FOODS LIMITED
 10 Wornal Business Park, Worminghall
 Buckinghamshire, HP18 9PH, United
 Kingdom

(540)


(591) Black, white
 (511)
 29 – Prepared meals, snack foods; snack bars; potato chips; crisps; snack foods and snack bars containing fruits, nuts, herbs and spices; low carbohydrate snack foods; prepared food mixes.

30 – Confectionery; nutritional confectionery; chocolates; sweets; biscuits; cookies; cereals; flour and preparations made from flour; prepared meals; snack and snack foods; low carbohydrate cereals; cereal products, bars and snacks; low carbohydrate confectionery.

(260) AM 2015 75646 A
 (800) 1189119
 (891) 2013 07 17
 (731) TECHNICAL RUBBER COMPANY, INC.
 200 East Coshocton Street, Johnstown OH
 43031, USA

(540)


(591) Black, white
 (526) The trademark is protected as a whole. The words "Tire" and "Repairs" included therein shall not be subject to independent legal protection.

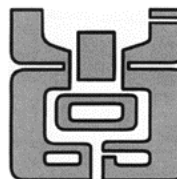
(511)
 1 – Automotive tire and tube repair materials, namely, vulcanizing liquid cement and activator used together to adhere repairs to tire; tubeless tire puncture repair kits consisting of liquid cement and activator used together to adhere repairs to tire; bias ply repair units, namely, vulcanizing liquid cement and activator used together to adhere repairs to tire; radial tire nail hole repair kits, namely, liquid cement and activator used together to adhere repairs to tire; radial tire repair units, namely, liquid cement and activator used together to adhere repairs to tire; and self-vulcanizing liquid cement and activator used together to adhere repairs to tire.

8 – Automotive tire and tube repair materials, namely, insert tool to assist inserting nail-hole repair, insert and carrying case; tubeless tire puncture repair kits consisting of insert tool to assist inserting nail-

hole repair, insert and carrying case; radial tire nail hole repair kits, namely, insert tools; bias ply tire repair units, namely, insert tools; radial tire repair units, namely, insert tools.

12 – Automotive tire and tube repair materials, namely, tube and tire repair kits consisting of rubber inserts used to fill nail holes or other injuries to a tire, tire patches; patches for tube and tire repairs; tubeless tire puncture repair kits consisting of rubber inserts to fill nail holes or other injuries to a tire, tire plugs, tire patches; quick patches; bias ply repair units, namely, tire patches; radial tire nail hole repair kits, namely, rubber inserts to fill nail holes or other injuries to a tire, tire plugs, tire patches; bias ply tire repair units, namely, rubber inserts to fill nail holes or other injuries to a tire, tire patches; radial tire repair units, namely, inserts to fill nail holes or other injuries to a tire, tire patches.

(260) AM 2015 75649 A
 (800) 1189181
 (891) 2013 11 28
 (731) SANLIUYIDU (CHINA) CO., LTD.
 Wuli Industrial Zone, Jinjiang City, 362200
 Fujian Province, China

(540)


(591) Black, white
 (511)
 18 – Animal skins; pocket wallets; travelling bags; leather cushion; fur; umbrellas; walking sticks; clothing for pets; gut for making sausages; leather straps.

25 – Clothing; gloves [clothing]; layettes [clothing]; swimsuits; waterproof clothing; football shoes; shoes; hats; hosiery; neckties; leather belt [clothing]; theatrical costume; wedding dress.

28 – Apparatus for games; board games; toys; balls for games; bats for games; body building apparatus; machines for physical exercises; cuff; ornaments for Christmas trees (except illumination articles and confectionery); fishing tackle; roller skates; archery implements; sweat absorbing strip for bat or racket.

(260) AM 2015 75651 A
 (800) 1189204
 (891) 2013 12 02
 (731) APPLE INC.
 1 Infinite Loop, Cupertino CA 95014, USA
 (540)

APP NAP

(511)

9 – Computer utility software; computer software for managing computer software applications and computer power usage.

(260) AM 2015 75655 A

(800) 861938

(891) 2013 08 05

(731) LABORATORIOS NORMON, S.A.

Rda. Valdecarrizo (Zade Tres Cantos), 8,

E-28760 TRES CANTOS (MADRID), Spain

(540)

NORMON

(511)

5 – Pharmaceutical and veterinary preparations; sanitary preparations for medical purposes; dietetic substances adapted for medical use, food for babies; plasters, materials for dressings; material for dental fillings and dental impressions; disinfectants; pesticides; fungicides; herbicides.

35 – Advertising; business management; business administration; office functions.

(260) AM 2015 75656 A

(800) 1064309

(891) 2013 09 27

(731) BETEK BOYA VE KİMYA SANAYİ

ANONİM ŞİRKETİ

Kozyatağı Mah. Ankara Asfaltı Hüseyin

Çelik Sok. No:2, Bostancı, TR-34742

KADIKÖY/İSTANBUL, Turkey

(540)



(591) Black, white, green, brown

(511)

1 – Chemicals used in industry, science field, photography, agriculture, gardening and forestry; unprocessed artificial resins and unprocessed plastics; fertilizers and soils; fire extinguishing substances; adhesives not for household and stationary use; additives for cement and concrete; substances that render cement and concrete durable and waterproof, concrete additives, substances that enable concrete to set quickly (substances that accelerate setting), non-cement based chemical adhesives for industrial purpose, mortar additives, powdered adhesives, PVC adhesives, rapid (instant/strong) adhesives and adhesive accelerators, glues not for household and stationary use, wall paper glue, furniture glue; rust inhibitors.

17 – Rubber, gutta-percha, rock wool (asbestos), mica or semi-finished goods made from these mate-

rials in the form of powder, plates, rods and foil; materials and substances included in this class for energy insulation and absorption made of finished or semi-finished synthetic matters; flexible pipes, hoses (including those used in vehicles); pipe sheaths and sleeves made of rubber, plastic or natural rubber, hoses made of textile, fire hoses, non-metallic pipe sheaths and sleeves, radiator hoses for vehicles; materials and substances for sound, heat and electricity insulation; insulators, glass wools, foams, insulating plates; insulating plates made of mica, insulating textures, fabrics, coatings, asbestos containing papers, cardboards and bases; insulating paints, varnishes and oils, adhesive bands, insulating strips and bands not for stationary, household or medical use; insulating strips and bands for doors and windows of buildings and vehicles, asbestos coverings, asbestos containing fibers and plates, asbestos containing felts and fabrics, shock-absorbing buffers of rubber, chemical compositions for repairing the holes and cracks; silicone pastes, non-metallic heat insulating plates, insulating panels, insulating plates for use under roofing tiles on roofs; expansion joint fillers; water or cement based insulating materials; insulating liquid.

19 – Building materials (non-metallic); non-metallic rigid pipes for building; asphalt, pitch and bitumen; non-metallic transportable buildings; monuments, not of metal; asphalt, pitch, bitumen, tar, materials used to build, coat and repair roads; dry compositions made of natural materials such as sand, pebbles, mosaic, fine gravel, sandstone etc. (aggregates); limes; cements; gypsum plasters; plaster used to coat walls and ceilings; filling plasters; ready-made concrete; ready-made mortars; ready-made plasters; ready-made coloured plasters; paper products used for construction purposes; cardboard coated with tar used to coat roofs; coatings made of tar; grout; adhesion mortars, namely adhesion mortars for flooring and covering materials such as ceramic, tile, marble, granite, square floor tile, etc.

(260) AM 2015 75657 A

(800) 1160318

(891) 2013 10 25

(731) REEMTSMA CIGARETTENFABRIKEN

GMBH

Max-Born Strasse 4, 22761 Hamburg,

Germany

(540)



(591) Black, white and grey
 (511)
 34 – Tobacco, whether manufactured or unmanufactured; tobacco products; cigarettes; cigars; tobacco substitutes, none being for medicinal or curative purposes; matches and smokers' articles.

(260) AM 2015 75658 A
 (800) 1162992
 (891) 2013 10 25
 (731) REEMTSMA CIGARETTENFABRIKEN
 GMBH
 Max-Born Strasse 4, 22761 Hamburg,
 Germany

(540)



(591) Black, white, grey
 (511)
 34 – Tobacco, whether manufactured or unmanufactured; tobacco products; cigarettes; cigars; tobacco substitutes, none being for medicinal or curative purposes; matches and smokers' articles.

(260) AM 2015 75659 A
 (800) 1166467
 (891) 2013 12 06
 (731) CATALYSIS, S.L.
 Macarena, 14, E-28016 Madrid, Spain

(540)

VIUSID

(511)
 5 – Pharmaceutical and veterinary products; sanitary products for medical use; dietetic substances adapted for medical use, food for babies; plasters, materials for dressings; teeth filling and dental impression materials; disinfectants; pest control products; fungicides, herbicides.

(260) AM 2015 75660 A
 (800) 1189222
 (891) 2013 07 12
 (731) ARNOLD & RICHTER CINE TECHNIK
 GMBH & CO. BETRIEBS KG
 Türkenstrasse 89, 80799 München, Germany

(540)

ARRI Master Anamorphic

(526) The trademark is protected as a whole. The words "Master Anamorphic" included therein shall not be subject to independent legal protection.

(511)
 9 – Multifunctional remote controls for film and video recorders; objectives; anamorphic lenses; anamorphic objectives; adaptors; accessories for the aforementioned goods as well as spare parts, included in this class; adapted transport cases for the aforementioned goods (terms too vague in the opinion of the International Bureau – Rule 13(2)(b) of the Common Regulations).

(260) AM 2015 75661 A
 (800) 1189238
 (891) 2013 12 06
 (731) CASSOWARY DEVICES LLC
 1209 Orange Street, Wilmington DE 19801,
 USA

(540)

GRIZZLY

(511)
 9 – Voice recognition, dictation, dictionary, and other computer software.

(260) AM 2015 75663 A
 (800) 1189269
 (891) 2013 10 01
 (731) SABRİ HOSTA
 Emek Mah. 57. Sok. No:22/1, Çankaya,
 Ankara, Turkey

(540)



(591) Red, orange and white
 (526) The trademark is protected as a whole. The word "R" included therein shall not be subject to independent legal protection.

(511)
 43 – Services for providing food and drink; temporary accommodation services including day nurseries, crèches; boarding for animals.

(260) AM 2015 75664 A
 (800) 1189289
 (891) 2013 11 28
 (731) AUDEMARS PIGUET HOLDING SA
 Route de France 16, CH-1348 Le Brassus,
 Switzerland

(540)

THERE ARE EXCEPTIONS TO EVERY RULE

(511)
14 – Precious metals and alloys thereof and goods made of precious metals or coated therewith, included in this class; jewelry, precious stones; timepieces and chronometric instruments.

(260) AM 2015 75665 A
(800) 1189328
(891) 2013 10 11
(731) NUFARM
28 boulevard Camélinat, F-92230
GENNEVILLIERS, France
(540)

KIDEKA

(511)
5 – Pesticides, fungicides, herbicides.

(260) AM 2015 75666 A
(800) 1189332
(891) 2013 11 21
(731) JT INTERNATIONAL S.A.
1, Rue de la Gabelle, CH-1211 Genève 26,
Switzerland
(540)

BLENDVAPE

(511)
34 – Tobacco, whether manufactured or unmanufactured; smoking tobacco, pipe tobacco, hand rolling tobacco, chewing tobacco, snus tobacco; cigarettes, cigars, cigarillos; tobacco sold in pods; snuff; smokers' articles included in this class; cigarette papers, cigarette tubes and matches; electronic cigarettes; electronic cigarette liquids; electronic smoking apparatus; cases for electronic cigarettes.

(260) AM 2015 75667 A
(800) 1189337
(891) 2013 12 02
(731) ATHENA COSMETICS, INC.
1838 Eastman Ave, Suite 200, Ventura
CA 93003, USA
(540)

REVITALASH

(511)
3 – Non-medicated skin care preparations, namely, moisturizers, cleansers, masks, conditioners, creams, exfoliators, toners, make-up primers, lip care products, namely, lip primers and conditioners, eyebrow products, namely, eyebrow liners, conditioners and strengtheners, eyelash products, namely, mascaras, lengtheners, conditioners, strengtheners, eye care products, namely, eye creams, concealers, highlighters, and make-up; hair care products, namely, gels, non-medicated balms, sprays, rinses, moisturizers, strengtheners, shampoos and conditioners; cosmetic accessories, namely, pencils, pads, cosmetic remo-

vers; nail care preparations, namely, strengtheners, moisturizers, conditioners, polish, hardeners, enamels, and varnish.

(260) AM 2015 75668 A
(800) 1189338
(891) 2013 12 02
(731) INTERNATIONAL ACADEMY OF FILM
AND TELEVISION LLC
246 West Broadway, New York, New York
10013, USA
(540)

IAFT

(511)
41 – Education services, namely, providing materials, courses, workshops, guides, curricular activities, scholarly programs, educational content and training sessions in the field of film-making, performance arts, and entertainment.

(260) AM 2015 75672 A
(800) 1189354
(891) 2013 11 01
(731) HYUNDAI MOTOR COMPANY
231, Yangjae-Dong, Seocho-Gu, Seoul,
Republic of Korea
(540)

AZERA

(511)
28 – Model cars; toys; scale model vehicles; toy vehicles; board games; tennis balls.

(260) AM 2015 75673 A
(800) 1189358
(891) 2013 12 06
(731) ANTALOS APPS LLC
1209 Orange Street, Wilmington DE 19801, USA
(540)

SKYLINE

(511)
9 – Mail, messaging, calendar, reminder, contacts, and other computer software.

(260) AM 2015 75675 A
(800) 1189407
(891) 2013 11 15
(731) BEIERSDORF AG
Unnastrasse 48, 20253 Hamburg, Germany
(540)



(591) Blue, white, purple and lavender
 (526) The trademark is protected as a whole. The words "double effect" included therein shall not be subject to independent legal protection.
 (511)
 3 – Cosmetics; deodorants and anti-perspirants for personal use.

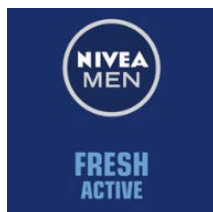
(260) AM 2015 75676 A
 (800) 1189408
 (891) 2013 11 15
 (731) BEIERSDORF AG
 Unnastr. 48, 20253, Hamburg, Germany
 (540)



dry
comfort

(591) Blue, white and red
 (511)
 3 – Cosmetics, deodorants and antiperspirants for personal use.

(260) AM 2015 75678 A
 (800) 1189421
 (891) 2013 11 15
 (731) BEIERSDORF AG
 Unnastrasse 48, 20253 Hamburg, Germany
 (540)



(591) Dark blue, white, silver, medium blue and light blue
 (511)
 3 – Cosmetics, Deodorants and antiperspirants for personal use.

(260) AM 2015 75679 A
 (800) 1188669
 (891) 2013 11 05
 (731) NOVARTIS AG
 CH-4002 Basel, Switzerland
 (540)

VERAQUIN

(511)
 5 – Vaccines for human use.

(260) AM 2015 75680 A
 (800) 1189422
 (891) 2013 11 15
 (731) BEIERSDORF AG
 Unnastrasse 48, 20253 Hamburg, Germany
 (540)



invisible
FOR BLACK & WHITE

(591) Blue, white and black
 (511)
 3 – Cosmetics, deodorants and antiperspirants for personal use.

(260) AM 2015 75682 A
 (800) 1189477
 (891) 2013 12 09
 (731) SMARTWARES SAFETY & LIGHTING B.V.
 Broekakkerweg 15, NL-5126 BD GILZE,
 Netherlands
 (540)



(591) Black, white
 (511)
 9 – Batteries and battery chargers; scientific, surveying, and electric apparatus an instruments, not included in other classes; optical, weighing, measuring, signaling, checking (supervision), life-saving and teaching apparatus and instruments; apparatus for recording, transmission or reproduction of sound or image; fire-extinguishing apparatus; electric cables and lines, and parts and fittings therefor, including connectors; telecommunications and security apparatus, namely house alarm installations and fittings therefor; time switches and clock thermostats; electric switchgear; parts and fittings not included in other classes for cabinets for loudspeaker, monitors, television sets and keyboards.

11 – Apparatus for lighting, heating, ventilating and water supply purposes for household use, including parts and accessories, included in this class; taps for pipes, for household use.

(260) AM 2015 75683 A
 (800) 657499
 (891) 2013 12 05

(731) PICARD Lederwaren GmbH & Co.
Kommanditgesellschaft
Friedensstrasse 22, 63179 Obertshausen,
Germany

(540)

PICARD

(511)

18 – Leather, plastic and fabric bags, namely hand-bags for women, satchels, small evening bags, gents' bags, children's bags, bags for professional activities, travel bags, holdalls, bags for automobiles, bags for planes; document wallets, namely briefcases; small leather goods, namely purses, wallets, key rings, identity card protective covers.

(260) AM 2015 75684 A

(800) 848589

(891) 2013 12 10

(731) EMMEDICIOTTO S.R.L.

Via dell'Artigianato, 1 I-60019 SENIGALLIA
(AN), Italy

(540)

EMME
D I C I O T T O

(591) Black, white

(511)

3 – Bleaching preparations and other substances for laundry use; cleaning, polishing, scouring and abrasive preparations; soaps; perfumery, essential oils, cosmetics, hair lotions; dentifrices; lotions; hair colouring and dyes; hair sprays; shampoos.

(260) AM 2015 75686 A

(800) 1025497

(891) 2013 12 18

(731) HIPPI & Co

Brünigstrasse 141, CH-6072 Sachseln,
Switzerland

(540)

Bebivita

(511)

5 – Protein preparations extracted from vegetable and animal products for human consumption and adapted for medical purposes and/or intended for the nutrition of babies, infants, and small children; pharmaceutical products; dietetic substances for children and invalids, adapted for medical use; food for babies.

29 – Meat, fish, poultry, game and meat products; meat extracts; meat, fish, fruit and vegetable jellies; jams and jellies; eggs, milk, dairy products, namely butter, cheese, cream, yoghurt, cottage cheese, milk powder and lactoprotein for food; children's desserts, in particular desserts mainly consisting of milk and/or fruit; desserts and sweet dishes, consisting predominantly of milk, also with all kinds of binding

agents, desserts and sweet dishes consisting predominantly of fruits; prepared and semi-prepared meals, mainly made from meat, poultry, game, fish, fruit, vegetables, eggs and/or dairy products; soups; meat, fish, poultry, game, vegetable, fruit and milk preserves; edible oils and fats; including all the aforesaid goods in frozen form; all the aforesaid goods also for dietetic purposes.

30 – Tea, tea-based beverages, cocoa, sugar, glucose, rice, tapioca, sago, flour, semolina, cereal flakes and cereal preparations (except feedstuffs for animals), bread, biscuits, cakes, pastries, cakes and biscuits that keep, snack products, pasta, chocolate, confectionery; glucose preparations, bee preparations; children's desserts, in particular sweet dishes, mainly consisting of sugar, cocoa, chocolate and/or starch; desserts and sweet dishes, mainly consisting of sugar and chocolate, including made using binding agents of all kinds, prepared and semi-prepared meals, mainly made from pulses, potatoes, cereal preparations, rice and/or pasta; spices, muesli, consisting predominantly of cereals, fruits, nuts and/or sugar; ready-to-serve cereal food, prepared and semi-prepared food of bran, including pastries; all the aforesaid goods also in frozen form; all the aforesaid goods also for dietetic purposes.

32 – Non-alcoholic beverages, in particular fruit and vegetable juices, nectars, fruit juice beverages; fruit syrups and other non-alcoholic fruit preparations for making non-alcoholic beverages; powders and granules for making non-alcoholic beverages; all the aforesaid goods also for dietetic purposes.

(260) AM 2015 75690 A

(800) 1115480

(891) 2013 10 23

(731) SEPHORA

65, avenue Edouard Vaillant, F-92100
BOULOGNE BILLANCOURT, France

(540)

SEPHORA

(511)

35 – Demonstration of goods; distribution of samples; organization of exhibitions for commercial or advertising purposes; sales promotion for others; merchandising; marketing for self-service shops; presentation of goods on all kinds of communication media for the purposes of retail sale of toiletries, perfumes, cosmetic products, make-up preparations, cosmetic products for face and body care, cosmetic products for hair care and embellishment; bringing together, for the benefit of others, of a variety of goods to enable consumers to conveniently view and purchase these goods; retail sale of toiletries, perfumes, cosmetic products, make-up preparations, cosmetic products for face and body care, cosmetic products for hair care and embellishment.

(260) AM 2015 75699 A

(800) 1189725

(891) 2013 04 08

(731) ODEON TURİZM İŞLETMECİLİĞİ A.Ş.

Cumhuriyet Cad. No:181, Efser Han K:6

D:7, Harbiye/Şişli/İstanbul, Turkey

(540)

STARWAY WORLD BEST HOTELS

(526) The trademark is protected as a whole. The word "WORLD BEST HOTELS" included therein shall not be subject to independent legal protection.

(511)

39 – Transport; packaging and storage of goods; transport of persons and goods, in particular, by road, rail, sea and air; porter services; transport of money and valuables; tour operator services, destinations management services, ground handling services including providing travel reservation reception, transfer, placement, guidance with guides speaking guests native languages, extra tour and transfer back services, travel organization, booking and arrangement of travel, excursions and cruises; arrangement of transport services; rental of diving suits; organization, booking and arrangement of excursions, day trips and sightseeing tours; travel consultancy and escorting of travellers; rental, booking and providing of aircraft; rental, booking and providing of ships, in particular rowing and motor boats, sailing vessels and canoes, rental, booking and providing of motor vehicles, bicycles and horses; parcel delivery; organization of trips, holidays and sightseeing tours; travel agency services (included in this class), in particular consultancy and booking services for travel, providing information about travel, arrangement of transport services and travel; reservation services for travel (included in this class); information about travel on the Internet, in particular, about reservation and booking in the tourism and business travel sector (online travel agencies); delivery, dispatching and distribution of newspapers and magazines; consultation provided by telephone call centres and hotlines regarding travels, including business travel and in the field of logistics, transport and storage; transport services, namely tracking of passenger or freight vehicles using computers or global positioning system (GPS); traffic information.

41 – Academies (education), providing amusement arcade services; arranging of beauty contests; booking of seats for shows; publication of books; calligraphy services, holiday camp services (entertainment), sport camp services, providing casino facilities (gambling), rental of cine-films; rental of motion pictures, cinema presentations; movie theatre presentations, circuses, club services (entertainment or education), coaching (training), arranging and conducting of colloquiums, organization of competi-

tions (education or entertainment), organization of sports competitions, arranging and conducting of concerts, conducting fitness classes, arranging and conducting of conferences, arranging and conducting of congresses, correspondence courses, disc jockey services, discotheque services, rental of skin diving equipment, dubbing, videotape editing, religious education, educational examination, electronic desktop publishing, entertainer services, entertainment; amusements, organization of exhibitions for cultural or educational purposes, organization of fashion shows for entertainment purposes, film production, other than advertising films, gambling, game services provided on-line from a computer network, games equipment rental, providing golf facilities, vocational guidance (education or training advice), gymnastic instruction, health club services (health and fitness training), education information, entertainment information, recreation information, sign language interpretation, language interpreter services, layout services, other than for advertising purposes, lending libraries, mobile library services; bookmobile services, presentation of live performances, operating lotteries, microfilming, modelling for artists, rental of movie projectors and accessories, providing museum facilities (presentation, exhibitions), music composition services, music-halls, night clubs, orchestra services, organization of balls, organization of shows (impresario services), amusement parks, personal trainer services (fitness training), photographic reporting, photography, physical education, party planning (entertainment), videotape film production, production of music, providing sports facilities, providing karaoke services, providing on-line electronic publications, not downloadable, publication of electronic books and journals on-line, radio entertainment, rental of radio and television sets, production of radio and television programmes, rental of video cassette recorders, recording studio services, providing recreation facilities, rental of audio equipment, rental of lighting apparatus for theatrical sets or television studios, rental of tennis courts, rental of video cameras; rental of camcorders, rental of sports grounds, news reporters services, nursery schools, boarding schools, scriptwriting services, arranging and conducting of seminars, services of schools (education), rental of show scenery, production of shows, rental of sound recordings, rental of sports equipment, except vehicles, timing of sports events, rental of stadium facilities, rental of stage scenery, movie studios, subtitling, arranging and conducting of symposiums, teaching; educational services; instruction services; tuition, television entertainment, publication of texts, other than publicity texts, writing of texts, other than publicity texts, theatre productions, ticket agency services (entertainment), toy rental, animal training, practical training (demonstration), translation, rental of videotapes, videotaping, vocational retraining, arranging

and conducting of workshops (training), zoological garden services.

43 – Providing temporary accommodation, providing of food and drinks for guests; accommodation bureau services; providing and rental of holiday homes, holiday flats and apartments; providing room reservation and hotel reservation services, providing hotel and motel services; catering; services of boarding houses; rental of meeting rooms; bar services; providing of food and drinks for guests in restaurants; providing food and drinks in Internet cafes; consultation provided by telephone call centres and hotlines in the field of temporary room and board accommodation services, providing and rental of holiday homes, other accommodation services and hotel reservation as well as accommodation and catering for guests.

(260) AM 2015 75709 A

(800) 1189769

(891) 2013 02 19

(731) KABUSHIKI KAISHA SONY COMPUTER ENTERTAINMENT

(also trading as Sony Computer Entertainment Inc.)

1-7-1 Konan, Minato-ku, Tokyo 108-0075, Japan

(540)


 The image shows the PS4 logo, which consists of the letters 'PS4' in a stylized, bold, sans-serif font. The 'P' and 'S' are connected, and the '4' is separate. The logo is black on a white background.

(591) Black, white

(511)

9 – Game programs for arcade video game machines; batteries for hand-held games with liquid crystal displays; batteries for home video game consoles used with televisions; batteries for mobile computer terminals; cleaning discs for DVD; earphones; consumer electronic products, namely, audio amplifiers, audio speakers, audio receivers, electrical audio and speaker cables and connectors; home theater systems; audio recorders; video recorders; digital cameras; television receivers; modems; headphones; microphones for telecommunication apparatus; headphones for mobile computer terminals; microphones for mobile computer terminals; earphones for mobile computer terminals; straps for mobile phones; smart phones; cellular phones; set-top boxes; optical disc players; optical disc recorders; DVD players; DVD recorders; compact disc players; compact disc recorders; navigation apparatus for vehicles on-board computers; electric capacitors for telecommunication apparatus; receiving tuners for television broadcasting; Web cameras; video cameras; head-mounted video displays; three-dimensional active-shutter eyewear products; three-dimensional display device; thin film transistor-liquid crystal display panels; downloadable computer programs via mobile computer terminals; keyboards for com-

puters; memory cards exclusively for use with hand-held games with liquid crystal displays; downloadable game programs via mobile computer terminals; mobile computer terminal devices; keyboards for mobile computer terminals; mouse for mobile computer terminals; memory cards for mobile computer terminals; remote controllers for mobile computer terminals; battery chargers for mobile computer terminals; game programs for mobile phones; memory cards for home video game consoles used with televisions; optical mouse; electronic tags for goods; personal digital assistants; touch panels for computer; tablet computer; computer operating programs; computer game programs; electronic book readers; joy-stick for use of game for computers; game programs for home video game consoles used with televisions; game programs for hand-held games with liquid crystal displays; downloadable game character images featuring video games and computer games; recorded video discs and video tapes featuring entertainment in the nature of action adventure, drama, comedy, romance, science fiction, horror and mystery; prerecorded audio compact discs; phonograph records featuring music; sound recorded magnetic cards, sheets and tapes; downloadable music files via the Internet; downloadable standby image for cellular telephones; downloadable ring tones for mobile phones; downloadable electronic publications in the nature of books, manuals, magazines, newspapers in the field of video games, game software, music and video movies; earphones for home video game consoles used with televisions; headphones for home video game consoles used with televisions; microphones for home video game consoles used with televisions; keyboards for home video game consoles used with televisions; mouse for home video game consoles used with televisions; Web cameras exclusively for use with home video game consoles used with televisions; earphones exclusively for use with hand-held games with liquid crystal displays; headphones exclusively for use with hand-held games with liquid crystal displays; microphones exclusively for use with hand-held games with liquid crystal displays; keyboards exclusively for use with hand-held games with liquid crystal displays; mouse exclusively for use with hand-held games with liquid crystal displays.

16 – Addressing machines; typewriters; inking ribbons; envelope sealing machines for offices; stamp affixing machines being office requisites; electric staplers for offices; stamp obliterating machines; drawing instruments; mimeographs; relief duplicators; paper shredders for office use; franking machines; rotary duplicators; electric pencil sharpeners; hygienic paper; towels of paper; table napkins of paper; handkerchiefs of paper; hand towels of paper; filter paper; toilet paper; postcard paper; printing paper; bookmarkers; albums; cards, stationery; crayons; felt writing pens; seals, stationery; mechanical

pencils; sketchbooks; stickers, stationery; note books; pen cases; stapling presses, non-electric; ball-point pens; pocket memorandum books; memo pads containing adhesive on one side of the sheets for attachment to surfaces; pencils; plastic underlays for writing paper; picture postcards; painters' article; rubber erasers; adhesive tapes for stationery or household purposes; rulers for stationery and office use; stands for pens and pencils; envelopes; writing pads; tags containing adhesive on one side of the sheets for attachment to surfaces; catalogues; calendars; newsletters; pamphlets; specification manuals for video game programs; strategic manuals for video games; song books; sheet music; magazines; printed timetables; instruction manuals; books; newspapers; geographical maps; diaries; photographs; photograph stands.

38 – Electronic exchange of data stored in databases accessible via telecommunication networks; providing internet chatrooms; providing telecommunication connections to the Internet; providing telecommunication connections to a global computer network; providing access to computer databases; rental of access time to a computer database; rental of access time to global computer networks by electronic computer terminals, video game consoles or hand-held games with liquid crystal displays; computer aided transmission of information and images; automatic transmission of digital data by telecommunication; electronic exchange of image and sound data via a video-on-demand service; communication by electronic computer terminals, video game consoles or hand-held games with liquid crystal displays; broadcasting services and provision of telecommunication access to video and audio content provided via a video-on-demand service via the Internet; communication by mobile telephone; wireless electronic transmission of voice signals, data, facsimiles, images and information; consulting in the field of telecommunication services, namely, transmission of voice, data, and documents via telecommunications networks; providing e-mail services; communication by computer terminals; communication by telephone; transmission services for transmitting video content stored on data storage area of users' servers to users' video game consoles, hand-held games with liquid crystal displays, cellular phones, set-top boxes and computer terminals via a video-on-demand service; television broadcasting; cable television broadcasting; radio broadcasting; broadcasting of television programs provided via a video-on-demand; news agency services for electronic transmission; rental of telecommunication equipment including telephones and facsimile apparatus; rental of telecommunication equipment for accessing to communication networks.

41 – Providing on-line electronic publications in the nature of magazines in the field of art, not downlo-

adable; providing an on-line publication in the nature of an interactive encyclopedia, not downloadable; providing non-downloadable electronic publications of pages and contents of dictionaries, encyclopedias, pictorial books and photo books by automatic search according to keywords requested from databases accumulated information data about the dictionaries, encyclopedias, pictorial books and photo books via computer networks; providing non-downloadable electronic magazines of articles and columns by automatic search according to pre-registered keywords via computer networks; providing non-downloadable electronic publications of pages and contents of books in the field of art and music by automatic search according to keywords requested from databases storing information about books in the field of the art and music via the Internet or computer networks by computer terminals; services of reference libraries for books and magazines non-downloadable via computer networks; providing on-line, non-downloadable, electronic dictionary, books and magazines via an electronic mail; providing non-downloadable electronic publications, namely, electronic dictionaries, electronic books in the field of computer games, movies and entertainment videos and electronic magazines in the field of computer games, movies and entertainment videos; providing non-downloadable electronic publications in the nature of manuals in the field of video game machines and computer game programs; services of reference libraries for literature and documentary records; provision of non-downloadable films, movies and television programs via an online video-on-demand service; provision of non-downloadable images and videos via an online video-on-demand service; producing videos; distributing videos; videotaping; provision of non-downloadable films, movies and television programs via video-on-demand service by interactive services of cellular phone receivers; entertainment services, namely, providing non-downloadable images of art in the virtual-reality space on the websites; art exhibitions services; art exhibitions via on-line including mobile communications in the virtual-reality space for simulation experience; providing information about on-line art exhibitions by computer terminals; entertainment services, namely, providing non-downloadable pictures and music by automatic search according to keywords requested from databases storing information about pictures, art and music via the Internet or computer networks by computer terminals; entertainment services, namely, providing non-downloadable images, pictures, sounds and music on the Internet or via computer networks via telecommunication networks; entertainment services, namely, providing on-line video games with systems ranking and distributing scores to users' terminals in real time; rental of electronic magazines and other electronic publications; providing information about ren-

tal of electronic magazines and other electronic publications; book rental; rental of phonograph records or sound-recorded magnetic tapes; rental of image-recorded magnetic tapes; rental of memory media recorded game programs for home video game consoles used with televisions and electronic game machines with liquid crystal display; rental of memory media recorded game programs; rental of toys; rental of amusement machines and apparatus; rental of game machines and apparatus.

42 – Providing meteorological information; designing home video game consoles used with televisions for others; data conversion from physical to electronic media; data conversion of computer programs and data, not physical conversion; duplication of computer programs; rental of magnetic tapes, CD-ROMs and DVD-ROMs all encoded with system security programs for home video game consoles used with televisions and computer; information data processing services by computer system, namely, development of data processing programs by order of third parties; video game software programming services for others for video game machines for use with television for business and personal use; providing information about development, maintenance and design of computer software to secure computer network operations against unauthorized access; computer programming and maintenance of computer programs; rental of measuring apparatus; rental of Web servers; rental of Web server's memory for entry of diaries and schedules of individuals and corporations and storage of electronic data; rental of Web server's memory; rental of computers; rental of computer software; providing computer software that may be downloaded from a global computer network; installation of computer software; providing on-line non-downloadable software for ensuring the security against unauthorized access to video game machines for use with television.

(260) AM 2015 75713 A
 (800) 1189820
 (891) 2013 07 29
 (731) TERRA FOOD MANAGEMENT
 COMPANY LIMITED
 Esperidon, 12, 4th floor, CY-1087 Nicosia,
 Cyprus
 (540)



(591) Red and white
 (511)
 29 – Meat, fish, poultry and game; meat extracts; preserved, frozen, dried and cooked fruits and vege-

tables; jellies, jams, compotes; eggs; milk and milk products; edible oils and fats; bacon; albumen for culinary purposes; albumin milk; protein milk; yoghurt; kefir; cheese; sheep cheese; cream (dairy products); whipped cream; processed cheese, meat, milk and cultured milk products; milk jellies; fat-containing mixtures for bread slices; fat-containing mixtures for food; ready-to-serve packed milk, meat, and cheese meals; frozen fruits, berries, and vegetables; frozen fruit and berry mixes; frozen vegetable mixes; frozen and refrigerated semi-cooked meat products; candied fruits, berries, and nuts; condensed milk; caviar; cocoa butter; potato chips; potato flakes; kimchi (fermented vegetable dish); sour milk; fermented milk products; fermented milk beverages; curds; charcuterie; milk shakes; milk shakes with fruits; smoked meat foods; brisket meat; meat cutlets and chops; cutlets in dough; black pudding; kumys (milk beverage); margarine; marmalade; butter; oils; butter spreads; cream butter; sweet cream butter; salt butter; animal fats; melted butter; chocolate butter; butter cream; butter paste; long storage milk; non-perishable milk; baked milk; milk beverages, milk predominating; milk cream; milk cream with cocoa and hazelnuts; milk and curd desserts; milk snacks; fermented milk snacks; cheese snacks; meat foods, meals, and broths; meat mixes for sandwiches; meat pastes, preserves, snacks, salads; salted meat; dried meat; poultry and processed poultry products; processed seeds, including salted, fried seeds; liver; liver pastes; milk based products; cheese products containing milk; sour cream products containing milk; cheese products; cheese spread products; processed cheese paste products; hard cheese products; food products of meat and vegetables; prostokvasha (soured milk); ryazhenka (fermented baked milk); sausages; processed curds; cheese paste; cheese products; cheese mixes for sandwiches; whey; rennet; smetana (sour cream); sour cream products; soya milk (milk substitute); tofu; sausages in batter; pickles; dairy-based spreads for food; cream and vegetable mixes for food; milk soups; cheese soups; dried milk; dried milk products; tripe; tomato puree; milk ferments for culinary purposes; fruit and berry compotes; potato chips; ham.

(260) AM 2015 75714 A
 (800) 1189854
 (891) 2013 11 28
 (731) SUNTEC SOFTWARE(SHANGHAI) CO.,
 LTD.
 Room A304, International Trade Plaza,
 Shanghai Waigaoqiao Free Trade Zone,
 Shanghai, China

(540)

 (591) Black, white

(511)

9 – Computers; computer operating programs, recorded; computer programs [downloadable software]; computer software, recorded; equipment for communication network; navigational instruments; navigational apparatus for vehicles [on-board computers]; meters; global positioning system apparatus; sound transmitting apparatus.

38 – Computer aided transmission of messages and images; providing telecommunications connections to a global computer network; providing Internet chat rooms; providing access to databases; voice mail services; teleconferencing services; transmission of digital files; message sending; providing user access to global computer networks; communications by computer terminals.

(260) AM 2015 75753 A

(800) 1190146

(891) 2013 08 06

(731) WORLD VET İLAÇ SANAYİ VE TİCARET LİMİTED ŞİRKETİ

Evren Mah. Camiyolu Cad. No:50 K.1,
GÜNEŞLİ İSTANBUL, Turkey

(540)

TOLTRAZOR
ТОЛТРАЗОР

(591) Black, white

(511)

5 – Medicines for human purposes, medicines for veterinary purposes, vitamin preparations, chemical preparations for medical purposes, dietetic substances adapted for medical use; dietetic foods adapted for medical purposes; baby foods, medicinal herbs, herbal beverages adapted for medical purposes, nutritional supplements, pollen dietary supplements, mineral food supplements, protein dietary supplements; medicines for dental purposes, hygienic products for medical purposes including pads, waddings for medical purposes, plasters for medical purposes, dressings for medical purposes, babies' napkins, preparations for destroying noxious plants, preparations for destroying noxious animals, fungicides, deodorants other than for human beings or for animals, air deodorising preparations, disinfectants for hygiene purposes, antiseptics, detergents for medical purposes.

(260) AM 2015 75793 A

(800) 1190413

(891) 2013 07 30

(731) Proizvodno društvo za proizvodnju i prodaju deterdženata "BEOHEMIJA-INHEM"
d.o.o. Pančevačka 84, 23000 ZRENJANIN,
Serbia

(540)



(591) Black, white

(511)

3 – Softener for laundry use.

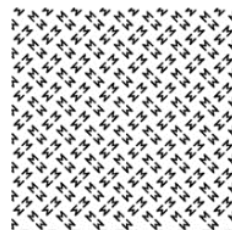
(260) AM 2015 75810 A

(800) 1190487

(891) 2013 11 29

(731) COMPAGNIE GENERALE DES
ETABLISSEMENTS MICHELIN
12 cours Sablon, F-63000 CLERMONT-
FERRAND, France

(540)



(591) Black, white

(511)

12 – Pneumatic tires and inner tubes for vehicle wheels; treads for retreading tires; treads for vehicles [tractor type].

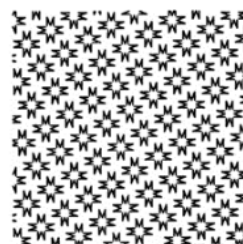
(260) AM 2015 75813 A

(800) 1190504

(891) 2013 11 29

(731) COMPAGNIE GENERALE DES
ETABLISSEMENTS MICHELIN
12 Cours Sablon, F-63000 CLERMONT
FERRAND, France

(540)



(591) Black, white

(511)

12 – Pneumatic tires and inner tubes for vehicle wheels; treads for retreading tires; treads for vehicles [tractor type].

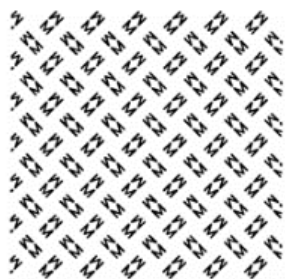
(260) AM 2015 75814 A

(800) 1190505

(891) 2013 11 29

(731) COMPAGNIE GENERALE DES
ETABLISSEMENTS MICHELIN
12 Cours Sablon, F-63000 CLERMONT
FERRAND, France

(540)



(591) Black, white

(511)

12 – Pneumatic tires and inner tubes for vehicle wheels; treads for retreading tires; treads for vehicles [tractor type].

(260) AM 2015 75816 A

(800) 1190527

(891) 2013 11 20

(731) JT INTERNATIONAL S.A.

1, Rue de la Gabelle, CH-1211 Genève 26,
Switzerland

(540)

LEAFSTREAM

(511)

34 – Tobacco, whether manufactured or unmanufactured; smoking tobacco, pipe tobacco, hand rolling tobacco, chewing tobacco, snus tobacco; cigarettes, cigars, cigarillos; tobacco sold in pods; snuff; smokers' articles included in this class; cigarette papers, cigarette tubes and matches; electronic cigarettes; electronic cigarette liquids; electronic smoking apparatus; cases for electronic cigarettes.

(260) AM 2015 75817 A

(800) 1190528

(891) 2013 11 21

(731) JT INTERNATIONAL S.A.

1, Rue de la Gabelle, CH-1211 Genève 26,
Switzerland

(540)

VAPRORICH

(511)

34 – Tobacco, whether manufactured or unmanufactured; smoking tobacco, pipe tobacco, hand rolling tobacco, chewing tobacco, snus tobacco; cigarettes, cigars, cigarillos; tobacco sold in pods; snuff; smokers' articles included in this class; cigarette papers, cigarette tubes and matches; electronic cigarettes; electronic cigarette liquids; electronic smoking apparatus; cases for electronic cigarettes.

(260) AM 2015 75819 A

(800) 1190532

(891) 2013 11 21

(731) JT INTERNATIONAL S.A.

1, Rue de la Gabelle, CH-1211 Genève 26,
Switzerland

(540)

LEAFVAPE

(511)

34 – Tobacco, whether manufactured or unmanufactured; smoking tobacco, pipe tobacco, hand rolling tobacco, chewing tobacco, snus tobacco; cigarettes, cigars, cigarillos; tobacco sold in pods; snuff; smokers' articles included in this class; cigarette papers, cigarette tubes and matches; electronic cigarettes; electronic cigarette liquids; electronic smoking apparatus; cases for electronic cigarettes.

(260) AM 2015 75820 A

(800) 1190533

(891) 2013 11 21

(731) JT INTERNATIONAL S.A.

1, Rue de la Gabelle, CH-1211 Genève 26,
Switzerland

(540)

VAPROLEAF

(511)

34 – Tobacco, whether manufactured or unmanufactured; smoking tobacco, pipe tobacco, hand rolling tobacco, chewing tobacco, snus tobacco; cigarettes, cigars, cigarillos; tobacco sold in pods; snuff; smokers' articles included in this class; cigarette papers, cigarette tubes and matches; electronic cigarettes; electronic cigarette liquids; electronic smoking apparatus; cases for electronic cigarettes.

(260) AM 2015 75821 A

(800) 1190534

(891) 2013 11 21

(731) JT INTERNATIONAL S.A.

1, Rue de la Gabelle, CH-1211 Genève 26,
Switzerland

(540)

VAPURELEAF

(511)

34 – Tobacco, whether manufactured or unmanufactured; smoking tobacco, pipe tobacco, hand rolling tobacco, chewing tobacco, snus tobacco; cigarettes, cigars, cigarillos; tobacco sold in pods; snuff; smokers' articles included in this class; cigarette papers, cigarette tubes and matches; electronic cigarettes; electronic cigarette liquids; electronic smoking apparatus; cases for electronic cigarettes.

(260) AM 2015 75822 A
 (800) 1190535
 (891) 2013 11 21
 (731) JT INTERNATIONAL S.A.
 1, Rue de la Gabelle, CH-1211 Genève 26,
 Switzerland

(540)

VAPUREBLEND

(511)
 34 – Tobacco, whether manufactured or unmanufactured; smoking tobacco, pipe tobacco, hand rolling tobacco, chewing tobacco, snus tobacco; cigarettes, cigars, cigarillos; tobacco sold in pods; snuff; smokers' articles included in this class; cigarette papers, cigarette tubes and matches; electronic cigarettes; electronic cigarette liquids; electronic smoking apparatus; cases for electronic cigarettes.

(260) AM 2015 75823 A
 (800) 1190551
 (891) 2013 09 20
 (731) Open Joint Stock Company
 "SIBUR HOLDINGS"
 ul. Galernaya, liter A, d.5, RU-190000
 St. Petersburg, Russian Federation

(540)

PUREPET

(511)
 1 – Plastics, unprocessed, namely polyethylene terephthalate in powder, pellet, liquid or paste form.
 17 – Plastic substances, semi-processed for use in manufacture.

(260) AM 2015 75824 A
 (800) 1190554
 (891) 2013 12 06
 (731) YOSEMITE RESEARCH LLC
 1209 Orange Street, Wilmington DE 19801,
 USA

(540)

REDWOOD

(511)
 9 – Computer software, including computer software for navigation, travel route planning, geographic, transportation and traffic information, driving and walking directions, street atlas information, electronic map display, and destination information.

(260) AM 2015 75825 A
 (800) 1190556
 (891) 2013 12 06
 (731) CASSOWARY DEVICES LLC
 1209 Orange Street, Wilmington DE 19801,
 USA

(540)

CONDOR

(511)
 9 – Voice recognition, dictation, dictionary, and other computer software.

(260) AM 2015 75826 A
 (800) 1190557
 (891) 2013 12 06
 (731) YOSEMITE RESEARCH LLC
 1209 Orange Street, Wilmington DE 19801,
 USA

(540)

YOSEMITE

(511)
 9 – Computer software, including computer software for navigation, travel route planning, geographic, transportation and traffic information, driving.

(260) AM 2015 75827 A
 (800) 1190563
 (891) 2013 08 09
 (731) AKTSIONERNO DROUJESTVO
 "BULGARTABAC-HOLDING"
 "Graf Ignatiev" Str. 62, BG-1000 SOFIA,
 Bulgaria

(540)

ОПАЈ

(511)
 16 – Paper, cardboard and goods made from these materials, not included in other classes; printed matter; photographs; plastic materials for packaging (not included in other classes); paper and cardboard packages, especially cigarette packages; boxes of cardboard or paper; wrappings and packages (stationery); packing paper, cigar bands; stationery; forms (printed); pamphlets; writing pads; placards of paper or cardboard; posters; decalcomanias; labels, not of textile; calendars; catalogues; folders (stationery); files (office requisites); bags (envelopes, pouches) of paper or plastics, for packaging.

34 – Tobacco; smokers' articles; matches; cigarettes; cigars; cigarillos; lighters for smokers; tobacco, raw, manipulated or processed; tobacco products; cigarette filters; cigarette paper; ashtrays for smokers.

35 – Advertising; business management; business administration; office functions; publication of publicity texts; radio advertising; advertising through posters; distribution of samples, models, patterns; dissemination of advertising matters; sales advertising; advertising agencies; TV advertisements; administrative activities and services for management of domestic and international commercial transactions; consultations connected with the business management; marketing surveys and researches; consulting services for business management; management of business or industrial enterprises assistance; support in business management; organization

of exhibitions and fairs with commercial and advertising purposes; outdoor advertising with billboards; advertising services using outdoor posters, advertising panel and wall surfaces; demonstration of goods; preparation and publishing of advertisements through printed, audio, video, radio, television and electronic media; advertising through the global computer network; actualization of advertisement matters; import-export agencies.

(260) AM 2015 75832 A

(800) 1190593

(891) 2013 09 24

(731) TSN Brands LTD

Geneva Place, Waterfront Drive, P.O. Box
3469, Road Town, Tortola British Virgin
Islands

(540)

NORTH FEDERATION

(511)

32 – Aperitifs, non-alcoholic; waters [beverages]; kvass [non-alcoholic beverage]; cocktails, non-alcoholic; lemonades; non-alcoholic beverages; isotonic beverages; non-alcoholic honey-based beverages; whey beverages; fruit beverages; peanut milk [non-alcoholic beverage]; milk of almonds [beverage]; fruit nectars, non-alcoholic; orgeat; beer; powders for effervescing beverages; sarsaparilla [non-alcoholic beverage]; syrups for lemonade; syrups for beverages; tomato juice [beverage]; cider, non-alcoholic; vegetable juices [beverages]; fruit juices; preparations for making aerated water; preparations for making liqueurs; preparations for making beverages; must; grape must, unfermented; beer wort; malt wort; pastilles for effervescing beverages; sherbets [beverages]; non-alcoholic fruit extracts; extracts of hops for making beer; essences for making beverages.

33 – Aperitifs; arrack [arak]; brandy; wine; piquette; whisky; vodka; gin; digesters [liqueurs and spirits]; cocktails; liqueurs; alcoholic beverages, except beer; alcoholic beverages containing fruit; spirits [beverages]; distilled beverages; mead [hydromel]; peppermint liqueurs; bitters; rum; sake; cider; rice alcohol; alcoholic extracts; fruit extracts, alcoholic; alcoholic essences.

35 – Import-export agencies; cost price analysis; rental of advertising space; computerized file management; demonstration of goods; opinion polling; marketing studies; business information; commercial information and advice for consumers [consumer advice shop]; business investigations; marketing research; business organization consultancy; business management consultancy; professional business consultancy; updating of advertising material; organization of exhibitions for commercial or advertising purposes; organization of trade fairs for commercial

or advertising purposes; shop window dressing; business appraisals; presentation of goods on communication media, for retail purposes; economic forecasting; auctioneering; sales promotion for others; rental of vending machines; publication of publicity texts; radio advertising; distribution of samples; distribution of advertising material; advertising; on-line advertising on a computer network; advertising by mail order; television advertising; commercial administration of the licensing of the goods and services of others; administrative processing of purchase orders; modelling for advertising or sales promotion; procurement services for others [purchasing goods and services for other businesses]; outsourcing services [business assistance].

(260) AM 2015 75833 A

(800) 1190599

(891) 2013 09 20

(731) Open Joint Stock Company

"SIBUR Holdings"

ul. Galernaya, 5, liter A, RU-190000

St. Petersburg, Russian Federation

(540)

PETFUL

(511)

1 – Plastics, unprocessed, namely polyethylene terephthalate in powder, pellet, liquid or paste form.

17 – Plastic substances, semi-processed for use in manufacture.

(260) AM 2015 75834 A

(800) 1190616

(891) 2013 12 06

(731) ANTALOS APPS LLC

1209 Orange Street, Wilmington DE 19801,
USA

(540)

SHASTA

(511)

9 – Mail, messaging, calendar, reminder, contacts, and other computer software.

(260) AM 2015 75935 A

(800) 1191137

(891) 2013 07 19

(731) WORLD MEDICINE İLAÇLARI LİMİTED
ŞİRKETİ

Evren Mah., Camiyolu Cad. No:50 K:2,

GÜNEŞLİ/BAĞCILAR/İSTANBUL, Turkey

(540)

MY PURE CRYSTAL CREAM

(511)

3 – Detergents other than for use in manufacturing operations and for medical purposes, laundry bleach,

laundry starch blueing for laundry, soft soap, fabric softeners for laundry purposes, cleaning preparations for waste pipes, granular soap; windscreen cleaning liquids, preparations for bleaching and polishing purposes; perfumery, ethereal essences, eau de cologne, lotions, deodorants for human beings, rose oil, after-shave lotions, antiperspirant deodorants; cosmetic products, nail polish, lipsticks, mascara, cosmetic creams, hair dyes, shampoos, hair care preparations, eyebrow pencils, powders for cosmetic purposes, acetone based cosmetics, shaving preparations, shower gel, petroleum jelly for cosmetic purposes, depilatory preparations, cosmetic dyes, cosmetics preparations for slimming purposes, cosmetic kits, tissues impregnated with cosmetic lotions, cotton wool and cotton sticks for cosmetic purposes, wet tissues; soaps for personal use, including medicated soaps and deodorant soap, disinfectant soap, antiperspirant soap; tooth care products, toothpastes, dentifrices, medicated tooth cleaning preparations, tooth cleaning powders denture cleaning preparations in liquids form, mouth washes, not for medical purposes, anti-tartar tooth pastes; abrasive products namely, emery clothes, emery papers, pumice stones, including pumice pastes; polishing preparations; leather preservative polishes, polish for furniture and flooring; oils for cosmetic purposes.

35 – Services related to advertising, marketing and public relations including organization of exhibitions and fairs for commercial or advertising purposes, office services, business management and administration, consultancy for business management and administration including accountancy services, import export agency services, commercial and industrial management expertise services, organization of auctioneering services and auctioneering, the bringing together of detergents other than for use in manufacturing operations and for medical purposes, laundry bleach, laundry starch blueing for laundry, soft soap, fabric softeners for laundry purposes, cleaning preparations for waste pipes, granular soap; windscreen cleaning liquids, preparations for bleaching and polishing purposes; perfumery, ethereal essences, eau de cologne, lotions, deodorants for human beings, rose oil, after-shave lotions, antiperspirant deodorants; cosmetic products, nail polish, lipsticks, mascara, cosmetic creams, hair dyes, shampoos, hair care preparations, eyebrow pencils, powders for cosmetic purposes, acetone based cosmetics, shaving preparations, shower gel, petroleum jelly for cosmetic purposes, depilatory preparations, cosmetic dyes, cosmetics preparations for slimming purposes, cosmetic kits, tissues impregnated with cosmetic lotions, cotton wool and cotton sticks for cosmetic purposes, wet tissues; soaps for personal use, including medicated soaps and deodorant soap, disinfectant soap, antiperspirant soap; tooth care products, toothpastes, dentifrices, medicated tooth cleaning preparations, tooth cleaning powders den-

ture cleaning preparations in liquids form, mouth washes, not for medical purposes, anti-tartar tooth pastes; abrasive products namely, emery clothes, emery papers, pumice stones, including pumice pastes; polishing preparations; leather preservative polishes, polish for furniture and flooring; oils for cosmetic purposes, enabling customers to conveniently view and purchase those goods, the mentioned services can be provided by wholesale outlets, retail stores, by means of electronic media or through mail order catalogues and other similar methods.

44 – Medical services; hygienic and beauty care for human beings; veterinary and animal breeding services, agriculture, horticulture and forestry services.

(260) AM 2015 75936 A

(800) 1191152

(891) 2013 09 08

(731) MARINASUN CELLULOSE INDUSTRIES CO.

No:1, T floor, 3rd Building, Eskan Complex, Mirdamad Blvd., Valie Asr Ave. Tehran, Iran (Islamic Republic of)

(540)

آلاوه

ALawe

(591) Black, white

(511)

5 – Sanitary napkins, menstruation tampons, babies' diapers of paper and cellulose.

16 – Napkins of paper, handkerchiefs of paper, toilet paper, towels of paper, scented paper, cellulose wipes; all the aforementioned goods of cellulose and paper.

(260) AM 2015 75937 A

(800) 1191162

(891) 2013 10 09

(731) SOREMARTEC S.A.

Rue Joseph Netzer 5, B-6700 ARLON, Belgium

(540)

CREAM&CROCK

(511)

30 – Pastry and confectionery, chocolate and chocolate-based products, cereal-based snacks, edible ices.

(260) AM 2015 75938 A

(800) 1191173

(891) 2013 10 11

(731) JAPAN TOBACCO INC.

2-2-1 Toranomom, Minato-ku, Tokyo, Japan

(540)

THE MEVIUS WAY

(511)

34 – Tobacco, raw or manufactured; smoking tobacco, pipe tobacco, rolling tobacco, chewing tobacco, moist tobacco powder called "snus"; cigarettes, cigars, cigarillos; substances for smoking sold separately or mixed with tobacco for non-medical and non-therapeutic purposes; snuff; smokers' articles included in this class; cigarette paper, cigarette tubes and matches.

(260) AM 2015 75941 A

(800) 1191239

(891) 2013 12 16

(731) PEPSICO, INC.

700 Anderson Hill Road, Purchase NY 10577,
USA

(540)



(591) Red, white, blue, gray and black

(511)

32 – Concentrates, syrups or powders used in the preparation of soft drinks; soft drinks.

(260) AM 2015 75942 A

(800) 1191273

(891) 2013 11 26

(731) JAPAN TOBACCO INC.

2-2-1 Toranomon, Minato-ku, Tokyo, Japan

(540)

CLOSE&SEAL

(591) White and dark blue

(511)

34 – Tobacco, raw or manufactured; smoking tobacco, pipe tobacco, rolling tobacco, chewing tobacco, moist tobacco powder called "snus"; cigarettes, cigars, cigarillos; snuff; smokers' articles included in this class; cigarette paper, cigarette tubes and matches.

(260) AM 2015 75943 A

(800) 1191295

(891) 2012 12 18

(731) IMERYS

154, rue de l'Université, F-75007 PARIS,
France

(540)

IMERYS

(511)

1 – Minerals (industrial chemicals), namely attapulgite, borates, calcium silicate, ceramic powders, ceramic compositions, clays, carbonates, carbon black, cordierite, diatomaceous earth, diatomite, limestone, magnesium oxide, magnesium silicates, perlite, quartz, silicon carbide, silimanite, talcum powder, zirconia; mineral compositions for industrial production; mineral compositions used in agriculture, horticulture and forestry; mineral compositions used in industry; mineral fillers for industrial purposes; mineral fillers for use in industrial production; mineral substances used for filtering and filtering materials; products containing minerals and mixed mineral compounds for use in industry or industrial production (industrial chemicals); products containing minerals, namely catalyst carriers, dispersions of plastics, plastics in raw state, plasticizers, plastics in the form of liquids, pastes, powders, gels and flakes (industrial chemicals); cellulose; cellulose pulp [raw material]; compositions containing cellulose; compositions for the manufacture of technical ceramics; mixtures of mineral compounds (industrial chemicals); polymer compositions containing minerals (industrial chemicals); fracturing compositions containing minerals (industrial chemicals); preparations containing minerals for use in the manufacture of absorbents, adhesive preparations, of agricultural products, foodstuffs for animals, artificial or synthetic resins, antistatic preparations, batteries, scouring agents, allistic protection panels, building materials, bulletproof vests, brake linings, brake pads, breathable films, catalysts, catalyst transporters, catalyst carriers, cement, ceramic articles, ceramic pastes, ceramic glazing, ceramic shapes, ceramic tiles, chimney flues, chimney bricks, clutch linings, coatings, concrete, building materials, cosmetics, dampening solutions, dyes and colorants, drilling fluids, faience tiles, electrical components, fillers, filters, filtration media, connections and holders for ovens, for preparations of foundry molds, fracturing composites, friction materials, fuel cells, abrasive agents, inks, kiln fittings, lubricants, mold-release agents, cements for oil wells, fluids for oil wells, cardboard, products for personal hygiene, pigments, pharmaceutical products, goods made of plastic, plastic substances, polishing preparations, polymers, polyolefin films, precision moldings, retaining agents for oil and gas wells, refractory articles, refractory bricks, refractory ceramic, fireclays, refractory components, refractory linings, refractory tubing, refractory building materials, refractory mortars, shaped refractory articles, tiles, roofing slates, sanitary fittings, sanitary equipment, putty, sealing materials, steel, porcelain stoneware, packing and insulating materials, tableware, varnishes and/or vehicle armor, minerals used in industry; engobes; minerals used as means for grinding; milling materials consisting of alumina, bauxite, ceramic, corundum, magnesium

oxide, metal oxides, mullite, silicate and/or zirconium oxide; ceramic grinding elements for industrial grinders (industrial chemicals); clay (industrial chemicals); retaining agents for use in drilling operations in oil and gas wells (industrial chemicals); ceramic glazing; ceramic compounds, namely mixtures of ceramic materials for use in the manufacture of ceramic goods; ceramic compositions namely silicon carbide linked with nitride, silicon nitride; ceramic materials, namely ceramic compositions for sintering (granules and powders); ceramic materials, namely, mold-release agents, chemicals for use in industry and/or for use in the manufacture of ceramic goods.

2 – Additives for paints and coatings; refractory coating compounds for protection (anti-corrosive preparations); coatings for masonry blocks and monolithic walls, namely composite coatings made of synthetic cement coatings; protective ingot coatings.

3 – Abrasives; stripping agents containing crushed minerals; grinding preparations containing aluminum, bauxite, ceramic, corundum, magnesia, metal oxides, mullite, silicate and/or zirconia; polishing preparations; corundum.

4 – Lubricants; industrial lubricants; drilling lubricants; non-chemical additives to motor fuel.

7 – Machines for the refractory industry; parts of machines for the refractory industry, namely nozzles and coolers, cover plates, chutes, ceilings and ducts for combustion chambers, isolation rings, casting nozzles and tundishes; equipment for the refractory industry, namely tanks, ladles, spears, braising furnaces, tippers and rotary guns, all these goods being parts of machines or intended for use with metal-working machines, continuous casting machines, machines for the refractory industry; filters for motors and engines; exhausts and exhaust manifolds for motors and engines of vehicles; exhaust mufflers for motors and engines of vehicles; exhaust pipes for motors and engines of vehicles; diesel particle filters for motor and engine exhausts; filtering agents made from ceramic materials (industrial chemicals); ceramic composite materials, namely, catalyst carriers for use in motors and engines, vehicle filters, diesel particle filters for automotive applications; ceramic composite materials, namely plates, blocks and cylinders as parts of catalytic converters and catalyst carriers; monolithic ceramics, tundish fittings and basket linings and metallurgical foundry ladles, as parts of refractory, casting and metallurgical machines; parts and components for ingot molds, namely casting basket liners, gutters for trapping impurities in molten metal, measuring overflows, thresholds, baffles, casting pads, turbulence suppressors, plugs and buffers, as parts of refractory machinery, metallurgical machinery and machinery for continuous casting; burning bars; catalyst carriers for vehicle engi-

nes; parts and components of the aforesaid goods, namely tundishes, refractory basket linings, casting nozzles, refractory nozzles, distributing buffers, protection tubes for refractory casting bags, tundish pads, refractory caps, as parts of refractory machinery, metallurgical machinery and machinery for continuous casting.

9 – Armored protective clothing, in the form of fitted or shaped ceramic plates, panels or inserts.

11 – Casting nozzles for furnaces, ovens and tundishes; honeycomb ceramics, namely plates, blocks, cylinders, sheets, tubes and bars used in catalytic converters, catalyst supports, for filtration of gas at high temperature and/or for reducing emission of volatile organic compounds and nitrogen oxide and/or for removing particles from combustion gas streams; catalyst substrates for furnaces, ovens and tundishes; furnaces (excluding furnaces for laboratory use); ovens (excluding ovens for laboratory use); kiln cars; firing supports, kiln furniture, namely beams, pillars, plates, slabs, saggars, stands, chucks, kiln posts, tripods, shoes, sealing caps and soles; fittings for ovens of fireclay namely fittings for ovens of grog; parts and component parts for ovens and firing supports, namely tundishes, coatings and ladles for tundishes, nozzles, plugs, distributing buffers, bags for tundishes, tundish pads, refractory plugs, roofs and/or ducts for furnaces; pouring runners for trapping impurities in liquid metals; heating elements namely, radiant tubes for ovens; shaped parts for ovens and furnaces (shaped fittings for ovens, drying kilns and ingot pouring basins).

12 – Bulletproof protection panels not of metal and adapted for vehicles; catalytic converters for vehicles; armor plating not of metal for vehicles.

17 – Plastics, unprocessed or semi-processed; goods of rubber and plastic materials containing minerals, namely semi-finished plastic products containing carbon fibers, products made of semi-processed plastic in the form of pellets, rods, foam, fibers, films and sheets, corrugated supports of plastic, foam or corrugated PVC, master batches of plastic in the form of powders, liquids, mud, pastes and pellets for industrial use, compositions comprising master mixtures of polymers containing additives for improving the performance properties of products made of foam polymer for industrial use, processed synthetic resins, namely recycled or recyclable polyethylene pellets or flakes, thermoplastic synthetic resins, thermoplastic polyester in the form of pellets for use in injection molding applications, thermoplastic or thermosetting composite sheets containing reinforcing material made of fiberglass, carbon fiber, mineral or wood for use in the manufacture of other products, pellets of elastomer, namely thermoplastic elastomer resins in the form of pellets, for use in further manufacture, refractory insulating materials,

particularly refractory fibers of plastic for mortar and concrete, supports mainly of ceramic material, silicone and/or goods not of metal for electric or thermal insulation of solar cells, photovoltaic cells and solar collectors, sheets in a graphite-based material used for joints, seals, packing and thermal insulants; clutch linings; artificial or synthetic resins; fire protection materials, namely, mica, perlite, vermiculite, graphite and/or amorphous silica in the form of fibers, covers, planks, coatings, mortars, putty, slabs or textiles; fire protection materials, namely bands, cords, sleeving, mats, wires of amorphous silicon used in the further manufacture of high-temperature insulation products used in industry; insulating refractory materials; refractory monoliths for thermal insulation, plastic refractory monoliths; safety curtains made from mica (insulation); caulking and insulating materials; emiprocessed friction materials for clutch linings and brake linings; semi-processed materials for brake linings; insulating coatings of ceramics for ovens, drying ovens, furnaces and ladles; fiberglass (insulator); insulating refractory materials, namely coatings of aluminum oxide for protection in high temperature industrial applications, and/or for coating of refractory furnaces, industrial furnaces, reactor engines and/or diesel engines (all for insulating use).

19 – Building materials, not of metal; non-metallic building materials in the form of bars, blocks, bricks, plates, posts, slabs, tiles and panels; building materials, not of metal; refractory construction materials, not of metal; ceramic building materials not of metal; aggregates for the preparation of concrete or cement; cementbased preparations (building materials not of metal), namely cement, cement coatings, cement slabs; refractory materials made of ceramic; ceramic fibers (building materials not of metal); refractory ceramic work pieces (building materials not of metal); ceramic shapes for use in refractory furnaces, namely tubes, bars, thermocouples, gas injectors, cooling tubes and flue joints; ceramic tiles (building materials not of metal), non-metallic coverings for buildings; ferules of nonmetallic materials (building materials not of metal); filling materials for casting bags (building materials not of metal); fireclay; industrial coatings (building materials not of metal); lime; refractory mortars, tubes and pipes (non-metallic building materials); non-metallic covering materials; slates (building materials not of metal); tiles not of metal; clay; plastic clay (ball clay); potters' clay; quartz; refractory aggregates (building materials not of metal); refractory materials sprayed on (building materials not of metal), refractory plasters (building materials not of metal), refractory construction materials, refractory materials for coating; refractory compositions and materials, namely mixtures not of metal sprayed on, by tamping and clamping for protection, and for coating steel converters; ceramic refractory materials

(building materials), namely in the form of bricks, tiles, blocks, slabs, beams, pillars, posts or panels; ceramic refractory materials (building materials), namely ceramic fibers for heat insulation; refractory ceramic masses (building materials), namely, monoliths, ceramic refractory materials (building materials), namely, ceramic articles in the form of bricks, tiles, blocks, beams, pillars, posts, slabs, tubes, rods or panels; refractory products for construction and/or coating; refractory compounds for caulking, coating and/or repairing high temperature equipment, ovens, furnaces, blast furnaces, jet engines and/or diesel engines; refractory bricks, refractory blocks (building materials not of metal); casting refractory mixes not of metal (building materials not of metal); refractory cement; ceramic refractory materials (building materials); refractory ceramic materials (building materials); refractory ceramic masses (building materials); ceramic compounds, namely mixtures for the manufacture of ceramic articles; refractory compositions for filling metallurgical converters, namely foundry ladles, distributors, ingot molds, casting ducts and channels (building materials not of metal); refractory concrete; refractory furnace linings as coverings and/ or building materials; refractory materials intended for firing supports, namely clay, ceramic, grog, silica and combinations thereof; refractory materials for tundishes (non-metallic building materials); refractory mortars (building material); refractory nozzles (building materials); refractory pipes (building materials); refractory slabs (non-metallic building materials); refractory plugs (building materials); refractory products in the form of bricks, cement, concrete, coatings, compounds, mixtures and mortar (building materials not of metal); refractory products in the form of prefabricated structural elements (building materials not of metal); refractory shapes (building materials not of metal); refractory tubes (building materials not of metal); sandstone; protection tubes for refractory ladles; smoke ducts not of metal; buffer-dividers; shielding sheets (building materials not of metal).

37 – Installation and repair of furnaces; repair and maintenance of industrial ovens; installation, maintenance and repair of refractory fittings in high temperature vessels; installation of foundry products; construction services.

40 – Treatment and transformation of minerals.

(260) AM 2015 75945 A
 (800) 1191337
 (891) 2013 12 11
 (731) YUNNAN CHANGNING DEKANG
 BIOTECHNOLOGY CO., LTD
 No:28 Caochangba, Tianyuan, Changning,
 Yunnan Province, China
 (540)

DEKANG

(591) Black, white
(511)
34 – Tobacco; chewing tobacco; cigars; cigarette holders; cigarette filters; herbs for smoking; cigarettes containing tobacco substitutes, not for medical purposes; cigarettes; tips of yellow amber for cigar and cigarette holders.

(260) AM 2015 75946 A
(800) 1191352
(891) 2013 12 16
(731) YUNNAN CHANGNING DEKANG
BIOTECHNOLOGY CO., LTD
No:28 Caochangba, Tianyuan, Changning,
Yunnan Province, China

(540)



(591) Black, white
(511)
34 – Tobacco; chewing tobacco; cigars; cigarette holders; cigarette filters; herbs for smoking; cigarettes containing tobacco substitutes, not for medical purposes; cigarettes; tips of yellow amber for cigar and cigarette holders.

(260) AM 2015 75947 A
(800) 1191369
(891) 2013 11 08
(731) Zakrytoe aktsionerhoe obshchestvo
"AKADEMIYA NAUCHNOY KRASOTY"
ul. Pokrovka, 14/2, stroenie 1, RU-101000
Moscow, Russian Federation

(540)



(591) Pink and gray
(511)
3 – Soap; perfumery; cosmetics; hair lotions; after-shave lotions; beauty masks; cosmetic creams; oils for cosmetic purposes; oils for toilet purposes; perfumes; cosmetic preparations for baths; bath salts, not for medical purposes; cosmetic preparations for skin care; cosmetic preparations for slimming purposes; shampoos; dental bleaching gels; dentifrices; denture polishes; mouth washes, not for medical purposes; preparations for cleaning dentures.; plastic surgery.

5 – Dietetic substances adapted for medical use; sea water for medicinal bathing; thermal water; mud for baths; medicinal mud; ointments for pharmaceutical purposes; medicinal oils; mineral food supplements;

nutritional supplements; wart pencils; vitamin preparations; chemico-pharmaceutical preparations; chemical preparations for pharmaceutical purposes; pharmaceutical preparations; disinfectants for hygiene purposes; medicinal herbs; dental cements; porcelain for dental prostheses; dental lacquer; dental mastics; dental abrasives; dental impression materials; teeth filling material; medicines for dental purposes; mouthwashes for medical purposes; adhesives for dentures.

35 – Advertising; sales promotion for others; marketing studies; distribution of samples; dissemination of advertising matter; on-line advertising on a computer network; television advertising.

41 – Videotaping; microfilming; videotape editing.

42 – Bacteriological research; biological research; cosmetic research; research and development of new products for others.

43 – Medical services; manicuring; massage; medical clinic services; hairdressing salons; beauty salons; tattooing; sauna services; solarium services; physical therapy; dentistry; plastic surgery.

(260) AM 2015 75948 A
(800) 1191384
(891) 2013 10 02
(731) CMA CGM
4 Quai d'Arenc, F-13002 MARSEILLE, France
(540)

CMA CGM

(511)
12 – Ships, trailer hitches for vehicles, ferry boats, boats, ships' hulls, boat hooks, steering gear for ships, disengaging gear for boats, inclined ways for boats, screw-propellers for boats, small boats, barges, launches, pontoons, vehicles for locomotion by water.

37 – Fitting out, namely on-board installation in a ship of all equipment necessary for the respective type of navigation; repair and maintenance of transport containers; repair and maintenance of ships.

39 – Lighterage services; boat transport; river transport; freighting; packing, packaging of goods; wrapping (packaging) of goods; freight forwarding; delivery of goods; parcel delivery; navigation services; warehousing of goods and containers; rental of storage containers; freight, transport brokerage; ship-brokerage; information on transport and storage; loading and unloading of goods; storage of goods; international and multi-modal maritime transport of containers, loading, unloading of ships, namely navigation and freight services; consignment of goods, warehousing of goods with a view to the reservation or guarding thereof, prior or subsequent to land haulage or other means of transport; services for the

transport of goods; transport of passengers by ship, boat, pleasure boat, reservation of seats for travel, escorting of travellers; arranging cruises and excursions; arranging of tours; sightseeing; tourist agencies (excluding reservation of accommodation in hotels and boarding houses); taxi services, vehicle rental; sightseeing; organization of excursions; logistical services relating to the transport of goods and travelers; information on the transport of passengers and goods; travel information.

(260) AM 2015 75949 A
(800) 1191406
(891) 2013 08 23
(731) DEDO WEIGERT FILM GMBH
Karl-Weinmair-Strasse 10, 80807 München,
Germany
(540)

LEDRAMA

(511)
11 – Lighting apparatus, in particular headlights and components therefor.

41 – Rental of lighting apparatus, in particular spotlights and components therefor for the use on film sets, in television studios, for broadcast, for specialized photographers and in theatres; leasing of lighting apparatus, in particular spotlights and components therefor for the use on film sets, in television studios, for broadcast, for specialized photographers and in theatres.

(260) AM 2015 75950 A
(800) 1191408
(891) 2013 07 16
(731) OBSHCHESTVO S OGRANICHENNOI
OTVETSTVENNOSTYU "NAUCHNO-
PROIZVODSTVENNAYA FIRMA
"MATERIA MEDICA HOLDING"
Trety Samotekny pereulok, 9, RU-127473
Moscow, Russian Federation
(540)

ERGOFERON

(511)
5 – Pharmaceutical preparations, including preparations for the prevention and treatment of parasitic infections, inflammation and inflammatory diseases, respiratory and infectious diseases, immunological, bacterial, viral and fungal infections, drugs to treat AIDS/HIV infection; drugs for the treatment of viral hepatitis; drugs to treat flu; vaccines; adhesive plaster; drugs for medical purposes; medicines for human purposes; medicinal drinks; medicinal infusions; tinctures for medical purposes; decoctions for pharmaceutical purposes; pills for pharmaceutical purposes; plasters for medical purposes; vitamin preparations; pharmaceutical preparations; adjuvants

for medical purposes; styptic preparations; tonics [medicines]; herbal teas for medicinal purposes; disinfectants for hygiene purposes, including to combat the bacteria that causes infectious disease in men.

(260) AM 2015 75951 A
(800) 1191468
(891) 2013 11 04
(731) PIAGGIO & C. S.P.A.
25, Viale Rinaldo Piaggio, I-56025
PONTEDERA (PI), Italy
(540)

VESPA SPRINT

(511)
12 – Two-wheeled vehicles, spare parts and accessories thereof.

(260) AM 2015 75952 A
(800) 1191472
(891) 2013 12 02
(731) LATVIJAS BALZAMS, AS
Aleksandra Čaka iela 160, LV-1012 Rīga,
Latvia
(540)



(591) Red, black and white
(511)
33 – Alcoholic beverages, namely herbal bitter liquors.

(260) AM 2015 75999 A
(800) 1192118
(891) 2013 11 28
(731) TSN Brands LTD
Geneva Place, Waterfront Drive, P.O. Box
3469, Road Town, Tortola, British Virgin Islands
(540)

MIO MIO

(591) Black, white
(511)
29 – Ajvar [preserved peppers]; aloe vera prepared for human consumption; alginates for culinary purposes; anchovy; peanuts, processed; albumen for culinary purposes; white of eggs; beans, preserved; soya beans, preserved, for food; bouillon; ginger jam; ham; fatty substances for the manufacture of

edible fats; toasted laver; edible birds' nests; peas, preserved; mushrooms, preserved; snail eggs for consumption; eggs, milk and milk products; eggs; meat extracts; seaweed extracts for food; non-alcoholic egg nog; fruit chips; low-fat potato chips; lentils, preserved; fruit peel; hummus [chickpea paste]; potato flakes; fruit, stewed; fruit preserved in alcohol; fruit, preserved; preserved, frozen, dried and cooked fruits and vegetables; frozen fruits; crystallized fruits; fish fillets; rennet; milk ferments for culinary purposes; oysters, not live; tuna fish; truffles, preserved; sea-cucumbers, not live; tofu; tahini [sesame seed paste]; cheese; whey; vegetable soup preparations; soups; tripe; preparations for making soup; preparations for making bouillon; sausages in batter; sausages; salted meats; tomato juice for cooking; vegetable juices for cooking; smetana [sour cream]; fat-containing mixtures for bread slices; cream [dairy products]; whipped cream; processed sunflower seeds; processed seeds; herrings; sardines; bacon; fruit salads; vegetable salads; ryazhenka [fermented baked milk]; salted fish; fish, not live; fish, preserved; crustaceans, not live; crayfish, not live; apple purée; cranberry sauce [compote]; pollen prepared as foodstuff; poultry, not live; prostokvasha [soured milk]; curd; foods prepared from fish; processed meat products; milk products; powdered eggs; jams; pickles; liver; pectin for culinary purposes; liver pâté; tomato purée; nuts, prepared; coconut, desiccated; lobsters, not live; olives, preserved; potato fritters; vegetables, dried; vegetables, cooked; vegetables, preserved; milk beverages, milk predominating; meat, fish, poultry and game; meat, preserved; meat; fruit pulp; fish mousses; vegetable mousses; fish meal for human consumption; albumin milk; soya milk [milk substitute]; milk and milk products; milk; mussels, not live; animal marrow for food; almonds, ground; shellfish, not live; butter; coconut oil; sunflower oil for food; palm kernel oil for food; palm oil for food; olive oil for food; linseed oil for culinary purposes; sesame oil; coconut butter; colza oil for food; cocoa butter; peanut butter; edible oils; edible oils and fats; marmalade; piccalilli; margarine; onions, preserved; salmon; lecithin for culinary purposes; spiny lobsters, not live; kumys [kumyss] [milk beverage]; silkworm chrysalis, for human consumption; croquettes; buttercream; prawns, not live; shrimps, not live; gherkins; bouillon concentrates; fruits, tinned [canned (Am.)]; fish, tinned [canned (Am.)]; vegetables, tinned [canned (Am.)]; meat, tinned [canned (Am.)]; black pudding [blood sausage]; milk shakes; clams [not live]; isinglass for food; kimchi [fermented vegetable dish]; kephir [milk beverage]; sauerkraut; yogurt; processed fish spawn; caviar; raisins; charcuterie; fruit-based snack food; edible fats; suet for food; lard for food; bone oil, edible; coconut fat; yolk of eggs; fruit jellies; jellies for food; meat jellies; jellies, jams; gelatine; game, not live.

30 – Aromatic preparations for food; flavorings [flavourings], other than essential oils, for cakes; flavorings [flavourings], other than essential oils, for beverages; flavorings, other than essential oils; coffee flavorings [flavourings]; star aniseed; high-protein cereal bars; pancakes; noodle-based prepared meals; buns; bread rolls; vanillin [vanilla substitute]; vanilla [flavoring] [flavouring]; waffles; vermicelli [noodles]; natural sweeteners; sausage binding materials; binding agents for ice cream [edible ices]; sea water for cooking; seaweed [condiment]; malt biscuits; cloves [spice]; cake frosting [icing]; glucose for culinary purposes; mustard; gluten additives for culinary purposes; yeast; yeast, baking-powder; thickening agents for cooking foodstuffs; leaven; rice-based snack food; cereal-based snack food; artificial coffee; vegetal preparations for use as coffee substitutes; dressings for salad; fruit jellies [confectionery]; confectionery for decorating Christmas trees; cakes; pastries; peanut confectionery; almond confectionery; pasta; pâté [pastries]; ginger [spice]; frozen yogurt [confectionery ices]; cocoa; cream of tartar for culinary purposes; capers; caramels [candy]; curry [spice]; gruel, with a milk base, for food; ketchup [sauce]; quiches; gluten prepared as foodstuff; sweetmeats [candy]; liquorice [confectionery]; peppermint sweets; cinnamon [spice]; coffee; unroasted coffee; starch for food; crackers; custard; hominy grits; semolina; oatmeal; crushed barley; groats for human food; corn, milled; corn, roasted; meat pies; turmeric for food; couscous [semolina]; farinaceous foods; noodles; ice for refreshment; candy; ice, natural or artificial; edible ices; rice cakes; mayonnaise; macaroons [pastry]; macaroni; maltose; hominy; marinades; marzipan; honey; royal jelly; ice cream; bean meal; flour and preparations made from cereals, bread, pastry and confectionery, ices; tapioca flour for food; potato flour for food; corn flour; flour; wheat flour; soya flour; barley meal; dessert mousses [confectionery]; chocolate mousses; muesli; mint for confectionery; cocoa beverages with milk; coffee beverages with milk; coffee-based beverages; cocoa-based beverages; tea-based beverages; chocolate beverages with milk; chocolate-based beverages; infusions, not medicinal; crushed oats; husked oats; nutmegs; stick liquorice [confectionery]; soya bean paste [condiment]; pastilles [confectionery]; molasses for food; pepper; allspice; peppers [seasonings]; pesto [sauce]; biscuits; petit-beurre biscuits; pies; pizzas; meat gravies; fondants [confectionery]; popcorn; powders for ice cream; baking powder; mustard meal; pralines; condiments; meat tenderizers, for household purposes; cereal preparations; flour-milling products; oat-based food; propolis; gingerbread; spices; petits fours [cakes]; puddings; cake powder; fruit coulis [sauces]; ravioli; chewing gum; relish [condiment]; rice; wheat germ for human consumption; spring rolls; sago; sugar; palm sugar; aniseed; linseed for

human consumption; golden syrup; cake paste; confectionery; baking soda [bicarbonate of soda for cooking purposes]; malt for human consumption; salt for preserving foodstuffs; cooking salt; celery salt; sorbets [ices]; ham glaze; soya sauce; tomato sauce; sauces [condiments]; spaghetti; seasonings; preparations for stiffening whipped cream; rusks; breadcrumbs; sushi; sandwiches; tabbouleh; tacos; tapioca; almond paste; tortillas; garden herbs, preserved [seasonings]; vinegar; beer vinegar; vinegar, sauces [condiments]; ferments for pastes; halvah; bread; unleavened bread; corn flakes; oat flakes; chips [cereal products]; chicory [coffee substitute]; tea; iced tea; chutneys [condiments]; cheeseburgers [sandwiches]; chow-chow [condiment]; saffron [seasoning]; chocolate; malt extract for food; essences for foodstuffs, except etheric essences and essential oils; husked barley.

32 – Aperitifs, non-alcoholic; lithia water; seltzer water; soda water; waters [beverages]; aerated water; mineral water [beverages]; table waters; kvass [non-alcoholic beverage]; cocktails, non-alcoholic; lemonades; peanut milk [non-alcoholic beverage]; milk of almonds [beverage]; non-alcoholic beverages; isotonic beverages; non-alcoholic honey-based beverages; aloe vera drinks, non-alcoholic; whey beverages; non-alcoholic fruit juice beverages; fruit nectars, non-alcoholic; orgeat; powders for effervescing beverages; sarsaparilla [non-alcoholic beverage]; syrups for lemonade; syrups for beverages; smoothies; tomato juice [beverage]; cider, non-alcoholic; vegetable juices [beverages]; fruit juices; preparations for making aerated water; preparations for making liqueurs; preparations for making mineral water; preparations for making beverages; must; grape must, unfermented; malt wort; pastilles for effervescing beverages; sherbets [beverages]; non-alcoholic fruit extracts; essences for making beverages.

(260) AM 2015 76000 A
(800) 1192161
(891) 2014 01 21
(731) SOCIÉTÉ DES PRODUITS NESTLÉ S.A.
CH-1800 Vevey, Switzerland
(540)



(591) Dark brown, light brown, white and gray
(511)
30 – Ready-to-eat cereals; breakfast cereals, cereal bars.

(260) AM 2015 76001 A
(800) 1192165
(891) 2013 09 06
(731) OMEGA SA (Omega AG) (Omega Ltd.)
Jakob-Stämpfli-Strasse 96, CH-2502
Biel/Bienne, Switzerland
(540)



(591) Black, white
(511)
35 – Retail sale.

(260) AM 2015 76003 A
(800) 1192210
(891) 2013 02 12
(731) KOPOS KOLÍN a.s.
Havlíčková 432, CZ-280 94 Kolín IV, Czech
Republic
(540)



(591) Black, white
(511)
6 – Non-electric wires of common metal; pipes of metal; fastening materials of metal; metal boxes; die-casting materials of metal for surface and embedded assembly.

9 – Electric wires for use in electrotechnology and other areas; electric connectors, fastening materials and distribution boxes for high-current and low-current wires; electrical junction boxes; electricity distribution boards; heavy current electric devices and equipment, switching stations, switchboards.

17 – Plastic fastening materials in extruded form; die-casting materials of plastic for electrical engineering.

37 – Repair of machines, equipment and tools; assembly services relating to the installation of machines, equipment and tools.

(260) AM 2015 76005 A
(800) 1192240
(891) 2013 08 05
(731) STEFANO RICCI S.P.A.
Via Faentina, 171, I-50010 FIESOLE (FI),
Italy
(540)

STEFANO RICCI

(511)
3 – Soaps, shaving soaps, after-shave lotions, cosmetic preparations for baths, shampoos, perfumery,

eau de toilette, essential oils, aromatics, hair lotions, balms other than for medical purposes, dentifrices, cosmetics (all for men).

8 – Silver plate (knives, forks and spoons); cutlery; side arms, other than firearms; razors, razor cases.

9 – Eyeglasses, spectacle frames, eyeglass cases (all for men).

11 – Apparatus for lighting, lamps, standard lamps, chandeliers, lamp globes, electric lamps, ceiling lights.

12 – Vehicles; apparatus for locomotion by land, air or water; seats, armrests and headrests being parts of apparatus for locomotion by land, air or water.

14 – Wristwatches, pocket watches, cases for clock and watch making; chronometers; rings, bracelets, tie clips in precious metal, ornamental chains in precious metal, cuff links, jewellery namely brooches of precious metal (all for men), table-clocks, clocks.

16 – Albums, engravings, lithographic works of art; paper, cardboard and goods made from these materials, not included in other classes; bookbinding material; photographs; stationery; inkwells; adhesives for stationery or household purposes; artists' materials; paint brushes; typewriters and office requisites (except furniture); paperweights; inks; pencil leads, pencil lead holders, pencils, pencil holders, pens, penholders, drawing pens, fountain pens, writing or drawing books, magazines, newspapers, books; writing instruments, drawing instruments, painting instruments.

18 – Key cases (leather goods), canes, umbrella sticks, travelling trunks, bags, travelling bags (made of leather), reins, card cases (pocket wallets), briefcases (leather goods), coverings of skins (furs), briefcases, hides (animal skins), pocket wallets, purses; suitcases, attaché cases, rucksacks (all for men); saddlery, halters, horse collars, horse blankets, riding saddles, horseshoes.

20 – Furniture, tables, chairs, sofas, armchairs, mirrors, picture frames, wardrobes, works of art of wood, wax, plaster or plastic, animal horns, stands, bins not of metal, costume stands, hat stands, mobiles (decoration), bins not of metal, cupboards, cots, cushions, casks of wood for decanting wine, pillows, coat hangers, lecterns, mannequins, mattresses, racks, bookcases, umbrella stands, furniture partitions of wood, book rests, magazine racks, doors for furniture, flower-pot pedestals, racks and filing cabinets, ladders of wood, bins of wood, writing desks, desks, easy chairs, footstools, corks for bottles, interior textile window blinds, dressing tables, office furniture, showcases; furniture, tables, chairs, sofas, armchairs, mirrors, picture frames, wardrobes, works of art of wood, wax, plaster or plastic, animal horns, stands, bins not of metal, costume stands, hat stands,

mobiles (decoration), bins not of metal, cupboards, cots, cushions, casks of wood for decanting wine, pillows, coat hangers, lecterns, mannequins, mattresses, racks, bookcases, umbrella stands, furniture partitions of wood, book rests, magazine racks, doors for furniture, flower-pot pedestals, racks and filing cabinets, adders of wood, bins of wood, writing desks, desks, easy chairs, footstools, corks for bottles, interior textile window blinds, dressing tables, office furniture, showcases.

21 – ehold or kitchen utensils and containers; combs and sponges; brushes (except paint brushes); glassware, porcelain and earthenware not included in other classes, indoor aquaria, works of art of porcelain, terracotta or glass; glasses, glass bowls, bottles, jugs, busts of china, terra-cotta or glass, goblets, shoe horns, candelabra, decanters, corkscrews, bottle openers, epergnes, ceramics for household purposes, knife rests for the table, statuettes of porcelain, ceramic, earthenware or glass; flower pots, flasks, salad bowls, shaving brushes, shaving brush stands, table plates, perfume sprayers, perfume vaporizers, coffee and tea services (tableware), cups, teapots, sugar bowls, soup bowls.

24 – Textiles, bed blankets, quilts, eiderdowns (down coverlets), tablecloths (not of paper), sheets.

25 – Clothing, suits, bathrobes, bathing suits, bathing trunks, beach clothes, berets, body linen, underwear, blouses, suspenders, footwear, sports footwear, stockings, socks, dressing gowns, shirts, hats, overcoats, belts (clothing), layettes, ties, papillon (ties), pocket squares, foulards (clothing articles), sashes for wear, sashes for smoking suits, coats, stuff jackets, great coats, gloves (clothing), raincoats, leather clothing, singlets, polo-neck sweaters, sweaters, pullover, pelerines, trousers, slippers, pelisses, furs (clothing), hosiery, pyjamas, sandals, shoes, scarves, half-boots, boots, T-shirts (all for men).

26 – Buttons; buttons in precious metals (all for men).

33 – Wines, sparkling wines, liqueurs and alcoholic distillates.

34 – Tobacco; smokers' articles; lighters for smokers, tobacco pouches, cigar cases, tobacco pipes, ashtrays for smokers, match holders, cigarette cases, cigarette and cigar cases with humidors, cigar cutters.

35 – Advertising; business management; business administration; office functions; services consisting of bringing together various items so that customers can view and purchase them; retail services, also for others, of perfumery (for men), cosmetics (for men), eyeglasses (for men), lightening apparatus, vehicles, crafts, aircrafts, jewellery (for men), horological and chronometric instruments (for men), stationery, prin-

ted matter, leather goods (for men), umbrellas (for men), furniture, mirrors, frames, works of art, household goods, glassware, porcelain and earthenware, clothing articles (for men), footwear (for men), wines, distillates, smokers' articles; retail services, also for others, of household linen and bed linen.

37 – Building construction; repair; installation services, construction consultation, construction information, building construction supervision, building of fair stalls and shops, upholstering, furniture restoration.

42 – Scientific and technological services, research and design relating thereto; industrial analysis and research services; design and development of computer hardware and software; dress designing, interior design, architectural consultation, styling (industrial design).

(260) AM 2015 76007 A

(800) 1192259

(891) 2013 09 23

(731) TETRA, SIA

Aizkraukles iela 21, LV-1006 Riga, Latvia

(540)

LEACADINUM

(511)

5 – Pharmaceutical preparations.

(260) AM 2015 76008 A

(800) 1192287

(891) 2013 11 21

(731) Obshchestvo s ogranichennoy
otvetstvennostyu "RIA "Panda"

lit. D, 17/5, Zheleznovodskaya ul.,

RU-199155 Saint-Petersburg, Russian

Federation

(540)

NEZUDIN

(511)

3 – Lotions for cosmetic purposes; cosmetic kits; shaving preparations; toiletries; tissues impregnated with cosmetic lotions; cosmetic preparations for skin care; after-sun creams and preparations; exfoliant creams [for cosmetic use]; skin whitening creams; detergents other than for use in manufacturing operations and for medical purposes; shampoos.

5 – Dietetic substances adapted for medical use; mineral food supplements; nutritional supplements for medical purposes; liniments; sunburn ointments; frostbite salve for pharmaceutical purposes; dietetic beverages adapted for medical purposes; medicinal infusions; biological preparations for medical purposes; vitamin preparations; dermatological preparations; pharmaceutical preparations for skin care; medicated hair care preparations; pharmaceutical pre-

parations; sunburn preparations for pharmaceutical purposes; pharmaceutical preparations for the relief of insect bites; food for babies; dietetic foods adapted for medical purposes; syrups for pharmaceutical purposes; sanitary preparations for medical purposes; medicinal herbal extracts.

(260) AM 2015 76010 A

(800) 1192303

(891) 2013 10 14

(731) SOVMESTNOE PREDPRIYATIE

OTKRYTOE AKTSIONERNOE

OBSHCHESTVO "SPARTAK"

d. 63, ul. Sovetskaya, 246655 Gomel, Belarus

(540)

IMPRESSO

(511)

30 – Pastry and confectionery.

(260) AM 2015 76011 A

(800) 1191248

(891) 2013 11 27

(731) SOCIÉTÉ À RESPONSABILITÉ LIMITÉE

"EVRO ALKO"

oul. A. Eniki, 17, of. 205, RU-420097 Kazan,

Russian Federation

(540)



(591) Green, dark green, yellow, white and black

(526) The trademark is protected as a whole. The words "Огурцы СВЕЖИЕ Корнишоны Водка" included therein shall not be subject to independent legal protection.

(511)

33 – Vodka.

(260) AM 2015 76015 A

(800) 1192325

(891) 2013 12 26

(731) HASTINGS MANUFACTURING

COMPANY

325 NORTH HANOVER STREET,

HASTINGS MI 49058, USA

(540)



(591) Black, white

(511)

7 – Land vehicle and machine internal combustion engine parts, namely piston rings, spacers and expanders.

(260) AM 2015 76021 A

(800) 685466

(891) 2013 10 09

(731) Schwan-STABILO Schwanhäußer GmbH & Co. KG

Schwanweg 1, 90562 Heroldsberg, Germany

(540)



(591) Black, white

(511)

16 – Writing, drawing, painting and modelling material; mechanical pencils, signing and marking appliances, pencils, coloured and copying pencils, leads or refills, coloured leads or refills and copying leads or refills, retractable pencils, ballpoint pens, refills for ballpoint pens, felt and fibre pens, refills for fibre pens; chalks for painting and to be used by artists; applicators for writing and marking fluids; correcting fluids and correcting appliances for writing, drawing, painting and marking purposes, cleaning preparations for writing, painting and marking appliances; means and working appliances for overheadday-light- projection (for visual use), namely transparent foils in the form of sheets and rolls to write on with special pencils, foils with special layers for copying machines, self-adhesive colour foils, rub-on letters, pointers, correcting and cleaning preparations for foils; wallets, boxes, packaging out of synthetic material, metal, glass, paper and carton for transport, storage, presentation and use of writing material; compasses; school slates; blackboards and boards on stands, painting specimens for copying, albums for colouring, posters, instructional and teaching material (other than apparatus) all included in this class; index appliances, filing cards, staples for index cards, intermediate sheets; teaching games and teaching toys, rubbers, adhesives for office supplies, paper and stationery; file, stapler, visible covers (out of cardboard and/or synthetic material).

(260) AM 2015 76022 A

(800) 762377

(891) 2014 01 14

(731) LUCAFFE' VENTURELLI GIAN LUCA SRL
Via Porto, 7 Padenghe sul Garda (Brescia), Italy

(540)



(591) Black, white

(511)

30 – Coffee.

(260) AM 2015 76025 A

(800) 818672

(891) 2013 10 24

(731) SAPPI EUROPE S.A.

Chaussée de la Hulpe 154 B-1170 Brussel, Belgium

(540)

GALERIE

(511)

16 – Paper, paperboard and cardboard, all for printing purposes.

(260) AM 2015 76043 A

(800) 858440

(891) 2014 01 09

(731) APPLE INC.

1 Infinite Loop, Cupertino, CA 95014, USA

(540)

NUMBERS

(511)

9 – Computer software. Ceasing of effects (see below).

(260) AM 2015 76050 A

(800) 1121032

(891) 2013 12 17

(731) LE VIAN CORP.

235 Great Neck Road, Great Neck NY 11021, USA

(540)

CHOCOLATE DIAMONDS

(526) The trademark is protected as a whole. The word "DIAMONDS" included therein shall not be subject to independent legal protection.

(511)

14 – Jewelry, watches, timepieces, jewelry watches, jewelry chains, jewelry pins, jewelry amulets and jewelry rings all made in whole or in part of diamonds.

(260) AM 2015 76051 A

(800) 1154870

(891) 2013 11 28

(731) THE ENTERTAINER (AMERSHAM)
LIMITED

Boughton Business Park, Bell Lane, Little
Chalfont, Buckinghamshire, HP6 6GL,
United Kingdom

(540)

THE ENTERTAINER

(511)

35 – The bringing together, for the benefit of others, a variety of toys, games, playthings, collectible toys, collectible playthings, dolls, figurines, stuffed, plush and cloth toys, puppets, building games and toys, puzzles, lunch boxes, confectionery, drinks, masks, wigs and costumes for role play, sunglasses, clothing, headgear, jewellery, hair accessories, cosmetics, toiletries, furniture, bedding, soft furnishings, educational and scientific apparatus, musical instruments, karaoke equipment, microphones, amplifiers, scale models, torches, computer apparatus, computer hardware, computer accessories, computer software, computer games, electronic games, video cameras, audio-visual apparatus, cassette players and recorders, video players and recorders, DVD players, MP3 players, batteries, cassette tapes, videos, CD's, DVD's, sport equipment, trampolines, sandpits, paddling pools, kites, skateboard, skates, scooters, cycles, go-karts, ride-on toys, toy vehicles, safety-wear, helmets, knee pads, elbow pads, books, stationery, printed publications, posters, greeting cards, stickers, pencils, crayons, pens, markers, paintbrushes and materials, parts and accessories for sculpture, art and craft activities, enabling customers to conveniently view and purchase those goods in a department store, from a general merchandise catalogue by mail order or by means of telecommunications.

(260) AM 2015 76091 A

(800) 1192704

(891) 2013 10 15

(731) MECALUX, S.A.
Silici, 1-5, E-08940 CORNELLA DE
LLOBREGAT (Barcelona), Spain

(540)

MECALUX

(511)

6 – Common metals and their alloys; building materials of metal; transportable buildings of metal; free-standing buildings of metal; metal frames for storage; metal frames for buildings; attics of metal; metallic materials for railway tracks; non-electric cables and wires of common metal; ironmongery and small items of metal hardware; pipes and tubes of metal; crates and containers of metal; storage containers of metal; stairs, windows and doors of metal;

paving blocks of metal; goods of common metal not included in other classes; ores; rolled and cast building materials; chains (excluding driving chains for vehicles), nails and screws.

7 – Machines and machine tools; motors and engines (other than for land vehicles); machine coupling and transmission components (other than for land vehicles); automatic robotic machines for storage; handling apparatus (for loading and unloading); machines and apparatus for storing, retrieving and monitoring of inventories, sorting, forwarding and lifting; hoists; elevators [lifts]; conveyors; conveyor belts; transelevators; robots (machines); robotics apparatus; mechanical parking installations; robotic parking systems.

20 – Furniture, mirrors, picture frames; racks (shelving), cabinets; furniture and cupboards of metal; racks of metal, mobile racks of metal, mobile racks; boxes and containers not of metal; goods of wood, cork, cane, reed, wicker, horn, bone, ivory, whalebone, shell, amber, mother-of-pearl, meerschaum and substitutes for all these materials, or of plastics, not included in other classes.

(260) AM 2015 76092 A

(800) 1192705

(891) 2013 10 09

(731) KERABEN GRUPO, S.A.

Ctra. Valencia, Barcelona, Km. 44,3, E-12520
Nules (Castellón), Spain

(540)

COLLAGE

(511)

19 – Non-metallic building materials; rigid pipes, not of metal [for building]; asphalt, pitch and bitumen; transportable buildings, not of metal; monuments, not of metal; especially tiles, pavings, borders (ceramic coatings), ceramic tiles, stoneware, ceramic coverings.

(260) AM 2015 76101 A

(800) 1192765

(891) 2013 10 23

(731) APPLE INC.

1 Infinite Loop, Cupertino, CA 95014, USA

(540)

DESIGNED BY APPLE IN CALIFORNIA

(591) Black, white

(511)

9 – Computers; computer hardware; computer monitors; computer peripheral devices; handheld digital electronic devices for Internet access, for use as a handheld computer, digital format audio and video player, personal digital assistant, electronic organizer, electronic notepad, electronic book reader, glo-

bal positioning system (GPS) device, and camera, and for sending, receiving, and storing telephone calls and/or electronic mail and other digital data; digital format audio and video players; computer operating system software; wireless communication devices for voice, data, image, and multimedia transmission; computer network communication apparatus; computer hardware for communication between multiple computers and between computers and local and global computer networks; set top boxes; computer hardware for the reproduction, processing, playing and streaming of audio, video, images, and multimedia content, for controlling the operation of multimedia devices, and for viewing, searching, storing, and playing audio, video, images, and multimedia content; computer keyboards; computer mice; remote controls, electronic connectors, cables, chargers, docks, and adapters for use with computer and handheld digital electronic devices; cases for computers; batteries; battery chargers; headphones.

(260) AM 2015 76102 A
 (800) 1192787
 (891) 2013 11 15
 (731) BEIERSDORF AG
 Unnastrasse 48, 20253 Hamburg, Germany
 (540)



(591) Light blue, dark blue, turquoise and white
 (511)
 3 – Cosmetics, Deodorants and antiperspirants for personal use.

(260) AM 2015 76104 A
 (800) 1192795
 (891) 2013 11 21
 (731) BIOFARMA
 50 rue Carnot, F-92284 SURESNES CEDEX,
 France
 (540)

ATPCI

(511)
 35 – Investigations, opinion polling and statistical studies in the medical and pharmaceutical fields.
 42 – Scientific research services for medical purposes, namely medical studies and clinical studies.
 44 – Consultancy in the field of pharmacy; pharmaceutical or medical information services; medical services.

(260) AM 2015 76106 A
 (800) 1192803
 (891) 2013 11 04
 (731) PIAGGIO & C. S.p.A.
 Viale Rinaldo Piaggio, 25 I-56025
 PONTEDERA (PI), Italy
 (540)

Primavera

(591) Black, white
 (511)
 9 – Electric accumulators; electric batteries; sirens; chargers for electric batteries; flashing safety lights; radios; speed checking apparatus for vehicles; speedometers for vehicles; vehicle breakdown warning triangles; safety goggles; face shields for protective helmets; protective helmets; safety helmets; articles of protective clothing for wear by motorcyclists for protection against accident or injury, irradiation and fire; gloves for protection against accidents; safety boots for motorcyclists; fireproof motorcycle racing suits for safety purposes; computers; mouse pads; computer mice; USB flash drives; electronic pens [visual display units]; wireless headsets for use with mobile telephones; diagnostic software designed for maintenance and repair of motor vehicles; video game cartridges; computer game programs; mobile phones; portable media players; covers for mobile phones; covers for portable multimedia players; covers for sound reproduction apparatus; covers for hand-held computers; covers for electronic agendas; covers for cameras [photography]; covers for film cameras; cases especially made for photographic apparatus and instruments; eyeglass cases; spectacles; spectacle frames; eyeglass chains; eyeglass cords; chains and cords for sunglasses; optical lenses; correcting lenses [optics]; lenses for eyeglasses; video game cassettes; video game discs; memory cards for video game machines; satellite navigational apparatus.

12 – Two wheeled vehicles, spare parts and accessories thereof, excluding bicycles, parts and accessories thereof.

18 – Bags; handbags; travelling bags; briefcases; leather briefcases; leather credit card holders; wallets; key-cases [leatherware]; purses; trunks [luggage]; suitcases; cosmetic bags sold empty; bags for sports; shoulder bags; leather shopping bags; school bags; rucksacks; travelling sets [leatherware]; garment bags for travel; shoe bags for travel; beach bags; duffel bags; bags for climbers; vanity cases, not fitted; hides; cases of leather or imitation leather; boxes of leather or imitation leather; furniture coverings of leather; umbrellas; parasols; leather leashes.

25 – Clothing namely coats, mantles [clothing], raincoats, dresses, suits, skirts, jackets [clothing], trousers, jeans, waistcoats, shirts, tee-shirts, blouses, jerseys [clothing], sweaters, blazers, cardigans, stockings, socks, underwear, night gowns, pajamas,

bathrobes, bathing suits, sports jackets, wind-resistant jackets, anoraks, sweat suits, neckties, scarves, shawls, bandanas, foulards [clothing articles], sashes for wear, gloves [clothing], belts [clothing], waterproof clothing, footwear, footwear for motorcyclists, boots, shoes, sport shoes, headgear for wear, hats, berets, visors [headwear].

28 – Games and playthings namely board games, parlour games, ride-on toys, scale model kits [toys], scale model vehicles, toy collection models reproducing motorbikes, automobiles and other vehicles, building blocks, building games, dolls, dolls' clothing, accessories for dolls, plush toys, toy vehicles, toy real-size non-operating replicas of motorbikes and automobiles for ornament, entertainment and exhibition purposes, jigsaw puzzles, hand held units for playing video games, portable games with liquid crystal displays, arcade video game machines, radio-controlled toy vehicles, plastic racetracks [toys].

(260) AM 2015 76107 A
(800) 1192804
(891) 2013 11 25
(731) COINTREAU
Carrefour Molière, F-49124 SAINT
BARTHELEMY D'ANJOU, France
(540)



(591) Copper, black, red, white and gold
(511)
32 – Beers; mineral and aerated waters and other non-alcoholic beverages; beverages based on fruit and fruit juices; syrups and other preparations for making beverages.

33 – Alcoholic beverages (except beers).

(260) AM 2015 76108 A
(800) 1192805
(891) 2013 11 22
(731) GUERLAIN
68 Avenue des Champs Elysées, F-75008
PARIS, France
(540)

SHALIMAR
Souffle de Parfum

(591) Black, white
(511)
3 – Perfumes, eaux de toilette, essential oils, perfumed body milk, deodorant, perfumed body soap, perfumed body powder, perfumed shower gel for the body.

(260) AM 2015 76163 A
(800) 1177872
(891) 2013 12 13
(731) MOTUL
119 boulevard Félix Faure, F-93300
AUBERVILLIERS, France
(540)

300 V

(511)
4 – Industrial oils and greases; lubricants; oils, greases and lubricants for vehicle motors and engines; non-chemical additives to motor fuel; dust absorbing, wetting and binding compositions, for use in the maintenance of vehicle motors and engines and all machine motors and engines; fuels (including engine fuels) and illuminants; candles, wicks for lighting; compositions used as binders, binding materials.

(260) AM 2015 76185 A
(800) 1193324
(891) 2013 12 10
(731) ROCHE DIAGNOSTICS GMBH
Sandhofer Str. 116, 68305 Mannheim,
Germany
(540)

COBAS F

(511)
9 – Scientific instruments and apparatus; laboratory devices for use in research, science and industry; laboratory instruments for medical diagnostic purposes; dispensers for laboratory devices; computer hardware and software for medical, veterinary and diagnostic purposes.

10 – Instruments and apparatus for surgical, medical and veterinary purposes; medical apparatus and instruments for medical and diagnostic purposes; testing apparatus for in-vitro diagnostics for medical purposes.

(260) AM 2015 76278 A
(800) 557410
(891) 2014 01 10
(731) SOCIÉTÉ DES PRODUITS NESTLÉ S.A.
CH-1800 Vevey, Switzerland
(540)

MERITENE

(511)
5 – Dietetic foods and foods for special diets for medical use.

(260) AM 2015 76279 A

(800) 631719

(891) 2013 11 14

(731) MEDIASET SPA

Via Paleocapa 3, I-20121 MILANO, Italy

(540)

MEDIASET

(511)

16 – Books, dictionaries, newspapers, small newspapers, comic books, periodicals, magazines, catalogs, pamphlets, leaflets, bulletins, ledgers, paper, articles made of paper, cardboard, articles made of cardboard, blotting paper, paper for photocopying, articles for bookbinding and bookbinders, photographs, office requisites, adhesives and materials for office use, glues for office use, artists' materials, typewriters, instructional and teaching material, document portfolios, binders for office use, playing cards, printing type, printing blocks, stamps, date stamps, office supplies, seals for office use, rubber erasers, pen holders, ball-point pens, pencils, pens, chalks, clips for letters, articles for correcting documents, compasses for drawing, squares and rulers for drawing, envelopes, writing paper, carbon paper, paper knives, cutters for office use, self-adhesive advertising labels, posters, business cards, diaries.

28 – Games, toys; articles for gymnastics and sports, decorations and ornaments for Christmas trees, games, board games comprising equipment made of paper or cardboard.

35 – Services for others in the field of advertising and business, public relations and marketing research, market studies, advertising agency services, publication of advertising texts, dissemination of advertising matter and advertisements, radio and television advertising, consulting services for the organization of business management, organization of exhibitions for commercial or advertising purposes, business consultancy.

38 – Services in the field of public relations, services for broadcasting radio and television programs, services for broadcasting programs by cable and satellite, management of telephone networks and transmission of telephone services, press agencies, news agencies.

41 – Production and distribution of television programs, production and distribution of films for television and the cinema, film studies, rental of films, cinematographic apparatus, production of radio and television programs, theatrical performances, movie theaters, editing of films, radio and tele-

vision programs, services for others in the field of teaching, education, personal education, services for others mainly for amusement, entertainment, recreation of people, services in the field of shows and prize competitions, organization of sports events and competitions, services relating to the development and practise of sports, gyms, services of a publishing house, recording company, rental of sound recordings, music and singing events, organization of exhibitions for cultural and/or educational purposes.

42 – Technical design and styling of clothing, materials, machines, industrial and civil engineering facilities and works, services for providing accommodation and food, such as hotels, boarding houses, camp sites, tourist inns, farms with meals, sanatoriums, convalescent and rest homes, services primarily for providing food and beverages prepared for consumption, such as services provided by restaurants in bus service stations, canteens and small restaurants, operation of beauty salons, hairdressing salons, legal consultancy, legal and tax consultancy, services provided by chemists, physicists, services of travel agencies or intermediaries making travelers' hotel reservations, services provided by engineers and technical experts carrying out of appraisals, research and expertise, services provided by professional consulting in the field of sports facilities, hotels, catering outlets, fairground operation services, photography services, information services relating to fashion, services provided by associations to their members, included in this class.

(260) AM 2015 76318 A

(800) 1193922

(891) 2013 09 09

(731) COMPANY FOREX CLUB LTD.

Apartment N°3, Beau Bios, Castle Comfort, Roseau, Dominica

(540)

Forex Club

(511)

36 – Financial analysis; lease-purchase financing; savings bank services; capital investment; financial information; clearing, financial; financial consultancy; stock exchange quotations; brokerage; financial management; exchanging money; debit card services; credit card services; Internet banking; factoring; financial evaluation [insurance, banking, real estate]; electronic funds transfer; surety services; securities brokerage; loans [financing]; financial sponsorship; banking; mutual funds; financing services; safe deposit services; deposits of valuables; fiscal assessments.

(260) AM 2015 76510 A

(800) 1195656

(891) 2013 10 17

(731) TEXTON CORPORATION LLC
1313 N. Market Street, Suite 5100,
Wilmington DE 19801, USA

(540)

polaris

(591) Black, white

(511)

7 – Aerated beverage-making machines; food blenders, electric; food blenders, electric, for household purposes; kitchen mixers, electric; electric mixers for household purposes; can openers, electric; coffee grinders, other than hand-operated; ironing machines; garbage [waste] disposals; butter machines; sausage machines; grinding machines; dishwashers; bottle washing machines; sifting machines; bread cutting machines; machines and apparatus for cleaning, electric; machines and apparatus for carpet shampooing, electric; kitchen machines, electric; wringing machines for laundry; washing machines [laundry]; mills for household purposes, other than hand-operated; vacuum cleaner bags; meat choppers [machines]; vacuum cleaner attachments for disseminating perfumes and disinfectants; knives, electric; food processors, electric; vacuum cleaners; whisks, electric, for household purposes; fruit presses, electric, for household purposes; electric fruit squeezers; beverage preparation machines, electromechanical; food preparation machines, electromechanical; shoe polishers, electric; air condensers; vacuum cleaner hoses; parquet wax-polishers, electric.

8 – Hand tools and implements, hand-operated; cutlery, forks and spoons; side arms, other than firearms; razors, electric or non-electric; table forks; depilation appliances, electric and non-electric; nail clippers, electric or non-electric; oyster openers; polishing irons [glazing tools]; ear-piercing apparatus; blades [hand tools]; razor blades; beard clippers; hair clippers for personal use, electric and non-electric; manicure sets; manicure sets, electric; pedicure sets; shaving cases; carving knives; cheese slicers, non-electric; egg slicers, non-electric; pizza cutters, non-electric; can openers, non-electric; knives; scissors; vegetable slicers; nail files; nail files, electric; tweezers; hair-removing tweezers; table cutlery [knives, forks and spoons]; hand implements for hair curling, non-electric; hand implements for hair curling, electric; hair straighteners, electric and non-electric; hair crimpers, electric; fingernail polishers, electric or non-electric; silver plate [knives, forks and spoons]; flat irons; electric steam irons; razor cases; pliers; nail nippers; curling tongs; nutcrackers; sugar tongs; cuticle tweezers; eyelash curlers.

9 – Scales; dosage dispensers.

11 – Ionization apparatus for the treatment of air or water; hydromassage bath apparatus; spa baths [vesseles]; lighters; bread baking machines; stoves; fabric steamers; cooking utensils, electric; apparatus for

heating, steam generating, cooking, drying, ventilating, water supply and sanitary purposes; water heaters [apparatus]; hand drying apparatus for washrooms; waffle irons, electric; fans [air-conditioning]; fans [parts of air-conditioning installations]; electric fans for personal use; roasting spits; boilers, other than parts of machines; water heaters; air reheaters; extractor hoods for kitchens; showers; shower cubicles [enclosures (Am.)]; heating apparatus; pressure cooking saucepans, electric, including pressure cookers [autoclaves], electric; solar thermal collectors [heating]; air conditioning apparatus; coffee machines, electric; mixer taps for water pipes; barbecues; heaters, electric, for feeding bottles; heaters for heating irons; bath fittings; stoves [heating apparatus]; cookers; electric cooking pots; water filtering apparatus; cooking apparatus and installations, including electric food steamers, multi-cookers, grills [cooking appliances], convection ovens, microwave ovens [cooking apparatus]; cooking rings; heating apparatus, electric; steam facial apparatus [saunas]; plate warmers; electric appliances for making yogurt; ro-tisseries; radiators [heating]; radiators, electric; roasters; laundry dryers, electric; air driers (dryers); hair dryers; bread toasters; air conditioning installations; coffee filters, electric; filters for drinking water; kettles, electric; thermo pots; ventilation hoods; kitchen ranges [ovens]; griddles [cooking appliances]; gas lighters; bakers' ovens.

21 – Soap dispensers; toilet paper dispensers; household or kitchen utensils and containers; combs and sponges; graters [household utensils]; brushes, except paintbrushes; brush-making materials; articles for cleaning purposes; mixers, manual [cocktail shakers]; fruit presses, non-electric, for household purposes; steelwool; glass, unworked or semi-worked, except building glass; glassware, porcelain and earthenware not included in other classes; toothbrushes, electric; battery-operated lint removers; electric lint removers; electric toothbrush heads; electric and non-electric lint removers.

35 – Advertising; commercial information and advice for consumers [consumer advice shop]; presentation of goods on communication media, for retail purposes; sales promotion for others; distribution of samples; procurement services for others [purchasing goods and services for other businesses]; wholesale and retail store services.

(260) AM 2015 76512 A

(800) 1195709

(891) 2013 08 30

(731) SAM MONTE CARLO INAS

3, rue des Lilas MC-98000 Monaco,
Monaco

(540)

MONTE-CARLO-WATER

(511)
32 – Beers; mineral and aerated waters and other non-alcoholic beverages; beverages based on fruit and fruit juices; syrups and other preparations for making beverages.

(260) AM 2015 76513 A
(800) 1195717
(891) 2013 10 04
(731) WORLD MEDICINE İLAÇ SANAYİ VE TİCARET LİMİTED ŞİRKETİ
Evren Mahallesi Cami Yolu Caddesi No:50,
Kat 1 B Zemin 4-5-6, Güneşli/Bağcılar/
İSTANBUL, Turkey

(540)

ADEM TA
ADEM TA

(591) Black, white
(511)
5 – Medicines for human purposes, medicines for veterinary purposes, vitamins, chemical preparations for medical purposes, dietetic substances adapted for medical use; dietetic foods adapted for medical purposes; amino acids for medical purposes, nutritional supplements, pollen dietary substances, mineral food supplements, protein dietary supplements, baby foods, medicinal herbs, herbal beverages adapted for medical purposes; medicines for dental purposes, hygienic products for medical purposes including pads, waddings for medical purposes, plasters for medical purposes, dressings for medical purposes; preparations for destroying noxious plants, preparations for destroying noxious animals, fungicides; deodorants other than for human beings or for animals; air deodorising preparations; disinfectants for hygiene purposes, antiseptics, detergents for medical purposes.

(260) AM 2015 76519 A
(800) 1195783
(891) 2014 01 22
(731) BAYER INTELLECTUAL PROPERTY GMBH
Alfred-Nobel-Straße 10, 40789 Monheim am Rhein, Germany

(540)

JIVI

(511)
5 – Pharmaceutical preparations.

(260) AM 2015 76530 A
(800) 1195784
(891) 2014 01 13
(731) KRKA, tovarna zdravil, d.d. Novo mesto
Šmarješka cesta 6, SI-8501 Novo mesto,
Slovenia

(540)

LORTENZA

(511)
5 – Pharmaceutical preparations.

(260) AM 2015 76531 A
(800) 1195794
(891) 2013 10 16
(731) ŠKODA AUTO a.s.
Tř. Václava Klementa 869, CZ-293 60 Mladá Boleslav, Czech Republic

(540)

Spaceback

(511)
12 – Automobiles and their parts, all included in this class.

(260) AM 2015 76532 A
(800) 1195817
(891) 2013 10 17
(731) Otkrytoe aktsionernoe obshchestvo "PROGRESS"
Vladenie 2, ul. Angarskaya RU-398902
Lipetsk, Russian Federation

(540)

**ФРУТОНЯНЯ НА
ПРОГУЛКУ**

(511)
5 – Mineral waters for medical purposes; baby food flour; breast-milk substitutes; dietetic beverages adapted for medical purposes; malted milk beverages for medical purposes; baby foods, including baby foods based on fruits, berries, vegetables, meat, soy, milk; baby foods, including porridges, fruit and grain porridges, instant porridges [cereals, cereal with fruits, cereal with milk, cereal with infant formula, cereal fortified with pro- or prebiotics]; milk free instant porridges, enriched with vitamins and minerals for medical purposes and babies; baby foods, namely dry and liquid kissels for babies, vegetable, berry and fruit desserts for babies, fruit, fruit and berry, fruit and vegetable purees for babies, fruit purees with curd, yogurt or cream for babies, berry purees for babies, fruit purees with curd for babies, vegetable purees for babies, meat purees for babies, meat purees with by-products for babies, meat and vegetable purees for babies, risotto for babies, sausages, meatballs for babies, dry quick dissolving or ready-made soups and puddings for babies, cookies for babies, dry and liquid tea for babies, drinking waters for babies; herbal drinks for medical purposes and babies; dietetic foods adapted for medical purposes; asthmatic tea; milk baby formula; fortified fruit and vegetable juices for babies, pregnant and lactating women; specialty tea (dry and

liquid) for pregnant and lactating women; herbal teas for medicinal purposes; slimming tea for medical purposes; medicinal infusions; babies' diaper-pants; albuminous foodstuffs for medical purposes; laxatives; nervines; digestives for pharmaceutical purposes.

29 – Ajvar [preserved peppers]; aloe vera prepared for human consumption; alginates for culinary purposes; anchovy; peanuts, processed; albumen for culinary purposes; white of eggs; beans, preserved; soya beans, preserved, for food; bouillon; ginger jam; ham; fatty substances for the manufacture of edible fats; toasted laver; edible birds' nests; peas, preserved; mushrooms, preserved; game, not live; gelatine; meat jellies; jellies for food; fruit jellies; yolk of eggs; coconut fat; bone oil, edible; lard for food; suet for food; edible fats; fruit-based snack food; charcuterie; raisins; caviar; processed fish spawn; yogurt; sauerkraut; kephir [milk beverage]; isinglass for food; clams [not live]; milk shakes; black pudding [blood sausage]; compotes; meat, tinned [canned (Am.)]; vegetables, tinned [canned (Am.)]; fish, tinned [canned (Am.)]; fruits, tinned [canned (Am.)]; bouillon concentrates; gherkins; shrimps, not live; prawns, not live; buttercream; croquettes; silkworm chrysalis, for human consumption; kumys [kumyss] [milk beverage]; spiny lobsters, not live; lecithin for culinary purposes; salmon; onions, preserved; margarine; piccalilli; marmalade; edible oils; peanut butter; cocoa butter; colza oil for food; coconut butter; corn oil; sesame oil; linseed oil for culinary purposes; olive oil for food; palm oil for food; palm kernel oil for food; sunflower oil for food; coconut oil; butter; shellfish, not live; almonds, ground; animal marrow for food; mussels, not live; milk; condensed milk; albumin milk; soya milk [milk substitute]; fish meal for human consumption; vegetable mousses; fish mousses; fruit pulp; meat; meat, preserved; milk beverages, milk predominating; vegetables, preserved; vegetables, dried; vegetables, cooked; potato fritters; olives, preserved; lobsters, not live; coconut, desiccated; nuts, prepared; tomato purée; liver pâté; pectin for culinary purposes; liver; pickles; jams; powdered eggs; milk products; kimchi [fermented vegetable dish]; foods prepared from fish; prostokvasha [soured milk]; poultry, not live; pollen prepared as foodstuff; cranberry sauce [compote]; apple purée; crayfish, not live; crustaceans, not live; fish, preserved; fish, not live; salted fish; ryazhenka [fermented baked milk]; vegetable salads; fruit salads; bacon; sardines; pork; herrings; processed seeds; processed sunflower seeds; cream [dairy products]; whipped cream; fat-containing mixtures for bread slices; smetana [sour cream]; tomato juice for cooking; vegetable juices for cooking; salted meats; sausages; sausages in batter; preparations for making bouillon; preparations for making soup; tripe; soups; vegetable soup preparations; whey; cheese; tahini [sesame seed pas-

te]; tofu; sea-cucumbers, not live; truffles, preserved; tuna fish; oysters, not live; milk ferments for culinary purposes; rennet; fish fillets; dates; crystallized fruits; frozen fruits; fruit, preserved; fruit preserved in alcohol; fruit, stewed; potato flakes; hummus [chickpea paste]; fruit peel; preserved garlic; lentils, preserved; potato chips; low-fat potato chips; fruit chips; non-alcoholic egg nog; seaweed extracts for food; meat extracts; eggs; snail eggs for consumption.

30 – Aromatic preparations for food; flavorings [flavourings], other than essential oils, for cakes; flavorings [flavourings], other than essential oils, for beverages; coffee flavorings [flavourings]; flavorings, other than essential oils; star aniseed; cereal bars; high-protein cereal bars; pancakes; noodle-based prepared meals; buns; bread rolls; vanillin [vanilla substitute]; vanilla [flavoring] [flavouring]; waffles; vermicelli [noodles]; natural sweeteners; sausage binding materials; binding agents for ice cream [edible ices]; sea water for cooking; seaweed [condiment]; malt biscuits; cloves [spice]; cake frosting [icing]; glucose for culinary purposes; mustard; gluten additives for culinary purposes; yeast; thickening agents for cooking foodstuffs; leaven; rice-based snack food; cereal-based snack food; artificial coffee; vegetal preparations for use as coffee substitutes; dressings for salad; fruit jellies [confectionery]; confectionery for decorating Christmas trees; cakes; pastries; peanut confectionery; almond confectionery; pasta; pâté [pastries]; ginger [spice]; frozen yogurt [confectionery ices]; cocoa; capers; caramels [candy]; curry [spice]; gruel, with a milk base, for food; ketchup [sauce]; quiches; gluten prepared as foodstuff; sweetmeats [candy]; liquorice [confectionery]; peppermint sweets; cinnamon [spice]; coffee; unroasted coffee; starch for food; crackers; custard; hominy grits; semolina; oatmeal; crushed barley; groats for human food; corn, milled; corn, roasted; meat pies; turmeric for food; couscous [semolina]; farinaceous foods; noodles; ice for refreshment; ice, natural or artificial; edible ices; candy; rice cakes; mayonnaise; macarons [pastry]; macaroni; maltose; hominy; marinades; marzipan; honey; royal jelly; ice cream; bean meal; tapioca flour for food; potato flour for food; corn flour; flour; wheat flour; soya flour; barley meal; dessert mousses [confectionery]; chocolate mousses; muesli; mint for confectionery; cocoa beverages with milk; coffee beverages with milk; coffee-based beverages; tea-based beverages; chocolate beverages with milk; chocolate-based beverages; cocoa-based beverages; infusions, not medicinal; crushed oats; husked oats; nutmegs; stick liquorice [confectionery]; soya bean paste [condiment]; pastilles [confectionery]; molasses for food; pepper; allspice; peppers [seasonings]; pesto [sauce]; biscuits; petit-beurre biscuits; pies; pizzas; meat gravies; fondants [confectionery]; popcorn; powders for ice cream; baking powder; mustard meal; pralines; condiments; meat tenderizers, for household purposes; cereal preparations; flour-milling pro-

ducts; oat-based food; propolis; gingerbread; spices; petits fours [cakes]; puddings; cake powder; fruit coulis [sauces]; ravioli; chewing gum; relish [condiment]; rice; wheat germ for human consumption; spring rolls; sago; sugar; palm sugar; aniseed; linseed for human consumption; cake paste; confectionery; baking soda [bicarbonate of soda for cooking purposes]; malt for human consumption; salt for preserving foodstuffs; cooking salt; celery salt; sorbets [ices]; ham glaze; soya sauce; tomato sauce; pasta sauce; sauces [condiments]; spaghetti; seasonings; preparations for stiffening whipped cream; rusks; breadcrumbs; sushi; sandwiches; tabbouleh; tacos; tapioca; tarts; dough; almond paste; tortillas; garden herbs, preserved [seasonings]; vinegar; beer vinegar; ferments for pastes; halvah; bread; unleavened bread; chips [cereal products]; corn flakes; oat flakes; chicory [coffee substitute]; tea; iced tea; chutneys [condiments]; cheeseburgers [sandwiches]; chow-chow [condiment]; saffron [seasoning]; chocolate; malt extract for food; essences for foodstuffs, except etheric essences and essential oils; husked barley; golden syrup; cream of tartar for culinary purposes.

32 – Aperitifs, non-alcoholic; lithia water; seltzer water; soda water; waters [beverages]; aerated water; mineral water [beverages]; table waters; kvass [non-alcoholic beverage]; cocktails, non-alcoholic; lemonades; peanut milk [non-alcoholic beverage]; milk of almonds [beverage]; non-alcoholic beverages; isotonic beverages; non-alcoholic honey-based beverages; aloe vera drinks, non-alcoholic; whey beverages; non-alcoholic fruit juice beverages; fruit nectars, non-alcoholic; orgeat; powders for effervescing beverages; sarsaparilla [non-alcoholic beverage]; syrups for lemonade; syrups for beverages; smoothies; tomato juice [beverage]; cider, non-alcoholic; vegetable juices [beverages]; fruit juices; preparations for making aerated water; preparations for making liqueurs; preparations for making mineral water; preparations for making beverages; pastilles for effervescing beverages; sherbets [beverages]; non-alcoholic fruit extracts; essences for making beverages.

(260) AM 2015 76533 A

(800) 1195831

(891) 2013 10 17

(731) Otkrytoe aktsionernoe obshchestvo
"PROGRESS"

Vladenie 2, ul. Angarskaya, RU-398902
Lipetsk, Russian Federation

(540)



(591) Green and brown

(511)

5 – Mineral waters for medical purposes; baby food flour; breast-milk substitutes; dietetic beverages adapted for medical purposes; malted milk beverages for medical purposes; baby foods, including baby foods based on fruits, berries, vegetables, meat, soy, milk; baby foods, including porridges, fruit and grain porridges, instant porridges [cereals, cereal with fruits, cereal with milk, cereal with infant formula, cereal fortified with pro- or prebiotics]; milk free instant porridges, enriched with vitamins and minerals for medical purposes and babies; baby foods, namely dry and liquid kissels for babies, vegetable, berry and fruit desserts for babies, fruit, fruit and berry, fruit and vegetable purees for babies, fruit purees with curd, yogurt or cream for babies, berry purees for babies, fruit purees with curd for babies, vegetable purees for babies, meat purees for babies, meat purees with by-products for babies, meat and vegetable purees for babies, risotto for babies, sausages, meatballs for babies, dry quick dissolving or ready-made soups and puddings for babies, cookies for babies, dry and liquid tea for babies, drinking waters for babies; herbal drinks for medical purposes and babies; dietetic foods adapted for medical purposes; asthmatic tea; milk baby formula; fortified fruit and vegetable juices for babies, pregnant and lactating women; specialty tea (dry and liquid) for pregnant and lactating women; herbal teas for medicinal purposes; slimming tea for medical purposes; medicinal infusions; babies' diaper-pants; albuminous foodstuffs for medical purposes; laxatives; nervines; digestives for pharmaceutical purposes.

29 – Ajvar [preserved peppers]; aloe vera prepared for human consumption; alginates for culinary purposes; anchovy; peanuts, processed; albumen for culinary purposes; white of eggs; beans, preserved; soya beans, preserved, for food; bouillon; ginger jam; ham; fatty substances for the manufacture of edible fats; toasted laver; edible birds' nests; peas, preserved; mushrooms, preserved; game, not live; gelatine; meat jellies; jellies for food; fruit jellies; yolk of eggs; coconut fat; bone oil, edible; lard for food; suet for food; edible fats; fruit-based snack food; charcuterie; raisins; caviar; processed fish spawn; yogurt; sauerkraut; kefir [milk beverage]; isinglass for food; clams [not live]; milk shakes; black pudding [blood sausage]; compotes; meat, tinned [canned (Am.)]; vegetables, tinned [canned (Am.)]; fish, tinned [canned (Am.)]; fruits, tinned [canned (Am.)]; bouillon concentrates; gherkins; shrimps, not live; prawns, not live; buttercream; croquettes; silkworm chrysalis, for human consumption; kumys [kumyss] [milk beverage]; spiny lobsters, not live; lecithin for culinary purposes; salmon; onions, preserved; margarine; piccalilli; marmalade; edible oils; peanut butter; cocoa butter; colza oil for

food; coconut butter; corn oil; sesame oil; linseed oil for culinary purposes; olive oil for food; palm oil for food; palm kernel oil for food; sunflower oil for food; coconut oil; butter; shellfish, not live; almonds, ground; animal marrow for food; mussels, not live; milk; condensed milk; albumin milk; soya milk [milk substitute]; fish meal for human consumption; vegetable mousses; fish mousses; fruit pulp; meat; meat, preserved; milk beverages, milk predominating; vegetables, preserved; vegetables, dried; vegetables, cooked; potato fritters; olives, preserved; lobsters, not live; coconut, desiccated; nuts, prepared; tomato purée; liver pâté; pectin for culinary purposes; liver; pickles; jams; powdered eggs; milk products; kimchi [fermented vegetable dish]; foods prepared from fish; prostokvasha [soured milk]; poultry, not live; pollen prepared as foodstuff; cranberry sauce [compote]; apple purée; crayfish, not live; crustaceans, not live; fish, preserved; fish, not live; salted fish; ryazhenka [fermented baked milk]; vegetable salads; fruit salads; bacon; sardines; pork; herrings; processed seeds; processed sunflower seeds; cream [dairy products]; whipped cream; fat-containing mixtures for bread slices; smetana [sour cream]; tomato juice for cooking; vegetable juices for cooking; salted meats; sausages; sausages in batter; preparations for making bouillon; preparations for making soup; tripe; soups; vegetable soup preparations; whey; cheese; tahini [sesame seed paste]; tofu; sea-cucumbers, not live; truffles, preserved; tuna fish; oysters, not live; milk ferments for culinary purposes; rennet; fish fillets; dates; crystallized fruits; frozen fruits; fruit, preserved; fruit preserved in alcohol; fruit, stewed; potato flakes; hummus [chickpea paste]; fruit peel; preserved garlic; lentils, preserved; potato chips; low-fat potato chips; fruit chips; non-alcoholic egg nog; seaweed extracts for food; meat extracts; eggs; snail eggs for consumption.

30 – Aromatic preparations for food; flavorings [flavourings], other than essential oils, for cakes; flavorings [flavourings], other than essential oils, for beverages; coffee flavorings [flavourings]; flavorings, other than essential oils; star aniseed; cereal bars; high-protein cereal bars; pancakes; noodle-based prepared meals; buns; bread rolls; vanillin [vanilla substitute]; vanilla [flavoring] [flavouring]; waffles; vermicelli [noodles]; natural sweeteners; sausage binding materials; binding agents for ice cream [edible ices]; sea water for cooking; seaweed [condiment]; malt biscuits; cloves [spice]; cake frosting [icing]; glucose for culinary purposes; mustard; gluten additives for culinary purposes; yeast; thickening agents for cooking foodstuffs; leaven; rice-based snack food; cereal-based snack food; artificial coffee; vegetal preparations for use as coffee substitutes; dressings for salad; fruit jellies [confectionery]; confectionery for decorating Christmas trees; cakes; pastries; peanut confectionery; almond con-

fectionery; pasta; pâté [pastries]; ginger [spice]; frozen yogurt [confectionery ices]; cocoa; capers; caramels [candy]; curry [spice]; gruel, with a milk base, for food; ketchup [sauce]; quiches; gluten prepared as foodstuff; sweetmeats [candy]; liquorice [confectionery]; peppermint sweets; cinnamon [spice]; coffee; unroasted coffee; starch for food; crackers; custard; hominy grits; semolina; oatmeal; crushed barley; groats for human food; corn, milled; corn, roasted; meat pies; turmeric for food; couscous [semolina]; farinaceous foods; noodles; ice for refreshment; ice, natural or artificial; edible ices; candy; rice cakes; mayonnaise; macarons [pastry]; macaroni; maltose; hominy; marinades; marzipan; honey; royal jelly; ice cream; bean meal; tapioca flour for food; potato flour for food; corn flour; flour; wheat flour; soya flour; barley meal; dessert mousses [confectionery]; chocolate mousses; muesli; mint for confectionery; cocoa beverages with milk; coffee beverages with milk; coffee-based beverages; tea-based beverages; chocolate beverages with milk; chocolate-based beverages; cocoa-based beverages; infusions, not medicinal; crushed oats; husked oats; nutmegs; stick liquorice [confectionery]; soya bean paste [condiment]; pastilles [confectionery]; molasses for food; pepper; allspice; peppers [seasonings]; pesto [sauce]; biscuits; petit-beurre biscuits; pies; pizzas; meat gravies; fondants [confectionery]; popcorn; powders for ice cream; baking powder; mustard meal; pralines; condiments; meat tenderizers, for household purposes; cereal preparations; flour-milling products; oat-based food; propolis; gingerbread; spices; petits fours [cakes]; puddings; cake powder; fruit coulis [sauces]; ravioli; chewing gum; relish [condiment]; rice; wheat germ for human consumption; spring rolls; sago; sugar; palm sugar; aniseed; linseed for human consumption; cake paste; confectionery; baking soda [bicarbonate of soda for cooking purposes]; malt for human consumption; salt for preserving foodstuffs; cooking salt; celery salt; sorbets [ices]; ham glaze; soya sauce; tomato sauce; pasta sauce; sauces [condiments]; spaghetti; seasonings; preparations for stiffening whipped cream; rusks; breadcrumbs; sushi; sandwiches; tabbouleh; tacos; tapioca; tarts; dough; almond paste; tortillas; garden herbs, preserved [seasonings]; vinegar; beer vinegar; ferments for pastes; halvah; bread; unleavened bread; chips [cereal products]; corn flakes; oat flakes; chicory [coffee substitute]; tea; iced tea; chutneys [condiments]; cheeseburgers [sandwiches]; chow-chow [condiment]; saffron [seasoning]; chocolate; malt extract for food; essences for foodstuffs, except etheric essences and essential oils; husked barley; golden syrup; cream of tartar for culinary purposes.

32 – Aperitifs, non-alcoholic; lithia water; seltzer water; soda water; waters [beverages]; aerated water; mineral water [beverages]; table waters; kvass [non-alcoholic beverage]; cocktails, non-alcoholic;

lemonades; peanut milk [non-alcoholic beverage]; milk of almonds [beverage]; non-alcoholic beverages; isotonic beverages; non-alcoholic honey-based beverages; aloe vera drinks, non-alcoholic; whey beverages; non-alcoholic fruit juice beverages; fruit nectars, non-alcoholic; orgeat; powders for effervescing beverages; sarsaparilla [non-alcoholic beverage]; syrups for lemonade; syrups for beverages; smoothies; tomato juice [beverage]; cider, non-alcoholic; vegetable juices [beverages]; fruit juices; preparations for making aerated water; preparations for making liqueurs; preparations for making mineral water; preparations for making beverages; pastilles for effervescing beverages; sherbets [beverages]; non-alcoholic fruit extracts; essences for making beverages.

(260) AM 2015 76595 A

(800) 1196296

(891) 2013 12 10

(731) RICHTER GEDEON NYRT.

Gyömrői út 19-21, H-1103 Budapest, Hungary

(540)

ESTALABIN

(511)

5 – Pharmaceutical preparations.

(260) AM 2015 76596 A

(800) 1196297

(891) 2013 12 19

(731) "SOPHARMA" AD

Iliensko shose str. 16, BG-1220 Sofia,

Bulgaria

(540)

FENTORIL ФЕНТОРИЛ

(511)

5 – Pharmaceutical and veterinary preparations; sanitary preparations for medical purposes; dietetic substances adapted for medical use, food for babies; plasters, materials for dressings.

(260) AM 2015 76597 A

(800) 1196339

(891) 2013 12 03

(731) SWATCH AG (SWATCH SA) (SWATCH LTD)

Jakob-Stämpfli-Strasse 94, CH-2502

Biel/Bienne, Switzerland

(540)

i POP

(511)

9 – Optical apparatus and instruments, particularly spectacles, sunglasses, magnifying glasses; cases for

spectacles, magnifying glasses and sunglasses; batteries and cells for timepieces and chronometric instruments.

14 – Precious metals and their alloys and goods made of these materials or coated therewith included in this class, namely figurines, trophies; jewelry, namely rings, earrings, cuff links, bracelets, charms, brooches, chains, necklaces, tie pins, tie clips, jewelry caskets (cases), cases; precious stones, semi-precious stones; timepieces and chronometric instruments, namely chronometers, chronographs, clocks, watches, wristwatches, wall clocks, alarm clocks as well as parts and accessories for the aforesaid goods, namely hands, pallets, balance wheels, barrels, watch cases, watch straps, watch dials, clockworks, watch chains, movements for timepieces, watch springs, watch glasses, presentation cases for timepieces, cases for timepieces.

(260) AM 2015 76600 A

(800) 1196415

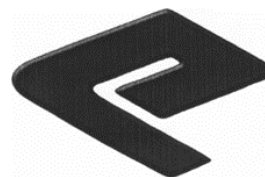
(891) 2013 12 19

(731) QILOO INTERNATIONAL LIMITED

2303, No:2 Bldg., Fuxin, Garden, Castle,

Fengze Street, Quanzhou, 362000 Fujian, China

(540)



(591) Black, white

(511)

25 – Clothing, namely coats, trousers, tee-shirts; layettes; bathing suits; running shoes; shoes; caps; socks, stockings; gloves; neckties; belts.

(260) AM 2015 76605 A

(800) 1196459

(891) 2013 11 21

(731) Actavis Group PTC ehf

Reykjavikurvegi 76-78, IS-220 Hafnarfjordur,

Iceland

(540)

PINEDRYN

(511)

5 – Pharmaceutical preparations and substances.

(260) AM 2015 76607 A

(800) 1196491

(891) 2013 12 19

(731) DAGI GIYIM SANAYI VE TICARET

ANONIM SIRKETI

Bomonti Birahane, Sk. Unkan Ish. K:1 No:3,

Sisli Istanbul, Turkey

(540)



(591) White, red and black

(511)

24 – Woven or non-woven textile fabrics; household textile products namely, bed covers, duvet covers, sheets, pillow cases, blankets, quilts, towels; textile flags, pennants, labels.

25 – Headwear, clothing made of any material excluding protective clothing (underwear and outerwear); footwear, socks.

(260) AM 2015 76612 A

(800) 1196531

(891) 2013 10 04

(731) WORLD MEDICINE İLAÇ SANAYİ VE TİCARET LİMİTED ŞİRKETİ

Evren Mahallesi Cami Yolu, Caddesi No:50
Kat 1 B Zemin 4-5-6, Güneşli Bağcılar
İSTANBUL, Turkey

(540)

BIVOXA
БИВОКСА

(591) Black, white

(511)

5 – Medicines for human purposes, medicines for veterinary purposes, vitamins, chemical preparations for medical purposes, dietetic substances adapted for medical use; dietetic foods adapted for medical purposes; aminoacids for medical purposes, nutritional supplements, pollen dietary substances, mineral food supplements, protein dietary supplements, baby foods, medicinal herbs, herbal beverages adapted for medical purposes; medicines for dental purposes, hygienic products for medical purposes including pads, waddings for medical purposes, plasters for medical purposes, dressings for medical purposes; preparations for destroying noxious plants, preparations for destroying noxious animals, fungicides; deodorants other than for human beings or for animals; air deodorising preparations; disinfectants for hygiene purposes, antiseptics, detergents for medical purposes.

(260) AM 2015 76614 A

(800) 1196533

(891) 2013 10 04

(731) WORLD MEDICINE İLAÇ SANAYİ VE TİCARET LİMİTED ŞİRKETİ

Evren Mahallesi Cami Yolu, Caddesi No:50
Kat 1 B Zemin 4-5-6, Güneşli Bağcılar
İSTANBUL, Turkey

(540)

PANKRAZA
ΠΑΝΚΡΑΖΑ

(591) Black, white

(511)

5 – Medicines for human purposes, medicines for veterinary purposes, vitamins, chemical preparations for medical purposes, dietetic substances adapted for medical use; dietetic foods adapted for medical purposes; amino acids for medical purposes, nutritional supplements, pollen dietary substances, mineral food supplements, protein dietary supplements, baby foods, medicinal herbs, herbal beverages adapted for medical purposes; medicines for dental purposes, hygienic products for medical purposes including pads, waddings for medical purposes, plasters for medical purposes, dressings for medical purposes; preparations for destroying noxious plants, preparations for destroying noxious animals, fungicides; deodorants other than for human beings or for animals; air deodorising preparations; disinfectants for hygiene purposes, antiseptics, detergents for medical purposes.

(260) AM 2015 76619 A

(800) 1196556

(891) 2013 11 18

(731) JT INTERNATIONAL S.A.

Rue de la Gabelle 1, CH-1211 Geneva 26,
Switzerland

(540)

VAPORBLEND

(511)

34 – Tobacco, whether manufactured or unmanufactured; smoking tobacco, pipe tobacco, hand rolling tobacco, chewing tobacco, snus tobacco; cigarettes, cigars, cigarillos; tobacco sold in pods; substances for smoking sold separately or blended with tobacco, none being for medicinal or curative purposes; snuff; smokers' articles included in this class; cigarette papers, cigarette tubes and matches; electronic cigarettes; electronic cigarette liquids; electronic smoking apparatus; cases for electronic cigarettes.

(260) AM 2015 76620 A

(800) 1196557

(891) 2013 11 18

(731) JT INTERNATIONAL S.A.

Rue de la Gabelle 1 CH-1211 Geneva 26,
Switzerland

(540)

VAPORLEAF

(511)

34 – Tobacco, whether manufactured or unmanufactured; smoking tobacco, pipe tobacco, hand rolling

tobacco, chewing tobacco, snus tobacco; cigarettes, cigars, cigarillos; tobacco sold in pods; substances for smoking sold separately or blended with tobacco, none being for medicinal or curative purposes; snuff; smokers' articles included in this class; cigarette papers, cigarette tubes and matches; electronic cigarettes; electronic cigarette liquids; electronic smoking apparatus; cases for electronic cigarettes.

(260) AM 2015 76622 A

(800) 1196567

(891) 2013 10 17

(731) Otkrytoe aktsionernoe obshchestvo
"PROGRESS"

Vladieni 2, ul. Angarskaya, RU-398902
Lipetsk, Russian Federation

(540)



(591) Yellow, orange and brown

(511)

5 – Mineral waters for medical purposes; baby food flour; breast-milk substitutes; dietetic beverages adapted for medical purposes; malted milk beverages for medical purposes; baby foods, including baby foods based on fruits, berries, vegetables, meat, soy, milk; baby foods, including porridges, fruit and grain porridges, instant porridges [cereals, cereal with fruits, cereal with milk, cereal with infant formula, cereal fortified with pro- or prebiotics]; milk free instant porridges, enriched with vitamins and minerals for medical purposes and babies; baby foods, namely dry and liquid kissels for babies, vegetable, berry and fruit desserts for babies, fruit, fruit and berry, fruit and vegetable purees for babies, fruit purees with curd, yogurt or cream for babies, berry purees for babies, fruit purees with curd for babies, vegetable purees for babies, meat purees for babies, meat purees with by-products for babies, meat and vegetable purees for babies, risotto for babies, sausages, meatballs for babies, dry quick dissolving or ready-made soups and puddings for babies, cookies for babies, dry and liquid tea for babies, drinking waters for babies; herbal drinks for medical purposes and babies; dietetic foods adapted for medical purposes; asthmatic tea; milk baby formula; fortified fruit and vegetable juices for babies, pregnant and lactating women; specialty tea (dry and liquid) for pregnant and lactating women; herbal teas for medicinal purposes; slimming tea for medical purposes; medicinal infusions; babies' diaper-pants; albuminous foodstuffs for medical purposes; laxatives; nervines; digestives for pharmaceutical purposes.

29 – Ajvar [preserved peppers]; aloe vera prepared for human consumption; alginates for culinary purposes; anchovy; peanuts, processed; albumen for culinary purposes; white of eggs; beans, preserved; soya beans, preserved, for food; bouillon; ginger jam; ham; fatty substances for the manufacture of edible fats; toasted laver; edible birds' nests; peas, preserved; mushrooms, preserved; game, not live; gelatine; meat jellies; jellies for food; fruit jellies; yolk of eggs; coconut fat; bone oil, edible; lard for food; suet for food; edible fats; fruit-based snack food; charcuterie; raisins; caviar; processed fish spawn; yogurt; sauerkraut; kephir [milk beverage]; isinglass for food; clams [not live]; milk shakes; black pudding [blood sausage]; compotes; meat, tinned [canned (Am.)]; vegetables, tinned [canned (Am.)]; fish, tinned [canned (Am.)]; fruits, tinned [canned (Am.)]; bouillon concentrates; gherkins; shrimps, not live; prawns, not live; buttercream; croquettes; silkworm chrysalis, for human consumption; kumys [kumyss] [milk beverage]; spiny lobsters, not live; lecithin for culinary purposes; salmon; onions, preserved; margarine; piccalilli; marmalade; edible oils; peanut butter; cocoa butter; colza oil for food; coconut butter; corn oil; sesame oil; linseed oil for culinary purposes; olive oil for food; palm oil for food; palm kernel oil for food; sunflower oil for food; coconut oil; butter; shellfish, not live; almonds, ground; animal marrow for food; mussels, not live; milk; condensed milk; albumin milk; soya milk [milk substitute]; fish meal for human consumption; vegetable mousses; fish mousses; fruit pulp; meat; meat, preserved; milk beverages, milk predominating; vegetables, preserved; vegetables, dried; vegetables, cooked; potato fritters; olives, preserved; lobsters, not live; coconut, desiccated; nuts, prepared; tomato purée; liver pâté; pectin for culinary purposes; liver; pickles; jams; powdered eggs; milk products; kimchi [fermented vegetable dish]; foods prepared from fish; prostokvasha [soured milk]; poultry, not live; pollen prepared as foodstuff; cranberry sauce [compote]; apple purée; crayfish, not live; crustaceans, not live; fish, preserved; fish, not live; salted fish; ryazhenka [fermented baked milk]; vegetable salads; fruit salads; bacon; sardines; pork; herrings; processed seeds; processed sunflower seeds; cream [dairy products]; whipped cream; fat-containing mixtures for bread slices; smetana [sour cream]; tomato juice for cooking; vegetable juices for cooking; salted meats; sausages; sausages in batter; preparations for making bouillon; preparations for making soup; tripe; soups; vegetable soup preparations; whey; cheese; tahini [sesame seed paste]; tofu; sea-cucumbers, not live; truffles, preserved; tuna fish; oysters, not live; milk ferments for culinary purposes; rennet; fish fillets; dates; crystallized fruits; frozen fruits; fruit, preserved; fruit preserved in alcohol; fruit, stewed; potato flakes; hummus [chickpea paste]; fruit peel; preserved garlic; lentils,

preserved; potato chips; low-fat potato chips; fruit chips; non-alcoholic egg nog; seaweed extracts for food; meat extracts; eggs; snail eggs for consumption.

30 – Aromatic preparations for food; flavorings [flavourings], other than essential oils, for cakes; flavorings [flavourings], other than essential oils, for beverages; coffee flavorings [flavourings]; flavorings, other than essential oils; star aniseed; cereal bars; high-protein cereal bars; pancakes; noodle-based prepared meals; buns; bread rolls; vanillin [vanilla substitute]; vanilla [flavoring] [flavouring]; waffles; vermicelli [noodles]; natural sweeteners; sausage binding materials; binding agents for ice cream [edible ices]; sea water for cooking; seaweed [condiment]; malt biscuits; cloves [spice]; cake frosting [icing]; glucose for culinary purposes; mustard; gluten additives for culinary purposes; yeast; thickening agents for cooking foodstuffs; leaven; rice-based snack food; cereal-based snack food; artificial coffee; vegetal preparations for use as coffee substitutes; dressings for salad; fruit jellies [confectionery]; confectionery for decorating Christmas trees; cakes; pastries; peanut confectionery; almond confectionery; pasta; pâté [pastries]; ginger [spice]; frozen yogurt [confectionery ices]; cocoa; capers; caramels [candy]; curry [spice]; gruel, with a milk base, for food; ketchup [sauce]; quiches; gluten prepared as foodstuff; sweetmeats [candy]; liquorice [confectionery]; peppermint sweets; cinnamon [spice]; coffee; unroasted coffee; starch for food; crackers; custard; hominy grits; semolina; oatmeal; crushed barley; groats for human food; corn, milled; corn, roasted; meat pies; turmeric for food; couscous [semolina]; farinaceous foods; noodles; ice for refreshment; ice, natural or artificial; edible ices; candy; rice cakes; mayonnaise; macaroons [pastry]; macaroni; maltose; hominy; marinades; marzipan; honey; royal jelly; ice cream; bean meal; tapioca flour for food; potato flour for food; corn flour; flour; wheat flour; soya flour; barley meal; dessert mousses [confectionery]; chocolate mousses; muesli; mint for confectionery; cocoa beverages with milk; coffee beverages with milk; coffee-based beverages; tea-based beverages; chocolate beverages with milk; chocolate-based beverages; cocoa-based beverages; infusions, not medicinal; crushed oats; husked oats; nutmegs; stick liquorice [confectionery]; soya bean paste [condiment]; pastilles [confectionery]; molasses for food; pepper; allspice; peppers [seasonings]; pesto [sauce]; biscuits; petit-beurre biscuits; pies; pizzas; meat gravies; fondants [confectionery]; popcorn; powders for ice cream; baking powder; mustard meal; pralines; condiments; meat tenderizers, for household purposes; cereal preparations; flour-milling products; oat-based food; propolis; gingerbread; spices; petits fours [cakes]; puddings; cake powder; fruit coulis [sauces]; ravioli; chewing gum; relish [condiment]; rice; wheat germ for human consumption;

spring rolls; sago; sugar; palm sugar; aniseed; linseed for human consumption; cake paste; confectionery; baking soda [bicarbonate of soda for cooking purposes]; malt for human consumption; salt for preserving foodstuffs; cooking salt; celery salt; sorbets [ices]; ham glaze; soya sauce; tomato sauce; pasta sauce; sauces [condiments]; spaghetti; seasonings; preparations for stiffening whipped cream; rusks; breadcrumbs; sushi; sandwiches; tabbouleh; tacos; tapioca; tarts; dough; almond paste; tortillas; garden herbs, preserved [seasonings]; vinegar; beer vinegar; ferments for pastes; halvah; bread; unleavened bread; chips [cereal products]; corn flakes; oat flakes; chicory [coffee substitute]; tea; iced tea; chutneys [condiments]; cheeseburgers [sandwiches]; chow-chow [condiment]; saffron [seasoning]; chocolate; malt extract for food; essences for foodstuffs, except etheric essences and essential oils; husked barley; golden syrup; cream of tartar for culinary purposes.

32 – Aperitifs, non-alcoholic; lithia water; seltzer water; soda water; waters [beverages]; aerated water; mineral water [beverages]; table waters; kvass [non-alcoholic beverage]; cocktails, non-alcoholic; lemonades; peanut milk [non-alcoholic beverage]; milk of almonds [beverage]; non-alcoholic beverages; isotonic beverages; non-alcoholic honey-based beverages; aloe vera drinks, non-alcoholic; whey beverages; non-alcoholic fruit juice beverages; fruit nectars, non-alcoholic; orgeat; powders for effervescent beverages; sarsaparilla [non-alcoholic beverage]; syrups for lemonade; syrups for beverages; smoothies; tomato juice [beverage]; cider, non-alcoholic; vegetable juices [beverages]; fruit juices; preparations for making aerated water; preparations for making liqueurs; preparations for making mineral water; preparations for making beverages; pastilles for effervescent beverages; sherbets [beverages]; non-alcoholic fruit extracts; essences for making beverages.

(260) AM 2015 76654 A
 (800) 1113806
 (891) 2014 02 07
 (731) MERCK SHARP & DOHME CORP.
 One Merck Drive, Whitehouse Station
 New Jersey NJ 08889, USA
 (540)

HENTAKRA

(511)
 5 – Pharmaceutical preparations.

(260) AM 2015 76655 A
 (800) 1117080
 (891) 2014 01 24
 (731) MODULEX INC.
 1-20-19, Horikiri, Katsushika-ku, Tokyo
 124-0006, Japan

(540)

ModuleX

(591) Black, white

(511)

11 – Lighting apparatus and installations excluding lighting apparatus for signs installed in signs.

(260) AM 2015 76930 A

(800) 1199357

(891) 2014 01 24

(731) VOSSLOH AG

Vosslohstrasse 4, 58791 Werdohl, Germany

(540)



(591) Black, white

(511)

40 – Treatment of materials; treatment and machining of metal plates; welding work for third parties; treatment of rails for railway vehicles.

(260) AM 2015 76954 A

(800) 1159878

(891) 2014 02 18

(731) JOINT STOCK COMPANY GAZPROM
NEFTGalemaya ul, 5, lit A, RU-190000
St-Petersburg, Russian Federation

(540)



(591) Blue, white and light-blue

(511)

1 – Acetate of cellulose, unprocessed; acetates [chemicals]; acetic anhydride; acetone; acetylene tetrachloride; acetylene; acid proof chemical compositions; acids; acidulated water for recharging accumulators; acidulated water for recharging batteries; anti-frothing solutions for batteries; acrylic resins, unprocessed; actinium; activated carbons; additives, chemical, to drilling muds; additives, chemical, to fungicides; additives, chemical, to insecticides; additives, chemical, to motor fuel; adhesive preparations for surgical bandages; adhesives for billposting; adhesives for industrial purposes; adhesives for paperhanging; adhesives for wall tiles; adhesives for wallpaper; agar-agar; agglutinants for concrete; agricultural chemicals, except fungicides, weedkillers, her-

bicides, insecticides and parasiticides; albumin [animal or vegetable, raw material]; albuminized paper; alcohol; aldehydes; alginates for industrial purposes; alginates for the food industry; alkalies; alkaline iodides for industrial purposes; alkaline metals; alkaline-earth metals; alkaloids; alum; alumina; aluminium acetate; aluminium alum; aluminium chloride; aluminium hydrate; aluminium iodide; aluminium silicate; americium; ammonia [volatile alkali] for industrial purposes; ammonia; ammonium alum; ammoniacal salts; ammonium aldehyde; ammonium salts; amyl acetate; amyl alcohol; anhydrides; anhydrous ammonia; animal albumen [raw material]; animal carbon preparations; animal carbon; animal charcoal; blood charcoal; bone charcoal; anti-boil preparations for engine coolants; anti-frothing solutions for accumulators; anti-incrustants; anti-knock substances for internal combustion engines; anti-sprouting preparations for vegetables; anti-tarnishing chemicals for windows; antifreeze; antimony oxide; antimony sulphide; antimony; antistatic preparations, other than for household purposes; antranilic acid; argon; arsenic; arsenious acid; artificial resins, unprocessed; artificial sweeteners [chemical preparations]; astatine; automobile body fillers; auxiliary fluids for use with abrasives; bacterial preparations other than for medical and veterinary use; bacteriological preparations for acetification; bacteriological preparations other than for medical and veterinary use; balm of gurjun [gurjon, gurjan] for making varnish; barium compounds; barium sulphate; barium; baryta paper; baryta; barytes; bases [chemical preparations]; basic gallate of bismuth; bate for dressing skins; baths for galvanizing; bauxite; beer preserving agents; beer-clarifying and preserving agents; bentonite; benzene derivatives; benzene-based acids; benzoic acid; benzoic sulphinide; berkelium; bicarbonate of soda for chemical purposes; bichloride of tin; bichromate of potassium; bichromate of soda; biochemical catalysts; biological preparations, other than for medical or veterinary purposes; biological tissue cultures other than for medical or veterinary purposes; birdlime; bismuth nitrite for chemical purposes; bismuth; bleaching preparations [decolorants] for industrial purposes; blueprint cloth; blueprint paper; borax; boric acid for industrial purposes; brake fluid; brake fluids; brazing fluxes; brazing preparations; brickwork preservatives, except paints and oils; bromine for chemical purposes; by-products of the processing of cereals for industrial purposes; caesium; calcined soda; calcium carbide; calcium cyanamide [fertilizer]; calcium salts; californium; camphor, for industrial purposes; car body fillers; carbide; carbolineum for the protection of plants; carbon black for industrial purposes; carbon for filters; carbon sulphide; carbon tetrachloride; carbon; carbonates; carbonic acid; carbonic hydrates; casein for industrial purposes; casein for the food industry; cassiopium [lutetium]; cata-

lysts; catechu; caustic alkali; caustic soda for industrial purposes; caustics for industrial purposes; cellulose; cement [metallurgy]; cement for pneumatic tires [tyres]; cement preservatives, except paints and oils; cement-waterproofing preparations, except paints; ceramic compositions for sintering [granules and powders]; ceramic glazings; ceramic materials in particulate form, for use as filtering media; cerium; chemical additives for oils; chemical additives to drilling muds; chemical additives to fungicides; chemical additives to motor fuel; chemical condensation preparations; chemical intensifiers for paper; chemical intensifiers for rubber; chemical preparations for analyses in laboratories, other than for medical or veterinary purposes; chemical preparations for decarbonising engines; chemical preparations for facilitating the alloying of metals; chemical preparations for protection against wheat blight [smut]; chemical preparations for scientific purposes, other than for medical or veterinary use; chemical preparations for smoking meat; chemical preparations for the manufacture of paints; chemical preparations for the manufacture of pigments; chemical preparations for use in photography; chemical preparations to prevent mildew; chemical preparations to prevent wheat smut; chemical preparations, except pigments, for the manufacture of enamel; chemical reagents, other than for medical or veterinary purposes; chemical substances for analyses in laboratories, other than for medical or veterinary purposes; chemical substances for preserving foodstuffs; cement for footwear; chemicals for forestry, except fungicides, herbicides, insecticides and parasiticides; chemicals used in fermenting wine; chimney cleaners, chemical; china clay; china slip; chlorates; chlorides; chlorine; cholic acid; chromâtes; chrome alum; chrome salts; chromic acid; chromic salts; chromium oxide; cinematographic film, sensitized but not exposed; cinematographic films, sensitized but not exposed; citric acid for industrial purposes; clarification preparations; coal saving preparations; cobalt oxide for industrial purposes; collodion; color-brightening chemicals for industrial purposes; colour-brightening chemicals for industrial purposes; combusting preparations [chemical additives to motor fuel]; compositions for repairing inner tubes of tires [tyres]; chemical additives to insecticides; compositions for repairing tires [tyres]; compositions for the manufacture of phonograph records; compositions for the manufacture of technical ceramics; compositions for threading; compost; concrete preservatives, except paints and oils; concrete-aeration chemicals; condensation-preventing chemicals; coolants for vehicle engines; copper sulphate [vitriol]; corrosive preparations; creosote for chemical purposes; crotonic aldehyde; cryogenic preparations; cultures of microorganisms other than for medical and veterinary use; curium; currying preparations for leather; currying preparations for

skins; cyanides [prussiates]; cymene; damp proofing preparations, except paints, for masonry; decolorants for industrial purposes; defoliant; degreasing preparations for use in manufacturing processes; degumming preparations; dehydrating preparations for industrial purposes; detergent additives to gasoline [petrol]; detergent additives to gasoline; detergent additives to petrol [gasoline]; detergents for use in manufacturing processes; dextrine size; diagnostic preparations, other than for medical or veterinary purposes; diastase for industrial purposes; diatomaceous earth; diazo paper; diazo papers; dioxide of hydrogen; disincrustants; dispersions of plastics; distilled water; dolomite for industrial purposes; dressing and finishing preparations for textiles; dressing, except oils, for skins; drilling muds; dry ice [carbon dioxide]; dysprosium: earth for growing; electrophoresis gels, other than for medical or veterinary purposes; emollients for industrial purposes; emulsifiers; enamel and glass-staining-chemicals; enamel-staining chemicals; engine-decarbonising chemicals; enzyme preparations for industrial purposes; enzyme preparations for the food industry; enzymes for industrial purposes; enzymes for the food industry; epoxy resins, unprocessed; erbium; esters; ethane; ethers; ethyl alcohol; ethyl ether; europium; expanded-clay for hydroponic plant growing [substrate]; fat-bleaching chemicals; fatty acids; ferments for chemical purposes; fermium; ferrocyanides; ferrotype plates [photography]; fertilizers; fertilizing preparations; fillers for automobile bodies; fillers for car bodies; filtering materials [chemical preparations]; filtering materials [mineral substances]; filtering materials [unprocessed plastics]; filtering materials [vegetable substances]; filtering preparations for the beverages industry; finishing preparations for use in the manufacture of steel; fire extinguishing compositions; fireproofing preparations; fish meal fertilizers; fissionable chemical elements; fissionable material for nuclear energy; fixing baths [photography]; fixing solutions [photography]; flashlight preparations; flocculants; flour for industrial purposes; flower preservatives; flowers of sulphur for chemical purposes; fluids for hydraulic circuits; fluorine; fluorspar compounds; formic acid; formic aldehyde for chemical purposes; foundry binding substances; foundry molding [moulding] preparations; foundry molding preparations; foundry moulding preparations; foundry sand; francium; fuel for atomic piles; fuel-saving preparations; fuller's earth for use in textile industry; fulling preparations for use in textile industry; fulling preparations; gadolinium; gall nuts; gallic acid for the manufacture of ink; gallium; gallnuts; gallocinnic acid; galvanizing baths; galvanizing preparations; gambier; gas propellants for aerosols; gas purifying preparations; gelatine for industrial purposes; gelatine for photographic purposes; genes of seeds for agricultural production; getters [chemically active substances];

glass-frosting chemicals; glass-staining chemicals; glaziers' putty; glucose for industrial purposes; glucose for the food industry; glucosides; glue for industrial purposes; gluten [glue], other than for stationery or household purposes; gluten for industrial purposes; gluten for the food industry; glutinous preparations for tree-banding; glutinous preparations for tree-grafting; glutinous tree-banding preparations; glutinous tree-grafting preparations; glycerides; glycerine for industrial purposes; glycol ether; glycol; gold salts; grafting mastic for trees; grafting wax for trees; graphite for industrial purposes; grease-removing preparations for use in manufacturing processes; guano; gum arabic for industrial purposes; gum solvents; gums [adhesives], other than for stationery or household purposes; heavy water; helium; holmium; hormones for hastening the ripening of fruit; horticulture chemicals, except fungicides, herbicides, insecticides and parasiticides; humus top dressing; humus; hydrates; hydrazine; hydrochlorates; hydrochloric acid; hydrofluoric acid; hydrogen peroxide; hydrogen; hypochlorite of soda; hyposulphites; industrial chemicals; iodic acid; iodine for chemical purposes; iodine for industrial purposes; iodised albumen; malt albumen; iodised salts; ion exchangers [chemicals]; ion exchangers [chemical preparations]; iron salts; isinglass other than for stationery, household or alimentary purposes; isotopes for industrial purposes; kainite; kaolin; ketones; kieselgur; krypton; lactic acid; lactose [raw material]; lactose for industrial purposes; lactose for the food industry; lamp black for industrial purposes; lanthanum; lead acetate; lead arsenate; lead oxide; leather glues; leather-dressing chemicals; leather-impregnating chemicals; leather-renovating chemicals; leather-waterproofing chemicals; lecithin [raw material]; lecithin for industrial purposes; lecithin for the food industry; lime acetate; lime carbonate; lime chloride; limestone hardening substances; liquids for hydraulic circuits; liquids for removing sulphates from accumulators; liquids for removing sulphates from batteries; lithia [lithium oxide]; lithium; litmus paper; loam; lutetium [cassioptium]; magnesite; magnesium carbonate; magnesium chloride; magnetic fluid for industrial purposes; manganate; manganese dioxide; mangrove bark for industrial purposes; manure for agriculture; masonry preservatives, except paints and oils; mastic for leather; mastic for tires [tyres]; mastic for tires; mastic for tyres; meat tenderizers for industrial purposes; mercuric oxide; mercury salts; mercury; metal annealing preparations; metal earths; rare earths; metal hardening preparations; metal tempering preparations; metalloids; methane; methyl benzene; methyl benzol; methyl ether; milk ferments for chemical purposes; milk ferments for industrial purposes; milk ferments for the food industry; mineral acids; moderating materials for nuclear reactors; moistening [wetting] preparations for use in bleac-

hing; moistening [wetting] preparations for use in dyeing; moistening [wetting] preparations for use in the textile industry; mold-release preparations; mordants for metals; mould-release preparations; must-fining preparations; naphthalene; neodymium; neon; neptunium; nitrate of uranium; nitrate paper; nitrates; nitric acid; nitric monoxide; nitrogen; nitrogenous fertilisers; nitrogenous lime [manure]; nitrous oxide; oenological bactericides [chemical preparations used in wine making]; oil cement [putty]; oil dispersants; oil-bleaching chemicals; oil-purifying chemicals; oil-separating chemicals; oils for currying leather; oils for preparing leather in the course of manufacture; oils for tanning leather; oils for the preservation of food; oleic acid; olivine [chemical preparations]; opacifiers for enamel; opacifiers for enamel or glass; opacifiers for glass; organic-bleaching chemicals; oxalates; oxalic acid; oxygen; palladious chlorides; paper pulp; wood pulp; peat [fertiliser]; peat pots for horticulture; pectin [photography]; pectin for industrial purposes; pectin for the food industry; perborate of soda; percarbonates; perchlorates; persulphates; persulphuric acid; petroleum dispersants; phenol for industrial purposes; phosphates [fertilisers]; phosphatides; phosphoric acid; phosphorus; photographic developers; photographic emulsions; photographic paper; photographic sensitizers; photometric paper; photosensitive plates; sensitized photographic plates; picric acid; plant growth regulating preparations; plasticizers; plastics, unprocessed; plastisols; plutonium; polish removing substances; polonium; potash water; potash; potassium di-oxalate; potassium; potato flour for industrial purposes; potting soil; power steering fluid; praseodymium; preparations for preventing the tarnishing of glass; preparations for preventing the tarnishing of lenses; preparations for stimulating cooking for industrial purposes; preparations for the purification of gas; preparations for the separation of greases; preparations of microorganisms other than for medical and veterinary use; preparations of the distillation of wood alcohol; preservatives for pharmaceutical preparations; preservatives for tiles, except paints and oils; promethium; protactinium; protective gases for welding; protein [raw material]; prussiates; purification preparations; pyrogallic acid; pyroligneous acid [wood vinegar]; quebracho for industrial purposes; radiator flushing chemicals; radioactive elements for scientific purposes; radium for scientific purposes; radon; reducing agents for use in photography; refrigerants; refrigerating preparations: renovating preparations for phonograph records; rhenium; rock salt; rubber preservatives; rubidium; saccharin; sal ammoniac spirits; sal ammoniac; salicylic acid; sal-pêtre; salt for preserving, other than for foodstuffs; salt, raw; saltpeter; salts [chemical preparations]; salts [fertilisers]; salts for coloring [colouring] metal; salts for coloring metal; salts for colouring metal; salts for galvanic batteries; salts for galvanic

cells; salts for industrial purposes; salts from rare earth metals; salts of alkaline metals; salts of precious metals for industrial purposes; sauce for preparing tobacco; scale removing preparations, other than for household purposes; scandium; sea water for industrial purposes; seaweeds [fertilizers]; sebacic acid; seed preserving substances; selenium; self-toning paper [photography]; sensitized cloth for photography; sensitized films, unexposed; sensitized paper; sensitized plates for offset printing; separating and unsticking [ungluing] preparations; silicates; silicon; silicones; silver nitrate; silver salt solutions for silvering; size for finishing and priming; sizing preparations; slag [fertilisers]; soap [metallic] for industrial purposes; soda ash; sodium salts [chemical preparations]; sodium; soil conditioning preparations; soldering chemicals; soldering fluxes; solidified gases for industrial purposes; solutions for cyanotyping; solvents for varnishes; soot for industrial or agricultural purposes; sorrel salt; spinel [chemical preparations]; spirits of salt; spirits of vinegar [dilute acetic acid]; stain-preventing chemicals for use on fabrics; starch for industrial purposes; starch paste [adhesive], other than for stationery or household purposes; starch size [chemical preparations]; starch-liquifying chemicals [ungluing agents]; stearic acid; stem cells other than for medical or veterinary purposes; strontium; substances for preventing runs in stockings; substances for removing polish; substrates for soil-free growing [agriculture]; sulphates; sulphides; sulphonic acids; sulphur; sulphuric acid; sulphuric ether; sulphurous acid; sumac for use in tanning; superphosphates [fertilisers]; surface-active chemical agents; synthetic materials for absorbing oil; synthetic resins, unprocessed; talc [magnesium silicate]; tan-wood; tan; tannic acid; tannin; tanning substances; tapioca flour for industrial purposes; tartar other than for pharmaceutical purposes; tartaric acid; technetium; tellurium; tensio-active agents; terbium; test paper, chemical; tetrachlorides; textile-brightening chemicals; textile-impregnating chemicals; textile-waterproofing chemicals; thallium; thiocarbanilide; thorium; thulium; tire repairing compositions; titanite; titanium dioxide for industrial purposes; toluene; toluol; toning baths [photography]; toning salts [photography]; toxic gas neutralizers; tragacanth gum for use in manufactures; transmission fluid; tree cavity fillers [forestry]; tungstic acid; tyre repairing compositions; ungluing agents [chemical preparations for liquifying starch]; ungluing preparations; unsticking and separating preparations; uranium oxide; uranium; vine disease preventing chemicals; vinic alcohol; viscose; vitriol; volatile alkali [ammonia] for industrial purposes; vulcanisation accelerators; vulcanising preparations; wallpaper removing preparations; water glass [soluble glass]; water purifying chemicals; water-softening preparations; wax-bleaching chemicals; welding chemicals; wetting preparations for use in blea-

ching; wetting preparations for use in dyeing; wetting preparations for use in the textile industry; wine finings; witherite; wood alcohol; wood vinegar [pyroligneous acid]; x-ray films, sensitized but not exposed; xenon; ytterbium; yttrium; zirconia.

4 – Additives, non-chemical, to motor fuel; alcohol [fuel]; anthracite; beeswax; belting wax; benzene; benzine; benzol; blocks of peat [fuel]; bone oil for industrial purposes; candles; carburants; carnauba wax; castor oil for technical purposes; ceresine; charcoal [fuel]; Christmas tree candles; perfumed candles; coal briquettes; coal dust [fuel]; coal naphtha; coal tar oil; coal; coke; combustible oil; cutting fluids; diesel oil; dust binding compositions for sweeping; dust laying compositions; dust removing preparations; electrical energy; ethanol [fuel]; firelighters; firewood; fish oil, not edible; fuel gas; fuel oil; fuel with an alcoholic base; fuel; gas for lighting; gasoline; grease for arms [weapons]; grease for belts; non-slipping preparations for belts; grease for boots; combustible briquettes; grease for leather; grease for shoes; illuminating grease; illuminating wax; industrial grease; industrial oil; industrial wax; kerosene; lamp wicks; lanolin; lighting fuel; lignite; ligroin; lubricants; lubricating graphite; lubricating grease; lubricating oil; mazut; methylated spirit; mineral fuel; moistening oil; motor fuel; motor oil; naphtha; nightlights [candles]; oil for the preservation of leather; oil for the preservation of masonry; oil-gas; oils for paints; oils for releasing form work [building]; oleine; ozocerite [ozokerite]; paper spills for lighting; wood spills for lighting; paraffin; peat [fuel]; peat briquettes [fuel]; petrol; petroleum ether; petroleum jelly for industrial purposes; petroleum, raw or refined; preservatives for leather [oils and greases]; producer gas; rape oil for industrial purposes; solidified gas [fuel]; solidified gases [fuel]; soya bean oil preparations for non-stick treatment of cooking utensils; stéarine; sunflower oil for industrial purposes; tallow; tapers; textile oil; tinder; vaporized fuel mixtures; wax [raw material]; wicks for candles; wood briquettes; wool grease; xylene; xylo.

(260) AM 2015 76993 A

(800) 1199711

(891) 2013 11 14

(731) HE QI HONG

No:41 Pai He Road, Shang Pai Town, Fe Xi County, 231299 Anhui Province, China

(540)



(591) Golden

(511)
25 – Clothing; underwear; shoes; hats; hosiery; scarves; swimsuit; knitwear [clothing]; gloves (clothing); children's garments.

(260) AM 2015 76994 A

(800) 1199744

(891) 2013 12 12

(731) SHENZHEN ONEPLUS TECHNOLOGY CORP., LTD.

Room A201, Complex Building of Qianhai, SZ-HK Cooperation Zone Administration Bureau, 1 Liyumen Street, 1 Qianwan Road, Shenzhen, Guangdong, China

(540)

oneplus

(591) Black, white

(511)

9 – Computers; computer peripheral devices; computer software, recorded; laptop computers; computer game programs; time recording apparatus; false coin detectors; mechanisms for coin-operated apparatus; electronic tags for goods; phototelegraphy apparatus; photocopiers [photographic, electrostatic, thermic]; weighing apparatus and instruments; measures; signs, luminous; electronic notice boards; telephone apparatus; portable telephones; satellite navigational apparatus; cabinets for loudspeakers; microphones; television apparatus; camcorders; DVD players; portable media players; headphones; surveying apparatus and instruments; cameras [photography]; flashlights [photography]; optical apparatus and instruments; telescopes; telephone wires; materials for electricity mains [wires, cables]; semi-conductors; integrated circuits; conductors, electric; converters, electric; plugs, sockets and other contacts [electric connections]; connections, electric; video screens; light conducting filaments [optical fibers]; electric installations for the remote control of industrial operations; fire extinguishing apparatus; protection devices for personal use against accidents; theft prevention installations, electric; alarms; eyeglasses; galvanic cells; battery chargers; animated cartoons.

(260) AM 2015 76995 A

(800) 1199761

(891) 2014 01 27

(731) FERRERO S.P.A.

Piazzale Pietro Ferrero, 1, I-12051 ALBA (CN), Italy

(540)



(591) Red, black and white

(511)

30 – Pastry and confectionery; cocoa-based spread creams, sweet spread creams, chocolate and chocolate based products.

(260) AM 2015 76996 A

(800) 1199766

(891) 2014 02 11

(731) NOVARTIS AG

CH-4002 Basel, Switzerland

(540)

Ультибрс

(591) Black, white

(511)

5 – Pharmaceutical preparations.

INTERNATIONAL TRADEMARKS PROTECTED IN GEORGIA

(260) AM 2014 72846 A
(800) 1162363
(151) 2013 05 01
(181) 2023 05 01
(511) 05

(260) AM 2014 73294 A
(800) 1166879
(151) 2012 09 24
(181) 2022 09 24
(511) 03, 05, 10, 16, 21

(260) AM 2014 73047 A
(800) 1164700
(151) 2013 05 10
(181) 2023 05 10
(511) 01, 03, 04

(260) AM 2014 73300 A
(800) 1166904
(151) 2013 03 28
(181) 2023 03 28
(511) 29, 30, 43

(260) AM 2014 73198 A
(800) 1165953
(151) 2012 11 26
(181) 2022 11 26
(511) 16, 18, 25

(260) AM 2014 73301 A
(800) 1166926
(151) 2013 05 22
(181) 2023 05 22
(511) 41

(260) AM 2014 73282 A
(800) 1166518
(151) 2013 06 05
(181) 2023 06 05
(511) 03

(260) AM 2014 73306 A
(800) 1167062
(151) 2013 04 26
(181) 2023 04 26
(511) 36

(260) AM 2014 73284 A
(800) 1166572
(151) 2013 04 01
(181) 2023 04 01
(511) 41

(260) AM 2014 73308 A
(800) 1167210
(151) 2013 05 22
(181) 2023 05 22
(511) 03, 05, 44

(260) AM 2014 73285 A
(800) 1166603
(151) 2013 04 16
(181) 2023 04 16
(511) 30

(260) AM 2014 73370 A
(800) 1158358
(151) 2012 11 20
(891) 2013 06 20
(181) 2022 11 20
(511) 03, 05, 10

(260) AM 2014 73286 A
(800) 1166625
(151) 2013 04 10
(181) 2023 04 10
(511) 25

(260) AM 2014 73493 A
(800) 1169479
(151) 2013 05 29
(181) 2023 05 29
(511) 36, 41

(260) AM 2014 73287 A
(800) 1166648
(151) 2013 06 10
(181) 2023 06 10
(511) 30

(260) AM 2014 73496 A
(800) 1169604
(151) 2013 05 07
(181) 2023 05 07
(511) 29

(260) AM 2014 73497 A
(800) 1169611
(151) 2013 05 10
(181) 2023 05 10
(511) 33, 43

(260) AM 2014 73498 A
(800) 1169619
(151) 2013 05 27
(181) 2023 05 27
(511) 05

(260) AM 2014 73499 A
(800) 1169627
(151) 2013 06 13
(181) 2023 06 13
(511) 05, 07, 40

(260) AM 2014 73500 A
(800) 1169628
(151) 2013 06 10
(181) 2023 06 10
(511) 30

(260) AM 2014 73501 A
(800) 1169670
(151) 2013 06 21
(181) 2023 06 21
(511) 05

(260) AM 2014 73502 A
(800) 1169676
(151) 2013 04 18
(181) 2023 04 18
(511) 26

(260) AM 2014 73503 A
(800) 1169686
(151) 2012 07 27
(181) 2022 07 27
(511) 29, 30, 32

(260) AM 2014 73506 A
(800) 1169773
(151) 2013 06 06
(181) 2023 06 06
(511) 05

(260) AM 2014 73507 A
(800) 1169781
(151) 2013 06 13

(181) 2023 06 13
(511) 05

(260) AM 2014 73508 A
(800) 1169782
(151) 2013 05 02
(181) 2023 05 02
(511) 11

(260) AM 2014 73509 A
(800) 1169791
(151) 2013 06 19
(181) 2023 06 19
(511) 07, 09

(260) AM 2014 73516 A
(800) 1169800
(151) 2013 07 02
(181) 2023 07 02
(511) 30

(260) AM 2014 73519 A
(800) 1169825
(151) 2013 02 11
(181) 2023 02 11
(511) 01, 02, 04, 17

(260) AM 2014 73528 A
(800) 1169935
(151) 2013 05 06
(181) 2023 05 06
(511) 43

(260) AM 2014 73529 A
(800) 1169937
(151) 2013 06 11
(181) 2023 06 11
(511) 05

(260) AM 2014 73542 A
(800) 1170076
(151) 2013 02 12
(181) 2023 02 12
(511) 03, 05

(260) AM 2014 73544 A
(800) 1170101
(151) 2013 05 07
(181) 2023 05 07
(511) 17

(260) AM 2014 73545 A
(800) 1170107
(151) 2013 04 23
(181) 2023 04 23
(511) 07, 08

(260) AM 2014 73546 A
(800) 1170156
(151) 2013 05 22
(181) 2023 05 22
(511) 20, 21, 24, 25, 27, 35

(260) AM 2014 73547 A
(800) 1170161
(151) 2013 05 16
(181) 2023 05 16
(511) 20

(260) AM 2014 73550 A
(800) 1170173
(151) 2013 07 11
(181) 2023 07 11
(511) 05

(260) AM 2014 73551 A
(800) 1170174
(151) 2013 07 11
(181) 2023 07 11
(511) 05

(260) AM 2014 73631 A
(800) 1170719
(151) 2013 06 19
(181) 2023 06 19
(511) 01, 05

(260) AM 2014 73632 A
(800) 1170733
(151) 2013 05 23
(181) 2023 05 23
(511) 29, 30, 43

(260) AM 2014 73636 A
(800) 1170751
(151) 2013 07 02
(181) 2023 07 02
(511) 03, 18, 25

(260) AM 2014 73637 A
(800) 1170768
(151) 2013 07 03

(181) 2023 07 03
(511) 09

(260) AM 2014 73638 A
(800) 1170772
(151) 2013 07 03
(181) 2023 07 03
(511) 12

(260) AM 2014 73639 A
(800) 1170781
(151) 2013 07 17
(181) 2023 07 17
(511) 08

(260) AM 2014 73642 A
(800) 1170787
(151) 2013 06 27
(181) 2023 06 27
(511) 03

(260) AM 2014 73643 A
(800) 1170821
(151) 2013 03 25
(181) 2023 03 25
(511) 01, 09

(260) AM 2014 73650 A
(800) 1170854
(151) 2013 06 13
(181) 2023 06 13
(511) 34

(260) AM 2014 73652 A
(800) 1170923
(151) 2013 06 18
(181) 2023 06 18
(511) 25

(260) AM 2014 73653 A
(800) 1170941
(151) 2013 06 17
(181) 2023 06 17
(511) 33

(260) AM 2014 73655 A
(800) 1170951
(151) 2013 06 26
(181) 2023 06 26
(511) 38, 42

(260) AM 2014 73658 A
(800) 1171031
(151) 2013 02 07
(181) 2023 02 07
(511) 30

(260) AM 2014 73661 A
(800) 1171067
(151) 2012 09 14
(181) 2022 09 14
(511) 09, 35, 39, 40, 42

(260) AM 2014 73662 A
(800) 1171073
(151) 2013 02 05
(181) 2023 02 05
(511) 07, 09, 35, 42

(260) AM 2014 73663 A
(800) 1171119
(151) 2013 05 20
(181) 2023 05 20
(511) 16, 41

(260) AM 2014 73670 A
(800) 1171137
(151) 2013 06 27
(181) 2023 06 27
(511) 05

(260) AM 2014 73671 A
(800) 1171145
(151) 2013 06 11
(181) 2023 06 11
(511) 34

(260) AM 2014 73672 A
(800) 1171148
(151) 2013 07 17
(181) 2023 07 17
(511) 06, 07, 12, 17, 35

(260) AM 2014 73726 A
(800) 1171862
(151) 2013 07 23
(181) 2023 07 23
(511) 42

(260) AM 2014 73727 A
(800) 1171867
(151) 2013 06 13

(181) 2023 06 13
(511) 03, 04, 05, 11, 16, 35, 44

(260) AM 2014 73728 A
(800) 1171878
(151) 2013 04 16
(181) 2023 04 16
(511) 18, 25, 35

(260) AM 2014 73729 A
(800) 1171885
(151) 2013 02 04
(181) 2023 02 04
(511) 25, 35

(260) AM 2014 73823 A
(800) 1172681
(151) 2013 06 11
(181) 2023 06 11
(511) 05

(260) AM 2014 73824 A
(800) 1172682
(151) 2013 06 11
(181) 2023 06 11
(511) 05

(260) AM 2014 73825 A
(800) 1172683
(151) 2013 06 11
(181) 2023 06 11
(511) 05

(260) AM 2014 73826 A
(800) 1172685
(151) 2013 06 11
(181) 2023 06 11
(511) 05

(260) AM 2014 73827 A
(800) 1172686
(151) 2013 06 11
(181) 2023 06 11
(511) 05

(260) AM 2014 74015 A
(800) 1173826
(151) 2013 07 22
(181) 2023 07 22
(511) 34

(260) AM 2014 74016 A
(800) 1173830
(151) 2013 07 12
(181) 2023 07 12
(511) 07, 40

(260) AM 2014 74017 A
(800) 1173872
(151) 2013 03 28
(181) 2023 03 28
(511) 01, 04, 35

(260) AM 2014 74018 A
(800) 1173882
(151) 2013 08 07
(181) 2023 08 07
(511) 09, 41, 42

(260) AM 2014 74019 A
(800) 1173903
(151) 2013 04 02
(181) 2023 04 02
(511) 09, 27

(260) AM 2014 74020 A
(800) 1173932
(151) 2013 06 22
(181) 2023 06 22
(511) 03

(260) AM 2014 74021 A
(800) 1173979
(151) 2013 06 21
(181) 2023 06 21
(511) 35

(260) AM 2014 74022 A
(800) 1174020
(151) 2013 06 27
(181) 2023 06 27
(511) 05

(260) AM 2014 74023 A
(800) 1174021
(151) 2013 07 29
(181) 2023 07 29
(511) 24, 25

(260) AM 2014 74024 A
(800) 1174037
(151) 2012 11 15

(181) 2022 11 15
(511) 07, 39

(260) AM 2014 74025 A
(800) 1174038
(151) 2012 11 26
(181) 2022 11 26
(511) 03, 35, 44

(260) AM 2014 74026 A
(800) 1174049
(151) 2013 02 08
(181) 2023 02 08
(511) 07, 09, 38

(260) AM 2014 74027 A
(800) 1174054
(151) 2013 01 24
(181) 2023 01 24
(511) 35, 36, 39

(260) AM 2014 74028 A
(800) 1174067
(151) 2013 04 16
(181) 2023 04 16
(511) 35, 39, 42

(260) AM 2014 74029 A
(800) 1174091
(151) 2013 07 03
(181) 2023 07 03
(511) 05, 30, 32

(260) AM 2014 74030 A
(800) 1174106
(151) 2013 05 27
(181) 2023 05 27
(511) 05

(260) AM 2014 74032 A
(800) 1174142
(151) 2013 06 22
(181) 2023 06 22
(511) 03

(260) AM 2014 74033 A
(800) 877077
(151) 2006 01 24
(891) 2013 07 01
(181) 2016 01 24
(511) 09, 11

(260) AM 2014 74034 A
 (800) 881074
 (151) 2005 11 30
 (891) 2013 07 03
 (181) 2015 11 30
 (511) 11

(260) AM 2014 74036 A
 (800) 906294
 (151) 2006 11 16
 (891) 2013 07 01
 (181) 2016 11 16
 (511) 09, 11

(260) AM 2014 74038 A
 (800) 1119691
 (151) 2012 03 26
 (891) 2013 07 09
 (181) 2022 03 26
 (511) 01, 02

(260) AM 2014 74040 A
 (800) 1130637
 (151) 2012 05 11
 (891) 2013 05 14
 (181) 2022 05 11
 (511) 29, 30, 32

(260) AM 2014 74069 A
 (800) 1174383
 (151) 2013 07 25
 (181) 2023 07 25
 (511) 25

(260) AM 2014 74070 A
 (800) 1174396
 (151) 2013 06 25
 (181) 2023 06 25
 (511) 07, 37

(260) AM 2014 74071 A
 (800) 1174442
 (151) 2013 06 13
 (181) 2023 06 13
 (511) 35, 39

(260) AM 2014 74072 A
 (800) 1174446
 (151) 2013 05 15
 (181) 2023 05 15
 (511) 14, 18, 25

(260) AM 2014 74074 A
 (800) 1174492
 (151) 2013 07 08
 (181) 2023 07 08
 (511) 38, 41

(260) AM 2014 74075 A
 (800) 1174496
 (151) 2013 08 02
 (181) 2023 08 02
 (511) 03

(260) AM 2014 74076 A
 (800) 1174515
 (151) 2013 07 11
 (181) 2023 07 11
 (511) 25

(260) AM 2014 74077 A
 (800) 1174520
 (151) 2013 07 15
 (181) 2023 07 15
 (511) 11

(260) AM 2014 74083 A
 (800) 1174572
 (151) 2013 07 07
 (181) 2023 07 07
 (511) 30

(260) AM 2014 74086 A
 (800) 1174628
 (151) 2013 05 29
 (181) 2023 05 29
 (511) 35, 38, 42

(260) AM 2014 74154 A
 (800) 1175378
 (151) 2013 08 13
 (181) 2023 08 13
 (511) 25

(260) AM 2014 74155 A
 (800) 1175395
 (151) 2013 07 18
 (181) 2023 07 18
 (511) 31

(260) AM 2014 74157 A
 (800) 1175402
 (151) 2013 08 07

(181) 2023 08 07
(511) 30

(260) AM 2014 74162 A
(800) 1175412
(151) 2013 06 21
(181) 2023 06 21
(511) 05

(260) AM 2014 74164 A
(800) 1175413
(151) 2013 06 21
(181) 2023 06 21
(511) 05

(260) AM 2014 74165 A
(800) 1175421
(151) 2013 06 21
(181) 2023 06 21
(511) 05

(260) AM 2014 74166 A
(800) 1175422
(151) 2013 06 21
(181) 2023 06 21
(511) 05

(260) AM 2014 74170 A
(800) 1175423
(151) 2013 06 21
(181) 2023 06 21
(511) 05

(260) AM 2014 74171 A
(800) 1175424
(151) 2013 06 21
(181) 2023 06 21
(511) 05

(260) AM 2014 74172 A
(800) 1175426
(151) 2013 06 21
(181) 2023 06 21
(511) 05

(260) AM 2014 74173 A
(800) 1175427
(151) 2013 06 21
(181) 2023 06 21
(511) 05

(260) AM 2014 74174 A
(800) 1175428
(151) 2013 06 21
(181) 2023 06 21
(511) 05

(260) AM 2014 74175 A
(800) 1175429
(151) 2013 06 21
(181) 2023 06 21
(511) 05

(260) AM 2014 74176 A
(800) 1175438
(151) 2013 07 02
(181) 2023 07 02
(511) 03, 05, 10

(260) AM 2014 74177 A
(800) 1175445
(151) 2013 04 24
(181) 2023 04 24
(511) 02, 06, 07, 09, 14, 35, 37, 38, 42

(260) AM 2014 74178 A
(800) 1175451
(151) 2013 04 24
(181) 2023 04 24
(511) 02, 06, 07, 09, 14, 35, 37, 38, 42

(260) AM 2014 74179 A
(800) 1175461
(151) 2013 05 14
(181) 2023 05 14
(511) 03

(260) AM 2014 74186 A
(800) 1175535
(151) 2013 06 20
(181) 2023 06 20
(511) 09, 35, 38, 42

(260) AM 2014 74455 A
(800) 1177994
(151) 2013 09 03
(181) 2023 09 03
(511) 36, 41

(260) AM 2014 74532 A
(800) 1178733
(151) 2013 04 11

(181) 2023 04 11
(511) 30, 35, 45

(260) AM 2014 74533 A
(800) 1178736
(151) 2013 04 16
(181) 2023 04 16
(511) 03, 21

(260) AM 2014 74534 A
(800) 1178746
(151) 2013 06 14
(181) 2023 06 14
(511) 16, 20, 21

(260) AM 2014 74535 A
(800) 1178751
(151) 2013 06 12
(181) 2023 06 12
(511) 38, 41, 44

(260) AM 2014 74536 A
(800) 1178761
(151) 2013 07 26
(181) 2023 07 26
(511) 07, 12, 28, 37

(260) AM 2014 74537 A
(800) 1178784
(151) 2013 07 15
(181) 2023 07 15
(511) 04

(260) AM 2014 74538 A
(800) 1178785
(151) 2013 09 02
(181) 2023 09 02
(511) 09, 38

(260) AM 2014 74539 A
(800) 1178799
(151) 2013 07 09
(181) 2023 07 09
(511) 05

(260) AM 2014 74549 A
(800) 1178801
(151) 2013 09 02
(181) 2023 09 02
(511) 09, 37

(260) AM 2014 74550 A
(800) 1178826
(151) 2013 08 06
(181) 2023 08 06
(511) 18, 25

(260) AM 2014 74552 A
(800) 1178842
(151) 2013 08 13
(181) 2023 08 13
(511) 03, 05, 10, 16, 24

(260) AM 2014 74553 A
(800) 1178847
(151) 2013 08 12
(181) 2023 08 12
(511) 30

(260) AM 2014 74554 A
(800) 1178858
(151) 2013 04 18
(181) 2023 04 18
(511) 07, 09, 12, 42

(260) AM 2014 74555 A
(800) 1178861
(151) 2013 09 04
(181) 2023 09 04
(511) 09

(260) AM 2014 74556 A
(800) 1178901
(151) 2013 03 18
(181) 2023 03 18
(511) 09, 16, 25, 35, 36, 38, 41, 45

(260) AM 2014 74557 A
(800) 1178914
(151) 2013 04 12
(181) 2023 04 12
(511) 09, 11, 20, 25

(260) AM 2014 74558 A
(800) 1178924
(151) 2013 04 05
(181) 2023 04 05
(511) 03, 05, 10

(260) AM 2014 74563 A
(800) 1178973
(151) 2013 07 25

(181) 2023 07 25
(511) 30

(260) AM 2014 74564 A
(800) 1179022
(151) 2013 04 11
(181) 2023 04 11
(511) 03

(260) AM 2014 74565 A
(800) 1179023
(151) 2013 04 16
(181) 2023 04 16
(511) 03, 05, 30

(260) AM 2014 74566 A
(800) 1179046
(151) 2013 09 26
(181) 2023 09 26
(511) 39

(260) AM 2014 74567 A
(800) 1179065
(151) 2013 09 25
(181) 2023 09 25
(511) 09

(260) AM 2014 74577 A
(800) 1179066
(151) 2013 09 25
(181) 2023 09 25
(511) 09

(260) AM 2014 74578 A
(800) 1179083
(151) 2013 08 07
(181) 2023 08 07
(511) 36, 42

(260) AM 2014 74580 A
(800) 1179125
(151) 2013 07 04
(181) 2023 07 04
(511) 17, 19, 42

(260) AM 2014 74721 A
(800) 1180431
(151) 2013 08 26
(181) 2023 08 26
(511) 05

(260) AM 2014 74722 A
(800) 1180440
(151) 2013 08 22
(181) 2023 08 22
(511) 06, 14

(260) AM 2014 74723 A
(800) 1180444
(151) 2013 08 21
(181) 2023 08 21
(511) 14

(260) AM 2014 74724 A
(800) 1180452
(151) 2013 08 16
(181) 2023 08 16
(511) 34

(260) AM 2014 74725 A
(800) 1180512
(151) 2013 07 10
(181) 2023 07 10
(511) 35, 37, 40, 41, 42

(260) AM 2014 74727 A
(800) 1180514
(151) 2013 06 14
(181) 2023 06 14
(511) 17, 19, 35, 37

(260) AM 2014 74728 A
(800) 1180545
(151) 2013 08 16
(181) 2023 08 16
(511) 14

(260) AM 2014 74729 A
(800) 1180547
(151) 2013 08 13
(181) 2023 08 13
(511) 25, 35

(260) AM 2014 74730 A
(800) 1180595
(151) 2013 08 23
(181) 2023 08 23
(511) 04

(260) AM 2014 74732 A
(800) 1180611
(151) 2013 09 30

(181) 2023 09 30
(511) 16, 25, 35, 41

(260) AM 2014 74734 A
(800) 1180627
(151) 2013 08 05
(181) 2023 08 05
(511) 14, 18, 25

(260) AM 2014 74805 A
(800) 1180981
(151) 2012 11 26
(181) 2022 11 26
(511) 03, 35, 44

(260) AM 2014 74807 A
(800) 1180993
(151) 2013 04 19
(181) 2023 04 19
(511) 07, 09, 12, 42

(260) AM 2014 75018 A
(800) 1183116
(151) 2013 09 25
(181) 2023 09 25
(511) 03

(260) AM 2014 75019 A
(800) 1183118
(151) 2013 05 29
(181) 2023 05 29
(511) 09, 12, 27

(260) AM 2014 75020 A
(800) 1183131
(151) 2013 06 12
(181) 2023 06 12
(511) 05

(260) AM 2014 75021 A
(800) 1183147
(151) 2013 06 12
(181) 2023 06 12
(511) 05

(260) AM 2014 75023 A
(800) 1183169
(151) 2013 09 06
(181) 2023 09 06
(511) 34

(260) AM 2014 75024 A
(800) 1183185
(151) 2013 09 09
(181) 2023 09 09
(511) 33

(260) AM 2014 75025 A
(800) 1183188
(151) 2013 09 23
(181) 2023 09 23
(511) 05

(260) AM 2014 75026 A
(800) 1183190
(151) 2013 09 23
(181) 2023 09 23
(511) 05

(260) AM 2014 75027 A
(800) 1183207
(151) 2013 09 25
(181) 2023 09 25
(511) 10

(260) AM 2014 75028 A
(800) 1183241
(151) 2013 10 11
(181) 2023 10 11
(511) 34

(260) AM 2014 75030 A
(800) 1183251
(151) 2013 06 10
(181) 2023 06 10
(511) 32, 33

(260) AM 2014 75031 A
(800) 1183263
(151) 2013 09 20
(181) 2023 09 20
(511) 12, 20, 28

(260) AM 2014 75032 A
(800) 1183274
(151) 2013 09 02
(181) 2023 09 02
(511) 09

(260) AM 2014 75033 A
(800) 1183282
(151) 2013 10 11

(181) 2023 10 11
(511) 43

(260) AM 2014 75157 A
(800) 1184394
(151) 2013 10 21
(181) 2023 10 21
(511) 09

(260) AM 2014 75034 A
(800) 1183292
(151) 2013 05 07
(181) 2023 05 07
(511) 09, 18, 25

(260) AM 2014 75043 A
(800) 1183303
(151) 2013 07 24
(181) 2023 07 24
(511) 09

(260) AM 2014 75137 A
(800) 1184039
(151) 2013 07 09
(181) 2023 07 09
(511) 18, 25, 35

(260) AM 2014 75147 A
(800) 1184205
(151) 2013 09 13
(181) 2023 09 13
(511) 16

(260) AM 2014 75148 A
(800) 1184214
(151) 2013 10 21
(181) 2023 10 21
(511) 35, 41

(260) AM 2014 75150 A
(800) 1184273
(151) 2013 06 12
(181) 2023 06 12
(511) 05

(260) AM 2014 75151 A
(800) 1184286
(151) 2013 11 08
(181) 2023 11 08
(511) 05

(260) AM 2014 75156 A
(800) 1184356
(151) 2013 08 01
(181) 2023 08 01
(511) 09, 10

OFFICIAL NOTIFICATIONS

TRADEMARKS

RENEWAL OF REGISTRATIONS

(111) M 1995 1026 R2
(156) 2015 09 25
(186) 2025 09 25
(732) GLAXO GROUP LIMITED
980 Great West Road, Brentford, Middlesex
TW8 9GS, United Kingdom

(111) M 2004 15604 R1
(156) 2015 01 13
(186) 2024 07 19
(732) VAKHTANG KAKHIDZE
Davit Agmasheneblis gamz. 86/90, b. 4,
0102, Tbilisi, Georgia

(111) M 1995 1027 R2
(156) 2015 09 25
(186) 2025 09 25
(732) GLAXO GROUP LIMITED
980 Great West Road, Brentford, Middlesex
TW8 9GS, United Kingdom

(111) M 2004 15646 R1
(156) 2014 12 03
(186) 2024 09 16
(732) LTD "ASPHARMA" – Geogian
Pharmaceutical Company
Shevchenkos q. 12, 0108, Tbilisi, Georgia

(111) M 1995 1028 R2
(156) 2015 09 25
(186) 2025 09 25
(732) GLAXO GROUP LIMITED
980 Great West Road, Brentford, Middlesex
TW8 9GS, United Kingdom

(111) M 2004 15647 R1
(156) 2014 12 03
(186) 2024 09 16
(732) LTD "ASPHARMA" – Geogian
Pharmaceutical Company
Shevchenkos q. 12, 0108, Tbilisi, Georgia

(111) M 1995 1033 R2
(156) 2015 09 26
(186) 2025 09 26
(732) GLAXO GROUP LIMITED
980 Great West Road, Brentford, Middlesex
TW8 9GS, United Kingdom

(111) M 2004 15650 R1
(156) 2014 12 03
(186) 2024 09 16
(732) LTD "ASPHARMA" – Geogian
Pharmaceutical Company
Shevchenkos q. 12, 0108, Tbilisi, Georgia

(111) M 1995 1299 R2
(156) 2015 12 27
(186) 2025 12 27
(732) RECKITT & COLMAN (OVERSEAS)
LIMITED
Dansom Lane, Hull HU8 7DS,
United Kingdom

(111) M 2004 15651 R1
(156) 2014 12 03
(186) 2024 09 16
(732) LTD "ASPHARMA" – Geogian
Pharmaceutical Company
Shevchenkos q. 12, 0108, Tbilisi, Georgia

(111) M 2004 15520 R1
(156) 2014 12 03
(186) 2024 05 17
(732) LTD "ASPHARMA" – Geogian
Pharmaceutical Company
Shevchenkos q. 12, 0108, Tbilisi, Georgia

(111) M 2004 15807 R1
(156) 2014 12 15
(186) 2024 12 15
(732) NEPENTES Sp. z o.o.
Ul. Bema 57a, 01-244 Warsaw, Poland

(111) M 2005 15819 R1
(156) 2015 01 05
(186) 2025 01 05

(732) LTD "DANELIA DA KOMPANIA"
Tseretlis q. 77, b. 1, 0103, Tbilisi, Georgia

(111) M 2005 15820 R1
(156) 2015 01 05
(186) 2025 01 05
(732) GLAXO GROUP LIMITED
980 Great West Road, Brentford, Middlesex
TW8 9GS, United Kingdom

(111) M 2005 15821 R1
(156) 2015 01 05
(186) 2025 01 05
(732) RECKITT & COLMAN (OVERSEAS)
LIMITED
Dansom Lane, Hull, HU8 7DS, United
Kingdom

(111) M 2005 15822 R1
(156) 2015 01 05
(186) 2025 01 05
(732) INTERNATIONAL FOODSTUFFS CO.
Al-Wahda Street, Industrial Area N1, P.O.
BOX 4115, Sharjah, United Arab Emirates

(111) M 2005 15849 R1
(156) 2015 02 11
(186) 2025 02 11
(732) S.C. JOHNSON & SON, INC.
1525 Howe Street, Racine, Wisconsin
53403-2236, USA

(111) M 2005 15894 R1
(156) 2015 03 15
(186) 2025 03 15
(732) GLAXO GROUP LIMITED
980 Great West Road, Brentford, Middlesex
TW8 9GS, United Kingdom

(111) M 2005 15895 R1
(156) 2015 03 15
(186) 2025 03 15
(732) GLAXO GROUP LIMITED
980 Great West Road, Brentford, Middlesex
TW8 9GS, United Kingdom

(111) M 2005 15903 R1
(156) 2015 04 01
(186) 2025 04 01
(732) CASTROL LIMITED
Wakefield House, Pipers Way, Swindon,
Wiltshire, SN3 1RE, United Kingdom

(111) M 2005 15913 R1
(156) 2015 04 15
(186) 2025 04 15
(732) GLAXO GROUP LIMITED
980 Great West Road, Brentford, Middlesex
TW8 9GS, United Kingdom

(111) M 2005 15914 R1
(156) 2015 04 15
(186) 2025 04 15
(732) GLAXO GROUP LIMITED
980 Great West Road, Brentford, Middlesex
TW8 9GS, United Kingdom

(111) M 2005 15934 R1
(156) 2015 05 03
(186) 2025 05 03
(732) THE PROCTER & GAMBLE COMPANY
One Procter & Gamble Plaza, Cincinnati,
Ohio, USA

(111) M 2005 15939 R1
(156) 2015 05 03
(186) 2025 05 03
(732) UNILEVER N.V.
Weena 455, NL-3013 AL Rotterdam,
Netherlands

(111) M 2005 15964 R1
(156) 2015 05 30
(186) 2025 05 30
(732) THE PROCTER & GAMBLE COMPANY
One Procter & Gamble Plaza, Cincinnati,
Ohio, USA

(111) M 2005 15978 R1
(156) 2015 06 06
(186) 2025 06 06
(732) GLAXOSMITHKLINE BIOLOGICALS S.A.
Rue de l'Institut 89, B-1330 Rixensart,
Belgium

(111) M 2005 15979 R1
(156) 2015 06 06
(186) 2025 06 06
(732) GLAXOSMITHKLINE BIOLOGICALS S.A.
Rue de l'Institut 89, B-1330 Rixensart,
Belgium

(111) M 2005 15981 R1
(156) 2015 06 06
(186) 2025 06 06
(732) SOCIETE DES PRODUITS NESTLE S.A.
P.O.Box 353, CH-1800, Vevey, Switzerland

(111) M 2005 16073 R1
(156) 2015 07 14
(186) 2025 07 14
(732) GLAXO GROUP LIMITED
980 Great West Road, Brentford, Middlesex
TW8 9GS, United Kingdom

(111) M 2005 16083 R1
(156) 2015 07 14
(186) 2025 07 14
(732) OSI PHARMACEUTICALS, LLC
1 Astellas Way, Northbrook, Illinois, 60062,
USA

(111) M 2005 16088 R1
(156) 2015 07 14
(186) 2025 07 14
(732) OOO "NPO PETROVAKS PHARM"
142143, Moskovskaya oblast, Podolskiy
rayon, s. Porkov, ul. Sosnovaya, d.1, Russian
Federation

(111) M 2005 16089 R1
(156) 2015 07 14
(186) 2025 07 14
(732) LTD "NPO PETROVAKS PHARM"
142143, Moskovskaya oblast, Podolskiy
rayon, s. Porkov, ul. Sosnovaya, d.1, Russian
Federation

(111) M 2005 16163 R1
(156) 2015 08 16
(186) 2025 08 16
(732) VIIV HEALTHCARE UK LIMITED
980 Great West Road, Brentford, Middlesex
TW8 9GS, United Kingdom

(111) M 2005 16195 R1
(156) 2015 09 19
(186) 2025 09 19
(732) SOCIÉTÉ DES PRODUITS NESTLÉ S.A.
1800 Vevey, Switzerland

(111) M 2005 16197 R1
(156) 2015 09 19
(186) 2025 09 19
(732) SOCIÉTÉ DES PRODUITS NESTLÉ S.A.
1800 Vevey, Switzerland

(111) M 2005 16217 R1
(156) 2015 09 19
(186) 2025 09 19

(732) GLAXO GROUP LIMITED
980 Great West Road, Brentford, Middlesex
TW8 9GS, United Kingdom

(111) M 2005 16314 R1
(156) 2015 11 02
(186) 2025 11 02
(732) SMITHKLINE BEECHAM LIMITED
980 Great West Road, Brentford, Middlesex
TW8 9GS, United Kingdom

(111) M 2005 16356 R1
(156) 2015 11 29
(186) 2025 11 29
(732) GLAXO GROUP LIMITED
980 Great West Road, Brentford, Middlesex
TW8 9GS, United Kingdom

(111) M 2005 16369 R1
(156) 2015 11 29
(186) 2025 11 29
(732) SHALVA GVARAMADZE
Bakhtrionis q., korp. 1, b. 10, 0194, Tbilisi,
Georgia

(111) M 2005 16384 R1
(156) 2015 12 16
(186) 2025 12 16
(732) RECKITT & COLMAN (OVERSEAS)
LIMITED
Dansom Lane, Hull, HU8 7DS, United
Kingdom

(111) M 2005 16385 R1
(156) 2015 12 16
(186) 2025 12 16
(732) RECKITT & COLMAN (OVERSEAS)
LIMITED
Dansom Lane, Hull, HU8 7DS, United
Kingdom

(111) M 2005 16386 R1
(156) 2015 12 16
(186) 2025 12 16
(732) RECKITT & COLMAN (OVERSEAS)
LIMITED
Dansom Lane, Hull, HU8 7DS, United
Kingdom

(111) M 2005 16402 R1
(156) 2015 12 16
(186) 2025 12 16
(732) GLAXO GROUP LIMITED

980 Great West Road, Brentford, Middlesex
TW8 9GS, United Kingdom

(111) M 2005 16403 R1
(156) 2015 12 16
(186) 2025 12 16
(732) GLAXO GROUP LIMITED
980 Great West Road, Brentford, Middlesex
TW8 9GS, United Kingdom

(111) M 2005 16404 R1
(156) 2015 12 16
(186) 2025 12 16
(732) GLAXO GROUP LIMITED
980 Great West Road, Brentford, Middlesex
TW8 9GS, United Kingdom

(111) M 2005 16406 R1
(156) 2015 12 16
(186) 2025 12 16
(732) GLAXO GROUP LIMITED
980 Great West Road, Brentford, Middlesex
TW8 9GS, United Kingdom

(111) M 1994 327 R2
(156) 2014 12 19
(186) 2024 11 07
(732) THE SPIC AND SPAN COMPANY
660 White Plains Road, Suite 250, Tarrytown,
New York 10591, USA

(111) M 1995 451 R2
(156) 2015 01 13
(186) 2025 01 13
(732) WM. WRIGLEY JR. COMPANY
a Delaware corporation
Chicago, Illinois, USA

(111) M 1995 464 R2
(156) 2015 01 16
(186) 2025 01 16
(732) WM. WRIGLEY JR. COMPANY
a Delaware corporation;
Chicago, Illinois, USA

(111) M 1995 466 R2
(156) 2015 01 16
(186) 2025 01 16
(732) WM. WRIGLEY JR. COMPANY
a Delaware corporation
Chicago, Illinois, USA

(111) M 1995 467 R2
(156) 2015 01 16
(186) 2025 01 16
(732) WM. WRIGLEY JR. COMPANY
a Delaware corporation
Chicago, Illinois, USA

(111) M 1995 468 R2
(156) 2015 01 16
(186) 2025 01 16
(732) WM. WRIGLEY JR. COMPANY
a Delaware corporation
Chicago, Illinois, USA

(111) M 1995 471P R2
(156) 2015 01 16
(186) 2025 01 16
(732) MICHELIN RECHERCHE ET
TECHNIQUE S.A.
Route Louis-Braille 10 et 12, CH-1763
Granges-Paccot, Switzerland

(111) M 1995 485 R2
(156) 2015 01 16
(186) 2025 01 16
(732) SWEDISH MATCH LIGHTERS BV
AHG Fokkerstraat 5, 9403 AM Assen,
Netherlands

(111) M 1995 506 R2
(156) 2015 01 16
(186) 2025 01 16
(732) WM. WRIGLEY JR. COMPANY
a Delaware corporation
Chicago, Illinois, USA

(111) M 1995 525 R2
(156) 2015 02 10
(186) 2025 02 10
(732) SUMITOMO CHEMICAL COMPANY
LIMITED
27-1, Shinkawa 2-chome, Chuo-ku, Tokyo
104-8260, Japan

(111) M 1995 593 R2
(156) 2015 05 02
(186) 2025 05 02
(732) THE CLOROX COMPANY
a corporation of Delaware
1221 Broadway, Oakland, California 94612,
USA

(111) M 1995 625 R2

(156) 2015 05 03

(186) 2025 05 03

(732) PHILIP MORRIS PRODUCTS S.A.
Quai Jeanrenaud 3, 2000 NEUCHATEL,
Switzerland

Theodor-Heuss-Anlage 12, 68165

Mannheim, Germany

(111) M 1995 646 R2

(156) 2015 06 01

(186) 2025 06 01

(732) GLAXO GROUP LIMITED
980 Great West Road, Brentford, Middlesex
TW8 9GS, United Kingdom

(111) M 1995 942 R2

(156) 2015 08 18

(186) 2025 08 18

(732) GLAXO GROUP LIMITED
980 Great West Road, Brentford, Middlesex
TW8 9GS, United Kingdom

(111) M 1995 648 R2

(156) 2015 06 01

(186) 2025 06 01

(732) GLAXO GROUP LIMITED
980 Great West Road, Brentford, Middlesex
TW8 9GS, United Kingdom

(111) M 1995 944 R2

(156) 2015 08 18

(186) 2025 08 18

(732) GLAXO GROUP LIMITED
980 Great West Road, Brentford, Middlesex
TW8 9GS, United Kingdom

(111) M 1995 678 R2

(156) 2015 06 28

(186) 2025 06 28

(732) THE PROCTER & GAMBLE COMPANY
One Procter & Gamble Plaza, Cincinnati,
Ohio, USA

(111) M 1995 681 R2

(156) 2015 06 28

(186) 2025 06 28

(732) THE PROCTER & GAMBLE COMPANY
One Procter & Gamble Plaza, Cincinnati,
Ohio, USA

(111) M 1995 767 R2

(156) 2015 07 28

(186) 2025 07 28

(732) SIEMENS ACTIENGESSELLSCHAFT
Wittelsbacherplatz 2, 80333 MUNCHEN,
Germany

(111) M 1995 820 R2

(156) 2015 08 10

(186) 2025 08 10

(732) KNORR NÄHRMITTEL AG
TAYNGEN, Switzerland

(111) M 1995 922 R2

(156) 2015 08 17

(186) 2025 08 17

(732) RECKITT BENCKISER DEUTSCHLAND
GMBH

COMPLETE TRANSFER OF RIGHTS

(111) M 1999 012020 R1
 (732) BRACCO IMAGING S.p.A.
 50, via Egidio Folli, I-20134 Milano, Italy
 (770) BRACCO S.P.A.
 50, via Egidio Folli, I-20134 Milano, Italy
 (580) 2015 01 23

(111) M 2009 019933 R
 (732) SOCIÉTÉ DES PRODUITS NESTLÉ S.A.
 CH-1800 Vevey, Switzerland
 (770) LTD "IBERIA TREIDI"
 Tolstonogovis q. №11, 0164, Tbilisi, Georgia
 (580) 2015 01 23

(111) M 2002 014483 R1
 (732) AKZO NOBEL COATINGS
 INTERNATIONAL B.V.
 Velperweg 76, 6824 BM Arnhem,
 Netherlands
 (770) IMPERIAL CHEMICAL INDUSTRIES
 LIMITED
 26th Floor, Portland House, Bressenden
 Place, London SW1E 5BG, United Kingdom
 (580) 2015 01 29

(111) M 2012 022873 R
 (732) CHONGQING SOKON INDUSTRY
 GROUP STOCK CO., LTD.
 61-1, Jinqiao Road, Shapingba District,
 Chongqing, China
 (770) CHONGQING YUAN INNOVATION
 TECHNOLOGY CO., LTD
 Fenghuang, Shapingba District, Chongqing,
 China
 (580) 2015 01 29

(111) M 2002 014484 R1
 (732) AKZO NOBEL COATINGS
 INTERNATIONAL B.V.
 Velperweg 76, 6824 BM Arnhem,
 Netherlands
 (770) IMPERIAL CHEMICAL INDUSTRIES
 LIMITED
 26th Floor, Portland House, Bressenden
 Place, London SW1E 5BG, United Kingdom
 (580) 2015 01 29

(111) M 2012 023210 R
 (732) CHONGQING SOKON INDUSTRY
 GROUP STOCK CO., LTD.
 61-1, Jinqiao Road, Shapingba District,
 Chongqing, China
 (770) CHONGQING YUAN INNOVATION
 TECHNOLOGY CO., LTD
 Fenghuang, Shapingba District, Chongqing,
 China (580) 2015 01 29

(111) M 2006 016722 R
 (732) THE NIELSEN COMPANY (US), L.L.C.
 a Delaware limited liability company
 85 Broad Street, New York, New York
 10004, USA
 (770) CZT/ACN Trademarks, L.L.C.
 a Delaware limited liability company
 150 North Martingale Road, Schaumburg,
 Illinois 60173, USA
 (580) 2015 01 23

(111) M 2013 024014 R
 (732) LTD "MITANA"
 G. Chkondidelis q. N26, 0180, Tbilisi,
 Georgia
 (770) ALEKSANDRE KAMUSHADZE
 Tseretlis gamz. 77, korp.5, otakhi 41, 0119,
 Tbilisi, Georgia
 (580) 2015 01 29

(111) M 2008 018385 R
 (732) THE NIELSEN COMPANY (US), LLC
 a Delaware limited liability company
 85 Broad Street, New York, New York
 10004, USA
 (770) CZT/ACN Trademarks, L.L.C.
 a Delaware limited liability company
 150 North Martingale Road, Schaumburg,
 Illinois 60173, USA
 (580) 2015 01 23

(111) M 2013 024247 R
 (732) ERSEL ISITMA ENERJI SISTEMLERİ VE
 BÜRO GEREÇLERİ SANAYİ VE
 TİCARET LİMİTED ŞİRKETİ
 Organize Sanayi Bölgesi 20. Cad. N:66
 Melikgazi Kayseri, Turkey
 (770) ARUTIN PAMBUKHCHYAN
 Ratis q. 37, 0148, Tbilisi, Georgia
 (580) 2015 01 29

(111) M 2014 024461 R
 (732) JDB ASSET MANAGEMENT LIMITED
 Unit 3806-10, 38/F, Cosco Tower, Grand

Millennium Plaza, 183 Queen's Road Central,
The Hong Kong Special Administrative
Region of the people's republic of China
(770) JDB INTERNATIONAL GROUP
COMPANY LIMITED
Palm Grove House PO Box 438 road Town
Tortola, British Virgin Islands
(580) 2015 01 29

(111) M 2014 024665 R
(732) CTBAT INTERNATIONAL CO. LIMITED
29th Floor, Oxford House, Taikoo Place,
979 King's Road, Island East, The Hong
Kong Special Administrative Region of the
people's republic of China
(770) CHINA TOBACCO GUANGDONG
INDUSTRIAL CO., LTD.
8th-16th Floor, No:186, Linhexiheng Road,
Tianhe, Guangzhou, China
(580) 2015 01 16

(111) M 1994 000327 R2
(732) THE SPIC AND SPAN COMPANY
90 N. Broadway, Irvington, New York
10533, USA
(770) THE COMET PRODUCTS
CORPORATION
90 N. Broadway, Irvington, New York
10533, USA
(580) 2015 01 16

(111) M 1997 005823 R1
(732) BRACCO IMAGING S.p.A.,
50, via Egidio Folli, I-20134 Milano, Italy
(770) BRACCO S.P.A.,
50, via Egidio Folli, I-20134 Milano, Italy
(580) 2015 01 23

(111) M 1997 007272 R1
(732) CIECH TRADEMARKS Spółka z
ograniczoną odpowiedzialnością
Ul. Puławska 182, 02-670 Warszawa, Poland
(770) Verbis ETA Spółka z ograniczoną
odpowiedzialnością Spółka Komandytowo-
Akcyjna
ul. Puławska 182, 02-670 Warszawa, Poland
(580) 2015 01 23

(111) M 1998 009079 R1
(732) CITIZEN TOKEI KABUSHIKI KAISHA
(CITIZEN WATCH CO., LTD)
1-12,6-Chome, Tanashi-cho, Nishi-tokyo-shi,
Tokyo, Japan
(770) CITIZEN CBM KABUSHIKI KAISHA
also trading as JAPAN CBM

CORPORATION 68-10, Nakano 5-chome,
Nakano-ku, Tokyo, Japan
(580) 2015 01 23

(111) M 1998 009865 R1
(732) AKZO NOBEL COATINGS
INTERNATIONAL B.V.
Velperweg 76, 6824 BM Arnhem,
Netherlands
(770) IMPERIAL CHEMICAL INDUSTRIES
LIMITED
26th Floor, Portland House, Bressenden
Place, London SW1E 5BG, United Kingdom
(580) 2015 01 29

CHANGES IN NAMES AND/OR ADDRESSES OF OWNERS

- (111) M 1998 010075 R1
(732) HAYAT KIMYA SANAYI A.Ş.
Mahir Iz Caddesi No:25 Altunizade üsküdar,
Istanbul, Turkey
(770) HAYAT KIMYA SANAY A.S.
Cobancesme Sanay Cad. N16 Yenibosna,
34530 Istanbul, Turkey
(580) 2015 01 23
-
- (111) M 1998 010076 R1
(732) HAYAT KIMYA SANAYI A.Ş.
Mahir Iz Caddesi No:25 Altunizade üsküdar,
Istanbul, Turkey
(770) HAYAT KIMYA SANAY A.S.
Cobancesme Sanay Cad. N16 Yenibosna,
34530 Istanbul, Turkey
(580) 2015 01 23
-
- (111) M 1998 010077 R1
(732) HAYAT KIMYA SANAYI A.Ş.
Mahir Iz Caddesi No:25 Altunizade üsküdar,
Istanbul, Turkey
(770) HAYAT KIMYA SANAY A.S.
Cobancesme Sanay Cad. N16 Yenibosna,
34530 Istanbul, Turkey
(580) 2015 01 23
-
- (111) M 1998 010078 R1
(732) HAYAT KIMYA SANAYI A.Ş.
Mahir Iz Caddesi No:25 Altunizade üsküdar,
Istanbul, Turkey
(770) HAYAT KIMYA SANAY A.S.
Cobancesme Sanay Cad. N16 Yenibosna,
34530 Istanbul, Turkey
(580) 2015 01 23
-
- (111) M 1998 010125 R1
(732) HAYAT KIMYA SANAYI A.Ş.
Mahir Iz Caddesi No:25 Altunizade üsküdar,
Istanbul, Turkey
(770) HAYAT KIMYA SANAY A.S.
Cobancesme Sanay Cad. N16 Yenibosna,
34530 Istanbul, Turkey
(580) 2015 01 23
-
- (111) M 1998 010126 R1
(732) HAYAT KIMYA SANAYI A.Ş.
Mahir Iz Caddesi No:25 Altunizade üsküdar,
Istanbul, Turkey
(770) HAYAT KIMYA SANAY A.S.
Cobancesme Sanay Cad. N16 Yenibosna,
34530 Istanbul, Turkey
(580) 2015 01 23
-
- (111) M 2002 014415 R1
(732) HAYAT KIMYA SANAYI A.Ş.
Mahir Iz Caddesi No:25 Altunizade üsküdar,
Istanbul, Turkey
(770) HAYAT KIMYA SANAY A.S.
Cobancesme Sanay Cad. N16 Yenibosna,
34530 Istanbul, Turkey
(580) 2015 01 23
-
- (111) M 2002 014416 R1
(732) HAYAT KIMYA SANAYI A.Ş.
Mahir Iz Caddesi No:25 Altunizade üsküdar,
Istanbul, Turkey
(770) HAYAT KIMYA SANAY A.S.
Cobancesme Sanay Cad.N 16 Yenibosna,
34530 Istanbul, Turkey
(580) 2015 01 23
-
- (111) M 2003 015315 R1
(732) HAYAT KIMYA SANAYI A.Ş.
Mahir Iz Caddesi No:25 Altunizade üsküdar,
Istanbul, Turkey
(770) HAYAT KIMYA SANAY A.S.
Cobancesme Sanay Cad.N 16 Yenibosna,
34530 Istanbul, Turkey
(580) 2015 01 23
-
- (111) M 2005 016096 R
(732) HAYAT KIMYA SANAYI A.Ş.
Mahir Iz Caddesi No:25 Altunizade üsküdar,
Istanbul, Turkey
(770) HAYAT KIMYA SANAYI ANONIM
ŞİRKETİ
Çobançeşme Sanayi Caddesi N16,
Yenibosna, 34530, Istanbul, Turkey
(580) 2015 01 23
-
- (111) M 2005 016097 R
(732) HAYAT KIMYA SANAYI A.Ş.
Mahir Iz Caddesi No:25 Altunizade üsküdar,
Istanbul, Turkey
(770) HAYAT KIMYA SANAYI ANONIM
ŞİRKETİ
Çobançeşme Sanayi Caddesi N16,
Yenibosna, 34530, Istanbul, Turkey
(580) 2015 01 23
-

(111) M 2006 016463 R
 (732) Hayat Kimya Sanayi A.Ş.
 Mahir Iz Caddesi No:25 Altunizade üsküdar,
 Istanbul, Turkey

(770) Hayat Kimya Sanayi Anonim Şirketi
 Çobançeşme Sanayi Caddesi N16,
 Yenibosna, 34530, Istanbul, Turkey
 (580) 2015 01 23

(111) M 2006 016518 R
 (732) LTD "TIFLISSKI VINNI POGREB"
 Iumashevis q. 27, 0198, Tbilisi, Georgia
 (770) LTD "TIFLISSKI VINNI POGREB"
 Gamsakhurdias gamz. 44, 0160, Tbilisi,
 Georgia
 (580) 2015 01 23

(111) M 2006 016535 R
 (732) HAYAT KIMYA SANAYI A.Ş.
 Mahir Iz Caddesi No:25 Altunizade üsküdar,
 Istanbul, Turkey
 (770) HAYAT KIMYA SANAYI ANONIM
 ŞİRKETİ
 Çobançeşme Sanayi Caddesi N16,
 Yenibosna, 34530, Istanbul, Turkey
 (580) 2015 01 23

(111) M 2006 016536 R
 (732) HAYAT KIMYA SANAYI A.Ş.
 Mahir Iz Caddesi No:25 Altunizade üsküdar,
 Istanbul, Turkey
 (770) HAYAT KIMYA SANAYI ANONIM
 ŞİRKETİ
 Çobançeşme Sanayi Caddesi N16,
 Yenibosna, 34530, Istanbul, Turkey
 (580) 2015 01 23

(111) M 2006 016537 R
 (732) HAYAT KIMYA SANAYI A.Ş.
 Mahir Iz Caddesi No:25 Altunizade üsküdar,
 Istanbul, Turkey
 (770) HAYAT KIMYA SANAYI ANONIM
 ŞİRKETİ
 Çobançeşme Sanayi Caddesi N16,
 Yenibosna, 34530, Istanbul, Turkey
 (580) 2015 01 23

(111) M 2006 016542 R
 (732) HAYAT KIMYA SANAYI A.Ş.
 Mahir Iz Caddesi No:25 Altunizade üsküdar,
 Istanbul, Turkey
 (770) HAYAT KIMYA SANAYI ANONIM
 ŞİRKETİ

Çobançeşme Sanayi Caddesi N16,
 Yenibosna, 34530, Istanbul, Turkey
 (580) 2015 01 23

(111) M 2006 016575 R
 (732) HAYAT KIMYA SANAYI A.Ş.
 Mahir Iz Caddesi No:25 Altunizade üsküdar,
 Istanbul, Turkey
 (770) HAYAT KIMYA SANAYI ANONIM
 ŞİRKETİ
 Çobançeşme Sanayi Caddesi N16,
 Yenibosna, 34530, Istanbul, Turkey
 (580) 2015 01 23

(111) M 2006 017098 R
 (732) HAYAT KIMYA SANAYI A.Ş.
 Mahir Iz Caddesi No:25 Altunizade üsküdar,
 Istanbul, Turkey
 (770) HAYAT KIMYA SANAYI ANONIM
 ŞİRKETİ
 Çobançeşme Sanayi Caddesi N16,
 Yenibosna, 34530, Istanbul, Turkey
 (580) 2015 01 23

(111) M 2007 017474 R
 (732) JSC "NIKORA"
 M. Kavtaradzis 11, 0180, Tbilisi, Georgia
 (770) LTD "NIKORA"
 M. Kavtaradzis q. 11, 0180, Tbilisi, Georgia
 (580) 2015 01 23

(111) M 2008 018348 R
 (732) HAYAT KIMYA SANAYI A.Ş.
 Mahir Iz Caddesi No:25 Altunizade üsküdar,
 Istanbul, Turkey
 (770) HAYAT KIMYA SANAYI ANONIM
 ŞİRKETİ
 Çobançeşme Sanayi Caddesi N16,
 Yenibosna, 34530, Istanbul, Turkey
 (580) 2015 01 23

(111) M 2012 022706 R
 (732) ASSAN GIDA SANAYİ VE TİCARET
 ANONİM ŞİRKETİ
 Tersane Caddesi, Bakir Sokak, Assan Han,
 No:11, Karaköy-Istanbul, Turkey
 (770) ASSAN GIDA SANAYİ VE TİCARET
 ANONİM ŞİRKETİ
 Tersane Caddesi İşic İş Merkezi, No:92 Kat:6
 34420 Karaköy-Istanbul, Turkey
 (580) 2015 01 29

(111) M 2012 022707 R
(732) ASSAN GIDA SANAYİ VE TİCARET
ANONİM ŞİRKETİ
Tersane Caddesi, Bakir Sokak, Assan Han,
No:11, Karaköy-Istanbul, Turkey
(770) ASSAN GIDA SANAYİ VE TİCARET
ANONİM ŞİRKETİ
Tersane Caddesi İşic İş Merkezi, No:92 Kat:6
34420 Karaköy-Istanbul, Turkey
(580) 2015 01 29

(111) M 2012 023096 R
(732) ASSAN GIDA SANAYİ VE TİCARET
ANONİM ŞİRKETİ
Tersane Caddesi, Bakir Sokak, Assan Han,
No:11, Karaköy-Istanbul, Turkey
(770) ASSAN GIDA SANAYİ VE TİCARET
ANONİM ŞİRKETİ
Tersane Caddesi İşic İş Merkezi, No:92
Kat:6 34420 Karaköy-Istanbul, Turkey
(580) 2015 01 29

(111) M 1994 000327 R2
(732) THE SPIC AND SPAN COMPANY
660 White Plans Road, Suite 250, Tarrytown,
New York 10591, USA
(770) THE SPIC AND SPAN COMPANY
90 N. Broadway, Irvington, New York
10533, USA
(580) 2015 01 16

(111) M 1998 009865 R1
(732) IMPERIAL CHEMICAL INDUSTRIES
LIMITED
26th Floor, Portland House, Bressenden
Place, London SW1E 5BG, United Kingdom
(770) IMPERIAL CHEMICAL INDUSTRIES PLC
20 Manchester Square, London W1U 3AN,
United Kingdom
(580) 2015 01 29

CANCELLING OF TRADEMARK REGISTRATION

(111) M 1998 11225 R1
(141) 2014 12 23, On demand of the owner
(732) EFG Bank European Financial Group SA
24 Quai du Seujet, P.O. Box, 1211, Geneva 2,
Switzerland

(111) M 1999 11365 R1
(141) 2014 12 23, On demand of the owner
(732) EFG Bank European Financial Group SA
24 Quai du Seujet, P.O. Box, 1211, Geneva 2,
Switzerland

(111) M 2009 19052 R
(141) 2014 12 23, On demand of the owner
(732) EFG Bank European Financial Group SA
24 Quai du Seujet, P.O. Box, 1211, Geneva 2,
Switzerland

CANCELLING OF INTERNATIONAL TRADEMARK REGISTRATION

(800) 761228
(732) AZIENDE CHIMICHE RIUNITE ANGELINI FRANCESCO A.C.R.A.F.S.P.A.;
70, viale Amelia, I-00181 ROMA, Italy
(540)

UNIDROX

(591) Black, white
(511) 5
(141) 2015 02 05

FOUNDATIONS: Order №10 of Sakpatenti Chairman of 2015 01 26 for enforcement of the decision of October 27,
2014, of Tbilisi City Court Civil Cases Board (Case №2/15673-14).

CORRECTION OF PUBLISHED INFORMATIONS

BULLETIN №	NUMBER OF PUBLISHED APPLICATION (10)	Pg.	col.	PUBLISHED	MUST BE
№18(406) 2014	AP 2014 12142 A	4	II	Claims: 6 independent 44 dependent Table: 17	Claims: 8 independent 32 dependent Table: 22

CLASSIFICATION INDEXES

INVENTIONS

CONCORDANCE TABLE OF INTERNATIONAL CLASSIFICATION INDEX AND PUBLICATION NUMBERS

INTERNATIONAL CLASSIFICATION INDEXES (51)	NUMBER OF PUBLISHED APPLICATIONS (10)
A 23 L 1/056; A 23 L 1/30; A 61 K 31/715; A 61 K 35/56	AP 2015 12609 A
A 61 K 31/4184; A 61 K 31/4745; A 61 K 39/395; A 61 K 45/06; A 61 K 35/00; A 61 P 35/02	AP 2015 12864 A
B 22 F 3/23	AP 2015 13084 A
B 61 B 7/00; B 61 B 7/02	AP 2015 13410 A
C 07 D 487/04; C 07 D 493/14; C 07 D 495/14; C 07 D 498/14; A 61 K 31/517; A 61 P 35/00	AP 2015 13008 A
F 16 C 7/04	AP 2015 13093 A

CONCORDANCE TABLE OF PUBLICATION NUMBERS AND INTERNATIONAL CLASSIFICATION INDEX

NUMBER OF PUBLISHED APPLICATIONS (10)	INTERNATIONAL CLASSIFICATION INDEXES (51)
AP 2015 12609 A	A 23 L 1/056; A 23 L 1/30; A 61 K 31/715; A 61 K 35/56
AP 2015 12864 A	A 61 K 31/4184; A 61 K 31/4745; A 61 K 39/395; A 61 K 45/06; A 61 K 35/00; A 61 P 35/02
AP 2015 13008 A	C 07 D 487/04; C 07 D 493/14; C 07 D 495/14; C 07 D 498/14; A 61 K 31/517; A 61 P 35/00
AP 2015 13084 A	B 22 F 3/23
AP 2015 13093 A	F 16 C 7/04
AP 2015 13410 A	B 61 B 7/00; B 61 B 7/02

CONCORDANCE TABLE OF INTERNATIONAL CLASSIFICATION INDEX, PATENT NUMBERS AND PUBLICATION NUMBERS

INTERNATIONAL CLASSIFICATION INDEXES (51)	NUMBER OF PATENTS (11)	NUMBER OF PUBLISHED APPLICATIONS (10)
1	2	3
A 01 G 13/02	P 2015 6248 B	AP 2014 13123 A
A 61 B 6/00; G 01 N 21/35	P 2015 6240 B	AP 2014 12607 A
C 07 D 215/48; C 07 D 401/06; C 07 D 401/12; C 07 D 407/06; C 07 D 407/12; C 07 D 417/06; C 07 D 491/113; A 61 K 31/4709; A 61 P 31/10	P 2015 6244 B	AP 2014 12809 A
C 07 D 223/16	P 2015 6245 B	AP 2014 12929 A
C 07 D 291/08; A 61 K 31/551; A 61 P 25/00	P 2015 6247 B	AP 2014 13048 A
C 07 D 471/04; C 07 D 487/04; A 61 K 31/437; A 61 K 31/519; A 61 P 7/00; A 61 P 11/00; A 61 P 17/00; A 61 P 19/00; A 61 P 35/00; A 61 P 37/00; A 61 P 29/00	P 2015 6243 B	AP 2014 12794 A

1	2	3
C 07 D 471/04; C 07 D 487/04; A 61 K 31/519; A 61 P 25/00	P 2015 6241 B	AP 2014 12785 A
C 07 D 471/04; C 07 D 487/04; A 61 K 31/519; A 61 P 25/00	P 2015 6242 B	AP 2014 12787 A
G 02 C 11/08; A 61 F 9/02; G 02 C 5/12; G 02 C 5/14	P 2015 6246 B	AP 2014 13010 A

**CONCORDANCE TABLE OF PATENT NUMBERS,
PUBLICATION NUMBERS AND INTERNATIONAL CLASSIFICATION INDEX**

NUMBER OF PATENTS (11)	NUMBER OF PUBLISHED APPLICATIONS (10)	INTERNATIONAL CLASSIFICATION INDEXES (51)
P 2015 6240 B	AP 2014 12607 A	A 61 B 6/00; G 01 N 21/35
P 2015 6241 B	AP 2014 12785 A	C 07 D 471/04; C 07 D 487/04; A 61 K 31/519; A 61 P 25/00
P 2015 6242 B	AP 2014 12787 A	C 07 D 471/04; C 07 D 487/04; A 61 K 31/519; A 61 P 25/00
P 2015 6243 B	AP 2014 12794 A	C 07 D 471/04; C 07 D 487/04; A 61 K 31/437; A 61 K 31/519; A 61 P 7/00; A 61 P 11/00; A 61 P 17/00; A 61 P 19/00; A 61 P 35/00; A 61 P 37/00; A 61 P 29/00
P 2015 6244 B	AP 2014 12809 A	C 07 D 215/48; C 07 D 401/06; C 07 D 401/12; C 07 D 407/06; C 07 D 407/12; C 07 D 417/06; C 07 D 491/113; A 61 K 31/4709; A 61 P 31/10
P 2015 6245 B	AP 2014 12929 A	C 07 D 223/16
P 2015 6246 B	AP 2014 13010 A	G 02 C 11/08; A 61 F 9/02; G 02 C 5/12; G 02 C 5/14
P 2015 6247 B	AP 2014 13048 A	C 07 D 291/08; A 61 K 31/551; A 61 P 25/00
P 2015 6248 B	AP 2014 13123 A	A 01 G 13/02

**CONCORDANCE TABLE OF APPLICATION NUMBERS, PUBLICATION NUMBERS
AND PATENTS**

NUMBER OF APPLICATIONS (21)	NUMBER OF PUBLISHED APPLICATIONS (10)	NUMBER OF PATENTS (11)
AP 2012 012607	AP 2014 12607 A	P 2015 6240 B
AP 2010 012785	AP 2014 12785 A	P 2015 6241 B
AP 2010 012787	AP 2014 12787 A	P 2015 6242 B
AP 2010 012794	AP 2014 12794 A	P 2015 6243 B
AP 2010 012809	AP 2014 12809 A	P 2015 6244 B
AP 2012 012929	AP 2014 12929 A	P 2015 6245 B
AP 2011 013010	AP 2014 13010 A	P 2015 6246 B
AP 2011 013048	AP 2014 13048 A	P 2015 6247 B
AP 2013 013123	AP 2014 13123 A	P 2015 6248 B

UTILITY MODELS

CONCORDANCE TABLE OF INTERNATIONAL CLASSIFICATION INDEX AND PUBLICATION NUMBERS

INTERNATIONAL CLASSIFICATION INDEXES (51)	NUMBER OF PUBLISHED APPLICATIONS (10)
B 21 F 27/06	AU 2015 13416 U
G 03 B 27/00	AU 2015 13455 U

CONCORDANCE TABLE OF PUBLICATION NUMBERS AND INTERNATIONAL CLASSIFICATION INDEX

NUMBER OF PUBLISHED APPLICATIONS (10)	INTERNATIONAL CLASSIFICATION INDEXES (51)
AU 2015 13416 U	B 21 F 27/06
AU 2015 13455 U	G 03 B 27/00

CONCORDANCE TABLE OF INTERNATIONAL CLASSIFICATION INDEX, PATENT NUMBERS AND PUBLICATION NUMBERS

INTERNATIONAL CLASSIFICATION INDEXES (51)	NUMBER OF PATENTS (11)	NUMBER OF PUBLISHED APPLICATIONS (10)
A 23 B 4/044	U 2015 1843 Y	AU 2014 13298 U
A 23 L 1/221	U 2015 1844 Y	AU 2014 13398 U
C 12 G 1/00	U 2015 1845 Y	AU 2014 13411 U

CONCORDANCE TABLE OF PATENT NUMBERS, PUBLICATION NUMBERS AND INTERNATIONAL CLASSIFICATION INDEX

NUMBER OF PATENTS (11)	NUMBER OF PUBLISHED APPLICATIONS (10)	INTERNATIONAL CLASSIFICATION INDEXES (51)
U 2015 1843 Y	AU 2014 13298 U	A 23 B 4/044
U 2015 1844 Y	AU 2014 13398 U	A 23 L 1/221
U 2015 1845 Y	AU 2014 13411 U	C 12 G 1/00

CONCORDANCE TABLE OF APPLICATION NUMBERS, PUBLICATION NUMBERS AND PATENTS

NUMBER OF APPLICATIONS (21)	NUMBER OF PUBLISHED APPLICATIONS (10)	NUMBER OF PATENTS (11)
AU 2013 013298	AU 2014 13298 U	U 2015 1843 Y
AU 2014 013398	AU 2014 13398 U	U 2015 1844 Y
AU 2014 013411	AU 2014 13411 U	U 2015 1845 Y

DESIGNS

DESIGN REGISTERED ACCORDING TO THE ACCELERATED PROCEDURE

CONCORDANCE TABLE OF INTERNATIONAL CLASSIFICATION INDEX AND PATENTS NUMBERS

INTERNATIONAL CLASSIFICATION INDEXES (51)	NUMBER OF PATENTS (11)
01-01	D 2015 617 S
19-08	D 2015 615 S
20-02	D 2015 616 S
31-00	D 2015 614 S

CONCORDANCE TABLE OF PATENT NUMBERS AND INTERNATIONAL CLASSIFICATION INDEX

NUMBER OF PATENTS (11)	INTERNATIONAL CLASSIFICATION INDEXES (51)
D 2015 614 S	31-00
D 2015 615 S	19-08
D 2015 616 S	20-02
D 2015 617 S	01-01

CONCORDANCE TABLE OF APPLICATION NUMBERS AND PATENT NUMBERS

NUMBER OF APPLICATIONS (21)	NUMBER OF PATENTS (11)
AD 2015 000830	D 2015 614 S
AD 2015 000831	D 2015 616 S
AD 2015 000832	D 2015 615 S
AD 2015 000833	D 2015 617 S

TRADEMARKS

CONCORDANCE TABLE OF REGISTRATION NUMBERS, APPLICATION NUMBERS, PUBLICATION NUMBERS AND BULLETIN NUMBERS

NUMBER OF REGISTRATION (111)	NUMBER OF APPLICATIONS (210)	NUMBER OF PUBLISHED APPLICATIONS (260)	NUMBER OF BULLETIN
1	2	3	4
M 2015 25589 R	AM 2015 80015	-	3(415) 2015
M 2015 25590 R	AM 2015 79971	-	3(415) 2015
M 2015 25591 R	AM 2015 80258	-	3(415) 2015
M 2015 25592 R	AM 2015 80259	-	3(415) 2015
M 2015 25593 R	AM 2015 80260	-	3(415) 2015
M 2015 25594 R	AM 2013 71680	AM 2014 71680 A	18(406) 2014
M 2015 25595 R	AM 2013 71924	AM 2014 71924 A	18(406) 2014
M 2015 25596 R	AM 2013 71993	AM 2014 71993 A	17(405) 2014
M 2015 25597 R	AM 2013 72524	AM 2014 72524 A	18(406) 2014
M 2015 25598 R	AM 2013 72568	AM 2014 72568 A	11(399) 2014
M 2015 25599 R	AM 2013 72569	AM 2014 72569 A	11(399) 2014
M 2015 25600 R	AM 2013 72570	AM 2014 72570 A	11(399) 2014
M 2015 25601 R	AM 2013 72571	AM 2014 72571 A	11(399) 2014
M 2015 25602 R	AM 2013 72572	AM 2014 72572 A	11(399) 2014
M 2015 25603 R	AM 2013 72573	AM 2014 72573 A	11(399) 2014
M 2015 25604 R	AM 2013 72574	AM 2014 72574 A	11(399) 2014
M 2015 25605 R	AM 2013 72576	AM 2014 72576 A	11(399) 2014
M 2015 25606 R	AM 2013 72577	AM 2014 72577 A	11(399) 2014
M 2015 25607 R	AM 2013 72579	AM 2014 72579 A	11(399) 2014
M 2015 25608 R	AM 2013 72599	AM 2014 72599 A	11(399) 2014
M 2015 25609 R	AM 2013 72600	AM 2014 72600 A	11(399) 2014
M 2015 25610 R	AM 2013 72601	AM 2014 72601 A	11(399) 2014
M 2015 25611 R	AM 2013 72647	AM 2014 72647 A	15(403) 2014
M 2015 25612 R	AM 2013 72698	AM 2014 72698 A	13(401) 2014
M 2015 25613 R	AM 2013 73108	AM 2014 73108 A	17(405) 2014
M 2015 25614 R	AM 2013 73172	AM 2014 73172 A	17(405) 2014
M 2015 25615 R	AM 2013 73341	AM 2014 73341 A	16(404) 2014
M 2015 25616 R	AM 2013 73486	AM 2014 73486 A	16(404) 2014
M 2015 25617 R	AM 2013 73552	AM 2014 73552 A	13(401) 2014
M 2015 25618 R	AM 2013 73780	AM 2014 73780 A	17(405) 2014
M 2015 25619 R	AM 2013 73866	AM 2014 73866 A	17(405) 2014
M 2015 25620 R	AM 2013 73869	AM 2014 73869 A	12(400) 2014
M 2015 25621 R	AM 2013 73870	AM 2014 73870 A	12(400) 2014
M 2015 25622 R	AM 2013 73871	AM 2014 73871 A	17(405) 2014
M 2015 25623 R	AM 2013 73968	AM 2014 73968 A	18(406) 2014
M 2015 25624 R	AM 2013 73969	AM 2014 73969 A	18(406) 2014
M 2015 25625 R	AM 2013 73970	AM 2014 73970 A	18(406) 2014
M 2015 25626 R	AM 2013 73971	AM 2014 73971 A	18(406) 2014
M 2015 25627 R	AM 2013 73972	AM 2014 73972 A	18(406) 2014
M 2015 25628 R	AM 2013 74102	AM 2014 74102 A	15(403) 2014
M 2015 25629 R	AM 2013 74346	AM 2014 74346 A	18(406) 2014
M 2015 25630 R	AM 2013 74396	AM 2014 74396 A	13(401) 2014
M 2015 25631 R	AM 2013 74485	AM 2014 74485 A	18(406) 2014
M 2015 25632 R	AM 2013 74546	AM 2014 74546 A	18(406) 2014

1	2	3	4
M 2015 25633 R	AM 2013 74672	AM 2014 74672 A	17(405) 2014
M 2015 25634 R	AM 2013 74673	AM 2014 74673 A	17(405) 2014
M 2015 25635 R	AM 2013 74716	AM 2014 74716 A	14(402) 2014
M 2015 25636 R	AM 2013 74717	AM 2014 74717 A	14(402) 2014
M 2015 25637 R	AM 2013 74718	AM 2014 74718 A	14(402) 2014
M 2015 25638 R	AM 2013 74754	AM 2014 74754 A	18(406) 2014
M 2015 25639 R	AM 2013 74776	AM 2014 74776 A	12(400) 2014
M 2015 25640 R	AM 2013 74777	AM 2014 74777 A	12(400) 2014
M 2015 25641 R	AM 2013 74802	AM 2014 74802 A	18(406) 2014
M 2015 25642 R	AM 2013 75009	AM 2014 75009 A	18(406) 2014
M 2015 25643 R	AM 2013 75076	AM 2014 75076 A	18(406) 2014
M 2015 25644 R	AM 2013 75077	AM 2014 75077 A	18(406) 2014
M 2015 25645 R	AM 2013 75078	AM 2014 75078 A	18(406) 2014
M 2015 25646 R	AM 2013 75079	AM 2014 75079 A	18(406) 2014
M 2015 25647 R	AM 2013 75104	AM 2014 75104 A	18(406) 2014
M 2015 25648 R	AM 2013 75120	AM 2014 75120 A	14(402) 2014
M 2015 25649 R	AM 2013 75121	AM 2014 75121 A	18(406) 2014
M 2015 25650 R	AM 2013 75134	AM 2014 75134 A	18(406) 2014
M 2015 25651 R	AM 2015 79233	-	3(415) 2015
M 2015 25652 R	AM 2015 80300	-	3(415) 2015
M 2015 25653 R	AM 2015 80018	-	3(415) 2015
M 2015 25654 R	AM 2015 80179	-	3(415) 2015
M 2015 25655 R	AM 2015 80361	-	3(415) 2015
M 2015 25656 R	AM 2015 78082	-	3(415) 2015
M 2015 25657 R	AM 2015 80016	-	3(415) 2015
M 2015 25658 R	AM 2015 80161	-	3(415) 2015
M 2015 25659 R	AM 2015 80229	-	3(415) 2015

**CONCORDANCE TABLE OF PUBLICATION NUMBERS
AND APPLICATION NUMBERS**

NUMBER OF PUBLISHED APPLICATIONS (260)	NUMBER OF APPLICATIONS (210)
AM 2015 67596 A**	AM 2012 67596
AM 2015 74050 A	AM 2013 74050
AM 2015 75101 A	AM 2013 75101
AM 2015 75484 A	AM 2014 75484
AM 2015 76802 A	AM 2014 76802
AM 2015 77448 A	AM 2014 77448
AM 2015 77450 A	AM 2014 77450
AM 2015 77465 A	AM 2014 77465
AM 2015 77467 A	AM 2014 77467
AM 2015 77547 A	AM 2014 77547
AM 2015 77552 A	AM 2014 77552
AM 2015 77618 A	AM 2014 77618
AM 2015 77622 A	AM 2014 77622
AM 2015 77639 A	AM 2014 77639
AM 2015 77703 A	AM 2014 77703

**CONCORDANCE TABLE OF INDEX OF GOODS AND/OR SERVICES
AND APPLICATION NUMBERS**

INDEX OF GOODS AND/OR SERVICES (511)	NUMBER OF PUBLISHED APPLICATIONS (260)	1	2
1	2		
3	AM 2015 77465 A	32	AM 2015 75101 A
3	AM 2015 77467 A	32	AM 2015 77622 A
3	AM 2015 77552 A	33	AM 2015 75101 A
3	AM 2015 77639 A	33	AM 2015 77622 A
5	AM 2015 67596 A**	34	AM 2015 77448 A
9	AM 2015 75484 A	34	AM 2015 77450 A
12	AM 2015 77547 A	35	AM 2015 75484 A
12	AM 2015 77703 A	36	AM 2015 75484 A
16	AM 2015 77639 A	36	AM 2015 76802 A
30	AM 2015 77618 A	37	AM 2015 75484 A
		38	AM 2015 75484 A
		41	AM 2015 75484 A
		42	AM 2015 75484 A
		43	AM 2015 74050 A

**CONCORDANCE TABLE OF INDEX OF GOODS AND/OR SERVICES
AND NUMBERS OF TRADEMARKS REGISTERED ACCORDING
TO THE ACCELERATED PROCEDURE**

INDEX OF GOODS AND/OR SERVICES (511)	NUMBERS OF REGISTERED ACCORDING TO THE ACCELERATED PROCEDURE (111)
1	M 2015 25651 R
2	M 2015 25658 R
3	M 2015 25655 R
5	M 2015 25655 R
9	M 2015 25652 R
16	M 2015 25655 R
32	M 2015 25590 R
32	M 2015 25591 R
32	M 2015 25592 R
32	M 2015 25593 R
32	M 2015 25654 R
32	M 2015 25659 R
33	M 2015 25654 R
33	M 2015 25656 R
35	M 2015 25590 R
35	M 2015 25652 R
35	M 2015 25658 R
42	M 2015 25652 R
44	M 2015 25589 R
44	M 2015 25653 R
44	M 2015 25657 R

OFFICIAL BULLETIN OF THE INDUSTRIAL PROPERTY

3(415)

EDITOR-IN-CHIEF: N. Bebrishvili

EDITORS-TRANSLATORS: E. Gabunia
G. Nadareishvili

PROOFREADER: L. Chanturia

COMPUTER LAYOUT: M. Ordenidze
K. Svanidze

www.sakpatenti.org.ge

E-mail: info@sakpatenti.org.ge