



**NATIONAL INTELLECTUAL PROPERTY CENTER OF GEORGIA
SAKPATENTI**

**OFFICIAL BULLETIN
OF THE INDUSTRIAL PROPERTY**

3(439)

**2016
TBILISI**

INID CODES FOR IDENTIFICATION OF BIBLIOGRAPHIC DATA

INVENTIONS, UTILITY MODELS

- (10) Number of publication for application, which has been examined
- (11) Number of patent and kind of document
- (21) Serial number of application
- (22) Date of filing of the application
- (23) Date of exhibition or the date of the earlier filing and the number of application, if any
- (24) Date from which patent may have effect
- (31) Number of priority application
- (32) Date of filing of priority application
- (33) Code of the country or regional organization allotting priority application number
- (44) Date of publication of application not granted, but examined and number of bulletin
- (45) Date of publication of registered document
- (51) International Patent Classification Index
- (54) Title of the invention
- (57) Abstract
- (60) Number of examined patent document granted by foreign patent office, date from which patent has effect and country code
- (62) Number of the earlier application and in case of divided application, date of filing an application
- (71) Name, surname and address of applicant (country code)
- (72) Name, surname of inventor (country code)
- (73) Name, surname and address of patent owner (country code)
- (74) Name, surname of representative or patent attorney
- (85) Date of commencement of the national phase of International Application
- (86) Number and date of filing of international application
- (87) Number and date of publication of international application

DESIGNS

- (10) Number of publication for application
- (11) Number of patent and kind of document or number of registration
- (15) Date of registration/Date of patent renewal
- (18) Expected expiration date of patent or registration
- (21) Serial number of application
- (22) Date of filing of the application
- (23) Date of exhibition or the date of the earlier filing and the number of application, if any
- (24) Date from which patent may have effect
- (28) Number of designs included in the application
- (30) Data relating to priority (number of application, date of filing of application, two-letter code identifying the authority with whom the priority application was made)
- (31) Number of priority application
- (32) Date of filing of priority application
- (33) Code of the country or regional organization allotting priority application number
- (34) Two-letter code according to WIPO St.3 identifying the authority with which the priority application was made
- (44) Date of publication of design and number of bulletin (the first publication)
- (45) Date of publication of design registered by WIPO and number of bulletin
- (51) International Classification for designs (class and subclass of the Locarno Classification)
- (54) Title of the invention
- (55) Reproduction of the design
- (57) Description of characteristic features of the design including indication of colors
- (58) Date of recording of any kind of amendment in the Register
- (62) Number of the earlier application, registration and document number and if available the date of filing an application in case of divided application
- (71) Name, surname and address of applicant (country code)
- (72) Name, surname of creator (country code)
- (73) Name, surname and address of patent owner (country code)
- (74) Name, surname of representative or patent attorney
- (81) Contracting states concerned
 - II designated contracting states according to the 1960 Act
 - III designated contracting states according to the 1999 Act
- (85) Owner's permanent address
- (86) Owner's nationality
- (87) Owner's residence
- (88) State in which the owner has a real and effective industrial or commercial establishment

TRADEMARKS

- (111) – Number of registration
- (151) – Date of registration
- (156) – Date of the renewal
- (181) – Expected expiration date of registration
- (186) – Renewal expiration date of registration
- (141) – Date of cancel of duration of the mark
- (210) – Serial number of application
- (220) – Date of filing of the application
- (230) – Data concerning exhibition
- (260) – Number of application, for which favorable decision of examination about registration has been taken (publication number)
- (310) – Number of the first application
- (320) – Date of filing of the first application
- (330) – Code, identifying national or regional Office where the first application was made
- (511) – International Classification of Goods and Services for the purposes of registration of trade marks and/or list of goods and/or services classified according thereto
- (531) – Description of figurative elements of Trade Marks according to the International Classification of the Figurative Elements of Marks
- (540) – Reproduction of Trade Mark
- (550) – Nature and kind of Trade Mark
- (580) – Date of recording of any kind changes in respect of applications or registrations
- (591) – Information concerning colors claimed
- (731) – Name and address of the applicant
- (732) – Name and address of the holder of the registration
- (740) – Name and address of the representative
- (750) – Address for correspondence
- (770) – Name and address of the previous applicant or holder in case of change in ownership
- (771) – Previous name and address of the applicant or holder in case of change in ownership
- (791) – Name and address of the licensee
- (793) – Indication of conditions and/or restrictions under the license (Type of license, number of license agreement, data of license, data of validity of license)
- (800) – Certain data relating to the international registration of Trade Marks under the Protocol Relating to Madrid Agreement (International registration number)

CODES FOR PUBLICATION IN BULLETIN

- (21) AP 0000 000000 – serial number of application for invention
- (10) AP 0000 0000 A – number of published application for invention (first publication)
- (11) P 0000 0000 B – number of patent for invention (second publication)
- (21) API 0000 000000 – number of application for imported patent
- (11) PI 0000 0000 A – number of imported patent (first publication)
- (21) AU 0000 000000 – serial number of application for utility model
- (10) AU 0000 000 U – number of published application for utility model (first publication)
- (11) U 0000 000 Y – number of patent for utility model (second publication)
- (21) AD 0000 000000 – serial number of application for design
- (10) AD 0000 000 S – number of published application for design (first publication)
- (11) D 0000 000 S – number of patent for design (second publication)

INTERNATIONAL PATENT CLASSIFICATION FOR INVENTIONS AND UTILITY MODELS

- SECTION A – HUMAN NECESSITIES
- SECTION B – PERFORMING OPERATIONS; TRANSPORTING
- SECTION C – CHEMISTRY; METALLURGY
- SECTION D – TEXTILES; PAPER
- SECTION E – FIXED CONSTRUCTIONS
- SECTION F – MECHANICAL ENGINEERING; LIGHTING; HEATING; WEAPONS; BLASTING
- SECTION G – PHYSICS
- SECTION H – ELECTRICITY

-
- M – Trade Mark
 - (210) AM 0000 000000 – Serial number of application;
 - (260) AAM 0000 00000 A – Publication number of application;
 - (111) M 0000 00000 R – Number of registration;
 - (111) MMM0000 00000 Rn – Number of renewals, in which n=1,2,3;
 - (111) M 0000 00000 R(P) – Number of registration under partial assignment of rights
-

LIST OF CODES, IN ALPHABETIC SEQUENCE, AND THE CORRESPONDING (SHORT) NAMES OF STATES, OTHER ENTITIES AND INTERGOVERNMENTAL ORGANIZATIONS
(WIPO STANDARD ST.3)

AD	Andorra				
AE	United Arab Emirates				
AF	Afghanistan				
AG	Antigua and Barbuda				
AI	Anguilla				
AL	Albania				
AM	Armenia				
AN	Netherlands Antilles				
AO	Angola				
AP	African Regional Intellectual Property Organization (ARIPO)				
AR	Argentina				
AT	Austria				
AU	Australia				
AW	Aruba				
AZ	Azerbaijan				
BA	Bosnia and Herzegovina				
BB	Barbados				
BD	Bangladesh				
BE	Belgium				
BF	Burkina Faso				
BG	Bulgaria				
BH	Bahrain				
BI	Burundi				
BJ	Benin				
BM	Bermuda				
BN	Brunei Darussalam				
BO	Bolivia				
BR	Brazil				
BS	Bahamas				
BT	Bhutan				
BV	Bouvet Island				
BW	Botswana				
BX	Benelux Office for Intellectual Property (BOIP)				
BY	Belarus				
BZ	Belize				
CA	Canada				
CD	Democratic Republic of the Congo				
CF	Central African Republic				
CG	Congo				
CH	Switzerland				
CI	Cote d'Ivoire				
CK	Cook Islands				
CL	Chile				
CM	Cameroon				
CN	China				
CO	Colombia				
CR	Costa Rica				
CU	Cuba				
CV	Cape Verde				
CY	Cyprus				
CZ	Czech Republic				
DE	Germany				
DJ	Djibouti				
DM	Dominica				
DO	Dominican Republic				
DZ	Algeria				
EA	Eurasian Patent Organization (EAPO)				
EC	Ecuador				
EE	Estonia				
EG	Egypt				
EH	Western Sahara				
EM	Office for Harmonization in the Internal Market (Trademarks and Designs)(OHIM)				
EP	European Patent Office (EPO)				
ER	Eritrea				
ES	Spain				
ET	Ethiopia				
FI	Finland				
FJ	Fiji				
FK	Falkland Islands (Malvinas)				
FO	Faroe Islands				
FR	France				
GA	Gabon				
GB	United Kingdom				
GC	Patent Office of the Cooperation Council for the Arab States of the Gulf (GCC)				
GD	Grenada				
GG	Guernsey				
GH	Ghana				
GI	Gibraltar				
GT	Guatemala				
GW	Guinea- Bissau				
GY	Guyana				
HK	The Hong Kong Special Administrative Region of the People's Republic of China				
HN	Honduras				
HR	Croatia				
HT	Haiti				
HU	Hungary				
IB	International Bureau of the World Intellectual Property Organization (WIPO)				
ID	Indonesia				
IE	Ireland				
IL	Israel				
IM	Isle of Man				
IN	India				
IQ	Iraq				
ID	Indonesia				
IE	Ireland				
IL	Israel				
IM	Isle of Man				
IN	India				
IQ	Iraq				
IR	Iran (Islamic Republic of)				
IS	Iceland				
IT	Italy				
JE	Jersey				
JM	Jamaica				
JO	Jordan				
JP	Japan				
KE	Kenya				
KG	Kyrgyzstan				
KH	Cambodia				
KI	Kiribati				
KM	Saint Kitts and Nevis				
KP	Democratic People's Republic of Korea				
KR	Republic of Korea				
KW	Kuwait				
KY	Cayman Islands				
KZ	Kazakhstan				
LA	Lao People's Democratic Republic				
LB	Lebanon				
LC	Saint Lucia				
LI	Liechtenstein				
LK	Sri Lanka				
LR	Liberia				
LS	Lesotho				
LT	Lithuania				
LU	Luxembourg				
LV	Latvia				
LY	Libyan Arab Jamahiriya				
MA	Morocco				
MC	Monaco				
MD	Republic of Moldova				
ME	Montenegro				
MG	Madagascar				
MK	The former Yugoslav Republic of Macedonia				
ML	Mali				
MM	Myanmar				
MN	Mongolia				
MO	Macao				
MP	Northern Mariana Islands				
MR	Mauritania				
MS	Montserrat				
MT	Malta				
MU	Mauritius				
MV	Maldives				
MW	Malawi				
MX	Mexico				
MY	Malaysia				
MZ	Mozambique				
NA	Namibia				
NE	Niger				
NG	Nigeria				
NI	Nicaragua				
NL	Netherlands				
NO	Norway				
NP	Nepal				
NR	Nauru				
NZ	New Zealand				
OA	African Intellectual Property Organization (OAPI)				
OM	Oman				
PA	Panama				
PE	Peru				
PG	Papua New Guinea				
PH	Philippines				
PK	Pakistan				
PL	Poland				
PT	Portugal				
PW	Palau				
PY	Paraguay				
QA	Qatar				
QZ	Community Plant Variety Office (European Community) (CPVO)				
RO	Romania				
RS	Serbia				
RU	Russian Federation				
RW	Rwanda				
SA	Saudi Arabia				
SB	Solomon Islands				
SC	Seychelles				
SD	Sudan				
SG	Singapore				
SH	Saint Helena				
SI	Slovenia				
SK	Slovakia				
SL	Sierra Leone				
SM	San Marino				
SN	Senegal				
SO	Somalia				
SR	Suriname				
ST	Sao Tome and Principe				
SV	El Salvador				
SY	Syrian Arab Republic				
SZ	Swaziland				
TC	Turks and Caicos Islands				
TD	Chad				
TG	Togo				
TH	Thailand				
TJ	Tajikistan				
TL	Timor-Leste				
TM	Turkmenistan				
TN	Tunisia				
TO	Tonga				
TR	Turkey				
SE	Sweden				
TT	Trinidad and Tobago				
TV	Tuvalu				
TW	Taiwan, Province of China				
TZ	United Republic of Tanzania				
UA	Ukraine				
UG	Uganda				
US	United States of America				
UY	Uruguay				
UZ	Uzbekistan				
VA	Holy See				
VC	Saint Vincent and the Grenadines				
VE	Venezuela				
VG	Virgin Islands (British)				
VN	Viet Nam				
VU	Vanuatu				
WO	World Intellectual Property Organization (WIPO)				
WS	Samoa				
XN	Nordic Patent Institute (NPI)				
YE	Yemen				
ZA	South Africa				
ZM	Zambia				
ZW	Zimbabwe				

**NATIONAL INTELLECTUAL PROPERTY CENTER OF GEORGIA
SAKPATENTI**

**OFFICIAL BULLETIN
OF THE INDUSTRIAL PROPERTY**

3(439)

**INVENTIONS
UTILITY MODELS
DESIGNS
TRADEMARKS**

**DATE OF PUBLICATION
2016 02 10**

CONTENTS

PUBLISHED TITLES OF PROTECTION	3
INVENTIONS	
▪ APPLICATIONS APPROVED FOR GRANTING PATENTS	4
▪ PATENTED INVENTIONS	7
UTILITY MODELS	
▪ APPLICATIONS APPROVED FOR GRANTING PATENT	9
▪ PATENTED UTILITY MODEL	10
DESIGNS	
▪ APPLICATION APPROVED FOR REGISTRATION	11
▪ REGISTERED DESIGN	12
▪ DESIGNS REGISTERED WITH THE INTERNATIONAL BUREAU CLAIMING PRIORITY ON THE TERRITORY OF GEORGIA	13
TRADEMARKS	
▪ APPLICATIONS FILED UNDER THE NATIONAL PROCEDURE APPROVED FOR REGISTRATION	49
▪ REGISTERED TRADEMARKS	56
▪ TRADEMARKS REGISTERED ACCORDING TO THE ACCELERATED PROCEDURE	64
▪ INTERNATIONAL TRADEMARKS FOR WHICH A DECISION ON GANTING PROTECTION IS TAKEN	65
▪ INTERNATIONAL TRADEMARKS PROTECTED IN GEORGIA	96
CLASSIFICATION INDEXES	
INVENTIONS	104
UTILITY MODELS	105
DESIGNS	106
TRADEMARKS	108

PUBLISHED TITLES OF PROTECTION

INVENTIONS

- **APPLICATIONS APPROVED FOR GRANTING PATENTS:**
13501; 13381; 12755; 13402; 13105; 13462; 13068
- **PATENTED INVENTIONS:**
6429-6434

UTILITY MODELS

- **APPLICATIONS APPROVED FOR GRANTING PATENT:**
13883; 13872
- **PATENTED UTILITY MODEL:**
1884

DESIGNS

- **APPLICATION APPROVED FOR REGISTRATION:**
878
- **REGISTERED DESIGN:**
662
- **DESIGNS REGISTERED WITH THE INTERNATIONAL BUREAU CLAIMING PRIORITY ON THE TERRITORY OF GEORGIA:**
86021-86024; 86026; 86054-86056; 86058, 86059; 86062; 86068; 86093; 87530; 86069; 87603; 87626; 86074; 86169; 87721; 86229, 86230; 86245; 86264; 87766-87769; 87800

TRADEMARKS

- **APPLICATIONS FILED UNDER THE NATIONAL PROCEDURE APPROVED FOR REGISTRATION:**
78169; 78741; 78745, 78746; 78753; 80142, 80143; 80532; 81035; 81176; 81301; 81419; 81460; 81512; 81622; 81659; 81678; 81694; 81709; 81735; 81737, 81738; 82047; 82061-82064; 82228; 82238, 82239; 82242; 82315; 82341, 82342; 82434, 82435; 82493; 82566; 82569; 82649; 82854; 82856; 82925; 82928-82933; 82935; 82937; 82940
- **REGISTERED TRADEMARKS:**
26641-26729; 26731, 26732
- **TRADEMARKS REGISTERED ACCORDING TO THE ACCELERATED PROCEDURE:**
26730; 26733-26735
- **INTERNATIONAL TRADEMARKS FOR WHICH A DECISION ON GRANTING PROTECTIONS IS TAKEN:**
80189*; 80774; 81154; 81168; 81185; 81193; 81214; 81217; 81529; 81535; 81537-81539; 81541; 81543-81545; 81547, 81548; 81551, 81552; 81667, 81668; 81671; 81699; 81702, 81703; 81827; 81831, 81832; 81836; 81860, 81861; 81893; 81906; 81908; 81910; 81917; 81919; 81921-81923; 81931; 81937; 81942; 81944; 81947; 81965-81967; 82021-82025; 82149-82151; 82153; 82155; 82162
- **INTERNATIONAL TRADEMARKS PROTECTED IN GEORGIA:**
77436; 78861; 79085; 79273; 79372; 79424, 79525; 79600; 79603-79605; 79610; 79646; 79658, 79659; 79677; 79733; 79735, 79736; 79739; 79753-79756; 79773; 79814; 79862, 79863; 79866, 79867; 79870-79875; 79918; 79921; 79923; 80075; 80084; 80086; 80098; 80100; 80107; 80127; 80150; 80157; 80175; 80177, 80178; 80185; 80207; 80217-80223; 80225, 80226; 80230; 80232; 80234-80237; 80242; 80246-80248; 80256, 80257; 80262, 80263; 80266; 80269; 80274, 80275; 80277; 80279; 80281, 80282; 80287; 80301; 80310; 80320, 80321; 80343; 80348, 80349; 80351; 80354, 80355; 80357, 80358; 80362-80365; 80585; 80632; 80644; 80826-80828; 80830; 80886; 80889, 80890; 80895, 80896

INVENTIONS

APPLICATIONS APPROVED FOR GRANTING PATENTS

The decision can be appealed at the Chamber of Appeal of Sakpatenti within 3 months from the publication or at the Mtskheta District Court Administrative Cases Board (Address: №17, Samkhedro str., Mtskheta), within 1 month following the publication.

PART A

A 21

(10) AP 2016 13501 A (51) Int. Cl. (2006)
A 21 D 13/08

(21) AP 2014 013501 (22) 2014 06 17

(71) Manana Karchava (GE)

Davit Aghmasheneblis gamz. 1, b. 15, 4600,
Kutaisi (GE);

Maria Silagadze (GE)

26 Maisis q. 45, 4600, Kutaisi (GE);

Shota Jinjolia (GE)

Davit Aghmasheneblis gamz. 1, b. 15, 4600,
Kutaisi (GE);

Nikoloz Pkhakadze (GE)

26 Maisis q. 45, 4600, Kutaisi (GE)

(72) Manana Karchava (GE);

Maria Silagadze (GE);

Shota Jinjolia (GE);

Nikoloz Pkhakadze (GE)

(54) **METHOD FOR DIABETIC HONEY
CAKE PREPARATION**

(57) A method provides ingredients: honey, sweetener – stevia or aspartam, agg, spices (coriander, cloves, cinnamon, cardamom, nutmeg), aerating agent, rendered fat, and flour mixing, kneading, resting and baking within 10-15 min up to 200-240°C temperature; at that, composition containing 50-70 mass% of wheat flour, 35-55 mass% of crude gluten, 5-15% mass% of wheat dietary fiber, and 2-10 mass% of rosehip flour is mixed as flour therein.

Claims: 1 independent

A 61

(10) AP 2015 13381 A (51) Int. Cl. (2006)
A 61 F 6/18

A 61 B 17/42

A 61 F 6/14

A 61 B 17/34

(21) AP 2012 013381 (22) 2012 07 09

(31) 61/506,434; 13/539,843

(32) 2011 07 11; 2012 07 02

(33) US; US

(71) MEDICINES360 (US)

353 Sacramento St. Suite 900, San Francisco,
CA 94111 (US)

(72) DECKMAN, Rob (US);

REPP, Richard, E. (US);

GUYER, Curt (US);

WESTENDORF, Justin (US);

PARMER, Timothy (US)

(74) Tamar Kochlamazashvili

(85) 2014 02 10

(86) PCT/US2012/045906, 2012 07 09

(54) **INTRAURINARY SYSTEMS, IUD**

**INSERTION DEVICES, AND RELATED
METHODS AND KITS THEREFOR**

(57) Present disclosure relates to intrauterine device (IUD) and set of devices. At that, the device includes prolong casing 632 having prolong inner component 634 placed into casing clearance, handle 635 and casing movable slider 642 controlling casing axial movement. Intrauterine device (IUD) is placed into casing distal clearance.

Claims: 6 independent

76 dependent

Fig.: 32

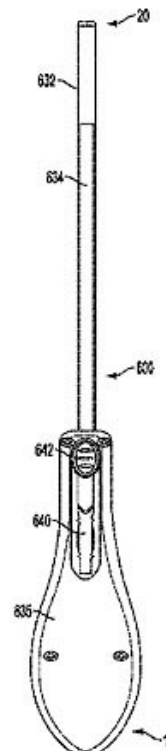


Fig. 6A

(10) AP 2016 12755 A (51) Int. Cl. (2006)**A 61 K 9/00****A 61 K 31/40**

(21) AP 2010 012755 (22) 2010 12 22

(31) 09015980.7; PCT/EP2010/070478

(32) 2009 12 22; 2010 12 22

(33) EP; WO

(71) CHIESI FARMACEUTICI S.P.A. (IT)

Via Palermo, 26/A I-43100 Parma (IT)

(72) BONELLI, Sauro (IT);

USBERTI, Francesca (IT);

ZAMBELLI, Enrico (IT)

(74) Shalva Gvaramadze

(85) 2012 06 18

(86) PCT/EP2010/070478, 2010 12 22

(54) AEROSOL FORMULATION FOR COPD

(57) Present invention relates to: stable aerosol solution formulations comprising glycopyrronium bromide for administration in hermetic dose inhaler; and respiratory conditions, including COPD, prevention and therapy.

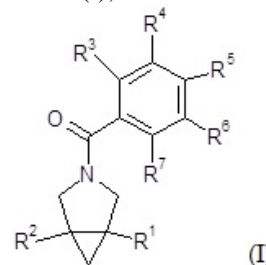
Claims: 6 independent

8 dependent

(86) PCT/EP2012/065140, 2012 08 02

(54) PHENYL-3-AZA-BICYCLO[3.1.0]**HEX-3-YL-METHANONES AND THE USE THEREOF AS MEDICAMENT**

(57) Present inventions relates to: substituted phenyl-3-aza-bicyclo[3.1.0]hex-3-yl- methanones of general formula (I);



(I)

pharmaceutically acceptable salts thereof; pharmaceutical compositions and the usage thereof for the treatment of various conditions such as schizophrenia, Alzheimers Disease, and cognition disorders caused by various neurological and psychiatric conditions, etc., as well.

Claims: 5 independent

45 dependent

PART C**C 07****(10) AP 2016 13402 A (51) Int. Cl. (2006)****C 07 D 401/04****C 07 D 403/04****C 07 D 413/04****C 07 D 413/14****C 07 D 417/04****C 07 D 471/04****A 61 K 31/421****A 61 K 31/427****A 61 K 31/437****A 61 K 31/4439****A 61 P 25/18****A 61 P 25/28**

(21) AP 2012 013402 (22) 2012 08 02

(31) 11176468.4

(32) 2011 08 03

(33) EP

(71) BOEHRINGER INGELHEIM

INTERNATIONAL GMBH (DE)

Binger Str. 173 55216 Ingelheim

Am Rhein (DE)

(72) GIOVANNINI, Riccardo (IT);

BERTANI, Barbara (IT);

FERRARA, Marco (IT);

LINGARD, Iain (GB);

MAZZAFERRO, Rocco (IT);

ROSENBROCK, Holger (DE)

(74) Tamar Kochlamazashvili

(85) 2014 02 28

(10) AP 2016 13105 A (51) Int. Cl. (2006)**C 07 D 401/06****A 61 K 31/435****A 61 P 3/00**

(21) AP 2011 013105 (22) 2011 11 04

(31) PCT/US2010/055586; 61/484,995

(32) 2010 11 05; 2011 05 11

(33) US; US

(71) BOEHRINGER INGELHEIM

INTERNATIONAL GMBH (DE)

Binger Str. 173 55216 Ingelheim

Am Rhein (DE)

(72) ECKHARDT, Matthias (DE);

MARTIN, Hans-Juergen (DE);

SCHUEHLE, Martin (DE);

SICK, Sandra (DE);

YANG, Bing-Shiou (US)

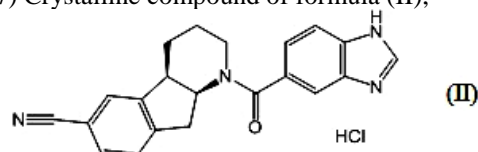
(74) Tamaz Shilakadze

(85) 2013 06 03

(86) PCT/US2011/059331, 2011 11 04

(54) (CRYSTALLINE FORMS OF**HYDROCHLORIDE SALT OF (4A-R,****9A-S)-1-(1H-BENZOIMIDAZOLE-5-****CARBONYL)-2, 3, 4, 4A, 9, 9A-HEXA-****HYDRO-1H-INDENO [2, 1-B] PYRIDINE-****6-CARBONITRILE AND THEIR USE AS****HSD 1 INHIBITORS**

(57) Crystalline compound of formula (II),



(II)

preparation method thereof, pharmaceutical composition on basis thereof and application thereof the treatment of diseases which can be influenced by inhibition of (HSD 1) enzyme.

Claims: 11 independent
29 dependent

Table: 4

Fig.: 8

(10) AP 2016 13462 A (51) Int. Cl. (2006)
C 07 D 401/14
C 07 D 403/04
C 07 D 407/14
C 07 D 413/04
A 61 K 31/4184
A 61 K 31/4188
A 61 P 35/00
C 07 D 471/04

(21) AP 2012 013462 (22) 2012 10 09

(31) 1306/KOL/2011; PCT/FI2012/000040

(32) 2011 10 10; 2012 10 09

(33) IN; WO

(71) ORION CORPORATION (FI)
Orionintie 1 FI-02200 Espoo (FI)

(72) LINNANEN, Tero (FI);
WOHLFAHRT, Gerd (FI);
NANDURI, Srinivas (IN);
UJJINAMATADA, Ravi (IN);
RAJAGOPALAN, Srinivasan (IN);
MUKHERJEE, Subhendu (IN)

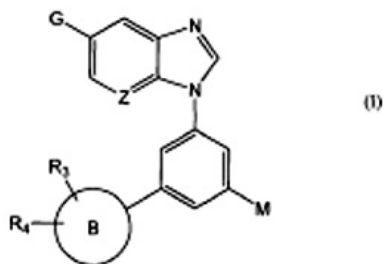
(74) Tamaz Shilakadze

(85) 2014 05 07

(86) PCT/FI2012/000040, 2012 10 09

(54) **PROTEIN KINASE INHIBITORS**

(57) Compound of formula (I),



pharmaceutical compositions on basis thereof and application thereof medicine preparation for the treatment of condition, where FGFR kinase inhibition is desired, such as cancer.

Claims: 4 independent
13 dependent

Table: 1

PART G

G 06

(10) AP 2016 13068 A (51) Int. Cl. (2006)
G 06 K 19/06

(21) AP 2010 013068 (22) 2010 09 24

(71) SICPA HOLDING SA (CH)

Avenue de Florissant 41 CH-1008

Prilly (CH)

(72) DECOUX, Eric (FR);

VUISTINER, Dave (CH)

(74) Larisa Amirkhanyan

(85) 2013 04 23

(86) PCT/EP2010/064187, 2010 09 24

(54) **TWO-DIMENSIONAL IDENTIFICATION PATTERN, ARTICLE INCLUDING SUCH A PATTERN, AND METHODS FOR MARKING AND IDENTIFYING SUCH A PATTERN**

(57) The invention relates to a method for marking an article with an identification pattern which may comprise information relating to the article and/or to the use thereof, including the following steps: defining an alphabet (AT1, AT2) consisting of a plurality of symbols; defining, for each symbol, at least two valid states and at least one invalid state; developing (S1) a reference pattern (P1, P2) including a set of symbols from the above alphabet; developing (S2) at least one representation (P1', P2') of said reference pattern by allocating a specific valid state to each symbol of said reference pattern; and applying (S3) a marking, reproducing said representation of the reference pattern, onto the article.

Claims: 4 independent

15 dependent

Fig.: 4

PATENTED INVENTIONS

PART A

A 61

- (11) **P 2016 6430 B** (51) **Int. Cl. (2006)**
A 61 K 31/57
A 61 K 31/567
A 61 P 5/36
- (10) AP 2015 13383 A (44) 20(432)/2015
 (21) AP 2012 013383
 (22) 2012 07 12
 (24) 2012 07 12
 (31) 11173630.2; 61/506,704
 (32) 2011 07 12; 2011 07 12
 (33) EP; US
 (86) PCT/IB2012/053577, 2012 07 12
 (73) PREGLEM SA (CH)
 Chemin du Pré-Fleuri 3 CH-1228
 Plan-les-Ouates/Geneva (CH)
 (72) LOUMAYE, Ernest (CH);
 BESTEL, Elke (FR);
 OSTERLOH, Ian (GB)
 (74) Liliana Darakhvelidze
 (54) **TREATMENT OF EXCESSIVE
 MENSTRUAL BLEEDING ASSOCIATED
 WITH UTERINE FIBROIDS**

- (11) **P 2016 6431 B** (51) **Int. Cl. (2006)**
A 61 K 31/728
A 61 K 9/06
A 61 K 9/08
A 61 K 31/7084
A 61 P 27/02
A 61 P 43/00
- (10) AP 2015 13449 A (44) 20(432)/2015
 (21) AP 2012 013449
 (22) 2012 09 26
 (24) 2012 09 26
 (31) 2011-210885
 (32) 2011 09 27
 (33) JP
 (86) PCT/JP2012/074663, 2012 09 26
 (73) SANTEN PHARMACEUTICAL CO.,
 LTD. (JP)
 9-19, Shimoshinjo 3-chome,
 Higashiyodogawa-ku, Osaka-shi, Osaka
 5338651 (JP)
 (72) SAKAMOTO, Asuka (JP);
 NAKAMURA, Masatsugu (JP)
 (74) Giorgi Kartvelishvili
 (54) **INHIBITOR FOR CORNEAL
 EPITHELIAL CELL DEATH,
 INHIBITOR CHARACTERIZED BY
 COMBINING HYALURONIC ACID AND
 FLAVIN ADENINE DINUCLEOTIDE**

PART C

C 07

- (11) **P 2016 6432 B** (51) **Int. Cl. (2006)**
C 07 D 413/04
C 07 D 413/14
C 07 D 417/14
C 07 D 471/04
C 07 D 487/04
C 07 D 498/10
C 07 D 513/04
A 61 K 31/506
A 61 P 35/00
- (10) AP 2015 13450 A (44) 20(432)/2015
 (21) AP 2012 013450
 (22) 2012 09 26
 (24) 2012 09 26
 (31) 61/539,553
 (32) 2011 09 27
 (33) US
 (86) PCT/IB2012/055133, 2012 09 26
 (73) NOVARTIS AG (CH)
 Lichtstrasse 35 CH-4056 Basel (CH)
 (72) CHO, Young Shin (KR);
 LEVELL, Julian Roy (GB);
 TOURE, Bakary-Barry (CA);
 YANG, Fan (CN);
 LEI, Huangshu (US);
 CAFERRO, Thomas (US);
 LENOIR, Francois (CA);
 LIU, Gang (US);
 PALERMO, Mark G. (US);
 SHULTZ, Michael David (US);
 SMITH, Troy (US);
 COSTALES, Abran Q. (US);
 PFISTER, Keith Bruce (US);
 SENDZIK, Martin (DE);
 SHAFER, Cynthia (US);
 SUTTON, James (US);
 ZHAO, Qia (CN)
 (74) Aleksandre Kartvelishvili
 (54) **3-PYRIMIDIN-4-YL-OXAZOLIDIN-2-
 ONES AS INHIBITORS OF MUTANT
 IDH**
- (11) **P 2016 6434 B** (51) **Int. Cl. (2006)**
C 07 D 498/04
A 61 K 31/4188
A 61 P 9/10
- (10) AP 2015 13478 A (44) 20(432)/2015
 (21) AP 2012 013478
 (22) 2012 10 25
 (24) 2012 10 25

- (31) 61/552,592
(32) 2011 10 28
(33) US
(86) PCT/US2012/061842, 2012 10 25
(73) MERCK SHARP & DOHME CORP. (US)
126 East Lincoln Avenue Rahway, New Jersey
07065-0907 (US)
(72) SHAO, Pengcheng Patrick (US);
YE, Feng (CA);
VACHAL, Petr (CZ);
SHA, Deyou (US);
KATIPALLY, Revathi Reddy (US);
LIU, Jian (US);
SUN, Wanying (US)
(74) Shalva Gvaramadze
(54) **FUSED BICYCLIC OXAZOLIDINONE
CETP INHIBITOR**
-

- (11) P 2016 6429 B** **(51) Int. Cl. (2006)**
C 07 K 16/28
A 61 K 39/395
(10) AP 2015 13079 A (44) 20(432)/2015
(21) AP 2011 013079
(22) 2011 10 04
(24) 2011 10 04
(31) 10186468.4
(32) 2010 10 04
(33) EP
(86) PCT/EP2011/067339, 2011 10 04
(73) BOEHRINGER INGELHEIM
INTERNATIONAL GMBH (DE)
Binger Strasse 173 55216 Ingelheim Am
Rhein (DE)
(72) KONOPITZKY, Renate (AT);
BORGES, Eric (DE);
ADAM, Paul (GB);
HEIDER, Karl-Heinz (DE)
(74) Tamar Kochlamazashvili
(54) **CD33 BINDING AGENTS**
-

- (73) MARINE RESOURCES EXPLORATION
INTERNATIONAL B.V. (NL)
Klaaskampen 24 NL-1251 KP Laren (NL)
(72) PATRICIU, Dan Costache (RO)
(74) Tamar Kochlamazashvili
(54) **SUCTION MOUTH FOR A SUBSEA
MINING TOOL**
-

PART E

E 02

- (11) P 2016 6433 B** **(51) Int. Cl. (2006)**
E 02 F 3/88
E 02 F 3/92
(10) AP 2015 13460 A (44) 20(432)/2015
(21) AP 2012 013460
(22) 2012 10 02
(24) 2012 10 02
(31) 1116981.0
(32) 2011 10 03
(33) GB
(86) PCT/EP2012/004126, 2012 10 02
-

UTILITY MODELS

APPLICATIONS APPROVED FOR GRANTING PATENT

The decision can be appealed at the Chamber of Appeal of Sakpatenti within 3 months from the publication or at the Mtskheta District Court Administrative Cases Board (Address: №17, Samkhedro str., Mtskheta), within 1 month following the publication.

PART A

A 01

(10) AU 2016 13883 U (51) Int. Cl. (2006)
A 01 F 25/00

(21) AU 2015 013883 (22) 2015 07 10

(71) Elguja Tsomaia (GE)

Eertsos q. 3, b. 8, 0192, Tbilisi (GE)

(72) Elguja Tsomaia (GE)

(54) **METHOD FOR GREENS PACKAGING
FOR STORAGE THEREOF AT
TRANSPORTATION**

(57) A method provides putting greens and approximately prepared ice in layers in a capacity, wherein placed in polyethylene casing the cardboard box is used as capacity, and plate-shaped ice is produced with filtered water corresponding box inner size; at that, before putting greens and ice in layers, ice is placed in polyethylene casing and then – in water resistant paper or foil packaging.

Claims: 1 independent

thickened mass; and 100 ml vitamin C is added to each 1 000 ml active concentrate of Saperavi.

Claims: 1 independent

2 dependent

A 23

(10) AU 2016 13872 U (51) Int. Cl. (2006)
A 23 L 1/06

(21) AU 2015 013872 (22) 2015 06 30

(71) Giorgi Jighauri (GE)

A. Shanidzis q. 4, 0179, Tbilisi (GE)

(72) Giorgi Jighauri (GE)

(54) **METHOD FOR KAKHETIAN TATARA
PREPARATION**

(57) A method provides: approximately prepared with grape variety – Rkatsiteli juice the vacuum-sweet dilution in water so, that its sugar content is 29-31%, titratable acidity is no less than 4 g/l; then, received dilution heating up to 30-35°C temperature, mixing wheat flour therewith and heating received mixture up to 80-90°C temperature by permanent agitation until receiving thickened mass; cooling thereof; adding mixture of biologically active concentrate of Saperavi and vitamin C; at that, the 15–25 ml active concentrate of Saperavi mixture with vitamin C is mixed with 1 000 g

PATENTED UTILITY MODEL

PART A

A 61

- (11) U 2016 1884 Y (51) Int. Cl. (2006)
A 61 K 36/00
(10) AU 2015 13546 U (44) 20(432)/2015
(21) AU 2014 013546
(22) 2014 08 06
(24) 2014 08 06
(73) LTD "DOVAKO" (GE)
Sop. Gavazi, 4805, Kvareli (GE)
(72) Ivane Vartanashvili (GE)
(74) Ketevan Rurua
(54) **BIOACTIVE HEPATOPROTECTIVE
ADDITIVE**
-

DESIGNS

APPLICATION APPROVED FOR REGISTRATION

The decision can be appealed at the Chamber of Appeal of Sakpatenti within 3 months from the publication or at the Mtskheta District Court Administrative Cases Board (Address: №17, Samkhedro str., Mtskheta), within 1 month following the publication.

(10) AD 2016 878 S (51) 19-08

(21) AD 2015 000878 (22) 2015 08 27

(28) 4

(71) LTD "EPIC ALKO" (GE)

Mazniashvili q. 4, Commercial space 2, 1st floor, 0102, Tbilisi (GE)

(72) Sopio Beruashvili (GE)

(74) Vakhtang Torotadze

(54) LABEL

(55)



REGISTERED DESIGN

- (11) **D 2016 662 S** (51) **09-03**
(10) AD 2015 856 S (44) 20(432)/2015
(21) AD 2015 000856
(22) 2015 06 19
(24) 2015 06 19
(28) 2
(18) 2020 06 19
(73) LTD "GRAND CANDY" (GE)
 Peikrebis q. 12, 0141, Tbilisi (GE)
(72) Karen Vardanyan (AM)
(74) Davit Zurabishvili
(54) **ICE-CREAM PACKAGING**
-

DESIGNS, WHICH HAVE BEEN REGISTERED WITH THE INTERNATIONAL BUREAU CLAIMING PRIORITY ON THE TERRITORY OF GEORGIA

The decision can be appealed at the Chamber of Appeal of Sakpatenti within 3 months from the publication or at the Mtskheta District Court Administrative Cases Board (Address: №17, Samkhedro Str., Mtskheta), within 1 month following the publication.

(11) DM/086021

(15) 2015 03 26

(22) 2015 03 26

(28) 2

(73) SWATCH AG (SWATCH SA) (SWATCH LTD.)

Jakob-Stämpfli-Strasse 94, CH-2502 Biel/Bienne (CH)

(85) CH

(86) CH

(87) CH

(88) CH

(89) CH

(81) II. BZ, MA, III. AL, AM, AZ, BA, CH, EM, GE, KG, KR, LI, MC, MD, ME, MK, MN, NO, OM, SG, TN, TR, UA

(72) 1: Milko BOYAROV

Birmensdorferstrasse 197, 8003 Zürich, Suisse;

2: Andrea ARRIGONI

Via Ponte Seveso 39, 20125 Milano, Italie

(54) 1.-2. Wristwatches

(55)

(51) 10-02

(45) 2015/39 (2015 10 02)



1.1



1.2



2.1



2.2

(11) DM/086022

(51) 10-02

(15) 2015 03 26

(45) 2015/39 (2015 10 02)

(22) 2015 03 26

(28) 2

(73) SWATCH AG (SWATCH SA) (SWATCH LTD.)

Jakob-Stämpfli-Strasse 94, CH-2502 Biel/Bienne (CH)

(85) CH

(86) CH

(87) CH

(88) CH

(89) CH

(81) II. BZ, MA. III. AL, AM, AZ, BA, CH, EM, GE, KG, KR, LI, MC, MD, ME, MK, MN, NO, OM, SG, TN, TR, UA

(72) 1: Martin NORRLIND

Ackersteinstrasse 167, 8049 Zürich, Suisse;

2: Min KIM

St. Alban-Ring 238, 4052 Basel, Suisse

(54) 1.-2. Wristwatches

(55)



(11) DM/086023

(15) 2015 03 26

(22) 2015 03 26

(28) 6

(73) SWATCH AG (SWATCH SA) (SWATCH LTD.)

Jakob-Stämpfli-Strasse 94, CH-2502 Biel/Bienne (CH)

(85) CH

(86) CH

(87) CH

(88) CH

(89) CH

(81) II. BZ, MA, III. AL, AM, AZ, BA, CH, EM, GE, KG, KR, LI, MC, MD, ME, MK, MN, NO, OM, SG, TN, TR, UA

(72) 1: Patrizio VITA

Via Congiunte Dx 30, 04010 Latina, Italie;

2, 3: Andrea ARRIGONI

Via Ponte Seveso 39, 20125 Milano, Italie;

4: Min KIM

St. Alban-Ring 238, 4052 Basel, Suisse; 5,6: Danilo SALA, Via L. Muratori 9, 20050 Sovico, Italie

(54) 1.-6. Wristwatches

(55)





(11) DM/086024

(15) 2015 03 27

(22) 2015 03 27

(28) 1

(73) SWATCH AG (SWATCH SA) (SWATCH LTD.)

Jakob-Stämpfli-Strasse 94, CH-2502 Biel/Bienne (CH)

(85) CH

(86) CH

(87) CH

(88) CH

(89) CH

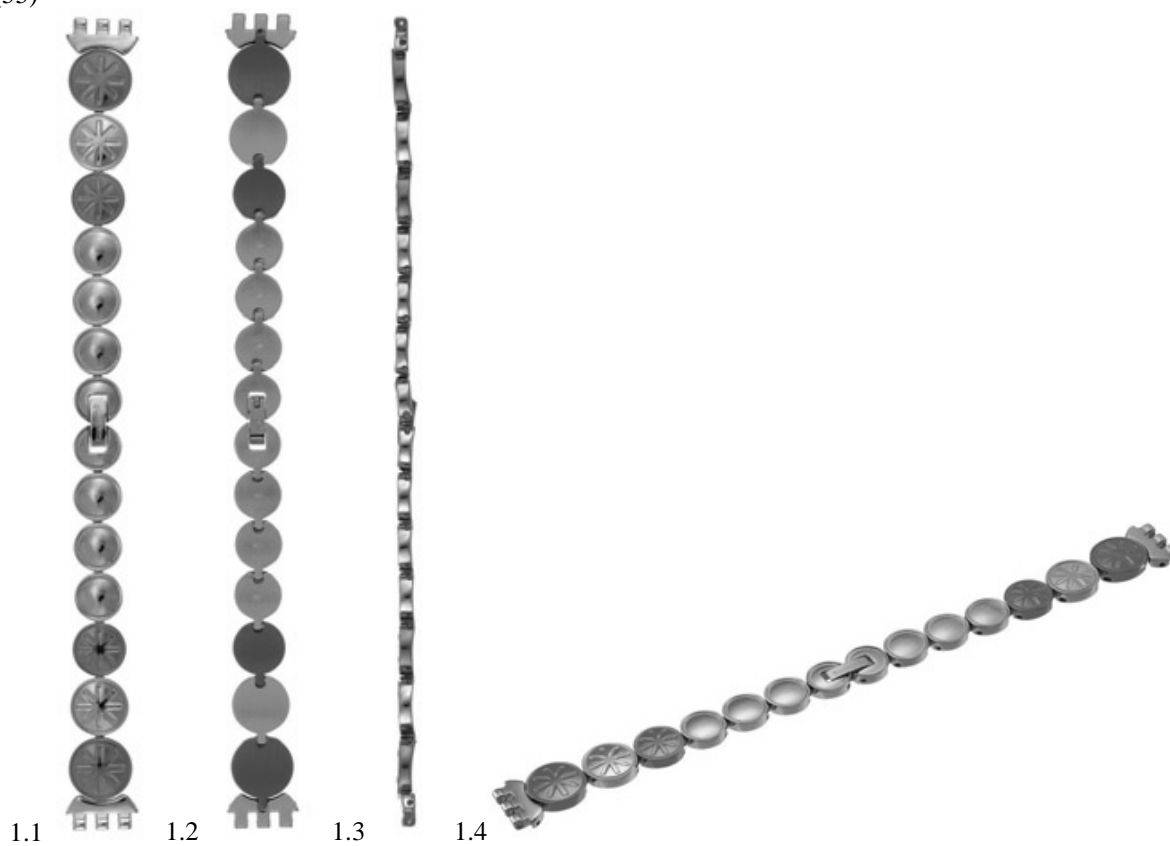
(81) II. BZ, MA. III. AL, AM, AZ, BA, CH, EM, GE, KG, KR, LI, MC, MD, ME, MK, MN, NO, OM, SG, TN, TR, UA

(72) Théodora QUIRICONI

Rue des Bains 40, 1205 Genève, Suisse

(54) 1. Watch strap

(55)



(11) DM/086026

(51) 10-02

(15) 2015 03 27

(45) 2015/39 (2015 10 02)

(22) 2015 03 27

(28) 6

(73) SWATCH AG (SWATCH SA) (SWATCH LTD.)

Jakob-Stämpfli-Strasse 94, CH-2502 Biel/Bienne (CH)

(85) CH

(86) CH

(87) CH

(88) CH

(89) CH

(81) II. BZ, MA, III. AL, AM, AZ, BA, CH, EM, GE, KG, KR, LI, MC, MD, ME, MK, MN, NO, OM, SG, TN, TR, UA

(72) 1, 2: Claudia CANNONE

In der Ey 9, 8047 Zürich, Suisse;

3, 4, 6: Martin NORRLIND

Ackersteinstrasse 167, 8049 Zürich, Suisse;

5: Andrea ARRIGONI

Via Ponte Seveso 39, 20125 Milano, Italie

(54) 1.-6. Wristwatches

(55)



**(11) DM/086054**

(15) 2015 03 27

(22) 2015 03 27

(28) 11

(73) SWATCH AG (SWATCH SA) (SWATCH LTD.)

Jakob-Stämpfli-Strasse 94, CH-2502 Biel/Bienne (CH)

(85) CH

(86) CH

(87) CH

(88) CH

(89) CH

(81) II. BZ, MA. III. AL, AM, AZ, BA, CH, EM, GE, KG, KR, LI, MC, MD, ME, MK, MN, NO, OM, SG, TN, TR, UA

(72) 1, 5: Danilo SALA

Via L. Muratori 9, 20050 Sovico, Italie;

2: Andrea ARRIGONI

Via Ponte Seveso 39, 20125 Milano, Italie;

3: Rossana BOFFI

Via Donatori di Sangue 3, 20852 Villasanta, Italie;

4, 7, 10, 11: Milko BOYAROV

Birmensdorferstrasse 197, 8003 Zürich, Suisse;

6: Martin NORRLIND

Ackersteinstrasse 167, 8049 Zürich, Suisse;

8: Damien UMMEL

Derrière L'Eglise 4, 2054 St-Martin, Suisse;

8: Thierry DIDOT

Rue des Epancheurs 9, 2012 Auvernier, Suisse;

9: Alessandro LALA

Rue de la Gare 19, 2502 Bienne, Suisse

(54) 1.-11. Wristwatches

(55)



(11) DM/086055

(15) 2015 03 27

(22) 2015 03 27

(28) 3

(73) SWATCH AG (SWATCH SA) (SWATCH LTD.)

Jakob-Stämpfli-Strasse 94, CH-2502 Biel/Bienne (CH)

(85) CH

(86) CH

(87) CH

(88) CH

(89) CH

(81) II. BZ, MA, III. AL, AM, AZ, BA, CH, EM, GE, KG, KR, LI, MC, MD, ME, MK, MN, NO, OM, SG, TN, TR, UA

(72) 1: Théodora QUIRICONI

Rue des Bains 40, 1205 Genève, Suisse;

2, 3: Margherita TAGLIA

Graue Gasse 12, 8001 Zürich, Suisse

(54) 1.-3. Wristwatches

(55)





- (11) **DM/086056** (51) **10-02**
 (15) 2015 03 27 (45) 2015/39 (2015 10 02)
 (22) 2015 03 27
 (28) 11
 (73) SWATCH AG (SWATCH SA) (SWATCH LTD.)
 Jakob-Stämpfli-Strasse 94, CH-2502 Biel/Bienne (CH)
 (85) CH
 (86) CH
 (87) CH
 (88) CH
 (89) CH
 (81) II. BZ, MA. III. AL, AM, AZ, BA, CH, EM, GE, KG, KR, LI, MC, MD, ME, MK, MN, NO, OM, SG, TN,
 TR, UA
 (72) 1: Andrea ARRIGONI
 Via Ponte Seveso 39, 20125 Milano, Italie;
 2, 4: Danilo SALA
 Via L. Muratori 9, 20050 Sovico, Italie;
 3, 6, 8, 9: Théodora QUIRICONI
 Rue des Bains 40, 1205 Genève, Suisse;
 5: Antonio FAZIO
 Avenue de Cour 40, 1007 Lausanne, Suisse;
 7: Martin NORRLIND
 Ackersteinstrasse 167, 8049 Zürich, Suisse;
 10: Damien UMMEL
 Derrière l'Eglise 4, 2054 St-Martin, Suisse;
 10: Thierry DIDOT
 Rue des Epancheurs 9, 2012 Auvornier, Suisse;
 11: Matthias HEYDE
 Königsbrucker Strasse 41, 01099 Dresden, Allemagne

(54) 1.-11. Wristwatches

(55)





4.1



4.2



5.1



5.2



6.1



6.2



7.1



7.2



8.1



8.2



9.1



9.2



10.1



10.2



11.1



11.2

(11) DM/086058

(15) 2015 03 30

(22) 2015 03 30

(28) 6

(73) SWATCH AG (SWATCH SA) (SWATCH LTD.)

Jakob-Stämpfli-Strasse 94, CH-2502 Biel/Bienne (CH)

(85) CH

(86) CH

(87) CH

(88) CH

(89) CH

(81) II. BZ, MA. III. AL, AM, AZ, BA, CH, EM, GE, KG, KR, LI, MC, MD, ME, MK, MN, NO, OM, SG, TN, TR, UA

(72) 1, 2, 3: Damien UMMEL

Derrière L'Eglise 4, 2054 Chézard-St-Martin, Suisse;

1, 2, 3: Thierry DIDOT

Rue des Epancheurs 9, 2012 Auvernier, Suisse;

4: Antonio FAZIO

Avenue de Cour 40, 1007 Lausanne, Suisse;

5, 6: Patrizio VITA

Via Congiunte Dx 30, 04010 Latina, Italie

(54) 1.-2. Wristwatches; 3. Watch hands; 4.-5. Wristwatches; 6. Watch disk and dial

(55)





(11) DM/086059

(15) 2015 03 30

(22) 2015 03 30

(28) 1

(73) SWATCH AG (SWATCH SA) (SWATCH LTD.)

Jakob-Stämpfli-Strasse 94, CH-2502 Biel/Bienne (CH)

(85) CH

(86) CH

(87) CH

(88) CH

(89) CH

(81) II. BZ, MA. III. AL, AM, AZ, BA, CH, EM, GE, KG, KR, LI, MC, MD, ME, MK, MN, NO, OM, SG, TN, TR, UA

(72) 1: Eva LEN

Richard-Wagner-Strasse 17, 10585 Berlin, Allemagne;

1: Adele LEN

Richard-Wagner-Strasse 17, 10585 Berlin, Allemagne

(54) 1. Wristwatch

(55)

(51) 10-02

(45) 2015/39 (2015 10 02)



1.1



1.2

(11) DM/086062

(15) 2015 03 31

(22) 2015 03 31

(28) 1

(73) HARRY WINSTON SA

Chemin du Tourbillon 8, CH-1228 Plan-les-Ouates (CH)

(85) CH

(86) CH

(87) CH

(88) CH

(89) CH

(81) II. BZ, MA. III. AL, AM, AZ, BA, CH, EM, GE, KG, KR, LI, MC, MD, ME, MK, MN, NO, OM, SG, TN, TR, UA

(72) 1: Rie YATSUGI-KANG

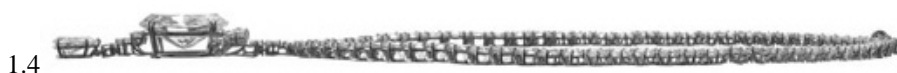
272 Highland St., 07626 Cresskill, NJ, États-Unis d'Amérique

(54) 1. Necklace

(55)

(51) 11-01

(45) 2015/39 (2015 10 02)



(11) DM/086068

(51) 10-07

(15) 2015 04 02

(45) 2015/39 (2015 10 02)

(22) 2015 04 02

(28) 1

(73) CERTINA AG (CERTINA SA) (CERTINA LTD.)

17, chemin des Tourelles, CH-2400 LE LOCLE (CH)

(85) CH

(86) CH

(87) CH

(88) CH

(89) CH

(81) II. BZ, MA. III. AL, AM, AZ, BA, CH, EM, GE, KG, KR, LI, MC, MD, ME, MK, MN, NO, OM, SG, TN, TR, UA

(72) 1: Marco SCARINZI

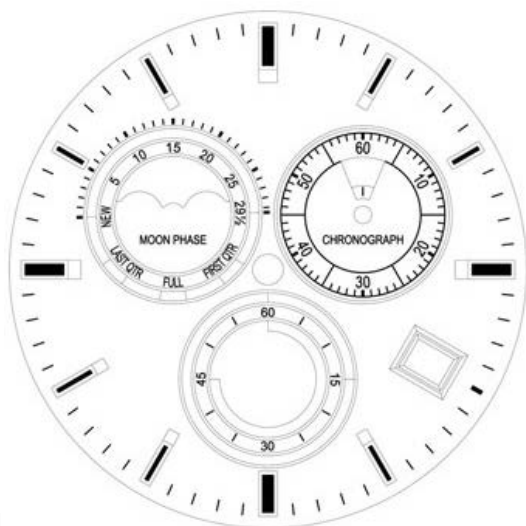
Scarinzi S.A., Rue d'Aarberg 107 A, 2501 Biel/Bienne, Suisse;

1: Renato SCARINZI

Scarinzi S.A., Rue d'Aarberg 107 A, 2501 Biel/Bienne, Suisse

(54) 1. Dial

(55)



1.1



1.2

(11) DM/086093

(51) 10-02, 07

(15) 2015 03 31

(45) 2015/39 (2015 10 02)

(22) 2015 03 31

(28) 2

(73) SWATCH AG (SWATCH SA) (SWATCH LTD.)

Jakob-Stämpfli-Strasse 94, CH-2502 Biel/Bienne (CH)

(85) CH

(86) CH

(87) CH

(88) CH

(89) CH

(81) II. BZ, MA. III. AL, AM, AZ, BA, CH, EM, GE, KG, KR, LI, MC, MD, ME, MK, MN, NO, OM, SG, TN, TR, UA

(72) 1-2: Martin NORRLIND

Ackersteinstrasse 167, 8049 Zürich, Suisse

(54) 1. Wristwatch; 2. Watch hands

(55)



1.1



1.2



2.1



2.2



(11) DM/087530**(51) 12-08**

(15) 2015 06 18

(45) 2015/39 (2015 10 02)

(22) 2015 06 18

(28) 1

(73) DAVID T. SHIVOLO

P.O Box 4795, Walvisbay 9000 (NA)

(85) NA

(86) NA

(87) –

(88) –

(89) NA

(81) III. BW, CH, DE, DK, EG, EM, ES, FI, FR, GE, HR, HU, JP, KR, MC, MK, NA, NO, OA, PL, RO, RS, SG, SI, TR, UA, US

(72) David T. Shivolo

P.O Box 4795, 9000 Walvisbay, Namibia

(54) 1. Motor car

(55)



1.1



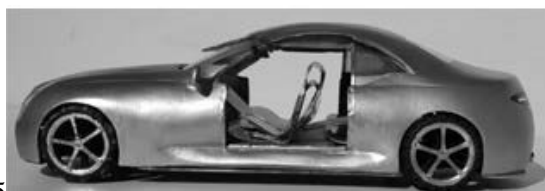
1.2



1.3



1.4



1.5



1.6



1.7



1.8



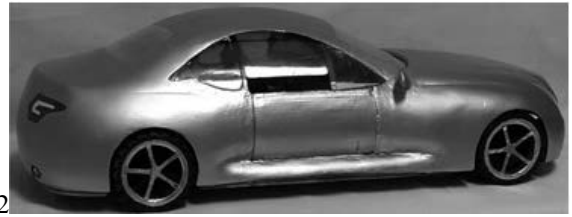
1.9



1.10



1.11



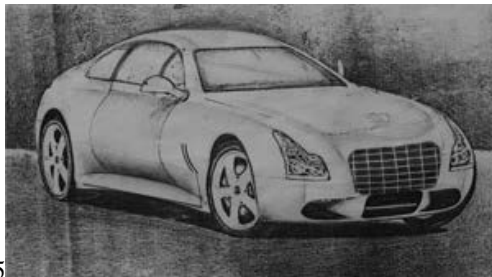
1.12



1.13



1.14



1.15



1.16

(11) DM/086069

(15) 2015 04 07

(22) 2015 04 07

(28) 1

(73) HARRY WINSTON SA

Chemin du Tourbillon 8, CH-1228 Plan-les-Ouates (CH)

(85) CH

(86) CH

(87) CH

(88) CH

(89) CH

(81) II. BZ, MA. III. AL, AM, AZ, BA, CH, EM, GE, KG, KR, LI, MC, MD, ME, MK, MN, NO, OM, SG, TN, TR, UA

(72) 1: Rie YATSUGI-KANG

272 Highland St., 07626 Cresskill, NJ, États-Unis d'Amérique

(54) 1. Necklace

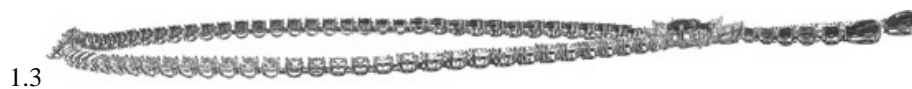
(55)



1.1



1.2



1.3



1.4



1.5



1.6



1.7



1.8

(11) DM/087603

(51) 09-01

(15) 2015 06 12

(45) 2015/40 (2015 10 09)

(22) 2015 06 12

(28) 1

(30) for designs No(s) 1: 17.12.2014; 002599670-0001; EM

(73) SOCIETE DES EAUX DE VOLVIC

Zone Industrielle du Chancet, F-63530 VOLVIC (FR)

(85) FR, EM

(86) FR, EM

(87) FR, EM

(89) FR

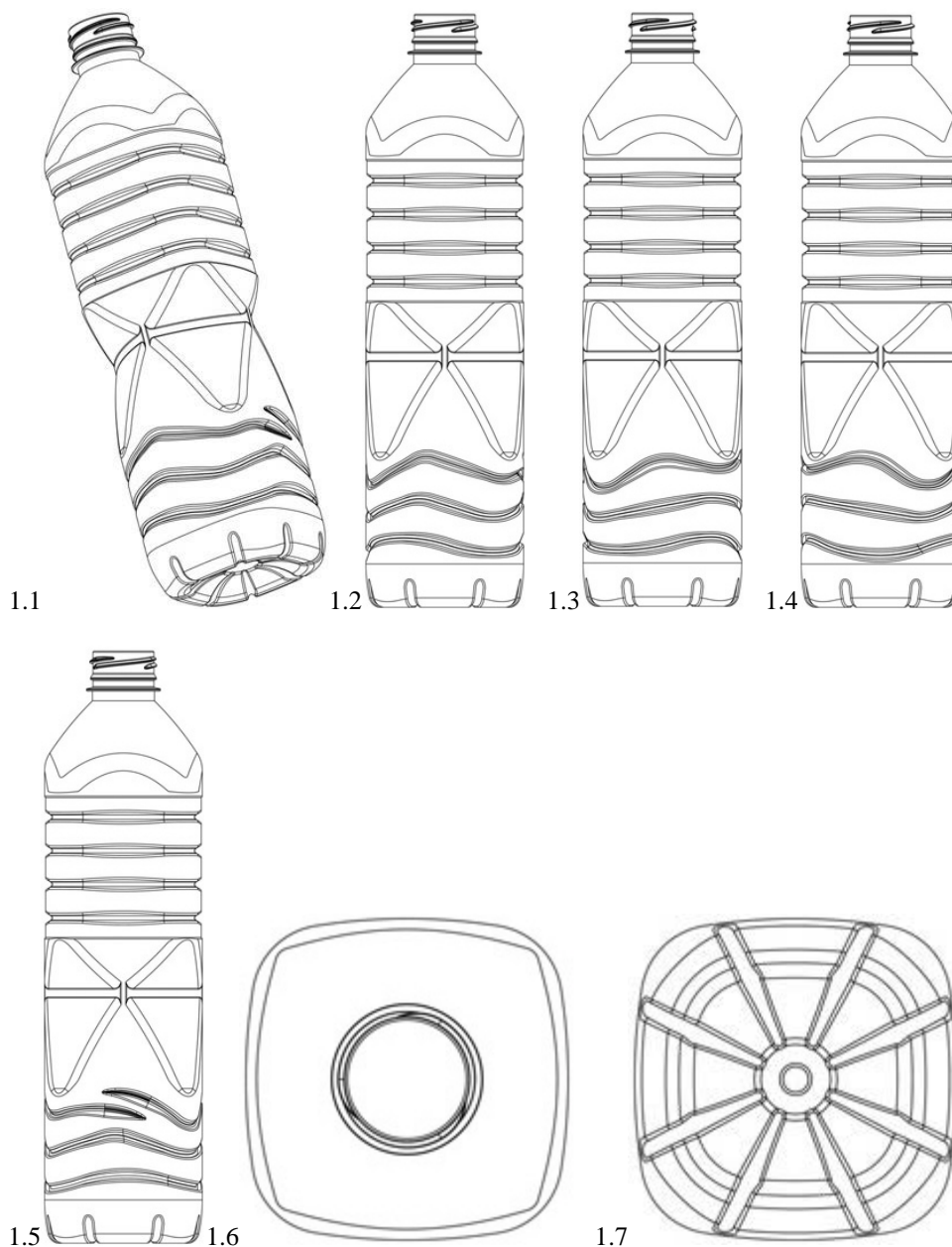
(81) II. MA. III. AL, AM, AZ, BA, BN, EG, GE, GH, JP, KR, ME, MK, NO, OA, OM, RS, SG, TR, UA

(72) Sylvia Vitale Rotta

c/o Team Creatif, 89 rue de Miromesnil, 75008 Paris, France

(54) 1. Bottle

(55)



(11) DM/087626

(51) 01-01

(15) 2015 09 10

(45) 2015/40 (2015 10 09)

(22) 2015 09 10

(28) 1

(73) ETİ GIDA SANAYİ VE TİCARET ANONİM ŞİRKETİ

Organize Sanayi Bölgesi 11. Cadde, ESKİŞEHİR (TR)

(85) --

(86) -

(87) -

(88) TR

(89) TR

(81) III. AL, AZ, BA, CH, GE, MD, MK, NO, OM, RS

(72) GULAY GAMZE GUVEN

HACI MUHITTIN SOK. AKCER CIKMAZI NO: 12/1 KANLICA, 34810 ISTANBUL, Turkey

(54) 1. Biscuit

(55)



1.1



1.2



1.3

(11) DM/086074

(15) 2015 04 10

(22) 2015 04 10

(28) 1

(73) HARRY WINSTON SA

Chemin du Tourbillon 8, CH-1228 Plan-les-Ouates (CH)

(85) CH

(86) CH

(87) CH

(88) CH

(89) CH

(81) II. BZ, MA. III. AL, AM, AZ, BA, CH, EM, GE, KG, KR, LI, MC, MD, ME, MK, MN, NO, OM, SG, TN, TR, UA

(72) 1: Dominique RIVIERE

360 E. 72nd Street Apt.Nb1003, 10021 New York (N.Y.), États-Unis d'Amérique

(54) 1. Earring

(55)



(11) DM/086169

(15) 2015 04 14

(22) 2015 04 14

(28) 3

(73) SWATCH AG (SWATCH SA) (SWATCH LTD.)

Jakob-Stämpfli-Strasse 94, CH-2502 Biel/Bienne (CH)

(85) CH

(86) CH

(87) CH

(88) CH

(89) CH

(81) II. BZ, MA. III. AL, AM, AZ, BA, CH, EM, GE, KG, KR, LI, MC, MD, ME, MK, MN, NO, OM, SG, TN, TR, UA

- (72) 1-3: Min KIM
St. Alban-Ring 238, 4052 Basel, Suisse
- (54) 1.-3. Wristwatches
- (55)



(11) DM/087721

(51) 02-04

(15) 2015 09 04

(45) 2015/41 (2015 10 16)

(22) 2015 09 04

(28) 1

(73) VALENTINO S.P.A.

Via Turati, 16/18, I-20121 MILANO (IT)

(85) --

(86) EM, IT

(87) EM, IT

(88) EM, IT

(89) EM

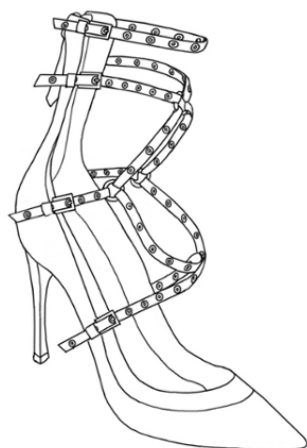
(81) III. AZ, EM, GE, KG, TJ, TR, UA, US

(72) SASSI Stefano

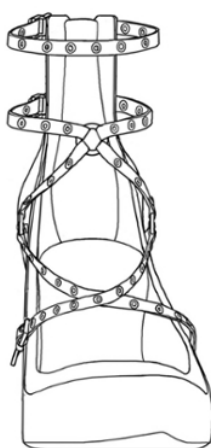
c/o VALENTINO S.p.A. Via Turati, 16/18, I-20121 Milano, Italy

(54) 1. Shoe

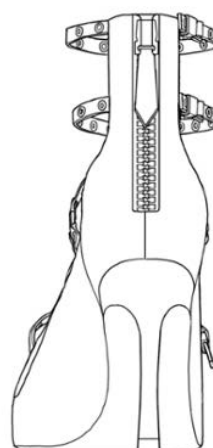
(55)



1.1



1.2



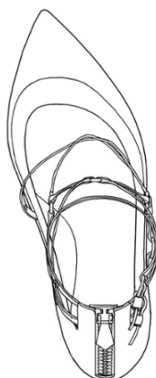
1.3



1.4



1.5



1.6



1.7

(11) DM/086229 (51) 10-02

(15) 2015 04 20 (45) 2015/42 (2015 10 23)

(22) 2015 04 20 (28) 5

(73) SWATCH AG (SWATCH SA) (SWATCH LTD.)

Jakob-Stämpfli-Strasse 94, CH-2502 Biel/Bienne (CH)

(85) CH

(86) CH

(87) CH

(88) CH

(89) CH

(81) II. BZ, MA. III. AL, AM, AZ, BA, CH, EM, GE, KG, KR, LI, MC, MD, ME, MK, MN, NO, OM, SG, TN, TR, UA

(72) 1: Martin NORRLIND

Ackersteinstrasse 167, 8049 Zürich, Suisse;

2: Margherita TAGLIA

Graue Gasse 12, 8001 Zürich, Suisse;

3: Pedro RAMOS BRINCA

Rue Edmond-de-Reynier 2, 2000 Neuchâtel, Suisse;

4: Milko BOYAROV

Birmensdorferstrasse 197, 8003 Zürich, Suisse;

5: Soonja HAN

24 rue du Moulin de la pointe, 75013 Paris, France

(54) 1.-5. Wristwatches

(55)



(11) DM/086230

(15) 2015 04 20

(22) 2015 04 20

(28) 1

(73) SWATCH AG (SWATCH SA) (SWATCH LTD.)

Jakob-Stämpfli-Strasse 94, CH-2502 Biel/Bienne (CH)

(85) CH

(86) CH

(87) CH

(88) CH

(89) CH

(81) II. BZ, MA. III. AL, AM, AZ, BA, CH, EM, GE, KG, KR, LI, MC, MD, ME, MK, MN, NO, OM, SG, TN, TR, UA

(72) 1: Milko BOYAROV

Birmensdorferstrasse 197, 8003 Zürich, Suisse

(54) 1. Wristwatch

(55)

(51) 10-02

(45) 2015/42 (2015 10 23)



1

- (11) DM/086245 (51) 10-02
(15) 2015 04 20 (45) 2015/42 (2015 10 23)
(22) 2015 04 20 (28) 3
(73) SWATCH AG (SWATCH SA) (SWATCH LTD.)
Jakob-Stämpfli-Strasse 94, CH-2502 Biel/Bienne (CH)
(85) CH
(86) CH
(87) CH
(88) CH
(89) CH
(81) II. BZ, MA. III. AL, AM, AZ, BA, CH, EM, GE, KG, KR, LI, MC, MD, ME, MK, MN, NO, OM, SG, TN,
TR, UA
(72) 1, 2: Martin NORRLIND
Ackersteinstrasse 167, 8049 Zürich, Suisse;
3: Milko BOYAROV
Birmensdorferstrasse 197, 8003 Zürich, Suisse
(54) 1.-3. Wristwatches
(55)



(11) DM/086264

(15) 2015 04 20

(22) 2015 04 20

(28) 1

(73) SWATCH AG (SWATCH SA) (SWATCH LTD.)

Jakob-Stämpfli-Strasse 94, CH-2502 Biel/Bienne (CH)

(85) CH

(86) CH

(87) CH

(88) CH

(89) CH

(81) II. BZ, MA. III. AL, AM, AZ, BA, CH, EM, GE, KG, KR, LI, MC, MD, ME, MK, MN, NO, OM, SG, TN, TR, UA

(72) 1: Min KIM

St. Alban-Ring 238, 4052 Basel, Suisse

(54) 1. Wristwatch

(55)

(51) 10-02

(45) 2015/42 (2015 10 23)



1.1



1.2

(11) DM/087766

(15) 2015 09 22

(22) 2015 09 22

(28) 1

(73) FONTINI

S.A. Pol. Ind. Can Bernades-Subira, C/Anoia 15, E-08130 Santa Perpetua de Mogoda (Barcelona) (ES)

(85) –

(86) ES, EM

(87) –

(88) –

(89) EM

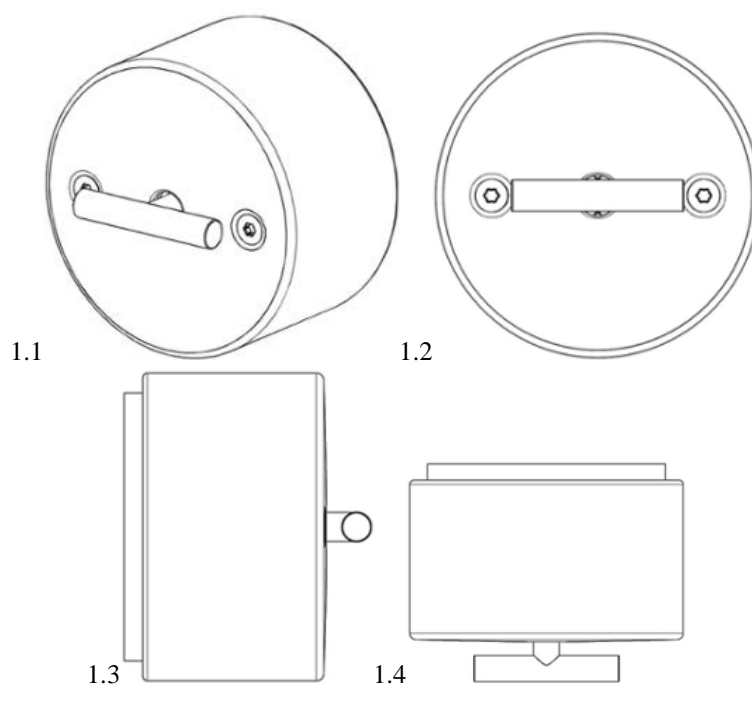
(81) III. AM, AZ, GE, TR, UA, US (30) for designs No(s) 1: 23.03.2015; 002665331-0004; EM

(72) Roger Font Gasulla

Paseo Jover i Serra, 2 P01 3., 08390 MONTGAT (Barcelona), España

(54) 1. Switch

(55)

**(11) DM/087767**

(15) 2015 09 22

(22) 2015 09 22

(28) 1

(30) for designs No(s) 1: 23.03.2015; 002665331-0008; EM

(73) FONTINI

S.A. Pol. Ind. Can Bernades-Subira, C/Anoia 15, E-08130 Santa Perpetua de Mogoda (Barcelona) (ES)

(85) --

(86) ES, EM

(87) --

(88) --

(89) EM

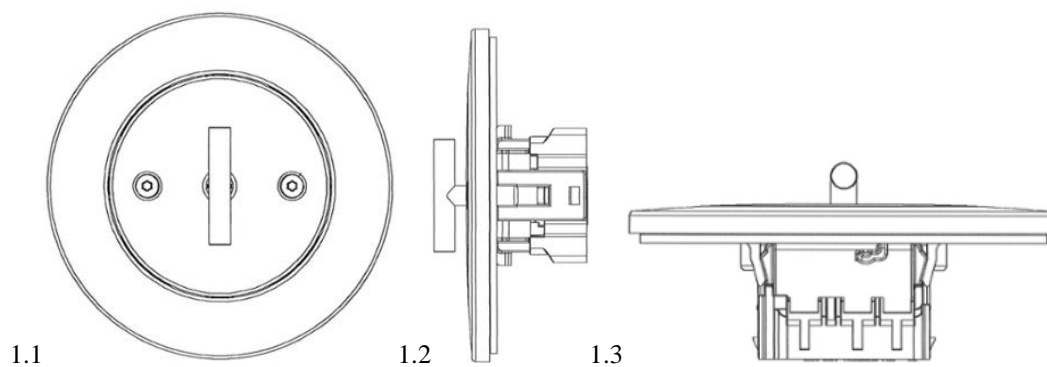
(81) III. AM, AZ, GE, TR, UA, US

(72) Roger Font Gasulla

Paseo Jover i Serra, 2 P01 3., 08390 MONTGAT (BARCELONA), España

(54) 1. Switch

(55)



(11) DM/087768

(51) 13-03

(15) 2015 09 22

(45) 2015/42 (2015 10 23)

(22) 2015 09 22

(28) 1

(30) for designs No(s) 1: 23.03.2015; 002665331-0005; EM

(73) FONTINI

S.A. Pol. Ind. Can Bernades-Subira, C/Anoia 15, E-08130 Santa Perpetua de Mogoda (Barcelona) (ES)

(85) –

(86) ES, EM

(87) –

(88) –

(89) EM

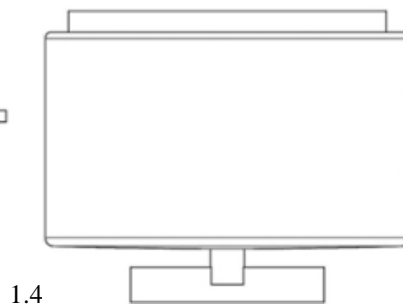
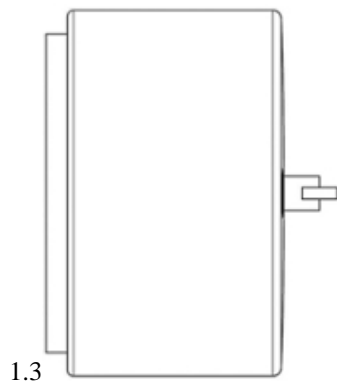
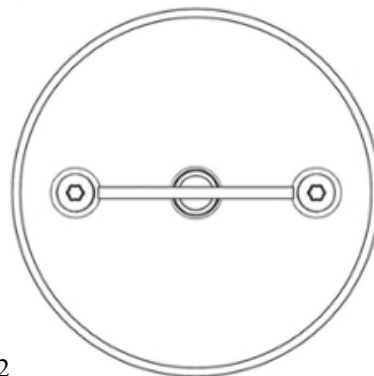
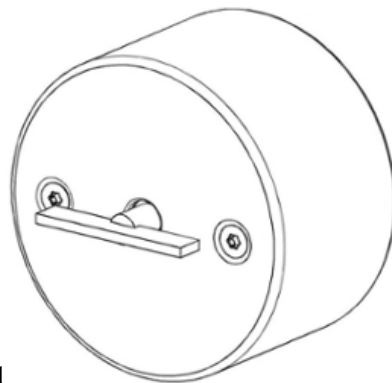
(81) III. AM, AZ, GE, TR, UA, US

(72) Roger Font Gasulla

Paseo Jover i Serra, 2 P01 3, 08390 MONTGAT (BARCELONA), España

(54) 1. Switch

(55)



(11) DM/087769**(51) 13-03**

(15) 2015 09 22

(45) 2015/42 (2015 10 23)

(22) 2015 09 22

(28) 1

(30) for designs No(s) 1: 23.03.2015; 002665331-0001; EM

(73) FONTINI

S.A. Pol. Ind. Can Bernades-Subira, C/Anoia 15, E-08130 Santa Perpetua de Mogoda (Barcelona) (ES)

(85) –

(86) ES, EM

(87) –

(88) –

(89) EM

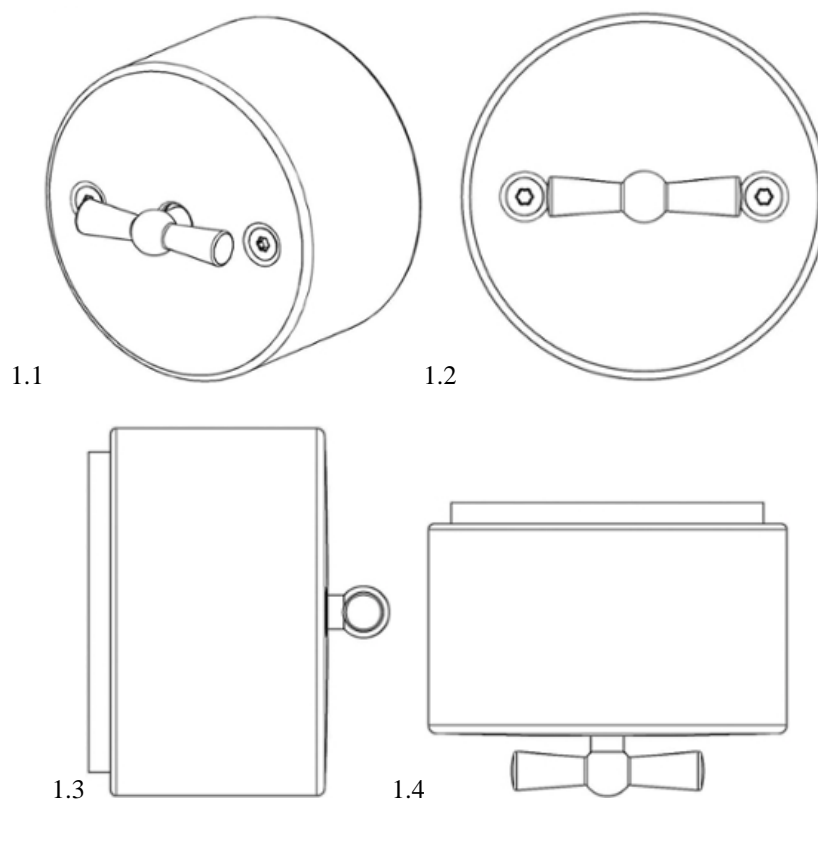
(81) III. AM, AZ, GE, TR, UA, US

(72) Roger Font Gasulla

Paseo Jover i Serra, 2 P01 3, 08390 MONTGAT (BARCELONA), España

(54) 1. Switch

(55)



(11) DM/087800

(51) 09-01

(15) 2015 09 25

(45) 2015/42 (2015 10 23)

(22) 2015 09 25

(28) 1

(73) ASH-D ICECEK GIDA OTOMOTIV TEMIZLIK SANAYI VE TICARET
A.S. Maslak Ahi Evren Cad. Ata Center No:1 Kat:1 Sisli, Istanbul (TR)

(85) TR

(86) TR

(87) TR

(88) TR

(89) TR

(81) III. AL, AZ, BA, EG, EM, GE, MK, OM, SY, TN, UA

(54) 1. Bottle

(55)



1

TRADEMARKS

APPLICATIONS FILED UNDER THE NATIONAL PROCEDURE APPROVED FOR REGISTRATION

The decision can be appealed at the Chamber of Appeal of Sakpatenti within 3 months from the publication or at the Mtskheta District Court Administrative Cases Board (Address: №17, Samkhedro St., Mtskheta), within 1 month following the publication.

(260) AM 2016 78169 A

(210) AM 78169

(220) 2014 07 31

(731) JUAN DE BAGRATION

Koto La Zagaleta e-1 N12 Benahavisi,
Malaga, Spain

(740) Kristine Dzidziguri

(540)



(591) Black, white

(531) 03.04.24, 25.01.10, 27.05.24, 03.04.11,
22.05.19

(526) The trademark is protected as a whole. "BAG-
RATIONI" shall not be subject to independent legal
protection.

(511) 3, 14, 18, 20, 21, 30, 32, 33, 34

(260) AM 2016 78741 A

(210) AM 78741

(220) 2014 09 19

(731) LTD "KARTU-UNIVERSAL"

Kakhetis gzat. II chikhi 11, 0190, Tbilisi,
Georgia

(740) Gocha Gogishvili

(540)

კამპარა

(511) 29, 30, 35

(260) AM 2016 78745 A

(210) AM 78745

(220) 2014 09 19

(731) LTD "KARTU-UNIVERSAL"

Kakhetis gzat. II chikhi 11, 0190, Tbilisi,
Georgia

(740) Gocha Gogishvili

(540)

CAMPARA

(511) 29, 30, 35

(260) AM 2016 78746 A

(210) AM 78746

(220) 2014 09 19

(731) LTD "KARTU-UNIVERSAL"

Kakhetis gzat. II chikhi 11, 0190, Tbilisi,
Georgia

(740) Gocha Gogishvili

(540)

კამიარა

(511) 29, 30, 35

(260) AM 2016 78753 A

(210) AM 78753

(220) 2014 09 19

(731) N(N)LE "International Fund CURATIO"

Chavchavadzis gamz. 37d, 0162, Tbilisi,
Georgia

(740) Nona Kavalashvili

(540)

კურადიო

CURATIO

(511) 35, 42, 44

(260) AM 2016 80142 A

(210) AM 80142

(220) 2015 01 08

(731) CIPLA LIMITED

Cipla House, Peninsula Business Park,
Ganpatrao Kadam Marg, Lower Parel,
Mumbai - 400013, Maharashtra India

(740) Liliana Darakhvelidze

(540)

CAPEGARD

(511) 5

(260) AM 2016 80143 A
 (210) AM 80143
 (220) 2015 01 08
 (731) CIPLA LIMITED
 Cipla House, Peninsula Business Park,
 Ganpatrao Kadam Marg, Lower Parel,
 Mumbai - 400013, Maharashtra India
 (740) Liliana Darakhvelidze
 (540)

COFSILS

(511) 5

(260) AM 2016 80532 A
 (210) AM 80532
 (220) 2015 01 29
 (310) UK0003066168
 (320) 2014 07 29
 (330) GB
 (731) BRITISH AMERICAN TOBACCO
 (BRANDS) INC. (a Delaware corporation)
 2711 Centerville Road, Suite 300,
 Wilmington, Delaware 19808, USA
 (740) Tamar Kochlamazashvili
 (540)

NANO
CARBON

(591) Black, white
 (531) 26.15.01, 27.01.06, 27.05.05
 (526) The trademark is protected as a whole.
 "NANO CARBON" shall not be subject to
 independent legal protection.
 (511) 34

(260) AM 2016 81035 A
 (210) AM 81035
 (220) 2015 02 27
 (731) Shota Bitadze
 Gia Abesadzis q. 17, 0105, Tbilisi, Georgia
 (740) Shota Bitadze
 (540)



(591) Green, yellow, red, straw, sky-blue and brown
 (531) 02.03.12, 05.01.08, 06.07.25, 29.01.15
 (511) 30

(260) AM 2016 81176 A
 (210) AM 81176
 (220) 2015 03 11
 (731) JSC "TELAVI WINE CELLARY"
 Sop. Kurdghelauri, 2200, Telavis raioni,
 Georgia
 (740) Aleksandre Kvernadze
 (540)

DAMANI

(511) 33

(260) AM 2016 81301 A
 (210) AM 81301
 (220) 2015 03 18
 (731) LTD "BG BJ"
 Sanzona kor. 6, b. 28, 0141, Tbilisi, Georgia
 (740) Eter Chkhaberidze
 (540)

Sorini სორინი

(511) 30

(260) AM 2016 81419 A
 (210) AM 81419
 (220) 2015 03 26
 (731) TOYO TIRE & RUBBER CO., LTD.
 17-18, Edobori 1-chome, Nishi-ku, Osaka,
 Japan
 (740) Shalva Gvaramadze
 (540)

SNOWPROX

(511) 12

(260) AM 2016 81460 A
 (210) AM 81460
 (220) 2015 03 29
 (731) LIFESTYLE EQUITIES C.V.
 PRINS BERNHARDPLEIN, 200, nl-1097,
 JB AMSTERDAM (NL), Netherlands
 (740) Givi Akopashvili
 (540)



(591) Black, white
 (531) 02.01.08, 02.01.20, 27.01.12, 27.05.17
 (511) 3, 25

(260) AM 2016 81512 A
 (210) AM 81512
 (220) 2015 04 01
 (731) LTD "IVERTA"
 Sanapiros q.10, 0108 Tbilisi, Georgia
 (740) Salome Jeladze
 (540)

PANACIN
ПАНАЦИН
პანაცინო

(511) 5

(260) AM 2016 81622 A
 (210) AM 81622
 (220) 2015 04 08
 (731) JSC "LOMISI"
 Sop. Natakhtari, 3308, Mtskhethis raioni,
 Georgia
 (740) Elguja Amozashvili
 (540)



(591) Red, sky-blue, yellow, golden
 (531) 24.09.11, 24.09.12, 25.01.17, 29.01.14
 (526) The trademark is protected as a whole. "ქე-
 როს", "ალაო-სვია" and "უნიკალური წყალი"
 shall not be subject to independent legal protection.
 (511) 32

(260) AM 2016 81659 A
 (210) AM 81659
 (220) 2015 04 14
 (731) SANovel ILAC SANAYI VE TICARET A. S.
 Istinye Mahallesi, Balabandere Caddesi No:14
 TR-34460 SARIYER/ISTANBUL, Turkey
 (740) Merab Kvimsadze
 (540)

Tiophen

(591) Black, white
 (531) 27.05.05
 (511) 5

(260) AM 2016 81678 A
 (210) AM 81678
 (220) 2015 04 15

(310) 86/436116
 (320) 2014 10 27
 (330) US
 (731) AMGEN INC.
 One Amgen Center Drive, Thousand Oaks,
 California 91320-1799, USA
 (740) Shalva Gvaramadze
 (540)



(591) Black, white
 (531) 02.09.01
 (511) 5

(260) AM 2016 81694 A
 (210) AM 81694
 (220) 2015 04 17
 (731) LTD "TSITADELI"
 D. Tavdadebulis q. 16/50, Tbilisi, Georgia
 (740) Ana Gurieli
 (540)



(591) Yellow and black
 (531) 26.03.04, 29.01.12
 (511) 6, 19, 35, 36, 37, 39

(260) AM 2016 81709 A
 (210) AM 81709
 (220) 2015 04 20
 (731) LTD "VELIAMINOVİ"
 Sh. Dadianis q. 8, 0105, Tbilisi, Georgia
 (740) Konstantine Kharatishvili
 (540)

ველიამინოვი
Велиаминови
Veliaminovi

(511) 43

(260) AM 2016 81735 A
 (210) AM 81735
 (220) 2015 04 21
 (731) HASBRO, INC.
 1027 Newport Avenue, Pawtucket, Rhode
 Island 02862, USA
 (740) Tamaz Shilakadze

(540)

TRANSFORMERS

(511) 28

(260) AM 2016 81737 A

(210) AM 81737

(220) 2015 04 21

(731) LTD "G-M-P"

Sop. Ponichala 65, 0165, Tbilisi, Georgia

(740) Nugzar Ksovreli

(540)

ზუმ-25**ЗУММ-25****ZUMM-25**

(511) 5

(260) AM 2016 81738 A

(210) AM 81738

(220) 2015 04 21

(731) LTD "G-M-P"

Sop. Ponichala 65, 0165, Tbilisi, Georgia

(740) Nugzar Ksovreli

(540)

ზუმ-50**ЗУММ-50****ZUMM-50**

(511) 5

(260) AM 2016 82047 A

(210) AM 82047

(220) 2015 05 13

(731) JDB ASSET MANAGEMENT LIMITED

Unit 3806-10, 38/F, Cosco Tower, Grand
Millenium Plaza, 183 Queen's Road Central,
The Hong Kong Special Administrative
Region of the people's republic of China

(740) Pavle Meipariani

(540)

**J
D
B**

(591) Black, white

(531) 27.05.23

(511) 5, 29, 30, 32

(260) AM 2016 82061 A

(210) AM 82061

(220) 2015 05 14

(731) FAES FARMA, S.A.

Maximo Aguirre 14, 48940 Leioa (Bizkaia),
Spain

(740) Pavle Meipariani

(540)

VISCOTEINA

(591) Black, white

(531) 27.05.17

(511) 5

(260) AM 2016 82062 A

(210) AM 82062

(220) 2015 05 14

(731) FAES FARMA, S.A.

Maximo Aguirre 14, 48940 Leioa (Bizkaia),
Spain

(740) Pavle Meipariani

(540)

ВИСКОТЕИНА

(591) Black, white

(531) 28.05

(511) 5

(260) AM 2016 82063 A

(210) AM 82063

(220) 2015 05 14

(731) FAES FARMA, S.A.

Maximo Aguirre 14, 48940 Leioa (Bizkaia),
Spain

(740) Pavle Meipariani

(540)

POSITON FAES FARMA

(591) Black, white

(531) 27.05.17

(511) 5

(260) AM 2016 82064 A

(210) AM 82064

(220) 2015 05 14

(731) FAES FARMA, S.A.

Maximo Aguirre 14, 48940 Leioa (Bizkaia),
Spain

(740) Pavle Meipariani

(540)

ПОСИТОН ФАЕС ФАРМА

(591) Black, white

(531) 28.05

(511) 5

(260) AM 2016 82228 A
 (210) AM 82228
 (220) 2015 05 22
 (731) LTD "OFFICE 1"
 Vazha-Pshavelas gamz. 20, 0160, Tbilisi,
 Georgia
 (740) Giorgi Maghradze
 (540)

პანორამა
PANORAMA

(511) 20, 35

(260) AM 2016 82238 A
 (210) AM 82238
 (220) 2015 05 25
 (731) JSC "CORPORATION KINDZMARAULI"
 Iia Chavchavadzis q. 55, 4800, Kvareli,
 Georgia
 (540)

ღვინის ეზო
Винный двор
Wine yard

(511) 43

(260) AM 2016 82239 A
 (210) AM 82239
 (220) 2015 05 25
 (731) JSC "CORPORATION KINDZMARAULI"
 Iia Chavchavadzis q. 55, 4800, Kvareli,
 Georgia
 (540)

ჰე-რი
HE-RY

(511) 33

(260) AM 2016 82242 A
 (210) AM 82242
 (220) 2015 05 25
 (731) JSC "TELAVI WINE CELLARY"
 Sop. Kurdghelauri, 2200, Telavis raioni,
 Georgia
 (740) Aleksandre Kvernadze
 (540)

GULANI

(511) 33

(260) AM 2016 82315 A
 (210) AM 82315
 (220) 2015 06 01
 (731) KENTUCKY FRIED CHICKEN
 INTERNATIONAL HOLDINGS, INC.

1441 Gardiner Lane, Louisville, Kentucky
 40213, USA
 (740) Tamar Kochlamazashvili
 (540)

TWISTER

(511) 30

(260) AM 2016 82341 A
 (210) AM 82341
 (220) 2015 06 02
 (731) TURKIYE IS BANKASI ANONIM SIRKETI
 GENEL MUDURLUK IS KULELERI
 KAT:32 LEVENT/ISTANBUL, Turkey
 (740) Merab Kvimsadze
 (540)



Bankamatik

(591) Blue, black
 (531) 27.05.17, 27.05.22, 29.01.12
 (511) 9, 36

(260) AM 2016 82342 A
 (210) AM 82342
 (220) 2015 06 02
 (731) TURKIYE IS BANKASI ANONIM SIRKETI
 GENEL MUDURLUK IS KULELERI
 KAT:32 LEVENT/ISTANBUL, Turkey
 (740) Merab Kvimsadze
 (540)

İŞBANK

Bankamatik

(591) Black, white
 (511) 9, 36

(260) AM 2016 82434 A
 (210) AM 82434
 (220) 2015 06 08
 (731) BROWN-FORMAN POLSKA, SP.Z.O.O.
 UL. Postepu 21 D, 02-676 Warszawa, Poland
 (740) Shalva Gvaramadze
 (540)



(591) Black, white
 (531) 24.01.15, 27.05.24
 (526) The trademark is protected as a whole.
 "SUPERIOR IMPORTED VODKA" shall not be
 subject to independent legal protection.
 (511) 33

(260) AM 2016 82435 A
 (210) AM 82435
 (220) 2015 06 08
 (731) BROWN-FORMAN POLSKA, SP.Z.O.O.
 UL. Postepu 21 D, 02-676 Warszawa, Poland
 (740) Shalva Gvaramadze
 (540)



(591) Black, white
 (531) 24.01.15, 27.05.24, 19.07.01
 (511) 33

(260) AM 2016 82493 A
 (210) AM 82493
 (220) 2015 06 11
 (731) GILEAD SCIENCES IRELAND UC
 IDA Business and Technology Park,
 Carrigtohill, Co. Cork, Ireland
 (740) Shalva Gvaramadze
 (540)

СОВАЛДИ

(511) 5

(260) AM 2016 82566 A
 (210) AM 82566
 (220) 2015 06 16
 (731) THE GILLETTE COMPANY
 One Gillette Park, Boston Massachusetts
 02127, USA
 (740) Shalva Gvaramadze
 (540)

BLUE SIMPLE 3

(511) 8

(260) AM 2016 82569 A
 (210) AM 82569
 (220) 2015 06 17
 (731) JOHNSON & JOHNSON

a New Jersey corporation
 One Johnson & Johnson Plaza, New
 Brunswick, New Jersey, 08933-7001, USA
 (740) Giorgi Taktakishvili
 (540)

ИМОФЛОРА

(511) 5

(260) AM 2016 82649 A
 (210) AM 82649
 (220) 2015 06 24
 (731) CHATWAL HOTELS & RESORTS, LLC
 200 West 55th Street, New York,
 New York 10019, USA
 (740) Giorgi Taktakishvili
 (540)

THE DREAM HOTEL

(511) 43

(260) AM 2016 82854 A
 (210) AM 82854
 (220) 2015 07 08
 (731) AVION SPIRITS LLC
 210 East 49th Street, 3rd Floor, New York,
 NY 10017, USA
 (740) Giorgi Taktakishvili
 (540)

AVION

(511) 33

(260) AM 2016 82856 A
 (210) AM 82856
 (220) 2015 07 08
 (731) AVION SPIRITS LLC
 210 East 49th Street, 3rd Floor, New York,
 NY 10017, USA
 (740) Giorgi Taktakishvili
 (540)



(591) Black, white
 (531) 24.09.07, 03.07.17, 05.11.15
 (511) 33

(260) AM 2016 82925 A
 (210) AM 82925
 (220) 2015 07 13
 (731) GM KOREA COMPANY
 199-1 Cheongcheon-2Dong, Bupyeong-Gu,
 Incheon, Republic of Korea

(740) Giorgi Taktakishvili
(540)

MATIZ R1

(511) 12

(260) AM 2016 82928 A
(210) AM 82928
(220) 2015 07 13
(731) GM KOREA COMPANY
199-1 Cheongcheon-2Dong, Bupyung-Gu,
Incheon, Republic of Korea
(740) Giorgi Taktakishvili
(540)

RAVON R2

(511) 12

(260) AM 2016 82929 A
(210) AM 82929
(220) 2015 07 13
(731) GM KOREA COMPANY
199-1 Cheongcheon-2Dong, Bupyung-Gu,
Incheon, Republic of Korea
(740) Giorgi Taktakishvili
(540)

RAVON R4

(511) 12

(260) AM 2016 82930 A
(210) AM 82930
(220) 2015 07 13
(731) GM KOREA COMPANY
199-1 Cheongcheon-2Dong, Bupyung-Gu,
Incheon, Republic of Korea
(740) Giorgi Taktakishvili
(540)

RAVON R5

(511) 12

(260) AM 2016 82931 A
(210) AM 82931
(220) 2015 07 13
(731) GM KOREA COMPANY
199-1 Cheongcheon-2Dong, Bupyung-Gu,
Incheon, Republic of Korea
(740) Giorgi Taktakishvili
(540)

RAVON R5X

(511) 12

(260) AM 2016 82932 A
(210) AM 82932
(220) 2015 07 13
(731) GM KOREA COMPANY

199-1 Cheongcheon-2Dong, Bupyung-Gu,
Incheon, Republic of Korea

(740) Giorgi Taktakishvili
(540)

GENTRA R5

(511) 12

(260) AM 2016 82933 A
(210) AM 82933
(220) 2015 07 13
(731) GM KOREA COMPANY
199-1 Cheongcheon-2Dong, Bupyung-Gu,
Incheon, Republic of Korea
(740) Giorgi Taktakishvili
(540)

RAVON R7

(511) 12

(260) AM 2016 82935 A
(210) AM 82935
(220) 2015 07 13
(731) GM KOREA COMPANY
199-1 Cheongcheon-2Dong, Bupyung-Gu,
Incheon, Republic of Korea
(740) Giorgi Taktakishvili
(540)

RAVON R7V

(511) 12

(260) AM 2016 82937 A
(210) AM 82937
(220) 2015 07 13
(731) GM KOREA COMPANY
199-1 Cheongcheon-2Dong, Bupyung-Gu,
Incheon, Republic of Korea
(740) Giorgi Taktakishvili
(540)

RAVON R7X

(511) 12

(260) AM 2016 82940 A
(210) AM 82940
(220) 2015 07 13
(731) GM KOREA COMPANY
199-1 Cheongcheon-2Dong, Bupyung-Gu,
Incheon, Republic of Korea
(740) Giorgi Taktakishvili
(540)

RAVON R3

(511) 12

REGISTERED TRADEMARKS

(111) M 2016 26641 R
 (151) 2016 01 11
 (181) 2026 01 11
 (260) AM 2015 75413 A
 (220) 2014 01 13

(732) LTD "GEORGIAN BITUMEN"
 Tevdore Mghvdilis q. 48, 0154, Tbilisi,
 Georgia

(111) M 2016 26642 R
 (151) 2016 01 11
 (181) 2026 01 11
 (260) AM 2015 76078 A
 (220) 2014 02 25

(732) ARIAN KIMYA TICARET VE SANAYI
 ANONIM SİRKETİ
 Tem Otoyolu Üzeri, Tekstilkent Koza Plaza,
 B Blok, Kat: 31 No:118 Esenler Istanbul,
 Turkey

(111) M 2016 26643 R
 (151) 2016 01 11
 (181) 2026 01 11
 (260) AM 2015 76080 A
 (220) 2014 02 25

(732) ARIAN KIMYA TICARET VE SANAYI
 ANONIM SİRKETİ
 Tem Otoyolu Üzeri, Tekstilkent Koza Plaza,
 B Blok, Kat: 31 No:118 Esenler Istanbul,
 Turkey

(111) M 2016 26644 R
 (151) 2016 01 11
 (181) 2026 01 11
 (260) AM 2015 76083 A
 (220) 2014 02 26

(732) HONGTA TOBACCO (GROUP) CO., LTD.
 No. 118, Hongta Avenue, Hongta District,
 Yuxi, Yunnan, China

(111) M 2016 26645 R
 (151) 2016 01 11
 (181) 2026 01 11
 (260) AM 2015 76187 A
 (220) 2014 03 07

(732) COLGATE-PALMOLIVE COMPANY
 a Delaware corporation
 300 Park Avenue, New York, New York
 10022, USA

(111) M 2016 26646 R
 (151) 2016 01 11
 (181) 2026 01 11

(260) AM 2015 76190 A
 (220) 2014 03 09
 (732) APPLE INC

1 Infinite Loop, Cupertino, California 95014,
 USA

(111) M 2016 26647 R
 (151) 2016 01 11
 (181) 2026 01 11
 (260) AM 2015 76340 A
 (220) 2014 03 20

(732) TYCO SAFETY PRODUCTS CANADA LTD.
 3301 Langstaff Road, Concord, Ontario L4K
 4L2, Canada

(111) M 2016 26648 R
 (151) 2016 01 11
 (181) 2026 01 11
 (260) AM 2015 76569 A
 (220) 2014 04 04

(732) JSC "FOODMART"
 Gindzmaraulis q. 5, 0145, Tbilisi, Georgia

(111) M 2016 26649 R
 (151) 2016 01 11
 (181) 2026 01 11
 (260) AM 2015 76570 A
 (220) 2014 04 04

(732) JSC "FOODMART"
 Gindzmaraulis q. 5, 0145, Tbilisi, Georgia

(111) M 2016 26650 R
 (151) 2016 01 11
 (181) 2026 01 11
 (260) AM 2015 76984 A
 (220) 2014 05 05

(732) CELLO PLASTIC INDUSTRIAL WORKS.
 5, Vakil Industrial Estate, Walbhat Road,
 Goregaon (E), Mumbai-400063, India

(111) M 2016 26651 R
 (151) 2016 01 11
 (181) 2026 01 11
 (260) AM 2015 77344 A
 (220) 2014 05 30

(732) LTD "SAAMO"
 Leselidzis q. 5/7, Old Tbilisi, 0105, Tbilisi,
 Georgia

(111) M 2016 26652 R
 (151) 2016 01 11
 (181) 2026 01 11

(260) AM 2015 77404 A
 (220) 2014 06 03
 (732) OJSC "PHARMASTANDART-UFIMSKIY
 VIATMINNIY ZAVOD"
 Khudaiberdinis q. 28, Ufa, Bashkortostan
 Rebulic, 450077, Russian Federation

(111) M 2016 26653 R
 (151) 2016 01 11
 (181) 2026 01 11
 (260) AM 2015 77575 A
 (220) 2014 06 17
 (732) LTD "METRA DEVELOPMENTI"
 Iilia Tchavtchavadzis gamz. 80, 0162 Tbilisi,
 Georgia

(111) M 2016 26654 R
 (151) 2016 01 12
 (181) 2026 01 12
 (260) AM 2015 77651 A
 (220) 2014 06 23
 (732) LONKING (FUJIAN) MACHINERY CO.,
 LTD.
 1 Lonking road, Longian economic
 Development zone, Fujian province, China

(111) M 2016 26655 R
 (151) 2016 01 12
 (181) 2026 01 12
 (260) AM 2015 77734 A
 (220) 2014 06 30
 (732) MASTERCARD INTERNATIONAL
 INCORPORATED a Delaware corporation
 2000 Purchase Street, Purchase, New York
 10577-2509, USA

(111) M 2016 26656 R
 (151) 2016 01 12
 (181) 2026 01 12
 (260) AM 2015 77768 A
 (220) 2014 07 02
 (732) DP BEVERAGES LIMIT
 P.O. Box 309GT, Uglan House, South
 Church Street, George Town, Grand Cayman,
 Cayman Islands

(111) M 2016 26657 R
 (151) 2016 01 12
 (181) 2026 01 12
 (260) AM 2015 77816 A
 (220) 2014 07 04
 (732) LTD "MARNISKARI"
 Sh. Askuravas q. 17, 0119, Tbilisi,
 Georgia

(111) M 2016 26658 R
 (151) 2016 01 12
 (181) 2026 01 12
 (260) AM 2015 78138 A
 (220) 2014 07 30
 (732) OLD NAVY (ITM) INC.
 2 Folsom Street, San Francisco, CA 94105,
 USA

(111) M 2016 26659 R
 (151) 2016 01 12
 (181) 2026 01 12
 (260) AM 2015 78141 A
 (220) 2014 07 30
 (732) OLD NAVY (ITM) INC.
 2 Folsom Street, San Francisco, CA 94105,
 USA

(111) M 2016 26660 R
 (151) 2016 01 12
 (181) 2026 01 12
 (260) AM 2015 78142 A
 (220) 2014 07 30
 (732) OLD NAVY (ITM) INC.
 2 Folsom Street, San Francisco, CA 94105,
 USA

(111) M 2016 26661 R
 (151) 2016 01 12
 (181) 2026 01 12
 (260) AM 2015 78149 A
 (220) 2014 07 30
 (732) OLD NAVY (ITM) INC.
 2 Folsom Street, San Francisco, CA 94105,
 USA

(111) M 2016 26662 R
 (151) 2016 01 12
 (181) 2026 01 12
 (260) AM 2015 78343 A
 (220) 2014 08 22
 (732) GOVERNMENT OF DUBAI
 DEPARTMENT OF TOURISM AND
 COMMERCE MARKETING
 P.O. Box 594, Dubai, United Arab Emirates

(111) M 2016 26663 R
 (151) 2016 01 12
 (181) 2026 01 12
 (260) AM 2015 78375 A
 (220) 2014 08 25
 (732) RANBAXY LABORATORIES LIMITED
 Plot No.90, Sector-32, Gurgaon 122001,
 Haryana, India

(111) M 2016 26664 R
(151) 2016 01 12
(181) 2026 01 12
(260) AM 2015 78378 A
(220) 2014 08 25
(732) OLD NAVY (ITM) INC.
2 Folsom Street, San Francisco, CA 94105,
USA

(111) M 2016 26665 R
(151) 2016 01 12
(181) 2026 01 12
(260) AM 2015 78407 A
(220) 2014 08 29
(732) MICHELIN RECHERCHE ET TECHNIQUE
S.A
Route Louis-Braille 10, CH-1763 GRANGES-
PACCOT, Switzerland

(111) M 2016 26666 R
(151) 2016 01 12
(181) 2026 01 12
(260) AM 2015 78453 A
(220) 2014 09 02
(732) LTD "AGRO TRADING GEORGIA"
Rustavis gzat. 68a, 0165, Tbilisi, Georgia

(111) M 2016 26667 R
(151) 2016 01 12
(181) 2026 01 12
(260) AM 2015 78508 A
(220) 2014 09 04
(732) NOVARTIS AG
4002 Basel, Switzerland

(111) M 2016 26668 R
(151) 2016 01 12
(181) 2026 01 12
(260) AM 2015 78509 A
(220) 2014 09 04
(732) NOVARTIS AG
4002 Basel, Switzerland

(111) M 2016 26669 R
(151) 2016 01 12
(181) 2026 01 12
(260) AM 2015 78510 A
(220) 2014 09 04
(732) NOVARTIS AG
4002 Basel, Switzerland

(111) M 2016 26670 R
(151) 2016 01 12
(181) 2026 01 12

(260) AM 2015 78579 A
(220) 2014 09 09
(732) SAMSONITE IP HOLDINGS S.à.r.l.
13-15 avenue de la Liberté, Luxembourg
1931, Luxembourg

(111) M 2016 26671 R
(151) 2016 01 13
(181) 2026 01 13
(260) AM 2015 78617 A
(220) 2014 09 11
(732) Gocha Pipia
Budapeshtis q. 11, b. 55, 0160, Tbilisi, Georgia

(111) M 2016 26672 R
(151) 2016 01 13
(181) 2026 01 13
(260) AM 2015 78618 A
(220) 2014 09 11
(732) Gocha Pipia
Budapeshtis q. 11, b. 55, 0160, Tbilisi, Georgia

(111) M 2016 26673 R
(151) 2016 01 13
(181) 2026 01 13
(260) AM 2015 78750 A
(220) 2014 09 19
(732) RANBAXY LABORATORIES LIMITED
Plot No. 90, Sector-32, Gurgaon 122001,
Haryana, India

(111) M 2016 26674 R
(151) 2016 01 13
(181) 2026 01 13
(260) AM 2015 78751 A
(220) 2014 09 19
(732) RANBAXY LABORATORIES LIMITED
Plot No. 90, Sector-32, Gurgaon 122001,
Haryana, India

(111) M 2016 26675 R
(151) 2016 01 13
(181) 2026 01 13
(260) AM 2015 78805 A
(220) 2014 09 26
(732) LTD "TBILISIS MIKROAVTOBUS"
Tsinamdzghvrishvilis q. 160,
Didube-Chughuretis raioni, 0117, Tbilisi,
Georgia

(111) M 2016 26676 R
(151) 2016 01 13
(181) 2026 01 13
(260) AM 2015 78812 A

(220) 2014 09 26
(732) SOCIÉTÉ DES PRODUITS NESTLÉ S.A.
CH-1800 Vevey, Switzerland

(111) M 2016 26677 R
(151) 2016 01 13
(181) 2026 01 13
(260) AM 2015 78813 A
(220) 2014 09 26
(732) Gocha Pipia
Budapeshtis q. 11, b. 55, 0160, Tbilisi, Georgia

(111) M 2016 26678 R
(151) 2016 01 13
(181) 2026 01 13
(260) AM 2015 78814 A
(220) 2014 09 26
(732) Gocha Pipia
Budapeshtis q. 11, b. 55, 0160, Tbilisi, Georgia

(111) M 2016 26679 R
(151) 2016 01 13
(181) 2026 01 13
(260) AM 2015 78826 A
(220) 2014 09 26
(732) DIANATUS MANAGEMENT LIMITED
Arch. Makariu III, 69 Tlice Tower, 3fl,
office 301, 1070, Nicosia, Cyprus

(111) M 2016 26680 R
(151) 2016 01 13
(181) 2026 01 13
(260) AM 2015 78840 A
(220) 2014 09 29
(732) KENTUCKY FRIED CHICKEN
INTERNATIONAL HOLDINGS, INC.
1441 Gardiner Lane, Louisville, Kentucky
40213, USA

(111) M 2016 26681 R
(151) 2016 01 13
(181) 2026 01 13
(260) AM 2015 78842 A
(220) 2014 09 29
(732) KENTUCKY FRIED CHICKEN
INTERNATIONAL HOLDINGS, INC.
1441 Gardiner Lane, Louisville, Kentucky
40213, USA

(111) M 2016 26682 R
(151) 2016 01 13
(181) 2026 01 13
(260) AM 2015 78855 A

(220) 2014 09 29
(732) KENTUCKY FRIED CHICKEN
INTERNATIONAL HOLDINGS, INC.
1441 Gardiner Lane, Louisville, Kentucky
40213, USA

(111) M 2016 26683 R
(151) 2016 01 13
(181) 2026 01 13
(260) AM 2015 78879 A
(220) 2014 09 30
(732) LTD "AGROKONSORTSIUM TSEROVANI"
Mtskhetis raioni, sop. Tserovani, Georgia

(111) M 2016 26684 R
(151) 2016 01 13
(181) 2026 01 13
(260) AM 2015 78880 A
(220) 2014 09 30
(732) LTD "AGROKONSORTSIUM TSEROVANI"
Mtskhetis raioni, sof. Tserovani, Georgia

(111) M 2016 26685 R
(151) 2016 01 14
(181) 2026 01 14
(260) AM 2015 78887 A
(220) 2014 09 30
(732) LTD "GEOFERT"
I. Chavtchavadzis gamz. 39a, Vake-Saburtalos
raioni, Tbilisi, Georgia

(111) M 2016 26686 R
(151) 2016 01 14
(181) 2026 01 14
(260) AM 2015 78888 A
(220) 2014 09 30
(732) LTD "GEOFERT"
I. Chavtchavadzis gamz. 39a, Vake-Saburtalos
raioni, Tbilisi, Georgia

(111) M 2016 26687 R
(151) 2016 01 14
(181) 2026 01 14
(260) AM 2015 79003 A
(220) 2014 10 07
(732) ABBOTT POINT OF CARE INC.
(a corporation of the State of Delaware
400 College Road East, Princeton New Jersey
08540, USA

(111) M 2016 26688 R
(151) 2016 01 14
(181) 2026 01 14
(260) AM 2015 79070 A

(220) 2014 10 13
(732) BARILLA FRANCE s.a.s.
103 Rue de Grenelle, 75007 Paris, France

03150, ul. Krasnoarmeiskaya, 143/2, Kiyiv,
Ukraina

(111) M 2016 26689 R
(151) 2016 01 14
(181) 2026 01 14
(260) AM 2015 79112 A
(220) 2014 10 16
(732) WESTIN HOTEL MANAGEMENT, L.P.
One StarPoint, Stamford, Connecticut 06902,
USA

(111) M 2016 26694 R
(151) 2016 01 14
(181) 2026 01 14
(260) AM 2015 79133 A
(220) 2014 10 18
(732) HARRINGTON DEVELOPMENT INC.
Elvira Mendez street, Vallerino Bldg, 3rd
Floor, Panama, Panama

(111) M 2016 26690 R
(151) 2016 01 14
(181) 2026 01 14
(260) AM 2015 79120 A
(220) 2014 10 16
(732) CHINA TOBACCO GUANGXI
INDUSTRIAL CO., LTD.
No. 28 Beihu South Road, Xixiangtang
District, Nanning Guangxi, China

(111) M 2016 26695 R
(151) 2016 01 14
(181) 2026 01 14
(260) AM 2015 79140 A
(220) 2014 10 20
(732) Maia Arveladze
Mtskhethis q. 8, b. 40, Tbilisi, Georgia

(111) M 2016 26691 R
(151) 2016 01 14
(181) 2026 01 14
(260) AM 2015 79121 A
(220) 2014 10 16
(732) LTD The Joint Ukrainian-English The
Enterprise With Foreign Investment
"SOLOMIA"
03150, ul. Krasnoarmeiskaya, 143/2, Kiyiv,
Ukraina

(111) M 2016 26696 R
(151) 2016 01 14
(181) 2026 01 14
(260) AM 2015 79156 A
(220) 2014 10 21
(732) PATRÓN SPIRITS INTERNATIONAL AG
Quaistrasse 11, 8200 Schaffhausen,
Switzerland

(111) M 2016 26692 R
(151) 2016 01 14
(181) 2026 01 14
(260) AM 2015 79122 A
(220) 2014 10 16
(732) LTD The Joint Ukrainian-English The
Enterprise With Foreign Investment
"SOLOMIA"
03150, ul. Krasnoarmeiskaya, 143/2, Kiyiv,
Ukraina

(111) M 2016 26697 R
(151) 2016 01 14
(181) 2026 01 14
(260) AM 2015 79186 A
(220) 2014 10 22
(732) NOVARTIS AG
4002 Basel, Switzerland

(111) M 2016 26693 R
(151) 2016 01 14
(181) 2026 01 14
(260) AM 2015 79124 A
(220) 2014 10 16
(732) LTD The Joint Ukrainian-English The
Enterprise With Foreign Investment
"SOLOMIA"

(111) M 2016 26698 R
(151) 2016 01 14
(181) 2026 01 14
(260) AM 2015 79191 A
(220) 2014 10 22
(732) SWISS PHARMA INTERNATIONAL AG
Waldmannstrasse 8, 8001 Zurich, Switzerland

(111) M 2016 26699 R
(151) 2016 01 14
(181) 2026 01 14
(260) AM 2015 79242 A
(220) 2014 10 29
(732) LTD "CHIIZKO"
Lilos Samretselo zona, 0198, Tbilisi, Georgia

(111) M 2016 26699 R
(151) 2016 01 14
(181) 2026 01 14
(260) AM 2015 79242 A
(220) 2014 10 29
(732) LTD "CHIIZKO"
Lilos Samretselo zona, 0198, Tbilisi, Georgia

(111) M 2016 26700 R
(151) 2016 01 14
(181) 2026 01 14
(260) AM 2015 79284 A
(220) 2014 10 30
(732) SANOVEL ILAC SANAYI VE TICARET A. S.
Istinye Mahallesi, Balabandere Caddesi No:14
TR-34460 SARIYER/ISTANBUL, Turkey

(111) M 2016 26701 R
(151) 2016 01 14
(181) 2026 01 14
(260) AM 2015 79417 A
(220) 2014 11 20
(732) PARKER INTANGIBLES, LLC.
6035 Parkland Boulevard, Cleveland,
Ohio 44124, USA

(111) M 2016 26702 R
(151) 2016 01 14
(181) 2026 01 14
(260) AM 2015 79475 A
(220) 2014 11 13
(732) NOVARTIS AG
4002 Basel, Switzerland

(111) M 2016 26703 R
(151) 2016 01 14
(181) 2026 01 14
(260) AM 2015 79476 A
(220) 2014 11 13
(732) NOVARTIS AG
4002 Basel, Switzerland

(111) M 2016 26704 R
(151) 2016 01 14
(181) 2026 01 14
(260) AM 2015 79477 A
(220) 2014 11 13
(732) NOVARTIS AG
4002 Basel, Switzerland

(111) M 2016 26705 R
(151) 2016 01 14
(181) 2026 01 14
(260) AM 2015 79498 A
(220) 2014 11 14
(732) SONY CORPORATION
1-7-1 Konan Minato-ku, Tokyo, Japan

(111) M 2016 26706 R
(151) 2016 01 14
(181) 2026 01 14

(260) AM 2015 79523 A
(220) 2014 11 18
(732) McDonald's International Property Company
Ltd a corporation organized and existing under
the laws of the State of Delaware
2711 Centerville Road, Wilmington, Delaware
19808, USA

(111) M 2016 26707 R
(151) 2016 01 14
(181) 2026 01 14
(260) AM 2015 79574 A
(220) 2014 11 20
(732) Irakli Gogitidze
Rustavelis q. 136a, b. 39, Kobuleti, Georgia

(111) M 2016 26708 R
(151) 2016 01 14
(181) 2026 01 14
(260) AM 2015 79612 A
(220) 2014 11 24
(732) ORANGE BRAND SERVICES LIMITED
3 More London Riverside, London, SE1 2AQ,
United Kingdom

(111) M 2016 26709 R
(151) 2016 01 14
(181) 2026 01 14
(260) AM 2015 79614 A
(220) 2014 11 24
(732) ORANGE BRAND SERVICES LIMITED
3 More London Riverside, London, SE1 2AQ,
United Kingdom

(111) M 2016 26710 R
(151) 2016 01 14
(181) 2026 01 14
(260) AM 2015 79654 A
(220) 2014 11 25
(732) NOVARTIS AG
4002 Basel, Switzerland

(111) M 2016 26711 R
(151) 2016 01 14
(181) 2026 01 14
(260) AM 2015 79655 A
(220) 2014 11 25
(732) NOVARTIS AG
4002 Basel, Switzerland

(111) M 2016 26712 R
(151) 2016 01 14
(181) 2026 01 14

(260) AM 2015 79656 A
(220) 2014 11 25
(732) NOVARTIS AG
4002 Basel, Switzerland

(111) M 2016 26713 R
(151) 2016 01 14
(181) 2026 01 14
(260) AM 2015 79689 A
(220) 2014 11 28
(732) ASTRAZENECA AB.
SE-151 85 Södertälje, Sweden

(111) M 2016 26714 R
(151) 2016 01 14
(181) 2026 01 14
(260) AM 2015 79694 A
(220) 2014 11 28
(732) LIGA NACIONAL DE FÚTBOL
PROFESIONAL
C/ Hernández de Tejada 10, CP 28027,
Madrid, Spain

(111) M 2016 26715 R
(151) 2016 01 14
(181) 2026 01 14
(260) AM 2015 79742 A
(220) 2014 12 02
(732) LTD "NPF" MATERIA MEDICA HOLDING"
127473 Russia, Moscow, 3th Samotechni
Pereulok 9, Russian Federation

(111) M 2016 26716 R
(151) 2016 01 14
(181) 2026 01 14
(260) AM 2015 79745 A
(220) 2014 12 02
(732) LTD "NPF" MATERIA MEDICA HOLDING"
127473 Russia, Moscow, 3th Samotechni
Pereulok 9, Russian Federation

(111) M 2016 26717 R
(151) 2016 01 14
(181) 2026 01 14
(260) AM 2015 79746 A
(220) 2014 12 02
(732) LTD "NPF" MATERIA MEDICA HOLDING"
127473 Russia, Moscow, 3th Samotechni
Pereulok 9, Russian Federation

(111) M 2016 26718 R
(151) 2016 01 14
(181) 2026 01 14

(260) AM 2015 79752 A
(220) 2014 12 02
(732) LTD "G-M-P"
Sop. Ponitchala 65, 0165, Tbilisi, Georgia

(111) M 2016 26719 R
(151) 2016 01 14
(181) 2026 01 14
(260) AM 2015 79786 A
(220) 2014 12 04
(732) Giorgi Tvildiani
Egnate Ninoshvilis q. 4, 4600, Kutaisi, Georgia

(111) M 2016 26720 R
(151) 2016 01 14
(181) 2026 01 14
(260) AM 2015 79787 A
(220) 2014 12 04
(732) Giorgi Tvildiani
Egnate Ninoshvilis q. 4, 4600, Kutaisi, Georgia

(111) M 2016 26721 R
(151) 2016 01 14
(181) 2026 01 14
(260) AM 2015 79788 A
(220) 2014 12 04
(732) Giorgi Tvildiani
Egnate Ninoshvilis q. 4, 4600, Kutaisi, Georgia

(111) M 2016 26722 R
(151) 2016 01 14
(181) 2026 01 14
(260) AM 2015 79809 A
(220) 2014 12 05
(732) NICHIIHA CORPORATION
12, Shiodome-cho, Minato-ku, Nagoya-shi,
Aichi, 455-8550 Japan

(111) M 2016 26723 R
(151) 2016 01 14
(181) 2026 01 14
(260) AM 2015 79879 A
(220) 2014 12 10
(732) LTD "AQSA MEDICAL"
D. Aghmasheneblis gamz. 150, 0112, Tbilisi,
Georgia

(111) M 2016 26724 R
(151) 2016 01 14
(181) 2026 01 14
(260) AM 2015 79880 A
(220) 2014 12 10
(732) LTD "AQSA MEDICAL"

D. Aghmasheneblis gamz. 150, 0112, Tbilisi,
Georgia

727 Fifth Avenue, New York, New York,
USA

(111) M 2016 26725 R
(151) 2016 01 14
(181) 2026 01 14
(260) AM 2015 79929 A
(220) 2014 12 12
(732) FORD MOTOR COMPANY
One American Road, Dearborn, Michigan
48126, USA

(111) M 2016 26732 R
(151) 2016 01 26
(181) 2026 01 26
(260) AM 2015 77893 A
(220) 2014 07 10
(732) CLARINS FRAGRANCE GROUP
9, rue du Commandant Pilot, 92200
NEUILLY SUR SEINE, France

(111) M 2016 26726 R
(151) 2016 01 14
(181) 2026 01 14
(260) AM 2015 79979 A
(220) 2014 12 22
(732) LTD "COORDINATION CENTER of
INTERNATIONAL INVESTMENT"
Kazbegis raioni sof.sioni, 4700, kompleqsi
Dariali, Georgia

(111) M 2016 26727 R
(151) 2016 01 14
(181) 2026 01 14
(260) AM 2015 79988 A
(220) 2014 12 23
(732) LTD "G-M-P"
Sop. Ponitchala 65, 0165, Tbilisi, Georgia

(111) M 2016 26728 R
(151) 2016 01 14
(181) 2026 01 14
(260) AM 2015 80497 A
(220) 2015 01 27
(732) SWIFT BRANDS COMPANY
1770 Promontory Circle, Greeley, Colorado
80634, USA

(111) M 2016 26729 R
(151) 2016 01 22
(181) 2026 01 22
(260) AM 2015 69322 A
(220) 2013 06 20
(732) LTD "GEORGIAN WINES & SPIRITS
COMPANY"
Sop. Achinebuli, 2200, Telavi, Georgia

(111) M 2016 26731 R
(151) 2016 01 26
(181) 2026 01 26
(260) AM 2015 77257 A
(220) 2014 05 23
(732) TIFFANY AND COMPANY

TRADEMARKS REGISTERED ACCORDING TO THE ACCELERATED PROCEDURE

The decision can be appealed at the Chamber of Appeal of Sakpatenti within 3 months from the publication.

(111) M 2016 26730 R
(151) 2016 01 22
(181) 2026 01 22
(210) AM 85696
(220) 2016 01 12
(732) Giorgi Salakaia
Gazapkhulis q. 15, 0177, Tbilisi, Georgia
(740) Giorgi Salakaia
(540)



(591) Black, cream, brown
(531) 27.05.11, 29.01.12, 24.17.08, 26.01.06,
26.04.22
(511) 32, 33, 35, 43

(111) M 2016 26733 R
(151) 2016 01 27
(181) 2026 01 27
(210) AM 85242
(220) 2015 12 17
(732) N(N)L "FUND OF DEVELOPMENT
PAATA BURTCHULADZE-GEORGIA"
Pekinis gamz. 3, b. 4-3, 0176, Tbilisi, Georgia
(740) Kristine Chapidze
(540)



(591) Red and black
(531) 26.04.03, 26.04.04, 28.19, 29.01.12
(511) 35

(111) M 2016 26734 R
(151) 2016 01 27
(181) 2026 01 27

(210) AM 85243
(220) 2015 12 17
(732) N(N)L "FUND OF DEVELOPMENT
PAATA BURTCHULADZE-GEORGIA"
Pekinis gamz. 3, b. 4-3, 0176, Tbilisi, Georgia
(740) Kristine Chapidze
(540)



(591) Red and black
(531) 27.05.15, 29.01.12, 26.04.03, 26.04.04
(511) 35

(111) M 2016 26735 R
(151) 2016 01 27
(181) 2026 01 27
(210) AM 85745
(220) 2016 01 14
(732) LTD "G R C"
Peikarta q. 14g, 0153, Tbilisi, Georgia
(740) Victor Meskhi
(540)



(591) Red, white
(531) 07.03.11, 26.04.09, 26.04.18, 27.05.05,
27.05.10, 29.01.12
(511) 6

INTERNATIONAL TRADEMARKS FOR WHICH A DECISION ON GRANTING PROTECTIONS IS TAKEN

The decision can be appealed at the Chamber of Appeal of Sakpatenti within 3 months from the publication or at the Mtskheta District Court Administrative Cases Board (Address: №17, Samkhedro str., Mtskheta), within 1 month following the publication.

(260) AM 2016 80189 A*
 (800) 1227972
 (891) 2014 09 05
 (731) WESTIN HOTEL MANAGEMENT, L.P.
 One StarPoint, Stamford CT 06902; USA
 (540)

WESTIN

(511)
 43 – Temporary accommodation, hotel and resort services, restaurant and bar services; providing food and beverage services.

(260) AM 2016 80774 A
 (800) 1233741
 (891) 2014 07 22
 (731) PRIVATE JOINT STOCK COMPANY
 "INDUSTRIAL ASSOCIATION "KONTI"
 Bul. Shevchenko, 6-b, Donetsk 83015, Ukraine
 (540)

ESFERO
Infinita

(591) Black and White
 (511)
 30 – Coffee, tea, cocoa and artificial coffee; rice; tapioca and sago; flour and preparations made from cereals; bread, pastry and confectionery; ices; sugar, honey, treacle; yeast, baking-powder; salt; mustard; vinegar, sauces (condiments); spices; ice; aniseed; peanut confectionery; high-protein cereal bars; baking soda (bicarbonate of soda for cooking purposes); soya bean paste (condiment); bean meal; star aniseed; tapioca flour for food; flour; flour-milling products; bread rolls; buns; sandwiches; vanillin (vanilla substitute); vanilla (flavoring); waffles; vermicelli (noodles); cream of tartar for culinary purposes; farinaceous foods; oatmeal; oat flakes; oat-based food; sea water for cooking; seaweed (condiment); binding agents for ice cream (edible ices); biscuits; cloves (spice); mustard meal; cake frosting (icing); glucose for culinary purposes; relish (condiment); gluten additives for culinary purposes; essences for foodstuffs, except etheric essences and essential oils; fruit jellies (confectionery); chewing gum; custard; leaven; rice-based snack food; cereal-based snack food; frozen yogurt (confectionery ices); frozen kefir (confectionery ices); flavorings, other than essential

oils, for beverages; flavorings, other than essential oils, for cakes; flavorings, other than essential oils; wheat germ for human consumption; preparations for stiffening whipped cream; thickening agents for cooking foodstuffs; chips (cereal products); ginger (spice); unroasted coffee; coffee flavorings; coffee-based beverages; coffee beverages with milk; vegetal preparations for use as coffee substitutes; cocoa beverages with milk; cocoa-based beverages; cocoa-based ingredients for confectionery products; cocoa; cocoa mixes; cocoa powder; capers; caramels (candy); lozenges (confectionery); curry (spice); potato flour for food; ketchup (sauce); gluten prepared as foodstuff; confectionery with sugar; tortillas; cinnamon (spice); starch for food; hominy grits; groats for human food; corn, milled; corn, roasted; corn flour; pop corn; corn flakes; turmeric for food; couscous (semolina); salt for preserving foodstuffs; confectionery for decorating Christmas trees; edible ices; ice for refreshment; ice, natural or artificial; liquorice (confectionery); noodles; candy; flaxseed for human consumption; mayonnaise; macaroni; maltose; hominy; chow-chow (condiment); marinades; marzipan; royal jelly; honey; molasses for food; macarons (pastry); almond paste; almond confectionery; pancakes; spring rolls; gruel, with a milk base, for food; ice-cream; dessert mousses (confectionery); chocolate mousses; nutmegs; muesli; meat gravies; meat tenderizers, for household purposes; mint for confectionery; peppermint sweets; infusions, not medicinal; husked oats; ravioli; pepper; pesto (sauce); beer vinegar; quiches; sweetmeats (candy); pizzas; pies; fondants (confectionery); powder for edible ices; pralines; condiments; dressings for salad; seasonings; unleavened bread; bee glue; gingerbread; puddings; cake powder; fruit coulis (sauces); rice cakes; baking powder; ferments for pastes; sago; garden herbs, preserved (seasonings); celery salt; golden syrup; salt for preserving foodstuffs; soya flour; soya sauce; malt for human consumption; malt biscuits; malt extract for food; tomato sauce; spaghetti; noodle-based prepared meals; ham glaze; rusks; breadcrumbs; petit-beurre biscuits; sushi; tabbouleh; tacos; tapioca; petits fours (cakes); crackers; cake dough; tarts; sorbets (ices); halvah; bread; chicory (coffee substitute); iced tea; tea-based beverages; chutneys (condiments); saffron (seasoning); chocolate; chocolate-based beverages; chocolate beverages with milk; barley meal; crushed barley.

(260) AM 2016 81154 A
 (800) 1237399
 (891) 2014 12 17
 (731) PHILIP MORRIS BRANDS SÀRL
 Quai Jeanrenaud 3, CH-2000 Neuchâtel,
 Switzerland

(540)



(591) Black and white
 (511)

34 – Tobacco, raw or manufactured; tobacco products; cigars, cigarettes, cigarillos, tobacco for roll-your-own cigarettes, pipe tobacco, chewing tobacco, snuff tobacco, kretek; snus; tobacco substitutes (not for medical purposes); electronic cigarettes; tobacco products for the purpose of being heated; electronic devices and their parts for the purpose of heating cigarettes or tobacco in order to release nicotine-containing aerosol for inhalation; smokers' articles, cigarette paper, cigarette tubes, cigarette filters, tobacco tins, cigarette cases, ashtrays, pipes, pocket apparatus for rolling cigarettes, lighters, matches.

(260) AM 2016 81168 A
 (800) 1238063
 (891) 2014 10 08
 (731) Open Joint Stock Company "UNITED
 CHEMICAL COMPANY URALCHEM"
 Presnenskaya nab., 10, RU-123317 Moscow;
 Russian Federation

(540)



(591) Blue, gray and green
 (526) The trademark is protected as a whole. "UR-
 ALCHEM" shall not be subject to independent legal
 protection.

(511)

1 – Chemicals used in industry, science and photography, as well as in agriculture, horticulture and forestry.

(260) AM 2016 81185 A
 (800) 1237766
 (891) 2014 11 25
 (731) YANG GUOXIU
 No.809, Hutang Road, Fenghuang park

economic development zone, Yongzhou city,
 Hunan Province, China

(540)

Bestra

(591) Black

(511)

29 – Fruit, preserved; fruit chips; tomato puree; fruit salads; fruit jellies; pectin for food; edible oils; milk; fruits, tinned [canned (Am.)]; black pudding.

(260) AM 2016 81193 A

(800) 1238269

(891) 2014 10 10

(731) KAVİ GIDA SAN. VE TİC. LTD.ŞTİ.
 Fındıklı Mah. İpek Sk. No:12, Maltepe,
 İstanbul, Turkey

(540)



(591) Black, brown, white

(526) The trademark is protected as a whole. "NUT-
 RITION" shall not be subject to independent legal
 protection.

(511)

5 – Pharmaceutical and veterinary preparations for medical purposes; chemical preparations for medical purposes; dietary supplements, including those adapted for medical purposes; nutritional supplements; dietary supplements for slimming purposes; food for babies; herbs and herbal beverages adapted for medicinal purposes; dental preparations and articles; sanitary preparations for medical use; hygienic pads; hygienic tampons; plasters; materials for dressings; diapers, including those made of paper and textiles; preparations for destroying vermin; fungicides, herbicides; deodorants, other than for human beings or for animals; air deodorising preparations; disinfectants; antiseptics; detergents for medical purposes.

30 – Coffee, cocoa; coffee or cocoa based beverages, chocolate based beverages; pasta, stuffed dumplings, noodles; pastries and bakery products based on flour, desserts based on flour and chocolate; honey, bee glue for human consumption, propolis for food purposes; condiments for foodstuff, vanilla (flavoring), spices, sauces (condiments), tomato sauce; yeast, baking powder; flour, semolina, starch for food; sugar, cube sugar, powdered sugar; tea, ice tea; confectionery, chocolate, biscuits, crackers, wafers; chewing gums; ice-cream, edible ices; salt; cereals and cereal-based foodstuff; molasses for food.

32 – Beers; preparations for making beer; mineral water, spring water, table water, soda water; fruit and vegetable juices, fruit and vegetable concen-

trates and extracts for making beverages, non-alcoholic soft drinks; energy drinks.

(260) AM 2016 81214 A
(800) 1238330
(891) 2014 11 13
(731) Foreign Private Enterprise "PERFUMES AND COSMETICS FACTORY "SONTSA"
Proektiruemaya street 1, 213760 Osipovich, Mogilev region, Belarus
(540)

APRIL

(591) Black, white
(511)
3 – Bleaching preparations and other substances for laundry use; cleaning, polishing, scouring and abrasive preparations.
35 – Advertising; business management; business administration; office functions.
37 – Washing; laundering of linen; cleaning of clothing; dry cleaning; diaper cleaning.

(260) AM 2016 81217 A
(800) 799978
(891) 2015 01 15
(731) FFAUF S.A.
Val des Bons Malades 231, L-2121 LUXEMBOURG, Luxembourg
(540)



(591) Black, white
(511)
30 – Fresh, dried, frozen, deep-frozen, ready-to-use (half-cooked) pasta.

(260) AM 2016 81529 A
(800) 1240159
(891) 2014 12 06
(731) ECKES-GRANINI GROUP GMBH
Ludwig-Eckes-Platz 1, 55268 Nieder-Olm, Germany
(540)

YO

(511)
32 – Beers; mineral waters and aerated waters and other non-alcoholic beverages, lemonades; fruit beverages and fruit juices; beverages prepared using tea, fruit infusions and/or herbal infusions; syrups and other preparations for making beverages.

(260) AM 2016 81535 A
(800) 1240166
(891) 2015 01 21
(731) Limited Liability Company "KUPISHOES"
Varshavskoe shosse, 9, building 1, RU-117105 Moscow, Russian Federation
(540)

Lamoda

(591) Black, white
(511)
25 – Clothing, footwear, headgear.
35 – Retail and wholesale services for clothing, footwear and accessories; presentation of goods on communication media, including Internet, for retail purposes; import-export agencies; sales promotion for others; administrative processing of purchase orders; procurement services for others [purchasing goods for other businesses].

(260) AM 2016 81537 A
(800) 1240167
(891) 2015 01 20
(731) Unilever N.V.
Weena 455, NL-3013 AL Rotterdam, Netherlands
(540)

DREAM CREAM

(591) Black, white
(511)
3 – Soap; medicated soap; cleaning preparations; perfumery; essential oils; antiperspirants and deodorants for personal use; hair care preparations; shampoos and conditioners; hair colourants; hair styling products; non-medicated toilet preparations; cosmetic preparations for bath and shower; cosmetic skin care preparations; oils, creams and lotions for the skin; shaving preparations; pre-shave and after-shave preparations; cologne; depilatory preparations; sun-tanning and sun protection preparations; cosmetics; make-up and make-up removing preparations; petroleum jelly for cosmetic purposes; lip care preparations; talcum powder; cotton wool for cosmetic purposes; cotton sticks for cosmetic purposes; tissues, pads or wipes impregnated or pre-moistened with personal cleansing or cosmetic lotions; beauty masks; facial packs.

(260) AM 2016 81538 A
(800) 1240628
(891) 2014 08 29
(731) BOGDAN WICINSKI
ul. Malawskiego 7/13 PL-02-641 Warszawa, Poland
(540)



(591) Black, white

(511)

7 – Machines and machine tools, namely machines for working wood, metal, stone, concrete, plastic and other materials, knitting machines, sewing machines, electric cleaning machines and apparatus, electric machines and apparatus for washing carpets, sharpening machines, electric machine tools; electric washing machines, wax polishing machines, machines for polishing, high-pressure washers, vacuum cleaners, bags and filters for vacuum cleaners; electric kitchen utensils not included in other classes, electric grinders, mixing machines, kitchen mixers, peelers, apparatus for making aerated beverages, electric food processors, electric can-openers, fruit presses; electric glue guns, air brushes for applying colour; hand-held tools, other than hand-operated; electric slicers, drilling machines, soldering machines, electric soldering machines, apparatus for welding, electric knives, electric scissors, shredders for waste, electric and pneumatic hammers, electrical pumps, blowing machines; generators of electricity; garden tractors, harvesters, mowers; warewashers; automatic vending machines.

8 – Flat irons, hand implements for hair curling, hair straighteners, hair curling tongs.

9 – Scientific, photographic, cinematographic, optical, weighing, measuring, signalling, checking (supervision), teaching apparatus and instruments; apparatus and instruments for conducting, transforming, accumulating, regulating or controlling electricity; apparatus for recording, transmission or reproduction of sound or images; data carriers, including electronic, magnetic and optical data carriers; cash registers, calculating machines; data processing equipment, computers, computer accessories and hardware, printers for use with computers, computer peripheral devices, processors, keyboards, monitors, computer mice, computer mouse pads; laptop computers, bags for laptop computers; computer games; home theatre systems (sets of speakers with a central sound control unit), televisions, audio and video recorders and players, speakers, headphones, microphones, megaphones, camcorders, dictating machines, remote controls, projection screens, electric transparency projection apparatus and projectors, filters (photography), flashlights, cases for photographic and cinematographic apparatus and instruments, stands for photographic apparatus and camcorders; audiovisual teaching apparatus; batteries, solar batteries, rechargeable batteries, rechargeable battery chargers; electric alarm installations, electric theft prevention devices, metal detecting apparatus and instruments, smoke and gas alarms; musical juke boxes; timers; answering machines, photocopiers, calculators; telephones, portable telecommunications apparatus; navigation apparatus for vehicles; amplifiers, electrical power supply apparatus,

electric measurers, temperature indicators, fuses, electricity conduits, semiconductors, connections for electric lines, electric contacts, lasers, not for medical purposes; electronic display boards; programs for computers; current rectifiers.

11 – Apparatus for lighting, heating, steam generating, cooking, refrigerating, drying, ventilating and water supply purposes; electric kitchen utensils not included in other classes, namely kettles, electric heaters for feeding bottles, electric coffee machines, cookers, microwave ovens, toasters, waffle irons, baking tins, gas lighters, refrigerators, freezers; electric dryers, fruit, vegetable or mushroom dryers; extractor hoods for kitchens, fans, air-conditioning apparatus, room heaters, air-purifying apparatus and machines, air filters, humidifiers for central heating radiators; lamp bulbs, lanterns, tanning apparatus (sun beds), bicycle lamps, electric lights for christmas trees; laundry drying machines; freezers; cooling apparatus; exhaust hoods; ovens; freestanding cookers; adjustable cookers; toasters.

28 – Computer game consoles; automatic gaming machines.

35 – Retailing and wholesaling of machines, including machines for working wood, metal, stone, concrete, plastic and other materials, knitting machines, sewing machines, electric cleaning machines and apparatus, electric machines and apparatus for washing carpets, sharpening machines, electric machine tools, electric washing machines, wax polishing machines, machines for polishing, high-pressure washers, vacuum cleaners, electric kitchen appliances, electric grinders, mixing machines, kitchen mixers, peelers, apparatus for making aerated beverages, electric food processors, electric can openers, electric fruit presses, electric glue guns, air brushes for applying colour, electric slicers, drilling machines, soldering machines, electric soldering machines, apparatus for welding, electric knives, electric scissors, shredders for waste, electric and pneumatic hammers, electrical pumps, blowing machines, current rectifiers, generators of electricity, garden tractors, harvesters, mowers, warewashers and automatic vending machines; retailing and wholesaling of electric and electronic apparatus, goods in the field of informatics and telecommunications, computer programs, office requisites, data carriers, radio and television apparatus and household apparatus and utensils.

(260) AM 2016 81539 A

(800) 1240668

(891) 2014 09 30

(731) EUROPÄISCHE PATENTORGANISATION
Bob-van-Benthem-Platz 1, 80469 Munich,
Germany

(540)

EPO Search for Life

(511)

9 – Computer software; software, made available as electronically downloadable files or recorded on data carriers; data, made available as electronically downloadable files or recorded on data carriers, especially publications, information, texts, drawings and pictures relating to patents and utility models; data carriers, especially CDs, DVDs and USB memories; signature cards; computer hardware, especially card reading equipment.

16 – Paper, cardboard and goods made from these materials, not included in other classes; printed matter; photographs; stationery; office requisites (except furniture); instructional and teaching material (except apparatus); brochures, flyers; handbooks, especially operating and user instruction manuals as well as other written accompanying material for programs; technical drawings; patent specifications.

35 – Advertising; public relations; updating, maintenance, compilation and systemization of data, especially publications, information, texts, drawings and pictures relating to patents and utility models, in computer databases.

38 – Providing access to computer databases; online services, namely providing and transmitting data, especially publications, texts, information, registration status, searches, drawings and pictures concerning patents and utility models; transmitting and conveying data through the Internet by means of telecommunication (remote transmission); online services, namely offering and providing access to an automated translation system and transmitting the automated translation; providing access to a system on the Internet and within computer networks for machine translations; telecommunication by means of Internet platforms and portals; leasing of access time to databases.

41 – Education; providing of training; translation services; organization of conferences, congresses, seminars and symposia; publication of books, records and texts (except for advertising purposes), also on the Internet as well as on electronic media or electronically.

42 – Computer software development; providing search engines for data bases and for the Internet.

45 – Search services also conducted in data bases and on the Internet concerning intellectual property rights; services with regard to the granting, monitoring, administration, maintenance and protection of as well as the information on intellectual property rights for others; licensing of computer software; services relating to patent information, namely providing access to and transmitting information on

patents and utility models, especially concerning bibliographic data, applications, specifications, descriptions, drawings, claims, state of the art and patent family search results as well as information concerning the status of patents and utility models and providing access to the files of the examination and granting proceeding.

(260) AM 2016 81541 A

(800) 1240721

(891) 2014 12 12

(731) SUPERGA TRADEMARK S.A.

42-44, avenue de la Gare, L-1610

Luxembourg, Luxembourg

(540)

SUPERGA 2750 CLOUD

(511)

25 – Shoes; boots; hiking boots; beach shoes; sports shoes; shoes adapted for wear while playing sport; baby shoes; snow boots; boot uppers; flip-flops [footwear]; slippers; sandals; rain boots and shoes; canvas shoes; rubber shoes and boots; mountaineering boots; ski boots; boots for motorcyclists; wooden shoes.

(260) AM 2016 81543 A

(800) 1240726

(891) 2015 02 11

(731) THE BIBLE LEAGUE

3801 Eagle Nest Drive, Crete IL 60417,

USA

(540)

Project Philip

(591) Black, white

(511)

16 – Religious books.

36 – Charitable fundraising services for soliciting funds for charitable, religious and humanitarian services to support scripture dissemination.

41 – Charitable services, namely, providing educational materials in the nature of religious books and materials in the form of Bibles, scripture, and Bible study materials to children and adults; religious instructional services, namely, providing training for church planters worldwide in the field of church growth, discipleship, evangelism, and leadership.

(260) AM 2016 81544 A

(800) 1240731

(891) 2015 01 07

(731) SCARPEDARTE SRL

Via L. Da Vinci, 1, I-56020 Montopoli Val d'Arno (PI), Italy

(540)

scarpedarte

(511)

18 – Leather and its imitations or animal skins bags and belts; trunks and suitcases.

25 – Shoes.

(260) AM 2016 81545 A

(800) 1240175

(891) 2014 12 31

(731) Closed Joint-Stock Company "PENZA CONFECTIONERY FACTORY"
ul. Kalinina, d. 112a, RU-440034 Penza,
Russian Federation

(540)

**Волшебное
лукошко**

(591) Black, white

(511)

30 – Caramels [candy]; sweetmeats [candy]; fondants [confectionery]; pralines; pastilles [confectionery]; biscuits; waffles; pastries.

(260) AM 2016 81547 A

(800) 1240219

(891) 2014 11 11

(731) FIBERHOME TELECOMMUNICATION
TECHNOLOGIES CO., LTD.
No.88 Youkeyuan Road, Hongshan District,
Wuhan City, Hubei Province, China

(540)

FiberHome

(591) Black, white

(511)

9 – Computer programmes [programs], recorded; optical communication equipment; computer software [recorded]; fibre [fiber (Am.)] optic cables; integrated circuit cards [smart cards]; integrated circuits; computer programs [downloadable software]; light conducting filaments [optical fibers [fibres]]; signal repeater; network communication equipment.

38 – Message sending; telephone services; electronic mail; rental of message sending apparatus; communications by fiber [fibre] optic networks; rental of telecommunication equipment; satellite transmission; electronic bulletin board services [telecommunications services]; video conferencing services; digital file transfer.

42 – Technical research; technical project studies; research and development [for others]; science labo-

ratory services; quality control; physics [research]; industrial design; computer software design; maintenance of computer software; computer remote monitoring system.

(260) AM 2016 81548 A

(800) 1240221

(891) 2014 06 30

(731) SENSILAB POLSKA SPÓLKA Z OGRA-
NICZONA ODPOWIEDZIALNOSCIA
– SPÓLKA KOMANDYTOWO-AKCYJNA
Drewnowska 43-55, PL-91-002 Lodz, Poland

(540)

SENSILAB

(511)

3 – Cosmetics; hair preparations and treatments; tooth care preparations; skincare cosmetics; milky lotions for skin care; soaps for body care; oral hygiene preparations; non-medicated toiletries; shampoo; conditioning preparations for the hair; disinfectant soap; baby lotions.

5 – Pharmaceutical preparations; veterinary preparations; sanitary preparations for medical purposes; sanitary preparations for medical purposes; disinfectants and antiseptics; multi-vitamin preparations; organotherapy preparations; food for babies; beverages adapted for medicinal purposes; lozenges for pharmaceutical purposes; medicinal herbs; vitamin preparations; vitamin supplements; vitamin and mineral supplements; mineral food supplements; anti-oxidant food supplements; albumin dietary supplements; nutritional supplements; glucose dietary supplements; dietary and nutritional supplements; protein dietary supplements; mineral food supplements; propolis dietary supplements; yeast dietary supplements; casein dietary supplements; dietary supplements for animals; dietary supplements for infants; alginate dietary supplements; vitamin supplements for animals; protein supplements for animals; enzyme dietary supplements; lecithin dietary supplements; dietary supplements for humans; dietary and nutritional supplements; mineral dietary supplements for animals; royal jelly dietary supplements; flaxseed oil dietary supplements; flaxseed dietary supplements; health food supplements made principally of minerals; nutraceuticals for use as a dietary supplement; medicated supplements for foodstuffs for animals; herbal dietary supplements for persons special dietary requirements; vitamin drinks.

30 – Infusions, not medicinal; lozenges [non-medicated confectionery]; dragees [non-medicated confectionery]; all the aforesaid goods sold to end consumer.

32 – Isotonic drinks; energy drinks; vegetable drinks; partially frozen slush drinks; beverages containing vitamins; non-alcoholic beverages; non-alco-

holic beverages; non-alcoholic beverages; sherbets [beverages]; fruit drinks; whey beverages; iced fruit beverages; guarana drinks; fruit-flavoured beverages; tonic water [non-medicated beverages]; aloe vera drinks, non-alcoholic; fruit flavored soft drinks; grape juice beverages; non-alcoholic malt free beverages [other than for medical use]; syrups for lemonade; all the aforesaid goods sold to end consumer.

(260) AM 2016 81551 A

(800) 1097581

(891) 2014 11 20

(731) METAL KALIP SANAYİ VE TİCARET ANONİM ŞİRKETİ

İstiklal Mahallesi, Fevzi Çakmak Caddesi

No:31Kıraç – Beylikdüzü, İstanbul, Turkey

(540)

NILSON

(591) Blue, red, white

(511)

9 – Electric materials namely: plugs, sockets, junction boxes, electric switches, circuit breakers and separators, fuses, ballasts, starters, electric boards, elevator control boards, connectors (electric connections), meters namely, electric meters.

(260) AM 2016 81552 A

(800) 1146274

(891) 2014 12 29

(731) SHENZHEN KENXINDA TECHNOLOGY CO., LTD.

No.1806, 1807, 1808, 1809 of 18th floor,

Fuchun Orient Building, Shennan Road,

Futian District, SHENZHEN, China

(540)

E & L 意龍

(591) Black, white

(511)

9 – Computer peripheral devices; portable computers; telephone apparatus; cameras (photography); electric wires; galvanic cells.

(260) AM 2016 81667 A

(800) 1241071

(891) 2015 01 05

(731) TMM Express S.a.r.l.

12, rue Jean Engling L-1466 Luxembourg,

Luxembourg

(540)

T M M
express

(591) Black, white

(511)

39 – Bus transport; car transport; barge transport; freight brokerage; towing; freight shipping of goods; arranging of cruises; arranging of travel tours; water supplying; vehicle breakdown assistance towing; delivery of newspapers; flower delivery; message delivery; parcel delivery; delivery of goods; delivery of goods by mail order; freight forwarding; providing driving directions for travel purposes; stevedoring; railway transport; booking of seats for travel; launching of satellites for others; guarded transport of valuables; storage; storage of goods; boat storage; refloating of ships; traffic information; storage information; transportation information; operating canal locks; lighterage services; transportation logistics; piloting; marine transport; wrapping of goods; sightseeing [tourism]; garage rental; parking place rental; rental of warehouses; packaging of goods; car parking; passenger transport; transport; ambulance transport; armored-car transport; hauling; carting; transport and storage of trash; transporting furniture; transport of travellers; pleasure boat transport; boat transport; portorage; air transport; travel reservation; transport reservation; ferry-boat transport; transport brokerage; removal services; bottling services; ice-breaking; courier services [messages or merchandise]; shipbrokerage; taxi transport; chauffeur services; salvaging; rental of aircraft engines; motor coach rental; car rental; rental of vehicle roof racks; railway truck rental; rental of diving bells; rental of diving suits; rental of motor racing cars; frozen-food locker rental; horse rental; rental of storage containers; rental of wheelchairs; aircraft rental; rental of freezers; rental of navigational systems; railway coach rental; vehicle rental; boat rental; river transport; unloading cargo; water distribution; electricity distribution; distribution of energy; rescue operations transport; underwater salvage; salvage of ships; escorting of travellers; streetcar transport; transport by pipeline; physical storage of electronically-stored data or documents; franking of mail; freighting.

(260) AM 2016 81668 A

(800) 1241737

(891) 2014 12 15

(731) FERRERO S.P.A.

Piazzale Pietro Ferrero, 1, I-12051 ALBA,

CUNEO, Italy

(540)



(591) White, brown, light brown, dark brown, beige, light blue, red, green and grey

(511)

30 – Pastries and confectionery; wafers filled and/or coated with chocolates; cocoa and cocoa-based

products; chocolate and chocolate based products; stuffed snacks; cocoa-based beverages and chocolate-based beverages; ice cream.

(260) AM 2016 81671 A

(800) 494393

(891) 2015 01 30

(731) AVISTA OIL AG

Bahnhofstraße 82 31311 UETZE, Germany

(540)



(591) Black, white

(511)

1 – Chemical products for use in industry; unprocessed artificial resins, unprocessed plastics.

4 – Mineral oils (included in this class); technical oils and greases, in particular waste oil for use in the manufacture of lubricating oil; lubricants; dust binding preparations; solid, liquid and gaseous fuels (including engine fuels) and lighting fuel; candles, wax lights, nightlights and wicks.

39 – Disposal of waste harmful to the environment from craft, commercial or industrial companies, including the waste oil, by disposing them in landfills, in particular special landfills; packaging of metal waste from craft, commercial or industrial companies; transport of chemical products by motor vehicles and other vehicles, water or rail; transport and distribution of electricity, gas and heat for heating.

40 – Disposal of waste harmful to the environment from craft, commercial or industrial companies, including the waste oil, by chemical transformation, and in particular by combustion and pyrolysis; treatment of waste material from craft, commercial or industrial companies, by pressing them against each other, by melting previously sorted and cleaned waste and by compression of metal waste; treatment of used rubber by fractionation and/or by pyrolysis; treatment of solvents by regeneration; recycling of waste oil from craft, commercial and industrial companies by distillation and refining; production of electricity, gas and heat for heating (mechanical or chemical processing or transformation).

(260) AM 2016 81699 A

(800) 1241989

(891) 2014 09 22

(731) CHINA NATIONAL CHEMICAL CORPORATION

No.9 Beituchengxilu, Chaoyang District, Beijing City, China

(540)

CHEMCHINA

(591) Black and white

(511)

1 – Chlorine; caustic alkali; silicon; water-softening preparations; biochemical catalysts; chemical preparations for use in photography; epoxy resins, unprocessed; manure for agriculture; fire extinguishing compositions.

2 – Dyestuffs; colorants; whites [colorants or paints]; whites [colorants or paints]; pigments; titanium dioxide [pigment]; food colorants; printing ink; paints; anti-corrosive preparations; mastic [natural resin].

3 – Soap; cakes of toilet soap; dry-cleaning preparations; scale removing preparations for household purposes; lacquer-removing preparations; shining preparations [polish]; grinding preparations; perfumery; cosmetics; dentifrices.

4 – Lubricating oil; lubricating grease; petrol; diesel oil; kerosene; motor fuel; firelighters; paraffin; illuminating wax; dust removing preparations.

5 – Vitamin preparations; preparations for callouses; capsules for medicines; germicides; nutritional additives for medical purposes; depuratives; chemical preparations for veterinary purposes; vermin destroying preparations; tissues impregnated with pharmaceutical lotions; teeth filling material.

17 – Plastic film, not for wrapping; gum, raw or partly processed; synthetic rubber; caulking materials; artificial resins [semi-finished products]; flexible tubes, not of metal; non-conducting materials for retaining heat; insulating oils; insulators; waterproof packings.

(260) AM 2016 81702 A

(800) 1241998

(891) 2014 11 07

(731) FASHIONTV.COM GMBH

Brienner Strasse 21, 80333 München, Germany

(540)



(591) Black and white

(511)

20 – Furniture, mirrors, picture frames; goods, not included in other classes, of wood, cork, reed, cane, wicker, horn, bone, ivory, whalebone, shell, amber, mother-of-pearl, meerschaum and substitutes for all these materials, or of plastics; office furniture; desks; filing cabinets; conference furniture; office chairs.

36 – Real estate brokerage; rental and management of housing, homes, condos, prefabricated houses;

financial analysis and advisory services relating to construction projects.

43 – Services for providing food and drink; services of a café; services of a hotel; operation of hotels; catering.

(260) AM 2016 81703 A

(800) 1242072

(891) 2014 01 31

(731) BEBAK KOZMETİK SANAYİ VE DIŞ
TİCARET LİMİTED ŞİRKETİ
Gazitepe Mahallesi, Fabrikalar Caddesi, No:7,
Istanbul, Turkey

(540)



(591) Dark blue, blue, pink, red and white

(511)

3 – Detergents for household use and laundry preparations, bleaching preparations for household use, laundry starch, fabric softeners for laundry use, lime removers for laundry use, granulated soaps, polishing preparations for household use; essential oils for personal use, perfumes and Colognes, cosmetics and cosmetic preparations, namely, shaving lotions, shaving foam, shaving gel, non-medicated stimulating lotions for the skin, after-shave creams, cosmetic creams for skin care, depilatories, shower and bath gel, rose oil for cosmetic purposes, nail varnish for cosmetic purposes, nail polish remover, lipsticks, eyeliner pencils, cosmetic preparations for eyelashes, namely, mascaras, hair dyes, hair sprays and hair gels, hair care kits comprising non-medicated hair care preparations, namely, shampoo, conditioner; petroleum jelly for cosmetic purposes, depilatories, henna for cosmetic purposes, cosmetic preparations for slimming and for skin tanning; antiperspirants for personal use, deodorants and antiperspirants (including deodorants for human beings and animals); soaps for personal use namely, medicated soaps, perfumed soaps, liquid soaps, hand soaps, disinfectant soaps, cosmetic soaps, antiperspirant soaps; toothpastes, dentifrices in the form of chewing gum, dental bleaching gels, tooth powders, denture cleaning preparations, non-medicated mouth wash and rinse, tartar preventing toothpastes; emery paper, abrasive paste, pumice stones for personal use; leather polishes, polishes for metallic items, furniture polishes, floor polishes.

(260) AM 2016 81827 A

(800) 1242847

(891) 2014 12 30

(731) Obschestvo s ogranitchenoy
otvetstvennostyu "KDV Nizhny Tagil"
Frunze str., bld. 83, Nizhny Tagil,
RU-622022 Sverdlovskaya oblast, Russian
Federation

(540)



(591) Black, red and white.

(511)

30 – Cereal bars; waffles; fruit jellies [confectionery]; confectionery for decorating Christmas trees; cakes; pastries; peanut confectionery; almond confectionery; caramels [candy]; sweetmeats [candy]; liquorice [confectionery]; peppermint sweets; crackers; candy; marzipan; dessert mousses [confectionery]; chocolate mousses; stick liquorice [confectionery]; cookies; petit-beurre biscuits; fondants [confectionery]; pralines; gingerbread; cereal preparations; confectionery; tortillas; chocolate.

(260) AM 2016 81831 A

(800) 1242894

(891) 2015 03 13

(731) JANSSEN PHARMACEUTICA NV
Turnhoutseweg 30, B-2340 Beerse, Belgium

(540)

XEPLION LYONTRES

(511)

5 – Human pharmaceutical preparations.

(260) AM 2016 81832 A

(800) 1242895

(891) 2015 03 13

(731) JANSSEN PHARMACEUTICA NV
Turnhoutseweg 30, B-2340 Beerse, Belgium

(540)

XEPLION XERQETTA

(511)

5 – Human pharmaceutical preparations.

(260) AM 2016 81836 A

(800) 1094522

(891) 2015 01 06

(731) AVE SCIENCE & TECHNOLOGY CO.,
LTD.
Building B6, Luguuyuan, No.27 Wenxuan
Road, Hi-Tech Industrial Development
Zone, Changsha, Hunan, China

(540)

AVE

(591) Black, white

(511)

9 – Test tubes; chemistry apparatus and instruments; measures; monitoring apparatus, electric; containers for microscope slides; electrolyzers; fire extinguishing apparatus; clothing especially made for laboratories; eyeglasses; animated cartoons.

10 – Apparatus for use in medical analysis; medical apparatus and instruments; cases fitted for medical instruments; testing apparatus for medical purposes; droppers for medical purposes; incubators for medical purposes; diagnostic apparatus for medical purposes; blood testing apparatus; blood samplers and urine samplers; cups for urinalysis, disposable.

(260) AM 2016 81860 A

(800) 1243172

(891) 2015 02 26

(731) Novartis AG

CH-4002 Basel, Switzerland

(540)

PANOPTIX

(511)

10 – Medical and surgical ophthalmic instruments and apparatus; intraocular lenses.

(260) AM 2016 81861 A

(800) 629126

(891) 2015 01 20

(731) THE MELCHERS HOLDING BV

Nikkelsstraat 26, NL-8211 AJ Lelystad,
Netherlands

(540)

X-PLOSIV

(591) Black, white

(511)

32 – Beers; mineral and aerated waters and other non-alcoholic drinks; fruit drinks and fruit juices; syrups and other preparations for making beverages.

(260) AM 2016 81893 A

(800) 1041730

(891) 2015 01 28

(731) R. Seelig & Hille OHG

Kevelaerer Straße 21-23, 40549 Düsseldorf,
Germany

(540)

TEEKANNE

(591) Red, white, black

(511)

5 – Tea and tea-type products (herbal and fruit teas) for medical purposes, also with added vitamins and/or flavourings, and/or in instant form and/or with added minerals; medicated confectionery; medicated lozenges; pharmaceutical confectionery, also with sweeteners or other sugar substitutes; pharmaceutical products made of or using glucose; glucose for dietetic foodstuffs adapted for medical use in pressed, liquid, powdered or sugar-coated form, also with added vitamins and/or minerals, including being a component for foodstuffs and/or non-alcoholic beverages.

30 – Tea and tea-like products (herbal and fruit teas) for consumption, also with added flavourings and/or vitamins and/or in instant form and/or with added minerals; tea extracts; preparations consisting mainly of tea extracts and/or extracts of tea-like products in powder and/or granulated form and/or instant form, also with added flavourings and/or vitamins and/or minerals and/or spices and/or milk components and/or other ingredients; iced tea; beverages with, or with a base of, tea/herbal tea/fruit tea (including in ready-to-drink form and/or with added fruit drinks and/or fruit juices); coffee; coffee substitutes; cocoa; cocoa extracts for food and consumption; cocoa products; chocolate powder (including mixed with milk powder), in particular being drinking chocolate powder; powdered beverages and ready-to-drink beverages (included in class 30), in particular with a base of tea, tea extracts, coffee, coffee extracts, artificial coffee, artificial coffee extracts, cocoa, malt, sugar, sugar substitutes, chicory and/or other flavouring additives (either singly or combination with each other); confections; lozenges; bread and pastry products; confectionery (in particular peppermint pastilles, sweets, peppermint sweets, glucose, glucose pastilles), including with added vitamins and/or minerals; confectionery made using sweeteners or other sugar substitutes; glucose for food in pressed, liquid, powdered or sugar-coated form (not for medical use), including being a component for foodstuffs and/or non-alcoholic beverages; foodstuffs or food supplements (not for medical purposes) mainly made of glucose.

32 – Non-alcoholic drinks, in particular fruit drinks and/or fruit juices with added tea/herbal tea/fruit tea; energy drinks; fruit drinks and fruit juices; mineral and aerated waters; syrups and other preparations for making beverages; instant beverage powder for making non-alcoholic beverages; extracts and essences for making non-alcoholic beverages.

(260) AM 2016 81906 A

(800) 1243510

(891) 2014 12 17

(731) WIZZ Air Hungary Kft.

BUD Nemzetközi Repulotér, (BUD
International Airport) 221. ép., H-1185
Budapest, Hungary

(540)



(591) Cobalt blue, pink

(511)

12 – Vehicles; apparatus for locomotion by land, air or water; adhesive rubber patches for repairing inner tubes; aerial conveyors; aeronautical apparatus, machines and appliances; aeroplanes; air balloons; air vehicles; air pumps; air bags; air cushion vehicles; aircraft; ambulances; amphibious airplanes; anti-dazzle devices for vehicles, anti-glare devices for vehicles; anti-skid chains; anti-theft devices for vehicles; anti-theft alarms for vehicles; audible warning systems for cycles; automobile tires; automobile chassis; automobile bodies; automobile hoods; automobile chains; axle journals; axles for vehicles; balance weights for vehicle wheels; bands for wheel hubs; barges; baskets adapted for cycles; bicycle tires; bicycle stands; bicycle saddles; bicycle bells; bicycles; boat hooks; boats; bodies for vehicles; bogies for railway cars; brake pads for automobiles; brake shoes for vehicles; brake linings for vehicles; brake segments for vehicles; brake discs for vehicles; brakes for bicycles; brakes for vehicles; buffers for railway rolling stock; bumpers for automobiles; cable transport apparatus and installations; caissons; camping cars, motor homes; caps for vehicle petrol tanks; caravans; carriages; cars for cable transport installations; carts; casings for pneumatic tires; casters for trolleys; casting carriages, casting cars, ladle carriages, ladle cars; chains for bicycles, cycles; chairlifts; cigar lighters for automobiles; hydraulic circuits for vehicles; cleaning trolleys; cleats; clutches for land vehicles; concrete mixing vehicles; connecting rods for land vehicles, other than parts of motors and engines; couplings for land vehicles; covers for baby carriages, fitted perambulator covers, pushchair covers, stroller covers; covers for vehicle steering wheels; crankcases for land vehicle components, other than for engines; cranks for cycles; cycle cars; cycle stands; cycle mudguards; cycle hubs; cycle bells; davits for boats; delivery tricycles; dining cars; dinner wagons; direction signals for vehicles; direction indicators for bicycles; dirigible balloons, airships; disengaging gear for boats; doors for vehicles; dredgers; dress guards for bicycles, cycles; driving motors for land vehicles; driving chains for land vehicles; ejector seats for aircraft; engines for land vehicles; fenders for ships; ferry

boats; flanges for railway wheel tires; frames for bicycles, cycles; freewheels for land vehicles; funiculars; funnels for ships; funnels for locomotives; gear boxes for land vehicles; gearing for land vehicles; gears for cycles; golf carts; handle bars for bicycles, cycles; handling carts; head-rests for vehicle seats; headlight wipers; hoods for vehicles; hoods for vehicle engines; horns for vehicles; hose carts; hub caps; hubs for vehicle wheels; hydroplanes; inclined ways for boats; jet engines for land vehicles; kick sledges; launches; lifting cars, fork lift trucks; locomotives; lorries, trucks; luggage carriers for vehicles; luggage nets for vehicles; masts for boats; military vehicles for transport; mine cart wheels; mopeds; motor cars, automobiles, cars; motor buses; motor coaches; motorcycles; motors for cycles; motors, electric, for land vehicles; mudguards; non-skid devices for vehicle tires; oars; omnibuses; paddles for canoes; panniers adapted for cycles; parachutes; pedals for cycles; pontoons; portholes; propulsion mechanisms for land vehicles; pumps for bicycles, cycles; pushchair hoods, hoods for baby carriages; pushchairs, baby carriages, prams, strollers; railway couplings; rearview mirrors; reduction gears for land vehicles; refrigerated wagons; refrigerated vehicles; remote control vehicles, other than toys; repair outfits for inner tubes; reversing alarms for vehicles; rims for vehicle wheels; rims for wheels of bicycles, cycles; rolling stock for funicular railways; rolling stock for railways; rowlocks, oarlocks; rudders; saddle covers for bicycles or motorcycles; saddlebags adapted for bicycles; saddles for bicycles, cycles or motorcycles; safety belts for vehicle seats; safety seats for children, for vehicles; scooters; screw-propellers; screw-propellers for boats; screws for ships; sculls, stern oars; seaplanes; seat covers for vehicles; security harness for vehicle seats; ships; ships' hulls; shock absorbers for automobiles; shock absorbing springs for vehicles; shopping trolleys; side cars; ski carriers for cars; ski lifts; sleeping cars; sleeping berths for vehicles; sleighs; snowmobiles; space vehicles; spare wheel covers, spare tire covers; spars for ships; spikes for tires, studs for tires; spoilers for vehicles; spoke clips for wheels; spokes for bicycles, cycles; sports cars; sprinkling trucks; steering gears for ships; steering wheels for vehicles; sun-blinds adapted for automobiles; suspension shock absorbers for vehicles; tailboard lifts, elevating tailgates, power tailgates; telp-her railways, cable cars; tilt trucks; tilting-carts; timbers for ships; tipping bodies for lorries; tipping apparatus, parts of trucks and wagons; pneumatic tires, tires, solid, for vehicle wheels; torque converters for land vehicles; torsion bars for vehicles; traction engines; tractors; trailer hitches for vehicles; trailers; tramcars; transmission chains for land vehicles; transmission shafts for land vehicles; transmissions, for land vehicles; treads for vehicles; treads for retreading tires; tricycles; trolleys, hand

cars; tubeless tires for bicycles, cycles; inner tubes for pneumatic tires; inner tubes for bicycles, cycles; turbines for land vehicles; two-wheeled trolleys, luggage trucks, sack-barrows; tires for vehicle wheels; undercarriages for vehicles; upholstery for vehicles; valves for vehicle tires; vans; vehicle wheels; vehicle wheel tires; vehicle wheel spokes; vehicle running boards; vehicle chassis; vehicle covers; vehicle bumpers; vehicle seats; vehicle suspension springs; electric vehicles; vehicles for locomotion by land, air, water or rail; wagons; water vehicles; wheelbarrows; wheelchairs; wheels for bicycles, cycles; windows for vehicles; windscreens, windshields; windshield wipers, windscreen wipers.

16 – Paper and paper products; brochures, printed matter; newspapers, magazines, books.

21 – Household and gift articles made of glass, porcelain and earthenware, utensils and containers (not for precious metal or coated therewith); glass- and porcelain ware.

25 – Clothing, footwear, headgear; aprons; ascots; babies' pants; bandanas; bath robes; bath sandals; bath slippers; bathing caps; bathing trunks, bathing drawers; bathing suits, swimsuits; beach clothes; beach shoes; belts; berets; bibs, not of paper; boas; bodices; boot uppers; boots; boots for sports; boxer shorts; brassieres; breeches for wear; camisoles; cap peaks; caps; chasubles; clothing; clothing of imitations of leather; clothing of leather; clothing for gymnastics; coats; collar protectors; collars; combinations; corselets; corsets; cuffs, wristbands; cyclists' clothing; detachable collars; dress shields; dresses; dressing gowns; ear muffs; esparto shoes or sandals; fishing vests; fittings of metal for footwear; football shoes, football boots; footmuffs, not electrically heated; footwear; footwear uppers; fur stoles; furs; gabardines; galoshes; garters; girdles; gloves; gymnastic shoes; half-boots; hat frames; hats; headbands; headgear for wear; heelpieces for stockings; heels; hoods; hosiery; jackets; jerseys; jumper dresses, pinafore dresses; knickers, panties; knitwear; lace boots; layettes; leggings, leg warmers; liveries; maniples; mantillas; masquerade costumes; mittens; mittens; money belts; motorists' clothing; muffs; neckties; non-slipping devices for footwear; outerclothing; overalls, smocks; overcoats, topcoats; paper clothing; paper hats; parkas; pelerines; pelisses; petticoats; pocket squares; pockets for clothing; ponchos; pyjamas; ready-made clothing; ready-made linings; sandals; saris; sarongs; sashes for wear; scarves; shawls; shirt fronts; shirt yokes; shirts; shoes; short-sleeve shirts; shower caps; ski gloves; ski boots; skirts; skorts; skull caps; sleep masks; slippers; slippers; sock suspenders; socks; inner soles; soles for footwear; spats, gaiters; sports jerseys; sports singlets; sports shoes; stocking suspenders; stockings; studs for football boots; stuff jackets; suits; suspenders, braces for clothing; sweat-absorb-

bent stockings; sweat-absorbent underclothing, sweat-absorbent underwear; sweaters, jumpers, pullovers; teddies; tee-shirts; tights; tips for footwear; togas; top hats; trouser straps, gaiter straps; trousers, pants; turbans; underpants; underwear, underclothing; uniforms; veils; visors; waistcoats, vests; waterproof clothing; welts for footwear; wet suits for water-skiing; wimples; wooden shoes.

35 – Advertising.

38 – Computer aided transmission of messages and images.

39 – Transport of passengers; transport of goods; travel arrangement.

41 – Entertainment; publishing.

43 – Catering services; temporary accommodation.

(260) AM 2016 81908 A

(800) 1243552

(891) 2015 02 24

(731) Open-Type Joint Stock Company
"CONFECTIONARY CONCERN
BABAYEVSKY"
d. 7, ul. Malaya Krasnoselskaya, RU-107140
Moscow, Russian Federation

(540)

ИВУШКА

(591) Black and White

(511)

30 – Confectionery.

(260) AM 2016 81910 A

(800) 1243700

(891) 2014 11 10

(731) Joint-Stock Company "VORONEZHSKAYA
CONDITERSKAYA FABRIKA"
ul. Koltsovskaya, d. 40, RU-394030
Voronezh, Russian Federation

(540)



(591) Brown, light brown, dark brown, red-brown, yellow, light yellow, orange

(511)

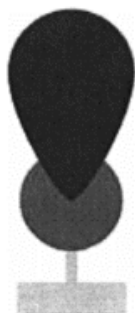
30 – Cocoa; sugar; flour and preparations made from cereals, namely cereal based snack foods, high-protein cereal bars; pastry; confectionery made of sugar, namely candy, sweets, caramels, pralines, chocolate, pastilles, halvah, waffles, marzipan, marshmallow, gingerbread; cakes; honey.

(260) AM 2016 81917 A
 (800) 1243325
 (891) 2015 02 19
 (731) BEACHBODY, LLC
 Third Floor, 3301 Exposition Blvd., Santa
 Monica CA 90404, USA
 (540)



(591) Black, white
 (511)
 38 – Electronic transmission and streaming of digital media content for others via global and local computer networks; streaming of audio, visual and audiovisual material via a global computer network.

(260) AM 2016 81919 A
 (800) 1243340
 (891) 2015 02 16
 (731) VTB Bank (open joint-stock company)
 29, ul. Bolshaya Morskaya, RU-190000
 St.-Petersburg, Russian Federation
 (540)



(591) Black, white
 (511)
 36 – Financial affairs; monetary affairs; real estate affairs; credit bureaux; debt collection agencies; financial analysis; leasing of real estate; rental of offices [real estate]; lease-purchase financing; savings bank services; issuance of travelers' checks; issuance of tokens of value; issuance of credit cards; capital investment; insurance information; financial information; clearing, financial; insurance consultancy; financial consultancy; stock exchange quotations; lending against security; business liquidation services, financial; brokerage; financial management; exchanging money; online banking; debit card services; credit card services; factoring; organization of collections; antique appraisal; jewellery [jewelry (Am.)] appraisal; real estate appraisal; numismatic appraisal; art appraisal; financial evaluation [insurance, banking, real estate]; electronic funds transfer; surety services; securities brokerage; real estate brokerage; brokerage of carbon credits; insurance brokerage; pawnbrokerage; loans [financing]; check

[cheque] verification; charitable fund raising; financial sponsorship; mortgage banking; instalment loans; insurance underwriting; apartment house management; real estate management; actuarial services; banking; retirement payment services; trusteeship; provident fund services; mutual funds; financing services; safe deposit services; deposits of valuables; fiscal assessments.

(260) AM 2016 81921 A
 (800) 1243401
 (891) 2014 11 14
 (731) ALLTECH, INC.
 3031 Catnip Hill Pike, Nicholasville KY
 40356, USA
 (540)

BLUEPRINT

(511)
 5 – Non-medicated additives for animal feed for use as nutritional supplements; feed supplements for livestock and pets.
 31 – Animal feed; nutritional additives for animal and livestock feed not for medical purposes.

(260) AM 2016 81922 A
 (800) 1243407
 (891) 2015 01 23
 (731) Federal State Unitary Enterprise
 "RUSSIAN POST"
 Varshavskoe Highway, 37, RU-131000
 Moscow, Russian Federation
 (540)



(591) White, red and black
 (511)
 36 – Electronic commerce payment services; electronic payment services involving electronic processing and subsequent transmission of bill payment data; credit card services; debit card services; credit card and prepaid card services.

(260) AM 2016 81923 A
 (800) 1243417
 (891) 2014 10 20
 (731) Private Production Firm "EMAL"
 14-a Energetichna str., Dnipropetrovsk 49089,
 Ukraine
 (540)



(591) Black, white

(511)

2 – Asbestos paints; aluminium paints; aluminium powder for painting; bactericidal paints; badigeon; thinners for paints; thinners for lacquers; anti-fouling paints; anti-corrosive preparations; anti-rust preparations for preservation; anti-rust greases; anti-rust oils; bitumen varnish; coatings for roofing felt [paints]; coatings for tarred felt [paints]; coatings [paints]; creosote for wood preservation; fireproof paints; glazes [paints, lacquers]; lacquers; oils for the preservation of wood; preservative oils for wood, paints; primers; protective preparations for metals, siccatives [drying agents] for paints; silver emulsions [pigments]; thickeners for paints.

(260) AM 2016 81931 A

(800) 1244742

(891) 2014 07 28

(731) ELDORADO LLC

4 Smolnaya St., RU-125493 Moscow (RU),
Russian Federation

(540)



(591) Red and white

(511)

7 – Machines and machine tools; motors and engines (except for land vehicles); machine coupling and transmission components (except for land vehicles); agricultural implements other than hand-operated; incubators for eggs; automatic vending machines; welding machines, electric; welding apparatus, gas-operated; vulcanisation apparatus; acetylene cleaning apparatus; high pressure washers; apparatus for drawing up beer under pressure; aerated water making apparatus; aerated beverage-making machines; electrical apparatus for sealing plastics [packaging]; electric arc cutting apparatus; electric arc welding apparatus; electric welding apparatus; inking apparatus for printing machines; soldering apparatus, electric; fittings for engine boilers; expansion tanks [parts of machines]; drums [parts of machines]; reels, mechanical, for flexible hoses; brake shoes other than for vehicles; concrete mixers [machines]; bobbins for weaving looms; harrows; journal boxes [parts of machines]; bulldozers; hoppers [mechanical discharging]; mine borers; truck lifts; rolling mill cylinders; crank shafts; printing rollers for machines; transmission shafts, other than for land vehicles; valves [parts of machines]; fans for motors and engines; saw benches [parts of machines]; winnowers; vibrators [machines] for industrial use; bearings [parts of machines]; water heaters [parts of machines]; bellows [machines]; agitators; exhausts for motors and engines; drilling rigs, floating or non-floating; lawnmowers [machines]; card clothing [parts of carding machines]; emergency power gene-

rators; alternators; dynamos; bicycle dynamos; current generators; generators of electricity; hydraulic controls for machines, motors and engines; silencers for motors and engines; drilling heads [parts of machines]; drilling bits [parts of machines]; cylinder heads for engines; soldering blow pipes, gas-operated; gas-operated blow torches; raking machines; stalk separators [machines]; sieves [machines or parts of machines]; mud catchers and collectors [machines]; tarring machines; hydraulic engines and motors; aeronautical engines; aeroplane engines; engines for air cushion vehicles; compressed air engines; jet engines other than for land vehicles; engines for boats; driving motors other than for land vehicles; propulsion mechanisms other than for land vehicles; de-aerators for feedwater; disintegrators; tympan [parts of printing presses]; holding devices for machine tools; turf removing ploughs; pump diaphragms; chisels for machines; jacks [machines]; rack and pinion jacks; moving pavements [sidewalks]; electric hand drills; crushers for kitchen use, electric; flues for engine boilers; reapers; reapers and binders; millstones; rakes for raking machines; shredders [machines] for industrial use; injectors for engines; tools [parts of machines]; hand-held tools, other than hand-operated; air condensers; control cables for machines, engines or motors; capstans; calenders; rotary steam presses, portable, for fabrics; ditchers [ploughs]; carburettors; carriages for knitting machines; crankcases for machines, motors and engines; steamrollers; reels [parts of machines]; pressure valves [parts of machines]; clack valves [parts of machines]; pressure reducers [parts of machines]; can openers, electric; cowlings [parts of machines]; machine wheels; freewheels other than for land vehicles; scale collectors for machine boilers; lasts for shoes [parts of machines]; brake pads other than for vehicles; piston segments; grease rings [parts of machines]; reapers and threshers; coalcutting machines; compressors [machines]; air pumps [garage installations]; compressors for refrigerators; conveyors [machines]; belt conveyors; converters for steelworks; steam condensers [parts of machines]; aerocondensers; diggers [machines]; thermic lances [machines]; mechanized livestock feeders; boxes for matrices [printing]; gear boxes other than for land vehicles; grease boxes [parts of machines]; housings [parts of machines]; harvesting machines; steam engine boilers; coffee grinders, other than hand-operated; taps [parts of machines, engines or motors]; cranes [lifting and hoisting apparatus]; roller bridges; water separators; spray guns for paint; cranks [parts of machines]; potters' wheels; grindstones [parts of machines]; cultivators [machines]; soldering lamps; winches; ploughshares; belts for conveyors; igniting magnetos; handling machines, automatic [manipulators]; lubricators [parts of machines]; churns; matrices for use in printing; machine fly-wheels; hair clipping machines for ani-

mals; paper machines; blowing machines; knitting machines; bending machines; galvanizing machines; ironing machines; mineworking machines; net hauling machines [fishing]; electroplating machines; bottle sealing machines; sealing machines for industrial purposes; embossing machines; engraving machines; finishing machines; trimming machines; garbage [waste] disposals; blade sharpening [stropping] machines; earth moving machines; cord making machines; lace making machines; butter machines; cigarette machines for industrial purposes; sausage machines; stereotype machines; hosiery looms; grinding machines; dyeing machines; bottle washing machines; dishwashers; bottle filling machines; racket stringing machines; leather-working machines; dairy machines; glass working machines; tobacco processing machines; grain husking machines; painting machines; oil refining machines; sifting machines; ore treating implements; printing machines for use on sheet metal; brewing machines; whitewashing machines; road sweeping machines [self-propelled]; leather paring machines; bitumen making machines; papermaking machines; machines for making pasta; sugar making machines; weeding machines; cinder sifters [machines]; puddling machines; notchers [machine tools]; bread cutting machines; blowing machines for the compression, exhaustion and transport of gases; road making machines; railroad constructing machines; machine stations for the textile industry; rail-laying machines; bottle capping machines; bottle stoppering machines; packaging machines; blowing machines or fans for the compression, sucking and carrying of grain; waste compacting machines; heel-making machines; die-stamping machines; stamping machines; darning machines; milking machines; drainage machines; wrapping machines; grain separators; bookbinding apparatus and machines for industrial purposes; machines and apparatus for cleaning, electric; machines and apparatus for carpet shampooing, electric; machines and apparatus for polishing [electric]; sizing machines; punching machines; riveting machines; kitchen machines, electric; foundry machines; smoothing presses; fleshing machines; rinsing machines; flour mill machines; type-setting machines [printing]; hemming machines; grating machines for vegetables; braiding machines; wringing machines for laundry; cutting machines; steam engines; printing machines; rotary printing presses; compressed air machines; spinning machines; filling machines; friezing machines; cutters [machines]; satinizing machines; agricultural machines; mixing machines; sorting machines for industry; stitching machines; washing machines [laundry]; coin-operated washing machines; clippers [machines]; spinning frames; spin driers [not heated]; looms; kneading machines; typographic machines; type-setting machines [photo-composition]; beaters, electric; packing machines; filtering machines; molding machines; carding ma-

chines; sewing machines; typesetting machines; electromechanical machines for chemical industry; labellers [machines]; mills for household purposes, other than hand-operated; mills [machines]; pepper mills other than hand-operated; centrifugal mills; machine wheelwork; feeders [parts of machines]; forge bellows; mixers [machines]; blenders, electric, for household purposes; vacuum cleaner bags; threshing machines; pneumatic hammers; hammers [parts of machines]; tilt hammers; power hammers; reeling apparatus, mechanical; motorized cultivators; motors for boats; clutches other than for land vehicles; meat choppers [machines]; superchargers; brake linings other than for vehicles; guides for machines; vacuum cleaner attachments for disseminating perfumes and disinfectants; aerating pumps for aquaria; pumps [machines]; pumps [parts of machines, engines or motors]; vacuum pumps [machines]; compressed air pumps; pumps for heating installations; beer pumps; lubricating pumps; self-regulating fuel pumps; fuel dispensing pumps for service stations; centrifugal pumps; blades [parts of machines]; knives for mowing machines; chaff cutter blades; knives, electric; shears, electric; scissors, electric; bearing brackets for machines; pulverisers [machines]; axles for machines; steam traps; chucks [parts of machines]; drill chucks [parts of machines]; exhaust manifold for engines; soldering irons, gas-operated; soldering irons, electric; superheaters; gears, other than for land vehicles; reduction gears other than for land vehicles; drilling machines; saws [machines]; chain saws; glue guns, electric; guns [tools using explosives]; compressed air guns for the extrusion of mastics; carburettor feeders; feeding apparatus for engine boilers; loading ramps; ploughs; pneumatic transporters; pneumatic controls for machines, motors and engines; hangers [parts of machines]; anti-friction bearings for machines; roller bearings; self-oiling bearings; bearings for transmission shafts; ball-bearings; elevators [lifts]; hoists; lifts, other than ski-lifts; pulleys; saw blades [parts of machines]; shock absorber plungers [parts of machines]; pistons [parts of machines or engines]; pistons for engines; pistons for cylinders; catalytic converters; torque converters other than for land vehicles; fuel conversion apparatus for internal combustion engines; presses [machines for industrial purposes]; basket presses; fodder presses; wine presses; printing presses; typographic presses; swaging machines; pedal drives for sewing machines; cleaning appliances utilizing steam; food processors, electric; springs [parts of machines]; spinning wheels; punches for punching machines; vacuum cleaners; tambours for embroidery machines; radiators [cooling] for motors and engines; sewage pulverizers; air brushes for applying colour; regulators [parts of machines]; pressure regulators [parts of machines]; speed governors for machines, engines and motors; knives [parts of machines]; cutting blow pipes, gas-opera-

ted; blade holders [parts of machines]; loom shafts; gears for weaving looms; belts for machines; elevator belts; fan belts for motors and engines; dynamo belts; belts for motors and engines; adhesive bands for pulleys; sifters; robots [machines]; kick starters for motorcycles; stuffing boxes [parts of machines]; paper feeders [printing]; whisks, electric, for household purposes; sparking plugs for internal combustion engines; glow plugs for Diesel engines; brake segments other than for vehicles; tending machines; separators; steam/oil separators; cream/milk separators; ball rings for bearings; sowers [machines]; snow ploughs; sheaf-binding machines; shaft couplings [machines]; fruit presses, electric, for household purposes; teat cups [suction cups] for milking machines; stands for machines; chaff cutters; die-cutting and tapping machines; woodworking machines; sharpening machines; bicycle assembling machines; mortising machines; stone working machines; metalworking machines; threading machines; planing machines; lathes [machine tools]; milling machines; trueing machines; metal drawing machines; rolling mills; starters for motors and engines; stators [parts of machines]; glaziers' diamonds [parts of machines]; tables for machines; derricks; slide rests [parts of machines]; couplings other than for land vehicles; heat exchangers [parts of machines]; transmissions for machines; transmissions, other than for land vehicles; boiler tubes [parts of machines]; wind turbines; hydraulic turbines; turbines other than for land vehicles; turbocompressors; connecting rods for machines, motors and engines; joints [parts of engines]; central vacuum cleaning installations; suction machines for industrial purposes; washing installations for vehicles; degreasers [machines]; dust exhausting installations for cleaning purposes; mineral water making machines; sifting installations; pneumatic tube conveyors; dust removing installations for cleaning purposes; condensing installations; lifting apparatus; air suction machines; dividing machines; igniting devices for internal combustion engines; door closers, electric; washing apparatus; binding apparatus for hay; extractors for mines; door openers, electric; hydraulic door openers and closers [parts of machines]; pneumatic door openers and closers [parts of machines]; curtain drawing devices, electrically operated; adhesive tape dispensers [machines]; anti-pollution devices for motors and engines; beverage preparation machines, electromechanical; food preparation machines, electromechanical; elevator operating apparatus; control mechanisms for machines, engines or motors; shoe polishers, electric; machines and apparatus for wax-polishing, electric; air cushion devices for moving loads; handling apparatus for loading and unloading; elevating apparatus; aprons [parts of machines]; filter presses; filters [parts of machines or engines]; filters for cleaning cooling air, for engines; molds [parts of machines]; printing pla-

tes; journals [parts of machines]; centrifugal machines; elevator chains [parts of machines]; driving chains other than for land vehicles; transmission chains other than for land vehicles; cylinders for motors and engines; cylinders for machines; printing cylinders; shuttles [parts of machines]; universal joints [cardan joints]; pulleys [parts of machines]; vacuum cleaner hoses; brushes [parts of machines]; dynamo brushes; brushes, electrically operated [parts of machines]; carbon brushes [electricity]; ejectors; fuel economisers for motors and engines; excavators; shovels, mechanical; agricultural elevators; motors, electric, other than for land vehicles; electrodes for welding machines; electric hammers; parquet wax-polishers, electric; cartridges for filtering machines; moving staircases [escalators]; automatic grapnels for marine purposes.

8 – Hand tools and implements (hand-operated); cutlery; side arms; razors; glaziers' diamonds [parts of hand tools]; apparatus for tattooing; pestles for pounding; cutting bars; razors, electric or non-electric; scythe stones; sharpening steels; gimlets [hand tools]; augers [hand tools]; hand drills [hand tools]; carpenters' augers; levers; table forks; forks; weeding forks [hand tools]; lawn clippers [hand instruments]; harpoons; harpoons for fishing; nail extractors; rakes [hand tools]; sand trap rakes; cutter bars; whetstone holders; priming irons [hand tools]; pick hammers; lifting jacks, hand-operated; trunchions; drills; clamps for carpenters or coopers; spades [hand tools]; rabbeting planes; chisels; engraving needles; edge tools [hand tools]; garden tools, hand-operated; abrading instruments [hand instruments]; numbering punches; goffering irons; implements for decanting liquids [hand tools]; depilation appliances, electric and non-electric; sharpening instruments; blade sharpening instruments; livestock marking tools; nail clippers, electric or non-electric; oyster openers; polishing irons [glazing tools]; ear-piercing apparatus; tube cutting instruments; wire strippers [hand tools]; apparatus and instruments for skinning butcher's animals; riveters [hand tools]; expanders [hand tools]; cutting tools [hand tools]; hand tools, hand-operated; stamping-out tools [hand tools]; picks [hand tools]; sharpening stones; punch rings [knuckle dusters]; trowels; centre punches [hand tools]; daggers; pickaxes; mallets [hand instruments]; pliers; punch pliers [hand tools]; blades [weapons]; annular screw plates; tap wrenches; spanners [hand tools]; ladles [hand tools]; foundry ladles [hand tools]; ladles for wine; breast drills; lasts [shoemakers' hand tools]; scythe rings; instruments for punching tickets; diggers [hand tools]; rams [hand tools]; scythes; hainault scythes; fire irons; emery grinding wheels; grindstones [hand tools]; sledgehammers; thistle extirpators [hand tools]; tree pruners; nail drawers [hand tools]; ice picks; blades [hand tools]; razor blades; blades for planes; plane irons; jig-saws; crow bars; shovels [hand tools];

machetes; beard clippers; hair clippers for personal use, electric and non-electric; hair clippers for animals [hand instruments]; taps [hand tools]; fireplace bellows [hand tools]; swords; hammers [hand tools]; fullers [hand tools]; stone hammers; masons' hammers; riveting hammers [hand tools]; mattocks [hand tools]; ditchers [hand tools]; mincing knives [hand tools]; manicure sets; manicure sets, electric; pedicure sets; needle files; bits [hand tools]; files [tools]; emery files; hand pumps; shaving cases; needle-threaders; cheese slicers, non-electric; egg slicers, non-electric; pizza cutters, non-electric; scaling knives; molding irons; can openers, non-electric; farriers' knives; budding knives; hunting knives; penknives; grafting tools [hand tools]; braiders [hand tools]; bill-hooks; paring knives; cleavers; knives; wick trimmers [scissors]; cattle shearers; border shears; pruning shears; shearers [hand instruments]; scissors; sword scabbards; vegetable slicers; agricultural implements, hand-operated; stropping instruments; screwdrivers; sabres; reamer sockets; drill holders [hand tools]; perforating tools [hand tools]; nail files; nail files, electric; saws [hand tools]; bow saws; tweezers; hair-removing tweezers; guns [hand tools]; guns, hand-operated, for the extrusion of mastics; dies [hand tools]; fruit pickers [hand tools]; saw blades [parts of hand tools]; shear blades; tool belts [holders]; table cutlery [knives, forks and spoons]; crimping irons; hand implements for hair curling; vegetable choppers; money scoops; instruments and tools for skinning animals; fingernail polishers, electric or non-electric; hackles [hand tools]; pin punches; nail punches; fish tapes [hand tools]; punches [hand tools]; insecticide sprayers [hand tools]; syringes for spraying insecticides; reamers; frames for handsaws; saw holders; rasps [hand tools]; cutters; paring irons [hand tools]; graving tools [hand tools]; milling cutters [hand tools]; razor strops; leather strops; planes; marline spikes; borers; bits for hand drills; hollowing bits [parts of hand tools]; secateurs; silver plate [knives, forks and spoons]; pruning knives; sickles; scrapers [hand tools]; drawing knives; trowels [gardening]; mortise chisels; caulking irons; gouges [hand tools]; mortars for pounding; mitre [miter (Am.)] boxes [hand tools]; branding irons; hatchets; adzes [tools]; vices; hoop cutters [hand tools]; axes; holing axes; fulling tools [hand tools]; earth rammers [hand tools]; tube cutters [hand tools]; squares [hand tools]; extension pieces for braces for screw taps; plant parasite killing apparatus; metal wire stretchers [hand tools]; metal band stretchers [hand tools]; flat irons; irons [non-electric hand tools]; razor cases; ratchets [hand tools]; scraping tools [hand tools]; awls; choppers [knives]; spatulas [hand tools]; bayonets; tongs; curling tongs; nutcrackers; nail clippers; sugar tongs; cuticle tweezers; eyelash curlers.

9 – Scientific, nautical, surveying, photographic, cinematographic, optical, weighing, measuring, signa-

ling, checking (supervision), life-saving and teaching apparatus and instruments; apparatus and instruments for conducting, switching, transforming, accumulating, regulating or controlling electricity; apparatus for recording, transmission or reproduction of sound or images; magnetic data carriers, recording discs; compact discs, DVDs and other digital recording media; mechanisms for coin-operated apparatus; cash registers, calculating machines, data processing equipment, computers; computer software; fire-extinguishing apparatus; ticket dispensers; coin-operated musical automata [juke boxes]; DVD players; answering machines; fire engines; accumulators, electric; accumulators, electric, for vehicles; actinometers; alidades; altimeters; ammeters; anemometers; anodes; antennas; anticathodes; apertometers [optics]; high-frequency apparatus; testing apparatus not for medical purposes; remote control apparatus; electro-dynamic apparatus for the remote control of railway points; electro-dynamic apparatus for the remote control of signals; monitoring apparatus, electric; sound recording apparatus; Global Positioning System [GPS] apparatus; distillation apparatus for scientific purposes; diffraction apparatus [microscopy]; air analysis apparatus; apparatus to check franking; sound transmitting apparatus; apparatus for fermentation [laboratory apparatus]; breathing apparatus for underwater swimming; breathing apparatus, except for artificial respiration; apparatus and installations for the production of X-rays, not for medical purposes; electric apparatus for commutation; intercommunication apparatus; stills for laboratory experiments; projection apparatus; radiological apparatus for industrial purposes; X-ray apparatus not for medical purposes; blueprint apparatus; flashing lights [luminous signals]; stereoscopic apparatus; telephone apparatus; facsimile machines; phototelegraphy apparatus; igniting apparatus, electric, for igniting at a distance; acid hydrometers; salinometers; acidimeters for batteries; aerometers; beacons, luminous; battery jars; barometers; anode batteries; galvanic batteries; batteries for lighting; solar batteries; batteries, electric; balances [steelyards]; betatrons; binoculars; electronic tags for goods; lens hoods; magnetic tape units for computers; computer memory devices; fire hose nozzles; encoded identification bracelets, magnetic; safety tarpaulins; signalling buoys; life buoys; marking buoys; directional compasses; vacuum gauges; electrolyzers; variometers; verniers; scales; letter scales; weighbridges; precision balances; levelling staffs [surveying instruments]; camcorders; video cassettes; video telephones; video screens; viewfinders, photographic; sockets, plugs and other contacts [electric connections]; micrometer screws for optical instruments; viscosimeters; circuit closers; wavemeters; voltmeters; switchboxes [electricity]; current rectifiers; gas testing instruments; gasometers [measuring instruments]; galvanometers; hands free kits

for phones; heliographic apparatus; hygrometers; hydrometers; weights; peepholes [magnifying lenses] for doors; holograms; plotters; loudspeakers; sounding leads; plumb bobs; range finders; densimeters; densitometers; optical goods; detectors; smoke detectors; counterfeit [false] coin detectors; transparencies [photography]; slide projectors; diaphragms [photography]; dictating machines; dynamometers; light-emitting diodes [LED]; floppy disks; disks, magnetic; optical discs; circular slide rules; disk drives for computers; juke boxes for computers; DNA chips; electronic notice boards; bullet-proof waistcoats [vests (Am.)]; life jackets; identification threads for electric wires; nose clips for divers and swimmers; locks, electric; bells [warning devices]; alarm bells, electric; electric door bells; signal bells; acoustic conduits; mirrors for inspecting work; road signs, luminous or mechanical; mechanical signs; signs, luminous; marine depth finders; probes for scientific purposes; buzzers; needles for record players; measures; pressure measuring apparatus; simulators for the steering and control of vehicles; inverters [electricity]; pressure indicators; temperature indicators; incubators for bacteria culture; measuring instruments; cosmographic instruments; mathematical instruments; levelling instruments; instruments containing eyepieces; surveying instruments; azimuth instruments; interfaces for computers; ionization apparatus not for the treatment of air or water; spark-guards; coaxial cables; fibre [fiber (Am.)] optic cables; cables, electric; calipers; slide calipers; screw-tapping gauges; calculating machines; pocket calculators; decompression chambers; cinematographic cameras; electronic pens [visual display units]; holders for electric coils; identity cards, magnetic; video game cartridges; encoded magnetic cards; riding helmets; protective helmets; carriers for dark plates [photography]; automated teller machines [ATM]; cathodes; spools [photography]; choking coils [impedance]; coils, electric; electromagnetic coils; cinematographic film, exposed; computer keyboards; solenoid valves [electromagnetic switches]; wire connectors [electricity]; electronic agendas; push buttons for bells; mouse pads; magnetic encoders; anti-glare visors; collectors, electric; calibrating rings; protective suits for aviators; commutators; compact discs [audio-video]; compact discs [read-only memory]; comparators; marine compasses; laptop computers; notebook computers; condensers [capacitors]; contacts, electric; wind socks for indicating wind direction; branch boxes [electricity]; distribution boxes [electricity]; junction boxes [electricity]; battery boxes; cabinets for loudspeakers; diving suits; galena crystals [detectors]; reflecting discs for wear, for the prevention of traffic accidents; covers for electric outlets; logs [measuring instruments]; lasers, not for medical purposes; lactodensimeters; lactometers; vacuum tubes [radio]; darkroom lamps [photography]; thermionic tubes;

amplifying tubes; head cleaning tapes [recording]; magnetic tapes; videotapes; surveying chains; fire escapes; rulers [measuring instruments]; slide-rules; contact lenses; correcting lenses [optics]; optical lenses; optical condensers; sounding lines; electricity conduits; measuring spoons; magnifying glasses [optics]; thread counters; magnets; decorative magnets; crash test dummies; resuscitation mannequins [teaching apparatus]; mouse [computer peripheral]; pressure gauges; divers' masks; solderers' helmets; protective masks; materials for electricity mains [wires, cables]; voting machines; money counting and sorting machines; material testing instruments and machines; furniture especially made for laboratories; megaphones; portable media players; diaphragms [acoustics]; diaphragms for scientific apparatus; metal detectors for industrial or military purposes; metronomes; carpenters' rules; rules [measuring instruments]; dressmakers' measures; mechanisms for counter-operated apparatus; coin-operated mechanisms for television sets; shutter releases [photography]; micrometers; microprocessors; microscopes; microtomes; microphones; modems; lightning conductors [rods]; monitors [computer hardware]; monitors [computer programs]; terminals [electricity]; junction sleeves for electric cables; teeth protectors; knee-pads for workers; headphones; surveyors' levels; sound recording carriers; optical data media; socks, electrically heated; computer software, recorded; sheaths for electric cables; identification sheaths for electric wires; weighing machines; punched card machines for offices; life saving apparatus and equipment; shoes for protection against accidents, irradiation and fire; objectives [lenses] [optics]; lenses for astrophotography; egg-candlers; fire extinguishers; electrified fences; limiters [electricity]; clothing for protection against accidents, irradiation and fire; clothing for protection against fire; asbestos clothing for protection against fire; clothing especially made for laboratories; ozonisers [ozonators]; octants; eyepieces; ohmmeters; wrist rests for use with computers; spectacle frames; eyeglass frames; oscillographs; plumb lines; mirrors [optics]; spectacles [optics]; sunglasses; goggles for sports; signalling panels, luminous or mechanical; radio pagers; pince-nez; electronic pocket translators; transmitters [telecommunication]; telephone transmitters; transmitters of electronic signals; switches, electric; periscopes; gloves for divers; gloves for protection against accidents; gloves for protection against X-rays for industrial purposes; asbestos gloves for protection against accidents; furnaces for laboratory use; pipettes; pyrometers; planimeters; plane tables [surveying instruments]; plates for batteries; printed circuit boards; compact disc players; cassette players; sound recording strips; X-ray films, exposed; films, exposed; life-saving rafts; laboratory trays; semi-conductors; polarimeters; fire pumps; measuring glassware; life belts; fuses; circuit breakers;

converters, electric; telerupters; food analysis apparatus; diagnostic apparatus, not for medical purposes; distance recording apparatus; distance measuring apparatus; speed measuring apparatus [photography]; appliances for measuring the thickness of leather; apparatus for measuring the thickness of skins; speed checking apparatus for vehicles; time recording apparatus; apparatus and instruments for astronomy; navigational instruments; apparatus and instruments for physics; chemistry apparatus and instruments; measuring devices, electric; measuring apparatus; boiler control instruments; meteorological instruments; naval signalling apparatus; observation instruments; navigation apparatus for vehicles [on-board computers]; satellite navigational apparatus; regulating apparatus, electric; precision measuring apparatus; audio- and video-receivers; prisms [optics]; printers for use with computers; hemline markers; retorts' stands; apparatus for changing record player needles; drainers for use in photography; cleaning apparatus for sound recording discs; fire beaters; sighting telescopes for firearms; test tubes; pressure indicator plugs for valves; magnetic wires; telegraph wires; telephone wires; wires, electric; conductors, electric; copper wire, insulated; fuse wire; computer programs [downloadable software]; computer game software; computer programmes [programs], recorded; computer operating programs, recorded; record players; processors [central processing units]; rods for water diviners; electronic publications, downloadable; distribution consoles [electricity]; control panels [electricity]; radar apparatus; masts for wireless aerials; transmitting sets [telecommunication]; radios; vehicle radios; sprinkler systems for fire protection; frames for photographic transparencies; screens for photoengraving; walkie-talkies; voltage surge protectors; voltage regulators for vehicles; stage lighting regulators; light dimmers [regulators], electric; speed regulators for record players; cell switches [electricity]; washing trays [photography]; marking gauges [joinery]; time switches, automatic; relays, electric; safety restraints, other than for vehicle seats and sports equipment; X-ray photographs, other than for medical purposes; rheostats; respirators for filtering air; respiratory masks, other than for artificial respiration; retorts; refractometers; refractors; grids for batteries; speaking tubes; horns for loudspeakers; saccharometers; optical fibers [fibres] [light conducting filaments]; traffic-light apparatus [signalling devices]; dog whistles; signalling whistles; sextants; inductors [electricity]; safety nets; nets for protection against accidents; fire alarms; signals, luminous or mechanical; sirens; scanners [data processing equipment]; integrated circuit cards [smart cards]; connections for electric lines; couplings, electric; connectors [electricity]; sonars; sound locating instruments; lighting ballasts; resistances, electric; spectrograph apparatus; spectroscopes; speed indica-

tors; alcoholmeters; satellites for scientific purposes; protection devices for personal use against accidents; audiovisual teaching apparatus; radiotelegraphy sets; radiotelephony sets; anti-glare glasses; optical glass; spectacle lenses; personal stereos; stereoscopes; stands for photographic apparatus; fire boats; sulfimeters; drying racks [photography]; spherometers; integrated circuits; printed circuits; counters; parking meters; kilometer recorders for vehicles; revolution counters; abacuses; egg timers [sandglasses]; taximeters; ear plugs for divers; tachometers; television apparatus; telegraphs [apparatus]; telescopes; teleprompters; teleprinters; portable telephones; theodolites; thermometers, not for medical purposes; thermostats; thermostats for vehicles; crucibles [laboratory]; tone arms for record players; totalizers; transistors [electronic]; transponders; protractors [measuring instruments]; step-up transformers; transformers [electricity]; vehicle breakdown warning triangles; triodes; starter cables for motors; discharge tubes, electric, other than for lighting; capillary tubes; neon signs; X-ray tubes not for medical purposes; telephone receivers; gauges; quantity indicators; automatic indicators of low pressure in vehicle tires [tyres]; gasoline gauges; water level indicators; electric loss indicators; light-emitting electronic pointers; slope indicators; levels [instruments for determining the horizontal]; mercury levels; spirit levels; urinometers; amplifiers; particle accelerators; electric installations for the remote control of industrial operations; steering apparatus, automatic, for vehicles; balancing apparatus; video recorders; sound reproduction apparatus; invoicing machines; tape recorders; protection devices against X-rays, not for medical purposes; railway traffic safety appliances; data processing apparatus; oxygen transvasing apparatus; theft prevention installations, electric; film cutting apparatus; drying apparatus for photographic prints; optical character readers; centering apparatus for photographic transparencies; dosage dispensers; battery chargers; chargers for electric batteries; acoustic [sound] alarms; sounding apparatus and machines; editing appliances for cinematographic films; cathodic anti-corrosion apparatus; couplers [data processing equipment]; anti-theft warning apparatus; computer peripheral devices; anti-interference devices [electricity]; demagnetizing apparatus for magnetic tapes; acoustic couplers; alarms; fog signals, non-explosive; whistle alarms; adding machines; readers [data processing equipment]; heat regulating apparatus; photocopiers [photographic, electrostatic, thermic]; bar code readers; downloadable ring tones for mobile phones; downloadable image files; downloadable music files; animated cartoons; filters [photography]; filters for respiratory masks; filters for ultraviolet rays, for photography; USB flash drives; magic lanterns; optical lamps; signal lanterns; cameras [photography]; glazing apparatus for photographic prints; shutters

[photography]; darkrooms [photography]; photometers; flash-bulbs [photography]; enlarging apparatus [photography]; photovoltaic cells; containers for contact lenses; spectacle cases; pince-nez cases; containers for microscope slides; cases especially made for photographic apparatus and instruments; chromatography apparatus for laboratory use; chronographs [time recording apparatus]; laboratory centrifuges; eyeglass chains; cyclotrons; compasses [measuring instruments]; frequency meters; time clocks [time recording devices]; fire blankets; chips [integrated circuits]; jigs [measuring instruments]; meteorological balloons; electrified rails for mounting spot lights; asbestos screens for firemen; fire hose; protective helmets for sports; cell phone straps; eyeglass cords; tripods for cameras; switchboards; distribution boards [electricity]; screens [photography]; workmen's protective face-shields; projection screens; radiology screens for industrial purposes; fluorescent screens; ducts [electricity]; galvanic cells; epidiascopes; ergometers; armatures [electricity].

11 – Apparatus for lighting, heating, steam generating, cooking, refrigerating, drying, ventilating, water supply and sanitary purposes; lamp shades; steam accumulators; heat accumulators; defrosters for vehicles; distillation apparatus; desiccating apparatus; hydromassage bath apparatus; disinfectant apparatus; air deodorizing apparatus; tanning apparatus [sun beds]; ionization apparatus for the treatment of air or water; beverage cooling apparatus; hand drying apparatus for washrooms; fruit roasters; water purifying apparatus and machines; refrigerating apparatus and machines; drying apparatus and installations; freezers; drying apparatus; structural plates for ovens; coolers for furnaces; expansion tanks for central heating installations; refining towers for distillation; flushing tanks; bidets; boilers, other than parts of machines; bath tubs; bath tubs for sitz baths; spa baths [vessels]; waffle irons, electric; fans [air-conditioning]; fans [parts of air-conditioning installations]; electric fans for personal use; roasting spits; refrigerating display cabinets; water heaters; water heaters [apparatus]; water flushing installations; air reheaters; extractor hoods for kitchens; gas condensers, other than parts of machines; acetylene generators; hydrants; burners; acetylene burners; petrol burners; gas burners; burners for lamps; germicidal burners; incandescent burners; oxyhydrogen burners; laboratory burners; oil burners; alcohol burners; hot water bottles; footwarmers, electric or non-electric; bedwarmers; pocket warmers; warming pans; grills [cooking appliances]; lampshade holders; stills; showers; refrigerating containers; coffee roasters; gas lighters; lighters; friction lighters for igniting gas; chimney blowers; coils [parts of distilling, heating or cooling installations]; furnace ash boxes; evaporators; torches for lighting; shower cubicles [enclosures (Am.)]; Tur-

kish bath cabinets, portable; heating apparatus; refrigerating chambers; fireplaces, domestic; chimney flues; pressure cooking saucepans, electric; air valves for steam heating installations; level controlling valves in tanks; thermostatic valves [parts of heating installations]; electrically heated carpets; light bulbs; light bulbs, electric; solar thermal collectors [heating]; distillation columns; furnace grates; ventilation hoods; ventilation hoods for laboratories; lamp globes; air conditioning apparatus; air conditioners for vehicles; gas boilers; laundry room boilers; heating boilers; coffee machines, electric; taps [cocks, spigots] [faucets (Am.)] for pipes; taps [faucets]; mixer taps for water pipes; forges, portable; lava rocks for use in barbecue grills; electric lights for Christmas trees; acetylene flares; safety lamps; gas lamps; curling lamps; germicidal lamps for purifying air; light bulbs for directional signals for vehicles; lamps for directional signals of automobiles; arc lamps; laboratory lamps; oil lamps; ultraviolet ray lamps, not for medical purposes; miners' lamps; electric lamps; chandeliers; barbecues; bread baking machines; watering machines for agricultural purposes; disposable sterilization pouches; footmuffs, electrically heated; heaters for baths; heaters for heating irons; immersion heaters; brackets for gas burners; anti-splash tap nozzles; heat pumps; filaments for electric lamps; magnesium filaments for lighting; heating filaments, electric; luminous house numbers; stoves; heating apparatus for defrosting windows of vehicles; hot air bath fittings; bath fittings; loading apparatus for furnaces; kiln furniture [supports]; sauna bath installations; refrigerating appliances and installations; blankets, electric, not for medical purposes; fabric steamers; lamp reflectors; vehicle reflectors; hearths; steam boilers, other than parts of machines; pasteurisers; lamp mantles; sockets for electric lights; coffee percolators, electric; stoves [heating apparatus]; bakers' ovens; hot air ovens; kitchen ranges [ovens]; microwave ovens [cooking apparatus]; microwave ovens for industrial purposes; incinerators; kilns; solar furnaces; dental ovens; furnaces, other than for laboratory use; urinals [sanitary fixtures]; feeding apparatus for heating boilers; heating plates; cookers; hot plates; heaters, electric, for feeding bottles; aquarium heaters; aquarium lights; heating cushions [pads], electric, not for medical purposes; clean chambers [sanitary installations]; water intake apparatus; deodorising apparatus, not for personal use; apparatus for dehydrating food waste; fumigation apparatus, not for medical purposes; gas scrubbing apparatus; oil-scrubbing apparatus; glue-heating appliances; forage drying apparatus; water filtering apparatus; air purifying apparatus and machines; ice machines and apparatus; cooling appliances and installations; cooking apparatus and installations; lighting apparatus and installations; sanitary apparatus and installations; cooking rings; lighting appa-

ratus for vehicles; light-emitting diodes [LED] lighting apparatus; heating apparatus for solid, liquid or gaseous fuels; heating apparatus, electric; hot air apparatus; steam facial apparatus [saunas]; safety accessories for water or gas apparatus and pipes; regulating and safety accessories for gas apparatus; regulating accessories for water or gas apparatus and pipes; regulating and safety accessories for water apparatus; regulating and safety accessories for gas pipes; roasting jacks; plate warmers; electric appliances for making yogurt; anti-dazzle devices for automobiles [lamp fittings]; anti-glare devices for vehicles [lamp fittings]; rotisseries; radiator caps; diving lights; washers for water taps; radiators [heating]; central heating radiators; radiators, electric; sinks; disinfectant dispensers for toilets; drip irrigation emitters [irrigation fittings]; light diffusers; nuclear reactors; heat regenerators; pressure water tanks; roasters; lamps; street lamps; ceiling lights; toilet seats; lighting installations for air vehicles; pressure cookers [autoclaves], electric; gas scrubbers [parts of gas installations]; lamp glasses; sterilizers; water sterilizers; air sterilisers; air dryers; laundry dryers, electric; hair dryers; malt roasters; tobacco roasters; heat exchangers, not parts of machines; bread toasters; discharge tubes, electric, for lighting; lamp chimneys; luminous tubes for lighting; pipes [parts of sanitary installations]; flues for heating boilers; boiler pipes [tubes] for heating installations; toilets [water-closets]; toilets, portable; humidifiers for central heating radiators; wash-hand basins [parts of sanitary installations]; toilet bowls; water conduits installations; bath installations; air conditioning installations; desalination plants; installations for processing nuclear fuel and nuclear moderating material; watering installations, automatic; cooling installations for water; milk cooling installations; cooling installations for tobacco; water purification installations; purification installations for sewage; steam generating installations; water distribution installations; air filtering installations; swimming pool chlorinating apparatus; ventilation [air-conditioning] installations and apparatus; ventilation [air-conditioning] installations for vehicles; water softening apparatus and installations; cooling installations and machines; heating installations; heaters for vehicles; hot water heating installations; polymerisation installations; water supply installations; flare stacks for use in the oil industry; ash conveyor installations, automatic; whirlpool-jet apparatus; air cooling apparatus; aquarium filtration apparatus; cooking utensils, electric; flares; headlights for automobiles; vehicle headlights; filters for air conditioning; filters for drinking water; lights for automobiles; bicycle lights; cycle lights; lights for vehicles; pocket torches, electric; Chinese lanterns; lanterns for lighting; fountains; ornamental fountains; deep fryers, electric; fittings, shaped, for ovens; oven fittings made of fireclay; bread-making machines; refrigerators;

chromatography apparatus for industrial purposes; kettles, electric; dampers [heating]; ice boxes; refrigerating cabinets; fuel economizers; carbon for arc lamps; heating elements.

20 – Furniture, mirrors, picture frames; goods (not included in other classes) of wood, cork, reed, cane, wicker, horn, bone, ivory, whalebone, shell, amber, mother-of-pearl, meerschaum and substitutes for all these materials, or of plastics; picture frame brackets; reels, not of metal, non-mechanical, for flexible hoses; pulleys of plastics for blinds; bolts, not of metal; casks of wood for decanting wine; mooring buoys, not of metal; casks, not of metal; barrels, not of metal; non-metal identification bracelets for hospital use; sideboards; busts of wood, wax, plaster or plastic; costume stands; bolsters; fans for personal use, non-electric; work benches; vice benches, not of metal; coat hangers; coatstands; shoulder poles [yokes]; screws, not of metal; display stands; newspaper display stands; showcases [furniture]; comb foundations for beehives; signboards of wood or plastics; loading gauge rods, not of metal, for railway waggons [wagons]; nuts, not of metal; covers for clothing [wardrobe]; nesting boxes; coffins; doors for furniture; curtain holders, not of textile material; pegs [pins], not of metal; divans; kennels for household pets; keyboards for hanging keys; display boards; flagpoles; plugs [dowels], not of metal; containers, not of metal, for liquid fuel; troughs, not of metal, for mixing mortar; packaging containers of plastic; flower-stands [furniture]; curtain tie-backs; cable or pipe clips of plastics; cable clips, not of metal; rivets, not of metal; tortoiseshell imitation; locks, not of metal, for vehicles; locks, other than electric, not of metal; bead curtains for decoration; door bolts, not of metal; bottle closures, not of metal; closures, not of metal, for containers; latches, not of metal; hand-held mirrors [toilet mirrors]; bamboo; scratching posts for cats; animal claws; animal hooves; coral; whalebone, unworked or semi-worked; stag antlers; horn, unworked or semi-worked; animal horns; rattan; ivory, unworked or semi-worked; corozo; plaited straw, except matting; wickerwork; hampers [baskets]; works of art of wood, wax, plaster or plastic; cabinet work; reeds [plaiting materials]; settees; curtain rods; index cabinets [furniture]; reels of wood for yarn, silk, cord; water-pipe valves of plastic; drain traps [valves] of plastic; valves, not of metal, other than parts of machines; staves of wood; plastic key cards, not encoded and not magnetic; mats for infant playpens; saw horses; bed casters, not of metal; furniture casters, not of metal; brush mountings; chopping blocks [tables]; wind chimes [decoration]; bottle caps, not of metal; cradles; tent pegs, not of metal; curtain rings; chests of drawers; containers, not of metal [storage, transport]; floating containers, not of metal; lecterns; dog kennels; bakers' bread baskets; baskets, not of metal; bottle casings of wood; taps

for casks, not of metal; armchairs; hairdressers' chairs; deck chairs; beds; hospital beds; bedsteads of wood; edgings of plastic for furniture; table tops; hooks, not of metal, for clothes rails; curtain hooks; clothes hooks, not of metal; nesting boxes for household pets; beds for household pets; ladders of wood or plastics; playpens for babies; spring mattresses for beds; air mattresses, not for medical purposes; hydrostatic [water] beds, not for medical purposes; mattresses; furniture of metal; office furniture; school furniture; sleeping bags for camping; mobiles [decoration]; curtain rails; house numbers, not of metal, non-luminous; barrel hoops, not of metal; furniture; moldings [mouldings] for picture frames; furniture partitions of wood; mother-of-pearl, unworked or semi-worked; mirror tiles; ambroid plates; registration plates, not of metal; identity plates, not of metal; loading pallets, not of metal; handling pallets, not of metal; transport pallets, not of metal; head-rests [furniture]; stakes for plants or trees; trestles [furniture]; magazine racks; book rests [furniture]; stands for calculating machines; flower-pot pedestals; baby changing mats; pet cushions; pillows; cushions; air cushions, not for medical purposes; air pillows, not for medical purposes; removable mats or covers for sinks; racks [furniture]; library shelves; shelves for filing-cabinets [furniture]; furniture shelves; shelves for storage; wood ribbon; straw edgings; towel closets [furniture]; hat stands; cask stands, not of metal; inflatable publicity objects; counters [tables]; bedding, except linen; corks for bottles; corks; stoppers, not of metal; stair rods; standing desks; embroidery frames; towel dispensers, fixed, not of metal; picture frames; sections of wood for beehives; tanks, not of metal nor of masonry; fodder racks; curtain rollers; tool handles, not of metal; knife handles, not of metal; door handles, not of metal; scythe handles, not of metal; broom handles, not of metal; knobs, not of metal; fishing baskets; writing desks; seats of metal; benches [furniture]; vats, not of metal; honeycombs; sofas; bungs, not of metal; statues of wood, wax, plaster or plastic; figurines [statuettes] of wood, wax, plaster or plastic; oyster shells; silvered glass [mirrors]; ambroid bars; umbrella stands; gun racks; carts for computers [furniture]; dressing tables; washstands [furniture]; typing desks; drafting tables; massage tables; tables of metal; wall-mounted diaper [napkin] changing platforms; desks; tea carts; dinner wagons [furniture]; tables; steps [ladders], not of metal; chairs [seats]; high chairs for babies; chests, not of metal; placards of wood or plastics; stools; crates; trolleys [furniture]; straw plaits; mobile boarding stairs, not of metal, for passengers; decorations of plastic for foodstuffs; beehives; funerary urns; winding spools, not of metal, non-mechanical, for flexible hoses; door fittings, not of metal; coffin fittings, not of metal; bed fittings, not of metal; furniture fittings, not of metal; window fittings, not of

metal; infant walkers; garment covers [storage]; stuffed animals; stuffed birds; hinges, not of metal; easy chairs; poles, not of metal; screens [furniture]; cupboards; filing cabinets; medicine cabinets; meat chests, not of metal; plate racks; bamboo curtains; paper blinds; slatted indoor blinds; woven timber blinds [furniture]; indoor window blinds [shades] [furniture]; interior textile window blinds; screens for fireplaces [furniture]; yellow amber; lockers; boxes of wood or plastic; chests for toys; letter boxes, not of metal or masonry; bottle racks.

21 – Household or kitchen utensils and containers; combs and sponges; brushes (except paintbrushes); brush-making materials; articles for cleaning purposes; steelwool; unworked or semi-worked glass (except glass used in building); glassware, porcelain and earthenware not included in other classes; pressure cookers [autoclaves], non-electric; indoor aquaria; buckets; china ornaments; dishes; paper plates; vegetable dishes; saucers; mugs; candy boxes; bottles; demijohns; busts of porcelain, ceramic, earthenware or glass; vases; epergnes; fruit cups; bird baths; baby baths, portable; plungers for clearing blocked drains; waffle irons, non-electric; coolers [ice pails]; buckets made of woven fabrics; whisks, non-electric, for household purposes; cooking skewers of metal; towel rails and rings; clothing stretchers; hair for brushes; birdcages; funnels; carpet beaters [hand instruments]; signboards of porcelain or glass; candle extinguishers; flower pots; chamber pots; glue-pots; cruets; decanters; large-toothed combs for the hair; combs for animals; tea cosies; abrasive sponges for scrubbing the skin; sponges for household purposes; toilet sponges; deodorizing apparatus for personal use; sponge holders; toothpick holders; soap holders; napkin holders; holders for flowers and plants [flower arranging]; shaving brush stands; toilet paper holders; soap dispensers; ironing boards; cutting boards for the kitchen; bread boards; washing boards; strainers; smoke absorbers for household purposes; containers for household or kitchen use; kitchen containers; glass jars [carboys]; heat-insulated containers; heat-insulated containers for beverages; thermally insulated containers for food; glass flasks [containers]; frying pans; closures for pot lids; chamois leather for cleaning; toothpicks; ceramics for household purposes; majolica; works of art of porcelain, ceramic, earthenware or glass; brush goods; kitchen grinders, non-electric; cleaning instruments, hand-operated; cabarets [trays]; stew-pans; covers, not of paper, for flower pots; shaving brushes; cages for household pets; hot pots, not electrically heated; glass bulbs [receptacles]; shoe trees [stretchers]; napkin rings; poultry rings; rings for birds; piggy banks; bread baskets, domestic; baskets for domestic use; waste paper baskets; feeding troughs; mangers for animals; lunch boxes; cookie jars; tea caddies; washtubs; earthenware saucepans; mess-tins; caul-

drons; coffee percolators, non-electric; coffeepots, non-electric; coffee grinders, hand-operated; fused silica [semi-worked product], other than for building; beer mugs; tankards; rat traps; pot lids; aquarium hoods; butter-dish covers; dish covers; cheese-dish covers; buttonhooks; pitchers; perfume burners; non-electric portable coldboxes; watering cans; insect traps; mixing spoons [kitchen utensils]; basting spoons, for kitchen use; scoops [tableware]; pie servers; spatulas [kitchen utensils]; butter dishes; material for brush-making; polishing materials for making shiny, except preparations, paper and stone; noodle machines, hand-operated; polishing apparatus and machines, for household purposes, non-electric; pepper mills, hand-operated; mills for domestic purposes, hand-operated; feather-dusters; brooms; isothermic bags; confectioners' decorating bags [pastry bags]; cocktail shakers; bowls [basins]; mosaics of glass, not for building; saucepan scourers of metal; soap boxes; mouse traps; cooking pot sets; nozzles for watering cans; spouts; nozzles for watering hose; fitted picnic baskets, including dishes; toilet cases; floss for dental purposes; fiberglass thread, not for textile use; cookie [biscuit] cutters; pastry cutters; sprinklers; syringes for watering flowers and plants; cotton waste for cleaning; wool waste for cleaning; cleaning tow; chopsticks; cocktail stirrers; pepper pots; gloves for household purposes; polishing gloves; gardening gloves; plates to prevent milk boiling over; trays for domestic purposes; trays for domestic purposes, of paper; lazy susans; heaters for feeding bottles, non-electric; candelabra [candlesticks]; trivets [table utensils]; coasters, not of paper and other than table linen; menu card holders; knife rests for the table; flat-iron stands; egg cups; grill supports; abrasive pads for kitchen purposes; scouring pads; drinking troughs; powdered glass for decoration; pottery; pots; cooking pots; painted glassware; tableware, other than knives, forks and spoons; porcelain ware; earthenware; crystal [glassware]; cosmetic utensils; toilet utensils; trouser presses; cruet sets for oil and vinegar; make-up removing appliances; spice sets; apparatus for wax-polishing, non-electric; bottle openers, electric and non-electric; glove stretchers; boot jacks; crumb trays; tie presses; clothes-pegs; glass stoppers; powder compacts; perfume vaporizers; powder puffs; dusting apparatus, non-electric; toilet paper dispensers; electric combs; grills [cooking utensils]; sifters [household utensils]; drinking horns; shoe horns; candle rings; salad bowls; sugar bowls; beaters, non-electric; services [dishes]; coffee services [tableware]; liqueur sets; tea services [tableware]; sieves [household utensils]; cinder sifters [household utensils]; tea strainers; pipettes [wine-tasters]; siphon bottles for carbonated water; rolling pins, domestic; steel wool for cleaning; currycombs; blenders, non-electric, for household purposes; fruit presses, non-electric, for household purposes; drinking straws;

salt cellars; drinking vessels; vessels of metal for making ices and iced drinks; refrigerating bottles; cups of paper or plastic; glasses [receptacles]; drinking glasses; statues of porcelain, ceramic, earthenware or glass; figurines [statuettes] of porcelain, ceramic, earthenware or glass; glass for vehicle windows [semi-finished product]; plate glass [raw material]; opal glass; opaline glass; glass incorporating fine electrical conductors; enamelled glass; glass wool other than for insulation; fiberglass other than for insulation or textile use; drying racks for clothes; soup bowls; drying racks for laundry; basins [receptacles]; table plates; disposable table plates; graters for kitchen use; insulating flasks; indoor terrariums [plant cultivation]; indoor terrariums [vivariums]; cloth for washing floors; cloths for cleaning; dusting cloths [rags]; furniture dusters; litter boxes [trays] for pets; urns; aerosol dispensers, not for medical purposes; wax-polishing appliances, non-electric, for shoes; water apparatus for cleaning teeth and gums; electric devices for attracting and killing insects; watering devices; utensils for household purposes; cooking utensils, non-electric; strainers for household purposes; coffee filters, non-electric; flasks; molds [kitchen utensils]; cake molds [moulds]; ice cube molds [moulds]; cookery molds [moulds]; deep fryers, non-electric; comb cases; bread bins; fly swatters; teapots; kettles, non-electric; cups; garlic presses [kitchen utensils]; ironing board covers, shaped; tea infusers; glass bowls; mops; mop wringers; corkscrews, electric and non-electric; animal bristles [brushware]; pig bristles; dishwashing brushes; brushes for cleaning tanks and containers; lamp-glass brushes; horse brushes; scrubbing brushes; toothbrushes; toothbrushes, electric; carpet sweepers; brushes for footwear; tar-brushes, long handled; toilet brushes; electric brushes, except parts of machines; brushes; eyebrow brushes; nail brushes; nest eggs, artificial; boxes for dispensing paper towels; dustbins; window-boxes; boxes of glass.

28 – Games and playthings; gymnastic and sporting articles not included in other classes; decorations for Christmas trees; arcade video game machines; video game machines; gaming machines for gambling; amusement machines, automatic and coin-operated; toy vehicles; swimming pools [play articles]; trampolines; novelties for parties, dances [party favors, favours]; scratch cards for playing lottery games; starting blocks for sports; body boards; skating boots with skates attached; dolls' feeding bottles; stationary exercise bicycles; creels [fishing traps]; shuttlecocks; spinning tops [toys]; jigsaw puzzles; clay pigeons [targets]; punching bags; bite sensors [fishing tackle]; hang gliders; flying discs [toys]; discs for sports; dolls' houses; dominoes; swimming kick boards; surfboards; spring boards [sports articles]; skateboards; sailboards; chessboards; checkerboards; darts; Christmas trees of synthetic material; cups for dice; swimming jackets; ascenders

[mountaineering equipment]; kites; toys for domestic pets; stuffed toys; plush toys; mobiles [toys]; practical jokes [novelties]; parlor games; board games; ring games; building games; kaleidoscopes; bladders of balls for games; rosin used by athletes; edges of skis; bingo cards; playing cards; fairground ride apparatus; reels for fishing; rocking horses; swings; skittles; skittles [games]; billiard cues; golf clubs; hockey sticks; seal skins [coverings for skis]; bells for Christmas trees; dolls' rooms; confetti; explosive bonbons [Christmas crackers]; ice skates; roller skates; in-line roller skates; dice; paintball guns [sports apparatus]; ski bindings; dolls' beds; roulette wheels; fish hooks; building blocks [toys]; dolls; flippers for swimming; lines for fishing; gut for fishing; bows for archery; skis; waterskis; surf skis; mah-jong; wax for skis; hunting game calls; puppets; masks [playthings]; carnival masks; theatrical masks; fencing masks; masts for sailboards; teddy bears; chalk for billiard cues; targets; electronic targets; scale model kits [toys]; scale model vehicles; balls for games; artificial fishing bait; billiard table cushions; knee guards [sports articles]; billiard cue tips; elbow guards [sports articles]; dolls' clothes; fencing weapons; twirling batons; paragliders; pachinkos; baseball gloves; boxing gloves; golf gloves; gloves for games; batting gloves [accessories for games]; fencing gauntlets; piñatas; toy pistols; air pistols [toys]; percussion caps [toys]; caps for pistols [toys]; rattles [playthings]; horseshoe games; candle holders for Christmas trees; Christmas tree stands; sole coverings for skis; water wings; floats for fishing; portable games with liquid crystal displays; swimming belts; decoys for hunting or fishing; scent lures for hunting or fishing; archery implements; kite reels; soap bubbles [toys]; divot repair tools [golf accessories]; billiard markers; protective paddings [parts of sports suits]; rackets; surfboard leashes; harness for sailboards; weight lifting belts [sports articles]; sling shots [sports articles]; rollers for stationary exercise bicycles; harpoon guns [sports articles]; scooters [toys]; sleds [sports articles]; bob-sleighs; butterfly nets; landing nets for anglers; nets for sports; bite indicators [fishing tackle]; scrapers for skis; slot machines [gaming machines]; appliances for gymnastics; quoits; bar-bells; climbers' harness; fishing tackle; artificial snow for Christmas trees; snowshoes; snowboards; clay pigeon traps; billiard tables; coin-operated billiard tables; tables for table tennis; tables for table football; strings for rackets; gut for rackets; cricket bags; golf bags, with or without wheels; slides [playthings]; radio-controlled toy vehicles; body-building apparatus; machines for physical exercises; backgammon games; men's athletic supporters [sports articles]; rods for fishing; ornaments for Christmas trees, except illumination articles and confectionery; tennis ball throwing apparatus; conjuring apparatus; apparatus for games; bowling apparatus and machi-

nery; counters [discs] for games; chips for gambling; bags especially designed for skis and surfboards; marbles for games; billiard balls; playing balls; play balloons; paintballs [ammunition for paintball guns] [sports apparatus]; snow globes; chess games; checkers [games]; poles for pole vaulting; paper party hats; shin guards [sports articles]; camouflage screens [sports articles]; chest expanders [exercisers].

35 – Business management; business administration; office functions; arranging subscriptions to telecommunication services for others; import-export agencies; commercial information agencies; cost price analysis; rental of advertising space; business auditing; employment agencies; computerized file management; book-keeping; invoicing; business efficiency expert services; transcription of communications [office functions]; opinion polling; marketing studies; business information; commercial information and advice for consumers [consumer advice shop]; business investigations; business research; marketing research; personnel recruitment; business management and organization consultancy; business organization consultancy; business management consultancy; personnel management consultancy; professional business consultancy; marketing; business management of performing artists; business management of sports people; news clipping services; word processing; organization of exhibitions for commercial or advertising purposes; arranging newspaper subscriptions for others; shop window dressing; business appraisals; payroll preparation; data search in computer files for others; sponsorship search; business management assistance; commercial or industrial management assistance; presentation of goods on communication media, for retail purposes; economic forecasting; auctioneering; sales promotion for others; office machines and equipment rental; rental of vending machines; rental of photocopying machines; document reproduction; compilation of statistics; compilation of information into computer databases; business inquiries; systemization of information into computer databases; advisory services for business management; tax preparation; drawing up of statements of accounts; telemarketing services; psychological testing for the selection of personnel; business management of hotels; commercial administration of the licensing of the goods and services of others; administrative processing of purchase orders; public relations; modelling for advertising or sales promotion; typing; relocation services for businesses; price comparison services; secretarial services; procurement services for others [purchasing goods and services for other businesses]; shorthand; outsourcing services [business assistance]; telephone answering for unavailable subscribers; photocopying services.

36 – Financial affairs; monetary affairs; real estate affairs; credit bureaux; debt collection agencies; real

estate agencies; financial analysis; renting of apartments; leasing of real estate; rental of offices [real estate]; leasing of farms; lease-purchase financing; savings bank services; accommodation bureaux [apartments]; rent collection; issuing of travellers' checks [cheques]; issuance of credit cards; issue of tokens of value; capital investment; financial information; clearing, financial; financial consultancy; stock exchange quotations; lending against security; business liquidation services, financial; brokerage; financial management; exchanging money; online banking; debit card services; credit card services; factoring; organization of collections; antique appraisal; jewellery [jewelry (Am.)] appraisal; financial evaluation of standing timber; stamp appraisal; real estate appraisal; numismatic appraisal; art appraisal; financial evaluation of wool; financial evaluation [insurance, banking, real estate]; repair costs evaluation [financial appraisal]; electronic funds transfer; surety services; securities brokerage; real estate brokers; brokerage of carbon credits; loans [financing]; pawnbrokerage; check [cheque] verification; charitable fund raising; financial sponsorship; mortgage banking; instalment loans; apartment house management; real estate management; actuarial services; banking; retirement payment services; trusteeship; provident fund services; customs brokerage; mutual funds; financing services; safe deposit services; deposits of valuables; fiscal assessments.

37 – Building construction; repair; installation services; asphaltting; drilling of deep oil or gas-wells; drilling of wells; rebuilding engines that have been worn or partially destroyed; rebuilding machines that have been worn or partially destroyed; retreading of tires [tyres]; vulcanization of tires [tyres] [repair]; building sealing; linen ironing; pressing of clothing; disinfecting; rat exterminating; mining extraction; refilling of toner cartridges; knife sharpening; building insulating; repair information; construction information; bricklaying; riveting; construction consultation; varnishing; re-tinning; scaffolding; road paving; car wash; window cleaning; vehicle wash; building construction supervision; upholstery; renovation of clothing; rustproofing; anti-rust treatment for vehicles; sanding; pumicing; strong-room maintenance and repair; vehicle maintenance; paper hanging; painting or repair of signs; cleaning of buildings [exterior surface]; vehicle polishing; vehicle breakdown assistance [repair]; mending clothing; rental of bulldozers; rental of road sweeping machines; rental of cleaning machines; rental of cranes [construction equipment]; rental of construction equipment; rental of excavators; plumbing; masonry; roofing services; painting, interior and exterior; carpentry services; underwater repair; plastering; quarrying services; repair of security locks; umbrella repair; parasol repair; motor vehicle maintenance and repair; burner maintenance and repair; film projector repair and maintenance; airplane maintenance

and repair; safe maintenance and repair; clock and watch repair; pump repair; upholstery repair; shoe repair; clothing repair; photographic apparatus repair; furniture restoration; restoration of musical instruments; restoration of works of art; vehicle lubrication [greasing]; demolition of buildings; warehouse construction and repair; vehicle service stations [refuelling and maintenance]; washing; washing of linen; pipeline construction and maintenance; pier breakwater building; underwater construction; harbour construction; factory construction; building of fair stalls and shops; shipbuilding; cleaning of buildings [interior]; street cleaning; vermin exterminating, other than for agriculture; artificial snow-making services; laundering; installation of doors and windows; irrigation devices installation and repair; elevator installation and repair; heating equipment installation and repair; burglar alarm installation and repair; furnace installation and repair; telephone installation and repair; air conditioning apparatus installation and repair; fire alarm installation and repair; freezing equipment installation and repair; electric appliance installation and repair; kitchen equipment installation; installation, maintenance and repair of computer hardware; machinery installation, maintenance and repair; office machines and equipment installation, maintenance and repair; interference suppression in electrical apparatus; swimming-pool maintenance; furniture maintenance; chimney sweeping; boiler cleaning and repair; cleaning of clothing; dry cleaning; vehicle cleaning; diaper cleaning; leather care, cleaning and repair; fur care, cleaning and repair.

39 – Transport; packaging and storage of goods; travel arrangement; air transport; motor coach rental; boat rental; garage rental; rental of vehicle roof racks; aircraft rental; parking place rental; rental of warehouses; booking of seats for travel; travel reservation; transport reservation; towing; bottling services; water distribution; delivery of newspapers; message delivery; parcel delivery; delivery of goods; delivery of goods by mail order; flower delivery; launching of satellites for others; traffic information; transportation information; storage information; transportation logistics; rescue operations [transport]; arranging of cruises; hauling; carting; transport and storage of trash; transporting furniture; lighterage services; ferry-boat transport; removal services; transport of travellers; guarded transport of valuables; bus transport; car transport; barge transport; boat transport; railway transport; marine transport; passenger transport; river transport; portering; refloating of ships; vehicle breakdown assistance [towing]; shipbrokerage; transport brokerage; freight brokerage [forwarding (Am.)]; car rental; railway truck rental; rental of diving bells; rental of diving suits; rental of motor racing cars; railway coach rental; rental of wheelchairs; rental of storage containers; horse rental; rental of freezers; refrigerator

rental; vehicle rental; stevedoring; unloading cargo; electricity distribution; distribution of energy; packing of goods; ice-breaking; piloting; water supplying; escorting of travellers; ambulance transport; streetcar transport; transport by pipeline; operating canal locks; car parking; chauffeur services; pleasure boat transport; courier services [messages or merchandise]; salvaging; salvage of ships; underwater salvage; taxi transport; franking of mail; freight [shipping of goods]; freighting; physical storage of electronically-stored data or documents; boat storage; storage; sightseeing [tourism]; freight forwarding.

41 – Education; providing of training; sporting and cultural activities; modelling for artists; academies [education]; rental of sports grounds; rental of tennis courts; lending libraries; booking of seats for shows; videotaping; physical education; animal training; dubbing; gambling; publication of books; education information; recreation information; entertainment information; movie studios; health club services [health and fitness training]; layout services, other than for advertising purposes; microfilming; videotape editing; production of radio and television programmes; production of music; providing on-line electronic publications, not downloadable; religious education; gymnastic instruction; correspondence courses; practical training [demonstration]; organization of exhibitions for cultural or educational purposes; arranging and conducting of colloquiums; arranging and conducting of congresses; arranging and conducting of conferences; arranging and conducting of workshops [training]; arranging and conducting of seminars; arranging and conducting of symposiums; organization of competitions [education or entertainment]; operating lotteries; organization of shows [impresario services]; organization of sports competitions; vocational guidance [education or training advice]; amusement parks; sign language interpretation; mobile library services; vocational retraining; providing karaoke services; providing golf facilities; providing sports facilities; providing amusement arcade services; presentation of live performances; theatre productions; conducting fitness classes; educational examination; timing of sports events; videotape film production, other than advertising films; film production, other than advertising films; rental of audio equipment; rental of video cameras; rental of video cassette recorders; rental of videotapes; rental of show scenery; rental of sound recordings; toy rental; rental of movie projectors and accessories; rental of motion pictures; games equipment rental; rental of stadium facilities; rental of lighting apparatus for theatrical sets or television studios; rental of radio and television sets; rental of skin diving equipment; rental of sports equipment, except vehicles; rental of stage scenery; electronic desktop publishing; publication of electronic books and journals on-line; publication of texts, other than

publicity texts; writing of texts, other than publicity texts; zoological garden services; news reporters services; music composition services; subtitling; personal trainer services [fitness training]; providing casino facilities [gambling]; calligraphy services; providing museum facilities [presentation, exhibitions]; teaching; orchestra services; translation; scriptwriting services; coaching [training]; sport camp services; recording studio services; language interpreter services; nursery schools; photography; photographic reporting; boarding schools.

42 – Scientific and technological services and research and design relating thereto; industrial analysis and research services; design and development of computer hardware and software; computer system analysis; handwriting analysis [graphology]; architecture; recovery of computer data; computer virus protection services; technical project studies; engineering; installation of computer software; biological research; research in the field of environmental protection; cosmetic research; mechanical research; research and development of new products for others; underwater exploration; technical research; calibration [measuring]; consultancy in the design and development of computer hardware; computer software consultancy; quality control; vehicle roadworthiness testing; dress designing; updating of computer software; monitoring of computer systems by remote access; maintenance of computer software; authenticating works of art; quality evaluation of standing timber; quality evaluation of wool; digitization of documents [scanning]; conversion of data or documents from physical to electronic media; provision of scientific information, advice and consultancy in relation to carbon offsetting; providing search engines for the internet; data conversion of computer programs and data [not physical conversion]; computer system design; rental of web servers; rental of computer software; hosting computer sites [web sites]; duplication of computer programs; computer software design; cloud seeding; consultancy in the field of energy-saving; creating and maintaining web sites for others; computer programming; scientific laboratory services; surveying.

(260) AM 2016 81937 A

(800) 1243853

(891) 2015 01 28

(731) Public Joint-Stock Company "KYIV CARDBOARD AND PAPER MILL"
vul. Kyivska, 130, m. Obukhiv, Kyivska obl.
08700, Ukraine

(540)



The logo for Soffione features the brand name in a stylized, blue, cursive font. A small red and white circular emblem is positioned above the letter 'e'.

(591) Blue, white, red and black

(511)

16 – Advertisement boards of paper or cardboard; almanacs; bags (envelopes, pouches) of paper or

plastics, for packaging; blotters; bottle envelopes of cardboard or paper; bottle wrappers of cardboard or paper; boxes of cardboard or paper; calendars; canvas for painting; cardboard; cardboard articles; cardboard tubes; conical paper bags; document files (stationery); envelopes (stationery); face towels of paper; folders for papers; garbage bags of paper or of plastics; handkerchiefs of paper; hygienic (toilet) paper; labels, not of textile; luminous paper; tissues of paper for removing make-up; note books; packing paper; packing paper for hygienic and/or toilet paper; pads (stationery); paper ribbons; paper tapes and cards for the recordal of computer programmes; parchment paper; placards of paper or cardboard; silver paper; table linen of paper; table napkins of paper; tablecloths of paper; tablemats of paper; towels of paper; wood pulp board (stationery); wood pulp paper; writing cases (stationery); writing pads; writing paper.

(260) AM 2016 81942 A
 (800) 1244743
 (891) 2014 09 29
 (731) MICROMAX INFORMATICS LIMITED
 21/14, A Block, Naraina Industrial Area,
 Phase-ii Delhi 110 028, India
 (540)



(591) Orange, white
 (511)

9 – Apparatus for recording, transmission or reproduction of data, sound or images; electronic telecommunications devices; computers; portable computers; wireless handheld units and devices, namely personal digital assistants [PDAs], phones, mobile phones, handheld, mobile, slate and tablet computers for synchronization, transmission, recordal, storage and manipulation of data and/or voice and accessories thereof namely batteries, battery chargers, adapters, hands free kits for phones, headphones, earphones, microphones, keyboards, computer cables; computer software; Internet phones; electronic gaming devices; television receivers [tv sets]; led televisions; Internet television receivers; plasma televisions; portable televisions; wireless television set; liquid crystal display (lcd) televisions; remote controls for televisions; television antennas; television monitors; televisions and video recorders; television transmitters.

16 – Stationery; letterhead paper; envelopes; cards; signboards of paper and cardboards; banners (paper); graphic prints; graphic representations; posters;

calendars; plastic sheets, sacks and bags for wrapping and packaging; bookmarkers; booklets; catalogues; charts, pads; document files; printed matter; printed forms; folders; ledgers; instructional and teaching material; books; printed publications; maps.

38 – Telecommunication; transmission and reception of voice communication services; providing access to internet, electronic communications networks or wireless devices, for transmission or reception of data, audio, video, multimedia content or computer software and application; providing access to GPS navigation services; web casting services; e-mail services; delivery of messages by electronic transmission; wireless data messaging services, particularly services that enable a user to send and/or receive messages through a wireless data network; paging services.

(260) AM 2016 81944 A
 (800) 1244752
 (891) 2014 11 03
 (731) DOSSODOSSI TEKSTIL SANAYI TURIZM
 VE ORGANIZASYON ANONIM SIRKETI
 Molla Gürani Mah. Dr. Ahmetpasa, Sok. No.7
 K.2 Fatih Istanbul, Turkey
 (540)



(591) Yellow, brown, gold
 (511)

35 – The bringing together, for the benefit of others, of a variety of goods, namely; perfumery; cosmetics; fragrances; deodorants for personal use and animals; jewellery; imitation jewellery; gold; precious stones and jewellery made thereof; cufflinks; tie pins; statuettes and figurines of precious metal; clocks, watches and chronometrical instruments; chronometers and their parts; watch straps; unworked or semi-worked leather and animal skins, imitations of leather, stout leather, leather used for linings; goods made of leather, imitations of leather or other materials, designed for carrying items, included in this class; bags; boxes and trunks made of leather or stout leather; key cases; umbrellas; parasols; sun umbrellas; walking sticks; woven or non-woven textile fabrics; textile goods for household use, not included in other classes; flags, pennants, labels of textile curtains, bed covers, sheets (textile), pillowcases, blankets, quilts, towels; clothing, including underwear and outer clothing, other than special purpose protective clothing; socks; footwear; headgear; printed matter; printed publications; calendars; pos-

ters; photographs (printed); paintings; stickers (stationery); postage stamps, enabling customers to conveniently view and purchase those goods, such services may be provided by retail stores, wholesale outlets, by means of electronic media or through mail order catalogues.

(260) AM 2016 81947 A

(800) 1244044

(891) 2015 01 21

(731) IKKS GROUP

94 rue Choletaise, F-49450 Saint Macaire
en Mauges, France

(540)



(591) Black and white

(511)

18 – Handbags, shopping bags, traveling bags, bags (envelopes, pouches) for packaging of leather, document holders, purses not of precious metal, suitcases, traveling sets, briefcases (leather goods), satchels, key cases, card cases (wallets), attache cases.

25 – Clothing, underwear, lingerie, belts of leather (clothing), headgear, footwear (excluding orthopedic footwear).

35 – Advertising, marketing and sales promotion services in the field of clothing on all communication media for retail sale; retail sale of clothing, footwear, bags; commercial administration services for the processing of sales made on the Internet in the field of clothing.

(260) AM 2016 81965 A

(800) 1244076

(891) 2015 01 13

(731) ÖZDEN KİMYA VE PLASTİK SANAYİ
TİCARET ANONİM ŞİRKETİ

Istanbul Yolu 23. Km, Saray Köyü Karşışi,
Bağlar Mevkii, KAZAN - ANKARA, Turkey

(540)

flamingo

(591) Black and white

(511)

5 – Deodorants, other than for human beings or for animals; air deodorising preparations; disinfectants; antiseptics; detergents for medical purposes; pharmaceutical and veterinary preparations for medical purposes.

(260) AM 2016 81966 A

(800) 1244081

(891) 2015 02 10

(731) CLICHÉ' S.r.l.

Interporto Campano Lotto, 3C, I-80035
NOLA (NA), Italy

(540)

Shakly

(591) Black and white

(511)

14 – Amulets; anchors; rings; precious metals and their alloys and goods in precious metals or coated therewith; alloys of precious metal; watch bands; bracelets; watch cases; watch chains; chains; charms; jewelry cases; necklaces; chronographs; chronometers; cases for clocks and watches; diamonds; tie clips; silver thread; cuff links; ivory jewelry; medals; locket; earrings; ornaments; watches; clocks; clocks and watches, electric; pearls; semi-precious stones; precious stones; key rings; sundials; boxes of precious metal; tie pins; pins; ornamental pins; paste jewellery; alarm clocks.

18 – Key cases; walking sticks; vanity cases, not fitted; trunks; valises; beach bags; bags for sports; chain mesh purses; bags; coin purses; travelling sets; handbags; briefcases; school bags; girths of leather; collars for animals; imitation leather; whips; saddlery; covers for animals; parasols; umbrellas; animal skins; card cases [notecases]; pocket wallets; music cases; boxes of leather or leather board; attaché cases; garment bags for travel; rucksacks.

25 – Clothing, shoes, headgear for wear, namely, clothing for gymnastics; clothing of imitations of leather; clothing of leather; wedding dresses; dresses; bath robes; bandanas [neckerchiefs]; bermuda shorts; berets; underwear; braces for clothing [suspenders]; boas [necklets]; teddies [undergarments]; stockings; socks; shirts; coats; belts [clothing]; tights; bathing suits; neckties; sweatshirts; jackets; garters; vests; skirts; gloves; leggings [leg warmers]; trousers; liveries; hosiery; sweaters; boxer shorts; slippers; parkas; pajamas; ponchos; brassieres; sandals; shoes; beach shoes; sashes for wear; shawls; overcoats; boots; tailleurs; tee-shirts; togas; bow ties.

(260) AM 2016 81967 A

(800) 702534

(891) 2015 02 19

(731) ROUERQUE AUVERGNE GEVAUDAN
TARNAIS R.A.G.T.

Rue Emile Singla – Site de Bourran, F-12000
RODEZ, France

(540)



(591) Green and red

(511)

31 – Agricultural, horticultural and forestry products, neither prepared nor processed; plant seeds; live animals; fresh fruit and vegetables; natural seeds, plants and flowers; animal feed, malt.

(260) AM 2016 82021 A

(800) 1244565

(891) 2015 03 13

(731) JANSSEN PHARMACEUTICA NV

Turnhouseweg 30, B-2340 BEERSE, Belgium

(540)

XERQETTA

(511)

5 – Human pharmaceutical preparations.

(260) AM 2016 82022 A

(800) 1244650

(891) 2015 02 03

(731) CLICHÉ' S.r.l.

Interporto Campano Lotto, 3C, I-80035
NOLA (NA), Italy

(540)



(591) Black and White

(511)

3 – Toilet water; bath foam; tints for the hair; cosmetics; cosmetic creams; dentifrices; deodorants and antiperspirants for personal use; incense; cosmetic oils; oils for toilet purposes; essential oils; perfumes; bath salts, not for medical purposes; shampoos; hair conditioners; make-up; make-up removing preparations; nail polish; nail polish removers.

14 – Jewelry; precious metals and their alloys and goods in precious metals or coated therewith; precious metals, unwrought or semi-wrought; watch cases; watch chains; watch bands; jewelry cases; watches; clocks; key rings; pearls; pins; paste jewelry; alarm clocks.

26 – Frills (lacework); lace and embroidery; ornamental ribbons of textile; ribbons [haberdashery]; buttons; hooks [haberdashery]; eyelets for clothing; eyelets [haberdashery]; brooches [clothing accessories]; needles; sewing needles; brassards; buckles [clothing accessories]; birds' feathers [clothing accessories]; brooches [clothing accessories]; hair bar-

rettes; bobby pins; hair bands; elastic ribbons; ribbons [haberdashery]; hat ornaments, not of precious metal; shoe ornaments, not of precious metal; shoe buckles; artificial flowers.

(260) AM 2016 82023 A

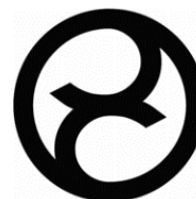
(800) 1244677

(891) 2014 12 22

(731) CYBEX GmbH

Riedinger Strasse 18, 95448 Bayreuth,
Germany

(540)



(591) Black and White

(511)

35 – Advertising; business management; business administration; office functions; retail or wholesale services, mail order and retailing, in particular bringing together of a variety of goods, enabling customers to conveniently view and purchase those goods, presentation of these goods and publicity therefor, in particular via the Internet, over the telephone, through the post, through the distribution of samples in private or in public, through arranging of tastings, through distribution of advertising material and through direct marketing, of bleaching preparations and other substances for laundry use, cleaning, polishing, scouring and abrasive preparations, soaps, perfumery, essential oils, cosmetics, hair lotions, dentifrices, prickly heat powder, restrict bacterium washer, dummies, clinical thermometers, babies' bottles, medical apparatus and instruments, dental apparatus and instruments, veterinary apparatus and instruments, cushions for medical purposes, contraceptives, non-chemical, hair prostheses, orthopedic articles, suture materials, vehicles for locomotion by land, air, water or rail, vehicles, namely bicycles, tricycles, pushchairs, accessories for the aforesaid vehicles, namely child seats, carrying bags, shopping baskets, all of plastic or textile, child safety seats for motor vehicles and parts therefor, including padding, safety harnesses for vehicle seats, leather and imitations of leather, and goods made of these materials, trunks and travelling bags, umbrellas, parasols and walking sticks, whips, harness and saddlery, bags, purses, pocket wallets, rucksacks, satchels, sling bags for carrying infants, all being rucksack-type bags, child carrier frames and baby swing carriers, bags for babies' accessories, parasols for pushchairs, rain covers for pushchairs, furniture, in particular children's furniture and parts therefor, room decoration made out of wood, glass and, or plastic, aids for helping children to learn to walk,

high chairs, table seats, infant changing tables, cradles, sleeping bags for infants and small children, all for camping, bed linen, crawling blankets, textile for curtains, duvets, walls and furniture coverings, woolen blankets, blankets of textile, shower curtains, blankets made of terry cloth fabric, quilts, bath towels, clothing and shoes, in particular sportswear and sports shoes, as well as children's clothing and children's shoes, bibs, not of paper, gloves, headgear, belts, stockings, scarfs, underwear, bibs for babies, gymnastic and sporting articles, included in class 28, games and playthings, rattles, dolls, tapets, baby swings, dolls, swimming pools for children.

(260) AM 2016 82024 A
(800) 1244709
(891) 2014 09 08
(731) DALIAN PONY TOY CO., LTD.
No.84, Yaobei Road, Ganjingzi District,
Dalian, China

(540)

PonyCycle

(591) Black and White
(511)
28 – Animal style fairground ride apparatus; animal style rocking toys; animal style rideable toys for domestic pets; animal style toys; animal style rideable parlor games; animal style radio-controlled toy vehicles; animal style rideable plush toys; animal style rideable toy vehicles; animal style toy models; animal riding style Christmas tree ornaments [except confectionery or illumination articles].

(260) AM 2016 82025 A
(800) 1244737
(891) 2014 10 20
(731) Open-Type Joint Stock Company
"CONFECTIONARY CONCERN
BABAYEVSKY"
ul. Malaya Krasnoselskaya 7, RU-107140
Moscow, Russian Federation

(540)



(591) Brown, light brown, dark brown, red-brown, black, yellow, light yellow, white, red and dark red

(526) The trademark is protected as a whole. "1804", "50%" shall not be subject to independent legal protection.

(511)
30 – Confectionery made of sugar, namely, chocolate, pastila (fruit confectionery), marshmallows, caramels, candy, sweets, pralines, waffles, candy made with cocoa, pastries, waffle cakes, Turkish delight, marzipan.

(260) AM 2016 82149 A
(800) 1246093
(891) 2014 11 26
(731) EGIS GYÓGYSZERGYÁR Zrt.
Keresztúri út 30-38, H-1106 Budapest,
Hungary

(540)

TRIBENIX

(511)
5 – Pharmaceutical preparations for human use.

(260) AM 2016 82150 A
(800) 1246934
(891) 2015 03 10
(731) PIERRE FABRE MEDICAMENT
45 place Abel Gance, F-92100 BOULOGNE
BILLANCOURT, France

(540)

ANTALCARE

(511)
5 – Pharmaceutical products; analgesic product; anti-inflammatory product.

(260) AM 2016 82151 A
(800) 1246094
(891) 2014 11 26
(731) EGIS GYÓGYSZERGYÁR ZRT.
Keresztúri út 30-38, H-1106 Budapest, Hungary

(540)

TATICA

(511)
5 – Pharmaceutical preparations for human use.

(260) AM 2016 82153 A
(800) 1246095
(891) 2014 11 26
(731) EGIS GYÓGYSZERGYÁR ZRT.
Keresztúri út 30-38, H-1106 Budapest, Hungary

(540)

XEVIL

(511)
5 – Pharmaceutical preparations for human use; sanitary preparations for medical purposes.

(260) AM 2016 82155 A

(800) 1246096

(891) 2014 11 26

(731) EGIS GYÓGYSZERGYÁR ZRT.

Keresztúri út 30-38, H-1106 Budapest,

Hungary

(540)

XUVELEX

(511)

5 – Pharmaceutical preparations for human use.

(260) AM 2016 82162 A

(800) 1246214

(891) 2015 03 23

(731) KRKA, tovarna zdravil, d.d., Novo mesto

Šmarješka cesta 6, SI-8000 Novo mesto,

Slovenia

(540)

LEVAXELA

(511)

5 – Pharmaceutical preparations.

INTERNATIONAL TRADEMARKS PROTECTED IN GEORGIA

(260) AM 2015 77436 A
(800) 1204106
(151) 2014 01 08
(181) 2024 01 08
(891) 2014 01 08
(511) 07, 12

(260) AM 2015 79600 A
(800) 1222533
(151) 2014 08 06
(181) 2024 08 06
(891) 2014 08 06
(511) 05

(260) AM 2015 78861 A
(800) 1216311
(151) 2014 04 30
(181) 2024 04 30
(891) 2014 04 30
(511) 05

(260) AM 2015 79603 A
(800) 1222563
(151) 2014 02 06
(181) 2024 02 06
(891) 2014 02 06
(511) 07

(260) AM 2015 79085 A
(800) 1218246
(151) 2014 07 10
(181) 2024 07 10
(891) 2014 07 10
(511) 09, 11, 34

(260) AM 2015 79604 A
(800) 1222614
(151) 2014 03 24
(181) 2024 03 24
(891) 2014 03 24
(511) 41, 42

(260) AM 2015 79273 A
(800) 1058373
(151) 2010 10 26
(181) 2020 10 26
(891) 2014 07 08
(511) 05

(260) AM 2015 79605 A
(800) 1222616
(151) 2014 03 27
(181) 2024 03 27
(891) 2014 03 27
(511) 41, 42

(260) AM 2015 79372 A
(800) 1220726
(151) 2014 06 23
(181) 2024 06 23
(891) 2014 06 23
(511) 03, 05, 21

(260) AM 2015 79610 A
(800) 1222636
(151) 2014 05 28
(181) 2024 05 28
(891) 2014 05 28
(511) 38, 41, 42

(260) AM 2015 79424 A
(800) 1221283
(151) 2014 05 20
(181) 2024 05 20
(891) 2014 05 20
(511) 16

(260) AM 2015 79646 A
(800) 1149937
(151) 2012 11 29
(181) 2022 11 29
(891) 2014 07 17
(511) 01, 02, 19

(260) AM 2015 79525 A
(800) 1222480
(151) 2014 09 05
(181) 2024 09 05
(891) 2014 09 05
(511) 33, 35

(260) AM 2015 79658 A
(800) 1149944
(151) 2012 11 29
(181) 2022 11 29
(891) 2014 07 17
(511) 01, 02, 19

(260) AM 2015 79659 A
(800) 1149945
(151) 2012 11 29
(181) 2022 11 29
(891) 2014 07 17
(511) 01, 02, 19

(260) AM 2015 79677 A
(800) 1222757
(151) 2014 04 26
(181) 2024 04 26
(891) 2014 04 26
(511) 06, 07, 08, 09

(260) AM 2015 79733 A
(800) 879459
(151) 2006 02 13
(181) 2026 02 13
(891) 2014 08 08
(511) 29, 30

(260) AM 2015 79735 A
(800) 1041501
(151) 2010 05 28
(181) 2020 05 28
(891) 2014 11 04
(511) 05

(260) AM 2015 79736 A
(800) 1145217
(151) 2012 08 02
(181) 2022 08 02
(891) 2014 08 26
(511) 18

(260) AM 2015 79739 A
(800) 1207028
(151) 2013 10 04
(181) 2023 10 04
(891) 2014 07 23
(511) 03

(260) AM 2015 79753 A
(800) 1223774
(151) 2014 08 26
(181) 2024 08 26
(891) 2014 08 26
(511) 05

(260) AM 2015 79754 A
(800) 1223783
(151) 2014 07 10
(181) 2024 07 10

(891) 2014 07 10
(511) 09, 22

(260) AM 2015 79755 A
(800) 1223804
(151) 2014 07 16
(181) 2024 07 16
(891) 2014 07 16
(511) 09, 42

(260) AM 2015 79756 A
(800) 1223808
(151) 2014 06 06
(181) 2024 06 06
(891) 2014 06 06
(511) 05

(260) AM 2015 79773 A
(800) 1224035
(151) 2014 06 24
(181) 2024 06 24
(891) 2014 06 24
(511) 25

(260) AM 2015 79814 A
(800) 1224446
(151) 2014 03 25
(181) 2024 03 25
(891) 2014 03 25
(511) 09, 41, 42

(260) AM 2015 79862 A
(800) 1224973
(151) 2014 08 27
(181) 2024 08 27
(891) 2014 08 27
(511) 05, 40, 42, 45

(260) AM 2015 79863 A
(800) 1224986
(151) 2014 08 07
(181) 2024 08 07
(891) 2014 08 07
(511) 35

(260) AM 2015 79866 A
(800) 418308
(151) 1975 10 21
(181) 2025 10 21
(891) 2014 08 27
(511) 28

(260) AM 2015 79867 A
(800) 563641
(151) 1990 11 28
(181) 2020 11 28
(891) 2014 06 02
(511) 30

(260) AM 2015 79870 A
(800) 949097
(151) 2007 11 01
(181) 2017 11 01
(891) 2014 07 30
(511) 03

(260) AM 2015 79871 A
(800) 1046675
(151) 2010 06 10
(181) 2020 06 10
(891) 2014 08 13
(511) 01, 05, 31

(260) AM 2015 79872 A
(800) 1019387
(151) 2009 07 20
(181) 2019 07 20
(891) 2014 08 25
(511) 30

(260) AM 2015 79873 A
(800) 1107533
(151) 2011 11 16
(181) 2021 11 16
(891) 2014 09 30
(511) 09, 11

(260) AM 2015 79874 A
(800) 1113985
(151) 2011 07 22
(181) 2021 07 22
(891) 2014 10 15
(511) 03, 09, 14, 18, 25, 28, 35

(260) AM 2015 79875 A
(800) 1135060
(151) 2011 10 05
(181) 2021 10 05
(891) 2014 08 22
(511) 08, 11, 21

(260) AM 2015 79918 A
(800) 1225407
(151) 2014 07 25
(181) 2024 07 25

(891) 2014 07 25
(511) 35, 37

(260) AM 2015 79921 A
(800) 1225456
(151) 2014 02 12
(181) 2024 02 12
(891) 2014 02 12
(511) 11

(260) AM 2015 79923 A
(800) 1225476
(151) 2014 06 06
(181) 2024 06 06
(891) 2014 06 06
(511) 29, 30, 32

(260) AM 2015 80075 A
(800) 1226402
(151) 2014 07 17
(181) 2024 07 17
(891) 2014 07 17
(511) 03

(260) AM 2015 80084 A
(800) 1226606
(151) 2013 12 16
(181) 2023 12 16
(891) 2013 12 16
(511) 11, 20, 35

(260) AM 2015 80086 A
(800) 1226673
(151) 2014 07 15
(181) 2024 07 15
(891) 2014 07 15
(511) 18, 25

(260) AM 2015 80098 A
(800) 1226892
(151) 2014 03 28
(181) 2024 03 28
(891) 2014 03 28
(511) 06, 07, 09, 11, 17

(260) AM 2015 80100 A
(800) 1226895
(151) 2014 01 07
(181) 2024 01 07
(891) 2014 01 07
(511) 16, 34, 35

(260) AM 2015 80107 A
(800) 1227101
(151) 2014 07 04
(181) 2024 07 04
(891) 2014 07 04
(511) 33

(260) AM 2015 80127 A
(800) 1227224
(151) 2014 07 15
(181) 2024 07 15
(891) 2014 07 15
(511) 34

(260) AM 2015 80150 A
(800) 1068387
(151) 2010 12 22
(181) 2020 12 22
(891) 2014 09 01
(511) 33

(260) AM 2015 80157 A
(800) 1160337
(151) 2012 11 23
(181) 2022 11 23
(891) 2014 10 08
(511) 25

(260) AM 2015 80175 A
(800) 1227645
(151) 2014 07 29
(181) 2024 07 29
(891) 2014 07 29
(511) 09

(260) AM 2015 80177 A
(800) 1227710
(151) 2014 07 21
(181) 2024 07 21
(891) 2014 07 21
(511) 07, 09, 11

(260) AM 2015 80178 A
(800) 1227730
(151) 2014 07 17
(181) 2024 07 17
(891) 2014 07 17
(511) 05

(260) AM 2015 80185 A
(800) 1227912
(151) 2014 04 24
(181) 2024 04 24

(891) 2014 04 24
(511) 03, 09, 14, 16, 18, 25, 35, 36, 42

(260) AM 2015 80207 A
(800) 1228060
(151) 2014 10 13
(181) 2024 10 13
(891) 2014 10 13
(511) 33

(260) AM 2015 80217 A
(800) 1228347
(151) 2014 03 13
(181) 2024 03 13
(891) 2014 03 13
(511) 42

(260) AM 2015 80218 A
(800) 1228354
(151) 2014 03 05
(181) 2024 03 05
(891) 2014 03 05
(511) 01

(260) AM 2015 80219 A
(800) 1228355
(151) 2014 02 27
(181) 2024 02 27
(891) 2014 02 27
(511) 09, 37, 42

(260) AM 2015 80220 A
(800) 1228391
(151) 2014 06 11
(181) 2024 06 11
(891) 2014 06 11
(511) 03, 05, 21, 25, 26

(260) AM 2015 80221 A
(800) 1228400
(151) 2014 08 05
(181) 2024 08 05
(891) 2014 08 05
(511) 14, 18

(260) AM 2015 80222 A
(800) 1228457
(151) 2014 10 14
(181) 2024 10 14
(891) 2014 10 14
(511) 06

(260) AM 2015 80223 A
(800) 1227844
(151) 2014 05 21
(181) 2024 05 21
(891) 2014 05 21
(511) 09, 37, 42

(260) AM 2015 80225 A
(800) 1228234
(151) 2014 08 19
(181) 2024 08 19
(891) 2014 08 19
(511) 36

(260) AM 2015 80226 A
(800) 1228286
(151) 2014 07 16
(181) 2024 07 16
(891) 2014 07 16
(511) 01, 02, 17, 19

(260) AM 2015 80230 A
(800) 1228333
(151) 2014 07 09
(181) 2024 07 09
(891) 2014 07 09
(511) 32

(260) AM 2015 80232 A
(800) 1228334
(151) 2014 05 27
(181) 2024 05 27
(891) 2014 05 27
(511) 06, 07, 08, 11, 19, 20, 35

(260) AM 2015 80234 A
(800) 1228459
(151) 2014 09 22
(181) 2024 09 22
(891) 2014 09 22
(511) 29

(260) AM 2015 80235 A
(800) 644968
(151) 1995 11 01
(181) 2025 11 01
(891) 2014 10 17
(511) 12

(260) AM 2015 80236 A
(800) 662934
(151) 1996 09 19
(181) 2026 09 19

(891) 2014 11 17
(511) 25

(260) AM 2015 80237 A
(800) 662936
(151) 1996 09 19
(181) 2026 09 19
(891) 2014 11 17
(511) 25

(260) AM 2015 80242 A
(800) 1150810
(151) 2013 02 04
(181) 2023 02 04
(891) 2014 10 07
(511) 05

(260) AM 2015 80246 A
(800) 1105405
(151) 2011 12 02
(181) 2021 12 02
(891) 2014 11 08
(511) 11

(260) AM 2015 80247 A
(800) 1228508
(151) 2014 07 04
(181) 2024 07 04
(891) 2014 07 04
(511) 35

(260) AM 2015 80248 A
(800) 1228540
(151) 2014 07 04
(181) 2024 07 04
(891) 2014 07 04
(511) 03, 09, 14, 16, 18, 24, 25, 35

(260) AM 2015 80256 A
(800) 1228682
(151) 2014 05 05
(181) 2024 05 05
(891) 2014 05 05
(511) 09, 28, 41

(260) AM 2015 80257 A
(800) 1228730
(151) 2014 05 14
(181) 2024 05 14
(891) 2014 05 14
(511) 11

(260) AM 2015 80262 A
(800) 1228735
(151) 2014 06 13
(181) 2024 06 13
(891) 2014 06 13
(511) 28, 41

(260) AM 2015 80263 A
(800) 1228760
(151) 2014 08 11
(181) 2024 08 11
(891) 2014 08 11
(511) 01

(260) AM 2015 80266 A
(800) 1228788
(151) 2014 09 02
(181) 2024 09 02
(891) 2014 09 02
(511) 11, 21

(260) AM 2015 80269 A
(800) 1228817
(151) 2014 10 28
(181) 2024 10 28
(891) 2014 10 28
(511) 29

(260) AM 2015 80274 A
(800) 1228980
(151) 2014 09 11
(181) 2024 09 11
(891) 2014 09 11
(511) 10

(260) AM 2015 80275 A
(800) 1229031
(151) 2014 10 13
(181) 2024 10 13
(891) 2014 10 13
(511) 29, 31

(260) AM 2015 80277 A
(800) 1229044
(151) 2014 09 18
(181) 2024 09 18
(891) 2014 09 18
(511) 03

(260) AM 2015 80279 A
(800) 1229200
(151) 2014 04 03
(181) 2024 04 03

(891) 2014 04 03
(511) 07, 09

(260) AM 2015 80281 A
(800) 1229218
(151) 2014 06 16
(181) 2024 06 16
(891) 2014 06 16
(511) 03, 05

(260) AM 2015 80282 A
(800) 1229296
(151) 2014 07 17
(181) 2024 07 17
(891) 2014 07 17
(511) 18, 25

(260) AM 2015 80287 A
(800) 1229419
(151) 2014 06 13
(181) 2024 06 13
(891) 2014 06 13
(511) 03, 05, 21

(260) AM 2015 80301 A
(800) 1228575
(151) 2014 08 04
(181) 2024 08 04
(891) 2014 08 04
(511) 03

(260) AM 2015 80310 A
(800) 1229049
(151) 2014 11 12
(181) 2024 11 12
(891) 2014 11 12
(511) 39

(260) AM 2015 80320 A
(800) 1229639
(151) 2014 10 09
(181) 2024 10 09
(891) 2014 10 09
(511) 02

(260) AM 2015 80321 A
(800) 1229679
(151) 2014 10 17
(181) 2024 10 17
(891) 2014 10 17
(511) 09, 41

(260) AM 2015 80343 A
(800) 1229843
(151) 2014 04 01
(181) 2024 04 01
(891) 2014 04 01
(511) 07, 12, 35, 40, 42

(260) AM 2015 80348 A
(800) 1229913
(151) 2014 07 18
(181) 2024 07 18
(891) 2014 07 18
(511) 03, 05, 11, 21

(260) AM 2015 80349 A
(800) 1229918
(151) 2014 06 13
(181) 2024 06 13
(891) 2014 06 13
(511) 06, 20, 37, 42

(260) AM 2015 80351 A
(800) 1229924
(151) 2014 07 11
(181) 2024 07 11
(891) 2014 07 11
(511) 16, 35, 38, 39

(260) AM 2015 80354 A
(800) 1229961
(151) 2014 07 25
(181) 2024 07 25
(891) 2014 07 25
(511) 03, 05

(260) AM 2015 80355 A
(800) 1229970
(151) 2014 07 24
(181) 2024 07 24
(891) 2014 07 24
(511) 14, 35

(260) AM 2015 80357 A
(800) 1229975
(151) 2014 09 11
(181) 2024 09 11
(891) 2014 09 11
(511) 14

(260) AM 2015 80358 A
(800) 1229980
(151) 2014 09 11
(181) 2024 09 11

(891) 2014 09 11
(511) 09

(260) AM 2015 80362 A
(800) 1229981
(151) 2014 09 11
(181) 2024 09 11
(891) 2014 09 11
(511) 09

(260) AM 2015 80363 A
(800) 1229983
(151) 2014 09 11
(181) 2024 09 11
(891) 2014 09 11
(511) 09

(260) AM 2015 80364 A
(800) 1230036
(151) 2014 09 12
(181) 2024 09 12
(891) 2014 09 12
(511) 03, 05

(260) AM 2015 80365 A
(800) 1230151
(151) 2014 05 07
(181) 2024 05 07
(891) 2014 05 07
(511) 01, 03, 04

(260) AM 2015 80585 A
(800) 1232351
(151) 2014 11 21
(181) 2024 11 21
(891) 2014 11 21
(511) 25

(260) AM 2015 80632 A
(800) 1232547
(151) 2014 06 27
(181) 2024 06 27
(891) 2014 06 27
(511) 09, 41, 42

(260) AM 2015 80644 A
(800) 1232582
(151) 2014 11 06
(181) 2024 11 06
(891) 2014 11 06
(511) 33

(260) AM 2015 80826 A
(800) 948751
(151) 2007 05 17
(181) 2017 05 17
(891) 2014 09 25
(511) 16, 35

(260) AM 2015 80827 A
(800) 1089427
(151) 2011 08 02
(181) 2021 08 02
(891) 2014 11 19
(511) 11

(260) AM 2015 80828 A
(800) 1117956
(151) 2012 02 29
(181) 2022 02 28
(891) 2014 12 18
(511) 32, 33, 43

(260) AM 2015 80830 A
(800) 1234023
(151) 2014 04 21
(181) 2024 04 21
(891) 2014 04 21
(511) 09, 11

(260) AM 2015 80886 A
(800) 1234996
(151) 2014 04 16
(181) 2024 04 16
(891) 2014 04 16
(511) 11

(260) AM 2015 80889 A
(800) 1235106
(151) 2014 10 21
(181) 2024 10 21
(891) 2014 10 21
(511) 36

(260) AM 2015 80890 A
(800) 1235122
(151) 2014 09 22
(181) 2024 09 22
(891) 2014 09 22
(511) 18, 24, 25, 35, 40, 42, 45

(260) AM 2015 80895 A
(800) 1235372
(151) 2014 11 28

(181) 2024 11 28
(891) 2014 11 28
(511) 05

(260) AM 2015 80896 A
(800) 1235164
(151) 2014 11 26
(181) 2024 11 26
(891) 2014 11 26
(511) 05, 35

CLASSIFICATION INDEXES

INVENTIONS

CONCORDANCE TABLE OF INTERNATIONAL CLASSIFICATION INDEX AND PUBLICATION NUMBERS

INTERNATIONAL CLASSIFICATION INDEXES (51)	NUMBER OF PUBLISHED APPLICATION (10)
A 21 D 13/08	AP 2016 13501 A
A 61 F 6/18; A 61 B 17/42; A 61 F 6/14; A 61 B 17/34	AP 2016 13381 A
A 61 K 9/00; A 61 K 31/40	AP 2016 12755 A
C 07 D 401/04; C 07 D 403/04; C 07 D 413/04; C 07 D 413/14; C 07 D 417/04; C 07 D 471/04; A 61 K 31/421; A 61 K 31/427; A 61 K 31/437; A 61 K 31/4439; A 61 P 25/18; A 61 P 25/28	AP 2016 13402 A
C 07 D 401/06; A 61 K 31/435; A 61 P 3/00	AP 2016 13105 A
C 07 D 401/14; C 07 D 403/04; C 07 D 407/14; C 07 D 413/04; A 61 K 31/4184; A 61 K 31/4188; A 61 P 35/00; C 07 D 471/04	AP 2016 13462 A
G 06 K 19/06	AP 2016 13068 A

CONCORDANCE TABLE OF PUBLICATION NUMBERS AND INTERNATIONAL CLASSIFICATION INDEX

NUMBER OF PUBLISHED APPLICATION (10)	INTERNATIONAL CLASSIFICATION INDEXES (51)
AP 2016 12755 A	A 61 K 9/00; A 61 K 31/40
AP 2016 13068 A	G 06 K 19/06
AP 2016 13105 A	C 07 D 401/06; A 61 K 31/435; A 61 P 3/00
AP 2016 13381 A	A 61 F 6/18; A 61 B 17/42; A 61 F 6/14; A 61 B 17/34
AP 2016 13402 A	C 07 D 401/04; C 07 D 403/04; C 07 D 413/04; C 07 D 413/14; C 07 D 417/04; C 07 D 471/04; A 61 K 31/421; A 61 K 31/427; A 61 K 31/437; A 61 K 31/4439; A 61 P 25/18; A 61 P 25/28
AP 2016 13462 A	C 07 D 401/14; C 07 D 403/04; C 07 D 407/14; C 07 D 413/04; A 61 K 31/4184; A 61 K 31/4188; A 61 P 35/00; C 07 D 471/04
AP 2016 13501 A	A 21 D 13/08

CONCORDANCE TABLE OF INTERNATIONAL CLASSIFICATION INDEX, PATENT NUMBERS AND PUBLICATION NUMBERS

INTERNATIONAL CLASSIFICATION INDEX (51)	NUMBER OF PATENT (11)	NUMBER OF PUBLISHED APPLICATION (10)
A 61 K 31/57; A 61 K 31/567; A 61 P 5/36	P 2016 6430 B	AP 2015 13383 A
A 61 K 31/728; A 61 K 9/06; A 61 K 9/08; A 61 K 31/7084; A 61 P 27/02; A 61 P 43/00	P 2016 6431 B	AP 2015 13449 A
C 07 D 413/04; C 07 D 413/14; C 07 D 417/14; C 07 D 471/04; C 07 D 487/04; C 07 D 498/10; C 07 D 513/04; A 61 K 31/506; A 61 P 35/00	P 2016 6432 B	AP 2015 13450 A
C 07 D 498/04; A 61 K 31/4188; A 61 P 9/10	P 2016 6434 B	AP 2015 13478 A
C 07 K 16/28; A 61 K 39/395	P 2016 6429 B	AP 2015 13079 A
E 02 F 3/88; E 02 F 3/92	P 2016 6433 B	AP 2015 13460 A

**CONCORDANCE TABLE OF PATENT NUMBERS,
PUBLICATION NUMBERS AND INTERNATIONAL CLASSIFICATION INDEX**

NUMBER OF PATENT (11)	NUMBER OF PUBLISHED APPLICATION (10)	INTERNATIONAL CLASSIFICATION INDEX (51)
P 2016 6429 B	AP 2015 13079 A	C 07 K 16/28; A 61 K 39/395
P 2016 6430 B	AP 2015 13383 A	A 61 K 31/57; A 61 K 31/567; A 61 P 5/36
P 2016 6431 B	AP 2015 13449 A	A 61 K 31/728; A 61 K 9/06; A 61 K 9/08; A 61 K 31/7084; A 61 P 27/02; A 61 P 43/00
P 2016 6432 B	AP 2015 13450 A	C 07 D 413/04; C 07 D 413/14; C 07 D 417/14; C 07 D 471/04; C 07 D 487/04; C 07 D 498/10; C 07 D 513/04; A 61 K 31/506; A 61 P 35/00
P 2016 6433 B	AP 2015 13460 A	E 02 F 3/88; E 02 F 3/92
P 2016 6434 B	AP 2015 13478 A	C 07 D 498/04; A 61 K 31/4188; A 61 P 9/10

**CONCORDANCE TABLE OF APPLICATION NUMBERS, PUBLICATION NUMBERS
AND PATENTS**

NUMBER OF APPLICATION (21)	NUMBER OF PUBLISHED APPLICATION (10)	NUMBER OF PATENT (11)
AP 2011 013079	AP 2015 13079 A	P 2016 6429 B
AP 2012 013383	AP 2015 13383 A	P 2016 6430 B
AP 2012 013449	AP 2015 13449 A	P 2016 6431 B
AP 2012 013450	AP 2015 13450 A	P 2016 6432 B
AP 2012 013460	AP 2015 13460 A	P 2016 6433 B
AP 2012 013478	AP 2015 13478 A	P 2016 6434 B

UTILITY MODELS

**CONCORDANCE TABLE OF INTERNATIONAL CLASSIFICATION INDEX
AND PUBLICATION NUMBERS**

INTERNATIONAL CLASSIFICATION INDEXES (51)	NUMBER OF PUBLISHED APPLICATION (10)
A 01 F 25/00	AU 2016 13883 U
A 23 L 1/06	AU 2016 13872 U

**CONCORDANCE TABLE OF PUBLICATION NUMBERS
AND INTERNATIONAL CLASSIFICATION INDEX**

NUMBER OF PUBLISHED APPLICATION (10)	INTERNATIONAL CLASSIFICATION INDEXES (51)
AU 2016 13872 U	A 23 L 1/06
AU 2016 13883 U	A 01 F 25/00

**CONCORDANCE TABLE OF INTERNATIONAL CLASSIFICATION INDEX,
PATENT NUMBERS AND PUBLICATION NUMBERS**

INTERNATIONAL CLASSIFICATION INDEX (51)	NUMBER OF PATENT (11)	NUMBER OF PUBLISHED APPLICATION (10)
A 61 K 36/00	U 2016 1884 Y	AU 2015 13546 U

**CONCORDANCE TABLE OF PATENT NUMBERS,
PUBLICATION NUMBERS AND INTERNATIONAL CLASSIFICATION INDEX**

NUMBER OF PATENT (11)	NUMBER OF PUBLISHED APPLICATION (10)	INTERNATIONAL CLASSIFICATION INDEX (51)
U 2016 1884 Y	AU 2015 13546 U	A 61 K 36/00

**CONCORDANCE TABLE OF APPLICATION NUMBERS, PUBLICATION NUMBERS
AND PATENTS**

NUMBER OF APPLICATION (21)	NUMBER OF PUBLISHED APPLICATION (10)	NUMBER OF PATENT (11)
AU 2014 013546	AU 2015 13546 U	U 2016 1884 Y

DESIGNS

**CONCORDANCE TABLE OF INTERNATIONAL CLASSIFICATION INDEX
AND PUBLICATION NUMBERS**

INTERNATIONAL CLASSIFICATION INDEXES (51)	NUMBER OF PUBLISHED APPLICATION (10)
19-08	AD 2016 878 S

**CONCORDANCE TABLE OF PUBLICATION NUMBERS
AND INTERNATIONAL CLASSIFICATION INDEX**

NUMBER OF PUBLISHED APPLICATION (10)	INTERNATIONAL CLASSIFICATION INDEXES (51)
AD 2016 878 S	19-08

CONCORDANCE TABLE OF INTERNATIONAL CLASSIFICATION INDEX,
PATENT NUMBERS AND PUBLICATION NUMBERS

INTERNATIONAL CLASSIFICATION INDEX (51)	NUMBER OF PATENT (11)	NUMBER OF PUBLISHED APPLICATION (10)
09-03	D 2016 662 S	AD 2015 856 S

CONCORDANCE TABLE OF PATENT NUMBERS,
PUBLICATION NUMBERS AND INTERNATIONAL CLASSIFICATION INDEX

NUMBER OF PATENT (11)	NUMBER OF PUBLISHED APPLICATION (10)	INTERNATIONAL CLASSIFICATION INDEX (51)
D 2016 662 S	AD 2015 856 S	09-03

CONCORDANCE TABLE OF APPLICATION NUMBERS, PUBLICATION NUMBERS
AND PATENTS

NUMBER OF APPLICATION (21)	NUMBER OF PUBLISHED APPLICATION (10)	NUMBER OF PATENT (11)
AD 2015 000856	AD 2015 856 S	D 2016 662 S

TRADEMARKS

CONCORDANCE TABLE OF REGISTRATION NUMBERS, APPLICATION NUMBERS, PUBLICATION NUMBERS AND BULLETIN NUMBERS

NUMBER OF REGISTRATION (111)	NUMBER OF APPLICATIONS (210)	NUMBER OF PUBLISHED APPLICATIONS (260)	NUMBER OF BULLETIN
1	2	3	4
M 2016 26641 R	AM 75413	AM 2015 75413 A	12(424)2015
M 2016 26642 R	AM 76078	AM 2015 76078 A	19(431)2015
M 2016 26643 R	AM 76080	AM 2015 76080 A	9(421)2015
M 2016 26644 R	AM 76083	AM 2015 76083 A	9(421)2015
M 2016 26645 R	AM 76187	AM 2015 76187 A	7(419)2015
M 2016 26646 R	AM 76190	AM 2015 76190 A	8(420)2015
M 2016 26647 R	AM 76340	AM 2015 76340 A	10(422)2015
M 2016 26648 R	AM 76569	AM 2015 76569 A	5(417)2015
M 2016 26649 R	AM 76570	AM 2015 76570 A	6 (418)2015
M 2016 26650 R	AM 76984	AM 2015 76984 A	9 (421)2015
M 2016 26731 R	AM 77257	AM 2015 77257 A	14(426)2015
M 2016 26651 R	AM 77344	AM 2015 77344 A	11(423)2015
M 2016 26652 R	AM 77404	AM 2015 77404 A	9(421)2015
M 2016 26653 R	AM 77575	AM 2015 77575 A	16(428)2015
M 2016 26654 R	AM 77651	AM 2015 77651 A	16(428)2015
M 2016 26655 R	AM 77734	AM 2015 77734 A	16(428)2015
M 2016 26656 R	AM 77768	AM 2015 77768 A	9(421)2015
M 2016 26657 R	AM 77816	AM 2015 77816 A	15(427)2015
M 2016 26732 R	AM 77893	AM 2015 77893 A	14(426)2015
M 2016 26658 R	AM 78138	AM 2015 78138 A	15(427)2015
M 2016 26659 R	AM 78141	AM 2015 78141 A	15(427)2015
M 2016 26660 R	AM 78142	AM 2015 78142 A	15(427)2015
M 2016 26661 R	AM 78149	AM 2015 78149 A	15(427)2015
M 2016 26662 R	AM 78343	AM 2015 78343 A	16(428)2015
M 2016 26663 R	AM 78375	AM 2015 78375 A	11(423)2015
M 2016 26664 R	AM 78378	AM 2015 78378 A	15(427)2015
M 2016 26665 R	AM 78407	AM 2015 78407 A	16(428)2015
M 2016 26666 R	AM 78453	AM 2015 78453 A	17(429)2015
M 2016 26667 R	AM 78508	AM 2015 78508 A	16(428)2015
M 2016 26668 R	AM 78509	AM 2015 78509 A	16(428)2015
M 2016 26669 R	AM 78510	AM 2015 78510 A	16(428)2015
M 2016 26670 R	AM 78579	AM 2015 78579 A	17(429)2015
M 2016 26671 R	AM 78617	AM 2015 78617 A	9(421)2015
M 2016 26672 R	AM 78618	AM 2015 78618 A	9(421)2015
M 2016 26673 R	AM 78750	AM 2015 78750 A	10(422)2015
M 2016 26674 R	AM 78751	AM 2015 78751 A	10(422)2015
M 2016 26675 R	AM 78805	AM 2015 78805 A	16(428)2015
M 2016 26676 R	AM 78812	AM 2015 78812 A	13(425)2015
M 2016 26677 R	AM 78813	AM 2015 78813 A	15(427)2015
M 2016 26678 R	AM 78814	AM 2015 78814 A	12(424)2015
M 2016 26679 R	AM 78826	AM 2015 78826 A	10(422)2015
M 2016 26680 R	AM 78840	AM 2015 78840 A	16(428)2015
M 2016 26681 R	AM 78842	AM 2015 78842 A	16(428)2015
M 2016 26682 R	AM 78855	AM 2015 78855 A	16(428)2015
M 2016 26683 R	AM 78879	AM 2015 78879 A	13(425)2015
M 2016 26684 R	AM 78880	AM 2015 78880 A	10(422)2015

1	2	3	4
M 2016 26685 R	AM 78887	AM 2015 78887 A	15(427)2015
M 2016 26686 R	AM 78888	AM 2015 78888 A	16(428)2015
M 2016 26687 R	AM 79003	AM 2015 79003 A	16(428)2015
M 2016 26688 R	AM 79070	AM 2015 79070 A	15(427)2015
M 2016 26689 R	AM 79112	AM 2015 79112 A	17(429)2015
M 2016 26690 R	AM 79120	AM 2015 79120 A	12(424)2015
M 2016 26691 R	AM 79121	AM 2015 79121 A	12(424)2015
M 2016 26692 R	AM 79122	AM 2015 79122 A	12(424)2015
M 2016 26693 R	AM 79124	AM 2015 79124 A	14(426)2015
M 2016 26694 R	AM 79133	AM 2015 79133 A	14(426)2015
M 2016 26695 R	AM 79140	AM 2015 79140 A	15(427)2015
M 2016 26696 R	AM 79156	AM 2015 79156 A	16(428)2015
M 2016 26697 R	AM 79186	AM 2015 79186 A	14(426)2015
M 2016 26698 R	AM 79191	AM 2015 79191 A	14(426)2015
M 2016 26699 R	AM 79242	AM 2015 79242 A	14(426)2015
M 2016 26700 R	AM 79284	AM 2015 79284 A	14(426)2015
M 2016 26701 R	AM 79417	AM 2015 79417 A	16(428)2015
M 2016 26702 R	AM 79475	AM 2015 79475 A	14(426)2015
M 2016 26703 R	AM 79476	AM 2015 79476 A	18(430)2015
M 2016 26704 R	AM 79477	AM 2015 79477 A	16(428)2015
M 2016 26705 R	AM 79498	AM 2015 79498 A	15(427)2015
M 2016 26706 R	AM 79523	AM 2015 79523 A	16(428)2015
M 2016 26707 R	AM 79574	AM 2015 79574 A	16(428)2015
M 2016 26708 R	AM 79612	AM 2015 79612 A	15(427)2015
M 2016 26709 R	AM 79614	AM 2015 79614 A	15(427)2015
M 2016 26710 R	AM 79654	AM 2015 79654 A	13(425)2015
M 2016 26711 R	AM 79655	AM 2015 79655 A	13(425)2015
M 2016 26712 R	AM 79656	AM 2015 79656 A	13(425)2015
M 2016 26713 R	AM 79689	AM 2015 79689 A	16(428)2015
M 2016 26714 R	AM 79694	AM 2015 79694 A	16(428)2015
M 2016 26715 R	AM 79742	AM 2015 79742 A	13(425)2015
M 2016 26716 R	AM 79745	AM 2015 79745 A	12(424)2015
M 2016 26717 R	AM 79746	AM 2015 79746 A	12(424)2015
M 2016 26718 R	AM 79752	AM 2015 79752 A	17(429)2015
M 2016 26719 R	AM 79786	AM 2015 79786 A	17(429)2015
M 2016 26720 R	AM 79787	AM 2015 79787 A	17(429)2015
M 2016 26721 R	AM 79788	AM 2015 79788 A	17(429)2015
M 2016 26722 R	AM 79809	AM 2015 79809 A	17(429)2015
M 2016 26723 R	AM 79879	AM 2015 79879 A	17(429)2015
M 2016 26724 R	AM 79880	AM 2015 79880 A	17(429)2015
M 2016 26725 R	AM 79929	AM 2015 79929 A	17(429)2015
M 2016 26726 R	AM 79979	AM 2015 79979 A	15(427)2015
M 2016 26727 R	AM 79988	AM 2015 79988 A	17(429)2015
M 2016 26728 R	AM 80497	AM 2015 80497 A	17(429)2015
M 2016 26729 R	AM 69322	AM 2015 69322 A	9(421)2015
M 2016 26730 R	AM 85696	-	3(439) 2016
M 2016 26731 R	AM 80497	AM 2015 77257 A	14 (426) 2015
M 2016 26732 R	AM 80497	AM 2015 77893 A	14 (429) 2015
M 2016 26733 R	AM 85242	-	3(439) 2016
M 2016 26734 R	AM 85243	-	3(439) 2016
M 2016 26735 R	AM 85745	-	3(439) 2016

CONCORDANCE TABLE OF PUBLICATION NUMBERS
AND APPLICATION NUMBERS

NUMBER OF PUBLISHED APPLICATION (260)	NUMBER OF APPLICATION (210)	1	2
1	2		
AM 2016 78169 A	AM 78169	AM 2016 82062 A	AM 82062
AM 2016 78741 A	AM 78741	AM 2016 82063 A	AM 82063
AM 2016 78745 A	AM 78745	AM 2016 82064 A	AM 82064
AM 2016 78746 A	AM 78746	AM 2016 82228 A	AM 82228
AM 2016 78753 A	AM 78753	AM 2016 82238 A	AM 82238
AM 2016 80142 A	AM 80142	AM 2016 82239 A	AM 82239
AM 2016 80143 A	AM 80143	AM 2016 82242 A	AM 82242
AM 2016 80532 A	AM 80532	AM 2016 82315 A	AM 82315
AM 2016 81035 A	AM 81035	AM 2016 82341 A	AM 82341
AM 2016 81176 A	AM 81176	AM 2016 82342 A	AM 82342
AM 2016 81301 A	AM 81301	AM 2016 82434 A	AM 82434
AM 2016 81419 A	AM 81419	AM 2016 82435 A	AM 82435
AM 2016 81460 A	AM 81460	AM 2016 82493 A	AM 82493
AM 2016 81512 A	AM 81512	AM 2016 82566 A	AM 82566
AM 2016 81622 A	AM 81622	AM 2016 82569 A	AM 82569
AM 2016 81659 A	AM 81659	AM 2016 82649 A	AM 82649
AM 2016 81678 A	AM 81678	AM 2016 82854 A	AM 82854
AM 2016 81694 A	AM 81694	AM 2016 82856 A	AM 82856
AM 2016 81709 A	AM 81709	AM 2016 82925 A	AM 82925
AM 2016 81735 A	AM 81735	AM 2016 82928 A	AM 82928
AM 2016 81737 A	AM 81737	AM 2016 82929 A	AM 82929
AM 2016 81738 A	AM 81738	AM 2016 82930 A	AM 82930
AM 2016 82047 A	AM 82047	AM 2016 82931 A	AM 82931
AM 2016 82061 A	AM 82061	AM 2016 82932 A	AM 82932
		AM 2016 82933 A	AM 82933
		AM 2016 82935 A	AM 82935
		AM 2016 82937 A	AM 82937
		AM 2016 82940 A	AM 82940

CONCORDANCE TABLE OF INDEX OF GOODS AND/OR SERVICES
AND APPLICATION NUMBERS

INDEX OF GOODS AND/OR SERVICES (511)	NUMBER OF PUBLISHED APPLICATIONS (260)	1	2
1	2	28	AM 2016 81735 A
3	AM 2016 78169 A	29	AM 2016 78741 A
3	AM 2016 81460 A	29	AM 2016 78745 A
5	AM 2016 80142 A	29	AM 2016 78746 A
5	AM 2016 80143 A	29	AM 2016 82047 A
5	AM 2016 81512 A	30	AM 2016 78169 A
5	AM 2016 81659 A	30	AM 2016 78741 A
5	AM 2016 81678 A	30	AM 2016 78745 A
5	AM 2016 81737 A	30	AM 2016 78746 A
5	AM 2016 81738 A	30	AM 2016 81035 A
5	AM 2016 82047 A	30	AM 2016 81301 A
5	AM 2016 82061 A	30	AM 2016 82047 A
5	AM 2016 82062 A	30	AM 2016 82315 A
5	AM 2016 82063 A	32	AM 2016 78169 A
5	AM 2016 82064 A	32	AM 2016 81622 A
5	AM 2016 82493 A	32	AM 2016 82047 A
5	AM 2016 82569 A	33	AM 2016 78169 A
6	AM 2016 81694 A	33	AM 2016 81176 A
8	AM 2016 82566 A	33	AM 2016 82239 A
9	AM 2016 82341 A	33	AM 2016 82242 A
9	AM 2016 82342 A	33	AM 2016 82434 A
12	AM 2016 81419 A	33	AM 2016 82435 A
12	AM 2016 82925 A	33	AM 2016 82854 A
12	AM 2016 82928 A	33	AM 2016 82856 A
12	AM 2016 82929 A	34	AM 2016 78169 A
12	AM 2016 82930 A	34	AM 2016 80532 A
12	AM 2016 82931 A	35	AM 2016 78741 A
12	AM 2016 82932 A	35	AM 2016 78745 A
12	AM 2016 82933 A	35	AM 2016 78746 A
12	AM 2016 82935 A	35	AM 2016 78753 A
12	AM 2016 82937 A	35	AM 2016 81694 A
12	AM 2016 82940 A	35	AM 2016 82228 A
14	AM 2016 78169 A	36	AM 2016 81694 A
18	AM 2016 78169 A	36	AM 2016 82341 A
19	AM 2016 81694 A	36	AM 2016 82342 A
20	AM 2016 78169 A	36	AM 2016 81694 A
20	AM 2016 82228 A	37	AM 2016 81694 A
21	AM 2016 78169 A	39	AM 2016 81694 A
25	AM 2016 81460 A	42	AM 2016 78753 A
		43	AM 2016 81709 A
		43	AM 2016 82238 A
		43	AM 2016 82649 A
		44	AM 2016 78753 A

CONCORDANCE TABLE OF INDEX OF GOODS AND/OR SERVICES
AND NUMBERS OF TRADEMARKS REGISTERED ACCORDING
TO THE ACCELERATED PROCEDURE

INDEX OF GOODS AND/OR SERVICES (511)	NUMBERS OF REGISTERED ACCORDING TO THE ACCELERATED PROCEDURE (111)
6	M 2016 26735 R
32	M 2016 26730 R
33	M 2016 26730 R
35	M 2016 26733 R
35	M 2016 26734 R
35	M 2016 26730 R
43	M 2016 26730 R

OFFICIAL BULLETIN OF THE INDUSTRIAL PROPERTY

3(439)

EDITOR-IN-CHIEF: N. Bebrishvili

EDITORS-TRANSLATORS: E. Gabunia

PROOFREADER: A. Shikhashvili

COMPUTER LAYOUT: M. Ordenidze
K. Svanidze

www.sakpatenti.org.ge

E-mail: info@sakpatenti.org.ge