



**NATIONAL INTELLECTUAL PROPERTY CENTER OF GEORGIA
SAKPATENTI**

**OFFICIAL BULLETIN
OF THE INDUSTRIAL PROPERTY**

5(441)

**2016
TBILISI**

INID CODES FOR IDENTIFICATION OF BIBLIOGRAPHIC DATA

INVENTIONS, UTILITY MODELS

- (10) Number of publication for application, which has been examined
- (11) Number of patent and kind of document
- (21) Serial number of application
- (22) Date of filing of the application
- (23) Date of exhibition or the date of the earlier filing and the number of application, if any
- (24) Date from which patent may have effect
- (31) Number of priority application
- (32) Date of filing of priority application
- (33) Code of the country or regional organization allotting priority application number
- (44) Date of publication of application not granted, but examined and number of bulletin
- (45) Date of publication of registered document
- (51) International Patent Classification Index
- (54) Title of the invention
- (57) Abstract
- (60) Number of examined patent document granted by foreign patent office, date from which patent has effect and country code
- (62) Number of the earlier application and in case of divided application, date of filing an application
- (71) Name, surname and address of applicant (country code)
- (72) Name, surname of inventor (country code)
- (73) Name, surname and address of patent owner (country code)
- (74) Name, surname of representative or patent attorney
- (85) Date of commencement of the national phase of International Application
- (86) Number and date of filing of international application
- (87) Number and date of publication of international application

DESIGNS

- (10) Number of publication for application
- (11) Number of patent and kind of document or number of registration
- (15) Date of registration/Date of patent renewal
- (18) Expected expiration date of patent or registration
- (21) Serial number of application
- (22) Date of filing of the application
- (23) Date of exhibition or the date of the earlier filing and the number of application, if any
- (24) Date from which patent may have effect
- (28) Number of designs included in the application
- (30) Data relating to priority (number of application, date of filing of application, two-letter code identifying the authority with whom the priority application was made)
- (31) Number of priority application
- (32) Date of filing of priority application
- (33) Code of the country or regional organization allotting priority application number
- (34) Two-letter code according to WIPO St.3 identifying the authority with which the priority application was made
- (44) Date of publication of design and number of bulletin (the first publication)
- (45) Date of publication of design registered by WIPO and number of bulletin
- (51) International Classification for designs (class and subclass of the Locarno Classification)
- (54) Title of the invention
- (55) Reproduction of the design
- (57) Description of characteristic features of the design including indication of colors
- (58) Date of recording of any kind of amendment in the Register
- (62) Number of the earlier application, registration and document number and if available the date of filing an application in case of divided application
- (71) Name, surname and address of applicant (country code)
- (72) Name, surname of creator (country code)
- (73) Name, surname and address of patent owner (country code)
- (74) Name, surname of representative or patent attorney
- (81) Contracting states concerned
 - II designated contracting states according to the 1960 Act
 - III designated contracting states according to the 1999 Act
- (85) Owner's permanent address
- (86) Owner's nationality
- (87) Owner's residence
- (88) State in which the owner has a real and effective industrial or commercial establishment

TRADEMARKS

- (111) – Number of registration
- (151) – Date of registration
- (156) – Date of the renewal
- (181) – Expected expiration date of registration
- (186) – Renewal expiration date of registration
- (141) – Date of cancel of duration of the mark
- (210) – Serial number of application
- (220) – Date of filing of the application
- (230) – Date concerning exhibition
- (260) – Number of application, for which favorable decision of examination about registration has been taken (publication number)
- (310) – Number of the first application
- (320) – Date of filing of the first application
- (330) – Code, identifying national or regional Office where the first application was made
- (511) – International Classification of Goods and Services for the purposes of registration of trade marks and/or list of goods and/or services classified according thereto
- (531) – Description of figurative elements of Trade Marks according to the International Classification of the Figurative Elements of Marks
- (540) – Reproduction of Trade Mark
- (550) – Nature and kind of Trade Mark
- (580) – Date of recording of any kind changes in respect of applications or registrations
- (591) – Information concerning colors claimed
- (731) – Name and address of the applicant
- (732) – Name and address of the holder of the registration
- (740) – Name and address of the representative
- (750) – Address for correspondence
- (770) – Name and address of the previous applicant or holder in case of change in ownership
- (771) – Previous name and address of the applicant or holder in case of change in ownership
- (791) – Name and address of the licensee
- (793) – Indication of conditions and/or restrictions under the license (Type of license, number of license agreement, data of license, data of validity of license)
- (800) – Certain data relating to the international registration of Trade Marks under the Protocol Relating to Madrid Agreement (International registration number)

CODES FOR PUBLICATION IN BULLETIN

- (21) AP 0000 000000 – serial number of application for invention
- (10) AP 0000 0000 A – number of published application for invention (first publication)
- (11) P 0000 0000 B – number of patent for invention (second publication)
- (21) API 0000 000000 – number of application for imported patent
- (11) PI 0000 0000 A – number of imported patent (first publication)
- (21) AU 0000 000000 – serial number of application for utility model
- (10) AU 0000 000 U – number of published application for utility model (first publication)
- (11) U 0000 000 Y – number of patent for utility model (second publication)
- (21) AD 0000 000000 – serial number of application for design
- (10) AD 0000 000 S – number of published application for design (first publication)
- (11) D 0000 000 S – number of patent for design (second publication)

INTERNATIONAL PATENT CLASSIFICATION FOR INVENTIONS AND UTILITY MODELS

- SECTION A – HUMAN NECESSITIES
- SECTION B – PERFORMING OPERATIONS; TRANSPORTING
- SECTION C – CHEMISTRY; METALLURGY
- SECTION D – TEXTILES; PAPER
- SECTION E – FIXED CONSTRUCTIONS
- SECTION F – MECHANICAL ENGINEERING; LIGHTING; HEATING; WEAPONS; BLASTING
- SECTION G – PHYSICS
- SECTION H – ELECTRICITY

-
- M – Trade Mark
 - (210) AM 0000 000000 – Serial number of application;
 - (260) AAM 0000 00000 A – Publication number of application;
 - (111) M 0000 00000 R – Number of registration;
 - (111) MMM0000 00000 Rn – Number of renewals, in which n=1,2,3;
 - (111) M 0000 00000 R(P) – Number of registration under partial assignment of rights
-

**NATIONAL INTELLECTUAL PROPERTY CENTER OF GEORGIA
SAKPATENTI**

**OFFICIAL BULLETIN
OF THE INDUSTRIAL PROPERTY**

5(441)

INVENTIONS

UTILITY MODELS

DESIGNS

TRADEMARKS

**APPELLATIONS OF ORIGIN AND GEOGRAPHICAL
INDICATIONS OF GOODS**

DATE OF PUBLICATION

2016 03 10

CONTENTS

PUBLISHED TITLES OF PROTECTION	3
INVENTIONS	
▪ APPLICATIONS APPROVED FOR GRANTING PATENTS	4
▪ PATENTED INVENTIONS	8
UTILITY MODELS	
▪ PATENTED UTILITY MODELS	10
DESIGNS	
▪ REGISTERED DESIGN	11
▪ DESIGNS REGISTERED WITH THE INTERNATIONAL BUREAU CLAIMING PRIORITY ON THE TERRITORY OF GEORGIA	12
TRADEMARKS	
▪ APPLICATIONS FILED UNDER THE NATIONAL PROCEDURE APPROVED FOR REGISTRATION	47
▪ REGISTERED TRADEMARKS	58
▪ TRADEMARKS REGISTERED ACCORDING TO THE ACCELERATED PROCEDURE	65
▪ INTERNATIONAL TRADEMARKS FOR WHICH A DECISION ON GRANTING PROTECTION IS TAKEN	67
▪ INTERNATIONAL TRADEMARKS PROTECTED IN GEORGIA	124
APPELLATIONS OF ORIGIN (AOs)	
▪ AMENDMENTS IN AO REGISTRATION	134
OFFICIAL NOTIFICATIONS	
TRADEMARKS	
▪ RENEWAL OF REGISTRATIONS	135
▪ COMPLETE TRANSFER OF RIGHTS	139
▪ CHANGES IN NAMES AND/OR ADDRESSES OF OWNERS	143
▪ CANCELLING OF TRADEMARK REGISTRATION	146
CLASSIFICATION INDEXES	
INVENTIONS	147
UTILITY MODELS	149
DESIGNS	150
TRADEMARKS	151

PUBLISHED TITLES OF PROTECTION

INVENTIONS

- **APPLICATIONS APPROVED FOR GRANTING PATENTS:**
13681; 13691; 13454; 13814; 13655; 13654; 13529; 13177; 13312; 13594; 13545
- **PATENTED INVENTIONS:**
6439-6445

UTILITY MODELS

- **PATENTED UTILITY MODEL:**
1889

DESIGNS

- **REGISTERED DESIGNS:**
664-665
- **DESIGNS REGISTERED WITH THE INTERNATIONAL BUREAU CLAIMING PRIORITY ON THE TERRITORY OF GEORGIA:**
86291; 86293; 86294; 86305; 87833; 87835; 87841; 87857; 86309; 86391; 86408; 87925; 86361; 86363; 86407; 86412; 86444; 87686; 87687; 88120; 88167; 88289; 88327; 86610; 86781; 87032; 87464; 87529; 88355; 88375; 88376; 88441

TRADEMARKS

- **APPLICATIONS FILED UNDER THE NATIONAL PROCEDURE APPROVED FOR REGISTRATION:**
78229; 78231; 78737; 78740; 79635; 80020; 81207; 81341; 81864; 81890; 81904; 81905; 81941; 81995; 82118; 82134; 82205; 82210; 82259; 82309; 82344; 82345; 82357; 82439-82442; 82444-82446; 82449; 82452; 82495; 82547; 82565; 82599; 82610; 82611; 82614; 82615; 82620; 82621; 82633; 82636; 82676-82678; 82695; 82716; 82740; 82818-82820; 82822; 82833; 82834; 82870; 82871; 82965; 83000; 83001; 83194; 83243; 83245; 83247; 83249; 83344; 83383; 83392; 83464; 83485; 83512
- **REGISTERED TRADEMARKS:**
26794-26867
- **TRADEMARKS REGISTERED ACCORDING TO THE ACCELERATED PROCEDURE:**
26790-26793; 26868-26872
- **INTERNATIONAL TRADEMARKS FOR WHICH A DECISION ON GRANTING PROTECTIONS IS TAKEN:**
77989*; 78167*; 78613*; 78984*; 79209; 79518; 80109; 80124; 80133; 80834; 80838; 80840; 80841; 80851; 81103; 81201; 81325; 81331; 81454; 81459; 81661; 81707; 81748; 81772; 81773; 81776; 81777; 81779; 81820; 81828; 81838; 81851; 81853; 81857; 81862; 81894-81896; 81909; 81911; 81915; 81918; 81920; 81924; 81938; 81939; 81946; 81952; 81960; 81968; 81970; 81971; 81973; 81974; 81976; 81977; 82052; 82087; 82088; 82115; 82116; 82121; 82122; 82126; 82128; 82129; 82131; 82132; 82135-82138; 82140-82144; 82146-82148; 82163; 82174; 82175; 82203; 82208; 82243-82249; 82269; 82270; 82272; 82274; 82278-82281; 82283; 82300-82302; 82304; 82305; 82324; 82346-82356; 82359; 82361; 82363-82367; 82387; 82388; 82393; 82394; 82415; 82417; 82483; 82484; 82487; 82488; 82496-82498; 82543-82546; 82738; 82739; 82770; 82771; 82774
- **INTERNATIONAL TRADEMARKS PROTECTED IN GEORGIA:**
75963; 76109; 76516; 77239; 77419; 77422; 77434; 77752; 78450; 78615; 78938; 79732; 79737; 79738; 79850; 79878; 80244; 80267; 80337; 80372; 80376; 80386; 80389; 80392-80395; 80400; 80402; 80406; 80415; 80440-80444; 80447-80463; 80465; 80467-80469; 80472; 80473; 80475-80480; 80484; 80486; 80493; 80496; 80498-80501; 80504-80507; 80511-80515; 80517-80519; 80521; 80522; 80524; 80527-80529; 80533; 80534; 80538; 80539; 80541; 80544; 80549; 80552; 80553; 80555; 80557; 80564-80566; 80574; 80612; 80628; 80630; 80640; 80641; 80643; 80647-80649; 80658; 80668; 80669; 80674; 80675; 80677; 80687-80689; 80691; 80693; 80701; 80703; 80704; 80731; 80732; 80758-80761; 80763; 81063-81068; 81078; 81113; 81115

APPELLATIONS OF ORIGIN (AOs)

- **AMENDMENTS IN AO REGISTRATION:**
10

INVENTIONS

APPLICATIONS APPROVED FOR GRANTING PATENTS

The decision can be appealed at the Chamber of Appeal of Sakpatenti within 3 months from the publication or at the Mtskheta District Court Administrative Cases Board (Address: №17, Samkhedro str., Mtskheta), within 1 month following the publication.

PART A

A 01

(10) AP 2016 13681 A (51) Int. Cl. (2006)
A 01 D 17/00

(21) AP 2014 013681 (22) 2014 12 25

(71) LEPL SCIENTIFIC RESEARCH
CENTER OF AGRICULTURE (GE)
Marshal Gelovanis Gamz. 6, 0159,
Tbilisi (GE)

(72) Vladimer Miruashvili (GE);
Giorgi Toriashvili (GE).

(54) **ROOTCROPS PICKING DEVICE**

(57) A device includes separation device having an elevator 12 and mounted on a frame 1. Separation device is executed as sections 10 and 11 having stems by means of beams 2, 3, 4 and 5 having hinges. Said sections are connected to each other with a beam 14 having hinges for spatial movement in opposite directions; at that, one of the sections is cinematically connected to curvilinear connecting rod mechanism 13.

Claims: 1 independent

Fig.: 4

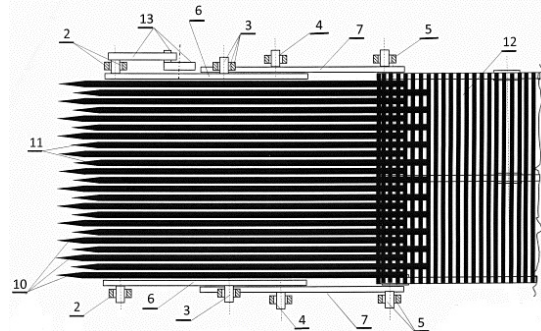


Fig. 1

(10) AP 2016 13691 A (51) Int. Cl. (2006)
A 01 D 17/00

(21) AP 2014 013691 (22) 2014 12 31

(71) LEPL SCIENTIFIC RESEARCH
CENTER OF AGRICULTURE (GE)
Marshal Gelovanis Gamz. 6, 0159,
Tbilisi (GE)

(72) Vladimer Miruashvili (GE);
Otar Karchava (GE);
Nodar Natenadze (GE)

(54) **POTATO PICKING DEVICE**

(57) A device includes a frame 1 whereon excavation plough 4 and separating means executed as longitudinal conveyor are mounted. Triangle track 2 is executed on the frame, and a roller 3 connected to the plough is placed therein movable; at that, on one side of track the automatic locking mechanism 11-13 is inserted. The plough by means of lever 7 placed in a guide 6 is hingedly connected to curvilinear connecting rod mechanism 8, which curvilinear rotation center is disposed relative to guide eccentrically.

Claims: 1 independent

Fig.: 1

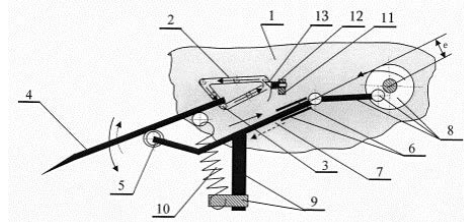


Fig. 1

A 61

(10) AP 2016 13454 A (51) Int. Cl. (2006)

A 61 K 36/185

A 61 K 36/736

A 61 K 36/889

A 61 K 36/53

A 61 K 9/00

A 61 P 17/02

A 61 P 17/06

A 61 P 17/08

(21) AP 2012 013454 (22) 2012 09 10

(31) 11007992.8

(32) 2011 09 30

(33) EP

(71) ALNAPHARM GMBH & CO. KG (DE)

Poppenbütteler Bogen 68, D-22399

Hamburg (DE)

(72) NAHAVAND, Ali (DE)

(74) Tamar Kochlamazashvili

(85) 2014 04 30

(86) PCT/EP2012/003802, 2012 09 10

(54) **COMPOSITION FOR SPREADING ON
SKIN AND USAGE THEREOF**

(57) Composition contains filler, and oils of coconat Cocos nucifera, hazelnut Corylus, Gevuina avellana and nettle Urtica urens L.

Claims: 2 independent
10 dependent

PART B

B 61

(10) AP 2016 13814 A (51) Int. Cl. (2006)
B 61 L 23/00

(21) AP 2015 013814 (22) 2015 04 30

(71) Simon Kvirkvia (GE)
S. Tsintsadzis q. 50, b. 75, 0160,
Tbilisi (GE)

(72) Simon Kvirkvia (GE)

(54) **METHOD FOR TRAIN MOTION
REGULATION**

(57) A method provides railway track circuit condition determination; at that, entrance resistance value for automatic locomotive signaling each frequency in idle direction and short circuit mode is approximately calculated for each circuit, and circuit mode is established at operation by calculated circuit corresponding resistance current magnitude values comparison. Automatic locomotive signal is transmitted to train in power stabilization mode.

Claims: 1 independent

Fig.: 5

PART C

C 07

(10) AP 2016 13655 A (51) Int. Cl. (2006)
C 07 C 273/16
C 07 C 273/02
B 01 J 2/22

(21) AP 2012 013655 (22) 2012 10 12

(62) 11185307.3 2011 10 14 (EP)

(31) 11185307.3

(32) 2011 10 14

(33) EP

(71) STAMICARBON B.V. (NL)
Mercator 3, NL-6135 KW Sittard (NL)

(72) MENEN, Johannes Hendrikus (NL)

(74) Tamar Kochlamazashvili

(85) 2014 12 04

(86) PCT/NL2012/050715, 2012 10 12

(54) **METHOD FOR UREA FINAL
PROCESSING**

(57) A method for increasing urea processing device productivity by increasing said device final

processing section productivity includes equipment addition thereas parallel section for final processing applicable for urea crystallization from solution by means of dry throttling, and equipment addition therefor mechanical forcing on urea crystals.

Claims: 1 independent

Fig.: 4

(10) AP 2016 13654 A (51) Int. Cl. (2006)
C 07 C 273/16
C 07 C 273/03
B 01 J 2/23

(21) AP 2012 013654 (22) 2012 10 12

(62) 11185307.3 2011 10 14 (EP)

(31) 11185307.3

(32) 2011 10 14

(33) EP

(71) STAMICARBON B.V. (NL)
Mercator 3, NL-6135 KW Sittard (NL)

(72) MENEN, Johannes Hendrikus (NL)

(74) Tamar Kochlamazashvili

(85) 2014 12 04

(86) PCT/NL2012/050715, 2012 10 12

(54) **METHOD FOR UREA FINAL
PROCESSING**

(57) A method for modification of existed device for urea processing reducing ammonia and dust includes addition of equipment used for urea crystallization from solution by means of dry throttling.

Claims: 1 independent

Fig.: 4

(10) AP 2016 13529 A (51) Int. Cl. (2006)
C 07 H 19/00
C 07 H 19/06
C 07 H 19/14
C 07 H 19/16
A 61 K 31/4184
A 61 K 31/522
A 61 K 31/506
A 61 K 31/4192
C 07 D 471/04
C 07 D 473/34
A 61 P 31/14
C 12 N 9/99
A 61 K 31/675
A 61 K 31/708
A 61 K 31/7068
A 61 K 31/7072

(21) AP 2012 013529 (22) 2012 12 20

(31) 61/5479,560; 61/613,836

(32) 2011 12 22; 2012 03 21

(33) US; US

(71) ALIOS BIOPHARMA, INC. (US)
260 E. Grand Ave. 2nd floor South
San Francisco, CA 94080 (US)

- (72) BEIGELMAN, Leonid (US);
WANG, Guangyi (US);
SMITH, David, Bernard (US);
DEVAL, Jerome (US);
PRHAVC, Marija (US)
- (74) Liliana Darakhvelidze
- (85) 2014 07 22
- (86) PCT/US2012/071063, 2012 12 20

**(54) SUBSTITUTED NUCLEOSIDES,
NUCLEOTIDES AND ANALOGS
THEREOF**

(57) Present invention relates to nucleosides, nucleotides and analogs thereof, pharmaceutical compositions including one or more of nucleosides, nucleotides and analogs thereof. At that, said application relates to usage of said compounds and compositions therefor ameliorating and/or treating diseases caused by paramyxovirus and/or orthomyxovirus.

Claims: 4 independent
90 dependent

**(10) AP 2016 13177 A (51) Int. Cl. (2006)
C 07 K 16/28
A 61 P 35/02**

- (21) AP 2011 013177 (22) 2011 12 30
- (31) 61/428,699; 61/470,406; 61/470,382;
61/485,104
- (32) 2010 12 30; 2011 03 31; 2011 03 31;
2011 05 11
- (33) US; US; US; US
- (71) TAKEDA PHARMACEUTICAL
COMPANY LIMITED (JP)
1-1, Doshomachi 4-Chome, Chuo-ku,
Osaka-shi, Osaka, 541- 0045 (JP)

- (72) ELIAS, Kathleen Ann (US);
LANDES, Gregory (US);
SINGH, Shweta (US);
KORVER, Wouter (US);
DRAKE, Andrew Walling (US);
HAAK-FRENDSCHO, Mary (US);
SNELL, Gyorgy Pal (US);
BHASKAR, Vinay (US)

- (74) Aleksandre Gegechkori
- (85) 2013 07 29
- (86) PCT/US2011/068235, 2011 12 30

(54) ANTY-CD38 ANTYBODIES

(57) Present invention relates to isolated antibodies bined to human CD38 and cynomolgus CD38. The invention relates to pharmaceutical compositions comprising said antibodies and usage therefor therapeutic diagnostic methods, as well.

Claims: 6 independent
7 dependent

Fig.: 13

C 12

**(10) AP 2016 13312 A (51) Int. Cl. (2006)
C 12 G 3/06**

- (21) AP 2013 013312 (22) 2013 12 05
- (71) Zhora Gabrichidze (GE)
Gldanis I mkr., korp. 4, b. 44, 0167,
Tbilisi (GE);
Nani Mikava (GE)
Gldanis I mkr., korp. 4, b. 44, 0167, Tbilisi (GE);
Nata Gogokhia (GE)
Gldanis I mkr., korp. 4, b. 44, 0167, Tbilisi (GE)
- (72) Zhora Gabrichidze (GE);
Nani Mikava (GE);
Nata Gogokhia (GE)

**(54) METHOD FOR SMOKED VODKA
PRODUCTION**

(57) A method provides 96% rectified alcohol dilution with water, blending thereof and strength correction; at that, the smoked water addition by alcohol dilution to 40% is executed before blending, resting within 4-5 hs, filtering therein purified river send, at first and then in – charcoal filter and then resting again within 3-4 hs; at that, smoked water is received from smoke washing several times and then this water is chemically purified.

Claims: 1 independent
1 dependent

PART E

E 04

**(10) AP 2016 13594 A (51) Int. Cl. (2006)
E 04 B 1/00**

- (21) AP 2014 013594 (22) 2014 10 09
- (71) Roland Zhorzholiani (GE)
Bogdan Khmelnitskis q. 17v, b. 40, 0121,
Tbilisi (GE)
- (72) Roland Zhorzholiani (GE)

(54) WALL BLOCK

(57) Hollow block 1 has a cavity 5 on front 3 and back 4 walls on diagonally opposite sides so, that opposite directed ribs 6 are created to connect adjacent side walls overlapping eachother at binding adjacent blocks. Height of cavity and relatively – of rib is less than block height; length of cavity is same as side wall double thickness; thikness of block side, front and back walls less on twice of partition 7 between the cavities. The block additionally has identical cavities on front or back wall of hollow.

Claims: 1 independent
1 dependent

Fig.: 2

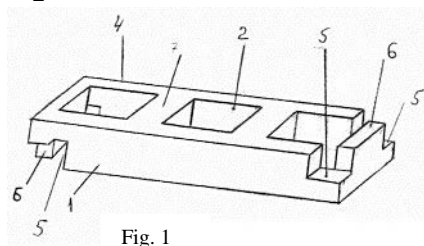


Fig. 1

PART F

F 03

(10) AP 2016 13545 A (51) Int. Cl. (2006)
F 03 B 13/00

(21) AP 2014 013545 (22) 2014 08 06

(71) Endi Tumanishvili (GE)

Paliashvilis q. 50, b. 9, 0179, Tbilisi (GE);

Vazha Jamarjashvili (GE)

Paliashvilis q. 50, b. 9, 0179, Tbilisi (GE)

(72) Endi Tumanishvili (GE);

Vazha Jamarjashvili (GE)

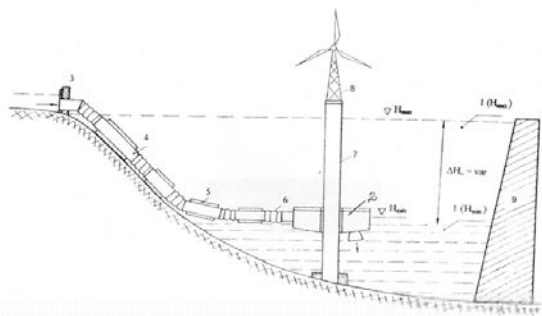
(54) **HYDROPOWER UNIT WITH
VARIABLE SCORE**

(57) Hydropower unit includes a reservoir 1, a platform 2 floating thereon with hydroagregates, water inlet 3, and a culvent 4, which entrance is connected to water inlet, and exit – to entrances of hydroagregate turbines. Furthermore, it includes platform guide – a post 7 concreted into reservoir bottom, and wind device disposed thereon. The culvent is executed with the floats 5 connected to each other by means of boots 6 and is equipped with plastic pipe sections to supply turbines with water continuously.

Claims: 1 independent

1 dependent

Fig.: 1



PATENTED INVENTIONS

PART A

A 61

- (11) P 2016 6441 B (51) Int. Cl. (2006)
 A 61 K 31/216
 A 61 K 31/282
 A 61 K 31/337
 A 61 K 31/41
 A 61 K 31/4192
 A 61 K 31/4196
 A 61 K 31/428
 A 61 K 31/4545
 A 61 K 31/69
 A 61 P 25/02
- (10) AP 2015 12845 A (44) 22(434)/2015
 (21) AP 2011 012845
 (22) 2011 01 26
 (24) 2011 01 26
 (31) 2010-015935
 (32) 2010 01 27
 (33) JP
 (86) PCT/JP2011/052077, 2011 01 26
 (73) TAKEDA PHARMACEUTICAL
 COMPANY LIMITED (JP)
 1-1, Doshomachi 4-Chome, Chuo-ku,
 Osaka-shi, Osaka, 541- 0045 (JP)
 (72) KITAMOTO, Naomi (JP)
 (74) Shalva Gvaramadze
 (54) **COMPOUNDS FOR SUPPRESSING
 A PERIPHERAL NERVE DISORDER
 INDUCED BY AN ANTI-CANCER
 AGENT**

- (11) P 2016 6442 B (51) Int. Cl. (2006)
 A 61 K 39/395
- (10) AP 2015 12866 A (44) 22(434)/2015
 (21) AP 2011 012866
 (22) 2011 03 01
 (24) 2011 03 01
 (31) 61/310,692; 61/310,695; 61/311,057
 (32) 2010 03 04; 2010 03 04; 2010 03 05
 (33) US; US; US
 (86) PCT/US2011/026689, 2011 03 01
 (73) MACROGENICS, INC. (US)
 9640 Medical Center Drive Rockville,
 MD 20850 (US)
 (72) LOO, Deryk, T. (US);
 HUANG, Ling (US);
 CHEN, Francine, Zhifen (US);
 MOORE, Paul, A. (US);
 JOHNSON, Leslie, S. (US)
 (74) Khatuna Imnadze

- (54) **ANTIBODIES REACTIVE WITH
 B7-H3, IMMUNOLOGICALLY ACTIVE
 FRAGMENTS THEREOF AND USES
 THEREOF**

PART B

B 03

- (11) P 2016 6440 B (51) Int. Cl. (2006)
 B 03 D 1/02
- (10) AP 2015 12773 A (44) 22(434)/2015
 (21) AP 2010 012773
 (22) 2010 12 03
 (24) 2010 12 03
 (31) 61/266,770
 (32) 2009 12 04
 (33) US
 (86) PCT/IB2010/003538, 2010 12 03
 (73) BARRICK GOLD CORPORATION (CA)
 Bce Place, Canada Trust Tower 161
 Bay Street, Suite 3700 Toronto, Ontario,
 M5J 2S1 (CA)
 (72) GORAIN, Barun (CA)
 (74) Shalva Gvaramadze
 (54) **SEPARATION OF COPPER
 MINERALS FROM PYRITE USING
 AIR-METABISULFITE TREATMENT**

PART C

C 07

- (11) P 2016 6444 B (51) Int. Cl. (2006)
 C 07 C 233/46
 C 07 C 233/56
 C 07 C 275/20
 A 61 P 9/12
 A 61 K 31/17
 A 61 K 31/16
- (10) AP 2015 13281 A (44) 22(434)/2015
 (21) AP 2012 013281
 (22) 2012 04 04
 (24) 2012 04 04
 (31) 61/472,410; 61/608,361
 (32) 2011 04 06; 2012 03 08
 (33) US; US
 (86) PCT/US2012/032090, 2012 04 04
 (73) THE MEDICAL COLLEGE OF
 WISCONSIN (US)

8701 Watertown Plank Road, Milwaukee
WI 53226 (US);
THE BOARD OF REGENTS OF THE
UNIVERSITY OF TEXAS SYSTEM (US)
201. v. 7s St. Austin, TX 78701 (US)

- (72) IMIG, John, David (US);
CAMPBELL, William, B. (US);
FALCK, John, Russell (US)
(74) Tamaz Shilakadze
(54) **EPOXYEICOSATRIENOIC ACID
ANALOGS AND METHODS OF
MAKING AND USING THE SAME**

-
- (11) P 2016 6443 B** **(51) Int. Cl. (2006)**
C 07 D 233/90
C 07 D 401/12
C 07 D 401/14
C 07 D 407/12
C 07 D 409/06
C 07 D 409/14
C 07 D 413/06
C 07 D 413/14
C 07 D 417/06
C 07 D 417/12
C 07 D 471/04
C 07 D 487/04
C 07 D 487/08
C 07 D 495/04

- (10) AP 2015 13059 A (44) 22(434)/2015
(21) AP 2009 013059
(22) 2009 06 17
(24) 2009 06 17
(62) 2008-161049 2008 06 19 (JP);
2009-004882 2009 01 13 (JP)
(31) 2008-161049; 2009-004882
(32) 2008 06 19; 2009 01 13
(33) JP; JP
(86) PCT/JP2009/061438, 2009 06 17
(73) TAKEDA PHARMACEUTICAL
COMPANY LIMITED (JP)
1-1, Doshomachi 4-chome, Chuo-ku,
Osaka-shi, Osaka 5410045 (JP)
(72) KUROITA, Takanobu (JP);
IMAEDA, Yasuhiro (JP);
IWANAGA, Kouichi (JP);
TAYA, Naohiro (JP);
TOKUHARA, Hidekazu (JP);
FUKASE, Yoshiyuki (JP)
(74) Shalva Gvaramadze
(54) **HETEROCYCLIC COMPOUND AND
USE THEREOF**

PART E

E 04

- (11) P 2016 6439 B** **(51) Int. Cl. (2006)**
E 04 D 3/30
E 04 D 1/30
(10) AP 2015 12399 A (44) 22(434)/2015
(21) AP 2011 012399
(22) 2011 09 30
(24) 2011 09 30
(31) 20106017
(32) 2010 10 01
(33) FI
(73) RAUTARUUKKI OYJ (FI)
Suolakivenkatu 1, FI-00810 Helsinki (FI)
(72) AUTIO, Mika (FI);
FLORCZAK, Pawel (PL);
HUOPANA, Tuomo (FI);
LEMPINEN, Juhani (FI);
PERTTULA, Matti (FI);
SAVOLA, Juho (FI)
(74) Shalva Gvaramadze
(54) **PROFILE SHEET AND JOINT
BETWEEN PROFILE SHEETS**

PART G

G 01

- (11) P 2016 6445 B** **(51) Int. Cl. (2006)**
G 01 F 23/28
(10) AP 2015 13580 A (44) 22(434)/2015
(21) AP 2014 013580
(22) 2014 09 24
(24) 2014 09 24
(73) Shota Amiridze (GE)
Dighmis masivi, V kvart., korp. 16, b. 58,
0159, Tbilisi (GE);
Genadi Elnikov (GE)
Lilos dasakhleba, IV kvart., korp. 2,
b. 15, 0198, Tbilisi (GE);
Giorgi Zunturashvili (GE)
Meore Rekhis q. 26, 0101, Tbilisi (GE);
Marad Kukhaleishvili (GE)
Tsulukidzis q. 27, 2100, Zugdidi (GE)
(72) Shota Amiridze (GE);
Genadi Elnikov (GE);
Giorgi Zunturashvili (GE);
Marad Kukhaleishvili (GE)
(54) **MONITORING SYSTEM OF OPEN
IRRIGATING CHANNELS**

PATENTED UTILITY MODEL

PART C

C 04

- (11) U 2016 1889 Y (51) Int. Cl. (2006)
C 04 B 7/00
- (10) AU 2015 13763 U (44) 22(434)/2015
(21) AU 2015 013763
(22) 2015 03 13
(24) 2015 03 13
- (73) Elena Shapakidze (GE)
I. Chavchavadzis gamz. 35a, b. 7, 0179,
Tbilisi (GE);
Guram Nadareishvili (GE)
Shio Mghvimelis q. 13, b. 10, Tbilisi (GE);
Ioseb Gejadze (GE)
I. Chavchavadzis gamz. 35a, b. 7, 0179,
Tbilisi (GE);
Murad Tkemaladze (GE)
Ts. Dadianis q. 34, korp. 6, b. 33, 0180,
Tbilisi (GE);
Marine Nadirashvili (GE)
Khetagurovis q. 6, 0102, Tbilisi (GE);
Vera Maisuradze (GE)
Asatianis q. 10a, b. 36, 0177, Tbilisi (GE);
LEPL Ivane Javakhishvili TBILISI
STATE UNIVERSITY (GE)
I. Chavchavadzis gamz. 1, 0179, Tbilisi (GE);
LEPL Shota Rustaveli NATIONAL SCIENCE
FOUNDATION (GE)
M. Aleksidzis q. 1, Tbilisi (GE)
- (72) Elena Shapakidze (GE);
Guram Nadareishvili (GE);
Ioseb Gejadze (GE);
Murad Tkemaladze (GE);
Marine Nadirashvili (GE);
Vera Maisuradze (GE)
- (54) **POZZOLAN PORTLAND CEMENT
CONTENT**
-

REGISTERED DESIGNS

(11) D 2016 665 S **(51) 09-01**
(10) AD 2015 859 S (44) 22(434)/2015
(21) AD 2015 000859
(22) 2015 06 29
(24) 2015 06 29
(28) 1
(18) 2020 06 29
(73) LTD "KAKHETIAN TRADITIONAL
WINEMAKING" (GE)
S. Tsintsadzis q. 12, 0160, Tbilisi (GE)
(72) Aleksandrs Znovss (GE)
(74) Ekaterine Gogoladze
(54) **BOTTLE**

(11) D 2016 664 S **(51) 10-07**
(10) AD 2015 868 S (44) 22(434)/2015
(21) AD 2015 000868
(22) 2015 07 21
(24) 2015 07 21
(28) 6
(18) 2020 07 21
(73) Guram Gelashvili (GE)
Dighmis Masivi, V kvart., korp. 25b, b. 35,
0159, Tbilisi (GE)
(72) Guram Gelashvili (GE)
(54) **CLOCK**

DESIGNS, WHICH HAVE BEEN REGISTERED WITH THE INTERNATIONAL BUREAU CLAIMING PRIORITY ON THE TERRITORY OF GEORGIA

The decision can be appealed at the Chamber of Appeal of Sakpatenti within 3 months from the publication or at the Mtskheta District Court Administrative Cases Board (Address: №17, Samkhedro Str., Mtskheta), within 1 month following the publication.

(11) DM/086291

(15) 2015 04 27

(22) 2015 04 27

(28) 2

(73) ETA SA MANUFACTURE HORLOGÈRE SUISSE

Schild-Rust-Strasse 17, CH-2540 Grenchen (CH)

(85) CH

(86) CH

(87) CH

(88) CH

(89) CH

(81) II. BZ, MA. III. AL, AM, AZ, BA, CH, EM, GE, KG, KR, LI, MC, MD, ME, MK, MN, NO, OM, SG, TN, TR, UA

(72) 1-2: Chiara GALVAGNI

Via Al Christo 1, 38068 Rovereto, Italie

(54) 1.-2. Wristwatches

(55)

(51) 10-02

(45) 2015/43 (2015 10 30)



(11) DM/086293**(51) 11-01**

(15) 2015 04 27

(45) 2015/43 (2015 10 30)

(22) 2015 04 27

(28) 7

(73) THE SWATCH GROUP MANAGEMENT SERVICES AG (THE SWATCH GROUP MANAGEMENT SERVICES SA) (THE SWATCH GROUP MANAGEMENT SERVICES LTD.)
Seevorstadt 6, CH-2502 Bienne (CH)

(85) CH

(86) CH

(87) CH

(88) CH

(89) CH

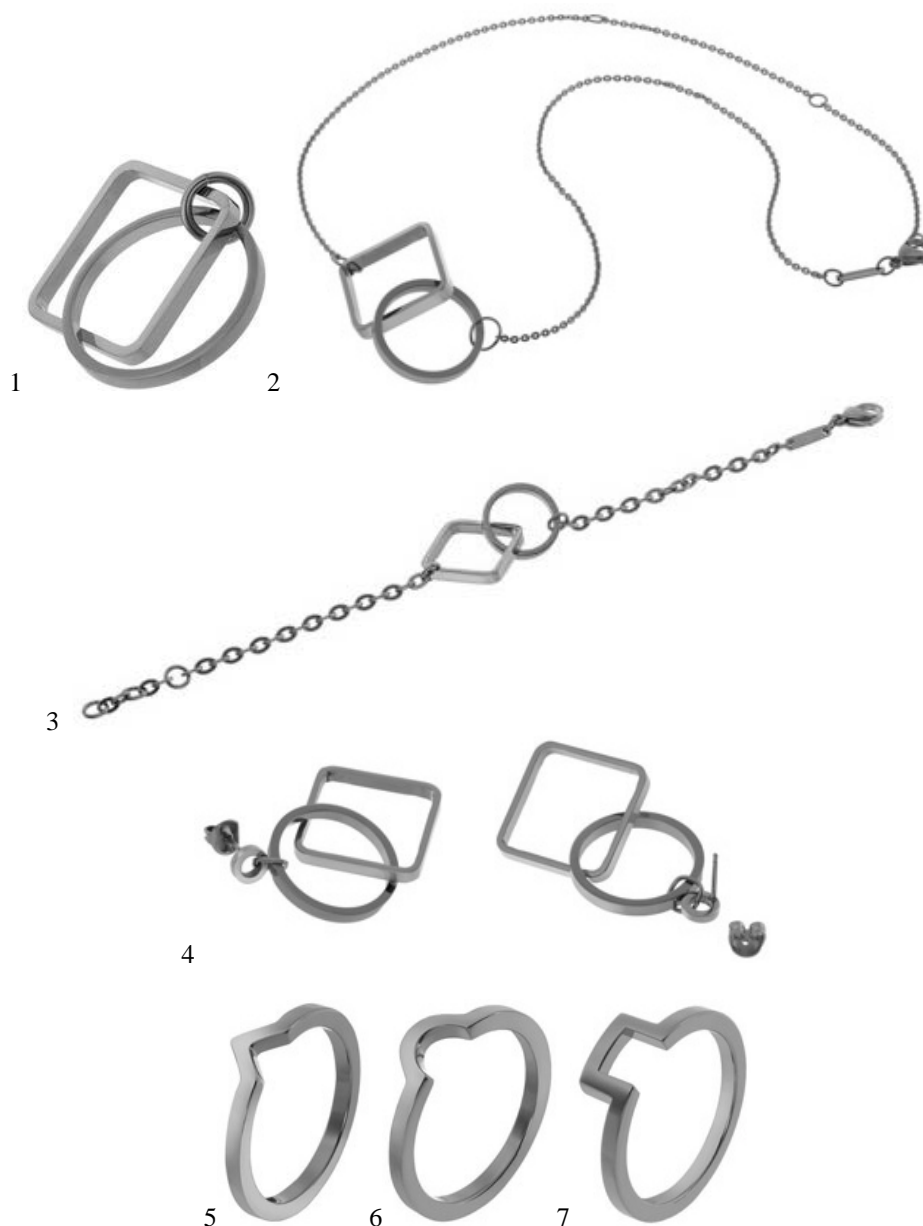
(81) II. BZ, MA. III. AL, AM, AZ, BA, CH, EM, GE, KG, KR, LI, MC, MD, ME, MK, MN, NO, OM, SG, TN, TR, UA

(72) 1-7: Ilaria TARTARELLI

Corso san Gottardo 20, 20136 Milan, Italie

(54) 1. Pendant; 2. Necklace; 3. Bracelet; 4. Earrings; 5.-7. Finger rings

(55)



(11) DM/086294

(15) 2015 04 28

(22) 2015 04 28

(28) 1

(73) MONTRES BREGUET S.A.

Place de la Tour 23, CH-1344 L'ABBAYE (CH)

(85) CH

(86) CH

(87) CH

(88) CH

(89) CH

(81) II. BZ, MA. III. AL, AM, AZ, BA, CH, EM, GE, KG, KR, LI, MC, MD, ME, MK, MN, NO, OM, SG, TN, TR, UA

(72) Vincent LAUCELLA

Route de France 38, 1348 Le Brassus, Suisse; Coralie DELMONT, Grande Rue 17, 1347 Le Sentier, Suisse

(54) 1. Propelling pencil

(55)

(51) 19-06

(45) 2015/43 (2015 10 30)



(11) DM/086305**(51) 11-01**

(15) 2015 04 30

(45) 2015/43 (2015 10 30)

(22) 2015 04 30

(28) 2

(73) HARRY WINSTON SA

Chemin du Tourbillon 8, CH-1228 Plan-les-Ouates (CH)

(85) CH

(86) CH

(87) CH

(88) CH

(89) CH

(81) II. BZ, MA. III. AL, AM, AZ, BA, CH, EM, GE, KG, KR, LI, MC, MD, ME, MK, MN, NO, OM, SG, TN, TR, UA

(72) 1: Rie YATSUGI-KANG

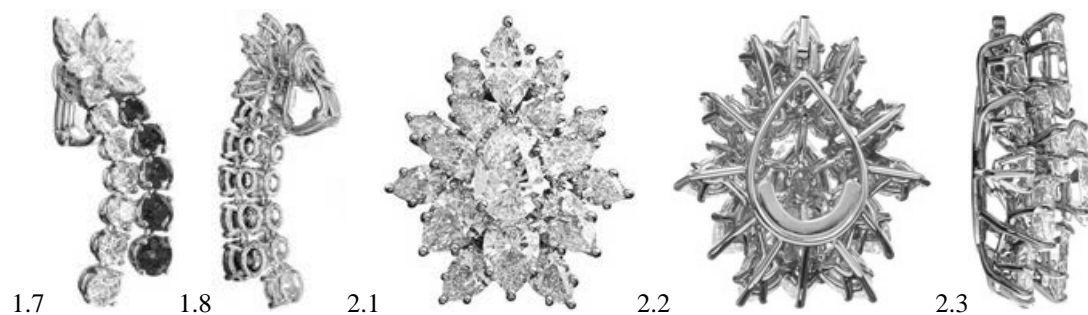
272 Highland Street, 07626 Cresskill, NJ, États-Unis d'Amérique;

2: Dominique RIVIERE

360 E. 72nd Street, Apt.Nb1003, 10021 New York, NY, États-Unis d'Amérique

(54) 1. Earring; 2. Pendant

(55)



(11) DM/087833

(15) 2015 10 12

(22) 2015 10 12

(28) 1

(30) for designs No(s) 1: 10.07.2015; 002734830-0001; EM

(73) SAVERGLASS

3 rue de la Gare, F-60960 FEUQUIERES (FR)

(85) FR, EM

(86) FR, EM

(87) FR, EM

(88) FR, EM

(89) FR

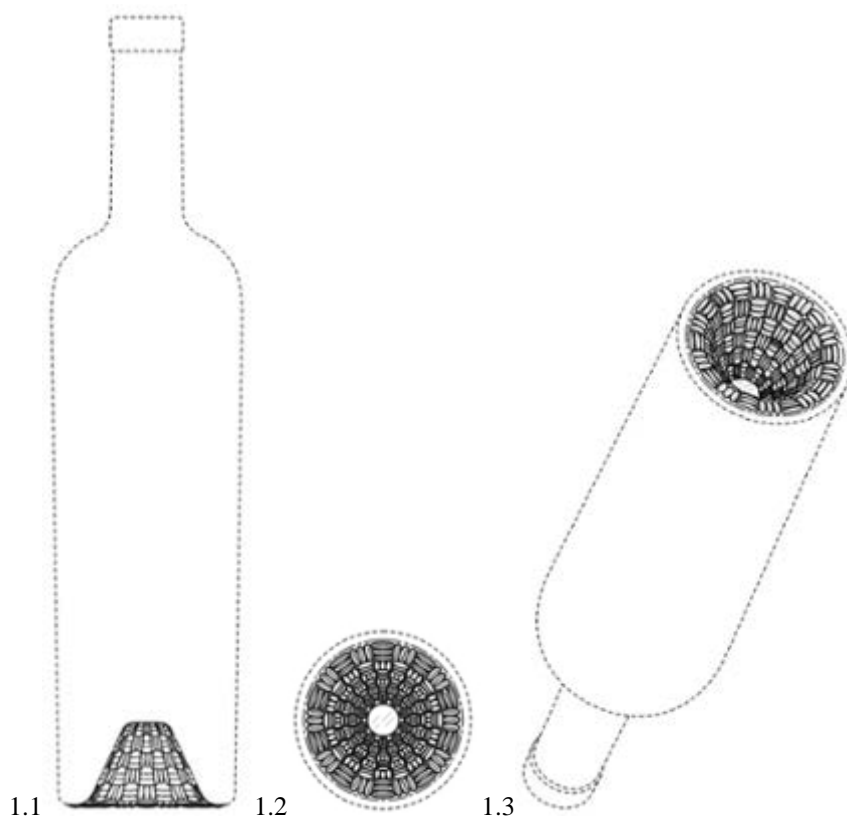
(81) III. AM, AZ, BA, CH, EG, GE, MC, MD, ME, MK, RS, TR, UA

(54) 1. Bottle

(55)

(51) 09-01

(45) 2015/43 (2015 10 30)



(11) DM/087835

(15) 2015 10 12

(22) 2015 10 12

(28) 1

(30) for designs No(s) 1: 10.07.2015; 002734848-0001; EM

(73) SAVERGLASS

3 rue de la Gare, F-60960 FEUQUIERES (FR)

(85) FR, EM

(86) FR, EM

(87) FR, EM

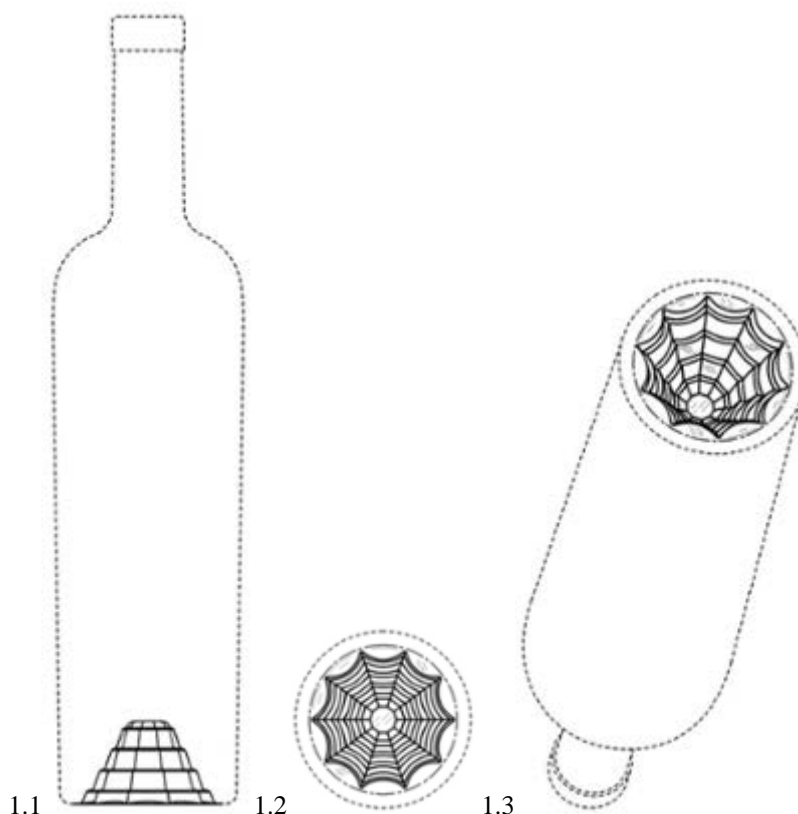
(88) FR, EM

(89) FR

(81) III. AM, AZ, BA, CH, EG, GE, MC, MD, ME, MK, RS, TR, UA

(54) 1. Bottle

(55)



(11) DM/087841

(51) 32-00

(15) 2015 06 25

(45) 2015/43 (2015 10 30)

(22) 2015 06 25

(28) 2

(73) EVELINE COSMETICS SA S.K.A.

ul. Żytnia 19, PL-05-506 LESZNOWOLA (PL)

(85) --

(86) PL, EM

(87) --

(88) --

(89) PL

(81) III. AM, AZ, BA, GE, KG, MD, ME, MK, RS, SG, TJ, TN, TR, UA

(72) EVELINE COSMETICS S.A. S.K.A.

ul. Żytnia 19, 05-506 LESZNOWOLA, Poland

(54) 1. Ornamentation; 2. Logo

(55)



(11) DM/087857

(51) 09-01

(15) 2015 08 19

(45) 2015/43 (2015 10 30)

(22) 2015 08 19

(28) 2

(30) 13.05.2015; 141554; CH

(73) AME HOLDING AG c/o

Dr. Rudolf Mosimann Baarerstrasse 78, CH-6300 Zug (CH)

(85) -

(86) -

(87) CH

(88) CH

(89) CH

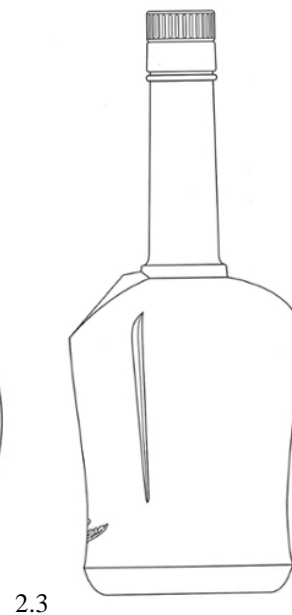
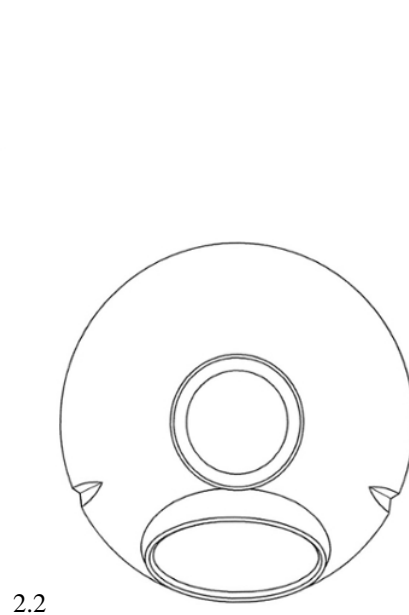
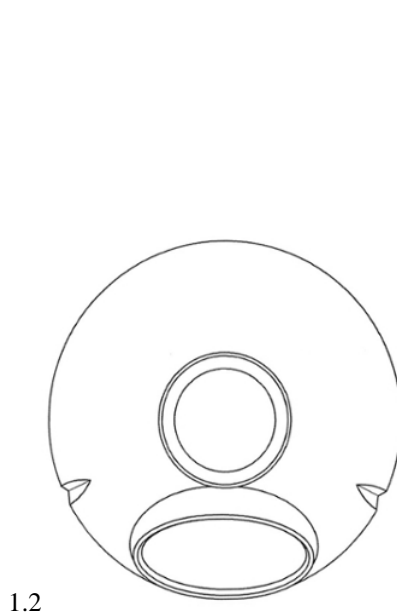
(81) III. AM, AZ, EM, GE, KG, MD, TJ, US

(72) Philippe Seys

81 rue du Petit Rouillac, 16290 Saint-Saturnin, France

(54) 1.-2. Bottles

(55)



(11) DM/086309

(15) 2015 05 04

(22) 2015 05 04

(28) 2

(73) SWATCH AG (SWATCH SA) (SWATCH LTD.)

Jakob-Stämpfli-Strasse 94, CH-2502 Biel/Bienne (CH)

(85) CH

(86) CH

(87) CH

(88) CH

(89) CH

(81) II. BZ, MA. III. AL, AM, AZ, BA, CH, EM, GE, KG, KR, LI, MC, MD, ME, MK, MN, NO, OM, SG, TN, TR, UA

(72) 1-2: Antonio FAZIO

Avenue de Cour 40, 1007 Lausanne, Suisse

(54) 1.-2. Wristwatches

(55)

(51) 10-02

(45) 2015/44 (2015 11 06)



(11) DM/086391

(51) 10-07

(15) 2015 05 05

(45) 2015/44 (2015 11 06)

(22) 2015 05 05

(28) 1

(73) SWATCH AG (SWATCH SA) (SWATCH LTD.)

Jakob-Stämpfli-Strasse 94, CH-2502 Biel/Bienne (CH)

(85) CH

(86) CH

(87) CH

(88) CH

(89) CH

(81) II. BZ, MA. III. AL, AM, AZ, BA, CH, EM, GE, KG, KR, LI, MC, MD, ME, MK, MN, NO, OM, SG, TN, TR, UA

(72) 1: Margherita TAGLIA

Graue Gasse 12, 8001 Zürich, Suisse

(54) 1. Watch strap

(55)



(11) DM/086408**(51) 10-02**

(15) 2015 05 05

(45) 2015/44 (2015 11 06)

(22) 2015 05 05

(28) 3

(73) SWATCH AG (SWATCH SA) (SWATCH LTD.)

Jakob-Stämpfli-Strasse 94, CH-2502 Biel/Bienne (CH)

(85) CH

(86) CH

(87) CH

(88) CH

(89) CH

(81) II. BZ, MA. III. AL, AM, AZ, BA, CH, EM, GE, KG, KR, LI, MC, MD, ME, MK, MN, NO, OM, SG, TN, TR, UA

(72) 1: Margherita TAGLIA

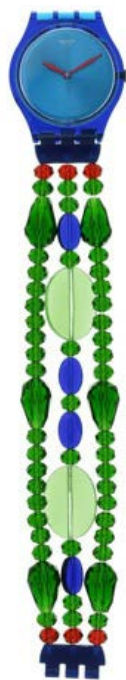
Graue Gasse 12, 8001 Zürich, Suisse;

2, 3: Antonio FAZIO

Avenue de Cour 40, 1007 Lausanne, Suisse

(54) 1.-2. Wristwatches; 3. Date disk [timepieces]

(55)



1.1



1.2



2.1



2.2



3

(11) DM/087925

(51) 13-99

(15) 2015 09 01

(45) 2015/44 (2015 11 06)

(22) 2015 09 01

(28) 2

(73) CASPIAN INNOVATION AS

Postboks 1462, N-5518 HAUGESUND (NO)

(85) -

(86) -

(87) -

(88) NO

(89) NO

(81) III. AL, AM, AZ, BW, EG, GE, GH, KG, MN, NA, NO, OA, RO, RW, TJ, TR, UA

(72) Knut-Erlend Rosvold

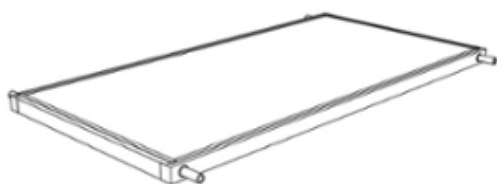
Holhovdvegen 9, 5722 DALEKVAM, Norway;

Ingvar Andreassen

Skovbølet 21, 1642 SALTNES, Norway

(54) 1. Solar collector; 2. Part of solar collector

(55)



1.1



1.2



1.3



1.4



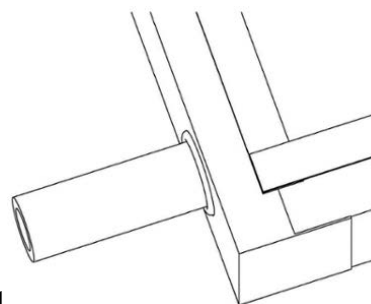
1.5



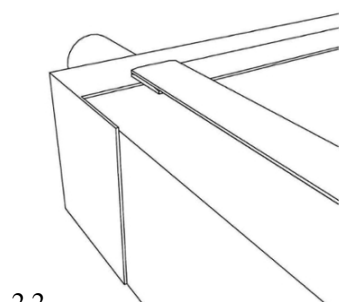
1.6



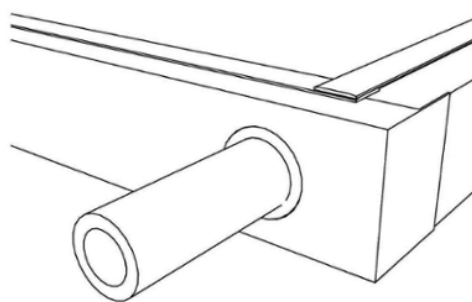
1.7



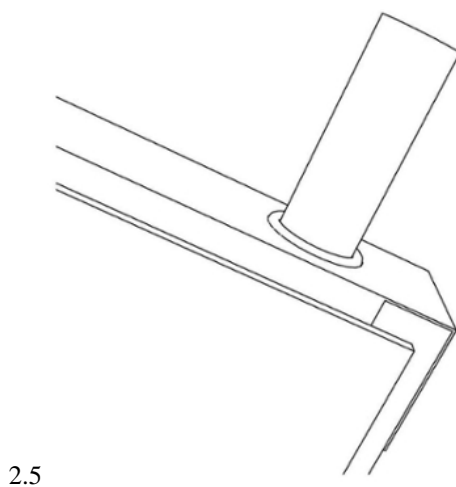
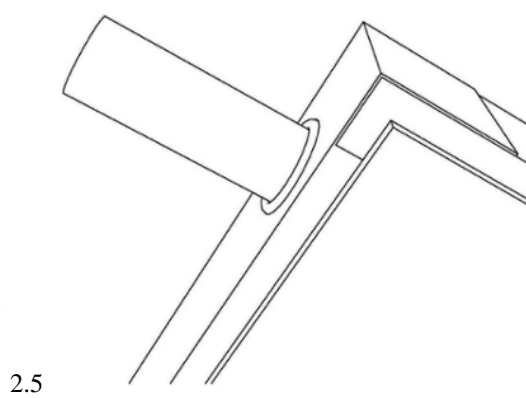
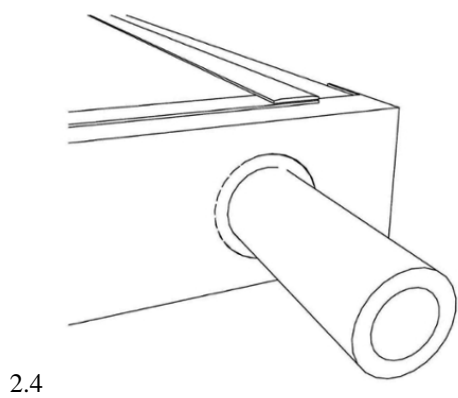
2.1



2.2



2.3



(11) DM/086361

(51) 11-01

(15) 2015 05 08

(45) 2015/45 (2015 11 13)

(22) 2015 05 08

(28) 2

(73) TISSOT SA (TISSOT AG) (TISSOT LTD)

Chemin des Tourelles 17, CH-2400 Le Locle (CH)

(85) CH

(86) CH

(87) CH

(88) CH

(89) CH

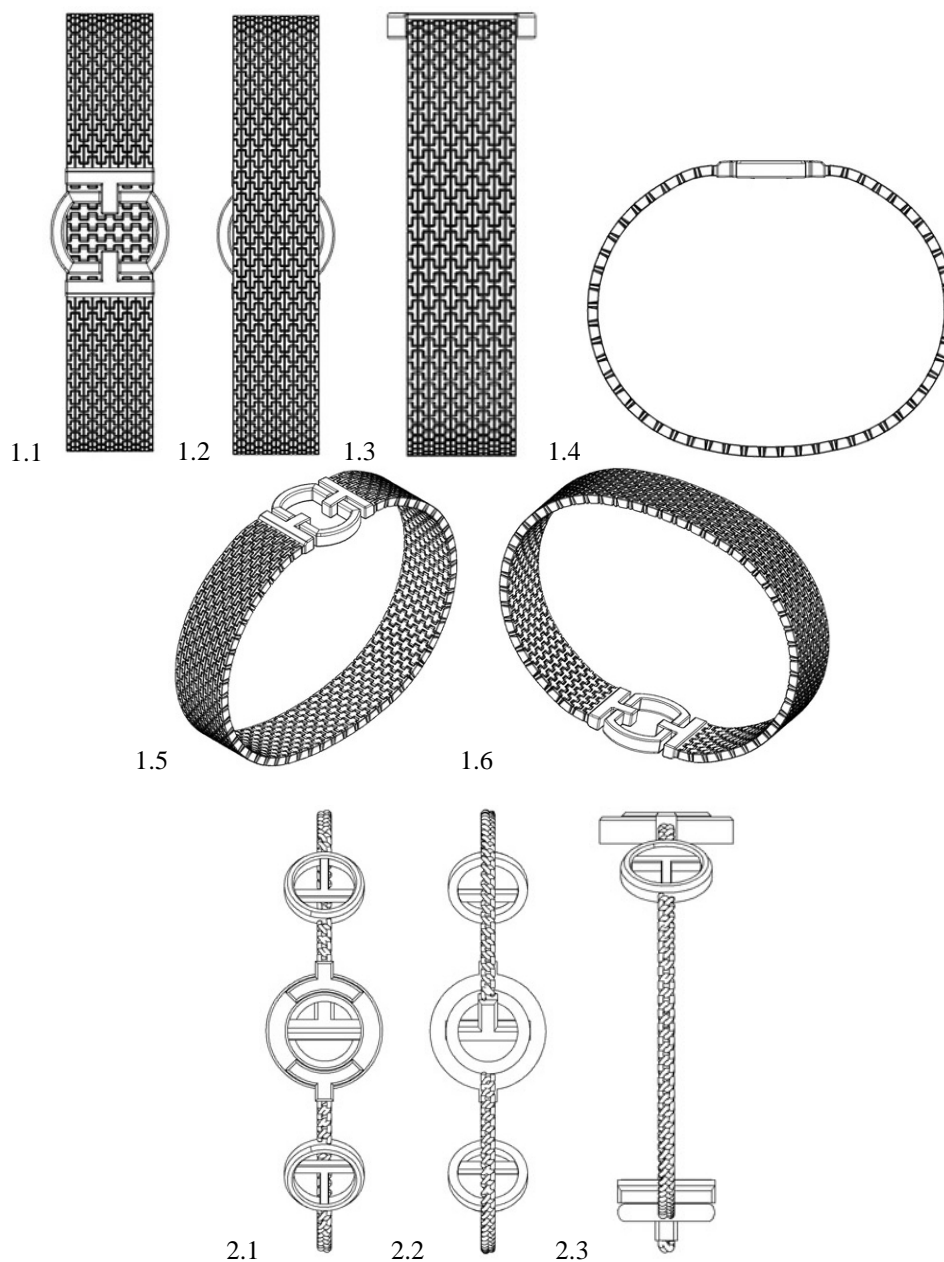
(81) II. BZ, MA III. AL, AM, AZ, BA, CH, EM, GE, KG, KR, LI, MC, MD, ME, MK, MN, NO, OM, SG, TN, TR, UA

(72) 1-2: David QUINCHE

Quai Philippe-Suchard 12, 2000 Neuchâtel, Suisse

(54) 1.-2. Bracelets

(55)





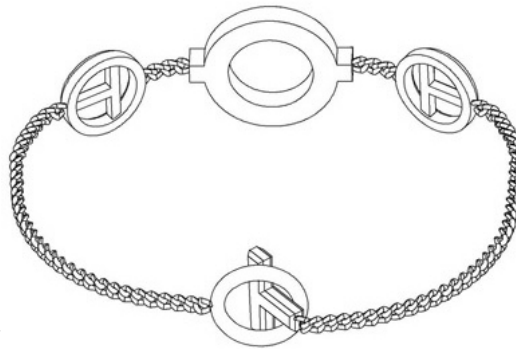
2.4



2.5



2.6



2.7

(11) DM/086363

(51) 10-02

(15) 2015 05 11

(45) 2015/45 (2015 11 13)

(22) 2015 05 11

(28) 2

(73) SWATCH AG (SWATCH SA) (SWATCH LTD.)

Jakob-Stämpfli-Strasse 94, CH-2502 Biel/Bienne (CH)

(85) CH

(86) CH

(87) CH

(88) CH

(89) CH

(81) II. BZ, MA III. AL, AM, AZ, BA, CH, EM, GE, KG, KR, LI, MC, MD, ME, MK, MN, NO, OM, SG, TN, TR, UA

(72) 1-2: Anais KREBS

Rue de la Côte 21, 2000 Neuchâtel, Suisse

(54) 1.-2. Wristwatches

(55)



1.1



1.2



2.1



2.2

(11) DM/086407

(15) 2015 05 11

(22) 2015 05 11

(28) 2

(73) SWATCH AG (SWATCH SA) (SWATCH LTD.)

Jakob-Stämpfli-Strasse 94, CH-2502 Biel/Bienne (CH)

(85) CH

(86) CH

(87) CH

(88) CH

(89) CH

(81) II. BZ, MA III. AL, AM, AZ, BA, CH, EM, GE, KG, KR, LI, MC, MD, ME, MK, MN, NO, OM, SG, TN, TR, UA

(72) 1-2: Min KIM

St. Alban-Ring 238, 4052 Basel, Suisse

(54) 1.-2. Wristwatches

(55)



1.1



1.2



2.1



2.2

(11) DM/086412

(51) 10-02

(15) 2015 05 12

(45) 2015/45 (2015 11 13)

(22) 2015 05 12

(28) 20

(73) ETA SA MANUFACTURE HORLOGÈRE SUISSE

Schild-Rust-Strasse 17, CH-2540 Grenchen (CH)

(85) CH

(86) CH

(87) CH

(88) CH

(89) CH

(81) II. BZ, MA III. AL, AM, AZ, BA, CH, EM, GE, KG, KR, LI, MC, MD, ME, MK, MN, NO, OM, SG, TN, TR, UA

(72) 1, 2, 5, 6, 7, 8, 10: Michaela KOCH

Albrecht-Achilles-Strasse 2, 10709 Berlin, Allemagne;

3, 9, 18: Véronique STOLL

Chemin de la Marnière 14A, 2504 Biel/Bienne, Suisse;

14, 15, 16: Damien GOYET

45, rue Principale, 68480 Winkel, France;

17, 19, 20: Chiara GALVAGNI

Via al Cristo 1, 38068 Rovereto (TN), Italie;

4, 11, 12, 13: Laetitia VOIROL DUBOIS

Chemin Mettlen 48, 2504 Biel/Bienne, Suisse

(54) 1.-20. Wristwatches

(55)





(11) DM/086444

(51) 11-01

(15) 2015 05 19

(45) 2015/46 (2015 11 20)

(22) 2015 05 19

(28) 3

(73) HARRY WINSTON SA

Chemin du Tourbillon 8, CH-1228 Plan-les-Ouates (CH)

(85) CH

(86) CH

(87) CH

(88) CH

(89) CH

(81) II. BZ, MA III. AL, AM, AZ, BA, CH, EM, GE, KG, KR, LI, MC, MD, ME, MK, MN, NO, OM, SG, TN, TR, UA

(72) 1, 2: Rie YATSUGI-KANG

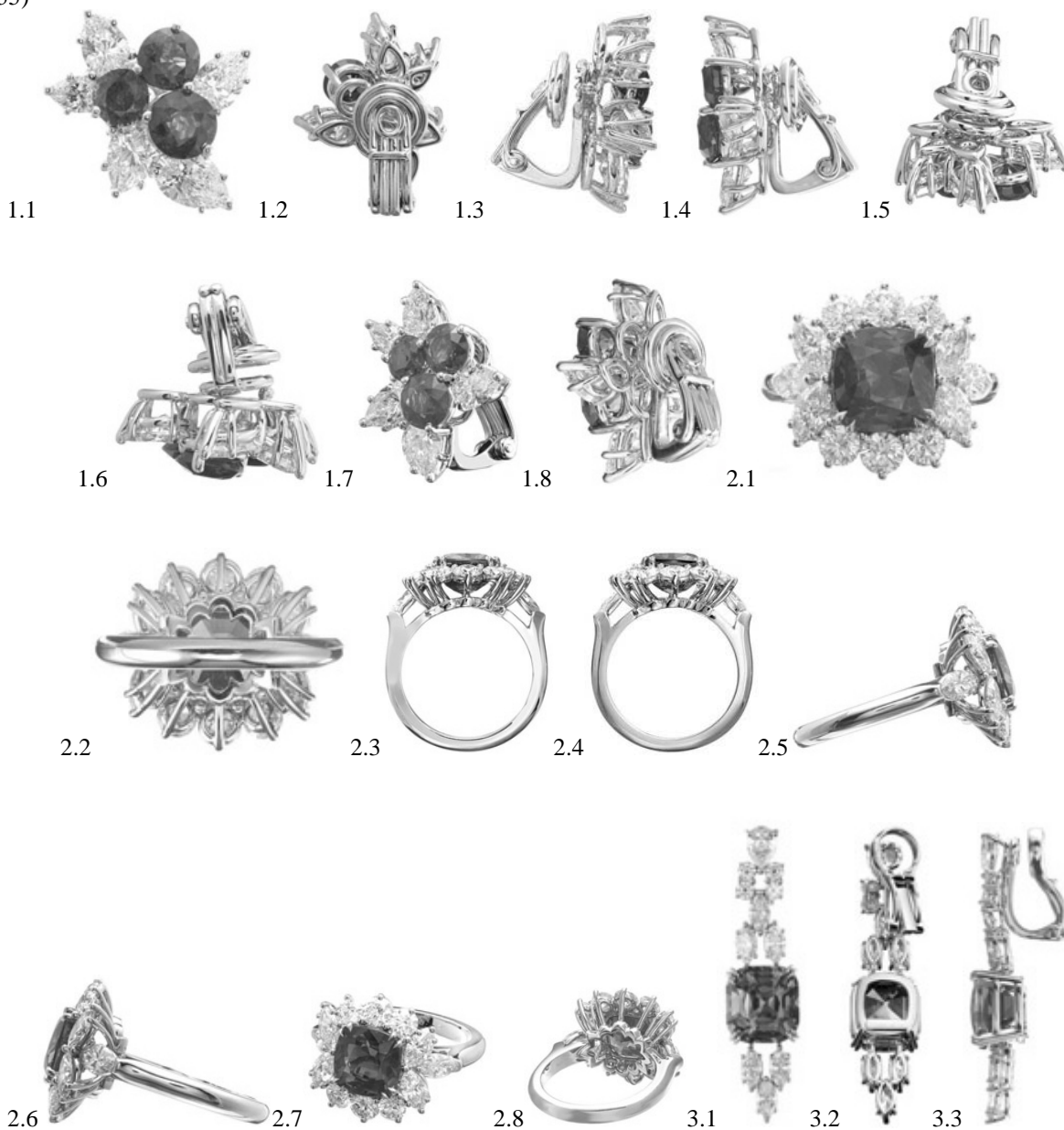
272 Highland Street, 07626 Cresskill, NJ, États-Unis d'Amérique;

3: Delphine ABDOURAHIM

251W 102nd Street, 10025 New York, NY, États-Unis d'Amérique

(54) 1. Earring; 2. Ring with gemstones; 3. Earring

(55)



**(11) DM/087686**

(15) 2015 05 14

(22) 2015 05 14

(28) 1

(30) No. 1: 14.11.2014; 62/079,735; US; No. 1: 15.01.2015; 29/514,724; US

(73) FOSBEL INC.

20600 Sheldon Road, Brook Park, OH 44142 (US)

(85) --

(86) --

(87) --

(88) US

(89) US

(81) III. AL, AM, AZ, BA, BN, BW, CH, EE, EG, EM, GE, GH, HR, IS, JP, KG, KR, LI, LT, LV, MC, MD, ME, MK, MN, NA, NO, OA, OM, RS, RW, SG, ST, SY, TJ, TN, TR, UA

(72) Robert D. CHAMBERS

c/o FOSBEL, INC., 20600 Sheldon Road, Brook Park, OH 44142, USA;

Alan E. BOWSER

c/o FOSBEL, INC., 20600 Sheldon Road, Brook Park, OH 44142, USA;

Michael P. SMITH

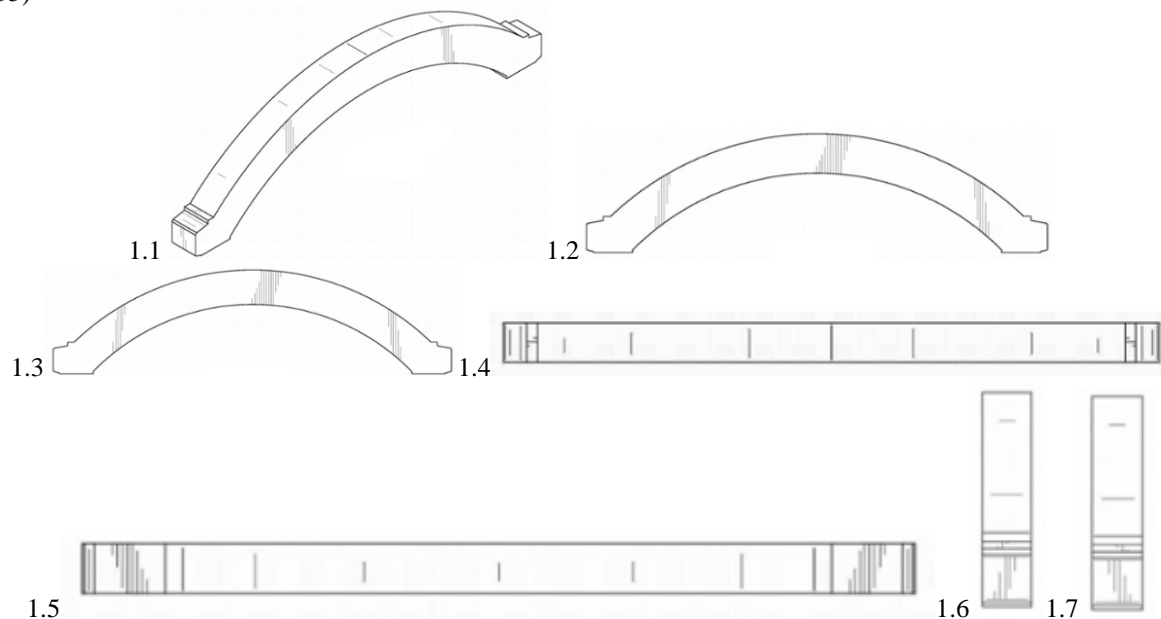
c/o FOSBEL, INC., 20600 Sheldon Road, Brook Park, OH 44142, USA;

Lou CAROLLA

c/o FOSBEL, INC., 20600 Sheldon Road, Brook Park, OH 44142, USA

(54) 1. Part of glass furnace regenerator

(55)



(11) DM/087687

(51) 15-09

(15) 2015 05 14

(45) 2015/46 (2015 11 20)

(22) 2015 05 14

(28) 1

(30) No. 1: 14.11.2014; 62/079,735; US; No. 1: 15.01.2015; 29/514,733; US

(73) FOSBEL INC.

20600 Sheldon Road, Brook Park, OH 44142 (US)

(85) --

(86) -

(87) -

(88) US

(89) US

(81) III. AL, AM, AZ, BA, BN, BW, CH, EE, EG, EM, GE, GH, HR, IS, JP, KG, KR, LI, LT, LV, MC, MD, ME, MK, MN, NA, NO, OA, OM, RS, RW, SG, ST, SY, TJ, TN, TR, UA

(72) Robert D. CHAMBERS

c/o FOSBEL, INC., 20600 Sheldon Road, Brook Park, OH 44142, USA;

Alan E. BOWSER

c/o FOSBEL, INC., 20600 Sheldon Road, Brook Park, OH 44142, USA;

Michael P. SMITH

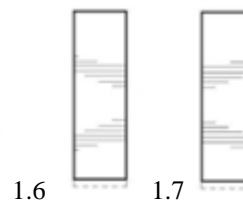
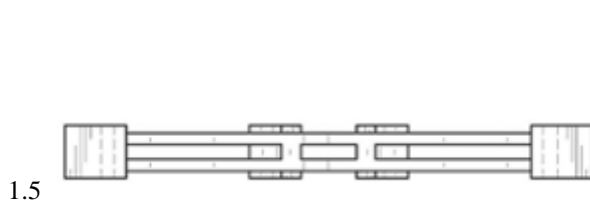
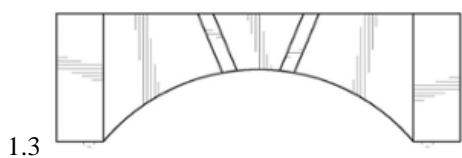
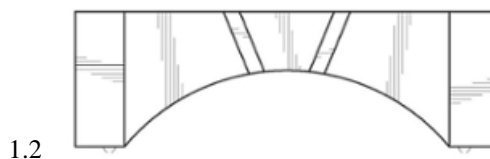
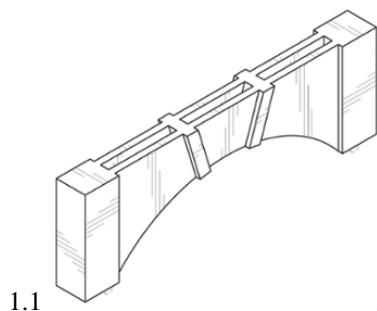
c/o FOSBEL, INC., 20600 Sheldon Road, Brook Park, OH 44142, USA;

Lou CAROLLA

c/o FOSBEL, INC., 20600 Sheldon Road, Brook Park, OH 44142, USA

(54) 1. Part of glass furnace regenerator

(55)



(11) DM/088120

(15) 2015 09 16

(22) 2015 09 16

(28) 1

(73) LABORATOIRES LA PRAIRIE SA

Industriestrasse 8, CH-8604 Volketswil (CH)

(85) --

(86) CH

(87) CH

(88) CH

(89) CH

(81) II. BJ, BZ, CI, GA, KP, MA, ML, NE, SN, SR III. AL, AM, AZ, BA, BN, BW, CH, EG, EM, GE, JP, KG, KR, LI, MC, MD, ME, MK, MN, NA, NO, OA, OM, RS, RW, SG, ST, SY, TJ, TN, TR, UA

(72) Anil Kalyanpur

14 Ellison Avenue, 08817 Edison, NJ, United States of America;

Richard Suhr

21 Blaine Avenue, Unit 6, 08751 Seaside Heights, NJ, United States of America

(54) 1. Container for cosmetic products

(55)



1.1



1.2



1.3



1.4



1.5



1.6



1.7



1.8



1.9



1.10



1.11



1.12



(11) DM/088167

(15) 2014 11 19

(22) 2014 09 24

(28) 1

(30) 17.04.2014; 002449462-0001; EM

(73) IVAYLO EMILOV VELEV

"Debelo Guno" str. 999, BG-1137 Pancharevo (BG)

(85) --

(86) BG, EM

(87) BG, EM

(88) -

(89) BG

(81) II. BJ, BZ, CI, GA, KP, MA, ML, NE, SN, SR III. AM, AZ, BA, BN, EG, GE, GH, HR, IS, KG, MC, MD, MN, NA, OM, RW, SG, ST, SY, TJ, TN, TR, UA

(72) Atanas Yanov

"Tintyava" str. 15-17, 1113 Sofia, Bulgaria

(54) 1. Printer

(55)

(51) 14-02

(45) 2015/47 (2015 11 27)



(11) DM/088289**(51) 21-02**

(15) 2015 07 11

(45) 2015/48 (2015 12 04)

(22) 2015 07 11

(28) 1

(73) SDDS CORPORATION

21 B avenue du Général de Gaulle, F-66000 PERPIGNAN (FR)

(85) --

(86) FR

(87) --

(88) FR, EM

(89) FR

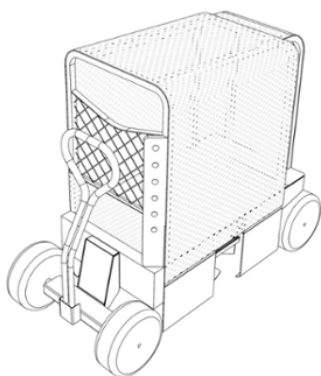
(81) II. MA III. AZ, CH, EM, GE, GH, IS, JP, KR, MC, OA, OM, RS, SG, TN, UA

(72) DARMON Stéphane

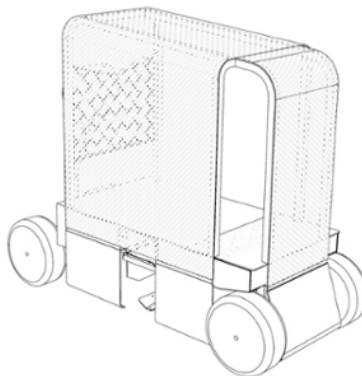
9 rue des Chalets, 66000 PERPIGNAN, France

(54) 1. Sports training apparatus

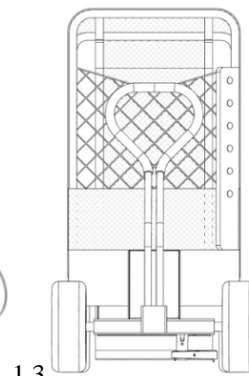
(55)



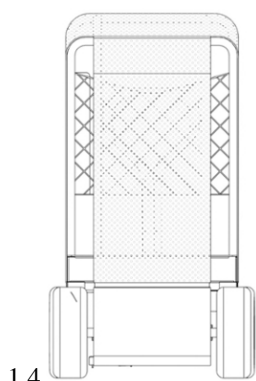
1.1



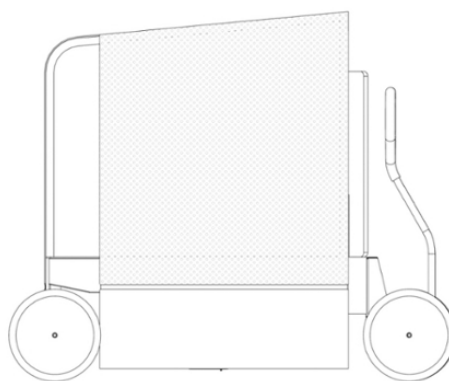
1.2



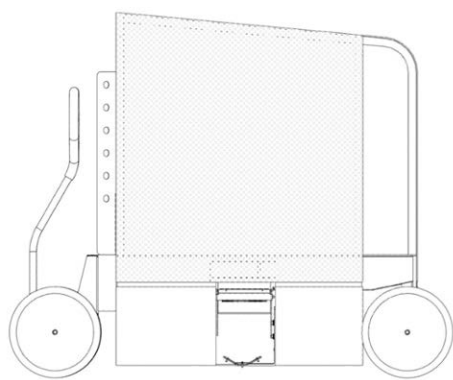
1.3



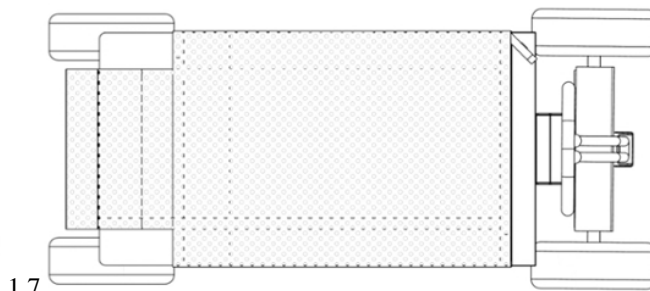
1.4



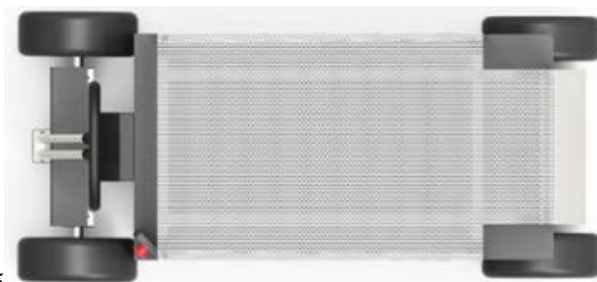
1.5



1.6



1.7



(11) DM/088327**(51) 02-04**

(15) 2015 11 11

(45) 2015/48 (2015 12 04)

(22) 2015 11 11

(28) 1

(73) VALENTINO S.P.A.

Via Turati, 16/18, I-20121 MILANO (IT)

(85) --

(86) EM, IT

(87) EM, IT

(88) EM, IT

(89) EM

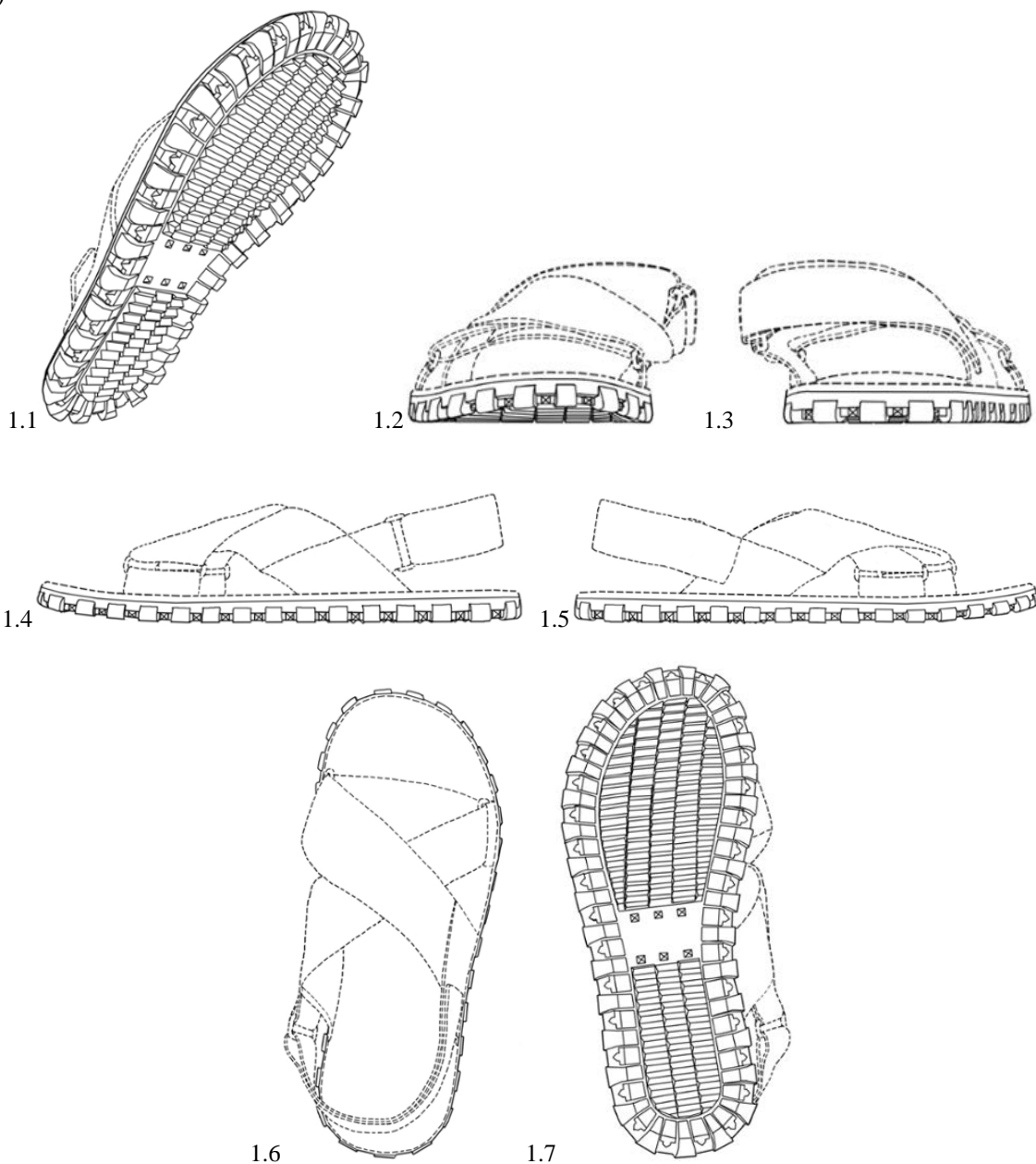
(81) III. AZ, EM, GE, KG, TJ, TR, UA, US

(72) SASSI Stefano

c/o VALENTINO S.p.A. Via Turati, 16/18, I-20121 Milano, Italy

(54) 1. Sole for footwear

(55)



(11) DM/086610

(15) 2015 06 08

(22) 2015 06 08

(28) 3

(73) SWATCH AG (SWATCH SA) (SWATCH LTD.)

Jakob-Stämpfli-Strasse 94, CH-2502 Biel/Bienne (CH)

(85) CH

(86) CH

(87) CH

(88) CH

(89) CH

(81) II. BZ, MA III. AL, AM, AZ, BA, CH, EM, GE, KG, KR, LI, MC, MD, ME, MK, MN, NO, OM, SG, TN, TR, UA

(72) 1: Anais KREBS

Rue de la Côte 21, 2000 Neuchâtel, Suisse;

2: Margherita TAGLIA

Graue Gasse 12, 8001 Zürich, Suisse;

2: Thule SRL Conceria

Via di Pelle 49, Laser Department, 56029 Santa Croce s/Arno, Italie;

3: Antonio FAZIO

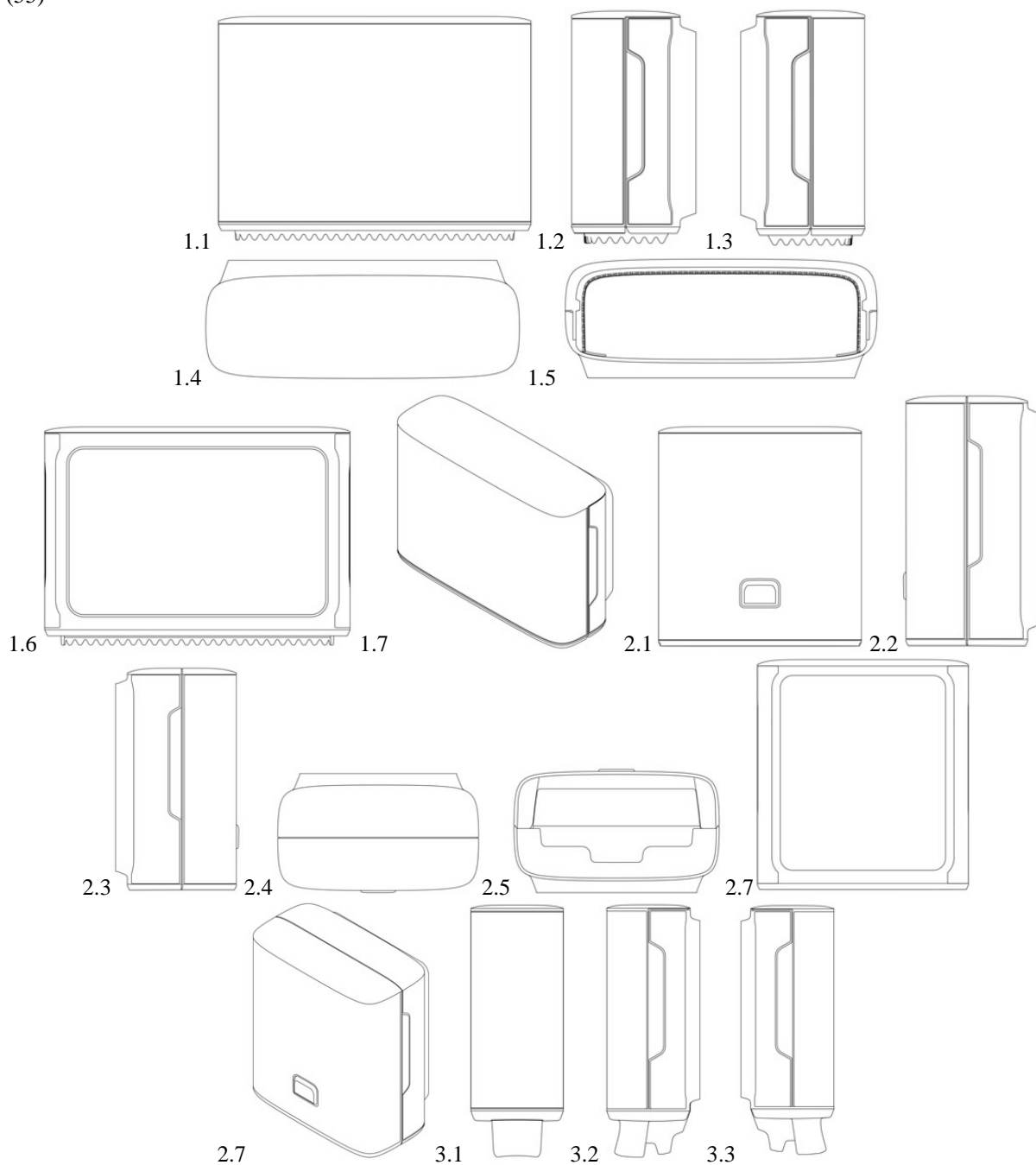
Avenue de Cour 40, 1007 Lausanne, Suisse

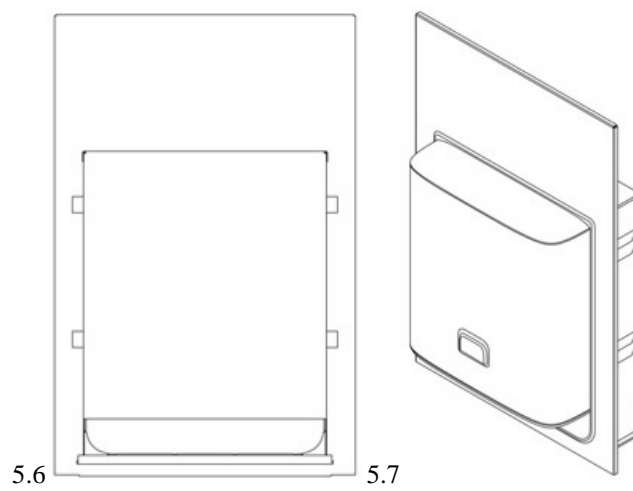
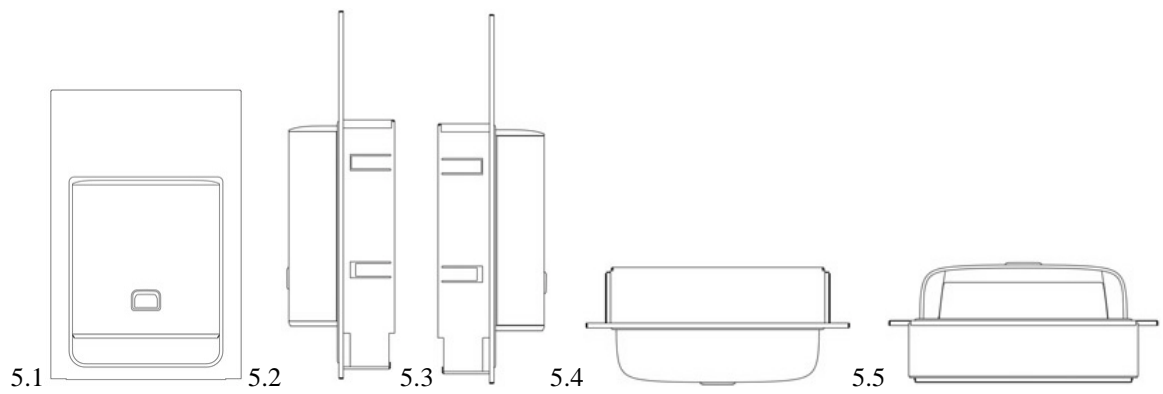
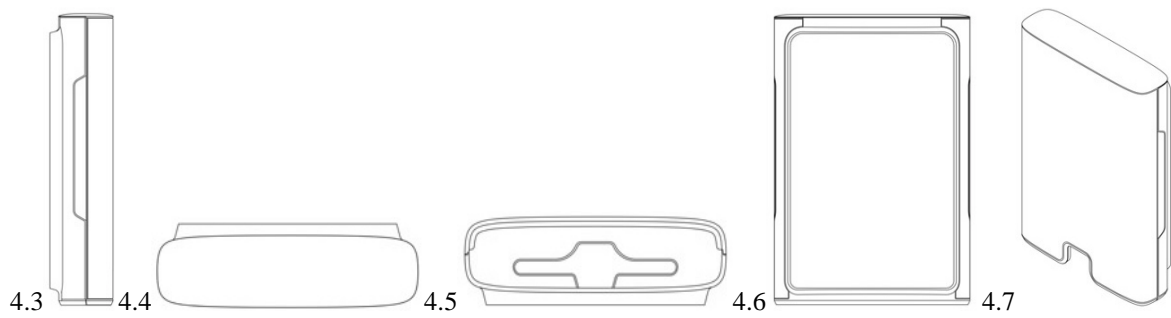
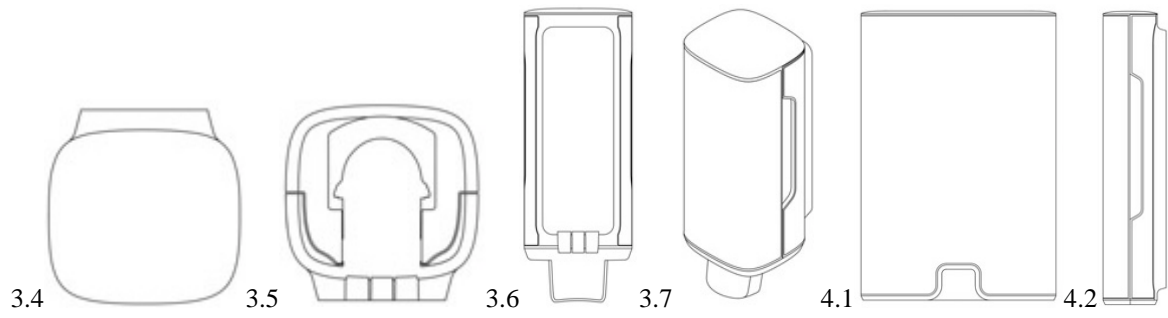
(54) 1.-3. Wristwatches

(55)



(11) DM/086781 (51) 23-02
 (15) 2015 06 11 (45) 2015/49 (2015 12 11)
 (22) 2015 06 11
 (28) 5
 (30) Nos. 1, 2, 3, 4, 5: 19.12.2014; 2601922; EM
 (73) SCA HYGIENE PRODUCTS AB SE-405 03 Göteborg (SE)
 (85) --
 (86) --
 (87) --
 (88) CH
 (89) CH
 (81) III. GE, KR, SG, TN, TR
 (72) 1, 2, 3, 4, 5: Peter JOHNSON
 c/o SCA Hygiene Products AB, SE-405 03 Göteborg, Sweden
 (54) 1.-5. Paper dispensers
 (55)





(11) DM/087032**(51) 32-00**

(15) 2015 06 10

(45) 2015/49 (2015 12 11)

(22) 2015 06 10

(28) 1

(30) 13.03.2015; 2015/01942; TR

(73) IPEK KAGIT SANAYI VE TICARET ANONIM SirkETI

Kanyon Ofis Buyukdere Caddesi No: 185, TR-34394 Istanbul (TR)

(85) TR

(86) TR

(87) TR

(88) TR

(89) TR

(81) III. AL, AM, AZ, BA, CH, EG, EM, GE, IS, KG, KR, LI, MD, ME, MK, MN, NO, OM, RS, SG, SY, TJ, TN, UA

(72) 1: Artur Koslowski

Karstrasse 90, 41068 Mönchengladbach, Germany

(54) 1. Surface pattern

(55)

**(11) DM/087464****(51) 03-01**

(15) 2015 06 09

(45) 2015/49 (2015 12 11)

(22) 2015 06 09

(28) 3

(73) MANASTIR, ADNAN

Kocaaga Sok. Bali Apt. K:2 NO:4 Beyoglu, ISTANBUL (TR)

(85) --

(86) TR

(87) --

(88) --

(89) TR

(81) III. AL, AM, AZ, BA, CH, EG, EM, GE, GH, IS, JP, KR, LI, LV, MC, MD, ME, MK, MN, NO, RS, SG, TJ, TN, UA, US

(72) MANASTIR ADNAN

KOCAAGA SOK. BALI APT. K:2 NO:4 BEYOGLU ISTANBUL TURKEY (TR), ISTANBUL, Turkey;

MANASTIR, BESTE

KOCAAGA SOK. BALI APT. K:2 NO:4 BEYOGLU ISTANBUL TURKEY (TR), ISTANBUL, Turkey;

MANASTIR, MERVE

KOCAAGA SOK. BALI APT. K:2 NO:4 BEYOGLU ISTANBUL TURKEY (TR), ISTANBUL, Turkey

(54) 1.-3. Handbags

(55)



1.1



1.2



1.3



(11) DM/087529**(51) 25-03**

(15) 2015 06 09

(45) 2015/49 (2015 12 11)

(22) 2015 06 09

(28) 1

(73) YORULMAZER, RAFET EREN

Askerocagi Caddesi No:15 Suzer Plaza Kat:30/31, Sisli Istanbul (TR)

(85) --

(86) TR

(87) --

(88) --

(89) TR

(81) III. AL, AM, AZ, BA, BN, BW, CH, EG, EM, GE, GH, IS, JP, KG, KR, LI, MC, MD, ME, MK, MN, NA, NO, OA, OM, RS, RW, SG, ST, TJ, TN, UA, US

(72) YORULMAZER

Rafet Eren, Askerocagi Caddesi No:15 Suzer Plaza Kat:30/31 Sisli ISTANBUL TURKEY, ISTANBUL, Turkey

(54) 1. Building

(55)



1.1



1.2



1.3



1.4



1.5

(11) DM/088355

(15) 2015 11 10

(22) 2015 11 10

(28) 2

(73) BALEV EOOD

bul. Vladislav Varnenchik No.256, BG-9009 Varna (BG);

BALEV CORPORATION EOOD

bul. Vladislav Varnenchik No. 260, BG-9009 Varna (BG)

(85) BG, EM; BG, EM

(86) BG, EM; BG, EM

(87) BG, EM; BG, EM

(88) BG, EM; BG, EM

(89) BG; BG

(81) II. BJ, BZ, CI, GA, KP, MA, ML, NE, SN, SR III. AL, AM, AZ, BA, BN, BW, CH, EG, EM, GE, GH, IS, JP, KG, KR, LI, MC, MD, ME, MK, MN, NA, NO, OA, OM, RS, RW, SG, ST, SY, TJ, TN, TR, UA, US

(72) Dimitar Hristov Balev

Blvd. Vitosha No.137, apt. 17, 1408 Sofia, Bulgaria

(54) 1.-2. Air fresheners [other than apparatus]

(55)

(51) 28-99

(45) 2015/49 (2015 12 11)

**(11) DM/088375**

(15) 2015 11 26

(22) 2015 11 26

(28) 1

(30) No. 1: 19.10.2015; 002828350-0001; EM

(73) SAVERGLASS

3 rue de la Gare, F-60960 FEUQUIERES (FR)

(85) FR, EM

(86) FR, EM

(87) FR, EM

(88) FR, EM

(89) FR

(81) III. AM, AZ, BA, CH, EG, GE, JP, KR, MC, MD, ME, MK, NO, RS, SG, TR, UA

(54) 1. Bottle

(55)

(51) 09-01

(45) 2015/49 (2015 12 11)



(11) DM/088376**(51) 09-01**

(15) 2015 11 27

(45) 2015/49 (2015 12 11)

(22) 2015 11 27

(28) 2

(30) No. 1: 18.11.2015; 002863829-0001; EM; No. 2: 18.11.2015; 002863829-0002; EM

(73) SAVERGLASS

3 rue de la Gare, F-60960 FEUQUIERES (FR)

(85) FR, EM

(86) FR, EM

(87) FR, EM

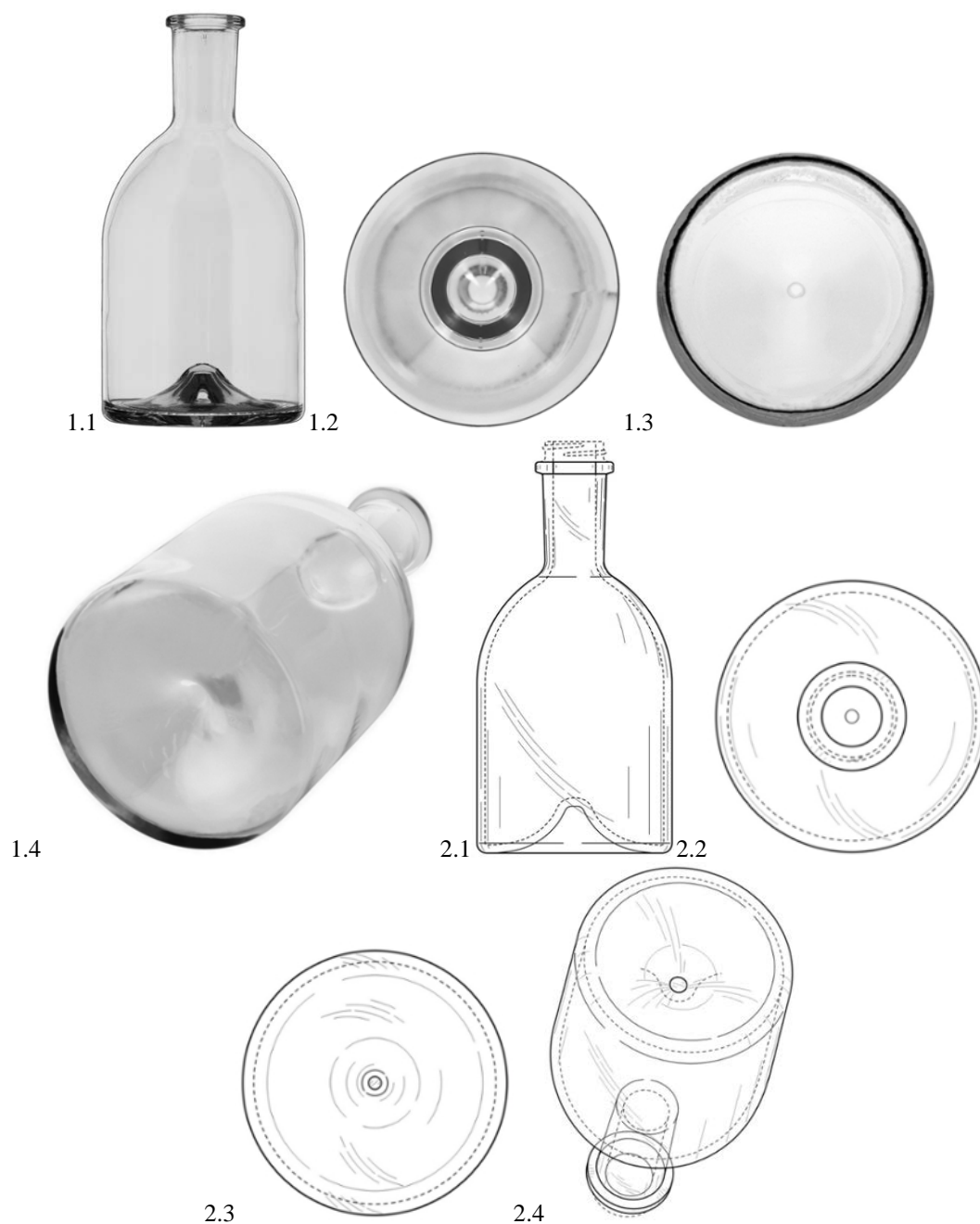
(88) FR, EM

(89) FR

(81) III. AM, AZ, BA, CH, EG, GE, KR, MC, MD, ME, MK, NO, RS, SG, TR, UA

(54) 1.-2. Bottles

(55)



(11) DM/088441

(51) 09-01

(15) 2015 11 27

(45) 2015/49 (2015 12 11)

(22) 2015 11 27

(28) 2

(30) No. 1: 18.11.2015; 002863837-0001; EM; No. 2: 18.11.2015; 002863837-0002; EM

(73) SAVERGLASS

3 rue de la Gare, F-60960 FEUQUIERES (FR)

(85) FR, EM

(86) FR, EM

(87) FR, EM

(88) FR, EM

(89) FR

(81) III. AM, AZ, BA, CH, EG, GE, KR, MC, MD, ME, MK, NO, RS, SG, TR, UA

(54) 1.-2. Bottles

(55)



TRADEMARKS

APPLICATIONS FILED UNDER THE NATIONAL PROCEDURE APPROVED FOR REGISTRATION

The decision can be appealed at the Chamber of Appeal of Sakpatenti within 3 months from the publication or at the Mtskheta District Court Administrative Cases Board (Address: №17, Samkhedro St., Mtskheta), within 1 month following the publication.

(260) AM 2016 78229 A
(210) AM 78229
(220) 2014 08 07
(731) LTD "KAMARA EXPRESS"
L. Asatianis q. 36a, 0108, Tbilisi, Georgia
(540)
**თქვენი პარტნიორი საჰაერო
სივრცეში**

(591) Blue
(531) 28.19, 29.01.04
(511) 9

(260) AM 2016 78231 A
(210) AM 78231
(220) 2014 08 07
(731) LTD "KAMARA EXPRESS"
L. Asatianis q. 36a, 0108, Tbilisi, Georgia
(540)
YOUR PARTNER IN THE SKIES
(591) Blue
(531) 29.01.04, 27.05.25
(511) 39

(260) AM 2016 78737 A
(210) AM 78737
(220) 2014 09 19
(731) LTD "KARTU UNIVERSAL"
Kakhetis gzat. II chikhi 11, Isan-Samgoris
raioni, Tbilisi, Georgia
(740) Gocha Gogishvili
(540)

**ჯენიო
JENIO
ДЖЕНИО**

(511) 29, 30, 35

(260) AM 2016 78740 A
(210) AM 78740
(220) 2014 09 19
(731) LTD "KARTU UNIVERSAL"
Kakhetis gzat. II chikhi 11, Isan-Samgoris
raioni, Tbilisi, Georgia

(740) Gocha Gogishvili
(540)

**სამოჯახო
FAMILY
СЕМЕЙНОЕ**

(511) 29, 30, 35

(260) AM 2016 79635 A
(210) AM 79635
(220) 2014 11 25
(731) LTD "EUROPHARMA GEORGIA"
Machabelis q. 5, 0114, Tbilisi, Georgia
(740) Nia Masyukovich
(540)

**ბრონქომაქსი
Бронхомакс
Bronkhomax**

(511) 5, 35

(260) AM 2016 80020 A
(210) AM 80020
(220) 2014 12 30
(731) LTD "G-M-P"
Sop. Ponichala 65, 0165, Tbilisi, Georgia
(740) Nugzar Ksovreli
(540)

**შუგა ნორმი
Шуга Норм
Sugar Norm**

(511) 5

(260) AM 2016 81207 A
(210) AM 81207
(220) 2015 03 12
(731) LTD "EUROPHARMA GEORGIA"
Machabelis q. 5, 0114, Tbilisi, Georgia
(740) Nia Masyukovich

(540)

Zinconet C
Цинконет С
ცინკონეტი ს

(511) 5, 35

(260) AM 2016 81341 A

(210) AM 81341

(220) 2015 03 20

(731) LTD "IDILIA"

Tsatskhvebis q. 1, Isianis 2a, 4600, Kutaisi, Georgia

(740) Murman Nikoleishvili

(540)



(591) Yellow, red, white

(531) 27.05.02, 28.05, 29.01.13

(511) 29

(260) AM 2016 81864 A

(210) AM 81864

(220) 2015 04 28

(731) LTD "GLOBAL TRADE"

Akhaldabis q. 61, Tbilisi, Georgia

(740) Tamaz Zlatkovskiy

(540)



(591) White, red, yellow and black

(531) 01.03.15, 05.05.04, 05.07.06, 19.03.05, 28.19, 29.01.14

(511) 35

(260) AM 2016 81890 A

(210) AM 81890

(220) 2015 04 30

(731) The Office Of The Personal Data Protection Inspector

Ingorokvas q. 7, 0105, Tbilisi, Georgia

(740) Natalia Metreveli

(540)



(591) Green, light green and yellowish-green

(531) 26.01.24, 26.11.12, 29.01.03

(511) 35, 41

(260) AM 2016 81904 A

(210) AM 81904

(220) 2015 05 01

(731) Island Watches FZE

6WB 237, Dubai Airport Freezone, Dubai, United Arab Emirates

(740) Pavle Meipariani

(540)



IRMAL DIMIH
PRINCESS

(591) Black, white

(531) 27.05.22, 27.05.01

(511) 14

(260) AM 2016 81905 A

(210) AM 81905

(220) 2015 05 01

(731) Island Watches FZE

6WB 237, Dubai Airport Freezone, Dubai, United Arab Emirates

(740) Pavle Meipariani

(540)



NEW FANDE

(591) Black, white

(531) 03.07.17, 26.11.08, 27.05.17, 27.05.22

(511) 14

(260) AM 2016 81941 A

(210) AM 81941

(220) 2015 05 05

(731) Vakhtang Sopromadze

Bakhtionis q. 22, b. 98, Tbilisi, Georgia

(740) Tamar Gogava

(540)



(591) Blue, white, sky-blue

(531) 07.03.02, 26.04.22, 26.04.24, 27.05.24,
29.01.12
(511) 6, 19

(260) AM 2016 81995 A
(210) AM 81995
(220) 2015 05 07
(731) LTD "BEKA GEORGIA"
Davit Aghmasheneblis q. 20, b. 31, Batumi,
Georgia
(740) Shalva Gvaramadze
(540)

Karabak

(511) 6, 19, 30, 35, 43

(260) AM 2016 82118 A
(210) AM 82118
(220) 2015 05 18
(731) Giorgi Sardanadze
G. Abesadzis q. 46, 2000, Zestaponi, Georgia
(740) Giorgi Sardanadze
(540)



(591) Black, white, blue
(531) 02.09.04, 27.05.17, 29.01.13
(511) 9, 28

(260) AM 2016 82134 A
(210) AM 82134
(220) 2015 05 18
(731) LTD "G-M-P"
Sop. Ponichala 65, 0165, Tbilisi, Georgia
(740) Nugzar Ksovreli
(540)

დოქსაფინი
ДОКСАФИН
DOXAFIN

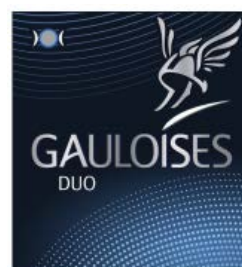
(511) 5

(260) AM 2016 82205 A
(210) AM 82205
(220) 2015 05 20
(731) MONSTER ENERGY COMPANY
a Delaware corporation
1 Monster Way, Corona, California
92879, USA
(740) Shalva Gvaramadze
(540)



(591) Black, white
(531) 26.11.07, 26.13.25, 27.05.04, 27.05.10,
27.05.21
(511) 9, 16, 18, 25

(260) AM 2016 82210 A
(210) AM 82210
(220) 2015 05 20
(731) Societe Nationale d'Exploitation Industrielle
des Tabacs et Allumettes, SASU
143 BOULEVARD ROMAIN ROLLAND
75014 PARIS, FRANCE
(740) Giorgi Ghvinjilia
(540)



(591) White, light grey, dark grey, light sky-blue,
dark sky-blue, light blue, dark blue
(531) 26.04.24, 27.05.24, 29.01.12, 25.01.19,
25.07.07, 25.07.15, 23.05.05
(511) 34

(260) AM 2016 82259 A
(210) AM 82259
(220) 2015 05 27
(731) MASTERCARD INTERNATIONAL
INCORPORATED, a Delaware corporation
2000 Purchase Street, Purchase, New York
10577, USA
(740) Tamar Kochlamazashvili
(540)



(591) White, black, red, orange-yellow
(531) 26.01.06, 26.01.19, 26.11.08, 27.05.24,
29.01.13
(511) 9, 16, 35, 36, 38, 39, 41, 42

(260) AM 2016 82309 A
(210) AM 82309
(220) 2015 05 31
(731) LTD "LEGI"
S. Khutsbani, Kobuleti, Georgia
(740) Ketino Kharazi

(540)



(591) Black, dark Bordeaux
 (531) 07.15.01, 27.05.11, 27.05.17, 29.01.12
 (511) 19

(260) AM 2016 82344 A
 (210) AM 82344
 (220) 2015 06 03
 (731) LTD "DUTY FREE INTERNATIONAL"
 Besikis q. 4, 0180, Tbilisi, Georgia
 (740) Levan Nikoladze
 (540)



(591) Golden
 (531) 03.01.22, 24.01.15, 24.17.09, 29.01.02
 (511) 34

(260) AM 2016 82345 A
 (210) AM 82345
 (220) 2015 06 03
 (731) LTD "S. KHECHINASHVILI
 UNIVERSITY HOSPITAL"
 I. Chavchavadzis gamz. 29-31-33, 0179,
 Tbilisi, Georgia
 (740) Tamar Dididze
 (540)



სამედიცინო უნივერსიტეტის
 სახელობის სახელობის კლინიკა

(591) Sky-blue, blue, black and white
 (531) 24.13.01, 26.05.11, 26.07.25, 27.05.15,
 29.01.14
 (511) 35, 44

(260) AM 2016 82357 A
 (210) AM 82357
 (220) 2015 06 03
 (731) NOVARTIS AG
 4002 Basel, Switzerland

(740) Pavle Meipariani
 (540)

პრილამიდი

(511) 5

(260) AM 2016 82439 A
 (210) AM 82439
 (220) 2015 06 09
 (731) LTD "CHIRINA"
 Gudiashvilis q. 9, 0105, Tbilisi, Georgia
 (740) Giorgi Getsadze
 (540)



(591) White and green
 (531) 05.03.14, 28.19, 29.01.12
 (511) 29, 30, 32, 35

(260) AM 2016 82440 A
 (210) AM 82440
 (220) 2015 06 09
 (731) LTD "CHIRINA"
 Gudiashvilis q. 9, 0105, Tbilisi, Georgia
 (740) Giorgi Getsadze
 (540)



(591) White and green
 (531) 03.07.17, 03.11.03, 24.11.18, 27.05.11, 28.19,
 29.01.03
 (511) 42

(260) AM 2016 82441 A
 (210) AM 82441
 (220) 2015 06 09
 (731) LTD "CHIRINA"
 Gudiashvilis q. 9, 0105, Tbilisi, Georgia
 (740) Giorgi Getsadze
 (540)



(591) Yellow and brown
 (531) 03.07.03, 28.19, 29.01.12, 03.04.01, 03.04.18
 (511) 31, 35

(260) AM 2016 82442 A
 (210) AM 82442
 (220) 2015 06 09
 (731) LTD "CHIRINA"
 Gudiasvilis q. 9, 0105, Tbilisi, Georgia
 (740) Giorgi Getsadze
 (540)



(591) Yellow, red, green and black
 (531) 05.07.13, 05.07.15, 28.19, 29.01.14
 (511) 31, 35

(260) AM 2016 82444 A
 (210) AM 82444
 (220) 2015 06 09
 (731) ORALECT LICENSING, LTD.
 2711 North Haskell Avenue, Suite 650,
 Dallas, Texas 75204, USA
 (740) Giorgi Meipariani
 (540)

FASTBRACES

(511) 44

(260) AM 2016 82445 A
 (210) AM 82445
 (220) 2015 06 09
 (731) ORALECT LICENSING, LTD.
 2711 North Haskell Avenue, Suite 650,
 Dallas, Texas 75204, USA
 (740) Giorgi Meipariani
 (540)



(591) Black, white
 (531) 26.11.12, 04.05.03, 26.01.04, 26.01.16,
 26.01.21
 (511) 44

(260) AM 2016 82446 A
 (210) AM 82446
 (220) 2015 06 09

(731) PHILIP MORRIS PRODUCTS S.A.
 Quai Jeanrenaud 3, 2000 Neuchâtel,
 Switzerland
 (740) Shalva Gvaramadze
 (540)



(591) White, black, red, sky-blue, violet,
 various tones of blue
 (531) 03.01.02, 03.01.20, 24.17.09, 25.01.01,
 26.11.12, 27.05.24, 29.01.15
 (526) The trademark is protected as a whole. "LESS
 SMELL", "FINE CUT TOBACCO" shall not be
 subject to independent legal protection.
 (511) 34

(260) AM 2016 82449 A
 (210) AM 82449
 (220) 2015 06 09
 (731) PHENOMENON AGENTS LIMITED
 P.O.Box 957 Offshore Incorporations Centre,
 Road Town, Tortola, Virgin Islands
 (Great Britain)
 (740) Giorgi Taktakishvili
 (540)

AKAI

(511) 7, 8, 9, 11

(260) AM 2016 82452 A
 (210) AM 82452
 (220) 2015 06 10
 (731) GALDERMA S.A.
 Zugerstrasse 8, CH-6330 CHAM, Switzerland
 (740) Shalva Gvaramadze
 (540)



(591) Black, white
 (531) 27.05.01, 01.13.15, 26.01.06
 (511) 3, 5, 10

(260) AM 2016 82495 A
 (210) AM 82495
 (220) 2015 06 11
 (731) SNAP FITNESS, INC.
 (a Minnesota corporation)
 2411 Galpin Court, Suite 110, Chanhassen,
 Minnesota 55317, USA

(740) Giorgi Taktakishvili
(540)

სნეპ ფიტნესი

(511) 41

(260) AM 2016 82547 A
(210) AM 82547
(220) 2015 06 15
(731) WALTON INTERNATIONAL LTD
P.O. Box 1586, George Town, Grand Cayman,
KY1-1110, Cayman Islands
(740) Giorgi Meipariani
(540)

THE NO
STYLE OF STYLE

(591) Black, white
(531) 27.05.15, 27.05.10
(511) 18, 25, 35

(260) AM 2016 82565 A
(210) AM 82565
(220) 2015 06 16
(731) LTD "TBILISI INN"
Kedias q. 10, 0154, Tbilisi, Georgia
(740) Marine Tskipureshvili
(540)

 Tbilisi
Inn

(591) Golden, black, white
(531) 27.05.15, 29.01.13, 26.04.01, 26.02.07,
26.04.12
(526) The trademark is protected as a whole. "Tbili-
si" and "Inn" shall not be subject to independent le-
gal protection.
(511) 43

(260) AM 2016 82599 A
(210) AM 82599
(220) 2015 06 19
(731) AMGEN INC
One Amgen Center Drive, Thousand Oaks,
California 91320-1799, USA
(740) Shalva Gvaramadze
(540)



(591) Black, white

(531) 01.15.23, 01.13.15
(511) 5

(260) AM 2016 82610 A
(210) AM 82610
(220) 2015 06 22
(731) LTD "EDUCATION MANAGEMENT PARK"
Vazha-Pshavelas gamz. 76b, b. 103, 0186,
Tbilisi, Georgia
(740) Giorgi Taktakishvili
(540)

S | A | L
School of American Law
for Caucasus & Turkey

(591) Red, grey, black
(531) 27.05.10, 26.11.07, 27.05.23, 29.01.12
(511) 41

(260) AM 2016 82611 A
(210) AM 82611
(220) 2015 06 22
(731) LTD "EDUCATION MANAGEMENT PARK"
Vazha-Pshavelas gamz. 76b, b. 103, 0186,
Tbilisi, Georgia
(740) Giorgi Taktakishvili
(540)

S | A | L
School of American Law

(591) Red, grey, black
(531) 26.11.07, 27.05.10, 27.05.23, 29.01.12
(511) 41

(260) AM 2016 82614 A
(210) AM 82614
(220) 2015 06 22
(731) LTD "SHOW TECHNICS CENTER"
I. Petritsis q. 16, b.1, 0131 Tbilisi, Georgia
(740) Davit Dzamukashvili
(540)



(591) Black, yellow, white

(531) 24.17.12, 26.03.23, 28.19, 29.01.12
(511) 35

(260) AM 2016 82615 A
(210) AM 82615
(220) 2015 06 22
(731) LTD "SHOW TECHNICS CENTER"
I. Petritsis q. 16, b.1, 0131 Tbilisi, Georgia
(740) Davit Dzamukashvili
(540)



(591) Red, grey, black
(531) 27.05.05, 29.01.13, 27.05.04
(511) 35

(260) AM 2016 82620 A
(210) AM 82620
(220) 2015 06 22
(731) HEADHUNTER FSU LIMITED
Diagorou 4, KERMIA BUILDING, 6th floor,
office 601, 1097 Nicosia, Cyprus
(740) Tamaz Shilakadze
(540)

HEADHUNTER

(591) Black, white
(511) 9, 16, 35, 38, 41, 42

(260) AM 2016 82621 A
(210) AM 82621
(220) 2015 06 22
(731) HEADHUNTER FSU LIMITED
Diagorou 4, KERMIA BUILDING, 6th floor,
office 601, 1097 Nicosia, Cyprus
(740) Tamaz Shilakadze
(540)

hh

(591) Black, white
(511) 38, 41, 42

(260) AM 2016 82633 A
(210) AM 82633
(220) 2015 06 23
(731) LTD "OPTIMAL SERVICE"
Vazha-Pshavelas gamz. 49, korp. 3, b. 3,
0177, Tbilisi, Georgia

(740) Mikheil Ghlonti
(540)

ოპტიმალ სერვისი
Optimal Service
Оптимал Сервис

(511) 16, 35

(260) AM 2016 82636 A
(210) AM 82636
(220) 2015 06 23
(731) LTD "TETRAPRODUCT"
Varketilis me-3 mas., me-9 kvart., 3a korp.,
b. 96, 0182, Tbilisi, Georgia
(740) Zaal Shonia
(540)



(591) Golden, red, yellow and green
(531) 05.09.24, 25.03.03, 26.01.15, 28.05, 29.01.14
(511) 6, 35

(260) AM 2016 82676 A
(210) AM 82676
(220) 2015 06 25
(731) NOVARTIS AG
4002 Basel, Switzerland
(740) Pavle Meipariani
(540)

როზუროზი

(591) Blue, white
(531) 28.19
(511) 5

(260) AM 2016 82677 A
(210) AM 82677
(220) 2015 06 25
(731) NOVARTIS AG
4002 Basel, Switzerland
(740) Pavle Meipariani
(540)

Розуроз

(591) Black, white
(531) 28.05
(511) 5

(260) AM 2016 82678 A
 (210) AM 82678
 (220) 2015 06 25
 (731) NOVARTIS AG
 4002 Basel, Switzerland
 (740) Pavle Meipariani
 (540)

Старроз

(591) Black, white
 (531) 28.05
 (511) 5

(260) AM 2016 82695 A
 (210) AM 82695
 (220) 2015 06 26
 (731) LTD "KARTU UNIVERSAL"
 Kakhetis gzat. me-2 chikhi 11, 0190, Tbilisi,
 Georgia
 (740) Gocha Gogishvili
 (540)

სივრილე რომელიც გათბობს
The cool that keeps you warm
 (511) 30

(260) AM 2016 82716 A
 (210) AM 82716
 (220) 2015 06 29
 (731) AMGEN INC.
 One Amgen Center Drive, Thousand Oaks,
 California 91320-1799, USA
 (740) Shalva Gvaramadze
 (540)

SURECLICK

(511) 10

(260) AM 2016 82740 A
 (210) AM 82740
 (220) 2015 06 30
 (731) LTD "KARAVANI"
 Shio Mghvimelis q. 7, 0179, Tbilisi, Georgia
 (540)



(591) Golden, white, black
 (531) 02.01.21, 28.19, 29.01.12, 03.02.13

(526) The trademark is protected as a whole. "©"
 shall not be subject to independent legal protection.
 (511) 30

(260) AM 2016 82818 A
 (210) AM 82818
 (220) 2015 07 03
 (731) LTD "MARANULI"
 D. Aghmasheneblis kheivani 95, 0131, Tbilisi,
 Georgia
 (740) Tornike Bochoradze
 (540)



(591) Black, white
 (531) 06.19.07, 26.11.08
 (511) 33, 35

(260) AM 2016 82819 A
 (210) AM 82819
 (220) 2015 07 03
 (731) LTD "MARANULI"
 D. Aghmasheneblis kheivani 95, 0131, Tbilisi,
 Georgia
 (740) Tornike Bochoradze
 (540)

მარანული
МАРАНУЛИ
MARANULI

(511) 33, 35

(260) AM 2016 82820 A
 (210) AM 82820
 (220) 2015 07 03
 (731) Private Trade Unitary Enterprise "MAAX-1"
 Krasnozviozdni st., buil. 18b, ap. 26, Minsk
 220034, Republic of Belarus
 (740) Tina Chalauri
 (540)

Sunny Days

(511) 35, 42

(260) AM 2016 82822 A
 (210) AM 82822
 (220) 2015 07 03
 (731) ACTIVISION PUBLISHING, INC.
 3100 Ocean Park Boulevard, Santa Monica,
 California 90405, USA
 (740) Pavle Meipariani

(540)

**SKYLANDERS
BATTLECAST**

(511) 9, 28, 41

(260) AM 2016 82833 A

(210) AM 82833

(220) 2015 07 07

(731) LTD "LOGICMETER"

Marabdis q. 29, 0160, Tbilisi, Georgia

(740) Kakha Kokhreidze

(540)


 The logo for Logicmeter features the word "logicmeter" in a lowercase, sans-serif font. The "i" in "logic" has a blue dot, and the "e" in "meter" has a blue dot. Below the text, there are several vertical lines of varying heights, resembling a digital display or a stylized bar chart.

(591) Black, light blue

(531) 17.05.02, 26.11.07, 29.01.12

(511) 35, 41, 42

(260) AM 2016 82834 A

(210) AM 82834

(220) 2015 07 07

(731) LTD "LOGICMETER"

Marabdis q. 29, 0160, Tbilisi, Georgia

(740) Kakha Kokhreidze

(540)


 This is the same logo as above, but the text "logicmeter" is replaced by its Georgian equivalent, "ლოჯიკმეტერი", written in a similar sans-serif font.

(591) Black, light blue

(531) 26.11.07, 28.19, 29.01.12, 17.05.02

(511) 35, 41, 42

(260) AM 2016 82870 A

(210) AM 82870

(220) 2015 07 08

(731) AIK CHEONG COFFEE ROASTER SDN.
BHD.Lot 1-1, Jalan TTC 1, Kawasan Perindustrian
Cheng, 75250 Melaka, Malaysia

(740) Merab Kvimsadze

(540)

GOLDEN EAGLE

(511) 30

(260) AM 2016 82871 A

(210) AM 82871

(220) 2015 07 08

(731) AIK CHEONG COFFEE ROASTER SDN.
BHD.Lot 1-1, Jalan TTC 1, Kawasan Perindustrian
Cheng, 75250 Melaka, Malaysia

(740) Merab Kvimsadze

(540)

(591) Brown, light brown, orange, light orange,
yellow, white, red, blue, black, light green(531) 03.07.01, 03.07.02, 03.07.16, 05.07.01,
11.03.04, 25.01.01, 27.05.02, 29.01.15

(511) 30

(260) AM 2016 82965 A

(210) AM 82965

(220) 2015 07 13

(731) LTD "MEDICALL"

Kipshidzis q. 9, b. 63, 0162, Tbilisi, Georgia

(740) Irakli Chitiashvili

(540)



(591) Blue, sky-blue and red

(531) 16.01.14, 27.05.07, 29.01.12

(511) 35, 38

(260) AM 2016 83000 A

(210) AM 83000

(220) 2015 07 16

(731) Intercontinental Great Brands LLC
100 Deforest Avenue, East Hanover,
New Jersey 07936, USA

(740) Giorgi Taktakishvili

(540)



(591) White, yellow, orange, green
 (531) 01.15.09, 26.04.22, 27.05.01, 27.05.10,
 29.01.14
 (511) 30

(260) AM 2016 83001 A
 (210) AM 83001
 (220) 2015 07 16
 (731) JSC "CORPORATION KINDZMARAULI"
 I. Chavchavadzis gamz. 55, Georgia
 (740) Vasil Sepashvili
 (540)



(591) White, green, sky-blue, orange, black
 (531) 01.03.13, 06.01.02, 24.17.09, 29.01.14
 (511) 43

(260) AM 2016 83194 A
 (210) AM 83194
 (220) 2015 07 29
 (731) LTD "VAZIANI COMPANY"
 Mshvidobis q. 42, 2200, Telavi, Georgia
 (740) Lali Tsomaia
 (540)



(591) Cornelian-red, golden
 (531) 03.07.24, 19.09.02, 24.09.01, 25.01.17, 28.19,
 29.01.12
 (511) 33

(260) AM 2016 83243 A
 (210) AM 83243
 (220) 2015 07 31
 (731) Ivliane Iovadze
 I. Gogebashvilis q. 38, 0179, Tbilisi, Georgia
 (740) Ivliane Iovadze
 (540)

ორიდა
ORIDA

(511) 43

(260) AM 2016 83245 A
 (210) AM 83245
 (220) 2015 07 31

(731) HIGER BUS COMPANY LIMITED
 288 Suhong East Road, Suzhou Industrial
 Park, Suzhou, Jiangsu Province, China
 (740) Tamaz Shilakadze
 (540)



(591) Black, white
 (531) 24.11.25, 25.05.02, 26.01.02, 26.01.20,
 27.05.17
 (511) 12

(260) AM 2016 83247 A
 (210) AM 83247
 (220) 2015 07 31
 (731) HIGER BUS COMPANY LIMITED
 288 Suhong East Road, Suzhou Industrial
 Park, Suzhou, Jiangsu Province, China
 (740) Tamaz Shilakadze
 (540)



(591) Black, white
 (531) 26.04.22, 26.04.24, 27.05.24
 (511) 12

(260) AM 2016 83249 A
 (210) AM 83249
 (220) 2015 07 31
 (731) BIOGEN MA INC.
 a Massachusetts corporation
 250 Binney Street, Cambridge, Massachusetts
 02142, USA
 (740) Tamaz Shilakadze
 (540)

SPINRAZA

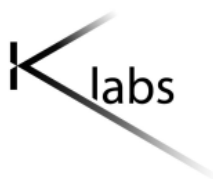
(511) 5

(260) AM 2016 83344 A
 (210) AM 83344
 (220) 2015 08 11
 (731) SHENZHEN KVD COMMUNICATION
 EQUIPMENT LIMITED
 Room 406 and 408, 4th Floor, The West
 of Building 405 of Sang Da industrial
 Zhenhua Road, Futian District
 SHenzhen, China
 (740) Davit Zurabishvili
 (540)



(591) Black, white
 (531) 27.05.01, 27.05.08, 27.05.22
 (511) 9

(260) AM 2016 83383 A
 (210) AM 83383
 (220) 2015 08 17
 (310) 00003097882
 (320) 2015 03 06
 (330) GB
 (731) BRITISH AMERICAN TOBACCO
 (BRANDS) INC. (a Delaware corporation)
 2711 Centerville Road, Suite 300,
 Wilmington, Delaware 19808, USA
 (740) Tamar Kochlamazashvili
 (540)



(591) Black, white
 (511) 34

(260) AM 2016 83392 A
 (210) AM 83392
 (220) 2015 08 17
 (731) HOLLAND & BARRETT RETAIL LIMITED
 Samuel Ryder House, Barling Way, Eliot
 Park, Nuneaton, Warwickshire, CV10 7RH,
 United Kingdom
 (740) Tamaz Shilakadze
 (540)

HOLLAND & BARRETT

(511) 5, 29, 30, 31, 32, 35

(260) AM 2016 83464 A
 (210) AM 83464
 (220) 2015 08 20
 (731) KENTUCKY FRIED CHICKEN
 INTERNATIONAL HOLDINGS, INC.
 1441 Gardiner Lane, Louisville, Kentucky
 40213, USA
 (740) Tamar Kochlamazashvili
 (540)



(591) Red, white, black, beige, light beige
 (531) 02.01.01, 26.04.24, 27.05.01, 27.05.24,
 29.01.15
 (511) 29, 30, 43

(260) AM 2016 83485 A
 (210) AM 83485
 (220) 2015 08 21
 (310) 66638
 (320) 2015 02 24
 (330) JM
 (731) BEATS ELECTRONICS, LLC
 8600 Hayden Place Culver City, California
 90232, USA
 (740) Tamar Kochlamazashvili
 (540)

BEATS ONE

(511) 38, 41

(260) AM 2016 83512 A
 (210) AM 83512
 (220) 2015 08 24
 (310) 66637
 (320) 2015 02 24
 (330) JM
 (731) APPLE INC.
 1, Infinite Loop, Cupertino, California 95014,
 USA
 (740) Tamar Kochlamazashvili
 (540)

RETINA

(511) 14

REGISTERED TRADEMARKS

(111) M 2016 26794 R
 (151) 2016 02 29
 (181) 2026 02 28
 (260) AM 2015 76456 A
 (220) 2014 03 27

(732) REEMTSMA CIGARETTENFABRIKEN
 GMBH
 Max-Born-Strasse 4, 22761 Hamburg,
 Germany

(111) M 2016 26795 R
 (151) 2016 02 29
 (181) 2026 02 28
 (260) AM 2015 77262 A
 (220) 2014 05 23

(732) LTD "KVARELI CELLAR"
 Sop. Chikaani, Kvarlis Raioni, Georgia

(111) M 2016 26796 R
 (151) 2016 02 29
 (181) 2026 02 28
 (260) AM 2015 77405 A
 (220) 2014 06 03

(732) TESCO STORES LIMITED
 Tesco House, Delamare Road,
 United Kingdom

(111) M 2016 26797 R
 (151) 2016 02 29
 (181) 2026 02 28
 (260) AM 2015 77451 A
 (220) 2014 06 06

(732) RANBAXY LABORATORIES LIMITED
 Plot No.90, Sector-32, Gurgaon-122001,
 Haryana, India

(111) M 2016 26798 R
 (151) 2016 02 29
 (181) 2026 02 28
 (260) AM 2015 77746 A
 (220) 2014 07 01

(732) MAESTRO INTERNATIONAL
 INCORPORATED a Delaware corporation
 2000 Purchase Street, Purchase, New York
 10577, USA

(111) M 2016 26799 R
 (151) 2016 02 29
 (181) 2026 02 28
 (260) AM 2015 77908 A

(220) 2014 07 11

(732) LTD "GEORGIAN DISTRIBUTION
 MARKETING COMPANY
 Moskovis gamz. 31a, 012"0 Tbilisi, Georgia

(111) M 2016 26800 R

(151) 2016 02 29
 (181) 2026 02 28
 (260) AM 2015 78289 A
 (220) 2014 08 15

(732) LTD "GEODISTRIBUTION"
 G. Nadareishvilis q. 5a, 0120, Tbilisi, Georgia

(111) M 2016 26801 R

(151) 2016 02 29
 (181) 2026 02 28
 (260) AM 2015 78512 A
 (220) 2014 09 04

(732) ELEMENTOS TRADE LIMITED
 Avlonos, 1 Maria House, Cyprus, Cyprus

(111) M 2016 26802 R

(151) 2016 02 29
 (181) 2026 02 28
 (260) AM 2015 78573 A
 (220) 2014 09 09

(732) MARIA NIEVES TORRENT CRUZ
 K/Professor Kastilia Del Pino N1,
 14012 Kordoba, Spain;
 FRANCISCO MANUEL TORRENT CRUZ
 K/Professor Kastilia Del Pino N1,
 14012 Kordoba, Spain;
 MARIA SETEFILLA TORRENT CRUZ
 K/Professor Kastilia Del Pino N1,
 14012 Kordoba, Spain

(111) M 2016 26803 R

(151) 2016 02 29
 (181) 2026 02 28
 (260) AM 2015 78580 A
 (220) 2014 09 09

(732) VLADIMER BAKURADZE
 Tsabadzis q. 2, b.16, 0112, Tbilisi, Georgia

(111) M 2016 26804 R

(151) 2016 02 29
 (181) 2026 02 28
 (260) AM 2015 78752 A
 (220) 2014 09 19

(732) DIAGEO NORTH AMERICA, INC.

a Connecticut corporation
801 Main Avenue, Norwalk CT 06851, USA

(111) M 2016 26805 R

(151) 2016 02 29

(181) 2026 02 28

(260) AM 2015 78804 A

(220) 2014 09 25

(732) LTD "ARMUNJI"

Zurab Chavchavadzis 56, 4800 Kvareli,
Georgia

(111) M 2016 26806 R

(151) 2016 02 29

(181) 2026 02 28

(260) AM 2015 78846 A

(220) 2014 09 29

(732) KENTUCKY FRIED CHICKEN

INTERNATIONAL HOLDINGS, INC.
1441 Gardiner Lane, Louisville, Kentucky
40213, USA

(111) M 2016 26807 R

(151) 2016 02 29

(181) 2026 02 28

(260) AM 2015 78848 A

(220) 2014 09 29

(732) KENTUCKY FRIED CHICKEN

INTERNATIONAL HOLDINGS, INC.
1441 Gardiner Lane, Louisville, Kentucky
40213, USA

(111) M 2016 26808 R

(151) 2016 02 29

(181) 2026 02 28

(260) AM 2015 78889 A

(220) 2014 09 30

(732) AIRBNB, INC. (a Delaware corporation)

888 Brannan Street, 4th Floor, San Francisco,
California 94103, USA

(111) M 2016 26809 R

(151) 2016 02 29

(181) 2026 02 28

(260) AM 2015 79051 A

(220) 2014 10 10

(732) SPIRITS INTERNATIONAL B.V.

3, rue du Fort Rheinsheim, L-2419
Luxembourg

(111) M 2016 26810 R

(151) 2016 02 29

(181) 2026 02 28

(260) AM 2015 79117 A

(220) 2014 10 16

(732) DANTE INTERNATIONAL S.A.

6th district, 148 Virtutii St., office E47,
Bucharest, Romania

(111) M 2016 26811 R

(151) 2016 02 29

(181) 2026 02 28

(260) AM 2015 79119 A

(220) 2014 10 16

(732) DANTE INTERNATIONAL S.A.

6th district, 148 Virtutii St., office E47,
Bucharest, Romania

(111) M 2016 26812 R

(151) 2016 02 29

(181) 2026 02 28

(260) AM 2015 79123 A

(220) 2014 10 16

(732) LTD Ukraine-English Joint Venture

with Foreign Investment "SOLOMIA"
Ul. Krasnoarmeisskaya 143/2, Kiyiv,
03150, Ukraine

(111) M 2016 26813 R

(151) 2016 02 29

(181) 2026 02 28

(260) AM 2015 79188 A

(220) 2014 10 22

(732) JSC "PROFITINVEST"

Sverdlovskaya obsl., Ekaterinburg,
Ul. Frolova 27, of. 10, 620028, Russian
Federation

(111) M 2016 26814 R

(151) 2016 02 29

(181) 2026 02 28

(260) AM 2015 79327 A

(220) 2014 11 03

(732) LTD "AQJSCMEDIQAL"

Aghmasheneblis gamz.150, 0112 Tbilisi,
Georgia

(111) M 2016 26815 R

(151) 2016 02 29

(181) 2026 02 28

(260) AM 2015 79337 A

(220) 2014 11 04

(732) LTD "SIGMA"

Ul. Prishvina, dom 16, Moscow, 127549,
Russian Federation

(111) M 2016 26816 R
(151) 2016 02 29
(181) 2026 02 28
(260) AM 2015 79368 A
(220) 2014 11 06
(732) BRITISH AMERICAN TOBACCO
(BRANDS) INC. (a Delaware corporation)
2711 Centerville Road, Suite 300,
Wilmington, Delaware 19808, USA

(111) M 2016 26817 R
(151) 2016 02 29
(181) 2026 02 28
(260) AM 2015 79478 A
(220) 2014 11 13
(732) GENERAL MOTORS LLC
300 Renaissance Center, City of Detroit,
State of Michigan 48265-3000, USA

(111) M 2016 26818 R
(151) 2016 02 29
(181) 2026 02 28
(260) AM 2015 79479 A
(220) 2014 11 13
(732) GENERAL MOTORS LLC
300 Renaissance Center, City of Detroit,
State of Michigan 48265-3000, USA

(111) M 2016 26819 R
(151) 2016 03 01
(181) 2026 03 01
(260) AM 2015 79573 A
(220) 2014 11 20
(732) AMGEN INC.
One Amgen Center Drive, Thousand Oaks,
California 91320-1799, USA

(111) M 2016 26820 R
(151) 2016 03 01
(181) 2026 03 01
(260) AM 2015 79576 A
(220) 2014 11 20
(732) AMGEN INC.
One Amgen Center Drive, Thousand Oaks,
California 91320-1799, USA

(111) M 2016 26821 R
(151) 2016 03 01
(181) 2026 03 01
(260) AM 2015 79577 A
(220) 2014 11 20
(732) AMGEN INC.
One Amgen Center Drive, Thousand Oaks,
California 91320-1799, USA

(111) M 2016 26822 R
(151) 2016 03 01
(181) 2026 03 01
(260) AM 2015 79688 A
(220) 2014 11 28
(732) MANPOWERGROUP INC.
100 Manpower Place, Milwaukee, Wisconsin,
USA

(111) M 2016 26823 R
(151) 2016 03 01
(181) 2026 03 01
(260) AM 2015 79747 A
(220) 2014 12 02
(732) LTD "NPF" Materia Media Holding
3th Samotechnii pereulok 9, Moscow,
127473, Russian Federation

(111) M 2016 26824 R
(151) 2016 03 01
(181) 2026 03 01
(260) AM 2015 79748 A
(220) 2014 12 02
(732) LTD "NPF" Materia Media Holding
3th Samotechnii pereulok 9, Moscow,
127473, Russian Federation

(111) M 2016 26825 R
(151) 2016 03 01
(181) 2026 03 01
(260) AM 2015 79749 A
(220) 2014 12 02
(732) LTD "NPF" Materia Media Holding
3th Samotechnii pereulok 9, Moscow,
127473, Russian Federation

(111) M 2016 26826 R
(151) 2016 03 01
(181) 2026 03 01
(260) AM 2015 79750 A
(220) 2014 12 02
(732) LTD "NPF" Materia Media Holding
3th Samotechnii pereulok 9, Moscow,
127473, Russian Federation

(111) M 2016 26827 R
(151) 2016 03 01
(181) 2026 03 01
(260) AM 2015 79751 A
(220) 2014 12 02
(732) LTD "NPF" Materia Media Holding
3th Samotechnii pereulok 9, Moscow,
127473, Russian Federation

(111) M 2016 26828 R (151) 2016 03 01 (181) 2026 03 01 (260) AM 2015 79796 A (220) 2014 12 04 (732) ASSAN GIDA SANAYİ VE TİCARET ANONİM ŞİRKETİ Tersane Caddesi, Bakır Sokak, Assan Han, No:11, Karaköy – İstanbul, Turkey	(220) 2014 12 15 (732) NORDMARK ARZNEIMITTEL GMBH & CO. KG Pinnauallee 4, 25436 Uetersen, Germany
(111) M 2016 26829 R (151) 2016 03 01 (181) 2026 03 01 (260) AM 2015 79841 A (220) 2014 12 08 (732) BRITISH AMERICAN TOBACCO (BRANDS) INC. (a Delaware corporation) 2711 Centerville Road, Suite 300, Wilmington, Delaware 19808, USA	(111) M 2016 26834 R (151) 2016 03 01 (181) 2026 03 01 (260) AM 2015 79953 A (220) 2014 12 16 (732) BEER CHANG COMPANY LIMITED 15 Moo 14, Vibhavadi Rangsit Road, Chomphon Sub-District, Chatuchak District, Bangkok 10900, Thailand
(111) M 2016 26830 R (151) 2016 03 01 (181) 2026 03 01 (260) AM 2015 79842 A (220) 2014 12 08 (732) BRITISH AMERICAN TOBACCO (BRANDS) INC. (a Delaware corporation) 2711 Centerville Road, Suite 300, Wilmington, Delaware 19808, USA	(111) M 2016 26835 R (151) 2016 03 01 (181) 2026 03 01 (260) AM 2015 79954 A (220) 2014 12 16 (732) BEER CHANG COMPANY LIMITED 15 Moo 14, Vibhavadi Rangsit Road, Chomphon Sub-District, Chatuchak District, Bangkok 10900, Thailand
(111) M 2016 26831 R (151) 2016 03 01 (181) 2026 03 01 (260) AM 2015 79844 A (220) 2014 12 08 (732) BRITISH AMERICAN TOBACCO (BRANDS) INC. (a Delaware corporation) 2711 Centerville Road, Suite 300, Wilmington, Delaware 19808, USA	(111) M 2016 26836 R (151) 2016 03 01 (181) 2026 03 01 (260) AM 2015 79985 A (220) 2014 12 23 (732) QINGDAO NINE-ALLIANCE GROUP CO., LTD. Shanghai Western Road, Laixi City, Qingdao, China
(111) M 2016 26832 R (151) 2016 03 01 (181) 2026 03 01 (260) AM 2015 79892 A (220) 2014 12 11 (732) TEACH FOR ALL, INC. a New York not-for-profit corporation 315 West 36th Street, New York, New York, USA	(111) M 2016 26837 R (151) 2016 03 01 (181) 2026 03 01 (260) AM 2015 80367 A (220) 2015 01 21 (732) MILLENNIUM & COPTHORNE INTERNATIONAL LIMITED 36 Robinson Road N.04-01 City House, Singapore 068877, Singapore
(111) M 2016 26833 R (151) 2016 03 01 (181) 2026 03 01 (260) AM 2015 79939 A	(111) M 2016 26838 R (151) 2016 03 01 (181) 2026 03 01 (260) AM 2015 80378 A (220) 2015 01 21 (732) LTD "LEVORI" Davit Jabidzis q. 15, 0163 Tbilisi, Georgia

(111) M 2016 26839 R
(151) 2016 03 01
(181) 2026 03 01
(260) AM 2015 80558 A
(220) 2015 01 30
(732) HARD ROCK LIMITED
13-14 Esplanade, St. Helier, Jersey JE1 1BD,
Channel Islands, United Kingdom

(111) M 2016 26840 R
(151) 2016 03 01
(181) 2026 03 01
(260) AM 2015 80559 A
(220) 2015 01 30
(732) HARD ROCK LIMITED
13-14 Esplanade, St. Helier, Jersey JE1 1BD,
Channel Islands, United Kingdom

(111) M 2016 26841 R
(151) 2016 03 01
(181) 2026 03 01
(260) AM 2015 80560 A
(220) 2015 01 30
(732) HARD ROCK LIMITED
13-14 Esplanade, St. Helier, Jersey JE1 1BD,
Channel Islands, United Kingdom

(111) M 2016 26842 R
(151) 2016 03 01
(181) 2026 03 01
(260) AM 2015 80567 A
(220) 2015 01 30
(732) BRIDGESTONE CORPORATION
1-1, Kyobashi 3-chome, Chuo-ku, Tokyo,
Japan

(111) M 2016 26843 R
(151) 2016 03 01
(181) 2026 03 01
(260) AM 2015 80569 A
(220) 2015 01 30
(732) THE GILLETTE COMPANY
One Gillette Park, Boston Massachusetts
02127, USA

(111) M 2016 26844 R
(151) 2016 03 01
(181) 2026 03 01
(260) AM 2015 80633 A
(220) 2015 02 06
(732) ABDI İBRAHİM İLAÇ SANAYİ VE
TİCARET ANONİM ŞİRKETİ
Reşitpaşa Mahallesi Eski Büyükdere Caddesi
No:4 34467 Maslak- Sarıyer- İstanbul, Turkey

(111) M 2016 26845 R
(151) 2016 03 01
(181) 2026 03 01
(260) AM 2015 80634 A
(220) 2015 02 06
(732) ABDI İBRAHİM İLAÇ SANAYİ VE
TİCARET ANONİM ŞİRKETİ
Reşitpaşa Mahallesi Eski Büyükdere Caddesi
No:4 34467 Maslak- Sarıyer- İstanbul, Turkey

(111) M 2016 26846 R
(151) 2016 03 01
(181) 2026 03 01
(260) AM 2015 80635 A
(220) 2015 02 06
(732) ABDI İBRAHİM İLAÇ SANAYİ VE
TİCARET ANONİM ŞİRKETİ
Reşitpaşa Mahallesi Eski Büyükdere Caddesi
No:4 34467 Maslak- Sarıyer- İstanbul, Turkey

(111) M 2016 26847 R
(151) 2016 03 01
(181) 2026 03 01
(260) AM 2015 80636 A
(220) 2015 02 06
(732) ABDI İBRAHİM İLAÇ SANAYİ VE
TİCARET ANONİM ŞİRKETİ
Reşitpaşa Mahallesi Eski Büyükdere Caddesi
No:4 34467 Maslak- Sarıyer- İstanbul, Turkey

(111) M 2016 26848 R
(151) 2016 03 01
(181) 2026 03 01
(260) AM 2015 80685 A
(220) 2015 02 10
(732) STARBUCKS CORPORATION D/B/A
STARBUCKS COFFEE COMPANY
(a Washington corporation)
2401 Utah Avenue South, Seattle, Washington
98134, USA

(111) M 2016 26849 R
(151) 2016 03 01
(181) 2026 03 01
(260) AM 2015 80717 A
(220) 2015 02 11
(732) "LITTLE CAESAR ENTERPRISES, INC"
2211 Woodward Avenue, Detroit, Michigan
48201-3400, USA

(111) M 2016 26850 R
(151) 2016 03 01
(181) 2026 03 01
(260) AM 2015 80718 A

(220) 2015 02 11
 (732) "LITTLE CAESAR ENTERPRISES, INC"
 2211 Woodward Avenue, Detroit, Michigan
 48201-3400, USA

(111) M 2016 26851 R
 (151) 2016 03 01
 (181) 2026 03 01
 (260) AM 2015 80728 A
 (220) 2015 02 12

(732) LTD "MINIONEBI"
 Khizanishvilis q. 17, 0167 0167 Tbilisi,
 Georgia

(111) M 2016 26852 R
 (151) 2016 03 01
 (181) 2026 03 01
 (260) AM 2015 80766 A
 (220) 2015 02 13

(732) HARRY WINSTON SA.
 Chemin du Tourbillon 8, 1228 Plan-les-
 Ouates, Switzerland

(111) M 2016 26853 R
 (151) 2016 03 01
 (181) 2026 03 01
 (260) AM 2015 80986 A
 (220) 2015 02 25

(732) LTD MICROFINANCIAL ORGANIZATION
 "RICO EXPRESS"
 I. Chavchavadzis gamz. 70, 0162, Tbilisi,
 Georgia

(111) M 2016 26854 R
 (151) 2016 03 01
 (181) 2026 03 01
 (260) AM 2015 80987 A
 (220) 2015 02 25

(732) LTD MICROFINANCIAL ORGANIZATION
 "RICO EXPRESS"
 I. Chavchavadzis gamz. 70, 0162, Tbilisi,
 Georgia

(111) M 2016 26855 R
 (151) 2016 03 01
 (181) 2026 03 01
 (260) AM 2015 80989 A
 (220) 2015 02 25

(732) LTD MICROFINANCIAL ORGANIZATION
 "RICO EXPRESS"
 I. Chavchavadzis gamz. 70, 0162, Tbilisi,
 Georgia

(111) M 2016 26856 R
 (151) 2016 03 01
 (181) 2026 03 01
 (260) AM 2015 80991 A
 (220) 2015 02 25

(732) LTD MICROFINANCIAL ORGANIZATION
 "RICO EXPRESS"
 I. Chavchavadzis gamz. 70, 0162, Tbilisi,
 Georgia

(111) M 2016 26857 R
 (151) 2016 03 01
 (181) 2026 03 01
 (260) AM 2015 80992 A
 (220) 2015 02 25

(732) LTD MICROFINANCIAL ORGANIZATION
 "RICO EXPRESS"
 I. Chavchavadzis gamz. 70, 0162, Tbilisi,
 Georgia rgia

(111) M 2016 26858 R
 (151) 2016 03 01
 (181) 2026 03 01
 (260) AM 2015 80999 A
 (220) 2015 02 25

(732) TEMMLER WERKE GMBH
 Weihenstephaner Strasse 28, 81673 München,
 Germany

(111) M 2016 26859 R
 (151) 2016 03 01
 (181) 2026 03 01
 (260) AM 2015 81021 A
 (220) 2015 02 26

(732) LTD "GLOBALPHARM"
 Almasianis q. 13a/Berbutis q. 8, 0171, Tbilisi,
 Georgia

(111) M 2016 26860 R
 (151) 2016 03 01
 (181) 2026 03 01
 (260) AM 2015 81022 A
 (220) 2015 02 26

(732) LTD "GLOBALPHARM"
 Almasianis q. 13a/Berbutis q. 8, 0171, Tbilisi,
 Georgia

(111) M 2016 26861 R
 (151) 2016 03 01
 (181) 2026 03 01
 (260) AM 2015 81141 A
 (220) 2015 03 09

(732) "INTERAVTO"
 Sartichalis q. 34, Isani-Samgoris raioni, 0103,
 Tbilisi, Georgia

(111) M 2016 26862 R

(151) 2016 03 01

(181) 2026 03 01

(260) AM 2015 81148 A

(220) 2015 03 09

(732) NOBEL ILAC SANAYII VE TICARET
ANONIM SIKRETI-is tsarmomadgenloba
Georgiashi
Tavisuflebis moedani 4, Tbilisi, Georgia

(732) APPLE INC.

1 Infinite Loop, Cupertino, California 95014,
USA

(111) M 2016 26863 R

(151) 2016 03 01

(181) 2026 03 01

(260) AM 2015 81149 A

(220) 2015 03 09

(732) NOBEL ILAC SANAYII VE TICARET
ANONIM SIKRETI-is tsarmomadgenloba
Georgiashi
Tavisuflebis moedani 4, Tbilisi, Georgia

(111) M 2016 26864 R

(151) 2016 03 01

(181) 2026 03 01

(260) AM 2015 81195 A

(220) 2015 03 11

(732) HYATT INTERNATIONAL
CORPORATION
71 S. Wacker Drive, 14th Floor, Chicago,
IL 60606, USA

(111) M 2016 26865 R

(151) 2016 03 01

(181) 2026 03 01

(260) AM 2015 81210 A

(220) 2015 03 12

(732) LTD "NATURAL MEDICAL PRODUCT"
S. Tsintsadzis q. 12, sart. 4, 0160, Tbilisi,
Georgia

(111) M 2016 26866 R

(151) 2016 03 01

(181) 2026 03 01

(260) AM 2015 81213 A

(220) 2015 03 12

(732) MILLENNIUM & COPTHORNE
INTERNATIONAL LIMITED
36 Robinson Road 04-01 City House,
Singapore 068877, Singapore

(111) M 2016 26867 R

(151) 2016 03 02

(181) 2026 03 02

(260) AM 2015 82879 A

(220) 2015 07 09

TRADEMARKS REGISTERED ACCORDING TO THE ACCELERATED PROCEDURE

The decision can be appealed at the Chamber of Appeal of Sakpatenti within 3 months from the publication.

(111) M 2016 26790 R
(151) 2016 02 24
(181) 2026 02 24
(210) AM 86036
(220) 2016 02 08
(732) LTD "TPILISI"
Vazha-Pshavelas gamz., VII kv., kor. 23,
b. 31a, Tbilisi, Georgia
(740) Khatuna Imnadze
(540)



(591) Black, white, yellow, golden, beige, grey
(531) 02.01.13, 05.07.10, 05.13.06, 05.13.10,
25.01.19, 27.05.17, 28.19, 29.01.15
(511) 33

(111) M 2016 26791 R
(151) 2016 02 25
(181) 2026 02 25
(210) AM 85893
(220) 2016 01 28
(732) LTD "TPILISI"
Vazha-Pshavelas gamz., VII kv., kor. 23,
b. 31a, Tbilisi, Georgia
(740) Khatuna Imnadze
(540)

გუგული
ГУГУЛИ
GUGULI

(511) 33

(111) M 2016 26792 R
(151) 2016 02 25
(181) 2026 02 25
(210) AM 85872
(220) 2016 01 26
(732) LTD "TPILISI"
Vazha-Pshavelas gamz., VII kv., kor. 23,
b. 31a, Tbilisi, Georgia
(740) Khatuna Imnadze
(540)

ფარცა
ΠΑΡΤΣΑ
PARTSA

(511) 33

(111) M 2016 26793 R
(151) 2016 02 26
(181) 2026 02 26
(210) AM 078506
(220) 2014 09 04
(732) JSC "QEBULI CLIMATE"
Beliashvilis q. 40, 0159, Tbilisi, Georgia
(740) Irakli Mikhelidze
(540)

QEBULI
კებული

(591) Black-white
(531) 27.05.02-28.19.00-
(511) 11, 37

(111) M 2016 26868 R
(151) 2016 03 02
(181) 2026 03 02
(210) AM 86217
(220) 2016 02 18
(732) LTD "MOZO"
Balanchivadzis q. 37, 0171, Tbilisi, Georgia
(740) Nino Gigineishvili
(540)

MoZo.ge

(591) Light emerald green, dark orange
(531) 27.05.04, 29.01.12
(511) 35, 36

(111) M 2016 26869 R
 (151) 2016 03 02
 (181) 2026 03 02
 (210) AM 86014
 (220) 2016 02 08
 (732) JSC "GEORGIAN BEER COMPANY"
 Sop. Saguramo, 3311, Mtskheta, Georgia
 (740) Vakhtang Germanashvili
 (540)

(540)

პრეგნიოფოლი
 Прегниофол
 Pregniofol

(511) 5

სვიაზი

(511) 32

(111) M 2016 26870 R
 (151) 2016 03 02
 (181) 2026 03 02
 (210) AM 86119
 (220) 2016 02 10
 (732) LTD "MALTICOM"
 Oniashvilis q. 67, me-2 sart., 0160, Tbilisi,
 Georgia
 (740) Zura Lutidze
 (540)



(591) Grey, white, green
 (531) 24.17.04, 26.04.22, 27.05.17, 28.05, 29.01.13
 (511) 38

(111) M 2016 26871 R
 (151) 2016 03 02
 (181) 2026 03 02
 (210) AM 86127
 (220) 2016 02 11
 (732) LTD "MALTIKOM"
 Oniashvilis q. 67, me-2 sart., 0160, Tbilisi,
 Georgia
 (740) Zura Lutidze
 (540)



(591) Pink, pinkish-red, black, white
 (531) 26.04.12, 26.04.18, 28.05, 29.01.13
 (511) 38

(111) M 2016 26872 R
 (151) 2016 03 02
 (181) 2026 03 02
 (210) AM 85826
 (220) 2016 01 25
 (732) LTD "EUROPHARMA GEORGIA"
 Machabelis q. 5, 0105 Tbilisi, Georgia
 (740) Nia Masukovich

INTERNATIONAL TRADEMARKS FOR WHICH A DECISION ON GRANTING PROTECTIONS IS TAKEN

The decision can be appealed at the Chamber of Appeal of Sakpatenti within 3 months from the publication or at the Mtskheta District Court Administrative Cases Board (Address: №17, Samkhedro str., Mtskheta), within 1 month following the publication.

(260) AM 2016 77989 A*

(800) 1208710

(891) 2013 09 06

(731) ASSA ABLOY Entrance Systems AB
Box 131, SE-261 22 Landskrona, Sweden

(540)



(591) Black, white

(511)

19 – Doors; security doors; industrial doors; doors for buildings; garage doors; insulating doors; garden doors; gates; parts and components for the aforementioned goods including door sections, panels, lines (wire) and rails, sealing frames and protective frames; loading frames, in particular for the installation of loading platforms; load structure, in particular for constructing at building openings used for loading and unloading; bridge supports; dock levelers (all the aforementioned goods being mostly non-metallic).

(260) AM 2016 78167 A*

(800) 1210277

(891) 2014 01 27

(731) CANDY S.p.A.
Via Missori, 8, I-20052 Monza, Italy

(540)



(591) Black, white

(511)

7 – Igniting devices for internal combustion engines; vacuum cleaner attachments for disseminating perfumes and disinfectants; aerocondensers; air brushes for applying colour; agitators; axles for machines; transmission shafts, other than for land vehicles; feeding apparatus for engine boilers; washing apparatus; handling apparatus for loading and unloading; high pressure washers; cleaning appliances utilizing steam; lifting apparatus; elevating apparatus; soldering apparatus, electric; can openers, electric; winches; lifts, other than ski-lifts; vacuum cleaners; reels, mechanical, for flexible hoses; beaters, elec-

tric; knives (parts of machines); pedal drives for sewing machines; compressors for refrigerators; condensers (steam) (parts of machines); stitching machines; steam traps; disintegrators; control mechanisms for machines, engines or motors; distribution machines, automatic; blenders, electric, for household purposes; spin driers (not heated); filters (parts of machines or engines); scissors, electric; grinding machines; mixers (machines); whisks, electric, for household purposes; mixing machines; kneading machines; central vacuum cleaning installations; dust removing installations for cleaning purposes; dust exhausting installations for cleaning purposes; incubators for eggs; blades (parts of machines); rinsing machines; dishwashers; coin-operated washing machines; parquet wax-polishers, electric; shoe polishers, electric; compressed air machines; steam engines; waste compacting machines; kitchen machines, electric; suction machines for industrial purposes; machines and apparatus for wax-polishing, electric; machines and apparatus for cleaning, electric; machines and apparatus for carpet and rug cleaning, electric; sewing machines; machines for making edible pastes; filtering machines; grating machines for vegetables; sharpening machines; washing machines (laundry); bottle washing machines; knitting machines; wringing machines for laundry; bread cutting machines; machine tools; pepper mills other than hand-operated; coffee grinders, other than hand-operated; mills for household purposes, other than hand-operated; grindstones (parts of machines); centrifugal pumps; holding devices for machine tools; basket presses; speed governors for machines, engines and motors; water heaters (parts of machines); robots (machines); food processors, electric; vacuum cleaner bags; sifting machines; separators; degreasers (machines); road sweeping machines (self-propelled); brushes, electrically operated; brushes (parts of machines); fruit presses, electric, for household purposes; ironing machines; meat choppers (machines); garbage (waste) disposals; grinders/crushers, electric, for household purposes; vacuum cleaner hoses; tools (parts of machines); valves (parts of machines); churns.

11 – Friction lighters for igniting gas; safety accessories for water or gas apparatus and pipes; regulating accessories for water or gas apparatus and pipes; feeding apparatus for heating boilers; microwave ovens (cooking apparatus); loading apparatus

for furnaces; deodorising apparatus, not for personal use; ionization apparatus for the treatment of air or water; drying apparatus and installations; ventilation (air-conditioning) installations and apparatus; lighting apparatus and installations; cooling appliances and installations; refrigerating appliances and installations; water softening apparatus and installations; cooking apparatus and installations; sanitary apparatus and installations; heating apparatus, electric; ice machines and apparatus; water purifying apparatus and machines; hand drying apparatus for washrooms; air conditioning apparatus; water filtering apparatus; beverage cooling apparatus; air deodorising apparatus; disinfectant apparatus; coffee roasters; refrigerating cabinets; structural plates for ovens; hair dryers; barbecues; kettles, electric; burners; shower cubicles; coffee machines, electric; heating apparatus; refrigerating chambers; fireplaces, domestic; flues for heating boilers; extractor hoods for kitchens; ventilation hoods; freezers; kitchen ranges (ovens); light diffusers; light-emitting diodes (LED) lighting apparatus; heating elements; laundry dryers, electric; evaporators; filters (parts of household or industrial installations); hearths; cooking rings; microwave ovens for industrial purposes; deep fryers, electric; ice boxes; roasting jacks; grills (cooking appliances); watering installations, automatic; air conditioning installations; water distribution installations; air filtering installations; chandeliers; lamps; pocket torches, electric; lanterns for lighting; fabric steamers; coffee percolators, electric; bread-making machines; lamp shades; pressure cooking saucepans, electric; hot plates; heat pumps; refrigerating containers; refrigerators; water heaters (apparatus); heaters for baths; water heaters; heaters for heating irons; bedwarmers; plate warmers; sterilizers; stoves (heating apparatus); bread toasters; cooking utensils, electric; fans (air-conditioning); refrigerating display cabinets (display cases); electric appliances for making yogurt.

37 – Disinfecting; repair information; electric appliance installation and repair; washing; washing of linen; furniture maintenance; burner maintenance and repair; rental of cleaning machines; rental of road sweeping machines; cleaning of clothing; window cleaning; boiler cleaning and repair; laundering; pressing of clothing; linen ironing; installation, maintenance and repair of apparatus for heating, purifying air, refrigerating, drying, ventilating, air conditioning and cooking.

(260) AM 2016 78613 A*

(800) 1214389

(891) 2014 05 07

(731) FALKE AG

Wright-Strasse 9, CH-8152 Glattpark
(Opfikon) CH, Switzerland

(540)



(591) Black, white

(511)

3 – Soaps for cosmetic use, soaps for textiles, perfumery products, ethereal oils, cosmetics; cosmetic preparations for the cleansing, care and embellishment of the skin, scalp and hair; toiletries (included in this class), deodorants for personal use, pre-shave and after-shave preparations, shaving soaps.

14 – Jewelry, ornaments (jewelry), timepieces and chronometric instruments.

18 – Goods of leather and imitations of leather, namely suitcases, backpacks, bags (included in this class); small leather goods (included in this class), namely purses, wallets, key cases; umbrellas and parasols.

25 – Footwear, clothing, all types of footwear articles including socks, headgear for wear, belts.

(260) AM 2016 78984 A*

(800) 1217427

(891) 2014 02 24

(731) KABUSHIKI KAISHA SONY COMPUTER ENTERTAINMENT (also trading as Sony Computer Entertainment Inc.)
1-7-1 Konan, Minato-ku, Tokyo 108-0075,
Japan

(540)



(591) Gray.

(526) PS

(511)

28 – Coin-operated arcade video game machines; arcade video game machines; amusement machines and apparatus for use in amusement parks; toy action figures; cards for trading card games; mini-car toys; toy model rockets; astronaut-shaped toys; battery-powered computer game with LCD screen; electronic games for the teaching of children; electronic targets for games and sports; electronic action toys; home video game machines; handset cradles for home video game machines; game controllers for home video game machines; joysticks exclusively

for use with home video game machines; protective carrying cases specially adapted for handheld video games; thin film for protecting displays of hand-held games with liquid crystal displays; hand-held games with liquid crystal displays; support stands exclusively for use with hand-held games with liquid crystal displays; model toys; radio control receivers and transmitters for model toys; motor controllers for model toys; dolls; dice games; game cards; game equipment; chess games; checker sets; playing cards; trading card games; dominoes; conjuring apparatus; billiard equipment; chest expanders; golf ball markers; golf clubs; golf bags; surf boards; ski cases; ski bindings; golf tees; paragliders; bowling bags; boxing gloves; rackets for tennis or badminton; guts for rackets for tennis or badminton; racket cases for tennis or badminton; roller skates; stationary exercise bicycles and rollers therefor; waterkis; baseball gloves; archery bows; fishing rods; fishing tackle.

38 – Electronic exchange of data stored in databases accessible via telecommunication networks; providing Internet chatrooms; providing telecommunication connections to the Internet; providing telecommunication connections to a global computer network; rental of access time to global computer networks by electronic computer terminals, video game consoles or hand-held games with liquid crystal displays; computer aided transmission of message and images; automatic transmission of digital data by telecommunication; electronic exchange of image and sound data via a video-on-demand service; communication by electronic computer terminals, video game consoles or hand-held games with liquid crystal displays; broadcasting services and provision of telecommunication access to video and audio content provided via a video-on-demand service via the Internet; communication by mobile telephone; digital transmission services for audio and video data; consulting in the field of telecommunication services, namely, transmission of voice, data, and documents via telecommunications networks; providing e-mail services; communication by computer terminals; communication by telephone; transmission services for transmitting video content stored on data storage area of users' servers to users' video game consoles, hand-held games with liquid crystal displays, cellular phones, set-top boxes and computer terminals via a video-on-demand service; television broadcasting; cable television broadcasting; radio broadcasting; broadcasting of television programmes provided via a video-on-demand; news agency services for electronic transmission; rental of telecommunication equipment including telephones and facsimile apparatus; rental of telecommunication equipment for accessing to communication networks.

41 – Online educational examination services; analyzing educational mathematic tests score and data

for others; providing information about online education; educational and instruction services relating to arts and crafts; sports instruction services; educational and training services relating to games; arranging of seminars; organization of seminars; providing on-line electronic publications in the field of music, not downloadable; providing on-line electronic publications in the field of game, not downloadable; providing on-line electronic publications in the nature of magazines in the field of art, not downloadable; providing on-line electronic publication in the nature of encyclopedia, not downloadable; providing non-downloadable electronic publications of pages and contents of dictionaries, encyclopedias, pictorial books and photo books by automatic search according to keywords requested from databases accumulated information data about the dictionaries, encyclopedias, pictorial books and photo books via computer networks; providing non-downloadable electronic magazines of articles and columns by automatic search according to pre-registered keywords via computer networks; providing non-downloadable electronic publications of pages and contents of books in the field of art and music by automatic search according to keywords requested from databases storing information about books in the field of the art and music via the Internet or computer networks by computer terminals; services of reference libraries for books and magazines non-downloadable via computer networks; providing on-line, non-downloadable, electronic dictionaries, books and magazines via an electronic mail; providing non-downloadable electronic publications, namely, electronic dictionaries, electronic books in the field of computer games, movies and entertainment videos and electronic magazines in the field of computer games, movies and entertainment videos; providing non-downloadable electronic publications in the nature of manuals in the field of video game machines and computer game programs; services of reference libraries for literature and documentary records; book rental; publication of books; providing non-downloadable still images, moving pictures, still images with sounds, audio animations and video images via communications networks by means of mobile phones; movie showing, movie film production, or movie film distribution; providing information for movie showing, movie film production, or movie film distribution; entertainment services, namely, providing non-downloadable images, pictures, sounds and music on the Internet or via computer networks via telecommunication networks; organization of competitions of on-line computer games; entertainment services, namely, providing on-line non-downloadable computer games and video games via mobile phone, mobile computer terminals, home video game machines and set-top boxes; providing on-line entertainment information relating to computer and video games via mobile phone, mobile

computer terminals, home video game machines and set-top boxes; entertainment services, namely, providing online non-downloadable interactive games, computer games, video games and electronic games; entertainment services, namely, providing online non-downloadable interactive computer games and video games which are running on the Web server based on the demand of the Internet users; entertainment services, namely, providing online non-downloadable computer games and video games via home video game machines, hand-held games with liquid crystal displays, cellular phones, television sets connected to network, DVD players connected to network, set-top boxes and computers; entertainment services, namely, providing on-line non-downloadable computer games and video games that may be accessed by network users via mobile phones and computers; entertainment services, namely, providing on-line interactive computer games and video games that may be accessed by network via mobile phones and Internet; entertainment services, namely, providing on-line non-downloadable computer games and video games that may be accessed by network via mobile phones and Internet; provision of movie, television and music video entertainment on an interactive Web site via mobile phones and Internet; entertainment services, namely, providing online electronic games; entertainment services, namely, providing electronic games online in mobile wireless form and through computer software platforms for social networking that may be accessed via the Internet, computers and wireless devices; entertainment services, namely, providing electronic games online in mobile wireless form and through computer software platforms for social networking that may be accessed via the Internet, computers and wireless devices, for play on external display screens, televisions, monitors, and game consoles; entertainment services, namely, providing temporary use of non-downloadable electronic games through cloud computing environments that may be accessed via computers and wireless devices, and through computer software platforms for social networking that may be accessed via the Internet, computers and wireless devices; game services provided on-line from a computer network; entertainment services, namely, providing online quizzes; entertainment services, namely, providing online quiz games; entertainment services, namely, providing online non-downloadable interactive computer and video game programs for quizzes which are running on the Web server based on the demand of the Internet users; entertainment services, namely, providing on-line non-downloadable quiz games that may be accessed by network users via mobile phones and computers; entertainment services, namely, providing on-line interactive quiz games that may be accessed by network via mobile phones and Internet;

rental of memory medium recorded game programs for home video game machines and electronic game machines with liquid crystal display; rental of memory medium recorded game programs; rental of toys; rental of amusement machines and apparatus; rental of game machines and apparatus.

(260) AM 2016 79209 A

(800) 1219011

(891) 2014 05 26

(731) INTERLEMO HOLDING S.A.

(Interlemo Holding AG) (Interlemo Holding Ltd)

Chemin des Champs-Courbes 28, CH-1024 Ecublens, Switzerland

(540)

LEMO

(511)

42 – Quality control; quality control of products; quality control of products and services; testing, analysis and monitoring of telecommunication signals; testing, analysis and monitoring of telecommunication and navigation signals; evaluation of results from quality control tests conducted on products and services; inspection of products for quality control; provision of temporary use of on-line non-downloadable software for use in broadcast monitoring applications; conducting of quality control tests; conducting of quality control tests on products and services; advisory services relating to technical and scientific monitoring; quality control services for certification purposes; quality control and quality control auditing services in the field of information technology; technical testing and quality control services; scientific, technological, research and design services relating to the field of monitoring and controlling telecommunication or navigation signals and satellites; technical research projects and studies; design and development of computer software and hardware for the production, recording and processing of digital and analog signals; design and development of software and hardware for signal amplification and transmission; design and development of computer software and hardware for processing digital signals; product development; provision of information in the field of product development; industrial testing, development and research; research and development of new products for others; scientific and medical research and development; services in the field of science and technology as well as research and development services relating thereto; development and testing services in the field of engineering; research, development, analysis and advisory services in the field of engineering; services for the research and development of new products for others; products development; technical advice relating to the architecture of a data transmission center (datacenter).

(260) AM 2016 79518 A

(800) 1222306

(891) 2014 03 14

(731) Obshchestvo s ogranichennoi
otvetstvennostyu "DANIEL BUTIK"
ul. Bolshaya Dorogomilovskaya, 9
RU-121151 Moscow, Russian Federation

(540)

DANIEL

(591) White and gold

(511)

16 – Paper, cardboard and goods made from these materials, not included in other classes; printed matter; bookbinding material; photographs; stationery; adhesives for stationery or household purposes; artists' materials; paint brushes; typewriters and office requisites (except furniture); instructional and teaching material (except apparatus); plastic materials for packaging (not included in other classes); printers' type; printing blocks; fountain pens; aquarelles; albums; almanacs; document laminators for office use; mimeograph apparatus and machines; atlases; posters; paper bows; table linen of paper; tickets; forms, printed; announcement cards [stationery]; note books; pads [stationery]; drawing pads; loose-leaf binders; wristbands for the retention of writing instruments; pamphlets; booklets; paper; paper sheets [stationery]; waxed paper; paper for recording machines; paper for radiograms; electrocardiograph paper; wood pulp paper; carbon paper; copying paper [stationery]; parchment paper; writing paper; luminous paper; Xuan paper for Chinese painting and calligraphy; toilet paper; wrapping paper; filter paper; blotters; newsletters; rollers for typewriters; house painters' rollers; obliterating stamps; modelling wax, not for dental purposes; signboards of paper or cardboard; patterns for making clothes; patterns for dressmaking; newspapers; electrotypes; hectographs; modelling clay; terrestrial globes; drawing sets; engravings; slate pencils; pencil leads; document holders [stationery]; pencil holders; chalk holders; holders for checkbooks [cheque books]; holders for stamps [seals]; diagrams; engraving plates; writing slates; blackboards; galley racks [printing]; drawing boards; advertisement boards of paper or cardboard; punches [office requisites]; cream containers of paper; magazines [periodicals]; money clips; tags for index cards; pen clips; bookmarks; etching needles; tracing needles for drawing purposes; periodicals; printed publications; cardboard articles; paper shredders for office use; graphic representations; credit card imprinters, non-electric; graining combs; drawing instruments; calendars; tracing paper; tracing cloth; tracing patterns; gums [adhesives] for stationery or household purposes; lithographic stones; ink stones [ink reservoirs]; pencils; pencil lead holders; charcoal pencils; pictures; transfers [decalcomanias]; paintings [pictures], framed or unframed; cardboard; wood pulp board [stationery];

hat boxes of cardboard; files [office requisites]; cards; index cards [stationery]; geographical maps; paper tapes and cards for the recordal of computer programmes; trading cards other than for games; perforated cards for Jacquard looms; catalogues; spools for inking ribbons; covers of paper for flower pots; paintbrushes; painters' brushes; writing brushes; typewriter keys; glue for stationery or household purposes; gluten [glue] for stationery or household purposes; starch paste [adhesive] for stationery or household purposes; books; manifolds [stationery]; comic books; drawing pins; envelopes [stationery]; cases for stamps [seals]; boxes of cardboard or paper; paint boxes [articles for use in school]; correcting fluids [office requisites]; stencils [stationery]; French curves; paper ribbons; typewriter ribbons; gummed tape [stationery]; adhesive bands for stationery or household purposes; correcting tapes [office requisites]; inking ribbons; inking ribbons for computer printers; adhesive tapes for stationery or household purposes; self-adhesive tapes for stationery or household purposes; drawing rulers; square rulers; absorbent sheets of paper or plastic for foodstuff packaging; humidity control sheets of paper or plastic for foodstuff packaging; viscose sheets for wrapping; sheets of reclaimed cellulose for wrapping; plastic bubble packs for wrapping or packaging; steel letters; type [numerals and letters]; lithographs; paint trays; architects' models; postage stamps; plastics for modelling; graphic prints; modelling materials; teaching materials [except apparatus]; sealing compounds for stationery purposes; adhesives [glues] for stationery or household purposes; packaging material made of starches; filtering materials [paper]; addressing machines; pencil sharpening machines, electric or non-electric; bookbinding apparatus and machines [office equipment]; typewriters, electric or non-electric; folders [stationery]; franking machines for office use; chalk for lithography; writing chalk; tailors' chalk; marking chalk; bags [envelopes, pouches] of paper or plastics, for packaging; garbage bags of paper or of plastics; painters' easels; hand-rests for painters; printing sets, portable [office requisites]; bibs of paper; stickers [stationery]; finger-stalls [office requisites]; cords for bookbinding; paper knives [cutters] [office requisites]; numbering apparatus; bottle envelopes of cardboard or paper; sealing wafers; covers [stationery]; passport holders; plastic cling film, extensible, for palletization; embroidery designs [patterns]; handwriting specimens for copying; oleographs; musical greeting cards; greeting cards; postcards; etchings; conical paper bags; bags for microwave cooking; palettes for painters; ink sticks; pantographs [drawing instruments]; folders for papers; papier mâché; pastels [crayons]; modelling paste; pen cases; bookbindings; pen wipers; office perforators; pens [office requisites]; nibs of gold; nibs; steel pens; drawing pens; song books;

seals [stamps]; sealing stamps; clipboards; address plates for addressing machines; handkerchiefs of paper; plastic film for wrapping; letter trays; trays for sorting and counting money; coasters of paper; bookends; stamp stands; mats for beer glasses; stands for pens and pencils; photograph stands; inking pads; stamp pads; binding strips [bookbinding]; towels of paper; inking sheets for document reproducing machines; inking sheets for duplicators; bookbinding cloth; gummed cloth for stationery purposes; printers' blankets, not of textile; portraits; paperweights; writing cases [sets]; inkstands; office requisites, except furniture; writing materials; writing instruments; drawing materials; school supplies [stationery]; adhesive tape dispensers [office requisites]; hand labelling appliances; lithographic works of art; prospectuses; printed timetables; ledgers [books]; printers' galleys; indexes; rubber erasers; elastic bands for offices; drawing T-squares; graphic reproductions; penholders; marking pens [stationery]; tissues of paper for removing make-up; face towels of paper; table napkins of paper; place mats of paper; tablemats of paper; tablecloths of paper; paper clasps; document files [stationery]; scrapers [erasers] for offices; paper-clips; staples for offices; erasing products; biological samples for use in microscopy [teaching materials]; histological sections for teaching purposes; steatite [tailor's chalk]; writing board erasers; composing frames [printing]; sealing wax; arithmetical tables; placards of paper or cardboard; writing or drawing books; fabrics for bookbinding; pencil sharpeners, electric or non-electric; transparencies [stationery]; stencil plates; cardboard tubes; Indian inks; moisteners [office requisites]; moisteners for gummed surfaces [office requisites]; drawing squares; chart pointers, non-electronic; bottle wrappers of cardboard or paper; envelope sealing machines, for offices; sealing machines for offices; vignetting apparatus; apparatus for mounting photographs; stapling presses [office requisites]; manuals [handbooks]; figurines [statuettes] of papier mâché; paper coffee filters; flags of paper; silver paper; molds for modelling clays [artists' materials]; photo-engravings; photographs [printed]; stencil cases; canvas for painting; chromolithographs [chromos]; compasses for drawing; numbers [type]; watercolor [watercolour] saucers for artists; ink; correcting ink [heliography]; inkwells; blueprints; rosaries; stencils; erasing shields; balls for ball-point pens; cabinets for stationery [office requisites]; printing type; address stamps; stamps [seals]; shields [paper seals]; prints [engravings]; labels, not of textile; flyers; cigar bands; drawer liners of paper, perfumed or not.

22 – Ropes, string, nets, tents, awnings, tarpaulins, sails, sacks and bags (not included in other classes); padding and stuffing materials (except of rubber or plastics); raw fibrous textile materials; twine made of paper; packing string; tarpaulins; wadding for

padding and stuffing upholstery; wadding for filtering; whipcord; packing rope; ropes; seaweed for stuffing; carbon fibers [fibres] for textile use; esparto grass; coconut fiber [fibre]; plastic fibers [fibres] for textile use; ramie fibre; textile fibers [fibres]; horsehair; hammocks; jute; wax ends; ropes, not of metal; kapok; cocoons; raw linen [flax]; strips for tying-up vines; ladder tapes for Venetian blinds; wrapping or binding bands, not of metal; rope ladders; linters; liber; padding materials, not of rubber or plastics; bags [envelopes, pouches] of textile, for packaging; bags [sacks] for the transport and storage of materials in bulk; body bags; mail bags; twine for nets; binding thread, not of metal, for agricultural purposes; thread, not of metal, for wrapping or binding; braces, not of metal, for handling loads; sawdust; straw wrappers for bottles; tow; cotton tow; silk flock; tents; sails; sails for ski sailing; canvas for sails; hemp; tarred brattice cloth; feathers for stuffing upholstery; feathers for bedding; animal hair; fibrous gaskets for ships; down [feathers]; eiderdown; raffia; straps, not of metal, for handling loads; hemp bands; fleece wool; net pens for fish farming; snares [nets]; nets for camouflage; fishing nets; nets; sisal; straw for stuffing upholstery; sheaf-binding yarns; vitreous silica fibers [fibres] for textile use; glass fibers [fibres] for textile use; slings, not of metal, for handling loads; wood shavings; bags for washing hosiery; raw fibrous textile; awnings of synthetic materials; awnings of textile; network; grasses for upholstering; car towing ropes; cables, not of metal; cotton waste [flock] for padding and stuffing; schappe [raw silk waste]; wool flock; raw cotton; vehicle covers, not fitted; covers for camouflage; raw silk; carded wool; camel hair; flock [stuffing]; upholstery wool [stuffing]; wood wool; combed wool; raw or treated wool; shorn wool; cords for hanging pictures; sash cords; purse seines; ropes, string, nets, tents, awnings, tarpaulins, sails, sacks and bags [not included in other classes]; padding and stuffing materials, not of rubber or plastics.

23 – Yarns and threads, for textile use; thread of metal for embroidery; embroidery thread and yarn; jute thread and yarn; coir thread and yarn; rayon thread and yarn; threads of plastic materials for textile use; fiberglass thread for textile use; linen thread and yarn; hemp thread and yarn; rubber thread for textile use; cotton thread and yarn; sewing thread and yarn; silk thread and yarn; woollen thread and yarn; darning thread and yarn; elastic thread and yarn for textile use; thread; spun thread and yarn; spun cotton; spun silk; spun wool; chenille yarn.

35 – Advertising; business management; business administration; office functions; arranging subscriptions to telecommunication services for others; import-export agencies; commercial information agencies; advertising agencies; cost price analysis;

rental of advertising space; business auditing; employment agencies; computerized file management; book-keeping; invoicing; demonstration of goods; opinion polling; marketing studies; business information; commercial information and advice for consumers [consumer advice shop]; business investigations; business research; marketing research; personnel recruitment; business management and organization consultancy; business organization consultancy; business management consultancy; personnel management consultancy; professional business consultancy; layout services for advertising purposes; marketing; business management of performing artists; business management of sports people; news clipping services; updating of advertising material; word processing; organization of exhibitions for commercial or advertising purposes; organization of fashion shows for promotional purposes; organization of trade fairs for commercial or advertising purposes; shop window dressing; business appraisals; payroll preparation; sponsorship search; business management assistance; commercial or industrial management assistance; economic forecasting; auctioneering; retail or wholesale services for pharmaceutical, veterinary and sanitary preparations and medical supplies; production of advertising films; office machines and equipment rental; rental of advertising time on communication media; publicity material rental; rental of vending machines; rental of photocopying machines; publication of publicity texts; radio advertising; distribution of samples; dissemination of advertising matter; direct mail advertising; writing of publicity texts; on-line advertising on a computer network; advertising by mail order; television advertising; document reproduction; compilation of statistics; compilation of information into computer databases; business inquiries; systemization of information into computer databases; tax preparation; drawing up of statements of accounts; telemarketing services; psychological testing for the selection of personnel; business management of hotels; commercial administration of the licensing of the goods and services of others; administrative processing of purchase orders; public relations; modelling for advertising or sales promotion; typing; relocation services for businesses; price comparison services; secretarial services; procurement services for others [purchasing goods and services for other businesses]; shorthand; outsourcing services [business assistance]; business efficiency expert services; photocopying services; telephone answering for unavailable subscribers; advisory services for business management; bill-posting; retail or wholesale services for clothing; sales promotion for others; presentation of goods on communication media, for retail purposes; data search in computer files for others; arranging newspaper subscriptions for others.

43 – Services for providing food and drink; temporary accommodation; accommodation bureaux [hotels, boarding houses]; rental of temporary accommodation; rental of meeting rooms; tourist homes; hotel reservations; boarding house bookings; temporary accommodation reservations; hotels; retirement homes; snack-bars; cafes; cafeterias; motels; boarding houses; boarding for animals; rental of cooking apparatus; rental of chairs, tables, table linen, glassware; rental of lighting apparatus other than for theatrical sets or television studios; rental of tents; rental of transportable buildings; rental of drinking water dispensers; restaurants; self-service restaurants; canteens; holiday camp services [lodging]; bar services; providing campground facilities; food and drink catering; day-nurseries [crèches]; services for providing food and drink, and temporary accommodation.

(260) AM 2016 80109 A

(800) 1227124

(891) 2014 09 02

(731) FARMASINO PHARMACEUTICALS
(JIANGSU)CO., LTD.

No.100 Jianye Road, Nanjing City, Jiangsu
Province, China

(540)



The logo for FarmaSino features the word "FarmaSino" in a bold, black, sans-serif font. Above the letters "maSino" is a curved, black, brush-stroke-like element that arches over the text.

(591) Black, white

(511)

5 – Medicines for human purposes; pesticides; dietetic foods adapted for medical purposes; dietetic substances adapted for medical use; disinfectants for chemical toilets; dental mastics; vitamin preparations; chemical reagents for medical purposes.

(260) AM 2016 80124 A

(800) 1227159

(891) 2014 09 11

(731) LKW WALTER Internationale

Transportorganisation AG
IZ Nö-Süd, Strasse 14, A-2355 Wiener
Neudorf, Austria

(540)



The logo for CONNECT LKW WALTER features the word "CONNECT" in white, bold, sans-serif capital letters inside a red arrow-shaped graphic pointing to the right. Below this, the words "LKW WALTER" are written in blue, bold, sans-serif capital letters on a white background.

(591) Red, blue, white

(511)

36 – Insurance; financial affairs; monetary affairs; real estate affairs.

(260) AM 2016 80133 A
 (800) 1227297
 (891) 2014 06 30
 (731) İSİKLAR YATIRIM HOLDING ANONİM
 SİRKETİ
 Orhan Veli Kanik Caddesi, Çubuklu
 Mahallesi Yakut, Sokak Eryılmaz Plaza,
 No:3 Kat 2, Kavacik, Istanbul, Turkey

(540)



(591) Blue
 (526) ambalaj
 (511)

16 – Paper, cardboard and goods made from these materials, not included in other classes; printed matter; bookbinding material; photographs; stationery; adhesives for stationery or household purposes; artists' materials; paint brushes; typewriters and office requisites (except furniture); instructional and teaching material (except apparatus); plastic materials for packaging (not included in other classes); printers' type; printing blocks; paper and cardboard materials for packaging.

(260) AM 2016 80834 A
 (800) 1234053
 (891) 2014 11 11

(731) BYD COMPANY LIMITED
 Yan an Road, Kuichong, Longgang, 518119
 Shenzhen, China

(540)

Build Your Dreams

(591) Black, white
 (511)

12 – Vehicles for locomotion by land, air, water or rail; electric vehicles; cars; motors for land vehicles; automobile bodies; anti-theft devices for vehicles; motorcycles; bicycles; hand cars; tires for vehicle wheels.

35 – Advertising; television advertising; shop window dressing; organization of exhibitions for commercial or advertising purposes; import-export agencies; employment agencies; relocation services for businesses; news clipping services; accounting; rental of vending machines.

(260) AM 2016 80838 A
 (800) 1234056
 (891) 2014 10 01
 (731) BETAFARMA S.p.A.
 Via E. De Nicola, 10, I-20090 CESANO
 BOSCONI (MI), Italy

(540)



(591) Black, white
 (526) HAIR VITAL
 (511)

3 – Cosmetics in general, including perfumes; perfume in solid form; deodorants; soaps; liquid soaps; cakes of toilet soap; bath foams; dentifrices; shampoos; essential oils; hair lotion; hair perming and setting preparations; shower gel; hair dyes; facial creams; mascara; eyeliners; eye shadows; cosmetic pencils; clay for the face; lipstick; facial foundation; body creams; nail polish; nail hardeners; suntan oils and creams; detergents; bleaching products for household use; fabric softeners for laundry use; soaps; bleaching preparations and other substances for laundry use; cleaning, polishing, degreasing, scouring and abrasive preparations.

(260) AM 2016 80840 A
 (800) 1233994
 (891) 2014 10 09
 (731) BROCK BEAUTY INC.
 840 Oak Harbor Blvd., Slidell LA 70458,
 USA

(540)

INFINITE LASH

(526) LASH
 (511)

3 – Non-medicated serums used for eyelash enhancement.

(260) AM 2016 80841 A
 (800) 1234530
 (891) 2014 11 06
 (731) CONTINENTAL REIFEN DEUTSCHLAND
 GMBH
 Vahrenwalder Str. 9 30165 Hannover,
 Germany

(540)

PremiumContact

(511)
 12 – Vehicle tires.

(260) AM 2016 80851 A
 (800) 1235255
 (891) 2014 08 07
 (731) THERMISSION AG
 Dorfstrasse 17, CH-6390 Engelberg,
 Switzerland

(540)

LEVICOR

(511)

2 – Paints, varnishes, lacquers; preservatives against rust and against deterioration of wood; dyestuffs; mordants; raw natural resins; metals in foil and powder form for painters, decorators, printers and artists; anti-corrosive products; protective products for metals; anti-tarnishing products for metals; products for the protection of under-surfaces of vehicles.

6 – Common metals and their alloys; building materials of metal; transportable buildings of metal; materials of metal for railway tracks; non-electric cables and wires of metal; ironmongery and small items of metal hardware; pipes of metal; safes [strong boxes]; goods of common metal not included in other classes; ores; reinforcing materials of metal for building; reinforcing materials of metal for pipes; iron strip; steel strip; fittings of metal for building.

7 – Machines and machine tools; motors and engines (other than for land vehicles); machine couplings and transmission components (other than for land vehicles); agricultural implements other than hand-operated; incubators for eggs; automatic distribution machines; metal-surface galvanizing machines; machines for cleaning of surfaces (machine tools for thermoforming, coating and tailoring of metal objects).

12 – Vehicles; apparatus for locomotion by land, air or water; bodies for vehicles; airplanes; fuselages for aircraft; airplane towing vehicles; ships' hulls.

40 – Treatment of materials; surface finishing of metal articles; air brushing services (treatment of surfaces); application of thin layers on object surfaces through chemical procedures, mechanical procedures, thermal procedures, thermomechanical procedures; chemical vapor deposition, physical vapor deposition and metallization; application of protective surface coatings to machines and tools; processing of metal surfaces by abrasive polishing; processing of metal surfaces using precision grinding techniques; treatment and coating of metal surfaces; coating and surface finishing of machines and tools; hard chromium plating and hard nickel plating of metal surfaces; surface coating of sheets; abrasive polishing of metal surfaces; heat treatment of metal surfaces; shaping of metal components.

(260) AM 2016 81103 A

(800) 1237198

(891) 2014 08 07

(731) THERMISSION AG

Dorfstrasse 17, CH-6390 Engelberg,
Switzerland

(540)

THERMISSION

(511)

2 – Paints, varnishes, lacquers; preservatives against rust and against deterioration of wood; dyestuffs; mordants; raw natural resins; metals in foil and powder form for painters, decorators, printers and artists; anti-corrosive products; protective products for metals; anti-tarnishing products for metals; products for the protection of under-surfaces of vehicles.

6 – Common metals and their alloys; building materials of metal; transportable buildings of metal; materials of metal for railway tracks; non-electric cables and wires of metal; ironmongery and small items of metal hardware; pipes of metal; safes [strong boxes]; goods of common metal not included in other classes; ores; reinforcing materials of metal for building; reinforcing materials of metal for pipes; iron strip; steel strip; fittings of metal for building.

40 – Treatment of materials; surface finishing of metal articles; air brushing services (treatment of surfaces); application of thin layers on object surfaces through chemical procedures, mechanical procedures, thermal procedures, thermomechanical procedures; chemical vapor deposition, physical vapor deposition and metallization; application of protective surface coatings to machines and tools; processing of metal surfaces by abrasive polishing; processing of metal surfaces using precision grinding techniques; treatment and coating of metal surfaces; coating and surface finishing of machines and tools; hard chromium plating and hard nickel plating of metal surfaces; surface coating of sheets; abrasive polishing of metal surfaces; heat treatment of metal surfaces; shaping of metal components.

(260) AM 2016 81201 A

(800) 1237792

(891) 2014 12 19

(731) S.S. MARMARA ZEYTİN TARIM SATIŞ
KOOPERATİFLERİ BİRLİĞİ
Bursa-İzmir Karayolu 29. Km., Başköy
Mevkii, Bursa, Turkey

(540)



(591) Black, white, dark gray, brown

(526) The trademark is protected as a whole. "OLIVES PREMIUM QUALITY ANATOLIAN OLIVES" shall not be subject to independent legal protection.

(511)
29 – processed olives, olive pastes, pickles; olive oil.

(260) AM 2016 81325 A

(800) 1239007

(891) 2014 10 10

(731) KONINKLIJKE DOUWE EGBERTS B.V.

Oosterdoksstraat 80, NL-1011 DK

Amsterdam, Netherlands

(540)

JACOBS DOUWE EGBERTS

(511)

7 – Vending machines for beverages or food; temperature-controlled beverage dispensing units in the nature of vending machines; electric coffee grinders.

11 – Temperature-controlled beverage and food dispensing units, other than vending machines; electric tea and coffee makers.

21 – Coffee and tea cups; cups of paper or plastic; mugs; double wall cups; coffee and tea drinking glasses; tea services (tableware); coffee services (tableware); cream sets; serving trays; coffee grinders, hand operated; non-electric coffee makers; non-electric coffee pots; non-electric coffee filters; coffee filters and holders thereof, not of paper, being part of non-electric coffee makers; tea infusers; tea strainers; tea pots; non-electric tea kettles; non-electric tea makers; coffee and tea boxes (tableware); insulating flasks; flasks; drip catchers.

(260) AM 2016 81331 A

(800) 1168124

(891) 2015 02 03

(731) LMS LUXE MEDIA SOLUTIONS LTD

Boumpoulinas, 1-3, 3rd floor, Flat/Office 34,

CY-1060 NICOSIA, Cyprus

(540)



(591) Black, white

(526) 24/7

(511)

25 – Clothing, footwear, headgear for wear; wimples; bandanas [neckerchiefs]; underwear; sweat-absorbent underclothing [underwear]; berets; boas [necklets]; teddies [undergarments]; half-boots; ski boots; boots for sports; breeches for wear; trousers; football boots; brassieres; detachable collars; collars [clothing]; shoulder wraps; shirt yokes; veils [clothing]; gabardines [clothing]; galoshes; neckties; as-

cots; leg warmers; gaiters; spats; boot uppers; corselets; jerseys [clothing]; vests; waistcoats; singlets; sports jerseys; hosiery; heels; drawers [clothing]; pants; hoods [clothing]; hat frames [skeletons]; pockets for clothing; collar protectors; cap peaks; tights; slippers [undergarments]; combinations [clothing]; wet suits for water-skiing; bodices [lingerie]; corsets [underclothing]; suits; swimsuits; masquerade costumes; beach clothes; jackets [clothing]; stuff jackets [clothing]; fishing vests; leggings [trousers]; liveries; camisoles; cuffs; wristbands [clothing]; short-sleeve shirts; mantillas; coats; sleep masks; furs [clothing]; mittens; miters [hats]; muffs [clothing]; footmuffs, not electrically heated; heelpieces for footwear; bibs, not of paper; fur stoles; ear muffs [clothing]; socks; beach shoes; sports shoes; paper clothing; outerclothing; ready-made clothing; motorists' clothing; cyclists' clothing; clothing for gymnastics; clothing of imitations of leather; clothing of leather; uniforms; fittings of metal for footwear; maniples; overcoats; parkas; pelerines; gloves [clothing]; ski gloves; pyjamas; bathing trunks; shirt fronts; scarves; pocket squares; dresses; waterproof clothing; headbands [clothing]; garters; sock suspenders; stocking suspenders; ready-made linings [parts of clothing]; dress shields; soles for footwear; braces for clothing [suspenders]; lace boots; ponchos; girdles; belts [clothing]; money belts [clothing]; layettes [clothing]; non-slipping devices for footwear; jumpers [pullovers]; heelpieces for stockings; welts for footwear; chasubles; shirts; wooden shoes; sandals; bath sandals; sarongs; jumper dresses; pinafore dresses; saris; sweaters; footwear uppers; inner soles; bath slippers; togas; knitwear [clothing]; underpants; gymnastic shoes; slippers; skull caps; turbans; aprons [clothing]; tee-shirts; dressing gowns; bath robes; top hats; tips for footwear; stockings; sweat-absorbent stockings; shawls; caps [headwear]; paper hats [clothing]; shower caps; bathing caps; sashes for wear; studs for football boots; hats; babies' pants [clothing]; gaiter straps; trouser straps; pelisses; esparto shoes or sandals; skirts; petticoats; skorts.

35 – Advertising; business management; business administration; office functions; arranging subscriptions to telecommunication services for others; import-export agencies; commercial information agencies; advertising agencies; cost price analysis; rental of advertising space; auditing; employment agencies; computerized file management; accounting; invoicing; business efficiency expert services; demonstration of goods; transcription; opinion polling; marketing studies; business information; commercial information and advice for consumers [consumer advice shop]; business investigations; business research; marketing research; personnel recruitment; business management and organization consultancy; business organization consultancy; business management consultancy; personnel management consultancy; professional business consultancy; layout ser-

VICES for advertising purposes; marketing; business management of performing artists; business management of sports people; news clipping services; updating of advertising material; word processing; organization of exhibitions for commercial or advertising purposes; arranging newspaper subscriptions for others; organization of fashion shows for promotional purposes; organization of trade fairs for commercial or advertising purposes; shop window dressing; business appraisals; payroll preparation; data search in computer files for others; sponsorship search; business management assistance; commercial or industrial management assistance; presentation of goods on communication media, for retail purposes; economic forecasting; auctioneering; sales promotion for others; production of advertising films; office machines and equipment rental; rental of advertising time on communication media; publicity material rental; rental of vending machines; rental of photocopying machines; publication of publicity texts; radio advertising; bill-posting; outdoor advertising; distribution of samples; dissemination of advertising matter; direct mail advertising; writing of publicity texts; on-line advertising on a computer network; advertising by mail order; television advertising; document reproduction; compilation of statistics; compilation of information into computer databases; business inquiries; systemization of information into computer databases; advisory services for business management; tax preparation; drawing up of statements of accounts; publicity columns preparation; telemarketing services; psychological testing for the selection of personnel; business management of hotels; commercial administration of the licensing of the goods and services of others; administrative processing of purchase orders; public relations; modelling for advertising or sales promotion; typing; relocation services for businesses; price comparison services; secretarial services; procurement services for others [purchasing goods and services for other businesses]; shorthand; outsourcing services [business assistance]; telephone answering for unavailable subscribers; photocopying services.

39 – Transport; packaging and storage of goods; travel arrangement; air transport; motor coach rental; boat rental; garage rental; rental of vehicle roof racks; aircraft rental; parking place rental; rental of warehouses; booking of seats for travel; travel reservation; transport reservation; towing; bottling services; water distribution; newspaper delivery; message delivery; parcel delivery; delivery of goods; delivery of goods by mail order; flower delivery; launching of satellites for others; traffic information; transportation information; storage information; transportation logistics; rescue operations [transport]; arranging of cruises; arranging of travel tours; hauling; carting; transport and storage of waste; transporting furniture; lighterage services; ferry-boat transport; removal services; transport of travellers;

guarded transport of valuables; bus transport; car transport; barge transport; boat transport; railway transport; marine transport; passenger transport; river transport; portage; refloating of ships; vehicle breakdown assistance [towing]; shipbrokerage; transport brokerage; freight brokerage; car rental; railway truck rental; rental of diving bells; rental of diving suits; rental of motor racing cars; railway coach rental; rental of wheelchairs; rental of storage containers; horse rental; rental of freezers; refrigerator rental; vehicle rental; stevedoring; unloading cargo; electricity distribution; distribution of energy; packaging of goods; ice-breaking; piloting; water supplying; escorting of travellers; ambulance transport; tram transport; transport by pipeline; wrapping of goods; operating canal locks; car parking; chauffeur services; pleasure boat transport; courier services [messages or merchandise]; salvaging; salvage of ships; underwater salvage; taxi transport; franking of mail; freight [shipping of goods]; freighting; physical storage of electronically-stored data or documents; boat storage; storage of goods; storage; sight-seeing [tourism]; freight forwarding.

41 – Education; providing of training; entertainment; sporting and cultural activities; modelling for artists; academies [education]; rental of sports grounds; rental of tennis courts; lending libraries; booking of seats for shows; videotaping; physical education; discotheque services; animal training; dubbing; gambling; publication of books; education information; recreation information; entertainment information; movie studios; health club services [health and fitness training]; night clubs; layout services, other than for advertising purposes; microfilming; videotape editing; production of radio and television programmes; music-halls; production of music; game services provided on-line from a computer network; providing on-line electronic publications, not downloadable; religious education; gymnastic instruction; correspondence courses; practical training [demonstration]; organization of balls; organization of exhibitions for cultural or educational purposes; providing recreation facilities; arranging and conducting of colloquiums; arranging and conducting of congresses; arranging and conducting of conferences; arranging and conducting of concerts; arranging and conducting of workshops [training]; arranging and conducting of seminars; arranging and conducting of symposiums; organization of competitions [education or entertainment]; arranging of beauty contests; operating lotteries; organization of fashion shows for entertainment purposes; organization of shows [impresario services]; organization of sports competitions; vocational guidance [education or training advice]; amusement parks; sign language interpretation; television entertainment; bookmobile services; vocational retraining; providing karaoke services; providing golf facilities; providing sports facilities; providing amusement arcade services; cinema

presentations; presentation of live performances; theatre productions; conducting fitness classes; educational examination; timing of sports events; videotape film production; film production, other than advertising films; rental of audio equipment; rental of video cameras; rental of video cassette recorders; rental of videotapes; rental of show scenery; rental of sound recordings; toy rental; rental of movie projectors and accessories; rental of motion pictures; games equipment rental; rental of stadium facilities; rental of lighting apparatus for theatrical sets or television studios; rental of radio and television sets; rental of skin diving equipment; rental of sports equipment, except vehicles; rental of stage scenery; electronic desktop publishing; publication of electronic books and journals online; publication of texts, other than publicity texts; radio entertainment; entertainer services; amusements; writing of texts, other than publicity texts; zoological garden services; news reporters services; party planning [entertainment]; music composition services; subtitling; holiday camp services [entertainment]; disc jockey services; personal trainer services [fitness training]; providing casino facilities [gambling]; calligraphy services; club services [entertainment or education]; providing museum facilities [presentation, exhibitions]; educational services; orchestra services; translation; scriptwriting services; ticket agency services [entertainment]; coaching [training]; sport camp services; recording studio services; language interpreter services; nursery schools; photography; photographic reporting; circuses; boarding schools; production of shows.

45 – Legal services; security services for the protection of property and individuals; personal and social services rendered by others to meet the needs of individuals; marriage agencies; detective agencies; night guards; adoption agency services; arbitration services; rental of safes; undertaking; lost property return; genealogical research; legal research; security consultancy; intellectual property consultancy; intellectual property watching services; monitoring of burglar and security alarms; crematorium services; licensing of intellectual property; licensing of computer software [legal services]; organization of religious meetings; opening of security locks; guards; planning and arranging of wedding ceremonies; missing person investigations; litigation services; baby sitting; pet sitting; baggage inspection for security purposes; inspection of factories for safety purposes; evening dress rental; rental of fire extinguishers; clothing rental; rental of fire alarms; registration of domain names [legal services]; personal background investigations; fire-fighting; chaperoning; horoscope casting; copyright management; dating services; alternative dispute resolution services; house sitting; mediation; funerals; personal body guarding.

(260) AM 2016 81454 A
(800) 1171666
(891) 2015 01 12
(731) BIOFARMA
50 rue Carnot, F-92284 SURESNES CEDEX,
France
(540)

QUALIFY

(511)
42 – Scientific research services for medical purposes, namely medical studies and clinical studies.

(260) AM 2016 81459 A
(800) 1226949
(891) 2015 03 04
(731) Zott SE & Co. KG
Dr.-Steichele-Straße 4, 86690 Mertingen,
Germany
(540)



(591) Yellow, blue and white
(511)
29 – Milk, dairy products, namely drinking milk, clotted milk, buttermilk; yoghurt, fruit yoghurt, chocolate or cocoa yoghurt; non-alcoholic mixed milk drinks (milk predominating), kephir, cream, soft white cheese, soft white cheese with fruits and herbs; desserts consisting essentially of milk and spices with gelatine and/or starch as binders; butter, clarified butter, cheese and cheese preparations, milk and whey powder as foodstuffs, dietetic yoghurt for non-medical purposes.

30 – Puddings, edible ice, powder for ice cream.

(260) AM 2016 81661 A
(800) 1241013
(891) 2014 09 25
(731) SHAHSAVAND ZARRIN CO.
Talash Blvd., Faaz 1, 2th Shahrak, Mashhad,
Iran (Islamic Republic of)
(540)



(591) Red and white.

(511)
29 – Meat tinned (canned); vegetables tinned (canned); nuts, prepared.

30 – Coffee; cocoa; rice; spices; saffron (seasoning); tea bags; chocolates; biscuits; cereal preparations; infusions, not medicinal.

31 – Grains (cereals).

35 – Export and wholesale services for aforementioned goods.

39 – Delivery and packaging services for aforementioned goods.

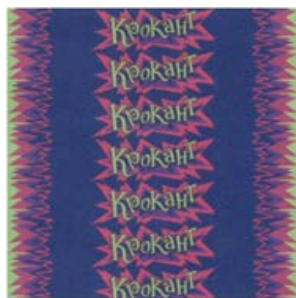
(260) AM 2016 81707 A

(800) 1242260

(891) 2015 02 02

(731) Obschestvo s ogranitchenoy otvetstvennostyu "KDV NIZHNY TAGIL" Frunze str., bld. 83, Nizhny Tagil, RU-622022 Sverdlovskaya oblast, Russian Federation

(540)



(591) Dark blue, light green, violet, claret and pink

(511)

30 – Sweetmeats [candy].

(260) AM 2016 81748 A

(800) 1241940

(891) 2014 10 31

(731) APPLE INC.
1 Infinite Loop, Cupertino CA 95014, USA

(540)

HANDOFF

(511)

9 – Computer software; computer software for use in accessing, retrieving, downloading, backing up, managing, organizing, and synchronizing data, email, documents, images, audio, video, multimedia content, electronic publications, computer files and other computer software; database synchronization software.

(260) AM 2016 81772 A

(800) 1242311

(891) 2014 11 18

(731) BRUSNIKA INTERNATIONAL LIMITED
Michael Georgiou 70, Athienou, CY-7600
LARNACA, Cyprus

(540)



(591) White, red, light red and dark red.

(511)

35 – Professional business consultancy; business management consultancy; business management and organization consultancy; business organization consultancy; advisory services for business management; business management assistance; business management of hotels; business information; business appraisals; commercial or industrial management assistance.

36 – Accommodation bureaux [apartments]; apartment house management; financial evaluation [insurance, banking, real estate]; financial analysis; financial information; financial consultancy; financial management; renting of apartments; lease-purchase financing; real estate brokers; leasing of real estate; leasing of farms; rental of offices [real estate]; real estate agencies; real estate management; real estate appraisal; rent collection; repair costs evaluation [financial appraisal].

37 – Air conditioning apparatus installation and repair; asphaltting; bricklaying; building construction supervision; building insulating; building sealing; building of fair stalls and shops; rental of bulldozers; burglar alarm installation and repair; motor vehicle wash; carpentry services; cleaning of buildings [exterior surface]; cleaning of buildings [interior]; rental of cleaning machines; construction; construction information; construction consultation; rental of construction equipment; rental of cranes [construction equipment]; demolition of buildings; disinfecting; rental of drainage pumps; drilling of wells; electric appliance installation and repair; elevator installation and repair; rental of excavators; factory construction; fire alarm installation and repair; freezing equipment installation and repair; furnace installation and repair; harbour construction; heating equipment installation and repair; installation of doors and windows; irrigation devices installation and repair; kitchen equipment installation; machinery installation, maintenance and repair; masonry; painting or repair of signs; painting, interior and exterior; wallpapering; parasol repair; photographic apparatus repair; pier breakwater building; pipeline construction and maintenance; plastering; plumbing; pumicing; pump repair; quarrying services; rat exterminating; re-tinning; rebuilding engines that have been worn or partially destroyed; rebuilding machines that have been worn or partially destroyed; repair of security locks; repair information; repair of power lines; rive-

ting; road paving; rental of road sweeping machines; roofing services; rustproofing; sanding; scaffolding; street cleaning; strong-room maintenance and repair; telephone installation and repair; underwater construction; upholstery repair; varnishing; vermin exterminating, other than for agriculture; warehouse construction and repair; window cleaning.

(260) AM 2016 81773 A

(800) 1242312

(891) 2014 08 08

(731) TRİMPEKS İTHALAT İHRACAT TURİZM VE TİCARET ANONİM ŞİRKETİ

Eski Büyükdere Caddesi, Yunus Emre Sokak,
Topçu İş Merkezi 1/12, 4. Levent, İstanbul,
Turkey

(540)



(591) Blue, grey

(526) health treatment

(511)

10 – Surgical, medical, dental and veterinary apparatus and instruments; furniture especially made for medical purposes; artificial limbs and prostheses; medical orthopaedic articles; surgical gowns and surgical sterile sheets; adult sexual aids; condoms; babies' bottles; babies' pacifiers; teats; teethers for babies.

(260) AM 2016 81776 A

(800) 1242353

(891) 2014 07 28

(731) A&E TELEVISION NETWORKS, LLC

235 East 45th Street, New York, NY 10017,
USA

(540)



(591) Black, white

(511)

9 – Multimedia goods, namely, prerecorded digital video discs and DVDs featuring subjects of general human interest; digital media, namely, downloadable audio and video files featuring subjects of general human interest; downloadable webcasts and podcasts featuring subjects of general human interest; downloadable graphics for wireless devices; downloadable on-line discussion boards featuring subjects of general human interest.

38 – Broadcasting services, namely, television broadcasting, video broadcasting, Internet broadcasting,

audio broadcasting and television broadcasting; electronic transmission of data via satellite link; electronic transmission of data and documents via computer networks; video-on-demand transmission services; wireless communication services, namely, transmission of television programs and motion pictures to mobile devices; providing online chat rooms and electronic bulletin boards for the electronic transmission of messages among users in the fields of broadcast entertainment, education, and general interest; broadband communication services, namely, satellite, cable, network transmission of sounds, images, signals and data; podcast and webcast transmission services.

41 – Production and distribution of television programs; educational and entertainment services in the nature of on-going television programs in the field of history, historical settings, historical dramas, historical documentaries and historical subjects accessible by television, audio, video and global computer networks; editing of television programs; television program distribution services.

(260) AM 2016 81777 A

(800) 1242354

(891) 2014 06 26

(731) GÜRTEKS PAZARLAMA A.Ş.

2. Organize Sanayi Bölgesi Vali, Muammer
Güler Bulvarı 83228, No'Lu Cad. No:9
ŞEHİTKAMİL-GAZİANTEP, Turkey

(540)



(591) Black, Brawn

(511)

24 – Woven or non-woven textile fabrics; textile goods for household use, not included in other classes: curtains, bed covers, sheets (textile), pillowcases, blankets, quilts, towels; flags, pennants, labels of textile.

27 – Carpets, rugs, mats; prayer rugs; linoleum, artificial turf, linoleum for covering floors; gymnasium mats; wallpaper, wall hangings not of textile.

35 – Advertising, marketing and public relations; organization of exhibitions and trade fairs for commercial or advertising purposes; office functions; secretarial services; arranging newspaper subscriptions for others; compilation of statistics; rental of office machines; systemization of information into computer databases; telephone answering for unavailable subscribers; business management, business administration and business consultancy; accounting; commercial consultancy services; personnel placement; employment agencies; personnel recruitment;

import-export agencies; business appraisal services for commercial or industrial products; auctioneering; the bringing together, for the benefit of others, of a variety of goods, namely, hand-operated non-electric cleaning instruments, brushes, other than paintbrushes, steel chips for cleaning, sponges for cleaning, steel wool for cleaning, cloths of textile for cleaning, gloves for dishwashing, non-electric polishing machines for household purposes, brooms for carpets, mops, electric brushes, except parts of machines, toothbrushes, electric toothbrushes, dental floss, shaving brushes, hair brushes, combs, electric and non-electric appliances for removing make-up, non-electric household or kitchen utensils, included in this class, clothes-pegs, pots and pans, vases including those made of precious metals, ironing boards and shaped covers therefor, drying racks for washing, clothes drying hangers, cages for household pets, indoor aquariums, terrariums and vivariums for animal and plant cultivation, ornaments and decorative goods of glass, porcelain, earthenware or clay, included in this class, mouse traps, insect traps, fly catchers, fly swatter, fly whisks, plastic taps for toilet holes for use against rats and insects, not parts of sanitary installations, electric devices for attracting and killing flies and insects, perfume burners, perfume sprayers, perfume vaporizers, electric or non-electric make-up removing appliances, powder puffs, toilet cases, nozzles for sprinkler hose, nozzles for watering cans, watering devices, garden watering cans, unworked or semi-worked glass, except building glass, mosaics of glass and powdered glass for decoration, except for building, glass wool other than for insulation or textile use, coupes as rewards for sports events, carpets, rugs, mats, prayer rugs, linoleum, artificial turf, linoleum for covering floors, gymnasium mats, wallpaper, wall hangings not of textile, woven or non-woven textile fabrics, textile goods for household use, not included in other classes: curtains, bed covers, sheets (textile), pillowcases, blankets, quilts, towels, flags, pennants, labels of textile, enabling customers to conveniently view and purchase those goods, such services may be provided by retail stores, wholesale outlets, by means of electronic media or through mail order catalogues.

(260) AM 2016 81779 A
 (800) 1242366
 (891) 2014 07 21
 (731) KEREVİTAŞ GIDA SANAYİ VE TİCARET ANONİM ŞİRKETİ
 Üniversite Mahallesi, Bağlariçi Caddesi
 No:29 Avcılar, İSTANBUL, Turkey
 (540)



(591) Blue, green, yellow and red.

(511)

29 – Meat, fish, poultry and game; processed foodstuff based on meat; edible oils; dried, preserved, frozen, cooked, smoked or salted fruits and vegetables; pollen prepared as foodstuff.

30 – Pasta, stuffed dumplings, noodles; pastries and bakery products based on flour, desserts based on flour and chocolate; yeast, baking powder; flour, semolina, starch for food; dried garden herbs.

31 – Agricultural and horticultural products not included in other classes; seeds; plants; fresh garden herbs.

(260) AM 2016 81820 A

(800) 1242739

(891) 2015 02 13

(731) Uždaroji akcinė bendrovė – prekybos namai "HERMIS"

Savanoriu pr. 404, LT-50300 Kaunas,
 Lithuania

(540)

Danville

(511)

29 – Protein milk; smetana (sour cream); cream (dairy products); buttercream; yoghurt; kephir (milk beverage); kumys (kumyss) (milk beverage); margarine; milk; milk ferments for culinary purposes; milk beverages, milk predominating; whey; milk shakes; milk products; rennet; whipped cream; ryazhenka (fermented baked milk); fat-containing mixtures for bread slices; prostokvasha (soured milk); condensed milk; cheese; butter; chocolate nut butter; curd.

(260) AM 2016 81828 A

(800) 1242858

(891) 2014 12 30

(731) DR. THEISS NATURWAREN GMBH
 Michelinstrasse 10, 66424 Homburg,
 Germany

(540)



(591) Black, gray

(511)

5 – Pharmaceutical preparations and substances; lotions for pharmaceutical purposes; medicinal dietary supplements; vitamin preparations, including beauty capsules; antitussives; medicated candy; natural and homeopathic preparations and substances for medical purposes.

30 – Confectionery.

(260) AM 2016 81838 A
 (800) 1108320
 (891) 2015 01 29
 (731) NOVARTIS AG
 CH-4002 Basel, Switzerland
 (540)

VYMADA

(511)
 5 – Pharmaceutical preparations.

(260) AM 2016 81851 A
 (800) 1243000
 (891) 2014 09 26
 (731) FABERGE (UK) LIMITED
 54 Jermyn Street, London SW1Y 6LX,
 Faberge (UK) Limited, United Kingdom
 (540)

FABERGE

(511)
 4 – Candles; perfumed candles.
 29 – Meat, fish, poultry and game; jellies, jams; edible oils; caviar and caviar products; preserved, frozen, dried and cooked fruits and vegetables.
 43 – Hotel, bar and restaurant services; provision of food and drink; day-nurseries, retirement homes.

(260) AM 2016 81853 A
 (800) 1243049
 (891) 2014 11 12
 (731) LINE POINT GLOBAL UK LIMITED
 C/o Fresh IP, St. Johns Innovation Centre,
 Cowley Road, CAMBRIDGE Cambs
 CB4 0WS, United Kingdom
 (540)

THEO

(511)
 33 – Alcoholic beverages, except beers; vodka; flavoured vodka; vodka with coffee flavour; vodka with acai flavour; vodka with blueberry flavour; vodka with blackberry flavour; vodka with cherry flavour; vodka with citron flavour; vodka with lemon flavour; vodka with melon flavour; vodka with watermelon flavour; vodka with pineapple flavour; vodka with passion fruit flavour; vodka with pomegranate flavour; vodka with orange flavour; vodka with grapefruit flavour; vodka with clementine flavour; vodka with bubble-gum flavour; vodka with cake flavour; vodka with vanilla flavour; vodka with coconut flavour; vodka with wasabi flavour; vodka with tea flavour; vodka with apple flavour; vodka with cardamom flavour; vodka with guava flavour; vodka with grape flavour; vodka with chocolate flavour; vodka with cocktail flavour; vodka with pear flavour; vodka with peach flavour; vodka with spices flavour.

(260) AM 2016 81857 A
 (800) 1243123
 (891) 2015 02 02
 (731) LTD "DELFIN CHEMICALS"
 Bolshaya Serpukhovskaya st. 44, Office 19,
 RU-115093 Moscow, Russian Federation
 (540)



(591) Black and White
 (511)
 1 – Chemical preparations for scientific purposes; fertilizing preparations; fire extinguishing preparations; tempering and soldering preparations; tanning substances; adhesives for industrial purposes.

2 – Paints; varnishes; lacquers; preservatives against rust and against deterioration of wood; dyes; mordants; natural resins, raw.

3 – Bleaching preparations and other substances for laundry use; cleaning, polishing, scouring and abrasive preparations; soap; perfumery; essential oils; cosmetics.

4 – Industrial oil; lubricating grease; lubricants; dust absorbing compositions; dust binding compositions; fuels, including motor spirit, and illuminants; candles and wicks for lighting.

17 – Rubber, gutta-percha, gum, asbestos, mica and goods made from these materials and not included in other classes; plastics in extruded form for use in manufacture; packing, stopping and insulating materials.

19 – Building materials, not of metal; asphalt, pitch and bitumen.

27 – Carpets, rugs, mats and matting, linoleum and other materials for covering existing floors; wallpaper; decorative wall hangings, not of textile.

35 – Retail or wholesale services for goods listed in classes 1, 2, 3, 4, 17, 19 and 27.

40 – Treatment of materials.

(260) AM 2016 81862 A
 (800) 904498
 (891) 2014 10 31
 (731) Obschestvo s ogranichennoy otvetstvennostyu
 "Dymovskoe kolbasnoe proizvodstvo"
 d. 37, ul. Krylatskaya, RU-121614 Moskva,
 Russian Federation
 (540)



DYMOV

(591) Black and White
 (511)
 29 – Meat, fish, poultry and game; meat extracts; preserved, dried and cooked fruits and vegetables; jellies, jams, compotes; eggs, milk and milk products; edible oils and fats.

(260) AM 2016 81894 A
 (800) 1062499
 (891) 2015 04 04
 (731) TRICOUNI SÀRL
 c/o Fiduconsult Rue Lécheretta 11, CH-1630
 Bulle, Switzerland
 (540)

Tricouni

(511)
 25 – Clothing, footwear.
 28 – Sporting articles included in this class.

(260) AM 2016 81895 A
 (800) 1215013
 (891) 2015 04 02
 (731) GRUPPO COIN SpA
 Via Terraglio, 17, I-30174 VENEZIA
 MESTRE (VE), Italy
 (540)

COIN
 EXCELSIOR

(591) Black, white
 (511)
 35 – Advertising services; business management; business administration; office functions; presentation of goods on communications media, for retail purposes; retail sale services and on-line sale services of cosmetics, perfumery, soaps, essential oils, incenses, scented wood, potpourri, lotions and preparations for the care and treatment of the body and hair, dentifrices, sachets for perfuming linen, bath oils, jewellery, costume jewellery, horological and chronometric instruments, grease for footwear, grease for leather, candles, perfumed candles, hand-operated kitchen tools and utensils, cutlery, side arms, razors, lamps and lighting fixtures, apparatus for heating, steam generating, cooking, refrigerating, drying, ventilating, water supply and sanitary purposes, paper, cardboard, printed matter, book binding material, photographs, stationery, adhesives for stationery or household use, artists' materials, paint brushes, typewriters and office requisites, instructional and teaching material, plastic materials for packaging, printers type, printing blocks, furniture, mirrors, picture frames, decorative objects made of wood, cork, reed, cane, wicker, horn, bone, ivory, whalebone, shell, amber, mother-of-pearl, meerscha-

um, and of plastics, household or kitchen utensils and containers, non-electric cooking pots and pans, combs, sponges, brushes, articles for cleaning purposes, glassware, porcelain and earthenware, decorations made of crystal, glass or porcelain, textiles, bed and table covers, lace and embroidery, ribbons and braid, buttons, hooks and eyes, pins and needles, artificial flowers, hair ornaments, carpets, rugs, mats and matting, linoleum and other materials for covering existing floors, wall hangings (non-textile), games and playthings, gymnastic and sporting articles, decorations for Christmas trees, smokers' articles; services related to the management of department stores, shops and outlets; business management advisory services relating to franchising; arranging, implementation, management and supervision of customer loyalty schemes, customer reward schemes; customer incentive schemes, including via the Internet in class 35.

(260) AM 2016 81896 A
 (800) 1235015
 (891) 2015 04 03
 (731) TECHNICOLOR
 1-5 rue Jeanne d'Arc, F-92130 ISSY-LES-
 MOULINEAUX, France
 (540)

THOMSON

(591) Black, white
 (511)
 8 – Hand-operated hand tools and implements; cutlery; razors; hair and beard clippers; non-electric hair tongs; goffering irons; apparatus for depilation; electric and non-electric manicure sets, electric and non-electric pedicure sets, electric and non-electric fingernail polishers; electric razors, shaving cases; electric and non-electric nail clippers, choppers; electric hair curling irons, electric hair straightening irons.
 9 – Apparatus for receiving, recording, transmitting, reproducing, storing, encrypting, decrypting sound or images; television apparatus; radios; DVD recorders and players, high density optical disks and compact disks; MP3 and MP4 players and recorders; video recorders; high-fidelity sound systems; apparatus for sending and receiving digital data, decoders for receiving multimedia content, especially videos, photos and sounds; multimedia players; multimedia tablets, mobile electronic apparatus for receiving and reading text, sound and images; personal digital assistants; computer software platforms for the digital distribution of audio video content and video games; projection screens and projectors; overhead projectors; cameras [photography]; video cameras; camcorders; e-books; downloadable electronic publications; compact disks, DVDs, high density optical

disks; apparatus for short-range transceivers (walkie talkies); apparatus for weather stations; digital photograph frames; spectacles for 3D (three dimensional) movies; telephones, smart phones, mobile phones; data communication and telephone servers, particularly for global communication networks (similar to the Internet); modems; telecommunications routers; apparatus for satellite navigation and positioning, namely navigation receivers using a global positioning satellite (GPS); satellites; satellite dishes; antennas; data processing equipment; computers; software; computer screens; keyboards; computer mice; computer printers; scanners for computers, portable scanners, hand scanners; mouse pads; USB connectors, flash drives; LC cases (line power adapters) for computers; computer servers; hard disk drives; memory cards; apparatus and instruments for conducting, switching, transforming, accumulating, regulating or controlling electricity; apparatus for the amplification, modulation, detection of sound; audio video cables, computer cables; microphones; loudspeakers; cabinets for loudspeakers; mini mobile loudspeakers; headsets; cells and batteries; rechargeable batteries; chargers; apparatus for charging electric accumulators; remote controls; camera accessories, cables, batteries, chargers, flashlights, stands (tripods), lenses, filters, cases; batteries, chargers and holders for mobile telephones and computers; hands-free kits; television wall mounts; alarms, whistle alarms; video intercoms; infrared detectors, surveillance cameras, residential alarm kits; remote surveillance and video surveillance software; motion detectors, smoke detectors, water leakage detectors; radio and television transmitters, antennae; apparatus for compressing video, encoders, decoders, transcoders, multiplexers; solar panels, photovoltaic panels, thermal panels, photovoltaic cells, solar collectors; solar inverters; solar batteries, battery chargers; apparatus and instruments for conducting, transforming, storing, regulating or controlling electric current; heat regulating apparatus; monitoring instruments for boilers; thermostats; kitchen scales, bathroom scales; baby monitors; motion detectors, smoke detectors, water leakage detectors, gas detectors; pedometers.

10 – Surgical, medical, dental and veterinary apparatus and instruments (including artificial limbs, eyes and teeth); light therapy apparatus; massage apparatus; gloves for massage; surgical, medical, dental and veterinary apparatus and instruments, artificial limbs, eyes and teeth; body composition analyzers (muscle mass, calories), heart rate monitors; apparatus for measuring body temperature; sweat detectors; blood pressure monitors; blood glucose meters; pulse oximeters; electrocardiographs; sleep measuring apparatus; physical exercise apparatus for medical purposes; dental water apparatus for cleaning teeth and gums.

(260) AM 2016 81909 A

(800) 1243690

(891) 2014 11 14

(731) Autonomous Non-Profit Organization for Higher Education "SKOLKOVO INSTITUTE OF SCIENCE AND TECHNOLOGY"
Novaya St, 100, Skolkovo Village,
Odintsovskiy District, RU-143025 Moscow
region, Russian Federation

(540)

Skoltech

(591) Black, green and white

(511)

16 – Note books; pads [stationery]; newspapers; magazines [periodicals]; periodicals; printed publications; books; teaching materials [except apparatus]; printed matter; writing or drawing books; transparencies [stationery]; manuals [handbooks]; shields [paper seals].

25 – Bandanas [neckerchiefs]; jackets [clothing]; clothing; sweaters; headgear for wear; tee-shirts.

35 – Commercial information agencies; computerized file management; demonstration of goods; opinion polling; marketing studies; business information; commercial information and advice for consumers [consumer advice shop]; business investigations; business research; marketing research; personnel recruitment; business management and organization consultancy; business organization consultancy; business management consultancy; personnel management consultancy; professional business consultancy; layout services for advertising purposes; marketing; business management of performing artists; business appraisals; business management assistance; commercial or industrial management assistance; commercial intermediation services; provision of commercial and business contact information; providing business information via a web site; sales promotion for others; radio advertising; advertising; on-line advertising on a computer network; television advertising.

41 – Academies [education]; lending libraries; physical education; publication of books; education information; recreation information; entertainment information; providing on-line electronic publications, not downloadable; correspondence courses; practical training [demonstration]; organization of exhibitions for cultural or educational purposes; arranging and conducting of colloquiums; arranging and conducting of congresses; arranging and conducting of conferences; arranging and conducting of workshops [training]; arranging and conducting of seminars; arranging and conducting of symposiums; organization of competitions [education or entertainment]; vocational guidance [education or training advice]; vocational retraining; providing on-line videos, not downloadable; providing on-line music, not down-

loadable; publication of electronic books and journals on-line; publication of texts, other than publicity texts; tutoring; educational services; coaching [training].

42 – Computer system analysis; industrial design; graphic arts design; oil-field surveys; engineering; biological research; mechanical research; chemical research; research and development of new products for others; scientific research; technical research; information technology [IT] consultancy; computer software consultancy; software as a service [SaaS]; providing information on computer technology and programming via a web site; providing search engines for the internet; data conversion of computer programs and data [not physical conversion]; computer system design; computer software design; consultancy in the field of energy-saving; scientific laboratory services; cloud computing services; physics [research]; surveying.

45 – Legal research; intellectual property consultancy; monitoring intellectual property rights for legal advisory purposes; licensing of intellectual property; licensing of computer software [legal services].

(260) AM 2016 81911 A

(800) 1243709

(891) 2014 11 11

(731) Tovarishchestvo s ogranichennoi otvetstvennostju "ANADOLU Marketing" pr. Raiymbeka 351B, 050034 g. Almaty, Kazakstan

(540)



The logo for Naturella features the brand name in a stylized, rounded font. The letters 'N' and 'a' are red, while 'turella' is in a darker red. A small green leaf is positioned above the 'e' in 'turella'.

(591) Green, brown, white and red

(511)

29 – Preserved, frozen, dried and cooked fruits and vegetables; jellies, jams, compotes; beans, preserved; soya beans, preserved; sauerkraut; vegetables, tinned; fruits, tinned; gherkins; piccalilli; peas, preserved; marmalade; olives, preserved; soups, vegetable soup preparations; jams; vegetable salads; fruit salads; tomato juice for cooking; vegetable juices for cooking; frozen fruits; preserved fruits; olive oil for food; potato crisps; fruit chips; nuts, dried; tomato purée.

35 – Advertising; sales promotion for others of goods related to classes 29 and 30.

39 – Transport; packaging and storage of goods related to classes 29 and 30.

(260) AM 2016 81915 A

(800) 1243279

(891) 2015 02 18

(731) KRONOPLUS TECHNICAL AG

Rütihofstrasse 1, CH-9052 Niederteufen, Switzerland

(540)

KRONOART

(511)

17 – Packing, stopping and insulating materials.

20 – Furniture, mirrors, picture frames; furniture made of wood or wood substitutes; drawers (furniture parts); goods, not included in other classes, of wood, cork, reed, cane, wicker, horn, bone, ivory, whalebone, shell, amber, mother-of-pearl, meerschaum and substitutes for all these materials, or of plastics.

27 – Floor coverings; wall coverings other than of textile materials; vinyl floor coverings; resilient hard-surface coverings for floors, walls and other surfaces; hard-surface coverings for floors.

(260) AM 2016 81918 A

(800) 1243336

(891) 2015 02 23

(731) FOSHAN CITY NANHAI POPULA FAN CO., LTD.

Xincheng Development Zone, Xiaotangshi Mountain, Nanhai District, Foshan, Guangdong Province, China

(540)



The logo for POPULAFAN features a stylized graphic of a fan or leaf above the brand name in a bold, sans-serif font.

(591) Black, white

(511)

7 – Blowing machines for the compression, exhaustion and transport of gases; blowing machines for the compression, sucking and carrying of grain; pneumatic transporters; bellows [machines]; blowing machines; air condensers.

(260) AM 2016 81920 A

(800) 1243356

(891) 2015 02 20

(731) GRIESSON – DE BEUKELAER GMBH & CO. KG

August-Horch-Strasse 23, 56751 Polch, Germany

(540)

NATSNACKS

(511)

30 – Bread; pastry; confectionery; crackers ; savory and salted biscuits; cheese-flavored biscuits; cereal based snack food; biscuits; cakes; chocolate; sugar confectionery; marzipan.

(260) AM 2016 81924 A
 (800) 1243424
 (891) 2014 11 20
 (731) APPLE INC.
 1 Infinite Loop, Cupertino CA 95014, USA
 (540)

QUICKTYPE

(511)
 9 – Computer software, namely, computer software for creating, authoring, editing, and displaying text; electronic mail and messaging software.

(260) AM 2016 81938 A
 (800) 1243906
 (891) 2015 02 23
 (731) MONDELEZ DEUTSCHLAND COFFEE
 GMBH
 Langemarckstrasse 4-20, 28199 Bremen,
 Germany
 (540)

JACOBS VELOUR

(511)
 30 – Coffee; coffee extracts; coffee substitutes; caffeine-free coffee; coffee-based beverages and preparations for making such beverages; tea.

(260) AM 2016 81939 A
 (800) 1243940
 (891) 2014 07 18
 (731) SWAGELOK COMPANY
 29500 Solon Road, Solon OH 44139, USA
 (540)



(591) Black and white
 (511)

1 – Chemical compound for detecting leaks in gas and fluid lines; chemical compound which will not freeze at low temperatures for detecting leaks in gas and fluid lines.

4 – Lubricant oils for glass seals and for titanium, stainless steel, steel, and alloy fitting threads, o-rings and gaskets.

6 – Manually operated metal valves for tubes, pipes and hoses; metal valves not being parts of machines; metal glands, ferrules and nuts for tubes, pipes and hoses; metal straight, elbow, tee and cross fittings for tubes, pipes and hoses; metal vacuum fittings for tubes, pipes and hoses; metal couplings for tubes, pipes and hoses; metal reducer fittings for tubes,

pipes and hoses; metal adapter fittings for tubes, pipes and hoses; metal port connector fittings for tubes, pipes and hoses; metal quick disconnect fittings for tube, pipe and hose end connections; metal tubing; flexible metal tubing and hose; metal convoluted tubing; metal pipes used for gas distribution; metal seals for tubes, pipes and hoses; metal clamps for tubes, pipes and hoses; metal caps for tubes, pipes and hoses; metal plugs for tubes, pipes and hoses; metal compressed gas cylinders sold empty for use with hydraulic and pneumatic systems; metal cylinders for fluids sold empty; metal thermowells; metal manifolds for use with hydraulic and pneumatic systems.

7 – Electrically-powered machines and electrically-powered tools for cutting, bending, deburring, and swaging tube and hose; electric tube bender machine; electric arc welding machines, welding cooling plates, weld head bench mounting brackets attached to work benches, weld held fixture tool, welding collets for tubes, pipes and fittings; valves as machine components; pressure transducers as parts of machines; pneumatic valve actuators; regulators being parts of machines; gas and liquid filters being parts of machines; welding electrodes; control valves for regulating the flow of gases and liquids.

8 – Hand-operated tools for cutting, sawing, bending, deburring and swaging tube and hose; wrenches.

9 – Welding apparatus, namely, remote pendant controls, weld head centering gauges, weld arc gap gauges; pressure gauges for gas and fluid; fittings gap inspection apparatus; electrical transducer; electric or electronic sensors for sensing flow of fluid; pressure transducers and transmitters that convert hydraulic or pneumatic pressure into analog electrical signals for monitoring and controlling hydraulic or pneumatic systems; electric valve actuators; pressure relief valves for fluid systems; thermometers; flowmeters; calibration devices for calibrating fluid systems.

11 – Pressure regulators for gas installations.

17 – Pipe joint sealant; sealant compounds for joints; non-metal gaskets for fluid systems; non-metal, plastic and rubber hoses for industrial applications; plastic pipe and flexible pipe not of metal; plastic glands and ferrules for plastic tubes, flexible pipes and non-metal hoses; all the aforesaid goods for research, instrumentation, pharmaceutical, oil and gas, power generation, chemical, petrochemical, sanitary and semiconductor industry purposes; non-metallic flexible pipes and hose fittings; flexible tubes of plastic and plugs therefor; metal gaskets for tubes, pipes and hoses; non-metal pipe couplings and joints; non-metal tubing and tubing couplings for joining and terminating pipes.

20 – Plastic valves being other than machine parts; plastic nuts.

35 – Logistics management, marketing, inventory control, and customer services management for others in the fields of biopharmaceutical, food, beverage, dairy, oil and gas, power generation, chemical, petrochemical, shipbuilding, pulp and paper, and semi-conductor technologies; business management consultancy; business organization consultancy; business management assistance; business information; procurement, namely, purchasing of fluid systems equipment for others used in the process of analytical instrumentation, biopharmaceutical, food, beverage, dairy, oil and gas, power generation, chemical, petrochemical, shipbuilding, pulp and paper, and semi-conductor industries.

37 – Rental of equipment, namely, weld systems, tube benders, and other equipment, namely, tube flaring tools, gap inspection gauges, depth marking tools and tube cutters for the support of fluid systems technologies used in the process and analytical instrumentation, biopharmaceutical, food, beverage, dairy, oil and gas, power generation, chemical, petrochemical, shipbuilding, pulp and paper, and semi-conductor industries.

39 – Shipping and delivery services, namely, pickup and transportation, and delivery of goods used in the process and analytical instrumentation, biopharmaceutical, food, beverage, dairy, oil and gas, power generation, chemical, petrochemical, shipbuilding, pulp and paper, and semi-conductor industries by various modes of transportation.

40 – Treatment of metal goods used in the process and analytical instrumentation, biopharmaceutical, food, beverage, dairy, oil and gas, power generation, chemical, petrochemical, shipbuilding, pulp and paper, and semi-conductor industries; assembly of fluid systems for others.

41 – Educational training services, namely, conducting classes and providing electronic and on-site training in the field of fluid system technologies equipment for goods used in the process and analytical instrumentation, biopharmaceutical, food, beverage, dairy, oil and gas, power generation, chemical, petrochemical, shipbuilding, pulp and paper, and semi-conductor industries, and distributing course materials in connection therewith.

42 – Testing, analysis and evaluation of the goods of others for the purpose of certification, engineering consultancy, chemistry consultancy, in the fields of process and analytical instrumentation, biopharmaceutical, food, beverage, dairy, oil and gas, power generation, chemical, petrochemical, shipbuilding, pulp and paper, and semi-conductor technologies; quality control; technical support services, namely, troubleshooting of computer software problems.

(260) AM 2016 81946 A

(800) 1244787

(891) 2014 11 05

(731) NEMIROFF INTELLECTUAL PROPERTY ESTABLISHMENT

Städtle 31, FL-9490 Vaduz (LI),
Liechtenstein

(540)



(591) White, black, dark gray, light gray, dark blue, red, brown, pink, and light pink

(526) PREMIUM DE LUXE

(511)

32 – Beer; mineral and sparkling waters and other non-alcoholic beverages; fruit drinks and fruit juices; syrups and other preparations for making beverages; non-alcoholic aperitifs, lithia water; seltzer water; soda water; waters (beverages); carbonated waters; mineral waters (beverages); table waters; quass (rye beer) (non-alcoholic drink); non-alcoholic cocktails; lemonades; peanut milk (soft drinks); almond milk (drink); soft drinks; isotonic drinks; non-alcoholic drinks based on honey; non-alcoholic drinks based on aloe vera; drinks based on milk whey; non-alcoholic ciders; non-alcoholic fruit nectars; orgeat; beer; ginger beer; malt beer; powders for the manufacture of carbonated beverages; sarsaparilla (soft drink); syrups for lemonades; syrups for beverages; smoothies (drinks based on fruit or vegetable mixtures); tomato juice (drink); non-alcoholic apple juice; vegetable juices (beverages); fruit juices; preparations for making carbonated water; preparations for making liqueurs; compositions for the manufacture of mineral water; preparations for making beverages; malt wort; unfermented grape must; beer wort; grape must non fermentable; brewing syrup; malt wort, tablets for the manufacture of carbonated beverages; sherbet (drink); non-alcoholic fruit extracts; hop extracts for the manufacture of beer; essences for making beverages.

33 – Alcoholic beverages (except beers); aperitifs; arrack; brandy; wines; grape pomace wine; whiskey; vodka; anise vodka; cherry vodka; gin; digestifs (liqueurs and spirits); cocktails; curacao; anise liqueur; liqueurs; mixed alcoholic beverages, except beer-based beverages; alcoholic beverages, except beer; alcoholic beverages containing fruit; alcoholic beverages; beverages obtained by distillation; honey beverage (mead); mint liqueur; bitters; rum; sake

(saki); pear cider; ciders; rice alcohol; alcoholic extracts; alcoholic fruit extracts; alcoholic essences.

(260) AM 2016 81952 A

(800) 1244894

(891) 2015 01 13

(731) TOVARYSTVO Z OBMEZHENOIU
VIDPOVIDALNISTIU "NATSIONALNA
HORILCHANA KOMPANIJA"
Smilianske shose, 8-i kilometer, bud. 2,
s. Stepanyk, Cherkaskyi raion, Cherkaska
oblast 19632, Ukraine

(540)

**TAÏNA
SMILY**

(591) Black, white

(511)

33 – Alcoholic beverages (except beer); aperitifs; arak (arrack); brandy; wines; flavored wines; white wines; table grape wines; dessert wines; sparkling wines; zestful wines; liqueur wines; strong wines; muscat wines; semi-sweet wines; semi-dry wines; foaming wines, including carbonated wines; fruit wines; rose wines; table wines; dry wines; red wines; whisky; vermouths; anisette; anise [liqueur]; hydromel [mead]; kirsch; perry; gin; cocktails; curacao; liqueurs; peppermint liqueurs; distilled beverages; alcoholic beverages containing fruit; bitters; piquette; rice alcohol; rum; sake; cider; spirits [beverages]; alcoholic extracts; alcoholic essences; digesters [liqueurs and spirits]; fruit extracts, alcoholic; low alcohol beverages except beers containing not more than 12% by volume of alcohol.

(260) AM 2016 81960 A

(800) 1244053

(891) 2015 01 17

(731) KEYMILE GmbH
Wohlenbergstraße 3, 30179 Hannover, Germany

(540)

XMC

(511)

9 – Transmitting and receiving apparatus for use with the transmission technique via lines; transmitting and receiving apparatus for use with wireless transmission.

(260) AM 2016 81968 A

(800) 1244105

(891) 2015 01 27

(731) SWATCH AG (SWATCH SA) (SWATCH LTD.)

Jakob-Stämpfli-Strasse 94, CH-2502
Biel/Bienne, Switzerland

(540)

SWATCH TOUCH

(511)

9 – Apparatus for recording, transmission and reproduction of sound or images; magnetic recording media, sound recording disks; compact disks, DVDs and other digital recording media; apparatus enabling the playing of compressed sound files (mp3); calculating machines and data processing equipment, software; games for mobile telephones, for computers and for digital personal stereos; electronic game software for mobile telephones, for computers and for digital personal stereos; computers, portable computers, handheld computers, mobile computers, personal computers, wrist computers, electronic tablets and mobile and computer devices, digital personal stereos, mobile telephones and new-generation mobile telephones incorporating greater functionality (smartphones); telecommunication apparatus and instruments; apparatus for recording, transmission, reproduction of sound or images, particularly mobile telephones and new-generation mobile telephones incorporating greater functionality (smartphones); handheld electronic apparatus for accessing the Internet and sending, receiving, recording and storing of short messages, electronic messages, telephone calls, faxes, video-conferences, images, sound, music, text and other digital data; handheld electronic apparatus for wireless receiving, storing and transmitting of data or messages; handheld electronic apparatus for monitoring and organizing personal information; handheld electronic apparatus for global positioning [GPS] and displaying maps and transport information; handheld electronic devices for detecting, monitoring, storing, surveillance and transmitting data relating to the user activity, namely position, itinerary, distance traveled, heart rate; covers for computers, portable and mobile telephones; optical apparatus and instruments, particularly spectacles, sunglasses, magnifying glasses; cases for spectacles, magnifying glasses and sunglasses; batteries for electronic apparatus and computers, batteries for timepieces and chronometric instruments.

14 – Precious metals and their alloys and goods made of these materials or coated therewith included in this class, namely figurines, trophies; jewelry, namely rings, earrings, cuff links, bracelets, charms, brooches, chains, necklaces, tie pins, tie clips, jewelry caskets (cases), cases; precious stones, semi-precious stones; timepieces and chronometric instruments, namely chronometers, chronographs, clocks, watches, wristwatches, wall clocks, alarm clocks as well as parts and accessories for the aforesaid goods, namely hands, anchors, pendulums, barrels, watch cases, watch straps, watch dials, clockworks, watch chains, movements for timepieces, watch springs, watch glasses, presentation cases for timepieces, cases for timepieces.

(260) AM 2016 81970 A

(800) 1244136

(891) 2014 09 11

(731) TİKON TEKNOLOJİ DIŞ TİCARET
LİMİTED ŞİRKETİ
Milangaz Caddesi No:50 Kartal, İSTANBUL,
Turkey

(540)



(591) white, red

(511)

6 – Ores of non-precious metal; common metals and their alloys and semi-finished products made of these materials; goods and materials of common metal used for storage, wrapping, packaging, sheltering and building purposes, containers of metal (storage, transport), fences and transportable buildings made of metal, ladders of metal; goods of common metal for filtering and sifting purposes, included in this class; doors, windows, shutters, jalousies and their cases and fittings of metal; non-electric cables and wires of metal; ironmongery, small hardware of metal; ventilation ducts, vents, vent covers, pipes, chimney caps, manhole covers, grilles of metal for ventilation, heating, sewage, telephone, underground electricity and air conditioning installations from metal; metal panels or boards (non-luminous and non-mechanical) used for signalling, route showing, publicity purposes, signboards of metal, advertisement columns of metal, signaling panels of metal; pipes of metal for transportation of liquids and gas and their metal fittings, valves of metal, drilling pipes of metal; safes (strong boxes) of metal; metal railway materials; bollards of metal, floating docks of metal, mooring buoys of metal, anchors; metal moulds for casting, other than machine parts; works of art made of common metals or their alloys; metal closures, bottle caps of metal; metal poles; metal pallets and metal ropes for lifting, loading and transportation purposes; metal hangers, ties, straps, tapes and bands used for load-lifting and load-carrying; wheel chocks made primarily of metal.

7 – Machines, machine tools and industrial robots for processing and shaping wood, metals, glass, plastics and minerals; construction machines and robotic mechanisms (machines) for use in construction; lifting, loading and transmission machines and robotic mechanisms (machines) for lifting, loading and transmission purposes; machines and robotic mechanisms (machines) for use in agriculture and animal breeding, machines and robotic mechanisms (machines) for processing cereals, fruits, vegetables and food; engines and motors, other than for land vehicles, parts and fittings therefor; parts of land vehicle motors and engines, included in this class; bearings (parts of machines), roller or ball bearings; machines for mounting and detaching tires; alter-

nators, current generators, electric generators, current generators operated with solar energy; painting machines, automatic spray guns for paint, electric punching machines and guns, electric adhesive tape dispensers (machines), electric guns for compressed gas or liquid spraying machines, electric hand drills, electric hand saws, electric jigsaw machines, spiral machines, compressed air machines, compressors (machines), vehicle washing installations, robotic mechanisms (machines) with the abovementioned functions; electric welding machines, electric arc welding apparatus, electric soldering apparatus, electric arc cutting apparatus, electrodes for welding machines, industrial robots (machines) with the abovementioned functions; printing machines; packaging machines, filling, plugging and sealing machines, labellers (machines), sorting machines, Industrial robots (machines) with the abovementioned functions, electric packing machines for plugging and sealing of plastics; machines for textile processing, sewing machines, industrial robots (machines) with the abovementioned functions; pumps other than parts of machines or engines, fuel dispensing pumps for service stations, self-regulating fuel pumps; electric kitchen machines for chopping, grinding, crushing, mixing and mincing foodstuff, washing machines, laundry washing machines, dishwashers, spin driers (not heated), electric cleaning machines for cleaning floors, carpets or floorings, vacuum cleaners and parts thereof; automatic vending machines; galvanizing and electroplating machines; electric or electronic door openers and closers; joints (parts of engines).

11 – Lighting installations; lights for vehicles and interior-exterior spaces; heating and steam generating installations; stoves for heating purposes using solid, liquid or gas fuels; electric stoves for heating purposes; kitchen stoves; installations for air-conditioning and ventilating; cooling installations and freezers; electric and gas-powered devices, installations and apparatus for cooking, drying and boiling; electric laundry driers; hair driers; hand drying apparatus; sanitary installations; taps (faucets); shower installations; toilets (water-closets); shower and bathing cubicles; bath tubs; sinks; wash-hand basins (parts of sanitary installations); water softening apparatus; water purification apparatus; water purification installations; waste water purification installations; electric bed warmers and electric blankets, not for medical use; electric pillow warmers; electric or non-electric footwarmers; hot water bottles; filters for aquariums and aquarium filtration apparatus; industrial type installations for cooking, drying and cooling purposes; pasteurizers and sterilizers.

35 – Advertising, marketing and public relations; organization of exhibitions and trade fairs for commercial or advertising purposes; office functions; secretarial services; arranging newspaper subscrip-

tions for others; compilation of statistics; rental of office machines; systemization of information into computer databases; telephone answering for unavailable subscribers; business management, business administration and business consultancy; accounting; commercial consultancy services; personnel placement; employment agencies; personnel recruitment; import-export agencies; assignment of temporary staff (paying invoices, taxes, traffic issues, business follow-up in the name of 3rd parties); business appraisal services for commercial or industrial products; auctioneering; the bringing together, for the benefit of others, of a variety of goods namely, valves, wires, electrodes, welding machines, emery stones for machines, heating boiler, combi boiler, enabling customers to conveniently view and purchase those goods, such services may be provided by retail stores, wholesale outlets, by means of electronic media or through mail order catalogues.

(260) AM 2016 81971 A
(800) 947792
(891) 2015 03 05
(731) KLASMANN-DEILMANN GMBH
Georg-Klasmann-Strasse 2-10, 49744 Geeste,
Germany

(540)


(591) Black, green
(511)

1 – Peat extracts, including white peat extracts, for plant cultivation and for gardening, peat dust, peat being fertilizer, artificial and natural fertilizers, peat products of peat and artificial plant fertilizers, preparations for keeping flowers fresh, potting compost, in particular potting compost in bags and balls, as well as other products for horticultural purposes (all the aforesaid goods included in this class).

(260) AM 2016 81973 A
(800) 1244170
(891) 2014 10 30
(731) UPL Ltd.
Uniphos House, Madhu Park, 11th Road,
Khar (West), Mumbai 400 052, Maharashtra,
India

(540)
PASSION LIKE OURS

(511)
1 – Fertilizer and chemical products for use in agriculture, multi-micro nutrient fertilizers, organic plant growth nutrients, additives chemical to fungicides, additives chemical to insecticides, flower presservatives, chemicals for forestry, phosphorus.

5 – Pesticides, insecticides, fungicides, herbicides, vermicides, rodenticides, weedicides, preparations for killing weeds and destroying vermin.

31 – Seeds, seedlings, agricultural, horticultural and forestry products and grains not included in other classes, fresh fruits and vegetables, seeds natural plants and flowers.

44 – Medical services; veterinary services, hygienic and beauty care for human beings or animals; agriculture, horticulture and forestry services.

(260) AM 2016 81974 A
(800) 1244171
(891) 2014 11 14
(731) UPL Ltd.
Madhu Park, 11th Road, Khar (West),
Mumbai 400 052, Maharashtra, India
(540)

**UNITED PHOSPHORUS
LIMITED**

(511)
1 – Fertilizer and chemical products for use in agriculture, multi-micro nutrient fertilizers, organic plant growth nutrients, additives chemical to fungicides, additives chemical to insecticides, flower presservatives, chemicals for forestry, phosphorus.

5 – Pesticides, insecticides, fungicides, herbicides, vermicides, rodenticides, weedicides, preparations for killing weeds and destroying vermin.

31 – Seeds, seedlings, agricultural, horticultural and forestry products and grains not included in other classes, fresh fruits and vegetables, seeds natural plants and flowers.

44 – Medical services; veterinary services, hygienic and beauty care for human beings or animals; agriculture, horticulture and forestry services.

(260) AM 2016 81976 A
(800) 1244193
(891) 2015 01 08
(731) HYUNDAI MOTOR COMPANY
12 Heolleung-ro, Seocho-Gu, Seoul 137-938,
Republic of Korea
(540)

CRETA

(591) Black and white
(511)
12 – Automobiles; parts and accessories for automobiles; tires for vehicle wheels; tubes for vehicle wheels; suspension shock absorbers for vehicles; braking devices for vehicles; power transmissions and gearings for land vehicles; bearings for land vehicles; couplings for land vehicles; axle journals;

lorries; dump cars; buses; trucks; passenger cars [automobiles]; passenger cars for more than 7 passengers; speed change gears for land vehicles; transmissions for land vehicles; automobile engines.

(260) AM 2016 81977 A

(800) 1044331

(891) 2015 03 11

(731) LORENZ SNACK-WORLD HOLDING

GMBH

Adelheidstr. 4/5, 30171 Hannover, Germany

(540)

Crustics

(511)

29 – Extruded potato products for food (except potato flour), included in this class, potato crisps, potato sticks; raisins, hazelnut, peanut, cashew and pistachio kernels and almonds, dried, roasted, salted and/or spiced; snack products on the basis of nuts, processed nuts, dried fruit, fruit snacks.

30 – Pastry and confectionery, biscuits, cakes, chocolate, chocolate products, pralines, sweetmeats, sweets, marzipan, popcorn, cereal snacks, rice snacks, salted biscuits, salted sticks, salted pretzels.

(260) AM 2016 82052 A

(800) 1245221

(891) 2015 02 12

(731) NADER GMBH

Rehetobelstrasse 69a, CH-9016 St. Gallen,

Switzerland

(540)

ROULANT

(591) Black and white

(511)

6 – Building materials of metal; pipes of metal; metal pipe couplings; coupling sleeves of metal included in this class; collars of metal for fastening pipes; products of metal not included in other classes, metal pipes for liquid and gas transfer; valves of metal other than parts of machines; conduit components of metal for liquid and gas transfer included in this class.

7 – Joints (parts of engines); machine couplings and transmission components (other than for land vehicles); stuffing boxes (parts of machines); machines and machine tools; motors and engines (other than for land vehicles), agricultural machines; components for machines, motors and engines included in this class.

12 – Joints for land vehicles; couplings for land vehicles; structural parts for land vehicles; vehicles; apparatus for locomotion by land, air or water; components for land vehicles included in this class.

17 – Gaskets; rubber, gutta-percha, gum, asbestos, mica and goods made from these materials and not included in other classes; plastics in extruded form for use in manufacture; packing, stopping and insulating materials; flexible pipes not of metal; pipe joints not of metal; conduit components not of metal for liquid and gas transfer included in this class.

(260) AM 2016 82087 A

(800) 1245417

(891) 2014 10 21

(731) YUEQING ONESTO ELECTRIC CO., LTD

Jiangjiaqiao, North Baixiang, Yueqing

325600 Wenzhou, China

(540)

ONESCO

(591) Black,white

(511)

9 – Signal lanterns; watt-hour meters; switches, electric; circuit breakers; instrument transformers; fuses; stabilized voltage power supply; relays, electric; plugs, sockets and other contacts [electric connections]; distribution boxes [electricity]; lightning arresters; measuring instruments.

11 – Lamps; searchlights; stage lamps and lanterns; daylight fluorescent lamp tubes; light bulbs; ventilation [air-conditioning] installations and apparatus; air conditioning apparatus; hydrants; water towers; water-pipes for sanitary installations.

(260) AM 2016 82088 A

(800) 1245424

(891) 2014 10 01

(731) ARVEN İLAÇ SANAYİ VE TİCARET

ANONİM ŞİRKETİ

İstinye Mahallesi, Balabandere Caddesi

No:14, İstinye-Sarıyer TR-34460

İSTANBUL, Turkey

(540)

arven

(591) Black,white

(511)

5 – Pharmaceutical and veterinary preparations for medical purposes; chemical preparations for medical purposes; dietary supplements, including those adapted for medical purposes; nutritional supplements; dietary supplements for slimming purposes; food for babies; herbs and herbal beverages adapted for medicinal purposes; dental preparations and articles; sanitary preparations for medical use; hygienic pads; hygienic tampons; plasters; materials for dressings; diapers, including those made of paper and textiles; deodorants, other than for human beings or for animals; air deodorising preparations; disinfectants; antiseptics; detergents for medical purposes.

(260) AM 2016 82115 A
 (800) 1245490
 (891) 2014 12 24
 (731) KROSS SA
 Leszno 46, PL-06-300 Przasnysz, Poland
 (540)

LE·GRAND

(591) Black and light blue.
 (511)
 12 – Bicycles, tricycles, mopeds, scooters, bicycle carts, parts and fittings for two-wheeled vehicles, covers, guards, single and multi-slot racks, supports, carriers, luggage nets, safety chairs for children, baskets, trailers, anti-glare devices, bicycle pumps, mudguards, mirrors, bicycle bells and horns, direction signals, bicycle stands, spoke clips for wheels, all for two-wheeled vehicles.

(260) AM 2016 82116 A
 (800) 1245495
 (891) 2015 02 05
 (731) Big Duck Games, LLC
 18685 NE, 56th Ct., Redmond WA 98052,
 USA
 (540)

FLOW

(591) Black, white
 (511)
 9 – Computer game software for use on mobile and cellular phones.

(260) AM 2016 82121 A
 (800) 1245534
 (891) 2015 03 19
 (731) HIPPI & CO
 Brünigstrasse 141, CH-6072 Sachseln,
 Switzerland
 (540)

Bebivita

(511)
 5 – Protein preparations extracted from vegetable and animal products for medical purposes for human consumption; pharmaceutical products; dietetic substances for children and invalids, adapted for medical use; food for babies, including fruit purees and vegetable purees; lotions, creams and bath preparations for medical purposes, in particular intended for babies and infants; breast-nursing pads; nutritional supplements for medical and/or non-medical purposes, with a base of proteins, fats, carbohydrates and/or roughage, with added vitamins, fatty acids, minerals, trace elements, either simply or in combination.

(260) AM 2016 82122 A
 (800) 1245553
 (891) 2015 03 18
 (731) FEDERALNOYE BYUDZHETNOYE
 UCHREZHDENIYE
 "GOSUDARSTVENNY INSTITUT
 LEKARSTVENNYKH SREDSTV I
 NADLEZHASCHIKH PRAKTIK"
 6, Lavrov per. RU-109044 Moscow, Russian
 Federation
 (540)

MYKOCAT

(591) Black, white
 (511)
 5 – Pharmaceutical and veterinary preparations.

(260) AM 2016 82126 A
 (800) 1246770
 (891) 2014 12 11
 (731) OPENMARK LIMITED
 Road Town, PO Box 3540, 19 Waterfront
 Drive, Tortola VG 1110, British Virgin Islands
 (540)



(591) Silver and black
 (511)
 34 – Absorbent paper for tobacco pipes; tobacco jars; electronic cigarettes; snuff; lighters for smokers; tobacco pouches; match boxes; matches; firestones; snuff boxes; cigar cases; humidors; pipe cleaners for tobacco pipes; tobacco pipes; mouthpieces for cigarette holders; cigar cutters; ashtrays for smokers; spittoons for tobacco users; match holders; pipe racks for tobacco pipes; cigarillos; cigars; gas containers for cigar lighters; cigarette cases; herbs for smoking; tobacco; chewing tobacco; cigarette filter, cigarette tips; cigarette paper; books of cigarette papers; cigarette holders; cigar holders; cigarettes; pocket machines for rolling cigarettes; cigarettes containing tobacco substitutes, not for medical purposes.

(260) AM 2016 82128 A
 (800) 1246815
 (891) 2014 12 03
 (731) PUBLICHNE AKTSIONERNE
 TOVARYSTVO "KHARKIVSKA
 BISKVITNA FABRYKA"
 vul. Lozivska, 8, Kharkiv 61017, Ukraine

(540)

Сладоведы

(591) Black and White

(511)

30 – Peanut confectionery; sponge cakes; cereal bars; high-protein cereal bars; farinaceous foods; pastries; buns; sandwiches; waffles; oat-based food; biscuits; cookies; cake frosting [icing]; custard; rice-based snack food; cereal-based snack food; cereal preparations; marshmallow; cocoa; caramels [candy]; lozenges [confectionery]; pastilles [confectionery]; confectionery; sugar confectionery; confectionery for decorating Christmas trees; liquorice [confectionery]; candy; marzipan; macaroons [pastry]; almond paste; almond confectionery; dessert mousses [confectionery]; chocolate mousses; mint for confectionery; peppermint sweets; stick liquorice [confectionery]; chips [cereal products]; pies; fondants [confectionery]; pralines; gingerbread; puddings; cake powder; rice cakes; malt biscuits; petit-beurre biscuits; cakes; petits fours [cakes]; cake batter; cake dough; pastry dough; crackers; tarts; fruit jellies [confectionery]; halvah; sweetmeats [candy]; chocolate.

(260) AM 2016 82129 A

(800) 1246817

(891) 2014 12 10

(731) Egis Gyógyszergyár Zrt.

Keresztúri út 30-38, H-1106 Budapest, Hungary

(540)

HINBEL

(511)

5 – Pharmaceutical preparations for human use; dietic substances adapted for medical use; vitamin compositions, mineral food supplements; dietary supplements; sanitary preparations for medical purposes.

(260) AM 2016 82131 A

(800) 1246854

(891) 2015 02 16

(731) IVOCLAR VIVADENT AG

Bendererstrasse 2, FL-9494 SCHAAN,
Liechtenstein

(540)

Pro Art Wax Disc for Zenotec

(511)

5 – Materials for use in dentistry, in particular materials and accessories for the manufacture of crowns, bridges and prostheses.

10 – Apparatus, devices, tools and instruments used in dentistry and dental technology, in particular ingots made of resin, metal or ceramic.

(260) AM 2016 82132 A

(800) 1246877

(891) 2015 02 23

(731) JSC "EURASIAN FOODS CORPORATION"

69 Bayzakov Str., 050026 Almaty, Kazakhstan

(540)



(591) Black and White

(526) The trademark is protected as a whole. "EURASIAN FOODS CORPORATION" shall not be subject to independent legal protection.

(511)

29 – Meat, fish, poultry and game; meat extracts; preserved, frozen, dried and cooked fruits and vegetables, including tomato puree, preserved beans, preserved peas, preserved mushrooms, preserved onions, preserved garlic, gherkins; piccalilli; jellies, jams, compotes; eggs, milk and milk products; edible oils and fats, including sunflower oil for food, maize oil, palm oil for food, palm kernel oil for food, rape oil for food, butter, margarine, fat-containing mixtures for bread slices; potato chips, fruit chips; sunflower seeds, prepared; nuts, prepared.

30 – Coffee, tea, cocoa, sugar, rice, tapioca, sago, artificial coffee; flour and preparations made from cereals; groats for human food; bread; pastry and confectionery, ices; honey, treacle; yeast, baking-powder; salt, mustard; vinegar, spices; sauces (condiments), soya sauce, tomato sauce, mayonnaise, ketchup [sauce], fruit coulis [sauces], dressings for salad; marinades; spices; seasonings; ice for refreshment; popcorn.

43 – Services for providing food and drink, including snack-bars, cafes, cafeterias, restaurants, self-service restaurants, canteens, bar services, food and drink catering; temporary accommodation.

(260) AM 2016 82135 A

(800) 1246039

(891) 2014 12 16

(731) EASTPHARMA S.A.R.L.

5, Rue Guillaume Kroll, L-1882 Luxembourg
999, Luxembourg

(540)



(591) Blue and green

(511)

5 – Pharmaceutical and veterinary preparations; sanitary preparations for medical purposes; dietetic food and substances adapted for medical or veterinary use, food for babies; dietary supplements for

humans and animals; plasters, materials for dressings; material for stopping teeth, dental wax; disinfectants; preparations for destroying vermin; fungicides, herbicides.

(260) AM 2016 82136 A

(800) 1246887

(891) 2015 03 10

(731) "ARARAT" Food Factory LLC

Sharuri 37, Yerevan, Armenia

(540)

ДОЛМАМА
DOLMAMA

(591) Black and White

(511)

29 – Meat, fish, poultry and game; meat extracts; preserved, frozen, dried and cooked fruits and vegetables; jellies, jams, compotes; eggs; milk and milk products; edible oils and fats.

(260) AM 2016 82137 A

(800) 1246043

(891) 2014 11 27

(731) LEO Pharma A/S

Industriparken 55, DK-2750 Ballerup,
Denmark

(540)

ЭНСТИЛАР

(591) Black and white

(511)

3 – Non-medicated skin and hair care preparations; cosmetic preparations, including, preparations for the reconditioning of hair and skin after medicinal treatments; medicated soaps; medicated shampoos and artificial fingernails.

5 – Pharmaceutical preparations for the treatment of dermatological diseases; powders, foams, spray, creams, lotions, gels and foundation for the treatment of dermatological disorders.

(260) AM 2016 82138 A

(800) 1246898

(891) 2015 02 12

(731) TAKKO HOLDING GMBH

Alfred-Krupp-Str. 21, 48291 Telgte, Germany

(540)

Minouche

(511)

14 – Alloys of precious metal; jewellery, precious stones; horological and chronometric instruments.

18 – Leather and imitations of leather, bags, trunks and travelling bags; umbrellas, parasols.

25 – Clothing, footwear, headgear.

35 – Retailing of precious metals and their alloys, jewellery, precious stones, horological and chronometric instruments, leather and imitations of leather, bags, trunks and travelling bags, umbrellas and parasols, clothing, footwear, headgear.

(260) AM 2016 82140 A

(800) 1246912

(891) 2015 03 09

(731) VİNERO BAĞCILIK SANAYİ VE

TİCARET ANONİM ŞİRKETİ

İstinye Mahallesi, Balabandere Caddesi

No:14, TR-34460 SARIYER/ISTANBUL,

Turkey

(540)

Porta
Caeli

(591) Black and White

(511)

32 – Beers; mineral and aerated waters and other non-alcoholic beverages; fruit beverages and fruit juices; syrups and other preparations for making beverages.

33 – Alcoholic beverages (except beers).

(260) AM 2016 82141 A

(800) 1246066

(891) 2015 02 10

(731) Limited Liability Company "NEARMEDIC PLUS"

ul. Aviakonstruktora Mikoyana, 12,

RU-125252 Moscow, Russian Federation

(540)



(591) Light blue

(511)

1 – Chemicals used in industry; chemicals used in science; carbonic hydrates; albumin [animal or vegetable, raw material]; animal albumen [raw material]; cellulose derivatives [chemicals]; chemical reagents, other than for medical or veterinary purposes; stem cells other than for medical or veterinary purposes; diagnostic preparations, other than for medical or veterinary purposes; chemical substances for analyses in laboratories, other than for medical or veterinary purposes.

5 – Pharmaceutical preparations including cell-based preparations for medical purposes including stem cells; biocides; biological preparations for medical

purposes; medicines for human purposes; albuminous preparations for medical purposes; stem cells for medical purposes; surgical dressings; diagnostic preparations for medical purposes; chemical preparations for medical purposes; biological tissue cultures for medical purposes; cell implants.

10 – Medical apparatus and instruments; testing apparatus for medical purposes; suture materials; surgical thread; surgical implants [artificial materials].

(260) AM 2016 82142 A

(800) 1246921

(891) 2015 03 19

(731) OKUYUCULAR GIDA TUR. KOZ. İNŞ.

SAN. VE TİC. LTD. ŞTİ.

Sultan Orhan Mah. 1181/1, Sok. No:5 Gebze,
KOCAELI, Turkey

(540)



(591) Blue and black

(511)

3 – Bleaching preparations and other substances for laundry use; cleaning, polishing, scouring and abrasive preparations; soaps; perfumery, essential oils, cosmetics, hair lotions; dentifrices.

(260) AM 2016 82143 A

(800) 1246928

(891) 2015 01 27

(731) "PROFLT SOLUTIONS ENGINEERING"

Limited Liability Company

Kamennoostrovsky prospect, 26/28, pom.

66-N, RU-197101 Saint Petersburg,

Russian Federation

(540)

BEVENGAU refined wood

(526) The trademark is protected as a whole. "refined wood" shall not be subject to independent legal protection.

(511)

19 – Vinyl windows; windows, not of metal; wooden double-glazed windows; wood blocks; wooden doors; doors, not of metal; wood boards; window frames of wood; wooden door frames; window frames, sashes and casements made of wood.

20 – Goods, not included in other classes, of wood, namely wooden furniture.

(260) AM 2016 82144 A

(800) 1246459

(891) 2015 01 21

(731) KPO MARKETING COMPANY LTD.

Egypt Street, 12, CY-1097 Nicosia, Cyprus

(540)



(591) white, dark blue

(511)

33 – Alcoholic beverages containing fruit; alcoholic beverages, except beer; alcoholic essences; alcoholic extracts; anise [liqueur]; anisette [liqueur]; aperitifs; arrack [arak]; bitters; brandy; cider; cocktails; curacao; digesters [liqueurs and spirits]; distilled beverages; fruit extracts, alcoholic; gin; kirsch; liqueurs; mead [hydromel]; nira [sugarcane-based alcoholic beverage]; peppermint liqueurs; perry; piquette; pre-mixed alcoholic beverages, other than beer-based; rice alcohol; rum; sake; spirits [beverages]; vodka; whisky; wine.

(260) AM 2016 82146 A

(800) 1246088

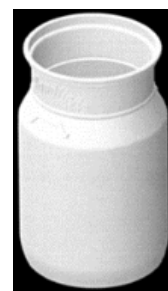
(891) 2015 03 11

(731) CMG Grundstücksverwaltungs-und

Beteiligungs GmbH

Wimpfener Str. 125, 74078 Heilbronn,
Germany

(540)



(591) Black and white

(554) Three - Dimensional

(511)

29 – Milk products; yogurt.

(260) AM 2016 82147 A

(800) 1246087

(891) 2015 03 11

(731) CMG Grundstücksverwaltungs-und

Beteiligungs GmbH

Wimpfener Str. 125, 74078 Heilbronn,
Germany

(540)



(591) Black and white
(554) Three - Dimensional
(511)
29 – Milk products; yogurt.

(260) AM 2016 82148 A
(800) 1246933
(891) 2015 03 30
(731) ESSA INTELLIGENT TECHNOLOGY CO., LTD
A1008 WinnerPlaza, No. 100 HuangPuRd.,
TianHe District, 510000 GuangZhou, China

(540)

S+S TOYS

(591) Black and White
(511)
28 – Tables for indoor football; puppets; toys; playing cards; balls for games; body-training apparatus; archery implements; gymnastic apparatus; Christmas trees of synthetic material; fishing tackle.

(260) AM 2016 82163 A
(800) 1246228
(891) 2015 02 10
(731) FIDIA FARMACEUTICI S.p.A.
Via Ponte della Fabbrica, 3/A, I-35031
ABANO TERME (PD), Italy

(540)

HYALO GYN

(591) Black and white
(511)
5 – Pharmaceutical and veterinary preparations; sanitary preparations for medical purposes; dietetic food and substances adapted for medical or veterinary use, food for babies; dietary supplements for humans and animals; plasters, materials for dressings; material for stopping teeth, dental wax; disinfectants; preparations for destroying vermin; fungicides; herbicides; pharmaceutical preparations for dermatological and gynecological use; parapharmaceutical products for use in dermatology and gynecology; external itch creams, gels and sprays; lubricants for condoms; vaginal moisturizers.

(260) AM 2016 82174 A
(800) 1246342
(891) 2015 03 23
(731) MANZARIS AVEE
Agia Kiriaki Kaloneri, Siatista, Kozani,
Greece

(540)



(591) Black,white
(511)
18 – Leather and imitations of leather, and goods made of these materials and not included in other classes; animal skins, hides; trunks and travelling bags; umbrellas and parasols; walking sticks; whips, harness and saddlery.

25 – Clothing, footwear, headgear.

(260) AM 2016 82175 A
(800) 1246372
(891) 2014 12 10
(731) EGIS GYÓGYSZERGYÁR ZRT.
Keresztúri út 30-38, H-1106 Budapest,
Hungary

(540)

ZINZIBET

(511)
5 – Pharmaceutical preparations for human use; sanitary preparations for medical purposes.

(260) AM 2016 82203 A
(800) 1246689
(891) 2014 11 12
(731) H. LUNDBECK A/S
Ottiliavej 9, DK-2500 Valby, Denmark

(540)

TRINTELLIX

(511)
5 – Pharmaceutical and veterinary preparations, sanitary preparations for medical purposes; vaccines; pharmaceutical preparations and substances for the prevention and treatment of disorders and diseases in, generated by or acting on the central nervous system; pharmaceutical preparations and substances acting on the central nervous system; central nervous system stimulants; pharmaceutical preparations and substances for the prevention and treatment of psychiatric and neurological disorders and diseases; pharmaceutical preparations and substances for the prevention and treatment of Alzheimer's disease and disorder, stroke, depression, mood disorders, psyc-

hosis, anxiety, epilepsy, sclerosis, porphyria, Huntington's disease and disorder, insomnia, Parkinson's disease and disorder, schizophrenia, bipolar disorder and disease, oncology, pain, alcoholism and dependency; preparations, substances, reagents and agents for diagnostic and medical purposes.

(260) AM 2016 82208 A

(800) 1239925

(891) 2015 03 20

(731) SUMITOMO RUBBER INDUSTRIES, LTD.

6-9, Wakinohamacho 3-chome, Chuo-ku,
Kobe-shi, Hyogo 651-0072, Japan

(540)

WILDPEAK

(591) Black, white

(511)

12 – Automobiles; tires and other parts for automobiles; two-wheeled vehicles; tires and other parts for two-wheeled vehicles.

(260) AM 2016 82243 A

(800) 776983

(891) 2015 03 16

(731) EINHELL GERMANY AG

Wiesenweg 22, 94405 Landau/Isar, Germany

(540)

Einhell

(591) Black, white

(511)

7 – Autogenous hard soldering apparatus and welding apparatus, compressors; compressed air and motor driven machine tools, namely nail drivers, screw drivers, chisel hammers, finishing sanders, drilling machines, sheet metal nibblers, drilling screws, dry-grinding, wet-grinding, plate-sanding, belt-grinding, right-angle machines and finishing sanders; circular saws, chain saws, current generators; blow guns, spray guns and spray guns for paint; bench drilling machines; electric chain sharpening apparatus; hydraulic lifting jacks; lawn-mowing machines, electric and motor driven hedge and grass cutters; motor-driven pumps, high-pressure cleaning apparatus and cleaning brushes therefor; foot-operated air pumps; pumps for fountains; sharpening wheels, grindstones and grinding belts for finishing sanders; motor-driven installations for opening and closing doors; parts for all the aforesaid goods; electric motors for grilling apparatus.

9 – Electric welding apparatus, electric soldering apparatus, welding tongs, mass clamping apparatus; vacuum cleaners; battery chargers; electric cable, coaxial cable; video films; current transformers; electric apparatus for destroying insects; electrically controlled installations for opening and closing

doors; radio control apparatus; protective clothing, namely goggles, welding goggles, protective gloves, helmets and overalls, hearing protectors, protective respiratory masks, protective masks for sand blasting, welding shields; alarm installations, radio alarm installations, movement and smoke detectors and detectors for structure-borne noise; video monitoring installations, gate intercom installations, including gate intercom installations with image transmission; television aerial installations, consisting of aerials, amplifiers, receivers, coaxial cables, connectors, distribution boxes and switches; tyre inflation pressure gauges.

11 – Air conditioning apparatus, air humidifiers, gas stoves, hot-air generators, wall heaters; lighting apparatus, namely halogen projectors and underwater halogen projectors, gas cartridge lights and cookers; grilling apparatus, including gas powered grilling apparatus, roasting spits; water filtering apparatus.

20 – Plant baskets for ponds; workshop equipment, namely work tables, tool cupboards and work benches (including the aforesaid goods with wheels), tool boards for walls and tool boxes.

(260) AM 2016 82244 A

(800) 933701

(891) 2015 03 16

(731) EINHELL GERMANY AG

Wiesenweg 22, 94405 Landau/Isar, Germany

(540)

Einhell 

(591) Black, white

(511)

7 – Gas-operating soldering apparatus for autogenous brazing filler metal and welding apparatuses; compressors; compressed air and motor driven machine tools, namely nail drivers, screw drivers, chisel hammers, finishing sanders, drilling machines, sheet metal nibblers, drilling screws, colour and mortar agitators, upper, flat peg and brick groove milling machines, electric planing machines, dry-grinding machines, wet-grinding machines, plate sanding machines, belt grinding machines, right-angle machines and finishing sanders, fret-saws and sword saws, bandsaws, rocker circular saws, circular saws, chain saws, tile cutting-off saws, stone cutting-off saws; blow guns, spray guns and spray guns for paint; tire filling apparatuses; compressed air grease guns; electric wood splitters; electric turning lathes; lathes; bench drilling machines; electric chain sharpening apparatuses; hot-air guns; hot-melt adhesive guns; gas-operated soldering apparatuses; current generators; electric rope lifting tackles; hydraulic lifting jacks; lawn-mowing machines, electric and motor driven lawn thatchers; electric and motor dri-

ven leaf vacuum and leaf blower apparatuses; electric and motor driven garden wastemulchers; electric and motor driven hedge and grass cutters; electric and gasoline operated lawn trimmers and engine scythes; motor driven hoes (cultivators); electric varnish polishing machines; motor-driven pumps; high-pressure cleaning apparatus and cleaning brushes and nozzles therefore; foot-pedal air pumps; pumps for fountains; sharpening wheels, grindstones and grinding belts for finishing sanders; motor-driven installations for opening and closing doors; parts for all the aforesaid goods; vacuum cleaners; electric motors for barbecue apparatuses; pressure sprayers mechanically operated included in this class.

9 – Snow mills; electric welding apparatuses; electric soldering apparatuses; electrode holder; mass clamping apparatuses; battery chargers; electric cable, jumper cables, coaxial cables; video films; current transformers; electric apparatuses for destroying insects; electrically controlled installations for opening and closing doors; radio control apparatuses; protective clothing, namely goggles, welding goggles, protective gloves, helmets and overalls, hearing protectors, protective respiratory masks, protective masks for sand blasting, welding shield; alarm installations, radio alarm installations, movement and smoke detectors and detectors for structure-borne noise; video monitoring installations, gate intercom installations, including gate intercom installations with image transmission; television aerial installations, consisting of aerial, amplifiers, receivers, coaxial cables, connectors, distribution boxes and switches; tyre inflation pressure gauges.

11 – Air conditioning apparatuses; air humidifiers; gas stoves; hot-air generators; radiant heaters, fan heaters; electric convector heaters; electric warm-wave heating apparatuses; electric oil radiator heaters; lighting apparatuses, namely halogen projectors and underwater halogen projectors; gas cartridge lights and cookers; barbecue apparatuses, including gas powered barbecue apparatuses; roasting spits; water filtering apparatuses.

(260) AM 2016 82245 A
(800) 976957
(891) 2015 05 04
(731) RICHTER GEDEON NYRT.
Gyömrői út 19-21, H-1103 Budapest,
Hungary
(540)

АРДУАН

(511)
5 – Pharmaceutical preparations.

(260) AM 2016 82246 A
(800) 976962
(891) 2015 05 04

(731) RICHTER GEDEON NYRT.
Gyömrői út 19-21, H-1103 Budapest, Hungary
(540)

НОРКОЛУТ

(511)
5 – Pharmaceutical preparations.

(260) AM 2016 82247 A
(800) 976963
(891) 2015 05 04
(731) RICHTER GEDEON NYRT.
Gyömrői út 19-21, H-1103 Budapest, Hungary
(540)

ПАНАНГИН

(511)
5 – Pharmaceutical preparations.

(260) AM 2016 82248 A
(800) 976965
(891) 2015 05 04
(731) RICHTER GEDEON NYRT.
Gyömrői út 19-21, H-1103 Budapest, Hungary
(540)

РЕТАБОЛИЛ

(511)
5 – Pharmaceutical preparations.

(260) AM 2016 82249 A
(800) 976966
(891) 2015 05 04
(731) RICHTER GEDEON NYRT.
Gyömrői út 19-21, H-1103 Budapest, Hungary
(540)

ВЕРОШПИРОН

(511)
5 – Pharmaceutical preparations.

(260) AM 2016 82269 A
(800) 1247150
(891) 2014 11 20
(731) Joint-Stock Company
"TATCHEMPHARMPREPARATY"
260 Belomorskaya Str., Kazan, RU-420091
The Republic of Tatarstan, Russian Federation
(540)



(591) Red, yellow, green, blue, purple, brown, turquoise, black and white.

(511)

5 – Drugs for medical purposes; medicines for human and veterinary purposes; pharmaceutical preparations; chemico-pharmaceutical preparations; chemical preparations for medical and veterinary purposes; chemical preparations for pharmaceutical purposes; drugs for medical and veterinary purposes; opotherapy preparations; capsules for medicines; capsules for pharmaceutical and veterinary purposes; medicinal herbs; biological preparations for medical and veterinary purposes.

35 – Advertising; business management; business administration; office services.

(260) AM 2016 82270 A

(800) 1247156

(891) 2015 02 20

(731) MAX LEHNER AG

Stallikonstrasse 71, CH-8903 Birmensdorf, Switzerland

(540)

MAXOLEN

(511)

1 – Chemical products for use in industry, science, photography, as well as in agriculture, horticulture and forestry; unprocessed artificial resins, unprocessed plastics; antifreeze; scale removing preparations, other than for household use; varnish preservatives for automobiles, varnishes for yachts, varnishes for boats, engines, plastic parts, rubber parts for cars, for tires; chemical products for impregnating textiles and leather; adhesives for use in industry.

2 – Paints, varnishes, lacquers; anti-rust products; protective coatings; dyes; mordants; raw natural resins.

3 – Bleaching preparations and other substances for laundry use; cleaning, polishing, degreasing and abrasive preparations; soaps; polishing waxes; creams for leather; rust removing products; detergents, particularly products for removing tar and washing goods made of plastic; stain removers for wheel rims; detergents for products made of paraffin and for products based on copolymers; detergents for building interiors (floors, carpets, windows); shampoos for washing installations; detergents for windshields; creams for polishing plastic goods and varnishes; products for perfuming the interior of vehicles.

37 – Repair; installation services.

40 – Treatment of materials.

(260) AM 2016 82272 A

(800) 1247202

(891) 2014 10 27

(731) HOKUETSU INDUSTRIES CO., LTD.

3074 Shimoaouzu, Tsubame-City, Niigata Prefecture 959-0293, Japan

(540)

AIRMAN

(591) Black and white

(511)

7 – Electric power generators using waste heat; installations or units for generating power from natural sources; pneumatic or hydraulic machines and instruments, parts and accessories thereof; machine elements (not for land vehicles); air compressors, parts and accessories thereof; rotary air compressors, parts and accessories thereof; screw air compressors, parts and accessories thereof; mechanical reels for flexible hose, parts and accessories thereof; electrical welders, parts and accessories thereof; constructing machines and apparatus, parts and accessories thereof; rock- or concrete-breakers, parts and accessories thereof; roadway repairing or constructing machines (inclusive of road rollers and rammer plates), parts and accessories thereof; excavators and attachments thereof, parts and accessories thereof; electric power generators, parts and accessories thereof; refrigerant compressors, parts and accessories thereof; pumps (inclusive of air-pumps, vacuum-pumps, water-pumps, screw-pumps and any other hydraulically driven pumps), parts and accessories thereof; steam engines, parts and accessories thereof; pneumatic motors (inclusive of pneumatic motors of screw type), parts and accessories thereof; lifting apparatus, parts and accessories thereof; metalworking machines and tools, parts and accessories thereof; mining machines and apparatus, parts and accessories thereof; loading-unloading machines and apparatus, parts and accessories thereof; air filters, oil filters and power transmission belts (parts of compressors, electric power generators and excavating machines); oil separators (parts of compressors).

(260) AM 2016 82274 A

(800) 1247227

(891) 2014 07 11

(731) SOFAR S.p.A.

Via Firenze, 40, I-20060 Trezzano Rosa (MI), Italy

(540)



(591) Black, white

(511)

3 – Cosmetic creams and preparations for body care and hygiene; soaps and soaps in liquid form; imp-

regnated and moist wipes for cosmetic purposes; perfumery, essential oils, cosmetics, hair lotions, dentifrices.

5 – Pharmaceuticals preparations; dietetic substances adapted for medical use; milk ferments for pharmaceutical purposes; biological products and supplements for medical purposes; food supplements, dietary supplements, dietary and nutritional supplements, multi-vitamin preparations, vitamin and mineral-based preparations, antioxidants; food for babies; sanitary preparations for medical purposes; materials for dressings, adhesive bands for medical purposes, materials for dressings and bandages, elastic wound dressings, sponge materials for healing wounds, antiseptic preparations for wound care, disinfectants, sanitizing wipes, impregnated antiseptic wipes, diagnostic preparations, plasters; wound dressings.

9 – Software and hardware for medical apparatus; scientific apparatus and instruments; apparatus and instruments for scientific research; software and hardware used in computer-assisted surgery apparatus.

10 – Medical and surgical apparatus and instruments, in particular for general, laparoscopic and robotic surgery; suture materials, diagnostic apparatus and instruments for medical purposes; diagnostic apparatus for medical purposes; electrical devices for medical and surgical examination.

29 – Meat, fish, poultry and game; meat, fish, poultry and game-based food preparations for stuffing pasta; meat extracts; cooked, matured, smoked charcuterie in general of meat of all kinds; sausages, frankfurters; spreadable pâté meat products; presserved, frozen, dried and cooked fruits and vegetables; preserves, jellies, jams, compotes; broth; eggs, milk and milk products; cheese, milk products, edible oils and fats.

30 – Coffee, tea, cocoa, sugar, rice, artificial coffee; cereal bars and energy bars; flour and preparations made from cereals, cereals, snack food products consisting of cereal products, crushed oats, bread, pastry and confectionery, ices; honey, yeast, baking-powder; salt, mustard; vinegar, sauces (condiments); spices; ice.

32 – Non-alcoholic beverages; juices; guarana drinks; energy drinks; beverages containing vitamins; vitamin enriched beverages (not for medical purposes).

35 – E-commerce services, namely providing of information on goods through a telecommunications network for promotional and sales purposes in relation to food supplements and medical apparatus; promotion services of the medical profession; compilation of statistical data to be used in medical and scientific research.

42 – Research in the scientific, medical and pharmaceutical fields; scientific and technological services and research and design relating thereto; design and development of computer software for medical apparatus and for diagnostic purposes; design and development of software to be used in the medical and scientific fields in particular with computer-assisted surgery apparatus.

(260) AM 2016 82278 A

(800) 1247270

(891) 2015 01 09

(731) BORUSAN ENDÜSTRİYEL SİSTEMLER A.Ş.

Pürtelaş Hasan Efendi Mah., Meclisi Mebusan Caddesi No: 35/1, Salıpazari Beyoğlu, İstanbul, Turkey

(540)



(591) Black and white, orange

(511)

7 – Machines, machine tools and industrial robots for processing and shaping wood, metals, glass, plastics and minerals; construction machines and robotic mechanisms (machines) for use in construction; lifting, loading and transmission machines and robotic mechanisms (machines) for lifting, loading and transmission purposes; machines and robotic mechanisms (machines) for use in agriculture and animal breeding, machines and robotic mechanisms (machines) for processing cereals, fruits, vegetables and food; engines and motors, other than for land vehicles, parts and fittings therefor; parts of land vehicle motors and engines, included in this class; bearings (parts of machines), roller or ball bearings; machines for mounting and detaching tires; alternators, current generators, electric generators, current generators operated with solar energy; painting machines, automatic spray guns for paint, electric, hydraulic and pneumatic punching machines and guns, electric adhesive tape dispensers (machines), electric guns for compressed gas or liquid spraying machines, electric hand drills, electric hand saws, electric jigsaw machines, spiral machines, compressed air machines, compressors (machines), vehicle washing installations, robotic mechanisms (machines) with the abovementioned functions; electric and gas-operated welding apparatus, electric arc welding apparatus, electric soldering apparatus, electric arc cutting apparatus, electrodes for welding machines, industrial robots (machines) with the abovementioned functions; printing machines; packaging machines, filling, plugging and sealing machines, labellers (machines), sorting machines, industrial robots (machines) with the abovementioned functions, electric

packing machines for plugging and sealing of plastics; machines for textile processing, sewing machines, industrial robots (machines) with the abovementioned functions; electric kitchen machines for chopping, grinding, crushing, mixing and mincing foodstuffs, washing machines, laundry washing machines, dishwashers, spin driers (not heated), electric cleaning machines for cleaning floors, carpets or floorings, vacuum cleaners and parts thereof; automatic vending machines; galvanizing and electroplating machines; electric door openers and closers; joints (parts of engines); pumps other than parts of machines or engines, fuel dispensing pumps for service stations, self-regulating fuel pumps.

9 – Measurement apparatus, equipment and indicators including those for scientific and laboratory use, laboratory equipment and apparatus; apparatus for recording, transmission or reproduction of sound or images; data processing apparatus, telecommunication apparatus, sound or image reproducing apparatus, computer peripheral devices; magnetic and optic data carriers and computer software and programmes recorded thereto, downloadable and recordable electronic publications, encoded magnetic and optic cards; antennas, satellite antennas, amplifiers for antennas, parts of the aforementioned goods; ticket dispensers, automatic teller machines (ATM); electronic components used in the electronic parts of machines and apparatus; counters and quantity indicators for measuring the quantity of consumption, automatic time switches; clothing for protection against accidents, irradiation and fire, safety vests and life-saving apparatus and equipment; eyeglasses, sunglasses, optical lenses and cases, containers, parts and components thereof; apparatus and instruments for conducting, transforming, accumulating or controlling electricity; electric cables and electrical power supplies, batteries, electric accumulators; alarms and anti-theft alarms, other than for vehicles, electric bells; signaling apparatus and instruments, luminous or mechanical signs for traffic use; fire extinguishing apparatus, fire engines, fire hose and fire hose nozzles; radar apparatus, sonars, night vision apparatus and instruments; decorative magnets; metronomes.

11 – Lighting installations; lights for vehicles and interior-exterior spaces; heating and steam generating installations; stoves for heating purposes using solid, liquid or gas fuels; electric stoves for heating purposes; kitchen stoves; installations for air-conditioning and ventilating; cooling installations and freezers; electric and gas-powered devices, installations and apparatus for cooking, drying and boiling; electric laundry driers; hair driers; hand drying apparatus; sanitary installations; taps (faucets); shower installations; toilets (water-closets); shower and bathing cubicles; bath tubs; sinks; wash-hand basins (parts of sanitary installations); water softening apparatus; water purification apparatus; water purifi-

cation installations; waste water purification installations; electric bed warmers and electric blankets, not for medical use; electric pillow warmers; electric or non-electric footwarmers; hot water bottles; filters for aquariums and aquarium filtration apparatus; industrial type installations for cooking, drying and cooling purposes; pasteurizers and sterilizers.

37 – Construction services, rental of construction machines and equipment; cleaning services for buildings (interior and exterior), public areas, industrial premises; disinfecting, vermin exterminating services, other than for agriculture, rental of cleaning machines and equipment; vehicles service stations for land vehicles, maintenance, repair and refueling of land vehicles; vehicles service stations for marine vehicles, maintenance, repair and refueling of marine vehicles; repair and maintenance of air vehicles; upholstery, repair and restoration of furniture; installation, maintenance and repair of heating, cooling and sanitary installations; cleaning, care and repair of clothing; installation, maintenance and repair of industrial machines and equipment, office machines and equipment, communication apparatus, electric and electronic appliances; repair and maintenance of lifts; clock and watch repair; mining services and mining extraction; repair of shoes, bags and belts.

(260) AM 2016 82279 A

(800) 1247592

(891) 2014 12 30

(731) VALENTINO S.P.A.

Via Turati, 16/18 I-20121 MILANO, Italy

(540)

GETREDY

(591) Black and red

(511)

9 – Optical apparatus and instruments, optical lenses, magnifying glasses, monocles, binoculars, opera glasses, goggles for sports, goggles for skiing, contact lenses, cases for contact lenses, spectacles, sunglasses, pince-nez; pince-nez mountings, cases for spectacles and sunglasses, cases for pince-nez, chains for spectacles and for sunglasses, frames for spectacles and sunglasses, eyeglass cords; telephone receivers, telephone apparatus, video telephones, mobile phones, antennas for mobile phones, batteries for mobile phones, chargers for mobile phones, cases for mobile phones, mobile phone straps, microphones for mobile phones, loudspeakers for mobile phones, earphones for mobile phones, hands-free kits for mobile phones; apparatus and instruments for recording, transmission or reproduction of sounds or images, magnetic data carriers, recording discs, sound recording discs, sound recording carriers, radios, television apparatus, recorded video discs, recorded video tapes, video recorders, com-

pact discs, compact disc players, compact disc portable music players, portable music players, cases for portable music players; video cassettes, DVD players, DVD recorders; photographic and cinematographic apparatus and instruments, television cameras, digital cameras, video cameras; apparatus for recording, data processing and computer equipment, recorded computer software, downloadable computer programs, computers, floppy disks, computer keyboards, compact discs, computer peripheral devices, magnetic cards, monitors, optical discs, notebook computers, mouse pads, computer game programs; chronographs, electronic agendas; protective helmets.

16 – Stationery, namely paper, writing paper, loose-leaf paper, exercise books, address books and notebooks, numerical and alphabetical inserts, envelopes, paperboard, albums, business cards, document files, writing and marking instruments, namely fountain pens, ball-point pens, felt-tip markers, marking pens, pencils and pencil leads, refills for pens, erasers, printed matter, periodical publications, books, printing blocks, leaflets.

41 – Arranging, conducting and organization of fashion shows, and exhibitions for cultural, entertainment and sporting purposes, also via the Internet and other electronic media; organization of courses, exhibitions, congresses, conferences, seminars and training workshops, also via the Internet and other electronic media; education; entertainment; providing of training and updating in the field of trade fairs; publishing services, namely publication of magazines, catalogs and leaflets also via the Internet and other electronic media; production of shows; translation services.

(260) AM 2016 82280 A

(800) 1247283

(891) 2015 02 25

(731) STROMASYS

Avenue Louis Casarè 84, CH-1216 Cointrin,
Switzerland

(540)



(591) Black and white

(511)

9 – Scientific, nautical, surveying, photographic, cinematographic, optical, weighing, measuring, signaling, checking (supervision), life-saving and teaching apparatus and instruments; apparatus and ins-

truments for conducting, switching, transforming, accumulating, regulating or controlling electricity; apparatus for recording, transmission or reproduction of sound or images; magnetic recording media, sound recording disks; compact disks, DVDs and other digital recording media; mechanisms for coin-operated apparatus; cash registers, calculating machines, data processing equipment, computers; software; extinguishers.

42 – Scientific and technological services as well as research and design relating thereto; industrial analysis and research services; design and development of computers and software.

(260) AM 2016 82281 A

(800) 1247290

(891) 2015 03 16

(731) AUDEMARS PIGUET HOLDING SA

Route de France 16, CH-1348 Le Brassus,
Switzerland

(540)

AUDEMARS PIGUET

(591) Black and white

(511)

14 – Jewelry, timepieces and chronometric instruments.

(260) AM 2016 82283 A

(800) 1247337

(891) 2015 03 26

(731) KAESER KOMPRESSOREN SE

Carl-Kaesar-Straße 26, 96450 COBURG,
Germany

(540)

i.Comp

(511)

7 – Compressors (machines).

(260) AM 2016 82300 A

(800) 1247708

(891) 2015 04 17

(731) BAYER INTELLECTUAL PROPERTY
GMBH

Alfred-Nobel-Straße 10, 40789 Monheim am
Rhein, Germany

(540)

ASPIREQUO

(511)

5 – Pharmaceutical preparations.

(260) AM 2016 82301 A

(800) 1247780

(891) 2014 06 16

(731) SALINI IMPREGILO S.p.A.
Via dei Missaglia, 97, I-20142 Milano, Italy
(540)



(591) Red and white
(511)

4 – Electrical energy, coal, alcohol (fuel), fuel gas, peat (fuel).

6 – Reinforcing materials of metal for concrete, reinforcing materials of metal for building, laths of metal, street gutters of metal, shuttering of metal for concrete, flashing of metal for building, roofing of metal, manhole covers of metal, roof covering of metal, roofing of metal, cornices of metal, building or furniture fittings of nickel-silver, fittings of metal for building, floor tiles of metal, paving blocks of metal, railway materials, metal building materials, refractory construction materials of metal, tiles of metal for building, sheet piles of metal, floor tiles of metal, building panels of metal, floors of metal, girders of metal, cladding of metal for construction and building, wall claddings of metal (building), wainscoting of metal, ceilings of metal, flanges of metal (collars), tiles of metal, metal trellis, lintels of metal, steel sheets, common metals unwrought or semi-wrought, metal door frames, metal door knockers, non-electric metal door bells, turnstiles, door springs non-electric, window casement bolts, door openers non-electric, window stops of metal, gate stops of metal, windows of metal, casement windows of metal, fittings of metal for windows, metal door trim, ironwork for windows, ironwork for doors, shutters of metal, door handles of metal, door panels of metal, blinds of metal, gates of metal, metal doors, window pulleys, runners of metal for sliding doors, latches of metal, latch bars of metal, sills of metal, metal window fasteners, roller blinds of steel, outdoor blinds of metal, window frames of metal, steel buildings, buildings of metal, transportable structures of metal, guard rails of metal, duckboards of metal, stair treads (steps) of metal, steel masts, crash barriers of metal for roads, stringers (parts of staircases) of metal, poles of metal for power lines, masts of metal, prefabricated metal constructions, pillars of metal for building, swimming pools [metal structures], platforms prefabricated of metal, frames of metal for building, staircases of metal, porches of metal (building), arbours (structures of metal), palings of metal, telegraph posts of metal, bars for metal railings, metal mobile boarding stairs for passengers, props of metal, framework of metal for building, metallic divisions (partitions), monuments of metal, statuettes of common metal.

9 – Electrical storage batteries, battery chargers, electric batteries, branch boxes (electricity), commutators, comparators, converters (electric), relays (electric), circuit breakers, inverters (electricity), limiters (electricity), step-up transformers, control panels [electricity], distribution boards (electricity), rectifiers, electrical surge arrestors, voltage regulators for vehicles, stage lighting regulators, relays electric, reducers (electricity), electricity transformers, photovoltaic cells, ducts (electricity), circuit closers, electrical inductors, armatures (electricity), electrical conductors, electric couplings, capacitors, collectors electric, cathodes, amplifying tubes, solenoid valves [electromagnetic switches], thermionic valves, light regulators (dimmers), electric, resistances electric, junction boxes [electricity], semiconductors, fire pumps, traffic cones, fire hose, sprinkler systems for fire protection, fire extinguishers, fire hose nozzles, air analysis apparatus, clothing especially made for laboratories.

11 – Flues for heating boilers, gas condensers other than parts of machines, chimney flues, water distribution installations, heating installations (water), water supply installations, heat accumulators, steam accumulators, burners, gas burners, steam generating apparatus, heating installations, incinerators, heat pumps, coils [part of distilling, heating or cooling installations], heat exchangers not parts of machines, boiler pipes (tubes) for heating installations, thermostatic valves [parts of heating installations], lighting apparatus and installations, light diffusers, light-emitting diodes (led) lighting apparatus, filters (parts of household or industrial installations), filters for air conditioning, filters for drinking water, refining tower for distillation, processing installations for fuel and nuclear moderating material, nuclear reactors, air cooling apparatus, radiators electric.

16 – Drawings, architectural models, pencils, pastel crayons, almanacs, tickets, stickers (stationery), atlases, newspapers, photographs (printed), newsletters, catalogues, posters, geographical maps, cards, calendars, musical greeting cards, greeting cards, books, blueprints, periodicals, prospectuses, printed publications, graphic reproductions, magazines (periodicals), flyers, address stamps, prints (engravings).

17 – Insulation and barrier articles and materials, flexible pipes, tubes, hoses and fittings therefor, including valves, plastic, synthetic and composite materials, mineral fiber, elastomers, polyester.

25 – Berets, visors (headwear), uniforms, combinations (clothing), topcoats.

35 – Demonstration of goods, exhibitions for commercial or advertising purposes, organization of trade fairs for commercial or advertising purposes, rental of advertising time on communication media, rental of advertising space, dissemination of advertisements, direct mail advertising, advertising by

mail order, procurement services for others (purchasing goods and services for other businesses), commercial administration of the licensing of the goods and services of others, import-export agency services, administrative processing of purchase orders, commercial and industrial management assistance, assistance in management of business activities, outsourcing services (business assistance), commercial information agencies, business information, business investigation, economic forecasting, market research, business research, news clipping services, business appraisals.

36 – Warranty services, leasing of accommodation [apartments], renting of flats, real estate agency, leasing of office space, estate brokerage, financing services, business liquidation services, financial, trusteeships, financial management.

38 – Telephone and mobile telephone services, communications by telegrams, news agencies, information about telecommunication, telecommunications routing and junction services, provision of video conferencing services, communications by telegrams, telex services, satellite transmission, message sending.

39 – Distribution of energy, supply of electricity, water distribution, transport by pipeline, operating canal locks, traffic information, transportation information, transportation logistics, physical storage of electronically stored data or documents, storage of goods.

41 – Providing on-line electronic publications not downloadable, publication of books, publication of texts, other than publicity texts, publication of electronic books and journal on-line, electronic desktop publishing, editing of texts (except publicity texts).

43 – Rental of portable building, rental of temporary accommodation.

44 – Human hygiene and beauty care, agriculture, aquaculture, horticulture and forestry services.

(260) AM 2016 82302 A

(800) 1247429

(891) 2014 10 28

(731) Otkrytoe aktsionernoe obshchestvo
"NEVSKAYA KOSMETIKA"
prospect Oboukhovskoy oborony, 80,
RU-192029 Sankt-Peterburg, Russian
Federation

(540)



(591) White, light-blue and blue

(511)

3 – Soap; perfumery; essential oils; cosmetics; hair lotions; dentifrices; abrasives; scale removing preparations for household purposes; antistatic preparations for household purposes; breath freshening sprays; shaving stones [astringents]; abrasive paper; emery paper; polishing paper; petroleum jelly for cosmetic purposes; cotton wool for cosmetic purposes; cotton sticks for cosmetic purposes; aromatics [essential oils]; cake flavourings [essential oils]; flavourings for beverages [essential oils]; sachets for perfuming linen; scented water; javelle water; lavender water; toilet water; laundry wax; floor wax; moustache wax; tailors' wax; polish for furniture and flooring; cobblers' wax; make-up; deodorants for personal use; perfumes; windscreen cleaning liquids; greases for cosmetic purposes; decorative transfers for cosmetic purposes; smoothing stones; cosmetic pencils; adhesives for affixing false eyelashes; adhesives for affixing false hair; beard dyes; colorants for toilet purposes; cosmetic dyes; laundry starch; cosmetic creams, including cosmetic creams for children; skin whitening creams; creams for leather; hair spray; nail polish; after shave lotions; lotions for cosmetic purposes; beauty masks; oils for perfumes and scents; oils for cosmetic purposes; oils for toilet purposes; oils for cleaning purposes; adhesives for cosmetic purposes; whitening; cleaning chalk; cleansing milk for toilet purposes; soap, including soap for children; disinfectant soap; deodorant soap; shaving soap; soap for brightening textile; cakes of toilet soap; medicated soap; antiperspirant soap; cosmetic kits; emery; Eau de Cologne; bases for flower perfumes; bleaching preparations for laundry use; polishing creams; pastes for razor strops; pumice stone; hydrogen peroxide for cosmetic purposes; abrasive cloth; lipsticks; pomades for cosmetic purposes; false nails; shaving preparations; cosmetic preparations for baths, including bath foam; toiletries; hair waving preparations; laundry soaking preparations; grinding preparations; smoothing preparations [starching]; denture polishes; leather bleaching preparations; refurbishing preparations; mouth washes, not for medical purposes; cosmetic preparations for slimming purposes; laundry glaze; laundry and bleaching preparations; fabric softeners for laundry use; dry-cleaning preparations; make-up removing preparations; color-removing preparations; lacquer-removing preparations; floor wax removers [scouring preparations]; rust removing preparations; nail care preparations; cleaning preparations; preparations for cleaning dentures; wallpaper cleaning preparations; preparations for unblocking drain pipes; color-brightening chemicals for household purposes [laundry]; make-up powder; scouring solutions; false eyelashes; tissues impregnated with cosmetic lotions, including for children; laundry blueing; turpentine for degreasing; potpourris [fragrances]; bleaching soda;

washing soda, for cleaning; bath salts, not for medical purposes; bleaching salts; leather preservatives [polishes]; fumigation preparations [perfumes]; volatile alkali [ammonia] [detergent]; eyebrow cosmetics; stain removers; make-up preparations; sun-tanning preparations [cosmetics]; hair colorants; neutralizers for permanent waving; cosmetic preparations for eyelashes; depilatories; cosmetic preparations for skin care; boot cream; astringents for cosmetic purposes; cosmetics, including for children; cosmetics for animals; mascara; detergents other than for use in manufacturing operations and for medical purposes; degreasers other than for use in manufacturing processes; bleaching preparations [decolorants] for cosmetic purposes; antiperspirants [toiletries]; talcum powder, for toilet use; shampoos; shampoos for babies; shampoos for pets; glass paper; soda lye; extracts of flowers [perfumes]; ethereal essences; body balsam; hair balms; shower gel; hair conditioners; baby powder.

5 – Balms for medical purposes; bracelets for medical purposes; anti-rheumatism bracelets; paper for mustard plasters; fly catching paper; mothproofing paper; petroleum jelly for medical purposes; cotton for medical purposes; dietetic substances adapted for medical use; radiological contrast substances for medical purposes; nutritive substances for microorganisms; radioactive substances for medical purposes; sea water for medicinal bathing; mineral water for medical purposes; molding wax for dentists; hematogen; hemoglobin; glycerine for medical purposes; glucose for medical purposes; hormones for medical purposes; mustard for pharmaceutical purposes; mustard plasters; mud for baths; medicinal mud; deodorants, other than for human beings or for animals; diastase for medical purposes; mineral food-supplements; nutritional supplements; yeast for pharmaceutical purposes; gelatin for medical purposes; cod liver oil; insecticides; capsules for medicines; cachets for pharmaceutical purposes; candy for medical purposes; haemostatic pencils; wart pencils; caustic pencils; carbolineum [parasiticide]; caustics for pharmaceutical purposes; adhesives for dentures; adhesive bands for medical purposes; candy, medicated; starch for dietetic or pharmaceutical purposes; dental lacquer; sticking plasters for medical purposes; lotions for veterinary purposes; lotions for pharmaceutical purposes; liniments; ointments for pharmaceutical purposes; sunburn ointments; mercurial ointments; frostbite salve for pharmaceutical purposes; gauze for dressings; anti-horsefly oils; medicinal oils; dental mastics; dressings, medical; surgical dressings; drugs for medical purposes; medicines for veterinary purposes; medicines for human purposes; lacteal flour for babies; fly catching adhesives; first-aid boxes, filled; dietetic beverages adapted for medical purposes; medicinal infusions; tinctures for medical purposes; antiparasitic collars for animals; pants, absorbent, for incontinents;

napkins for incontinents; poultices; compresses; bunion pads; breast-nursing pads; pomades for medical purposes; belts for sanitary napkins [towels]; vitamin preparations; therapeutic preparations for the bath; air deodorising preparations; air purifying preparations; pharmaceutical preparations for treating dandruff; larvae exterminating preparations; pharmaceutical preparations for skin care; contact lens cleaning preparations; bath preparations, medicated; medicinal hair growth preparations; pharmaceutical preparations; sunburn preparations for pharmaceutical purposes; chilblain preparations; mothproofing preparations; food for babies; dietetic foods adapted for medical purposes; menstruation bandages; panty liners [sanitary]; solutions for contact lenses; rubber for dental purposes; chewing gum for medical purposes; insect repellent incense; insect repellents; sanitary napkins; tissues impregnated with pharmaceutical lotions; sugar for medical purposes; asthmatic tea; fumigating pastilles; suppositories; tobacco-free cigarettes for medical purposes; syrups for pharmaceutical purposes; turpentine for pharmaceutical purposes; greases for medical purposes; bicarbonate of soda for pharmaceutical purposes; salts for mineral water baths; bath salts for medical purposes; salts for medical purposes; smelling salts; mineral water salts; antiseptics; analgesics; adjuvants for medical purposes; styptic preparations; disinfectants for hygiene purposes; disinfectants for chemical toilets; appetite suppressants for medical purposes; medical preparations for slimming purposes; mouthwashes for medical purposes; animal washes; detergents for medical purposes; remedies for perspiration; remedies for foot perspiration; chemical contraceptives; antiparasitic preparations; nervines; digestives for pharmaceutical purposes; menstruation tampons; vulnerary sponges; smoking herbs for medical purposes; medicinal herbs; menstruation knickers; diabetic bread adapted for medical use; herb teas for medicinal purposes; slimming tea for medical purposes; elixirs [pharmaceutical preparations]; preparations for destroying noxious animals; dental impression materials; teeth filling material; herbicides; fungicides; veterinary preparations.

(260) AM 2016 82304 A

(800) 1247709

(891) 2015 04 17

(731) BAYER INTELLECTUAL PROPERTY
GMBH

Alfred-Nobel-Straße 10, 40789 Monheim am
Rhein Germany

(540)

ASPINTEND

(511)

5 – Pharmaceutical preparations.

(260) AM 2016 82305 A
 (800) 1247718
 (891) 2015 02 24
 (731) AVENTRO Sàrl
 1, Carrefour de Rive, CH-1207 Genève,
 Switzerland

(540)
AgroStrada - АгроСтрада

(591) Black-white
 (511)
 1 – Chemical products for use in agriculture, horticulture and forestry; fertilizing products; chemical additives for herbicides, fungicides and insecticides; glues and glutinous products for herbicides, fungicides and insecticides.

5 – Pesticides, insecticides, herbicides, fungicides, preparations for destroying vermin.

(260) AM 2016 82324 A
 (800) 1247878
 (891) 2015 03 30
 (731) HUAWEI TECHNOLOGIES CO., LTD.
 Administration Building, Huawei
 Technologies Co., Ltd., Bantian, Longgang
 District, Shenzhen, China

(540)
FusionData

(591) Black and White
 (511)
 9 – Computer software; computer programs (downloadable software); data processing apparatus; computers; computer memories; servers (computer apparatus).

(260) AM 2016 82346 A
 (800) 1248946
 (891) 2015 01 20
 (731) Obchtchestvo s ogranichennoy
 otvetstvennostyou "KHAMOVNITCHESKY
 PIVOVAR"
 Barykovsky Per, 3, RU-119034 Moscou,
 Russian Federation

(540)



(591) White, green, bottle green, dark green, dark brown, brown, light brown, dark beige, light beige, beige and yellow

(511)
 32 – Beers; beer-based beverages; beer-based cocktails; must; malt wort; beer wort; extracts of hops for making beer.

(260) AM 2016 82347 A
 (800) 1248960
 (891) 2015 02 20
 (731) COMITATI OLIMPICI EUROPEI
 Via Della Pallacanestro, 19, I-00135 ROMA
 (RM), Italy

(540)



Baku 2015
1st EUROPEAN GAMES

(591) Black, red, yellow, green and blue
 (511)

25 – Clothing, footwear, headgear.

38 – Telecommunications; broadcasting of television programmes, television broadcasting (live or recorded); cellular telephone communication; communications by electronic computer terminals, databases and internet related telecommunications networks; telephone and mobile telephone services; facsimile communication services; services of a press agency; other message transmission services; broadcasting of a commercial site on the internet; radio and television broadcasting services provided via the internet; electronic mail, provision of internet access services, electronic bulletin board services.

41 – Education; providing of training; entertainment; sporting and cultural activities; organization of exhibitions for cultural and educational purposes; organisation of lotteries and competitions; betting and gaming services relating to or in conjunction with sports; entertainment services provided at or relating to sports events; organisation of sporting and cultural events and activities; arranging real or virtual sports competitions; providing of sports facilities; rental services for audio and video equipment; radio and television production and broadcasting of sports and sporting events; production services for radio and television programs and videotapes; production of animated movies; seat booking services for shows and sporting events; timing of sports events, provision of games over the internet, providing on-line electronic publications, not downloadable; publication of books, journals, texts (except publicity texts) and periodicals; online publication of

electronic books, journals, texts (except publicity texts) and periodicals; providing digital music from the internet; providing digital music from mp3 internet web sites; publishing of sporting results or providing of informations relating to sporting results; information services in relation to sport and sporting events; information relating to sporting events provided on-line from a computer database or the internet.

(260) AM 2016 82348 A

(800) 1248978

(891) 2015 01 20

(731) Yulong Computer Telecommunication Scientific (Shenzhen) Co., Ltd.
2/F, Building 2, Coolpad Cyber Harbor,
Hi-Tech Industrial Park (North), Nanshan
District, Shenzhen, China

(540)

Dazen

(591) Black, white

(511)

9 – Data processing apparatus; computer software applications, downloadable; smartphones; portable telephones; video telephones; modems; headphones; cameras [photography]; chips [integrated circuits]; batteries, electric.

(260) AM 2016 82349 A

(800) 1247943

(891) 2014 12 09

(731) HORVÁTH AGNES
Mikszáth Kálmán utca 13, H-1028 Budapest,
Hungary

(540)



(591) Black and white

(511)

30 – Spices.

43 – Bar services; restaurants; food and drink catering.

(260) AM 2016 82350 A

(800) 1247958

(891) 2015 01 13

(731) OOO "WEST NAUTICAL"
ul. Aviatsionnaya, 24, str. 1, RU-123182
Moscow, Russian Federation

(540)



WEST NAUTICAL

(591) Black, white, gray and blue

(511)

35 – Advertising; business management; business administration; office functions; import-export agencies; business auditing; employment agencies; business efficiency expert services; demonstration of goods; on-line advertising on a computer network; business investigations; personnel recruitment; personnel management consultancy; professional business consultancy; presentation of goods on communication media, for retail purposes; auctioneering; sales promotion for others; procurement services for others [purchasing goods and services for other businesses], including retail and wholesale services for goods.

37 – Building construction; repair; installation services; asphaltting; drilling of deep oil or gas-wells; drilling of wells; rebuilding engines that have been worn or partially destroyed; rebuilding machines that have been worn or partially destroyed; retreading of tires [tyres]; vulcanization of tires [tyres] [repair]; building sealing; linen ironing; pressing of clothing; disinfecting; rat exterminating; mining extraction; refilling of toner cartridges; knife sharpening; building insulating; repair information; construction information; bricklaying; riveting; construction consultation; varnishing; re-tinning; scaffolding; road paving; car wash; window cleaning; vehicle wash; building construction supervision; upholstery; renovation of clothing; rustproofing; anti-rust treatment for vehicles; sanding; pumicing; strong-room maintenance and repair; vehicle maintenance; paper hanging; painting or repair of signs; cleaning of buildings [exterior surface]; vehicle polishing; vehicle breakdown assistance [repair]; mending clothing; rental of bulldozers; rental of road sweeping machines; rental of cleaning machines; rental of cranes [construction equipment]; rental of construction equipment; rental of excavators; plumbing; masonry; cabinet making [repair]; roofing services; painting, interior and exterior; carpentry services; underwater repair; plastering; quarrying services; repair of security locks; umbrella repair; parasol repair; motor vehicle maintenance and repair; burner maintenance and repair; film projector repair and maintenance; airplane maintenance and repair; safe maintenance and repair; clock and watch repair; pump repair; upholstery repair; shoe repair; clothing repair; photographic apparatus repair; furniture restoration; restoration of musical instruments; restoration of works of art; vehicle lubrication [greasing]; demolition of buildings; warehouse construction and repair; vehic-

le service stations [refuelling and maintenance]; washing; washing of linen; pipeline construction and maintenance; pier breakwater building; underwater construction; harbour construction; factory construction; building of fair stalls and shops; shipbuilding; cleaning of buildings [interior]; street cleaning; vermin exterminating, other than for agriculture; artificial snow-making services; laundering; installation of doors and windows; irrigation devices installation and repair; elevator installation and repair; heating equipment installation and repair; burglar alarm installation and repair; furnace installation and repair; telephone installation and repair; air conditioning apparatus installation and repair; fire alarm installation and repair; freezing equipment installation and repair; electric appliance installation and repair; kitchen equipment installation; installation, maintenance and repair of computer hardware; machinery installation, maintenance and repair; office machines and equipment installation, maintenance and repair; interference suppression in electrical apparatus; swimming-pool maintenance; furniture maintenance; chimney sweeping; boiler cleaning and repair; cleaning of clothing; dry cleaning; vehicle cleaning; diaper cleaning; leather care, cleaning and repair; fur care, cleaning and repair.

39 – Transport; packaging and storage of goods; travel arrangement; air transport; motor coach rental; boat rental; garage rental; rental of vehicle roof racks; aircraft rental; parking place rental; rental of warehouses; booking of seats for travel; travel reservation; transport reservation; towing; bottling services; water distribution; delivery of newspapers; message delivery; parcel delivery; delivery of goods; delivery of goods by mail order; flower delivery; launching of satellites for others; traffic information; transportation information; storage information; transportation logistics; rescue operations [transport]; arranging of cruises; hauling; carting; transport and storage of trash; transporting furniture; lighterage services; ferry-boat transport; removal services; transport of travellers; guarded transport of valuables; bus transport; car transport; barge transport; boat transport; railway transport; marine transport; passenger transport; river transport; portering; refloating of ships; vehicle breakdown assistance [towing]; shipbrokerage; transport brokerage; freight brokerage [forwarding (Am.)]; car rental; railway truck rental; rental of diving bells; rental of diving suits; rental of motor racing cars; railway coach rental; rental of wheelchairs; rental of storage containers; horse rental; rental of freezers; refrigerator rental; vehicle rental; stevedoring; unloading cargo; electricity distribution; distribution of energy; packaging of goods; ice-breaking; piloting; water supplying; escorting of travellers; ambulance transport; streetcar transport; transport by pipeline; wrapping of goods; operating canal locks; car parking; chauffeur services; pleasure boat transport; courier ser-

vice [messages or merchandise]; GPS navigation services; salvaging; salvage of ships; underwater salvage; taxi transport; franking of mail; freight [shipping of goods]; freighting; physical storage of electronically-stored data or documents; boat storage; storage of goods; storage; sightseeing [tourism]; freight forwarding.

(260) AM 2016 82351 A

(800) 1247970

(891) 2015 02 09

(731) BIOFARMA

50 rue Carnot, F-92284 SURESNES CEDEX,
France

(540)

ALMUNEA

(511)

5 – Pharmaceutical and veterinary products; sanitary products for medical purposes; dietetic food and substances for medical or veterinary use, food for babies; food supplements for humans and animals; plasters, materials for dressings; material for dental fillings and dental impressions; disinfectants; products for destroying vermin; fungicides, herbicides.

(260) AM 2016 82352 A

(800) 1248998

(891) 2015 03 30

(731) HUNAN HANDSOME ADHESIVE
INDUSTRY CO., LTD.

Meiling Industrial Park, Gaoxin District,
Yiyang City Hunan Province, China

(540)

ANYBOND

(591) Black, white

(511)

1 – Adhesives for industrial purposes; viscose; starch paste [adhesive], other than for stationery or household purposes; gums adhesives other than for stationery or household purposes; gelatine for industrial purposes; plastisols; cement for mending broken articles; firming agents; gum arabic for industrial purposes; glue for industrial purposes.

(260) AM 2016 82353 A

(800) 1247972

(891) 2015 02 12

(731) BIOFARMA

50 rue Carnot, F-92284 SURESNES CEDEX,
France

(540)

INXITU

(511)

5 – Pharmaceutical and veterinary products; sanitary products for medical purposes; dietetic food and

substances for medical or veterinary use, food for babies; food supplements for humans and animals; plasters, materials for dressings; material for dental fillings and dental impressions; disinfectants; products for destroying vermin; fungicides, herbicides.

10 – Medical devices for the administration of medicines.

(260) AM 2016 82354 A

(800) 1249034

(891) 2015 03 26

(731) BRITISH DRAGON PHARMACEUTICALS LIMITED

Room 303 3/F, St. Georges Building, 2 Ice House Street, Central, Hong Kong, China

(540)

ANSOMONE

(591) Black, white

(511)

05 – Pharmaceutical preparations, other than pharmaceutical veterinary preparations; disinfectants for hygiene purposes; dietetic substances adapted for medical use; adhesive plasters; dressings, medical; teeth filling material; herbicides; fungicides; food for babies.

(260) AM 2016 82355 A

(800) 635544

(891) 2015 03 17

(731) GAKO Konietzko GmbH

Oberer Stephansberg 49g, 96049 Bamberg, Germany

(540)

UNGUATOR

(511)

7 – Stirring machines and their parts for producing pharmaceutical ointments.

10 – Pharmaceutical apparatus, instruments and tools, containers and tanks of plastic for producing and administering remedies.

(260) AM 2016 82356 A

(800) 1248038

(891) 2014 06 16

(731) SALINI IMPREGILO S.P.A.

Via dei Missaglia, 97, I-20142 Milano, Italy

(540)

**salini
impregilo** 

(591) Red and white

(511)

4 – Electrical energy, coal, alcohol (fuel), fuel gas, peat (fuel).

6 – Reinforcing materials of metal for concrete, reinforcing materials of metal for building, laths of metal, street gutters of metal, shuttering of metal for concrete, flashing of metal for building, roofing of metal, manhole covers of metal, roof covering of metal, roofing of metal, cornices of metal, building or furniture fittings of nickel-silver, fittings of metal for building, floor tiles of metal, paving blocks of metal, railway materials, metal building materials, refractory construction materials of metal, tiles of metal for building, sheet piles of metal, floor tiles of metal, building panels of metal, floors of metal, girders of metal, cladding of metal for construction and building, wall claddings of metal (building), wainscoting of metal, ceilings of metal, flanges of metal (collars), tiles of metal, metal trellis, lintels of metal, steel sheets, common metals unwrought or semi-wrought, metal door frames, metal door knockers, non-electric metal door bells, turnstiles, door springs non-electric, window casement bolts, door openers non-electric, window stops of metal, gate stops of metal, windows of metal, casement windows of metal, fittings of metal for windows, metal door trim, ironwork for windows, ironwork for doors, shutters of metal, door handles of metal, door panels of metal, blinds of metal, gates of metal, metal doors, window pulleys, runners of metal for sliding doors, latches of metal, latch bars of metal, sills of metal, metal window fasteners, roller blinds of steel, outdoor blinds of metal, window frames of metal, steel buildings, buildings of metal, transportable structures of metal, guard rails of metal, duckboards of metal, stair treads (steps) of metal, steel masts, crash barriers of metal for roads, stringers (parts of staircases) of metal, poles of metal for power lines, masts of metal, prefabricated metal constructions, pillars of metal for building, swimming pools [metal structures], platforms prefabricated of metal, frames of metal for building, staircases of metal, porches of metal (building), arbours (structures of metal), palings of metal, telegraph posts of metal, bars for metal railings, metal mobile boarding stairs for passengers, props of metal, framework of metal for building, metallic divisions (partitions), monuments of metal, statuettes of common metal.

9 – Electrical storage batteries, battery chargers, electric batteries, branch boxes (electricity), commutators, comparators, converters (electric), relays (electric), circuit breakers, inverters (electricity), limiters (electricity), step-up transformers, control panels [electricity], distribution boards (electricity), rectifiers, electrical surge arrestors, voltage regulators for vehicles, stage lighting regulators, relays electric, reducers (electricity), electricity transformers, photovoltaic cells, ducts (electricity), circuit closers, electrical inductors, armatures (electricity), electrical conductors, electric couplings, capacitors, collectors electric, cathodes, amplifying tubes, solenoid valves

[electromagnetic switches], thermionic valves, light regulators (dimmers), electric, resistances electric, junction boxes [electricity], semiconductors, fire pumps, traffic cones, fire hose, sprinkler systems for fire protection, fire extinguishers, fire hose nozzles, air analysis apparatus, clothing especially made for laboratories.

11 – Flues for heating boilers, gas condensers other than parts of machines, chimney flues, water distribution installations, heating installations (water), water supply installations, heat accumulators, steam accumulators, burners, gas burners, steam generating apparatus, heating installations, incinerators, heat pumps, coils [part of distilling, heating or cooling installations], heat exchangers not parts of machines, boiler pipes (tubes) for heating installations, thermostatic valves [parts of heating installations], lighting apparatus and installations, light diffusers, light-emitting diodes (led) lighting apparatus, filters (parts of household or industrial installations), filters for air conditioning, filters for drinking water, refining tower for distillation, processing installations for fuel and nuclear moderating material, nuclear reactors, air cooling apparatus, radiators electric.

16 – Drawings, architectural models, pencils, pastel crayons, almanacs, tickets, stickers (stationery), atlases, newspapers, photographs (printed), newsletters, catalogues, posters, geographical maps, cards, calendars, musical greeting cards, greeting cards, books, blueprints, periodicals, prospectuses, printed publications, graphic reproductions, magazines (periodicals), flyers, address stamps, prints (engravings).

17 – Insulation and barrier articles and materials, flexible pipes, tubes, hoses and fittings therefor, including valves, plastic, synthetic and composite materials, mineral fiber, elastomers, polyester.

25 – Berets, visors (headwear), uniforms, combinations (clothing), topcoats.

35 – Demonstration of goods, exhibitions for commercial or advertising purposes, organization of trade fairs for commercial or advertising purposes, rental of advertising time on communication media, rental of advertising space, dissemination of advertisements, direct mail advertising, advertising by mail order, procurement services for others (purchasing goods and services for other businesses), commercial administration of the licensing of the goods and services of others, import-export agency services, administrative processing of purchase orders, commercial and industrial management assistance, assistance in management of business activities, outsourcing services (business assistance), commercial information agencies, business information, business investigation, economic forecasting, market research, business research, news clipping services, business appraisals.

36 – Warranty services, leasing of accommodation [apartments], renting of flats, real estate agency, leasing of office space, estate brokerage, financing services, business liquidation services, financial, trusteeships, financial management.

38 – Telephone and mobile telephone services, communications by telegrams, news agencies, information about telecommunication, telecommunications routing and junction services, provision of video conferencing services, communications by telegrams, telex services, satellite transmission, message sending.

39 – Distribution of energy, supply of electricity, water distribution, transport by pipeline, operating canal locks, traffic information, transportation information, transportation logistics, physical storage of electronically stored data or documents, storage of goods.

41 – Providing on-line electronic publications not downloadable, publication of books, publication of texts, other than publicity texts, publication of electronic books and journal on-line, electronic desktop publishing, editing of texts (except publicity texts).

43 – Rental of portable building, rental of temporary accommodation.

44 – Human hygiene and beauty care, agriculture, aquaculture, horticulture and forestry services.

(260) AM 2016 82359 A

(800) 1248151

(891) 2015 03 12

(731) PIERRE FABRE DERMO-COSMETIQUE
45 place Abel Gance, F-92100 BOULOGNE,
France

(540)

AQUA INFINI

(511)

3 – Cosmetic products for skin care.

5 – Pharmaceutical products; dermo-cosmetic products for skin hygiene and care.

(260) AM 2016 82361 A

(800) 1248168

(891) 2015 04 17

(731) BAYER INTELLECTUAL PROPERTY
GMBH
Alfred-Nobel-Straße 10, 40789 Monheim am
Rhein, Germany

(540)

ASPIVERIO

(511)

5 – Pharmaceutical preparations.

(260) AM 2016 82363 A

(800) 1248216

(891) 2015 01 19

(731) WORLD MEDICINE İLAÇ SANAYİ VE
TİCARET ANONİM ŞİRKETİ

Evren Mah. Camiyolu Cad. No:50 K:1 B,

Zemin 4-5-6, Güneşli Bağcılar, İstanbul,

Turkey

(540)

REAGLID
РЕАГЛИД

(591) Black and white

(511)

5 – Medicines for human purposes, medicines for veterinary purposes, vitamin preparations, chemical preparations for medical purposes, dietetic substances adapted for medical use; dietetic foods adapted for medical purposes; baby foods, medicinal herbs, herbal beverages adapted for medical purposes, nutritional supplements, pollen dietary supplements, mineral food supplements, protein dietary supplements; dietary supplements for animals; fodder supplements for veterinary purposes; medicines for dental purposes, hygienic products for medical purposes including sanitary pads, breast-nursing pads and bunion pads, waddings for medical purposes, plasters for medical purposes, dressings for medical purposes, babies' napkins, preparations for destroying noxious plants, preparations for destroying noxious animals, fungicides, deodorants other than for human beings or for animals, air deodorising preparations, disinfectants for hygiene purposes, antiseptics, detergents for medical purposes.

(260) AM 2016 82364 A

(800) 1248225

(891) 2015 02 19

(731) SOCIÉTÉ JAS HENNESSY & CO.

rue de la Richonne, F-16100 Cognac, France

(540)



(591) gray, Gold

(554) Three - Dimensional

(511)

21 – Utensils and containers for household or kitchen use; bottles of glass, porcelain and earthenware;

boxes, bowls, dishes, pots, saucers, cups of glass, porcelain and earthenware; cups of paper or plastic materials; drinking glasses; boxes of glass, porcelain and earthenware; decanters; cocktail stirrers; manual mixers (shakers); glass stoppers; ice buckets; ice molds; corkscrews; crystal (glassware); painted glassware; pipettes (wine tasters); menu card holders; bottle openers; pitchers; spouts; bottle pourers; wine bottle baskets; trays for domestic use, not of precious metal; tableware not of precious metal; dishes and plates of glass, porcelain and earthenware; perfume burners; perfume vaporizers; statues or figurines (statuettes) made of porcelain, terracotta or glass; unworked or semi-worked glass (except building glass); ornaments and decorative articles made of glass, porcelain and earthenware, namely: candy boxes, candlesticks, bowls, flower-pot covers, knife rests for the table, napkin rings, vases and flasks.

32 – Beers; mineral and aerated waters and other non-alcoholic beverages; fruit beverages and fruit juices; syrups and other preparations for making beverages.

33 – Alcoholic beverages (except beers); alcoholic cocktails.

(260) AM 2016 82365 A

(800) 1248234

(891) 2014 12 16

(731) "AZ FP CO. LTD." LIMITED LAIBILITY
COMPANYYasamal District, M. Mushfiq Str., 12, Ap. 34,
AZ-1073 BAKU, Azerbaijan

(540)

milla

(591) Brown

(511)

29 – Milk and milk products.

(260) AM 2016 82366 A

(800) 1248698

(891) 2015 03 31

(731) JULIE APPLE PTY LIMITED

2298 Bells Line of Road Bilpin NSW 2758,
Australia

(540)

JULZ

(511)

31 – Apples; fresh fruit; plant breeding material; plant cuttings; rootstock; seeds; live plants and trees.

(260) AM 2016 82367 A

(800) 1248252

(891) 2015 02 25

(731) BAXALTA INCORPORATED
1200 Lakeside Drive Bannockburn IL 60015,
USA

(540)

BAXALTA

(511)

5 – Pharmaceutical preparations, substances and products; pharmaceuticals.

9 – Computer programs (computer software); electronic publications (downloadable).

10 – Medical devices; medical apparatus and instruments.

16 – Publications for teaching; publications.

38 – Provision of access to computer databases containing medical information, as well as image content relating thereto.

41 – Education and training; provision of information for training and teaching; provision of electronic publications (non-downloadable).

44 – Medical services, as well as health care services; care for human health; human blood collection and/or purification.

(260) AM 2016 82387 A

(800) 1248832

(891) 2015 01 19

(731) RICHTER GEDEON NYRT.
Gyömrői út 19-21, H-1103 Budapest, Hungary

(540)

RINGULETTE

(591) Black, white

(511)

5 – Contraceptive pharmaceutical preparations.

(260) AM 2016 82388 A

(800) 1248833

(891) 2015 01 19

(731) RICHTER GEDEON NYRT.
Gyömrői út 19-21, H-1103 Budapest, Hungary

(540)

VAGIRING

(591) Black, white

(511)

5 – Contraceptive pharmaceutical preparations.

(260) AM 2016 82393 A

(800) 1248893

(891) 2014 11 06

(731) HUVEPHARMA AD
5th floor, Nikolay Haitov Str 3 A, BG-1113
Sofia, Bulgaria

(540)

PAROFOR

(511)

5 – Veterinary preparations; supplements for fodder for veterinary purposes; medicines for veterinary purposes; antibiotics; pharmaceutical preparations.

(260) AM 2016 82394 A

(800) 1248899

(891) 2014 12 18

(731) MOSO POWER SUPPLY TECHNOLOGY
CO., LTD
6F Sangtai Industry Park, Xiaobaimang,
Songbai Road, Nanshan District, Shenzhen
City, Guangdong Province, China

(540)

MOSO

(591) Black, white

(511)

9 – Variometers; converters, electric; reducers [electricity]; inverters [electricity]; current rectifiers; apparatus and instruments for conducting switching transforming accumulating regulating and controlling electricity; battery chargers; solar batteries.

(260) AM 2016 82415 A

(800) 1248416

(891) 2014 11 13

(731) Obshchestvo s ogranichennoy
otvetstvennostyu "FARMAKTIV"
Fadeeva 7, Str. 1, Office 2, RU-125047
Moscow, Russian Federation

(540)



ЭНДОДЖЕНИКС

(591) Red and dark blue

(511)

1 – Chemicals used in industry, science and photography, as well as in agriculture, horticulture and forestry; unprocessed artificial resins, unprocessed plastics; manures; fire extinguishing compositions; tempering and soldering preparations; chemical substances for preserving foodstuffs; tanning substances; adhesives used in industry.

3 – Bleaching preparations and other substances for laundry use; cleaning, polishing, scouring and abrasive preparations; soaps; perfumery, essential oils, cosmetics, hair lotions; dentifrices.

5 – Pharmaceutical and veterinary preparations; sanitary preparations for medical purposes; dietetic substances adapted for medical use, food for babies; plasters, materials for dressings; material for stopping teeth, dental wax; disinfectants; preparations for destroying vermin; fungicides, herbicides.

16 – Paper, cardboard and goods made from these materials, not included in other classes; printed matter; bookbinding material; photographs; stationery; adhesives for stationery or household purposes; artists' materials; paint brushes; typewriters and office requisites (except furniture); instructional and teaching material (except apparatus); plastic materials for packaging (not included in other classes); printers' type; printing blocks.

35 – Advertising; business management; business administration; office functions.

(260) AM 2016 82417 A

(800) 1248428

(891) 2015 02 16

(731) VTB Bank (open joint-stock company)
ul. Bolshaya Morskaya, 29, RU-190000
St-Peterburg, Russian Federation

(540)



(591) White, blue and light blue

(511)

36 – Financial affairs; monetary affairs; real estate affairs; credit bureaux; debt collection agencies; financial analysis; leasing of real estate; rental of offices [real estate]; lease-purchase financing; savings bank services; issuance of travelers' checks; issuance of tokens of value; issuance of credit cards; capital investment; Insurance information; financial information; clearing, financial; insurance consultancy; financial consultancy; stock exchange quotations; lending against security; business liquidation services, financial; brokerage; financial management; exchanging money; online banking; debit card services; credit card services; factoring; organization of collections; antique appraisal; jewellery [jewelry (Am.)] appraisal; real estate appraisal; numismatic appraisal; art appraisal; financial evaluation [insurance, banking, real estate]; electronic funds transfer; surety services; securities brokerage; real estate brokerage; brokerage of carbon credits; insurance brokerage; pawnbrokerage; loans [financing]; check

[cheque] verification; charitable fund raising; financial sponsorship; mortgage banking; instalment loans; insurance underwriting; apartment house management; real estate management; actuarial services; banking; retirement payment services; trusteeship; provident fund services; mutual funds; financing services; safe deposit services; deposits of valuables; fiscal assessments.

(260) AM 2016 82483 A

(800) 1249428

(891) 2015 04 27

(731) BEIERSDORF AG

Unnastrasse 48, 20253 Hamburg, Germany

(540)



(591) Dark blue, light blue, red, silver, yellow and white

(511)

3 – Cosmetics.

(260) AM 2016 82484 A

(800) 1249544

(891) 2015 04 01

(731) GUANGDONG DELIAN GROUP CO., LTD.

Xincheng Development Zone, Xiaotang
Shishan, Nanhai District, Foshan City,
528222 Guangdong; China

(540)



(591) Black, white

(511)

1 – Chemical additives to motor fuel; detergent additives to gasoline; detergent additives to diesel; antifreeze; fluids for hydraulic circuits; fuel-saving preparations; oil-purifying chemicals; power steering fluid; transmission fluid; primer fluids.

2 – Dyes; colorants; dyestuffs; pigments; ink for leather; anti-rust greases; anti-rust oils; anti-tarnishing preparations for metals; protective preparations for metals; anti-rust preparations for preservation.

4 – Industrial oil; mineral oil; motor oil; grease for belts; lubricating oil; lubricating grease; lubricants; gear oils; additives, non-chemical, to motor fuel; industrial wax.

(260) AM 2016 82487 A
(800) 1249597
(891) 2015 03 30
(731) BENXI STEEL GROUP CORPORATION
No.103, Yongfeng St., Pingshan District,
Benxi City, LIAONING PROVINCE, China
(540)

本钢

(591) Black, white
(511)

6 – Steel sheets; steel alloys; iron slabs; iron, unwrought or semi-wrought; steel, unwrought or semi-wrought; steel masts; steel strip; blooms [metallurgy]; cast steel; steel tubes; steel buildings; railway material of metal; steel wire; hoop steel; iron wire; iron strip; washers of metal; building or furniture fittings of nickel-silver; ironmongery; keys; safes [strong boxes]; stretchers for metal bands [tension links]; chill-molds [foundry]; signboards of metal; cattle chains; soldering wire of metal; mooring bollards of metal; identification bracelets of metal; weather vanes of metal; tree protectors of metal; traps for wild animals; statues of common metal; iron ores; monuments of metal.

(260) AM 2016 82488 A
(800) 1249630
(891) 2015 04 14
(731) HALK HİJYENİK ÜRÜNLER DETERJAN
SANAYİ VE TİCARET ANONİM ŞİRKETİ
Adana Organize Sanayi Bölgesi, Baklali
Caddesi, No:19, Sarıçam, Adana, Turkey
(540)

GIZMO

(591) Purple and white
(511)

5 – Pharmaceutical and veterinary preparations for medical purposes; chemical preparations for medical purposes; preparations for use in dentistry, other than tools and apparatus; preparations for destroying vermin; fungicides, herbicides; deodorants, other than for human beings or for animals; air deodorising preparations; disinfectants; antiseptics; detergents for medical purposes; sanitary preparations for medical use; hygienic pads; hygienic tampons; plas-

ters; materials for dressings; diapers, including those made of paper and textiles.

(260) AM 2016 82496 A
(800) 1249664
(891) 2014 12 02
(731) Limited Liability Company
"TEKHNOPHARM"
Belomorskaya Str., 260, city of Kazan,
RU-420085 The Republic of Tatarstan,
Russian Federation

(540)

КСИМЕДОН

(591) Black, white
(511)

5 – Pharmaceutical preparations.

42 – Scientific research and development.

(260) AM 2016 82497 A
(800) 1249666
(891) 2015 04 28
(731) NOVARTIS AG
CH-4002 Basel, Switzerland
(540)

NOVARTIS

(511)

1 – Chemical products for use in industry, science, photography, as well as in agriculture, horticulture and forestry; unprocessed artificial resins, unprocessed plastics; soil fertilizers; fire-extinguishing compositions; tempering and soldering preparations; chemical substances for preserving foodstuffs; tanning materials; adhesives for use in industry.

3 – Bleaching preparations and other substances for laundry use; cleaning, polishing, degreasing and abrasive preparations; soaps; perfumery, essential oils, cosmetics, hair lotions; dentifrices.

5 – Pharmaceutical and veterinary products; sanitary products for medical purposes; dietetic food and substances for medical or veterinary use, food for babies; food supplements for humans and animals; plasters, materials for dressings; material for dental fillings and dental impressions; disinfectants; products for destroying vermin; fungicides, herbicides.

9 – Scientific, nautical, surveying, photographic, cinematographic, optical, weighing, measuring, signaling, checking (supervision), life-saving and teaching apparatus and instruments; apparatus and instruments for conducting, switching, transforming, accumulating, regulating or controlling electricity; apparatus for recording, transmission or reproduction of sound or images; magnetic recording media, sound recording disks; compact disks, DVDs and ot-

her digital recording media; mechanisms for coin-operated apparatus; cash registers, calculating machines, data processing equipment, computers; software; extinguishers.

10 – Surgical, medical, dental and veterinary apparatus and instruments, artificial limbs, eyes and teeth; orthopedic articles; suture material.

16 – Paper, cardboard and goods made of these materials, included in this class; printing products (printed matter); bookbinding material; photographs; stationery; adhesives (glues) for stationery or household purposes; artists' materials; paintbrushes; typewriters and office requisites (except furniture); instructional or teaching material (except apparatus); plastic materials for packaging (included in this class); printing type; printing blocks.

29 – Meat, fish, poultry and game; meat extracts; preserved, frozen, dried and cooked fruits and vegetables; jellies, jams, compotes; eggs; milk and dairy products; edible oils and fats.

30 – Coffee, tea, cocoa and artificial coffee; rice; tapioca and sago; flour and preparations made from cereals; bread, pastry and confectionery products; ices for food; sugar, honey, treacle; yeast, baking powder; salt; mustard; vinegar, sauces (condiments); spices; ice for refreshment.

31 – Grains and agricultural, horticultural and forestry products not included in other classes; live animals; fresh fruits and vegetables; seeds; natural plants and flowers; foodstuffs for animals; malt.

32 – Beers; mineral and aerated waters and other non-alcoholic beverages; fruit beverages and fruit juices; syrups and other preparations for making beverages.

35 – Advertising; business management; business administration; office functions.

40 – Treatment of materials.

41 – Education; training; entertainment; sporting and cultural activities.

42 – Scientific and technological services as well as research and design relating thereto; industrial analysis and research services; design and development of computer hardware and software.

44 – Medical services; veterinary services; health and beauty treatments for human beings or animals; agriculture, horticulture and forestry services.

(260) AM 2016 82498 A

(800) 1249700

(891) 2014 08 27

(731) Obschestvo s ogranichennoi otvetstvennostyu
"NAUCHNO-PROIZVODSTVENNAYA
FIRMA "MATERIA MEDICA HOLDING"

Trety Samotechny pereulok, 9, RU-127473
Moscow, Russian Federation

(540)

ПОЛИФЕРОН

(591) Black, white

(511)

5 – Pharmaceutical and veterinary preparations; dietetic food and substances adapted for medical or veterinary use; baby foods; dietary supplements for humans and animals; disinfectants; preparations for destroying vermin; fungicides; herbicides; acaricides; aconitine; alkaloids for medical purposes; alginate for pharmaceutical purposes; algicides; aldehydes for pharmaceutical purposes; amino acids for veterinary purposes; amino acids for medical purposes; analgesics; anaesthetics; antibiotics; antiseptics; medicine cases, portable, filled; first-aid boxes, filled; aluminium acetate for pharmaceutical purposes; acetates for pharmaceutical purposes; germicides; balms for medical purposes; biocides; bromine for pharmaceutical purposes; reagent paper for medical or veterinary purposes; petroleum jelly for medical purposes; vaccines; oxygen baths; dietetic substances adapted for medical use; radiological contrast substances for medical purposes; nutritive substances for microorganisms; radioactive substances for medical purposes; bismuth subnitrate for pharmaceutical purposes; melissa water for pharmaceutical purposes; sea water for medicinal bathing; mineral waters for medical purposes; thermal water; dietary fiber; gases for medical purposes; guaiacol for pharmaceutical purposes; hematogen; hemoglobin; hydrastine; hydrastinine; glycerine for medical purposes; glycerophosphates; glucose for medical purposes; gentian for pharmaceutical purposes; hormones for medical purposes; mustard for pharmaceutical purposes; mustard plasters; mud for baths; medicinal mud; gamboge for medical purposes; gurjun [gurjon, gurjan] balsam for medical purposes; air deodorising preparations; deodorants, other than for human beings or for animals; deodorants for clothing and textiles; diastase for medical purposes; digitalin; mineral food supplements; nutritional supplements; albumin dietary supplements; dietary supplements for animals; alginate dietary supplements; glucose dietary supplements; casein dietary supplements; lecithin dietary supplements; linseed oil dietary supplements; propolis dietary supplements; protein dietary supplements; protein supplements for animals; royal jelly dietary supplements; pollen dietary supplements; wheat germ dietary supplements; linseed dietary supplements; enzyme dietary supplements; yeast for pharmaceutical purposes; gelatine for medical purposes; cod liver oil; isotopes for medical purposes; insecticides; iodine for pharmaceutical purposes; iodides for pharmaceutical purposes; alkaline iodides for pharmaceutical purposes; iodoform; calomel; cream of tartar for pharmaceutical purposes; tartar for pharmaceutical purposes; camphor for medical

purposes; hemostatic pencils; wart pencils; caustic pencils; headache pencils; carbolicneum [parasiticide]; caustics for pharmaceutical purposes; cachou for pharmaceutical purposes; quassia for medical purposes; quebracho for medical purposes; oxygen for medical purposes; gallic acid for pharmaceutical purposes; acids for pharmaceutical purposes; stem cells for veterinary purposes; stem cells for medical purposes; collodion for pharmaceutical purposes; corn rings for the feet; anti-rheumatism rings; candy, medicated; angostura bark for medical purposes; barks for pharmaceutical purposes; cedar wood for use as an insect repellent; condurango bark for medical purposes; croton bark; mangrove bark for pharmaceutical purposes; myrobalan bark for pharmaceutical purposes; quinquina for medical purposes; medicinal roots; rhubarb roots for pharmaceutical purposes; lint for medical purposes; starch for dietetic or pharmaceutical purposes; creosote for pharmaceutical purposes; blood for medical purposes; cultures of microorganisms for medical and veterinary use; curare; liquorice for pharmaceutical purposes; lactose for pharmaceutical purposes; candy for medical purposes; medicines for alleviating constipation; lecithin for medical purposes; lotions for veterinary purposes; dog lotions; lotions for pharmaceutical purposes; personal sexual lubricants; lupulin for pharmaceutical purposes; magnesia for pharmaceutical purposes; liniments; ointments for pharmaceutical purposes; sunburn ointments; frostbite salve for pharmaceutical purposes; mercurial ointments; medicinal oils; mustard oil for medical purposes; camphor oil for medical purposes; castor oil for medical purposes; oil of turpentine for pharmaceutical purposes; dill oil for medical purposes; drugs for medical purposes; medicines for veterinary purposes; serotherapeutic medicines; medicines for human purposes; menthol; medicinal drinks; moleskin for medical purposes; milk of almonds for pharmaceutical purposes; royal jelly for pharmaceutical purposes; milk ferments for pharmaceutical purposes; Irish moss for medical purposes; flour for pharmaceutical purposes; linseed meal for pharmaceutical purposes; fish meal for pharmaceutical purposes; fly glue; mint for pharmaceutical purposes; dietetic beverages adapted for medical purposes; malted milk beverages for medical purposes; narcotics; medicinal infusions; tincture of iodine; eucalyptol for pharmaceutical purposes; tinctures for medical purposes; opium; opodeldoc; decoctions for pharmaceutical purposes; antiparasitic collars for animals; stick liquorice for pharmaceutical purposes; sulfur sticks [disinfectants]; pastilles for pharmaceutical purposes; pectin for pharmaceutical purposes; pepsins for pharmaceutical purposes; peptones for pharmaceutical purposes; hydrogen peroxide for medical purposes; pesticides; food for babies; leeches for medical purposes; blood plasma; eyepatches for medical purposes; poultices; compresses; scapulars for surgical

purposes; diapers [babies' napkins]; diapers for pets; bunion pads; pomades for medical purposes; powder of cantharides; pyrethrum powder; anti-uric preparations; bacterial preparations for medical and veterinary use; bacteriological preparations for medical and veterinary use; balsamic preparations for medical purposes; albuminous preparations for medical purposes; biological preparations for veterinary purposes; biological preparations for medical purposes; veterinary preparations; bismuth preparations for pharmaceutical purposes; vitamin preparations; diagnostic preparations for medical purposes; therapeutic preparations for the bath; hemorrhoid preparations; preparations for callouses; preparations to facilitate teething; preparations for the treatment of burns; fumigation preparations for medical purposes; ootherapy preparations; air purifying preparations; eye-washes; bronchodilating preparations; preparations for reducing sexual activity; sterilising preparations; soil-sterilising preparations; corn remedies; pharmaceutical preparations for treating dandruff; preparations for destroying noxious animals; preparations for destroying dry rot fungus; larvae exterminating preparations; fly destroying preparations; preparations for destroying mice; slug exterminating preparations; vermin destroying preparations; pharmaceutical preparations for skin care; contact lens cleaning preparations; preparations of lime for pharmaceutical purposes; medicinal hair growth preparations; opiates; anticryptogamic preparations; aloe vera preparations for pharmaceutical purposes; preparations of trace elements for human and animal use; sulfonamides [medicines]; sunburn preparations for pharmaceutical purposes; enzyme preparations for veterinary purposes; enzyme preparations for medical purposes; chemico-pharmaceutical preparations; chemical preparations for veterinary purposes; chemical preparations for the diagnosis of pregnancy; chemical preparations for medical purposes; chemical preparations to treat wheat blight [smut]; vine disease treating chemicals; chemical preparations to treat mildew; chemical preparations for treating phylloxera; chemical preparations for pharmaceutical purposes; chilblain preparations; mothproofing preparations; lead water; chemical conductors for electrocardiograph electrodes; albuminous foodstuffs for medical purposes; dietetic foods adapted for medical purposes; by-products of the processing of cereals for dietetic or medical purposes; propolis for pharmaceutical purposes; pearl powder for medical purposes; radium for medical purposes; hydrated chloral for pharmaceutical purposes; solvents for removing adhesive plasters; vaginal washes; solutions for contact lenses; chemical reagents for medical or veterinary purposes; gum for medical purposes; chewing gum for medical purposes; insect repellents; insect repellent incense; repellents for dogs; sarsaparilla for medical purposes; sugar for medical purposes; asthmatic tea; fumigating sticks; linseed

for pharmaceutical purposes; tobacco-free cigarettes for medical purposes; siccatives [drying agents] for medical purposes; syrups for pharmaceutical purposes; turpentine for pharmaceutical purposes; milking grease; greases for veterinary purposes; greases for medical purposes; lacteal flour for babies; soporifics; bicarbonate of soda for pharmaceutical purposes; bath salts for medical purposes; salts for mineral water baths; salts for medical purposes; potassium salts for medical purposes; sodium salts for medical purposes; smelling salts; mineral water salts; malt for pharmaceutical purposes; alcohol for pharmaceutical purposes; ergot for pharmaceutical purposes; cooling sprays for medical purposes; adjuvants for medical purposes; styptic preparations; vermifuges; disinfectants for hygiene purposes; disinfectants for chemical toilets; douching preparations for medical purposes; appetite suppressants for medical purposes; medical preparations for slimming purposes; parasiticides; febrifuges; depuratives; animal washes; detergents for medical purposes; cattle washes; dog washes; vesicants; articles for headache; purgatives; remedies for perspiration; remedies for foot perspiration; chemical contraceptives; antiparasitic preparations; sedatives; laxatives; tonics [medicines]; nervines; digestives for pharmaceutical purposes; media for bacteriological cultures; steroids; strychnine; suppositories; serums; tanning pills; appetite suppressant pills; slimming pills; antioxidant pills; tranquilizers; vulnerary sponges; thymol for pharmaceutical purposes; biological tissue cultures for veterinary purposes; surgical cloth [tissues]; smoking herbs for medical purposes; medicinal herbs; surgical implants [living tissues]; babies' napkin-pants [diaper-pants]; charcoal for pharmaceutical purposes; fennel for medical purposes; phenol for pharmaceutical purposes; enzymes for veterinary purposes; enzymes for medical purposes; ferments for pharmaceutical purposes; formic aldehyde for pharmaceutical purposes; phosphates for pharmaceutical purposes; quinine for medical purposes; chinoline for medical purposes; diabetic bread adapted for medical use; chloroform; flowers of sulfur for pharmaceutical purposes; cement for animal hooves; bone cement for surgical and orthopaedic purposes; medicinal tea; herbal teas for medicinal purposes; eucalyptus for pharmaceutical purposes; tobacco extracts [insecticides]; extracts of hops for pharmaceutical purposes; elixirs [pharmaceutical preparations]; ethers for pharmaceutical purposes; esters for pharmaceutical purposes; cellulose esters for pharmaceutical purposes; cellulose ethers for pharmaceutical purposes; jujube, medicated; rat poison; poisons; bacterial poisons; jalap.

(260) AM 2016 82543 A
(800) 1250032
(891) 2014 10 10

(731) "GAL-KAT" Additional Liability Company
vul. Stefanyka, bud. 17, kv. 1, m. Lviv 79008,
Ukraine

(540)

GAL  KAT

(591) Black, white

(511)

6 – Aluminium foil; aluminium wire; aluminium; anchors; anchor plates; fittings of metal for building; valves of metal, other than parts of machines; reinforcing materials of metal for building; reinforcing materials of metal for pipes; reinforcing materials of metal for machine belts; vats of metal; girders of metal; bronze; framework of metal for building; building materials of metal; building boards of metal; limonite; vanadium; loading pallets of metal; hardware of metal, small; windows of metal; window frames of metal; containers of metal (storage, transport); reservoirs of metal; refractory construction materials of metal; water-pipes of metal; tungsten; gates of metal; germanium; roof coverings of metal; doors of metal; door casings of metal; ladders of metal; steps (ladders) of metal; drain pipes of metal; wire of common metal; wire of common metal alloys, except fuse wire; wire rope; wire cloth; outdoor blinds of metal; jalousies of metal; iron wire; iron ores; ironwork for windows; ironwork for doors; iron, unwrought or semi-wrought; common metals, unwrought or semi-wrought; junctions of metal for pipes; cable joints of metal, non-electric; ingots of common metal; gold solder; indium; cadmium; ropes of metal; cables of metal, non-electric; greenhouse frames of metal; cornices of metal; pillars of metal for buildings; barbed wire; ducts of metal for ventilating and air conditioning installations; buildings of metal; clips of metal for pipes; angle irons; brass, unwrought or semi-wrought; sheets and plates of metal; cast steel; magnesium; manganese; metals in powder form; copper wire, not insulated; copper, unwrought or semi-wrought; molybdenum; sleeves (metal hardware); penstock pipes of metal; nozzles of metal; duckboards of metal; thread of metal for tying-up purposes; nickel; nickel-silver; niobium; cladding of metal for construction and building; fences of metal; tin; shuttering of metal for concrete; poles of metal for power lines; greenhouses of metal, transportable; packaging containers of metal; belt stretchers of metal; belts of metal for handling loads; soldering wire of metal; rods of metal for brazing; transport pallets of metal; bands of metal for tying-up purposes; handling pallets of metal; braces of metal for handling loads; slings of metal for handling loads; porches of metal (building); floors of metal; floor tiles of metal; props of metal; laths of metal; platforms, prefabricated, of metal; stringers (parts of staircases) of metal; roof flashing of metal; roofing of metal; joists of metal; sills of metal; guard rails of

metal; silver plated tin alloy; silver solder; anti-friction metal; rods of metal for brazing and welding; frames of metal for building; rails of metal; gratings of metal; gutter pipes of metal; gutters of metal; scaffolding of metal; branching pipes of metal; ores of metal; pyrophoric metals; lead, unwrought or semi-wrought; hoop iron; alloys of common metal; buildings, transportable, of metal; hoop steel; steel wire; steel buildings; steel masts; iron slabs; iron slabs; iron slabs; stretchers for iron bands (tension links); steel pipes; steel alloys; steel sheets; tin-foil; molybdenum iron; chrome iron; steel, unwrought or semi-wrought; ceilings of metal; wall linings of metal (building); wall claddings of metal (building); posts of metal; advertisement columns of metal; stops of metal; sash fasteners of metal for windows; stair treads (steps) of metal; staircases of metal; tantalum (metal); brazing alloys; telegraph posts of metal; titanium; tombac; clips of metal for cables and pipes; pipe muffers of metal; pipes of metal; ducts and pipes of metal for central heating installations; manifolds of metal for pipelines; pipework of metal; tungsten iron; ferrotitanium; flanges of metal (collars); foils of metal for wrapping and packaging; jets of metal; buckles of common metal (hardware); chromium; chrome ores; nails; brads; tacks (nails); zinc; zirconium; silicon iron; cast iron, unwrought or semi-wrought; roofing tiles of metal; safes (strong boxes); railroad ties of metal; bins of metal.

9 – Anodes; junction boxes (electricity); connections for electric lines; connections, electric; connectors (electricity); electricity conduits; fibre optic cables; cables, electric; junction sleeves for electric cables; coaxial cables; cathodes; collectors, electric; contacts, electric; copper wire, insulated; semi-conductors; limiters (electricity); sheaths for electric cables; commutators; conductors, electric; wires, electric; telephone wires; ducts (electricity); plugs, sockets and other contacts (electric connections); identification sheaths for electric wires.

17 – Flexible tubes, not of metal; junctions for pipes, not of metal; foils of metal for insulating; insulating paper; insulating materials; insulating fabrics; insulators for cables; pipe jackets, not of metal; padding materials of rubber or plastics; plastic substances, semi-processed; plastic film other than for wrapping; artificial resins (semi-finished products); insulating tape and band; reinforcing materials, not of metal, for pipes; joint packings for pipes.

35 – Organization of exhibitions for commercial or advertising purposes; organization of trade fairs for commercial or advertising purposes; demonstration of goods; distribution of samples; business information; relocation services for businesses; procurement services for others (purchasing goods and services for other businesses); advertising; dissemination of advertising matter; sales promotion for others.

36 – Clearing, financial; mutual funds; capital investment; exchanging money; charitable fund raising; financial sponsorship; renting of apartments; organization of collections; rental of offices (real estate); leasing of real estate; real estate agencies; real estate management; housing agents; loans (financing); credit bureaux; lending against security; bail-bonding.

37 – Motor vehicle maintenance and repair; rebuilding engines that have been worn or partially destroyed; rebuilding machines that have been worn or partially destroyed; rental of excavators; rental of cranes (construction equipment); rental of construction equipment.

39 – Bus transport; car rental; car transport; parking place rental; freight forwarding; chauffeur services; piloting; garage rental; delivery of goods; storage; storage information; storage of goods; passenger transport; transport; transportation information; transport brokerage; removal services; hauling; rental of warehouses; rental of vehicle roof racks; vehicle rental; transport reservation; railway coach rental.

40 – Recycling of waste and trash; tin-plating; metal casting; metal treating; metal tempering; metal plating; soldering; refining services; custom assembling of materials for others; destruction of waste and trash; incineration of waste and trash; sorting of waste and recyclable material (transformation); silver-plating; chromium plating; galvanization; abrasion; saddlery working.

(260) AM 2016 82544 A

(800) 1250037

(891) 2014 12 10

(731) Obshchestvo s ogranichennoy
otvetstvennostyuu "ARGM"
Leninskii prospect, 4, 1A, RU-119049
Moscow, Russian Federation

(540)

RATHKEEN

(591) Black, white

(511)

16 – Paper, cardboard and goods made from these materials, not included in other classes; printed matter; bookbinding material; photographs; stationery; adhesives for stationery or household purposes; artists' materials; paint brushes; typewriters and office requisites (except furniture); instructional and teaching material (except apparatus); plastic materials for packaging (not included in other classes); printers' type; printing blocks; fountain pens; aquarelles; albums; almanacs; document laminators for office use; mimeograph apparatus and machines; atlases; posters; paper bows; table linen of paper; tickets; forms, printed; announcement cards [stationery]; note books; pads [stationery]; drawing pads; loose-leaf

binders; wristbands for the retention of writing instruments; pamphlets; booklets; paper sheets [stationery]; waxed paper; paper for recording machines; paper for radiograms; electrocardiograph paper; drawer liners of paper, perfumed or not; wood pulp paper; carbon paper; copying paper [stationery]; parchment paper; writing paper; luminous paper; Xuan paper for Chinese painting and calligraphy; toilet paper; wrapping paper; filter paper; paper; blotters; newsletters; rollers for typewriters; house painters' rollers; obliterating stamps; modelling wax, not for dental purposes; signboards of paper or cardboard; patterns for making clothes; patterns for dressmaking; newspapers; electrotypes; hectographs; modelling clay; terrestrial globes; drawing sets; slate pencils; pencil leads; document holders [stationery]; pencil holders; chalk holders; holders for check-books [cheque books]; holders for stamps [seals]; diagrams; engraving plates; writing slates; blackboards; galley racks [printing]; drawing boards; advertisement boards of paper or cardboard; duplicators; punches [office requisites]; cream containers of paper; magazines [periodicals]; money clips; tags for index cards; pen clips; bookmarkers; etching needles; tracing needles for drawing purposes; periodicals; printed publications; cardboard articles; paper shredders for office use; graphic representations; credit card imprinters, non-electric; graining combs; drawing instruments; calendars; tracing paper; tracing cloth; tracing patterns; gums [adhesives] for stationery or household purposes; lithographic stones; ink stones [ink reservoirs]; pencils; pencil lead holders; charcoal pencils; pictures; decalcomanias; paintings [pictures], framed or unframed; wood pulp board [stationery]; cardboard; hat boxes of cardboard; files [office requisites]; cards; index cards [stationery]; geographical maps; paper tapes and cards for the recordal of computer programmes; trading cards other than for games; perforated cards for Jacquard looms; catalogues; spools for inking ribbons; covers of paper for flower pots; paintbrushes; painters' brushes; writing brushes; typewriter keys; glue for stationery or household purposes; isinglass for stationery or household purposes; gluten [glue] for stationery or household purposes; starch paste [adhesive] for stationery or household purposes; books; manifolds [stationery]; comic books; drawing pins; cigar bands; envelopes [stationery]; cases for stamps [seals]; boxes of cardboard or paper; paint boxes [articles for use in school]; correcting fluids [office requisites]; stencils [stationery]; French curves; paper ribbons; typewriter ribbons; gummed tape [stationery]; adhesive bands for stationery or household purposes; correcting tapes [office requisites]; inking ribbons; inking ribbons for computer printers; adhesive tapes for stationery or household purposes; self-adhesive tapes for stationery or household purposes; drawing rulers; square rulers; absorbent sheets of paper or plastic for food-

stuff packaging; humidity control sheets of paper or plastic for foodstuff packaging; viscose sheets for wrapping; sheets of reclaimed cellulose for wrapping; plastic bubble packs for wrapping or packaging; steel letters; type [numerals and letters]; lithographs; paint trays; architects' models; postage stamps; plastics for modelling; graphic prints; modelling materials; teaching materials [except apparatus]; sealing compounds for stationery purposes; adhesives [glues] for stationery or household purposes; packaging material made of starches; filtering materials [paper]; addressing machines; pencil sharpening machines, electric or non-electric; bookbinding apparatus and machines [office equipment]; typewriters, electric or non-electric; folders [stationery]; franking machines for office use; chalk for lithography; writing chalk; tailors' chalk; marking chalk; bags [envelopes, pouches] of paper or plastics, for packaging; garbage bags of paper or of plastics; painters' easels; hand-rests for painters; printing sets, portable [office requisites]; bibs of paper; stickers [stationery]; finger-stalls [office requisites]; cords for bookbinding; paper knives [cutters] [office requisites]; numbering apparatus; bottle envelopes of cardboard or paper; sealing wafers; covers [stationery]; passport holders; plastic cling film, extensible, for palletization; embroidery designs [patterns]; handwriting specimens for copying; oleographs; musical greeting cards; greeting cards; postcards; etchings; conical paper bags; bags for microwave cooking; palettes for painters; ink sticks; pantographs [drawing instruments]; folders for papers; papier mâché; pastels [crayons]; modelling paste; pen cases; bookbindings; pen wipers; office perforators; pens [office requisites]; nibs of gold; nibs; steel pens; drawing pens; song books; seals [stamps]; sealing stamps; clipboards; address plates for addressing machines; handkerchiefs of paper; plastic film for wrapping; letter trays; trays for sorting and counting money; coasters of paper; bookends; stamp stands; mats for beer glasses; stands for pens and pencils; photograph stands; inking pads; stamp pads; binding strips [bookbinding]; towels of paper; inking sheets for document reproducing machines; inking sheets for duplicators; bookbinding cloth; gummed cloth for stationery purposes; printers' blankets, not of textile; portraits; paperweights; writing cases [sets]; inkstands; office requisites, except furniture; writing materials; writing instruments; drawing materials; school supplies [stationery]; adhesive tape dispensers [office requisites]; hand labelling appliances; lithographic works of art; prospectuses; printed timetables; ledgers [books]; printers' galleys; indexes; rubber erasers; elastic bands for offices; drawing T-squares; graphic reproductions; penholders; marking pens [stationery]; tissues of paper for removing make-up; face towels of paper; table napkins of paper; place mats of paper; tablemats of paper; tablecloths of paper; paper

clasps; document files [stationery]; scrapers [erasers] for offices; paper-clips; staples for offices; erasing products; transparencies [stationery]; stencil plates; cardboard tubes; Indian inks; moisteners [office requisites]; moisteners for gummed surfaces [office requisites]; drawing squares; chart pointers, non-electronic; bottle wrappers of cardboard or paper; envelope sealing machines, for offices; sealing machines for offices; vignetting apparatus; apparatus for mounting photographs; stapling presses [office requisites]; manuals [handbooks]; figurines [statuettes] of papier mâché; paper coffee filters; flags of paper; flyers; silver paper; molds for modelling clays [artists' materials]; photo-engravings; photographs [printed]; stencil cases; canvas for painting; chromolithographs [chromos]; compasses for drawing; numbers [type]; watercolor [watercolour] saucers for artists; correcting ink [heliography]; ink; inkwells; blueprints; rosaries; stencils; erasing shields; balls for ball-point pens; cabinets for stationery [office requisites]; printing type; address stamps; stamps [seals]; shields [paper seals]; prints [engravings]; labels, not of textile.

(260) AM 2016 82545 A

(800) 1250038

(891) 2015 01 05

(731) Private Joint-Stock Company

"VINNYTSIAPOBUTKHIM"

4 Frunze str., Vinnytsia 21001, Ukraine

(540)



(591) Red and white

(511)

2 – Alizarine dyes; aluminium paints; aluminium powder for painting; aniline dyes; annatto [dyestuff]; anti-corrosive preparations; anti-corrosive bands; anti-fouling paints; anti-rust preparations for preservation; anti-rust greases; anti-rust oils; anti-tarnishing preparations for metals; asbestos paints; auramine; bactericidal paints; badigeon; binding preparations for paints; bitumen varnish; black japan; bronze powder for painting; bronzing lacquers; canada balsam; caramel [food colorant]; carbon black [pigment]; carbonyl [wood preservative]; ceramic paints; coatings for roofing felt [paints]; coatings [paints]; cobalt oxide [colorant]; cochineal carmine; colophony; colorants for beverages; colorants for butter; colorants for beer; colorants for liqueurs; colorants; copal varnish; copal; creosote for wood preservation; distempers; dyes; dyewood; dyewood extracts; enamels for painting; enamels [varnishes]; engraving ink; fireproof paints; fixatives for watercolors [watercolours]; fixatives [varnishes]; metal

foil for painters, decorators, printers and artists; food dyes; gamboge for painting; glazes [paints, lacquers]; gum resins; gum-lac; indigo [colorant]; ink for leather; ink for skin-dressing; lacquers; lamp black [pigment]; lime wash; malt colorants; malt caramel [food colorant]; marking ink for animals; mastic [natural resin]; metals in powder form for painters, decorators, printers and artists; mordants; natural resins, raw; oils for the preservation of wood; orange lead; repositionable paint patches; paints; paper for dyeing easter eggs; pigments; primers; printers' pastes [ink]; printing ink; protective preparations for metals; red lead; saffron [colorant]; sandarac; shoe dyes; siccatives [drying agents] for paints; sienna earth; silver emulsions [pigments]; silver foil [leaf]; silver paste; silvering powders; soot [colorant]; stains for leather; sumac for varnishes; thickeners for paints; thinners for paints; thinners for lacquers; titanium dioxide [pigment]; toner cartridges, filled, for printers and photocopiers; toners [ink] for photocopiers; turmeric [colorant]; turpentine [thinner for paints]; undercoating for vehicle chassis; varnishes; white lead; whitewash; wood mordants; wood stains; wood coatings [paints]; wood preservatives; yellow-wood [colorant]; zinc oxide [pigment].

3 – Abrasive paper; abrasives; adhesives for affixing false hair; adhesives for affixing false eyelashes; adhesives for cosmetic purposes; after-shave lotions; air fragrancng preparations; almond soap; almond milk for cosmetic purposes; almond oil; aloe vera preparations for cosmetic purposes; alum stones [astringents]; amber [perfume]; ammonia [volatile alkali] [detergent]; antiperspirant soap; antiperspirants [toiletries]; antistatic preparations for household purposes; aromatics [essential oils]; astringents for cosmetic purposes; badian essence; balms other than for medical purposes; bases for flower perfumes; bath salts, not for medical purposes; bath preparations, not for medical purposes; beard dyes; beauty masks; bergamot oil; bleaching preparations [decolorants] for cosmetic purposes; bleaching salts; bleaching soda; breath freshening sprays; breath freshening strips; cake flavourings [essential oils]; cakes of toilet soap; canned pressurized air for cleaning and dusting purposes; carbides of metal [abrasives]; preparations for cleaning dentures; cleaning preparations; cleaning chalk; cleansing milk for toilet purposes; cloths impregnated with a detergent for cleaning; cobblers' wax; color- [colour-] brightening chemicals for household purposes [laundry]; colorants for toilet purposes; colour-removing preparations; corundum [abrasive]; cosmetic pencils; cosmetic preparations for eyelashes; cosmetic preparations for baths; cosmetic preparations for skin care; cosmetic dyes; cosmetic creams; cosmetic kits; cosmetic preparations for slimming purposes; cosmetics; cosmetics for animals; cotton wool for cosmetic purposes; creams for leather; decorative transfers for cosmetic purposes; degreasers other than for

use in manufacturing processes; dental bleaching gels; dentifrices; denture polishes; deodorant soap; deodorants for human beings or for animals; deodorants for pets; depilatory preparations; depilatory wax; detergents other than for use in manufacturing operations and for medical purposes; diamantine [abrasive]; disinfectant soap; douching preparations for personal sanitary or deodorant purposes [toiletries]; dry shampoos; dry-cleaning preparations; drying agents for dishwashing machines; eau de Cologne; emery paper; emery cloth; emery; essential oils of cedarwood; essential oils of citron; essential oils of lemon; ethereal essences; ethereal oils; extracts of flowers [perfumes]; eyebrow pencils; eyebrow cosmetics; fabric softeners for laundry use; false eyelashes; false nails; flavorings [flavourings] for beverages [essential oils]; floor wax removers [scouring preparations]; fumigation preparations [perfumes]; refurbishing preparations; gaultheria oil; geraniol; glass cloth; greases for cosmetic purposes; grinding preparations; hair lotions; hair dyes; hair waving preparations; hair spray; heliotropine; henna [cosmetic dye]; hydrogen peroxide for cosmetic purposes; incense; ionone [perfumery]; jasmine oil; javelle water; joss sticks; lacquer-removing preparations; laundry bleach; laundry preparations; laundry blueing; laundry glaze; laundry wax; laundry soaking preparations; lavender water; lavender oil; leather bleaching preparations; leather preservatives [polishes]; lip glosses; lipstick cases; lipsticks; lotions for cosmetic purposes; make-up preparations; make-up; mascara; massage gels other than for medical purposes; medicated soap; mint for perfumery; mint essence [essential oil]; mustache wax; mouth washes, not for medical purposes; musk [perfumery]; nail varnish; nail care preparations; nail art stickers; neutralizers for permanent waving; non-slipping wax for floors; non-slipping liquids for floors; oil of turpentine for degreasing; oils for cosmetic purposes; oils for toilet purposes; oils for perfumes and scents; oils for cleaning purposes; paint stripping preparations; floor wax; pastes for razor strops; perfumery; perfumes; petroleum jelly for cosmetic purposes; polish for furniture and flooring; polishing preparations; polishing wax; polishing creams; polishing rouge; polishing stones; polishing paper; pomades for cosmetic purposes; potpourris [fragrances]; make-up powder; pumice stone; quillaia bark for washing; make-up removing preparations; rose oil; rust removing preparations; sachets for perfuming linen; safrol; sandcloth; sandpaper; scale removing preparations for household purposes; scented water; scented wood; scouring solutions; shampoos; shampoos for pets; shaving soap; shaving preparations; shaving stones [astringents]; shining preparations [polish]; preparations to make shiny the leaves of plants; shoe cream; shoe polish; shoe wax; shoemakers' wax; silicon carbide [abrasive]; skin whitening creams; smoothing preparations [starching]; smoothing stones;

soap; soap for foot perspiration; soap for brightening textile; soda lye; stain removers; starch glaze for laundry purposes; starch for laundry purposes; sun-tanning preparations [cosmetics]; sunscreen preparations; cotton sticks for cosmetic purposes; tailors' wax; talcum powder, for toilet use; terpenes [essential oils]; tissues impregnated with cosmetic lotions; toilet water; toiletries; Tripoli stone for polishing; turpentine, for degreasing; preparations for unblocking drain pipes; varnish-removing preparations; volcanic ash for cleaning; wallpaper cleaning preparations; washing soda, for cleaning; whitening; windscreen cleaning liquids.

5 – Adhesive plasters; dental impression materials; disinfectants; dietetic substances adapted for medical use; dressings, medical; food for babies; pharmaceutical preparations; sanitary preparations for medical purposes; surgical dressings; teeth filling material; veterinary preparations; all above-mentioned goods included in this class, except chemical preparations used in medicine for diagnostics, namely, preparations for separation of biological materials.

(260) AM 2016 82546 A

(800) 1250057

(891) 2015 02 18

(731) "PROFIT SOLUTIONS ENGINEERING"

Limited Liability Company

Kamennoostrovsky prospect, 26/28, pom.

66-N RU-197101 Saint Petersburg, Russian Federation

(540)

MIZANTINY

(591) Black, white

(511)

19 – Vinyl windows; windows, not of metal; wooden double-glazed windows; wood blocks; wooden doors; doors, not of metal; wood boards; window frames of wood; wooden door frames; window frames, sashes and casements made of wood.

20 – Goods, not included in other classes, of wood, namely wooden furniture.

(260) AM 2016 82738 A

(800) 1251613

(891) 2014 12 18

(731) DELORBIS PHARMACEUTICALS LTD

17, Athinon Str., Ergates CY-2643 Nicosia,

Cyprus

(540)



(591) Dark blue and sky blue.

(511)

5 – Antibiotics; chemical preparations for pharmaceutical purposes; chemical preparations for medical purposes; chemico-pharmaceutical preparations, medical preparations for slimming purposes; medicinal hair growth preparations, medicinal infusions; medicines for dental purposes; medicines for human purposes; medicines for veterinary purposes; pastilles/lozenges for pharmaceutical purposes; pharmaceutical preparations for treating dandruff; pharmaceutical preparations; pharmaceutical preparations for skin care, sterilizing preparations; suppositories; vitamin preparations; chemical contraceptives; drugs for medical purposes; elixirs (pharmaceutical preparations), syrups for pharmaceutical purposes.

35 – Distribution of samples; marketing; organization of exhibitions for commercial or advertising purposes; presentation of goods on communication media, for retail purposes; retail or wholesale services for pharmaceutical, veterinary and sanitary preparations and medical supplies.

(260) AM 2016 82739 A

(800) 1251619

(891) 2015 01 12

(731) N2KIDS SATIŞ PAZARLAMA VE
DANIŞMALIK ANONİM ŞİRKETİ
Büyükdere Caddesi Cem Plaza, No:23 Kat:2
Şişli, İstanbul, Turkey

(540)



(591) Black,white,Blue,green,yellow,zed

(511)

25 – Clothing, including underwear and outerclotting, other than special purpose protective clothing; socks; footwear; headgear.

35 – Advertising, marketing and public relations; organization of exhibitions and trade fairs for commercial or advertising purposes; office functions; secretarial services; arranging newspaper subscriptions for others; compilation of statistics; rental of office machines; systemization of information into computer databases; telephone answering for unavailable subscribers; business management, business administration and business consultancy; accounting; commercial consultancy services; personnel recruitment, personnel placement, employment agencies, import-export agencies; temporary personnel placement services; business appraisals; auctioneering; the bringing together, for the benefit of others, of a variety of goods, enabling customers to conveniently view and purchase those clothing, including underwear and outer clothing, other than special purpose protective clothing, socks, footwear, headgear goods, such services may be provided by retail

stores, wholesale outlets, by means of electronic media or through mail order catalogues.

(260) AM 2016 82770 A

(800) 1252005

(891) 2014 10 27

(731) MEHMET ŞERİF ER

Anadolu Mh. Başaran Sk. No:45, Bursa,
Turkey

(540)



(591) zed,white

(511)

24 – Woven or non-woven textile fabrics; textile goods for household use, not included in other classes: curtains, bed covers, sheets (textile), pillowcases, blankets, quilts, towels; flags, pennants, labels of textile; swaddling blankets.

25 – Clothing, including underwear and outerclotting, other than special purpose protective clothing; socks; footwear; headgear.

35 – Advertising, marketing and public relations; organization of exhibitions and trade fairs for commercial or advertising purposes; office functions; secretarial services; arranging newspaper subscriptions for others; compilation of statistics; rental of office machines; systemization of information into computer databases; telephone answering for unavailable subscribers; business management, business administration and business consultancy; accounting; commercial consultancy services; personnel recruitment, personnel placement, employment agencies, import-export agencies; temporary personnel placement services; business appraisals; auctioneering; the bringing together, for the benefit of others, of a variety of goods, namely, woven or non-woven textile fabrics; textile goods for household use; not included in other classes: curtains, bed covers, sheets (textile), pillowcases, blankets, quilts, towels; flags, pennants, labels of textile; swaddling blankets; clothing, including underwear and outerclotting, other than special purpose protective clothing; socks; footwear; headgear, enabling customers to conveniently view and purchase those goods, such services may be provided by retail stores, wholesale outlets, by means of electronic media or through mail order catalogues.

(260) AM 2016 82771 A

(800) 1252033

(891) 2014 12 19

(731) SOPRO BAUCHEMIE GMBH

Biebricher Strasse 74, 65203 Wiesbaden,
Germany

(540)

DF 20

(511)

1 – Chemicals used in industry; impregnating preparations; adhesives used in industry, in particular made of synthetic resins; chemical products for industrial purposes being additives for building materials; chemical products for industrial purposes being additives for screed, concrete and mortar; liquid plastics, unprocessed, included in this class; presservatives for building materials (except for organic substances); tempering agents for concrete, mortar and screed, included in this class, namely for preventing drying out of concrete and mortar used in screed and pre-fabricated concrete components, for rendering concrete screed resistant against impacts, abrasion, freeze and chemical stress, for increasing imperviousness against liquids and gases as well as for controlling the working consistency; unprocessed artificial resin; surface-active agents (tensides); damp proofing preparations for brickwork, except paints; horticulture chemicals; antifreeze; chemical products as aid for washing out joint compounds; solvents for paints, varnishes and lacquers; silicones.

17 – Rubber, gutta-percha, gum, asbestos, mica and goods made from these materials, included in this class; goods made of plastics as semi-finished products; artificial and synthetic resins (semi-finished products), resins (semi-finished products) for fabricating adhesives; cast resins (semi-finished products) including silica sand; sealing, packing and insulating materials, sealing tapes, sealing collars; rubber gloves for insulating purposes, not for household purposes; joint fillers (sealant compounds for joints); insulating coating agents paints and insulating lacquers; insulating paints; self-adhesive tapes, other than stationery and not for medical or household purposes; insulating coatings and insulating materials; filling material as insulating, damping and sealing materials; bituminous coatings for roofing for sealing and insulating purposes.

19 – Building materials (non-metallic), in particular with damping and insulating properties; building materials (non-metallic); building materials (non-metallic), namely hydraulic binding agents such as cement, lime, gypsum and as additives for binding and hardening concrete, mortar and stony building materials; building materials (non-metallic), namely mixtures of hydraulic binding agents with aggregates, pozzolanic materials and/or chemical substances; mortar (building material), plaster (building material), screeds (building material); reinforcing fabrics (non-metallic) for building purposes; contact sludges (non-metallic) for building purposes; building materials, non-metallic, in the form of filling materials for building purposes for preparing surfaces made of concrete, mortar and other stony building materials; silica sand for building purposes;

bitumen; bituminous products for building; pipes, not of metal, for building purposes; concrete, concrete building elements; roof coverings, not of metal; bituminous coatings for roofing (except for sealing and insulating purposes); windows, not of metal; felts for building; gravel; sand for building purposes; prefabricated swimming pools (not of metal); prefabricated chimneys, not of metal; floor tiles, not of metal, tile floorings, not of metal; binding material for road repair, road coating materials

(260) AM 2016 82774 A

(800) 1252064

(891) 2015 01 15

(731) WORLD MEDICINE İLAÇ SANAYİ VE
TİCARET ANONİM ŞİRKETİ
Evren Mah. Camiyolu Cad. No:50 K:1 B,
Zemin 4-5-6, Güneşli Bağcılar, İstanbul,
Turkey

(540)

TYRELOX
ТИРЕЛОКС

(591) Black,white

(511)

5 – Medicines for human purposes, medicines for veterinary purposes, vitamin preparations, chemical preparations for medical purposes.

INTERNATIONAL TRADEMARKS PROTECTED IN GEORGIA

(260) AM 2015 75963 A
(800) 1015273
(151) 2009 07 16
(181) 2019 07 16
(891) 2013 10 31
(511) 18

(260) AM 2015 77752 A
(800) 1206785
(151) 2014 04 29
(181) 2024 04 29
(891) 2014 04 29
(511) 38

(260) AM 2015 76109 A
(800) 1192812
(151) 2013 11 14
(181) 2023 11 14
(891) 2013 11 14
(511) 01, 03

(260) AM 2015 78450 A
(800) 1212512
(151) 2014 01 31
(181) 2024 01 31
(891) 2014 01 31
(511) 03

(260) AM 2015 76516 A
(800) 1195728
(151) 2013 09 30
(181) 2023 09 30
(891) 2013 09 30
(511) 12, 35

(260) AM 2015 78615 A
(800) 1214416
(151) 2014 06 11
(181) 2024 06 11
(891) 2014 06 11
(511) 09, 11, 34

(260) AM 2015 77239 A
(800) 1202047
(151) 2013 12 06
(181) 2023 12 06
(891) 2013 12 06
(511) 07, 09, 40

(260) AM 2015 78938 A
(800) 1217015
(151) 2014 07 14
(181) 2024 07 14
(891) 2014 07 14
(511) 25, 28, 35, 41

(260) AM 2015 77419 A
(800) 1204020
(151) 2014 03 12
(181) 2024 03 12
(891) 2014 03 12
(511) 09

(260) AM 2015 79732 A
(800) 840857
(151) 2004 04 21
(181) 2024 04 21
(891) 2014 07 28
(511) 42

(260) AM 2015 77422 A
(800) 1204078
(151) 2014 03 04
(181) 2024 03 04
(891) 2014 03 04
(511) 03

(260) AM 2015 79737 A
(800) 1162505
(151) 2013 03 22
(181) 2023 03 22
(891) 2014 11 04
(511) 14

(260) AM 2015 77434 A
(800) 1204105
(151) 2014 01 08
(181) 2024 01 08
(891) 2014 01 08
(511) 07, 12

(260) AM 2015 79738 A
(800) 1198102
(151) 2014 01 20
(181) 2024 01 20
(891) 2014 01 20
(511) 03, 05

(260) AM 2015 79850 A
(800) 1224852
(151) 2014 09 05
(181) 2024 09 05
(891) 2014 09 05
(511) 05, 29, 30

(260) AM 2015 79878 A
(800) 1176055
(151) 2013 06 28
(181) 2023 06 28
(891) 2014 08 25
(511) 43

(260) AM 2015 80244 A
(800) 1192114
(151) 2013 11 07
(181) 2023 11 07
(891) 2014 09 08
(511) 05

(260) AM 2015 80267 A
(800) 1228793
(151) 2014 09 10
(181) 2024 09 10
(891) 2014 09 10
(511) 30

(260) AM 2015 80337 A
(800) 1229771
(151) 2014 09 12
(181) 2024 09 12
(891) 2014 09 12
(511) 41

(260) AM 2015 80372 A
(800) 1230203
(151) 2014 08 11
(181) 2024 08 11
(891) 2014 08 11
(511) 19

(260) AM 2015 80376 A
(800) 1230256
(151) 2014 09 12
(181) 2024 09 12
(891) 2014 09 12
(511) 30

(260) AM 2015 80386 A
(800) 1230352
(151) 2013 12 26
(181) 2023 12 26

(891) 2013 12 26
(511) 03

(260) AM 2015 80389 A
(800) 1230364
(151) 2014 04 15
(181) 2024 04 15
(891) 2014 04 15
(511) 28, 30

(260) AM 2015 80392 A
(800) 1230380
(151) 2014 07 28
(181) 2024 07 28
(891) 2014 07 28
(511) 03, 09, 18, 25, 32, 35

(260) AM 2015 80393 A
(800) 1230381
(151) 2014 07 28
(181) 2024 07 28
(891) 2014 07 28
(511) 03, 09, 18, 25, 32, 35

(260) AM 2015 80394 A
(800) 1230389
(151) 2014 06 28
(181) 2024 06 28
(891) 2014 06 28
(511) 33

(260) AM 2015 80395 A
(800) 1230420
(151) 2014 10 03
(181) 2024 10 03
(891) 2014 10 03
(511) 29, 30, 35, 39

(260) AM 2015 80400 A
(800) 1230530
(151) 2014 05 07
(181) 2024 05 07
(891) 2014 05 07
(511) 32, 33

(260) AM 2015 80402 A
(800) 1230532
(151) 2014 05 13
(181) 2024 05 13
(891) 2014 05 13
(511) 28, 30

(260) AM 2015 80406 A
(800) 1230533
(151) 2014 05 13
(181) 2024 05 13
(891) 2014 05 13
(511) 28, 30

(260) AM 2015 80415 A
(800) 1230606
(151) 2014 09 16
(181) 2024 09 16
(891) 2014 09 16
(511) 09, 42

(260) AM 2015 80440 A
(800) 1230850
(151) 2014 08 06
(181) 2024 08 06
(891) 2014 08 06
(511) 20

(260) AM 2015 80441 A
(800) 1230914
(151) 2014 10 07
(181) 2024 10 07
(891) 2014 10 07
(511) 09, 16, 41

(260) AM 2015 80442 A
(800) 1230923
(151) 2014 10 08
(181) 2024 10 08
(891) 2014 10 08
(511) 35, 39, 41

(260) AM 2015 80443 A
(800) 1230986
(151) 2014 09 09
(181) 2024 09 09
(891) 2014 09 09
(511) 29, 30, 32, 35

(260) AM 2015 80444 A
(800) 1231002
(151) 2014 10 16
(181) 2024 10 16
(891) 2014 10 16
(511) 05

(260) AM 2015 80447 A
(800) 1231012
(151) 2014 09 19
(181) 2024 09 19

(891) 2014 09 19
(511) 30

(260) AM 2015 80448 A
(800) 237918
(151) 1960 11 26
(181) 2020 11 26
(891) 2014 10 23
(511) 07, 09, 11

(260) AM 2015 80449 A
(800) 607805
(151) 1993 09 02
(181) 2023 09 02
(891) 2014 09 16
(511) 19

(260) AM 2015 80450 A
(800) 618519
(151) 1994 05 27
(181) 2024 05 27
(891) 2014 10 03
(511) 04

(260) AM 2015 80451 A
(800) 1017961
(151) 2009 10 07
(181) 2019 10 07
(891) 2014 10 21
(511) 07, 08

(260) AM 2015 80452 A
(800) 1062056
(151) 2010 11 10
(181) 2020 11 10
(891) 2014 10 09
(511) 28

(260) AM 2015 80453 A
(800) 1083376
(151) 2011 06 20
(181) 2021 06 20
(891) 2014 10 03
(511) 04

(260) AM 2015 80454 A
(800) 1119647
(151) 2012 04 19
(181) 2022 04 19
(891) 2014 10 21
(511) 03

(260) AM 2015 80455 A
(800) 1147119
(151) 2012 06 28
(181) 2022 06 28
(891) 2014 09 30
(511) 18, 24, 25

(260) AM 2015 80456 A
(800) 1147183
(151) 2012 06 28
(181) 2022 06 28
(891) 2014 09 30
(511) 18

(260) AM 2015 80457 A
(800) 1147188
(151) 2012 08 03
(181) 2022 08 03
(891) 2014 09 30
(511) 18

(260) AM 2015 80458 A
(800) 1147189
(151) 2012 08 03
(181) 2022 08 03
(891) 2014 09 30
(511) 18

(260) AM 2015 80459 A
(800) 1151783
(151) 2012 09 13
(181) 2022 09 13
(891) 2014 09 16
(511) 09, 18, 42

(260) AM 2015 80460 A
(800) 1152069
(151) 2012 06 28
(181) 2022 06 28
(891) 2014 09 30
(511) 24

(260) AM 2015 80461 A
(800) 1231079
(151) 2014 02 28
(181) 2024 02 29
(891) 2014 02 28
(511) 29, 30, 32, 33

(260) AM 2015 80462 A
(800) 1231117
(151) 2014 11 03
(181) 2024 11 03

(891) 2014 11 03
(511) 05

(260) AM 2015 80463 A
(800) 1231128
(151) 2014 09 18
(181) 2024 09 18
(891) 2014 09 18
(511) 03

(260) AM 2015 80465 A
(800) 1231143
(151) 2013 12 30
(181) 2023 12 30
(891) 2013 12 30
(511) 06, 17, 19

(260) AM 2015 80467 A
(800) 1231161
(151) 2014 02 20
(181) 2024 02 20
(891) 2014 02 20
(511) 09, 16, 35, 36, 38, 41, 42

(260) AM 2015 80468 A
(800) 1231171
(151) 2014 04 09
(181) 2024 04 09
(891) 2014 04 09
(511) 01, 02, 03, 06, 11, 17, 19, 24, 27, 37

(260) AM 2015 80469 A
(800) 1231182
(151) 2014 05 26
(181) 2024 05 26
(891) 2014 05 26
(511) 01, 16, 17, 20, 21, 40, 42

(260) AM 2015 80472 A
(800) 1231221
(151) 2014 08 19
(181) 2024 08 19
(891) 2014 08 19
(511) 18, 24, 25, 28

(260) AM 2015 80473 A
(800) 1231224
(151) 2014 07 28
(181) 2024 07 28
(891) 2014 07 28
(511) 09

(260) AM 2015 80475 A
(800) 1231230
(151) 2014 08 04
(181) 2024 08 04
(891) 2014 08 04
(511) 18, 25

(260) AM 2015 80476 A
(800) 1231251
(151) 2014 09 25
(181) 2024 09 25
(891) 2014 09 25
(511) 03

(260) AM 2015 80477 A
(800) 1231252
(151) 2014 09 25
(181) 2024 09 25
(891) 2014 09 25
(511) 03

(260) AM 2015 80478 A
(800) 1231283
(151) 2014 10 28
(181) 2024 10 28
(891) 2014 10 28
(511) 29, 35

(260) AM 2015 80479 A
(800) 1231299
(151) 2014 11 06
(181) 2024 11 06
(891) 2014 11 06
(511) 09, 12

(260) AM 2015 80480 A
(800) 1231341
(151) 2014 04 24
(181) 2024 04 24
(891) 2014 04 24
(511) 03, 09, 14, 16, 18, 25, 35, 36, 42

(260) AM 2015 80484 A
(800) 1231400
(151) 2014 08 28
(181) 2024 08 28
(891) 2014 08 28
(511) 03

(260) AM 2015 80486 A
(800) 1231473
(151) 2014 04 07
(181) 2024 04 07

(891) 2014 04 07
(511) 01, 04, 06, 07, 35, 37, 39, 40, 42

(260) AM 2015 80493 A
(800) 1231504
(151) 2014 09 19
(181) 2024 09 19
(891) 2014 09 19
(511) 05

(260) AM 2015 80496 A
(800) 1231526
(151) 2014 09 22
(181) 2024 09 22
(891) 2014 09 22
(511) 30

(260) AM 2015 80498 A
(800) 1231535
(151) 2014 10 07
(181) 2024 10 07
(891) 2014 10 07
(511) 09, 16, 25, 35, 41, 45

(260) AM 2015 80499 A
(800) 1231570
(151) 2014 06 30
(181) 2024 06 30
(891) 2014 06 30
(511) 05

(260) AM 2015 80500 A
(800) 1231605
(151) 2014 09 22
(181) 2024 09 22
(891) 2014 09 22
(511) 07

(260) AM 2015 80501 A
(800) 783369
(151) 2002 06 05
(181) 2022 06 05
(891) 2014 11 14
(511) 03, 05

(260) AM 2015 80504 A
(800) 1145511
(151) 2012 08 02
(181) 2022 08 02
(891) 2014 10 09
(511) 29, 30, 31

(260) AM 2015 80505 A
(800) 1156377
(151) 2012 11 28
(181) 2022 11 28
(891) 2014 09 16
(511) 30, 32

(260) AM 2015 80506 A
(800) 1195627
(151) 2014 02 19
(181) 2024 02 19
(891) 2014 12 04
(511) 43

(260) AM 2015 80507 A
(800) 1231638
(151) 2014 09 18
(181) 2024 09 18
(891) 2014 09 18
(511) 09

(260) AM 2015 80511 A
(800) 1231640
(151) 2014 09 18
(181) 2024 09 18
(891) 2014 09 18
(511) 09

(260) AM 2015 80512 A
(800) 1231682
(151) 2014 08 20
(181) 2024 08 20
(891) 2014 08 20
(511) 27

(260) AM 2015 80513 A
(800) 1231693
(151) 2014 08 07
(181) 2024 08 07
(891) 2014 08 07
(511) 12

(260) AM 2015 80514 A
(800) 1231713
(151) 2014 10 06
(181) 2024 10 06
(891) 2014 10 06
(511) 33

(260) AM 2015 80515 A
(800) 1231720
(151) 2014 06 06
(181) 2024 06 06

(891) 2014 06 06
(511) 05, 32

(260) AM 2015 80517 A
(800) 1231722
(151) 2014 06 27
(181) 2024 06 27
(891) 2014 06 27
(511) 03

(260) AM 2015 80518 A
(800) 1231776
(151) 2014 09 03
(181) 2024 09 03
(891) 2014 09 03
(511) 29, 30

(260) AM 2015 80519 A
(800) 1231801
(151) 2014 10 24
(181) 2024 10 24
(891) 2014 10 24
(511) 33

(260) AM 2015 80521 A
(800) 1231819
(151) 2014 11 17
(181) 2024 11 17
(891) 2014 11 17
(511) 05

(260) AM 2015 80522 A
(800) 1001396
(151) 2008 11 07
(181) 2018 11 07
(891) 2008 11 07
(511) 30

(260) AM 2015 80524 A
(800) 1066182
(151) 2010 12 28
(181) 2020 12 28
(891) 2014 09 05
(511) 20, 24

(260) AM 2015 80527 A
(800) 1149463
(151) 2012 11 19
(181) 2022 11 19
(891) 2014 09 22
(511) 03

(260) AM 2015 80528 A
(800) 1231876
(151) 2014 06 11
(181) 2024 06 11
(891) 2014 06 11
(511) 01, 19

(260) AM 2015 80529 A
(800) 1231887
(151) 2014 09 16
(181) 2024 09 16
(891) 2014 09 16
(511) 14

(260) AM 2015 80533 A
(800) 1231908
(151) 2014 10 23
(181) 2024 10 23
(891) 2014 10 23
(511) 05, 38, 44

(260) AM 2015 80534 A
(800) 1231918
(151) 2014 09 12
(181) 2024 09 12
(891) 2014 09 12
(511) 41

(260) AM 2015 80538 A
(800) 1231947
(151) 2014 06 10
(181) 2024 06 10
(891) 2014 06 10
(511) 09, 36, 38

(260) AM 2015 80539 A
(800) 1231949
(151) 2014 07 31
(181) 2024 07 31
(891) 2014 07 31
(511) 09, 16, 24, 25, 28, 35

(260) AM 2015 80541 A
(800) 1231968
(151) 2014 09 16
(181) 2024 09 16
(891) 2014 09 16
(511) 10

(260) AM 2015 80544 A
(800) 1232024
(151) 2014 08 25
(181) 2024 08 25

(891) 2014 08 25
(511) 09, 28

(260) AM 2015 80549 A
(800) 1232043
(151) 2014 06 06
(181) 2024 06 06
(891) 2014 06 06
(511) 09, 12, 18

(260) AM 2015 80552 A
(800) 1232153
(151) 2014 09 26
(181) 2024 09 26
(891) 2014 09 26
(511) 36

(260) AM 2015 80553 A
(800) 1232154
(151) 2014 09 26
(181) 2024 09 26
(891) 2014 09 26
(511) 36

(260) AM 2015 80555 A
(800) 1232181
(151) 2014 10 13
(181) 2024 10 13
(891) 2014 10 13
(511) 01

(260) AM 2015 80557 A
(800) 1232206
(151) 2014 11 24
(181) 2024 11 24
(891) 2014 11 24
(511) 12

(260) AM 2015 80564 A
(800) 1232278
(151) 2014 10 03
(181) 2024 10 03
(891) 2014 10 03
(511) 05, 10

(260) AM 2015 80565 A
(800) 1232285
(151) 2014 03 13
(181) 2024 03 13
(891) 2014 03 13
(511) 29, 30

(260) AM 2015 80566 A
(800) 1232316
(151) 2014 09 17
(181) 2024 09 17
(891) 2014 09 17
(511) 36

(260) AM 2015 80574 A
(800) 1232335
(151) 2014 09 23
(181) 2024 09 23
(891) 2014 09 23
(511) 05

(260) AM 2015 80612 A
(800) 937991
(151) 2007 09 20
(181) 2017 09 20
(891) 2014 11 06
(511) 12

(260) AM 2015 80628 A
(800) 1232514
(151) 2014 10 31
(181) 2024 10 31
(891) 2014 10 31
(511) 32

(260) AM 2015 80630 A
(800) 1232540
(151) 2014 11 05
(181) 2024 11 05
(891) 2014 11 05
(511) 34

(260) AM 2015 80640 A
(800) 1232551
(151) 2014 10 09
(181) 2024 10 09
(891) 2014 10 09
(511) 09, 41, 42

(260) AM 2015 80641 A
(800) 1232552
(151) 2014 10 09
(181) 2024 10 09
(891) 2014 10 09
(511) 09, 41, 42

(260) AM 2015 80643 A
(800) 1232574
(151) 2014 09 30
(181) 2024 09 30

(891) 2014 09 30
(511) 05

(260) AM 2015 80647 A
(800) 1232614
(151) 2014 07 09
(181) 2024 07 09
(891) 2014 07 09
(511) 43

(260) AM 2015 80648 A
(800) 1232620
(151) 2014 09 25
(181) 2024 09 25
(891) 2014 09 25
(511) 01, 05, 09, 10

(260) AM 2015 80649 A
(800) 1232629
(151) 2014 09 30
(181) 2024 09 30
(891) 2014 09 30
(511) 05

(260) AM 2015 80658 A
(800) 1232666
(151) 2014 10 07
(181) 2024 10 07
(891) 2014 10 07
(511) 35, 36, 37, 42, 43

(260) AM 2015 80668 A
(800) 1232729
(151) 2014 10 22
(181) 2024 10 22
(891) 2014 10 22
(511) 31

(260) AM 2015 80669 A
(800) 1232730
(151) 2014 10 22
(181) 2024 10 22
(891) 2014 10 22
(511) 31

(260) AM 2015 80674 A
(800) 1232772
(151) 2014 06 17
(181) 2024 06 17
(891) 2014 06 17
(511) 16, 35, 45

(260) AM 2015 80675 A
(800) 1232811
(151) 2014 10 07
(181) 2024 10 07
(891) 2014 10 07
(511) 30

(260) AM 2015 80677 A
(800) 1232818
(151) 2014 10 21
(181) 2024 10 21
(891) 2014 10 21
(511) 30

(260) AM 2015 80687 A
(800) 1232835
(151) 2014 10 07
(181) 2024 10 07
(891) 2014 10 07
(511) 30

(260) AM 2015 80688 A
(800) 1232838
(151) 2014 11 20
(181) 2024 11 20
(891) 2014 11 20
(511) 06, 07, 09, 12, 19

(260) AM 2015 80689 A
(800) 1232852
(151) 2014 11 20
(181) 2024 11 20
(891) 2014 11 20
(511) 01, 03, 16, 17

(260) AM 2015 80691 A
(800) 1232884
(151) 2014 10 08
(181) 2024 10 08
(891) 2014 10 08
(511) 25

(260) AM 2015 80693 A
(800) 1232890
(151) 2014 05 07
(181) 2024 05 07
(891) 2014 05 07
(511) 30, 32, 35, 43

(260) AM 2015 80701 A
(800) 1232972
(151) 2014 11 04
(181) 2024 11 04

(891) 2014 11 04
(511) 14

(260) AM 2015 80703 A
(800) 1233086
(151) 2014 09 04
(181) 2024 09 04
(891) 2014 09 04
(511) 16, 28, 41

(260) AM 2015 80704 A
(800) 1233092
(151) 2014 10 09
(181) 2024 10 09
(891) 2014 10 09
(511) 03

(260) AM 2015 80731 A
(800) 1233226
(151) 2014 10 16
(181) 2024 10 16
(891) 2014 10 16
(511) 14, 16, 36

(260) AM 2015 80732 A
(800) 1233237
(151) 2014 03 19
(181) 2024 03 19
(891) 2014 03 19
(511) 09, 35, 38, 41, 42, 45

(260) AM 2015 80758 A
(800) 783833
(151) 2002 06 28
(181) 2022 06 28
(891) 2014 09 25
(511) 03

(260) AM 2015 80759 A
(800) 840556
(151) 2004 09 02
(181) 2024 09 02
(891) 2015 01 13
(511) 30

(260) AM 2015 80760 A
(800) 862442
(151) 2005 08 08
(181) 2025 08 08
(891) 2015 01 14
(511) 29, 30

(260) AM 2015 80761 A
(800) 872290
(151) 2005 08 01
(181) 2025 08 01
(891) 2014 10 29
(511) 09, 28, 41

(260) AM 2015 80763 A
(800) 948752
(151) 2007 05 07
(181) 2017 05 07
(891) 2014 09 25
(511) 16, 35

(260) AM 2015 81063 A
(800) 1236451
(151) 2014 12 12
(181) 2024 12 12
(891) 2014 12 12
(511) 05

(260) AM 2015 81064 A
(800) 1236452
(151) 2014 12 12
(181) 2024 12 12
(891) 2014 12 12
(511) 05

(260) AM 2015 81065 A
(800) 1236453
(151) 2014 12 12
(181) 2024 12 12
(891) 2014 12 12
(511) 05

(260) AM 2015 81066 A
(800) 1236454
(151) 2014 12 12
(181) 2024 12 12
(891) 2014 12 12
(511) 05

(260) AM 2015 81067 A
(800) 1237057
(151) 2014 09 30
(181) 2024 09 30
(891) 2014 09 30
(511) 05

(260) AM 2015 81068 A
(800) 1236455
(151) 2014 12 12

(181) 2024 12 12
(891) 2014 12 12
(511) 05

(260) AM 2015 81078 A
(800) 1236461
(151) 2014 11 21
(181) 2024 11 21
(891) 2014 11 21
(511) 03

(260) AM 2015 81113 A
(800) 667329
(151) 1997 01 24
(181) 2017 01 24
(891) 2014 12 17
(511) 31

(260) AM 2015 81115 A
(800) 1151606
(151) 2012 12 17
(181) 2022 12 17
(891) 2014 12 15
(511) 03, 05

Appellations of Origin (AOs)

AMENDMENTS IN AO REGISTRATION

In accordance of Order No. 425/07 of 02 March 2016 of Chairman of IP National Centre of Georgia SAKPATENTI was made corresponding amendment in the registration specification of GI – SULGUNI.

Regarding of said, accordingly Law of Georgia about AOs and GIs of Goods, shall be published in Industrial Property Official Bulletin of Georgia and in one of central magazine. Within three months from data publication the remarks and additional information represented in SAKPATENTI shall be sent to Ministry of Agriculture to be researched. If no information will be arrived in SAKPATENTI within three months, published data about GI SULGUNI specification amendment shall be reflected in corresponding register.

Registration No 10

Date of Registration: 2012 01 24

Application No 1579/07

Filing Date: 2011 09 06

GI: SULGUNI

Name of Product for which the Registration of GI is Requested Class 29 – Cheese

Name and Address of Applicant:

Agriculture Ministry of Georgia, Marshal Gelovani Ave. №6, 0159, Tbilisi (GE)

CONTENT

Milk, with which the cheese SULGUNI is produced, shall satisfy following requirements:

Milk	Specific Weight no Less than	Low-fat Dry Substance Content (%) no Less than	Fat (%) no Less than	Acidity no More than (°T)
Caw	1,027	8,1	3,2	23
Buffalo	1,034	10,5	6,5	25
Goat	1,030	8,3	3,6	23
Mix	1,030	9,3	4,2	24

OFFICIAL NOTIFICATIONS

TRADEMARKS

RENEWAL OF REGISTRATIONS

(111) M 1995 1233 R2
(156) 2015 12 04
(186) 2025 12 04
(732) ZIMMER INC.
345 east Main Street, Warsaw, Indiana
46580, USA

(111) M 1996 1330 R2
(156) 2016 01 09
(186) 2026 01 09
(732) SUMITOMO CHEMICAL CO., LTD
27-1, Shinkawa 2-chome, Chuo-ku, Tokyo
104-8260, Japan

(111) M 1996 1332 R2
(156) 2016 01 09
(186) 2026 01 09
(732) SUMITOMO CHEMICAL CO., LTD
27-1, Shinkawa 2-chome, Chuo-ku, Tokyo
104-8260, Japan

(111) M 1996 1333 R2
(156) 2016 01 09
(186) 2026 01 09
(732) SUMITOMO CHEMICAL CO., LTD
27-1, Shinkawa 2-chome, Chuo-ku, Tokyo
104-8260, Japan

(111) M 1996 1335 R2
(156) 2016 01 09
(186) 2026 01 09
(732) SUMITOMO CHEMICAL CO., LTD
27-1, Shinkawa 2-chome, Chuo-ku, Tokyo
104-8260, Japan

(111) M 1996 1359 R2
(156) 2016 01 12
(186) 2026 01 12
(732) VDE VERBAND DER
ELEKTROTECHNIK ELEKTRONIK
INFORMATIONSTECHNIK E.V.
15, Stresemannallee, D-60596 Frankfurt,
Germany

(111) M 1996 1366 R2
(156) 2016 01 15
(186) 2026 01 15
(732) INGERSOLL-RAND COMPANY
800-D Beaty Street, Davidson, North
Carolina 28036, USA

(111) M 1996 1380 R2
(156) 2016 01 25
(186) 2026 01 17
(732) MORESCHI S.p.A.
Via Cararola 69, 27029 Vigevano PV, Italy

(111) M 1996 1397 R2
(156) 2016 01 29
(186) 2026 01 29
(732) VDE VERBAND DER
ELEKTROTECHNIK ELEKTRONIK
INFORMATIONSTECHNIK E.V.
15, Stresemannallee, D-60596 Frankfurt,
Germany

(111) M 1996 1503 R2
(156) 2016 02 08
(186) 2026 02 08
(732) KONINKLIJKE DOUWE EGBERTS B.V.
Oosterdoksstraat 80, 1011 DK Amsterdam,
Netherlands

(111) M 2005 16001 R1
(156) 2015 12 29
(186) 2025 06 13
(732) LTD "J-M-T HOTELS"
Tavisuplebis moedani 4, 0105, Tbilisi,
Georgia

(111) M 2005 16002 R1
(156) 2015 10 29
(186) 2025 06 13
(732) LTD "J-M-T HOTELS"
Tavisuplebis moedani 4, 0105, Tbilisi,
Georgia

(111) M 2005 16003 R1
(156) 2015 10 29
(186) 2025 06 13

(732) LTD "J-M-T HOTELS"
Tavisuplebis moedani 4, 0105, Tbilisi,
Georgia

(111) M 2005 16048 R1
(156) 2015 10 30
(186) 2025 07 12
(732) VASIL SULKHANISHVILI
Irakli Abashidzis q. 72, b. 51, 0162, Tbilisi,
Georgia

(111) M 1996 1606 R2
(156) 2016 02 26
(186) 2026 02 26
(732) SUMITOMO CHEMICAL CO., LTD
27-1, Shinkawa 2-chome, Chuo-ku, Tokyo
104-8260, Japan

(111) M 2005 16071 R1
(156) 2015 10 28
(186) 2025 07 14
(732) JSC "TELAVI WINE CELLAR"
So. Kurdgelauri, 2200, Telavi, Georgia

(111) M 1996 1608 R2
(156) 2016 02 26
(186) 2026 02 26
(732) GERD PETRIK
Via Collina 43, CH 6612 Ascona,
Switzerland

(111) M 2005 16110 R1
(156) 2015 11 16
(186) 2025 07 27
(732) LTD "AVERSI-PHARMA"
Davit Agmasheneblis gamz. 148/2, 0112,
Tbilisi, Georgia

(111) M 2005 16168 R1
(156) 2015 12 07
(186) 2025 08 30
(732) LTD "MAGTICOM"
Jiqias q. 5, 0186, Tbilisi, Georgia

(111) M 2005 16169 R1
(156) 2015 12 07
(186) 2025 08 30
(732) LTD "MAGTIKOM"
Jiqias q. 5, 0186, Tbilisi, Georgia

(111) M 2005 16170 R1
(156) 2015 12 07
(186) 2025 08 30
(732) LTD "MAGTICOM"
Jiqias q. 5, 0186, Tbilisi, Georgia

(111) M 2005 16418 R1
(156) 2016 01 05
(186) 2025 12 28
(732) LTD "TIFLISSKI VINNI POGREB"
Iumashevis q. 27, 0198, Tbilisi, Georgia

(111) M 2006 16427 R1
(156) 2016 01 16
(186) 2026 01 16
(732) SWISS PHARMA INTERNATIONAL AG
Waldmannstrasse 8, 8001 Zurich,
Switzerland

(111) M 2006 16436 R1
(156) 2016 02 01
(186) 2026 01 17
(732) CERRUTI 1881
3 Madlene square, 75008, 75008, Paris,
France

(111) M 2006 16465 R1
(156) 2016 02 15
(186) 2026 02 15
(732) KOCIDE LLC
9145 Guilford Road, Suite 175, Columbia,
MD 21046, USA

(111) M 2006 16467 R1
(156) 2016 02 15
(186) 2026 02 15
(732) KOCIDE LLC
9145 Guilford Road, Suite 175, Columbia,
MD 21046, USA

(111) M 2006 16468 R1
(156) 2016 02 15
(186) 2026 02 15
(732) KOCIDE LLC
9145 Guilford Road, Suite 175, Columbia,
MD 21046, USA

(111) M 2006 16493 R1
(156) 2016 02 15
(186) 2026 02 15

(732) BAYER CONSUMER CARE AG
Peter Merian-Str. 84, 4052 Basel, Switzerland

(111) M 2006 16494 R1
(156) 2016 02 15
(186) 2026 02 15

(732) BAYER CONSUMER CARE AG
Peter Merian-Str. 84, 4052 Basel, Switzerland

(111) M 2006 16495 R1
(156) 2016 02 15
(186) 2026 02 15

(732) BAYER CONSUMER CARE AG
Peter Merian-Str. 84, 4052 Basel, Switzerland

(111) M 2006 16496 R1
(156) 2016 02 15
(186) 2026 02 15

(732) BAYER CONSUMER CARE AG
Peter Merian-Str. 84, 4052 Basel, Switzerland

(111) M 2006 16661 R1
(156) 2016 06 01
(186) 2026 06 01
(732) CATERPILLAR INC.
(a Delaware corporation)
100 N.E. Adams Street, PEORIA, IL
61629-9240, USA

(111) M 2006 16816 R1
(156) 2016 08 31
(186) 2026 08 31
(732) ALBERTO-CULVER COMPANY
700 Sylvan Avenue, Englewood Cliffs,
NJ 07632, USA

(111) M 2006 16733 R1
(156) 2016 07 12
(186) 2026 07 12
(732) ALBERTO-CULVER COMPANY
700 Sylvan Avenue, Englewood Cliffs,
NJ 07632, USA

(111) M 1996 1784 R2
(156) 2016 03 18
(186) 2026 03 18
(732) ARMALY SPONGE COMPANY
1900 Easy Street, Walled Lake, Michigan
48390, USA

(111) M 1996 1785 R2
(156) 2016 03 18
(186) 2026 03 18
(732) ARMALY SPONGE COMPANY
1900 Easy Street, Walled Lake, Michigan
48390, USA

(111) M 1996 1835 R2
(156) 2016 03 22
(186) 2026 03 22
(732) AION KABUSHIKI KAISHA (AION CO.,
LTD.)
6-5, Tanimachi 2-chome, Chuo-ku, Osaka,
Japan

(111) M 1996 1917 R2
(156) 2016 04 04
(186) 2026 04 04
(732) SIEMENS AKTIENGESELLSCHAFT
Wittelsbacherplatz 2, D-80333 Munchen,
Germany

(111) M 1996 2170 R2
(156) 2016 05 29
(186) 2026 05 29
(732) CATERPILLAR INC.
100 N.E. Adams Street, Peoria, Illinois
61629-6490, USA

(111) M 1996 2202 R2
(156) 2016 05 31
(186) 2026 05 31
(732) ALBERTO-CULVER COMPANY
700 Sylvan Avenue, Englewood Cliffs,
NJ 07632, USA

(111) M 1996 2401 R2
(156) 2016 06 17
(186) 2026 06 17
(732) CHEVRON INTELLECTUAL PROPERTY
LLC, a State of Delaware, Limited Liability
Company
6001 Bollinger Canyon Road, San Ramon,
California 94583, USA

(111) M 1996 3657 R2
(156) 2016 10 17
(186) 2026 10 17
(732) ARES TRADING S.A.
Zone Industrielle de l'Ouriettaz, CH-1170
Aubonne, Switzerland

(111) M 1996 3658 R2
(156) 2016 10 17
(186) 2026 10 17
(732) ARES TRADING S.A.
Zone Industrielle de l'Ourietaz, CH-1170
Aubonne, Switzerland

(111) M 1996 3713 R2
(156) 2016 10 28
(186) 2026 10 28
(732) SIEMENS AKTIENGESELLSCHAFT
Wittelsbacherplatz 2, D-80333 Munchen,
Germany

(111) M 1996 3716 R2
(156) 2016 10 28
(186) 2026 10 28
(732) SIEMENS AKTIENGESELLSCHAFT
Wittelsbacherplatz 2, D-80333 Munchen,
Germany

COMPLETE TRANSFER OF RIGHTS

- | | |
|---|--|
| <p>(111) M 1999 012285 R1
 (732) ADAM OPEL AG
 Bahnhofplatz, 65423 Ruesselsheim,
 Germany
 (770) OPEL SPECIAL VEHICLES GMBH
 Mainzer Strasse (Adam Opel AG - M55),
 65428, Ruesselsheim, Germany
 (580) 2016 02 24</p> <hr/> <p>(111) M 1999 012674 R1
 (732) ADAM OPEL AG
 Bahnhofplatz, 65423 Ruesselsheim,
 Germany
 (770) OPEL SPECIAL VEHICLES GMBH
 Mainzer Strasse (Adam Opel AG - M55),
 65428, Ruesselsheim, Germany
 (580) 2016 02 24</p> <hr/> <p>(111) M 1999 012677 R1
 (732) ADAM OPEL AG
 Bahnhofplatz, 65423 Ruesselsheim,
 Germany
 (770) OPEL SPECIAL VEHICLES GMBH
 Mainzer Strasse (Adam Opel AG - M55),
 65428, Ruesselsheim, Germany
 (580) 2016 02 24</p> <hr/> <p>(111) M 2000 013322 R1
 (732) ADAM OPEL AG
 Bahnhofplatz, 65423 Ruesselsheim,
 Germany
 (770) OPEL SPECIAL VEHICLES GMBH
 Mainzer Strasse (Adam Opel AG - M55),
 65428, Ruesselsheim, Germany
 (580) 201602 24</p> <hr/> <p>(111) M 2000 013324 R1
 (732) ADAM OPEL AG
 Bahnhofplatz, 65423 Ruesselsheim,
 Germany
 (770) OPEL SPECIAL VEHICLES GMBH
 Mainzer Strasse (Adam Opel AG - M55),
 65428, Ruesselsheim, Germany
 (580) 2016 02 24</p> <hr/> <p>(111) M 2000 013325 R1
 (732) ADAM OPEL AG
 Bahnhofplatz, 65423 Ruesselsheim,
 Germany
 (770) OPEL SPECIAL VEHICLES GMBH</p> | <p>Mainzer Strasse (Adam Opel AG - M55),
 65428, Ruesselsheim, Germany
 (580) 2016 02 24</p> <hr/> <p>(111) M 2002 014266 R1
 (732) KONINKLIJKE DOUWE EGBERTS B.V.
 Oosterdoksstraat 80, 1011 DK Amsterdam,
 Netherlands
 (770) INTERCONTINENTAL GREAT BRANDS
 LLC.
 100 Deforest Ave, East Hanover, NJ, 07936,
 USA
 (580) 2016 02 25</p> <hr/> <p>(111) M 2006 016835 R
 (732) SBARRO FRANCHISE CO. LLC
 1328 Dublin Road, Columbus, Ohio, 43215,
 USA
 (770) SBARRO LLC
 401 Broad Hollow Road, Melville, New York
 11747, USA
 (580) 2016 01 08</p> <hr/> <p>(111) M 2006 017137 R
 (732) LTD "VAZIANI KOMPANI"
 Mshvidobis q. 42, 2200, Telavi, Georgia
 (770) LTD "MANAVIS GVINIS MARANI"
 sof. Manavi, 3808, Sagarejos raioni, Georgia
 (580) 2016 03 01</p> <hr/> <p>(111) M 2008 018200 R
 (732) LTD MEDICAL CENTRE "JUNONA"
 Chavchavachis gamz. 37d , 0179, Tbilisi,
 Georgia
 (770) LTD ULTRABGERITI DIAGNOSTIKISA
 DA REPRODUQTSIULI JANMRTELOBIS
 FIRMA "JUNONA"
 Tarkhnishvilis q. 4, 0179, Tbilisi, Georgia
 (580) 2016 01 08</p> <hr/> <p>(111) M 2008 018200 R
 (732) LTD MEDICAL CENTRE "JUNIKS"
 Al. kazbegis gamz. 47, b. 21, 0177, Tbilisi,
 Georgia
 (770) LTD MEDICAL CENTRE "JUNONA"
 Chavchavachis gamz. 37d , 0179, Tbilisi,
 Georgia
 (580) 2016 01 08</p> <hr/> |
|---|--|

(111) M 2009 020120 R
 (732) JSC "HALYCHPHARM"
 Opryshkivska Str. 6/8, 79024 Lviv, Ukraine
 (770) LTD "AVERSI-PHARMA"
 Davit Agmasheneblis gamz. 148/2, 0112,
 Tbilisi, Georgia
 (580) 2016 02 09

(111) M 2009 020121 R
 (732) JSC "HALYCHPHARM"
 Opryshkivska Str. 6/8, 79024 Lviv, Ukraine
 (770) LTD "AVERSI-PHARMA"
 Davit Agmasheneblis gamz. 148/2, 0112,
 Tbilisi, Georgia
 (580) 2016 02 09

(111) M 2010 020828 R
 (732) ZURAB SHAMOIANI
 Varketilis 3, III a m/r., korp. 340, b. 8, 0163,
 Tbilisi, Georgia
 (770) LTD "MAXIMUS+"
 Varketili 3, 4m/r, korp 414, b. 248, 0163,
 Tbilisi, Georgia
 (580) 2016 01 06

(111) M 2014 024719 R
 (732) LTD "UNIMEDI KAKHETI"
 Vazha-pshavelas gamz. 40, 0177, Tbilisi,
 Georgia
 (770) LTD "KARAPS MEDLAINI"
 Lublianas quchis mimdebared (nakveti
 n37/38), 0159, Tbilisi, Georgia
 (580) 2016 01 27

(111) M 2014 024720 R
 (732) LTD "UNIMEDI KAKHETI"
 Vazha-Pshavelas gamz., 40, 0177, Tbilisi,
 Georgia
 (770) LTD "KARAPS MEDLAINI"
 Lublianas quchis mimdebared (nakveti
 n37/38), 0159, Tbilisi, Georgia
 (580) 2016 01 27

(111) M 2014 024725 R
 (732) LTD "UNIMEDI KAKHETI"
 Vazha-Pshavelas gamz., 40, 0177, Tbilisi,
 Georgia
 (770) LTD "KARAPS MEDLAINI"
 Lublianas quchis mimdebared (nakveti
 n37/38), 0159, Tbilisi, Georgia
 (580) 2016 01 27

(111) M 2014 024784 R
 (732) TOB PP "ZIP"
 Vul. Shiroka, budinok 107 A, Mis.

Dniprodzerzhinsk, Dnipropetrovskaia obl.,
 51901, Ukraine
 (770) LTD "TRANZIT-M"
 26 maisis q. 68/10, 6000, Batumi, Georgia
 (580) 2016 02 09

(111) M 1996 003803 R1
 (732) MONDELEZ DEUTSCHLAND COFFEE
 GMBH
 Landgemarckstrasse 4-20, 28199 Bremen,
 Germany
 (770) KRAFT FOODS DEUTSCHLAND
 HOLDING GMBH
 Langemarckstrasse 4-20, 28199 Bremen,
 Germany (580) 2016 02 24

(111) M 1996 004111 R1
 (732) ASPEN GLOBAL INCORPORATED
 GBS Plaza, Cnr. La Salette & Royal Roads,
 Grand Bay, Mauritius
 (770) E.R. SQUIBB & SONS. L.L.C., The
 Corporation Trust Company
 1209 Orange Street, Wilmington, New Castle
 Country, 19801 Delaware, USA
 (580) 2016 01 08

(111) M 1996 004254 R1
 (732) Mondelez Deutschland Coffee GmbH
 Landgemarckstrasse 4-20, 28199 Bremen,
 Germany
 (770) KRAFT FOODS DEUTSCHLAND
 HOLDING GMBH
 Langemarckstrasse 4-20, 28199 Bremen,
 Germany
 (580) 2016 02 24

(111) M 1997 004726 R1
 (732) ADAM OPEL AG
 Bahnhofplatz, 65423 Ruesselsheim,
 Germany
 (770) OPEL SPECIAL VEHICLES GMBH
 Mainzer Strasse (Adam Opel AG - M55),
 65428, Ruesselsheim, Germany
 (580) 2016 02 24

(111) M 1997 004940 R1
 (732) MONDELEZ DEUTSCHLAND COFFEE
 GMBH
 Landgemarckstrasse 4-20, 28199 Bremen,
 Germany
 (770) KRAFT FOODS DEUTSCHLAND
 HOLDING GMBH
 Langemarckstrasse 4-20, D-28199 Bremen,
 Germany
 (580) 2016 02 24

(111) M 1997 005192 R1
 (732) ADAM OPEL AG
 Bahnhofspatz, 65423 Ruesselsheim,
 Germany
 (770) OPEL SPECIAL VEHICLES GMBH
 Mainzer Strasse (Adam Opel AG - M55),
 65428, Ruesselsheim, Germany
 (580) 2016 02 24

(111) M 1997 005195 R1
 (732) ADAM OPEL AG
 Bahnhofspatz, 65423 Ruesselsheim,
 Germany
 (770) OPEL SPECIAL VEHICLES GMBH
 Mainzer Strasse (Adam Opel AG - M55),
 65428, Ruesselsheim, Germany
 (580) 2016 02 24

(111) M 1997 005275 R1
 (732) MONDELEZ DEUTSCHLAND COFFEE
 GMBH
 Landgemarkstrasse 4-20, 28199 Bremen,
 Germany
 (770) KRAFT FOODS DEUTSCHLAND
 HOLDING GMBH
 Langemarckstrasse 4-20, D-28199 Bremen,
 Germany
 (580) 2016 02 24

(111) M 1997 005276 R1
 (732) MONDELEZ DEUTSCHLAND GMBH
 Landgemarkstrasse 4-20, 28199 Bremen,
 Germany
 (770) KRAFT FOODS DEUTSCHLAND
 INTELLECTUAL PROPERTY GMBH &
 CO. KG
 Langemarckstrasse 4-20, 28199 Bremen,
 Germany
 (580) 2016 02 24

(111) M 1997 005276 R1
 (732) KRAFT FOODS DEUTSCHLAND
 HOLDING GMBH
 Langemarckstrasse 4-20, 28199 Bremen,
 Germany
 (770) MONDELEZ DEUTSCHLAND GMBH
 Landgemarkstrasse 4-20, 28199 Bremen,
 Germany
 (580) 2016 02 24

(111) M 1997 005276 R1
 (732) MONDELEZ DEUTSCHLAND COFFEE
 GMBH
 Landgemarkstrasse 4-20, 28199 Bremen,
 Germany

(770) KRAFT FOODS DEUTSCHLAND
 HOLDING GMBH
 Langemarckstrasse 4-20, 28199 Bremen,
 Germany
 (580) 2016 02 24

(111) M 1997 005277 R1
 (732) MONDELEZ DEUTSCHLAND GMBH
 Landgemarkstrasse 4-20, 28199 Bremen,
 Germany
 (770) KRAFT FOODS DEUTSCHLAND
 INTELLECTUAL PROPERTY GMBH
 & CO. KG
 Langemarckstrasse 4-20, 28199 Bremen,
 Germany
 (580) 2016 02 24

(111) M 1997 005277 R1
 (732) KRAFT FOODS DEUTSCHLAND
 HOLDING GMBH
 Langemarckstrasse 4-20, 28199 Bremen,
 Germany
 (770) MONDELEZ DEUTSCHLAND GMBH
 Landgemarkstrasse 4-20, 28199 Bremen,
 Germany
 (580) 2016 02 24

(111) M 1997 005277 R1
 (732) MONDELEZ DEUTSCHLAND
 COFFEE GMBH
 Landgemarkstrasse 4-20, 28199 Bremen,
 Germany
 (770) KRAFT FOODS DEUTSCHLAND
 HOLDING GMBH
 Langemarckstrasse 4-20, 28199 Bremen,
 Germany
 (580) 2016 02 24

(111) M 1997 005278 R1
 (732) MONDELEZ DEUTSCHLAND GMBH
 Landgemarkstrasse 4-20, 28199 Bremen,
 Germany
 (770) KRAFT FOODS DEUTSCHLAND
 INTELLECTUAL PROPERTY GMB H &
 CO. KG
 Langemarckstrasse 4-20, 28199 Bremen,
 Germany
 (580) 2016 02 24

(111) M 1997 005278 R1
 (732) KRAFT FOODS DEUTSCHLAND
 HOLDING GMBH
 Langemarckstrasse 4-20, 28199 Bremen,
 Germany
 (770) MONDELEZ DEUTSCHLAND GMBH

Landgemarkstrasse 4-20, 28199 Bremen,
Germany
(580) 2016 02 24

(111) M 1997 005278 R1
(732) MONDELEZ DEUTSCHLAND COFFEE
GMBH
Landgemarkstrasse 4-20, 28199 Bremen,
Germany
(770) KRAFT FOODS DEUTSCHLAND
HOLDING GMBH
Langemarkstrasse 4-20, 28199 Bremen,
Germany
(580) 2016 02 24

(111) M 1997 006168 R1
(732) HASBRO, INC.
1027 Newport Avenue, Pawtucket, Rhode
Island 02862, USA
(770) HASBRO INTERNATIONAL, INC.
1027 Newport Avenue, Pawtucket, Rhode
Island 02862, USA
(580) 2016 01 06

(111) M 1997 006171 R1
(732) HASBRO, INC.
1027 Newport Avenue, Pawtucket, Rhode
Island 02862, USA
(770) HASBRO INTERNATIONAL, INC.
1027 Newport Avenue, Pawtucket, Rhode
Island 02862, USA
(580) 2016 02 09

(111) M 1997 006214 R1
(732) MONDELEZ DEUTSCHLAND
COFFEE GMBH
Landgemarkstrasse 4-20, 28199 Bremen,
Germany
(770) KRAFT FOODS DEUTSCHLAND
HOLDING GMBH
Langemarkstrasse 4-20, 28199 Bremen,
Germany
(580) 2016 02 24

(111) M 1997 007016 R1
(732) ADAM OPEL AG
Bahnhofplatz, 65423 Ruesselsheim,
Germany
(770) OPEL SPECIAL VEHICLES GMBH
Mainzer Strasse (Adam Opel AG - M55),
65428, Ruesselsheim, Germany
(580) 2016 02 24

(111) M 1997 007928 R1
(732) ADAM OPEL AG
Bahnhofplatz, 65423 Ruesselsheim,
Germany
(770) OPEL SPECIAL VEHICLES GMBH
Mainzer Strasse (Adam Opel AG - M55),
65428, Ruesselsheim, Germany
(580) 2016 02 24

(111) M 1997 007930 R1
(732) ADAM OPEL AG
Bahnhofplatz, 65423 Ruesselsheim,
Germany
(770) OPEL SPECIAL VEHICLES GMBH
Mainzer Strasse (Adam Opel AG - M55),
65428, Ruesselsheim, Germany
(580) 2016 02 24

(111) M 1997 007936 R1
(732) ADAM OPEL AG
Bahnhofplatz, 65423 Ruesselsheim,
Germany
(770) OPEL SPECIAL VEHICLES GMBH
Mainzer Strasse (Adam Opel AG - M55),
65428, Ruesselsheim, Germany
(580) 2016 02 24

(111) M 1998 009729 R1
(732) BAYER INTELLECTUAL PROPERTY
GMBH
Alfred-Nobel-Strasse 10, 40789 Monheim am
Rhein, Germany
(770) BAYER AG
D-51368 Leverkusen, Germany
(580) 2016 02 23

CHANGES IN NAMES AND/OR ADDRESSES OF OWNERS

(111) M 1998 010590 R1
 (732) WONDERFUL PISTACHIOS &
 ALMONDS LLC
 11444 West Olympic Boulevard, 10th Floor,
 Los Angeles, CA 90064, USA
 (770) PARAMOUNT FARMS INTERNATIONAL
 LLC
 11444 West Olympic Boulevard, 10th Floor,
 Los Angeles, CA 90064, USA
 (580) 2016 02 26

(111) M 1998 010591 R1
 (732) WONDERFUL PISTACHIOS &
 ALMONDS LLC
 11444 West Olympic Boulevard, 10th Floor,
 Los Angeles, CA 90064, USA
 (770) PARAMOUNT FARMS INTERNATIONAL
 LLC
 11444 West Olympic Boulevard, 10th Floor,
 Los Angeles, CA 90064, USA
 (580) 2016 02 26

(111) M 1995 001083 R1
 (732) BUDEJOVICKY BUDVAR N.P.
 Ceske Budejovice, K. Svetle 4, Post code
 370 21, Czech Republic
 (770) BUDEIOVICSKY BUDVAR n.p.
 Ceske Budejovice, Czech Republic
 (580) 2016 02 25

(111) M 1995 001083 R1
 (732) BUDĚJOVICKÝ BUDVAR, NÁRODNI
 PODNIK
 (also trading as Budweiser Budvar, National
 Corporation, Budweiser Budvar, Entreprise
 Nationale) ,
 K. Světlé 512/4, České Budějovice 3, 370 04
 České Budějovice, Delivering No.:370 21,
 Czech Republic
 (770) BUDEJOVICKY BUDVAR N.P.
 Ceske Budejovice, K. Svetle 4, Post code
 370 21, Czech Republic
 (580) 2016 02 25

(111) M 1995 001180 R2
 (732) SANDVIK MINING AND
 CONSTRUCTION OY
 P.O. Box 100, 33311, Tampere, Finland
 (770) SANDVIK TAMROCK OY
 PL 100, 33311, Tampere, Finland
 (580) 2016 02 26

(111) M 1995 1180 R2
 (156) 2015 12 25
 (186) 2025 11 15
 (732) SANDVIK MINING AND
 CONSTRUCTION OY
 P.O. Box 100, 33311, Tampere, Finland
 (770) SANDVIK TAMROCK OY
 PL 100, 33311, Tampere, Finland
 (580) 2016 02 26

(111) M 1995 001307 R1
 (732) TORAY FINE CHEMICALS CO., LTD.
 2-3-1, Kanda-Sudacho, Chiyoda-ku, Tokyo
 101-0041, Japan
 (770) TORAY FINE CHEMICALS CO., LTD.
 8-1, Mihama 1-chome, Urayasu, Chiba
 279-8555, Japan
 (580) 2016 01 27

(111) M 1996 001366 R2
 (732) INGERSOLL-RAND COMPANY
 800-D Beaty Street, Davidson, North
 Carolina 28036, USA
 (770) INGERSOLL-RAND COMPANY
 155 Chestnut Ridge Road, Montvale,
 New Jersey 07645, USA
 (580) 2016 02 26

(111) M 1996 001380 R2
 (732) MORESCHI S.p.A.
 Via Cararola 69, 27029 Vigevano PV, Italy
 (770) MORESCHI S.p.A.
 6-8 via Montello, I-27 029 VIGEVANO,
 Italy
 (580) 2016 02 25

(111) M 1996 001608 R2
 (732) GERD PETRIK
 Via Collina 43, CH 6612 Ascona, witzerland
 (770) GERD PETRIK
 1538 North Casey Key Road, Osprey, FL
 34229, USA
 (580) 2016 02 08

(111) M 2005 016418 R1
 (732) LTD "TIFLISSKI VINNI POGREB"
 Iumashevis q. 27, 0198, Tbilisi, Georgia
 (770) LTD "TIFLISSKI VINNI POGREB",
 Gamsakhurdias gamz. 44, 0160, Tbilisi,
 Georgia
 (580) 2016 02 26

-
- (111) M 2006 016436 R1
(732) CERRUTI 1881
3 Madlene square, 75008, 75008, Paris,
France
(770) CERRUTI 1881
9, Madlene square, 75008, 75008, Paris,
France
(580) 2016 02 26
-
- (111) M 2006 016733 R1
(732) ALBERTO-CULVER COMPANY
700 Sylvan Avenue, Englewood Cliffs,
NJ 07632, USA
(770) ALBERTO-CULVER INTERNATIONAL,
INC., a corporation of Daleware
2525 Armitage Avenue, Melrose Park, IL
60160, USA
(580) 2016 02 26
-
- (111) M 2006 016816 R1
(732) ALBERTO-CULVER COMPANY
700 Sylvan Avenue, Englewood Cliffs,
NJ 07632, USA
(770) ALBERTO-CULVER INTERNATIONAL,
INC. a corporation of Daleware
2525 Armitage Avenue, Melrose Park, IL
60160, USA
(580) 2016 02 26
-
- (111) M 2008 018569 R
(732) CNH Industrial America LLC
700 State Street, Racine, WI 53404, USA
(770) CNH America LLC
700 State Street, Racine, WI 53404, USA
(580) 2016 02 24
-
- (111) M 1996 001999 R1
(732) BUDEJOVICKY BUDVAR N.P.
Ceske Budejovice, K. Svetle 4, Post code
370 21, Czech Republic
(770) BUDEJOVICKY BUDVAR, N.P.
37001 Ceske Budejovice, Czech Republic
(580) 2016 02 26
-
- (111) M 1996 001999 R1
(732) BUDĚJOVICKÝ BUDVAR, NÁRODNI
PODNIK
(also trading as Budweiser Budvar, National
Corporation, Budweiser Budvar, Entreprise
Nationale)
K. Světlé 512/4, České Budějovice 3, 370 04
České Budějovice, Delivering No.:370 21,
Czech Republic
-
- (770) BUDEJOVICKY BUDVAR N.P.
Ceske Budejovice, K. Svetle 4, Post code
370 21, Czech Republic
(580) 2016 02 26
-
- (111) M 2011 021436 R
(732) LTD ' G AND G QOOFEREISHEN"
Oniashvilis q. 54, 0160, Tbilisi, Georgia
(770) LTD " G AND G QOOFEREISHEN"
Besikis q.27, 0108, Tbilisi, Georgia
(580) 2016 02 23
-
- (111) M 2011 021438 R
(732) LTD "JI DA JI QOOFEREISHEN"
Oniashvilis q. 54, 0160, Tbilisi, Georgia
(770) LTD " G AND G QOOFEREISHEN"
Besikis q.27, 0108, Tbilisi, Georgia
(580) 2016 02 23
-
- (111) M 2011 021439 R
(732) LTD "G AND G QOOFEREISHEN"
Oniashvilis q. 54, 0160, Tbilisi, Georgia
(770) LTD " G AND G QOOFEREISHEN"
Besikis q.27, 0108, Tbilisi, Georgia
(580) 2016 02 23
-
- (111) M 2011 021440 R
(732) LTD "G and G QOOFEREISHEN"
Besikis q. 27, 0108, Tbilisi, Georgia
(770) LTD "G AND G QOOFEREISHEN"
Besikis q. 27 , 0108, Tbilisi, Georgia
(580) 2010 04 16
-
- (111) M 1996 002202 R2
(732) ALBERTO-CULVER COMPANY
700 Sylvan Avenue, Englewood Cliffs,
NJ 07632, USA
(770) ALBERTO-CULVER INTERNATIONAL,
INC. a corporation of Daleware
2525 Armitage Avenue, Melrose Park,
IL 60160, USA
(580) 2016 02 26
-
- (111) M 1996 002377 R1
(732) BUDEJOVICKY BUDVAR N.P.
Ceske Budejovice, K. Svetle 4, Post code
370 21, Czech Republic
(770) BUDEJOVICKY BUDVAR, N.P.
37001 Ceske Budejovice, Czech
(580) 2016 02 26
-

(111) M 1996 002377 R1
(732) BUDĚJOVICKÝ BUDVAR, NÁRODNI
PODNIK (also trading as Budweiser Budvar,
National Corporation, Budweiser Budvar,
Entreprise Nationale) ,
K. Světlé 512/4, České Budějovice 3, 370 04
České Budějovice, Delivering No.:370 21,
Czech Republic
(770) BUDEJOVICKY BUDVAR N.P.
Ceske Budejovice, K. Svetle 4, Post code
370 21, Czech Republic
(580) 2016 02 26

(111) M 1996 002379 R1
(732) BUDEJOVICKY BUDVAR N.P.
Ceske Budejovice, K. Svetle 4, Post code
370 21, Czech Republic
(770) BUDEJOVICKY BUDVAR n.p.
Ceske Budejovice, Czech Republic
(580) 2016 02 26

(111) M 1996 002379 R1
(732) BUDĚJOVICKÝ BUDVAR, NÁRODNI
PODNIK (also trading as Budweiser Budvar,
National Corporation, Budweiser Budvar,
Entreprise Nationale)
K. Světlé 512/4, České Budějovice 3, 370 04
České Budějovice, Delivering No.:370 21,
Czech Republic
(770) BUDEJOVICKY BUDVAR N.P.
Ceske Budejovice, K. Svetle 4, Post code
370 21, Czech Republic
(580) 2016 02 26

(111) M 1997 004656 R1
(732) BUDEJOVICKY BUDVAR N.P.
Ceske Budejovice, K. Svetle 4, Post code
370 21, Czech Republic
(770) BUDEJOVICKY BUDVAR, N.P.
37001 Ceske Budejovice, Czech Republic
(580) 2016 02 26

(111) M 1997 004656 R1
(732) BUDĚJOVICKÝ BUDVAR, NÁRODNI
PODNIK (also trading as Budweiser Budvar,
National Corporation, Budweiser Budvar,
Entreprise Nationale)
K. Světlé 512/4, České Budějovice 3, 370 04
České Budějovice, Delivering No.:370 21,
Czech Republic
(770) BUDEJOVICKY BUDVAR N.P.
Ceske Budejovice, K. Svetle 4, Post code
370 21, Czech Republic
(580) 2016 02 26

(111) M 1997 004657 R1
(732) BUDEJOVICKY BUDVAR N.P.
Ceske Budejovice, K. Svetle 4, Post code
370 21, Czech Republic
(770) BUDWEISER BUDVAR, N.C.,
370 01 Ceske Budejovice, Czech Republic
(580) 2016 02 26

(111) M 1997 004657 R1
(732) BUDĚJOVICKÝ BUDVAR,
NÁRODNI PODNIK (also trading as
Budweiser Budvar, National Corporation,
Budweiser Budvar, Entreprise Nationale)
K. Světlé 512/4, České Budějovice 3,
370 04 České Budějovice, Delivering
No.:370 21, Czech Republic
(770) BUDEJOVICKY BUDVAR N.P.
Ceske Budejovice, K. Svetle 4, Post code
370 21, Czech Republic
(580) 2016 02 26

CANCELLING OF TRADEMARK REGISTRATION

(111) M 2007 17851 R

(151) 2007 09 18

(732) Mekali Tamoev

Varketili 3, mkr. 4, korp. 414, b. 248, 0163, Tbilisi, Georgia

(540)



(511) 32

(141) 2016 02 16

GROUND(S): Order №08 of Sakpatenti Chairman of 22. 02. 2016 for enforcement of the decision of 13. 11. 2015, of Tbilisi City Court Civil Cases Board (Case №2/18505–15).

CLASSIFICATION INDEXES

INVENTIONS

CONCORDANCE TABLE OF INTERNATIONAL CLASSIFICATION INDEX AND PUBLICATION NUMBERS

INTERNATIONAL CLASSIFICATION INDEXES (51)	NUMBER OF PUBLISHED APPLICATION (10)
A 01 D 17/00	AP 2016 13681 A
A 01 D 17/00	AP 2016 13691 A
A 61 K 36/185; A 61 K 36/736; A 61 K 36/889; A 61 K 36/53; A 61 K 9/00; A 61 P 17/02; A 61 P 17/06; A 61 P 17/08	AP 2016 13454 A
B 61 L 23/00;	AP 2016 13814 A
C 07 C 273/16; C 07 C 273/02; B 01 J 2/22	AP 2016 13655 A
C 07 C 273/16; C 07 C 273/03; B 01 J 2/23	AP 2016 13654 A
C 07 H 19/00; C 07 H 19/06; C 07 H 19/14; C 07 H 19/16; A 61 K 31/4184; A 61 K 31/522; A 61 K 31/506; A 61 K 31/4192; C 07 D 471/04; C 07 D 473/34; A 61 P 31/14; C 12 N 9/99; A 61 K 31/675; A 61 K 31/708; A 61 K 31/7068; A 61 K 31/7072	AP 2016 13529 A
C 07 K 16/28; A 61 P 35/02	AP 2016 13177 A
C 12 G 3/06	AP 2016 13312 A
E 04 B 1/00	AP 2016 13594 A
F 03 B 13/00	AP 2016 13545 A

CONCORDANCE TABLE OF PUBLICATION NUMBERS AND INTERNATIONAL CLASSIFICATION INDEX

NUMBER OF PUBLISHED APPLICATION (10)	INTERNATIONAL CLASSIFICATION INDEXES (51)
AP 2016 13177 A	C 07 K 16/28; A 61 P 35/02
AP 2016 13312 A	C 12 G 3/06
AP 2016 13454 A	A 61 K 36/185; A 61 K 36/736; A 61 K 36/889; A 61 K 36/53; A 61 K 9/00; A 61 P 17/02; A 61 P 17/06; A 61 P 17/08
AP 2016 13529 A	C 07 H 19/00; C 07 H 19/06; C 07 H 19/14; C 07 H 19/16; A 61 K 31/4184; A 61 K 31/522; A 61 K 31/506; A 61 K 31/4192; C 07 D 471/04; C 07 D 473/34; A 61 P 31/14; C 12 N 9/99; A 61 K 31/675; A 61 K 31/708; A 61 K 31/7068; A 61 K 31/7072
AP 2016 13545 A	F 03 B 13/00
AP 2016 13594 A	E 04 B 1/00
AP 2016 13654 A	C 07 C 273/16; C 07 C 273/03; B 01 J 2/23
AP 2016 13655 A	C 07 C 273/16; C 07 C 273/02; B 01 J 2/22
AP 2016 13681 A	A 01 D 17/00
AP 2016 13691 A	A 01 D 17/00
AP 2016 13814 A	B 61 L 23/00

**CONCORDANCE TABLE OF INTERNATIONAL CLASSIFICATION INDEX,
PATENT NUMBERS AND PUBLICATION NUMBERS**

INTERNATIONAL CLASSIFICATION INDEX (51)	NUMBER OF PATENT (11)	NUMBER OF PUBLISHED APPLICATION (10)
A 61 K 31/216; A 61 K 31/282; A 61 K 31/337; A 61 K 31/41; A 61 K 31/4192; A 61 K 31/4196; A 61 K 31/428; A 61 K 31/4545; A 61 K 31/69; A 61 P 25/02	P 2016 6441 B	AP 2015 12845 A
A 61 K 39/395	P 2016 6442 B	AP 2015 12866 A
B 03 D 1/02	P 2016 6440 B	AP 2015 12773 A
C 07 C 233/46; C 07 C 233/56; C 07 C 275/20; A 61 P 9/12; A 61 K 31/17; A 61 K 31/16	P 2016 6444 B	AP 2015 13281 A
C 07 D 233/90; C 07 D 401/12; C 07 D 401/14; C 07 D 407/12; C 07 D 409/06; C 07 D 409/14; C 07 D 413/06; C 07 D 413/14; C 07 D 417/06; C 07 D 417/12; C 07 D 471/04; C 07 D 487/04; C 07 D 487/08; C 07 D 495/04	P 2016 6443 B	AP 2015 13059 A
E 04 D 3/30; E 04 D 1/30	P 2016 6439 B	AP 2015 12399 A
G 01 F 23/28	P 2016 6445 B	AP 2015 13580 A

**CONCORDANCE TABLE OF PATENT NUMBERS,
PUBLICATION NUMBERS AND INTERNATIONAL CLASSIFICATION INDEX**

NUMBER OF PATENT (11)	NUMBER OF PUBLISHED APPLICATION (10)	INTERNATIONAL CLASSIFICATION INDEX (51)
P 2016 6439 B	AP 2015 12399 A	E 04 D 3/30; E 04 D 1/30
P 2016 6440 B	AP 2015 12773 A	B 03 D 1/02
P 2016 6441 B	AP 2015 12845 A	A 61 K 31/216; A 61 K 31/282; A 61 K 31/337; A 61 K 31/41; A 61 K 31/4192; A 61 K 31/4196; A 61 K 31/428; A 61 K 31/4545; A 61 K 31/69; A 61 P 25/02
P 2016 6442 B	AP 2015 12866 A	A 61 K 39/395
P 2016 6443 B	AP 2015 13059 A	C 07 D 233/90; C 07 D 401/12; C 07 D 401/14; C 07 D 407/12; C 07 D 409/06; C 07 D 409/14; C 07 D 413/06; C 07 D 413/14; C 07 D 417/06; C 07 D 417/12; C 07 D 471/04; C 07 D 487/04; C 07 D 487/08; C 07 D 495/04
P 2016 6444 B	AP 2015 13281 A	C 07 C 233/46; C 07 C 233/56; C 07 C 275/20; A 61 P 9/12; A 61 K 31/17; A 61 K 31/16
P 2016 6445 B	AP 2015 13580 A	G 01 F 23/28

**CONCORDANCE TABLE OF APPLICATION NUMBERS, PUBLICATION NUMBERS
AND PATENTS**

NUMBER OF APPLICATION (21)	NUMBER OF PUBLISHED APPLICATION (10)	NUMBER OF PATENT (11)
AP 2011 012399	AP 2015 12399 A	P 2016 6439 B
AP 2010 012773	AP 2015 12773 A	P 2016 6440 B
AP 2011 012845	AP 2015 12845 A	P 2016 6441 B
AP 2011 012866	AP 2015 12866 A	P 2016 6442 B
AP 2009 013059	AP 2015 13059 A	P 2016 6443 B
AP 2012 013281	AP 2015 13281 A	P 2016 6444 B
AP 2014 013580	AP 2015 13580 A	P 2016 6445 B

UTILITY MODELS

**CONCORDANCE TABLE OF INTERNATIONAL CLASSIFICATION INDEX,
PATENT NUMBERS AND PUBLICATION NUMBERS**

INTERNATIONAL CLASSIFICATION INDEX (51)	NUMBER OF PATENT (11)	NUMBER OF PUBLISHED APPLICATION (10)
C 04 B 7/00	U 2016 1889 Y	AU 2015 13763 U

**CONCORDANCE TABLE OF PATENT NUMBERS,
PUBLICATION NUMBERS AND INTERNATIONAL CLASSIFICATION INDEX**

NUMBER OF PATENT (11)	NUMBER OF PUBLISHED APPLICATION (10)	INTERNATIONAL CLASSIFICATION INDEX (51)
U 2016 1889 Y	AU 2015 13763 U	C 04 B 7/00

**CONCORDANCE TABLE OF APPLICATION NUMBERS, PUBLICATION NUMBERS
AND PATENTS**

NUMBER OF APPLICATION (21)	NUMBER OF PUBLISHED APPLICATION (10)	NUMBER OF PATENT (11)
AU 2015 013763	AU 2015 13763 U	U 2016 1889 Y

DESIGNS

CONCORDANCE TABLE OF INTERNATIONAL CLASSIFICATION INDEX, PATENT NUMBERS AND PUBLICATION NUMBERS

INTERNATIONAL CLASSIFICATION INDEX (51)	NUMBER OF PATENT (11)	NUMBER OF PUBLISHED APPLICATION (10)
09-01	D 2016 665 S	AD 2015 859 S
10-07	D 2016 664 S	AD 2015 868 S

CONCORDANCE TABLE OF PATENT NUMBERS, PUBLICATION NUMBERS AND INTERNATIONAL CLASSIFICATION INDEX

NUMBER OF PATENT (11)	NUMBER OF PUBLISHED APPLICATION (10)	INTERNATIONAL CLASSIFICATION INDEX (51)
D 2016 665 S	AD 2015 859 S	09-01
D 2016 664 S	AD 2015 868 S	10-07

CONCORDANCE TABLE OF APPLICATION NUMBERS, PUBLICATION NUMBERS AND PATENTS

NUMBER OF APPLICATION (21)	NUMBER OF PUBLISHED APPLICATION (10)	NUMBER OF PATENT (11)
AD 2015 000859	AD 2015 859 S	D 2016 665 S
AD 2015 000868	AD 2015 868 S	D 2016 664 S

TRADEMARKS

CONCORDANCE TABLE OF REGISTRATION NUMBERS, APPLICATION NUMBERS, PUBLICATION NUMBERS AND BULLETIN NUMBERS

NUMBER OF REGISTRATION (111)	NUMBER OF APPLICATIONS (210)	NUMBER OF PUBLISHED APPLICATIONS (260)	NUMBER OF BULLETIN
1	2	3	4
M 2016 26790 R	AM 86036	-	5(441)2016
M 2016 26791 R	AM 85893	-	5(441)2016
M 2016 26792 R	AM 85872	-	5(441)2016
M 2016 26793 R	AM 78506	-	5(441)2016
M 2016 26794 R	AM 76456	AM 2015 76456 A	19(431)2015
M 2016 26795 R	AM 77262	AM 2015 77262 A	18(430)2015
M 2016 26796 R	AM 77405	AM 2015 77405 A	13(425)2015
M 2016 26797 R	AM 77451	AM 2015 77451 A	15(427)2015
M 2016 26798 R	AM 77746	AM 2015 77746 A	19(431)2015
M 2016 26799 R	AM 77908	AM 2015 77908 A	14(426)2015
M 2016 26800 R	AM 78289	AM 2015 78289 A	14(426)2015
M 2016 26801 R	AM 78512	AM 2015 78512 A	13(425)2015
M 2016 26802 R	AM 78573	AM 2015 78573 A	14(426)2015
M 2016 26803 R	AM 78580	AM 2015 78580 A	14(426)2015
M 2016 26804 R	AM 78752	AM 2015 78752 A	14(426)2015
M 2016 26805 R	AM 78804	AM 2015 78804 A	14(426)2015
M 2016 26806 R	AM 78846	AM 2015 78846 A	15(427)2015
M 2016 26807 R	AM 78848	AM 2015 78848 A	15(427)2015
M 2016 26808 R	AM 78889	AM 2015 78889 A	15(427)2015
M 2016 26809 R	AM 79051	AM 2015 79051 A	15(427)2015
M 2016 26810 R	AM 79117	AM 2015 79117 A	16(428)2015
M 2016 26811 R	AM 79119	AM 2015 79119 A	14(426)2015
M 2016 26812 R	AM 79123	AM 2015 79123 A	15(427)2015
M 2016 26813 R	AM 79188	AM 2015 79188 A	17(429)2015
M 2016 26814 R	AM 79327	AM 2015 79327 A	18(430)2015
M 2016 26815 R	AM 79337	AM 2015 79337 A	15(427)2015
M 2016 26816 R	AM 79368	AM 2015 79368 A	16(428)2015
M 2016 26817 R	AM 79478	AM 2015 79478 A	16(428)2015
M 2016 26818 R	AM 79479	AM 2015 79479 A	19(431)2015
M 2016 26819 R	AM 79573	AM 2015 79573 A	16(428)2015
M 2016 26820 R	AM 79576	AM 2015 79576 A	16(428)2015
M 2016 26821 R	AM 79577	AM 2015 79577 A	16(428)2015
M 2016 26822 R	AM 79688	AM 2015 79688 A	16(428)2015
M 2016 26823 R	AM 79747	AM 2015 79747 A	15(427)2015
M 2016 26824 R	AM 79748	AM 2015 79748 A	15(427)2015
M 2016 26825 R	AM 79749	AM 2015 79749 A	15(427)2015
M 2016 26826 R	AM 79750	AM 2015 79750 A	15(427)2015
M 2016 26827 R	AM 79751	AM 2015 79751 A	15(427)2015
M 2016 26828 R	AM 79796	AM 2015 79796 A	18(430)2015
M 2016 26829 R	AM 79841	AM 2015 79841 A	21(433)2015
M 2016 26830 R	AM 79842	AM 2015 79842 A	18(430)2015
M 2016 26831 R	AM 79844	AM 2015 79844 A	18(430)2015
M 2016 26832 R	AM 79892	AM 2015 79892 A	19(431)2015
M 2016 26833 R	AM 79939	AM 2015 79939 A	17(429)2015
M 2016 26834 R	AM 79953	AM 2015 79953 A	19(431)2015
M 2016 26835 R	AM 79954	AM 2015 79954 A	19(431)2015

1	2	1	2
M 2016 26836 R	AM 79985	AM 2015 79985 A	17(429)2015
M 2016 26837 R	AM 80367	AM 2015 80367 A	20(432)2015
M 2016 26838 R	AM 80378	AM 2015 80378 A	20(432)2015
M 2016 26839 R	AM 80558	AM 2015 80558 A	20(432)2015
M 2016 26840 R	AM 80559	AM 2015 80559 A	20(432)2015
M 2016 26841 R	AM 80560	AM 2015 80560 A	20(432)2015
M 2016 26842 R	AM 80567	AM 2015 80567 A	19(431)2015
M 2016 26843 R	AM 80569	AM 2015 80569 A	19(431)2015
M 2016 26844 R	AM 80633	AM 2015 80633 A	19(431)2015
M 2016 26845 R	AM 80634	AM 2015 80634 A	19(431)2015
M 2016 26846 R	AM 80635	AM 2015 80635 A	19(431)2015
M 2016 26847 R	AM 80636	AM 2015 80636 A	19(431)2015
M 2016 26848 R	AM 80685	AM 2015 80685 A	21(433)2015
M 2016 26849 R	AM 80717	AM 2015 80717 A	20(432)2015
M 2016 26850 R	AM 80718	AM 2015 80718 A	20(432)2015
M 2016 26851 R	AM 80728	AM 2015 80728 A	20(432)2015
M 2016 26852 R	AM 80766	AM 2015 80766 A	20(432)2015
M 2016 26853 R	AM 80986	AM 2015 80986 A	18(430)2015
M 2016 26854 R	AM 80987	AM 2015 80987 A	18(430)2015
M 2016 26855 R	AM 80989	AM 2015 80989 A	18(430)2015
M 2016 26856 R	AM 80991	AM 2015 80991 A	18(430)2015
M 2016 26857 R	AM 80992	AM 2015 80992 A	18(430)2015
M 2016 26858 R	AM 80999	AM 2015 80999 A	20(432)2015
M 2016 26859 R	AM 81021	AM 2015 81021 A	21(433)2015
M 2016 26860 R	AM 81022	AM 2015 81022 A	21(433)2015
M 2016 26861 R	AM 81141	AM 2015 81141 A	21(433)2015
M 2016 26862 R	AM 81148	AM 2015 81148 A	19(431)2015
M 2016 26863 R	AM 81149	AM 2015 81149 A	19(431)2015
M 2016 26864 R	AM 81195	AM 2015 81195 A	20(432)2015
M 2016 26865 R	AM 81210	AM 2015 81210 A	20(432)2015
M 2016 26866 R	AM 81213	AM 2015 81213 A	20(432)2015
M 2016 26867 R	AM 81213	AM 2015 81213 A	20(432)2015
M 2016 26868 R	AM 86217	-	5(441) 2016
M 2016 26869 R	AM 86217	-	5(441) 2016
M 2016 26870 R	AM 86119	-	5(441) 2016
M 2016 26871 R	AM 86127	-	5(441) 2016
M 2016 26872 R	AM 85826	-	5(441) 2016

**CONCORDANCE TABLE OF PUBLICATION NUMBERS
AND APPLICATION NUMBERS**

NUMBER OF PUBLISHED APPLICATION (260)	NUMBER OF APPLICATION (210)	1	2
1	2		
AM 2016 78229 A	AM 78229 A	AM 2016 82565 A	AM 82565 A
AM 2016 78231 A	AM 78231 A	AM 2016 82599 A	AM 82599 A
AM 2016 78737 A	AM 78737 A	AM 2016 82610 A	AM 82610 A
AM 2016 78740 A	AM 78740 A	AM 2016 82611 A	AM 82611 A
AM 2016 79635 A	AM 79635 A	AM 2016 82614 A	AM 82614 A
AM 2016 80020 A	AM 80020 A	AM 2016 82615 A	AM 82615 A
AM 2016 81207 A	AM 81207 A	AM 2016 82620 A	AM 82620 A
AM 2016 81341 A	AM 81341 A	AM 2016 82621 A	AM 82621 A
AM 2016 81864 A	AM 81864 A	AM 2016 82633 A	AM 82633 A
AM 2016 81890 A	AM 81890 A	AM 2016 82636 A	AM 82636 A
AM 2016 81904 A	AM 81904 A	AM 2016 82676 A	AM 82676 A
AM 2016 81905 A	AM 81905 A	AM 2016 82677 A	AM 82677 A
AM 2016 81941 A	AM 81941 A	AM 2016 82678 A	AM 82678 A
AM 2016 81995 A	AM 81995 A	AM 2016 82695 A	AM 82695 A
AM 2016 82118 A	AM 82118 A	AM 2016 82716 A	AM 82716 A
AM 2016 82134 A	AM 82134 A	AM 2016 82740 A	AM 82740 A
AM 2016 82205 A	AM 82205 A	AM 2016 82818 A	AM 82818 A
AM 2016 82210 A	AM 82210 A	AM 2016 82819 A	AM 82819 A
AM 2016 82259 A	AM 82259 A	AM 2016 82820 A	AM 82820 A
AM 2016 82309 A	AM 82309 A	AM 2016 82822 A	AM 82822 A
AM 2016 82344 A	AM 82344 A	AM 2016 82833 A	AM 82833 A
AM 2016 82345 A	AM 82345 A	AM 2016 82834 A	AM 82834 A
AM 2016 82357 A	AM 82357 A	AM 2016 82870 A	AM 82870 A
AM 2016 82439 A	AM 82439 A	AM 2016 82871 A	AM 82871 A
AM 2016 82440 A	AM 82440 A	AM 2016 82965 A	AM 82965 A
AM 2016 82441 A	AM 82441 A	AM 2016 83000 A	AM 83000 A
AM 2016 82442 A	AM 82442 A	AM 2016 83001 A	AM 83001 A
AM 2016 82444 A	AM 82444 A	AM 2016 83194 A	AM 83194 A
AM 2016 82445 A	AM 82445 A	AM 2016 83243 A	AM 83243 A
AM 2016 82446 A	AM 82446 A	AM 2016 83245 A	AM 83245 A
AM 2016 82449 A	AM 82449 A	AM 2016 83247 A	AM 83247 A
AM 2016 82452 A	AM 82452 A	AM 2016 83249 A	AM 83249 A
AM 2016 82495 A	AM 82495 A	AM 2016 83344 A	AM 83344 A
AM 2016 82547 A	AM 82547 A	AM 2016 83383 A	AM 83383 A
		AM 2016 83392 A	AM 83392 A
		AM 2016 83464 A	AM 83464 A
		AM 2016 83485 A	AM 83485 A
		AM 2016 83512 A	AM 83512 A

CONCORDANCE TABLE OF INDEX OF GOODS AND/OR SERVICES
AND APPLICATION NUMBERS

INDEX OF GOODS AND/OR SERVICES (511)	NUMBER OF PUBLISHED APPLICATIONS (260)	1	2
1	2		
3	AM 2016 82452 A	29	AM 2016 78740 A
5	AM 2016 79635 A	29	AM 2016 81341 A
5	AM 2016 80020 A	29	AM 2016 82439 A
5	AM 2016 81207 A	29	AM 2016 83392 A
5	AM 2016 82134 A	29	AM 2016 83464 A
5	AM 2016 82357 A	30	AM 2016 82870 A
5	AM 2016 82452 A	30	AM 2016 82871 A
5	AM 2016 82599 A	30	AM 2016 83000 A
5	AM 2016 82676 A	30	AM 2016 83392 A
5	AM 2016 82677 A	30	AM 2016 83464 A
5	AM 2016 82678 A	30	AM 2016 78737 A
5	AM 2016 83249 A	30	AM 2016 78740 A
5	AM 2016 83392 A	30	AM 2016 81995 A
6	AM 2016 81941 A	30	AM 2016 82439 A
6	AM 2016 81995 A	30	AM 2016 82695 A
6	AM 2016 82636 A	30	AM 2016 82740 A
7	AM 2016 82449 A	31	AM 2016 82441 A
8	AM 2016 82449 A	31	AM 2016 82442 A
9	AM 2016 78229 A	31	AM 2016 83392 A
9	AM 2016 82118 A	32	AM 2016 82439 A
9	AM 2016 82205 A	32	AM 2016 83392 A
9	AM 2016 82259 A	33	AM 2016 82818 A
9	AM 2016 82449 A	33	AM 2016 82819 A
9	AM 2016 82620 A	33	AM 2016 83194 A
9	AM 2016 82822 A	34	AM 2016 82210 A
9	AM 2016 83344 A	34	AM 2016 82344 A
10	AM 2016 82452 A	34	AM 2016 82446 A
10	AM 2016 82716 A	34	AM 2016 83383 A
11	AM 2016 82449 A	34	AM 2016 82446 A
12	AM 2016 83245 A	35	AM 2016 78737 A
12	AM 2016 83247 A	35	AM 2016 78740 A
14	AM 2016 81904 A	35	AM 2016 79635 A
14	AM 2016 81905 A	35	AM 2016 81207 A
14	AM 2016 83512 A	35	AM 2016 82833 A
16	AM 2016 82205 A	35	AM 2016 82834 A
16	AM 2016 82259 A	35	AM 2016 82965 A
16	AM 2016 82620 A	35	AM 2016 83392 A
16	AM 2016 82633 A	35	AM 2016 83392 A
18	AM 2016 82205 A	35	AM 2016 81864 A
18	AM 2016 82547 A	35	AM 2016 81890 A
19	AM 2016 81941 A	35	AM 2016 81995 A
19	AM 2016 81995 A	35	AM 2016 81995 A
19	AM 2016 82309 A	35	AM 2016 82259 A
25	AM 2016 82205 A	35	AM 2016 82345 A
25	AM 2016 82547 A	35	AM 2016 82439 A
28	AM 2016 82118 A	35	AM 2016 82441 A
28	AM 2016 82822 A	35	AM 2016 82442 A
29	AM 2016 78737 A	35	AM 2016 82547 A
		35	AM 2016 82614 A
		35	AM 2016 82615 A
		35	AM 2016 82620 A
		35	AM 2016 82633 A
		35	AM 2016 82636 A
		35	AM 2016 82818 A
		35	AM 2016 82819 A
		35	AM 2016 82820 A

1	2	1	2
36	AM 2016 82259 A	41	AM 2016 82834 A
38	AM 2016 82259 A	41	AM 2016 83485 A
38	AM 2016 82620 A	42	AM 2016 82259 A
38	AM 2016 82621 A	42	AM 2016 82440 A
38	AM 2016 82965 A	42	AM 2016 82620 A
38	AM 2016 83485 A	42	AM 2016 82621 A
39	AM 2016 78231 A	42	AM 2016 82820 A
39	AM 2016 82259 A	42	AM 2016 82833 A
41	AM 2016 81890 A	42	AM 2016 82834 A
41	AM 2016 82259 A	43	AM 2016 81995 A
41	AM 2016 82495 A	43	AM 2016 82565 A
41	AM 2016 82610 A	43	AM 2016 83001 A
41	AM 2016 82611 A	43	AM 2016 83243 A
41	AM 2016 82620 A	43	AM 2016 83464 A
41	AM 2016 82621 A	44	AM 2016 82345 A
41	AM 2016 82822 A	44	AM 2016 82444 A
41	AM 2016 82833 A	44	AM 2016 82445 A

**CONCORDANCE TABLE OF INDEX OF GOODS AND/OR SERVICES
AND NUMBERS OF TRADEMARKS REGISTERED ACCORDING
TO THE ACCELERATED PROCEDURE**

INDEX OF GOODS AND/OR SERVICES (511)	NUMBERS OF REGISTERED ACCORDING TO THE ACCELERATED PROCEDURE (111)
5	M 2016 26872 R
11	M 2016 26793 R
32	M 2016 26869 R
33	M 2016 26790 R
33	M 2016 26791 R
33	M 2016 26792 R
35	M 2016 26868 R
36	M 2016 26868 R
37	M 2016 26793 R
38	M 2016 26870 R
38	M 2016 26871 R

OFFICIAL BULLETIN OF THE INDUSTRIAL PROPERTY

5(441)

EDITOR-IN-CHIEF: N. Bebrishvili

EDITORS-TRANSLATORS: E. Gabunia

PROOFREADER: A. Shikhashvili

COMPUTER LAYOUT: M. Ordenidze
K. Svanidze

www.sakpatenti.org.ge

E-mail: info@sakpatenti.org.ge