



**NATIONAL INTELLECTUAL PROPERTY CENTER OF GEORGIA
SAKPATENTI**

**OFFICIAL BULLETIN
OF THE INDUSTRIAL PROPERTY**

6(466)

**2017
TBILISI**

INID CODES FOR IDENTIFICATION OF BIBLIOGRAPHIC DATA

INVENTIONS, UTILITY MODELS

- (10) Number of publication for application, which has been examined
- (11) Number of patent and kind of document
- (21) Serial number of application
- (22) Date of filing of the application
- (23) Date of exhibition or the date of the earlier filing and the number of application, if any
- (24) Date from which patent may have effect
- (31) Number of priority application
- (32) Date of filing of priority application
- (33) Code of the country or regional organization allotting priority application number
- (44) Date of publication of application not granted, but examined and number of bulletin
- (45) Date of publication of registered document
- (51) International Patent Classification Index
- (54) Title of the invention
- (57) Abstract
- (60) Number of examined patent document granted by foreign patent office, date from which patent has effect and country code
- (62) Number of the earlier application and in case of divided application, date of filing an application
- (71) Name, surname and address of applicant (country code)
- (72) Name, surname of inventor (country code)
- (73) Name, surname and address of patent owner (country code)
- (74) Name, surname of representative or patent attorney
- (85) Date of commencement of the national phase of International Application
- (86) Number and date of filing of international application
- (87) Number and date of publication of international application

DESIGNS

- (10) Number of publication for application
- (11) Number of patent and kind of document or number of registration
- (15) Date of registration/Date of patent renewal
- (18) Expected expiration date of patent or registration
- (21) Serial number of application
- (22) Date of filing of the application
- (23) Date of exhibition or the date of the earlier filing and the number of application, if any
- (24) Date from which patent may have effect
- (28) Number of designs included in the application
- (30) Data relating to priority (number of application, date of filing of application, two-letter code identifying the authority with whom the priority application was made)
- (31) Number of priority application
- (32) Date of filing of priority application
- (33) Code of the country or regional organization allotting priority application number
- (34) Two-letter code according to WIPO St.3 identifying the authority with which the priority application was made
- (44) Date of publication of design and number of bulletin (the first publication)
- (45) Date of publication of design registered by WIPO and number of bulletin
- (51) International Classification for designs (class and subclass of the Locarno Classification)
- (54) Title of the invention
- (55) Reproduction of the design
- (57) Description of characteristic features of the design including indication of colors
- (58) Date of recording of any kind of amendment in the Register
- (62) Number of the earlier application, registration and document number and if available the date of filing an application in case of divided application
- (71) Name, surname and address of applicant (country code)
- (72) Name, surname of creator (country code)
- (73) Name, surname and address of patent owner (country code)
- (74) Name, surname of representative or patent attorney
- (81) Contracting states concerned
 - II designated contracting states according to the 1960 Act
 - III designated contracting states according to the 1999 Act
- (85) Owner's permanent address
- (86) Owner's nationality
- (87) Owner's residence
- (88) State in which the owner has a real and effective industrial or commercial establishment

TRADEMARKS

- (111) – Number of registration
- (151) – Date of registration
- (156) – Date of the renewal
- (181) – Expected expiration date of registration
- (186) – Renewal expiration date of registration
- (141) – Date of cancel of duration of the mark
- (210) – Serial number of application
- (220) – Date of filing of the application
- (230) – Date concerning exhibition
- (260) – Number of application, for which favorable decision of examination about registration has been taken (publication number)
- (310) – Number of the first application
- (320) – Date of filing of the first application
- (330) – Code, identifying national or regional Office where the first application was made
- (511) – International Classification of Goods and Services for the purposes of registration of trade marks and/or list of goods and/or services classified according thereto
- (531) – Description of figurative elements of Trade Marks according to the International Classification of the Figurative Elements of Marks
- (540) – Reproduction of Trade Mark
- (550) – Nature and kind of Trade Mark
- (580) – Date of recording of any kind changes in respect of applications or registrations
- (591) – Information concerning colors claimed
- (731) – Name and address of the applicant
- (732) – Name and address of the holder of the registration
- (740) – Name and address of the representative
- (750) – Address for correspondence
- (770) – Name and address of the previous applicant or holder in case of change in ownership
- (771) – Previous name and address of the applicant or holder in case of change in ownership
- (791) – Name and address of the licensee
- (793) – Indication of conditions and/or restrictions under the license (Type of license, number of license agreement, data of license, data of validity of license)
- (800) – Certain data relating to the international registration of Trade Marks under the Protocol Relating to Madrid Agreement (International registration number)

CODES FOR PUBLICATION IN BULLETIN

- (21) AP 0000 000000 – serial number of application for invention
- (10) AP 0000 0000 A – number of published application for invention (first publication)
- (11) P 0000 0000 B – number of patent for invention (second publication)
- (21) API 0000 000000 – number of application for imported patent
- (11) PI 0000 0000 A – number of imported patent (first publication)
- (21) AU 0000 000000 – serial number of application for utility model
- (10) AU 0000 000 U – number of published application for utility model (first publication)
- (11) U 0000 000 Y – number of patent for utility model (second publication)
- (21) AD 0000 000000 – serial number of application for design
- (10) AD 0000 000 S – number of published application for design (first publication)
- (11) D 0000 000 S – number of patent for design (second publication)

INTERNATIONAL PATENT CLASSIFICATION FOR INVENTIONS AND UTILITY MODELS

- SECTION A – HUMAN NECESSITIES
- SECTION B – PERFORMING OPERATIONS; TRANSPORTING
- SECTION C – CHEMISTRY; METALLURGY
- SECTION D – TEXTILES; PAPER
- SECTION E – FIXED CONSTRUCTIONS
- SECTION F – MECHANICAL ENGINEERING; LIGHTING; HEATING; WEAPONS; BLASTING
- SECTION G – PHYSICS
- SECTION H – ELECTRICITY

-
- M – Trade Mark
 - (210) AM 0000 000000 – Serial number of application;
 - (260) AAM 0000 00000 A – Publication number of application;
 - (111) M 0000 00000 R – Number of registration;
 - (111) MMM0000 00000 Rn – Number of renewals, in which n=1,2,3;
 - (111) M 0000 00000 R(P) – Number of registration under partial assignment of rights
-

LIST OF CODES, IN ALPHABETIC SEQUENCE, AND THE CORRESPONDING (SHORT) NAMES OF STATES, OTHER ENTITIES AND INTERGOVERNMENTAL ORGANIZATIONS
(WIPO STANDARD ST.3)

AD	Andorra				
AE	United Arab Emirates				
AF	Afghanistan				
AG	Antigua and Barbuda				
AI	Anguilla				
AL	Albania				
AM	Armenia				
AN	Netherlands Antilles				
AO	Angola				
AP	African Regional Intellectual Property Organization (ARIPO)				
AR	Argentina				
AT	Austria				
AU	Australia				
AW	Aruba				
AZ	Azerbaijan				
BA	Bosnia and Herzegovina				
BB	Barbados				
BD	Bangladesh				
BE	Belgium				
BF	Burkina Faso				
BG	Bulgaria				
BH	Bahrain				
BI	Burundi				
BJ	Benin				
BM	Bermuda				
BN	Brunei Darussalam				
BO	Bolivia				
BR	Brazil				
BS	Bahamas				
BT	Bhutan				
BV	Bouvet Island				
BW	Botswana				
BX	Benelux Office for Intellectual Property (BOIP)				
BY	Belarus				
BZ	Belize				
CA	Canada				
CD	Democratic Republic of the Congo				
CF	Central African Republic				
CG	Congo				
CH	Switzerland				
CI	Cote d'Ivoire				
CK	Cook Islands				
CL	Chile				
CM	Cameroon				
CN	China				
CO	Colombia				
CR	Costa Rica				
CU	Cuba				
CV	Cape Verde				
CY	Cyprus				
CZ	Czech Republic				
DE	Germany				
DJ	Djibouti				
DM	Dominica				
DO	Dominican Republic				
DZ	Algeria				
EA	Eurasian Patent Organization (EAPO)				
EC	Ecuador				
EE	Estonia				
EG	Egypt				
EH	Western Sahara				
EM	Office for Harmonization in the Internal Market (Trademarks and Designs)(OHIM)				
EP	European Patent Office (EPO)				
ER	Eritrea				
ES	Spain				
ET	Ethiopia				
FI	Finland				
FJ	Fiji				
FK	Falkland Islands (Malvinas)				
FO	Faroe Islands				
FR	France				
GA	Gabon				
GB	United Kingdom				
GC	Patent Office of the Cooperation Council for the Arab States of the Gulf (GCC)				
GD	Grenada				
GG	Guernsey				
GH	Ghana				
GI	Gibraltar				
GT	Guatemala				
GW	Guinea- Bissau				
GY	Guyana				
HK	The Hong Kong Special Administrative Region of the People's Republic of China				
HN	Honduras				
HR	Croatia				
HT	Haiti				
HU	Hungary				
IB	International Bureau of the World Intellectual Property Organization (WIPO)				
ID	Indonesia				
IE	Ireland				
IL	Israel				
IM	Isle of Man				
IN	India				
IQ	Iraq				
ID	Indonesia				
IE	Ireland				
IL	Israel				
IM	Isle of Man				
IN	India				
IQ	Iraq				
IR	Iran (Islamic Republic of)				
IS	Iceland				
IT	Italy				
JE	Jersey				
JM	Jamaica				
JO	Jordan				
JP	Japan				
KE	Kenya				
KG	Kyrgyzstan				
KH	Cambodia				
KI	Kiribati				
KM	Saint Kitts and Nevis				
KP	Democratic People's Republic of Korea				
KR	Republic of Korea				
KW	Kuwait				
KY	Cayman Islands				
KZ	Kazakhstan				
LA	Lao People's Democratic Republic				
LB	Lebanon				
LC	Saint Lucia				
LI	Liechtenstein				
LK	Sri Lanka				
LR	Liberia				
LS	Lesotho				
LT	Lithuania				
LU	Luxembourg				
LV	Latvia				
LY	Libyan Arab Jamahiriya				
MA	Morocco				
MC	Monaco				
MD	Republic of Moldova				
ME	Montenegro				
MG	Madagascar				
MK	The former Yugoslav Republic of Macedonia				
ML	Mali				
MM	Myanmar				
MN	Mongolia				
MO	Macao				
MP	Northern Mariana Islands				
MR	Mauritania				
MS	Montserrat				
MT	Malta				
MU	Mauritius				
MV	Maldives				
MW	Malawi				
MX	Mexico				
MY	Malaysia				
MZ	Mozambique				
NA	Namibia				
NE	Niger				
NG	Nigeria				
NI	Nicaragua				
NL	Netherlands				
NO	Norway				
NP	Nepal				
NR	Nauru				
NZ	New Zealand				
OA	African Intellectual Property Organization (OAPI)				
OM	Oman				
PA	Panama				
PE	Peru				
PG	Papua New Guinea				
PH	Philippines				
PK	Pakistan				
PL	Poland				
PT	Portugal				
PW	Palau				
PY	Paraguay				
QA	Qatar				
QZ	Community Plant Variety Office (European Community) (CPVO)				
RO	Romania				
RS	Serbia				
RU	Russian Federation				
RW	Rwanda				
SA	Saudi Arabia				
SB	Solomon Islands				
SC	Seychelles				
SD	Sudan				
SG	Singapore				
SH	Saint Helena				
SI	Slovenia				
SK	Slovakia				
SL	Sierra Leone				
SM	San Marino				
SN	Senegal				
SO	Somalia				
SR	Suriname				
ST	Sao Tome and Principe				
SV	El Salvador				
SY	Syrian Arab Republic				
SZ	Swaziland				
TC	Turks and Caicos Islands				
TD	Chad				
TG	Togo				
TH	Thailand				
TJ	Tajikistan				
TL	Timor-Leste				
TM	Turkmenistan				
TN	Tunisia				
TO	Tonga				
TR	Turkey				
SE	Sweden				
TT	Trinidad and Tobago				
TV	Tuvalu				
TW	Taiwan, Province of China				
TZ	United Republic of Tanzania				
UA	Ukraine				
UG	Uganda				
US	United States of America				
UY	Uruguay				
UZ	Uzbekistan				
VA	Holy See				
VC	Saint Vincent and the Grenadines				
VE	Venezuela				
VG	Virgin Islands (British)				
VN	Viet Nam				
VU	Vanuatu				
WO	World Intellectual Property Organization (WIPO)				
WS	Samoa				
XN	Nordic Patent Institute (NPI)				
YE	Yemen				
ZA	South Africa				
ZM	Zambia				
ZW	Zimbabwe				

**NATIONAL INTELLECTUAL PROPERTY CENTER OF GEORGIA
SAKPATENTI**

**OFFICIAL BULLETIN
OF THE INDUSTRIAL PROPERTY**

6(466)

**INVENTIONS
UTILITY MODELS
DESIGNS
TRADEMARKS**

DATE OF PUBLICATION
2017 03 27

CONTENTS

PUBLISHED TITLES OF PROTECTION	3
INVENTIONS	
▪ APPLICATIONS APPROVED FOR GRANTING PATENTS	4
▪ PATENTED INVENTIONS	8
UTILITY MODELS	
▪ APPLICATIONS APPROVED FOR GRANTING PATENTS	11
▪ PATENTED UTILITY MODEL	13
DESIGNS	
▪ APPLICATIONS APPROVED FOR REGISTRATION	14
▪ REGISTERED DESIGNS	16
▪ DESIGN REGISTERED ACCORDING TO THE ACCELERATED PROCEDURE	17
TRADEMARKS	
▪ APPLICATIONS FILED UNDER THE NATIONAL PROCEDURE APPROVED FOR REGISTRATION	18
▪ REGISTERED TRADEMARKS	22
▪ TRADEMARKS REGISTERED ACCORDING TO THE ACCELERATED PROCEDURE	28
▪ INTERNATIONAL TRADEMARKS FOR WHICH A DECISION ON GANTING PROTECTION IS TAKEN	30
▪ INTERNATIONAL TRADEMARKS PROTECTED IN GEORGIA	40
OFFICIAL NOTIFICATIONS	
INVENTIONS	
▪ RENEWAL OF A PATENT	54
UTILITY MODELS	
▪ RENEWAL OF A PATENTS	54
DESIGNS	
▪ CANCELLATION OF REGISTRATIONS	56
▪ CANCELLATION OF INDUSTRIAL DESIGN PATENT	57
▪ RENEWAL OF DESIGNS REGISTRATION	57
▪ CHANGES IN NAMES AND/OR ADDRESSES OF OWNERS	59
TRADEMARKS	
▪ RENEWAL OF REGISTRATIONS	60
▪ COMPLETE TRANSFER OF RIGHTS	61
▪ CHANGES IN NAMES AND/OR ADDRESSES OF OWNERS	63
▪ RESTRICTION OR CORRECTION GOODS AND/OR SERVICES LISTED.....	72
▪ INVALIDATION OF TRADEMARKS REGISTRATION	75
CLASSIFICATION INDEXES	
INVENTIONS	76
UTILITY MODELS	78
DESIGNS	79
TRADEMARKS	82

PUBLISHED TITLES OF PROTECTION

INVENTIONS

- **APPLICATIONS APPROVED FOR GRANTING PATENTS:**
12701; 13608; 13095; 13508; 13934; 13685; 13661; 13855; 14065; 14017
- **PATENTED INVENTIONS:**
6639-6650

UTILITY MODELS

- **APPLICATIONS APPROVED FOR GRANTING PATENTS:**
13975; 13905; 14044; 14280
- **PATENTED UTILITY MODEL:**
1929-1932

DESIGNS

- **APPLICATIONS APPROVED FOR REGISTRATION:**
929; 925
- **REGISTERED DESIGNS:**
701-702
- **DESIGN REGISTERED ACCORDING TO THE ACCELERATED PROCEDURE:**
700

TRADEMARKS

- **APPLICATIONS FILED UNDER THE NATIONAL PROCEDURE APPROVED FOR REGISTRATION:**
84179; 84435; 86514; 87112; 87133; 87390; 87667; 87969; 88000; 88003; 88104; 88205; 88216; 88222, 88223;
88225, 88226; 88462; 88484; 88530, 88531
- **REGISTERED TRADEMARKS:**
28242; 28244-28264; 28267-28312
- **TRADEMARKS REGISTERED ACCORDING TO THE ACCELERATED PROCEDURE:**
28240 28241; 28243; 28265, 28466; 28313-28316
- **INTERNATIONAL TRADEMARKS FOR WHICH A DECISION ON GRANTING PROTECTIONS IS TAKEN:**
84575*; 85679; 85723; 85846; 86063; 86070; 87118; 87236; 87325-87328; 87408; 87454, 87455; 87458; 87461;
87767
- **INTERNATIONAL TRADEMARKS PROTECTED IN GEORGIA:**
79864; 80001; 81851; 81915; 82722, 82723; 83283; 83681; 83985; 84244; 84488; 84525; 84527; 84575; 84584;
84749; 84849; 84860; 84954; 84968; 85157; 85192; 85328; 85336; 85614; 85657, 85658; 85731, 85732; 85737;
85739, 85740; 85750; 85753; 85757; 85827; 85851; 85853; 85864; 85873, 85874; 85932; 85934; 85936; 85986;
85993, 85994; 86037; 86066; 86072; 86080-86088; 86090-86092; 86094-86097; 86106; 86112; 86135-86137;
86141; 86143-86147; 86149; 86151; 86153; 86155, 86156; 86169-86175; 86218, 86219; 86227; 86229; 86241,
86242; 86247, 86248; 86252; 86262, 86263; 86270; 86273-86281, 86283; 86285-86287; 86294, 86295; 86303;
86312; 86315-86318; 86321; 86323; 86327; 86339; 86347; 86349; 86357-86359; 86361, 86362; 86369-86376;
86379, 86380; 86385; 86387-86389; 86394-86396; 86399-86404; 86406, 86407; 86410; 86416; 86418-86422;
86424; 86427; 86430; 86445; 86447, 86448; 86454; 86457; 86487; 86594; 86597; 86608; 86611-86613; 86644-
-86647; 86650-86654; 86658; 86660-86663; 86697; 86733; 86736; 86778; 86780; 86788; 86827; 86831; 86833;
86835

INVENTIONS

APPLICATIONS APPROVED FOR GRANTING PATENTS

The decision can be appealed at the Chamber of Appeal of Sakpatenti within 3 months from the publication or at the Mtskheta District Court Administrative Cases Board (Address: №17, Samkhedro str., Mtskheta), within 1 month following the publication.

PART A

A 61

(10) AP 2017 12701 A (51) Int. Cl. (2006)

A 61 K 9/20

(21) AP 2010 012701 (22) 2010 10 27

(31) 1287/KOL/2009

(32) 2009 10 27

(33) IN

(71) LUPIN LIMITED (IN)

Lupin Limited, 159 CST Road Kalina,

Santacruz (East) Mumbai 400 098

Maharashtra (IN)

(72) KULKARNI, Shirishkumar (IN);

DALAL, Satish, Kumar (IN);

JAHAGIRDAR, Harshal, Anil (IN)

(74) Giorgi Meipariani

(85) 2012 05 07

(86) PCT/IN2010/000694, 2010 10 27

(54) **SOLID DISPERSION OF RIFAXIMIN**

(57) There is represented rifaximin solid dispersion in a form of pharmaceutical composition comprising rifaximin and one or more pharmaceutically acceptable carrier; at that, rifaximin has increased solubility relative to its equivalent amount, which is not solid dispersion without its increasing systemic absorption.

Claims: 6 independent

30 dependent

(10) AP 2017 13608 A (51) Int. Cl. (2006)

A 61 K 31/57

A 61 K 45/06

A 61 P 15/00

(21) AP 2013 013608 (22) 2013 03 22

(31) 61/614,785; 12160956.4

(32) 2012 03 23; 2012 03 23

(33) US; EP

(71) PREGLEM SA (CH)

Chemin du Pré-Fleuri 3, Plan-les-Ouates

CH-1228 Geneva (CH)

(72) GOTTELAND, Jean-Pierre (CH);

BOUJAC, Valérie (FR);

LOUMAYE, Ernest (CH)

(74) Liliana Darakhvelidze

(85) 2014 10 23

(86) PCT/IB2013/052274, 2013 03 22

(54) **METHOD FOR TREATING**

GYNECOLOGICAL DISEASES

(57) Combination for treating gynecological diseases contains peroral composition containing 5-20 mg ulipristal or metabolite thereof and vaginal ring containing 0,1-20 mg ulipristal or metabolite thereof.

Claims: 4 independent

8 dependent

PART B

B 01

(10) AP 2017 13095 A (51) Int. Cl. (2006)

B 01 D 53/14

B 01 D 53/50

C 01 B 17/05

(21) AP 2011 013095 (22) 2011 10 28

(31) 61/408,420

(32) 2010 10 29

(33) US

(71) MECS, INC. (US)

14522 South Outer Forty Drive Chesterfield,

Missouri 63017 (US)

(72) VERA-CASTANEDA, Ernesto (US)

(74) Tamaz Shilakadze

(85) 2013 05 23

(86) PCT/US2011/058314, 2011 10 28

(54) **REGENERATIVE RECOVERY OF
SULFUR DIOXIDE FROM EFFLUENT
GASES**

(57) The invention relates to processes for selective removal of contaminants from effluent gases. More particularly, some embodiments of present invention relate to selective removal and recovery of sulfur dioxide from effluent gases in sulfur dioxide absorption/desorption process that utilizes buffered aqueous absorption solution comprising certain weak inorganic or organic acids or salts thereof, preferably certain polyprotic carboxylic acids or salts thereof, to selectively absorb sulfur dioxide from effluent gas. Oxidation inhibitors may be used. Absorbed sulfur dioxide is subsequently stripped to regenerate absorption solution and

produce gas enriched in sulfur dioxide content. Regeneration of absorption solution may include integrated sulfur dioxide stripper and heat pump system to provide improved energy efficiency. Other embodiments of present invention relate to process for simultaneous removal of sulfur dioxide and nitrogen oxides (NOx) from effluent gases and recovery of sulfur dioxide. The process utilizes buffered aqueous absorption solution further including metal chelate to absorb sulfur dioxide and (NOx) from gas and subsequently reducing the absorbed (NOx) to form nitrogen. Still further, present invention provides process to control sulfate salt contaminant concentration in absorption solution by partial crystallization and removal of sulfate salt crystals.

Claims: 3 independent
14 dependent

PART C

C 07

(10) AP 2017 13508 A (51) Int. Cl. (2006)
C 07 D 401/04
A 61 K 31/44
A 61 P 25/00

(21) AP 2012 013508 (22) 2012 11 28
(31) 61/564,537; 13/478,361
(32) 2011 11 29; 2012 05 23
(33) US; US

(71) HELSINN HEALTHCARE SA (CH)
Via Pian Scairolo 9, CH-6912
Lugano/Pazzallo (CH)

(72) FADINI, Luca (CH);
MANINI, Peter (CH);
PIETRA, Claudio (IT);
GIULIANO, Claudio (IT);
LOVATI, Emanuela (IT);
CANNELLA, Roberta (IT);
VENTURINI, Alessio (IT);
STELLA, Valentino, J. (US)

(74) Shalva Gvaramadze

(85) 2014 06 26

(86) PCT/US2012/066778, 2012 11 28

(54) **SUBSTITUTED 4-PHENYL-PYRIDINES FOR THE TREATMENT OF NK-1 RECEPTOR RELATED DISEASES**

(57) An invention relates to 4-phenyl-pyridines compounds, compositions, methods for preparation, and usage thereto prevent and/or treat diseases caused by neurokinin (NK-1) receptor, as well.

Claims: 5 independent
14 dependent

Fig.: 1

(10) AP 2017 13934 A (51) Int. Cl. (2006)
C 07 D 413/14
C 07 D 413/04
C 07 D 417/14
A 61 K 31/506
A 61 P 35/00

(21) AP 2014 013934 (22) 2014 03 12

(31) 61/892,131; 61/783,210

(32) 2013 10 17; 2013 03 14

(33) US; US

(71) NOVARTIS AG (CH)

Lichtstrasse 35 CH-4056 Basel (CH)

(72) CAFERRO, Thomas Raymond (US);

CHEN, Zhuoliang (CN);

CHO, Young Shin (KR);

COSTALES, Abran Q. (US);

LEVELL, Julian Roy (GB);

LIU, Gang (CN);

MANNING, James R. (US);

SENDZIK, Martin (DE);

SHAFER, Cynthia (US);

SHULTZ, Michael David (US);

SUTTON, James (US);

WANG, Yaping (CN);

ZHAO, Qian (CN)

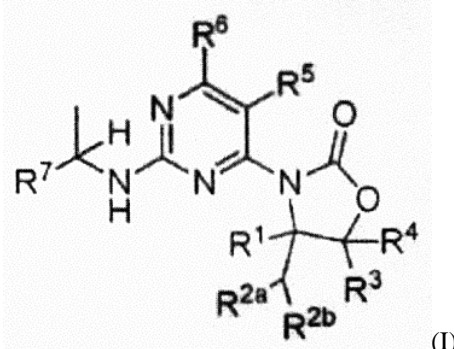
(74) Aleksandre Kartvelishvili

(85) 2015 09 14

(86) PCT/IB2014/059695, 2014 03 12

(54) **3-PYRIMIDIN-4-YL-OXAZOLIDIN-2-ONES AS INHIBITORS OF MUTANT IDH**

(57) An invention relates to 3-pyrimidin-4-yl-oxazolidin-2-ones compounds of formula (I),



(I)

pharmaceutically acceptable salts, compositions containing them, and usage thereof neomorphically active mutant IDH-proteins inhibition at cancer treatment.

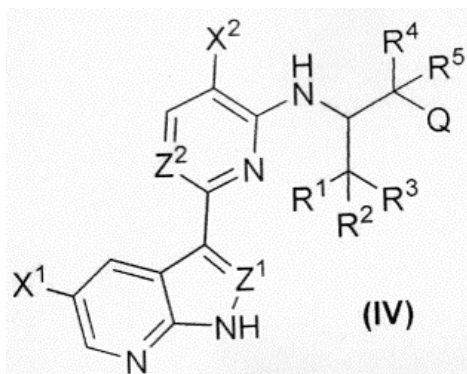
Claims: 4 independent
37 dependent

(10) AP 2017 13685 A (51) Int. Cl. (2006)
C 07 D 471/04
A 61 K 31/506
A 61 K 31/444
A 61 P 31/16

(21) AP 2012 013685 (22) 2012 08 01

(62) 61/513,793 2011 08 01 (US)

- (31) 61/513,793
 (32) 2011 08 01
 (33) US
 (71) VERTEX PHARMACEUTICALS
 INCORPORATED (US)
 50 Northern Avenue, 15th Floor Boston,
 MA 02210 (US)
 (72) CHARIFSON, Paul, S. (US);
 CLARK, Michael, P. (US);
 BANDARAGE, Upul, K. (US);
 BETHIEL, Randy, S. (US);
 BOYD, Michael, J. (CA);
 DAVIES, Ioana (RO);
 DENG, Hongbo (CN);
 DUFFY, John, P. (US);
 FARMER, Luc, J. (CA);
 GAO, Huai (CN);
 GU, Wenxin (CN);
 KENNEDY, Joseph, M. (US);
 LEDFORD, Brian (US);
 LEDEBOER, Mark, W. (US);
 MALTAIS, Francois (CA);
 PEROLA, Emanuele (IT);
 WANG, Tiansheng (US)
 (74) Shalva Gvaramadze
 (85) 2014 12 26
 (86) PCT/US2012/049097, 2012 08 01
 (54) **INHIBITORS OF INFLUENZA
 VIRUSES REPLICATION**
 (57) Compound of formula (IV),



which values Z^1 , Z^2 , X^1 , X^2 , Q , R^1 , R^2 , R^3 , R^4 , R^5 are provided in the claims or pharmaceutically acceptable salt thereof, pharmaceutical composition on basis thereof, and their usage for viral infection treating drug preparation.

Claims: 10 independent
 34 dependent

Table: 4
 Fig.: 2

C 09

- (10) AP 2017 13661 A (51) Int. Cl. (2006)
C 09 K 5/04
 (21) AP 2013 013661 (22) 2013 05 08
 (31) 61/645,697
 (32) 2012 05 11
 (33) US
 (71) ECO D'GAS AS (NO)
 Postboks 388 N-8401 Sortland (NO)
 (72) MCKENNA, Charles P. (ES)
 (74) Shalva Gvaramadze
 (85) 2014 12 10
 (86) PCT/NO 2013/050083, 2013 05 08
 (54) **REFRIGERANT GAS COMPOSITION**
 (57) AN invention relates to cooling compositions used in heating/cooling facilities, exactly inverter air-conditioning/heat pump units.
 Claims: 2 independent
 1 dependent
 Table: 1

PART F

F 02

- (10) AP 2017 13855 A (51) Int. Cl. (2006)
F 02 F 3/00
 (21) AP 2015 013855 (22) 2015 06 12
 (71) Marlen Abramishvili (GE)
 Tavisuplebis q. 7, 6200, Kobuleti (GE)
 (72) Marlen Abramishvili (GE)
 (54) **INTERNAL-COMBUSTION ENGINE
 PISTON**
 (57) A piston 1 includes a head 2, ring grooves 3 under gas- oil-seal rings, an opening 4 under piston pin, and piston skirt 6 on which surface, at least, couple of cavities 7 are executed; at that, each cavity bottoms 8 by conic surfaces 9 are connected to skirt surface.
 Claims: 1 independent
 Fig.: 2

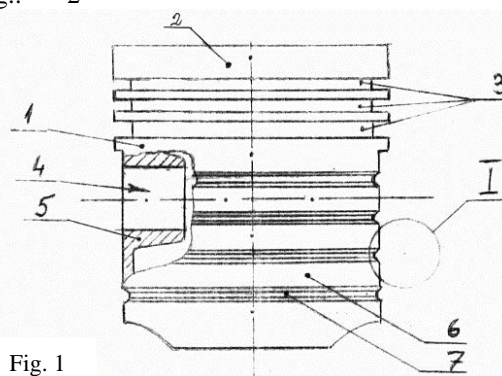


Fig. 1

F 03**(10) AP 2017 14065 A (51) Int. Cl. (2006)****F 03 D 3/02**

(21) AP 2016 014065 (22) 2016 02 22

(71) Tamaz Shioshvili (GE)

Ir. Abashidzis q. 46, b. 17, 0179,

Tbilisi (GE)

(72) Tamaz Shioshvili (GE)

(54) WIND RECEIVING DEVICE

(57) A device includes disposed in rectangular case 2 the couple of rotors having blades 3 and stream dispenser 1 established before thereof. Case front wall covers half part of rotors from stream side, and rare wall 5 – 50-58% of them, and it is rounded parallel thereto, side walls 4 are disposed tangentially relative to them. At that, horizontal upper and lower walls 6 are executed convex from inner side 7, and straight – from outer side 8.

Claims: 1 independent

Fig.: 3

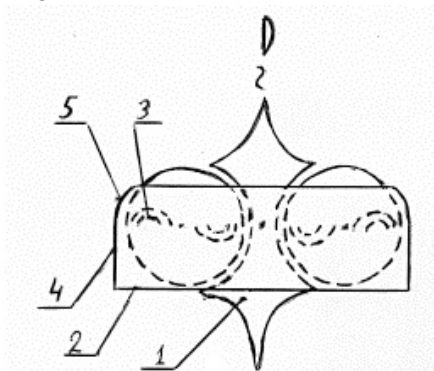


Fig. 1

structure, cooling thereto liquid nitrogen generation temperature, inversion voltage application, and infrared monochromatic light irradiation. Energy level bedding depth on the boundary is determined by measuring photocurrent.

Claims: 1 independent

2 dependent

Fig.: 9

PART H**H 01****(10) AP 2017 14017 A (51) Int. Cl. (2006)****H 01 L 21/66****G 01 R 31/66**

(21) AP 2015 014017 (22) 2015 12 23

(71) Amiran Bibilashvili (GE)

A. Tseretlis gamz. 97, b. 57, 0119,

Tbilisi (GE);

Nugzar Dolidze (GE)

I. Chavchavadzis gamz. 24, b. 21, 0179,

Tbilisi (GE)

(72) Amiran Bibilashvili (GE);

Nugzar Dolidze (GE)

(54) METHOD FOR ENERGY LEVEL DETERMINATION ON SEMICONDUCTOR-DIELECTRIC BOUNDARY

(57) A method provides voltage application in enriching regime to metal-dielectric-semiconductor

PATENTED INVENTIONS

PART A

A 01

- (11) P 2017 6644 B** **(51) Int. Cl. (2006)**
A 01 N 25/04
A 01 N 25/18
A 01 N 25/20
A 01 N 25/34
A 01 N 53/00
- (10) AP 2016 13630 A (44) 23(459)/2016
(21) AP 2013 013630
(22) 2013 05 14
(24) 2013 05 14
(31) 12168250.4
(32) 2012 05 16
(33) EP
(86) PCT/EP2013/059917, 2013 05 14
(73) BAYER CROPSCIENCE AG (DE)
Alfred-Nobel-Str. 50, 40789 Monheim (DE)
(72) KIJLSTRA, Johan (DE);
AKLE, Francois (FR);
BERNI, José (FR);
HEINRICH, Jean-Luc (FR)
(74) Giorgi Kartvelishvili
(54) **INSECTICIDAL WATER-IN-OIL (W/O)**
FORMULATION

A 23

- (11) P 2017 6646 B** **(51) Int. Cl. (2006)**
A 23 F 3/08
- (10) AP 2016 13836 A (44) 23(459)/2016
(21) AP 2013 013836
(22) 2013 03 01
(24) 2013 03 01
(31) a2013 0017
(32) 2013 01 30
(33) AZ
(86) PCT/AZ2013/000002, 2013 03 01
(73) PASHAYEV, Arif Mirjalal (AZ)
Uzeyir Hajibeyov Str. 27, Apartment 4, 1000,
Baku (AZ);
GOZAL, Abdolbari Reza (AZ)
A. Salamzade Str. 7, Apartment 185, Baku (AZ);
NIZAMOV, Telman Inayat (AZ)
Javadhan Str. 21, Apartment 27, 1102, Baku (AZ);
ASGAROV, Akif Asgar (AZ)
Aliyev Str. 26, Apartment 650, 1033, Baku (AZ);
ISAYEV, Anver Isa (AZ)
Mardakan Settlement 407/1451, Baku (AZ);
ALIYEV, Akbar Alinazar (AZ)
Jorat Settlement 232, 5000, Sumgait (AZ);

- NIZAMOV, Anar Telman (AZ)
Javadhan Str. 21, Apartment 27, 1102, Baku (AZ)
(72) PASHAYEV, Arif Mirjalal (AZ);
GOZAL, Abdolbari Reza (AZ);
NIZAMOV, Telman Inayat (AZ);
ASGAROV, Akif Asgar (AZ);
ISAYEV, Anver Isa (AZ);
ALIYEV, Akbar Alinazar (AZ);
NIZAMOV, Anar Telman (AZ)
(74) Tamar Kochlamazashvili
(54) **TEA FERMENTATION METHOD**

A 61

- (11) P 2017 6639 B** **(51) Int. Cl. (2006)**
A 61 K 31/54
- (10) AP 2016 12625 A (44) 23(459)/2016
(21) AP 2010 012625
(22) 2010 08 17
(24) 2010 08 17
(31) 61/234,617
(32) 2009 08 17
(33) US
(86) PCT/US2010/045816, 2010 08 17
(73) INTELLIKINE LLC (US)
10931 North Torrey Pines Road, Suite 103,
La Jolla, CA 92037 (US)
(72) REN, Pingda (CN);
LIU, Yi (US);
LI, Liansheng (CN);
CHAN, Katrina (US);
WILSON, Troy Edward (US);
CAMPBELL, Simon, Fraser (GB)
(74) Shalva Gvaramadze
(54) **HETEROCYCLIC COMPOUNDS AND**
USES THEREOF

- (11) P 2017 6640 B** **(51) Int. Cl. (2006)**
A 61 K 31/40
A 61 K 31/167
A 61 K 31/4704
A 61 K 45/06
A 61 K 9/14
A 61 M 15/00
A 61 K 9/00
- (10) AP 2016 13251 A (44) 23(459)/2016
(21) AP 2012 013251
(22) 2012 03 05
(24) 2012 03 05
(31) 1103770.2; 1202256.2
(32) 2011 03 04; 2012 02 09
(33) GB; GB
(86) PCT/GB2012/050478, 2012 03 05

-
- (73) SOSEI R&D LTD (GB)
2 Royal College Street London
NW1 0NH (GB)
- (72) SNAPE, Susan (GB);
TANSLEY, Robert (GB)
- (74) Tamar Kochlamazashvili
- (54) **USE OF GLYCOPYRROLATE FOR
TREATING TACHYCARDIA**
-
- (11) **P 2017 6649 B** (51) **Int. Cl. (2006)**
A 61 K 31/135
A 61 K 31/192
- (10) AP 2016 13908 A (44) 23(459)/2016
(21) AP 2014 013908
(22) 2014 02 06
(24) 2014 02 06
(31) MI2013A000210
(32) 2013 02 14
(33) IT
(86) PCT/EP2014/052342, 2014 02 06
(73) LABORATORIOS MENARINI SA (ES)
Alfonso XII, 587 E-08918 Badalona (ES)
(72) SCHMITZ, Reinhard (DE);
KOHL, Tobias (DE)
(74) Shalva Gvaramadze
(54) **PHARMACEUTICAL COMPOSITIONS
CONTAINING DEXKETOPROFEN AND
TRAMADOL**
-
- (11) **P 2017 6650 B** (51) **Int. Cl. (2006)**
A 61 K 39/255
- (10) AP 2016 13604 A (44) 23(459)/2016
(21) AP 2013 013604
(22) 2013 03 15
(24) 2013 03 15
(31) 61/614,142
(32) 2012 03 22
(33) US
(86) PCT/US2013/032539, 2013 03 15
(73) MERIAL LIMITED (US)
3239 Satellite Blvd. Duluth, GA 30096 (US)
(72) PRITCHARD, Joyce (US);
MEBATION, Teshome (US);
BUBLLOT, Miche (FR)
(74) Liliana Darakhvelidze
(54) **MODIFIED MAREK'S DISEASE VIRUS,
AND VACCINES MADE THEREFROM**
-
- (11) **P 2017 6642 B** (51) **Int. Cl. (2006)**
A 61 K 39/295
A 61 P 31/04
A 61 P 31/12
- (10) AP 2016 13552 A (44) 23(459)/2016
(21) AP 2013 013552
(22) 2013 01 17
(24) 2013 01 17
- (31) 12/50,464
(32) 2012 01 17
(33) FR
(86) PCT/FR2013/050106, 2013 01 17
(73) SANOFI PASTEUR (FR)
2 avenue PuPont Pasteur F-69367 Lyon
cedex 07 (FR)
(72) BERTAUX, Landry (FR);
CHACORNAC, Isabelle (FR);
FRANÇON, Alain (FR);
HAU, Jean-François (FR);
LENTSCH GRAF, Sandrine (FR)
(74) Shalva Gvaramadze
(54) **METHOD FOR FORMULATING
VACCINE CONTAINING AT LEAST
TWO ANTIGENS CAPABLE OF
ADSORBING ONTO ALUMINIUM
OXYHYDROXIDE**
-
- (11) **P 2017 6648 B** (51) **Int. Cl. (2006)**
A 61 K 47/20
A 61 K 9/14
A 61 K 31/57
A 61 P 15/00
A 61 P 15/18
- (10) AP 2016 13848 A (44) 23(459)/2016
(21) AP 2013 013848
(22) 2013 11 07
(24) 2013 11 07
(31) 1260605
(32) 2012 11 08
(33) FR
(86) PCT/FR2013/052671, 2013 11 07
(73) LABORATOIRE HRA-PHARMA (FR)
15 Béranger, F-75003 Paris (FR)
(72) BATTUNG, Florian (FR);
JUVIN, P-ierre-Yves (FR);
HECQ, Jérôme (FR);
COLIN, Aude (FR)
(74) Liliana Darakhvelidze
(54) **CO-MICRONISATION PRODUCT
COMPRISING SELECTIVE
PROGESTERONE-RECEPTOR
MODULATOR**
-

PART B**B 08**

- (11) P 2017 6647 B** (51) **Int. Cl. (2006)**
B 08 B 3/04
 (10) AP 2016 13839 A (44) 23(459)/2016
 (21) AP 2013 013839
 (22) 2013 09 09
 (24) 2013 09 09
 (31) 61/721,298
 (32) 2012 11 01
 (33) US
 (86) PCT/US2013/058775, 2013 09 09
 (73) SPECTRA SYSTEMS CORPORATION (US)
 321 S. main Str., Suite 102, Providence,
 RI 02903 (US)
 (72) LAWANDY, Nabil, M. (US)
 (74) Larisa Amirkhanyan
 (54) **SUPERCRITICAL FLUID**
CLEANING OF BANKNOTES AND
SECURE DOCUMENTS

PART E**E 04**

- (11) P 2017 6645 B** (51) **Int. Cl. (2006)**
E 04 B 2/26
B 28 B 1/08
 (10) AP 2016 13781 A (44) 23(459)/2016
 (21) AP 2015 013781
 (22) 2015 04 01
 (24) 2015 04 01
 (73) Marina Javakhishvili (GE)
 Budapeshtis q. 6, b. 37, 0160, Tbilisi (GE);
 Vakhtang Loladze (GE)
 Bakhrionis q. korp. I, b. 13, 0194, Tbilisi (GE);
 Gogutsa Sultanishvili (GE)
 L. Botsvadzis q. 2a, 0179, Tbilisi (GE);
 Vladimer Loladze (GE)
 Bakhrionis q. korp. I, b. 13, 0194, Tbilisi (GE)
 (72) Marina Javakhishvili (GE);
 Vakhtang Loladze (GE);
 Gogutsa Sultanishvili (GE);
 Vladimer Loladze (GE)
 (54) **METHOD FOR MULTILAYER**
CONCRETE ARTICLES PRODUCTION

E 05

- (11) P 2017 6643 B** (51) **Int. Cl. (2006)**
E 05 B 29/00
 (10) AP 2016 13570 A (44) 23(459)/2016
 (21) AP 2013 013570
 (22) 2013 02 14
 (24) 2013 02 14
 (31) 20120050; 20120051; 20120053
 (32) 2012 02 16; 2012 02 16; 2012 02 16
 (33) FI; FI; FI
 (86) PCT/FI2013/050174, 2013 02 14
 (73) ABLOY OY (FI)
 Wahlforssinkatu 20 FI-80100 Joensuu (FI)
 (72) ULJENS, Peder (FI)
 (74) Aleksandre Gegechkori
 (54) **KEY AND DISC TUMBLER CYLINDER**
LOCK

PART G**G 06**

- (11) P 2017 6641 B** (51) **Int. Cl. (2006)**
G 06 Q 30/04
G 06 Q 40/02
 (10) AP 2016 13534 A (44) 23(459)/2016
 (21) AP 2012 013534
 (22) 2012 12 28
 (24) 2012 12 28
 (31) 2011154492
 (32) 2011 12 30
 (33) RU
 (86) PCT/RU2012/001137, 2012 12 28
 (73) MY PARTNERS AND GLOBAL STARS
 INVESTMENTS (MP&GSI) LTD (GB)
 Aleman, Cordero, Galindo&Lee Trust (BVI)
 Limited, P.O. Box. 3175, Road Town
 Tortola (GB)
 (72) Kligman, Ilya Vladimirovich (RU)
 (74) Shalva Gvaramadze
 (54) **ELECTRONIC CHEQUE-BASED**
PAYMENT SYSTEM AND METHODS
TO ISSUE, TRANSFER, PAY AND
VERIFY ELECTRONIC CHEQUES

UTILITY MODELS

APPLICATION APPROVED FOR GRANTING PATENT

The decision can be appealed at the Chamber of Appeal of Sakpatenti within 3 months from the publication or at the Mtskheta District Court Administrative Cases Board (Address: №17, Samkhedro str., Mtskheta), within 1 month following the publication.

PART A

A 01

(10) AU 2017 13975 U (51) Int. Cl. (2006)
A 01 G 15/00

(21) AU 2015 013975 (22) 2015 12 03

(71) Giorgi Gelovani (GE)
Iosebldzis q. 61, b. 8, 0160, Tbilisi (GE);
Viktor Chikhladze (GE)
Kakutsa Choloqashvili q., I kvart.,
V korp., b. 189, 0113, Tbilisi (GE);
Nodar Javakhishvili (GE)
Gldani "A" mkr., korp. 54, b. 120, 0167,
Tbilisi (GE);
Ioseb Sauri (GE)
Varketilis IV mkr., korp. 13, b. 10, 0163,
Tbilisi (GE);
Manana Kaishauri (GE)
M. Tsinamdzhvrishvilis q. 65, 0102,
Tbilisi (GE)

(72) Giorgi Gelovani (GE);
Viktor Chikhladze (GE);
Nodar Javakhishvili (GE);
Ioseb Sauri (GE);
Manana Kaishauri (GE)

(54) **METHOD FOR IMPACT ON FIRST
CATEGORY HAIL CLOUDS**

(57) A method for impact on first category hail clouds provides active action reagent introduction by means of rockets, not only under radio echo projection, but under cloud core.

Claims: 1 independent

Fig.: 2

PART B

B 60

(10) AU 2017 13905 U (51) Int. Cl. (2006)
B 60 D 1/12

(21) AU 2015 013905 (22) 2015 08 07

(71) Pridon Gogiashvili (GE)
Akhalgazrdobis gamz. 56/5, 4600,
Kutaisi (GE);
Isidore Kachakhidze (GE)
Sop. Didi Jikhaishi, 3900, Samtredia (GE);

Omar Kikvidze (GE)
Rustavelis gamz. 154, b. 15, 4600,
Kutaisi (GE)

(72) Pridon Gogiashvili (GE);
Isidore Kachakhidze (GE);
Omar Kikvidze (GE)

(54) **HOOKUP**

(57) A hookup includes connected to one of vehicle sections the hollow cylindrical case 14 with end lids 18 fixed on its sides, press discs 12 inserted capable to rest and slip, and resilient member 13 disposed between the discs; at that, a rod 11 with a hook 10 fixed on one of ends thereof is passed throughout lids, press discs and resilient member axial openings. Capable to be open the hook is connected to a bail 3 existed on rod 4 one end and fixed on vehicle second section; furthermore, said hook is executed as a yoke with bifurcated ends having axial openings with a pin 7 placed therein and having: an ear 8 on one end, and opening for fixation – on another; and the bail is a socket 6 with through spherical element 5 placed therein and connected to hook by means of said pin.

Claims: 1 independent

Fig.: 2

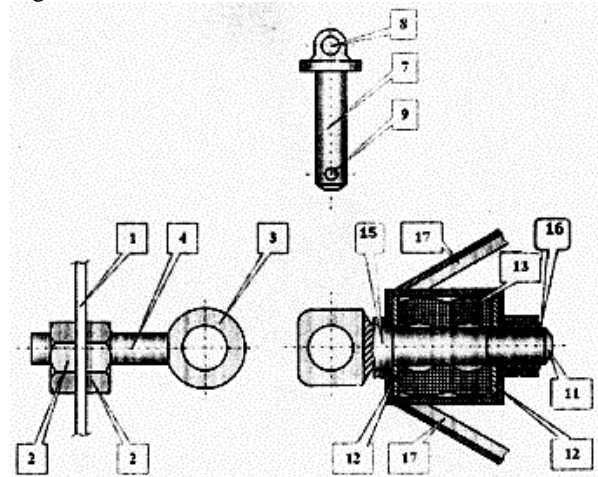


Fig. 2

B 65

(10) AU 2017 14044 U (51) Int. Cl. (2006)
B 65 B 3/00

(21) AU 2016 014044 (22) 2016 01 26
 (71) Gocha Pipia (GE)
 Budapeshtis q. 11, b. 55, 0160, Tbilisi (GE)

(72) Gocha Pipia (GE)
 (74) Aleksandre Kvernadze
 (54) **BEVERAGE CONTAINER**

(57) Alcohol beverage container is a capacity 1 having an aperture 3. The container is made with glass and has a cork 4 locking the aperture; at that, the cork is equipped with carbon dioxide absorbent 7.

Claims: 1 independent

Fig.: 2

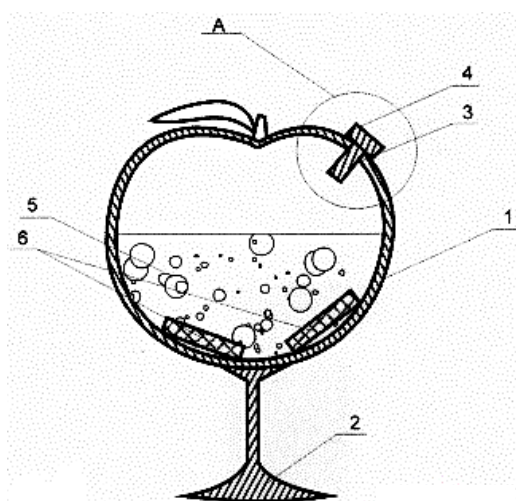


Fig. 1

half thickness. Heat-insulating material stripes 4 of foam plastic, for example, are disposed on edge upper and lower pipes.

Claims: 1 independent

Fig.: 2

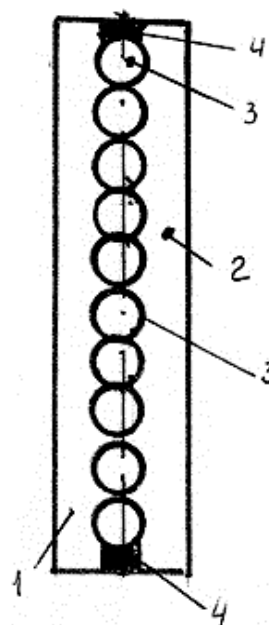


Fig. 2

PART E

E 04

(10) AU 2017 14280 U (51) Int. Cl. (2006)
E 04 B 2/14
E 04 C 1/40

(21) AU 2016 014280 (22) 2016 09 26
 (71) Guram Kemertelidze (GE)
 Saburtalos q. 30a, b. 46, 0160, Tbilisi (GE)

(72) Guram Kemertelidze (GE)
 (54) **WARM HOLLOW WALL**

(57) A wall includes inner and outer concrete layers 1 and 2, and hollow channel disposed between them and created in wall array by means of creating hollow componentry – detachable or nondetachable plastic pipes 3 allocated in the wall horizontal or vertical closely in whole length in the middle of wall, and the thickness thereof is no less than wall

PATENTED UTILITY MODELS

PART A

A 01

- (11) U 2017 1931 Y (51) Int. Cl. (2006)
A 01 G 9/02
 (10) AU 2016 14208 U (44) 23(459)/2016
 (21) AU 2016 014208
 (22) 2016 07 15
 (24) 2016 07 15
 (73) Olga Bulatovich (GE)
 Bakhrionis q. 9, b. 2, 0194, Tbilisi (GE)
 (72) Olga Bulatovich (GE)
 (54) **CONTAINER FOR PLANTING STOCK
 SELECTION**
-

A 21

- (11) U 2017 1932 Y (51) Int. Cl. (2006)
A 21 C 9/06
 (10) AU 2016 14209 U (44) 23(459)/2016
 (21) AU 2016 014209
 (22) 2016 07 18
 (24) 2016 07 18
 (73) Omar Marsagishvili (GE)
 Krtsanisis q. 3, korp. "B", b. 2, 0114,
 Tbilisi (GE)
 (72) Omar Marsagishvili (GE)
 (54) **EQUIPMENT FOR FORMING
 "KHINKALI"**
-

A 61

- (11) U 2017 1929 Y (51) Int. Cl. (2006)
A 61 K 31/65
A 61 K 31/63
A 61 K 31/165
 (10) AU 2016 14066 U (44) 23(459)/2016
 (21) AU 2016 014066
 (22) 2016 02 23
 (24) 2016 02 23
 (73) Mikheil Karashvili (GE)
 I. Meunargias q. 26, 0101, Tbilisi (GE)
 (72) Mikheil Karashvili (GE)
 (54) **OINTMENT FOR SKIN PUS, INFECTED
 WOUND AND TROPHIC ULCER
 TREATMENT**
-

PART B

B 01

- (11) U 2017 1930 Y (51) Int. Cl. (2006)
B 01 J 19/00
B 01 J 19/18
 (10) AU 2016 14127 U (44) 23(459)/2016
 (21) AU 2016 014127
 (22) 2016 04 27
 (24) 2016 04 27
 (73) Temur Chakhunashvili (GE)
 Panaskertelis q., korp. 17, b. 15, 0194,
 Tbilisi (GE);
 Teimuraz Rokva (GE)
 Vazha-Pshavelas V kvart., korp. 1, b. 32,
 0186, Tbilisi (GE);
 Zhiuli Keadze (GE)
 Nutsubidzis III mkr., II kvart., korp. 2,
 b. 69, 0186, Tbilisi (GE);
 Zinaida Vatsadze (GE)
 Giorgi Brtskinvales q. 25, b. 34, 0153,
 Tbilisi (GE)
 (72) Temur Chakhunashvili (GE);
 Teimuraz Rokva (GE);
 Zhiuli Keadze (GE);
 Zinaida Vatsadze (GE)
 (54) **REACTIVE APPARATUS FOR HIGH
 AGRESIV SOLUTIONS CHEMICAL
 PROCESSING**
-

DESIGNS

APPLICATIONS APPROVED FOR REGISTRATIONS

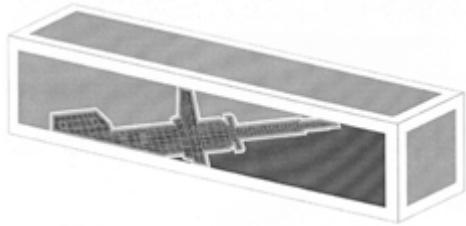
The decision can be appealed at the Chamber of Appeal of Sakpatenti within 3 months from the publication or at the Mtskheta District Court Administrative Cases Board (Address: №17, Samkhedro str., Mtskheta), within 1 month following the publication.

- (10) AD 2017 929 S (51) 09-01
(21) AD 2016 000929 (22) 2016 10 19
(28) 1
(71) Gocha Pipia (GE)
 Budapeshtis q. 11, b. 55, 0160, Tbilisi (GE)
(72) Gocha Pipia (GE)
(74) Aleksandre Kvernadze
(54) **ORNAMENTAL JAR**
(55)



1

(10) AD 2017 925 S (51) 09-03
(21) AD 2016 000925 (22) 2016 09 23
(28) 2
(31) 2016-006565; 2016-006495
(32) 2016 03 25; 2016 03 25
(33) JP; JP
(71) KYB CORPORATION (JP)
World Trade Center Bldg., 4-1, Hamamatsucho, 2-chome, Minato-ku, Tokyo (JP)
(72) Eizo Ogura (JP)
(74) Shalva Gvaramadze
(54) 1.-2. BOX
(55)



1.1



1.2



1.3



1.4



1.5



2.1



2.2



2.3



2.4



2.5

REGISTERED DESIGNS

(11) D 2017 701 S **(51) 06-07**
(10) AD 2016 922 S (44) 23(459)/2016
(21) AD 2016 000922
(22) 2016 08 23
(24) 2016 08 23
(28) 1
(18) 2021 08 23
(73) Irakli Kirtskhalia (GE)
 IV k., b. 8, sop. Chardakhi, 3300, Mtskheta (GE)
(72) Irakli Kirtskhalia (GE)
(54) **PICTURE FRAME**

(11) D 2017 702 S **(51) 07-06**
(10) AD 2016 923 S (44) 23(459)/2016
(21) AD 2016 000923
(22) 2016 08 23
(24) 2016 08 23
(28) 2
(18) 2021 08 23
(73) Irakli Kirtskhalia (GE)
 IV k., b. 8, sop. Chardakhi, 3300, Mtskheta (GE)
(72) Irakli Kirtskhalia (GE)
(54) **1. - 2. NAPKINS CASE**

DESIGN REGISTERED ACCORDING TO THE ACCELERATED PROCEDURE

The decision can be appealed at the Chamber of Appeal of Sakpatenti within 3 months from the publication.

- (11) D 2017 700 S (51) 11-02
(21) AD 2017 000943 (22) 2017 02 14
(24) 2017 02 14
(28) 4
(18) 2022 02 14
(73) Rudolph Asaturov (GE)
Tsknetis q. korp. 14, b. 38, 0162, Tbilisi (GE)
(72) Rudolph Asaturov (GE)
(54) 1. - 4. ORNAMENTAL ARTICLE
(55)



TRADEMARKS

APPLICATIONS FILED UNDER THE NATIONAL PROCEDURE APPROVED FOR REGISTRATION

The decision can be appealed at the Chamber of Appeal of Sakpatenti within 3 months from the publication or at the Mtskheta District Court Administrative Cases Board (Address: №17, Samkhedro St., Mtskheta), within 1 month following the publication.

(260) AM 2017 84179 A
(210) AM 84179
(220) 2015 10 12
(310) 86/597,155
(320) 2015 04 14
(330) US
(731) HP HEWLETT PACKARD GROUP LLC
11445 Compaq Center Drive West, Houston,
Texas 77070, USA
(740) Tamar Kochlamazashvili
(540)



(591) Black, white
(531) 26.04.02, 27.05.17, 27.05.23
(511) 9, 35, 36, 37, 38, 42

(260) AM 2017 84435 A
(210) AM 84435
(220) 2015 11 02
(731) Anzor Kurasbediani
Machablis q. 3, Tbilisi, Georgia
(740) Anzor Kurasbediani
(540)



(591) White, golden
(531) 02.09.14, 11.01.02, 11.03.18, 26.04.09, 28.19
(526) I agree to the verbal elements "ქართული"
and "რესტორანი" inserted disklamatsia.
(511) 43

(260) AM 2017 86514 A
(210) AM 86514
(220) 2016 03 09
(731) SWISS PHARMA INTERNATIONAL AG
Waldmannstrasse 8, 8001 Zurich, Switzerland
(740) Tamar Kochlamazashvili
(540)

ХЕЛИПКО

(511) 5

(260) AM 2017 87112 A
(210) AM 87112
(220) 2016 04 25
(731) UNIVERSAL PROTEIN SUPPLEMENTS
CORPORATION DBA UNIVERSAL
NUTRITION
3 Terminal Road, New Brunswick, New
Jersey 08901, USA
(740) Tamz Shilakadze
(540)



(591) Black, white
(531) 26.13.25, 02.01.23, 27.05.17
(511) 5

(260) AM 2017 87133 A
(210) AM 87133
(220) 2016 04 28
(731) LTD "MADAM K"
9 dzma Kherkheulidzis q. 17, Didgoris raioni,
daba Kojori, sop. Kiketi, 1318, Tbilisi,
Georgia
(740) Ketevan Khojanashvili
(540)



(591) Golden
 (531) 27.05.01, 27.05.08, 29.01.02
 (511) 33

(260) AM 2017 87390 A
 (210) AM 87390
 (220) 2016 05 25
 (310) UK00003138225
 (320) 2015 11 27
 (330) GB
 (731) BRITISH AMERICAN TOBACCO
 (BRANDS) INC.
 (a Delaware corporation)
 2711 Centerville Road, Suite 300,
 Wilmington, Delaware 19808, USA
 (740) Tamar Kochlamazashvili
 (540)



(591) White, black, blue, sky-blue
 (531) 26.01.12, 26.11.09, 26.04.24, 27.05.15,
 27.05.24, 29.01.14
 (511) 34

(260) AM 2017 87667 A
 (210) AM 87667
 (220) 2016 06 21
 (731) LTD "IDEA DESIGN GROUP"
 Shindisis q. 4/2, 0105, Tbilisi, Georgia
 (540)



(591) Turquoise, grey, black
 (531) 01.05.02, 27.05.01, 28.19, 29.01.13
 (511) 42

(260) AM 2017 87969 A
 (210) AM 87969
 (220) 2016 07 15
 (731) LTD "MIRA HOTELS"
 N. Kipshidzis q. 20, b. 4, Tbilisi, Georgia
 (740) Shalva Gvaramadze
 (540)

Mira

(511) 35, 39, 43

(260) AM 2017 88000 A
 (210) AM 88000
 (220) 2016 07 22
 (731) ALLIED GLOBAL TOBACCO LIMITED
 Wey Court West, Union Road, Farnham,
 GU9 7PT, Surrey, United Kingdom
 (740) Givi Akopashvili
 (540)



(591) White, silver, red, blue, dark blue
 (531) 24.09.11, 24.13.01, 25.01.01, 27.05.05,
 27.07.24, 29.01.14, 19.03.24
 (511) 34

(260) AM 2017 88003 A
 (210) AM 88003
 (220) 2016 07 22
 (731) Manuchar Tupuria
 Vazha-Pshavelas gamz. 30a, b. 85, 0177,
 Tbilisi, Georgia
 (740) Manuchar Tupuria
 (540)



(591) Black, white, red
 (511) 30, 35, 43

(260) AM 2017 88104 A
 (210) AM 88104
 (220) 2016 07 29
 (731) Irma Pataraiia

Varketili 3, I mkr., korp. 28, b. 26, 0163,
Tbilisi, Georgia
(740) Irma Pataraiia
(540)

Afla Sensor
აფლა სენსორი

(511) 9

(260) AM 2017 88205 A
(210) AM 88205
(220) 2016 08 09
(731) Nikoloz Cholobargia
Abashidzis q. 68, Tbilisi, Georgia
(740) Nikoloz Cholobargia
(540)

სისონაი

(511) 32, 33

(260) AM 2017 88216 A
(210) AM 88216
(220) 2016 08 10
(731) Irakli Shioshvili
Al. Chavchavadzis shesakhv. II, sakhli 4,
0162, daba Tskneti, Tbilisi, Georgia
(740) Irakli Shioshvili
(540)



(591) Brown, sky-blue blue, red, orange
(531) 01.03.15, 06.01.04, 01.15.24, 19.09.02,
27.05.01, 29.01.13
(511) 39

(260) AM 2017 88222 A
(210) AM 88222
(220) 2016 08 10
(731) LTD "BARAMBO"
Sop. Natakhtari, 3308, Mtskheta, Georgia
(540)

მომი
MIMI
МИМИ

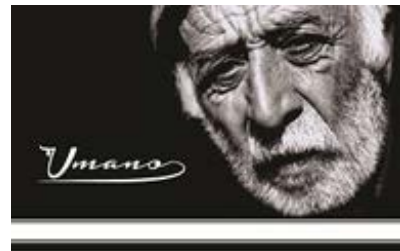
(511) 30

(260) AM 2017 88223 A
(210) AM 88223
(220) 2016 08 10
(731) LTD "BARAMBO"
Sop. Natakhtari, 3308, Mtskheta, Georgia
(540)

Barambo
FRIENDS

(591) Black, white
(531) 26.11.13, 27.05.11, 27.05.19, 27.05.01
(511) 30

(260) AM 2017 88225 A
(210) AM 88225
(220) 2016 08 10
(731) LTD "CORPORATION GEORGIAN WINE"
S. Chikovanis q. 35, 0171, Tbilisi, Georgia
(740) Meri Abramia
(540)



Umano

(591) Black, white
(531) 02.01.01, 25.01.19, 26.04.14, 26.11.08,
27.05.19
(511) 33

(260) AM 2017 88226 A
(210) AM 88226
(220) 2016 08 10
(731) LTD "CORPORATION GEORGIAN WINE"
S. Chikovanis q. 35, 0171, Tbilisi, Georgia
(740) Meri Abramia
(540)

Umano
Умано
უმაო

(511) 33

(260) AM 2017 88462 A
(210) AM 88462
(220) 2016 08 30

(731) LTD "BIO UNIVERSAL GEORGIA"
 Pekinis gamz. 31G, 0160, Tbilisi, Georgia
 (740) Nino Chaghraganidze
 (540)



(591) White, green
 (531) 02.09.01, 25.01.05, 27.05.24, 29.01.12
 (526) The trademark is protected as a whole.
 "Saguramo" shall not be subject to independent legal
 protection.
 (511) 29, 30, 31, 32

(260) AM 2017 88531 A
 (210) AM 88531
 (220) 2016 09 13
 (731) PHILIP MORRIS BRANDS SÀRL
 Quai Jeanrenaud 3, 2000 Neuchâtel,
 Switzerland
 (740) Shalva Gvaramadze
 (540)

PHILIP MORRIS

(511) 34

(260) AM 2017 88484 A
 (210) AM 88484
 (220) 2016 09 02
 (731) MORRISON BOWMORE DISTILLERS
 LIMITED
 Springburn Bond, Carlisle Street, Glasgow
 G21 1EQ, United Kingdom
 (740) Shalva Gvaramadze
 (540)

AUCHENTOSHAN

(511) 33

(260) AM 2017 88530 A
 (210) AM 88530
 (220) 2016 09 13
 (731) ENERGY BEVERAGES LLC
 2390 Anselmo Drive, Corona, California
 92879, USA
 (740) Shalva Gvaramadze
 (540)



(591) Black, white
 (531) 01.15.05
 (511) 32

REGISTERED TRADEMARKS

(111) M 2017 28242 R
(151) 2017 03 01
(181) 2027 03 01
(260) AM 2016 85879 A
(220) 2016 01 27

(732) SSIIP GEORGIAS EROVNU LI MUZEUMI
Rustavelis gamz.3, 0105, Tbilisi, Georgia

(111) M 2017 28244 R
(151) 2017 03 08
(181) 2027 03 08
(260) AM 2014 77058 A
(220) 2014 05 08

(732) ORION CORPORATION
13, Baekbeom-ro 90da-gil, Yongsan-gu,
Seoul, Republic of Korea

(111) M 2017 28245 R
(151) 2017 03 08
(181) 2027 03 08
(260) AM 2016 82714 A
(220) 2015 06 29

(732) ASOS Plc
Second Floor, Greater London House
Hampstead Road, London NW1 7FB
United Kingdom

(111) M 2017 28246 R
(151) 2017 03 08
(181) 2027 03 08
(260) AM 2016 82808 A
(220) 2015 07 03

(732) NINO ANANIASHVILI
Metekhis aghmarti 6, Tbilisi, Georgia

(111) M 2017 28247 R
(151) 2017 03 08
(181) 2027 03 08
(260) AM 2016 82909 A
(220) 2015 07 10

(732) LTD "NINA ANANIASHVILI & WINE
ART"
Sop. Tsinandali, Telavis raioni, Georgia

(111) M 2017 28248 R
(151) 2017 03 08
(181) 2027 03 08
(260) AM 2016 82910 A
(220) 2015 07 10

(732) LTD "NINA ANANIASHVILI & WINE
ART"
Sop. Tsinandali, Telavis raioni, Georgia

(111) M 2017 28249 R
(151) 2017 03 09
(181) 2027 03 09
(260) AM 2016 82911 A
(220) 2015 07 10

(732) LTD "NINA ANANIASHVILI & WINE
ART"
Sop. Tsinandali, Telavis raioni, Georgia

(111) M 2017 28250 R
(151) 2017 03 09
(181) 2027 03 09
(260) AM 2016 83807 A
(220) 2015 09 17

(732) AZTEC SHOPS, LTD.
San-Diego State University, San-Diego,
California, 92182-1701, USA

(111) M 2017 28251 R
(151) 2017 03 09
(181) 2027 03 09
(260) AM 2016 84196 A
(220) 2015 10 13

(732) ZAAL DUGLADZE
Oniashvilis q. 74, 0160, Tbilisi, Georgia

(111) M 2017 28252 R
(151) 2017 03 09
(181) 2027 03 09
(260) AM 2016 84197 A
(220) 2015 10 13

(732) ZAAL DUGLADZE
Oniashvilis q. 74, 0160, Tbilisi, Georgia

(111) M 2017 28253 R
(151) 2017 03 09
(181) 2027 03 09
(260) AM 2016 84623 A
(220) 2015 11 11

(732) FCA US LLC
1000 Chrysler Drive, City of Auburn Hills,
State of Michigan 48326, USA

(111) M 2017 28254 R
(151) 2017 03 09
(181) 2027 03 09
(260) AM 2016 84628 A

(220) 2015 11 11 (732) FCA US LLC 1000 Chrysler Drive, City of Auburn Hills, State of Michigan 48326, USA	(a Delaware corporation) 2711 Centerville Road, Suite 300, Wilmington, Delaware 19808, USA
(111) M 2017 28255 R (151) 2017 03 09 (181) 2027 03 09 (260) AM 2016 84941 A (220) 2015 11 30 (732) Abdi Ýbrahim Ýlaç Sanayi ve Ticaret Anonim Pirketi Reþitpaþa Mahallesi Eski Büyükdere Caddesi No:4 34467 Maslak- Sarýyer-Ýstanbul, Turkey	(111) M 2017 28260 R (151) 2017 03 09 (181) 2027 03 09 (260) AM 2016 85044 A (220) 2015 12 07 (732) BRITISH AMERICAN TOBACCO (BRANDS) INC. (a Delaware corporation) 2711 Centerville Road, Suite 300, Wilmington, Delaware 19808, USA
(111) M 2017 28256 R (151) 2017 03 09 (181) 2027 03 09 (260) AM 2016 84942 A (220) 2015 11 30 (732) Abdi Ýbrahim Ýlaç Sanayi ve Ticaret Anonim Pirketi Reþitpaþa Mahallesi Eski Büyükdere Caddesi No:4 34467 Maslak- Sarýyer-Ýstanbul, Turkey	(111) M 2017 28261 R (151) 2017 03 09 (181) 2027 03 09 (260) AM 2016 85083 A (220) 2015 12 09 (732) MARRIOTT WORLDWIDE CORPORATION 10400 Fernwood Road, Bethesda, Maryland 20817, USA
(111) M 2017 28257 R (151) 2017 03 09 (181) 2027 03 09 (260) AM 2016 84946 A (220) 2015 12 01 (732) BRITISH AMERICAN TOBACCO (BRANDS) INC. (a Delaware corporation) 2711 Centerville Road, Suite 300, Wilmington, Delaware 19808, USA	(111) M 2017 28262 R (151) 2017 03 09 (181) 2027 03 09 (260) AM 2016 85084 A (220) 2015 12 09 (732) MARRIOTT WORLDWIDE CORPORATION 10400 Fernwood Road, Bethesda, Maryland 20817, USA
(111) M 2017 28258 R (151) 2017 03 09 (181) 2027 03 09 (260) AM 2016 85037 A (220) 2015 12 07 (732) BRITISH AMERICAN TOBACCO (BRANDS) INC. (a Delaware corporation) 2711 Centerville Road, Suite 300, Wilmington, Delaware 19808, USA	(111) M 2017 28263 R (151) 2017 03 09 (181) 2027 03 09 (260) AM 2016 85086 A (220) 2015 12 09 (732) MARRIOTT WORLDWIDE CORPORATION 10400 Fernwood Road, Bethesda, Maryland 20817, USA
(111) M 2017 28259 R (151) 2017 03 09 (181) 2027 03 09 (260) AM 2016 85038 A (220) 2015 12 07 (732) BRITISH AMERICAN TOBACCO (BRANDS) INC.	(111) M 2017 28264 R (151) 2017 03 09 (181) 2027 03 09 (260) AM 2016 85259 A (220) 2015 12 17 (732) HOUSE OF PRINCE A/S. Vester Farimagsgade 19, DK-1606, Copenhagen V., Denmark
(111) M 2017 28267 R (151) 2017 03 10 (181) 2027 03 10	(111) M 2017 28267 R (151) 2017 03 10 (181) 2027 03 10

(260) AM 2016 85395 A
(220) 2015 12 24
(732) AMERICAN-CIGARETTE COMPANY
(OVERSEAS) LIMITED
Zaehlerweg 4, Zug CH 6300, Switzerland

(111) M 2017 28268 R
(151) 2017 03 10
(181) 2027 03 10
(260) AM 2016 85432 A
(220) 2015 12 24
(732) CARRERAS LIMITED
Globe House, 4 Temple Place, London
WC2R 2PG, United Kingdom

(111) M 2017 28269 R
(151) 2017 03 10
(181) 2027 03 10
(260) AM 2016 85591 A
(220) 2016 01 05
(732) JSC AI ARSI
M. Mamardashvilis q. 54, Tbilisi, Georgia

(111) M 2017 28270 R
(151) 2017 03 10
(181) 2027 03 10
(260) AM 2016 85600 A
(220) 2016 01 05
(732) JSC AI ARSI
M. Mamardashvilis q. 54, Tbilisi, Georgia

(111) M 2017 28271 R
(151) 2017 03 10
(181) 2027 03 10
(260) AM 2016 85602 A
(220) 2016 01 05
(732) JSC AI ARSI
M. Mamardashvilis q. 54, Tbilisi, Georgia

(111) M 2017 28272 R
(151) 2017 03 10
(181) 2027 03 10
(260) AM 2016 85606 A
(220) 2016 01 05
(732) JSC AI ARSI
M. Mamardashvilis q. 54, Tbilisi, Georgia

(111) M 2017 28273 R
(151) 2017 03 10
(181) 2027 03 10
(260) AM 2016 85752 A
(220) 2016 01 14

(732) DABUR INDIA LIMITED
8/3, Asaf Ali Road, New Delhi, India

(111) M 2017 28274 R
(151) 2017 03 10
(181) 2027 03 10
(260) AM 2016 85761 A
(220) 2016 01 14
(732) DABUR INDIA LIMITED
8/3, Asaf Ali Road, New Delhi, India

(111) M 2017 28275 R
(151) 2017 03 10
(181) 2027 03 10
(260) AM 2016 85834 A
(220) 2016 01 25
(732) IVYBRIDGE VENTURES LIMITED
Lampousas 1, P.C. 1095, Nicosia, Cyprus

(111) M 2017 28276 R
(151) 2017 03 10
(181) 2027 03 10
(260) AM 2016 85891 A
(220) 2016 01 28
(732) IVYBRIDGE VENTURES LIMITED
Lampousas 1, P.C. 1095, Nicosia, Cyprus

(111) M 2017 28277 R
(151) 2017 03 10
(181) 2027 03 10
(260) AM 2016 85902 A
(220) 2016 02 01
(732) LTD "Anaklia Development Consortium"
Marjanishvilis q. 6, Tbilisi, Georgia

(111) M 2017 28278 R
(151) 2017 03 10
(181) 2027 03 10
(260) AM 2016 85904 A
(220) 2016 02 01
(732) LTD "Anaklia Development Consortium"
Marjanishvilis q. 6, Tbilisi, Georgia

(111) M 2017 28279 R
(151) 2017 03 10
(181) 2027 03 10
(260) AM 2016 86006 A
(220) 2016 02 05
(732) BP p.l.c.
1 St James's Square, London SW1Y 4PD,
United Kingdom

(111) M 2017 28280 R
(151) 2017 03 10
(181) 2027 03 10
(260) AM 2016 86129 A
(220) 2016 02 11
(732) TROMMSDORFF GMBH & CO. KG
Trommsdorffstraße 2-6, 52477 Alsdorf,
Germany

(111) M 2017 28281 R
(151) 2017 03 10
(181) 2027 03 10
(260) AM 2016 86272 A
(220) 2016 02 23
(732) LTD "PARK GIDA"
Lermontovis q. 57, b. 94, 6000, Batumi,
Georgia

(111) M 2017 28282 R
(151) 2017 03 11
(181) 2027 03 11
(260) AM 2016 86332 A
(220) 2016 02 25
(732) TOYOTA JIDOSHA KABUSHIKI KAISHA
(also trading as Toyota Motor Corporation)
1, Toyota-cho, Toyota-shi, Aichi-ken, Japan

(111) M 2017 28283 R
(151) 2017 03 11
(181) 2027 03 11
(260) AM 2016 86334 A
(220) 2016 02 25
(732) TOYOTA JIDOSHA KABUSHIKI KAISHA
(also trading as Toyota Motor Corporation)
1, Toyota-cho, Toyota-shi, Aichi-ken, Japan

(111) M 2017 28284 R
(151) 2017 03 11
(181) 2027 03 11
(260) AM 2016 86335 A
(220) 2016 02 25
(732) TOYOTA JIDOSHA KABUSHIKI KAISHA
(also trading as Toyota Motor Corporation)
1, Toyota-cho, Toyota-shi, Aichi-ken, Japan

(111) M 2017 28285 R
(151) 2017 03 11
(181) 2027 03 11
(260) AM 2016 86360 A
(220) 2016 02 29
(732) TOYOTA JIDOSHA KABUSHIKI KAISHA
(also trading as Toyota Motor Corporation)
1, Toyota-cho, Toyota-shi, Aichi-ken, Japan

(111) M 2017 28286 R
(151) 2017 03 11
(181) 2027 03 11
(260) AM 2016 86363 A
(220) 2016 02 29
(732) MARRIOTT WORLDWIDE CORPORATION
10400 Fernwood Road, Bethesda, Maryland
20817, USA

(111) M 2017 28287 R
(151) 2017 03 12
(181) 2027 03 12
(260) AM 2016 86367 A
(220) 2016 02 29
(732) LTD "AROMAPRODUCT"
Guramishvilis gamz. 17, 0192, Tbilisi, Georgia

(111) M 2017 28288 R
(151) 2017 03 12
(181) 2027 03 12
(260) AM 2016 86368 A
(220) 2016 02 29
(732) LTD "AROMAPRODUCT"
Guramishvilis gamz. 17, 0192, Tbilisi, Georgia

(111) M 2017 28289 R
(151) 2017 03 12
(181) 2027 03 12
(260) AM 2016 86439 A
(220) 2016 03 03
(732) DURATA THERAPEUTICS HOLDING C.V.
190 Elgin Avenue, George Town, Grand
Cayman KY1-9005, Cayman Islands

(111) M 2017 28290 R
(151) 2017 03 12
(181) 2027 03 12
(260) AM 2016 86460 A
(220) 2016 03 07
(732) MONSTER ENERGY COMPANY
(a Delaware corporation)
1 Monster Way, Corona, California 92879,
USA

(111) M 2017 28291 R
(151) 2017 03 12
(181) 2027 03 12
(260) AM 2016 86504 A
(220) 2016 03 09
(732) FERROSAN A/S
Sydmarken 5, DK-2860 Søborg, Denmark

(111) M 2017 28292 R
(151) 2017 03 12
(181) 2027 03 12
(260) AM 2016 86506 A
(220) 2016 03 09
(732) FERROSAN A/S
Sydmarken 5, DK-2860 Søborg, Denmark

(111) M 2017 28293 R
(151) 2017 03 12
(181) 2027 03 12
(260) AM 2016 86509 A
(220) 2016 03 09
(732) FERROSAN A/S
Sydmarken 5, DK-2860 Søborg, Denmark

(111) M 2017 28294 R
(151) 2017 03 13
(186) 2027 03 13
(260) AM 2015 69118 A
(220) 2014 01 10
(732) LTD "GEORGIAN WINES & SPIRITS
COMPANY
Sop. Achinebuli, 2200, Telavi, Georgia

(111) M 2017 28295 R
(151) 2017 03 13
(181) 2027 03 13
(260) AM 2016 86561 A
(220) 2016 03 14
(732) LTD "G-M-P"
Sop. Ponitchala 65, 0165, Tbilisi, Georgia

(111) M 2017 28296 R
(151) 2017 03 13
(181) 2027 03 13
(260) AM 2016 86626 A
(220) 2016 03 16
(732) NISSAN JIDOSHA KABUSHIKI KAISHA
(also trading as Nissan Motor Co., Ltd.)
No.2, Takara-cho, Kanagawa-ku, Yokohama-shi,
Kanagawa-ken, Japan

(111) M 2017 28297 R
(151) 2017 03 13
(181) 2027 03 13
(260) AM 2016 86696 A
(220) 2016 03 23
(732) LTD "GURJI"
Il. Chavchavadzis gamz. 54a, b. 13, 0179,
Tbilisi, Georgia

(111) M 2017 28298 R
(151) 2017 03 13
(181) 2027 03 13
(260) AM 2016 86699 A
(220) 2016 03 23
(732) BENTLEY MOTORS LIMITED
Pyms Lane, Crewe, CW1 3PL, United Kingdom

(111) M 2017 28299 R
(151) 2017 03 13
(181) 2027 03 13
(260) AM 2016 86849 A
(220) 2016 03 31
(732) WANDOO FINANCE SIA
Kārļa Ulmaņa gatve 119, Mārupe, Mārupes
nov., LV-2167, Latvia

(111) M 2017 28300 R
(151) 2017 03 13
(181) 2027 03 13
(260) AM 2016 86850 A
(220) 2016 03 31
(732) WANDOO FINANCE SIA
Kārļa Ulmaņa gatve 119, Mārupe, Mārupes
nov., LV-2167, Latvia

(111) M 2017 28301 R
(151) 2017 03 13
(181) 2027 03 13
(260) AM 2016 86883 A
(220) 2016 04 05
(732) LTD "ASPHARMA GEORGIA
PHARMACEUTICAL COMPANY"
Mtskhetis q. 8, 0179, Tbilisi, Georgia

(111) M 2017 28302 R
(151) 2017 03 13
(181) 2027 03 13
(260) AM 2016 86884 A
(220) 2016 04 05
(732) LTD "ASPHARMA GEORGIA
PHARMACEUTICAL COMPANY"
Mtskhetis q. 8, 0179, Tbilisi, Georgia

(111) M 2017 28303 R
(151) 2017 03 13
(181) 2027 03 13
(260) AM 2016 86885 A
(220) 2016 04 05
(732) LTD "ASPHARMA GEORGIA
PHARMACEUTICAL COMPANY"
Mtskhetis q. 8, 0179, Tbilisi, Georgia

(111) M 2017 28304 R
(151) 2017 03 13
(181) 2027 03 13
(260) AM 2016 86887 A
(220) 2016 04 05
(732) GILEAD SCIENCES IRELAND UC
Ida Business and Technology Park, Carrigtohill,
Co. Cork, Ireland

(111) M 2017 28310 R
(151) 2017 03 13
(181) 2027 03 13
(260) AM 2016 85878 A
(220) 2016 01 27
(732) LTD "ELEGANT-5"
Imedashvilis shesak., sakhli 16, 6017, Batumi,
Georgia

(111) M 2017 28305 R
(151) 2017 03 13
(181) 2027 03 13
(260) AM 2016 86888 A
(220) 2016 04 05
(732) GILEAD SCIENCES IRELAND UC
Ida Business and Technology Park, Carrigtohill,
Co. Cork, Ireland

(111) M 2017 28311 R
(151) 2017 03 13
(181) 2027 03 13
(260) AM 2016 86298 A
(220) 2016 02 23
(732) TCL CORPORATION
No.19 Zone, Zhongkai High Technology
Development Zone, Huizhou, Guang Dong,
China

(111) M 2017 28306 R
(151) 2017 03 13
(181) 2027 03 13
(260) AM 2016 85749 A
(220) 2016 01 14
(732) DABUR INDIA LIMITED
8/3, Asaf Ali Road, New Delhi 110 002, India

(111) M 2017 28312 R
(151) 2017 03 13
(181) 2027 03 13
(260) AM 2016 86442 A
(220) 2016 03 04
(732) LTD "G-M-P"
Sop. Ponitchala 65, 0165, Tbilisi, Georgia

(111) M 2017 28307 R
(151) 2017 03 13
(181) 2027 03 13
(260) AM 2016 85751 A
(220) 2016 01 14
(732) DABUR INDIA LIMITED
8/3, Asaf Ali Road, New Delhi 110 002, India

(111) M 2017 28308 R
(151) 2017 03 13
(181) 2027 03 13
(260) AM 2016 85755 A
(220) 2016 01 14
(732) DABUR INDIA LIMITED
8/3, Asaf Ali Road, New Delhi 110 002, India

(111) M 2017 28309 R
(151) 2017 03 13
(181) 2027 03 13
(260) AM 2016 85773 A
(220) 2016 01 18
(732) MARIAM TUSHISHVILI
Kakhetis gzat. 34b korp., b. 47, 0190, Tbilisi,
Georgia

TRADEMARKS REGISTERED ACCORDING TO THE ACCELERATED PROCEDURE

The decision can be appealed at the Chamber of Appeal of Sakpatenti within 3 months from the publication.

(111) M 2017 28240 R
(151) 2017 02 22
(181) 2027 02 22
(210) AM 2017 90812
(220) 2017 02 14
(732) Shalva Khetsuriani
Tamar Mepis gamz. 17, Tbilisi, Georgia
(740) Revaz Khetsuriani
(540)

გრილდა
Grilda

(511) 43

(111) M 2017 28241 R
(151) 2017 02 24
(181) 2027 02 24
(210) AM 2017 90617
(220) 2017 01 27
(732) LTD "GEORGIAN TRADITIONAL
CHACHA"
Tsknetis gzat. 49, b. 61, Vake-Saburtalos
raioni, 0162, Tbilisi, Georgia
(740) Khatia Khatiashvili
(540)



(591) Golden, white
(531) 05.13.06, 05.13.08, 27.05.22
(526) The trademark is protected as a whole.
"Chacha" shall not be subject to independent legal
protection.
(511) 33

(111) M 2017 28243 R
(151) 2017 03 07
(181) 2027 03 07
(210) AM 2017 90991
(220) 2017 02 23
(732) Dmitriy Aleksandrov
Nikoloz Kipshidzis q. 3B, b. 81, Tbilisi,
Georgia
(740) Amza Kakauridze
(540)

ნესტორეული
Нестореули
Nestoreuli

(511) 33

(111) M 2017 28265 R
(151) 2017 03 10
(181) 2027 03 10
(210) AM 2017 90787
(220) 2017 02 13
(732) LTD "MACRO CONSTRUCTION"
Panjikidzis (Budapeshtis) q. 22, 0160,
Tbilisi, Georgia
(740) Teona Kakhidze
(540)



(591) Green, sky-blue, blue
(531) 17.02.01, 26.03.23, 29.01.12
(511) 37

(111) M 2017 28266 R
(151) 2017 03 10
(181) 2027 03 10

(210) AM 2017 90802
 (220) 2017 02 14
 (732) LTD "FEIDAL GEORGIA"
 Imeretis q. 43, 5700, Khashuri, Georgia
 (740) Maia Kartvelishvili
 (540)

პრემიერ
PREMIER

(511) 35

(111) M 2017 28313 R
 (151) 2017 03 14
 (181) 2027 03 14
 (210) AM 2017 90976
 (220) 2017 02 23
 (732) LTD "IONFASH GEORGIA"
 Libanis q. 6, 0189, Tbilisi, Georgia
 (740) Nikoloz Giligashvili
 (540)



(591) Red, white, grey, black
 (531) 25.05.01, 26.04.22, 26.04.24, 27.05.01,
 27.05.24, 29.01.13
 (511) 19

(111) M 2017 28314 R
 (151) 2017 03 17
 (181) 2027 03 17
 (210) AM 2017 90541
 (220) 2017 01 20
 (310) 2016727317
 (320) 2016 07 27
 (330) RU
 (732) JAPAN TOBACCO INC.
 2-2-1 Toranomom, Minato-Ku, Tokyo, Japan
 (740) Shalva Gvaramadze
 (540)

WINSTON AQUAFILTER

(511) 34

(111) M 2017 28315 R
 (151) 2017 03 22
 (181) 2027 03 22
 (210) AM 2017 91266
 (220) 2017 03 14
 (732) JSC "TSKALI MARGEBELI"
 Sop. Nabeghlavi, 4900, Chokhatauris r-ni,
 Georgia

(540)



(591) Green, white
 (531) 26.02.07, 26.02.08, 26.02.09, 28.19, 29.01.12
 (511) 32

(111) M 2017 28316 R
 (151) 2017 03 22
 (181) 2027 03 22
 (210) AM 2017 91112
 (220) 2017 03 02
 (732) JAPAN TOBACCO INC.
 2-2-1 Toranomom, Minato-Ku, Tokyo, Japan
 (740) Shalva Gvaramadze
 (540)

WINCHESTER

(511) 34

INTERNATIONAL TRADEMARKS FOR WHICH A DECISION ON GRANTING PROTECTIONS IS TAKEN

The decision can be appealed at the Chamber of Appeal of Sakpatenti within 3 months from the publication or at the Mtskheta District Court Administrative Cases Board (Address: №17, Samkhedro str., Mtskheta), within 1 month following the publication.

(260) AM 2017 84575 A*

(800) 1271522

(891) 2015 08 25

(731) DPD Dynamic Parcel Distribution GmbH & Co. KG
Wailandtstraße 1, 63741 Aschaffenburg,
Germany

(540)



(591) Red, black and white

(511)

39 – Warehousing services, namely, the storage, distribution, removal and packaging of parcels and goods; shipping and delivery services, namely, removal, transport and delivery of parcels and letters via various modes of transport; freight forwarding services; transport of goods and parcels by air, rail, river, sea and road; shipping and delivery services, namely, the pickup, transportation and delivery of parcels and letters; computerized tracking and tracing services for packages and freight in transit, namely, provision of automated information on domestic and international transportation and delivery services; provision of control information to others relating to the state of progress of pickup and delivery, via the Internet and via telephone; transport brokerage; information services pertaining to transport services; transportation logistics services; services for the provision of parcels in a traders' network; logistics services in the field of the delivery of parcels and mail.

(260) AM 2017 85679 A

(800) 1282517

(891) 2015 11 26

(731) RECHI PRECISION CO., LTD.
No.943 Chenggong Road, Section 2,
Guanyin District Taoyuan City 328490
Taiwan, China

(540)



(591) Black,white

(511)

11 – Lamps; refrigerating appliances and installations; air conditioning apparatus; laundry dryers, electric; drying apparatus and installations; air driers; air conditioning installations; heating apparatus; heaters for baths; water purification installations.

(260) AM 2017 85723 A

(800) 1282679

(891) 2015 07 14

(731) FRIESLANDCAMPINA GERMANY GMBH
Wimpfener Strasse 125, 74078 Heilbronn,
Germany

(540)



(591) Black,white

(511)

29 – Milk and milk products, condensed milk, canned milk and milk-based products, yoghurt and yoghurt products, sour milk, cheese and cheese products, cottage cheese, cream, whipped cream, sour cream, coffee milk, coffee cream, vegetable substitutes for whipped cream and coffee cream, butter, quark, kefir, fermented dairy products, preserved dairy products, milk powder, blancmanges, dairy based desserts (dairy being the main component), desserts included in this class, dairy based drinks (dairy being the main component), chocolate milk.

(260) AM 2017 85846 A

(800) 1284077

(891) 2015 12 09

(731) TWIN SET – SIMONA BARBIERI S.P.A.
Via Della Chimica, 21, I-41012 CARPI
(Modena), Italy

(540)

TWIN-SET

(511)

18 – Leather and imitations of leather; bags; handbags; trunks and travelling bags; key cases; wallets;

purses made in leather and imitation of leather; make-up bags sold empty; umbrellas.

25 – Skirts; trousers; shorts; jeans; shirts; blouses; jerseys; sweaters; T-shirts; vests; suits; tracksuits; cloaks; coats; overcoats; bomber jackets; tunics; jackets; anoraks; raincoats; stockings; socks; hats; headgear; gloves; neckties; swimsuits; belts; shoes; beach shoes; slippers; boots; bath robes; tights; underwear; sportswear; scarves.

(260) AM 2017 86063 A

(800) 1025596

(891) 2015 12 03

(731) Mar-Ko Fleischwaren GmbH & Co. KG
Waldecker Strasse 15, 99444 Blankenhain,
Germany

(540)

SALAMINI ACTIVE

(511)

29 – Meat, fish, poultry and game, including ham, the aforesaid goods also processed into charcuterie, also in preserved form; uncooked charcuterie; long-life charcuterie, salami in various forms, in particular mini salami; snacks made from the aforesaid products.

30 – Ready-made pastry roll, filled with sausage and/or ham and/or meat.

(260) AM 2017 86070 A

(800) 1285716

(891) 2015 07 15

(731) Limited liability company "GOLDEN TILE"
Mashynobudivna Str. 50, Kyiv 03067,
Ukraine

(540)

GOLDEN TILE

(591) Black, white

(511)

1 – Acetate of cellulose, unprocessed; acid proof chemical compositions; acidulated water for recharging accumulators; acrylic resins, unprocessed; activated carbons; adhesives for industrial purposes; adhesives for paperhanging; adhesives for wall tiles; alcohol; animal carbon; animal carbon preparations; animal charcoal; alumina; anhydrides; artificial resins, unprocessed; auxiliary fluids for use with abrasives; barytes; baryta paper; barium; bicarbonate of soda for chemical purposes; blood charcoal; bone charcoal; boric acid for industrial purposes; borax; boric acid for industrial purposes; brazing fluxes; calcined soda; calcium carbide; calcium cyanamide [fertilizer]; calcium salts; carbide; carbonates; carbonic acid; carbonic hydrates; catalysts; caustic soda for industrial purposes; cellulose; cellulose esters for industrial purposes; cellulose ethers for industrial

purposes; cement for mending broken articles; cement preservatives, except paints and oils; cement-waterproofing chemicals, except paints; ceramic glazings; ceramic compositions for sintering [granules and powders]; ceramic materials in particulate form, for use as filtering media; chemical condensation preparations; chemical substances for analyses in laboratories, other than for medical or veterinary purposes; chemical preparations, except pigments, for the manufacture of enamel; chemical preparations for the manufacture of pigments; chemical preparations for the manufacture of paints; china slip; clarification preparations; coal saving preparations; cobalt oxide for industrial purposes; compositions for the manufacture of technical ceramics; compositions for threading; condensation-preventing chemicals; copper sulphate [blue vitriol]; corrosive preparations; dioxide of hydrogen; distilled water; dressing and finishing preparations for textiles; drilling muds; dolomite for industrial purposes; emulsifiers; epoxy resins, unprocessed; ethyl ether; ethyl alcohol; fertilizing preparations; finishing preparations for use in the manufacture of steel; fireproofing preparations; flocculants; fluorspar compounds; soldering fluxes; foundry sand; foundry molding [moulding] preparations; glass-frosting chemicals; glaziers' putty; glucose for industrial purposes; glucosides; glue for industrial purposes; gluten [glue], other than for stationery or household purposes; glycol; glycerides; glycerine for industrial purposes; graphite for industrial purposes; gums [adhesives], other than for stationery or household purposes; humus; hydrates; hydrogen; industrial chemicals; iodine for industrial purposes; iodised salts; iron salts; kaolin; lecithin [raw material]; lime acetate; lime chloride; lime carbonate; limestone hardening substances; loam; magnesium carbonate; magnesium chloride; manure for agriculture; copper sulphate; mineral acids; moistening [wetting] preparations for use in bleaching; moistening [wetting] preparations for use in dyeing; naphthalene; nitrates; nitrate paper; oil cement [putty]; oil dispersants; oil-bleaching chemicals; oil-purifying chemicals; oil-separating chemicals; opacifiers for enamel; opacifiers for glass; fat-bleaching chemicals; oxygen; peat [fertiliser]; peat pots for horticulture; phosphates [fertilisers]; plastisols; polish removing substances; potassium; preparations for preventing the tarnishing of glass; preservatives for tiles, except paints and oils; rare earths; rock salt; rubber preservatives; sal ammoniac spirits; salicylic acid; salpetre; salts of precious metals for industrial purposes; salts [fertilisers]; salts [chemical preparations]; salts for industrial purposes; salt, raw; silver nitrate; sulfates; sulfides; seawater for industrial purposes; silicates; silicon; silicoes; size for finishing and priming; sizing preparations; slag [fertilisers]; soda ash; sodium; sodium salts [chemical preparations compounds]; soldering fluxes; starch for industrial purposes; starch paste [adhesive], other

than for stationery or household purposes; synthetic materials for absorbing oil; synthetic resins, unprocessed; talc [magnesium silicate]; ungluing agents [chemical preparations for liquifying starch]; viscose; wallpaper removing preparations; water glass [soluble glass]; water purifying chemicals; water-softening preparations.

2 – Agglutinants for paints; aluminium paints; aluminium powder for painting; anti-fouling paints; anti-rust greases; anti-rust oils; badigeon; bactericidal paints; binding preparations for paints; bitumen varnish; black japan; blacks [colorants or paints]; luster bright gold for ceramics; luster bright platinum for ceramics; bronze powder; bronzing lacquers; canada balsam; carbon black [pigment]; ceramic paints; cochineal carmine; coatings [paints]; coatings for roofing felt [paints]; cobalt oxide [colorant]; colophony; colorants; colorants for butter; colorants for liqueurs; copal; copal varnish; distempers; dyes; dyewood extracts; enamels for painting; enamels [varnishes]; fireproof paints; fixatives [varnishes]; fixatives for watercolors [watercolours]; gildings; glazes [paints, lacquers]; anti-rust greases, included in this class; gum resins; indigo [colorant]; lacquers; lamp black [pigment]; lime wash; mastic [natural resin]; natural resins, raw; oils for the preservation of wood; paints; pigments; printing ink; printers' pastes [ink]; red lead; sandarac; siccatives [drying agents] for paints; silver emulsions [pigments]; silver paint for ceramics; ceramic paints; silver paste; silvering powders; soot [colorant]; siccatives [drying agents] for paints; silver foil [leaf]; sumac for varnishes; thickeners for paints; thinners for lacquers; thinners for paints; turpentine [thinner for paints]; whites [colorants or paints]; white lead; whitewash; zinc oxide [pigment].

11 – Ash pits for furnaces; bath fittings; bath installations; bath linings; bath tubs; bath tubs for sitz baths; bidets; boilers, other than parts of machines; boiler pipes [tubes] for heating installations; brackets for gas burners; burners; chimney flues; chimney blowers; cookers; cooking rings; coolers for furnaces; filters for drinking water; flues for heating boilers; flushing apparatus; flushing tanks; fountains; furnaces; furnaces, other than for experimental purposes or laboratory use; furnace grates; fittings, shaped, for furnaces; gas boilers; hand drying apparatus for washrooms; heaters for baths; heaters for vehicles; heating apparatus; heating apparatus, electric; heating apparatus for solid, liquid or gaseous fuels; heating boilers; heating installations; heating installations [water]; heating plates; hot air bath fittings; hot air ovens; hot plates; hot water bottles; kilns; kiln furniture [supports]; kitchen ranges [ovens]; laundry room boilers; loading apparatus for furnaces; ornamental fountains; oxyhydrogen burners; pressure water tanks; refining towers for distillation; regulating accessories for water or gas apparatus and

pipes; regulating and safety accessories for water and gas apparatus; rotisseries; sanitary apparatus and installations; sauna bath installations; showers; shower cubicles [enclosures (Am.)]; sinks; spa baths [vessels]; stoves [heating apparatus]; swimming pool chlorinating unit apparatus; taps [cocks, spigots] [faucets (Am.)] for pipes; toilets [water-closets]; toilet bowls; toilet seats; urinals [sanitary fixtures]; water conduits installations; water distribution installations; water flushing installations; wash-hand basins [parts of sanitary installations]; water heaters; water heaters [apparatus]; water intake apparatus; water-pipes for sanitary installations; water sterilizers; water softening apparatus and installations; water supply installations; whirlpool-jet apparatus.

19 – Alabaster; alabaster glass; angle irons, not of metal; aquarium gravel; artificial stone; beams, not of metal; branching pipes, not of metal; bricks; building cardboard [asphalted]; building glass; buildings, transportable, not of metal; buildings, not of metal; building materials, not of metal; building panels, not of metal; building paper; building stone; calcareous marl; calcareous stone; clay; cement for furnaces; cement slabs; chicken-houses, not of metal; coatings [building materials]; coverings, not of metal, for building; cement for blast furnaces; cement; cement posts; earth for bricks; fences, not of metal; fire burrs; fireclay; fireproof cement coatings; figurines [statuettes] of stone, concrete or marble; flashing, not of metal, for building; floors, not of metal; framework, not of metal, for building; foundry molds [moulds], not of metal; glass granules for road marking; granite; gravel; grave or tomb enclosures, not of metal; gravestones; grave slabs, not of metal; gypsum; hips for roofing; huts; fair huts; laths, not of metal; lime; masts [poles], not of metal; memorial plaques, not of metal; monuments, not of metal; mosaics for building; olivine for building; pantiles; parquet flooring; parquet floor boards; partitions, not of metal; paving slabs, not of metal; penstock pipes, not of metal; pitch; platforms, prefabricated, not of metal; potters' clay; potters' clay [raw material]; porches, not of metal, for building; posts, not of metal; plywood; quartz; railroad ties, not of metal; raw chalk; refractory construction materials, not of metal; road marking sheets and strips of synthetic material; sandstone for building; sandstone tubes; silica (quartz); sills, not of metal; statues of stone, concrete or marble; swimming pools [structures, not of metal]; schists; stair-treads [steps], not of metal; tombs, not of metal; tombstone stele, not of metal; tombs [monuments], not of metal; tufa; veneers; veneer wood; wainscoting, not of metal; wall claddings, not of metal, for building; wall linings, not of metal, for building; works of stonemasonry; works of art of stone, concrete or marble; xylolith.

21 – Basins [bowls]; beer mugs; bottles; bottle openers, electric and non-electric; boxes of metal, for dispensing paper towels; busts of china, terra cotta porcelain, ceramic, earthenware or glass; butter-dish covers; candlesticks; candle rings; cauldrons; ceramics for household purposes; chamber pots; china ornaments; closures for pot lids; coasters, not of paper and other than table linen; containers for household or kitchen use, not of precious metal; cooking pots; cooking pot sets; covers, not of paper, for flower pots; covers for dishes; crockery; crystal [glassware]; cups; decanters; deodorising apparatus for personal use; dishes; dishes for soap; drinking glasses; drinking vessels; dustbins; earthenware saucepans; egg cups; egg cups, not of precious metal; enameled glass; epergnes, not of precious metal; flasks, not of precious metal; flat-iron stands; flower pots; fruit cups; fused silica [semi-worked product], other than for building; glasses [receptacles]; glass bulbs [receptacles]; glass bowls; glass caps; glass flasks [containers]; glass jars [carboys]; glass for vehicle windows [semi-finished product]; glass incorporating fine electrical conductors; glass, unworked or semi-worked, except building glass; goblets, not of precious material; holders for flowers and plants [flower arranging]; indoor terrariums [plant cultivation]; jugs, not of precious material; kitchen containers, not of precious metal; litter boxes [trays] for pets; lunch boxes; mess-tins; mosaics of glass, not for building; opal glass; painted glassware; pie servers; plates to prevent milk boiling over; porcelain ware; pottery; pots; pot lids; refrigerating bottles; saucepan scourers of metal; saucers; scoops [tableware]; cocktail shakers; signboards of porcelain or glass; soap boxes; soap dispensers; spatulas [kitchen utensils]; statuettes of porcelain, terra cotta or glass; statues of porcelain, terra cotta ceramic, earthenware or glass; table plates; tableware, other than knives, forks and spoons; toilet cases; toilet utensils; trivets [table utensils]; urns; vases; vases, not of precious metal; vessels of metal for making ices and iced drinks; works of art, of porcelain, terra cotta ceramic, earthenware or glass.

35 – Accounting; advisory services for business management; advertising; advertising agencies; advertising by mail order; auctioneering; business appraisals; business information; business inquiries; business investigations; business management assistance; business management consultancy; business management and organization consultancy; business organization consultancy; business research; commercial information agencies; commercial or industrial management assistance; compilation of information into computer databases; computerized file management; data search in computer files for others; distribution of samples; drawing up of statements of accounts; cost price analysis; demonstration of goods; dissemination of advertising matter; economic forecasting; business efficiency expert ser-

vices; import-export agencies; marketing research; marketing studies; on-line advertising on a computer network; opinion polling; organization of exhibitions and trade fairs for commercial or advertising purposes; payroll preparation; personnel recruitment; professional business consultancy; personnel management consultancy; procurement services for others (purchasing goods and services for other businesses); psychological testing for the selection of personnel; publicity material rental; public relations; production of radio commercials; preparation of publicity material; relocation services for businesses; rental of advertising space; sales promotion for others; systemization of information into computer databases; telephone answering for unavailable subscribers; television advertising; the bringing together, for the benefit of others, of a variety of aforementioned goods listed in classes 1, 2, 11, 19 and 21, excluding the transport thereof, enabling customers to conveniently view, order and purchase those goods at retail stores, wholesale outlets; updating of advertising material.

36 – Antique appraisal; accident insurance underwriting; accommodation bureaux [apartments]; actuarial services; apartment house management; business liquidation services, financial; capital investments; clearing-houses, financial; charitable fund raising; credit bureaux; customs brokerage; debt collection agencies; deposits of valuables; electronic funds transfer; exchanging money; factoring; financial analysis; fiscal assessments; financial evaluation [insurance, banking, real estate]; financial consultancy; financial information; financial management; financing services; financial sponsorship; guarantees; health insurance underwriting; home banking; housing agents; instalment loans; insurance consultancy; insurance information; insurance brokerage; insurance underwriting; issuing of travellers' checks [cheques]; issue of tokens of value; jewellery appraisal; lease-purchase financing; leasing of real estate; lending against security; life insurance underwriting; loans [financing]; mutual funds; organization of collections; real estate agencies; real estate appraisal; real estate brokers; real estate management; rent collection; renting of apartments; rental of offices [real estate]; safe deposit services; stamp appraisal; stock exchange quotations; stocks and bonds brokerage.

37 – Motor vehicle maintenance and repair of automobiles; building construction supervision; building of fair stalls and shops; rental of bulldozers; elevator installation and repair; painting or repair of signs; rebuilding engines that have been worn or partially destroyed; mining extraction; rental of excavators; demolition of buildings; building insulating; repair information; construction information; installation, maintenance and repair of computer hardware; office machines and equipment installation, maintenance and repair; boiler cleaning and repair; rental of cra-

nes [construction equipment]; kitchen equipment installation; repair of security locks; varnishing; retinning; machinery installation, maintenance and repair; vehicle service stations [refuelling and maintenance]; cleaning of buildings [interior]; cleaning of buildings [exterior surface]; burner maintenance and repair; furnace installation and repair; fire alarm installation and repair; roofing services; scaffolding; quarrying services; drilling of wells; warehouse construction and repair; rental of construction equipment; construction; factory construction; dry cleaning; telephone installation and repair; vehicle maintenance; plastering; vehicle repair; vehicle cleaning; painting, interior and exterior; freezing equipment installation and repair; wallpapering.

39 – Bus transport; car rental; car parking; rental of motor racing cars; car transport; parking place rental; armoured car transport; towing; vehicle breakdown assistance [towing]; railway truck rental; freight [shipping of goods]; freight forwarding; chauffeur services; piloting; boat transport; water supplying; water distribution; garage rental; delivery of goods; electricity distribution; distribution of energy; stevedoring; railway transport; launching of satellites for others; rental of storage containers; storage; storage information; physical storage of electronically-stored data or documents; storage of goods; transportation information; courier services [messages or merchandise]; marine transport; wrapping of goods; packaging of goods; passenger transport; transport; transport brokerage; removal services; hauling; carting; transport and storage of trash; portage; message delivery; air transport; transport reservation; ferry-boat transport; ship brokerage [forwarding (Am.)]; freight brokerage; pleasure boat transport; river transport; unloading cargo; rental of warehouses; rental of vehicle roof racks; transport by pipeline; freighting; boat rental; boat storage.

42 – Analysis for oil-field exploitation; architecture; architectural consultation; construction drafting; technical project studies; material testing; textile testing; recovery of computer data; authenticating works of art; geological surveys; geological prospecting; geological research; design of interior decor; packaging design; industrial design; duplication of computer programs; surveying; oil-field surveys; land surveying; engineering; installation of computer software; calibration [measuring]; computer rental; rental of computer software; maintenance of computer software; updating of computer software; computer software design; consultancy in the field of energy saving for computer hardware; computer programming; computer systems analysis; computer system design; data conversion of computer programs and data [not physical conversion]; conversion of data or documents from physical to electronic media; mechanical research; oil prospecting; oil-well testing; creating and maintaining web sites for ot-

hers; underwater exploration; urban planning; research and development of new products for others; hosting computer sites [web sites]; styling [industrial design]; technical research; vehicle roadworthiness testing; quality control.

(260) AM 2017 87118 A

(800) 1295924

(891) 2015 12 22

(731) ADP GAUSELMANN GMBH

Merkur-Allee 1-15, 32339 Espelkamp,

Germany

(540)

BOOM! BANG! WILD!

(591) Black.white

(511)

9 – Scientific, nautical, surveying, photographic, cinematographic, weighing, measuring, signalling, checking (supervision), life-saving and teaching apparatus and instruments; apparatus and instruments for conducting, switching, transforming, accumulating, regulating or controlling electricity; apparatus for recording, transmission or reproduction of sound or images; magnetic data carriers, recording discs; compact discs, DVDs and other digital recording media; cash registers, calculating machines, data processing equipment, computers; computer software; fire-extinguishing apparatus; musical jukeboxes and parts for the aforesaid automatic machines; automatic cash dispensers, automatic money counting and money changing machines; mechanisms for coin-operated apparatus; computer and video games software; games software for use on any computer platform, including electronic entertainment and games consoles; computer games (programs for-); computer games; video games (software); computer games provided through a global computer network or supplied by means of multi-media electronic broadcast or through telecommunications or electronic transmission or via the internet; computer games, leisure and recreational software, video games and computer software, all provided in the form of storage media; programs for operating electric and electronic apparatus for games, amusement and/or entertainment purposes; automatic lottery machines; computer software for computer games on the internet; online games (software); computer software in the form of an app for mobile devices and computers; calculating apparatus in coin-operated machines and parts for the aforesaid goods; apparatus for recording, transmission, processing or reproduction of data, including sound or images, including parts for all the aforesaid goods, except radio sets, television receivers, hi-fi systems, video recorders, telephone apparatus, fax machines and telephone answering machines; computer hardware and software for casino and amusement arcade games,

for gaming machines, slot machines or video lottery gaming machines or games of chance via the internet; electric, electronic or automatic apparatus for identifying data carriers, identity cards and credit cards, bank notes and coins; electric, electronic alarm and monitoring installations, including video cameras and apparatus for image transmission and image processing; data processing apparatus and computers, including data processing apparatus and computers being components for data networks and parts facilitating data network communications; electric wiring harnesses; circuit boards, printed boards assemblies (electronic components) and combinations thereof being assemblies and equipment parts, included in this class.

41 – Education; providing of training; entertainment; sporting and cultural activities; rental of automatic slot machines and entertainment machines for casinos; arranging and conducting games; gambling; operating lotteries; online game services provided via the internet, including online and being applications for smartphones; online games services provided via a computer network; provision of entertainment and/or educational content for apps for mobile devices and computers; conducting quizzes by means of smartphone applications; providing casino facilities (gambling), betting offices; operating gaming establishments, arcades and/or online internet casinos and betting platforms; gambling services via the internet.

(260) AM 2017 87236 A
(800) 1203361
(891) 2016 02 22
(731) BOBKOV GLEB VIKTOROVICH
Trofimova ul, d.10, kv. 179 RU-115432
Moscow, Russian Federation
(540)



(591) Yellow, brown
(511)

3 – Amber [perfume]; petroleum jelly for cosmetic purposes; scented water; javelle water; lavender water; toilet water; make-up; perfumes; greases for cosmetic purposes; perfumery; ionone [perfumery]; cosmetic pencils; cosmetic dyes; cosmetic creams; skin whitening creams; lotions for cosmetic purposes; beauty masks; oils for cosmetic purposes; oils for toilet purposes; almond milk for cosmetic purposes; cleansing milk for toilet purposes; musk [per-

fumery]; soap; mint for perfumery; cosmetic kits; eau de Cologne; bases for flower perfumes; hydrogen peroxide for cosmetic purposes; lipsticks; pomades for cosmetic purposes; cosmetic preparations for baths; toiletries; cosmetic preparations for slimming purposes; make-up removing preparations; make-up powder; astringents for cosmetic purposes; eyebrow cosmetics; make-up preparations; sun-tanning preparations [cosmetics]; cosmetic preparations for eyelashes; depilatories; cosmetic preparations for skin care; cosmetics; cosmetics for animals; mascara; detergents other than for use in manufacturing operations and for medical purposes; bleaching preparations [decolorants] for cosmetic purposes; shampoos; shampoos for pets; extracts of flowers [perfumes].

(260) AM 2017 87325 A
(800) 1297291
(891) 2016 01 06
(731) FAR EAST FASHION TRADING LIMITED
PO Box 86063, RAS AL KHAIMAH,
United Arab Emirates
(540)

BLANCO

(511)
18 – Leather and imitations of leather, and goods made of these materials and not included in other classes; animal skins, hides; trunks and travelling bags; umbrellas, parasols and walking sticks; whips, harness and saddlery.

25 – Clothing, footwear, headgear.

35 – Sales promotion for others; import and export services; business management; commercial retailing and the bringing together, for the benefit of others, of a variety of goods (excluding the transport thereof), namely leather and imitations of leather, animal skins, hides, trunks and travelling bags, umbrellas, parasols, and walking sticks, whips, harness and saddlery, accessories for clothing, headgear, footwear, precious metals and their alloys, jewellery, precious stones, horological and chronometric instruments, enabling customers to conveniently view and purchase these goods in retail stores, wholesale outlets, through mail order catalogues or through websites or television shopping programmes or via all other kinds of electronic means of communication.

(260) AM 2017 87326 A
(800) 1297294
(891) 2016 03 01
(731) ASIA PACIFIC RESOURCES
INTERNATIONAL
Holdings Ltd. Dallas Building, 7 Victoria
Street, Hamilton HM 11, Bermuda

(540)



(591) black and white

(511)

16 – Paper, cardboard and stationery including printing paper, writing and drawing paper, typewriting paper, blue print paper, white paper board, postcard paper, tissue paper, copying tissue paper, paper for facsimile use, letter paper, tablets pad, loose leaf paper, notebook, sketchbook, exercise book, writing pad, carbonless copying paper; adhesive-backed note pad, paper file, stickers, envelopes, account book, ruled paper, pocket book, memo paper; wrapping and packaging paper and materials; tissues and copying paper.

(260) AM 2017 87327 A

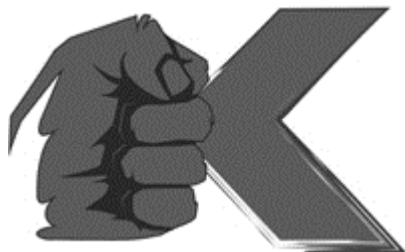
(800) 1297314

(891) 2016 03 16

(731) KOVALEV, SERGEY

2715 Ocean Blvd., Apt. PH-D, Fort
Lauderdale FL 33308, USA

(540)



(591) black and white

(511)

25 – Boxing sports apparel, namely footwear, boxing shorts, tee shirts, sleeveless athletic shirts, knit sports shirts, pants, jackets, hats, caps, head and wrist sweat bands, sweat shirts, rain wear and tights.

28 – Sports equipment for boxing, namely boxing bags, boxing bag swivel mechanisms, heavy bags, punching balls for boxing practice, boxing swivels, punching mitts, boxing rings, boxing gloves, boxing hand wraps, belly and groin protectors, protective cups and bras and shin guards.

(260) AM 2017 87328 A

(800) 1297346

(891) 2016 01 04

(731) PRODUCTION AND COMMERCIAL
COMPANY "BIOTON" LIMITED
LIABILITY COMPANY

vul. Voitsehovicha, 77, m. Dnipropetrovsk
49101, Ukraine

(540)



(591) black and white

(511)

3 – Abrasives; abrasive cloth; glass cloth; abrasive paper; breath freshening sprays; diamantine [abrasive]; alum stones [astringents]; amber [perfume]; ammonia [volatile alkali] [detergent]; antistatic preparations for household purposes; badian essence; laundry preparations; colorants for toilet purposes; colour brightening chemicals for household purposes [laundry]; bergamot oil; sachets for perfuming linen; joss sticks; preparations to make shiny the leaves of plants; laundry glaze; shining preparations; beard dyes; pastes for razor strops; shaving stones [astringents]; shaving soap; shaving preparations; eyebrow cosmetics; eyebrow pencils; petroleum jelly for cosmetic purposes; cosmetic preparations for baths; bath salts, not for medical purposes; cotton wool for cosmetic purposes; cotton sticks for cosmetic purposes; shoe wax; shoe cream; shoe polish; bleaching soda; cream for whitening the skin; laundry bleaching preparations; bleaching salts; dental bleaching gels; bleaching preparations [decolorants] for cosmetic purposes; leather bleaching preparations; cosmetic preparations for slimming purposes; decorative transfers for cosmetic purposes; cosmetic preparations for eyelashes; false eyelashes; adhesives for affixing false eyelashes; moustache wax; waxes for leather; tailors' wax; polishing wax; shoemakers' wax; windscreen cleaning liquids; hair colorants; hair lotions; hair waving preparations; volcanic ash for cleaning; astringents for cosmetic purposes; cloths impregnated with a detergent for cleaning; gaultheria oil; heliotropine; geraniol; potassium hypochloride; grinding preparations; make-up; make-up preparations; make-up removing preparations; lipstick; disinfectant soap; deodorants for human beings or for animals; deodorant soap; depilatories; depilatory wax; depilatories; shampoos for pets; scented water; scented wood; extracts of flowers [perfumes]; ethereal essences; essential oils; jasmine oil; greases for cosmetic purposes; laundry soaking preparations; aromatics [essential oils]; flavorings for beverages [essential oils]; cake flavorings [essential oils]; leather preservatives [polishes]; color-removing preparations; degreasers other than for use in manufacturing processes; scale removing preparations for household purposes; jewellers' rouge; dentifrices; denture polishes; preparations for cleaning dentures; ionone [perfumery]; rust removing preparations; silicon carbide [abrasive]; carbides of metal [abrasives]; bases for flower perfumes; essen-

tial oils of cedarwood; adhesives for affixing false hair; adhesives for cosmetic purposes; quillaia bark for washing; corundum [abrasive]; cosmetics; cosmetics for animals; make-up powder; beauty masks; cosmetic kits; whitening; cleaning chalk; creams for leather; cosmetic creams; laundry starch; starch glaze for laundry purposes; cakes of toilet soap; lavender water; lavender oil; incense; lacquer-removing preparations; hair spray; nail varnish; essential oils of lemon; polishing paper; polishing stones; polishing creams; polishing preparations; polish for furniture and flooring; medicated soap; lotions for cosmetic purposes; tissues impregnated with cosmetic lotions; after-shave lotions; smoothing preparations [starching]; make-up preparations; parquet floor wax; non-slipping wax for floors; almond oil; almond soap; almond milk for cosmetic purposes; washing soda, for cleaning; detergents other than for use in manufacturing operations and for medical purposes; soap; soap for brightening textile; cakes of soap; soap for foot perspiration; antiperspirant soap; cleansing milk for toilet purposes; musk [perfumery]; fabric softeners for laundry use; mint for perfumery; mint essence [essential oil]; emery; emery cloth; emery paper; neutralizers for permanent waving; nail polish; nail care preparations; false nails; fumigation preparations [perfumes]; eau de Cologne; cosmetic pencils; oils for perfumes and scents; oils for cosmetic purposes; oils for toilet purposes; oils for cleaning purposes; oil of turpentine for degreasing; perfumery; perfumes; laundry wax; pumice stone; hydrogen peroxide for cosmetic purposes; floor wax; non-slipping liquids for floors; floor wax removers [scouring preparations]; stain removers; canned pressurized air for cleaning and dusting purposes; varnish-removing preparations; mouthwashes, not for medical purposes; pomades for cosmetic purposes; dry-cleaning preparations; antiperspirants [toilettries]; safrol; laundry blueing; turpentine, for degreasing; glass paper; sun-tanning preparations [cosmetics]; soda lye; preparations for unblocking drain pipes; potpourris [fragrances]; talcum powder, for toilet use; cotton swabs for cosmetic purposes; terpenes [essential oils]; tripoli stone for polishing; rose oil; toiletries; toilet water; mascara; paint stripping preparations; cosmetic dyes; essential oils of citron; refurbishing preparations; scouring solutions; shampoos; shoemakers' wax; cosmetic preparations for skin care; sandcloth; smoothing stones; wallpaper cleaning preparations.

(260) AM 2017 87408 A

(800) 1297793

(891) 2015 11 11

(731) B Medical Systems S.à r.l.

17, op der Hei, L-9809 Hosingen,
Luxembourg

(540)

SIBIR

(511)

7 – Electrical generators using solar cells, wind energy or other renewable resources; power generators; engine driven generators; current generators; alternators.

9 – Information technology equipment; apparatus and instruments for conducting, switching, transforming, accumulating, regulating, monitoring, measuring, signaling and controlling temperatures and information for the storage and transport of sensitive medical, pharmaceutical and laboratory items such as vaccines, blood and blood components, temperature-sensitive pharmaceuticals, tissues, biological samples, DNAs, cells, organs and food and beverages; electric sensors; optical and electro-optical sensors; sensors for the determination of temperatures, positions and distances; battery charging equipment; computer software; application software; biological safety cabinets; radio-frequency identification (RFID) tags, readers and systems; apparatus and instruments for tele- and radio-communication systems and data processing; converters and inverters for electrical energy; centrifuges for laboratory use; incubators for laboratory items such as vaccines, blood and blood components, temperature-sensitive pharmaceuticals, tissues, biological samples, DNAs, cells, organs and for temperature sensitive goods including food and beverages.

10 – Medical apparatus and instruments; active and passive transport boxes for medical purposes; incubators for temperature sensitive medical, pharmaceutical and laboratory items such as vaccines, blood and blood components, temperature-sensitive pharmaceuticals, tissues, biological samples, DNAs, cells, organs; safety cabinets for medical use; platelet agitators for medical purposes.

11 – Apparatus for heating, ventilating and air conditioning and purification equipment; cool boxes (electric-); portable active and passive cold boxes (electric-); electric refrigerators; freezers (electric-); lamps; fans; ice machines and apparatus; refrigerators, freezers and ultralow freezers; refrigerators, freezers and ultralow freezers, particularly for medical purposes.

21 – Containers for food and beverages; heat retaining containers for food; cool boxes; portable active and passive cold boxes.

37 – Installation, repair and maintenance services, namely of electrical generators, compressors, sensors and apparatus for refrigerating and freezing, safety cabinets, platelet agitators and incubators.

(260) AM 2017 87454 A
 (800) 1297953
 (891) 2016 01 20
 (731) PLZEŇSKÝ PRAZDROJ, A.S.
 U Prazdroje 7, CZ-304 97 Plzeň, Czech
 Republic
 (540)



(591) Brown, yellow, black, white and orange
 (511)
 32 – Beers.
 35 – Advertising.

(260) AM 2017 87455 A
 (800) 1297954
 (891) 2016 01 20
 (731) PLZEŇSKÝ PRAZDROJ, A.S.
 U Prazdroje 7, CZ-304 97 Plzeň, Czech
 Republic
 (540)



(591) Brown, white, orange, black and yellow
 (511)
 32 – Beers.
 35 – Advertising.

(260) AM 2017 87458 A
 (800) 1297994
 (891) 2016 04 04
 (731) APPLE INC.
 1 Infinite Loop, Cupertino, CA 95014, USA

(540)



(591) red, orange, yellow, and white
 (511)
 9 – Computer software used in connection with musical composition and songwriting; computer software used to analyze, record, and catalog melodies, vocal performances, musical instruments, musical compositions, and musical notation.

(260) AM 2017 87461 A
 (800) 1298198
 (891) 2015 11 11
 (731) B MEDICAL SYSTEMS S.À R.L.
 17, op der Hei, L-9809 Hosingen,
 Luxembourg
 (540)



(591) Blue
 (511)
 7 – Electrical generators using solar cells, wind energy or other renewable resources; power generators; engine driven generators; current generators; alternators.

9 – Information technology equipment; apparatus and instruments for conducting, switching, transforming, accumulating, regulating, monitoring, measuring, signaling and controlling temperatures and information for the storage and transport of sensitive medical, pharmaceutical and laboratory items such as vaccines, blood and blood components, temperature-sensitive pharmaceuticals, tissues, biological samples, DNAs, cells, organs and food and beverages; electric sensors; optical and electro-optical sensors; sensors for the determination of temperatures, positions and distances; battery charging equipment; computer software; application software; biological safety cabinets; radio-frequency identification

(RFID) tags, readers and systems; apparatus and instruments for tele- and radio-communication systems and data processing; converters and inverters for electrical energy; centrifuges for laboratory use; incubators for laboratory items such as vaccines, blood and blood components, temperature-sensitive pharmaceuticals, tissues, biological samples, DNAs, cells, organs and for temperature sensitive goods including food and beverages.

10 – Medical apparatus and instruments; active and passive transport boxes for medical purposes; incubators for temperature sensitive medical, pharmaceutical and laboratory items such as vaccines, blood and blood components, temperature-sensitive pharmaceuticals, tissues, biological samples, DNAs, cells, organs; safety cabinets for medical purposes; platelet agitators for medical purposes.

11 – Apparatus for heating, ventilating and air conditioning and purification equipment; cool boxes (electric-); portable active and passive cold boxes (electric-); electric refrigerators; freezers (electric-); lamps; fans; ice machines and apparatus; refrigerators, freezers and ultralow freezers, particularly for medical purposes.

21 – Containers for food and beverages; heat retaining containers for food; cool boxes; portable active and passive cold boxes.

37 – Installation, repair and maintenance services, especially of electrical generators, compressors, sensors and apparatus for refrigerating and freezing, safety cabinets, platelet agitators and incubators.

(260) AM 2017 87767 A

(800) 1274762

(891) 2016 03 30

(731) GILEAD SCIENCES IRELAND UC

IDA Business and Technology park,

Carrigtohill, Cork, Ireland

(540)

VEMLIDY

(511)

5 – Pharmaceutical preparations; pharmaceutical preparations for the treatment of hepatitis and HIV/AIDS; pharmaceutical preparations for use in the treatment of infectious diseases; pharmaceutical preparations for use in the treatment of liver, cardiovascular, respiratory, and oncological diseases and disorders; antivirals; pharmaceutical preparations for use in the treatment of inflammatory diseases and disorders.

INTERNATIONAL TRADEMARKS PROTECTED IN GEORGIA

(260) AM 2016 79864 A
(800) 1224992
(151) 2014 08 13
(181) 2024 08 13
(891) 2014 08 13
(511) 03, 05, 10

(260) AM 2016 80001 A
(800) 1225734
(151) 2014 07 31
(181) 2024 07 31
(891) 2014 07 31
(511) 21

(260) AM 2016 81851 A
(800) 1243000
(151) 2014 09 26
(181) 2024 09 26
(891) 2014 09 26
(511) 03, 04, 06, 09, 14, 16, 18, 19, 20, 21, 25, 29,
33, 35, 43

(260) AM 2016 81915 A
(800) 1243279
(151) 2015 02 18
(181) 2025 02 18
(891) 2015 02 18
(511) 17, 19, 20, 27

(260) AM 2016 82722 A
(800) 1251466
(151) 2015 04 20
(181) 2025 04 20
(891) 2015 04 20
(511) 17, 19, 20

(260) AM 2016 82723 A
(800) 1251494
(151) 2015 04 20
(181) 2025 04 20
(891) 2015 04 20
(511) 17, 19, 20

(260) AM 2016 83283 A
(800) 1258422
(151) 2015 02 04
(181) 2025 02 04
(891) 2015 02 04
(511) 09, 41

(260) AM 2016 83681 A
(800) 1262569
(151) 2015 06 16
(181) 2025 06 16
(891) 2015 06 16
(511) 14, 18

(260) AM 2016 83985 A
(800) 1265059
(151) 2015 06 10
(181) 2025 06 10
(891) 2015 06 10
(511) 10, 42, 44

(260) AM 2017 84244 A
(800) 1267783
(151) 2015 07 29
(181) 2025 07 29
(891) 2015 07 29
(511) 30

(260) AM 2016 84488 A
(800) 1270743
(151) 2015 05 06
(181) 2025 05 06
(891) 2015 05 06
(511) 06, 09, 12, 14, 16, 17, 18, 19, 20, 21, 22, 25,
26, 35, 36, 38, 39, 40, 41, 42

(260) AM 2016 84525 A
(800) 1271210
(151) 2015 07 18
(181) 2025 07 18
(891) 2015 07 18
(511) 05, 29, 30

(260) AM 2016 84527 A
(800) 1271211
(151) 2015 07 18
(181) 2025 07 18
(891) 2015 07 18
(511) 05, 29, 30

(260) AM 2017 84575 A
(800) 1271522
(151) 2015 08 25
(181) 2025 08 25
(891) 2015 08 25
(511) 39

(260) AM 2016 84584 A
(800) 1272391
(151) 2015 08 10
(181) 2025 08 10
(891) 2015 08 10
(511) 38, 41

(260) AM 2016 84749 A
(800) 1273095
(151) 2015 09 15
(181) 2025 09 15
(891) 2015 09 15
(511) 30

(260) AM 2016 84849 A
(800) 1274649
(151) 2015 08 24
(181) 2025 08 24
(891) 2015 08 24
(511) 27, 35

(260) AM 2016 84860 A
(800) 1274784
(151) 2015 09 28
(181) 2025 09 28
(891) 2015 09 28
(511) 04

(260) AM 2016 84954 A
(800) 1274879
(151) 2015 10 09
(181) 2025 10 09
(891) 2015 10 09
(511) 38

(260) AM 2016 84968 A
(800) 1275061
(151) 2015 09 29
(181) 2025 09 29
(891) 2015 09 29
(511) 30

(260) AM 2016 85157 A
(800) 1276292
(151) 2015 09 30
(181) 2025 09 30
(891) 2015 09 30
(511) 43

(260) AM 2016 85192 A
(800) 1276787
(151) 2015 09 15
(181) 2025 09 15

(891) 2015 09 15
(511) 43

(260) AM 2016 85328 A
(800) 1277819
(151) 2015 10 05
(181) 2025 10 05
(891) 2015 10 05
(511) 30, 33

(260) AM 2016 85336 A
(800) 1277899
(151) 2015 11 05
(181) 2025 11 05
(891) 2015 11 05
(511) 30

(260) AM 2016 85614 A
(800) 1281326
(151) 2015 09 29
(181) 2025 09 29
(891) 2015 09 29
(511) 09, 28, 41

(260) AM 2016 85657 A
(800) 1282800
(151) 2015 09 21
(181) 2025 09 21
(891) 2015 09 21
(511) 17, 19, 35

(260) AM 2016 85658 A
(800) 1282183
(151) 2015 11 16
(181) 2025 11 16
(891) 2015 11 16
(511) 03

(260) AM 2016 85731 A
(800) 1282760
(151) 2015 08 10
(181) 2025 08 10
(891) 2015 08 10
(511) 31

(260) AM 2016 85732 A
(800) 1282374
(151) 2015 07 28
(181) 2025 07 28
(891) 2015 07 28
(511) 04, 37, 40, 42

(260) AM 2016 85737 A
(800) 1282404
(151) 2015 06 12
(181) 2025 06 12
(891) 2015 06 12
(511) 01, 06, 07, 09, 11, 12, 19, 35, 36, 37, 38, 39,
40, 41, 42, 45

(260) AM 2016 85739 A
(800) 1282410
(151) 2015 07 08
(181) 2025 07 08
(891) 2015 07 08
(511) 05, 10

(260) AM 2016 85740 A
(800) 1282413
(151) 2015 05 28
(181) 2025 05 28
(891) 2015 05 28
(511) 18, 25, 35

(260) AM 2016 85750 A
(800) 1283089
(151) 2015 11 02
(181) 2025 11 02
(891) 2015 11 02
(511) 11

(260) AM 2016 85753 A
(800) 1283145
(151) 2015 12 02
(181) 2025 12 02
(891) 2015 12 02
(511) 30

(260) AM 2016 85757 A
(800) 1283164
(151) 2015 10 09
(181) 2025 10 09
(891) 2015 10 09
(511) 30

(260) AM 2016 85827 A
(800) 1284035
(151) 2015 10 22
(181) 2025 10 22
(891) 2015 10 22
(511) 25

(260) AM 2016 85851 A
(800) 1283820
(151) 2015 12 11
(181) 2025 12 11
(891) 2015 12 11
(511) 05, 42

(260) AM 2016 85853 A
(800) 1283857
(151) 2015 12 09
(181) 2025 12 09
(891) 2015 12 09
(511) 34

(260) AM 2016 85864 A
(800) 1283943
(151) 2015 07 13
(181) 2025 07 13
(891) 2015 07 13
(511) 01, 16, 17, 20, 21, 40, 42

(260) AM 2016 85873 A
(800) 1283988
(151) 2015 08 26
(181) 2025 08 26
(891) 2015 08 26
(511) 05

(260) AM 2016 85874 A
(800) 1283989
(151) 2015 08 24
(181) 2025 08 24
(891) 2015 08 24
(511) 05

(260) AM 2016 85932 A
(800) 1284396
(151) 2015 12 17
(181) 2025 12 17
(891) 2015 12 17
(511) 05, 10

(260) AM 2016 85934 A
(800) 1284397
(151) 2015 12 17
(181) 2025 12 17
(891) 2015 12 17
(511) 05, 10

(260) AM 2016 85936 A
(800) 1284398
(151) 2015 12 17
(181) 2025 12 17
(891) 2015 12 17
(511) 05, 10

(260) AM 2016 85986 A
(800) 1280207
(151) 2015 11 06
(181) 2025 11 06
(891) 2016 01 08
(511) 14

(260) AM 2016 85993 A
(800) 1284734
(151) 2015 08 19
(181) 2025 08 19
(891) 2015 08 19
(511) 07, 12

(260) AM 2016 85994 A
(800) 1284737
(151) 2015 10 01
(181) 2025 10 01
(891) 2015 10 01
(511) 09, 38, 41

(260) AM 2016 86037 A
(800) 1285406
(151) 2015 10 30
(181) 2025 10 30
(891) 2015 10 30
(511) 05

(260) AM 2016 86066 A
(800) 1165425
(151) 2013 05 16
(181) 2023 05 16
(891) 2015 12 02
(511) 05

(260) AM 2016 86072 A
(800) 1233207
(151) 2014 03 19
(181) 2024 03 19
(891) 2015 12 07
(511) 01, 19

(260) AM 2016 86080 A
(800) 1285651
(151) 2015 10 20

(181) 2025 10 20
(891) 2015 10 20
(511) 05

(260) AM 2016 86081 A
(800) 1285893
(151) 2015 12 03
(181) 2025 12 03
(891) 2015 12 03
(511) 08

(260) AM 2016 86082 A
(800) 1285674
(151) 2016 01 04
(181) 2026 01 04
(891) 2016 01 04
(511) 05

(260) AM 2016 86083 A
(800) 1285676
(151) 2015 12 28
(181) 2025 12 28
(891) 2015 12 28
(511) 12

(260) AM 2016 86084 A
(800) 1285677
(151) 2015 12 28
(181) 2025 12 28
(891) 2015 12 28
(511) 12

(260) AM 2016 86085 A
(800) 1285894
(151) 2015 10 29
(181) 2025 10 29
(891) 2015 10 29
(511) 05

(260) AM 2016 86086 A
(800) 1285684
(151) 2015 12 31
(181) 2025 12 31
(891) 2015 12 31
(511) 12

(260) AM 2016 86087 A
(800) 1285685
(151) 2015 12 31
(181) 2025 12 31
(891) 2015 12 31
(511) 12

(260) AM 2016 86088 A
(800) 1285686
(151) 2015 12 31
(181) 2025 12 31
(891) 2015 12 31
(511) 12

(260) AM 2016 86090 A
(800) 1285687
(151) 2015 12 31
(181) 2025 12 31
(891) 2015 12 31
(511) 12

(260) AM 2016 86091 A
(800) 1285688
(151) 2015 12 31
(181) 2025 12 31
(891) 2015 12 31
(511) 12

(260) AM 2016 86092 A
(800) 1285901
(151) 2015 07 23
(181) 2025 07 23
(891) 2015 07 23
(511) 37, 42

(260) AM 2016 86094 A
(800) 1285902
(151) 2015 10 07
(181) 2025 10 07
(891) 2015 10 07
(511) 05

(260) AM 2016 86095 A
(800) 1276386
(151) 2015 08 05
(181) 2025 08 05
(891) 2015 12 01
(511) 35, 36

(260) AM 2016 86096 A
(800) 1285911
(151) 2015 08 26
(181) 2025 08 26
(891) 2015 08 26
(511) 05

(260) AM 2016 86097 A
(800) 1285927
(151) 2015 09 03

(181) 2025 09 03
(891) 2015 09 03
(511) 02, 19

(260) AM 2016 86106 A
(800) 1286051
(151) 2015 08 27
(181) 2025 08 27
(891) 2015 08 27
(511) 42

(260) AM 2016 86112 A
(800) 1286180
(151) 2015 11 13
(181) 2025 11 13
(891) 2015 11 13
(511) 03, 08, 18, 21, 35

(260) AM 2016 86135 A
(800) 1286462
(151) 2015 10 06
(181) 2025 10 06
(891) 2015 10 06
(511) 29

(260) AM 2016 86136 A
(800) 1287288
(151) 2015 12 29
(181) 2025 12 29
(891) 2015 12 29
(511) 09, 16, 35, 36, 41, 42

(260) AM 2016 86137 A
(800) 1286472
(151) 2015 11 26
(181) 2025 11 26
(891) 2015 11 26
(511) 07

(260) AM 2016 86141 A
(800) 1286512
(151) 2015 09 23
(181) 2025 09 23
(891) 2015 09 23
(511) 03

(260) AM 2016 86143 A
(800) 1287308
(151) 2015 11 27
(181) 2025 11 27
(891) 2015 11 27
(511) 11

(260) AM 2016 86144 A
(800) 1286548
(151) 2015 11 03
(181) 2025 11 03
(891) 2015 11 03
(511) 05

(260) AM 2016 86145 A
(800) 1286555
(151) 2015 12 10
(181) 2025 12 10
(891) 2015 12 10
(511) 07

(260) AM 2016 86146 A
(800) 1286557
(151) 2015 11 24
(181) 2025 11 24
(891) 2015 11 24
(511) 05

(260) AM 2016 86147 A
(800) 1286586
(151) 2015 12 02
(181) 2025 12 02
(891) 2015 12 02
(511) 10

(260) AM 2016 86149 A
(800) 1287320
(151) 2015 11 02
(181) 2025 11 02
(891) 2015 11 02
(511) 08, 21

(260) AM 2016 86151 A
(800) 1286591
(151) 2015 10 22
(181) 2025 10 22
(891) 2015 10 22
(511) 32

(260) AM 2016 86153 A
(800) 1286695
(151) 2015 12 03
(181) 2025 12 03
(891) 2015 12 03
(511) 04

(260) AM 2016 86155 A
(800) 1286707
(151) 2015 12 09

(181) 2025 12 09
(891) 2015 12 09
(511) 12

(260) AM 2016 86156 A
(800) 1286727
(151) 2015 12 15
(181) 2025 12 15
(891) 2015 12 15
(511) 12

(260) AM 2016 86169 A
(800) 1287371
(151) 2015 08 07
(181) 2025 08 07
(891) 2015 08 07
(511) 19, 20

(260) AM 2016 86170 A
(800) 1287412
(151) 2015 10 12
(181) 2025 10 12
(891) 2015 10 12
(511) 30

(260) AM 2016 86171 A
(800) 1287422
(151) 2015 11 05
(181) 2025 11 05
(891) 2015 11 05
(511) 41

(260) AM 2016 86172 A
(800) 1287426
(151) 2015 11 02
(181) 2025 11 02
(891) 2015 11 02
(511) 29, 31, 35, 44

(260) AM 2016 86173 A
(800) 1287430
(151) 2015 11 02
(181) 2025 11 02
(891) 2015 11 02
(511) 30

(260) AM 2016 86174 A
(800) 1286877
(151) 2015 10 07
(181) 2025 10 07
(891) 2015 10 07
(511) 30

(260) AM 2016 86175 A
(800) 1287431
(151) 2015 11 02
(181) 2025 11 02
(891) 2015 11 02
(511) 11, 19, 20

(260) AM 2016 86218 A
(800) 1287099
(151) 2015 10 26
(181) 2025 10 26
(891) 2015 10 26
(511) 05

(260) AM 2016 86219 A
(800) 1287100
(151) 2015 10 26
(181) 2025 10 26
(891) 2015 10 26
(511) 05, 10

(260) AM 2016 86227 A
(800) 1287196
(151) 2015 12 30
(181) 2025 12 30
(891) 2015 12 30
(511) 05

(260) AM 2016 86229 A
(800) 1287202
(151) 2015 12 16
(181) 2025 12 16
(891) 2015 12 16
(511) 03

(260) AM 2016 86241 A
(800) 1287792
(151) 2015 12 16
(181) 2025 12 16
(891) 2015 12 16
(511) 03

(260) AM 2016 86242 A
(800) 1287804
(151) 2015 12 22
(181) 2025 12 22
(891) 2015 12 22
(511) 09

(260) AM 2016 86247 A
(800) 1287834
(151) 2015 12 22

(181) 2025 12 22
(891) 2015 12 22
(511) 05

(260) AM 2016 86248 A
(800) 1288036
(151) 2015 12 15
(181) 2025 12 15
(891) 2015 12 15
(511) 04, 09, 11, 19

(260) AM 2016 86252 A
(800) 1287926
(151) 2015 11 25
(181) 2025 11 25
(891) 2015 11 25
(511) 34

(260) AM 2016 86262 A
(800) 1288388
(151) 2015 03 10
(181) 2025 03 10
(891) 2015 03 10
(511) 35, 36, 45

(260) AM 2016 86263 A
(800) 1288389
(151) 2015 01 27
(181) 2025 01 27
(891) 2015 01 27
(511) 09, 16, 35

(260) AM 2016 86270 A
(800) 1288051
(151) 2015 09 18
(181) 2025 09 18
(891) 2015 09 18
(511) 16

(260) AM 2016 86273 A
(800) 1288445
(151) 2015 12 01
(181) 2025 12 01
(891) 2015 12 01
(511) 18, 25, 35

(260) AM 2016 86274 A
(800) 1288474
(151) 2015 12 28
(181) 2025 12 28
(891) 2015 12 28
(511) 09

(260) AM 2016 86275 A
(800) 1288481
(151) 2015 12 23
(181) 2025 12 23
(891) 2015 12 23
(511) 05

(260) AM 2016 86276 A
(800) 1288517
(151) 2015 12 22
(181) 2025 12 22
(891) 2015 12 22
(511) 12

(260) AM 2016 86277 A
(800) 1288519
(151) 2015 12 22
(181) 2025 12 22
(891) 2015 12 22
(511) 12

(260) AM 2016 86278 A
(800) 1288526
(151) 2016 01 05
(181) 2026 01 05
(891) 2016 01 05
(511) 05

(260) AM 2016 86279 A
(800) 1288063
(151) 2015 10 26
(181) 2025 10 26
(891) 2015 10 26
(511) 05

(260) AM 2016 86280 A
(800) 1288547
(151) 2015 12 23
(181) 2025 12 23
(891) 2015 12 23
(511) 03

(260) AM 2016 86281 A
(800) 1288079
(151) 2015 05 26
(181) 2025 05 26
(891) 2015 05 26
(511) 10, 44

(260) AM 2016 86283 A
(800) 1288083
(151) 2015 04 24

(181) 2025 04 24
(891) 2015 04 24
(511) 03, 09, 14, 18, 24, 25, 35

(260) AM 2016 86285 A
(800) 1288095
(151) 2015 08 12
(181) 2025 08 12
(891) 2015 08 12
(511) 31

(260) AM 2016 86286 A
(800) 1288137
(151) 2015 10 21
(181) 2025 10 21
(891) 2015 10 21
(511) 16, 41, 44

(260) AM 2016 86287 A
(800) 1288155
(151) 2015 10 16
(181) 2025 10 16
(891) 2015 10 16
(511) 05

(260) AM 2016 86294 A
(800) 1288334
(151) 2016 01 05
(181) 2026 01 05
(891) 2016 01 05
(511) 05

(260) AM 2016 86295 A
(800) 1288576
(151) 2015 12 09
(181) 2025 12 09
(891) 2015 12 09
(511) 06, 07, 09, 19

(260) AM 2016 86303 A
(800) 1288695
(151) 2015 11 24
(181) 2025 11 24
(891) 2015 11 24
(511) 05, 29, 30

(260) AM 2016 86312 A
(800) 1287769
(151) 2015 11 06
(181) 2025 11 06
(891) 2015 11 06
(511) 03

(260) AM 2016 86315 A
(800) 1287791
(151) 2015 11 17
(181) 2025 11 17
(891) 2015 11 17
(511) 25, 32, 33

(260) AM 2016 86316 A
(800) 1287873
(151) 2015 11 20
(181) 2025 11 20
(891) 2015 11 20
(511) 09, 35, 41

(260) AM 2016 86317 A
(800) 1287943
(151) 2015 12 15
(181) 2025 12 15
(891) 2015 12 15
(511) 03

(260) AM 2016 86318 A
(800) 1287944
(151) 2015 12 15
(181) 2025 12 15
(891) 2015 12 15
(511) 03

(260) AM 2016 86321 A
(800) 1288124
(151) 2015 09 11
(181) 2025 09 11
(891) 2015 09 11
(511) 07, 08

(260) AM 2016 86323 A
(800) 1288269
(151) 2015 11 25
(181) 2025 11 25
(891) 2015 11 25
(511) 30

(260) AM 2016 86327 A
(800) 1288453
(151) 2015 10 16
(181) 2025 10 16
(891) 2015 10 16
(511) 30

(260) AM 2016 86339 A
(800) 249523
(151) 1961 11 13

(181) 2021 11 13
(891) 2016 01 26
(511) 05

(260) AM 2016 86347 A
(800) 1067632
(151) 2010 05 26
(181) 2020 05 26
(891) 2015 12 18
(511) 20, 35

(260) AM 2016 86349 A
(800) 1181887
(151) 2013 09 06
(181) 2023 09 06
(891) 2016 01 19
(511) 42

(260) AM 2016 86357 A
(800) 1247609
(151) 2015 02 03
(181) 2025 02 03
(891) 2015 10 23
(511) 27

(260) AM 2016 86358 A
(800) 1256334
(151) 2014 08 06
(181) 2024 08 06
(891) 2016 01 18
(511) 09, 16, 42, 45

(260) AM 2016 86359 A
(800) 1268417
(151) 2015 06 15
(181) 2025 06 15
(891) 2016 01 18
(511) 42, 45

(260) AM 2016 86361 A
(800) 1289513
(151) 2016 01 28
(181) 2026 01 28
(891) 2016 01 28
(511) 05

(260) AM 2016 86362 A
(800) 1289514
(151) 2016 01 28
(181) 2026 01 28
(891) 2016 01 28
(511) 05

(260) AM 2016 86369 A
(800) 1289549
(151) 2015 09 30
(181) 2025 09 30
(891) 2015 09 30
(511) 03, 25, 35

(260) AM 2016 86370 A
(800) 1289557
(151) 2015 11 12
(181) 2025 11 12
(891) 2015 11 12
(511) 10

(260) AM 2016 86371 A
(800) 1288864
(151) 2015 11 26
(181) 2025 11 26
(891) 2015 11 26
(511) 30

(260) AM 2016 86372 A
(800) 1289561
(151) 2015 10 22
(181) 2025 10 22
(891) 2015 10 22
(511) 25

(260) AM 2016 86373 A
(800) 1288867
(151) 2015 08 10
(181) 2025 08 10
(891) 2015 08 10
(511) 34

(260) AM 2016 86374 A
(800) 1289586
(151) 2016 01 28
(181) 2026 01 28
(891) 2016 01 28
(511) 05

(260) AM 2016 86375 A
(800) 1289600
(151) 2015 09 08
(181) 2025 09 08
(891) 2015 09 08
(511) 14

(260) AM 2016 86376 A
(800) 1289620
(151) 2016 01 11

(181) 2026 01 11
(891) 2016 01 11
(511) 03

(260) AM 2016 86379 A
(800) 1289653
(151) 2015 10 20
(181) 2025 10 20
(891) 2015 10 20
(511) 32

(260) AM 2016 86380 A
(800) 1289679
(151) 2015 05 21
(181) 2025 05 21
(891) 2015 05 21
(511) 01, 02, 03, 05, 06, 07, 08, 09, 10, 11, 12, 13,
14, 15, 16, 17, 18, 19, 20, 21, 22, 23, 24, 25,
26, 27, 28, 29, 30, 31, 32, 33, 34, 36, 38, 41,
42, 44, 45

(260) AM 2016 86385 A
(800) 1289778
(151) 2015 10 22
(181) 2025 10 22
(891) 2015 10 22
(511) 25

(260) AM 2016 86387 A
(800) 1289779
(151) 2015 10 22
(181) 2025 10 22
(891) 2015 10 22
(511) 25

(260) AM 2016 86388 A
(800) 1289816
(151) 2015 12 10
(181) 2025 12 10
(891) 2015 12 10
(511) 03, 05, 32, 35, 44

(260) AM 2016 86389 A
(800) 1289852
(151) 2015 10 22
(181) 2025 10 22
(891) 2015 10 22
(511) 25

(260) AM 2016 86394 A
(800) 1288895
(151) 2015 06 03

(181) 2025 06 03
(891) 2015 06 03
(511) 21

(260) AM 2016 86395 A
(800) 1288961
(151) 2015 10 07
(181) 2025 10 07
(891) 2015 10 07
(511) 30

(260) AM 2016 86396 A
(800) 1288964
(151) 2015 11 18
(181) 2025 11 18
(891) 2015 11 18
(511) 28, 30, 41

(260) AM 2016 86399 A
(800) 1288979
(151) 2015 11 26
(181) 2025 11 26
(891) 2015 11 26
(511) 18, 25, 35

(260) AM 2016 86400 A
(800) 1288999
(151) 2015 10 26
(181) 2025 10 26
(891) 2015 10 26
(511) 35, 36, 39, 43

(260) AM 2016 86401 A
(800) 1289073
(151) 2016 01 19
(181) 2026 01 19
(891) 2016 01 19
(511) 03

(260) AM 2016 86402 A
(800) 1289090
(151) 2015 12 17
(181) 2025 12 17
(891) 2015 12 17
(511) 05

(260) AM 2016 86403 A
(800) 1289110
(151) 2015 12 17
(181) 2025 12 17
(891) 2015 12 17
(511) 03

(260) AM 2016 86404 A
(800) 1289123
(151) 2015 09 17
(181) 2025 09 17
(891) 2015 09 17
(511) 36, 41, 43, 44

(260) AM 2016 86406 A
(800) 1289887
(151) 2015 12 22
(181) 2025 12 22
(891) 2015 12 22
(511) 05, 10, 35, 42, 44

(260) AM 2016 86407 A
(800) 1289912
(151) 2015 11 28
(181) 2025 11 28
(891) 2015 11 28
(511) 10

(260) AM 2016 86410 A
(800) 1289977
(151) 2016 01 26
(181) 2026 01 26
(891) 2016 01 26
(511) 05

(260) AM 2016 86416 A
(800) 1289194
(151) 2016 01 29
(181) 2026 01 29
(891) 2016 01 29
(511) 10

(260) AM 2016 86418 A
(800) 1289197
(151) 2015 11 09
(181) 2025 11 09
(891) 2015 11 09
(511) 34

(260) AM 2016 86419 A
(800) 975311
(151) 2008 08 04
(181) 2018 08 04
(891) 2016 01 08
(511) 30

(260) AM 2016 86420 A
(800) 1289199
(151) 2015 12 09

(181) 2025 12 09
(891) 2015 12 09
(511) 36, 39

(260) AM 2016 86421 A
(800) 1125980
(151) 2012 06 06
(181) 2022 06 06
(891) 2016 02 09
(511) 03, 05, 10, 21, 35, 42, 44

(260) AM 2016 86422 A
(800) 1289207
(151) 2015 10 14
(181) 2025 10 14
(891) 2015 10 14
(511) 05

(260) AM 2016 86424 A
(800) 1289208
(151) 2015 10 14
(181) 2025 10 14
(891) 2015 10 14
(511) 05

(260) AM 2016 86427 A
(800) 1208353
(151) 2014 04 02
(181) 2024 04 02
(891) 2015 12 30
(511) 01, 02, 35

(260) AM 2016 86430 A
(800) 1273831
(151) 2015 08 05
(181) 2025 08 05
(891) 2015 12 01
(511) 25

(260) AM 2016 86445 A
(800) 1289228
(151) 2016 01 13
(181) 2026 01 13
(891) 2016 01 13
(511) 05

(260) AM 2016 86447 A
(800) 1289231
(151) 2016 01 12
(181) 2026 01 12
(891) 2016 01 12
(511) 05, 29

(260) AM 2016 86448 A
(800) 1289232
(151) 2016 01 12
(181) 2026 01 12
(891) 2016 01 12
(511) 05, 29

(260) AM 2016 86454 A
(800) 1289381
(151) 2015 12 02
(181) 2025 12 02
(891) 2015 12 02
(511) 09, 39, 42

(260) AM 2016 86457 A
(800) 1289404
(151) 2015 11 13
(181) 2025 11 13
(891) 2015 11 13
(511) 33

(260) AM 2016 86487 A
(800) 1290155
(151) 2015 11 16
(181) 2025 11 16
(891) 2015 11 16
(511) 14

(260) AM 2016 86594 A
(800) 1291220
(151) 2016 01 28
(181) 2026 01 28
(891) 2016 01 28
(511) 05

(260) AM 2016 86597 A
(800) 1291272
(151) 2015 12 14
(181) 2025 12 14
(891) 2015 12 14
(511) 32

(260) AM 2016 86608 A
(800) 1291286
(151) 2015 10 09
(181) 2025 10 09
(891) 2015 10 09
(511) 30

(260) AM 2016 86611 A
(800) 1291586
(151) 2015 11 26

(181) 2025 11 26
(891) 2015 11 26
(511) 41, 45

(260) AM 2016 86612 A
(800) 1291315
(151) 2015 11 04
(181) 2025 11 04
(891) 2015 11 04
(511) 03, 05, 16

(260) AM 2016 86613 A
(800) 1291630
(151) 2015 12 07
(181) 2025 12 07
(891) 2015 12 07
(511) 35

(260) AM 2016 86644 A
(800) 1291858
(151) 2015 11 17
(181) 2025 11 17
(891) 2015 11 17
(511) 25, 32, 33

(260) AM 2016 86645 A
(800) 1291867
(151) 2015 12 21
(181) 2025 12 21
(891) 2015 12 21
(511) 30

(260) AM 2016 86646 A
(800) 998676
(151) 2009 01 27
(181) 2019 01 27
(891) 2015 09 07
(511) 06, 07, 08, 11, 12, 17

(260) AM 2016 86647 A
(800) 1083184
(151) 2010 08 12
(181) 2020 08 12
(891) 2016 01 22
(511) 29, 31

(260) AM 2016 86650 A
(800) 1134181
(151) 2012 09 13
(181) 2022 09 13
(891) 2016 01 28
(511) 14

(260) AM 2016 86651 A
(800) 1291880
(151) 2015 12 18
(181) 2025 12 18
(891) 2015 12 18
(511) 30

(260) AM 2016 86652 A
(800) 1134182
(151) 2012 09 13
(181) 2022 09 13
(891) 2016 01 28
(511) 14

(260) AM 2016 86653 A
(800) 1221170
(151) 2014 06 24
(181) 2024 06 24
(891) 2016 01 22
(511) 12

(260) AM 2016 86654 A
(800) 1229243
(151) 2014 07 14
(181) 2024 07 14
(891) 2016 01 27
(511) 01

(260) AM 2016 86658 A
(800) 1229270
(151) 2014 07 14
(181) 2024 07 14
(891) 2016 01 27
(511) 01

(260) AM 2016 86660 A
(800) 1262531
(151) 2015 05 12
(181) 2025 05 12
(891) 2016 02 18
(511) 09, 35, 44

(260) AM 2016 86661 A
(800) 1271587
(151) 2015 04 22
(181) 2025 04 22
(891) 2016 02 18
(511) 03, 05, 35

(260) AM 2016 86662 A
(800) 1274764
(151) 2015 09 04

(181) 2025 09 04
(891) 2016 01 14
(511) 03, 05

(260) AM 2016 86663 A
(800) 1286507
(151) 2015 10 15
(181) 2025 10 15
(891) 2016 02 18
(511) 01, 05, 09, 10, 41

(260) AM 2016 86697 A
(800) 1292608
(151) 2016 01 20
(181) 2026 01 20
(891) 2016 01 20
(511) 12

(260) AM 2016 86733 A
(800) 1292923
(151) 2015 06 05
(181) 2025 06 05
(891) 2015 06 05
(511) 09, 16, 25, 28, 35, 38, 41, 42, 43, 45

(260) AM 2016 86736 A
(800) 1293042
(151) 2015 11 27
(181) 2025 11 27
(891) 2015 11 27
(511) 25

(260) AM 2016 86778 A
(800) 1293978
(151) 2016 02 04
(181) 2026 02 04
(891) 2016 02 04
(511) 35

(260) AM 2016 86780 A
(800) 1293183
(151) 2016 01 15
(181) 2026 01 15
(891) 2016 01 15
(511) 09, 14

(260) AM 2016 86788 A
(800) 1293979
(151) 2016 02 04
(181) 2026 02 04
(891) 2016 02 04
(511) 35

(260) AM 2016 86827 A
(800) 1293338
(151) 2016 01 20
(181) 2026 01 20
(891) 2016 01 20
(511) 05, 10

(260) AM 2016 86831 A
(800) 1293357
(151) 2015 11 26
(181) 2025 11 26
(891) 2015 11 26
(511) 12

(260) AM 2016 86833 A
(800) 1293358
(151) 2015 11 26
(181) 2025 11 26
(891) 2015 11 26
(511) 12

(260) AM 2016 86835 A
(800) 1293375
(151) 2016 01 21
(181) 2026 01 21
(891) 2016 01 21
(511) 03, 05, 35, 39

OFFICIAL NOTIFICATIONS

INVENTIONS

RENEWAL OF A PATENTS

(11) P 2009 4716 B

(73) Nugzar Abzjandadze (GE)

(54) **CONTROL UNIT FOR COLOR MUSIC FOUNTAIN**

DATE OF RENEWAL: 27 03 2017

(11) P 2013 5969 B

(73) Vladimer Chkhaidze (GE)

(54) **WIND AGGREGATE**

DATE OF RENEWAL: 27 03 2017

(11) P 2014 6159 B

(73) LTD "NATIONAL COMPANY OF VODKA" (UA)

(54) **METHOD OF VODKA PRODUCTION**

DATE OF RENEWAL: 27 03 2017

(11) P 2015 6326 B

(73) LTD "NATIONAL COMPANY OF VODKA" (UA)

(54) **METHOD OF VODKA PRODUCTION**

DATE OF RENEWAL: 27 03 2017

UTILITY MODELS

RENEWAL OF A PATENTS

(11) U 2009 1573 Y

(73) LTD "AVERSI RATIONAL" (GE)

(54) **CAPSULES "NERMO PLUSI"**

DATE OF RENEWAL: 27 03 2017

(11) U 2016 1909 Y

(73) Davit Zukakishvili (GE)

(54) **LOWER JAW DENTAL MODEL MEASURING SPOON**

DATE OF RENEWAL: 27 03 2017

(11) U 2015 1871 Y

(73) Ketevan Ebralidze (GE);

Mzia Tsitsagi (GE);

Mariam Chkhaidze (GE);

Miranda Khachidze (GE);

Badri Arziani (GE);

Manana Buzariashvili (GE)

(54) METHOD FOR QUERCETIN PREPARATION

DATE OF RENEWAL: 27 03 2017

DESIGNS

CANCELLATION OF REGISTRATION

Registration may be reinstated to the expiration of 6 months from the validity registration.

(11) D 2012 520 S

(73) Giorgi Gabashvili (GE)

Didi Dighomi, I. Petritsis q. 7, b. 27, Tbilisi (GE)

(54) **COVER FOR PLACING ADVERTISEMENT MOUNTABLE ON PUBLIC TRANSPORT SEAT BACK**

(18) 2017 02 10

(58) 2017 03 09

GROUNDS: The patent further 5-year extension fee is not paid

(11) D 2012 503 S

(73) LTD "AGROVITA" (GE)

Atonelis q. 29, 0105, Tbilisi (GE)

(54) **GRAPHIC SYMBOL**

(18) 2017 02 13

(58) 2017 03 09

GROUNDS: The patent further 5-year extension fee is not paid

(11) D 2012 515 S

(73) ERICH KRAUSE FINLAND OY (FI)

Henry Fordin katu 5 N, 00150 Helsinki (FI)

(54) **WRITING ACCESSORY**

(18) 2017 02 23

(58) 2017 03 09

GROUNDS: The patent further 5-year extension fee is not paid

(11) D 2012 516 S

(73) ERICH KRAUSE FINLAND OY (FI)

Henry Fordin katu 5 N, 00150 Helsinki (FI)

(54) **WRITING ACCESSORY**

(18) 2017 02 23

(58) 2017 03 09

GROUNDS: The patent further 5-year extension fee is not paid

CANCELLING OF INDUSTRIAL DESIGN PATENT

(11) D 2002 161 S

(73) LTD "STANDARD TOBACCO INCORPORATED" (GE)

Abuseridze-Tbelis q. 13, 0120, Tbilisi (GE)

(54) **A PACKET OF CIGARETTES IN AN OPEN CONDITION**

(18) 2017 02 06

(58) 2017 02 28

GROUNDS: The patent further 5-year extension fee is not paid

RENEWAL OF DESIGNS REGISTRATION

(11) D 2011 486 S

(73) ALLIED GLOBAL TOBACCOLIMITED (GB)

Wey Court West, Union Road Farnham Surrey GU9 7PT (GB)

(54) **FILTER FREE CIGARETTES**

(28) 4

(24) 2011 12 09

(18) 2021 12 09

(58) 2017 02 03

(11) D 2012 498 S

(73) ALLIED GLOBAL TOBACCOLIMITED (GB)

Wey Court West, Union Road Farnham Surrey GU9 7PT (GB)

(54) **FILTER FREE CIGARETTES**

(28) 8

(24) 2011 12 09

(18) 2021 12 09

(58) 2017 02 03

(11) D 2012 512 S

(73) Karine Karakhanova (GE)

Ruisis q. 25, 0103, Tbilisi (GE)

(54) **CIGARETTES BOX WITH LIGHTER SECTION**

(28) 1

(24) 2011 12 12

(18) 2021 12 12

(58) 2017 02 03

(11) D 2012 504 S

(73) Giorgi Khutsishvili (GE)

Sanzona, korp. 18, b. 1, 0141, Tbilisi (GE)

(54) **"TWISTED" PACKAGE FOR CHURCHKHELA**

(28) 1

(24) 2011 12 23

(18) 2021 12 23

(58) 2017 01 30

(11) D 2012 521 S

(73) LTD "AGRO INVEST" (GE)
D. Aghmasheneblis gamz. 20, 0102, Tbilisi (GE)

(54) **INSECT-TRAP**

(28) 1
(24) 2012 02 16
(18) 2022 02 16
(58) 2017 02 03

(11) D 2012 514 S

(73) ERICH KRAUSE FINLAND OY (FI)
Henry Fordin katu 5 N, 00150 Helsinki (FI)

(54) **WRITING ACCESSORY**

(28) 2
(24) 2012 02 23
(18) 2022 02 23
(58) 2017 03 01

(11) D 2012 517 S

(73) ERICH KRAUSE FINLAND OY (FI)
Henry Fordin katu 5 N, 00150 Helsinki (FI)

(54) **WRITING ACCESSORY**

(28) 7
(24) 2012 02 23
(18) 2022 02 23
(58) 2017 03 01

(11) D 2012 524 S

(73) JOINT-STOCK COMPANY "EXPERIMENTAL CONFECTIONERY ASSOCIATION VOLOGDA" (RU)
Ul. Promishlennaja 12, 160012, Vologda, Vologdskaja Oblast (RU)

(54) **CONFECTIONERY PACKAGE**

(28) 6
(24) 2012 02 27
(18) 2022 02 27
(58) 2017 02 28

(11) D 2012 491 S

(73) JSC "LOMISI" (GE)
Sop. Natakhtari, 3308, Mtskheta (GE)

(54) **BOTTLE**

(28) 1
(24) 2012 02 28
(18) 2022 02 28
(58) 2017 02 03

(11) D 2012 508 S

(73) Archil Gavashelishvili (GE)

Stalinis q. 39, 3600, Oni (GE)

(54) **1. GEORGIAN MILITARY UNIFORM; 2. HUNTER UNIFORM**

(28) 2

(24) 2012 03 06

(18) 2022 03 06

(58) 2017 02 20

CHANGES IN NAMES AND/OR ADDRESSES OF OWNERS

(11) D 2006 284S

New names and addresses: LLC "SOLNECHNI RAI" (RU)

Ul. Tolstogo 8, Rostov-On-Don, 344037, Russian Federation (RU)

Old names and addresses: ZAO "SOLNECHNI RAI" (RU)

Ul. Tolstogo 8, Rostov-On-Don, 344037, Russian Federation (RU)

TRADEMARKS

RENEWAL OF REGISTRATIONS

(111) M 2005 16362 R1

(156) 2015 11 29

(186) 2025 11 29

(732) DIAGEO BRANDS B.V., A
NETHERLANDS PRIVATE COMPANY
Molenwerf 10-12, 1014 BG Amsterdam,
Netherlands

10900 Nuckols Road, Suite 100, Glen Allen,
Virginia 23060, USA

(111) M 1997 6008 R2

(156) 2017 07 22

(186) 2027 07 22

(732) GENERAL CIGAR CO., INC.
10900 Nuckols Road, Suite 100, Glen Allen,
Virginia 23060, USA

(111) M 1996 2110 R2

(156) 2016 05 25

(186) 2026 05 21

(732) POTAIN
18, rue de Charbonnieres, F-69 130 Ecully,
France

(111) M 1997 6009 R2

(156) 2017 07 22

(186) 2027 07 22

(732) GENERAL CIGAR CO., INC.
10900 Nuckols Road, Suite 100, Glen Allen,
Virginia 23060, USA

(111) M 1997 5172 R2

(156) 2017 04 21

(186) 2027 04 21

(732) TRADEMARKS S.R.L.
Via Boschetti, 21121 Milano, Italy

(111) M 1997 6015 R2

(156) 2017 07 22

(186) 2027 07 22

(732) GENERAL CIGAR CO., INC.
10900 Nuckols Road, Suite 100, Glen Allen,
Virginia 23060, USA

(111) M 1997 5252 R2

(156) 2017 05 01

(186) 2027 05 01

(732) KICKERS INTERNATIONAL B. V.
Hoogoorddreef 15, 1101 BA Amsterdam,
Netherlands

(111) M 1997 6470 R2

(156) 2017 08 22

(186) 2027 08 22

(732) TRANE INTERNATIONAL INC
800-E Beaty Street, Davidson, North
Carolina 28036, USA

(111) M 1997 5429 R2

(156) 2017 05 30

(186) 2027 05 30

(732) AFFINITY PETCARE, S.A.
Plaza Euripa 54-56, 08902 L'Hospitalet de
Llobregat, Barselona, Spain

(111) M 1997 5660 R2

(156) 2017 06 16

(186) 2027 06 16

(732) AMDIPHARM MERCURY
INTERNATIONAL LIMITED
Aztec Group House, 11-15 Seaton Place,
St. Helier, Jersey, JE4 0QH, Channel Islands,
United Kingdom

(111) M 1997 6007 R2

(156) 2017 07 22

(186) 2027 07 22

(732) GENERAL CIGAR CO., INC.

COMPLETE TRANSFER OF RIGHTS

(111) M 2000 013554 R1
 (732) MERIAL
 29 Avenue Tony Garnier, 69007 Lyon, France
 (770) MERIAL LIMITED
 Sandringham House, Sandringham Avenue,
 Harlow Business Park, Harlow CM19 5QA,
 United Kingdom
 (580) 2017 03 07

(111) M 2008 018176 R1
 (732) IJSC "Kiev Cardboard and Paper
 Combine "
 Ul. Kievskaya 130, Kievskaya Oblast,
 Obukhov, 08700, Ukraine
 (770) LTD "GEORGIAN PAPER PRODUCTION"
 Mevelis chikhi 2, 0120, Tbilisi, Georgia
 (580) 2017 03 16

(111) M 2008 018314 R
 (732) LTD TOPIVERTA
 Sanapiros q. 10, 0112, Tbilisi, Georgia
 (770) LTD "A-B-C Pharmaceuticals"
 Lisis tba 1, 0177, Tbilisi, Georgia
 (580) 2017 02 15

(111) M 1996 001911 R2
 (732) SIEMENS HEALTHCARE GMNH
 Henkestraße 127, 91052 Erlangen,
 Germany
 (770) SIEMENS AKTIENGESELLSCHAFT
 Wittelsbacherplatz 2, D-80333 Munchen,
 Germany
 (580) 2017 03 10

(111) M 1996 001916 R2
 (732) SIEMENS HEALTHCARE GMNH
 Henkestraße 127, 91052 Erlangen,
 Germany
 (770) SIEMENS AKTIENGESELLSCHAFT
 Wittelsbacherplatz 2, D-80333 Munchen,
 Germany
 (580) 2017 03 10

(111) M 2013 023950 R
 (732) LEPL "House of Justice"
 Sanapiros q. 2, 0105, Tbilisi, Georgia
 (770) Ministry of Justice"
 Gorgaslis q. 24a, 0114, Tbilisi, Georgia
 (580) 2017 03 10

(111) M 2013 023951 R
 (732) LEPL "House of Justice"
 Sanapiros q. 2, 0105, Tbilisi, Georgia
 (770) Ministry of Justice"
 Gorgaslis q. 24a, 0114, Tbilisi, Georgia
 (580) 2017 03 10

(111) M 2013 023952 R
 (732) LEPL "House of Justice"
 Sanapiros q. 2, 0105, Tbilisi, Georgia
 (770) Ministry of Justice"
 Gorgaslis q. 24a, 0114, Tbilisi, Georgia
 (580) 2017 03 10

(111) M 2013 023953 R
 (732) LEPL "House of Justice"
 Sanapiros q. 2, 0105, Tbilisi, Georgia
 (770) Ministry of Justice"
 Gorgaslis q. 24a, 0114, Tbilisi, Georgia
 (580) 2017 03 10

(111) M 2015 025632 R
 (732) FISHER-ROSEMOUNT SYSTEMS, INC.
 1100 W. Louis Henna Blvd, Building 1,
 78681 Round Rock, Texas 78759, USA
 (770) FISHER CONTROLS
 INTERNATIONAL LLC
 205 South Center St., Marshalltown, Iowa
 50158, USA
 (580) 2017 03 10

(111) M 1996 003036 R2
 (732) RIO TINTO CANADA HOLDING INC.
 1188 Sherbrooke Street West Montreal,
 Quebec, Canada
 (770) ALCAN INC.
 1188 Sherbrooke Street West Montreal,
 Quebec, Canada
 (580) 2017 03 16

(111) M 1996 003037 R2
 (732) RIO TINTO CANADA HOLDING INC.
 1188 Sherbrooke Street West Montreal,
 Quebec, Canada
 (770) ALCAN INC.
 1188 Sherbrooke Street West Montreal,
 Quebec, Canada
 (580) 2017 03 16

(111) M 1996 003860 R2
(732) CHURCH & DWIGHT CO., INC.
(a Delaware corporation)
500 Charles Ewing Boulevard, Ewing,
New Jersey 08628, USA
(770) JOHNSON & JOHNSON
One Johnson & Johnson Plaza, New
Brunswick, New Jersey 08933-7001, USA
(580) 2017 03 09

(111) M 1997 004756 R2
(732) OY KARL FAZER AB
Fazerintie 6, 01230Vantaa, Finland
(770) FAZER INVEST OY
P. O. Box 4, 00941 Helsinki, Finland
(580) 2017 03 07

(111) M 1997 005660 R2
(732) AMDIPHARM MERCURY
INTERNATIONAL LIMITED
Aztec Group House, 11-15 Seaton Place,
St. Helier, Jersey, JE4 0QH, Channel Islands,
United Kingdom
(770) LEO PHARMACEUTICAL PRODUCTS
LTD A/S (LOVENS KEMISKE FABRIK
PRODUKTIONSAKTIESELSKAB)
Industrieparken 55, DK-2750 Ballerup,
Denmark
(580) 2017 03 07

(111) M 1997 006754 R1
(732) GABRIEL PERFORMANCE PRODUCTS,
LLC
725 State Road, Ashtabula, Ohio 44004, USA
(770) COGNIS IP MANAGEMENT GmbH
Rheinpromenade 1, 40789 Mohnheim,
Germany
(580) 2017 03 07

CHANGES IN NAMES AND/OR ADDRESSES OF OWNERS

- (111) M 1998 010271 R1
 (732) FRIESLAND BRANDS B.V.
 Stationsplein 4, NL-3818 LE
 AMERSFOORT, Netherlands
 (770) FRIESLAND BRANDS B.V.
 Blankenstein 142, 7943 PE Meppel,
 Netherlands
 (580) 2017 03 10
-
- (111) M 1998 010271 R1
 (732) FRIESLANDCAMPINA NEDERLAND BV
 Stationsplein 4, NL-3818 LE
 AMERSFOORT, Netherlands
 (770) FRIESLAND BRANDS B.V.
 Stationsplein 4, NL-3818 LE
 AMERSFOORT, Netherlands
 (580) 2017 03 10
-
- (111) M 1998 011331 R1
 (732) HANES IP EUROPE S.À.R.L.
 Atrium Buisiness Park, 33 rue du Puits
 Romain, L-8070 Bertrange, Grand Duchy of,
 Luxembourg
 (770) DBA Lux 1
 560A, rue de Neuidorf, L-2220, Luxembourg
 (580) 2017 01 04
-
- (111) M 1998 011332 R1
 (732) HANES IP EUROPE S.À.R.L.
 Atrium Buisiness Park, 33 rue du Puits
 Romain, L-8070 Bertrange, Grand Duchy of,
 Luxembourg
 (770) DBA Lux 1
 560A, rue de Neuidorf, L-2220, Luxembourg
 (580) 2017 01 18
-
- (111) M 1999 011558 R1
 (732) CHINOIN Gyóyszer-és Vegyészeti Termékek
 Gyára Zártkörűen Működő Rt., (CHINOIN
 Zrt.) CHINOIN Pharmaceutical and
 Chemical Works Private o., Ltd. CHINOIN
 avod farmaceuticheskkh i khimicheskikh
 izdelij Zakritoj A/O., CHINOIN ZA/O
 H-1045 Budapest, Tó utca 1-5, Hungary
 (770) CHINOIN GYOGYSZER ES VEGYESZETI
 TERMEKEK GYARA RT,
 To u. 1-5, H-1045 Budapest, Hungary
 (580) 2017 03 16

- (111) M 1999 011562 R1
 (732) CHINOIN Gyóyszer-és Vegyészeti Termékek
 Gyára Zártkörűen Működő Rt., (CHINOIN
 Zrt.) CHINOIN Pharmaceutical and
 Chemical Works Private o., Ltd. CHINOIN
 avod farmaceuticheskkh i khimicheskikh
 izdelij Zakritoj A/O., CHINOIN ZA/O,
 H-1045 Budapest, Tó utca 1-5, Hungary
 (770) CHINOIN GYOGYSZER ES VEGYESZETI
 TERMEKEK GYARA RT
 1-5, To u., H-1045 Budapest, Hungary
 (580) 2017 03 16
-
- (111) M 1999 013063 R1
 (732) MYLAN MEDICAL SAS
 42, rue Rouget de Lisle, 92150 Suresnes,
 France
 (770) ABBOTT PRODUCTS S.A.S.
 42, rue Rouget de Lisle, 92150 Suresnes,
 France
 (580) 2017 01 18
-
- (111) M 2002 014261 R1
 (732) IPR PHARMACEUTICALS, INC.
 Road 188, Lot 17, San Isidro Industrial Park,
 Canovanas, PR 00729 Puerto Rico, USA
 (770) IPR PHARMACEUTICALS INC.
 Sabana Gardens Industrial Park, P.O. Box
 1967, Carolina, Puerto Rico, PR 00984, USA
 (580) 2017 03 10
-
- (111) M 2003 015133 R1
 (732) IPR PHARMACEUTICALS, INC.
 Road 188, Lot 17, San Isidro Industrial Park,
 Canovanas, PR 00729 Puerto Rico, USA
 (770) IPR PHARMACEUTICALS INC.
 Sabana Gardens Industrial Park, P.O. Box
 1967, Carolina, Puerto Rico, PR 00984, USA
 (580) 2017 03 10
-
- (111) M 1994 000158 R2
 (732) ABBOTT PRODUCTS DISTRIBUTION
 SAS
 42, rue Rouget de Lisle, 92150 Suresnes,
 France
 (770) FOURNIER INDUSTRIE ET SANTE
 42, rue Rouget de Lisle, 92150 Suresnes,
 France
 (580) 2015 10 09

(111) M 1994 000158 R2
 (732) ABBOTT PRODUCTS DISTRIBUTION SAS
 3 Place Gustave Eiffel, Batiment Florence,
 BP 60213, 94518 Rungis Cedex, France
 (770) ABBOTT PRODUCTS DISTRIBUTION SAS
 42, rue Rouget de Lisle, 92150 Suresnes,
 France
 (580) 2017 03 10

(111) M 2006 017211 R1
 (732) Obschestvo s ogranichennoi
 otvetstvennostiu "ALMAZ-M"
 1-y Obydenskiy pereulok, 10, 119034,
 Moskow, Russian Federation
 (770) Obschestvo s ogranichennoi
 otvetstvennostiu "ALMAZ-M"
 143000, Moskovskaia obl., g. Odintsovo, ul.
 Vokzalnaia, d. 536, Russian Federation
 (580) 2017 02 09

(111) M 2007 017266 R1
 (732) SMITHERS-OASIS COMPANY
 295 South Water Street, Suite 201, Kent,
 Ohio 44240, USA
 (770) SMITHERS-OASIS COMPANY
 2020 Front Street, Suite 301, Cuyahoga Falls,
 Ohio 44221, USA
 (580) 2017 02 09

(111) M 2007 017427 R
 (732) INTERSUN HOLDING FZCO
 P.O. box: 61051 Jebel Ali Free Zone, Dubai,
 United Arab Emirates
 (770) INTERSUN HOLDING FZE corporation
 P.O. box: 61051 Jebel Ali Free Zone, Dubai,
 United Arab Emirates
 (580) 2017 03 16

(111) M 2007 017428 R
 (732) INTERSUN HOLDING FZCO
 P.O. box: 61051 Jebel Ali Free Zone, Dubai,
 United Arab Emirates
 (770) INTERSUN HOLDING FZE corporation
 P.O. box: 61051 Jebel Ali Free Zone, Dubai,
 United Arab Emirates
 (580) 2017 03 16

(111) M 2007 017955 R
 (732) INTERSUN HOLDING FZCO
 P.O. box: 61051 Jebel Ali Free Zone, Dubai,
 United Arab Emirates
 (770) INTERSUN HOLDING FZE corporation

P.O. box: 61051 Jebel Ali Free Zone, Dubai,
 United Arab Emirates
 (580) 2017 03 16

(111) M 2008 018570 R
 (732) TRANE INTERNATIONAL INC
 800-E Beatty Street, Davidson, North
 Carolina 28036, USA
 (770) TRANE INTERNATIONAL INC
 One Centennial Avenue, Piscataway,
 New Jersey 08855, USA
 (580) 2017 03 16

(111) M 2014 025157 R
 (732) LTD "VELINGTON"
 Samegbros q. 6, Tbilisi, Georgia
 (770) LTD "VELINGTON"
 Stanislavskis q. 5, 0119, Tbilisi, Georgia
 (580) 2017 03 17

(111) M 2014 025293 R
 (732) LTD "VELINGTON"
 Samegbros q. 6, Tbilisi, Georgia
 (770) LTD "VELINGTON"
 Stanislavskis q. 5, 0119, Tbilisi, Georgia
 (580) 2017 03 17

(111) M 1996 002746 R2
 (732) SCHLUMBERGER LIMITED
 5599 San Felipe, Houston, Texas 77056,
 USA
 (770) SCHLUMBERGER LIMITED
 153 East 53-rd street, New York, NY 10022,
 USA
 (580) 2017 02 10

(111) M 1996 002984 R2
 (732) Safilo - Società Azionaria Fabbrica
 Italiana Lavorazione Occhiali - S.p.A.
 Piazza Tiziano 8, Pieve di Cadore (BL), Italy
 (770) PROGRAMMA 2001 S.P.A.
 Piazza Tiziano 8, Pieve di Cadore (BL), Italy
 (580) 2017 01 24

(111) M 1996 003036 R2
 (732) RIO TINTO ALKAN INC.
 1188 Sherbrooke Street West Montreal,
 Quebec, Canada
 (770) RIO TINTO CANADA HOLDING INC.
 1188 Sherbrooke Street West Montreal,
 Quebec, Canada
 (580) 2017 03 16

(111) M 1996 003037 R2
 (732) RIO TINTO ALKAN INC.
 1188 Sherbrooke Street West Montreal,
 Quebec, Canada
 (770) RIO TINTO CANADA HOLDING INC.
 1188 Sherbrooke Street West Montreal,
 Quebec, Canada
 (580) 2017 03 16

(111) M 1996 004072 R1
 (732) PERNOD RICARD ESPANA SA
 Avenida Ortega y Gasset n° 201, 29006
 Malaga, Spain
 (770) PERNOD RICARD ESPANA SA
 Calle Cesar Vallejo 24, Poligono Industrial
 Guadalhorce, 29002 Malaga, Spain
 (580) 2017 01 04

(111) M 1996 003564 R2
 (732) OPINEL SAS
 508 boulevard Henry Bordeaux, 73000
 Chambéry, France
 (770) OPINEL S.A.
 508 boulevard Henry Bordeaux, 73000
 Chambéry, France
 (580) 2017 01 10

(111) M 1996 004124 R2
 (732) ARRIS GLOBAL LTD
 Victoria Road, Saltaire, Shipley, West
 Yorkshire, BD 18 3LF, United Kingdom
 (770) PACE LIMITED
 Victoria Road, Saltaire, Shipley, West
 Yorkshire, BD 18 3LF, United Kingdom
 (580) 2017 01 24

(111) M 1996 003940 R2
 (732) MONKSJÖ ARCHES
 48 ROUTE de Remiremont, 88380
 ARCHES, France
 (770) ARJOWIGGINS ARCHES
 48 ROUTE de Remiremont, 88380
 ARCHES, France
 (580) 2017 02 01

(111) M 1996 004166 R1
 (732) UNITED TECHNOLOGIES
 CORPORATION
 Ten Farm Springs Road, Farmington, CT
 06030, USA
 (770) UNITED TECHNOLOGIES
 CORPORATION
 One Financial Plaza, Hartford, CT 06101,
 USA
 (580) 2017 02 10

(111) M 1996 003941 R2
 (732) MONKSJÖ ARCHES
 48 ROUTE de Remiremont, 88380
 ARCHES, France
 (770) ARJOWIGGINS ARCHES
 48 ROUTE de Remiremont, 88380
 ARCHES, France
 (580) 2017 02 01

(111) M 1996 004167 R1
 (732) UNITED TECHNOLOGIES
 CORPORATION
 Ten Farm Springs Road, Farmington,
 CT 06030, USA
 (770) UNITED TECHNOLOGIES
 CORPORATION
 One Financial Plaza, Hartford, CT 06101,
 USA
 (580) 2017 02 10

(111) M 1996 004070 R1
 (732) PERNOD RICARD ESPANA SA
 Avenida Ortega y Gasset n° 201, 29006
 Malaga, Spain
 (770) PERNOD RICARD ESPANA SA
 Calle Cesar Vallejo 24, Poligono Industrial
 Guadalhorce, 29002 Malaga, Spain
 (580) 2017 01 04

(111) M 1996 004170 R1
 (732) PERNOD RICARD ESPANA SA
 Avenida Ortega y Gasset n° 201, 29006
 Malaga, Spain
 (770) PERNOD RICARD ESPANA SA
 Calle Cesar Vallejo 24, Poligono Industrial
 Guadalhorce, 29002 Malaga, Spain
 (580) 2017 01 04

(111) M 1996 004071 R1
 (732) PERNOD RICARD ESPANA SA
 Avenida Ortega y Gasset n° 201, 29006
 Malaga, Spain
 (770) PERNOD RICARD ESPANA SA
 Calle Cesar Vallejo 24, Poligono Industrial
 Guadalhorce, 29002 Malaga, Spain
 (580) 2017 01 04

(111) M 1997 004301 R2
 (732) UNITED TECHNOLOGIES
 CORPORATION
 Ten Farm Springs Road, Farmington,
 CT 06030, USA

(770) UNITED TECHNOLOGIES CORPORATION
One Financial Plaza, Hartford, CT 06101,
USA
(580) 2017 02 10

(111) M 1997 004302 R2
(732) UNITED TECHNOLOGIES
CORPORATION
Ten Farm Springs Road, Farmington,
CT 06030, USA
(770) UNITED TECHNOLOGIES
CORPORATION
One Financial Plaza, Hartford, CT 06101,
USA
(580) 2017 02 10

(111) M 1997 004314 R1
(732) PERNOD RICARD ESPANA SA
Avenida Ortega y Gasset No.201, 29006
Malaga, Spain
(770) PERNOD RICARD ESPANA SA
Calle Cesar Vallejo 24, Poligono Industrial
Guadalhorce, 29002 Malaga, Spain
(580) 2017 01 04

(111) M 1997 004315 R1
(732) PERNOD RICARD ESPANA SA
Avenida Ortega y Gasset No.201, 29006
Malaga, Spain
(770) PERNOD RICARD ESPANA SA
Calle Cesar Vallejo 24, Poligono Industrial
Guadalhorce, 29002 Malaga, Spain
(580) 2017 01 04

(111) M 1997 004317 R1
(732) PERNOD RICARD ESPANA SA
Avenida Ortega y Gasset No.201, 29006
Malaga, Spain
(770) PERNOD RICARD ESPANA SA
Calle Cesar Vallejo 24, Poligono Industrial
Guadalhorce, 29002 Malaga, Spain
(580) 2017 01 04

(111) M 1997 004318 R1
(732) PERNOD RICARD ESPANA SA
Avenida Ortega y Gasset No.201, 29006
Malaga, Spain
(770) PERNOD RICARD ESPANA SA
Calle Cesar Vallejo 24, Poligono Industrial
Guadalhorce, 29002 Malaga, Spain
(580) 2017 01 04

(111) M 1997 004503 R2
(732) TRANE INTERNATIONAL INC
800-E Beaty Street, Davidson, North
Carolina 28036, USA
(770) TRANE INTERNATIONAL INC
One Centennial Avenue, Piscataway,
New Jersey 08855, USA
(580) 2017 03 16

(111) M 1997 004876 R2
(732) ASAHI KASEI KABUSHIKI KAISHA
2-6, Dejima-hama 1-chome, Kita-ku, Osaka,
Japan
(770) ASAHI KASEI KOGIO KABUSHIKI
KAISHA
2-6, Dejima-hama 1-chome, Kita-ku, Osaka,
Japan
(580) 2017 03 16

(111) M 1997 004876 R2
(732) ASAHI KASEI KABUSHIKI KAISHA
3-23, Nakanoshima 3-chome, Kita-ku,
Osaka-shi, Osaka, Japan
(770) ASAHI KASEI KABUSHIKI KAISHA
2-6, Dejima-hama 1-chome, Kita-ku, Osaka,
Japan
(580) 2017 03 16

(111) M 1997 004876 R2
(732) ASAHI KASEI KABUSHIKI KAISHA
1-105 Kanda Jinbocho, Chiyoda-ku, Tokyo
101-8101, Japan
(770) ASAHI KASEI KABUSHIKI KAISHA
3-23, Nakanoshima 3-chome, Kita-ku,
Osaka-shi, Osaka, Japan
(580) 2017 03 16

(111) M 1997 004880 R2
(732) ASAHI KASEI KABUSHIKI KAISHA
2-6, Dejima-hama 1-chome, Kita-ku,
Osaka, Japan
(770) ASAHI KASEI KOGIO KABUSHIKI
KAISHA
2-6, Dejima-hama 1-chome, Kita-ku,
Osaka, Japan
(580) 2017 03 16

(111) M 1997 004880 R2
(732) ASAHI KASEI KABUSHIKI KAISHA
3-23, Nakanoshima 3-chome, Kita-ku,
Osaka-shi, Osaka, Japan

(770) ASAHI KASEI KABUSHIKI KAISHA
2-6, Dejima-hama 1-chome, Kita-ku, Osaka,
Japan
(580) 2017 03 16

(111) M 1997 004880 R2
(732) ASAHI KASEI KABUSHIKI KAISHA
1-105 Kanda Jinbocho, Chiyoda-ku, Tokyo
101-8101, Japan
(770) ASAHI KASEI KABUSHIKI KAISHA
3-23, Nakanoshima 3-chome, Kita-ku,
Osaka-shi, Osaka, Japan
(580) 2017 03 16

(111) M 1997 005021 R2
(732) AFFINITY PETCARE, S.A.
Plaza Euripa 54-56, 08902 L'Hospitalet
de Llobregat, Barcelona, Spain
(770) AFFINITY PETCARE, S.A.
Plaza Xavier Cugat 2, Edificio D, 3er Piso,
08174 Sant Cugat del Valles, Barcelona,
Spain
(580) 2017 01 24

(111) M 1997 005172 R2
(732) TRADEMARKS S.R.L.
Via Boschetti, 21121 Milano, Italy
(770) TRADEMARKS S.R.L.
Via Solferino No 28, PARMA, Italy
(580) 2017-03-07

(111) M 1997 005252 R2
(732) KICKERS INTERNATIONAL B. V.
Hoogoorddreef 15, 1101 BA Amsterdam,
Netherlands
(770) KICKERS INTERNATIONAL B. V.
Claude Debussylaan 24, 1082 MD
Amsterdam, Netherlands
(580) 2017 03 07

(111) M 1997 005377 R1
(732) GE Hungary Ipari Es Kereskedelmi
Részvénytársaság (abbrev. - GE Hungary Rt)
(in foregn languages: GE Hungary Industrial
and Trading Limited Liability Company
(abbrev. GE Hungary Ltd)
1340 Budapest, Váci ut 77, Hungary
(770) GE LIGHTING TUNGSRAM VILAGITAS-
TECHNIKAI RESZVENYTARSASAG
Budapest IV, Vaci ut 77, Hungary
(580) 2017 03 09

(111) M 1997 005377 R1
(732) GE Hungary Ipari és Kereskedelmi
Zártkörűen Működő Részvénytársaság
(abbrev. - GE Hungary Zrt)
(in foregn languages: GE Hungary Industrial
and Trading Company Limited by Shares
(abbrev. GE Hungary Co. Ltd)
1106 Budapest, Jászberényi út 24-36,
Hungary
(770) GE Hungary Ipari Es Kereskedelmi Rész-
vénytársaság (abbrev. - GE Hungary Rt)
(in foregn languages: GE Hungary Industrial
and Trading Limited Liability Company
(abbrev. GE Hungary Ltd)
1340 Budapest, Váci ut 77, Hungary
(580) 2017 03 09

(111) M 1997 005377 R1
(732) GE Hungary Ipari és Kereskedelmi Korlátolt
Felelősségű Társaság (abbrev. - GE Hungary
KFT) (in foregn languages: GE Hungary
Industrial and Trading Company Limited by
Shares (abbrev. GE Hungary Co. Ltd)
1044 Budapest, Vaci út 77, Hungary
(770) GE Hungary Ipari és Kereskedelmi Zártkö-
rűen Működő Részvénytársaság (abbrev. - GE
Hungary Zrt) (in foregn languages: GE Hun-
gary Industrial and Trading Company Limi-
ted by Shares (abbrev. GE Hungary Co. Ltd)
1106 Budapest, Jászberényi út 24-36,
Hungary
(580) 2017 03 09

(111) M 1997 005429 R2
(732) AFFINITY PETCARE, S.A.
Plaza Euripa 54-56, 08902 L'Hospitalet de
Llobregat, Barcelona, Spain
(770) AFFINITY PETCARE, S.A.
Plaza Xavier Cugat 2, Edificio D, 3er Piso,
08174 Sant Cugat del Valles, Barcelona, Spain
(580) 2017 01 24

(111) M 1997 005669 R2
(732) CHINOIN Gyóyszer-és Vegyészeti Termékek
Gyára Zártkörűen Működő Rt., (CHINOIN
Zrt.) CHINOIN Pharmaceutical and
Chemical Works Private o., Ltd. CHINOIN
avod farmaceuticheskkh i khimicheskikh
izdelij Zakritoj A/O., CHINOIN ZA/O,
H-1045 Budapest, Tó utca 1-5, Hungary
(770) CHINOIN GYOGYSZER ES VEGYESZETI
TERMEKEK GYARA RT.
To u. 1-5, H-1045 Budapest, Hungary
(580) 2017 03 16

(111) M 1997 005771 R1
 (732) SEIKO EPSON KABUSHIKI KAISHA
 (also trading as SEIKO EPSON CORPORATION)
 1-6, Shinjuku 4-chome, Shinjuku-ku, Tokyo, Japan
 (770) SEIKO EPSON KABUSHIKI KAISHA
 (also trading as SEIKO EPSON CORPORATION)
 4-1 Nishishinjuku 2-chome, Shinjuku-ku, Tokyo, Japan
 (580) 2017 03 07

(111) M 1997 005859 R1
 (732) FRIESLAND BRANDS B.V.
 Stationsplein 4, NL-3818 LE AMERSFOORT, Netherlands
 (770) FRIESLAND BRANDS B.V.
 Blankenstein 142, 7943 PE Meppel, Netherlands
 (580) 2017 03 10

(111) M 1997 005859 R1
 (732) FRIESLANDCAMPINA NEDERLAND BV
 Stationsplein 4, NL-3818 LE AMERSFOORT, Netherlands
 (770) FRIESLAND BRANDS B.V.
 Stationsplein 4, NL-3818 LE AMERSFOORT, Netherlands
 (580) 2017 03 10

(111) M 1997 005899 R1
 (732) FROMAGERIES BEL S.A.
 2, Allee de Longchamp, 92150 Suresnes, France
 (770) FROMAGERIES BEL SOCIETE ANONYME
 16 boulevard Malesherbes, 75008 Paris, France
 (580) 2017 03 16

(111) M 1997 005908 R2
 (732) REVLON CONSUMER PRODUCTS CORPORATION
 One New York Plaza, New York, New York 10004, USA
 (770) REVLON CONSUMER PRODUCTS CORPORATION
 237 Park Avenue, New York, New York 10017, USA
 (580) 2017 01 10

(111) M 1997 006007 R2
 (732) GENERAL CIGAR CO., INC.
 10900 Nuckols Road, Suite 100, Glen Allen, Virginia 23060, USA
 (770) GENERAL CIGAR CO., INC.
 7300 Beaufont Springs Drive, Richmond, Virginia 23225, USA
 (580) 2017 03 07

(111) M 1997 006008 R2
 (732) GENERAL CIGAR CO., INC.
 10900 Nuckols Road, Suite 100, Glen Allen, Virginia 23060, USA
 (770) GENERAL CIGAR CO., INC.
 7300 Beaufont Springs Drive, Richmond, Virginia 23225, USA
 (580) 2017 03 07

(111) M 1997 006009 R2
 (732) GENERAL CIGAR CO., INC.
 10900 Nuckols Road, Suite 100, Glen Allen, Virginia 23060, USA
 (770) GENERAL CIGAR CO., INC.
 7300 Beaufont Springs Drive, Richmond, Virginia 23225, USA
 (580) 2017 03 07

(111) M 1997 006015 R2
 (732) GENERAL CIGAR CO., INC.
 10900 Nuckols Road, Suite 100, Glen Allen, Virginia 23060, USA
 (770) GENERAL CIGAR CO., INC.
 7300 Beaufont Springs Drive, Richmond, Virginia 23225, USA
 (580) 2017 03 07

(111) M 1997 006030 R2
 (732) CONOPCO INC.
 700 Sylvan Avenue, Englewood Cliffs, NJ 07632, USA
 (770) CONOPCO, INC.
 390 Park Avenue, New York, New York 10022, USA
 (580) 2017 01 10

(111) M 1997 006031 R2
 (732) CONOPCO INC.
 700 Sylvan Avenue, Englewood Cliffs, NJ 07632, USA
 (770) CONOPCO, INC.
 390 Park Avenue, New York, New York 10022, USA
 (580) 2017 01 10

- (111) M 1997 006032 R2
 (732) CONOPCO INC.
 700 Sylvan Avenue, Englewood Cliffs,
 NJ 07632, USA
 (770) CONOPCO, INC.
 390 Park Avenue, New York, New York
 10022, USA
 (580) 2017 01 10
-
- (111) M 1997 006238 R1
 (732) LOTUS BAKERIES N.V.
 Gentstraat I-9971 Lembeke, Belgium,
 Belgium
 (770) LOTUS BAKERIES N.V.
 Gentstraat 52, B-9971 Lembeke, Belgium,
 Belgium
 (580) 2017 01 18
-
- (111) M 1997 006304 R2
 (732) CONOPCO INC.
 700 Sylvan Avenue, Englewood Cliffs,
 NJ 07632, USA
 (770) CONOPCO, INC.
 390 Park Avenue, New York, New York
 10022, USA
 (580) 2017 01 10
-
- (111) M 1997 006305 R2
 (732) CONOPCO INC.
 700 Sylvan Avenue, Englewood Cliffs,
 NJ 07632, USA
 (770) CONOPCO, INC.
 390 Park Avenue, New York, New York
 10022, USA
 (580) 2017 01 10
-
- (111) M 1997 006387 R1
 (732) CHINOIN Gyóyszer-és Vegyészeti Termékek
 Gyára Zártkörűen Működő Rt., (CHINOIN
 Zrt.) CHINOIN Pharmaceutical and
 Chemical Works Private o., Ltd. CHINOIN
 avod farmaceuticheskkh i khimicheskikh
 izdelij Zakritoj A/O., CHINOIN ZA/O
 H-1045 Budapest, Tó utca 1-5, Hungary
 (770) CHINOIN GYOGYSZER ES VEGYESZETI
 TERMEKEK GYARA RT.
 To u. 1-5, H-1045 Budapest, Hungary
 (580) 2017 03 16
-
- (111) M 1997 006389 R1
 (732) CHINOIN Gyóyszer-és Vegyészeti Termékek
 Gyára Zártkörűen Működő Rt., (CHINOIN
 Zrt.) CHINOIN Pharmaceutical and
 Chemical Works Private o., Ltd. CHINOIN
 avod farmaceuticheskkh i khimicheskikh
 izdelij Zakritoj A/O., CHINOIN ZA/O
 H-1045 Budapest, Tó utca 1-5, Hungary
 (770) CHINOIN GYOGYSZER ES VEGYESZETI
 TERMEKEK GYARA RT.
 To u. 1-5, H-1045 Budapest, Hungary
 (580) 2017 03 16
-
- (111) M 1997 006390 R1
 (732) CHINOIN Gyóyszer-és Vegyészeti Termékek
 Gyára Zártkörűen Működő Rt., (CHINOIN
 Zrt.) CHINOIN Pharmaceutical and
 Chemical Works Private o., Ltd. CHINOIN
 avod farmaceuticheskkh i khimicheskikh
 izdelij Zakritoj A/O., CHINOIN ZA/O
 H-1045 Budapest, Tó utca 1-5, Hungary
 (770) CHINOIN GYOGYSZER ES VEGYESZETI
 TERMEKEK GYARA RT.
 To u. 1-5, H-1045 Budapest, Hungary
 (580) 2017 03 16
-
- (111) M 1997 006470 R2
 (732) TRANE INTERNATIONAL INC
 800-E Beaty Street, Davidson, North
 Carolina 28036, USA
 (770) TRANE INTERNATIONAL INC
 One Centennial Avenue, Piscataway,
 New Jersey 08855, USA
 (580) 2017 03 16
-
- (111) M 1997 006754 R1
 (732) COGNIS IP MANAGEMENT GmbH
 Rheinpromenade 1, 40789 Mohnheim,
 Germany
 (770) COGNIS IP MANAGEMENT GmbH
 Henkelstrasse 67, 40589 Dusseldorf,
 Germany
 (580) 2017-03-07
-
- (111) M 1997 006771 R1
 (732) FRIESLANDCAMPINA NEDERLAND BV
 Stationsplein 4, NL-3818 LE
 AMERSFOORT, Netherlands
 (770) FRIESLAND BRANDS B.V.
 Blankenstein 142, 7943 PE Meppel,
 Netherlands
 (580) 2017 03 10
-
- (111) M 1997 006771 R1
 (732) FRIESLANDCAMPINA NEDERLAND BV
 Stationsplein 4, NL-3818 LE
 AMERSFOORT, Netherlands
 (770) FRIESLAND BRANDS B.V.

Stationsplein 4, NL-3818 LE
AMERSFOORT, Netherlands
(580) 2017 03 10

(111) M 1997 006879 R2
(732) REVLON CONSUMER PRODUCTS
CORPORATION
One New York Plaza, New York,
New York 10004, USA
(770) REVLON CONSUMER PRODUCTS
CORPORATION
237 Park Avenue, New York, New York
10017, USA
(580) 2017 01 10

(111) M 1997 006881 R2
(732) REVLON CONSUMER PRODUCTS
CORPORATION
One New York Plaza, New York, New York
10004, USA
(770) REVLON CONSUMER PRODUCTS
CORPORATION
237 Park Avenue, New York, New York
10017, USA
(580) 2017 01 10

(111) M 1997 006885 R2
(732) REVLON CONSUMER PRODUCTS
CORPORATION
One New York Plaza, New York, New York
10004, USA
(770) REVLON CONSUMER PRODUCTS
CORPORATION
237 Park Avenue, New York, New York
10017, USA
(580) 2017 01 10

(111) M 1997 007064 R1
(732) EVEREADY BATTERY COMPANY, LLC
533 Maryville University Drive, St. Louis,
Missouri 63141, USA
(770) EVEREADY BATTERY COMPANY, INC.
533 Maryville University Drive, St. Louis,
Missouri 63141, USA
(580) 2016 06 09

(111) M 1997 007581 R2
(732) CONOPCO INC.
700 Sylvan Avenue, Englewood Cliffs,
NJ 07632, USA
(770) CONOPCO, INC.
390 Park Avenue, New York, New York
10022, USA
(580) 2017 01 10

(111) M 1997 007582 R2
(732) CONOPCO INC.
700 Sylvan Avenue, Englewood Cliffs,
NJ 07632, USA
(770) CONOPCO, INC.
390 Park Avenue, New York, New York
10022, USA
(580) 2017 01 10

(111) M 1998 008435 R1
(732) LABORATOIRES FOURNIER SAS
42, rue Rouget de Lisle, 92150 Suresnes,
France
(770) LABORATOIRES FOURNIER S.A.
28 boulevard Clémenceau-21000 - Dijon,
France
(580) 2014 10 27

(111) M 1998 008435 R1
(732) LABORATOIRES FOURNIER SAS
3 Place Gustave Eiffel, Batiment Florence,
BP 60213, 94518 Rungis Cedex, France
(770) LABORATOIRES FOURNIER SAS
42, rue Rouget de Lisle, 92150 Suresnes,
France
(580) 2017 03 10

(111) M 1998 008579 R1
(732) FRIESLAND BRANDS B.V.
Stationsplein 4, NL-3818 LE
AMERSFOORT, Netherlands
(770) FRIESLAND BRANDS B.V.
Blankenstein 142, 7943 PE Meppel,
Netherlands
(580) 2017 03 10

(111) M 1998 008579 R1
(732) FRIESLANDCAMPINA NEDERLAND BV
Stationsplein 4, NL-3818 LE
AMERSFOORT,
Netherlands
(770) FRIESLAND BRANDS B.V.
Stationsplein 4, NL-3818 LE
AMERSFOORT, Netherlands
(580) 2017 03 10

(111) M 1998 009837 R1
(732) SEIKO EPSON KABUSHIKI KAISHA
(also trading as SEIKO EPSON
CORPORATION)
1-6, Shinjuku 4-chome, Shinjuku-ku, Tokyo,
Japan

(770) SEIKO EPSON KABUSHIKI KAISHA
(also trading as SEIKO EPSON
CORPORATION)
4-1 Nishishijuku, 2-Chome, Shinjuku-ku,
Tokio, Japan
(580) 2017 03 07

RESTRICTION OR CORRECTION GOODS AND/OR SERVICES LISTED

(111) M 1998 010033 R1
(511) 3, 9, 18, 25, 28
(580) 2012 10 29

(111) M 1996 001996 R2
(511) 2
(580) 2016 06 08

(111) M 1995 001125 R2
(511) 3, 14, 15, 16, 18, 21, 25, 33
(580) 2016 06 16

(111) M 1996 001998 R2
(511) 2
(580) 2016 06 08

(111) M 1995 001125 R2
(511) 3, 14, 15, 16, 18, 21, 25, 33
(580) 2016 06 16

(111) M 2010 021030 R
(511) 12
(580) 2012 10 12

(111) M 1999 011644 R1
(511) 3
(580) 2009 07 24

(111) M 2011 021820 R
(511) 5
(580) 2016 03 21

(111) M 1999 011655 R1
(511) 25, 30
(580) 2009-02-25

(111) M 2011 021821 R
(511) 5
(580) 2016 03 21

(111) M 2000 013222 R1
(511) 1, 2, 19
(580) 2010 04 13

(111) M 2011 022055 R
(511) 5
(580) 2016 03 23

(111) M 2004 015511 R1
(511) 36
(580) 2014 02 26

(111) M 2013 024001 R
(511) 5
(580) 2013 10 11

(111) M 2007 017576 R
(511) 17, 19, 35, 37
(580) 2009 09 23

(111) M 2013 024002 R
(511) 5
(580) 2013 10 11

(111) M 2008 018342 R
(511) 29, 30, 32
(580) 2015 08 17

(111) M 2013 024003 R
(511) 5
(580) 2013 10 11

(111) M 2009 019101 R
(511) 1, 2, 6, 16, 22, 27, 35, 39, 42, 45
(580) 2009 09 23

(111) M 1996 002995 R2
(511) 4
(580) 2007 04 30

(111) M 2009 019154 R
(511) 3, 5, 16, 18, 25, 28, 29, 30, 32, 35, 41
(580) 2009 04 14

(111) M 1996 003483 R1
(511) 25
(580) 2006 10 09

(111) M 1996 004214 R1
(511) 7, 9
(580) 2007 09 13

(111) M 1997 007479 R1
(511) 7, 9, 37, 38, 42
(580) 2007 11 29

(111) M 1997 004419 R2
(511) 3
(580) 2007 02 19

(111) M 1997 007481 R1
(511) 7, 9, 37, 38, 42
(580) 2007 11 29

(111) M 1997 005227 R1
(511) 25
(580) 2007 04 18

(111) M 1998 008480 R1
(511) 32, 33, 42
(580) 2008 04 16

(111) M 1997 005229 R1
(511) 25
(580) 2007 04 18

(111) M 1998 008482 R1
(511) 32, 33, 42
(580) 2008 04 16

(111) M 1995 000550 R2
(511) 9, 14, 16, 18, 34
(580) 2015 05 07

(111) M 1998 008637 R1
(511) 1, 17
(580) 2008 05 05

(111) M 1997 006004 R1
(511) 9
(580) 2007 08 02

(111) M 1998 008644 R1
(511) 18
(580) 2008 04 04

(111) M 1997 006193 R1
(511) 1, 2, 17, 42
(580) 2007 05 29

(111) M 1998 008950 R1
(511) 7
(580) 2008 06 04

(111) M 1997 006500 R1
(511) 28
(580) 2007 10 02

(111) M 1998 009114 R1
(511) 1, 9
(580) 2008 07 03

(111) M 1997 006501 R1
(511) 18, 25
(580) 2007 10 02

(111) M 1998 009471 R1
(511) 1, 3, 5, 10
(580) 2008 05 01

(111) M 1997 007023 R1
(511) 16
(580) 2007 10 30

(111) M 1998 009613 R1
(511) 1, 4, 5, 17
(580) 2008 02 12

(111) M 1997 007226 R1
(511) 11
(580) 2008 12 19

(111) M 1998 009769 R1
(511) 3, 6, 14, 18
(580) 2011 05 23

(111) M 1997 007474 R1
(511) 7, 9, 37, 38, 42
(580) 2007 11 29

INVALIDATION OF TRADEMARKS REGISTRATION

(111) M 2013 23262 R
(141) 2017 02 27, Court decision
(732) LLC "FIRMA "DISNA"
Ul. Lavrskaya 16, 01015 Kiyiv, Ukraine

(111) M 2013 23469 R
(141) 2017 02 27, Court decision
(732) LLC "FIRMA "DISNA"
Ul. Lavrskaya 16, 01015 Kiyiv, Ukraine

(111) M 2013 24011 R
(141) 2017 02 27, Court decision
(732) LLC "FIRMA "DISNA"
Ul. Lavrskaya 16, 01015 Kiyiv, Ukraine

(111) M 2013 24193 R
(141) 2017 02 27, Court decision
(732) LLC "FIRMA "DISNA"
Ul. Lavrskaya 16, 01015 Kiyiv, Ukraine

(111) M 2013 24194 R
(141) 2017 02 27, Court decision
(732) LLC "FIRMA "DISNA"
Ul. Lavrskaya 16, 01015 Kiyiv, Ukraine

(111) M 2013 24195 R
(141) 2017 02 27, Court decision
(732) LLC "FIRMA "DISNA"
Ul. Lavrskaya 16, 01015 Kiyiv, Ukraine

(111) M 2013 24196 R
(141) 2017 02 27, Court decision
(732) LLC "FIRMA "DISNA"
Ul. Lavrskaya 16, 01015 Kiyiv, Ukraine

(111) M 2013 24197 R
(141) 2017 02 27, Court decision
(732) LLC "FIRMA "DISNA"
Ul. Lavrskaya 16, 01015 Kiyiv, Ukraine

(111) M 1996 2877 R1
(141) 2007 03 06, Not payment for prolongation of
registration on the following of 10 years
(732) BIOPHARMA
50, rue Carnot, 92284 Suresnes cedex,
France

(111) M 1996 2884 R1
(141) 2007 03 06, Not payment for prolongation of
registration on the following of 10 years
(732) BIOPHARMA
50, rue Carnot, 92284 Suresnes cedex,
France

(111) M 1996 2885 R1
(141) 2007 03 06, Not payment for prolongation of
registration on the following of 10 years
(732) BIOPHARMA
50, rue Carnot, 92284 Suresnes cedex,
France

(111) M 1996 2886 R1
(141) 2007 03 06, Not payment for prolongation of
registration on the following of 10 years
(732) BIOPHARMA
50, rue Carnot, 92284 Suresnes cedex,
France

(111) M 1996 2911 R1
(141) 2007 03 06, Not payment for prolongation of
registration on the following of 10 years
(732) TWENTIETH CENTURY FOX FILM
CORPORATION
(a corporation of the State of Delaware)
Los Angeles, California, USA

(111) M 1996 2912 R1
(141) 2007 03 06, Not payment for prolongation of
registration on the following of 10 years
(732) TWENTIETH CENTURY FOX FILM
CORPORATION
(a corporation of the State of Delaware)
Los Angeles, California, USA

(111) M 1996 2914 R1
(141) 2007 03 06, Not payment for prolongation of
registration on the following of 10 years
(732) DIAGEO BRANDS B.V.
Molenwerf 10-12, 1014 BG Amsterdam, NL

CLASSIFICATION INDEXES

INVENTIONS

CONCORDANCE TABLE OF INTERNATIONAL CLASSIFICATION INDEX AND PUBLICATION NUMBERS

INTERNATIONAL CLASSIFICATION INDEXES (51)	NUMBER OF PUBLISHED APPLICATION (10)
A 61 K 9/20	AP 2017 12701 A
A 61 K 31/57; A 61 K 45/06; A 61 P 15/00	AP 2017 13608 A
B 01 D 53/14; B 01 D 53/50; C 01 B 17/05	AP 2017 13095 A
C 07 D 401/04; A 61 K 31/44; A 61 P 25/00	AP 2017 13508 A
C 07 D 413/14; C 07 D 413/04; C 07 D 417/14; A 61 K 31/506; A 61 P 35/00	AP 2017 13934 A
C 07 D 471/04; A 61 K 31/506; A 61 K 31/444; A 61 P 31/16	AP 2017 13685 A
C 09 K 5/04	AP 2017 13661 A
F 02 F 3/00	AP 2017 13855 A
F 03 D 3/02	AP 2017 14065 A
H 01 L 21/66; G 01 R 31/66	AP 2017 14017 A

CONCORDANCE TABLE OF PUBLICATION NUMBERS AND INTERNATIONAL CLASSIFICATION INDEX

NUMBER OF PUBLISHED APPLICATION (10)	INTERNATIONAL CLASSIFICATION INDEXES (51)
AP 2017 12701 A	A 61 K 9/20
AP 2017 13095 A	B 01 D 53/14; B 01 D 53/50; C 01 B 17/05
AP 2017 13508 A	C 07 D 401/04; A 61 K 31/44; A 61 P 25/00
AP 2017 13608 A	A 61 K 31/57; A 61 K 45/06; A 61 P 15/00
AP 2017 13661 A	C 09 K 5/04
AP 2017 13685 A	C 07 D 471/04; A 61 K 31/506; A 61 K 31/444; A 61 P 31/16
AP 2017 13855 A	F 02 F 3/00
AP 2017 13934 A	C 07 D 413/14; C 07 D 413/04; C 07 D 417/14; A 61 K 31/506; A 61 P 35/00
AP 2017 14017 A	H 01 L 21/66; G 01 R 31/66
AP 2017 14065 A	F 03 D 3/02

**CONCORDANCE TABLE OF INTERNATIONAL CLASSIFICATION INDEX,
PATENT NUMBERS AND PUBLICATION NUMBERS**

INTERNATIONAL CLASSIFICATION INDEX (51)	NUMBER OF PATENT (11)	NUMBER OF PUBLISHED APPLICATION (10)
A 01 N 25/04; A 01 N 25/18; A 01 N 25/20; A 01 N 25/34; A 01 N 53/00	P 2017 6644 B	AP 2016 13630 A
A 23 F 3/08	P 2017 6646 B	AP 2016 13836 A
A 61 K 31/54	P 2017 6639 B	AP 2016 12625 A
A 61 K 31/40; A 61 K 31/167; A 61 K 31/4704; A 61 K 45/06; A 61 K 9/14; A 61 M 15/00; A 61 K 9/00	P 2017 6640 B	AP 2016 13251 A
A 61 K 31/135; A 61 K 31/192	P 2017 6649 B	AP 2016 13908 A
A 61 K 39/255	P 2017 6650 B	AP 2016 13604 A
A 61 K 39/295; A 61 P 31/04; A 61 P 31/12	P 2017 6642 B	AP 2016 13552 A
A 61 K 47/20; A 61 K 9/14; A 61 K 31/57; A 61 P 15/00; A 61 P 15/18	P 2017 6648 B	AP 2016 13848 A
B 08 B 3/04	P 2017 6647 B	AP 2016 13839 A
E 04 B 2/26; B 28 B 1/08	P 2017 6645 B	AP 2016 13781 A
E 05 B 29/00	P 2017 6643 B	AP 2016 13570 A
G 06 Q 30/04; G 06 Q 40/02	P 2017 6641 B	AP 2016 13534 A

**CONCORDANCE TABLE OF PATENT NUMBERS,
PUBLICATION NUMBERS AND INTERNATIONAL CLASSIFICATION INDEX**

NUMBER OF PATENT (11)	NUMBER OF PUBLISHED APPLICATION (10)	INTERNATIONAL CLASSIFICATION INDEX (51)
P 2017 6639 B	AP 2016 12625 A	A 61 K 31/54
P 2017 6640 B	AP 2016 13251 A	A 61 K 31/40; A 61 K 31/167; A 61 K 31/4704; A 61 K 45/06; A 61 K 9/14; A 61 M 15/00; A 61 K 9/00
P 2017 6641 B	AP 2016 13534 A	G 06 Q 30/04; G 06 Q 40/02
P 2017 6642 B	AP 2016 13552 A	A 61 K 39/295; A 61 P 31/04; A 61 P 31/12
P 2017 6643 B	AP 2016 13570 A	E 05 B 29/00
P 2017 6644 B	AP 2016 13630 A	A 01 N 25/04; A 01 N 25/18; A 01 N 25/20; A 01 N 25/34; A 01 N 53/00
P 2017 6645 B	AP 2016 13781 A	E 04 B 2/26; B 28 B 1/08
P 2017 6646 B	AP 2016 13836 A	A 23 F 3/08
P 2017 6647 B	AP 2016 13839 A	B 08 B 3/04
P 2017 6648 B	AP 2016 13848 A	A 61 K 47/20; A 61 K 9/14; A 61 K 31/57; A 61 P 15/00; A 61 P 15/18
P 2017 6649 B	AP 2016 13908 A	A 61 K 31/135; A 61 K 31/192
P 2017 6650 B	AP 2016 13604 A	A 61 K 39/255

**CONCORDANCE TABLE OF APPLICATION NUMBERS, PUBLICATION NUMBERS
AND PATENTS**

NUMBER OF APPLICATION (21)	NUMBER OF PUBLISHED APPLICATION (10)	NUMBER OF PATENT (11)
AP 2010 012625	AP 2016 12625 A	P 2017 6639 B
AP 2012 013251	AP 2016 13251 A	P 2017 6640 B
AP 2012 013534	AP 2016 13534 A	P 2017 6641 B
AP 2013 013552	AP 2016 13552 A	P 2017 6642 B
AP 2013 013570	AP 2016 13570 A	P 2017 6643 B
AP 2013 013604	AP 2016 13604 A	P 2017 6650 B
AP 2013 013630	AP 2016 13630 A	P 2017 6644 B
AP 2015 013781	AP 2016 13781 A	P 2017 6645 B
AP 2013 013836	AP 2016 13836 A	P 2017 6646 B
AP 2013 013839	AP 2016 13839 A	P 2017 6647 B
AP 2013 013848	AP 2016 13848 A	P 2017 6648 B
AP 2014 013908	AP 2016 13908 A	P 2017 6649 B

UTILITY MODELS

**CONCORDANCE TABLE OF INTERNATIONAL CLASSIFICATION INDEX
AND PUBLICATION NUMBERS**

INTERNATIONAL CLASSIFICATION INDEXES (51)	NUMBER OF PUBLISHED APPLICATION (10)
A 01 G 15/00	AU 2017 13975 U
B 60 D 1/12	AU 2017 13905 U
B 65 B 3/00	AU 2017 14044 U
E 04 B 2/14; E 04 C 1/40	AU 2017 14280 U

**CONCORDANCE TABLE OF PUBLICATION NUMBERS
AND INTERNATIONAL CLASSIFICATION INDEX**

NUMBER OF PUBLISHED APPLICATION (10)	INTERNATIONAL CLASSIFICATION INDEXES (51)
AU 2017 13905 U	B 60 D 1/12
AU 2017 13975 U	A 01 G 15/00
AU 2017 14044 U	B 65 B 3/00
AU 2017 14280 U	E 04 B 2/14; E 04 C 1/40

**CONCORDANCE TABLE OF INTERNATIONAL CLASSIFICATION INDEX,
PATENT NUMBERS AND PUBLICATION NUMBERS**

INTERNATIONAL CLASSIFICATION INDEX (51)	NUMBER OF PATENT (11)	NUMBER OF PUBLISHED APPLICATION (10)
A 01 G 9/02	U 2017 1931 Y	AU 2016 14208 U
A 21 C 9/06	U 2017 1932 Y	AU 2016 14209 U
A 61 K 31/65, 31/63, 31/165	U 2017 1929 Y	AU 2016 14066 U
B 01 J 19/00, 19/18	U 2017 1930 Y	AU 2016 14127 U

**CONCORDANCE TABLE OF PATENT NUMBERS,
PUBLICATION NUMBERS AND INTERNATIONAL CLASSIFICATION INDEX**

NUMBER OF PATENT (11)	NUMBER OF PUBLISHED APPLICATION (10)	INTERNATIONAL CLASSIFICATION INDEX (51)
U 2017 1929 Y	AU 2016 14066 U	A 61 K 31/65, 31/63, 31/165
U 2017 1930 Y	AU 2016 14127 U	B 01 J 19/00, 19/18
U 2017 1931 Y	AU 2016 14208 U	A 01 G 9/02
U 2017 1932 Y	AU 2016 14209 U	A 21 C 9/06

**CONCORDANCE TABLE OF APPLICATION NUMBERS, PUBLICATION NUMBERS
AND PATENTS**

NUMBER OF APPLICATION (21)	NUMBER OF PUBLISHED APPLICATION (10)	NUMBER OF PATENT (11)
AU 2016 014066	AU 2016 14066 U	U 2017 1929 Y
AU 2016 014127	AU 2016 14127 U	U 2017 1930 Y
AU 2016 014208	AU 2016 14208 U	U 2017 1931 Y
AU 2016 014209	AU 2016 14209 U	U 2017 1932 Y

DESIGNS

REGISTERED DESIGNS

**CONCORDANCE TABLE OF INTERNATIONAL CLASSIFICATION INDEX
AND PUBLICATION NUMBERS**

INTERNATIONAL CLASSIFICATION INDEXES (51)	NUMBER OF PUBLISHED APPLICATION (10)
09-01	AD 2017 929 S
09-03	AD 2017 925 S

**CONCORDANCE TABLE OF PUBLICATION NUMBERS
AND INTERNATIONAL CLASSIFICATION INDEX**

NUMBER OF PUBLISHED APPLICATION (10)	INTERNATIONAL CLASSIFICATION INDEXES (51)
AD 2017 925 S	09-03
AD 2017 929 S	09-01

**CONCORDANCE TABLE OF INTERNATIONAL CLASSIFICATION INDEX,
PATENT NUMBERS AND PUBLICATION NUMBERS**

INTERNATIONAL CLASSIFICATION INDEX (51)	NUMBER OF PATENT (11)	NUMBER OF PUBLISHED APPLICATION (10)
06-07	D 2017 701 S	AD 2016 922 S
07-06	D 2017 702 S	AD 2016 923 S

**CONCORDANCE TABLE OF PATENT NUMBERS,
PUBLICATION NUMBERS AND INTERNATIONAL CLASSIFICATION INDEX**

NUMBER OF PATENT (11)	NUMBER OF PUBLISHED APPLICATION (10)	INTERNATIONAL CLASSIFICATION INDEX (51)
D 2017 701 S	AD 2016 922 S	06-07
D 2017 702 S	AD 2016 923 S	07-06

**CONCORDANCE TABLE OF APPLICATION NUMBERS, PUBLICATION NUMBERS
AND PATENTS**

NUMBER OF APPLICATION (21)	NUMBER OF PUBLISHED APPLICATION (10)	NUMBER OF PATENT (11)
AD 2016 000922	AD 2016 922 S	D 2017 701 S
AD 2016 000923	AD 2016 923 S	D 2017 702 S

DESIGN REGISTERED ACCORDING TO THE ACCELERATED PROCEDURE

CONCORDANCE TABLE OF INTERNATIONAL CLASSIFICATION INDEX, PATENT NUMBERS AND PUBLICATION NUMBERS

INTERNATIONAL CLASSIFICATION INDEX (51)	NUMBER OF PATENT (11)	NUMBER OF PUBLISHED APPLICATION (10)
11-02	D 2017 700 S	

CONCORDANCE TABLE OF PATENT NUMBERS, PUBLICATION NUMBERS AND INTERNATIONAL CLASSIFICATION INDEX

NUMBER OF PATENT (11)	NUMBER OF PUBLISHED APPLICATION (10)	INTERNATIONAL CLASSIFICATION INDEX (51)
D 2017 700 S	11-02	

CONCORDANCE TABLE OF APPLICATION NUMBERS, PUBLICATION NUMBERS AND PATENTS

NUMBER OF APPLICATION (21)	NUMBER OF PUBLISHED APPLICATION (10)	NUMBER OF PATENT (11)
AD 2017 000943	D 2017 700 S	

TRADEMARKS

CONCORDANCE TABLE OF REGISTRATION NUMBERS, APPLICATION NUMBERS, PUBLICATION NUMBERS AND BULLETIN NUMBERS

NUMBER OF REGISTRATION (111)	NUMBER OF APPLICATIONS (210)	NUMBER OF PUBLISHED APPLICATIONS (260)	NUMBER OF BULLETIN
M 2017 28240 R	AM 90812	-	6(466)2017
M 2017 28241 R	AM 90617	-	6(466)2017
M 2017 28242 R	AM 85879	AM 2016 85879 A	21(457)2016
M 2017 28243 R	AM 90991	-	6(466)2017
M 2017 28244 R	AM 77058	AM 2014 77058 A	1(413)2015
M 2017 28245 R	AM 82714	AM 2016 82714 A	9(445)2016
M 2017 28246 R	AM 82808	AM 2016 82808 A	14(450)2016
M 2017 28247 R	AM 82909	AM 2016 82909 A	15(451)2016
M 2017 28248 R	AM 82910	AM 2016 82910 A	17(453)2016
M 2017 28249 R	AM 82911	AM 2016 82911 A	17(453)2016
M 2017 28250 R	AM 83807	AM 2016 83807 A	14(450)2016
M 2017 28251 R	AM 84196	AM 2016 84196 A	15(451)2016
M 2017 28252 R	AM 84197	AM 2016 84197 A	15(451)2016
M 2017 28253 R	AM 84623	AM 2016 84623 A	14(450)2016
M 2017 28254 R	AM 84628	AM 2016 84628 A	14(450)2016
M 2017 28255 R	AM 84941	AM 2016 84941 A	14(450)2016
M 2017 28256 R	AM 84942	AM 2016 84942 A	14(450)2016
M 2017 28257 R	AM 84946	AM 2016 84946 A	15(451)2016
M 2017 28258 R	AM 85037	AM 2016 85037 A	15(451)2016
M 2017 28259 R	AM 85038	AM 2016 85038 A	15(451)2016
M 2017 28260 R	AM 85044	AM 2016 85044 A	15(451)2016
M 2017 28261 R	AM 85083	AM 2016 85083 A	18(454)2016
M 2017 28262 R	AM 85084	AM 2016 85084 A	18(454)2016
M 2017 28263 R	AM 85086	AM 2016 85086 A	18(454)2016
M 2017 28264 R	AM 85259	AM 2016 85259 A	15(451)2016
M 2017 28265 R	AM 90787	-	6(466)2017
M 2017 28266 R	AM 90802	-	6(466)2017
M 2017 28267 R	AM 85395	AM 2016 85395 A	15(451)2016
M 2017 28268 R	AM 85432	AM 2016 85432 A	15(451)2016
M 2017 28269 R	AM 85591	AM 2016 85591 A	15(451)2016
M 2017 28270 R	AM 85600	AM 2016 85600 A	15(451)2016
M 2017 28271 R	AM 85602	AM 2016 85602 A	15(451)2016
M 2017 28272 R	AM 85606	AM 2016 85606 A	15(451)2016
M 2017 28273 R	AM 85752	AM 2016 85752 A	17(453)2016
M 2017 28274 R	AM 85761	AM 2016 85761 A	17(453)2016
M 2017 28275 R	AM 85834	AM 2016 85834 A	20(456)2016
M 2017 28276 R	AM 85891	AM 2016 85891 A	20(456)2016
M 2017 28277 R	AM 85902	AM 2016 85902 A	20(456)2016
M 2017 28278 R	AM 85904	AM 2016 85904 A	20(456)2016
M 2017 28279 R	AM 86006	AM 2016 86006 A	20(456)2016
M 2017 28280 R	AM 86129	AM 2016 86129 A	20(456)2016
M 2017 28281 R	AM 86272	AM 2016 86272 A	19(455)2016
M 2017 28282 R	AM 86332	AM 2016 86332 A	19(455)2016
M 2017 28283 R	AM 86334	AM 2016 86334 A	19(455)2016
M 2017 28284 R	AM 86335	AM 2016 86335 A	19(455)2016
M 2017 28285 R	AM 86360	AM 2016 86360 A	19(455)2016
M 2017 28286 R	AM 86363	AM 2016 86363 A	19(455)2016

1	2	3	4
M 2017 28287 R	AM 86367	AM 2016 86367 A	21(457)2016
M 2017 28288 R	AM 86368	AM 2016 86368 A	19(455)2016
M 2017 28289 R	AM 86439	AM 2016 86439 A	21(457)2016
M 2017 28290 R	AM 86460	AM 2016 86460 A	19(455)2016
M 2017 28291 R	AM 86504	AM 2016 86504 A	21(457)2016
M 2017 28292 R	AM 86506	AM 2016 86506 A	21(457)2016
M 2017 28293 R	AM 86509	AM 2016 86509 A	21(457)2016
M 2017 28295 R	AM 86561	AM 2016 86561 A	21(457)2016
M 2017 28296 R	AM 86626	AM 2016 86626 A	21(457)2016
M 2017 28297 R	AM 86696	AM 2016 86696 A	21(457)2016
M 2017 28298 R	AM 86699	AM 2016 86699 A	21(457)2016
M 2017 28299 R	AM 86849	AM 2016 86849 A	20(456)2016
M 2017 28300 R	AM 86850	AM 2016 86850 A	20(456)2016
M 2017 28301 R	AM 86883	AM 2016 86883 A	20(456)2016
M 2017 28302 R	AM 86884	AM 2016 86884 A	21(457)2016
M 2017 28303 R	AM 86885	AM 2016 86885 A	20(456)2016
M 2017 28304 R	AM 86887	AM 2016 86887 A	21(457)2016
M 2017 28305 R	AM 86888	AM 2016 86888 A	21(457)2016
M 2017 28306 R	AM 85749	AM 2016 85749 A	18(454)2016
M 2017 28307 R	AM 85751	AM 2016 85751 A	18(454)2016
M 2017 28308 R	AM 85755	AM 2016 85755 A	18(454)2016
M 2017 28309 R	AM 85773	AM 2016 85773 A	16(452)2016
M 2017 28310 R	AM 85878	AM 2016 85878 A	16(452)2016
M 2017 28311 R	AM 86298	AM 2016 86298 A	20(456)2016
M 2017 28312 R	AM 86442	AM 2016 86442 A	22(458)2016
M 2017 28313 R	AM 90976	-	6(466)2017
M 2017 28314 R	AM 90541	-	6(466)2017
M 2017 28315 R	AM 91255	-	6(466)2017
M 2017 28316 R	AM 91112	-	6(466)2017

**CONCORDANCE TABLE OF PUBLICATION NUMBERS
AND APPLICATION NUMBERS**

NUMBER OF PUBLISHED APPLICATION (260)	NUMBER OF APPLICATION (210)	1	2
		1	2
AM 2017 84179 A	AM 84179 A	AM 2017 88000 A	AM 88000 A
AM 2017 84435 A	AM 84435 A	AM 2017 88003 A	AM 88003 A
AM 2017 86514 A	AM 86514 A	AM 2017 88104 A	AM 88104 A
AM 2017 87112 A	AM 87112 A	AM 2017 88205 A	AM 88205 A
AM 2017 87133 A	AM 87133 A	AM 2017 88216 A	AM 88216 A
AM 2017 87390 A	AM 87390 A	AM 2017 88222 A	AM 88222 A
AM 2017 87667 A	AM 87667 A	AM 2017 88223 A	AM 88223 A
AM 2017 87969 A	AM 87969 A	AM 2017 88225 A	AM 88225 A
		AM 2017 88226 A	AM 88226 A
		AM 2017 88462 A	AM 88462 A
		AM 2017 88484 A	AM 88484 A
		AM 2017 88530 A	AM 88530 A
		AM 2017 88531 A	AM 88531 A

**CONCORDANCE TABLE OF INDEX OF GOODS AND/OR SERVICES
AND APPLICATION NUMBERS**

INDEX OF GOODS AND/OR SERVICES (511)	NUMBER OF PUBLISHED APPLICATIONS (26)	1	2
1	2		
5	AM 2017 86514 A	33	AM 2017 88225 A
5	AM 2017 87112 A	33	AM 2017 88226 A
9	AM 2017 84179 A	33	AM 2017 88484 A
9	AM 2017 88104 A	34	AM 2017 87390 A
29	AM 2017 88462 A	34	AM 2017 88000 A
30	AM 2017 88003 A	34	AM 2017 88531 A
30	AM 2017 88222 A	35	AM 2017 84179 A
30	AM 2017 88223 A	35	AM 2017 87969 A
30	AM 2017 88462 A	35	AM 2017 88003 A
31	AM 2017 88462 A	36	AM 2017 84179 A
32	AM 2017 88205 A	37	AM 2017 84179 A
32	AM 2017 88462 A	38	AM 2017 84179 A
32	AM 2017 88530 A	39	AM 2017 87969 A
33	AM 2017 87113 A	39	AM 2017 88216 A
33	AM 2017 88205 A	42	AM 2017 84179 A
		42	AM 2017 87667 A
		43	AM 2017 84435 A
		43	AM 2017 87969 A
		43	AM 2017 88003 A

**CONCORDANCE TABLE OF INDEX OF GOODS AND/OR SERVICES
AND NUMBERS OF TRADEMARKS REGISTERED ACCORDING
TO THE ACCELERATED PROCEDURE**

INDEX OF GOODS AND/OR SERVICES (511)	NUMBERS OF REGISTERED ACCORDING TO THE ACCELERATED PROCEDURE (111)
19	M 2017 28313 R
32	M 2017 28315 R
33	M 2017 28241 R
33	M 2017 28243 R
34	M 2017 28314 R
34	M 2017 28316 R
35	M 2017 28266 R
37	M 2017 28265 R
43	M 2017 28240 R

OFFICIAL BULLETIN OF THE INDUSTRIAL PROPERTY

6(466)

EDITOR-IN-CHIEF: N. Bebrishvili

EDITORS-TRANSLATORS: E. Gabunia

PROOFREADER: A. Shikhashvili

COMPUTER LAYOUT: M. Ordenidze
K. Svanidze

www.sakpatenti.org.ge

E-mail: info@sakpatenti.org.ge