



**NATIONAL INTELLECTUAL PROPERTY CENTER OF GEORGIA
SAKPATENTI**

**OFFICIAL BULLETIN
OF THE INDUSTRIAL PROPERTY**

6(490)

**2018
TBILISI**

INID CODES FOR IDENTIFICATION OF BIBLIOGRAPHIC DATA

INVENTIONS, UTILITY MODELS

- (10) Number of publication for application, which has been examined
- (11) Number of patent and kind of document
- (21) Serial number of application
- (22) Date of filing of the application
- (23) Date of exhibition or the date of the earlier filing and the number of application, if any
- (24) Date from which patent may have effect
- (31) Number of priority application
- (32) Date of filing of priority application
- (33) Code of the country or regional organization allotting priority application number
- (44) Date of publication of application not granted, but examined and number of bulletin
- (45) Date of publication of registered document
- (51) International Patent Classification Index
- (54) Title of the invention
- (57) Abstract
- (60) Number of examined patent document granted by foreign patent office, date from which patent has effect and country code
- (62) Number of the earlier application and in case of divided application, date of filing an application
- (71) Name, surname and address of applicant (country code)
- (72) Name, surname of inventor (country code)
- (73) Name, surname and address of patent owner (country code)
- (74) Name, surname of representative or patent attorney
- (85) Date of commencement of the national phase of International Application
- (86) Number and date of filing of international application
- (87) Number and date of publication of international application

DESIGNS

- (10) Number of publication for application
- (11) Number of patent and kind of document or number of registration
- (15) Date of registration/Date of patent renewal
- (18) Expected expiration date of patent or registration
- (21) Serial number of application
- (22) Date of filing of the application
- (23) Date of exhibition or the date of the earlier filing and the number of application, if any
- (24) Date from which patent may have effect
- (28) Number of designs included in the application
- (30) Data relating to priority (number of application, date of filing of application, two-letter code identifying the authority with whom the priority application was made)
- (31) Number of priority application
- (32) Date of filing of priority application
- (33) Code of the country or regional organization allotting priority application number
- (34) Two-letter code according to WIPO St.3 identifying the authority with which the priority application was made
- (44) Date of publication of design and number of bulletin (the first publication)
- (45) Date of publication of design registered by WIPO and number of bulletin
- (51) International Classification for designs (class and subclass of the Locarno Classification)
- (54) Title of the invention
- (55) Reproduction of the design
- (57) Description of characteristic features of the design including indication of colors
- (58) Date of recording of any kind of amendment in the Register
- (62) Number of the earlier application, registration and document number and if available the date of filing an application in case of divided application
- (71) Name, surname and address of applicant (country code)
- (72) Name, surname of creator (country code)
- (73) Name, surname and address of patent owner (country code)
- (74) Name, surname of representative or patent attorney
- (81) Contracting states concerned
 - II designated contracting states according to the 1960 Act
 - III designated contracting states according to the 1999 Act
- (85) Owner's permanent address
- (86) Owner's nationality
- (87) Owner's residence
- (88) State in which the owner has a real and effective industrial or commercial establishment

TRADEMARKS

- (111) – Number of registration
- (151) – Date of registration
- (156) – Date of the renewal
- (181) – Expected expiration date of registration
- (186) – Renewal expiration date of registration
- (141) – Date of cancel of duration of the mark
- (210) – Serial number of application
- (220) – Date of filing of the application
- (230) – Date concerning exhibition
- (260) – Number of application, for which favorable decision of examination about registration has been taken (publication number)
- (310) – Number of the first application
- (320) – Date of filing of the first application
- (330) – Code, identifying national or regional Office where the first application was made
- (511) – International Classification of Goods and Services for the purposes of registration of trade marks and/or list of goods and/or services classified according thereto
- (531) – Description of figurative elements of Trade Marks according to the International Classification of the Figurative Elements of Marks
- (540) – Reproduction of Trade Mark
- (550) – Nature and kind of Trade Mark
- (580) – Date of recording of any kind changes in respect of applications or registrations
- (591) – Information concerning colors claimed
- (731) – Name and address of the applicant
- (732) – Name and address of the holder of the registration
- (740) – Name and address of the representative
- (750) – Address for correspondence
- (770) – Name and address of the previous applicant or holder in case of change in ownership
- (771) – Previous name and address of the applicant or holder in case of change in ownership
- (791) – Name and address of the licensee
- (793) – Indication of conditions and/or restrictions under the license (Type of license, number of license agreement, data of license, data of validity of license)
- (800) – Certain data relating to the international registration of Trade Marks under the Protocol Relating to Madrid Agreement (International registration number)

CODES FOR PUBLICATION IN BULLETIN

- (21) AP 0000 000000 – serial number of application for invention
- (10) AP 0000 0000 A – number of published application for invention (first publication)
- (11) P 0000 0000 B – number of patent for invention (second publication)
- (21) API 0000 000000 – number of application for imported patent
- (11) PI 0000 0000 A – number of imported patent (first publication)
- (21) AU 0000 000000 – serial number of application for utility model
- (10) AU 0000 000 U – number of published application for utility model (first publication)
- (11) U 0000 000 Y – number of patent for utility model (second publication)
- (21) AD 0000 000000 – serial number of application for design
- (10) AD 0000 000 S – number of published application for design (first publication)
- (11) D 0000 000 S – number of patent for design (second publication)

INTERNATIONAL PATENT CLASSIFICATION FOR INVENTIONS AND UTILITY MODELS

- SECTION A – HUMAN NECESSITIES
- SECTION B – PERFORMING OPERATIONS; TRANSPORTING
- SECTION C – CHEMISTRY; METALLURGY
- SECTION D – TEXTILES; PAPER
- SECTION E – FIXED CONSTRUCTIONS
- SECTION F – MECHANICAL ENGINEERING; LIGHTING; HEATING; WEAPONS; BLASTING
- SECTION G – PHYSICS
- SECTION H – ELECTRICITY

-
- M – Trade Mark
 - (210) AM 0000 000000 – Serial number of application;
 - (260) AAM 0000 00000 A – Publication number of application;
 - (111) M 0000 00000 R – Number of registration;
 - (111) MMM0000 00000 Rn – Number of renewals, in which n=1,2,3;
 - (111) M 0000 00000 R(P) – Number of registration under partial assignment of rights
-

LIST OF CODES, IN ALPHABETIC SEQUENCE, AND THE CORRESPONDING (SHORT) NAMES OF STATES, OTHER ENTITIES AND INTERGOVERNMENTAL ORGANIZATIONS (WIPO STANDARD ST.3)

AD	Andorra			NE	Niger
AE	United Arab Emirates	GD	Grenada	NG	Nigeria
AF	Afghanistan	GG	Guernsey	NI	Nicaragua
AG	Antigua and Barbuda	GH	Ghana	NL	Netherlands
AI	Anguilla	GI	Gibraltar	NO	Norway
AL	Albania	GT	Guatemala	NP	Nepal
AM	Armenia	GW	Guinea- Bissau	NR	Nauru
AN	Netherlands Antilles	GY	Guyana	NZ	New Zealand
AO	Angola	HK	The Hong Kong Special Administrative Region of the People's Republic of China	OA	African Intellectual Property Organization (OAPI)
AP	African Regional Intellectual Property Organization (ARIPO)	HN	Honduras	OM	Oman
AR	Argentina	HR	Croatia	PA	Panama
AT	Austria	HT	Haiti	PE	Peru
AU	Australia	HU	Hungary	PG	Papua New Guinea
AW	Aruba	IB	International Bureau of the World Intellectual Property Organization (WIPO)	PH	Philippines
AZ	Azerbaijan	ID	Indonesia	PK	Pakistan
BA	Bosnia and Herzegovina	IE	Ireland	PL	Poland
BB	Barbados	IL	Israel	PT	Portugal
BD	Bangladesh	IM	Isle of Man	PW	Palau
BE	Belgium	IN	India	PY	Paraguay
BF	Burkina Faso	IQ	Iraq	QA	Qatar
BG	Bulgaria	ID	Indonesia	QZ	Community Plant Variety Office (European Community) (CPVO)
BH	Bahrain	IE	Ireland	RO	Romania
BI	Burundi	IL	Israel	RS	Serbia
BJ	Benin	IM	Isle of Man	RU	Russian Federation
BM	Bermuda	IN	India	RW	Rwanda
BN	Brunei Darussalam	IQ	Iraq	SA	Saudi Arabia
BO	Bolivia	IR	Iran (Islamic Republic of)	SB	Solomon Islands
BR	Brazil	IS	Iceland	SC	Seychelles
BS	Bahamas	IT	Italy	SD	Sudan
BT	Bhutan	JE	Jersey	SG	Singapore
BV	Bouvet Island	JM	Jamaica	SH	Saint Helena
BW	Botswana	JO	Jordan	SI	Slovenia
BX	Benelux Office for Intellectual Property (BOIP)	JP	Japan	SK	Slovakia
BY	Belarus	KE	Kenya	SL	Sierra Leone
BZ	Belize	KG	Kyrgyzstan	SM	San Marino
CA	Canada	KH	Cambodia	SN	Senegal
CD	Democratic Republic of the Congo	KI	Kiribati	SO	Somalia
CF	Central African Republic	KM	Saint Kitts and Nevis	SR	Suriname
CG	Congo	KP	Democratic People's Republic of Korea	ST	Sao Tome and Principe
CH	Switzerland	KR	Republic of Korea	SV	El Salvador
CI	Cote d'Ivoire	KW	Kuwait	SY	Syrian Arab Republic
CK	Cook Islands	KY	Cayman Islands	SZ	Swaziland
CL	Chile	KZ	Kazakhstan	TC	Turks and Caicos Islands
CM	Cameroon	LA	Lao People's Democratic Republic	TD	Chad
CN	China	LB	Lebanon	TG	Togo
CO	Colombia	LC	Saint Lucia	TH	Thailand
CR	Costa Rica	LI	Liechtenstein	TJ	Tajikistan
CU	Cuba	LK	Sri Lanka	TL	Timor-Leste
CV	Cape Verde	LR	Liberia	TM	Turkmenistan
CY	Cyprus	LS	Lesotho	TN	Tunisia
CZ	Czech Republic	LT	Lithuania	TO	Tonga
DE	Germany	LU	Luxembourg	TR	Turkey
DJ	Djibouti	LV	Latvia	SE	Sweden
DM	Dominica	LY	Libyan Arab Jamahiriya	TT	Trinidad and Tobago
DO	Dominican Republic	MA	Morocco	TV	Tuvalu
DZ	Algeria	MC	Monaco	TW	Taiwan, Province of China
EA	Eurasian Patent Organization (EAPO)	MD	Republic of Moldova	TZ	United Republic of Tanzania
EC	Ecuador	ME	Montenegro	UA	Ukraine
EE	Estonia	MG	Madagascar	UG	Uganda
EG	Egypt	MK	The former Yugoslav Republic of Macedonia	US	United States of America
EH	Western Sahara	ML	Mali	UY	Uruguay
EM	Office for Harmonization in the Internal Market (Trademarks and Designs)(OHIM)	MM	Myanmar	UZ	Uzbekistan
EP	European Patent Office (EPO)	MN	Mongolia	VA	Holy See
ER	Eritrea	MO	Macao	VC	Saint Vincent and the Grenadines
ES	Spain	MP	Northern Mariana Islands	VE	Venezuela
ET	Ethiopia	MR	Mauritania	VG	Virgin Islands (British)
FI	Finland	MS	Montserrat	VN	Viet Nam
FJ	Fiji	MT	Malta	VU	Vanuatu
FK	Falkland Islands (Malvinas)	MU	Mauritius	WO	World Intellectual Property Organization (WIPO)
FO	Faroe Islands	MV	Maldives	WS	Samoa
FR	France	MW	Malawi	XN	Nordic Patent Institute (NPI)
GA	Gabon	MX	Mexico	YE	Yemen
GB	United Kingdom	MY	Malaysia	ZA	South Africa
GC	Patent Office of the Cooperation Council for the Arab States of the Gulf (GCC)	MZ	Mozambique	ZM	Zambia
		NA	Namibia	ZW	Zimbabwe

**NATIONAL INTELLECTUAL PROPERTY CENTER OF GEORGIA
SAKPATENTI**

**OFFICIAL BULLETIN
OF THE INDUSTRIAL PROPERTY**

6(490)

**INVENTIONS
UTILITY MODELS
DESIGN
TRADEMARKS**

DATE OF PUBLICATION
2018 03 26

CONTENTS

PUBLISHED TITLES OF PROTECTION	3
INVENTIONS	
▪ APPLICATIONS APPROVED FOR GRANTING PATENTS	4
▪ PATENTED INVENTIONS	8
UTILITY MODELS	
▪ APPLICATIONS APPROVED FOR GRANTING PATENT	9
▪ PATENTED UTILITY MODELS	11
DESIGNS	
▪ APPLICATION APPROVED FOR REGISTRATION	12
TRADEMARKS	
▪ APPLICATIONS FILED UNDER THE NATIONAL PROCEDURE APPROVED FOR REGISTRATION	13
▪ REGISTERED TRADEMARKS	24
▪ TRADEMARKS REGISTERED ACCORDING TO THE ACCELERATED PROCEDURE	27
▪ INTERNATIONAL TRADEMARKS FOR WHICH A DECISION ON GANTING PROTECTION IS TAKEN	29
▪ INTERNATIONAL TRADEMARKS PROTECTED IN GEORGIA	89
OFFICIAL NOTIFICATIONS	
TRADEMARKS	
▪ RENEWAL OF REGISTRATIONS	93
▪ COMPLETE TRANSFER OF RIGHTS	104
▪ CHANGES IN NAMES AND/OR ADDRESSES OF OWNERS	105
▪ INVALIDATION OF REGISTRATIONS	107
CLASSIFICATION INDEXES	
INVENTIONS	108
UTILITY MODELS	109
DESIGNS	110
TRADEMARKS	111

PUBLISHED TITLES OF PROTECTION

INVENTIONS

- **APPLICATIONS APPROVED FOR GRANTING PATENT:**
14258; 14177; 14057; 13784; 14039; 14314; 14151; 14467
- **PATENTED INVENTIONS:**
6836, 6837

UTILITY MODELS

- **APPLICATIONS APPROVED FOR GRANTING PATENT:**
14531; 14533-14535; 14505
- **PATENTED UTILITY MODELS:**
1964, 1965

DESIGNS

- **APPLICATION APPROVED FOR REGISTRATION:**
990

TRADEMARKS

- **APPLICATIONS FILED UNDER THE NATIONAL PROCEDURE APPROVED FOR REGISTRATION:**
91844; 91985; 92123; 92127; 92185, 92186; 92442; 92501, 92518; 92576; 92587, 92588; 92608; 92643; 92668-92670; 92781; 92791, 92792; 92894; 93069; 93073; 93106, 93107; 93110; 93167; 93196; 93203; 93206-93209; 93219, 93220; 93223; 93237; 93239, 93240; 93247; 93273-93275; 93294; 93315; 93318; 93323; 93328; 93331; 93333, 93334; 93534; 93536, 93537; 93539-93544; 93557; 93712; 93716; 93729, 93730; 93753; 93814, 93815; 93833
- **REGISTERED TRADEMARKS:**
29480-29507
- **TRADEMARKS REGISTERED ACCORDING TO THE ACCELERATED PROCEDURE:**
29475-29479
- **INTERNATIONAL TRADEMARKS FOR WHICH A DECISION ON GRANTING PROTECTIONS IS TAKEN:**
90620; 90784; 90843; 91201; 91221; 91574; 91897; 92036; 92132; 92142; 92145, 92146; 92155, 92156; 92169; 92173, 92174; 92177-92179; 92181; 92198, 92199; 92201; 92203; 92207; 92210, 92211; 92214; 92227, 92228; 92230-92233; 92235-92238; 92241, 92242; 92248-92250; 92255; 92261; 92264, 92265; 92267; 92272; 92275-92277; 92279; 92399, 92400; 92403, 92404; 92406, 92407; 92410, 92411; 92421; 92423; 92430; 92447; 92450; 92455; 92457-92459; 92514, 92515; 92517; 92531; 92568; 92571; 92591, 92592; 92599; 92601; 92637-92639; 92641, 92642; 92644-92647; 92840; 92859; 92861, 92862; 92867-92869; 92872, 92873; 92875-92878; 92880, 92881; 93020, 93021; 93151; 93157, 93158; 93183; 93192; 93195; 93197; 93212; 93261; 93276; 93281; 93283, 93284; 93286; 93365; 93421, 93422; 93448, 93449
- **INTERNATIONAL TRADEMARKS PROTECTED IN GEORGIA:**
84186; 88138, 88139; 90660; 90807; 90810, 90813, 90814; 90816, 90817; 90820; 90832, 90833; 90836, 90837; 90841; 90845-90847; 90850; 90954; 90958-90960; 91005; 91009; 91035; 91038; 91040, 91041; 91043; 91045, 91046; 91050; 91118; 91120; 91173, 91174; 91179; 91202; 91301; 91304; 91306; 91347, 91348; 91351; 91615; 91617; 91623; 91629

INVENTIONS

APPLICATIONS APPROVED FOR GRANTING PATENTS

The decision can be appealed at the Chamber of Appeal of Sakpatenti within 3 months from the publication or at the Mtskheta District Court Administrative Cases Board (Address: №17, Samkhedro str., Mtskheta), within 1 month following the publication.

PART A

A 61

(10) AP 2018 14258 A (51) Int. Cl. (2006)

A 61 G 5/04

(21) AP 2016 014258 (22) 2016 09 02

(71) Giorgi Lekvinadze (GE)

Tsiskris q. 10, 0103, Tbilisi (GE)

(72) Giorgi Lekvinadze (GE)

(54) **INDIVIDUAL ALL-TERRAIN VEHICLE**

(57) Individual all-terrain vehicle includes a body 1, a seat having sitting part 3, seat back 4 and the bolsters 5, balancing device executed as a gyroscope 6, a microprocessor and a drive 8 having reductor, which output shaft is engaged with right and left racks teeth by means of toothed coupling. The device is equipped with moving mechanism executed as couple of caterpillar belts or chains disposed in parallel, in its turn, including supporting mechanism, drive gear and stretching device, as well. The device has shock absorbers, which guiding bushes 53 are disposed radially and fastened onto longitudinal composite beams; at that, the springs executed movable in said bushes are fastened onto each shock absorber metallic beams 54, and rods free ends rest on toe-shoes 56. In addition to the above, the vehicle is additionally equipped with a device for floating in the water or bog without drowning, which includes laid into protective shields 59 the inflatable pillows 60 executed with capability of inflation by means of motor pump; at that, the screws 64 switched to the drive are additionally disposed for floating in body back part, and for moving on mud the chain endless tapesares are equipped with lugs. The device is equipped with a mechanism controlling center of gravity consisting of disposed crosswise relative to each other the longitudinal and transversal guides, and installed therein the movable counterbalances, which control mechanism is executed as trolley system; at that, the vehicle has the batteries for powering electrical devices, auxiliary mechanisms as drive-wheel and additional gear unit, at least, couple of winches and mounted into the bolsters the control panel having corresponding buttons providing vehicle drive.

Claims: 1 independent

Fig.: 10

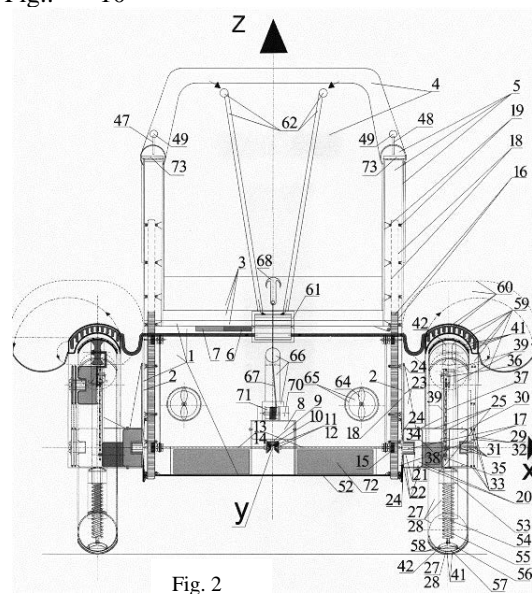


Fig. 2

(10) AP 2018 14177 A (51) Int. Cl. (2006)

A 61 K 9/28

A 61 K 31/7076

(21) AP 2014 014177 (22) 2014 11 06

(31) 61/989,645; MI2013A001906

(32) 2014 05 07; 2013 11 18

(33) US; IT

(71) GNOSIS SPA (IT)

Piazza del Carmine, 4 I-20121 Milano (MI) (IT)

(72) GIOVANNONE, Daniele (IT);

MIRAGLIA, Niccolò (IT);

BERNA, Marco (IT)

(74) Aleksandre Gegechkori

(85) 2016 06 17

(86) PCT/IB2014/065852, 2014 11 06

(54) **SLOW-RELEASE SOLID ORAL COMPOSITIONS**

(57) Composition contains a core containing SAME, excipient, and outer coating containing shellac, magnesium stearate, and excipient.

Claims: 3 independent

11 dependent

Fig.: 5

(10) **AP 2018 14057 A** (51) **Int. Cl. (2006)**
A 61 K 36/537
A 61 K 36/258
A 61 K 31/343
A 61 K 31/192
A 61 K 31/11
A 61 K 31/045
A 61 K 9/20
A 61 K 9/10

(21) AP 2014 014057 (22) 2014 07 11

(31) 201410085152.6; 201410044675.6;
 201310384234.6; 201310290968.8

(32) 2014 03 10; 2014 01 30; 2013 08 29;
 2013 07 11

(33) CN; CN; CN; CN

(71) **TASLY PHARMACEUTICAL GROUP CO., LTD (CN)**
 Tasly Modern TCM Garden, Pu Jihe East Road No.2, Beichen District, Tianjin 300410 (CN)

(72) **YAN, Xijun (CN);**
WU, Naifeng (CN);
YAN, Kaijing (CN);
YE, Zhengliang (CN);
ZHANG, Shunnan (CN);
ZHOU, Lihong (CN);
ZHANG, Wensheng (CN);
DONG, Hai'ou (CN)

(74) Larisa Amirkhanyan

(85) 2016 02 10

(86) PCT/CN2014/082102, 2014 07 11

(54) **TRADITIONAL CHINESE MEDICINE COMPOSITION, AND PREPARATION AND APPLICATION THEREOF**

(57) Composition contains extracts Salvia Militiorrhiza and Panax Notoginseng and boras camphor.

Claims: 5 independent

18 dependent

Fig.: 12

(10) **AP 2018 13784 A** (51) **Int. Cl. (2006)**
A 61 K 47/30
A 61 K 9/20
C 07 C 231/00

(21) AP 2013 013784 (22) 2013 09 11

(31) 12/59064; PCT/CN2012/081250

(32) 2012 09 26; 2012 09 11

(33) FR; CN

(71) **LES LABORATOIRES SERVIER (FR)**
 35 rue de Verdun F-92284 Suresnes (FR);
SHANGHAI INSTITUTE OF PHARMACEUTICAL INDUSTRY (CN)
 1320 West Beijing Road Jing'an District Shanghai, 200040 (CN)

(72) **LAFARGUE, David (FR);**
LYNCH, Michael (FR);
POIRIER, Cécile (FR);
LETELLIER, Philippe (FR);

PEAN, Jean-Manuel (FR);

LUO, Ying (CN);

SHAN, Hanbin (CN);

SHEN, Yuhui (CN)

(74) Tamaz Shilakadze

(85) 2015 04 08

(86) PCT/EP2013/068792, 2013 09 11

(54) **STABILISED AMORPHOUS FORM OF AGOMELATINE, A PROCESS FOR ITS PREPARATION AND PHARMACEUTICAL COMPOSITIONS CONTAINING IT**

(57) An invention relates to preparation method of stabilised amorphous form of agomelatine and composition containing thereof in such form, wherein agomelatine is dispersed in a matrix. Furthermore, these compositions are used at melatoninergic systems disorders treatment.

Claims: 5 independent

5 dependent

Fig.: 7

PART B

B 23

(10) **AP 2018 14039 A** (51) **Int. Cl. (2006)**
B 23 P 17/04
A 61 M 5/31

(21) AP 2014 014039 (22) 2014 06 20

(31) 61/881,214; 61/840,969; 61/837,421

(32) 2013 09 23; 2013 06 28; 2013 06 20

(33) US; US; US

(71) **BAXALTA INCORPORATED (US)**
 1200 Lakeside Drive Bannockburn, Illinois 60015 (US);
BAXALTA GMBH (CH)
 Thurgauerstrasse 130 CH-8152 Glattpark (Opfikon) (CH)

(72) **LOEW-BASELLI, Alexandra (AT);**

SPOTTS, Gerald Dickey (US);

OH, MyungShin (US)

(74) Shalva Gvaramadze

(85) 2016 01 15

(86) PCT/US2014/043517, 2014 06 20

(54) **PROVIDING A PHARMACOKINETIC DRUG DOSING REGIME**

(57) There is represented a system and a method providing therapeutic plasma protein dosing regime including determining pharmacokinetic profile of patient using Bayesian model of pharmacokinetic profiles of sampled patients. Example system and method also include determining first dosing regime for first specified dosing interval including first dosage and first therapeutic plasma protein level in the patient over time period based at least

upon pharmacokinetic profile and determining second dosing regime for second specified dosing interval including second dosage and second therapeutic plasma protein level in the patient over time period based at least upon the pharmacokinetic profile. Example system and method further include displaying first dosing regime and second dosing regime on client device such that first dosing regime is displayed in conjunction with second dosing regime.

Claims: 3 independent

20 dependent

Fig.: 30

PART C

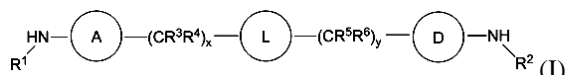
C 07

(10) AP 2018 14314 A (51) Int. Cl. (2006)
C 07 D 417/08
A 61 K 31/433
A 61 P 35/00

(21) AP 2015 014314 (22) 2015 04 17
(31) 61/986,876
(32) 2014 04 30
(33) US
(71) PFIZER INC. (US)
235 East 42nd Street New York, NY 10017 (US)
(72) BURNS, Aaron Craig (US);
COLLINS, Michael Raymond (US);
GREASLEY, Samantha Elizabeth (GB);
HOFFMAN, Robert Louis (US);
HUANG, Qinhua (CN);
KANIA, Robert Steven (US);
KUNG, Pei-Pei (US);
LINTON, Maria Angelica (US);
NARASIMHAN, Lakshmi Sourirajan (US);
RICHARDSON, Paul Francis (GB);
RICHTER, Daniel Tyler (US);
SMITH, Graham (GB)

(74) Tamar Kochlamazashvili
(85) 2016 10 31
(86) PCT/IB2015/052833, 2015 04 17
(54) **CYCLOALKYL-LINKED DIHETEROCYCLE DERIVATIVES**

(57) Compound of formula (I),



pharmaceutical compositions on a basis thereof, and their usage at abnormal cellular growth treatment in mammal.

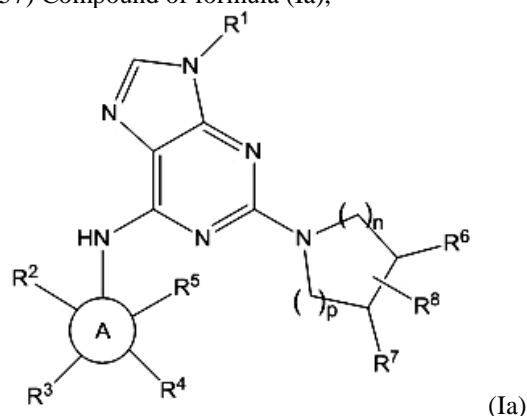
Claims: 6 independent

35 dependent

Table: 3

(10) AP 2018 14151 A (51) Int. Cl. (2006)
C 07 D 473/16
C 07 D 473/18
C 07 D 519/00
A 61 K 31/522
A 61 P 35/00

(21) AP 2014 014151 (22) 2014 11 10
(31) 61/907,322
(32) 2013 11 21
(33) US
(71) PFIZER INC. (US)
235 East 42nd Street New York, NY 10017 (US)
(72) BEHENNA, Douglas Carl (US);
CHENG, Hengmiao (US);
CHO-SCHULTZ, Sujin (US);
JOHNSON JR., Theodore Otto (US);
KATH, John Charles (US);
NAGATA, Asako (JP);
NAIR, Sajiv Krishnan (US);
PLANKEN, Simon Paul (US)
(74) Tamar Kochlamazashvili
(85) 2016 05 20
(86) PCT/IB2014/065935, 2014 11 10
(54) **2,6-SUBSTITUTED PURINE DERIVATIVES AND THEIR USE IN THE TREATMENT OF PROLIFERATIVE DISORDERS**
(57) Compound of formula (Ia),



which values of R¹, R², R³, R⁴, R⁵, R⁶, R⁷, R⁸ substitutes and n, p derivatives are provided in the claims or their pharmaceutically acceptable salt, pharmaceutical composition on a basis thereof, and their usage at pathological cellular growth treatment in mammal.

Claims: 5 independent

19 dependent

Table: 2

PART G

G 01

(10) AP 2018 14467 A (51) Int. Cl. (2006)
G 01 N 27/00

(21) AP 2017 014467 (22) 2017 04 05

(71) GEORGIAN TECHNICAL UNIVERSITY (GE)
M. Kostavas q. 77, 0175, Tbilisi (GE)

(72) Archil Prangishvili (GE);
Nugzar Iashvili (GE);
Iuri Khutashvili (GE)

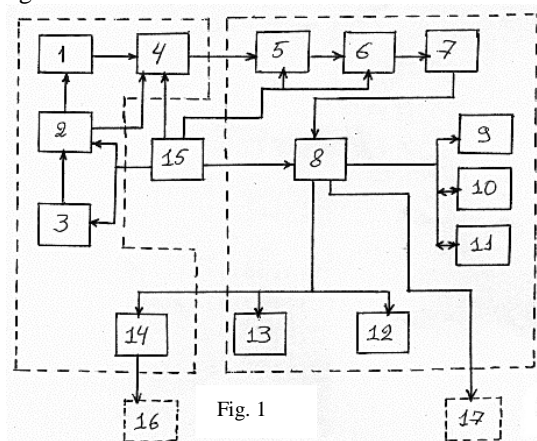
(74) Givi Sibashvili

(54) **DEVICE CONTROLLING AND
SIGNALING LEAK OF NATURAL
GAS**

(57) A device includes measuring circuit with semiconductor sensor containing heating element, information processing circuit comprising signal amplifier, analog switch, analog-digital converter, memory and control devices, information board, and power supply unit. Measuring circuit comprises switched to personal computer the microcomputer with audible alarm and clock, as well. Heating element having insulated sides with insulating material additionally comprises heater element integrity indicator and inverting operational amplifier. Information processing scheme is implemented in the form of controller that contains memory and control devices, and sound and light signaling devices. The device is executed with capability be switched with its output to electromagnetic shut-off valve input.

Claims: 1 independent

Fig.: 1



PATENTED INVENTIONS
PART C**C 07**

- (11) P 2018 6836 B (51) Int. Cl. (2006)
 C 07 D 281/10
 A 61 K 31/554
 A 61 P 9/00
 A 61 P 25/00
 A 61 P 19/08
- (10) AP 2017 13636 A (44) 23(483)/2017
 (21) AP 2013 013636
 (22) 2013 04 17
 (24) 2013 04 17
 (31) 61/625,890; 12167732.2
 (32) 2012 04 18; 2012 05 11
 (33) US; EP
 (86) PCT/EP2013/057958, 2013 04 17
 (73) LES LABORATOIRES SERVIER (FR)
 35, rue de Verdun, F-92284 Suresnes Cedex
 (FR);
 ARMGO PHARMA, INC. (US)
 777 Old Saw Mill River Road, Tarrytown,
 New York, NY 10591 (US)
- (72) YAN, Jiaming (US);
 BELVEDERE, Sandro (US);
 WEBB, Yael (US);
 BERTRAND, Marc (FR);
 VILLENEUVE, Nicole (FR);
 MARKS, Andrew R. (US);
 PEGLION, Jean-Louis (FR)
- (74) Tamaz Shilakadze
 (86) PCT/EP2013/057958, 2013 04 17
 (54) **AGENTS FOR TREATING DISORDERS
 INVOLVING MODULATION OF
 RYANODINE RECEPTORS**
-

PART F**F 27**

- (11) P 2018 6837 B (51) Int. Cl. (2006)
 F 27 D 25/00
 B 08 B 7/00
 F 23 J 3/02
 F 28 G 7/00
- (10) AP 2017 14253 A (44) 22(482)/2017
 (21) AP 2015 014253
 (22) 2015 02 04
 (24) 2015 02 04
 (31) 177/14
 (32) 2014 02 11
 (33) CH
 (86) PCT/CH2015/000011, 2015 02 04
 (73) BANG & CLEAN GMBH (CH)
 Bünzweg 15 5504 Othmarsingen (CH)
 (72) FLURY, Rainer (CH);
 BÜRGIN, Markus (CH)
 (74) Aleksandre Gegechkori
 (85) 2016 08 30
 (86) PCT/CH2015/000011, 2015 02 04
 (54) **METHOD AND DEVICE FOR
 CLEANING INTERIORS OF
 CONTAINERS AND SYSTEMS**
-

UTILITY MODELS

APPLICATIONS APPROVED FOR GRANTING PATENT

The decision can be appealed at the Chamber of Appeal of Sakpatenti within 3 months from the publication or at the Mtskheta District Court Administrative Cases Board (Address: №17, Samkhedro str., Mtskheta), within 1 month following the publication.

PART A

A 61

**(10) AU 2018 14531 U (51) Int. Cl. (2006)
A 61 K 35/76**

(21) AU 2017 14531 (22) 2017 06 30

(71) Lia Tkemaladze (GE);
Tashkentis q. 31, 0160, Tbilisi (GE);
Nana Topuria-Nakaidze (GE);
Z. Paliashvilis q. 72, b. 30, 0179, Tbilisi (GE);
Inga Giorgadze (GE);
I. Nikoladzis q. 7, 0179, Tbilisi (GE)

(72) Lia Tkemaladze (GE);
Nana Topuria-Nakaidze (GE);
Inga Giorgadze (GE)

**(54) OINTMENT CONTAINING
BACTERIOPHAGE**

(57) An ointment contains bacteriophage and as a base – vaseline, lanolin and vaseline oil.

Claims: 1 independent
1 dependent

**(10) AU 2018 14533 U (51) Int. Cl. (2006)
A 61 K 35/76**

(21) AU 2017 14533 (22) 2017 06 30

(71) Taras Gabisonia (GE);
I. Chavchavadzis gamz. 39b, Tbilisi (GE);
Nana Topuria-Nakaidze (GE);
Z. Paliashvilis q. 72, b. 30, 0179, Tbilisi (GE);
Lia Tkemaladze (GE);
Tashkentis q. 31, 0160, Tbilisi (GE);
Inga Giorgadze (GE);
I. Nikoladzis q. 7, 0179, Tbilisi (GE)

(72) Taras Gabisonia (GE);
Nana Topuria-Nakaidze (GE);
Lia Tkemaladze (GE);
Inga Giorgadze (GE)

**(54) METHOD FOR BACTERIOPHAGE
DRUG "ENCO" PREPARATION**

(57) Staphylococcus bacteria – S.aureus, various serotypes of colibacillus, shigella – Shigella Flexner, Shigella sonnei, Shigella Newcastle and salmonella – S. paratype A, paratype B, S.enteritidis, S.cholera suis, S.typhimurium, S.oranienburg separately cultivation, passaging bacteriophages thereon, bacteriophage agrotypes selection, phage

lysates chromatographic refinement and mixing phage lysates sensitive to bacteria is executed for bacteriophage drug preparation. At that, bacteria cultivation is executed on nutrient medium containing following componentry, g/l:

Animal peptone	– 5
sodium chloride	– 5
Beef extract	– 1.5
Yeast extract	– 1.5
Glucose	– 1
Saccharose	– 1

Claims: 1 independent

**(10) AU 2018 14534 U (51) Int. Cl. (2006)
A 61 K 35/76**

(21) AU 2017 14534 (22) 2017 06 30

(71) Lia Tkemaladze (GE);
Tashkentis q. 31, 0160, Tbilisi (GE);
Nana Topuria-Nakaidze (GE);
Z. Paliashvilis q. 72, b. 30, 0179, Tbilisi (GE);
Taras Gabisonia (GE);
I. Chavchavadzis gamz. 39b, Tbilisi (GE);
Inga Giorgadze (GE);
I. Nikoladzis q. 7, 0179, Tbilisi (GE)

(72) Lia Tkemaladze (GE);
Nana Topuria-Nakaidze (GE);
Taras Gabisonia (GE);
Inga Giorgadze (GE)

**(54) METHOD FOR BACTERIOPHAGE
DRUG "FERSIS" PREPARATION**

(57) Staphylococcus bacteria – S.aureus, S.epidermidis, and streptococcus – S.pyogenes, S.sanguis, S.salivarius, S.agalactiae cultivation on nutrient medium, passaging bacteriophages thereon, bacteriophage agrotypes selection, phage lysates chromatographic refinement and mixing phage lysates sensitive to bacteria is executed for bacteriophage drug preparation. At that, bacteria cultivation is executed on nutrient medium containing following componentry, g/l:

Animal peptone	– 5
sodium chloride	– 5
Beef extract	– 1.5
Yeast extract	– 1.5
Glucose	– 1
Saccharose	– 1

Claims: 1 independent

(10) AU 2018 14535 U (51) Int. Cl. (2006)

A 61 K 35/76

(21) AU 2017 14535 (22) 2017 06 30

(71) Inga Giorgadze (GE)

I. Nikoladzis q. 7, 0179, Tbilisi (GE);

Taras Gabisonia (GE)

I. Chavchavadzis gamz. 39b, Tbilisi (GE);

Nana Topuria-Nakaidze (GE)

Z. Paliashvilis q. 72, b. 30, 0179, Tbilisi (GE);

Lia Tkemaladze (GE)

Tashkentis q. 31, 0160, Tbilisi (GE)

(72) Inga Giorgadze (GE);

Taras Gabisonia (GE);

Nana Topuria-Nakaidze (GE);

Lia Tkemaladze (GE)

(54) **METHOD FOR BACTERIOPHAGE
DRUG "SES" PREPARATION**

(57) Staphylococcus bacteria – S.aureus, S.epidermidis, streptococcus – S.pyogenes, S.sanguis, S.Salivarius, S.agalactiae and various serotypes of colibacillus separately cultivation on nutrient medium, passaging bacteriophages thereon, bacteriophage agrotypes selection, phage lysates chromatographic refinement and mixing phage lysates sensitive to bacteria is executed for bacteriophage drug preparation. At that, bacteria cultivation is executed on nutrient medium containing following componentry, g/l:

Animal peptone	– 5
sodium chloride	– 5
Beef extract	– 1.5
Yeast extract	– 1.5
Glucose	– 1
Saccharose	– 1

Claims: 1 independent

PART G

G 06

(10) AU 2018 14505 U (51) Int. Cl. (2006)

G 06 Q 50/34

(21) AU 2017 14505 (22) 2017 05 24

(71) LTD "ODREX SOFTWARE" (GE)

Ghrmagheles q. 3, Gldani-Nadzaladevis r-ni, Tbilisi (GE)

(72) Luka Kapanadze (GE);

Leri Dzhakhutashvili (GE)

(74) Giorgi Taktakishvili

(54) **ONLAIN SYSTEM FOR PLACING
STAKE ON RESULTS OF SPORTIVE
ACTIVITIES**

(57) Represented onlain system for placing stake on results of sportive activities includes: set of custom terminals intended for placing stakes on one or several sportive activities; and server configured for:

- Getting stakes sent from custom terminal;
- Generating stake tickets on a basis of received values and keeping thereof;
- Generating stake ticket changing options for custom and passing thereto custom terminal;
- Generating changed stake ticket on a basis of sent from custom the terminal stake ticket changing value for passing thereto sutom terminal.

Claims: 1 independent

3 dependent

Fig.: 6

DESIGN

APPLICATION APPROVED FOR REGISTRATION

The decision can be appealed at the Chamber of Appeal of Sakpatenti within 3 months from the publication or at the Mtskheta District Court Administrative Cases Board (Address: №17, Samkhedro str., Mtskheta), within 1 month following the publication.

- (10) AD 2018 990 S (51) 07-01
(21) AD 2017 990 (22) 2017 09 18
(28) 1
(71) LTD "HONEY AND COMPANY IRINOLA" (GE)
Z. Paliashvilis q. 41, b.1a, 0179, Tbilisi, Georgia (GE)
(72) Maia Gabadadze (GE)
(54) CERAMIC HONEY POT
(55)



1.1



1.2



1.3



1.4



1.5



1.6

TRADEMARKS

APPLICATIONS FILED UNDER THE NATIONAL PROCEDURE APPROVED FOR REGISTRATION

The decision can be appealed at the Chamber of Appeal of Sakpatenti within 3 months from the publication or at the Mtskheta District Court Administrative Cases Board (Address: №17, Samkhedro St., Mtskheta), within 1 month following the publication.

(260) AM 2018 91844 A
(210) AM 91844
(220) 2017 04 25
(731) JSC "TELIANI VALLEY"
Tbilisis Gzat. 3, Telavi, Georgia
(740) Tinatin Katsitadze
(540)

ახალი დღე ახალი ისტორია

(511) 32

(260) AM 2018 91985 A
(210) AM 91985
(220) 2017 05 04
(731) LTD "NAMLANVIN TRADE"
Uiaraghos q. II, gas.3a, 0101, Tbilisi, Georgia
(540)



(531) 26.04.24
(511) 12, 35

(260) AM 2018 92123 A
(210) AM 92123
(220) 2017 05 15
(731) LTD "WEST INVEST"
Kairos q. 13a, 0137, Tbilisi, Georgia
(740) Paata Arjevanidze
(540)



(591) Green and white

(531) 05.03.13; 05.03.15; 25.01.25; 27.05.17;
29.01.03
(511) 29, 35

(260) AM 2018 92127 A
(210) AM 92127
(220) 2017 05 15
(731) LTD "AGRO SOLUTIONS"
Sh. Kitias q. 8, 2100, Tbilisi, Georgia
(540)



(591) Green and white
(531) 27.05.01; 27.05.22; 29.01.03
(511) 45

(260) AM 2018 92185 A
(210) AM 92185
(220) 2017 05 17
(731) JSC "M² REAL ESTATE"
I. Chavchavadzis gamz. 29, sartuli 3,
Tbilisi, Georgia
(740) Nikoloz Jalaghania
(540)

m2 Real Estate

(511) 36, 37

(260) AM 2018 92186 A
(210) AM 92186
(220) 2017 05 17
(731) JSC "M² REAL ESTATE"
I. Chavchavadzis gamz. 29, sartuli 3,
Tbilisi, Georgia
(740) Nikoloz Jalaghania
(540)

ემკვადრავტი

(511) 36, 37

(260) AM 2018 92442 A
 (210) AM 92442
 (220) 2017 05 30
 (731) Rk "AGRIAPI"
 Sop. Vazisubani, 1500, Gurjaani, Georgia
 (540)



(591) White and golden
 (531) 25.03.01; 25.03.07; 25.03.13; 27.05.24;
 29.01.12
 (511) 29, 30, 32, 33, 35

(260) AM 2018 92501 A
 (210) AM 92501
 (220) 2017 06 01
 (731) Iona Tskipurishvili
 Niko Ckhvedadzis q. 20a, Tbilisi, Georgia
 (740) Vakhtang Torotadze
 (540)

МАТРЁШКА

(591) Black
 (511) 29

(260) AM 2018 92518 A
 (210) AM 92518
 (220) 2017 06 05
 (731) JSC "TBILISI LEASING"
 I. Chavchavadzis avenue 80, right side of the
 road leading to JSC "HOTEL VAKE",
 Vake-Saburtalo district, Tbilisi, Georgia
 (540)



(591) Basic color of logo is dark green, the symbol
 of spirometer is graded from light green
 to sky-blue
 (531) 17.01.02; 17.03.05; 17.05.17; 27.03.15;
 28.19; 29.01.13
 (511) 39

(260) AM 2018 92576 A
 (210) AM 92576
 (220) 2017 06 06
 (731) JSC "TRIALETI"
 Lazos q. 1, 0153, Tbilisi, Georgia
 (740) Roin Margiani
 (540)

ხელოსნების ქალაქი

(511) 20, 35

(260) AM 2018 92587 A
 (210) AM 92587
 (220) 2017 06 06
 (731) LTD "VIVO MEDICAL GROUP"
 Lublianas q. 5, 0159, Tbilisi, Georgia
 (740) Natia Kakhetelidze
 (540)



(591) Black and green
 (531) 26.13.25; 28.19; 29.01.12
 (526) თბილისი
 (511) 44

(260) AM 2018 92588 A
 (210) AM 92588
 (220) 2017 06 06
 (731) LTD "VIVO MEDICAL GROUP"
 Lublianas q. 5, 0159, Tbilisi, Georgia
 (740) Natia Kakhetelidze
 (540)



(591) Black and green
 (531) 26.13.25; 27.05.10; 29.01.12
 (526) TBILISI
 (511) 44

(260) AM 2018 92608 A
 (210) AM 92608
 (220) 2017 06 07
 (731) LTD "JEMI"
 Sop. Karajala, 2200, Telavi, Georgia
 (540)



(591) Black, white
 (531) 26.04.22; 27.05.17
 (511) 21

(260) AM 2018 92643 A
 (210) AM 92643
 (220) 2017 06 08
 (731) USF "KAVITA GEORGIA"
 Zemo Vakis q. 7, 0179, Tbilisi, Georgia

(540)



(591) Black, white
 (531) 26.01.18; 27.05.24; 28.19
 (511) 35

(260) AM 2018 92668 A
 (210) AM 92668
 (220) 2017 06 09
 (731) Karen Vardanyan
 Baironis q. 3, b.36, Yerevan, Armenia
 (740) Giorgi Taktakishvili
 (540)



(591) White, yellow, red, pink, green, sky-blue, blue, golden, gray, brown, beige, black
 (531) 02.05.04; 08.01.23; 19.03.24; 24.01.10; 27.05.01; 29.01.15
 (511) 30

(260) AM 2018 92669 A
 (210) AM 92669
 (220) 2017 06 09
 (731) Karen Vardanyan
 Baironis q. 3, b. 36, Yerevan, Armenia
 (740) Giorgi Taktakishvili
 (540)



(554) Free-dimension
 (591) White, red, pink, green, golden, gray, black
 (531) 02.01.02; 02.01.07; 02.01.15; 08.01.23; 19.03.03; 19.03.24; 29.01.15
 (511) 30

(260) AM 2018 92670 A
 (210) AM 92670
 (220) 2017 06 09
 (731) Karen Vardanyan
 Baironis q. 3, b.36, Yerevan, Armenia
 (740) Giorgi Taktakishvili
 (540)



(591) White, red, pink, green, blue, orange, golden, purple, gray, brown, beige, black
 (531) 02.03.04; 02.05.03; 02.05.04; 08.01.23; 19.03.24; 24.01.10; 27.05.01; 29.01.15
 (511) 30

(260) AM 2018 92781 A
 (210) AM 92781
 (220) 2017 06 14
 (731) CILAG GMBH INTERNATIONAL
 Gubelstrasse 34, CH-6300, Zug, Switzerland
 (740) Giorgi Taktakishvili
 (540)

HEXO BRONHO

(591) Black, white
 (511) 5

(260) AM 2018 92791 A
 (210) AM 92791
 (220) 2017 06 15
 (731) Vladimer Tavadze
 Nino Ramishvilis q. 35b, b. 36, 0179, Tbilisi, Georgia
 (740) Vladimer Tavadze

(540)



(591) Red, black
 (531) 26.04.22; 27.01.02; 28.19; 29.01.12
 (511) 43

(260) AM 2018 92792 A
 (210) AM 92792
 (220) 2017 06 15
 (731) Vladimer Tavadze
 Nino Ramishvilis q. 35b, b. 36, 0179, Tbilisi,
 Georgia
 (740) Vladimer Tavadze
 (540)



(591) Bacon beige, red, green, black
 (531) 08.01.01; 08.05.10; 11.03.01; 11.03.05;
 11.03.09; 25.01.09; 25.01.10; 26.04.01;
 26.04.05; 26.04.16; 26.04.22; 28.19; 29.01.14
 (511) 43

(260) AM 2018 92894 A
 (210) AM 92894
 (220) 2017 06 22
 (731) Nikoloz Sukhlishvili
 Sop. Kurdgelauri, 2200, Telavi, Georgia
 (540)



(591) Black, white

(531) 01.01.02; 01.01.10; 27.05.07; 27.05.08;
 27.05.10; 27.05.11; 27.05.17
 (511) 18, 25

(260) AM 2018 93069 A
 (210) AM 93069
 (220) 2017 06 30
 (731) LTD "BUGI"
 Mukhiani, III M/r., korp. 5, b. 30, 0172,
 Tbilisi, Georgia
 (540)



(591) Black, red, white
 (531) 26.01.20; 26.01.24; 27.05.01; 29.01.14
 (511) 41, 43

(260) AM 2018 93073 A
 (210) AM 93073
 (220) 2017 07 01
 (731) PRESSTO ENTERPRISES SLU
 C/ Baskunielos 13-H, 28020, Madrid, Spain
 (740) Khatuna Imnadze
 (540)



(591) White, light gray, turquoise, yellow
 (531) 26.11.13; 27.05.03; 29.01.13
 (511) 37, 40

(260) AM 2018 93106 A
 (210) AM 93106
 (220) 2017 07 04
 (731) POTOMAC TOBACCO COMPANY LTD
 Mill Mall, Suite 6, Wickhams Cay,
 Road Town, Tortola, Virgin Islands
 (British)
 (740) Pavle Meipariani
 (540)

ALLSTARS

(591) Black, white
 (511) 34

(260) AM 2018 93107 A
 (210) AM 93107
 (220) 2017 07 04
 (731) Ketevan Gujabidze
 Panjikidzis q.10, 0160, Tbilisi, Georgia
 (540)



(591) Yellow, grey
 (531) 02.09.10; 05.05.02; 28.19; 29.01.13
 (511) 44

(260) AM 2018 93110 A
 (210) AM 93110
 (220) 2017 07 04
 (731) Gia Baazov
 Chubinishvilis q. 42/5, 0164, Tbilisi, Georgia
 (540)



(591) Black, white
 (531) 02.01.11; 27.01.12; 28.19
 (511) 29, 30

(260) AM 2018 93167 A
 (210) AM 93167
 (220) 2017 07 05
 (731) LTD "BARAMBO"
 Sop. Nataktari, 3308, Mtckheta, Georgia
 (540)

ბარამბო შიკი

(511) 30

(260) AM 2018 93196 A
 (210) AM 93196
 (220) 2017 07 06
 (731) THORNTON & ROSS LIMITED
 Linthwaite, Huddersfield, HD7 5QH, United
 Kingdom

(740) Konstantinr Meipariani
 (540)



(591) Black, white
 (531) 24.13.13; 25.03.03; 27.05.24
 (511) 3, 5

(260) AM 2018 93203 A
 (210) AM 93203
 (220) 2017 07 06
 (731) MOMENTUM ACTIVATING DEMAND
 LIMITED
 3 Grosvenor Gardens, Londoni SW1W 0BD,
 London, United Kingdom
 (740) Tamar Kochlamazashvili
 (540)

MOMENTUM

(591) Black, white
 (511) 35

(260) AM 2018 93206 A
 (210) AM 93206
 (220) 2017 07 06
 (731) JSC "GEPHA"
 Sanapiros q. 6, 0108, Tbilisi, Georgia
 (740) Salome Jeladze
 (540)

ბიოდორნაზა
BIODORNAZE
Биодорназа

(511) 5

(260) AM 2018 93207 A
 (210) AM 93207
 (220) 2017 07 06
 (731) JSC "GEPHA"
 Sanapiros q. 6, 0108, Tbilisi, Georgia
 (740) Salome Jeladze
 (540)

ფლუციდი
FLUCID
Флуцид

(511) 5

(260) AM 2018 93208 A
 (210) AM 93208
 (220) 2017 07 06
 (731) JSC "GEPHA"
 Sanapiros q. 6, 0108, Tbilisi, Georgia
 (740) Salome Jeladze
 (540)

ლოპაზი
LOPAZ
Лопаз

(511) 5

(260) AM 2018 93209 A
 (210) AM 93209
 (220) 2017 07 06
 (731) JSC "GEPHA"
 Sanapiros q. 6, 0108, Tbilisi, Georgia
 (740) Salome Jeladze
 (540)

რინოქეარო
RINOCARE
Ринокеар

(511) 5

(260) AM 2018 93219 A
 (210) AM 93219
 (220) 2017 07 06
 (731) JSC "GEPHA"
 Sanapiros q. 6, 0108, Tbilisi, Georgia
 (740) Salome Jeladze
 (540)

ცინახს ჰეპა
CYNAX HEPA
Цинакс Геп

(511) 5

(260) AM 2018 93220 A
 (210) AM 93220
 (220) 2017 07 06
 (731) JSC "GEPHA"
 Sanapiros q. 6, 0108, Tbilisi, Georgia
 (740) Salome Jeladze
 (540)

ქოლდრინი
COLDRIN
Колдрин

(511) 5

(260) AM 2018 93223 A
 (210) AM 93223
 (220) 2017 07 06
 (731) JSC "GEPHA"
 Sanapiros q. 6, 0108, Tbilisi, Georgia
 (740) Salome Jeladze
 (540)

გასტროფლატი
GASTROFLATE
Гастрофлат

(511) 5

(260) AM 2018 93237 A
 (210) AM 93237
 (220) 2017 07 07
 (731) BAYER CONSUMER CARE AG
 Peter Merian Str. 84, 4052 Basel, Switzerland
 (740) Shalva Gvaramadze
 (540)

Африн

(591) Black, white
 (531) 28.05
 (511) 5

(260) AM 2018 93239 A
 (210) AM 93239
 (220) 2017 07 07
 (731) BETEK BOYA VE KIMYA SANAYI
 ANONIM ĐIRKETI
 Kaynarca, Kavakpýnar Mah. Tandođan Cad.
 Kocamezarlýk Karđýsý Pendik - ISTANBUL,
 Turkey
 (740) Tamaz Shilakadze
 (540)

Maxifiks

(591) Black, white
 (531) 27.05.01; 27.05.17
 (511) 1, 17, 19

(260) AM 2018 93240 A
 (210) AM 93240
 (220) 2017 07 07
 (731) BETEK BOYA VE KIMYA SANAYI
 ANONIM ĐIRKETI
 Kaynarca, Kavakpýnar Mah. Tandođan Cad.
 Kocamezarlýk Karđýsý Pendik - ISTANBUL,
 Turkey
 (740) Tamaz Shilakadze

(540)

Fayfleks

(591) Black, white
 (531) 27.05.01; 27.05.17
 (511) 1, 17, 19

(260) AM 2018 93247 A
 (210) AM 93247
 (220) 2017 07 10
 (731) NOVARTIS AG
 4002, Bazeli, Switzerland
 (740) Shalva Gvaramadze
 (540)



(591) Black, white
 (531) 26.03.01; 26.03.23; 26.03.24; 28.19
 (511) 5

(260) AM 2018 93273 A
 (210) AM 93273
 (220) 2017 07 11
 (731) LTD "GURMANO"
 Bakhtrionis q. 11, 0194, Tbilisi, Georgia
 (540)



(591) Black, yellow, green
 (531) 05.07.11; 05.07.12; 27.05.01; 27.05.24;
 28.19; 29.01.13
 (511) 43

(260) AM 2018 93274 A
 (210) AM 93274
 (220) 2017 07 11
 (731) LTD "GURMANO"
 Bakhtrionis q. 11, 0194, Tbilisi, Georgia
 (540)



(591) Black, yellow, green
 (531) 05.07.12; 26.04.24; 27.05.01; 27.05.24;
 29.01.13
 (511) 43

(260) AM 2018 93275 A
 (210) AM 93275
 (220) 2017 07 11
 (731) LTD "GURMANO"
 Bakhtrionis q.11, 0194, Tbilisi, Georgia
 (540)



(591) Black, green, red, yellow and white
 (531) 02.01.11; 05.09.15; 27.03.01; 27.03.02;
 29.01.15
 (511) 43

(260) AM 2018 93294 A
 (210) AM 93294
 (220) 2017 07 11
 (731) CELGENE CORPORATION
 86 Morris Avenue, Summit, New Jersey
 07901, USA
 (740) Tamaz Shilakadze
 (540)

РЕБЛЮЗИЛ

(511) 5

(260) AM 2018 93315 A
 (210) AM 93315
 (220) 2017 07 12
 (731) Otar Katchkatchashvili
 Sop. Arali, Adigeni, Adigenis r-ni, Georgia
 (540)



(591) Green, orange
 (531) 01.03.02; 01.03.10; 01.03.15; 01.15.24;
 26.11.13; 27.03.15; 27.05.05; 27.05.19;
 29.01.12
 (511) 39

(260) AM 2018 93318 A
 (210) AM 93318
 (220) 2017 07 12

(731) LTD "ARTPHARMA"
 Gamrekelis q. 19 (512), 0160 ,Tbilisi, Georgia
 (740) Giorgi Taktakishvili
 (540)

Pinostat
პინოსტატი
Пиностат

(591) Black, white
 (511) 5

(260) AM 2018 93323 A
 (210) AM 93323
 (220) 2017 07 12
 (731) PARIJAT INDUSTRIES (INDIA) PRIVATE LIMITED
 M-77, M-Block Market, 1st & 2nd Floor,
 Greater Kailash-II, New Delhi 110048, India
 (740) Pavle Meipariani
 (540)

PENTAGON

(591) Black, white
 (511) 5

(260) AM 2018 93328 A
 (210) AM 93328
 (220) 2017 07 13
 (731) Lali Khorkheli
 Kikodzis q. 9, b. 21, 0105, Tbilisi, Georgia
 (540)

Hotelier Georgia

(591) Black, white
 (526) Georgia
 (511) 16

(260) AM 2018 93331 A
 (210) AM 93331
 (220) 2017 07 13
 (731) LTD "IARA INVESTMENT QOMFANI"
 San-Zona, korp. 10a, b. 16, 0192, Tbilisi,
 Georgia
 (740) Ana Davitadze
 (540)



(591) Dark and light green

(531) 25.07.15; 26.11.12; 27.05.01; 28.01; 29.01.03
 (511) 31

(260) AM 2018 93333 A
 (210) AM 93333
 (220) AM 2017 07 14
 (731) LTD "IARA INVESTMENT QOMFANI"
 San-zona, korp. 10a, b.16, 0192, Tbilisi,
 Georgia
 (740) Ana Davitadze
 (540)



(591) Green and black
 (531) 26.01.01; 26.01.06; 26.02.07; 26.11.12; 28.01;
 29.01.12
 (511) 31

(260) AM 2018 93334 A
 (210) AM 93334
 (220) 2017 07 14
 (731) LTD "IARA INVESTMENT QOMFANI"
 San-zona, korp. 10a, b.16, 0192, Tbilisi,
 Georgia
 (740) Ana Davitadze
 (540)



(591) Green and black
 (531) 26.01.01; 26.01.06; 26.02.07; 26.02.08;
 26.11.12; 27.05.01; 29.01.12
 (511) 31

(260) AM 2018 93534 A
 (210) AM 93534
 (220) 2017 07 28
 (731) ALOE VERA OF AMERICA, INC.
 13745 Jupiter Rd., Dallas, 75238, Texas
 75238, USA

(740) Sopio Panjikidze
(540)



FOREVER

(531) 03.07.01; 03.07.16; 27.05.01
(511) 3, 5, 30, 32

(260) AM 2018 93536 A
(210) AM 93536
(220) 2017 07 28
(731) ALOE VERA OF AMERICA, INC.
13745 Jupiter Rd., Dallas, 75238, Texas
75238, USA
(740) Sopio Panjikidze
(540)

FOREVER LIVING PRODUCTS



(531) 03.07.01; 03.07.16; 27.05.02
(511) 3, 5, 30, 32

(260) AM 2018 93537 A
(210) AM 93537
(220) 2017 07 28
(731) ALOE VERA OF AMERICA, INC.
13745 Jupiter Rd., Dallas, 75238, Texas
75238, USA
(740) Sopio Panjikidze
(540)



(531) 03.07.01; 03.07.16
(511) 3, 5, 30, 32

(260) AM 2018 93539 A
(210) AM 93539
(220) 2017 07 31
(731) LTD "ARTPHARMA"
Gamrekelis q. 19 (512), 0160 ,Tbilisi, Georgia

(740) Giorgi Taktakishvili
(540)

Allossert
ალოსერტი
Алосерт

(591) Black, white
(511) 5

(260) AM 2018 93540 A
(210) AM 93540
(220) 2017 07 31
(731) LTD "ARTPHARMA"
Gamrekelis q. 19 (512), 0160 ,Tbilisi, Georgia
(740) Giorgi Taktakishvili
(540)

SER -X სერ-ექსო

(591) Black, white
(511) 5

(260) AM 2018 93541 A
(210) AM 93541
(220) 2017 07 31
(731) LTD "ARTPHARMA"
Gamrekelis q. 19 (512), 0160 ,Tbilisi, Georgia
(740) Giorgi Taktakishvili
(540)

Duogram
დუოგრამი
Дуограм

(591) Black, white
(511) 5

(260) AM 2018 93542 A
(210) AM 93542
(220) 2017 07 31
(731) LTD "ARTPHARMA"
Gamrekelis q. 19 (512), 0160 ,Tbilisi, Georgia
(740) Giorgi Taktakishvili
(540)

Serrostar
სეროსტარი
Серростар

(591) Black, white
(511) 5

(260) AM 2018 93543 A
(210) AM 93543
(220) 2017 07 31

(731) LTD "ARTPHARMA"
 Gamrekelis q. 19 (512), 0160 ,Tbilisi, Georgia
 (740) Giorgi Taktakishvili
 (540)

Simfenol
სიმფენოლი
Симфенол

(591) Black, white
 (511) 5

(260) AM 2018 93544 A
 (210) AM 93544
 (220) 2017 07 31
 (731) LTD "ARTPHARMA"
 Gamrekelis q. 19 (512), 0160 ,Tbilisi, Georgia
 (740) Giorgi Taktakishvili
 (540)

Fenedil
ფენედილი
Фэнедил

(591) Black, white
 (511) 5

(260) AM 2018 93557 A
 (210) AM 93557
 (220) 2017 07 31
 (731) DAW SE.
 Rossoerfer Str. 50, D-64372, Ober-Ramstadt,
 Germany
 (740) Tamar Kochlamazashvili
 (540)

Samtex

(591) Black, white
 (511) 1, 2, 19

(260) AM 2018 93712 A
 (210) AM 93712
 (220) 2017 08 10
 (731) PT. BUKIT PERAK
 JL.Raya Semarang Kendal km. 10,5, Semarang
 50153, Indonesia
 (740) Shalva Gvaramadze
 (540)

ACTIMED

(591) Black, white
 (511) 3

(260) AM 2018 93716 A
 (210) AM 93716
 (220) 2017 08 14

(731) HARRINGTON DEVELOPMENT INC.
 Elvira Mendez Sreet, Vallarino Bldg, 3rd
 Floor, Republic of Panama, Panama
 (740) Givi Akopashvili
 (540)

ბენერალი
GENERAL

(591) Black, white
 (511) 34

(260) AM 2018 93729 A
 (210) AM 93729
 (220) 2017 08 15
 (731) LTD "I. ZHORDANIA CLINIC"
 Lublianas q. 5 (nakveti 6/18), 0159, Tbilisi,
 Georgia
 (740) Natia Kakhettelidze
 (540)



(591) Black and light sky-blue
 (531) 26.13.25; 28.19; 29.01.12
 (511) 44

(260) AM 2018 93730 A
 (210) AM 93730
 (220) 2017 08 15
 (731) LTD "I. ZHORDANIA CLINIC"
 Lublianas q. 5 (nakveti 6/18), 0159, Tbilisi,
 Georgia
 (740) Natia Kakhettelidze
 (540)



(591) Black and light sky-blue
 (531) 26.13.25; 27.05.05; 29.01.12
 (511) 44

(260) AM 2018 93753 A
 (210) AM 93753
 (220) 2017 08 15

(731) LTD "CAP GEORGIA"
Saburtalos q. 37/4, b. 35, 0160, Tbilisi,
Georgia

(740) Irakli Gvilia
(540)



(591) Black, white, grey
(531) 02.01.18; 19.09.01; 28.19
(511) 33

(260) AM 2018 93814 A
(210) AM 93814
(220) 2017 08 18
(731) BAYER CONSUMER CARE AG
Peter Merian Str. 84, 4052, Basel, Switzerland
(740) Shalva Gvaramadze
(540)

ФРИДЕРМ

(591) Black, white
(531) 27.05.05; 28.05
(511) 5

(260) AM 2018 93815 A
(210) AM 93815
(220) 2017 08 18
(731) N.V. SUMATRA TOBACCO TRADING
COMPANY
Jalan Pattimura No.3, Pematang Siantar,
Sumatera Utara, Indonesia
(740) Tamar Kochlamazashvili
(540)



(591) Yellow, black, white, blue, light blue,
dark blue

(531) 01.15.09; 24.01.15; 25.01.01; 26.04.09;
27.05.02; 27.05.10; 29.01.14
(511) 34

(260) AM 2018 93833 A
(210) AM 93833
(220) 2017 08 21
(731) Pharmaceutical Chemical Cosmetic
industry ALKALOID AD Skopje Alkaloid Ad
– Skopje
Aleqsandre Makedonelis Bulv, 12, 1000,
Skopje, Macedonia (the former Yugoslav
Republic)
(740) Vakhtang Torotadze
(540)

Caffetin Rapid

(591) Black, white
(511) 5

REGISTERED TRADEMARKS

(111) M 2018 29480 R
(151) 2018 03 20
(181) 2028 03 20
(260) AM 2016 85692 A
(220) 2016 01 11
(732) LLC "VOFFICE"

Vazha-Pshavelas gamz. 71, block 4,
sart. 4, office 28, Tbilisi, Georgia

(111) M 2018 29481 R
(151) 2018 03 20
(181) 2028 03 20
(260) AM 2016 87678 A
(220) 2016 06 22

(732) GEORGIAN RUGBY UNION
I. Chavchavadzis gamz. 49a, 0162, Tbilisi,
Georgia

(111) M 2018 29482 R
(151) 2018 03 20
(181) 2028 03 20
(260) AM 2016 87679 A
(220) 2016 06 22

(732) GEORGIAN RUGBY UNION
I. Chavchavadzis gamz. 49a, 0162, Tbilisi,
Georgia

(111) M 2018 29483 R
(151) 2018 03 20
(181) 2028 03 20
(260) AM 2016 89097 A
(220) 2016 10 21

(732) ALTERA CORPORATION
101 Innovation Drive, San Jose, California,
95134, USA

(111) M 2018 29484 R
(151) 2018 03 20
(181) 2028 03 20
(260) AM 2016 89341 A
(220) 2016 11 08

(732) LTD "MARNISKARI"
Sh. Askuravas q. 17, 0101, Tbilisi, Georgia

(111) M 2018 29485 R
(151) 2018 03 20
(181) 2028 03 20
(260) AM 2016 89824 A
(220) 2016 12 06

(732) LTD "ALTER SOCKS"
I. Abashidzis q. 22, b. 19, 0179, Tbilisi, Georgia

(111) M 2018 29486 R
(151) 2018 03 20
(181) 2028 03 20
(260) AM 2017 90350 A
(220) 2017 01 10
(732) LTD "ZETI"

Tsknetis gzat. 39, b. 99, 0162, Tbilisi, Georgia

(111) M 2018 29487 R
(151) 2018 03 20
(181) 2028 03 20
(260) AM 2017 90384 A
(220) 2017 01 11

(732) MAMUKA NAKOPIA
Meunargias q. 9, Zugdidi, Georgia

(111) M 2018 29488 R
(151) 2018 03 20
(181) 2028 03 20
(260) AM 2017 90415 A
(220) 2017 01 12

(732) JSC "GEORGIAN GREENHOUSE
CORPORATION"
M. Kostavas q. 37/39, sart. 5, Tbilisi, Georgia

(111) M 2018 29489 R
(151) 2018 03 20
(181) 2028 03 20
(260) AM 2017 90629 A
(220) 2017 01 30

(732) VLADIMER CHIRGADZE
Gagarinis q. 4/4, 2 sadar., 7nd fl., b. 56, 0160,
Tbilisi, Georgia

(111) M 2018 29490 R
(151) 2018 03 20
(181) 2028 03 20
(260) AM 2017 90879 A
(220) 2017 02 17

(732) SWISS PHARMA INTERNATIONAL AG
Waldmannstrasse 8, 8001 Zurich, Switzerland

(111) M 2018 29491 R
(151) 2018 03 20
(181) 2028 03 20
(260) AM 2017 90901 A
(220) 2017 02 20

(732) LTD "TBILISI FREE UNIVERSITY"
D. Aghmasheneblis kheivani 240, Tbilisi, Georgia

(111) M 2018 29492 R
 (151) 2018 03 20
 (181) 2028 03 20
 (260) AM 2017 90904 A
 (220) 2017 02 20
 (732) LTD "TBILISI AGRARIAN UNIVERSITY"
 D. Aghmasheneblis kheivani 240, Tbilisi,
 Georgia

(111) M 2018 29493 R
 (151) 2018 03 20
 (181) 2028 03 20
 (260) AM 2017 91106 A
 (220) 2017 03 02
 (732) KONINKLIJKE DOUWE EGBERTS B.V.
 OosterdokJSCtraat 80, NL-1011 DK
 Amsterdam, Netherlands

(111) M 2018 29494 R
 (151) 2018 03 20
 (181) 2028 03 20
 (260) AM 2017 91178 A
 (220) 2017 03 07
 (732) HYUNDAI OILBANK CO., LTD.
 182, Pyeongsin 2-ro, Daesan-eup, Seosan-si,
 Chungcheongnam-do, Republic of Korea

(111) M 2018 29495 R
 (151) 2018 03 20
 (181) 2028 03 20
 (260) AM 2017 91296 A
 (220) 2017 03 21
 (732) JSC "BIA"
 Kostavas q. 47/57, 0179, Tbilisi, Georgia

(111) M 2018 29496 R
 (151) 2018 03 20
 (181) 2028 03 20
 (260) AM 2017 91431 A
 (220) 2017 03 28
 (732) LTD "MERIKIPE"
 V. Nozadzis q. 35, 031, Tbilisi, Georgia

(111) M 2018 29497 R
 (151) 2018 03 20
 (181) 2028 03 20
 (260) AM 2017 91529 A
 (220) 2017 03 31
 (732) GULLANE (THOMAS) LIMITED
 Maple House, 149 Tottenham Court Road,
 London, W1T 7NF, United Kingdom

(111) M 2018 29498 R
 (151) 2018 03 20
 (181) 2028 03 20
 (260) AM 2017 91530 A
 (220) 2017 03 31
 (732) BOLERO & COMPANY
 Kuchishvilis q. 12-14-16, b. 13, Tbilisi, Georgia

(111) M 2018 29499 R
 (151) 2018 03 20
 (181) 2028 03 20
 (260) AM 2017 91532 A
 (220) 2017 03 31
 (732) BOLERO & COMPANY
 Kuchishvilis q. 12-14-16, b. 13, Tbilisi, Georgia

(111) M 2018 29500 R
 (151) 2018 03 20
 (181) 2028 03 20
 (260) AM 2017 91533 A
 (220) 2017 03 31
 (732) BOLERO & COMPANY
 Kuchishvilis q. 12-14-16, b. 13, Tbilisi, Georgia

(111) M 2018 29501 R
 (151) 2018 03 20
 (181) 2028 03 20
 (260) AM 2017 91534 A
 (220) 2017 03 31
 (732) BOLERO & COMPANY
 Kuchishvilis q. 12-14-16, b. 13, Tbilisi, Georgia

(111) M 2018 29502 R
 (151) 2018 03 20
 (181) 2028 03 20
 (260) AM 2017 91540 A
 (220) 2017 03 31
 (732) ALTERA CORPORATION
 101 Innovation drive, San Jose, California
 95134, USA

(111) M 2018 29503 R
 (151) 2018 03 20
 (181) 2028 03 20
 (260) AM 2017 91225 A
 (220) 2017 03 13
 (732) L'OREAL (SOCIETE ANONYME)
 14 rue Royale, 75008 Pariz, France

(111) M 2018 29504 R
 (151) 2018 03 20
 (181) 2028 03 20
 (260) AM 2017 91707 A

(220) 2017 04 12
(732) SEEDS INTERNATIONALS SP. Z OO.
Ul. Kowanowska 48 (Poland Oborniki 64-600),
Poland

(111) M 2018 29505 R
(151) 2018 03 20
(181) 2028 03 20
(260) AM 2017 92022 A
(220) 2017 05 05
(732) LTD "ET CETERA"
Mosashvilis q. 5, b. 46a, 0162, Tbilisi, Georgia

(111) M 2018 29506 R
(151) 2018 03 20
(181) 2028 03 20
(260) AM 2017 92125 A
(220) 2017 05 15
(732) NIPPON SODA CO LTD
2-1 Ohtemachi, 2-chrom, Chiyoda-ku, Tokio,
Japan

(111) M 2018 29507 R
(151) 2018 03 20
(181) 2028 03 20
(260) AM 2017 95180 A
(220) 2017 11 22
(732) TATRALIFT a.s
Pol'ná 4, SK-060 01 Kežmarok, Slovakia

TRADEMARKS REGISTERED ACCORDING TO THE ACCELERATED PROCEDURE

The decision can be appealed at the Chamber of Appeal of Sakpatenti within 3 months from the publication.

(111) M 2018 29475 R
(151) 2018 03 07
(181) 2028 03 07
(210) AM 96465
(220) 2018 02 20
(732) SAEID MOHAMMADZADEH
E. Cherkezishvilis q. 17, b.12, 0160, Tbilisi,
Georgia
(740) Mariam Gogitidze
(540)



(591) Grey, white, black
(531) 03.07.03; 03.07.17; 25.01.13; 27.05.01;
28.01; 28.19
(511) 43

(111) M 2018 29476 R
(151) 2018 03 16
(181) 2028 03 16
(210) AM 96720
(220) 2018 03 09
(732) RAMIN YUSUBOV
A. Aslanovis q. 5a, 3000, Marneuli,
Georgia
(740) RAMIN YUSUBOV
(540)



(591) Black, white
(531) 03.07.17; 26.01.04; 26.01.22; 26.01.24;
27.05.24
(511) 12

(111) M 2018 29477 R
(151) 2018 03 16
(181) 2028 03 16
(210) AM 96234
(220) 2018 02 05
(732) LTD "KAKHETIAN TRADITIONAL
WINEMAKING"
S. Tsintsadzis q. 12, a/pi 3-6, sart. 3,
Vake-Saburtalos r-ni, 0160, Tbilisi, Georgia
(540)



(591) Black, white
(531) 27.05.03
(526) Киндзмараули
(511) 33

(111) M 2018 29478 R
(151) 2018 03 16
(181) 2028 03 16
(210) AM 96580
(220) 2018 02 28
(732) LTD "FRAGRANCE WORLD"
Tevdore Mghvdilis q. 7a, 0112, Tbilisi,
Georgia
(540)



(591) Black, white
(531) 01.05.02; 19.03.01; 19.07.01; 19.07.10;
19.07.23; 19.07.25; 27.05.01; 27.05.19
(511) 3, 35

(111) M 2018 29479 R
(151) 2018 03 16
(181) 2028 03 16
(210) AM 96447
(220) 2018 02 19

(732) DAVIT MTCHEDLIDZE
N. Zhvianas q. 28, b. 76, 0179, Tbilisi,
Georgia

(540)



L A I

(591) Black, white
(531) 27.05.01; 28.19
(511) 3

INTERNATIONAL TRADEMARKS FOR WHICH A DECISION ON GRANTING PROTECTIONS IS TAKEN

The decision can be appealed at the Chamber of Appeal of Sakpatenti within 3 months from the publication or at the Mtskheta District Court Administrative Cases Board (Address: №17, Samkhedro str., Mtskheta), within 1 month following the publication.

(260) AM 2018 90620 A

(260) AM 2018 90620 A

(800) 1329059

(151) 2016 10 18

(891) 2016 10 18

(731) BSH HAUSGERÄTE GMBH

Carl-Wery-Str. 34, 81739 München,
Germany

(540)

 **ActiveOxygen**

(591) Black, white

(531) 01.15.21; 26.01.06; 27.05.10

(511)

11 – Apparatus for heating, steam generating and cooking, in particular stoves, baking, roasting, grilling, toasting, defrosting and heating devices, water heaters, immersion heaters, slow-cookers, microwave ovens, waffle irons (electric), egg-boilers, deep-fat fryers (electric), electric tea and coffee machines, espresso coffee machines, automatic coffee machines (included in class 11); refrigerating apparatus, in particular refrigerators, chest freezers, refrigerated cabinets, beverage-cooling apparatus, fridge-freezers, freezers, ice machines and apparatus; drying apparatus, in particular including tumble dryers, laundry drying machines, hand dryers, hair dryers; infrared lamps (other than for medical use); heating pads (not for medical purposes); electric blankets (not for medical purposes); apparatus for ventilating, in particular fans; extractor hood filters, steam-extraction equipment and extractor hoods for kitchens, air conditioning apparatus and devices for improving air quality, humidifiers, air deodorising apparatus, scent dosing apparatus (not for personal use); air purifying apparatus; water heaters, storage water heaters and instantaneous water heaters; kitchen sinks; heat pumps; parts for all the aforesaid goods, included in class 11; mechanical taps for dispensing chilled beverages for use in combination with apparatus for chilling of beverages (other than vending machines).

(260) AM 2018 90784 A

(800) 1329606

(151) 2016 10 13

(891) 2016 10 13

(731) NEXUS AUTOMOTIVE INTERNATIONAL

Chemin du Château-Bloch 11, CH-1219 Le

Lignon, Switzerland

(540)



(591) Dark gray (Pantone PMS 425) and orange
(Pantone PMS 1505)

(531) 24.17.04; 25.03.05; 26.01.18; 26.11.07;
27.05.21; 29.01.12

(511)

12 – Vehicles; apparatus for locomotion by land, air or water, excluding bicycles, parts and components of bicycles as well as two-wheeled and three-wheeled motor vehicles.

37 – Maintenance and repair of motor vehicles; rebuilding of worn or partially destroyed engines; repair information; retreading of tires; rustproofing; wheel balancing services; vehicle lubrication [greasing]; vehicle washing; vehicle polishing; vehicle service stations [refueling and maintenance]; vehicle maintenance (servicing); vehicle cleaning; repair services in the case of vehicle breakdown; charging of vehicle batteries; vulcanization of tires [repair]; warehouse construction and repair.

(260) AM 2018 90843 A

(800) 1330051

(151) 2016 08 30

(891) 2016 08 30

(731) ADP GAUSELMANN GMBH

Merkur-Allee 1-15, 32339 Espelkamp,
Germany

(540)

Candy Street 81

(511)

28 – Games; toys; gymnastic and sporting articles not included in other classes; decorations for Christmas trees; gaming apparatus (including coin-operated apparatus); coin-operated arcade games (machines); games for amusement arcades (included in this class); coin-operated video gaming apparatus; video games apparatus adapted for use with external screens or monitors only; casino fittings, namely roulette tables, roulette wheels; coin-operated automatic gaming machines and gaming machines, in particular

for gaming arcades, with or without a prize payout; electronic or electrotechnical gaming apparatus, gaming machines, games machines and slot machines operated by coins, tokens, banknotes, tickets or by means of electronic, magnetic or biometric storage media, in particular for commercial use in casinos and amusement arcades, with or without a prize payout; automatic gaming machines and gaming machines, in particular for commercial use in casinos and gaming arcades, with or without a prize payout; coin-operated gaming machines and/or electronic money-based gaming apparatus (machines), with or without prizes; housings adapted for gaming machines, gaming apparatus and automatic gaming machines, operated by means of coins, tokens, tickets or by means of electronic, magnetic or biometric storage media, in particular for commercial use in casinos and gaming arcades, with or without a prize payout; electronic games; apparatus for electronic games and parts thereof; video output game machines; drawing apparatus for prize games and lotteries, draws or raffles; housings of metal, plastic and/or wood for coin-operated automatic machines; apparatus for games (including video games), other than adapted for use with external screens or monitors only; electropneumatic and electric slot machines with pulling handles (gaming machines); gaming tables, in particular for table football, billiards, sliding games; quoits (playthings) and darts; gaming machines, namely, electric, electronic or electromechanical apparatus for bingo games, lotteries or video lottery games and for betting offices, connected or unconnected to a computer network; LCD games consoles; automatic gaming machines; automatic gaming machines operating in networks; apparatus and devices for accepting and storing money, being fittings for the aforesaid automatic machines, included in this class.

(260) AM 2018 91201 A
 (800) 1334406
 (151) 2016 09 02
 (891) 2016 09 02
 (731) ROADS LUXURY GROUP LIMITED
 149 Lower Baggot Street, Dublin 2, Ireland
 (540)

R O A D S 

(591) Red "Pantone 485C", gold and black. Black: the word ROADS gold: the circular device red: the radial marking on the circular device
 (531) 26.15.01; 27.05.15; 29.01.15
 (511)
 4 – Candles; perfumed candles; scented candles; wicks; illuminants; candles for night lights; oils for paints.

(260) AM 2018 91221 A
 (800) 1101394
 (151) 2011 11 08
 (891) 2017 02 22
 (731) BITBURGER BRAUGRUPPE GMBH
 Römermauer 3, 54634 Bitburg, Germany
 (540)



(591) Black, white
 (531) 02.01.01; 02.01.18; 11.03.07; 26.01.21;
 27.05.01
 (511)
 32 – Beers.

41 – Education; providing of training; entertainment; sporting and cultural activities.

43 – Services for providing food and drink; temporary accommodation.

(260) AM 2018 91574 A
 (800) 1336571
 (151) 2016 09 14
 (891) 2016 09 14
 (731) EURO GAMES TECHNOLOGY LTD.
 "Maritsa" Str. 4, "Vranya-Lozen-Triugulnika",
 BG-1151 Sofia, Bulgaria

(540)


(591) Light blue, blue and black
 (531) 27.05.02; 28.07; 29.01.12
 (511)
 28 – Games, namely, electronic games other than those adapted for use with television receivers only, arcade games, parlor games, arcade-type electronic video games, card games, dice games, coin-operated video games, mahjong games, electronic interactive board games for use with external monitor, handheld units for playing electronic games, automatic coin-operated video games amusement machines, electronic arcade-type games, board games, casino games in the nature of computerized video table games for casinos, amusement games apparatus adapted for use with an external screen or monitor, as all of the abovementioned goods refer to gaming and gambling products; amusement machines, automatic and coin-operated in the field of gambling; gaming machines adapted for use with an external screen or monitor in the field of gambling.

(260) AM 2018 91897 A
 (800) 1340924
 (151) 2016 12 22
 (891) 2016 12 22
 (731) GW COSMETICS GMBH
 Achauerstraße 49a, A-2333 Leopoldsdorf,
 Austria
 (540)

REFECTOCIL

(591) Black, white
 (511)
 3 – Hair dyes; mascara/false eyelashes; eyebrow pencils; make-up remover, mascara remover, eye make-up remover, cleansing milk; eyelash and eyebrow dyes; cosmetic dyes; oxidation preparations for use in dyeing hair, eyelashes and eyebrows; beard dyes, bleaching preparations for cosmetic purposes; depilatory preparations, depilatory wax; adhesives for cosmetic purposes, adhesive for applying false eyelashes; skin creams, skin-care preparations; cotton wool and cotton swabs for cosmetic purposes; hair dye, hair styling agents.
 16 – Paper tissues for cosmetic use, make-up removal wipes of paper.
 21 – Cosmetic trays of plastic or glass, applicators of plastic for cosmetic purposes.

(260) AM 2018 92036 A
 (800) 1341837
 (151) 2017 02 16
 (891) 2017 02 16
 (731) UNILEVER N.V.
 Weena 455, NL-3013 AL Rotterdam,
 Netherlands
 (540)

NEVER STOP PLAYING

(591) Black, white
 (511)
 30 – Ice cream; frozen confectionery.

(260) AM 2018 92132 A
 (800) 1342637
 (151) 2016 01 29
 (891) 2016 01 29
 (731) THYSSENKRUPP AG
 ThyssenKrupp Allee 1,45143 Essen, Germany
 (540)

thyssenkrupp

(591) Black, white
 (511)
 1 – Chemicals used in industry; chemicals for producing metals and their alloys; manures; foundry sand, foundry moulding preparations and binding substances; adhesives used in industry.

6 – Ores; common metals and their alloys and products made therefrom, included in this class, namely unwrought and semi-wrought common metals and their alloys and products made therefrom, in particular rods, panels, bands, sheets and plates, in particular tailored blanks, pipes and fittings therefor, tinplate and blackplate, sleepers, rails and other track parts for railbound vehicles, in particular side guide rails and glide strips for magnetic suspension trains, special and specialty profiles; timber, plank and trench sheeting, sheet piling, light sections, sheet pile crossbeams and fittings, flood sheet piling, box sheet piling, steel poles, staves, flat panel and shipbuilding profiles; flat products of stainless steel (corrosion-resistant, acid-resistant, heat-resistant), nickel-based materials, titanium and titanium alloys, work platforms, temporary bridges, and scaffolding and falsework and parts therefor, namely formwork, props, beams, wires and ropes, and wire mesh and other wire products, sheet metal goods, weld filler materials, in particular soldering wire, welding rods, and cored wires, storage and transport containers, prefabricated and collapsible transportable buildings and parts therefor, in particular container offices and workshops, houses, halls, garages, bridges, windows, doors, gates, and roof, ceiling and wall construction elements, cast parts of metal, soldering materials, namely soldering wire, rods of metal for brazing, goods of common metal not included in other classes, namely containers, construction fittings, roof panels, facade panels, springs, windows, window-sills, window frames, grilles, hooks, cramps, supports for propping up ships, runners, nails, profiles, space trusses, rings, loops, locks, screws, silos, pins, gate and door frames, gates and doors, supporting structures, staircases, door panels, door handles, screw-connection parts, wall panels, brackets, fences and parts therefor, fittings for the aforesaid goods, included in this class, metal building materials, in particular prefabricated sandwich components consisting predominantly of sheet metal for industrial, hall and housing construction, ironmongery, small items of metal hardware, pipes and tubes of metal; non-electric cables and wires of common metal, transportable buildings of metal, metal building materials, scaffolding, included in this class and shuttering and parts therefor of metal for concrete, rails and railway points of metal, railway material of metal, fixtures of metal for guiding and gripping rail vehicles, being parts for railway rails.

7 – Drives for machines; transmission shafts, other than for land vehicles; construction machines; mechanical apparatus and mechanical devices and equipment consisting thereof for manufacturing precursors or products for the medicines and food industry, chemical industry, manures industry, plastics Industry and cosmetics industry, including fittings for the aforesaid equipment; mechanical synthetic gasifiers, other than gasifiers for motor vehicles; machines for

the food industry, including fittings; installations consisting of machines for the chemical industry for producing manures, including fittings; gas refining installations, including fittings; fluid treatment machines, including fittings, in particular oil, gas and petrochemical refining machines; machines for the textile industry; fittings for engine boilers; lifts, included in this class, mechanical escalators and moving walkways, platform lifts, lifting platforms for people, passenger bridges, moving staircases, stair lifts; parts for lifts, escalators, moving walkways, platform lifts, lifting platforms for people, passenger bridges (machines), moving staircases, stair lifts, included in this class; fluidisers, namely apparatus for fluidising bulk material using gas flows to promote flow properties, including fittings; generators for generating energy to drive machines; machines for obtaining energy; electric generators; industrial robots (machines); machine-driven lifting devices and machines for lifting goods; machines for processing metal, wood and plastics; machines for fastening, gaining, processing and cessation of mineral materials, earth, rock, overburden, used materials, ores, stone and masonry; tooling machines; drills and their parts; machines for positioning, aligning and holding components; machines for producing mortar and concrete, and prefabricated parts made therefrom; machines for loading bulk material and general cargo or single goods; electric and laser welding apparatuses; welding electrodes; excavators; conveying machines; machines for handling molten metals; electric and laser welding apparatus; welding electrodes; flaming machines; gas-operated cutting blow pipes; mixers (machines); mills (machines); presses (machines); pumps (machines), including fittings; electric beaters or mixers; motors and engines and parts therefor, other than for land vehicles; turbines and parts therefor, other than for land vehicles; gear boxes and parts therefor, other than for land vehicles; gate drives; tools (parts of machines); piston rods (parts of machines); bearings (parts of machines); centrifuges (machines); railroad constructing machines; drums (parts of machines); electric starter apparatus for motors and engines; electric cold-start systems for motors and engines; ship and aeroplane engines and parts therefor; machine parts, namely cast, pressed, drawn or machined mouldings, in particular rings, sprockets, toothed wheels, worm wheel sets, industrial gear units, in particular extruder gears, dies for use with machine tools, bearings for machines; parts for vehicle motors and engines.

12 – Vehicles, apparatus for locomotion by land, air or water; parts for vehicles and apparatus for locomotion by land, air or water, included in this class; bodies of metal for vehicles and apparatus for locomotion by land, air or water; engines for land vehicles.

40 – Treatment of materials, namely processing of workpieces, production of profiles, production of slit coils, cutting of sheets and plates of metal, panels or trapezoids, curing of materials and surface finishing, in particular by means of hot dip galvanising, hot dip aluminising, zinc plating or organic coating; custom manufacture of bodies for vehicles, chassis parts, components for vehicle undercarriages and components for vehicle drives, in particular internal combustion engines, for others; toolmaking in the form of custom manufacture, for others; waste, waste water and pollutant treatment, recycling of waste, waste water, scrap and trash; print shops, namely printing; locksmiths (metal treating); carpentry (woodworking).

42 – Architecture; urban planning; structural engineering; mining engineering; chemistry services; information technology (IT) services; engineering; interior architecture or design; physics (research); software programming; architectural statics or structural engineering (construction planning); technical drawing; land surveying, included in this class; scientific research and product research; material testing; technical consultancy in the field of computing; installation and maintenance of computer software; rental of computers for data processing; design and development of prototypes for research purposes and for technical product development; technical analysis of IT infrastructures; technical design and technical planning of installations and apparatus for telecommunications; contaminated site management, namely technical design of property decontamination projects.

(260) AM 2018 92142 A

(800) 1342229

(151) 2016 11 15

(891) 2016 11 15

(731) NIO CO., LTD.

Suite 115, 569 Anchi Road, Anting Town,
Jiading District, 201805 Shanghai, China

(540)

NIO

(591) Black and white

(531) 27.05.17; 27.05.23

(511)

7 – Metalworking machines; guards [parts of machines]; starters for motors and engines; taps [parts of machines, engines or motors].

9 – Computer programs [downloadable software]; vehicle breakdown warning triangles; navigation apparatus for vehicles [on-board computers]; anti-dazzle shades; theft prevention installations, electric; batteries, electric, for vehicles.

14 – Medals; tie clips; statues of precious metal; cuff links; tie pins; key rings [trinkets or fobs]; wristwatches; watch chains; badges of precious metal.

25 – Trousers; outerclothing; motorists' clothing; waterproof clothing; shoes; headgear for wear; hosiery; gloves [clothing]; girdles; neckties.

35 – On-line advertising on a computer network; presentation of goods on communication media, for retail purposes; production of advertising films; providing business information via a web site; organization of trade fairs for commercial or advertising purposes; import-export agencies; sales promotion for others; business management of sports people.

36 – Insurance consultancy; insurance brokerage; loans [financing]; financing services; land vehicle credit sale (financing lease); capital investment.

42 – Technical project studies; vehicle roadworthiness testing; cartography services.

(260) AM 2018 92145 A

(800) 1342276

(151) 2016 11 03

(891) 2016 11 03

(731) Obshchestvo s ogranichennoy
otvetstvennostyu "GUSTUS"

M. Levshinsky per., 10, of. 3, pom. IV

RU-119034 Moscow, Russian Federation

(540)



(591) White and red

(531) 26.04.04; 26.04.18; 27.05.21; 29.01.12

(511)

16 – Paper, cardboard and goods made from these materials, not included in other classes; photographs; adhesives for stationery or household purposes; artists' materials; paint brushes; typewriters and office requisites (except furniture); instructional and teaching material (except apparatus); plastic materials for packaging (not included in other classes); printers' type; printing blocks; fountain pens; aquarelles; albums; almanacs; document laminators for office use; mimeograph apparatus and machines; atlases; posters; paper bows; table linen of paper; tickets; forms, printed; announcement cards [stationery]; note books; pads [stationery]; drawing pads; loose-leaf binders; wristbands for the retention of writing instruments; pamphlets; booklets; paper sheets [stationery];

waxed paper; paper for recording machines; paper for radiograms; electrocardiograph paper; drawer liners of paper, perfumed or not; wood pulp paper; carbon paper; copying paper [stationery]; parchment paper; writing paper; luminous paper; Xuan paper for Chinese painting and calligraphy; toilet paper; wrapping paper; filter paper; blotters; newsletters; rollers for typewriters; house painters' rollers; composing sticks; modelling wax, not for dental purposes; signboards of paper or cardboard; sewing patterns; newspapers; electrotypes; hectographs; modelling clay; polymer modelling clay; terrestrial globes; drawing sets; engravings; slate pencils; pencil leads; document holders [stationery]; pencil holders; chalk holders; page holders; holders for checkbooks [cheque books]; holders for stamps [seals]; diagrams; engraving plates; writing slates; blackboards; galley racks [printing]; drawing boards; advertisement boards of paper or cardboard; duplicators; punches [office requisites]; cream containers of paper; magazines [periodicals]; money clips; tags for index cards; pen clips; bookmarks; etching needles; tracing needles for drawing purposes; periodicals; printed publications; paper shredders for office use; graphic representations; credit card imprinters, non-electric; graining combs; drawing instruments; calendars; tracing paper; tracing cloth; tracing patterns; gums [adhesives] for stationery or household purposes; lithographic stones; ink stones [ink reservoirs]; pencils; pencil lead holders; charcoal pencils; pictures; transfers [decalcomanias]; paintings [pictures], framed or unframed; wood pulp board [stationery]; hat boxes of cardboard; files [office requisites]; cards; index cards [stationery]; geographical maps; paper tapes and cards for the recordal of computer programmes; trading cards other than for games; perforated cards for Jacquard looms; catalogues; spools for inking ribbons; covers of paper for flower pots; paintbrushes; painters' brushes; writing brushes; typewriter keys; glue for stationery or household purposes; isinglass for stationery or household purposes; gluten [glue] for stationery or household purposes; starch paste [adhesive] for stationery or household purposes; books; manifolds [stationery]; comic books; drawing pins; cigar bands; envelopes [stationery]; cases for stamps [seals]; boxes of cardboard or paper; paint boxes [articles for use in school]; correcting fluids [office requisites]; stencils [stationery]; French curves; paper ribbons; typewriter ribbons; gummed tape [stationery]; adhesive bands for stationery or household purposes; correcting tapes [office requisites]; inking ribbons; inking ribbons for computer printers; adhesive tapes for stationery or household purposes; self-adhesive tapes for stationery or household purposes; drawing rulers; square rulers; flyers; absorbent sheets of paper or plastic for foodstuff packaging; humidity control sheets of paper or plastic for foodstuff packaging; viscose sheets for wrapping; sheets of reclaimed

cellulose for wrapping; plastic bubble packs for wrapping or packaging; steel letters; type [numerals and letters]; lithographs; paint trays; architects' models; postage stamps; plastics for modelling; graphic prints; modelling materials; teaching materials [except apparatus]; sealing compounds for stationery purposes; adhesives [glues] for stationery or household purposes; stuffing of paper or cardboard; book-binding material; packaging material made of starches; packing [cushioning, stuffing] materials of paper or cardboard; filtering materials [paper]; addressing machines; pencil sharpening machines, electric or non-electric; bookbinding apparatus and machines [office equipment]; typewriters, electric or non-electric; folders [stationery]; franking machines for office use; chalk for lithography; writing chalk; tailors' chalk; marking chalk; bags [envelopes, pouches] of paper or plastics, for packaging; garbage bags of paper or of plastics; painters' easels; hand-rests for painters; printing sets, portable [office requisites]; bibs of paper; stickers [stationery]; finger-stalls [office requisites]; writing cases [stationery]; cords for bookbinding; paper knives [cutters] [office requisites]; numbering apparatus; bottle envelopes of cardboard or paper; sealing wafers; covers [stationery]; passport holders; plastic cling film, extensible, for palletization; embroidery designs [patterns]; handwriting specimens for copying; oleographs; musical greeting cards; greeting cards; postcards; etchings; conical paper bags; bags for microwave cooking; palettes for painters; ink sticks; pantographs [drawing instruments]; folders for papers; papier mâché; pastels; modelling paste; pen cases; bookbindings; pen wipers; office perforators; pens [office requisites]; nibs of gold; nibs; steel pens; drawing pens; song books; seals [stamps]; sealing stamps; clipboards; address plates for addressing machines; handkerchiefs of paper; plastic film for wrapping; desk mats; letter trays; trays for sorting and counting money; coasters of paper; bookends; stamp stands; mats for beer glasses; stands for pens and pencils; photograph stands; obliterating stamps; inking pads; stamp pads; binding strips [bookbinding]; towels of paper; inking sheets for document reproducing machines; inking sheets for duplicators; bookbinding cloth; gummed cloth for stationery purposes; printers' blankets, not of textile; portraits; paperweights; writing cases [sets]; inkstands; writing materials; writing instruments; drawing materials; school supplies [stationery]; adhesive tape dispensers [office requisites]; hand labelling appliances; printed matter; lithographic works of art; prospectuses; printed timetables; ledgers [books]; printers' galleys; indexes; rubber erasers; elastic bands for offices; drawing T-squares; graphic reproductions; penholders; marking pens; tissues of paper for removing make-up; face towels of paper; table napkins of paper; place mats of paper; tablemats of paper; tablecloths of paper; paper clasps; document files [stationery]; scrapers [era-

sers] for offices; paper-clips; staples for offices; erasing products; biological samples for use in microscopy [teaching materials]; histological sections for teaching purposes; steatite [tailor's chalk]; writing board erasers; composing frames [printing]; sealing wax; arithmetical tables; placards of paper or cardboard; writing or drawing books; fabrics for bookbinding; stationery; pencil sharpeners, electric or non-electric; transparencies [stationery]; stencil plates; cardboard tubes; Indian inks; moisteners [office requisites]; moisteners for gummed surfaces [office requisites]; drawing squares; chart pointers, non-electronic; bottle wrappers of cardboard or paper; envelope sealing machines, for offices; sealing machines for offices; vignetting apparatus; apparatus for mounting photographs; stapling presses [office requisites]; manuals [handbooks]; figurines [statuettes] of papier mâché; paper coffee filters; flags of paper; silver paper; molds for modelling clays [artists' materials]; photo-engravings; photographs [printed]; stencil cases; canvas for painting; chromolithographs [chromos]; compasses for drawing; numbers [type]; watercolor [watercolour] saucers for artists; correcting ink [heliography]; ink; inkwells; blueprints; rosaries; stencils; erasing shields; balls for ball-point pens; cabinets for stationery [office requisites]; printing type; address stamps; stamps [seals]; shields [paper seals]; prints [engravings]; labels, not of textile.

21 – Household or kitchen utensils and containers; combs and sponges; brushes (except paint brushes); brush-making materials; articles for cleaning purposes; steelwool; unworked or semi-worked glass (except glass used in building); glassware, porcelain and earthenware not included in other classes; pressure cookers [autoclaves], non-electric; indoor aquaria; buckets; cookie jars; candle jars [holders]; china ornaments; dishes; paper plates; vegetable dishes; saucers; mugs; candy boxes; bottles; demijohns; busts of porcelain, ceramic, earthenware or glass; vases; epergnes; fruit cups; bird baths; baby baths, portable; plungers for clearing blocked drains; waffle irons, non-electric; coolers [ice pails]; mop wringer buckets; buckets made of woven fabrics; whisks, non-electric, for household purposes; cooking skewers of metal; towel rails and rings; hair for brushes; birdcages; funnels; carpet beaters [hand instruments]; signboards of porcelain or glass; candle extinguishers; flower pots; chamber pots; glue-pots; cruets; decanters; large-toothed combs for the hair; combs for animals; tea cosies; abrasive sponges for scrubbing the skin; make-up sponges; sponges for household purposes; toilet sponges; sponge holders; toothpick holders; soap holders; napkin holders; holders for flowers and plants [flower arranging]; shaving brush stands; toilet paper holders; soap dispensers; toilet paper dispensers; ironing boards; cutting boards for the kitchen; bread boards; washing boards; crushers for kitchen use, non-electric; strai-

ners; smoke absorbers for household purposes; containers for household or kitchen use; kitchen containers; glass jars [carboys]; heat-insulated containers; heat-insulated containers for beverages; thermally insulated containers for food; glass flasks [containers]; frying pans; closures for pot lids; chamois leather for cleaning; toothpicks; ceramics for household purposes; majolica; works of art of porcelain, ceramic, earthenware or glass; brush goods; kitchen grinders, non-electric; cleaning instruments, hand-operated; cabarets [trays]; stew-pans; covers, not of paper, for flower pots; shaving brushes; make-up brushes; cages for household pets; baking mats; polishing leather; hot pots, not electrically heated; glass bulbs [receptacles]; boot trees [stretchers]; shoe trees [stretchers]; napkin rings; poultry rings; rings for birds; piggy banks; bread baskets, domestic; baskets for domestic use; waste paper baskets; feeding troughs; mangers for animals; lunch boxes; tea caddies; washtubs; earthenware saucepans; mess-tins; cauldrons; coffee percolators, non-electric; coffee-pots, non-electric; coffee grinders, hand-operated; fused silica [semi-worked product], other than for building; beer mugs; tankards; rat traps; pot lids; aquarium hoods; butter-dish covers; dish covers; cheese-dish covers; buttonhooks; pitchers; perfume burners; non-electric portable coldboxes; watering cans; fly traps; insect traps; mixing spoons [kitchen utensils]; basting spoons [cooking utensils]; pie servers; scoops [tableware]; spatulas [kitchen utensils]; butter dishes; material for brush-making; polishing materials for making shiny, except preparations, paper and stone; noodle machines, hand-operated; polishing apparatus and machines, for household purposes, non-electric; pepper mills, hand-operated; mills for domestic purposes, hand-operated; feather-dusters; brooms; isothermic bags; confectioners' decorating bags [pastry bags]; bowls [basins]; mosaics of glass, not for building; saucepan scourers of metal; soap boxes; mouse traps; cooking pot sets; nozzles for watering cans; spouts; nozzles for watering hose; fitted picnic baskets, including dishes; toilet cases; floss for dental purposes; fiberglass thread, not for textile use; cookie [biscuit] cutters; pastry cutters; sprinklers; syringes for watering flowers and plants; cotton waste for cleaning; wool waste for cleaning; cleaning tow; chopsticks; cocktail stirrers; food steamers, non-electric; pepper pots; oven mitts; gloves for household purposes; car washing mitts; polishing gloves; gardening gloves; plates to prevent milk boiling over; dripping pans; trays for domestic purposes; trays for domestic purposes, of paper; lazy susans; heaters for feeding bottles, non-electric; candleabra [candlesticks]; coasters, not of paper and other than table linen; grill supports; menu card holders; knife rests for the table; flat-iron stands; egg cups; abrasive pads for kitchen purposes; scouring pads; drinking troughs; powdered glass for decoration; pottery; pots; cooking pots; painted glassware;

tableware, other than knives, forks and spoons; porcelain ware; earthenware; crystal [glassware]; cosmetic utensils; toilet utensils; trouser presses; tortilla presses, non-electric [kitchen utensils]; deodorising apparatus for personal use; cruet sets for oil and vinegar; tie presses; potholders; clothes-pegs; glass stoppers; powder compacts; perfume vaporizers; powder puffs; dusting apparatus, non-electric; electric combs; grills [cooking utensils]; sifters [household utensils]; drinking horns; shoe horns; candle rings; salad bowls; sugar bowls; beaters, non-electric; coffee services [tableware]; liqueur sets; services [dishes]; tea services [tableware]; sieves [household utensils]; cinder sifters [household utensils]; tea strainers; pipettes [wine-tasters]; siphon bottles for carbonated water; rolling pins, domestic; steel wool for cleaning; currycombs; blenders, non-electric, for household purposes; fruit presses, non-electric, for household purposes; drinking straws; salt cellars; drinking vessels; vessels of metal for making ices and iced drinks; refrigerating bottles; bulb basters; cups of paper or plastic; drinking glasses; glasses [receptacles]; statues of porcelain, ceramic, earthenware or glass; figurines [statuettes] of porcelain, ceramic, earthenware or glass; glass for vehicle windows [semi-finished product]; glass wool other than for insulation; fiberglass other than for insulation or textile use; vitreous silica fibers [fibres], not for textile use; plate glass [raw material]; opal glass; opaline glass; glass incorporating fine electrical conductors; enamelled glass, not for building; soup bowls; drying racks for laundry; basins [receptacles]; table plates; disposable table plates; graters for kitchen use; insulating flasks; indoor terrariums [plant cultivation]; indoor terrariums [vivariums]; cloth for washing floors; cloths for cleaning; dusting cloths [rags]; furniture dusters; litter boxes [trays] for pets; urns; aerosol dispensers, not for medical purposes; wax-polishing appliances, non-electric, for shoes; water apparatus for cleaning teeth and gums; electric devices for attracting and killing insects; watering devices; utensils for household purposes; cooking utensils, non-electric; strainers for household purposes; coffee filters, non-electric; flasks; hip flasks; drinking bottles for sports; cake molds [moulds]; ice cube molds [moulds]; cookery molds [moulds]; molds [kitchen utensils]; deep fryers, non-electric; comb cases; bread bins; fly swatters; teapots; kettles, non-electric; cups; garlic presses [kitchen utensils]; ironing board covers, shaped; tea infusers; glass bowls; mops; mop wringers; cocktail shakers; cosmetic spatulas; corkscrews, electric and non-electric; animal bristles [brushware]; pig bristles; brushes; dishwashing brushes; ski wax brushes; brushes for cleaning tanks and containers; lamp-glass brushes; horse brushes; scrubbing brushes; toothbrushes; toothbrushes, electric; basting brushes; carpet sweepers; brushes for footwear; tar-brushes, long handled; toilet brushes; electric brushes, except parts of

machines; eyebrow brushes; nail brushes; nest eggs, artificial; boxes for dispensing paper towels; dustbins; window-boxes; boxes of glass.

29 – Meat, fish, poultry and game; meat extracts; preserved, frozen, dried and cooked fruits and vegetables; jellies, jams, compotes; eggs; milk and milk products; edible oils and fats; ajvar [preserved peppers]; aloe vera prepared for human consumption; alginates for culinary purposes; anchovy; peanuts, prepared; artichokes, preserved; albumen for culinary purposes; white of eggs; beans, preserved; soya beans, preserved, for food; bouillon; ginger jam; ham; fatty substances for the manufacture of edible fats; toasted laver; edible birds' nests; peas, preserved; mushrooms, preserved; gelatine; meat jellies; fruit jellies; yolk of eggs; coconut fat; bone oil, edible; lard; suet for food; fruit-based snack food; charcuterie; raisins; caviar; eggplant paste; vegetable marrow paste; fish roe, prepared; yogurt; sauerkraut; kephir [milk beverage]; isinglass for food; clams, not live; milk shakes; black pudding [blood sausage]; arrangements of processed fruit; compotes; meat, tinned [canned (Am.)]; vegetables, tinned [canned (Am.)]; fish, tinned [canned (Am.)]; fruits, tinned [canned (Am.)]; bouillon concentrates; gherkins; shrimps, not live; prawns, not live; buttercream; croquettes; silkworm chrysalis, for human consumption; kumys [kumyss] [milk beverage]; spiny lobsters, not live; lecithin for culinary purposes; salmon, not live; onions, preserved; margarine; piccalilli; marmalade; peanut butter; cocoa butter for food; coconut oil; coconut butter; corn oil; sesame oil; linseed oil for culinary purposes; olive oil for food; palm oil for food; palm kernel oil for food; sunflower oil for food; colza oil for food; butter; shellfish, not live; almonds, ground; animal marrow for food; mussels, not live; peanut milk for culinary purposes; milk of almonds for culinary purposes; rice milk [milk substitute]; condensed milk; soya milk [milk substitute]; albumin milk; powdered milk; fish meal for human consumption; vegetable mousses; fish mousses; fruit pulp; meat, preserved; milk beverages, milk predominating; potato fritters; olives, preserved; lobsters, not live; flavored nuts; candied nuts; coconut, desiccated; nuts, prepared; tomato purée; liver pâté; pectin for culinary purposes; liver; pickles; jams; powdered eggs; fish-based foodstuffs; curd; prostokvasha [soured milk]; bulgogi [Korean beef dish]; pollen prepared as foodstuff; cranberry sauce [compote]; apple purée; crayfish, not live; crustaceans, not live; fish, preserved; salted fish; vegetable salads; fruit salads; bacon; sardines, not live; pork; herrings, not live; seeds, prepared; sunflower seeds, prepared; whipped cream; cream [dairy products]; fat-containing mixtures for bread slices; smetana [sour cream]; vegetable juices for cooking; tomato juice for cooking; salted meats; sausages; sausages in batter; preparations for making bouillon; preparations for making soup; tripe; soups; vegetable

soup preparations; whey; cheese; tahini [sesame seed paste]; tofu; sea-cucumbers, not live; truffles, preserved; tuna, not live; oysters, not live; milk ferments for culinary purposes; rennet; fish fillets; dates; crystallized fruits; fruit preserved in alcohol; hazelnuts, prepared; potato flakes; hummus [chickpea paste]; fruit peel; preserved garlic; lentils, preserved; potato chips; low-fat potato chips; fruit chips; non-alcoholic eggnog; seaweed extracts for food; berries, preserved; snail eggs for consumption; yakitori.

30 – Coffee, tea, cocoa and artificial coffee; rice; tapioca and sago; flour and preparations made from cereals; bread, pastry and confectionery; ices; sugar, honey, treacle; yeast, baking-powder; salt; mustard; vinegar, sauces (condiments); spices; ice; aromatic preparations for food; vanilla flavorings for culinary purposes; flavorings, other than essential oils, for cakes; flavorings, other than essential oils, for beverages; coffee flavorings; food flavorings, other than essential oils; star aniseed; baozi [stuffed buns]; cereal bars; high-protein cereal bars; pancakes; noodle-based prepared meals; buns; bread rolls; edible rice paper; edible paper; burritos; vanillin [vanilla substitute]; vareniki [stuffed dumplings]; waffles; vermicelli [noodles]; natural sweeteners; sausage binding materials; binding agents for ice cream [edible ices]; sea water for cooking; seaweed [condiment]; malt biscuits; cloves [spice]; cake frosting [icing]; glucose for culinary purposes; gluten additives for culinary purposes; thickening agents for cooking foodstuffs; leaven; rice-based snack food; cereal-based snack food; vegetal preparations for use as coffee substitutes; dressings for salad; fruit jellies [confectionery]; candy decorations for cakes; confectionery for decorating Christmas trees; cakes; pastries; peanut confectionery; almond confectionery; pasta; ginger [spice]; frozen yogurt [confectionery ices]; cream of tartar for culinary purposes; capers; caramels [candy]; curry [spice]; ketchup [sauce]; gimbap [Korean rice dish]; quiches; gluten prepared as foodstuff; sweetmeats [candy]; liquorice [confectionery]; peppermint sweets; cinnamon [spice]; unroasted coffee; starch for food; crackers; custard; hominy grits; semolina; oatmeal; crushed barley; groats for human food; corn, milled; corn, roasted; meat pies; turmeric; couscous [semolina]; noodles; ice for refreshment; candy; rice cakes; mayonnaise; macaroons [pastry]; macaroni; maltose; hominy; marinades; marzipan; royal jelly; ice cream; bean meal; tapioca flour; potato flour; corn flour; nut flours; flour; wheat flour; soya flour; barley meal; dessert mousses [confectionery]; chocolate mousses; muesli; mint for confectionery; cocoa beverages with milk; coffee beverages with milk; coffee-based beverages; cocoa-based beverages; tea-based beverages; chocolate beverages with milk; chocolate-based beverages; infusions, not medicinal; crushed oats; husked oats; okonomiyaki [Japanese savory pancakes]; chocolate-coated nuts; nutmegs; stick liquorice [confectione-

ry]; soya bean paste [condiment]; pastilles [confectionery]; molasses for food; pâtés en croûte; pelmeni [dumplings stuffed with meat]; pepper; allspice; peppers [seasonings]; pesto [sauce]; cookies; petit-beurre biscuits; pies; pizzas; meat gravies; fondants [confectionery]; popcorn; powders for making ice cream; mustard meal; pralines; condiments; meat tenderizers, for household purposes; oat-based food; propolis; gingerbread; petits fours [cakes]; puddings; rice pudding; cake powder; fruit coulis [sauces]; ravioli; ramen [Japanese noodle-based dish]; chewing gum; relish [condiment]; wheat germ for human consumption; spring rolls; palm sugar; aniseed; linseed for human consumption; golden syrup; confectionery; batter mixes for okonomiyaki [Japanese savory pancakes]; baking soda [bicarbonate of soda for cooking purposes]; malt for human consumption; salt for preserving foodstuffs; cooking salt; celery salt; sherbets [ices]; ham glaze; soya sauce; tomato sauce; pasta sauce; sauces [condiments]; spaghetti; seasonings; preparations for stiffening whipped cream; rusks; breadcrumbs; sushi; sandwiches; tabbouleh; tacos; tarts; dough; pastry dough; almond paste; rice pulp for culinary purposes; cake dough; tortillas; garden herbs, preserved [seasonings]; chocolate decorations for cakes; beer vinegar; ferments for pastes; halvah; bread; unleavened bread; corn flakes; oat flakes; chips [cereal products]; flowers or leaves for use as tea substitutes; jiaozi [stuffed dumplings]; chicory [coffee substitute]; iced tea; chutneys [condiments]; minced garlic [condiment]; cheeseburgers [sandwiches]; chow-chow [condiment]; saffron [seasoning]; chocolate; malt extract for food; essences for foodstuffs, except etheric essences and essential oils; husked barley.

35 – Advertising; business management; business administration; office functions; arranging subscriptions to telecommunication services for others; import-export agency services; commercial information agency services; advertising agency services; cost price analysis; rental of advertising space; business auditing; employment agency services; computerized file management; book-keeping; outsourced administrative management for companies; invoicing; demonstration of goods; transcription of communications [office functions]; opinion polling; market studies; business information; commercial information and advice for consumers [consumer advice shop]; business investigations; business research; marketing research; personnel recruitment; business management and organization consultancy; business organization consultancy; business management consultancy; personnel management consultancy; professional business consultancy; layout services for advertising purposes; marketing; business management of performing artists; business management of sports people; writing of résumés for others; script-writing for advertising purposes; news clipping services; updating and maintenance of data in computer

databases; updating of advertising material; word processing; organization of exhibitions for commercial or advertising purposes; arranging newspaper subscriptions for others; organization of fashion shows for promotional purposes; organization of trade fairs for commercial or advertising purposes; shop window dressing; design of advertising materials; business appraisals; payroll preparation; data search in computer files for others; sponsorship search; business management assistance; commercial or industrial management assistance; commercial intermediation services; providing business information via a web site; provision of commercial and business contact information; provision of an on-line marketplace for buyers and sellers of goods and services; web indexing for commercial or advertising purposes; presentation of goods on communication media, for retail purposes; economic forecasting; auctioneering; retail or wholesale services for pharmaceutical, veterinary and sanitary preparations and medical supplies; sales promotion for others; production of advertising films; office machines and equipment rental; rental of advertising time on communication media; publicity material rental; rental of billboards [advertising boards]; rental of vending machines; rental of sales stands; rental of photocopying machines; publication of publicity texts; radio advertising; bill-posting; distribution of samples; dissemination of advertising matter; direct mail advertising; writing of publicity texts; on-line advertising on a computer network; advertising by mail order; television advertising; document reproduction; compilation of information into computer databases; compilation of statistics; business inquiries; systemization of information into computer databases; advisory services for business management; negotiation and conclusion of commercial transactions for third parties; tax preparation; drawing up of statements of accounts; telemarketing services; psychological testing for the selection of personnel; business management of hotels; business management for freelance service providers; business project management services for construction projects; commercial administration of the licensing of the goods and services of others; business management of reimbursement programs for others; administration of consumer loyalty programs; administration of frequent flyer programs; administrative processing of purchase orders; public relations; modelling for advertising or sales promotion; typing; appointment reminder services [office functions]; web site traffic optimization; relocation services for businesses; tax filing services; search engine optimization for sales promotion; appointment scheduling services [office functions]; price comparison services; pay per click advertising; secretarial services; procurement services for others [purchasing goods and services for other businesses]; shorthand; outsourcing services [business assistance]; telephone answering for unavailable subscri-

bers; photocopying services; business efficiency expert services.

43 – Services for providing food and drink; temporary accommodation; accommodation bureau services [hotels, boarding houses]; rental of temporary accommodation; rental of meeting rooms; tourist home services; hotel reservations; boarding house bookings; temporary accommodation reservations; hotel services; retirement home services; snack-bar services; café services; cafeteria services; motel services; boarding house services; boarding for animals; rental of cooking apparatus; rental of chairs, tables, table linen, glassware; rental of lighting apparatus; rental of tents; rental of transportable buildings; rental of drinking water dispensers; restaurant services; self-service restaurant services; food sculpting; canteen services; holiday camp services [lodging]; bar services; providing campground facilities; food and drink catering; day-nursery [crèche] services.

(260) AM 2018 92146 A

(800) 1342283

(151) 2017 01 30

(891) 2017 01 30

(731) KALEKİM KİMYEVİ MADDELER
SANAYİ VE TİCARET ANONİM ŞİRKETİ
Firuzköy Mahallesi Firuzköy Bulvarı No:188/1
Avcılar TR-34325 İstanbul, Switzerland

(540)

KALEKİM

(591) Black and white

(531) 27.05.17

(511)

1 – Chemicals used in industry, science and photography, as well as in agriculture, horticulture and forestry; unprocessed artificial resins, unprocessed plastics; manures; fire extinguishing compositions; tempering and soldering preparations; chemical substances for preserving foodstuffs; tanning substances; adhesives used in industry.

35 – Advertising; business management; business administration; office functions.

(260) AM 2018 92155 A

(800) 1342461

(151) 2017 01 19

(891) 2017 01 19

(731) QINGDAO UNI-POWER TYRE CO., LTD.
Rm405, No.66 Tokyo Road, Qingdao Free
Trade Zone, Qingdao, Shandong, China

(540)

ROAD MARCH

(591) Black and white

(531) 27.05.01

(511)

12 – Airplane tyre; repair outfits for inner tubes; tyres for vehicle wheels; casings for pneumatic tires [tyres]; automobile tires [tyres]; tires, solid, for vehicle wheels; inner tubes for pneumatic tires [tyres]; pneumatic tires [tyres]; bicycle tires [tyres]; treads for retreading tires [tyres].

(260) AM 2018 92156 A

(800) 1342496

(151) 2017 02 07

(891) 2017 02 07

(731) Chastnoe torgovoe unitarnoe predpriyatie
"SLAVNET"
kom.22, d.28, ul. Platonova 220005 g. Minsk,
Belarus

(540)



(591) Black and white

(531) 05.05.01; 27.05.07; 27.05.08

(511)

3 – Bleaching preparations and other substances for laundry use; cleaning, polishing, scouring and abrasive preparations; soaps; perfumery, essential oils, cosmetics, hair lotions; dentifrices.

5 – Pharmaceutical and veterinary preparations; sanitary preparations for medical purposes; dietetic substances adapted for medical use; food for babies; plasters, materials for dressings; material for stopping teeth, dental wax; disinfectants; preparations for destroying vermin; fungicides, herbicides.

35 – Advertising; business management; business administration; office functions.

(260) AM 2018 92169 A

(800) 880825

(151) 2005 08 22

(891) 2017 04 07

(731) APPLE INC.

1 Infinite Loop Cupertino, CA 95014, United
States of America

(540)

FINAL CUT

(591) Black, white

(511)

9 – Computer software for use in video and motion picture production.

(260) AM 2018 92173 A

(800) 1220646

(151) 2014 06 25

(891) 2017 04 14

(731) İD GROUP

162 boulevard de Fourmies, F-59100

ROUBAIX, France

(540)



(591) Black, white

(531) 02.01.23; 24.17.01; 24.17.02; 27.05.23;
27.05.25

(511)

3 – Bleaching, laundering, cleaning, polishing, degreasing and abrasive preparations; perfumes, eau-de-toilette; essential oils; washing products; soaps; deodorants for personal use (perfumery); cleansing milks and oils for toilet purposes; talcum powder for toilet use; almond oil; almond milk for cosmetic use; cosmetic products and preparations for skin care and bathing; pomades for cosmetic use; sun care products (cosmetic sun-tanning preparations); shampoos, hair lotions and hair care products; dentifrices; cotton wool and cotton sticks for cosmetic use; tissues impregnated with cosmetic lotions; incense; scented wood; potpourri.

(260) AM 2018 92174 A

(800) 1235541

(151) 2014 09 27

(891) 2017 04 05

(731) INTERNATIONAL VAPOR GROUP, INC.

15050 NW 79 Ct., Suite 101A Miami Lakes

FL 33016, United States of America

(540)

VAPORFI

(591) Black, white

(511)

34 – Electronic cigarettes; electronic cigarette refill cartridges sold empty; electronic cigarette atomizers; electronic cigarette filters; cigarettes containing tobacco substitutes not for medical purposes; electronic cigarette cartridges sold empty; electronic cigarette for consuming herbal appetite suppressants, caffeine, nutritional and dietary supplements and vitamins; nicotine free electronic cigarettes; electronic cigarette kits, each consisting of electronic cigarette

cartridges sold empty, a battery, a battery charger that can be plugged into a wall, and an atomizer; carrying cases specifically designed to carry electronic cigarettes.

35 – On-line retail store services featuring vaporizers, electronic cigarettes, e-liquids and cartridges and accessories for vaporizers and electronic cigarettes; retail store services featuring vaporizers, electronic cigarettes, e-liquids and cartridges and accessories for vaporizers and electronic cigarettes; wholesale store services featuring vaporizers, electronic cigarettes, e-liquids and cartridges and accessories for vaporizers and electronic cigarettes.

(260) AM 2018 92177 A

(800) 1294853

(151) 2015 12 15

(891) 2016 12 26

(731) HAZAR TEKSTİL SANAYİ VE DIŞ

TİCARET ANONİM ŞİRKETİ

Göztepe Mah.Karanfil Sok. No:48,

BAĞCILAR, İSTANBUL, Turkey

(540)



BASICMIND

(591) Black and grey

(531) 09.01.08; 26.13.25; 27.05.01

(511)

25 – Clothing, including underwear and outer clothing, other than special purpose protective clothing; socks, mufflers [clothing], shawls, bandanas, scarves, belts [clothing]; footwear, shoes, slippers, sandals; headgear, hats, caps with visors, berets, caps [headwear], skull caps.

35 – The bringing together, for the benefit of others, of a variety of goods, namely, clothing, including underwear and outer clothing, other than special purpose protective clothing, socks, mufflers [clothing], shawls, bandanas, scarves, belts [clothing], footwear, shoes, slippers, sandals, headgear, hats, caps with visors, berets, caps [headwear], skull caps, enabling customers to conveniently view and purchase those goods, such services may be provided by retail stores, wholesale outlets, by means of electronic media or through mail order catalogues.

(260) AM 2018 92178 A

(800) 1317423

(151) 2016 06 24

(891) 2017 01 04

(731) DENKA COMPANY

Limited 1-1, Nihonbashi-Muromachi
2-chome, Chuo-ku, Tokyo 103-8338, Japan

(540)



(591) Black, white

(531) 27.05.17; 27.05.23

(511)

17 – Electrical insulating materials; electrical insulating tapes; electrical insulating vinyl chloride adhesive tapes; electrical insulating rubber products; electrical insulating materials in the form of tapes; electrical insulating materials in the form of sheet; electrical insulating materials in the form of adhesive tapes; electrical insulating materials in the form of adhesive sheets.

(260) AM 2018 92179 A

(800) 1319435

(151) 2016 04 13

(891) 2017 01 08

(731) MANORYK PETRO ANDRIYOVYCH

bul. Druzhby narodiv, 26/1, kv.11 Kiev 01103,
Ukraine

(540)



(591) Black, white

(511)

5 – Acaricides; aconitine; alkaloids for medical purposes; alginates for pharmaceutical purposes; alginate dietary supplements; algicides; aldehydes for pharmaceutical purposes; amino acids for veterinary purposes; amino acids for medical purposes; analgesics; anaesthetics; antibiotics; appetite suppressants for medical purposes; first-aid boxes, filled; aluminium acetate for pharmaceutical purposes; acetates for pharmaceutical purposes; cotton for medical purposes; tonics [medicines]; germicides; bacterial poisons; bacterial preparations for medical and veterinary use; bacteriological preparations for medical and veterinary use; balms for medical purposes; balsamic preparations for medical purposes; aseptic cotton; tobacco-free cigarettes for medical purposes; bandages for dressings; albumin dietary supplements; albuminous preparations for medical purposes; albuminous foodstuffs for medical purposes; biological tissue cultures for veterinary purposes; biological tissue cultures for medical purposes; biological preparations for veterinary purposes; biological preparations for medical purposes; biocides; bismuth subnitrate for pharmaceutical purposes; flaxseed meal for pharmaceutical purposes / linseed meal for pharmaceutical purposes; meal for pharmaceutical purposes; bracelets for medical purposes;

bromine for pharmaceutical purposes; bronchodilating preparations; vaginal washes; petroleum jelly for medical purposes; vaccines; wadding for medical purposes; cotton sticks for medical purposes; cotton swabs for medical purposes; absorbent cotton; veterinary preparations; decoctions for pharmaceutical purposes; tartar for pharmaceutical purposes; vitamin preparations; mineral waters for medical purposes; hydrated chloral for pharmaceutical purposes; dietary fibre; charcoal for pharmaceutical purposes; gases for medical purposes; gallic acid for pharmaceutical purposes; guaiacol for pharmaceutical purposes; hematogen; haemoglobin; herbicides; preparations for destroying noxious plants; weedkillers; panty liners [sanitary]; menstruation knickers; sanitary knickers; sanitary panties; menstruation bandages; sanitary pads; sanitary napkins; sanitary towels; menstruation tampons; sanitary tampons; hydrastine; hydrastinine; mustard for pharmaceutical purposes; mustard oil for medical purposes; mustard plasters; anthelmintics; glycerine for medical purposes; glycerophosphates; glucose for medical purposes; hormones for medical purposes; mud for baths; medicinal sediment [mud]; rubber for dental purposes; gum for medical purposes; gamboge for medical purposes; gurjun [gurjon, gurjan] balsam for medical purposes; disinfectants; disinfectants for hygiene purposes; disinfectants for chemical toilets; deodorants for clothing and textiles; deodorants, other than for human beings or for animals; detergents for medical purposes; digitalin; diagnostic preparations for veterinary purposes; diagnostic preparations for medical purposes; diastase for medical purposes; dietary supplements for animals; glucose dietary supplements; flaxseed dietary supplements; linseed dietary supplements; flaxseed oil dietary supplements; linseed oil dietary supplements; royal jelly dietary supplements; pollen dietary supplements; propolis dietary supplements; wheat germ dietary supplements; dietetic beverages adapted for medical purposes; dietetic substances adapted for medical use; dietetic foods adapted for medical purposes; yeast for pharmaceutical purposes; yeast dietary supplements; eucalyptus for pharmaceutical purposes; eucalyptol for pharmaceutical purposes; extracts of hops for pharmaceutical purposes; elixirs [pharmaceutical preparations]; esters for pharmaceutical purposes; cellulose esters for pharmaceutical purposes; ethers for pharmaceutical purposes; cellulose ethers for pharmaceutical purposes; gelatine for medical purposes; milking grease; greases for veterinary purposes; greases for medical purposes; jujube, medicated; chewing gum for medical purposes; articles for headache; nervines; sedatives; tranquilizers; personal sexual lubricants; dental amalgams; dental amalgams of gold; dental mastics; dental cements; isotopes for medical purposes; adjuvants for medical purposes; reagent paper for medical or veterinary purposes; insecticides; Irish moss for medical purposes; caustic pencils; caustics

for pharmaceutical purposes; iodine for pharmaceutical purposes; alkaline iodides for pharmaceutical purposes; iodides for pharmaceutical purposes; iodoform; casein dietary supplements; calomel; camphor for medical purposes; camphor oil for medical purposes; capsules for medicines; carbolineum [parasiticide]; castor oil for medical purposes; cachou for pharmaceutical purposes; quassia for medical purposes; quebracho for medical purposes; oxygen for medical purposes; acids for pharmaceutical purposes; oxygen baths; bone cement for surgical and orthopaedic purposes; adhesives for dentures; fly catching adhesives; fly glue; cocaine; collodion for pharmaceutical purposes; compresses; condurango bark for medical purposes; angostura bark for medical purposes; cedar wood for use as an insect repellent; mangrove bark for pharmaceutical purposes; barks for pharmaceutical purposes; cinchona for medical purposes; quinquina for medical purposes; rhubarb roots for pharmaceutical purposes; lint for medical purposes; collyrium; cream of tartar for pharmaceutical purposes; creosote for pharmaceutical purposes; blood for medical purposes; depuratives; haemostatic pencils; hemostatic pencils; styptic preparations; dill oil for medical purposes; croton bark; starch for dietetic or pharmaceutical purposes; cultures of microorganisms for medical and veterinary use; preparations of microorganisms for medical and veterinary use; curare; dental lacquer; lactose for pharmaceutical purposes; milk sugar for pharmaceutical purposes; lecithin for medical purposes; lecithin dietary supplements; fly catching paper; adhesive bands for medical purposes; adhesive tapes for medical purposes; medicine cases, portable, filled; medicines for alleviating constipation; eyepatches for medical purposes; medical preparations for slimming purposes; drugs for medical purposes; medicines for veterinary purposes; remedies for perspiration; medicines for human purposes; medicines for dental purposes; medicinal roots; medicated animal feed; medicinal tea; medicinal herbs; remedies for foot perspiration; medicinal drinks; medicinal infusions; medicinal oils; medicinal hair growth preparations; liniments; liquorice for pharmaceutical purposes; dog lotions; lotions for veterinary purposes; lotions for pharmaceutical purposes; lupulin for pharmaceutical purposes; candy for medical purposes; flaxseed for pharmaceutical purposes; linseed for pharmaceutical purposes; magnesia for pharmaceutical purposes; sunburn ointments; ointments for pharmaceutical purposes; frostbite salve for pharmaceutical purposes; gauze for dressings; teeth filling material; dental impression materials; royal jelly for pharmaceutical purposes; melissa water for pharmaceutical purposes; menthol; milk of almonds for pharmaceutical purposes; dog washes; animal washes; cattle washes; myrobalan bark for pharmaceutical purposes; mineral food supplements; bunion pads; moleskin for medical purposes; lacteal flour

for babies; milk ferments for pharmaceutical purposes; sea water for medicinal bathing; mint for pharmaceutical purposes; scapulars for surgical purposes; vesicants; narcotics; tincture of iodine; tinctures for medical purposes; fumigation preparations for medical purposes; fumigating pastilles; fumigating sticks; cachets for pharmaceutical purposes; wart pencils; headache pencils; oil of turpentine for pharmaceutical purposes; opium; opodeldoc; rat poison; poisons; cooling sprays for medical purposes; air purifying preparations; stick liquorice for pharmaceutical purposes; pants, absorbent, for incontinents; paper for mustard plasters; paper for mustard poultices; mothproof paper; mothproofing paper; parasitides; lozenges for pharmaceutical purposes; pastilles for pharmaceutical purposes; insect repellent incense; pectin for pharmaceutical purposes; babies' diapers [napkins]; babies' napkins [diapers]; diapers for incontinents; napkins for incontinents; pepsins for pharmaceutical purposes; peptones for pharmaceutical purposes; dressings, medical; pearl powder for medical purposes; hydrogen peroxide for medical purposes; pesticides; tanning pills; appetite suppressant pills; slimming pills; anti-oxidant pills; diapers for pets; babies' diaper-pants; babies' napkin-pants [diaper-pants]; pyrethrum powder; blood plasma; adhesive plasters / sticking plasters; breast-nursing pads; nutritional supplements; nutritive substances for microorganisms; bacteriological culture mediums; bouillons for bacteriological cultures; media for bacteriological cultures; pomades for medical purposes; powder of cantharides; porcelain for dental prostheses; laxatives; belts for sanitary napkins [towels]; haemorrhoid preparations; preparations for callouses; chilblain preparations; sunburn preparations for pharmaceutical purposes; corn remedies; preparations for reducing sexual activity; air deodorising preparations; mothproofing preparations; acne treatment preparations; preparations for destroying dry rot fungus; larvae exterminating preparations; preparations for destroying mice; fly destroying preparations; vermin destroying preparations; slug exterminating preparations; preparations for destroying noxious animals; preparations for the treatment of burns; opotherapy preparations; organotherapy preparations; mouthwashes for medical purposes; soil-sterilising preparations; bath preparations for medical purposes; aloe vera preparations for pharmaceutical purposes; preparations of lime for pharmaceutical purposes; preparations of trace elements for human and animal use; bismuth preparations for pharmaceutical purposes; opiates; preparations to facilitate teething; eye-washes; poultices; chemical conductors for electrocardiograph electrodes; food for babies; by-products of the processing of cereals for dietetic or medical purposes; evacuants; purgatives; propolis for pharmaceutical purposes; protein dietary supplements; protein supplements for animals; asthmatic tea; febrifuges; chemical contracep-

tives; antiseptic cotton; antiseptics; corn rings for the feet; antiparasitic collars for animals; antiparasitic preparations; anti-rheumatism bracelets; anti-rheumatism rings; anti-uric preparations; anticryptogamic preparations; leeches for medical purposes; radium for medical purposes; radio-active substances for medical purposes; diagnostic biomarker reagents for medical purposes; radiological contrast substances for medical purposes; insect repellents; repellents for dogs; digestives for pharmaceutical purposes; fish meal for pharmaceutical purposes; cod liver oil; ergot for pharmaceutical purposes; solutions for contact lenses; solutions for use with contact lenses; solvents for removing adhesive plasters; mercurial ointments; sarsaparilla for medical purposes; goulard water; lead water; suppositories; tissues impregnated with pharmaceutical lotions; serotherapeutic medicines; siccatives [drying agents] for medical purposes; serums; syrups for pharmaceutical purposes; sulfur sticks [disinfectants]; soporifics; bicarbonate of soda for pharmaceutical purposes; bath salts for medical purposes; smelling salts; salts for mineral water baths; potassium salts for medical purposes; mineral water salts; salts for medical purposes; sodium salts for medical purposes; malt for pharmaceutical purposes; malted milk beverages for medical purposes; semen for artificial insemination; medicinal alcohol; alcohol for pharmaceutical purposes; alloys of precious metals for dental purposes; douching preparations for medical purposes; sterilising preparations; steroids; stem cells for veterinary purposes; stem cells for medical purposes; dental abrasives; strychnine; sulfonamides [medicines]; vulnerary sponges; therapeutic preparations for the bath; thermal water; turpentine for pharmaceutical purposes; thymol for pharmaceutical purposes; gentian for pharmaceutical purposes; smoking herbs for medical purposes; herbal teas for medicinal purposes; tobacco extracts [insecticides]; pharmaceutical preparations; pharmaceutical preparations for treating dandruff; pharmaceutical preparations for skin care; phenol for pharmaceutical purposes; fennel for medical purposes; enzymes for veterinary purposes; enzymes for medical purposes; ferments for pharmaceutical purposes; enzyme dietary supplements; enzyme preparations for veterinary purposes; enzyme preparations for medical purposes; formic aldehyde for pharmaceutical purposes; molding wax for dentists; phosphates for pharmaceutical purposes; fungicides; chemical preparations to treat wheat blight [smut]; chemical preparations to treat wheat smut; chemical preparations for treating phyloxera; chemico-pharmaceutical preparations; chemical preparations for the diagnosis of pregnancy; vine disease treating chemicals; chemical preparations for veterinary purposes; chemical preparations for medical purposes; chemical preparations for pharmaceutical purposes; chemical preparations to treat mildew; chemical reagents for medical or veterinary purposes; quinine for medical

purposes; chinoline for medical purposes; surgical implants comprised of living tissues; surgical glues; surgical dressings; diabetic bread adapted for medical use; chloroform; flowers of sulfur for pharmaceutical purposes; cement for animal hooves; candy, medicated; sugar for medical purposes; contact lens cleaning preparations; jalap.

10 – Aerosol dispensers for medical purposes; obstetric apparatus; forceps; anaesthetic apparatus; anaesthetic masks; heart rate monitoring apparatus; apparatus for acne treatment; microdermabrasion apparatus; radiotherapy apparatus; body rehabilitation apparatus for medical purposes; apparatus and installations for the production of X-rays, for medical purposes; hot air therapeutic apparatus; blood testing apparatus; apparatus for use in medical analysis; testing apparatus for medical purposes; apparatus for the treatment of deafness; physical exercise apparatus, for medical purposes; apparatus for artificial respiration; bandages, elastic; cupping glasses; dental burs; vaginal syringes; cases fitted for medical instruments; obstetric apparatus for cattle; veterinary apparatus and instruments; orthopedic footwear; traction apparatus for medical purposes; castrating pincers; hot air vibrators for medical purposes; bed vibrators; vi-bromassage apparatus; basins for medical purposes; containers especially made for medical waste; artificial teeth; ear plugs [ear protection devices]; ear picks; galvanic belts for medical purposes; strait jackets; gastroscopes; haemocytometers; hemocytometers; hypogastric belts; plaster bandages for orthopaedic purposes; plaster bandages for orthopedic purposes; acupuncture needles; needles for medical purposes; suture needles; lice combs; hernia bandages; trusses; surgical sponges; defibrillators; mirrors for dentists; mirrors for surgeons; diagnostic apparatus for medical purposes; dialyzers; drainage tubes for medical purposes; radiology screens for medical purposes; stockings for varices; elastic stockings for surgical purposes; elastic stockings [surgery]; electric acupuncture instruments; electrodes for medical use; electrocardiographs; heating cushions [pads], electric, for medical purposes; heating cushions, electric, for medical purposes; heating pads, electric, for medical purposes; endoscopy cameras for medical purposes; clips, surgical; protection devices against X-rays, for medical purposes; probes for medical purposes; corn knives; dental apparatus and instruments; teething rings; dentures / sets of artificial teeth; sex toys; inhalers; injectors for medical purposes; incubators for babies; incubators for medical purposes; insufflators; cannulae; heart pacemakers; catheters; quartz lamps for medical purposes; catgut; feeding bottle valves; enema apparatus for medical purposes; compression garments; compressors [surgical]; corsets for medical purposes; droppers for medical purposes; dentists' armchairs; armchairs for medical or dental purposes; lasers for medical purposes; lamps for medical purposes; lan-

cets; beds, specially made for medical purposes; medical apparatus and instruments; medical guide-wires; intraocular prostheses [lenses] for surgical implantation; lenses [intraocular prostheses] for surgical implantation; spoons for administering medicine; love dolls [sex dolls]; massage apparatus; gloves for massage; masks for use by medical personnel; suture materials; uterine syringes; hydrostatic [water] beds for medical purposes; furniture especially made for medical purposes; crutches; douche bags; breast pumps; instrument cases for use by doctors; air mattresses, for medical purposes; air pillows for medical purposes; air cushions for medical purposes; tips for crutches for invalids; finger guards for medical purposes; thread, surgical; scissors for surgery; knives for surgical purposes; ambulance stretchers; stretchers, wheeled; fumigation apparatus for medical purposes; operating tables; walking frames for disabled persons; orthodontic appliances; orthopedic articles; knee bandages, orthopedic; orthopedic soles; orthopaedic [orthopedic] belts; ophthalmometers; ophthalmoscopes; gloves for medical purposes; pessaries; saws for surgical purposes; suspensory bandages; draw-sheets for sick beds; hypodermic syringes; spittoons for medical purposes; babies' bottles; feeding bottles; dropper bottles for medical purposes; slings [supporting bandages]; bandages for joints, anatomical; supportive bandages; soporific pillows for insomnia; cushions for medical purposes; childbirth mattresses; pumps for medical purposes; receptacles for applying medicines; maternity belts; belts, electric, for medical purposes.

(260) AM 2018 92181 A
 (800) 1338249
 (151) 2016 12 09
 (891) 2017 04 20
 (731) BACARDI & COMPANY LIMITED
 Aeulestrasse 5 FL-9490 Vaduz (LI),
 Liechtenstein
 (540)



(531) 19.07.16; 26.01.11; 26.04.22; 26.07.05;
 27.05.24

(511)
 32 – Beers; aerated mineral waters; mineral waters; non-alcoholic beverages; fruit beverages and fruit juices; syrups for beverages; preparations for making beverages.

33 – Alcoholic beverages (except beers).

(260) AM 2018 92198 A
 (800) 1342836
 (151) 2016 12 20
 (891) 2016 12 20
 (731) NINGBO DEYING PRECISION
 MACHINERY CO., LTD
 Chaijia Village, Xiaying Street, Yinzhou
 District, Ningbo City, Zhejiang, China
 (540)



(591) Black, white
 (531) 26.11.01; 26.11.25
 (511)

7 – Industrial sewing machinery; sewing machines; rotary hooks (parts of sewing machines); bobbins (parts of sewing machines); bobbin cases (parts of sewing machines); hook (parts of sewing machines); bobbin caps (parts of sewing machines).

(260) AM 2018 92199 A
 (800) 1342850
 (151) 2016 11 10
 (891) 2016 11 10
 (731) TASLY HOLDING GROUP CO., LTD.
 Tianjin Beichen Hi-tech Industrial Park,
 Beichen District 300410 Tianjin, China
 (540)



(591) Black, white
 (531) 26.03.01; 26.11.08; 27.05.17
 (511)

3 – Soap; cakes of soap; cosmetics; dentifrices; hair lotions; facial washing milk; bath lotion; laundry preparations; stain removers; hair colorants.

30 – Coffee; tea; tea-based beverages; sugar; sweetmeats [candy]; bread; steamed stuffed buns; cereal preparations; noodles; soya flour; cereal-based snack food; cooking salt; edible ices; soya sauce; condiments; preparations for stiffening whipped cream; leaven; aromatic preparations for food; meat ten-

derizers, for household purposes; starch for food; honey; bee glue [propolis] for human consumption; royal jelly for human consumption.

(260) AM 2018 92201 A

(800) 1342927

(151) 2017 02 07

(891) 2017 02 07

(731) MILLENNIUM PHARMACEUTICALS, INC.

40 Landsdowne Street, CAMBRIDGE, MASSACHUSETTS 02139, United States of America

(540)



(591) Yellow, red, green, blue.

(531) 02.01.23; 02.03.03; 02.03.23; 04.05.03; 26.13.25; 27.05.01; 29.01.14

(511)

5 – Pharmaceutical preparations; pharmaceutical preparations for the treatment of cancer; pharmaceutical preparations and substances for the prevention of cancer.

(260) AM 2018 92203 A

(800) 1343019

(151) 2016 08 23

(891) 2016 08 23

(731) UPM-Kymmene Corporation

Alvar Aallon katu 1, FI-00100 Helsinki, Finland

(540)



(591) Black, white

(531) 03.01.02; 04.03.01

(511)

1 – Pulp, especially mechanical pulp and chemical pulp.

16 – Paper, boxboard, cartons, corrugated board, moulded pulp products, printing papers; packaging products and materials, not of metal; wrappings for industry; paper for making sack and bag materials; flexible packaging materials, plastic sheets and webs, vacuum laminates, cellular plastics and vacu-

um pouches; paper sacks and bags; corrugated containers; reel wrappings and reel end-discs for paper and packaging industry; aseptic liquid packages; self-adhesive labelling laminates made of paper or plastic; air laid paper; stationery products.

19 – Timber, especially sawn timber and machined timber; plywood; veneers; wooden doors and windows; door and window frames, not of metal; semi-finished products and components for construction; wooden mouldings, mouldings for cornices, mouldings for building; building papers and roof covering underlay; panels, chipboard, fibreboard for mechanical woodworking; glue-laminated boards.

(260) AM 2018 92207 A

(800) 1343162

(151) 2017 01 18

(891) 2017 01 18

(731) HANWHA TECHWIN CO., LTD.

1204, Changwon-daero, Seongsan-gu, Changwon-si Gyeongsangnam-do, Korea (Republic of)

(540)

Techwin

(591) Black and white

(511)

9 – Cameras; CCD cameras; digital still cameras; lenses; computer software [recorded]; CCTV surveillance systems; monitors; projection monitors; electronic display units; video cassette recorder (VCR).

(260) AM 2018 92210 A

(800) 1343214

(151) 2016 09 02

(891) 2016 09 02

(731) REÇBER KABLO SANAYİ VE TİCARET LİMİTED ŞİRKETİ

Hadimköy Yolu Yeşilbayır Köy Girişi Arkas Karşisi Hadimköy, Turkey

(540)



(591) Black and red

(531) 26.13.25; 27.05.17; 29.01.12

(511)

9 – Magnetic and optic data carriers and computer software and programmes recorded thereto, downloadable and recordable electronic publications, encoded magnetic and optic cards; electronic components used in the electronic parts of machines and apparatus; counters and quantity indicators for measuring the quantity of consumption, automatic time switches; apparatus and instruments for conducting, transforming, accumulating or controlling electricity; el-

electric cables and electrical power supplies, batteries, electric accumulators; alarms and anti-theft alarms, other than for vehicles, electric bells.

(260) AM 2018 92211 A

(800) 1343248

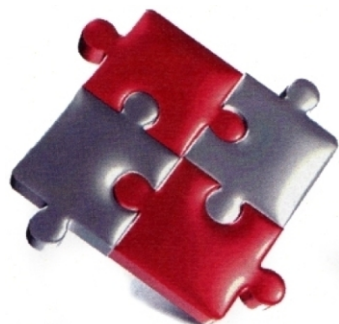
(151) 2017 01 10

(891) 2017 01 10

(731) GRINDEKS, AS

Krustpils iela 53 LV-1057 Rīga, Latvia

(540)



(591) Grey, silvery, red and white

(531) 21.01.14; 21.01.15; 29.01.13

(511)

1 – Chemicals used in industry and science; chemical products, chemical substances and materials used in industry and science.

5 – Pharmaceutical preparations.

35 – Advertisement.

(260) AM 2018 92214 A

(800) 1343257

(151) 2017 02 14

(891) 2017 02 14

(731) CELGENE CORPORATION

86 Morris Avenue Summit, NJ 07901, USA

(540)

REBLOZYL

(591) Black and white

(531) 27.05.05

(511)

5 – Pharmaceutical preparations for use in the treatment of beta thalassemia and myelodysplastic syndromes, autoinflammatory disease, autoimmune disease, blood disease, cancer, arthritis, musculoskeletal and skin diseases in the fields of oncology, immunology and inflammation; pharmaceutical preparations, namely, cytokine inhibitory drugs; pharmaceutical preparations that modulate the immune system.

(260) AM 2018 92227 A

(800) 1343311

(151) 2017 02 21

(891) 2017 02 21

(731) SOCIETE BIC

14 rue Jeanne d'Asnières F-92110 Clichy,

France

(540)

FLEX5

(591) Black and white

(511)

8 – Electric or non-electric razors; beard clippers; electric or non-electric depilation apparatus; razor blades.

(260) AM 2018 92228 A

(800) 1343334

(151) 2017 02 09

(891) 2017 02 09

(731) Limited Liability Company "TORGOVYI DOM TOREX"

ul. Elshanskaya, 37, Saratov RU-410086

Saratovskaya oblast., Russian Federation

(540)



(591) Red

(531) 27.01.01; 27.01.02; 29.01.01; 29.01.12

(526) ®

(511)

6 – Doors of metal.

12 – Snow mobiles [vehicles]; doors for vehicles; boats; amphibious vehicles; bodies for vehicles; sleighs [vehicles]; wheelbarrows.

19 – Door frames, not of metal; doors, not of metal; folding doors, not of metal; door panels, not of metal.

35 – Advertising of doors; sales promotion of doors for others; procurement services for others [purchasing of doors for other businesses].

37 – Installation of doors.

42 – Engineering; architectural consultancy; vehicle roadworthiness testing; industrial design; industrial design of doors; industrial design in shipbuilding; industrial design of amphibious vehicles; surveying.

(260) AM 2018 92230 A

(800) 1343389

(151) 2017 03 15

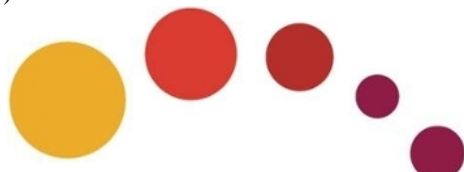
(891) 2017 03 15

(731) CELLTRION, INC.

23, Academy-ro, Yeonsu-gu Incheon 406-840,

Korea (Republic of)

(540)



(591) Goldenrod, dark orange, maroon red and fuchsia

(531) 26.01.06; 26.01.24; 29.01.12

(511)

5 – Medicines for human purposes; drugs for medical purposes; biological preparations for medical purposes; pharmaceutical preparations for cancer; pharmaceutical preparations for rheumatoid arthritis; pharmaceutical preparations for the treatment of inflammations; pharmaceutical preparations for the treatment of transplant rejection; pharmaceutical preparations for the treatment of autoimmune diseases; pharmaceutical preparations for the treatment of infectious diseases.

(260) AM 2018 92231 A

(800) 1343434

(151) 2016 11 12

(891) 2016 11 12

(731) ILKO ILAC SANAYI VE TICARET ANONIM SIRKETI

Veysel Karani Mah. Colakoglu Sok. No:10,

Kat: 7-8-9 Sancaktepe Istanbul, Turkey

(540)

GASPASS

(591) Black and white

(531) 27.05.17

(511)

5 – Pharmaceutical and veterinary preparations for medical purposes; chemical preparations for medical and veterinary purposes, chemical reagents for pharmaceutical and veterinary purposes; dietary supplements for pharmaceutical and veterinary purposes; dietary supplements; nutritional supplements; medical preparations for slimming purposes; food for babies; herbs and herbal beverages adapted for medicinal purposes; dental preparations and articles; teeth filling material, dental impression material, dental adhesives and material for repairing teeth; sanitary preparations for medical use; hygienic pads; hygienic tampons; plasters; materials for dressings; diapers, including those made of paper and textiles; preparations for destroying vermin; fungicides, herbicides; deodorants, other than for human beings or for animals; air deodorising preparations; disinfectants; antiseptics; detergents for medical purposes.

10 – Surgical, medical, dental and veterinary apparatus and instruments; furniture especially made for medical purposes; artificial limbs and prostheses; medical orthopaedic articles; corsets for medical

purposes, orthopedic shoes, elastic and support bandages; adult sexual aids; condoms; babies' bottles; babies' pacifiers; teats; teethingers for babies.

(260) AM 2018 92232 A

(800) 1344517

(151) 2017 03 03

(891) 2017 03 03

(731) BEIERSDORF AG

Unnastr. 48 20253 Hamburg, Germany

(540)

MicellAIR

(591) Black, white

(511)

3 – Cosmetic skin care and skin cleansing preparations.

(260) AM 2018 92233 A

(800) 1343435

(151) 2016 11 12

(891) 2016 11 12

(731) ILKO ILAC SANAYI VE TICARET ANONIM SIRKETI

Veysel Karani Mah. Colakoglu Sok. No:10,

Kat: 7-8-9 Sancaktepe Istanbul, Turkey

(540)

reliflu

(591) Black and white

(531) 27.05.17

(511)

5 – Pharmaceutical and veterinary preparations for medical purposes; chemical preparations for medical and veterinary purposes, chemical reagents for pharmaceutical and veterinary purposes; dietary supplements for pharmaceutical and veterinary purposes; dietary supplements; nutritional supplements; medical preparations for slimming purposes; food for babies; herbs and herbal beverages adapted for medicinal purposes; dental preparations and articles; teeth filling material, dental impression material, dental adhesives and material for repairing teeth; sanitary preparations for medical use; hygienic pads; hygienic tampons; plasters; materials for dressings; diapers, including those made of paper and textiles; preparations for destroying vermin; fungicides, herbicides; deodorants, other than for human beings or for animals; air deodorising preparations; disinfectants; antiseptics; detergents for medical purposes.

10 – Surgical, medical, dental and veterinary apparatus and instruments; furniture especially made for medical purposes; artificial limbs and prostheses; medical orthopaedic articles; corsets for medical purposes, orthopedic shoes, elastic and support bandages.

dages; adult sexual aids; condoms; babies' bottles; babies' pacifiers; teats; teethers for babies.

(260) AM 2018 92235 A

(800) 1343451

(151) 2017 01 09

(891) 2017 01 09

(731) GOROKHOVSKAYA TATYANA
GERMANOVNA

Krasnyi prospekt, d. 49, kv. 58 RU-630091
Novosibirsk, Russian Federation

(540)

StartSmart

(591) Black and white

(531) 27.05.17

(511)

41 – Academies [education]; arranging and conducting of colloquiums; arranging and conducting of conferences; arranging and conducting of congresses; arranging and conducting of seminars; arranging and conducting of workshops [training]; club services [entertainment or education]; electronic desktop publishing; educational examination; education information; on-line publication of electronic books and journals; organization of competitions [education or entertainment]; practical training [demonstration]; providing on-line electronic publications, not downloadable; providing recreation facilities; publication of books; publication of texts, other than publicity texts; teaching; educational services; instruction services; tutoring; vocational guidance [education or training advice]; vocational retraining.

(260) AM 2018 92236 A

(800) 1344518

(151) 2017 02 07

(891) 2017 02 07

(731) Barilla G. e R. Fratelli – Società per Azioni
Via Mantova, 166, PARMA (PR), Italy

(540)



140
YEARS

(591) Black and yellow

(531) 03.13.01; 08.07.03; 27.05.01; 27.07.12;
29.01.12

(511)

29 – Meat, fish, poultry and game; meat extracts; preserved, frozen, dried and cooked fruits and vegetables; jellies, jams, compotes; eggs, milk and milk

products; edible oils and fats; anchovy; broth; soups; caviar; fruits, tinned [canned (am.)]; vegetables, tinned [canned (am.)]; cheese; milk shakes; fruit chips; frozen fruits; fruit, preserved; fruit preserved in alcohol; fruit, stewed; frosted fruits; mushrooms, preserved; gelatine; jellies for food; fruit jellies; vegetable soup preparations; milk; vegetables, preserved; vegetables, cooked; vegetables, dried; lentils, preserved; fruit salads; vegetable salads; margarine; whipped cream; cream [dairy products]; potato chips; low-fat potato chips; fish, preserved; poultry, not live; preparations for making soup; fruit-based snack food; vegetable juices for cooking; tomato juice for cooking; yogurt.

30 – Coffee, tea, cocoa and artificial coffee; rice; tapioca and sago; flour and preparations made from bread; pastry, cereals and confectionery; ices; sugar-honey, treacle; yeast, baking-powder; salt; mustard; vinegar, sauces (condiments); spices; ice; oat-based food; farinaceous foods; starch for food; aniseed; star aniseed; seasonings; coffee flavorings [flavourings]; flavourings (other than essential oils); plant flavourings (other than essential oils) for beverages; flavorings, other than essential oils, for cakes; crushed oats; husked oats; high-protein cereal bars; stick liquorice (confectionery); beverages (cocoa-based); beverages (coffee-based); beverages (chocolate-based); tea-based beverages; baking soda [bicarbonate of soda for cooking purposes]; cookies; malt biscuits; petit-beurre biscuits; sweetmeats [candy]; buns; puddings; cocoa; cocoa beverages with milk; coffee beverages with milk; unroasted coffee; cinnamon [spice]; caramels [candy]; condiments; crackers; couscous [semolina]; cakes; wheat flour; meal; fruit jellies [confectionery]; edible ices; baking powder; macaroni; mayonnaise; rusks; unleavened bread; breadcrumbs; bread rolls; pasta; pesto [sauce]; pizzas; cereal preparations; ravioli; rice; cooking salt; tomato sauce; soya sauce; dressings for salad; sandwiches; peppers [seasonings]; oatmeal; semolina; hominy grits; cereal-based snack food; rice-based snack food; sorbets [ices]; spaghetti; meat gravies; noodles; tarts; vermicelli [noodles]; saffron [seasoning]; ginger [spice].

35 – Advertising; business management; business administration; office functions; commercial administration of the licensing of the goods and services of others; dissemination of advertising matter; demonstration of goods; direct mail advertising; marketing; organization of exhibitions for commercial or advertising purposes; organization of trade fairs for commercial or advertising purposes; presentation of goods on communication media, for retail purposes; sales promotion for others; publication of publicity texts; on-line advertising on a computer network; television advertising; retail and e-commerce services for meat, fish, poultry and game, meat extracts, preserved, frozen, dry and cooked fruits and vege-

tables, jellies, jams, compotes, eggs, milk and milk products, edible oils and fats, anchovy, broth, soups, caviar, tinned fruits, tinned vegetables, cheese, smoothies, fruit chips, frozen fruits, preserved fruit, fruit preserved in alcohol, stewed fruits, crystallised fruits, preserved mushrooms, gelatine for food, jellies for food, fruit jellies, vegetable soup preparations, preserved vegetables, cooked vegetables, dried vegetables, preserved lentils, fruit salads, vegetable salads, margarine, whipped cream, cream (dairy products), potato crisps, low-fat French fries, preserved fish, poultry, not live, preparations for making soup, fruit-based snack food, vegetable juices for cooking, tomato juice for cooking, yoghurt, coffee, tea, cocoa and artificial coffee, rice, tapioca and sago, flour and preparations made from cereals, bread, pastry and confectionery, ices, sugar, honey, treacle, yeast, baking-powder, salt, mustard, vinegar, sauces (condiments), spices, ice, oat-based food, farinaceous foods, starch for food, aniseed, star aniseed, seasonings, coffee flavourings, flavourings, other than essential oils, flavourings, other than essential oils, for beverages, flavourings, other than essential oils, for cakes, crushed oats, husked oats, high-protein cereal bars, liquorice sticks (confectionery), cocoa-based beverages, coffee-based beverages, chocolate-based beverages, tea-based beverages, bicarbonate of soda for cooking purposes, cookies, biscuits, malt biscuits, petit-beurre biscuits, sweets, buns, puddings, cocoa, cocoa beverages with milk, coffee beverages with milk, unroasted coffee, cinnamon (spice), toffees, condiments, crackers, couscous (semolina), cakes, wheat flour, meal; fruit jellies (confectionery), edible ices, yeast powder, macaroni, mayonnaise, rusks, unleavened bread, breadcrumbs, bread rolls, pasta, pesto (sauce), pizzas, preparations made from cereals, ravioli, rice, cooking salt, tomato sauce, soya sauce, dressings for salad, sandwiches, peppers (seasonings), oatmeal, semolina, corn semolina, cereal-based snack food, rice-based snack food, sorbets (ices), spaghetti, meat gravies (sauces), noodles, tarts, vermicelli (noodles), saffron (seasoning), ginger (spice).

41 – Education; providing of training; entertainment; sporting and cultural activities; academies [education]; practical training (demonstration); education information; recreation information; gymnastic instruction; correspondence courses; organising cookery courses; organising of competitions; organization of sports competitions; organization of competitions [education or entertainment]; organization of exhibitions for cultural or educational purposes; organization of shows [impresario services]; arranging and conducting of concerts; arranging and conducting of conferences; arranging and conducting of congresses; arranging and conducting of colloquiums; arranging and conducting of seminars; arranging and conducting of symposiums; arranging and conducting of workshops [training]; entertainment party

planning; publication of books; publication of texts, other than publicity texts; publication of electronic books and journals on-line; electronic desktop publishing; presentation of live performances; game services provided on-line from a computer network.

43 – Services for providing food and drink; temporary accommodation; cafes; cafeterias; rental of temporary accommodation; canteens; hotel reservations; temporary accommodation reservations; boarding house bookings; restaurants; self-service restaurants; hotels; bar services; holiday camp services [lodging]; food and drink catering; motels; snack-bars.

(260) AM 2018 92237 A

(800) 1343896

(151) 2017 02 13

(891) 2017 02 13

(731) PIKDARE S.R.L

Via Saldarini Catelli, 10, I-22070 Casnate con Bernate (CO), Italy

(540)



(591) Black, white

(531) 27.05.01

(511)

10 – Medical instruments and apparatus, in particular hypodermic syringes; disposable syringes; needles for injections; needles and disposable needles for syringes; catheters; syringes for medical purposes.

(260) AM 2018 92238 A

(800) 1343536

(151) 2017 01 25

(891) 2017 01 25

(731) NÜVE SANAYİ MALZEMELERİİMALAT VE TİCARET ANONİM ŞİRKETİ

Saracalar Mahallesi, Saracalar Kümeevleri, No:4/2, Akyurt Ankara, Turkey

(540)



(591) Dark blue and black

(531) 26.13.25; 27.05.17; 29.01.12

(511)

9 – Testing apparatus not for medical purposes; laboratory apparatus and instruments; microscopes; magnifying glasses; measuring or testing machines and instruments; measurement apparatus and equipment for laboratory purposes; distillation apparatus

for scientific purposes; ovens and furnaces for laboratory experiments.

10 – Surgical, medical, dental and veterinary apparatus and instruments; furniture especially made for medical purposes; medical apparatus and instruments; veterinary apparatus and instruments.

11 – Heating installations using solid, liquid or gas fuels or electricity; installations for air-conditioning and ventilating; cooling installations and freezers; electric and gas-powered devices, installations and apparatus for cooking, drying and boiling; cookers; water softening apparatus; water purification apparatus; pasteurizers and sterilizers, heating and steam generating installations; industrial type installations for cooking.

35 – The bringing together, for the benefit of others, of a variety of goods, namely, testing apparatus not for medical purposes, laboratory apparatus and instruments, microscopes, magnifying glasses, measuring or testing machines and instruments, measurement apparatus and equipment for laboratory purposes, distillation apparatus for scientific purposes, ovens and furnaces for laboratory experiments, surgical, medical, dental and veterinary apparatus and instruments, furniture especially made for medical purposes, medical apparatus and instruments, veterinary apparatus and instruments, heating installations using solid, liquid or gas fuels or electricity, installations for air-conditioning and ventilating, cooling installations and freezers, electric and gas-powered devices, installations and apparatus for cooking, drying and boiling, cookers, water softening apparatus, water purification apparatus, pasteurizers and sterilizers, heating and steam generating installations, industrial type installations for cooking, enabling customers to conveniently view and purchase those goods, such services may be provided by retail stores, wholesale outlets, by means of electronic media or through mail order catalogues.

(260) AM 2018 92241 A

(800) 1343958

(151) 2016 04 27

(891) 2016 04 27

(731) BERKO ILAC VE KIMYA SANAYI A.S.

Yenisehir Mah.Ozgur Sok. No:16-18 Atasehir
Istanbul, Turkey

(540)

Berko Alores

(591) Black, white

(531) 27.05.01

(511)

5 – Pharmaceutical and veterinary preparations for medical purposes; chemical preparations for medical purposes and veterinary purposes, chemical reagents

for pharmaceutical and veterinary purposes; dietary supplements for pharmaceutical and veterinary purposes; nutritional supplements; food for babies; herbs and herbal beverages adapted for medicinal purposes.

(260) AM 2018 92242 A

(800) 1343965

(151) 2016 12 02

(891) 2016 12 02

(731) PUMA SE

PUMA Way 1,91074 Herzogenaurach,
Germany

(540)



(591) Black, white

(531) 03.01.04; 03.01.20; 03.01.21

(511)

3 – Laundry and bleaching preparations; cleaning preparations; leather and shoe polishing preparations, shoemakers' wax, degreasing and abrasive preparations; soaps; perfumery; essential oils; preparations for beauty and body care; hair lotion; dentifrices.

(260) AM 2018 92248 A

(800) 1343637

(151) 2017 02 16

(891) 2017 02 16

(731) KONINKLIJKE PHILIPS N.V.

High Campus 5 NL-5656 AE Eindhoven,
Netherlands

(540)

ЯПРОШЛА

(591) Black and white

(531) 28.05

(511)

10 – Surgical apparatus and instruments; radiology screens for medical purposes; medical apparatus and instruments; x-ray photographs for medical purposes; x-ray tubes for medical purposes; protection devices against x-rays, for medical purposes; artificial breasts; diagnostic apparatus for medical purposes; tomographs for medical purposes.

35 – Dissemination of advertising matter; demonstration of goods; updating of advertising material; distribution of samples; publicity material rental; public relations; shop window dressing; organization of exhibitions for commercial or advertising purposes.

ses; business information; opinion polling; sales promotion for others; word processing; advertising by mail order; business management of performing artists; organization of trade fairs for commercial or advertising purposes; on-line advertising on a computer network; news clipping services; presentation of goods on communication media, for retail purposes; writing of publicity texts; compilation of statistics; layout services for advertising purposes; marketing; design of advertising materials; administration of consumer loyalty programs.

36 – Organization of collections; financial sponsorship.

41 – Organization of competitions [education or entertainment]; rental of show scenery; providing recreation facilities; teaching, educational services; instruction services; arranging and conducting of colloquiums; arranging and conducting of conferences; arranging and conducting of congresses; organization of exhibitions for cultural or educational purposes; health club services [health and fitness training]; organization of sports competitions; party planning [entertainment]; practical training [demonstration]; arranging and conducting of seminars; arranging and conducting of symposiums; organization of lotteries; photographic reporting; photography; ticket agency services [entertainment]; layout services, other than for advertising purposes; arranging and conducting of in-person educational forums; education services, namely online education.

44 – Medical equipment rental; health counselling; health counseling.

(260) AM 2018 92249 A

(800) 1343638

(151) 2017 02 14

(891) 2017 02 14

(731) ANHUI JIANGHUAI AUTOMOBILE CO., LTD.

No.176 Dongliu Road, Hefei City Anhui Province, China

(540)



(591) Black and white

(531) 24.11.25; 26.01.02; 26.01.18; 27.05.24; 29.01.12

(511)

12 – Electric vehicles; vehicles for locomotion by land, air, water or rail; cars; automobile chassis; fork lift trucks; lorries; motor coaches; waggons; automobile tires [tyres].

(260) AM 2018 92250 A

(800) 1343643

(151) 2016 12 21

(891) 2016 12 21

(731) Obshchestvo s ogranichennoy otvetstvennostyu «Upravlyayushchaya kompaniya "BUKET"

1-y Graivoronovskiy pr-d, d. 3 RU-109518 Moscow, Russian Federation

(540)



(591) Dark blue

(531) 02.09.01; 28.05; 29.01.04

(511)

29 – Bouillon; ginger jam; ham; fatty substances for the manufacture of edible fats; peas, preserved; mushrooms, preserved; game, not live; gelatine; meat jellies; jellies for food; fruit jellies; yolk of eggs; coconut fat; bone oil, edible; lard; suet for food; edible fats; curd; fruit-based snack food; charcuterie; raisins; yogurt; sauerkraut; kephir [milk beverage]; kimchi [fermented vegetable dish]; milk shakes; black pudding [blood sausage]; compotes; meat, tinned [canned (Am.)]; vegetables, tinned [canned (Am.)]; fish, tinned [canned (Am.)]; fruits, tinned [canned (Am.)]; bouillon concentrates; gherkins; buttercream; croquettes; kumys [kumyss] [milk beverage]; onions, preserved; margarine; piccalilli; marmalade; edible oils; peanut butter; cocoa butter for food; coconut oil; coconut butter; corn oil; sesame oil; linseed oil for culinary purposes; olive oil for food; palm oil for food; palm kernel oil for food; sunflower oil for food; colza oil for food; butter; almonds, ground; milk; albumin milk; condensed milk; soya milk [milk substitute]; vegetable mousses; fish mousses; fruit pulp; meat; meat, preserved; milk beverages, milk predominating; vegetables, preserved; vegetables, cooked; vegetables, dried; potato fritters; olives, preserved; coconut, desiccated; nuts, prepared; tomato paste; liver pate; pectin for culinary purposes; liver; pickles; jams; powdered eggs; milk products, including cottage cheese; fish-based foodstuffs; prostokvasha [soured milk]; cranberry sauce [compote]; tomato puree; apple puree; fish, preserved; salted fish; ryazhenka [fermented baked milk]; vegetable salads; fruit salads; bacon; pork; herrings, not live; seeds, prepared; sunflower seeds, prepared; whipped cream; cream [dairy products]; fat-containing mixtures for bread slices; dairy and vegetable oils based spreads; smetana [sour cream]; tomato juice for cooking; vegetable juices for cooking; salted meats; sausages; sausages in batter; preparations for making bouillon; preparations for making soup; soups; vegetable soup preparations; whey; cheese; tahini [sesame seed paste]; tofu; truffles, preserved; tuna, not live; milk ferments for culinary purposes; rennet; fish fillets; dates; crys-

tallized fruits; frozen fruits; fruit, preserved; fruit preserved in alcohol; fruit, stewed; potato flakes; hummus [chickpea paste]; fruit peel; preserved garlic; lentils, preserved; potato chips; low-fat potato chips; fruit chips; non-alcoholic eggnog; seaweed extracts for food; meat extracts; eggs.

30 – Cereal bars; high-protein cereal bars; pancakes; noodle-based prepared meals; buns; bread rolls; vanillin [vanilla substitute]; vanilla [flavoring]; waffles; vermicelli [noodles]; natural sweeteners; sausage binding materials; binding agents for ice cream [edible ices]; seaweed [condiment]; malt biscuits; cloves [spice]; cake frosting [icing]; glucose for culinary purposes; mustard; gluten additives for culinary purposes; yeast; thickening agents for cooking foodstuffs; leaven; rice-based snack food; cereal-based snack food; artificial coffee; vegetal preparations for use as coffee substitutes; dressings for salad; fruit jellies [confectionery]; confectionery for decorating Christmas trees; cakes; pastries; peanut confectionery; almond confectionery; pasta; ginger [spice]; frozen yogurt [confectionery ices]; cocoa; cream of tartar for culinary purposes; capers; caramels [candy]; curry [spice]; ketchup [sauce]; quiches; sweetmeats [candy]; liquorice [confectionery]; peppermint sweets; cinnamon [spice]; coffee; starch for food; crackers; custard; hominy grits; semolina; oatmeal; crushed barley; groats for human food; corn, milled; corn, roasted; meat pies; turmeric; couscous [semolina]; noodles; ice for refreshment; candy; rice cakes; mayonnaise; mayonnaise-based sauce; macaroons [pastry]; macaroni; maltose; hominy; marinades; marzipan; honey; royal jelly; ice cream; bean meal; tapioca flour; potato flour; corn flour; flour; wheat flour; soya flour; barley meal; dessert mousses [confectionery]; chocolate mousses; muesli; mint for confectionery; cocoa beverages with milk; coffee beverages with milk; coffee-based beverages; cocoa-based beverages; tea-based beverages; chocolate beverages with milk; chocolate-based beverages; infusions, not medicinal; crushed oats; husked oats; nutmegs; stick liquorice [confectionery]; soya bean paste [condiment]; pastilles [confectionery]; molasses for food; pâtés en croûte; pepper; allspice; peppers [seasonings]; pesto [sauce]; biscuits; petit-beurre biscuits; pies; pizzas; meat gravies; fondants [confectionery]; popcorn; powders for making ice cream; baking powder; mustard meal; pralines; condiments; meat tenderizers, for household purposes; cereal preparations; oat-based food; propolis; gingerbread; spices; petits fours [cakes]; puddings; cake powder; fruit coulis [sauces]; ravioli; relish [condiment]; rice; spring rolls; sago; sugar; aniseed; linseed for human consumption; golden syrup; confectionery; baking soda [bicarbonate of soda for cooking purposes]; salt for preserving foodstuffs; cooking salt; celery salt; sherbets [ices]; ham glaze; soya sauce; tomato sauce; pasta sauce; sauces [condiments]; spaghetti; seasonings; preparations for

stiffening whipped cream; rusks; breadcrumbs; sushi; sandwiches; tabbouleh; tacos; tapioca; tarts; dough; pastry dough; almond paste; cake dough; tortillas; garden herbs, preserved [seasonings]; vinegar; beer vinegar; ferments for pastes; halvah; bread; unleavened bread; chips [cereal products]; corn flakes; oat flakes; flowers or leaves for use as tea substitutes; chicory [coffee substitute]; tea; iced tea; chutneys [condiments]; cheeseburgers [sandwiches]; chow-chow [condiment]; saffron [seasoning]; chocolate; malt extract for food; essences for foodstuffs, except etheric essences and essential oils.

(260) AM 2018 92255 A

(800) 1343644

(151) 2016 12 21

(891) 2016 12 21

(731) Obshchestvo s ogranichennoy otvetstvennostyu "Upravlyayushchaya kompaniya "BUKET"
1-y Graivoronovskiy pr-d, d. 3 RU-109518
Moscow, Russian Federation

(540)



(591) Blue, dark blue, white

(531) 02.09.01; 26.01.01; 26.01.03; 26.01.14;
26.01.16; 28.05; 29.01.13

(511)

29 – Bouillon; ginger jam; ham; fatty substances for the manufacture of edible fats; peas, preserved; mushrooms, preserved; game, not live; gelatine; meat jellies; jellies for food; fruit jellies; yolk of eggs; coconut fat; bone oil, edible; lard; suet for food; edible fats; curd; fruit-based snack food; charcuterie; raisins; yogurt; sauerkraut; kephir [milk beverage]; kimchi [fermented vegetable dish]; milk shakes; black pudding [blood sausage]; compotes; meat, tinned [canned (Am.)]; vegetables, tinned [canned (Am.)]; fish, tinned [canned (Am.)]; fruits, tinned [canned (Am.)]; bouillon concentrates; gherkins; buttercream; croquettes; kumys [kumyss] [milk beverage]; onions, preserved; margarine; piccalilli; marmalade; edible oils; peanut butter; cocoa butter for food; coconut oil; coconut butter; corn oil; sesame oil; linseed oil for culinary purposes; olive oil for food; palm oil for food; palm kernel oil for food; sunflower oil for food; colza oil for food; butter; almonds, ground; milk; albumin milk; condensed milk; soya

milk [milk substitute]; vegetable mousses; fish mousses; fruit pulp; meat; meat, preserved; milk beverages, milk predominating; vegetables, preserved; vegetables, cooked; vegetables, dried; potato fritters; olives, preserved; coconut, desiccated; nuts, prepared; tomato paste; liver pate; pectin for culinary purposes; liver; pickles; jams; powdered eggs; milk products, including cottage cheese; fish-based foodstuffs; prostokvasha [soured milk]; cranberry sauce [compote]; tomato puree; apple puree; fish, preserved; salted fish; ryazhenka [fermented baked milk]; vegetable salads; fruit salads; bacon; pork; herrings, not live; seeds, prepared; sunflower seeds, prepared; whipped cream; cream [dairy products]; fat-containing mixtures for bread slices; dairy and vegetable oils based spreads; smetana [sour cream]; tomato juice for cooking; vegetable juices for cooking; salted meats; sausages; sausages in batter; preparations for making bouillon; preparations for making soup; soups; vegetable soup preparations; whey; cheese; tahini [sesame seed paste]; tofu; truffles, preserved; tuna, not live; milk ferments for culinary purposes; rennet; fish fillets; dates; crystallized fruits; frozen fruits; fruit, preserved; fruit preserved in alcohol; fruit, stewed; potato flakes; hummus [chickpea paste]; fruit peel; preserved garlic; lentils, preserved; potato chips; low-fat potato chips; fruit chips; non-alcoholic eggnog; seaweed extracts for food; meat extracts; eggs.

30 – Cereal bars; high-protein cereal bars; pancakes; noodle-based prepared meals; buns; bread rolls; vanillin [vanilla substitute]; vanilla [flavoring]; waffles; vermicelli [noodles]; natural sweeteners; sausage binding materials; binding agents for ice cream [edible ices]; seaweed [condiment]; malt biscuits; cloves [spice]; cake frosting [icing]; glucose for culinary purposes; mustard; gluten additives for culinary purposes; yeast; thickening agents for cooking foodstuffs; leaven; rice-based snack food; cereal-based snack food; artificial coffee; vegetal preparations for use as coffee substitutes; dressings for salad; fruit jellies [confectionery]; confectionery for decorating Christmas trees; cakes; pastries; peanut confectionery; almond confectionery; pasta; ginger [spice]; frozen yogurt [confectionery ices]; cocoa; cream of tartar for culinary purposes; capers; caramels [candy]; curry [spice]; ketchup [sauce]; quiches; sweetmeats [candy]; liquorice [confectionery]; peppermint sweets; cinnamon [spice]; coffee; starch for food; crackers; custard; hominy grits; semolina; oatmeal; crushed barley; groats for human food; corn, milled; corn, roasted; meat pies; turmeric; couscous [semolina]; noodles; ice for refreshment; candy; rice cakes; mayonnaise; mayonnaise-based sauce; macaroons [pastry]; macaroni; maltose; hominy; marinades; marzipan; honey; royal jelly; ice cream; bean meal; tapioca flour; potato flour; corn flour; flour; wheat flour; soya flour; barley meal; dessert mousses [confectionery]; chocolate mousses; muesli; mint for

confectionery; cocoa beverages with milk; coffee beverages with milk; coffee-based beverages; cocoa-based beverages; tea-based beverages; chocolate beverages with milk; chocolate-based beverages; infusions, not medicinal; crushed oats; husked oats; nutmegs; stick liquorice [confectionery]; soya bean paste [condiment]; pastilles [confectionery]; molasses for food; pâtés en croûte; pepper; allspice; peppers [seasonings]; pesto [sauce]; biscuits; petit-beurre biscuits; pies; pizzas; meat gravies; fondants [confectionery]; popcorn; powders for making ice cream; baking powder; mustard meal; pralines; condiments; meat tenderizers, for household purposes; cereal preparations; oat-based food; propolis; gingerbread; spices; petits fours [cakes]; puddings; cake powder; fruit coulis [sauces]; ravioli; relish [condiment]; rice; spring rolls; sago; sugar; aniseed; linseed for human consumption; golden syrup; confectionery; baking soda [bicarbonate of soda for cooking purposes]; salt for preserving foodstuffs; cooking salt; celery salt; sherbets [ices]; ham glaze; soya sauce; tomato sauce; pasta sauce; sauces [condiments]; spaghetti; seasonings; preparations for stiffening whipped cream; rusks; breadcrumbs; sushi; sandwiches; tabbouleh; tacos; tapioca; tarts; dough; pastry dough; almond paste; cake dough; tortillas; garden herbs, preserved [seasonings]; vinegar; beer vinegar; ferments for pastes; halvah; bread; unleavened bread; chips [cereal products]; corn flakes; oat flakes; flowers or leaves for use as tea substitutes; chicory [coffee substitute]; tea; iced tea; chutneys [condiments]; cheeseburgers [sandwiches]; chowchow [condiment]; saffron [seasoning]; chocolate; malt extract for food; essences for foodstuffs, except etheric essences and essential oils.

(260) AM 2018 92261 A

(800) 1343692

(151) 2016 08 09

(891) 2016 08 09

(731) ORIFLAME COSMETICS AG

c/o Oriflame Global Management AG,
Bleicheplatz 3 CH-8200 Schaffhausen,
Switzerland

(540)

ORIFLAME VOLARE

(591) Black and white

(511)

3 – Non-medicated preparations for the application to, conditioning and care of hair, scalp, skin and nails; soaps; perfumes; perfumery; eau de cologne; toilet waters; essential and herbal oils; cosmetics; make-up preparations; lipsticks; nail varnishes; nail varnish removers; non-medicated toilet preparations; hair lotions; hair sprays and hair gels; preparations for use in the bath or shower; bath and shower oils, gels, creams and foams; face and body masks; face and body scrubs; facial washes; skin cleansers and

hydrators; skin toners; skin moisturizers; blemish creams and blemish gels; deodorants; antiperspirants; preparations for use before shaving and after shaving; shaving soaps; shaving creams; shaving gels; after-shave preparations; pre-shave preparations; talcum powders; toiletries; dentifrices; tooth-pastes.

(260) AM 2018 92264 A

(800) 1343847

(151) 2016 12 29

(891) 2016 12 29

(731) Obshchestvo s ogranichennoy
otvetstvennost'yu "NATSIONAL'NAYA
KHIMICHESKAYA KOMPANIYA"
ul. Chistova, 4A, str. 2 RU-109390 Moskva,
Russian Federation

(540)



(591) Light blue, yellow and white

(531) 01.15.21; 02.01.07; 04.05.05; 13.01.17;
26.04.02; 26.04.04; 26.04.05; 26.04.12;
26.04.16; 26.04.22; 26.11.08; 27.05.01;
29.01.13

(511)

11 – Apparatus for lighting, heating, steam generating, cooking, refrigerating, drying, ventilating, water supply and sanitary purposes; lamp shades; steam accumulators; heat accumulators; defrosters for vehicles; distillation apparatus; desiccating apparatus; hydromassage bath apparatus; disinfectant apparatus; air deodorising apparatus; tanning apparatus [sun beds]; ionization apparatus for the treatment of air or water; coffee roasters; beverage cooling apparatus; hand drying apparatus for washrooms; fruit roasters; water purifying apparatus and machines; refrigerating apparatus and machines; drying apparatus and installations; freezers; drying apparatus; structural plates for ovens; coolers for furnaces; expansion tanks for central heating installations; flushing tanks; refining towers for distillation; bidets; boilers, other than parts of machines; bath tubs; spa baths [vessels]; bath tubs for sitz baths; waffle irons, electric; fans [air-conditioning]; fans [parts of air-conditioning installations]; electric fans for personal

use; roasting spits; refrigerating display cabinets; heated display cabinets; water heaters; water heaters [apparatus]; water flushing installations; air reheaters; extractor hoods for kitchens; gas condensers, other than parts of machines; acetylene generators; hydrants; burners; acetylene burners; petrol burners; gas burners; burners for lamps; germicidal burners; incandescent burners; oxyhydrogen burners; laboratory burners; oil burners; alcohol burners; hot water bottles; footwarmers, electric or non-electric; bed warmers; pocket warmers; warming pans; grills [cooking appliances]; lampshade holders; stills; showers; refrigerating containers; gas lighters; lighters; friction lighters for igniting gas; chimney blowers; coils [parts of distilling, heating or cooling installations]; furnace ash boxes; evaporators; torches for lighting; shower cubicles [enclosures (Am.)]; Turkish bath cabinets, portable; heating apparatus; refrigerating chambers; fireplaces, domestic; chimney flues; pressure cooking saucepans, electric; air valves for steam heating installations; level controlling valves in tanks; thermostatic valves [parts of heating installations]; electrically heated carpets; light bulbs; light bulbs, electric; solar thermal collectors [heating]; distillation columns; furnace grates; ventilation hoods; ventilation hoods for laboratories; lamp globes; air conditioning apparatus; air conditioners for vehicles; gas boilers; laundry room boilers; heating boilers; coffee machines, electric; taps [cocks, spigots] [faucets (Am.)] for pipes; taps [faucets]; mixer taps for water pipes; forges, portable; lava rocks for use in barbecue grills; electric lights for Christmas trees; acetylene flares; safety lamps; gas lamps; curling lamps; germicidal lamps for purifying air; lamps for directional signals of automobiles; light bulbs for directional signals for vehicles; arc lamps; laboratory lamps; oil lamps; ultraviolet ray lamps, not for medical purposes; miners' lamps; electric lamps; chandeliers; barbecues; bread baking machines; watering machines for agricultural purposes; disposable sterilization pouches; multicookers; footmuffs, electrically heated; heaters for baths; heaters for heating irons; immersion heaters; brackets for gas burners; anti-splash tap nozzles; heat pumps; filaments for electric lamps; magnesium filaments for lighting; heating filaments, electric; luminous house numbers; stoves; heating apparatus for defrosting windows of vehicles; hot air bath fittings; bath fittings; loading apparatus for furnaces; kiln furniture [supports]; sauna bath installations; refrigerating appliances and installations; blankets, electric, not for medical purposes; fabric steamers; lamp reflectors; vehicle reflectors; hearths; food steamers, electric; steam boilers, other than parts of machines; pasteurisers; lamp mantles; sockets for electric lights; coffee percolators, electric; stoves [heating apparatus]; bakers' ovens; hot air ovens; kitchen ranges [ovens]; microwave ovens [cooking apparatus]; microwave ovens for industrial purposes; incinera-

tors; kilns; solar furnaces; dental ovens; furnaces, other than for laboratory use; urinals [sanitary fixtures]; feeding apparatus for heating boilers; heating plates; cookers; hot plates; heaters, electric, for feeding bottles; aquarium heaters; aquarium lights; heating cushions [pads], electric, not for medical purposes; clean chambers [sanitary installations]; tortilla presses, electric; water intake apparatus; deodorising apparatus, not for personal use; apparatus for dehydrating food waste; fumigation apparatus, not for medical purposes; gas scrubbing apparatus; oil-scrubbing apparatus; glue-heating appliances; forage drying apparatus; water filtering apparatus; air purifying apparatus and machines; ice machines and apparatus; cooling appliances and installations; cooking apparatus and installations; lighting apparatus and installations; sanitary apparatus and installations; cooking rings; lighting apparatus for vehicles; light-emitting diodes [LED] lighting apparatus; heating apparatus for solid, liquid or gaseous fuels; heating apparatus, electric; hot air apparatus; steam facial apparatus [saunas]; safety accessories for water or gas apparatus and pipes; regulating and safety accessories for gas apparatus; regulating accessories for water or gas apparatus and pipes; regulating and safety accessories for water apparatus; regulating and safety accessories for gas pipes; anti-glare devices for vehicles [lamp fittings]; roasting jacks; plate warmers; electric appliances for making yogurt; anti-dazzle devices for automobiles [lamp fittings]; rotisseries; radiator caps; diving lights; washers for water taps; radiators [heating]; central heating radiators; radiators, electric; sinks; disinfectant dispensers for toilets; drip irrigation emitters [irrigation fittings]; light diffusers; nuclear reactors; heat regenerators; pressure water tanks; roasters; lamps; street lamps; ceiling lights; toilet seats; lighting installations for air vehicles; pressure cookers [autoclaves], electric; gas scrubbers [parts of gas installations]; lamp glasses; sterilizers; water sterilizers; air sterilisers; air dryers; laundry dryers, electric; hair dryers; malt roasters; tobacco roasters; heat exchangers, not parts of machines; bread toasters; discharge tubes, electric, for lighting; lamp chimneys; luminous tubes for lighting; pipes [parts of sanitary installations]; flues for heating boilers; boiler pipes [tubes] for heating installations; toilets [water-closets]; toilets, portable; humidifiers for central heating radiators; wash-hand basins [parts of sanitary installations]; toilet bowls; water conduits installations; bath installations; air conditioning installations; desalination plants; installations for processing nuclear fuel and nuclear moderating material; watering installations, automatic; cooling installations for water; cooling installations for liquids; milk cooling installations; cooling installations for tobacco; water purification installations; purification installations for sewage; steam generating installations; water distribution installations; air filtering installations; swimming pool chlorinating

apparatus; ventilation [air-conditioning] installations and apparatus; ventilation [air-conditioning] installations for vehicles; water softening apparatus and installations; cooling installations and machines; heating installations; heaters for vehicles; hot water heating installations; polymerisation installations; water supply installations; flare stacks for use in the oil industry; ash conveyor installations, automatic; whirlpool-jet apparatus; air cooling apparatus; aquarium filtration apparatus; cooking utensils, electric; flares; headlights for automobiles; vehicle headlights; filters for air conditioning; filters for drinking water; lights for automobiles; bicycle lights; motorcycle lights; lights for vehicles; pocket torches, electric; lanterns for lighting; Chinese lanterns; fountains; ornamental fountains; deep fryers, electric; fittings, shaped, for ovens; oven fittings made of fireclay; bread-making machines; refrigerators; chromatography apparatus for industrial purposes; kettles, electric; dampers [heating]; book sterilization apparatus; refrigerating cabinets; ice boxes; fuel economizers; carbon for arc lamps; heating elements.

(260) AM 2018 92265 A

(800) 1343891

(151) 2017 01 20

(891) 2017 01 20

(731) UNI-CHARM CORPORATION

182 Shimobun, Kinsei-cho, Shikokuchuo-shi
Ehime-ken 799-0111, Japan

(540)



(591) Black and white

(531) 26.01.01; 26.01.03; 26.01.12; 26.11.01;
26.11.12; 27.05.01; 28.03

(511)

5 – Pharmaceuticals; pharmaceutical preparations for skin care; chemical preparations for medical purposes; chemical preparations for veterinary purposes; medicated animal feed; detergents for medical purposes; animal washes; tissues impregnated with pharmaceutical lotions; deodorants, other than for human beings or for animals; deodorants for clothing and textiles; air deodorizer; remedies for perspiration; sterilising preparations; hemorrhoid preparations; compresses; gauze for dressings; capsules for medicines; eyepatches for medical purposes; absorbent cotton; adhesive plasters; bandages for dressings; cotton sticks for medical purposes; sanitary tampons; menstruation tampons; sanitary panties; panty liners [sanitary]; belts for sanitary napkins [towels]; diapers for incontinents; pants, absorbent, for incontinents; babies' diapers of paper; babies'

diaper-pants; babies' napkins [diapers], babies' diaper [napkins]; diapers for pets.

(260) AM 2018 92267 A

(800) 1344591

(151) 2017 02 07

(891) 2017 02 07

(731) Barilla G. e R. Fratelli – Società per Azioni
Via Mantova, 166, PARMA (PR), Italy

(540)



(591) Red, blue, white and yellow

(531) 03.13.01; 08.07.03; 26.01.02; 26.01.04;

26.01.20; 26.01.24; 26.04.01; 26.04.07;

26.04.22; 26.04.24; 27.05.24; 29.01.14

(511)

29 – Meat, fish, poultry and game; meat extracts; preserved, frozen, dried and cooked fruits and vegetables; jellies, jams, compotes; eggs, milk and milk products; edible oils and fats; anchovy; broth; soups; caviar; fruits, tinned [canned (am.)]; vegetables, tinned [canned (am.)]; cheese; milk shakes; fruit chips; frozen fruits; fruit, preserved; fruit preserved in alcohol; fruit, stewed; frosted fruits; mushrooms, preserved; gelatine; jellies for food; fruit jellies; vegetable soup preparations; milk; vegetables, preserved; vegetables, cooked; vegetables, dried; lentils, preserved; fruit salads; vegetable salads; margarine; whipped cream; cream [dairy products]; potato chips; low-fat potato chips; fish, preserved; poultry, not live; preparations for making soup; fruit-based snack food; vegetable juices for cooking; tomato juice for cooking; yogurt.

30 – Coffee, tea, cocoa and artificial coffee; rice; tapioca and sago; flour and preparations made from bread; pastry, cereals and confectionery; ices; sugar-honey, treacle; yeast, baking-powder; salt; mustard; vinegar, sauces (condiments); spices; ice; oat-based food; farinaceous foods; starch for food; aniseed; star aniseed; seasonings; coffee flavorings [flavourings]; flavourings (other than essential oils); plant flavourings (other than essential oils) for beverages; flavorings, other than essential oils, for cakes; crushed oats; husked oats; high-protein cereal bars; stick liquorice (confectionery); beverages (cocoa-based); beverages (coffee-based); beverages (chocolate-based); tea-based beverages; baking soda [bicarbonate

of soda for cooking purposes]; cookies; malt biscuits; petit-beurre biscuits; sweetmeats [candy]; buns; puddings; cocoa; cocoa beverages with milk; coffee beverages with milk; unroasted coffee; cinnamon [spice]; caramels [candy]; condiments; crackers; couscous [semolina]; cakes; wheat flour; meal; fruit jellies [confectionery]; edible ices; baking powder; macaroni; mayonnaise; rusks; unleavened bread; breadcrumbs; bread rolls; pasta; pesto [sauce]; pizzas; cereal preparations; ravioli; rice; cooking salt; tomato sauce; soya sauce; dressings for salad; sandwiches; peppers [seasonings]; oatmeal; semolina; hominy grits; cereal-based snack food; rice-based snack food; sorbets [ices]; spaghetti; meat gravies; noodles; tarts; vermicelli [noodles]; saffron [seasoning]; ginger [spice].

43 – Services for providing food and drink; temporary accommodation; cafes; cafeterias; rental of temporary accommodation; canteens; hotel reservations; temporary accommodation reservations; boarding house bookings; restaurants; self-service restaurants; hotels; bar services; holiday camp services [lodging]; food and drink catering; motels; snack-bars.

(260) AM 2018 92272 A

(800) 259246A

(151) 1962 08 31

(891) 2017 04 27

(731) Scandinavian Tobacco Group Assens A/S
Tobaksvej 1, DK-5610 Assens, Denmark

(540)

CAPTAIN BLACK

(591) Black, white

(511)

34 – Tobacco, manufactured tobacco, smokers' articles.

(260) AM 2018 92275 A

(800) 1343991

(151) 2016 08 25

(891) 2016 08 25

(731) Limited liability company "KYRSKII SOLOD"
Lokomotivny pr-d, 21, str. 5, RU-127238
Moscow, Russian Federation

(540)



(591) Brown, white and beige.

(531) 03.07.13; 05.07.02; 26.11.01; 26.11.08;
27.05.01; 29.01.13

(526) MALT.

(511)

31 – Malt for brewing and distilling.

(260) AM 2018 92276 A

(800) 414857

(151) 1974 12 14

(891) 2016 11 22

(731) DAIMLER AG

Mercedesstrasse 137, 70327 Stuttgart,

Germany

(540)

MERCEDES-BENZ

(591) Black, white

(511)

3 – Substances for washing; cleaning substances, polishing substances, degreasing goods, grinding goods; soaps, toiletry and beauty goods such as skin creams, shampoos, and cosmetic sets; powder boxes (cos.).

9 – Apparatus and instruments for physics, chemistry, optical, electrotechnical, electronic, photographic, measuring, signaling, controlling, rescuing, photography; apparatus and instruments for mechanical, hydraulic, pneumatic, electronic, and electrotechnical control, for controlling, measuring, regulating, testing, protecting and monitoring vehicles, for combustion engine machines, for transmission of energy, and units; kilometer and milage counters, tachometers, revolution counters, cooling water temperature regulators, thermometers, thermostats, air-conditioning control apparatus, incandescent controllers, oil and air pressure controllers, fuel reserve flashing indicators, gear shift indicators, tachographs, oil level gauges; direction indicators; radio apparatus, loudspeakers, antennas, television apparatus, radio transmitters, telecommunication apparatus, intercoms, tape recorders, gramophone discs, compass opisometers, measuring tapes, reading lamps; cigar lighters, fire ladders; electric batteries, electric cables and lines, flexible electric lines, ribbons and ground conductors, electric resistors, magnets, ignition coils, fuses, fuse boxes, plugs, card suits, sockets, trailers plugs, electric capacitors, carbon brushes, face and insulating plates, switches, door contacts, relays, contactors, cable sockets; name and alert plates (electric); talking machines; calculating machines; extinguishers; asbestos gloves; calibration washers, air pressure testers, tire pressure testers, warning lights, fire engines, such as tank pumps, dry-extinguishing pumps; level control devices, protective clothing for fire fighting.

11 – Installations for lighting, heating, steam generating, cooking, refrigerating, drying, ventilation, water pipes, and sanitary; cooling installations for combustion engine machines, cooling water lines, air coolants, oil coolants, cooling apparatus for the exhaust of heat loss for combustion engine machines,

for power transmissions and for units, for heat exchangers and for oil centrifuges; heating installations for vehicles, heating elements, pipes, heating pipes and tubes, boxes for heating, heating flanges, heating elements with fans, defrosting and heating installations for vehicle windows, air-conditioning installations, devices for pre-heating of combustion engine machines; evacuation and aeration installations for vehicles, ventilators and their drives, ventilation boxes; lighting installations for vehicles, headlights, incandescent lamps, lamp sockets; fog lights, search lights, lights for positioning, parking, rear lights, reversing, code lights, flashers, fog lamps, portable lamps and reading lamps, lighting for glove box, foot space, stepladder, trunk, registration number, signaling, pocket lights, flashlights, installations for washing, toilet, drying of feces for travel trailers; refrigerating cabinets, refrigerating machines, refrigerating units for refrigerating vehicles; coffee machines and water boilers, gas cookers; valves, fans, blower and suction fans, engine cooling installations, headlight reflectors, headlight glasses, light and dispersion filters, reflectors, replacement lamp kits for cars, gas cleaners; machines, apparatus, and devices for the preparation of drinking water.

16 – Paper goods, such as handkerchiefs and filters; writing paper, postcards, printed matter, periodicals, books, illustrated and painting books, workshop manuals, repair instruction, books for customer services, spare parts lists; photographs, stationery goods, such as conference portfolios; writing pads, typing machines and office supplies, such as ball-point pens and calendars; teaching and instruction means, such as geography and road maps, tables and sheets of instructions and demonstrations; playing cards; key tags.

18 – Leather and imitation leather, and goods made of these materials, such as tool kits, looped straps for luggage, fittings fabrics for vehicles and for interior coatings of automobile roofs, cases for letters and driving license, identification envelopes, briefcases and travel bags, briefcases for vehicle papers, key cases, sheaths, cases for Eurocheques, wallets, toiletry kits (travel kits included in class 18), ropes, cords, sheets, straps, handles, clamps, chains, rings, plates, leather valves, bends, travel bags and handbags, repair kits, saddlery, tanned and untanned leather.

20 – Furniture, beds, mattresses, bolsters, mattress grids, upholstered furniture, tables, cupboards, cabinets for covers, drawers, mirrors, picture frames; goods made of cork, reed, rushes, wickerwork, horn, bone; bars, rings, and curtain rods, garment bags, bottle caps, goods made of wood, such as gratings, packaging, containers, fittings, handles, shims; goods made of celluloid and their substitutes or of synthetic materials, such as shaped parts, containers, sheets,

plates; baseboards, rails, caps; brake blocks; plan trestles, bridges, suspension ladders.

(260) AM 2018 92277 A

(800) 437005

(151) 1978 04 24

(891) 2017 04 21

(731) DIAGER LEADER

Rue Nicolas Ledoux, F-39800 POLIGNY,

France

(540)

DIAGER

(591) Black, white

(511)

7 – Tools for machines.

8 – Hand tools and implements.

(260) AM 2018 92279 A

(800) 565203

(151) 1991 01 30

(891) 2017 01 13

(731) GORBATSCHOW WODKA KG

Indira-Gandhi-Strasse 66-69, 13053 Berlin,

Germany

(540)

GORBATSCHOW

(591) Black, white

(511)

33 – Spirits.

(260) AM 2018 92399 A

(800) 1344696

(151) 2016 11 03

(891) 2016 11 03

(731) Obshchestvo s ogranichennoy

otvetstvennostyu "GUSTUS"

M. Levshinsky per., 10, of. 3, pom. IV

RU-119034 Moscow, Russian Federation

(540)



(591) Grey, white and red

(531) 26.04.01; 26.04.04; 26.04.18; 27.05.21; 28.05; 29.01.13

(511)

16 – Paper, cardboard and goods made from these materials, not included in other classes; printed matter; bookbinding material; photographs; stationery; adhesives for stationery or household purposes; artists' materials; paint brushes; typewriters and office requisites (except furniture); instructional and teaching material (except apparatus); plastic materials for packaging (not included in other classes); prin-

ters' type; printing blocks; fountain pens; aquarelles; albums; almanacs; document laminators for office use; mimeograph apparatus and machines; atlases; posters; paper bows; table linen of paper; tickets; forms, printed; announcement cards [stationery]; note books; pads [stationery]; drawing pads; loose-leaf binders; wristbands for the retention of writing instruments; pamphlets; booklets; paper sheets [stationery]; waxed paper; paper for recording machines; paper for radiograms; electrocardiograph paper; drawer liners of paper, perfumed or not; wood pulp paper; carbon paper; copying paper [stationery]; parchment paper; writing paper; luminous paper; Xuan paper for Chinese painting and calligraphy; toilet paper; wrapping paper; filter paper; paper; blotters; newsletters; rollers for typewriters; house painters' rollers; composing sticks; modelling wax, not for dental purposes; signboards of paper or cardboard; sewing patterns; newspapers; electrotypes; hectographs; modelling clay; polymer modelling clay; terrestrial globes; drawing sets; engravings; slate pencils; pencil leads; document holders [stationery]; pencil holders; chalk holders; page holders; holders for checkbooks [cheque books]; holders for stamps [seals]; diagrams; engraving plates; writing slates; blackboards; galley racks [printing]; drawing boards; advertisement boards of paper or cardboard; duplicators; punches [office requisites]; cream containers of paper; magazines [periodicals]; money clips; tags for index cards; pen clips; bookmarkers; etching needles; tracing needles for drawing purposes; periodicals; printed publications; paper shredders for office use; graphic representations; credit card imprinters, non-electric; graining combs; drawing instruments; calendars; tracing paper; tracing cloth; tracing patterns; gums [adhesives] for stationery or household purposes; lithographic stones; ink stones [ink reservoirs]; pencils; pencil lead holders; charcoal pencils; pictures; transfers [decalcomanias]; paintings [pictures], framed or unframed; wood pulp board [stationery]; cardboard; hat boxes of cardboard; files [office requisites]; cards; index cards [stationery]; geographical maps; paper tapes and cards for the recordal of computer programmes; trading cards other than for games; perforated cards for Jacquard looms; catalogues; spools for inking ribbons; covers of paper for flower pots; paintbrushes; painters' brushes; writing brushes; typewriter keys; glue for stationery or household purposes; isinglass for stationery or household purposes; gluten [glue] for stationery or household purposes; starch paste [adhesive] for stationery or household purposes; books; manifolds [stationery]; comic books; drawing pins; cigar bands; envelopes [stationery]; cases for stamps [seals]; boxes of cardboard or paper; paint boxes [articles for use in school]; correcting fluids [office requisites]; stencils [stationery]; French curves; paper ribbons; typewriter ribbons; gummed tape [stationery]; adhesive bands for stationery or household pur-

poses; correcting tapes [office requisites]; inking ribbons; inking ribbons for computer printers; adhesive tapes for stationery or household purposes; self-adhesive tapes for stationery or household purposes; drawing rulers; square rulers; flyers; absorbent sheets of paper or plastic for foodstuff packaging; humidity control sheets of paper or plastic for foodstuff packaging; viscose sheets for wrapping; sheets of reclaimed cellulose for wrapping; plastic bubble packs for wrapping or packaging; steel letters; type [numerals and letters]; lithographs; paint trays; architects' models; postage stamps; plastics for modelling; graphic prints; modelling materials; teaching materials [except apparatus]; sealing compounds for stationery purposes; adhesives [glues] for stationery or household purposes; stuffing of paper or cardboard; packaging material made of starches; packing [cushioning, stuffing] materials of paper or cardboard; filtering materials [paper]; addressing machines; pencil sharpening machines, electric or non-electric; bookbinding apparatus and machines [office equipment]; typewriters, electric or non-electric; folders [stationery]; franking machines for office use; chalk for lithography; writing chalk; tailors' chalk; marking chalk; bags [envelopes, pouches] of paper or plastics, for packaging; garbage bags of paper or of plastics; painters' easels; hand-rests for painters; printing sets, portable [office requisites]; bibs of paper; stickers [stationery]; finger-stalls [office requisites]; writing cases [stationery]; cords for bookbinding; paper knives [cutters] [office requisites]; numbering apparatus; bottle envelopes of cardboard or paper; sealing wafers; covers [stationery]; passport holders; plastic cling film, extensible, for palletization; embroidery designs [patterns]; handwriting specimens for copying; oleographs; musical greeting cards; greeting cards; postcards; etchings; conical paper bags; bags for microwave cooking; palettes for painters; ink sticks; pantographs [drawing instruments]; folders for papers; papier mâché; pastels; modelling paste; pen cases; bookbindings; pen wipers; office perforators; pens [office requisites]; nibs of gold; nibs; steel pens; drawing pens; song books; seals [stamps]; sealing stamps; clipboards; address plates for addressing machines; handkerchiefs of paper; plastic film for wrapping; desk mats; letter trays; trays for sorting and counting money; coasters of paper; bookends; stamp stands; mats for beer glasses; stands for pens and pencils; photograph stands; obliterating stamps; inking pads; stamp pads; binding strips [bookbinding]; towels of paper; inking sheets for document reproducing machines; inking sheets for duplicators; bookbinding cloth; gummed cloth for stationery purposes; printers' blankets, not of textile; portraits; paperweights; writing cases [sets]; inkstands; office requisites, except furniture; writing materials; writing instruments; drawing materials; school supplies [stationery]; adhesive tape dispensers [office requisites]; hand labelling applian-

ces; lithographic works of art; prospectuses; printed timetables; ledgers [books]; printers' galleys; indexes; rubber erasers; elastic bands for offices; drawing T-squares; graphic reproductions; penholders; marking pens; tissues of paper for removing make-up; face towels of paper; table napkins of paper; place mats of paper; tablemats of paper; tablecloths of paper; paper clasps; document files [stationery]; scrapers [erasers] for offices; paper-clips; staples for offices; erasing products; biological samples for use in microscopy [teaching materials]; histological sections for teaching purposes; steatite [tailor's chalk]; writing board erasers; composing frames [printing]; sealing wax; arithmetical tables; placards of paper or cardboard; writing or drawing books; fabrics for bookbinding; pencil sharpeners, electric or non-electric; transparencies [stationery]; stencil plates; cardboard tubes; Indian inks; moisteners [office requisites]; moisteners for gummed surfaces [office requisites]; drawing squares; chart pointers, non-electronic; bottle wrappers of cardboard or paper; envelope sealing machines, for offices; sealing machines for offices; vignetting apparatus; apparatus for mounting photographs; stapling presses [office requisites]; manuals [handbooks]; figurines [statuettes] of papier mâché; paper coffee filters; flags of paper; silver paper; molds for modelling clays [artists' materials]; photo-engravings; photographs [printed]; stencil cases; canvas for painting; chromolithographs [chromos]; compasses for drawing; numbers [type]; watercolor [watercolour] saucers for artists; correcting ink [heliography]; ink; inkwells; blueprints; rosaries; stencils; erasing shields; balls for ball-point pens; cabinets for stationery [office requisites]; printing type; address stamps; stamps [seals]; shields [paper seals]; prints [engravings]; labels, not of textile.

21 – Household or kitchen utensils and containers; combs and sponges; brushes (except paint brushes); brush-making materials; articles for cleaning purposes; steelwool; unworked or semi-worked glass (except glass used in building); glassware, porcelain and earthenware not included in other classes; pressure cookers [autoclaves], non-electric; indoor aquaria; buckets; cookie jars; candle jars [holders]; china ornaments; dishes; paper plates; vegetable dishes; saucers; mugs; candy boxes; bottles; demijohns; busts of porcelain, ceramic, earthenware or glass; vases; epergnes; fruit cups; bird baths; baby baths, portable; plungers for clearing blocked drains; waffle irons, non-electric; coolers [ice pails]; mop wringer buckets; buckets made of woven fabrics; whisks, non-electric, for household purposes; cooking skewers of metal; towel rails and rings; hair for brushes; birdcages; funnels; carpet beaters [hand instruments]; signboards of porcelain or glass; candle extinguishers; flower pots; chamber pots; glue-pots; cruets; decanters; large-toothed combs for the hair; combs for animals; tea cosies; abrasive sponges for

scrubbing the skin; make-up sponges; sponges for household purposes; toilet sponges; sponge holders; toothpick holders; soap holders; napkin holders; holders for flowers and plants [flower arranging]; shaving brush stands; toilet paper holders; soap dispensers; toilet paper dispensers; ironing boards; cutting boards for the kitchen; bread boards; washing boards; crushers for kitchen use, non-electric; strainers; smoke absorbers for household purposes; containers for household or kitchen use; kitchen containers; glass jars [carboys]; heat-insulated containers; heat-insulated containers for beverages; thermally insulated containers for food; glass flasks [containers]; frying pans; closures for pot lids; chamois leather for cleaning; toothpicks; ceramics for household purposes; majolica; works of art of porcelain, ceramic, earthenware or glass; brush goods; kitchen grinders, non-electric; cleaning instruments, hand-operated; cabarets [trays]; stew-pans; covers, not of paper, for flower pots; shaving brushes; make-up brushes; cages for household pets; baking mats; polishing leather; hot pots, not electrically heated; glass bulbs [receptacles]; boot trees [stretchers]; shoe trees [stretchers]; napkin rings; poultry rings; rings for birds; piggy banks; bread baskets, domestic; baskets for domestic use; waste paper baskets; feeding troughs; mangers for animals; lunch boxes; tea caddies; washtubs; earthenware saucepans; mess-tins; cauldrons; coffee percolators, non-electric; coffee-pots, non-electric; coffee grinders, hand-operated; fused silica [semi-worked product], other than for building; beer mugs; tankards; rat traps; pot lids; aquarium hoods; butter-dish covers; dish covers; cheese-dish covers; buttonhooks; pitchers; perfume burners; non-electric portable coldboxes; watering cans; fly traps; insect traps; mixing spoons [kitchen utensils]; basting spoons [cooking utensils]; pie servers; scoops [tableware]; spatulas [kitchen utensils]; butter dishes; material for brush-making; polishing materials for making shiny, except preparations, paper and stone; noodle machines, hand-operated; polishing apparatus and machines, for household purposes, non-electric; pepper mills, hand-operated; mills for domestic purposes, hand-operated; feather-dusters; brooms; isothermic bags; confectioners' decorating bags [pastry bags]; bowls [basins]; mosaics of glass, not for building; saucepan scourers of metal; soap boxes; mouse traps; cooking pot sets; nozzles for watering cans; spouts; nozzles for watering hose; fitted picnic baskets, including dishes; toilet cases; floss for dental purposes; fiberglass thread, not for textile use; cookie [biscuit] cutters; pastry cutters; sprinklers; syringes for watering flowers and plants; cotton waste for cleaning; wool waste for cleaning; cleaning tow; chopsticks; cocktail stirrers; food steamers, non-electric; pepper pots; oven mitts; gloves for household purposes; car washing mitts; polishing gloves; gardening gloves; plates to prevent milk boiling over; dripping pans; trays

for domestic purposes; trays for domestic purposes, of paper; lazy susans; heaters for feeding bottles, non-electric; candelabra [candlesticks]; trivets [table utensils]; coasters, not of paper and other than table linen; grill supports; menu card holders; knife rests for the table; flat-iron stands; egg cups; abrasive pads for kitchen purposes; scouring pads; drinking troughs; powdered glass for decoration; pottery; pots; cooking pots; painted glassware; tableware, other than knives, forks and spoons; porcelain ware; earthenware; crystal [glassware]; cosmetic utensils; toilet utensils; trouser presses; tortilla presses, non-electric [kitchen utensils]; deodorising apparatus for personal use; cruet sets for oil and vinegar; tie presses; potholders; clothes-pegs; glass stoppers; powder compacts; perfume vaporizers; powder puffs; dusting apparatus, non-electric; combs; electric combs; grills [cooking utensils]; sifters [household utensils]; drinking horns; shoe horns; candle rings; salad bowls; sugar bowls; beaters, non-electric; coffee services [tableware]; liqueur sets; services [dishes]; tea services [tableware]; sieves [household utensils]; cinder sifters [household utensils]; tea strainers; pipettes [wine-tasters]; siphon bottles for carbonated water; rolling pins, domestic; steel wool for cleaning; currycombs; blenders, non-electric, for household purposes; fruit presses, non-electric, for household purposes; drinking straws; salt cellars; drinking vessels; vessels of metal for making ices and iced drinks; refrigerating bottles; bulb basters; cups of paper or plastic; drinking glasses; glasses [receptacles]; statues of porcelain, ceramic, earthenware or glass; figurines [statuettes] of porcelain, ceramic, earthenware or glass; glass for vehicle windows [semi-finished product]; glass wool other than for insulation; fiberglass other than for insulation or textile use; vitreous silica fibers [fibres], not for textile use; plate glass [raw material]; opal glass; glass, unworked or semi-worked, except building glass; opaline glass; glass incorporating fine electrical conductors; enamelled glass, not for building; soup bowls; drying racks for laundry; basins [receptacles]; table plates; disposable table plates; graters for kitchen use; insulating flasks; indoor terrariums [plant cultivation]; indoor terrariums [vivariums]; cloth for washing floors; cloths for cleaning; dusting cloths [rags]; furniture dusters; litter boxes [trays] for pets; urns; aerosol dispensers, not for medical purposes; wax-polishing appliances, non-electric, for shoes; water apparatus for cleaning teeth and gums; electric devices for attracting and killing insects; watering devices; utensils for household purposes; kitchen utensils; cooking utensils, non-electric; strainers for household purposes; coffee filters, non-electric; flasks; hip flasks; drinking bottles for sports; cake molds [moulds]; ice cube molds [moulds]; cookery molds [moulds]; molds [kitchen utensils]; deep fryers, non-electric; comb cases; bread bins; fly swatters; tea-pots; kettles, non-electric; cups; garlic presses

[kitchen utensils]; ironing board covers, shaped; tea infusers; glass bowls; mops; mop wringers; cocktail shakers; cosmetic spatulas; corkscrews, electric and non-electric; animal bristles [brushware]; pig bristles; brushes; dishwashing brushes; ski wax brushes; brushes for cleaning tanks and containers; lamp-glass brushes; horse brushes; scrubbing brushes; toothbrushes; toothbrushes, electric; basting brushes; carpet sweepers; brushes for footwear; tar-brushes, long handled; toilet brushes; electric brushes, except parts of machines; eyebrow brushes; nail brushes; nest eggs, artificial; boxes for dispensing paper towels; dustbins; window-boxes; boxes of glass.

29 – Meat, fish, poultry and game; meat extracts; preserved, frozen, dried and cooked fruits and vegetables; jellies, jams, compotes; eggs; milk and milk products; edible oils and fats; ajvar [preserved peppers]; aloe vera prepared for human consumption; alginates for culinary purposes; anchovy; peanuts, prepared; artichokes, preserved; albumen for culinary purposes; white of eggs; beans, preserved; soya beans, preserved, for food; bouillon; ginger jam; ham; fatty substances for the manufacture of edible fats; toasted laver; edible birds' nests; peas, preserved; mushrooms, preserved; game, not live; gelatine; meat jellies; jellies for food; fruit jellies; yolk of eggs; coconut fat; bone oil, edible; lard; suet for food; edible fats; fruit-based snack food; charcuterie; raisins; caviar; eggplant paste; vegetable marrow paste; fish roe, prepared; yogurt; sauerkraut; kephir [milk beverage]; isinglass for food; clams, not live; milk shakes; black pudding [blood sausage]; arrangements of processed fruit; compotes; meat, tinned [canned (Am.)]; vegetables, tinned [canned (Am.)]; fish, tinned [canned (Am.)]; fruits, tinned [canned (Am.)]; bouillon concentrates; gherkins; shrimps, not live; prawns, not live; buttercream; croquettes; silkworm chrysalis, for human consumption; kumys [kumyss] [milk beverage]; spiny lobsters, not live; lecithin for culinary purposes; salmon, not live; onions, preserved; margarine; piccalilli; marmalade; edible oils; peanut butter; cocoa butter for food; coconut oil; coconut butter; corn oil; sesame oil; linseed oil for culinary purposes; olive oil for food; palm oil for food; palm kernel oil for food; sunflower oil for food; colza oil for food; butter; shellfish, not live; almonds, ground; animal marrow for food; mussels, not live; milk; peanut milk for culinary purposes; milk of almonds for culinary purposes; rice milk [milk substitute]; condensed milk; soya milk [milk substitute]; albumin milk; powdered milk; fish meal for human consumption; vegetable mousses; fish mousses; fruit pulp; meat; meat, preserved; milk beverages, milk predominating; vegetables, preserved; vegetables, cooked; vegetables, dried; potato fritters; olives, preserved; lobsters, not live; flavored nuts; candied nuts; coconut, desiccated; nuts, prepared; tomato purée; liver pâté; pectin for culinary purposes; liver; pickles; jams; powdered

eggs; milk products; fish-based foodstuffs; curd; prostokvasha [soured milk]; poultry, not live; bulgogi [Korean beef dish]; pollen prepared as foodstuff; cranberry sauce [compote]; apple purée; crayfish, not live; crustaceans, not live; fish, preserved; fish, not live; salted fish; vegetable salads; fruit salads; bacon; sardines, not live; pork; herrings, not live; seeds, prepared; sunflower seeds, prepared; whipped cream; cream [dairy products]; fat-containing mixtures for bread slices; smetana [sour cream]; vegetable juices for cooking; tomato juice for cooking; salted meats; sausages; sausages in batter; preparations for making bouillon; preparations for making soup; tripe; soups; vegetable soup preparations; whey; cheese; tahini [sesame seed paste]; tofu; sea-cucumbers, not live; truffles, preserved; tuna, not live; oysters, not live; milk ferments for culinary purposes; rennet; fish fillets; dates; crystallized fruits; frozen fruits; fruit, preserved; fruit preserved in alcohol; fruit, stewed; hazelnuts, prepared; potato flakes; hummus [chickpea paste]; fruit peel; preserved garlic; lentils, preserved; potato chips; low-fat potato chips; fruit chips; non-alcoholic eggnog; seaweed extracts for food; berries, preserved; snail eggs for consumption; yakitori.

30 – Coffee, tea, cocoa and artificial coffee; rice; tapioca and sago; flour and preparations made from cereals; bread, pastry and confectionery; ices; sugar, honey, treacle; yeast, baking-powder; salt; mustard; vinegar, sauces (condiments); spices; ice; aromatic preparations for food; vanilla flavorings for culinary purposes; flavorings, other than essential oils, for cakes; flavorings, other than essential oils, for beverages; coffee flavorings; food flavorings, other than essential oils; star aniseed; baozi [stuffed buns]; cereal bars; high-protein cereal bars; pancakes; noodle-based prepared meals; buns; bread rolls; edible rice paper; edible paper; burritos; vanillin [vanilla substitute]; vareniki [stuffed dumplings]; waffles; vermicelli [noodles]; natural sweeteners; sausage binding materials; binding agents for ice cream [edible ices]; sea water for cooking; seaweed [condiment]; malt biscuits; cloves [spice]; cake frosting [icing]; glucose for culinary purposes; gluten additives for culinary purposes; yeast; thickening agents for cooking foodstuffs; leaven; rice-based snack food; cereal-based snack food; artificial coffee; vegetal preparations for use as coffee substitutes; dressings for salad; fruit jellies [confectionery]; candy decorations for cakes; confectionery for decorating Christmas trees; cakes; pastries; peanut confectionery; almond confectionery; pasta; ginger [spice]; frozen yogurt [confectionery ices]; cocoa; cream of tartar for culinary purposes; capers; caramels [candy]; curry [spice]; ketchup [sauce]; gimbap [Korean rice dish]; quiches; gluten prepared as foodstuff; sweetmeats [candy]; liquorice [confectionery]; peppermint sweets; cinnamon [spice]; coffee; unroasted coffee; starch for food; crackers; custard; ho-

miny grits; semolina; oatmeal; crushed barley; groats for human food; corn, milled; corn, roasted; meat pies; turmeric; couscous [semolina]; noodles; ice for refreshment; candy; ice, natural or artificial; edible ices; rice cakes; mayonnaise; macarons [pastry]; macaroni; maltose; hominy; marinades; marzipan; honey; royal jelly; ice cream; bean meal; tapioca flour; potato flour; corn flour; nut flours; flour; wheat flour; soya flour; barley meal; dessert mousses [confectionery]; chocolate mousses; muesli; mint for confectionery; cocoa beverages with milk; coffee beverages with milk; coffee-based beverages; cocoa-based beverages; tea-based beverages; chocolate beverages with milk; chocolate-based beverages; infusions, not medicinal; crushed oats; husked oats; okonomiyaki [Japanese savory pancakes]; chocolate-coated nuts; nutmegs; stick liquorice [confectionery]; soya bean paste [condiment]; pastilles [confectionery]; molasses for food; pâtés en croûte; pelmeni [dumplings stuffed with meat]; pepper; allspice; peppers [seasonings]; pesto [sauce]; cookies; petit-beurre biscuits; pies; pizzas; meat gravies; fondants [confectionery]; popcorn; powders for making ice cream; baking powder; mustard meal; pralines; condiments; meat tenderizers, for household purposes; cereal preparations; oat-based food; propolis; gingerbread; petits fours [cakes]; puddings; rice pudding; cake powder; fruit coulis [sauces]; ravioli; ramen [Japanese noodle-based dish]; chewing gum; relish [condiment]; wheat germ for human consumption; spring rolls; sago; sugar; palm sugar; aniseed; linseed for human consumption; golden syrup; confectionery; batter mixes for okonomiyaki [Japanese savory pancakes]; baking soda [bicarbonate of soda for cooking purposes]; malt for human consumption; salt for preserving foodstuffs; cooking salt; celery salt; sherbets [ices]; ham glaze; soya sauce; tomato sauce; pasta sauce; sauces [condiments]; spaghetti; seasonings; preparations for stiffening whipped cream; rusks; breadcrumbs; sushi; sandwiches; tabbouleh; tacos; tapioca; tarts; dough; pastry dough; almond paste; rice pulp for culinary purposes; cake dough; tortillas; garden herbs, preserved [seasonings]; chocolate decorations for cakes; vinegar; beer vinegar; ferments for pastes; halvah; bread; unleavened bread; corn flakes; oat flakes; chips [cereal products]; flowers or leaves for use as tea substitutes; jiaozi [stuffed dumplings]; chicory [coffee substitute]; tea; iced tea; chutneys [condiments]; minced garlic [condiment]; cheeseburgers [sandwiches]; chow-chow [condiment]; saffron [seasoning]; chocolate; malt extract for food; essences for foodstuffs, except etheric essences and essential oils; husked barley.

35 – Advertising; business management; business administration; office functions; arranging subscriptions to telecommunication services for others; import-export agency services; commercial information agency services; advertising agency services; cost

price analysis; rental of advertising space; business auditing; employment agency services; computerized file management; book-keeping; outsourced administrative management for companies; invoicing; demonstration of goods; transcription of communications [office functions]; opinion polling; market studies; business information; commercial information and advice for consumers [consumer advice shop]; business investigations; business research; marketing research; personnel recruitment; business management and organization consultancy; business organization consultancy; business management consultancy; personnel management consultancy; professional business consultancy; layout services for advertising purposes; marketing; business management of performing artists; business management of sports people; writing of résumés for others; scriptwriting for advertising purposes; news clipping services; updating and maintenance of data in computer databases; updating of advertising material; word processing; organization of exhibitions for commercial or advertising purposes; arranging newspaper subscriptions for others; organization of fashion shows for promotional purposes; organization of trade fairs for commercial or advertising purposes; shop window dressing; design of advertising materials; business appraisals; payroll preparation; data search in computer files for others; sponsorship search; business management assistance; commercial or industrial management assistance; commercial intermediation services; providing business information via a web site; provision of commercial and business contact information; provision of an on-line marketplace for buyers and sellers of goods and services; web indexing for commercial or advertising purposes; presentation of goods on communication media, for retail purposes; economic forecasting; auctioneering; retail or wholesale services for pharmaceutical, veterinary and sanitary preparations and medical supplies; sales promotion for others; production of advertising films; office machines and equipment rental; rental of advertising time on communication media; publicity material rental; rental of billboards [advertising boards]; rental of vending machines; rental of sales stands; rental of photocopying machines; publication of publicity texts; radio advertising; bill-posting; distribution of samples; dissemination of advertising matter; direct mail advertising; writing of publicity texts; on-line advertising on a computer network; advertising by mail order; television advertising; document reproduction; compilation of information into computer databases; compilation of statistics; business inquiries; systemization of information into computer databases; advisory services for business management; negotiation and conclusion of commercial transactions for third parties; tax preparation; drawing up of statements of accounts; telemarketing services; psychological testing for the selection of personnel; bu-

business management of hotels; business management for freelance service providers; business project management services for construction projects; commercial administration of the licensing of the goods and services of others; business management of reimbursement programs for others; administration of consumer loyalty programs; administration of frequent flyer programs; administrative processing of purchase orders; public relations; modelling for advertising or sales promotion; typing; appointment reminder services [office functions]; web site traffic optimization; relocation services for businesses; tax filing services; search engine optimization for sales promotion; appointment scheduling services [office functions]; price comparison services; pay per click advertising; secretarial services; procurement services for others [purchasing goods and services for other businesses]; shorthand; outsourcing services [business assistance]; telephone answering for unavailable subscribers; photocopying services; business efficiency expert services.

43 – Services for providing food and drink; temporary accommodation; accommodation bureau services [hotels, boarding houses]; rental of temporary accommodation; rental of meeting rooms; tourist home services; hotel reservations; boarding house bookings; temporary accommodation reservations; hotel services; retirement home services; snack-bar services; café services; cafeteria services; motel services; boarding house services; boarding for animals; rental of cooking apparatus; rental of chairs, tables, table linen, glassware; rental of lighting apparatus; rental of tents; rental of transportable buildings; rental of drinking water dispensers; restaurant services; self-service restaurant services; food sculpting; canteen services; holiday camp services [lodging]; bar services; providing campground facilities; food and drink catering; day-nursery [crèche] services.

(260) AM 2018 92400 A

(800) 1344709

(151) 2017 01 30

(891) 2017 01 30

(731) DOPAT, S.A.

Charles Robert Darwin, 34-36, Parc

Tecnologic E-46980 PATERNA

(VALENCIA), Spain

(540)



(591) Black and white

(531) 26.01.01; 26.01.03; 26.01.24; 26.04.01;

26.04.05; 26.04.24; 27.01.03; 27.01.06

(511)

18 – Leather and imitation leather; bags of leather; wallets of leather; suitcases of imitation leather; leather purses; animal skins; trunks and suitcases; umbrellas and parasols; backpacks; portfolios; haversacks; bags and traveling bags; walking sticks; whips, harness and saddlery.

25 – Clothing, footwear, headgear.

35 – Advertising; commercial business management; commercial administration; office functions; procurement services for others (purchasing goods and services for other businesses); marketing research; sponsorship search; business research; commercial or industrial company management assistance; compilation of information in computer databases; advertising mail; shop-window dressing; demonstration of goods; dissemination of advertisements; distribution of samples; market study; invoicing; organization of trade fairs for commercial or advertising purposes; commercial administration of the licensing of the goods and services of others; commercial information and advice for consumers [consumer advice shop]; marketing; organization of fashion shows for promotional purposes; organization of exhibitions for commercial or advertising purposes; presentation of goods on communication media for retail purposes; economic forecasting; production of advertising films; sales promotion for others; on-line advertising on a computer network; opinion polling; wholesale and retail sale services, in stores and by means of global computer networks, for all kinds of footwear, clothing, headgear, animal skins, trunks and suitcases, umbrellas, backpacks, handbags, haversacks, bags and traveling bags, parasols and walking sticks, whips and saddlery.

(260) AM 2018 92403 A

(800) 1344881

(151) 2017 02 13

(891) 2017 02 13

(731) PIKDARE S.R.L.

Via Saldarini Catelli, 10 I-22070 Casnate
con Bernate (CO), Italy

(540)

PIC SOLUTION

(591) Black, white

(511)

9 – Computer software.

(260) AM 2018 92404 A

(800) 1344744

(151) 2016 11 05

(891) 2016 11 05

(731) VIENNA INSURANCE GROUP AG Wiener

Versicherung Gruppe

Schottenring 30 A-1010 Vienna, Austria

(540)



(591) Red, black, white and grey
 (531) 05.05.20; 24.01.10; 26.11.01; 26.11.08;
 27.05.01; 28.05; 29.01.12

(511)
 36 – Insurance services; financial affairs; monetary affairs; real estate affairs.

(260) AM 2018 92406 A
 (800) 1344745
 (151) 2017 01 31
 (891) 2017 01 31
 (731) PEPSICO, INC.
 (a North Carolina corporation)
 700 Anderson Hill Road Purchase NY 10577,
 United States of America

(540)

STING

(591) Black and white
 (531) 27.05.17
 (511)
 32 – Mineral and aerated waters and other non-alcoholic beverages; fruit beverages and fruit juices; syrups and other preparations for making beverages.

(260) AM 2018 92407 A
 (800) 1344747
 (151) 2017 01 26
 (891) 2017 01 26
 (731) OBCHTCHESTVO S OGRANITCHENNOI
 TVETSTVENNOSTIYOU "PROGRESS"
 Pr. Lenina, D. 21V, Of. 406, RU-454091
 Chelyabinsk, Russian Federation

(540)



(591) Red, white
 (531) 26.01.02; 26.01.22; 26.01.24; 27.05.01;
 27.05.24; 29.01.12

(511)
 30 – Barley meal; bean meal; cereal bars; cereal preparations; cereal-based snack food; chips [cereal products]; corn flakes; corn flour; corn, milled; cous-cous [semolina]; crushed barley; crushed oats; flour; groats for human food; hominy; hominy grits; husked barley; husked oats; macaroni; muesli; noodle-based prepared meals; noodles; oat flakes; oat-based

food; oatmeal; pasta; rice; rice-based snack food; semolina; spaghetti; sugar; vermicelli [noodles]; wheat flour.

31 – Barley; beans, fresh; bran; cereal seeds, unprocessed; edible linseed, unprocessed; grains [cereals]; grains for animal consumption; lentils, fresh; maize; oats; rice, unprocessed; rye; wheat.

(260) AM 2018 92410 A
 (800) 1344752
 (151) 2016 11 26
 (891) 2016 11 26
 (731) APS AMBALAJ KOZMETIK VE TEMIZLIK
 ÜRÜNLERİ SANAYİ ANONİM ŞİRKETİ
 Kimya Sanayicileri Org. San. Bölğ., M. Aras
 Bulvarı No.004 TR-34956 Tuzla – Istanbul,
 Turkey

(540)



(591) Dark blue
 (531) 26.03.23; 26.05.01; 26.05.22; 26.05.24;
 27.05.24; 29.01.12

(511)
 3 – Bleaching and cleaning preparations, detergents other than for use in manufacturing operations and for medical purposes, laundry bleach, fabric softeners for laundry use, stain removers, dishwasher detergents; perfumery; cosmetics; fragrances; deodorants for personal use and animals; soaps; dental care preparations, dentifrices, denture polishes, tooth whitening preparations, mouth washes, not for medical purposes; abrasive preparations; emery cloth; sandpaper; pumice stone; abrasive pastes; polishing preparations for leather, vinyl, metal and wood, polishes and creams for leather, vinyl, metal and wood, wax for polishing.

(260) AM 2018 92411 A
 (800) 1344999
 (151) 2016 12 30
 (891) 2016 12 30
 (731) FEDERAZIONE ITALIANA GIUOCO
 CALCIO
 Via Gregorio Allegri,14 I-00198 Roma, Italy

(540)



(591) Black, white

(531) 01.01.01; 01.01.05; 01.01.10; 21.03.01;
24.01.03; 24.01.05; 24.01.15; 24.01.18

(511)

9 – Games software; games cartridges for use with electronic games apparatus; video game discs; computer software; computer databases; computer gaming software; computer joysticks; audiovisual headsets for video games; multifunction keyboards; videotapes; magnetic tapes; disks, magnetic; dvds; floppy discs; optical discs; compact discs; compact discs [read-only memory]; videodiscs; memory boards; usb flash drives [not pre-recorded]; electronic publications recorded on computer media; electronic publications, downloadable; spectacles [optics]; sunglasses; scuba goggles; swim goggles; covers for glasses; spectacle chains; eyeglass cords; binoculars; magnets; decorative magnets; sound recording apparatus; apparatus for recording images; apparatus for transmission of sound, data or images; sound reproduction apparatus; apparatus for the reproduction of images; dish aerials; decoders; high definition set-top boxes; tv sets; radios; home cinema systems; compact disc players; dvd players; mp3 players; digital music players; data processing equipment and accessories (electrical and mechanical); computer mice; mouse pads; electronic navigation systems; personal digital assistants; video telephones; cell phones; point-to-point communications equipment; cell phone covers; headsets for mobile telephones; stands adapted for mobile phones; display screen protector; audio/visual and photographic devices; cameras [photography]; portable video cameras with built-in videocassette recorders; camcorders; electronic magnetic recording media; encoded magnetic cards; microchip cards; magnetic credit cards; smart cards [integrated circuit cards]; credit cards; cash cards [encoded]; sim cards; encoded reward cards; protective helmets for sports; helmets for motorcyclists; encoded identification bracelets, magnetic.

18 – Leather, unworked or semi-worked; imitation leather; umbrellas; bags for sports; all-purpose carrying bags; travel baggage; towelling bags; school book bags; backpacks; handbags; briefcases [leather goods]; beach bags; garment bags for travel; attache cases; briefbags; luggage tags; straps for luggage; carrying cases for documents; cases of imitation leather; travelling sets [leatherware]; cosmetic cases sold empty; keycases; wallets; small purses; whips; collars for animals.

25 – Clothing; gym suits; children's wear; robes; bathing suits; belts [clothing]; neckties; foulards [clothing articles]; underwear; pajamas (Am.); nightwear; stockings; shawls; neck scarves [mufflers]; gloves [clothing]; footwear; headgear.

28 – Games; toys; board games; parlor games; sportballs; balls for games; dolls; plush toys; toy vehicles; jigsaw puzzles; inflatable toys; playing cards; gym-

nastic and sporting articles; football gloves; soccer ball knee pads; elbow guards [sports articles]; shoulder pads for sports use; shin guards for soccer; soccer goals; table football tables; soccer ball goal nets; miniature replica football kits; cases adapted for sporting articles; flying discs [toys]; surfboards; paper party hats; kites; roller skates; scooters [toys]; skateboards [recreational equipment]; protectors for elbows for use when skateboarding [sports articles]; athletic protective arm pads for skateboarding; protectors for the knees for use when skateboarding [sports articles]; athletic protective wrist pads for skateboarding; game consoles; hand held units for playing video games; home video game machines; video game joysticks; video game apparatus; video output game machines for use with televisions.

(260) AM 2018 92421 A

(800) 1345095

(151) 2017 02 23

(891) 2017 02 23

(731) GLOBAL FUNCTIONAL DRINKS AG

Dammstrasse 19, CH-6301 Zug, Switzerland

(540)



(591) Black, gray and white

(531) 19.07.01; 19.07.09; 19.07.12

(511)

32 – Non-alcoholic beverages, non-alcoholic aperitifs, non-alcoholic cocktails, syrups for beverages, vegetable juices (beverages), fruit juices, non-alcoholic fruit beverages, essences for making beverages, energy drinks, aerated waters, products for making aerated waters, mineral waters (beverages).

(260) AM 2018 92423 A

(800) 1345135

(151) 2016 11 16

(891) 2016 11 16

(731) AS INTERNATIONAL CORPORATION LTD.

2b Sefton Business Park, Liverpool

Merseyside L30 1RD, United Kingdom

(540)



(591) Red, Gold, Grey, White.

(531) 20.05.05; 26.01.04; 26.01.18; 26.01.20;
26.11.05; 27.05.23; 29.01.14

(511)

42 – Research services in the fields of science and information technology; testing of materials; metallurgical analysis; technical inspection services.

(260) AM 2018 92430 A

(800) 1345228

(151) 2016 12 30

(891) 2016 12 30

(731) EKOL LOJISTIK ANONIM SIRKETI

Ekol Caddesi No:2, TR-34935 Sultanbeyli,
İstanbul, Turkey

(540)

LOGISTICS FOUR ZERO

(591) Black, white

(531) 27.05.05

(511)

39 – Land, rail, water, and air transport services for the carriage of freight; courier services (for merchandise); establishment and operation of warehouses, namely warehousing services.

(260) AM 2018 92447 A

(800) 1161983

(151) 2012 12 07

(891) 2017 03 31

(731) YVES SAINT LAURENT

7 avenue George V F-75008 PARIS, France

(540)

SAINT LAURENT PARIS

(591) Black, white

(531) 27.05.15

(511)

9 – Spectacle frames, spectacles, sunglasses, tinted or anti-glare spectacles, protective goggles, pince-nez, opera glasses, magnifying glasses, spectacle cases and containers for contact lenses; optical apparatus and instruments, correcting lenses (optics), spec-

tacle lenses, contact lenses, tinted or filtering glasses, protective goggles, magnifying glasses, optical lenses, contact lenses; apparatus for the recording, transmission, reproduction of data, sound or images; telephones, mobile telephones, smartphones, tablets, videophones, PDAs (personal digital assistants) and MP3 players; accessories for telephones, mobile telephones, smartphones, videophones, tablets, PDAs (personal digital assistants) and MP3 players, namely hands-free kits for telephones, batteries, covers, cases, casings, facings, chargers, mobile phone straps, wrist straps or lanyards; electronic devices for the wireless transmission of data and/or voice signals; accessories for electronic devices for the wireless transmission of data and/or voice signals, namely batteries, car kits, chargers and charging bases, head sets, tethers/wallets for attachment to belts, helmets, adapters, adapter cases, desk stands, docking stations, computer cables, cases and holders for portable computers, holsters, covers for batteries; magnetic recording media, sound recording discs, compact discs, DVDs and other digital recording media; data processing equipment, computers; software; mechanisms for coin-operated apparatus; cash registers, calculating machines; fire-extinguishing apparatus; Scientific (other than for medical use), nautical, surveying, photographic, cinematographic, optical, weighing, measuring, signaling, checking (supervision), life-saving and teaching apparatus and instruments; cases especially made for photographic and cinematographic apparatus and instruments.

14 – Precious metals and their alloys; works of art (made of precious metal); jewelry (including fashion jewelry) of precious metal, alloys thereof or coated therewith, namely rings, earrings, cuff links, bracelets, brooches, pendants, charms, chains and watch chains, necklaces, medals, medallions; semi-precious and precious stones; timepieces and chronometric instruments, watches, watch straps and watch casings; key rings of precious metals, alloys thereof or or plated therewith; boxes and cases for timepieces; jewelry cases and boxes.

16 – Paper, cardboard and goods made from these materials, not included in other classes; printed matter (printing products); bookbinding material; artists' materials; paintbrushes; catalogs, newspapers, magazines, prospectuses and manuals, books, magazines [periodicals], periodicals; pamphlets; printed publications; photographs [printed]; stationery, posters; stickers (stationery); paper and cardboard articles; paper and cardboard packaging; bags [envelopes, pouches] of paper for packaging; paper or cardboard signboards, note books; plastic materials for packaging, namely bags, small bags and sleeves; (non-magnetic) subscriber passes, pens, pencils, pencil cases, writing instruments, writing sets (inkstands), cases designed therefor, notepads, desk pads, business cards, checkbooks, diaries, postcards; eng-

raved, lithographed works of art; portraits; embroidery patterns; patterns for making clothes; patterns for dressmaking; coasters (of paper), place mats of paper, table napkins of paper; tablecloths of paper, face towels of paper; tablecloths of paper; money clips; cardboard hat boxes; paper cutters [office supplies]; envelopes [stationery]; labels, not of textile; writing paper; bookmarks; passport holders; holders for checkbooks; indexes.

18 – Leather and imitation leather, animal skins and imitation animal skins; handbags, shoulder bags, carrying bags, luggage, wallets, purses, bags, wallets with card compartments), briefcases, attaché cases, attaché cases, school bags, school satchels, beach bags, sports bags, bags to be worn on the belt, shopping bags and travel sets, suitcases, trunks, travel bags, rucksacks, shopping bags, clutch bags, vanity cases (not fitted), beauty cases (without contents), garment bags for travel, traveling sets, namely sets of coordinated travel luggage, key cases (leather goods); umbrellas, parasols, walking sticks; harness for animals, whips, saddlery.

24 – Fabrics for textile use; bed covers, face towels and washing mitts of textile, bathroom linen of textile; bath linen (except clothing); table and household linen (excluding paper table linen); coasters (table linen); table runners; hat linings; eiderdowns [down coverlets], quilts, mattress covers, pillow cases; wall hangings made of textile; textile or plastic curtains, textile blinds; handkerchiefs of textile; rugs, fabric labels; bed covers; bed linen, glass-cloth, textile tissues for removing make-up, oilcloths [tablecloths], pillowcases, table napkins of textile, sheets, table cloths [not of paper], travel rugs, upholstery fabrics; covers for cushions; place mats not of paper; paper curtains, paper blinds.

25 – Clothing, belts (clothing), gloves (clothing), footwear and headgear.

34 – Tobacco; smokers' articles, ashtrays for smokers, cigar holders, cigarette holders, lighters for smokers, cigar cases, cigarette cases; matches; match boxes; cigars; cigar cases; cigar cutters; cigar cases; cigarettes; pocket machines for rolling cigarettes; cigarette cases; cigarette holders; cigar holders; flintstones; tobacco pipes; match holders; tobacco jars; snuff boxes; cigarillos; tobacco pouches.

35 – Retail services connected with the following goods, in particular spectacle frames, spectacles, sunglasses, precious metals and their alloys, jewelry, precious stones, timepieces and chronometric instruments, printed matter, photographs, stationery, artists' materials, plastic materials for packaging, wrapping paper and cardboard, writing instruments, leather and imitations of leather, animal skins, hides, handbags, luggage, small leather goods, trunks and suitcases, umbrellas and parasols, walking sticks, whips, harness and saddlery, textiles, bed linen, table

linen, household linen, bathroom linen, clothing, footwear, headgear, tobacco, smokers' articles.

37 – Repair, upkeep or cleaning of spectacle frames, spectacles, sunglasses, jewelry, jewelry, timepieces and chronometric instruments, goods made of leather and imitation leather, animal skins and hides, bags, luggage, small leather goods, trunks and suitcases, walking sticks, whips, harness and saddlery, clothing, footwear and headgear, articles for smokers.

41 – Organization of fashion shows for entertainment purposes; arranging and conducting of colloquiums, conferences, conventions, seminars, symposiums, arranging and conducting of concerts; entertainment; education; organization of exhibitions for cultural or educational purposes; practical training [demonstration]; providing museum facilities [presentation, exhibitions]; organization of beauty contests; organization of shows [impresario services]; organization and conducting of training workshops; photography; photographic reporting; publication of books; publication of texts other than advertising texts; rental of stage scenery.

43 – Hotel services, catering [meals]; reservation and rental of temporary accommodation; bar services; coffee shops; food and drink catering.

(260) AM 2018 92450 A

(800) 1204265

(151) 2014 01 17

(891) 2016 12 14

(731) Obshestvo s ogranichennoy otvetstvennostyu "ORBITA"
ul. Nijnyaya, 7, RU-125040 Moscow, Russian Federation

(540)



(591) White and dark-red

(531) 01.01.01; 07.01.06; 26.04.04; 29.01.01

(511)

9 – DVD players; ticket dispensers; coin-operated musical automata [juke boxes]; fire engines; answering machines; accumulators, electric; accumulators, electric, for vehicles; actinometers; alidades; altimeters; ammeters; anemometers; anodes; antennas; anticathodes; apertometers [optics]; high-frequency ap-

paratus; remote control apparatus; electro-dynamic apparatus for the remote control of railway points; electro-dynamic apparatus for the remote control of signals; monitoring apparatus, electric; sound recording apparatus; distillation apparatus for scientific purposes; diffraction apparatus [microscopy]; air analysis apparatus; apparatus to check franking; sound transmitting apparatus; breathing apparatus for underwater swimming; electric apparatus for commutation; intercommunication apparatus; stills for laboratory experiments; projection apparatus; radiological apparatus for industrial purposes; blueprint apparatus; stereoscopic apparatus; telephone apparatus; facsimile machines; phototelegraphy apparatus; igniting apparatus, electric, for igniting at a distance; salinometers; acidimeters for batteries; aerometers; barometers; anode batteries; galvanic batteries; batteries for lighting; solar batteries; batteries, electric; betatrons; binoculars; electronic tags for goods; computer memory devices; fire hose nozzles; encoded identification bracelets, magnetic; safety tarpaulins; signalling buoys; life buoys; marking buoys; directional compasses; vacuum gauges; electrolyzers; variometers; scales; letter scales; precision balances; levelling staffs [surveying instruments]; camcorders; video cassettes; video telephones; video screens; micrometer screws for optical instruments; flashing lights [luminous signals]; apparatus for fermentation [laboratory apparatus]; apparatus and installations for the production of X-rays, not for medical purposes; viscosimeters; circuit closers; wavy meters; voltmeters; mechanical signs; switchboxes [electricity]; current rectifiers; electrical plugs and sockets; gas testing instruments; galvanometers; heliographic apparatus; hygrometers; hydrometers; weights; holograms; plotters; loudspeakers; plumb bobs; range finders; densimeters; densitometers; optical goods; detectors; smoke detectors; counterfeit [false] coin detectors; transparencies [photography]; slide projectors; dictating machines; dynamometers; floppy disks; disks, magnetic; optical discs; circular slide rules; disk drives for computers; DNA chips; electronic notice boards; bullet-proof waistcoats [vests (Am.)]; life jackets; identification threads for electric wires; nose clips for divers and swimmers; bells [warning devices]; alarm bells, electric; electric door bells; signal bells; acoustic conduits; mirrors for inspecting work; road signs, luminous or mechanical; signs, luminous; marine depth finders; probes for scientific purposes; buzzers; needles for record players; measures; pressure measuring apparatus; simulators for the steering and control of vehicles; inverters [electricity]; pressure indicators; temperature indicators; incubators for bacteria culture; measuring instruments; mathematical instruments; levelling instruments; surveying instruments; azimuth instruments; spark-guards; coaxial cables; fibre [fiber (Am.)] optic cables; cables, electric; calipers; slide calipers; screw-tapping gauges; calculating ma-

chines; pocket calculators; decompression chambers; cinematographic cameras; electronic pens [visual display units]; holders for electric coils; identity cards, magnetic; video game cartridges; encoded magnetic cards; riding helmets; carriers for dark plates [photography]; automated teller machines [ATM]; cathodes; choking coils [impedance]; coils, electric; electromagnetic coils; cinematographic film, exposed; computer keyboards; solenoid valves [electromagnetic switches]; electronic agendas; push buttons for bells; magnetic encoders; anti-glare visors; collectors, electric; calibrating rings; protective suits for aviators; commutators; compact discs [audio-video]; comparators; marine compasses; notebook computers; condensers [capacitors]; contacts, electric; battery boxes; cabinets for loudspeakers; reflecting discs for wear, for the prevention of traffic accidents; covers for electric outlets; logs [measuring instruments]; lasers, not for medical purposes; lactodensimeters; lactometers; darkroom lamps [photography]; thermionic tubes; amplifying tubes; flashlights [photography]; head cleaning tapes [recording]; magnetic tapes; videotapes; surveying chains; fire escapes; yardsticks; slide-rules; contact lenses; optical lenses; optical condensers; sounding lines; electricity conduits; measuring spoons; thread counters; magnets; decorative magnets; resuscitation mannequins [teaching apparatus]; pressure gauges; divers' masks; solderers' helmets; protective masks; voting machines; money counting and sorting machines; material testing instruments and machines; megaphones; diaphragms for scientific apparatus; metal detectors for industrial or military purposes; metronomes; rules [measuring instruments]; carpenters' rules; dressmakers' measures; coin-operated mechanisms for television sets; micrometers; microprocessors; microscopes; microtomes; microphones; modems; lightning conductors [rods]; monitors [computer hardware]; junction sleeves for electric cables; teeth protectors; knee-pads for workers; headphones; surveyors' levels; verniers; sound recording carriers; optical data media; socks, electrically heated; mouse [computer peripheral]; magnifying glasses [optics]; mouse pads; sheaths for electric cables; identification sheaths for electric wires; weighing machines; punched card machines for offices; lenses for astrophotography; egg-candlers; fire extinguishers; electrified fences; clothing for protection against accidents, irradiation and fire; clothing for protection against fire; asbestos clothing for protection against fire; clothing especially made for laboratories; ozonisers [ozonators]; octants; eyepieces; ohmmeters; spectacle frames; eyeglass frames; oscillographs; plumb lines; spectacles [optics]; sunglasses; goggles for sports; signalling panels, luminous or mechanical; radio pagers; pince-nez; electronic pocket translators; transmitters [telecommunication]; transmitters of electronic signals; switches, electric; periscopes; gloves for divers; furnaces for laboratory

use; pipettes; pyrometers; planimeters; plane tables [surveying instruments]; plates for batteries; compact disc players; cassette players; sound recording strips; X-ray films, exposed; films, exposed; life-saving rafts; laboratory trays; semiconductors; polarimeters; fire pumps; measuring glassware; life belts; fuses; converters, electric; telerupters; distance measuring apparatus; appliances for measuring the thickness of leather; speed checking apparatus for vehicles; time recording apparatus; apparatus and instruments for astronomy; navigational instruments; apparatus and instruments for physics; chemistry apparatus and instruments; measuring apparatus; measuring devices, electric; boiler control instruments; meteorological instruments; naval signalling apparatus; observation instruments; navigation apparatus for vehicles [on-board computers]; satellite navigational apparatus; regulating apparatus, electric; precision measuring apparatus; audio- and video-receivers; retorts' stands; drainers for use in photography; cleaning apparatus for sound recording discs; fire beaters; sighting telescopes for firearms; test tubes; pressure indicator plugs for valves; magnetic wires; telegraph wires; telephone wires; wires, electric; conductors, electric; copper wire, insulated; fuse wire; computer programmes [programs], recorded; computer programs [downloadable software]; record players; processors [central processing units]; rods for water diviners; objectives [lenses] [optics]; wrist rests for use with computers; electronic publications, downloadable; radar apparatus; vacuum tubes; masts for wireless aerials; radios; vehicle radios; frames for photographic transparencies; walkie-talkies; voltage regulators for vehicles; stage lighting regulators; speed regulators for record players; marking gauges [joinery]; relays, electric; rheostats; respirators for filtering air; retorts; refractometers; refractors; grids for batteries; horns for loudspeakers; saccharometers; traffic lights; sextants; safety nets; fire alarms; signals, luminous or mechanical; sirens; scanners [data processing equipment]; connections for electric lines; couplings, electric; sonars; sound locating instruments; lighting ballasts; resistances, electric; spectrograph apparatus; spectrometers; speed indicators; alcoholmeters; satellites for scientific purposes; audiovisual teaching apparatus; radiotelegraphy sets; radiotelephony sets; spectacle lenses; personal stereos; stereoscopes; fire boats; sulfimeters; spherometers; integrated circuits; printed circuits; counters; parking meters; kilometer recorders for vehicles; revolution counters; abacuses; taximeters; ear plugs for divers; tachometers; television apparatus; telescopes; teleprompters; teleprinters; portable telephones; theodolites; thermostats; thermostats for vehicles; crucibles [laboratory]; tone arms for record players; totalizers; transistors [electronic]; protractors [measuring instruments]; step-up transformers; vehicle breakdown warning triangles; starter cables for motors; capillary tubes; telephone

receivers; integrated circuit cards [smart cards]; quantity indicators; automatic indicators of low pressure in vehicle tires [tyres]; gasoline gauges; water level indicators; light-emitting electronic pointers; slope indicators; levels [instruments for determining the horizontal]; mercury levels; spirit levels; urinometers; amplifiers; particle accelerators; steering apparatus, automatic, for vehicles; balancing apparatus; video recorders; sound reproduction apparatus; invoicing machines; railway traffic safety appliances; data processing apparatus; oxygen transvasing apparatus; theft prevention installations, electric; film cutting apparatus; drying apparatus for photographic prints; optical character readers; centering apparatus for photographic transparencies; dosage dispensers; chargers for electric batteries; acoustic [sound] alarms; sounding apparatus and machines; editing appliances for cinematographic films; cathodic anti-corrosion apparatus; couplers [data processing equipment]; computer peripheral devices; demagnetizing apparatus for magnetic tapes; acoustic couplers; alarms; adding machines; readers [data processing equipment]; heat regulating apparatus; photocopiers [photographic, electrostatic, thermic]; bar code readers; filters for respiratory masks; filters for ultraviolet rays, for photography; magic lanterns; optical lamps; signal lanterns; cameras [photography]; glazing apparatus for photographic prints; shutters [photography]; darkrooms [photography]; photometers; flash-bulbs [photography]; enlarging apparatus [photography]; photovoltaic cells; containers for contact lenses; spectacle cases; pince-nez cases; containers for microscope slides; cases especially made for photographic apparatus and instruments; chromatography apparatus for laboratory use; chronographs [time recording apparatus]; eyeglass chains; cyclotrons; frequency meters; fire blankets; chips [integrated circuits]; pedometers; meteorological balloons; electrified rails for mounting spot lights; asbestos screens for firemen; protective helmets for sports; eyeglass cords; tripods for cameras; switchboards; workmen's protective face-shields; projection screens; radiology screens for industrial purposes; fluorescent screens; ducts [electricity]; galvanic cells; epidiascopes; ergometers.

16 – Fountain pens; albums; almanacs; atlases; posters; paper bows; table linen of paper; tickets; forms, printed; note books; drawing pads; loose-leaf binders; wristbands for the retention of writing instruments; pamphlets; booklets; waxed paper; paper for recording machines; paper for radiograms; electrocardiograph paper; wood pulp paper; parchment paper; writing paper; luminous paper; toilet paper; wrapping paper; blotters; newsletters; rollers for typewriters; house painters' rollers; obliterating stamps; signboards of paper or cardboard; patterns for dressmaking; newspapers; electrotypes; hectographs; terrestrial globes; engravings; slate pencils; pencil leads; pencil holders; chalk holders; diagrams;

engraving plates; writing slates; blackboards; galley racks [printing]; drawing boards; cream containers of paper; money clips; tags for index cards; book-markers; etching needles; printed publications; cardboard articles; graphic representations; graining combs; calendars; tear-off calendars; tracing paper; tracing patterns; gums [adhesives] for stationery or household purposes; lithographic stones; pencils; pencil lead holders; charcoal pencils; pictures; transfers [decalcomanias]; hat boxes of cardboard; files [office requisites]; cards; geographical maps; perforated cards for Jacquard looms; catalogues; covers of paper for flower pots; paintbrushes; painters' brushes; writing brushes; typewriter keys; glue for stationery or household purposes; books; comic books; drawing pins; cigar bands; boxes of cardboard or paper; paint boxes [articles for use in school]; French curves; paper ribbons; typewriter ribbons; adhesive tapes for stationery purposes; square rulers; viscose sheets for wrapping; steel letters; type [numerals and letters]; lithographs; architects' models; postage stamps; graphic prints; modelling materials; teaching materials [except apparatus]; sealing compounds for stationery purposes; packaging material made of starches; addressing machines; chalk for lithography; writing chalk; tailors' chalk; marking chalk; painters' easels; hand-rests for painters; bibs of paper; cords for bookbinding; numbering apparatus; bottle envelopes of cardboard or paper; sealing wafers; passport holders; plastic cling film, extensible, for palletization; handwriting specimens for copying; oleographs; musical greeting cards; greeting cards; postcards; etchings; bags for microwave cooking; palettes for painters; ink sticks; folders for papers; papier mâché; pastels [crayons]; pen cases; bookbindings; pen wipers; nibs of gold; steel pens; drawing pens; song books; sealing stamps; clipboards; address plates for addressing machines; handkerchiefs of paper; plastic film for wrapping; letter trays; trays for sorting and counting money; coasters of paper; bookends; stamp stands; mats for beer glasses; stands for pens and pencils; photograph stands; stamp pads; towels of paper; gummed cloth for stationery purposes; printers' blankets, not of textile; portraits; paperweights; writing cases [sets]; writing materials; hand labelling appliances; prospectuses; printed timetables; indexes; graphic reproductions; face towels of paper; staples for offices; erasing products; writing board erasers; sealing wax; arithmetical tables; placards of paper or cardboard; writing or drawing books; cardboard tubes; Indian inks; chart pointers, non-electronic; bottle wrappers of cardboard or paper; envelope sealing machines, for offices; sealing machines for offices; vignetting apparatus; apparatus for mounting photographs; stapling presses [office requisites]; textbooks; paper coffee filters; silver paper; molds for modelling clays [artists' materials]; photo-engravings; stencil cases; canvas for painting; correcting ink [heliography];

ink; inkwells; blueprints; rosaries; balls for ball-point pens; printing type; address stamps; pads [stationery]; labels, not of textile; prints [engravings]; stamps [seals]; flags of paper; figurines [statuettes] of papier mâché; pencil sharpening machines, electric or non-electric; school supplies [stationery]; covers [stationery]; stickers [stationery]; index cards [stationery]; paintings [pictures], framed or unframed.

35 – Advertising; arranging subscriptions to telecommunication services for others; import-export agencies; commercial information agencies; advertising agencies; cost price analysis; rental of advertising space; employment agencies; computerized file management; invoicing; demonstration of goods; opinion polling; marketing studies; business information; business investigations; personnel recruitment; business management and organization consultancy; business organization consultancy; business management consultancy; professional business consultancy; layout services for advertising purposes; business management of performing artists; news clipping services; updating of advertising material; word processing; organization of exhibitions for commercial or advertising purposes; organization of trade fairs for commercial or advertising purposes; shop window dressing; business appraisals; payroll preparation; sponsorship search; business management assistance; commercial or industrial management assistance; economic forecasting; auctioneering; office machines and equipment rental; publicity material rental; rental of vending machines; rental of photocopying machines; publication of publicity texts; radio advertising; bill-posting; distribution of samples; dissemination of advertising matter; writing of publicity texts; on-line advertising on a computer network; document reproduction; compilation of statistics; business inquiries; systemization of information into computer databases; tax preparation; drawing up of statements of accounts; commercial administration of the licensing of the goods and services of others; public relations; modelling for advertising or sales promotion; relocation services for businesses; price comparison services; procurement services for others [purchasing goods and services for other businesses]; business efficiency expert services; photocopying services; telephone answering for unavailable subscribers; administrative processing of purchase orders; compilation of information into computer databases; advertising by mail order; television advertising; commercial information and advice for consumers [consumer advice shop]; presentation of goods on communication media, for retail purposes; rental of advertising time on communication media; promoting the goods and services of others on the Internet.

39 – Packaging and storage of goods; arranging of travel tours; air transport; boat rental; parking place

rental; booking of seats for travel; transport reservation; towing; water distribution; delivery of newspapers; message delivery; parcel delivery; delivery of goods; delivery of goods by mail order; flower delivery; launching of satellites for others; transportation information; storage information; arranging of cruises; hauling; carting; transporting furniture; ferry-boat transport; transport of travellers; bus transport; car transport; boat transport; railway transport; marine transport; passenger transport; river transport; portage; refloating of ships; shipbrokerage; transport brokerage; freight brokerage [forwarding (Am.)]; car rental; railway truck rental; rental of diving bells; rental of motor racing cars; rental of wheelchairs; rental of storage containers; horse rental; refrigerator rental; vehicle rental; stevedoring; unloading cargo; electricity distribution; distribution of energy; packaging of goods; ice-breaking; piloting; water supplying; escorting of travellers; streetcar transport; transport by pipeline; car parking; chauffeur services; courier services [messages or merchandise]; transport; franking of mail; freighting; physical storage of electronically-stored data or documents; boat storage; storage; freight forwarding; travel reservation; pleasure boat transport.

(260) AM 2018 92455 A

(800) 1254478

(151) 2015 05 07

(891) 2017 02 14

(731) CHR. HANSEN A/S

Bøge Allé 10-12, DK-2970 Hørsholm (DK),
Denmark

(540)

CHR. HANSEN LA-5

(591) Black, white

(511)

1 – Bacteriological preparations other than for medical and veterinary use; bacteriological cultures for addition to food, milk and dairy products including fermented milk products, other than for medical and veterinary purposes; cultures of microorganisms other than for medical and veterinary use; cultures of microorganisms for use in food and beverage manufacture; lactobacillus for use in food and beverage manufacture; starter media and enzymes for use in cheese manufacture; enzyme preparations for industrial purposes; enzymes for use in the manufacture of milk and dairy products including fermented milk products.

5 – Bacteriological preparations for medical and veterinary use; bacteriological cultures for use as a food additive for medical purposes; bacteriological cultures for addition to milk, dairy and fermented milk products, for medical purposes; cultures of microorganisms for medical and veterinary purposes; cultures of microorganisms for use in dietary supplements,

food supplements, vitamin and mineral preparations; lactobacillus for use as an ingredient in pharmaceutical products and food supplements; pharmaceutical and veterinary preparations; dietetic substances adapted for medical use; dietary supplements; food supplements; vitamin and mineral preparations; food for babies.

29 – Milk and dairy products, including fermented milk products; food additives based on milk and dairy products including fermented milk products (not for medical purposes); yoghurt and yoghurt preparations.

(260) AM 2018 92457 A

(800) 1255978

(151) 2015 03 11

(891) 2017 02 09

(731) DELI GROUP CO., LTD.

No.128 Bus Stop West Road, Huangtan
Town, Ninghai County 315608 Zhejiang,
China

(540)



(591) Black, white

(531) 27.05.17

(511)

9 – Pocket calculators; scales; measures; rulers [measuring instruments]; signal lanterns; antennas; sound recording discs; magic lanterns; magnifying glasses [optics]; wires, electric; sockets, plugs and other contacts [electric connections]; fire extinguishers; radiological apparatus for industrial purposes; protective helmets; spectacle cases; animated cartoons.

(260) AM 2018 92458 A

(800) 1259993

(151) 2015 05 05

(891) 2017 02 14

(731) CHR. HANSEN A/S

Bøge Allé 10-12, DK-2970 Hørsholm,
Denmark

(540)

CHR. HANSEN BB-12

(591) Black, white

(511)

1 – Bacterial cultures for addition to food, milk and dairy products including fermented milk products, other than for medical and veterinary purposes; cultures of microorganisms other than for medical and veterinary use; bacterial preparations other than for medical and veterinary use.

5 – Cultures of microorganisms for medical and veterinary purposes; bacterial preparations for medical and veterinary use; cultures of microorganisms for use in dietary supplements, food supplements, vitamin and mineral preparations; dietetic substances adapted for medical use; dietary supplements, food supplements, vitamin and mineral preparations; bacterial cultures for use as a food additive for medical purposes; bacterial cultures for addition to milk, dairy and fermented milk products, for medical purposes; food for babies.

29 – Milk and dairy products including fermented milk products; food additives based on milk and dairy products including fermented milk products (not for medical purposes); yoghurt and yoghurt preparations.

(260) AM 2018 92459 A

(800) 1310715

(151) 2015 12 30

(891) 2017 03 15

(731) XTI FOOTWEAR, S.L.

Polígono Industrial Las Teresas c/ Miguel Servet, s/n, E-30510 Yecla (Murcia) (ES), Spain

(540)



(591) Black, white

(531) 27.05.13; 27.05.19

(526) & Co.

(511)

25 – Clothing, footwear, headgear.

(260) AM 2018 92514 A

(800) 1346605

(151) 2017 02 28

(891) 2017 02 28

(731) MAST-JÄGERMEISTER SE

Jägermeisterstraße 7 – 15, 38302 Wolfenbüttel, Germany

(540)

JAGERVIBES

(591) Black, white

(511)

25 – Clothing, footwear, headgear.

35 – Advertising, marketing and promotional services; commercial trading and consumer information services, namely auctioneering services, rental of vending machines, business contact services, collective buying services, commercial evaluation servi-

ces, arranging of competitions for advertising purposes, import and export services, mediation and negotiation of commercial transaction for third parties, ordering services, price comparing services, procurement services for others, subscription services, retail and wholesale services in relation to pharmaceuticals, cosmetics and household goods, fuels, goods in the field of health, machines, tools and metal goods, building material, do-it-yourselfer and gardening articles, hobby requisites and craft supplies, electric goods and electronic goods, sound and data carriers, watches and jewellery, musical instruments, printed matter, paper and stationery, office requisites, bag makers' goods and saddlery, furnishings and decorative articles, clothing, footwear and textiles, playthings, sporting goods, foodstuffs and beverages, smokers' articles and other luxury foodstuffs; business assistance, management and administrative services; business analysis, research and information services; rental, hire and leasing in connection with the aforesaid, included in this class; advice, consultancy and information for the aforesaid, included in this class; all of the aforesaid services not related to vehicles and vehicle accessories.

41 – Publishing and reporting; education, entertainment and sports; translation and interpretation; rental, hire and leasing in connection with the aforesaid, included in this class; advice, consultancy and information for the aforesaid, included in this class; all of the aforesaid services not related to vehicles and vehicle accessories.

(260) AM 2018 92515 A

(800) 1346616

(151) 2016 08 24

(891) 2016 08 24

(731) EMİNÇELİK TERMOSİFON SOBA SANAYİ VE TİCARET LİMİTED ŞİRKETİ İdosb Deri San. YB:34, Parsel Kuzu Sok., Aydınlı, Tuzla, İSTANBUL, Turkey

(540)

(591) Black, white

(531) 27.05.01; 27.05.17

(511)

11 – Lighting installations; lights for vehicles and interior-exterior spaces; heating installations using solid, liquid or gas fuels or electricity, central heating boilers, boilers for heating installations, radiators [heating], heat exchangers, not parts of machines, stoves, kitchen stoves, solar thermal collectors [heating]; installations for air-conditioning and ventilating; cooling installations and freezers; electric and gas-powered devices, installations and apparatus

for cooking, drying and boiling: cookers, electric cooking pots, electric water heaters, barbecues, electric laundry driers; hair driers; hand drying apparatus; electric bed warmers and electric blankets, not for medical use; water softening apparatus; water purification apparatus; water purification installations; waste water purification installations; electric pillow warmers; electric or non-electric footwarmers; hot water bottles; filters for aquariums and aquarium filtration apparatus; industrial type installations for cooking, drying and cooling purposes; pasteurizers and sterilizers.

(260) AM 2018 92517 A

(800) 1346675

(151) 2016 08 25

(891) 2016 08 25

(731) ENKA HİJYEN ÜRÜNLERİ SANAYİ VE
TİCARET ANONİM ŞİRKETİ
5.Organize Sanayi Bölgesi, N3BC07833,
Pafta No:E26, Ada No:3, Parsel No:Bila
Şehitkamil, Gaziantep, Turkey

(540)



(531) 27.05.02; 27.05.03; 29.01.13

(511)

3 – Perfumery; cosmetics; fragrances; deodorants for personal use and animals; soaps; dental care preparations; dentifrices; denture polishes; tooth whitening preparations; mouth washes, not for medical purposes; abrasive preparations; emery cloth; sandpaper; pumice stone; abrasive pastes; polishing preparations for leather, vinyl, metal and wood; polishes and creams for leather, vinyl, metal and wood; wax for polishing; baby wipes.

5 – Pharmaceutical and veterinary preparations for medical purposes; chemical preparations for medical and veterinary purposes; chemical reagents for pharmaceutical and veterinary purposes; dietary supplements for pharmaceutical and veterinary purposes; dietary supplements; nutritional supplements; medicinal preparations for slimming purposes; food for babies; herbs and herbal beverages adapted for medicinal purposes; dental preparations and articles; teeth filling material; dental impression materials; dental adhesives and material for repairing teeth; sanitary preparations for medical use; hygienic pads; hygienic tampons; plasters; materials for dressings; diapers, including those made of paper and textiles; deodorants, other than for human beings or for ani-

mals; air deodorizing preparations; babies' diapers of textile, babies' diapers of paper.

16 – Paper and cardboard; paper and cardboard for packaging and wrapping purposes, cardboard boxes; paper towels; toilet paper; paper napkins; plastic materials for packaging and wrapping purposes; printing blocks and types; bookbinding material; printed publications; printed matter; books, magazines, newspapers, bill books, printed dispatch notes, printed vouchers, calendars; posters; photographs [printed]; paintings; stickers [stationery]; postage stamps; stationery, office stationery; instructional and teaching material [except furniture and apparatus]; writing and drawing implements; artists' materials; paper products for stationery purposes; adhesives for stationery purposes, pens, pencils, erasers, adhesive tapes for stationery purposes, cardboard cartons [artists' materials], writing paper, copying paper, paper rolls for cash registers, drawing materials, chalkboards, painting pencils, watercolors [paintings]; office requisites; paint rollers and paintbrushes for painting; rosaries.

(260) AM 2018 92531 A

(800) 1345778

(151) 2017 02 24

(891) 2017 02 24

(731) LABORATOIRE INNOTECH
INTERNATIONAL

22 avenue Aristide Briand F-94110 Arcueil, France

(540)

ИНОКЛИМ

(591) Black and white

(531) 28.05

(511)

5 – Pharmaceutical products and food supplements for medical use for use in the treatment of perimenopausal and menopausal disorders.

(260) AM 2018 92568 A

(800) 1346067

(151) 2016 09 23

(891) 2016 09 23

(731) DIPLAZOR LIMITED

124, 1st floor, office 101, Strovolos CY-2042
Nicosia, Cyprus

(540)



(591) White and grey
 (531) 26.04.22; 27.05.24; 29.01.12
 (511)
 28 – Toys.

30 – Coffee; tea; cocoa; cocoa beverages with milk; coffee-based beverages; chocolate beverages with milk; candy, namely caramels; candy; crackers; biscuits; gingerbread; chocolate candy; chocolate figures; chocolate eggs; ice cream; honey; golden syrup; edible ices; popcorn; zephyr [confectionery]; chewing gum; candied fruit jelly.

(260) AM 2018 92571 A
 (800) 1346156
 (151) 2017 02 24
 (891) 2017 02 24
 (731) PASTA BERRUTO S.P.A.
 Via Sommariva,139/141 Carmagnola
 I-10022 Torino, Italy
 (540)



(591) White, black, green, red and gold
 (531) 24.07.13; 25.01.06; 26.04.02; 26.04.22;
 26.11.02; 26.11.12; 29.01.15
 (511)
 29 – Eggplant paste; tomato purée; diced tomatoes [pulp]; tomato juice for cooking.
 30 – Condiments; macaroni; gluten-free pasta; pasta; noodle-based prepared meals; pesto [sauce]; ravioli; tomato sauce; sauces [condiments]; pasta sauce; spaghetti; noodles; vermicelli [noodles]; breadsticks; couscous [semolina].

(260) AM 2018 92591 A
 (800) 1346298
 (151) 2017 11 24
 (891) 2016 11 24
 (731) BENEDICT, Christine
 Brennofengasse 4,63739 Aschaffenburg,
 Germany
 (540)

WS-Plast

(591) Black, white
 (511)
 1 – Chemical products for industrial purposes.
 2 – Colorants, dyes, pigments and printing inks; diluents and thickening agents for coatings and co-

lorants and printing inks; coatings; additives in combination with aforementioned goods (included in this class); lacquers paints; translucent lacquers; primers [lacquers and paints].

(260) AM 2018 92592 A
 (800) 1346304
 (151) 2016 11 10
 (891) 2016 11 10
 (731) BYD COMPANY LIMITED
 Yan an Road, Kuichong,Longgang 518119
 Shenzhen, China
 (540)



(591) Black, white
 (531) 26.01.02; 26.01.18; 27.05.17
 (511)
 7 – Agricultural machines; mixing machines; haulage apparatus [mining]; concrete mixers [machines]; bulldozers; scraper; excavators; loosener; road sweeping machines, self-propelled; washing apparatus; machines and apparatus for cleaning, electric; garbage disposals; waste disposals; waste compacting machines; trash compacting machines; dust exhausting installations for cleaning purposes; dust removing installations for cleaning purposes; snow ploughs.
 12 – Lifting cars [lift cars]; fork lift trucks; sprinkling trucks; motor buses; trucks; waggons; vans [vehicles]; tilting-carts; tipping apparatus, parts of trucks and waggons; concrete mixing vehicles; trailers [vehicles]; refrigerated vehicles; golf cars [vehicles]; automobile wheel hubs; rolling stock for railways; locomotives; head-rests for vehicle seats; vehicle chassis; ambulances; vehicle wheel hubs.

(260) AM 2018 92599 A
 (800) 1346482
 (151) 2017 01 24
 (891) 2017 01 24
 (731) PHILIP MORRIS PRODUCTS S.A.
 Quai Jeanrenaud 3, CH-2000 Neuchâtel,
 Switzerland
 (540)



(591) Black, grey
(531) 26.11.03; 26.11.06; 26.11.08
(511)

9 – Batteries for electronic cigarettes; batteries for electronic devices that are used for heating tobacco, chargers for electronic devices that are used for heating tobacco; USB chargers for electronic devices that are used for heating tobacco; car chargers for electronic cigarettes; car chargers for devices that are used for heating tobacco; battery chargers for electronic cigarettes.

11 – Electronic vaporizers except electronic cigarettes; apparatus for heating liquids; apparatus for generating vapor.

34 – Wired vaporizers for electronic cigarettes and electronic smoking devices; tobacco, raw or manufactured; tobacco products, including cigars, cigarettes, cigarillos, tobacco for roll-your-own cigarettes, pipe tobacco, chewing tobacco, snuff tobacco, kretek; snus; tobacco substitutes (not for medical purposes); smokers' articles, including cigarette paper and tubes, cigarette filters, tobacco tins, cigarette cases and ashtrays, pipes, pocket apparatus for rolling cigarettes, lighters; matches; tobacco sticks, tobacco products for the purpose of being heated, electronic devices and their parts for the purpose of heating cigarettes or tobacco in order to release nicotine-containing aerosol for inhalation; liquid nicotine solutions for use in electronic cigarettes; electronic smoking devices; electronic cigarettes; electronic cigarettes as substitute for traditional cigarettes; electronic devices for the inhalation of nicotine-containing aerosol; oral vaporizing devices for use by smokers, tobacco products and tobacco substitutes; smokers' articles for electronic cigarettes; parts and fittings for the aforesaid products included in this class; extinguishers for heated cigarettes and cigars as well as heated tobacco sticks; electronic rechargeable cigarette cases.

(260) AM 2018 92601 A
(800) 1346483
(151) 2017 02 20
(891) 2017 02 20
(731) PHILIP MORRIS PRODUCTS S.A.
Quai Jeanrenaud 3, CH-2000 Neuchâtel,
Switzerland

(540)

DIFFERENT FOR A REASON

(591) Black, white
(511)

34 – Tobacco, raw or manufactured; tobacco products; cigars, cigarettes, cigarillos, tobacco for roll-your-own cigarettes, pipe tobacco, chewing tobacco, snuff tobacco, kretek; snus; tobacco substitutes (not

for medical purposes); electronic cigarettes; tobacco products for the purpose of being heated; electronic devices and their parts for the purpose of heating cigarettes or tobacco in order to release nicotine-containing aerosol for inhalation; liquid nicotine solutions for use in electronic cigarettes; smokers' articles, cigarette paper, cigarette tubes, cigarette filters, tobacco tins, cigarette cases, ashtrays, pipes, pocket apparatus for rolling cigarettes, lighters, matches.

41 – Education; training; entertainment; sporting and cultural activities.

(260) AM 2018 92637 A
(800) 1347749
(151) 2016 07 01
(891) 2016 07 01

(731) TIRYAKILER OTO MAKİNA TİCARET VE
SANAYİ ANONİM ŞİRKETİ
Umurbey Mahallesi, 1520 Sokak, No:34
Alsancak-İZMİR, Turkey

(540)



(591) Grey, black, brown, white and light blue
(531) 03.01.04; 03.02.07; 03.13.01; 29.01.15
(511)

12 – Motor land vehicles, motorcycles, mopeds; engines and motors for land vehicles; clutches for land vehicles; transmissions, transmission belts and transmission chains for land vehicles; gearing for land vehicles; brakes, brake discs and brake linings for land vehicles; vehicle chassis, automobile bonnets, vehicle suspension springs, shock absorbers for automobiles, gearboxes for land vehicles, steering wheels for vehicles, rims for vehicle wheels; automobile engines; automobile chassis; axles for land vehicles; automobile parts, namely, connecting rods for land vehicles other than parts of motors and engines; clutches for land vehicles; land vehicle tires; bicycles and their bodies; handlebars and mudguards for bicycles; vehicle bodies; tipping bodies for trucks; trailers for tractors; frigorific bodies for land vehicles; trailer hitches for vehicles; vehicle seats; head-rests for vehicle seats; safety seats for children, for vehicles; seat covers for vehicles; vehicle covers (shaped); sun-blinds adapted for vehicles; direction signals and arms for direction signals for vehicles; windscreen wipers and wiper arms for vehicles; inner and outer tires for vehicle wheels; tubeless tires; tire-fixing sets comprised of tire patches and tire valves for vehicles; windows for vehicles, safety windows for vehicles, rearview mirrors and wing mirrors for vehicles; anti-skid chains for vehicles; luggage carriers for vehicles; bicycle and ski carriers for cars; saddles for bicycles or motorcycles; air

pumps for vehicles, for inflating tires; anti-theft alarms for vehicles, horns for vehicles; safety belts for vehicle seats, air bags (safety devices for automobiles); baby carriages, wheelchairs, pushchairs; wheelbarrows; shopping carts; single or multi-wheeled wheelbarrows; shopping trolleys; grocery carts; handling carts; rail vehicles; locomotives; trains; trams; wagons; cable cars; chairlifts; vehicles for locomotion by water and their parts, other than their motors and engines; vehicles for locomotion by air and their parts, other than their motors and engines.

35 – Advertising, marketing and public relations; organization of exhibitions and trade fairs for commercial or advertising purposes; office functions; secretarial services; arranging newspaper subscriptions for others; compilation of statistics; rental of office machines; systemization of information into computer databases; telephone answering for unavailable subscribers; business management, business administration and business consultancy; accounting; commercial consultancy services; personnel recruitment, personnel placement, employment agencies, import-export agencies; temporary personnel placement services; auctioneering; the bringing together, for the benefit of others, of a variety of goods, namely, motor land vehicles, motorcycles, mopeds, engines and motors for land vehicles, clutches for land vehicles, transmissions, transmission belts and transmission chains for land vehicles, gearing for land vehicles, brakes, brake discs and brake linings for land vehicles, vehicle chassis, automobile bonnets, vehicle suspension springs, shock absorbers for automobiles, gearboxes for land vehicles, steering wheels for vehicles, rims for vehicle wheels, automobile engines, automobile chassis, axles for land vehicles, automobile parts, namely, connecting rods for land vehicles other than parts of motors and engines, clutches for land vehicles, land vehicle tires, bicycles and their bodies, handlebars and mudguards for bicycles, vehicle bodies, tipping bodies for trucks, trailers for tractors, frigorific bodies for land vehicles, trailer hitches for vehicles, vehicle seats, head-rests for vehicle seats, safety seats for children, for vehicles, seat covers for vehicles, vehicle covers (shaped), sun-blinds adapted for vehicles, direction signals and arms for direction signals for vehicles, windscreen wipers and wiper arms for vehicles, inner and outer tires for vehicle wheels, tubeless tires, tire-fixing sets comprised of tire patches and tire valves for vehicles, windows for vehicles, safety windows for vehicles, rearview mirrors and wing mirrors for vehicles, anti-skid chains for vehicles, luggage carriers for vehicles, bicycle and ski carriers for cars, saddles for bicycles or motorcycles, air pumps for vehicles, for inflating tires, anti-theft alarms for vehicles, horns for vehicles, safety belts for vehicle seats, air bags (safety devices for automobiles), baby carriages, wheelchairs, pushchairs, wheelbarrows, shopping carts, single or multi-

wheeled wheelbarrows, shopping trolleys, grocery carts, handling carts, rail vehicles, locomotives, trains, trams, wagons, cable cars, chairlifts, vehicles for locomotion by water and their parts, other than their motors and engines, vehicles for locomotion by air and their parts, other than their motors and engines, enabling customers to conveniently view and purchase those goods, such services may be provided by retail stores, wholesale outlets, by means of electronic media or through mail order catalogues.

(260) AM 2018 92638 A

(800) 1347819

(151) 2017 03 21

(891) 2017 03 21

(731) SEAT, S.A.

Autovia A-2 km. 585 E-08760 MARTORELL
(BARCELONA), Spain

(540)

SEAT BARNA

(591) Black and white

(511)

12 – Vehicles; apparatus for locomotion by land; cars; vehicle parts and accessories.

(260) AM 2018 92639 A

(800) 1347857

(151) 2016 11 21

(891) 2016 11 21

(731) FRIESLANDCAMPINA NEDERLAND B.V.

Stationsplein 4 NL-3818 LE Amersfoort,
Netherlands

(540)



(591) Green, yellow and white

(531) 26.01.02; 26.01.20; 26.01.24; 27.05.24;
29.01.13

(511)

29 – Dairy products; dairy-based beverages, the dairy component predominating; dairy products for dietetic purposes (not for medical purposes); dairy-based spreads for bread; milk and milk products; fermented milk products; preserved milk products; milk powder, condensed milk; buttermilk; yoghurt and yoghurt products; cottage cheese, quark; cheese and cheese products; cream, whipped cream, sour cream, coffee creamer; vegetable-based substitutes for whi-

pped cream and coffee creamer; edible oils and fats; butter, butter ghee; desserts not included in other classes; dairy-based meat substitutes; the aforesaid dairy products, both natural and flavoured; breakfast drinks [with coffee, cocoa or chocolate base] and meal-replacement drinks consisting primarily of dairy products; dairy snacks included in this class.

30 – Coffee, tea or herbal tea based drinks, cocoa based drinks, chocolate-based beverages, chocolate-based beverages with milk; chocolate beverages with milk; rice pudding; milk-based groats, porridge, semolina products; sauces, cream sauces and butter sauces; fruit sauces; pudding (desert), bavarian cream, chocolate and/or fruit mousse; ice-cream; desserts, included in this class; breakfast drinks, included in this class; custard.

(260) AM 2018 92641 A

(800) 1347866

(151) 2016 12 09

(891) 2016 12 09

(731) APPLE INC.

1 Infinite Loop Cupertino CA 95014, USA

(540)



(591) Red, white and gray

(531) 26.04.04; 26.04.08; 26.04.18; 27.05.21;

29.01.13

(511)

9 – Computer software for accessing, searching, browsing, displaying, reading, recommending, sharing, posting in social media, organizing, annotating, and archiving news, sports, weather, commentary, and other information, content from newspapers, periodicals, blogs, and websites, and other text, data, graphics, images, audio, video, and multimedia content; electronic publication reader software; application development software.

42 – Computer services, namely, interactive hosting services for providing a user-customized feed of news, sports, weather, commentary, and other information, content from newspapers, periodicals, blogs, and websites, and other text, audio, video, and multimedia content; providing search engines for obtaining data via the internet and other electronic communications networks; providing online non-downloadable application development software, and support and consultation services for developing computer applications.

(260) AM 2018 92642 A

(800) 1347865

(151) 2016 12 02

(891) 2016 12 02

(731) URSA Salgótarján Glass Wool Close Co., Ltd.
Szépvölgyi út 41, 2/2 H-1037 Budapest,
Hungary

(540)

URSA TERRA

(591) Black and white

(511)

17 – Insulating, soundproofing and stopping materials; fabrics, felts, webs, plates, panels and sheets for use as insulation material; rubber or plastics for padding and stuffing; mineral wool, glass wool, stone wool, rock wool, slag wool and fiber glass for thermal or acoustic insulation; glass fibers for insulation; slag wool, glass wool blankets and panels for insulation; wood fiber, plastic insulation materials, especially foamed plastic materials; insulation boards, made from polystyrene, especially made from extruded polystyrene; XPS (extruded polystyrene) material for packing and stuffing; XPS (extruded polystyrene) panels for insulation; plastic film, other than for packaging purposes; substances for insulating buildings against moisture; sealant compounds for joints; insulating paper, insulating tape and band, rubber, gutta-percha, gum, asbestos, mica; plastics in extruded form for use in manufacture; packing materials, flexible pipes, sealing membranes and other barrier materials for air tightness and vapor barriers (membrane for moisture protection); vapor barriers; adhesives for sealing and/or attaching or linking membranes of air tightness and/or vapor barriers (for moisture protection) to installations and fixtures (carpentry, timber studs, tubes, chimney, parts used for ventilation, ducts) that allow for passing through; insulating adhesives, especially in the form of tapes to be used in combination with insulating material, like mineral wool and XPS (extruded polystyrene); adhesive tapes, insulating material for buildings and/or glass mineral wool for insulation purposes together with adhesive tapes and sealants for fastening the insulation material and/or mineral wool to the construction of a building, namely warm frame construction, cold frame construction, wall/floor junction timber floor, cavity batts made of mineral fibers, pitched roof insulation, roof junctions for separating wall/attic space and roof junctions for separating wall/room in the roof.

19 – Building materials (non-metallic), including panels and sheets of mineral fibers (especially fiber glass) for buildings; ducts for air conditioning, self-bearing duct designs made from mineral wool especially glass fiber panels used for HVAC (heating, ventilation and air conditioning); mineral wool panels with woven or non-woven facings or coverings; non-metallic rigid pipes for building; asphalt, pitch

and bitumen; non-metallic transportable buildings; monuments, not of metal, waterproof claddings.

(260) AM 2018 92644 A

(800) 1347871

(151) 2016 12 12

(891) 2016 12 12

(731) ADP GAUSELMANN GMBH

Merkur-Allee 1-15 32339 Espelkamp, Germany

(540)

Cyborg Towers

(591) Black and white

(511)

9 – Scientific, nautical, surveying, photographic, cinematographic, optical, weighing, measuring, signalling, checking (supervision), life-saving and teaching apparatus and instruments; apparatus and instruments for conducting, switching, transforming, accumulating, regulating or controlling electricity; apparatus for recording, transmission or reproduction of sound or images; magnetic data carriers, recording discs; compact discs, DVDs and other digital recording media; cash registers, calculating machines, data processing equipment, computers; computer software; fire-extinguishing apparatus; musical jukeboxes and parts for the aforesaid automatic machines; automatic cash dispensers, automatic money counting and money changing machines; coin-operated mechanisms; computer and video games software; games software for use on any computer platform, including electronic entertainment and games consoles; computer game programs; computer games programs; video games (software); computer games provided through a global computer network or supplied by means of multi-media electronic broadcast or through telecommunications or electronic transmission or via the internet; computer games, leisure and recreational software, video games and computer software, all being provided in the form of storage media; programs for operating electric and electronic apparatus for games, amusement and/or entertainment purposes; automatic lottery machines; computer software for computer games on the internet; online games (software), in particular for online betting games, online prize games, online gambling games, online games of skill and online casino games; computer software in the form of an app for mobile devices and computers; calculating apparatus in coin-operated machines and parts for the aforesaid goods; apparatus for recording, transmission, processing or reproduction of data, including sound or images, including parts for all the aforesaid goods, except radio sets, television receivers, hi-fi systems, video recorders, telephone apparatus, fax machines and telephone answering machines; computer hardware and software for casino and amusement arcade games, for gaming machines, slot machines or video lottery gaming machines or games of chance via the

internet; electric, electronic, optical or automatic apparatus, for identifying data carriers, identity cards and credit cards, bank notes and coins; electric, electronic or optical alarm and monitoring installations, including video cameras and apparatus for image transmission and image processing; data processing apparatus and computers, including data processing apparatus and computers being components for data networks and parts facilitating data network communications; electric wiring harnesses; circuit boards, printed circuit boards (electronic components) and combinations thereof, being assemblies and equipment parts, included in this class.

28 – Games; toys; gymnastic and sporting articles not included in other classes; decorations for christmas trees; gaming apparatus (including coin-operated apparatus); coin-operated arcade games (machines); games for amusement arcades (included in this class); coin-operated video gaming apparatus; video games apparatus adapted for use with external screens or monitors only; casino fittings, namely roulette tables, roulette wheels; coin-operated automatic gaming machines and gaming machines, in particular for gaming arcades, with or without a prize payout; electronic or electrotechnical gaming apparatus, automatic gaming machines, gaming machines, slot machines operated by coins, tokens, banknotes, tickets or by means of electronic, magnetic or biometric storage media, in particular for commercial use in casinos and amusement arcades, with or without a prize payout; automatic gaming machines and gaming machines, in particular for commercial use in casinos and gaming arcades, with or without a prize payout; coin-operated gaming machines and/or electronic money-based gaming apparatus (machines), with or without prizes; housings adapted for gaming machines, gaming apparatus and automatic gaming machines, operated by means of coins, tokens, tickets or by means of electronic, magnetic or biometric storage media, in particular for commercial use in casinos and gaming arcades, with or without a prize payout; electronic games; electronic game entertainment apparatus and accessories; video output game machines; drawing apparatus for prize games and lotteries, draws or raffles; housings of metal, plastic and/or wood for coin-operated automatic machines; apparatus for games (including video games), other than adapted for use with external screens or monitors only; gaming machines for gambling; gaming tables, in particular for table football, billiards, sliding games; flying discs (toys) and darts; gaming machines for bingo games, lotteries or video lottery games and for betting offices, networked or unnetworked; LCD games consoles; automatic gaming machines; including all the aforesaid machines operating in networks; apparatus and devices for accepting and storing money, being fittings for the aforesaid automatic machines, included in this class.

(260) AM 2018 92645 A

(800) 1347885

(151) 2016 11 25

(891) 2016 11 25

(731) PEAK OYUN YAZILIM VE PAZARLAMA ANONIM SİRKETİ

Ömer Avni Mah. Inebolu Beytulmalcı Sokak

No.39 Haktan İş Merkezi K.3 Kabatas

Beyoglu İstanbul, Turkey

(540)



(591) Red, yellow, green, dark blue, blue

(531) 25.03.01; 26.04.18; 27.05.03; 29.01.15

(511)

9 – Apparatus for recording, transmission or reproduction of sound or images, cameras, photographic cameras, television apparatus, video recorders, CD and DVD players and recorders, MP3 players, computers, desktop computers, tablet computers, microphones, loudspeakers, earphones, telecommunications apparatus, apparatus for the reproduction of sound or images, computer peripheral devices, cell phones, covers for cell phones, telephone apparatus, computer printers, scanners, data processing equipment, photocopiers; magnetic and optic data carriers and computer software and programmes recorded there-to, downloadable electronic publications, electronic publications recorded on computer media, encoded magnetic and optic cards, electronic components used in the electronic parts of machines and apparatus, semi-conductors, electronic circuits, integrated circuits, chips [integrated circuits], diodes, transistors [electronic], magnetic heads for electronic apparatus, electronic locks, photocells, remote control apparatus for opening and closing doors, optical sensors, decorative magnets.

41 – Arranging and conducting of conferences, congresses and seminars, sporting and cultural activities; entertainment; ticket reservation and booking services for entertainment, sporting and cultural events, including ticket reservation and booking services for theatres, cinemas, museums and concerts, publication and editing of printed matter, including magazines, books, newspapers, other than publicity texts; electronic publication services, production of movie films, radio and television programmes, news reporters services; photographic reporting services, photography, translation.

(260) AM 2018 92646 A

(800) 1347894

(151) 2017 01 26

(891) 2017 01 26

(731) SILESIA GERHARD HANKE GMBH & CO. KG

Am Alten Bach 20-24 41470 Neuss, Germany

(540)



(591) Shades of orange, shades of green, white and black

(531) 24.13.05; 26.04.03; 26.04.16; 29.01.14

(511)

3 – Food flavorings [essential oils]; aromatics; flavourings for beverages (essential oils); ethereal essences; essential oils and aromatic extracts.

29 – Meat extracts; extracts for soups (bouillon); vegetable extracts for food; fruit extracts for food.

30 – Flavourings, other than essential oils; flavouring substances, other than essential oils; flavouring substances for food [other than essential oils]; flavourings, other than essential oils, for beverages; flavouring additives; flavourings for beverages; flavouring additives for food; essences for food [other than essential oils]; essences for foodstuffs, except etheric essences and essential oils; extracts used as flavoring [not essential oils]; plant extracts for food.

32 – Essences for making beverages; extracts for making beverages; hops (extracts of -) for making beer.

33 – Alcoholic essences; alcoholic extracts.

(260) AM 2018 92647 A

(800) 1346908

(151) 2017 02 06

(891) 2017 02 06

(731) PHILIP MORRIS PRODUCTS S.A.

Quai Jeanrenaud 3, CH-2000 Neuchâtel, Switzerland

(540)

MESH

(591) Black, white

(531) 27.05.01

(511)

9 – Batteries for electronic cigarettes; batteries for electronic devices that are used for heating tobacco, chargers for electronic devices that are used for heating tobacco; USB chargers for electronic devices that are used for heating tobacco; car chargers for electronic cigarettes; car chargers for devices that are used for heating tobacco; battery chargers for electronic cigarettes.

11 – Electronic vaporizers except electronic cigarettes; apparatus for heating liquids; apparatus for generating vapor.

34 – Wired vaporizers for electronic cigarettes and electronic smoking devices; tobacco, raw or manufactured; tobacco products, including cigars, cigarettes, cigarillos, tobacco for roll-your-own cigarettes, pipe tobacco, chewing tobacco, snuff tobacco, kretek; snus; tobacco substitutes (not for medical purposes); smokers' articles, including cigarette paper and tubes, cigarette filters, tobacco tins, cigarette cases and ashtrays, pipes, pocket apparatus for rolling cigarettes, lighters; matches; tobacco sticks, tobacco products for the purpose of being heated, electronic devices and their parts for the purpose of heating cigarettes or tobacco in order to release nicotine-containing aerosol for inhalation; liquid nicotine solutions for use in electronic cigarettes; electronic smoking devices; electronic cigarettes; electronic cigarettes as substitute for traditional cigarettes; electronic devices for the inhalation of nicotine-containing aerosol; oral vaporizing devices for use by smokers, tobacco products and tobacco substitutes; smokers' articles for electronic cigarettes; parts and fittings for the aforesaid products included in this class; extinguishers for heated cigarettes and cigars as well as heated tobacco sticks; electronic rechargeable cigarette cases.

(260) AM 2018 92840 A

(800) 1349185

(151) 2015 11 25

(891) 2015 11 25

(731) GOTHALS LIMITED

Themistokli Dervi 5, Elenion Building,
CY-1066 Nicosia, Cyprus

(540)

CROPP

(591) Black, white

(531) 27.05.01; 27.05.17

(511)

18 – Imitations of leather, fur, briefcases, trunks, umbrellas, backpacks, wallets, garment carriers, purses, handbags, suitcases.

25 – Clothing, footwear, headgear.

35 – Sale of clothes and fashion articles; retail or wholesale services featuring clothes, shoes and haberdashery.

(260) AM 2018 92859 A

(800) 189040

(151) 1955 11 26

(891) 2017 05 17

(731) TAKEDA GMBH

Byk-Gulden-Str. 2, 78467 Konstanz, Germany

(540)

Ebrantil

(591) Black, white

(511)

1 – Food preservatives.

5 – Medicines, chemicals for medical and sanitary use, pharmaceutical drugs, plasters, surgical dressings, pesticides and herbicides, disinfectants.

(260) AM 2018 92861 A

(800) 552869

(151) 1990 03 29

(891) 2017 04 27

(731) INSTITUT DE RECHERCHE BIOLOGIQUE
– IRB

Parc d'Activité Sud Loire, Boufféré, F-85612
MONTAIGU CEDEX, France

(540)

NUTRICAP

(591) Black, white

(511)

3 – Perfumery, essential oils, cosmetics, hair lotions.

5 – Pharmaceutical, veterinary and sanitary products; dietetic substances adapted for medical use, food for babies.

(260) AM 2018 92862 A

(800) 641860

(151) 1995 07 19

(891) 2017 05 19

(731) TAKEDA GMBH

Byk-Gulden-Str. 2, 78467 Konstanz, Germany

(540)

ЭБРАНТИЛ

(591) Black, white

(531) 28.05

(511)

5 – Medicines.

(260) AM 2018 92867 A

(800) 1348783

(151) 2017 03 02

(891) 2017 03 02
 (731) JANSSEN SCIENCES IRELAND UC
 Eastgate Village, Little Island Co. Cork,
 Ireland
 (540)

LEXIBITY

(591) Black, white
 (511)
 5 – Human pharmaceutical preparations.

(260) AM 2018 92868 A
 (800) 1348784
 (151) 2017 03 02
 (891) 2017 03 02
 (731) JANSSEN SCIENCES IRELAND UC
 Eastgate Village, Little Island Co. Cork,
 Ireland
 (540)

IZENBI

(591) Black, white
 (511)
 5 – Human pharmaceutical preparations.

(260) AM 2018 92869 A
 (800) 1348785
 (151) 2017 01 26
 (891) 2017 01 26
 (731) KRKA, tovarna zdravil, d.d. Novo mesto
 Šmarješka cesta 6, SI-8000 Novo mesto,
 Slovenia
 (540)

APLERIA

(591) Black, white
 (531) 27.05.17
 (511)
 5 – Pharmaceutical preparations.

(260) AM 2018 92872 A
 (800) 1348786
 (151) 2017 01 26
 (891) 2017 01 26
 (731) KRKA, tovarna zdravil, d.d., Novo mesto
 Šmarješka cesta 6, SI-8000 Novo mesto,
 Slovenia
 (540)

ENPLERASA

(591) Black, white
 (531) 27.05.17
 (511)
 5 – Pharmaceutical preparations.

(260) AM 2018 92873 A
 (800) 1348822
 (151) 2017 02 24
 (891) 2017 02 24
 (731) OSRAM GmbH
 Marcel-Breuer-Straße 6, 80807 München,
 Germany
 (540)



(591) Orange, grey
 (531) 01.15.09; 25.01.01; 25.01.10; 25.05.02;
 29.01.13
 (511)
 11 – Lighting apparatus, especially electric lamps
 and luminaires; lighting apparatus; lighting appa-
 ratus and lighting systems based on LEDs (also orga-
 nic LEDs); LED-lamps and LED-luminaires and their
 parts; lighting modules and systems and their parts
 based on LEDs.

(260) AM 2018 92875 A
 (800) 1348831
 (151) 2017 03 10
 (891) 2017 03 10
 (731) HEDOGA AG
 Oberdorf 4, CH-9055 Bühler, Switzerland
 (540)



(591) Black, white
 (531) 02.01.01; 02.01.03; 02.01.23; 20.07.01;
 20.07.02; 28.05
 (511)
 3 – Soaps; perfumery; essential oils and essences;
 cosmetics; non-medicated preparations for baths;
 massage creams and oils; dentifrices.
 5 – Pharmaceutical products; medical preparations
 containing essential essences and oils, particularly in
 the form of drops, ointments and gels; medicinal

sprays for the mouth; cooling sprays for medical use; candy, pastilles and lozenges for medical use.

30 – Sugar confectionery; sugar-free confectionery; candy and pastilles, other than for medical use.

(260) AM 2018 92876 A

(800) 1348839

(151) 2017 03 21

(891) 2017 03 21

(731) GUERLAIN SOCIETE ANONYME

68 avenue des Champs-Élysées, F-75008

PARIS, France

(540)

Mon
GUERLAIN

(591) Black, white

(531) 27.05.01; 27.05.19

(511)

3 – Perfumes; eau de toilette; eau de parfum; eau de Cologne; soaps; bath or shower gels and salts for cosmetic use; cosmetics for skin, body, face and nail care; creams, milks, lotions, gels and powders for the face, hands and body for cosmetic use; make-up products; body deodorants.

(260) AM 2018 92877 A

(800) 1348887

(151) 2016 11 14

(891) 2016 11 14

(731) TAISHAN SPORTS INDUSTRY GROUP CO., LTD.

No.1, Taishan Sports Road, Economic and Technological Development Zone, Leling City Shandong Province, China

(540)

TaiShan 泰山

(591) Black, white

(531) 27.05.01; 28.03

(511)

25 – Theatrical costumes; mountain climbing shoes; gymnastic shoes; jumping shoes; track shoes; boots (ski-); football shoes; headgear for wear; child helmet; bathing suits; clothing for gymnastics; Judogi; wrestling dress; sports jerseys; sports shoes.

27 – Gymnasium mats; floor mats; carpets; non-slip mats; mats; mats of woven rope for ski slopes; automobile carpets; artificial turf; wall hangings (non-textile); coverings (floor-); bath mats; carpet underlay; door mats; linoleum.

28 – Chess; Chinese chess; bladders of balls for games; games (balls for -); bowling apparatus and

machinery; golf clubs; hockey sticks; nets for sports; rackets; table tennis (tables for -); exercise bicycles (stationary -); body-training apparatus; archery implements; skis; physical exercises (machines for-); discs for sports; starting gun; bar-bells; surf skis; sailboards; gymnastics (appliances for-); fencing weapons; starting blocks [for sports]; punching bags; gymnastics platform; high jump rack; prop up jumping pole; national athletic sports instrument.

(260) AM 2018 92878 A

(800) 1348914

(151) 2016 12 02

(891) 2016 12 02

(731) IVOCLAR VIVADENT AG

Bendererstrasse 2, FL-9494 Schaan,

Liechtenstein

(540)

Disyso

(591) Black, white

(511)

5 – Materials for use in dentistry; materials and auxiliary materials for the manufacture of dental impressions, models, crowns, bridges, inlays, prostheses, artificial teeth; materials for the characterization of teeth; materials for polishing teeth; dental waxes; dental filling materials; materials for relining; materials for root canal filling; core build-up materials for use in dentistry; dental luting materials; materials for pulp protection and root treatment; materials for cavity treatment; materials for dentin wound and pulp treatment; materials used for acid etching and for the caries prophylaxis; dental adhesive agents; protective varnishes for teeth; drying and degreasing materials for the use in dentistry; materials for cosmetic restoration of damaged teeth; diagnostic agents and preparations for medical purposes; dental materials for the bleaching of teeth; dental composites; dental cements; salivary diagnostic preparation; disinfectants; preparations for the hygiene of teeth and oral cavity; medical mouthwash; dental materials for the treatment of caries and periodontitis; color stains for use in dentistry; precious metal alloys and non-precious metal alloys for dental use; precious metals and non-precious metals for dental use; investment materials for dental use; dental adhesives; materials for repairing damaged teeth; opaque materials for dental use; metal primers; fiber-reinforced resin for the manufacture of crowns, bridges and pontics; fissure sealants; mixing capsules for dental materials; materials for the detection of dental plaque; dental ceramic material; artificial veneers.

7 – Milling machines and grinding machines use for the treatment of ceramics, metal and plastic materials, and parts thereof; milling and grinding tools as machine tools, and parts thereof; holding devices for

machine tools and piece holders for milling and grinding machines; 3D printers; stereolithographic 3D-printers.

9 – Software for dental use; scanners, apparatus for the processing of images, and devices for CAD-CAM-processing.

10 – Apparatus, devices, tools, and instruments for dental user-impression devices for dental use; registration devices for dental use; articulators for dental use; mixing devices for dental use; blasting devices for dental use; dosing instruments and apparatus for dental use; milling, grinding, and drilling instruments for dental use; artificial teeth; dental plates; dental crowns and bridges; syringes; shade guides; dental matrices; dental strips; apparatus and instruments for the caries prophylaxis and for the treatment of periodontitis; tooth polishing appliances for use by dentists; ceramic mixing plates; tooth pins; ingots made of resin, metal, or ceramic for the manufacture of dental crowns, bridges, inlays, prostheses, artificial teeth; dental applicators; prefabricated parts for crowns, bridges and pontics.

11 – Dental furnaces.

38 – Providing access to databases.

41 – Educational instruction; training; congresses, seminars, symposiums, trainings, webinars relating to dentistry.

42 – Cloud computing services.

(260) AM 2018 92880 A

(800) 1348920

(151) 2016 12 27

(891) 2016 12 27

(731) Przedsiębiorstwo Produkcyjno-Handlowo-Usługowe "LUMAR" Lucjan Walkowicz ul. Słoneczna 11, PL-46-220 BYCZYNA, Poland

(540)



(591) White, brown, dark red, red, light brown, light blue, light green, blue, green and yellow.

(531) 07.01.09; 25.01.05; 26.01.02; 26.01.16; 29.01.15

(511)

30 – Stick liquorice as confectionery; biscuits; confectionery for decorating Christmas trees; cookies; cakes; edible candy decorations; fragrances for pastry; cake powder; cake with fruit; candy for food; chocolate; cookies; petit-beurre biscuits; cocoa; cocoa products; caramels as candy; sugar-coated sweets; crackers; macarons as pastry; mint for confectionery; peppermint sweets; almond confectionery; honey; muesli; peanut confectionery; almond paste; pastilles as confectionery; gingerbread; fondants as confectionery; pralines; sugar confectionery; maltose; malt for human consumption; rusks; wafers; corn flakes; maize flakes; oat flakes; confectionery; halvah; cocoa glaze; marzipan; included in this class: products coated with caramel mass; products from fat masses; cocoa fat products; products in chocolate; chocolated products; chocolated soft core sweets; chocolated caramel core sweets; chocolated soft core pills; chocolated pills; chocolate covered biscuits; chocolated gingerbread and chocolated wafers.

(260) AM 2018 92881 A

(800) 1348925

(151) 2017 01 16

(891) 2017 01 16

(731) GARWARE POLYESTER LIMITED

Garware House, 50-A, Swami Nityanand Marg., Vile Parle (East) Mumbai 400 057, India

(540)



(591) Black, white

(531) 26.04.09; 27.05.10

(511)

17 – Plastics in extruded form for use in manufacture; packing, stopping and insulating materials; polyester films, other than for wrapping and packaging; polyester films for arresting radiation of ultraviolet rays; polyester films with energy saving properties; polyester films for commercial and industrial use, other than for wrapping and packaging; parts and fittings for all the aforesaid goods.

(260) AM 2018 93020 A

(800) 1350830

(151) 2017 02 15

(891) 2017 02 15

(731) 1984 GROUP LP

18/2 Royston Mains Street EDINBURGH
Scotland EH5 1LB, United Kingdom

(540)



(591) Black and white

(531) 26.03.23; 26.07.03

(511)

9 – Peer-to-peer messenger software.

36 – Peer-to-peer payment services.

38 – Peer-to-peer e-mail; peer-to-peer voice calls; peer-to-peer file transfer; peer-to-peer filesharing platform; peer-to-peer video calls.

42 – Peer-to-peer hosting services.

(260) AM 2018 93021 A

(800) 1350851

(151) 2017 03 23

(891) 2017 03 23

(731) ORANGE RESTAURANTS BRANDS
LIMITED2 Riga Feraiou Street, Limassol Center, Block
B, 6th floor, Office 601 CY-3095 Limassol,
Cyprus

(540)

(591) Black and white

(531) 26.01.04; 27.05.01; 27.05.08

(511)

43 – Bar services; café services; cafeteria services; canteen services; food and drink catering; restaurant services; self-service restaurant services; snack-bar services.

(260) AM 2018 93151 A

(800) 1352007

(151) 2017 02 20

(891) 2017 02 20

(731) DEUTSCHES INSTITUT FÜR CORPORATE
FINANCE GMBH & CO. KGNeckarsteige 6-10 72622 Nürtingen,
Germany

(540)



(591) Black and white

(531) 07.03.01; 07.15.22; 26.11.12; 27.05.01;
27.05.24

(511)

41 – Education; providing of training.

(260) AM 2018 93157 A

(800) 1352173

(151) 2017 02 22

(891) 2017 02 22

(731) ABSTRAGAN HOLDING LIMITED

Astra House, Arklow Road London SE14
6EB, United Kingdom

(540)

(591) Black and white

(531) 27.05.17

(511)

5 – Adhesive band for medical use; adhesive bands for medical purposes; adhesive compositions for medical use; adhesive plaster; adhesive tapes for medical purposes; alcohol for pharmaceutical purposes; allergy medications; allergy relief medication; anti-allergic medicines; antibiotics; antitussives; appetite stimulant preparations; baby foods; balms for medical purposes; balsamic preparations for medical purposes; biological preparations for medical purposes; cardiovascular preparations; chemical preparations for medical purposes; chemical preparations for pharmaceutical purposes; chemical preparations for testing blood for medical purposes; chemical preparations for the diagnosis of diabetes; cotton for medical purposes; cough syrups; court plaster; dietary supplemental drinks; dietary supplements; dietary supplements for humans and animals; dietary supplements for infants; dietary supplements for medical use; dietetic beverages adapted for medical purposes; dietetic confectionery adapted for medical purposes; dietetic food and substances adapted for medical or veterinary use, food for babies; dietetic foods adapted for infants; dietetic foods adapted for invalids; dietetic foods adapted for medical purposes; dietetic foods for medicinal purposes; dietetic foodstuffs for medical purposes; dietetic infusions for medical use; dietetic preparations adapted for medical use; dietetic products for medical purposes; dietetic substances adapted for medical use; dietetic

sugar for medical use; disinfectants; disinfectants for hygiene purposes; disinfectants for medical instruments; dragees [medicines]; dressing retention materials; dressings, medical; medicinal drinks; elixirs for preventing chills; elixirs for preventing colds; elixirs for relieving asthma; elixirs for relieving chills; elixirs for relieving colds; elixirs [pharmaceutical preparations]; enzyme dietary supplements; enzyme preparations for medical purposes; enzyme preparations for veterinary purposes; enzymes for medical purposes; enzymes for veterinary purposes; eye drops; eye lotions for medical use; eye ointment for medical use; food for babies; food for diabetics; food for infants; food for invalids; food supplements for dietetic use; foodstuffs for diabetics [specially made for]; medicated foot balms; medicated foot creams; gastrointestinal preparations; glucose dietary supplements; glucose for medical purposes; glucose preparations for medical purposes; hemoglobin; herbal medicine; medicinal herbs; immunoassay reagents for medical use; immunomodulators; medical preparation for slimming purposes; medicated baby powders; medicated balms; medicated plasters; medicated skin lotions; medicated sugar; medicinal beverages; medicinal creams for skin care; medicinal herbal extracts for medical purposes; medicinal infusions; medicinal oils; medicinal preparations for stimulating hair growth; medicated mineral drinks; mineral food supplements; mineral salts for medical purposes; mineral water salts; mineral waters for medical purposes; nasal decongestants; nervines; nutritional supplements; ointments for pharmaceutical purposes; ophthalmologic preparations; pain relief medication; pharmaceutical and veterinary preparations; pharmaceutical compositions; pharmaceutical creams; pharmaceutical implants; pharmaceutical lipsalves; pharmaceutical preparations; pharmaceutical preparations for animal skincare; pharmaceutical preparations for animals; pharmaceutical preparations for skin care; pharmaceutical preparations for treating dandruff; pharmaceutical preparations for veterinary use; pharmaceutical preparations in strip form; pharmaceutical skin lotions; pharmaceutical sweets; pharmaceuticals for the treatment of erectile dysfunction; plasters [dressings]; plasters for medical purposes; plasters, materials for dressings; preparations for destroying pests; preparations for destroying vermin; preparations for ocular lubrication; medicated food supplements for human consumption; sanitary knickers; sanitary pads; sanitary panties; sanitary preparations for medical purposes; sanitary tampons; sanitary towels; sanitary wear; siccatives [drying agents] for medical purposes; styptic preparations; sugar for medical purposes; sugar substitutes for diabetics; tampons [sanitary]; therapeutic creams [medical]; tonics preparations for medical purposes; vitamins for animals.

(260) AM 2018 93158 A
 (800) 1352187
 (151) 2017 02 28
 (891) 2017 02 28
 (731) ASTELLAS PHARMA INC.
 5-1, Nihonbashi-Honcho 2-chome, Chuo-ku
 Tokyo 103-8411, Japan

(540)

CYMUNA

(591) Black and white
 (531) 27.05.17
 (511)
 5 – Vaccines for human use.

(260) AM 2018 93183 A
 (800) 959635
 (151) 2008 03 06
 (891) 2017 06 09
 (731) YARA NEDERLAND B.V.
 Industrieweg 10, NL-4541 HJ Sluiskil,
 Netherlands

(540)

PG MIX

(511)
 1 – Fertilising preparations.

(260) AM 2018 93192 A
 (800) 1352762
 (151) 2017 03 27
 (891) 2017 03 27
 (731) ESTEHAİR SAC EKİMİ ESTETİK VE
 CERRAHI HİZMETLERİ ANONİM
 ŞİRKETİ
 Fulya Mahallesi Hakki Yeten, Caddesi G/2
 Cikmaz, Sokak No:24, Mecidiyeköy
 İstanbul, Turkey

(540)



ESTE CENTER
 CERRAHI TIP MERKEZI

(591) Gold, turquoise and white.
 (531) 03.07.06; 03.07.24; 27.05.10; 29.01.12
 (526) CERRAHI TIP MERKEZI
 (511)
 44 – Medical services, namely, medical assistance services, hospitals, medical clinics, blood banks, dentist services, nursing care, optician services, physical rehabilitation, massage services, pharma-

ceutical advice, pharmacists' services to make up prescriptions, mental health services, psychiatric services; plastic surgery services; hair replacement; hair implantation; liposuction and surgical body shaping services; consultation services relating to beauty care, Turkish baths, beauty salons, cosmetician services; health spa services, namely, cosmetic body care services; hairdressing services, manicuring; veterinary services, animal husbandry, animal breeding, shoeing horses [farrier services]; agriculture, horticulture and forestry services; landscape design.

(260) AM 2018 93195 A
(800) 1352800
(151) 2017 01 10
(891) 2017 01 10
(731) ASTON MARTIN LAGONDA LIMITED
Banbury Road, Gaydon, Warwick CV35
0DB, United Kingdom
(540)

DBR

(591) Black, white
(511)
12 – Automobile chassis; vehicle and automobile bumpers; automobile bumper guards; hoods for vehicles; storage compartments specifically fitted for use in automobiles; passenger cars and / or racing cars; electric automobiles; driverless cars; autonomous cars; remote controlled vehicles; electric motors for motor cars; aerodynamic fairings for vehicles; electric steering apparatus for cars; spoilers; anti-theft alarms; alarm systems for cars; alarms for vehicles; air bags for vehicles; automobile seat cushions; seat covers, cushions adapted for use in vehicles; vehicle windows; luggage carriers for vehicles; airbags for vehicles; safety seats for children; tyres and wheels for automobiles; valve caps for vehicle tyres.

(260) AM 2018 93197 A
(800) 1352803
(151) 2016 12 21
(891) 2016 12 21
(731) IVOCLAR VIVADENT AG
Bendererstrasse 2, FL-9494 Schaan,
Liechtenstein
(540)

SR Vivodent S DCL

(591) Black, white
(511)
5 – Materials and auxiliary materials for use in dentistry; materials and auxiliary materials for the manufacture of prostheses and artificial teeth; artificial veneers.

10 – Apparatus, devices, tools, and instruments for dental use; dental shade guides; artificial teeth.

(260) AM 2018 93212 A
(800) 1153876
(151) 2012 09 19
(891) 2017 04 26
(731) ALARKO HOLDİNG ANONİM ŞİRKETİ
Muallim Naci Caddesi 113-115, TR-80840
Ortaköy – İSTANBUL, Turkey
(540)



(591) Black, white
(531) 26.01.01; 26.01.04; 26.04.01; 26.04.10;
27.05.02
(511)
6 – Metal seals; hose clamps of metal; metal pipe muffs; tanks of metal.

7 – Circulation pumps for heating installations, submersible pumps; pressure valves [parts of machines]; centrifugal pumps; pumps [parts of machines, engines or motors]; pressure regulators [parts of machines]; check valves.

9 – Pressure relief valves for radiators, for tanks, and for pipes; level sensors; control panels [electricity]; solenoid valves [electromagnetic switches]; manometers.

11 – Boilers for central heating and natural gas installations, gas boilers, electric boilers, central heating boilers and radiators; radiators [heating]; electric and gas water heaters; hot air blowers; water cooling installations and water cooling towers; ventilation [air-conditioning] installations and apparatus; ventilating fans, ventilation hoods; pressure water tanks.

17 – Seals; rubber hoses; non-metal pipe muffs; insulating water proofing membranes.

(260) AM 2018 93261 A
(800) 1353908
(151) 2016 12 20
(891) 2016 12 20
(731) "TVIGLE MEDIA" Company Limited
Bersenevsky per., Dom 2, str.1, RU-119072
Moscow, Russian Federation
(540)



(591) Black, white

(531) 27.05.01; 27.05.19; 29.01.01

(511)

9 – Memory cards for video game machines; television apparatus; audio- and video- receivers; video recorders; data processing apparatus; computer memory devices; computers; computer programs, including interactive multimedia computer programs, computer programs for streaming of audiovisual content via the Internet and to mobile digital electronic devices; computer operating programs, recorded; computer software, recorded, including computer software for downloading and streaming of audiovisual content via the Internet and mobile electronic devices; computer software applications, downloadable; couplers [data processing equipment]; electronic pens [visual display units]; encoded magnetic cards; interfaces for computers; disk drives for computers; juke boxes for computers; magnetic data media; microprocessors; modems; monitors [computer hardware]; monitors [computer programs]; optical data media; processors [central processing units]; readers [data processing equipment]; electronic agendas; camcorders; compact disc players; integrated circuit cards [smart cards]; notebook computers; electronic notice boards; electronic publications, downloadable; computer programs [downloadable software]; computer game software; DVD players; downloadable music files; downloadable image files; animated cartoons; USB flash drives; portable media players; electronic book readers; tablet computers; computer hardware; computer peripheral devices; compact discs [audio-video]; compact discs [read-only memory]; teaching apparatus; audiovisual teaching apparatus.

35 – Advertising; dissemination of advertising matter; updating of advertising material; television advertising; sales promotion for others; on-line advertising on a computer network; presentation of goods on communication media, for retail purposes; arranging subscriptions to telecommunication services for others; production of advertising films; telemarketing services; pay per click advertising; updating and maintenance of data in computer databases; provision of an on-line marketplace for buyers and sellers of goods and services; web indexing for commercial or advertising purposes; scriptwriting for advertising purposes; compilation of information into computer databases; systemization of information into computer databases; direct mail advertising; distribution of samples; publication of publicity texts; publicity agency services; advertising by mail order; business management of performing artists; data search in computer files for others; rental of advertising time on communication media; writing of publicity texts; compilation of statistics; layout services for advertising purposes; search engine optimization for sales promotion; providing business information via a web site; design of advertising materials.

38 – Message sending; transmission and delivery of audiovisual and multimedia content via the Internet; television broadcasting; cable television broadcasting; communications by computer terminals; computer aided transmission of messages and images; satellite transmission; communications by fiber optic networks; electronic bulletin board services [telecommunications services]; providing telecommunication connections to a global computer network; telecommunications routing and junction services; teleconferencing services; rental of access time to global computer networks; providing telecommunication channels for teleshopping services; providing internet chatrooms; providing access to databases; transmission of digital files; wireless broadcasting; services for transmission of streamed data, audio data and video data; video-on-demand transmission; providing online forums; videoconferencing services.

41 – Film production, other than advertising films; game services provided on-line from a computer network; providing on-line electronic publications, not downloadable; news reporters services; videotaping; providing on-line music, not downloadable; providing on-line videos, not downloadable; providing entertainment information, including entertainment information on television programs via the Internet; publication of texts, other than publicity texts; rental of motion pictures.

42 – Computer programming; computer software design, including computer software design for downloading and streaming of audiovisual content via the Internet and to mobile electronic devices; updating of computer software; rental of computer software; recovery of computer data; maintenance of computer software; computer system analysis; computer system design; duplication of computer programs; conversion of data or documents from physical to electronic media; creating and maintaining web sites for other; hosting computer sites [web sites]; installation of computer software; data conversion of computer programs and data [not physical conversion]; rental of web servers; computer software consultancy; providing search engines for the internet; monitoring of computer systems by remote access; software as a service [SaaS]; information technology [IT] consultancy; server hosting; off-site data backup; electronic data storage; providing information on computer technology and programming via a web site; cloud computing; outsource service providers in the field of information technology.

(260) AM 2018 93276 A

(800) 726307

(151) 1999 12 02

(891) 2016 12 30

(731) SENSI VIGNE & VINI S.R.L.

Via Cerbaia, 107, Frazione Cerbaia I-51035
Lamporecchio (PT), Italy

(540)

SENSI

(591) Black, white

(531) 27.05.01; 27.05.04; 27.05.17

(511)

33 – Spirits, wines.

(260) AM 2018 93281 A

(800) 1354018

(151) 2017 04 10

(891) 2017 04 10

(731) DOUBLESTAR GROUP CO. LTD

No.1 of Yue liang wan Road, Huangdao
District, Qingdao City 266400 Shandong
Province, China

(540)

crossleader

(591) Black, white

(531) 27.05.05; 27.05.17

(511)

12 – Inner tubes for pneumatic tires [tyres]; automobile tires [tyres]; tires for vehicle wheels; casings for pneumatic tires [tyres]; treads for retreading tires [tyres]; pneumatic tires [tyres]; inner tubes (adhesive rubber patches for repairing -); air vehicles.

(260) AM 2018 93283 A

(800) 1354093

(151) 2017 05 17

(891) 2017 05 17

(731) Omega SA (Omega AG) (Omega Ltd.)

Jakob-Stämpfli-Strasse 96, CH-2502
Biel/Bienne, Switzerland

(540)

LADY O

(591) Black, white

(511)

14 – Precious metals and their alloys, jewelry namely rings, earrings, cuff links, bracelets, charms, brooches, chains, necklaces, tie pins, tie clips, jewelry boxes, cases, precious and semi-precious stones; timepieces and chronometric instruments namely hands (clock and watch-making), anchors (clock and watch-making), pendulums (clock and watch-making), barrels (clock and watch-making), watch cases, watch straps, watch dials, watch glasses, presentation cases for timepieces, cases for timepieces.

(260) AM 2018 93284 A

(800) 842169

(151) 2004 12 31

(891) 2017 05 05

(731) SAS JEAN-MARC BROCARD

Prehy Route de Chablis, F-89800 CHABLIS,
France

(540)

BROCARD

(591) Black, white

(511)

33 – Alcoholic beverages (except beers), wine, aperitifs, digesters, eau-de-vie.

(260) AM 2018 93286 A

(800) 1354197

(151) 2016 08 29

(891) 2016 08 29

(731) KALCEKS, AS

Krustpils iela 53, LV-1057 Rīga, Latvia

(540)

MORSADEX МОРСАДЕКС

(591) Black, white

(531) 27.05.05; 27.05.17

(511)

1 – Chemical substances (term considered too vague by the International Bureau – rule 13(2)(b) of the Common Regulations); chemical materials and chemical preparations, and natural elements (term considered too vague by the International Bureau – rule 13(2)(b) of the Common Regulations).

5 – Pharmaceuticals; medical and veterinary preparations.

(260) AM 2018 93365 A

(800) 1051895

(151) 2010 06 08

(891) 2017 04 28

(731) EPOCH COMPANY LTD.

2-2, 2-Chome, Komagata, Taito-ku, Tokyo
111-8618, Japan

(540)

EPOCH

(591) Black, white

(531) 27.05.05

(511)

28 – Toys; dolls; go games; Japanese playing cards (utagaruta); Japanese chess (shogi games); dice; Japanese dice games (sugoroku); dice cups; diamond games; chess games; checkers; conjuring apparatus; dominoes; playing cards; cards for trading card games; tarot cards; game cards; mah-jong.

(260) AM 2018 93421 A
 (800) 1355788
 (151) 2017 04 10
 (891) 2017 04 10
 (731) SHANDONG WEIMA PUMPS
 MANUFACTURING CO., LTD.
 The Cross of Yuntai Mountain and Panlonghe
 Street, High-Tech District, Laiwu City
 271100 Shandong Province, China
 (540)



威马

(591) Black, white
 (531) 01.15.03; 26.11.12; 26.15.01; 28.03
 (511)
 7 – Industrialized machinery equipment for oil exploitation and refining; oil extraction pump.

(260) AM 2018 93422 A
 (800) 1355817
 (151) 2017 04 20
 (891) 2017 04 20
 (731) JANSSEN PHARMACEUTICA NV
 Turnhoutseweg 30, B-2340 BEERSE,
 Belgium
 (540)

SPRAVATO

(591) Black, white
 (511) 05 – Human pharmaceutical preparations for the prevention and treatment of viral diseases, auto-immune and inflammatory diseases, cardiovascular diseases, central nervous system diseases, pain, dermatologic diseases, gastro-intestinal diseases, infectious-related diseases, metabolic diseases, oncologic diseases, ophthalmic diseases, and respiratory diseases.

(260) AM 2018 93448 A
 (800) 1356734
 (151) 2017 04 21
 (891) 2017 04 21
 (731) BIOFARMA
 50 RUE CARNOT, F-92284 SURESNES
 CEDEX, France

PRESTILAM

(540)
 (591) Black, white
 (531) 27.05.05
 (511)
 5 – Pharmaceutical preparations; veterinary preparations; sanitary products for medical purposes; dietetic substances for medical use; dietetic substances for veterinary use; food for babies; dietetic preparations and food supplements; food supplements for animals; plasters, materials for dressings; teeth filling materials; dental impression materials; disinfectants; products for destroying vermin; fungicides; herbicides.

(260) AM 2018 93449 A
 (800) 1356741
 (151) 2017 04 21
 (891) 2017 04 21
 (731) BIOFARMA
 50 rue Carnot, F-92284 Suresnes cedex,
 France

PRESTORVAM

(540)
 (591) Black, white
 (531) 27.05.05
 (511)
 5 – Pharmaceutical preparations; veterinary preparations; sanitary products for medical purposes; dietetic substances for medical use; dietetic substances for veterinary use; food for babies; dietetic preparations and food supplements; food supplements for animals; plasters, materials for dressings; teeth filling materials; dental impression materials; disinfectants; products for destroying vermin; fungicides; herbicides.

INTERNATIONAL TRADEMARKS PROTECTED IN GEORGIA

(260) AM 2018 84186 A
(800) 1267332
(151) 2015 05 28
(181) 2025 05 28
(891) 2015 05 28
(511) 29, 30, 31

(260) AM 2018 90814 A
(800) 1329691
(151) 2016 08 10
(181) 2026 08 10
(891) 2016 08 10
(511) 09, 11, 34

(260) AM 2018 88138 A
(800) 972861
(151) 2008 04 29
(181) 2018 04 29
(891) 2016 04 22
(511) 05

(260) AM 2018 90816 A
(800) 1329733
(151) 2016 09 02
(181) 2026 09 02
(891) 2016 09 02
(511) 30

(260) AM 2018 88139 A
(800) 972863
(151) 2008 04 29
(181) 2018 04 29
(891) 2016 04 22
(511) 05

(260) AM 2018 90817 A
(800) 1329755
(151) 2016 05 26
(181) 2026 05 26
(891) 2016 05 26
(511) 09, 38, 42, 44

(260) AM 2018 90660 A
(800) 1328841
(151) 2016 08 24
(181) 2026 08 24
(891) 2016 08 24
(511) 35

(260) AM 2018 90820 A
(800) 1330540
(151) 2016 09 09
(181) 2026 09 09
(891) 2016 09 09
(511) 09

(260) AM 2018 90807 A
(800) 1329639
(151) 2016 09 09
(181) 2026 09 09
(891) 2016 09 09
(511) 29, 30, 32

(260) AM 2018 90832 A
(800) 1330285
(151) 2016 10 31
(181) 2026 10 31
(891) 2016 10 31
(511) 03

(260) AM 2018 90810 A
(800) 1329656
(151) 2016 09 09
(181) 2026 09 09
(891) 2016 09 09
(511) 12

(260) AM 2018 90833 A
(800) 1329985
(151) 2016 09 23
(181) 2026 09 23
(891) 2016 09 23
(511) 30

(260) AM 2018 90813 A
(800) 1329671
(151) 2016 07 14
(181) 2026 07 14
(891) 2016 07 14
(511) 03, 35

(260) AM 2018 90836 A
(800) 1330041
(151) 2016 10 05
(181) 2026 10 05
(891) 2016 10 05
(511) 24, 25

(260) AM 2018 90837 A
(800) 1330299
(151) 2016 10 14
(181) 2026 10 14
(891) 2016 10 14
(511) 17

(260) AM 2018 90841 A
(800) 1330372
(151) 2016 11 09
(181) 2026 11 09
(891) 2016 11 09
(511) 04

(260) AM 2018 90845 A
(800) 1330074
(151) 2016 10 13
(181) 2026 10 13
(891) 2016 10 13
(511) 12, 37, 39, 42

(260) AM 2018 90846 A
(800) 1330448
(151) 2016 09 22
(181) 2026 09 22
(891) 2016 09 22
(511) 03

(260) AM 2018 90847 A
(800) 1330526
(151) 2016 07 28
(181) 2026 07 28
(891) 2016 07 28
(511) 05

(260) AM 2018 90850 A
(800) 1330060
(151) 2016 10 05
(181) 2026 10 05
(891) 2016 10 05
(511) 30

(260) AM 2018 90954 A
(800) 1331093
(151) 2016 06 23
(181) 2026 06 23
(891) 2016 06 23
(511) 19

(260) AM 2018 90958 A
(800) 1331113
(151) 2016 09 12

(181) 2026 09 12
(891) 2016 09 12
(511) 29

(260) AM 2018 90959 A
(800) 1331114
(151) 2016 09 12
(181) 2026 09 12
(891) 2016 09 12
(511) 29

(260) AM 2018 90960 A
(800) 1331178
(151) 2016 10 11
(181) 2026 10 11
(891) 2016 10 11
(511) 06, 37, 39

(260) AM 2018 91005 A
(800) 1332699
(151) 2016 10 10
(181) 2026 10 10
(891) 2016 10 10
(511) 45

(260) AM 2018 91009 A
(800) 1331715
(151) 2016 12 20
(181) 2026 12 20
(891) 2016 12 20
(511) 05, 29

(260) AM 2018 91035 A
(800) 1332824
(151) 2016 05 18
(181) 2026 05 18
(891) 2016 05 18
(511) 30

(260) AM 2018 91038 A
(800) 1332836
(151) 2016 06 30
(181) 2026 06 30
(891) 2016 06 30
(511) 09, 16, 35, 36, 41, 42

(260) AM 2018 91040 A
(800) 1332322
(151) 2016 09 13
(181) 2026 09 13

(891) 2016 09 13
(511) 28, 30, 41

(260) AM 2018 91041 A
(800) 1332363
(151) 2016 09 29
(181) 2026 09 29
(891) 2016 09 29
(511) 07, 11, 37

(260) AM 2018 91043 A
(800) 1332384
(151) 2016 11 08
(181) 2026 11 08
(891) 2016 11 08
(511) 25

(260) AM 2018 91045 A
(800) 1332845
(151) 2016 06 07
(181) 2026 06 07
(891) 2016 06 07
(511) 01, 02, 16, 17, 19, 20, 27, 35, 36, 37, 40, 42

(260) AM 2018 91046 A
(800) 1332405
(151) 2016 09 23
(181) 2026 09 23
(891) 2016 09 23
(511) 09, 11

(260) AM 2018 91050 A
(800) 1332847
(151) 2016 06 07
(181) 2026 06 07
(891) 2016 06 07
(511) 01, 02, 16, 17, 19, 20, 27, 35, 36, 37, 40, 42

(260) AM 2018 91118 A
(800) 1332926
(151) 2016 10 18
(181) 2026 10 18
(891) 2016 10 18
(511) 19, 20, 35

(260) AM 2018 91120 A
(800) 1332963
(151) 2016 11 07
(181) 2026 11 07
(891) 2016 11 07
(511) 39, 43

(260) AM 2018 91173 A
(800) 1333118
(151) 2016 06 14
(181) 2026 06 14
(891) 2016 06 14
(511) 05

(260) AM 2018 91174 A
(800) 1333119
(151) 2016 06 14
(181) 2026 06 14
(891) 2016 06 14
(511) 05

(260) AM 2018 91179 A
(800) 1333230
(151) 2016 11 10
(181) 2026 11 10
(891) 2016 11 10
(511) 01

(260) AM 2018 91202 A
(800) 1334419
(151) 2016 08 29
(181) 2026 08 29
(891) 2016 08 29
(511) 25

(260) AM 2018 91301 A
(800) 1334587
(151) 2016 06 15
(181) 2026 06 15
(891) 2016 06 15
(511) 35, 36, 39, 41, 42, 45

(260) AM 2018 91304 A
(800) 1334614
(151) 2016 11 15
(181) 2026 11 15
(891) 2016 11 15
(511) 05

(260) AM 2018 91306 A
(800) 1334630
(151) 2016 11 22
(181) 2026 11 22
(891) 2016 11 22
(511) 10

(260) AM 2018 91347 A
(800) 902538
(151) 2006 06 29

(181) 2016 06 29
(891) 2017 02 17
(511) 20

(260) AM 2018 91348 A
(800) 1335096
(151) 2016 09 09
(181) 2026 09 09
(891) 2016 09 09
(511) 05, 31, 35

(260) AM 2018 91351 A
(800) 1335114
(151) 2016 04 05
(181) 2026 04 05
(891) 2016 04 05
(511) 35, 37, 38, 41, 42

(260) AM 2018 91615 A
(800) 1336880
(151) 2016 12 09
(181) 2026 12 09
(891) 2016 12 09
(511) 31

(260) AM 2018 91617 A
(800) 1336883
(151) 2016 12 19
(181) 2026 12 19
(891) 2016 12 19
(511) 05

(260) AM 2018 91623 A
(800) 1337008
(151) 2016 09 02
(181) 2026 09 02
(891) 2016 09 02
(511) 09, 16, 28, 35, 41

(260) AM 2018 91629 A
(800) 1271252
(151) 2015 08 18
(181) 2025 08 18
(891) 2016 11 14
(511) 14, 18, 25

OFFICIAL NOTIFICATIONS

TRADEMARKS

RENEWAL OF REGISTRATIONS

(111) M 1998 9126 R2

(156) 1998 04 30

(186) 2028 04 30

(732) FRUIT OF THE LOOM INC.

One Fruit of the Loom Drive, Bowling
Green, Kentucky 42103, USA

(111) M 1998 9718 R2

(156) 1998 06 11

(186) 2028 06 11

(732) RISO KAGAKU CORPORATION

5-34-7, Shiba, Minato-ku, Tokyo 108-8385,
Japan

(111) M 1998 10148 R2

(156) 1998 08 05

(186) 2028 08 05

(732) QUALCOMM INCORPORATED

5775 Morehouse Drive, San Diego,
California 92121-1714, USA

(111) M 1998 10791 R2

(156) 1998 09 15

(186) 2028 09 15

(732) RISO KAGAKU CORPORATION

5-34-7, Shiba, Minato-ku, Tokyo 108-8385,
Japan

(111) M 1998 9194 R2

(156) 1998 05 04

(186) 2028 05 04

(732) GAP (ITM) INC.

a California Corporation
2 Folsom Street, San Francisco, California,
USA

(111) M 1998 9140 R2

(156) 1998 04 30

(186) 2028 04 30

(732) VITA ZAHNFABRIK H.RAUTER GMBH

& CO., KG
Spitalgasse 3. 79713 Bad Säckingen,
Germany

(111) M 1998 11152 R2

(156) 1998 11 27

(186) 2028 11 27

(732) NSE Products Inc.

75 West Center Street, Provo, Utah 84601,
United States of America

(111) M 1998 9252 R2

(156) 1998 05 06

(186) 2028 05 06

(732) DUNHILL TOBACO OF LONDON

LIMITED
Globe House, 4 Temple Place, London
WC2R 2PG, United Kingdom

(111) M 1998 8086 R2

(156) 1998 01 20

(186) 2028 01 20

(732) HENKELL & CO. SEKTKELLEREI KG

Biebricher Allee 142, 65187 Wiesbaden,
Germany

(111) M 1998 8340 R2

(156) 1998 02 16

(186) 2028 02 16

(732) DUCK GLOBAL LICENSING AG

(DUCK GLOBAL LICENSING SA)
DUCK GLOBAL LICENSING LTD)
c/o Ficher & Partner Schulhausstrasse 9,
6052 Hergiswil, Switzerland

(111) M 1998 9716 R2

(156) 1998 06 11

(186) 2028 06 11

(732) RISO KAGAKU CORPORATION

5-34-7, Shiba, Minato-ku, Tokyo 108-8385,
Japan

(111) M 1998 8926 R2

(156) 1998 04 17

(186) 2028 04 17

(732) HUSQVARNA AB

Drottninggatan 2, 561 82 Huskvarna, Sweden

(111) M 1997 7941 R2
(156) 1997 12 24
(186) 2027 12 24
(732) BOEHRINGER INGELHEIM KG
Binger Str.148, 55216 Ingelheim, Germany

(111) M 1998 9057 R2
(156) 1998 04 29
(186) 2028 04 29
(732) INVENTIO AG
Postfach 6052, Hergiswil, Switzerland

(111) M 1998 9089 R2
(156) 1998 04 30
(186) 2028 04 30
(732) SIGNUM INTERNATIONAL AG
Haldenstrasse 4, 6006 LUZERN, Switzerland

(111) M 1998 9804 R2
(156) 1998 06 23
(186) 2028 06 23
(732) SIGNUM INTERNATIONAL AG
Haldenstrasse 4, 6006 LUZERN, Switzerland

(111) M 1998 8128 R2
(156) 1998 01 22
(186) 2028 01 22
(732) UNILEVER N.V.
Weena 455, NL-3013 AL Rotterdam,
Netherlands

(111) M 1998 8133 R2
(156) 1998 01 23
(186) 2028 01 23
(732) UNILEVER N.V.
Weena 455, NL-3013 AL Rotterdam,
Netherlands

(111) M 1998 8136 R2
(156) 1998 01 23
(186) 2028 01 23
(732) UNILEVER N.V.
Weena 455, NL-3013 AL Rotterdam,
Netherlands

(111) M 1998 8137 R2
(156) 1998 01 23
(186) 2028 01 23
(732) UNILEVER N.V.
Weena 455, NL-3013 AL Rotterdam,
Netherlands

(111) M 1998 8144 R2
(156) 1998 01 23
(186) 2028 01 23
(732) UNILEVER N.V.
Weena 455, NL-3013 AL Rotterdam,
Netherlands

(111) M 1998 8147 R2
(156) 1998 01 27
(186) 2028 01 27
(732) UNILEVER N.V.
Weena 455, NL-3013 AL Rotterdam,
Netherlands

(111) M 1998 8149 R2
(156) 1998 01 27
(186) 2028 01 27
(732) UNILEVER N.V.
Weena 455, NL-3013 AL Rotterdam,
Netherlands

(111) M 1998 8150 R2
(156) 1998 01 27
(186) 2028 01 27
(732) UNILEVER N.V.
Weena 455, NL-3013 AL Rotterdam,
Netherlands

(111) M 1998 8751 R2
(156) 1998 03 27
(186) 2028 03 27
(732) METROPOLE HOLDINGS LTD.
5 Duke of Edinburgh Avenue, Port Louis,
Mauritius

(111) M 1998 9196 R2
(156) 1998 05 04
(186) 2028 05 04
(732) OLD NAVY (ITM) INC.
2 Folsom Street, San Francisco, California
94105, USA

(111) M 1997 7906 R2
(156) 1997 12 18
(186) 2027 12 18
(732) EUROPE BRANDS S.À R.L.
412F, route d'Esch, L-2086, Luxembourg

(111) M 1998 8820 R2
(156) 1998 04 07
(186) 2028 04 07
(732) BRAUN GMBH

Frankfurter Str. 145, 61476 Kronberg im
taunus, Germany

(111) M 1998 9871 R2
(156) 1998 06 26
(186) 2028 06 26
(732) SOLENIS TECHNOLOGIES CAYMAN
L.P.
Mühlenalstrasse 38, 8200, Schaffhausen,
Switzerland

(111) M 1998 8203 R2
(156) 1998 01 30
(186) 2028 01 30
(732) UNILEVER N.V.
Weena 455, NL-3013 AL Rotterdam,
Netherlands

(111) M 1998 8984 R2
(156) 1998 04 27
(186) 2028 04 27
(732) RECKITT & COLMAN (OVERSEAS)
LIMITED
Dansom Lane, Hull, HU8 7DS, United
Kingdom

(111) M 1998 9602 R2
(156) 1998 06 04
(186) 2028 06 04
(732) Modelo MKT de Mexico, S.de R.L. de C.V.
Lago Alberto N156, Colonia Anahuac,
Mexico, D.F. 11320, Mexico

(111) M 1998 9603 R2
(156) 1998 06 04
(186) 2028 06 04
(732) Modelo MKT de Mexico, S.de R.L. de C.V.
Lago Alberto N156, Colonia Anahuac,
Mexico, D.F. 11320, Mexico

(111) M 1998 8988 R2
(156) 1998 04 27
(186) 2028 04 27
(732) CITIZEN TOKEI KABUSHIKI KAISHA
also trading as CITIZEN WATCH CO., LTD
1-12,6-Chome, Tanashi-cho, Nishi-tokyo-shi,
Tokyo, Japan

(111) M 1998 8989 R2
(156) 1998 04 27
(186) 2028 04 27
(732) CITIZEN TOKEI KABUSHIKI KAISHA

Iso trading as CITIZEN WATCH CO., LTD
1-12,6-Chome, Tanashi-cho, Nishi-tokyo-shi,
Tokyo, Japan

(111) M 1998 8914 R2
(156) 1998 04 16
(186) 2028 04 16
(732) BAYER INTELLECTUAL PROPERTY
GMBH
Alfred-Nobel-Strasse 10, 40789 Monheim
am Rhein, Germany

(111) M 1998 8917 R2
(156) 1998 04 16
(186) 2028 04 16
(732) BAYER INTELLECTUAL PROPERTY
GMBH
Alfred-Nobel-Strasse 10, 40789 Monheim
am Rhein, Germany

(111) M 1998 9436 R2
(156) 1998 05 27
(186) 2028 05 27
(732) PEPSICO INC.
700 Anderson Hill Road, Purchase,
New York, USA

(111) M 1998 9437 R2
(156) 1998 05 27
(186) 2028 05 27
(732) PEPSICO INC.
700 Anderson Hill Road, Purchase,
New York, USA

(111) M 1998 9431 R2
(156) 1998 05 25
(186) 2028 05 25
(732) PT. INTERNATIONAL CHEMICAL
INDUSTRY, abbreviated PT. INTERCALLIN
Jl. Daan Mogot KM II, Cengkareng, Jakarta,
Indonesia

(111) M 1998 10416 R2
(156) 1998 08 20
(186) 2028 08 20
(732) PepsiCo, Inc. (St/Inc. North Carolina)
700 Anderson Hill Road, Purchase,
New York, USA

(111) M 1998 9439 R2
(156) 1998 05 27
(186) 2028 05 27

(732) PEPSICO INC.
700 Anderson Hill Road, Purchase,
New York, USA

(111) M 1998 9440 R2
(156) 1998 05 27
(186) 2028 05 27
(732) AMERICAN-CIGARETTE COMPANY
(OVERSEAS) LIMITED
Zählerweg 4, CH-6300 Zug, Switzerland

(111) M 1998 9441 R2
(156) 1998 05 27
(186) 2028 05 27
(732) ARMACELL ENTERPRISE GMBH & Co.
KG
Zeppelinstrasse 1, 12529 Schönefeld OT
Waltersdorf, Germany

(111) M 1998 10966 R2
(156) 1998 10 28
(186) 2028 10 28
(732) MCDONALD'S INTERNATIONAL
PROPERTY COMPANY LTD
251 Little Falls Drive, Wilmington, Delaware
19808, USA

(111) M 1998 10968 R2
(156) 1998 10 28
(186) 2028 10 28
(732) MCDONALD'S INTERNATIONAL
PROPERTY COMPANY LTD
251 Little Falls Drive, Wilmington, Delaware
19808, USA

(111) M 1998 11177 R2
(156) 1998 12 02
(186) 2028 12 02
(732) BIOLOGISCHE HEILMITTEL HEEL GmbH
Dr.-Reckweg-Strasse 2-4, D-76532 Baden-
Baden, Germany

(111) M 1998 11178 R2
(156) 1998 12 02
(186) 2028 12 02
(732) BIOLOGISCHE HEILMITTEL HEEL GmbH
Dr.-Reckweg-Strasse 2-4, D-76532 Baden-
Baden, Germany

(111) M 1998 11179 R2
(156) 1998 12 02
(186) 2028 12 02

(732) BIOLOGISCHE HEILMITTEL HEEL GmbH
Dr.-Reckweg-Strasse 2-4, D-76532 Baden-
Baden, Germany

(111) M 1998 11180 R2
(156) 1998 12 02
(186) 2028 12 02
(732) BIOLOGISCHE HEILMITTEL HEEL GmbH
Dr.-Reckweg-Strasse 2-4, D-76532 Baden-
Baden, Germany

(111) M 1998 11181 R2
(156) 1998 12 02
(186) 2028 12 02
(732) BIOLOGISCHE HEILMITTEL HEEL GmbH
Dr.-Reckweg-Strasse 2-4, D-76532 Baden-
Baden, Germany

(111) M 1998 11182 R2
(156) 1998 12 02
(186) 2028 12 02
(732) BIOLOGISCHE HEILMITTEL HEEL GmbH
Dr.-Reckweg-Strasse 2-4, D-76532 Baden-
Baden, Germany

(111) M 1998 11183 R2
(156) 1998 12 02
(186) 2028 12 02
(732) BIOLOGISCHE HEILMITTEL HEEL GmbH
Dr.-Reckweg-Strasse 2-4, D-76532 Baden-
Baden, Germany

(111) M 1998 11184 R2
(156) 1998 12 02
(186) 2028 12 02
(732) BIOLOGISCHE HEILMITTEL HEEL GmbH
Dr.-Reckweg-Strasse 2-4, D-76532 Baden-
Baden, Germany

(111) M 1998 11185 R2
(156) 1998 12 02
(186) 2028 12 02
(732) BIOLOGISCHE HEILMITTEL HEEL GmbH
Dr.-Reckweg-Strasse 2-4, D-76532 Baden-
Baden, Germany

(111) M 1998 11186 R2
(156) 1998 12 02
(186) 2028 12 02
(732) BIOLOGISCHE HEILMITTEL HEEL GmbH
Dr.-Reckweg-Strasse 2-4, D-76532 Baden-
Baden, Germany

(111) M 1998 11187 R2
(156) 1998 12 02
(186) 2028 12 02
(732) BIOLOGISCHE HEILMITTEL HEEL GmbH
Dr.-Reckweg-Strasse 2-4, D-76532 Baden-
Baden, Germany

(111) M 1998 11188 R2
(156) 1998 12 02
(186) 2028 12 02
(732) BIOLOGISCHE HEILMITTEL HEEL GmbH
Dr.-Reckweg-Strasse 2-4, D-76532 Baden-
Baden, Germany

(111) M 1998 11189 R2
(156) 1998 12 02
(186) 2028 12 02
(732) BIOLOGISCHE HEILMITTEL HEEL GmbH
Dr.-Reckweg-Strasse 2-4, D-76532 Baden-
Baden, Germany

(111) M 1998 8284 R2
(156) 1998 02 06
(186) 2028 02 06
(732) THE ABSOLUT COMPANY AKTIEBOLAG
SE-117 97 Stockholm, Sweden

(111) M 1998 8295 R2
(156) 1998 02 09
(186) 2028 02 09
(732) BSN medical GmbH
Quickbornstrasse 24, 20253 Hamburg,
Germany

(111) M 1998 8297 R2
(156) 1998 02 09
(186) 2028 02 09
(732) BSN medical GmbH
Quickbornstrasse 24, 20253 Hamburg,
Germany

(111) M 1998 8298 R2
(156) 1998 02 10
(186) 2028 02 10
(732) BSN medical GmbH
Quickbornstrasse 24, 20253 Hamburg,
Germany

(111) M 1998 8299 R2
(156) 1998 02 10
(186) 2028 02 10
(732) BSN medical GmbH

Quickbornstrasse 24, 20253 Hamburg,
Germany

(111) M 1998 9105 R2
(156) 1998 04 30
(186) 2028 04 30
(732) KENTUCKY FRIED CHICKEN
INTERNATIONAL HOLDINGS LLC
7100 Corporate Drive, Plano, TX75024, USA

(111) M 1998 9451 R2
(156) 1998 05 28
(186) 2028 05 28
(732) PEPSICO INC.
700 Anderson Hill Road, Purchase,
New York, USA

(111) M 1998 9452 R2
(156) 1998 05 28
(186) 2028 05 28
(732) PEPSICO INC.
700 Anderson Hill Road, Purchase,
New York, USA

(111) M 1998 9454 R2
(156) 1998 05 28
(186) 2028 05 28
(732) PEPSICO INC.
700 Anderson Hill Road, Purchase,
New York, USA

(111) M 2008 18474 R1
(156) 2008 05 27
(186) 2028 05 27
(732) MERCK KGaA
Frankfurter Strasse 250, 64293
DARMSTADT, Germany

(111) M 2007 17887 R1
(156) 2007 10 10
(186) 2027 10 10
(732) LTD "CLINER HOUSE"
Paliashvilis q.118, 0162,Tbilisi, Georgia

(111) M 2007 17899 R1
(156) 2007 10 10
(186) 2027 10 10
(732) Starbucks Corporation d/b/a Starbucks Coffee
Company (a Washington Corporation)
2401 Utah Avenue South, Seattle,
Washington 98134, United States of America

(111) M 2008 18818 R1
(156) 2008 11 03
(186) 2028 11 03
(732) Georgia-Pacific Consumer Products LP
133 Peachtree Street, N.E., Atlanta, Georgia
30303, USA

(111) M 2008 18266 R1
(156) 2008 02 28
(186) 2028 02 28
(732) ZHENGZHOU YUTONG GROUP CO.,
LTD
No.8 Zhengchun Road, Hi-tech Industrial
Park, Zhengzhou, China

(111) M 2008 18349 R1
(156) 2008 04 14
(186) 2028 04 14
(732) VIACOM INTERNATIONAL INC.
1515 Broadway, New York, New York
10036, USA

(111) M 2008 18268 R1
(156) 2008 02 28
(186) 2028 02 28
(732) ORION CORPORATION
Orionintie 1, 02200 Espoo, Finland

(111) M 2008 18269 R1
(156) 2008 02 28
(186) 2028 02 28
(732) ORION CORPORATION
Orionintie 1, 02200 Espoo, Finland

(111) M 2008 18296 R1
(156) 2008 03 17
(186) 2028 03 17
(732) ORION CORPORATION
Orionintie 1, 02200 Espoo, Finland

(111) M 2008 18246 R1
(156) 2008 02 15
(186) 2028 02 15
(732) Dotchirne pidpriemstvo "KONDITERSKA
KORPORATZIA "ROSHEN"
Vul. Elektriv, 26/9, m. Kyiv, 04176,
Ukraine

(111) M 2008 18247 R1
(156) 2008 02 15
(186) 2028 02 15

(732) Dotchirne pidpriemstvo "KONDITERSKA
KORPORATZIA "ROSHEN"
Vul. Elektriv, 26/9, m. Kyiv, 04176,
Ukraine

(111) M 2008 18248 R1
(156) 2008 02 15
(186) 2028 02 15
(732) Dotchirne pidpriemstvo "KONDITERSKA
KORPORATZIA "ROSHEN"
Vul. Elektriv, 26/9, m. Kyiv, 04176,
Ukraine

(111) M 2008 18249 R1
(156) 2008 02 15
(186) 2028 02 15
(732) Dotchirne pidpriemstvo "KONDITERSKA
KORPORATZIA "ROSHEN"
Vul. Elektriv, 26/9, m. Kyiv, 04176,
Ukraine

(111) M 2008 18255 R1
(156) 2008 02 15
(186) 2028 02 15
(732) Dotchirne pidpriemstvo "KONDITERSKA
KORPORATZIA "ROSHEN"
Vul. Elektriv, 26/9, m. Kyiv, 04176,
Ukraine

(111) M 2008 18256 R1
(156) 2008 02 15
(186) 2028 02 15
(732) Dotchirne pidpriemstvo "KONDITERSKA
KORPORATZIA "ROSHEN"
Vul. Elektriv, 26/9, m. Kyiv, 04176,
Ukraine

(111) M 2008 18257 R1
(156) 2008 02 15
(186) 2028 02 15
(732) Dotchirne pidpriemstvo "KONDITERSKA
KORPORATZIA "ROSHEN"
Vul. Elektriv, 26/9, m. Kyiv, 04176,
Ukraine

(111) M 2008 18258 R1
(156) 2008 02 15
(186) 2028 02 15
(732) Dotchirne pidpriemstvo "KONDITERSKA
KORPORATZIA "ROSHEN"
Vul. Elektriv, 26/9, m. Kyiv, 04176,
Ukraine

(111) M 2008 18260 R1 (156) 2008 02 15 (186) 2028 02 15 (732) Dotchirne pidpriemstvo "KONDITERSKA KORPORATZIA "ROSHEN" Vul. Elektrikiv, 26/9, m. Kyiv, 04176, Ukraine	Swan Building, 3th Floor, 26 Victoria Street, Hamilton HM 12, Bermuda
(111) M 2008 18261 R1 (156) 2008 02 15 (186) 2028 02 15 (732) Dotchirne pidpriemstvo "KONDITERSKA KORPORATZIA "ROSHEN" Vul. Elektrikiv, 26/9, m. Kyiv, 04176, Ukraine	(111) M 2008 18305 R1 (156) 2008 03 17 (186) 2028 03 17 (732) THE COCA-COLA COMPANY One Coca-Cola Plaza, Atlanta, Georgia 30313, USA
(111) M 2008 18322 R1 (156) 2008 03 27 (186) 2028 03 27 (732) Dotchirne pidpriemstvo "KONDITERSKA KORPORATZIA "ROSHEN" Vul. Elektrikiv, 26/9, m. Kyiv, 04176, Ukraine	(111) M 2008 18484 R1 (156) 2008 05 27 (186) 2028 05 27 (732) LATICRETE INTERNATIONAL INC. One Laticrete Park North, Bethany, Connecticut 06524-3423, USA
(111) M 2008 18323 R1 (156) 2008 03 27 (186) 2028 03 27 (732) Dotchirne pidpriemstvo "KONDITERSKA KORPORATZIA "ROSHEN" Vul. Elektrikiv, 26/9, m. Kyiv, 04176, Ukraine	(111) M 1998 8375 R2 (156) 1998 02 20 (186) 2028 02 20 (732) REPSOL, S.A. Mendez Alvaro, 44-28045 Madrid, Spain
(111) M 2008 18325 R1 (156) 2008 03 27 (186) 2028 03 27 (732) Dotchirne pidpriemstvo "KONDITERSKA KORPORATZIA "ROSHEN" Vul. Elektrikiv, 26/9, m. Kyiv, 04176, Ukraine	(111) M 2008 18400 R1 (156) 2008 04 29 (186) 2028 04 29 (732) DOMPE FARMACEUTICI S.p.a. Via San Martino Della Battaglia, 12-20122 Milano, Italy
(111) M 2008 18327 R1 (156) 2008 03 27 (186) 2028 03 27 (732) Dotchirne pidpriemstvo "KONDITERSKA KORPORATZIA "ROSHEN" Vul. Elektrikiv, 26/9, m. Kyiv, 04176, Ukraine	(111) M 1998 9097 R2 (156) 1998 04 30 (186) 2028 04 30 (732) THE PROCTER & GAMBLE COMPANY One Procter & Gamble Plaza, Cincinnati, Ohio, USA
(111) M 2008 18327 R1 (156) 2008 03 27 (186) 2028 03 27 (732) Dotchirne pidpriemstvo "KONDITERSKA KORPORATZIA "ROSHEN" Vul. Elektrikiv, 26/9, m. Kyiv, 04176, Ukraine	(111) M 2008 18401 R1 (156) 2008 04 29 (186) 2028 04 29 (732) LTD "PSP Pharma" Iakob Tsurtavelis q. 54, 1700, Dmanisi, Georgia
(111) M 2008 18476 R1 (156) 2008 05 27 (186) 2028 05 27 (732) THE CONCENTRATE MANUFACTURING COMPANY OF IRELAND	(111) M 2008 18402 R1 (156) 2008 04 29 (186) 2028 04 29 (732) COLGATE-PALMOLIVE COMPANY 300 Park Avenue, New York, N.Y. 10022, USA

(111) M 2008 18403 R1
(156) 2008 04 29
(186) 2028 04 29
(732) COLGATE-PALMOLIVE COMPANY
300 Park Avenue, New York, N.Y. 10022,
USA

(111) M 2008 18560 R1
(156) 2008 06 16
(186) 2028 06 16
(732) Georgia-Pacific Consumer Products LP
133 Peachtree Street, N.E., Atlanta, Georgia
30303, USA

(111) M 2008 18576 R1
(156) 2008 07 01
(186) 2028 07 01
(732) PepsiCo, Inc.
a North Carolina Corporation
700 Anderson Hill Road, Purchase,
New York 10577, USA

(111) M 2008 18727 R1
(156) 2008 09 26
(186) 2028 09 26
(732) KRBL Limited
5190, Labori Gate, New Delhi - 110006,
India

(111) M 2008 18907 R1
(156) 2008 11 17
(186) 2028 11 17
(732) UNILEVER N.V.
Weena 455, NL-3013 AL Rotterdam,
Netherlands

(111) M 1998 8012 R2
(156) 1998 01 06
(186) 2028 01 06
(732) ADDIVANT SWITZERLAND GMBH
Angensteinerstrasse 6, 4153 Reinach BL,
Switzerland

(111) M 1998 8013 R2
(156) 1998 01 08
(186) 2028 01 08
(732) ADDIVANT SWITZERLAND GMBH
Angensteinerstrasse 6, 4153 Reinach BL,
Switzerland

(111) M 1998 9287 R2
(156) 1998 05 11
(186) 2028 05 11

(732) DIAGEO SCOTLAND LIMITED
Edinburgh Park, 5 Lochside Way, Edinburgh
EH12 9DT Scotland, United Kingdom,
United Kingdom

(111) M 1998 9110 R2
(156) 1998 04 30
(186) 2028 04 30
(732) BANK OF AMERICA
CORPORATION, Delaware corporation
101 South Tryon Street, Charlotte, North
Carolina 28255, USA

(111) M 1998 8930 R2
(156) 1998 04 17
(186) 2028 04 17
(732) Ritter Schönbuch Vermögensverwaltungs
GmbH & Co.KG
25, Alfred-Ritter Strasse, 71111
WALDENBUCH, Germany

(111) M 1998 8708 R2
(156) 1998 03 20
(186) 2028 03 20
(732) UNILEVER N.V.
Weena 455, NL-3013 AL Rotterdam,
Netherlands

(111) M 1998 8738 R2
(156) 1998 03 26
(186) 2028 03 26
(732) COMPAGNIE FRANCAISE DE LA
GRANDE CHARTREUSE, Societe
Anonyme
10, Boulevard Edgar Kofler, 38500 Voiron
(Isere), France

(111) M 1998 9470 R2
(156) 1998 05 29
(186) 2028 05 29
(732) HOECHST GmbH
65926 Frankfurt am Main, Germany

(111) M 1998 9111 R2
(156) 1998 04 30
(186) 2028 04 30
(732) PUMA SE
PUMA Way 1, 91074 Herzogenaurach, Germany

(111) M 1998 9112 R2
(156) 1998 04 30
(186) 2028 04 30

(732) PUMA SE
PUMA Way 1, 91074 Herzogenaurach,
Germany

140-2, Kye-Dong, Jongro-ku, Seoul, Korea
(Republic of)

(111) M 1998 9113 R2
(156) 1998 04 30
(186) 2028 04 30
(732) PUMA SE
PUMA Way 1, 91074 Herzogenaurach,
Germany

(111) M 1998 8742 R2
(156) 1998 03 26
(186) 2028 03 26
(732) ESAB AKTIEBOLAG
Boqs 8004, S-40277 Geteborgi, Sweden

(111) M 1998 9498 R2
(156) 1998 06 01
(186) 2028 06 01
(732) INVENTIO AG
Postfach 6052, Hergiswil, Switzerland

(111) M 1998 8643 R2
(156) 1998 03 12
(186) 2028 03 12
(732) UNILEVER N.V.
Weena 455, NL-3013 AL Rotterdam,
Netherlands

(111) M 1998 8433 R2
(156) 1998 02 25
(186) 2028 02 25
(732) HEWLETT PACKARD ENTERPRISE
DEVELOPMENT LP
11445 Compaq Center Drive West,
Houston, Texas 77070, USA

(111) M 1997 7331 R2
(156) 1997 10 29
(186) 2027 10 29
(732) APPLE INC.
1 Infinite loop, Cupertino, California 95014,
USA

(111) M 1998 8450 R2
(156) 1998 02 26
(186) 2028 02 26
(732) KONINKLIJKE PHILIPS ELECTRONICS
N.V.
1, Groenewoudseweg, Eindhoven,
Netherlands

(111) M 1998 8458 R2
(156) 1998 02 26
(186) 2028 02 26
(732) ROC INTERNATIONAL S.A.R.L.
5, rue C.M. Spoo, Grand-Duche de
Luxembourg, Luxembourg

(111) M 1998 8676 R2
(156) 1998 03 17
(186) 2028 03 17
(732) FLUKE CORPORATION
6920 Seaway Boulevard, Everett,
Washington 98203, USA

(111) M 1998 9346 R2
(156) 1998 05 18
(186) 2028 05 18
(732) AVENTIS PHARMA S.A.
20, avenue Raymond Aron, 92160 Antony,
France

(111) M 1998 8639 R2
(156) 1998 03 12
(186) 2028 03 12
(732) RECKITT & COLMAN
(OVERSEAS) LIMITED
Dansom Lane, Hull, HU8 7DS, United
Kingdom

(111) M 1998 8322 R2
(156) 1998 02 11
(186) 2028 02 11
(732) TREVIRA GmbH
Lyoner Strasse 38a, 60528 Frankfurt am
Main, Germany

(111) M 1998 8853 R2
(156) 1998 04 10
(186) 2028 04 10
(732) HYUNDAI MOTOR COMPANY

(111) M 1998 9361 R2
(156) 1998 05 19
(186) 2028 05 19
(732) UNILEVER N.V.
Weena 455, 3013 AL Rotterdam, Netherlands

(111) M 1998 8486 R2
(156) 1998 03 02
(186) 2028 03 02
(732) HAW PAR CORPORATION LIMITID
401 Commonwealth Dreve, N03-03,
Haw Par Texhnocentre, Singapore149598,
Singapore

(111) M 1998 8487 R2
(156) 1998 03 02
(186) 2028 03 02
(732) S.C. JOHNSON & SON INC.
a Wisconsin corporation
1525 Howe Street, Racine, Wisconsin 53403,
USA

(111) M 1998 8324 R2
(156) 1998 02 11
(186) 2028 02 11
(732) GTBAT International Co. Limited
29 th Floor Oxford House, Taikoo Place,
979 King's Road, Island East, Hong Kong

(111) M 1997 7950 R2
(156) 1997 12 24
(186) 2027 12 24
(732) COGNIS IP MANAGEMENT GmbH
Henkelstrasse 67, 40589 Dusseldorf, Germany

(111) M 1997 7951 R2
(156) 1997 12 24
(186) 2027 12 24
(732) COGNIS IP MANAGEMENT GmbH
Henkelstrasse 67, 40589 Dusseldorf, Germany

(111) M 1997 7952 R2
(156) 1997 12 24
(186) 2027 12 24
(732) COGNIS IP MANAGEMENT GmbH
Henkelstrasse 67, 40589 Dusseldorf,
Germany

(111) M 1997 7954 R2
(156) 1997 12 24
(186) 2027 12 24
(732) COGNIS IP MANAGEMENT GmbH
Henkelstrasse 67, 40589 Dusseldorf,
Germany

(111) M 1997 7958 R2
(156) 1997 12 24
(186) 2027 12 24

(732) COGNIS IP MANAGEMENT GmbH
Henkelstrasse 67, 40589 Dusseldorf,
Germany

(111) M 1997 7959 R2
(156) 1997 12 24
(186) 2027 12 24
(732) COGNIS IP MANAGEMENT GmbH
Henkelstrasse 67, 40589 Dusseldorf,
Germany

(111) M 1997 7960 R2
(156) 1997 12 24
(186) 2027 12 24
(732) COGNIS IP MANAGEMENT GmbH
Henkelstrasse 67, 40589 Dusseldorf,
Germany

(111) M 1998 8941 R2
(156) 1998 04 21
(186) 2028 04 21
(732) SUMITOMO HEAVY INDUSTRIES LTD
1-1 Osaki 2-chome, Shinagawa-ku, Tokyo
141-6025, Japan

(111) M 1998 8943 R2
(156) 1998 04 21
(186) 2028 04 21
(732) SAMSONITE IP HOLDINGS S.A.R.L.
13-15 avenue de la Liberté, L-1931
Luxembourg, Luxembourg

(111) M 1998 8944 R2
(156) 1998 04 21
(186) 2028 04 21
(732) SAMSONITE IP HOLDINGS S.A.R.L.
13-15 avenue de la Liberté, L-1931
Luxembourg, Luxembourg

(111) M 1998 8244 R2
(156) 1998 02 05
(186) 2028 02 05
(732) HANS GROHE AG
Auestrasse 9, 77761 Schiltach, Germany

(111) M 1998 9559 R2
(156) 1998 06 04
(186) 2028 06 04
(732) CARRERA S.P.A.
Caldiero (Verona), Italy

(111) M 1998 8537 R2
(156) 1998 03 04
(186) 2028 03 04
(732) COURVOISIER S.A.S.
2, place du Chateau, F-16200 JARNAC,
France

(111) M 1998 9669 R2
(156) 1998 06 09
(186) 2028 06 09
(732) INTER IKEA SYSTEMS B.V.
Olof Palmestraat 1, 2616 LN Delft,
Netherlands

(111) M 1998 8538 R2
(156) 1998 03 04
(186) 2028 03 04
(732) COURVOISIER S.A.S.
2, place du Chateau, F-16200 JARNAC,
France

(111) M 1997 5832 R2
(156) 2017 07 07
(186) 2027 07 07
(732) GENERAL WIRELESS IP HOLDINGS
LLC
26 patriot Place, Suite 301, Foxboro, MA
02035, USA

(111) M 1998 9615 R2
(156) 1998 06 08
(186) 2028 06 08
(732) DAIKIN INDUSTRIES LTD
Umeda Center Bldg., 4-12 Nakazaki-Nishi,
2-chome, Kita-ku, Osaka, Japan

(111) M 1998 8559 R2
(156) 1998 03 05
(186) 2028 03 05
(732) SUMITOMO RUBBER INDUSRIES LTD
6-9, 3-chome, Wakinohamacho, Kobe-651,
Japan

(111) M 1998 8560 R2
(156) 1998 03 05
(186) 2028 03 05
(732) SUMITOMO RUBBER INDUSRIES LTD
6-9, 3-chome, Wakinohamacho, Kobe-651,
Japan

(111) M 1998 9644 R2
(156) 1998 06 09
(186) 2028 06 09
(732) ALLIED DOMEQ SPIRITS & WINE
LIMITED
Chivas House, 72 Chancellors Road, London
W6 9RS, United Kingdom

(111) M 1998 9668 R2
(156) 1998 06 09
(186) 2028 06 09
(732) INTER IKEA SYSTEMS B.V.
Olof Palmestraat 1, 2616 LN Delft,
Netherlands

COMPLETE TRANSFER OF RIGHTS

(111) M 2001 13842 R

(732) DALLI-WERKE GmbH & Co. KG
Zweifaller Shtrase 120, 52224 Stolberg,
Germany

(770) THE PROCTER & GAMBLE COMPANY
One Procter & Gamble Plaza, Cincinnati,
Ohio, USA

(580) 2017 12 29

(111) M 1998 8375 R

(732) REPSOL, S.A.
Mendez Alvaro, 44-28045 Madrid, Spain

(770) REPSOL PETROLEO, SA
Mendez Alvaro, 44, 28045 Madridi, Spain

(580) 2018 01 29

CHANGES IN NAMES AND/OR ADDRESSES OF OWNERS

(111) M 1998 8233 R
 (732) FORD MOTOR COMPANY
 One American Road, Dearborn, Michigan
 48126, USA
 (770) FORD MOTOR COMPANY
 The American Road, Dearborn, Michigan
 48121, USA
 (580) 2018 02 19

(111) M 1998 8045 R
 (732) FORD MOTOR COMPANY
 One American Road, Dearborn, Michigan
 48126, USA
 (770) FORD MOTOR COMPANY
 The American Road, Dearborn, Michigan
 48121, USA
 (580) 2018 02 19

(111) M 1998 9105 R
 (732) Kentucky Fried Chicken International
 Holdings LLC
 7100 Corporate Drive, Plano, TX75024, USA
 (770) Kentucky Fried Chicken International
 Holdings LLC
 1441 Gardiner Lane, Louisville, Kentucky
 40213, USA
 (580) 2017 12 29

(111) M 2008 18306 R
 (732) LTD "G-M-P"
 Sop. Ponitchala 65, 0165, Tbilisi, Georgia
 (770) LTD "G-M-P"
 Zemo Vedzisi q. 103 , 0160, Tbilisi , Georgia
 (580) 2018 02 20

(111) M 2008 18359 R
 (732) LTD "G-M-P"
 Sop. Ponitchala 65, 0165, Tbilisi, Georgia
 (770) LTD "G-M-P"
 Zemo Vedzisi q. 103 , 0160, Tbilisi , Georgia
 (580) 2018 02 20

(111) M 2008 18360 R
 (732) LTD "G-M-P"
 Sop. Ponitchala 65, 0165, Tbilisi, Georgia
 (770) LTD "G-M-P"
 Zemo Vedzisi q. 103 , 0160, Tbilisi , Georgia
 (580) 2018 02 20

(111) M 1998 8375 R
 (732) REPSOL S.A.
 Mendez Alvaro, 44-28045 Madrid, Spain
 (770) REPSOL PETROLEO, SA
 Mendez Alvaro, 44, 28045 Madridi, Spain
 (580) 2018 01 30

(111) M 2008 18400 R
 (732) DOMPE FARMACEUTICI S.p.a.
 Via San Martino Della Battaglia, 12-20122
 Milano, Italy
 (770) DOMPE FARMACEUTICI S.p.a.
 Via San Martino 12-12/a, 20122 Milano, Italy
 (580) 2018 02 05

(111) M 2008 18421 R
 (732) WYETH LLC
 235 Ist 42 Str.i, New York, New York
 10017, USA
 (770) WYETH LLC
 Five Giralda Farms, Madison, New Jersey,
 07940, USA
 (580) 2018 02 20

(111) M 2012 23108 R
 (732) HARRINGTON DEVELOPMENT INC.
 Elvira Mendez Str., Vallarino bldg.,
 3rd Floor, Panama, Panama
 (770) HARRINGTON DEVELOPMENT INC.
 Arango-Orillac Bldg. East 54 th street,
 Panama
 (580) 2018 02 16

(111) M 2011 21686 R
 (732) HARRINGTON DEVELOPMENT INC.
 Elvira Mendez Street, Vallarino bldg.,
 3rd Floor, Panama, Panama
 (770) HARRINGTON DEVELOPMENT INC.
 Arango-Orillac Bldg. East 54 th street, Panama
 (580) 2018 02 16

(111) M 2011 21685 R
 (732) HARRINGTON DEVELOPMENT INC.
 Elvira Mendez Street, Vallarino bldg.,
 3rd Floor, Panama, Panama
 (770) HARRINGTON DEVELOPMENT INC.
 Arango-Orillac Bldg. East 54 th street,
 Panama
 (580) 2018 02 16

(111) M 1998 8649 R
(732) REEMTSMA CIGARETTENFABRIKEN
GMBH
Maqs-born-shtrase 4, 22761 Hamburgi,
Germany
(770) REEMTSMA CIGARETTENFABRIKEN
GMBH
51, Parkstrasse, D-22605 Hamburg, Germany
(580) 2018 02 20

(111) M 1998 8457 R
(732) SOMFY ACTIVITES SA
50, Avenue du Nouveau Monde-74300
Cluses, France
(770) SOMFY SAS
50, Avenue du Nouveau Monde-74300
Cluses, France
(580) 2018 02 19

INVALIDATION OF REGISTRATIONS

(111) M 2007 17549 R

(141) 2017 09 12, The payment for the prolongation of registration on following 10 years is not payed

(732) HYUNDAI ELECTRIC COMPANY
LIMITED

Flat/Rom-301, Kam On Building, 176A
Queen's Road C Central, Hong-Kong,
China

(111) M 2007 17621 R

(141) 2017 10 12, The payment for the prolongation of registration on following 10 years is not payed

(732) LTD "INTERTOUR"

Ilia Chavchavadzis gamz. 49a, 0179, Tbilisi,
Georgia

CLASSIFICATION INDEXES

INVENTIONS

CONCORDANCE TABLE OF INTERNATIONAL CLASSIFICATION INDEX AND PUBLICATION NUMBERS

INTERNATIONAL CLASSIFICATION INDEXES (51)	NUMBER OF PUBLISHED APPLICATION (10)
A 61 G 5/04	AP 2018 14258 A
A 61 K 9/28; A 61 K 31/7076	AP 2018 14177 A
A 61 K 36/537; A 61 K 36/258; A 61 K 31/343; A 61 K 31/192; A 61 K 31/11; A 61 K 31/045; A 61 K 9/20; A 61 K 9/10	AP 2018 14057 A
A 61 K 47/30; A 61 K 9/20; C 07 C 231/00	AP 2018 13784 A
B 23 P 17/04; A 61 M 5/31	AP 2018 14039 A
C 07 D 417/08; A 61 K 31/433; A 61 P 35/00	AP 2018 14314 A
C 07 D 473/16; C 07 D 473/18; C 07 D 519/00; A 61 K 31/522; A 61 P 35/00	AP 2018 14151 A
G 01 N 27/00	AP 2018 14467 A

CONCORDANCE TABLE OF PUBLICATION NUMBERS AND INTERNATIONAL CLASSIFICATION INDEX

NUMBER OF PUBLISHED APPLICATION (10)	INTERNATIONAL CLASSIFICATION INDEXES (51)
AP 2018 13784 A	A 61 K 47/30; A 61 K 9/20; C 07 C 231/00
AP 2018 14039 A	B 23 P 17/04; A 61 M 5/31
AP 2018 14057 A	A 61 K 36/537; A 61 K 36/258; A 61 K 31/343; A 61 K 31/192; A 61 K 31/11; A 61 K 31/045; A 61 K 9/20; A 61 K 9/10
AP 2018 14151 A	C 07 D 473/16; C 07 D 473/18; C 07 D 519/00; A 61 K 31/522; A 61 P 35/00
AP 2018 14177 A	A 61 K 9/28; A 61 K 31/7076
AP 2018 14258 A	A 61 G 5/04
AP 2018 14314 A	C 07 D 417/08; A 61 K 31/433; A 61 P 35/00
AP 2018 14467 A	G 01 N 27/00

CONCORDANCE TABLE OF INTERNATIONAL CLASSIFICATION INDEX, PATENT NUMBERS AND PUBLICATION NUMBERS

INTERNATIONAL CLASSIFICATION INDEX (51)	NUMBER OF PATENT (11)	NUMBER OF PUBLISHED APPLICATION (10)
C 07 D 281/10; A 61 K 31/554; A 61 P 9/00; A 61 P 25/00; A 61 P 19/08	P 2018 6836 B	AP 2017 13636 A
F 27 D 25/00; B 08 B 7/00; F 23 J 3/02; F 28 G 7/00	P 2018 6837 B	AP 2017 14253 A

**CONCORDANCE TABLE OF PATENT NUMBERS,
PUBLICATION NUMBERS AND INTERNATIONAL CLASSIFICATION INDEX**

NUMBER OF PATENT (11)	NUMBER OF PUBLISHED APPLICATION (10)	INTERNATIONAL CLASSIFICATION INDEX (51)
P 2018 6836 B	AP 2017 13636 A	C 07 D 281/10; A 61 K 31/554; A 61 P 9/00; A 61 P 25/00; A 61 P 19/08
P 2018 6837 B	AP 2017 14253 A	F 27 D 25/00; B 08 B 7/00; F 23 J 3/02; F 28 G 7/00

CONCORDANCE TABLE OF APPLICATION NUMBERS, PUBLICATION NUMBERS AND PATENTS

NUMBER OF APPLICATION (21)	NUMBER OF PUBLISHED APPLICATION (10)	NUMBER OF PATENT (11)
AP 2013 013636	AP 2017 13636 A	P 2018 6836 B
AP 2015 014253	AP 2017 14253 A	P 2018 6837 B

UTILITY MODELS

CONCORDANCE TABLE OF INTERNATIONAL CLASSIFICATION INDEX AND PUBLICATION NUMBERS

INTERNATIONAL CLASSIFICATION INDEXES (51)	NUMBER OF PUBLISHED APPLICATION (10)
A 61 K 35/76	AU 2018 14531 U
A 61 K 35/76	AU 2018 14533 U
A 61 K 35/76	AU 2018 14534 U
A 61 K 35/76	AU 2018 14535 U
G 06 Q 50/34	AU 2018 14505 U

CONCORDANCE TABLE OF PUBLICATION NUMBERS AND INTERNATIONAL CLASSIFICATION INDEX

NUMBER OF PUBLISHED APPLICATION (10)	INTERNATIONAL CLASSIFICATION INDEXES (51)
AU 2018 14531 U	A 61 K 35/76
AU 2018 14533 U	A 61 K 35/76
AU 2018 14534 U	A 61 K 35/76
AU 2018 14535 U	A 61 K 35/76
AU 2018 14505 U	G 06 Q 50/34

CONCORDANCE TABLE OF INTERNATIONAL CLASSIFICATION INDEX,
PATENT NUMBERS AND PUBLICATION NUMBERS

INTERNATIONAL CLASSIFICATION INDEX (51)	NUMBER OF PATENT (11)	NUMBER OF PUBLISHED APPLICATION (10)
B 27 N 3/02	U 2018 1964 Y	AU 2017 14321 U
G 07 F 1/04	U 2018 1965 Y	AU 2017 14451 U

CONCORDANCE TABLE OF PATENT NUMBERS,
PUBLICATION NUMBERS AND INTERNATIONAL CLASSIFICATION INDEX

NUMBER OF PATENT (11)	NUMBER OF PUBLISHED APPLICATION (10)	INTERNATIONAL CLASSIFICATION INDEX (51)
U 2018 1964 Y	AU 2017 14321 U	B 27 N 3/02
U 2018 1965 Y	AU 2017 14451 U	G 07 F 1/04

CONCORDANCE TABLE OF APPLICATION NUMBERS, PUBLICATION NUMBERS
AND PATENTS

NUMBER OF APPLICATION (21)	NUMBER OF PUBLISHED APPLICATION (10)	NUMBER OF PATENT (11)
AU 2016 014321	AU 2017 14321 U	U 2018 1964 Y
AU 2017 014451	AU 2017 14451 U	U 2018 1965 Y

DESIGNS

CONCORDANCE TABLE OF INTERNATIONAL CLASSIFICATION INDEX
AND PUBLICATION NUMBERS

INTERNATIONAL CLASSIFICATION INDEXES (51)	NUMBER OF PUBLISHED APPLICATION (10)
07-01	AD 2018 990 S

CONCORDANCE TABLE OF PUBLICATION NUMBERS
AND INTERNATIONAL CLASSIFICATION INDEX

NUMBER OF PUBLISHED APPLICATION (10)	INTERNATIONAL CLASSIFICATION INDEXES (51)
AD 2018 990 S	07-01

TRADEMARKS

CONCORDANCE TABLE OF REGISTRATION NUMBERS, APPLICATION NUMBERS, PUBLICATION NUMBERS AND BULLETIN NUMBERS

NUMBER OF REGISTRATION (111)	NUMBER OF APPLICATIONS (210)	NUMBER OF PUBLISHED APPLICATIONS (260)	NUMBER OF BULLETIN
M 2018 29475 R	AM 96465	-	6(490)2018
M 2018 29476 R	AM 96720	-	6(490)2018
M 2018 29477 R	AM 96234	-	6(490)2018
M 2018 29478 R	AM 96580	-	6(490)2018
M 2018 29479 R	AM 96447	-	6(490)2018
M 2018 29480 R	AM 85692	AM 2016 85692 A	15(451)2016
M 2018 29481 R	AM 87678	AM 2016 87678 A	4(464)2017
M 2018 29482 R	AM 87679	AM 2016 87679 A	4(464)2017
M 2018 29483 R	AM 89097	AM 2016 89097 A	20(480)2017
M 2018 29484 R	AM 89341	AM 2016 89341 A	21(481)2017
M 2018 29485 R	AM 89824	AM 2016 89824 A	15(475)2017
M 2018 29486 R	AM 90350	AM 2017 90350 A	15(475)2017
M 2018 29487 R	AM 90384	AM 2017 90384 A	15(475)2017
M 2018 29488 R	AM 90415	AM 2017 90415 A	17(477)2017
M 2018 29489 R	AM 90629	AM 2017 90629 A	16(476)2017
M 2018 29490 R	AM 90879	AM 2017 90879 A	21(481)2017
M 2018 29491 R	AM 90901	AM 2017 90901 A	21(481)2017
M 2018 29492 R	AM 90904	AM 2017 90904 A	21(481)2017
M 2018 29493 R	AM 91106	AM 2017 91106 A	21(481)2017
M 2018 29494 R	AM 91178	AM 2017 91178 A	18(478)2017
M 2018 29495 R	AM 91296	AM 2017 91296 A	21(481)2017
M 2018 29496 R	AM 91431	AM 2017 91431 A	21(481)2017
M 2018 29497 R	AM 91529	AM 2017 91529 A	20(480)2017
M 2018 29498 R	AM 91530	AM 2017 91530 A	20(480)2017
M 2018 29499 R	AM 91532	AM 2017 91532 A	20(480)2017
M 2018 29500 R	AM 91533	AM 2017 91533 A	21(481)2017
M 2018 29501 R	AM 91534	AM 2017 91534 A	20(480)2017
M 2018 29502 R	AM 91540	AM 2017 91540 A	21(481)2017
M 2018 29503 R	AM 91225	AM 2017 91225 A	22(482)2017
M 2018 29504 R	AM 91707	AM 2017 91707 A	23(483)2017
M 2018 29505 R	AM 92022	AM 2017 92022 A	23(483)2017
M 2018 29506 R	AM 92125	AM 2017 92125 A	2(486)2018
M 2018 29507 R	AM 95180	-	-

**CONCORDANCE TABLE OF PUBLICATION NUMBERS
AND APPLICATION NUMBERS**

NUMBER OF PUBLISHED APPLICATION (260)	NUMBER OF APPLICATION (210)	1	2
1	2		
AM 2018 91844 A	AM 91844	AM 2018 93209 A	AM 93209
AM 2018 91985 A	AM 91985	AM 2018 93219 A	AM 93219
AM 2018 92123 A	AM 92123	AM 2018 93220 A	AM 93220
AM 2018 92127 A	AM 92127	AM 2018 93223 A	AM 93223
AM 2018 92185 A	AM 92185	AM 2018 93237 A	AM 93237
AM 2018 92186 A	AM 92186	AM 2018 93239 A	AM 93239
AM 2018 92442 A	AM 92442	AM 2018 93240 A	AM 93240
AM 2018 92501 A	AM 92501	AM 2018 93247 A	AM 93247
AM 2018 92518 A	AM 92518	AM 2018 93273 A	AM 93273
AM 2018 92576 A	AM 92576	AM 2018 93274 A	AM 93274
AM 2018 92587 A	AM 92587	AM 2018 93275 A	AM 93275
AM 2018 92588 A	AM 92588	AM 2018 93294 A	AM 93294
AM 2018 92608 A	AM 92608	AM 2018 93315 A	AM 93315
AM 2018 92643 A	AM 92643	AM 2018 93318 A	AM 93318
AM 2018 92668 A	AM 92668	AM 2018 93323 A	AM 93323
AM 2018 92669 A	AM 92669	AM 2018 93328 A	AM 93328
AM 2018 92670 A	AM 92670	AM 2018 93331 A	AM 93331
AM 2018 92781 A	AM 92781	AM 2018 93333 A	AM 93333
AM 2018 92791 A	AM 92791	AM 2018 93334 A	AM 93334
AM 2018 92792 A	AM 92792	AM 2018 93534 A	AM 93534
AM 2018 92894 A	AM 92894	AM 2018 93536 A	AM 93536
AM 2018 93069 A	AM 93069	AM 2018 93537 A	AM 93537
AM 2018 93073 A	AM 93073	AM 2018 93539 A	AM 93539
AM 2018 93106 A	AM 93106	AM 2018 93540 A	AM 93540
AM 2018 93107 A	AM 93107	AM 2018 93541 A	AM 93541
AM 2018 93110 A	AM 93110	AM 2018 93542 A	AM 93542
AM 2018 93167 A	AM 93167	AM 2018 93543 A	AM 93543
AM 2018 93196 A	AM 93196	AM 2018 93544 A	AM 93544
AM 2018 93203 A	AM 93203	AM 2018 93557 A	AM 93557
AM 2018 93206 A	AM 93206	AM 2018 93712 A	AM 93712
AM 2018 93207 A	AM 93207	AM 2018 93716 A	AM 93716
AM 2018 93208 A	AM 93208	AM 2018 93729 A	AM 93729
		AM 2018 93730 A	AM 93730
		AM 2018 93753 A	AM 93753
		AM 2018 93814 A	AM 93814
		AM 2018 93815 A	AM 93815
		AM 2018 93833 A	AM 93833

CONCORDANCE TABLE OF INDEX OF GOODS AND/OR SERVICES
AND APPLICATION NUMBERS

INDEX OF GOODS AND/OR SERVICES (511)	NUMBER OF PUBLISHED APPLICATIONS (26)	1	2
1	2	29	AM 2018 92501 A
1	AM 2018 93239 A	29	AM 2018 93110 A
1	AM 2018 93240 A	30	AM 2018 92442 A
1	AM 2018 93557 A	30	AM 2018 92668 A
2	AM 2018 93557 A	30	AM 2018 92669 A
3	AM 2018 93196 A	30	AM 2018 92670 A
3	AM 2018 93534 A	30	AM 2018 93110 A
3	AM 2018 93536 A	30	AM 2018 93167 A
3	AM 2018 93537 A	30	AM 2018 93534 A
3	AM 2018 93712 A	30	AM 2018 93536 A
5	AM 2018 92781 A	30	AM 2018 93537 A
5	AM 2018 93196 A	31	AM 2018 93331 A
5	AM 2018 93206 A	31	AM 2018 93333 A
5	AM 2018 93207 A	31	AM 2018 93334 A
5	AM 2018 93208 A	31	AM 2018 93334 A
5	AM 2018 93209 A	32	AM 2018 91844 A
5	AM 2018 93219 A	32	AM 2018 92442 A
5	AM 2018 93220 A	32	AM 2018 93534 A
5	AM 2018 93223 A	32	AM 2018 93536 A
5	AM 2018 93237 A	32	AM 2018 93537 A
5	AM 2018 93247 A	32	AM 2018 93537 A
5	AM 2018 93294 A	33	AM 2018 92442 A
5	AM 2018 93318 A	33	AM 2018 93753 A
5	AM 2018 93323 A	33	AM 2018 92442 A
5	AM 2018 93534 A	34	AM 2018 93106 A
5	AM 2018 93536 A	34	AM 2018 93716 A
5	AM 2018 93537 A	34	AM 2018 93815 A
5	AM 2018 93539 A	34	AM 2018 93815 A
5	AM 2018 93540 A	35	AM 2018 91985 A
5	AM 2018 93541 A	35	AM 2018 92123 A
5	AM 2018 93542 A	35	AM 2018 92442 A
5	AM 2018 93543 A	35	AM 2018 92576 A
5	AM 2018 93544 A	35	AM 2018 92643 A
5	AM 2018 93814 A	35	AM 2018 93203 A
5	AM 2018 93833 A	36	AM 2018 92643 A
12	AM 2018 91985 A	36	AM 2018 92185 A
16	AM 2018 93328 A	36	AM 2018 92186 A
17	AM 2018 93239 A	37	AM 2018 92185 A
17	AM 2018 93240 A	37	AM 2018 92186 A
18	AM 2018 92894 A	37	AM 2018 92186 A
19	AM 2018 93239 A	37	AM 2018 93073 A
19	AM 2018 93240 A	39	AM 2018 92518 A
19	AM 2018 93557 A	39	AM 2018 92518 A
20	AM 2018 92576 A	39	AM 2018 93315 A
21	AM 2018 92608 A	40	AM 2018 93073 A
25	AM 2018 92894 A	41	AM 2018 93069 A
29	AM 2018 92123 A	43	AM 2018 92791 A
29	AM 2018 92442 A	43	AM 2018 92792 A
		43	AM 2018 93069 A
		43	AM 2018 93273 A
		43	AM 2018 93274 A
		43	AM 2018 93275 A
		44	AM 2018 92587 A
		44	AM 2018 92588 A
		44	AM 2018 93107 A
		44	AM 2018 93729 A
		44	AM 2018 93730 A
		45	AM 2018 92127 A

CONCORDANCE TABLE OF INDEX OF GOODS AND/OR SERVICES
AND NUMBERS OF TRADEMARKS REGISTERED ACCORDING
TO THE ACCELERATED PROCEDURE

INDEX OF GOODS AND/OR SERVICES (511)	NUMBERS OF REGISTERED ACCORDING TO THE ACCELERATED PROCEDURE (111)
3	M 2018 29478 R
3	M 2018 29479 R
12	M 2018 29476 R
33	M 2018 29477 R
35	M 2018 29478 R
43	M 2018 29475 R

OFFICIAL BULLETIN OF THE INDUSTRIAL PROPERTY

INVENTIONS
UTILITY MODELS
DESIGNS
TRADEMARKS

6(490)

EDITOR-IN-CHIEF: N. Bebrishvili

EDITOR-TRANSLATOR: E. Gabunia

PROOFREADER: A. Shikhashvili

COMPUTER LAYOUT: M. Ordenidze
K. Svanidze

www.sakpatenti.gov.ge

E-mail: info@sakpatenti.org.ge