



**NATIONAL INTELLECTUAL PROPERTY CENTER OF GEORGIA
SAKPATENTI**

**OFFICIAL BULLETIN
OF THE INDUSTRIAL PROPERTY**

8(444)

**2016
TBILISI**

INID CODES FOR IDENTIFICATION OF BIBLIOGRAPHIC DATA

INVENTIONS, UTILITY MODELS

- (10) Number of publication for application, which has been examined
- (11) Number of patent and kind of document
- (21) Serial number of application
- (22) Date of filing of the application
- (23) Date of exhibition or the date of the earlier filing and the number of application, if any
- (24) Date from which patent may have effect
- (31) Number of priority application
- (32) Date of filing of priority application
- (33) Code of the country or regional organization allotting priority application number
- (44) Date of publication of application not granted, but examined and number of bulletin
- (45) Date of publication of registered document
- (51) International Patent Classification Index
- (54) Title of the invention
- (57) Abstract
- (60) Number of examined patent document granted by foreign patent office, date from which patent has effect and country code
- (62) Number of the earlier application and in case of divided application, date of filing an application
- (71) Name, surname and address of applicant (country code)
- (72) Name, surname of inventor (country code)
- (73) Name, surname and address of patent owner (country code)
- (74) Name, surname of representative or patent attorney
- (85) Date of commencement of the national phase of International Application
- (86) Number and date of filing of international application
- (87) Number and date of publication of international application

DESIGNS

- (10) Number of publication for application
- (11) Number of patent and kind of document or number of registration
- (15) Date of registration/Date of patent renewal
- (18) Expected expiration date of patent or registration
- (21) Serial number of application
- (22) Date of filing of the application
- (23) Date of exhibition or the date of the earlier filing and the number of application, if any
- (24) Date from which patent may have effect
- (28) Number of designs included in the application
- (30) Data relating to priority (number of application, date of filing of application, two-letter code identifying the authority with whom the priority application was made)
- (31) Number of priority application
- (32) Date of filing of priority application
- (33) Code of the country or regional organization allotting priority application number
- (34) Two-letter code according to WIPO St.3 identifying the authority with which the priority application was made
- (44) Date of publication of design and number of bulletin (the first publication)
- (45) Date of publication of design registered by WIPO and number of bulletin
- (51) International Classification for designs (class and subclass of the Locarno Classification)
- (54) Title of the invention
- (55) Reproduction of the design
- (57) Description of characteristic features of the design including indication of colors
- (58) Date of recording of any kind of amendment in the Register
- (62) Number of the earlier application, registration and document number and if available the date of filing an application in case of divided application
- (71) Name, surname and address of applicant (country code)
- (72) Name, surname of creator (country code)
- (73) Name, surname and address of patent owner (country code)
- (74) Name, surname of representative or patent attorney
- (81) Contracting states concerned
 - II designated contracting states according to the 1960 Act
 - III designated contracting states according to the 1999 Act
- (85) Owner's permanent address
- (86) Owner's nationality
- (87) Owner's residence
- (88) State in which the owner has a real and effective industrial or commercial establishment

TRADEMARKS

- (111) – Number of registration
- (151) – Date of registration
- (156) – Date of the renewal
- (181) – Expected expiration date of registration
- (186) – Renewal expiration date of registration
- (141) – Date of cancel of duration of the mark
- (210) – Serial number of application
- (220) – Date of filing of the application
- (230) – Date concerning exhibition
- (260) – Number of application, for which favorable decision of examination about registration has been taken (publication number)
- (310) – Number of the first application
- (320) – Date of filing of the first application
- (330) – Code, identifying national or regional Office where the first application was made
- (511) – International Classification of Goods and Services for the purposes of registration of trade marks and/or list of goods and/or services classified according thereto
- (531) – Description of figurative elements of Trade Marks according to the International Classification of the Figurative Elements of Marks
- (540) – Reproduction of Trade Mark
- (550) – Nature and kind of Trade Mark
- (580) – Date of recording of any kind changes in respect of applications or registrations
- (591) – Information concerning colors claimed
- (731) – Name and address of the applicant
- (732) – Name and address of the holder of the registration
- (740) – Name and address of the representative
- (750) – Address for correspondence
- (770) – Name and address of the previous applicant or holder in case of change in ownership
- (771) – Previous name and address of the applicant or holder in case of change in ownership
- (791) – Name and address of the licensee
- (793) – Indication of conditions and/or restrictions under the license (Type of license, number of license agreement, data of license, data of validity of license)
- (800) – Certain data relating to the international registration of Trade Marks under the Protocol Relating to Madrid Agreement (International registration number)

CODES FOR PUBLICATION IN BULLETIN

- (21) AP 0000 000000 – serial number of application for invention
- (10) AP 0000 0000 A – number of published application for invention (first publication)
- (11) P 0000 0000 B – number of patent for invention (second publication)
- (21) API 0000 000000 – number of application for imported patent
- (11) PI 0000 0000 A – number of imported patent (first publication)
- (21) AU 0000 000000 – serial number of application for utility model
- (10) AU 0000 000 U – number of published application for utility model (first publication)
- (11) U 0000 000 Y – number of patent for utility model (second publication)
- (21) AD 0000 000000 – serial number of application for design
- (10) AD 0000 000 S – number of published application for design (first publication)
- (11) D 0000 000 S – number of patent for design (second publication)

INTERNATIONAL PATENT CLASSIFICATION FOR INVENTIONS AND UTILITY MODELS

- SECTION A – HUMAN NECESSITIES
- SECTION B – PERFORMING OPERATIONS; TRANSPORTING
- SECTION C – CHEMISTRY; METALLURGY
- SECTION D – TEXTILES; PAPER
- SECTION E – FIXED CONSTRUCTIONS
- SECTION F – MECHANICAL ENGINEERING; LIGHTING; HEATING; WEAPONS; BLASTING
- SECTION G – PHYSICS
- SECTION H – ELECTRICITY

-
- M – Trade Mark
 - (210) AM 0000 000000 – Serial number of application;
 - (260) AAM 0000 00000 A – Publication number of application;
 - (111) M 0000 00000 R – Number of registration;
 - (111) MMM0000 00000 Rn – Number of renewals, in which n=1,2,3;
 - (111) M 0000 00000 R(P) – Number of registration under partial assignment of rights
-

LIST OF CODES, IN ALPHABETIC SEQUENCE, AND THE CORRESPONDING (SHORT) NAMES OF STATES, OTHER ENTITIES AND INTERGOVERNMENTAL ORGANIZATIONS
(WIPO STANDARD ST.3)

AD	Andorra				
AE	United Arab Emirates				
AF	Afghanistan				
AG	Antigua and Barbuda				
AI	Anguilla				
AL	Albania				
AM	Armenia				
AN	Netherlands Antilles				
AO	Angola				
AP	African Regional Intellectual Property Organization (ARIPO)				
AR	Argentina				
AT	Austria				
AU	Australia				
AW	Aruba				
AZ	Azerbaijan				
BA	Bosnia and Herzegovina				
BB	Barbados				
BD	Bangladesh				
BE	Belgium				
BF	Burkina Faso				
BG	Bulgaria				
BH	Bahrain				
BI	Burundi				
BJ	Benin				
BM	Bermuda				
BN	Brunei Darussalam				
BO	Bolivia				
BR	Brazil				
BS	Bahamas				
BT	Bhutan				
BV	Bouvet Island				
BW	Botswana				
BX	Benelux Office for Intellectual Property (BOIP)				
BY	Belarus				
BZ	Belize				
CA	Canada				
CD	Democratic Republic of the Congo				
CF	Central African Republic				
CG	Congo				
CH	Switzerland				
CI	Cote d'Ivoire				
CK	Cook Islands				
CL	Chile				
CM	Cameroon				
CN	China				
CO	Colombia				
CR	Costa Rica				
CU	Cuba				
CV	Cape Verde				
CY	Cyprus				
CZ	Czech Republic				
DE	Germany				
DJ	Djibouti				
DM	Dominica				
DO	Dominican Republic				
DZ	Algeria				
EA	Eurasian Patent Organization (EAPO)				
EC	Ecuador				
EE	Estonia				
EG	Egypt				
EH	Western Sahara				
EM	Office for Harmonization in the Internal Market (Trademarks and Designs)(OHIM)				
EP	European Patent Office (EPO)				
ER	Eritrea				
ES	Spain				
ET	Ethiopia				
FI	Finland				
FJ	Fiji				
FK	Falkland Islands (Malvinas)				
FO	Faroe Islands				
FR	France				
GA	Gabon				
GB	United Kingdom				
GC	Patent Office of the Cooperation Council for the Arab States of the Gulf (GCC)				
GD	Grenada				
GG	Guernsey				
GH	Ghana				
GI	Gibraltar				
GT	Guatemala				
GW	Guinea- Bissau				
GY	Guyana				
HK	The Hong Kong Special Administrative Region of the People's Republic of China				
HN	Honduras				
HR	Croatia				
HT	Haiti				
HU	Hungary				
IB	International Bureau of the World Intellectual Property Organization (WIPO)				
ID	Indonesia				
IE	Ireland				
IL	Israel				
IM	Isle of Man				
IN	India				
IQ	Iraq				
ID	Indonesia				
IE	Ireland				
IL	Israel				
IM	Isle of Man				
IN	India				
IQ	Iraq				
IR	Iran (Islamic Republic of)				
IS	Iceland				
IT	Italy				
JE	Jersey				
JM	Jamaica				
JO	Jordan				
JP	Japan				
KE	Kenya				
KG	Kyrgyzstan				
KH	Cambodia				
KI	Kiribati				
KM	Saint Kitts and Nevis				
KP	Democratic People's Republic of Korea				
KR	Republic of Korea				
KW	Kuwait				
KY	Cayman Islands				
KZ	Kazakhstan				
LA	Lao People's Democratic Republic				
LB	Lebanon				
LC	Saint Lucia				
LI	Liechtenstein				
LK	Sri Lanka				
LR	Liberia				
LS	Lesotho				
LT	Lithuania				
LU	Luxembourg				
LV	Latvia				
LY	Libyan Arab Jamahiriya				
MA	Morocco				
MC	Monaco				
MD	Republic of Moldova				
ME	Montenegro				
MG	Madagascar				
MK	The former Yugoslav Republic of Macedonia				
ML	Mali				
MM	Myanmar				
MN	Mongolia				
MO	Macao				
MP	Northern Mariana Islands				
MR	Mauritania				
MS	Montserrat				
MT	Malta				
MU	Mauritius				
MV	Maldives				
MW	Malawi				
MX	Mexico				
MY	Malaysia				
MZ	Mozambique				
NA	Namibia				
NE	Niger				
NG	Nigeria				
NI	Nicaragua				
NL	Netherlands				
NO	Norway				
NP	Nepal				
NR	Nauru				
NZ	New Zealand				
OA	African Intellectual Property Organization (OAPI)				
OM	Oman				
PA	Panama				
PE	Peru				
PG	Papua New Guinea				
PH	Philippines				
PK	Pakistan				
PL	Poland				
PT	Portugal				
PW	Palau				
PY	Paraguay				
QA	Qatar				
QZ	Community Plant Variety Office (European Community) (CPVO)				
RO	Romania				
RS	Serbia				
RU	Russian Federation				
RW	Rwanda				
SA	Saudi Arabia				
SB	Solomon Islands				
SC	Seychelles				
SD	Sudan				
SG	Singapore				
SH	Saint Helena				
SI	Slovenia				
SK	Slovakia				
SL	Sierra Leone				
SM	San Marino				
SN	Senegal				
SO	Somalia				
SR	Suriname				
ST	Sao Tome and Principe				
SV	El Salvador				
SY	Syrian Arab Republic				
SZ	Swaziland				
TC	Turks and Caicos Islands				
TD	Chad				
TG	Togo				
TH	Thailand				
TJ	Tajikistan				
TL	Timor-Leste				
TM	Turkmenistan				
TN	Tunisia				
TO	Tonga				
TR	Turkey				
SE	Sweden				
TT	Trinidad and Tobago				
TV	Tuvalu				
TW	Taiwan, Province of China				
TZ	United Republic of Tanzania				
UA	Ukraine				
UG	Uganda				
US	United States of America				
UY	Uruguay				
UZ	Uzbekistan				
VA	Holy See				
VC	Saint Vincent and the Grenadines				
VE	Venezuela				
VG	Virgin Islands (British)				
VN	Viet Nam				
VU	Vanuatu				
WO	World Intellectual Property Organization (WIPO)				
WS	Samoa				
XN	Nordic Patent Institute (NPI)				
YE	Yemen				
ZA	South Africa				
ZM	Zambia				
ZW	Zimbabwe				

**NATIONAL INTELLECTUAL PROPERTY CENTER OF GEORGIA
SAKPATENTI**

**OFFICIAL BULLETIN
OF THE INDUSTRIAL PROPERTY**

8(444)

**INVENTIONS
UTILITY MODELS
DESIGNS
TRADEMARKS**

DATE OF PUBLICATION
2016 04 25

CONTENTS

PUBLISHED TITLES OF PROTECTION	3
INVENTIONS	
▪ APPLICATIONS APPROVED FOR GRANTING PATENTS	4
▪ PATENTED INVENTIONS	7
UTILITY MODELS	
▪ PATENTED UTILITY MODELS	9
DESIGNS	
▪ APPLICATIONS APPROVED FOR REGISTRATION	10
▪ REGISTERED DESIGN	13
▪ DESIGN REGISTERED ACCORDING TO THE ACCELERATED PROCEDURE	14
TRADEMARKS	
▪ APPLICATIONS FILED UNDER THE NATIONAL PROCEDURE APPROVED FOR REGISTRATION	15
▪ REGISTERED TRADEMARKS	20
▪ TRADEMARKS REGISTERED ACCORDING TO THE ACCELERATED PROCEDURE	25
▪ INTERNATIONAL TRADEMARKS FOR WHICH A DECISION ON GANTING PROTECTION IS TAKEN	28
▪ INTERNATIONAL TRADEMARKS PROTECTED IN GEORGIA	82
OFFICIAL NOTIFICATIONS	
INVENTIONS	
▪ RENEWAL OF A PATENTS	86
UTILITY MODELS	
▪ RENEWAL OF A PATENT	86
TRADEMARKS	
▪ RENEWAL OF REGISTRATIONS	87
▪ COMPLETE TRANSFER OF RIGHTS	93
▪ CHANGES IN NAMES AND/OR ADDRESSES OF OWNERS	97
CLASSIFICATION INDEXES	
INVENTIONS	102
UTILITY MODELS	103
DESIGNS	104
TRADEMARKS	106

PUBLISHED TITLES OF PROTECTION

INVENTIONS

- **APPLICATIONS APPROVED FOR GRANTING PATENTS:**
13687; 13323; 13446; 13600; 13291; 13732; 13424
- **PATENTED INVENTIONS:**
6465-6470

UTILITY MODELS

- **PATENTED UTILITY MODELS:**
1895-1896

DESIGNS

- **APPLICATIONS APPROVED FOR REGISTRATION:**
885; 897
- **REGISTERED DESIGN:**
679
- **DESIGN REGISTERED ACCORDING TO THE ACCELERATED PROCEDURE:**
678

TRADEMARKS

- **APPLICATIONS FILED UNDER THE NATIONAL PROCEDURE APPROVED FOR REGISTRATION:**
77627; 78228; 78230; 81245; 82809; 83024; 83108; 83197-83199; 83262; 83265; 83353; 83476; 83517; 83584; 83606; 83641, 83642; 83682; 83684; 83960; 83995, 83996; 84013; 84061; 84081; 84223, 84224
- **REGISTERED TRADEMARKS:**
26964-26987; 26989-27021
- **TRADEMARKS REGISTERED ACCORDING TO THE ACCELERATED PROCEDURE:**
26953-26963; 26988; 27022
- **INTERNATIONAL TRADEMARKS FOR WHICH A DECISION ON GRANTING PROTECTIONS IS TAKEN:**
79146*; 80791; 80859; 81000; 81099; 81309; 82541, 82542; 82572; 82575; 82577-82582; 82584-82586; 82591-82595; 82597, 82598; 82603; 82616-82618; 82622-82624; 82634; 82689; 82692-82694; 82696; 82698, 82699; 82701-82704; 82711, 82712; 82715; 82718; 82720-82724; 82728-82732; 82734; 82737; 82741, 82742; 82747-82751; 82777; 82780; 82782; 82784, 82785; 82787, 82788; 82800, 82801; 82803, 82804; 82812-82814; 82816, 82817; 82842; 82844-82847; 82912, 82913; 82995-82998; 83003-83013; 83015-82021; 83023; 83033-83040; 83056; 83143, 83144; 83148, 83149; 83153; 83250-83252; 83275, 83276; 83278, 83279; 83308, 83309; 83311, 83312
- **INTERNATIONAL TRADEMARKS PROTECTED IN GEORGIA:**
78376; 79397; 80390; 80792; 80796; 80823; 80831; 80836, 80837; 80842; 81070; 81074; 81237; 81259, 81260; 81269; 81322-81324; 81326-81330; 81332; 81334-81336; 81338; 81362, 81363; 81367, 81368; 81370; 81502-81506; 81509; 81513; 81515; 81517; 81519; 81522, 81523; 81526; 81609; 81710; 81747

INVENTIONS

APPLICATIONS APPROVED FOR GRANTING PATENTS

The decision can be appealed at the Chamber of Appeal of Sakpatenti within 3 months from the publication or at the Mtskheta District Court Administrative Cases Board (Address: №17, Samkhedro str., Mtskheta), within 1 month following the publication.

PART A

A 01

(10) AP 2016 13687 A (51) Int. Cl. (2006)

A 01 B 43/00

(21) AP 2014 013687 (22) 2014 12 31

(71) LEPL SCIENTIFIC RESEARCH CENTER
OF AGRICULTURE (GE)

Marshal Gelovanis Gamz. 6, 0159,
Tbilisi (GE)

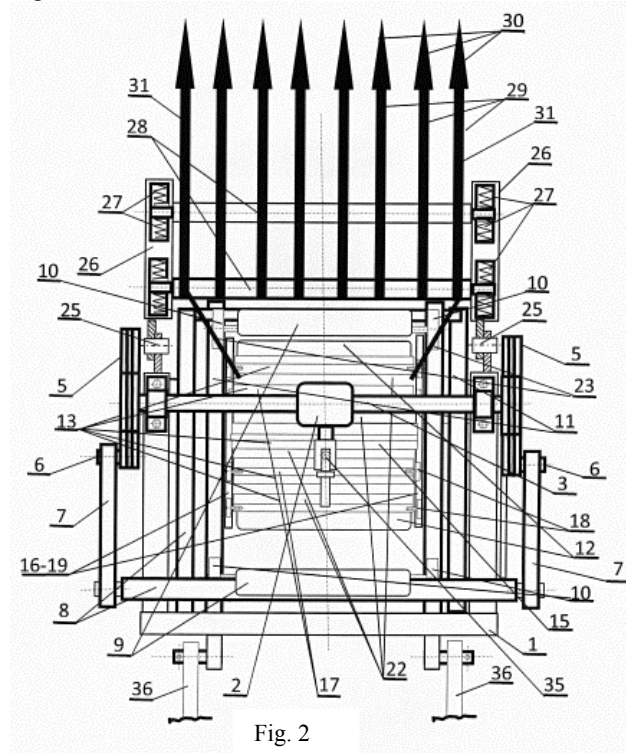
(72) Vladimer Miruashvili

(54) **DEVICE FOR CLEANING AND
CRUSHING STONES**

(57) A device includes main frame 1 connected to a tractor by means of hinged system 36. Working body for extracting stones from the soil and separating 26-31 them, and a crusher with crushing plates 13, 15-17 are mounted on main frame, in sequence.

Claims: 1 independent

Fig.: 3



A 61

(10) AP 2016 13323 A (51) Int. Cl. (2006)

A 61 K 31/47

A 61 K 6131/517

A 61 K 45/06

A 61 P 35/00

(21) AP 2010 013323 (22) 2010 08 06

(62) 61/232.382 2009 08 07 (US)

(31) 61/232,382

(32) 2009 08 07

(33) US

(71) EXELIXIS, INC (US)

210 East Grand Avenue South San Francisco,
CA 94080 (US)

(72) AFTAB, Dana T. (US);

MUELLER, Thomas (DE);

WEITZMAN, Aaron (CA);

HOLLAND, Jaymes (US)

(74) Tamaz Shilakadze

(85) 2013 12 13

(86) PCT/US2010/044749, 2010 08 06

(54) **METHODS OF USING C-MET**

MODULATORS

(57) A method for receiving N-(4-{{6,7-bis (methoxy)quinolin-4-yl}oxy}phenyl)-N'-(4-fluorophenyl) cyclopropane-1,1-dicarboxamid.

Claims: 2 independent

1 dependent

(10) AP 2016 13446 A (51) Int. Cl. (2006)

A 61 K 31/47

A 61 P 19/10

(21) AP 2012 013446 (22) 2012 09 20

(31) 61/538,039

(32) 2011 09 22

(33) US

(71) EXELIXIS, INC (US)

210 East Grand Avenue South San Francisco,
CA 94080 (US)

(72) AFTAB, Dana T. (US);

CLARY, Douglas (US)

(74) Shalva Gvaramadze

(85) 2014 04 22

(86) PCT/US2012/056281, 2012 09 20

(54) **METHOD FOR TREATING**

OSTEOPOROSIS

(57) Application of N-(4-{{6,7-bis(methoxy)quinolin-4-yl}oxy}phenyl)-N'-(4-fluorophenyl)cyclopropane-1,1-dicarboxamid for differentiation and/or osteoblasts activity stimulation in the patient.

Claims: 2 independent
2 dependent

Table: 5

Fig.: 6

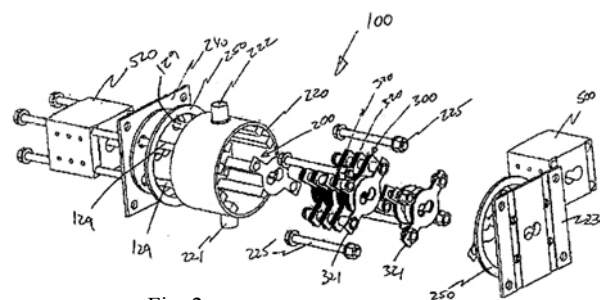


Fig. 2

PART B

B 01

(10) AP 2016 13600 A (51) Int. Cl. (2006)

B 01 D 29/28

(21) AP 2013 013600 (22) 2013 04 05

(31) 61/620,772

(32) 2012 04 05

(33) US

(71) GREENFIELD SPECIALTY

ALCOHOLS INC. (CA)

20 Toronto Street, Suite 1400 Toronto, Ontario

M5C2B8 (CA)

(72) LEHOUX, Richard, Romeo (CA);

BRADT, Christopher, Bruce (CA)

(74) Shalva Gvaramadze

(85) 2014 10 20

(86) PCT/CA2013/050279, 2013 04 05

(54) **TWIN SCREW EXTRUDER PRESS
FOR SOLID/FLUID SEPARATION**

(57) A device includes extruder press combined with separation module for separating fluid from a mass of solids. The extruder includes two or more extruder screws with flighting intercalated at least along a part of the extruder barrel, whereto the separation module is connected, and forms continuation therefor receiving pressurized mass and at least a portion of the twin screws, and includes a filter pack consisting of a filter plate and a backer plate. The filter plate has a throughgoing filter slot extending away from a core opening and into the filter plate for directing fluid away from the core opening. The backer plate has a core opening shaped and sized equal to the barrel and defines a passage for guiding fluid collected in the filter slot to an exterior of the filter pack.

Claims: 2 independent
28 dependent

Fig.: 13

B 32

(10) AP 2016 13291 A (51) Int. Cl. (2006)

B 32 B 27/30

(21) AP 2012 013291 (22) 2012 05 02

(31) 61/518,357

(32) 2011 05 04

(33) US

(71) UNISEAL SOLUTIONS INC. (US)

66 Murray Place, York, PA 17403 (US)

(72) LEAMAN, Michael, Ray (US)

(74) Giorgi Meipariani

(85) 2013 11 12

(86) PCT/US2012/000231, 2012 05 02

(54) **IMPROVED POLYMERIC
COMPOSITION FOR CEMENT BASED
SUBSTRUCTURES**

(57) Composition in a form of aqueous mixture consists at least of first copolymer of mer units formed from vinylidene halide and C1-C2 alkyl acrylate, and at least of second copolymer of mer units formed from vinylidene halide and C4-C5 alkyl acrylate. A method of inhibition of lossing water from not hardened or half hardened concrete structure by usage of said composition on concrete surface.

Claims: 3 independent
13 dependent

Table: 5

PART C

C 07

(10) AP 2016 13732 A (51) Int. Cl. (2006)

C 07 D 401/04

C 07 D 401/12

C 07 D 401/14

C 07 D 403/04

C 07 D 451/12

C 07 D 487/14

C 07 D 498/08

(21) AP 2013 013732 (22) 2013 07 16

(31) 61/708,521; 61/672,709

(32) 2012 10 01; 2012 10 01

(33) US; US

(71) TAKEDA PHARMACEUTICAL

COMPANY LIMITED (JP)

1-1, Doshomachi 4-chome, Chuo-ku,

Osaka-shi Osaka 541-0045 (JP)

(72) HITCHCOCK, Stephen (US);

MONENSCHNEIN, Holger (US);

REICHARD, Holly (US);

SUN, Huikai (US);

KIKUCHI, Shota (US);

MACKLIN, Todd (US);

HOPKINS, Maria (US)

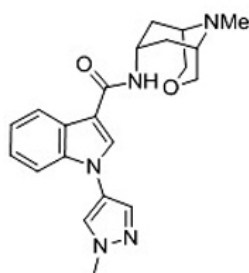
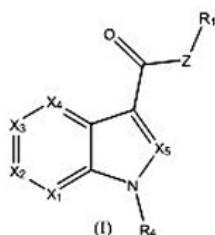
(74) Aleksandre Gegechkori

(85) 2015 02 16

(86) PCT/US2013/050746, 2013 07 16

(54) **5-HT₃ RECEPTOR ANTAGONISTS**

(57) Present invention relates to 1-(1- methyl-1H-pyrazol-4-yl)-N-((1R,5S,7S)-9-methyl-3-oxa-9-azabicyclo[3.3.1]nonan-7-yl)-1H-indole-3-carboxamide compound or pharmaceutically acceptable salts thereof, and pharmaceutical compositions containing them.



Claims: 3 independent

(10) AP 2016 13424 A (51) Int. Cl. (2006)

C 07 D 487/04

C 07 D 487/02

A 61 K 31/519

A 61 K 31/505

A 61 P 34/00

(21) AP 2012 013424 (22) 2012 08 23

(31) 61/526,830

(32) 2011 08 24

(33) US

(71) MILLENNIUM PHARMACEUTICALS, INC. (US)

40 Landsdowne Street, Cambridge,

MA 02139 (US)

(72) MCCARRON, Ashley, Sue (US);

SELLS, Todd, B. (US);

STIRLING, Matthew (GB);

STROUD, Stephen, G. (US)

(74) Tamaz Shilakadze

(85) 2014 03 21

(86) PCT/US2012/052007, 2012 08 23

(54) **INHIBITORS OF NEDD8-ACTIVATING ENZYME**

(57) Chemical compound, namely {(1S,2S,4R)-4-[(6-{{[(1R,2S)-5-chloro-2-methoxy-2,3-dihydro-1H-inden-1-yl]amino}pyrimidin-4-yl]oxy]-2-hydroxycyclopentyl)methyl sulfamate and pharmaceutically acceptable salts thereof, pharmaceutical compositions on a basis thereof, and application therefor cancer treatment.

Claims: 6 independent

30 dependent

Table: 5

Fig.: 10

PATENTED INVENTIONS

PART A

A 61

- (11) **P 2016 6470 B** (51) **Int. Cl. (2006)**
A 61 K 31/7084
A 61 K 9/08
A 61 K 47/04
A 61 K 47/12
A 61 K 47/24
A 61 P 27/02
- (10) AP 2015 13609 A (44) 24(436)/2015
(21) AP 2013 013609
(22) 2013 03 25
(24) 2013 03 25
(31) 2012-069157
(32) 2012 03 26
(33) JP
(86) PCT/JP2013/058519, 2013 03 25
(73) SANTEN PHARMACEUTICAL CO.,
LTD. (JP)
9-19, Shimoshinjo 3-chome,
Higashiyodogawa-ku, Osaka-shi, Osaka
533-8651 (JP)
(72) SAKATANI, Akiko (JP);
IKEI, Tatsuo (JP);
INAGAKI, Koji (JP);
NAKAMURA, Masatsugu (JP);
HOSOI, Kazuhiro (JP);
SAITO, Mikiko (JP);
SONODA, Masaki (JP);
FUKUI, Yoko (JP);
KUWANO, Mitsuaki (JP)
(74) Giorgi Kartvelishvili
(54) **DIQUAFOSOL-CONTAINING EYE DROP**

- (11) **P 2016 6466 B** (51) **Int. Cl. (2006)**
A 61 M 5/20
A 61 M 5/315
A 61 M 5/32
A 61 M 5/00
A 61 M 5/31
- (10) AP 2016 13438 A (44) 1(437)/2016
(21) AP 2012 013438
(22) 2012 09 06
(24) 2012 09 06
(31) FI 2011 A 000194
(32) 2011 09 08
(33) IT
(86) PCT/EP2012/067438, 2012 09 06
(73) MENARINI INTERNATIONAL
OPERATIONS LUXEMBOURGM
S.A. (LU)

- 1, Avenue de la Gare, L-1611 Luxem-
bourg (LU)
(72) EDHOUSE, Mark Jeffrey (NZ);
DRIVER, Philip Jerome (GB);
MOSELEY, Guy Conwyn Julian (NZ);
LEWIS, Scott Alexander (GB)
(74) Tamaz Shilakadze
(54) **EQUIPMENT FOR DRUG DOSAGE
INJECTION AUTOMATICALLY**

PART C

C 08

- (11) **P 2016 6465 B** (51) **Int. Cl. (2006)**
C 08 B 37/00
A 61 K 31/737
- (10) AP 2016 13294 A (44) 1(437)/2016
(21) AP 2011 013294
(22) 2011 05 20
(24) 2011 05 20
(86) PCT/EP2011/058297, 2011 05 20
(73) GNOSIS S.P.A. (IT)
Via Laboratori Autobianchi, 1, I-20033
Desio (MI) (IT)
(72) VALOTI, Ermanno (IT);
MIRAGLIA, Niccolò (IT);
BIANCHI, Davide (IT);
VALETTI, Marco (IT);
BAZZA, Paola (IT)
(74) Tamaz Shilakadze
(54) **CHONDROITIN SULPHATE OF
SHARP-TYPE AND METHOD FOR
PREPARATION THEREOF**

C 22

- (11) **P 2016 6469 B** (51) **Int. Cl. (2006)**
C 22 B 9/00
- (10) AP 2016 13735 A (44) 1(437)/2016
(21) AP 2015 013735
(22) 2015 02 20
(24) 2015 02 20
(31) 13735/1-GE
(32) 2015 02 20
(33) GE
(73) Guram Kashakashvili (GE)
Pekinis q. 2, b. 24, 0171, Tbilisi (GE);
Irakli Zhordania (GE)
I. Nikoladzis q. 2/4, b.11, 0179, Tbilisi (GE);
Irakli Kashakashvili (GE)

- I. Chavchavadzis gamz. 19, b. 11, 0179,
 Tbilisi (GE)
 (72) Guram Kashakashvili (GE);
 Irakli Zhordania (GE);
 Irakli Kashakashvili (GE)
 (54) **METHOD FOR MELTING STEEL
 WITH ONE AGGREGATE AND
 AGGREGATE**
-

PART F

F 03

- (11) **P 2016 6467 B** (51) **Int. Cl. (2006)**
F 03 D 1/00
F 03 D 1/04
 (10) AP 2016 13503 A (44) 1(437)/2016
 (21) AP 2014 013503
 (22) 2014 06 19
 (24) 2014 06 19
 (73) Ilia Edisherashvili (GE)
 Khresilis q. 34, 0180, Tbilisi (GE);
 Giorgi Sologhashvili (GE)
 Iluridzis q. 21, 0192, Tbilisi (GE)
 (72) Ilia Edisherashvili (GE);
 Giorgi Sologhashvili (GE)
 (54) **WINDMILL**
-

F 04

- (11) **P 2016 6468 B** (51) **Int. Cl. (2006)**
F 04 B 9/00
 (10) AP 2016 13633 A (44) 1(437)/2016
 (21) AP 2013 013633
 (22) 2013 04 26
 (24) 2013 04 26
 (31) 13/827,136; 61/639,524
 (32) 2013 03 14; 2012 04 27
 (33) US; US
 (86) PCT/US2013/038440, 2013 04 26
 (73) CHECKPOINT FLUIDIC SYSTEMS
 INTERNATIONAL, LTD. (US)
 21356 Marion Lane Mandeville,
 LA 70471 (US)
 (72) ELLIOTT, Andrew C. (US);
 MATHERNE JR., Don, G (US)
 (74) Shalva Gvaramadze
 (54) **DEVICE DIRECTLY
 CONTROLLING VOLUME FOR PUMPS
 WITH RECIPROCAL MOTION**
-

UTILITY MODELS

PATENTED UTILITY MODELS

PART A

A 21

- (11) **U 2016 1895 Y** (51) **Int. Cl. (2006)**
A 21 D 8/06
- (10) AU 2016 13764 U (44) 1(437)/2016
(21) AU 2015 013764
(22) 2015 03 16
(24) 2015 03 16
(73) Merab Gabunia (GE)
Dzmebi Zubalashvilebis q. 46/1, 0108,
Tbilisi (GE);
Akaki Kukhalashvili (GE)
Asatianis q. 58, 0107, Tbilisi (GE)
(72) Merab Gabunia (GE);
Akaki Kukhalashvili (GE)
(54) **METHOD FOR BIOLOGICALLY
ACTIVE WHITE BREAD BAKING**
-

PART E

E 06

- (11) **U 2016 1896 Y** (51) **Int. Cl. (2006)**
E 06 B 9/24
- (10) AU 2016 13868 U (44) 1(437)/2016
(21) AU 2015 013868
(22) 2015 06 25
(24) 2015 06 25
(73) Giorgi Chechelashvili (GE)
Kus Tbis I shes. 1, 0162, Tbilisi (GE);
Ivane Chkhaidze (GE)
Melikishvilis gamz. 1/6 b. 8, 0171,
Tbilisi (GE)
(72) Giorgi Chechelashvili (GE);
Ivane Chkhaidze (GE)
(54) **WINDOW**
-

DESIGNS

APPLICATIONS APPROVED FOR REGISTRATION

The decision can be appealed at the Chamber of Appeal of Sakpatenti within 3 months from the publication or at the Mtskheta District Court Administrative Cases Board (Address: №17, Samkhedro str., Mtskheta), within 1 month following the publication.

- (10) AD 2016 897 S (51) 09-03
- (21) AD 2016 000897 (22) 2016 01 22
- (28) 2
- (71) LTD “KAMBECHOVANI” (GE)
Chubinashvilis q. 50, Tbilisi (GE)
- (72) Teona Gabechava (GE)
- (74) Lana Cherkezishvili
- (54) **1.-2. PACKING BOX**
- (55)

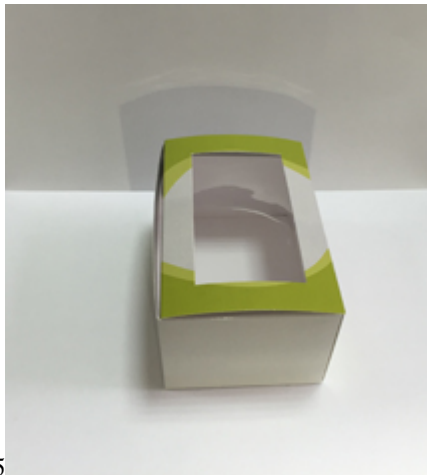




2.3



2.4



2.5



2.6



2.7



2.8

(10) AD 2016 885 S

(51) 32-00

(21) AD 2015 000885

(22) 2015 10 29

(28) 4

(23) 2015 10 20

(31) TR-2015/07019

(32) 2015 10 20

(33) TR

(71) HAYAT KIMYA SANAYI ANONIM SIRKETI (TR)

Mahir İz Cad., 25, Altunizade, Üsküdar, İstanbul, 34530, İstanbul (TR)

(72) Burçe Bekrek (TR)

(74) Tamaz Shilakadze

(54) GRAPHICAL SYMBOL

(55)



REGISTERED DESIGN

- (11) **D 2016 679 S** (51) **01-01**
(10) AD 2016 877 S (44) 1(437)/2016
(21) AD 2015 000877
(22) 2015 08 27
(24) 2015 08 27
(28) 2
(18) 2020 08 27
(73) Sergi Ribalka (UA)
 Ul. Zhilianskaya 118, kv. 186, 01032,
 Kiyiv (UA)
(72) Sergi Ribalka (UA)
(74) Tamar Gegechkori
(54) **TRIANGLE DRIED CRUST (RUSK)**
-

DESIGN REGISTERED ACCORDING TO THE ACCELERATED PROCEDURE

The decision can be appealed at the Chamber of Appeal of Sakpatenti within 3 months from the publication.

- (11) **D 2016 678 S** (51) **11-05**
(21) AD 2016 000903 (22) 2016 03 23
(24) 2016 03 23 (28) 1
(28) 1
(18) 2021 03 23
(73) Davit Amashukeli (GE)
Samgoris q., korp. 31, b. 52, 0190, Tbilisi (GE)
(72) Davit Amashukeli (GE)
(54) **COAT OF ARMS**
(55)



1

TRADEMARKS

APPLICATIONS FILED UNDER THE NATIONAL PROCEDURE APPROVED FOR REGISTRATION

The decision can be appealed at the Chamber of Appeal of Sakpatenti within 3 months from the publication or at the Mtskheta District Court Administrative Cases Board (Address: №17, Samkhedro St., Mtskheta), within 1 month following the publication.

(260) AM 2016 77627 A

(210) AM 77627

(220) 2014 06 20

(731) LTD "CAUCASIAN ALCO"

M. Tamarashvilis q. 11, b. 179, Tbilisi,
Georgia

(740) Shota Metreveli

(540)

ЛЕГЕНДЫ КОЛХИДЫ

(526) The trademark is protected as a whole.
"КОЛХИДЫ" shall not be subject to independent
legal protection.

(511) 33

(540)



(260) AM 2016 78228 A

(210) AM 78228

(220) 2015 05 11

(731) LTD "KAMARA EXSPRESS"

L. Asatianis q. 36a, Tbilisi, Georgia

(540)



(591) Blue

(531) 27.05.25, 29.01.04

(511) 39

(260) AM 2016 81245 A

(210) AM 81245

(220) 2015 03 16

(731) JSC "FRIENDS CELLAR"

Sop. Shilda, 4816, Kvarlis raioni, Georgia

(740) Vasil Chubinidze

(540)



(591) Blue, red and grey

(531) 27.05.25, 29.01.12

(511) 39

(591) Green, yellow, light and dark orange, brown
and cream

(531) 05.07.10, 25.01.19, 26.11.11, 27.05.01,
29.01.15, 25.07.20, 25.07.22, 19.03.24,

(526) The trademark is protected as a whole. "Semi
Sweet White TSOLIKOURI Sauvignon Blanc 2014"
shall not be subject to independent legal protection.

(511) 33

(260) AM 2016 78230 A

(210) AM 78230

(220) 2015 05 11

(731) LTD "KAMARA EXSPRESS"

L. Asatianis q. 36a, Tbilisi, Georgia

(260) AM 2016 82809 A
 (210) AM 82809
 (220) 2015 07 03
 (731) LTD "NEW GEORGIAN PRODUCT"
 Al. Kazbegis gamz. 41, b. 64, 0177, Tbilisi,
 Georgia
 (740) Zviad Jokhadze
 (540)

სლონი

(511) 29, 35

(260) AM 2016 83024 A
 (210) AM 83024
 (220) 2015 07 17
 (731) LTD "OMEGA MOTORS"
 Sop. Karaleti, Goris raioni, 1400, Georgia
 (740) Givi Akopashvili
 (540)



(591) Sky-blue, white, black
 (531) 27.05.10, 28.19, 29.01.13, 26.01.18, 28.07
 (511) 37

(260) AM 2016 83108 A
 (210) AM 83108
 (220) 2015 07 22
 (731) LTD "OMEGA MOTORS"
 Sop. Karaleti, Goris raioni, 1400, Georgia
 (740) Givi Akopashvili
 (540)

მეგას
სამართალს

OMEGA
AUTO GROUP



(591) Black-white
 (531) 26.01.18, 27.05.10, 28.07, 28.19
 (511) 37

(260) AM 2016 83197 A
 (210) AM 83197
 (220) 2015 07 29
 (731) ALPARGATAS S.A.
 Avenida Doutor Cardoso de Melo, 1336,
 Vila Olímpia, 04548-004 São Paulo, SP,
 Brazil
 (740) Tamaz Shilakadze
 (540)

HAVAIANAS

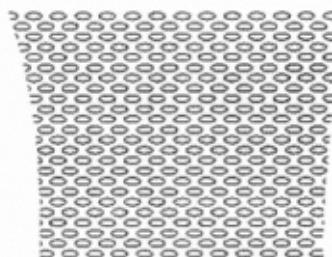
(511) 9

(260) AM 2016 83198 A
 (210) AM 83198
 (220) 2015 07 29
 (731) ALPARGATAS S.A.
 Avenida Doutor Cardoso de Melo, 1336,
 Vila Olímpia, 04548-004 São Paulo, SP,
 Brazil
 (740) Tamaz Shilakadze
 (540)



(591) Black-white
 (531) 25.07.08, 26.11.11, 18.01.21
 (511) 9

(260) AM 2016 83199 A
 (210) AM 83199
 (220) 2015 07 29
 (731) ALPARGATAS S.A.
 Avenida Doutor Cardoso de Melo, 1336,
 Vila Olímpia, 04548-004 São Paulo, SP,
 Brazil
 (740) Tamaz Shilakadze
 (540)



(591) Black-white
 (531) 25.07.06
 (511) 9

(260) AM 2016 83262 A
 (210) AM 83262
 (220) 2015 08 03
 (731) LTD "G-M-P"
 Sop. Ponichala 65, 0165, Tbilisi, Georgia
 (740) Nugzar Ksovreli
 (540)

ტონორელაქსი
TOHOPEJAKC
TONORELAX

(511) 5

(260) AM 2016 83265 A
 (210) AM 83265
 (220) 2015 08 04
 (731) KURT GEIGER LIMITED

24 Britton Street, London EC1M 5UA, United Kingdom
 (740) Shalva Gvaramadze
 (540)



(591) Black-white
 (531) 24.15.03, 24.15.11, 26.04.04
 (511) 3, 9, 14, 18, 25, 26, 35

(260) AM 2016 83353 A
 (210) AM 83353
 (220) 2015 08 13
 (310) UK00003094862
 (320) 2015 02 17
 (330) GB
 (731) BRITISH AMERICAN TOBACCO (BRANDS) INC. (a Delaware corporation)
 2711 Centerville Road, Suite 300,
 Wilmington, Delaware 19808, USA
 (740) Tamar Kochlamazashvili
 (540)

RIGHT HERE, RIGHT NOW
 (511) 34

(260) AM 2016 83476 A
 (210) AM 83476
 (220) 2015 08 20
 (731) LTD "EPIK ALKO"
 Mazniashvilis q. 4, komertsiuli farti 2,
 sart. 1, didube-chughuretis raioni, Tbilisi,
 Georgia
 (740) Vakhtang Torotadze
 (540)

ბადალი
BADALI
БАДАЛИ

(511) 33

(260) AM 2016 83517 A
 (210) AM 83517
 (220) 2015 08 24
 (731) LTD "BARAMBO"
 Sop. Natakhitari, 3308, Mtskheta, Georgia
 (540)

QUEEN
 (511) 30

(260) AM 2016 83584 A
 (210) AM 83584
 (220) 2015 08 27
 (731) LTD "AGROTECHNIC"
 Sop. Tuzi, Terjolis raioni, Georgia
 (740) Shalva Gvaramadze
 (540)

ტონტორ
TONTOR
TOHTOP

(591) Black-white
 (531) 27.05.05, 28.05, 28.19
 (511) 7

(260) AM 2016 83606 A
 (210) AM 83606
 (220) 2015 08 27
 (731) TURKCELL İLETİŞİM HİZMETLERİ ANONİM ŞİRKETİ
 Turkcell Plaza Meşrutiyet Cad. No:71
 Tepebaşı, İstanbul, Turkey
 (740) Merab Kvimsadze
 (540)



(591) Yellow, white
 (531) 26.01.06, 26.15.01, 29.01.12
 (511) 9, 35, 38, 41, 42

(260) AM 2016 83641 A
 (210) AM 83641
 (220) 2015 09 02
 (731) NOVARTIS AG
 4002 Basel, Switzerland
 (740) Pavle Meipariani
 (540)

პრომეპო

(511) 5

(260) AM 2016 83642 A
 (210) AM 83642
 (220) 2015 09 02
 (731) NOVARTIS AG
 4002 Basel, Switzerland
 (740) Pavle Meipariani
 (540)

ორბანოლი
 (511) 5

(260) AM 2016 83682 A
 (210) AM 83682
 (220) 2015 09 04
 (731) MLS Co., LTD.
 No.1 MuLinSen Avenue, Xiaolan, Zhongshan
 City, Guangdong Province, China
 (740) Merab Kvimsadze
 (540)



(591) Black-white
 (531) 26.01.12
 (511) 9, 11

(260) AM 2016 83684 A
 (210) AM 83684
 (220) 2015 09 04
 (731) Eduard Putkaradze
 D. Aghmasheneblis q.24, b.24, 6000, Batumi,
 Georgia
 (740) Eduard Putkaradze
 (540)

SUNLEE
სუნლეო
САЛЛЕИ

(511) 29, 30

(260) AM 2016 83960 A
 (210) AM 83960
 (220) 2015 09 25
 (731) THE SHERWIN-WILLIAMS COMPANY
 an Ohio corporation 101 W. Prospect Avenue,
 Cleveland, Ohio 44115-1075, USA
 (740) Shalva Gvaramadze
 (540)

KRYLON

(511) 2

(260) AM 2016 83995 A
 (210) AM 83995
 (220) 2015 09 28
 (731) LTD "TAN TAN GEORGIA"
 Gagarinis q. 54, 6000, Batumi, Georgia
 (740) Mamuka Partenadze
 (540)

HILLTOP
ХИЛТОП
ჰილტოპი

(511) 29, 30, 31

(260) AM 2016 83996 A
 (210) AM 83996
 (220) 2015 09 28
 (731) LTD "TAN TAN GEORGIA"
 Gagarinis q. 54, 6000, Batumi, Georgia
 (740) Mamuka Partenadze
 (540)

TanTan
ТанТан
ტანტანი

(511) 30, 31

(260) AM 2016 84013 A
 (210) AM 84013
 (220) 2015 09 29
 (731) TEQUILA SAUZA, S. DE R.L. DE C.V.
 Avenida Vallarta 6503, Interior 49, Colonia
 Ciudad Granja, C.P. 45010, Zapopan, Jalisco,
 Mexico
 (740) Shalva Gvaramadze
 (540)

SAUZA

(511) 33

(260) AM 2016 84061 A
 (210) AM 84061
 (220) 2015 10 02
 (731) GILEAD SCIENCES IRELAND UC
 IDA Business and Technology Park,
 Carrigtohill, Co. Cork, Ireland
 (740) Shalva Gvaramadze
 (540)

ჰაილტონი

(511) 5

(260) AM 2016 84081 A
 (210) AM 84081
 (220) 2015 10 06
 (731) NIHON NOHYAKU CO., LTD.
 A corporation duly organized and existing
 under the laws of Japan
 19-8, Kyobashi 1-chome, Chuo-Ku, Tokyo,
 Japan
 (740) Shalva Gvaramadze
 (540)

აპლაუდი

(591) Black-white
 (531) 28.19
 (511) 1, 5

(260) AM 2016 84223 A
(210) AM 84223
(220) 2015 10 16
(731) NIHON NOHYAKU CO., LTD.
19-8, Kyobashi 1- Chome, Chuo-ku, Tokyo,
Japan
(740) Tamar Kochlamazashvili
(540)

ORTUS

(511) 5

(260) AM 2016 84224 A
(210) AM 84224
(220) 2015 10 16
(731) NIHON NOHYAKU CO., LTD.
19-8, Kyobashi 1- Chome, Chuo-ku, Tokyo,
Japan
(740) Tamar Kochlamazashvili
(540)

ორტუსი

(511) 5

REGISTERED TRADEMARKS

(111) M 2016 26964 R
(151) 2016 04 19
(181) 2026 04 19
(260) AM 2015 77857 A
(220) 2014 07 08

(732) GENERAL MOTORS LLC
300 Renaissance Center, City of Detroit,
State of Michigan 48265-3000, USA

(111) M 2016 26970 R
(151) 2016 04 19
(181) 2026 04 19
(260) AM 2015 79544 A
(220) 2014 11 19

(732) BRF S.A.
Rua Jorge Tzachel, 475 Fazenda, City of
Itajaí, State of Santa Catarina, Brazil

(111) M 2016 26965 R
(151) 2016 04 19
(181) 2026 04 19
(260) AM 2015 77858 A
(220) 2014 07 08

(732) GENERAL MOTORS LLC
300 Renaissance Center, City of Detroit,
State of Michigan 48265-3000, USA

(111) M 2016 26971 R
(151) 2016 04 19
(181) 2026 04 19
(260) AM 2015 79596 A
(220) 2014 11 21

(732) LTD "GEORGIAN POST"
Sadguris moedani 2, Tbilisi, Georgia

(111) M 2016 26966 R
(151) 2016 04 19
(181) 2026 04 19
(260) AM 2015 78748 A
(220) 2014 09 19

(732) FISONS LIMITED
One Onslow Street, Guildford, Surrey GU1
4YS, United Kingdom

(111) M 2016 26972 R
(151) 2016 04 19
(181) 2026 04 19
(260) AM 2015 79636 A
(220) 2014 11 25

(732) LTD "EUROPHARMA GEORGIA"
Machabelis q. 5, 0114, Tbilisi, Georgia

(111) M 2016 26967 R
(151) 2016 04 19
(181) 2026 04 19
(260) AM 2015 79052 A
(220) 2014 10 10

(732) SPIRITS INTERNATIONAL B.V.
3, rue du Fort Rheinsheim, L-2419
Luxembourg, Luxembourg

(111) M 2016 26973 R
(151) 2016 04 19
(181) 2026 04 19
(260) AM 2015 79670 A
(220) 2014 11 26

(732) EPIK GROUP
Mazniashvilis q. 4, komertsiuli parti 2, sart. 1,
Didube-Chuguretis raioni, Tbilisi, Georgia

(111) M 2016 26968 R
(151) 2016 04 19
(181) 2026 04 19
(260) AM 2015 79113 A
(220) 2014 10 16

(732) NONA TORDIA
A. Tseretlis gamz. 12a, b. 35, Tbilisi, Georgia

(111) M 2016 26974 R
(151) 2016 04 19
(181) 2026 04 19
(260) AM 2015 79695 A
(220) 2014 11 28

(732) LTD "SMILE"
Al. Kazbegis gamz. 24, 3800, Tbilisi, Georgia

(111) M 2016 26969 R
(151) 2016 04 19
(181) 2026 04 19
(260) AM 2015 79114 A
(220) 2014 10 16

(732) NONA TORDIA
A. Tseretlis gam. 12a, b. 35, Tbilisi, Georgia

(111) M 2016 26975 R
(151) 2016 04 19
(181) 2026 04 19
(260) AM 2015 79789 A
(220) 2014 12 04

(732) AMERICAN-CIGARETTE COMPANY
(OVERSEAS) LIMITED
Zaehlerweg 4, Zug CH 6300, Switzerland

(111) M 2016 26976 R (151) 2016 04 19 (181) 2026 04 19 (260) AM 2015 79797 A (220) 2014 12 05 (732) BRITISH AMERICAN TOBACCO (BRANDS) INC. (a Delaware corporation) 2711 Centerville Road, Suite 300, Wilmington, Delaware 19808, USA	P.O. Box 124441, Dubai, United Arab Emirates
(111) M 2016 26977 R (151) 2016 04 19 (181) 2026 04 19 (260) AM 2015 79802 A (220) 2014 12 05 (732) AGIO PHARMACEUTICALS LTD A-38, Nandjyot Ind. Estate, Kurla Andheri Road, Safedpool, Mumbai 400 072, India	(111) M 2016 26982 R (151) 2016 04 20 (181) 2026 04 20 (260) AM 2015 79904 A (220) 2014 12 11 (732) UNILEVER N.V. Weena 455, 3013 AL Rotterdam, Netherlands
(111) M 2016 26978 R (151) 2016 04 20 (181) 2026 04 20 (260) AM 2015 79803 A (220) 2014 12 05 (732) AGIO PHARMACEUTICALS LTD A-38, Nandjyot Ind. Estate, Kurla Andheri Road, Safedpool, Mumbai 400 072, India	(111) M 2016 26983 R (151) 2016 04 20 (181) 2026 04 20 (260) AM 2015 79925 A (220) 2014 12 12 (732) FORD MOTOR COMPANY One American Road, Dearborn, Michigan 48126, USA
(111) M 2016 26979 R (151) 2016 04 20 (181) 2026 04 20 (260) AM 2015 79819 A (220) 2014 12 05 (732) MEGA YALITIM PAZARLAMA VE DIŞ TICARET ANONİM ŞİRKETİ Organize Sanayi Bölgesi, 3. Kısım 1, Parsel, 279 Ada No:1, Elazığ/Turkey	(111) M 2016 26984 R (151) 2016 04 20 (181) 2026 04 20 (260) AM 2015 79983 A (220) 2014 12 23 (732) COMPAGNIE GERVAIS DANONE (a French corporation) 17, boulevard Haussmann, 75009 Paris, France
(111) M 2016 26980 R (151) 2016 04 20 (181) 2026 04 20 (260) AM 2015 79825 A (220) 2014 12 05 (732) ARM Limited 110 Fulbourn Road, Cambridge CB1 9NJ, United Kingdom	(111) M 2016 26985 R (151) 2016 04 20 (181) 2026 04 20 (260) AM 2015 80008 A (220) 2014 12 26 (732) SUZHOU DAKE MACHINERY CO., LTD. ROOM 618, BUILDING NUMBER 1, LUCKY CITY COMMERCIAL CENTER, SUZHOU INDUSTRIAL PARK, SUZHOU CITY, JIANGSU PROVINCE, CHINA
(111) M 2016 26981 R (151) 2016 04 20 (181) 2026 04 20 (260) AM 2015 79826 A (220) 2014 12 05 (732) MAJID AL FUTTAIM HOLDING LLC	(111) M 2016 26986 R (151) 2016 04 20 (181) 2026 04 20 (260) AM 2015 80009 A (220) 2014 12 26 (732) ABBOTT LABORATORIES 100 Abbott Park Road, Abbott Park, Illinois 60064, USA
	(111) M 2016 26987 R (151) 2016 04 20 (181) 2026 04 20

(260) AM 2015 80069 A
(220) 2015 01 05
(732) MARRIOTT WORLDWIDE CORPORATION
(a Maryland corporation)
10400 Fernwood Road, Bethesda, Maryland
20817, USA

(111) M 2016 26989 R
(151) 2016 04 20
(181) 2026 04 20
(260) AM 2015 80111 A
(220) 2015 01 06
(732) LTD "GEOFERT"
Al. Kazbegis 12a, 0160, Tbilisi, Georgia

(111) M 2016 26990 R
(151) 2016 04 20
(181) 2026 04 20
(260) AM 2015 80306 A
(220) 2015 01 16
(732) HYATT INTERNATIONAL CORPORATION
71 S. Wacker Drive, 14th Floor, Chicago,
IL 60606, USA

(111) M 2016 26991 R
(151) 2016 04 20
(181) 2026 04 20
(260) AM 2015 80416 A
(220) 2015 01 22
(732) HYATT INTERNATIONAL CORPORATION
71 S. Wacker Drive, 14th Floor, Chicago,
IL 60606, USA

(111) M 2016 26992 R
(151) 2016 04 20
(181) 2026 04 20
(260) AM 2015 80474 A
(220) 2015 01 26
(732) PREFERRED GUEST, INC
One StarPoint, Stamford, Connecticut 06902,
USA

(111) M 2016 26993 R
(151) 2016 04 20
(181) 2026 04 20
(260) AM 2015 80571 A
(220) 2015 01 30
(732) AVON PRODUCTS, INC.
777 Third Avenue, New York, NY 10017, USA

(111) M 2016 26994 R
(151) 2016 04 20
(181) 2026 04 20
(260) AM 2015 80582 A
(220) 2015 02 03

(732) GILEAD SCIENCES IRELAND UC
IDA Business and Technology Park,
Carrigtohill, Co. Cork, Ireland

(111) M 2016 26995 R
(151) 2016 04 20
(181) 2026 04 20
(260) AM 2015 80601 A
(220) 2015 02 04
(732) TWENTIETH CENTURY FOX FILM
CORPORATION
10201 West Pico Boulevard, Los Angeles,
California 90035, USA

(111) M 2016 26996 R
(151) 2016 04 20
(181) 2026 04 20
(260) AM 2015 80604 A
(220) 2015 02 04
(732) TWENTIETH CENTURY FOX FILM
CORPORATION
10201 West Pico Boulevard, Los Angeles,
California 90035, USA

(111) M 2016 26997 R
(151) 2016 04 20
(181) 2026 04 20
(260) AM 2015 80606 A
(220) 2015 02 04
(732) Tatiana Siroegina
I. Chavchavadzis gamz. 15, 0179, Tbilisi,
Georgia

(111) M 2016 26998 R
(151) 2016 04 20
(181) 2026 04 20
(260) AM 2015 80616 A
(220) 2015 02 05
(732) LTD "4 BROS"
Sop. Velistsikhe, 1506, Gurjaanis raioni,
Georgia

(111) M 2016 26999 R
(151) 2016 04 20
(181) 2026 04 20
(260) AM 2015 80654 A
(220) 2015 02 09
(732) Daviti Maskharashvili
Besikis q.21, 0108, Tbilisi, Georgia

(111) M 2016 27000 R
(151) 2016 04 20
(181) 2026 04 20
(260) AM 2015 80665 A

(220) 2015 02 09
(732) AL-ZAWRA'A FOR TOBACCO AND
CIGARETTES TRADING
PO BOX 941936, Aman 11194, Jordan

(220) 2015 03 02
(732) THE GILLETTE COMPANY
One Gillette Park, Boston Massachusetts
02127, USA

(111) M 2016 27001 R
(151) 2016 04 20
(181) 2026 04 20
(260) AM 2015 80810 A
(220) 2015 02 16
(732) AZBIL CORPORATION
2-7-3 Marunouchi, Chiyoda-ku, Tokyo
100-6419, Japan

(111) M 2016 27007 R
(151) 2016 04 20
(181) 2026 04 20
(260) AM 2015 81094 A
(220) 2015 03 05
(732) JSC "FRIEND'S CELLAR"
Sop. Shilda, 4816, Kvarlis raioni, Georgia

(111) M 2016 27002 R
(151) 2016 04 20
(181) 2026 04 20
(260) AM 2015 80909 A
(220) 2015 02 19
(732) GSH Trademarks Limited
Afroditis, 25, 2nd floor, office 204, Nicosia,
Cyprus

(111) M 2016 27008 R
(151) 2016 04 20
(181) 2026 04 20
(260) AM 2015 81109 A
(220) 2015 03 06
(732) INTERCONTINENTAL GREAT BRANDS
LLC
100 Deforest Avenue, East Hanover,
New Jersey 07936, USA

(111) M 2016 27003 R
(151) 2016 04 20
(181) 2026 04 20
(260) AM 2015 80923 A
(220) 2015 02 20
(732) LTD "G-F-CO"
Bogdan Khmelnitskhis shesakh. 4, b. 41,
0121, Tbilisi, Georgia

(111) M 2016 27009 R
(151) 2016 04 20
(181) 2026 04 20
(260) AM 2015 81249 A
(220) 2015 03 16
(732) JSC "FRIEND'S CELLAR"
Sop. Shilda, 4816, Kvarlis raioni, Georgia

(111) M 2016 27004 R
(151) 2016 04 20
(181) 2026 04 20
(260) AM 2015 80997 A
(220) 2015 02 25
(732) JSC "FRIEND'S CELLAR"
Sop. Shilda, 4816, Kvarlis raioni, Georgia

(111) M 2016 27010 R
(151) 2016 04 20
(181) 2026 04 20
(260) AM 2015 81292 A
(220) 2015 03 18
(732) AKTSIONERNO DROUJESTVO
BULGARTABAC HOLDING
Graf Ignatiev Str. 62, 1000 Sofia, Bulgaria

(111) M 2016 27005 R
(151) 2016 04 20
(181) 2026 04 20
(260) AM 2015 81015 A
(220) 2015 02 26
(732) LTD "SINERGIA IMPORT"
143180, Moskovskaya oblast, Zvenigorod,
ul. Lenina, d. 28a, Russian Federation

(111) M 2016 27011 R
(151) 2016 04 20
(181) 2026 04 20
(260) AM 2015 81294 A
(220) 2015 03 18
(732) ZENTIVA Sağlık Ürünleri Sanayi ve
Ticaret A.Ş
Büyükdere Caddesi, 193, Kat: 4, Levent,
34394, Şişli, Istanbul, Turkey

(111) M 2016 27006 R
(151) 2016 04 20
(181) 2026 04 20
(260) AM 2015 81040 A

(111) M 2016 27012 R
(151) 2016 04 20
(181) 2026 04 20

(260) AM 2015 81310 A
 (220) 2015 03 18
 (732) LTD "BARAMBO"
 Sop. Natakhtari, 0008, Mtskheta, Georgia

(111) M 2016 27013 R
 (151) 2016 04 20
 (181) 2026 04 20
 (260) AM 2015 81357 A
 (220) 2015 03 23
 (732) LTD "KTM GROUP"
 Ul. Pireva, d. 11a, etaj 1, pom. 4, kom. 13,
 119285, Moscow, Russian Federation

(111) M 2016 27014 R
 (151) 2016 04 20
 (181) 2026 04 20
 (260) AM 2015 81392 A
 (220) 2015 03 25
 (732) LTD "G-M-P"
 Sop. Ponitchala 65, 0165, Tbilisi, Georgia

(111) M 2016 27015 R
 (151) 2016 04 20
 (181) 2026 04 20
 (260) AM 2015 81477 A
 (220) 2015 03 31
 (732) LTD "BARAMBO"
 Sop. Natakhtari, 0008, Mtskheta, Georgia

(111) M 2016 27016 R
 (151) 2016 04 20
 (181) 2026 04 20
 (260) AM 2015 81568 A
 (220) 2015 04 03
 (732) MARRIOTT WORLDWIDE CORPORATION
 (a Maryland corporation)
 10400 Fernwood Road, Bethesda, Maryland
 20817, USA

(111) M 2016 27017 R
 (151) 2016 04 20
 (181) 2026 04 20
 (260) AM 2015 81691 A
 (220) 2015 04 17
 (732) LTD Micro financial Organization
 "RIKO EXPRESS"
 Ilia Chavchavadzis gamz. 70, 0162, Tbilisi,
 Georgia

(111) M 2016 27018 R
 (151) 2016 04 20
 (181) 2026 04 20

(260) AM 2015 81863 A
 (220) 2015 04 28
 (732) LTD "KAKHETIAN TRADITIONAL WINE
 MAKING"
 S. Tsintsadzis q. 12, 0160, Tbilisi, Georgia

(111) M 2016 27019 R
 (151) 2016 04 20
 (181) 2026 04 20
 (260) AM 2015 82001 A
 (220) 2015 05 08
 (732) DIAGEO NORTH AMERICA, INC.
 a Connecticut corporation
 801 Main Avenue, Norwalk CT 06851, USA

(111) M 2016 27020 R
 (151) 2016 04 20
 (181) 2026 04 20
 (260) AM 2015 82079 A
 (220) 2015 05 14
 (732) LTD "BB COMPANY"
 Akaki Shanidzis q. 11, 0179, Tbilisi, Georgia

(111) M 2016 27021 R
 (151) 2016 04 20
 (181) 2026 04 20
 (260) AM 2015 82081 A
 (220) 2015 05 14
 (732) LTD "BB COMPANY"
 Akaki Shanidzis q. 11, 0179, Tbilisi, Georgia

TRADEMARKS REGISTERED ACCORDING TO THE ACCELERATED PROCEDURE

The decision can be appealed at the Chamber of Appeal of Sakpatenti within 3 months from the publication.

(111) M 2016 26953 R
(151) 2016 04 07
(181) 2026 04 07
(210) AM 86240
(220) 2016 02 22
(732) LTD "TALISMAN"
N. Tskhvedadzis q. 28, 0162, Tbilisi, Georgia
(740) Lasha Gavasheli
(540)

ДОЛИНА КУРЫ

(511) 33

(111) M 2016 26954 R
(151) 2016 04 07
(181) 2026 04 07
(210) AM 86709
(220) 2016 03 23
(732) LTD "FIRM "DISNA"
Ul. Lavrskaya 16, 01015, Kiyiv, Ukraine
(740) Davit Zurabishvili
(540)



KARTUWINE

(591) Black, white
(531) 01.03.16, 05.03.16, 05.13.08
(511) 33

(111) M 2016 26955 R
(151) 2016 04 07
(181) 2026 04 07
(210) AM 86077
(220) 2016 02 09
(732) LTD "SOLIUSID"
P. Iashvilis q. 9, 0105, Tbilisi, Georgia
(540)



(591) Black and red
(531) 26.03.04, 26.13.25, 27.05.01, 27.05.17,
29.01.12
(511) 9

(111) M 2016 26956 R
(151) 2016 04 11
(181) 2026 04 11
(210) AM 86783
(220) 2016 03 28
(732) THE PROCTER & GAMBLE COMPANY
One Procter & Gamble Plaza, Cincinnati,
Ohio 45202, USA
(740) Merab Kvimsadze
(540)



(554) Three-Dimensional
(591) Black, white
(531) 19.07.12, 19.07.17
(511) 3

(111) M 2016 26957 R
(151) 2016 04 11
(181) 2026 04 11
(210) AM 86532
(220) 2016 03 10
(732) LTD "M. Iashvili Children's Central Hospital"
Lublianas q. 2/6, 0159, Tbilisi, Georgia
(740) Ketevan Tkeshelashvili
(540)



(591) Grey, yellow, blue
 (531) 02.07.09, 02.07.10, 28.19, 29.01.13
 (526) The trademark is protected as a whole. "მშობებელთა სკოლა" shall not be subject to independent legal protection.
 (511) 41

(111) M 2016 26958 R
 (151) 2016 04 11
 (181) 2026 04 11
 (210) AM 86533
 (220) 2016 03 10
 (732) LTD "M. Iashvili Children's Central Hospital"
 Lubianas q. 2/6, 0159, Tbilisi, Georgia
 (740) Ketevan Tkeshelashvili
 (540)



(591) Yellow, blue, grey
 (531) 29.01.13, 02.07.09, 02.07.10, 27.05.15
 (526) The trademark is protected as a whole. "PARENTS SCHOOL" shall not be subject to independent legal protection.
 (511) 41

(111) M 2016 26959 R
 (151) 2016 04 19
 (181) 2026 04 19
 (210) AM 86880
 (220) 2016 04 04
 (732) LTD "GEO-KOOP"
 A. Tvaltchrelidzis q. 2, 0182, Tbilisi, Georgia
 (740) Naira Badaliani
 (540)



(591) White, yellow, red, blue, green
 (531) 03.07.03, 27.05.02, 29.01.15
 (511) 29

(111) M 2016 26960 R
 (151) 2016 04 19
 (181) 2026 04 19
 (210) AM 86953

(220) 2016 04 11
 (732) LTD "TWINO"
 Akaki Tseretlis gamz. 118, Sagamopeno
 Pavilioni №10, II sart., Tbilisi, Georgia
 (740) Shalva Gvaramadze
 (540)



(591) Purple, white
 (531) 26.04.12, 26.11.12, 27.05.05, 29.01.05
 (511) 36

(111) M 2016 26961 R
 (151) 2016 04 19
 (181) 2026 04 19
 (210) AM 86954
 (220) 2016 04 11
 (732) LTD "TWINO"
 Akaki Tseretlis gamz. 118, Sagamopeno
 Pavilioni №10, II sart., Tbilisi, Georgia
 (740) Shalva Gvaramadze
 (540)



(591) Vitriol, white
 (531) 27.05.17, 29.01.04
 (511) 36

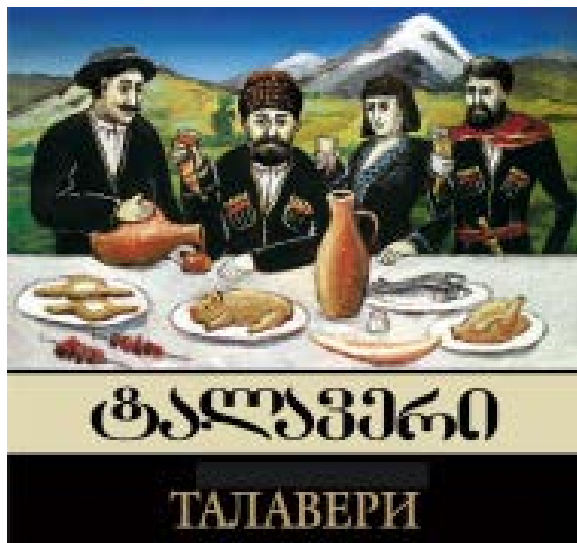
(111) M 2016 26962 R
 (151) 2016 04 19
 (181) 2026 04 19
 (210) AM 86692
 (220) 2016 03 22
 (732) LOOKNA INC
 26664 Seagull Way, APT A213, MALIBU,
 CA 90265, USA
 (740) Irakli Gvilia
 (540)

LOOKNA

(511) 42

(111) M 2016 26963 R
 (151) 2016 04 19
 (181) 2026 04 19
 (210) AM 86901
 (220) 2016 04 06
 (732) LTD "VAZIANI COMPANY"
 Mshvidobis q. 42, 2200, Telavi, Georgia
 (740) Aleksandre Kvernadze

(540)



(591) Black, white, cream, blue, red, green

(531) 02.01.18, 22.05.03, 28.19, 29.01.15

(511) 33

(111) M 2016 26988 R

(151) 2016 04 20

(181) 2026 04 20

(210) AM 86910

(220) 2016 04 07

(732) Irakli Kvanchakhadze

Giorgi Akhvledianis q. 9, 0108, Tbilisi,
Georgia

(740) Irakli Kvanchakhadze

(540)

ზახარიჩი
Zakharichi

(511) 30, 32, 33, 43

(111) M 2016 27022 R

(151) 2016 04 20

(181) 2026 04 20

(210) AM 86860

(220) 2016 04 01

(732) BETEK BOYA VE KIMYA SANAI A.S.

Ankara Asfalti Huseyin Celik Sokak No:2
Kozyatagi Bostanci - Istanbul, Turkey

(740) Vakhtang Torotadze

(540)

FLEKS FUGA

(591) Blue, cobalt blue, white

(531) 27.05.17, 29.01.04

(511)19

INTERNATIONAL TRADEMARKS FOR WHICH A DECISION ON GRANTING PROTECTIONS IS TAKEN

The decision can be appealed at the Chamber of Appeal of Sakpatenti within 3 months from the publication or at the Mtskheta District Court Administrative Cases Board (Address: №17, Samkhedro str., Mtskheta), within 1 month following the publication.

(260) AM 2016 79146 A*

(800) 1218628

(891) 2014 05 06

(731) KMG International N.V

Strawinskylaan 807, Tower A-8, NL-1077
XX Amsterdam, Netherlands

(540)



(591) Red, orange, yellow and white

(511)

1 – Chemicals used in industry, science and photography, as well as in agriculture, horticulture and forestry; unprocessed artificial resins, unprocessed plastics; fertilizers; fire extinguishing compositions; tempering and soldering preparations; chemical substances for preserving foodstuffs; tannins; adhesives for industrial purposes.

3 – Bleaching preparations and other substances for laundry use; cleaning, polishing, scouring and abrasive preparations; soap; perfumery, essential oils, cosmetics, hair lotions; dentifrices.

4 – Industrial oils and greases; lubricants; dust absorbing, wetting and binding compositions; fuels (including motor spirit) and illuminants; candles and wicks for lighting; petroleum (crude or refined).

35 – Advertisement; business management; business administration; administrative services; business and administrative services related to setting up savings and reduction systems; organization of promotional activities including loyalty programs.

36 – Insurance; financial affairs; monetary affairs; real estate affairs.

(260) AM 2016 80791 A

(800) 1233480

(891) 2014 05 20

(731) BEKO PLC

Beko House, 1 Greenhill Crescent Watford,
Hertfordshire WD18 8QU, United Kingdom

(540)



(591) Blue

(511)

7 – Machines and machine tools all for domestic purposes; electrical kitchen appliances for chopping, grinding, crushing, whisking and milling; washing machines; compressors for washing machines; dish-washers; spin dryers; machines for the preparation of food and beverages; electric kitchen machines; electric can openers; electric knives and sharpeners; machines for cleaning and washing carpets and upholstery; electrical machines for cleaning floors; sewing, embroidering and knitting machines; ironing machines; waste disposal machines; electric polishing machines for household purposes; vacuum cleaners; portable electric presses; parts and fittings for all the aforesaid goods.

8 – Tools and appliances included in this class used for personal care in shaving, depilation, manicure, pedicure and beauty-care; razors; hair trimmers; hair straighteners; hair curling implements; scissors; electric and non-electric irons; electrical hair trimmers, electrical hair clippers, electrical epilating devices, electrical men's razors, electrical women's razors; electric flat irons.

9 – Measuring apparatus and instruments, indicators and laboratory materials including those for scientific research in laboratories other than for medical use; apparatus for recording, transmission or reproduction of sound or images; sound and video recording, amplifying, reproducing and transmitting apparatus and instruments; tape and tape cassette recorders and playback machines; optical disk recorders and playback machines; record playing apparatus and instruments; loud speakers; earphones and headphones; radios, radio receivers and radio signal tuners; video recorders and video playback machines; video cameras; television apparatus and instruments; remote control apparatus and instruments; optical, photographic and cinematographic apparatus and instruments; telecommunications and telephone apparatus and instruments; aerials; satellite broadcast receiving apparatus and instruments; cash registers; electronic calculators; computers and printers; computer software; tapes, disks and wires for the storage of audio, video or computer data for use with domestic appliances; magnetic and optical data carriers and software recorded in these; downloadable electronic publications, recorded to magnetic and optical media; magnetic/optical cards; antennas, satellite

dishes, amplifiers and their parts; counters measuring amount of consumption in units and time; apparatus and instruments for conducting, switching, transforming, accumulating, regulating or controlling electricity including cables used for electric and electronic purposes; batteries, accumulators, anodes and cathodes; apparatus for warning and alarms other than for vehicles, electric bells; cash registers; apparatus and peripheral devices for data processing; telecommunication apparatus and devices; parts and fittings for all the aforesaid goods.

11 – Apparatus for heating, steam generating, cooking, refrigerating, drying, ventilating, water supply and sanitary purposes; heating apparatus for solid, liquid or gaseous fuel stoves; water and gas heaters; central heating boilers; cooling and freezing apparatus, appliances and containers; refrigerators; freezers; ice-cream machines; air conditioning, air cooling and ventilation apparatus and instruments; water dispensers; devices for cooking; devices for heating and preparing food including electric ovens, microwave ovens, gas ovens; electric tea and coffee makers; hobs; extractor fans; extractor hoods for kitchens; electric apparatus for making beverages; installations, apparatus, appliances and utensils all for cooking; cookers; stoves, ovens, microwave ovens, toasters and griddles; barbecues and grills; hair dryers; electric laundry dryers; hand dryers; heating and water heating installations and apparatus; apparatus for drying and airing clothes; electric hair dryers; electric kettles; machines for drying and airing clothes; water softening apparatus; water purifying apparatus; water purification installations; industrial type cooking, drying and cooling installations; steamers for fabrics; parts and fittings for all the aforesaid goods.

28 – Games apparatus adapted for use with television receivers.

35 – Retail and wholesale of machines and machine tools all for domestic purposes, washing machines and compressors for washing machines, machines for drying and airing clothes, dishwashers, machines for the preparation of food and beverages, electric kitchen machines, electric can openers, electric knives and sharpeners; retail and wholesale of machines for cleaning and washing carpets and upholstery; retail and wholesale of sewing, embroidering and knitting machines, ironing machines; waste disposal machines, electric polishing machines for household purposes, vacuum cleaners; retail and wholesale of electrical hair trimmers, electrical hair clippers, electrical epilating devices, electrical men's razors, electrical women's razors; retail and wholesale of electrical and electronic apparatus and instruments, sound and video recording, amplifying, reproducing and transmitting apparatus and instruments, tape and tape cassette recorders and playback machines, optical disk recorders and playback machines, record

playing apparatus and instruments; retail and wholesale of loud speakers, earphones and headphones, radios, radio receivers and radio signal tuners, video recorders and video playback machines, video cameras, television apparatus and instruments, remote control apparatus and instruments, optical, photographic and cinematographic apparatus and instruments; retail and wholesale of telecommunications and telephone apparatus and instruments, aerials, satellite broadcast receiving apparatus and instruments, games apparatus adapted for use with television receivers, electric flat irons, portable steamers for fabrics, cash registers, electronic calculators; retail and wholesale of computers and printers, computer software, tapes, disks and wires for the storage of audio, video or computer data for use with domestic appliances, electric irons and presses; retail and wholesale of apparatus for lighting, heating, steam generating, cooking, refrigerating, drying, ventilating, water supply and sanitary purposes, cooling and freezing apparatus, appliances and containers, refrigerators, freezers, air conditioning, air cooling and ventilation apparatus and instruments; retail and wholesale of electric apparatus for making beverages, installations, apparatus, appliances and utensils all for cooking, stoves, ovens, microwave ovens, toasters and griddles, barbecues and grills, electric apparatus; retail and wholesale of appliances and utensils for the care of the skin and the hair, hair dryers, heating and water heating installations and apparatus, lamps, apparatus for drying and airing clothes, electric hair dryers, electric kettles, central heating boilers, electric apparatus for making beverages, alarms; retail and wholesale of parts and fittings for all the aforesaid goods; providing the aforementioned services on the internet or world wide web or by a mail-order catalogue.

36 – Insurance services with respect to domestic appliances and consumer goods; financial services in the form of hire purchase services and lending services primarily for the purpose of facilitating the purchase of consumer goods and domestic appliances.

37 – Repair, maintenance and installation services; providing the aforementioned services in respect of electrical appliances including machines and machine tools all for domestic purposes; providing repair, maintenance and installation services in respect of washing machines and compressors for washing machines, machines for drying and airing clothes, dishwashers, machines for the preparation of food and beverages; providing repair, maintenance and installation services in respect of electric kitchen machines, electric can openers, electric knives and sharpeners, machines for cleaning and washing carpets and upholstery, sewing, embroidering and knitting machines; providing repair, maintenance and installation services in respect of ironing machines,

waste disposal machines, electric polishing machines for household purposes, vacuum cleaners; providing repair, maintenance and installation services in respect of electrical hair trimmers, electrical hair clippers, electrical epilating devices, electrical men's razors, electrical women's razors; providing repair, maintenance and installation services in respect of electrical and electronic apparatus and instruments, sound and video recording, amplifying, reproducing and transmitting apparatus and instruments; providing repair, maintenance and installation services in respect of tape and tape cassette recorders and playback machines, optical disk recorders and playback machines; providing repair, maintenance and installation services in respect of record playing apparatus and instruments, loud speakers, earphones and headphones, radios, radio receivers and radio signal tuners; providing repair, maintenance and installation services in respect of video recorders and video playback machines, video cameras, television apparatus and instruments, remote control apparatus and instruments; providing repair, maintenance and installation services in respect of optical, photographic and cinematographic apparatus and instruments, telecommunications and telephone apparatus and instruments; providing repair, maintenance and installation services in respect of aerials, satellite broadcast receiving apparatus and instruments, games apparatus adapted for use with television receivers; providing repair, maintenance and installation services in respect of electric flat irons, portable steamers for fabrics, cash registers, electronic calculators, computers and printers, computer software; providing repair, maintenance and installation services in respect of tapes, disks and wires for the storage of audio, video or computer data for use with domestic appliances, electric irons and presses; providing repair, maintenance and installation services in respect of apparatus for lighting, heating, steam generating, cooking, refrigerating, drying, ventilating, water supply and sanitary purposes; providing repair, maintenance and installation services in respect of cooling and freezing apparatus, appliances and containers, refrigerators, freezers, air conditioning, air cooling and ventilation apparatus and instruments; providing repair, maintenance and installation services in respect of electric apparatus for making beverages, installations, apparatus, appliances and utensils all for cooking, stoves, ovens, microwave ovens, toasters and griddles, barbecues and grills; providing repair, maintenance and installation services in respect of electric apparatus, appliances and utensils for the care of the skin and the hair, hair dryers, heating and water heating installations and apparatus; providing repair, maintenance and installation services in respect of lamps, apparatus for drying and airing clothes, electric hair dryers, electric kettles; services relating to installation, maintenance and repair of industrial machines and equ-

ipment, office machines and equipment, communication equipment, electric and electronic appliances; services relating to heating, air conditioning and plumbing installation, maintenance and repair; services relating to furniture maintenance, restoration and upholstery.

39 – Providing transport, packaging, storage and delivery services with respect to domestic goods or appliances.

(260) AM 2016 80859 A
 (800) 1234871
 (891) 2014 10 23
 (731) LES GRANDES SEMOULERIES DU MAROC SA
 Cité Oukacha Ain Sebaa, 20250 Casablanca, Morocco
 (540)



(591) White, purple and gold.
 (511)
 30 – Flour and cereal preparations.

(260) AM 2016 81000 A
 (800) 1236204
 (891) 2014 11 26
 (731) DENK PHARMA EUROPE GMBH
 Prinzregentenstr. 79, 81675 München, Germany
 (540)

DENK PRENATAL

(511)
 5 – Pharmaceuticals, pharmaceutical products and preparations, dietetic products for medical purposes; food supplements; multivitamin preparations for healthcare.

35 – Wholesale and retail services with pharmaceuticals, pharmaceutical products and preparations, dietetic products for medical purposes, food supplements and multivitamin preparations, also via the internet.

(260) AM 2016 81099 A
 (800) 1237168
 (891) 2014 09 24
 (731) HENKEL AG & CO. KGAA
 Henkelstrasse 67, 40589 Düsseldorf, Germany
 (540)

PUR

(511)

3 – Soap, washing, bleaching and cleaning preparations for household use, stain removers, cleaning and polishing preparations, textile and dishwashing preparations.

(260) AM 2016 81309 A

(800) 1238809

(891) 2014 11 13

(731) SCHMITZ CARGOBULL AG

Siemensstraße 50, 48341 Altenberge,
Germany

(540)

FERROPLAST

(511)

6 – Common metals and their alloys; building materials and components of metal; transportable buildings of metal, in particular insulating panels with metal covering; locksmith's products and ironmongery; containers as well as transport and packaging objects of metal; doors, gates of metal; parts and accessories for all of the aforementioned goods as far as contained in this class.

11 – Lighting, heating, cooling, drying, air conditioning devices, in particular portable cooling units; refrigerating appliances and installations, and evaporators; parts and accessories for all of the aforementioned goods as far as contained in this class.

12 – Vehicles and means of transport as well as their parts and accessories, in particular trailers [vehicles], wagons [vehicles], lower framework of wagons, chassis for (motor) vehicles, refrigerated vehicles, lorry bodies, box bodies, swap bodies, curtainsiders, dump wagons, dump trailers, dump bodies, semi trailers, container vehicles, vehicles with a moving floor; brake shoes for (motor) vehicles; vehicle brakes; axles; recuperative axle drives; shock absorbers for (motor) vehicles; suspension springs and control levers for vehicles; vehicle walls; vehicle doors; vehicle roofs; vehicle tops; aerodynamic mounting parts for (motor) vehicles; couplings [connections] for vehicles; gears for (motor) vehicles, back-up warning devices for vehicles; hydraulic and mechanic devices for loading and unloading of (motor) vehicles; hydraulic circuits for vehicles; anti-theft systems for vehicles; anti-theft alarm systems for vehicles; mudguards as far as contained in this class.

19 – Building materials and components (not of metal); doors, gates (not of metal); structures and transportable buildings (not of metal), in particular insulating panels (not of metal); conducts for ventilation and air conditioning plants (not of metal); wall covering components (not of metal); wall and roof covers (not of metal); parts and accessories for all of

the aforementioned goods as far as contained in this class.

(260) AM 2016 82541 A

(800) 1250004

(891) 2014 12 10

(731) LEONID SERGEEVICH RATKIN

Dolgorukovskaya street, dom 5, kv.151

RU-127006 Moscow, Russian Federation

(540)



(591) Blue, dark blue, yellow, beige, light beige, white and black

(526) International scientific & technical journal
Международный научно-технический журнал,
OIL & GAS FIELD НЕФТЕГАЗПРОМЫСЛОВЫЙ

(511)

16 – Paper, cardboard and goods made from these materials, not included in other classes; printed matter; bookbinding material; photographs; stationery; adhesives for stationery or household purposes; artists' materials; paint brushes; typewriters and office requisites (except furniture); instructional and teaching material (except apparatus); plastic materials for packaging (not included in other classes); printers' type; printing blocks; fountain pens; aquarels; albums; almanacs; document laminators for office use; mimeograph apparatus and machines; atlases; posters; paper bows; table linen of paper; tickets; forms, printed; announcement cards [stationery]; note books; pads [stationery]; drawing pads; loose-leaf binders; wristbands for the retention of writing instruments; pamphlets; booklets; paper sheets [stationery]; waxed paper; paper for recording machines; paper for radiograms; electrocardiograph paper; drawer liners of paper, perfumed or not; wood pulp paper; carbon paper; copying paper [stationery]; parchment paper; writing paper; luminous paper; Xuan paper for Chinese painting and calligraphy; toilet paper; wrapping paper; filter paper; paper; blotters; newsletters; rollers for typewriters; house painters' rollers; obliterating stamps; modelling wax, not for dental purposes; signboards of paper or cardboard; patterns for making clothes; patterns for dressmaking; newspapers; electrotypes; hectographs; modelling clay; terrestrial globes; drawing sets; slate pencils; pencil leads; document holders [stationery]; pencil holders; chalk holders; holders for check-books [cheque books]; holders for stamps [seals]; diagrams; engraving plates; writing slates; blackboards; galley racks [printing]; drawing boards; ad-

vertisement boards of paper or cardboard; duplicators; punches [office requisites]; cream containers of paper; magazines [periodicals]; money clips; tags for index cards; pen clips; bookmarkers; etching needles; tracing needles for drawing purposes; periodicals; printed publications; cardboard articles; paper shredders for office use; graphic representations; credit card imprinters, non-electric; graining combs; drawing instruments; calendars; tracing paper; tracing cloth; tracing patterns; gums [adhesives] for stationery or household purposes; lithographic stones; ink stones [ink reservoirs]; pencils; pencil lead holders; charcoal pencils; pictures; decalcomanias; paintings [pictures], framed or unframed; wood pulp board [stationery]; cardboard; hat boxes of cardboard; files [office requisites]; cards; index cards [stationery]; geographical maps; paper tapes and cards for the recordal of computer programmes; trading cards other than for games; perforated cards for Jacquard looms; catalogues; spools for inking ribbons; covers of paper for flower pots; paintbrushes; painters' brushes; writing brushes; typewriter keys; glue for stationery or household purposes; isinglass for stationery or household purposes; gluten [glue] for stationery or household purposes; starch paste [adhesive] for stationery or household purposes; books; manifolds [stationery]; comic books; drawing pins; cigar bands; envelopes [stationery]; cases for stamps [seals]; boxes of cardboard or paper; paint boxes [articles for use in school]; correcting fluids [office requisites]; stencils [stationery]; French curves; paper ribbons; typewriter ribbons; gummed tape [stationery]; adhesive bands for stationery or household purposes; correcting tapes [office requisites]; inking ribbons; inking ribbons for computer printers; adhesive tapes for stationery or household purposes; self-adhesive tapes for stationery or household purposes; drawing rulers; square rulers; absorbent sheets of paper or plastic for foodstuff packaging; humidity control sheets of paper or plastic for foodstuff packaging; viscose sheets for wrapping; sheets of reclaimed cellulose for wrapping; plastic bubble packs for wrapping or packaging; steel letters; type [numerals and letters]; lithographs; paint trays; architects' models; postage stamps; plastics for modelling; graphic prints; modelling materials; teaching materials [except apparatus]; sealing compounds for stationery purposes; adhesives [glues] for stationery or household purposes; packaging material made of starches; filtering materials [paper]; addressing machines; pencil sharpening machines, electric or non-electric; bookbinding apparatus and machines [office equipment]; typewriters, electric or non-electric; folders [stationery]; franking machines for office use; chalk for lithography; writing chalk; tailors' chalk; marking chalk; bags [envelopes, pouches] of paper or plastics, for packaging; garbage bags of paper or of plastics; painters' easels; hand-rests for painters; printing

sets, portable [office requisites]; bibs of paper; stickers [stationery]; finger-stalls [office requisites]; cords for bookbinding; paper knives [cutters] [office requisites]; numbering apparatus; bottle envelopes of cardboard or paper; sealing wafers; covers [stationery]; passport holders; plastic cling film, extensible, for palletization; embroidery designs [patterns]; handwriting specimens for copying; oleographs; musical greeting cards; greeting cards; postcards; etchings; conical paper bags; bags for microwave cooking; palettes for painters; ink sticks; pantographs [drawing instruments]; folders for papers; papier mâché; pastels [crayons]; modelling paste; pen cases; bookbindings; pen wipers; office perforators; pens [office requisites]; nibs of gold; nibs; steel pens; drawing pens; song books; seals [stamps]; sealing stamps; clipboards; address plates for addressing machines; handkerchiefs of paper; plastic film for wrapping; letter trays; trays for sorting and counting money; coasters of paper; bookends; stamp stands; mats for beer glasses; stands for pens and pencils; photograph stands; inking pads; stamp pads; binding strips [bookbinding]; towels of paper; inking sheets for document reproducing machines; inking sheets for duplicators; bookbinding cloth; gummed cloth for stationery purposes; printers' blankets, not of textile; portraits; paperweights; writing cases [sets]; inkstands; office requisites, except furniture; writing materials; writing instruments; drawing materials; school supplies [stationery]; adhesive tape dispensers [office requisites]; hand labelling appliances; lithographic works of art; prospectuses; printed timetables; ledgers [books]; printers' reglets; indexes; rubber erasers; elastic bands for offices; drawing T-squares; graphic reproductions; penholders; marking pens [stationery]; tissues of paper for removing make-up; face towels of paper; table napkins of paper; place mats of paper; tablemats of paper; tablecloths of paper; paper clasps; document files [stationery]; scrapers [erasers] for offices; paperclips; staples for offices; erasing products; transparencies [stationery]; stencil plates; cardboard tubes; Indian inks; moisteners [office requisites]; moisteners for gummed surfaces [office requisites]; drawing squares; chart pointers, non-electronic; bottle wrappers of cardboard or paper; envelope sealing machines, for offices; sealing machines for offices; vignetting apparatus; apparatus for mounting photographs; stapling presses [office requisites]; manuals [handbooks]; figurines [statuettes] of papier mâché; paper coffee filters; flags of paper; flyers; silver paper; molds for modelling clays [artists' materials]; photo-engravings; photographs [printed]; stencil cases; canvas for painting; chromolithographs [chromos]; compasses for drawing; numbers [type]; watercolor [watercolour] saucers for artists; correcting ink [heliography]; ink; inkwells; blueprints; rosaries; stencils; erasing shields; balls for ball-point pens; cabinets for stationery [office requisites]; prin-

ting type; address stamps; stamps [seals]; shields [paper seals]; prints [engravings]; labels, not of textile.

(260) AM 2016 82542 A

(800) 1250015

(891) 2015 03 25

(731) INDIVIDUAL ENTREPRENEUR
STRELTCHENOK VITALIY
FEDOROVICH
ul. Glukharskaya, 17, korp.2, kv.4
RU-197373 St. Petersburg, Russian Federation

(540)



(591) Blue and orange

(511)

8 – Glaziers' diamonds [parts of hand tools]; gimlets [hand tools]; dibbers, hand-operated; carpenters' augers; lawn clippers [hand instruments]; augers [hand tools]; nail extractors; priming irons [hand tools]; lifting jacks, hand-operated; drills; clamps for carpenters or coopers; spades [hand tools]; rabbeting planes; chisels; abrading instruments [hand instruments]; sharpening instruments; blade sharpening instruments; tube cutting instruments; wire strippers [hand tools]; riveters [hand tools]; expanders [hand tools]; cutting tools [hand tools]; hand tools, hand-operated; picks [hand tools]; sharpening stones; centre punches [hand tools]; pliers; tap wrenches; spanners [hand tools]; breast drills; emery grinding wheels; grindstones [hand tools]; sledgehammers; ice picks; blades [hand tools]; plane irons; jig-saws; spoons; crow bars; shovels [hand tools]; taps [hand tools]; hammers [hand tools]; stone hammers; masons' hammers; riveting hammers [hand tools]; bits [hand tools]; files [tools]; emery files; hand pumps; shears; screwdrivers; reamer sockets; drill holders [hand tools]; perforating tools [hand tools]; saws [hand tools]; bow saws; guns [hand tools]; dies [hand tools]; saw blades [parts of hand tools]; shear blades; tool belts [holders]; frames for handsaws; saw holders; rasps [hand tools]; cutters; paring irons [hand tools]; milling cutters [hand tools]; planes; borers; bits [parts of hand tools]; hollowing bits [parts of hand tools]; scrapers [hand tools]; trowels [gardening]; mortise chisels; branding irons; hatchets; adzes [tools]; vices; hoop cutters [hand tools]; axes; holing axes; fulling tools [hand tools]; earth rammers [hand tools]; tube cutters [hand tools]; squares [hand tools]; extension pieces for

braces for screw taps; gouges [hand tools]; diggers [hand tools]; pick hammers; hammers, hand-operated.

(260) AM 2016 82572 A

(800) 1250284

(891) 2015 03 26

(731) EUROPHARM (UK) CO. LTD
67 Westow Street, Upper Norwood, London
SE19 3RW, United Kingdom

(540)



(591) Blue and white

(526) The trademark is protected as a whole. "Virus Blocker" shall not be subject to independent legal protection.

(511)

5 – Pharmaceutical preparations; veterinary preparations; disinfectants; disinfectants for hygiene purposes; disinfectants for chemical toilets; herbicides; fungicides; germicides; bracelets for medical purposes; air deodorising preparations; caustics for pharmaceutical purposes; acids for pharmaceutical purposes; drugs for medical purposes; medicines for human purposes; preparations of trace elements for human and animal use; salts for medical purposes; sodium salts for medical purposes; sulfur sticks (disinfectants); hydrogen peroxide for medical purposes; mouthwashes for medical purposes; air purifying preparations; antiseptics; anticryptogamic preparations; tissues impregnated with pharmaceutical lotions; sterilising preparations; chemico-pharmaceutical preparations; chemical preparations for medical purposes; chemical preparations for pharmaceutical purposes.

(260) AM 2016 82575 A

(800) 1250328

(891) 2015 04 24

(731) KIA MOTORS CORPORATION
12, Heolleung-ro, Seocho-gu, Seoul,
Republic of Korea

(540)

KIA Konfidence

(511)

42 – Certification services in the field of used cars by certified pre-owned programs; certification services in the field of automobiles.

(260) AM 2016 82577 A
 (800) 270118
 (891) 2015 03 26
 (731) BIORGANON SA
 5, rue des Granges, CH-1204 Genève,
 Switzerland
 (540)

DIFRAREL

(511)
 5 – All pharmaceutical, veterinary and sanitary products, disinfectants, cloths and materials for dressings.

(260) AM 2016 82578 A
 (800) 927761
 (891) 2015 03 24
 (731) TELEFONAKTIEBOLAGET L M
 ERICSSON
 Torshamnsgatan 23, SE-164 83 Stockholm,
 Sweden
 (540)

ERICSSON 

(591) Black, white
 (511)
 9 – Apparatus and instruments for data communication, satellite communication and telecommunication; apparatus and instruments for weighing, measuring, signalling, checking (supervision) and teaching; apparatus for recording, transmission or reproduction of sound, images or light; data carriers, data processing equipment, computers, computer programs, peripheral equipment; optical apparatus and instruments; apparatus and instruments for monitoring of telecommunication networks and data communication networks; installation apparatus and instruments for data communication networks and telecommunication networks; batteries; electronic components; electrical and optical cables, electrical wires; base stations; radar equipment, ciphering equipment, crypto-aid equipment, display equipment, scanner equipment; aerials; parts and fittings for all the aforesaid goods.
 11 – Apparatus for heating, refrigerating and ventilating.
 16 – Printed matters namely stationery, instructional and teaching material (except apparatus), periodicals, manuals, brochures, business cards, paper, cardboard and goods made from these materials, not included in other classes; book binding materials, photographs.
 35 – Advertising; business management; business administration; office functions.
 36 – Leasing; leasing of data processing equipment.
 37 – Repair and installation services.

38 – Telecommunication services; consultancy services within the satellite communication area and telecommunication area; services relating to satellite communication technique.

41 – Providing databases and directories in the fields of music, video, radio, television, news, sports, games, cultural events, entertainment and arts and leisure via communications networks; providing information, audio, video, graphics, text and other multimedia content in the fields of music, video, radio, television, news, sports, games, cultural events, entertainment and arts and leisure via communications networks.

42 – Consultancy services within the data communication area, basic research within physics, chemistry and engineering; services relating to data communication technique and computer programming; licensing of computer software and of entertainment products and services.

(260) AM 2016 82579 A
 (800) 957079
 (891) 2015 03 03
 (731) PELIKAN VERTRIEBSGESELLSCHAFT
 MBH & CO. KG
 Werftstrasse 9, 30163 Hannover, Germany
 (540)



(591) Red and white
 (511)
 16 – Paper, cardboard (pasteboard), cardboard goods bookbinding materials, photographs, stationery, adhesives for stationery or household purposes, artists' materials and office articles (except furniture) typewriters (non electric), document shredders (non electric); printers' types; printing blocks, table decorations of paper, napkins of paper, table cloths of paper, place cards of paper; paper streamers; letter paper, letter cards, envelopes, mailing bags of paper, visiting cards, adhesive notes, printed forms, greeting cards, post cards; registration paper, adhesive note pads, note pads, heat sensitive paper, pressure sensitive paper, copy paper, data processing paper, facsimile paper, correcting pages, forms; index cards; exercise books, hand books, note books, albums, book covers; books, ring books, file folders, file covers, hanging bags, files, collectors, folders; labels and tickets of paper, cardboard and paper-like material; stickers of paper, data processing labels of paper; foils for overhead projectors, included in this class; gift paper, business printing matter, card collections; writing, painting, drawing and note pads; packaging material made of cardboard, pasteboard, paper, plastics; boxes of cardboard, pasteboard or paper; pasteboard articles; foils of plastics for packaging purposes, printed matter, printed documents,

newspapers, magazines; school articles, included in this class; pen cases (writing cases), stationery (school articles), candy paper bags (paper funnels); colour pen and painting boxes (school articles), paint brushes; blotting pads; painting and drawing blocks; writing, painting and drawing instruments; pencils, colour pens, writing learning pencil; erasers, fiber pens (felt-tipped pens), adhesive bands for paper goods and stationery; artists' materials, namely articles for drawing, painting and modeling; card-index boxes of paper or cardboard, destapling grippers, writing ribbons, staplers, embossing apparatus for office purposes (office articles); stamps; telephone registers, note boxes and office machines (included in this class); blackboard drawing apparatus; globes, instructional and teaching material (except apparatus); documents, publications; catalogues; booklets, prospectuses; newsletters; work place organizing means, namely stacking boxes, jackets (stationery); file wrappings and disc mailing jackets of paper, cardboard or plastics; packing bags of paper or plastics, endless ruler/tear-off instrument, copy holder (office article), copy supporting arm (office article), copy clip (office article); aforesaid goods in particular for data processing purposes, included in this class; desk; utensils, namely writing instruments and clip trays, office perforators, office staplers, destapling grippers, writing instruments, quivers, note trays, note boxes, pen cases, clip dispensers, letter trays, stamp holders, letter stands, adhesive tape dispensers, adhesive note holders, paper baskets, book ends and writing clamping plates; office sets, namely set of different non-electric office utensils (included in this class), consisting of perforators, staplers, erasers, sharpeners, clip holders and dispensers, writing instrument trays, note boxes, trays for documents, telephone registers, paper baskets, magnetic boards as notice panel (office articles), notice panels, aforesaid goods also single; jackets, namely disc mailing jackets of paper, cardboard or plastics, copy holders, copy supporting arms, copy clips (as office articles), labels of paper and paper-like materials, manuals for data processing programs, disk storage racks; typewriters and office articles (except furniture), namely pencil lead sharpener, stamp devices, pencil sharpener machines, document shredders (office apparatus) and laminating devices (office device); pen bags, in particular pen cases and easy bags (pen bags); instructional and teaching material in the form of games (except apparatus).

18 – Leather and imitations of leather; animal skins and hides; trunks and travelling bags; umbrellas, parasols and walking sticks; whips, horse harnesses and saddlery, school bags, satchels, backpacks, bags.

(260) AM 2016 82580 A
(800) 966931
(891) 2015 05 14

(731) GUALA CLOSURES S.P.A.
Via Rana, 12, Frazione Spinetta Marengo,
I-15122 Alessandria, Italy

(540)



(591) Black, white

(511)

6 – Stoppers, caps, crown caps, closures all made of metal.

20 – Stoppers, caps, crown caps not of metal; stoppers, caps, crown caps all made of plastic.

(260) AM 2016 82581 A

(800) 1033307

(891) 2015 05 19

(731) PANOUGE SAS

12 avenue Victor Hugo, F-75116 PARIS,
France

(540)

ISABEY

(591) Black, white

(511)

3 – Perfumery products; cosmetics; deodorants; soaps; lotions and products for hair care.

(260) AM 2016 82582 A

(800) 1046173

(891) 2015 03 25

(731) PHARMING INTELLECTUAL PROPERTY

B.V.

Darwinweg 24, NL-2333 CN Leiden,
Netherlands

(540)

RUCONEST

(511)

5 – Pharmaceutical products.

(260) AM 2016 82584 A

(800) 1159931

(891) 2015 05 05

(731) MOOYAH FRANCHISE LLC

6100 Preston Rd., Suite 240, Frisco TX
75034, USA

(540)



(591) Black, white
 (526) The trademark is protected as a whole. "BURGERS" "FRIES" "SHAKES" shall not be subject to independent legal protection
 (511)
 43 – Restaurant services.

(260) AM 2016 82585 A
 (800) 1169110
 (891) 2015 05 06
 (731) TAROL-DD S.R.L.
 Str. Otovasca nr. 17, MD-2036 Chişinău,
 Republic of Moldova

(540)

BOND

(591) Black, white
 (511)
 3 – Bleaching preparations and other substances for laundry use; cleaning, polishing, scouring and abrasive preparations; soaps; perfumery, essential oils, cosmetics, hair lotions; dentifrices.

35 – Advertising; business management; business administration; office functions; commercialization of products.

(260) AM 2016 82586 A
 (800) 1227769
 (891) 2015 03 23
 (731) Spirits International B.V.
 3, rue du Fort Rheinsheim, L-2419
 Luxembourg, Luxembourg

(540)



(591) Red, copper, light gray, dark gray, silver, white and black

(511)

32 – Beers; mineral and aerated waters and other non-alcoholic beverages; ginger beer; fruit beverages and fruit juices; syrups and other preparations for making beverages.

33 – Alcoholic beverages (except beers); spirit-based beverages; vodka; vodka-based cocktails and beverages.

(260) AM 2016 82591 A
 (800) 1250343
 (891) 2015 04 23
 (731) JANSSEN PHARMACEUTICA NV
 Turnhoutseweg 30, B-2340 BEERSE,
 Belgium

(540)

SYNSIRNA

(511)
 5 – Human pharmaceutical preparations.

(260) AM 2016 82592 A
 (800) 1250344
 (891) 2015 04 23
 (731) JANSSEN PHARMACEUTICA
 Turnhoutseweg 30, B-2340 BEERSE, Belgium

(540)

TREVICTA

(511)
 5 – Human pharmaceutical preparations.

(260) AM 2016 82593 A
 (800) 1250348
 (891) 2015 01 08
 (731) ATLANTIC TRADE & INVESTMENT
 COMPANY SRL
 Str. Biharia nr. 67-77, corp C, et. 1, camera
 12, Sector 1, BUCURESTI, Romania

(540)

BADSTER

(511)
 33 – Alcoholic beverages (except beers).

(260) AM 2016 82594 A
 (800) 1250351
 (891) 2015 02 13
 (731) ASTELLAS PHARMA INC.
 5-1, Nihonbashi-Honcho 2-chome, Chuo-ku,
 Tokyo 103-8411, Japan

(540)

ENZ

(591) Black and white
 (511)
 05 – Pharmaceutical preparations for human use for the treatment of cancer.

(260) AM 2016 82595 A
 (800) 1250360
 (891) 2015 03 09
 (731) GSH TRADEMARKS LIMITED
 Afroditis, 25 2nd floor, office 204, Nicosia, Cyprus

(540)

ПЕРВАЧ

(591) Black and white
 (511)
 33 – Alcoholic beverages (except beer); preparations for alcoholic beverages.

(260) AM 2016 82597 A
 (800) 1250372
 (891) 2015 04 30
 (731) FORTISCHEM a.s.
 M. R. Štefánika 1, SK-972 71 Nováky,
 Slovakia

(540)

Camix

(511)
 1 – Chemical products for use in industry, science, photography; unprocessed artificial resins, unprocessed plastics; fire-extinguishing compositions; tempering and soldering preparations; chemical substances for preserving foodstuffs; tan; adhesives for use in industry.

(260) AM 2016 82598 A
 (800) 1250386
 (891) 2015 03 19
 (731) CITIZEN HOLDINGS KABUSHIKI
 KAISHA ALSO TRADING AS CITIZEN
 HOLDINGS CO., LTD.
 1-12, 6-chome, Tanashi-cho, Nishi-tokyo-shi,
 Tokyo 188-8511, Japan

(540)

MIYOTA

(591) Black and white
 (511)
 14 – Watches, clocks and movements therefor.

(260) AM 2016 82603 A
 (800) 1250436
 (891) 2014 12 09
 (731) VETAS VETERINER VE TARIM
 ILACLARI A.S.
 Halkali Merkez Mh. Basın Ekspres, Cad. No:1
 K:4 Kucukcekmece, ISTANBUL, Turkey

(540)

Vetaş

(591) Black and white
 (511)
 5 – Pharmaceutical and veterinary preparations; sanitary preparations for medical purposes; dietetic food and substances adapted for medical or veterinary use, food for babies; dietary supplements for humans and animals; plasters, materials for dressings; material for stopping teeth, dental wax; disinfectants; preparations for destroying vermin; fungicides, herbicides.

(260) AM 2016 82616 A
 (800) 1251124
 (891) 2015 03 25
 (731) HAİRTON KOZMETİK PAZARLAMA

VE SANAYİ ANONİM ŞİRKETİ
 Tarabya Mahallesi Böğürtlen, Sokak No:6
 Sariyer, Istanbul, Turkey

(540)

Hairton

(591) Black, white
 (511)
 3 – Bleaching preparations and other substances for laundry use; cleaning, polishing, scouring and abrasive preparations; soaps; perfumery, essential oils, cosmetics, hair lotions; dentifrices.

(260) AM 2016 82617 A
 (800) 1251125
 (891) 2015 03 20
 (731) JANSSEN PHARMACEUTICA NV
 Turnhoutseweg 30, B-2340 BEERSE,
 Belgium

(540)

XEPLION QUARTERA

(511)
 5 – Pharmaceuticals for the treatment of central nervous system diseases and disorders.

(260) AM 2016 82618 A
 (800) 1251158
 (891) 2015 05 01
 (731) HUAWEI TECHNOLOGIES CO., LTD.
 Administration Building Huawei
 Technologies Co., Ltd.
 Bantian, Longgang District, Shenzhen, China

(540)

FusionInsight

(591) Black, white
 (511)
 9 – Computer software; computer programs (downloadable software); data processing apparatus; computers; computer memories; servers (computer apparatus).

(260) AM 2016 82622 A
 (800) 1250443
 (891) 2014 12 10
 (731) DI ROSA Roberto
 Via Custoza, 51, I-63812 Montegranaro (FM),
 Italy

(540)

OFFICINE CREATIVE

(591) Black and white
 (511)
 9 – Eyeglasses; sunglasses; spectacle cases; cords for spectacles; chains for spectacles; frames for spectacles; frames for sunglasses; spectacle lenses;

field glasses; binoculars; telescopes; optical apparatus and instruments; leather cases for mobile phones; carrying cases for portable electronic devices.

14 – Jewelry and costume jewelry; ornaments (jewelry); imitation jewellery ornaments; dress ornaments in the nature of jewellery; bracelets (jewelry); earrings; necklaces (jewelry); chains (jewelry); rings (jewelry); brooches (jewelry); tie pins; charms; cuff links; fancy key rings of precious metal; jewellery cases [caskets]; boxes of precious metal; figures of precious metal; horological instruments; chronometric instruments; wrist and pocket watches.

18 – Leather and imitations of leather; unworked or semi-worked leather; bags; clutch purses; change purses; wallets; coin purses; credit card holders made of leather; key bags; rucksacks; all purpose sports bags; haversacks; beach bags; carrying cases for documents; shopping bags with wheels attached; textile shopping bags; school satchels; suitcases; sports bags; tote bags; shoulder bags; bum bags; cosmetic bags (empty); trunks and travelling bags; umbrellas and parasols; walking sticks; leads for animals.

(260) AM 2016 82623 A

(800) 1250471

(891) 2015 02 18

(731) "FOOTBALL FEDERATION OF ARMENIA"

Union of Legal Entities

Khanjyan str. 27, 0010 Yerevan, Armenia

(540)



(591) Red, white, blue and orange

(511)

41 – Organizing and conducting of football competitions, tournaments, championships and trainings.

(260) AM 2016 82624 A

(800) 1250476

(891) 2015 04 20

(731) Tovarishchestvo s ogranichennoi otvetstvennostju "BANUR-NS"

ul. Sovremennikov, d.4, p. Energetik, 010000

g. Astana, Kazakhstan

(540)



(591) Black and white

(511)

30 – Frozen yogurt [confectionery ices]; ice cream; cocoa beverages with milk; coffee beverages with milk; sherbets [ices]; edible fruit ices.

32 – Soda water; waters [beverages]; aerated water; mineral water [beverages]; table waters; kvass [non-alcoholic beverage]; cocktails, non-alcoholic; lemonades; non-alcoholic beverages; non-alcoholic honey-based beverages; aloe vera drinks, non-alcoholic; whey beverages; non-alcoholic fruit juice beverages; fruit nectars, non-alcoholic; orgeat; smoothies; tomato juice [beverage]; cider, non-alcoholic; vegetable juices [beverages]; fruit juices.

35 – Promotion of goods mentioned in classes 30, 32 through intermediaries and others, in particular frozen yogurt [confectionery ices]; ice cream; cocoa beverages with milk; coffee beverages with milk; sherbets [ices]; edible fruit ices; soda water; waters [beverages]; aerated water; mineral water [beverages]; table waters; kvass [non-alcoholic beverage]; cocktails, non-alcoholic; lemonades; non-alcoholic beverages; non-alcoholic honey-based beverages; aloe vera drinks, non-alcoholic; whey beverages; non-alcoholic fruit juice beverages; fruit nectars, non-alcoholic; smoothies; vegetable juices [beverages]; fruit juices.

(260) AM 2016 82634 A

(800) 1250673

(891) 2013 10 17

(731) TOPÇULAR HIRDAVAT PAZARLAMA VE YATIRIM ANONİM ŞİRKETİ

Abdurrahman Gazi Mah. Ebubekir Cad.

Imamoğlu Sk. No:2 C/2, TR-34550 Kartal

Samandıra/İSTANBUL, Turkey

(540)



(591) Black and white

(511)

1 – Chemicals used in industry, science, as well as in agriculture, horticulture and forestry; unprocessed artificial resins, unprocessed plastics; manures; fire extinguishing compositions; tempering and soldering preparations; chemical substances for preserving foodstuffs; tanning substances; adhesives used in industry; chemical products used in industry; chemical products used in leather processing (except paints), chemical products used in textile (except paints), unprocessed synthetic materials, unproces-

sed artificial resins, dressings for industrial purpose, detergents (chip detergents) for industrial purpose, oil removers, form release agents, conserve salt (except the ones for food), pure water, materials enabling the food materials to be long lasting and fresh, pastes used in production, adhesive removers, refrigerant materials, protective gases and chemicals for welding, chemical materials for solder, liquid rubber, salts used in industry; chemical products used in agriculture, horticulture and forestry; fertilizers, sea moss (fertilizer), humous (topsoil), compact culture soil, chemical soil improvement materials, plant growth regulators; budding paste and pastes used for filling the cavities of trees and etc; fertilizer peats, fungi and mold preventive materials, fire extinguishing materials, additives for cement und concrete, materials for liquid insulation; materials making the cement and concrete resistant and water proof, concrete additives, materials fasten the curing of the concrete (setting accelerators), water or cement based insulation materials; joint filling and faience/marble adhering materials, glues not intended for household and stationary materials; wall paper glue, furniture glue; chemical fuel additives and saving materials (including for the motor fuels), brake liquids, antifreezes, engine protection synthetic materials; chemical filtering materials; lime and moss preventers, lime and moss removers, special pastes; drilling clays for drilling machines; chemical products used in science; scientific purpose diagnosis materials/tools, test papers, radioactive materials scientific purpose, reagents; chemical chimney cleaners.

3 – Bleaching preparations and other substances for laundry use; cleaning, polishing, scouring and abrasive preparations; soaps; perfumery, essential oils, cosmetics, hair lotions; dentifrices; detergents, bleachers, washing dressing, indigos, soft soaps, softeners, lime preventers, lime removers, granule soaps, mechanical cleaning powders, glass wiping materials, floor and carpet wiping materials, whitener and shiner materials; papers, pads and cottons for personal cosmetic or cleaning purposes; papers, pads and cottons including cosmetic or cleaning materials; cotton sticks, ear cleaning sticks, wet tissues, make up removal pads and cottons; soaps; soaps for personal use also including medical purposes and odour removing soaps, disinfectant soaps, soaps against perspiration; dental care products; tooth pastes, tooth powders, medical tooth cleaning materials, dentifrices, tooth liquids, cleaning materials for tooth prosthesis, non-medical mouthwashes, anti-tartar tooth pastes; abrasive products; sanding clothes, sanding papers, sanding powders and pastes, pumice stones, pastes; polishes; polishes for leather; polishes for metal goods; polishes for wooden goods; floor polishes; cosmetic and perfumery products and natural products used in the production of soaps; cosmetic products; fingernail polishes, lip-

sticks, mascaras, creams, hair dyes, shampoos, hair care products; eyeliners, lip liners, mascaras, eye shadows, rouges, skin protection creams, foundation creams, powders, nail dyes and polishes and removers and cleaners thereof; cosmetic purpose acetone; nail care products, shaving soaps, shaving creams, shower gels, petroleum gels, epilating products, hennas; weight losing cosmetic products; tanning products; filled cosmetic bags (cosmetic sets); perfumes, volatile oils (essences), colognes, lotions, deodorants, rose water, shaving lotions, perspiration preventing deodorants.

8 – Electric and vapor irons; convenor ladles for casting work; ladles hand tools, foundry ladles.

(260) AM 2016 82689 A

(800) 1252124

(891) 2015 02 02

(731) RAYMOND O'HORA

P.O. Box 213217, Dubai, United Arab Emirates

(540)

MUSIC WORLD CUP

(511)

16 – Paper; cardboard; paper articles; cardboard articles; printed matter; books; annuals; publications; comic books; song books; sticker books; magazines; newsletters; newspapers; albums; periodicals; journals; catalogues; manuals; maps; pamphlets; leaflets; posters; stationery; labels; office requisites; drawing and painting materials, apparatus and instruments; writing instruments; instructional and teaching materials; book binding materials; book covers; book marks; printing sets; drawings; paintings; photographs; prints; pictures; calendars; pens; pencils; pencil top ornaments; paintbrushes; paint kits; tags; gift wrap; gift wrap cards; gift wrap tissue; gift boxes; wrapping paper; note pads; decalcomanias; paper napkins and other decorative paper items; paper party goods and paper party decorations; paper tablecloths and table covers; paper place mats and paper table mats; paper party streamers; embroidery patterns; decorative transfers; rulers; erasers; greetings cards; stickers; paper signs; banners; charts; models made of paper or cardboard; parts and fittings for all the aforesaid goods.

25 – Articles of clothing; footwear; boots, shoes, slippers, sandals; socks, hosiery; trainers; headgear; hats, caps, scarves, gloves, mittens, belts (being articles of clothing).

28 – Games; all relating to, being in association with, incorporating content from or being endorsed by any or all of music talent competitions, associated and/or related events and activities and/or their respective contestants or participants; toys and playthings; electronic toys and hand held electronic

games; slot machines and gaming devices; dolls and dolls' clothing; soft toys; toy models; playing cards; instructional and teaching materials in the form of games; parts and accessories for all the aforesaid goods; amusement apparatus and instruments adapted for use with television receivers; interactive games adapted for use with television receivers; digital games adapted for use with television receivers; electronic games.

38 – Broadcasting; television broadcasting; radio broadcasting; satellite television broadcasting; cable television broadcasting; music broadcasting; broadcasting services in the form of uploading, posting, showing, displaying, tagging, blogging, sharing or otherwise providing electronic media or information over the Internet or other communications network; wireless transmission of sound, music and/or video images, information, and news via a global computer network; webcasting services; providing access to a video sharing portal; electronic communication services; transmission of messages, data and content via the Internet and other computer and communications networks; providing access to online forums, online voting, chat rooms, journals, blogs, and list servers for the transmission of messages, comments and multimedia content among users; transmission of electronic media, multimedia content, videos, music, performances, movies, pictures, images, text, photos, games, user-generated content, audio content, and information via the Internet and other computer and communications networks; providing online forums for users to post, search, watch, share, critique, rate, and comment on music, videos, and other multimedia content; providing digital program distribution of audio and video broadcasts over a global computer network; providing access to online, interactive programs featuring music and performances; providing access to a video sharing portal for entertainment and education purposes; communications by telephone; interactive telephone services; telephone messaging services; communication services by means of radio waves, telephones, the Internet, the world wide web, cable, satellite, microwaves and electricity grid; telephony and online communications for voting purposes; telephony for entertainment purposes.

(260) AM 2016 82692 A
(800) 1251290
(891) 2014 12 10
(731) EGIS GYÓGYSZERGYÁR ZRT.
Keresztúri út 30-38, H-1106 Budapest,
Hungary
(540)

NOZENO

(511)
5 – Pharmaceutical preparations for human use; sanitary preparations for medical purposes.

(260) AM 2016 82693 A
(800) 1251291
(891) 2014 12 10
(731) EGIS GYÓGYSZERGYÁR ZRT.
Keresztúri út 30-38, H-1106 Budapest,
Hungary
(540)

MIZIZON

(511)
5 – Pharmaceutical preparations for human use; sanitary preparations for medical purposes.

(260) AM 2016 82694 A
(800) 1252155
(891) 2015 02 19
(731) ANIL KAGIT MATBAACILIK
YAYINCILIK SANAYI VE TICARET
LIMITED SIRKETI
2. Matbaacilar Sit. D Blok. No:1 BD 21,
Topkapi Istanbul, Turkey
(540)



(591) White, black, light blue and red
(526) The trademark is protected as a whole. "KAGIT" shall not be subject to independent legal protection
(511)
16 – Goods made of paper: paper towels; paper napkins; toilet paper; tablecloths of paper; paper and cardboard for packaging and wrapping purposes; boxes of cardboard or paper, paper bags; printing blocks and types; bookbinding material; paper; cardboard; writing paper; stencils; parchment paper; onion skin paper; copying paper (stationery); paper tapes for calculators and printers; cards; notebooks; blotters; note papers; envelopes (stationery); stickers (stationery); labels, not of textile; business cards.

(260) AM 2016 82696 A
(800) 1251292
(891) 2014 12 10
(731) EGIS GYÓGYSZERGYÁR ZRT.
Keresztúri út 30-38, H-1106 Budapest,
Hungary
(540)

HIXAMON

(511)
5 – Pharmaceutical preparations for human use.

(260) AM 2016 82698 A
 (800) 1251299
 (891) 2014 12 10
 (731) EGIS GYÓGYSZERGYÁR ZRT.
 Keresztúri út 30-38, H-1106 Budapest,
 Hungary
 (540)

CRISSOL

(511)
 5 – Pharmaceutical preparations for human use; sanitary preparations for medical purposes.

(260) AM 2016 82699 A
 (800) 1251313
 (891) 2015 04 08
 (731) VARISCO S.p.A.
 Strada, 9 – Z.I. Nord, I-35129 Padova, Italy
 (540)

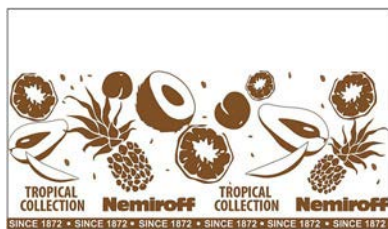
VARISCO

(511)
 7 – Pumps, submersible pumps, marine pumps, hydraulic pumps, compressed air pumps, rotary pumps, electrical pumps, axial pumps, positive displacement pumps, centrifugal pumps, sludge pumps, drainage pumps, self-priming centrifugal pumps; soundproof cabins for pumps and motor pumps.

9 – Security and fire control devices, apparatus and installations.

37 – Construction, installation, maintenance and repair of pumps, motorised pumps and pumping installations.

(260) AM 2016 82701 A
 (800) 1251323
 (891) 2015 03 27
 (731) NEMIROFF INTELLECTUAL PROPERTY
 ESTABLISHMENT
 Staedtle 31, FL-9490 Vaduz; Liechtenstein
 (540)



(591) White, brown and black

(511)
 33 – Alcoholic beverages (except beers).

35 – Advertising; business management; business administration; office functions; import and export agencies services of alcoholic beverages; retail and wholesale services with alcoholic beverages.

(260) AM 2016 82702 A
 (800) 1251328
 (891) 2015 03 06
 (731) ALCATEL LUCENT
 148/152 route de la Reine, F-92100
 BOULOGNE-BILLANCOURT, France
 (540)

EVERY SUCCESS HAS ITS NETWORK

(511)
 9 – Apparatus, equipment and software for telecommunication and data processing; computers and peripheral devices for computers, namely, mice, keyboards, scanners, hard drives, video disk drives, monitors and USB keys; apparatus for recording, transmission or reproduction of sound or images; magnetic and optical data media; apparatus and instruments for data, information, signal or message generation, calculation, checking, input, storage, conversion, processing, gathering, transmission, switching and reception; software development computer tools and platforms [software]; application programming interfaces (APIs).

38 – Telecommunications; information and data transmission; computer-aided transmission of images and messages; communications by computer terminals; electronic messaging services; rental of telecommunication apparatus and equipment; information relating to telecommunications; rental of access time to global computer networks; rental of apparatus and equipment for data processing, namely of modems, of telecommunication apparatus.

42 – Engineering project studies and engineering services in the fields of telecommunications and data processing; design, updating, maintenance, installation and rental of software; rental of apparatus and equipment for data processing, namely of computers, of software; design and hosting of Internet sites.

(260) AM 2016 82703 A
 (800) 1251353
 (891) 2015 02 16
 (731) BIOFARMA
 50 rue Carnot, F-92284 SURESNES CEDEX,
 France
 (540)

OBLONE

(511)
 5 – Pharmaceutical products; veterinary preparations; sanitary products for medical purposes; dietetic substances for medical use; dietetic substances for veterinary use; food for babies; dietetic preparations and food supplements; food supplements for animals; plasters, materials for dressings; teeth filling material; dental impression materials; disinfectants; products for destroying vermin; fungicides; herbicides.

10 – Medical apparatus and instruments; applicators for medicines; applicators for pharmaceutical preparations; injection devices for pharmaceutical products; medical implants; implants for pharmaceutical use; implantable medicines; pumps for medical use for administering pharmaceutical products contained in receptacles; infusion pumps for administering medicines; holders for medical use.

(260) AM 2016 82704 A
 (800) 1251369
 (891) 2015 03 27
 (731) NEMIROFF INTELLECTUAL PROPERTY ESTABLISHMENT
 Staedtle 31, FL-9490 Vaduz, Liechtenstein
 (540)



(591) Yellow, orange, red, brown, golden, grey, silver and white
 (526) The trademark is protected as a whole. "MANGO" "FLAVOURED VODKA" shall not be subject to independent legal protection.
 (511)
 33 – Alcoholic beverages (except beers).
 35 – Advertising; business management; business administration; office functions; import and export agencies services of alcoholic beverages; retail and wholesale services with alcoholic beverages.

(260) AM 2016 82711 A
 (800) 1252169
 (891) 2015 03 25
 (731) PARIJAT INDUSTRIES (INDIA) PVT.LTD.
 m-77, first & second floor, m-block market,
 greater kailash, part-ii, New Delhi 110048,
 India
 (540)

ALEXANDER

(511)
 5 – Pesticides, included in this class.

(260) AM 2016 82712 A
 (800) 1251370
 (891) 2015 03 27
 (731) NEMIROFF INTELLECTUAL PROPERTY ESTABLISHMENT
 Staedtle 31, FL-9490 Vaduz, Liechtenstein
 (540)



(591) Yellow, red, orange, white, brown, beige, green, grey, silver and golden
 (526) The trademark is protected as a whole. "PEACH" "FLAVOURED VODKA" shall not be subject to independent legal protection.
 (511)
 33 – Alcoholic beverages (except beers).

35 – Advertising; business management; business administration; office functions; import and export agencies services of alcoholic beverages; retail and wholesale services with alcoholic beverages.

(260) AM 2016 82715 A
 (800) 1251396
 (891) 2014 11 14
 (731) CANSA TARIM MAKINALARI IMALAT PAZARLAMA VE TICARET SANAYI LIMITED COMPANY
 D-400 Karayolu Üzeri, Karayollari Bakimevi Karsisi, Ceyhan – Adana, Turkey
 (540)



(591) Green, grey and white
 (511)
 7 – Machines, machine tools and industrial robots for processing and shaping wood, metals, glass, plastics and minerals, construction machines and robotic mechanisms (machines) for use in construction, lifting, loading and transmission machines and robotic mechanisms (machines) for lifting, loading and transmission purposes, machines and robotic

mechanisms (machines) for use in agriculture and animal breeding, machines and robotic mechanisms (machines) for processing cereals, fruits, vegetables and food, engines and motors, other than for land vehicles, parts and fittings therefore; parts of land vehicle motors and engines, included in this class, bearings (parts of machines), roller or ball bearings, machines for mounting and detaching tires, alternators, current generators, electric generators, current generators operated with solar energy, painting machines, automatic spray guns for paint, electric punching machines and guns, electric adhesive tape dispensers (machines), electric guns for compressed gas or liquid spraying machines, electric hand drills, electric hand saws, electric jigsaw machines, spiral machines, compressed air machines, compressors (machines), vehicle washing installations, robotic mechanisms (machines) with the above mentioned functions, electric welding machines, electric arc welding apparatus, electric soldering apparatus, electric arc cutting apparatus, electrodes for welding machines, industrial robots (machines) with the above mentioned functions, printing machines, packaging machines, filling, plugging and sealing machines, labellers (machines), sorting machines, industrial robots (machines) with the above mentioned functions, electric packing machines for plugging and sealing of plastics, machines for textile processing, sewing machines, industrial robots (machines) with the above mentioned functions, pumps other than parts of machines or engines, fuel dispensing pumps for service stations, self-regulating fuel pumps, electric kitchen machines for chopping, grinding, crushing, mixing and mincing foodstuff, washing machines, laundry washing machines, dishwashers, spin driers (not heated), electric cleaning machines for cleaning floors, carpets or floorings, vacuum cleaners and parts thereof, automatic vending machines, galvanizing and electroplating machines, electric or electronic door openers and closers, gaskets for internal combustion engines, metal engine gaskets for vehicles, non-metal engine gasket for vehicles.

- (260) AM 2016 82718 A
 (800) 1251418
 (891) 2014 12 31
 (731) KAR-DAĞ KARADENİZ GIDA DAĞITIM
 TEMİZLİK VE SAĞLIK ÜRÜNLERİ
 SANAYİ VE TİCARET ANONİM ŞİRKETİ
 Hançerli Mah. Çifte Hamam Caddesi No:6/2,
 Samsun, Turkey
 (540)



- (591) green, red, white, pink, yellow
 (511)
 5 – Diapers for babies and incontinents; dietetic food and substances adapted for medical or veterinary use, food for babies; dietary supplements for humans and animals; material for stopping teeth, dental wax; disinfectants; preparations for destroying vermin; fungicides, herbicides.
 35 – Advertising; business management; business administration; office functions.

- (260) AM 2016 82720 A
 (800) 1251461
 (891) 2015 04 09
 (731) SOCIETE BIC
 14 rue Jeanne d'Asnières, F-92110 CLICHY,
 France
 (540)

ROUND STIC

- (511)
 16 – Pencil lead holders; writing and coloring felt-tip pens; document markers [highlighting pens]; color pencils; pencils; pen holders; fountain pens; ballpoint pencils; ballpoint fountain pens; all writing apparatus and parts thereof.

- (260) AM 2016 82721 A
 (800) 1252347
 (891) 2015 04 23
 (731) MILLENNIUM PHARMACEUTICALS,
 INC.
 40 Landsdowne Street, Cambridge MA 02139,
 USA
 (540)

HELTEO

- (591) Black and White
 (511)
 5 – Pharmaceutical preparations.

- (260) AM 2016 82722 A
 (800) 1251466
 (891) 2015 04 20
 (731) KRONOPLUS TECHNICAL AG
 Rütihofstrasse 1, CH-9052 Niederteufen,
 Switzerland
 (540)

KRONODESIGN

- (511)
 17 – Packing, stopping and insulating materials.
 20 – Furniture, mirrors, picture frames; furniture made of wood or wood substitutes; drawers (furniture parts); goods, not included in other classes, of wood, cork, reed, cane, wicker, horn, bone, ivory, whalebo-

ne, shell, amber, mother-of-pearl, meerscham and substitutes for all these materials, or of plastics.

(260) AM 2016 82723 A

(800) 1251494

(891) 2015 04 20

(731) KRONOPLUS TECHNICAL AG

Rütihofstrasse 1, CH-9052 Niederteufen,
Switzerland

(540)

KRONOBUILD

(511)

17 – Packing, stopping and insulating materials.

20 – Furniture, mirrors, picture frames; furniture made of wood or wood substitutes; drawers (furniture parts); goods, not included in other classes, of wood, cork, reed, cane, wicker, horn, bone, ivory, whalebone, shell, amber, mother-of-pearl, meerscham and substitutes for all these materials, or of plastics.

(260) AM 2016 82724 A

(800) 1251497

(891) 2015 04 28

(731) International Business Company IPO group
AG

103 Sham Peng Tong Plaza, Victoria, Mahe,
Seychelles, Seychelles

(540)

FANISTERRE

(591) Black and white

(511)

18 – Leather and imitations of leather, and goods made of these materials and not included in other classes; animal skins; trunks and travelling bags; umbrellas, parasols and walking sticks; whips, harness and saddlery; mountaineering sticks; pocket wallets; card cases [notecases]; reins; harness fittings; parts of rubber for stirrups; chamois leather, other than for cleaning purposes; umbrellas; parasols; briefcases; saddlery; frames for umbrellas or parasols; handbag frames; valves of leather; imitation leather; leather, unworked or semi-worked; leatherboard; casings, of leather, for springs; umbrella rings; hat boxes of leather; boxes of leather or leather board; boxes of vulcanised fibre; purses; chain mesh purses; fastenings for saddles; butts [parts of hides]; saddle trees; bags [envelopes, pouches] of leather, for packaging; moleskin [imitation of leather]; knee-pads for horses; muzzles; halters; vanity cases, not fitted; leather thread; furniture coverings of leather; gut for making sausages; clothing for pets; trimmings of leather for furniture; collars for animals; collars for dogs; music cases; slings for carrying infants; goldbeaters' skin; cat o' nine tails;

pads for horse saddles; horseshoes; girths of leather; horse blankets; shoulder belts [straps] of leather; fur; haversacks; leather straps; straps for soldiers' equipment; harness straps; straps for skates; straps of leather [saddlery]; chin straps, of leather; stirrup leathers; umbrella handles; walking stick handles; suitcase handles; rucksacks; travelling bags; riding saddles; net bags for shopping; umbrella or parasol ribs; stirrups; bags for climbers; travelling sets [leatherware]; sling bags for carrying infants; garment bags for travel; handbags; tool bags of leather, empty; wheeled bags; beach bags; bags for sports; bags for campers; shopping bags; school bags; cases, of leather or leatherboard; nose bags [feed bags]; bridoons; umbrella sticks; walking stick seats; bits for animals [harness]; bridles [harness]; harness for animals; key cases of leather; horse collars; suitcases; attaché cases; covers for horse-saddles; umbrella covers; kid; curried skins; cattle skins; leather laces; blinkers [harness]; game bags [hunting accessories].

25 – Clothing, footwear, headgear; wimples; bandanas [neckerchiefs]; underwear; sweat-absorbent underwear; overalls; stuff jackets [clothing]; boas [necklets]; teddies [undergarments]; half-boots; breeches for wear; trousers; football boots; brassieres; collars [clothing]; detachable collars; shirt yokes; veils [clothing]; galoshes; neckties; ascots; leggings [leg warmers]; gaiters; boot uppers; vests; sports jerseys; hosiery; heels; long underwear; hoods [clothing]; hat frames [skeletons]; pocket squares; pockets for clothing; neck scarfs [mufflers]; visors [headwear]; tights; combinations [clothing]; wet suits for water-skiing; bodices [lingerie]; suits; bathing suits; masquerade costumes; beach clothes; jackets [clothing]; fishing vests; liveries; camisoles; tee-shirts; cuffs; short-sleeve shirts; mantillas; coats; sleep masks; furs [clothing]; mittens; miters [hats]; muffs [clothing]; footmuffs, not electrically heated; heelpieces for footwear; bibs, not of paper; fur stoles; ear muffs [clothing]; socks; bath sandals; beach shoes; sports shoes; paper clothing; outerclothing; ready-made clothing; motorists' clothing; cyclists' clothing; clothing for gymnastics; gabardines [clothing]; jerseys [clothing]; clothing of imitations of leather; clothing of leather; knitwear [clothing]; uniforms; fittings of metal for footwear; maniples; overcoats; parkas; swaddling clothes; pelerines; gloves [clothing]; pajamas (Am.); bathing trunks; scarfs; dresses; waterproof clothing; headbands [clothing]; garters; sock suspenders; stocking suspenders; ready-made linings [parts of clothing]; dress shields; soles for footwear; braces for clothing [suspenders]; lace boots; belts [clothing]; money belts [clothing]; layettes [clothing]; non-slipping devices for footwear; pullovers; heelpieces for stockings; welts for footwear; chasubles; shirts; wooden shoes; sandals; boots; saris; sweaters; footwear uppers; inner soles; togas; underpants; gymnastic shoes; slippers; shoes; turbans;

aprons [clothing]; dressing gowns; tips for footwear; bonnets; shower caps; stockings; sweat-absorbent stockings; shawls; paper hats [clothing]; skull caps; bathing caps; sashes for wear; studs for football boots; babies' pants [clothing]; trouser straps; pelisses; esparto shoes or sandals; skirts; petticoats.

(260) AM 2016 82728 A

(800) 1251592

(891) 2014 10 21

(731) BASF SE

Carl-Bosch-Strasse 38, 67063 Ludwigshafen,
Germany

(540)



We create chemistry

(591) Black and white

(511)

1 – Chemicals used in industry, science and photography, as well as in agriculture, horticulture and forestry; unprocessed artificial resins, unprocessed plastics; fertilizers; fire extinguishing compositions; catalysts; tempering and soldering preparations for metals; chemical substances for preserving foodstuffs; tanning substances; adhesives used in industry; plant fortifying preparations, chemical and biological preparations for stress management in plants, plant growth regulating preparations, chemical preparations for the treatment of seeds, surfactants for use in oil and gas industry; natural or artificial chemicals to produce sexual baits or agents to confuse insects, agricultural and horticultural inoculants, beneficial bacteria and soil supplements; chemical substances with amphiphile characteristics.

2 – Paints, primers, varnishes, lacquers, glazes, pigments; preservatives against rust and against deterioration of wood; colorants; mordants; raw natural resins; metals in foil and powder form for painters, decorators, printers and artists.

3 – Bleaching preparations and other substances for laundry use; cleaning, polishing, scouring and abrasive preparations; soaps; perfumery, essential oils, cosmetics, hair lotions; dentifrices.

4 – Industrial oils and greases; fuel gas and gas for lighting; lubricants; dust absorbing, wetting and binding compositions; fuels (including motor fuels) and illuminants; candles and wicks for lighting.

5 – Pharmaceutical, veterinary and healthcare preparations; nutritional supplements for medical purposes; vitamin preparations for medical purposes; sanitary preparations for medical purposes; dietetic substances adapted for medical use, food for babies; plasters, materials for dressings; material for stopping teeth and dental wax; disinfectants; prepara-

tions for destroying vermin; pesticides, fungicides, herbicides, biological pest control agents.

6 – Common metals and their alloys; metal building materials; transportable buildings of metal; materials of metal for railway tracks; non-electric cables and wires of common metal; ironmongery, small items of metal hardware; pipes and tubes of metal; safes; ores.

7 – Machines for agricultural, horticultural and forestry purposes, machines for the chemical industry, machines for the beverage and food industry, machines for wood processing, machines for plastics processing, machines for metal working, machines for the textile industry, machines for automobile production, machines for paper processing, machines for paint processing, propulsion machines (excluding land vehicles), suction machines for industrial purposes, compressors, presses, pumps, petroleum refining machines, grinding machines, packaging machines, machine tools; engines (excluding engines for land vehicles); clutches and devices for power transmission (excluding those for land vehicles); agricultural equipment not operated by hand; incubating apparatus for eggs.

9 – Scientific, nautical, surveying, photographic, cinematographic, optical, weighing, measuring, signalling, checking (supervision), life-saving and teaching apparatus and instruments; apparatus and instruments for conducting, switching, transforming, accumulating, regulating or controlling electricity; apparatus for recording, transmission and reproduction of sound and images; magnetic data carriers, recording discs; compact discs, DVDs and other digital recording media; mechanisms for coin operated apparatus; cash registers, calculating machines, data processing equipment and computers; computer software; fire-extinguishing apparatus; gloves for industrial purposes for protection against injury.

12 – Vehicles and parts thereof (not included in other classes); vehicle covers (shaped), vehicle seats; apparatus for locomotion by land, air or water and parts thereof.

14 – Precious metals and their alloys; jewellery, jewellery for personal adornment, precious stones; horological and chronometric instruments.

16 – Paper, cardboard and goods made from these materials (not included in other classes), namely linerboard for corrugated cardboard, paper sold in bulk, offset paper, honeycomb paper, corrugated paper, corrugated cardboard, filter paper; printed matter; book binding material, photographs; stationery; adhesives for stationery or household purposes; artists' materials, paint brushes; typewriters and office requisites (except furniture); instructional and teaching material (except apparatus); plastic materials for packaging (not included in other classes); printers' type; printing blocks.

17 – Plastics in extruded form for use in manufacture; packing, stopping and insulating materials; flexible pipes, not of metal.

18 – Leather and imitations of leather, animal skins, hides; trunks and travelling bags; umbrellas, parasols and walking sticks; whips, harness and saddlery.

19 – Building materials (non-metallic); non-metallic rigid pipes for building; asphalt, pitch and bitumen; non-metallic transportable buildings; monuments, not of metal.

20 – Furniture, mirrors, picture frames; goods of plastics, namely containers, closures for containers, baskets, barrels, casks, crates and pallets.

21 – Household or kitchen utensils and containers; combs and sponges; brushes (except paintbrushes); brush-making materials; articles for cleaning purposes; steelwool; unworked or semi-worked glass (except glass used in building); glassware, porcelain and earthenware not included in other classes.

23 – Yarns and threads, for textile use.

25 – Clothing, footwear, headgear.

27 – Carpets, rugs, mats and matting, linoleum and other materials for covering existing floors; wall hangings (non-textile).

28 – Games and playthings; gymnastic and sporting articles (not included in other classes); decorations for Christmas trees.

29 – Meat, fish, poultry and game; meat extracts; preserved, frozen, dried and cooked fruits and vegetables; jellies; jams, compotes; eggs, milk and milk products; edible oils and fats.

31 – Grains and agricultural, horticultural and forestry products (not included in other classes); live animals; fresh fruits and vegetables; seeds, live plants and natural flowers; foodstuffs for animals, malt, mulch; live biological pest control agents for agricultural use, namely insects and plants.

32 – Beers; mineral and aerated waters and other non-alcoholic beverages; fruit drinks and fruit juices; syrups and other preparations for making beverages.

35 – Advertising; business management; business administration; office functions; retail and wholesale services in the field of chemicals.

36 – Insurance; financial affairs; monetary affairs; real estate affairs.

37 – Factory construction; repair of computer hardware, repair work on buildings, repair and installation of data handling installations, repair and installation of machines; installation, maintenance and repair of industrial plants; installation, maintenance and repair of heating, ventilation and air conditioning equipment.

39 – Transport; packaging and storage of goods; travel arrangement.

40 – Treatment of materials, namely processing of chemicals, production of energy; recycling and waste treatment, water treatment and purification.

41 – Education; providing of training; entertainment; sporting and cultural activities; conducting seminars and events.

42 – Scientific and technological services and research and design relating thereto; industrial analysis and research services; design and development of computer hardware and software; maintenance of software for information technology systems.

43 – Services for providing food and drink; temporary accommodation.

44 – Medical and veterinary services; hygienic and beauty care for human beings and animals; agriculture, horticulture and forestry services.

(260) AM 2016 82729 A

(800) 1252367

(891) 2014 12 10

(731) EGIS GYÓGYSZERGYÁR ZRT.

Keresztúri út 30-38, H-1106 Budapest,
Hungary

(540)

OSECON

(511)

5 – Pharmaceutical preparations for human use; sanitary preparations for medical purposes.

(260) AM 2016 82730 A

(800) 1252380

(891) 2015 04 16

(731) LABORATOIRE BIODERMA

75 cours Albert Thomas, F-69003 LYON,
France

(540)

BIODERMA

(591) Black and White

(511)

5 – Pharmaceutical and sanitary products; plasters, materials for dressings; disinfectants.

(260) AM 2016 82731 A

(800) 1252389

(891) 2014 12 10

(731) EGIS GYÓGYSZERGYÁR ZRT.

Keresztúri út 30-38, H-1106 Budapest,
Hungary

(540)

URYALOR

(511)
5 – Pharmaceutical preparations for human use.

(260) AM 2016 82732 A

(800) 1252390

(891) 2014 11 14

(731) SEPTONA INDUSTRIAL AND
COMMERCIAL SOCIETE ANONYME OF
PARAPHARMACEUTIC PRODUCTS
trading as SEPTONA S.A.
Inofita Viotias Thesi, GR-320 11 Lisias, Greece

(540)



(591) light blue, darker blue, white

(511)

3 – Cleaning preparations; baby wipes; make-up removing wipes; hand cleansing wipes; make-up removing cotton pads; make-up removing cotton balls; make-up removing lotion and cleansing milks; toiletries; dentifrices; body creams; bath foams.

5 – Pharmaceutical and sanitary preparations for medical use; pharmaceutical cotton wool; plasters and materials for dressings; adhesive strips; menstruation bandages for gynecological use; diapers for infants and babies; incontinence pads; adhesive bandages.

10 – Ear picks; waterproof incontinence bed pads; surgical drapes.

(260) AM 2016 82734 A

(800) 630696

(891) 2015 03 27

(731) SAS HAFI International AG
Herrengasse 1, FL-9490 Vaduz, Liechtenstein

(540)



(591) Black and White

(511)

6 – Common metals and their alloys; building materials of metal; transportable buildings of metal; materials of metal for railway tracks; non-electric cables and wires of metal; ironmongery and small items of metal hardware; pipes of metal; safes [strong boxes]; goods of common metal not included in other classes; ores.

7 – Machines and machine tools; motors and engines (other than for land vehicles); machine couplings and transmission components (other than for land

vehicles); agricultural implements; incubators for eggs.

9 – Scientific, nautical, surveying, electric, photographic, cinematographic, optical, weighing, measuring, signaling, checking (supervision), rescue (life-saving) and teaching apparatus and instruments; apparatus for recording, transmission or reproduction of sound or images; magnetic recording media, sound recording disks; automatic vending machines and mechanisms for coin-operated apparatus; cash registers, calculating machines, equipment for data processing and computers; extinguishers.

11 – Apparatus for lighting, heating, steam generating, cooking, refrigerating, drying, ventilating, water supply and sanitary purposes.

12 – Vehicles; apparatus for locomotion by land, air or water.

16 – Paper, cardboard and goods made from these materials, not included in other classes; printing products (printed matter); bookbinding material; photographs; stationery; adhesives (glues) for stationery or household purposes; artists' materials; paintbrushes; typewriters and office requisites (except furniture); instructional or teaching material (except apparatus); plastic materials for packaging (not included in other classes); playing cards; printing type; printing blocks.

17 – Rubber, gutta-percha, gum, asbestos, mica and goods made from these materials and not included in other classes; plastics in extruded form for use in manufacture; packing, stopping and insulating materials; flexible pipes not of metal.

18 – Leather and imitation leather, goods made of these materials not included in other classes; animal skins; trunks and suitcases; umbrellas, parasols and walking sticks; whips, harness and saddlery.

19 – Building materials, not of metal; non-metallic rigid pipes for building; asphalt, pitch and bitumen; transportable buildings not of metal; monuments not of metal.

20 – Furniture, mirrors, picture frames; goods, not included in other classes, of wood, cork, reed, cane, wicker, horn, bone, ivory, whalebone, shell, amber, mother-of-pearl, meerschaum and substitutes for all these materials, or of plastics.

24 – Fabrics and textile goods not included in other classes; bed and table covers.

25 – Clothing, footwear, headgear.

28 – Games, toys; gymnastic and sporting articles not included in other classes; decorations for Christmas trees.

29 – Meat, fish, poultry and game; meat extracts; preserved, dried and cooked fruits and vegetables; jellies, jams, compotes; eggs, milk and dairy products; edible oils and fats.

30 – Coffee, tea, cocoa, sugar, rice, tapioca, sago, artificial coffee; flours and preparations made from cereals, bread, pastry and confectionery, edible ices; honey, treacle; yeast, baking powder; salt, mustard; vinegar, sauces (condiments); spices; ice for refreshment.

31 – Agricultural, horticultural and forestry products and grains, not included in other classes; live animals; fresh fruits and vegetables; seeds, natural plants and flowers; foodstuffs for animals, malt.

32 – Beers; mineral and aerated waters and other non-alcoholic beverages; fruit beverages and fruit juices, syrups and other preparations for making beverages.

35 – Advertising; business management; business administration; office functions.

36 – Insurance underwriting; financial affairs; monetary affairs; real estate affairs.

37 – Construction; repair; installation services.

38 – Transmission of messages.

39 – Transport; storage information; packaging and storage of goods; travel arrangement.

41 – Education; entertainment.

42 – Legal services; copyright exploitation; destruction of waste and trash; updating of software; chemical analysis; analysis for oil-field exploitation; architecture; exhibition site management; rental of vending machines; construction consultation; rental of transportable buildings; security consultancy; intellectual property consultancy; professional consultancy (non-business); consultancy in the field of computers; oil prospecting; chemical research services; chemistry services; software development (design); rental of computer software; rental of access time to a database server center; programming for computers; computer rental; industrial design; dress designing; packaging design services; printing; lithographic printing; calibration (measuring); research and development of new products (for others); oil-well testing; oil-field surveys; geological research; physics research; bacteriological research services; genealogical research; cosmetic research; technical research services; mechanical research; geological surveys; geological prospecting; intellectual property licensing; surveying (engineering work); engineering (work provided by engineers); construction drafting; bacteriology; land surveying; rental of farming equipment; testing of materials; incineration of waste; exploitation of patents; technical project study; vermin exterminating (for agriculture); styling (industrial design); underwater operation; copyright management; aerial and surface spreading of fertilizers and other agricultural chemicals; videotaping; civil protection (guards).

(260) AM 2016 82737 A

(800) 686861

(891) 2015 03 20

(731) THE SMILEY COMPANY (SPRL)

16 rue des Trois Arbres, B-1180 Bruxelles, Belgium

(540)

SMILEY

(511)

34 – Smokers' articles not of precious metal, matches, match boxes not of precious metal, cigar and cigarette cases not of precious metal, lighters for smokers, ashtrays for smokers (not of precious metal), cigar cutters, cigar and cigarette cases not of precious metal, tobacco pipes, tobacco jars (not of precious metal).

(260) AM 2016 82741 A

(800) 1009958

(891) 2015 02 20

(731) NIDEC CORPORATION

338 Tonosiro-cho, Kuze, Minami-Ku, Kyoto-Shi, Kyoto 601-8205, Japan

(540)

Nidec

(591) Black and White

(511)

7 – Machines and machine tools; motors and engines (except for land vehicles); machine coupling and transmission components (except for land vehicles); agricultural implements other than hand-operated; incubators for eggs; automatic vending machines; elevators [lifts]; elevator operating apparatus; gears, other than for land vehicles; bearings [parts of machines]; control mechanisms for machines, engines or motors; painting machines; automatic stamping machines; adhesive dispensers [machines]; dispensers for painting [machines]; dispensers for use in manufacture of foods or beverages; dispensers for use in manufacture of semiconductors; dispensers for use in manufacture of solar cells; potters' wheels; generators of electricity; valves [parts of machines]; fans [parts of machines]; fans for motors and engines; presses [machines for industrial purposes]; blowers [parts of machines]; pumps [machines]; motors, other than for land vehicles; motors, electric, other than for land vehicles; motors for fans; metal-working machines; driving motors other than for land vehicles; gears, other than for land vehicles; motors with encoders, other than for land vehicles; electric motors for hard disc drives; automatic centering devices for use in manufacture of compressors; pumps for land vehicle engines; oil pumps for land vehicle engines; robots [machines]; actuators; drives for motors; winding machines; insulators [parts of motors]; vibrating motors; stepper motors;

servo motors; fan motors; gear motors; motors for pumps; motor driving units; brushless DC fans [parts of machines]; brushed electric motors [parts of machines]; turbo fans [parts of machines]; cooling fans for combustion engines; motors for drying apparatus and installations; fans for pumps; vacuum pumps [machines]; compressors [machines]; fans for compressors; electric valves; motors for generators of electricity; grinders for metal working; lathes; hydraulic presses; servo presses; air presses; air hydraulic presses; machines for transporting precision electronic components; electric drills; fans for electric drills; mining machines and apparatus; electric driving units for mining machines; diggers [machines]; construction machines and apparatus; mixing machines and apparatus; stirring machines and apparatus; power shovels; snow ploughs; loading and unloading machines; driving units for loading and unloading machines; cranes [lifting and hoisting apparatus]; motors for cranes; fans for cranes; lifts, other than ski-lifts; motors for lifts; motors for elevators; hoists; fans for elevators; safety devices for elevators; control mechanism for elevators; hoistway for elevators; elevator doors; escalators; control mechanism for escalators; conveying machines; conveying machines for semiconductor substrates; fans for conveying machines; scissor lifts; labellers [machines]; automatic assembly machines for use in the manufacturing process; automatic metal processing machines for use in the manufacturing process; automated machines for use in the manufacture of motors; automated machines for use in the manufacture of electric appliances; ultraviolet irradiation machines for use in the manufacture of motors; apparatus for use in insulating coatings of motors; lubricant dispensers [machines]; plungers for adhesive, lubricant or paint dispensers for machines; barrel caps for adhesive, lubricant or paint dispensers for machines; barrel covers for adhesive, lubricant or paint dispensers for machines; nozzles for adhesive, lubricant or paint dispensers for machines; needles for adhesive, lubricant or paint dispensers for machines; syringes for adhesive, lubricant or paint dispensers for machines; adaptors for adhesive, lubricant or paint dispensers for machines; machines for fastening threads; sowers [machines]; lawnmowers [machines]; fans for lawnmowers [machines]; liquid bearings; vending machines; fans for vending machines; centrifuges [machines]; fans for centrifuges [machines]; automatic sushi manufacturing machines; crushing machines for industrial purposes; lens manufacturing machines and apparatus; machines and apparatus for use in the manufacture of rubber products; machines and apparatus for use in processing of plastics; extrusion molding machines; semiconductor manufacturing machines and apparatus; wind-powered electricity generators; motors for wind-powered electricity generators; fans for wind-powered electricity generators; encoders for wind-

powered electricity generators; hydroelectric installations for generating electricity; nuclear power installations for generating electricity; power generating installations utilizing ocean energy; power generating installations utilizing biomass fuels; oil refining machines; well drilling machines; chemical processing machines and instruments; machines for the textile industry; yarn twisting machines; machines and apparatus for use in the manufacture of foods and beverages; food slicers; motors for food slicers; scallop drilling machines; woodworking machines; machine tools; papermaking machines; shredders [machines] for industrial use; bookbinding machines for industrial use; automated machines for use in the manufacture of paper; sewing machines; fans for sewing machines; power tools; packaging machines; coin packaging machines; agricultural machines; rice planting machines; fans for rice planting machines; milking machines; grain separating machines; machines and apparatus for treatment of drainage water; driving devices for machines and apparatus for treatment of drainage water; reduction gears other than for land vehicles; engines, other than for land vehicles; gearboxes other than for land vehicles; rice polishing machines; rice husking machines; spinning machines; fans for spinning machines; motors for sewing machines; knitting machines; apparatus for opening and closing automatic doors; fans for apparatus for opening and closing automatic doors; apparatus for opening and closing garage doors; apparatus for opening and closing platform doors; apparatus for opening and closing gates; apparatus for opening and closing floodgates; fans for apparatus for opening and closing floodgates; apparatus for opening and closing electric shutters; apparatus for opening and closing electric curtains; fans for apparatus for opening and closing electric curtains; control units for opening and closing electric blinds; control units for opening and closing windows; apparatus for transferring liquid crystal glass substrates; crushing machines; cutting machines; mixers [machines]; fans for mixers [machines]; electric juicers; fans for electric juicers; industrial robots; robots for transporting semiconductor wafers; apparatus for packaging electronic components on circuit boards; chip mounting machines; motors for multifunction printers; printing machines; transmissions for machines; handles for transmissions for machines; chain guides for transmissions for machines; chain tensioners for transmissions for machines; dieing machines; bottle capping machines; drive gears for camera zoom lenses; cams for machines; motors for optical disc drives for computers; electric driving systems for pipelines; motor drives; AC motor drives; DC motor drives; traction drives; motors for television sets; motors for video game machines; apparatus for dispensing pharmaceuticals; motors for apparatus for dispensing pharmaceuticals; infusion machines and instruments;

motors for infusion machines and instruments; pharmaceutical packaging machines; motors for medical dialysis machines; pumps for medical dialysis machines; reduction gears for CT scanners; motors for refrigerators or freezers; cooling fans for compressors; driving units for ice machines for refrigerators; vacuum cleaners; fans for vacuum cleaners; floor polishers; leaf blowers; fans for leaf blowers; cleaning robots; motors for cleaning robots; fans for cleaning robots; blowers for cleaning robots; floor polishers, electric; garbage disposals; motors for dish drying and washing machines; dish washing machines; pumps for dish washing machines; washing machines [laundry]; motors for washing machines [laundry]; fans for washing machines [laundry]; locking devices for lids of washing machines; driving units for drain valves of washing machines; food processors, electric; fans for food processors; motors for ovens for industrial use; motors for microwave ovens; motors for pumps for microwave ovens; motors for air conditioners; motors for fans for air conditioners; compressors for air conditioners; fans for compressors for air conditioners; motors for water heating installations; control mechanism for valves; units for driving flow control valves for water heating installations; pumps for circulation in tanks of water heating installations; pumps for water heating installations; motors for air conditioning apparatus; crank shafts; axels for machines; transmissions for machines; transaxles for machines; motors for cooling fans for automobile sheets; electric oil pumps for automobiles; valves for automobiles; heat exchangers [parts of machines]; ignition coils [parts of engines]; inserts for ignition coils [parts of engines]; power generators for ships; motors for ships; motors for platform gates; cigarette butt disposing machines; reduction gears for beds for medical purposes; motors for medical beds; motors for wheels for medical beds; motors for pumps for swimming pools; pumps for swimming pools; potter's wheels; potter's clay slab rollers; potter's clay kneading machines; pug mills [machines]; pot mill machines; placing boards for loading and unloading pallets of metal; molds [parts of machines]; parts and fittings for all the aforesaid goods.

9 – Scientific, nautical, surveying, photographic, cinematographic, optical, weighing, measuring, signalling, checking (supervision), life-saving and teaching apparatus and instruments; apparatus and instruments for conducting, switching, transforming, accumulating, regulating or controlling electricity; apparatus for recording, transmission or reproduction of sound or images; magnetic data carriers, recording discs; compact discs, DVDs and other digital recording media; mechanisms for coin-operated apparatus; cash registers, calculating machines, data processing equipment, computers; computer software; fire-extinguishing apparatus; attenuators; pressure sensors; control panels for elevators; encoders;

jigs [measuring instruments]; image processing apparatus; lenses for cameras; gauges; testing apparatus not for medical purposes; converters, electric; computer software; circuit breakers; cameras for vehicles; shutters [photography]; switches, electric; scanners [data processing equipment]; sensors; measuring apparatus; electronic timers; regulating apparatus, electric; electric and electronic control units for motors; systems for controlling motors; electric and electronic control units for valves; electrical and electronic control apparatus and instruments; hard disk drives; toner cartridges, unfilled, for printers and photocopiers; video surveillance cameras; potentiometers; radar apparatus; solenoid valves [electromagnetic switches]; automatic centering devices for use in manufacture of compressors; meters; motion sensors; readers [data processing equipment]; control valves for regulating hydraulic pressure of automobile engines; actuators; cell phone covers; coin identification sensors; optical sensors; electrical power supplies; electric and electronic control units for elevators; electric and electronic control units for escalators; electric control units for lifting cars; computer software for use in control and management of automation systems; inverters [electricity]; photovoltaic apparatus and installations for generating solar electricity; fans for photovoltaic apparatus and installations for generating solar electricity; rotary encoders for sewing machines; electronic controllers for robots; electronic control units for robots; air leak detectors; noisemeters; torque measuring apparatus; resistance measuring apparatus; inductance measuring apparatus; electric capacity meters; electric and magnetic meters; electric continuity testers; apparatus for inspecting semiconductors; apparatus for inspecting touch panels; inspection apparatus for industrial purposes; appearance inspection apparatus; cylindrical inner surface inspection apparatus; apparatus for inspecting printed circuit boards; insulation and continuity testers for printed circuit boards; jigs for inspecting printed circuit boards; apparatus for inspecting circuit boards; jigs for inspecting circuit boards; grain checking apparatus; short-circuit testers; jigs for testing short-circuit; jigs for testing electric continuity; input devices for computers; image analyzing devices; image inspecting devices; image processing devices; measuring apparatus for land vehicles; test probes; probes for testing semiconductors; probes for testing printed circuit boards; overcurrent protection elements; integrated circuits; circuit boards for controlling motors; circuit boards for driving motors; circuit protection devices; linear encoders for chip mounting machines; polygon laser scanners; plotters; multifunction printers; cooling fans for multifunction printers; printers for use with computers; cooling fans for computer printers; unfilled ink cartridges for computer printers; laser printers; 3-dimensional scanners; facsimile machines; projectors; fans for projectors; electric

contacts; power distribution or control machines and apparatus; rotary converters; phase modifiers; solar batteries; fuel cells; stroboscopes; pen recorders for use with measuring equipment; display panels for use with measuring equipment; digital counters; digital force gauges; analog force gauges; test stands; micrometers; displays for micrometers; digital torque meters; analog torque meters; tension meters; tachometers; trimmer potentiometers; semiconductor wafer bump inspection apparatus; detectors; occupant detection systems; manometers; thread gauges; limit gauges; pressure gauges; analogue force gauges; bill and coin counters; fans for bill and coin counters; apparatus for checking skin conditions; sensors for apparatus for checking skin conditions; digital still cameras; digital camcorders; motors for digital still cameras and camcorders; fans for cameras and camcorders; diaphragms [photography]; metal housings for digital still cameras and camcorders; lens barrels for cameras; finders for camcorders; video surveillance cameras; fans for video surveillance cameras; fans for hard disk drives; latch arms for hard disk drives; base plates for hard disk drives; covers for hard disk drives; hard disk recorders; fans for hard disk recorders; optical disk drives; fans for optical disk drives; data storage apparatus; optical disc recorders; motors for optical disc recorders; apparatus and instruments for astronomy; actuators for controlling mirrors of astronomical telescopes; fans for astronomical telescopes; telecommunication apparatus and machines; mobile telecommunication terminals; satellites for scientific purposes; fans for satellites; flash memory cards; testers for radio apparatus; radio apparatus and machines; telephone apparatus; mobile phones; smart phones; fans for mobile phones and smart phones; fans for mobile telecommunication terminals; mobile communication base stations; fans for mobile communication base stations; hubs, switches and routers for computer network; fans for hubs, switches and routers for computer network; computer servers; fans for computer servers; cooling fans for computer servers; broadcasting apparatus; antennas; fans for antennas; computers; motors for computers; fans for computers; cooling fans for central processing units for computers; computer peripheral devices; fans for computer peripheral devices; cooling fans for electric power supplies; fans for electric power supplies; rotary encoders; linear encoders; liquid leakage sensors; load cell sensors; optical lenses; wide-angle lenses; fish-eye lenses; apparatus for accumulating electricity; liquid emitting diode (LED) drivers; photograph developing apparatus; television sets; fans for television sets; gyro sensors; computer monitors; liquid crystal monitors; electronic display units; fire alarms; laboratory apparatus and instruments; laser marking apparatus; laser trimming apparatus; electronic machines and apparatus; apparatus for controlling electricity; electronic control units for trans-

mission systems; electronic control units for inspection systems; electrodes; slip rings [electric connectors]; automated teller machines [ATM]; cash registers; ticket dispensers; card issuing machines; card readers; fans for card readers; audio equipment; loudspeakers; encoders for medical dialysis machines; encoders for CT scanners; potentiometers for CT scanners; defrosting timers for refrigerators; magnets; ionization apparatus not for the treatment of air or water; fans for ionization apparatus not for the treatment of air or water; electric and electronic control units for valves; electric rivet contacts for relay switches; electronic control units for air bags for vehicles; control units for use in active mitigation brake systems of vehicles; control units for use in active damper systems for vehicles; control units for use in electric pre-tensioning systems for vehicles; control units for use in electric parking brake systems for vehicles; control units for use in electric power steering systems for vehicles; control units for use in vehicle stability assistance systems; control units for use in vehicle parking assistance systems; control units for use in lane keep assistance systems for vehicles; control units for use in anti-lock braking systems for vehicles; navigation apparatus for automobiles; fans for navigation apparatus for automobiles; audio players for automobiles; cooling fans for audio players for automobiles; rearview cameras for vehicles; fans for rearview cameras for vehicles; lens units for cameras for vehicles; cameras for use in white-line recognition for vehicles; electronic control units for vehicle braking systems; electronic control units for power steering systems for vehicles; electronic control units for suspension systems for vehicles; electronic control units for vehicles; electronic controllers for golf carts; battery chargers; coin detectors; parts and fittings for all the aforesaid goods.

11 – Apparatus for lighting, heating, steam generating, cooking, refrigerating, drying, ventilating, water supply and sanitary purposes; fans for air conditioning; dampers [heating]; kilns; electric radiators; drying apparatus and installations; fans for drying apparatus and installations; drying furnaces; water purifying apparatus; sewage filtering apparatus; melting furnaces; stoves; fans for stoves; lighting apparatus; light emitting diode lighting apparatus; ceiling fans; freezers; fans for refrigerators or freezers; refrigerators; refrigerant valves for refrigerators; dampers for refrigerators; ice machines and apparatus; ventilation machines; fans for ventilation machines; futon driers; fans for futon driers; dish drying machines; fans for dish drying machines; bath tubs; electric fans for personal use; internal cooling fans for electric fans; fan blades as parts of electric fans; toilet stool units with a washing water squirter; fans for toilet stool units with a washing water squirter; dampers as parts of toilet stool units; units for driving washing nozzles for toilets; units for driving

valves for toilets; clothes drying machines; fans for clothes drying machines; hand drying apparatus for washrooms; fans for hand drying apparatus for washrooms; steam facial apparatus; fans for steam facial apparatus; electric cooking utensils; cooling fans for electric cooking utensils; induction cookers; fans for induction cookers; ovens, other than for laboratory use; electric deep fryers; microwave ovens [cooking apparatus]; fans for microwave ovens; hoods for ranges; fans for hoods for ranges; air conditioners; fans for air conditioners; bread making machines; bread baking machines; fans for bread baking machines; air purifying apparatus and machines; fans for air purifying apparatus and machines; humidifiers; fans for humidifiers; dehumidifiers; fans for dehumidifiers; ionization apparatus for the treatment of air or water; fans for ionization apparatus for the treatment of air or water; scent diffusers; fans for scent diffusers; hair driers; fans for hair driers; electric rice cookers; fans for electric rice cookers; kettles, electric; fans for electric kettles; water heating installations; fans for water heating installations; electric coffee mills; electric coffee makers; fans for electric coffee makers; air conditioning apparatus; air heating and cooling apparatus; fans for air heating and cooking apparatus; underfloor heating apparatus; fans for underfloor heating apparatus; fan heaters; fans for fan heaters; heat exchangers, not parts of machines; air conditioning fans for use in runnels; air circulating fans for use in tunnels; kilns; electric kilns; parts and fittings for all the aforesaid goods.

12 – Vehicles; apparatus for locomotion by land, air or water; gearing for land vehicles; security harness for vehicle seats; motors for land vehicles; driving motors for land vehicles; gearing for land vehicles; brakes for vehicles; ropeways; driving systems for ropeways; fork lift trucks; motors for electric forklifts; lifting cars [lift cars]; pallet trucks; reduction gears for land vehicles; driving units for land vehicles; engines for land vehicles; gears for land vehicles; gearboxes for land vehicles; motors for land vehicles; electric motors for land vehicles; axels for vehicles; transmissions for vehicles; transaxles for vehicles; automobiles; motors for adjusting sheets for automobiles; motors for cooling engines for automobiles; motors for sunroofs for automobiles; fans for use in vehicles; cooling fans for automobile batteries; cooling fans for automobile sheets; cooling fans for automobile engines; mirrors for vehicles; fuel delivery pipes as parts of automobiles; actuators as parts of automobiles; bus bars for automobiles; vehicle seats; power steering units for land vehicles; anti-lock braking systems for vehicles; active mitigation braking systems for vehicles; air bags for vehicles; bicycles; motorcycles; fans for motorcycles; electric bicycles; fans for electric bicycles; electric wheelchairs; fans for electric wheelchairs; electric carts; golf carts; motors for golf carts; driving and control units for golf carts; airplanes; fans for

airplanes; helicopters; fans for helicopters; ships; fans for ships; railway cars; motors for railway cars; fans for railway cars; vehicles; parts and fittings for all the aforesaid goods.

(260) AM 2016 82742 A

(800) 1205567

(891) 2014 12 17

(731) Obshchestvo s ogranichennoy

otvetstvennostyu "KTM GRUPP"

kom. 131, pom.4, etazh 1, d.11A, ul.Pyreva,

RU-119285 Moscow, Russian Federation

(540)

ЭКОНОМОВЪ

(591) Black and White

(511)

8 – Hand tools and implements (hand-operated); cutlery; side arms, other than firearms; abrading instruments [hand instruments]; adzes [tools]; agricultural implements, hand-operated; annular screw plates; apparatus and instruments for skinning butcher's animals; apparatus and instruments for slaughtering butchers' animals; apparatus for tattooing; augers [hand tools]; awls; axes; bayonets; beard clippers; bill-hooks; bits [hand tools]; bits [parts of hand tools]; blades for planes; blades [hand tools]; blade sharpening instruments; blades [weapons]; border shears; borers; bow saws; braidiers [hand tools]; branding irons; breast drills; budding knives; can openers, non-electric; carpenters' augers; cattle shearers; cattle stunning appliances; caulking irons; centre punches [hand tools]; cheese slicers, non-electric; chisels; choppers [knives]; clamps for carpenters or coopers; cleavers; crimping irons; crow bars; curling tongs; cuticle tweezers; cutter bars; cutters; cutting bars; cutting tools [hand tools]; daggers; depilation appliances, electric and non-electric; dies [hand tools]; diggers [hand tools]; ditchers [hand tools]; drawing knives; drill holders [hand tools]; drills; ear-piercing apparatus; earth rammers [hand tools]; edge tools [hand tools]; egg slicers, non-electric; embossers [hand tools]; emery grinding wheels; engraving needles; expanders [hand tools]; extension pieces for braces for screw taps; eyelash curlers; farriers' knives; files [tools]; fingernail polishers, electric or non-electric; fire irons; fireplace bellows [hand tools]; flat irons; forks; foundry ladles [hand tools]; frames for handsaws; fruit pickers [hand tools]; fullers [hand tools]; fulling tools [hand tools]; garden tools, hand-operated; gimlets [hand tools]; glaziers' diamonds [parts of hand tools]; goffering irons; gouges [hand tools]; grafting tools [hand tools]; graving tools [hand tools]; grindstones [hand tools]; guns, hand-operated, for the extrusion of mastics; guns [hand tools]; hackles [hand tools]; hainault scythes; hair clippers for animals [hand instruments]; hair clippers for personal use, electric and

non-electric; hair-removing tweezers; hammers [hand tools]; hand drills [hand tools]; hand implements for hair curling; hand pumps; hand tools, hand-operated; harpoons; harpoons for fishing; hatchets; hoes [hand tools]; holing axes; hollowing bits [parts of hand tools]; hoop cutters [hand tools]; hunting knives; ice picks; implements for decanting liquids [hand tools]; insecticide sprayers [hand tools]; instruments and tools for skinning animals; instruments for punching tickets; irons [non-electric hand tools]; jig-saws; knives; ladles for wine; ladles [hand tools]; lasts [shoemakers' hand tools]; lawn clippers [hand instruments]; leather strops; levers; lifting jacks, hand-operated; livestock marking tools; machetes; mallets [hand instruments]; manicure sets; manicure sets, electric; marline spikes; masons' hammers; mattocks; milling cutters [hand tools]; mincing knives [hand tools]; mitre boxes [hand tools]; molding irons; money scoops; mortars for pounding; mortise chisels; nail clippers, electric or non-electric; nail drawers [hand tools]; nail extractors; nail files; nail files, electric; nail nippers; nail punches; needle files; needle-threaders; numbering punches; nutcrackers; oyster openers; palette knives; paring irons [hand tools]; paring knives; pedicure sets; penknives; perforating tools [hand tools]; pestles for pounding; pickaxes; pickhammers; picks [hand tools]; pin punches; pizza cutters, non-electric; plane irons; planes; plant parasite killing apparatus; pliers; polishing irons [glazing tools]; priming irons [hand tools]; pruning knives; pruning shears; punches [hand tools]; punch pliers [hand tools]; punch rings [knuckle dusters]; rabbeting planes; rakes [hand tools]; rams [hand tools]; ratchets [hand tools]; razor blades; razor cases; razors, electric or non-electric; razor strops; reamers; reamer sockets; riveters [hand tools]; riveting hammers [hand tools]; sabres; sand trap rakes; saw blades [parts of hand tools]; saw holders; saws [hand tools]; scaling knives; scissors; scrapers [hand tools]; scraping tools [hand tools]; screwdrivers; scythe rings; scythes; scythe stones; secateurs; sharpening instruments; sharpening steels; sharpening stones; shaving cases; shear blades; shearers [hand instruments]; shears; shovels [hand tools]; sickles; silver plate [knives, forks and spoons]; sledgehammers; spades [hand tools]; spanners [hand tools]; spatulas [hand tools]; spoons; squares [hand tools]; stamping-out tools [hand tools]; stone hammers; stretchers for wire and metal bands [hand tools]; stropping instruments; sugar tongs; swords; sword scabbards; syringes for spraying insecticides; table cutlery [knives, forks and spoons]; table forks; taps [hand tools]; tap wrenches; thistle extirpators [hand tools]; tongs; tool belts [holders]; tree pruners; trowels; trowels [gardening]; truncheons; tube cutters [hand tools]; tube cutting instruments; tweezers; vegetable choppers; vegetable shredders; vices; weeding forks [hand tools]; whetstone holders; wick trimmers [scissors].

9 – Scientific, nautical, surveying, photographic, cinematographic, optical, weighing, measuring, signalling, checking (supervision), life-saving and teaching apparatus and instruments; apparatus and instruments for conducting, switching, transforming, accumulating, regulating or controlling electricity; apparatus for recording, transmission or reproduction of sound or images; magnetic data carriers, recording discs; compact discs, DVDs and other digital recording media; mechanisms for coin-operated apparatus; cash registers, calculating machines, data processing equipment, computers; computer software; fire-extinguishing apparatus; abacuses; accumulators, electric; accumulators, electric, for vehicles; acid hydrometers; acidimeters for batteries; acoustic conduits; acoustic couplers; acoustic [sound] alarms; actinometers; adding machines; aerometers; air analysis apparatus; alarm bells, electric; alarms; alcoholmeters; alidades; altimeters; ammeters; amplifiers; amplifying tubes; anemometers; animated cartoons; anode batteries; anodes; answering machines; antennas; anticathodes; anti-glare glasses; anti-glare visors; anti-interference devices [electricity]; anti-theft warning apparatus; apertometers [optics]; apparatus and installations for the production of X-rays, not for medical purposes; apparatus and instruments for astronomy; apparatus and instruments for physics; apparatus for changing record player needles; apparatus for fermentation [laboratory apparatus]; apparatus for measuring the thickness of skins; apparatus to check franking; appliances for measuring the thickness of leather; armatures [electricity]; asbestos clothing for protection against fire; asbestos gloves for protection against accidents; asbestos screens for firemen; audio- and video-receivers; audiovisual teaching apparatus; automated teller machines [ATM]; automatic indicators of low pressure in vehicle tires [tyres]; azimuth instruments; balances [steelyards]; balancing apparatus; bar code readers; barometers; batteries, electric; batteries for lighting; battery boxes; battery chargers; battery jars; beacons, luminous; bells [warning devices]; betatrons; binoculars; blueprint apparatus; boiler control instruments; branch boxes [electricity]; breathing apparatus, except for artificial respiration; breathing apparatus for underwater swimming; bullet-proof waistcoats; buzzers; cabinets for loudspeakers; cables, electric; calculating disks; calculating machines; calibrating rings; calipers; camcorders; cameras [photography]; capillary tubes; carpenters' rules; carriers for dark plates [photography]; cases especially made for photographic apparatus and instruments; cases fitted with dissecting instruments [microscopy]; cash registers; cassette players; cathodes; cathodic anti-corrosion apparatus; cell switches [electricity]; centering apparatus for photographic transparencies; chargers for electric batteries; chemistry apparatus and instruments; chips [integrated circuits]; choking coils [impedance]; chromatography

apparatus for laboratory use; chronographs [time recording apparatus]; cinematographic cameras; cinematographic film, exposed; circuit breakers; circuit closers; cleaning apparatus for sound recording discs; clothing especially made for laboratories; clothing for protection against accidents, irradiation and fire; clothing for protection against fire; coaxial cables; coils, electric; coin-operated mechanisms for television sets; coin-operated musical automata [juke boxes]; collectors, electric; commutators; compact disc players; compact discs [audio-video]; compact discs [read-only memory]; comparators; compasses [measuring instruments]; computer game software; computer keyboards; computer memory devices; computer operating programs, recorded; computer peripheral devices; computer programmes [programs], recorded; computer programs [downloadable software]; computers; computer software, recorded; condensers [capacitors]; conductors, electric; connections for electric lines; connectors [electricity]; contact lenses; contacts, electric; containers for contact lenses; containers for microscope slides; control panels [electricity]; converters, electric; copper wire, insulated; correcting lenses [optics]; cosmographic instruments; counterfeit [false] coin detectors; counters; couplers [data processing equipment]; couplings, electric; covers for electric outlets; crucibles [laboratory]; current rectifiers; cyclotrons; darkroom lamps [photography]; darkrooms [photography]; data processing apparatus; decompression chambers; decorative magnets; demagnetizing apparatus for magnetic tapes; densimeters; densitometers; detectors; diagnostic apparatus, not for medical purposes; diaphragms [acoustics]; diaphragms for scientific apparatus; diaphragms [photography]; dictating machines; diffraction apparatus [microscopy]; digital photo frames; directional compasses; discharge tubes, electric, other than for lighting; disk drives for computers; disks, magnetic; distance measuring apparatus; distance recording apparatus; distillation apparatus for scientific purposes; distribution boards [electricity]; distribution boxes [electricity]; distribution consoles [electricity]; divers' masks; diving suits; DNA chips; dog whistles; dosage dispensers; drainers for use in photography; dressmakers' measures; drying apparatus for photographic prints; drying racks [photography]; ducts [electricity]; DVD players; dynamometers; ear plugs for divers; editing appliances for cinematographic films; egg-candlers; egg timers [sandglasses]; electric apparatus for commutation; electric door bells; electric installations for the remote control of industrial operations; electricity conduits; electric loss indicators; electrified fences; electrified rails for mounting spot lights; electro-dynamic apparatus for the remote control of railway points; electro-dynamic apparatus for the remote control of signals; electrolyzers; electromagnetic coils; electronic agendas; electronic notice boards; electronic pens [visual display units]; elec-

tronic pocket translators; electronic publications, downloadable; electronic tags for goods; encoded identification bracelets, magnetic; encoded magnetic cards; enlarging apparatus [photography]; epidiascopes; ergometers; exposure meters [light meters]; eyeglass chains; eyeglass cords; eyeglass frames; eyepieces; facsimile machines; fibre [fiber (Am.)] optic cables; film cutting apparatus; films, exposed; filters for respiratory masks; filters for ultraviolet rays, for photography; filters [photography]; fire alarms; fire beaters; fire blankets; fire boats; fire engines; fire escapes; fire extinguishers; fire hose nozzles; fire pumps; flash-bulbs [photography]; flashing lights [luminous signals]; flashlights [photography]; floppy disks; fluorescent screens; fog signals, non-explosive; food analysis apparatus; frames for photographic transparencies; frequency meters; furnaces for laboratory use; furniture especially made for laboratories; fuses; fuse wire; galena crystals [detectors]; galvanic batteries; galvanic cells; galvanometers; garments for protection against fire; gasoline gauges; gasometers [measuring instruments]; gas testing instruments; gauges; glass covered with an electrical conductor; glazing apparatus for photographic prints; Global Positioning System [GPS] apparatus; gloves for divers; gloves for protection against accidents; gloves for protection against X-rays for industrial purposes; goggles for sports; grids for batteries; hands free kits for phones; head cleaning tapes [recording]; headphones; heat regulating apparatus; heliographic apparatus; hemline markers; high-frequency apparatus; holders for electric coils; holograms; horns for loudspeakers; hydrometers; hygrometers; identification sheaths for electric wires; identification threads for electric wires; identity cards, magnetic; igniting apparatus, electric, for igniting at a distance; incubators for bacteria culture; inductors [electricity]; instruments containing eyepieces; integrated circuit cards [smart cards]; integrated circuits; intercommunication apparatus; interfaces for computers; inverters [electricity]; invoicing machines; ionization apparatus not for the treatment of air or water; jigs [measuring instruments]; juke boxes for computers; junction boxes [electricity]; junction sleeves for electric cables; kilometer recorders for vehicles; knee-pads for workers; laboratory trays; lactodensimeters; lactometers; laptop computers; lasers, not for medical purposes; lenses for astrophotography; lens hoods; letter scales; levelling instruments; levelling staffs [surveying instruments]; levels [instruments for determining the horizontal]; life belts; life buoys; life jackets; life saving apparatus and equipment; life-saving rafts; light dimmers [regulators], electric; light-emitting diodes [LED]; light-emitting electronic pointers; lighting ballasts; lighting conductors [rods]; limiters [electricity]; locks, electric; logs [measuring instruments]; loudspeakers; magic lanterns; magnetic data media; magnetic encoders; magnetic tapes; magnetic tape units

for computers; magnetic wires; magnets; magnifying glasses [optics]; marine compasses; marine depth finders; marking buoys; marking gauges [joinery]; masts for wireless aerials; materials for electricity mains [wires, cables]; material testing instruments and machines; mathematical instruments; measures; measuring apparatus; measuring devices, electric; measuring glassware; measuring instruments; measuring spoons; mechanical signs; mechanisms for counter-operated apparatus; megaphones; mercury levels; metal detectors for industrial or military purposes; meteorological balloons; meteorological instruments; metronomes; micrometers; micrometer screws for optical instruments; microphones; microprocessors; microscopes; microtomes; mirrors for inspecting work; mirrors [optics]; modems; money counting and sorting machines; monitoring apparatus, electric; monitors [computer hardware]; monitors [computer programs]; mouse [data processing equipment]; mouse pads; nautical apparatus and instruments; naval signalling apparatus; navigational instruments; navigation apparatus for vehicles [on-board computers]; needles for record players; neon signs; nets for protection against accidents; nose clips for divers and swimmers; notebook computers; objectives [lenses] [optics]; observation instruments; octants; ohmmeters; optical apparatus and instruments; optical character readers; optical condensers; optical data media; optical discs; optical fibers [fibres] [light conducting filaments]; optical glass; optical goods; optical lamps; optical lenses; oscillographs; oxygen transvasing apparatus; ozonisers [ozonators]; parking meters; particle accelerators; pedometers; peepholes [magnifying lenses] for doors; periscopes; personal stereos; photocopiers [photographic, electrostatic, thermic]; photometers; phototelegraphy apparatus; photovoltaic cells; pince-nez; pince-nez cases; pipettes; plane tables [surveying instruments]; planimeters; plates for batteries; plotters; plumb bobs; plumb lines; pocket calculators; polarimeters; portable telephones; precision balances; precision measuring apparatus; pressure gauges; pressure indicator plugs for valves; pressure indicators; pressure measuring apparatus; printed circuits; printers for use with computers; prisms [optics]; probes for scientific purposes; processors [central processing units]; projection apparatus; projection screens; protection devices against X-rays, not for medical purposes; protection devices for personal use against accidents; protective helmets; protective helmets for sports; protective masks; protective suits for aviators; protractors [measuring instruments]; punched card machines for offices; push buttons for bells; pyrometers; quantity indicators; radar apparatus; radiological apparatus for industrial purposes; radiology screens for industrial purposes; radio pagers; radios; radiotelegraphy sets; radiotelephony sets; railway traffic safety appliances; range finders; readers [data processing equipment]; record players;

reflecting discs for wear, for the prevention of traffic accidents; refractometers; refractors; regulating apparatus, electric; relays, electric; remote control apparatus; resistances, electric; respirators for filtering air; respiratory masks, other than for artificial respiration; resuscitation mannequins [teaching apparatus]; retorts; retorts' stands; revolution counters; rheostats; riding helmets; road signs, luminous or mechanical; rods for water diviners; rulers [measuring instruments]; rules [measuring instruments]; saccharometers; safety nets; safety restraints, other than for vehicle seats and sports equipment; safety tarpaulins; salinometers; satellite navigational apparatus; satellites for scientific purposes; scales; scanners [data processing equipment]; screens for photoengraving; screens [photography]; screw-tapping gauges; semiconductors; sextants; sheaths for electric cables; shoes for protection against accidents, irradiation and fire; shutter releases [photography]; shutters [photography]; sighting telescopes for firearms; signal bells; signal lanterns; signalling buoys; signalling panels, luminous or mechanical; signalling whistles; signals, luminous or mechanical; signs, luminous; simulators for the steering and control of vehicles; sirens; slide calipers; slide projectors; slide-rules; slope indicators; smoke detectors; sockets, plugs and other contacts [electric connections]; socks, electrically heated; solar batteries; solderers' helmets; solenoid valves [electromagnetic switches]; sonars; sounding apparatus and machines; sounding leads; sounding lines; sound locating instruments; sound recording apparatus; sound recording carriers; sound recording discs; sound recording strips; sound reproduction apparatus; sound transmitting apparatus; spark-guards; speaking tubes; spectacle cases; spectacle frames; spectacle lenses; spectacles [optics]; spectrograph apparatus; spectroscopes; speed checking apparatus for vehicles; speed indicators; speed measuring apparatus [photography]; speed regulators for record players; spherometers; spirit levels; spools [photography]; sprinkler systems for fire protection; stage lighting regulators; stands for photographic apparatus; starter cables for motors; steering apparatus, automatic, for vehicles; step-up transformers; stereoscopes; stereoscopic apparatus; stills for laboratory experiments; sulphitometers; sunglasses; surveying apparatus and instruments; surveying chains; surveying instruments; surveyors' levels; switchboards; switchboxes [electricity]; switches, electric; tachometers; tape recorders; taximeters; teaching apparatus; teeth protectors; telegraphs [apparatus]; telegraph wires; telephone apparatus; telephone receivers; telephone transmitters; telephone wires; teleprinters; teleprompters; telerupters; telescopes; television apparatus; temperature indicator labels, not for medical purposes; temperature indicators; terminals [electricity]; testing apparatus not for medical purposes; test tubes; theft prevention installations, electric; thermio-

nic tubes; theodolites; thermometers, not for medical purposes; thermostats; thermostats for vehicles; thread counters; ticket dispensers; time clocks [time recording devices]; time recording apparatus; time switches, automatic; tone arms for record players; totalizers; traffic cones; traffic-light apparatus [signalling devices]; transformers [electricity]; transistors [electronic]; transmitters of electronic signals; transmitters [telecommunication]; transmitting sets [telecommunication]; transparencies [photography]; transponders; triodes; tripods for cameras; urinometers; USB flash drives; vacuum gauges; vacuum tubes [radio]; variometers; vehicle breakdown warning triangles; vehicle radios; verniers; video cassettes; video game cartridges; video recorders; video screens; videotapes; video telephones; viewfinders, photographic; viscosimeters; voltage regulators for vehicles; voltage surge protectors; voltmeters; voting machines; wafers for integrated circuits; walkie-talkies; washing trays [photography]; water level indicators; wavemeters; weighbridges; weighing apparatus and instruments; weighing machines; weights; whistle alarms; wind socks for indicating wind direction; wire connectors [electricity]; wires, electric; workmen's protective face-shields; wrist rests for use with computers; X-ray apparatus not for medical purposes; X-ray films, exposed; X-ray photographs, other than for medical purposes; X-ray tubes not for medical purposes.

11 – Apparatus for lighting, heating, steam generating, cooking, refrigerating, drying, ventilating, water supply and sanitary purposes; acetylene burners; acetylene flares; acetylene generators; air conditioners for vehicles; air conditioning apparatus; air conditioning installations; air cooling apparatus; air deodorising apparatus; air dryers; air filtering installations; air purifying apparatus and machines; air reheaters; air sterilisers; air valves for steam heating installations; alcohol burners; anti-dazzle devices for automobiles [lamp fittings]; anti-glare devices for vehicles [lamp fittings]; anti-splash tap nozzles; apparatus for dehydrating food waste; aquarium filtration apparatus; aquarium heaters; aquarium lights; arc lamps; ash conveyor installations, automatic; bakers' ovens; barbecues; bath fittings; bath installations; bath linings; bath tubs; bedwarmers; bath tubs for sitz baths; beverage cooling apparatus; bicycle lights; bidets; blankets, electric, not for medical purposes; boiler pipes [tubes] for heating installations; boilers, other than parts of machines; brackets for gas burners; bread toasters; burners; carbon for arc lamps; burners for lamps; ceiling lights; central heating radiators; chandeliers; chimney blowers; chimney flues; Chinese lanterns; chromatography apparatus for industrial purposes; clean chambers [sanitary installations]; coffee filters, electric; coffee machines, electric; coffee percolators, electric; coffee roasters; coils [parts of distilling, heating or cooling installations]; cookers; cooking apparatus and installa-

tions; cooking rings; cooking utensils, electric; coolers for furnaces; cooling appliances and installations; cooling installations and machines; cooling installations for liquids; cooling installations for tobacco; cooling installations for water; curling lamps; dampers [heating]; cycle lights; deep fryers, electric; defrosters for vehicles; dental ovens; deodorising apparatus, not for personal use; desalination plants; desiccating apparatus; discharge tubes, electric, for lighting; disinfectant apparatus; disinfectant dispensers for toilets; disposable sterilization pouches; distillation apparatus; distillation columns; diving lights; drip irrigation emitters [irrigation fittings]; drying apparatus and installations; drying apparatus for fodder and forage; electrically heated carpets; electric appliances for making yogurt; electric fans for personal use; electric lamps; electric lights for Christmas trees; evaporators; expansion tanks for central heating installations; extractor hoods for kitchens; fans [air-conditioning]; fans [parts of air-conditioning installations]; feeding apparatus for heating boilers; filaments for electric lamps; filters for air conditioning; filters for drinking water; filters [parts of household or industrial installations]; fireplaces, domestic; fittings, shaped, for ovens; flares; flare stacks for use in the oil industry; flues for heating boilers; flushing tanks; footmuffs, electrically heated; footwarmers, electric or non-electric; forges, portable; fountains; freezers; friction lighters for igniting gas; fruit roasters; fuel economizers; fumigation apparatus, not for medical purposes; furnace ash boxes; furnace grates; furnaces, other than for laboratory use; gas boilers; gas burners; gas condensers, other than parts of machines; gas lamps; gas lighters; gas scrubbers [parts of gas installations]; gas scrubbing apparatus; germicidal burners; germicidal lamps for purifying air; glue-heating appliances; grills [cooking appliances]; hair dryers; hand drying apparatus for washrooms; headlights for automobiles; hearths; heat accumulators; heaters, electric, for feeding bottles; heaters for baths; heaters for heating irons; heaters for vehicles; heat exchangers, not parts of machines; heating apparatus; heating apparatus, electric; heating apparatus for defrosting windows of vehicles; heating apparatus for solid, liquid or gaseous fuels; heating boilers; heating cushions [pads], electric, not for medical purposes; heating elements; heating filaments, electric; heating installations; heating plates; heat pumps; heat regenerators; hot air apparatus; hot air bath fittings; hot air ovens; hot plates; hot water bottles; hot water heating installations; humidifiers for central heating radiators; hydrants; ice boxes; ice machines and apparatus; immersion heaters; incandescent burners; incinerators; installations for processing nuclear fuel and nuclear moderating material; ionization apparatus for the treatment of air or water; kettles, electric; kiln furniture [supports]; kilns; kitchen ranges [ovens]; laboratory burners;

laboratory lamps; lamp chimneys; lamp glasses; lamp globes; lamp mantles; lamp reflectors; lamps; lamps for directional signals of automobiles; lampshade holders; lamp shades; lanterns for lighting; laundry dryers, electric; laundry room boilers; lava rocks for use in barbecue grills; level controlling valves in tanks; light bulbs; light bulbs, electric; light bulbs for directional signals for vehicles; light diffusers; light-emitting diodes [LED] lighting apparatus; lighting apparatus and installations; lighting apparatus for vehicles; lighting installations for air vehicles; lights for automobiles; lights for vehicles; loading apparatus for furnaces; luminous house numbers; luminous tubes for lighting; magnesium filaments for lighting; malt roasters; microwave ovens [cooking apparatus]; microwave ovens for industrial purposes; milk cooling installations; miners' lamps; mixer taps for water pipes; nuclear reactors; oil burners; oil lamps; oil-scrubbing apparatus; ornamental fountains; oven fittings made of fireclay; oxhydrogen burners; pasteurisers; petrol burners; pipes [parts of sanitary installations]; plate warmers; pocket torches, electric; pocket warmers; polymerisation installations; pressure cookers [autoclaves], electric; pressure cooking saucepans, electric; pressure water tanks; projector lamps; purification installations for sewage; radiator caps; radiators, electric; radiators [heating]; refining towers for distillation; refrigerating machines; refrigerating appliances and installations; refrigerating cabinets; refrigerating chambers; refrigerating containers; refrigerating display cabinets [display cases]; refrigerators; regulating accessories for water or gas apparatus and pipes; regulating and safety accessories for gas apparatus; regulating and safety accessories for gas pipes; regulating and safety accessories for water apparatus; roasters; roasting jacks; roasting spits; rotisseries; safety accessories for water or gas apparatus and pipes; safety lamps; sanitary apparatus and installations; sauna bath installations; shower cubicles; showers; sinks; sockets for electric lights; solar furnaces; solar thermal collectors [heating]; spa baths [vessels]; steam accumulators; steam boilers, other than parts of machines; steam facial apparatus [saunas]; steam generating installations; sterilizers; stills; stoves; stoves [heating apparatus]; street lamps; structural plates for ovens; swimming pool chlorinating apparatus; tanning apparatus [sun beds]; taps [cocks, spigots] for pipes; taps [faucets]; thermostatic valves [parts of heating installations]; tobacco roasters; toilet bowls; toilet seats; toilets, portable; toilets [water-closets]; torches for lighting; Turkish bath cabinets, portable; ultraviolet ray lamps, not for medical purposes; urinals [sanitary fixtures]; vehicle headlights; vehicle reflectors; ventilation [air-conditioning] installations and apparatus; ventilation [air-conditioning] installations for vehicles; ventilation hoods; ventilation hoods for laboratories; waffle irons, electric; warming pans; washers for

water taps; wash-hand basins [parts of sanitary installations]; water conduits installations; water distribution installations; water filtering apparatus; water flushing installations; water heaters; water heaters [apparatus]; watering installations, automatic; watering machines for agricultural purposes; water intake apparatus; water purification installations; water purifying apparatus and water sterilizers; water supply installations; whirlpool-jet apparatus.

21 – Household or kitchen utensils and containers; combs; sponges for household purposes; brushes (except paint brushes); brush-making materials; articles for cleaning purposes; steelwool; unworked or semi-worked glass (except glass used in building); glassware, porcelain and earthenware not included in other classes; abrasive pads for kitchen purposes; abrasive sponges for scrubbing the skin; aerosol dispensers, not for medical purposes; animal bristles [brushware]; apparatus for wax-polishing, non-electric; aquarium hoods; baby baths, portable; baking mats; basins [receptacles]; baskets for domestic use; basting spoons, for kitchen use; beaters, non-electric; beer mugs; bird baths; birdcages; blenders, non-electric, for household purposes; bootjacks; boot trees [stretchers]; bottle openers; bottles; bowls [basins]; boxes for dispensing paper towels; boxes of glass; bread baskets, domestic; bread bins; bread boards; brooms; brushes; brushes for cleaning tanks and containers; brushes for footwear; brush goods; buckets; buckets made of woven fabrics; busts of porcelain, ceramic, earthenware or glass; butter-dish covers; butter dishes; buttonhooks; cabarets [trays]; cages for household pets; cake molds [moulds]; candelabra [candlesticks]; candle extinguishers; candle rings; candy boxes; carpet beaters [hand instruments]; carpet sweepers; cauldrons; ceramics for household purposes; chamber pots; chamois leather for cleaning; cheese-dish covers; china ornaments; chopsticks; cinder sifters [household utensils]; cleaning instruments, hand-operated; cleaning tow; closures for pot lids; clothes-pegs; clothes racks, for drying; cloth for washing floors; clothing stretchers; cloths for cleaning; coasters, not of paper and other than table linen; cocktail stirrers; coffee filters, non-electric; coffee grinders, hand-operated; coffee percolators, non-electric; coffeepots, non-electric; coffee services [tableware]; comb cases; combs for animals; confectioners' decorating bags [pastry bags]; containers for household or kitchen use; cookery molds [moulds]; cookie [biscuit] cutters; cookie jars; cooking pots; cooking pot sets; cooking skewers of metal; cooking utensils, non-electric; coolers [ice pails]; corkscrews; cosmetic utensils; cotton waste for cleaning; covers, not of paper, for flower pots; cruets; cruet sets for oil and vinegar; crumb trays; crystal [glassware]; cups; cups of paper or plastic; currycombs; cutting boards for the kitchen; decanters; deep fryers, non-electric; demijohns; deodorising apparatus for personal use; dish covers; dishes;

dishwashing brushes; disposable table plates; drinking flasks for travellers; drinking glasses; drinking horns; drinking troughs; drinking vessels; drying racks for washing; dusting apparatus, non-electric; dusting cloths [rags]; earthenware; earthenware saucepans; egg cups; electric brushes, except parts of machines; electric combs; electric devices for attracting and killing insects; enamelled glass; epergnes; eyebrow brushes; feather-dusters; feeding troughs; fiberglass other than for insulation or textile use; fiberglass thread, not for textile use; figurines [statuettes] of porcelain, ceramic, earthenware or glass; fitted picnic baskets, including dishes; flat-iron stands; floss for dental purposes; flower pots; fly swatters; food cooling devices, containing heat exchange fluids, for household purposes; fruit cups; fruit presses, non-electric, for household purposes; frying pans; funnels; furniture dusters; fused silica [semi-worked product], other than for building; gardening gloves; garlic presses [kitchen utensils]; glass bowls; glass bulbs [receptacles]; glass flasks [containers]; glass for vehicle windows [semi-finished product]; glass incorporating fine electrical conductors; glass jars [carboys]; glasses [receptacles]; glass stoppers; glass, unworked or semi-worked, except building glass; glass wool other than for insulation; gloves for household purposes; glove stretchers; glue-pots; graters [household utensils]; grills [cooking utensils]; grill supports; hair for brushes; heaters for feeding bottles, non-electric; heat-insulated containers; heat insulated containers for beverages; holders for flowers and plants [flower arranging]; horse brushes; hot pots, not electrically heated; ice cube molds [moulds]; indoor aquaria; indoor terrariums [plant cultivation]; indoor terrariums [vivariums]; insect traps; insulating flasks; ironing board covers, shaped; ironing boards; isothermic bags; kettles, non-electric; kitchen containers; kitchen utensils; knife rests for the table; lamp-glass brushes; large-toothed combs for the hair; lazy susans; liqueur sets; litter boxes [trays] for pets; lunch boxes; majolica; make-up removing appliances; mangers for animals; material for brush-making; menu card holders; mess-tins; mills for domestic purposes, hand-operated; mixers, manual [cocktail shakers]; mixing machines, non-electric, for household purposes; mixing spoons [kitchen utensils]; molds [kitchen utensils]; mops; mop wringers; mosaics of glass, not for building; mouse traps; mugs; nail brushes; napkin holders; napkin rings; nest eggs, artificial; non-electric portable coldboxes; noodle machines, hand-operated; nozzles for sprinkler hose; nozzles for watering cans; opal glass; opaline glass; painted glassware; paper plates; pastry cutters; pepper mills, hand-operated; pepper pots; perfume burners; perfume vaporizers; pie servers; pig bristles; piggy banks; pipettes [wine-tasters]; pitchers; plate glass [raw material]; plates to prevent milk boiling over; plungers for clearing blocked drains; polishing apparatus

and machines, for household purposes, non-electric; polishing gloves; polishing leather; polishing materials for making shiny, except preparations, paper and stone; porcelain ware; pot lids; pots; pottery; poultry rings; powder compacts; powdered glass for decoration; powder puffs; pressure cookers [autoclaves], non-electric; rat traps; refrigerating bottles; rings for birds; rolling pins, domestic; salad bowls; salt cellars; saucepan scourers of metal; saucers; scoops [tableware]; scouring pads; scrubbing brushes; services [dishes]; shaving brushes; shaving brush stands; shoe horns; shoe trees [stretchers]; sieves [household utensils]; sifters [household utensils]; signboards of porcelain or glass; siphons for carbonated water; smoke absorbers for household purposes; soap boxes; soap dispensers; soap holders; soup bowls; spatulas [kitchen utensils]; spice sets; sponge holders; spouts; sprinklers; statues of porcelain, ceramic, earthenware or glass; steel wool for cleaning; stew-pans; strainers; strainers for household purposes; sugar bowls; syringes for watering flowers and plants; table plates; tableware, other than knives, forks and spoons; tankards; tar-brushes, long handled; tea caddies; tea infusers; teapots; tea services [tableware]; tea strainers; thermally insulated containers for food; tie presses; toilet brushes; toilet cases; toilet paper dispensers; toilet paper holders; toilet sponges; toilet utensils; toothbrushes; toothbrushes, electric; toothpick holders; toothpicks; towel rails and rings; trash cans; trays for domestic purposes; trays for domestic purposes, of paper; trivets [table utensils]; trouser presses; utensils for household purposes; vases; vegetable dishes; vessels of metal for making ices and iced drinks; vitreous silica fibers [fibres], not for textile use; waffle irons, non-electric; washing boards; washtubs; water apparatus for cleaning teeth and gums; watering cans; watering devices; wax-polishing appliances, non-electric, for shoes; whisks, non-electric, for household purposes; wool waste for cleaning; works of art of porcelain, ceramic, earthenware or glass.

(260) AM 2016 82747 A

(800) 1251705

(891) 2015 03 20

(731) LIMITED LIABILITY COMPANY

"KULTURA RUSSKOGO ZASTOLJA"

pereulok Sechenovskij, d. 6, str. 3, RU-119034

Moscow, Russian Federation

(540)

Borshevka

(591) Black-white

(511)

33 – Pre-mixed alcoholic beverages, other than beer-based; alcoholic beverages, except beer; spirits [beverages]; mead [hydromel]; peppermint liqueurs; liqueurs; vodka; bitters; sweet liqueurs.

(260) AM 2016 82748 A
 (800) 1251748
 (891) 2015 04 23
 (731) MILLENNIUM PHARMACEUTICALS, INC.
 40 Landsdowne Street, Cambridge, MA
 02139, USA

(540)
МИВИТЛА

(591) Black, white
 (511)
 5 – Pharmaceutical preparations.

(260) AM 2016 82749 A
 (800) 1251763
 (891) 2015 03 25
 (731) SOREVI
 Route de Challanges, F-21200 BEAUNE,
 France

(540)
VEUVE DU VERNAY

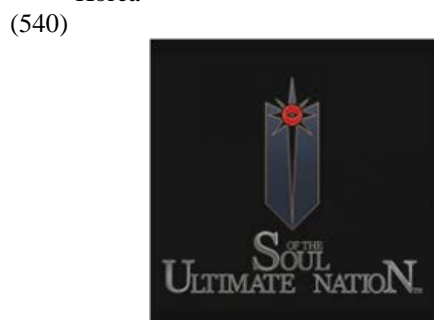
(511)
 33 – Wines, sparkling wines.

(260) AM 2016 82750 A
 (800) 1251789
 (891) 2015 05 06
 (731) STOCKTON (ISRAEL) LTD.
 17 Hamefalsim St., Petach Tikva, Israel

(540)
TIMOREX GOLD

(511)
 5 – Fungicides, herbicides, pesticides, insecticides and bactericides for agricultural use.

(260) AM 2016 82751 A
 (800) 1251802
 (891) 2014 11 27
 (731) WEBZEN INC.
 (Sampyeong-Dong, Pangyo Digital, Contents
 Park B Dong), 242, Pangyo-ro, Bundang-gu,
 Seongnam-si Gyeonggi-do, Republic of
 Korea



(591) Black, red and grey

(511)
 9 – Computer programs [recorded]; computer programs, downloadable; computer mouse; mouse pads; downloadable on-line game software; downloadable on-line game programs; electronic music [downloadable]; video game cartridges; downloadable electronic books; cell phone straps; photographic slide films.

41 – Game services provided on-line from a computer network; providing amusement arcade services; providing of computer game room; PC game room operation; providing on-line electronic publications, not downloadable; publication of electronic books and journals on-line; organization of on-line game competition.

(260) AM 2016 82777 A
 (800) 1252447
 (891) 2015 04 29
 (731) AVON PRODUCTS, INC.
 World Headquarters, 777 Third Avenue,
 New York, NY 10017, USA

(540)
126 CHAMBERS STREET

(511)
 3 – Non-medicated toilet preparations; toiletries; skin care preparations; skin moisturizers; body and beauty care preparations; powders, creams and lotions, all for the face, hands and body; cosmetic sun-tan preparations; soaps; shower and bath preparations; beauty masks; talcum powder; nail polish; nail polish remover; enamel for nails; false nails; adhesives for cosmetic purposes; cosmetics; eye makeup remover, eye shadow, eye liner, mascara, lipstick, lip liner, lipgloss; make-up foundation; blusher; tissues impregnated with cosmetic lotions; cotton sticks for cosmetic purposes; cotton wool for cosmetic purposes; preparations for cleaning, moisturising, colouring and styling the hair; preparations for cleaning the teeth; shaving and aftershave preparations; perfumes, fragrances, toilet waters, cologne; deodorants for human beings; anti-perspirants for personal use (toiletries); essential oils (cosmetic).

(260) AM 2016 82780 A
 (800) 1252482
 (891) 2014 01 27
 (731) ÖMER ATİKER MAKİNE METAL İNŞAAT
 VE YAKIT SİSTEMLERİ İTHALAT
 İHRACAT ANONİM ŞİRKETİ
 1 Organize Sanayi Bölgesi, Atabey Sokak
 5/A, Selçuklu, Konya, Turkey

(540)


(591) White and dark turquoise

(526) The trademark is protected as a whole. "TM" shall not be subject to independent legal protection.

(511)

6 – Non-precious metal ores; common metals and their alloys and semi-manufactured products of common metals and their alloys; metal building products for sheltering, preserving, conserving, covering, warehousing (including metal ladders), metal floors, metal staircases, metal gates and fences, metal railings for fences, metal roofing, metal palings; metal products manufactured for sifting, filtering and similar purposes, namely, metal window screens, drain traps (valves) of metal; metal doors and windows, metal rolling shutters, metal жалousies, metallic door handles, metallic window handles, metal panels of doors and windows; metal cables and wires not for electrical purposes; ironmongery (hardware) articles, small items of metal hardware, namely, screws, nails, bolts, nuts, metal chains, pulley; ducts of metal for ventilating and air conditioning and heating installations, metal roof vents for residential and commercial buildings, metal vent covers for HVAC ducts, drains and pitch pans, metal chimneys, chimney cowls of metal, metal manhole covers for drains, poles of metal for electric power lines, metal gratings; signs, non-luminous and non-mechanical, of metal; signaling panels, non-luminous and non-mechanical, of metal; identity plates of metal; metal pipes for liquid or gas transfer and their connection parts (including valves of metal, drilling pipes of metal); metal cash boxes; materials of metal for railway construction; metal bollards, metal mooring buoys, anchors for sea vehicles; metallic moulds for metal casting; works of art made of common metals and their alloys; metal bottle caps; poles of metal; metal pallets, metal ropes for lifting, loading and transportation, metal wires, cords, columns, strips, bands and tapes for use in lifting and carrying loads.

7 – Machines, machine tools and industrial robots to process and give shape to wood, metal, glass, plastic materials and mined materials; construction machines; glass, stone, leather or metal working machines; wood working machines; lifting and carrying machines including elevators, moving staircases and winches; machines and robots to process grain, fruit, vegetable and food; agricultural machinery and tools other than hand-operated; engines and motors not for land vehicles, electrical motors, their parts and apparatus except for land vehicles; fuel pumps for land vehicles; bearings, ball and rolling bearings; hydraulic jacks for wheel removing and mounting; alternators, generators, electricity generator, solar-powered electricity generators; machines for painting, automatic spray guns for paint, electric, hydraulic and pneumatic punching machines and guns, electric glue guns, spray guns for paints; compressed air guns for the extrusion of mastics, electric hand drills, power-operated hand saws (machines), elec-

tric air compressors, washing installations for vehicles; electric welding machines, gas-operated welding machines, namely electric arc welding machines, electric soldering machines, non electric soldering irons, electric arc cutting apparatus, electrodes for welding machines and industrial robots; printing machines and apparatus; packaging machines, bottling and capping machines, industrial printing machines, namely, labelers, sorting machines; machine tools for forming, riveting, swaging and flaring of metal and plastics, electrical apparatus for sealing plastic (packaging); machines for the textile industry; sewing machines, electric clothing pressing machines; centrifugal pumps, compresses air pumps, pumps for heating installations; fuel dispensing pumps for service stations, self regulating fuel pumps; electrically operated kitchen machines used for chopping, grinding, crushing, trimming and crumbling; washing machines, dishwashers, spin driers (not heated), floor polishing machines, carpet cleaning machines; electric vacuum cleaners and their parts; automatic vending machines; electrolysis apparatus for electroplating purposes and galvanizing machines; electric door openers and closers; metered gasoline pumps for gas stations.

9 – Barometers, ammeters, equipment (apparatus) for testing gases, calipers, electronic instruments for measuring environmental parameters including humidity, thermometers, voltmeters, microscopes, magnifying glasses, telescopes, periscopes, laboratory equipment, namely, test tubes, beakers, furnaces for laboratory experiments and laboratory furniture, weighing equipment, namely, scales and balances, detectors, namely, metal detectors, radar detectors, smoke detectors, laser speed detectors, gas detectors for detecting the presence of gas, electronic imaging apparatus, in the field of iridology, sclerology, rayid and eyology, not for medical use, X-ray photography devices, other than for medical purposes, automotive measuring instruments, namely, speedometers, water temperature gauges, tachometers, vehicle wheel alignment machines, spirit levels, tape measures, folding rulers, machines for dispensing pre-determined dosages of medication; electronic advertisement boards featuring a neon lamp, electronic scoreboards, electronic sliding letter boards; apparatus for recording, transmission or reproduction of sound and images, radios, television receivers, video tape and video disk players, cameras, audio devices and parts, namely, audio cassette players, audio cassette recorders, cinematographic machines and apparatus, remote control devices for radios, televisions, headphones, audio speakers, megaphones, intercoms, slide or photograph projection apparatus; data processors, namely, computers, computer hardware, printers, laser printers, scanners, automatic cash registers, calculators, barcode scanners and their accessories; car navigation computers, all kinds of photographic cameras, parts of photographic came-

ras and accessories, namely, photographic flashbulbs, photographic viewfinders, communication devices, namely, telephones, fax machines, telegraph machines, radio telephones, automatic telephone exchanges, photocopy machines, machines for blueprints, screen filters for computers and televisions; blank record disks, blank audio cassettes, blank discs for computers, blank optical discs, blank CDs for sound or video recording, exposed cinematographic films, exposed camera films, exposed X-ray films; computer software; electronic or magnetic cards, pre-paid telephone calling cards, magnetically encoded, magnetically encoded credit cards, automatic magnetically encoded key cards, magnetic cards for use with meters; antennas, satellite dishes, satellite receivers, amplifiers and their parts; ticket dispensers, cash dispensers; electronic devices used in machines and devices, namely, electronic semi-conductors, electronic integrated circuits, electronic chips for the manufacture of integrated circuits, light switches (light sensors), diodes, transistors, circuit boards, oscillators, capacitors, interface circuits for video cameras, liquid crystal displays (LCD), temperature sensors, converters, magnetic heads for magnetic tape recorders; electric meters, water meters, gas meters, parking meters, timers, egg timers (mechanical or electric), hourglasses (time measuring apparatus); life saving apparatus, flotation vests, life jackets, life nets, life preservers, life-buoys, breathing apparatus for divers, namely, rebreathers, compressed air bailout units, safety glasses for divers use, safety nets for divers use; protective clothing, protective gloves for industrial use, protective eyeglasses, protective helmets; signal whistles, signalling buoys; eyeglasses, sunglasses, contact lenses and their containers, eyeglass cases and accessories for eyeglass cases in this class; electric plugs, electric sockets, electric junction boxes, electric switches, circuit breakers, electrical fuses, lighting ballasts, electric control panels, electronic controller panel to manage the power, movement and functions of an elevators, electric connectors and sockets; adaptors for use with portable electronic devices and battery chargers, electric wires and cables, fiber optic cables used in electronics and also in telephone lines, electrical power supplies, electrical accumulators; batteries, solar cells, uninterruptible power supplies for computers; electric door bells, alarms other than vehicle alarms, namely, burglar alarms, fire alarms and smoke alarms; warning triangles to indicate vehicle breakdowns, reflectors for traffic signals, luminous or mechanical road signs; traffic-light apparatus (signalling devices); fire engines, fire extinguishers, fire hose nozzles, fire goggles; decorative magnets.

35 – Advertising agencies services, marketing and publicity bureaus services including commercial or advertisement exhibition and trade fair organization services; providing office functions; secretarial ser-

vices, document reproduction, photocopying, typing services, word processing, compilation of information into computer databases, systemization of information into computer databases, telephone answering services, arranging newspaper subscriptions, rental of office machines and equipment; business management; business administration; business management and organization consultancy, accounting; personnel recruitment; import and export agencies; business investigations, evaluations, expert business appraisals; auctioneering; the bringing together, for the benefit of others, of common metals and their alloys, metal building materials, transportable buildings of metal, materials of metal for railway track; non-electric cables and wires of common metal, ironmongery, small items of metal hardware, pipes and tubes of metal, safes, goods of common metal not included in other classes, ores, non-electric cables, metal cable wire, metal rods for brazing and welding, welding and soldering cable, metal ropes, belts of metal for handling loads, loading and unloading pallets of metal, tow ropes of metal, machines and machine tools, motors and engines (except for land vehicles), machine coupling and transmission components (except for land vehicles), agricultural implements other than hand-operated, incubators for eggs, automatic vending machines, electric welding machines, gas-operated welding machines, electric arc welding machines, electric soldering machines, electric arc cutting apparatus, electrodes for welding machines, soldering irons and shalom, scientific, nautical, surveying, photographic, cinematographic, optical, weighing, measuring, signalling, checking (supervision), life-saving and teaching apparatus and instruments, apparatus and instruments for conducting, switching, transforming, accumulating, regulating or controlling electricity, apparatus for recording, transmission or reproduction of sound or images, magnetic data carriers, recording discs, compact discs, DVDs and other digital recording media, mechanisms for coin-operated apparatus, cash registers, calculating machines, data processing equipment, computers, computer software, fire-extinguishing apparatus, protective goggles for welding, protective helmets for welding, protective masks for welding, arc-welding transformers (excluding the transport thereof), enabling customers to conveniently view and purchase those goods; all of the aforementioned retail services may be provided by retail stores, wholesale outlets, through mail order catalogues or by means of electronic media, including, through web sites or television shopping programmes.

(260) AM 2016 82782 A

(800) 1252499

(891) 2015 02 06

(731) GRG S.r.l.

Via Tornabuoni, 73/R, I-50123 Firenze, Italy

(540)

RICHARD GINORI

(591) Black and white

(511)

4 – Candles; christmas lights [candles]; perfumed candles; beeswax; illuminating wax; wax [raw material]; nightlights [candles]; lighting fuel; wicks for candles; lamp wicks.

8 – Decanting liquids (implements for -) [hand tools]; oyster openers; tin openers, non-electric; silver plate [knives, forks and spoons]; whetstone holders; shears; cutlery; knives; table cutlery [knives, forks and spoons]; spoons; scissors; table forks; spoons; choppers [knives]; mortars for pounding; palette knives; shovels [hand tools]; braiders [hand tools]; sugar tongs; tweezers; cutting tools [hand tools]; daggers; nutcrackers; bellows (fireplace -) [hand tools]; pizza cutters, non-electric; hand tools, hand-operated.

14 – Amulets [jewellery, jewelry (am.)]; rings [jewellery, jewelry (am.)]; silver thread [jewellery, jewelry (am.)]; bracelets [jewellery, jewelry (am.)]; watchstraps; clock cases; watch chains; chains [jewellery, jewelry (am.)]; clasps for jewelry; pendants; jewellery cases [caskets]; necklaces; chronographs; tie pins; statuettes of precious metal; cufflinks; jewellery; ivory jewelry; cloisonné jewellery [jewelry (am.)]; jewellery of yellow amber; iridium; alloys of precious metal; ingots of precious metals; movements for clocks and watches; medals; precious metals, unwrought or semi-wrought; coins; works of art of precious metal; peridot; earrings; ornaments [jewellery, jewelry (am.)]; ornaments of jet; shoe ornaments of precious metal; hat ornaments of precious metal; gold, unwrought or beaten; pendulum clocks; watches; watches; clocks and watches, electric; pearls made of ambroid [pressed amber]; pearls [jewellery, jewelry (am.)]; beads for making jewelry; semi-precious stones; jewellery stones; platinum [metal]; key rings [trinkets or fobs]; boxes of precious metal; housings for clocks and watches; cases for watches [presentation]; tie pins; ornamental pins; ornamental pins; ornamental pins; statuettes of precious metal; paste jewellery [costume jewelry [am.]]; time instruments; alarm clocks.

21 – Indoor aquaria; cruets; glass vials [receptacles]; napkin holders; bottle openers, electric and non-electric; cutting boards for the kitchen; basins [receptacles]; kitchen utensils; beer mugs; beverage glassware; cups of paper or plastic; drinking bottles for sports; tankards; jars (glass -) [carboys]; glass bowls; tea infusers; boxes for sweetmeats; isothermic bags; bottles; glass flasks [containers]; refrigerating bottles; pitchers; butter dishes; busts of china, terra-cotta or glass; coffeepots, non-electric; goblets; butter-dish covers; candlesticks; fabrics (buckets made of woven -); straws for drinking; jars; sauce-

pans; corkscrews, electric and non-electric; epergnes; bread baskets, domestic; baskets for domestic use; strainers; tea strainers; confectioners' decorating bags [pastry bags]; covers for dishes; pot lids; fruit cups; cheese-dish covers; tea cosies; covers, not of paper, for flower pots; crystal [glassware]; mixing spoons [kitchen utensils]; earthenware; statues of porcelain, ceramic, earthenware or glass; window-boxes; whisks, non-electric, for household purposes; portable coolers; china ornaments; graters for kitchen use; funnels; watering cans; salad bowls; signboards of porcelain or glass; vegetable dishes; apparatus for wax-polishing, non-electric; pepper mills, hand-operated; coffee grinders, hand-operated; majolica; feeding troughs; polishing materials for making shiny, except preparations, paper and stone; brush making materials; shakers; basting spoons, for kitchen use; mosaics of glass, not for building; toilet cases; picnic baskets (fitted -), including dishes; works of art, of porcelain, terra-cotta or glass; cauldrons; scoops [tableware]; tart scoops; shaving brushes; table plates; serving platters; paper plates; saucers; candle rings; disposable table plates; porcelain ware; cosmetic powder compacts; knife rests for the table; menu card holders; stands for shaving brushes; soap boxes; sponge holders; toothpick holders; napkin holders; egg cups; ceramics for household purposes; containers for household or kitchen use; kitchen containers; salt shakers; piggy banks; boxes of glass; cookie jars; tea caddies; dispensers for paper towels; soap boxes; ice buckets; coffee services [tableware]; liqueur sets; tea services [tableware]; spice sets; services [dishes]; sifters [household utensils]; cruets; vessels of metal for making ices and iced drinks; coasters, not of paper and other than table linen; trivets [table utensils]; presses (garlic -) [kitchen utensils]; cake moulds; waffle irons, non-electric; ice cube molds [moulds]; cookery molds [moulds]; moulds [kitchen utensils]; statues of porcelain, ceramic, earthenware or glass; holders for flowers and plants [flower arranging]; cookie [biscuit] cutters; baking mats; glass stoppers; cups; saucerpans (earthenware -); teapots; cooking utensils, non-electric; kitchen utensils; household utensils; toilet utensils; perfume vaporizers; tableware, other than knives, forks and spoons; pottery; pots; vases; flower pots; perfume burners; cabarets [trays]; opaline glass; glasses [receptacles]; painted glassware; enamelled glass; sugar bowls; soup bowls.

24 – Face towels [made of textile materials]; towels; bath linen, except clothing; linens; bed clothes and blankets; tablecloths, not of paper; diapered linen; brocades; calico; place mats, not of paper; bed covers; bed covers of paper; rugs (travelling -) [lap robes]; damask; linings [textile]; jersey [fabric]; chevots [cloth]; bed sheets; sleeping bag liners; marabouts [cloth]; textile napkins; fabrics; table runners; taffeta [cloth]; tablecloths, not of paper; moleskin [fabric]; hemp fabric; calico; ticks [mattress covers];

oilcloth for use as tablecloths; shower curtains of textile or plastic; fabrics; adhesive fabric for application by heat; hemp fabric; hemp fabric; flax fabrics; rayon fabric; ramie fabric; silk [cloth]; elastic woven material; fabric of imitation animal skins; fiberglass fabrics, for textile use; knitted fabric; non-woven textile fabrics; upholstery fabrics; fabric for footwear; lingerie fabric; fabrics; traced cloths for embroidery; chenille fabric; frieze [cloth]; place mats, not of paper; textile napkins; napkins, of cloth, for removing make-up; trellis [cloth]; bed covers; tulle; velvet; curtains; mosquito nets; zephyr [cloth].

34 – Ashtrays; cigarette filters; matchboxes; cigarette cases; humidors; tobacco jars.

35 – Rental of advertising time on communication media; commercial information agencies; advertising agencies; import-export agency services; updating of advertising material; shop window dressing; commercial administration of the licensing of the goods and services of others; assistance in management of business activities; commercial or industrial management assistance; personnel management consultancy; business management consulting; business consulting services; business auditing; dissemination of advertisements; demonstration of goods; business management of performing artists; distribution of samples; direct mail advertising; provision of commercial and business contact information; providing business information via a web site; business information; consumers (commercial information and advice for -) [consumer advice shop]; layout services for advertising purposes; rental of advertising space; marketing services; publicity material rental; rental of sales stands; exhibitions for commercial or advertising purposes; organisation of trade fairs for commercial or advertising purposes; fashion shows for promotional purposes (organization of -); presentation of goods on communication media, for retail purposes; production of advertising films; sales promotion for others; publication of publicity texts; advertising; on-line advertising on a computer network; advertising by mail order; production of radio commercials and television commercials; personnel recruitment; writing of publicity texts; public relations services; sponsorship search; business research; procurement services for third parties (acquisition of goods and services for other companies); advisory services for business management; consultancy relating to business organisation; consultancy regarding business organisation and business economics; modelling for advertising or sales promotion; commercial intermediation services; news clipping services; outsourcing services [business assistance]; telemarketing services; opinion polling; administrative processing of purchase orders; word processing; employment agencies; business appraisals; auctioneering services.

(260) AM 2016 82784 A

(800) 1252542

(891) 2015 04 22

(731) DEVA HOLDİNG ANONİM SİRKETİ
Halkali Merkez Mahallesi, Basın Ekspres
Caddesi, No:1, m Küçükçekmece/Istanbul,
Turkey

(540)

Devatis GmbH

(591) Black and white

(511)

5 – Pharmaceutical and veterinary preparations; sanitary preparations for medical purposes; dietetic food and substances adapted for medical or veterinary use, food for babies; dietary supplements for humans and animals; plasters, materials for dressings; material for stopping teeth, dental wax; disinfectants; preparations for destroying vermin; fungicides, herbicides.

(260) AM 2016 82785 A

(800) 1252558

(891) 2015 04 21

(731) MARUNI INDUSTRY CO., LTD.
11-1, 3-chome, Shariji, Ikuno-ku, Osaka-shi,
Osaka 544-0022, Japan

(540)



(591) Black and white

(511)

1 – Adhesives [glues] other than for stationery or household purposes.

12 – Adhesive rubber patches for repairing tubes or tires.

16 – Adhesives [glues] for stationery or household purposes.

(260) AM 2016 82787 A

(800) 1252562

(891) 2015 03 25

(731) Obschestvo a ogranichennoi otvetstvennost'ju
"TIKKURILA"
Prospekt 9-go Yanvaryaya, d. 15, korp. 3,
RU-192289 Saint Petersburg, Russian
Federation

(540)



(591) Blue, white

(526) The trademark is protected as a whole. "ЈЕ-НИНГРАДСКИЕ КРАСКИ" shall not be subject to independent legal protection.

(511)

2 – Paints, varnishes, lacquers; preservatives against rust and against deterioration of wood; colorants; mordants; raw natural resins; metals in foil and powder form for painters, decorators, printers and artists; glazes [paints, lacquers]; dyes; primers; red lead; fireproof paints; bactericidal paints; ceramic paints; fabric paints; bronzing lacquers; gildings; thinners for paints; thickeners for paints; preservatives against rust and against deterioration of metal, plastic and other building materials; coatings (paints); stains for leather; wood stains; lime wash paint; white-wash; badigeon; drying agents for paints; binding agents for paints; binding preparations for paints.

(260) AM 2016 82788 A

(800) 1252644

(891) 2014 10 20

(731) GUANGDONG HUMEN FUMIN GROUP CO., LTD.

21/F Fumin Clothing Business Center,
Humen Avenue, Humen Town, Dongguan
City, Guangdong Province, China

(540)



(591) Black and white

(511)

25 – Coats; layettes [clothing]; waterproof clothing; shoes; headgear for wear; hosiery; girdles.

35 – Bill-posting; import-export agencies; personnel management consultancy; relocation services for businesses; systemization of information into computer databases; accounting; rental of vending machines.

(260) AM 2016 82800 A

(800) 1252761

(891) 2015 01 14

(731) ÖMER KOCABAS

Koska Caddesi, Sair Hasmet Sokak No:36,
Kat:5, Lalcli – Eminönü Istanbul, Turkey

(540)

YUPPY

(591) Black and white

(511)

25 – Clothing, namely, trousers, jackets, overcoats, coats, skirts, suits, jerseys, waistcoats, shirts, ready-

made leather linings (parts of clothing), T-shirts, sweatshirts, dresses, bermuda shorts, shorts, pajamas, pullovers, jeans, tracksuits, rainwear, beachwear, bathing suits, swimming suits; clothing for sports (for exclusive use for sports), clothing for babies, namely, shirts, pants, coats, dresses; underclothing, namely, boxer shorts, brassieres, briefs, pants, socks, footwear, namely shoes excluding orthopedic shoes, sandals, waterproof boots, walking boots, booties, sporting shoes, slippers; shoe parts namely heelpieces, insoles for footwear, footwear uppers, headgear, namely caps, skull caps, sports caps, hats, berets; gloves (clothing), stockings, belts (clothing), camisoles, sarongs, scarves, neck scarves, shawls, collars, neckties, ties, suspender belts.

35 – Advertising, marketing and public relations; organization of exhibitions and trade fairs for commercial or advertising purposes, office functions; secretarial services; arranging newspaper subscriptions for others; compilation of statistics; rental of office machines; systemization of information into computer databases; telephone answering for unavailable subscribers, business management, business administration and business consultancy; accounting; commercial consultancy services; import-export agencies, business appraisal services for commercial or industrial products, auctioneering; the bringing together, for the benefit of others, of clothing, including underwear and outer clothing, other than special purpose protective clothing, socks, footwear, headgear; enabling customers to conveniently view and purchase those goods, such services may be provided by retail stores, wholesale outlets, by means of electronic media or through mail order catalogues.

(260) AM 2016 82801 A

(800) 184765

(891) 2015 05 13

(731) SYNTHESA CHEMIE GESELLSCHAFT
M.B.H.

A-4320 PERG, Austria

(540)

MALERIT

(511)

2 – Colorants and painting materials, preferably based on artificial resin dispersion.

(260) AM 2016 82803 A

(800) 860712

(891) 2014 12 13

(731) FAVORİ TEKSTİL VE KONFEKSİYON
SANAYİ TİCARET LİMİTED ŞİRKETİ

Tarakçi Caferağa Sk. Derya İş Merkezi

No:8/45, Eminönü/İSTANBUL,

Turkey

(540)



(591) Black, white, blue, yellow, lime

(511)

25 – Clothing; outer clothing; knitwear (clothing), clothing of leather, clothing of imitations of leather, dresses, trousers, skirts, jackets, shirts, waistcoats, t-shirts, sweatshirts, shorts, bermuda shorts, tights, overalls, capes, coats, overcoats, raincoats, jeans wear, pullovers, cardigans, sweaters, blouses, tracksuit, socks, headgear; hats, caps, berets, foulards, shawls, scarves, ties, bowties, headbands (clothing), shoulder wraps, stocking suspenders, stockings, wristbands (clothing), swimsuits, gloves, belts, underwear; hosiery, pyjamas, undershirts, slippers, brassieres, nightgowns, dressing gowns, babies' napkins of textile, babies' diapers of textile, footwear; shoes, slippers, boots, top boots, shoe parts, babies' shoes and their parts, heelpieces for boots and shoes, heelpieces for stockings, heels, uppers.

(260) AM 2016 82804 A

(800) 925856

(891) 2015 06 08

(731) APRILE S.P.A.

Piazza Dante, 6/5, I-16121 GENOVA, Italy

(540)



(591) Black and white

(511)

16 – Paper, cardboard and goods made of these materials, not included in other classes; printed matter; stationery; plastic materials for packaging (not included in other classes); printing type, printing blocks.

39 – Transport; packaging and storage of goods; stevedoring services (loading and unloading of goods); collection and delivery of goods.

(260) AM 2016 82812 A

(800) 1226725

(891) 2015 04 02

(731) BIOFARMA

50 rue Carnot, F-92284 SURESNES CEDEX, France

(540)

CARIVALAN

(591) Black and white

(511)

5 – Pharmaceutical and veterinary products; sanitary products for medical purposes; dietetic food and substances for medical or veterinary use, food for babies; food supplements for humans and animals; plasters, materials for dressings; material for dental fillings and dental impressions; disinfectants; products for destroying vermin; fungicides, herbicides.

(260) AM 2016 82813 A

(800) 1237499

(891) 2015 04 20

(731) LORENZ SNACK-WORLD HOLDING

GMBH

Adelheidstr. 4/5, 30171 Hannover, Germany

(540)

Fascinations

(591) Black and white

(511)

29 – Extruded potato products (other than potato flour) for food, included in this class, potato chips, potato sticks; raisins, hazelnut, peanut, cashew nut and pistachio nut kernels, and almonds, dried, roasted, salted and/or spiced; nut mixtures for snacks; dried fruit, fruit snacks.

30 – Extruded cereal products for food, all the aforesaid goods included in this class, crackers, cereal-based snack food, rice-based snack food, savoury biscuits, salt sticks, pretzels, savoury biscuits.

(260) AM 2016 82814 A

(800) 1243198

(891) 2015 06 08

(731) MILLENIUM PHARMACEUTICALS, INC.

40 Landsdowne Street, Cambridge MA 02139, USA

(540)



(591) Orange, blue and grey

(511)

5 – Pharmaceutical preparations for human use, namely, for the treatment of hematological malignancies, cancer, auto-immune diseases and disorders and inflammatory diseases and disorders; pharmaceutical preparations for the treatment of cancer.

(260) AM 2016 82816 A
 (800) 1244934
 (891) 2015 06 05
 (731) GILEAD SCIENCES IRELAND UC
 IDA Business and Technology Park,
 Carrigtohill Co. Cork, Ireland
 (540)

ODEFSEY

(511)
 5 – Pharmaceutical preparations.

(260) AM 2016 82817 A
 (800) 1244936
 (891) 2015 06 05
 (731) GILEAD SCIENCES IRELAND UC
 IDA Business and Technology Park,
 Carrigtohill Co. Cork, Ireland
 (540)

NUJORNI

(511)
 5 – Pharmaceutical preparations.

(260) AM 2016 82842 A
 (800) 1252867
 (891) 2015 02 19
 (731) RECORDATI IRELAND LIMITED
 Raheens East, Ringaskiddy, County Cork,
 Ireland
 (540)

FORTACIN

(511)
 5 – Pharmaceutical preparations for treating male sexual disorders.

(260) AM 2016 82844 A
 (800) 1252904
 (891) 2015 04 21
 (731) FAST FOOD SYSTEMS LIMITED
 Unit 1 Headley Park 9, Headley Road,
 East Woodley, Reading, Berkshire RG5 4SQ,
 United Kingdom
 (540)



(591) Black, white, grey
 (511)
 29 – Meat, fish, poultry and game; food products containing meat, fish, poultry and game; chicken piri piri; fried chicken; prepared meals including chicken; cooked fruits and vegetables; fruit products, vegetables products; edible oils and fats; jellies, jams,

fruit preserves, vegetable preserves; pickles, eggs, milk; dairy products for food.

30 – Marinades; sauces; spices; flavourings; farinaceous preparations; farinaceous foods and food products; flour and preparations made from cereals; bread crumbs; breading mixtures and batter mixes for coating food products; yeast, baking powder; salt, mustard, vinegar; sauce mixes; dried herbs; fruit sauces.

43 – Restaurant services, cafeteria services, coffee shop services, self-service restaurant services, restaurant services for the provision of fast food, preparation of food, preparation of carry-out foods.

(260) AM 2016 82845 A
 (800) 1253008
 (891) 2014 12 19
 (731) ATOMO DIAGNOSTICS PTY LIMITED
 21 Marlborough Street, DRUMMOYNE
 NSW 2047, Australia
 (540)

ATOMO

(511)
 10 – Medical diagnostic apparatus, namely, medical apparatus for detecting drugs of abuse; medical apparatus for detecting and measuring the level of substances in bodily fluids; medical apparatus and instruments for pregnancy testing, namely, medical devices for obtaining body fluid samples for the purpose of pregnancy testing; medical apparatus and instruments for fertility monitoring, diagnosing and monitoring cardiovascular disease and detecting infectious diseases, antibodies and antigens; medical testing apparatus, namely, lancing devices and medical fluid test devices and kits comprising lancets and medical devices for obtaining and testing body fluid samples.

(260) AM 2016 82846 A
 (800) 1252912
 (891) 2015 04 17
 (731) LLC "MIND BRIDGE GROUP"
 Maryinsky Boulevard, build. 10, app. 248,
 RU-109469 Moscow, Russian Federation
 (540)

tutu

(591) Black and white
 (511)
 38 – Telecommunications; rental of access time to global computer networks; cable television broadcasting; radio broadcasting; television broadcasting; cellular telephone communication; providing internet chatrooms; communications by computer termi-

nals; communications by fiber optic networks; communications by telegrams; communications by telephone; computer aided transmission of messages and images; electronic bulletin board services [telecommunications services]; electronic mail; facsimile transmission; transmission of greeting cards online; information about telecommunication; message sending; news agencies; paging services [radio, telephone or other means of electronic communication]; providing access to databases; providing telecommunication channels for teleshopping services; providing telecommunications connections to a global computer network; providing user access to global computer networks; rental of facsimile apparatus; rental of message sending apparatus; rental of modems; rental of telecommunication equipment; rental of telephones; satellite transmission; telecommunications routing and junction services; teleconferencing services; transmission of telegrams; telegraph services; telephone services; telex services; transmission of digital files; voice mail services; wire service; wireless broadcasting.

39 – Transport; packaging and storage of goods; travel arrangement; air transport; aircraft rental; ambulance transport; armored-car transport; arranging of cruises; arranging of travel tours; barge transport; boat rental; boat storage; boat transport; booking of seats for travel; bottling services; freight brokerage; transport brokerage; bus transport; operating canal locks; car parking; car rental; car transport; carting; chauffeur services; motor coach rental; railway coach rental; courier services [messages or merchandise]; flower delivery; message delivery; delivery of goods; delivery of goods by mail order; delivery of newspapers; distribution of energy; rental of diving bells; rental of diving suits; electricity distribution; escorting of travellers; ferry-boat transport; franking of mail; freight forwarding; freight [shipping of goods]; freighting; frozen-food locker rental; transporting furniture; garage rental; storage of goods; guarded transport of valuables; hauling; horse rental; ice-breaking; transportation information; launching of satellites for others; lighterage services; marine transport; newspaper delivery; packaging of goods; parcel delivery; parking place rental; passenger transport; piloting; transport by pipeline; pleasure boat transport; portage; railway transport; refloating of ships; refrigerator rental; removal services; rental of freezers; rental of motor racing cars; rental of storage containers; rental of vehicle roof racks; rental of warehouses; rental of wheelchairs; rescue operations [transport]; transport reservation; travel reservation; river transport; salvage of ships; underwater salvage; salvaging; shipbrokerage; sightseeing [tourism]; stevedoring; storage; storage information; physical storage of electronically-stored data or documents; streetcar transport; taxi transport; towing; traffic information; tram transport; transport and storage of trash; transport and storage of waste; tran-

sport of travellers; transportation logistics; railway truck rental; unloading cargo; vehicle breakdown assistance [towing]; vehicle rental; warehousing; water distribution; water supplying; wrapping of goods.

43 – Services for providing food and drink; temporary accommodation; accommodation bureaux [hotels, boarding houses]; rental of temporary accommodation; temporary accommodation reservations; boarding for animals; bar services; boarding house bookings; boarding houses; rental of transportable buildings; cafes; cafeterias; holiday camp services [lodging]; providing campground facilities; canteens; food and drink catering; rental of cooking apparatus; day-nurseries [crèches]; retirement homes; tourist homes; hotel reservations; hotels; motels; rental of chairs, tables, table linen, glassware; rental of drinking water dispensers; rental of meeting rooms; rental of tents; restaurants; self-service restaurants; snack-bars.

(260) AM 2016 82847 A
(800) 1252915
(891) 2015 03 27
(731) STAEDTLE 31 FL-9490 VADUZHMENT
Staedtler 31, FL-9490 Vaduz, Liechtenstein
(540)



(591) Blue, yellow, white, brown, beige, golden, grey and silver
(511)
33 – Alcoholic beverages (except beers).

35 – Advertising; business management; business administration; office functions; import and export agencies services of alcoholic beverages; retail and wholesale services with alcoholic beverages.

(260) AM 2016 82912 A
(800) 492223
(891) 2015 03 31
(731) NIVAROX-FAR S.A.
avenue du Collège 10, CH-2400 LE LOCLE,
Switzerland

(540)

NIVAROX

(591) Black and white

(511)

6 – Screws, springs.

7 – Components and parts of all kinds for high-precision, fine mechanical and micromechanical machines and mechanisms including bearings, arbors, cams, gears, springs, movement mechanisms, their support and assembly structures, obtained by bar turning operation, cutting, drawing and laminating, individually or in combination; assemblies and sub-assemblies of such components and parts.

9 – Combinations of parts, assemblies and sub-assemblies mentioned in class 7 with electric and/or electronic elements, such as integrated and/or printed and connectors.

10 – Instruments, tools and components for surgical and medical applications.

14 – Components of all kinds for timepieces, including their casings.

(260) AM 2016 82913 A

(800) 771135

(891) 2015 06 15

(731) JYSK A/S

Sødalsparken 18, DK-8220 Brabrand,
Denmark

(540)



(591) Black and white

(511)

20 – Furniture, mirrors, picture frames; goods (not included in other classes) of wood, cork, reed, bone, ivory, whalebone, shell, amber, mother-of-pearl, meerschaum and substitutes for all these materials, or of plastics.

24 – Textiles and textile goods, not included in other classes; bed and table covers.

(260) AM 2016 82995 A

(800) 1254591

(891) 2015 04 10

(731) PUIG France, Société par Actions Simplifiée

65-67 avenue des Champs-Élysées, F-75008
PARIS, France

(540)

OLYMPÉA

(511)

3 – Bleaching preparations and other substances for laundry use; cleaning, polishing, degreasing and abrasive preparations; soaps; perfumery, essential oils, cosmetics, hair lotions; dentifrices; perfumery products and fragrance (perfumes); eau de Cologne; perfumes; non-medicated preparations for oral hygiene; non-medicated preparations for body cleaning and care; deodorants and antiperspirants; soaps and gels for personal use; non-medicated bath preparations; non-medicated preparations for skin care; scrubs; talcum powder for toilet use; wipes, cotton wool and towels, impregnated for sanitary and cosmetic use and for perfuming; cosmetics, toiletries and perfumery products for care and beauty purposes for eyelashes, eyebrows, eyes, lips and nails; lip balms, non-medicated; nail polish; adhesives for cosmetic use; cosmetic slimming preparations; non-medicated hair treatments and preparations; make-up products; make-up removing products; shaving and hair-removal preparations; pre-shave products; after-shave products; cosmetic preparations for tanning and self-tanning; cosmetic kits; household perfumes; sachets for perfuming linen; aromatic extracts (essential oils); grooming preparations for animals; abrasive preparations; tailors' and shoemakers' wax; preparations for cleaning and polishing leather and footwear.

(260) AM 2016 82996 A

(800) 1254596

(891) 2015 04 10

(731) CELIA

La Chaussée aux Moines, F-53400 CRAON,
France

(540)

Allernutri

(591) magenta

(511)

5 – Dietetic substances, beverages and foodstuffs for medical use; foodstuffs and beverages for babies, milk and dairy products for babies; foodstuffs containing cereals and/or preparations made from cereals for babies.

29 – Milk and dairy products, butter, cheese, yogurt, cream (dairy product), soybean milk and dairy product substitutes based on soya; edible oils and fats; milk beverages where milk is predominating; food preparations and cooked dishes based on the aforesaid goods.

30 – Coffee, tea, cocoa, sugar, chocolate, rice; flours and cereal preparations, soya flour, bread, pastry and confectionery, edible ices; cookies and biscuits, cakes, rusks; beverages based on cocoa, coffee, chocolate or tea; cooked dishes based on the aforesaid goods.

(260) AM 2016 82997 A
 (800) 1254599
 (891) 2015 04 20
 (731) Omega SA (Omega AG) (Omega Ltd.)
 Jakob-Stämpfli-Strasse 96, CH-2502
 Biel/Bienne, Switzerland

(540)
OMEGA SMARTDIAL

(591) Black and White
 (511)
 14 – Timepieces and chronometric instruments as well as parts and accessories for the aforesaid goods, watch chains, presentation cases for timepieces, cases for timepieces; smart watches with extended functionality and connected watches as well as parts and accessories for the aforesaid goods.

(260) AM 2016 82998 A
 (800) 1254600
 (891) 2015 04 20
 (731) Omega SA (Omega AG) (Omega Ltd.)
 Jakob-Stämpfli-Strasse 96, CH-2502
 Biel/Bienne, Switzerland

(540)
OMEGA SMARTSTRAP

(591) Black and White
 (511)
 14 – Timepieces and chronometric instruments as well as parts and accessories for the aforesaid goods, watch chains, presentation cases for timepieces, cases for timepieces; smart watches with extended functionality and connected watches as well as parts and accessories for the aforesaid goods.

(260) AM 2016 83003 A
 (800) 1254838
 (891) 2015 04 27
 (731) RICHTER GEDEON NYRT.
 Gyömrői út 19-21, H-1103 Budapest, Hungary

(540)
АССИМИЛ

(591) Black and white
 (511)
 5 – Pharmaceutical preparations.

(260) AM 2016 83004 A
 (800) 1254839
 (891) 2015 04 27
 (731) RICHTER GEDEON NYRT.
 Gyömrői út 19-21, H-1103 Budapest, Hungary

(540)
ИМАРСА

(591) Black and white
 (511)
 5 – Pharmaceutical preparations.

(260) AM 2016 83005 A
 (800) 1254840
 (891) 2015 04 27
 (731) RICHTER GEDEON NYRT.
 Gyömrői út 19-21, H-1103 Budapest, Hungary

(540)
ПИЛНОР

(591) Black and white
 (511)
 5 – Pharmaceutical preparations.

(260) AM 2016 83006 A
 (800) 1254841
 (891) 2015 04 27
 (731) RICHTER GEDEON NYRT.
 Gyömrői út 19-21, H-1103 Budapest, Hungary

(540)
ГИНИЗИЛ

(591) Black and white
 (511)
 5 – Pharmaceutical preparations.

(260) AM 2016 83007 A
 (800) 1254842
 (891) 2015 04 27
 (731) RICHTER GEDEON NYRT.
 Gyömrői út 19-21, H-1103 Budapest, Hungary

(540)
ГИНАКТО

(591) Black and white
 (511)
 5 – Pharmaceutical preparations.

(260) AM 2016 83008 A
 (800) 1254843
 (891) 2015 04 27
 (731) RICHTER GEDEON NYRT.
 Gyömrői út 19-21, H-1103 Budapest, Hungary

(540)
МЕДИАЛИН

(591) Black and white
 (511)
 5 – Pharmaceutical preparations.

(260) AM 2016 83009 A
 (800) 1254844
 (891) 2015 04 27
 (731) RICHTER GEDEON NYRT.
 Gyömrői út 19-21, H-1103 Budapest, Hungary

(540)
КИЛИТА

(591) Black and white
 (511)
 5 – Pharmaceutical preparations.

(260) AM 2016 83010 A
 (800) 1254845
 (891) 2015 04 27
 (731) RICHTER GEDEON NYRT.
 Gyömrői út 19-21, H-1103 Budapest, Hungary

(540)

ЗОФРИТА

(591) Black and white
 (511)
 5 – Pharmaceutical preparations.

(260) AM 2016 83011 A
 (800) 1254846
 (891) 2015 04 27
 (731) Richter Gedeon Nyrt.
 Gyömrői út 19-21, H-1103 Budapest, Hungary

(540)

ДИОДОЛЛ

(591) Black and white
 (511)
 5 – Pharmaceutical preparations.

(260) AM 2016 83012 A
 (800) 1254847
 (891) 2015 04 27
 (731) RICHTER GEDEON NYRT.
 Gyömrői út 19-21, H-1103 Budapest, Hungary

(540)

ДАЛМИД

(591) Black and white
 (511)
 5 – Pharmaceutical preparations.

(260) AM 2016 83013 A
 (800) 1254848
 (891) 2015 04 27
 (731) RICHTER GEDEON NYRT.
 Gyömrői út 19-21, H-1103 Budapest, Hungary

(540)

МЕНИДА

(591) Black and white
 (511)
 5 – Pharmaceutical preparations.

(260) AM 2016 83015 A
 (800) 1254863
 (891) 2015 04 24
 (731) Access Microfinance Holding AG
 Schönhauser Allee 10-11, 10119 Berlin,
 Germany

(540)

 **Access Campus**
 THE LEARNING CENTRE

(591) Blue, grey
 (511)
 41 – Education.

(260) AM 2016 83016 A
 (800) 1254875
 (891) 2015 05 26
 (731) MARCO DAL MAS
 Viale Villa Gavotti, 131/6, I-16100 Genova,
 Italy

(540)



(591) Black and white
 (511)
 12 – Bicycles.

37 – Assembly of bicycles (services for others).

(260) AM 2016 83017 A
 (800) 1254903
 (891) 2015 05 27
 (731) KRKA, tovarna zdravil, d.d., Novo mesto
 Šmarješka cesta 6, SI-8000 Novo mesto,
 Slovenia

(540)

CAMLOCOR

(511)
 5 – Pharmaceutical preparations.

(260) AM 2016 83018 A
 (800) 1254905
 (891) 2015 05 27
 (731) KRKA, tovarna zdravil, d.d., Novo mesto
 Šmarješka cesta 6, SI-8000 Novo mesto,
 Slovenia

(540)

KANDOSET

(511)
 5 – Pharmaceutical preparations.

(260) AM 2016 83019 A
 (800) 1254923
 (891) 2015 05 20
 (731) AOP Orphan Pharmaceuticals AG
 Wilhelminenstraße 91/II f, A-1160 Wien,
 Austria

(540)

BESREMI

(591) Black and white
 (511)
 5 – Pharmaceutical preparations.

(260) AM 2016 83020 A
 (800) 1254937
 (891) 2015 05 28
 (731) NOVARTIS AG
 CH-4002 Basel, Switzerland

(540)

OPTI-FREE

(591) Black and white

(511)

3 – Cleaning products for personal use.

5 – Ophthalmic preparations.

(260) AM 2016 83021 A
 (800) 1254981
 (891) 2015 01 22
 (731) WEMESH Inc., c/o WeMesh USA INC.
 2711 Centerville Road, Suite 400, Wilmington
 DE 19808, USA

(540)

WEMESH

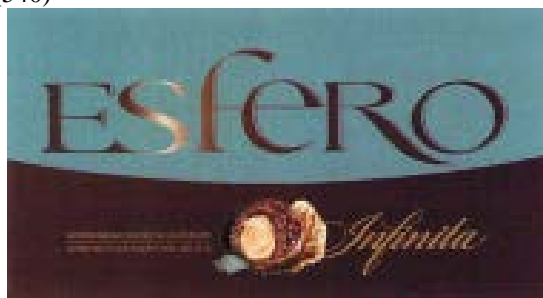
(591) Black and white

(511)

9 – Downloadable mobile software applications for synchronizing multimedia content with audio and text communication; computer software for synchronizing content between mobile devices.

(260) AM 2016 83023 A
 (800) 1255035
 (891) 2014 08 07
 (731) PRIVATE JOINT STOCK COMPANY
 "INDUSTRIAL ASSOCIATION "KONTI"
 Bul. Shevchenko, 6-b, Donetsk 83015, Ukraine

(540)



(591) Black, white, grey, brown, gold, beige and turquoise

(511)

30 – Coffee, tea, cocoa and artificial coffee; rice; tapioca and sago; flour and preparations made from cereals; bread, pastry and confectionery; ices; sugar, honey, treacle; yeast, baking-powder; salt; mustard; vinegar, sauces (condiments); spices; ice; aniseed; peanut confectionery; high-protein cereal bars; baking soda (bicarbonate of soda for cooking purposes); soya bean paste (condiment); bean meal; star aniseed; tapioca flour for food; flour; bread rolls; buns; sandwiches; vanillin (vanilla substitute); vani-

lla (flavoring); waffles; vermicelli (noodles); cream of tartar for culinary purposes; farinaceous foods; oatmeal; oat flakes; oat-based food; sea water for cooking; seaweed (condiment); binding agents for ice cream (edible ices); biscuits; cloves (spice); mustard meal; cake frosting (icing); glucose for culinary purposes; relish (condiment); gluten additives for culinary purposes; essences for foodstuffs, except etheric essences and essential oils; fruit jellies (confectionery); chewing gum; custard; leaven; rice-based snack food; cereal-based snack food; frozen yogurt (confectionery ices); frozen kefir (confectionery ices); flavorings, other than essential oils, for beverages; flavorings, other than essential oils, for cakes; flavorings, other than essential oils; wheat germ for human consumption; preparations for stiffening whipped cream; thickening agents for cooking foodstuffs; chips (cereal products); ginger (spice); unroasted coffee; coffee flavorings; coffee-based beverages; coffee beverages with milk; vegetal preparations for use as coffee substitutes; cocoa beverages with milk; cocoa-based beverages; cocoa-based ingredients for confectionery products; capers; caramels (candy); lozenges (confectionery); curry (spice); potato flour for food; ketchup (sauce); gluten prepared as foodstuff; confectionery with sugar; tortillas; cinnamon (spice); starch for food; hominy grits; groats for human food; corn, milled; corn, roasted; corn flour; pop corn; corn flakes; turmeric for food; couscous (semolina); salt for preserving foodstuffs; confectionery for decorating Christmas trees; edible ices; ice for refreshment; ice, natural or artificial; liquorice (confectionery); noodles; candy; flaxseed for human consumption; mayonnaise; macaroni; maltose; hominy; chow-chow (condiment); marinades; marzipan; royal jelly; honey; molasses for food; macaroons (pastry); almond paste; almond confectionery; pancakes; spring rolls; gruel, with a milk base, for food; ice-cream; dessert mousses (confectionery); chocolate mousses; nutmegs; muesli; meat gravies; meat tenderizers, for household purposes; mint for confectionery; peppermint sweets; infusions, not medicinal; husked oats; ravioli; pepper; pesto (sauce); beer vinegar; quiches; sweetmeats (candy); pizzas; pies; fondants (confectionery); powder for edible ices; pralines; condiments; dressings for salad; seasonings; unleavened bread; bee glue; gingerbread; puddings; cake powder; fruit coulis (sauces); rice cakes; baking powder; ferments for pastes; sago; garden herbs, preserved (seasonings); celery salt; golden syrup; salt for preserving foodstuffs; soya flour; soya sauce; malt for human consumption; malt biscuits; malt extract for food; tomato sauce; spaghetti; noodle-based prepared meals; ham glaze; rusks; breadcrumbs; petit-beurre biscuits; sushi; tabbouleh; tacos; tapioca; petits fours (cakes); crackers; cake pastry; tarts; sorbets (ices); halvah; bread; chicory (coffee substitute); iced tea; tea-based beverages; chutneys (condi-

ments); saffron (seasoning); chocolate; chocolate-based beverages; chocolate beverages with milk; barley meal; crushed barley.

(260) AM 2016 83033 A

(800) 1254618

(891) 2015 04 27

(731) RICHTER GEDEON NYRT.

Gyömrői út 19-21, H-1103 Budapest, Hungary

(540)

ГИФЕЛИН

(591) Black and White

(511)

5 – Pharmaceutical preparations.

(260) AM 2016 83034 A

(800) 1254620

(891) 2015 04 27

(731) RICHTER GEDEON NYRT.

Gyömrői út 19-21, H-1103 Budapest, Hungary

(540)

ГОАЛИНГ

(591) Black and White

(511)

5 – Pharmaceutical preparations.

(260) AM 2016 83035 A

(800) 1254627

(891) 2015 05 25

(731) IPEK KAGIT SANAYI VE TICARET ANONIM SIRKETI

Kanyon Ofis Buyukdere Cad., No: 185

Levent, Istanbul, Turkey

(540)



(591) Pink, light pink, white, blue, black

(511)

16 – Paper, cardboard and goods made from these materials, namely, table napkins of paper, handkerchiefs of paper, toilet paper, towels of paper, face towels of paper, bibs of paper, table cloths of paper, table mats of paper, party ornaments made of paper, washcloths made of paper, drying towels made of

paper, for use within the field of incontinence and geriatric care; plastic materials for packaging, namely, plastic bags, sacks and sheets for wrapping and packaging; plastic film for wrapping; bags [envelopes, pouches] of paper or plastics, for packaging; bookbinding material; printing type; printing blocks; printed matter; photographs [printed]; stationery; typewriters, electric or non-electric; office requisites, except furniture; instructional and teaching material [except apparatus]; paint brushes.

(260) AM 2016 83036 A

(800) 1254641

(891) 2015 05 01

(731) BREITLING SA

Schlachthausstrasse 2, CH-2540 Grenchen, Switzerland

(540)



(591) Black and White

(511)

14 – Jewelry, timepieces and chronometric instruments, time measuring instruments; electronic watches with additional functions (smart watches).

(260) AM 2016 83037 A

(800) 1254675

(891) 2015 02 18

(731) EGIS GYÓGYSZERGYÁR ZRT.

Keresztúri út 30-38, H-1106 Budapest,

Hungary

(540)

TOPROZIS

(511)

5 – Pharmaceutical preparations for human use; sanitary preparations for medical purposes.

(260) AM 2016 83038 A

(800) 1254678

(891) 2015 02 23

(731) EGIS GYÓGYSZERGYÁR ZRT.

Keresztúri út 30-38, H-1106 Budapest,

Hungary

(540)

NEUMIT

(511)

5 – Pharmaceutical preparations for human use; sanitary preparations for medical purposes; dietetic substances adapted for medical use.

(260) AM 2016 83039 A
 (800) 1254689
 (891) 2015 04 22
 (731) IPSEN PHARMA S.A.S.
 65 quai Georges Gorse, F-92100
 BOULOGNE BILLANCOURT, France

(540)

SMECTA

(511)
 5 – Pharmaceutical and veterinary preparations; dietetic substances and foods for medical use; food for babies; food and nutritional supplements; dietary supplements; probiotic bacterial formulations for medical use; plasters.

(260) AM 2016 83040 A
 (800) 1254704
 (891) 2015 05 05
 (731) ACEITES DEL SUR-COOSUR S.A.
 Carretera de la Carolina, 29, E-23220 Vilches
 (Jaén), Spain

(540)

VILLA BLANCA-MEDITERRANEAN FOODS-ACESUR

(511)
 29 – Edible oils and fats; olive oil; corn oil; soy bean oil; edible oils; nut oils; edible sunflower oil; edible fats; potato snacks; nut-based food bars; bouillon; prepared meals containing meat [primarily consisting of meat]; prepared meals containing eggs [primarily]; spreads; extracts for soups; prepared meat dishes; fruit desserts; dairy desserts; fruit-based snack food; tomato paste; meat; processed fruits, mushrooms and vegetables (including nuts and vegetables); eggs and egg products; fish, seafood and shellfish; milk products and milk substitutes; jellies, jams, compotes, fruit and vegetable spreads; canned olives; olives, prepared; compotes; vegetable juice concentrates for food; canned fruit; pickles; vegetable extracts for cooking; edible nuts; edible seeds; cooked vegetables; preserved vegetables.

30 – Sugar, natural sweeteners, sweet topping and filling products and bee products; coffee, tea, cocoa and substitutes thereof; processed grains, starches and goods made thereof, baker's products and yeast; ice, ice cream, frozen yogurt and sherbets; bakery products, pastry products, chocolates and desserts; salts, sauces, seasonings and condiments; prepared foodstuffs in the form of sauces; snack foods consisting principally of extruded cereals; crunchy snacks made of cereals; ready-to-eat food bars with a chocolate base; snacks and sandwiches; cereal-based snack food; syrups and golden syrups; icing and stuffing products; cocoa-based beverages; cocoa; cereals; dried and fresh pasta, noodles and dough for

stuffing (dumplings); doughs, batters and mixtures thereof; sauces, chutney and food creams; marinades; seasoned dressings for meat, fish, poultry; food flavorings other than essential oils; flavorings and seasonings; essences for cooking; prepared spices; seasonings; sauces; vinegar; flavored vinegars.

(260) AM 2016 83056 A

(800) 1255132

(891) 2015 01 19

(731) ROCHE DIABETES CARE GMBH
 Sandhofer Strasse 116, 68305 Mannheim,
 Germany

(540)

ACCU-CHEK INSTANT

(511)

5 – Pharmaceutical preparations; in-vitro diagnostic reagents for medical use; test strips for determining levels of glucose in blood.

10 – Medical instruments; medical instruments and apparatus including accessories; blood glucose monitors including accessories; lancets and lancet devices for medical use; insulin pumps and infusion sets.

(260) AM 2016 83143 A

(800) 1240294

(891) 2015 04 10

(731) SALVATORE FERRAGAMO S.P.A.
 Via dei Tornabuoni, 2, I-50123 Firenze (FI),
 Italy

(540)

SALVATORE FERRAGAMO IL BELLO

(591) Black and white

(511)

3 – Perfumes, eau de parfum, eau de Cologne, toilet water, aftershave creams, after shave lotions, shaving lotions, shaving creams and foams, shampoos, hair conditioners, beauty masks, cold creams, hand creams, body and facial creams, deodorants for personal use, antiperspirants for personal use, skin cleansers, soaps for personal use, toilet soaps, bath soaps, bath and shower foam, bath and shower gels, body oils, body lotions, skin lotions.

(260) AM 2016 83144 A

(800) 1243732

(891) 2015 05 12

(731) GOLDEN LADY COMPANY S.P.A.
 Via Giacomo Leopardi 3/5, I-46043
 CASTIGLIONE DELLE STIVIERE
 (MANTOVA), Italy

(540)

FILODORO FILFREE

(591) Black and white

(511)

25 – Hosiery and pantyhoses; stockings; leotards; tights; hold up stockings; footless tights; leggings; socks; knee highs; shoe liners being hosiery; seamless underwear; seamless jerseys; seamless shirts; seamless turtle neck T-shirts; seamless short-sleeved or long-sleeved T-shirts; seamless vests, camisoles and tank tops; seamless body suits.

(260) AM 2016 83148 A

(800) 1255590

(891) 2015 03 16

(731) EGIS GYÓGYSZERGYÁR ZRT.

Keresztúri út 30-38, H-1106 Budapest,
Hungary

(540)

RAYARIN

(511)

5 – Pharmaceutical preparations for human use; sanitary preparations for medical purposes.

(260) AM 2016 83149 A

(800) 1255591

(891) 2015 03 16

(731) EGIS GYÓGYSZERGYÁR ZRT.

Keresztúri út 30-38, H-1106 Budapest,
Hungary

(540)

ELANEST

(511)

5 – Pharmaceutical preparations for human use; sanitary preparations for medical purposes.

(260) AM 2016 83153 A

(800) 1256223

(891) 2015 05 26

(731) XINGYUAN TIRE GROUP CO., LTD.

Xishui Industrial Zone, Dongying Shandong,
China

(540)

Annaite
安耐特

(591) Black and white

(511)

12 – Tires for vehicle; vehicle tires; inner tubes for vehicle; bicycle tires; car tires; steamboat tires; treads for vehicles, namely, roller belts; casings for pneumatic tires; spikes for tires; inner tubes for bicycles and tricycles.

(260) AM 2016 83250 A

(800) 1256916

(891) 2015 01 08

(731) AHMED ELAFIFI

Schwindgasse 19/17, A-1040 Vienna, Austria

(540)



(591) Blue and shades thereof and white

(511)

5 – Dietary supplement beverages, namely for relieving stress, reducing anxiety, inducing relaxation, reducing nervous system activation in stressful situations, decreasing blood pressure by blocking stress-related pressure spikes, protecting brain against stress-caused memory impairments, improving sleep quality, relaxation of body and mind.

32 – Non-alcoholic beverages, namely, sports drinks, energy drinks, fruit juices and fruit-based juices, relaxation drinks in the nature of carbonated and non-carbonated soft drinks containing calming agents.

(260) AM 2016 83251 A

(800) 1256923

(891) 2014 12 26

(731) SUNECHO LIMITED

Julia House, 3 Themistokli Dervi Street, P.C.
CY-1066 Nicosia (CY), Cyprus

(540)



(591) Yellow, red, dark red and white

(511)

29 – Meat, fish, poultry and game; meat extracts; preserved, frozen, dried and cooked fruits and vegetables; jellies, jams, compotes; eggs; milk and milk products; edible oils and fats; ajvar [preserved peppers]; aloe vera prepared for human consumption; alginates for culinary purposes; anchovy; peanuts, prepared; albumen for culinary purposes; white of eggs; beans, preserved; soya beans, preserved, for food; bouillon, including instant bouillon; ginger jam; ham; fatty substances for the manufacture of edible fats; toasted laver; edible birds' nests; peas, preserved; mushrooms, preserved; gelatine; meat jellies; jellies for food; fruit jellies; yolk of eggs; coconut fat; bone oil, edible; lard; suet for food; fruit-based snack food; charcuterie; raisins; caviar; fish roe, prepared; yogurt; sauerkraut; kephir [milk beverage]; isinglass for food; clams, not live; milk shakes; black pudding [blood sausage]; meat, tinned; vegetables, tinned; fish, tinned; fruits, tinned; bouillon concentrates; gherkins; shrimps, not live; prawns, not live; buttercream; croquettes; silkworm chrysalis, for human consumption; kumys [kumyss] [milk beverage]; spiny lobsters, not live; lecithin for culinary purposes; salmon; onions, preserved; margarine; piccalilli; marmalade; peanut butter; cocoa butter; colza oil for food; coconut butter; corn oil; sesame oil; linseed oil for culinary purposes; olive oil for food; palm oil for food; palm kernel oil for food; sunflower oil for food; coconut oil; butter; shellfish, not live; almonds, ground; animal marrow for food; mussels, not live; condensed milk; protein milk; soya milk [milk substitute]; fish meal for human consumption; vegetable mousses; fish mousses; fruit pulp; meat, preserved; milk beverages, milk predominating; potato fritters; olives, preserved; lobsters, not live; coconut, desiccated; nuts, prepared; tomato paste; liver pastes; pectin for culinary purposes; liver; pickles; jams; powdered eggs; kimchi [fermented vegetable dish]; foods made from fish; curd; prostokvasha [soured milk]; poultry, not live; pollen prepared as foodstuff; cranberry sauce

[compote]; apple purée; crayfish, not live; crustaceans, not live; fish, preserved; fish, not live; salted fish; ryazhenka [fermented baked milk]; vegetable salads; fruit salads; bacon; sardines; pork; herrings; seeds, prepared; sunflower seeds, prepared; cream [dairy products]; whipped cream; fat-containing mixtures for bread slices; smetana [sour cream]; tomato juice for cooking; vegetable juices for cooking; salted meats; sausages; sausages in batter; preparations for making bouillon including instant bouillon; preparations for making soup including instant soup; preparations for making mashed potatoes; soups, including instant soups; tripe; soups; vegetable soup preparations including instant soup; whey; cheese; tahini [sesame seed paste]; tofu; sea-cucumbers, not live; truffles, preserved; tuna fish; oysters, not live; milk ferments for culinary purposes; rennet; fish fillets; dates; crystallized fruits; frozen fruits; fruit preserved in alcohol; potato flakes; hummus [chickpea paste]; fruit peel; preserved garlic; lentils, preserved; potato chips; low-fat potato chips; fruit chips; non-alcoholic eggnog; seaweed extracts for food; snail eggs for consumption.

30 – Coffee, tea, cocoa and artificial coffee; rice; tapioca and sago; flour and preparations made from cereals; bread, pastry and confectionery; edible ices; sugar, honey, treacle; yeast, baking-powder; salt; mustard; vinegar, sauces (condiments); spices; ice for refreshment; aromatic preparations for food; flavorings [flavourings], other than essential oils, for cakes; flavorings [flavourings], other than essential oils, for beverages; coffee flavorings [flavourings]; flavorings, other than essential oils; star aniseed; cereal bars; high-protein cereal bars; pancakes; noodle-based prepared meals; buns; bread rolls; vanillin [vanilla substitute]; vanilla [flavoring]; waffles; vermicelli [noodles], including instant noodles; natural sweeteners; sausage binding materials; binding agents for ice cream [edible ices]; sea water for cooking; seaweed [condiment]; malt biscuits; cloves [spice]; cake frosting [icing]; glucose for culinary purposes; gluten additives for culinary purposes; thickening agents for cooking foodstuffs; leaven; rice-based snack food; cereal-based snack food; vegetal preparations for use as coffee substitutes; dressings for salad; fruit jellies [confectionery]; confectionery for decorating Christmas trees; cakes; pastries; peanut confectionery; almond confectionery; pasta including instant pasta; pasties; ginger [spice]; frozen yogurt [confectionery ices]; capers; caramels [candy]; curry [spice]; gruel, with a milk base, for food, including instant gruel; rice gruel, including instant rice gruel; ketchup [sauce]; quiches; gluten prepared as foodstuff; sweetmeats [candy]; liquorice [confectionery]; peppermint sweets; cinnamon [spice]; unroasted coffee; starch for food; crackers; custard; hominy grits; semolina; oatmeal; crushed barley; groats for human food;

corn, milled; corn, roasted; meat pies; turmeric; couscous [semolina]; farinaceous foods; noodles including instant noodles; ice, natural or artificial; candy; rice cakes; mayonnaise; macarons [pastry]; macaroni including instant macaroni; maltose; hominy; marinades; marzipan; royal jelly; bean meal; tapioca flour; potato flour; corn flour; flour; wheat flour; soya flour; barley meal; dessert mousses [confectionery]; chocolate mousses; muesli; mint for confectionery; cocoa beverages with milk; coffee beverages with milk; coffee-based beverages; tea-based beverages; chocolate beverages with milk; chocolate-based beverages; cocoa-based beverages; infusions, not medicinal; crushed oats; husked oats; nutmegs; stick liquorice [confectionery]; soya bean paste [condiment]; pastilles [confectionery]; molasses for food; pepper; allspice; peppers [seasonings]; pesto [sauce]; biscuits; petit-beurre biscuits; pies; pizzas; meat gravies; fondants [confectionery]; popcorn; powders for ice cream; mustard meal; pralines; meat tenderizers, for household purposes; cereal preparations; oat-based food; propolis; gingerbread; petits fours [cakes]; puddings; cake powder; fruit coulis [sauces]; ravioli; chewing gum; relish [condiment]; rice including instant rice; wheat germ for human consumption; spring rolls; palm sugar; aniseed; linseed for human consumption; golden syrup; cake dough; confectionery; baking soda [bicarbonate of soda for cooking purposes]; malt for human consumption; salt for preserving foodstuffs; cooking salt; celery salt; sorbets [ices]; ham glaze; soya sauce; tomato sauce; pasta sauce; sauces [condiments]; spaghetti including instant spaghetti; seasonings; preparations for stiffening whipped cream; rusks; breadcrumbs; sushi; sandwiches; tabbouleh; tacos; cream of tartar for culinary purposes; tarts; dough; almond paste; tortillas; garden herbs, preserved [seasonings]; beer vinegar; ferments for pastes; halvah; bread; unleavened bread; chips [cereal products]; corn flakes; oat flakes; chicory [coffee substitute]; iced tea; chutneys [condiments]; cheeseburgers [sandwiches]; chow-chow [condiment]; saffron [seasoning]; chocolate; malt extract for food; essences for foodstuffs, except etheric essences and essential oils; husked barley.

35 – Advertising; business management; business administration; office functions; arranging subscriptions to telecommunication services for others; import-export agencies; commercial information agencies; advertising agencies; cost price analysis; rental of advertising space; business auditing; employment agencies; computerized file management; book-keeping; invoicing; demonstration of goods; transcription of communications [office functions]; opinion polling; marketing studies; business information; commercial information and advice for consumers [consumer advice shop]; business investigations; business research; marketing research; personnel recruitment; business management and organization

consultancy; business organization consultancy; business management consultancy; personnel management consultancy; professional business consultancy; layout services for advertising purposes; marketing; business management of performing artists; business management of sports people; news clipping services; updating of advertising material; word processing; organization of exhibitions for commercial or advertising purposes; arranging newspaper subscriptions for others; organization of fashion shows for promotional purposes; organization of trade fairs for commercial or advertising purposes; shop window dressing; business appraisals; payroll preparation; data search in computer files for others; sponsorship search; business management assistance; commercial or industrial management assistance; presentation of goods on communication media, for retail purposes; economic forecasting; auctioneering; retail or wholesale services for pharmaceutical, veterinary and sanitary preparations and medical supplies; sales promotion for others; production of advertising films; office machines and equipment rental; rental of advertising time on communication media; publicity material rental; rental of vending machines; rental of photocopying machines; publication of publicity texts; radio advertising; billposting; outdoor advertising; distribution of samples; dissemination of advertising matter; direct mail advertising; writing of publicity texts; on-line advertising on a computer network; advertising by mail order; television advertising; document reproduction; compilation of statistics; compilation of information into computer databases; business inquiries; systemization of information into computer databases; advisory services for business management; tax preparation; drawing up of statements of accounts; telemarketing services; psychological testing for the selection of personnel; business management of hotels; commercial administration of the licensing of the goods and services of others; administrative processing of purchase orders; public relations; modelling for advertising or sales promotion; typing; relocation services for businesses; price comparison services; secretarial services; procurement services for others [purchasing goods and services for other businesses]; shorthand; outsourcing services [business assistance]; telephone answering for unavailable subscribers; photocopying services; business efficiency expert services.

(260) AM 2016 83252 A
 (800) 1256960
 (891) 2015 03 02
 (731) ADP GAUSELMANN GMBH
 Merkur-Allee 1-15, 32339 Espelkamp,
 Germany
 (540)

Sonnenzauber

(511)

9 – Scientific, nautical, surveying, photographic, cinematographic, optical, weighing, measuring, signalling, checking (supervision), life-saving and teaching apparatus and instruments; apparatus and instruments for conducting, switching, transforming, accumulating, regulating or controlling electricity; apparatus for recording, transmission or reproduction of sound or images; magnetic data carriers, recording discs; compact discs, DVDs and other digital recording media; cash registers, calculating machines, data processing equipment, computers; computer software; fire-extinguishing apparatus; musical jukeboxes and parts for the aforesaid automatic machines; automatic cash dispensers, automatic money counting and money changing machines; mechanisms for coin-operated apparatus; computer and video games software; games software for use on any computer platform, including electronic entertainment and games consoles; programs for computer games; computer games; video games (software); computer games provided through a global computer network or supplied by means of multi-media electronic broadcast or through telecommunications or electronic transmission or via the internet; computer games, leisure and recreational software, video games software and computer software, all being provided in the form of storage media; programs for operating electric and electronic apparatus for games, amusement and/or entertainment purposes; automatic lottery machines; computer software for computer games on the internet; online games (software); computer software in the form of an app for mobile devices and computers; calculating apparatus in coin-operated machines and parts for the aforesaid goods; apparatus for recording, transmission, processing or reproduction of data, including sound or images, including parts for all the aforesaid goods, except radio sets, television receivers, hi-fi systems, video recorders, telephone apparatus, fax machines and telephone answering machines; computer hardware and software for casino and amusement arcade games, for gaming machines, slot machines or video lottery gaming machines or games of chance via the internet; electric, electronic, optical or automatic apparatus, for identifying data carriers, identity cards and credit cards, bank notes and coins; electric, electronic or optical alarm and monitoring installations, including video cameras and apparatus for image transmission and image processing; data processing apparatus and computers, including data processing apparatus and computers being components for data networks and parts facilitating data network communications; electric wiring harnesses; circuit boards, printed board assemblies (electronic components) and combinations thereof being assemblies and parts for apparatus, included in this class.

28 – Games; toys; gymnastic and sporting articles not included in other classes; decorations for christ-

mas trees; gaming apparatus (including coin-operated apparatus); coin-operated arcade games (machines); games for amusement arcades (included in this class); coin-operated video gaming apparatus; video games apparatus adapted for use with external screens or monitors only; casino fittings, namely roulette tables, roulette wheels; coin-operated automatic gaming machines and gaming machines, in particular for gaming arcades, with or without a prize payout; electronic or electrotechnical gaming apparatus, gaming machines, games machines and slot machines operated by coins, tokens, banknotes, tickets or by means of electronic, magnetic or biometric storage media, in particular for commercial use in casinos and amusement arcades, with or without a prize payout; automatic gaming machines and gaming machines, in particular for commercial use in casinos and gaming arcades, with or without a prize payout; coin-operated gaming machines and/or electronic money-based gaming apparatus (machines), with or without prizes; housings adapted for gaming machines, gaming apparatus and automatic gaming machines, operated by means of coins, tokens, tickets or by means of electronic, magnetic or biometric storage media, in particular for commercial use in casinos and gaming arcades, with or without a prize payout; electronic games; apparatus for electronic games and accessories therefor; video output game machines; drawing apparatus for prize games and lotteries, draws or raffles; housings of metal, plastic and/or wood for coin-operated automatic machines; apparatus for games (including video games), other than adapted for use with external screens or monitors only; electropneumatic and electric slot machines (gaming machines); gaming tables, in particular for table football, billiards, sliding games; quoits (playthings) and darts; apparatus for games, namely, electric, electronic or electromechanical apparatus for bingo games, lotteries or video lottery games and for betting shops, networked or unnetworked; LCD games consoles; automatic gaming machines; automatic gaming machines, gaming machines and apparatus operated in networks; apparatus and devices for accepting and storing money, being fittings for the aforesaid automatic machines, included in this class.

41 – Education; providing of training; entertainment; sporting and cultural activities; rental of automatic slot machines and entertainment machines for casinos; arranging and conducting games; gambling; operating lotteries; game services provided via a computer network, including online and being applications for smartphones; on-line game services provided via a computer network; provision of entertainment and/or educational content for apps for mobile devices and computers; conducting quizzes by means of smartphone applications; providing casino facilities (gambling), betting offices; operating gaming establishments, arcades and/or online

internet casinos and betting platforms; gambling services via the internet.

(260) AM 2016 83275 A

(800) 1258280

(891) 2015 04 27

(731) RICHTER GEDEON NYRT.

Gyömrői út 19-21, H-1103 Budapest, Hungary

(540)

ЗАФРИЛЛА

(591) Black and white

(511)

5 – Pharmaceutical preparations.

(260) AM 2016 83276 A

(800) 1258294

(891) 2015 05 29

(731) SANOFI BIOTECHNOLOGY

54 rue La Boétie, F-75008 Paris (FR), France

(540)

DUTORELF

(511)

5 – Pharmaceutical products.

(260) AM 2016 83278 A

(800) 1258306

(891) 2015 04 08

(731) TIMOCOM SOFT- UND HARDWARE

GMBH

Bessemerstr. 2-4, 40699 Erkrath, Germany

(540)

 **TC Truck & Cargo**

(591) Red, blue

(511)

9 – Software for a multinational cargo database.

38 – Providing access to data in computer networks, namely on a multinational cargo database.

42 – Computer programming for data processing for a multinational cargo database; electronic storage of data within a multinational cargo database.

(260) AM 2016 83279 A

(800) 1258320

(891) 2015 06 03

(731) CELGENE CORPORATION

86 Morris Avenue, Summit, NJ 07901, USA

(540)

CELMOD

(591) Black and white

(511)

5 – Pharmaceutical preparations for use in the treatment of autoinflammatory disease, autoimmune disease, blood disease, cancer, arthritis, musculoskeletal and skin diseases in the fields of oncology, immunology and inflammation.

(260) AM 2016 83308 A

(800) 1258654

(891) 2015 05 08

(731) TRADE UNION LIMITED LIABILITY COMPANY

ul. Skladochnaya, d. 1, str. 7, RU-127018

Moscow, Russian Federation

(540)

Giorgio Ferretti

(591) Black and white

(511)

18 – Leather and imitations of leather, and goods made of these materials and not included in other classes, including bags, purses, pocket wallets, vanity cases, not fitted, document cases; animal skins; travelling trunks; trunks [luggage]; umbrellas; parasols; walking sticks; whips; harness for horses; saddlery.

(260) AM 2016 83309 A

(800) 1258701

(891) 2015 02 06

(731) O P I Products, Inc.

13034 Saticoy Street, North Hollywood CA

91605, USA

(540)



(591) Black and white

(511)

3 – Perfumery, essential oils, cosmetics, hair lotions; dentifrices; non-medicated toilet preparations; cosmetics; preparations for removing cosmetics; shampoos; perfumes; essential oils; preparations for the hair; anti-perspirants; deodorants for use on the person; depilatory preparations; dentifrices; non-medicated preparations for the nails and the skin; false nails and false eyelashes and adhesives for fixing all the aforesaid goods; depilatory wax; abrasive paper and emery paper, all for cosmetic purposes; cosmetic preparations for the nails; artificial fingernails; nail polish, nail varnish and preparations for removing all the aforesaid goods; oils for treating nails and cuticles; nail lacquer; nail polish remover; cuticle cream; lipstick; lip liner; nail polish base coat; nail polish top coat; nail hardeners; acrylic

powders and bonding liquids for making, mending or strengthening artificial fingernails; kits for making artificial fingernails comprising acrylic powders, bonding liquids, glue removers, brush cleaners; nail adhesives.

35 – Advertising; online retail services and mail order catalogue services in the fields of beauty, cosmetic and personal care products; retail store services in the fields of beauty, cosmetic and personal care products; wholesale services in the fields of beauty, cosmetic and personal care products; catalogue services in the fields of beauty, cosmetic and personal care products; organization of trade fairs for commercial and advertising purposes in the fields of beauty, cosmetic and personal care products; organization of exhibitions for commercial and advertising purposes in the fields of beauty, cosmetic and personal care products; promoting the goods and services of others by means of the issuance of loyalty cards and discount cards; customer loyalty services for commercial, promotional and advertising purposes.

44 – Medical services; veterinary services; hygienic and beauty care for human beings or animals; agriculture, horticulture and forestry services; beauty salons services; nail salons services; consultation services in the fields of beauty, cosmetic and personal care products; medical, sanitary and beauty care services; tanning salons services; hair care salon services; beauty salon services, namely making reservations and bookings for beauty care; rental of machines and apparatus for use in beauty and nail salons.

(260) AM 2016 83311 A

(800) 1258711

(891) 2015 02 23

(731) APPLE INC.

1 Infinite Loop, Cupertino CA 95014,
USA

(540)



(591) pink, red, yellow, green, blue, black, orange, white, gray and purple

(511)

14 – Horological and chronometric instruments; watches; timepieces; chronographs for use as timepieces; chronometers; watchstraps; watch bands; cases for watches, and horological and chronometric instruments; parts for watches, and horological and chronometric instruments.

(260) AM 2016 83312 A

(800) 1258748

(891) 2015 04 15

(731) QINGDAO HAIER INVESTMENT &
DEVELOPMENT CO., LTD.

Haier Industrial Park, Qingdao Hi-tech
Industrial Park 266101 Shandong Province,
China

(540)



(591) Black and white

(511)

5 – Diagnostic preparations for medical purposes; chemical preparations for medical purposes; chemical conductors for electrocardiograph electrodes; semen for artificial insemination; sterilising preparations; cleaning preparations for contact lens; nutritive substances for microorganisms; gases for medical purposes; materials for medicine; tonics [medicines]; medicines for human purposes; radioactive substances for medical purposes; food for babies; dietetic substances adapted for medical use; depuratives; deodorants for refrigerators; medicines for veterinary purposes; preparations for destroying noxious plants; preparations for destroying noxious animals; aseptic paper; sanitary napkins; bandages for dressings; dental lacquer.

7 – Agricultural machines; aerating pumps for aquaria; fodder disintegrators; milking machines; shearing machines for animals; woodworking machines; sanitary napkins producing apparatus; paper machines; printing machines; machines for the textile industry; dyeing machines; tea preparation machines; electromechanical food preparation machines; electromechanical beverage preparation machines; tobacco processing machines; leather-working ma-

chines; ironing machines; machines and apparatus for bicycle industry; machines and apparatus for ceramic industry; computer engraving machines; battery machinery; native products preparation machines; enamel making machines; lamp bulb making machines; packaging machines; honeycomb briquet making machines; dishwashers; mills for household purposes, other than hand-operated; electric can openers; coffee grinders, other than hand-operated; electric blenders for household purposes; electric kitchen machines; electric whisks for household purposes; electric fruit presses for household purposes; soybean milk machines for household purposes; electric food processors; vegetable choppers for household purposes; meat cutters for household purposes; wringing machines for laundry; coin-operated washing machines; dry cleaning machines; washing machines; machines for pharmaceutical processing industry; molds for processing plastics; machines for glass industry; fertilizer making machines; electro-mechanical machines for chemical industry; machines and apparatus for geological prospecting and mining; cast iron machines; apparatus for petroleum chemical industry; excavators; elevators [lifts]; presses [machines for industrial purposes]; hydraulic machines; foundry machines; fittings for engine boilers; internal combustion engines other than for land vehicles; hydroelectric installations for generating electricity; needle making machines; button making machines; robots [machines]; cutting machines; machinery for making electric wires and cables; hand-held tools other than hand-operated; apparatus for the electronics industry; eyeglass processing apparatus; gas separators; painting machines; jet engines other than for land vehicles; suction machines for industrial purposes; compressors for refrigerators; blowing machines for the compression, exhaustion and transport of gases; pneumatic transporters; pumps [machines]; valves [parts of machines]; bearings [parts of machines]; lubricating apparatus; shock absorbers [parts of machines]; belts for machines; adhesive bands for fans, not including fans belts for engines for land vehicles; gas-operated soldering apparatus; vehicle washing installations; electric machines and apparatus for cleaning; garbage disposals; electric sewer pipe dredging device; washing apparatus; electric machines and apparatus for carpet shampooing; disintegrators; vacuum cleaners; electric parquet wax-polishers; drums [parts of machines]; electrically operated curtain drawing devices; electric shoe polishers; electric door rolling machines.

9 – Integrated circuit cards; electronic pocket translators; microprocessors; interfaces for computers; bar code readers; downloadable electronic publications; recorded computer software; computer peripheral devices; data processing apparatus; notebook computers; computers; printers for use with computers; central processing units; mouse [data proces-

sing equipment]; USB flash drives; integrated circuit cards [smart cards]; readers [data processing equipment]; optical data media; optical character readers; computer memory devices; electronic agendas; cash registers; ticket dispensers; dictating machines; apparatus to check franking; pedometers; electronic tags for goods; facsimile machines; punched card machines for offices; photocopiers [photographic, electrostatic, thermic]; weighing machines; measures; lamp box; electronic notice boards; neon lamps; radiotelephony sets; program controlled telephone switching equipment; network communication equipment; portable telephones; satellite navigational apparatus; electro-dynamic apparatus for the remote control of signals; navigation apparatus for vehicles [on-board computers]; video telephones; telephone apparatus; transmitters of electronic signals; hands free kits for phones; intercommunication apparatus; navigational instruments; global positioning system [GPS] apparatus; sound transmitting apparatus; sound recording apparatus; audio and video receivers; portable media players; personal stereos; headphones; tone arms for record players; DVD players; television apparatus; optical discs [audio-video]; earphones; microphones; electric monitoring apparatus; transistor radio; camcorders; video recorders; cameras [photography]; slide projectors; metal detectors for industrial or military purposes; electric measuring devices; teaching apparatus; furniture especially made for laboratories; oil meter; measuring instruments; taximeters; meteorological instruments; components and special materials for meters; optical apparatus and instruments; electric cables; materials for electricity mains [wires, cables]; remote controllers for household purposes; optical fibers [fibers] [light conducting filaments]; electric switches; plugs, sockets and other contacts [electric connections]; high and low voltage switch board; wafers for integrated circuits; integrated circuits; electric regulating apparatus; video screens; chips [integrated circuits]; fluorescent screens; semi-conductors; connectors [electricity]; magnetic materials and components; potentiometer; automation device for power station; electric installations for the remote control of industrial operations; lightning arresters; electrolyzers; extinguishers; radiological apparatus for industrial purposes; solderers' helmets; life saving apparatus and equipment; clothing for protection against accidents, irradiation and fire; alarms; electric door chargers; animated cartoons; exposed cinematographic film.

10 – Medical apparatus and instruments; esthetic massage apparatus; physical exercise apparatus for medical purposes; vibromassage apparatus; dental apparatus and instruments; physiotherapy apparatus; apparatus and installations for the production of X-rays for medical purposes; galvanic therapeutic appliances; gauze mask; furniture especially made for medical purposes; hearing aids for the deaf; baby

feeding bottles; condoms; artificial limbs; orthopaedic articles; suture materials.

11 – Lamps; light bulbs; lighting installations for air vehicles; lights for automobiles; germicidal lamps for purifying air; oil lamps; roasters; electric cooking utensils; cooking apparatus and installations; gas burners; hot plates; toasters; roasting apparatus; rotisseries; electric iron cookers; electric pressure cookers [autoclaves]; electric heaters for feeding bottles; electric deep fryers; electric coffee machines; solar energy stove; electric vacuum bottle; electric kettles; electric appliances for making yogurt; microwave ovens [cooking apparatus]; scone furnace; lava rocks for use in barbecue grills; kitchen ranges [ovens]; cooling installations and machines; deodorizing device for refrigerator; automatic defrosting device for refrigerator; electrical ice cream makers; refrigerators; freezers; ice machines and apparatus; refrigerating apparatus and machines; beverage cooling apparatus; ventilation installations and apparatus [air-conditioning]; electric hair dryers; hair driers; air humidifying device; ventilating fans; electric laundry dryers; electric fans for personal use; extractor hoods for kitchens; gas scrubbing apparatus; air cooling apparatus; air reheaters; air conditioning installations; fans [air-conditioning]; desiccating apparatus; air purifying apparatus and machines; ionization apparatus for the treatment of air or water; fans [parts of air-conditioning installations]; air sterilizers; hearths; dampers [heating]; feeding apparatus for heating boilers; steam generating installations; regulating and safety accessories for gas pipes; heating apparatus; electric heating apparatus; aquarium heaters; heating installations for hot water; central heating radiators; pipes [parts of sanitary installations]; water-pipes for sanitary installations; faucets; floor drains; pipe joint for hot water heating installations; ornamental fountains; bath fittings; wash-hand basins [parts of sanitary installations]; sanitary apparatus and installations; solar water heater; toilet bowls; water flushing installations; bath heating installations; hand drying apparatus for washrooms; disinfectant apparatus; water purifying apparatus and machines; oil-scrubbing apparatus; disinfectant cupboards; water dispensers; disposable sterilization pouches; electric or nonelectric foot warmers; electric radiators; pocket warmers; electric blankets, not for medical purposes; pocket warmers; lighters; nuclear reactors; electric warming cloths.

20 – Audio bracket [furniture]; filing cabinets; sideboards; plate racks; stands for calculating machines; furniture; television rack; containers, not of metal [storage, transport]; plastic slot for electric cable and wire; plastic valves for water pipes; mirrors [looking glasses]; plaited straw, except shoes, caps and mats; works of art of wood, wax, plaster or plastic; inflatable publicity objects; placards of wood or plastics; decorations of plastic for foodstuffs; kennels for

household pets; identification bracelets, not of metal; coffins; furniture fittings, not of metal; pillows; window fittings, not of metal; door fittings, not of metal; locks, other than electric, not of metal.

35 – Advertising agencies; advertising; organization of trade fairs for commercial or advertising purposes; business management of hotels; organization of technology exhibitions for business purposes; organization of exhibitions for commercial or advertising purposes; business information; business management consultancy; sales promotion for others; procurement services for others [purchasing goods and services for other businesses]; import-export agencies; brokerage for performing artist; employment agencies; personnel management consultancy; relocation services for businesses; systemization of information into computer databases; secretarial services; accounting; rental of display racks; rental of vending machines; sponsorship search; retail services or wholesale services for pharmaceutical, veterinary and sanitary preparations and medical supplies.

37 – Construction information; construction; mining extraction; upholstering; heating equipment installation and repair; air conditioning apparatus installation and repair; freezing equipment installation and repair; installation, maintenance and repair of office machines and equipment; installation and repair of lighting apparatus; installation and repair of bath fittings; installation and repair of sanitary apparatus; installation and repair of medical equipment; interference suppression in electrical apparatus; installation, maintenance and repair of computer hardware; kitchen equipment installation; electric appliance installation and repair; machinery installation, maintenance and repair; vehicle breakdown assistance [repair]; airplane maintenance and repair; shipbuilding; photographic apparatus repair; clock and watch repair; strong-room maintenance and repair; application of coatings services; retreading of tires; furniture maintenance; furniture restoration; dry cleaning; disinfecting; disinfecting of surgical equipment; pump repair; knife sharpening; telephone installation and repair; shoe repair; burglar alarm installation and repair; elevator installation and repair; installation and repair of entertainment and sports apparatus; restoration of musical instruments; repair of jewellery; umbrella repair; artificial snow-making services; repair of hand instruments.

INTERNATIONAL TRADEMARKS PROTECTED IN GEORGIA

(260) AM 2016 78376 A
(800) 1211486
(151) 2014 06 02
(181) 2024 06 02
(891) 2014 06 02
(511) 03, 05, 21

(260) AM 2015 80836 A
(800) 1234054
(151) 2014 10 13
(181) 2024 10 13
(891) 2014 10 13
(511) 18, 25

(260) AM 2015 79397 A
(800) 1221115
(151) 2014 04 17
(181) 2024 04 17
(891) 2014 04 17
(511) 03, 05, 16, 24, 35, 39, 42

(260) AM 2015 80837 A
(800) 1234055
(151) 2014 10 13
(181) 2024 10 13
(891) 2014 10 13
(511) 18, 25

(260) AM 2015 80390 A
(800) 1230366
(151) 2014 05 29
(181) 2024 05 29
(891) 2014 05 29
(511) 03, 04, 08, 09, 16, 18, 21, 25, 26, 35, 44

(260) AM 2015 80842 A
(800) 1234540
(151) 2014 05 02
(181) 2024 05 02
(891) 2014 05 02
(511) 29, 30

(260) AM 2015 80792 A
(800) 1233485
(151) 2014 05 21
(181) 2024 05 21
(891) 2014 05 21
(511) 03, 07, 08

(260) AM 2015 81070 A
(800) 1236458
(151) 2014 10 29
(181) 2024 10 29
(891) 2014 10 29
(511) 03

(260) AM 2015 80796 A
(800) 1233815
(151) 2014 11 14
(181) 2024 11 14
(891) 2014 11 14
(511) 30

(260) AM 2015 81074 A
(800) 1237159
(151) 2015 01 22
(181) 2025 01 22
(891) 2015 01 22
(511) 25, 41

(260) AM 2015 80823 A
(800) 1234224
(151) 2014 11 14
(181) 2024 11 14
(891) 2014 11 14
(511) 30

(260) AM 2015 81237 A
(800) 1238386
(151) 2014 04 24
(181) 2024 04 24
(891) 2014 04 24
(511) 35

(260) AM 2015 80831 A
(800) 1234025
(151) 2014 06 16
(181) 2024 06 16
(891) 2014 06 16
(511) 05

(260) AM 2015 81259 A
(800) 1238425
(151) 2014 12 02
(181) 2024 12 02
(891) 2014 12 02
(511) 01, 17

(260) AM 2015 81260 A
(800) 1238453
(151) 2014 12 16
(181) 2024 12 16
(891) 2014 12 16
(511) 32

(260) AM 2015 81269 A
(800) 1238631
(151) 2014 12 30
(181) 2024 12 30
(891) 2014 12 30
(511) 34

(260) AM 2015 81322 A
(800) 1238982
(151) 2014 08 27
(181) 2024 08 27
(891) 2014 08 27
(511) 43

(260) AM 2015 81323 A
(800) 1238985
(151) 2014 07 22
(181) 2024 07 22
(891) 2014 07 22
(511) 07, 09, 12, 36, 37

(260) AM 2015 81324 A
(800) 1238993
(151) 2014 08 15
(181) 2024 08 15
(891) 2014 08 15
(511) 02, 17, 19

(260) AM 2015 81326 A
(800) 1239012
(151) 2014 10 21
(181) 2024 10 21
(891) 2014 10 21
(511) 09

(260) AM 2015 81327 A
(800) 1239097
(151) 2014 12 18
(181) 2024 12 18
(891) 2014 12 18
(511) 07

(260) AM 2015 81328 A
(800) 1239106
(151) 2014 11 13

(181) 2024 11 13
(891) 2014 11 13
(511) 06, 11, 12, 19

(260) AM 2015 81329 A
(800) 1239107
(151) 2014 11 13
(181) 2024 11 13
(891) 2014 11 13
(511) 06, 11, 12, 19

(260) AM 2015 81330 A
(800) 1152996
(151) 2013 01 23
(181) 2023 01 23
(891) 2014 09 25
(511) 03

(260) AM 2015 81332 A
(800) 1231585
(151) 2014 11 10
(181) 2024 11 10
(891) 2015 01 28
(511) 33

(260) AM 2015 81334 A
(800) 1238505
(151) 2014 07 08
(181) 2024 07 08
(891) 2014 07 08
(511) 25, 35

(260) AM 2015 81335 A
(800) 1238510
(151) 2014 08 11
(181) 2024 08 11
(891) 2014 08 11
(511) 34

(260) AM 2015 81336 A
(800) 1238545
(151) 2014 09 30
(181) 2024 09 30
(891) 2014 09 30
(511) 30

(260) AM 2015 81338 A
(800) 1238589
(151) 2014 12 17
(181) 2024 12 17
(891) 2014 12 17
(511) 33

(260) AM 2015 81362 A
(800) 1239690
(151) 2015 02 13
(181) 2025 02 13
(891) 2015 02 13
(511) 10

(260) AM 2015 81363 A
(800) 1239711
(151) 2014 09 25
(181) 2024 09 25
(891) 2014 09 25
(511) 09, 12, 28

(260) AM 2015 81367 A
(800) 1239689
(151) 2014 12 18
(181) 2024 12 18
(891) 2014 12 18
(511) 14

(260) AM 2015 81368 A
(800) 1239475
(151) 2015 01 29
(181) 2025 01 29
(891) 2015 01 29
(511) 12

(260) AM 2015 81370 A
(800) 1239511
(151) 2015 02 17
(181) 2025 02 17
(891) 2015 02 17
(511) 05

(260) AM 2015 81502 A
(800) 1240031
(151) 2015 02 18
(181) 2025 02 18
(891) 2015 02 18
(511) 05

(260) AM 2015 81503 A
(800) 1240032
(151) 2015 02 18
(181) 2025 02 18
(891) 2015 02 18
(511) 05

(260) AM 2015 81504 A
(800) 1240033
(151) 2015 01 22

(181) 2025 01 22
(891) 2015 01 22
(511) 10

(260) AM 2015 81505 A
(800) 1240042
(151) 2014 07 17
(181) 2024 07 17
(891) 2014 07 17
(511) 06

(260) AM 2015 81506 A
(800) 499369
(151) 1985 11 28
(181) 2025 11 28
(891) 2014 09 01
(511) 12

(260) AM 2015 81509 A
(800) 1240086
(151) 2014 08 11
(181) 2024 08 11
(891) 2014 08 11
(511) 19

(260) AM 2015 81513 A
(800) 1240472
(151) 2015 01 23
(181) 2025 01 23
(891) 2015 01 23
(511) 39

(260) AM 2015 81515 A
(800) 1240490
(151) 2015 01 05
(181) 2025 01 05
(891) 2015 01 05
(511) 39

(260) AM 2015 81517 A
(800) 1240503
(151) 2015 01 30
(181) 2025 01 30
(891) 2015 01 30
(511) 03

(260) AM 2015 81519 A
(800) 1240540
(151) 2014 11 24
(181) 2024 11 24
(891) 2014 11 24
(511) 09, 28, 41

(260) AM 2015 81522 A
(800) 1240093
(151) 2014 06 17
(181) 2024 06 17
(891) 2014 06 17
(511) 25

(260) AM 2015 81523 A
(800) 1240096
(151) 2014 06 30
(181) 2024 06 30
(891) 2014 06 30
(511) 03, 05, 35

(260) AM 2015 81526 A
(800) 1240153
(151) 2014 11 17
(181) 2024 11 17
(891) 2014 11 17
(511) 35

(260) AM 2015 81609 A
(800) 1241551
(151) 2014 10 21
(181) 2024 10 21
(891) 2014 10 21
(511) 09, 14, 35

(260) AM 2015 81710 A
(800) 1242409
(151) 2014 12 18
(181) 2024 12 18
(891) 2014 12 18
(511) 10, 35

(260) AM 2015 81747 A
(800) 1241906
(151) 2015 03 03
(181) 2025 03 03
(891) 2015 03 03
(511) 30

OFFICIAL NOTIFICATIONS

INVENTIONS

RENEWAL OF A PATENTS

(11) P 2014 6077 B

(73) Amiran Bregvadze (GE);

Davit Babilua (GE);

Pridon Gogiashvili (GE);

Gocha Lekveishvili (GE)

(54) **EMBANKMENT PROTECTING BANK**

DATE OF RENEWAL: 25 04 2016

(11) P 2015 6250 B

(73) Novartis AG (CH)

(54) **1,3-DISUBSTITUTED IMIDAZOLIDIN-2-ONE DERIVATIVES AS INHIBITORS OF CYP 17**

DATE OF RENEWAL: 25 04 2016

UTILITY MODELS

RENEWAL OF A PATENT

(11) U 2009 1517 Y

(73) LTS "AVERSI-RATIONAL" (GE)

(54) **PHARMACEUTICAL COMPOSITION – QUADRIPINE TABLET**

DATE OF RENEWAL: 25 04 2016

TRADEMARKS

RENEWAL OF REGISTRATIONS

(111) M 1996 1363 R2

(156) 2016 01 12

(186) 2026 01 12

(732) TRIUMPH INTERTRADE AG

Triumphweg 6, 5330 Bad Zurzach,
Switzerland

(111) M 1996 1533 R2

(156) 2016 02 14

(186) 2026 02 14

(732) HOUGHTON TECHNICAL CORP.

(a Delaware corporation)
1011 Centre Road, Suite 322, Wilmington,
Delaware 19805, USA

(111) M 1996 1365 R2

(156) 2016 01 15

(186) 2026 01 15

(732) AMBEV S.A.

Rua Dr.Renato paes de Barros, 1017 3°
Andar Cj 31e 32 ItaimBibi 04530-001São
Paulo, Brazil

(111) M 1996 1534 R2

(156) 2016 02 14

(186) 2026 02 14

(732) HOUGHTON TECHNICAL CORP.

(a Delaware corporation);
1011 Centre Road, Suite 322, Wilmington,
Delaware 19805, USA

(111) M 1996 1391 R2

(156) 2016 01 18

(186) 2026 01 18

(732) THE COCA-COLA COMPANY

One Coca-Cola Plaza, Atlanta, Georgia
30313, USA

(111) M 1996 1539 R2

(156) 2016 02 14

(186) 2026 02 14

(732) HOUGHTON TECHNICAL CORP.

(a Delaware corporation)
1011 Centre Road, Suite 322, Wilmington,
Delaware 19805, USA

(111) M 1996 1519 R2

(156) 2016 02 13

(186) 2026 02 13

(732) SHELL BRANDS INTERNATIONAL AG

Baarermatte, 6340 Baar, Switzerland

(111) M 1996 1553 R2

(156) 2016 02 15

(186) 2026 02 15

(732) SHELL BRANDS INTERNATIONAL AG

Baarermatte, 6340 Baar, Switzerland

(111) M 1996 1524 R2

(156) 2016 02 13

(186) 2026 02 13

(732) SHELL BRANDS INTERNATIONAL AG

Baarermatte, 6340 Baar, Switzerland

(111) M 1996 1554 R2

(156) 2016 02 15

(186) 2026 02 15

(732) HOUGHTON TECHNICAL CORP.

(a Delaware corporation)
1011 Centre Road, Suite 322, Wilmington,
Delaware 19805, USA

(111) M 1996 1526 R2

(156) 2016 02 13

(186) 2026 02 13

(732) HOUGHTON TECHNICAL CORP.

(a Delaware corporation)
1011 Centre Road, Suite 322, Wilmington,
Delaware 19805, USA

(111) M 1996 1557 R2

(156) 2016 02 15

(186) 2026 02 15

(732) SHELL BRANDS INTERNATIONAL AG

Baarermatte, 6340 Baar, Switzerland

(111) M 1996 1532 R2

(156) 2016 02 14

(186) 2026 02 14

(732) SHELL BRANDS INTERNATIONAL AG

Baarermatte, 6340 Baar, Switzerland

(111) M 1996 1580 R2

(156) 2016 02 20

(186) 2026 02 20

(732) SHELL BRANDS INTERNATIONAL AG

Baarermatte, 6340 Baar, Switzerland

(111) M 1996 1582 R2
(156) 2016 02 20
(186) 2026 02 20
(732) SHELL BRANDS INTERNATIONAL AG
Baarermatte, 6340 Baar, Switzerland

(111) M 1996 1626 R2
(156) 2016 02 27
(186) 2026 02 27
(732) SIEMENS AB
Johanneslundsvaegen 12-14, 194 87
Upplands Vaesby, Sweden

(111) M 2006 16442 R1
(156) 2016 01 31
(186) 2026 01 31
(732) JSC "Telavis gvini marani"
sof. Kurdgelauri, 2200, Telavi, Georgia

(111) M 2006 16499 R1
(156) 2016 03 01
(186) 2026 02 15
(732) EMBİL İLAC SANAYİ LIMITED ŞİRKETİ
Eski Büyükdere Caddesi, Tahirağa Çeşme
Sokak, Ayazağa Ticaret Merkezi, No:11
Kat:1, Maslak ISTANBUL 34398, Turkey

(111) M 2006 16547 R1
(156) 2016 03 15
(186) 2026 03 15
(732) MARS, INCORPORATED
(a Delaware corporation)
6885 Elm Street, McLean, Virginia
22101-3883, USA

(111) M 2006 16551 R1
(156) 2016 03 30
(186) 2026 03 30
(732) STARBUCKS CORPORATION D/B/A
STARBUCKS COFFEE COMPANY
(a Washington Corporation)
2401 Utah Avenue South, Seattle,
Washington 98134, USA

(111) M 2006 16552 R1
(156) 2016 03 30
(186) 2026 03 30
(732) STARBUCKS CORPORATION D/B/A
STARBUCKS COFFEE COMPANY
(a Washington Corporation)
2401 Utah Avenue South, Seattle,
Washington 98134, USA

(111) M 2006 16555 R1
(156) 2016 03 30
(186) 2026 03 30
(732) MIKAYEL VARDANYAN
Bairon Str. 3, Ap. 38, Yerevan, Armenia

(111) M 2006 16557 R1
(156) 2016 04 13
(186) 2026 04 13
(732) BERLIN-CHEMIE AG
Glienicke Weg 125, 12489, Berlin, Germany

(111) M 2006 16558 R1
(156) 2016 04 13
(186) 2026 04 13
(732) BERLIN-CHEMIE AG
Glienicke Weg 125, 12489, Berlin, Germany

(111) M 2006 16559 R1
(156) 2016 04 13
(186) 2026 04 13
(732) BERLIN-CHEMIE AG
Glienicke Weg 125, 12489, Berlin, Germany

(111) M 2006 16560 R1
(156) 2016 04 13
(186) 2026 04 13
(732) BERLIN-CHEMIE AG
Glienicke Weg 125, 12489, Berlin, Germany

(111) M 2006 16561 R1
(156) 2016 04 13
(186) 2026 04 13
(732) Berlin-Chemie AG;
Glienicke Weg 125, 12489, Berlin, Germany

(111) M 2006 16562 R1
(156) 2016 04 13
(186) 2026 04 13
(732) BERLIN-CHEMIE AG
Glienicke Weg 125, 12489, Berlin, Germany

(111) M 2006 16564 R1
(156) 2016 04 13
(186) 2026 04 13
(732) BERLIN-CHEMIE AG
Glienicke Weg 125, 12489, Berlin, Germany

(111) M 2006 16578 R1
(156) 2016 05 01
(186) 2026 05 01

(732) ZENTIVA A.S.
Einsteinova 24, Bratislava 851 01, Slovakia

6885 Elm Street, McLean, Virginia
22101-3883, USA

(111) M 2006 16613 R1
(156) 2016 05 17
(186) 2026 05 17
(732) BAYER CONSUMER CARE AG
Peter Merian-Str. 84, 4052 Basel,
Switzerland

(111) M 2006 16626 R1
(156) 2016 05 17
(186) 2026 05 17
(732) MARS, INCORPORATED
6885 Elm Street, McLean, Virginia
22101-3883, USA

(111) M 2006 16615 R1
(156) 2016 05 17
(186) 2026 05 17
(732) E.I. DU PONT de NEMOURS and
COMPANY
1007 Market Street, Wilmington, Delaware
19898, USA

(111) M 2006 16663 R1
(156) 2016 06 01
(186) 2026 06 01
(732) WYETH LLC
Five Giralda Farms, Madison, New Jersey,
07940, USA

(111) M 2006 16616 R1
(156) 2016 05 17
(186) 2026 05 17
(732) E.I. DU PONT de NEMOURS and
COMPANY
1007 Market Street, Wilmington, Delaware
19898, USA

(111) M 1996 1675 R2
(156) 2016 03 16
(186) 2026 03 05
(732) AUTOMOBILE CLUB DE L'OUEST DE
LA FRANCE
Circuit des 24 Heures, Les Raineries, F-72
100 LE MANS, France

(111) M 2006 16617 R1
(156) 2016 05 17
(186) 2026 05 17
(732) E.I. DU PONT de NEMOURS and
COMPANY
1007 Market Street, Wilmington, Delaware
19898, USA

(111) M 1996 1678 R2
(156) 2016 03 16
(186) 2026 03 05
(732) AUTOMOBILE CLUB DE L'OUEST DE
LA FRANCE
Circuit des 24 Heures, Les Raineries, F-72
100 LE MANS, France

(111) M 2006 16621 R1
(156) 2016 05 17
(186) 2026 05 17
(732) MARS, INCORPORATED
6885 Elm Street, McLean, Virginia
22101-3883, USA

(111) M 1996 1679 R2
(156) 2016 03 16
(186) 2026 03 05
(732) AUTOMOBILE CLUB DE L'OUEST DE
LA FRANCE
Circuit des 24 Heures, Les Raineries, F-72
100 LE MANS, France

(111) M 2006 16624 R1
(156) 2016 05 17
(186) 2026 05 17
(732) MARS, INCORPORATED
6885 Elm Street, McLean, Virginia
22101-3883, USA

(111) M 2006 16873 R1
(156) 2016 10 04
(186) 2026 10 04
(732) GENENTECH, INC.
a Delaware Corporation
1 DNA Way, Attn: Legal Department -
Trademarks, South San Francisco, California
94080, USA

(111) M 2006 16625 R1
(156) 2016 05 17
(186) 2026 05 17
(732) MARS, INCORPORATED

(111) M 2006 16918 R1
(156) 2016 10 04
(186) 2026 10 04

(732) MIKAYEL VARDANYAN
Bairon Str. 3, Ap. 38, Yerevan, Armenia

(111) M 1996 1693 R2
(156) 2016 03 07
(186) 2026 03 07

(732) BISQUIT DUBOUCHÉ et CIE
90 boulevard de Paris, 16100, Cognac,
France

(111) M 2006 16957 R1
(156) 2016 10 26
(186) 2026 10 26

(732) WRANGLER APPAREL CORP.
3411 Silverside Road, Wilmington, DE
19810, USA

(111) M 2006 17046 R1
(156) 2016 11 13
(186) 2026 11 13

(732) MIKAYEL VARDANYAN
Bairon Str. 3, Ap. 38, Yerevan, Armenia

(111) M 2006 17171 R1
(156) 2016 12 15
(186) 2026 12 15

(732) WRANGLER APPAREL CORP.
3411 Silverside Road, Wilmington, DE
19810, USA

(111) M 2007 17258 R1
(156) 2017 01 30
(186) 2027 01 30

(732) LTD "RAMSE"
Mirali Kashkaia 10, AZ1010 Baku,
Azerbaijan

(111) M 2007 17305 R1
(156) 2017 02 13
(186) 2027 02 13

(732) LTD "ORISI"
Kazbegis gamz. 12b, sart. 5, 0160, Tbilisi,
Georgia

(111) M 1996 1825 R2
(156) 2016 03 21
(186) 2026 03 21

(732) THE GILLETTE COMPANY
One Gillette Park, Boston, Massachusetts
02127, USA

(111) M 1996 1827 R2
(156) 2016 03 21
(186) 2026 03 21

(732) THE GILLETTE COMPANY
One Gillette Park, Boston, Massachusetts
02127, USA

(111) M 1996 1880 R2
(156) 2016 04 01
(186) 2026 04 01

(732) MEDA Pharma GmbH & Co. KG
Benzstrasse 1, D-61352 Bad Homburg,
Germany

(111) M 1996 1881 R2
(156) 2016 04 01
(186) 2026 04 01

(732) BAXTER HEALTHCARE S.A.
Hertistrasse 2, 8304 Wallisellen, Switzerland

(111) M 1996 1882 R2
(156) 2016 04 01
(186) 2026 04 01

(732) BAXTER HEALTHCARE S.A.
Hertistrasse 2, 8304 Wallisellen, Switzerland

(111) M 1996 1884 R2
(156) 2016 04 01
(186) 2026 04 01

(732) MEDA Pharma GmbH & Co. KG
Benzstrasse 1, D-61352 Bad Homburg,
Germany

(111) M 1996 1906 R2
(156) 2016 04 04
(186) 2026 04 04

(732) SIRONA DENTAL SYSTEMS GmbH
Fabrikstrasse 31, 64625 Bensheim, Germany,
Germany

(111) M 1996 1908 R2
(156) 2016 04 04
(186) 2026 04 04

(732) SIRONA DENTAL SYSTEMS GmbH
Fabrikstrasse 31, 64625 Bensheim, Germany,
Germany

(111) M 1996 1935 R2
(156) 2016 04 10
(186) 2026 04 10

(732) ASTELLAS PHARMA INC.
3-11, Nihonbashi-Honcho, 2-Chome, Chuo-
ku, Tokyo, Japan

(111) M 1996 1940 R2 (156) 2016 04 11 (186) 2026 04 11 (732) THERMO KING CORPORATION 314 West 90th Street, Minneapolis, Minnesota 55420, USA	777 East Wisconsin Avenue, Milwaukee, WI 53202, USA
(111) M 1996 1943 R2 (156) 2016 04 11 (186) 2026 04 11 (732) ANDREAS STIHL AG & CO KG 115, Badstrasse,71336 WAIBLINGEN, Germany	(111) M 1996 1963 R2 (156) 2016 04 19 (186) 2026 04 19 (732) ROCKWELL AUTOMATION, INC. 777 East Wisconsin Avenue, Milwaukee, WI 53202, USA
(111) M 1996 1945 R2 (156) 2016 04 16 (186) 2026 04 16 (732) ASTELLAS PHARMA INC. 3-11, Nihonbashi-Honcho, 2-Chome, Chuo- ku, Tokyo, Japan	(111) M 1996 1991 R2 (156) 2016 04 26 (186) 2026 04 26 (732) VISA INTERNATIONAL SERVICE ASSOCIATION 900 Metro Center Boulevard, Foster City, California 94404, USA
(111) M 1996 1946 R2 (156) 2016 04 16 (186) 2026 04 16 (732) ASTELLAS PHARMA INC. 3-11, Nihonbashi-Honcho, 2-Chome, Chuo- ku, Tokyo, Japan	(111) M 1996 2062 R2 (156) 2016 05 14 (186) 2026 05 14 (732) WARSTEINER BRAUEREI HAUS CRAMER KG Domring, D-59581 Warstein, Germany
(111) M 1996 1947 R2 (156) 2016 04 16 (186) 2026 04 16 (732) ASTELLAS PHARMA INC. 3-11, Nihonbashi-Honcho, 2-Chome, Chuo- ku, Tokyo, Japan	(111) M 1996 2249 R2 (156) 2016 06 05 (186) 2026 06 05 (732) MARS INC., a Delaware Corporation 6885 ELM Street, McLEAN, VIRGINIA 22101-3883, USA
(111) M 1996 1948 R2 (156) 2016 04 16 (186) 2026 04 16 (732) ASTELLAS PHARMA INC. 3-11, Nihonbashi-Honcho, 2-Chome, Chuo- ku, Tokyo, Japan	(111) M 1996 2258 R2 (156) 2016 06 06 (186) 2026 06 06 (732) MARS INCORPORATED, a Delaware corporation 6885 ELM Street, McLEAN, VIRGINIA 22101-3883, USA
(111) M 1996 1960 R2 (156) 2016 04 19 (186) 2026 04 19 (732) JOCKEY INTERNATIONAL, INC. State of Wisconsin, USA	(111) M 1996 2303 R2 (156) 2016 06 11 (186) 2026 06 11 (732) MARS INC. 6885 Elm Street, Mclean, Virginia 22101-3883, USA
(111) M 1996 1962 R2 (156) 2016 04 19 (186) 2026 04 19 (732) ROCKWELL AUTOMATION, INC.	(111) M 1996 2304 R2 (156) 2016 06 11 (186) 2026 06 11 (732) MARS INC. 6885 Elm Street, Mclean, Virginia 22101-3883, USA

(111) M 1996 2307 R2
(156) 2016 06 11
(186) 2026 06 11
(732) MARS INC.
6885 Elm Street, Mclean, Virginia
22101-3883, USA

(111) M 1996 2311 R2
(156) 2016 06 11
(186) 2026 06 11
(732) MARS INC.
6885 Elm Street, Mclean, Virginia
22101-3883, USA

(111) M 1996 2312 R2
(156) 2016 06 11
(186) 2026 06 11
(732) MARS INC.
6885 Elm Street, Mclean, Virginia
22101-3883, USA

(111) M 1996 2313 R2
(156) 2016 06 11
(186) 2026 06 11
(732) MARS INC.
6885 Elm Street, Mclean, Virginia
22101-3883, USA

(111) M 1996 2314 R2
(156) 2016 06 11
(186) 2026 06 11
(732) MARS INC.
6885 Elm Street, Mclean, Virginia
22101-3883, USA

(111) M 1996 2430 R2
(156) 2016 06 20
(186) 2026 06 20
(732) MARS INC., a Delaware Corporation
6885 ELM Street, McLEAN, VIRGINIA
22101-3883, USA

(111) M 1996 2465 R2
(156) 2016 06 24
(186) 2026 06 24
(732) AMORA MAILLE
48 quai Nicolas Rolin, 21000 Dijon, France

(111) M 1996 2593 R2
(156) 2016 07 09
(186) 2026 07 09
(732) PZ CUSSENS (INTERNATIONAL) LIMITED

3500 Aviator Way, Manchester Business
Park, Manchester M22 5TG, United
Kingdom

(111) M 1996 2649 R2
(156) 2016 07 17
(186) 2026 07 17
(732) WOLVERINE WORLD WIDE, INC.
9341 Courtland Drive, N.E. Rockford,
Michigan 49351, USA

(111) M 1996 2873 R2
(156) 2016 09 04
(186) 2026 09 04
(732) DINERS CLUB INTERNATIONAL LTD.,
a New York Corporation
2500 Lake Cook Road, Riverwoods, Illinois
60015, USA

(111) M 1996 2887 R2
(156) 2016 09 05
(186) 2026 09 05
(732) BIOFARMA
50, rue Carnot, 92284 Suresnes cedex,
France

(111) M 1996 2895 R2
(156) 2016 09 05
(186) 2026 09 05
(732) BIOFARMA
50, rue Carnot, 92284 Suresnes cedex,
France

(111) M 1996 3991 R2
(156) 2016 11 15
(186) 2026 11 15
(732) UNILEVER N.V.
Weena 455, NL-3013 AL Rotterdam,
Netherlands

COMPLETE TRANSFER OF RIGHTS

(111) M 1996 001669 R1
 (732) ATNAHS PHARMA UK LTD
 12 Helmet Row, London EC1Y 8JU,
 United Kingdom
 (770) ROCHE, SAS
 52, boulevard du Pare, 92200 neuilly-sur-
 Seine, France
 (580) 2016 04 19

(111) M 2006 016987 R
 (732) LEO OSPREY LIMITED
 Frimley Business Park, Frimley, Camberley,
 Surrey, GU16 7SR, United Kingdom
 (770) SMITHKLINE BEECHAM (CORK)
 LIMITED
 Currabinny, Carrigaline, County Cork,
 Ireland
 (580) 2016 04 15

(111) M 2006 016987 R
 (732) NOVARTIS PHARMA AG
 Lichtstrasse 35, 4056 Basel, Switzerland
 (770) LEO OSPREY LIMITED
 Frimley Business Park, Frimley, Camberley,
 Surrey, GU16 7SR, United Kingdom
 (580) 2016 04 15

(111) M 2006 016987 R
 (732) NOVARTIS AG
 Basel 4002, Switzerland
 (770) NOVARTIS PHARMA AG
 Lichtstrasse 35, 4056 Basel, Switzerland
 (580) 2016 04 15

(111) M 2006 017062 R
 (732) LEO OSPREY LIMITED
 Frimley Business Park, Frimley, Camberley,
 Surrey, GU16 7SR, United Kingdom
 (770) SMITHKLINE BEECHAM (CORK)
 LIMITED
 Currabinny, Carrigaline, County Cork,
 Ireland
 (580) 2016 04 15

(111) M 2006 017062 R
 (732) NOVARTIS PHARMA AG
 Lichtstrasse 35, 4056 Basel, Switzerland
 (770) LEO OSPREY LIMITED
 Frimley Business Park, Frimley, Camberley,
 Surrey, GU16 7SR, United Kingdom
 (580) 2016 04 15

(111) M 2006 017062 R
 (732) NOVARTIS AG
 Basel 4002, Switzerland
 (770) NOVARTIS PHARMA AG
 Lichtstrasse 35, 4056 Basel, Switzerland
 (580) 2016 04 15

(111) M 2007 017674 R
 (732) LEO OSPREY LIMITED
 Frimley Business Park, Frimley, Camberley,
 Surrey, GU16 7SR, United Kingdom
 (770) SMITHKLINE BEECHAM (CORK)
 LIMITED
 Currabinny, Carrigaline, County Cork,
 Ireland
 (580) 2016 04 15

(111) M 2007 017674 R
 (732) NOVARTIS PHARMA AG
 Lichtstrasse 35, 4056 Basel, Switzerland
 (770) LEO OSPREY LIMITED
 Frimley Business Park, Frimley, Camberley,
 Surrey, GU16 7SR, United Kingdom
 (580) 2016 04 15

(111) M 2007 017674 R
 (732) NOVARTIS AG
 Basel 4002, Switzerland
 (770) NOVARTIS PHARMA AG
 Lichtstrasse 35, 4056 Basel, Switzerland
 (580) 2016 04 15

(111) M 2009 019417 R
 (732) GLAXO GRROUP LIMITED
 980 Great West Road, Brentford, Middlesex
 TW8 9GS, United Kingdom
 (770) GLAXOSMITHKLINE LLC
 Corporation Service Company, 2711
 Centerville Road, Suite 400, Wilmington,
 Country of New Castle, Delaware 19808,
 USA
 (580) 2016 04 18

(111) M 2009 019417 R
 (732) NOVARTIS PHARMA AG
 Lichtstrasse 35, 4056 Basel, Switzerland
 (770) GLAXO GRROUP LIMITED
 980 Great West Road, Brentford, Middlesex
 TW8 9GS, United Kingdom
 (580) 2016 04 18

(111) M 2009 019417 R
 (732) NOVARTIS AG
 Basel 4002, Switzerland
 (770) NOVARTIS PHARMA AG
 Lichtstrasse 35, 4056 Basel, Switzerland
 (580) 2016 04 18

(111) M 2009 019429 R
 (732) GLAXO GRROUP LIMITED
 980 Great West Road, Brentford, Middlesex
 TW8 9GS, United Kingdom
 (770) GLAXOSMITHKLINE LLC
 Corporation Service Company, 2711
 Centerville Road, Suite 400, Wilmington,
 Country of New Castle, Delaware 19808,
 USA
 (580) 2016 04 18

(111) M 2009 019429 R
 (732) NOVARTIS PHARMA AG
 Lichtstrasse 35, 4056 Basel, Switzerland
 (770) GLAXO GRROUP LIMITED
 980 Great West Road, Brentford, Middlesex
 TW8 9GS, United Kingdom
 (580) 2016 04 18

(111) M 2009 019429 R
 (732) NOVARTIS AG
 Basel 4002, Switzerland
 (770) NOVARTIS PHARMA AG
 Lichtstrasse 35, 4056 Basel, Switzerland
 (580) 2016 04 18

(111) M 2009 019687 R
 (732) MONSTER BEVERRAGE CORPORATION
 1 Monster Way, Corona, California
 92879, USA
 (770) THE COCA-COLA COMPANY
 a Corporate of the State of Delaware One
 Coca-Cola Plaza, Atlanta, Georgia 30313,USA
 (580) 2016 04 18

(111) M 2009 019687 R
 (732) ENERGYBEVERAGES LLC
 1 Monster Way, Corona, California
 92879, USA
 (770) MONSTER BEVERRAGE CORPORATION
 1 Monster Way, Corona, California 92879,
 USA
 (580) 2016 04 18

(111) M 2009 019688 R
 (732) MONSTER BEVERRAGE CORPORATION
 1 Monster Way, Corona, California
 92879, USA

(770) THE COCA-COLA COMPANY
 a Corporate of the State of Delaware
 One Coca-Cola Plaza, Atlanta, Georgia
 30313, USA
 (580) 2016 04 18

(111) M 2009 019688 R
 (732) ENERGYBEVERAGES LLC
 1 Monster Way, Corona, California
 92879, USA
 (770) MONSTER BEVERRAGE CORPORATION
 1 Monster Way, Corona, California
 92879, USA
 (580) 2016 04 18

(111) M 2009 019953 R
 (732) MONSTER BEVERRAGE CORPORATION
 1 Monster Way, Corona, California
 92879, USA
 (770) THE COCA-COLA COMPANY
 a Corporate of the State of Delaware
 One Coca-Cola Plaza, Atlanta, Georgia
 30313, USA
 (580) 2016 04 18

(111) M 2009 019953 R
 (732) ENERGYBEVERAGES LLC
 1 Monster Way, Corona, California
 92879, USA
 (770) MONSTER BEVERRAGE CORPORATION
 1 Monster Way, Corona, California 92879,
 USA
 (580) 2016 04 18

(111) M 2011 021194 R
 (732) MONSTER BEVERRAGE CORPORATION
 1 Monster Way, Corona, California
 92879, USA
 (770) THE COCA-COLA COMPANY
 One Coca-Cola Plaza, Atlanta, Georgia
 30313, USA
 (580) 2016 04 18

(111) M 2011 021194 R
 (732) ENERGYBEVERAGES LLC
 1 Monster Way, Corona, California
 92879, USA
 (770) MONSTER BEVERRAGE CORPORATION
 1 Monster Way, Corona, California
 92879, USA
 (580) 2016 04 18

(111) M 2011 021624 R
(732) DIANATUS MANAGEMENT LIMITED
Arch. Makariou III, 69, TLAIS TOWER,
3rd floor, Flat/Office 301, 1070, Nicosia,
Cyprus
(770) LAGRION LIMITED
Digeni Akrita 8, 4th floor, office 403, P.C.
1045, Nicosia, Cyprus
(580) 2016 04 18

(111) M 2011 021625 R
(732) DIANATUS MANAGEMENT LIMITED
Arch. Makariou III, 69, TLAIS TOWER,
3rd floor, Flat/Office 301, 1070, Nicosia,
Cyprus
(770) LAGRION LIMITED
Digeni Akrita 8, 4th floor, office 403, P.C.
1045, Nicosia, Cyprus
(580) 2016 04 18

(111) M 2011 022148 R
(732) DIANATUS MANAGEMENT LIMITED
Arch. Makariou III, 69, TLAIS TOWER,
3rd floor, Flat/Office 301, 1070, Nicosia,
Cyprus
(770) LAGRION LIMITED
Digeni Akrita 8, 4th floor, office 403, P.C.
1045, Nicosia, Cyprus
(580) 2016 04 18

(111) M 2012 022450 R
(732) LTD "BEAUTY LIFE"
Gagarinis shesakhv. 2/5-4, sart. 3, s.f. 4,
0160, Tbilisi, Georgia
(770) LTD "LIKA-GEORGIA-LIKA-GEORGIA"
Gagarinis shesakhv. 2/5-4, sart. 3, s.f. 4,
0160, Tbilisi, Georgia
(580) 2016 04 14

(111) M 2013 023364 R
(732) DIANATUS MANAGEMENT LIMITED
Arch. Makariou III, 69, TLAIS TOWER,
3rd floor, Flat/Office 301, 1070, Nicosia,
Cyprus
(770) LAGRION LIMITED
Digeni Akrita 8, 4th floor, office 403, P.C.
1045, Nicosia, Cyprus
(580) 2016 04 18

(111) M 2013 023483 R
(732) DIANATUS MANAGEMENT LIMITED
Arch. Makariou III, 69, TLAIS TOWER,
3rd floor, Flat/Office 301, 1070, Nicosia,
Cyprus

(770) LAGRION LIMITED
Digeni Akrita 8, 4th floor, office 403, P.C.
1045, Nicosia, Cyprus
(580) 2016 04 18

(111) M 2013 023724 R
(732) LTD "BEAUTY LIFE"
Gagarinis shesakhv. 2/5-4, sart. 3, s.f. 4,
0160, Tbilisi, Georgia
(770) LTD "LIKA-JORJIA"
Gagarinis II shes., 4, 0160, Tbilisi, Georgia
(580) 2016 04 14

(111) M 2013 024198 R
(732) JSC "TERMA"
Budapeshtis q.10, 1 sartuli, 0160, Tbilisi,
Georgia
(770) GIORGI KVAVILASHVILI
Kostavas q.26, b. 4, 0179, Tbilisi, Georgia
(580) 2015 10 23

(111) M 2013 024198 P R
(732) JSC "TERMA"
Budapeshtis q.10, 1 sartuli, 0160, Tbilisi,
Georgia
(770) LTD "TEQNO TREIDI"
Budapeshtis q. 10, 1 sart. 0160, Tbilisi,
Georgia
(580) 2016 04 18

(111) M 2013 024199 R
(732) JSC "TERMA"
Budapeshtis q.10, 1 sartuli, 0160, Tbilisi,
Georgia
(770) GIORGI KVAVILASHVILI
Kostavas q.26, b. 4, 0179, Tbilisi, Georgia
(580) 2015-10-23

(111) M 2013 024199 P R
(732) JSC "TERMA"
Budapeshtis q.10, 1 sartuli, 0160, Tbilisi,
Georgia
(770) LTD "TECHNO TRADE"
Budapeshtis q. 10, 1 sart. 0160, Tbilisi,
Georgia
(580) 2016 04 18

(111) M 2013 024334 R
(732) DIANATUS MANAGEMENT LIMITED
Arch. Makariou III, 69, TLAIS TOWER,
3rd floor, Flat/Office 301, 1070, Nicosia,
Cyprus

(770) LAGRION LIMITED
Digeni Akrita 8, 4th floor, office 403, P.C.
1045, Nicosia, Cyprus
(580) 2016 04 18

(111) M 2014 024771 R
(732) SOHO FLORDIS UK LIMITED
5 New street Square, London, EC4A 3TW,
United Kingdom
(770) VIFOR SA
Route de Moncor 10, CH -1752 Villars-sur-
Glâne, Switzerland
(580) 2016 04 18

(111) M 1996 004082 R1
(732) NOVARTIS PHARMA AG
Lichtstrasse 35, 4056 Basel, Switzerland
(770) GLAXO GROUP LIMITED
980 Great West Road, Brentford, Middlesex
TW8 9GS, United Kingdom
(580) 2016 04 15

(111) M 1996 004082 R1
(732) NOVARTIS AG
Basel 4002, Switzerland
(770) NOVARTIS PHARMA AG
Lichtstrasse 35, 4056 Basel, Switzerland
(580) 2016 04 15

CHANGES IN NAMES AND/OR ADDRESSES OF OWNERS

(111) M 2005 016306 R1
 (732) HIMALAYA GLOBAL HOLDINGS LTD
 Dubai International Financial Centre,
 Gate Village 4, Level 5, P.O. Box 506807,
 Dubai, United Arab Emirates
 (770) HIMALAYA GLOBAL HOLDINGS LTD
 Dubai International Financial Centre,
 The Gate, Level 12, Suite 27, P.O.
 Box 506807, Dubai, United Arab Emirates
 (580) 2016 04 15

(111) M 2005 016306 R1
 (732) HIMALAYA GLOBAL HOLDINGS LTD.
 106 Elizabethen Square, P.O. Box 1162,
 Grand Cayman KY1-1102, Cayman Islands
 (770) HIMALAYA GLOBAL HOLDINGS LTD.
 Dubai International Financial Centre,
 Gate Village 4, Level 5, P.O. Box 506807,
 Dubai, United Arab Emirates
 (580) 2016 04 15

(111) M 2005 016307 R1
 (732) HIMALAYA GLOBAL HOLDINGS LTD.
 Dubai International Financial Centre,
 Gate Village 4, Level 5, P.O. Box 506807,
 Dubai, United Arab Emirates
 (770) HIMALAYA GLOBAL HOLDINGS LTD.
 Dubai International Financial Centre,
 The Gate, Level 12, Suite 27, P.O. Box
 506807, Dubai, United Arab Emirates
 (580) 2016 04 15

(111) M 2005 016307 R1
 (732) HIMALAYA GLOBAL HOLDINGS LTD.
 106 Elizabethen Square, P.O. Box 1162,
 Grand Cayman KY1-1102, Cayman Islands
 (770) HIMALAYA GLOBAL HOLDINGS LTD.
 Dubai International Financial Centre,
 Gate Village 4, Level 5, P.O. Box 506807,
 Dubai, United Arab Emirates
 (580) 2016 04 15

(111) M 2006 016538 R1
 (732) TABACALERA BRANDS, INC.
 300 Delaware Avenue, Wilmington,
 Delaware 19801, USA
 (770) TABACALERA BRANDS, INC.
 913 Market Street, Suite 202, Wilmington,
 Delaware 19801, USA
 (580) 2016 04 14

(111) M 2006 016539 R1
 (732) TABACALERA BRANDS, INC.
 300 Delaware Avenue, Wilmington,
 Delaware 19801, USA
 (770) TABACALERA BRANDS, INC.
 913 Market Street, Suite 202, Wilmington,
 Delaware 19801, USA
 (580) 2016 04 14

(111) M 2006 016840 R1
 (732) INTERSUN HOLDING FZCO
 P.O. box: 61051 Jebel Ali Free Zone,
 Dubai, United Arab Emirates
 (770) INTERSUN HOLDING FZE corporation
 P.O. box: 61051 Jebel Ali Free Zone,
 Dubai, United Arab Emirates
 (580) 2016 04 14

(111) M 2006 016841 R1
 (732) INTERSUN HOLDING FZCO
 P.O. box: 61051 Jebel Ali Free Zone,
 Dubai, United Arab Emirates
 (770) INTERSUN HOLDING FZE corporation
 P.O. box: 61051 Jebel Ali Free Zone,
 Dubai, United Arab Emirates
 (580) 2016 04 14

(111) M 2006 016842 R
 (732) INTERSUN HOLDING FZCO
 P.O. box: 61051 Jebel Ali Free Zone,
 Dubai, United Arab Emirates
 (770) INTERSUN HOLDING FZE corporation
 P.O. box: 61051 Jebel Ali Free Zone,
 Dubai, United Arab Emirates
 (580) 2016 04 14

(111) M 2006 016843 R1
 (732) INTERSUN HOLDING FZCO
 P.O. box: 61051 Jebel Ali Free Zone,
 Dubai, United Arab Emirates
 (770) INTERSUN HOLDING FZE corporation
 P.O. box: 61051 Jebel Ali Free Zone,
 Dubai, United Arab Emirates
 (580) 2016 04 14

(111) M 2006 016865 R1
 (732) INTERSUN HOLDING FZCO
 P.O. box: 61051 Jebel Ali Free Zone,
 Dubai, United Arab Emirates
 (770) INTERSUN HOLDING FZE corporation

P.O. box: 61051 Jebel Ali Free Zone,
Dubai, United Arab Emirates
(580) 2016 04 14

(111) M 2008 018686 R
(732) LTD "CHATEAU MUKHRANI"
I. Chavchavadzis gamz. 11, 0179, Tbilisi,
Georgia
(770) LTD "MUKHRANI VALLEY"
Ilia Chavchavadzis gamz.11, 0179, Tbilisi,
Georgia
(580) 2016 04 13

(111) M 2008 018686 R
(732) JSC "CHATEAU MUKHRANI"
Sop. Mukhrani, 3309, Mtskheta, Georgia
(770) LTD "CHATEAU MUKHRANI"
I. Chavchavadzis gamz. 11, 0179, Tbilisi,
Georgia
(580) 2016 04 13

(111) M 2008 018687 R
(770) LTD "CHATEAU MUKHRANI"
I. Chavchavadzis gamz. 11, 0179, Tbilisi,
Georgia
(770) LTD "MUKHRANI VALLEY"
Ilia Chavchavadzis gamz.11, 0179, Tbilisi,
Georgia
(580) 2016 04 13

(111) M 2008 018687 R
(732) JSC "CHATEAU MUKHRANI"
Sop. Mukhrani, 3309, Mtskheta, Georgia
(770) LTD "CHATEAU MUKHRANI"
I. Chavchavadzis gamz. 11, 0179, Tbilisi,
Georgia
(580) 2016 04 13

(111) M 2008 018690 R
(732) LTD " CHATEAU MUKHRANI"
I. Chavchavadzis gamz. 11, 0179, Tbilisi,
Georgia
(770) LTD "MUKHRANI VALLEY"
Ilia Chavchavadzis gamz. 11, 0179, Tbilisi,
Georgia
(580) 2016 04 13

(111) M 2008 018690 R
(732) JSC "CHATEAU MUKHRANI"
Sop. Mukhrani, 3309, Mtskheta, Georgia
(770) LTD "CHATEAU MUKHRANI"

I. Chavchavadzis gamz. 11, 0179, Tbilisi,
Georgia
(580) 2016 04 13

(111) M 2008 018691 R
(732) LTD "CHATEAU MUKHRANI"
I. Chavchavadzis gamz. 11, 0179, Tbilisi,
Georgia
(770) LTD "MUKHRANI VALLEY"
Ilia Chavchavadzis gamz. 11, 0179, Tbilisi,
Georgia
(580) 2016 04 13

(111) M 2008 018691 R
(732) JSC "CHATEAU MUKHRANI"
Sof. Mukhrani, 3309, Mtskheta, Georgia
(770) LTD "CHATEAU MUKHRANI"
Chavchavadzis gamz.11, 0179, Tbilisi,
Georgia
(580) 2016 04 13

(111) M 2008 018692 R
(732) LTD "CHATEAU MUKHRANI"
I. Chavchavadzis gamz. 11, 0179, Tbilisi,
Georgia
(770) LTD "MUKHRANI VALLEY"
Ilia Chavchavadzis gamz. 11, 0179, Tbilisi,
Georgia
(580) 2016 04 13

(111) M 2008 018692 R
(732) JSC "CHATEAU MUKHRANI"
Sop. Mukhrani, 3309, Mtskheta, Georgia
(770) LTD "CHATEAU MUKHRANI"
I. Chavchavadzis gamz. 11, 0179, Tbilisi,
Georgia
(580) 2016 04 13

(111) M 2008 018693 R
(732) LTD "CHATEAU MUKHRANI"
I. Chavchavadzis gamz. 11, 0179, Tbilisi,
Georgia
(770) LTD "MUKHRANI VALLEY"
Ilia Chavchavadzis gamz. 11, 0179, Tbilisi,
Georgia
(580) 2016 04 13

(111) M 2008 018693 R
(732) JSC "CHATEAU MUKHRANI"
Sop. Mukhrani, 3309, Mtskheta, Georgia
(770) LTD "CHATEAU MUKHRANI"
Chavchavadzis gamz. 11, 0179, Tbilisi, Georgia
(580) 2016 04 13

(111) M 2008 018695 R
(732) LTD "CHATEAU MUKHRANI"
I. Chavchavadzis gamz.11, 0179, Tbilisi,
Georgia
(770) LTD "MUKHRANI VALLEY"
Ilia Chavchavadzis gamz. 11, 0179, Tbilisi,
Georgia
(580) 2016 04 13

(111) M 2008 018695 R
(732) JSC "CHATEAU MUKHRANI"
Sop. Mukhrani, 3309, Mtskheta, Georgia
(770) LTD "CHATEAU MUKHRANI"
I. Chavchavadzis gamz.11, 0179, Tbilisi,
Georgia
(580) 2016 04 13

(111) M 2008 018696 R
(732) LTD "CHATEAU MUKHRANI"
I. Chavchavadzis gamz. 11, 0179, Tbilisi,
Georgia
(770) LTD "MUKHRANI VALLEY"
Ilia Chavchavadzis gamz. 11, 0179, Tbilisi,
Georgia
(580) 2016 04 13

(111) M 2008 018696 R
(732) JSC "CHATEAU MUKHRANI"
Sop. Mukhrani, 3309, Mtskheta, Georgia
(770) LTD "CHATEAU MUKHRANI"
I. Chavchavadzis gamz. 11, 0179, Tbilisi,
Georgia
(580) 2016 04 13

(111) M 2008 018697 R
(732) LTD "CHATEAU MUKHRANI"
I. Chavchavadzis gamz. 11, 0179, Tbilisi,
Georgia
(770) LTD "MUKHRANI VALLEY"
Ilia Chavchavadzis gamz. 11, 0179, Tbilisi,
Georgia
(580) 2016 04 13

(111) M 2008 018697 R
(732) JSC "CHATEAU MUKHRANI"
Sop. Mukhrani, 3309, Mtskheta, Georgia
(770) LTD "CHATEAU MUKHRANI"
I. Chavchavadzis gamz. 11, 0179, Tbilisi,
Georgia
(580) 2016 04 13

(111) M 2008 018698 R
(732) LTD "CHATEAU MUKHRANI"
I. Chavchavadzis gamz. 11, 0179, Tbilisi,
Georgia

(770) LTD "MUKHRANI VALLEY"
Ilia Chavchavadzis gamz. 11, 0179, Tbilisi,
Georgia
(580) 2016 04 13

(111) M 2008 018698 R
(732) JSC "CHATEAU MUKHRANI"
Sop. Mukhrani, 3309, Mtskheta, Georgia
(770) LTD "CHATEAU MUKHRANI"
I. Chavchavadzis gamz. 11, 0179, Tbilisi,
Georgia
(580) 2016 04 13

(111) M 2008 018699 R
(732) LTD "CHATEAU MUKHRANI"
I. Chavchavadzis gamz. 11, 0179, Tbilisi,
Georgia
(770) LTD "MUKHRANI VALLEY"
Ilia Chavchavadzis gamz. 11, 0179, Tbilisi,
Georgia
(580) 2016 04 13

(111) M 2008 018699 R
(732) JSC "CHATEAU MUKHRANI"
Sop. Mukhrani, 3309, Mtskheta, Georgia
(770) LTD "CHATEAU MUKHRANI"
I. Chavchavadzis gamz. 11, 0179, Tbilisi,
Georgia
(580) 2016 04 13

(111) M 2010 020595 R
(732) PATRON SPIRITS INTERNATIONAL AG
Quaistrasse 11, 8200 Schaffhausen,
Switzerland
(770) PATRÓN SPIRITS INTERNATIONAL AG
Spitalstrasse 5, 8200 Schaffhausen,
Switzerland
(580) 2016 04 14

(111) M 2010 020596 R
(732) PATRON SPIRITS INTERNATIONAL AG
Quaistrasse 11, 8200 Schaffhausen,
Switzerland
(770) PATRÓN SPIRITS INTERNATIONAL AG
Spitalstrasse 5, 8200 Schaffhausen,
Switzerland
(580) 2016 04 14

(111) M 1996 002308 R1
(732) Wm. WRIGLEY Jr. Company
1132 West Blackhawk Street, Chicago,
Illinois 60642, USA
(770) WM.WRIGLEY JR.COMPANY

410 North Michigan Avenue, Chicago,
Illinois 60611, USA
(580) 2016 04 14

(111) M 1996 002310 R1
(732) Wm. WRIGLEY Jr. Company
1132 West Blackhawk Street, Chicago,
Illinois 60642, USA
(770) WM.WRIGLEY JR.COMPANY
410 North Michigan Avenue, Chicago,
Illinois 60611, USA
(580) 2016 04 14

(111) M 2013 024198 R
(732) JSC "TERMA"
Budapeshtis q. 10, 1 sart., 0160, Tbilisi, Georgia
(770) LTD "TERMA"
Budapeshtis q. 10, 1 sart., 0160, Tbilisi, Georgia
(580) 2016 04 13

(111) M 2013 024199 R
(732)) JSC "TERMA"
Budapeshtis q. 10, 1 sart., 0160, Tbilisi,
Georgia
(770) LTD "TERMA"
Budapeshtis q. 10, 1 sart., 0160, Tbilisi,
Georgia
(580) 2016 04 13

(111) M 2013 024384 R
(732) BEYAZ KAĞIT VE HİJYENİK ÜRÜNLER
TEMİZLİK İNŞAAT SANAYİ TİCARET
ANONİM ŞİRKETİ
Hacı Sabancı Organise Sanayi Bölgesi
Anavarza Caddesi No:3 Sarıçam –
AdanaDANA, Turkey
(770) BEYAZ KAĞIT VE HİJYENİK ÜRÜNLER
TEMİZLİK İNŞAAT SANAYİ TİCARET
LİMİTED ŞİRKETİ,
Hacı Sabancı Organise Sanayi Bölgesi 28.
Cadde No:5 Yüreğir-Adana - ADANA,
Turkey
(580) 2016 04 06

(111) M 2014 024454 R
(732) NIKON CORPORATION
4-6, Kanda Surugadai, Chiyoda-ku, Tokyo,
Japan
(770) NIKON CORPORATION
12-1, Yurakucho 1-chome, Chiyoda-ku,
Tokyo, Japan
(580) 2016 04 14

(111) M 2014 024454 R
(732) NIKON CORPORATION
2-15-3, Konan, Minato-ku, Tokyo, Japan
(770) NIKON CORPORATION
4-6, Kanda Surugadai, Chiyoda-ku, Tokyo,
Japan
(580) 2016 04 14

(111) M 2014 024455 R
(732) NIKON CORPORATION
4-6, Kanda Surugadai, Chiyoda-ku, Tokyo,
Japan
(770) NIKON CORPORATION
12-1, Yurakucho 1-chome, Chiyoda-ku,
Tokyo, Japan
(580) 2016 04 14

(111) M 2014 024455 R
(732) NIKON CORPORATION
2-15-3, Konan, Minato-ku, Tokyo, Japan
(770) NIKON CORPORATION
4-6, Kanda Surugadai, Chiyoda-ku, Tokyo,
Japan
(580) 2016 04 14

(111) M 1996 002697 R1
(732) Wm. WRIGLEY Jr. Company
1132 West Blackhawk Street, Chicago,
Illinois 60642, USA
(770) WM.WRIGLEY JR.COMPANY
410 North Michigan Avenue, Chicago,
Illinois 60611, USA
(580) 2016 04 14

(111) M 1996 002698 R1
(732) Wm. WRIGLEY Jr. Company
1132 West Blackhawk Street, Chicago,
Illinois 60642, USA
(770) WM.WRIGLEY JR.COMPANY
410 North Michigan Avenue, Chicago,
Illinois 60611, USA
(580) 2016 04 14

(111) M 1996 002869 R1
(732) EGIS GYOGYSZERGYAR ZRT
30-38 Kereszturi Ut, 1106 Budapest,
Hungary
(770) EGIS Gyógyszergyár Nyilvánosan
Működő Részvénytársaság
30-38, Keresztúri út. Budapest, H-1106,
Hungary
(580) 2016 04 14

(111) M 1996 003018 R1
(732) Wm. WRIGLEY Jr. Company
1132 West Blackhawk Street, Chicago,
Illinois 60642, USA
(770) WM. WRIGLEY JR. COMPANY
410 North Michigan Avenue, Chicago,
60611 Illinois, USA
(580) 2016 04 14

(111) M 1996 003022 R1
(732) Wm. WRIGLEY Jr. Company
1132 West Blackhawk Street, Chicago,
Illinois 60642, USA
(770) WM. WRIGLEY JR. COMPANY
410 North Michigan Avenue, Chicago,
60611 Illinois, USA
(580) 2016 04 14

(111) M 1996 003023 R1
(732) Wm. WRIGLEY Jr. Company
1132 West Blackhawk Street, Chicago,
Illinois 60642, USA
(770) WM. WRIGLEY JR. COMPANY
410 North Michigan Avenue, Chicago,
60611 Illinois, USA
(580) 2016 04 14

(111) M 1996 003661 R2
(732) OPTREX LIMITED
103-105 Bath Road, Stough, Berkshire,
SL1 3UH, United Kingdom
(770) OPTREX LIMITED
1 Thane Road West, Nottingham NG2 3AA,
United Kingdom
(580) 2016 04 14

(111) M 1996 004068 R1
(732) NIKON CORPORATION
4-6, Kanda Surugadai, Chiyoda-ku, Tokyo,
Japan
(770) NIKON CORPORATION
12-1, Yurakucho 1-chome, Chiyoda-ku,
Tokyo 100-8331, Japan
(580) 2016 04 14

(111) M 1996 004068 R1
(732) NIKON CORPORATION
2-15-3, Konan, Minato-ku, Tokyo, Japan
(770) NIKON CORPORATION
4-6, Kanda Surugadai, Chiyoda-ku, Tokyo,
Japan
(580) 2016 04 14

(111) M 1996 004169 R1
(732) NIKON CORPORATION
4-6, Kanda Surugadai, Chiyoda-ku, Tokyo,
Japan
(770) NIKON CORPORATION
12-1, Yurakucho 1-chome, Chiyoda-ku,
Tokyo 100-8331, Japan
(580) 2016 04 14

(111) M 1996 004169 R1
(732) NIKON CORPORATION
2-15-3, Konan, Minato-ku, Tokyo, Japan
(770) NIKON CORPORATION
4-6, Kanda Surugadai, Chiyoda-ku, Tokyo,
Japan
(580) 2016 04 14

(111) M 1997 004930 R1
(732) THOMSON
1-5 rue Jeanne d'Arc, 92130 Issy Les
Moulineaux, France
(770) THOMSON
46 quai Alphonse le Gallo, 92100 Boulogne
Billancourt, France, France
(580) 2016 04 14

(111) M 1997 004930 R1
(732) TECHNICOLOR
1-5 rue Jeanne d'Arc, 92130 Issy Les
Moulineaux, France
(770) THOMSON
1-5 rue Jeanne d'Arc, 92130 Issy Les
Moulineaux, France
(580) 2016 04 14

CLASSIFICATION INDEXES

INVENTIONS

CONCORDANCE TABLE OF INTERNATIONAL CLASSIFICATION INDEX AND PUBLICATION NUMBERS

INTERNATIONAL CLASSIFICATION INDEXES (51)	NUMBER OF PUBLISHED APPLICATION (10)
A 01 B 43/00	AP 2016 13687 A
A 61 K 31/47; A 61 K 6131/517; A 61 K 45/06; A 61 P 35/00	AP 2016 13323 A
A 61 K 31/47; A 61 P 19/10	AP 2016 13446 A
B 01 D 29/28	AP 2016 13600 A
B 32 B 27/30	AP 2016 13291 A
C 07 D 401/04; C 07 D 401/12; C 07 D 401/14; C 07 D 403/04; C 07 D 451/12; C 07 D 487/14; C 07 D 498/08	AP 2016 13732 A
C 07 D 487/04; C 07 D 487/02; A 61 K 31/519; A 61 K 31/505; A 61 P 34/00	AP 2016 13424 A

CONCORDANCE TABLE OF PUBLICATION NUMBERS AND INTERNATIONAL CLASSIFICATION INDEX

NUMBER OF PUBLISHED APPLICATION (10)	INTERNATIONAL CLASSIFICATION INDEXES (51)
AP 2016 13291 A	B 32 B 27/30
AP 2016 13323 A	A 61 K 31/47; A 61 K 6131/517; A 61 K 45/06; A 61 P 35/00
AP 2016 13424 A	C 07 D 487/04; C 07 D 487/02; A 61 K 31/519; A 61 K 31/505; A 61 P 34/00
AP 2016 13446 A	A 61 K 31/47; A 61 P 19/10
AP 2016 13600 A	B 01 D 29/28
AP 2016 13687 A	A 01 B 43/00
AP 2016 13732 A	C 07 D 401/04; C 07 D 401/12; C 07 D 401/14; C 07 D 403/04; C 07 D 451/12; C 07 D 487/14; C 07 D 498/08

CONCORDANCE TABLE OF INTERNATIONAL CLASSIFICATION INDEX, PATENT NUMBERS AND PUBLICATION NUMBERS

INTERNATIONAL CLASSIFICATION INDEX (51)	NUMBER OF PATENT (11)	NUMBER OF PUBLISHED APPLICATION (10)
A 61 K 31/7084; A 61 K 9/08; A 61 K 47/04; A 61 K 47/12; A 61 K 47/24; A 61 P 27/02	P 2016 6470 B	AP 2015 13609 A
A 61 M 5/20; A 61 M 5/315; A 61 M 5/32; A 61 M 5/00; A 61 M 5/31	P 2016 6466 B	AP 2016 13438 A
C 08 B 37/00; A 61 K 31/737	P 2016 6465 B	AP 2016 13294 A
C 22 B 9/00	P 2016 6469 B	AP 2016 13735 A
F 03 D 1/00; F 03 D 1/04	P 2016 6467 B	AP 2016 13503 A
F 04 B 9/00	P 2016 6468 B	AP 2016 13633 A

**CONCORDANCE TABLE OF PATENT NUMBERS,
PUBLICATION NUMBERS AND INTERNATIONAL CLASSIFICATION INDEX**

NUMBER OF PATENT (11)	NUMBER OF PUBLISHED APPLICATION (10)	INTERNATIONAL CLASSIFICATION INDEX (51)
P 2016 6465 B	AP 2016 13294 A	C 08 B 37/00; A 61 K 31/737
P 2016 6466 B	AP 2016 13438 A	A 61 M 5/20; A 61 M 5/315; A 61 M 5/32; A 61 M 5/00; A 61 M 5/31
P 2016 6467 B	AP 2016 13503 A	F 03 D 1/00; F 03 D 1/04
P 2016 6468 B	AP 2016 13633 A	F 04 B 9/00
P 2016 6469 B	AP 2016 13735 A	C 22 B 9/00
P 2016 6470 B	AP 2015 13609 A	A 61 K 31/7084; A 61 K 9/08; A 61 K 47/04; A 61 K 47/12; A 61 K 47/24; A 61 P 27/02

**CONCORDANCE TABLE OF APPLICATION NUMBERS, PUBLICATION NUMBERS
AND PATENTS**

NUMBER OF APPLICATION (21)	NUMBER OF PUBLISHED APPLICATION (10)	NUMBER OF PATENT (11)
AP 2011 013294	AP 2016 13294 A	P 2016 6465 B
AP 2012 013438	AP 2016 13438 A	P 2016 6466 B
AP 2014 013503	AP 2016 13503 A	P 2016 6467 B
AP 2013 013609	AP 2015 13609 A	P 2016 6470 B
AP 2013 013633	AP 2016 13633 A	P 2016 6468 B
AP 2015 013735	AP 2016 13735 A	P 2016 6469 B

UTILITY MODELS

**CONCORDANCE TABLE OF INTERNATIONAL CLASSIFICATION INDEX,
PATENT NUMBERS AND PUBLICATION NUMBERS**

INTERNATIONAL CLASSIFICATION INDEX (51)	NUMBER OF PATENT (11)	NUMBER OF PUBLISHED APPLICATION (10)
A 21 D 8/06	U 2016 1895 Y	AU 2016 13764 U
E 06 B 9/24	U 2016 1896 Y	AU 2016 13868 U

**CONCORDANCE TABLE OF PATENT NUMBERS,
PUBLICATION NUMBERS AND INTERNATIONAL CLASSIFICATION INDEX**

NUMBER OF PATENT (11)	NUMBER OF PUBLISHED APPLICATION (10)	INTERNATIONAL CLASSIFICATION INDEX (51)
U 2016 1895 Y	AU 2016 13764 U	A 21 D 8/06
U 2016 1896 Y	AU 2016 13868 U	E 06 B 9/24

**CONCORDANCE TABLE OF APPLICATION NUMBERS, PUBLICATION NUMBERS
AND PATENTS**

NUMBER OF APPLICATION (21)	NUMBER OF PUBLISHED APPLICATION (10)	NUMBER OF PATENT (11)
AU 2015 013764	AU 2016 13764 U	U 2016 1895 Y
AU 2015 013868	AU 2016 13868 U	U 2016 1896 Y

DESIGNS

**CONCORDANCE TABLE OF INTERNATIONAL CLASSIFICATION INDEX
AND PUBLICATION NUMBERS**

INTERNATIONAL CLASSIFICATION INDEXES (51)	NUMBER OF PUBLISHED APPLICATION (10)
09-03	AD 2016 897 S
32-00	AD 2016 885 S

**CONCORDANCE TABLE OF PUBLICATION NUMBERS
AND INTERNATIONAL CLASSIFICATION INDEX**

NUMBER OF PUBLISHED APPLICATION (10)	INTERNATIONAL CLASSIFICATION INDEXES (51)
AD 2016 885 S	32-00
AD 2016 897 S	09-03

**CONCORDANCE TABLE OF INTERNATIONAL CLASSIFICATION INDEX,
PATENT NUMBERS AND PUBLICATION NUMBERS**

INTERNATIONAL CLASSIFICATION INDEX (51)	NUMBER OF PATENT (11)	NUMBER OF PUBLISHED APPLICATION (10)
01-01	D 2016 679 S	AD 2016 877 S

**CONCORDANCE TABLE OF PATENT NUMBERS,
PUBLICATION NUMBERS AND INTERNATIONAL CLASSIFICATION INDEX**

NUMBER OF PATENT (11)	NUMBER OF PUBLISHED APPLICATION (10)	INTERNATIONAL CLASSIFICATION INDEX (51)
D 2016 679 S	AD 2016 877 S	01-01

**CONCORDANCE TABLE OF APPLICATION NUMBERS, PUBLICATION NUMBERS
AND PATENTS**

NUMBER OF APPLICATION (21)	NUMBER OF PUBLISHED APPLICATION (10)	NUMBER OF PATENT (11)
AD 2015 000877	AD 2016 877 S	D 2016 679 S

**DESIGN REGISTERED ACCORDING TO THE
ACCELERATED PROCEDURE**

**CONCORDANCE TABLE OF INTERNATIONAL CLASSIFICATION INDEX
AND PATENTS NUMBERS**

INTERNATIONAL CLASSIFICATION INDEX (51)	NUMBER OF PATENT (11)
11-05	D 2016 678 S

**CONCORDANCE TABLE OF PATENT NUMBERS AND INTERNATIONAL
CLASSIFICATION INDEX**

NUMBER OF PATENT (11)	INTERNATIONAL CLASSIFICATION INDEX (51)
D 2016 678 S	11-05

**CONCORDANCE TABLE OF APPLICATION NUMBERS
AND PATENT NUMBERS**

NUMBER OF APPLICATION (21)	NUMBER OF PATENT (11)
AD 2016 000903	D 2016 678 S

TRADEMARKS

CONCORDANCE TABLE OF REGISTRATION NUMBERS, APPLICATION NUMBERS, PUBLICATION NUMBERS AND BULLETIN NUMBERS

NUMBER OF REGISTRATION (111)	NUMBER OF APPLICATIONS (210)	NUMBER OF PUBLISHED APPLICATIONS (260)	NUMBER OF BULLETIN
1	2	3	4
M 2016 26953 R	AM 86240	-	8(444)2016
M 2016 26954 R	AM 86709	-	8(444)2016
M 2016 26955 R	AM 86077	-	8(444)2016
M 2016 26956 R	AM 86783	-	8(444)2016
M 2016 26957 R	AM 86532	-	8(444)2016
M 2016 26958 R	AM 86533	-	8(444)2016
M 2016 26959 R	AM 86880	-	8(444)2016
M 2016 26960 R	AM 86953	-	8(444)2016
M 2016 26961 R	AM 86954	-	8(444)2016
M 2016 26962 R	AM 86692	-	8(444)2016
M 2016 26963 R	AM 86901	-	8(444)2016
M 2016 26964 R	AM 77857	AM 2015 77857 A	18(430) 2015
M 2016 26965 R	AM 77858	AM 2015 77858 A	18(430) 2015
M 2016 26966 R	AM 78748	AM 2015 78748 A	24(436) 2015
M 2016 26967 R	AM 79052	AM 2015 79052 A	16(428) 2015
M 2016 26968 R	AM 79113	AM 2015 79113 A	17(429) 2015
M 2016 26969 R	AM 79114	AM 2015 79114 A	17(429) 2015
M 2016 26970 R	AM 79544	AM 2015 79544 A	24(436) 2015
M 2016 26971 R	AM 79596	AM 2015 79596 A	23(435) 2015
M 2016 26972 R	AM 79636	AM 2015 79636 A	22(434) 2015
M 2016 26973 R	AM 79670	AM 2015 79670 A	22(434) 2015
M 2016 26974 R	AM 79695	AM 2015 79695 A	17(429) 2015
M 2016 26975 R	AM 79789	AM 2015 79789 A	24(436) 2015
M 2016 26976 R	AM 79797	AM 2015 79797 A	24(436) 2015
M 2016 26977 R	AM 79802	AM 2015 79802 A	17(429) 2015
M 2016 26978 R	AM 79803	AM 2015 79803 A	17(429) 2015
M 2016 26979 R	AM 79819	AM 2015 79819 A	17(429) 2015
M 2016 26980 R	AM 79825	AM 2015 79825 A	17(429) 2015
M 2016 26981 R	AM 79826	AM 2015 79826 A	22(434) 2015
M 2016 26982 R	AM 79904	AM 2015 79904 A	24(436) 2015
M 2016 26983 R	AM 79925	AM 2015 79925 A	24(436) 2015
M 2016 26984 R	AM 79983	AM 2015 79983 A	24(436) 2015
M 2016 26985 R	AM 80008	AM 2015 80008 A	19(431) 2015
M 2016 26986 R	AM 80009	AM 2015 80009 A	24(436) 2015
M 2016 26987 R	AM 80069	AM 2015 80069 A	24(436) 2015
M 2016 26988 R	AM 86910	-	8(444)2016
M 2016 26989 R	AM 80111	AM 2015 80111 A	24(436) 2015
M 2016 26990 R	AM 80306	AM 2015 80306 A	24(436) 2015
M 2016 26991 R	AM 80416	AM 2015 80416 A	24(436) 2015
M 2016 26992 R	AM 80474	AM 2015 80474 A	24(436) 2015
M 2016 26993 R	AM 80571	AM 2015 80571 A	20(432) 2015
M 2016 26994 R	AM 80582	AM 2015 80582 A	24(436) 2015
M 2016 26995 R	AM 80601	AM 2015 80601 A	22(434) 2015

1	2	1	2
M 2016 26996 R	AM 80604	AM 2015 80604 A	22(434) 2015
M 2016 26997 R	AM 80606	AM 2015 80606 A	21(433) 2015
M 2016 26998 R	AM 80616	AM 2015 80616 A	21(433) 2015
M 2016 26999 R	AM 80654	AM 2015 80654 A	21(433) 2015
M 2016 27000 R	AM 80665	AM 2015 80665 A	20(432) 2015
M 2016 27001 R	AM 80810	AM 2015 80810 A	21(433) 2015
M 2016 27002 R	AM 80909	AM 2015 80909 A	21(433) 2015
M 2016 27003 R	AM 80923	AM 2015 80923 A	24(436) 2015
M 2016 27004 R	AM 80997	AM 2015 80997 A	23(435) 2015
M 2016 27005 R	AM 81015	AM 2015 81015 A	20(432) 2015
M 2016 27006 R	AM 81040	AM 2015 81040 A	24(436) 2015
M 2016 27007 R	AM 81094	AM 2015 81094 A	23(435) 2015
M 2016 27008 R	AM 81109	AM 2015 81109 A	19(431) 2015
M 2016 27009 R	AM 81249	AM 2015 81249 A	23(435) 2015
M 2016 27010 R	AM 81292	AM 2015 81292 A	23(435) 2015
M 2016 27011 R	AM 81294	AM 2015 81294 A	23(435) 2015
M 2016 27012 R	AM 81310	AM 2015 81310 A	23(435) 2015
M 2016 27013 R	AM 81357	AM 2015 81357 A	23(435) 2015
M 2016 27014 R	AM 81392	AM 2015 81392 A	24(436) 2015
M 2016 27015 R	AM 81477	AM 2015 81477 A	23(435) 2015
M 2016 27016 R	AM 81568	AM 2015 81568 A	24(436) 2015
M 2016 27017 R	AM 81691	AM 2015 81691 A	23(435) 2015
M 2016 27018 R	AM 81863	AM 2015 81863 A	24(436) 2015
M 2016 27019 R	AM 82001	AM 2015 82001 A	24(436) 2015
M 2016 27020 R	AM 82079	AM 2015 82079 A	24(436) 2015
M 2016 27021 R	AM 82081	AM 2015 82081 A	23(435) 2015
M 2016 27022 R	AM 86692	-	8(444)2016

**CONCORDANCE TABLE OF PUBLICATION NUMBERS
AND APPLICATION NUMBERS**

NUMBER OF PUBLISHED APPLICATION (260)	NUMBER OF APPLICATION (210)	1	2
		1	2
AM 2016 77627 A	AM 77627 A	AM 2016 83353 A	AM 83353 A
AM 2016 78228 A	AM 78228 A	AM 2016 83476 A	AM 83476 A
AM 2016 78230 A	AM 78230 A	AM 2016 83517 A	AM 83517 A
AM 2016 81245 A	AM 81245 A	AM 2016 83584 A	AM 83584 A
AM 2016 82809 A	AM 82809 A	AM 2016 83606 A	AM 83606 A
AM 2016 83024 A	AM 83024 A	AM 2016 83641 A	AM 83641 A
AM 2016 83108 A	AM 83108 A	AM 2016 83642 A	AM 83642 A
AM 2016 83197 A	AM 83197 A	AM 2016 83682 A	AM 83682 A
AM 2016 83198 A	AM 83198 A	AM 2016 83684 A	AM 83684 A
AM 2016 83199 A	AM 83199 A	AM 2016 83960 A	AM 83960 A
AM 2016 83262 A	AM 83262 A	AM 2016 83995 A	AM 83995 A
AM 2016 83265 A	AM 83265 A	AM 2016 83996 A	AM 83996 A
		AM 2016 84013 A	AM 84013 A
		AM 2016 84061 A	AM 84061 A
		AM 2016 84081 A	AM 84081 A
		AM 2016 84223 A	AM 84223 A
		AM 2016 84224 A	AM 84224 A

**CONCORDANCE TABLE OF INDEX OF GOODS AND/OR SERVICES
AND APPLICATION NUMBERS**

INDEX OF GOODS AND/OR SERVICES (511)	NUMBER OF PUBLISHED APPLICATIONS (260)	1	2
1	2	26	AM 2016 83265 A
1	AM 2016 84081 A	29	AM 2016 82809 A
2	AM 2016 83960 A	29	AM 2016 83684 A
3	AM 2016 83265 A	29	AM 2016 83995 A
5	AM 2016 83262 A	30	AM 2016 83517 A
5	AM 2016 83641 A	30	AM 2016 83684 A
5	AM 2016 83642 A	30	AM 2016 83995 A
5	AM 2016 84061 A	30	AM 2016 83996 A
5	AM 2016 84081 A	31	AM 2016 83995 A
5	AM 2016 84223 A	31	AM 2016 83996 A
5	AM 2016 84224 A	33	AM 2016 77627 A
7	AM 2016 83584 A	33	AM 2016 81245 A
9	AM 2016 83197 A	33	AM 2016 83476 A
9	AM 2016 83198 A	33	AM 2016 84013 A
9	AM 2016 83199 A	34	AM 2016 83353 A
9	AM 2016 83265 A	35	AM 2016 82809 A
9	AM 2016 83606 A	35	AM 2016 83265 A
9	AM 2016 83682 A	35	AM 2016 83606 A
11	AM 2016 83682 A	37	AM 2016 83024 A
14	AM 2016 83265 A	37	AM 2016 83108 A
18	AM 2016 83265 A	38	AM 2016 83606 A
25	AM 2016 83265 A	39	AM 2016 78228 A
		39	AM 2016 78230 A
		41	AM 2016 83606 A
		42	AM 2016 83606 A

**CONCORDANCE TABLE OF INDEX OF GOODS AND/OR SERVICES
AND NUMBERS OF TRADEMARKS REGISTERED ACCORDING
TO THE ACCELERATED PROCEDURE**

INDEX OF GOODS AND/OR SERVICES (511)	NUMBERS OF REGISTERED ACCORDING TO THE ACCELERATED PROCEDURE (111)
3	M 2016 26956 R
9	M 2016 26955 R
19	M 2016 27022 R
29	M 2016 26959 R
30	M 2016 26988 R
32	M 2016 26988 R
33	M 2016 26953 R
33	M 2016 26954 R
33	M 2016 26963 R
33	M 2016 26988 R
36	M 2016 26960 R
36	M 2016 26961 R
41	M 2016 26957 R
41	M 2016 26958 R
42	M 2016 26962 R
43	M 2016 26988 R

OFFICIAL BULLETIN OF THE INDUSTRIAL PROPERTY

8(444)

EDITOR-IN-CHIEF: N. Bebrishvili

EDITORS-TRANSLATORS: E. Gabunia

PROOFREADER: A. Shikhashvili

COMPUTER LAYOUT: M. Ordenidze
K. Svanidze

www.sakpatenti.org.ge

E-mail: info@sakpatenti.org.ge