



**NATIONAL INTELLECTUAL PROPERTY CENTER OF GEORGIA
SAKPATENTI**

**OFFICIAL BULLETIN
OF THE INDUSTRIAL PROPERTY**

9(469)

**2017
TBILISI**

INID CODES FOR IDENTIFICATION OF BIBLIOGRAPHIC DATA

INVENTIONS, UTILITY MODELS

- (10) Number of publication for application, which has been examined
- (11) Number of patent and kind of document
- (21) Serial number of application
- (22) Date of filing of the application
- (23) Date of exhibition or the date of the earlier filing and the number of application, if any
- (24) Date from which patent may have effect
- (31) Number of priority application
- (32) Date of filing of priority application
- (33) Code of the country or regional organization allotting priority application number
- (44) Date of publication of application not granted, but examined and number of bulletin
- (45) Date of publication of registered document
- (51) International Patent Classification Index
- (54) Title of the invention
- (57) Abstract
- (60) Number of examined patent document granted by foreign patent office, date from which patent has effect and country code
- (62) Number of the earlier application and in case of divided application, date of filing an application
- (71) Name, surname and address of applicant (country code)
- (72) Name, surname of inventor (country code)
- (73) Name, surname and address of patent owner (country code)
- (74) Name, surname of representative or patent attorney
- (85) Date of commencement of the national phase of International Application
- (86) Number and date of filing of international application
- (87) Number and date of publication of international application

DESIGNS

- (10) Number of publication for application
- (11) Number of patent and kind of document or number of registration
- (15) Date of registration/Date of patent renewal
- (18) Expected expiration date of patent or registration
- (21) Serial number of application
- (22) Date of filing of the application
- (23) Date of exhibition or the date of the earlier filing and the number of application, if any
- (24) Date from which patent may have effect
- (28) Number of designs included in the application
- (30) Data relating to priority (number of application, date of filing of application, two-letter code identifying the authority with whom the priority application was made)
- (31) Number of priority application
- (32) Date of filing of priority application
- (33) Code of the country or regional organization allotting priority application number
- (34) Two-letter code according to WIPO St.3 identifying the authority with which the priority application was made
- (44) Date of publication of design and number of bulletin (the first publication)
- (45) Date of publication of design registered by WIPO and number of bulletin
- (51) International Classification for designs (class and subclass of the Locarno Classification)
- (54) Title of the invention
- (55) Reproduction of the design
- (57) Description of characteristic features of the design including indication of colors
- (58) Date of recording of any kind of amendment in the Register
- (62) Number of the earlier application, registration and document number and if available the date of filing an application in case of divided application
- (71) Name, surname and address of applicant (country code)
- (72) Name, surname of creator (country code)
- (73) Name, surname and address of patent owner (country code)
- (74) Name, surname of representative or patent attorney
- (81) Contracting states concerned
 - II designated contracting states according to the 1960 Act
 - III designated contracting states according to the 1999 Act
- (85) Owner's permanent address
- (86) Owner's nationality
- (87) Owner's residence
- (88) State in which the owner has a real and effective industrial or commercial establishment

TRADEMARKS

- (111) - Number of registration
- (151) - Date of registration
- (156) - Date of the renewal
- (181) - Expected expiration date of registration
- (186) - Renewal expiration date of registration
- (141) - Date of cancel of duration of the mark
- (210) - Serial number of application
- (220) - Date of filing of the application
- (230) - Date concerning exhibition
- (260) - Number of application, for which favorable decision of examination about registration has been taken (publication number)
- (310) - Number of the first application
- (320) - Date of filing of the first application
- (330) - Code, identifying national or regional Office where the first application was made
- (511) - International Classification of Goods and Services for the purposes of registration of trade marks and/or list of goods and/or services classified according thereto
- (531) - Description of figurative elements of Trade Marks according to the International Classification of the Figurative Elements of Marks
- (540) - Reproduction of Trade Mark
- (550) - Nature and kind of Trade Mark
- (580) - Date of recording of any kind changes in respect of applications or registrations
- (591) - Information concerning colors claimed
- (731) - Name and address of the applicant
- (732) - Name and address of the holder of the registration
- (740) - Name and address of the representative
- (750) - Address for correspondence
- (770) - Name and address of the previous applicant or holder in case of change in ownership
- (771) - Previous name and address of the applicant or holder in case of change in ownership
- (791) - Name and address of the licensee
- (793) - Indication of conditions and/or restrictions under the license (Type of license, number of license agreement, data of license, data of validity of license)
- (800) - Certain data relating to the international registration of Trade Marks under the Protocol Relating to Madrid Agreement (International registration number)

CODES FOR PUBLICATION IN BULLETIN

- (21) AP 0000 000000 - serial number of application for invention
- (10) AP 0000 0000 A - number of published application for invention (first publication)
- (11) P 0000 0000 B - number of patent for invention (second publication)
- (21) API 0000 000000 - number of application for imported patent
- (11) PI 0000 0000 A - number of imported patent (first publication)
- (21) AU 0000 000000 - serial number of application for utility model
- (10) AU 0000 000 U - number of published application for utility model (first publication)
- (11) U 0000 000 Y - number of patent for utility model (second publication)
- (21) AD 0000 000000 - serial number of application for design
- (10) AD 0000 000 S - number of published application for design (first publication)
- (11) D 0000 000 S - number of patent for design (second publication)

INTERNATIONAL PATENT CLASSIFICATION FOR INVENTIONS AND UTILITY MODELS

- SECTION A - HUMAN NECESSITIES
- SECTION B - PERFORMING OPERATIONS; TRANSPORTING
- SECTION C - CHEMISTRY; METALLURGY
- SECTION D - TEXTILES; PAPER
- SECTION E - FIXED CONSTRUCTIONS
- SECTION F - MECHANICAL ENGINEERING; LIGHTING; HEATING; WEAPONS; BLASTING
- SECTION G - PHYSICS
- SECTION H - ELECTRICITY

-
- M - Trade Mark
 - (210) AM 0000 000000 - Serial number of application;
 - (260) AAM 0000 00000 A - Publication number of application;
 - (111) M 0000 00000 R - Number of registration;
 - (111) MMM0000 00000 Rn - Number of renewals, in which n=1,2,3;
 - (111) M 0000 00000 R(P) - Number of registration under partial assignment of rights
-

**NATIONAL INTELLECTUAL PROPERTY CENTER OF GEORGIA
SAKPATENTI**

**OFFICIAL BULLETIN
OF THE INDUSTRIAL PROPERTY**

9(469)

**INVENTIONS
UTILITY MODELS
DESIGNS
TRADEMARKS**

**DATE OF PUBLICATION
2017 05 10**

CONTENTS

PUBLISHED TITLES OF PROTECTION	2
INVENTIONS	
▪ APPLICATIONS APPROVED FOR GRANTING PATENTS	4
▪ PATENTED INVENTIONS	9
UTILITY MODELS	
▪ APPLICATIONS APPROVED FOR GRANTING PATENTS	11
▪ PATENTED UTILITY MODEL	12
DESIGNS	
▪ REGISTERED DESIGNS	13
▪ DESIGNS REGISTERED WITH THE INTERNATIONAL BUREAU CLAIMING PRIORITY ON THE TERRITORY OF GEORGIA	14
TRADEMARKS	
▪ APPLICATIONS FILED UNDER THE NATIONAL PROCEDURE APPROVED FOR REGISTRATION	15
▪ REGISTERED TRADEMARKS	58
▪ TRADEMARKS REGISTERED ACCORDING TO THE ACCELERATED PROCEDURE	64
▪ INTERNATIONAL TRADEMARKS FOR WHICH A DECISION ON GRANTING PROTECTION IS TAKEN	68
▪ INTERNATIONAL TRADEMARKS PROTECTED IN GEORGIA	115
OFFICIAL NOTIFICATIONS	
INVENTIONS	
▪ TRANSFER OF RIGHTS	120
▪ CHANGES IN NAMES AND/OR ADDRESSES OF OWNERS	121
▪ RENEWAL OF PATENTS	122
UTILITY MODELS	
▪ RENEWAL OF PATENTS	124
TRADEMARKS	
▪ RENEWAL OF REGISTRATIONS	125
▪ COMPLETE TRANSFER OF RIGHTS	129
▪ CHANGES IN NAMES AND/OR ADDRESSES OF OWNERS	132
▪ INVALIDATION OF TRADEMARKS REGISTRATION	132
▪ LICENSE AGREEMENTS	132
CLASSIFICATION INDEXES	
INVENTIONS	135
UTILITY MODELS	137
DESIGNS	138
TRADEMARKS	139

PUBLISHED TITLES OF PROTECTION

INVENTIONS

- **APPLICATIONS APPROVED FOR GRANTING PATENTS:**
12257; 13603; 13651; 14059; 13817; 12993; 14154; 13003, 13004
- **PATENTED INVENTIONS:**
6661-6665

UTILITY MODELS

- **APPLICATION APPROVED FOR GRANTING PATENT:**
14246
- **PATENTED UTILITY MODEL:**
1937

DESIGNS

- **REGISTERED DESIGNS:**
706, 707
- **DESIGNS REGISTERED WITH THE INTERNATIONAL BUREAU CLAIMING PRIORITY ON THE TERRITORY OF GEORGIA:**
92481; 92744; 94250; 94959; 92483; 92626; 94689; 95159; 95262; 95311

TRADEMARKS

- **APPLICATIONS FILED UNDER THE NATIONAL PROCEDURE APPROVED FOR REGISTRATION:**
87719; 87828; 87906; 87908; 88133; 88157, 88158; 88325, 88326; 88407; 88507; 88584; 88586, 88587; 88611; 88691; 88709; 88714; 88721; 88723; 88725; 88727; 88729; 88732; 88735; 88738; 89144
- **REGISTERED TRADEMARKS:**
28437-28443; 28445-28491
- **TRADEMARKS REGISTERED ACCORDING TO THE ACCELERATED PROCEDURE:**
28421-28436; 28444
- **INTERNATIONAL TRADEMARKS FOR WHICH A DECISION ON GRANTING PROTECTIONS IS TAKEN:**
76203; 82336; 83313*; 84918*; 86221*; 87235; 87518, 87519; 87526; 87536-87538; 87634; 87637, 87638; 87644; 87647, 87648; 87661; 87664-87666; 87668-87670; 87676; 87680, 87681; 87702; 87704, 87705; 87707; 87753-87758; 87804; 87806; 87811; 87816; 87850; 87853-87857; 87865; 87961; 88008-88011; 88013; 88015, 88016; 88018, 88019; 88022, 88023; 88025; 88027-88030; 88206; 88208, 88209; 88280; 88290; 88355-88358; 88360; 88362
- **INTERNATIONAL TRADEMARKS PROTECTED IN GEORGIA:**
80629; 80764; 81516; 81717; 81957; 82123; 83288; 83324; 85572; 85911; 86019; 86073; 86187; 86291; 86459; 86468; 86483; 86491; 86517; 86521; 86523; 86525; 86527; 86566; 86622, 86623; 86625; 86628; 86648; 86698; 86716, 86717; 86720-86722; 86738-86742; 86775; 86787; 86789; 86793; 86804; 86808, 86809; 86811-86813; 86837, 86838; 86870, 86871; 86923-86925; 86927; 87048; 87050-87052; 87102-87104; 87106-87108; 87110; 87169, 87170; 87206

INVENTIONS

APPLICATIONS APPROVED FOR GRANTING PATENTS

The decision can be appealed at the Chamber of Appeal of Sakpatenti within 3 months from the publication or at the Mtskheta District Court Administrative Cases Board (Address: №17, Samkhedro str., Mtskheta), within 1 month following the publication.

PART A

A 61

(10) AP 2017 12257 A (51) Int. Cl. (2006)
A 61 K 31/4412
A 61 P 11/00

(21) AP 2009 012257 (22) 2009 11 09

(31) 61/228,943; 61/113,107; 12/428,393;
12/488,228; 12/553,292

(32) 2009 07 27; 2008 11 10; 2009 04 22;
2009 06 19; 2009 09 03

(33) US; US; US; US; US

(71) INTERMUNE, INC. (US)
3280 Bayshore Boulevard Brisbane,
CA 94005-1021 (US)

(72) BRADFORD, Williamson, Ziegler (US);
SZWARCBERG, Javier (AR)

(74) Larisa Amirkhanyan

(85) 2011 06 08

(86) PCT/US2009/063702, 2009 11 09

(54) **PIRFENIDONE TREATMENT FOR
PATIENTS WITH ATYPICAL LIVER
FUNCTION**

(57) Methods are provided for administering pirofenidone to a patient that has exhibited abnormal biomarkers of liver function in response to pirofenidone administration. The methods include administering to a patient pirofenidone at doses lower than the full target dosage for a time period, followed by administering to the patient pirofenidone at the full target dosage.

Claims: 1 independent

11 dependent

(10) AP 2017 13603 A (51) Int. Cl. (2006)
A 61 K 31/7068
A 61 K 31/7072
A 61 K 31/7076
A 61 K 31/708

(21) AP 2013 013603 (22) 2013 03 19

(31) 61/613,836; 13/721,988

(32) 2012 03 21; 2012 12 20

(33) US; US

(71) ALIOS BIOPHARMA, INC. (US)
260 E. Grand Ave, 2nd Floor South San
Francisco, CA 94080 (US)

(72) WANG, Guanyi (US);
SMITH, David, Bernard (US);
BEIGELMAN, Leonid (US);
DEVAL, Jerome (US);
PRHAVC, Marija (US)

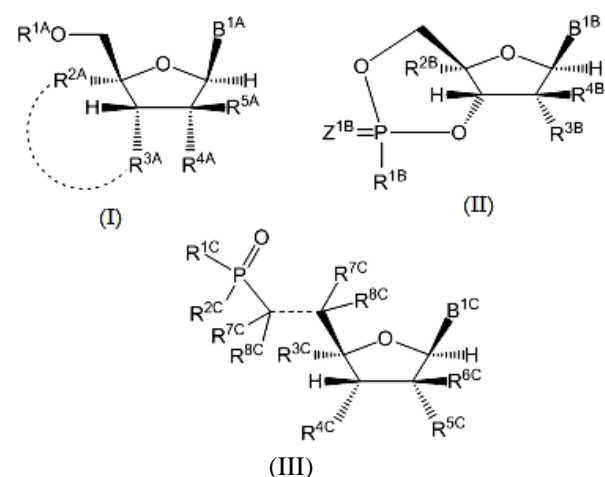
(74) Aleksandre Gegechkori

(85) 2014 10 21

(86) PCT/US2013/033018, 2013 03 19

(54) **SUBSTITUTED NUCLEOSIDES,
NUCLEOTIDES AND ANALOGS
THEREOF**

(57) Present invention relates to usage of nucleosides, nucleotides, and their analogues of formula I, II and III,



to relief and/or treatment of respire viral, rubula viral and metapneumo viral infection.

Claims: 1 independent

64 dependent

Fig.: 1

PART B**B 23**

(10) AP 2017 13651 A (51) Int. Cl. (2006)
 B 23 K 31/02
 B 01 J 19/02
 B 01 J 19/24
 C 07 C 273/04
 F 28 F 9/18
 F 28 F 19/06

(21) AP 2013 013651 (22) 2013 05 02

(31) 12166584.8

(32) 2012 05 03

(33) EP

(71) STAMICARBON B.V. (NL)

Mercator 3 NL-6135 KW Sittard (NL)

(72) SCHEERDER, Alexander Aleida

Antonius (NL)

(74) Liliana Darakhvelidze

(85) 2014 12 02

(86) PCT/NL2013/050331, 2013 05 02

(54) **METHOD OF MANUFACTURING A TUBE SHEET AND HEAT EXCHANGER ASSEMBLY FOR A POOL REACTOR OR POOL CONDENSER; CORRESPONDING TUBE SHEET AND HEAT EXCHANGER ASSEMBLY**

(57) The present application relates to a method of manufacturing a tube sheet (7) and heat exchanger assembly for pool reactor or pool condenser for use in the production of urea from ammonia and carbon dioxide, wherein the method comprises manufacturing of tube sheet (7) from carbon steel material grade and providing said tube sheet (7) with corrosion protective layers (8, 9) of austenitic-ferritic duplex stainless steel grade, wherein the heat exchanger comprises at least one U-shaped tube (13) of austenitic-ferritic duplex stainless steel grade, the method further comprises inserting at least two sleeves (11) of austenitic-ferritic duplex stainless steel grade through tube sheet (7) such that both ends of sleeve (11) extend in a direction away from tube sheet (7), the method further comprises connecting the sleeves (11), at least opposing ends thereof, to at least the protective layers (8,9) of tube sheet (7) and finally, connecting both ends of at least one U-shaped tube (13) to the respective sleeves (11).

Claims: 3 independent

12 dependent

Fig.: 3

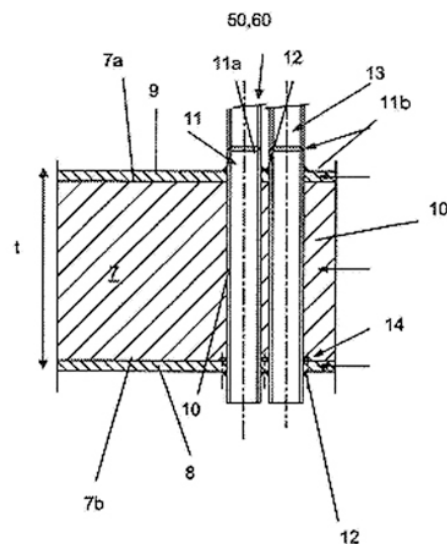


Fig. 3

PART C**C 07**

(10) AP 2017 14059 A (51) Int. Cl. (2006)
 C 07 D 471/04
 A 61 K 31/437
 A 61 P 35/00

(21) AP 2014 014059 (22) 2014 08 14

(31) 1686/DEL/14; 2418/DEL/13

(32) 2014 06 24; 2013 08 14

(33) IN; IN

(71) NOVARTIS AG (CH)

Lichtstrasse 35 CH-4056 Basel (CH)

(72) BOCK, Mark Gary (US);

MOEBITZ, Henrik (CH);

PANIGRAHI, Sunil Kumar (IN);

PODDUTOORI, Ramulu (IN);

SAMAJDAR, Susanta (IN)

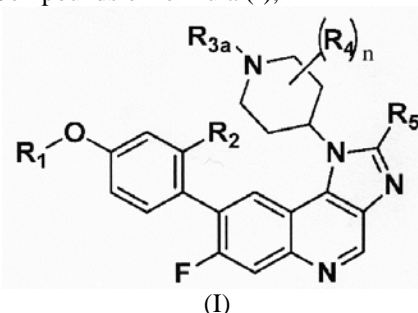
(74) Aleksandre Kartvelishvili

(85) 2016 02 12

(86) PCT/IB2014/063916, 2014 08 14

(54) **COMPOUNDS AND COMPOSITIONS AS INHIBITORS OF MEK**

(57) Compounds of formula (I),



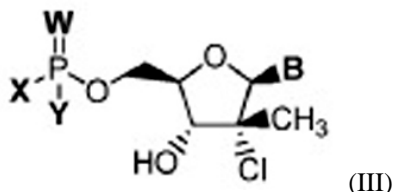
pharmaceutical compositions on basis thereof, and usage thereat the treatment of hyperproliferative diseases, such as a cancer.

Claims: 8 independent
8 dependent

Fig.: 1

Table: 2

- (10) AP 2017 13817 A (51) Int. Cl. (2006)
C 07 H 19/00
C 07 H 19/06
C 07 H 19/20
C 07 H 19/16
A 61 K 31/7068
A 61 K 31/7072
A 61 K 31/7076
A 61 K 31/708
A 61 P 31/04
- (21) AP 2013 013817 (22) 2013 10 07
(31) 61/711,131; 61/807,249
(32) 2012 10 08; 2013 04 0
(33) US; US
(71) IDENIX PHARMACEUTICALS, INC. (US).
320 Bent Street, Floor 4 Cambridge,
Massachusetts 02141 (US);
CENTRE NATIONAL DE LA RECHERCHE
SCIENTIFIQUE (FR)
3 Rue Michel-Ange F-75794 Paris
Cedex 16 (FR);
UNIVERSITÉ MONTPELLIER 2 SCIENCES
ET TECHNIQUES (FR)
2 Place Eugène Bataillon F-34095Montpellier
Cedex 5 (FR)
- (72) GOSSELIN, Gilles (FR);
PARSY, Christophe Claude (FR);
ALEXANDRE, Francois-Rene (FR);
RAHALI, Houcine (FR);
GRIFFON, Jean-François (FR);
SURLERAUX, Dominique (BE);
DOUSSON, Cyril B. (FR);
PIERRA, Claire (FR);
MOUSSA, Adel M. (US);
MAYES, Benjamin Alexander (GB);
STEWART, Alistair James (GB);
DUKHAN, David (FR)
- (74) Shalva Gvaramadze
(85) 2015 05 04
(86) PCT/US2013/063731, 2013 10 07
(54) **2'-CHLORO NUCLEOSIDE
ANALOGS FOR HCV INFECTION**
- (57) Present invention relates to compounds of formula (III),



containing pharmaceutical compositions thereof, and usage thereat infections treatment, caused by flavivirus, particularly hepatitis virus C.

Claims: 6 independent
10 dependent

C 12

- (10) AP 2017 12993 A (51) Int. Cl. (2006)
C 12 R 1/19
C 08 B 37/08
C 08 B 37/00
A 61 K 31/737
C 08 L 5/08
- (21) AP 2011 012993 (22) 2011 06 01
(31) MI2010A001264; MI2010A001300
(32) 2010 07 09; 2010 07 15
(33) IT; IT
(71) GNOSIS S.P.A. (IT)
Piazza del Carmine, 4 I-20121 Milano (IT)
(72) TRILLI, Antonio (IT);
BUSIELLO, Immacolata (IT);
DALY, Simona (IT);
BAGATIN, Francesca (IT)
(74) Tamaz Shilakadze
(85) 2013 02 07
(86) PCT/EP2011/059069, 2011 06 01
(54) **BIOTECHNOLOGICAL PRODUCTION
OF CHONDROITIN**
- (57) An invention relates to recombinant microorganism producing chondroitin obtained by inactivation of a gene encoding an enzyme responsible of fructose residues addition to linear chondroitin polysaccharide in the microorganism producing fructosylated derivative of chondroitin; and chondroitin production method by said microorganism cultivation, as well.
- Claims: 3 independent
11 dependent
- Fig.: 4

PART E**E 01**

(10) AP 2017 14154 A (51) Int. Cl. (2006)
E 01 B 7/08

(21) AP 2016 014154 (22) 2016 05 24

(71) Temur Maisuradze (GE)

Mukhianis I mkr., korp. 10, b. 139, 0172,
Tbilisi (GE)

(72) Temur Maisuradze (GE)

(54) **POINT SWITCH**

(57) Point switch frame railing 10 and 11, and reverse railing 8 and 9 create a point. Frame- and reverse railing are connected together with knots, each wherefrom includes railing guides 18 rigid on the frame, the feather 19 rigid onto reverse, the movable feather 20 inserted in the guides and attached to feather motion rods 21 with both ends. Movable feather 20 and motion rods 21 are connected together; and edge motion rod with drive mechanism axle 15 are movable in locking places 16 and 17 by means of drive mechanism 14.

Claims: 1 independent

Fig.: 4

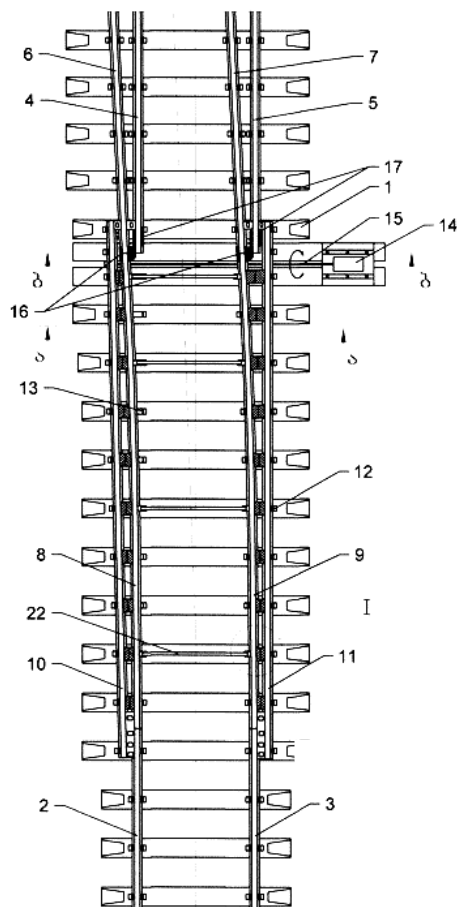


Fig. 1

E 04

(10) AP 2017 13003 A (51) Int. Cl. (2006)
E 04 F 15/10
B 32 B 5/24
D 06 N 7/00

(21) AP 2011 013003 (22) 2011 07 19

(31) 1012088.9; 1012089.7

(32) 2010 07 19; 2010 07 19

(33) GB; GB

(71) INSTAFIBRE LTD (GB)

Insta House, Ivanhoe Road Hogwood Business
Park, Wokingham Berkshire RG40 4PZ (GB)

(72) ERASMUS, Duonne (ZA)

(74) Pavle Meipariani

(85) 2013 02 19

(86) PCT/GB2011/001080, 2011 07 19

(54) **ADHESIVE PRODUCTS IN SHEET
FORM**

(57) An article 10 includes the layers 12, 22, 32 comprising ground rubber material and rough fabric material 14, 24, 34 attached to one of sides. The article has part of open surface, as well, whereon covering of low-grab adhesive 16, 26, 36, sensitive to pressure is deposited. The adhesive is determined to be a low-grab adhesive if, after 24 hours adhesive binding dwell-time, a 90° peel adhesion at 300 mm/minute, as measured, between 1.77 and 3.96 Newtons/25mm width at room temperature (23°C±1°C) and at a relative humidity of 50% ±5%.

Claims: 2 independent

6 dependent

Fig.: 5

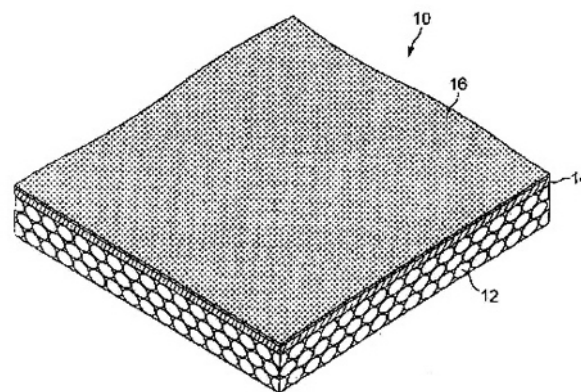


Fig. 1

(10) AP 2017 13004 A (51) Int. Cl. (2006)
E 04 F 15/10
B 32 B 5/24
D 06 N 7/00

(21) AP 2011 013004 (22) 2011 07 19

(31) 1012088.9; 1012089.7

(32) 2010 07 19; 2010 07 19

(33) GB; GB

(71) INSTAFIBRE LTD (GB)

Insta House, Ivanhoe Road Hogwood Business
Park, Wokingham Berkshire RG40 4PZ (GB)

(72) ERASMUS, Duonne (ZA)

(74) Pavle Meipariani

(85) 2013 02 19

(86) PCT/GB2011/001081, 2011 07 19

(54) **FLOOR UNDERLAY**

(57) An article 10 includes the layers 12, 22, 32 comprising ground rubber material and rough fabric material 14, 24, 34 attached to one of sides. The article has part of open surface, as well, whereon covering of high-grab adhesive 16, 26, 36, sensitive to pressure is deposited. The adhesive is determined to be high-grab adhesive if, after 24 hours adhesive binding dwell-time, it has 90° peel adhesion at 300 mm/minute, as measured, between 4.35 and 21.76 Newtons/25mm width at room temperature (23°C±1°C) and at relative humidity of 50% ± 5%.

Claims: 2 independent

4 dependent

Fig.: 5

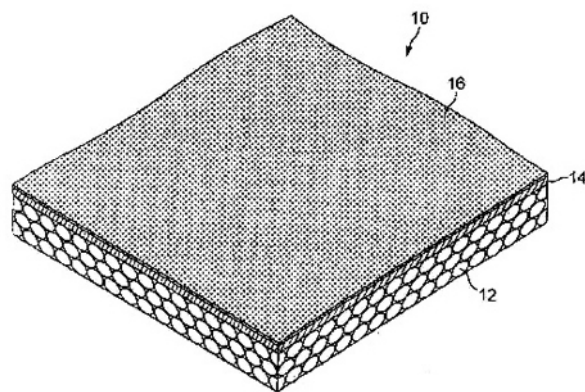


Fig. 1

PATENTED INVENTIONS

PART A

A 61

- (11) P 2017 6663 B (51) Int. Cl. (2006)
A 61 K 31/00
A 61 K 31/40
A 61 P 1/16
- (10) AP 2017 13941 A (44) 2(462)/2017
(21) AP 2013 013941
(22) 2013 06 25
(24) 2013 06 25
(31) 1468/MUM/2013
(32) 2013 04 22
(33) IN
(86) PCT/IN2013/000391, 2013 06 25
(73) CADILA HEALTHCARE LIMITED (IN)
Zydus Tower, Satellite Cross Roads
Ahmedabad 380015 Gujarat (IN)
(72) PATEL, Pankaj (IN);
HARIPRASAD JANI, Rajendrakumar (IN)
(74) Aleksandre Gegechkori
(54) **NOVEL COMPOSITION FOR
NONALCOHOLIC FATTY LIVER
DISEASE (NAFLD)**

PART B

B 01

- (11) P 2017 6661 B (51) Int. Cl. (2006)
B 01 D 53/62
C 01 B 31/24
C 01 F 11/18
- (10) AP 2017 12994 A (44) 2(462)/2017
(21) AP 2011 012994
(22) 2011 07 08
(24) 2011 07 08
(31) 61/362,607; 61/370,030; 61/406,536;
61/451,078
(32) 2010 07 08; 2010 08 02; 2010 10 25;
2011 03 09
(33) US; US; US; US
(86) PCT/US2011/043470, 2011 07 08
(73) SKYONIC CORPORATION (US)
900 South Capital of TX Highway, Suite 475
Austin, TX 78746 (US)
(72) JONES, Joe, David (US);
YABLONSKY, Al (US)
(74) Giorgi Meipariani

- (54) **CARBON DIOXIDE SEQUESTRA-
TIONS INVOLVING TWO-SALT-BASED
THERMOLYTIC PROCESSES**

PART C

C 03

- (11) P 2017 6664 B (51) Int. Cl. (2006)
C 03 C 7/04
- (10) AP 2017 14073 A (44) 2(462)/2017
(21) AP 2016 014073
(22) 2016 02 29
(24) 2016 02 29
(73) Irine Berdzenishvili (GE)
Chrelashvilis q. 4, b. 1, 0144, Tbilisi (GE)
(72) Irine Berdzenishvili (GE)
(54) **FRIT FOR DIRECT-ON ENAMELING**

C 09

- (11) P 2017 6662 B (51) Int. Cl. (2006)
C 09 D 11/00
C 09 D 11/02
B 41 M 3/14
B 42 D 15/00
C 09 B 5/02
C 09 B 69/10
C 07 D 311/00
C 07 D 471/00
C 07 D 221/00
- (10) AP 2017 13491 A (44) 2(462)/2017
(21) AP 2012 013491
(22) 2012 10 30
(24) 2012 10 30
(31) PCT/EP2011/069885; 61/558,236
(32) 2011 11 10; 2011 11 10
(33) IB; US
(86) PCT/EP2012/071449, 2012 10 30
(73) SICPA HOLDING SA (CH)
Av. de Florissant 41 CH-1008 Prilly (CH)
(72) PASQUIER, Cécile (CH);
WYSS, Patrick (CH)
(74) Larisa Amirkhanyan
(54) **POLYMER-BONDED POLYCYCLIC
AROMATIC HYDROCARBONS
HAVING NITROGEN CONTAINING
SUBSTITUENTS**

UTILITY MODELS

APPLICATION APPROVED FOR GRANTING PATENT

The decision can be appealed at the Chamber of Appeal of Sakpatenti within 3 months from the publication or at the Mtskheta District Court Administrative Cases Board (Address: №17, Samkhedro str., Mtskheta), within 1 month following the publication.

PART A

A 23

(10) AU 2017 14246 U (51) Int. Cl. (2006)

A 23 F 3/14

(21) AU 2016 014246 (22) 2016 08 18

(71) Zurab Dzeladze (GE)

Metsnierebis q. 9, b. 5, 3500, Ozurgeti (GE);

Berdia Elgujauri (GE)

Vazha-Pshavelas Gamz., kvart. VI,

korp. 29, b. 54, 0186, Tbilisi (GE);

Guram Iobishvili (GE)

Metsnierebis q. 12, 3500, Ozurgeti (GE);

Nani Dzeladze (GE)

Chavchavadzis q. 10, b. 11, 3503,

Ozurgeti (GE)

(72) Zurab Dzeladze (GE);

Berdia Elgujauri (GE);

Guram Iobishvili (GE);

Nani Dzeladze (GE)

(54) **METHOD FOR IODIZED ENRICH
PEKOE (BLACK, GREEN, RED, YELLOW)
TEA PRODUCTION**

(57) A method provides tea foliage mix with wet actinidia foliage, previously treated with potassium iodide water solution, at tea foliage treatment.

Claims: 1 independent

1 dependent

Table: 4

DESIGNS

REGISTERED DESIGNS

(11) D 2017 707 S **(51) 25-01**
(10) AD 2017 927 S (44) 2(462)/2017
(21) AD 2016 000927
(22) 2016 10 07
(24) 2016 10 07
(18) 2021 10 07
(28) 2
(73) Tariel Chigogidze (GE)
Panaskertelis q. korp. 11, b. 85, 0194, Tbilisi (GE)
(72) Tariel Chigogidze (GE)
(74) Tamaz Shilakadze
(54) **1.-2. HOLLOW CONSTRUCTION BLOCK**

(11) D 2017 706 S **(51) 25-02**
(10) AD 2017 930 S (44) 2(462)/2017
(21) AD 2016 000930
(22) 2016 11 01
(24) 2016 11 01
(18) 2021 11 01
(28) 4
(73) Giorgi Bidzinashvili (GE)
D. Uznadzis q. 91a, b. 1, 0102, Tbilisi (GE)
(72) Giorgi Bidzinashvili (GE)
(54) **1. SAFE, 2. DOOR WITH FRAME AND LATTICE,
3. DOOR WITH FRAME, 4. DOOR WITH FRAME
AND SLUICE**

DESIGNS, WHICH HAVE BEEN REGISTERED WITH THE INTERNATIONAL BUREAU CLAIMING PRIORITY ON THE TERRITORY OF GEORGIA

The decision can be appealed at the Chamber of Appeal of Sakpatenti within 3 months from the publication or at the Mtskheta District Court Administrative Cases Board (Address: №17, Samkhedro Str., Mtskheta), within 1 month following the publication.

(11) DM/092481**(51) 10-07**

(15) 2016 09 09

(45) 2017/09 (2017 03 10)

(22) 2016 09 09

(28) 4

(73) TISSOT SA (TISSOT AG) (TISSOT LTD)

Chemin des Tourelles 17, CH-2400 Le Locle (CH)

(85) CH

(86) CH

(87) CH

(88) CH

(89) CH

(81) II. BZ, MA III. AL, AM, AZ, BA, CH, EM, GE, KG, LI, MC, MD, ME, MK, MN, NO, OM, SG, TN, TR, UA

(72) 3-4: Lorenzo VALLONE

Chemin des Marais 154, 1255 Veyrier, Suisse;

1: Albiona LOKAJ

Rue Jean d'Aarberg 12, 2400 Le Locle, Suisse;

1: Fernando Antonio SOARES

Rue Fleury 5, 2000 Neuchâtel, Suisse;

2: Sandra BRISEBARD

2, rue des Amadouviens, 25140 Charquemont, Suisse;

2: Sébastien PERRET

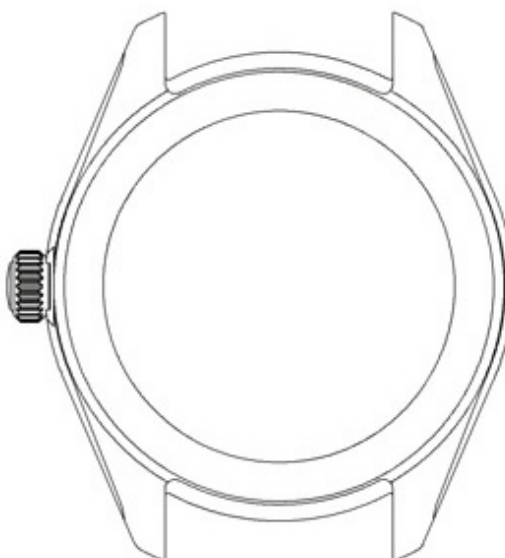
Rue du Temple 27A, 2014 Bôle, Suisse;

3-4: Laurie SAUNDERS

Ruelle des Vignerons 22, 1787 Môtier, Suisse

(54) 1.-4. Watch cases; 4. Watch strap

(55)

1.1**1.2**

1.3



1.4



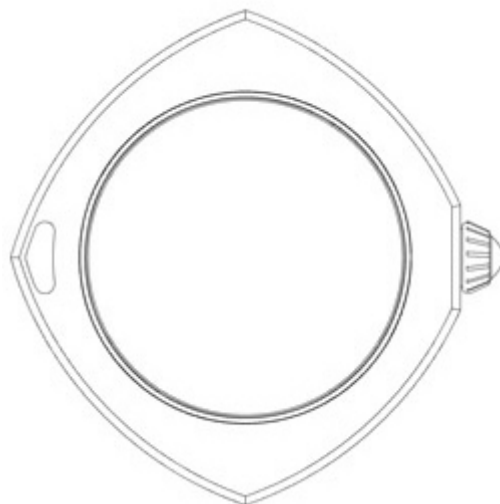
1.5



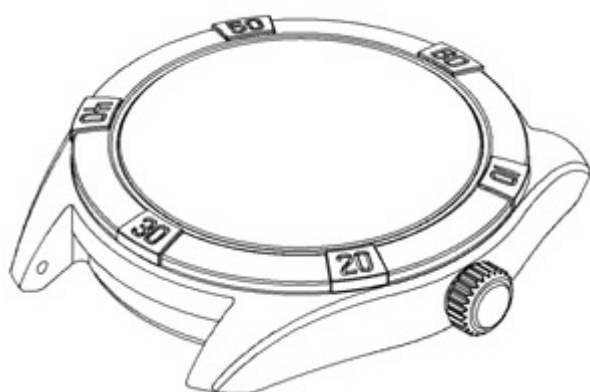
1.6



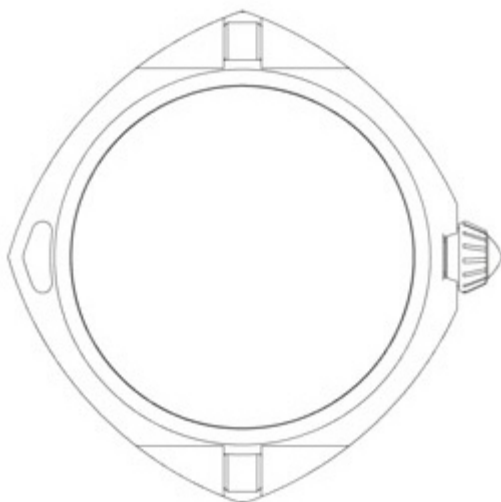
2.1



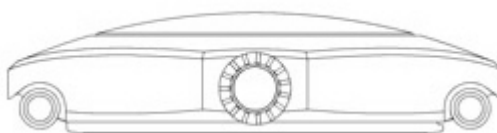
1.7



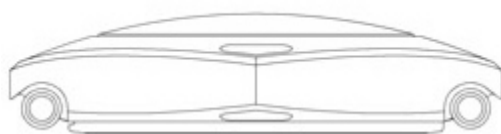
2.2



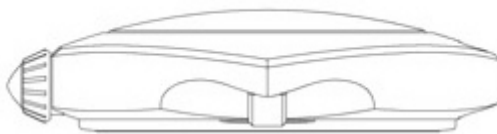
2.3



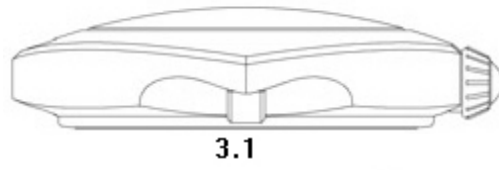
2.4



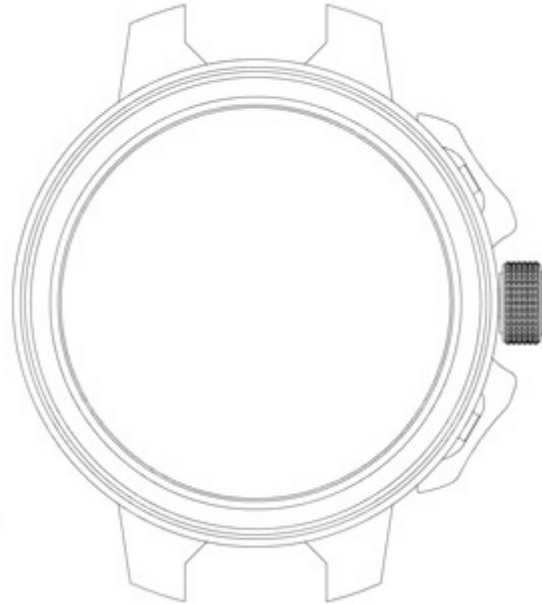
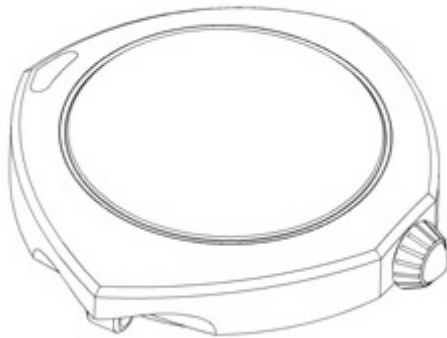
2.5



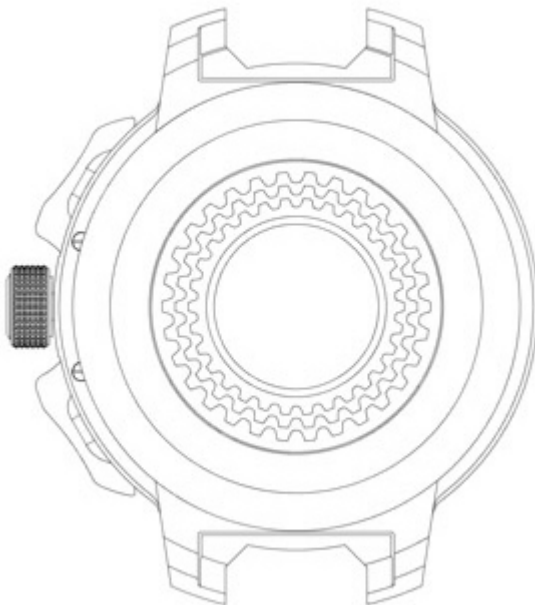
2.6



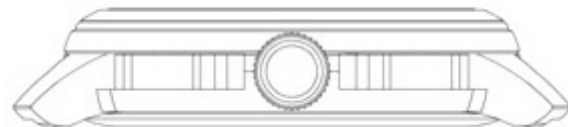
2.7



3.2



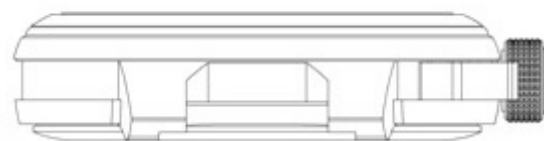
3.3



3.4



3.5



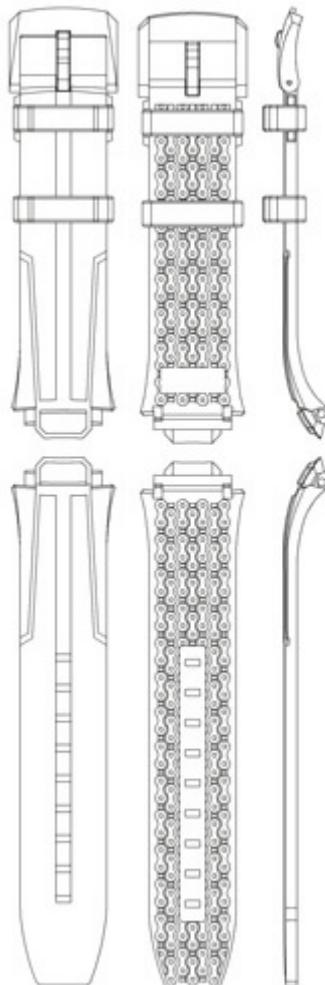
3.6



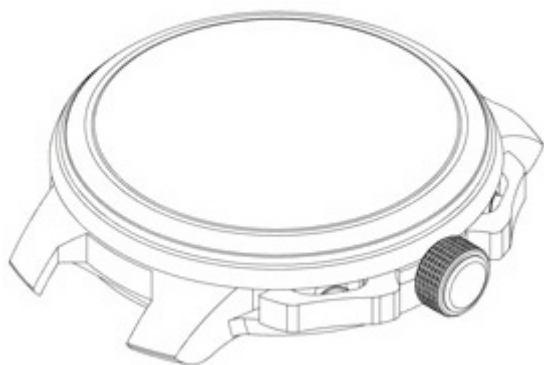
4.1

4.2

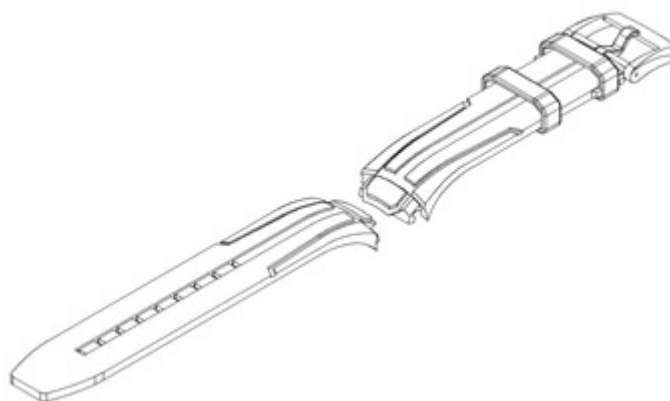
4.3



3.7



4.4



(11) DM/092744

(51) 24-02

(15) 2016 09 06

(45) 2017/09 (2017 03 10)

(22) 2016 09 06

(28) 1

(30) No. 1: 11.03.2016; 29/557,806; US

(73) MILLENNIUM PHARMACEUTICALS

INC. 40 Landsdowne Street, Cambridge MA 02139 (US)

(86) US

(87) US

(88) US

(89) US

(81) III. AM, AZ, BA, CH, EG, GE, IS, JP, KG, KR, LI, MD, ME, MN, NO, OM, RS, SG, TJ, TM, TN, TR, UA

(72) Willow R. DiLuzio

31 Castle View Drive, Gloucester, Massachusetts, United States of America;

Nobel T. Truong

26 Stallbrook Road, Milford, 01757 Massachusetts, United States of America;

Sarah Royalty Tredo

280 Coreys Court, Vernon Hills, Illinois, United States of America;

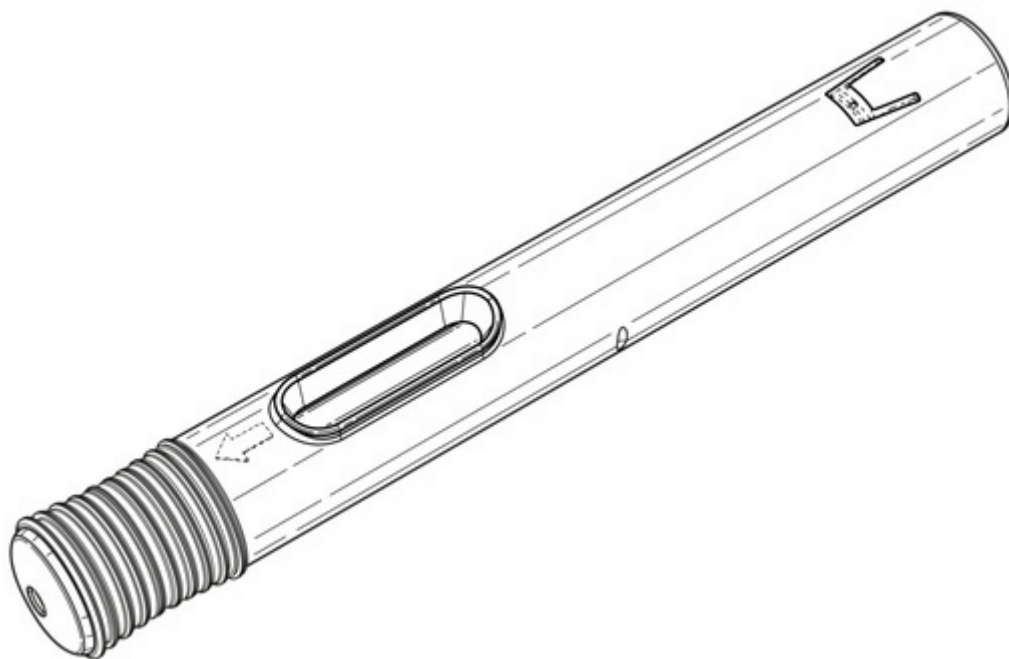
Donald Rogers

Jr., 3912 Pelham Road, Carmel, 46074 Indiana, United States of America

(54) 1. Medicine injector

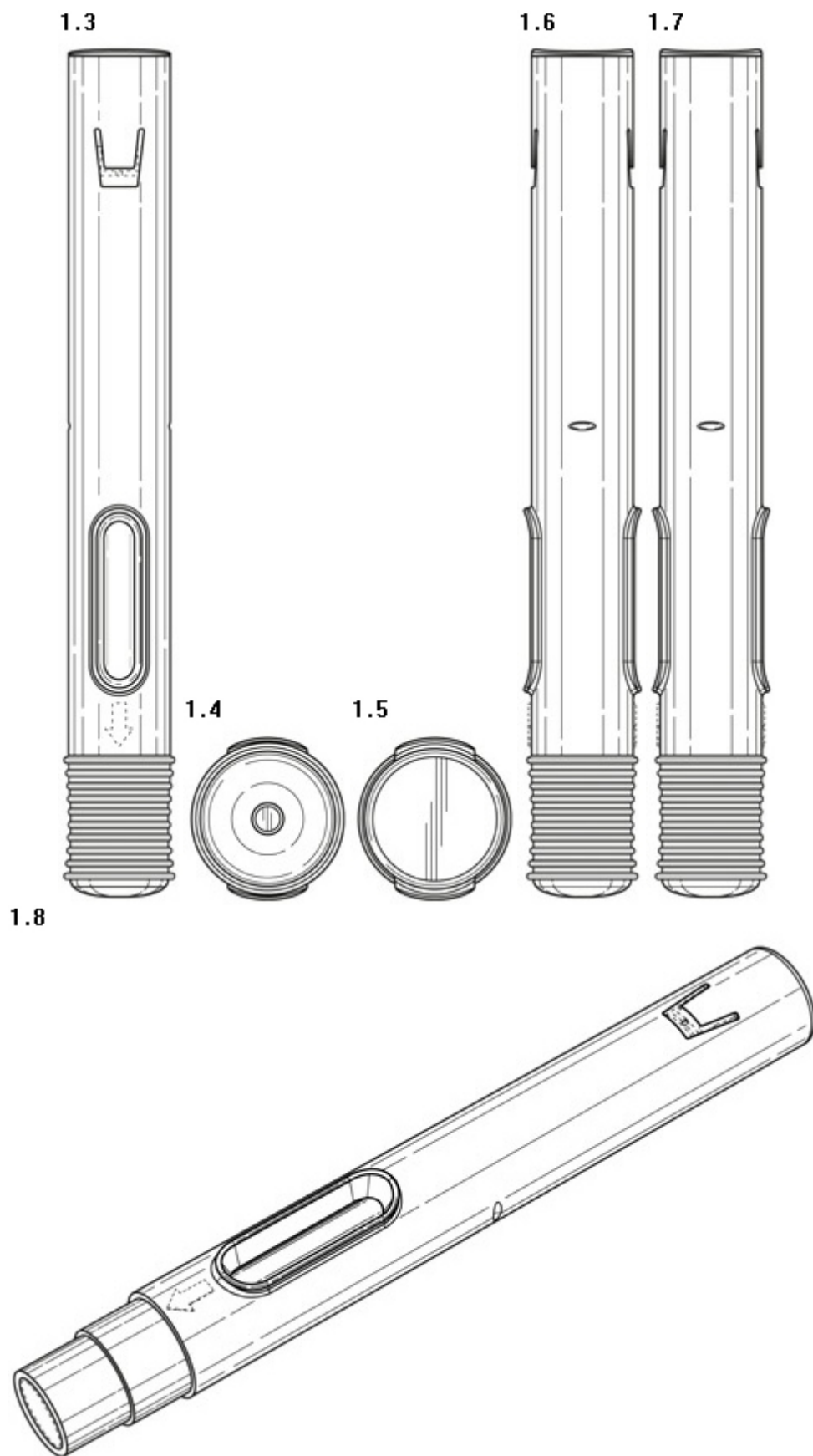
(55)

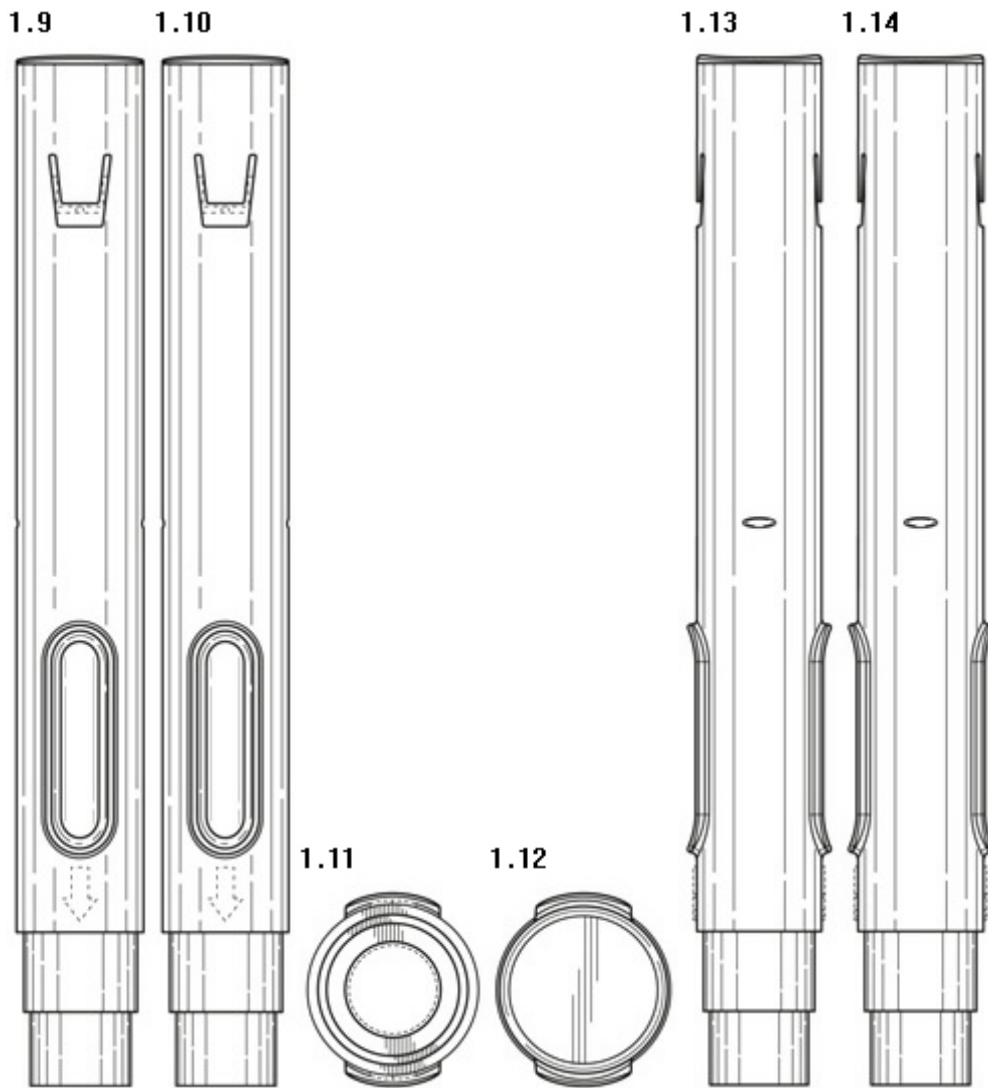
1.1



1.2







(11) DM/094250

(15) 2016 09 05

(22) 2016 09 05

(28) 3

(73) KAMIMURA YUKI

Amflat yaesu 502, 12-11, Shinkawa 2 chou-me, Chuou-ku, Tokyo 104-0033 (JP)

(85) JP

(86) JP

(87) JP

(88) JP

(89) JP

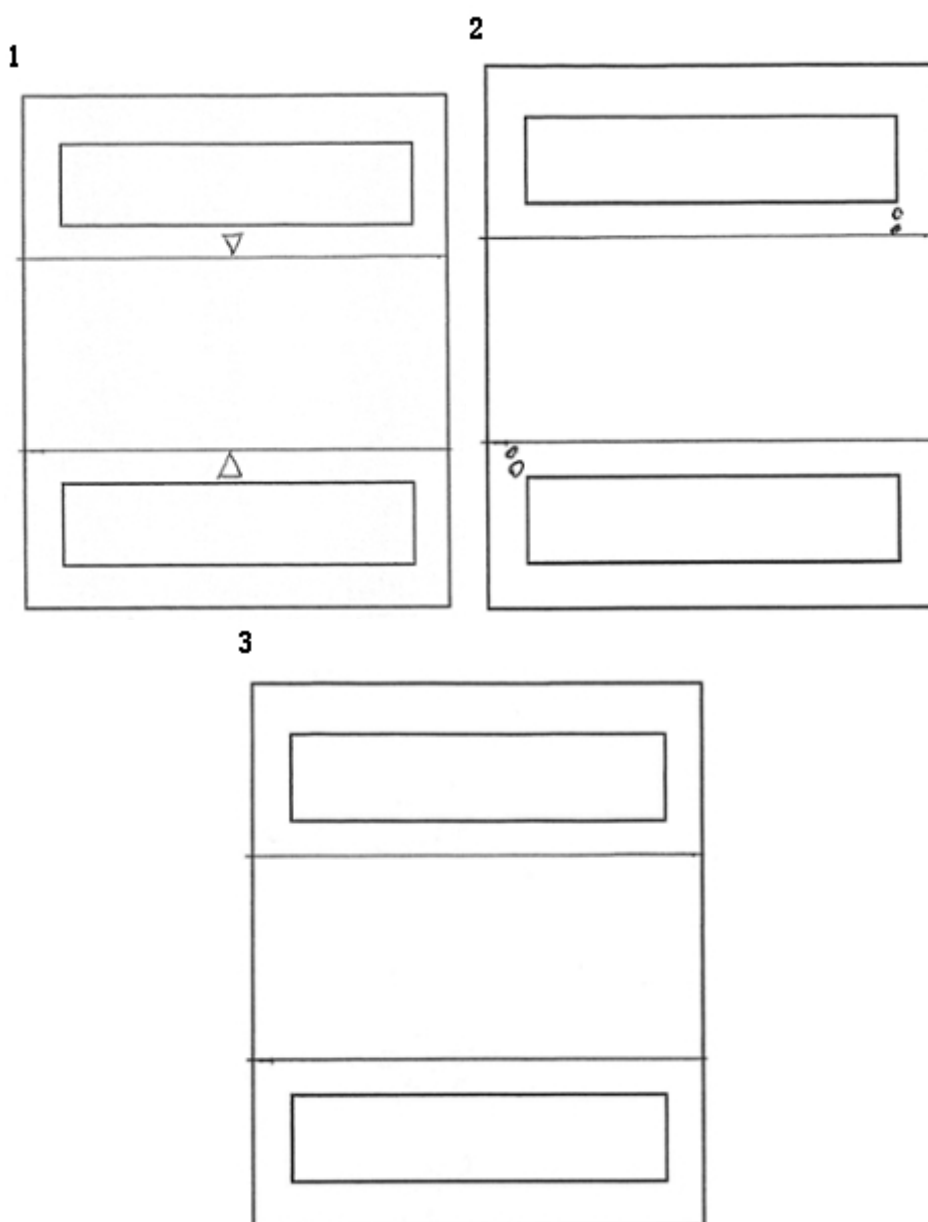
(81) III. AL, AM, AZ, BA, BW, CH, EG, EM, GE, GH, IS, KG, MC, MD, ME, MK, MN, NO, OA, OM, RS, RW, SG, ST, SY, TJ, TM, TN, TR, UA, US

(72) KAMIMURA Yuki

Amflat yaesu 502, 12-11 Shinkawa, 2 choume Chuou-ku, Tokyo 104-0033, Japan

(54) 1.-3. Graphical user interfaces

(55)



(11) DM/094959

(51) 09-03

(15) 2016 03 23

(45) 2017/09 (2017 03 10)

(22) 2016 03 23

(28) 1

(30) No. 1: 25.09.2015; 29/540,631; US

(73) FRESNIUS MEDICAL CARE HOLDINGS, INC.

920 Winter Street, Waltham, MA 02451-1457 (US)

(85) US

(86) US

(87) US

(89) US

(81) III. AL, AM, AZ, BA, BG, BN, BW, CH, DE, DK, EE, EG, EM, ES, FI, FR, GE, GH, HR, HU, IS, JP, KG, KR, LI, LT, LV, MC, MD, ME, MK, MN, NA, NO, OA, OM, PL, RS, RW, SG, SI, ST, TJ, TM, TN, TR, UA, US

(72) Francisco Valenzuela

Blv. Tiburcio Garza Zamora N653, Colonia El Circulo, Reynosa, 88640, Tamaulipas, MX;

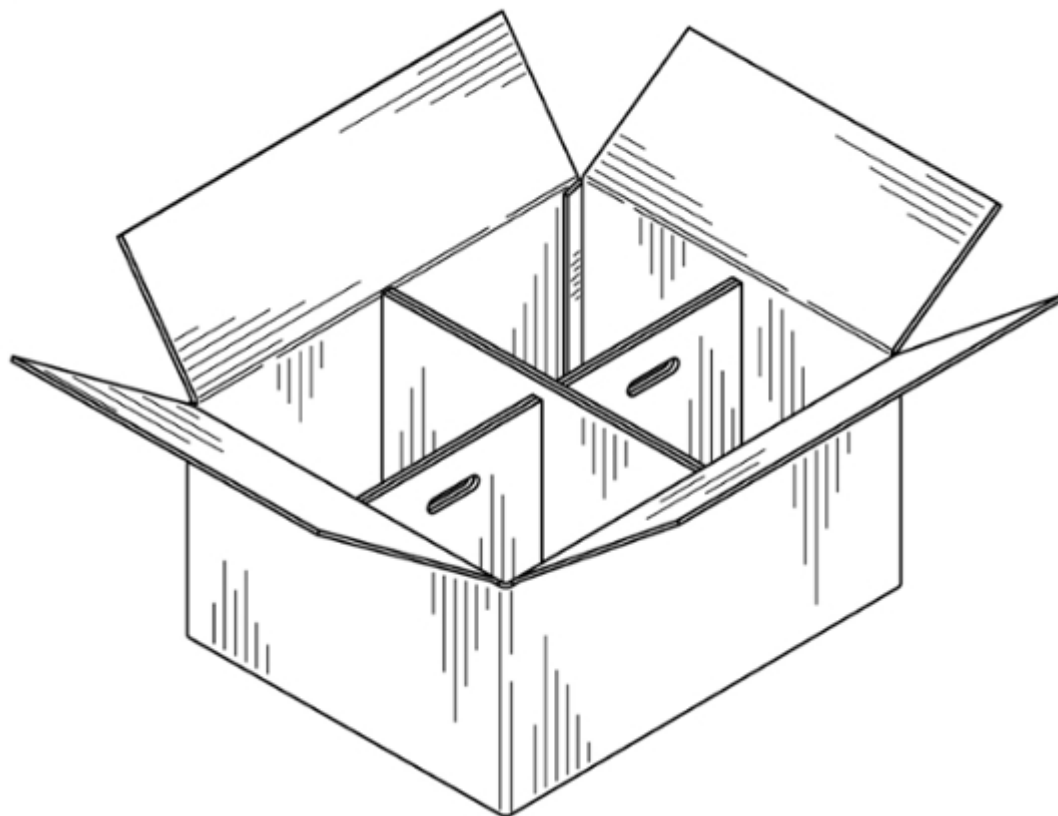
Irving Hernandez

Torre de Londres No. 647, Fracc. Las Torres, 88920 Rio Bravo, MX

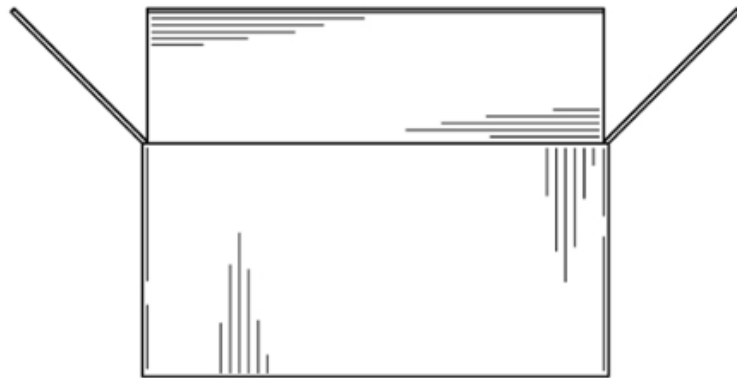
(54) 1. Packaging carton

(55)

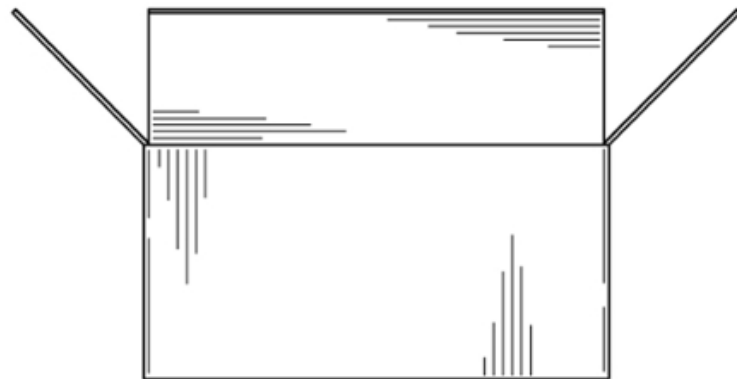
1.1



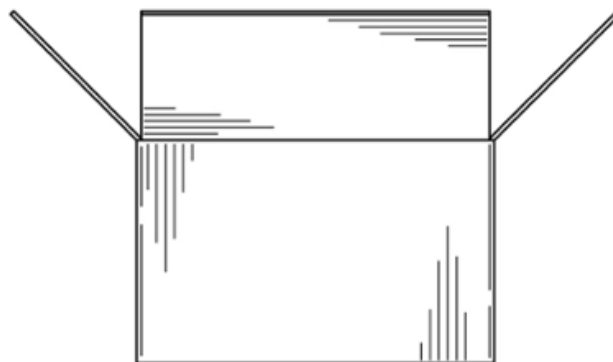
1.2



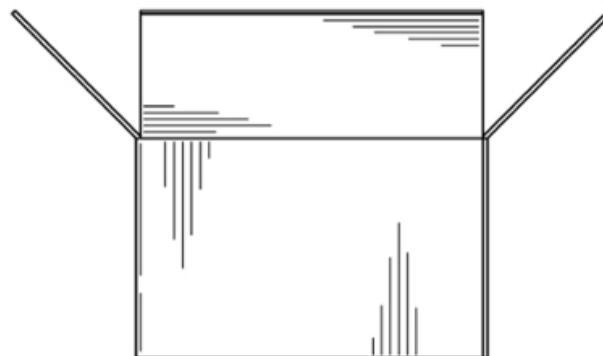
1.3



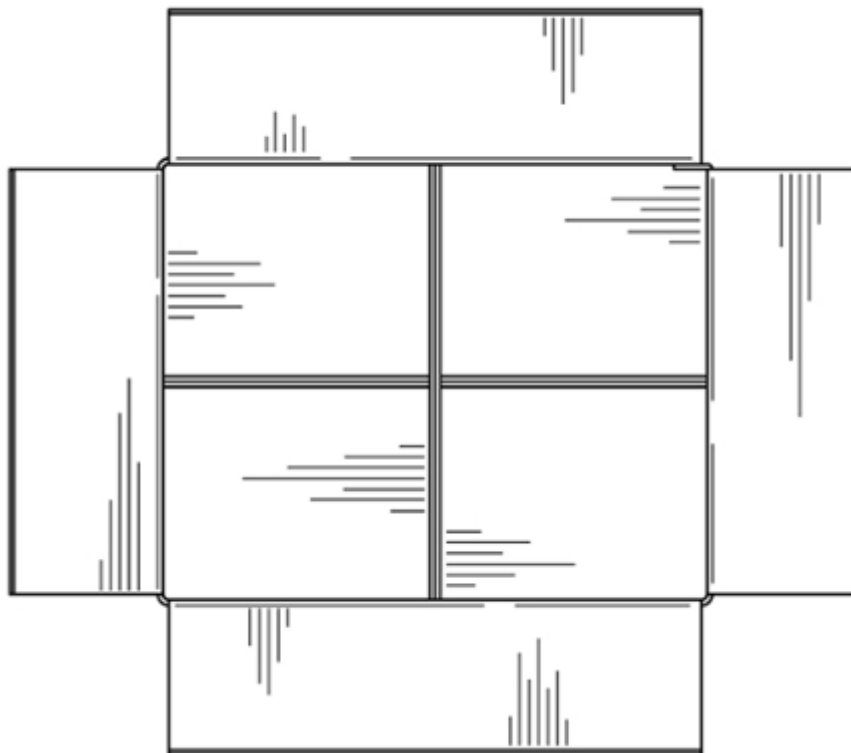
1.4



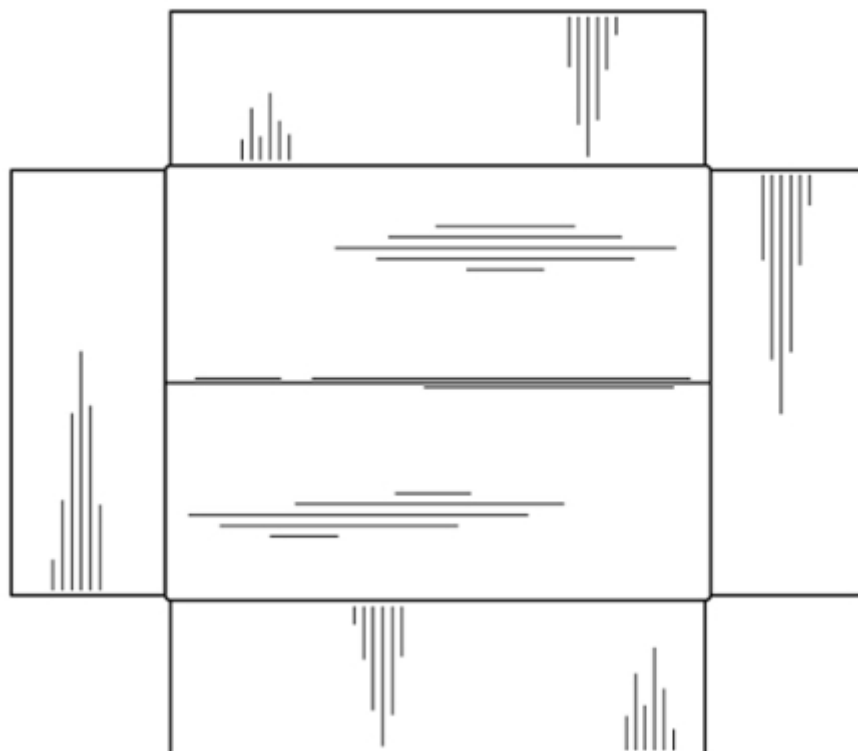
1.5



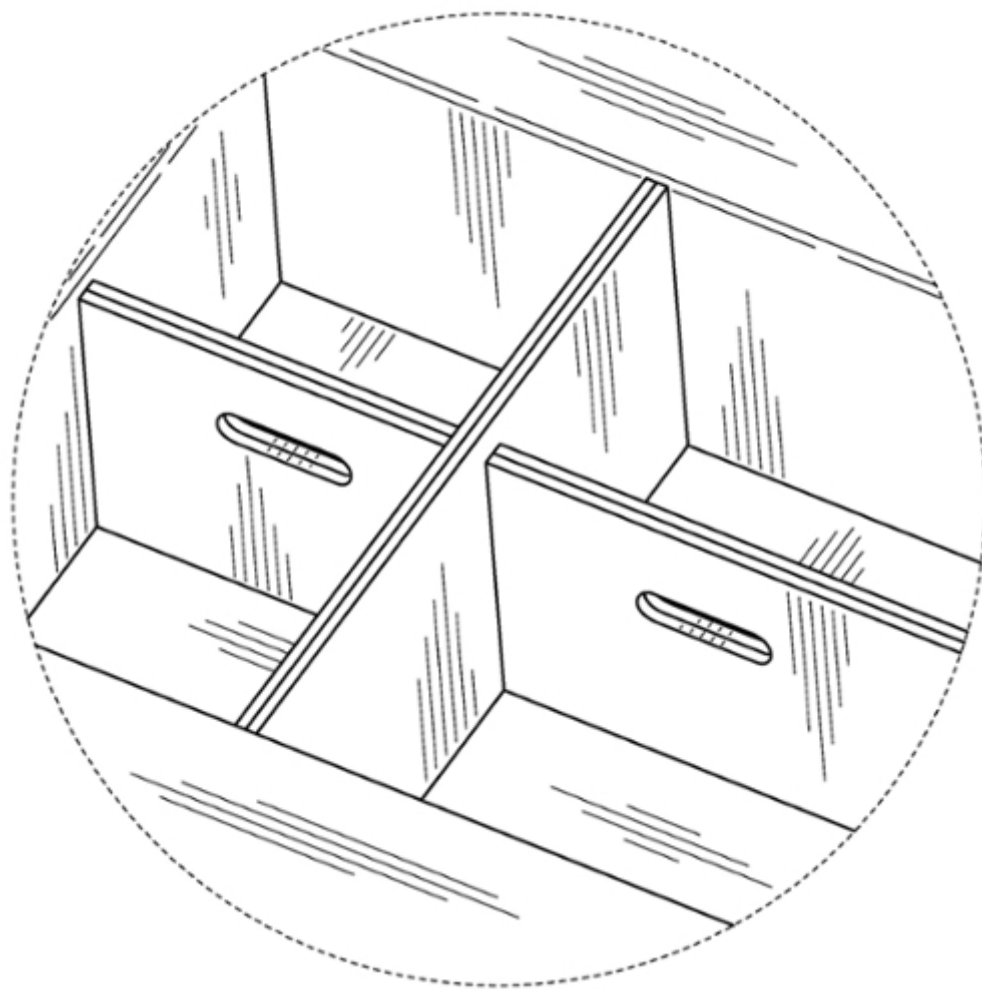
1.6



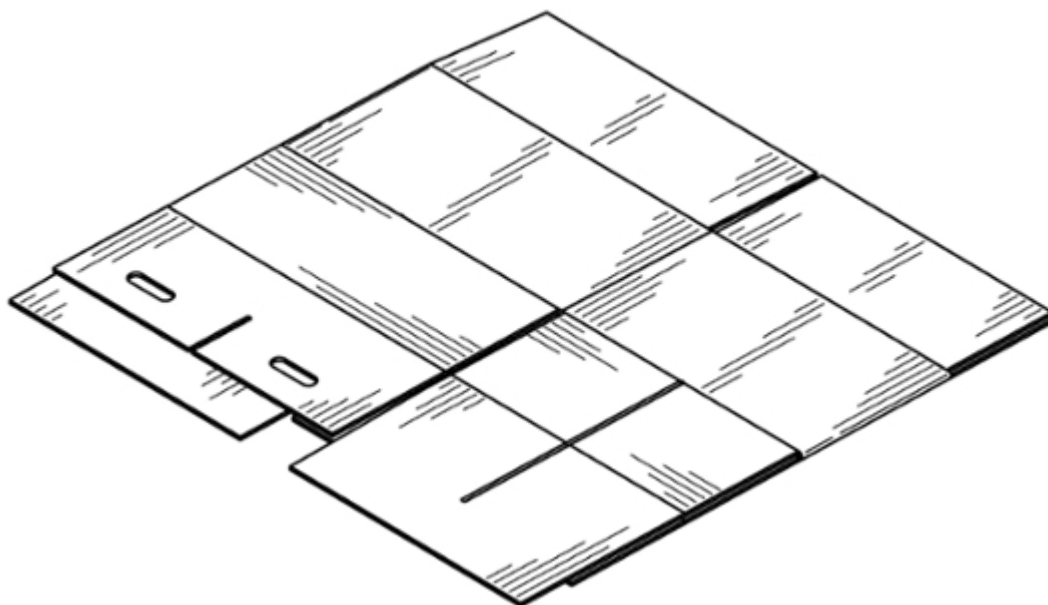
1.7



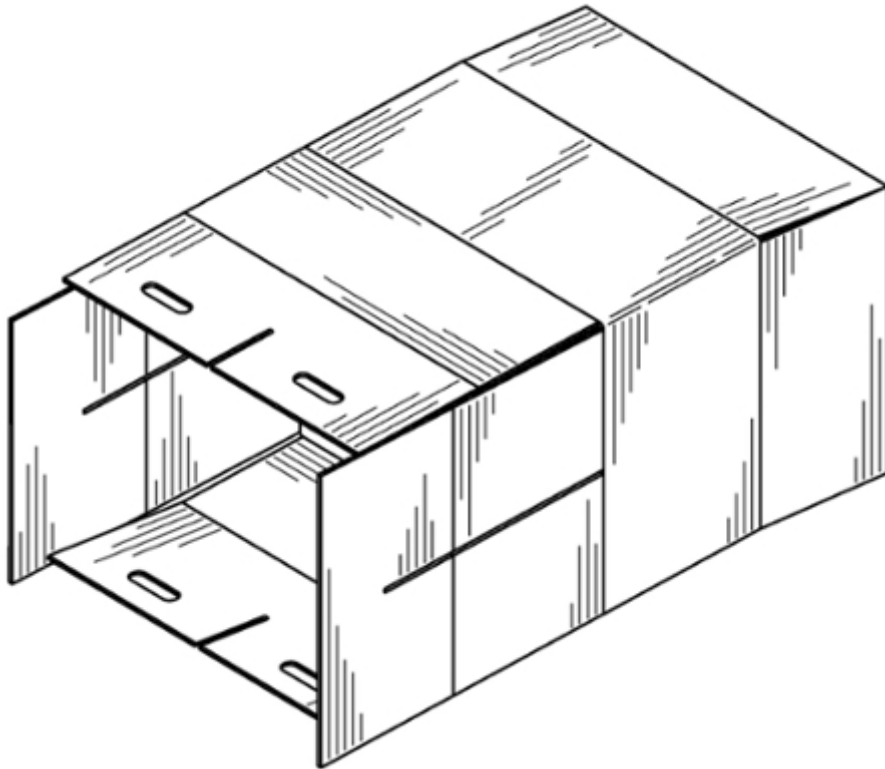
1.8



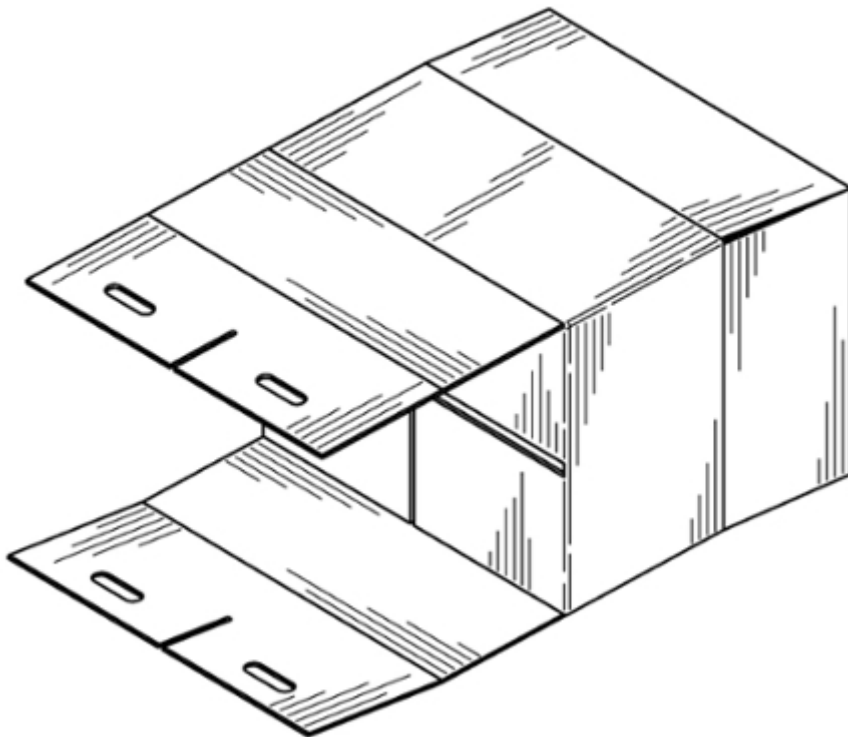
1.9



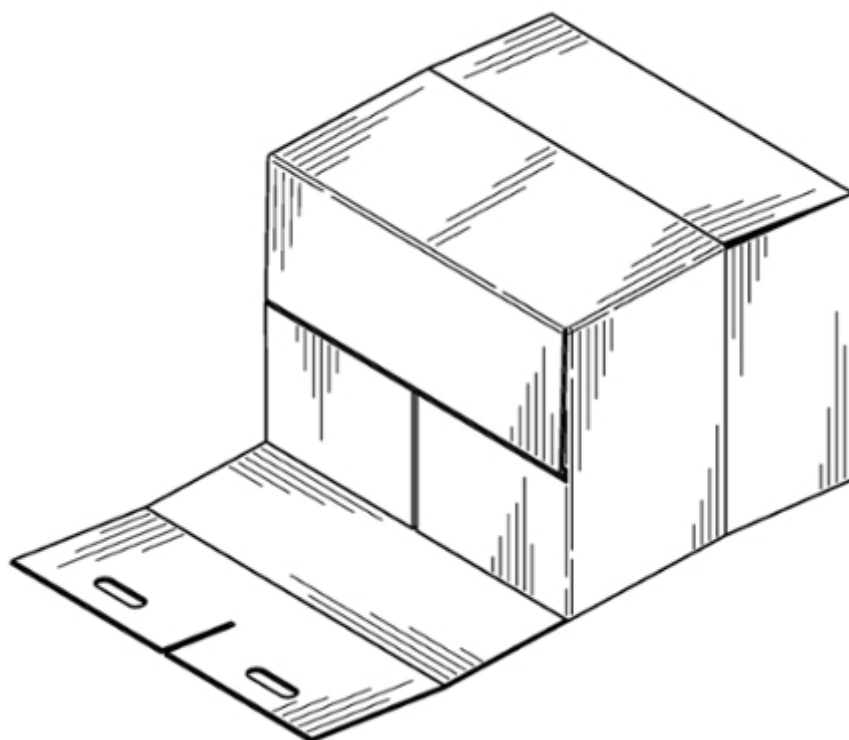
1.10



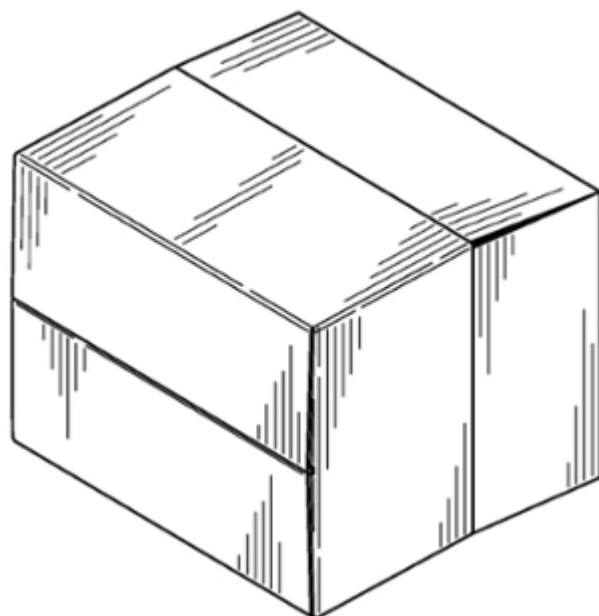
1.11



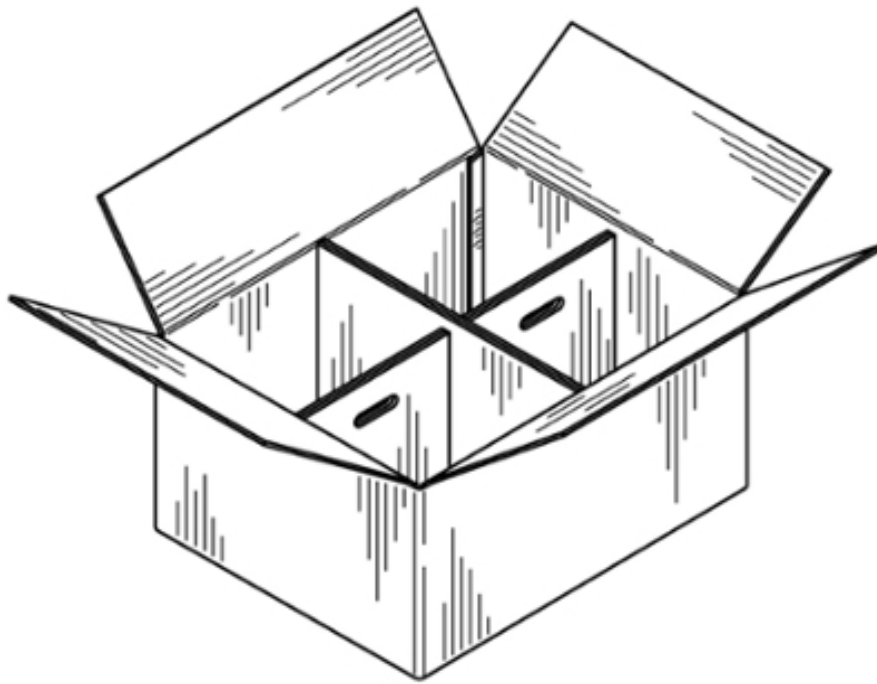
1.12



1.13



1.14



(11) DM/092483**(51) 10-07**

(15) 2016 09 12

(45) 2017/10 (2017 03 17)

(22) 2016 09 12

(28) 5

(73) TISSOT SA (TISSOT AG) (TISSOT LTD)

Chemin des Tourelles 17, CH-2400 Le Locle (CH)

(85) CH

(86) CH

(87) CH

(88) CH

(89) CH

(81) II. BZ, MA III. AL, AM, AZ, BA, CH, EM, GE, KG, LI, MC, MD, ME, MK, MN, NO, OM, SG, TN, TR, UA

(72) 1-2: Albiona LOKAJ

Rue Jean d'Aarberg 12, 2400 Le Locle, Suisse;

3: Fernando Antonio SOARES

Rue Fleury 5, 2000 Neuchâtel, Suisse;

1-2: Bertrand ROBERT

Rue de l'Argent 6, 2502 Biel/Bienne, Suisse;

3: Gilles HABEGGER

Rue de l'Oratoire

1, 2000 Neuchâtel, Suisse;

4-5: Nicolas CLERC

Chemin de la Butte 4, 2400 le Locle, Suisse

(54) 1. Watch case with strap; 2.-5. Dials for timepieces

(55)

1.1**1.2****1.3****1.4****1.5****1.6****1.7****1.8**

2.1



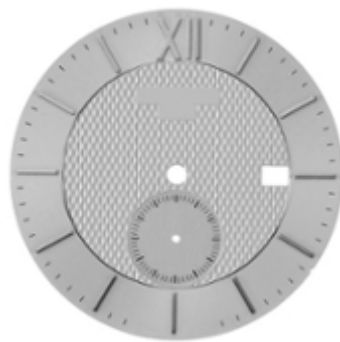
2.2



3.1



4.1



3.2



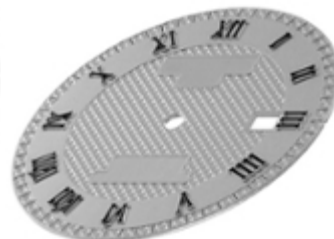
4.2



5.1



5.2



(11) DM/092626

(51) 11-01

(15) 2016 09 21

(45) 2017/11 (2017 03 24)

(22) 2016 09 21

(28) 3

(73) HARRY WINSTON SA

Chemin du Tourbillon 8, CH-1228 Plan-les-Ouates (CH)

(85) CH

(86) CH

(87) CH

(88) CH

(89) CH

(81) II. BZ, MA III. AL, AM, AZ, BA, CH, EM, GE, KG, LI, MC, MD, ME, MK, MN, NO, OM, SG, TN, TR, UA

(72) 1: Chaeree KWON

172 North 10th Street 3D, Brooklyn, 11211 New York, États-Unis d'Amérique;

2: Rie YATSUGI-KANG

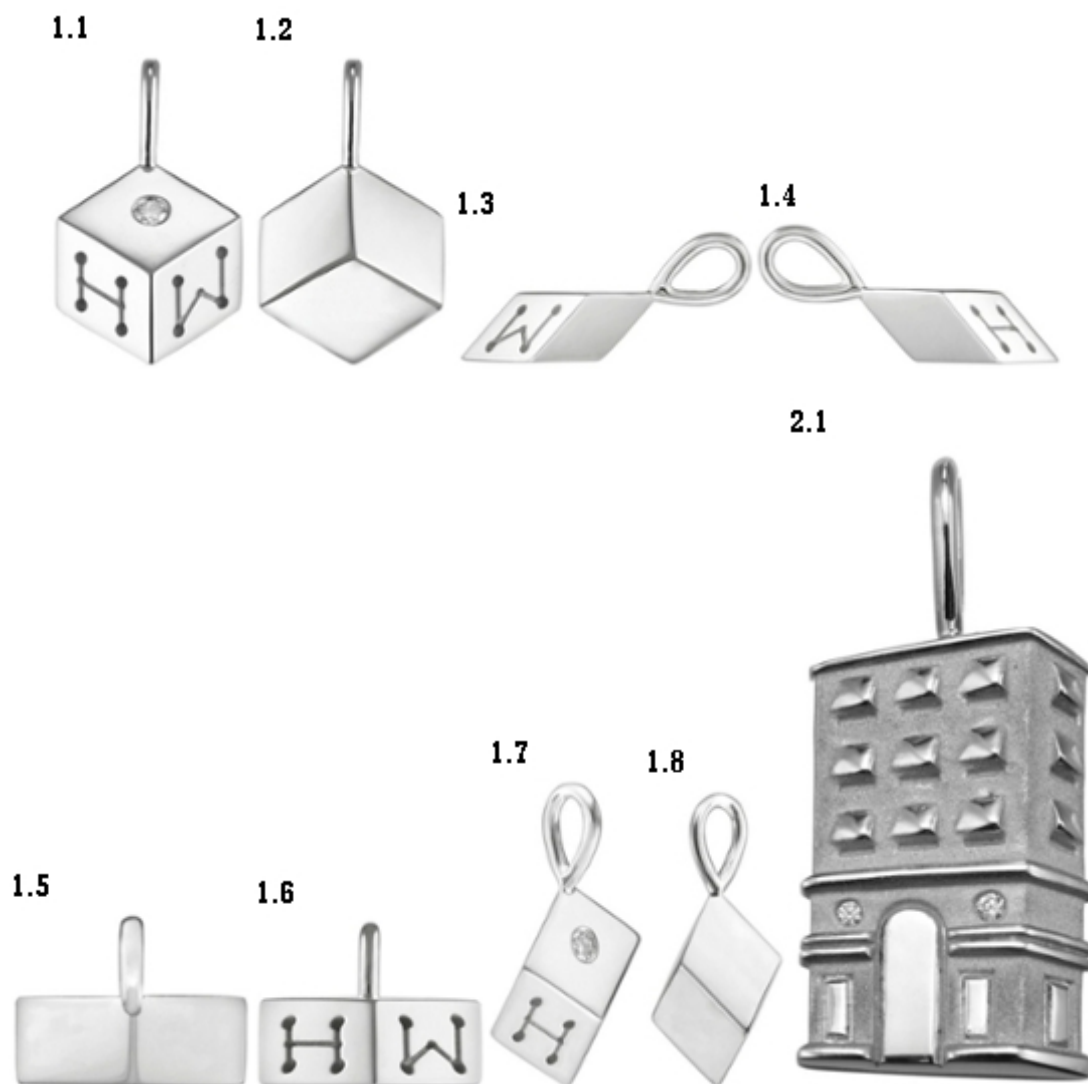
272 Highland St, 07626 Cresskill, États-Unis d'Amérique;

3: Dominique RIVIERE

360 E. 72nd Street, Apt. b1003, 10021 New York, États-Unis d'Amérique

(54) 1.-3. Pendants

(55)



2.2



2.3



2.4



2.5



2.6



2.7



2.8



3.1



3.2



3.3



3.4



3.5



3.6



3.7



3.8



(11) DM/094689

(51) 26-05

(15) 2016 09 21

(45) 2017/11 (2017 03 24)

(22) 2016 09 21

(28) 4

(30) Nos. 1, 3: 22.03.2016; 2016-006121; JP; Nos. 2, 4: 22.03.2016; 2016-006123; JP

(73) ABRAM CORPORATION

Miyakawa Bldg. 2-8-10, Hirakawacho, Chiyoda-ku, TOKYO 102-0093 (JP)

(85) JP

(86) JP

(87) JP

(88) JP

(89) JP

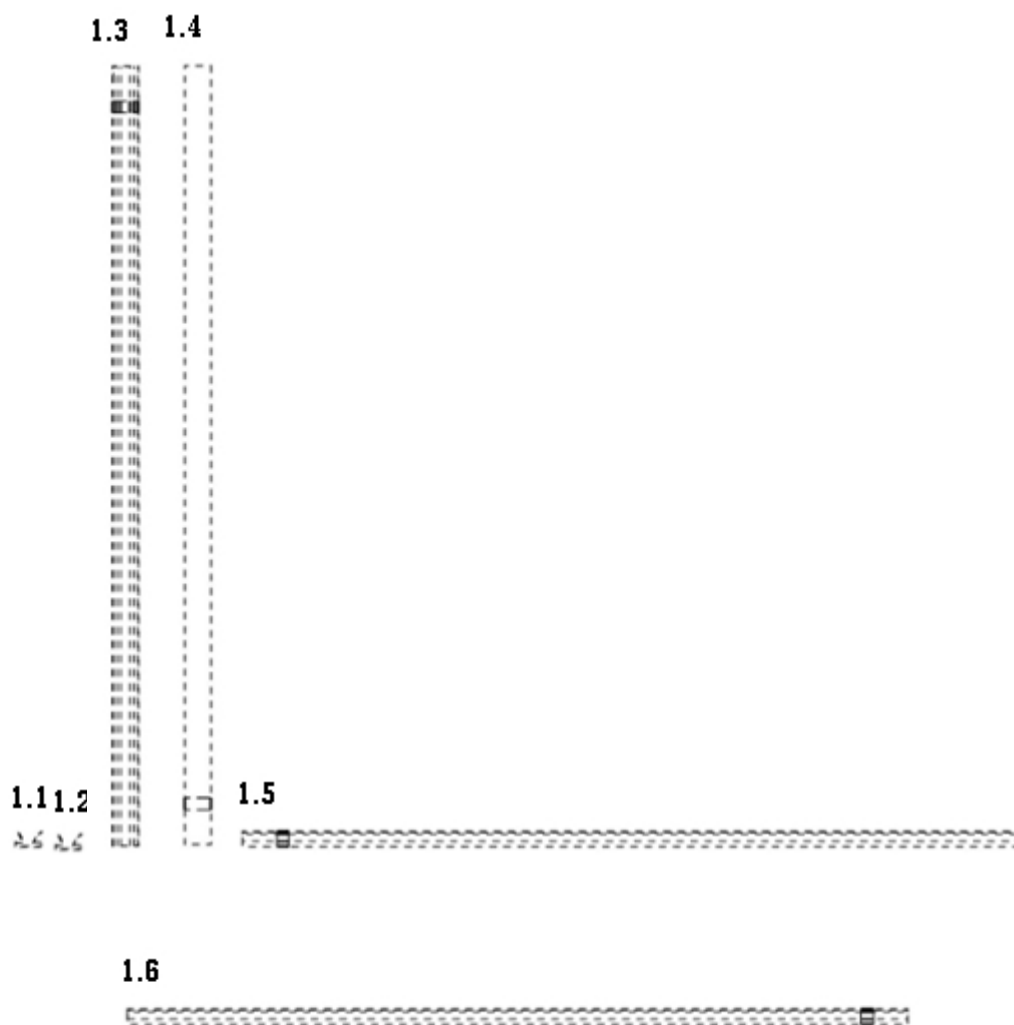
(81) III. AL, AM, AZ, BA, BN, BW, CH, EG, EM, GE, GH, IS, KG, KP, KR, LI, MC, MD, ME, MK, MN, NA, NO, OA, OM, RS, RW, SG, ST, SY, TJ, TM, TN, TR, UA, US

(72) Hidetoshi MITSUZUKA

c/o ABRAM Corporation, Miyakawa Bldg. 2-8-10, Hirakawacho, Chiyoda-ku, 102-0093 Tokyo, Japan

(54) 1.-4. Casings for lighting apparatus

(55)



1.7



1.8



1.10

1.11

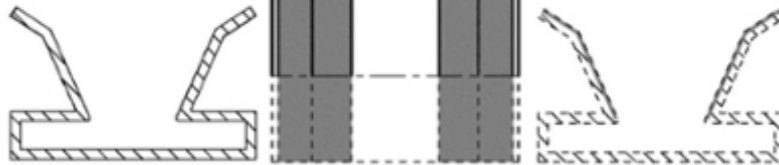
1.9



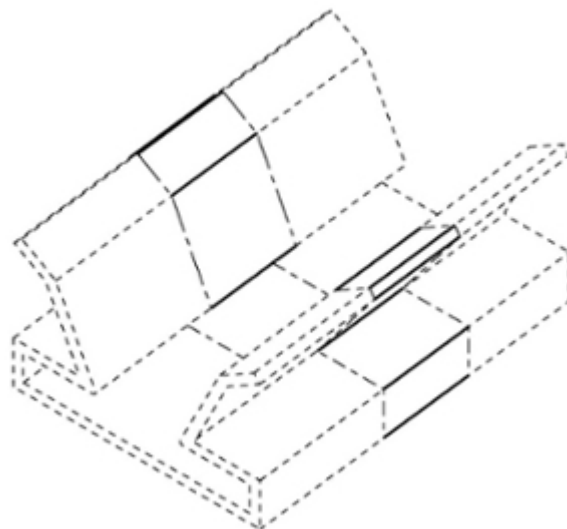
1.13

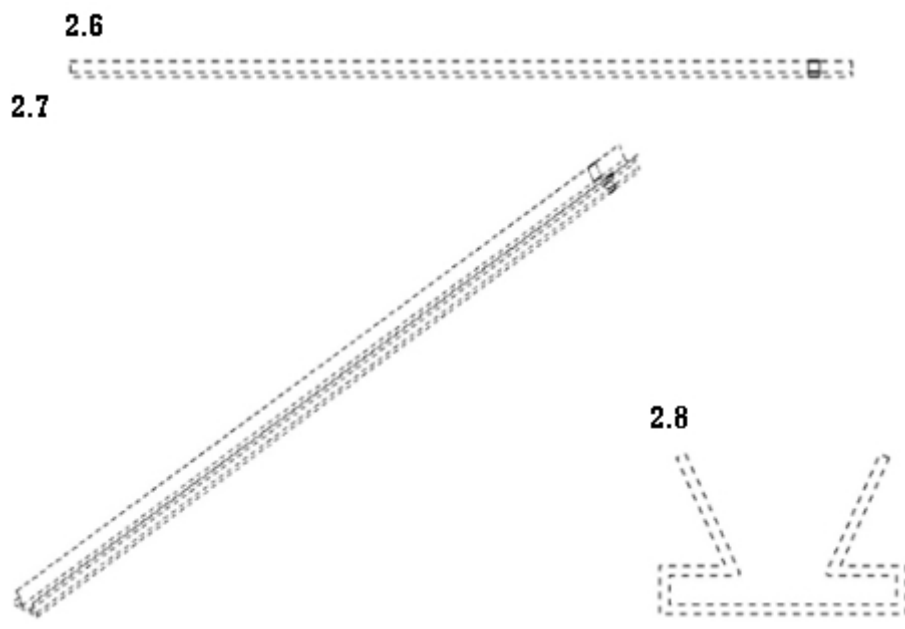
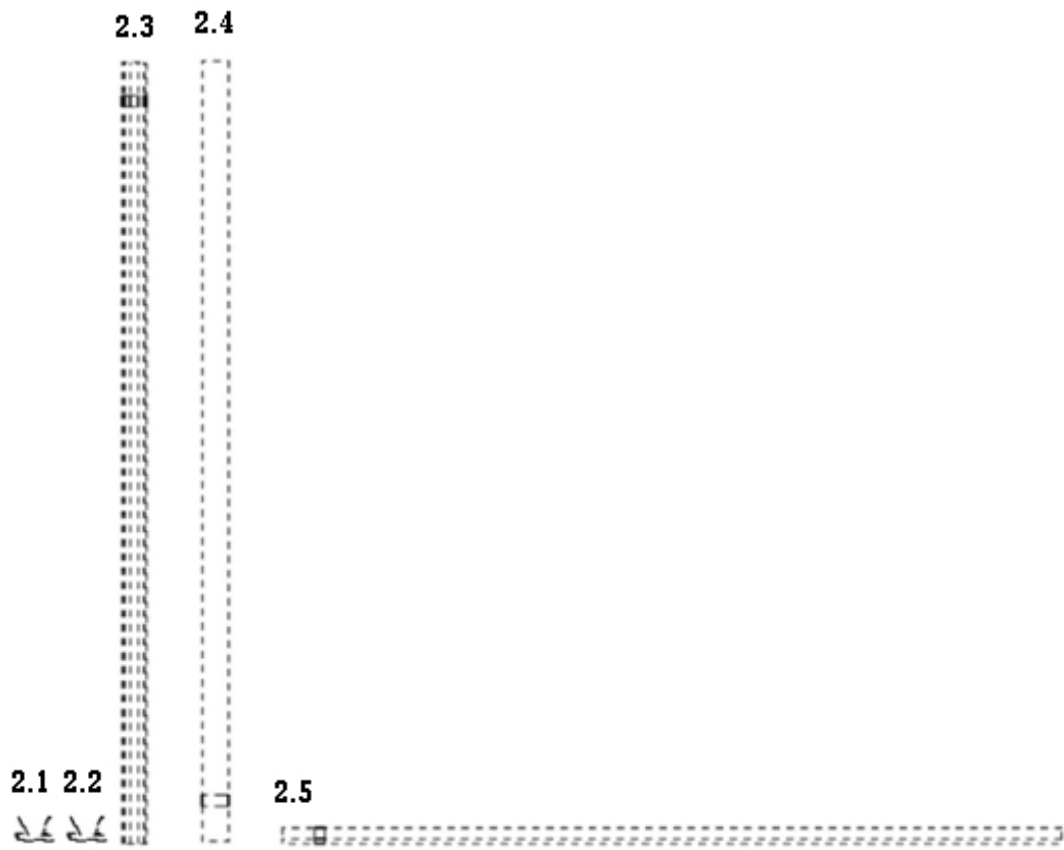
1.12

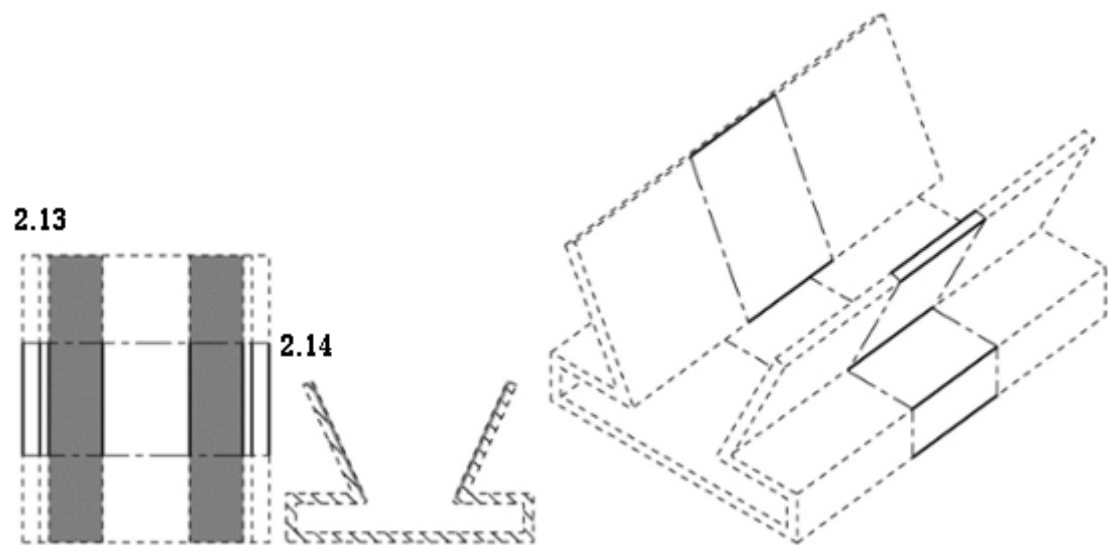
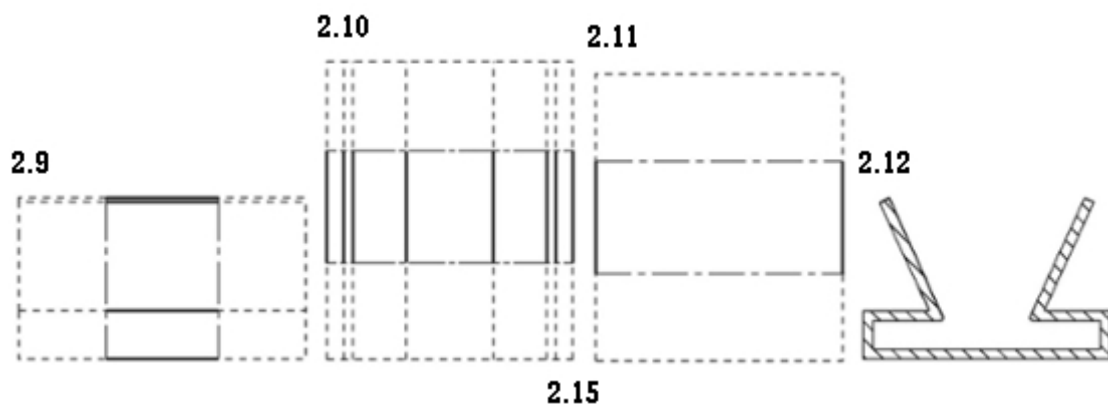
1.14

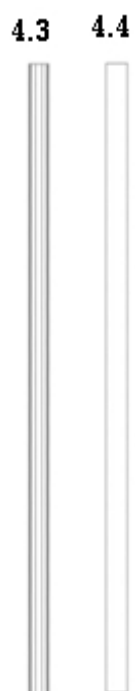
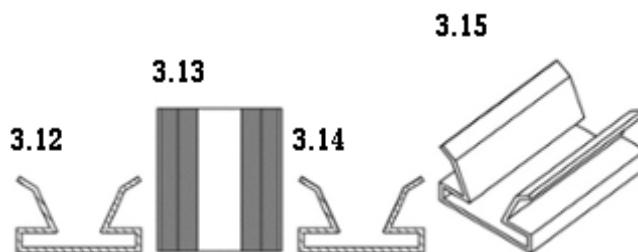
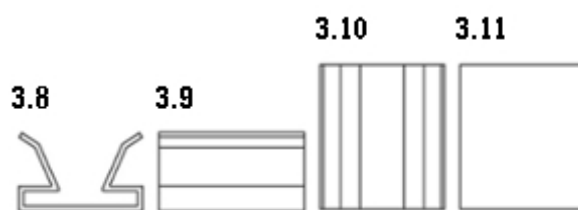


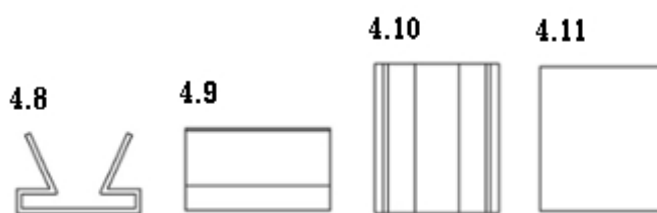
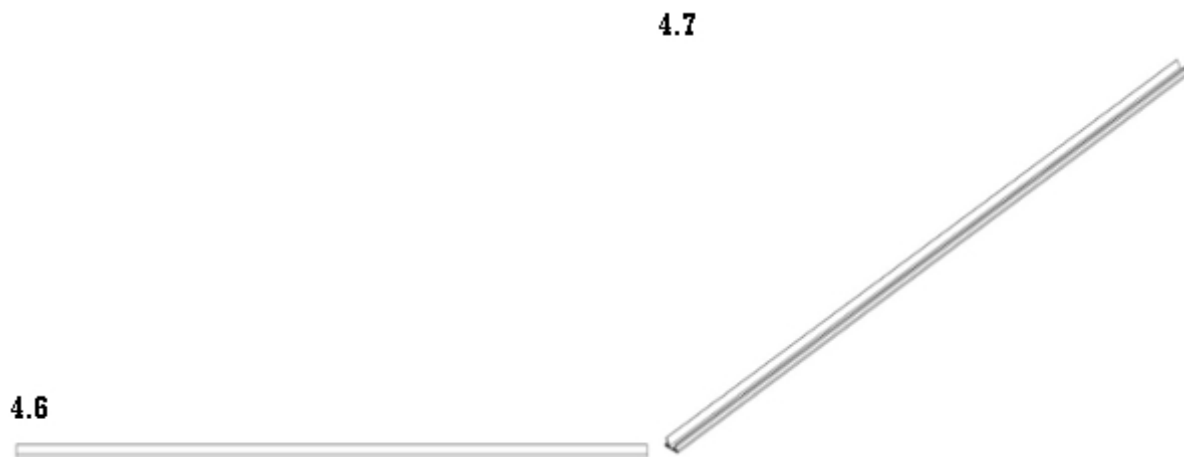
1.15











(11) DM/095159

(15) 2017 02 23

(22) 2017 02 23

(28) 6

(30) No. 3: 21.09.2016; 003388560-0001; EM; No. 4: 21.09.2016; 003388560-0002; EM; No. 1: 21.09.2016; 003388586-0001; EM; No. 2: 21.09.2016; 003388586-0002; EM; No. 5: 21.09.2016; 003388602-0001; EM; No. 6: 21.09.2016; 003388602-0002; EM

(73) SAVERGLASS

3 rue de la Gare, F-60960 FEUQUIERES (FR)

(85) FR, EM

(86) FR, EM

(87) FR, EM

(88) FR, EM

(89) FR

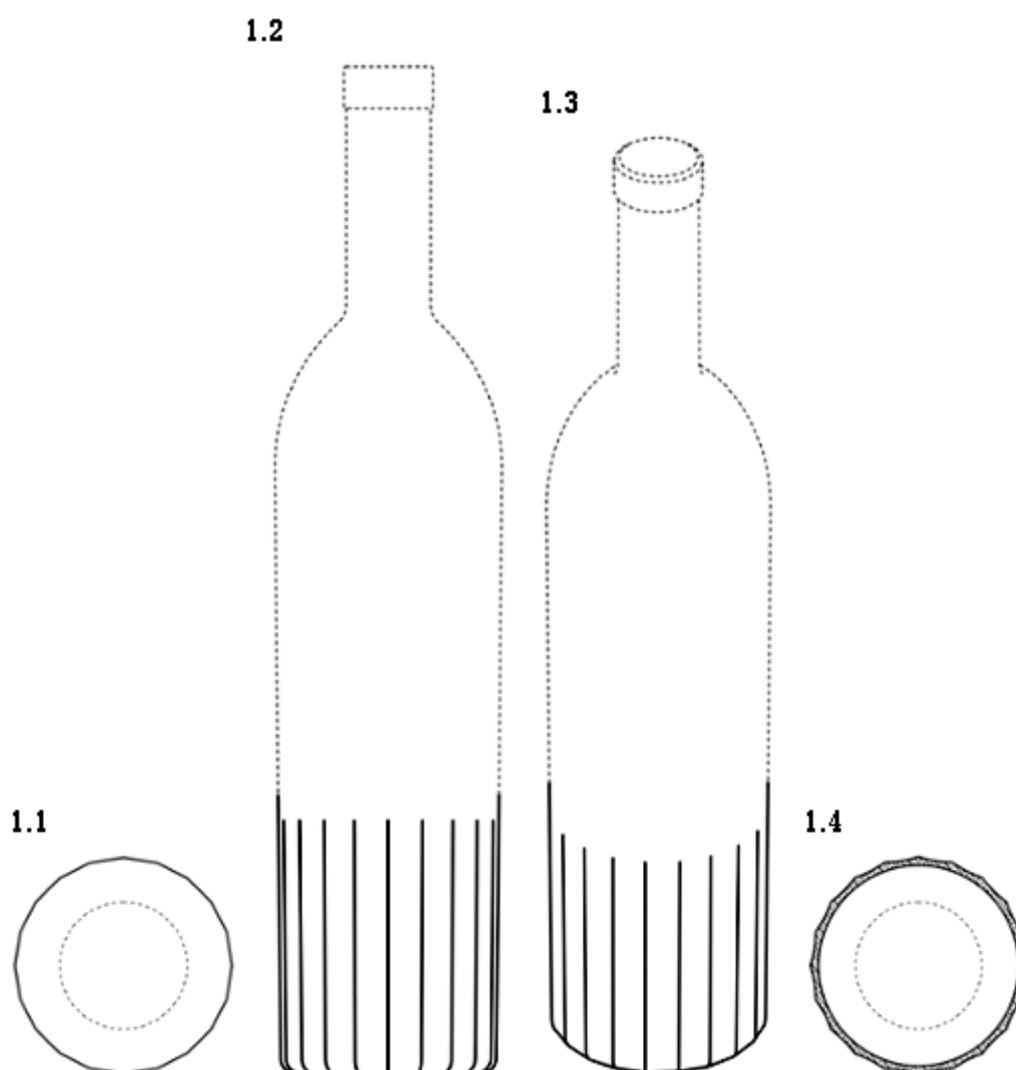
(81) II. MA III. AM, AZ, CH, EG, GE, MC, MD, ME, MK, RS, TN, TR, UA

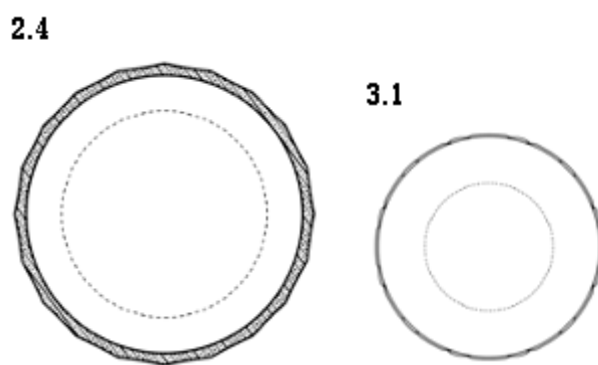
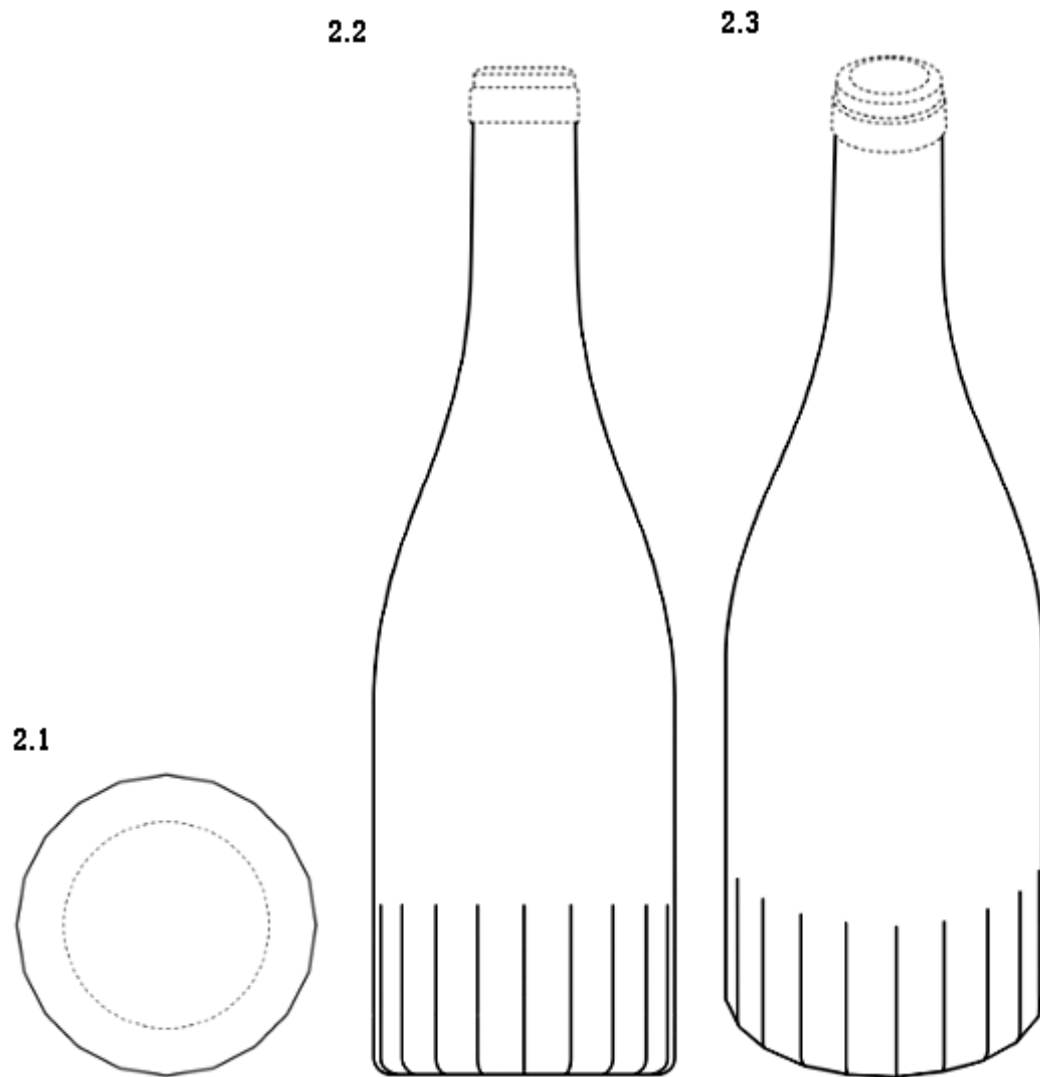
(54) 1.-6. Bottles

(55)

(51) 09-01

(45) 2017/11 (2017 03 24)





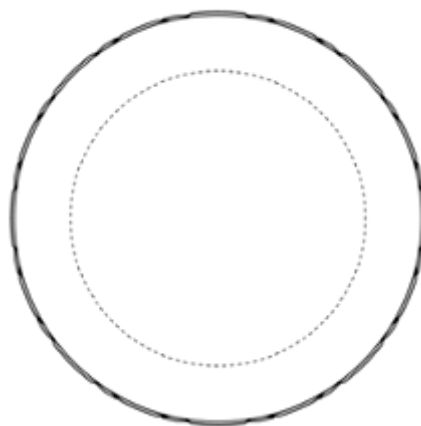
3.2



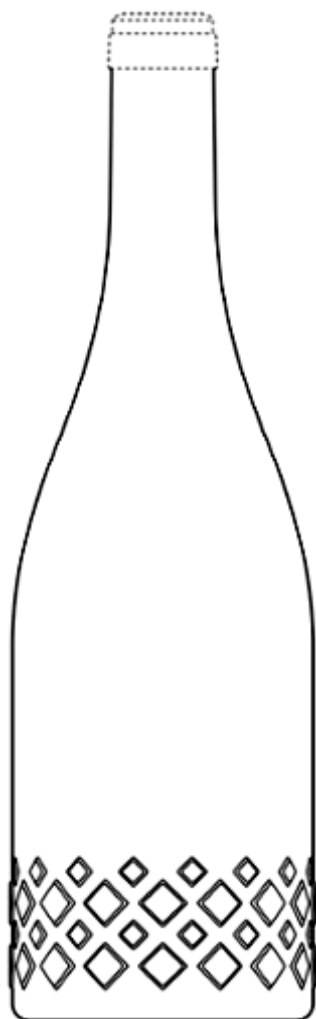
3.3



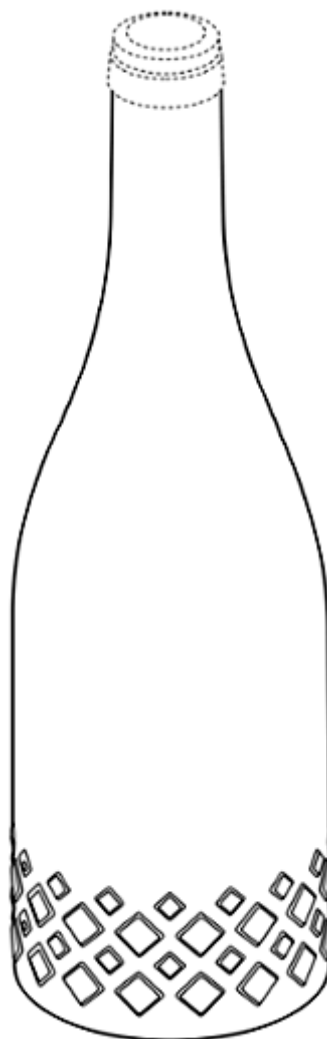
4.1



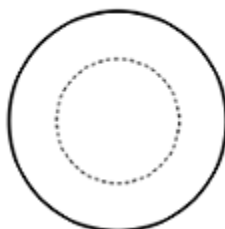
4.2



4.3



5.1



5.2

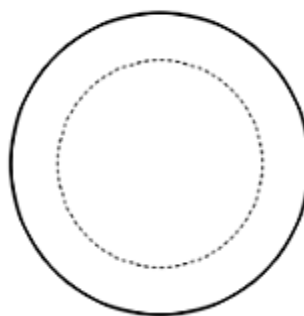
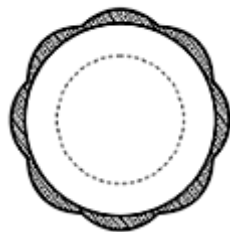


5.3



6.1

5.4



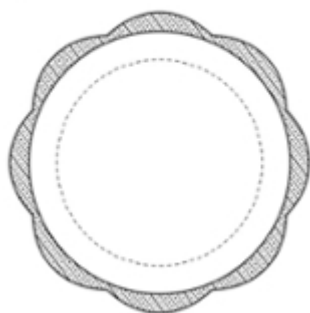
6.2



6.3



6.4



(11) DM/095262

(15) 2017 03 06

(22) 2017 03 06

(28) 5

(30) No. 1: 07.09.2016; 003368794-0001; EM; No. 3: 07.09.2016; 003368794-0005; EM; No. 4: 07.09.2016; 003368794-0018; EM; No. 2: 07.09.2016; 003368794-0021; EM; No. 5: 07.09.2016; 003368794-0023; EM

(73) QATAR AIRWAYS Q.C.S.C.

Qatar Airways Tower Airport Road, PO Box 22550, Doha (QA)

(88) EM

(89) EM

(81) III. AM, AZ, BA, BN, CH, EG, GE, MK, NA, NO, OA, OM, RS, RW, TN, TR, UA

(72) Benjamin Michael ROWAN

PriestmanGoode 150 Great Portland Street, W1W 6QD London, United Kingdom;

Nigel Anthony GOODE

PriestmanGoode 150 Great Portland Street, W1W 6QD London, United Kingdom;

Christopher James HASLAM

PriestmanGoode 150 Great Portland Street, W1W 6QD London, United Kingdom;

Felix Karsten HAEFFNER

PriestmanGoode 150 Great Portland Street, W1W 6QD London, United Kingdom;

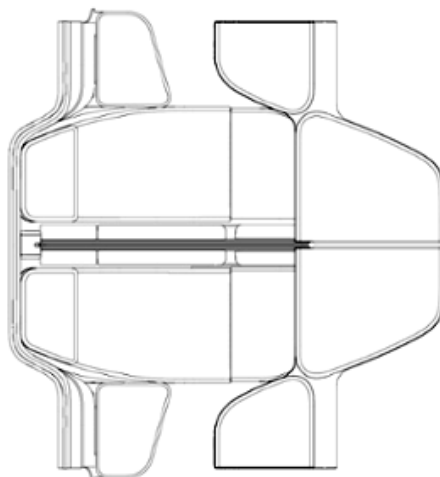
Elizabeth Kyle SCORGIE

PriestmanGoode 150 Great Portland Street, W1W 6QD London, United Kingdom

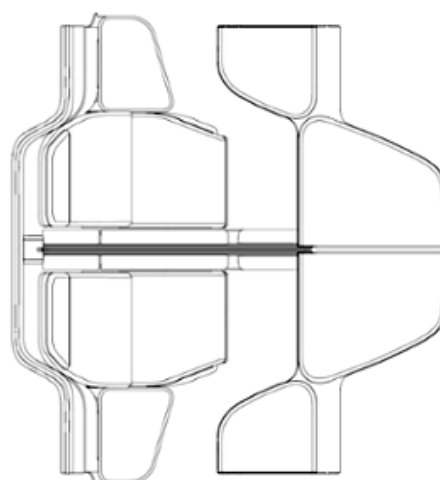
(54) 1.-5. Aircraft furniture

(55)

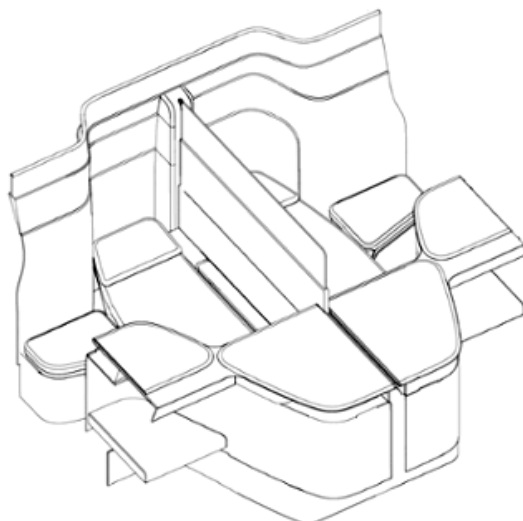
1.1



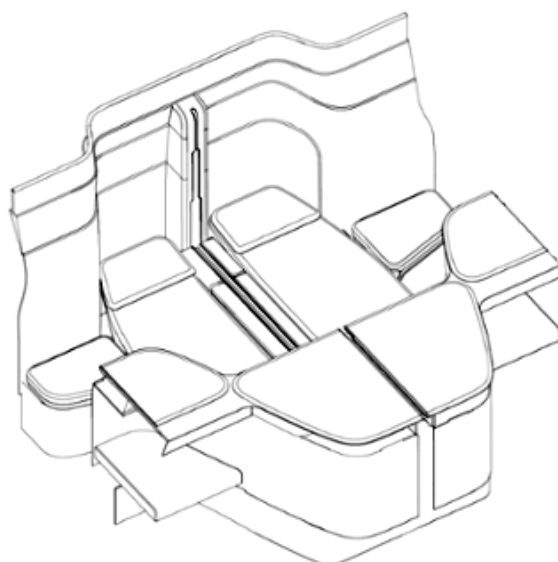
1.2



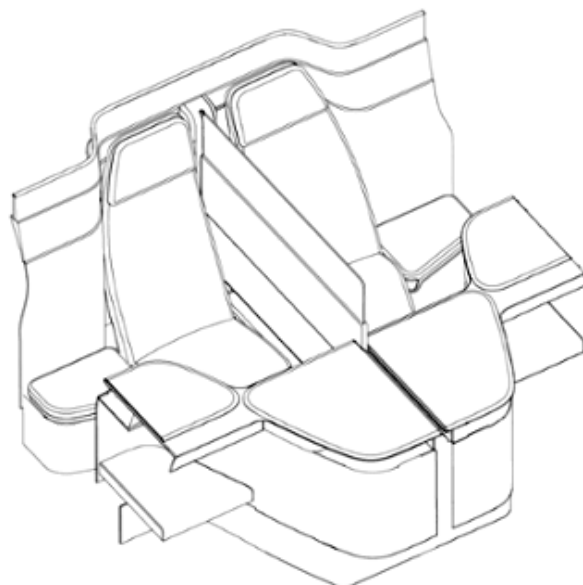
1.3



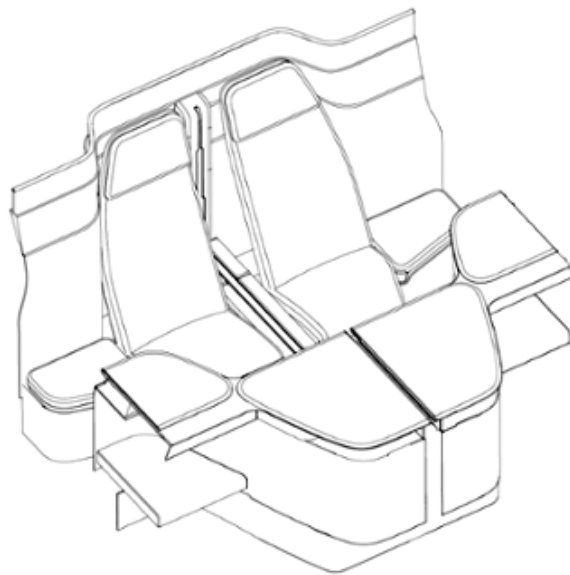
1.4



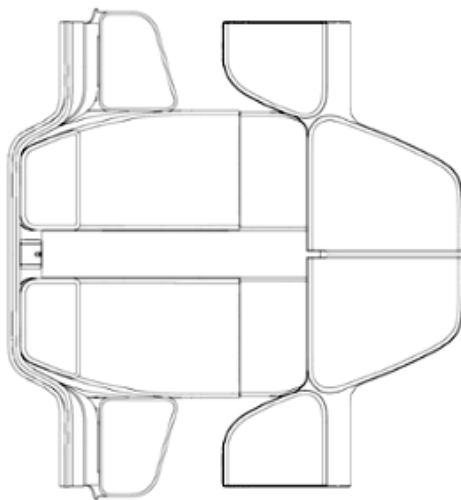
1.5



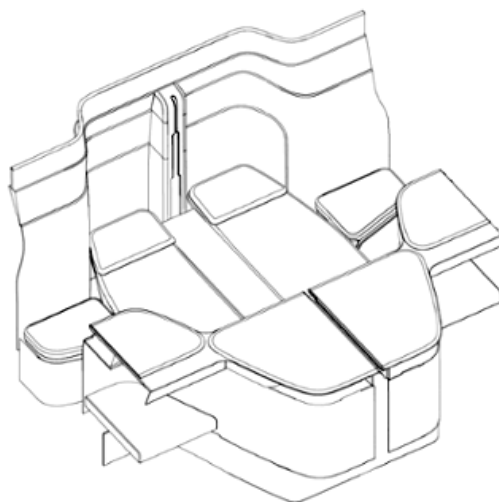
1.6



2.1



2.2



3.1



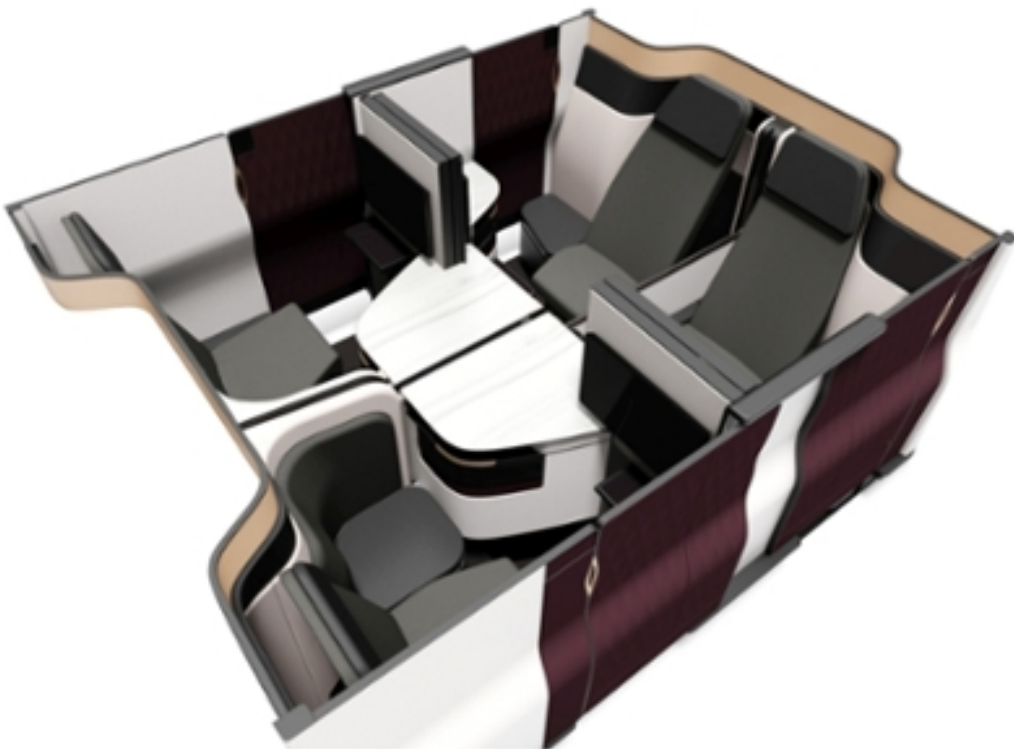
3.2



3.3



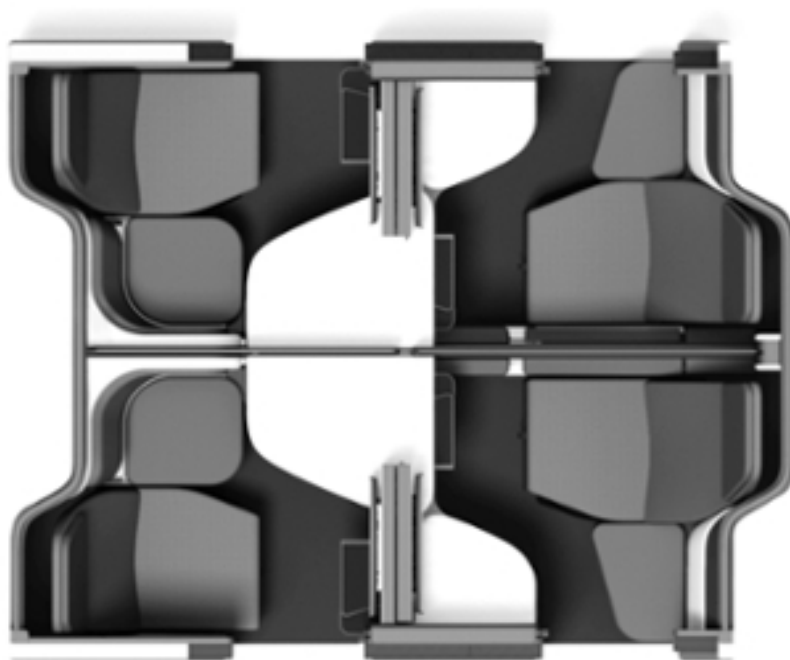
4.1



4.2



5.1



5.2



5.3



(11) DM/095311

(51) 32-00

(15) 2017 03 07

(45) 2017/12 (2017 03 31)

(22) 2017 03 07

(28) 1

(73) ONTEX TÜKETİM ÜRÜNLERİ SANAYİ VE TİCARET ANONİM ŞİRKETİ

Oruç Reis Mah. Tekstil Kent Cad. Koza Plaza A Blok Kat:2 Esenler, İstanbul (TR)

(85) TR

(86) TR

(87) TR

(88) TR

(89) TR

(81) GE

(72) MURAT ELGÜN

Oruçreis Mah. Tekstil Kent Cad. Koza Plaza A Blok Kat:2 Esenler, İSTANBUL, Turkey

(54) 1. Graphic design [two-dimensional]

(55)

1



TRADEMARKS

APPLICATIONS FILED UNDER THE NATIONAL PROCEDURE APPROVED FOR REGISTRATION

The decision can be appealed at the Chamber of Appeal of Sakpatenti within 3 months from the publication or at the Mtskheta District Court Administrative Cases Board (Address: №17, Samkhedro St., Mtskheta), within 1 month following the publication.

(260) AM 2017 87719 A
(210) AM 87719
(220) 2016 06 27
(731) Stefen Bodini
Tchonkadzis q. 10a, Tbilisi, Georgia
(740) Stefen Bodini
(540)



(591) Cream, bordeaux
(531) 06.07.04, 07.01.03, 07.01.06, 26.04.03, 28.19,
29.01.12
(526) The trademark is protected as a whole. "საქ-
როველო, GEORGIA, თბილისი, TBILISI" shall
not be subject to independent legal protection.
(511) 43

(260) AM 2017 87828 A
(210) AM 87828
(220) 2016 07 05
(731) LEPL Georgian National Tourist
Administration
Sanapiros q.4, 0105 Tbilisi, Georgia
(740) Ana Chikovani
(540)



(591) Red, white
(531) 01.15.15, 01.15.21, 27.05.15

(526) The trademark is protected as a whole.
"GEORGIA" shall not be subject to independent
legal protection.
(511) 35, 39, 41, 43, 44

(260) AM 2017 87906 A
(210) AM 87906
(220) 2016 07 11
(310) 51014
(320) 2016 01 26
(330) TT
(731) UBER TECHNOLOGIES, INC.
a Delaware corporation
1455 Market Street, 4 floor, San Francisco,
California, 94103, USA
(740) Tamaz Shilakadze
(540)



(591) Black, white
(531) 26.03.23, 26.05.11
(511) 9, 35, 38, 39, 42

(260) AM 2017 87908 A
(210) AM 87908
(220) 2016 07 11
(310) 51013
(320) 2016 01 26
(330) TT
(731) UBER TECHNOLOGIES, INC.
a Delaware corporation
1455 Market Street, 4 floor, San Francisco,
California, 94103, USA
(740) Tamaz Shilakadze

(540)



(591) Black, white
 (531) 26.01.11
 (511) 9, 35, 38, 39, 42

(260) AM 2017 88133 A
 (210) AM 88133
 (220) 2016 08 02
 (731) DIANATUS MANAGEMENT LIMITED
 Arch. Makariou III, 69, TLAIS TOWER,
 3rd floor, Flat/Office 301, 1070, Nicosia,
 Cyprus
 (740) Giorgi Taktakishvili
 (540)



(591) White, grey, black
 (531) 05.03.15, 07.01.18, 27.05.08, 27.05.24
 (511) 29, 30

(260) AM 2017 88157 A
 (210) AM 88157
 (220) 2016 08 03
 (731) LTD "BIOAGRO" – Plant Biological
 Protection Center"
 Georgi Brtskinvales q. 5, b. 75, Tbilisi,
 Georgia
 (740) Karlo Kikoria
 (540)



(591) Green, white
 (531) 05.13.08, 25.01.10, 26.01.21, 26.01.22,
 27.05.08, 27.05.10, 28.19, 29.01.12
 (511) 44

(260) AM 2017 88158 A
 (210) AM 88158
 (220) 2016 08 03
 (731) DŌTERRA HOLDINGS, LLC.
 389 South 1300 West, Pleasant Grove,
 Utah 84062, USA
 (740) Merab Kvimsadze
 (540)

dōTERRA

(591) Black, white
 (531) 27.05.17
 (511) 3, 5, 16, 32, 35

(260) AM 2017 88325 A
 (210) AM 88325
 (220) 2016 08 17
 (731) LEPL – GEORGIAN WINE NATIONAL
 AGENCY
 Marshal Gelovanis gamz. 6, 0159, Tbilisi,
 Georgia
 (740) Tatia Kereselidze
 (540)

8000 vintages

8000 მოსავალი

(511) 33, 35

(260) AM 2017 88326 A
 (210) AM 88326
 (220) 2016 08 17
 (731) LEPL – GEORGIAN WINE NATIONAL
 AGENCY
 Marshal Gelovanis gamz. 6, 0159, Tbilisi,
 Georgia
 (740) Tatia Kereselidze
 (540)

ქვევრი

Qvevri

(511) 35

(260) AM 2017 88407 A
 (210) AM 88407
 (220) 2016 08 25
 (731) AZTEC SHOPS, LTD

San Diego State University, San Diego,
California, 92182-1701, USA
(740) Tamaz Shilakadze
(540)



**SAN DIEGO STATE
UNIVERSITY**

(591) Red, white, black, light brown
(531) 07.01.12, 27.05.15, 29.01.14
(511) 25, 41

(260) AM 2017 88507 A
(210) AM 88507
(220) 2016 09 07
(731) LTD "MACRO TOURISM"
V. Gorgaslis q. 9, 0105, Tbilisi, Georgia
(740) Nino Tsikhiseli
(540)



(591) Black, white
(531) 06.07.02, 07.01.03, 07.01.12, 24.15.01,
25.01.01, 26.01.02, 26.11.12, 26.11.14,
27.01.12
(511) 43

(260) AM 2017 88584 A
(210) AM 88584
(220) 2016 09 14
(731) BAYER CONSUMER CARE AG
Peter Merian-Str. 84, 4052 Basel, Switzerland
(740) Shalva Gvaramadze
(540)



(591) White, blue, green, light green

(531) 01.15.11, 06.19.11, 29.01.13
(511) 5

(260) AM 2017 88586 A
(210) AM 88586
(220) 2016 09 15
(731) HERBALIFE INTERNATIONAL, INC
800 W. Olympic Boulevard, Suite 406,
Los Angeles, California 90015, USA
(740) Giorgi Ghvinjilia
(540)

BETA HEART

(511) 35

(260) AM 2017 88587 A
(210) AM 88587
(220) 2016 09 15
(731) HERBALIFE INTERNATIONAL, INC
800 W. Olympic Boulevard, Suite 406,
Los Angeles, California 90015, USA
(740) Giorgi Ghvinjilia
(540)

Beta Heart

(591) Red
(531) 27.05.01, 29.01.01
(511) 35

(260) AM 2017 88611 A
(210) AM 88611
(220) 2016 09 16
(731) JSC "TBC BANK"
Marjanishvilis q. 7, 0102, Tbilisi, Georgia
(740) Archil Gabatashvili
(540)



(591) White, black
(531) 02.09.01, 27.07.02
(511) 36

(260) AM 2017 88691 A
(210) AM 88691
(220) 2016 09 27

(731) HYATT INTERNATIONAL
CORPORATION
71 S. Wacker Drive, 14th Floor, Chicago,
IL 60606, USA

(740) Shalva Gvaramadze

(540)

WORLD OF HYATT

(511) 43

(260) AM 2017 88709 A
(210) AM 88709
(220) 2016 09 28
(731) LTD "AVERSI-PHARMA"
D. Aghmasheneblis gamz. 148/2, 0112,
Tbilisi, Georgia

(540)

ლუპარექსი
Лупарекс
Luparex

(511) 5

(260) AM 2017 88714 A
(210) AM 88714
(220) 2016 09 28
(731) NSAR GENERAL TRADING L.L.C
P.O.Box 171611-Dubai, United Arab
Emirates

(740) Vakhtang Torotadze

(540)

RBENS

(511) 34

(260) AM 2017 88721 A
(210) AM 88721
(220) 2016 09 28
(731) LTD "AVERSI-PHARMA"
D. Aghmasheneblis gamz. 148/2, 0112,
Tbilisi, Georgia

(540)

რაბენორმი
Рабенорм
Rabenorm

(511) 5

(260) AM 2017 88723 A
(210) AM 88723
(220) 2016 09 28
(731) LTD "AVERSI-PHARMA"
D. Aghmasheneblis gamz. 148/2, 0112,
Tbilisi, Georgia

(540)

ვალასტინი
Валастин
Valastin

(511) 5

(260) AM 2017 88725 A
(210) AM 88725
(220) 2016 09 28
(731) LTD "AVERSI-PHARMA"
D. Aghmasheneblis gamz. 148/2, 0112,
Tbilisi, Georgia

(540)

კერმოვენი
Кермовен
Kermoven

(511)b5

(260) AM 2017 88727 A
(210) AM 88727
(220) 2016 09 28
(731) LTD "AVERSI-PHARMA"
D. Aghmasheneblis gamz. 148/2, 0112,
Tbilisi, Georgia

(540)

კორატონი
Коратон
Koraton

(511) 5

(260) AM 2017 88729 A
(210) AM 88729
(220) 2016 09 28
(731) LTD "AVERSI-PHARMA"
D. Aghmasheneblis gamz. 148/2, 0112,
Tbilisi, Georgia

(540)

მაპირენი
Мапирен
Mapiren

(511) 5

(260) AM 2017 88732 A
(210) AM 88732
(220) 2016 09 28
(731) LTD "AVERSI-PHARMA"

D. Aghmasheneblis gamz. 148/2, 0112,
Tbilisi, Georgia

(540)

რემოვერა
Ремове́ра
Removera

(511) 5

(260) AM 2017 88735 A

(210) AM 88735

(220) 2016 09 28

(731) LTD "AVERSI-PHARMA"

D. Aghmasheneblis gamz. 148/2, 0112,
Tbilisi, Georgia

(540)

ბერესტილი
Берестил
Berestil

(511) 5

(260) AM 2017 88738 A

(210) AM 88738

(220) 2016 09 28

(731) LTD "AVERSI-PHARMA"

D. Aghmasheneblis gamz. 148/2, 0112,
Tbilisi, Georgia

(540)

ლათისეპტი
Латисепт
Latisept

(511) 5

(260) AM 2017 89144 A

(210) AM 89144

(220) 2016 10 26

(731) BIOLOGISCHE HEILMITTEL HEEL
GMBH

Dr.- Rekeveq-shtr. N2-4,76532 Baden-
Baden, Germany

(740) Natalia Babakishvili

(540)



(591) Blue (285 Pantone color systems)

and red (185 Pantone color systems)

(531) 26.11.12, 27.05.11, 29.01.12

(511) 5

REGISTERED TRADEMARKS

(111) M 2017 28437 R
 (151) 2017 04 28
 (181) 2027 04 28
 (260) AM 2016 83334 A
 (220) 2015 08 07

(732) LTD "ART-MTEVANI"
 Ts. Dadianis q. 132, 0180, Tbilisi, Georgia

(111) M 2017 28438 R
 (151) 2017 04 28
 (181) 2027 04 28
 (260) AM 2016 83335 A
 (220) 2015 08 07

(732) LTD "ART-MTEVANI"
 Ts. Dadianis q. 132, 0180, Tbilisi, Georgia

(111) M 2017 28439 R
 (151) 2017 05 02
 (181) 2027 05 02
 (260) AM 2015 79580 A
 (220) 2014 11 20

(732) LTD "HERBAL DRUG"
 Balanchivadzis q. 43, 0171, Tbilisi, Georgia

(111) M 2017 28440 R
 (151) 2017 05 02
 (181) 2027 05 02
 (260) AM 2015 79581 A
 (220) 2014 11 20
 (220) 2014 11 20

(732) LTD "HERBAL DRUG"
 Balanchivadzis q. 43, 0171, Tbilisi, Georgia

(111) M 2017 28441 R
 (151) 2017 05 02
 (181) 2027 05 02
 (260) AM 2015 79585 A
 (220) 2014 11 20

(732) LTD "HERBAL DRUG"
 Balanchivadzis q. 43, 0171, Tbilisi, Georgia

(111) M 2017 28442 R
 (151) 2017 05 02
 (181) 2027 05 02
 (260) AM 2015 79586 A
 (220) 2014 11 20

(732) LTD "HERBAL DRUG"
 Balanchivadzis q. 43, 0171, Tbilisi, Georgia

(111) M 2017 28443 R
 (151) 2017 05 02
 (181) 2027 05 02

(260) AM 2015 79587 A
 (220) 2014 11 20

(732) LTD "HERBAL DRUG"
 Balanchivadzis q. 43, 0171, Tbilisi, Georgia

(111) M 2017 28445 R
 (151) 2017 05 04
 (181) 2027 05 04

(260) AM 2016 80913 A
 (220) 2015 02 19
 (732) ZURAB KAKABADZE
 Al. Kazbegis gamz. 6, b. 36, 0166, Tbilisi,
 Georgia

(111) M 2017 28446 R
 (151) 2017 05 04
 (181) 2027 05 04

(260) AM 2016 84075 A
 (220) 2015 10 05
 (732) LTD "TELA"
 Tevdore Mghvdliis q. 48a, b. 3, 0101, Tbilisi,
 Georgia

(111) M 2017 28447 R
 (151) 2017 05 04
 (181) 2027 05 04

(260) AM 2016 84560 A
 (220) 2015 11 06
 (732) LTD "MASTER FOOD"
 Tamar Mepis gamz. 13/Tsinamdzghvrishvilis
 q. 172, 0112, Tbilisi, Georgia

(111) M 2017 28448 R
 (151) 2017 05 04
 (181) 2027 05 04

(260) AM 2016 86002 A
 (220) 2016 02 05
 (732) ORO AGRI INTERNATIONAL LTD
 Bankastraat 75, 9715CJ, Groningen,
 Netherlands

(111) M 2017 28449 R
 (151) 2017 05 04
 (181) 2027 05 04

(260) AM 2016 86003 A
 (220) 2016 02 05
 (732) ORO AGRI INTERNATIONAL LTD
 Bankastraat 75, 9715CJ, Groningen,
 Netherlands

(111) M 2017 28450 R
(151) 2017 05 04
(181) 2027 05 04
(260) AM 2016 86004 A
(220) 2016 02 05
(732) ORO AGRÍ INTERNACIONAL LTD
Bankastraat 75, 9715CJ, Groningen,
Netherlands

(111) M 2017 28451 R
(151) 2017 05 04
(181) 2027 05 04
(260) AM 2016 86131 A
(220) 2016 02 11
(732) LTD "GEORGIAN WINES CELLAR"
Ingorokvas q. 2/11, 0105, Tbilisi, Georgia

(111) M 2017 28452 R
(151) 2017 05 04
(181) 2027 05 04
(260) AM 2016 86201 A
(220) 2016 02 17
(732) MILLENNIUM & COPTHORNE
INTERNATIONAL LIMITED
36 Robinson Road N 04-01 City House,
Singapore 068877, Singapore

(111) M 2017 28453 R
(151) 2017 05 04
(181) 2027 05 04
(260) AM 2016 86231 A
(220) 2016 02 19
(732) LO.LI. PHARMA S.R.L.
Via dei Luxardo 33, 00156 Rome, Italy

(111) M 2017 28454 R
(151) 2017 05 04
(181) 2027 05 04
(260) AM 2016 86301 A
(220) 2016 02 23
(732) PORTUCEL, S.A.
Mitrena - Apartado 55, 2901-861 Setúbal,
Portugal

(111) M 2017 28455 R
(151) 2017 05 04
(181) 2027 05 04
(260) AM 2016 86302 A
(220) 2016 02 23
(732) PORTUCEL, S.A.
Mitrena - Apartado 55, 2901-861 Setúbal,
Portugal

(111) M 2017 28456 R
(151) 2017 05 04
(181) 2027 05 04
(260) AM 2016 86304 A
(220) 2016 02 23
(732) PORTUCEL, S.A.
Mitrena - Apartado 55, 2901-861 Setúbal,
Portugal

(111) M 2017 28457 R
(151) 2017 05 04
(181) 2027 05 04
(260) AM 2016 86415 A
(220) 2016 03 02
(732) TOYOTA JIDOSHA KABUSHIKI KAISHA
(also trading as Toyota Motor Corporation)
1, Toyota-cho, Toyota-shi, Aichi-ken, Japan

(111) M 2017 28458 R
(151) 2017 05 04
(181) 2027 05 04
(260) AM 2016 86425 A
(220) 2016 03 02
(732) LTD "WEST INVEST"
Kairos q. 13a, (nakveti 2/64), 0137, Tbilisi,
Georgia

(111) M 2017 28459 R
(151) 2017 05 04
(181) 2027 05 04
(260) AM 2016 86462 A
(220) 2016 03 07
(732) BALMAIN S.A.
44, rue Francois 1er, 75008 Paris, France

(111) M 2017 28460 R
(151) 2017 05 04
(181) 2027 05 04
(260) AM 2016 86471 A
(220) 2016 03 07
(732) BALMAIN S.A.
44, rue Francois 1er, 75008 Paris, France

(111) M 2017 28461 R
(151) 2017 05 04
(181) 2027 05 04
(260) AM 2016 86473 A
(220) 2016 03 07
(732) BALMAIN S.A.
44, rue Francois 1er, 75008 Paris, France

(111) M 2017 28462 R
(151) 2017 05 04
(181) 2027 05 04
(260) AM 2016 86478 A
(220) 2016 03 07
(732) LTD "Geogian Traditional Winemaking"
S. Tsintsadzis q. 12, arasatskhovrebeli
parti 3-6, sart. 3, 0160, Tbilisi, Georgia

(111) M 2017 28463 R
(151) 2017 05 04
(181) 2027 05 04
(260) AM 2016 86494 A
(220) 2016 03 09
(732) TOYOTA JIDOSHA KABUSHIKI KAISHA
(also trading as Toyota Motor Corporation)
1, Toyota-cho, Toyota-shi, Aichi-ken, Japan

(111) M 2017 28464 R
(151) 2017 05 04
(181) 2027 05 04
(260) AM 2016 86528 A
(220) 2016 03 10
(732) TOYOTA JIDOSHA KABUSHIKI KAISHA
(also trading as Toyota Motor Corporation)
1, Toyota-cho, Toyota-shi, Aichi-ken, Japan

(111) M 2017 28465 R
(151) 2017 05 04
(181) 2027 05 04
(260) AM 2016 86557 A
(220) 2016 03 14
(732) TOYOTA JIDOSHA KABUSHIKI KAISHA
(also trading as Toyota Motor Corporation)
1, Toyota-cho, Toyota-shi, Aichi-ken, Japan

(111) M 2017 28466 R
(151) 2017 05 04
(181) 2027 05 04
(260) AM 2016 86559 A
(220) 2016 03 14
(732) MERRYVALE LIMITED
1 Mapp Street, Belize City, Belize

(111) M 2017 28467 R
(151) 2017 05 04
(181) 2027 05 04
(260) AM 2016 86560 A
(220) 2016 03 14
(732) APPLE INC.
1, Infinite Loop, Cupertino, California 95014,
USA

(111) M 2017 28468 R
(151) 2017 05 04
(181) 2027 05 04
(260) AM 2016 86568 A
(220) 2016 03 15
(732) LTD "MUKADO WINES"
N. Kipshidzis q. 2, b.4, Tbilisi, Georgia

(111) M 2017 28469 R
(151) 2017 05 05
(181) 2027 05 05
(260) AM 2016 86656 A
(220) 2016 03 17
(732) LTD "SHALVINO"
Zaza Panaskertel-Tsitsishvilis q., kor. 1,
b. 10, Tbilisi, Georgia

(111) M 2017 28470 R
(151) 2017 05 05
(181) 2027 05 05
(260) AM 2016 86664 A
(220) 2016 03 18
(732) LTD "SHALVINO"
Zaza Panaskertel-Tsitsishvilis q., kor. 1,
b. 10, Tbilisi, Georgia

(111) M 2017 28471 R
(151) 2017 05 05
(181) 2027 05 05
(260) AM 2016 86686 A
(220) 2016 03 22
(732) DAVIT BITCHIKASHVILI
Vazha-Pshavelas gamz. 47, Tbilisi, Georgia

(111) M 2017 28472 R
(151) 2017 05 05
(181) 2027 05 05
(260) AM 2016 86762 A
(220) 2016 03 25
(732) DAIKIN INDUSTRIES, LTD
Umeda Center Bldg., 4-12 Nakazaki-nishi
2-chome, Kita-ku, Osaka-shi, 530-8323
OSAKA-FU, Japan

(111) M 2017 28473 R
(151) 2017 05 05
(181) 2027 05 05
(260) AM 2016 86771 A
(220) 2016 03 25
(732) COMPAGNIE LAITIERE EUROPEENNE
50890 CONDE-SUR-VIRE, France

(111) M 2017 28474 R
(151) 2017 05 05
(181) 2027 05 05
(260) AM 2016 86832 A
(220) 2016 03 30
(732) ZUFFA, LTD
2960 West Sahara Avenue, Las Vegas, Nevada
89102, USA

(111) M 2017 28475 R
(151) 2017 05 05
(181) 2027 05 05
(260) AM 2016 86834 A
(220) 2016 03 30
(732) ZUFFA, LTD
2960 West Sahara Avenue, Las Vegas, Nevada
89102, USA

(111) M 2017 28476 R
(151) 2017 05 05
(181) 2027 05 05
(260) AM 2016 86856 A
(220) 2016 04 01
(732) APPLE INC.
1, Infinite Loop, Cupertino, California 95014,
USA

(111) M 2017 28477 R
(151) 2017 05 05
(181) 2027 05 05
(260) AM 2016 86911 A
(220) 2016 04 07
(732) TOYOTA JIDOSHA KABUSHIKI KAISHA
(also trading as Toyota Motor Corporation)
1, Toyota-cho, Toyota-shi, Aichi-ken, Japan

(111) M 2017 28478 R
(151) 2017 05 05
(181) 2027 05 05
(260) AM 2016 87010 A
(220) 2016 04 14
(732) BRITISH AMERICAN TOBACCO
(BRANDS) INC. (a Delaware corporation)
2711 Centerville Road, Suite 300, Wilmington,
Delaware 19808, USA

(111) M 2017 28479 R
(151) 2017 05 05
(181) 2027 05 05
(260) AM 2016 87026 A
(220) 2016 04 16
(732) LTD "SANTA"
Sop. Santa, Tsalkis raioni Georgia

(111) M 2017 28480 R
(151) 2017 05 05
(181) 2027 05 05
(260) AM 2016 87086 A
(220) 2016 04 21
(732) TP-LINK INTERNATIONAL LIMITED
FLAT/RM 608, 6/F, WAH SHING CENTRE,
11 SHING YIP STREET, KWUN TONG, KL,
HONG KONG, The Hong Kong Special
Administrative Region of the People's republic
of China

(111) M 2017 28481 R
(151) 2017 05 05
(181) 2027 05 05
(260) AM 2016 87087 A
(220) 2016 04 21
(732) TP-LINK INTERNATIONAL LIMITED
FLAT/RM 608, 6/F, WAH SHING CENTRE,
11 SHING YIP STREET, KWUN TONG, KL,
HONG KONG, The Hong Kong Special
Administrative Region of the People's republic
of China

(111) M 2017 28482 R
(151) 2017 05 05
(181) 2027 05 05
(260) AM 2017 87194 A
(220) 2016 05 06
(732) CJSC "TECHNONIKOL"
Krimskiy val 8, 119049, Moskow, Russian
Federation

(111) M 2017 28483 R
(151) 2017 05 05
(181) 2027 05 05
(260) AM 2016 87251 A
(220) 2016 05 17
(732) CJSC "TIERRAS DE ARMENIA"
1 st Blind Alley, M. Khorenatsi str., Building 8,
Apartment A2, Yerevan, Armenia

(111) M 2017 28484 R
(151) 2017 05 05
(181) 2027 05 05
(260) AM 2016 87493 A
(220) 2016 06 03
(732) NOVARTIS AG
4002 Basel, Switzerland

(111) M 2017 28485 R
(151) 2017 05 05
(181) 2027 05 05

(260) AM 2016 87494 A
(220) 2016 06 03
(732) NOVARTIS AG
4002 Basel, Switzerland

(732) LTD "G-M-P"
Sop. Ponitchala 65, 0165, Tbilisi, Georgia

(111) M 2017 28486 R
(151) 2017 05 05
(181) 2027 05 05
(260) AM 2016 87505 A
(220) 2016 06 06
(732) CJSC "TIERRAS DE ARMENIA"
1st Blind Alley, M. Khorenatsi str., Building 8,
Apartment A2, Yerevan, Armenia

(111) M 2017 28487 R
(151) 2017 05 05
(181) 2027 05 05
(260) AM 2017 87506 A
(220) 2016 06 06
(732) LTD "PARK GIDA"
Lermontovis q. 57 b.94, Batumi, Georgia

(111) M 2017 28488 R
(151) 2017 05 05
(181) 2027 05 05
(260) AM 2016 87513 A
(220) 2016 06 06
(732) NOVARTIS AG
4002 Basel, Switzerland

(111) M 2017 28489 R
(151) 2017 05 05
(181) 2027 05 05
(260) AM 2016 87549 A
(220) 2016 06 08
(732) SANGSIN BRAKE CO., LTD
10, Nongongjungang-ro 33-gil, Nongong-eup,
Dalseong-gun, Daegu, Republic of Korea

(111) M 2017 28490 R
(151) 2017 05 05
(181) 2027 05 05
(260) AM 2016 87550 A
(220) 2016 06 08
(732) SANGSIN BRAKE CO., LTD
10, Nongongjungang-ro 33-gil, Nongong-eup,
Dalseong-gun, Daegu, Republic of Korea

(111) M 2017 28491 R
(151) 2017 05 05
(181) 2027 05 05
(260) AM 2016 87551 A
(220) 2016 06 08

TRADEMARKS REGISTERED ACCORDING TO THE ACCELERATED PROCEDURE

The decision can be appealed at the Chamber of Appeal of Sakpatenti within 3 months from the publication.

(111) M 2017 28421 R
(151) 2017 04 21
(181) 2027 04 21
(210) AM 91378
(220) 2017 03 23
(732) ALEKSANDRE LEVAKOVI
N. Kipshidzis q. 3b, b.80, 0162, Tbilisi,
Georgia
(740) Shalva Gvaramadze
(540)

CruX d'Or

(511) 33

(111) M 2017 28422 R
(151) 2017 04 24
(181) 2027 04 24
(210) AM 91414
(220) 2017 03 28
(732) SANUS VITA
Saakadzis daghmarti 6, komertsiuli parti 11,
0160, Tbilisi, Georgia
(740) Sopiko Pirtskhalaishvili
(540)

**ქსოტუმ B12,
EXITUM B12,
ЭКСИТУМ B12**

(511) 5

(111) M 2017 28423 R
(151) 2017 04 24
(181) 2027 04 24
(210) AM 91416
(220) 2017 03 28
(732) SANUS VITA
Saakadzis daghmarti 6, komertsiuli farti 11,
0160, Tbilisi, Georgia
(740) Sopiko Pirtskhalaishvili
(540)

**ნეოროაქტივიზი
NEUROACTIV
НЕЙРОАКТИВ**

(511) 5

(111) M 2017 28424 R
(151) 2017 04 24
(181) 2027 04 24
(210) AM 91448
(220) 2017 03 28
(732) SANUS VITA
Saakadzis daghmarti 6, komertsiuli farti 11,
0160, Tbilisi, Georgia
(740) Sopiko Pirtskhalaishvili
(540)

ლოქიკამი

**LOXICAM
ЛОКСИКАМ**

(511) 5

(111) M 2017 28425 R
(151) 2017 04 25
(181) 2027 04 25
(210) AM 90937
(220) 2017 02 21
(732) TAV Havalimanları Holding A.Ş.
Atatürk Havalimanı, Dish Hatlar Yeşilköy-
Bakırköy, Istanbul, Turkey
(740) Levan Nikoladze
(540)



(591) Blue, white
(531) 26.04.09, 26.04.18, 27.05.10, 29.01.12
(526) The trademark is protected as a whole.
"GEORGIA" shall not be subject to independent
legal protection.
(511) 6, 7, 9, 12, 20, 21, 22, 23, 24, 28, 35, 37, 39,
43

(111) M 2017 28426 R
(151) 2017 04 25
(181) 2027 04 25
(210) AM 90938

- (220) 2017 02 21
 (732) TAV Havalimanları Holding A.Ş.
 Atatürk Havalimanı, Dish Hatlar Yeşilköy-
 Bakırköy, Istanbul, Turkey
 (740) Levan Nikoladze
 (540)



- (591) Blue, white
 (531) 26.04.09, 26.04.18, 27.05.10, 29.01.12
 (511) 6, 7, 9, 12, 20, 21, 22, 23, 24, 28, 35, 37, 39,
 43

- (111) M 2017 28427 R
 (151) 2017 04 25
 (181) 2027 04 25
 (210) AM 91598
 (220) 2017 04 06
 (732) LTD "FORWARDER"
 Shartavas q. 40, sar. 11, 0160, Tbilisi, Georgia
 (740) Tamar Gvaradze
 (540)



- (591) Black, white, red
 (531) 26.04.04, 26.04.22, 26.04.24, 26.11.09,
 27.05.24, 29.01.13
 (511) 35

- (111) M 2017 28428 R
 (151) 2017 04 25
 (181) 2027 04 25
 (210) AM 91599
 (220) 2017 04 06
 (732) LTD "FORWARDER"
 Shartavas q. 40, sar. 11, 0160, Tbilisi, Georgia
 (740) Tamar Gvaradze
 (540)



- (591) Red
 (531) 26.11.08, 27.05.01, 29.01.01
 (511) 35

- (111) M 2017 28429 R
 (151) 2017 04 25
 (181) 2027 04 25

- (210) AM 91632
 (220) 2017 04 07
 (732) NABROS PHARMA PVT. LTD.
 Nabros House, 3rd floor, Behind British
 Library, Opp. Art Galary, Law Garden,
 Ellisbridge, Ahmedabad – 380006, Gujarat,
 India
 (740) Giorgi Taktakishvili
 (540)



- (591) White, crimson, blue
 (531) 02.03.01, 19.03.24, 28.05, 29.01.13, 02.01.01
 (511) 5

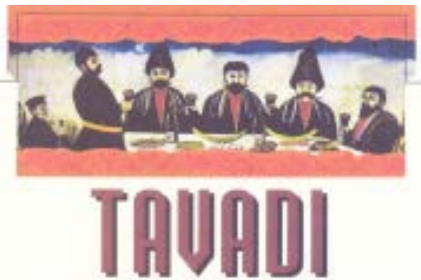
- (111) M 2017 28430 R
 (151) 2017 04 25
 (181) 2027 04 25
 (210) AM 91634
 (220) 2017 04 07
 (732) NABROS PHARMA PVT. LTD.
 Nabros House, 3rd floor, Behind British
 Library, Opp. Art Galary, Law Garden,
 Ellisbridge, Ahmedabad – 380006, Gujarat,
 India
 (740) Giorgi Taktakishvili
 (540)

ფლუკოლდ-ნ
 FLUCOLD-N
 ФЛЮКОЛД-Н

- (511) 5

- (111) M 2017 28431 R
 (151) 2017 04 26
 (181) 2027 04 26
 (210) AM 91544
 (220) 2017 04 03
 (732) LTD "VINAGORA"
 G. Tabidzis q. 15, 0105, Tbilisi, Georgia
 (740) Tamar Zasukhina

(540)



(591) red, black, golden, blue, yellow, cream
 (531) 02.01.18, 27.05.01, 29.01.15
 (511) 33

(111) M 2017 28432 R

(151) 2017 04 28
 (181) 2027 04 28
 (210) AM 91659
 (220) 2017 04 11

(732) LTD "ATELIER FM"

Kekelidzis q. 9, 0179, Tbilisi, Georgia

(740) Merab Tavartkiladze
 (540)

(591) Black-white
 (531) 27.05.01, 27.05.11, 27.05.19
 (511) 20

(111) M 2017 28433 R

(151) 2017 04 28
 (181) 2027 04 28
 (210) AM 91641
 (220) 2017 04 11

(732) JSC "HEALTHY WATER"

Sop. Nabeghlavi, Chokhatauris raioni,
 4915, Georgia

(740) Avtandil Svimonishvili
 (540)



(591) White, red, blue and various tone sky-blue
 (531) 01.15.23, 28.19, 29.01.13, 26.01.19
 (511) 32

(111) M 2017 28434 R

(151) 2017 04 28
 (181) 2027 04 28
 (210) AM 91642
 (220) 2017 04 11
 (732) JSC "HEALTHY WATER"

Sop. Nabeghlavi, Chokhatauris raioni,
 4915, Georgia

(740) Avtandil Svimonishvili
 (540)



(591) White, red, blue and various tone sky-blue
 (531) 01.15.23, 26.01.19, 27.05.10, 29.01.13
 (511) 32

(111) M 2017 28435 R

(151) 2017 04 28
 (181) 2027 04 28
 (210) AM 91643
 (220) 2017 04 11
 (732) JSC "HEALTHY WATER"

Sop. Nabeghlavi, Chokhatauris raioni,
 4915, Georgia

(740) Avtandil Svimonishvili
 (540)



(591) White, red, blue and various tone sky-blue
 (531) 01.15.23, 26.01.19, 28.05, 29.01.13
 (511) 32

(111) M 2017 28436 R

(151) 2017 04 28
 (181) 2027 04 28
 (210) AM 91644
 (220) 2017 04 11
 (732) JSC "HEALTHY WATER"

Sop. Nabeghlavi, Chokhatauris raioni,
 4915, Georgia

(740) Avtandil Svimonishvili
(540)



(591) White, red, blue and various tone sky-blue
(531) 01.15.23, 26.01.19, 28.01, 29.01.13
(511) 32

(111) M 2017 28444 R
(151) 2017 05 03
(181) 2027 05 03
(210) AM 91646
(220) 2017 04 11
(732) LTD "MILLION"
Vartsikhis q. 23, 0102, Tbilisi, Georgia
(540)

ფშონის ბაღერმა

(511) 33, 35

INTERNATIONAL TRADEMARKS FOR WHICH A DECISION ON GRANTING PROTECTIONS IS TAKEN

The decision can be appealed at the Chamber of Appeal of Sakpatenti within 3 months from the publication or at the Mtskheta District Court Administrative Cases Board (Address: №17, Samkhedro str., Mtskheta), within 1 month following the publication.

(260) AM 2017 76203 A
(800) 1193391
(891) 2013 07 12
(731) HM PUBLISHERS HOLDINGS LIMITED
Brunel Road, Houndmills, Basingstoke,
Hampshire, RG21 6XS, United Kingdom
(540)



(591) Black, white
(511)
9 – Electronic books; electronic publications; downloadable electronic books and publications; audio books; digital recordings; multimedia recordings; multimedia discs and publications; digital media and recordings; pre-recorded digital media and recordings; downloadable digital media and recordings; webcasts; podcasts; portable electronic memory stores; flash memory keys; Compact Disc Read Only Memory; CDs; electronic files; teaching apparatus and instruments; databases relating to publishing; computer software; computer software relating to publishing; none of the aforesaid goods being computer hardware, operating system software for computers, portable media players, mobile telephones, tablet computers, portable electronic devices and/or operating software for portable electronic devices.

16 – Printed matter; publications; books, printed publications; educational books, academic text books, reference books, workbooks, fiction books, non-fiction books, dictionaries; magazines, journals, periodicals, catalogues; manuals; stationery; posters; maps; instructional and teaching materials; stickers; book marks; book covers; calendars; writing instruments.

41 – Education services; education services provided on-line; entertainment services; publishing services; publication of texts (other than publicity texts); publication of electronic books and journals online; publication of teaching and learning materials online; electronic desktop publishing; providing online electronic publications (non downloadable); publication

of books, magazines and educational materials; electronic publishing; multi-media publishing; editing texts; organising and arranging of conferences.

(260) AM 2017 82336 A
(800) 1146412
(891) 2015 05 04
(731) DR. SERTUS İLAÇ SANAYİ VE TİCARET LİMİTED ŞİRKETİ
Evren Mah. Camiyolu Cad. No.50 K.2,
Güneşli, Bağcılar, İstanbul, Turkey
(540)

Sertofen
(Сертופן)

(591) Black, white
(511)
5 – Medicines for human purposes, medicines for veterinary purposes, chemical preparations for medical purposes, dietetic substances adapted for medical use; dietetic foods adapted for medical purposes; amino acids for medical purposes, nutritional substances, pollen dietary substances, mineral food substances, protein dietary supplements, baby foods, medicinal herbs, herbal beverages adapted for medical purposes; medicines for dental purposes, hygienic products for medical purposes including pads, wadings for medical purposes, plasters for medical purposes, dressings for medical purposes, preparations for destroying noxious plants, preparations for destroying noxious animals, fungicides, disinfectants for hygiene purposes, antiseptics, detergents for medical purposes.

(260) AM 2017 83313 A*
(800) 1258763
(891) 2015 04 27
(731) BETEK BOYA VE KİMYA SANAYİ ANONİM ŞİRKETİ
Kaynarca, Kavakpınar Mah., Tandoğan Cad.
Kocamezarlık Karşısı, Pendik – İSTANBUL,
Turkey
(540)



(591) yellow, orange, red, purple, blue, light blue, green, Black and white

(511)

1 – Chemicals used in industry, science, photography, agriculture, horticulture and forestry; manures and soils; unprocessed artificial resins and unprocessed plastics; fire extinguishing compositions; adhesives not for medical, household and stationery purposes.

2 – Paints; varnishes; lacquers; preservatives against rust; preservatives against deterioration of wood; thinners and binders for paints; pigments; preservatives for metals; shoe dyes; printing dyes and ink; toners (including filled toner cartridges); colorants for food, pharmaceuticals and beverages; raw natural resins; metals in foil and powder form for painters, decorators, printers and artists.

16 – Paper and cardboard; paper and cardboard for packaging and wrapping purposes, cardboard boxes; paper towels; toilet paper; paper napkins; plastic materials for packaging and wrapping purposes; printed matter; printed publications; calendars; posters; photographs (printed); paintings; stickers (stationery); postage stamps; stationery, office stationery, instructional and teaching material (except furniture and apparatus); writing and drawing implements; artists' materials; paper products for stationery purposes; adhesives for stationery purposes; office requisites; paint rollers and paintbrushes for painting.

17 – Rubber, gutta-percha, gum, asbestos, mica and semi-finished synthetic goods made from these materials in the form of powder, bars, panels and foils included in this class; insulation, stopping and sealing materials; joint sealant compounds for joints, gaskets, O-rings for sealing purposes; flexible pipes made from rubber and plastic; hoses made of plastic and rubber, including those used for vehicles; junctions for pipes of plastic and rubber; pipe jackets of plastic and rubber; hoses of textile material; junctions for pipes, not of metal; pipe jackets, not of metal; connecting hose for vehicle radiators.

19 – Sand, gravel, crushed stone, asphalt, bitumen, cement, gypsum for use in construction, road construction, repair and covering work; building materials (as finished products) made of concrete, gypsum, clay, potters' clay, natural or artificial stone, wood, plastics and synthetic materials for building, construction, road construction purposes, included in this class; non-metallic buildings, non-metallic building materials, non-metallic transportable buildings, poles not of metal for power lines, barriers not of metal, doors and windows of wood and synthetic materials; traffic signs not of metal, non-luminous and non-mechanical, for roads; monuments and statuettes of stone, concrete and marble; natural and synthetic surface coatings in the form of panels and sheets, being building materials; heat adhesive synt-

hetic surface coating, being building materials; bitumen cardboard coatings for roofing; bitumen coating for roofing; building glass.

35 – Wholesale and retail services in relation to construction and DIY (do it yourself) articles, and other consumer goods for the professional and DIY (do it yourself) sectors, for chemicals used in industry, preparations for preserving and waterproofing cement and concrete, unprocessed artificial resins in the form of powders, granules or liquids, being additives for building materials, adhesive substances for use in industry, adhesives for wallpaper, adhesives used in building, waterproofing chemicals for masonry, except paints, masonry preservatives, except paints, solvents for varnishes and lacquers, paints, varnishes, lacquers, glazes, frosting, preservatives against deterioration of wood, primers, preservatives against rust, spackling compounds, binding preparations for paint, bactericidal/fungicidal paints, lacquers for buildings, colorants, dyestuffs, dye pastes, bleaching preparations and other substances for laundry use, cleaning, polishing, stripping, scouring and abrasive preparations, mordants, soaps, common metals and their alloys, metal building materials, materials of metal for railway tracks, non-electric cables and wires of common metal, ironmongery, small items of metal hardware, pipes and tubes of metal, safes, goods of common metal, ores, hand tools (hand-operated) for painting, paint rollers, broad brushes, paint brushes, spatulas, scaling hammers, graters, polishers, blast guns and spray guns, storage boxes of metal, hand-operated cleaning apparatus, scientific, surveying, signalling, weighing, life-saving, checking (supervision) and teaching apparatus and instruments, colour analysers (not for medical purposes), measuring apparatus, measuring apparatus (electric), fire extinguishers, magnets, magnetic discs, paper, cardboard (cardboard) and goods made of these materials, printed matter, stationery, adhesives for stationery or household purposes, artists' materials, paint brushes, office requisites, instructional and teaching material, paint charts (cards), paint charts (fans), plastic materials for packaging, packing, heat protection and insulating materials, insulating plasters, coating materials, namely for coating heat protection and insulating materials for protection against moisture or against chemical or mechanical actions, sealing compounds, substances for insulating building against moisture, fibre-glass fabrics and plastics for insulation, insulating paints, insulating varnishes, insulating fabrics, soundproofing materials, adhesive tapes and strips, other than for medical purpose, for stationery or household purposes, paints for waterproofing roofs, walls and floors, tubes, rubber, gutta-percha, gums, asbestos, mica and goods made of these materials, building materials (non-metallic), mortar, natural and artificial stone for building, plasters (except insulating plasters), protective agents for buildings, building

materials, namely fabrics of fibre-glass and plastics, being linings for paint and plaster layers, fabric embedding compounds for composite thermal lining systems, the aforesaid goods for building, pipes for building, asphalt, pitch and bitumen, transportable buildings (not of metal), combs and sponges, brushes (except paint brushes), articles for cleaning purposes, steelwool, unworked or semi-worked glass (except glass used in building); advertising.

(260) AM 2017 84918 A*

(800) 1274036

(891) 2015 03 03

(731) TOYOTA JIDOSHA KABUSHIKI KAISHA

(also trading as TOYOTA MOTOR CORPORATION)

1, Toyota-cho, Toyota-shi, Aichi-ken
471-8571, Japan

(540)

LEXUS

(591) Black, white

(511)

1 – Industrial chemicals; coolants for vehicle engines; antifreeze; plastic adhesives, other than for stationery or household purposes; oil cement (putty); blueprint paper; photographic paper; photographic sensitizers; photographic dry plates; photographic developers; photographic fixing solutions; unexposed photographic films; chemical preparations for use in photography; artificial sweeteners (chemical preparations); flour for industrial purposes; starch for industrial purposes; unprocessed plastics (plastics in primary form).

2 – Dyestuffs; pigments; paints; printing ink; anti-rust greases; nonferrous metals in foil or powder form for painters, decorators, printers and artists; precious metals in foil or powder form for painters, decorators, printers and artists.

3 – Anti-static preparations for household purposes; de-greasing preparations for household purposes; rust removing preparations; stain removing benzine; fabric softeners for laundry use; laundry bleach; shoe and boot cream; shoe black (shoe polish); polishing preparations; soaps; detergents other than for use in manufacturing operations and for medical purposes; shampoos; windshield cleaning liquids; natural essential oils; synthetic perfumery; essential oils for use as food flavorings; aromatic oils; incense; fragrances; scented room sprays; abrasive paper; abrasive cloth; artificial pumice stone; polishing paper.

4 – Solid lubricants; grease for shoes and boots; preservatives for leather (oils and greases); solid fuels; liquid fuels; gaseous fuels; mineral oils and greases for industrial purposes, not for fuel; lubricating oil

for motor vehicle engines; lubricating grease for vehicles; non-mineral oils and greases for industrial purposes, not for fuel.

5 – Pharmaceutical preparations; veterinary preparations; sanitary preparations for medical purposes, vermin destroying preparations; fungicides; herbicides; lactose for pharmaceutical purposes; household deodorants; deodorizing room sprays; gauze for dressings; empty capsules for pharmaceuticals; eye patches for medical purposes; ear bandages; menstruation bandages; menstruation tampons; sanitary napkins; sanitary panties; absorbent cotton; adhesive plasters; bandages for dressings; breast-nursing pads; cotton swabs for medical purposes; incontinence diapers; babies' diapers of textile; mothproofing paper; lacteal flour for babies; semen for artificial insemination.

6 – Metal moulds for forming cement products; cotter pins of metal; containers of metal for transport; hardware of metal, small; keys; metal key blanks; metal nameplates and door nameplates; tool boxes of metal, empty; chains of metal for dogs; shoe dowels of metal; shoe pegs of metal.

7 – Sewing machines; internal combustion engines for power generation, other than for land vehicles; steam engines; steam engine boilers; jet engines other than for land vehicles; turbines other than for land vehicles; compressed air engines; mechanical engine parts for land vehicles; exhaust pipes for land vehicle engines; timing belts for land vehicle engines; mufflers for motors and engines; injectors for engines; fuel injectors; filter elements for fuel filters; radiators (cooling) for motors and engines; oil filters for motors and engines; air filters for automobile engines; filter elements for air cleaners for land vehicle engines; sparking plugs for internal combustion engines; glow plugs for diesel engines; transmission shafts, other than for land vehicles; shaft bearings (parts of machines); axles for machines; couplings other than for land vehicles; bearings (parts of machines); bearings for transmission shafts; bearings for machines; transmissions, other than for land vehicles; transmission gears for machines; power transmission belts for machines; driving chains other than for land vehicles; gear boxes other than for land vehicles; pulleys (parts of machines), shock absorbers for machines; springs (parts of machines); brakes for machines; brake segments other than for vehicles; brake linings other than for vehicles; brake pads other than for vehicles; brake shoes other than for vehicles; valves (parts of machines).

8 – Tweezers; hand tools; egg slicers, non-electric; sugar tongs; can openers, non-electric, nutcrackers; spoons; cheese slicers, non-electric; pizza cutters, non-electric; forks; bludgeons.

9 – Protective helmets; vehicle breakdown warning triangles; luminous or mechanical road signs; photo-

graphic, cinematographic and optical apparatus and instruments; measuring apparatus; measuring instruments; testing apparatus not for medical purposes; surveying apparatus and instruments; battery chargers; regulating apparatus, electric; control panels (electricity); converters, electric; electrical adapters; fuses; inverters (electricity); plugs, sockets and other contacts (electric connections); relays, electric; resistances, electric; switches, electric; transformers (electricity); voltage regulators for vehicles; solar batteries; fuel cells; electric batteries; photovoltaic cells; electric batteries for automobiles; telecommunication devices and apparatus; mobile phone straps; mobile phone neck straps; mobile phone cases; mobile phone accessories; camera straps; loudspeakers; cabinets for loudspeakers; battery chargers for use with telephones; headphones; earphones; telephone apparatus; intercoms; mobile phones; antennas; audio- and video-receivers; camcorders; capacitors; compact disc players; digital cameras; digital photo frames; DVD players; electro-dynamic apparatus for the remote control of signals; electronic notice boards; facsimile machines; Global Positioning System (GPS) apparatus; hands free kits for phones; high-frequency apparatus; intercommunication apparatus; musical juke boxes; microphones; electric monitoring apparatus; navigation apparatus for vehicles (on-board computers); optical data media; personal stereos; portable media players; radar apparatus; radio pagers; radios; record players; remote control apparatus; satellite navigational apparatus; smartphones; sound recording apparatus; sound recording carriers; sound reproduction apparatus; sound transmitting apparatus; television apparatus; transmitters of electronic signals; vehicle radios; video recorders; personal computers; personal computers for vehicles; tablet computers; computers for use in remote monitoring of fuel cell power generators using communication networks; carrying cases adapted for computers; covers and cases for mobile telephones; covers and cases for tablet computers and notebook computers; computer programs for mobile phones; computer programs for fuel saving drive diagnosis devices; blank USB flash drives; computer keyboards; apparatus and installations for the production of X-rays, not for medical purposes; bar code readers; central processing units (processors); chips (integrated circuits); computer memory devices; computer operating programs, recorded; computer peripheral devices; computer programs, recorded; computer programs (downloadable software); computer software applications, downloadable; computer software, recorded; data processing apparatus; disks, magnetic; electronic agendas; electronic book readers; electronic pocket translators; electronic tags for goods; integrated circuit cards (smart cards); integrated circuits; interfaces for computers; lasers, not for medical purposes; light-emitting diodes (LED); magnetic data media; marine depth finders; metal

detectors for industrial or military purposes; micro-processors; mouse pads; mouse (computer peripheral); optical character readers; printed circuit boards; printed circuits; printers for use with computers; protection devices against X-rays, not for medical purposes; sonars; electronic components; electronic memory devices; fire boats; fire engines; eyeglasses; goggles for sports; spectacles (optics); sunglasses; eyeglass cases; eyeglass chains; eyeglass cords; eyeglass frames; contact lenses; containers for contact lenses; spectacle lenses; game programs for home video game machines; electronic circuits and CD-ROMs recorded with programs for hand-held games with liquid crystal displays; electric and electronic effects units for musical instruments; downloadable image files; pre-recorded video discs; pre-recorded videos; exposed cinematographic films; exposed slide films; slide film mounts; downloadable electronic publications.

10 – Pacifiers for babies; supportive bandages; catgut; feeding cups for medical purposes; teats; ice bags for medical purposes; medical ice bag holders; babies' bottles; nursing appliances; finger guards for medical purposes; esthetic massage apparatus for industrial purposes; medical apparatus and instruments; electric massage apparatus for household purposes; ear picks.

11 – Industrial furnaces; nuclear reactors; electric lamps; lighting apparatus and installations; lighting apparatus for vehicles; light-emitting diodes (LED) lighting apparatus; pocket searchlights; LED desk lights; LED light bulbs; headlights for automobiles; rear combination lamps for automobiles; electric laundry dryers for household purposes; humidifiers for household purposes; electric bath-water purifying apparatus for household purposes; air purifiers for household purposes; electric fans for personal use; water ionizers for household purposes; electrically heated carpets; electric cooking utensils for household purposes; electric coffee machines for household purposes; electric cooking stoves for household purposes; electric radiant heaters for household purposes; electric foot warmers for personal use; electric bread toasters for household purposes; electric kettles for household purposes; electric blankets for household purposes, not for medical purposes; electric refrigerators for household purposes; electric freezers for household purposes; electric cooking ovens for household purposes; microwave ovens (cooking apparatus) for household purposes; electromagnetic induction cookers for household purposes; futon driers for household purposes; electric hair dryers for personal use; hot plates for household purposes; electric space cooling apparatus for household purposes; extractor hoods for kitchens for household purposes; gas lamps; oil lamps; lamp chimneys; warming pans; pocket warmers; hot water bottles.

12 – Driving motors for land vehicles; engine mounts for land vehicles; engines for land vehicles; jet engines for land vehicles; motors for land vehicles; propulsion mechanisms for land vehicles; turbines for land vehicles; axle bearings for land vehicles; axles for land vehicles; axle journals; axles for vehicles; cardan shafts for vehicles; universal joints for land vehicles; wheel bearings for land vehicles; automobile chains; connecting rods for land vehicles, other than parts of motors and engines; gear boxes for land vehicles; gearing for land vehicles; hydraulic circuits for vehicles; reduction gears for land vehicles; torque converters for land vehicles; transmission chains for land vehicles; transmission shafts for land vehicles; transmissions for land vehicles; power transmission belts for land vehicles; brake discs for vehicles; brake linings for vehicles; brake pads for automobiles; brake segments for vehicles; brake shoes for vehicles; brakes for vehicles; anti-theft alarms for vehicles; wheelchairs; electric motors, not including their parts, for land vehicles; vessels (boats and ships); structural parts for boats; aircraft; structural parts for aircraft; railway rolling stock; structural parts for trains; automobiles; structural parts for automobiles; fitted fabric covers for vehicle seat belts; cigar lighters for automobiles; two-wheeled motor vehicles; bicycles; structural parts for motorcycles; structural parts for bicycles.

13 – Firearms; ammunition for firearms; gunpowder; explosive powders; pyrotechnic products; tanks (weapons).

14 – Precious metals, unwrought or semi-wrought; semi-wrought precious stones and their imitations; keyrings (trinkets or fobs); jewelry cases (caskets or boxes); ornaments of precious metal; bracelets (jewelry); brooches (jewelry); necklaces (jewelry); pendants (jewelry); tie pins; badges of precious metal; charms (jewelry); cuff links; clocks; watches; horological and chronometric instruments and cases therefor; horological and chronometric instruments and parts thereof.

5 – Tuning apparatus for musical instruments; xylophones; musical instruments; music stands; conductors' batons; tuning forks.

16 – Pastes for stationery or household purposes; paper gift bags for wine; bags of paper for packaging; boxes of cardboard or paper; garbage bags of paper for household use; garbage bags of plastics for household use; paper; cardboard; stationery; neck straps for card holders; drawing pads; memo blocks; paper notebooks; stationery-type portfolios; file folders; writing instruments; pouches for writing instruments; writing cases; terrestrial globes; paper bows for gift wrap, printed matter; magazines (periodicals); newsletters; plastic shopping bags.

17 – Mica, raw or partly processed; valves of india-rubber or vulcanized fiber, not including machine

elements; plastic fibers, not for use in textiles; aramid fibers, not for textile use; plastic fibers for use in the manufacture of tire cord; industrial packaging containers of rubber; bottle stoppers of rubber; plastic substances, semi-processed.

18 – Bags of leather, for packaging; boxes of leather or leather board; envelopes, of leather, for packaging; pouches, of leather, for packaging; clothing for pets; collars for pets; leather leashes; bags for carrying animals; bags; drawstring pouches; coin purses, not of precious metal; briefcases; suitcases; wheeled shopping bags; attaché cases; shopping bags; bags for sports; rucksacks; small backpacks; school satchels; travelling bags; tote bags; travelling cases of leather; wallets, not of precious metal; business card cases; key cases; pocket wallets; purses; commutation-ticket holders of leather; credit card cases of leather; luggage tags of leather; vanity cases, not fitted; umbrellas; walking sticks; canes; metal parts of canes and walking-sticks; handles for canes and walking-sticks; saddlery.

19 – Non-metallic minerals for building or construction; ceramic bricks for use in refractory furnaces; ceramic drain pipes; ceramic roofing tiles; ceramic tiles; clay pipes and conduits; clay roofing tiles; clay slabs; earthenware tiles; fired bricks; fireplace bricks; fireproof tiles; refractory blocks, not of metal; refractory bricks, not of metal; refractory mortars; semi-refractory bricks, not of metal; unfired bricks; plastic boundary marking posts; plastic conduits for drainage; plastic floorboards; plastic pipes for plumbing purposes; plastic tiles; plastic wallboards; flooring or wall claddings of synthetic materials; asphalt; asphalted felt; asphalt roofing felt; asphalt roofing paper; rubber floor tiles; rubber flooring; stucco tiles; non-agricultural lime for use in construction; plaster for building purposes; buildings, transportable, not of metal; cement; concrete; concrete building elements; mortar for building; penstock pipes, not of metal; building glass.

20 – Cushions (furniture); pillows; mattresses; bottle casings of wood; crates; wood boxes, not including wooden stoppers, lids and covers; industrial packaging containers of bamboo; baskets, not of metal; nameplates, not of metal; identity plates, not of metal; fans for personal use, non-electric; beds for household pets; dog kennels; carrying cases for household pets; window shades; personal compact mirrors; shoe dowels, not of metal; shoe pegs, not of metal.

21 – Electric toothbrushes; powder compacts; toilet brushes; cosmetic utensils; toilet utensils; glass jars (carboys); glass vials (receptacles); cooking pots; frying pans; stew-pans; coffee filters, non-electric; coffee percolators, non-electric; kettles, non-electric; non-electric coffee drippers for brewing coffee; tableware, other than knives, forks and spoons; dishes;

beer mugs; liqueur sets; lunch boxes; pitchers; salad bowls; saucers; services (dishes); table plates; tea-pots; glass tableware; cups; tea canisters; tumblers for use as drinking glasses; drinking glasses; non-electric portable coldboxes; food preserving jars of glass; drinking flasks for travellers; insulating flasks; candle extinguishers; candlesticks; feeding vessels for pets; brushes for pets; birdcages; bird baths; vases; flower bowls; brushes for shoes and boots; shoe horns; shoe shine cloths; shoe-trees (stretchers); coffee services (tableware); plastic water bottle holders; aroma therapy pots and their parts.

22 – Tarpaulins; sails; cotton waddings for clothes; hammocks; cotton batting for futon; cordage; Industrial packaging containers of textile; textile gift bags for wine; wrapping or binding bands, not of metal; tarpaulins, not for ships; tents, not for camping.

23 – Thread; yarn.

24 – Woven fabrics, other than edging ribbons for tatami mats; towels of textile; handkerchiefs of textile; mosquito nets; sheets (textile); comforters (bedding); quilts; duvet covers; pillowcases; bed blankets; banners, not of paper; flags, not of paper; fitted toilet seat covers of textile; wall hangings of textile; curtains; tablecloths, not of paper; draperies (thick drop curtains); labels of cloth.

25 – Non-Japanese style outerclothing; coats; sweaters; cardigans; vests; waistcoats; shirts; cuffs; sport shirts; dresses; skirts; blouses; polo shirts; shirts for suits; sweatshirts; T-shirts; trousers; wind-resistant jackets; jersey pants; jersey shirts; nightwear; underwear; swimsuits; traditional Japanese clothing; sleep masks; aprons (clothing); socks; stockings; puttees and gaiters; fur stoles; shawls; scarves; Japanese style socks (tabi); Japanese style socks covers (tabi covers); gloves (clothing); neckties; neckerchiefs; bandanas (neckerchiefs); mufflers (neck scarves); ear muffs (clothing); hoods (clothing); nightcaps; headgear for wear; caps (headwear); hats; visors (headwear); garters; sock suspenders; braces for clothing (suspenders); waistbands (parts of clothing); belts (clothing); footwear; driving shoes; fittings of metal for footwear; sandals; slippers; mules; masquerade costumes; clothing for sports; wet suits for use by surfers; wetsuits for water-skiing; sports shoes; golf shoes; windsurfing shoes; horse-riding boots; bags for golf shoes.

26 – Badges for wear, not of precious metal; buckles (clothing accessories); brooches for clothing; special sash clips for obi (obi-dome); ornamental cloth patches; brassards; decorative articles for the hair; buttons; beads for handicraft work (haberdashery); snap fasteners; zippers; belt clasps; hook and pile fastening tapes; artificial flowers; false beards; false moustaches; hair curlers, non-electric.

27 – Bath mats; Japanese rice straw mats (tatami mats); floor coverings; wall hangings, non-textile;

artificial turf; gymnastic mats; wallpaper; floor mats for automobiles; carpets for automobiles.

28 – Toys for domestic pets; home video game machines; hand-held games with liquid crystal displays; toys; stuffed toys; toy vehicles; teddy bears; dolls; go games; dice; dice cups; chess games; checkers (games); conjuring apparatus; dominoes; playing cards; mah-jong; slot machines (gaming machines); billiard equipment; sports equipment; golf equipment; golf balls; golf ball markers; golf gloves; golf clubs; golf club heads; fitted head covers for golf clubs; golf bags, with or without wheels; sports bags shaped to contain specific sports apparatus; tennis equipment; tennis rackets; tennis balls; climbers' harness; sports equipment for surfing, water-skiing and scuba diving; machines for physical exercises; fishing tackle; butterfly nets.

29 – Edible oils and fats; milk products; processed meat products; meat, preserved; bottled fish products; canned fish products; fish, preserved; processed vegetables and fruits; pre-cooked curry stew; stews; soups; preparations for making soup.

30 – Aromatic preparations for food; tea; coffee; cocoa; almond confectionery; biscuits; bread; buns; cakes; candy; caramels (candy); chewing gum; chips (cereal products); chocolate; confectionery; cookies; crackers; edible ices; fruit jellies (confectionery); ice cream; pastries; peppermint sweets; popcorn; puddings; rice cakes; rusks; sugar confectionery; waffles; soya bean paste (condiment); meat gravies; ketchup (sauce); soya sauce; vinegar; dressings for salad; mayonnaise; barbecue sauce; cereal preparations; cake dough; cereal bars; corn flakes; dough; macaroni; noodles; oat flakes; oatmeal; pasta; spaghetti.

31 – Fresh vegetables; fruits, fresh; plant seeds; bulbs; trees; turf (natural); dried flowers; seedlings; saplings; flowers, natural; potted dwarfed trees (bonsai).

32 – Beer; aerated water; carbonated beverages, non-alcoholic; mineral water (beverages); non-alcoholic beverages; fruit juices; vegetable juices (beverages); extracts of hops for making beer; whey beverages.

33 – Distilled rice spirits (awamori); sake; Japanese white liquor (shochu); Japanese rice alcohol; whisky; vodka; spirits (beverages); gin; brandy; rum; liqueurs; cocktails; fruit wines; wine; Japanese distilled beverages; alcoholic beverages, except beer and Japanese shochu-based beverages (chuhai); baijiu (Chinese distilled alcoholic beverage); Chinese white liquor (baiganr); sorghum-based Chinese spirits; hydromel (mead).

34 – Tobacco; smokers' articles; cigars; cigar cutters; cigar holders; cigar cases; humidors; matches; cigarette paper.

35 – Advertising and publicity services; business management analysis or business consultancy; marketing research; business management of hotels; retail services or wholesale services for automobiles.

36 – Banking services relating to the deposit of money; financing services; discount of bills; acceptance of bills of exchange; liability guarantee and acceptance of bills of exchange; securities lending; securities deposit services; safe deposit services for valuables; foreign currency exchange services; trusteeship of financial futures contracts; trusteeship of money, securities, personal property and land; foreign exchange transactions; issuing of letters of credit; brokerage services relating to hire-purchase; trading of securities and bonds; trading of securities index futures for others; trading of securities options for others; agencies for brokerage of securities, securities index futures, securities options and foreign market securities futures; trading of securities and securities index futures in overseas markets; securities underwriting; stock exchange quotations; life insurance brokerage; life insurance underwriting services; brokerage of non-life insurance; claims adjustment for non-life insurance; non-life insurance underwriting; insurance premium rate computing; management of buildings; land management; real estate brokerage, management and appraisal services; real estate services relating to the sale, purchase and leasing of real estate; providing real estate information relating to property and land; used automobiles appraisal; rental of paper money and coin counting machines.

37 – Shipbuilding; repair or maintenance of vessels; aircraft maintenance or repair; repair of bicycles; repair or maintenance of automobiles; repair or maintenance of railway rolling stocks; repair or maintenance of two-wheeled motor vehicles; repair or maintenance of computers; repair or maintenance of electronic machines and apparatus; repair or maintenance of telecommunication machines and apparatus; repair or maintenance of measuring and testing machines; repair or maintenance of sewing machines; repair or maintenance of mechanical parking systems; repair or maintenance of bicycle parking apparatus; rental of car washing apparatus; rental of dish drying machines for restaurants; rental of dish washing machines for industrial purposes.

38 – Telecommunication (other than broadcasting); wireless mobile phone services; telex services; providing telecommunications connections to a global computer network; telegraph services; communications by telephone; facsimile transmission; radio paging services; transmission of sound, images and text data over the Internet; electronic bulletin board services over the Internet (telecommunications services); communications by telephone using Internet lines; computer aided transmission of messages; providing information relating to data communications

(including provision of information via wireless or cable communication networks); communications via satellite; electronic mail; providing telecommunications connections via computer terminals; value-added network communications; broadcasting; television broadcasting; cable television broadcasting; radio broadcasting; news agencies; rental of telecommunication equipment.

39 – Car transport; provision of road and traffic information; chauffeur services; ship transport; electricity distribution; car parking; car rental; rental of vessels; rental of bicycles; rental of aircraft; rental of mechanical parking systems; rental of wheelchairs; conducting of travel tours; travel tour guide services; travel arrangement and reservation services excluding those for lodging.

40 – Treatment or processing of cloth, clothing or fur; custom tailoring; embroidery services; metal treating; electroplating; millworking; annealing; metal tempering; hot dipping; processing of rubber; processing of plastic materials; woodworking; paper treating; food smoking; freezing of foods; fruit crushing; processing of foodstuffs for use in manufacture; engraving of sealing stamps; rental of machines and apparatus for treating textiles; rental of metal treating machines and tools; rental of chemical processing machines and apparatus; printing; offset printing; photogravure printing; silkscreen printing; lithographic printing; digital printing; letterpress printing; rental of sewing machines; rental of air-conditioning apparatus for household purposes; rental of humidifier for household purposes; rental of air purifiers for household purposes; rental of electricity generators.

41 – Educational and instruction services; educational and instruction services relating to arts and crafts; educational and instruction services relating to sport; educational and instruction services relating to music and dance; educational and training services relating to games; educational services provided by schools; provision of educational examinations and tests; provision of educational information; arranging and conducting of seminars; providing electronic publications from a global computer network or the Internet, not downloadable; reference libraries of literature and documentary records; art exhibitions; museum services; publication of books; organization of entertainment shows; organization of shows and concerts; organization, presentation and production of shows and live performances; cinema presentations; motion picture film production; distribution of motion picture films; providing on-line videos, not downloadable; live entertainment; organization, arranging and conducting of sports competitions; organization, arranging and conducting of professional golf tournaments or competitions; organization, arranging and conducting of soccer games; organization, arranging and conducting of sumo

wrestling competitions; organization, arranging and conducting of boxing matches; organization, arranging and conducting of baseball games; organization of entertainment events; arranging of design contests; conducting of film festivals; arranging award ceremonies and gala evenings for entertainment purposes; organization of competitions and award ceremonies; organization of automobile races; providing sports facilities; providing amusement facilities; providing theatre and cinema facilities; music-halls; providing exhibition facilities for photographs, paintings and works of art; organization and presentation of shows, competitions, games, concerts and entertainment events; provision of entertainment; recording, production and distribution of films, video and audio recordings, radio and television programs; providing on-line images, videos, music and games, not downloadable, from a computer network.

42 – Providing weather information; architectural design; surveying; design services; computer programming; research for the pharmaceutical industry; laboratory research in the field of cosmetics; technical research in the field of food; conducting technical project studies for construction projects; research in the field of prevention of pollution; testing or research on electricity; testing or research on civil engineering; engineering research; calibration (measuring); mechanical research; rental of measuring apparatus; rental of computers; providing computer programs designed to the specifications of others; rental of laboratory apparatus and instruments.

43 – Providing temporary accommodation; agency services for the reservation of temporary accommodation; providing food and drink; bar services; cafe, cafeteria and restaurant services; boarding for animals; preschooler and infant care at daycare centers; retirement homes; providing day care services for adults and children; providing conference rooms; providing facilities for exhibitions; rental of futon and quilts; rental of coffee extractor for industrial purposes; rental of cooking equipment for industrial purposes; rental of coffee services (tableware); rental of non-electric cooking heaters; rental of kitchen worktops; rental of kitchen sinks; rental of curtains for hotels; rental of beds; rental of furniture; rental of wall hangings for hotels; rental of floor coverings for hotels; rental of towels for hotels.

44 – Beauty salons; barber shop services; provision of bath houses; garden or flower bed care; garden tree planting; fertilizer spreading; weed killing; vermin exterminating for agriculture, horticulture or forestry; aromatherapy services; massage and therapeutic shiatsu massage; chiropractics; moxibustion; treatment of dislocated joints, sprains or bone fractures; acupuncture; medical services; provision of medical information; physical examination; dental clinic services; preparation and dispensing of me-

dication; physical rehabilitation; providing physical rehabilitation facilities; dietary and nutritional guidance; animal breeding; veterinary services; animal grooming; nursing care; rental of potted plants; farming equipment rental; rental of machines and apparatus for use in beauty salons or barbers' shops; rental of lawnmowers.

45 – Rental of safes; consultancy services in the field of personal fashion; information relating to fashion coordination services for individuals; proxy services for application for automobile inspection; legal services relating to copyright licensing; security services relating to vehicles; stolen vehicle recovery services; stolen vehicle tracking; baggage inspection for security purposes; security guarding for facilities; personal body guarding; pet sitting; baby sitting; caring for babies (excluding services provided at facilities); clothing rental; rental of electric monitoring apparatus; rental of safety equipment; rental of anti-theft alarms for vehicles; rental of anti-intrusion alarms; rental of security surveillance apparatus; rental of protective clothing and equipment; rental of disaster prevention device; rental of fire alarms; rental of fire extinguishers.

(260) AM 2017 86221 A*

(800) 1287123

(891) 2015 10 22

(731) ZIYLAN MAĞAZACILIK VE
PAZARLAMA ANONİM ŞİRKETİ
Merkez Mahallesi Taşocağı, Caddesi No.24
K.3, Mahmutbey, İstanbul, Turkey

(540)

TRAVELSOFT 24hs

(591) black,white,zed

(511)

25 – Inner and outer clothing made from all kinds of material, except clothing for protective purposes, namely, socks, scarfs, mufflers, shawls, bandanas, belts as clothing accessories, headgear, namely, hats, caps, bonnets; footwear, namely, shoes, slippers, sandals.

(260) AM 2017 87235 A

(800) 1297091

(891) 2016 03 11

(731) SMITH ANDERSON ENTERPRISES, INC.
1004 Clinton Street, Napa CA 94559, USA

(540)

STONEHEDGE



(591) Black, white
(511)
33 – Wine.

(260) AM 2017 87518 A
(800) 1298794
(891) 2016 03 15
(731) BEAUTE PRESTIGE INTERNATIONAL
(société anonyme)
28-32, avenue Victor Hugo, F-75116 PARIS,
France
(540)



(591) Black, white
(554) Three-dimensional
(511)
3 – Perfumes; toilet water; eaux de parfum; deodorants for personal use; essential oils for personal use; oils for cosmetic use; liquid soaps; cleansing milk for toilet purposes; cosmetic creams; lotions for cosmetic use; cosmetic products for personal use; make-up removing lotions; cosmetic preparations for baths; cosmetic preparations for slimming; cosmetic skin-tanning preparations; beauty masks; bath and shower gel; bath foams; after-shave lotions; after-shave balms; hair lotions; hair care preparations; non-medicated hair shampoos.

(260) AM 2017 87519 A
(800) 1298855
(891) 2015 12 30
(731) SOLITON SYSTEMS KABUSHIKI KAISHA
Shinjuku, Shinjuku-ku, 2-4-3, Tokyo
160-0022, Japan
(540)

Soliton

(591) Black, white
(511)
9 – Scientific, nautical, surveying, photographic, cinematographic, optical, weighing, measuring, signaling, checking, life-saving and teaching apparatus and – instruments; apparatus and instruments for conducting, switching, transforming, accumulating,

regulating or controlling electricity; apparatus for recording, transmission or reproduction of sound or images; magnetic data carriers, recording discs; compact discs, DVDs and other digital media; mechanisms for coin-operated apparatus; cash registers, calculating machines, data processing equipment and computers; software; fire extinguishers; computer hardware; information technology and audiovisual equipment; encoders; computer network and data communication equipment; network routers; network servers; network cards; network centers; adapters for computer networks; network control equipment; computer programs for network management; safety, security, protection and signaling devices; peripheral devices for use with computers; software for setting up of computer networks; software for protecting computer networks; software for facilitating the use of a global multi-user computer information network; firewall software; software for use in accessing, updating, editing, modifying, organizing, storing, backing up, synchronizing, transmitting and sharing data, documents, files, information and multimedia content via a global computer network.

42 – Scientific and technological services and research and design relating thereto; services in the field of industrial analysis and research; design and development of computer hardware and software; IT programming services and information technology [IT] consulting services; providing temporary use of non-downloadable software applications, accessible via a website; providing of online non-downloadable operating software for computer networks and servers; providing temporary use of online non-downloadable operating software for accessing and using cloud computing networks; development of software for securing network operations; consultancy in the field of computers; consultancy, testing, research and advisory services in the field of risk, vulnerability analysis and security of computers, computer systems and computer networks; hosting services and the provision of software and software applications for third parties; technical support services relating to computer hardware, software and network problems; detection of hardware, software and network problems; maintenance of software; online information and advisory services relating to security software for computers and computer hardware; development of software for third parties in the field of computers, computer systems and electronic communications networks; automatically updating of software.

(260) AM 2017 87526 A
(800) 928767
(891) 2016 03 22
(731) JABLON, SIMON
51 Calthorpe Street, London WC1X 0HH,
United Kingdom

(540)

LINDA FARROW

(511)

9 – Frames for optical apparatus, sunglass frames; driving glasses, sunglasses.

(260) AM 2017 87536 A

(800) 1298388

(891) 2016 01 15

(731) ESET, spol. s r.o.

Einsteinova 24, SK-851 01 Bratislava, Slovakia

(540)



(591) White and green

(511)

9 – Software; software for data protection; antivirus software; security software; privacy protection software; software for diagnostics and troubleshooting; software packages; software applications; application software for cloud computing services; software development tools; apparatus and instruments for data processing and accessories (electrical and mechanical); computers; computer components and parts; peripherals adapted for use with computers; electronic publications, downloadable.

42 – Software creation; software design; software development; software research; software installation; software updating; software maintenance; computer firewall services; computer virus protection services; software rental; software as a service [SaaS]; software engineering; providing computer and software consultancy; consultancy in the field of security software; troubleshooting of software problems [technical support]; technical consultancy relating to the application and use of software; providing information in the field of software; computer rental; rental of computer peripherals; professional consultancy relating to data processing.

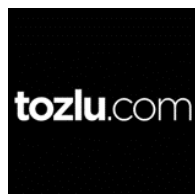
(260) AM 2017 87537 A

(800) 1298391

(891) 2015 12 21

(731) TOZLU TEKSTİL KONFEKSİYON İNŞAAT
TURİZM GIDA TARIM HAYVANCILIK
SANAYİ VE TİCARET LİMİTED ŞİRKETİ
Sabanoğlu Mh. Atatürk Bulvarı No:286/B,
Tekkeköy, TR-55030 Samsun, Turkey

(540)



(591) black and white

(511)

25 – Clothing, namely, pullovers; skirts; dresses; blouses; jeans; trousers; jackets; coats, raincoats, anoraks; sportswear, namely, shirts, shorts, pants and jackets; shirts; T-shirts; sweatshirts; beach clothes, namely, bathing suits and beach cover-ups; shorts; knitwear, namely, shirts, shorts, sweaters and scarves; overalls; underclothing; bodices; brassieres; camisoles; underpants; dressing gowns; bath robes; bathing suits; pyjamas; gloves (clothing); ski suits; headgear, namely, hats, caps, knitted caps, berets; footwear, namely, shoes excluding orthopaedic shoes, slippers, boots, sandals, beach shoes, sports shoes, lace boots and parts thereof; shoe parts, namely, heelpieces; heels; footwear uppers; stockings; belts (clothing); ties; neckties; shawls; scarves; mufflers; neck scarves; sarongs; collars for dresses; maniples; muffs; suspenders; braces for clothing; garters; bandanas; headbands.

35 – Advertising, marketing and public relations; organization of exhibitions and trade fairs for commercial or advertising purposes; office functions; secretarial services; arranging newspaper subscriptions for others; compilation of statistics; rental of office machines; systemization of information into computer databases; telephone answering for unavailable subscribers; business management, business administration and business consultancy; accounting; commercial consultancy services; personnel recruitment, personnel placement, employment agencies, import-export agencies; temporary personnel placement services; auctioneering; the bringing together, for the benefit of others, of a variety of goods, namely, bleaching and cleaning preparations, detergents other than for use in manufacturing operations and for medical purposes, laundry bleach, fabric softeners for laundry use, stain removers, dishwasher detergents, perfumery, cosmetics, fragrances, deodorants for personal use and animals, soaps, jewellery, imitation jewellery, gold, precious stones and jewellery made thereof, cufflinks, tie pins, statuettes and figurines of precious metal, clocks, watches and chronometrical instruments, chronometers and their parts, watch straps, goods made of leather, imitations of leather or other materials, designed for carrying items, included in this class, bags, wallets, boxes and trunks made of leather or stout leather, keycases, trunks [luggage], suitcases, umbrellas, parasols, sun umbrellas, walking sticks.

(260) AM 2017 87538 A

(800) 1298471

(891) 2016 04 06

(731) DAVID AND LILY PENN, INC.

1021 Wayzata Blvd, Suite 250, Minnetonka
MN 55305 1021 Wayzata Blvd, Suite 250,
Minnetonka MN 55305 (United States of
America), USA

(540)

GOPRO

(511)

12 – Tires.

(260) AM 2017 87634 A

(800) 889526

(891) 2016 05 06

(731) SOCIETE CIVILE DE CHATEAU
LEOVILLE LAS CASES
Château Leoville Las Cases F-33250
SAINT-JULIEN-BEYCHEVELLE,
France

(540)

LEOVILLE LAS CASES

(511)

33 – Wines.

(260) AM 2017 87637 A

(800) 1299490

(891) 2016 03 01

(731) HARIBO HOLDING GMBH & CO. KG
Hans-Riegel-Straße 1, 53129 Bonn, Germany

(540)

HARIBO

(591) black and white

(511)

30 – Confectionery.

(260) AM 2017 87638 A

(800) 1299513

(891) 2015 09 29

(731) LENOVO (BEIJING) LIMITED
No.6 Chuangye Road, Shangdi Informatlon
Industry Base, Haidian District, 100085
Beijing, China

(540)

Lenovo

(511)

9 – Batteries; battery chargers; accumulators; photographic and digital cameras; computer hardware; computer peripheral equipment; computers; computer servers; desktop computers; laptop computers; notebook computers; tablet computers; mobile personal computers; computer keyboards; computer mice; computer monitors; computer displays; computer game software and programs; computer storage apparatus; routers; blank and encoded integrated circuits and chip cards; electronic information storage server systems for use in enterprise storage application, in network storages, network attached storages and storage area networks, consisting of computer

hardware, computer peripherals, and operating system software; handheld, mobile and wearable digital electronic devices, capable of providing access to the internet, for the sending and receiving of telephone calls, electronic mail and other data and digital media, including mobile telephones, smart phones, smart watches, smart watch phones and accessories therefor; modems; CD-ROMs; compact disc recorders and players; power adapters; ink jet printers; printers for use with computers; protective covers for laptop computers and tablet computers; scanners for use with data processing equipment and computers; televisions, including smart TVs and accessories in the nature of set-top boxes, gamepads, 3D glasses and remote controls all for use with televisions; apparatus for recording, transmission and/or reproduction of sounds, images or other data; apparatus, instruments and materials for transmitting and/or receiving and/or recording sound and/or images; audio components and accessories; carrying cases, sacks and bags, all for use with computers and portable handheld digital electronic devices; computer hardware and software for the reproduction, processing and streaming of audio, video and multimedia content; computer hardware and software for controlling the operation of audio and video devices and for viewing, searching and/or playing audio, video, television, movies, photographs and other digital images and other multimedia content; earphones; headphones; built-in wireless audio and video receivers and electronic docking stations for use with electronic book readers, tablet computers, MP3 players, MP4 players, mobile phones and smart phones; portable listening devices, namely CD players, digital and analog cassette decks, digital recorders and playback equipment for personal use; single crystal silicon in the form of wafers, chips and unformed for use for scientific purposes and semiconductor use; integrated circuits; computer communications software for connecting computer network users and global computer networks; computer communications software to allow customers to access account information and business transactions; computer e-commerce software to allow users to perform electronic business transactions via a global computer network; computer game software; computer graphics software; computer software for graphics arts, animation and manipulation of images; computer screen saver software; computer search engine software; computer software for use in database management, for use as a spreadsheet, for word processing, for accounting, for business development, for customer service in a wide variety of fields that may be downloaded from a global computer network; computer software development tools; computer software for accessing information directories that may be downloaded from the global computer network; computer software for application and database integration; computer system integration; computer

software for creating searchable databases of information and data; computer software for the collection, editing, organizing, modifying, book marking, transmission storage and sharing of data and information; computer software for communicating with users of hand-held computers; computer software that assists computers in deploying parallel applications and performing parallel computations; computer software to automate data warehousing; computer software to control and improve computer and audio equipment sound quality; computer software to enhance the audio-visual capabilities of multimedia applications, namely for the integration of text, sound, graphics, still images and moving pictures; computer software, namely an application allowing sales and field service employees to update and receive data stored in an enterprise's computer databases in real time, using a mobile device, with full integration of the phone and/or software features of the mobile device; computer telephony software; computer software for use with a global positioning system (GPS); computer application software for mobile phones, portable media players and handheld computers, namely software for use in voice recognition; computer software for creating, authoring, distributing, downloading, transmitting, receiving, playing, editing, extracting, encoding, decoding, displaying, storing and organizing text, data, graphics, images, audio, video and other multimedia content, electronic publications and electronic games; computer software for use in recording, organizing, transmitting, manipulating and reviewing text, data, audio files, video files and electronic games in connection with computers, televisions, television set top boxes, audio players, video players, media players, telephones and handheld digital electronic devices; computer software for instant messaging, sending and receiving emails and contact information, schedule sharing, content sharing, playing, sharing and managing multimedia files, recording, organizing, transmitting, manipulating and reviewing text, audio files, video files and computer game programs in connection with television apparatus, computers, music players, video players, media players and mobile phones; computer software and hardware for managing networking devices and computers; computer software and hardware for the management, control and networking of servers; computer software for use with computer servers, data storage devices and computer memory devices; operating systems software; computer software for systems administration; software for managing the network configurations of a network entity based on the location of a computational entity in the network; computer software for performing automatic communications switching in computer networks; network interface modules for servers, switch modules, transceivers and computer accessories; software used in a networked computer server environment to avoid down-

times and maintain the integrity of the networked computer and switching/routing devices so as to ensure the robustness and performance of the networked system by automating the configuration of components in the networked computer server environment; computer hardware and software for controlling the operation of or execution of programs and networks for server systems and workstations; computer switches that enable enhanced input/output (I/O) for an entire rack of computer servers; computer switches consisting of hardware and software and capable of facilitating or enabling virtual servers and virtual computers through software or hardware design; electrical and electronic connectors, couplers, wires, cables, chargers, docks, docking stations, interfaces and adapters for use with all the aforesaid goods; portable digital electronic devices and software related thereto; software for telecommunication and communication via local or global communications networks, including the internet, intranets, extranets, television, mobile communication, cellular and satellite networks; user manuals in electronically readable, machine readable or computer readable form for use with and sold as a unit with all the aforementioned goods; mobile telephone cases and mobile telephone holders; smartwatches enables for wireless communications with electronic terminals such as smart phones, tablet computers, PDAs and computers.

14 – Watches; watch straps; watch bands; chronoscopes; clocks; parts for watches, clocks and horological and chronometric instruments; cases for watches, clocks and horological and chronometric instruments; bracelets [jewelry] incorporating functions of watches, speed sensors, pace counters, measurements of calorie consumption, distances, momentum, heartbeat measuring monitors, built-in pedometers; watch cases; watch glasses; parts and fittings for all the aforesaid goods; key fobs.

18 – Back packs, ruck sacks, bags, suitcases, leather shoulder belts, key cases, luggage tags, all aforementioned goods of leather or imitation leather.

35 – Online retail services provided via a global computer network featuring computer hardware, computer software, computer peripherals, consumer electronics, telecommunications apparatus, mobile phones, handheld and mobile digital electronic devices, accessories, peripherals and carrying cases for such devices and demonstration of such products; retail services featuring computer hardware, computer software, computer peripherals, consumer electronics, telecommunications apparatus, mobile phones, handheld and mobile digital electronic devices, accessories, peripherals and carrying cases for such devices and demonstration of such products; computerized data retrieval services for digital text, data, images, audio and video works.

36 – Financial services including but not limited to credit services related to the acquisition of goods; extension of retail credit services for the purchase of computers, consumer electronics and related accessories; financing services; lease-purchase financing services; payment services; providing and underwriting warranty and extended warranty contracts.

37 – Maintenance, installation and repair of computer hardware, computer peripherals, consumer electronic devices, electric appliances, office machines as well as telephonic and photographic equipment and apparatus; maintenance of computer hardware for use in networking computing.

38 – Communication and telecommunication services; communication by computer terminals; computer aided transmission of messages and images; providing telecommunication connections to a global computer network; electronic transmission of streamed and downloadable audio and video files via computer and other communications networks; provision of connectivity services and access to electronic communications networks, for transmission or reception of audio, video or multimedia content; provision of telecommunications connections to electronic communication networks for transmission or reception of audio, video or multimedia content; provision of telecommunications access and links to computer databases and the internet; electronic transmission of computer software for smart phones, mobile phones and handheld electronic devices via the internet and other computer and electronic communication networks; information, advisory and consultancy services relating to all the aforesaid services.

41 – Education services, providing of training, instruction and entertainment relating to computers, computer software, multimedia products, interactive products and online services, telecommunication apparatus, mobile phones, handheld and mobile digital electronic devices; workshops, conferences and seminars in the field of computers, computer software, online services, information technology, website design and consumer electronics; arranging professional workshops and training courses; computer education training services; arranging and conducting of commercial, trade and business conferences; arranging and conducting of exhibitions, workshops, seminars and video conferences; providing electronic publications for browsing and downloading via computer networks, namely books, pamphlets, brochures, newsletters, journals and magazines relating to computer hardware, computer software, mobile phones, smart phones, handheld and mobile electronic devices.

42 – Computer consultancy services; computer hardware and software design, editing, updating, testing, research and advisory services; consulting services in the field of design, selection, implementation and use of computer hardware and software systems for

others; computer software design; computer system design; computer system analysis; planning, designing, implementing and developing computer networks for others; design, installation, interconnection, testing and maintenance of computer software for use in network computing; computer system and computer network integration; development of a server architecture consisting of computer hardware, computer software, semiconductors and electronic devices and creating framework conditions for designing, developing, managing and providing computer hardware, computer software, semiconductors and electronic devices; installation and maintenance of computer software; development and maintenance of computing network software for others; recovery of computer data; updating computer software for others; computer and consumer electronic diagnostic services; computer programming services; scientific and technological services in the fields of computer hardware, computer software, computer peripherals, portable and/or electronic devices, communications and information technology and research and design relating thereto; providing consulting services and technical support services, namely troubleshooting support for computers, computer hardware, computer peripherals, servers, network equipment, computer software and consumer electronic devices, including handheld mobile digital electronic devices; computer consultation services for determining the compatibility of computer hardware and computer software; computer consultation services for computer hardware and computer software for use in the field of heat exchangers and thermal management; technological consultation services in the field of design, selection, implementation and use of heat exchangers and thermal management systems; computer services, namely creating an online community for registered users to participate in discussions, share recommendations, get feedback from their peers, from virtual communities and engage in social networking; design, development, maintenance and management of application software for mobile phones, computers, TVs and consumer audio and video electronics; maintenance, repair and updating of computer operating system software; computerized data storage services for digital text, data, images, audion and video works.

(260) AM 2017 87644 A

(800) 1299630

(891) 2015 12 29

(731) SOLITON SYSTEMS KABUSHIKI KAISHA
Shinjuku, Shinjuku-ku, 2-4-3, Tokyo
160-0022, Japan

(540)

SOLITON SYSTEMS

(511)

9 – Scientific, nautical, surveying, photographic, cinematographic, optical, weighing, measuring, signaling, checking, life-saving and teaching apparatus

and – instruments; apparatus and instruments for conducting, switching, transforming, accumulating, regulating or controlling electricity; apparatus for recording, transmission or reproduction of sound or images; magnetic data carriers, recording discs; compact discs, DVDs and other digital media; mechanisms for coin-operated apparatus; cash registers, calculating machines, data processing equipment and computers; software; fire extinguishers; computer hardware; information technology and audiovisual equipment; encoders; computer network and data communication equipment; network routers; network servers; network cards; computer network equipment; adapters for computer networks; network control equipment; computer programs for network; safety, security, protection and signaling devices; peripheral devices for use with computers; software for setting up of computer networks; software for protecting computer networks; software for facilitating the use of a global multi-user computer information network; firewall software; software for use in accessing, updating, editing, modifying, organizing, storing, backing up, synchronizing, transmitting and sharing data, documents, files, information and multimedia content via a global computer network.

42 – Technical support services relating to computer hardware, software and network problems; detection of hardware, software and network problems; maintenance of hardware, software and computer networks; online information and advisory services relating to security software for computers and computer hardware; automatically updating software; scientific and technological services and research and design relating thereto; services in the field of industrial analysis and research; design and development of computer hardware and software; information technology programming services and information technology consulting services; providing temporary use of non-downloadable software applications, accessible via a website; providing of online non-downloadable operating software for computer networks and – servers; providing temporary use of online non-downloadable operating software for accessing and using cloud computing networks; development of software for the secure network operations; consultancy in the field of computers; consultancy, testing, research and advisory services in the field of risk, vulnerability analysis and computer security, computer systems and computer networks; hosting services and the provision of software and software applications for third parties; development of third-party software in the field of computers, computer systems and electronic communications networks.

(260) AM 2017 87647 A
(800) 859150
(891) 2016 05 06

(731) APPLE INC.
1 Infinite Loop, Cupertino, CA 95014, USA
(540)

APPLE

(511)
40 – Treatment of materials, namely developing of photographic film; electronic recording of photographic images; enlarging of photographic prints; photographic film developing; photographic film printing; photographic image processing; photographic printing; photographic reproduction; transfer of photographs on to compact disc or video tape; online processing, developing and delivery of digital images; online printing of digital images onto photographic paper, photographic books or merchandise; advisory and consultancy services relating to all the aforesaid.

(260) AM 2017 87648 A
(800) 990737
(891) 2016 03 14
(731) PLEURAN, s.r.o.
Peterská 16A, SK-821 03 Bratislava, Slovakia
(540)

Imunoglukan P4H

(511)
5 – Dietary supplements intended to strengthen the immune system; dietetic preparations for medical use; food preparations for medical use; pharmaceuticals for human medicine.

29 – Food supplements containing extracts of fungus enriched by vitamins, minerals or trace elements for non-medical use.

35 – Middleman services in business affairs concerning the goods mentioned in classes 5 and 29.

(260) AM 2017 87661 A
(800) 1299303
(891) 2015 10 23
(731) CHINA BEIJING TONG REN TANG
GROUP CO., LTD.
No. 52, Dongxinglong Street, Chongwen
District BEIJING 100062, China
(540)



(591) Bblack,white
(511)

5 – Vitamin preparations; cod liver oil; tonics, namely medicines; royal jelly for pharmaceutical purposes; medicines for human purposes; medicinal

drinks; dietary fiber; propolis for pharmaceutical purposes; ginseng granule powder to make drinkable solution for medical purposes; ginseng for medical purposes; medicated candy; diabetic bread adapted for medical use; gum for medical purposes; dietetic foods adapted for medical purposes; dietetic beverages adapted for medical purposes; dietetic substances adapted for medical use; mineral food supplements; nutritional supplements; food for babies; milk powder for babies.

35 – Import-export agencies; auctioneering; sales promotion for others; procurement services for others, namely purchasing goods and services for other businesses; marketing; telemarketing services; providing on-line marketplaces for buyers and sellers of goods and services; advertising; providing business information via a website; retail or wholesale services for medical, hygiene preparations and medical instruments.

36 – Health insurance underwriting; accident insurance underwriting; actuarial services; insurance brokerage; insurance underwriting; fire insurance underwriting; marine insurance underwriting; life insurance underwriting; insurance consultancy; insurance information.

44 – Medical clinic services; chiropractics; hospitals; health care; medical assistance; physical therapy; telemedicine services; pharmacists' services to make up prescriptions; alternative medicine services; convalescent homes.

(260) AM 2017 87664 A

(800) 1299324

(891) 2016 01 25

(731) JEAN CASSEGRAIN

12 rue Saint-Florentin, F-75001 PARIS,
France

(540)

LONGCHAMP

(511)

4 – Candles; perfumed candles; oils and greases for shoes and leather.

9 – USB flash drives; covers for mobile telephones; covers for laptop computers; spectacles [optics]; sunglasses; spectacle cases; containers for contact lenses; spectacle frames; carrying cases for computers.

14 – Precious metals and their alloys; jewelry; jewelry products; rings (jewelry); jewelry cases [caskets]; boxes of precious metal; watch cases; earrings; cuff links; bracelets; watch straps; charms; amulets; brooches; chains; key rings [trinkets or fobs]; necklaces; presentation cases for timepieces; pins (jewelry); tie pins; tie clips; precious stones; timepieces and chronometric instruments; watches; cases for timepieces.

16 – Precious metals and their alloys; jewelry; jewelry products; rings (jewelry); jewelry cases [caskets]; boxes of precious metal; watch cases; earrings; cuff links; bracelets; watch straps; charms; amulets; brooches; chains; key rings [trinkets or fobs]; necklaces; presentation cases for timepieces; pins (jewelry); tie pins; tie clips; precious stones; timepieces and chronometric instruments; watches; cases for timepieces.

18 – Precious metals and their alloys; jewelry; jewelry products; rings (jewelry); jewelry cases [caskets]; boxes of precious metal; watch cases; earrings; cuff links; bracelets; watch straps; charms; amulets; brooches; chains; key rings [trinkets or fobs]; necklaces; presentation cases for timepieces; pins (jewelry); tie pins; tie clips; precious stones; timepieces and chronometric instruments; watches; cases for timepieces.

22 – Protective fabric covers for storing handbags when not in use.

25 – Clothing for men, women and children; coats, gloves (clothing); neckties; scarves; sashes for wear; stoles; shirts; short-sleeve shirts; overalls; boots; half-boots; slippers; footwear; hats; caps; belts (clothing); swimwear (bathing suits).

34 – Smokers' articles.

35 – Advertising; commercial business management; commercial administration; office functions; retail sale, including on the Internet, of goods of leather or imitation leather, key cases (leather goods), cases for business cards (leather goods), cases and holders for credit cards (leather goods), handbags, shopping bags, school bags, bags for climbers, backpacks, shoulder bags, bags for campers, beach bags, garment bags, boxes of leather or leather board, evening handbags, sports bags (other than those adapted to products for which they are intended), traveling bags, traveling sets (leather goods) briefcases, packaging pouches of leather, wallets, coin purses not of precious metals, purses, satchels, luggage, trunks and suitcases, umbrellas, parasols, walking sticks, clothing for women, men and children, belts (clothing), neckties, gloves (clothing), stoles, scarves, sashes for wear, footwear (except orthopedic footwear), headgear, jewelry, timepieces and chronometric instruments, watches, stationery, office articles, printed matter; shop window dressing; organization of fashion shows for promotional purposes; demonstration of goods; direct mail advertising [leaflets, prospectuses, printed matter, samples]; dissemination of advertising material [leaflets, prospectuses, printed matter, samples]; market study; production of advertising films; computerized file management; commercial information via websites; publication of advertising texts.

(260) AM 2017 87665 A
 (800) 1299331
 (891) 2016 02 05
 (731) OSRAM GmbH
 Marcel-Breuer-Straße 6, 80807 München,
 Germany
 (540)

LEDVALUX

(511)
 9 – Apparatus and instruments for conducting, switching, transforming, accumulating, regulating or controlling electricity; lasers, not for medical purposes; light control systems; light emitting diodes (LED) also organic LEDs, laser diodes, especially power laser diodes, semiconductor power laser diodes for material processing, semi-conductor components, optical couplers, optical sensors, light barriers, LED modules (modules with light functions, constructed from light-emitting diodes, including organic light-emitting diodes), especially for lighting and signalling applications, displays in light-emitting diode technology (also in organic LED technology); parts for all the aforesaid goods, included in this class.

11 – Apparatus for lighting and lighting facilities, especially electric lamps and luminaries; lighting apparatus based on light emitting diodes (LED), also based on organic LEDs, LED lamps and LED luminaries and their parts; lighting facilities and their parts also on basis of LED; aforementioned goods also as compositions of lighting systems.

(260) AM 2017 87666 A
 (800) 1299340
 (891) 2016 04 08
 (731) SEASIDE LUXE, LLC
 1507 7th Street, #88 Santa Monica CA 90401,
 USA

(540)

MARIS COLLECTIVE

(511)
 35 – Distributorship services in the field of a wide variety of consumer goods of others, home decorative accessories, housewares, jewelry, clothing and fashion accessories.

(260) AM 2017 87668 A
 (800) 1299369
 (891) 2015 12 29
 (731) GAON SRL
 Via del Cottanello, 13, I-00158 ROMA, Italy

(540)

MESAUDA

(591) Black, white

(511)
 3 – Soaps, perfumes, essential oils, cosmetics, lotions for hair.

8 – Manually operated hand tools, cutlery, razors.

16 – Paint brushes for nail-art; decorators' paint brushes; drawing brushes.

21 – Combs, sponges, material for brush making; brushes; make-up brushes; paint brushes.

25 – Articles of clothing, shoes, headgear.

(260) AM 2017 87669 A
 (800) 1299409
 (891) 2016 01 28
 (731) TRANQUINI GMBH
 Schwindgasse 19/25, A-1040 Vienna, Austria
 (540)

FEEL TUNED IN

(511)
 32 – Non-alcoholic beverages, namely, fruit juices and fruit-based juices, relaxation drinks in the nature of carbonated and non-carbonated soft drinks containing calming agents.

(260) AM 2017 87670 A
 (800) 1299489
 (891) 2016 03 01
 (731) HARIBO Holding GmbH & Co. KG
 Hans-Riegel-Straße 1 53129 Bonn, Germany
 (540)



(591) Red and white

(511)

30 – Confectionery.

(260) AM 2017 87676 A
 (800) 1065519
 (891) 2016 03 14
 (731) ESENSA D.O.O.
 Slobodna Zona, Viline vode bb 11000
 BEOGRAD, Serbia
 (540)



(591) Dark blue, light blue and white
(511)
5 – A pharmaceutical preparation, nasal solution in the form of a spray.

(260) AM 2017 87680 A
(800) 1231964
(891) 2016 04 05
(731) HAGLEITNER HYGIENE
INTERNATIONAL GMBH
Lunastr. 5, A-5700 Zell am See, Austria
(540)

SENSE MANAGEMENT

(511)
9 – Testing apparatus not for medical purposes; computer software, recorded, computer operating programmes, recorded; computer programs (downloadable software); data processing apparatus; detectors; dosing apparatus, in particular for bleaching preparations and other substances for laundry use, soaps, shower gels, dishwashing liquids; interfaces (interface apparatus or windows programs for computers); measuring instruments; measuring instruments; transmitters of electronic signals; electric sensors; signalling apparatus and signal instruments; control instruments and control devices; apparatus and instruments for conducting, switching, transforming, accumulating, regulating or controlling electricity; compact discs, DVDs and other digital recording media; weighing apparatus and weighing instruments.

(260) AM 2017 87681 A
(800) 1272366
(891) 2016 03 16
(731) GILEAD SCIENCES IRELAND UC
IDA Business and Technology Park,
Carrigtohill Co. Cork, Ireland
(540)

RYMCIFIC

(511)
5 – Pharmaceutical preparations.

(260) AM 2017 87702 A
(800) 1299722
(891) 2016 01 22
(731) MONGE & C. S.P.A.
Via Savigliano, 31, I-12030 MONASTERO-
LO DI SAVIGLIANO (CN), Italy
(540)

Monge
BWild
FEED THE INSTINCT

(591) Black, white

(511)
31 – Animal foodstuffs.

(260) AM 2017 87704 A
(800) 1115597
(891) 2016 05 25
(731) GÜHRING KG
Herderstrasse 50-54, 72458 Albstadt,
Germany
(540)

Ratio

(511)
7 – Tools as parts of machines; machine tools for metal working.
37 – Repair, maintenance and care of tools.
40 – Material treatment, namely grinding and coating of tools.

(260) AM 2017 87705 A
(800) 1299736
(891) 2016 02 19
(731) MERKEZ BEBEK GEREÇLERI TEKSTİL
INSAAT SANAYI VE TICARET LIMITE
SIRKETI
Yunusemre Mah. Ordukaya Sk. No.9-11,
Yildirim/Bursa, Turkey
(540)

I ♥ Organic
KitiKate

(591) Black, white
(511)
25 – Clothing, including underwear and outerclot-
hing, other than special purpose protective clothing;
socks, mufflers [clothing], shawls, bandanas, scar-
ves, belts [clothing]; footwear, shoes, slippers, san-
dals; headgear, hats, caps with visors, berets, caps
[headwear], skull caps.

(260) AM 2017 87707 A
(800) 1118382
(891) 2016 05 25
(731) GÜHRING KG
Herderstrasse 50-54, 72458 Albstadt,
Germany
(540)

GTMS

(511)
9 – Data processing apparatus and computers as well
as their peripheral apparatus, interfaces for and parts
of computers (included in this class), computers
consisting of the aforementioned goods; data carriers

of all sorts provided with programmes (computer software), as well as operating software; electrical devices for remote control of administrative and industrial operations; computer software for the use and operation of an electronically operated tool output system for the stock control of tools and other consumable supplies, as well as peripheral apparatus, namely in form of screens and bar code readers.

39 – Transport services; storage of goods; services consisting of the delivery, storage and transport of tools.

42 – Technical consulting services in the field of tool design, engineering services, namely technical consultation in the field of tool engineering and design, namely, testing and evaluation of tools and equipment to improve performance and efficiency; design and development of computer hardware and software; computer programming and updating of computer software.

(260) AM 2017 87753 A

(800) 1212976

(891) 2016 05 18

(731) KINGFISHER FRANCE

Zone Industrielle, F-59175 TEMPLEMARS,
France

(540)

CASTO

(511)

1 – Fertilizers (natural and artificial), potting composts, manures, peats (fertilizers), soil enhancers, topsoil, water purification or softening preparations, chemicals for use in agriculture, horticulture and forestry, chemicals for use in industry, science and photography, scale-removing preparations other than for household use, chemical preparations for swimming pool water treatment, grafting wax for trees, degreasing preparations and detergents for use in manufacturing processes, wallpaper removal preparations, adhesives (finishers), wallpaper adhesives, tile adhesives, adhesives (glues) for use in industry, unprocessed plastics, fire extinguishing compositions, metal tempering and soldering preparations, tanning materials; substances for treatment against indoor and outdoor moisture for walls.

2 – Dyes, varnishes, paints and lacquers (except insulants), preservatives against rust and wood deterioration, dyestuffs, mordants (except for metals or seeds), raw natural resins, metals in foil and powder form for painters, decorators, printers and artists, coatings (paints), fireproof paints, bactericidal paints, vitrification preparations, surface coatings, base coatings for walls, paint thinners, lacquer thinners, dye thinners.

3 – Bleaching preparations and other substances for laundry use, cleaning, polishing, degreasing and ab-

rasive preparations; soaps, polish for furniture and flooring, floor waxes, polishing wax, abrasive substances except abrasive substances for dental use, rust removing products, scouring solutions, preparations for unblocking drain pipes, shampoos for floor coverings, stain removers, scale removing preparations for household use, detergents other than for medical use and those used in manufacturing processes, emery cloths, gum turpentine, paint stripping products, washing products, polishing paper, glass paper, degreasers other than for use in manufacturing processes.

4 – Industrial oils and greases, lubricants, dust-absorbing, wetting and binding compositions, fuels (including motor spirit) and illuminants, candles, lamp wicks, waxes for industrial use, waxes for lighting, waxes for belts, wood briquettes for barbecue use, wood charcoal (fuel), peat briquettes (fuel), wood charcoal (fuel).

5 – Weedkillers, anti-moss agents, fungicides, bactericides, insecticides, rodenticides, raticides, algicides, disinfectants for hygienic use, parasiticides, deodorants (other than for personal use); wall treatment agents namely fungicide, insecticide treatments.

6 – Ironmongery; pipes, partitions, assembly brackets, squares, hooks, belly bands, chains, gates, pulleys being parts of machines, padlocks, work benches, knobs (handles), pipes of copper, zinc, steel for water supply, drainage, hot water production, the treatment of water and gas supply, slabs, tiles, all made of metal.

7 – Watering pumps as machines, gas-operated welding apparatus; soldering irons, vacuum cleaners, window-washing apparatus, non-electric welding apparatus; drills, paint spray guns, swimming pool vacuums, swimming pool pumps, waste water lift pumps; electric welding apparatus; built-in dishwashers.

8 – Gardening tools, hoe-forks, hoes, grippers, pitchforks, rakes, spades, peat spades, shovels, pickaxes, scarifiers, edge cutters, sowers (tools), spreaders (tools), aerators, lawn rollers, edging trimmers, hand-operated lawnmowers, hedge trimmers, shears, shearing knives, lopping shears, pruning shears, billhooks, axes, grafting tools, DIY tools, perforating tools, pincers, pliers, wrenches (tools), assembling tools, hand jacks, scissors, strippers, scrapers, hammers, scraping tools, plumbing tools, insecticide sprayers (tools), knives (except electric and surgical knives), tiling tools, cutters, lawn rakes, cutting tools, hand-driven tools and instruments for treating floorings and floor coverings, barbecue cutlery (forks, spoons, and knives), hand tools, precision tools, tool belts; metal clips.

9 – Protective masks, gloves for protection against accidents, safety footwear, irrigation pumps namely

fire pumps, branch boxes, apparatus and instruments for controlling electricity, electric accumulators, connection apparatus for electric wiring, electrical extension cords, electro-valves, bells (warning apparatus), electric door bells, measuring and tracing instruments, CD-ROMs, DVDs (digital versatile discs); downloadable electronic publications.

11 – Apparatus and installations for lighting, heating, steam production, cooking, drying, water supply and sanitary installations, incinerators; composting grills, fountains, water filtering apparatus, apparatus and machines for purifying and softening water, ornamental fountains, barbecues, lava rocks for use in barbecue grills, barbecue grills, convectors, flares, portable lamps, bulbs, lamps, toilet tanks, water flushing installations, filters (parts of domestic or industrial installations), filters for swimming pools, water heaters, radiators, boilers, washbasins, faucets, bidets, bath tubs, showers, hand showers for hydrotherapy, spa and sauna bath installations, toilets (WC), sinks, humidifiers, cooker hoods, ventilation hoods, air-purifying apparatus and machines, air conditioning apparatus, ventilation apparatus, fans (air-conditioning), domestic chimneys and fireplaces, traps, warming racks for towels, lighting apparatus, light housings, built-in ovens, built-in refrigerators, cooking hobs; electric apparatus for the treatment of air; toilet (WC) accessories, namely lids and toilet seats; wall lights.

12 – Wheelbarrows, wheelbarrow tires, sack-barrows, garden carts.

16 – Books, pamphlets, paintbrushes, paint rollers, adhesives for stationery and household use, sealing wax, stencils, paintbrushes, wall stickers, paper or plastic garbage bags, cardboard boxes for moving; printed matter, posters, pamphlets, catalogs, printed matter, newspapers, periodicals, prospectuses, publications, journals (magazines), newsletters; magazines on paper, manuals, writing or drawing books, magazines; writing supplies; teaching material (except apparatus); index cards (stationery), sheets (stationery) and forms.

17 – Gum, sheets, plates and rods of plastic materials (semi-manufactured), stopping, packing and insulating materials, flexible non-metallic pipes, watering hoses, insulating felt, adhesive tape (other than for medical, stationery or household use), insulators, seals.

18 – Parasols.

19 – Building materials, natural and artificial stone, cement, statues and statuettes of stone, concrete or marble, felt for building, bridges made of wood, screen walls made of wood, building timber, lumber, semi-worked wood, manufactured timber, wood paneling, posts, basins (swimming pools), arbors, greenhouse frames, greenhouses, garden shelters, ca-

bins, play houses, sand boxes (for building), sand (excluding foundry sand), silos, reed lattices, coatings (building materials), tiles, terrace tiles, wall tiles, kitchen tiles, cross-heads for laying floor tiles, parquet flooring, laminated flooring, floors, slabs, wainscoting, roofing tiles, slate, chimneys, insulating glass, drainage grates, gutters, scaffoldings, staircases, framework for building, windows, roof windows, shutters, door blinds, not of metal, or of textile, hinges, non-metal gutters, cornices, moldings for cornices, angle irons, partitions, gates, garage doors, moldings, arbors (building), lattices, mesh, all not of metal; pergolas of wood.

20 – Stepladders, steps, baskets, hinges, hinge-pins, all these goods not of metal, valves (other than machine parts), wood baskets, ladders of wood or plastic, furniture including garden furniture, bathroom and kitchen furniture, kitchen counter tops, mirrors (looking glasses), frames, decorative items of wood, plaster or plastic namely statues, statuettes, pans, baskets; bars, rings, hooks, curtain tie-backs, rollers, curtain rails, blinds, curtain holders not of textile materials, boxes, cases of wood or plastic, plastic boxes, fittings for windows, furniture, doors, picture frame brackets, doors for furniture, moldings for picture frames, latches, knobs (handles) of plastic, kennels for household pets, racks (shelves), shelves for storage, racks (furniture), bookcases, caissons, panels and shelves for fitting out cupboards and walk-in closets, rattan, tool holders (sets), plant stands, statues or statuettes of wood, wax, plaster or plastic, pedestals, vats, thermometers (not for medical use), wall-papering tables, work benches, furniture pads and stands, waxcomb for beehives, curtain rods, door handles of wood, serving tables for gardens, plant stands, flower boxes, letterboxes (not of metal or masonry), display stands, trestles, goods of wood, cork, reed, cane, wicker, horn, bone, ivory, whalebone, shell, amber, mother-of-pearl, meerschaum, substitutes for all these materials, or of plastics, namely works of art, busts, filing cabinets, casings of wood, wastebaskets, coat hangers, wickerwork goods, mobiles (decorative objects) and figurines (statuettes); packaging containers of wood or plastic; display stands of metal; metal curtain rods; flower stands, basins, porcelain door handles, knobs (handles) of porcelain; blinds of textile.

21 – Brushes, brush-making materials, instruments and articles for cleaning purposes, unworked and semi worked glass, brooms, trash cans, boot jacks, fly swatters; insect traps, pottery, vases not of precious metal, pots, tubs (for plants), covers (not of paper) for flower pots, basins (bowls), feeding troughs, porcelain, earthenware or glass statues and statuettes, watering devices, nozzles for sprinkler hoses, sprinklers, watering cans, pipe guides, buckets, non-electric apparatus for wax-polishing, clothes racks for drying, plant holders, gardening gloves, dishes for

soap, toothbrush holders, tumblers, porcelain or ceramic boxes and containers for wash-up rooms, non-heated towel holders, toilet (WC) accessories, namely stands for toilet paper rolls, brushes, brush pots, grills (cooking utensils), utensils and containers for household or kitchen use (not of precious metal, nor plated therewith), combs and sponges, steel wool; non-metal containers for household or kitchen use; decorative items of wood, plaster, or plastic, namely vases; non-electric wall fittings (candelabra, candlesticks).

22 – Ropes (neither of rubber, nor intended as strings for rackets or musical instruments), strings, tents, tarpaulins (neither as safety tarpaulins, nor as pushchair covers), bags for the transport and storage of merchandise in bulk, gardening cords, belts for handling loads, protective netting and films for crops; protective netting and film for crops, cushions, garden furniture.

23 – Yarns and threads for textile use.

24 – Felt, mosquito nets, tablecloths (not of paper), textile wall hangings and coverings, textile curtains and veiling.

25 – Aprons, clothing for DIY and gardening, shoes and boots (except for medical use).

26 – Artificial flowers, artificial plants.

27 – Carpets, rugs, mats and matting, linoleum and other materials for covering existing floors, non-textile wall hangings, foot-scrapers, non-slip carpets, wallpaper, non-textile floor and wall coverings.

28 – Swing sets, slides, gymnastics apparatus, swings, basketball baskets, swimming pools, outdoor games, Christmas tree decorations (except lighting and sweets), hoop nets.

31 – Agricultural, horticultural and forestry products and seeds, neither processed (except peppers), seeds (grains), live plants (except peppers) and natural flowers, nursery garden plants (except peppers), raw barks, unsawn timber, dried flowers for decoration.

35 – Advertising, catalog-based advertising, direct mail advertising (leaflets, prospectuses, printed matter, samples), organization of trade fairs for business purposes, demonstration of goods, presentation of goods and services on all communication media for the exchange of skills in DIY, building, exterior and interior decoration, gardening, architecture, leisure, tools, planning, equipment and home maintenance and for the retail of second hand goods, namely books, the dissemination of advertising magazines; advertising mail; on-line advertising on a computer network, dissemination of advertising matter, dissemination of advertisements, in particular in the field of commercial barter and trade exchange of goods and services; connection between individuals for commercial barter and the exchange of goods and

services in do-it-yourself the fields of construction, interior and exterior decoration, gardening, architecture, leisure, tools, interior design, furnishing and home maintenance; dissemination of leaflets, prospectuses, printed matter concerning DIY, materials for DIY, building materials, electric and electronic equipment, computerized file management, compilation of information into computer databases, promotional services for goods on behalf of others, business consulting for the purchase of goods and materials for DIY, building materials, electrical and electronic equipment, retail, mail-order sales and sales using telecommunications means of the following goods, namely hardware, screw items, nails, bolts, fasteners, products for gluing and joining, ropes, straps and chains, mailboxes, leg assemblies and wheel assemblies, hardware for the building sector, furniture hardware and metal work, ironmongery, chests and padlocks, angle irons, electric apparatus, namely audiovisual, apparatus and accessories for the installation of wiring and connections, apparatus and accessories for the installation of electric boxes and protective boxes, apparatus and accessories for built-in installations, apparatus and accessories for protruding installations, automation and security apparatus, dynamic security apparatus, bells, chimes and door openers for villas, extinguishers, telecommunication apparatus, electric boards, automatic control apparatus, connection apparatus in the field of telephony and computing, batteries, accumulators and light housings, reception apparatus, electrical switches and outlets, socket strips, extension cords and adapters, electric connection apparatus, lamps, flares, batteries and light bulbs, satellite dishes, demodulators, apparatus for auxiliary heating, central heating, electric heating, chimneys, pans, air conditioning apparatus, regulating devices, air treatment apparatus, ventilation apparatus, tooling and tools, namely accessories and consumables, large fixed tools, portable electrical tools, and for surfacing, cleaning apparatus, ladders, step ladders, steps, large workshop tools, electric power generation units, containers and lubricants, welding apparatus and tools, workbenches and storage units, measuring and tracing tools, manually-operated tools, precision tools, compressors, hand-operated assembly tools, building tools and work and protective clothes, safety footwear, pulleys, gas-operated welding apparatus, gas-operated soldering irons, machines and apparatus for cleaning, electric, washing apparatus, electric parquet floor polishers, electric machines for shampooing carpets, cleaning appliances utilizing steam, high pressure washers, vacuum cleaners, window-washing apparatus, vitrifying machines, non-electric welding apparatus, drills, agricultural machines, machine tools, motors and engines (other than for land vehicles), large agricultural instruments other than hand-operated ones, motor hoes, lawnmowers (machines), grinding machines, mechanical reeling ap-

paratus, pumps (machines), drainage pumps, drainage pumps, borehole pumps, concrete mixers, pulleys, compressors (machines), electric power generation units, artists' materials, namely preparations for walls and for ceilings, household items, paints, dyes and stencils, undercoat paint for walls, repair resins, exterior wood, interior wood, wood preparations, glues, paintbrushes, tools for painters and upholsterers, varnishes, dyes and lacquers (except insulants), metals in foil and powder form for painters, decorators, printers and artists and paint stripping preparations, interior decoration articles, namely fittings and accessories for wallpaper, textiles, articles for framing, articles for fine art, articles for lighting, light sources, interior lighting, exterior lighting and light bulbs, wallpaper, wall decorations and stickers, curtains and net curtains, cushions, glass fiber and wall coverings, blinds, curtain rods, handles, knobs for furniture, door handles and decorations, posters, mirrors and picture frames, rings, hooks, coat racks, curtain rods, of metal and not of metal, rollers, curtain rails and curtain holders, not of textile, plumbing and water treatment articles, copper articles for water supply, drainage, hot water production, water treatment, gas supply, plumbing tools, parquet flooring, laminated flooring, PVC flooring, carpeting, slabs and slats, doormats, floor tiles, terrace tiles, wall tiles, kitchen tiles, foundation furniture, worktops, valves and fittings, sinks, cooker hoods, ventilation hoods, items for storing utility items, storing in living quarters, closet closures, closet organizers, trays and racks, equipment for hydrotherapy, showers, valves and fittings, large sanitary ware, bathroom furniture, toilet tanks, water flushing installations, traps, warming racks for towels, products for purifying and softening water, non-heated towel holders and soap dishes; construction and renovation materials, materials for construction, partitions, insulation materials, building timber, light coverings, heavy coverings, materials for sanitation, sealing, adhesives and materials for draining and recovering rainwater, roofing tiles, gutters, concrete mixing machines, outdoor paving, edging, exterior wood, barbecues, ovens and broilers, terrace blinds, gates, fences and pillars, garage doors, exterior joinery, windows and skylights and letter boxes not of metal or masonry, unsawn and planed timber, unworked moldings, decorative moldings, cornices, panels, decorative panels, thin slabs of brick for walls, floors, wainscoting, accessories for laminate flooring, accessories for laying floor tiles, wainscoting, indoor ceiling trim, glazings and blinds, outdoor furnishings, namely accessories and consumables for barbecues, accessories and equipment for swimming pools, garden furniture, cushions, parasols, arbors, pergolas, children's games, swimming pools, swimming pools, swimming pool maintenance products, outdoor lighting, power-operated garden equipment, gardening tools, forked hoes, garden hoes, claws,

forks, rakes, spades, peat spades, shovels, pickaxes, scarifiers, edge trimmers, seeders (tools), spreaders (tools), aerators, lawn brooms, lawn rollers, edging trimmers, hand-operated lawnmowers, hedge trimmers, shears, secateurs, lopping shears, pruning shears, bill-hooks, axes, grafting tools, wheelbarrows, wheelbarrow tires, gardening carts, garden shelters, cabins, play houses, greenhouses, do-it-yourself products, crossbars and stands, slides, sporting tackle, swings, basketball hoops, incinerators, composting grills, fountains, pottery, water filtering apparatus, ornamental fountains, plant stands, flower boxes, serving tables for gardens, wire mesh and trellis, watering apparatus and instruments, garden hoses, nozzles for sprinkler hoses, sprinklers, watering cans, pipe guides, plant holders, gardening gloves, cords for garden use, silos, traps for wild animals, gratings, sump pumps, borehole pumps, Christmas decorations, spa and sauna items, factory equipment, namely motorized equipment, garden equipment, large agricultural instruments other than hand-operated ones, motor hoes, lawnmowers (machines), grinding machines, mechanical reeling apparatus, garden tools and watering equipment, sheds and greenhouses, garden wood and trellises, screens and basins, seeds, indoor market plants, indoor plants and artificial plants, nursery garden plants, pottery, fertilizer and phytotherapy preparations, humus and soil conditioners (fertilizer), humus, manures, peats (fertilizers), top soil and tree grafting wax, products for animals, audiovisual and multimedia goods, bookcases articles, CD-ROMs, DVDs (digital versatile discs), bookcases for gardening, bookcases for leisure, bookcases for the home and display racks, maintenance products, chemical substances for use in, industry, science, photography, as well as agriculture, horticulture and forestry, degreasing products and detergents for use in manufacturing processes, thinners, unprocessed artificial resins, unprocessed plastics, chemical substances for preserving foodstuffs, fire extinguishing compositions, tempering and soldering preparations, tanning substances, preservatives against rust and against deterioration of wood, dyestuffs, mordants (neither for metals nor for seeds), raw natural resins, vitrification products, surface coatings, bleaching preparations and other substances for laundry use, preparations for cleaning, polishing, degreasing and scouring, soaps, polish for furniture and flooring, floor waxes, polishing wax, abrasive substances except abrasive substances for dental use, rust removing products, scouring solutions, preparations for unblocking drain pipes, shampoos for floor coverings, stain removers, scale removing preparations for household use, detergents other than for medical use and those used in manufacturing processes, emery cloths, gum turpentine, washing products, polishing paper, glass paper, degreasers other than for use in manufacturing processes, industrial oils and greases, lubricants,

products for absorbing, wetting and binding dust, fuels (including motor spirit) and lighting fuel, candles, bits, industrial wax, waxes for lighting, belting wax, weedkillers, moss control agents, fungicides, bactericides, insecticides, rodenticides, raticides, algicides, disinfectants for hygienic use, parasiticides, garbage bags, deodorants, brushes for household purposes, maintenance products, storage equipment, racks (furniture), bookcases and storage furniture, equipment for storage in garages, basements and cellars, storage boxes, trays and racks, closet doors and fastenings, non-assembled cupboard and closets, tablets, goods of metal, namely laminated and cast building materials, building elements, boxes, tool boxes, chests and containers, tool handles, greenhouse frames, transportable greenhouses, silos, traps for wild animals, coat racks, wire mesh and trellis, connection pieces, valves (other than parts of machines), reeling apparatus, vats, weather vanes or wind vanes, swimming pools, floors, fencing, building panels, pergolas, gates, barriers, swimming pools, pegs, gratings, tubes, door handles, doors, bolts, safes, dowels, mailboxes, non-electric cables, fittings of metal, hinges, shutters, windows, gutters, non-metal gutters, framework for building, cornices, angle irons, wrenches, hardware, wainscoting, roofing tiles, goods not of metal, namely flexible hoses, building materials, insulating glass, roofing tiles, slate, gutters, scaffoldings, staircases, framework for building, windows, shutters, hinges, non-metal gutters, cornices, angle irons/boxes, cases of wood or plastic, fittings for windows, furniture, doors, picture frame brackets, latches, kennels for household pets, racks (shelves), shelves for storage, baskets, hinges, rattan, tool holders (sets), plant stands, statues or statuettes of wood, made of wax, plaster or plastic, pedestals, racks (furniture), valves (other than parts of machines), vats, thermometers (not for medical use), furniture pads and stands, waxcomb for beehives, log baskets, Goods of wood, cork, reed, cane, wicker, horn, bone, ivory, whalebone, shell, amber, mother-of-pearl, meerschaum, substitutes for all these materials, or of plastics, namely trinkets (small decorative items), art objects, busts, filing cabinets, casings of wood, wastebaskets, coat hangers, wickerwork goods, mobile, (decorative objects), figurines (statuettes) of wood, cork, reed, cane, wicker, horn, bone, ivory, whalebone, tortoiseshell, amber, mother-of-pearl, meerschaum, substitutes for all these materials or of plastic materials, kitchenware, namely built-in items, electric household equipment, tablets, household or kitchen utensils and containers (not of precious metal or coated therewith), combs and sponges, steel wool, brushes, brush-making materials, instruments and articles for cleaning purposes, unworked and semi worked glass, brooms, trash cans, boot jacks, fly swatters, insect traps, vases, not made of precious metal, pots, tubs (for plants), covers (not of paper)

for flower pots, goods for the bathroom, namely accessories for bathrooms and toilets, basins (bowls), basins, feeding troughs, porcelain, earthenware or glass statues and statuettes, buckets, non-electric apparatus for wax-polishing, door handles, clothes racks for drying, strings, tents, tarpaulins (neither safety tarpaulins, nor pushchair covers), bags (sacks) for the transport and storage of materials in bulk, belts for handling loads, protective nets and films for crops, yarn and thread for textile purposes, felt pens, mosquito nets, tablecloths (not of paper), coverings and wall hangings of textile material, blinds of textile material, aprons, clothing for do-it-yourself and gardening purposes, shoes and boots (except for medical purposes), carpets, doormats, mats, linoleum and other floor coverings, wall hangings, not of textile, door mats, non-slip carpets, creels, building materials, including aggregates and powders, statues or statuettes of common metal; reinforcement, metallurgical machinery, sprayers, watering pumps, pneumatic hammers, pneumatic controls for machines, pneumatic transporters, excluding cassettes, stacking frames, transport pallets and magazines of metal for handling material to be sawed, transported or stored, equipment and devices of metal for industrial purposes for storage, warehousing, handling, removal, loading and unloading, palletization, sorting, cleaning, deburring, processing, cutting, sawing, welding, turning, milling, grinding, bundling, tagging, wrapping, packaging, conveying and transport of materials, machine tools, devices, hardware, equipment, industrial space or systems for storing, warehousing, handling, removal, loading and unloading, palletization, sorting, cleaning, deburring, processing, cutting, sawing, welding, turning, milling, grinding, bundling, tagging, wrapping, packaging, conveying and transport of materials, DIY tools, perforating tools, clamps, pliers, keys (tools), lifting jacks, hand-operated, scissors, strippers, scouring machines, hammers, scrapers, insecticide atomizers (tools), cutlery, forks and spoons, knives (except electric and surgical knives), tiling tools, cutters, gimlets, screwdrivers, saws (tools), saw holders, saw blades (tools), hand-operated abrading instruments, filing, sanding, grinding, sharpening, graving tools, graters (tools), planes, sledgehammers, diggers (tools), tool belts, guns (tools), squares (tools), clamps (tools), spatulas (tools), pipe cutters (tools), nautical apparatus and instruments, surveying, photographic, cinematographic, optical, weighing, measuring, signaling, checking (supervision), life-saving and teaching apparatus and instruments, apparatus for recording, transmission or reproduction of sound or images, magnetic recording media, sound recording discs, automatic vending machines and mechanisms for coin-operated apparatus, cash registers, calculating machines, equipment for data processing and computers, knee pads (except knee bandages), gloves for protection, visors and eyewear for protec-

tion, programming units, thermometers not for medical use, remote controls, electric welding apparatus, sockets, plugs and other contacts, connection boxes, circuit breakers, electric wires and cables, antennas, respiratory masks (except for artificial respiration), protective helmets, electricity meters and panels, batteries, satellites, electro-valves, fire engines, slide calipers, covers for electric outlets, electric measuring apparatus, measuring instruments, gages, plumb lines, fuses, radio apparatus for sending messages, answering machines, facsimile machines, apparatus and instruments for conducting, disseminating, transforming, accumulating, regulating or controlling electricity, filters (parts of domestic or industrial installations), humidifiers, two-wheeled trolleys, adhesives for stationery or household purposes, office requisites, sealing wax, rubber, erasers; gutta-percha, asbestos and mica, plastics in extruded form for use in manufacture, sheets, plastic plates and rods (semi-finished), materials for packing, stopping, insulating, insulating felt, adhesive tapes (other than for medical, stationery or household purposes), insulators, seals, building materials, not of metal, natural and artificial stone, cement, statues and statuettes of stone, concrete or marble, felt for building, bridges made of wood, screen walls made of wood, building timber, lumber, semi-worked wood, manufactured timber, wood paneling, posts, sand boxes for building, sand (excluding foundry sand), reed lattices, coatings.

(260) AM 2017 87754 A

(800) 984772

(891) 2016 02 29

(731) REGATTA LTD.

Risol House, Mercury Way, Dumplington,
Urmston, Manchester M41 7RR, United
Kingdom

(540)

DARE 2B

(511)

25 – Clothing, footwear, headgear.

(260) AM 2017 87755 A

(800) 1242272

(891) 2016 04 18

(731) MILLENNIUM PHARMACEUTICALS,
INC.

40 Landsdowne Street Cambridge, MA 02139,
USA

(540)

KOVOTO

(511)

5 – Pharmaceutical preparations for the prevention and treatment of cancer and of auto-immune and inflammation diseases.

(260) AM 2017 87756 A

(800) 1012617

(891) 2016 04 30

(731) KARBOSAN ZIMPARA TASI SANAYI
ANONIM SIRKETI

Soğutluceme Mah. Halkalı Cad. No:253,
Sefakoy-Kucukcekmece, İstanbul, Turkey

(540)



(591) White, blue and black

(511)

7 – Machines, looms and industrial robots for working and shaping wood, metal, glass and plastic materials and minerals, construction machines, robotic mechanisms having the same function, lifting, conveying and transmitting machines, robotic mechanisms having the same function (including lifts, escalators, cranes) machines and robotic mechanisms in the sectors of farming, agriculture and livestock and in processing cereals fruits, vegetables, food, engines, electrical engines, their parts and equipments other than for land vehicles, ball-bearings and bobbin bearings, tyre fixing and unfixing machines, alternators, generators, generators of electricity, generators worked with solar energy, dyeing machines, automatic spray guns for paint, electric punching machines and punches for punching machines, electric adhesive guns, guns for compressed air or liquid spraying machines, electric hand drills, motor hand saws, boring machines, spiral machines, compressed air pumps, compressors, vehicle washing installations and robots having the same function as the machines and tools listed above, welding machines and robots having the same function as them, printing machines, packaging machines, filling-plugging and finishing machines, labellers, separators and robots and robotic mechanisms having the same function as the machines and tools listed above, textile machines, sewing machines and industrial robots having the same function as them, pumps other than parts of machines or engines, electric cutting, grinding, crushing, hemming and crumbling for household appliances, washing machines (including washing machines (for laundry), dishwashers, drying machines (for laundry)), electrical machines, vacuum cleaners and their parts for purposes of cleaning floors, carpets and upholstery, tools driven by a motor and machine tools, sharpening and abrasive wheels, grinding machines, grinding wheels, cutting discs, abrasive discs, diamond discs, cutoff discs, sharpening machines, cutting machines and apparatus, welding machines and apparatus, welding torches (non-electric), cutting torches, metal-wood-plastic working machines, cutting blow pipes, soldering blow pipes, non woven abrasive materials, coated abrasive materials, flap wheels, flap discs, fibre discs.

8 – Forks, spoons, knives and non-electrical cutting, slicing, peeling tools of kitchen including those

made up of precious metals, cutting and poking weapons, tools and equipments used for personal use for shaving, epilation, manicure, pedicure, beauty-care included in this class (including scissors), hand operated tools used in machine, tool and vehicle repair, buildings, agriculture, horticulture and forestry, abrasive belts; sharpening stones.

(260) AM 2017 87757 A
(800) 1242579
(891) 2016 04 13
(731) MILLENNIUM PHARMACEUTICALS, INC.
40 Landsdowne Street, Cambridge, MA
02139, USA

(540)

MIMKISO

(511)
5 – Pharmaceutical preparations for human use, namely, for the treatment of hematological malignancies, cancer, auto-immune diseases and disorders and inflammatory diseases and disorders; pharmaceutical preparations for the treatment of cancer.

(260) AM 2017 87758 A
(800) 1242756
(891) 2016 04 13
(731) MILLENNIUM PHARMACEUTICALS, INC.
40 Landsdowne Street, Cambridge, MA
02139, USA

(540)

NELTEO

(511)
5 – Pharmaceutical preparations for human use, namely, for the treatment of hematological malignancies, cancer, auto-immune diseases and disorders and inflammatory diseases and disorders; pharmaceutical preparations for the treatment of cancer.

(260) AM 2017 87804 A
(800) 1300905
(891) 2016 02 19
(731) ACÁO GMBH
Idsteiner Straße 94, 65232 Taunusstein,
Germany

(540)

acáo

(511)
32 – Beers; mineral and aerated waters and other non-alcoholic beverages; fruit beverages and fruit juices; syrups and other preparations for making beverages.

(260) AM 2017 87806 A
(800) 1300914
(891) 2016 04 01
(731) SOCIEDAD ANONIMA DAMM
Roselló, 515, E-08025 Barcelona, Spain
(540)

SUREO

(511)
33 – Alcoholic beverages (except beers); spirits and liqueurs; distilled beverages; alcoholic fruit extracts; cider; wines; sangria; alcoholic jellies; preparations for making alcoholic beverages; alcoholic essences; alcoholic extracts.

(260) AM 2017 87811 A
(800) 597311
(891) 2016 03 07
(731) Verweij Fashion B.V.
Keienbergweg 103, NL-1101 GG
AMSTERDAM, Netherlands

(540)

BAILEYS

(511)
25 – Clothing.

(260) AM 2017 87816 A
(800) 795300
(891) 2016 04 29
(731) RAVAK BRAND INTERNATIONAL LIMITED
Stasinou and Boumpoulinas 3, 1st floor,
CY-1060 Nicosia, Cyprus

(540)



(591) Black, white
(511)

11 – Sanitary and hygienic apparatus and equipment, sanitary products made of acrylate, bathtubs, tubs for collecting and disposing of shower water, shower trays and shower cubicles, equipment for bathrooms, shower screens for bathtubs, bathtubs with hydro-massage, hydromassage systems, installations for bathrooms.

17 – Insulating materials, sealants, non-metallic flexible pipes, sheets of acrylate polymer, jointing and sealing materials.

21 – Plastic pots and tools for household and kitchen use, toilet fittings and accessories for bathrooms, rough, shaped and otherwise worked glass, hollow glass; glass with a special anti-lime deposit layer, not included in other classes.

(260) AM 2017 87850 A

(800) 1300232

(891) 2016 02 03

(731) BILKA STEEL SRL

17 Henri Coanda Street, City of Brasov,
Brasov County, Brasov, Romania

(540)

RETRO PANEL by BILKA

(511)

6 – Metal hardware; building and construction materials and elements of metal; statues and works of art of common metals; structures and transportable buildings of metal; doors, gates, windows and outdoor blinds of metal; packaging, wrapping and bundling foils of metal; cabinet fittings of common metal; packaging containers of metal; tinplate packings; metallic containers; packaging, wrapping and bundling articles, of metal; churns [containers] of metal for milk; hoppers of metal, non-mechanical; bottles of metal for the storage of fuel; cylinders of metal for gas; pressure gas cylinders made of metal; rain barrels of metal; steel drums [sold empty]; drums [containers] of metal other than household containers; barrels of metal; metal storage drums; wine casks of metal; box frames of metal; sewers of metal; petrol cans of metal; fuel cans of metal; metal oil cans [empty]; letter-box covers of metal; locking oil tank caps of metal; screw caps of metal; internal floating lids of aluminium for use with gas or liquefied gas storage tanks; metal lids for cans; sealing caps of metal; metal time capsules; metal cases; plugs of metal; steel cylinders for liquid air; steel cylinders for compressed gas; cylinders of metal for use with compressed gas; cylinders of metal for cryogenic liquid; metal cylinders for compressed gas or liquids [empty]; high pressure metal cylinders [containers]; waste bins [skips] of metal for Industrial use; security containers of metal; containers of metal for transport; containers of metal [storage, transport]; refuse skips of metal; rubbish containers [bins] of metal; containers of metal for chemicals, compressed gases and liquids; floating containers of metal; metal troughs; crates of metal; baskets of common metals; baskets of common metal for industrial use; baskets of metal; waste paper bins of metal for industrial use; boxes (packaging -) in made-up form [metal]; boxes (packaging -) in collapsible form [metal]; boxes (packaging -) in flat form [metal]; collecting boxes (metal -); collecting tins (metal -); letter-box flaps of metal; boxes for stacking purposes [metal]; tins of metal; cans of metal for alcoholic beverages; boxes of metal for horticultural purposes; boxes of common metal; preserving boxes of metal; cable boxes of metal (non-electric -); beverage cans of metal; tin cans [empty]; ammunition boxes of metal; tool boxes of metal, empty; boxes for storage purposes [metal]; metal cans, sold empty; metal tool boxes; cages of metal; floating metal fish farm cages; animals (metal cages for wild -); tanks

of metal; troughs of metal for mixing mortar; closures of metal; closures of metal for containers; sealing caps of metal for bottles; dispensers, of metal; fire safe cabinets [safes] of metal; fireproof cabinets of metal [other than furniture]; chests of metal for food; gabions (metal -); fittings of metal for coffins; charging troughs of metal; bottle crates of metal; metal bins; steel for tins; metal pallets; loading pallets of metal; handling pallets of metal; mobile pallets made of metal; loading and unloading pallets of metal; rainwater hoppers of metal; pallet racks of metal; enclosures of metal for tombs; containers made of metal for use in the storage of gases; cap closures of metal; aluminium foil containers; metal containers for the storage and transportation of goods; metal bottles for compressed gas; metal aerosol containers [empty]; industrial packaging containers of metal; containers of metal for storing acids; containers of metal for liquid fuel; tool storage containers of metal [empty]; containers of metal for compressed gas or liquid air; metallic capsules [containers]; composting receptacles of metal; water tanks of metal; water tanks of metal for household purposes; liquid storage tanks [containers] made of metal; settlement tanks of metal; reservoirs (metal -) [structures]; rainwater reservoirs of metal; gas storage tanks of metal; tanks of metal for the transportation of compressed gases; tanks of metal for the transportation of liquefied gases; separation tanks of metal; potable water reservoirs of metal; tanks of metal for the storage of compressed gases; metal fluid storage tanks; tanks of metal for the storage of liquefied gases; taps for casks of metal; tool chests of metal, empty; metal fire resistant safes; steel storage silos; tubing of metal; paper towel dispensers [fixed] of metal; towel dispensers, fixed, of metal; towel dispensers of metal; brass; white metal; bauxite reinforced aluminium alloys; nickel-silver; additive alloys for the production of iron; additive alloys for the production of steel; aluminium and its alloys; ceramic reinforced aluminium alloys; alloyed iron; iron carbon alloys; magnesium and its alloys; alloys of metal containing calcium and aluminium; common metals and their alloys; lead and its alloys; casting alloys; alloys of nickel; steel alloys unwrought or semi-wrought; alloy forgings (rough or semi-finished -) [metal]; alloys of metal; metal alloys for further manufacturing; lead-tin alloys; alloys used for casting; aluminium; metal foil; bauxite reinforced aluminium; ceramic reinforced aluminium; anti-friction metal; silver plated tin alloy; metal tapes; poles of metal; bars made of titanium; tin bars; semi-wrought tin in the form of coils; metal bars for further manufacture; cold-finished steel bars; hollow steel bars; threaded bars of metal; aluminium strips; thin bands of metal; balls of steel; blooms [metallurgy]; bronze; metal billets; cadmium; cobalt, raw; angle irons; chromium; chrome ores; copper, unwrought or semi-wrought; low cop-

per carbon-steel scraps; iron or steel scraps; alloy steel scraps; aluminium discs; discs (metal -); chrome iron; iron (molybdenum -); silicon iron; ferrotitanium; tungsten iron; iron; iron ores; galvanized iron; sponge iron; pelletized iron; sheets of aluminium; sheets of metal including those from alloy steel and titanium; steel sheet for automobile bodies; galvanized steel sheets; clad steel plates and sheets; cast iron, unwrought or semi-wrought; galena [ore]; germanium; glucinium [beryllium]; hafnium [celtium]; indium; limonite; copper ingots; pure iron ingots; magnesium ingots; ingots of common metal; nickel ingots; lead ingots; tin ingots; zinc ingots; aluminium alloy ingots; lead alloy ingots; tin alloy ingots; titanium alloy ingots; zinc alloy ingots; copper-base alloy ingots; magnesium alloy ingots; nickel alloy ingots; aluminium ingots; magnesium; manganese; raw base metals; metals; anodised metals; wrought common metals; common metals, unwrought and semi-worked, for further manufacture; ferrous metals; common metals and their alloys including stainless steel; heavy metals; laminated metals; non-ferrous metals; non-ferrous metals and their alloys; common metals, unwrought or semi-wrought; pyrophoric metals; sintered hard metals; metals in powder form; cermets; cobalt ores; copper ores; manganese ores; processed metal ores; molybdenum ores; nickel ores; lead ores; tin ores; tungsten ores; zinc ores; ores of metal; molybdenum; nickel; niobium; niches (metal -); steel; steel alloys; steel strip; cast steel; steel sheets; unwrought steel; steel, unwrought or semi-wrought; carbon steels; stainless steel; stainless steel in strip form; stainless steel in sheet form; steel in bar form; steel in the form of coils; steel in the form of sheets; steel in the form of foils; steel in the form of plates; steel in roll form; bright steel; steels in the form of reels; blanks of metal for the manufacture of shell cases; blanks of metal for the manufacture of gun barrels; metal slugs; metal forgings; iron castings [semi-finished]; steel in sheet, rod, bar and billet form; filings of metal; iron pyrites; cold rolled strip steel; lead, unwrought or semi-wrought; lead for pouring of figures; aluminium slabs; slabs of metal including those from alloy steel and titanium; slabs of common metal; galvanized steel plate; metal threaded rods; unwrought or semi-wrought steel; cold rolled sheet metal; tinfoil; tin; tin and its alloys; steel poles; wire alloys; zirconium rods; sheets and plates of metal; zinc-coated steel sheets; metal sheet, strip and coil; nickel-zinc plated sheet metal; tantalum [metal]; tantalum and its alloys; rods of metal; flux coated metal rods; steel rods; titanium; titanium unwrought or semi-wrought; titanium and its alloys; tombac; tubes of steel, including those rolled, peeled or ground; tungsten; vanadium; zinc; zinc and its alloys; zirconium.

17 – Flexible pipes, tubes, hoses, and fittings therefor, including valves; seals, sealants and fillers; flexible pipes, tubes, hoses, and fittings therefor,

including valves, non-metallic; adhesive pads [other than for household, medical or stationery use]; duct tape; paper adhesive tape, other than for household, medical or stationery purposes; masking tape; electrical tape; carpet tape [other than for household use]; double sided adhesive tapes [other than for stationery, household or medical use]; impervious adhesive strips for valley channels; impervious adhesive strips for edging of roofs; impervious adhesive strips for ridge tiling; adhesive bands for sealing cartons for industrial or commercial use; adhesive tapes, for technical purposes; self-adhesive tapes for packings; adhesive bands, other than stationery and not for medical or household purposes; adhesive tapes for use with carpets; adhesive tapes for use with floor coverings; adhesive strips for use in industry; adhesive tapes for use in securing carpets; adhesive tapes for use in securing floor coverings; masking strips [adhesive] other than for stationery, household or medical use; packaging tapes (adhesive -), other than for household or stationery use; adhesive coated strips for use in manufacture; adhesive-coated plastic sheets; adhesive coated foils for use in manufacture; masking papers [adhesive] other than for stationery, household or medical use; adhesive materials in the form of bands [other than for household, medical or stationery use]; adhesive materials in the form of strips [other than for household medical, stationery use]; bonding film for heat-initiated lamination with printed matter; brake lining materials, partly processed; semi-processed brake linings materials; clutch linings; semi-processed vehicle brake lining sheet stock; roll coverings of rubber; covers made of rubber for protecting electrical components; elastomeric sheeting for protecting surfaces in areas used for shot-peening; rubber covers for switches; asbestos coverings; joint covers (non-metallic -); laminated plastic films for use on windows; under flooring sheets of rubber; extruded polythene sheeting for the construction of cloches; extruded polythene sheeting for the construction of greenhouses; elastomeric sheeting for protecting surfaces in areas used for shot-blasting; windows (anti-dazzle films for -) [tinted films]; masking films; plastic sheeting for agricultural purposes; polyethylene sheeting for use in cloches; polyethylene sheets for laying on the ground to suppress weeds; plastic sheeting for use in horticulture; plastic sheeting for use in forestry; polyethylene sheeting for laying over the frames of agricultural structures; polyethylene sheeting for laying over the frames of horticultural structures; laminate foil for application to a substrate; masking materials for use in printing in blocking radiation; laminated plastic surface protection materials; masking film for use in photography and graphic arts; film for mulching; plastic sheeting for preventing weed growth; extruded polyethylene for covering plants; extruded polyethylene for covering seeds; extruded polyethylene for insulation purposes; rub-

ber packaging; protective packaging of rubber; packaging [cushioning and stuffing] of rubber; rubber packing [padding]; rubber bumpers for loading docks; rubber shock absorbers for industrial machinery; vibration dampers of rubber; rubber for use in shock absorbing; rubber for use in vibration suppression; synthetic rubber for use in shock absorbing; synthetic rubber for use in vibration attenuation; synthetic rubber for use in vibration suppression; rubber chips or granules for use as a playground ground cover; anti-vibration padding tape (rubber or plastics); rubber lids and caps [for Industrial packaging containers]; stuffing of rubber; expanded closed cell rubber for cushioning; expanded closed cell rubber for vibration deadening; shock absorbent padding of rubber; padding materials of rubber or plastics for shipping containers; padding materials of rubber or plastics for impact protection; rubber padding for shipping containers; packing padding of rubber for shipping containers; rubber packing for shipping containers; rubber sheets for stopping; rubber sheets for packing; shock absorbent insulation of rubber; bindings of rubber; sleeves of rubber for protecting articles from damage through impact; sleeves of rubber for protecting parts of machines; padding materials of rubber or plastics; packing, stopping and insulating materials; packing [cushioning, stuffing] materials of rubber or plastics; stuffing materials of plastics; plastic materials in the form of chips for use as cushioning materials in packaging; plastic materials in the form of chips for use as packing; plastic materials in the form of mouldings for use as cushioning materials in packaging; packing products in the nature of bags [envelopes] of rubber; rubber bags for merchandise packaging [envelopes or pouches]; packing containers of rubber; industrial packaging containers of rubber; bags of hard rubber for packaging; shaped sections of rubber for packing purposes; bags [envelopes, pouches] of rubber, for packaging; shock-absorbing buffers of rubber; shock absorbing rubber buffers for industrial machinery; washers of rubber or vulcanized fiber [fibre]; tire restoration and repair rubber materials; semi-finished rubber in the form of mouldings; moulds of rubber for use in the production of path edgings; moulds of rubber for use in the production of paving stones; moulds of rubber for use in the production of decorative paving stones; molds (ebonite -); membranes and semi-processed synthetic filtering materials; articles made of synthetic rubber for jointing purposes; articles made of rubber for jointing purposes; drywall joint tape; thread (screw -) jointing compounds; splice connectors (rubber -) for non-electric cables; spacers (rubber -) for use with optical cables; spacers of rubber for use with sandwich panels; spacers (vulcanised fibre -) for use with optical cables; mountings made of rubber for engines; mountings made of rubber

for exhausts; grommets made of rubber; grommets made of synthetic rubber; grommets made of vulcanized fibre; spring washers of rubber; spacer brackets (rubber -); washers of rubber for the protection of draw bolts; washers of rubber for the protection of lag screws; washers of rubber for the protection of hooks; washers of rubber for the protection of screws; washers of rubber [other than for water taps]; washers of rubber for forming tight joints [other than for water taps]; washers of vulcanised fibre for the protection of screws; washers of vulcanised fibre for the protection of draw bolts; washers of vulcanised fibre for the protection of lag screws; washers of vulcanised fibre for the protection of hooks; stair fittings of rubber; control line protectors made from natural rubber; control line protectors made from synthetic rubber; flower arrangements (foam supports for -) [semi-finished products]; foamed plastics for use as bases of floral decorations; foamed plastics for use as bases of floral tributes; anti-corrosion padding tape (rubber or plastics); glazing tapes for insulation; strips of rubber for protecting the edges of furniture; glass retaining strips of rubber; stair edgings of rubber; fusing film for the enhancement of images printed on substrates; threads of plastic for soldering; flexible cellular rubber grips; stoppers of plastics; flexible cellular rubber pads; corner protectors of rubber; polyurethane foam in blocks for use in flower arranging; foam supports for floral arrangements; mineral fibers for insulation; cellulose acetate, semi-processed; carbon fibre; microporous synthetic strips for the manufacture of protective clothing; chemical fibres not for textile use; synthetic fibres, other than for textile use; glass fibre and glass wool; yarns of ceramic fibres [other than for use in textiles]; viscose sheets [semi-finished product]; microporous synthetic sheets for use in manufacture; microporous synthetic sheets for the manufacture of protective workwear; microporous synthetic sheets for the manufacture of protective clothing; microporous synthetic sheets for the manufacture of protective rainwear; self lubricating cast nylon for use in manufacture; cast nylon for use in manufacture; viscose sheets, other than for packing; acrylic resins [semi-finished products]; mixtures of resins with fillers for use as intermediates; resin impregnated tapes for fabrication aerospace components; resin impregnated tapes for fabricating parts for aerospace applications; synthetic resin compositions [semi-processed] for industrial purposes; vulcanite [ebonite]; polymer resin fibres [other than for use in textiles]; acrylic resin sheeting for use in the manufacture of laminated glass; resin impregnated carbon fibre fabrics; resin impregnated fabrics for the fabrication of components; transparent acrylic resin sheets incorporating conductive meshes; glass reinforced resins [semi-worked or semi-finished]; expanded unsaturated polyester resins [semi-processed]; unsaturated synthetic polyester resins

[semi-finished]; urea resins [semi-worked]; urea-formaldehyde resins [semi-worked]; polyvinyl chloride resins [semi-processed]; synthetic or artificial resins for use in cable splicing; synthetic or artificial resins for use in controlling the flow properties of fluids; synthetic or artificial resins for use in controlling the viscosity of fluids; semi-finished polyamide resins for use in manufacture; semi-finished polyamide resins in the form of sheets; unsaturated polyester resins [semi-finished]; polyethylene resin [semi-finished]; polyethylene synthetic resin [semi-processed] for foam mouldings; semi-worked polymer resins in the form of bales; semi-worked polymer resins in the form of bands; semi-worked polymer resins in the form of fibres; semi-worked polymer resins in the form of plates; semi-worked polymer resins; semi-processed synthetic polymer resins; resins (artificial -) [semi-finished products]; mouldable synthetic resins [semi-finished]; carbon fibre reinforced synthetic resins for use in manufacture; expanded synthetic resins [semi-processed]; repair resins (synthetic -); synthetic resins in rod form for use in manufacture; synthetic resins in sheet form for use in manufacture; resins in extruded form for general industrial use; resins in liquid form [semi-processed]; thermosetting resins [semi-processed]; extruded polythene sheeting of high light transmission [other than for packaging]; polyvinyl chloride compounds [semi-processed]; fibers (plastic -), not for use in textiles; vulcanized fiber [fibre]; threads of plastic materials, not for textile use; sheets of printable coated polyethylene; sheets of printable polypropylene; heat sealable plastics sheeting for use in manufacture; translucent tri-wall sheets made of polycarbonates; polyurethane film for use in glass laminations; acrylic sheeting for use in manufacture; foils of plastics [semi-finished products]; laminated plastic sheets for use in manufacture; polythene films [other than for wrapping or packaging]; polypropylene films, other than for wrapping or packaging; flexible plastic films, other than for packaging; rigid polyvinyl chloride foamed sheets for use in manufacture; blown films [other than for packaging]; laminated plastics material for use with mechanical engraving material; plastic material in extruded form for use in production; plastic foam materials for use in manufacture; recycled compound plastics; recycled compound plastics for use in manufacture; extruded plastics [semi-finished products]; plastics in extruded form for use in manufacture; plastics materials in the form of strips [semi-finished products]; heat sealable plastics for the manufacture of lids for containers; heat sealable plastics laminates for use in manufacture; recycled plastics; semi-processed plastics; laminated plastics material for use with computerised engraving material; laminated plastic materials for use in manufacture; plastics materials in the form of tapes [semi-finished products]; plastics materials in the form of blocks [semi-finished pro-

ducts]; plastics materials in the form of sheets [semi-finished products]; plastics materials in the form of plates [semi-finished products]; plastics in the form of sheets, films, blocks, rods and tubes; plastics materials in the form of sections [semi-finished products]; plastics materials in the form of rods [semi-finished products]; polyvinyl chloride film [other than for wrapping or packaging]; film (plastic -), not for wrapping; extruded plastic in the form of bars, blocks, pellets, rods, sheets and tubes for use in manufacturing; translucent twin-wall sheets made of polycarbonates; spunbond melt blown polyethylene for use in manufacture; polystyrene [semi finished]; polyamide foams; polyurethane foam [semi-finished]; polyurethane foam in strips for use in manufacture; polyurethane foam in blocks; polyurethane foam in sections for use in manufacture; plastic rods and bars; spun polyester fibre [other than for textile use]; polyester sheets [other than for wrapping or packaging]; fibres impregnated with synthetic resins for use in manufacture; foils of cellulose for use in manufacture; foils of cellulose [other than for wrapping or packaging]; foil of regenerated cellulose, other than for packing; cellulose material compressed into planar form [semi-finished]; acoustic insulation articles and materials; electrical insulation articles and materials; thermal insulation articles and materials; safety curtains of rubber; glass fiber fireproof textiles; smoke curtains; asbestos fire curtains; asbestos safety curtains; expanding pillows for the prevention of fire penetration; protective acrylic coatings in the form of paints for insulating purposes; industrial coatings for insulating buildings; insulatory coatings of plastic resin; concrete curing blankets made of plastic; insulating adhesives; molded foam insulated container packing for commercial transportation; articles made of rubber for insulation purposes; articles made of synthetic rubber for insulation purposes; rubber tape for insulating; barriers (floating anti-pollution -); laminated vapor barrier; glass fibre strips for insulation purposes; tapes of epoxy impregnated fibreglass for insulating; insulating tape and band; cables (insulators for -); pre-formed insulation components; motor slot liners [insulators]; insulating water proofing tiles; brake diaphragms [partly processed]; plastic oil fences; thermally conductive insulators; crude fibres of rock for insulation purposes; crude fibres of glass for insulation purposes; asbestos fibres for insulation; rock fibres in the form of matting for insulation; fibres impregnated with synthetic resins for insulation; mineral fibres for insulating purposes; fibres for insulating purposes; glass fibers for use in the manufacture of building insulation; vulcanized fiber for use in the manufacture of building insulation; transparent acrylic sheets incorporating shielding for electromagnetic waves; transparent acrylic sheets for shielding against electromagnetic waves; rubber sheets for insulating; metal foil for building insulation; polyurethane

film for use as building insulation; polythene sheeting for insulation; polyurethane foam sheeting for use as building insulation; insulating foils; insulation (metal foil for -); metal foils laminated with paper [paper predominating] for insulation; electromagnetic interference shielding gaskets; gels for insulating; paper impregnated with oil for insulating; insulating paper; treated papers for insulating; protective acrylic spray coatings for insulating purposes; insulating buildings against moisture (substances for -); insulators for use in the protection of buildings; fiberglass insulation for buildings; magnet wire (insulation for -); pipe insulation; insulators; insulators made of fibre cement; electrical ceramic insulators; closed cell insulation used in chilled water tanks; foam insulation for use in building and construction; glass fiber insulation for use in construction; expanded polystyrene underfloor insulation; industrial molten metal furnace insulation made of ceramic enamel fiber; flexible plastic pipe insulation; insulation for aircraft; insulation for air conditioners; insulation for building purposes; flexible elastomeric thermal insulation; insulation for underground pipes and tanks; insulating coatings made of fused silica and ceramic fibres; insulation covers for industrial machinery; foam sheeting for use as a building insulation; industrial coatings [insulating]; insulating floor coverings; pipe wrappings for insulation purposes; water based insulating lacquers; insulating varnish; insulating varnishes based on plastics materials; fleeces of crude fibres of carbon [insulation]; fleeces of crude fibres of rock [insulation]; fleeces of crude fibres of glass [insulation]; slag wool for use as a building insulator; mineral wool for insulating purposes; sleeves for insulating engine transmission components; sleeves for insulating engines; insulating mastics; insulation material for use in the aircraft industry; insulation material for use in the ship building industry; translucent flexible material for insulating windows; translucent flexible material for insulating rooflights; insulation material for roofing; fabrics made from cotton for use as insulation; fabrics made from ceramic fibres for use as insulation; fabrics made of mixed synthetic and natural fibres for use as insulation; fabrics made from linen for use as insulation; fabrics made from wool for use as insulation; fabrics made from silk for use as insulation; insulating fillers; fabrics made from acrylic for use as insulation; insulating gloves; fabrics of inorganic fibres for use as insulation; fabrics of chemically produced fibres for use as insulation; fabrics of carbon fibre for use as insulation; fiberglass fabrics for building insulation; insulating materials made from reprocessed plastics; insulating materials for building; railway tracks (insulators for -); insulating materials produced from plastics; insulating materials for insulation against light; insulating refractory materials; fabrics woven from ceramic fibres for use as insulation; insulating water proofing membranes;

insulating matting; composite panels having insulating properties; polystyrene panels for insulating purposes; fire resistant insulated panels; strips of film [metal] for insulating; plastic film for insulating purposes; barrier curtains in the nature of floating baffles or booms for the containment of pollutants; ceramic parts for insulation in high frequency apparatus; ceramic parts for insulation in high-voltage apparatus; fibre board for use as insulation; plates of insulating material for use in manufacture; asbestos fabrics for use as cable insulation; insulating felt; ceilings made of mineral fibres for insulating buildings; fibreglass webs for insulating purposes; boards for insulating purposes; insulation sheets; insulation board made from mineral wool; insulating plates of mica; lightweight mineral wool slabs for fire insulation purposes; insulating tiles; laminates containing polyamide foams for use as fire retardants; acrylic resins (insulating -); resins for use in forming a hardened skin on walls; resins for use in forming a hardened skin on flooring; polyurethane foam for insulating purposes; polyurethane foam in blocks for insulating; foam glass for use as an insulating materials; insulating substances; insulated pipe supports; insulating plaster; rail pads [insulators]; fabrics made from synthetic fibres [for insulation]; fabrics made from natural fibres for use as insulation; fabrics of organic fibres for use as insulation; fibreglass fabrics for insulation; fabrics made from nylon for use as insulation; fabrics made from polyester for use as insulation; transformers (insulating oil for -); flexible tubing for insulation purposes; insulating oils; glass wool for building insulation; fiberglass for insulation; wool (mineral -) [insulator]; photo-luminescent paints [insulating]; insulating paints; insulating paints for facades; insulating paints for roofs; insulating paints for walls; water based insulating paints; water based paints [insulating] for use in the automobile industry; wool (slag -) [insulator]; flame retardant fabrics [asbestos]; insulating fabrics; laminated textile insulating fabrics.

19 – Construction elements, not of metal; structures and transportable buildings, not of metal; doors, gates, windows and window coverings, not of metal; pitch, tar, bitumen and asphalt; timber mouldings; rough sawn timber; shaped timber; wood trim; halved timber; wood; mouldable wood; balsa wood; sawn timber; prepared wood; moulded wood; hobby wood; wood, semi-worked; preserved wood [anti-decay wood]; cork [compressed]; softwood chips for use on gardens; wood moldings; stones (binding agents for making -); alabaster; andesite; slate powder; clay; clay ash [building materials]; potters' clay; ballast [rubble]; blocks made from natural stone; boulders; cobbles; clay (potters' -) [raw material]; natural stone slabs and tiles; feldspar [felspar]; granite; sandstone; calcareous marl; refractory ceramic building materials; agglomerated stone materials; rubble; stone; artificial stone; silica stone; agricultu-

ral limestone; ground rock; worked natural stone; pottery stone; decorative aquarium stones; aquarium gravel; coarse gravel; slate slabs; porphyry [stone]; liparite; alabaster glass; terra cotta; tufa; pumice stone slag; fireclay; schists; cast concrete decorative articles; busts of stone, concrete or marble; stone lanterns [garden ornaments of stone]; figurines of marble; figurines of concrete; figurines of stone; frescos (works of art of stone, concrete or marble); memorials of marble; memorials of stone; works of art of stone, concrete or marble; ornaments made of stone; ornaments made of marble for ponds; ornaments made of stone for aquaria; ornaments made of stone for ponds; tombstones of stone, concrete or marble; gravestones; gravestones (non-metallic -); memorial stones; memorial plaques, not of metal; plaques made of concrete; plaques made of marble; memorial plaques of stone; tomb slabs, not of metal; tombstone plaques, not of metal; concrete sculptures; sculptures made from marble; statuettes of stone, concrete or marble; statues of marble; statues of concrete; stone sculptures; tombstone stela, not of metal.

(260) AM 2017 87853 A

(800) 1300233

(891) 2016 02 03

(731) BILKA STEEL SRL

17 Henri Coanda Street, City of Brasov,
Brasov County, Brasov, Romania

(540)

ROMANIC by BILKA

(511)

6 – Metal hardware; building and construction materials and elements of metal; statues and works of art of common metals; structures and transportable buildings of metal; doors, gates, windows and outdoor blinds of metal; packaging, wrapping and bundling foils of metal; cabinet fittings of common metal; packaging containers of metal; tinplate packings; metallic containers; packaging, wrapping and bundling articles, of metal; churns [containers] of metal for milk; hoppers of metal, non-mechanical; bottles of metal for the storage of fuel; cylinders of metal for gas; pressure gas cylinders made of metal; rain barrels of metal; steel drums [sold empty]; drums [containers] of metal other than household containers; barrels of metal; metal storage drums; wine casks of metal; box frames of metal; sewers of metal; petrol cans of metal; fuel cans of metal; metal oil cans [empty]; letter-box covers of metal; locking oil tank caps of metal; screw caps of metal; internal floating lids of aluminium for use with gas or liquefied gas storage tanks; metal lids for cans; sealing caps of metal; metal time capsules; metal cases; plugs of metal; steel cylinders for liquid air; steel cylinders for compressed gas; cylinders of metal for use with compressed gas; cylinders of metal for cry-

ogenic liquid; metal cylinders for compressed gas or liquids [empty]; high pressure metal cylinders [containers]; waste bins [skips] of metal for industrial use; security containers of metal; containers of metal for transport; containers of metal [storage, transport]; refuse skips of metal; rubbish containers [bins] of metal; containers of metal for chemicals, compressed gases and liquids; floating containers of metal; metal troughs; crates of metal; baskets of common metals; baskets of common metal for industrial use; baskets of metal; waste paper bins of metal for industrial use; boxes (packaging -) in made-up form [metal]; boxes (packaging -) in collapsible form [metal]; boxes (packaging -) in flat form [metal]; collecting boxes (metal -); collecting tins (metal -); letter-box flaps of metal; boxes for stacking purposes [metal]; tins of metal; cans of metal for alcoholic beverages; boxes of metal for horticultural purposes; boxes of common metal; preserving boxes of metal; cable boxes of metal (non-electric -); beverage cans of metal; tin cans [empty]; ammunition boxes of metal; tool boxes of metal, empty; boxes for storage purposes [metal]; metal cans, sold empty; metal tool boxes; cages of metal; floating metal fish farm cages; animals (metal cages for wild -); tanks of metal; troughs of metal for mixing mortar; closures of metal; closures of metal for containers; sealing caps of metal for bottles; dispensers, of metal; fire safe cabinets [safes] of metal; fireproof cabinets of metal [other than furniture]; chests of metal for food; gabions (metal -); fittings of metal for coffins; charging troughs of metal; bottle crates of metal; metal bins; steel for tins; metal pallets; loading pallets of metal; handling pallets of metal; mobile pallets made of metal; loading and unloading pallets of metal; rainwater hoppers of metal; pallet racks of metal; enclosures of metal for tombs; containers made of metal for use in the storage of gases; cap closures of metal; aluminium foil containers; metal containers for the storage and transportation of goods; metal bottles for compressed gas; metal aerosol containers [empty]; industrial packaging containers of metal; containers of metal for storing acids; containers of metal for liquid fuel; tool storage containers of metal [empty]; containers of metal for compressed gas or liquid air; metallic capsules [containers]; composting receptacles of metal; water tanks of metal; water tanks of metal for household purposes; liquid storage tanks [containers] made of metal; settlement tanks of metal; reservoirs (metal -) [structures]; rainwater reservoirs of metal; gas storage tanks of metal; tanks of metal for the transportation of compressed gases; tanks of metal for the transportation of liquefied gases; separation tanks of metal; potable water reservoirs of metal; tanks of metal for the storage of compressed gases; metal fluid storage tanks; tanks of metal for the storage of liquefied gases; taps for casks of metal; tool chests of metal, empty; metal fire resistant safes; steel storage silos; tubing of me-

tal; paper towel dispensers [fixed] of metal; towel dispensers, fixed, of metal; towel dispensers of metal; brass; white metal; bauxite reinforced aluminium alloys; nickel-silver; additive alloys for the production of iron; additive alloys for the production of steel; aluminium and its alloys; ceramic reinforced aluminium alloys; alloyed iron; iron carbon alloys; magnesium and its alloys; alloys of metal containing calcium and aluminium; common metals and their alloys; lead and its alloys; casting alloys; alloys of nickel; steel alloys unwrought or semi-wrought; alloy forgings (rough or semi-finished -) [metal]; alloys of metal; metal alloys for further manufacturing; lead-tin alloys; alloys used for casting; aluminium; metal foil; bauxite reinforced aluminium; ceramic reinforced aluminium; anti-friction metal; silver plated tin alloy; metal tapes; poles of metal; bars made of titanium; tin bars; semi-wrought tin in the form of coils; metal bars for further manufacture; cold-finished steel bars; hollow steel bars; threaded bars of metal; aluminium strips; thin bands of metal; balls of steel; blooms [metallurgy]; bronze; metal billets; cadmium; cobalt, raw; angle irons; chromium; chrome ores; copper, unwrought or semi-wrought; low copper carbon-steel scraps; iron or steel scraps; alloy steel scraps; aluminium discs; discs (metal -); chrome iron; iron (molybdenum -); silicon iron; ferrotitanium; tungsten iron; iron; iron ores; galvanized iron; sponge iron; pelletized iron; sheets of aluminium; sheets of metal including those from alloy steel and titanium; steel sheet for automobile bodies; galvanized steel sheets; clad steel plates and sheets; cast iron, unwrought or semi-wrought; galena [ore]; germanium; glucinium [beryllium]; hafnium [celtium]; indium; limonite; copper ingots; pure iron ingots; magnesium ingots; ingots of common metal; nickel ingots; lead ingots; tin ingots; zinc ingots; aluminium alloy ingots; lead alloy ingots; tin alloy ingots; titanium alloy ingots; zinc alloy ingots; copper-base alloy ingots; magnesium alloy ingots; nickel alloy ingots; aluminium ingots; magnesium; manganese; raw base metals; metals; anodised metals; wrought common metals; common metals, unwrought and semi-worked, for further manufacture; ferrous metals; common metals and their alloys including stainless steel; heavy metals; laminated metals; non-ferrous metals; non-ferrous metals and their alloys; common metals, unwrought or semi-wrought; pyrophoric metals; sintered hard metals; metals in powder form; cermets; cobalt ores; copper ores; manganese ores; processed metal ores; molybdenum ores; nickel ores; lead ores; tin ores; tungsten ores; zinc ores; ores of metal; molybdenum; nickel; niobium; niches (metal -); steel; steel alloys; steel strip; cast steel; steel sheets; unwrought steel; steel, unwrought or semi-wrought; carbon steels; stainless steel; stainless steel in strip form; stainless steel in sheet form; steel in bar form; steel in the form of coils; steel in the form of sheets; steel in the form of

foils; steel in the form of plates; steel in roll form; bright steel; steels in the form of reels; blanks of metal for the manufacture of shell cases; blanks of metal for the manufacture of gun barrels; metal slugs; metal forgings; iron castings [semi-finished]; steel in sheet, rod, bar and billet form; filings of metal; iron pyrites; cold rolled strip steel; lead, unwrought or semi-wrought; lead for pouring of figures; aluminium slabs; slabs of metal including those from alloy steel and titanium; slabs of common metal; galvanized steel plate; metal threaded rods; unwrought or semi-wrought steel; cold rolled sheet metal; tin-foil; tin; tin and its alloys; steel poles; wire alloys; zirconium rods; sheets and plates of metal; zinc-coated steel sheets; metal sheet, strip and coil; nickel-zinc plated sheet metal; tantalum [metal]; tantalum and its alloys; rods of metal; flux coated metal rods; steel rods; titanium; titanium unwrought or semi-wrought; titanium and its alloys; tombac; tubes of steel, including those rolled, peeled or ground; tungsten; vanadium; zinc; zinc and its alloys; zirconium.

17 – Flexible pipes, tubes, hoses, and fittings therefor, including valves; seals, sealants and fillers; flexible pipes, tubes, hoses, and fittings therefor, including valves, non-metallic; adhesive pads [other than for household, medical or stationery use]; duct tape; paper adhesive tape, other than for household, medical or stationery purposes; masking tape; electrical tape; carpet tape [other than for household use]; double sided adhesive tapes [other than for stationery, household or medical use]; impervious adhesive strips for valley channels; impervious adhesive strips for edging of roofs; impervious adhesive strips for ridge tiling; adhesive bands for sealing cartons for industrial or commercial use; adhesive tapes, for technical purposes; self-adhesive tapes for packings; adhesive bands, other than stationery and not for medical or household purposes; adhesive tapes for use with carpets; adhesive tapes for use with floor coverings; adhesive strips for use in industry; adhesive tapes for use in securing carpets; adhesive tapes for use in securing floor coverings; masking strips [adhesive] other than for stationery, household or medical use; packaging tapes (adhesive -), other than for household or stationery use; adhesive coated strips for use in manufacture; adhesive-coated plastic sheets; adhesive coated foils for use in manufacture; masking papers [adhesive] other than for stationery, household or medical use; adhesive materials in the form of bands [other than for household, medical or stationery use]; adhesive materials in the form of strips [other than for household medical, stationery use]; bonding film for heat-initiated lamination with printed matter; brake lining materials, partly processed; semi-processed brake linings materials; clutch linings; semi-processed vehicle brake lining sheet stock; roll coverings of rubber; covers made of rubber for protecting electrical components; elastomeric

sheeting for protecting surfaces in areas used for shot-peening; rubber covers for switches; asbestos coverings; joint covers (non-metallic -); laminated plastic films for use on windows; under flooring sheets of rubber; extruded polythene sheeting for the construction of cloches; extruded polythene sheeting for the construction of greenhouses; elastomeric sheeting for protecting surfaces in areas used for shot-blasting; windows (anti-dazzle films for -) [tinted films]; masking films; plastic sheeting for agricultural purposes; polyethylene sheeting for use in cloches; polyethylene sheets for laying on the ground to suppress weeds; plastic sheeting for use in horticulture; plastic sheeting for use in forestry; polyethylene sheeting for laying over the frames of agricultural structures; polyethylene sheeting for laying over the frames of horticultural structures; laminate foil for application to a substrate; masking materials for use in printing in blocking radiation; laminated plastic surface protection materials; masking film for use in photography and graphic arts; film for mulching; plastic sheeting for preventing weed growth; extruded polyethylene for covering plants; extruded polyethylene for covering seeds; ground cover extruded polyethylene for insulation purposes; rubber packaging; protective packaging of rubber; packaging [cushioning and stuffing] of rubber; rubber packing [padding]; rubber bumpers for loading docks; rubber shock absorbers for industrial machinery; vibration dampers of rubber; rubber for use in shock absorbing; rubber for use in vibration suppression; synthetic rubber for use in shock absorbing; synthetic rubber for use in vibration attenuation; synthetic rubber for use in vibration suppression; rubber chips or granules for use as a playground ground cover; anti-vibration padding tape (rubber or plastics); rubber lids and caps [for industrial packaging containers]; stuffing of rubber; expanded closed cell rubber for cushioning; expanded closed cell rubber for vibration deadening; shock absorbent padding of rubber; padding materials of rubber or plastics for shipping containers; padding materials of rubber or plastics for impact protection; rubber padding for shipping containers; packing padding of rubber for shipping containers; rubber packing for shipping containers; rubber sheets for stopping; rubber sheets for packing; shock absorbent insulation of rubber; bindings of rubber; sleeves of rubber for protecting articles from damage through impact; sleeves of rubber for protecting parts of machines; padding materials of rubber or plastics; packing, stopping and insulating materials; packing [cushioning, stuffing] materials of rubber or plastics; stuffing materials of plastics; plastic materials in the form of chips for use as cushioning materials in packaging; plastic materials in the form of chips for use as packing; plastic materials in the form of mouldings for use as cushioning materials in packaging; packing products in the nature of bags [envelopes] of rubber; rubber bags

for merchandise packaging [envelopes or pouches]; packing containers of rubber; industrial packaging containers of rubber; bags of hard rubber for packaging; shaped sections of rubber for packing purposes; bags [envelopes, pouches] of rubber, for packaging; shock-absorbing buffers of rubber; shock absorbing rubber buffers for industrial machinery; washers of rubber or vulcanized fiber [fibre]; tire restoration and repair rubber materials; semi-finished rubber in the form of mouldings; moulds of rubber for use in the production of path edgings; moulds of rubber for use in the production of paving stones; moulds of rubber for use in the production of decorative paving stones; molds (ebonite -); membranes and semi-processed synthetic filtering materials; articles made of synthetic rubber for jointing purposes; articles made of rubber for jointing purposes; drywall joint tape; thread (screw -) jointing compounds; splice connectors (rubber -) for non-electric cables; spacers (rubber -) for use with optical cables; spacers of rubber for use with sandwich panels; spacers (vulcanised fibre -) for use with optical cables; mountings made of rubber for engines; mountings made of rubber for transmission assemblies; mountings made of rubber for exhausts; grommets made of rubber; grommets made of synthetic rubber; grommets made of vulcanized fibre; spring washers of rubber; spacer brackets (rubber -); washers of rubber for the protection of draw bolts; washers of rubber for the protection of lag screws; washers of rubber for the protection of hooks; washers of rubber for the protection of screws; washers of rubber [other than for water taps]; washers of rubber for forming tight joints [other than for water taps]; washers of vulcanised fibre for the protection of screws; washers of vulcanised fibre for the protection of draw bolts; washers of vulcanised fibre for the protection of lag screws; washers of vulcanised fibre for the protection of hooks; stair fittings of rubber; control line protectors made from natural rubber; control line protectors made from synthetic rubber; flower arrangements (foam supports for -) [semi-finished products]; foamed plastics for use as bases of floral decorations; foamed plastics for use as bases of floral tributes; anti-corrosion padding tape (rubber or plastics); glazing tapes for insulation; strips of rubber for protecting the edges of furniture; glass retaining strips of rubber; stair edgings of rubber; fusing film for the enhancement of images printed on substrates; threads of plastic for soldering; flexible cellular rubber grips; stoppers of plastics; flexible cellular rubber pads; corner protectors of rubber; polyurethane foam in blocks for use in flower arranging; foam supports for floral arrangements; mineral fibers for insulation; cellulose acetate, semi-processed; carbon fibre; microporous synthetic strips for the manufacture of protective clothing; chemical fibres not for textile use; synthetic fibres, other than for textile use; glass fibre and glass

wool; yarns of ceramic fibres [other than for use in textiles]; viscose sheets [semi-finished product]; microporous synthetic sheets for use in manufacture; microporous synthetic sheets for the manufacture of protective workwear; microporous synthetic sheets for the manufacture of protective clothing; microporous synthetic sheets for the manufacture of protective rainwear; self lubricating cast nylon for use in manufacture; cast nylon for use in manufacture; viscose sheets, other than for packing; acrylic resins [semi-finished products]; mixtures of resins with fillers for use as intermediates; resin impregnated tapes for fabrication aerospace components; resin impregnated tapes for fabricating parts for aerospace applications; synthetic resin compositions [semi-processed] for industrial purposes; vulcanite [ebonite]; polymer resin fibres [other than for use in textiles]; acrylic resin sheeting for use in the manufacture of laminated glass; resin impregnated carbon fibre fabrics; resin impregnated fabrics for the fabrication of components; transparent acrylic resin sheets incorporating conductive meshes; glass reinforced resins [semi-worked or semi-finished]; expanded unsaturated polyester resins [semi-processed]; unsaturated synthetic polyester resins [semi-finished]; urea resins [semi-worked]; urea-formaldehyde resins [semi-worked]; polyvinyl chloride resins [semi-processed]; synthetic or artificial resins for use in cable splicing; synthetic or artificial resins for use in controlling the flow properties of fluids; synthetic or artificial resins for use in controlling the viscosity of fluids; semi-finished polyamide resins for use in manufacture; semi-finished polyamide resins in the form of sheets; unsaturated polyester resins [semi-finished]; polyethylene resin [semi-finished]; polyethylene synthetic resin [semi-processed] for foam mouldings; semi-worked polymer resins in the form of bales; semi-worked polymer resins in the form of bands; semi-worked polymer resins in the form of fibres; semi-worked polymer resins in the form of plates; semi-worked polymer resins; semi-processed synthetic polymer resins; resins (artificial -) [semi-finished products]; mouldable synthetic resins [semi-finished]; carbon fibre reinforced synthetic resins for use in manufacture; expanded synthetic resins [semi-processed]; repair resins (synthetic -); synthetic resins in rod form for use in manufacture; synthetic resins in sheet form for use in manufacture; resins in extruded form for general industrial use; resins in liquid form [semi-processed]; thermosetting resins [semi-processed]; extruded polythene sheeting of high light transmission [other than for packaging]; polyvinyl chloride compounds [semi-processed]; fibers (plastic -), not for use in textiles; vulcanized fiber [fibre]; threads of plastic materials, not for textile use; sheets of printable coated polyethylene; sheets of printable polypropylene; heat sealable plastics sheeting for use in manufacture; translucent tri-wall sheets made of polycarbonates; polyurethane film

for use in glass laminations; acrylic sheeting for use in manufacture; foils of plastics [semi-finished products]; laminated plastic sheets for use in manufacture; polythene films [other than for wrapping or packaging]; polypropylene films, other than for wrapping or packaging; flexible plastic films, other than for packaging; rigid polyvinyl chloride foamed sheets for use in manufacture; blown films [other than for packaging]; laminated plastics material for use with mechanical engraving material; plastic material in extruded form for use in production; plastic foam materials for use in manufacture; recycled compound plastics; recycled compound plastics for use in manufacture; extruded plastics [semi-finished products]; plastics in extruded form for use in manufacture; plastics materials in the form of strips [semi-finished products]; heat sealable plastics for the manufacture of lids for containers; heat sealable plastics laminates for use in manufacture; recycled plastics; semi-processed plastics; laminated plastics material for use with computerised engraving material; laminated plastic materials for use in manufacture; plastics materials in the form of tapes [semi-finished products]; plastics materials in the form of blocks [semi-finished products]; plastics materials in the form of sheets [semi-finished products]; plastics materials in the form of plates [semi-finished products]; plastics in the form of sheets, films, blocks, rods and tubes; plastics materials in the form of sections [semi-finished products]; plastics materials in the form of rods [semi-finished products]; polyvinyl chloride film [other than for wrapping or packaging]; film (plastic -), not for wrapping; extruded plastic in the form of bars, blocks, pellets, rods, sheets and tubes for use in manufacturing; translucent twin-wall sheets made of polycarbonates; spunbond melt blown polyethylene for use in manufacture; polystyrene [semi finished]; polyamide foams; polyurethane foam [semi-finished]; polyurethane foam in strips for use in manufacture; polyurethane foam in blocks; polyurethane foam in sections for use in manufacture; plastic rods and bars; spun polyester fibre [other than for textile use]; polyester sheets [other than for wrapping or packaging]; fibres impregnated with synthetic resins for use in manufacture; foils of cellulose for use in manufacture; foils of cellulose [other than for wrapping or packaging]; foil of regenerated cellulose, other than for packing; cellulose material compressed into planar form [semi-finished]; acoustic insulation articles and materials; electrical insulation articles and materials; thermal insulation articles and materials; safety curtains of rubber; glass fiber fireproof textiles; smoke curtains; asbestos fire curtains; asbestos safety curtains; expanding pillows for the prevention of fire penetration; protective acrylic coatings in the form of paints for insulating purposes; industrial coatings for insulating buildings; insulatory coatings of plastic resin; concrete curing blankets made of plastic;

insulating adhesives; molded foam insulated container packing for commercial transportation; articles made of rubber for insulation purposes; articles made of synthetic rubber for insulation purposes; rubber tape for insulating; barriers (floating anti-pollution -); laminated vapor barrier; glass fibre strips for insulation purposes; tapes of epoxy impregnated fibreglass for insulating; insulating tape and band; cables (insulators for -); pre-formed insulation components; motor slot liners [insulators]; insulating water proofing tiles; brake diaphragms [partly processed]; plastic oil fences; thermally conductive insulators; crude fibres of rock for insulation purposes; crude fibres of glass for insulation purposes; asbestos fibres for insulation; rock fibres in the form of matting for insulation; fibres impregnated with synthetic resins for insulation; mineral fibres for insulating purposes; fibres for insulating purposes; glass fibers for use in the manufacture of building insulation; vulcanized fiber for use in the manufacture of building insulation; transparent acrylic sheets incorporating shielding for electromagnetic waves; transparent acrylic sheets for shielding against electromagnetic waves; rubber sheets for insulating; metal foil for building insulation; polyurethane film for use as building insulation; polythene sheeting for insulation; polyurethane foam sheeting for use as building insulation; insulating foils; insulation (metal foil for -); metal foils laminated with paper [paper predominating] for insulation; electromagnetic interference shielding gaskets; gels for insulating; paper impregnated with oil for insulating; insulating paper; treated papers for insulating; protective acrylic spray coatings for insulating purposes; insulating buildings against moisture (substances for -); insulators for use in the protection of buildings; fiberglass insulation for buildings; magnet wire (insulation for -); pipe insulation; insulators; insulators made of fibre cement; electrical ceramic insulators; closed cell insulation used in chilled water tanks; foam insulation for use in building and construction; glass fiber insulation for use in construction; expanded polystyrene underfloor insulation; industrial molten metal furnace insulation made of ceramic enamel fiber; flexible plastic pipe insulation; insulation for aircraft; insulation for air conditioners; insulation for building purposes; flexible elastomeric thermal insulation; insulation for underground pipes and tanks; insulating coatings made of fused silica and ceramic fibres; insulation covers for industrial machinery; foam sheeting for use as a building insulation; industrial coatings [insulating]; insulating floor coverings; pipe wrappings for insulation purposes; water based insulating lacquers; insulating varnish; insulating varnishes based on plastics materials; fleeces of crude fibres of carbon [insulation]; fleeces of crude fibres of rock [insulation]; fleeces of crude fibres of glass [insulation]; slag wool for use as a building insulator; mineral wool for insulating purposes; sleeves for

insulating engine transmission components; sleeves for insulating engines; insulating mastics; insulation material for use in the aircraft industry; insulation material for use in the ship building industry; translucent flexible material for insulating windows; translucent flexible material for insulating rooflights; insulation material for roofing; fabrics made from cotton for use as insulation; fabrics made from ceramic fibres for use as insulation; fabrics made of mixed synthetic and natural fibres for use as insulation; fabrics made from linen for use as insulation; fabrics made from wool for use as insulation; fabrics made from silk for use as insulation; insulating fillers; fabrics made from acrylic for use as insulation; insulating gloves; fabrics of inorganic fibres for use as insulation; fabrics of chemically produced fibres for use as insulation; fabrics of carbon fibre for use as insulation; fiberglass fabrics for building insulation; insulating materials made from reprocessed plastics; insulating materials for building; railway tracks (insulators for -); insulating materials produced from plastics; insulating materials for insulation against light; insulating refractory materials; fabrics woven from ceramic fibres for use as insulation; insulating water proofing membranes; insulating matting; composite panels having insulating properties; polystyrene panels for insulating purposes; fire resistant insulated panels; strips of film [metal] for insulating; plastic film for insulating purposes; barrier curtains in the nature of floating baffles or booms for the containment of pollutants; ceramic parts for insulation in high frequency apparatus; ceramic parts for insulation in high-voltage apparatus; fibre board for use as insulation; plates of insulating material for use in manufacture; asbestos fabrics for use as cable insulation; insulating felt; ceilings made of mineral fibres for insulating buildings; fibreglass webs for insulating purposes; boards for insulating purposes; insulation sheets; insulation board made from mineral wool; insulating plates of mica; lightweight mineral wool slabs for fire insulation purposes; insulating tiles; laminates containing polyamide foams for use as fire retardants; acrylic resins (insulating -); resins for use in forming a hardened skin on walls; resins for use in forming a hardened skin on flooring; polyurethane foam for insulating purposes; polyurethane foam in blocks for insulating; foam glass for use as an insulating materials; insulating substances; insulated pipe supports; insulating plaster; rail pads [insulators]; fabrics made from synthetic fibres [for insulation]; fabrics made from natural fibres for use as insulation; fabrics of organic fibres for use as insulation; fiberglass fabrics for insulation; fabrics made from nylon for use as insulation; fabrics made from polyester for use as insulation; transformers (insulating oil for -); flexible tubing for insulation purposes; insulating oils; glass wool for building insulation; fiberglass for insulation; wool (mineral -) [insulator]; photo-luminescent

paints [insulating]; insulating paints; insulating paints for facades; insulating paints for roofs; insulating paints for walls; water based insulating paints; water based paints [insulating] for use in the automobile industry; wool (slag -) [insulator]; flame retardant fabrics [asbestos]; insulating fabrics; laminated textile insulating fabrics.

19 – Construction elements, not of metal; structures and transportable buildings, not of metal; doors, gates, windows and window coverings, not of metal; pitch, tar, bitumen and asphalt; timber mouldings; rough sawn timber; shaped timber; wood trim; halved timber; wood; mouldable wood; balsa wood; sawn timber; prepared wood; moulded wood; hobby wood; wood, semi-worked; preserved wood [anti-decay wood]; cork [compressed]; softwood chips for use on gardens; wood moldings; stones (binding agents for making -); alabaster; andesite; slate powder; clay; clay ash [building materials]; potters' clay; ballast [rubble]; blocks made from natural stone; boulders; cobbles; clay (potters' -) [raw material]; natural stone slabs and tiles; feldspar [felspar]; granite; sandstone; calcareous marl; refractory ceramic building materials; agglomerated stone materials; rubble; stone; artificial stone; silica stone; agricultural limestone; ground rock; worked natural stone; pottery stone; decorative aquarium stones; aquarium gravel; coarse gravel; slate slabs; porphyry [stone]; liparite; alabaster glass; terra cotta; tufa; pumice stone slag; fireclay; schists; cast concrete decorative articles; busts of stone, concrete or marble; stone lanterns [garden ornaments of stone]; figurines of marble; figurines of concrete; figurines of stone; frescos (works of art of stone, concrete or marble); memorials of marble; memorials of stone; works of art of stone, concrete or marble; ornaments made of stone; ornaments made of marble for ponds; ornaments made of stone for aquaria; ornaments made of stone for ponds; tombstones of stone, concrete or marble; gravestones; gravestones (non-metallic -); memorial stones; memorial plaques, not of metal; plaques made of concrete; plaques made of marble; memorial plaques of stone; tomb slabs, not of metal; tombstone plaques, not of metal; concrete sculptures; sculptures made from marble; statuettes of stone, concrete or marble; statues of marble; statues of concrete; stone sculptures; tombstone stelae, not of metal.

(260) AM 2017 87854 A

(800) 1300500

(891) 2016 03 17

(731) MESSE FRANKFURT EXHIBITION GMBH
Ludwig-Erhard-Anlage 1, 60327 Frankfurt
am Main, Germany

(540)

floradecora

(511)

35 – Advertising; marketing research; telemarketing; personnel management consultancy, employment agencies; organization and conducting of trade fairs, exhibitions and special shows for commercial or advertising purposes; business management, particularly in respect of organizing and conducting trade fairs, exhibitions, special shows and selling events; presentation of business companies and their products and services, also via the Internet; sales promotion for others; merchandising (sales promotion); demonstration of goods for publicity purposes; arranging contacts between commercial partners in trade and industry, also via the Internet; rental of advertising space and advertising material; rental of booths for exhibitions and trade fairs; management consultancy, particularly in respect of organizing and conducting trade fairs, exhibitions, special shows and selling events; compilation and servicing of information in computer databases; publication of printed matter (also in electronic form) for advertising purposes; searches about business topics in computer databases and in the Internet; business advice, also in the Internet; providing information and advice in commercial matters.

41 – Education; providing of training; entertainment; sporting and cultural activities; consultancy services relating to education and training; vocational guidance; organization and conducting of exhibitions and special shows for cultural, educational or tutorial purposes; organization and conducting of instructional events, of congresses, seminars, conferences, symposia and workshops (education); arranging and conducting of colloquiums; production of shows; arranging of entertainment shows; organization and conducting of balls; organization and conducting of competitions (education and entertainment); presentation of live performances; musical performances (orchestra); party planning services (entertainment); providing online electronic publications, not downloadable, publication of printed matter (also in electronic form), except for advertising purposes, publication of periodicals and books in electronic form, also in the Internet; game services provided online from a computer network; booking of seats and ticket agency services for entertainment events, also via the Internet.

(260) AM 2017 87855 A

(800) 1300504

(891) 2016 03 07

(731) BIOFARMA société par actions simplifiée
50 rue Carnot, F-92284 SURESNES Cedex,
France

(540)

DESPASM

(591) Blasck,white

(511)

5 – Pharmaceutical products; veterinary products; sanitary products for medical purposes; dietetic substances for medical use; dietetic substances for veterinary use; food for babies; food supplements; food supplements for animals; plasters, materials for dressings; teeth filling material; dental impression materials; disinfectants; products for destroying vermin; fungicides; herbicides.

(260) AM 2017 87856 A

(800) 1300541

(891) 2016 03 18

(731) Limited Liability Company "V KONTAKTE"
ul. Khersonskaya, d. 12-14, liter A, room 1-N,
RU-191024 St. Petersburg, Russian Federation

(540)

VK.COM

(591) Black, white

(511)

35 – Data search in computer files for others; publication of publicity texts; dissemination of advertising matter; direct mail advertising; systemization of information into computer databases; advertising; compilation of information into computer databases; public relations.

38 – Providing user access to global computer networks; providing access to databases; providing internet chatrooms; providing telecommunications connections to a global computer network; transmission of greeting cards online; message sending; computer aided transmission of messages and images; transmission of digital files.

(260) AM 2017 87857 A

(800) 1300256

(891) 2016 03 04

(731) Joint-Stock Company "SORMOVSKAYA
CONFECTIONERY FACTORY"
pl. Bazarnaya, 10, RU-603003 Nizhny
Novgorod, Russian Federation

(540)

ОЗОРОЙ МИШКА

(511)

30 – Confectionery; pastries.

(260) AM 2017 87865 A

(800) 1300597

(891) 2015 12 23

(731) Limited liability company "GOLDEN TILE"
Mashynobudivna Str. 50, Kyiv 03067,
Ukraine

(540)

ГОЛДЕН ТАЙЛ

(591) black, white

(511)

1 – Acetate of cellulose, unprocessed; acid proof chemical compositions; acidulated water for recharging accumulators; acrylic resins, unprocessed; activated carbon; adhesives for industrial purposes; adhesives for paperhanging; adhesives for wall tiles; alcohol; animal carbon; animal carbon preparations; animal charcoal; alumina; anhydrides; artificial resins, unprocessed; auxiliary fluids for use with abrasives; barytes; baryta paper; barium; bicarbonate of soda for chemical purposes; blood charcoal; bone charcoal; boric acid for industrial purposes; borax; boric acid for industrial purposes; brazing fluxes; calcined soda; calcium carbide; calcium cyanamide [fertilizer]; calcium salts; carbide; carbonates; carbonic acid; carbonic hydrates; catalysts; caustic soda for industrial purposes; cellulose; cellulose esters for industrial purposes; cellulose ethers for industrial purposes; cement for mending broken articles; cement preservatives, except paints and oils; cement-waterproofing chemicals, except paints; ceramic glazings; ceramic compositions for sintering [granules and powders]; ceramic materials in particulate form, for use as filtering media; chemical condensation preparations; chemical substances for analyses in laboratories, other than for medical or veterinary purposes; chemical preparations, except pigments, for the manufacture of enamel; chemical preparations for the manufacture of pigments; chemical preparations for the manufacture of paints; china slip; clarification preparations; coal saving preparations; cobalt oxide for industrial purposes; compositions for the manufacture of technical ceramics; compositions for threading; condensation-preventing chemicals; copper sulphate [blue vitriol]; corrosive preparations; dioxide of hydrogen; distilled water; drilling muds; dolomite for industrial purposes; emulsifiers; epoxy resins, unprocessed; ethyl ether; ethyl alcohol; fertilizing preparations; finishing preparations for use in the manufacture of steel; fireproofing preparations; flocculants; fluorspar compounds; soldering fluxes; foundry sand; foundry molding [moulding] preparations; glass-frosting chemicals; glaziers' putty; glucose for industrial purposes; glucosides; glue for industrial purposes; gluten [glue], other than for stationery or household purposes; glycol; glycerides; glycerine for industrial purposes; graphite for industrial purposes; gums [adhesives], other than for stationery or household purposes; humus; hydrates; hydrogen; industrial chemicals; iodine for industrial purposes; iodised salts; iron salts; kaolin; lecithin [raw material]; lime acetate; lime chloride; lime carbonate; limestone hardening substances; loam; magnesium carbonate; magnesium chloride; manure for agriculture; earth metals; mineral acids; moistening [wetting] preparations for use in bleaching; moistening [wetting] preparations for use in dyeing; naphthalene; nitrates; nitrate paper; oil cement [putty]; oil dispersants; oil-bleaching chemi-

cals; oil-purifying chemicals; oil-separating chemicals; opacifiers for enamel; opacifiers for glass; oxygen; peat [fertiliser]; peat pots for horticulture; phosphates [fertilisers]; plastisols; polish removing substances; potassium; preparations for preventing the tarnishing of glass; preservatives for tiles, except paints and oils; rare earths; rock salt; rubber preservatives; sal ammoniac spirits; salicylic acid; salts of precious metals for industrial purposes; salts [fertilisers]; salts [chemical preparations]; salts for industrial purposes; salt, raw; silver nitrate; sulfates; sulfides; seawater for industrial purposes; silicates; silicon; silicones; size for finishing and priming; sizing preparations; slag [fertilisers]; soda ash; sodium; sodium salts [chemical compounds]; soldering fluxes; starch for industrial purposes; starch paste [adhesive], other than for stationery or household purposes; synthetic materials for absorbing oil; synthetic resins, unprocessed; talc [magnesium silicate]; ungluing agents [chemical preparations for liquifying starch]; viscose; wallpaper removing preparations; water glass [soluble glass]; water purifying chemicals; water-softening preparations.

2 – Agglutinants for paints; aluminium paints; aluminium powder for painting; anti-fouling paints; anti-rust greases; anti-rust oils; badigeon; bactericidal paints; bitumen varnish; black Japan; blacks [colorants or paints]; gold paint for ceramics; platinum paint for ceramics; bronze powder; bronzing lacquers; Canada balsam; carbon black [pigment]; ceramic paints; cochineal carmine; coatings [paints]; coatings for roofing felt [paints]; cobalt oxide [colorant]; colophony; colorants; colorants for butter; colorants for liqueurs; copal; copal varnish; distempers; dyes; dyewood extracts; enamels for painting; enamels [varnishes]; fireproof paints; fixatives [varnishes]; fixatives for watercolors [watercolours]; gildings; glazes [paints, lacquers]; anti-rust greases, included in this class; gum resins; indigo [colorant]; lacquers; lamp black [pigment]; lime wash; mastic [natural resin]; natural resins, raw; oils for the preservation of wood; paints; pigments; printing ink; printers' pastes [ink]; red lead; sandarac; siccatives [drying agents] for paints; silver emulsions [pigments]; silver paint for ceramics; ceramic paints; silver paste; silvering powders; soot [colorant]; siccatives [drying agents] for paints; silver foil [leaf]; sumac for varnishes; thickeners for paints; thinners for lacquers; thinners for paints; turpentine [thinner for paints]; whites [colorants or paints]; white lead; whitewash; zinc oxide [pigment].

11 – Ash pits for furnaces; bath fittings; bath installations; bath linings, fitted; bath tubs; bath tubs for sitz baths; bidets; boilers, other than parts of machines; boiler pipes [tubes] for heating installations; brackets for gas burners; burners; chimney flues; chimney blowers; cookers; cooking rings; coolers for furnaces; filters for drinking water; flues for heating

boilers; flushing apparatus; flushing tanks; fountains; furnaces; furnaces, other than for laboratory use; furnace grates; fittings, shaped, for furnaces; gas boilers; hand drying apparatus for washrooms; heaters for baths; heaters for vehicles; heating apparatus; heating apparatus, electric; heating apparatus for solid, liquid or gaseous fuels; heating boilers; heating installations; heating installations [water]; heating plates; hot air bath fittings; hot air ovens; hot plates; hot water bottles; kilns; kiln furniture [supports]; kitchen ranges [ovens]; laundry room boilers; loading apparatus for furnaces; ornamental fountains; oxyhydrogen burners; pressure water tanks; refining towers for distillation; regulating accessories for water or gas apparatus and pipes; regulating accessories for water and gas apparatus and pipes; rotisseries; sanitary apparatus and installations; sauna bath installations; showers; shower cubicles [enclosures (Am.)]; sinks; spa baths [vessels]; stoves [heating apparatus]; swimming pool chlorinating apparatus; taps [cocks, spigots] [faucets (Am.)] for pipes; toilets [water-closets]; toilet bowls; toilet seats; urinals [sanitary fixtures]; water conduits installations; water distribution installations; water flushing installations; wash-hand basins [parts of sanitary installations]; water heaters; water heaters [apparatus]; water intake apparatus; water-pipes for sanitary installations; water sterilizers; water softening apparatus and installations; water supply installations; whirlpool-jet apparatus.

19 – Alabaster; alabaster glass; angle irons, not of metal; aquarium gravel; artificial stone; beams, not of metal; branching pipes, not of metal; bricks; building cardboard [asphalted]; building glass; buildings, transportable, not of metal; buildings, not of metal; building materials, not of metal; building panels, not of metal; building paper; building stone; calcareous marl; calcareous stone; clay; cement for furnaces; cement slabs; chicken-houses, not of metal; coatings [building materials]; coverings, not of metal, for building; cement for blast furnaces; cement; cement posts; earth for bricks; fences, not of metal; fire burrs; fireclay; fireproof cement coatings; figurines [statuettes] of stone, concrete or marble; flashing, not of metal, for building; floors, not of metal; framework, not of metal, for building; foundry molds [moulds], not of metal; glass granules for road marking; granite; gravel; grave or tomb enclosures, not of metal; gravestones; grave slabs, not of metal; gypsum; hips for roofing; fair huts; laths, not of metal; lime; masts [poles], not of metal; memorial plaques, not of metal; monuments, not of metal; mosaics for building; olivine for building; pantiles; parquet flooring; parquet floor boards; partitions, not of metal; paving slabs, not of metal; penstock pipes, not of metal; pitch; platforms, prefabricated, not of metal; potters' clay; potters' clay [raw material]; porches, not of metal, for building; posts, not of metal; plywood; quartz; railroad ties, not of metal; raw

chalk; refractory construction materials, not of metal; road marking sheets and strips of synthetic material; sandstone for building; sandstone tubes; silica (quartz); sills, not of metal; statues of stone, concrete or marble; swimming pools [structures, not of metal]; schists; stair-treads [steps], not of metal; tombs, not of metal; tombstone stelae, not of metal; tombs [monuments], not of metal; tufa; veneers; veneer wood; wainscoting, not of metal; wall claddings, not of metal, for building; wall linings, not of metal, for building; works of stonemasonry; works of art of stone, concrete or marble; xylolith.

21 – Basins [bowls]; beer mugs; bottles; bottle openers, electric and non-electric; boxes of metal, for dispensing paper towels; busts of porcelain, ceramic or glass; butter-dish covers; candlesticks not of precious metal; candle rings not of precious metal; cauldrons; ceramics for household purposes; chamber pots; china ornaments; closures for pot lids; coasters, not of paper and other than table linen; containers for household or kitchen use, not of precious metal; cooking pots; cooking pot sets; covers, not of paper, for flower pots; covers for dishes; crockery; crystal [glassware]; cups not of precious metal; decanters; deodorising apparatus for personal use; dishes not of precious metal; dishes for soap; drinking glasses; drinking vessels; dustbins; earthenware saucepans; egg cups; egg cups, not of precious metal; enameled glass; epergnes, not of precious metal; flasks, not of precious metal; flat-iron stands; flower pots; fruit cups; fused silica [semi-worked product], other than for building; glasses [receptacles]; glass bulbs [receptacles]; glass bowls; glass caps; glass flasks [containers]; glass jars [carboys]; glass for vehicle windows [semi-finished product]; glass incorporating fine electrical conductors; glass, unworked or semi-worked, except building glass; goblets, not of precious metal; holders for flowers and plants [flower arranging]; indoor terrariums [plant cultivation]; jugs, not of precious metal; kitchen containers, not of precious metal; litter boxes [trays] for pets; lunch boxes; mess-tins; mosaics of glass, not for building; opal glass; painted glassware; pie servers; plates to prevent milk boiling over; porcelain ware; pottery; pots; pot lids; refrigerating bottles; saucepan scourers of metal; saucers not of precious metal; scoops [tableware]; cocktail shakers; signboards of porcelain or glass; soap boxes; soap dispensers; spatulas [kitchen utensils]; statuettes of porcelain, ceramic or glass; statues of porcelain, ceramic or glass; table plates, not of precious metal; tableware, other than knives, forks and spoons, not of precious metal; toilet cases; toilet utensils; trivets [table utensils]; urns, not of precious metal; vases, not of precious metal; vessels of metal for making ices and iced drinks; works of art, of porcelain, ceramic or glass.

35 – Accounting; advisory services for business management; advertising; advertising agencies; adverti-

sing by mail order; auctioneering; business appraisals; business information; business inquiries; business investigations; business management assistance; business management consultancy; business management and organization consultancy; business organization consultancy; business research; commercial information agencies; commercial or industrial management assistance; compilation of information into computer databases; computerized file management; data search in computer files, for others; distribution of samples; drawing up of statements of accounts; cost price analysis; demonstration of goods; dissemination of advertising matter; economic forecasting; business efficiency expert services; import-export agencies; marketing research; marketing studies; on-line advertising on a computer network; opinion polling; organization of exhibitions and trade fairs for commercial or advertising purposes; payroll preparation; personnel recruitment; professional business consultancy; personnel management consultancy; procurement services for others (purchasing goods and services for other businesses); psychological testing for the selection of personnel; publicity material rental; public relations; production of radio commercials; relocation services for businesses; rental of advertising space; sales promotion for others; systemization of information into computer databases; telephone answering for unavailable subscribers; television advertising; the bringing together, for the benefit of others, of a variety of goods of classes 1, 2, 11, 19, 21, excluding the transport thereof, enabling customers to conveniently view, order and purchase those goods at retail stores, wholesale outlets; updating of advertising material.

36 – Antique appraisal; accident insurance underwriting; accommodation bureaux [apartments]; actuarial services; apartment house management; business liquidation services, financial; capital investments; clearing-houses, financial; charitable fund raising; credit bureaux; customs brokerage; debt collection agencies; deposits of valuables; electronic funds transfer; exchanging money; factoring; financial analysis; fiscal assessments; financial evaluation [insurance, banking, real estate]; financial consultancy; financial information; financial management; financing services; financial sponsorship; guarantees; health insurance underwriting; online banking; instalment loans; insurance consultancy; insurance information; insurance brokerage; insurance underwriting; issuing of travellers' checks [cheques]; issue of tokens of value; jewellery appraisal; lease-purchase financing; leasing of real estate; lending against security; life insurance underwriting; loans [financing]; mutual funds; organization of collections; real estate agencies; real estate appraisal; real estate brokerage; real estate management; rent collection; rental of apartments; rental of offices [real estate]; safe deposit services; stamp appraisal; stock exchange quotations; stocks and bonds brokerage.

37 – Motor vehicle maintenance and repair of automobiles; building construction supervision; building of fair stalls and shops; rental of bulldozers; elevator installation and repair; painting or repair of signs; rebuilding engines that have been worn or partially destroyed; mining extraction; rental of excavators; demolition of buildings; building insulating; repair information; construction information; installation, maintenance and repair of computer hardware; office machines and equipment installation, maintenance and repair; boiler cleaning and repair; rental of cranes [construction equipment]; kitchen equipment installation; repair of security locks; varnishing; re-tinning; machinery installation, maintenance and repair; vehicle service stations [refuelling and maintenance]; cleaning of buildings [interior]; cleaning of buildings [exterior surface]; burner maintenance and repair; furnace installation and repair; fire alarm installation and repair; roofing services; scaffolding; quarrying services; drilling of wells; warehouse construction and repair; rental of construction equipment; construction; factory construction; dry cleaning; telephone installation and repair; vehicle maintenance; plastering; vehicle repair; vehicle cleaning; painting, interior and exterior; freezing equipment installation and repair; wallpapering.

39 – Bus transport; car rental; car parking; rental of motor racing cars; car transport; parking place rental; armoured car transport; towing; vehicle breakdown assistance [towing]; railway truck rental; freight [shipping of goods]; freight forwarding; chauffeur services; piloting; boat transport; water supplying; water distribution; garage rental; delivery of goods; electricity distribution; distribution of energy; stevedoring; railway transport; launching of satellites for others; rental of storage containers; storage; storage information; physical storage of electronically-stored data or documents; storage of goods; transportation information; courier services [messages or merchandise]; marine transport; wrapping of goods; packaging of goods; passenger transport; transport; transport brokerage; removal services; hauling; carting; transport and storage of trash; portering; message delivery; air transport; transport reservation; ferry-boat transport; ship brokerage [forwarding (Am.)]; freight brokerage; pleasure boat transport; river transport; unloading cargo; rental of warehouses; rental of vehicle roof racks; transport by pipeline; freighting; boat rental; boat storage.

42 – Analysis for oil-field exploitation; architectural services; architectural consultation; construction drafting; technical project studies; material testing; textile testing; recovery of computer data; authenticating works of art; geological surveys; geological prospecting; geological research; design of interior decor; packaging design; industrial design; duplication of computer programs; surveying; oil-field surveys; land surveying; engineering; installation of

computer software; calibration [measuring]; computer rental; rental of computer software; maintenance of computer software; updating of computer software; computer software design; consultancy in the design and development of computer hardware; consultancy in the field of energy-saving; computer programming; computer systems analysis; computer system design; data conversion of computer programs and data [not physical conversion]; conversion of data or documents from physical to electronic media; mechanical research; oil prospecting; oil-well testing; creating and maintaining web sites for others; underwater exploration; urban planning; research and development of new products for others; hosting computer sites [web sites]; styling [industrial design]; technical research; vehicle roadworthiness testing; quality control.

(260) AM 2017 87961 A

(800) 1301529

(891) 2016 04 18

(731) ALPEN PHARMA AG

Casinoplatz 2, CH-3011 Bern, Switzerland

(540)

MUCOFRONTAL

(511)

5 – Pharmaceutical products, medical and veterinary preparations; sanitary products for medical purposes; dietetic food and substances for medical or veterinary use, food for babies; food supplements for humans and animals; plasters, materials for dressings; material for dental fillings and dental impressions; disinfectants; products for destroying vermin; fungicides, herbicides.

(260) AM 2017 88008 A

(800) 1302109

(891) 2016 02 24

(731) XENOL PETROKİMYA SANAYİ VE

TİCARET A.Ş.

Adana Hacı Sabancı Organize San.Bölgesi,

Oğuz Kağan Köksal Cad. No:14, Sarıçam

ADANA, Turkey

(540)



(591) Brwn, black

(511)

4 – Industrial oils and greases; cutting fluids; dust absorbing, wetting and binding compositions; solid fuels; firewood; liquid and gas fuels and their non-chemical additives.

(260) AM 2017 88009 A
 (800) 1302162
 (891) 2016 04 08
 (731) SPK CORPORATION
 5-4, Fukushima 5-Chome, Fukushimaku
 Osaka 553-0003, Japan
 (540)



(591) Black, white
 (511)
 1 – Coolant, coolants for vehicle engines, coolants for vehicle radiators, brake fluid, condensation-preventing chemicals, shock absorbing fluids; all included in this class.

4 – Automotive engine oils, engine oils, engineering oils, lubricating oils for petrol engines, non-chemical additives for engine oils; all included in this class.

7 – Air condensers, apparatus for the condensing of solvent gases, condensate separators, condensers for compressed air apparatus, condensers for fossil fuel turbines, condensers for steam turbines, condensing apparatus, condensing installations, gas condensers (parts of machines), industrial cleaning apparatus for cleaning condensers, machines for the condensing of vapours, refrigeration condensers, water pumps for vehicles, air filters for vehicles, oil filtering apparatus for engines, oil filters for engine, fuel filter coalescent apparatus, fuel filters, filters for cleaning the lubricating oils in engines; all included in this class.

12 – Radiator grills of metal for vehicles, radiator grills of non-metallic materials for vehicles, combined spring and shock absorber units for vehicles, hydraulic rotary shock absorbers for vehicles, rotary shock absorbers for vehicles, shock absorber adjustment apparatus for vehicles, shock absorbers for vehicles, shock absorbing cylinders (parts of vehicles), brake pads for vehicles, disc brake friction pads for vehicle braking systems, wear-resistant pads for use in brakes for automobiles; all included in this class.

(260) AM 2017 88010 A
 (800) 1302193
 (891) 2016 05 02
 (731) IDT BIOLOGIKA GMBH
 Am Pharmapark, 06861 Dessau-Roßlau,
 Germany
 (540)

ECOPORC

(511)
 5 – Pharmaceutical and veterinary preparations; sanitary preparations for medical use; dietetic substances adapted for medical use, food for babies; plasters, materials for dressings; material for stopping teeth, dental wax; disinfectants; preparations for destroying vermin; fungicides, herbicides.

(260) AM 2017 88011 A
 (800) 1302226
 (891) 2016 05 06
 (731) BRAY INTERNATIONAL, INC.
 13333 Westland E. Blvd., Houston TX 77041,
 USA
 (540)

BRAY/KMÜLLER

(511)
 6 – Metal valves not being parts of machines.

(260) AM 2017 88013 A
 (800) 1302317
 (891) 2016 05 09
 (731) CELGENE CORPORATION
 86 Morris Avenue, Summit NJ 07901, USA
 (540)

IDHIFA

(591) Black, white
 (511)
 5 – Pharmaceuticals for the treatment of leukemia, other cancers, and auto-immune diseases; pharmaceutical preparations, namely, cytokine inhibitory drugs; pharmaceutical preparations that modulate the immune system.

(260) AM 2017 88015 A
 (800) 1302367
 (891) 2016 05 17
 (731) APPLE INC.
 1 Infinite Loop, Cupertino CA 95014, USA
 (540)

SWIFT PLAYGROUNDS

(511)
 9 – Computer software for software development; educational software featuring instruction in computer programming.

(260) AM 2017 88016 A
 (800) 1302369
 (891) 2016 03 31
 (731) TOVARYSTVO Z OBMEZHENOIU
 VIDPOVIDALNISTIU "POSHTOVO-
 LOHISTYCHNA HRUPA "MIST HRUP"
 vul. Zelena, 147, m. Lviv 79035, Ukraine

(540)

MEEST

(591) Black, white

(511)

39 – Transport; packaging and storage of goods; travel arrangement; car transport; delivery of newspapers; flower delivery; message delivery; parcel delivery; delivery of goods; delivery of goods by mail order; stevedoring; guarded transport of valuables; storage; lighterage services; transportation logistics; rental of storage containers; wrapping of goods; passenger transport; armored-car transport; hauling; transport brokerage; freight brokerage; chauffeur services; courier services (messages or merchandise); taxi transport; freight forwarding; unloading cargo; franking of mail.

(260) AM 2017 88018 A

(800) 1302452

(891) 2016 03 31

(731) TOVARYSTVO Z OBMEZHENOIU
VIDPOVIDALNISTIU "POSHTOVO-
LOHISTYCHNA HRUPA "MIST HRUP"
vul. Zelena, 147 m. Lviv 79035, Ukraine

(540)

MEEST

(591) Black, white

(511)

36 – Insurance; financial affairs; monetary affairs; real estate affairs; debt collection agency services; accommodation bureau services (apartments); real estate agency services; financial analysis; banking; stock brokerage services; repair costs evaluation (financial appraisal); issuance of travelers' checks; issuance of credit cards; issuance of tokens of value; capital investment; arranging finance for construction projects; online banking; rental of farms; electronic funds transfer; apartment house management; safe deposit services; deposits of valuables; organization of collections; charitable fund raising; rent collection; stock exchange quotations; real estate management; clearing, financial; insurance consultancy; debt advisory services; pawnbrokerage; rental of real estate; financial customs brokerage services; marine insurance underwriting; instalment loans; loans (financing); providing financial information via a web site; rental of apartments; hire-purchase financing; rental of offices (real estate); exchanging money; processing of credit card payments; antique appraisal; jewellery appraisal; stamp appraisal; art appraisal; real estate appraisal; numismatic appraisal; check (cheque) verification; mortgage banking; fiscal valuation; credit bureau services; lending against security; brokerage; brokerage of carbon credits; real estate brokerage; securities brokerage; stocks and bonds brokerage; processing of debit card

payments; savings bank services; provident fund services; surety services; actuarial services; fiduciary; retirement payment services; insurance information; insurance brokerage; accident insurance underwriting; fire insurance underwriting; life insurance underwriting; health insurance underwriting; factoring; financial information; financial management; financial consultancy; financial evaluation (insurance, banking, real estate); financial evaluation of wool; financial evaluation of standing timber; financial sponsorship; business liquidation services, financial; financing services; mutual funds.

(260) AM 2017 88019 A

(800) 1302750

(891) 2016 05 07

(731) APPLE INC.

1 Infinite Loop Cupertino CA 95014, USA

(540)

IPHONE

(591) black and white

(511)

9 – Downloadable audio files and multimedia files featuring musical, video, and audio-video entertainment and pamphlets, brochures, newsletters, journals, and magazines, on the subjects of sporting and cultural activities and a wide range of topics of general interest.

41 – Entertainment services, namely, providing non-downloadable pre-recorded music, audio, video, and graphics via a global computer network and wireless networks, and providing non-downloadable electronic publications for browsing over computer networks, namely, books, pamphlets, brochures, newsletters, journals, and magazines, on the subjects of computer hardware and software applications and a wide range of topics of general interest; providing consultation services relating to all of the aforesaid.

(260) AM 2017 88022 A

(800) 1302455

(891) 2016 04 27

(731) Joint Stock Company "BIOCAD"
Svyazi st., bld. 34, liter A, p. Strelna,
RU-198515 Saint Petersburg, Russian
Federation

(540)

MINOTAVR

(511)

5 – Pharmaceutical preparations; sanitary preparations for medical purposes; dietetic food and substances adapted for medical use.

42 – Scientific and technological services and research and design relating thereto; industrial analysis and research services; design and development of

computer hardware and software in the field of biotechnology.

(260) AM 2017 88023 A

(800) 1302788

(891) 2015 10 06

(731) AYTAŞ ALÇI ENERJİ MADEN VE İNŞAAT SAN.TİC.A.Ş.

Turan Güneş Bulvarı No:12/14, Çankaya

Yıldızevler Çankaya, ANKARA, Turkey

(540)



(591) orange, dark blue

(511)

19 – Sand, gravel, crushed stone, asphalt, bitumen, cement, gypsum for use in construction, road construction, repair and covering work; building materials (as finished products) made of concrete, gypsum, clay, potters' clay, natural or artificial stone, wood, plastics and synthetic materials for building, construction, road construction purposes, included in this class; non-metallic building materials, non-metallic transportable buildings, poles not of metal for power lines; barriers not of metal, doors and windows of wood and synthetic materials; traffic signs not of metal, non-luminous and non-mechanical, for roads; monuments and statuettes of stone, concrete and marble; natural and synthetic surface coatings in the form of panels and sheets, being building materials; heat adhesive synthetic surface coating, being building materials; bitumen cardboard coatings for roofing; bitumen coating for roofing; building glass; prefabricated swimming pools not of metal (structures); aquarium sand; lime, cement and plaster for use in construction; panels, boards, platforms, walls, building elements made of plaster; bricks, tiles, floor tiles, binding agents for making briquettes, roofing tiles; ready-mixed concretes, mortar, plaster, colored plasters.

(260) AM 2017 88025 A

(800) 1302825

(891) 2016 01 14

(731) Finext Vagyonkezelő Nyilvánosan Működő

Részvénytársaság

Futó utca 47-53. VII. em., H-1082 Budapest,

Hungary

(540)

FINEXT

(591) black and white

(511)

35 – Outsourcing services (business assistance); marketing studies, professional business consultancy; business efficiency services; business information.

36 – Financing services; organization of collections; repair costs evaluation (financial appraisal); financial analysis; financial asset management; financial information; financial support; financial grant-making; fund investments; trusteeships.

(260) AM 2017 88027 A

(800) 1302858

(891) 2016 03 14

(731) ROBERT BOSCH GMBH

Robert-Bosch-Platz 1, 70839 Gerlingen,

Germany

(540)

Truvo

(591) black and white

(511)

9 – Geodetic and nautical apparatus, in particular theodolites, levels, inclinometers; surveying apparatus and instruments; position finding apparatus; distance measuring apparatus, in particular laser range finders; cross-line laser levels; parts for the aforesaid apparatus and equipment; systems composed of the aforesaid apparatus; software.

(260) AM 2017 88028 A

(800) 1302865

(891) 2016 02 24

(731) MYKOGEN POLSKA S.A.

Karszew 42, PL-98-100 Lask, Poland

(540)



(591) Red

(511)

1 – Artificial soil for plant cultivation; artificial soil for plant cultivation made from plastic materials; artificial soil for plant cultivation made from mineral materials; substrates for growing plants, in particular substrates for growing mushrooms.

(260) AM 2017 88029 A

(800) 1302925

(891) 2016 03 30

(731) TSINGTAO BREWERY COMPANY

LIMITED

No.56, Dengzhou Road, Qingdao, 266012

Shandong Province, China

(540)

(591) black and white

(511)

32 – Beer; ginger beer; malt beer; beer wort; extracts of hops for making beer; malt wort.

(260) AM 2017 88030 A

(800) 1302958

(891) 2016 03 11

(731) MERCK KGAA

Frankfurter Strasse 250, 64293 Darmstadt,
Germany

(540)

(591) black and white

(511)

1 – Chemicals used in industry, science and photography, as well as in agriculture, horticulture and forestry; unprocessed artificial resins, unprocessed plastics; manures; fire extinguishing compositions; tempering and soldering preparations; chemical substances for preserving foodstuffs; tanning substances; adhesives used in industry.

2 – Paints, varnishes, lacquers; preservatives against rust and against deterioration of wood; colorants; mordants; raw natural resins; metals in foil and powder form for painters, decorators, printers and artists.

3 – Bleaching preparations and other substances for laundry use; cleaning, polishing, scouring and abrasive preparations; soaps; perfumery, essential oils, cosmetics, hair lotions; dentifrices.

5 – Pharmaceutical and veterinary preparations; sanitary preparations for medical purposes; dietetic food and substances adapted for medical or veterinary use, food for babies; dietary supplements for humans and animals; plasters, materials for dressings; material for stopping teeth, dental wax; disinfectants; preparations for destroying vermin; fungicides, herbicides.

7 – Machines for metal, wood and plastics processing, for the chemical industry, for the pharmaceutical industry, for agriculture, for the beverage industry, for mining, machines for textiles, construction and packaging, machines for material processing, machine tools; motors and engines (except for land vehicles); machine coupling and transmission

components (except for land vehicles); agricultural implements other than hand-operated; incubators for eggs; automatic vending machines.

9 – Scientific, nautical, surveying, photographic, cinematographic, optical, weighing, measuring, signalling, checking (supervision), life-saving and teaching apparatus and instruments; apparatus and instruments for conducting, switching, transforming, accumulating, regulating or controlling electricity; apparatus for recording, transmission or reproduction of sound or images; magnetic data carriers, recording discs; compact discs, DVDs and other digital recording media; mechanisms for coin-operated apparatus; cash registers, calculating machines, data processing equipment, computers; computer software; fire-extinguishing apparatus.

10 – Surgical, medical, dental and veterinary apparatus and instruments, artificial limbs, eyes and teeth; orthopedic articles; suture materials.

11 – Apparatus for lighting, heating, steam generating, cooking, refrigerating, drying, ventilating, water supply and sanitary purposes.

16 – Paper, cardboard; printed matter; bookbinding material; photographs; stationery; adhesives for stationery or household purposes; artists' materials; paint brushes; typewriters and office requisites (except furniture); instructional and teaching material (except apparatus); plastic materials for packaging (not included in other classes); printers' type; printing blocks.

17 – Rubber, gutta-percha, gum, asbestos, mica; plastics in extruded form for use in manufacture; packing, stopping and insulating materials; flexible pipes, not of metal.

29 – Meat, fish, poultry and game; meat extracts; preserved, frozen, dried and cooked fruits and vegetables; jellies, jams, compotes; eggs; milk and milk products; edible oils and fats.

30 – Coffee, tea, cocoa and artificial coffee; rice; tapioca and sago; flour and preparations made from cereals; bread, pastry and confectionery; edible ices; sugar, honey, treacle; yeast, baking-powder; salt; mustard; vinegar, sauces (condiments); spices; ice.

32 – Beers; mineral and aerated waters and other non-alcoholic beverages; fruit beverages and fruit juices; syrups and other preparations for making beverages.

35 – Advertising; business management; business administration; office functions.

40 – Treatment of materials with biochemical, biological and pharmaceutical materials; treatment of materials with chemicals; water treatment; treatment of metal; cloth dyeing; customized production of chemical products for use in manufacture, research

and science; customized production of mixtures for use in pharmaceuticals.

41 – Education; providing of training; entertainment; sporting and cultural activities.

42 – Scientific and technological services and research and design relating thereto; industrial analysis and research services; design and development of computer hardware and software.

44 – Medical services; veterinary services; hygienic and beauty care for human beings or animals; agriculture, horticulture and forestry services.

(260) AM 2017 88206 A

(800) 1304052

(891) 2016 03 16

(731) ZHEJIANG WEIDA SHIYE TOUZI

YOUXIAN GONGSI

Heyetang Development Zone, Yiwu City,
Zhejiang Province, China

(540)

Johnny Miller

(591) black and white

(511)

25 – Clothing; layettes [clothing]; shoes; hats; hosiery; gloves [clothing]; scarfs; girdles; bathing suits; waterproof clothing.

(260) AM 2017 88208 A

(800) 1304064

(891) 2015 12 09

(731) HARMENGTON LIMITED

Poseidonos 1, Ledra Business Centre, Egkomi,
CY-2406 Nicosia, Cyprus

(540)



(591) black and white

(511)

3 – Cotton wool for cosmetic purposes; cotton sticks for cosmetic purposes; cloths impregnated with a detergent for cleaning; cosmetics; detergents other than for use in manufacturing operations and for medical purposes; preparations for unblocking drain pipes; tissues impregnated with cosmetic lotions; tis-

sues impregnated with make-up removing preparations.

6 – Aluminium foil; washers of metal; foils of metal for wrapping and packaging.

21 – Abrasive pads for kitchen purposes; rails and rings for towels; boxes for dispensing paper towels; furniture dusters; cloth for washing floors; cloths for cleaning; sponges for household purposes; abrasive sponges for scrubbing the skin; scrubbing brushes; toothpicks; cookery molds [moulds]; kitchen mitts; steel wool for cleaning; saucepan scourers of metal; disposable table plates; cocktail stirrers; chopsticks; paper plates; dusting cloths [rags]; pads for cleaning; clothes pegs; gloves for household purposes; curry-combs; drinking straws; molds [kitchen utensils]; dishwashing brushes; toothpick holders; toilet paper holders; toilet paper dispensers; napkin holders; cups of paper or plastic.

(260) AM 2017 88209 A

(800) 1304075

(891) 2016 02 26

(731) UAB "SENSATIS"

Šiaulių g. 1-25, LT-32108 Zarasai, Lithuania

(540)



(591) Dark green, dark brown and white

(511)

1 – Agricultural chemicals, except fungicides, herbicides, insecticides and parasiticides; cultures of microorganisms, other than for medical and veterinary use; soil conditioning preparations.

(260) AM 2017 88280 A

(800) 1304870

(891) 2016 02 19

(731) IVOCLAR VIVADENT AG

Bendererstrasse 2, FL-9494 Schaan,
Liechtenstein

(540)

Viteo

(511)

5 – Materials for use in dentistry, namely materials for the manufacturing and characterization of teeth; dental alloys; dental filling materials; dental luting materials; materials for the cavity treatment; dental composite materials; dental cements; dental ceramic layering; colour stains for dental use; precious metal alloys and non-precious metal alloys for dental technology, precious metals and non-precious metals for dental technology; materials for repairing teeth

and for dental crowns and bridges, shaped materials for dentistry; fiber reinforced resin for the manufacture of crowns, bridges and pontics; ingots made of resin, metal or ceramic for use in dentistry.

10 – Apparatus, tools and instruments used in dentistry, namely polishing, grinding and drilling instruments, artificial teeth and veneers, dental crowns; implant-abutments for dental use; dental implants for the use in dentistry; boulders, joints and anchors, each of the aforementioned for the use in connection with dental prosthesis; prefabricated parts for crowns, bridges and pontics.

(260) AM 2017 88290 A

(800) 1304903

(891) 2016 04 15

(731) COTECNICA, S.C.C.L

Cr. Nacional II, Km. 494,5, E-25250 Bellpuig (Lleida), Spain

(540)



(591) green red and white

(526) The trademark is protected as a whole. "PET FOOD" shall not be subject to independent legal protection.

(511)

31 – Pet food.

(260) AM 2017 88355 A

(800) 1305461

(891) 2015 12 11

(731) WORLD MEDICINE İLAÇ SANAYİ VE TİCARET ANONİM ŞİRKETİ

Evren Mah. Camiyolu Cad. No.50, Kat 1
B Zemin 4-5-6, Güneşli / Bağcılar / İstanbul, Turkey

(540)

DIDROSADA
ДИДРОСАДА

(591) black and white

(511)

5 – Medicines for human purposes, medicines for veterinary purposes, vitamin preparations, chemical preparations for medical purposes, dietetic substances adapted for medical use; dietetic foods adapted for medical purposes; baby foods, medicinal herbs, herbal beverages adapted for medical purposes, nutritional supplements, pollen dietary supplements,

mineral food supplements, protein dietary supplements; dietary supplements for animals; fodder supplements for veterinary purposes; medicines for dental purposes, hygienic products for medical purposes including sanitary pads, breast-nursing pads and bunion pads, waddings for medical purposes, plasters for medical purposes, dressings for medical purposes, babies' napkins, preparations for destroying noxious plants, preparations for destroying noxious animals, fungicides, deodorants other than for human beings or for animals, air deodorising preparations, disinfectants for hygiene purposes, antiseptics, detergents for medical purposes.

(260) AM 2017 88356 A

(800) 1305462

(891) 2015 12 11

(731) WORLD MEDICINE İLAÇ SANAYİ VE TİCARET ANONİM ŞİRKETİ

Evren Mah. Camiyolu Cad. No.50, Kat 1
B Zemin 4-5-6, Güneşli / Bağcılar / İstanbul, Turkey

(540)

KASLIROL
КАСЛИРОЛ

(591) black and white

(511)

5 – Medicines for human purposes, medicines for veterinary purposes, vitamin preparations, chemical preparations for medical purposes, dietetic substances adapted for medical use; dietetic foods adapted for medical purposes; baby foods, medicinal herbs, herbal beverages adapted for medical purposes, nutritional supplements, pollen dietary supplements, mineral food supplements, protein dietary supplements; dietary supplements for animals; fodder supplements for veterinary purposes; medicines for dental purposes, hygienic products for medical purposes including sanitary pads, breast-nursing pads and bunion pads, waddings for medical purposes, plasters for medical purposes, dressings for medical purposes, babies' napkins, preparations for destroying noxious plants, preparations for destroying noxious animals, fungicides, deodorants other than for human beings or for animals, air deodorising preparations, disinfectants for hygiene purposes, antiseptics, detergents for medical purposes.

(260) AM 2017 88357 A

(800) 1305465

(891) 2015 12 17

(731) RAUCH Fruchtsäfte GmbH

Langgasse 1, A-6830 Rankweil, Austria

(540)



(591) black and white

(511)

30 – Tea; cocoa; drinking chocolate; rice; tapioca and sago; flour and preparations made from cereals; bread, pastry and confectionery; edible ices; honey, treacle; yeast, baking-powder; salt; mustard; vinegar sauces (condiments); fruit sauces; spices; ice; tea drinks; iced tea; green tea; tea-based beverages; tea-based beverages with fruit flavoring; fruit teas; fruit teas containing lemon and/or flavoured with elderflower; fruit teas containing peach and/or flavoured with honey; flavoured tea-based beverages.

32 – Beers; mineral water [beverages] and nectars; fruit nectars; fruit nectar beverages; vegetable beverages and vegetable juices; syrups and other preparations for making beverages; energy drinks; lemonades; non-alcoholic beverages, in particular with fruit flavouring; smoothies; flavoured water-based beverages; water-based beverages; coconut juice; coconut water; tomato juice (beverages); non-alcoholic beverages made with fruits; non-alcoholic fruit extracts; fruit juice concentrate; cocktails, non-alcoholic; isotonic drinks; non-alcoholic beverages with coffee components or a coffee flavour; non-alcoholic energy drinks with coffee components or a coffee flavour; must; non-alcoholic aperitifs; non-alcoholic beverages consisting of coconut juice or with coconut juice flavouring or with coconut flavouring; whey beverages; non-alcoholic beverages with tea flavor; coffee flavoured soft drinks; non-alcoholic beverages with fruit flavouring; non-alcoholic beverages containing fruits or fruit extracts; fruit drinks; apple juice (sweetened fruit juice); non-alcoholic cider; non-alcoholic beverages with tea flavour; non-alcoholic drinks, containing tea or tea extracts; water-based beverages.

(260) AM 2017 88358 A

(800) 1305475

(891) 2016 02 11

(731) OTKRYTOE AKTSIONERNOE
OBSCHESTVO "COSMETICHESKOE
OBYEDINENIE "SVOBODA"
d. 47, ul. Vyatskaya, RU-127015 MOSCOW,
Russian Federation

(540)



(511)

3 – Petroleum jelly for cosmetic purposes; cosmetic hair dressing lotions; cosmetic preparations for skin

care; beauty milk; shampoos; soap; antiperspirant soap; dentifrices.

(260) AM 2017 88360 A

(800) 1305508

(891) 2016 04 26

(731) BIOFARMA

50 RUE CARNOT, F-92284 SURESNES
CEDEX, France

(540)



(591) black and white

(511)

5 – Pharmaceutical preparations; veterinary preparations; sanitary products for medical purposes; dietetic substances for medical use; dietetic substances for veterinary use; food for babies; dietetic preparations and food supplements; food supplements for animals; plasters, materials for dressings; teeth filling material; dental impression materials; disinfectants; products for destroying vermin; fungicides; herbicides.

(260) AM 2017 88362 A

(800) 1305642

(891) 2016 05 18

(731) PHILIP MORRIS PRODUCTS S.A.

Quai Jeanrenaud 3, CH-2000 Neuchâtel,
Switzerland

(540)



(511)

9 – Batteries for electronic cigarettes; batteries for electronic devices that are used for heating tobacco; battery chargers for electronic devices that are used for heating tobacco; USB chargers for electronic devices that are used for heating tobacco; car chargers for electronic cigarettes; car chargers for devices that are used for heating tobacco; battery chargers for electronic cigarettes.

11 – Electronic vaporizers except electronic cigarettes; apparatus for heating liquids; apparatus for generating vapor.

34 – Wired vaporizers for electronic cigarettes and electronic smoking devices; tobacco, raw or manufactured; tobacco products, including cigars, cigarettes, cigarillos, tobacco for roll-your-own cigarettes, pipe tobacco, chewing tobacco, snuff tobacco, kretek; snus; tobacco substitutes (not for medical purposes); smokers' articles, including cigarette paper and tubes, cigarette filters, tobacco tins, cigarette cases and ashtrays, pipes, pocket apparatus for rolling cigarettes, lighters; matches; tobacco sticks, tobacco products for the purpose of being heated, electronic

devices and their parts for the purpose of heating cigarettes or tobacco in order to release nicotine-containing aerosol for inhalation; liquid nicotine solutions for use in electronic cigarettes; electronic smoking devices; electronic cigarettes; electronic cigarettes as substitute for traditional cigarettes; electronic devices for the inhalation of nicotine-containing aerosol; oral vaporizing devices for use by smokers, tobacco products and tobacco substitutes; smokers' articles for electronic cigarettes; parts and fittings for the aforesaid products included in this class; extinguishers for heated cigarettes and cigars as well as heated tobacco sticks; electronic rechargeable cigarette cases.

INTERNATIONAL TRADEMARKS PROTECTED IN GEORGIA

(260) AM 2016 80629 A
(800) 1232515
(151) 2014 10 01
(181) 2024 10 01
(891) 2014 10 01
(511) 30

(260) AM 2016 83324 A
(800) 1257364
(151) 2015 05 29
(181) 2025 05 29
(891) 2015 05 29
(511) 39

(260) AM 2016 80764 A
(800) 1211621
(151) 2014 03 05
(181) 2024 03 05
(891) 2014 12 24
(511) 43

(260) AM 2016 85572 A
(800) 1282013
(151) 2015 08 19
(181) 2025 08 19
(891) 2015 08 19
(511) 30

(260) AM 2016 81516 A
(800) 1240494
(151) 2014 12 31
(181) 2024 12 31
(891) 2014 12 31
(511) 30

(260) AM 2016 85911 A
(800) 1284859
(151) 2015 10 15
(181) 2025 10 15
(891) 2015 10 15
(511) 32

(260) AM 2016 81717 A
(800) 761135
(151) 2001 06 05
(181) 2021 06 05
(891) 2015 03 23
(511) 19

(260) AM 2017 86019 A
(800) 1286187
(151) 2015 10 06
(181) 2025 10 06
(891) 2015 10 06
(511) 35, 36, 37, 38, 39, 40, 41, 42, 43, 44, 45

(260) AM 2016 81957 A
(800) 1244957
(151) 2015 03 27
(181) 2025 03 27
(891) 2015 03 27
(511) 30

(260) AM 2016 86073 A
(800) 1285735
(151) 2015 07 27
(181) 2025 07 27
(891) 2015 07 27
(511) 25

(260) AM 2016 82123 A
(800) 1245573
(151) 2015 03 10
(181) 2025 03 10
(891) 2015 03 10
(511) 09, 16, 21, 25, 26

(260) AM 2017 86187 A
(800) 1286929
(151) 2015 11 30
(181) 2025 11 30
(891) 2015 11 30
(511) 09, 12, 21, 25, 28, 41

(260) AM 2016 83288 A
(800) 1258547
(151) 2015 05 27
(181) 2025 05 27
(891) 2015 05 27
(511) 03, 09, 14, 18, 25

(260) AM 2017 86291 A
(800) 1288290
(151) 2016 01 08
(181) 2026 01 08
(891) 2016 01 08
(511) 06

(260) AM 2016 86459 A
(800) 1289507
(151) 2016 01 28
(181) 2026 01 28
(891) 2016 01 28
(511) 05, 10

(260) AM 2017 86468 A
(800) 1290693
(151) 2015 10 28
(181) 2025 10 28
(891) 2015 10 28
(511) 41

(260) AM 2017 86483 A
(800) 1290079
(151) 2015 10 21
(181) 2025 10 21
(891) 2015 10 21
(511) 03, 05, 16

(260) AM 2017 86491 A
(800) 1290343
(151) 2016 02 04
(181) 2026 02 04
(891) 2016 02 04
(511) 03

(260) AM 2017 86517 A
(800) 1290936
(151) 2016 01 28
(181) 2026 01 28
(891) 2016 01 28
(511) 05

(260) AM 2017 86521 A
(800) 1291009
(151) 2015 10 06
(181) 2025 10 06
(891) 2015 10 06
(511) 03, 04, 06, 07, 09, 11, 12, 17, 20, 21, 22, 24,
25, 28, 35

(260) AM 2016 86523 A
(800) 1291050
(151) 2015 11 12
(181) 2025 11 12
(891) 2015 11 12
(511) 03

(260) AM 2017 86525 A
(800) 1172796
(151) 2013 07 03

(181) 2023 07 03
(891) 2016 01 06
(511) 35, 41, 43

(260) AM 2017 86527 A
(800) 1278769
(151) 2015 09 30
(181) 2025 09 30
(891) 2016 02 12
(511) 07

(260) AM 2017 86566 A
(800) 1292004
(151) 2015 12 23
(181) 2025 12 23
(891) 2015 12 23
(511) 03

(260) AM 2017 86622 A
(800) 1291466
(151) 2015 12 14
(181) 2025 12 14
(891) 2015 12 14
(511) 07, 08, 12

(260) AM 2017 86623 A
(800) 1291643
(151) 2015 12 30
(181) 2025 12 30
(891) 2015 12 30
(511) 06, 07, 37

(260) AM 2017 86625 A
(800) 1291657
(151) 2015 12 14
(181) 2025 12 14
(891) 2015 12 14
(511) 30

(260) AM 2017 86628 A
(800) 1291710
(151) 2015 12 16
(181) 2025 12 16
(891) 2015 12 16
(511) 05

(260) AM 2017 86648 A
(800) 1291871
(151) 2015 12 16
(181) 2025 12 16
(891) 2015 12 16
(511) 03

(260) AM 2016 86698 A
(800) 1292609
(151) 2016 01 20
(181) 2026 01 20
(891) 2016 01 20
(511) 12

(260) AM 2016 86716 A
(800) 1292247
(151) 2016 01 22
(181) 2026 01 22
(891) 2016 01 22
(511) 03, 05, 10

(260) AM 2017 86717 A
(800) 1292255
(151) 2015 07 28
(181) 2025 07 28
(891) 2015 07 28
(511) 36

(260) AM 2017 86720 A
(800) 1292633
(151) 2015 06 04
(181) 2025 06 04
(891) 2015 06 04
(511) 09

(260) AM 2017 86721 A
(800) 1293074
(151) 2015 12 22
(181) 2025 12 22
(891) 2015 12 22
(511) 05

(260) AM 2017 86722 A
(800) 1292647
(151) 2015 09 17
(181) 2025 09 17
(891) 2015 09 17
(511) 32

(260) AM 2017 86738 A
(800) 1053970
(151) 2010 09 24
(181) 2020 09 24
(891) 2016 02 04
(511) 05, 29, 31

(260) AM 2017 86739 A
(800) 1105144
(151) 2011 12 21

(181) 2021 12 21
(891) 2016 02 04
(511) 14

(260) AM 2017 86740 A
(800) 1149088
(151) 2013 01 18
(181) 2023 01 18
(891) 2016 01 28
(511) 14

(260) AM 2017 86741 A
(800) 1207310
(151) 2013 11 29
(181) 2023 11 29
(891) 2016 02 05
(511) 05, 29, 30

(260) AM 2017 86742 A
(800) 1292335
(151) 2015 12 28
(181) 2025 12 28
(891) 2015 12 28
(511) 01, 04

(260) AM 2017 86775 A
(800) 1293932
(151) 2016 01 18
(181) 2026 01 18
(891) 2016 01 18
(511) 30

(260) AM 2017 86787 A
(800) 1293249
(151) 2016 01 20
(181) 2026 01 20
(891) 2016 01 20
(511) 12

(260) AM 2017 86789 A
(800) 1293287
(151) 2015 12 10
(181) 2025 12 10
(891) 2015 12 10
(511) 09, 41, 42

(260) AM 2017 86793 A
(800) 1294049
(151) 2016 02 04
(181) 2026 02 04
(891) 2016 02 04
(511) 14

(260) AM 2017 86804 A
(800) 1213265
(151) 2014 03 04
(181) 2024 03 04
(891) 2016 03 09
(511) 33

(260) AM 2017 86808 A
(800) 1293555
(151) 2015 10 01
(181) 2025 10 01
(891) 2015 10 01
(511) 07, 09

(260) AM 2017 86809 A
(800) 1293590
(151) 2015 11 28
(181) 2025 11 28
(891) 2015 11 28
(511) 41

(260) AM 2016 86811 A
(800) 1293608
(151) 2016 01 12
(181) 2026 01 12
(891) 2016 01 12
(511) 35, 36, 41

(260) AM 2017 86812 A
(800) 1293612
(151) 2016 01 11
(181) 2026 01 11
(891) 2016 01 11
(511) 44

(260) AM 2017 86813 A
(800) 1293679
(151) 2016 01 28
(181) 2026 01 28
(891) 2016 01 28
(511) 05

(260) AM 2017 86837 A
(800) 1293816
(151) 2015 10 05
(181) 2025 10 05
(891) 2015 10 05
(511) 03, 18, 25

(260) AM 2017 86838 A
(800) 1293820
(151) 2015 10 12

(181) 2025 10 12
(891) 2015 10 12
(511) 30

(260) AM 2016 86870 A
(800) 1294330
(151) 2015 12 28
(181) 2025 12 28
(891) 2015 12 28
(511) 05

(260) AM 2017 86871 A
(800) 1294382
(151) 2015 12 29
(181) 2025 12 29
(891) 2015 12 29
(511) 29

(260) AM 2017 86923 A
(800) 1294575
(151) 2016 02 11
(181) 2026 02 11
(891) 2016 02 11
(511) 09

(260) AM 2017 86924 A
(800) 1294577
(151) 2016 02 18
(181) 2026 02 18
(891) 2016 02 18
(511) 05, 40, 42, 44

(260) AM 2016 86925 A
(800) 1294578
(151) 2016 02 19
(181) 2026 02 19
(891) 2016 02 19
(511) 05, 40, 42, 44

(260) AM 2017 86927 A
(800) 1294585
(151) 2016 01 20
(181) 2026 01 20
(891) 2016 01 20
(511) 32, 33, 35

(260) AM 2017 87048 A
(800) 1295466
(151) 2015 11 02
(181) 2025 11 02
(891) 2015 11 02
(511) 18, 25, 28

(260) AM 2017 87050 A
(800) 1295473
(151) 2015 09 30
(181) 2025 09 30
(891) 2015 09 30
(511) 36

(260) AM 2017 87051 A
(800) 1295284
(151) 2015 11 27
(181) 2025 11 27
(891) 2015 11 27
(511) 09, 16, 40, 42, 45

(260) AM 2017 87052 A
(800) 1295309
(151) 2015 12 31
(181) 2025 12 31
(891) 2015 12 31
(511) 11, 21

(260) AM 2017 87102 A
(800) 1295769
(151) 2016 01 14
(181) 2026 01 14
(891) 2016 01 14
(511) 06, 35, 36, 37, 39, 41, 42

(260) AM 2017 87103 A
(800) 1295810
(151) 2015 11 18
(181) 2025 11 18
(891) 2015 11 18
(511) 03, 07, 21

(260) AM 2017 87104 A
(800) 1295812
(151) 2015 12 22
(181) 2025 12 22
(891) 2015 12 22
(511) 09, 28, 41

(260) AM 2017 87106 A
(800) 1295951
(151) 2016 01 29
(181) 2026 01 29
(891) 2016 01 29
(511) 03, 35

(260) AM 2017 87107 A
(800) 1295956
(151) 2016 02 03

(181) 2026 02 03
(891) 2016 02 03
(511) 05

(260) AM 2017 87108 A
(800) 1295974
(151) 2015 12 11
(181) 2025 12 11
(891) 2015 12 11
(511) 05

(260) AM 2017 87110 A
(800) 1296025
(151) 2016 02 29
(181) 2026 02 28
(891) 2016 02 29
(511) 16, 41

(260) AM 2017 87169 A
(800) 1296126
(151) 2016 03 03
(181) 2026 03 03
(891) 2016 03 03
(511) 16, 41

(260) AM 2017 87170 A
(800) 1296159
(151) 2016 03 14
(181) 2026 03 14
(891) 2016 03 14
(511) 35, 41

(260) AM 2017 87206 A
(800) 1296532
(151) 2016 01 08
(181) 2026 01 08
(891) 2016 01 08
(511) 07, 09, 11

OFFICIAL NOTIFICATIONS INVENTIONS

TRANSFER OF RIGHTS

(01 01 2017 - 28 04 2017)

NUMBER OF PATENT	OLD PATENTOWNERS (Transfer of Rights)	NEW PATENTOWNERS (Recipient of Rights)	DATE OF TRANSFER
1	2	3	4
6109/1	PHENEX PHARMACEUTICALS AG Donnersbergweg 1, 67059 Ludwigshafen, DE	GILEAD SCIENCES, INC. 353 Lakeside Drive Foster City California, 94404 (US)	1/13/2017
1667/2	Mamuchar Kipiani Kostavas q. 1, b.14, 0400, Ambrolauri (GE)	Mamuchar Kipiani Kostavas q. 1, b.14, 0400, Ambrolauri (GE); Natia Bukia Amaghlebis q. 12, b. 25, 0105, Tbilisi (GE); Doskieva Svetlana Miskis q. 1G, korp. 1, b. 204, Moskow (RU); Givi Talakvadze Sulkhan Tsintsadzis q.28, b. 55, 0160, Tbilisi (GE)	1/13/2017
5290/1	INCYTE CORPORATION 1801 Augustine Cut-Off, Wilmington, Delaware, 19803 (US)	Incyte Holdings Corpration 1801 Augustine Cut-Off, Wilmington, Delaware, 19803 (US)	4/24/2017
4393/1	INCYTE CORPORATION 1801 Augustine Cut-Off, Wilmington, Delaware, 19803 (US)	Incyte Holdings Corpration 1801 Augustine Cut-Off, Wilmington, Delaware, 19803 (US)	4/24/2017
4680/1	INCYTE CORPORATION 1801 Augustine Cut-Off, Wilmington, Delaware, 19803 (US)	Incyte Holdings Corpration 1801 Augustine Cut-Off, Wilmington, Delaware, 19803 (US)	4/24/2017
4705/1	INCYTE CORPORATION 1801 Augustine Cut-Off, Wilmington, Delaware, 19803 (US)	Incyte Holdings Corpration 1801 Augustine Cut-Off, Wilmington, Delaware, 19803 (US)	4/24/2017
5533/1	INCYTE CORPORATION 1801 Augustine Cut-Off, Wilmington, Delaware, 19803 (US)	Incyte Holdings Corpration 1801 Augustine Cut-Off, Wilmington, Delaware, 19803 (US)	4/24/2017
5565/1	INCYTE CORPORATION 1801 Augustine Cut-Off, Wilmington, Delaware, 19803 (US)	Incyte Holdings Corpration 1801 Augustine Cut-Off, Wilmington, Delaware, 19803 (US)	4/24/2017
5658/1	INCYTE CORPORATION 1801 Augustine Cut-Off, Wilmington, Delaware, 19803 (US)	Incyte Holdings Corpration 1801 Augustine Cut-Off, Wilmington, Delaware, 19803 (US)	4/24/2017
5754/1	INCYTE CORPORATION 1801 Augustine Cut-Off, Wilmington, Delaware, 19803 (US)	Incyte Holdings Corpration 1801 Augustine Cut-Off, Wilmington, Delaware, 19803 (US)	4/24/2017

1	2	3	4
6611/1	INCYTE CORPORATION 1801 Augustine Cut-Off, Wilmington, Delaware, 19803 (US)	Incyte Holdings Corporation 1801 Augustine Cut-Off, Wilmington, Delaware, 19803 (US)	4/24/2017
6650/1	MERIAL LIMITED 3239 Satellite Blvd. Duluth, Georgia, 30096 (US)	Merial, INC. 3239 Satellite Boulevard, Bldg. 500, Duluth, Georgia, 30096 (US)	4/25/2017
4098/1	Bristol-Myers Squibb Company P.O. Box 4000, Route 296 and Provinceline Road, Princeton, NJ 08543-4000 (US)	Bristol-Myers Squibb Holdings Ireland Hinterbergstrasse 16, 6312, Steinhausen (CH)	4/26/2017
5458/1	Ranbaxy Laboratories Limited Plot N90, Sector 32, Gurgaon, 122001, Haryana (IN)	Sun Pharmaceuticals Industries Limited Sun House, Plot N 201 B/1), Western Express Highway, Goregaon (E), Mumbai, Maharashtra, 400 063 (IN)	4/26/2017

CHANGES IN NAMES AND/OR ADDRESSES OF PATENTOWNERS

(01 01 2017 - 28 04 2017)

NUMBER OF PATENT	OLD NAMES AND/OR ADDRESSES	NEW NAMES AND/OR ADDRESSES	DATE OF CHANGES
1	2	3	4
5658/1	INCYTE CORPORATION Experimental Station, Route 141 & Henry Clay Road, Building E336, Wilmington, Delaware, 19880 (US)	INCYTE CORPORATION 1801 Augustine Cut-Off, Wilmington, Delaware, 19803 (US)	4/12/2017
6611/1	INCYTE CORPORATION Experimental Station, Route 141 & Henry Clay Road, Building E336, Wilmington, Delaware, 19880 (US)	INCYTE CORPORATION 1801 Augustine Cut-Off, Wilmington, Delaware, 19803 (US)	4/12/2017
4680/1	INCYTE CORPORATION Experimental Station, Route 141 & Henry Clay Road, Building E336, Wilmington, Delaware, 19880 (US)	INCYTE CORPORATION 1801 Augustine Cut-Off, Wilmington, Delaware, 19803 (US)	4/12/2017
4705/1	INCYTE CORPORATION Experimental Station, Route 141 & Henry Clay Road, Building E336, Wilmington, Delaware, 19880 (US)	INCYTE CORPORATION 1801 Augustine Cut-Off, Wilmington, Delaware, 19803 (US)	4/12/2017
5290/1	INCYTE CORPORATION Experimental Station, Route 141 & Henry Clay Road, Building E336, Wilmington, Delaware, 19880 (US)	INCYTE CORPORATION 1801 Augustine Cut-Off, Wilmington, Delaware, 19803 (US)	4/12/2017

1	2	3	4
5565/1	INCYTE CORPORATION Experimental Station, Route 141 & Henry Clay Road, Building E336, Wilmington, Delaware, 19880 (US)	INCYTE CORPORATION 1801 Augustine Cut-Off, Wilmington, Delaware, 19803 (US)	4/12/2017
5754/1	INCYTE CORPORATION Experimental Station, Route 141 & Henry Clay Road, Building E336, Wilmington, Delaware, 19880 (US)	INCYTE CORPORATION 1801 Augustine Cut-Off, Wilmington, Delaware, 19803 (US)	4/12/2017
5533/1	INCYTE CORPORATION Experimental Station, Route 141 & Henry Clay Road, Building E336, Wilmington, Delaware, 19880 (US)	INCYTE CORPORATION 1801 Augustine Cut-Off, Wilmington, Delaware, 19803 (US)	4/12/2017
4393/1	INCYTE CORPORATION Experimental Station, Route 141 & Henry Clay Road, Building E336, Wilmington, Delaware, 19880 (US)	INCYTE CORPORATION 1801 Augustine Cut-Off, Wilmington, Delaware, 19803 (US)	4/12/2017
5324/1	BIOGEN IDEC MA INC . 14 Cambridge Center, Cambridge, MA 02142 (US)	BIOGEN MA INC. 250 Binney street, Cambridge, MA 02142 (US)	4/26/2017

RENEWAL OF PATENTS

(11) P 2014 6218 B

(73) LG LIFE SCIENCES LTD

(54) **HYDRATE OF 1-{(2S)-2-AMINO-4-[2,4-BIS(TRIFLUOROMETHYL)-5,8-DI-HYDROPYRIDO
[3,4-D]PYRIMIDIN-7(6H)-YL]-4-OXOBUTYL}-5,5-DIFLUORO-PIPERIDIN-2-ONE TARTRATE**

DATE OF RENEWAL: 10 05 2017

(11) P 2011 5338 B

(73) Lali Ghurthcumelia (GE)

(54) **FIRE EXTINGUISHING POWDERS BASED ON ZEOLITES AND SHALY CLAY**

DATE OF RENEWAL: 10 05 2017

(11) P 2016 6551 B

(73) NOVAMEDICA LLC (RU)

(54) **SELECTIVE, LIPOPHILIC, AND LONG-ACTING BETA AGONISTS MONOTHERAPEUTIC
FORMULATIONS TIONS AND METHODS FOR COSMETIC TREATMENT OF ADIPOSITY
AND CONTOUR BULGING**

DATE OF RENEWAL: 10 05 2017

(11) P 2016 6427 B

(73) Nikoloz Margiani (GE);
Zurab Adamia (GE);
Revaz Kokhreidze (GE);
Giorgi Mumladze (GE);
Natela Papunashvili (GE);
Dali Dzanashvili (GE)

(54) HIGH-TEMPERATURE SUPERCONDUCTING CERAMICS

DATE OF RENEWAL: 10 05 2017

(11) P 2016 6428 B

(73) Nikoloz Margiani (GE);
Zurab Adamia (GE);
Revaz Kokhreidze (GE);
Giorgi Mumladze (GE);
Natela Papunashvili (GE);
Dali Dzanashvili (GE)

(54) HIGH-TEMPERATURE SUPERCONDUCTING CERAMICS

DATE OF RENEWAL: 10 05 2017

(11) P 2016 6482 B

(73) MEDSINS 360 (US)

**(54) INTRAURINARY SYSTEMS, IUD INSERTION DEVICES, AND RELATED METHODS
AND KITS THEREFOR**

DATE OF RENEWAL: 10 05 2017

(11) P 2013 5757 B

(73) SKYONIC CORPORATION (US)

**(54) METHOD OF CARBON DIOXIDE REMOVAL FROM WASTE STREAMS THROUGH
CARBONATE AND/OR BICARBONATE MINERALS COGENERATION**

DATE OF RENEWAL: 10 05 2017

(11) P 2013 5947 B

(73) Avtandil Sanadze (GE);
Rostom Kurtanidze (GE);
Aleksandre Didebulidze (GE);
Giorgi Tsertsvadze (GE);
Roman Tsertsvadze (GE);
Maka Tsertsvadze (GE)

(54) COMBINED MAGNETIC ENGINE

DATE OF RENEWAL: 10 05 2017

UTILITY MODELS
RENEWAL OF PATENTS

(11) U 2015 1860 Y

(73) Lia Kvaratskhelia (GE);
Natia Karazanishvili (GE);
Dato Karazanishvili (GE)

(54) METHOD OF PREVENTIVE BREAD PRODUCTION

DATE OF RENEWAL: 10 05 2017

(11) U 2015 1861 Y

(73) Lia Kvaratskhelia (GE);
Natia Karazanishvili (GE);
Dato Karazanishvili (GE)

(54) METHOD OF PREVENTIVE SOUR CREAM PRODUCTION

DATE OF RENEWAL: 10 05 2017

TRADEMARKS

RENEWAL OF REGISTRATIONS

(111) M 2006 16946 R1

(156) 2017 03 06

(186) 2026 10 26

(732) Pharmaceutical Chemical Cosmetic Industry-
ALKALOID AD, Skopje;
Bulevar Aleksandar Makedonski No12,
MK-1000 Skopje, The Former Yugoslav
Republic of Macedoni

(111) M 2006 17003 R1

(156) 2017 01 09

(186) 2026 10 26

(732) ELGUJA NOZADZE
Sop. Mukhrani, 3309, Mtskhetis raioni,
Georgia

(111) M 2006 17019 R1

(156) 2017 03 14

(186) 2026 11 13

(732) JSC "ARGO"
Lilo, Lochinis khevi (nakv.05/001), 0151,
Tbilisi, Georgia

(111) M 2006 17025 R1

(156) 2017 03 14

(186) 2026 11 13

(732) JSC "ARGO"
Lilo, Lochinis khevi (nakv.05/001), 0151,
Tbilisi, Georgia

(111) M 2006 17126 R1

(156) 2017 03 14

(186) 2026 11 28

(732) JSC "ARGO"
Lilo, Lochinis khevi (nakv.05/001), 0151,
Tbilisi, Georgia

(111) M 2007 17226 R1

(156) 2017 03 14

(186) 2027 01 16

(732) JSC "ARGO"
Lilo, Lochinis khevi (nakv.05/001), 0151,
Tbilisi, Georgia

(111) M 2007 17274 R1

(156) 2017 03 14

(186) 2027 02 13

(732) JSC "ARGO"

Lilo, Lochinis khevi (nakv.05/001), 0151,
Tbilisi, Georgia

(111) M 2007 17277 R1

(156) 2017 03 14

(186) 2027 02 13

(732) JSC "ARGO"
Lilo, Lochinis khevi (nakv.05/001), 0151,
Tbilisi, Georgia

(111) M 2007 17278 R1

(156) 2017 03 14

(186) 2027 02 13

(732) JSC "ARGO"
Lilo, Lochinis khevi (nakv.05/001), 0151,
Tbilisi, Georgia

(111) M 2007 17279 R1

(156) 2017 03 14

(186) 2027 02 13

(732) JSC "ARGO"
Lilo, Lochinis khevi (nakv.05/001), 0151,
Tbilisi, Georgia

(111) M 2007 17280 R1

(156) 2017 03 14

(186) 2027 02 13

(732) JSC "ARGO"
Lilo, Lochinis khevi (nakv.05/001), 0151,
Tbilisi, Georgia

(111) M 2007 17429 R1

(156) 2017 04 25

(186) 2027 04 25

(732) MERZ PHARMA GmbH & CO. KGaA
Eckenheimer Landstrasse 100, 60318
Frankfurt am Main, Germany

(111) M 1996 3128 R2

(156) 2016 09 16

(186) 2026 09 16

(732) TENNECO AUTOMOTIVE OPERATING
COMPANY INC.
500 North Field Draive, Lake Forest, Illinois
60045, USA

(111) M 1997 4381 R2
(156) 2017 01 21
(186) 2027 01 21
(732) DR.KARL THOMAE GMBH
Birkendorfer Strasse 65, D-88397 Biberach
an der Riss, Germany

(111) M 1997 4512 R2
(156) 2017 02 05
(186) 2027 02 05
(732) BERLIN COSMETICS GmbH & Co. KG
Bitterfelder Strasse 12, 12681 Berlin,
Germany

(111) M 1997 4639 R2
(156) 2017 02 18
(186) 2027 02 18
(732) DE RIGO S.P.A.
Zona Industriale Villanova No: 12, 32013
Longarone (BL), Italy

(111) M 1997 4670 R2
(156) 2017 03 06
(186) 2027 03 06
(732) ESAB AB
Box 8004, S-40277, Göteborg, Sweden

(111) M 1997 4726 R2
(156) 2017 03 17
(186) 2027 03 17
(732) ADAM OPEL AG
Bahnhofplatz, 65423 Ruesselsheim,
Germany

(111) M 1997 4835 R2
(156) 2017 03 27
(186) 2027 03 27
(732) ENERGIZER S.A.
Rue Louis-Joseph-Chevrolet 43, CH-2300
La Chaux-de-Fonds, Switzerland

(111) M 1997 4836 R2
(156) 2017 03 28
(186) 2027 03 28
(732) ROBERT KRUPS GMBH & Co. KG
Heresbachstrasse 29, D-42719 Solingen,
Germany

(111) M 1997 4893 R2
(156) 2017 04 01
(186) 2027 04 01
(732) KELLOGG COMPANY

One Kellogg Square, P.O. Box 3599 Battle
Creek, Michigan 49016-3599, USA

(111) M 1997 4938 R2
(156) 2017 04 03
(186) 2027 04 03
(732) PRODUCTOS ALIMENTICIOS GALLO,
S.A.
468, avenida Diagonal, E-08006
BARCELONA, Spain

(111) M 1997 4940 R2
(156) 2017 04 04
(186) 2027 04 04
(732) Jacobs Douwe Egberts DE GmbH
Landgemarkstrasse 4-20, 28199 Bremen,
Germany

(111) M 1997 5046 R2
(156) 2017 04 15
(186) 2027 04 15
(732) LES LABORATOIRES ASEPTA
1 et 3, Avenue Albert II "LA RUCHE"
98000, Monaco

(111) M 1997 5047 R2
(156) 2017 04 15
(186) 2027 04 15
(732) LES LABORATOIRES ASEPTA
1 et 3, Avenue Albert II "LA RUCHE"
98000, Monaco

(111) M 1997 5328 R2
(156) 2017 05 21
(186) 2027 05 21
(732) FUJI JUKOGYO KABUSHIKI KAISHA
(also trading as FUJI HEAVY INDUSTRIES
LTD)
1-20-8, Ebisu, Shibuya-ku, Tokyo, Japan

(111) M 1997 5331 R2
(156) 2017 05 21
(186) 2027 05 21
(732) FUJI JUKOGYO KABUSHIKI KAISHA
(also trading as FUJI HEAVY INDUSTRIES
LTD)
1-20-8, Ebisu, Shibuya-ku, Tokyo, Japan

(111) M 1997 5375 R2
(156) 2017 05 28
(186) 2027 05 28
(732) COATINGS FOREIGN IP Co. LLC

c/o The Corporation Trust Company,
Corporation Trust Center, 1209 Orange
Street, Wilmington, Delaware 19801, USA

(111) M 1997 5378 R2

(156) 2017 05 28

(186) 2027 05 28

(732) COATINGS FOREIGN IP Co. LLC

c/o The Corporation Trust Company,
Corporation Trust Center, 1209 Orange
Street, Wilmington, Delaware 19801, USA

(111) M 1997 5484 R2

(156) 2017 06 06

(186) 2027 06 06

(732) NOVARTIS AG

4002 Basel, Switzerland

(111) M 1997 5489 R2

(156) 2017 06 06

(186) 2027 06 06

(732) NOVARTIS AG

4002 Basel, Switzerland

(111) M 1997 5510 R2

(156) 2017 06 09

(186) 2027 06 09

(732) NOVARTIS AG

4002 Basel, Switzerland

(111) M 1997 5516 R2

(156) 2017 06 09

(186) 2027 06 09

(732) NOVARTIS AG

4002 Basel, Switzerland

(111) M 1997 5517 R2

(156) 2017 06 09

(186) 2027 06 09

(732) NOVARTIS AG

4002 Basel, Switzerland

(111) M 1997 5554 R2

(156) 2017 06 11

(186) 2027 06 11

(732) COATINGS FOREIGN IP CO. LLC

c/o The Corporation Trust Company,
Corporation Trust Center, 1209 Orange
Street, Wilmington, Delaware 19801, USA

(111) M 1997 5555 R2

(156) 2017 06 11

(186) 2027 06 11

(732) COATINGS FOREIGN IP Co. LLC

c/o The Corporation Trust Company,
Corporation Trust Center, 1209 Orange
Street, Wilmington, Delaware 19801, USA

(111) M 1997 5557 R2

(156) 2017 06 11

(186) 2027 06 11

(732) COATINGS FOREIGN IP Co. LLC

c/o The Corporation Trust Company,
Corporation Trust Center, 1209 Orange
Street, Wilmington, Delaware 19801, USA

(111) M 1997 5568 R2

(156) 2017 06 11

(186) 2027 06 11

(732) BRITISH AMERICAN TOBACCO
(BRANDS) LIMITED

Globe House, 4 Temple Place, London
WC2R 2PG, United Kingdom

(111) M 1997 5569 R2

(156) 2017 06 11

(186) 2027 06 11

(732) BRITISH AMERICAN TOBACCO
(BRANDS) LIMITED

Globe House, 4 Temple Place, London
WC2R 2PG, United Kingdom

(111) M 1997 5595 R2

(156) 2017 06 11

(186) 2027 06 11

(732) NOVARTIS AG

4002 Basel, Switzerland

(111) M 1997 5771 R2

(156) 2017 06 30

(186) 2027 06 30

(732) SEIKO EPSON KABUSHIKI KAISHA
(also trading as SEIKO EPSON
CORPORATION)

1-6, Shinjuku 4-chome, Shinjuku-ku, Tokyo,
Japan

(111) M 1997 7702 R2

(156) 2017 11 24

(186) 2027 11 24

(732) BRITISH-AMERICAN TOBACCO

(BRANDS) LIMITED
Globe House, 4 Temple Place London
WC2R 2PG, United Kingdom

(111) M 1998 8469 R2
(156) 2018 02 27
(186) 2028 02 27
(732) OSHKOSH B'GOSH, INC.
3438 Peachtree Road NE, Suite 1800,
Atlanta, Georgia 30326, USA

COMPLETE TRANSFER OF RIGHTS

(111) M 2002 014592 R1
(732) JSC "ARGO"
Lilo, Lochinis khevi (nakv.05/001), 0151,
Tbilisi, Georgia
(770) LTD "CASTEL-GEORGIA"
Ak. Tseretlis gamz. 87, 0119, Tbilisi, Georgia
(580) 2017 04 27

(111) M 2003 015017 R1
(732) JSC "ARGO"
Lilo, Lochinis khevi (nakv.05/001), 0151,
Tbilisi, Georgia a
(770) LTD "CASTEL-GEORGIA"
Ak. Tseretlis gamz. 87, 0119, Tbilisi, Georgia
(580) 2017 04 27

(111) M 2003 015018 R1
(732) JSC "ARGO"
Lilo, Lochinis khevi (nakv.05/001), 0151,
Tbilisi, Georgia
(770) LTD "CASTEL-GEORGIA"
Ak. Tseretlis gamz. 87, 0119, Tbilisi, Georgia
(580) 2017 04 27

(111) M 2003 015019 R1
(732) JSC "ARGO"
Lilo, Lochinis khevi (nakv.05/001), 0151,
Tbilisi, Georgia
(770) LTD "CASTEL-GEORGIA"
Ak. Tseretlis gamz. 87, 0119, Tbilisi, Georgia
(580) 2017 04 27

(111) M 2006 017019 R1
(732) JSC "ARGO"
Lilo, Lochinis khevi (nakv.05/001), 0151,
Tbilisi, Georgia
(770) LTD "CASTEL-GEORGIA"
Ak. Tseretlis gamz. 87, 0119, Tbilisi, Georgia
(580) 2017 04 27

(111) M 2006 017025 R1
(732) JSC "ARGO"
Lilo, Lochinis khevi (nakv.05/001), 0151,
Tbilisi, Georgia
(770) LTD "CASTEL-GEORGIA"
Ak. Tseretlis gamz. 87, 0119, Tbilisi, Georgia
(580) 2017 04 27

(111) M 2006 017126 R1
(732) JSC "ARGO"
Lilo, Lochinis khevi (nakv.05/001), 0151,
Tbilisi, Georgia
(770) LTD "CASTEL-GEORGIA"
Ak. Tseretlis gamz. 87, 0119, Tbilisi, Georgia
(580) 2017 04 27

(111) M 2007 017226 R1
(732) JSC "ARGO"
Lilo, Lochinis khevi (nakv.05/001), 0151,
Tbilisi, Georgia
(770) LTD "CASTEL-GEORGIA"
Ak. Tseretlis gamz. 87, 0119, Tbilisi, Georgia
(580) 2017 04 27

(111) M 2007 017274 R1
(732) JSC "ARGO"
Lilo, Lochinis khevi (nakv.05/001), 0151,
Tbilisi, Georgia
(770) LTD "CASTEL-GEORGIA"
Ak. Tseretlis gamz. 87, 0119, Tbilisi, Georgia
(580) 2017 04 27

(111) M 2007 017277 R1
(732) JSC "ARGO"
Lilo, Lochinis khevi (nakv.05/001), 0151,
Tbilisi, Georgia
(770) LTD "CASTEL-GEORGIA"
Ak. Tseretlis gamz. 87, 0119, Tbilisi, Georgia
(580) 2017 04 27

(111) M 2007 017278 R1
(732) JSC "ARGO"
Lilo, Lochinis khevi (nakv.05/001), 0151,
Tbilisi, Georgia
(770) LTD "CASTEL-GEORGIA"
Ak. Tseretlis gamz. 87, 0119, Tbilisi, Georgia
(580) 2017 04 27

(111) M 2007 017279 R1
(732) JSC "ARGO"
Lilo, Lochinis khevi (nakv.05/001), 0151,
Tbilisi, Georgia
(770) LTD "CASTEL-GEORGIA"
Ak. Tseretlis gamz. 87, 0119, Tbilisi, Georgia
(580) 2017 04 27

(111) M 2007 017280 R1
(732) JSC "ARGO"
Lilo, Lochinis khevi (nakv.05/001), 0151,
Tbilisi, Georgia
(770) LTD "CASTEL-GEORGIA"
Ak. Tseretlis gamz. 87, 0119, Tbilisi, Georgia
(580) 2017 04 27

(111) M 2007 017757 R
(732) JSC "ARGO"
Lilo, Lochinis khevi (nakv.05/001), 0151,
Tbilisi, Georgia
(770) LTD "CASTEL-GEORGIA"
Ak. Tseretlis gamz. 87, 0119, Tbilisi, Georgia
(580) 2017 04 27

(111) M 2007 017758 R
(732) JSC "ARGO"
Lilo, Lochinis khevi (nakv.05/001), 0151,
Tbilisi, Georgia
(770) LTD "CASTEL-GEORGIA"
Ak. Tseretlis gamz. 87, 0119, Tbilisi, Georgia
(580) 2017 04 27

(111) M 2007 017759 R
(732) JSC "ARGO"
Lilo, Lochinis khevi (nakv.05/001), 0151,
Tbilisi, Georgia
(770) LTD "CASTEL-GEORGIA"
Ak. Tseretlis gamz. 87, 0119, Tbilisi, Georgia
(580) 2017 04 27

(111) M 2007 017760 R
(732) JSC "ARGO"
Lilo, Lochinis khevi (nakv.05/001), 0151,
Tbilisi, Georgia
(770) LTD "CASTEL-GEORGIA"
Ak. Tseretlis gamz. 87, 0119, Tbilisi, Georgia
(580) 2017 04 27

(111) M 2008 018315 R
(732) GLAXOSMITHKLINE CONSUMER
HEALTHCARE (UK) IP LIMITED
980 Great West Road, Brentford, Middlesex
TW8 9GS, United Kingdom
(770) GLAXOSMITHKLINE CONSUMER
HEALTHCARE S.A.
Avenue Pascal 2-4-6, Wavre 1300, Belgium
(580) 2017 04 28

(111) M 2008 018885 R
(732) JSC "ARGO"
Lilo, Lochinis khevi (nakv.05/001), 0151,
Tbilisi, Georgia

(770) LTD "CASTEL-GEORGIA"
Ak. Tseretlis gamz. 87, 0119, Tbilisi, Georgia
(580) 2017 04 27

(111) M 2008 018886 R
(732) SS ARGO
Lilo, lochinis khevi (nakv.05/001), 0151,
Tbilisi, Georgia
(770) LTD "CASTEL-GEORGIA"
Ak. Tseretlis gamz. 87, 0119, Tbilisi, Georgia
(580) 2017 04 27

(111) M 2010 020835 R
(732) GLAXOSMITHKLINE CONSUMER
HEALTHCARE (UK) IP LIMITED
980 Great West Road, Brentford, Middlesex
TW8 9GS, United Kingdom
(770) GLAXO GROUP LIMITED
980 Great West Road, Brentford, Middlesex
TW8 9GS, United Kingdom
(580) 2017 04 28

(111) M 2011 021081 R
(732) JSC "ARGO"
Lilo, Lochinis khevi (nakv.05/001), 0151,
Tbilisi, Georgia
(770) LTD "CASTEL-GEORGIA"
Ak. Tseretlis gamz. 87, 0119, Tbilisi, Georgia
(580) 2017 04 27

(111) M 2011 022176 R
(732) JSC "ARGO"
Lilo, Lochinis khevi (nakv.05/001), 0151,
Tbilisi, Georgia
(770) LTD "CASTEL-GEORGIA"
Ak. Tseretlis gamz. 87, 0119, Tbilisi, Georgia
(580) 2017 04 27

(111) M 2012 022928 R
(732) JSC "ARGO"
Lilo, Lochinis khevi (nakv.05/001), 0151,
Tbilisi, Georgia
(770) LTD "CASTEL-GEORGIA"
Ak. Tseretlis gamz. 87, 0119, Tbilisi, Georgia
(580) 2017 04 27

(111) M 2015 025590 R
(732) JSC "ARGO"
Lilo, Lochinis khevi (nakv.05/001), 0151,
Tbilisi, Georgia
(770) LTD "CASTEL-GEORGIA"
Ak. Tseretlis gamz. 87, 0119, Tbilisi, Georgia
(580) 2017 04 27

(111) M 2015 26446 R

(732) CAPBRAN HOLDINGS, LLC

(California limited Liability company)

11601 Wilshire Blvd., Suite 2300,

Los Angeles, CA 90025, USA

(770) HOMELAND HOUSEWARES, LLC

11755 Wilshire Blvd, Suite 1200,

Los Angeles, California, USA

(580) 2017 05 03

CHANGES IN NAMES AND/OR ADDRESSES OF OWNERS

(111) M 2015 26121 R
(732) LTD "NUTRIMAX"
Rustavis gzat. 68a, 0165, Tbilisi, Georgia
(770) LTD "AGRO TRADING GEORGIA"
Rustavis gzat. 68a, 0165, Tbilisi, Georgia
(580) 2017 05 01

INVALIDATION OF TRADEMARKS REGISTRATION

(111) M 2010 20846 R
(141) 2017 04 12, Court decision
(732) CERASUS INC
Calle 50 y Aquilino de la Guardia, Plaza
Banco General, Piso 30, Panama,
0823-05789, Panama

LICENSE AGREEMENTS

(111) 11683
(732) LTD "LUKOIL GEORGIA"
Right River Bank Mtkvari, Adjacent
Territory of Gotua str., Tbilisi, Georgia
(791) LTD "NOREKS"
Guramishvili Ave. 8, Tbilisi, Georgia
(580) 2017 02 22
(793) Kind of License: Simple
(793) 1438
(793) 2016 03 01
(793) 2021 12 31
(511) 35, 37, 39, 42

(111) 11683
(732) LTD "LUKOIL GEORGIA"
Right River Bank Mtkvari, Adjacent
Territory of Gotua str., Tbilisi, Georgia
(791) LTD "BRAND OIL"
Digmis masivi, kvart. VI, Korp. 11, b. 19
0159, Tbilisi, Georgia
(580) 2017 02 22
(793) Kind of License: Simple
(793) 1443
(793) 2016 09 01
(793) 2021 12 31
(511) 35, 37, 39, 42

(111) 11683
(732) LTD "LUKOIL GEORGIA"
Right River Bank Mtkvari, Adjacent
Territory of Gotua str., Tbilisi, Georgia
(791) LTD "KSILIS"
T. Shevchenkos q. 1, b. 56, Tbilisi, Georgia
(580) 2017 02 22
(793) Kind of License: Simple
(793) 1448
(793) 2016 09 01
(793) 2021 12 31
(511) 35, 37, 43

(111) 11683
(732) LTD "LUKOIL GEORGIA"
Right River Bank Mtkvari, Adjacent
Territory of Gotua str., Tbilisi, Georgia
(791) LTD "STRANS"
Vazisubnis das., 25-e korpusis mimdebarad,
Tbilisi, Georgia
(580) 2017 04 18
(793) Kind of License: Simple
(793) 1473
(793) 2016 09 01
(793) 2017 12 31
(511) 35, 37, 39, 42

(111) 11683
(732) LTD "LUKOIL GEORGIA"
Right River Bank Mtkvari, Adjacent
Territory of Gotua str., Tbilisi, Georgia
(791) LTD "GIGO"
Kipshidze str. 2, Tbilisi, Georgia
(580) 2017 04 18
(793) Kind of License: Simple
(793) 1468
(793) 2016 09 01
(793) 2021 12 31
(511) 35, 37, 39, 42

(111) 11683
(732) LTD "LUKOIL GEORGIA"
Right River Bank Mtkvari, Adjacent
Territory of Gotua str., Tbilisi, Georgia
(791) LTD "ST OIL"
Kandelakis q. 10, 0160, Tbilisi, Georgia
(580) 2017 03 27
(793) Kind of License: Simple
(793) 1453
(793) 2016 09 01
(793) 2021 12 31
(511) 35, 37, 39, 42

(111) 11683
(732) LTD "LUKOIL GEORGIA"
Right River Bank Mtkvari, Adjacent
Territory of Gotua str., Tbilisi, Georgia
(791) LTD "SUBPETROL"
Sop. Rali Vales sabajos mimdebared,
Adigenis r-ni, Georgia
(580) 2017 04 28
(793) Kind of License: Simple
(793) 1478
(793) 2016 09 01
(793) 2021 12 31
(511) 35, 37, 39, 42

(111) 11683
(732) LTD "LUKOIL GEORGIA"
Right River Bank Mtkvari, Adjacent
Territory of Gotua str., Tbilisi, Georgia
(791) LTD "SUBPETROL"
Sop. Rali Vales sabajos mimdebared,
Adigenis r-ni, Georgia
(580) 2017 04 28
(793) Kind of License: Simple
(793) 1483
(793) 2016 09 01
(793) 2021 12 31
(511) 35, 37, 39, 42

(111) 11683
(732) LTD "LUKOIL GEORGIA"
Right River Bank Mtkvari, Adjacent
Territory of Gotua str., Tbilisi, Georgia
(791) LTD "IBERCOMPANY"
Al. Kazbegis gamz. 12a, Tbilisi, Georgia
(580) 2017 04 13
(793) Kind of License: Simple
(793) 1463
(793) 2016 09 01
(793) 2021 12 31
(511) 35, 37, 39, 42

(111) 1242
(732) INTER-CONTINENTAL HOTELS
CORPORATION
Three Ravinia Drive, Atlanta, GA
30346-2149, USA
(791) A H G Hotels Limited
Broadwater Park, Denham, Bukingamshire
UB9 5 HR United Kingdom
(580) 2017 02 22
(793) Kind of License: Simple
(793) 1419
(793) 2013 12 01
(793) Term of validity of the mark
(511) 42

(111) 1246
(732) INTER-CONTINENTAL HOTELS
CORPORATION
Three Ravinia Drive, Atlanta, GA
30346-2149, USA
(791) A H G Hotels Limited
Broadwater Park, Denham, Bukingamshire
UB9 5 HR United Kingdom
(580) 2017 02 22
(793) Kind of License: Simple
(793) 1420
(793) 2013 12 01
(793) Term of validity of the mark
(511) 42

(111) 7438
(732) SIX CONTINENT HOTELS, INC.
3 Ravinia Drive, Atlanta, Georgia 30346
USA
(791) A H G Hotels Limited
Broadwater Park, Denham, Bukingamshire
UB9 5 HR United Kingdom
(580) 2017 02 22
(793) Kind of License: Simple
(793) 1423

(793) 2013 12 01
(793) Term of validity of the mark
(511) 42

(111) 7440
(732) SIX CONTINENT HOTELS, INC.
3 Ravinia Drive, Atlanta, Georgia 30346
USA
(791) A H G Hotels Limited
Broadwater Park, Denham, Bukingamshire
UB9 5 HR United Kingdom
(580) 2017 02 22
(793) Kind of License: Simple
(793) 1426
(793) 2013 12 01
(793) Term of validity of the mark
(511) 42

(111) 7441
(732) SIX CONTINENT HOTELS, INC.
3 Ravinia Drive, Atlanta, Georgia 30346
USA
(791) A H G Hotels Limited
Broadwater Park, Denham, Bukingamshire
UB9 5 HR United Kingdom
(580) 2017 02 22
(793) Kind of License: Simple
(793) 1424
(793) 2013 12 01
(793) Term of validity of the mark
(511) 42

(111) 7443
(732) SIX CONTINENT HOTELS, INC.
3 Ravinia Drive, Atlanta, Georgia 30346
USA
(791) A H Hotels Limited
Broadwater Park, Denham, Bukingamshire
UB9 5 HR United Kingdom
(580) 2017 02 22
(793) Kind of License: Simple
(793) 1425
(793) 2013 12 01
(793) Term of validity of the mark
(511) 42

CLASSIFICATION INDEXES

INVENTIONS

CONCORDANCE TABLE OF INTERNATIONAL CLASSIFICATION INDEX AND PUBLICATION NUMBERS

INTERNATIONAL CLASSIFICATION INDEXES (51)	NUMBER OF PUBLISHED APPLICATION (10)
A 61 K 31/4412; A 61 P 11/00	AP 2017 12257 A
A 61 K 31/7068; A 61 K 31/7072; A 61 K 31/7076; A 61 K 31/708	AP 2017 13603 A
B 23 K 31/02; B 01 J 19/02; B 01 J 19/24; C 07 C 273/04; F 28 F 9/18; F 28 F 19/06	AP 2017 13651 A
C 07 D 471/04; A 61 K 31/437; A 61 P 35/00	AP 2017 14059 A
C 07 H 19/00; C 07 H 19/06; C 07 H 19/20; C 07 H 19/16; A 61 K 31/7068; A 61 K 31/7072; A 61 K 31/7076; A 61 K 31/708; A 61 P 31/04	AP 2017 13817 A
C 12 R 1/19; C 08 B 37/08; C 08 B 37/00; A 61 K 31/737; C 08 L 5/08	AP 2017 12993 A
E 01 B 7/08	AP 2017 14154 A
E 04 F 15/10; B 32 B 5/24; D 06 N 7/00	AP 2017 13003 A
E 04 F 15/10; B 32 B 5/24; D 06 N 7/00	AP 2017 13004 A

CONCORDANCE TABLE OF PUBLICATION NUMBERS AND INTERNATIONAL CLASSIFICATION INDEX

NUMBER OF PUBLISHED APPLICATION (10)	INTERNATIONAL CLASSIFICATION INDEXES (51)
AP 2017 12257 A	A 61 K 31/4412; A 61 P 11/00
AP 2017 12993 A	C 12 R 1/19; C 08 B 37/08; C 08 B 37/00; A 61 K 31/737; C 08 L 5/08
AP 2017 13003 A	E 04 F 15/10; B 32 B 5/24; D 06 N 7/00
AP 2017 13004 A	E 04 F 15/10; B 32 B 5/24; D 06 N 7/00
AP 2017 13603 A	A 61 K 31/7068; A 61 K 31/7072; A 61 K 31/7076; A 61 K 31/708
AP 2017 13651 A	B 23 K 31/02; B 01 J 19/02; B 01 J 19/24; C 07 C 273/04; F 28 F 9/18; F 28 F 19/06
AP 2017 13817 A	C 07 H 19/00; C 07 H 19/06; C 07 H 19/20; C 07 H 19/16; A 61 K 31/7068; A 61 K 31/7072; A 61 K 31/7076; A 61 K 31/708; A 61 P 31/04
AP 2017 14059 A	C 07 D 471/04; A 61 K 31/437; A 61 P 35/00
AP 2017 14154 A	E 01 B 7/08

**CONCORDANCE TABLE OF INTERNATIONAL CLASSIFICATION INDEX,
PATENT NUMBERS AND PUBLICATION NUMBERS**

INTERNATIONAL CLASSIFICATION INDEX (51)	NUMBER OF PATENT (11)	NUMBER OF PUBLISHED APPLICATION (10)
A 61 K 31/00; A 61 K 31/40; A 61 P 1/16	P 2017 6663 B	AP 2017 13941 A
B 01 D 53/62; C 01 B 31/24; C 01 F 11/18	P 2017 6661 B	AP 2017 12994 A
C 03 C 7/04	P 2017 6664 B	AP 2017 14073 A
C 09 D 11/00; C 09 D 11/02; B 41 M 3/14; B 42 D 15/00; C 09 B 5/02; C 09 B 69/10; C 07 D 311/00; C 07 D 471/00; C 07 D 221/00	P 2017 6662 B	AP 2017 13491 A
G 11 C 17/00	P 2017 6665 B	AP 2017 13770 A

**CONCORDANCE TABLE OF PATENT NUMBERS,
PUBLICATION NUMBERS AND INTERNATIONAL CLASSIFICATION INDEX**

NUMBER OF PATENT (11)	NUMBER OF PUBLISHED APPLICATION (10)	INTERNATIONAL CLASSIFICATION INDEX (51)
P 2017 6661 B	AP 2017 12994 A	B 01 D 53/62; C 01 B 31/24; C 01 F 11/18
P 2017 6662 B	AP 2017 13491 A	C 09 D 11/00; C 09 D 11/02; B 41 M 3/14; B 42 D 15/00; C 09 B 5/02; C 09 B 69/10; C 07 D 311/00; C 07 D 471/00; C 07 D 221/00
P 2017 6663 B	AP 2017 13941 A	A 61 K 31/00; A 61 K 31/40; A 61 P 1/16
P 2017 6664 B	AP 2017 14073 A	C 03 C 7/04
P 2017 6665 B	AP 2017 13770 A	G 11 C 17/00

**CONCORDANCE TABLE OF APPLICATION NUMBERS, PUBLICATION NUMBERS
AND PATENTS**

NUMBER OF APPLICATION (21)	NUMBER OF PUBLISHED APPLICATION (10)	NUMBER OF PATENT (11)
AP 2011 012994	AP 2017 12994 A	P 2017 6661 B
AP 2012 013491	AP 2017 13491 A	P 2017 6662 B
AP 2015 013770	AP 2017 13770 A	P 2017 6665 B
AP 2013 013941	AP 2017 13941 A	P 2017 6663 B
AP 2016 014073	AP 2017 14073 A	P 2017 6664 B

UTILITY MODELS

CONCORDANCE TABLE OF INTERNATIONAL CLASSIFICATION INDEX AND PUBLICATION NUMBERS

INTERNATIONAL CLASSIFICATION INDEXES (51)	NUMBER OF PUBLISHED APPLICATION (10)
A 23 F 3/14	AU 2017 14246 U

CONCORDANCE TABLE OF PUBLICATION NUMBERS AND INTERNATIONAL CLASSIFICATION INDEX

NUMBER OF PUBLISHED APPLICATION (10)	INTERNATIONAL CLASSIFICATION INDEXES (51)
AU 2017 14246 U	A 23 F 3/14

CONCORDANCE TABLE OF INTERNATIONAL CLASSIFICATION INDEX, PATENT NUMBERS AND PUBLICATION NUMBERS

INTERNATIONAL CLASSIFICATION INDEX (51)	NUMBER OF PATENT (11)	NUMBER OF PUBLISHED APPLICATION (10)
A 01 G 7/00	U 2017 1937 Y	AU 2017 14121 U

CONCORDANCE TABLE OF PATENT NUMBERS, PUBLICATION NUMBERS AND INTERNATIONAL CLASSIFICATION INDEX

NUMBER OF PATENT (11)	NUMBER OF PUBLISHED APPLICATION (10)	INTERNATIONAL CLASSIFICATION INDEX (51)
U 2017 1937 Y	AU 2017 14121 U	A 01 G 7/00

CONCORDANCE TABLE OF APPLICATION NUMBERS, PUBLICATION NUMBERS AND PATENTS

NUMBER OF APPLICATION (21)	NUMBER OF PUBLISHED APPLICATION (10)	NUMBER OF PATENT (11)
AU 2016 014121	AU 2017 14121 U	U 2017 1937 Y

DESIGNS**CONCORDANCE TABLE OF INTERNATIONAL CLASSIFICATION INDEX,
PATENT NUMBERS AND PUBLICATION NUMBERS**

INTERNATIONAL CLASSIFICATION INDEX (51)	NUMBER OF PATENT (11)	NUMBER OF PUBLISHED APPLICATION (10)
25-01	D 2017 707 S	AD 2017 927 S
25-02	D 2017 706 S	AD 2017 930 S

**CONCORDANCE TABLE OF PATENT NUMBERS,
PUBLICATION NUMBERS AND INTERNATIONAL CLASSIFICATION INDEX**

NUMBER OF PATENT (11)	NUMBER OF PUBLISHED APPLICATION (10)	INTERNATIONAL CLASSIFICATION INDEX (51)
D 2017 706 S	AD 2017 930 S	25-02
D 2017 707 S	AD 2017 927 S	25-01

**CONCORDANCE TABLE OF APPLICATION NUMBERS, PUBLICATION NUMBERS
AND PATENTS**

NUMBER OF APPLICATION (21)	NUMBER OF PUBLISHED APPLICATION (10)	NUMBER OF PATENT (11)
AD 2016 000927	AD 2017 927 S	D 2017 707 S
AD 2016 000930	AD 2017 930 S	D 2017 706 S

TRADEMARKS

CONCORDANCE TABLE OF REGISTRATION NUMBERS, APPLICATION NUMBERS, PUBLICATION NUMBERS AND BULLETIN NUMBERS

NUMBER OF REGISTRATION (111)	NUMBER OF APPLICATIONS (210)	NUMBER OF PUBLISHED APPLICATIONS (260)	NUMBER OF BULLETIN
M 2017 28421 R	AM 91378	-	9(469)2017
M 2017 28422 R	AM 91414	-	9(469)2017
M 2017 28423 R	AM 91416	-	9(469)2017
M 2017 28424 R	AM 91448	-	9(469)2017
M 2017 28425 R	AM 90937	-	9(469)2017
M 2017 28426 R	AM 90938	-	9(469)2017
M 2017 28427 R	AM 91598	-	9(469)2017
M 2017 28428 R	AM 91599	-	9(469)2017
M 2017 28429 R	AM 91632	-	9(469)2017
M 2017 28430 R	AM 91634	-	9(469)2017
M 2017 28431 R	AM 91544	-	9(469)2017
M 2017 28432 R	AM 91659	-	9(469)2017
M 2017 28422 R	AM 91641	-	9(469)2017
M 2017 28434 R	AM 91642	-	9(469)2017
M 2017 28435 R	AM 91643	-	9(469)2017
M 2017 28436 R	AM 91644	-	9(469)2017
M 2017 28437 R	AM 83334	AM 2016 83334 A	7(443)2016
M 2017 28438 R	AM 83335	AM 2016 83335 A	7(443)2016
M 2017 28439 R	AM 79580	AM 2015 79580 A	16(428)2015
M 2017 28440 R	AM 79581	AM 2015 79581 A	17(429)2015
M 2017 28441 R	AM 79585	AM 2015 79585 A	16(428)2015
M 2017 28442 R	AM 79586	AM 2015 79586 A	16(428)2015
M 2017 28443 R	AM 79587	AM 2015 79587 A	16(428)2015
M 2017 28444 R	AM 91646	-	9(469)2017
M 2017 28445 R	AM 80913 A	AM 2016 80913 A	13(449)2016
M 2017 28446 R	AM 84075 A	AM 2016 84075 A	14(450)2016
M 2017 28447 R	AM 84560 A	AM 2016 84560 A	14(450)2016
M 2017 28448 R	AM 86002 A	AM 2016 86002 A	23(459)2016
M 2017 28449 R	AM 86003 A	AM 2016 86003 A	22(458)2016
M 2017 28450 R	AM 86004 A	AM 2016 86004 A	22(458)2016
M 2017 28451 R	AM 86131 A	AM 2016 86131 A	23(459)2016
M 2017 28452 R	AM 86201 A	AM 2016 86201 A	23(459)2016
M 2017 28453 R	AM 86231 A	AM 2016 86231 A	20(456)2016
M 2017 28454 R	AM 86301 A	AM 2016 86301 A	20(456)2016
M 2017 28455 R	AM 86302 A	AM 2016 86302 A	20(456)2016
M 2017 28456 R	AM 86304 A	AM 2016 86304 A	20(456)2016
M 2017 28457 R	AM 86415 A	AM 2016 86415 A	23(459)2016
M 2017 28458 R	AM 86425 A	AM 2016 86425 A	1(461)2017
M 2017 28459 R	AM 86462 A	AM 2016 86462 A	22(458)2016
M 2017 28460 R	AM 86471 A	AM 2016 86471 A	22(458)2016
M 2017 28461 R	AM 86473 A	AM 2016 86473 A	22(458)2016
M 2017 28462 R	AM 86478 A	AM 2016 86478 A	1(461) 2017
M 2017 28463 R	AM 86494 A	AM 2016 86494 A	23(459)2016
M 2017 28464 R	AM 86528 A	AM 2016 86528 A	24(460)2016
M 2017 28465 R	AM 86557 A	AM 2016 86557 A	24(460)2016
M 2017 28466 R	AM 86559 A	AM 2016 86559 A	22(458)2016

1	2	3	4
M 2017 28467 R	AM 86560 A	AM 2016 86560 A	1(461)2017
M 2017 28468 R	AM 86568 A	AM 2016 86568 A	22(458)2016
M 2017 28469 R	AM 86656 A	AM 2016 86656 A	22(458)2016
M 2017 28470 R	AM 86664 A	AM 2016 86664 A	20(456) 2016
M 2017 28471 R	AM 86686 A	AM 2016 86686 A	19(455) 2016
M 2017 28472 R	AM 86762 A	AM 2016 86762 A	1(461)2017
M 2017 28473 R	AM 86771 A	AM 2016 86771 A	24(460)2016
M 2017 28474 R	AM 86832 A	AM 2016 86832 A	21(457)2016
M 2017 28475 R	AM 86834 A	AM 2016 86834 A	21(457)2016
M 2017 28476 R	AM 86856 A	AM 2016 86856 A	1(461)2017
M 2017 28477 R	AM 86911 A	AM 2016 86911 A	24(460)2016
M 2017 28478 R	AM 87010 A	AM 2016 87010 A	23(459)2016
M 2017 28479 R	AM 87026 A	AM 2016 87026 A	23(459)2016
M 2017 28480 R	AM 87086 A	AM 2016 87086 A	1(461)2017
M 2017 28481 R	AM 87087 A	AM 2016 87087 A	1(461)2017
M 2017 28482 R	AM 87194 A	AM 2017 87194 A	1(461)2017
M 2017 28483 R	AM 87251 A	AM 2016 87251 A	23(459)2016
M 2017 28484 R	AM 87493 A	AM 2016 87493 A	1(461)2017
M 2017 28485 R	AM 87494 A	AM 2016 87494 A	1(461)2017
M 2017 28486 R	AM 87505 A	AM 2016 87505 A	1(461)2017
M 2017 28487 R	AM 87506 A	AM 2017 87506 A	1(461)2017
M 2017 28488 R	AM 87513 A	AM 2016 87513 A	1(461)2017
M 2017 28489 R	AM 87549 A	AM 2016 87549 A	1(461)2017
M 2017 28490 R	AM 87550 A	AM 2016 87550 A	1(461)2017
M 2017 28491 R	AM 87551 A	AM 2016 87551 A	1(461)2017

CONCORDANCE TABLE OF PUBLICATION NUMBERS
AND APPLICATION NUMBERS

NUMBER OF PUBLISHED APPLICATION (260)	NUMBER OF APPLICATION (210)	1	2
1	2		
AM 2017 87719 A	AM 87719 A	AM 2017 88584 A	AM 88584 A
AM 2017 87828 A	AM 87828 A	AM 2017 88586 A	AM 88586 A
AM 2017 87906 A	AM 87906 A	AM 2017 88587 A	AM 88587 A
AM 2017 87908 A	AM 87908 A	AM 2017 88611 A	AM 88611 A
AM 2017 88133 A	AM 88133 A	AM 2017 88691 A	AM 88691 A
AM 2017 88157 A	AM 88157 A	AM 2017 88709 A	AM 88709 A
AM 2017 88158 A	AM 88158 A	AM 2017 88714 A	AM 88714 A
AM 2017 88325 A	AM 88325 A	AM 2017 88721 A	AM 88721 A
AM 2017 88326 A	AM 88326 A	AM 2017 88723 A	AM 88723 A
AM 2017 88407 A	AM 88407 A	AM 2017 88725 A	AM 88725 A
AM 2017 88507 A	AM 88507 A	AM 2017 88727 A	AM 88727 A
		AM 2017 88729 A	AM 88729 A
		AM 2017 88732 A	AM 88732 A
		AM 2017 88735 A	AM 88735 A
		AM 2017 88738 A	AM 88738 A
		AM 2017 89144 A	AM 89144 A

**CONCORDANCE TABLE OF INDEX OF GOODS AND/OR SERVICES
AND APPLICATION NUMBERS**

INDEX OF GOODS AND/OR SERVICES (511)	NUMBER OF PUBLISHED APPLICATIONS (26)	1	2
1	2		
3	AM 2017 88158 A	34	AM 2017 88714 A
5	AM 2017 88158 A	35	AM 2017 87828 A
5	AM 2017 88584 A	35	AM 2017 87906 A
5	AM 2017 88709 A	35	AM 2017 87908 A
5	AM 2017 88721 A	35	AM 2017 88158 A
5	AM 2017 88723 A	35	AM 2017 88325 A
5	AM 2017 88725 A	35	AM 2017 88326 A
5	AM 2017 88727 A	35	AM 2017 88586 A
5	AM 2017 88729 A	35	AM 2017 88587 A
5	AM 2017 88732 A	36	AM 2017 88611 A
5	AM 2017 88735 A	38	AM 2017 87906 A
5	AM 2017 88738 A	38	AM 2017 87908 A
5	AM 2017 89144 A	39	AM 2017 87828 A
9	AM 2017 87906 A	39	AM 2017 87906 A
9	AM 2017 87908 A	39	AM 2017 87908 A
16	AM 2017 88158 A	41	AM 2017 87828 A
25	AM 2017 88407 A	41	AM 2017 88407 A
29	AM 2017 88133 A	42	AM 2017 87906 A
30	AM 2017 88133 A	42	AM 2017 87908 A
32	AM 2017 88158 A	43	AM 2017 87719 A
33	AM 2017 88325 A	43	AM 2017 87828 A
		43	AM 2017 88507 A
		43	AM 2017 88691 A
		44	AM 2017 87828 A
		44	AM 2017 88157 A

**CONCORDANCE TABLE OF INDEX OF GOODS AND/OR SERVICES
AND NUMBERS OF TRADEMARKS REGISTERED ACCORDING
TO THE ACCELERATED PROCEDURE**

INDEX OF GOODS AND/OR SERVICES (511)	NUMBERS OF REGISTERED ACCORDING TO THE ACCELERATED PROCEDURE (111)
5	M 2017 28422 R
5	M 2017 28423 R
5	M 2017 28424 R
5	M 2017 28429 R
5	M 2017 28430 R
6	M 2017 28425 R
6	M 2017 28426 R
7	M 2017 28425 R
7	M 2017 28426 R
9	M 2017 28425 R
9	M 2017 28426 R
12	M 2017 28425 R
12	M 2017 28426 R
20	M 2017 28425 R
20	M 2017 28426 R
20	M 2017 28432 R

1	2
21	M 2017 28425 R
21	M 2017 28426 R
22	M 2017 28425 R
22	M 2017 28426 R
23	M 2017 28425 R
23	M 2017 28426 R
24	M 2017 28425 R
24	M 2017 28426 R
28	M 2017 28425 R
28	M 2017 28426 R
32	M 2017 28433 R
32	M 2017 28434 R
32	M 2017 28435 R
32	M 2017 28436 R
33	M 2017 28421 R
33	M 2017 28431 R
33	M 2017 28444 R
35	M 2017 28425 R
35	M 2017 28426 R
35	M 2017 28427 R
35	M 2017 28428 R
35	M 2017 28444 R
37	M 2017 28425 R
37	M 2017 28426 R
39	M 2017 28425 R
39	M 2017 28426 R
43	M 2017 28425 R
43	M 2017 28426 R

OFFICIAL BULLETIN OF THE INDUSTRIAL PROPERTY

9(469)

EDITOR-IN-CHIEF: N. Bebrishvili

EDITORS-TRANSLATORS: E. Gabunia

PROOFREADER: A. Shikhashvili

COMPUTER LAYOUT: M. Ordenidze
K. Svanidze

www.sakpatenti.org.ge

E-mail: info@sakpatenti.org.ge