

# Official Bulletin of the Industrial Property

Inventions

Utility Models

Designs

Trademarks

Geographical Indication

Appellations of Origin of Goods



საქართველოს ინტელექტუალური  
საკუთრების ეროვნული ცენტრი

**საქპატენტი**

**SAKPATENTI**

NATIONAL INTELLECTUAL PROPERTY  
CENTER OF GEORGIA

[www.sakpatenti.gov.ge](http://www.sakpatenti.gov.ge)

Date of Publication – 2021 06 10

**10(566)**

# INID CODES FOR IDENTIFICATION OF BIBLIOGRAPHIC DATA

## INVENTIONS, UTILITY MODELS

- (10) Number of publication for application, which has been examined
- (11) Number of patent and kind of document
- (21) Serial number of application
- (22) Date of filing of the application
- (23) Date of exhibition or the date of the earlier filing and the number of application, if any
- (24) Date from which patent may have effect
- (31) Number of priority application
- (32) Date of filing of priority application
- (33) Code of the country or regional organization allotting priority application number
- (44) Date of publication of application not granted, but examined and number of bulletin
- (45) Date of publication of registered document
- (51) International Patent Classification Index

- (54) Title of the invention
- (57) Abstract
- (60) Number of examined patent document granted by foreign patent office, date from which patent has effect and country code
- (62) Number of the earlier application and in case of divided application, date of filing an application
- (71) Name, surname and address of applicant (country code)
- (72) Name, surname of inventor (country code)
- (73) Name, surname and address of patent owner (country code)
- (74) Name, surname of representative or patent attorney
- (85) Date of commencement of the national phase of International Application
- (86) Number and date of filing of international application
- (87) Number and date of publication of international application
- (94) Calculated date of expiry of the SPC or the duration of the SPC

## DESIGNS

- (10) Number of publication for application
- (11) Number of patent and kind of document or number of registration
- (15) Date of registration/Date of patent renewal
- (18) Expected expiration date of patent or registration
- (21) Serial number of application
- (22) Date of filing of the application
- (23) Date of exhibition or the date of the earlier filing and the number of application, if any
- (24) Date from which patent may have effect
- (28) Number of designs included in the application
- (30) Data relating to priority (number of application, date of filing of application, two-letter code identifying the authority with whom the priority application was made)
- (31) Number of priority application
- (32) Date of filing of priority application
- (33) Code of the country or regional organization allotting priority application number
- (34) Two-letter code according to WIPO St.3 identifying the authority with which the priority application was made
- (44) Date of publication of design and number of bulletin (the first publication)
- (45) Date of publication of design registered by WIPO and number of bulletin

- (51) International Classification for designs (class and subclass of the Locarno Classification)
- (54) Title of the invention
- (55) Reproduction of the design
- (57) Description of characteristic features of the design including indication of colors
- (58) Date of recording of any kind of amendment in the Register
- (62) Number of the earlier application, registration and document number and if available the date of filing an application in case of divided application
- (71) Name, surname and address of applicant (country code)
- (72) Name, surname of creator (country code)
- (73) Name, surname and address of patent owner (country code)
- (74) Name, surname of representative or patent attorney
- (81) Contracting states concerned
  - II designated contracting states according to the 1960 Act
  - III designated contracting states according to the 1999 Act
- (85) Owner's permanent address
- (86) Owner's nationality
- (87) Owner's residence
- (88) State in which the owner has a real and effective industrial or commercial establishment

## TRADEMARKS

- (111) - Number of registration
- (151) - Date of registration
- (156) - Date of the renewal
- (181) - Expected expiration date of registration
- (186) - Renewal expiration date of registration
- (141) - Date of cancel of duration of the mark
- (210) - Serial number of application
- (220) - Date of filing of the application
- (230) - Data concerning exhibition
- (260) - Number of application, for which favorable decision of examination about registration has been taken (publication number)
- (310) - Number of the first application
- (320) - Date of filing of the first application
- (330) - Code, identifying national or regional Office where the first application was made
- (511) - International Classification of Goods and Services for the purposes of registration of trade marks and/or list of goods and/or services classified according thereto
- (526) - Disclaimer
- (531) - Description of figurative elements of Trade Marks according to the International Classification of the Figurative Elements of Marks

- (540) - Reproduction of Trade Mark
- (550) - Nature and kind of Trade Mark
- (551) - Indication to the effect that the mark is a collective mark, a certification mark or a guarantee mark
- (554) - Three-dimensional mark
- (580) - Date of recording of any kind changes in respect of applications or registrations
- (591) - Information concerning colors claimed
- (731) - Name and address of the applicant
- (732) - Name and address of the holder of the registration
- (740) - Name and address of the representative
- (750) - Addreses for correspondence
- (770) - Name and address of the previous applicant or holder in case of change in ownership
- (771) - Previous name and address of the applicant or holder in case of change in ownership
- (791) - Name and address of the licensee
- (793) - Indication of conditions and/or restrictions under the license (Type of license, number of license agreement, data of license, data of validity of license)
- (800) - Certain data relating to the international registration of Trade Marks under the Protocol Relating to Madrid Agreement (International registration number
- (852) - Partial cancellation of the list of goods and services
- (891) - Date of subsequent designation

## CODES FOR PUBLICATION IN BULLETIN

- (21) AP 0000 000000 - serial number of application for invention
- (10) AP 0000 0000 A - number of published application for invention (first publication)
- (11) P 0000 0000 B - number of patent for invention (second publication)
- (21) API 0000 000000 - number of application for imported patent
- (11) PI 0000 0000 A - number of imported patent (first publication)
- (21) AU 0000 000000 - serial number of application for utility model
- (10) AU 0000 000 U - number of published application for utility model (first publication)
- (11) U 0000 000 Y - number of patent for utility model (second publication)
- (21) AD 0000 000000 - serial number of application for design
- (10) AD 0000 000 S - number of published application for design (first publication)
- (11) D 0000 000 S - registered design

## INTERNATIONAL PATENT CLASSIFICATION FOR INVENTIONS AND UTILITY MODELS

- SECTION A - HUMAN NECESSITIES
- SECTION B - PERFORMING OPERATIONS; TRANSPORTING
- SECTION C - CHEMISTRY; METALLURGY
- SECTION D - TEXTILES; PAPER
- SECTION E - FIXED CONSTRUCTIONS
- SECTION F - MECHANICAL ENGINEERING; LIGHTING; HEATING; WEAPONS; BLASTING
- SECTION G - PHYSICS
- SECTION H - ELECTRICITY

- 
- M - Trade Mark
  - (210) AM 0000 000000 - Serial number of application;
  - (260) AAM 0000 00000 A - Publication number of application;
  - (111) M 0000 00000 R - Number of registration;
  - (111) MMM0000 00000 Rn - Number of renewals, in which n=1,2,3;
  - (111) M 0000 00000 R(P) - Number of registration under partial assignment of rights
-

# Official Bulletin of the Industrial Property

Inventions

Utility Models

Designs

Trademarks

Geographical Indication

Appellations of Origin of Goods

# CONTENTS

<b>PUBLISHED TITLES OF PROTECTION</b> .....	3
<b>INVENTIONS</b>	
▪ APPLICATIONS APPROVED FOR GRANTING PATENTS .....	4
▪ PATENTED INVENTIONS .....	13
<b>UTILITY MODELS</b>	
▪ APPLICATIONS APPROVED FOR GRANTING PATENTS .....	14
▪ PATENTED UTILITY MODELS .....	16
<b>DESIGNS</b>	
▪ APPLICATION APPROVED FOR REGISTRATION .....	17
▪ DESIGN REGISTERED ACCORDING TO THE ACCELERATED PROCEDURE .....	18
<b>TRADEMARKS</b>	
▪ APPLICATIONS FILED UNDER THE NATIONAL PROCEDURE APPROVED FOR REGISTRATION .....	20
▪ REGISTERED TRADEMARKS .....	26
▪ TRADEMARKS REGISTERED ACCORDING TO THE ACCELERATED PROCEDURE .....	32
▪ INTERNATIONAL TRADEMARKS FOR WHICH A DECISION ON GRANTING PROTECTION IS TAKEN .....	36
▪ INTERNATIONAL TRADEMARKS PROTECTED IN GEORGIA .....	88
<b>GEOGRAPHICAL INDICATIONS</b>	
▪ REGISTERED GEOGRAPHICAL INDICATIONS.....	104
<b>APPELLATIONS OF ORIGIN OF GOODS</b>	
▪ PROTECTED INTERNATIONAL APPELLATIONS OF ORIGIN OF GOODS .....	104
<b>OFFICIAL NOTIFICATIONS</b>	
<b>INVENTIONS</b>	
▪ EXPIRATION OF PATENT RESTORATION .....	105
▪ ABOLITION OF PATENTS WITH THE RIGHT TO RESTORE .....	105
▪ EXPIRATION OF TERM OF RESTORATION OF PATENT .....	109
▪ EXPIRATION OF PATENTS .....	110
<b>UTILITY MODELS</b>	
▪ ABOLITION OF PATENTS WITH THE RIGHT TO RESTORE .....	111
▪ EXPIRATION OF TERM OF RESTORATION OF PATENTS .....	111
<b>DESIGNS</b>	
▪ EXTENSION OF REGISTRATION .....	112
▪ CANCELLATION OF REGISTRATIONS .....	112
▪ EXTENSION OF REGISTRATION OF INTERNATIONAL DESIGNS .....	113
<b>TRADEMARKS</b>	
▪ RENEWAL OF REGISTRATIONS .....	117
▪ COMPLET TRANSFER OF RIGHTS .....	120
▪ CHANGES OF NAMES AND/OR ADDRESSES OF OWNER .....	122
▪ CANCELLATION OF TRADEMARKS REGISTRATION .....	123
▪ CANCELLATION OF TRADEMARKS REGISTRATION BY COURT ORDER .....	127
▪ CHANGE IN THE LIST OF GOODS AND/OR SERVICES OF TRADEMARK .....	127
<b>CLASSIFICATION INDEXES</b>	
INVENTIONS .....	128
UTILITY MODELS .....	130
DESIGNS .....	132
TRADEMARKS .....	133

## **PUBLISHED TITLES OF PROTECTION**

### **INVENTIONS**

- **APPLICATIONS APPROVED FOR GRANTING PATENTS:**  
15317; 15357; 14677; 14943; 15006; 15219; 15057; 14720; 15415; 15215; 15375; 15036; 14132; 1533-15336;  
15268; 15326; 15390; 15376; 15266
- **PATENTED INVENTIONS:**  
7261-7264

### **UTILITY MODELS**

- **APPLICATIONS APPROVED FOR GRANTING PATENTS:**  
15563; 15494; 15445; 15393
- **PATENTED UTILITY MODELS:**  
2084-2088

### **DESIGNS**

- **APPLICATION APPROVED FOR REGISTRATION:**  
1190
- **DESIGN REGISTERED ACCORDING TO THE ACCELERATED PROCEDURE:**  
895

### **TRADEMARKS**

- **APPLICATIONS FILED UNDER THE NATIONAL PROCEDURE APPROVED FOR REGISTRATION:**  
108592; 109524, 109525; 109934; 109951; 110201; 110218, 110219; 110226; 110278-110280; 110284; 110287,  
110288; 110292, 110293; 110359; 110362; 110365, 110366; 110383; 110388; 110443; 110450; 110465; 110467;  
110469-110472; 110505; 110516; 110538; 110603-110605; 110611
- **REGISTERED TRADEMARKS:**  
34119-34182
- **TRADEMARKS REGISTERED ACCORDING TO THE ACCELERATED PROCEDURE:**  
34103-34118; 34183, 34184
- **INTERNATIONAL TRADEMARKS FOR WHICH A DECISION ON GRANTING PROTECTIONS IS TAKEN:**  
106254\*; 106553; 106895; 107221; 108534; 108902; 109395; 109397-109399; 109417; 109442; 109450-109455;  
109457-109460; 109467-109474; 109477, 109478; 109491-109494; 109496; 109533-109537; 109543-109548;  
109562-109567; 109577-109579; 109618-109621; 109634-109636; 109687; 109689, 109690, 109718; 109725-  
-109727; 109782; 109785; 109806-109808; 109816; 109821, 109822; 109885-109887; 109889; 109900, 109901;  
109903-109907; 109909, 109910; 109984, 109985
- **INTERNATIONAL TRADEMARKS PROTECTED IN GEORGIA:**  
107739; 107970; 108001; 108003-108008; 108010, 108011; 108013-108017; 108028; 108035-108038; 108074-  
-108099; 108101-108104; 108106; 108136-108139; 108145-108149; 108156; 108162-108174; 108187-108189;  
108191-108197; 108199, 108200; 108202-108205; 108244-108256; 108258-108265; 108267-108274; 108278;  
108288; 108341, 108342; 108346-108349; 108361-108365; 108373; 108375-108379; 108381-108383; 108436;  
108444; 108454-108457; 108460-108462; 108464; 108466; 108474; 108476; 108541-108543; 108545, 108546;  
108550, 108551; 108557-108563; 108565-108569; 108644-108646; 108699; 108723, 108724; 108726; 108728,  
108729; 108731-108733; 108790-108794; 108832; 108836; 108925-108928; 108990-108993; 109055, 109056;  
109083-109086; 109145, 109146; 109150; 109182; 109184-109187; 109265-109269

### **GEOGRAPHICAL INDICATIONS**

- **REGISTERED GEOGRAPHICAL INDICATIONS:**  
22, 981

### **APPELLATIONS OF ORIGIN OF GOODS**

- **PROTECTED INTERNATIONAL APPELLATIONS OF ORIGIN OF GOODS:**  
1150, 1151

# INVENTIONS

## APPLICATIONS APPROVED FOR GRANTING PATENTS

The decision can be appealed at the Chamber of Appeal of Sakpatenti within 3 months from the publication or at the Mtskheta District Court Administrative Cases Board (Address: №17, Samkhedro str., Mtskheta), within 1 month following the publication.

### PART A

#### A 01

(10) AP 2021 15317 A (51) Int. Cl. (2006)

A 01 D 46/04

(21) AP 2020 15317 (22) 2020 04 15

(71) LEPL "Agriculture Scientific-Research Center" (GE)

Marshal Gelovani Av. 6, Tbilisi, Georgia (GE)

(72) Nugzar Ebanoidze (GE);

Aleksandre Bekoshvili (GE);

Nodar Kekenadze (GE);

Giorgi Lezhava (GE)

(54) TEA BUSH PRUNING AND LOADING COMBINED AGREGATE

(57) Combined aggregate includes energetic means – bush pruning apparatus, executed as a disco 6 having segmentic cutters 8 installed on actuating shaft 5 rotatable in horizontal plane, and connected to self-propelled chassis 1 with connection system. The aggregate is additionally equipped with pruned mass removing- and vehicle loading on body devices.

Claims: 1 independent

Fig.: 2

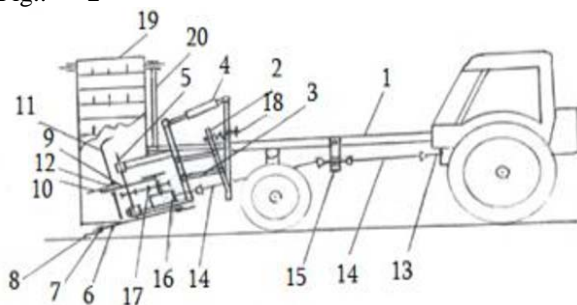


Fig. 1

(10) AP 2021 15357 A (51) Int. Cl. (2006)

A 01 D 46/04

(21) AP 2020 15357 (22) 2020 06 04

(71) LEPL "Agriculture Scientific-Research Center" (GE)

Marshal Gelovani Ave. 6, Tbilisi, Georgia (GE)

(72) Aleksandre Bekoshvili (GE);

Marita Macharashvili (GE);

Nodar Kekenadze (GE);

Nugzar Ebanoidze (GE)

(54) COMBINED AGGREGATE FOR TEA PLANTATIONS REHABILITATION

(57) Combined aggregate includes bush pruning 2 and rotor crushing 5 apparatuses switched to energetical means 1 by means of connecting system, mineral fertilizer 10-14, and soil-treating working body, which is a cultivator 17; at that, the fertilizer and soil-treating working body have two sections. Pruning apparatus is executed as a couple of disco saws 3 disposed in horizontal plane rotatable, and couple of disco saws 4 disposed vis-a-vis on vertical plane.

Claims: 1 independent

2 dependents

Fig.: 2

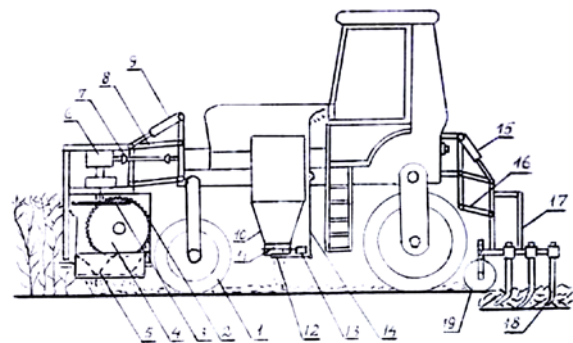


Fig. 1

#### A 61

(10) AP 2021 14677 A (51) Int. Cl. (2006)

A 61 K 9/00

A 61 K 9/20

A 61 K 31/565

(21) AP 2016 14677 (22) 2016 06 17

(31) 15172747.6

(32) 2015 06 18

(33) EP

(71) Estetra SPRL (BE)

Rue Saint-Georges 5/7, Liège, BE-4000, Belgium (BE)

(72) PLATTEEUW, Johannes, Jan (NL);  
JASPART, Séverine, Francine, Isabelle (BE);  
VAN DEN HEUVEL, Denny, Johan,  
Marijn (NL)

(74) Larisa Amirkhanyan

(85) 2018 01 15

(86) PCT/EP2016/064074, 2016 06 17

(54) ORODISPERSIBLE DOSAGE UNIT  
CONTAINING AN ESTETROL  
COMPONENT

(57) A remedy consists of estetrol particles and pharmaceutically acceptable ingredient; at that, estetrol particles have average volumetric diameter of 3-35  $\mu\text{m}$ . Estetrol particles includes a component on a basis of estetrol selected from the following group: estetrol, estetrol esters and combinations thereof.

Claims: 3 independents  
18 dependents

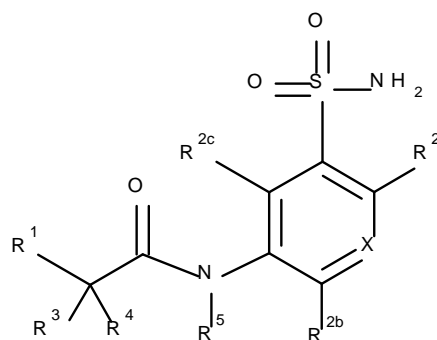
Fig.: 1

- (10) AP 2021 14943 A (51) Int. Cl. (2006)  
A 61 K 31/41  
A 61 P 25/16  
A 61 P 35/00  
A 61 P 25/02  
A 61 P 37/00  
A 61 P 25/28  
C 07 C 311/40  
C 07 D 239/34  
C 07 D 405/06  
C 07 D 239/26  
C 07 D 249/14  
C 07 D 249/12  
C 07 D 249/10  
C 07 D 233/64  
C 07 D 233/61  
C 07 D 233/16  
C 07 D 235/06  
C 07 D 401/04  
C 07 D 233/68  
C 07 D 261/08  
C 07 D 471/04  
C 07 D 213/60  
C 07 D 277/56  
C 07 D 277/34  
C 07 D 277/26  
C 07 D 275/02  
C 07 D 271/04  
C 07 D 263/32  
C 07 D 239/30  
C 07 D 231/56  
C 07 D 231/38  
C 07 D 213/74  
C 07 D 213/65  
C 07 D 213/64  
C 07 D 213/61  
C 07 D 213/40  
C 07 D 207/416  
C 07 D 207/333  
C 07 D 271/06  
C 07 D 405/04  
C 07 D 237/08  
C 07 D 403/04  
C 07 D 249/20

C 07 D 249/18  
C 07 D 231/18  
C 07 D 249/06  
C 07 D 231/16  
C 07 D 231/14  
C 07 D 231/12  
C 07 D 213/85  
C 07 D 249/08  
C 07 D 239/42

- (21) AP 2017 14943 (22) 2017 04 26  
(31) 16167996.4  
(32) 2016 05 03  
(33) EP  
(71) Bayer Pharma Aktiengesellschaft (DE)  
Müllerstraße 13353 Berlin, Germany (DE)  
(72) MESCH, Stefanie (DE);  
WERNER, Stefan (DE);  
CLEVE, Arwed (DE);  
HARDAKER, Elizabeth (GB);  
BRÄUER, Nico (DE);  
HERBERT, Simon, Anthony (DE);  
DAHLLÖF, Henrik (SE);  
LISHCHYNSKYI, Anton (DE);  
KOCH, Markus (DE);  
OSMERS, Maren (DE)  
(74) Tamar Kochlamazashvili  
(85) 2018 11 29  
(86) PCT/EP2017/059882, 2017 04 26  
(54) AROMATIC SULFONAMIDE  
DERIVATIVES

(57) An invention relates to Substituted aromatic sulfonamides of formula (I),



(I)

pharmaceutical compositions and combinations comprising said compounds, and the usage therefor the treatment or prophylaxis of inflammation, cancer, pain and related diseases.

Claims: 6 independents  
19 dependents

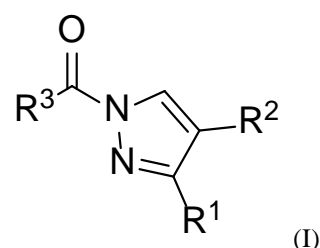
Fig.: 4

- (10) AP 2021 15006 A (51) Int. Cl. (2006)  
A 61 K 31/436  
A 61 K 31/407  
A 61 K 31/4353  
A 61 K 31/519  
A 61 K 31/55

- A 61 K 31/675  
A 61 P 35/00
- (21) AP 2017 15006 (22) 2017 07 21  
(31) 62/517,252; 62/464,554; 16306420.7;  
16180918.1  
(32) 2017 06 09; 2017 02 28; 2016 10 28; 2016 07 22  
(33) US; US EP; EP  
(71) Novartis AG (CH)  
Lichtstrasse 35, 4056 Basel, Switzerland (CH);  
LES LABORATOIRES SERVIER (FR)  
35, Rue de Verdun, 92284 Suresnes, Cedex,  
France (FR)  
(72) WEI, Andrew (AU);  
MOUJALLED, Donia (AU);  
POMILIO, Giovanna (AU);  
MARAGNO, Ana Leticia (FR);  
GENESTE, Olivier (FR);  
CLAPERON, Audrey (FR);  
MAACKKE, Heiko (CH);  
HALILOVIC, Ensar (US);  
PORTER, Dale (US);  
MORRIS, Erick (US);  
WANG, Youzhen (US);  
SANGHAVI, Sneha (US);  
MISTRY, Prakash (CH)  
(74) Tamaz Shilakadze  
(85) 2019 02 18  
(86) PCT/EP2017/068453, 2017 07 21  
(54) COMBINATION OF BCL-2 INHIBITOR  
AND MCL-1 INHIBITOR, USES AND  
PHARMACEUTICAL COMPOSITIONS  
THEREOF  
(57) A combination comprising BCL-2 inhibitor  
and MCL1 inhibitor for simultaneous, consistent or  
separate uses therefor cancer treatment  
Claims: 4 independents  
35 dependents  
Table: 24  
Fig.: 17

- (10) AP 2021 15219 A (51) Int. Cl. (2006)  
A 61 K 31/4155  
A 61 K 31/496  
C 07 D 401/06  
C 07 D 403/06  
C 07 D 403/14  
(21) AP 2018 15219 (22) 2018 05 22  
(31) 62/510,213  
(32) 2017 05 23  
(33) US  
(71) H. Lundbeck A/S (DK)  
Otiliavej 9, Valby, DK-2500, Denmark (DK)  
(72) GRICE, Cheryl A. (US);  
WIENER, John J. M. (US);  
WEBER, Olivia D. (US);  
DUNCAN, Katharine K. (US)  
(74) Tamaz Shilakadze  
(85) 2019 11 20

- (86) PCT/US2018/033959, 2018 05 22  
(54) PYRAZOLE MAGL INHIBITORS  
(57) An invention relates to pyrazole compounds of  
formula (I),



- and pharmaceutical compositions comprising them,  
which are modulators of monoacylglycerol lipase  
(MAGL). Furthermore, said compounds and  
compositions are useful for the treatment of pain.  
Claims: 2 independents  
19 dependents

- (10) AP 2021 15057 A (51) Int. Cl. (2006)  
A 61 K 31/4439  
A 61 P 11/12  
C 07 D 401/14  
C 07 D 471/14  
C 07 D 498/14  
(21) AP 2017 15057 (22) 2017 09 29  
(31) 62/419,935; 62/402,838; 62/410,353;  
62/415,409  
(32) 2016 11 09; 2016 09 30; 2016 10 19;  
2016 10 31  
(33) US; US; US; US  
(71) Vertex Pharmaceuticals Incorporated (US)  
50 Northern Avenue, Boston,  
MA 02210, USA (US)  
(72) MCCARTNEY, Jason (US);  
VAN GOOR, Fredrick (US);  
ANDERSON, Corey (US);  
FRIEMAN, Bryan A. (US);  
KRENITSKY, Paul John (US);  
MELILLO, Vito (US);  
KHATUYA, Haripada (US);  
CLEVELAND, Thomas (US);  
ZHANG, Beili (US);  
HUGHES, Robert M. (US);  
KESHAVARZ-SHOKRI, Ali (US);  
MCAULEY-AOKI, Rachel (US);  
TERMIN, Andreas P. (US);  
PIERRE, Fabrice Jean Denis (US);  
UY, Johnny (US);  
ABELA, Alexander Russell (US);  
BUSCH, Brett Bradley (US);  
SIESEL, David Andrew (US);  
ZHOU, Jinglan (US);  
HADIDA RUAH, Sara Sabina (US);  
BAEK, Minson (US);  
GROOTENHUIS, Peter (US);  
MILLER, Mark Thomas (US);



ALCACIO, Timothy (US);  
 JOSHI, Pramod Virupax (US);  
 PARASELLI, Prasuna (US)

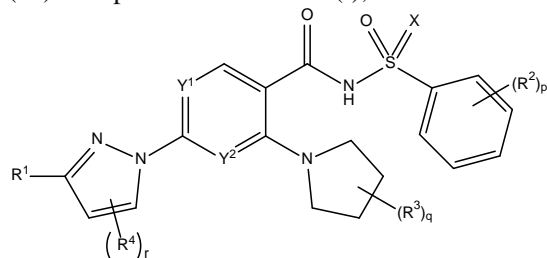
(74) Aleksandre Gegechkori

(85) 2019 04 23

(86) PCT/US2017/054611, 2017 09 29

(54) MODULATOR OF CYSTIC FIBROSIS  
 TRANSMEMBRANE CONDUCTANCE  
 REGULATOR, PHARMACEUTICAL  
 COMPOSITIONS, METHODS OF  
 TREATMENT, AND PROCESS  
 FOR MAKING THE MODULATOR

(57) Compounds of Formula (I),



(I),  
 wherein values of  $Y^1$ ,  $Y^2$ ,  $X$ ,  $R^1$ ,  $R^2$ ,  $R^3$ ,  $R^4$   
 substituents and  $k$ ,  $r$ ,  $m$ ,  $n$ ,  $p$ ,  $q$  variables are provided  
 in the claims, pharmaceutically acceptable salt and  
 deuterated derivative thereof, and pharmaceutical  
 usage therefor the treatment of mucoviscidose.

Claims: 32 independents

46 dependents

Table: 9

Fig.: 5

(10) AP 2021 14720 A (51) Int. Cl. (2006)

A 61 K 38/17

A 61 K 39/395

C 07 K 14/705

C 07 K 14/47

(21) AP 2016 14720 (22) 2016 08 05

(31) 62/202,772; 62/202,775; 62/202,779;  
 62/265,887; 62/276,801; 62/276,796;  
 62/346,414

(32) 2015 08 07; 2015 08 07; 2015 08 07;  
 2015 12 10; 2016 01 08; 2016 01 08;  
 2016 06 06

(33) US; US; US; US; US; US; US; US

(71) ALX Oncology Inc. (US)  
 866 Malcolm Rd., Suite 100,  
 Burlingame, CA 94010 USA (US)

(72) GOODMAN, Corey (US);  
 SIM, Bang Janet (US);  
 KUO, Tracy Chia-Chien (US);  
 WAN, Hong (US);  
 DEMING, Laura (US);  
 PONS, Jaume (US);  
 KAUDER, Steven Elliot (US)

(74) Tamar Kochlamazashvili

(85) 2018 03 05

(86) PCT/US2016/045914, 2016 08 05

(54) CONSTRUCTS HAVING A SIRP-ALPHA  
 DOMAIN OR VARIANT THEREOF

(57) The present disclosure features signal-  
 regulatory protein  $\alpha$  (SIRP- $\alpha$ ) polypeptides and  
 constructs including SIRP- $\alpha$  D1 variant fused to  
 human IgG Fc domain variants, said compositions  
 are used for cancer treatment.

Claims: 8 independents

10 dependents

Fig.: 20

(10) AP 2021 15415 A (51) Int. Cl. (2006)

A 61 L 2/24

(21) AP 2020 15415 (22) 2020 08 21

(71) Zaal Gogelia (GE)

Sanapiro St. 2a, 0114, Tbilisi, Georgia (GE)

(72) Zaal Gogelia (GE)

(54) DESINFECTATION ROBOT

(57) A robot includes metallic frame platform having  
 the wheels (1) and the drives connected thereto, an  
 airsuction (2) having a ventilator and a filter. The  
 airsuction is equipped with stainless steel pipe (3), air  
 ionizing component and power supply (4); at that,  
 stainless steel pipe (3) has one inlet and two outlet  
 sides. One of the outlet side is equipped with charcoal  
 filter, and another – with locking mechanism (5)  
 operating with a drive, and air spray guides (6)  
 mounted on their outlet ends, rotatable. Ultraviolet lamp  
 (7) is placed on the front of platform. The robot  
 contains liquid tank (8), ultrasonic wetting device  
 disposed inside thereof, spray tube (9) exiting from  
 the tank, power supply (10) disposed on platform  
 post, an inverter (11), electric control panel (12),  
 water ozonator (13), and air compressor connected  
 thereto and placed under thereof. The robot has  
 spherical body (14) made of fiberglass, on the lower  
 part whereof the video camera (15) is placed.

Claims: 1 independent

1 dependent

Fig.: 2

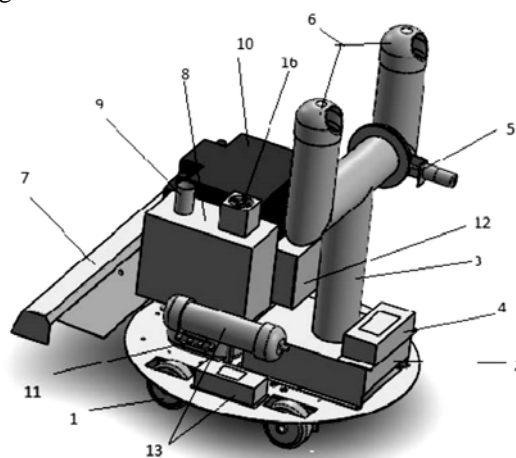


Fig. 1

**PART B**

**B 61**

- (10) AP 2021 15215 A (51) Int. Cl. (2006) B 61 B 23/02
- (21) AP 2017 15215 (22) 2017 04 12
- (71) Stadler Rheintal AG (CH)  
Ernst-Stadler-Strasse 1, Bussnang, 9565, Switzerland (CH)
- (72) PAUKER, Juergen-M. (AT)
- (74) Liliana Darakhvelidze
- (85) 2019 11 11
- (86) PCT/EP2017/058859, 2017 04 12
- (54) BOARDING ASSEMBLY, RAILWAY VEHICLE COMPRISING BOARDING ASSEMBLY, AND METHOD FOR PRODUCING RAILWAY VEHICLE
- (57) The invention relates to a boarding assembly (1) for boarding a vehicle (2), wherein said assembly is arranged on outer wall (6) with first step (10), which is suspended in the boarding assembly (1) such that it can rotate about first axis of rotation, pivot device (20) having second axis of rotation (22) running substantially parallel to the vehicle body outer wall (6) in the mounted state. At that, pivot device (20) is mounted completely on the outside of outer wall (6) of railway vehicle, and the first rotating shaft are made rotatable around the first rotating shaft so that the rotation thereof causes unfolding/folding of at least first step; at that, second rotating shaft of rotating mechanism is made by rotating second rotating shaft around the axis so that the rotation of the rotating mechanism causes folding/opening of at least first step. Furthermore, boarding system contains second and third steps, where second step is mounted on third rotating shaft, and third step is installed on fourth rotating shaft rotatable in the boarding system. First, third and fourth shafts run parallel to each other, while second shaft rotates perpendicular relative to others.

Claims: 4 independents  
10 dependents

Fig.: 4

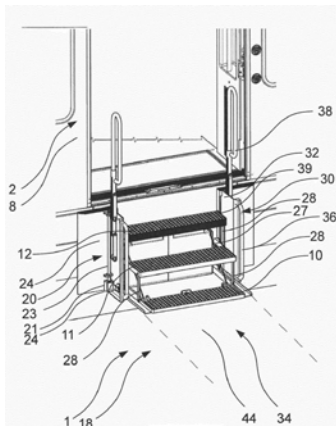


Fig. 3

**B 66**

- (10) AP 2021 15375 A (51) Int. Cl. (2006) B 66 F 3/24
- (21) AP 2020 15375 (22) 2020 06 21
- (71) Davit Loladze (GE)  
Paliashvili St. 37, 0179, Tbilisi, Georgia (GE)
- (72) Davit Loladze (GE)
- (54) FLAT FLEXIBLE JACK
- (57) A jack includes a cushion 5 made of rubber or rubbered material having a tube 4 supplying the cushion with working agent under pressure, flexible springed element 1 is inserted inside of cushion, e. g. as spiral of Archimedes or evolvent-type flat spring or rectangular flat torsion spring, one end whereof is attached to lower inner surface of cushion 6, and another end – to upper inner surface 7.

Claims: 1 independent  
2 dependents

Fig.: 14



Fig. 5

**PART C**

**C 02**

- (10) AP 2021 15036 A (51) Int. Cl. (2006) C 02 F 1/52
- (21) AP 2019 15036 (22) 2019 03 28
- (71) LLC "Georgian Minerals Group" (GE)  
Al. Griboedov St. 31, app. 19, Ozurgeti, Georgia (GE)
- (72) Tengiz Sharashidze (GE);  
Sergey Ayrapetyan (AM)
- (74) Irakli Gogoladze
- (54) METHOD AND EQUIPMENT FOR WASTEWATER TREATMENT
- (57) A method provides wastewater inflow, homogenization of suspension, and constant concentration in sludge tank 1 equipped with a mixer 2 and grid-like partition 4, continuous supply of suspension with a pump 5 in double-sectional flocculator 6 for filling sections alternately; at that, ready solution for flocculation process is prepared in powder-like flocculant solution reactor 9, wherefrom received solution is collected in flocculant ready solution tank 8 with a pump 10, wherefrom it is passed to flocculant sections, and received flocculant suspension flows therefrom to flocculated mass tank 11, and a mixture is replaced in a separator 13 with a pump 12 for dehydration, wherein purified water is separated from a sediment and is used again; at that, the method

additionally provides sediment granulation 15 and drying 16.

Claims: 2 independents  
2 dependents

Fig.: 4

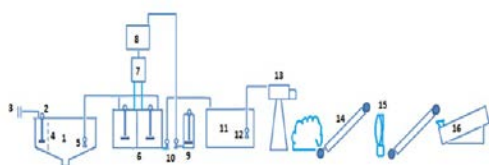
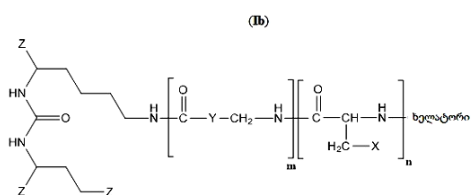
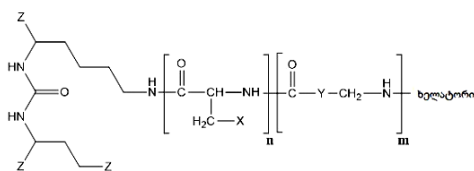


Fig. 1

**C 07**

- (10) AP 2021 14132 A (51) Int. Cl. (2006)  
C 07 B 59/00  
C 07 D 295/145
- (21) AP 2014 14132 (22) 2014 10 17
- (31) 14175612.2; 13004991.9
- (32) 2014 07 03; 2013 10 18
- (33) EP; EP
- (71) Deutsches Krebsforschungszentrum (DE)  
Im Neuenheimer Feld 280, 69120 Heidelberg,  
Germany (DE);  
Ruprecht-Karls-Universität Heidelberg (DE)  
Grabengasse 1, 69117 Heidelberg,  
Germany (DE)
- (72) EDER, Matthias (DE);  
KOPKA, Klaus (DE);  
SCHÄFER, Martin (DE);  
BAUDER-WÜST, Ulrike (DE);  
HABERKORN, Uwe (DE);  
EISENHUT, Michael (DE);  
MIER, Walter (DE);  
BENESOVA, Martina (CZ)
- (74) Shalva Gvaramadze
- (85) 2016 05 03
- (86) PCT/EP2014/002808, 2014 10 17
- (54) LABELED INHIBITORS OF PROSTATE  
SPECIFIC MEMBRANE ANTIGEN (PSMA),  
THEIR USE AS IMAGING AGENTS AND  
PHARMACEUTICAL AGENTS FOR THE  
TREATMENT OF PROSTATE CANCER
- (57) Compound of formulas (Ia) and (Ib),



wherein values of Z, X, Y substitutes, n, m variables and chelates are provided in the claims or salt thereof, metallic complex, and pharmaceutical composition on the basis thereof are used for cancer and/or metastases treatment.

Claims: 10 independents  
3 dependents

Table: 3

Fig.: 18

**C 12**

- (10) AP 2021 15333 A (51) Int. Cl. (2006)  
C 12 G 1/00  
C 12 N 1/16
- (21) AP 2020 15333 (22) 2020 05 13
- (71) LLC "Restorator Group" (GE)  
N. Zhvania St. 28, app. 76, Tbilisi, Georgia (GE)
- (72) Lia Amiranashvili (GE);  
Nino Gagelidze (GE);  
Khatuna Varsimashvili (GE);  
Tinatin Sadunishvili (GE);  
Giorgi Kvesitadze (GE);  
Davit Bochorishvili (GE)
- (54) YEAST LOCAL GEORGIAN STRAIN  
GWC-08R FOR RED WINES PRODUCTION
- (57) Invention related to yeast local Georgian strain GWC-08R for red wines production belongs to winemaking field and relates to new wine yeast strain Saccharomyces cerevisiae (vini) GWC-08R used at high quality grape red wines production. Represented strain is distinguished from known strains with its sphysiological and biochemical features; it is characterized with flocculation moderate duration (>15 minutes and <1 hour); high energy of fermentation; terminal concentration of ethanol, collected after 2 weeks of fermentation, is more than 12%, it is characterized with tolerantness relative to high concentrations of potassium metabisulphite (cadmium) and copper sulphate (300mg/l and 500 µm, correspondently); provides essential, characterizing the location, degustative features of red wines. The strain is represented for deponation in National Collection of Agricultural and Industrial Microorganisms (NCAIM) of Budapest (NCAIM.http://www. ncaim. hu).
- Claims: 1 independent

- (10) AP 2021 15334 A (51) Int. Cl. (2006)  
C 12 G 1/00  
C 12 N 1/16
- (21) AP 2020 15334 (22) 2020 05 13
- (71) LLC "Restorator Group" (GE)  
N. Zhvania St. 28, app. 76, Tbilisi, Georgia (GE)
- (72) Nino Gagelidze (GE);  
Lia Amiranashvili (GE);  
Khatuna Varsimashvili (GE);  
Tinatin Sadunishvili (GE);

Giorgi Kvesitadze (GE);  
Davit Bochorishvili (GE)

(54) YEAST LOCAL GEORGIAN STRAIN  
GWC-08R FOR WHITE WINES  
PRODUCTION

(57) Invention belongs to winemaking field and relates to new wine yeast strain *Saccharomyces cerevisiae* (vini) GWC-08R used at high quality grape red wines production.

Claims: 1 independent

Fig.: 1

(10) AP 2021 15335 A (51) Int. Cl. (2006)  
C 12 G 1/00  
C 12 N 1/16

(21) AP 2020 15335 (22) 2020 05 13

(71) LLC "Restorator Group" (GE)  
N. Zhvania St. 28, app. 76, Tbilisi, Georgia (GE)

(72) Lia Amiranashvili (GE);  
Nino Gagelidze (GE);  
Khatuna Varsimashvili (GE);  
Tinatin Sadunishvili (GE);  
Giorgi Kvesitadze (GE);  
Davit Bochorishvili (GE)

(54) YEAST LOCAL GEORGIAN STRAIN  
GWL-01R FOR RED WINES PRODUCTION

(57) Invention belongs to winemaking field and relates to new wine yeast strain *Saccharomyces cerevisiae* (vini) GWL-01R, used at high quality grape red wines production.

Claims: 1 independent

Fig.: 1

(10) AP 2021 15336 A (51) Int. Cl. (2006)  
C 12 G 1/00  
C 12 N 1/16

(21) AP 2020 15336 (22) 2020 05 13

(71) (71) LLC "Restorator Group" (GE)  
N. Zhvania St. 28, app. 76, Tbilisi, Georgia (GE)

(72) Nino Gagelidze (GE);  
Lia Amiranashvili (GE);  
Khatuna Varsimashvili (GE);  
Tinatin Sadunishvili (GE);  
Giorgi Kvesitadze (GE);  
Davit Bochorishvili (GE)

(54) YEAST LOCAL GEORGIAN STRAIN  
GWL-01W FOR WHITE WINES  
PRODUCTION

(57) Invention belongs to winemaking field and relates to new wine yeast strain *Saccharomyces cerevisiae* (vini) GWL-01W used at high quality grape white wines production.

Claims: 1 independent

Fig.: 1

## PART F

### F 01

(10) AP 2021 15268 A (51) Int. Cl. (2006)  
F 01 C 1/18  
F 01 C 1/077  
F 01 K 13/00  
F 01 K 7/36

(21) AP 2018 15268 (22) 2018 06 12

(31) 102017000074290

(32) 2017 07 03

(33) IT

(71) I.V.A.R. S.P.A. (IT)  
Via IV Novembre, 181, 25080 Prevalle (BS),  
Italy (IT)

(72) OLIVOTTI, Sergio (IT)

(74) Shalva Gvaramadze

(85) 2020 01 31

(86) PCT/IB2018/054254, 2018 06 12

(54) HEAT MACHINE CONFIGURED FOR  
REALIZING HEAT CYCLES AND  
METHOD FOR REALIZING HEAT  
CYCLES BY MEANS OF SUCH  
HEAT MACHINE

(57) Heat machine (121) for realizing heat cycle, heat machine operating with thermal fluid and comprising drive unit (1) provided with first rotor (4) and second rotor (5), each having three pistons (7a, 7b, 7c; 9a, 9b, 9c) that are slidable in annular chamber (12), wherein the pistons delimit six variable-volume chambers (13', 13", 13''; 14', 14", 14'''). Drive unit comprises a transmission (18) configured to convert the rotary motion with respective first and second periodically variable angular velocities ( $\omega_1$ ,  $\omega_2$ ) of said first and second rotor (4, 5), offset from each other, into a rotary motion at a constant angular velocity of drive shaft (17). Heat machine further comprises a compensation tank (44), configured to accumulate the compressed thermal fluid from the drive unit, a regenerator (42) configured to preheat the thermal fluid, a heater (41) configured to superheat the thermal fluid circulating in the serpentine coil, a burner (40), configured to supply the necessary thermal energy to the heater (41); wherein the regenerator (42), in fluid communication with the drive unit (1), is further configured to acquire energy-heat from the exhausted thermal fluid and use it to preheat the thermal fluid.

Claims: 2 independents

2 dependents

Fig.: 13

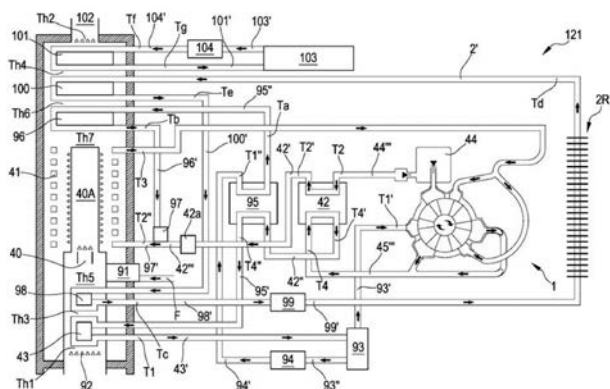


Fig. 12

## F 41

(10) AP 2021 15326 A (51) Int. Cl. (2006)  
F 41 H 1/02

(21) AP 2020 15326 (22) 2020 05 01

(71) Mikheil Kotishadze (GE)  
Nikea St., II Lane 6/5, 4600, Kutaisi,  
Georgia (GE)

(72) Mikheil Kotishadze (GE)

(54) ARMOR FOR BULLETPROOF VEST

(57) An armor includes a base 1 with the pyramids 2 disposed thereon, and is executed as armor panel; it includes second layer 3, as well; at that, the pyramids are hexagonal, and made of titanium or other stable substance, and it is executed as one whole body of said substance; at that, the bases of hexagonal pyramids are in touch to each other, and distance between their tops is no more than 4 mm, height of pyramids is 5 mm, and second layer is made of high molecular high oriented polyethilen melt casted onto the body created with base, and pyramids made of titanium or other substance, and covers it upto the tops; at that, after solidification the received armor plate is placed in bulletproof vest pockets from breast and back sides, and hexagonal pyramids are directed to human body with their bases.

Claims: 1 independent

Fig.: 2

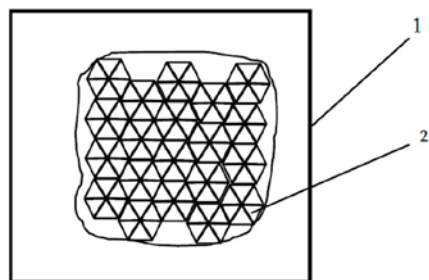


Fig. 2

## PART G

### G 01

(10) AP 2021 15390 A (51) Int. Cl. (2006)  
G 01 T 1/00

(21) AP 2020 15390 (22) 2020 07 16

(71) I. Beritashvili Center Of Experimental  
Biomedicine (IBCEB) (GE)  
Gotua St. 14, 0160, Tbilisi, Georgia (GE)

(72) Harry Grebenchuk (GE);  
Mikheil Gogebashvili (GE);  
Nazi Ivanishvili (GE);  
Davit Nadareishvili (GE)

(74) Harry Grebenchuk

(54) METHOD FOR ESTIMATING AND  
PREDICTING COMPLEX BIOLO-  
GICAL EFFECTS OF RADON

(57) An invention relates to biophysics, in particular, radiation biology, and is used to determine and predict the complex effects of radon on biological objects. joint radiation and chemical effects are determined by the product of square of number of  $^{210}\text{Pb}$  lead atoms generated by the decay of radon by the energy released during the decay of one radon atom to  $^{210}\text{Pb}$  lead, and the assessment of biological effect is determined by the number of damage caused.

Claims: 1 independent

### G 06

(10) AP 2021 15376 A (51) Int. Cl. (2006)  
G 06 Q 10/08  
G 06 Q 30/02

(21) AP 2018 15376 (22) 2018 11 14

(31) PCT/EP2017/080735

(32) 2017 11 28

(33) EP

(71) Sicpa Holding SA (CH)  
Avenue de Florissant 41, 1008 Prilly,  
Switzerland (CH)

(72) MIYANO NETO, Roberto (BR);  
PONTE SOARES, Marcos (CH)

(74) Liliana Darakhvelidze

(85) 2020 06 22

(86) PCT/EP2018/081255, 2018 11 14

(54) SYSTEM AND METHOD OF IDENTIFICA-  
TION AND AUTHENTICATION FOR TRA-  
ACING AGRICULTURAL ASSETS, IDENTI-  
FICATION ELEMENT FOR SECURE  
IDENTIFICATION OF AGRICULTURAL  
ASSETS AND CORRESPONDING  
COMPUTER PROGRAMS

(57) Present invention refers to a system and method of identification and authentication for tracing agricultural assets, wherein agricultural

assets are provided with identification elements univocally coded and grouped into rolls, requiring digital activation to be validated. Moreover, present invention refers to identification element and to corresponding computer programs.

Claims: 3 independents

9 dependents

---

## PART H

### H 02

(10) AP 2021 15266 A (51) Int. Cl. (2006)

H 02 J 3/38

H 02 J 3/32

(21) AP 2017 15266 (22) 2017 06 29

(71) ACCIONA ENERGÍA, S. A. (ES)

Av. Ciudad de la Innovacion 5, 31621,  
Sarriguren (Navarra), Spain (ES)

(72) DE LA PARRA LAITA, Iñigo (ES);

PADROS RAZQUIN, Asun (ES);

ROJO OCHOA, Raquel (ES);

MARCOS ALVAREZ, Javier (ES);

GUELBENZU MICHELENA, Eugenio (ES);

MARROYO PALOMO, Luis (ES);

GARCIA SOLANO, Miguel (ES)

(74) Liliana Darakhvelidze

(85) 2020 01 29

(86) PCT/ES2017/070472, 2017 06 29

(54) METHOD FOR CONTROLLING POWER  
RAMPS WITH PREDICTION IN INTER-  
MITTENT POWER GENERATION  
PLANTS

(57) Present invention relates to a method for controlling power ramps with prediction in intermittent power generation plants, such as, e. g. photovoltaic solar plant minimizing storage capacity required for compliance with maximum ramp requirements for power fluctuation as well as cycling of said storage systems, thus extending its lifespan and also reducing associated energy losses, thus reducing investment costs in the plant, such that, in order to achieve same maximum fluctuation ramp, less use is made of energy storage system.

Claims: 1 independent

10 dependents

Fig.: 9

---

# PATENTED INVENTIONS

## PART A

### A 61

- (11) P 2021 7261 B (51) Int. Cl. (2006)  
A 61 F 9/007
- (10) AP 2020 15102 A (44) 24(556)/2020
- (21) AP 2019 15102
- (22) 2019 06 05
- (24) 2019 06 05
- (73) Nikoloz Labauri (GE)  
P. Kavtaradze St. 14a, app. 13, 0171, Tbilisi,  
Georgia (GE)
- (72) Nikoloz Labauri (GE)
- (74) Dito Khvichia
- (54) LABAURI GLAUCOMA VALVE

## PART B

### B 61

- (11) P 2021 7264 B (51) Int. Cl. (2006)  
B 61 D 47/00  
B 66 F 7/02
- (10) AP 2021 15184 A (44) 2(558)/2021
- (21) AP 2019 15184
- (22) 2019 09 10
- (24) 2019 09 10
- (31) 2018132416
- (32) 2018 09 11
- (33) RU
- (73) VANOV, Vladimir Vladimirovich (RU)  
Ul. Krasina 21, qu. 27, 123056, Moscow,  
Russian Federation (RU)
- (72) VDOVIN, Roman Borisevich (RU)
- (74) Tamaz Shilakadze
- (54) METHOD FOR AUTOMOTIVE  
SEMITRAILER CARRIAGE-  
PLATFORM LOADING

### B 65

- (11) P 2021 7262 B (51) Int. Cl. (2006)  
B 65 G 27/02  
H 02 K 33/02
- (10) AP 2021 15218 A (44) 2(558)/2021
- (21) AP 2019 15218
- (22) 2019 11 12
- (24) 2019 11 12

- (73) Merab Chelidze (GE)  
Chitaia St. 38, 0164, Tbilisi, Georgia (GE);  
Viktor Zviadauri (GE);  
Merab Tedoshvili (GE)  
Temka, XI mcr., quarter I, app. 6, 0197, Tbilisi,  
Georgia (GE);  
Vazha-Pshavela Av., V quarter, corp. 4,  
app. 79, 0186, Tbilisi, Georgia (GE)
- (72) Merab Chelidze (GE);  
Merab Tedoshvili (GE);  
Viktor Zviadauri (GE)
- (54) ELECTROMAGNETIC VIBRATING  
FEEDER

## PART C

### C 07

- (11) P 2021 7263 B (51) Int. Cl. (2006)  
C 07 K 16/28;
- (10) AP 2021 15055 A (44) 2(558)/2021
- (21) AP 2017 15055
- (22) 2017 09 25
- (24) 2017 09 25
- (31) 62/399,837; 62/546,214
- (32) 2016 09 26; 2017 08 16
- (33) US; US
- (86) PCT/US2017/053204, 2017 09 25
- (73) MERCK SHARP & DOHME CORP. (US)  
126 East Lincoln Ave. Rahway,  
NJ 07065-0907, USA (US);  
MERCK SHARP & DOHME B.V. (NL)  
Waarderweg 39, 2031 BN Haarlem,  
Netherlands (NL)
- (72) FISCHMANN, Thierry, Olivier (US);  
PROSISE, Winifred, W. (US);  
VAN EENENNAAM, Hans (NL);  
BEEBE, Amy, M. (US);  
WONG, Jerelyn (US);  
VAN ELSAS, Andrea (NL);  
GUELEN, Lars (NL);  
JUAN, Veronica (US);  
FAYADAT-DILMAN, Laurence (US);  
SADEKOVA, Svetlana (US);  
CHEUNG, Jason, Ka Jen (US)
- (74) Shalva Gvaramadze
- (54) ANTI-CD27 ANTIBODIES



# UTILITY MODELS

## APPLICATIONS APPROVED FOR GRANTING PATENTS

The decision can be appealed at the Chamber of Appeal of Sakpatenti within 3 months from the publication or at the Mtskheta District Court Administrative Cases Board (Address: №17, Samkhedro str., Mtskheta), within 1 month following the publication.

### PART A

#### A 01

- (10) AU 2021 15563 U (51) Int. Cl. (2006)  
A 01 G 9/02  
(21) AU 2021 15563 (22) 2021 02 16  
(71) Giorgi Tsintsadze (GE)  
Vasil Kakabadze St. 45, 0117, Tbilisi,  
Georgia (GE)  
(72) Giorgi Tsintsadze (GE)  
(74) Khatuna Imnadze  
(54) POT ADAPTED FOR PLANT CULTIVATION  
(57) A pot includes main case 1 and a bottom 2.  
Main space for soil and/or other environment  
placement to provide plant cultivation is formed by  
said bottom and main case. The pot is equipped with  
additional partitions 3 and 4 having same shape as  
case. Each partition is placed in pot main space and  
executed capable to be connected and disconnected  
with the bottom. Said partitions placed in the pot, in  
main space thereof, form the sections 6, 7 and 8 of  
such amount that is appropriate for plant developing  
cycles.

Claims: 1 independent  
4 dependents

Fig.: 5

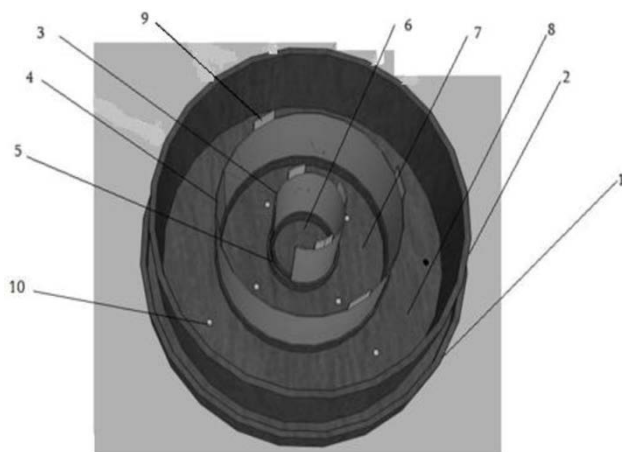


Fig. 1

#### A 61

- (10) AU 2021 15494 U (51) Int. Cl. (2006)  
A 61 K 31/519  
A 61 K 31/4985  
A 61 P 15/10  
(21) AU 2020 15494 (22) 2020 11 19  
(71) ATMA, Khaled (IL)  
Vill. Nahef, Israel (IL)  
(72) ATMA, Khaled (IL)  
(74) Khatuna Imnadze  
(54) THERAPEUTIC COMPOSITION  
FOR ERECTILE DYSFUNCTION  
TREATMENT  
(57) Composition contains sydenafil citrate and  
tadalafil as active ingredients, and dicalcium  
phosphate dihydrate, microcrystalline cellulose,  
starch sodium glycidolate, colloidal silicon dioxide  
and magnesium stearate – as pharmaceutically accep-  
table additives.  
Claims: 1 independent  
2 dependents
- 
- (10) AU 2021 15445 U (51) Int. Cl. (2006)  
A 61 N 5/06  
(21) AU 2020 15445 (22) 2020 09 16  
(71) LEPL "Institute of Micro- and  
Nanoelectronics" (IMNE) (GE)  
I. Chavchavadze Ave. 13, 0179, Tbilisi,  
Georgia (GE);  
Nugzar Dolidze (GE)  
I. Chavchavadze Ave. 24, app. 21, 0179, Tbilisi,  
Georgia (GE);  
Aleksandre Jomarjidge (GE)  
Kavtaradze St. 38, app. 67, 0186, Tbilisi,  
Georgia (GE);  
Maia Dolidze (GE)  
I. Chavchavadze Ave. 24, app. 21, 0179, Tbilisi,  
Georgia (GE);  
Amiran Bibilashvili (GE)  
A. Tsereteli Ave. 97, app. 57, 0119, Tbilisi,  
Georgia (GE);  
Zurab Jibuti (GE)  
Gogebashvili St. 43, app. 27, 0179, Tbilisi,  
Georgia (GE)  
(72) Nugzar Dolidze (GE);  
Aleksandre Jomarjidge (GE);  
Maia Dolidze (GE);



Amiran Bibilashvili (GE);

Zurab Jibuti (GE)

(74) Nugzar Dolidze

(54) PHOTOTHERAPY DEVICE "LALI-1"

(57) A device includes power supply block, impulsive generator, impulse power amplifier, a set of sparse regulating resistors, a set of output impulse regulating resistors, mode switch means and LED light block placed in a case. A resistance of resistors is selected so that would be capable to obtain combinations of magnitude and output current values that provide desired level of light emitting diodes, and such value of impulsive current, passing through the LEDs, does not exceed LED permissible value.

Claims: 1 independent

2 dependents

Fig.: 3

Fig.: 3

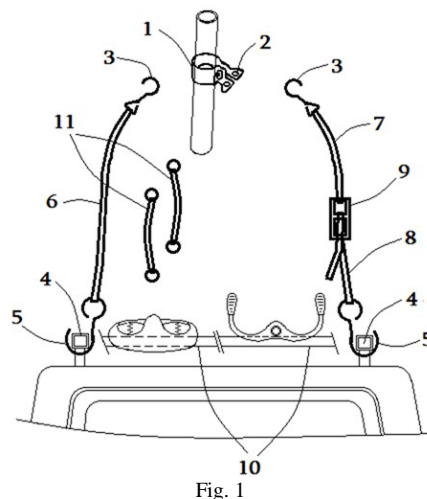


Fig. 1

## PART B

### B 60

(10) AU 2021 15393 U (51) Int. Cl. (2006)  
B 60 R 9/10

(21) AU 2020 15393 (22) 2020 07 18

(71) Zurab Kevlishvili (GE)

Shalva Nutsubidze Plateau, II mcr., II qu.,  
corp. 5, app. 25, Tbilisi, Georgia (GE)

(72) Zurab Kevlishvili (GE)

(74) Vakhtang Torotadze

(54) SET OF BICYCLE BRACKETS OR  
HANGERS PLACED ON CAR ROOF  
TRUNK, REAR DOOR OR SPARE  
WHEEL LOCATED FROM  
OUTSIDE

(57) A set of bicycle brackets or hangers placed on car roof trunk, rear door or spare wheel located from outside includes, at least, a set consisting of above-mentioned structural parts of car placed in the places mentioned above or in the gaps between them, on one hand, and on another hand – frame wheels, and/or a seat or steering wheel of bicycle, clothing or hanging hooks, rings or something having same function and their attachment/connection to each other and to above mentioned body parts of bicycle traction, bracket/hanger and locking means; at that, the attachment/connection, traction, bracket/hanger, and locking means are made of non-rigid, flexible natural or synthetic materials, in particular, such as belts, girdles, ropes, straps, chains and/or similar; and they can be rolled up by hand and stored into a small bag/pack together with rest members of set after bicycle taking off.

Claims: 1 independent

3 dependents

---

# PATENTED UTILITY MODELS

## PART A

### A 01

- (11) U 2021 2084 Y (51) Int. Cl. (2006)  
A 01 G 17/14  
(10) AU 2021 15406 U (44) 2(558)/2021  
(21) AU 2020 15406  
(22) 2020 08 09  
(24) 2020 08 09  
(73) Nona Dadvani (GE)  
D. Lazareishvili St. 39, 1100, Bolnisi,  
Georgia (GE)  
(72) Nona Dadvani (GE)  
(74) Davit Dzamukashvili  
(54) VINEYARD POLE
- 

### A 47

- (11) U 2021 2087 Y (51) Int. Cl. (2006)  
A 47 G 19/14  
A 47 J 27/21  
A 47 J 36/06  
(10) AU 2021 15289 U (44) 3(559)/2021  
(21) AU 2020 15289  
(22) 2020 02 19  
(24) 2020 02 19  
(31) 2019131389  
(32) 2019 10 04  
(33) RU  
(73) OOO "Polaris International Limited" (RU)  
Ul. Elektrodnaya, Dom 8, Stroenie 2, Moscow,  
111524, Russian Federation (RU)  
(72) RIZHOV, Viktor Igorevich (RU)  
(74) Shalva Gvaramadze  
(54) TEAPOT LID
- 

- (11) U 2021 2088 Y (51) Int. Cl. (2006)  
A 47 G 19/14  
A 47 J 36/06  
A 47 J 27/21  
(10) AU 2021 15288 U (44) 3(559)/2021  
(21) AU 2020 15288  
(22) 2020 02 19  
(24) 2020 02 19  
(31) 2019131387  
(32) 2019 10 04  
(33) RU  
(73) OOO "Polaris International Limited" (RU)  
Ul. Elektrodnaya, Dom 8, Stroenie 2, Moscow,  
111524, Russian Federation (RU)  
(72) RIZHOV, Viktor Igorevich (RU)

- (74) Shalva Gvaramadze  
(54) TEAPOT LID
- 

## PART F

### F 16

- (11) U 2021 2085 Y (51) Int. Cl. (2006)  
F 16 D 65/06  
F 65 D 69/00  
(10) AU 2021 15331 U (44) 3(559)/2021  
(21) AU 2018 15331  
(22) 2018 05 28  
(24) 2018 05 28  
(31) 2017137561  
(32) 2017 10 26  
(33) RU  
(86) PCT/RU2018/000340, 2018 05 28  
(73) PJSC "Ural Plant Of Auto-Textile Products" (RU)  
Ul. Plekhanova 64, Asbest, Sverdlovskaya  
Oblast 624269, Russian Federation (RU)  
(72) ROMANENKO, Vitaliy Valerievich (RU);  
KUZMINYIKH, Andrey Germanovich (RU)  
(74) Larisa Amirkhanyan
- 

## PART G

### G 01

- (11) U 2021 2086 Y (51) Int. Cl. (2006)  
G 01 J 3/28  
(10) AU 2021 15217 U (44) 3(559)/2021  
(21) AU 2019 15217  
(22) 2019 11 12  
(24) 2019 11 12  
(73) LEPL "Micro And Nanoelectronics  
Institute"(IMNE) (GE)  
I. Chavchavadze Av. 13, 0179, Tbilisi,  
Georgia (GE)  
(72) Zurab Jibuti (GE);  
Revaz Melkadze (GE);  
Amiran Bibilashvili (GE);  
Lado Jibuti (GE)  
(74) Zurab Jibuti  
(54) OPTICAL DEVICE POLYCHROMATOR
-

---

# DESIGNS

## APPLICATION APPROVED FOR REGISTRATION

The decision can be appealed at the Chamber of Appeal of Sakpatenti within 3 months from the publication or at the Mtskheta District Court Administrative Cases Board (Address: №17, Samkhedro str., Mtskheta), within 1 month following the publication.

(10) AD 2021 1190 S (51) 32-00

(21) AD 2020 1190 (22) 2020 11 02

(28) 1

(71) LLC "KARTVELI" (GE)

Kakheti Highway 110a, 0151, Isani-Samgori District, Tbilisi, Georgia (GE)

(72) Tornike Patarkatsishvili (GE)

(74) Davit Dzamukashvili (GE)

(54) GRAPHICAL SYMBOL

(55)



## DESIGN REGISTERED ACCORDING TO THE ACCELERATED PROCEDURE

The decision can be appealed at the Chamber of Appeal of Sakpatenti within 3 months from the publication.

- (11) D 2021 895 S           (51) 14-06  
(21) AD 2021 1211       (22) 2021 04 06  
(24) 2021 04 06  
(28) 1  
(18) 2026 04 06  
(73) Davit Beridze (GE)  
      Parmen Rurua St. 1, app. 21, 6000, Batumi, Georgia (GE)  
(72) Davit Beridze (GE)  
(54) PHONE RESTING CUSHION  
(55)



1.1



1.2



1.3



1.4

---

# TRADEMARKS

## APPLICATIONS FILED UNDER THE NATIONAL PROCEDURE APPROVED FOR REGISTRATION

The decision can be appealed at the Chamber of Appeal of Sakpatenti within 3 months from the publication or at the Mtskheta District Court Administrative Cases Board (Address: №17, Samkhedro St., Mtskheta), within 1 month following the publication.

(260) AM 2021 108592 A  
(210) AM 108592  
(220) 2020 06 09  
(731) LLC "Dinamo Batumi"  
L. Asatiani St. 25, Batumi, Georgia  
(740) Davit Ebraldze  
(540)



(591) Blue, white  
(531) 01.15.09; 03.07.09; 03.07.16; 26.01.01;  
26.01.04; 26.01.15; 26.01.21; 29.01.12  
(526) BATUMI  
(511) 40

---

(260) AM 2021 109524 A  
(210) AM 109524  
(220) 2020 08 27  
(731) LTD "American Hospital Network"  
Davit Kldiashvili St. 15, app. 56, Tbilisi,  
Georgia  
(540)



**AMERICAN  
HOSPITAL TBILISI**

(591) Black-white  
(531) 24.13.01; 26.11.03; 26.11.05; 26.11.08;  
27.05.01  
(526) "Tbilisi"  
(511) 44

---

(260) AM 2021 109525 A  
(210) AM 109525  
(220) 2020 08 27  
(731) LTD "American Hospital Network"  
Davit Kldiashvili St. 15, app. 56, Tbilisi,  
Georgia  
(540)



**AMERICAN  
HOSPITAL TBILISI**

(591) Red, blue  
(531) 24.13.01; 27.05.01; 29.01.12  
(526) Tbilisi  
(511) 44

---

(260) AM 2021 109934 A  
(210) AM 109934  
(220) 2020 09 29  
(731) LTD "Tural Group"  
Guramishvili St., Ozurgeti, Georgia  
(540)

**ROKOS**

(591) Black-white  
(531) 27.05.01  
(511) 7, 9, 11

---

(260) AM 2021 109951 A  
(210) AM 109951  
(220) 2020 09 30  
(731) LLC "Meidan Group"  
Kote Abkhazi St. 44, Tbilisi, Georgia  
(740) Tamar Lagvilava

(540)

**მანთაშევი**  
**mantashevi**

(591) Black-white  
(511) 36

(260) AM 2021 110201 A  
(210) AM 110201  
(220) 2020 10 19  
(731) LLC "Ori Nabiji"  
Navtlughi St. 39-41, 0113, Isani District,  
Tbilisi, Georgia

(540)



(591) 721039 dark lilac  
(531) 28.19; 29.01.01  
(511) 32, 35

(260) AM 2021 110218 A  
(210) AM 110218  
(220) 2020 10 21  
(731) Dow AgroSciences LLC  
9330 Zionsville Rd., Indianapolis, IN  
46268, USA

(740) Tamaz Shilakadze  
(540)

**KINSIDRO**

(591) Black-white  
(511) 1

(260) AM 2021 110219 A  
(210) AM 110219  
(220) 2020 10 21  
(731) Dow AgroSciences LLC  
9330 Zionsville Rd., Indianapolis, IN  
46268, USA

(740) Tamaz Shilakadze  
(540)

**SOSDIA**

(591) Black-white  
(511) 1

(260) AM 2021 110226 A  
(210) AM 110226  
(220) 2020 10 22  
(731) Diamond Quest Limited

OMC Chambers, P.O.Box 3152, Road Town,  
Tortola, Virgin Islands (British)

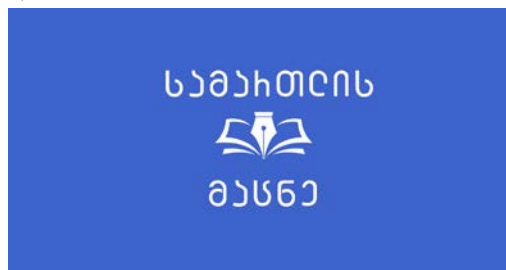
(740) Tamaz Shilakadze  
(540)

**CHAUFFE**

(591) Black-white  
(511) 34

(260) AM 2021 110278 A  
(210) AM 110278  
(220) 2020 10 23  
(731) Erekle Grishkashvili  
Potskhverashvili St. 14, 0112, Tbilisi, Georgia

(540)



(591) Blue, white  
(531) 20.01.03; 20.07.01; 20.07.02; 26.04.16;  
26.04.22; 26.04.24; 28.19; 29.01.12  
(511) 16, 41

(260) AM 2021 110279 A  
(210) AM 110279  
(220) 2020 10 23  
(731) Biologische Heilmittel Heel GmbH  
Dr.-Reckeweg- Straße 2-4, D-76532  
Baden-Baden, Germany

(740) Tamaz Shilakadze  
(540)

**Viburgel**

(591) Black-white  
(511) 3

(260) AM 2021 110280 A  
(210) AM 110280  
(220) 2020 10 23  
(731) Biologische Heilmittel Heel GmbH  
Dr.-Reckeweg-Straße 2-4, D-76532  
Baden-Baden, Germany

(740) Tamaz Shilakadze  
(540)

**ვიბურგელი**

(591) Black-white  
(511) 3



(260) AM 2021 110284 A  
 (210) AM 110284  
 (220) 2020 10 25  
 (731) Western Union Holdings Inc.  
 7001 East Bellevue Avenue, Denver,  
 Colorado 80237, USA

(740) Pavle Meipariani  
 (540)



(591) Black, yellow, white  
 (531) 26.04.02; 26.04.05; 26.04.22; 26.04.24;  
 26.11.09; 27.05.01; 27.05.24; 29.01.13  
 (511) 9, 36, 42

(260) AM 2021 110287 A  
 (210) AM 110287  
 (220) 2020 10 26  
 (731) Otar Tsikarishvili  
 Balanchivadze St. 10, app. 18, 3700, Rustavi,  
 Georgia  
 (540)



(591) Grey, color of dark couperose (vitriolic) blue,  
 white  
 (531) 26.02.08; 27.05.21; 28.19; 29.01.12  
 (511) 44

(260) AM 2021 110288 A  
 (210) AM 110288  
 (220) 2020 10 26  
 (310) 35390  
 (320) 2020 10 22  
 (330) AD  
 (731) Philip Morris Products S.A.  
 Quai Jeanrenaud 3, 2000 Neuchâtel,  
 Switzerland

(740) Pavle Meipariani  
 (540)



(591) Red, orange, yellow, blue  
 (531) 26.04.08; 26.04.09; 26.11.03; 26.11.06;  
 26.11.09; 29.01.14  
 (511) 34

(260) AM 2021 110292 A  
 (210) AM 110292  
 (220) 2020 10 27  
 (731) LLC "Lavapi"  
 King Mirian St. 23, app. 61, 0159,  
 Saburtalo District, Tbilisi, Georgia  
 (740) Valerian Jinjolava  
 (540)



**Lavapi**

(591) Purple, orange, green, black  
 (531) 26.03.23; 26.07.25; 26.11.09; 27.05.01;  
 29.01.14  
 (511) 35, 42

(260) AM 2021 110293 A  
 (210) AM 110293  
 (220) 2020 10 27  
 (731) LTD "Kartveli"  
 Kakheti Highway 110a, 0151, Isani-Samgori  
 District, Tbilisi, Georgia  
 (740) Davit Dzamukashvili  
 (540)

**ტანო ტატანო**  
**tano tatano**

(591) Black-white  
 (511) 33

(260) AM 2021 110359 A  
 (210) AM 110359  
 (220) 2020 10 30  
 (731) LTD "Macro Tourism"  
 V. Gorgasali St. 9, 0105, Tbilisi, Georgia  
 (540)





(591) FFFFFFF white, 000000 black  
 (531) 03.04.01; 03.04.13; 26.07.05; 26.11.12;  
 27.05.01  
 (511) 43

(260) AM 2021 110362 A  
 (210) AM 110362  
 (220) 2020 11 01  
 (731) LTD "Vake Hill"  
 Ivane Tarkhnishvili St. 2, floor 2, Office  
 Space 2, Mtatsminda District, Tbilisi,  
 Georgia  
 (540)

**ILİYARD**  
**ილიარდი**

(591) Black-white  
 (511) 35, 36

(260) AM 2021 110365 A  
 (210) AM 110365  
 (220) 2020 11 02  
 (731) LTD "S.V.G."  
 Moskow Av., corp. 37, app. 2, Samgori  
 Disrict, Tbilisi, Georgia  
 (540)

**საბაშვილი**  
**SABASHVILI**

(591) Black-white  
 (511) 33

(260) AM 2021 110366 A  
 (210) AM 110366  
 (220) 2020 11 02  
 (731) JSC "Gefa"  
 Akaki Beliashvili St. 142, 0159, Tbilisi,  
 Georgia  
 (740) Salome Jeladze  
 (540)

**KOREAN ISLE**

(591) Black-white  
 (511) 3, 35, 44

(260) AM 2021 110383 A  
 (210) AM 110383  
 (220) 2020 11 05  
 (731) LTD "Georgian Cellar"  
 Gldani, IIIa mcr., corp. 17, app. 52, 0167,  
 Tbilisi, Georgia  
 (540)

**ბესარიონი**  
**Besarioni**  
**Бесариони**

(591) Black-white  
 (511) 33

(260) AM 2021 110388 A  
 (210) AM 110388  
 (220) 2020 11 05  
 (731) LTD "Beauty Lab"  
 Sulkhan Tsintsadze St. 85, app. 19, 0160,  
 Tbilisi, Georgia  
 (540)



(591) 000000 black, FFFFFFF white  
 (531) 27.05.22  
 (511) 35, 41, 44

(260) AM 2021 110443 A  
 (210) AM 110443  
 (220) 2020 11 06  
 (731) Shenzhen Times Innovation Techno-  
 logy Co., Ltd  
 5th Floor, Building B, Baseus Intelligence  
 Park, No.2008, Xuegang Rd, Gangtuo  
 Community, Bantian Street, Longgang  
 District, Shenzhen City, Guangdong  
 Province, China  
 (740) Giorgi Taktakishvili  
 (540)

**Baseus**

(591) Black-white  
 (531) 27.05.01  
 (511) 7, 11, 12

(260) AM 2021 110450 A  
 (210) AM 110450  
 (220) 2020 11 09  
 (731) JSC "Kindzmarauli Corporation"  
 Ilia Chavchavadze St. 55, 4800, Kvareli,  
 Georgia  
 (540)

**დურაჯი**  
**Duraji**  
**Дураджи**

(591) Black-white  
 (511) 33

(260) AM 2021 110465 A  
 (210) AM 110465  
 (220) 2020 11 10  
 (731) Aeolus Tyre Co., LTD

No. 48 Jiaodong South Road Jiaozuo, Henan,  
China  
(740) Tamaz Shilakadze  
(540)



(591) Black, grey  
(531) 26.11.03; 26.11.05; 26.11.09; 26.11.12;  
27.05.01; 27.05.17  
(511) 12

(260) AM 2021 110467 A  
(210) AM 110467  
(220) 2020 11 10  
(731) Aeolus Tyre Co., LTD  
No. 48 Jiaodong South Road Jiaozuo, Henan,  
China  
(740) Tamaz Shilakadze  
(540)



(591) Black, grey  
(531) 27.05.01; 27.05.10  
(511) 12

(260) AM 2021 110469 A  
(210) AM 110469  
(220) 2020 11 10  
(731) Aeolus Tyre Co., LTD  
No. 48 Jiaodong South Road Jiaozuo, Henan,  
China  
(740) Tamaz Shilakadze  
(540)



(591) Black, grey  
(531) 01.15.23; 27.03.12; 27.03.15  
(511) 12

(260) AM 2021 110470 A  
(210) AM 110470  
(220) 2020 11 10  
(731) Daewoong Co., LTD.  
244, Galmachi-ro, Jungwon-gu, Seongnam-si,  
Gyeonggi-do, Republic of Korea  
(740) Tamaz Shilakadze  
(540)

**CLODEW**

(591) Black-white  
(511) 5

(260) AM 2021 110471 A  
(210) AM 110471  
(220) 2020 11 10  
(731) Daewoong Co., LTD  
244, Galmachi-ro, Jungwon-gu, Seongnam-si,  
Gyeonggi-do, Republic of Korea  
(740) Tamaz Shilakadze  
(540)

**DAEWOONG NABOTA**

(591) Black-white  
(531) 15.07.01; 15.07.03; 27.01.06; 27.03.15  
(511) 5

(260) AM 2021 110472 A  
(210) AM 110472  
(220) 2020 11 10  
(731) Daewoong Co., LTD  
244, Galmachi-ro, Jungwon-gu, Seongnam-si,  
Gyeonggi-do, Republic of Korea  
(740) Tamaz Shilakadze  
(540)



**BOTULINUM  
TOXIN TYPE A  
NABOTA**

(591) Black, orange, D65757 dark, light blue, yellow  
(531) 15.07.01; 15.07.02; 15.07.03; 26.13.25;  
27.01.06; 27.03.15; 27.05.01; 27.05.10;  
29.01.14  
(511) 5

(260) AM 2021 110505 A  
(210) AM 110505  
(220) 2020 11 13  
(731) ჰ & მ ჰენეს & მაურიც აბ  
სე – 106 38 სტოკჰოლმი, შვედეთი  
H & M Hennes & Mauritz AB  
SE-106 38 Stockholm, Sweden  
(740) Shalva Gvaramadze  
(540)



(591) Black-white  
(531) 26.11.12; 27.01.12; 27.05.03; 27.05.23  
(511) 4

(260) AM 2021 110516 A  
 (210) AM 110516  
 (220) 2020 11 16  
 (731) LLC "Impexpharm"  
 Right Bank of the River Mtkvari (Kura)  
 nearby Bacteriophage, 0160, Tbilisi,  
 Georgia  
 (740) Nugzar Ksovreli  
 (540)

**Lakfil**

(591) Black-white  
 (511) 5

(260) AM 2021 110538 A  
 (210) AM 110538  
 (220) 2020 11 18  
 (731) Dimitri Vashakidze  
 Guramishvili St. 33, 4600, Kutaisi,  
 Georgia  
 (540)



**მხიარული  
 ფუტკარი**

(591) Black, dark and light yellow  
 (531) 02.01.01; 02.01.23; 02.09.08; 03.13.04;  
 04.05.03; 04.05.04; 16.03.13; 26.05.01;  
 26.05.14; 26.05.15; 26.11.09; 29.01.13  
 (511) 30, 35, 41

(260) AM 2021 110603 A  
 (210) AM 110603  
 (220) 2020 11 24  
 (731) Colgate-Palmolive Company  
 Delaware Corporation  
 300 Park Avenue, New York, NY  
 10022, USA  
 (740) Tamaz Shilakadze  
 (540)

**НАТУРАЛЬНЫЙ  
 БИО-АРГИН**

(591) Black-white  
 (511) 3

(260) AM 2021 110604 A  
 (210) AM 110604  
 (220) 2020 11 24  
 (731) Pfizer Inc.  
 235 East 42nd Street, New York, NY  
 10017, USA  
 (740) Natela Otariidze

(540)



(591) Black, grey  
 (531) 26.02.09; 26.11.02; 26.11.12  
 (511) 5

(260) AM 2021 110605 A  
 (210) AM 110605  
 (220) 2020 11 24  
 (731) Novartis AG  
 4002 Basel, Switzerland  
 (740) Shalva Gvaramadze  
 (540)

**Митикайд**

(591) Black-white  
 (511) 5

(260) AM 2021 110611 A  
 (210) AM 110611  
 (220) 2020 11 26  
 (731) LTD "Globalpharm"  
 Almasyan St. 13a/Berbuti St. 8, 0171, Tbilisi,  
 Georgia  
 (740) Giorgi Taktakishvili  
 (540)

**კვადრატში  
 K squared  
 К в квадрате**

(591) Black-white  
 (511) 3, 5, 35

**REGISTERED TRADEMARKS**

(111) M 2021 34119 R  
(151) 2021 05 31  
(181) 2031 05 31  
(260) AM 2020 108865 A  
(220) 2020 06 30  
(732) LTD "Dinamo Arena"

Dighomi, III qu., Football Training Base,  
0159, Tbilisi, Georgia

(111) M 2021 34120 R  
(151) 2021 06 01  
(181) 2031 06 01  
(260) AM 2020 106519 A  
(220) 2020 06 15  
(732) Levan Adamia

I. Chavchavadze Av. 27/29, Tbilisi,  
Georgia

(111) M 2021 34121 R  
(151) 2021 06 01  
(181) 2031 06 01  
(260) AM 2020 108114 A  
(220) 2020 05 01  
(732) Energy Beverages LLC  
2390 Anselmo Drive, Corona, CA 92879, USA

(111) M 2021 34122 R  
(151) 2021 06 01  
(181) 2031 06 01  
(260) AM 2020 108131 A  
(220) 2020 05 07  
(732) Stripe Inc.  
510 Townsend Street, San Francisco, California  
94103, USA

(111) M 2021 34123 R  
(151) 2021 06 01  
(181) 2031 06 01  
(260) AM 2020 108228 A  
(220) 2020 05 14  
(732) Jumber Kuchukhidze  
Mikheil Tamarashvili St. 11, ent. 7, floor 4,  
app. 159, 0162, Tbilisi, Georgia

(111) M 2021 34124 R  
(151) 2021 06 01  
(181) 2031 06 01  
(260) AM 2020 108313 A  
(220) 2020 05 20  
(732) JSC "Gefa"  
Akaki Beliashvili St. 142, 0159, Tbilisi, Georgia

(111) M 2021 34125 R  
(151) 2021 06 01  
(181) 2031 06 01  
(260) AM 2020 108314 A  
(220) 2020 05 20  
(732) JSC "Gefa"

Akaki Beliashvili St. 142, 0159, Tbilisi, Georgia

(111) M 2021 34126 R  
(151) 2021 06 01  
(181) 2031 06 01  
(260) AM 2020 108315 A  
(220) 2020 05 20  
(732) JSC "Gefa"

Akaki Beliashvili St. 142, 0159, Tbilisi, Georgia

(111) M 2021 34127 R  
(151) 2021 06 01  
(181) 2031 06 01  
(260) AM 2020 108316 A  
(220) 2020 05 20  
(732) JSC "Gefa"

Akaki Beliashvili St. 142, 0159, Tbilisi,  
Georgia;  
LTD "Wayne Enterprise"  
Gldani, II mcr., corp. 28, app. 97, Tbilisi,  
Georgia

(111) M 2021 34128 R  
(151) 2021 06 01  
(181) 2031 06 01  
(260) AM 2020 108401 A  
(220) 2020 05 25  
(732) Berko İlaç ve Kimya Sanayi A.Ş.  
Yenişehir Mah. Özgür Sokak No: 16-18 Ataşehir  
Istanbul, 34779, Turkey

(111) M 2021 34129 R  
(151) 2021 06 01  
(181) 2031 06 01  
(260) AM 2020 108499 A  
(220) 2020 06 02  
(732) LLC "Capital Club"  
Kakheti Highway 110a, 0101, Samgori  
District, Tbilisi, Georgia

(111) M 2021 34130 R  
(151) 2021 06 01  
(181) 2031 06 01  
(260) AM 2020 108511 A  
(220) 2020 06 03

---

(732) Kwang Yang Motor Co., LTD  
No.35, Wan Hsing Street, Sanmin District,  
Kaohsiung, Taivani (TW), China

---

(111) M 2021 34131 R  
(151) 2021 06 01  
(181) 2031 06 01  
(260) AM 2020 108512 A  
(220) 2020 06 03

(732) Kwang Yang Motor Co., LTD  
No.35, Wan Hsing Street, Sanmin District,  
Kaohsiung, Taivani (TW), China

---

(111) M 2021 34132 R  
(151) 2021 06 01  
(181) 2031 06 01  
(260) AM 2020 108524 A  
(220) 2020 06 04

(732) Enriko Beridze  
T. Tabidze St. 10, Lane I, Tbilisi, Georgia

---

(111) M 2021 34133 R  
(151) 2021 06 01  
(181) 2031 06 01  
(260) AM 2020 108576 A  
(220) 2020 06 05

(732) Kukuri Laghadze  
Shartava St. 35/37, Tbilisi, Georgia

---

(111) M 2021 34134 R  
(151) 2021 06 01  
(181) 2031 06 01  
(260) AM 2020 108604 A  
(220) 2020 06 10

(732) Laboratorio Elea Foeniqs S.a.  
Av. Del Libertador 6550 3<sup>rd</sup> Fl.  
– Ciudad De Buenos Aires, Argentina

---

(111) M 2021 34135 R  
(151) 2021 06 01  
(181) 2031 06 01  
(260) AM 2020 108607 A  
(220) 2020 06 11

(732) Amgen Inc.  
One Amgen Center Drive, Thousand Oaks,  
CA 91320-1799, USA

---

(111) M 2021 34136 R  
(151) 2021 06 01  
(181) 2031 06 01  
(260) AM 2020 108660 A  
(220) 2020 06 12

---

(732) Tengiz Khunashvili  
Elisabeth Orbeliani st. 1, Tbilisi, Georgia

---

(111) M 2021 34137 R  
(151) 2021 06 01  
(181) 2031 06 01  
(260) AM 2020 108667 A  
(220) 2020 06 15

(732) LLC "City 12"  
Krtsanisi St. 7, Tbilisi, Georgia

---

(111) M 2021 34138 R  
(151) 2021 06 01  
(181) 2031 06 01  
(260) AM 2020 108674 A  
(220) 2020 06 16

(732) LTD "New Pharm & Company"  
Irodion Evdoshvili st. 18, Office Space 2,  
0154, Didube District, Tbilisi, Georgia

---

(111) M 2021 34139 R  
(151) 2021 06 01  
(181) 2031 06 01  
(260) AM 2020 108697 A  
(220) 2020 06 18

(732) George Enriko Beridze  
T. Tabidze St. 10, Lane I, 0108, Tbilisi,  
Georgia

---

(111) M 2021 34140 R  
(151) 2021 06 01  
(181) 2031 06 01  
(260) AM 2020 108736 A  
(220) 2020 06 19

(732) LTD "Combinat"  
O. Lortkipanidze St. 29, b. 14, 0145, Tbilisi,  
Georgia

---

(111) M 2021 34141 R  
(151) 2021 06 01  
(181) 2031 06 01  
(260) AM 2020 108743 A  
(220) 2020 06 22

(732) LTD "Impexpharm"  
On the right bank of the River Mtkvari, nearby  
downway of Bacteriophage, 0160,  
Tbilisi, Georgia

---

(111) M 2021 34142 R  
(151) 2021 06 01  
(181) 2031 06 01  
(260) AM 2020 108747 A  
(220) 2020 06 23

(732) Troikaa Pharmaceuticals Ltd.  
Commerce House - 1, Satya Marg, Bodakdev,  
Ahmedabad, Gujarat 380054, India

(111) M 2021 34143 R  
(151) 2021 06 01  
(181) 2031 06 01  
(260) AM 2020 108766 A  
(220) 2020 06 24  
(732) LLC "Ori Nabiji"  
Navtlughi St. 39-41, 0113, Isani District,  
Tbilisi, Georgia

(111) M 2021 34144 R  
(151) 2021 06 01  
(181) 2031 06 01  
(260) AM 2020 108773 A  
(220) 2020 06 24  
(732) LLC "Ori Nabiji"  
Navtlughi St. 39-41, 0113, Isani District,  
Tbilisi, Georgia

(111) M 2021 34145 R  
(151) 2021 06 01  
(181) 2031 06 01  
(260) AM 2020 108852 A  
(220) 2020 06 29  
(732) LTD "Georgian Vine & Wine Company"  
Davit Aghmashenebeli Av. 179a, app. 25,  
0112, Tbilisi, Georgia

(111) M 2021 34146 R  
(151) 2021 06 01  
(181) 2031 06 01  
(260) AM 2020 108859 A  
(220) 2020 06 29  
(732) Enriko Beridze  
T. Tabidze St. 10, Lane I, Tbilisi,  
Georgia

(111) M 2021 34147 R  
(151) 2021 06 01  
(181) 2031 06 01  
(260) AM 2020 108860 A  
(220) 2020 06 29  
(732) Enriko Beridze  
T. Tabidze St. 10, Lane I, Tbilisi,  
Georgia

(111) M 2021 34148 R  
(151) 2021 06 01  
(181) 2031 06 01  
(260) AM 2020 108861 A  
(220) 2020 06 29

(732) Enriko Beridze  
T. Tabidze St. 10, Lane I, Tbilisi, Georgia

(111) M 2021 34149 R  
(151) 2021 06 01  
(181) 2031 06 01  
(260) AM 2020 108863 A  
(220) 2020 06 29  
(732) Soremartec S.A.  
16 Route de Trèves, L-2633, Senningerberg,  
Luxembourg

(111) M 2021 34150 R  
(151) 2021 06 01  
(181) 2031 06 01  
(260) AM 2020 108869 A  
(220) 2020 06 30  
(732) Genadiy Vasilievich Zhuravlev  
Federation Av., bld. 28, app. 47, 111399,  
Moscow, Russian Federation

(111) M 2021 34151 R  
(151) 2021 06 01  
(181) 2031 06 01  
(260) AM 2020 108879 A  
(220) 2020 07 01  
(732) Genadiy Vasilievich Zhuravlev  
Federation Av., bld. 28, app. 47, 111399,  
Moscow, Russian Federation

(111) M 2021 34152 R  
(151) 2021 06 01  
(181) 2031 06 01  
(260) AM 2020 108886 A  
(220) 2020 07 02  
(732) LTD "Park Gida"  
5<sup>th</sup> district, St. 46a, Vil. Khutsubani,  
6200, Kobuleti, Georgia

(111) M 2021 34153 R  
(151) 2021 06 01  
(181) 2031 06 01  
(260) AM 2020 108887 A  
(220) 2020 07 02  
(732) UCB Biopharma SRL  
Allee de la Recherche 60, Brussels, B-1070,  
Belgium

(111) M 2021 34154 R  
(151) 2021 06 01  
(181) 2031 06 01  
(260) AM 2020 108889 A  
(220) 2020 07 02

(732) Intercontinental Great Brands LLC  
100 Diforist Aveniu, Ist Hanoveri,  
New Jersey, 07936, USA

---

(111) M 2021 34155 R  
(151) 2021 06 01  
(181) 2031 06 01  
(260) AM 2020 108891 A  
(220) 2020 07 02

(732) Intercontinental Great Brands LLC  
100 Diforist Aveniu, Ist Hanoveri,  
New Jersey, 07936, USA

---

(111) M 2021 34156 R  
(151) 2021 06 01  
(181) 2031 06 01  
(260) AM 2020 108893 A  
(220) 2020 07 03

(732) David Chrelashvili  
Kavsadze St. 3, "C" block, app. 23, 0179,  
Tbilisi, Georgia

---

(111) M 2021 34157 R  
(151) 2021 06 01  
(181) 2031 06 01  
(260) AM 2020 108946 A  
(220) 2020 07 06

(732) RK South Asia SDN. BHD  
No. 2440, Lorong Perusahaan 10,  
Prai Industrial Estate, Prai Penang, 13600,  
Malaysia

---

(111) M 2021 34158 R  
(151) 2021 06 01  
(181) 2031 06 01  
(260) AM 2020 108950 A  
(220) 2020 07 07

(732) LLC "Polar Seafood Russia"  
Starye Kremenki St., 90, Jukovskiy District,  
Kremenki, RU-249185 Kalujskaya  
Region, Russian Federation

---

(111) M 2021 34159 R  
(151) 2021 06 01  
(181) 2031 06 01  
(260) AM 2020 108958 A  
(220) 2020 07 08

(732) LLC "Slent Company"  
Panaskerteli St. 14, app. 4, 0194, Tbilisi,  
Georgia

---

(111) M 2021 34160 R  
(151) 2021 06 01  
(181) 2031 06 01  
(260) AM 2020 108959 A  
(220) 2020 07 08

(732) Enriko Beridze  
T. Tabidze St. 10, Lane I, Tbilisi, Georgia

---

(111) M 2021 34161 R  
(151) 2021 06 01  
(181) 2031 06 01  
(260) AM 2020 108969 A  
(220) 2020 07 09

(732) Intel Corporation  
2200 Mission College Boulevard,  
Santa Clara, CA 95052, USA

---

(111) M 2021 34162 R  
(151) 2021 06 01  
(181) 2031 06 01  
(260) AM 2020 109028 A  
(220) 2020 07 13

(732) LTD "Ocean"  
Merab Kavtaradze St. 11, 0180, Tbilisi,  
Georgia

---

(111) M 2021 34163 R  
(151) 2021 06 01  
(181) 2031 06 01  
(260) AM 2020 109030 A  
(220) 2020 07 13

(732) Enriko Beridze  
T. Tabidze St. 10, Lane I, Tbilisi, Georgia

---

(111) M 2021 34164 R  
(151) 2021 06 01  
(181) 2031 06 01  
(260) AM 2020 109049 A  
(220) 2020 07 16

(732) LTD "Mzareuli 1"  
Merab Kavtaradze St. 11, 0180, Tbilisi,  
Georgia

---

(111) M 2021 34165 R  
(151) 2021 06 01  
(181) 2031 06 01  
(260) AM 2020 109110 A  
(220) 2020 07 17

(732) Giorgi Kikabidze  
Il. Chavchavadze Av. 54a, 0179, Tbilisi,  
Georgia

---

(111) M 2021 34166 R  
(151) 2021 06 01  
(181) 2031 06 01  
(260) AM 2020 109111 A  
(220) 2020 07 17  
(732) Giorgi Kikabidze  
Il. Chavchavadze Av. 54a, 0179, Tbilisi,  
Georgia

---

(111) M 2021 34167 R  
(151) 2021 06 01  
(181) 2031 06 01  
(260) AM 2020 109128 A  
(220) 2020 07 20  
(732) LLC "Eco Bohemia"  
Vil. Tserovani, 3318, Mtskheta, Georgia

---

(111) M 2021 34168 R  
(151) 2021 06 01  
(181) 2031 06 01  
(260) AM 2020 109134 A  
(220) 2020 07 21  
(732) LLC "Concept Pharma"  
University St. 2, app. 5, Block A, 0177,  
Tbilisi, Georgia

---

(111) M 2021 34169 R  
(151) 2021 06 01  
(181) 2031 06 01  
(260) AM 2020 109135 A  
(220) 2020 07 21  
(732) LLC "Concept Pharma"  
University St. 2, app. 5, Block A, 0177,  
Tbilisi, Georgia

---

(111) M 2021 34170 R  
(151) 2021 06 01  
(181) 2031 06 01  
(260) AM 2020 110364 A  
(220) 2020 11 02  
(732) LTD "Dako Trade"  
Saburtalo St. 41, app. 34, Tbilisi, Georgia

---

(111) M 2021 34171 R  
(151) 2021 06 01  
(181) 2031 06 01  
(260) AM 2020 108063 A  
(220) 2020 04 28  
(732) British American Tobacco (Brands) Inc.  
(a Delaware corporation)  
251 Little Falls Drive, Suite 100, Wilmington,  
Delaware, 19808-1674, USA

---

(111) M 2021 34172 R  
(151) 2021 06 01  
(181) 2031 06 01  
(260) AM 2020 108065 A  
(220) 2020 04 28  
(732) British American Tobacco (Brands) Inc.  
(a Delaware corporation)  
251 Little Falls Drive, Suite 100, Wilmington,  
Delaware, 19808-1674, USA

---

(111) M 2021 34173 R  
(151) 2021 06 01  
(181) 2031 06 01  
(260) AM 2020 108066 A  
(220) 2020 04 28  
(732) British American Tobacco (Brands) Inc.  
(a Delaware corporation)  
251 Little Falls Drive, Suite 100, Wilmington,  
Delaware, 19808-1674, USA

---

(111) M 2021 34174 R  
(151) 2021 06 01  
(181) 2031 06 01  
(260) AM 2020 108208 A  
(220) 2020 05 08  
(732) N(N)LE "Nino Museridze Foundation "For You"  
Shio Mghvimeli St. 5, app. 13, Tbilisi, Georgia

---

(111) M 2021 34175 R  
(151) 2021 06 01  
(181) 2031 06 01  
(260) AM 2020 108298 A  
(220) 2020 05 18  
(732) JSC "Corporation Kindzmarauli"  
Ilia Chavchavadze St. 55, 4800, Kvareli,  
Georgia

---

(111) M 2021 34176 R  
(151) 2021 06 01  
(181) 2031 06 01  
(260) AM 2020 108489 A  
(220) 2020 05 29  
(732) LLC "Levanto"  
Ak. Tsereteli St. 192, Kutaisi, Georgia

---

(111) M 2021 34177 R  
(151) 2021 06 01  
(181) 2031 06 01  
(260) AM 2020 108491 A  
(220) 2020 05 29  
(732) LLC "Piano"  
Vazha-Pshavela Av., II qu., corp. 27,  
app. 4, 0186, Tbilisi, Georgia

---



---

(111) M 2021 34178 R  
(151) 2021 06 03  
(181) 2031 06 03  
(260) AM 2020 107910 A  
(220) 2020 04 12  
(732) LTD "Baraqa"  
Petre Kavtaradze St., III Lane 4, app. 43,  
Vake District, Tbilisi, Georgia

---

(111) M 2021 34179 R  
(151) 2021 06 03  
(181) 2031 06 03  
(260) AM 2020 108426 A  
(220) 2020 05 28  
(732) BASF Agricultural Solutions Seed US LLC  
100 Park Avenue, Florham Park, NJ, USA

---

(111) M 2021 34180 R  
(151) 2021 06 03  
(181) 2031 06 03  
(260) AM 2020 108505 A  
(220) 2020 06 02  
(732) Getz Pharma International FZ LLC  
Office No. 1307, 13th Floor, Al-Thuraya  
Tower 1, Dubai Media City, Dubai, Dubai,  
United Arab Emirates

---

(111) M 2021 34181 R  
(151) 2021 06 03  
(181) 2031 06 03  
(260) AM 2020 109027 A  
(220) 2020 07 13  
(732) LLC "Our Farmer"  
M. Kavtaradze St. 11, 0180, Tbilisi, Georgia

---

(111) M 2021 34182 R  
(151) 2021 06 03  
(181) 2031 06 03  
(260) AM 2020 108953 A  
(220) 2020 07 08  
(732) Giorgi Melua  
Kostava St. 60, Lanchkhuti, Georgia

---

## TRADEMARKS REGISTERED ACCORDING TO THE ACCELERATED PROCEDURE

The decision can be appealed at the Chamber of Appeal of Sakpatenti within 3 months from the publication.

(111) M 2021 34103 R  
(151) 2021 05 24  
(181) 2031 05 24  
(210) AM 112922  
(220) 2021 05 13  
(732) Nobel Ilac Sanayii Ve Ticaret  
Anonim Sirketi Representative in Georgia  
Liberty Square 4, 0105, Tbilisi, Georgia  
(740) Tinatin Tskhvediani  
(540)

**GLIMO**  
**გლიმო**

(591) Black-white  
(511) 3, 5, 35

(111) M 2021 34104 R  
(151) 2021 05 24  
(181) 2031 05 24  
(210) AM 113026  
(220) 2021 05 17  
(732) LLC "Alneo Georgia"  
G. Patararaia St. 16, Ponichala, Tbilisi, Georgia  
(540)

ALNEO

(591) Red, white, grey  
(531) 26.04.04; 26.04.18; 27.05.01; 27.05.22;  
29.01.13  
(511) 7, 9, 11, 35, 37

(111) M 2021 34105 R  
(151) 2021 05 24  
(181) 2031 05 24  
(210) AM 112931  
(220) 2021 05 13  
(732) LTD "Gastronomy Kitchen"  
Anna Politkovskaya St. 50, corp. 1, app. 55,  
0186, Vake District, Tbilisi, Georgia  
(740) Rusudan Otiashvili  
(540)

  
ARGENTINIAN  
**STEAKHOUSE**  
— BY GASTRONOME —

(111) M 2021 34106 R  
(151) 2021 05 24  
(181) 2031 05 24  
(210) AM 112937  
(220) 2021 05 13  
(732) LTD "Gastronomy Kitchen"  
Anna Politkovskaya St. 50, corp. 1, app. 55,  
0186, Vake District, Tbilisi, Georgia  
(740) Rusudan Otiashvili  
(540)



ბ რ ბ ე ნ ტ ი ნ ე უ ლ ი  
**ს ბ ე ი ქ ვ ა ნ ლ ი**  
— ბ ა ს ტ რ ა ნ ი მ ი ს ე ა ნ ე —

(591) 280707 brown F4F9F8 white  
(531) 03.04.02; 28.19; 29.01.07  
(511) 43

(111) M 2021 34107 R  
(151) 2021 05 24  
(181) 2031 05 24  
(210) AM 113040  
(220) 2021 05 19  
(732) LLC "Merkado"  
Gldani, VI mcr., corp. 28, app. 53,  
Gldani district, Tbilisi, Georgia  
(540)

**Bazari**  
ORBELIANI  
-1886-

(591) ED6B72 red, 3F998C green, 88C9BE  
light green  
(531) 27.05.01; 27.05.09; 27.05.10; 27.07.01;  
29.01.12  
(511) 35, 39, 43

(111) M 2021 34108 R  
(151) 2021 05 24  
(181) 2031 05 24  
(210) AM 113019  
(220) 2021 05 15

(732) Merab Gurgenidze  
Besik Burkiashvili St. 14, 0179, Tbilisi,  
Georgia  
(540)

**525vines**<sup>®</sup>

(591) Dark blue  
(531) 19.09.02; 27.05.01; 27.07.01  
(511) 33, 35

(111) M 2021 34109 R  
(151) 2021 05 25  
(181) 2031 05 25  
(210) AM 112718  
(220) 2021 04 26  
(732) LTD "Agro Net"  
Gorgasali St./Khimshiashvili St. 111/13 (15)/  
S. Khimshiashvili St. 15, app. 5, 6000, Batumi,  
Georgia  
(540)



(591) EC9779 Peachy, 5E2A2B brown  
(531) 25.05.01; 26.04.02; 26.04.22; 26.04.24;  
27.05.01; 27.05.22; 27.05.24; 28.19; 29.01.12  
(511) 29

(111) M 2021 34110 R  
(151) 2021 05 25  
(181) 2031 05 25  
(210) AM 113041  
(220) 2021 05 19  
(732) LLC "Beer House Three"  
Didi Dighomi, III mcr., corp. 3, app. 97,  
Tbilisi, Georgia  
(540)



(591) Black, golden  
(531) 11.03.07; 23.03.01; 23.03.02; 26.01.01;  
26.01.04; 26.01.16; 26.01.21; 29.01.12  
(511) 32

(111) M 2021 34111 R  
(151) 2021 05 27  
(181) 2031 05 27  
(210) AM 112926  
(220) 2021 05 13  
(732) Japan Tobacco Inc.  
1-1, Toranomom 4-chome, Minato-ku, Tokyo,  
Japan  
(740) Shalva Gvaramadze  
(540)

**TROPICAL CRUSH**

(591) Black-white  
(511) 34

(111) M 2021 34112 R  
(151) 2021 05 27  
(181) 2031 05 27  
(210) AM 113047  
(220) 2021 05 20  
(732) LTD "Nile"  
Davit Guramishvili Av. 23a, Enter 1, floor 17,  
app. 292g, Block "B", Nadzaladevi District,  
Tbilisi, Georgia  
(540)



(591) white, wooden  
(531) 26.04.02; 26.04.16; 26.04.22; 26.04.24;  
26.13.25; 27.05.01; 27.05.24; 29.01.12  
(511) 43

(111) M 2021 34113 R  
(151) 2021 05 27  
(181) 2031 05 27  
(210) AM 113020  
(220) 2021 05 15  
(732) LTD "Iveria"  
Tevdore Mghvdeli St. 53, 0154, Tbilisi,  
Georgia  
(740) Zurab Bezhashvili  
(540)

**СУП и Ко.**

(591) Black-white  
(511) 33

(111) M 2021 34114 R  
(151) 2021 05 27  
(181) 2031 05 27  
(210) AM 113031  
(220) 2021 05 18  
(732) "S T N Georgia"  
Balanchivadze St. 39, 0159, Tbilisi, Georgia  
(540)

**ROSAGEL**  
**როსაგელი**

(591) Black-white  
(511) 5

(111) M 2021 34115 R  
(151) 2021 05 28  
(181) 2031 05 28  
(210) AM 113030  
(220) 2021 05 18  
(732) Nana Kurdagia  
Ijevani St. 12, 7100, Ochamchire, Georgia  
(540)

**VineCross**

(591) Black-white  
(511) 31, 33

(111) M 2021 34116 R  
(151) 2021 05 28  
(181) 2031 05 28  
(210) AM 112420  
(220) 2021 04 01  
(732) Giorgi Mirianashvili  
Vazha-Pshavela Av. 62/18, 0186, Tbilisi,  
Georgia  
(540)



(591) 410CF2 blue, F20943 red, DDD0D0 grey,  
FFFFFF white

(531) 19.09.01; 19.09.02; 24.07.01; 24.13.01;  
24.13.23; 25.01.19; 26.04.02; 26.04.16;  
26.04.22; 27.05.01; 28.19; 29.01.14  
(526) "ГРУЗИЯ", "საქართველოს დროშა",  
"წინანდალი", "ЦИНАНДАЛИ"  
(511) 33

(111) M 2021 34117 R  
(151) 2021 05 28  
(181) 2031 05 28  
(210) AM 113023  
(220) 2021 05 17  
(732) Nana Kurdagia  
Ijevani St. 12, 7100, Ochamchire, Georgia  
(540)

**VineSoul**

(591) Black-white  
(511) 31, 33

(111) M 2021 34118 R  
(151) 2021 05 31  
(181) 2031 05 31  
(210) AM 108970  
(220) 2020 07 09  
(732) LTD "Sanus Vita"  
Saakadze Descent 6, Commercial Space 11,  
Tbilisi, Georgia  
(740) Monika Kvaratskhelia  
(540)

**Neuro-flex dual**  
**Неуро-флекс дуал**  
**ნეურო-ფლექს დუალო**

(591) Black-white  
(511) 5

(111) M 2021 34183 R  
(151) 2021 06 03  
(181) 2031 06 03  
(210) AM 113027  
(220) 2021 05 17  
(732) LTD "Georgian Vine and Wine Company"  
D. Aghmashenebeli Av. 179a, app. 25, 0112,  
Tbilisi, Georgia  
(540)

**BASIANI COLL.**  
**ბასიანი კოლ.**  
**БАСИАНИ КОЛЛ.**

(591) Black-white  
(526) "BASIANI", "ბასიანი", "БАСИАНИ"  
(511) 33

(111) M 2021 34184 R

(151) 2021 06 03

(181) 2031 06 03

(210) AM 113255

(220) 2021 06 01

(732) LTD "I C T Georgia"

Rustavi Highway 19, corp. 3, floor 1,  
Samgori District, Tbilisi, Georgia

(540)



(591) Black, white, green

(531) 05.03.13; 05.03.14; 26.04.06; 26.04.18;  
26.04.24; 27.05.01; 27.05.24

(511) 35

---

## INTERNATIONAL TRADEMARKS FOR WHICH A DECISION ON GRANTING PROTECTIONS IS TAKEN

The decision can be appealed at the Chamber of Appeal of Sakpatenti within 3 months from the publication or at the Mtskheta District Court Administrative Cases Board (Address: №17, Samkhedro str., Mtskheta), within 1 month following the publication.

(260) AM 2021 106254 A\*  
 (800) 1504950  
 (151) 2019 10 15  
 (891) 2019 10 15  
 (731) HUAWEI TECHNOLOGIES CO., LTD.  
 Administration Building, Huawei Technologies  
 Co., Ltd., Bantian, Longgang District,  
 Shenzhen, China

(540)  


(591) Black, white  
 (531) 27.05.01  
 (511)  
 9 – computer operating programs, recorded (other than for scientific, pharmaceutical, laboratory and medical research purposes); computer software applications, downloadable (other than for scientific, pharmaceutical, laboratory and medical research purposes); computer software platforms, recorded or downloadable (other than for scientific, pharmaceutical, laboratory and medical research purposes); downloadable applications for use with mobile devices (other than for scientific, pharmaceutical, laboratory and medical research purposes); downloadable computer software programs (other than for scientific, pharmaceutical, laboratory and medical research purposes); computer programmes, recorded (other than for scientific, pharmaceutical, laboratory and medical research purposes); the above-listed goods are NOT used in the field of genome sequencing, or in the field of bioinformatics to interpret results of genetic testing, or for identifying, analysing and classifying chromosomal and subchromosomal variations, or for collecting, storing, analyzing, reporting biological information and for sample tracking and managing projects, laboratory workflow and data for use in the fields of scientific, diagnostic and clinical research and for clinical diagnostic purposes, or in analyzing, managing and visualizing DNA sequencing data

(260) AM 2021 106553 A  
 (800) 1508273  
 (151) 2019 12 05  
 (891) 2019 12 05  
 (731) HUAWEI TECHNOLOGIES CO., LTD.  
 Administration Building, Huawei Technologies

Co., Ltd., Bantian, Longgang District, Shenzhen  
 City, Guangdong Province, China  
 (540)



(591) Black, white  
 (531) 27.05.10  
 (511)  
 9 – Smartglasses; smartwatches; smartphones; wearable activity trackers; network communication equipment; tablet computers; laptop computers; notebook computers; cameras [photography]; television apparatus; computer software, recorded; virtual reality headsets; loudspeakers; fluorescent screens; video screens; electronic numeric displays; touch screens; computer screens; liquid crystal display screens; displays for mobile phones; cases for smartphones; covers for smartphones; protective films adapted for smartphones; digital photo frames; microphones; cabinets for loudspeakers; batteries, electric; flat panel displays; flexible flat panel displays for computers; earphones; kilometer recorders for vehicles; set-top boxes; portable media players; sound transmitting apparatus; camcorders; computer programmes, recorded; computer software applications, downloadable; smart rings; personal digital assistants [PDAs]; computer software platforms, recorded or downloadable; thin client computers; hand-held electronic dictionaries; wearable computers; telecommunication apparatus in the form of jewellery; intercoms; large-screen liquid crystal displays; liquid crystal displays; video printers; wrist-mounted smartphones; car televisions; computer programs, downloadable.

42 – Telecommunications technology consultancy; product safety testing services; scientific research and development; design of telecommunications apparatus and equipment; design and development of multimedia products; computer programming; computer software design; computer system design; conversion of data or documents from physical to electronic media; creating and maintaining web sites for others; conversion of computer programs and data, other than physical conversion; computer software consultancy; information technology [IT] consultancy; electronic data storage; providing information on computer technology and programming via a web site; consultancy in the design and development of computer hardware; software as a service [SaaS]; cloud computing; computer technology consultancy; software development

in the framework of software publishing; platform as a service [PaaS]; design and development of computer databases; writing of data processing programs; updating and maintenance of computer software; computer aided graphic design; creating, designing and maintaining websites; design and development of wireless computer networks; data conversion of electronic information; design and development of virtual reality software; development of driver and operating system software; research and development of computer software; database development services; maintenance and updating of computer software; installation, maintenance and repair of computer software; computer system integration services; design and development of computer software; installation and maintenance of computer software; computer software design for others; rental of web servers; advisory services in the field of product development and quality improvement of software; writing and updating computer software; web site usability testing services; electronic storage services for archiving electronic data; development of software for secure network operations.

(260) AM 2021 106895 A

(800) 1511418

(151) 2019 12 16

(891) 2019 12 16

(731) W2 Company d.o.o.

Dalmatinska bb, 81000 Podgorica, Montenegro

(540)

## ALEXSHOP

(591) Black, white

(531) 27.05.01

(511)

35 – Retail store services and on-line retail store services featuring watches, jewelry, sunglasses, glasses, accessories/cases, and other general consumer merchandise.

(260) AM 2021 107221 A

(800) 1515243

(151) 2019 06 20

(891) 2019 06 20

(731) Aebi Schmidt Holding AG

Schulstrasse 4, CH-8500 Frauenfeld,  
Switzerland

(540)

## schmidt

(591) Black, white

(511)

12 – Trailers [vehicles]; trailers for vehicles; trailers intended to receive spraying and spreading machines and road cleaning; attached or carried equipment adapted to vehicles; attached or carried equipment adap-

ted to utility vehicles; components for heavy goods vehicles; electric vehicles; vehicles; transport vehicles for industrial use; vehicles, namely, vehicles for agricultural, forestry and municipal transport; vehicles equipped with bucket loaders; vehicles equipped with loading apparatus; vehicles equipped with lifting apparatus; vehicles equipped with prehensile apparatus; vehicles for emptying loads; boxes, tilting-carts; dumping trucks; automobiles; housings for parts of land vehicles, except for motors and engines; land transport vehicles for industrial use; tipping bodies for trucks; multi-purpose trolleys; multi-use work vehicles, in particular apparatus mounts; utility vehicles; sprinkling trucks [street cleaning]; cars; attached equipment for railway vehicles; attached equipment for railway freight cars; self-driving cars; all the aforementioned goods for watering, spraying, spreading, clearing, defrosting, washing, cleaning and/or repairing surfaces of roads or railways; drive gears [parts for land vehicles]; vehicle chassis; bodies for vehicles; gear boxes for land vehicles; hydraulic circuits for vehicles; bodies for land vehicles; garbage collection vehicles; treads for vehicles [tractor type]; driving chains for land vehicles; tractors; undercarriages for vehicles; rail freight cars chassis for vehicles.

(260) AM 2021 108534 A

(800) 1533544

(151) 2019 06 20

(891) 2019 06 20

(731) Aebi Schmidt Holding AG

Schulstrasse 4, CH-8500 Frauenfeld,  
Switzerland

(540)

## aebi schmidt

(591) Black, white

(511)

7 – Suction machines for industrial use; attachments, mounted or interchangeable equipment for vehicles in the form of sweepers, sprayers, spreaders or clearing machines; drives for machines; agricultural implements mounted on trailers (other than hand-operated); sprayers or spreaders or cleaning or clearing devices which can be mounted on vehicles or trailers; road sweeping machines mounted on vehicles; automatic cleaning machines; construction machines (road building); floor scrubbing machines; brushes [parts of machines]; brush sweeping machines; electric vacuum cleaning apparatus [for industrial use]; electric brushes; electric floor sweeping machines; electric floor cleaning apparatus; electric machines for floor care by cleaning, polishing, scouring, vacuuming; electric cleaning machines; electric vacuum cleaning machines; electric vacuum cleaners; dust removing installations for cleaning purposes; mobile machines, in particular motor-driven agricultural mowers, road sweeping ma-

chines, sowers, road construction machines, snowblowers, snow plows and multi-use machines, fertilizer spreaders, sprayers, sand turbines, sand blowers, sand blower turbines, in so far as included in the class; mobile machines with supports for apparatus, particularly for agricultural use and for communal and cleaning services; transmissions for vehicles, other than for land vehicles; belts for conveyors; transport device for dry and wet salt and for de-icing preparations; road sweeping machines, sowers, road construction machines, snowblowers, snow plows and multi-purpose machines, fertilizer spreaders, sprayers, sand turbines, sand blowers, sand blower turbines, in so far as included in the class; elevating apparatus; lifting apparatus; sweeping machines; power transmission mechanisms for machines; power transmission devices for machines; couplings, other than for land vehicles; harvesting machines; machines for cleaning, clearing and/or de-icing, also in the form of supports for apparatus or vehicles or trailers; washing machines, also in the form of supports for apparatus or vehicles or trailers; mechanical spreaders; feeders [parts of machines]; mixing machines; mixers [machines]; rammers; lawnmowers; clearers; cleaning apparatus [machines] with brushes; cleaning machines; cleaning machines for industrial purposes; cleaning machines and apparatus [electric]; air suction machines; suction machines for industrial use; agricultural implements other than hand-operated, suction and combined machines and hay distributors, hay aeration installations; snow blowing accessories for vehicles; snow throwers; vehicled snow throwers; snow removal apparatus; snow throwers; sprayers, sprayers for liquid media, in particular for use against black ice (other than hand-operated); control apparatus for machines, motors or engines; road sweeping machines, sowers; road sweepers [machines]; road sweeping machines [self-propelled]; road sweeping devices for vehicles; sweeping machines [self-propelled]; spreaders/spreading machines; transmissions for vehicles, other than for land vehicles, shredders [machines] for industrial use; spreader vehicles.

9 – Dosage dispensers; electronic control systems for dosing; electronic control for unmanned vehicles; navigation apparatus; positioning apparatus; marking apparatus; computer software for data warehousing automation; black boxes (data recorders); data recorders; apparatus for detection of data from machines, machine installations and vehicles; electric control, testing and monitoring devices; software; sensors.

12 – Trailers [vehicles]; trailer vehicles; trailers intended to receive spraying and spreading machines and road cleaning; drive gears [parts for land vehicles]; attached or carried equipment adapted to vehicles; attached or carried equipment adapted to utility vehicles; structural parts for heavy-duty vehicles; vehicle chassis; electric vehicles; undercarriages for vehicles; vehicles; transport vehicles for industrial use; vehi-

cles, namely, vehicles for agricultural, forestry and municipal transport; vehicles equipped with bucket loaders; vehicles equipped with loading apparatus; vehicles equipped with lifting apparatus; vehicles equipped with prehensile apparatus; vehicles for emptying loads; bodies for vehicles; gear boxes for land vehicles; hydraulic circuits for vehicles; bodies for land vehicles; boxes, tilting-carts; dumping trucks; automobiles; housings for parts of land vehicles, except for motors and engines; land transport vehicles for industrial use; tipping bodies for trucks; multi-purpose trolleys; multi-use work vehicles, in particular apparatus mounts; garbage collection vehicles; utility vehicles; sprinkling trucks [street cleaning]; treads for vehicles [tractor type]; driving chains for land vehicles; tractors; cars; undercarriages for vehicles; railway freight cars; attached equipment for railway vehicles; attached equipment for railway freight cars; self-driving cars.

35 – Commercial business conduct advice; providing information and consulting services relating to e-commerce; procurement services for others [purchasing goods and services for other businesses]; operation of an import-export agency; wholesale and retail commerce, also via the global computer network, in particular for vehicles, utility vehicles, tractors, vehicle parts, trailers, attached parts, carried parts, accessories, spare parts, devices, apparatus machines (whether hand-operated or otherwise); services in the field of electronic commerce, namely, the contract mediation for purchase and sale of goods online; services in the field of electronic commerce, namely, advertising via computer networks in the nature of data, texts, images, sound or any combination thereof for sale of goods and services of all types; services in the field of electronic commerce, namely, provision of information on goods via telecommunication networks for advertising and sales purposes; online provision of information concerning the selection of goods via the global computer network; presentation and preparation of various offers of goods and services via global electronic computer networks (the Internet), enabling consumers to conveniently view, compare and purchase aforesaid goods and services; development and implementation of marketing strategies for others; business analysis, research and information services, conducting of commercial feasibility studies, commercial project management services regarding special vehicles and special railway vehicles.

36 – Financial services; financial advice; providing of know-how with respect to finance (financial advice); building management; real estate management; lease-purchase financing.

37 – Servicing, maintenance and repair of vehicles and vehicle parts; rental of construction machines, in particular road sweeping machines, self-propelled sweeping machines, road construction machines,



snow blowers, snow plows; rental of sprayers for maintenance and servicing of roads, roadways and aircraft take-off and landing runways; advice in the field of cleaning, servicing and maintenance of machines and vehicles; consultancy services in the field of cleaning, servicing and maintenance of roads, roadways and aircraft take-off and landing runways; provision of equipment for retrofitting and renovation of machines and vehicles; customized renovation of vehicles and components thereof; advice regarding installation, maintenance and repair of hydraulic apparatus; installation, maintenance and repair of lighting systems; installation, maintenance and repair of control systems.

42 – Design and development of central database optimized for analysis; technical product development; technological consultancy services; technical design and management of special vehicles and special railway vehicles; technical design and management of hydraulic installations; technical design and management of lighting systems; technical design and management of control systems; technical design and management of de-icing systems; development of computer programs; development of web data mining applications; creation of programs for electronic data processing; analysis of computer systems; technical feasibility studies; technological consulting services in connection with use in agriculture, horticulture and forestry and in the municipal field in connection with use of sweeping, spraying, spreading or clearing apparatus.

45 – Management and licensing of intellectual property.

(260) AM 2021 108902 A  
(800) 1538283  
(151) 2020 04 13  
(891) 2020 04 13  
(731) Jiangsu Mega Shoes Co., Ltd.  
No.10 West Qianjin Road, Suining Economic  
Development Zone, Xuzhou, 221200 Jiangsu  
Province, China

(540)

**MIO**

(591) Black, white  
(531) 27.05.01; 27.05.23  
(511)

25 – Sports shoes; footwear; boots; insoles; scarves; leather belts [clothing]; gaiters; heels; inner soles.

(260) AM 2021 109395 A  
(800) 1545029  
(151) 2020 05 20  
(891) 2020 05 20  
(731) Guangdong Baihe Medical Technology Co., Ltd  
No.89, Taoyuan East Road, Nanhai District,  
City, 528225 Guangdong Province, China

(540)

**ABLE**

(591) Black, white  
(531) 27.05.03  
(511)

10 – Anaesthetic masks; anaesthetic apparatus; respirators for artificial respiration; dialyzers; knives for surgical purposes; heart pacemakers; pumps for medical purposes; cannulae; medical guidewires; forceps; drainage tubes for medical purposes; needles for medical purposes; stents; catheters.

(260) AM 2021 109397 A  
(800) 1545082  
(151) 2020 06 02  
(891) 2020 06 02  
(731) Alpen Pharma AG  
Finkenhubelweg 16, CH-3012 Bern,  
Switzerland;  
Farmalider S.A.  
La Granja, 1, E-28108 ALCOBENDAS  
(MADRID), Spain

(540)

**IRICAR**

(591) Black, white  
(511)

5 – Pharmaceutical products, medical and veterinary preparations; sanitary products for medical purposes; dietetic substances and foodstuffs for medical or veterinary use, food for babies; food supplements for humans and animals; plasters, materials for dressings; material for dental fillings and dental impressions; disinfectants; products for destroying vermin; fungicides, herbicides.

(260) AM 2021 109398 A  
(800) 1545220  
(151) 2020 01 28  
(891) 2020 01 28  
(731) ENVASADOS EVA S.A.  
P.I. Num. 18, E-31870 LECUMBERRI –  
NAVARRA, Spain

(540)



(591) Black, white  
(531) 26.04.03  
(511)  
33 – Ciders.

(260) AM 2021 109399 A

(800) 1545225

(151) 2020 07 10

(891) 2020 07 10

(731) GuangDong OPPO Mobile

Telecommunications Corp., Ltd.

No.18 Haibin Road, Wusha, Chang'an,

Dongguan, Guangdong, China

(540)

**OPPO Ace**

(591) Black, white

(531) 27.05.01; 27.05.10

(511)

9 – USB flash drives; notebook computers; wearable computers; electronic publications, downloadable; personal digital assistants [PDAs]; computers; computer program (downloadable software); computer software, recorded; computer peripheral devices; interactive touch screen terminals; humanoid robots with artificial intelligence; downloadable mobile software applications; tablet computers; smart ring (data processing); smart watches (data processing); smart glasses (data processing); facial recognition equipment; telephone apparatus; transmitters of electronic signals; intercommunication apparatus; global positioning system [GPS] apparatus; smartphones; portable media players; wearable video display monitors; electronic book readers; earphones; sound transmitting apparatus; virtual reality headsets; cameras [photography]; USB cables; wires, electric; semi-conductors; electric plugs; electronic chips; optical fibres [light conducting filaments]; video screens; remote control apparatus; lightning arresters; heat regulating apparatus; electrolyzers; fire extinguishers; radiological apparatus for industrial purposes; protection devices for personal use against accidents; USB chargers; batteries, electric; wireless chargers; power bank (rechargeable battery).

(260) AM 2021 109417 A

(800) 1545817

(151) 2020 05 25

(891) 2020 05 25

(731) "LEMAX" LLC

Nikolaevskoe sh., 10-V, Taganrog, RU-347913

Rostovskaya obl., Russian Federation

(540)



(591) White and cherry

(531) 03.01.01; 03.01.16; 26.04.15; 27.05.17;

29.01.12

(511)

11 – Heat accumulators; water heaters [apparatus]; drying apparatus and installations; expansion tanks for central heating installations; boilers, other than parts of machines; water heaters; air reheaters; extractor hoods for kitchens; gas heat generators [installations]; burners; gas burners; chimney flues; heating apparatus; fireplaces, domestic; solar thermal collectors [heating]; air-conditioning apparatus; gas boilers; laundry room boilers; heating boilers; immersion heaters; brackets for gas burners; heat pumps; hot air bath fittings; sauna bath installations; furnaces, other than for laboratory use; stoves [heating apparatus]; incinerators; solar furnaces; feeding apparatus for heating boilers; heating plates; cookers; heating apparatus, electric; heating apparatus for solid, liquid or gaseous fuels; kitchen ranges [ovens]; forage drying apparatus; air purifying apparatus and machines; cooking rings; hot air apparatus; regulating accessories for water or gas apparatus and pipes; regulating and safety accessories for gas pipes; radiators [heating]; central heating radiators; radiators, electric; heat regenerators; heat exchangers, other than parts of machines; flues for heating boilers; boiler pipes [tubes] for heating installations; humidifiers for central heating radiators; air-conditioning installations; air filtering installations; ventilation [air-conditioning] installations for vehicles; heating installations; heaters for vehicles; hot water heating installations; ventilation hoods; ventilation hoods for laboratories; air cooling apparatus; dampers [heating]; refrigerating cabinets; heating elements.

37 – Asphaltting; drilling of wells; rebuilding engines that have been worn or partially destroyed; rebuilding machines that have been worn or partially destroyed; retreading of tires; vulcanization of tires [repair]; building sealing; linen ironing; pressing of clothing; disinfecting; rat exterminating; refilling of toner cartridges; knife sharpening; building insulating; bricklaying; riveting; construction consultancy; repair information; construction information; varnishing; re-tinning; scaffolding; road paving; vehicle washing; car wash; window cleaning; building construction supervision; upholstery; renovation of clothing; rustproofing; anti-rust treatment for vehicles; sanding; pumicing; safe maintenance and repair; vehicle maintenance; paper hanging; painting or repair of signs; cleaning of buildings [exterior surface]; vehicle polishing; vehicle breakdown repair services; rental of bulldozers; rental of road sweeping machines; rental of cranes [construction equipment]; rental of construction equipment; rental of excavators; plumbing; masonry; roofing services; painting, interior and exterior; carpentry services; underwater repair; plastering; quarrying services; repair of security locks; umbrella repair; para-

sol repair; motor vehicle maintenance and repair; burner maintenance and repair; film projector repair and maintenance; clock and watch repair; pump repair; upholstery repair; shoe repair; clothing repair; photographic apparatus repair; furniture restoration; restoration of musical instruments; vehicle greasing; demolition of buildings; warehouse construction and repair; vehicle service stations [refuelling and maintenance]; mending clothing; cabinet making [repair]; washing; washing of linen; factory construction; building of fair stalls and shops; construction; shipbuilding; cleaning of buildings [interior]; street cleaning; vermin exterminating, other than for agriculture, forestry or horticulture; artificial snow-making services; laundering; installation of doors and windows; irrigation devices installation and repair; elevator installation and repair; heating equipment installation and repair; burglar alarm installation and repair; furnace installation and repair; telephone installation and repair; installation and repair of air-conditioning apparatus; fire alarm installation and repair; freezing equipment installation and repair; electric appliance installation and repair; kitchen equipment installation; installation, maintenance and repair of computer hardware; machinery installation, maintenance and repair; office machines and equipment installation, maintenance and repair; interference suppression in electrical apparatus; swimming-pool maintenance; furniture maintenance; chimney sweeping; boiler cleaning and repair; cleaning of clothing; dry cleaning; vehicle cleaning; diaper cleaning; leather care, cleaning and repair; fur care, cleaning and repair.

(260) AM 2021 109442 A

(800) 1545966

(151) 2020 05 12

(891) 2020 05 12

(731) Individual entrepreneur Morgunov Leonid Grigor'evich

kv. 47, d. 8, ul. Dostoevskogo, RU-630091  
Novosibirsk, Russian Federation

(540)

## WELLLAB

(591) Black, white

(511)

5 – Acai powder dietary supplements; albumin dietary supplements; albuminous foodstuffs for medical purposes; alginate dietary supplements; antibacterial handwashes; antibacterial soap; anticryptogamic preparations; appetite suppressants for medical purposes; asthmatic tea; medicated candies; casein dietary supplements; cotton sticks for medical purposes; dietary supplements for animals; dietary supplements with a cosmetic effect; dietetic beverages adapted for medical purposes; dietetic foods adapted for medical purposes; digestives for pharmaceutical purposes; disinfectant soap; disinfectants for hygiene purposes; enzy-

me dietary supplements; food for babies; glucose dietary supplements; herbal teas for medicinal purposes; homogenized food adapted for medical purposes; lecithin dietary supplements; linseed dietary supplements; linseed oil dietary supplements; lyophilized meat adapted for medical purposes; medical preparations for slimming purposes; medicated dry shampoos; medicated shampoos; medicated shampoos for pets; medicated soap; medicated sweets; medicated toiletry preparations; medicinal hair growth preparations; medicinal herbs; medicinal infusions; medicinal oils; medicinal roots; medicinal tea; mineral food supplements; mouthwashes for medical purposes; nervines; nutritional supplements; parasiticides; pediculicidal shampoos; pharmaceutical preparations for skin care; pollen dietary supplements; propolis dietary supplements; protein dietary supplements; purgatives; royal jelly dietary supplements; sedatives; sunburn ointments; syrups for pharmaceutical purposes; tissues impregnated with pharmaceutical lotions; tonics; wheat germ dietary supplements; yeast dietary supplements.

30 – Candies; caramels; cereal bars; chamomile-based beverages; chocolate-based beverages; cocoa-based beverages; coffee-based beverages; flowers or leaves for use as tea substitutes; fruit jellies; high-protein cereal bars; infusions, not medicinal; liquorice; mints for breath freshening; natural sweeteners; peppermint sweets; tea; tea-based beverages; vegetal preparations for use as coffee substitutes.

32 – Aperitifs, non-alcoholic; cocktails, non-alcoholic; energy drinks; essences for making beverages; mineral water; non-alcoholic beverages; non-alcoholic fruit juice beverages; non-alcoholic preparations for making beverages; powders for effervescing beverages; table waters.

(260) AM 2021 109450 A

(800) 1546021

(151) 2020 05 15

(891) 2020 05 15

(731) VENELIN STOYANOV GEORGIEV

apartment 13, floor 5, entrance B, "Asenovska"  
32, BG-8800 Sliven, Bulgaria

(540)

## CASPOLYOF КАСПОЛИОФ

(591) Black, white

(531) 28.05

(511)

5 – Absorbent cotton; acai powder dietary supplements; acaricides; acetates for pharmaceutical purposes; acids for pharmaceutical purposes; acne treatment preparations; aconitine; adhesive plasters; adhesive tapes for medical purposes; adhesives for dentures; adjuvants for medical purposes; air purifying preparations; air deodorizing preparations; albumin dietary

supplements; albuminous foodstuffs for medical purposes; albuminous preparations for medical purposes; alcohol for pharmaceutical purposes; aldehydes for pharmaceutical purposes; algicides; alginate dietary supplements; alginates for pharmaceutical purposes; alkaline iodides for pharmaceutical purposes; alkaloids for medical purposes; alloys of precious metals for dental purposes; almond milk for pharmaceutical purposes; aloe vera preparations for pharmaceutical purposes; aluminium acetate for pharmaceutical purposes; amino acids for medical purposes; amino acids for veterinary purposes; anaesthetics; analgesics; angostura bark for medical purposes; animal washes [insecticides]; anti-uric preparations; antibacterial soap; antibacterial handwashes; antibiotics; anticryptogamic preparations; antioxidant pills; antiparasitic preparations; antiparasitic collars for animals; antiseptic cotton; antiseptics; appetite suppressants for medical purposes; appetite suppressant pills; aseptic cotton; asthmatic tea; astringents for medical purposes; babies' diapers; babies' diaper-pants; bacterial poisons; bacterial preparations for medical and veterinary use; bacteriological preparations for medical and veterinary use; balms for medical purposes; balsamic preparations for medical purposes; bandages for dressings; barks for pharmaceutical purposes; bath preparations for medical purposes; bath salts for medical purposes; bicarbonate of soda for pharmaceutical purposes; biocides; biological preparations for medical purposes; biological preparations for veterinary purposes; biological tissue cultures for medical purposes; biological tissue cultures for veterinary purposes; bismuth preparations for pharmaceutical purposes; bismuth subnitrate for pharmaceutical purposes; blood plasma; blood for medical purposes; bone cement for surgical and orthopaedic purposes; bouillons for bacteriological cultures; bracelets impregnated with insect repellent; breast-nursing pads; bromine for pharmaceutical purposes; bronchodilating preparations; bunion pads; by-products of the processing of cereals for dietetic or medical purposes; cachets for pharmaceutical purposes; cachou for pharmaceutical purposes; preparations for callouses; calomel [fungicide]; camphor oil for medical purposes; camphor for medical purposes; candy, medicated; candy for medical purposes; capsules for medicines; capsules made of dendrimer-based polymers, for pharmaceuticals; carbolineum [parasiticide]; casein dietary supplements; castor oil for medical purposes; cattle washes [insecticides]; caustic pencils; caustics for pharmaceutical purposes; cedar wood for use as an insect repellent; cellulose esters for pharmaceutical purposes; cellulose ethers for pharmaceutical purposes; cement for animal hooves; charcoal for pharmaceutical purposes; chemical conductors for electrocardiograph electrodes; chemical contraceptives; chemical preparations for the diagnosis of pregnancy; chemical preparations to treat mildew; chemical preparations to treat wheat blight; chemical preparations for treating phyloxera; chemical preparations for tre-

ating diseases affecting vine plants; chemical preparations for pharmaceutical purposes; chemical preparations for medical purposes; chemical preparations for veterinary purposes; chemical reagents for medical or veterinary purposes; chemical preparations for treating diseases affecting cereal plants; chemico-pharmaceutical preparations; chewing gum for medical purposes; chilblain preparations; chinoline for medical purposes; chloroform; cocaine; cod liver oil; collagen for medical purposes; collodion for pharmaceutical purposes; collyrium; compresses; condurango bark for medical purposes; solutions for contact lenses; contact lens cleaning preparations; cooling sprays for medical purposes; corn rings for the feet; corn remedies; cotton for medical purposes; cotton swabs for medical purposes; cream of tartar for pharmaceutical purposes; creosote for pharmaceutical purposes; croton bark; cultures of microorganisms for medical or veterinary use; curare; decoctions for pharmaceutical purposes; dental abrasives; dental amalgams; dental cements; dental impression materials; dental lacquer; dental mastics; dental amalgams of gold; deodorants, other than for human beings or for animals; deodorants for clothing and textiles; depuratives; preparations for destroying noxious animals; preparations for destroying dry rot fungus; preparations for destroying mice; detergents for medical purposes; diabetic bread adapted for medical use; diagnostic preparations for medical purposes; diagnostic biomarker reagents for medical purposes; diagnostic preparations for veterinary purposes; diapers for incontinence; diapers for pets; diastase for medical purposes; dietary fibre; dietary supplements for animals; dietary supplements with a cosmetic effect; dietetic foods adapted for medical purposes; dietetic beverages adapted for medical purposes; dietetic substances adapted for medical use; digestives for pharmaceutical purposes; digitalin; dill oil for medical purposes; disinfectant soap; disinfectants for hygiene purposes; disinfectants for chemical

toilets; disinfectants; dog washes [insecticides]; douching preparations for medical purposes; dressings, medical; drugs for medical purposes; elixirs [pharmaceutical preparations]; enzyme preparations for medical purposes; enzyme preparations for veterinary purposes; enzyme dietary supplements; enzymes for medical purposes; enzymes for veterinary purposes; ergot for pharmaceutical purposes; esters for pharmaceutical purposes; ethers for pharmaceutical purposes; eucalyptol for pharmaceutical purposes; eucalyptus for pharmaceutical purposes; extracts of hops for pharmaceutical purposes; eyepatches for medical purposes; preparations to facilitate teething; febrifuges; fennel for medical purposes; ferments for pharmaceutical purposes; first-aid boxes, filled; fish meal for pharmaceutical purposes; flour for pharmaceutical purposes; flowers of sulfur for pharmaceutical purposes; fly catching paper; fly glue; fly destroying preparations; food for babies; formic aldehyde for phar-

maceutical purposes; freeze-dried food adapted for medical purposes; freeze-dried meat adapted for medical purposes; frostbite salve for pharmaceutical purposes; fumigating sticks; fumigation preparations for medical purposes; fungicides; gallic acid for pharmaceutical purposes; gamboge for medical purposes; gases for medical purposes, gauze for dressings; gelatine for medical purposes; gentian for pharmaceutical purposes; germicides; glucose for medical purposes; glucose dietary supplements; glycerine for medical purposes; glycerophosphates; greases for medical purposes; greases for veterinary purposes; guaiacol for pharmaceutical purposes; gum for medical purposes; gurjun balsam for medical purposes; haematogen; haemoglobin; haemorrhoid preparations; haemostatic pencils; herbal teas for medicinal purposes; herbal extracts for medical purposes; preparations for destroying noxious plants; homogenized food adapted for medical purposes; hormones for medical purposes; hydrastine; hydrastinine; hydrated chloral for pharmaceutical purposes; hydrogen peroxide for medical purposes; immunostimulants; infant formula; injectable dermal fillers; insect repellents; insect repellent incense; insecticidal animal shampoo; insecticidal veterinary washes; insecticides; iodides for pharmaceutical purposes; iodine for pharmaceutical purposes; iodoform; Irish moss for medical purposes; isotopes for medical purposes; jalap; jujube, medicated; lacteal flour for babies; larvae exterminating preparations; laxatives; lead water; lecithin for medical purposes; lecithin dietary supplements; leeches for medical purposes; lice treatment preparations [pediculicides]; lime-based pharmaceutical preparations; liniments; linseed for pharmaceutical purposes; linseed meal for pharmaceutical purposes; linseed dietary supplements; linseed oil dietary supplements; lint for medical purposes; liquorice for pharmaceutical purposes; lotions for pharmaceutical purposes; lotions for veterinary purposes; lupulin for pharmaceutical purposes; magnesia for pharmaceutical purposes; malt for pharmaceutical purposes; malted milk beverages for medical purposes; mangrove bark for pharmaceutical purposes; massage candles for therapeutic purposes; medical preparations for slimming purposes; medicated eye-washes; medicated animal feed; medicated dentifrices; medicated after-shave lotions; medicated shampoos; medicated toiletry preparations; medicated hair lotions; medicated dry shampoos; medicated shampoos for pets; medicated soap; medicinal alcohol; medicinal mud; medicinal infusions; medicinal tea; medicinal oils; medicinal herbs; medicinal roots; medicinal drinks; medicinal hair growth preparations; medicine cases, portable, filled; medicines for alleviating constipation; medicines for dental purposes; medicines for human purposes; medicines for veterinary purposes; melissa water for pharmaceutical purposes; menthol; mercurial ointments; preparations of microorganisms for medical or veterinary use; milk ferments for pharmaceutical purposes; milk sugar for

pharmaceutical purposes; milking grease; mineral waters for medical purposes; mineral water salts; mineral food supplements; mint for pharmaceutical purposes; moleskin for medical purposes; mothproofing preparations; mothproofing paper; moulding wax for dentists; mouthwashes for medical purposes; mud for baths; mustard oil for medical purposes; mustard for pharmaceutical purposes; mustard plasters; myrobalan bark for pharmaceutical purposes; narcotics; nervines; nicotine gum for use as an aid to stop smoking; nicotine patches for use as aids to stop smoking; nutraceutical preparations for therapeutic or medical purposes; nutritional supplements; nutritive substances for microorganisms; oil of turpentine for pharmaceutical purposes; ointments for pharmaceutical purposes; opiates; opium; opodeldoc; ootherapy preparations; oxygen baths; oxygen for medical purposes; pants, absorbent, for incontinents; panty liners [sanitary]; paper for mustard plasters; parasiticides; pastilles for pharmaceutical purposes; pearl powder for medical purposes; pectin for pharmaceutical purposes; pediculicidal shampoos; pepsins for pharmaceutical purposes; peptones for pharmaceutical purposes; pesticides; petroleum jelly for medical purposes; pharmaceutical preparations; pharmaceutical preparations for treating sunburn; pharmaceutical preparations for skin care; pharmaceutical preparations for treating dandruff; pharmaceuticals; phenol for pharmaceutical purposes; phosphates for pharmaceutical purposes; phytotherapy preparations for medical purposes; plant extracts for pharmaceutical purposes; poisons; pollen dietary supplements; pomades for medical purposes; porcelain for dental prostheses; potassium salts for medical purposes; poultices; powder of cantharides; powdered milk for babies, pre-filled syringes for medical purposes; propolis for pharmaceutical purposes; propolis dietary supplements; protein dietary supplements; protein supplements for animals; purgatives; pyrethrum powder; quassia for medical purposes; quibracho for medical purposes; quinine for medical

purposes; quinquina for medical purposes; radioactive substances for medical purposes; radiological contrast substances for medical purposes; radium for medical purposes; rat poison; reagent paper for medical purposes; reagent paper for veterinary purposes; preparations for reducing sexual activity; remedies for foot perspiration; remedies for perspiration; repellents for dogs; rhubarb roots for pharmaceutical purposes; royal jelly for pharmaceutical purposes; royal jelly dietary supplements; rubber for dental purposes; salts for mineral water baths; salts for medical purposes; sanitary panties; sanitary tampons; sanitary towels; sarsaparilla for medical purposes; scapulars for surgical purposes; sea water for medicinal bathing; sedatives; semen for artificial insemination; serotherapeutic medicines; serums; personal sexual lubricants; sexual stimulant gels; siccatives [drying agents] for medical purposes; slimming pills; slug exterminating prepara-

tions; smelling salts; smoking herbs for medical purposes; sodium salts for medical purposes; soil-sterilizing preparations; solvents for removing adhesive plasters; soporifics; starch for dietetic or pharmaceutical purposes; stem cells for medical purposes; stem cells for veterinary purposes; sterilizing preparations; steroids; stick liquorice for pharmaceutical purposes; strychnine; styptic preparations; sugar for medical purposes; sulfonamides [medicines]; sulfur sticks [disinfectants]; sunburn ointments; suppositories; surgical dressings; surgical implants comprised of living tissues; surgical glues; syrups for pharmaceutical purposes; tanning pills; tartar for pharmaceutical purposes; teeth filling material; therapeutic preparations for the bath; thermal water; thymol for pharmaceutical purposes; tincture of iodine; tinctures for medical purposes; tissues impregnated with pharmaceutical lotions; tobacco extracts [insecticides]; tobacco-free cigarettes for medical purposes; tonics [medicines]; preparations of trace elements for human and animal use; transplants [living tissues]; preparations for the treatment of burns; turpentine for pharmaceutical purposes; vaccines; vaginal washes for medical purposes; vermifuges; vermin destroying preparations; vesicants; veterinary preparations; vitamin preparations; vitamin supplement patches; vulnerary sponges; wadding for medical purposes; wart pencils; wheat germ dietary supplements; yeast for pharmaceutical purposes; yeast dietary supplements.

(260) AM 2021 109451 A

(800) 1546029

(151) 2020 05 09

(891) 2020 05 09

(731) ZEINPHARMA-GERMANY GmbH

Industriestraße 29, 64569 Nauheim,  
Germany

(540)

**Zein**   
**Pharma**

(591) Blue, red

(531) 11.01.25; 19.11.01; 27.05.17; 29.01.12

(511)

3 – Cosmetics; cosmetic creams; balms other than for medical purposes; aloe vera preparations for cosmetic purposes; hair lotion; cosmetic preparations for baths; cosmetic massage oils; lotions for cosmetic purposes; oils for cosmetic purposes; shampoos; massage gels, other than for medical purposes.

5 – Pharmaceutical preparations; pharmaceutical preparations for treating dandruff; pharmaceutical preparations for skin care; dietetic foods or food supple-

ments for medical use, with a base of carbohydrates, roughage, with added vitamins, minerals, trace elements, either singly or in combination; balms for medical purposes; aloe vera preparations for pharmaceutical purposes; gelatine for medical purposes; preparations for callouses; bath preparations for medical purposes; therapeutic preparations for the bath; ointments for pharmaceutical purposes; lotions for pharmaceutical purposes; medicinal drinks; mineral food supplements; asthmatic tea; herbal teas for medicinal purposes; medicinal tea; albuminous preparations for medical purposes; protein dietary supplements; casein dietary supplements; albumin dietary supplements; food supplements not for medical use, with a base of proteins, fats, fatty acids, with added vitamins, minerals, trace elements, either singly or in combination; food supplements with a protein base; dietetic foods or food supplements not adapted for medical use, with a base of carbohydrates, roughage, with added vitamins, minerals, trace elements, either singly or in combination.

(260) AM 2021 109452 A

(800) 1546051

(151) 2020 04 08

(891) 2020 04 08

(731) SICHUAN CHANGHONG ELECTRIC CO.,  
LTD.

No. 35, East Mianxing Road, High-Tech  
Park, Mianyang, 621000 Sichuan, China

(540)

**CHI Q**

(591) Black, white

(531) 27.05.01

(511)

7 – Fruit presses, electric, for household purposes; dishwashers for household purposes; drums [parts of machines]; labellers [machines]; shoe polishers, electric; grain husking machines; corn husking machines; bellows [parts of machines]; 3d printers; agricultural machines; net hauling machines [fishing]; hair cutting machines for animals; woodworking machines; paper-making machines; beverage preparation machines, electromechanical; tobacco processing machines; stitching machines; bicycle assembling machines; glass-working machines; electromechanical machines for chemical industry; mine borers; rolling mills; road rollers; foundry machines; scissors, electric; machines for the electronic industry; alternators; centrifuges [machines]; compressors [machines]; crank shafts; sifting installations; vending machines; electroplating machines; dishwashers; blenders, electric, for household purposes; whisks, electric, for household purposes; fruit presses, electric, for household purposes; mills for household purposes, other than hand-ope-

rated; tin openers, electric; pepper mills, other than hand-operated; beaters, electric; coffee grinders, other than hand-operated; kitchen machines, electric; food processors, electric; washing machines [laundry].

9 – Notebook computers; tablet computers; computers; microprocessors; radar apparatus; video telephones; smartphones; navigational instruments; baby monitors; television apparatus; portable media players; sound recording apparatus; projection apparatus; megaphones; audio- and video-receivers; dvd players; video screens; joysticks for use with computers, other than for video games; smartwatches (data processing); encoded identification bracelets, magnetic; led displays; cash registers; mechanisms for coin-operated apparatus; dictating machines; phototelegraphy apparatus; photocopiers [photographic, electrostatic, thermic]; wearable activity trackers; covers for smartphones; cases for smartphones; vehicle radios; diaphragms [acoustics]; loudspeakers; camcorders; headphones; video baby monitors; audio mixers; selfie sticks [hand-held monopods]; cameras [photography]; speed measuring apparatus [photography]; video projectors; air analysis apparatus; distance recording apparatus; thermostats for vehicles; automatic indicators of low pressure in vehicle tires; food analysis apparatus; gas testing instruments; audiovisual teaching apparatus; measuring devices, electric; metal detectors for industrial or military purposes; simulators for the steering and control of vehicles; connected bracelets [measuring instruments]; calorimeters; flowmeters; oxygen transpiring apparatus; cassette players; accelerometers; bullet-proof clothing; life-saving capsules for natural disasters; computer peripheral devices; electronic tags for goods; ticket dispensers; surveying instruments; cables, electric; wafers for integrated circuits; lightning conductors; electric apparatus for commutation; electrolyzers; fire extinguishing apparatus; radiology screens for industrial purposes; eyeglasses; slides [photography].

11 – Food steamers, electric; deep fryers, electric; refrigerating display cabinets; oil-scrubbing apparatus; aquarium filtration apparatus; electrically heated carpets; lighting apparatus and installations; lighting apparatus for vehicles; lanterns for lighting; germicidal lamps for purifying air; curling lamps; refrigerators; air-conditioning apparatus; water heaters; water-pipes for sanitary installations; ornamental fountains; sanitary apparatus and installations; bath installations; disinfectant apparatus; radiators, electric; lighters; coffee machines, electric; griddles [cooking appliances]; brackets for gas burners; heaters, electric, for feeding bottles; electric appliances for making yoghurt; microwave ovens [cooking apparatus]; bread toasters; bread baking machines; roasters; water heater, electric; thermo-pots, electric; electric cooktops; cooking utensils, electric; bread-making machines; fans [air-conditioning]; extractor hoods for kitchens; electric fans for personal use; water dispenser; coffee roasters; walk-in

refrigerators; refrigerating appliances and installations; refrigerating containers; refrigerating apparatus and machines; air deodorising apparatus; ventilation [air-conditioning] installations for vehicles; defrosters for vehicles; air sterilisers; gas scrubbing apparatus; germicidal burners; heaters for heating irons; heating installations [water]; radiators [heating]; clean chambers [sanitary installations]; hydromassage bath apparatus; water closets; fumigation apparatus, not for medical purposes; disinfectant dispensers for toilets; purification installations for sewage; book sterilisation apparatus; hot water bottles.

(260) AM 2021 109453 A

(800) 1546061

(151) 2020 05 18

(891) 2020 05 18

(731) adp Gauselmann GmbH

Merkur-Allee 1-15, 32339 Espelkamp,  
Germany

(540)

## Magic Potion

(591) Black, white

(511)

9 – Computer software; coin-operated mechanisms; computer and video games software; games software in particular for use on any computer platform, including electronic entertainment and games consoles; computer game programs; video games (software); computer games provided through a global computer network or supplied by means of multi-media electronic broadcast or through telecommunications or electronic transmission or via the internet; computer games, leisure and recreational software, video games and computer software, all being provided in the form of storage media; programs for operating electric and electronic apparatus for games, entertainment and/or amusement purposes; automatic lottery machines; computer software for computer games on the internet; online games (software), in particular for online betting games, online prize games, online gambling games, online games of skill and online casino games; computer software in the form of an app for mobile devices and computers; calculating apparatus in coin-operated machines and parts for the aforesaid goods; electric, electronic, optical or automatic apparatus, for identifying data carriers, identity cards and credit cards, bank notes and coins; computer software in particular for casino and/or amusement arcade games, for gaming machines and/or slot machines each one with or without a prize payouts; gaming software that generates or displays wager outcomes of gaming machines; operational computer games software; computer software for managing of games (game collection); collection of video games; video game collections.

28 – Games; toys; gaming apparatus (including coin-operated apparatus); coin-operated arcade games (ma-



chines); games for amusement arcades (included in class 28); coin-operated video gaming apparatus; video games apparatus adapted for use with external screens or monitors only; casino fittings, namely roulette tables, roulette wheels; coin-operated automatic gaming machines and gaming machines, in particular for gaming arcades, with or without a prize payout; electronic or electrotechnical gaming apparatus, automatic gaming machines, gaming machines, slot machines operated by coins, tokens, banknotes, tickets or by means of electronic, magnetic or biometric storage media, in particular for commercial use in casinos and amusement arcades, with or without a prize payout; automatic gaming machines and gaming machines, in particular for commercial use in casinos and gaming arcades, with or without a prize payout; coin-operated gaming machines and/or electronic money-based gaming apparatus (machines), with or without prizes; housings adapted for gaming machines, gaming apparatus and automatic gaming machines, operated by means of coins, tokens, tickets or by means of electronic, magnetic or biometric storage media, in particular for commercial use in casinos and gaming arcades, with or without a prize payout; electronic games; electronic game entertainment apparatus and parts thereof; video output game machines; drawing apparatus for prize games and lotteries, draws or raffles; housings of metal, plastic and/or wood for coin-operated automatic machines; apparatus for games (including video games), other than adapted for use with external screens or monitors only; electropneumatic and electric slot machines with pulling handles (gaming machines); gaming tables, in particular for table football, billiards, sliding games; flying discs (toys) and darts; lcd games consoles; automatic gaming machines; all the aforesaid automatic machines operating in networks; apparatus and devices for accepting and storing money, being fittings for the aforesaid automatic machines, included in this class.

(260) AM 2021 109454 A  
 (800) 1546084  
 (151) 2020 06 12  
 (891) 2020 06 12  
 (731) HAERTOL Chemie GmbH  
 Havelstraße 21, 39126 Magdeburg, Germany  
 (540)

## HT 12

(591) Black, white  
 (511)  
 1 – Chemicals used in industry, science and photography, as well as in agriculture, horticulture and forestry; cooling brine; heat transfer fluids; unprocessed artificial resins, unprocessed plastics; fertilizing preparations; fire extinguishing compositions; tempering and soldering preparations; chemical substances for

preserving foodstuffs; tanning substances; adhesives for use in industry.

2 – Paints, varnishes, lacquers; preservatives against rust and against deterioration of wood; dyes; mordants; raw natural resins; metal foil for painters, decorators, printers and artists.

4 – Industrial oils and greases; lubricants; dust controlling compositions; fuels (including motor spirit) and illuminants; candles and wicks for lighting.

(260) AM 2021 109455 A  
 (800) 1546096  
 (151) 2020 07 07  
 (891) 2020 07 07  
 (731) "Royal Moda" Limited Liability Company  
 ul. Lenin, d. 84, Orekhovo-Zuevo, RU-146200  
 Moscow Region, Russian Federation  
 (540)



## FIFFO

(591) Black, white  
 (531) 26.04.18; 26.04.24; 27.05.01; 27.05.22  
 (511)  
 14 – Agates; diamonds; amulets [jewelry]; bracelets [jewelry]; bracelets made of embroidered textile [jewellery]; charms for key rings; jewellery charms; brooches [jewelry]; pins [jewelry]; ornamental pins; tie pins; beads for making jewelry; pearls made of amber [pressed amber]; jet, unwrought or semi-wrought; pearls [jewelry]; tie clips; cuff links; clasps for jewelry; badges of precious metal; gold, unwrought or beaten; cloisonné jewelry; works of art of precious metal; jewelry; ivory jewelry; jewelry of yellow amber; iridium; cabochons; precious stones; semi-precious stones; spun silver [silver wire]; necklaces [jewelry]; split rings of precious metal for keys; rings [jewelry]; boxes of precious metal; presentation boxes for jewelry; lockets [jewelry]; coins; gold thread [jewelry]; threads of precious metal [jewelry]; silver thread [jewelry]; olivine [gems]; osmium; palladium; platinum [metal]; rhodium; ruthenium; silver, unwrought or beaten; earrings; ingots of precious metals; alloys of precious metal; statues of precious metal; paste jewelry [costume jewelry]; ornaments of jet; shoe jewelry; hat jewelry; chronographs [watches]; chronometers; chronoscopes; chains [jewelry]; watch chains; watches; sundials; clocks and watches, electric; clocks; wristwatches; rosaries; jewelry boxes; spinel [precious stones].



18 – Luggage tags; saddlecloths for horses; business card cases; sling bags for carrying infants; credit card cases [wallets]; chamois leather, other than for cleaning purposes; umbrellas; parasols; handbag frames; card cases [notecases]; cases of leather or leatherboard; imitation leather; leather, unworked or semi-worked; leatherboard; purses; chain mesh purses; bags [envelopes, pouches] of leather, for packaging; moleskin [imitation of leather]; travelling sets [leatherware]; vanity cases, not fitted; furniture coverings of leather; garment bags for travel; briefcases; fur; haversacks; leather straps; rucksacks; travelling bags; bags; handbags; beach bags; compression cubes adapted for luggage; bags for sports; pouch baby carriers; key cases; suitcases; labels of leather.

24 – Frieze [cloth]; banners of textile or plastic; velvet; household linen; diapered linen; bath linen, except clothing; bed linen; table linen, not of paper; cot bumpers [bed linen]; buckram; fustian; gauze [cloth]; damask; jersey [fabric]; table runners, not of paper; drugget; shower curtains of textile or plastic; curtains of textile or plastic; net curtains; zephyr [cloth]; canvas for tapestry or embroidery; bolting cloth; baby buntings; crepe [fabric]; crepon; furniture coverings of textile; fabrics for textile use; filtering materials of textile; wall hangings of textile; non-woven textile fabrics; textile material; tablemats of textile; sleeping bags; moleskin [fabric]; muslin fabric; pillowcases; mattress covers; bed blankets; blankets for household pets; brocades; diaper changing cloths for babies; handkerchiefs of textile; travelling rugs [lap robes]; coasters of textile; bed valances; linings [textile]; curtain holders of textile material; bed covers; bed covers of paper; furniture coverings of plastic; towels of textile; cloth; hemp cloth; gummed cloth, other than for stationery purposes; printers' blankets of textile; door curtains; sheets [textile]; eiderdowns [down coverlets]; glass cloths [towels]; place mats of textile; table napkins of textile; mosquito nets; calico; oilcloth for use as tablecloths; tablecloths, not of paper; taffeta [cloth]; ticks [mattress covers]; tick [linen]; fabric; lingerie fabric; fabric, impervious to gases, for aeronautical balloons; jute fabric; fabric for footwear; ramie fabric; esparto fabric; rayon fabric; fiberglass fabrics for textile use; adhesive fabric for application by heat; linen cloth; upholstery fabrics; hemp fabric; lining fabric for footwear; traced cloth for embroidery; chenille fabric; printed calico cloth; knitted fabric; cotton fabrics; silk fabrics for printing patterns; woollen cloth; elastic woven material; fabric imitating animal skins; tulle; flannel [fabric]; trellis [cloth]; covers for cushions; fitted toilet lid covers of fabric; covers [loose] for furniture; pillow shams; cheviots [cloth]; silk [cloth]; labels of textile.

25 – Bandanas [neckerchiefs]; underwear; berets; overalls; teddies [underclothing]; ankle boots; breeches for wear; trousers; football boots; brassieres; collars [clothing]; detachable collars; shirt yokes; veils [cloth];

gabardines [clothing]; neckties; ascots; leggings [leg warmers]; gaiters; corselets; jerseys [clothing]; vests; sports jerseys; hosiery; heels; hoods [clothing]; hat frames [skeletons]; pockets for clothing; scarfs; tights; slippers [underclothing]; combinations [clothing]; bodices [lingerie]; corsets [underclothing]; suits; bathing suits; beach clothes; jackets [clothing]; stuff jackets [clothing]; leggings [trousers]; liveries; camisoles; sports singlets; cuffs; short-sleeve shirts; mantillas; coats; sleep masks; furs [clothing]; fingerless gloves; muffs [clothing]; bibs, not of paper; bibs, sleeved, not of paper; fur stoles; hairdressing capes; ear muffs [clothing]; socks; footwear; beach shoes; sports shoes; clothing; outerclothing; ready-made clothing; clothing of imitations of leather; clothing of leather; waterproof clothing; uniforms; overcoats; panties; parkas; pelerines; gloves [clothing]; pajamas; bathing trunks; shirt fronts; dresses; headbands [clothing]; garters; ready-made linings [parts of clothing]; half-boots; lace boots; ponchos; girdles; belts [clothing]; money belts [clothing]; layettes [clothing]; non-slipping devices for footwear; shirts; wooden shoes; sandals; bath sandals; boots; jumper dresses; saris; sarongs; sweaters; inner soles; albs; knitwear [clothing]; underpants; shoes; slippers; headwear; aprons [clothing]; tee-shirts; dressing gowns; bath robes; stockings; shawls; hats; babies' pants [underwear]; trouser straps; pelisses; esparto shoes or sandals; skirts; petticoats; skorts.

35 – Arranging subscriptions to telecommunication services for others; import-export agency services; demonstration of goods; business management and organization consultancy; business organization consultancy; business management consultancy; personnel management consultancy; professional business consultancy; organization of exhibitions for commercial or advertising purposes; organization of fashion shows for promotional purposes; shop window dressing; business management assistance; commercial or industrial management assistance; commercial intermediation services; presentation of goods on communication media, for retail purposes; auctioneering; sales promotion for others; radio advertising; distribution of samples; direct mail advertising; advertising; online advertising on a computer network; procurement services for others [purchasing goods and services for other businesses].

(260) AM 2021 109457 A

(800) 1546189

(151) 2020 07 01

(891) 2020 07 01

(731) Consortium Deutscher Baumschulen GmbH  
Hauptstr. 21, 25474 Ellerbek, Germany

(540)

**CDB**

(591) Black, white

(511)

31 – Horticultural products, included in this class; fresh fruits and vegetables; live plants and natural flowers.

(260) AM 2021 109458 A

(800) 1546206

(151) 2020 06 04

(891) 2020 06 04

(731) "Svyaznoy Chain" Limited Liability Company  
2nd Khoroshevskiy proezd, 9, bld. 2, 5th floor,  
room 4, RU-123007 Moscow, Russian  
Federation

(540)



(591) Purple, blue, pink and yellow

(531) 01.15.23; 26.01.05; 27.05.10; 29.01.15

(526) travel

(511)

45 – Leasing of internet domain names; legal document preparation services; mediation; online social networking services; legal services in relation to the negotiation of contracts for others.

(260) AM 2021 109459 A

(800) 1546318

(151) 2020 01 31

(891) 2020 01 31

(731) ZELENSKYY VOLODYMYR  
OLEKSANDROVYCH  
PROSP. HEROIV STALINHRADA, 6 B,  
KORP. 1, KV. 31, M. KYIV 04021, Ukraine

(540)



(591) Black, white

(531) 02.01.08; 02.01.16; 25.12.03; 26.04.08;  
26.04.09; 26.04.10; 26.04.18; 26.04.24;  
27.07.24; 28.05

(511)

25 – Clothing, footwear, headwear; wimples; bandanas [neckerchiefs]; berets; stuff jackets [clothing]; boas [necklets]; breeches for wear; football shoes; cyclists' clothing; outerclothing; footwear uppers; heelpi-

eces for footwear; tips for footwear; non-slipping devices for footwear; welts for footwear; fittings of metal for footwear; boots for sports; wristbands [clothing]; hoods [clothing]; shirt yokes; veils [clothing]; gabardines [clothing]; galoshes; neckties; money belts [clothing]; leg warmers; spats; trouser straps; gymnastic shoes; ready-made clothing; ready-made linings [parts of clothing]; corselets; wooden shoes; jumpers [pullovers]; jerseys [clothing]; bibs, not of paper; babies' pants [underwear]; shower caps; vests; detachable collars; caps; hats; hat frames [skeletons]; paper hats [clothing]; slippers; neck scarves [mufflers]; pockets for clothing; cap peaks; tights; slips [underclothing]; combinations [clothing]; collars [clothing]; bodices [lingerie]; corsets [underclothing]; suits; wet suits for water-skiing; swimsuits; masquerade costumes; bath slippers; bathing trunks; bath sandals; bath robes; bathing caps; jackets [clothing]; leggings [trousers]; ski boots; liveries; brassieres; camisoles; sports singlets; short-sleeve shirts; shirt fronts; mantillas; sleep masks; mitres [hats]; fingerless gloves; muffs [clothing]; footmuffs, not electrically heated; ear muffs [clothing]; headbands [clothing]; pelerines; fur stoles; underwear; teddies [underclothing]; layettes [clothing]; waterproof clothing; pocket squares; uniforms; fishing vests; motorists' clothing; clothing for gymnastics; clothing of leather; clothing of imitations of leather; maniples; overcoats; gloves [clothing]; hosiery; stocking suspenders; stockings; heelpieces for stockings; paper clothing; parkas; belts [clothing]; heels; sock suspenders; garters; soles for footwear; dress shields; suspenders; pajamas; coats; beach shoes; beach clothes; esparto shoes or sandals; ponchos; sweat-absorbent stockings; girdles; visors being headwear; chasubles; overalls; ski gloves; sandals; jumper dresses; saris; sarongs; sweaters; shirts; tee-shirts; skirts; petticoats; sweat-absorbent underwear; sports jerseys; dresses; togas; knitwear [clothing]; underpants; shoes; skull caps; turbans; inner soles; aprons [clothing]; studs for football boots; dressing gowns; boot uppers; scarves; furs [clothing]; top hats; half-boots; lace boots; caps being headwear; boots; shawls; scarfs; socks; trousers; pelisses.

32 – Beer; mineral waters and aerated waters; non-alcoholic beverages; fruit beverages and fruit juices; syrups and other non-alcoholic preparations for making beverages; aperitifs, non-alcoholic; non-alcoholic honey-based beverages; non-alcoholic fruit extracts; non-alcoholic fruit juice beverages; powders for effervescing beverages; pastilles for effervescing beverages; grape must, unfermented; seltzer water; lithia water; waters [beverages]; table waters; essences for making beverages; isotonic beverages; ginger beer; kvass; cocktails, non-alcoholic; lemonades; non-alcoholic preparations for making liqueurs; whey beverages; aloe vera drinks, non-alcoholic; fruit nectars, non-alcoholic; vegetable juices [beverages]; orgeat; beer wort; sarsaparilla [non-alcoholic beverage]; sy-

rups for lemonade; smoothies; soda water; malt beer; malt wort; must; tomato juice [beverage]; extracts of hops for making beer; sherbets [beverages]; cider, non-alcoholic.

33 – Alcoholic beverages, except beer; aperitifs; arack [arak]; brandy; wine; whisky; anisette (liqueur); anise (liqueur); hydromel (mead); vodka; kirsch; perry; gin; cocktails; curacao; liqueurs; peppermint liqueurs; pre-mixed alcoholic beverages, other than beer-based; distilled beverages; alcoholic beverages containing fruit; bitters; piquette; rice alcohol; rum; sake; cider; spirits [beverages]; alcoholic extracts; digesters [liqueurs and spirits]; alcoholic beverages containing fruit.

35 – Advertising; business management; business administration; office functions; commercial information agency services; administrative processing of purchase orders; cost price analysis; business management of performing artists; auctioneering; book-keeping; market studies; opinion polling; psychological testing for the selection of personnel; organization of exhibitions for commercial or advertising purposes; telephone answering for unavailable subscribers; organization of trade fairs for commercial or advertising purposes; arranging newspaper subscriptions for others; business management of hotels; demonstration of goods; business research; business information; business appraisals; business intelligence services; business inquiries; document copying; business management assistance; marketing research; economic forecasting; business efficiency expert services; transcription of communications; presentation of goods on communication media, for retail purposes; compilation of information into computer databases; compilation of statistics; drawing up of statements of accounts; public relations; distribution of samples; import-export agency services; invoicing; online advertising on a computer network; office machines and equipment rental; commercial or industrial management assistance; advisory services for business management; commercial administration of the licensing of the goods and services of others; computerized file management; business management consultancy; business management and organization consultancy; business management of sports people; providing commercial information and advice for consumers in the choice of products and services; personnel recruitment; systemization of information into computer databases; professional business consultancy; business organization consultancy; personnel management consultancy; layout services for advertising purposes; modelling for advertising or sales promotion; marketing; typing; writing of publicity texts; word processing; news clipping services; updating of advertising material; shop window dressing; business auditing; arranging subscriptions to telecommunication services for others; payroll preparation; tax preparation; organization of fashion shows for promotional purposes; price compari-

son services; procurement services for others [purchasing goods and services for other businesses]; outsourcing services [business assistance]; secretarial services; shorthand; administrative services for the relocation of businesses; photocopying services; sponsorship search; employment agency services; publication of publicity texts; radio advertising; advertising by mail order; rental of advertising space; rental of advertising time on communication media; advertising agency services; publicity material rental; dissemination of advertising matter; preparing of full-page advertisement; production of advertising films; the bringing together, for the benefit of others, of a variety of goods, excluding the transport thereof, enabling customers to conveniently view and purchase those goods through the Internet, mail order catalogues or by means of electronic media, including through web sites or television shopping programmes; information about the abovementioned services; bill-posting; direct mail advertising; sales promotion for others; television advertising; telemarketing services; rental of vending machines; rental of photocopying machines; data search in computer files for others.

38 – Telecommunications services; telex services; news agency services; rental of message sending apparatus; information about telecommunication; providing user access to global computer networks; electronic mail; electronic bulletin board services [telecommunications services]; rental of telecommunication equipment; communications by fiber optic networks; communications by computer terminals; communications by telegrams; communications by telephone; cable television broadcasting; computer aided transmission of messages and images; wireless broadcasting; television broadcasting; rental of modems; providing access to databases; providing internet chatrooms; providing telecommunication channels for tele-shopping services; rental of access time to global computer networks; paging services [radio, telephone or other means of electronic communication]; transmission of greeting cards online; transmission of messages; transmission of telegrams; facsimile transmission; transmission of digital files; voice mail services; telecommunications routing and junction services; radio broadcasting; radio communications; satellite transmission; telegraph services; providing telecommunications connections to a global computer network; videoconferencing services; rental of telephones; telephone services; rental of facsimile apparatus.

41 – Education; instruction services; providing of training; entertainment services; organization of cultural and sport events; academies [education]; educational examination; amusement park services; rental of audio equipment; lending library services; mobile library services; publication of books; production of shows; teaching; presentation of live performances; organization of exhibitions for cultural or educational purposes; providing information in the field of edu-

cation; nursery schools; rental of video cameras; rental of video cassette recorders; videotaping; videotape editing; rental of videotapes; film production, other than advertising films; organization of balls; organization of shows [impresario services]; organization of competitions [education or entertainment]; arranging and conducting of congresses; arranging and conducting of colloquiums; arranging and conducting of conferences; arranging and conducting of concerts; arranging and conducting of workshops [training]; arranging and conducting of seminars; arranging and conducting of symposiums; arranging of beauty contests; organization of lotteries; organization of sports competitions; gymnastic instruction; providing golf facilities; production of radio and television programmes; rental of show scenery; rental of stage scenery; disc jockey services; discotheque services; providing information relating to recreational activities; providing amusement arcade services; animal training; dubbing; electronic desktop publishing; providing sports facilities; correspondence courses; zoological garden services; rental of sound recordings; party planning [entertainment]; toy rental; gambling services; games equipment rental; game services provided online from a computer network; coaching [training]; providing information in the field of entertainment; providing casino facilities [gambling]; calligraphy services; karaoke services; cinema presentations; rental of cinematographic apparatus; movie studio services; rental of motion pictures; club services [entertainment or education]; health club services [health and fitness training]; layout services, other than for advertising purposes; microfilming; sign language interpretation; modelling for artists; providing museum facilities [presentation, exhibitions]; music composition services; production of music; presentation of variety shows; practical training [demonstration]; religious education; tutoring; providing online electronic publications, not downloadable; writing of texts; nightclub services [entertainment]; news reporters services; rental of stadium facilities; providing recreation facilities; vocational guidance [education or training advice]; orchestra services; rental of lighting apparatus for theatrical sets or television studios; boarding school education; language interpreter services; translation; vocational retraining; rental of skin diving equipment; organization of fashion shows for entertainment purposes; booking of seats for shows; personal trainer services [fitness training]; rental of radio and television sets; conducting fitness classes; online publication of electronic books and journals; publication of texts, other than publicity texts; radio entertainment; entertainer services; rental of sports equipment, except vehicles; timing of sports events; rental of sports grounds; sport camp services; recording studio services; subtitling; scriptwriting, other than for advertising purposes; holiday camp services [entertainment]; theatre productions; ticket agency services [entertainment]; television entertainment; rental of tennis co-

urts; physical education; photography; photographic reporting; presentation of circus performances.

43 – Services for providing food and drink; temporary accommodation; tourist home services; bar services; retirement home services; rental of transportable buildings; hotel services; hotel reservations; temporary accommodation reservations; rental of temporary accommodation; accommodation bureau services [hotels, boarding houses]; canteen services; café services; cafeteria services; rental of cooking apparatus; motel services; rental of tents; boarding house services; boarding house bookings; boarding for animals; providing campground facilities; food and drink catering; rental of meeting rooms; restaurant services; self-service restaurant services; rental of drinking water dispensers; rental of chairs, tables, table linen, glassware; holiday camp services [lodging]; snack-bar services; day-nursery [crèche] services.

---

(260) AM 2021 109460 A  
 (800) 1546374  
 (151) 2020 06 19  
 (891) 2020 06 19  
 (731) BOOSTEROID EUROPE LTD  
 Chytron, 5, Agioi Omologites, CY-1075  
 Nicosia, Cyprus

(540)

## **BOOSTEROID**

(591) Black, white

(511)

9 – Software; application software for cloud computing services; cloud servers; cloud server software; communications server software; computer software for controlling and managing access server applications; web application and server software.

38 – Providing online data streaming services; providing online audio and video streaming services; providing data access services; providing access to content, websites and portals; providing user with secure remote access via the Internet to private computer networks; transmission of video games and information via the Internet.

41 – Providing online video games, as an entertainment service.

42 – Software development; programming, design and development of operating software for accessing and using a cloud computing network; providing temporary use of online non-downloadable software for accessing and using a cloud computing network.

---

(260) AM 2021 109467 A  
 (800) 1546559  
 (151) 2020 06 18  
 (891) 2020 06 18  
 (731) Audentes Therapeutics, Inc.

600 California Street, 17th Floor, San Francisco  
CA 94108, USA

(540)

## **XMIRIC**

(591) Black, white

(511)

5 – Pharmaceutical preparations and substances for treating genetic diseases and disorders and neuromuscular diseases and disorders; pharmaceuticals and therapeutic substances for therapeutic purposes in the treatment of genetic diseases and disorders and neuromuscular diseases and disorders.

(260) AM 2021 109468 A

(800) 1546560

(151) 2020 06 18

(891) 2020 06 18

(731) Audentes Therapeutics, Inc.  
600 California Street, 17th Floor,  
San Francisco CA 94108, USA

(540)

## **MYTOKEY**

(591) Black, white

(511)

5 – Pharmaceutical preparations and substances for treating genetic diseases and disorders and neuromuscular diseases and disorders; pharmaceuticals and therapeutic substances for therapeutic purposes in the treatment of genetic diseases and disorders and neuromuscular diseases and disorders.

(260) AM 2021 109469 A

(800) 1546583

(151) 2020 06 02

(891) 2020 06 02

(731) KPO MARKETING COMPANY LIMITED  
Egypt Street, 12, CY-1097 Nicosia, Cyprus

(540)

## **ЭКСПЕДИЦИЯ**

(591) Black, white

(531) 28.05

(511)

33 – Alcoholic beverages [excluding beer].

(260) AM 2021 109470 A

(800) 1546666

(151) 2020 07 07

(891) 2020 07 07

(731) ROYAL-VOSTOK INVESTMENTS LIMITED  
Arch.Makariou III, 206, Chrysalia Court,  
5th floor, CY-3030 Limassol, Cyprus

(540)

## **BELUGA CELEBRATION**

(591) Black, white

(511)

33 – Vodka.

(260) AM 2021 109471 A

(800) 1546677

(151) 2020 06 02

(891) 2020 06 02

(731) Joint Stock Company "Tander"  
Levanevskogo street, 185, RU-350002  
Krasnodar, Russian Federation

(540)

## **Lucky days**

(591) Black, white

(511)

29 – Marmalade; milk; fruit jellies; albumen for culinary purposes; truffles, preserved; silkworm chrysalis for human consumption; coconut butter; fish roe, processed; jellies for food; olives, preserved; pollen prepared as foodstuff; hummus; fish meal for human consumption; black pudding; palm oil for food; edible birds' nests; kumys; fruit pulp; albumin milk; dates; vegetable soup preparations; ginger jam; toasted laver; potato fritters; salmon, not live; vegetables, tinned; palm kernel oil for food; apple purée; vegetable mousses; bone oil for food; bulgogi; poultry, not live; crystallized fruits; gelatine; spiny lobsters, not live; ajvar [preserved peppers]; alginates for culinary purposes; pickles; flavored nuts; seaweed extracts for food; animal marrow for food; prawns, not live; cocoa butter for food; edible fats; arrangements of processed fruit; sardines, not live; fruit, stewed; potato chips; sunflower seeds, prepared; isinglass for food; meat, tinned; ham; sea-cucumbers, not live; snail eggs for consumption; milk beverages, milk predominating; lard; vegetables, preserved; almond milk for culinary purposes; salted meats; shellfish, not live; fish-based foodstuffs; non-alcoholic eggnog; preserved garlic; salted fish; pectin for culinary purposes; mussels, not live; cranberry compote; peanut butter; lobsters, not live; vegetable salads; almonds, ground; cream [dairy products]; vegetables, dried; powdered eggs; fruit preserved in alcohol; smetana; soups; preparations for making bouillon; colza oil for food; kefir; milk ferments for culinary purposes; powdered milk; whey; liver pâté; corn oil for food; candied nuts; crustaceans, not live; sausages in batter; soya beans, preserved, for food; crayfish, not live; margarine; tomato purée; condensed milk; peanut milk for culinary purposes; raisins; tahini; meat; onions, preserved; white of eggs; sesame oil for food; curd; artichokes, preserved; pork; potato flakes; hazelnuts, prepared; cheese; low-fat potato chips; preparations for making soup; yolk of eggs; oils for food; fruit peel; fish, not live; peanuts,

prepared; charcuterie; aloe vera prepared for human consumption; fruits, tinned; buttercream; caviar; suet for food; bouillon concentrates; milk products; linseed oil for food; fish mousses; fish, preserved; beans, preserved; gherkins; fruit-based snack food; sunflower oil for food; liver; butter; yogurt; mushrooms, preserved; compotes; anchovy, not live; yakitori; nuts, prepared; meat jellies; meat, preserved; tripe; fat-containing mixtures for bread slices; ryazhenka [fermented baked milk]; lecithin for culinary purposes; whipped cream; berries, preserved; fish, tinned; herrings, not live; kimchi; vegetable juices for cooking; soya milk being milk substitute; bacon; tofu; tuna, not live; shrimps, not live; fruit salads; coconut fat; frozen fruits; bouillon; fruit, preserved; eggplant paste; coconut, desiccated; olive oil for food; seeds, prepared; coconut oil for food; milk shakes; vegetable marrow paste; rice milk for use as a milk substitute; sausages; oysters, not live; peas, preserved; meat extracts; sauerkraut; fish fillets; fruit chips; vegetables, cooked; rennet; game, not live; eggs; croquettes; clams, not live; fatty substances for the manufacture of edible fats; tomato juice for cooking; jams; lentils, preserved.

30 – Piccalilli; meat gravies; pasta; tortillas; macarons; flavorings, other than essential oils, for beverages; potato flour; ramen; sushi; ferments for pastes; groats for human food; seaweed [condiment]; starch for food; edible paper; palm sugar; cloves [spice]; leaven; liquorice [confectionery]; capers; flavorings, other than essential oils, for cakes; tapioca flour; chewing gum; candies; soya flour; gluten prepared as foodstuff; ground ginger; cereal bars; vinegar; sago; petits fours; tapioca; chocolate beverages with milk; mayonnaise; chips [cereal products]; corn, milled; binding agents for ice cream; pelmeni; pasta sauce; almond paste; noodles; honey; halvah; tea-based beverages; miso; edible rice paper; maltose; crushed barley; breadcrumbs; preparations for stiffening whipped cream; cookies; spices; chocolate-coated nuts; popcorn; vanilla flavorings for culinary purposes; flowers or leaves for use as tea substitutes; burritos; seasonings; minced garlic [condiment]; almond confectionery; chutneys [condiments]; cheeseburgers [sandwiches]; macaroni; corn flour; rice pulp for culinary purposes; meat pies; tabbouleh; sandwiches; malt extract for food; spring rolls; oat flakes; ice, natural or artificial; pies; noodle-based prepared meals; cake frosting [icing]; peppermint sweets; tea; marzipan; sweets; thickening agents for cooking foodstuffs; propolis; chocolate-based beverages; rice-based snack food; celery salt; cake powder; pastry dough; flour; couscous; buns; allspice; semolina; nut flours; rice cakes; okonomiyaki [Japanese savory pancakes]; chocolate; spaghetti; sorbets [ices]; gingerbread; crackers; cooking salt; oatmeal; malt biscuits; pastilles [confectionery]; infusions, not medicinal; salt for preserving foodstuffs; barley meal; rice pudding; baozi; baking powder; cocoa-based beverages; husked barley; pep-

pers [seasonings]; saffron [seasoning]; confectionery for decorating Christmas trees; hominy; ketchup [sauce]; custard; pancakes; corn flakes; sauces [condiments]; ravioli; ice for refreshment; cakes; chicory [coffee substitute]; quiches; petit-beurre biscuits; yeast; rusks; pizzas; golden syrup; fondants [confectionery]; tacos; curry [spice]; tarts; dressings for salad; cereal preparations; glucose for culinary purposes; puddings; beer vinegar; bread; bean meal; artificial coffee; mint for confectionery; vanillin [vanilla substitute]; nutmegs; star aniseed; bread rolls; unroasted coffee; pesto; iced tea; chow-chow [condiment]; unleavened bread; pralines; sea water for cooking; garden herbs, preserved [seasonings]; aniseed; oat-based food; hominy grits; essences for foodstuffs, except etheric essences and essential oils; candy decorations for cakes; vegetal preparations for use as coffee substitutes; soya sauce; coffee; sugar; cocoa beverages with milk; prepared rice rolled in seaweed; cake dough; tomato sauce; wheat flour; ice cream; caramels [sweets]; baking soda [bicarbonate of soda for cooking purposes]; food flavorings, other than essential oils; chocolate mousses; fruit coulis [sauces]; dough; coffee-based beverages; frozen yogurt [confectionery ices]; jiaozi; peanut confectionery; gluten additives for culinary purposes; corn, roasted; soy bean paste; coffee beverages with milk; turmeric; pastries; rice; pepper; cereal-based snack food; relish [condiment]; sausage binding materials; mustard meal; cream of tartar for culinary purposes; chocolate decorations for cakes; vermicelli; stick liquorice [confectionery]; natural sweeteners; fruit jellies [confectionery]; pâtés en croûte; condiments; wheat germ for human consumption; husked oats; powders for making ice cream; aromatic preparations for food; ham glaze; edible ices; marinades; waffles; muesli; crushed oats; cocoa; mustard; vareniki; high-protein cereal bars; royal jelly; cinnamon [spice]; dessert mousses [confectionery]; molasses for food; linseed for culinary purposes [seasoning]; confectionery; meat tenderizers for household purposes; malt for human consumption; coffee flavorings.

31 – Shellfish, live; oranges, fresh; flowers, dried, for decoration; lobsters, live; edible sesame, unprocessed; cereal seeds, unprocessed; oil cake; wheat; palm trees; fruit, fresh; preparations for egg laying poultry; mushrooms, fresh; rye; bird food; locust beans, raw; barley; hop cones; trees; animal foodstuffs; shrubs; by-products of the processing of cereals, for animal consumption; animal fattening preparations; rhubarb, fresh; salt for cattle; vine plants; malt for brewing and distilling; plants; edible chews for animals; straw litter; bran; vegetables, fresh; peanut meal for animals; litter peat; stall food for animals; seeds for planting; seed germ for botanical purposes; algae for human or animal consumption; eggs for hatching, fertilized; live animals; beverages for pets; sea-cucumbers, live; pet food; coconut shell; mussels, live; vegetable marrows,

fresh; rice, unprocessed; nuts; peanut cake for animals; rough cork; maize; garden herbs, fresh; almonds [fruits]; distillery waste for animal consumption; herrings, live; sugarcane; wheat germ for animal consumption; silkworms; unsawn timber; rape cake for cattle; berries, fresh; bagasses of cane [raw material]; fish, live; bred stock; potatoes, fresh; cucumbers, fresh; wood chips for the manufacture of wood pulp; algavilla for animal consumption; onions, fresh; flowers, natural; oats; artichokes, fresh; flax meal [fodder]; salmon, live; maize cake for cattle; crustaceans, live; aromatic sand [litter] for pets; spinach, fresh; menagerie animals; fish spawn; grains for animal consumption; peas, fresh; litter for animals; sanded paper [litter] for pets; chicory, fresh; squashes, fresh; mushroom spawn for propagation; leeks, fresh; linseed meal for animal consumption; fruit residue [marc]; poultry, live; raw barks; seedlings; wreaths of natural flowers; hops; peanuts, fresh; sardines, live; spiny lobsters, live; Christmas trees; hay; fish meal for animal consumption; fishing bait, live; kola nuts; strengthening animal forage; bran mash for animal consumption; flower bulbs; pollen [raw material]; tuna, live; lettuce, fresh; rice meal for forage; linseed for animal consumption; undressed timber; lemons, fresh; silkworm eggs; hazelnuts, fresh; mash for fattening livestock; cocoa beans, raw; lentils, fresh; residue in a still after distillation; yeast for animal consumption; dog biscuits; edible linseed, unprocessed; coconuts; rose bushes; fodder; plants, dried, for decoration; chicory roots; straw [forage]; beans, fresh; palms [leaves of the palm tree]; peppers [plants]; chestnuts, fresh; turf, natural; citrus fruit, fresh; copra; cuttle bone for birds; druff; trunks of trees; aloe vera plants; meal for animals; pine cones; juniper berries; nettles; grapes, fresh; beet, fresh; straw mulch; garlic, fresh; olives, fresh; grains [cereals]; arrangements of fresh fruit; truffles, fresh; crayfish, live; lime for animal forage; fresh edible root vegetables; oysters, live; groats for poultry.

(260) AM 2021 109472 A  
 (800) 1546686  
 (151) 2020 06 18  
 (891) 2020 06 18  
 (731) Audentes Therapeutics, Inc.  
 600 California Street, 17th Floor,  
 San Francisco CA 94108, USA  
 (540)

## OPMIRIC

(591) Black, white  
 (511)  
 5 – Pharmaceutical preparations and substances for treating genetic diseases and disorders and neuromuscular diseases and disorders; pharmaceuticals and therapeutic substances for therapeutic purposes in the tre-

atment of genetic diseases and disorders and neuromuscular diseases and disorders.

(260) AM 2021 109473 A  
 (800) 1546719  
 (151) 2020 05 22  
 (891) 2020 05 22  
 (731) TOSO S.p.A.  
 Località San Bovo, Via Statale, 3, I-12054  
 Cossano Belbo (CN), Italy  
 (540)

## FIGRELLI

(591) Black, white  
 (511)  
 33 – Spirits, wines, liqueurs, aperitifs.

(260) AM 2021 109474 A  
 (800) 1546723  
 (151) 2020 07 15  
 (891) 2020 07 15  
 (731) D-Holding LTD  
 Aviamotornaya, 50, str. 2, pom. XIV,  
 RU-111024 Moscow, Russian Federation  
 (540)



(591) Black, white  
 (531) 01.01.02; 01.01.10; 26.04.14; 27.05.07;  
 27.05.17; 27.05.24

(511)  
 34 – Tobacco; hookah tobacco; flavored hookah tobacco; tobacco jars; hookahs; herbs for smoking; herbal mixes for smoking; smoking mixes.

(260) AM 2021 109477 A  
 (800) 1546769  
 (151) 2020 06 02  
 (891) 2020 06 02  
 (731) Joint Stock Company "Tander"  
 Levanevskogo street, 185, RU-350002  
 Krasnodar, Russian Federation  
 (540)



(591) White, red and blue



(531) 17.01.08; 28.05; 29.01.12

(511)

29 – Meat; meat, tinned; charcuterie; fish, not live; fish, tinned; food products made from fish; shellfish, not live; mussels, not live; crustaceans, not live; poultry, not live; game, not live; albumen for culinary purposes; meat extracts; bouillon; bouillon concentrates; soups; preparations for making broths; preparations for making soup; vegetables, preserved; vegetables, dried; vegetables, cooked; pectin for culinary purposes; vegetable soup preparations; vegetable juices for cooking; potato flakes; vegetable purées; potato chips; fruit, preserved; fruits, dried; frozen fruits; fruit, stewed; crystallized fruits; berry purées; fruit purées; jellies, jams, compotes; eggs; white of eggs; yolk of eggs; powdered eggs; milk; milk products; oils for food; edible fats.

30 – Coffee; coffee-based beverages; coffee beverages with milk; artificial coffee; tea; tea-based beverages; cocoa; cocoa-based ingredients for confectionery products; cocoa-based beverages; cocoa beverages with milk; chocolate-based beverages; sugar; rice; tapioca; sago; flour; food products consisting predominantly of flour; food products, containing starch; cereal preparations; popcorn; chips [cereal products]; groats for human food; gruel, with a milk base, for food; porridge; muesli; pasta; bread, pastries and confectionery; chewing gum; custard; ice cream; powders for making ice cream; honey; treacle; yeast; baking powder; salt; mustard; vinegar; sauces [condiments]; spices; edible ices; meat tenderizers for household purposes; kitchen herbs, preserved.

(260) AM 2021 109478 A

(800) 1546777

(151) 2020 06 02

(891) 2020 06 02

(731) Closed Joint Stock Company "Tander"

Levanevskogo street, 185, RU-350002

Krasnodar, Russian Federation

(540)

**Синьор Рулетто**

(591) Black, white

(531) 28.05

(511)

30 – Confectionery; pastries; sponge cakes; waffles; cookies; rolled cakes; cupcakes; cakes; custard.

35 – Promoting the goods for others; procurement services for others [purchasing goods and services for other businesses].

(260) AM 2021 109491 A

(800) 1546968

(151) 2020 07 16

(891) 2020 07 16

(731) Future Enterprises Pte. Ltd.

31 Harrison Road, #08-01 Food Empire Building, Singapore 369649, Singapore

(540)



(591) Orange

(531) 02.03.11; 05.07.27; 08.01.19; 11.03.14;

19.03.03; 25.01.06; 28.05; 29.01.14

(511)

30 – Coffee; iced coffee; coffee beans; coffee drinks; ground coffee; instant coffee; cappuccino; flavoured coffee; coffee-based beverages; coffee substitutes; chicory [coffee substitute]; coffee beverages with milk; coffee mixtures; cocoa; cocoa mixes; cocoa powder; hot cocoa mix; cocoa beverages; cocoa-based beverages; cocoa beverages with milk; tea; iced tea; black tea; green tea; fruit flavoured tea; tea-based beverages; tea-based beverages with fruit flavoring; chocolate-based beverages.

35 – Wholesale services; retail services; advertising, marketing and promotional services.

(260) AM 2021 109492 A

(800) 1546976

(151) 2020 02 24

(891) 2020 02 24

(731) KOPOS HOLDING, a.s.

Šumavská 46, CZ-120 00 PRAHA 2 –

Vinohrady, Czech Republic

(540)

**JUPITER**

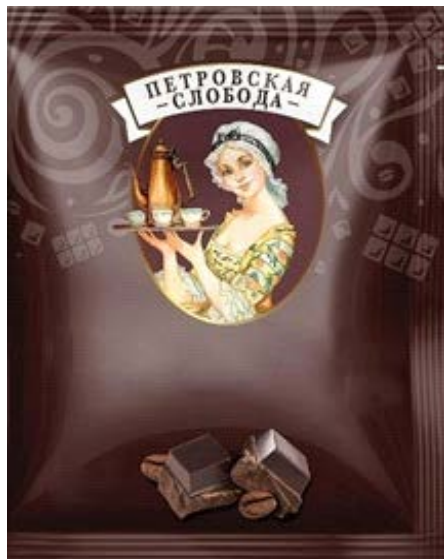
(591) Black, white

(511)

6 – Flashing of metal for storage of electrical cables and electrical components.



(260) AM 2021 109493 A  
 (800) 1546978  
 (151) 2020 07 16  
 (891) 2020 07 16  
 (731) Future Enterprises Pte. Ltd.  
 31 Harrison Road, #08-01 Food Empire  
 Building, Singapore 369649, Singapore  
 (540)



(591) Background in special brown & tone of brown  
 (531) 08.01.22; 11.03.14; 19.03.03; 25.01.06; 28.05;  
 29.01.14

(511)  
 30 – Coffee; iced coffee; coffee beans; coffee drinks;  
 ground coffee; instant coffee; cappuccino; flavoured  
 coffee; coffee-based beverages; coffee substitutes;  
 chicory [coffee substitute]; coffee beverages with  
 milk; coffee mixtures; cocoa; cocoa mixes; cocoa  
 powder; hot cocoa mix; cocoa beverages; cocoa-based  
 beverages; cocoa beverages with milk; tea; iced tea;  
 black tea; green tea; fruit flavoured tea; tea-based be-  
 verages; tea-based beverages with fruit flavoring; cho-  
 colate-based beverages.

35 – Wholesale services; retail services; advertising,  
 marketing and promotional services.

(260) AM 2021 109494 A  
 (800) 819780  
 (151) 2003 11 30  
 (891) 2020 07 30  
 (731) HAJDU Hajdúsági Ipari Zártkörűen Működő  
 Részvénytársaság (HAJDU Zrt.)  
 0135/9, H-4243 Téglás, Hungary  
 (540)



(591) Blue, white and light gray  
 (531) 26.01.02; 26.11.12; 27.05.01; 29.01.12  
 (511)  
 11 – Apparatus for lighting, heating, steam genera-  
 ting, cooking, refrigerating, drying, ventilating, water  
 supply and sanitary installations.

(260) AM 2021 109496 A  
 (800) 1544160  
 (151) 2020 06 23  
 (891) 2020 07 31  
 (731) BioNTech SE  
 An der Goldgrube 12, 55131 Mainz, Germany  
 (540)

## COVUIITY

(591) Black, white  
 (511)  
 5 – Vaccines for human use.

(260) AM 2021 109533 A  
 (800) 1547263  
 (151) 2020 04 17  
 (891) 2020 04 17  
 (731) "Eurasian Foods Corporation" Joint-Stock  
 Company  
 Baizakov str.,69, Almaty city 050026,  
 Kazakhstan

(540)



(591) Black, white  
 (531) 05.07.23; 05.09.23  
 (511)

29 – Meat, fish, poultry and game; meat extracts; pre-  
 served, frozen, dried and cooked fruits and vegetab-  
 les; jellies, jams, compotes; eggs, milk and milk pro-  
 ducts; soya milk being milk substitute; oils and fats  
 for food, including: sunflower oil for food, corn oil  
 for food, palm oil for food, palm kernel oil for food,  
 colza oil for food, sesame oil for food, linseed oil for  
 food; butter; nut-based spreads; margarine; fat-contain-  
 ing mixtures for bread slices; buttercream; potato  
 chips; fruit chips; sunflower seeds, prepared; nuts,  
 prepared.

30 – Coffee, tea, cocoa and artificial coffee; rice; flour  
 and preparations made from cereals; groats for human  
 food; bakery products; pasta; vermicelli; noodles; ma-  
 caroni; confectionery; ice cream; sugar, honey, treacle;  
 yeast, baking-powder; salt; mustard; vinegar, sau-  
 ces [condiments]; sauces [condiments]; soya sauce;

tomato sauce; mayonnaise; ketchup; fruit coulis [sauces]; dressings for salad; horseradish; marinades; spices; seasonings; ice for refreshment; popcorn.

32 – Beer; mineral and aerated waters; fruit beverages and fruit juices; syrups and other preparations for making beverages.

35 – Advertising; business management; business administration; office functions.

43 – Services for providing food and drink, including: snack-bar services, café services, cafeteria services, restaurant services, self-service restaurant services, canteen services, bar services, food and drink catering; providing temporary housing accommodation.

(260) AM 2021 109534 A

(800) 1547296

(151) 2020 04 29

(891) 2020 04 29

(731) RD Media Group, LLC

3363 NE 163 Street, Suite 708, North Miami Beach FL 33160, USA

(540)

## LIKE NASTYA

(591) Black, white

(511)

28 – Infant toys; action figure toys; electric action toys; plush toys; talking toys; construction toys; mechanical toys; sandbox toys; bath toys; articles of clothing for toys; toys, namely, puppets and accessories therefor; children's multiple activity toys; toys, namely, children's dress-up accessories; board games; tabletop games; building games; arcade games; card games; puzzle games; electronic interactive board games for use with external monitor; toy strollers; toy scooters; children's toy bicycles other than for transport.

41 – Entertainment information; providing entertainment information via a website; entertainment media production services for the Internet; entertainment services in the nature of ongoing television programs in the field of children's entertainment; providing information, news and commentary in the field of entertainment; entertainment services, namely, multimedia production services; entertainment services in the nature of development, creation, production and post-production editing services of multimedia entertainment content; providing information in the fields of education and entertainment for children via a website.

(260) AM 2021 109535 A

(800) 1547308

(151) 2020 06 02

(891) 2020 06 02

(731) Joint Stock Company "Tander"

Levanevskogo street, 185, RU-350002

Krasnodar, Russian Federation

(540)

## Здоровый стиль

(591) Black, white

(531) 28.05

(511)

30 – Coffee; coffee-based beverages; coffee beverages with milk; artificial coffee; tea; tea-based beverages; cocoa; cocoa products; cocoa-based beverages; cocoa beverages with milk; chocolate-based beverages; sugar; rice; tapioca; sago; flour; food products consisting predominantly of flour; products, containing starch; cereal preparations; food products consisting predominantly of flour; dry cereal extrusion products; groats for human food; porridge; gruel, with a milk base, for food; muesli; pasta; rusks; breadcrumbs; bread, pastries and confectionery; chewing gum; custard; ice cream; powders for making ice cream; honey, treacle; yeast, baking-powder; salt; mustard; vinegar; sauces [condiments]; spices; edible ices; meat tenderizers for household purposes.

(260) AM 2021 109536 A

(800) 1547339

(151) 2020 06 02

(891) 2020 06 02

(731) Joint Stock Company "Tander"

Levanevskogo street, 185, RU-350002

Krasnodar, Russian Federation

(540)



(591) Green

(531) 28.05; 29.01.03

(511)

29 – Meat, fish, poultry and game; meat extracts; preserved, frozen, dried and cooked fruits and vegetables; jellies, jams, compotes; eggs, milk and milk products; oils and fats for food.

30 – Coffee; tea; cocoa; sugar; rice; tapioca; sago; artificial coffee; flour; cereal preparations; ice cream; yeast, baking-powder; salt, mustard; vinegar; sauces [condiments]; spices; edible ices; bread, pastries and confectionery; pasta; sugar, honey, treacle.

31 – Agricultural, horticultural, forestry and cereal products, unrelated to other classes; live animals; live seafoods; fresh fruits and vegetables; seeds; natural plants and flowers; animal foodstuffs; malt.

32 – Mineral and aerated waters; fruit beverages and fruit juices; syrups and other preparations for making beverages.

(260) AM 2021 109537 A

(800) 1547356

(151) 2020 04 24

(891) 2020 04 24

(731) SPORT & FASHION MANAGEMENT PTE.  
LTD.

6 Shenton Way, # 18-11 OUE Downtown 2,  
Singapore 068809, Singapore

(540)

**EXPERRA**

(591) Black, white

(531) 27.05.17

(511)

1 – Water-repellent sprays for clothing; water-repellent sprays for sneakers.

2 – Water-repellent paints; coating preparations having water repellent properties [paint].

3 – Pre-moistened towelettes, impregnated with a detergent for cleaning shoes; laundry gel; laundry bleach; cleaning, washing and polishing preparations; cleaning preparations; chemical cleaning preparations for household purposes; cleaning, polishing and abrasive preparations; impregnated cleaning, dusting or polishing cloths.

5 – Antiseptic hand wipes; all-purpose disinfecting and deodorizing preparations; bactericides; deodorizing bactericides with lemon extract for footwear; antibacterial hand sprays.

35 – Advertising; business management; business administration; office functions; import-export agency services; demonstration of goods; providing commercial information and advice for consumers in the choice of products and services; layout services for advertising purposes; organization of exhibitions for commercial or advertising purposes; organization of fashion shows for promotional purposes; arranging of trade fairs; shop window dressing; commercial intermediation services; provision of an online marketplace for buyers and sellers of goods and services; presentation of goods on communication media, for retail purposes; sales promotion for others; retail or wholesale services, including retail and wholesale of goods via the Internet; on-line ordering services; promotion of goods and services through sponsorship of sports events; production of advertising films; publicity material rental; rental of billboards [advertising boards]; rental of vending machines; rental of sales stands; publication of publicity texts; distribution of samples; dissemination of advertising matter; direct mail adver-

tising; online advertising on a computer network; billposting; telemarketing services; commercial administration of the licensing of the goods and services of others; business management of reimbursement programs for others; modelling for advertising or sales promotion; gift registry services; price comparison services; procurement services for others [purchasing goods and services for other businesses]; outsourcing services [business assistance]; search engine optimization for sales promotion.

(260) AM 2021 109543 A

(800) 1547386

(151) 2020 05 20

(891) 2020 05 20

(731) Incyte Holdings Corporation  
1801 Augustine Cut-Off, Wilmington  
DE 19803, USA

(540)

**ZULVIDA**

(591) Black, white

(511)

5 – Pharmaceutical preparations for the treatment and prevention of cancer, oncological disorders, autoimmune disorders, inflammation and inflammatory disorders, hematological disorders, respiratory and infectious diseases, tissue and organ transplant rejection, dermatological disorders, connective tissue disorders, musculo-skeletal disorders, and ophthalmology disorders.

44 – Providing patients and healthcare professionals with healthcare information regarding diseases, diagnosis and treatment of diseases, medicines, via a website.

(260) AM 2021 109544 A

(800) 1547396

(151) 2020 03 05

(891) 2020 03 05

(731) Limited Liability Company "RBE"  
Proezd Avtozavodskij 1-j, house 4, building 1,  
room 39-A, RU-115280 Moscow, Russian  
Federation

(540)

**RBE**

(591) Black, white and beige

(531) 27.05.17; 27.05.19; 27.05.22; 29.01.13

(511)

29 – Broth; meat, canned; vegetables, canned; butter cream; vegetables, cooked; poultry, not live; soups; vegetable soup preparations.

30 – Cakes; pastries; peanut confectionery; almond confectionery; pasta; pesto; meat gravies; custard; fruit coulis; relish; soy sauce; tomato sauce; pasta sauce; sauces [condiments]; spaghetti; chutneys [condiments]; cheeseburgers.

35 – Marketing research; providing commercial information and advice for consumers in the choice of products and services; presentation of goods on communication media, for retail purposes featuring ham, mushrooms preserved, charcuterie, meat, canned, shrimp, not live, prawns, not live, vegetables, canned, spiny lobsters, not live, edible olive oil, edible oils, mussels, not live, mollusks, not live, lobsters, not live, vegetable mousses, vegetables, preserved, vegetables, dried, vegetables, cooked, olives, canned, food products made from fish, crayfish, not live, crustaceans, not live, fish, not live, salted fish, vegetable salads, processed seeds, sea-cucumbers, not live, cheese, truffles, preserved, oysters, not live, fish fillets, hummus, preserved garlic, lentils preserved, vermicelli, cereal-based snack food, dressings for salad, pasta, capers, curry, ketchup, noodles, macaroni, marinades, honey, soya bean paste, pesto, condiments, cereal preparations, sauces, rice, tomato sauce, pasta sauce, spaghetti, garden herbs, preserved, vinegar, oranges, fresh, fresh edible root vegetables, spiny lobsters, live, lemons, fresh, onions, fresh, leeks, fresh, mussels, live, almonds [fruits], mollusks, live, vegetables, fresh, cucumbers, fresh, lobsters, live, peppers [plants], citrus fruit, fresh, crayfish, live, crustaceans, live, rhubarb, fresh, lettuce, fresh, garden herbs, fresh, sea-cucumbers, live, truffles, fresh, oysters, live, fruit, fresh, spinach, fresh, berries, fresh; sales promotion for others, including retail and wholesale services for the sale of goods, namely: ham; negotiation and conclusion of commercial transactions for third parties; price comparison services; outsourcing services [business assistance]; business project management services for construction projects; procurement services for others [purchasing goods and services for other businesses].

37 – Providing construction information; construction consultancy; window cleaning; vehicle washing; building construction supervision; cleaning of buildings, exterior surface; plumbing; washing; cloth washing; construction of residential and commercial buildings; cleaning of buildings, interior; street cleaning; laundry services; installation and repair of heating equipment; installation and repair of air-conditioning apparatus; cleaning of clothing; dry cleaning; diaper cleaning; laundering.

40 – Freezing of foods.

43 – Restaurant services; self-service restaurant services; canteen services; food and drink catering.

(260) AM 2021 109545 A

(800) 1547411

(151) 2020 06 18

(891) 2020 06 18

(731) Limited liability company «Automobile plant "GAZ"

prospect Ilycha, 5, RU-603004 Nizhny

Novgorod, Russian Federation

(540)



(591) Black, white

(531) 27.05.01; 27.05.02; 27.05.05; 27.05.10

(511)

12 – Motor buses; motor coaches; motor homes; cars; sports cars; concrete mixing vehicles; refrigerated vehicles; caravans; shock absorbers for automobiles; suspension shock absorbers for vehicles; ski carriers for cars; luggage carriers for vehicles; bumpers for automobiles; vehicle bumpers; tires for vehicle wheels; brake shoes for vehicles; tailboard lifts [parts of land vehicles]; armored vehicles; food carts, motorized; transmission shafts for land vehicles; bicycles; valves for vehicle tires; automobile hoods; hoods for vehicles; trucks; horns for vehicles; treads for vehicles [tractor type]; doors for vehicles; engines for land vehicles; driving motors for land vehicles; screw-propellers; brake discs for vehicles; adhesive rubber patches for repairing inner tubes; rearview mirrors; inner tubes for pneumatic tires; hoods for vehicle engines; crankcases for land vehicle components, other than for engines; bicycle wheels; vehicle wheels; steering wheels for vehicles; casters for trolleys [vehicles]; brake pads for automobiles; hub caps; brake linings for vehicles; gear boxes for land vehicles; bands for wheel hubs; caps for vehicle fuel tanks; automobile bodies; tipping bodies for trucks; bodies for vehicles; treads for retreading tires; sprinkling trucks; propulsion mechanisms for land vehicles; freewheels for land vehicles; clutches for land vehicles; repair outfits for inner tubes; air pumps [vehicle accessories]; upholstery for vehicles; rims for bicycle wheels; rims for vehicle wheels; windows for vehicles; engine mounts for land vehicles; axles for vehicles; headlight wipers; gearing for land vehicles; head-rests for vehicle seats; vehicle running boards; air bags [safety devices for automobiles]; casings for pneumatic tyres; sleeping berths for vehicles; torque converters for land vehicles; cigar lighters for automobiles; non-skid devices for vehicle tires; anti-glare devices for vehicles; anti-theft devices for vehicles; sun-blinds adapted for automobiles; balance weights for vehicle wheels; shock absorbing springs for vehicles; reduction gears for land vehicles; safety belts for vehicle seats; security harness for vehicle seats; vehicle suspension springs; rudders; brake segments for vehicles; luggage nets for vehicles; anti-theft alarms for vehicles; reversing alarms for vehicles; safety seats for children, for ve-

hicles; vehicle seats; hydraulic circuits for vehicles; vehicle wheel spokes; spoilers for vehicles; vehicles for locomotion by land, air, water or rail; ambulances; remote control vehicles, other than toys; electric vehicles; delivery tricycles; windscreens; windshield wipers; hubs for vehicle wheels; trailer hitches for vehicles; couplings for land vehicles; brakes for vehicles; torsion bars for vehicles; tractors; transmissions for land vehicles; military vehicles for transport; trailers [vehicles]; signal arms for vehicles; spoke clips for wheels; vans [vehicles]; undercarriages for vehicles; automobile chains; driving chains for land vehicles; anti-skid chains; transmission chains for land vehicles; spare wheel covers; covers for vehicle steering wheels; seat covers for vehicles; vehicle covers [shaped]; automobile chassis; vehicle chassis; connecting rods for land vehicles, other than parts of motors and engines; axle journals; automobile tires; tires for land vehicles; pneumatic tires; mudguards; motors, electric, for land vehicles.

28 – Toy vehicles; jigsaw puzzles; toys; stuffed toys; toy mobiles; novelty toys for playing jokes; parlor games; board games; games; building games; kaleidoscopes; playing cards; fairground ride apparatus; swings; toy models; scale model kits [toys]; scale model vehicles; radio-controlled toy vehicles; ornaments for Christmas trees, except illumination articles and confectionery; apparatus for games; play balloons.

(260) AM 2021 109546 A

(800) 1547453

(151) 2020 07 16

(891) 2020 07 16

(731) Alcon Inc.

Rue Louis-d'Affry 6, CH-1701 Fribourg,  
Switzerland

(540)

**CLAREON PLUS**

(591) Black, white

(511)

10 – Surgical apparatus and instruments for ophthalmic surgery; intraocular lenses.

(260) AM 2021 109547 A

(800) 1547458

(151) 2020 05 28

(891) 2020 05 28

(731) ENI S.p.A.

Piazzale Enrico Mattei, 1, I-00144 Rome,  
Italy

(540)



(591) Black and yellow

(531) 01.15.05; 03.01.08; 04.03.03; 25.05.02;

25.05.25; 26.04.18; 26.11.08; 27.05.02;

29.01.12

(511)

4 – Industrial oils and greases, wax; lubricants; fuel gas; fuel; dust absorbing, wetting and binding compositions; fuels and illuminants; candles and wicks for lighting.

(260) AM 2021 109548 A

(800) 1547478

(151) 2020 06 09

(891) 2020 06 09

(731) HUAWEI TECHNOLOGIES CO., LTD.

Administration Building, Huawei Technologies  
Co., Ltd., Bantian, Longgang District,  
Shenzhen, China

(540)

**HONOR ViewPad**

(591) Black, white

(531) 27.05.01

(511)

9 – Cabinets for loudspeakers; network communication apparatus; modems; sleeves for laptops; electric batteries; chargers for electric batteries; mobile power source (rechargeable batteries); bags adapted for laptops; headphones; earphones; virtual reality headsets; digital video recorder for vehicles; set-top boxes; loudspeakers; portable media players; sound transmitting apparatus; camcorders; cameras (photography); computer keyboards; mouse (computer peripheral); pedometers; monitoring apparatus, other than for medical purposes; video monitors; interactive touch screen terminals; humanoid robots with artificial intelligence; connected bracelets (measuring instruments); computer programs, recorded; computer software applications, downloadable; optical lenses; gas testing instruments; black boxes (data recorders); smart rings; digital weather stations; human face recognition de-



vices; air analysis apparatus; materials for electricity mains (wires, cables); video screens; integrated circuits; electronic chips; thermal imaging cameras; bathroom scales; scales with body mass analyzers; personal digital assistants (PDAs); computer software platforms, recorded or downloadable; thin client computers; selfie lenses; laboratory robots; teaching robots; USB data lines or data cables; downloadable mobile phone software applications; holders for mobile phones; touch screens; television apparatus; hand-held electronic dictionaries; computer screen saver software, recorded or downloadable; computer software, recorded; downloadable graphics for mobile phones; wearable computers; telecommunication apparatus in the form of jewellery; selfie sticks for mobile phones; security surveillance robots; wearable video display monitors; electric plugs; electric sockets; electric contacts; intercoms; digital door locks; alarm central units; sensors; tablet computers; laptop computers; notebook computers; smartglasses; smartwatches; smartphones; wearable activity trackers; computer hardware; computer memories; integrated circuit cards (smart cards); transponders.

(260) AM 2021 109562 A

(800) 1547785

(151) 2020 05 11

(891) 2020 05 11

(731) GD Midea Air-Conditioning Equipment Co., Ltd.

Lingang Road, Beijiao, Shunde, Foshan, Guangdong, China

(540)

**comfee'**

(591) Black, white

(531) 01.15.15; 27.05.17

(511)

7 – Agitators; mixing machines; churns; mills [machines]; butter machines; food preparation machines, electromechanical; juice grinder for food industry; beverage preparation machines, electromechanical; electric juicers; dishwashers; fruit presses, electric, for household purposes; blenders, electric, for household purposes; kitchen machines, electric; beaters, electric; food processors, electric; coffee grinders, other than hand-operated; washing machines [laundry]; dry-cleaning machines; wringing machines for laundry; industrial robots; cigarette machines for industrial purposes; handling machines, automatic [manipulators]; robotic arms for industrial purposes; starters for motors and engines; dynamos; generators of electricity; dynamo belts; electric motors for refrigerators; motors, other than for land vehicles; engines, other than for land vehicles; air filters being parts of machines; compressors [machines]; turbocompressors; compressors for refrigerators; compressed air machines; pumps [machines]; taps [parts of machines, engines or motors];

pressure regulating valves; vacuum cleaners; machines and apparatus for cleaning, electric; rechargeable sweepers; steam mops; cleaning appliances utilizing steam; dust removing installations for cleaning purposes; garbage disposal units; agricultural machines; disintegrators; saw blades [parts of machines]; papermaking machines; printing presses; machines for the textile industry; tea processing machines; spraying machines; pressure regulators [parts of machines]; welding machines, electric; leather-working machines; ironing machines; rotary steam presses, portable, for fabrics; bicycle assembling machines; brickmaking machine; engraving machines; battery powered engine; cord making machines; porcelain enamel making machine; bulb making machine; wrapping machines; briquet-making machine; machines for processing plastics; glass-working machines; fertilizer manufacturing machines; electromechanical machines for chemical industry; rinsing machines; rolling mills; drilling rigs, floating or non-floating; hoists; stamping machines; metalworking machines; steam engines; carburettors; hydraulic turbines; pushpin machine; pin making machine; hand-held tools, other than hand-operated; electronic industry equipment; spectacle lens processing machines; gas liquefaction installations.

11 – Electric lamps; lighting apparatus and installations; cooking utensils, electric; kettles, electric; microwave ovens [cooking apparatus]; food steamers, electric; autoclaves, electric, for cooking; pressure cookers, electric; coffee machines, electric; bread-making machines; multicookers; cooking apparatus and installations; heating and cooling apparatus for dispensing hot and cold beverages; electric frying pans; electric cooking pots; induction cookers; electric cooking ovens for household purposes; cooking stoves; roasters; electric ranges; gas stoves; heated display cabinets; freezers; refrigerating apparatus and machines; refrigerating display cabinets; wine cellars, electric; air conditioners; fans [air-conditioning]; refrigerators; ice machines and apparatus; air purifying apparatus and machines; air conditioning installations; electric hair drier; fabric steamers; laundry dryers, electric; drying apparatus and installations; extractor hoods for kitchens; heat pumps; gas burners; fireplaces, domestic; dampers [heating]; heating installations; pipes [parts of sanitary installations]; bath fittings; heaters for baths; hot water heater (gas or electric heating); solar energy water heater; water flushing installations; toilet bowls; toilet seats; sanitary apparatus and installations; drinking fountains; water purifying apparatus and machines; water filtering apparatus; disinfectant apparatus; water purification installations; water sterilizers; oil purifying installations; sterilizing cabinets; radiators, electric; pocket warmers; stoves [heating apparatus]; gas lighters; soybean milk making machines, for household purposes.

(260) AM 2021 109563 A  
 (800) 1547817  
 (151) 2020 07 08  
 (891) 2020 07 08  
 (731) UCB Biopharma SRL  
 Allée de la Recherche 60, B-1070 Bruxelles,  
 Belgium  
 (540)


 The logo for Bimzelx features a stylized green and yellow swoosh above the word "Bimzelx" in a bold, blue, sans-serif font.

(591) Blue, light green  
 (531) 26.13.01; 26.13.25; 29.01.03  
 (511)  
 5 – Pharmaceutical preparations and substances limited to immunology disorders and disease; all the aforesaid excluding pharmaceutical preparations and substances acting on the central nervous system.

16 – Printed matter, namely, promotional and informational materials in the nature of brochures, pamphlets, newsletters, and stationery relating to pharmaceuticals and the treatment and prevention of immunology disorders and diseases.

44 – Health information services, namely, providing information related to the treatment of immunology disorders and diseases; on-line information services, namely, providing information related to the treatment of immunology disorders and diseases.

(260) AM 2021 109564 A  
 (800) 1547828  
 (151) 2019 12 04  
 (891) 2019 12 04  
 (731) Limited Liability Company "KONSTA"  
 st. Nevzorovikh, house 47, apt. 196,  
 RU-603024 Nizhny Novgorod, Russian  
 Federation  
 (540)


 The logo for U-kon consists of a stylized black "U" shape followed by the word "kon" in a bold, black, sans-serif font.

(591) Black, white  
 (531) 27.05.17  
 (511)  
 6 – Fittings of metal for building; wainscoting of metal; cladding of metal for building; wall claddings of metal for building; buildings, of metal; building structures of metal; frames of metal for building; framework of metal for building; building materials of metal; building panels of metal; slabs of metal for building; sheets of metal.

19 – Beams, not of metal; cornices, not of metal; wall claddings, not of metal, for building; cladding, not of

metal, for building; props, not of metal; building panels, not of metal; linings, not of metal, for building; buildings, not of metal; building structures, not of metal; framework, not of metal, for building; building materials, not of metal; slabs, not of metal, for building; sheets, not of metal, for building; flashing, not of metal, for building.

40 – Custom assembling of materials for others.

42 – Material testing; quality control; industrial design; surveying.

(260) AM 2021 109565 A  
 (800) 897173  
 (151) 2006 08 31  
 (891) 2020 07 28  
 (731) Apple Inc.  
 One Apple Park Way, Cupertino CA 95014,  
 USA  
 (540)

## BOOT CAMP

(591) Black, white  
 (511)  
 9 – Computer operating system management software; computer software to configure, install and manage other software; computer utility software.

(260) AM 2021 109566 A  
 (800) 1012285  
 (151) 2009 07 20  
 (891) 2020 08 06  
 (731) Romeo & Juliette, Inc.  
 7534 Old Auburn Road, Citrus Heights,  
 CA 95610, USA  
 (540)



(591) Black, white  
 (531) 03.06.03  
 (511)  
 25 – Footwear; hats; headgear, namely, hats; hooded sweat shirts; pants; shirts; shorts; socks; sport shirts; sweat pants; sweat shirts.

(260) AM 2021 109567 A  
 (800) 1013623  
 (151) 2009 08 05  
 (891) 2020 07 23

(731) Bayernland eG  
Breslauer Str. 406, 90471 Nürnberg, Germany

(540)



(591) Black, white

(531) 05.01.07; 05.01.10; 06.01.02; 07.01.09;  
26.02.07

(511)

29 – Milk products, namely milk, butter, cheese, cheese preparation, processed cheese, processed cheese spread, cream, buttermilk, soured milk, yoghurt with and without fruits, farmer's cheese, kefir, powdered milk for human consumption, non alcoholic milk-shakes, concentrated milk, coffee cream.

(260) AM 2021 109577 A

(800) 1357585

(151) 2016 12 08

(891) 2020 08 12

(731) Drägerwerk AG & Co. KgaA  
Moislinger Allee 53-55, 23558 Lübeck,  
Germany

(540)

(591) Black, white

(531) 27.05.01

(511)

1 – Chemical products for industrial, scientific, photographic, agricultural, horticultural and forestry purposes; chemical and non-chemical filtration materials all included in this class; chemical substances, chemical materials, chemical compounds as well as natural components; carbon dioxide bonding agent for respiratory gases, for example soda lime; solid state oxygen; activated carbon; activated carbon filter; oxidation catalysts [catalysts for the oxidation of carbon dioxide]; calibration gases [gaseous mixture] for use in industry.

9 – Scientific, nautical, surveying, photographic, cinematographic, optical, weighing, measuring, signalling, checking (supervision), life-saving and teaching apparatus and instruments; security, safety, protective and signalling equipment; measuring, detecting and monitoring instruments, indicators and regulators; fixed and portable measuring and warning devices and sensors for the detection of gases, vapours and other toxic substances; testing equipment and evaluation systems, consisting of devices and/or software for the evaluation of measured values from fixed and portable gas

analysers and detectors, for fixed and portable gas analysers and detectors; test tubes for gas detection; air flow tester; sampling apparatus; fire detectors; fire alarms; flame detectors; thermal imaging cameras; personal protective equipment, namely respiratory masks, (safety) helmets, safety glasses/goggles for industrial purposes only, and not for use in leisure; protective suits; protective clothing; respiratory air and gas control devices; respiratory protection apparatus; testing equipment and tailored preservation and transportation containers for respiratory protection apparatus; powered air purifying respirators; testing systems for respiratory protection apparatus; communicational equipment for respiratory protection apparatus; filters for respiratory protection products, namely filters for respiratory protection masks (non-medical) and filters for respiratory protection apparatus; diving equipment; electronic underwater communication equipment, in particular underwater telephones; alcohol breath analyser test equipment; drug testing equipment; electronic security lock for vehicles, in particular alcohol breath analyser test equipment with vehicle immobiliser system; electronic telemetry and monitoring systems, in particular for people carrying respirators; software for medical and non-medical purposes; escape and rescue chambers; decompression chambers; fire training facilities consisting predominantly of simulation apparatus for simulating fire situations and safety, security, protective and signalling apparatus and equipment for fire brigades; training facilities for rescue teams, consisting predominantly of simulation equipment for simulating emergency situations and safety, security, protective and signalling apparatus and equipment for safety workers; response organisation apparatus for fire brigades, namely devices for monitoring people carrying respirators, electronic monitoring panels and accessories therefor; self-contained oxygen breathing devices; sunglasses for industrial purposes only, and not for use in leisure; data carriers, including DVDs, compact discs and USB flash drives; oxygen sensors, air flow sensors, flowmeters, for medical and non-medical purposes; parts, fittings and disposable components included in this class for all the aforesaid goods.

11 – Sterilizing, drying and disinfecting apparatus for respirators and breathing air supply apparatus; air treatment systems containing air treatment apparatus, ventilation installations and air filters for protecting against harmful gases and vapours.

(260) AM 2021 109578 A

(800) 1364927

(151) 2016 12 08

(891) 2020 08 12

(731) Drägerwerk AG & Co. KgaA  
Moislinger Allee 53-55, 23558 LÜBECK,  
Germany



(540)

**Dräger**

(591) Black, white

(531) 27.05.17

(511)

9 – Power supply units for hospitals; software for patient monitoring apparatus and patient monitoring alarms; software for testing the function of medical apparatus; flowmeters for medical purposes.

10 – Surgical, medical, dental and veterinary apparatus and instruments; orthopaedic articles; medical and veterinary apparatus and instruments; medical goods of all kinds, namely, medical apparatus for anaesthesia, intensive care units, operating theatres, neonatal care, gas supply for hospitals, patient monitoring, in particular monitors, respiratory apparatus, apparatus and systems composed thereof for anaesthesia and/or analgesia, incubators, heat therapy apparatus, bilirubin measurement apparatus; transport incubators; medical imaging devices; compressed air installations and compressed air systems for medical purposes, consisting of apparatus and fixed devices for preparing, checking and providing medical compressed air; gas supply installations and gas supply systems for medical purposes, consisting of apparatus and fixed devices for preparing, checking and providing gases for medical purposes; monitoring and documentation systems for the quality of medical compressed air produced in hospitals, consisting of apparatus and fixed devices for preparing, checking and providing medical compressed air; transcutaneous blood gas analysers; phototherapy equipment; suction apparatus for medical purposes; vacuum regulators for medical purposes; medical vacuum installations; clinical gas management systems, consisting of apparatus and fixed devices for preparing, checking and providing medical compressed air and medical gases; control and monitoring devices for operational pressure of medical gases; oxygen sensors for medical use; flow sensors for medical purposes; bronchial aspiration apparatus; surgical suction apparatus; aspiration tubing; oxygen enrichment apparatus; humidifiers for respiration; aerosol generators for medical purposes; filters and absorbers for anaesthetics; apparatus for filtering germs; gas supply apparatus for hospitals; spirometry apparatus; wall-mounted and/or ceiling-mounted supply units, namely equipment for medical purposes; monitor holders being accessories for medical apparatus and medical furniture; medical devices, namely, medical operating lamps; lights for phototherapy; examination lights, including examination lights for newborns, ncl lights; apparatus for oxygen and aerosol therapy, including nebulisers; evaporators for liquid anaesthetics; nebulisers, in particular ultrasonic nebulisers, pneumatic nebulisers; temperature probes for humidifiers and nebulisers as part of medical equip-

ment; connectors for humidifiers and nebulisers as part of medical equipment; fastenings for humidifiers and nebulisers as part of medical equipment; drainage systems for continuous drainage, wound drainage and thoracic drainage, consisting of vacuum, and compressed air drive elements, vacuum regulators, compressed air regulators, secretion bottles, holders, fistula indicators, water vacuum gauges and/or filters, and corresponding accessories; bespoke splints for assembling surgical apparatus and instruments, in particular surgical suction devices; drainage systems; adapted monitor holders as part of medical equipment; catheter trays; infusion bottle holders; compressed air tubes (medical); suction containers, for example secretion bottles; masks for non-invasive respiration; anaesthesia face masks; breathing tubes, in particular tubes being accessories for respiration and anaesthesia; face masks for medical purposes; headbands for medical face masks; size templates for medical face masks; hook rings for medical facemasks; soda lime cartridges; heat and moisture filters for respiratory apparatus; co2 cuvettes for monitoring co2 content during patient respiration in intensive medicine; filters for bacteria; water traps being parts and/or accessories for medical equipment; mechanical filters for respiration apparatus; filters for respiration apparatus; connectors for filters for respiration systems; tube extensions for breathing tubes; breathing bags; test lungs; manual respiration bags; humidification chambers for breathing tube equipment; tube heaters as part of medical equipment; adapters for tube heaters as part of medical equipment; tube clips as part of medical equipment; cover caps for water traps, breathing tubes, connections and connectors for breathing tubes; valves for respiration apparatus; tube connections as part of medical equipment; expiration valves as part of medical equipment; tube systems, consisting of tubes for medical purposes, in particular tubes for anaesthesia, respiratory tubes and tubes for medical suction, tube adapters, valves, connections and corresponding accessories; water traps and valves for medical purposes equipped with an rfid (radio-frequency identification) function; disposable and reusable ecg cables; ecg electrodes; spO2 sensors, including spO2 sensors for pulse oximetry, adhesive sensors end finger sensors; spO2 cables; temperature sensors for medical purposes, including skin sensors and/or disposable sensors for temperature measuring; sleeves for non-invasive blood pressure measurement; connecting tubes for non-invasive blood pressure measurement; sleeves fitted with sensors for non-invasive arterial pressure measurement; apparatus for invasive blood pressure measurement; apparatus for measuring cardiac output; eeg electrode cables; eeg electrodes; nmt adapters (medical); nmt electrode cables (medical); nasal cannulae; airway adapters; sensors for respiratory mechanics; sample gas lines (medical); fio2 sensors; temperature sensors, flow sensors, co2 sensors (medical); nasal prongs for newborns and adults; me-

dical apparatus and instruments for primary care and stabilisation of newborns; positioning aids; incubator coverings; heated mattresses; mattresses for medical use; air inlet filters for incubators; iris diaphragms; sleeves adapted for manual access openings for incubators; infusion holders for incubators; resting surfaces for incubators; o2 distributors for incubators; ejectors for incubators; air temperature sensors for incubators; lights for phototherapy, for instance fluorescent tubes for phototherapy; skin temperature sensors and covers for skin temperature sensors; core temperature sensors; moisture pads being accessories for incubators, in particular transport incubators; back support systems for use in patient transport and in neonatal care, namely safety belts for incubators, sick beds and/or transport incubators; apparatus and instruments for monitoring patients, in particular patient monitoring apparatus, patient monitoring sensors and alarms; alarm management systems for monitoring patients, consisting of patient monitoring apparatus and patient monitoring alarms and/or software for patient monitoring apparatus and patient monitoring alarms; gas emergency signal monitors for monitoring medical gases and gas installations in hospitals; clinical information systems for monitoring patients, consisting of patient monitoring apparatus and patient monitoring alarms; systems for monitoring patient data, consisting of patient monitoring apparatus and patient monitoring alarms; adapters as part of medical equipment; patient monitoring instruments, patient monitoring alarms and patient monitoring sensors; pressure reducers as parts or accessories for the aforesaid medical apparatus and instruments; testing systems consisting of test equipment for testing the function of medical apparatus, and analysis's or diagnostics equipment for medical apparatus; parts and fittings included in class 10 for all the aforesaid goods.

11 – Water supply systems for hospitals; reading lights for use in hospitals.

(260) AM 2021 109579 A  
 (800) 1423377  
 (151) 2018 07 23  
 (891) 2020 07 22  
 (731) Individual entrepreneur Gol'dort Yuliya Yakovlevna  
 d. Lapino AO "Eko", d. 7, RU-143030  
 s. Uspenskoe, Russian Federation  
 (540)

*Be Loved*

(591) Red  
 (531) 02.09.01; 27.03.02; 27.05.13; 29.01.01  
 (511)

3 – Balms, other than for medical purposes; lip glosses; petroleum jelly for cosmetic purposes; scented water; toilet water; shower gel; gel for washing; beauty gels; gommage cosmetic; deodorants for human beings; perfumes; perfumery; creams for leather; cosmetic creams; skin whitening creams; lotions for cosmetic purposes; after-shave lotions; beauty masks; oils for cosmetic purposes; almond milk for cosmetic purposes; cleansing milk for toilet purposes; soap; deodorant soap; cakes of toilet soap; antiperspirant soap; soap for foot perspiration; almond soap; cosmetic kits; dentifrices; lipsticks; cosmetic foams for washing; facial peel preparations for cosmetic purposes; pomades for cosmetic purposes; cosmetic preparations for baths; non-medicated toiletries; hair waving preparations; vaginal washes for personal sanitary or deodorant purposes; leather bleaching preparations; cosmetic preparations for slimming purposes; make-up removing preparations; aloe vera preparations for cosmetic purposes; sunscreen preparations; make-up powder; tissues impregnated with cosmetic lotions; bath salts, not for medical purposes; shower preparations; sun-tanning preparations [cosmetics]; cosmetic preparations for eyelashes; depilatory preparations; cosmetic preparations for skin care; cosmetics; mascara; antiperspirants [toiletries]; beauty serums; skin toners; shampoos; dry shampoos; cosmetics in the form of emulsions.

(260) AM 2021 109618 A  
 (800) 1548075  
 (151) 2020 07 16  
 (891) 2020 07 16  
 (731) LESAFFRE ET COMPAGNIE  
 41 rue Etienne Marcel, F-75001 Paris, France  
 (540)

*King - instant*



(591) Black, white  
 (531) 02.01.11; 26.04.16  
 (511)  
 30 – Yeast.

(260) AM 2021 109619 A  
 (800) 1548109  
 (151) 2020 06 17  
 (891) 2020 06 17  
 (731) The Absolut Company Aktiebolag  
 SE-117 97 Stockholm, Sweden  
 (540)



(591) Yellow, gray, red, black and white  
 (531) 05.07.01; 05.07.27; 24.03.09; 24.03.13;  
 24.03.14; 25.01.15; 26.11.25; 27.05.09;  
 29.01.15  
 (511)  
 33 – Alcoholic beverages, except beers.

(260) AM 2021 109620 A  
 (800) 1548116  
 (151) 2020 03 04  
 (891) 2020 03 04  
 (731) Limited Liability Company "VISTA"  
 Rabochaya street, house 14, letter A26,  
 of. 206, Belgorod city, RU-308013 Belgorod  
 region, Russian Federation  
 (540)



(591) Black, white, red, blue, light red, light blue,  
 gray, light gray, pink and dark pink  
 (531) 03.05.07; 03.05.24; 03.05.27; 19.13.21;  
 25.07.20; 26.03.23; 27.05.03; 27.05.24;  
 29.01.15  
 (511)  
 5 – Acaricides; aconitine; air purifying preparations;  
 algicides; animal washes [insecticides]; anticryptoga-  
 mic preparations; antiparasitic collars for animals; an-

tiparasitic preparations; biocides; bracelets impregna-  
 ted with insect repellent; calomel [fungicide]; carbo-  
 lineum [parasiticide]; cattle washes [insecticides]; ce-  
 dar wood for use as an insect repellent; chemical pre-  
 parations for treating diseases affecting cereal plants;  
 chemical preparations for treating diseases affecting  
 vine plants; chemical preparations for treating mil-  
 dew; chemical preparations for treating phylloxera;  
 chemical preparations for treating wheat blight; che-  
 mical preparations for veterinary purposes; chemical  
 reagents for medical or veterinary purposes; curare;  
 deodorants, other than for human beings or for ani-  
 mals; disinfectants; disinfectants for hygiene purpo-  
 ses; disinfectant soap; dog washes [insecticides]; en-  
 zyme preparations for veterinary purposes; enzymes  
 for veterinary purposes; fly catching paper; fly des-  
 troying preparations; fly glue; fungicides; fungicides,  
 herbicides; herbicides; insecticidal animal shampoos;  
 insecticidal veterinary washes; insecticides; insect re-  
 pellent incense; insect repellents; larvae exterminating  
 preparations; lice treatment preparations [pediculici-  
 des]; lotions for veterinary purposes; mothproofing  
 paper; mothproofing preparations; parasiticides; pedi-  
 culicidal shampoos; pesticides; poisons; preparations  
 for destroying dry rot fungus; preparations for destroy-  
 ing mice; preparations for destroying noxious ani-  
 mals; pyrethrum powder; rat poison; reagent paper for  
 veterinary purposes; repellents for dogs; slug exter-  
 minating preparations; soil-sterilising preparations;  
 strychnine; sulfur sticks [disinfectants]; tobacco ex-  
 tracts [insecticides]; vermifuges; vermin destroying  
 preparations.

35 – Administration of consumer loyalty programs;  
 administration of frequent flyer programs; administra-  
 tive assistance in responding to calls for tenders; ad-  
 ministrative processing of purchase orders; adminis-  
 trative services for the relocation of businesses; adver-  
 tising; advertising agency services; advertising by  
 mail order; advisory services for business manage-  
 ment; appointment reminder services [office functi-  
 ons]; appointment scheduling services [office functi-  
 ons]; arranging newspaper subscriptions for others;  
 arranging subscriptions to telecommunication services  
 for others; auctioneering; bill-posting; book-keeping;  
 business appraisals; business auditing; business effi-  
 ciency expert services; business inquiries; business in-  
 termediary services relating to the matching of poten-  
 tial private investors with entrepreneurs needing fun-  
 ding; business investigations; business management  
 and organization consultancy; business management  
 assistance; business management consultancy; busi-  
 ness management for freelance service providers; bu-  
 siness management of hotels; business management of  
 performing artists; business management of reimbur-  
 sement programs for others; business management of  
 sports people; business organization consultancy; bu-  
 siness project management services for construction  
 projects; business research; commercial administrati-

on of the licensing of the goods and services of others; commercial information agency services; commercial intermediation services; commercial lobbying services; commercial or industrial management assistance; competitive intelligence services; compilation of information into computer databases; compilation of statistics; compiling indexes of information for commercial or advertising purposes; computerized file management; consultancy regarding advertising communication strategies; consultancy regarding public relations communication strategies; corporate communications services; cost price analysis; data search in computer files for others; demonstration of goods; development of advertising concepts; direct mail advertising; dissemination of advertising matter; distribution of samples; drawing up of statements of accounts; economic forecasting; employment agency services; financial auditing; gift registry services; import-export agency services; interim business management; invoicing; layout services for advertising purposes; marketing; marketing in the framework of software publishing; marketing research; market intelligence services; market studies; media relations services; modelling for advertising or sales promotion; negotiation and conclusion of commercial transactions for third parties; negotiation of business contracts for others; news clipping services; office machines and equipment rental; online advertising on a computer network; online retail services for downloadable and pre-recorded music and movies; online retail services for downloadable digital music; online retail services for downloadable ring tones; opinion polling; organization of exhibitions for commercial or advertising purposes; organization of fashion shows for promotional purposes; organization of trade fairs; outsourced administrative management for companies; outsourcing services [business assistance]; pay per click advertising; payroll preparation; personnel management consultancy; personnel recruitment; photocopying services; presentation of goods on communication media, for retail purposes; price comparison services; procurement services for others [purchasing goods and services for other businesses]; production of advertising films; production of teleshopping programmes; professional business consultancy; promotion of goods and services through sponsorship of sports events; providing business information; providing business information via a web site; providing commercial and business contact information; providing commercial information and advice for consumers in the choice of products and services; provision of an online marketplace for buyers and sellers of goods and services; psychological testing for the selection of personnel; publication of publicity texts; publicity material rental; public relations; radio advertising; registration of written communications and data; rental of advertising space; rental of advertising time on communication media; rental of billboards [advertising boards]; rental of office equipment in co-working fa-

ilities; rental of photocopying machines; rental of sales stands; rental of vending machines; retail services for pharmaceutical, veterinary and sanitary preparations and medical supplies; retail services for works of art provided by art galleries; retail services relating to bakery products; sales promotion for others; scriptwriting for advertising purposes; search engine optimization for sales promotion; secretarial services; shop window dressing; shorthand; sponsorship search; systemization of information into computer databases; targeted marketing; tax filing services; tax preparation; telemarketing services; telephone answering for unavailable subscribers; television advertising; transcription of communications [office functions]; typing; updating and maintenance of data in computer databases; updating and maintenance of information in registries; updating of advertising material; web indexing for commercial or advertising purposes; web site traffic optimization; wholesale services for pharmaceutical, veterinary and sanitary preparations and medical supplies; word processing; writing of publicity texts; writing of résumés for others.

---

(260) AM 2021 109621 A

(800) 1548127

(151) 2020 04 07

(891) 2020 04 07

(731) PROMETEON TYRE GROUP S.R.L.

Viale Sarca, 222, I-20126 Milano (MI), Italy

(540)

The logo for PROMETEON features a stylized 'P' with a horizontal line through its middle, followed by the word 'PROMETEON' in a bold, sans-serif font.

(591) Black, white

(531) 27.05.01

(511)

12 – Vehicles; apparatus for locomotion by land, air or water; treads for vehicles tire; rubber materials for tyre repair; pneumatic tires; pneumatic, semi-pneumatic and/or solid tyres; vehicle wheels; wheel trims; inner tubes for pneumatic tyres; tire mousse inserts; adhesive rubber patches for repairing inner tubes; anti-skid chains; automobile bodies; automobile chains; automobile chassis; balance weights for vehicle wheels; brake linings for vehicles; electric vehicles; freewheels for land vehicles; non-skid devices for vehicle tyres; repair outfits for inner tubes; shock absorbers for automobiles; shock absorbing springs for vehicles; tires for vehicle wheels; treads for retreading tires; tubeless tyres for bicycles; valves for vehicle tyres; rims for vehicle wheels.

---

(260) AM 2021 109634 A

(800) 1548373

(151) 2020 02 14

(891) 2020 02 14

(731) Montblanc-Simplo GmbH

Hellgrundweg 100, 22525 Hamburg, Germany

(540)



(591) Black, white

(531) 01.01.02; 01.01.10; 05.05.20; 06.01.04;  
26.01.03; 26.01.16; 26.01.24

(511)

3 – Soaps, perfumery, essential oils, cosmetics; cosmetic preparations for face and body and for beauty care.

9 – Optical apparatus and instruments; eyeglasses, sunglasses; eyeglass frames and cases; magnifying glasses; computer and tablets carrying cases and bags; holders and cases for telephones, portable telephones and smartphones; accessories for portable telephones, smartphones and tablets; data recording and storage media device and instruments; graduated rulers.

14 – Jewellery; cuff links; tie clips; rings, bracelets, earrings, necklaces, brooches; key rings of precious metal; watches, chronometers, clocks, watch movements, watch straps, watch bracelets, boxes of precious metal for watches and jewelry; key holders.

16 – Paper, cardboard and goods made in these materials not included in other classes; printed matter; stationery; articles of paper or cardboard, namely, boxes, bags, envelopes and pouches for packaging; wrapping paper; writing instruments; replacement parts for writing instruments, namely, nibs, pencil caps, and pen clips; pouches for writing instruments; cases for writing instruments; inks and ink refills for writing instruments; writing book; calendars, note books; writing paper, envelopes; business cards; paperweights; diaries, cover for diaries, replacement papers for diaries; inkwells; check-book holders, passport holders; document holders; albums; bookends; money clips; letter trays, writing instrument holders, paper pad refills; desk sets, desk stands for writing instruments and office implements, pen and pencil holders.

18 – Leather and imitation leather, goods made in these materials and not included in other classes, namely handbags, travelling bags, bags for sports, wheeled bags, wallets, purses, credit card holders, briefcases, attaché-cases, trays made of leather, travelling trunks, vanity cases (not fitted), handbags, boxes of leather or leather board, trunks and suitcases, bags for packaging; document cases.

(260) AM 2021 109635 A

(800) 1548393

(151) 2020 07 29

(891) 2020 07 29

(731) HUAIAN BRAVERY IMPORT & EXPORT  
TRADE CO., LTD

Room 1714, Huayi Xinghe Business Building,  
Xiangyu Avenue, Huai'an District, Huai'an  
City, 223219 Jiangsu Province, China

(540)

# STELS

(591) Black, white

(511)

12 – Bicycle; bicycle crank; bicycle seat; bicycle frame; bicycle handlebars; bicycle wheel; bicycle basket; bicycle foot pedal; bicycle seat cover; folding trolley.

(260) AM 2021 109636 A

(800) 1548405

(151) 2020 07 21

(891) 2020 07 21

(731) Yagupov Artyom Artyomovich

Volgogradskiy prospect, dom 74, korpus 3,  
kv. 41, RU-109462 Moscow, Russian  
Federation

(540)

# OEANHUT JILISI PIBAMY

(591) Black, white

(511)

3 – Abrasives; amber [perfume]; descaling preparations for household purposes; antistatic preparations for household purposes; aromatics [essential oils]; air fragrancing preparations; cake flavorings [essential oils]; flavorings for beverages [essential oils]; food flavorings [essential oils]; breath freshening sprays; canned pressurized air for cleaning and dusting purposes; balms, other than for medical purposes; lip glosses; polishing stones; abrasive paper; emery paper; polishing paper; petroleum jelly for cosmetic purposes; shoe polish; cobblers' wax; cotton wool for cosmetic purposes; sachets for perfuming linen; drying agents for dishwashing machines; adhesives for cosmetic purposes; scented water; javelle water; lavender water; toilet water; wax for parquet floors; floor wax; non-slipping wax for floors; depilatory wax; mustache wax; tailors' wax; creams for leather; polish for furniture and flooring; shoemakers' wax; polishing wax; massage gels, other than for medical purposes; heliotropine; dental bleaching gels; geraniol; make-up; deodorants for pets; deodorants for human beings or for animals; depilatory preparations; air fragrance reed diffusers; scented wood; perfumes; non-slipping liquids for floors; windshield cleaning

liquids; greases for cosmetic purposes; volcanic ash for cleaning; perfumery; decorative transfers for cosmetic purposes; ionone [perfumery]; shaving stones [astringents]; smoothing stones; eyebrow pencils; cosmetic pencils; silicon carbide [abrasive]; carbides of metal [abrasives]; alum stones [astringents]; tripoli stone for polishing; adhesives for affixing false eyelashes; adhesives for affixing false hair; hair conditioners; quillaia bark for washing; corundum [abrasive]; beard dyes; colorants for toilet purposes; cosmetic dyes; laundry starch; laundry glaze; shoe cream; polishing creams; cosmetic creams; skin whitening creams; polishing rouge; incense; hair spray; nail polish; hair lotions; lotions for cosmetic purposes; after-shave lotions; beauty masks; oils for perfumes and scents; oils for cosmetic purposes; oils for toilet purposes; essential oils; essential oils of cedarwood; essential oils of lemon; essential oils of citron; oils for cleaning purposes; bergamot oil; gaultheria oil; jasmine oil; lavender oil; almond oil; rose oil; oil of turpentine for degreasing; whitening; cleaning chalk; almond milk for cosmetic purposes; cleansing milk for toilet purposes; musk [perfumery]; soap; deodorant soap; shaving soap; soap for brightening textile; cakes of toilet soap; antiperspirant soap; soap for foot perspiration; almond soap; mint for perfumery; cosmetic kits; emery; nail art stickers; false nails; eau de cologne; bases for flower perfumes; joss sticks; pastes for razor strops; dentifrices; pumice stone; lipstick cases; hydrogen peroxide for cosmetic purposes; breath freshening strips; teeth whitening strips; abrasive cloth; glass cloth [abrasive cloth]; lipsticks; pomades for cosmetic purposes; shaving preparations; cosmetic preparations for baths; bath preparations, not for medical purposes; hair straightening preparations; hair waving preparations; laundry soaking preparations; grinding preparations; smoothing preparations [starching]; color-removing preparations; leather bleaching preparations; polishing preparations; denture polishes; mouthwashes, not for medical purposes; cosmetic preparations for slimming purposes; starch glaze for laundry purposes; eye-washes, not for medical purposes; fabric softeners for laundry use; laundry bleach; dry-cleaning preparations; paint stripping preparations; lacquer-removing preparations; make-up removing preparations; floor wax removers [scouring preparations]; varnish-removing preparations; rust removing preparations; nail care preparations; cleaning preparations; preparations for cleaning dentures; wallpaper cleaning preparations; preparations for unblocking drain pipes; chemical cleaning preparations for household purposes; collagen preparations for cosmetic purposes; bleaching preparations [decolorants] for household purposes; laundry preparations; aloe vera preparations for cosmetic purposes; sunscreen preparations; color-brightening chemicals for household purposes [laundry]; breath freshening preparations for personal hygiene; shining preparations [polish]; make-up powder; diamantine [abrasive]; stain removers; nail varnish re-

movers; vaginal washes for personal sanitary or deodorant purposes; scouring solutions; false eyelashes; tissues impregnated with cosmetic lotions; tissues impregnated with make-up removing preparations; safrol; massage candles for cosmetic purposes; laundry blueing; turpentine for degreasing; potpourris [fragrances]; bleaching soda; washing soda, for cleaning; bath salts, not for medical purposes; bleaching salts; fumigation preparations [perfumes]; preservatives for leather [polishes]; ammonia [volatile alkali] [detergent]; astringents for cosmetic purposes; eyebrow cosmetics; make-up preparations; sun-tanning preparations [cosmetics]; hair dyes; neutralizers for permanent waving; preparations to make shiny the leaves of plants; cosmetic preparations for eyelashes; cosmetic preparations for skin care; cosmetics; cosmetics for children; cosmetics for animals; mascara; cleansers for intimate personal hygiene purposes, non medicated; douching preparations for personal sanitary or deodorant purposes [toiletries]; detergents, other than for use in manufacturing operations and for medical purposes; degreasers, other than for use in manufacturing processes; bleaching preparations [decolorants] for cosmetic purposes; toiletry preparations; antiperspirants [toiletries]; phytocosmetic preparations; talcum powder, for toilet use; cotton sticks for cosmetic purposes; terpenes [essential oils]; emery cloth; cloths impregnated with a detergent for cleaning; henna [cosmetic dye]; shampoos; shampoos for animals [non-medicated grooming preparations]; shampoos for pets [non-medicated grooming preparations]; dry shampoos; sandpaper; soda lye; herbal extracts for cosmetic purposes; extracts of flowers [perfumes]; ethereal essences; badian essence; mint essence [essential oil].

(260) AM 2021 109687 A  
 (800) 1549165  
 (151) 2020 05 13  
 (891) 2020 05 13  
 (731) SYNGENTA PARTICIPATIONS AG  
 Rosentalstrasse 67, CH-4058 Basel,  
 Switzerland

(540)

**HOM**

(591) Black, white  
 (531) 28.05  
 (511)  
 31 – Fresh tomatoes; tomato seeds; tomato plants.

(260) AM 2021 109689 A  
 (800) 1549212  
 (151) 2020 04 28  
 (891) 2020 04 28  
 (731) Tecomaria Investments Limited  
 1, Lampousas Street, CY-1095 Nicosia, Cyprus

(540)

**BioClot A**

(591) Black, white

(511)

5 – Pharmaceutical and veterinary preparations; medicines for humans, bacterial and bacteriological preparations for medical or veterinary purposes; cultures of microorganisms for medical or veterinary purposes; preparations of microorganisms for medical or veterinary purposes; dietetic substances adapted for medical purposes; baby food; dietary supplements for humans or animals; germicides; biological preparations for medical purposes; immunomodulators and immunostimulants for medical purposes; antiseptics; antiviral drugs for medical purposes; pharmaceutical preparations for the treatment and prevention of infectious diseases; enzymes for medical purposes; enzyme preparations for medical purposes; anti-inflammatory preparations for medical purposes.

(260) AM 2021 109690 A

(800) 1549215

(151) 2020 04 28

(891) 2020 04 28

(731) Tecomaria Investments Limited

1, Lampousas Street, CY-1095 Nicosia, Cyprus

(540)

**albuven**

(591) Black, white

(511)

5 – Albumin dietary supplements; bacterial preparations for medical and veterinary use; bacteriological preparations for medical and veterinary use; albuminous preparations for medical purposes; biological preparations for medical purposes; vaginal washes for medical purposes; vaccines; diagnostic preparations for medical purposes; immunostimulants; depuratives; medicines for human purposes; drugs for medical purposes; pharmaceutical preparations; ferments for pharmaceutical purposes; chemico-pharmaceutical preparations; chemical preparations for medical purposes.

(260) AM 2021 109718 A

(800) 1549900

(151) 2020 05 28

(891) 2020 05 28

(731) INVESTISSEMENT QUÉBEC

600, rue de la Gauchetière Ouest; bureau 1500;

Montréal QC H3B 4L8, Canada

(540)



(591) Black, white

(531) 26.07.25; 26.11.01; 26.11.08; 26.11.12;

27.05.01

(511)

35 – Advice and information concerning commercial business management; advice relating to the organisation and management of business; advisory and consultancy services in the field of export, export services, export promotion information and services; advisory services relating to business management; advisory services relating to business management and business operations; assistance, advisory services and consultancy with regard to business organization; business acquisition and merger consultation; business acquisitions consultation; business acquisitions consulting; business administration consultancy; business appraisals and evaluations in business matters; business efficiency expert services; business management consultancy as well as development of processes for the analysis and the implementation of strategy plans and management projects; business management consultation; business management of reimbursement programs for others; business merger consultation; business organization advice for others; business organization and operation consultancy; business organization consultancy services; business process re-engineering; business risk assessment services; business risk management services; business strategic planning; business strategic planning services; business strategy development services; business succession planning; collection of market research information; commercial assistance in business management; commercial business management services; computerised market research services; conducting marketing studies; conducting of business feasibility studies; consultancy and advisory services in the field of business strategy; consultation in the field of business acquisitions; cost analysis; cost price analysis; economic forecasting and analysis; foreign trade information and consultation; market analysis and studies; market assessment services; market study and analysis of market studies; planning concerning business management, namely, searching for partners for amalgamations and business take-overs as well as for business establishments; preparing business reports; providing advice and information relating to commercial business management; providing advice in the field of business efficiency; providing business management start-up support for other businesses; providing information in the area of global sustainable business solutions; providing market intelligence services; providing operational business assistance to enterprises; provision of information relating to market studies; services for provision of foreign trade information; statistical analysis and reporting services for business purposes; statistical evaluation of data from market studies; strategic business analysis; strategic business planning.



36 – Accounts receivable financing; advisory services in the field of credit and debit control, investment, grants and financing of loans; capital investment consulting services; capital investment services; consultancy concerning financing of energy projects; consultancy relating to capital investment; consultancy services in relation to the financing of civil works and infrastructure projects; credit and loan services; credit consultation; credit counseling services; credit counselling; credit inquiry and consultancy; debt management services; equity capital investment; equity investment in international companies; evaluation of the credit worthiness of companies and private individuals; financial advisory services relating to joint ventures; financial analysis and preparation of reports relating thereto; financial analysis and research services; financial appraisals; financial customs brokerage services; financial guarantee and surety services; financial investment analysis and stock research; financial investment in the field of securities; financial management of reimbursement payments for others; financial planning and investment advisory services; financial restructuring services; financial risk assessment services; financial services, namely, debt settlement; financial valuations; financially-guaranteed financing; financing of industrial activities; financing of loans; financing of purchases; fiscal valuations and assessments; funds investment; investment of funds; investment risk assessment services; management of a capital investment fund; management of portfolios comprising securities; management of portfolios of transferable securities; mortgage refinancing; mutual funds and capital investment; private equity fund investment services; project financing; providing stock market information; providing stock securities market information; provision of stock market information; securities lending; stock exchange information; stock exchange information services; venture capital financing; venture capital fund management.

42 – Consumer product safety testing services; creation of control programs for automated measurement, assembly, adjustment, and related visualisation; design and testing of new products for others; developing programs for simulating experiments or series of experiments in a virtual optical laboratory; development and test of chemical production methods; greenhouse gas emission measuring and analysis; hydrological research; materials testing and evaluation; pollution prevention research; providing scientific information in the fields of climate change and global warming; provision of scientific information, advice and consultancy in relation to carbon offsetting; rental of laboratory instruments; research in the field of environmental protection; technical consultancy in the field of environmental science; technological consulting services in the field of alternative energy generation; water quality control services.

(260) AM 2021 109725 A  
 (800) 1439615  
 (151) 2018 09 07  
 (891) 2020 07 29  
 (731) China National Technical Import & Export Corporation  
 Jiuling Plaza No. 21, Xisanhuan Beilu, Beijing, China  
 (540)



(591) Blue  
 (531) 26.01.02; 26.01.18; 27.05.01; 29.01.04  
 (511)

35 – Distribution of samples; demonstration of goods; business management assistance; business inquiries; commercial information agency services; cost price analysis; compilation of statistics; business management and organization consultancy; business management consultancy; commercial or industrial management assistance; business efficiency expert services; market studies; business appraisals; business investigations; business organization consultancy; business research; public relations; consultancy and advisory services relating to business management; professional business consultancy; economic forecasting; business information; organization of trade fairs for commercial or advertising purposes; price comparison services; import-export agency services; personnel recruitment; book-keeping; accounting; drawing up of statements of accounts; business auditing; payroll preparation.

(260) AM 2021 109726 A  
 (800) 1514703  
 (151) 2019 11 07  
 (891) 2020 08 05  
 (731) Trynkova Ivanka Methodieva  
 3rd Setunsky pr-d, d. 6, kv. 52, RU-119136  
 Moscow, Russian Federation  
 (540)

(591) White, gray  
 (531) 27.05.01  
 (511)  
 3 – Soap; perfumery, essential oils, cosmetics, hair lotions; non-medicated dentifrices; breath freshening sprays; balms, other than for medical purposes; lip glosses; petroleum jelly for cosmetic purposes; cotton wool for cosmetic purposes; adhesives for cosmetic purposes; scented water; Javelle water; lavender wa-



ter; toilet water; depilatory wax; mustache wax; creams for leather; massage gels, other than for medical purposes; heliotropine; dental bleaching gels; geraniol; make-up; deodorants for human beings; depilatory preparations; scented wood; perfumes; greases for cosmetic purposes; decorative transfers for cosmetic purposes; ionone [perfumery]; eyebrow pencils; cosmetic pencils; adhesives for affixing false eyelashes; adhesives for affixing false hair; beard dyes; cosmetic dyes; cosmetic creams; skin whitening creams; hair spray; nail polish; lotions for cosmetic purposes; after-shave lotions; beauty masks; oils for perfumes and scents; oils for cleaning purposes; oils for cosmetic purposes; oils for toilet purposes; essential oils of cedarwood; essential oils of lemon; essential oils of citron; bergamot oil; gaultheria oil; jasmine oil; lavender oil; almond oil; rose oil; oil of turpentine for degreasing; almond milk for cosmetic purposes; cleansing milk for toilet purposes; musk [perfumery]; deodorant soap; shaving soap; soap for brightening textile; cakes of toilet soap; antiperspirant soap; soap for foot perspiration; almond soap; mint for perfumery; cosmetic kits; nail art stickers; false nails; eau de Cologne; bases for flower perfumes; cotton sticks for cosmetic purposes; joss sticks; pumice stone; lipstick cases; hydrogen peroxide for cosmetic purposes; breath freshening strips; lipsticks; pomades for cosmetic purposes; shaving preparations; cosmetic preparations for baths; bath preparations, not for medical purposes; toiletry preparations; hair waving preparations; douching preparations for personal sanitary or deodorant purposes [toiletries]; color-removing preparations; leather bleaching preparations; mouthwashes, not for medical purposes; cosmetic preparations for slimming purposes; make-up removing preparations; nail care preparations; preparations for cleaning dentures; aloe vera preparations for cosmetic purposes; sunscreen preparations; make-up powder; false eyelashes; tissues impregnated with cosmetic lotions; potpourris [fragrances]; bath salts, not for medical purposes; bleaching salts; fumigation preparations [perfumes]; astringents for cosmetic purposes; eyebrow cosmetics; make-up preparations; sun-tanning preparations [cosmetics]; hair dyes; neutralizers for permanent waving; cosmetic preparations for eyelashes; cosmetic preparations for skin care; cosmetics; mascara; bleaching preparations [decolorants] for cosmetic purposes; antiperspirants [toiletries]; talcum powder, for toilet use; terpenes [essential oils]; henna [cosmetic dye]; shampoos; dry shampoos; extracts of flowers [perfumes]; ethereal essences; badian essence; mint essence [essential oil].

35 – Commercial information and advice for consumers [consumer information of soap, perfumery, essential oils, cosmetics, hair lotions, non-medicated dentifrices]; presentation of soap perfumery, essential oils, cosmetics, hair lotions, non-medicated dentifrices, on communication media, for retail purposes; sa-

les promotion of soap perfumery, essential oils, cosmetics, hair lotions, non-medicated dentifrices, for others; procurement services for others [purchasing of soap, perfumery, essential oils, cosmetics, hair lotions, non-medicated dentifrices, for other businesses].

41 – Teaching; academies [education]; education information; providing online electronic publications, not downloadable; correspondence courses; practical training [demonstration]; arranging and conducting of workshops [training]; arranging and conducting of seminars; organization of competitions [education or entertainment]; vocational guidance [education or training advice]; vocational retraining; educational examination; coaching [training]; educational services provided by schools.

44 – Medical services; veterinary services; hygienic and beauty care for human beings or animals; agriculture, horticulture and forestry services; depilatory waxing; hair implantation; manicuring; chiropractic; massage; hairdressing; beauty salon services; health counselling; tattooing; visagists' services; sauna services; solarium services.

(260) AM 2021 109727 A

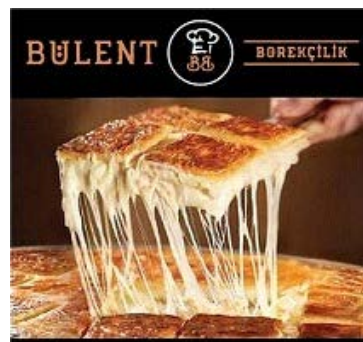
(800) 1538276

(151) 2019 12 27

(891) 2020 07 24

(731) BÜLENT BÖREKÇİLİK İMALAT  
PAZARLAMA, SANAYİ VE DIŞ TİCARET  
ANONİM ŞİRKETİ  
Mahmutbey Mah. 2661.Sok. No:11/1/Z1,  
Bağcılar, İstanbul, Turkey

(540)



(591) Black, white and orange

(531) 08.01.06; 08.01.15; 08.01.16; 08.07.25;  
09.07.19; 26.01.03; 26.01.16; 26.01.18;  
26.04.08; 26.04.16; 26.04.18; 27.05.09;  
27.05.10; 27.05.11; 27.05.22; 27.05.24;  
29.01.15

(511)

30 – Coffee, cocoa, coffee or cocoa based beverages, chocolate based beverages; pasta, stuffed dumplings, noodles; molasses for food; cereal based snack food, popcorn, crushed oats, corn chips, breakfast cereals, processed wheat for human consumption, crushed barley for human consumption, processed oats for hu-

man consumption, processed rye for human consumption, rice; salt; pastries and bakery products based on flour; desserts based on flour and chocolate, bread, simit, poğaç, pita, sandwiches, katmer, pies, cakes, baklava, kadayıf desserts based on dough coated with syrup, puddings, custard, kazandibi, rice pudding, keşkül; condiments for foodstuff, vanilla, spices, sauce, tomato sauce; yeast, baking powder; flour, semolina, starch for food; sugar, cube sugar, powdered sugar; tea, ice tea; confectionery, chocolate, biscuits, crackers, wafers; chewing gums; ice-cream, edible ices.

43 – Temporary accommodation, reservation of temporary accommodation, rental of rooms for wedding ceremonies, providing rooms for conferences and various meetings; services for providing food and drink; day nurseries; boarding for animals.

(260) AM 2021 109782 A

(800) 1550258

(151) 2020 05 29

(891) 2020 05 29

(731) Euro Games Technology Ltd.

4, "Maritsa" Str., "Vranya-Lozen-Triugulnika",  
BG-1151 Sofia, Bulgaria

(540)



(591) Green, gold, black, yellow and white

(531) 25.03.01; 27.05.02; 27.07.01; 28.03; 29.01.15

(511)

9 – Software; computer gaming software; computer software packages; computer operating system software; computer software, recorded; software drivers; virtual reality software; games software; entertainment software for computer games; computer programs for network management; operating computer software for main frame computers; monitors (computer hardware); computer hardware; apparatus for recording images; monitors (computer programs); computer game programs; computer programs for recorded games; apparatus for recording, transmission or reproduction of sound or images; communications servers [computer hardware]; electronic components for gambling machines; computer application software featuring games and gaming; computer software for the administration of on-line games and gaming; computer hardware for games and gaming; electronic components and computer software for gambling, gambling machines, gambling games on the Internet and via telecommunication network.

28 – Gaming machines for gambling; chips for gambling; mah-jong; arcade games; gambling machines operating with coins, notes and cards; games; electronic games; parlor games; gaming chips; gaming tables; slot machines [gaming machines]; LCD game ma-

chines; slot machines and gaming devices; coin-operated amusement machines; roulette chips; poker chips; chips and dice [gaming equipment]; equipment for casinos; roulette tables; gaming roulette wheels; casino games; gambling machines and amusement machines, automatic and coin-operated and gambling machines; coin-operated amusement machines and/or electronic coin-operated amusement machines with or without the possibility of gain; boxes for coin-operated machines, slot machines and gaming machines; electronic or electrotechnical amusement machines and apparatus, gaming machines, coin-operated entertainment machines; housings for coin-operated machines, gaming equipment, gaming machines, machines for gambling; electropneumatic and electrical gambling machines (slot machines).

41 – Gambling; services related to gambling; gaming services for entertainment purposes; casino, gaming and gambling services; training in the development of software systems; provision of equipment for gambling halls; providing casino equipment [gambling]; gaming machine entertainment services; providing casino facilities [gambling]; gaming hall services; amusement arcade services; games equipment rental; rental of gaming machines; providing amusement arcade services; rental of gaming machines with images of fruits; editing or recording of sounds and images; sound recording and video entertainment services; hire of sound reproducing apparatus; provision of gaming equipment for casinos; providing of casino facilities; online gambling services; casino, gaming and gambling services; provision of gaming facilities, gaming hall facilities, Internet casinos, online gaming services.

(260) AM 2021 109785 A

(800) 1550309

(151) 2020 06 25

(891) 2020 06 25

(731) "Progress Agro" LLC

ul. E. Bershansky, 72/A/office 25, RU-350911  
Krasnodar, Russian Federation

(540)



(591) Black, white

(531) 01.03.01; 01.15.11; 28.05

(526) The Cyrillic characters indicated in the mark which transliterate into Latin characters as "naturalnie produkti"

(511)

16 – Wrapping paper; absorbent sheets of paper or plastic for foodstuff packaging; humidity control sheets of paper or plastic for foodstuff packaging; viscose sheets for wrapping; sheets of reclaimed cellulose for wrapping; plastic bubble packs for wrapping or packaging; packing [cushioning, stuffing] materials of paper or cardboard; packaging material made of starches; bags [envelopes, pouches] of paper or plastics, for packaging; plastic film for wrapping; bottle wrappers of paper or cardboard.

18 – Bags [envelopes, pouches] of leather, for packaging.

29 – Ajvar [preserved peppers]; aloe vera prepared for human consumption; alginates for culinary purposes; anchovy, not live; peanuts, prepared; artichokes, preserved; albumen for culinary purposes; white of eggs; beans, preserved; soya beans, preserved, for food; ham; fatty substances for the manufacture of edible fats; laver, preserved; edible birds' nests; peas, preserved; mushrooms, preserved; guacamole; game, not live; gelatine; meat jellies; fruit jellies; yolk of eggs; coconut fat; bone oil for food; lard; suet for food; edible fats; fruit-based snack food; milk substitutes; tofu patties; soya patties; charcuterie; cottage cheese fritters; raisins; caviar; eggplant paste; vegetable marrow paste; fish roe, processed; yogurt; galbi [grilled meat dish]; sauerkraut; kephir; kimchi; isinglass for food; clams, not live; potato-based dumplings; klipfish [salted and dried cod]; milk shakes; black pudding; onion rings; arrangements of processed fruit; compotes; meat, tinned; vegetables, tinned; fish, tinned; fruits, tinned; corn dogs; gherkins; shrimps, not live; prawns, not live; buttercream; silkworm chrysalis for human consumption; sweet corn, processed; kumys; spiny lobsters, not live; lecithin for culinary purposes; salmon, not live; onions, preserved; margarine; marmalade; oils for food; peanut butter; cocoa butter for food; coconut oil for food; coconut butter; corn oil for food; sesame oil for food; linseed oil for food; extra virgin olive oil for food; olive oil for food; palm oil for food; palm kernel oil for food; sunflower oil for food; colza oil for food; butter; soya bean oil for food; shellfish, not live; almonds, ground; animal marrow for food; mussels, not live; milk; peanut milk; peanut milk for culinary purposes; coconut milk; coconut milk for culinary purposes; almond milk; almond milk for culinary purposes; oat milk; rice milk; rice milk for culinary purposes; albumin milk; condensed milk; soya milk; powdered milk; fish meal for human consumption; vegetable mousses; fish mousses; fruit pulp; meat; meat, preserved; freeze-dried meat; milk beverages, milk predominating; peanut milk-based beverages; coconut milk-based beverages; almond milk-based beverages; edible insects, not live; sausage casings, natural or artificial; vegetables, preserved; freeze-dried vegetables; vegetables, dried; vegetables, cooked; potato fritters; olives, preserved;

lobsters, not live; coconut, desiccated; nuts, prepared; tomato purée; pressed fruit paste; liver pâté; pectin for culinary purposes; liver; pickles; jams; powdered eggs; milk products; fish-based foodstuffs; curd; poultry, not live; bulgogi; pollen prepared as foodstuff; cranberry compote; tomato puree; apple purée; crayfish, not live; crustaceans, not live; fish, preserved; fish, not live; salted fish; ryazhenka; vegetable salads; fruit salads; bacon; sardines, not live; pork; herrings, not live; seeds, prepared; sunflower seeds, prepared; cream [dairy products]; whipped cream; fat-containing mixtures for bread slices; smetana; tomato juice for cooking; vegetable juices for cooking; salted meats; sausages; sausages in batter; hot dog sausages; tripe; whey; cheese; tahini; tofu; sea-cucumbers, not live; truffles, preserved; tuna, not live; oysters, not live; milk ferments for culinary purposes; rennet; fish fillets; dates; crystallized fruits; frozen fruits; fruit, preserved; fruit preserved in alcohol; fruit, stewed; potato flakes; hummus; fruit peel; non-alcoholic eggnog; seaweed extracts for food; meat extracts; berries, preserved; eggs; snail eggs for consumption; yakitori.

30 – Star aniseed; cereal bars; high-protein cereal bars; pancakes; noodle-based prepared meals; freeze-dried dishes with the main ingredient being pasta; freeze-dried dishes with the main ingredient being rice; buns; bulgur; bread rolls; burritos; vareniki; waffles; vermicelli; natural sweeteners; seaweed [condiment]; malt biscuits; cloves [spice]; cake frosting [icing]; glucose for culinary purposes; mustard; croûtons; buckwheat, processed; rice-based snack food; cereal-based snack food; dressings for salad; marshmallow; fruit jellies [confectionery]; candy decorations for cakes; confectionery for decorating Christmas trees; cakes; pastries; peanut confectionery; almond confectionery; pasta; ground ginger; capers; caramels [sweets]; curry [spice]; ketchup [sauce]; prepared rice rolled in seaweed; kimchijeon [fermented vegetable pancakes]; quinoa, processed; quiches; flour-based dumplings; sweets; liquorice [confectionery]; peppermint sweets; mints for breath freshening; cinnamon [spice]; crackers; custard; hominy grits; semolina; oatmeal; crushed barley; groats for human food; corn, milled; corn, roasted; meat pies; turmeric; couscous; noodles; soba noodles; udon noodles; candies; rice cakes; potato-based flatbreads; mayonnaise; macarons; macaroni; maltose; hominy; piccalilli; marinades; marzipan; miso; bean meal; buckwheat flour; tapioca flour; potato flour; corn flour; nut flours; flour; wheat flour; soya flour; barley meal; dessert mousses [confectionery]; chocolate mousses; muesli; mint for confectionery; crushed oats; husked oats; nutmegs; stick liquorice [confectionery]; soy bean paste [seasoning]; pastila [confectionery]; pastilles [confectionery]; molasses for food; pâtés en croûte; pelmeni; pepper; allspice; peppers [seasonings]; pesto; cookies; petit-beurre biscuits; bibimbap [rice mixed with vege-

tables and beef]; pies; pizzas; meat gravies; fondants [confectionery]; popcorn; mustard meal; pralines; condiments; cereal preparations; oat-based food; gingerbread; spices; petits fours; rice pudding; puddings; cake powder; fruit coulis [sauces]; ravioli; ramen; chewing gum; chewing gum for breath freshening; relish [condiment]; rice; instant rice; wheat germ for human consumption; spring rolls; sago; sugar; palm sugar; sesame seeds [seasonings]; linseed for culinary purposes [seasoning]; processed seeds for use as a seasoning; aniseed; agave syrup [natural sweetener]; golden syrup; confectionery; cranberry sauce [condiment]; soya sauce; tomato sauce; apple sauce [condiment]; sauces [condiments]; pasta sauce; spaghetti; seasonings; rusks; breadcrumbs; sushi; senbei [rice crackers]; sandwiches; tabbouleh; tacos; tarts; dough; pastry dough; almond paste; rice pulp for culinary purposes; cake dough; tortillas; garden herbs, preserved [seasonings]; chocolate decorations for cakes; vinegar; beer vinegar; halvah; bread; unleavened bread; chips [cereal products]; corn flakes; oat flakes; hot dog sandwiches; jiaozi; chutneys [condiments]; minced garlic [condiment]; cheeseburgers [sandwiches]; chow-chow [condiment]; saffron [seasoning]; chocolate; husked barley; leaven.

31 – Algarovilla for animal consumption; draff; algae for human or animal consumption; dog biscuits; yeast for animal consumption; edible chews for animals; peanut cake for animals; oil cake; maize cake for cattle; rape cake for cattle; grains for animal consumption; lime for animal forage; animal foodstuffs; pet food; stall food for animals; bird food; strengthening animal forage; roots for animal consumption; groats for poultry; bran mash for animal consumption; peanut meal for animals; linseed meal for animal consumption; meal for animals; flax meal [fodder]; rice meal for forage; fish meal for animal consumption; beverages for pets; distillery waste for animal consumption; cuttle bone for birds; mash for fattening livestock; animal fattening preparations; preparations for egg laying poultry; fishing bait, live; by-products of the processing of cereals, for animal consumption; wheat germ for animal consumption; linseed for animal consumption; hay; straw [forage]; salt for cattle; fodder.

32 – Aperitifs, non-alcoholic; lithia water; seltzer water; soda water; waters [beverages]; aerated water; mineral water [beverages]; table waters; kvass; cocktails, non-alcoholic; lemonades; non-alcoholic beverages; isotonic beverages; non-alcoholic honey-based beverages; rice-based beverages, other than milk substitutes; soya-based beverages, other than milk substitutes; aloe vera drinks, non-alcoholic; whey beverages; protein-enriched sports beverages; soft drinks; non-alcoholic beverages flavored with coffee; non-alcoholic beverages flavored with tea; non-alcoholic fruit juice beverages; energy drinks; fruit nectars, non-alcoholic; orgeat; powders for effervescing beverages;

sarsaparilla [non-alcoholic beverage]; syrups for lemonade; syrups for beverages; smoothies; tomato juice [beverage]; cider, non-alcoholic; vegetable juices [beverages]; fruit juices; preparations for making aerated water; preparations for making beverages; pastilles for effervescing beverages; sherbets [beverages]; non-alcoholic fruit extracts; essences for making beverages.

35 – Demonstration of goods; promoting the goods of others; the bringing together, for the benefit of others, of a variety of goods, excluding the transport thereof, enabling customers to conveniently view and purchase those goods; retail and wholesale services.

39 – Delivery of goods; delivery of goods by mail order; packaging of goods; wrapping of goods; gift wrapping; storage of goods; storage.

40 – Fruit crushing; slaughtering of animals.

42 – Industrial design; graphic arts design; research and development of new products for others; packaging design.

43 – Snack-bar services; café services; cafeteria services; restaurant services; self-service restaurant services; food sculpting; canteen services; bar services; providing campground facilities; food and drink catering; washoku restaurant services; udon and soba restaurant services.

(260) AM 2021 109806 A

(800) 1551085

(151) 2020 05 07

(891) 2020 05 07

(731) UAB Silvergate LT

Vilniaus m. sav., Vilniaus m., J. Basanaviciaus g.15, LT-03108 Vilnius, Lithuania

(540)

 The logo for BigWallet features a stylized 'W' symbol composed of two overlapping triangles, one green and one blue, followed by the text 'BigWallet' in a bold, blue, sans-serif font.

(591) Green, light green, black

(531) 26.03.04; 27.05.09

(511)

9 – Apparatus for processing electronic payments; terminals for electronically processing credit card payments; software for processing electronic payments to and from others; hardware for processing electronic payments to and from others; apparatus for electronic payment processing; electronic payment terminal; electronic payment terminals; electronic and magnetic id cards for use in connection with payment for services; transponders equipped with in-vehicle electronic payment; computer software for facilitating payment transactions by electronic means; computer hardware for facilitating payment transactions by electronic means; payment software; e-payment software; online payment software; e-commerce and e-payment software; magnetic payment cards; encoded prepaid

payment cards; payment cards being magnetically encoded; banking software; computer terminals for banking purposes; banking cards [encoded or magnetic].

20 – Banking counters.

36 – Processing of electronic payments; electronic processing of payments; processing of payments for banks; processing of electronic check payments; processing of credit card payments; processing of debit card payments; processing of payments for building societies; processing payments made by charge cards; processing of payments in relation to credit cards; collection of payments for goods and services; payment processing; payment processing services; tax payment processing services; credit card payment processing; processing of payment transactions via the Internet; processing electronic payments made through prepaid cards; processing of payments in relation to charge cards; electronic processing of payments via a global computer network; processing payments for the purchase of goods and services via an electronic communications network; electronic payment services; electronic commerce payment services; electronic wallet services (payment services); issuing electronic payment cards in connection with bonus and reward schemes; bank card, credit card, debit card and electronic payment card services; providing multiple payment options by means of customer-operated electronic terminals available on-site in retail stores; issuing of payment gift cards; electronic banking; electronic banking services; electronic banking via a global computer network [Internet banking]; banking services in relation to the electronic transfer of funds; mortgage banking; mortgage banking insurance; mortgage banking and mortgage brokerage; mortgage banking and brokerage; mortgage banking and mortgage broking; banking; investment banking; banking insurance; private banking; banking (home -); home banking; merchant banking; international banking; Internet banking; banking services; financial banking; online banking; investment banking services; on-line banking; automated banking services; personal banking services; providing banking information; merchant banking services; ATM banking services; telephone banking and insurance services; research services relating to banking; banking services for deposit-taking; information services relating to banking; card accessed banking services; property investment banking services; online business banking services; banking and financial services; banking and financing services; providing of banking services; consultations relating to banking; telephone banking services; financial evaluations [banking]; Internet banking services; computerised banking services; home banking services; online banking services; personal financial banking services; on-line banking services; banking services relating to the deposit of money; banking services relating to the transfer of funds from accounts; auto-

ated banking services relating to charge card transactions; automated banking services relating to credit card transactions; financial management relating to banking; banking services provided for schools; advisory services relating to banking; evaluation (financial -) [insurance, banking, real estate]; banking services relating to travellers' cheques; automatic banking services for change giving; financial and monetary services, and banking; investment banking consulting and advisory services; financial evaluation [insurance, banking, real estate]; computerised information services relating to banking matters; financial management services relating to banking institutions; financial underwriting and securities issuance (investment banking); financial banking services for the deposit of money; banking services provided for paying bills by telephone; financial banking services for the withdrawal of money; providing information, consultancy and advice in the field of investment banking; banking services relating to the acceptance of fixed interval installment payments; collection of payments; preparation of pension payments; acceptance of bill payments; home collection of financial payments; agencies for collecting gas utility payments; agencies for collecting electric power utility payments; financial management of reimbursement payments for others; agencies for collecting gas or electric power utility payments; remote payment services; bill payment services; financial payment services; payment administration services; automated payment services; contactless payment services; payment card services; retirement payment services; telegraphic remittance [payment] services; check payment guarantee services; payment transaction card services; e-wallet payment services; credit card payment services; debit card payment services; financial pre-payment services; credit card and payment card services; on-line bill payment services; clearing services for payment transactions; tax and duty payment services; money order payment guarantee services; payment services provided via wireless telecommunications apparatus and devices; information services relating to the automated payment of accounts; credit services for the payment of insurance premiums; financial transfers and transactions, and payment services; credit services for payment of insurance premiums; bill payment services provided through a website.

42 – Providing temporary use of on-line non-downloadable software for processing electronic payments.

(260) AM 2021 109807 A

(800) 1551107

(151) 2020 06 02

(891) 2020 06 02

(731) Euro Games Technology Ltd.

4, "Maritsa" Str., "Vranya-Lozen-Triugulnika",  
BG-1151 Sofia, Bulgaria



(540)



(591) Brown, gold, orange, yellow, red and black

(531) 27.05.02; 28.03; 29.01.15

(511)

9 – Software; computer gaming software; computer software packages; computer operating system software; computer software, recorded; software drivers; virtual reality software; games software; entertainment software for computer games; computer programs for network management; operating computer software for main frame computers; monitors (computer hardware); computer hardware; apparatus for recording images; monitors (computer programs); computer game programs; computer programs for recorded games; apparatus for recording, transmission or reproduction of sound or images; communications servers [computer hardware]; electronic components for gambling machines; computer application software featuring games and gaming; computer software for the administration of on-line games and gaming; computer hardware for games and gaming; electronic components and computer software for gambling, gambling machines, gambling games on the Internet and via telecommunication network.

28 – Gaming machines for gambling; chips for gambling; mah-jong; arcade games; gambling machines operating with coins, notes and cards; games; electronic games; parlor games; gaming chips; gaming tables; slot machines [gaming machines]; LCD game machines; slot machines and gaming devices; coin-operated amusement machines; roulette chips; poker chips; chips and dice [gaming equipment]; equipment for casinos; roulette tables; gaming roulette wheels; casino games; gambling machines and amusement machines, automatic and coin-operated and gambling machines; coin-operated amusement machines and/or electronic coin-operated amusement machines with or without the possibility of gain; boxes for coin-operated machines, slot machines and gaming machines; electronic or electrotechnical amusement machines and apparatus, gaming machines, coin-operated entertainment machines; housings for coin-operated machines, gaming equipment, gaming machines, machines for gambling; electropneumatic and electrical gambling machines (slot machines).

41 – Gambling; services related to gambling; gaming services for entertainment purposes; casino, gaming

and gambling services; training in the development of software systems; provision of equipment for gambling halls; providing casino equipment [gambling]; gaming machine entertainment services; providing casino facilities [gambling]; gaming hall services; amusement arcade services; games equipment rental; rental of gaming machines; providing amusement arcade services; rental of gaming machines with images of fruits; editing or recording of sounds and images; sound recording and video entertainment services; hire of sound reproducing apparatus; provision of gaming equipment for casinos; providing of casino facilities; online gambling services; casino, gaming and gambling services; provision of gaming facilities, gaming hall facilities, Internet casinos and online gaming services.

(260) AM 2021 109808 A

(800) 1551139

(151) 2020 08 04

(891) 2020 08 04

(731) ONVIF, Inc.

5000 Executive Parkway, Suite 302,

San Ramon CA 94583, USA

(540)

(591) Black, white

(531) 27.05.01

(511)

9 – Downloadable computer software, namely, a software interface for network video cameras; interface for computers, namely, high definition multimedia interface cables, interface cards for data processing equipment in the form of printed circuits, and computer interface boards; interface for computers for cinematographic, optic apparatus and instruments; interface for computers for apparatus and instruments for measuring, signaling, transmission and video surveillance; interface for computers for apparatus for recording, receiving, transmitting or reproducing sound and images; interfaces for computers for computer streaming or reproduction of data stream; interface for computers for IP-based video systems consisting of network video cameras, network switches, network monitors and computer software; downloadable computer software for interoperability among IP-based devices used in applications for security, video surveillance, building automation systems, security information management systems, namely, electronic readers and controllers for controlling access to premises, electronic access control systems for interlocking doors, security and fire alarms, and electronic video surveillance products, namely, electronic components of security systems.

42 – Providing temporary use of non-downloadable computer software, namely, a software interface for

network video cameras; providing temporary use of non-downloadable computer software for interoperability among IP-based devices used in applications for security, video surveillance, building automation systems, security information management systems, namely, electronic readers and controllers for controlling access to premises, electronic access control systems for interlocking doors, security and fire alarms, and electronic video surveillance products, namely, electronic components of security systems.

(260) AM 2021 109816 A

(800) 1190940

(151) 2013 07 22

(891) 2020 08 20

(731) BOSTIK SA

420 rue d'Estienne d'Orves, F-92700 Colombes,  
France

(540)



(591) Black, white

(531) 03.11.10; 03.11.24; 27.05.17

(511)

1 – Industrial chemicals; chemical products for the manufacture of adhesives; adhesives (adhesive materials) for use in industry; adhesives for ceiling coverings, for floor coverings, for wall coverings; adhesives for repair and assembly of objects; adhesives for wallpaper; separating and unsticking [ungluing] products; starch size; solvents for glues; unprocessed epoxy, acrylic and synthetic resins; unprocessed plastics.

16 – Adhesives (glues) for stationery or household purposes; paintbrushes; artists' materials; glues for wood for household use; glues for fabrics for household use.

17 – Epoxy, acrylic and synthetic resins (semi-finished products); packing, stopping and insulating materials; sealant compounds for joints; insulating plaster; insulating varnish; adhesive tapes and strips other than for medical, stationery or household purposes; waterproof packings.

19 – Building materials, not of metal; mortar for building; cement; coatings (building materials); plaster; pitch; concrete; lime; patching and leveling plaster coats for walls, floors and ceilings; products for patching walls, floors and ceilings.

(260) AM 2021 109821 A

(800) 1457305

(151) 2019 02 05

(891) 2020 08 28

(731) Perfetti Van Melle Benelux B.V.

Zoete Inval 20, NL-4815 HK Breda,  
Netherlands

(540)

## FRUIT-TELLA GOOD FOR YOU

(591) Black, white

(511)

29 – Fruit snacks; fruit-based snack food; snack mixes consisting of dehydrated fruit and processed nuts.

30 – Pastries; confectionery; chewing gum; bubble gum; chocolate; cocoa; fruit drops [confectionery]; sugar; toffees; lollipops; fruit jellies [confectionery]; liquorice; candies (non-medicated -); chewing candy; pastilles [confectionery]; mints [candies, non-medicated -]; sweets (non-medicated -).

(260) AM 2021 109822 A

(800) 1458365

(151) 2018 11 28

(891) 2020 08 14

(731) ASTER-NORD GmbH

Möhrlistrasse 89, CH-8006 Zürich, Switzerland

(540)

## ASLYX

(591) Black, white

(511)

12 – Parts and components of motor vehicles.

(260) AM 2021 109885 A

(800) 1551814

(151) 2020 06 12

(891) 2020 06 12

(731) MEGA SOFT (CHINA) CO., LTD.

No.1, Xinqiang Road., Machinery Printing  
Base, Gaoxin District, Hongshan Town, Shishi  
City, Quanzhou; 362700 Fujian, China

(540)

## Mon Tarot

(591) Black, white

(531) 27.05.01

(511)

5 – Drugs for medical purposes; food for babies; anophelifuge; adult diapers; sanitary pads; sanitary towels; disinfectant wipes; babies' napkins [diapers]; babies' diaper-pants; diapers for pets.

(260) AM 2021 109886 A

(800) 1551904

(151) 2020 05 29

(891) 2020 05 29

(731) Euro Games Technology Ltd.

4, "Maritsa" Str., "Vranya-Lozen-Triugulnika",  
BG-1151 Sofia, Bulgaria

(540)



(591) Brown, gold, orange, yellow, white and black

(531) 27.05.03; 27.05.04; 28.03; 29.01.12

(511)

9 – Software; computer gaming software; computer software packages; computer operating system software; computer software, recorded; software drivers; virtual reality software; games software; entertainment software for computer games; computer programs for network management; operating computer software for main frame computers; monitors (computer hardware); computer hardware; apparatus for recording images; monitors (computer programs); computer game programs; computer programs for recorded games; apparatus for recording, transmission or reproduction of sound or images; communications servers [computer hardware]; electronic components for gambling machines; computer application software featuring games and gaming; computer software for the administration of on-line games and gaming; computer hardware for games and gaming; electronic components and computer software for gambling, gambling machines, gambling games on the Internet and via telecommunication network.

28 – Gaming machines for gambling; chips for gambling; mah-jong; arcade games; gambling machines operating with coins, notes and cards; games; electronic games; parlor games; gaming chips; gaming tables; slot machines [gaming machines]; LCD game machines; slot machines and gaming devices; coin-operated amusement machines; roulette chips; poker chips; chips and dice [gaming equipment]; gaming equipment for casinos; roulette tables; gaming roulette wheels; playing cards for casino games; gambling machines and amusement machines, automatic and coin-operated; coin-operated amusement machines and/or electronic coin-operated gaming machines with or without the possibility of gain; boxes for coin-operated amusement machines, slot machines and gaming machines; electronic or electrotechnical gaming devices, automats and machines, coin-operated amusement machines; housings for coin-operated amusement machines, gaming equipment, gaming machines, machines for gambling; electropneumatic and electrical gambling machines (slot machines).

41 – Gambling; services related to gambling; gaming services for entertainment purposes; casino, gaming

and gambling services; training in the development of software systems; rental of gambling machines for gambling halls; providing casino equipment [gambling]; gaming machine entertainment services; providing casino facilities [gambling]; gaming hall services; amusement arcade services; games equipment rental; rental of gaming machines; providing amusement arcade services; rental of gaming machines with images of fruits; editing or recording of sounds and images; sound recording and video entertainment services; hire of sound reproducing apparatus; provision of gaming equipment for casinos; providing of casino facilities; online gambling services; casino, gaming and gambling services; organisation and provision of games in gaming establishments and gaming halls, Internet casino services, online gaming services.

(260) AM 2021 109887 A

(800) 1551933

(151) 2020 06 30

(891) 2020 06 30

(731) WTM Establishment

Städtle 28, FL-9490 Vaduz, Liechtenstein

(540)



(591) Black, white

(531) 27.05; 27.05.01

(511)

32 – Aperitifs, non-alcoholic; lithia water; seltzer water; soda water; waters [beverages]; aerated water; mineral water [beverages]; table waters; kvass [non-alcoholic beverage]; cocktails, non-alcoholic; lemonades; non-alcoholic beverages; energy drinks; isotonic beverages; non-alcoholic honey-based beverages; rice-based beverages, other than milk substitutes; soya-based beverages, other than milk substitutes; aloe vera drinks, non-alcoholic; whey beverages; protein-enriched sports beverages; soft drinks; non-alcoholic beverages flavored with coffee; non-alcoholic beverages flavored with tea; non-alcoholic fruit juice beverages; fruit nectars, non-alcoholic; orgeat; beer; powders for effervescing beverages; sarsaparilla [non-alcoholic beverage]; syrups for lemonade; syrups for beverages; smoothies; tomato juice [beverage]; vegetable juices [beverages]; fruit juice; preparations for making aerated water; preparations for making beverages; must; grape must, unfermented; pastilles for effervescing beverages; sherbets [beverages]; non-alcoholic fruit extracts; essences for making beverages.

(260) AM 2021 109889 A

(800) 1551942

(151) 2020 08 13

(891) 2020 08 13

(731) CELLTRION, INC.



23, Academy-ro, Yeonsu-gu, Incheon 22014,  
Republic of Korea

(540)

## Vegzelma

(591) Black, white

(511)

5 – Pharmaceutical preparations for the treatment of cancer; antibodies for medical purposes.

(260) AM 2021 109900 A

(800) 1552427

(151) 2020 08 14

(891) 2020 08 14

(731) Ravintoraisio Oy

Raisionkaari 55, FI-21200 Raisio, Finland

(540)



(591) Blue, white and red

(531) 27.05.07; 29.01.12

(511)

29 – Agar-agar for culinary purposes; aloe vera prepared for human consumption; alginates for culinary purposes; andouillettes; anchovy, not live; peanuts, prepared; artichokes, preserved; albumen for culinary purposes; white of eggs; beans, preserved; soya beans, preserved, for food; bouillon; ginger jam; ham; fatty substances for the manufacture of edible fats; laver, preserved; edible birds' nests; cabbage rolls stuffed with meat; peas, preserved; mushrooms, preserved; guacamole; game, not live; gelatine; meat jellies; jellies for food; fruit jellies; yolk of eggs; coconut fat; bone oil for food; lard; suet for food; edible fats; rennet; fruit-based snack food; milk substitutes; soya patties; tofu patties; charcuterie; raisins; caviar; eggplant paste; vegetable marrow paste; fish roe, processed; ginger, preserved; crystallized ginger; pickled ginger; yogurt; sauerkraut; cassoulet; quark; kephir; kimchi; isinglass for food; clams, not live; potato-based dumplings; klipfish [salted and dried cod]; milk shakes; black pudding; onion rings; arrangements of processed fruit; compotes; meat, tinned; vegetables, tinned; fish, tinned; fruits, tinned; duck confits; bouillon concentrates; vegetable-based concentrate for cooking; fruit-based concentrate for cooking; corn dogs; gherkins; shrimps, not live; prawns, not live; buttercream; croquettes; silkworm chrysalis for human consumption; sweet corn, processed; kumys; spiny lobsters, not live; lecithin for culinary purposes;

edible ant larvae, prepared; salmon, not live; onions, preserved; margarine; marmalade; oils for food; peanut butter; cocoa butter for food; coconut oil for food; coconut butter; corn oil for food; sesame oil for food; linseed oil for food; extra virgin olive oil for food; olive oil for food; palm oil for food; palm kernel oil for food; sunflower oil for food; colza oil for food; butter; soya bean oil for food; shellfish, not live; almonds, ground; animal marrow for food; mussels, not live; milk; peanut milk; peanut milk for culinary purposes; coconut milk; coconut milk for culinary purposes; almond milk; almond milk for culinary purposes; oat milk; rice milk; rice milk for culinary purposes; albumin milk; condensed milk; soured milk; soya milk; powdered milk; fermented baked milk; fish meal for human consumption; vegetable mousses; fish mousses; fruit pulp; meat; meat, preserved; freeze-dried meat; lactic acid drinks; milk beverages, milk predominating; peanut milk-based beverages; coconut milk-based beverages; almond milk-based beverages; edible insects, not live; sausage casings, natural or artificial; vegetables, preserved; freeze-dried vegetables; vegetables, processed; vegetables, dried; vegetables, cooked; hash browns; potato fritters; olives, preserved; lobsters, not live; omelettes; flavored nuts; candied nuts; coconut, desiccated; nuts, prepared; tomato purée; pressed fruit paste; liver pâté; pectin for culinary purposes; preserved peppers; liver; pickles; jams; powdered eggs; milk products; fish-based foodstuffs; poultry, not live; white pudding; bulgogi; pollen prepared as foodstuff; cranberry compote; apple purée; crayfish, not live; crustaceans, not live; ratatouille; fish, preserved; fish, not live; salted fish; vegetable salads; fruit salads; bacon; sardines, not live; satay; pork; herrings, not live; seeds, prepared; sunflower seeds, prepared; cream [dairy products]; whipped cream; vegetable-based cream; fat-containing mixtures for bread slices; smetana; lemon juice for culinary purposes; tomato juice for cooking; vegetable juices for cooking; salted meats; sausages; sausages in batter; hot dog sausages; preparations for making bouillon; preparations for making soup; tofu skin; vegetable-based spreads; nut-based spreads; tripe; soups; vegetable soup preparations; whey; cheese; tajine [prepared meat, fish or vegetable dish]; tahini; cottage cheese; tofu; tempeh; sea-cucumbers, not live; truffles, preserved; tuna, not live; oysters, not live; falafel; milk ferments for culinary purposes; fish fillets; dates; crystallized fruits; frozen fruits; fruit, preserved; fruit, processed; fruit preserved in alcohol; fruit, stewed; hazelnuts, prepared; potato flakes; hummus; edible flowers, dried; fruit peel; preserved garlic; lentils, preserved; potato chips; low-fat potato chips; fruit chips; choucroute garnie; non-alcoholic eggnog; seaweed extracts for food; meat extracts; berries, preserved; eggs; snail eggs for consumption; yakitori.

30 – Vanilla flavorings for culinary purposes; flavorings, other than essential oils, for cakes; flavorings,

other than essential oils, for beverages; coffee flavorings; food flavorings, other than essential oils; star aniseed; baozi; cereal bars; high-protein cereal bars; pancakes; savory pancakes; noodle-based prepared meals; freeze-dried dishes with the main ingredient being pasta; freeze-dried dishes with the main ingredient being rice; buns; bulgur; bread rolls; pains au chocolat; edible paper wafers; edible rice paper; edible paper; burritos; vanillin [vanilla substitute]; waffles; vermicelli; natural sweeteners; sausage binding materials; binding agents for ice cream; orange blossom water for culinary purposes; sea water for cooking; seaweed [condiment]; malt biscuits; cloves [spice]; mirror icing [mirror glaze]; cake frosting [icing]; glucose for culinary purposes; mustard; croûtons; buckwheat, processed; gluten additives for culinary purposes; yeast; thickening agents for cooking foodstuffs; leaven; rice-based snack food; cereal-based snack food; artificial coffee; vegetal preparations for use as coffee substitutes; dressings for salad; fruit jellies [confectionery]; candy decorations for cakes; confectionery for decorating Christmas trees; cakes; pastries; peanut confectionery; almond confectionery; fruit confectionery; pasta; ground ginger; frozen yogurt [confectionery ices]; cocoa; cream of tartar for culinary purposes; capers; coffee capsules, filled; caramels [sweets]; curry [spice]; ketchup [sauce]; quinoa, processed; quiches; gluten prepared as foodstuff; flour-based dumplings; sweets; liquorice [confectionery]; peppermint sweets; mints for breath freshening; dulce de leche; cinnamon [spice]; coffee; unroasted coffee; starch for food; crackers; rice crackers; custard; crème brûlée; croissants; hominy grits; semolina; oatmeal; crushed barley; groats for human food; ice cubes; corn, milled; corn, roasted; meat pies; turmeric; couscous; laksa; noodles; soba noodles; udon noodles; ice for refreshment; ice, natural or artificial; edible ices; ice pops; potato-based flatbreads; rice cakes; mayonnaise; macarons; macaroni; maltose; hominy; piccalilli; marinades; marzipan; honey; miso; royal jelly; ice cream; bean meal; buckwheat flour; tapioca flour; potato flour; corn flour; nut flours; flour; wheat flour; soya flour; barley meal; dessert mousses [confectionery]; chocolate mousses; muesli; mint for confectionery; cocoa beverages with milk; coffee beverages with milk; coffee-based beverages; cocoa-based beverages; chamomile-based beverages; tea-based beverages; chocolate beverages with milk; chocolate-based beverages; infusions, not medicinal; nougat; crushed oats; husked oats; kimchi pancakes; onigiri; nutmegs; chocolate-coated nuts; stick liquorice [confectionery]; ginger paste [seasoning]; pastilles [confectionery]; molasses for food; pâtés en croûte; pelmeni; pepper; allspice; peppers [seasonings]; pesto; cookies; coconut macaroons; petit-beurre biscuits; bibimbap [rice mixed with vegetables and beef]; pies; pizzas; meat gravies; fondants [confectionery]; popcorn; powders for making ice cream; baking powder; mustard meal; pralines; condiments; meat tenderizers

for household purposes; cereal preparations; oat-based food; propolis; profiteroles; gingerbread; spices; petits fours; rice pudding; puddings; cake powder; fruit coulis [sauces]; ravioli; ramen; chewing gum; chewing gum for breath freshening; relish [condiment]; rice; prepared rice rolled in seaweed; instant rice; wheat germ for human consumption; spring rolls; sago; sugar; crystallized rock sugar; palm sugar; sesame seeds [seasonings]; linseed for culinary purposes [seasoning]; processed seeds for use as a seasoning; aniseed; agave syrup [natural sweetener]; golden syrup; confectionery; savory pancake mixes; batter mixes; baking soda [bicarbonate of soda for cooking purposes]; malt for human consumption; salt for preserving foodstuffs; cooking salt; celery salt; sorbets [ices]; ham glaze; cranberry sauce [condiment]; soya sauce; tomato sauce; apple sauce [condiment]; sauces [condiments]; pasta sauce; spaghetti; seasonings; chocolate-based spreads; chocolate spreads containing nuts; preparations for stiffening whipped cream; shaved ice with sweetened red beans; rusks; breadcrumbs; sushi; sandwiches; tabbouleh; tacos; tamarind [condiment]; tapioca; tarts; dough; pastry dough; almond paste; rice pulp for culinary purposes; cake dough; tortillas; garden herbs, preserved [seasonings]; chocolate decorations for cakes; vinegar; beer vinegar; ferments for pastes; halvah; harissa [condiment]; bread; gluten-free bread; unleavened bread; chips [cereal products]; corn flakes; oat flakes; hot dog sandwiches; flowers or leaves for use as tea substitutes; jiaozi; chicory [coffee substitute]; tea; kelp tea; iced tea; chutneys [condiments]; minced garlic [condiment]; cheeseburgers [sandwiches]; chow-chow [condiment]; saffron [seasoning]; chocolate; malt extract for food; essences for foodstuffs, except etheric essences and essential oils; husked barley.

31 – Algarovilla for animal consumption; anchovy, live; oranges, fresh; peanuts, fresh; artichokes, fresh; draff; beans, fresh; locust beans, raw; soya beans, fresh; wreaths of natural flowers; grapes, fresh; algae, unprocessed, for human or animal consumption; fruit residue [marc]; dog biscuits; peas, fresh; buckwheat, unprocessed; mushroom spawn for propagation; mushrooms, fresh; trees; palm trees; turf, natural; unsawn timber; undressed timber; yeast for animal consumption; Christmas trees; edible chews for animals; live animals; menagerie animals; peanut cake for animals; oil cake; maize cake for cattle; rape cake for cattle; bagasses of cane [raw material]; cereal seeds, unprocessed; grains [cereals]; grains for animal consumption; lime for animal forage; fish spawn; ginger, fresh; vegetable marrows, fresh; cocoa beans, raw; koi carp, live; potatoes, fresh; chestnuts, fresh; quinoa, unprocessed; arrangements of fresh fruit; cannabis, unprocessed; copra; raw barks; rough cork; animal foodstuffs; pet food; stall food for animals; bird food; strengthening animal forage; chicory roots; roots for animal consumption; nettles; groats for poultry; maize;

edible sesame, unprocessed; shrubs; rose bushes; spiny lobsters, live; lemons, fresh; vine plants; salmon, live; onions, fresh; flower bulbs; leeks, fresh; olives, fresh; bran mash for animal consumption; shellfish, live; almonds [fruits]; mussels, live; peanut meal for animals; linseed meal for animal consumption; meal for animals; flax meal [fodder]; rice meal for forage; fish meal for animal consumption; straw mulch; beverages for pets; edible insects, live; oats; vegetables, fresh; cucumbers, fresh; lobsters, live; coconuts; kola nuts; nuts, unprocessed; bran; distillery waste for animal consumption; residue in a still after distillation; palms [leaves of the palm tree]; cuttle bone for birds; peppers [plants]; aromatic sand [litter] for pets; citrus fruit, fresh; litter for animals; mash for fattening livestock; unprocessed sweet corn ears [husked or unhusked]; animal fattening preparations; preparations for egg laying poultry; fishing bait, live; freeze-dried fishing bait; by-products of the processing of cereals, for animal consumption; seed germ for botanical purposes; poultry, live; wheat; pollen [raw material]; crayfish, live; crustaceans, live; seedlings; plants; aloe vera plants; plants, dried, for decoration; cannabis plants; rhubarb, fresh; rice, unprocessed; rye; wheat germ for animal consumption; fish, live; lettuce, fresh; sardines, live; beet, fresh; herrings, live; seeds for planting; linseed for animal consumption; edible linseed, unprocessed; hay; coconut shell; bred stock; sanded paper [litter] for pets; malt for brewing and distilling; straw [forage]; straw litter; salt for cattle; trunks of trees; wood chips for the manufacture of wood pulp; litter peat; garden herbs, fresh; sea-cucumbers, live; sugarcane; truffles, fresh; tuna, live; squashes, fresh; oysters, live; fruit, fresh; hazelnuts, fresh; fodder; hops; flowers, natural; flowers, dried, for decoration; edible flowers, fresh; chicory, fresh; silkworms; garlic, fresh; lentils, fresh; pine cones; hop cones; spinach, fresh; juniper berries; berries, fresh; eggs for hatching, fertilized; silkworm eggs; barley.

32 – Aperitifs, non-alcoholic; barley wine [beer]; aerated water; lithia water; seltzer water; soda water; waters [beverages]; mineral water [beverages]; table waters; kvass; cocktails, non-alcoholic; beer-based cocktails; lemonades; non-alcoholic beverages; non-alcoholic dried fruit beverages; isotonic beverages; non-alcoholic honey-based beverages; rice-based beverages, other than milk substitutes; soya-based beverages, other than milk substitutes; aloe vera drinks, non-alcoholic; whey beverages; protein-enriched sports beverages; soft drinks; non-alcoholic beverages flavored with coffee; non-alcoholic beverages flavored with tea; non-alcoholic fruit juice beverages; energy drinks; fruit nectars, non-alcoholic; orgeat; beer; ginger beer; malt beer; powders for effervescing beverages; sarsaparilla [non-alcoholic beverage]; syrups for lemonade; syrups for beverages; smoothies; tomato juice [beverage]; cider, non-alcoholic; vegetable juices [beverages]; fruit juices; non-alcoholic prepara-

tions for making beverages; preparations for making aerated water; must; grape must, unfermented; beer wort; malt wort; pastilles for effervescing beverages; shandy; sherbets [beverages]; non-alcoholic fruit extracts; extracts of hops for making beer; non-alcoholic essences for making beverages.

(260) AM 2021 109901 A

(800) 1552436

(151) 2020 03 11

(891) 2020 03 11

(731) Eliseev Pavel Nikolaevich

Morskaya embankment, 31, bldg. 3, apt. 15,

RU-119155 St. Petersburg, Russian Federation

(540)

R O D E C O R

ДЕКОР С ИСТОРИЕЙ

(591) Black, white

(531) 24.17.02; 27.05.01; 27.05.10; 28.05

(511)

17 – Shock-absorbing buffers of rubber; fittings, not of metal, for compressed air lines; asbestos; cellulose acetate, semi-processed; balata; floating anti-pollution barriers; asbestos paper; paper for electrical capacitors; insulating paper; cotton wool for packing [caulking]; mineral wool [insulator]; asbestos felt; insulating felt; plastic fibers [fibres], not for textile use; carbon fibres, other than for textile use; asbestos fibers; vulcanized fiber; gutta-percha; foam supports for flower arrangements [semi-finished products]; dielectrics [insulators]; lute; mica products; insulators; insulators for railway tracks; insulators for electric mains; insulators for cables; asbestos millboards; liquid rubber; synthetic rubber; rubber, raw or semi-worked; valves of india-rubber or vulcanized fibre; clack valves of rubber; gasket caps; rings of rubber; water-tight rings; compositions based on synthetic resins; insulating paints; insulating varnish; latex [rubber]; duct tapes; insulating tapes; adhesive bands, other than stationery and not for medical or household purposes; self-adhesive tapes, other than stationery and not for medical or household purposes; asbestos sheets; viscose sheets, other than for wrapping; plastic sheets for glass protection; sheets of regenerated cellulose, other than for wrapping; insulating oils; insulating oil for transformers; anti-vibration materials; reinforcing materials, not of metal, for pipes; weatherstripping compositions; caulking materials; brake lining materials, partly processed; soundproofing materials; insulating materials; insulating refractory materials; padding materials of rubber or plastics; rubber material for recapping tires; non-conducting materials for retaining heat; boiler composition to prevent the radiation of heat; packing [cushioning, stuffing] materials of rubber or plastics; sealant compounds for joints; filtering materials [semi-processed foams or films of plastic]; com-

positions to prevent the radiation of heat; bags [envelopes, pouches] of rubber, for packaging; pipe mufflers, not of metal; sleeves of rubber for protecting parts of machines; asbestos packing; clutch linings; threads of plastic for soldering; threads of plastic materials, other than for textile use; threads of rubber, other than for textile use; elastic threads, other than for textile use; door stops of rubber; window stops of rubber; stops of rubber; plastic boards, unprocessed and semi-processed rubber, included in this class; insulating gloves; plastic plates for manufacture; plastic substances, semi-processed; insulating plaster; plastic sheeting for agricultural purposes; plastic film, other than for wrapping; anti-dazzle films for windows [tinted films]; asbestos coverings; bark coverings for sound insulation; asbestos cloth; rubber stoppers; expansion joint fillers; cylinder jointings; washers of rubber or vulcanized fibre; pipe gaskets; draught excluder strips; gaskets; rubber solutions; gum, raw or semi-worked; mica, raw or partly processed; acrylic resins, semi-processed; synthetic resins, semi-processed; hose fittings, not of metal; substances for insulating buildings against moisture; chemical compositions for repairing leaks; glass wool for insulation; fiberglass for insulation; asbestos fabrics; fiberglass fabrics for insulation; insulating fabrics; flexible hoses, not of metal; hoses of textile material; connecting hose for vehicle radiators; waterproof packings; rubber seals for jars; fittings, not of metal, for flexible pipes; fittings, not of metal, for rigid pipes; foils of metal for insulating; ebonite molds; asbestos slate; slag wool [insulator]; watering hose; canvas hose pipes; cords of rubber; asbestos safety curtains; ebonite.

19 – Aquaria [structures]; alabaster glass; door frames, not of metal; window frames, not of metal; asbestos cement; beams, not of metal; balustrades, not of metal; huts; swimming pools [structures], not of metal; silos, not of metal; arbours [structures], not of metal; works of art of stone, concrete or marble; bitumen; plastic landscape edgings; joists, not of metal; telephone booths, not of metal; beacons, not of metal, non-luminous; building paper; busts of stone, concrete or marble; bird baths [structures], not of metal; binding agents for making briquettes; stained-glass windows; felt for building; aviaries [structures], not of metal; gates, not of metal; diving boards, not of metal; geotextiles; gypsum [building material]; plaster; gravel; aquarium gravel; granite; tar; armored doors, not of metal; doors, not of metal; folding doors, not of metal; coal tar; wall decor in the nature of wall stone, ceramic wall tiles, mosaic wall tiles, wall boards and panels, not of metal; chimney pots, not of metal; prefabricated houses [kits], not of metal; parquet floor boards; building boards, not of metal; memorial plaques, not of metal; roofing shingles; building materials (as finished products) made of wood; wood for making household utensils; veneer wood; moldable wood; flagpoles, not of metal; chimney shafts, not of

metal; outdoor blinds, not of metal and not of textile; jalousies, not of metal; roof gutters, not of metal; street gutters, not of metal; agglomerated bagasses of cane [building material]; road signs, non-luminous and non-mechanical, not of metal; non-luminous and non-mechanical signs, not of metal; limestone; lime; fences, not of metal; works of stonemasonry; cabanas, not of metal; stone; rubble; artificial stone; building stone; paint spraying booths, not of metal; gravestones; greenhouse frames, not of metal; bitumen paper for building; wood pulp board for building; paperboard for building; skating rinks [structures], not of metal; quartz; caissons for construction work under water; bricks; fire burrs; water-pipe valves, not of metal or plastic; drain traps [valves], not of metal or plastic; cask wood; parquet stave; mooring bollards, not of metal; pillars, not of metal, for building; cement posts; chimney cowls, not of metal; brackets, not of metal, for building; buildings, not of metal; buildings, transportable, not of metal; buildings of stone; stringers [parts of staircases], not of metal; silica [quartz]; roofing, not of metal; manhole covers, not of metal; xylolith; ceiling domes for framing lightning units; chicken-houses, not of metal; lava rocks for use in buildings; stucco decor; manufactured timber; sawn timber; building timber; wood, semi-worked; staircases, not of metal; road marking sheets and strips of synthetic material; reinforcing materials, not of metal, for building; bituminous products for building; materials, non-metallic, used for decoration of premises, including polyurethane, duropolymer, gypsum; grog [fired refractory material]; pitch; building materials, not of metal; refractory construction materials, not of metal; masts [poles], not of metal; raw chalk; calcareous marl; mosaics for building; moldings, not of metal, for cornices; moldings, not of metal, for building; marble; slate powder; porches [structures], not of metal; tombs, not of metal; flashing, not of metal, for building; roof flashing, not of metal; perches; duckboards, not of metal; wall claddings, not of metal, for building; coatings [building materials]; tomb or grave enclosures, not of metal; laths, not of metal; wood panelling; wall linings, not of metal, for building; palisading, not of metal; crash barriers, not of metal, for roads; trellises, not of metal; windows, not of metal; olivine for building; shuttering, not of metal, for concrete; poles, not of metal, for power lines; props, not of metal; rubber bearings for seismic isolation of buildings; branching pipes, not of metal; fair huts; tombs [monuments], not of metal; monuments, not of metal; wainscotting, not of metal; decorative panels, not of metal; signalling panels, non-luminous and non-mechanical, not of metal; building panels, not of metal; parquet flooring; branch pipes, not of metal; partitions, not of metal; lintels, not of metal; casement windows, not of metal; aquarium sand; silver sand; sand, except foundry sand; sandstone for building; planks of wood for building; tarred strips for building; rocket launching platforms, not of metal; platforms, prefabri-

cated, not of metal; grave slabs, not of metal; scaffolding, not of metal; armour-plating, not of metal; fire-proof cement coatings; bituminous coatings for roofing; roof coverings, not of metal; roofing, not of metal, incorporating photovoltaic cells; cladding, not of metal, for building; linings, not of metal, for building; fireplace mantles, not of metal; door panels, not of metal; semi-finished wood included in this class; floors, not of metal; sills, not of metal; porphyry [stone]; ceilings, not of metal; floating docks, not of metal, for mooring boats; agglomerated cork for building; plastic door profiles; plastic window profiles; mortar for building; asbestos mortar; tanks of masonry; scantlings [carpentry]; furrings of wood; ceiling roses [decoration]; vinyl siding; sheet piles, not of metal; pigsties, not of metal; insect screens, not of metal; burial vaults, not of metal; schists; building mixes, dry; shutters, not of metal; statues of stone, concrete or marble; figurines [statuettes] of stone, concrete or marble; safety glass; glass granules for road marking; alabaster glass for building; window glass for building; window glass, other than vehicle window glass; building glass; plate glass [windows] for building; insulating glass for building; enamelled glass, for building; insulated glazing unit; tombstone stelae, not of metal; polycarbonate walls; stables, not of metal; advertisement columns, not of metal; posts, not of metal; telegraph posts, not of metal; hips for roofing; stair-treads [steps], not of metal; tombstone plaques, not of metal; greenhouses, transportable, not of metal; terra-cotta [building material]; penstock pipes, not of metal; water-pipes, not of metal; gutter pipes, not of metal; ducts, not of metal, for ventilating and air-conditioning installations; drain pipes, not of metal; chimneys, not of metal; rigid pipes, not of metal, for building; sandstone pipes; turnstiles, not of metal; tufa; angle irons, not of metal; lengthening pieces, not of metal, for chimneys; bicycle parking installations, not of metal; plywood; foundry moulds, not of metal; rock crystal; cement for blast furnaces; cement for furnaces; magnesia cement; cement; pantiles, not of metal; roofing tiles, not of metal; slate; roofing slates; slag [building material]; clinker stone; railway sleepers, not of metal; wood veneers; clinker ballast; stucco decorative elements, including made of polyurethane, dyuro-polymer, plaster; concrete building elements; letter boxes of masonry; grouting compounds.

35 – Arranging subscriptions to telecommunication services for others; commercial information agency services; advertising agency services; business administration; cost price analysis; rental of advertising space; business auditing; business intermediary services relating to the matching of potential private investors with entrepreneurs needing funding; employment agency services; computerized file management; book-keeping; business record keeping services; conducting personal correspondence; invoicing; dissemination of advertising leaflets; demonstration of goods;

transcription of communications [office functions]; opinion polling; market studies; business information; commercial information and advice for consumers in the choice of products and services; business investigations; business research; marketing research; personnel recruitment; business management and organization consultancy; business organization consultancy; consultancy regarding public relations communication strategies; business management consultancy; personnel management consultancy; professional business consultancy; consultancy regarding advertising communication strategies; layout services for advertising purposes; business management of performing artists; business management; business management of sports people; writing of résumés for others; script-writing for advertising purposes; news clipping services; updating and maintenance of information in registries; updating and maintenance of data in computer databases; updating of advertising material; word processing; opinion polls; organization of exhibitions for commercial or advertising purposes; organization of congresses for commercial or advertising purposes; arranging newspaper subscriptions for others; organization of fashion shows for promotional purposes; organization of trading and purchasing activities; organization of trade fairs for commercial or advertising purposes; shop window dressing; development of advertising concepts; business appraisals; business appraisals; payroll preparation; data search in computer files for others; sponsorship search; business management assistance; commercial or industrial management assistance; commercial or industrial enterprises management assistance; commercial intermediation services; providing business information via a web site; provision of commercial and business contact information; providing mannequins for advertising; web indexing for commercial or advertising purposes; presentation of goods on communication media, for retail purposes; economic forecasting; production of tele-shopping programmes; production of advertising films; office machines and equipment rental; rental of advertising time on communication media; publicity material rental; rental of billboards [advertising boards]; rental of vending machines; rental of sales stands; rental of photocopying machines; publication of publicity texts; copywriting and display works; radio advertising; bill-posting; distribution of samples; dissemination of advertising matter; direct mail advertising; registration of written communications and data; writing of publicity texts; advertising; newspaper advertising; on-line advertising on a computer network; outdoor advertising; advertising by mail order; television advertising; document reproduction being photocopying services; compilation of statistics; compilation of information into computer databases; business inquiries; systemization of information into computer databases; advisory services for business management; human resources management services; negotiation of business contracts for others; negotiation and conclusion

of commercial transactions for third parties; compilation of data base in a global computer network; compiling indexes of information for commercial or advertising purposes; tax preparation; drawing up of statements of accounts; psychological testing for the selection of personnel; outsourced administrative management for companies; business management of hotels; business management for freelance service providers; business project management services for construction projects; commercial administration of the licensing of the goods and services of others; business management of reimbursement programs for others; administration of frequent flyer programs; administrative processing of purchase orders; pay per click advertising; public relations; modelling for advertising; typing; market surveys; appointment reminder services [office functions]; web site traffic optimization; administrative services for the relocation of businesses; tax filing services; appointment scheduling services [office functions]; price comparison services; secretarial services; procurement services for others [purchasing goods and services for other businesses]; shorthand; outsourcing services [business assistance]; telephone answering for unavailable subscribers; photocopying services; business efficiency expert services.

(260) AM 2021 109903 A  
 (800) 1241072  
 (151) 2015 02 06  
 (891) 2020 09 04  
 (731) Spaten-Franziskaner-Bräu GmbH  
 Marsstrasse 46-48, 80335 München, Germany  
 (540)



## Franziskaner WEISSBIER

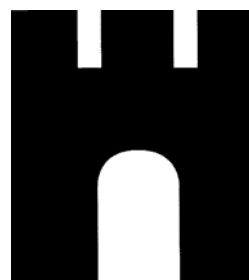
(591) Light brown, dark brown, orange, yellow, white and black  
 (531) 02.01.03; 02.01.18; 05.07.02; 14.05.06; 25.01.15; 29.01.13  
 (511)  
 32 – Beers; mineral and aerated waters and other non-alcoholic drinks; fruit drinks and fruit juices; syrups and other preparations for making beverages.

(260) AM 2021 109904 A  
 (800) 1284427  
 (151) 2015 10 01  
 (891) 2020 09 10  
 (731) BEAL INTERNATIONAL  
 Rue des Bailleries, 4, B-5081 Meux, Belgium  
 (540)

## BEALSTONE

(591) Black, white  
 (511)  
 1 – Water-repellent coatings (chemical, other than paints) for protecting surfaces; water-repellent products for masonry excluding paints; water-repellent solutions; compounds for binding concrete; sealing coatings for concrete (chemical products, other than paints); roofing membranes (chemical products).  
 19 – Concrete; refractory concrete; synthetic concrete; concrete blocks; concrete pipes; concrete slabs; concrete building elements; building materials of concrete; coating of concrete; statues of concrete; lime; mortar; mortar mixture; cement mortar for building; water-resistant mortar; sand used for making mortar; screed coatings; bituminous coatings for building purposes.  
 21 – Basins (receptacles); pottery; vases.  
 27 – Floor coverings.

(260) AM 2021 109905 A  
 (800) 1325927  
 (151) 2016 06 16  
 (891) 2020 09 07  
 (731) PENOPLEX SPb Ltd.  
 Saperniy lane 1 lit. A, RU-191014  
 St. Petersburg, Russian Federation  
 (540)



(591) Black, white  
 (531) 07.01.06; 26.13.25  
 (511)  
 17 – Non-conducting materials for retaining heat, including extruded polystyrene; compositions to prevent the radiation of heat; soundproofing materials; plastic fibers, not for use in textiles.  
 19 – Building materials, not of metal.

(260) AM 2021 109906 A

(800) 1361261

(151) 2017 05 24

(891) 2020 07 02

(731) Shenzhen Fangweida Technology Co., Ltd  
2nd floor, D Building, B block, New Yongfeng  
Industrial Zone, Baiyun New Village,  
Shanghenglang, Longhua town, Baoan district,  
518000 Shenzhen City, Guangdong Province,  
China

(540)

# amalink

(591) Black, white

(531) 27.05.01

(511)

9 – Couplers [data processing equipment]; transponders; audio- and video-receivers; cameras [photography]; distance measuring apparatus; materials for electricity mains [wires, cables]; potentiometer; connectors [electricity]; theft prevention installations, electric; chargers for electric batteries.

(260) AM 2021 109907 A

(800) 1391040

(151) 2017 11 08

(891) 2020 08 19

(731) DAIICHI SANKYO COMPANY, LIMITED  
3-5-1, Nihonbashi Honcho, Chuo-ku,  
103-8426 Tokyo, Japan

(540)

# Enhertu

(591) Black, white

(531) 27.05.01; 27.05.17

(511)

5 – Pharmaceutical preparations and substances; medicines for human purposes.

(260) AM 2021 109909 A

(800) 1477381

(151) 2019 02 15

(891) 2020 06 25

(731) Joint Stock Company "FudEks"  
Topolevaya st., 53, room 309, Kazan,  
RU-420075 Republic of Tatarstan,  
Russian Federation

(540)

# Yokito™

(591) Black, white

(531) 27.05.01; 27.05.02; 27.05.03; 27.05.25

(526) TM

(511)

5 – Wadding for medical purposes; liniments; gauze for dressings; antibacterial soap; disinfectant soap; cotton sticks for medical purposes; cotton swabs for medical purposes; babies' diapers; tissues impregnated with pharmaceutical lotions; babies' napkin-pants.

(260) AM 2021 109910 A

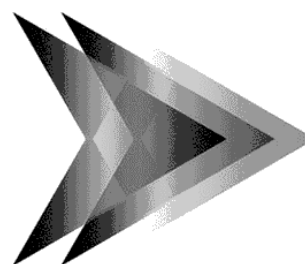
(800) 1550359

(151) 2020 07 17

(891) 2020 09 10

(731) AstraZeneca UK Limited  
Cambridge Biomedical Campus, 1 Francis  
Crick Avenue, Cambridge CB2 0AA,  
United Kingdom

(540)



(591) Black, white

(531) 24.15; 24.15.21; 26.03.23

(511)

5 – Pharmaceutical preparations and substances.

(260) AM 2021 109984 A

(800) 1552830

(151) 2020 07 22

(891) 2020 07 22

(731) Qatar Airways Group (Q.C.S.C.)  
Qatar Airways Tower, Airport Road, P.O.  
Box 22550, Doha (QA), Qatar

(540)



(591) Black, white

(531) 03.04.07; 03.04.13; 03.04.24; 25.07.15

(511)

16 – Paper; cardboard; printed matter; printed publications; newsletters; magazines; travel magazines; magazines relating to air transport; brochures; travel brochures; brochures relating to air transport; stationery; drawing materials; colouring books; colouring crayons; pens; pencils; stickers; postcards; business cards; tickets; airline tickets; printed timetables; maps;



printed menus; vouchers; notebooks; diaries; calendars; paper labels; paper tags.

39 – Transport; packaging and storage of goods; travel arrangement; reservation and booking services for transportation; travel services; travel reservation and booking services; travel information services; airline services; scheduled passenger airline services; air transport; reservation services for airline travel; airline booking services; air transportation services for passengers; airline services for the transportation of goods; reservation and booking of seats for travel; cargo storage services; cargo handling services; air charter services; aircraft chartering services; package holiday services for arranging travel; arranging and booking of travel for package holidays; arranging of excursions as part of package holidays; arranging car hire as part of package holidays; arranging of sightseeing tours as part of package holidays; arranging of tours; arranging of excursions; arranging of cruises; arranging of flights; arranging of car hire; vehicle rental services; vehicle parking services; booking agency services for travel; travel courier services; courier services; transportation of freight; air transportation of freight; provision of information relating to airline departures; provision of information relating to airline arrivals; information, advisory and consultancy services relating to the aforesaid.

(260) AM 2021 109985 A

(800) 1552841

(151) 2020 07 28

(891) 2020 07 28

(731) Limited Liability Company "InfTerra"

Naberezhnaja Presnenskaja, dom. 12, etazh 45,  
pom. 3, RU-123112 Moscow, Russian

Federation

(540)



(591) Blue and white

(531) 27.05.01; 29.01.04

(511)

36 – Accident insurance underwriting; accommodation bureau services [apartments]; actuarial services; antique appraisal; apartment house management; rental of apartments; art appraisal; bail-bonding; banking; brokerage of carbon credits; brokerage; business liquidation services, financial; charitable fund raising; check verification; clearing-houses, financial; credit bureau services; issuance of credit cards; debt advisory services; debt collection agency services; deposits of valuables; electronic funds transfer; exchanging money; factoring; rental of farms; arranging finance for construction projects; financial analysis; financial consultancy; financial customs brokerage services; financial evaluation [insurance, banking, real estate];

financial valuation of standing timber; financial valuation of wool; financial management; financial management of reimbursement payments for others; financial sponsorship; providing financial information; providing financial information via a web site; fire insurance underwriting; health insurance underwriting; instalment loans; insurance brokerage; insurance consultancy; providing insurance information; investment of funds; jewelry appraisal; lending against security; life insurance underwriting; loans [financing]; marine insurance underwriting; organization of monetary collections; mortgage banking; mutual funds; numismatic appraisal; rental of offices [real estate]; rental of offices for co-working; online banking; processing of credit card payments; processing of debit card payments; provident fund services; real estate agency services; real estate appraisal; real estate brokerage; real estate management; rental of real estate; providing rebates at participating establishments of others through use of a membership card; rent collection; repair costs evaluation [financial appraisal]; retirement payment services; safe deposit services; savings bank services; securities brokerage; stamp appraisal; stock brokerage services; stock exchange quotations; stocks and bonds brokerage; surety services; issuance of travelers' checks; trusteeship.

38 – Providing access to databases; rental of access time to global computer networks; cable television broadcasting; communications by cellular phones; communications by computer terminals; communications by fiber optic networks; communications by telegrams; computer aided transmission of messages and images; electronic bulletin board services [telecommunications services]; facsimile transmission; rental of facsimile apparatus; providing information in the field of telecommunications; providing internet chatrooms; message sending; rental of message sending apparatus; rental of modems; news agency services; providing online forums; paging services [radio, telephone or other means of electronic communication]; radio broadcasting; radio communications; satellite transmission; streaming of data; providing telecommunication channels for teleshopping services; rental of telecommunication equipment; providing telecommunications connections to a global computer network; telecommunications routing and junction services; teleconferencing services; telegraph services; telephone services; rental of telephones; television broadcasting; telex services; transmission of digital files; transmission of electronic mail; transmission of greeting cards online; transmission of telegrams; providing user access to global computer networks; video-on-demand transmission; videoconferencing services; voice mail services; wireless broadcasting.

42 – Analysis for oil-field exploitation; architectural consultancy; architectural services; authenticating works of art; bacteriological research; biological research; calibration [measuring]; cartography services;



chemical analysis; chemical research; chemistry services; clinical trials; cloud computing; cloud seeding; computer programming; computer rental; computer security consultancy; computer software consultancy; computer software design; computer system analysis; computer system design; computer technology consultancy; computer virus protection services; rental of computer software; construction drafting; consultancy in the design and development of computer hardware; consultancy in the field of energy-saving; conversion of computer programs and data, other than physical conversion; conversion of data or documents from physical to electronic media; cosmetic research; creating and designing website-based indexes of information for others [information technology services]; creating and maintaining web sites for others; data encryption services; data security consultancy; design of interior decor; interior design; digitization of documents [scanning]; dress designing; duplication of computer programs; electronic data storage; electronic monitoring of credit card activity to detect fraud via the internet; electronic monitoring of personally identifying information to detect identity theft via the internet; energy auditing; engineering; geological prospecting; geological research; geological surveys; graphic arts design; handwriting analysis [graphology]; hosting computer sites [web sites]; industrial design; information technology [IT] consultancy; information technology services provided on an outsourcing basis; providing information relating to computer technology and programming via a web site; installation of computer software; internet security consultancy; land surveying; maintenance of computer software; mechanical research; meteorological information; monitoring of computer systems by remote access; monitoring of computer systems for detecting unauthorized access or data breach; monitoring of computer systems to detect breakdowns; off-site data backup; oil-field surveys; oil-well testing; packaging design; quality control; quality evaluation of standing timber; quality evaluation of wool; recovery of computer data; research and development of new products for others; research in the field of environmental protection; research in the field of physics; providing scientific information, advice and consultancy relating to carbon offsetting; scientific laboratory services; scientific research; providing search engines for the internet; server hosting; software as a service [SaaS]; styling [industrial design]; surveying; conducting technical project studies; technological consultancy; technological research; telecommunications technology consultancy; material testing; textile testing; underwater exploration; unlocking of mobile phones; updating of computer software; urban planning; vehicle roadworthiness testing; water analysis; weather forecasting; rental of web servers; web site design consultancy.

---

---

**INTERNATIONAL TRADEMARKS PROTECTED IN GEORGIA**

(260) AM 2021 107739 A  
(800) 1522598  
(151) 2019 09 23  
(181) 2029 09 23  
(891) 2019 09 23  
(511) 39

---

(260) AM 2021 107970 A  
(800) 851977  
(151) 2005 04 25  
(181) 2025 04 25  
(891) 2020 03 20  
(511) 32

---

(260) AM 2021 108001 A  
(800) 1526373  
(151) 2020 03 20  
(181) 2030 03 20  
(891) 2020 03 20  
(511) 09, 42

---

(260) AM 2021 108003 A  
(800) 1526385  
(151) 2020 03 27  
(181) 2030 03 27  
(891) 2020 03 27  
(511) 09

---

(260) AM 2021 108004 A  
(800) 1526396  
(151) 2020 02 14  
(181) 2030 02 14  
(891) 2020 02 14  
(511) 05

---

(260) AM 2021 108005 A  
(800) 1526400  
(151) 2019 11 27  
(181) 2029 11 27  
(891) 2019 11 27  
(511) 03

---

(260) AM 2021 108006 A  
(800) 1526499  
(151) 2019 12 21  
(181) 2029 12 21  
(891) 2019 12 21  
(511) 31

---

(260) AM 2021 108007 A  
(800) 1526521  
(151) 2020 02 28  
(181) 2030 02 28  
(891) 2020 02 28  
(511) 30

---

(260) AM 2021 108008 A  
(800) 1526540  
(151) 2020 01 16  
(181) 2030 01 16  
(891) 2020 01 16  
(511) 29, 30

---

(260) AM 2021 108010 A  
(800) 1526651  
(151) 2020 02 21  
(181) 2030 02 21  
(891) 2020 02 21  
(511) 30

---

(260) AM 2021 108011 A  
(800) 1526662  
(151) 2019 11 11  
(181) 2029 11 11  
(891) 2019 11 11  
(511) 03, 05, 10, 35

---

(260) AM 2021 108013 A  
(800) 1526687  
(151) 2020 03 20  
(181) 2030 03 20  
(891) 2020 03 20  
(511) 09, 42

---

(260) AM 2021 108014 A  
(800) 1526688  
(151) 2020 03 13  
(181) 2030 03 13  
(891) 2020 03 13  
(511) 09

---

(260) AM 2021 108015 A  
(800) 1526689  
(151) 2020 03 13  
(181) 2030 03 13  
(891) 2020 03 13  
(511) 10

---

---

(260) AM 2021 108016 A  
(800) 1526717  
(151) 2020 03 03  
(181) 2030 03 03  
(891) 2020 03 03  
(511) 09

---

---

(260) AM 2021 108074 A  
(800) 1527403  
(151) 2020 03 11  
(181) 2030 03 11  
(891) 2020 03 11  
(511) 09, 35

---

---

(260) AM 2021 108017 A  
(800) 1526742  
(151) 2019 10 30  
(181) 2029 10 30  
(891) 2019 10 30  
(511) 06, 19, 21, 40

---

---

(260) AM 2021 108075 A  
(800) 1527411  
(151) 2020 03 20  
(181) 2030 03 20  
(891) 2020 03 20  
(511) 29, 30, 32

---

---

(260) AM 2021 108028 A  
(800) 1526942  
(151) 2020 02 04  
(181) 2030 02 04  
(891) 2020 02 04  
(511) 28, 30

---

---

(260) AM 2021 108076 A  
(800) 1527559  
(151) 2020 03 12  
(181) 2030 03 12  
(891) 2020 03 12  
(511) 07, 35, 44

---

---

(260) AM 2021 108035 A  
(800) 1527105  
(151) 2020 02 14  
(181) 2030 02 14  
(891) 2020 02 14  
(511) 05

---

---

(260) AM 2021 108077 A  
(800) 1527580  
(151) 2020 02 21  
(181) 2030 02 21  
(891) 2020 02 21  
(511) 30

---

---

(260) AM 2021 108036 A  
(800) 1527120  
(151) 2019 12 13  
(181) 2029 12 13  
(891) 2019 12 13  
(511) 07, 08, 09

---

---

(260) AM 2021 108078 A  
(800) 1527604  
(151) 2020 01 13  
(181) 2030 01 13  
(891) 2020 01 13  
(511) 09

---

---

(260) AM 2021 108037 A  
(800) 1527175  
(151) 2019 10 03  
(181) 2029 10 03  
(891) 2019 10 03  
(511) 03, 09, 14, 16, 18, 25, 35, 41

---

---

(260) AM 2021 108079 A  
(800) 1527619  
(151) 2020 02 28  
(181) 2030 02 28  
(891) 2020 02 28  
(511) 30

---

---

(260) AM 2021 108038 A  
(800) 1527199  
(151) 2020 01 31  
(181) 2030 01 31  
(891) 2020 01 31  
(511) 03

---

---

(260) AM 2021 108080 A  
(800) 1527665  
(151) 2020 03 31  
(181) 2030 03 31  
(891) 2020 03 31  
(511) 33

---

(260) AM 2021 108081 A  
(800) 1527691  
(151) 2020 03 31  
(181) 2030 03 31  
(891) 2020 03 31  
(511) 05

---

(260) AM 2021 108088 A  
(800) 1527799  
(151) 2020 03 13  
(181) 2030 03 13  
(891) 2020 03 13  
(511) 01

---

(260) AM 2021 108082 A  
(800) 1527698  
(151) 2020 03 13  
(181) 2030 03 13  
(891) 2020 03 13  
(511) 42

---

(260) AM 2021 108089 A  
(800) 1527823  
(151) 2020 02 21  
(181) 2030 02 21  
(891) 2020 02 21  
(511) 30

---

(260) AM 2021 108083 A  
(800) 1527700  
(151) 2019 11 01  
(181) 2029 11 01  
(891) 2019 11 01  
(511) 03

---

(260) AM 2021 108090 A  
(800) 1527830  
(151) 2020 03 12  
(181) 2030 03 12  
(891) 2020 03 12  
(511) 05, 44

---

(260) AM 2021 108084 A  
(800) 1527703  
(151) 2020 01 15  
(181) 2030 01 15  
(891) 2020 01 15  
(511) 18, 24, 25, 35

---

(260) AM 2021 108091 A  
(800) 1527838  
(151) 2020 01 14  
(181) 2030 01 14  
(891) 2020 01 14  
(511) 33

---

(260) AM 2021 108085 A  
(800) 1527759  
(151) 2020 03 12  
(181) 2030 03 12  
(891) 2020 03 12  
(511) 07, 08, 09

---

(260) AM 2021 108092 A  
(800) 1527840  
(151) 2020 03 18  
(181) 2030 03 18  
(891) 2020 03 18  
(511) 14

---

(260) AM 2021 108086 A  
(800) 1527782  
(151) 2020 03 04  
(181) 2030 03 04  
(891) 2020 03 04  
(511) 09

---

(260) AM 2021 108093 A  
(800) 1527873  
(151) 2019 11 01  
(181) 2029 11 01  
(891) 2019 11 01  
(511) 25, 29, 30, 35

---

(260) AM 2021 108087 A  
(800) 1527786  
(151) 2020 02 28  
(181) 2030 02 28  
(891) 2020 02 28  
(511) 03, 05, 32, 35

---

(260) AM 2021 108094 A  
(800) 1527900  
(151) 2020 02 10  
(181) 2030 02 10  
(891) 2020 02 10  
(511) 01, 05, 09, 29, 40, 42

---

---

(260) AM 2021 108095 A  
(800) 1527944  
(151) 2019 12 05  
(181) 2029 12 05  
(891) 2019 12 05  
(511) 35, 41

---

---

(260) AM 2021 108103 A  
(800) 1528241  
(151) 2020 03 05  
(181) 2030 03 05  
(891) 2020 03 05  
(511) 07, 09, 11

---

---

(260) AM 2021 108096 A  
(800) 1527977  
(151) 2019 12 11  
(181) 2029 12 11  
(891) 2019 12 11  
(511) 03

---

---

(260) AM 2021 108104 A  
(800) 1528258  
(151) 2020 04 01  
(181) 2030 04 01  
(891) 2020 04 01  
(511) 30

---

---

(260) AM 2021 108097 A  
(800) 1528050  
(151) 2020 01 17  
(181) 2030 01 17  
(891) 2020 01 17  
(511) 36

---

---

(260) AM 2021 108106 A  
(800) 863045  
(151) 2005 09 09  
(181) 2025 09 09  
(891) 2020 04 14  
(511) 33

---

---

(260) AM 2021 108098 A  
(800) 1528067  
(151) 2020 01 13  
(181) 2030 01 13  
(891) 2020 01 13  
(511) 33

---

---

(260) AM 2021 108136 A  
(800) 1528385  
(151) 2020 04 08  
(181) 2030 04 08  
(891) 2020 04 08  
(511) 07

---

---

(260) AM 2021 108099 A  
(800) 1528131  
(151) 2019 10 10  
(181) 2029 10 10  
(891) 2019 10 10  
(511) 29, 30

---

---

(260) AM 2021 108137 A  
(800) 1528405  
(151) 2020 02 28  
(181) 2030 02 28  
(891) 2020 02 28  
(511) 01

---

---

(260) AM 2021 108101 A  
(800) 1528151  
(151) 2020 03 19  
(181) 2030 03 19  
(891) 2020 03 19  
(511) 36

---

---

(260) AM 2021 108138 A  
(800) 1528411  
(151) 2020 03 04  
(181) 2030 03 04  
(891) 2020 03 04  
(511) 09, 35, 42

---

---

(260) AM 2021 108102 A  
(800) 1528183  
(151) 2020 03 05  
(181) 2030 03 05  
(891) 2020 03 05  
(511) 07, 09, 11

---

---

(260) AM 2021 108139 A  
(800) 1528443  
(151) 2019 11 13  
(181) 2029 11 13  
(891) 2019 11 13  
(511) 37, 42

---

(260) AM 2021 108145 A  
(800) 1528561  
(151) 2020 02 21  
(181) 2030 02 21  
(891) 2020 02 21  
(511) 30

---

(260) AM 2021 108163 A  
(800) 1528968  
(151) 2019 12 19  
(181) 2029 12 19  
(891) 2019 12 19  
(511) 11

---

(260) AM 2021 108146 A  
(800) 1528606  
(151) 2020 01 22  
(181) 2030 01 22  
(891) 2020 01 22  
(511) 34

---

(260) AM 2021 108164 A  
(800) 1529020  
(151) 2020 03 19  
(181) 2030 03 19  
(891) 2020 03 19  
(511) 35

---

(260) AM 2021 108147 A  
(800) 1528638  
(151) 2020 01 28  
(181) 2030 01 28  
(891) 2020 01 28  
(511) 16, 29, 30

---

(260) AM 2021 108165 A  
(800) 1529038  
(151) 2020 03 17  
(181) 2030 03 17  
(891) 2020 03 17  
(511) 09

---

(260) AM 2021 108148 A  
(800) 1528642  
(151) 2020 01 31  
(181) 2030 01 31  
(891) 2020 01 31  
(511) 09

---

(260) AM 2021 108166 A  
(800) 1529056  
(151) 2019 11 08  
(181) 2029 11 08  
(891) 2019 11 08  
(511) 01, 04

---

(260) AM 2021 108149 A  
(800) 1528686  
(151) 2020 03 02  
(181) 2030 03 02  
(891) 2020 03 02  
(511) 09, 38

---

(260) AM 2021 108167 A  
(800) 1529092  
(151) 2020 02 25  
(181) 2030 02 25  
(891) 2020 02 25  
(511) 01

---

(260) AM 2021 108156 A  
(800) 1528777  
(151) 2020 02 21  
(181) 2030 02 21  
(891) 2020 02 21  
(511) 30

---

(260) AM 2021 108168 A  
(800) 1529096  
(151) 2020 03 01  
(181) 2030 03 01  
(891) 2020 03 01  
(511) 03, 05, 32, 35

---

(260) AM 2021 108162 A  
(800) 1528887  
(151) 2020 02 27  
(181) 2030 02 27  
(891) 2020 02 27  
(511) 03

---

(260) AM 2021 108169 A  
(800) 1529122  
(151) 2020 02 18  
(181) 2030 02 18  
(891) 2020 02 18  
(511) 05

---

---

(260) AM 2021 108170 A  
(800) 1529164  
(151) 2020 02 28  
(181) 2030 02 28  
(891) 2020 02 28  
(511) 09

---

---

(260) AM 2021 108189 A  
(800) 1529739  
(151) 2020 03 06  
(181) 2030 03 06  
(891) 2020 03 06  
(511) 05

---

---

(260) AM 2021 108171 A  
(800) 1529165  
(151) 2020 04 15  
(181) 2030 04 15  
(891) 2020 04 15  
(511) 07

---

---

(260) AM 2021 108191 A  
(800) 570113  
(151) 1991 05 16  
(181) 2021 05 16  
(891) 2019 12 23  
(511) 03, 19, 37

---

---

(260) AM 2021 108172 A  
(800) 1529215  
(151) 2020 03 04  
(181) 2030 03 04  
(891) 2020 03 04  
(511) 28, 35

---

---

(260) AM 2021 108192 A  
(800) 902845  
(151) 2006 09 07  
(181) 2026 09 07  
(891) 2020 03 20  
(511) 01, 02

---

---

(260) AM 2021 108173 A  
(800) 1529304  
(151) 2020 03 13  
(181) 2030 03 13  
(891) 2020 03 13  
(511) 06

---

---

(260) AM 2021 108193 A  
(800) 1002342  
(151) 2009 04 21  
(181) 2029 04 21  
(891) 2020 04 02  
(511) 25

---

---

(260) AM 2021 108174 A  
(800) 1529380  
(151) 2020 01 09  
(181) 2030 01 09  
(891) 2020 01 09  
(511) 02, 03, 05, 08, 13, 14, 16, 18, 19, 21, 24, 25, 28,  
41

---

---

(260) AM 2021 108194 A  
(800) 1035399  
(151) 2009 12 04  
(181) 2029 12 04  
(891) 2020 02 18  
(511) 04, 06, 07, 12, 35, 37, 40, 42

---

---

(260) AM 2021 108187 A  
(800) 1529685  
(151) 2020 01 31  
(181) 2030 01 31  
(891) 2020 01 31  
(511) 09, 12, 18, 25, 35, 36, 37, 39, 41, 42, 43

---

---

(260) AM 2021 108195 A  
(800) 1155935  
(151) 2013 02 08  
(181) 2023 02 08  
(891) 2020 03 20  
(511) 01, 02

---

---

(260) AM 2021 108188 A  
(800) 1529725  
(151) 2020 04 01  
(181) 2030 04 01  
(891) 2020 04 01  
(511) 01, 05

---

---

(260) AM 2021 108196 A  
(800) 1233442  
(151) 2014 11 26  
(181) 2024 11 26  
(891) 2020 04 23  
(511) 07

---

(260) AM 2021 108197 A  
 (800) 1339116  
 (151) 2016 12 23  
 (181) 2026 12 23  
 (891) 2020 03 23  
 (511) 01, 05

---

(260) AM 2021 108244 A  
 (800) 1530006  
 (151) 2020 03 24  
 (181) 2030 03 24  
 (891) 2020 03 24  
 (511) 03

---

(260) AM 2021 108199 A  
 (800) 1435084  
 (151) 2018 10 12  
 (181) 2028 10 12  
 (891) 2020 03 31  
 (511) 05

---

(260) AM 2021 108245 A  
 (800) 1530013  
 (151) 2019 11 21  
 (181) 2029 11 21  
 (891) 2019 11 21  
 (511) 30

---

(260) AM 2021 108200 A  
 (800) 1436525  
 (151) 2018 10 08  
 (181) 2028 10 08  
 (891) 2020 04 20  
 (511) 31

---

(260) AM 2021 108246 A  
 (800) 1530026  
 (151) 2019 12 20  
 (181) 2029 12 20  
 (891) 2019 12 20  
 (511) 11

---

(260) AM 2021 108202 A  
 (800) 1472022  
 (151) 2019 05 14  
 (181) 2029 05 14  
 (891) 2020 04 20  
 (511) 05

---

(260) AM 2021 108247 A  
 (800) 1530033  
 (151) 2019 11 21  
 (181) 2029 11 21  
 (891) 2019 11 21  
 (511) 30

---

(260) AM 2021 108203 A  
 (800) 1505799  
 (151) 2019 10 02  
 (181) 2029 10 02  
 (891) 2020 04 22  
 (511) 05, 30, 35

---

(260) AM 2021 108248 A  
 (800) 1530038  
 (151) 2019 12 17  
 (181) 2029 12 17  
 (891) 2019 12 17  
 (511) 33

---

(260) AM 2021 108204 A  
 (800) 1512334  
 (151) 2019 10 09  
 (181) 2029 10 09  
 (891) 2020 02 05  
 (511) 35

---

(260) AM 2021 108249 A  
 (800) 1530041  
 (151) 2020 01 06  
 (181) 2030 01 06  
 (891) 2020 01 06  
 (511) 07

---

(260) AM 2021 108205 A  
 (800) 1518465  
 (151) 2019 12 17  
 (181) 2029 12 17  
 (891) 2020 04 02  
 (511) 03

---

(260) AM 2021 108250 A  
 (800) 1530095  
 (151) 2020 02 21  
 (181) 2030 02 21  
 (891) 2020 02 21  
 (511) 05

---



(260) AM 2021 108251 A  
(800) 1530105  
(151) 2019 11 26  
(181) 2029 11 26  
(891) 2019 11 26  
(511) 01, 05

---

(260) AM 2021 108259 A  
(800) 1530211  
(151) 2020 02 18  
(181) 2030 02 18  
(891) 2020 02 18  
(511) 29

---

(260) AM 2021 108252 A  
(800) 1530114  
(151) 2020 02 21  
(181) 2030 02 21  
(891) 2020 02 21  
(511) 05

---

(260) AM 2021 108260 A  
(800) 1530241  
(151) 2020 02 27  
(181) 2030 02 27  
(891) 2020 02 27  
(511) 09, 10

---

(260) AM 2021 108253 A  
(800) 1530146  
(151) 2020 03 06  
(181) 2030 03 06  
(891) 2020 03 06  
(511) 03, 05

---

(260) AM 2021 108261 A  
(800) 1530250  
(151) 2020 04 06  
(181) 2030 04 06  
(891) 2020 04 06  
(511) 25, 28, 35, 38, 41, 45

---

(260) AM 2021 108254 A  
(800) 1530168  
(151) 2020 01 13  
(181) 2030 01 13  
(891) 2020 01 13  
(511) 33

---

(260) AM 2021 108262 A  
(800) 1530387  
(151) 2020 03 12  
(181) 2030 03 12  
(891) 2020 03 12  
(511) 05

---

(260) AM 2021 108255 A  
(800) 1530170  
(151) 2020 03 06  
(181) 2030 03 06  
(891) 2020 03 06  
(511) 03, 05

---

(260) AM 2021 108263 A  
(800) 1530397  
(151) 2019 12 25  
(181) 2029 12 25  
(891) 2019 12 25  
(511) 29, 30

---

(260) AM 2021 108256 A  
(800) 1530180  
(151) 2020 03 04  
(181) 2030 03 04  
(891) 2020 03 04  
(511) 05, 10

---

(260) AM 2021 108264 A  
(800) 1530432  
(151) 2020 02 06  
(181) 2030 02 06  
(891) 2020 02 06  
(511) 14

---

(260) AM 2021 108258 A  
(800) 1530188  
(151) 2020 02 11  
(181) 2030 02 11  
(891) 2020 02 11  
(511) 09

---

(260) AM 2021 108265 A  
(800) 1530453  
(151) 2020 03 04  
(181) 2030 03 04  
(891) 2020 03 04  
(511) 09, 35, 42

---

(260) AM 2021 108267 A  
(800) 1530561  
(151) 2020 02 28  
(181) 2030 02 28  
(891) 2020 02 28  
(511) 30

---

(260) AM 2021 108274 A  
(800) 1530817  
(151) 2019 11 19  
(181) 2029 11 19  
(891) 2019 11 19  
(511) 06, 11

---

(260) AM 2021 108268 A  
(800) 1530573  
(151) 2020 01 31  
(181) 2030 01 31  
(891) 2020 01 31  
(511) 09, 41

---

(260) AM 2021 108278 A  
(800) 1530834  
(151) 2019 10 21  
(181) 2029 10 21  
(891) 2019 10 21  
(511) 06, 07, 17, 35, 37, 40

---

(260) AM 2021 108269 A  
(800) 1530609  
(151) 2020 02 07  
(181) 2030 02 07  
(891) 2020 02 07  
(511) 06, 07, 09, 11, 12, 19, 20, 35, 37, 42

---

(260) AM 2021 108288 A  
(800) 1471191  
(151) 2019 04 24  
(181) 2029 04 24  
(891) 2020 04 28  
(511) 05

---

(260) AM 2021 108270 A  
(800) 1530616  
(151) 2020 03 16  
(181) 2030 03 16  
(891) 2020 03 16  
(511) 10

---

(260) AM 2021 108341 A  
(800) 1531326  
(151) 2020 04 10  
(181) 2030 04 10  
(891) 2020 04 10  
(511) 29

---

(260) AM 2021 108271 A  
(800) 1530706  
(151) 2020 02 21  
(181) 2030 02 21  
(891) 2020 02 21  
(511) 30

---

(260) AM 2021 108342 A  
(800) 1531332  
(151) 2020 02 28  
(181) 2030 02 28  
(891) 2020 02 28  
(511) 28, 30, 41

---

(260) AM 2021 108272 A  
(800) 1530719  
(151) 2020 03 25  
(181) 2030 03 25  
(891) 2020 03 25  
(511) 09

---

(260) AM 2021 108346 A  
(800) 1531518  
(151) 2020 04 03  
(181) 2030 04 03  
(891) 2020 04 03  
(511) 08, 11

---

(260) AM 2021 108273 A  
(800) 1530793  
(151) 2019 09 10  
(181) 2029 09 10  
(891) 2019 09 10  
(511) 09, 10

---

(260) AM 2021 108347 A  
(800) 1531522  
(151) 2020 03 12  
(181) 2030 03 12  
(891) 2020 03 12  
(511) 32

---

(260) AM 2021 108348 A  
(800) 1531524  
(151) 2020 04 06  
(181) 2030 04 06  
(891) 2020 04 06  
(511) 05

---

(260) AM 2021 108373 A  
(800) 735019  
(151) 2000 04 21  
(181) 2030 04 21  
(891) 2020 04 29  
(511) 16, 18

---

(260) AM 2021 108349 A  
(800) 1531555  
(151) 2020 02 13  
(181) 2030 02 13  
(891) 2020 02 13  
(511) 09, 41, 42, 44

---

(260) AM 2021 108375 A  
(800) 1127674  
(151) 2011 12 14  
(181) 2021 12 14  
(891) 2020 01 20  
(511) 03, 21

---

(260) AM 2021 108361 A  
(800) 1532009  
(151) 2019 12 16  
(181) 2029 12 16  
(891) 2019 12 16  
(511) 01, 05, 31, 35, 41, 44

---

(260) AM 2021 108376 A  
(800) 1355987  
(151) 2017 05 31  
(181) 2027 05 31  
(891) 2020 04 28  
(511) 03, 35

---

(260) AM 2021 108362 A  
(800) 1532033  
(151) 2020 02 04  
(181) 2030 02 04  
(891) 2020 02 04  
(511) 09

---

(260) AM 2021 108377 A  
(800) 1378942  
(151) 2017 08 02  
(181) 2027 08 02  
(891) 2020 01 10  
(511) 02

---

(260) AM 2021 108363 A  
(800) 1532038  
(151) 2019 11 15  
(181) 2029 11 15  
(891) 2019 11 15  
(511) 11, 20, 21

---

(260) AM 2021 108378 A  
(800) 1396305  
(151) 2017 12 04  
(181) 2027 12 04  
(891) 2020 03 17  
(511) 35

---

(260) AM 2021 108364 A  
(800) 1532055  
(151) 2019 12 02  
(181) 2029 12 02  
(891) 2019 12 02  
(511) 25, 29, 30, 35

---

(260) AM 2021 108379 A  
(800) 1402623  
(151) 2017 12 26  
(181) 2027 12 26  
(891) 2020 04 22  
(511) 20, 35

---

(260) AM 2021 108365 A  
(800) 1532106  
(151) 2020 02 26  
(181) 2030 02 26  
(891) 2020 02 26  
(511) 05

---

(260) AM 2021 108381 A  
(800) 1422730  
(151) 2018 08 07  
(181) 2028 08 07  
(891) 2020 02 03  
(511) 05, 10

---

(260) AM 2021 108382 A  
(800) 1449041  
(151) 2018 12 10  
(181) 2028 12 10  
(891) 2020 04 13  
(511) 09

---

(260) AM 2021 108383 A  
(800) 1460868  
(151) 2018 12 20  
(181) 2028 12 20  
(891) 2020 04 01  
(511) 11, 20, 35

---

(260) AM 2021 108436 A  
(800) 1532340  
(151) 2020 02 25  
(181) 2030 02 25  
(891) 2020 02 25  
(511) 33

---

(260) AM 2021 108444 A  
(800) 1532393  
(151) 2020 03 10  
(181) 2030 03 10  
(891) 2020 03 10  
(511) 25, 35

---

(260) AM 2021 108454 A  
(800) 1532679  
(151) 2019 12 23  
(181) 2029 12 23  
(891) 2019 12 23  
(511) 29, 30, 31, 35, 36, 43

---

(260) AM 2021 108455 A  
(800) 1532684  
(151) 2020 03 17  
(181) 2030 03 17  
(891) 2020 03 17  
(511) 33

---

(260) AM 2021 108456 A  
(800) 1532719  
(151) 2020 01 16  
(181) 2030 01 16  
(891) 2020 01 16  
(511) 25, 28, 38, 41

---

(260) AM 2021 108457 A  
(800) 1532754  
(151) 2020 02 18  
(181) 2030 02 18  
(891) 2020 02 18  
(511) 01, 03, 04, 06, 07, 08, 09, 10, 11, 12, 14, 15, 16,  
18, 20, 21, 24, 25, 26, 27, 28, 29, 30, 32, 33, 34,  
35, 36, 37, 38, 39, 40, 41, 42, 43, 44, 45

---

(260) AM 2021 108460 A  
(800) 1532798  
(151) 2020 02 18  
(181) 2030 02 18  
(891) 2020 02 18  
(511) 44

---

(260) AM 2021 108461 A  
(800) 1532806  
(151) 2020 03 26  
(181) 2030 03 26  
(891) 2020 03 26  
(511) 33

---

(260) AM 2021 108462 A  
(800) 1532811  
(151) 2020 01 16  
(181) 2030 01 16  
(891) 2020 01 16  
(511) 07, 09, 09, 11, 35, 42

---

(260) AM 2021 108464 A  
(800) 1532862  
(151) 2020 02 25  
(181) 2030 02 25  
(891) 2020 02 25  
(511) 33

---

(260) AM 2021 108466 A  
(800) 1532927  
(151) 2019 07 16  
(181) 2029 07 16  
(891) 2019 07 16  
(511) 03, 05

---

(260) AM 2021 108474 A  
(800) 1533235  
(151) 2020 04 14  
(181) 2030 04 14  
(891) 2020 04 14  
(511) 04

---

(260) AM 2021 108476 A  
(800) 1533418  
(151) 2019 12 04  
(181) 2029 12 04  
(891) 2019 12 04  
(511) 09, 12, 16, 35, 37, 42

---

(260) AM 2021 108551 A  
(800) 1534040  
(151) 2020 02 21  
(181) 2030 02 21  
(891) 2020 02 21  
(511) 30

---

(260) AM 2021 108541 A  
(800) 1533745  
(151) 2020 04 01  
(181) 2030 04 01  
(891) 2020 04 01  
(511) 02, 03

---

(260) AM 2021 108557 A  
(800) 1534147  
(151) 2020 04 28  
(181) 2030 04 28  
(891) 2020 04 28  
(511) 14

---

(260) AM 2021 108542 A  
(800) 1533804  
(151) 2020 04 15  
(181) 2030 04 15  
(891) 2020 04 15  
(511) 09, 16, 20, 42

---

(260) AM 2021 108558 A  
(800) 1534194  
(151) 2020 05 11  
(181) 2030 05 11  
(891) 2020 05 11  
(511) 07

---

(260) AM 2021 108543 A  
(800) 1533864  
(151) 2020 01 18  
(181) 2030 01 18  
(891) 2020 01 18  
(511) 05

---

(260) AM 2021 108559 A  
(800) 1534201  
(151) 2020 03 27  
(181) 2030 03 27  
(891) 2020 03 27  
(511) 03

---

(260) AM 2021 108545 A  
(800) 1533908  
(151) 2020 04 23  
(181) 2030 04 23  
(891) 2020 04 23  
(511) 14

---

(260) AM 2021 108560 A  
(800) 1534280  
(151) 2020 05 11  
(181) 2030 05 11  
(891) 2020 05 11  
(511) 25

---

(260) AM 2021 108546 A  
(800) 1533910  
(151) 2020 05 06  
(181) 2030 05 06  
(891) 2020 05 06  
(511) 09

---

(260) AM 2021 108561 A  
(800) 1534287  
(151) 2019 12 18  
(181) 2029 12 18  
(891) 2019 12 18  
(511) 03

---

(260) AM 2021 108550 A  
(800) 1534015  
(151) 2020 03 20  
(181) 2030 03 20  
(891) 2020 03 20  
(511) 12

---

(260) AM 2021 108562 A  
(800) 1534320  
(151) 2020 04 29  
(181) 2030 04 29  
(891) 2020 04 29  
(511) 10

---

(260) AM 2021 108563 A  
(800) 1534384  
(151) 2020 05 11  
(181) 2030 05 11  
(891) 2020 05 11  
(511) 39

---

(260) AM 2021 108645 A  
(800) 1535553  
(151) 2020 03 12  
(181) 2030 03 12  
(891) 2020 03 12  
(511) 06, 07, 09, 11

---

(260) AM 2021 108565 A  
(800) 740041  
(151) 2000 05 18  
(181) 2030 05 18  
(891) 2020 05 19  
(511) 10

---

(260) AM 2021 108646 A  
(800) 1535665  
(151) 2020 04 03  
(181) 2030 04 03  
(891) 2020 04 03  
(511) 09, 35, 36, 38, 39, 43

---

(260) AM 2021 108566 A  
(800) 1390984  
(151) 2018 01 15  
(181) 2028 01 15  
(891) 2020 04 03  
(511) 05

---

(260) AM 2021 108699 A  
(800) 1535778  
(151) 2020 04 28  
(181) 2030 04 28  
(891) 2020 04 28  
(511) 03, 05

---

(260) AM 2021 108567 A  
(800) 1427671  
(151) 2018 09 12  
(181) 2028 09 12  
(891) 2020 05 20  
(511) 05

---

(260) AM 2021 108723 A  
(800) 1536586  
(151) 2020 03 16  
(181) 2030 03 16  
(891) 2020 03 16  
(511) 10

---

(260) AM 2021 108568 A  
(800) 1477633  
(151) 2019 06 13  
(181) 2029 06 13  
(891) 2020 05 20  
(511) 05

---

(260) AM 2021 108724 A  
(800) 1536598  
(151) 2020 03 12  
(181) 2030 03 12  
(891) 2020 03 12  
(511) 25

---

(260) AM 2021 108569 A  
(800) 1480178  
(151) 2019 06 17  
(181) 2029 06 17  
(891) 2020 05 15  
(511) 03

---

(260) AM 2021 108726 A  
(800) 1536704  
(151) 2020 03 25  
(181) 2030 03 25  
(891) 2020 03 25  
(511) 30

---

(260) AM 2021 108644 A  
(800) 1535486  
(151) 2020 02 12  
(181) 2030 02 12  
(891) 2020 02 12  
(511) 09, 35, 38, 42

---

(260) AM 2021 108728 A  
(800) 1536720  
(151) 2020 03 02  
(181) 2030 03 02  
(891) 2020 03 02  
(511) 09

---

---

(260) AM 2021 108729 A  
(800) 1536774  
(151) 2020 02 26  
(181) 2030 02 26  
(891) 2020 02 26  
(511) 05

---

---

(260) AM 2021 108793 A  
(800) 1536968  
(151) 2019 12 10  
(181) 2029 12 10  
(891) 2019 12 10  
(511) 01, 04, 05, 29, 30, 31, 35, 37, 39, 40, 42, 44

---

---

(260) AM 2021 108731 A  
(800) 1536823  
(151) 2020 04 21  
(181) 2030 04 21  
(891) 2020 04 21  
(511) 09

---

---

(260) AM 2021 108794 A  
(800) 1536976  
(151) 2020 03 25  
(181) 2030 03 25  
(891) 2020 03 25  
(511) 30

---

---

(260) AM 2021 108732 A  
(800) 1163163  
(151) 2013 04 30  
(181) 2023 04 30  
(891) 2020 06 02  
(511) 01

---

---

(260) AM 2021 108832 A  
(800) 1537982  
(151) 2020 06 03  
(181) 2030 06 03  
(891) 2020 06 03  
(511) 20

---

---

(260) AM 2021 108733 A  
(800) 1469025  
(151) 2019 04 02  
(181) 2029 04 02  
(891) 2020 06 04  
(511) 12

---

---

(260) AM 2021 108836 A  
(800) 1538102  
(151) 2020 04 14  
(181) 2030 04 14  
(891) 2020 04 14  
(511) 09

---

---

(260) AM 2021 108790 A  
(800) 1536857  
(151) 2020 04 24  
(181) 2030 04 24  
(891) 2020 04 24  
(511) 29, 30, 32

---

---

(260) AM 2021 108925 A  
(800) 1539093  
(151) 2020 04 09  
(181) 2030 04 09  
(891) 2020 04 09  
(511) 29, 30, 31, 32

---

---

(260) AM 2021 108791 A  
(800) 1536889  
(151) 2020 02 18  
(181) 2030 02 18  
(891) 2020 02 18  
(511) 09, 28, 41

---

---

(260) AM 2021 108926 A  
(800) 1539113  
(151) 2020 05 29  
(181) 2030 05 29  
(891) 2020 05 29  
(511) 30

---

---

(260) AM 2021 108792 A  
(800) 1536962  
(151) 2020 04 17  
(181) 2030 04 17  
(891) 2020 04 17  
(511) 03

---

---

(260) AM 2021 108927 A  
(800) 1539143  
(151) 2020 02 07  
(181) 2030 02 07  
(891) 2020 02 07  
(511) 35, 42

---

(260) AM 2021 108928 A  
(800) 1539169  
(151) 2020 05 19  
(181) 2030 05 19  
(891) 2020 05 19  
(511) 30

---

(260) AM 2021 109083 A  
(800) 1541170  
(151) 2020 04 08  
(181) 2030 04 08  
(891) 2020 04 08  
(511) 03

---

(260) AM 2021 108990 A  
(800) 1539916  
(151) 2020 03 12  
(181) 2030 03 12  
(891) 2020 03 12  
(511) 08, 11, 16, 21, 24, 25, 29, 30, 32, 35, 43

---

(260) AM 2021 109084 A  
(800) 1541185  
(151) 2020 02 27  
(181) 2030 02 27  
(891) 2020 02 27  
(511) 03, 05

---

(260) AM 2021 108991 A  
(800) 1539935  
(151) 2020 02 08  
(181) 2030 02 08  
(891) 2020 02 08  
(511) 33

---

(260) AM 2021 109085 A  
(800) 1541193  
(151) 2020 02 28  
(181) 2030 02 28  
(891) 2020 02 28  
(511) 09, 16, 28, 37, 38, 41, 42, 45

---

(260) AM 2021 108992 A  
(800) 1539970  
(151) 2020 05 20  
(181) 2030 05 20  
(891) 2020 05 20  
(511) 03, 05

---

(260) AM 2021 109086 A  
(800) 1541194  
(151) 2020 04 15  
(181) 2030 04 15  
(891) 2020 04 15  
(511) 03, 05, 10

---

(260) AM 2021 108993 A  
(800) 1540015  
(151) 2020 06 03  
(181) 2030 06 03  
(891) 2020 06 03  
(511) 11

---

(260) AM 2021 109145 A  
(800) 1541274  
(151) 2020 05 21  
(181) 2030 05 21  
(891) 2020 05 21  
(511) 05

---

(260) AM 2021 109055 A  
(800) 1540303  
(151) 2020 06 03  
(181) 2030 06 03  
(891) 2020 06 03  
(511) 43

---

(260) AM 2021 109146 A  
(800) 1541299  
(151) 2020 05 21  
(181) 2030 05 21  
(891) 2020 05 21  
(511) 05

---

(260) AM 2021 109056 A  
(800) 1540363  
(151) 2020 06 11  
(181) 2030 06 11  
(891) 2020 06 11  
(511) 03

---

(260) AM 2021 109150 A  
(800) 1541320  
(151) 2020 05 21  
(181) 2030 05 21  
(891) 2020 05 21  
(511) 05

---



---

(260) AM 2021 109182 A  
(800) 1542206  
(151) 2020 06 09  
(181) 2030 06 09  
(891) 2020 06 09  
(511) 31

---

---

(260) AM 2021 109267 A  
(800) 1543384  
(151) 2020 03 31  
(181) 2030 03 31  
(891) 2020 03 31  
(511) 10

---

---

(260) AM 2021 109184 A  
(800) 1542254  
(151) 2020 03 03  
(181) 2030 03 03  
(891) 2020 03 03  
(511) 35, 41

---

---

(260) AM 2021 109268 A  
(800) 1543398  
(151) 2020 02 18  
(181) 2030 02 18  
(891) 2020 02 18  
(511) 29, 30, 32

---

---

(260) AM 2021 109185 A  
(800) 1542287  
(151) 2020 06 22  
(181) 2030 06 22  
(891) 2020 06 22  
(511) 09, 42

---

---

(260) AM 2021 109269 A  
(800) 1543401  
(151) 2020 06 01  
(181) 2030 06 01  
(891) 2020 06 01  
(511) 21

---

---

(260) AM 2021 109186 A  
(800) 1542295  
(151) 2020 06 04  
(181) 2030 06 04  
(891) 2020 06 04  
(511) 01, 04, 35, 37, 41

---

---

(260) AM 2021 109187 A  
(800) 1542313  
(151) 2020 06 01  
(181) 2030 06 01  
(891) 2020 06 01  
(511) 10

---

---

(260) AM 2021 109265 A  
(800) 1543327  
(151) 2020 06 23  
(181) 2030 06 23  
(891) 2020 06 23  
(511) 35

---

---

(260) AM 2021 109266 A  
(800) 1543343  
(151) 2020 04 30  
(181) 2030 04 30  
(891) 2020 04 30  
(511) 42, 44

---

---

# GEOGRAPHICAL INDICATION

## REGISTERED GEOGRAPHICAL INDICATIONS

(111) 22  
(151) 2021 05 21  
(540)

### ქვევრი

(732) Ministry of Environment Protection and Agriculture of Georgia  
Marshal Gelovani Av. №6, 0159, Tbilisi, Georgia  
(511) 21

---

(111) 981  
(151) 2021 05 31  
(540)

### მაღრაანის ქიხი

(732) N(N)LE "Magraani Wine"  
Vill. Magraani, Akhmeta Municipality, Georgia  
(511) 33

---

## APPELLATIONS OF ORIGIN OF GOODS

### PROTECTED INTERNATIONAL APPELLATIONS OF ORIGIN OF GOODS

(800) 1150  
(151) 2020 03 03  
(540)

### Huile d'Olive TébourSouk

(732) SMSA Zaitouna Société Mutuelle des Services Agricoles  
SMSA Zaitouna Société Mutuelle des Services Agricoles Rue 9 Avril Immeuble UTAP TébourSouk  
9040 Béja, Tunisia  
(511)  
29 – Olive oil.

---

(800) 1151  
(151) 2020 08 07  
(540)

### TARRAZÚ

(732) Centro Agrícola Cantonal de Tarrazú is the holder of the appellation of origin TARRAZÚ, which may only be used with the authorization of the Asociación Consejo Administrator de origen Tarrazú San José, Tarrazú San Marcos, Upas Los Santos Building, located 100 north and 100 east of the San Bosco Gas Station, Costa Rica  
(511)  
30 – Coffee.

---

---

# OFFICIAL NOTIFICATIONS

## INVENTIONS

### EXPIRATION OF PATENT RESTORATION

(21) AP 2015 14327  
(11) P 2018 6872 B  
(73) Astellas Pharma Europe LTD  
(54) TREATMENT REGIMEN TIACUMICIN COMPOUND  
DATE OF CANCELLATION OF PATENT: 2021 05 11  
THE TERM OF RESTORATION OF PATENT: 2021 06 10

---

### ABOLITION OF PATENTS WITH THE RIGHT TO RESTORE

(21) AP 2007 10044  
(11) P 2009 4586 B  
(73) LTD "Chasavoy Zavod NIKA"  
(54) WATCH  
DATE OF CANCELLATION OF PATENT: 2021 05 04  
THE TERM OF RESTORATION OF PATENT: 2022 05 04

---

(21) AP 2006 10459  
(11) P 2011 5324 B  
(73) Biogen Ma Inc.  
(54) TWEAK BINDING ANTIBODIES  
DATE OF CANCELLATION OF PATENT: 2021 05 25  
THE TERM OF RESTORATION OF PATENT: 2022 05 25

---

(21) AP 2009 11256  
(11) P 2011 5286 B  
(73) Devi Vasadze  
(54) NOTIFICATION SYSTEM OF AIR-RAID PRECAUTIONS  
DATE OF CANCELLATION OF PATENT: 2021 05 15  
THE TERM OF RESTORATION OF PATENT: 2022 05 15

---

(21) AP 2009 12035  
(11) P 2013 5857 B  
(73) Pierre Fabre Dermo-Cosmetique  
(54) EMOLLIENT COMPOSITION FOR ATOPIC DERMATITIS PREVENTIVE TREATMENT  
DATE OF CANCELLATION OF PATENT: 2021 05 18  
THE TERM OF RESTORATION OF PATENT: 2022 05 18

---

(21) AP 2009 12036  
(11) P 2013 5900 B  
(73) Pierre Fabre Dermo-Cosmetique  
(54) EMOLLIENT COMPOSITION  
DATE OF CANCELLATION OF PATENT: 2021 05 18  
THE TERM OF RESTORATION OF PATENT: 2022 05 18

---

(21) AP 2010 12453  
(11) P 2013 5965 B  
(73) Pierre Fabre Dermo-Cosmetique  
(54) USAGE OF DELTA-TOCOPHERYL-CARBOHYDRATE AS DEPIGMENTING AGENT  
DATE OF CANCELLATION OF PATENT: 2021 05 12  
THE TERM OF RESTORATION OF PATENT: 2022 05 12

---

(21) AP 2010 12505  
(11) P 2015 6328 B  
(73) Millennium Pharmaceuticals Inc.  
(54) SOLID PHARMACEUTICAL COMPOSITIONS AND PROCESSES FOR THEIR PRODUCTION  
DATE OF CANCELLATION OF PATENT: 2021 05 14  
THE TERM OF RESTORATION OF PATENT: 2022 05 14

---

(21) AP 2010 12570  
(11) P 2016 6418 B  
(73) Medicis Pharmaceutical Corporation  
(54) LOWER DOSAGE STRENGTH IMIQUIMOD FORMULATIONS AND SHORT DOSING REGIMENS  
FOR TREATING GENITAL AND PERIANAL WARTS  
DATE OF CANCELLATION OF PATENT: 2021 04 30  
THE TERM OF RESTORATION OF PATENT: 2022 04 30

---

(21) AP 2012 13302  
(11) P 2018 6866 B  
(73) Millennium Pharmaceuticals Inc.  
(54) FORMULATION FOR ANTI- $\alpha 4\beta 7$  ANTIBODY  
DATE OF CANCELLATION OF PATENT: 2021 05 02  
THE TERM OF RESTORATION OF PATENT: 2022 05 02

---

(21) AP 2012 13310  
(11) P 2015 6397 B  
(73) EGIS Gyógyszergyár Nyilvánosan Működő Részvénytársaság  
(54) PROCESS FOR THE PREPARATION OF A RIVAROXABAN AND INTERMEDIATES FORMED IN  
SAID PROCESS  
DATE OF CANCELLATION OF PATENT: 2021 05 04  
THE TERM OF RESTORATION OF PATENT: 2022 05 04

---

(21) AP 2012 13326  
(11) P 2017 6614 B  
(73) Joint Stock Company "Pharmasyntez"  
(54) COMPOUNDS, PHARMACEUTICAL COMPOSITIONS AND A METHOD FOR THE PROPHYLAXIS  
AND TREATMENT OF THE ADHESION PROCESS  
DATE OF CANCELLATION OF PATENT: 2021 05 17  
THE TERM OF RESTORATION OF PATENT: 2022 05 17

---

(21) AP 2014 13456  
(11) P 2016 6509 B  
(73) Levan Nadareishvili  
(54) NADAREISHVILI DEVICE FOR STRETCHING POLYMERIC SAMPLES  
DATE OF CANCELLATION OF PATENT: 2021 05 01  
THE TERM OF RESTORATION OF PATENT: 2022 05 01

---

(21) AP 2013 13659  
(11) P 2017 6754 B  
(73) Western University Of Health Sciences;  
Tesorx Pharma LLC  
(54) PROLIPOSOMAL TESTOSTERONE FORMULATIONS  
DATE OF CANCELLATION OF PATENT: 2021 05 09  
THE TERM OF RESTORATION OF PATENT: 2022 05 09

---

(21) AP 2013 13676  
(11) P 2017 6705 B  
(73) Arven Ilac Sanayi Ve Ticaret A.S.  
(54) INHALATOR  
DATE OF CANCELLATION OF PATENT: 2021 05 21  
THE TERM OF RESTORATION OF PATENT: 2023 05 21

---

(21) AP 2015 13814  
(11) P 2016 6503 B  
(73) Simon Kvirkvia  
(54) METHOD FOR TRAIN MOTION REGULATION  
DATE OF CANCELLATION OF PATENT: 2021 04 30  
THE TERM OF RESTORATION OF PATENT: 2022 04 30

---

(21) AP 2016 14120  
(11) P 2017 6714 B  
(73) LTD "Intelcom Group"  
(54) INSTRUMENT PROTECTING COVER REMOVAL FROM OPTIC CABLE  
DATE OF CANCELLATION OF PATENT: 2021 05 04  
THE TERM OF RESTORATION OF PATENT: 2022 05 04

---

(21) AP 2016 14141  
(11) P 2019 7031 B  
(73) Perdinand Tavadze Institute of Metallurgy and Materials Science  
(54) SEMICONDUCTOR ELECTRICAL MATERIAL, RADIATION-RESISTANT TO HARD EXPOSURE  
DATE OF CANCELLATION OF PATENT: 2021 05 11  
THE TERM OF RESTORATION OF PATENT: 2022 05 11

---

(21) AP 2016 14142  
(11) P 2019 6986 B  
(73) Perdinand Tavadze Institute of Metallurgy and Materials Science  
(54) METHOD FOR OBTAINING VOLUME CRYSTALS InAs-CaAs FROM HARD SOLUTIONS  
DATE OF CANCELLATION OF PATENT: 2021 05 11  
THE TERM OF RESTORATION OF PATENT: 2022 05 11

---

(21) AP 2016 14154  
(11) P 2017 6726 B  
(73) Temur Maisuradze  
(54) POINT SWITCH  
DATE OF CANCELLATION OF PATENT: 2021 05 24  
THE TERM OF RESTORATION OF PATENT: 2022 05 24

---

(21) AP 2016 14155  
(11) P 2018 6814 B  
(73) LEPL "Georgian Technical University"  
(54) CRITICAL METEOROLOGICAL SITUATION MONITORING, DETECTION AND NOTIFICATION SYSTEM  
DATE OF CANCELLATION OF PATENT: 2021 05 24  
THE TERM OF RESTORATION OF PATENT: 2022 05 24

---

(21) AP 2015 14327  
(11) P 2018 6872 B  
(73) Astellas Pharma Europe LTD  
(54) TREATMENT REGIMEN TIACUMICIN COMPOUND  
DATE OF CANCELLATION OF PATENT: 2021 05 11  
THE TERM OF RESTORATION OF PATENT: 2023 05 11

---

(21) AP 2015 14335  
(11) P 2018 6888 B  
(73) JSC "Olainpharmi"  
(54) PHARMACEUTICAL COMPOSITION FOR THE PREVENTION AND TREATMENT OF DISEASES ASSOCIATED WITH ELEVATED INDUCIBLE NITRIC OXIDE SYNTHASE  
DATE OF CANCELLATION OF PATENT: 2021 05 14  
THE TERM OF RESTORATION OF PATENT: 2022 05 14

---

(21) AP 2015 14706  
(11) P 2020 7111 B  
(73) Ariad Pharmaceuticals Inc.  
(54) HETEROARYL COMPOUNDS FOR KINASE INHIBITION  
DATE OF CANCELLATION OF PATENT: 2021 05 13  
THE TERM OF RESTORATION OF PATENT: 2022 05 13

---

(21) AP 2018 14777  
(11) P 2020 7077 B  
(73) Akaki Tsereteli State University;  
Merab Shalamberidze  
(54) POLYMERIC COMPOSITION FOR ORTHOPAEDIC SUPINATORS PRODUCTION  
DATE OF CANCELLATION OF PATENT: 2021 05 10  
THE TERM OF RESTORATION OF PATENT: 2022 05 10

---

(21) AP 2019 15065  
(11) P 2020 7185 B  
(73) Sergo Jorbenadze  
(54) AUTO PARKING ELEVATOR "SERJO"  
DATE OF CANCELLATION OF PATENT: 2021 05 02  
THE TERM OF RESTORATION OF PATENT: 2022 05 02

---

(21) AP 2005 9737  
(11) P 2012 5462 B  
(73) Interdigital Technology Corporation  
(54) METHOD AND DEVICE FOR SUPPORTING EMERGENCY CALLS ON A WIRELESS LOCAL AREA NETWORK  
DATE OF CANCELLATION OF PATENT: 2021 05 09  
THE TERM OF RESTORATION OF PATENT: 2022 05 09

---

---

**EXPIRATION OF TERM OF RESTORATION OF PATENTS**

(21) AP 2007 10989

(11) P 2011 5283 B

(73) Novartis AG;

Astex Therapeutics LTD

(54) PYRROLOPYRIMIDINE COMPOUNDS AND THEIR USES

DATE OF CANCELLATION OF PATENT: 2020 05 24

THE TERM OF RESTORATION OF PATENT VALIDITY HAS EXPIRED: 2021 05 24

---

(21) AP 2009 12040

(11) P 2015 6300 B

(73) Incuron LLC;

Helt Riserch Ink..

(54) უჯრედის ნეკროზის ინდუცირება ადაპტაციური სითბური შოკის რეაქციის ინჰიბირებით

DATE OF CANCELLATION OF PATENT: 2020 05 20

THE TERM OF RESTORATION OF PATENT VALIDITY HAS EXPIRED: 2021 05 20

---

(21) AP 2012 13304

(11) P 2017 6734 B

(73) Millennium Pharmaceuticals Inc.

(54) FORMULATION FOR ANTI- $\alpha$ 4 $\beta$ 7 ANTIBODY

DATE OF CANCELLATION OF PATENT: 2020 05 02

THE TERM OF RESTORATION OF PATENT VALIDITY HAS EXPIRED: 2021 05 02

---

(21) AP 2012 13338

(11) P 2016 6542 B

(73) Richter-Helm Biotec GMBH & CO. KG

(54) RECOMBINANT EXPRESSION OF SOLUBLE INTERFERON

DATE OF CANCELLATION OF PATENT: 2020 05 21

THE TERM OF RESTORATION OF PATENT VALIDITY HAS EXPIRED: 2021 05 21

---

(21) AP 2014 13461

(11) P 2015 6356 B

(73) LTD "Ecoi"

(54) METHOD OF PROCESSING MECHANICAL RUBBER WASTE AND EQUIPMENT FOR  
RALIZATION THEREOF

DATE OF CANCELLATION OF PATENT: 2020 05 06

THE TERM OF RESTORATION OF PATENT VALIDITY HAS EXPIRED: 2021 05 06

---

(21) AP 2013 13678

(11) P 2017 6746 B

(73) Arven Ilac Sanayi Ve Ticaret A.S.

(54) A TRIGGER MECHANISM FOR INHALER DEVICE

DATE OF CANCELLATION OF PATENT: 2020 05 16

THE TERM OF RESTORATION OF PATENT VALIDITY HAS EXPIRED: 2021 05 16

---

(21) AP 2016 14147

(11) P 2019 7044 B

(73) Marlen Shalamberidze;

Akaki Kakauridze;

Tamar Tskipurishvili;  
Tedore Pkhakadze

(54) CRYSTALLIZER WITH NON-FITTED ELECTRODES FOR ELECTROSLAG REMELTING OF METALS

DATE OF CANCELLATION OF PATENT: 2020 05 18

THE TERM OF RESTORATION OF PATENT VALIDITY HAS EXPIRED: 2021 05 18

---

(21) AP 2015 14351

(11) P 2018 6873 B

(73) The Future Group AS

(54) A SYSTEM FOR COMBINING VIRTUAL SIMULATED IMAGES WITH REAL FOOTAGE FROM A STUDIO

DATE OF CANCELLATION OF PATENT: 2020 05 20

THE TERM OF RESTORATION OF PATENT VALIDITY HAS EXPIRED: 2021 05 20

---

(21) AP 2003 8538

(11) P 2006 3938 B

(73) Bristol-Myers Squibb Holdings Ireland Unlimited Company

(54) HEPATITIS C VIRUS INHIBITORS

DATE OF CANCELLATION OF PATENT: 2020 05 20

THE TERM OF RESTORATION OF PATENT VALIDITY HAS EXPIRED: 2021 05 20

---

## EXPIRATION OF PATENTS

(21) AP 2011 12225

(11) P 2012 1714 B

(73) Guram Beraia

(54) STAND-ALONE CHARGING DEVICE FOR ACCUMULATOR

EXPIRATION DATE OF PATENT: 17 05 2021

---

(21) AP 2001 6707

(11) P 2005 3658 B

(73) Bristol-Myers Squibb Company

(54) SOLUBLE CTLA4 MUTANT MOLECULES AND USES THEREOF

EXPIRATION DATE OF PATENT: 23 05 2021

---

(21) AP 2001 6749

(11) P 2005 3492 B

(73) Merck Sharp and Dome Corp.

(54) 5-CHLORO-3-(4-METHANESULFONYLPHENYL)-6'-METHYL-[2,3']BIPYRIDINYL IN PURE CRYSTALLINE FORM AND PROCESS FOR PRODUCTION THEREOF

EXPIRATION DATE OF PATENT: 22 05 2021

---



## UTILITY MODELS

### ABOLITION OF PATENTS WITH THE RIGHT TO RESTORE

(21) AU 2013 13085  
(11) U 2014 1803 Y  
(73) Zviad Gugava  
(54) SPICERY  
DATE OF CANCELLATION OF PATENT: 2021 05 10  
THE TERM OF RESTORATION OF PATENT: 2022 05 10

---

(21) AU 2014 13472  
(11) U 2015 1875 Y  
(73) Goga Chakhaia;  
Zurab Varazashvili;  
Levan Tsulukidze  
(54) EROSION-PREVENTIVE GEOMATS  
DATE OF CANCELLATION OF PATENT: 2021 05 16  
THE TERM OF RESTORATION OF PATENT: 2022 05 16

---

(21) AU 2018 14779  
(11) U 2019 2016 Y  
(73) Revaz Sikharulidze  
(54) ARMATURE FRAMEWORK FOR HEAT-INSULATING CEILING PLATE  
DATE OF CANCELLATION OF PATENT: 2021 05 11  
THE TERM OF RESTORATION OF PATENT: 2022 05 11

---

### EXPIRATION OF TERM OF RESTORATION OF PATENTS

(21) AU 2011 12227  
(11) U 2012 1715 Y  
(73) Valer Bogveradze  
(54) METHOD FOR PREPARATION OF BOGVERADZE CAKE  
DATE OF CANCELLATION OF PATENT: 2020 05 19  
THE TERM OF RESTORATION OF PATENT VALIDITY HAS EXPIRED: 2021 05 19

---

(21) AU 2018 14787  
(11) U 2020 2035 Y  
(73) Sergo Jorbenadze  
(54) AUTO SUBSTANTIAL FIXER  
DATE OF CANCELLATION OF PATENT: 2020 05 17  
THE TERM OF RESTORATION OF PATENT VALIDITY HAS EXPIRED: 2021 05 17

---

## DESIGNS

### EXTENSION OF REGISTRATION

- (11) D 2016 690 S  
(73) LTD "Chery" (GE)  
Didi Lilo, Al. Kartvelishvili St., Plot 726, 0198, Tbilisi, Georgia (GE)  
(54) PACKING  
(28) 9  
(24) 2016 07 21  
(18) 2026 07 21  
(58) 2021 06 03
- 

### CANCELLATION OF REGISTRATIONS

- (11) D 2011 466 S  
(73) Joint Stock Company "Lomisi" (GE)  
Vill. Natakhtari, 3308, Mtskheta, Georgia (GE)  
(54) BOTTLE  
(18) 2020 11 09  
(58) 2021 05 28
- 

- (11) D 2015 655 S  
(73) Jimsher Chkhaidze (GE)  
Paliashvili St. 92/10, 0162, Tbilisi, Georgia (GE)  
(54) LABEL  
(18) 2020 10 27  
(58) 2021 05 19
- 

- (11) D 2015 657 S  
(73) Giorgi Zautashvili (GE)  
M. Kantaria st. 10, b. 2, 0186, Tbilisi, Georgia (GE)  
(54) BOTTLE  
(18) 2020 10 29  
(58) 2021 05 19
-

---

**EXTENSION OF REGISTRATION OF INTERNATIONAL DESIGNS**

(11) DM/67504  
(73) FRITONEX AG  
Breiten 67, CH-3636 Forst b. Längenbühl (CH) MARTIN FRISCHKNECHT, EL.ING.HTL, Breiten 67,  
CH-3636 Forst b. Längenbühl, BE (CH)  
(15) 2006 01 24  
(24) 2006 01 24  
(18) 2026 01 24  
(28) 1  
(28') 1  
(54) MEDICAL EQUIPMENT, NAMELY APPARATUS FOR THE TRANSCUTANEOUS ELECTRONIC  
STIMULATION OF NERVES USED FOR SELF-TREATMENT OF SYMPTOMS AND PAIN

---

(11) DM/67662  
(73) BORDELET JEAN-CLAUDE  
488 route de Nîmes, RN 113, F-34170 CASTELNAU-LE-LEZ (FR)  
(15) 2006 04 05  
(24) 2006 04 05  
(18) 2026 04 05  
(28) 2  
(28') 2  
(54) CENTRAL METAL FIREPLACE, MURAL METAL FIREPLACE

---

(11) DM/67784  
(73) CILAG GMBH INTERNATIONAL  
Landis + Gyr-Strasse 1, CH-6300 Zug (CH)  
(15) 2006 05 11  
(24) 2006 05 11  
(18) 2026 05 11  
(28) 2  
(28') 2  
(54) INJECTION DEVICES

---

(11) DM/67793  
(73) MONTRES BREGUET S.A.  
CH-1344 L'ABBAYE (CH)  
(15) 2006 05 02  
(24) 2006 05 02  
(18) 2026 05 02  
(28) 8  
(28') 8  
(54) WATCHES

---

(11) DM/67794  
(73) LÉON HATOT SA (LÉON HATOT AG) (LÉON HATOT LTD.)  
Viaduktstrasse 30, CH-2500 BIEL/BIENNE (CH)  
(15) 2006 05 02  
(24) 2006 05 02  
(18) 2026 05 02  
(28) 1  
(28') 1  
(54) PENDANT WATCH

---

(11) DM/67803  
(73) MONTRES BREGUET S.A.  
CH-1344 L'ABBAYE (CH)  
(15) 2006 05 18  
(24) 2006 05 18  
(18) 2026 05 18  
(28) 2  
(28') 2  
(54) JEWELS, INCLUDING RING AND EARRINGS

---

(11) DM/67806  
(73) SWATCH AG (SWATCH SA) (SWATCH LTD.)  
94, Rue Jakob Stämpfli, CH-2502 BIENNE (CH)  
(15) 2006 05 18  
(24) 2006 05 18  
(18) 2026 05 18  
(28) 5  
(28') 5  
(54) WRISTWATCHES

---

(11) DM/68064  
(73) PARFUMS GIVENCHY, SOCIÉTÉ ANONYME  
77, rue Anatole France, F-92300 LEVALLOIS PERRET (FR)  
(15) 2006 06 27  
(24) 2006 06 27  
(18) 2026 06 27  
(28) 1  
(28') 1  
(54) PERFUME BOTTLE

---

(11) DM/75496  
(73) SAVERGLASS  
3 rue de la Gare, F-60960 FEUQUIERES (FR)  
(15) 2011 03 07  
(24) 2011 03 07  
(18) 2026 03 07  
(28) 1  
(28') 1  
(54) BOTTLE

---

(11) DM/75603  
(73) SAVERGLASS, 3 rue de la Gare  
F-60960 FEUQUIERES (FR)  
(15) 2011 03 18  
(24) 2011 03 18  
(18) 2026 03 18  
(28) 1  
(28') 1  
(54) BOTTLE

---

(11) DM/75768  
(73) SPIRITS INTERNATIONAL B.V.  
7, rue Nicolas Bové, L-1253 Luxembourg (BX)  
(15) 2011 04 04  
(24) 2011 04 04  
(18) 2026 04 04  
(28) 4  
(28') 4  
(54) BOTTLES

---

(11) DM/76033  
(73) INNOVAPHONE AG  
Böblinger Straße 76, 71065 Sindelfingen (DE)  
(15) 2011 05 11  
(24) 2011 05 11  
(18) 2026 05 11  
(28) 2  
(28') 2  
(54) SYSTEM TELEPHONES

---

(11) DM/76394  
(73) ANA GIDA İHTİYAC MADDELERİ SANAYİ VE TİCARET ANONİM ŞİRKETİ  
İcerenkoy, P.T.T. Hastanesi Yani, Umut Sok. No: 12, Kadıkoy-Istanbul (TR)  
(15) 2011 07 13  
(24) 2011 07 13  
(18) 2026 07 13  
(28) 2  
(28') 2  
(54) BOTTLES

---

(11) DM/90170  
(73) RILANA PLS  
2D, Peyo K. Yavorov Str., BG-2700 Blagoevgrad (BG)  
(15) 2016 03 22  
(24) 2016 03 22  
(18) 2026 03 22  
(28) 1  
(28') 1  
(54) BOTTLE

---

(11) DM/90493  
(73) GLENS OÜ  
Tartu mnt 10-23, EE-10145 Tallinn (EE)  
(15) 2016 05 02  
(24) 2016 05 02  
(18) 2026 05 02  
(28) 1  
(28') 1  
(54) SPECTACLES

---

(11) DM/90494  
(73) UAB "VILTECHMEDA"  
Mokslininkų g. 6, LT-08412 Vilnius (LT)  
(15) 2016 03 23  
(24) 2016 03 23  
(18) 2026 03 23  
(28) 1  
(28') 1  
(54) CLAMP FOR HOSES AND PIPES

---

(11) DM/90601  
(73) BIOFARMA  
50 rue Carnot, F-92284 SURESNES CEDEX (FR)  
(15) 2016 05 11  
(24) 2016 05 11  
(18) 2026 05 11  
(28) 1  
(28') 1  
(54) PACKAGING FOR PRODUCTS

---

(11) DM/90632  
(73) MONTRES BREGUET S.A.  
Place de la Tour 23, CH-1344 L'ABBAYE (CH)  
(15) 2016 05 13  
(24) 2016 05 13  
(18) 2026 05 13  
(28) 1  
(28') 1  
(54) PEN-WATCH

---

**TRADEMARKS****RENEWAL OF REGISTRATIONS**

(111) M 2000 13595 R2  
 (156) 2000 11 15  
 (186) 2030 11 15  
 (732) Petroproduct-Otrodnoe LLC  
 Zheleznodorozhnaya Street, 1, Otradnoe,  
 RU-187330 Kirovsky District, Leningradskaya  
 Region, Russian Federation

(111) M 2001 13953 R2  
 (156) 2001 06 26  
 (186) 2031 06 26  
 (732) EuroChem Agro GmbH  
 Reichskonzler-Muller-Strasse 23, 68165  
 Mannheim, Germany

(111) M 2001 13977 R2  
 (156) 2001 09 11  
 (186) 2031 09 11  
 (732) THE POLO/LAUREN COMPANY L.P.  
 650 Medison Avenue, NEW YORK,  
 NEW YORK 10022, USA

(111) M 2001 13952 R2  
 (156) 2001 06 26  
 (186) 2031 06 26  
 (732) HUGO BOSS Trade Mark Management  
 GmbH & Co. KG  
 Dieselstrasse 12, 72555 Metzingen, Germany

(111) M 2001 13874 R2  
 (156) 2001 05 29  
 (186) 2031 05 29  
 (732) LUCOZADE RIBENA SUNTORY LIMITED  
 2 Longwalk Road, Stockley Park, Uxbridge,  
 UB11 1BA, United Kingdom

(111) M 2011 21773 R1  
 (156) 2011 09 16  
 (186) 2031 09 16  
 (732) Abdi İbrahim İlaç Sanayi ve Ticaret Anonim  
 Şirketi  
 Reşitpaşa Mahallesi Eski Büyükdere Caddesi  
 No: 4 34467 Maslak-Sarıyer-İstanbul, Turkey

(111) M 2002 14423 R2  
 (156) 2002 04 24  
 (186) 2032 04 24  
 (732) LTD "Georgian Wine and Spirits Company"  
 Achinebuli, 2200, Telavi, Georgia

(111) M 2011 21774 R1  
 (156) 2011 09 16  
 (186) 2031 09 16  
 (732) Abdi İbrahim İlaç Sanayi ve Ticaret Anonim  
 Şirketi  
 Reşitpaşa Mahallesi Eski Büyükdere Caddesi  
 No: 4 34467 Maslak-Sarıyer-İstanbul, Turkey

(111) M 2002 14424 R2  
 (156) 2002 04 24  
 (186) 2032 04 24  
 (732) LTD "Georgian Wine and Spirits Company"  
 Achinebuli, 2200, Telavi, Georgia

(111) M 2010 20990 R1  
 (156) 2010 12 13  
 (186) 2030 12 13  
 (732) Shalva Kurdadze  
 Lami St. 50, 0132, Tbilisi, Georgia

(111) M 2002 14448 R2  
 (156) 2002 05 01  
 (186) 2032 05 01  
 (732) LTD "First Magazine  
 Saburtalo St. 32, Tbilisi, Georgia

(111) M 2011 21399 R1  
 (156) 2011 04 27  
 (186) 2031 04 27  
 (732) "Ahava-Dead Sea Laboratories" LTD  
 Arava St.1, P.O.B. 109, Airport City, 70150,  
 Israel

(111) M 2002 14448P2 R2  
 (156) 2002 05 01  
 (186) 2032 05 01  
 (732) LTD "TV Pirveli"  
 Corner of Zovreti and Mgaloblishvili St., 0160,  
 Tbilisi, Georgia

(111) M 2010 20992 R1  
 (156) 2010 12 13  
 (186) 2030 12 13  
 (732) LTD "Georgian National Federation of  
 "Funny Starts"

---

Kurdiani St. 2, b. 36, 0171, Tbilisi, Georgia

---

(111) M 2011 21775 R1  
(156) 2011 09 16  
(186) 2031 09 16  
(732) Abdi İbrahim İlaç Sanayi ve Ticaret Anonim Şirketi  
Reşitpaşa Mahallesi Eski Büyükdere Caddesi  
No: 4 34467 Maslak-Sarıyer-İstanbul, Turkey

---

(111) M 2011 21776 R1  
(156) 2011 09 16  
(186) 2031 09 16  
(732) Abdi İbrahim İlaç Sanayi ve Ticaret Anonim Şirketi  
Reşitpaşa Mahallesi Eski Büyükdere Caddesi  
No: 4 34467 Maslak-Sarıyer-İstanbul, Turkey

---

(111) M 2011 21114 R1  
(156) 2011 01 27  
(186) 2031 01 27  
(732) COORS BREWING COMPANY  
1801 California Street, Suite 4600, Denver,  
Colorado 80202, USA

---

(111) M 2011 21188 R1  
(156) 2011 02 24  
(186) 2031 02 24  
(732) JSC "Hotels and Restaurants Management  
Group – m/group"  
Gotua St. 16, app. 61, 0160, Tbilisi, Georgia

---

(111) M 2011 21516 R1  
(156) 2011 05 25  
(186) 2031 05 25  
(732) JSC "Hotels and Restaurants Management  
Group – m/group"  
Gotua St. 16, app. 61, 0160, Tbilisi, Georgia

---

(111) M 2011 21197 R1  
(156) 2011 02 25  
(186) 2031 02 25  
(732) PTC Therapeutics Inc.  
(Delaware Corporation)  
100 Corporate Court, South Plainfield,  
New jersey 07080, USA

---

(111) M 2011 21199 R1  
(156) 2011 02 25  
(186) 2031 02 25  
(732) PTC Therapeutics Inc.  
(Delaware Corporation)

---

---

100 Corporate Court, South Plainfield,  
New Jersey 07080, USA

---

(111) M 2011 21478 R1  
(156) 2011 05 16  
(186) 2031 05 16  
(732) Exelixis Inc., a Delaware corporation  
1851 Harbor Bay Parkway, Alameda CA,  
94502, USA

---

(111) M 2011 21542 R1  
(156) 2011 06 14  
(186) 2031 06 14  
(732) Playboy Enterprises International Inc.  
10960 Wilshire Blvd., Suite 2200,  
Los Angeles, California 90024, USA

---

(111) M 2011 21543 R1  
(156) 2011 06 14  
(186) 2031 06 14  
(732) Playboy Enterprises International Inc.  
10960 Wilshire Blvd., Suite 2200,  
Los Angeles, California 90024, USA

---

(111) M 2011 21612 R1  
(156) 2011 07 13  
(186) 2031 07 13  
(732) Ratiopharm GmbH  
Graf-Arco-Str. 3, 89079, Ulm, Germany

---

(111) M 2011 21954 R1  
(156) 2011 10 28  
(186) 2031 10 28  
(732) Zorlu Tekstil Ürünleri Pazarlama Anonim  
Şirketi  
İstasyon Caddesi Atatürk Bulvarı N22  
PK.111, Denizli, Turkey

---

(111) M 2011 21631 R1  
(156) 2011 07 13  
(186) 2031 07 13  
(732) Berlin-Chemie AG  
Glienicke Weg 125, 12489 Berlin, Germany

---

(111) M 2011 21723 R1  
(156) 2011 08 23  
(186) 2031 08 23  
(732) Basf SE  
Carl-Bosch-Strasse 38, Ludwigshafen  
am Rhein, Germany

---



(111) M 2011 21792 R1  
(156) 2011 09 19  
(186) 2031 09 19  
(732) Arcor S.A.I.C.  
Av. Fulvio Pagani 487, Arroyito,  
Province of Cordoba, Argentina

---

(111) M 2011 21906 R1  
(156) 2011 10 28  
(186) 2031 10 28  
(732) Arcor S.A.I.C.  
Av. Fulvio Pagani 487, Arroyito,  
Province of Cordoba, Argentina

---

(111) M 2011 21907 R1  
(156) 2011 10 28  
(186) 2031 10 28  
(732) Arcor S.A.I.C.  
Av. Fulvio Pagani 487, Arroyito,  
Province of Cordoba, Argentina

---

(111) M 2011 21794 R1  
(156) 2011 09 19  
(186) 2031 09 19  
(732) Arcor S.A.I.C.  
Av. Fulvio Pagani 487, Arroyito,  
Province of Cordoba, Argentina

---

(111) M 2011 21725 R1  
(156) 2011 08 23  
(186) 2031 08 23  
(732) Sun Pharmaceutical Industries Limited [Sun  
Pharmaceutical Industries Ltd]  
SPARK, Tandalja, Vadodara – 390 020,  
Gujarat; Sun House, 201 B/1, Western Express  
Highway, Goregaon (E), Mumbai - 400 063,  
India

---

(111) M 2011 22158 R1  
(156) 2011 12 29  
(186) 2031 12 29  
(732) LTD "Mikado Georgia"  
Davit Agmashenebeli Ave. 150, 0112, Tbilisi,  
Georgia

---

(111) M 2012 22593 R1  
(156) 2012 05 16  
(186) 2032 05 16  
(732) SIN HOLDING LIMITED.  
OMC CHAMBERS, WICKHAMS CAY 1,  
ROAD TOWN, Tortola, Virgin Islands  
(British)

---

(111) M 2011 21828 R1  
(156) 2011 10 05  
(186) 2031 10 05  
(732) LTD "Champions 111"  
Il. Chavchavadze Av. 29, 5th floor, 0179,  
Tbilisi, Georgia"

---

(111) M 2012 22498 R1  
(156) 2012 04 19  
(186) 2032 04 19  
(732) JSC "Cor Standard Bank"  
K. Tsamebuli Av. 3, 0103, Tbilisi, Georgia

---

## COMPLETE TRANSFER OF RIGHTS

- 
- (111) M 2020 33313 R  
 (732) CJ 4DPlex Co., Ltd  
 I-PARK Mall 6th Fl, 55, Hangang-daero  
 23-gil, Yongsan-gu, Seoul, Republic of Korea  
 (770) Screen X Co., Ltd.  
 24-31, Dureungyuri-ro, Ochang-eup,  
 Cheongwongu, Cheongju-si, Chungcheong-  
 buk-do, Republic of Korea  
 (580) 2021 05 27
- 
- (111) M 2020 33313 R  
 (732) Cj Cgv Co. LTD  
 I-PARK Mall 6th Fl, 55, Hangang-daero  
 23-gil, Yongsan-gu, Seoul, Republic of Korea  
 (770) CJ 4DPlex Co., Ltd  
 I-PARK Mall 6th Fl, 55, Hangang-daero  
 23-gil, Yongsan-gu, Seoul, Republic of Korea  
 (580) 2021 05 27
- 
- (111) M 2021 33933 R  
 (732) LTD "Askaneli Winery & Distiller"  
 Kakheti Highway 110a, 0190, Samgori district,  
 Tbilisi, Georgia  
 (770) LTD "Askaneli Group"  
 Kakheti Highway 110a, (Plot 01/016), 0101,  
 Samgori district, Tbilisi, Georgia  
 (580) 2021 05 13
- 
- (111) M 2000 13595 R  
 (732) Petroproduct-Otrodnoe LLC  
 Zheleznodorozhnaya Street, 1, Otradnoe,  
 RU-187330 Kirovsky District, Leningradskaya  
 Region, Russian Federation  
 (770) OOO "Petrosojuz Tm"  
 ul. Arsenalnaya, dom1, korp. 2, 195009,  
 Sankt-Peterburg, Russian Federation  
 (580) 2021 04 13
- 
- (111) M 2003 15187 R  
 (732) Upjohn US 1 LLC  
 235 East 42nd Street, New York, N.Y. 10017, USA  
 (770) Wyeth LLC  
 235 East 42nd Street, New York, NY 10017, USA  
 (580) 2021 05 21
- 
- (111) M 2008 18777 R  
 (732) Becele S.A.B. de C.V.  
 Guillermo Gonzalez Camarena No. 800,  
 Piso 4, Colonia Santa Fe, Delegacion  
 Alvaro Obregon, Mexico City, C.P., 01210,  
 Mexico
- (770) Ex Hacienda Los Camichines S.A. De C.V.  
 Periferico Sur N8500, Tramo Morelia Chapala,  
 Tlaquepaque, Jalisco, C.P. 45601, Mexico  
 (580) 2021 05 11
- 
- (111) M 2008 18778 R  
 (732) Becele S.A.B. de C.V.  
 Guillermo Gonzalez Camarena No. 800,  
 Piso 4, Colonia Santa Fe, Delegacion  
 Alvaro Obregon, Mexico City, C.P., 01210,  
 Mexico  
 (770) Ex Hacienda Los Camichines S.A. De C.V.  
 Periferico Sur N8500, Tramo Morelia Chapala,  
 Tlaquepaque, Jalisco, C.P. 45601, Mexico  
 (580) 2021 05 11
- 
- (111) M 2008 18947 R  
 (732) Becele S.A.B. de C.V.  
 Guillermo Gonzalez Camarena No. 800,  
 Piso 4, Colonia Santa Fe, Delegacion  
 Alvaro Obregon, Mexico City, C.P., 01210,  
 Mexico  
 (770) Ex Hacienda Los Camichines S.A. De C.V.  
 Periferico Sur No. 8500, Tramo Morelia  
 Chapala Tlaquepaque, Jalisco, C.P. 45609,  
 Mexico  
 (580) 2021 05 11
- 
- (111) M 2008 18948 R  
 (732) Becele S.A.B. de C.V.  
 Guillermo Gonzalez Camarena No. 800,  
 Piso 4, Colonia Santa Fe, Delegacion  
 Alvaro Obregon, Mexico City, C.P., 01210,  
 Mexico  
 (770) Ex Hacienda Los Camichines S.A. De C.V.  
 Periferico Sur No. 8500, Tramo Morelia  
 Chapala Tlaquepaque, Jalisco, C.P. 45609,  
 Mexico  
 (580) 2021 05 11
- 
- (111) M 2008 18949 R  
 (732) Becele S.A.B. de C.V.  
 Guillermo Gonzalez Camarena No. 800,  
 Piso 4, Colonia Santa Fe, Delegacion Alvaro  
 Obregon, Mexico City, C.P., 01210,  
 Mexico  
 (770) Ex Hacienda Los Camichines S.A. De C.V.  
 Periferico Sur N8500, Tramo Morelia Chapala,  
 Tlaquepaque, Jalisco, C.P. 45601, Mexico  
 (580) 2021 05 11
-

(111) M 2008 18950 R  
(732) Beclé S.A.B. de C.V.  
Guillermo Gonzalez Camarena No. 800,  
Piso 4, Colonia Santa Fe, Delegación  
Alvaro Obregón, Mexico City, C.P., 01210,  
Mexico  
(770) Ex Hacienda Los Camichines S.A. De C.V.  
Periferico Sur N8500, Tramo Morelia Chapala,  
Tlaquepaque, Jalisco, C.P. 45601, Mexico  
(580) 2021 05 11

---

(111) M 2008 18951 R  
(732) Beclé S.A.B. de C.V.  
Guillermo Gonzalez Camarena No. 800,  
Piso 4, Colonia Santa Fe, Delegación  
Alvaro Obregón, Mexico City, C.P., 01210,  
Mexico  
(770) Ex Hacienda Los Camichines S.A. De C.V.  
Periferico Sur N8500, Tramo Morelia  
Chapala, Tlaquepaque, Jalisco, C.P. 45601,  
Mexico  
(580) 2021 05 11

---

(111) M 2008 18952 R  
(732) Beclé S.A.B. de C.V.  
Guillermo Gonzalez Camarena No. 800,  
Piso 4, Colonia Santa Fe, Delegación  
Alvaro Obregón, Mexico City, C.P., 01210,  
Mexico  
(770) Ex Hacienda Los Camichines S.A. De C.V.  
Periferico Sur N8500, Tramo Morelia  
Chapala, Tlaquepaque, Jalisco, C.P. 45601,  
Mexico  
(580) 2021 05 11

---

(111) M 2010 20331 R  
(732) Beclé S.A.B. de C.V.  
Guillermo Gonzalez Camarena No. 800,  
Piso 4, Colonia Santa Fe, Delegación  
Alvaro Obregón, Mexico City, C.P., 01210,  
Mexico  
(770) Ex Hacienda Los Camichines S.A. De C.V.  
Periferico Sur N8500, Tramo Morelia Chapala,  
Tlaquepaque, Jalisco, C.P. 45609, Mexico  
(580) 2021 05 11

---

(111) M 2011 21725 R  
(732) Sun Pharmaceutical Industries Limited [Sun  
Pharmaceutical Industries Ltd]  
SPARK, Tandalja, Vadodara – 390 020,  
Gujarat; Sun House, 201 B/1, Western Express  
Highway, Goregaon (E), Mumbai-400 063, India  
(770) Ranbaxy Laboratories Limited  
Plot N90, Sector 32, Gurgaon, 122001,  
Haryana, India  
(580) 2021 05 13

---

(111) M 1998 9482 R  
(732) DuPont Nutrition USA, Inc.  
974 Centre Road, Wilmington, DE 19805, USA  
(770) FMC Corporation, a Delaware Corporation  
1735 Market Street, Philadelphia,  
Pennsylvania 19103, USA  
(580) 2021 05 07

---

(111) M 1998 9493 R  
(732) DuPont Nutrition USA Inc.  
974 Centre Rd, Wilmington, DE 19805, USA  
(770) FMC Corporation, a Delaware Corporation  
1735 Market Street, Philadelphia,  
Pennsylvania 19103, USA  
(580) 2021 05 07

---

(111) M 2014 25354 R  
(732) Conair LLC  
One Cummings Point Road, Stamford,  
CT 06902, USA  
(770) Conair Corporation  
One Cummings Point Road, Stamford,  
CT 06902, USA  
(580) 2021 05 19

---

(111) M 2014 24783 R  
(732) LTD "Hotel Management Group-HMG"  
Didveli, Bakuriani, Borjomi district, Georgia  
(770) Ltd. "Geodistribution"  
C. Nadareishvili St. 5a, 0120, Tbilisi, Georgia  
(580) 2021 05 21

---

(111) M 1997 6189 R  
(732) Ignite USA, LLC  
180 N. LaSalle Street, Chicago, IL  
60601, USA  
(770) The Coleman Company Inc.  
3600 North Hydraulic Street, Wichita,  
Kansas 67219, USA  
(580) 2021 05 19

---

(111) M 1998 8503 R  
(732) Great Star Tools USA Inc.  
271 Mayhill Street, Saddle Brook,  
New Jersey 07663, USA  
(770) Shop Vac Corporation  
P.o. Box 2323, Reach Road, Williamsport,  
Pennsylvania 17701, USA  
(580) 2021 04 12

---

CHANGES OF NAMES AND/OR ADDRESS OF OWNERS

(111) M 2003 15187 R  
(732) Wyeth LLC  
235 East 42nd Street, New York, NY 10017,  
USA  
(770) Wyeth LLC  
Five Giralda Farms, Madison, New Jersey,  
07940, USA  
(580) 2021 05 21

---

(111) M 2010 20387 R  
(732) Obshchestvo s Ogranichennoy  
Otvetstvenostiu "Ingapharm"  
Ul. Ryabinovaya, d. 26, dom. 10, Komnata  
6-21, Municipalities Okrug Ochakovo-Matve-  
evskoe, Vn. Ter. G., Moscow, 121471, Russian  
Federation  
(770) Obshchestvo s Ogranichennoy  
Otvetstvenostiu "Ingapharm"  
Ul. General Dorokhova, Dom 18, p. 2, 119530  
Moscow, Russian Federation  
(580) 2021 05 19

---

(111) M 2011 21478 R  
(732) Exelixis, Inc., a Delaware corporation  
1851 Harbor Bay Parkway, Alameda CA,  
94502, USA  
(770) Exelixis, Inc., a Delaware corporation  
210 East Grand Avenue, South San Francisco,  
California 94083-0511, USA  
(580) 2021 05 11

---

(111) M 2011 21339 R  
(732) LTD "Ghvinadze & Partners"  
Melikishvili St. 10, 0179, Tbilisi, Georgia  
(770) LTD "Ghvinadze & Partners"  
Kote Abkhaz St. 44, 0105, Tbilisi, Georgia  
(580) 2021 05 19

---

(111) M 2011 21423 R  
(732) Seagate Technology LLC  
47488 Kato Road, Fremont, CA 94538,  
USA  
(770) Seagate Technology LLC  
920 Disc Drive, Scotts Valley California  
95066, USA  
(580) 2021 05 19

---

(111) M 1997 6189 R  
(732) The Coleman Company Inc.  
3600 North Hydraulic Street, Wichita,  
Kansas 67219, USA  
(770) Ignite USA LLC  
180 N. LaSalle Street, Chicago, IL 60601,  
USA  
(580) 2021 05 19

---

(111) M 2018 29443 R  
(732) Obshchestvo s Ogranichennoy  
Otvetstvenostiu "Ingapharm"  
Ul. Ryabinovaya, d. 26, dom. 10, Komnata  
6-21, Municipalities Okrug Ochakovo-Matve-  
evskoe, Vn. Ter. G., Moscow, 121471, Russian  
Federation  
(770) Obshchestvo s Ogranichennoy  
Otvetstvenostiu "Ingapharm"  
Ul. General Dorokhova, Dom 18, p. 2, 119530  
Moscow, Russian Federation  
(580) 2021 05 19

---

## CANCELLATION OF TRADEMARKS REGISTRATION

(111) M 2000 13549 R

(151) 2000 10 30

(732) UNILEVER N.V.

Weena 455, NL-3013 AL Rotterdam,  
Netherlands

(141) 2021 05 24

---

(111) M 2000 13557 R

(151) 2000 10 30

(732) UNILEVER N.V.

Weena 455, NL-3013 AL Rotterdam,  
Netherlands

(141) 2021 05 24

---

(111) M 2000 13568 R

(151) 2000 10 30

(732) PMPI LLC

9711 Farrar Court, Richmond, VA23236, USA

(141) 2021 05 24

---

(111) M 2000 13569 R

(151) 2000 10 30

(732) PMPI LLC

9711 Farrar Court, Richmond, VA23236, USA

(141) 2021 05 24

---

(111) M 2000 13570 R

(151) 2000 10 30

(732) PMPI LLC

9711 Farrar Court, Richmond, VA23236, USA

(141) 2021 05 24

---

(111) M 2000 13594 R

(151) 2000 11 15

(732) OOO "PETROSOJUZ TM"

ul. Arsenalnaya, d.1, korp. 2, 195009 Sankt-  
Peterburg, Russian Federation

(141) 2021 05 24

---

(111) M 2000 13577 R

(151) 2000 10 30

(732) Tulip Food Company GmbH

Kokkolastrasse 2, 40882, Ratingen, Denmark

(141) 2021 05 24

---

(111) M 2000 13558 R

(151) 2000 10 30

(732) Intersun Holding FZCO

P.O. Box: 61051, Jebel Ali Free Zone,

Dubai, United Arab Emirates

(141) 2021 05 24

---

(111) M 2000 13572 R

(151) 2000 10 30

(732) Philip Morris Brands SARL

Quai Jeanrenaud 3, 2000 Neuchâtel,  
Switzerland

(141) 2021 05 24

---

(111) M 2000 13573 R

(151) 2000 10 30

(732) Philip Morris Brands SARL

Quai Jeanrenaud 3, 2000 Neuchâtel,  
Switzerland

(141) 2021 05 24

---

(111) M 2000 13574 R

(151) 2000 10 30

(732) Philip Morris Brands SARL

Quai Jeanrenaud 3, 2000 Neuchâtel,  
Switzerland

(141) 2021 05 24

---

(111) M 2000 13569P R

(151) 2000 10 30

(732) Philip Morris Brands SARL

Quai Jeanrenaud 3, 2000 Neuchâtel, Switzerland

(141) 2021 05 24

---

(111) M 2010 20924 R

(151) 2010 11 16

(732) Ovetstvennostyu "Torgov Dom Santek"

Ul. Koptevskaya, d. 73, p. 1, 125239, Moscow,  
Russian Federation

(141) 2021 05 24

---

(111) M 2010 20932 R

(151) 2010 11 25

(732) LTD "Wineman SH. P. S"

L. Giduashvili St. 11, 0105, Tbilisi, Georgia

(141) 2021 06 02

---

(111) M 2010 20881 R

(151) 2010 11 03

(732) Leo Gabriadze

Vazisubani St. 12, app. 35, 0131, Tbilisi,  
Georgia

(141) 2021 05 24

---

(111) M 2010 20933 R  
 (151) 2010 11 25  
 (732) Mamuka Chikhladze  
 Dighomi, VI quarter, corp. 10, app. 28, 0159,  
 Tbilisi, Georgia  
 (141) 2021 06 02

---

(111) M 2010 20884 R  
 (151) 2010 11 03  
 (732) PwC Business Trust (a Delaware Business  
 Trust)  
 300 Medison Avenue, New-York,  
 New-York 10017, USA  
 (141) 2021 05 24

---

(111) M 2010 20886 R  
 (151) 2010 11 03  
 (732) LTD "R & R Group"  
 Aerodrome Settlement 6, app. 2, 0182,  
 Tbilisi, Georgia  
 (141) 2021 05 24

---

(111) M 2010 20926 R  
 (151) 2010 11 16  
 (732) LTD "JTK"  
 M. Kostava St. 6, app. 12, 0700, Akhaltsikhe,  
 Georgia  
 (141) 2021 05 24

---

(111) M 2010 20887 R  
 (151) 2010 11 03  
 (732) Mars Incorporated  
 6885 Elm Street, McLean, Virginia  
 22101-3883, USA  
 (141) 2021 05 24

---

(111) M 2010 20889 R  
 (151) 2010 11 03  
 (732) Astellas Pharma Inc.  
 5-1, Nihonbashi-Honcho 2-Chome, Chuo-ku,  
 Tokyo 103-8411, Japan  
 (141) 2021 05 24

---

(111) M 2010 20890 R  
 (151) 2010 11 03  
 (732) Astellas Pharma Inc.  
 5-1, Nihonbashi-Honcho 2-Chome, Chuo-ku,  
 Tokyo 103-8411, Japan  
 (141) 2021 05 24

(111) M 2010 20911 R  
 (151) 2010 11 12  
 (732) Elisabed Nikoladze  
 Tskneti St. 6, app. 2, 0162, Tbilisi, Georgia;  
 Eliso Nikoladze  
 Gldani, II mcr., corp. 31, app. 88, 0167,  
 Tbilisi, Georgia  
 (141) 2021 05 24

---

(111) M 2010 20912 R  
 (151) 2010 11 12  
 (732) British American Tobacco (Brands) Inc.  
 251 Little Falls Drive, Suite 100, Delaware,  
 19808-1674, Wilmington, USA  
 (141) 2021 05 24

---

(111) M 2010 20913 R  
 (151) 2010 11 12  
 (732) Laboratorios Phoenix S.A.I.C. y F.  
 Humahuaca 4065, Buenos Aires, Argentina  
 (141) 2021 05 24

---

(111) M 2010 20892 R  
 (151) 2010 11 03  
 (732) Cisco Technology, Inc. (a California  
 corporation)  
 170 West Tasman Drive, San Jose, California  
 95134, USA  
 (141) 2021 05 24

---

(111) M 2010 20917 R  
 (151) 2010 11 12  
 (732) ENERGY BRANDS INC.  
 17-20 Whitestone Expressway, Whitestone,  
 New York 11357, USA  
 (141) 2021 05 24

---

(111) M 2010 20893 R  
 (151) 2010 11 03  
 (732) LTD "Nik-Pharma"  
 Griboedov St. 21, 0108, Tbilisi, Georgia  
 (141) 2021 05 24

---

(111) M 2010 20894 R  
 (151) 2010 11 03  
 (732) LTD "Healthy Food"  
 G. Kikodze St. 3, 0105, Tbilisi, Georgia  
 (141) 2021 05 24

---

(111) M 2010 20927 R  
 (151) 2010 11 16  
 (732) Wm. Wrigley Jr. Company

410 North Michigan Avenue, Chicago,  
Illinois 60611, USA  
(141) 2021 05 24

(111) M 2010 20928 R  
(151) 2010 11 16  
(732) Wm. Wrigley Jr. Company  
410 North Michigan Avenue, Chicago,  
Illinois 60611, USA  
(141) 2021 05 24

(111) M 2010 20936 R  
(151) 2010 11 25  
(732) Société Des Produits Nestlé S.A.  
CH-1800 Vevey, Switzerland  
(141) 2021 06 02

(111) M 2010 20937 R  
(151) 2010 11 25  
(732) Société Des Produits Nestlé S.A.  
CH-1800 Vevey, Switzerland  
(141) 2021 06 02

(111) M 2010 20938 R  
(151) 2010 11 25  
(732) Société Des Produits Nestlé S.A.  
CH-1800 Vevey, Switzerland  
(141) 2021 06 02

(111) M 2010 20939 R  
(151) 2010 11 25  
(732) Société Des Produits Nestlé S.A.  
CH-1800 Vevey, Switzerland  
(141) 2021 06 02

(111) M 2010 20940 R  
(151) 2010 11 25  
(732) Société Des Produits Nestlé S.A.  
CH-1800 Vevey, Switzerland  
(141) 2021 06 02

(111) M 2010 20941 R  
(151) 2010 11 25  
(732) LTD "Avr-Asia"  
D. AghmaSenebeli Av. 108, bilisi, Georgia  
(141) 2021 06 02

(111) M 2010 20919 R  
(151) 2010 11 12  
(732) LTD "Renxan-Mobila"  
Il. Chavchavadze St. 93, 6000, Batumi,  
Georgia

(141) 2021 05 24

(111) M 2010 20942 R  
(151) 2010 11 25  
(732) General Motors LLC  
300 Renaissance Center, City of Detroit,  
State of Michigan 48265-3000, USA  
(141) 2021 06 02

(111) M 2010 20896 R  
(151) 2010 11 03  
(732) FremantleMedia Operations BV  
Media Centre, Sumatrалаan 45, 1217GP  
Hilversum, Netherlands  
(141) 2021 05 24

(111) M 2010 20944 R  
(151) 2010 11 25  
(732) Exxon Mobil Corporation, a New Jersey Co.  
5959 Las Colinas Boulevard, Irving, Texas, USA  
(141) 2021 06 02

(111) M 2010 20945 R  
(151) 2010 11 25  
(732) Japan Tobacco Inc.  
2-2-1, Toranomom, Minato-ku, Tokyo, Japan  
(141) 2021 06 02

(111) M 2010 20947 R  
(151) 2010 11 25  
(732) LTD "Designcomplex"  
Nikea St., III Lane 5, 4600, Kutaisi, Georgia  
(141) 2021 06 02

(111) M 2010 20950 R  
(151) 2010 11 25  
(732) Bionorica SE  
Kerschensteinerstr. 11-15, 92318 Neumarkt,  
Germany  
(141) 2021 06 02

(111) M 2010 20952 R  
(151) 2010 11 25  
(732) შპს „დასაქმების სააგენტო ეიზარი“  
ილ. ჭავჭავაძის გამზ. 35ა, ბ.69, 0179,  
თბილისი, საქართველო  
LTD "Employment Agency H R"  
Il. Chavchavadze Av. 35a, app. 69, 0179,  
Tbilisi, Georgia  
(141) 2021 06 02

(111) M 2010 20953 R  
(151) 2010 11 25  
(732) LTD "Poltsug Intermodal"  
D. Aghmashenebeli St. 47, st. 4400, Poti,  
Georgia  
(141) 2021 06 02

---

(111) M 2010 20922 R  
(151) 2010 11 15  
(732) Harrington Development Inc.  
Arango-Orillac Bldg., East 54th street,  
Republic of Panama  
(141) 2021 05 24

---

(111) M 2010 20902 R  
(151) 2010 11 10  
(732) Welfar Ilac Ticaret Limited STI  
Atatürk Hava Alani Bölgesi Plaza  
N319, Yesilköy/ISTANBUL Bakirköy V.D.  
801 064 2555, Turkey  
(141) 2021 05 24

---

(111) M 2010 20903 R  
(151) 2010 11 10  
(732) Welfar Ilac Ticaret Limited STI  
Atatürk Hava Alani Bölgesi Plaza  
N319, Yesilköy/ISTANBUL Bakirköy V.D.  
801 064 2555, Turkey  
(141) 2021 05 24

---

(111) M 2010 20905 R  
(151) 2010 11 10  
(732) Frilab S.A.  
Rue des Pierres-du-Niton 17, CH-1207  
Geneva, Switzerland  
(141) 2021 05 24

---

(111) M 2010 20906 R  
(151) 2010 11 10  
(732) Welfar Ilac Ticaret Limited STI  
Atatürk Hava Alani Bölgesi Plaza  
N319, Yesilköy/ISTANBUL Bakirköy V.D.  
801 064 2555, Turkey  
(141) 2021 05 24

---

(111) M 2010 20901 R  
(151) 2010 11 09  
(732) Harrington Development Inc.  
Arango-Orillac Bldg. East 54 th street,  
Panama, Republic of Panama  
(141) 2021 05 24

---

(111) M 2010 20898 R  
(151) 2010 11 08  
(732) Harrington Development Inc.  
Arango-Orillac Bldg. East 54 th street,  
Panama, Republic of Panama  
(141) 2021 05 24

---

(111) M 2010 20897 R  
(151) 2010 11 05  
(732) CJSC "Landrini"  
Oktomberi Coast 104, corp. 41, Sankt-  
Peterburg, Russian Federation  
(141) 2021 05 24

---

(111) M 2010 20899 R  
(151) 2010 11 08  
(732) LTD "Magazine Niangi"  
G. Robakidze Av. 7, 0159, Tbilisi, Georgia  
(141) 2021 05 24

---

(111) M 2010 20900 R  
(151) 2010 11 08  
(732) Harrington Development Inc.  
Elvira Mendez Street, Vallarino bldg.,  
3rd Floor, Panama, Republic of Panama  
(141) 2021 05 24

---

(111) M 2010 20907 R  
(151) 2010 11 11  
(732) LTD "Standard Tobacco Incorporation"  
Abuseridze-Tbeli St. 13, 0120, Tbilisi, Georgia  
(141) 2021 05 24

---

(111) M 2010 20908 R  
(151) 2010 11 11  
(732) LTD "Standard Tobacco Incorporation"  
Abuseridze-Tbeli St. 13, 0120, Tbilisi, Georgia  
(141) 2021 05 24

---

(111) M 2010 20920 R  
(151) 2010 11 15  
(732) LTD "Standard Tobacco Incorporation"  
Abuseridze-Tbeli St. 13, 0120, Tbilisi, Georgia  
(141) 2021 05 24

---

(111) M 2010 20921 R  
(151) 2010 11 15  
(732) LTD "Standard Tobacco Incorporation"  
Abuseridze-Tbeli St. 13, 0120, Tbilisi, Georgia  
(141) 2021 05 24

---



(111) M 2010 20929 R  
(151) 2010 11 19  
(732) Harrington Development Inc.  
Arango-Orillac Bldg., East 54th street,  
Republic of Panama  
(141) 2021 05 27

---

## CANCELLATION OF TRADEMARK REGISTRATION BY COURT ORDER

(111) M 2016 27484 R  
(151) 2016 08 18  
(732) Harrington Development Inc.  
Elvira Mendes Street, Valerino Bldg, 3rd Floor, Republic of Panama  
(141) 2021 06 04  
GROUNDS: Order №456/12 (28 05 2021) of the Chairman of SAKPATENTI on administration of legally enforced decision (Case №/18296-17 (24 05 2019) of Tbilisi City Court Civil Cases Board.

## CHANGE IN THE LIST OF GOODS AND/OR SERVICES OF TRADEMARK

(111) M 2021 33774 R  
(732) Basf SE  
Karl-Bosch-Strasse 38, Ludwigshafen on the  
Rhine, Germany  
(511) 1, 5  
(580) 2021 05 10

---

---

# CLASSIFICATION INDEXES

## INVENTIONS

### CONCORDANCE TABLE OF INTERNATIONAL CLASSIFICATION INDEX AND PUBLICATION NUMBERS

INTERNATIONAL CLASSIFICATION INDEXES (51)	NUMBER OF PUBLISHED APPLICATION (10)
A 01 D 46/04	AP 2021 15317 A
A 01 D 46/04	AP 2021 15357 A
A 61 K 9/00; A 61 K 9/20; A 61 K 31/565	AP 2021 14677 A
A 61 K 31/41; A 61 P 25/16; A 61 P 35/00; A 61 P 25/02; A 61 P 37/00; A 61 P 25/28; C 07 C 311/40; C 07 D 239/34; C 07 D 405/06; C 07 D 239/26; C 07 D 249/14; C 07 D 249/12; C 07 D 249/10; C 07 D 233/64; C 07 D 233/61; C 07 D 233/16; C 07 D 235/06; C 07 D 401/04; C 07 D 233/68; C 07 D 261/08; C 07 D 471/04; C 07 D 213/60; C 07 D 277/56; C 07 D 277/34; C 07 D 277/26; C 07 D 275/02; C 07 D 271/04; C 07 D 263/32; C 07 D 239/30; C 07 D 231/56; C 07 D 231/38; C 07 D 213/74; C 07 D 213/65; C 07 D 213/64; C 07 D 213/61; C 07 D 213/40; C 07 D 207/416; C 07 D 207/333; C 07 D 271/06; C 07 D 405/04; C 07 D 237/08; C 07 D 403/04; C 07 D 249/20; C 07 D 249/18; C 07 D 231/18; C 07 D 249/06; C 07 D 231/16; C 07 D 231/14; C 07 D 231/12; C 07 D 213/85; C 07 D 249/08; C 07 D 239/42	AP 2021 14943 A
A 61 K 31/436; A 61 K 31/407; A 61 K 31/4353; A 61 K 31/519; A 61 K 31/55; A 61 K 31/675; A 61 P 35/00	AP 2021 15006 A
A 61 K 31/4155; A 61 K 31/496; C 07 D 401/06; C 07 D 403/06; C 07 D 403/14	AP 2021 15219 A
A 61 K 31/4439; A 61 P 11/12; C 07 D 401/14; C 07 D 471/14; C 07 D 498/14	AP 2021 15057 A
A 61 K 38/17; A 61 K 39/395; C 07 K 14/705; C 07 K 14/47	AP 2021 14720 A
A 61 L 2/24	AP 2021 15415 A
B 61 B 23/02	AP 2021 15215 A
B 66 F 3/24	AP 2021 15375 A
C 02 F 1/52	AP 2021 15036 A
C 07 B 59/00; C 07 D 295/145	AP 2021 14132 A
C 12 G 1/00; C 12 N 1/16	AP 2021 15333 A
C 12 G 1/00; C 12 N 1/16	AP 2021 15334 A
C 12 G 1/00; C 12 N 1/16	AP 2021 15335 A
C 12 G 1/00; C 12 N 1/16	AP 2021 15336 A
F 01 C 1/18; F 01 C 1/077; F 01 K 13/00; F 01 K 7/36	AP 2021 15268 A
F 41 H 1/02	AP 2021 15326 A
G 01 T 1/00	AP 2021 15390 A
G 06 Q 10/08; G 06 Q 30/02	AP 2021 15376 A
H 02 J 3/38; H 02 J 3/32	AP 2021 15266 A

CONCORDANCE TABLE OF PUBLICATION NUMBERS  
AND INTERNATIONAL CLASSIFICATION INDEX

NUMBER OF PUBLISHED APPLICATION (10)	INTERNATIONAL CLASSIFICATION INDEXES (51)
AP 2021 14132 A	C 07 B 59/00; C 07 D 295/145
AP 2021 14677 A	A 61 K 9/00; A 61 K 9/20; A 61 K 31/565
AP 2021 14720 A	A 61 K 38/17; A 61 K 39/395; C 07 K 14/705; C 07 K 14/47
AP 2021 14943 A	A 61 K 31/41; A 61 P 25/16; A 61 P 35/00; A 61 P 25/02; A 61 P 37/00; A 61 P 25/28; C 07 C 311/40; C 07 D 239/34; C 07 D 405/06; C 07 D 239/26; C 07 D 249/14; C 07 D 249/12; C 07 D 249/10; C 07 D 233/64; C 07 D 233/61; C 07 D 233/16; C 07 D 235/06; C 07 D 401/04; C 07 D 233/68; C 07 D 261/08; C 07 D 471/04; C 07 D 213/60; C 07 D 277/56; C 07 D 277/34; C 07 D 277/26; C 07 D 275/02; C 07 D 271/04; C 07 D 263/32; C 07 D 239/30; C 07 D 231/56; C 07 D 231/38; C 07 D 213/74; C 07 D 213/65; C 07 D 213/64; C 07 D 213/61; C 07 D 213/40; C 07 D 207/416; C 07 D 207/333; C 07 D 271/06; C 07 D 405/04; C 07 D 237/08; C 07 D 403/04; C 07 D 249/20; C 07 D 249/18; C 07 D 231/18; C 07 D 249/06; C 07 D 231/16; C 07 D 231/14; C 07 D 231/12; C 07 D 213/85; C 07 D 249/08; C 07 D 239/42
AP 2021 15006 A	A 61 K 31/436; A 61 K 31/407; A 61 K 31/4353; A 61 K 31/519; A 61 K 31/55; A 61 K 31/675; A 61 P 35/00
AP 2021 15036 A	C 02 F 1/52
AP 2021 15057 A	A 61 K 31/4439; A 61 P 11/12; C 07 D 401/14; C 07 D 471/14; C 07 D 498/14
AP 2021 15215 A	B 61 B 23/02
AP 2021 15219 A	A 61 K 31/4155; A 61 K 31/496; C 07 D 401/06; C 07 D 403/06; C 07 D 403/14
AP 2021 15266 A	H 02 J 3/38; H 02 J 3/32
AP 2021 15268 A	F 01 C 1/18; F 01 C 1/077; F 01 K 13/00; F 01 K 7/36
AP 2021 15317 A	A 01 D 46/04
AP 2021 15326 A	F 41 H 1/02
AP 2021 15333 A	C 12 G 1/00; C 12 N 1/16
AP 2021 15334 A	C 12 G 1/00; C 12 N 1/16
AP 2021 15335 A	C 12 G 1/00; C 12 N 1/16
AP 2021 15336 A	C 12 G 1/00; C 12 N 1/16
AP 2021 15357 A	A 01 D 46/04
AP 2021 15375 A	B 66 F 3/24
AP 2021 15376 A	G 06 Q 10/08; G 06 Q 30/02
AP 2021 15390 A	G 01 T 1/00
AP 2021 15415 A	A 61 L 2/24

**CONCORDANCE TABLE OF INTERNATIONAL CLASSIFICATION INDEX,  
PATENT NUMBERS AND PUBLICATION NUMBERS**

INTERNATIONAL CLASSIFICATION INDEX (51)	NUMBER OF PATENT (11)	NUMBER OF PUBLISHED APPLICATION (10)
A 61 F 9/007	P 2021 7261 B	AP 2020 15102 A
B 61 D 47/00; B 66 F 7/02	P 2021 7264 B	AP 2021 15184 A
B 65 G 27/02; H 02 K 33/02	P 2021 7262 B	AP 2021 15218 A
C 07 K 16/28	P 2021 7263 B	AP 2021 15055 A

**CONCORDANCE TABLE OF PATENT NUMBERS,  
PUBLICATION NUMBERS AND INTERNATIONAL CLASSIFICATION INDEX**

NUMBER OF PATENT (11)	NUMBER OF PUBLISHED APPLICATION (10)	INTERNATIONAL CLASSIFICATION INDEX (51)
P 2021 7261 B	AP 2020 15102 A	A 61 F 9/007
P 2021 7262 B	AP 2021 15218 A	B 65 G 27/02; H 02 K 33/02
P 2021 7263 B	AP 2021 15055 A	C 07 K 16/28
P 2021 7264 B	AP 2021 15184 A	B 61 D 47/00; B 66 F 7/02

**CONCORDANCE TABLE OF APPLICATION NUMBERS,  
PUBLICATION NUMBERS AND PATENTS**

NUMBER OF APPLICATION (21)	NUMBER OF PUBLISHED APPLICATION (10)	NUMBER OF PATENT (11)
AP 2017 15055	AP 2021 15055 A	P 2021 7263 B
AP 2019 15102	AP 2020 15102 A	P 2021 7261 B
AP 2019 15184	AP 2021 15184 A	P 2021 7264 B
AP 2019 15218	AP 2021 15218 A	P 2021 7262 B

## UTILITY MODELS

INTERNATIONAL CLASSIFICATION INDEXES (51)	NUMBER OF PUBLISHED APPLICATION (10)
A 01 G 9/02	AU 2021 15563 U
A 61 K 31/519; A 61 K 31/4985; A 61 P 15/10	AU 2021 15494 U
A 61 N 5/06	AU 2021 15445 U
B 60 R 9/10	AU 2021 15393 U

**CONCORDANCE TABLE OF PUBLICATION NUMBERS  
AND INTERNATIONAL CLASSIFICATION INDEX**

NUMBER OF PUBLISHED APPLICATION (10)	INTERNATIONAL CLASSIFICATION INDEXES (51)
AU 2021 15393 U	B 60 R 9/10
AU 2021 15445 U	A 61 N 5/06
AU 2021 15494 U	A 61 K 31/519; A 61 K 31/4985; A 61 P 15/10
AU 2021 15563 U	A 01 G 9/02

**CONCORDANCE TABLE OF INTERNATIONAL CLASSIFICATION INDEX,  
PATENT NUMBERS AND PUBLICATION NUMBERS**

INTERNATIONAL CLASSIFICATION INDEX (51)	NUMBER OF PATENT (11)	NUMBER OF PUBLISHED APPLICATION (10)
A 01 G 17/14	U 2021 2084 Y	AU 2021 15406 U
A 47 G 19/14; A 47 J 27/21; A 47 J 36/06	U 2021 2087 Y	AU 2021 15289 U
A 47 G 19/14; A 47 J 36/06; A 47 J 27/21	U 2021 2088 Y	AU 2021 15288 U
F 16 D 65/06; F 65 D 69/0	U 2021 2085 Y	AU 2021 15331 U
G 01 J 3/28	U 2021 2086 Y	AU 2021 15217 U

**CONCORDANCE TABLE OF PATENT NUMBERS,  
PUBLICATION NUMBERS AND INTERNATIONAL CLASSIFICATION INDEX**

NUMBER OF PATENT (11)	NUMBER OF PUBLISHED APPLICATION (10)	INTERNATIONAL CLASSIFICATION INDEX (51)
U 2021 2084 Y	AU 2021 15406 U	A 01 G 17/14
U 2021 2085 Y	AU 2021 15331 U	F 16 D 65/06; F 65 D 69/0
U 2021 2086 Y	AU 2021 15217 U	G 01 J 3/28
U 2021 2087 Y	AU 2021 15289 U	A 47 G 19/14; A 47 J 27/21; A 47 J 36/06
U 2021 2088 Y	AU 2021 15288 U	A 47 G 19/14; A 47 J 36/06; A 47 J 27/21

**CONCORDANCE TABLE OF APPLICATION NUMBERS,  
PUBLICATION NUMBERS AND PATENTS**

NUMBER OF APPLICATION (21)	NUMBER OF PUBLISHED APPLICATION (10)	NUMBER OF PATENT (11)
AU 2019 15217	AU 2021 15217 U	U 2021 2086 Y
AU 2020 15288	AU 2021 15288 U	U 2021 2088 Y
AU 2020 15289	AU 2021 15289 U	U 2021 2087 Y
AU 2018 15331	AU 2021 15331 U	U 2021 2085 Y
AU 2020 15406	AU 2021 15406 U	U 2021 2084 Y

**DESIGNS**CONCORDANCE TABLE OF INTERNATIONAL CLASSIFICATION INDEX  
AND PUBLICATION NUMBERS

INTERNATIONAL CLASSIFICATION INDEXES (51)	NUMBER OF PUBLISHED APPLICATION (10)
32-00	AD 2021 1190 S

CONCORDANCE TABLE OF PUBLICATION NUMBERS  
AND INTERNATIONAL CLASSIFICATION INDEX

NUMBER OF PUBLISHED APPLICATION (10)	INTERNATIONAL CLASSIFICATION INDEXES (51)
AD 2021 1190 S	32-00

**DESIGN REGISTERED ACCORDING TO THE ACCELERATED  
PROCEDURE**CONCORDANCE TABLE OF INTERNATIONAL CLASSIFICATION INDEX  
AND PUBLICATION NUMBERS

INTERNATIONAL CLASSIFICATION INDEXES (51)	NUMBER OF REGISTRATION (11)
14-06	D 2021 895 S

CONCORDANCE TABLE OF PUBLICATION NUMBERS  
AND INTERNATIONAL CLASSIFICATION INDEX

NUMBER OF REGISTRATION (11)	INTERNATIONAL CLASSIFICATION INDEXES (51)
D 2021 895 S	14-06

CONCORDANCE TABLE OF APPLICATION NUMBERS,  
PUBLICATION NUMBERS AND PATENTS

NUMBER OF PUBLISHED APPLICATION (21)	NUMBER OF REGISTRATION (11)
AD 2021 1211	D 2021 895 S

## TRADEMARKS

### CONCORDANCE TABLE OF REGISTRATION NUMBERS, APPLICATION NUMBERS, PUBLICATION NUMBERS AND BULLETIN NUMBERS

NUMBER OF REGISTRATION (111)	NUMBER OF APPLICATIONS (210)	NUMBER OF PUBLISHED APPLICATIONS (260)	NUMBER OF BULLETIN
1	2	3	4
M 2021 34103 R	AM 112922	–	10(566)2021
M 2021 34104 R	AM 113026	–	10(566)2021
M 2021 34105 R	AM 112931	–	10(566)2021
M 2021 34106 R	AM 112937	–	10(566)2021
M 2021 34107 R	AM 113040	–	10(566)2021
M 2021 34108 R	AM 113019	–	10(566)2021
M 2021 34109 R	AM 112718	–	10(566)2021
M 2021 34110 R	AM 113041	–	10(566)2021
M 2021 34111 R	AM 112926	–	10(566)2021
M 2021 34112 R	AM 113047	–	10(566)2021
M 2021 34113 R	AM 113020	–	10(566)2021
M 2021 34114 R	AM 113031	–	10(566)2021
M 2021 34115 R	AM 113030	–	10(566)2021
M 2021 34116 R	AM 112420	–	10(566)2021
M 2021 34117 R	AM 113023	–	10(566)2021
M 2021 34118R	AM 108970	–	10(566)2021
M 2021 34119 R	AM 108865	AM 2021 108865 A	2(558)2021
M 2021 34120 R	AM 106519	AM 2021 106519 A	1(557)2021
M 2021 34121 R	AM 108114	AM 2020 108114 A	23(555)2020
M 2021 34122 R	AM 108131	AM 2020 108131 A	23(555)2020
M 2021 34123 R	AM 108228	AM 2020 108228 A	22(554)2020
M 2021 34124 R	AM 108313	AM 2021 108313 A	1(557)2021
M 2021 34125 R	AM 108314	AM 2021 108314 A	1(557)2021
M 2021 34126 R	AM 108315	AM 2021 108315 A	1(557)2021
M 2021 34127 R	AM 108316	AM 2021 108316 A	1(557)2021
M 2021 34128 R	AM 108401	AM 2021 108401 A	1(557)2021
M 2021 34129 R	AM 108499	AM 2021 108499 A	1(557)2021
M 2021 34130 R	AM 108511	AM 2020 108511 A	24(556)2020
M 2021 34131 R	AM 108512	AM 2020 108512 A	24(556)2020
M 2021 34132 R	AM 108524	AM 2021 108524 A	1(557)2021
M 2021 34133 R	AM 108576	AM 2021 108576 A	1(557)2021
M 2021 34134 R	AM 108604	AM 2021 108604 A	1(557)2021
M 2021 34135 R	AM 108607	AM 2021 108607 A	1(557)2021
M 2021 34136 R	AM 108660	AM 2021 108660 A	1(557)2021
M 2021 34137 R	AM 108667	AM 2021 108667 A	1(557)2021
M 2021 34138 R	AM 108674	AM 2021 108674 A	1(557)2021
M 2021 34139 R	AM 108697	AM 2021 108697 A	1(557)2021
M 2021 34140 R	AM 108736	AM 2021 108736 A	1(557)2021
M 2021 34141 R	AM 108743	AM 2021 108743 A	2(558)2021
M 2021 34142 R	AM 108747	AM 2021 108747 A	2(558)2021
M 2021 34143 R	AM 108766	AM 2021 108766 A	2(558)2021
M 2021 34144 R	AM 108773	AM 2021 108773 A	2(558)2021
M 2021 34145 R	AM 108852	AM 2021 108852 A	2(558)2021
M 2021 34146 R	AM 108859	AM 2021 108859 A	2(558)2021
M 2021 34147 R	AM 108860	AM 2021 108860 A	2(558)2021
M 2021 34148 R	AM 108861	AM 2021 108861 A	2(558)2021

1	2	3	4
M 2021 34149 R	AM 108863	AM 2021 108863 A	2(558)2021
M 2021 34150 R	AM 108869	AM 2021 108869 A	2(558)2021
M 2021 34151 R	AM 108879	AM 2021 108879 A	2(558)2021
M 2021 34152 R	AM 108886	AM 2021 108886 A	2(558)2021
M 2021 34153 R	AM 108887	AM 2021 108887 A	2(558)2021
M 2021 34154 R	AM 108889	AM 2021 108889 A	2(558)2021
M 2021 34155 R	AM 108891	AM 2021 108891 A	2(558)2021
M 2021 34156 R	AM 108893	AM 2021 108893 A	2(558)2021
M 2021 34157 R	AM 108946	AM 2021 108946 A	2(558)2021
M 2021 34158 R	AM 108950	AM 2021 108950 A	2(558)2021
M 2021 34159 R	AM 108958	AM 2021 108958 A	2(558)2021
M 2021 34160 R	AM 108959	AM 2021 108959 A	2(558)2021
M 2021 34161 R	AM 108969	AM 2021 108969 A	2(558)2021
M 2021 34162 R	AM 109028	AM 2021 109028 A	2(558)2021
M 2021 34163 R	AM 109030	AM 2021 109030 A	2(558)2021
M 2021 34164 R	AM 109049	AM 2021 109049 A	2(558)2021
M 2021 34165 R	AM 109110	AM 2021 109110 A	2(558)2021
M 2021 34166 R	AM 109111	AM 2021 109111 A	2(558)2021
M 2021 34167 R	AM 109128	AM 2021 109128 A	2(558)2021
M 2021 34168 R	AM 109134	AM 2021 109134 A	2(558)2021
M 2021 34169 R	AM 109135	AM 2021 109135 A	2(558)2021
M 2021 34170 R	AM 110364	AM 2021 110364 A	1(557)2021
M 2021 34171 R	AM 108063	AM 2020 108063 A	23(555)2020
M 2021 34172 R	AM 108065	AM 2020 108065 A	23(555)2020
M 2021 34173 R	AM 108066	AM 2020 108066 A	23(555)2020
M 2021 34174 R	AM 108208	AM 2020 108208 A	24(556)2020
M 2021 34175 R	AM 108298	AM 2021 108298 A	2(558)2021
M 2021 34176 R	AM 108489	AM 2021 108489 A	2(558)2021
M 2021 34177 R	AM 108491	AM 2021 108491 A	1(557)2021
M 2021 34178 R	AM 107910	AM 2020 107910 A	21(553)2020
M 2021 34179 R	AM 108426	AM 2020 108426 A	24(556)2020
M 2021 34180 R	AM 108505	AM 2021 108505 A	1(557)2021
M 2021 34181 R	AM 109027	AM 2021 109027 A	3(559)2021
M 2021 34182 R	AM 108953	AM 2021 108953 A	3(559)2021
M 2021 34183 R	AM 113027	–	10(566)2021
M 2021 34184 R	AM 113255	–	10(566)2021



CONCORDANCE TABLE OF PUBLICATION NUMBERS  
AND APPLICATION NUMBERS

NUMBER OF PUBLISHED APPLICATION (260)	NUMBER OF APPLICATION (210)	1	2
1	2		
AM 2021 108592 A	AM 108592	AM 2021 110359 A	AM 110359
AM 2021 109524 A	AM 109524	AM 2021 110362 A	AM 110362
AM 2021 109525 A	AM 109525	AM 2021 110365 A	AM 110365
AM 2021 109934 A	AM 109934	AM 2021 110366 A	AM 110366
AM 2021 109951 A	AM 109951	AM 2021 110383 A	AM 110383
AM 2021 110201 A	AM 110201	AM 2021 110388 A	AM 110388
AM 2021 110218 A	AM 110218	AM 2021 110443 A	AM 110443
AM 2021 110219 A	AM 110219	AM 2021 110450 A	AM 110450
AM 2021 110226 A	AM 110226	AM 2021 110465 A	AM 110465
AM 2021 110278 A	AM 110278	AM 2021 110467 A	AM 110467
AM 2021 110279 A	AM 110279	AM 2021 110469 A	AM 110469
AM 2021 110280 A	AM 110280	AM 2021 110470 A	AM 110470
AM 2021 110284 A	AM 110284	AM 2021 110471 A	AM 110471
AM 2021 110287 A	AM 110287	AM 2021 110472 A	AM 110472
AM 2021 110288 A	AM 110288	AM 2021 110505 A	AM 110505
AM 2021 110292 A	AM 110292	AM 2021 110516 A	AM 110516
AM 2021 110293 A	AM 110293	AM 2021 110538 A	AM 110538
		AM 2021 110603 A	AM 110603
		AM 2021 110604 A	AM 110604
		AM 2021 110605 A	AM 110605
		AM 2021 110611 A	AM 110611

CONCORDANCE TABLE OF INDEX OF GOODS AND/OR SERVICES  
AND APPLICATION NUMBERS

INDEX OF GOODS AND/OR SERVICES (511)	NUMBER OF PUBLISHED APPLICATIONS (260)	1	2
1	2		
1	AM 2021 110218 A	30	AM 2021 110538 A
1	AM 2021 110219 A	32	AM 2021 110201 A
3	AM 2021 110279 A	33	AM 2021 110293 A
3	AM 2021 110280 A	33	AM 2021 110365 A
3	AM 2021 110366 A	33	AM 2021 110383 A
3	AM 2021 110603 A	33	AM 2021 110450 A
3	AM 2021 110611 A	34	AM 2021 110226 A
4	AM 2021 110505 A	34	AM 2021 110288 A
5	AM 2021 110470 A	35	AM 2021 110201 A
5	AM 2021 110471 A	35	AM 2021 110292 A
5	AM 2021 110472 A	35	AM 2021 110362 A
5	AM 2021 110516 A	35	AM 2021 110366 A
5	AM 2021 110604 A	35	AM 2021 110388 A
5	AM 2021 110605 A	35	AM 2021 110538 A
5	AM 2021 110611 A	35	AM 2021 110611 A
7	AM 2021 109934 A	36	AM 2021 109951 A
7	AM 2021 110443 A	36	AM 2021 110284 A
9	AM 2021 109934 A	36	AM 2021 110362 A
9	AM 2021 110284 A	40	AM 2021 108592 A
11	AM 2021 109934 A	41	AM 2021 110278 A
11	AM 2021 110443 A	41	AM 2021 110388 A
12	AM 2021 110443 A	41	AM 2021 110538 A
12	AM 2021 110465 A	42	AM 2021 110284 A
12	AM 2021 110467 A	42	AM 2021 110292 A
12	AM 2021 110469 A	43	AM 2021 110359 A
16	AM 2021 110278 A	44	AM 2021 109524 A
		44	AM 2021 109525 A
		44	AM 2021 110287 A
		44	AM 2021 110366 A
		44	AM 2021 110388 A

CONCORDANCE TABLE OF INDEX OF GOODS AND/OR SERVICES  
AND NUMBERS OF TRADEMARKS REGISTERED ACCORDING  
TO THE ACCELERATED PROCEDURE

INDEX OF GOODS AND/OR SERVICES (511)	NUMBERS OF REGISTERED ACCORDING TO THE ACCELERATED PROCEDURE (111)
3	M 2021 34103 R
5	M 2021 34103 R
5	M 2021 34114 R
5	M 2021 34118 R
7	M 2021 34104 R
9	M 2021 34104 R
11	M 2021 34104 R
29	M 2021 34109 R
31	M 2021 34115 R
31	M 2021 34117 R
32	M 2021 34110 R
33	M 2021 34108 R
33	M 2021 34113 R
33	M 2021 34115 R
33	M 2021 34116 R
33	M 2021 34117 R
33	M 2021 34183 R
34	M 2021 34111 R
35	M 2021 34103 R
35	M 2021 34104 R
35	M 2021 34107 R
35	M 2021 34108 R
35	M 2021 34184 R
37	M 2021 34104 R
39	M 2021 34107 R
43	M 2021 34105 R
43	M 2021 34106 R
43	M 2021 34107 R
43	M 2021 34112 R

# **OFFICIAL BULLETIN OF THE INDUSTRIAL PROPERTY**

**INVENTIONS  
UTILITY MODELS  
DESIGNS  
TRADEMARKS  
GEOGRAPHICAL INDICATION  
APPELLATIONS OF ORIGIN OF GOODS**

## **10(566)**

EDITOR-IN-CHIEF: N. Bebrishvili

EDITOR-TRANSLATOR: E. Gabunia

PROOFREADER: A. Shikhashvili

COMPUTER LAYOUT: M. Ordenidze  
K. Svanidze

[www.sakpatenti.gov.ge](http://www.sakpatenti.gov.ge)

E-mail: [info@sakpatenti.org.ge](mailto:info@sakpatenti.org.ge)