



Official Bulletin of the Industrial Property

Invention

Utility Model

Validation Of European Patent

Design

Trademark



საქართველოს ინტელექტუალური
საკუთრების ეროვნული ცენტრი
საქპატენტი
SAKPATENTI
NATIONAL INTELLECTUAL PROPERTY
CENTER OF GEORGIA

10(685)

INID CODES FOR IDENTIFICATION OF BIBLIOGRAPHIC DATA

INVENTIONS, UTILITY MODELS

- (10) Number of publication of examined application/
Application publication number***
- (11) Patent number/ Patent number***
Registered utility model number***
- (21) Application number (domestic number)
- (22) Date of filing of the application
- (23) Date of exhibition priority
- (24) Date from which patent may have effect
- (30) Priority data
- (31) Number of priority application
- (32) Date of filing of priority application
- (33) Code of the country or regional organization allotting priority application number
- (43) Date of publication of application, number of bulletin***
- (44) Date of publication of examined application, on which no grant has taken place and number of bulletin
- (45) Date of publication of patent/ Date of publication of patent***
Date of publication of registered utility model***
- (51) IPC
- (54) Title of invention
- (57) Abstract
- (60) Number of examined patent document granted by foreign patent office, date from which patent has effect and country code
- (62) Number and filing date of the earlier application from which the present patent document has been divided up
- (71) Applicant
- (72) Inventor
- (73) Name and address of patent owner/patent owner***/ registered utility model owner***
(country code)
- (74) Representative
- (82) Date of publication of request of validation
- (85) Date of commencement of the national phase
- (86) PCT filing date, PCT application number
- (87) Number and date of publication of international application (PCT)
- (94) Calculated date of expiry of the SPC or the duration of the SPC
- (100) EP application publication number
- (210) EP application number
- (220) EP filing date
- (430) EP application publication date

DESIGNS

- (10) Number of publication for application
- (11) Number of patent and kind of document or number of registration
- (15) Date of registration/Date of patent renewal
- (18) Expected expiration date of patent or registration
- (21) Serial number of application
- (22) Date of filing of the application
- (23) Date of exhibition or the date of the earlier filing and the number of application, if any
- (24) Date from which patent may have effect
- (28) Number of designs included in the application
- (30) Data relating to priority (number of application, date of filing of application, two-letter code identifying the authority with whom the priority application was made)
- (31) Number of priority application
- (32) Date of filing of priority application
- (33) Code of the country or regional organization allotting priority application number
- (34) Two-letter code according to WIPO St.3 identifying the authority with which the priority application was made
- (44) Date of publication of design and number of bulletin (the first publication)
- (45) Date of publication of design registered by WIPO and number of bulletin
- (51) International Classification for designs (class and subclass of the Locarno Classification)
- (54) Title of the invention
- (55) Reproduction of the design
- (57) Description of characteristic features of the design including indication of colors
- (58) Date of recording of any kind of amendment in the Register
- (62) Number of the earlier application, registration and document number and if available the date of filing an application in case of divided application
- (71) Name, surname and address of applicant (country code)
- (72) Name, surname of creator (country code)
- (73) Name, surname and address of patent owner (country code)
- (74) Name, surname of representative or patent attorney
- (81) Contracting states concerned
II designated contracting states according to the 1960 Act
III designated contracting states according to the 1999 Act
- (85) Owner's permanent address
- (86) Owner's nationality
- (87) Owner's residence
- (88) State in which the owner has a real and effective industrial or commercial establishment

TRADEMARKS

- (111) – Number of registration
- (151) – Date of registration
- (156) – Date of the renewal
- (181) – Expected expiration date of registration
- (186) – Renewal expiration date of registration
- (141) – Date of cancel of duration of the mark
- (210) – Serial number of application
- (220) – Date of filing of the application
- (230) – Date concerning exhibition
- (260) – Number of application, for which favorable decision of examination about registration has been taken (publication number)
- (310) – Number of the first application
- (320) – Date of filing of the first application
- (330) – Code, identifying national or regional Office where the first application was made
- (511) – International Classification of Goods and Services for the purposes of registration of trade marks and/or list of goods and/or services classified according thereto
- (526) – Disclaimer
- (531) – Description of figurative elements of Trade Marks according to the International Classification of the Figurative Elements of Marks
- (540) – Reproduction of Trade Mark
- (550) – Nature and kind of Trade Mark
- (551) – Indication to the effect that the mark is a collective mark, a certification mark or a guarantee mark
- (554) – Three-dimensional mark
- (580) – Date of recording of any kind changes in respect of applications or registrations
- (591) – Information concerning colors claimed
- (731) – Name and address of the applicant
- (732) – Name and address of the holder of the registration
- (740) – Name and address of the representative
- (750) – Addreses for correspondence
- (770) – Name and address of the previous applicant or holder in case of change in ownership
- (771) – Previous name and address of the applicant or holder in case of change in ownership
- (791) – Name and address of the licensee
- (793) – Indication of conditions and/or restrictions under the license (Type of license, number of license agreement, data of license, data of validity of license)
- (800) – Certain data relating to the international registration of Trade Marks under the Protocol Relating to Madrid Agreement (International registration number)
- (852) – Partial cancellation of the list of goods and services
- (891) – Date of subsequent designation

CODES FOR PUBLICATION IN BULLETIN

- (21) AP 0000 000000 – number of application for invention
- (10) AP 0000 0000 A – number of publication of application for invention
- (11) P 0000 0000 B – number of patent for invention/ patent number***
- (21) API 0000 000000 – number of application for imported patent
- (11) PI 0000 0000 A – number of imported patent
- (21) AU 0000 000000 – number of application for utility model
- (10) AU 0000 000 U – number of publication of application for utility model
- (11) U 0000 000 Y – number of patent for utility model/ registered utility model number***
- (21) AD 0000 000000 – serial number of application for design
- (10) AD 0000 000 S – number of published application for design (first publication)
- (11) D 0000 000 S – registered design

INTERNATIONAL PATENT CLASSIFICATION FOR INVENTIONS AND UTILITY MODELS

- SECTION A – HUMAN NECESSITIES
- SECTION B – PERFORMING OPERATIONS; TRANSPORTING
- SECTION C – CHEMISTRY; METALLURGY
- SECTION D – TEXTILES; PAPER
- SECTION E – FIXED CONSTRUCTIONS
- SECTION F – MECHANICAL ENGINEERING; LIGHTING; HEATING; WEAPONS;
BLASTING
- SECTION G – PHYSICS
- SECTION H – ELECTRICITY

* Number of application published after the decision of Appellation Chamber of SAKPATENTI

** Number of application published after Court decision

*** Materials published according to the amendments of May 16, 2023 (No. 2883-XI0b-X03) to the Patent Law of Georgia

- M – Trade Mark
- (210) AM 0000 000000 – Serial number of application;
- (260) AAM 0000 00000 A – Publication number of application;
- (111) M 0000 00000 R – Number of registration;
- (111) MMM0000 00000 Rn – Number of renewals, in which n=1,2,3;
- (111) M 0000 00000 R(P) – Number of registration under partial assignment of rights

Official Bulletin of the Industrial Property

Invention

Utility Model

Validation Of European Patent

Design

Trademark

CONTENT

PUBLISHED TITLES OF PROTECTION	2
INVENTION	
▪ APPLICATION APPROVED FOR GRANTING PATENT	4
▪ PATENTED INVENTION	6
▪ APPLICATION***	7
▪ PATENT***	10
UTILITY MODEL	
▪ APPLICATION***	12
▪ REGISTERED UTILITY MODEL***	13
VALIDATION OF EUROPEAN PATENT	
EUROPEAN PATENT APPLICATION FOR WHICH THE VALIDATION IS REQUESTED IN GEORGIA	14
DESIGN	
▪ REGISTERED DESIGN	26
▪ DESIGN, WHICH HAS BEEN REGISTERED WITH THE INTERNATIONAL BUREAU CLAIMING PRIORITY ON THE TERRITORY OF GEORGIA	27
TRADEMARK	
▪ APPLICATION FILED UNDER THE NATIONAL PROCEDURE APPROVED FOR REGISTRATION	47
▪ REGISTERED TRADEMARK	57
▪ TRADEMARK REGISTERED ACCORDING TO THE ACCELERATED PROCEDURE	66
▪ INTERNATIONAL TRADEMARK FOR WHICH A DECISION ON GRANTING PROTECTION IS TAKEN	69
▪ INTERNATIONAL TRADEMARK PROTECTED IN GEORGIA	208
OFFICIAL NOTIFICATIONS	
INVENTION	
▪ LAPSE OF PATENT WITH THE RIGHT TO RESTORE	214
▪ EXPIRATION OF PATENT RESTORATION TERM	214
▪ EXPIRATION OF PATENT	215
DESIGN	
▪ EXTENSION OF TERM OF DESIGN REGISTRATION	216
▪ CANCELLATION OF DESIGN REGISTRATION	216
▪ EXTENSION OF TERM OF INTERNATIONAL DESIGN REGISTRATION	216
TRADEMARK	
▪ EXTENSION OF TERM OF TRADEMARK REGISTRATION	220
▪ TRANSFER OF RIGHT	230
▪ CHANGE OF NAME AND/OR ADDRESS OF TRADEMARK OWNER	231
▪ CANCELLATION OF TRADEMARK REGISTRATION	233
▪ REGISTRATION OF LICENSE AGREEMENT	237
CLASSIFICATION INDEXES	
INVENTION	238
UTILITY MODEL	241
DESIGN	242
TRADEMARK	243

PUBLISHED TITLES OF PROTECTION

INVENTION

- **APPLICATION APPROVED FOR GRANTING PATENT**
15997; 16034
- **PATENTED INVENTION**
7898
- **APPLICATION:*****
16927; 16919, 16920; 16904; 16916; 16947; 16966; 16685
- **PATENT:*****
7894-7897

UTILITY MODEL

- **APPLICATION:*****
16832
- **REGISTERED UTILITY MODEL:*****
2246

VALIDATION OF EUROPEAN PATENT

EUROPEAN PATENT APPLICATION FOR WHICH THE VALIDATION IS REQUESTED IN GEORGIA:

333-352; 355-362

DESIGN

- **REGISTERED DESIGN:**
1118
- **DESIGN, WHICH HAS BEEN REGISTERED WITH THE INTERNATIONAL BUREAU CLAIMING PRIORITY ON THE TERRITORY OF GEORGIA:**
254 295; 254 228; 254 492; 254 383; 254 489; 250 265; 254 641; 249 910; 253 457; 253 443; 254 966; 255 000; 250 199; 254 968; 246 322; 255 213

TRADEMARK

- **APPLICATION FILED UNDER THE NATIONAL PROCEDURE APPROVED FOR REGISTRATION:**
133143*; 134469; 134988; 135491; 135545; 135550; 135634; 135706, 135707; 135709; 135721; 135739; 135824, 135825; 135846; 135910; 135912; 135919; 135922; 135924; 135931, 135932; 135934; 135936, 135937; 135943; 135946; 136029; 136036, 136037; 136039, 136040; 136046; 136050; 136053-136055; 136057; 136114; 136117-136120; 136125; 136131; 136135, 136136; 136144, 136145; 136154-136157; 136164; 136248; 136265; 136276; 136278; 136283; 136295; 136367; 136377, 136378; 136443
- **REGISTERED TRADEMARK:**
41199-41250; 41257-41288
- **TRADEMARK REGISTERED ACCORDING TO THE ACCELERATED PROCEDURE:**
41194-41198; 41251-41256; 41289-41292
- **INTERNATIONAL TRADEMARK FOR WHICH A DECISION ON GRANTING PROTECTION IS TAKEN:**
129641; 130614; 130681; 130800; 130919; 130938-; 130941; 130952-130957; 130973; 131037-131040; 131042; 131049-131051; 131535; 131658; 131895, 131896; 131898, 131899; 132021; 132033; 132037; 132039; 132041; 132151-132155; 132157; 132175; 132180; 132295-132300; 132302, 132303; 132305-132308; 132329; 132373; 132376-132378; 132381-132383; 132423; 132425-132427; 132545; 132566-132569; 132571-132578; 132581; 132586-132591; 132713; 132715; 132718, 132719; 132721-132724; 132739; 132815; 132822-132825; 132827; 132851, 132852; 132854-132858; 132943, 132944; 132950, 132951; 132969; 133103; 133210; 133236; 133317-133322; 133418; 133420, 133421; 133423; 133430; 133601; 133739; 133823; 133825, 133826; 133828; 134019; 134035; 134109; 134211, 134212; 134303; 134518; 134521; 134590; 134592; 134601-134603; 134611; 134616; 134687; 134692, 134693; 134697-134705; 134725-134729; 134731; 134768-134785; 134808; 134826-134828; 134835-134839; 134843-134849; 134904-134910; 134919-134925; 134998, 134999; 135001; 135003, 135004; 135020-135025; 135034-135044; 135046-135049; 135051; 135061-135078; 135130-135135; 135151-135156; 135175; 135177, 135178; 135180; 135183; 135185, 135186; 135237, 135238; 135241, 135242; 135245, 135246; 135262-135266; 135356, 135357; 135359, 135360; 135362; 135454, 135455
- **INTERNATIONAL TRADEMARK PROTECTED IN GEORGIA:**
129219; 129442, 129443; 129445, 129446; 129450; 129541; 129543-129547; 129551-129554; 129618; 129620, 129621; 129623; 129627-129629; 130108; 133093, 133094; 133100; 133102; 133104; 133295; 133349; 133451-133454; 133456-133458; 133460-133462; 133517-133519; 133521; 133532-133540; 133596; 133710-133713; 133715; 133719, 133720; 133727; 133741; 133745; 133751; 133756; 133760; 133792; 133794-133796; 133830, 133831; 133834-133837; 134005; 134030-134034; 134036

INVENTION

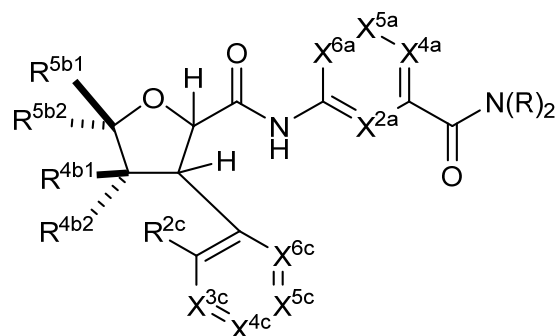
APPLICATION APPROVED FOR GRANTING PATENT

The decision can be appealed at the Chamber of Appeal of Sakpatenti within 3 months from the publication or at the Mtskheta District Court Administrative Cases Board (Address: №17, Samkhedro St., Mtskheta), within 1 month following the publication.

PART A

A 61

- (10) AP 2026 15997 A (51) Int. Cl. (2006)
A 61 K 31/443
A 61 P 29/00
C 07 D 405/14
C 07 D 405/12
- (21) AP 2020 15997
(22) 2020 12 04
(31) 62/944,869
(32) 2019 12 06
(33) US
- (71) Vertex Pharmaceuticals Incorporated (US)
50 Northern Avenue, Boston, MA 02210,
USA (US)
- (72) DURRANT, Steven, John (US);
AHMAD, Nadia (US);
BECK, Elizabeth, Mary (US);
CARVALHO MEIRELES, Lidio (US);
CHUDYK, Ewa, Iwona (US);
ETXEBARRIA JARDI, Gorka (US);
GALAN, Bhairavi (US);
HADIDA RUAH, Sara, S. (US);
HURLEY, Dennis, James (US);
KNEGTEL, Ronald, Marcellus (US);
NEUBERT, Timothy, Donald (US);
PINDER, Joanne, Louise (US);
PONTILLO, Joseph (US);
PULLIN, Robert (US);
SCHMIDT, Yvonne (US);
SHAW, David, Matthew (US);
SKERRATT, Sarah (US);
STAMOS, Dean (US);
THOMSON, Stephen, Andrew (US);
VIRANI, Anisa, Nizarali (US);
WRAY, Christopher (US)
- (74) Shalva Gvaramadze
(85) 2022 07 01
(86) PCT/US2020/063290, 2020 12 04
(54) SUBSTITUTED TETRAHYDROFURANS AS
MODULATORS OF SODIUM CHANNELS
(57) Compound of formula (I),



(I)

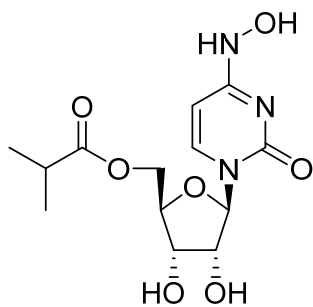
wherein the values of variables are provided in the claims. Said compound is used for the treatment of pain.

Claims: 24 independents
88 dependents

Fig.: 26

- (10) AP 2026 16034 A (51) Int. Cl. (2006)
A 61 K 31/7068
A 61 K 31/7064
A 61 P 31/12
C 07 H 19/04
C 07 H 19/067
C 07 H 19/06
- (21) AP 2021 16034
(22) 2021 02 07
(31) 62/971,559; 62/988,133; 62/994,604; 63/006,625
(32) 2020 02 07; 2020 03 11; 2020 03 25; 2020 04 07
(33) US; US; US; US
- (71) Emory University (US)
1599 Clifton Road NE, 4th Floor, Atlanta,
GA 30322, USA (US)
- (72) PAINTER, George R. (US);
BLUEMLING, Gregory R. (US);
NATCHUS, Michael G. (US);
MAO, Shuli (US);
MARENCO, Jose (US);
HAGER, Michael W. (US);
PERRYMAN, David (US)
- (74) Shalva Gvaramadze
(85) 2022 09 05
(86) PCT/US2021/016984, 2021 02 07
(54) N4-HYDROXYCYTIDINE AND DERIVA-
TIVES AND ANTI-VIRAL USES RELA-
TED THERETO

(57) Compound



is used for the treatment of COVID-19 viral infection.

Claims: 1 independent

6 dependents

Fig.: 18

APPLICATION***

PART A

A 01

(10) AP 2026 16927 A (51) Int. Cl. (2006)
A 01 N 1/02

(43) 2026 05 25 №10

(21) AP 2024 16927

(22) 2024 03 28

(62) AP 2024 16862 2025 10 31

(31) 18/136,419

(32) 2023 04 19

(33) US

(71) Biotech, Inc. (US)
5975 Shiloh Road, Suite 101, Alpharetta,
GA 30005, USA (US)

(72) PARRA-ALMANZA, Jorge, E. (US)

(74) Shalva Gvaramadze

(85) 2026 03 16

(86) PCT/US2024/021859, 2024 03 28

(54) CRYOPRESERVATION DEVICE WITH
INTEGRATED TRACKING DEVICE
CHAMBER

(57) The present invention provides a cryopreservation device with an integrated tracking device chamber. The tracking device can be an RFID tag which can be placed in the cryopreservation device as part of the procedure for vitrification of a biological specimen. The cryopreservation device maintains its integrity and keeps the RFID tag securely in the chamber at both ambient conditions when the specimen is collected and under liquid nitrogen where the specimen is stored. The cryopreservation device with an integrated tracking device chamber allows for each individual biological sample to have its own tracking device for monitoring during cryogenic storage.

(10) AP 2026 16919 A (51) Int. Cl. (2006)
A 01 N 43/56
A 01 N 43/836
A 01 P 3/00

(43) 2026 05 25 №10

(21) AP 2024 16919

(22) 2024 08 06

(31) 23190085.3

(32) 2023 08 07

(33) EP

(71) Syngenta Crop Protection AG (CH)
Rosentalstrasse 67, Basel 4058, Switzerland (CH)

(72) HAAS, Ulrich Johannes (CH);
WILKINSON, Glenn Stuart (CH)

(74) Tamar Kochlamazashvili

(85) 2026 03 04

(86) PCT/EP 2024/072277, 2024 08 06

(54) FUNGICIDAL COMPOSITIONS

(57) A fungicidal composition comprising a mixture of components (A) and (B), wherein components (A) and (B) are as defined in claim 1, and use of the compositions in agriculture or horticulture for controlling or preventing infestation of plants by phytopathogenic microorganisms, preferably fungi.

(10) AP 2026 16920 A (51) Int. Cl. (2006)
A 01 N 43/713
A 01 N 43/56
A 01 P 3/00

(43) 2026 05 25 №10

(21) AP 2024 16920

(22) 2024 08 07

(31) 23190086.1

(32) 2023 08 07

(33) EP

(71) Syngenta Crop Protection AG (CH)
Rosentalstrasse 67, Basel 4058, Switzerland (CH)

(72) BRYANT, Ruth Rebecca Morgan (CH)

(74) Tamar Kochlamazashvili

(85) 2026 03 04

(86) PCT/EP2024/072362, 2024 08 07

(54) FUNGICIDAL COMPOSITIONS

(57) A fungicidal composition comprising a mixture of components (A) and (B), wherein components (A) and (B) are as defined in claim 1, and use of the compositions in agriculture or horticulture for controlling or preventing infestation of plants by phytopathogenic microorganisms, preferably fungi.

A 61

(10) AP 2026 16904 A (51) Int. Cl. (2006)
A 61 K 31/517
A 61 P 31/18
C 07 D 471/04
C 07 D 405/12
C 07 D 417/12
C 07 D 403/06
C 07 D 401/14
C 07 D 491/04
C 07 D 487/04

(43) 2026 05 25 №10

(21) AP 2024 16904

(22) 2024 07 05

(31) 63/512,403

(32) 2023 07 07

(33) US

(71) Merck Sharp & Dohme LLC (US)
126 East Lincoln Avenue, Rahway, New Jersey
07065, USA (US)

(72) BRESLIN, Michael J. (US);
 CONVERSO, Antonella (US);
 EL MARROUNI, Abdellatif (US);
 FORSTER, Ashley (US);
 HUNTER, David N. (US);
 SHAW, Anthony W. (US);
 SHIPE, William D. (US);
 ZHANG, Yunlong (US)

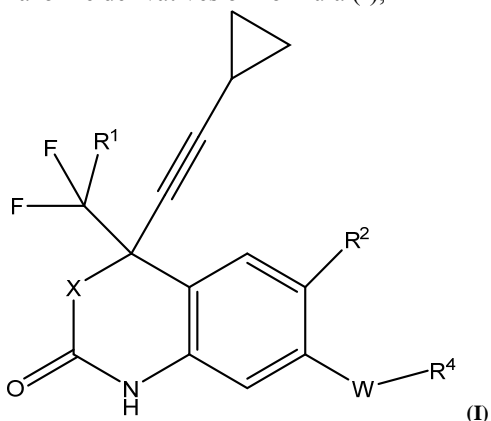
(74) Shalva Gvaramadze

(85) 2026 02 04

(86) PCT/US2024/036848, 2024 07 05

(54) TETRAHYDROQUINAZOLINE DERIVATIVES AS SELECTIVE CYTOTOXIC AGENTS

(57) The present disclosure is directed to tetrahydroquinazoline derivatives of Formula (I),



and their use for selectively killing HIV infected GAG-POL expressing cells without concomitant cytotoxicity to HIV naïve cells, and for the treatment or prophylaxis of infection by HIV, or for the treatment, prophylaxis or delay in the onset or progression of AIDS or AIDS Related Complex (ARC).

(10) AP 2026 16916 A (51) Int. Cl. (2006)
 A 61 K 31/495
 A 61 K 31/155
 A 61 K 31/4402
 A 61 K 31/496
 A 61 P 35/00
 A 61 K 31/15
 C 07 B 59/00
 C 07 C 291/02
 C 07 C 243/18
 C 07 D 487/04
 C 07 D 233/90

(43) 2026 05 25 №10

(21) AP 2024 16916

(22) 2024 08 02

(31) 63/517,715 ; 63/544,054

(32) 2023 08 04; 2023 10 13

(33) US; US

(71) Modifi Biosciences, Inc. (US)

126 East Lincoln Avenue, Rahway, NJ 07065,
 USA (US)

(72) TARANTINO, Kyle Thomas (US)

(74) Shalva Gvaramadze

(85) 2026 02 26

(86) PCT/US2024/040675, 2024 08 02

(54) FLUOROALKOXYALKYLENE-DIHYDRO-IMIDAZO[5,1-D]TETRAZINONE COMPOUNDS AND RELATED COMPOUNDS AND THEIR USE IN TREATING MEDICAL CONDITIONS

(57) The invention provides fluoroalkoxyalkylene dihydroimidazo[5,1-d]tetrazinone compounds and related compounds, pharmaceutical compositions, and their use in treating cancer.

(10) AP 2026 16947 A (51) Int. Cl. (2006)
 A 61 K 31/5025
 A 61 K 31/437
 A 61 K 31/519
 A 61 P 35/00
 C 07 D 471/04
 C 07 D 487/04

(43) 2026 05 25 №10

(21) AP 2020 16947

(22) 2020 10 09

(62) 16803/1 2020 10 09

(31) 62/914,114

(32) 2019 10 11

(33) US

(71) Incyte Corporation (US)

1801 Augustine Cut-Off, Wilmington, DE 19803,
 USA (US)

(72) HUMMEL, Joshua (US);

XU, Meizhong (US);

YE, Min (US);

CHEN, Yingnan (US);

FAVATA, Margaret (US);

LO, Yvonne (US);

YE, Yingda (US);

LI, Zhenwu (US);

QIAN, Ding-Quan (US);

WINTERTON, Sarah (US);

XIAO, Kaijiong (US);

WU, Liangxing (US);

YAO, Wenqing (US)

(74) Tamaz Shilakadze

(85) 2026 04 14

(86) PCT/US2020/055033, 2020 10 09

(54) BICYCLIC AMINES AS CDK2 INHIBITORS

(57) The present application provides bicyclic amines that are inhibitors of cyclin-dependent kinase 2 (CDK2), as well as pharmaceutical compositions thereof, and methods of treating cancer using the same.

PART B**B 65**

- (10) AP 2026 16966 A (51) Int. Cl. (2006)
 B 65 G 1/04
 B 65 G 47/36
 B 66 F 9/06
- (43) 2026 05 25 №10
 (21) AP 2024 16966
 (22) 2024 11 09
 (31) U2300229
 (32) 2023 12 22
 (33) HU
 (71) ZOMBORI, Antal (HU)
 Remete köz 43, 1037 Budapest, Hungary (HU)
 (72) ZOMBORI, Antal (HU)
 (74) Shalva Gvaramadze
 (85) 2026 04 29
 (86) PCT/HU2024/050091, 2024 11 09
 (54) WAREHOUSE LOADING MACHINE
 (57) Warehouse loading machine for moving suspended products in an automated warehouse system, which includes a frame structure consisting of columns (101) and beams (102), a fork loading unit (1) that receives the product, and a stacking unit with hooks (2). The fork loading unit (1) comprises an arm (3) pivoting horizontally around a suspension element (12), a loading fork (4) moving longitudinally on the arm (3) and a coupling member (6) connected to the arm (3). The loading unit (2) comprises a running console (10) on which hooks (9) cooperating with the fork (4) are suspended.

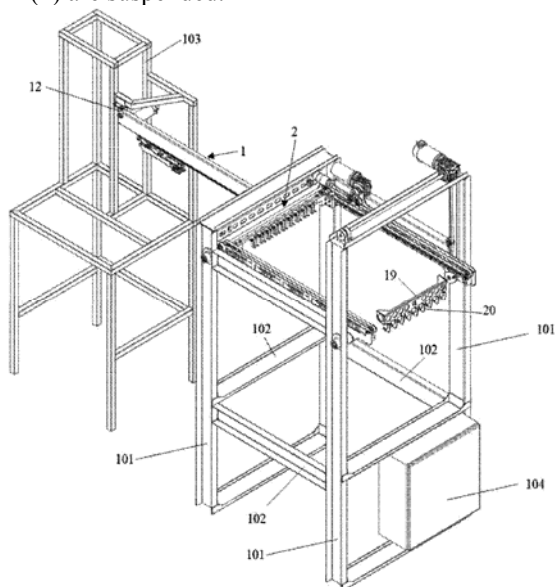


Fig. 1

PART F**F 03**

- (10) AP 2026 16685 A (51) Int. Cl. (2006)
 F 03 B 3/02
 F 03 B 3/12
- (43) 2026 05 25 №10
 (21) AP 2025 16685
 (22) 2025 01 31
 (71) Malkhaz Miruashvili (GE)
 A. Shaverdashvili St. 74, Tbilisi, Georgia (GE);
 Vladimer Miruashvili (GE)
 A. Shaverdashvili St. 74, Tbilisi, Georgia (GE)
 (72) Malkhaz Miruashvili (GE);
 Vladimer Miruashvili (GE)
 (54) HYDROTURBINE IMPELLER
 (57) Proposed invention "hydroturbine impeller" relates to hydroelectric power plants, in particular to hydroturbine impeller.

"Hydroturbine impeller" comprises truncated cone-shape casing, the radius whereof increases in the direction of water flow passing through the impeller. Arranged therein is similarly shaped hub, the radius whereof decreases in the direction of water flow. Attached to the hub are blades having a shape of archimedean spiral, the pitch whereof is decreasing, while the width is increasing.

PATENT***

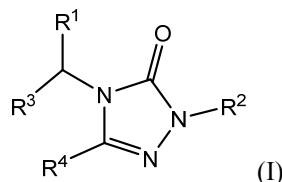
PART A

A 61

- (11) P 2026 7896 B (51) Int. Cl. (2006)
A 61 K 31/4196
A 61 P 25/00
C 07 D 513/04
C 07 D 498/04
C 07 D 487/04
C 07 D 471/04
- (10) AP 2025 16658 A (43) 2025 03 25 №6
(45) 2026 05 25 №10
(21) AP 2023 16658
(22) 2023 05 17
(31) 63/343,591; 63/491,422
(32) 2022 05 19; 2023 03 21
(33) US; US
(85) 2024 12 18
(86) PCT/US2023/022462, 2023 05 17
(73) Merck Sharp & Dohme LLC (US)
126 East Lincoln Avenue, Rahway, New Jersey
07065, USA (US)
- (72) CHEN, Joanna L. (US);
CHEN, Yi-Heng (US);
DiMAURO, Erin F. (US);
LU, Min (US);
METHOT, Joey L. (US);
MUSACCHIO, Andrew J. (US);
PALANI, Anandan (US);
PIO, Barbara (US);
RICO DUQUE, Lorena (US);
SILIPHAIVANH, Phieng (US);
VARA, Brandon A. (US);
FRADERA, Xavier (US)

(74) Shalva Gvaramadze
(54) RIPK1 INHIBITORS AND METHODS
OF USE

(57) Compounds of formula (I),

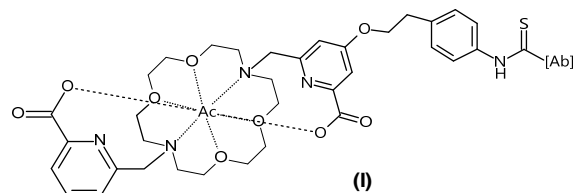


pharmaceutical compositions based thereon, and
their use for the treatment of RIPK1-related diseases.

- (11) P 2026 7897 B (51) Int. Cl. (2006)
A 61 K 45/06
A 61 K 51/10
A 61 K 31/4155
A 61 P 35/00
C 07 K 16/30
- (10) AP 2025 16653 A (43) 2025 03 25 №6
(45) 2026 05 25 №10
(21) AP 2023 16653
(22) 2023 05 13
(31) 23164865.0; 22199703.4; 22173871.9
(32) 2023 03 29; 2022 10 05; 2022 05 17
(33) EP; EP; EP
(85) 2024 12 13
(86) PCT/EP2023/062860, 2023 05 13
HAGEMANN, Urs Beat (DE)

(74) Tamar Kochlamazashvili
(54) RADIOPHARMACEUTICAL COMPLEXES
TARGETING PROSTATE-SPECIFIC
MEMBRANE ANTIGEN AND ITS
COMBINATIONS

(57) The present invention relates to tissue-targeting
compounds. In particular, the present invention rela-
tes to tissue-targeting compounds comprising a mono-
clonal antibody or an antigen-binding fragment
thereof having binding affinity for the prostate-spe-
cific membrane antigen (PSMA). Further, the present
invention relates to combinations, preferably phar-
maceutical combinations comprising a tissue-targe-
ting compound of formula (I),



and a further pharmaceutical agent.

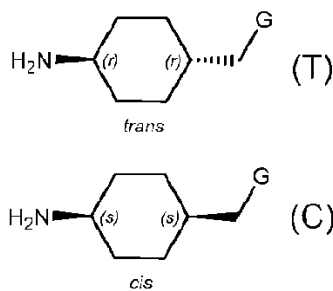
PART C

C 07

- (11) P 2026 7895 B (51) Int. Cl. (2006)
C 07 C 219/24
C 07 C 223/04
C 07 C 227/34
C 07 C 229/28
C 12 P 17/02
C 12 P 41/00
C 12 P 13/00

- (10) AP 2024 16498 A (43) 2024 07 10 №13
 (45) 2026 05 25 №10
 (21) AP 2022 16498
 (22) 2022 09 14
 (31) P2200363; P2100325
 (32) 2022 09 13; 2021 09 15
 (33) HU; HU
 (85) 2024 04 12
 (86) PCT/IB2022/058641, 2022 09 14
 (73) Gedeon Richter Nyrt. (HU)
 Gyömrői út 19-21, H-1103, Budapest,
 Hungary (HU);
 Budapest University of Technology and
 Economics (HU)
 Műegyetem rkp. 3, 1111, Budapest,
 Hungary (HU)
 (72) FARKAS, Emese (HU);
 POPPE, László (HU);
 HORNYÁNSZKY, Gábor (HU);
 INCZE, Dániel János (HU);
 ÉLES, János (HU);
 SÁNTA-BELL, Evelin (HU);
 MOLNÁR, Zsófia Klára (HU);
 SZEMES, József (HU);
 SCHNEIDER, Anna (HU);
 CSUKA, Pál (HU)

- (74) Liliana Darakhvelidze
 (54) PROCESS TO PRODUCE (1*r*,4*r*)-4-SUBSTITUTED CYCLOHEXANE-1-AMINES
 (57) A process to produce a (1*r*,4*r*)-4-substituted cyclohexane-1-amine [further referred as trans-4-substituted cyclohexane-1-amine] of formula (T), starting from a diastereomeric mixture of 4-substituted cyclohexane-1-amines (formula C + formula T)



or any salt thereof, wherein the meanings of the substituent G are given in the formula of the invention, by reacting the mixture with a single transaminase biocatalyst comprising an amino acid sequence having at least 37% sequence identity over a region containing at least 100 amino acid residues to the mutant transaminase of *Chromobacterium violaceum* (W60C) (CvSW60C-TA, characterized by SEQ ID №1) or to the transaminase of *Vibrio fluvialis* (VfS-TA, characterized by SEQ ID №2), used as a biocatalyst in whole-cell, soluble or immobilized form in the presence of an amine acceptor.

PART F

F 03

- (11) P 2026 7894 B (51) Int. Cl. (2006)
 F 03 B 3/02
 F 03 B 3/12
 (10) AP 2026 16685 A (43) 2026 05 25 №10
 (45) 2026 05 25 №10
 (21) AP 2025 16685
 (22) 2025 01 31
 (73) Malkhaz Miruashvili (GE)
 A. Shaverdashvili St. 74, Tbilisi, Georgia (GE);
 Vladimer Miruashvili (GE)
 A. Shaverdashvili St. 74, Tbilisi, Georgia (GE)
 (72) Malkhaz Miruashvili (GE);
 Vladimer Miruashvili (GE)
 (54) HYDROTURBINE IMPELLER
 (57) An impeller comprises a hub 1 having a shape of truncated cone, whereon the blades 2 executed with shape of Archimedean spiral are mounted. The radius of hub gradually decreases in the direction of water flow; at the same time, in the same direction, the pitch of Archimedean spiral-shape blades decreases, while their width increases.

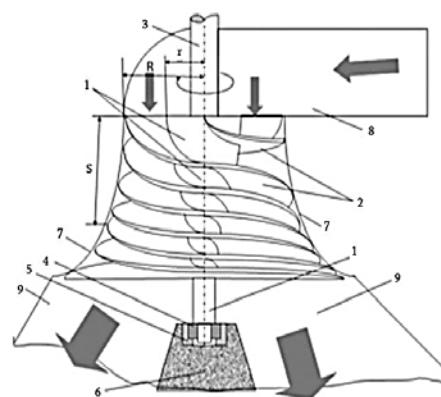


Fig. 1

UTILITY MODEL

APPLICATION***

PART F

F 24

(10) AU 2026 16832 U (51) Int. Cl. (2006)
F 24 F 7/00

(43) 2026 05 25 №10

(21) AU 2025 16832

(22) 2025 08 22

(31) U202406219

(32) 2024 12 26

(33) UA

(71) Limited Liability Company Ventilation

Systems (UA)

1 Mykhaila Kotsiubynskoho St., Kyiv, 01054,

Ukraine (UA)

(72) Oleksandr Klapyshevsky (UA);

Anatoliy Tsomyk (UA)

(74) Tamaz Shilakadze

(54) SUPPLY AND EXHAUST VENTILATION

DEVICE WITH HEAT RECOVERY

(57) Utility model relates to ventilation devices, in particular, to supply and exhaust units capable of heat recuperation and useful for residential buildings, and installation for special purposes.

According to utility model, supply and exhaust unit capable of heat recuperation has been developed, wherein the high level of heat transfer efficiency and air exchange capacity are ensured, comprising outer module with outer supply grille, and outer exhaust grille, the inner module with plate recuperator, inner supply grille and inner exhaust grille, a filter, exhaust duct with inlet chamber, exhaust duct with outlet chamber, supply duct with inlet chamber, supply duct with outlet chamber, and a partition arranged respectively between inlet and outlet chambers of exhaust and supply ducts, and fans configured to form counter air flows, wherein one fan is arranged in inlet chamber of supply duct, while another fan is arranged in outlet chamber of exhaust duct.

In addition, the unit comprises condensate removal system, while inner module consists of a wall and inner wall part, wherein inner wall part comprises a module with fans installed therein.

REGISTERED UTILITY MODEL *****PART F****F 24**

- (11) 2026 2246 Y (51) Int. Cl. (2006)
F 24 F 7/00
(10) AU 2026 16832 U (43) 2026 05 25 №10
(45) 2026 05 25 №10
(21) AU 2025 16832
(22) 2025 08 22
(31) U202406219
(32) 2024 12 26
(33) UA
(73) Limited Liability Company Ventilation
Systems (UA)
1 Mykhaila Kotsiubynskoho St., Kyiv, 01054,
Ukraine (UA)

- (72) Oleksandr Klapyshevsky (UA);
Anatoliy Tsomyk (UA)

(74) Tamaz Shilakadze

- (54) SUPPLY AND EXHAUST VENTILATION
DEVICE WITH HEAT RECOVERY

(57) A device (1) comprises an outer module (4) equipped with an outer supply grille (23) and an outer exhaust grille (24), and an inner module (2) equipped with a plate recuperator (5), an inner supply grille (21) and an inner exhaust grille (22). The device is also equipped with a filter (16), an exhaust duct (6) with an inlet chamber, an exhaust duct (7) with an outlet chamber, a supply duct (8) with an inlet chamber and a supply duct (9) with an outlet chamber, a partition (10) arranged between the inlet and outlet chambers of the exhaust and supply ducts, and fans (3)(11) configured to form counter air flows. In addition, the device comprises a condensate removal system, while the inner module (2) consists of a wall (2A) and an inner wall part (2B), wherein the inner wall part (2B) is arranged in the module (20) with the fans (3)(11) installed therein.

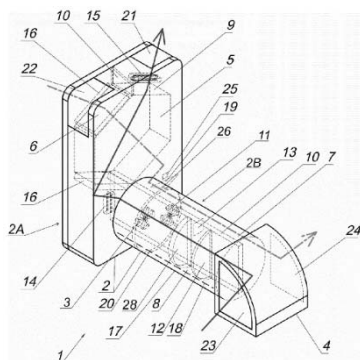


Fig. 1

VALIDATION OF EUROPEAN PATENT
EUROPEAN PATENT APPLICATION FOR WHICH THE VALIDATION
IS REQUESTED IN GEORGIA

(21) AE 2026 333

(82) 2026 05 25

(51) Int. Cl. (2006)

A 61 K 31/731

A 61 K 9/00

A 61 P 27/04

A 61 P 27/06

A 61 P 27/14

(71) Unither Pharmaceuticals (FR)

151, Rue André Durouchez Espace Industriel Nord - CS 28028, 80084 Amiens, France (FR)

(72) KOLLER, Christiane (AT);

Russo, Antonella (AT);

MOROKUTTI-KURZ, Martina (AT);

Roch-Nakowitsch, Sabine (AT);

PRIESCHL-GRASSAUER, Eva (AT)

(54) COMPOSITION COMPRISING IOTA-CARRAGEENAN FOR THE TREATMENT OF DRY EYES,
NON-VIRAL CONJUNCTIVITIS AND ALLERGIC OCULAR CONDITIONS

(210) 24167732.7

(220) 2024 03 28

(100) EP 4623919 A1

(430) 2025 10 01

(21) AE 2026 334

(82) 2026 05 25

(51) Int. Cl. (2006)

A 61 P 31/12

A 61 P 33/00

A 61 P 35/00

A 61 P 37/00

C 07 D 261/00

C 07 D 285/00

C 07 D 263/34

C 07 D 275/00

C 07 D 277/587

(30) EP 23182205 06.28.2023

(86) EP2024068250, 2024 06 28

(71) Immunic AG (DE)

Lochhamer Schlag 21, 82166 Gräfelfing, Germany (DE)

(72) VITT, Daniel (DE);

MÜHLER, Andreas (DE);

KOHLHOF, Hella (DE);

GEGE, Christian (DE)

(54) HETEROAROMATIC DHODH INHIBITORS

(210) 24735277.6

(220) 2024 06 28

(100) EP 4735426 A1

(430) 2026 05 06

(21) AE 2026 335
(82) 2026 05 25 (51) Int. Cl. (2006)
B 25 B 17/00
B 25 B 17/02
B 25 B 21/00
(30) GB 202310016 06.30.2023
(86) EP2024067086, 2024 06 19
(71) Laing O'Rourke Plc (GB)
Bridge Place 1 Anchor Boulevard, Admirals Park Crossways, Dartford Kent DA2 6SN, United Kingdom (GB)
(72) CALLEAR, Jason (GB);
DIAZ DE RADA LORENTE, Carlos (ES)
(54) POWERED TOOL FOR TIGHTENING THREADED CONNECTIONS
(210) 24736671.9
(220) 2024 06 19
(100) EP 4735206 A1
(430) 2026 05 06

(21) AE 2026 336
(82) 2026 05 25 (51) Int. Cl. (2006)
A 61 P 35/00
C 07 K 16/28
C 07 K 16/40
(30) EP 23182845 06.30.2023
(86) EP2024068031, 2024 06 26
(71) Genmab A/S (DK)
Carl Jacobsens Vej 30, 2500 Valby, Danmark (DK)
(72) OVERDIJK, Marije (NL);
KRANENBURG, Onno Wouter (NL);
LAOUKILI, Jamila (NL);
SATIJN, David (NL);
PLANTINGA, Theodorus Sjouke (NL);
PAAUWE, Madelon (NL);
ANDRINGA, Grietje (NL);
JONGERIUS, Ilse (NL);
DE GOEIJ, Bart, E,C,G, (NL)
(54) ANTIBODIES BINDING TO FIBROBLAST ACTIVATION PROTEIN ALPHA AND DEATH RECEPTOR 4
(210) 24737436.6
(220) 2024-06-26
(100) EP 4735115 A1
(430) 2026-05-06

(21) AE 2026 337
(82) 2026 05 25 (51) Int. Cl. (2006)
A 61 K 9/107
A 61 K 9/51
A 61 K 31/352
A 61 K 36/185
A 61 K 47/24
A 61 K 47/26
A 61 K 47/40
(30) NL 2035231 06.30.2023
(86) NL2024050344, 2024 06 28
(71) BIOGNTX R&D B.V. (NL)
Oosteinderweg 127, 1432 AH Aalsmeer, Netherlands (NL)

(72) BEINTEMA, Rients Pieter (NL);
 JOUBERT, George Peter (NL)
 (54) NEW METHOD OF PRODUCING AN AQUEOUS MESOPARTICLE COMPOSITION COMPRISING
 A LIPOPHILIC COMPOUND
 (210) 24740604.4
 (220) 2024 06 28
 (100) EP 4734961 A1
 (430) 2026 05 06

(21) AE 2026 338
 (82) 2026 05 25 (51) Int. Cl. (2006)
 A 61 K 31/675
 A 61 P 3/04
 A 61 P 3/10
 C 07 F 9/6561
 (30) WO PCT/CN2023/105088 06.30.2023
 (86) US2024036066, 2024 06 28
 (71) Gasherbrum Bio Inc. (US)
 601 Gateway Blvd., Suite 900, South San Francisco, CA 94080, USA (US)
 (72) ZHANG, Jinqiang (US);
 LU, Chunliang (US);
 LIU, Cuiping (US);
 LEI, Hui (US);
 JIANG, Xinglong (US)
 (54) HETEROCYCLIC GLP-1 AGONISTS
 (210) 24742808.9
 (220) 2024 06 28
 (100) EP 4735456 A1
 (430) 2026 05 06

(21) AE 2026 339
 (82) 2026 05 25 (51) Int. Cl. (2006)
 A 01 N 25/00
 A 01 N 43/56
 A 01 P 7/04
 (30) US 202363523509 P 06.27.2023
 (86) US2024035604, 2024 06 26
 (71) FMC IP Technology GmbH (CH)
 Industrieplatz 1c, 8212 Neuhausen am Rheinflall, Switzerland (CH);
 FMC Corporation (US)
 2929 Walnut Street, Philadelphia, Pennsylvania 19104, USA (US)
 (72) TEIXEIRA, Luis (US);
 KENNEDY, Robert (US);
 GUTSCHE, Oliver Walter (US);
 GRAVOUIL, Magali (US);
 ANNAN, Isaac Billy (US);
 WANG, Guozhi (US)
 (54) BAIT COMPOSITIONS
 (210) 24743592.8
 (220) 2024 06 26
 (100) EP 4734762 A1
 (430) 2026 05 06

(21) AE 2026 340
 (82) 2026 05 25 (51) Int. Cl. (2006)
 A 61 K 31/439
 A 61 P 25/00
 A 61 P 25/28
 A 61 P 35/00
 C 07 D 451/14
 (30) US 202363511248 P 06.30.2023
 (86) US2024036007, 2024 06 28
 (71) Skyhawk Therapeutics Inc. (US)
 180 3rd Avenue, Fifth Floor, Waltham, Massachusetts 02451, USA (US)
 (72) LUCAS, Brian (US);
 LUZZIO, Michael (US)
 (54) 6-(6-(((1 R,2R,3S,5S)-2-FLUORO-9-AZABICYCLO[3.3.1]NONAN-3-YL)(METHYL)AMINO)PYRIDAZIN-3-YL)-2-METHYLBENZO[D]OXAZOL-5-OL AS A SPLICING MODULATOR FOR THE TREATMENT OF NEUROLOGICAL DISEASES
 (210) 24746108.0
 (220) 2024 06 28
 (100) EP 4735436 A1
 (430) 2026 05 06

(21) AE 2026 341
 (82) 2026 05 25 (51) Int. Cl. (2006)
 C 07 C 1/00
 C 07 D 471/04
 C 07 D 235/24
 C 07 D 401/04
 C 07 D 403/04
 C 07 D 209/44
 C 07 D 263/58
 C 07 D 277/82
 C 07 D 333/68
 C 07 D 403/06
 C 07 D 403/12
 C 07 D 405/12
 C 07 D 417/04
 C 07 D 209/42
 C 07 D 487/04
 (30) EP 23306098 06.30.2023
 (86) US2024035944, 2024 06 28
 (71) Sanofi (FR)
 46 avenue de la Grande Armée, 75017 Paris, France (FR)
 (72) CZEKAJ, Mark (US);
 DAVIS, Heather (US);
 HIRTH, Bradford H. (US);
 TERRANOVA, Kristen (US);
 BECKER, Christopher J. (US);
 MERRIMAN, Gregory Harold (US);
 MANSS, Annette (US);
 DEBENEDETTO, Mikkel (US);
 MUELLER, Paul Justin (US);
 RUF, Sven (US);
 WEI, Linli (US);
 SHUM, Patrick Wai-Kwok (US);
 KANE, JR., John L. (US)
 (54) SUBSTITUTED CYCLIC COMPOUNDS AND METHODS OF TREATING PHENYLKETONURIA AND OTHER AMINO ACIDURIAS
 (210) 24748167.4

(220) 2024 06 28
 (100) EP 4735422 A1
 (430) 2026 05 06

(21) AE 2026 342
 (82) 2026 05 25 (51) Int. Cl. (2006)
 B 01 J 19/10
 F 03 B 13/14
 F 24 D 17/00
 F 24 D 15/00
 F 24 H 1/00
 F 24 H 1/20
 F 24 V 99/00
 F 24 V 40/10

(30) RO 202300421 08.02.2023
 (86) IB2024057267, 2024 07 26
 (71) Sonic Technology Srl (RO)
 Alexandru Vitzu 23, ground floor, Apartment 1, 050671 Bucharest, Romania (RO)
 (72) GIURGESCU, Alin-Eugen (RO);
 OPRITESCU, Constantin (RO)
 (54) HEATING SYSTEM FOR THE GENERATION OF DOMESTIC HOT WATER AND HEAT
 TRANSFER FLUID
 (210) 24772020.4
 (220) 2024 07 26
 (100) EP 4735806 A1
 (430) 2026 05 06

(21) AE 2026 343
 (82) 2026 05 25 (51) Int. Cl. (2006)
 B 01 F 25/40
 B 01 J 19/00
 C 01 C 1/18

(30) EP 23196194 09.08.2023
 (86) NL2024050491, 2024 09 09
 (71) Stamicarbon B.V. (NL)
 Mercator 3, 6135 KW Sittard, Netherlands (NL)
 (72) TSOPOZIDIS, Michail (NL);
 WASSIE, Solomon Assefa (NL);
 GEVERS, Lambertus Wilhelmus (NL);
 PATIL, Rahul (NL)
 (54) AMMONIUM NITRATE REACTOR WITH STATIC MIXER
 (210) 24773187.0
 (220) 2024 09 09
 (100) EP 4735387 A1
 (430) 2026 05 06

(21) AE 2026 344
 (82) 2026 05 25 (51) Int. Cl. (2006)
 F 25 B 25/00
 F 28 C 1/14
 (30) CN 202310782009 06.28.2023
 (86) CN2024092811, 2024 05 13
 (71) Shenzhen Envicool Technology Co., Ltd (CN)
 Floor 1-3, Plant 9 Hongxin Industrial Park №1303 Guanguang Road Guanlan Street Longhua District,
 Shenzhen, Guangdong 518000, People's Republic of China (CN)
 (72) WU, Ye (CN);

- (71) Haisco Pharmaceuticals Pte. Ltd. (SG)
 10 Anson Road 13-09 International Plaza, Singapore 079903, Singapore (SG)
- (72) DOU, Ying (CN);
 ZHU, Fengfei (CN);
 FAN, Jiang (CN)
- (54) DPP1 INHIBITOR INTERMEDIATE, AND PREPARATION METHOD THEREFOR AND USE
 THEREOF IN MEDICINES
- (210) 24830734.0
 (220) 2024 06 25
 (100) EP 4737437 A1
 (430) 2026 05 06
-

- (21) AE 2026 348
 (82) 2026 05 25 (51) Int. Cl. (2006)
 A 61 K 31/437
 A 61 P 29/00
 C 07 D 471/04
- (30) ES 202330530 06.27.2023
 (86) ES2024070403, 2024 06 26
- (71) IMHOTECH LABORATORIES, S.L. (ES)
 Cl Fuente Marcela 27 3A, 28221 Majadahonda Madrid, Spain (ES);
 Centro Nacional de Investigaciones Cardiovasculares Carlos III (F.S.P.) (ES)
 C/ Melchor Fernández Almagro, 3, 28029 Madrid, Spain (ES);
 Universidad Complutense de Madrid (UCM) (ES)
 Avenida de Séneca 2, 28040 Madrid, Spain (ES);
 Consejo Superior de Investigaciones Científicas (CSIC) (ES)
 C/ Serrano 117, 28006 Madrid, Spain (ES);
 Universitat de València (ES)
 Av Blasco Ibáñez nº 13, 46010 Valencia, Spain (ES)
- (72) GARCÍA CSÁKY, Aurelio (ES);
 SÁNCHEZ SANCHO, Francisco Antonio (ES);
 SÁNCHEZ LÓPEZ, Christian Miquel (ES);
 DEL POZO LOSADA, Carlos (ES);
 MARCILLA DÍAZ, Antonio (ES);
 DEL POZO LOSADA, Jesús (ES);
 CUMELLA MONTÁNCHÉZ, José María (ES);
 ROSCALES GARCÍA, Silvia (ES);
 BAQUERO GÁLVEZ, María Gracia (ES);
 IBÁÑEZ CABEZA, Borja (ES);
 OLIVER PÉREZ, Eduardo (ES)
- (54) DERIVATIVES OF IMIDAZO[1,2-A]PYRIDINE WITH ANTI-INFLAMMATORY ACTIVITY
- (210) 24831118.5
 (220) 2024 06 26
 (100) EP 4737456 A1
 (430) 2026 05 06
-

- (21) AE 2026 349
 (82) 2026 05 25 (51) Int. Cl. (2006)
 A 61 K 31/519
 A 61 K 33/243
 A 61 P 35/00
- (30) US 202463650590 P 05.22.2024; US 202363523572 P 06.27.2023; US 202363523518 P 06.27.2023
 (86) US2024035743, 2024 06 27
- (71) Taiho Pharmaceutical Co., Ltd. (JP)
 1-27, Kandanshiki-cho, Chiyoda-ku, Tokyo 101-8444, Japan (JP)
- (72) AOYAGI, Yoshimi (JP);
-

HAYASHI, Kohei (JP);
 WACHECK, Volker (US);
 JONES, Jeffery (US)

(54) TREATMENT METHODS FOR SUBJECTS WITH NON-SMALL CELL LUNG CANCER HAVING AN ABERRATION IN EGFR

(210) 24832899.9
 (220) 2024 06 27
 (100) EP 4735002 A1
 (430) 2026 05 06

(21) AE 2026 350

(82) 2026 05 25

(51) Int. Cl. (2006)
 A 61 K 39/395
 A 61 K 31/7125
 A 61 K 31/713
 A 61 K 47/68
 A 61 K 31/712
 A 61 P 9/00
 C 07 K 19/00
 C 12 N 15/113

(30) US 202363511450 P 06.30.2023

(86) US2024036259, 2024 06 28

(71) Atrium Therapeutics Inc. (US)

10578 Science Center Drive, Suite 125, San Diego, CA 92121, USA (US)

(72) JORDAN, Maryam (US);

NALLAGATLA, Subbarao (US);

ABDULKADIR, Sami Abdulwahab (US);

KARAMANLIDIS, Georgios (US);

HURTADO, Cecilia (US)

(54) COMPOSITIONS AND METHODS OF USING PLN-TARGETING ANTIBODY-OLIGONUCLEOTIDE CONJUGATES

(210) 24833103.5
 (220) 2024-06-28
 (100) EP 4735051 A1
 (430) 2026-05-06

(21) AE 2026 351

(82) 2026 05 25

(51) Int. Cl. (2006)
 F 16 K 17/19

(30) DE 102024109565 04.05.2024

(71) Flammer GmbH (DE)

Daimlerstr. 3, 74389 Cleeborn, Germany (DE)

(72) Köhler, Ralph (DE)

(54) PRESSURE-DEPENDENT VALVE ASSEMBLY

(210) 25165146.9
 (220) 2025 03 20
 (100) EP 4628767 A1
 (430) 2025 10 08

(21) AE 2026 352

(82) 2026 05 25

(51) Int. Cl. (2006)
 A 61 K 31/713
 A 61 K 47/68
 A 61 P 9/00
 C 07 K 16/28
 C 12 N 15/113

(30) US 202363510531 P 06.27.2023
 (86) US2024035667, 2024 06 26
 (71) Atrium Therapeutics Inc. (US)
 10578 Science Center Drive, Suite 125, San Diego, CA 92121, USA (US)
 (72) JORDAN, Maryam (US);
 NALLAGATLA, Subbarao (US);
 ABDULKADIR, Sami Abdulwahab (US);
 KARAMANLIDIS, Georgios (US);
 MISSINATO, Maria Azzurra (US)
 (54) COMPOSITIONS AND METHODS OF USING PRKAG2-TARGETING ANTIBODY-
 OLIGONUCLEOTIDE CONJUGATES ABSTRACT
 (210) 24832878.3
 (220) 2024 06 26
 (100) EP 4735602 A2
 (430) 2026 05 06

(21) AE 2026 355
 (82) 2026 05 25 (51) Int. Cl. (2006)
 A 61 K 31/538
 A 61 P 27/16

(30) EP 23306122 07.03.2023
 (86) EP2024068658, 2024 07 03
 (71) Cochlear Limited (AU)
 1 University Avenue, Macquarie University, New South Wales 2109, Australia (AU);
 Sensorion (FR)
 375 rue du Professeur Joseph Blayac, 34080 Montpellier, France (FR)
 (72) GOLDMAN, Denise Rachael (AU);
 DUECK, Wolfram Frederick (AU);
 SMYTH, Daniel (AU);
 PLANT, Kerrie (AU);
 GAY, Robert Daniel (AU);
 DELGADO BETANCOURT, Viviana (FR);
 LEMOINE, Margaux (FR);
 HONNET, Géraldine (FR)
 (54) AZASETRON FOR THE PRESERVATION OF RESIDUAL HEARING FOLLOWING COCHLEAR
 IMPLANTATION
 (210) 24739483.6
 (220) 2024 07 03
 (100) EP 4739318 A1
 (430) 2026 05 13

(21) AE 2026 356
 (82) 2026 05 25 (51) Int. Cl. (2006)
 A 01 N 63/22
 A 01 P 21/00
 C 12 N 1/20

(30) BE 202305565 07.06.2023
 (86) EP2024069228, 2024 07 08
 (71) Agricells (BE)
 Rue de la Science 8, 6900 Aye (Marche-en-Famenne), Belgium (BE)
 (72) VANDAMME, Vincent (BE);
 LECLERCQ, Maxime (BE)
 (54) BIOSTIMULANT MICROORGANISM
 (210) 24742234.8
 (220) 2024 07 08

(100) EP 4739115 A1
 (430) 2026 05 13

(21) AE 2026 357
 (82) 2026 05 25 (51) Int. Cl. (2006)
 C 07 D 213/73
 C 07 D 513/04
 C 07 D 513/14

(30) US 202363525079 P 07.05.2023
 (86) US2024036849, 2024 07 05
 (71) Agios Pharmaceuticals Inc. (US)
 88 Sidney Street, Cambridge, MA 02139, USA (US)
 (72) VALAMALE, Ashalatha Badiadka (CA);
 PATEL, Jignesh Surendrabhai (CA);
 LE ROUX, Antoine (CA);
 LACHANCE, Nicolas (CA);
 CRANE, Sheldon (CA);
 LEUNG, Chun Yuen (US);
 FANDRICK, Daniel, R. (US)
 (54) SYNTHESIS OF PYRUVATE KINASE ACTIVATORS
 (210) 24743639.7
 (220) 2024 07 05
 (100) EP 4739658 A1
 (430) 2026 05 13

(21) AE 2026 358
 (82) 2026 05 25 (51) Int. Cl. (2006)
 A 61 P 35/00
 C 07 K 16/28

(30) US 202363613540 P 12.21.2023; US 202363525652 P 07.07.2023
 (86) US2024036933, 2024 07 05
 (71) Regeneron Pharmaceuticals Inc. (US)
 777 Old Saw Mill River Road, Tarrytown, NY 10591, USA (US)
 (72) GRAHAM, Kenneth S. (US);
 KAMEN, Douglas (US);
 WADHWA, Saurabh (US)
 (54) STABILIZED FORMULATIONS CONTAINING ANTI-BCMA X ANTI-CD3 BISPECIFIC ANTIBODIES
 (210) 24746146.0
 (220) 2024 07 05
 (100) EP 4739710 A1
 (430) 2026 05 13

(21) AE 2026 359
 (82) 2026 05 25 (51) Int. Cl. (2006)
 A 61 K 31/55
 A 61 K 31/506
 A 61 K 31/551
 A 61 K 31/553
 A 61 K 31/519
 A 61 K 31/5365
 A 61 K 31/5517
 A 61 K 31/5386
 A 61 P 35/00
 C 07 D 471/04
 C 07 D 471/08
 C 07 D 471/10

C 07 D 471/18
 C 07 D 487/04
 C 07 D 498/04
 C 07 D 498/18
 (30) IN 202341045361 07.06.2023
 (86) US2024036492, 2024 07 02
 (71) Exelixis Inc. (US)
 1851 Harbor Bay Parkway, Alameda, CA 94502, USA (US)
 (72) AELURI, Madhu (IN);
 SAMAJDAR, Susanta (IN);
 ABBINENI, Chandrasekhar (IN);
 SIMONOVICH, Scott (US)
 (54) FUSED PYRAZOLE DERIVATIVES AS USP1 INHIBITORS
 (210) 24748732.5
 (220) 2024 07 02
 (100) EP 4739397 A1
 (430) 2026 05 13

(21) AE 2026 360
 (82) 2026 05 25 (51) Int. Cl. (2006)
 A 61 K 31/423
 A 61 P 1/00
 A 61 P 13/10
 A 61 P 19/00
 A 61 P 19/08
 A 61 P 19/10
 A 61 P 25/02
 A 61 P 19/02
 C 07 D 413/14
 (30) US 202363512404 P 07.07.2023
 (86) US2024036924, 2024 07 05
 (71) Actio Biosciences Inc. (US)
 11202 El Camino Real, Suite 100, San Diego, CA 92130, USA (US)
 (72) LINK, John Otto (US);
 KATANA, Ashley (US)
 (54) SOLID FORMS OF TRPV4 ANTAGONISTS
 (210) 24754793.8
 (220) 2024 07 05
 (100) EP 4739680 A1
 (430) 2026 05 13

(21) AE 2026 361
 (82) 2026 05 25 (51) Int. Cl. (2006)
 B 01 J 23/06
 C 07 C 11/06
 C 07 C 1/04
 C 07 C 11/04
 (30) US 202318445319 07.07.2023
 (86) US2024000019, 2024 06 27
 (71) Greyrock Technology LLC (US)
 2020 L Street, Suite 120, Sacramento, CA 95811-4260, USA (US)
 (72) SCHUETZLE, Dennis (US);
 SCHUETZLE, Robert (US)
 (54) PROCESS AND CATALYSTS FOR THE PRODUCTION OF ETHYLENE AND PROPYLENE FROM
 LOW-CARBON SYNGAS
 (210) 24840207.5
 (220) 2024 06 27

(100) EP 4739646 A1
(430) 2026 05 13

(21) AE 2026 362
(82) 2026 05 25

(51) Int. Cl. (2006)
A 61 K 31/4995
A 61 K 31/4025
A 61 K 31/404
A 61 P 35/00
C 07 D 487/14
C 07 D 487/18
C 07 D 403/12

(30) US 202363524781 P 07.03.2023

(86) US2024036607, 2024 07 02

(71) Blossomhill Therapeutics Inc. (US)

10255 Science Center Drive, Suite 200, San Diego, CA 92121, USA (US)

(72) ZHAI, Dayong (US);

ROGERS, Evan, W. (US);

RUI, Eugene Yuanjin (US);

CUI, Jingrong Jean (US)

(54) MACROCYCLIC COMPOUNDS AND USE AS TYK2 INHIBITORS

(210) 24836552.0

(220) 2024 07 02

(100) EP 4739694 A2

(430) 2026 05 13

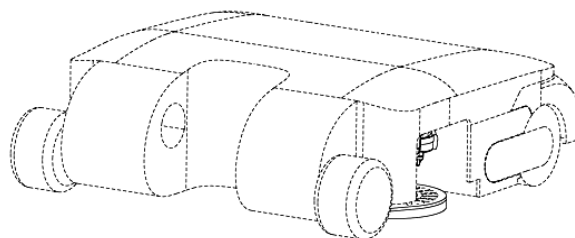
DESIGN REGISTERED DESIGN

- (11) D 2026 1118 S (51) 09-07
(10) AD 2026 1466 S (44) 2026 02 10 №3
(21) AD 2025 1466
(22) 2025 08 19
(24) 2025 08 19
(28) 2
(18) 2030 08 19
(31) 6461175; 6461174
(32) 2025 07 30; 2025 07 30
(33) GB; GB
(73) Diageo Brands B.V. (NL)
 Molenwerf 12, Amsterdam, 1014 BG, Netherlands (NL)
(72) Pierre Delebois (US)
(74) Tamaz Shilakadze (GE)
(54) BOTTLE CAP
-

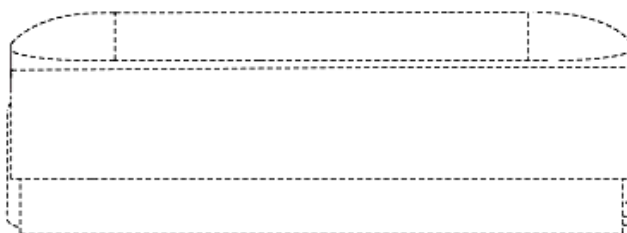
**DESIGN, WHICH HAS BEEN REGISTERED WITH THE INTERNATIONAL
BUREAU CLAIMING PRIORITY ON THE TERRITORY OF GEORGIA**

The decision can be appealed at the Chamber of Appeal of Sakpatenti within 3 months from the publication or at the Mtskheta District Court Administrative Cases Board (Address: №17, Samkhedro St., Mtskheta), within 1 month following the publication.

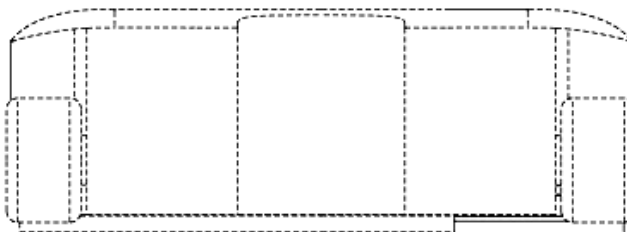
- (11) DM/254 295 (51) 04-03
 (15) 2025 12 19 (44) 08/2026 (2026 02 20)
 (22) 2025 12 19
 (28) 2
 (73) Dreame Innovation Technology (Suzhou) Co., LTD.
 E3, Building 16, №2288, Wuzhong Avenue, Yuexi, Wuzhong District, 215104 Suzhou, Jiangsu (CN)
 (85) CN
 (86) CN
 (87) CN
 (88) CN
 (89) CN
 (81) III. AM, AZ, BG, BX, BY, CA, CH, DE, DK, ES, FI, FR, GB, GE, GR, HR, HU, IL, IT, JP, KR, LI, LT, LV, MC, MD, MN, NO, OM, PL, RS, SG, SI, SM, TR, UA
 (72) Chao YUE
 E3, Building 16, №2288, Wuzhong Avenue, Yuexi, Wuzhong District , 215104, Suzhou, Jiangsu (CN)
 (74) Beijing Bright Ip Agency Co., LTD.
 Room 1202, Unit 3, Floor 12, Building 3, Yard 42, Qibei Road, Changping District, 102200 Beijing (CN)
 (54) 1 . BRUSH FOR CLEANING ROBOT, 2. BRUSH FOR CLEANING ROBOT
 (55)



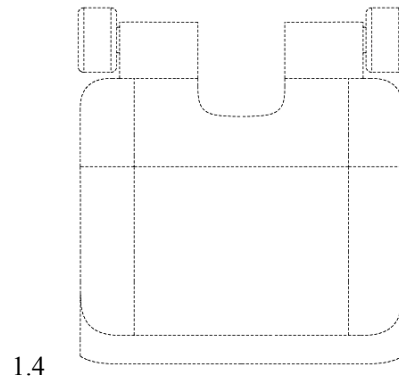
1.1



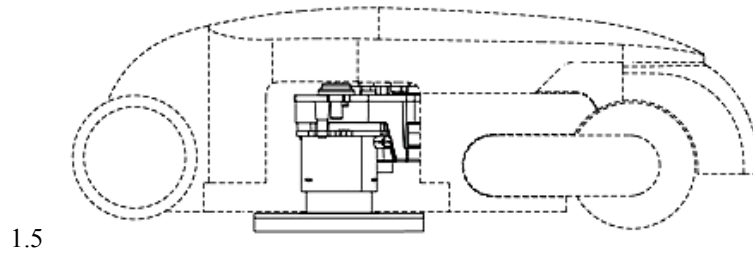
1.2



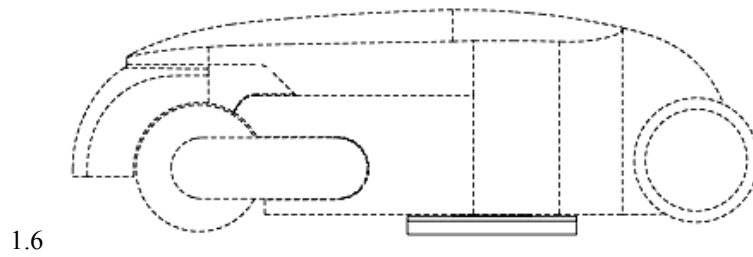
1.3



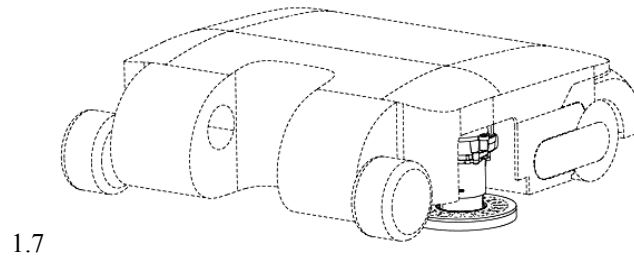
1.4



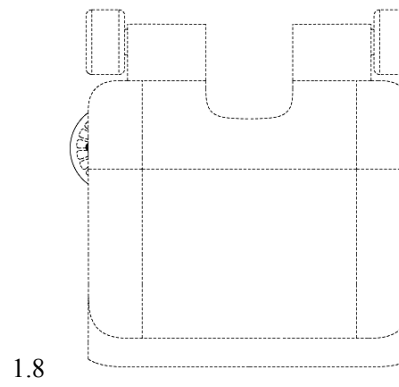
1.5



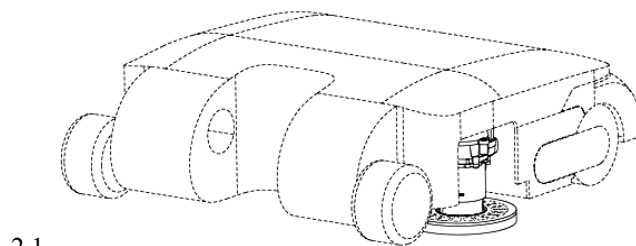
1.6



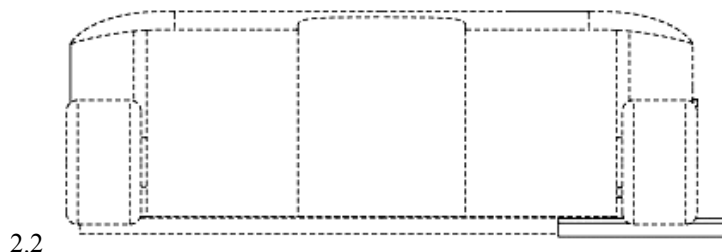
1.7



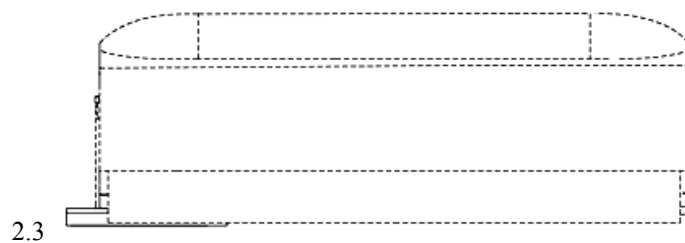
1.8



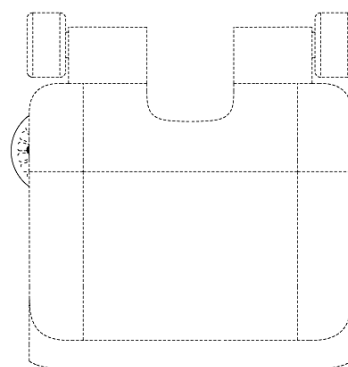
2.1



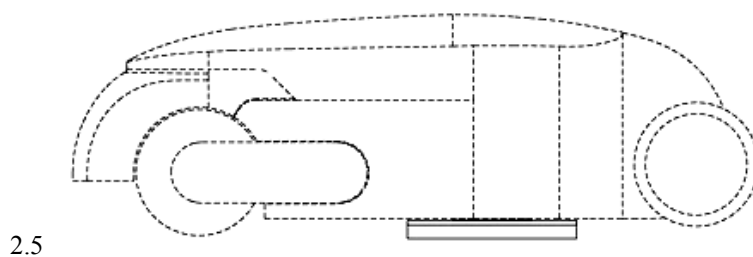
2.2



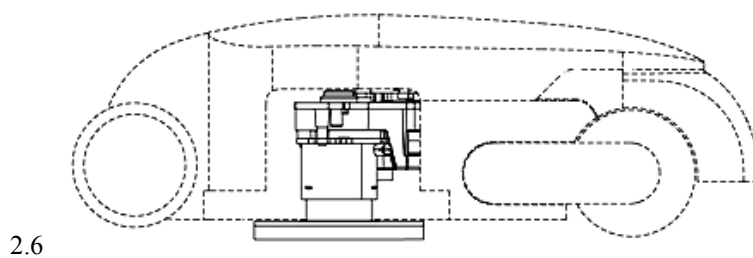
2.3



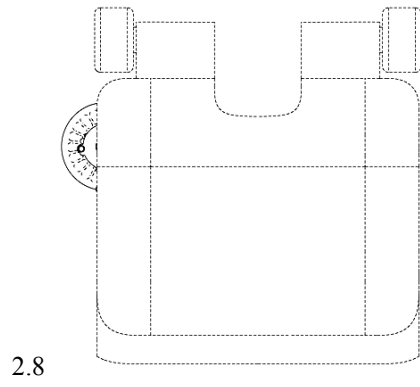
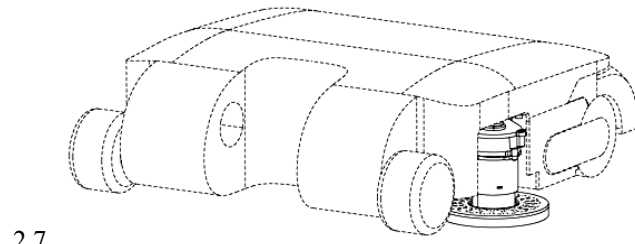
2.4



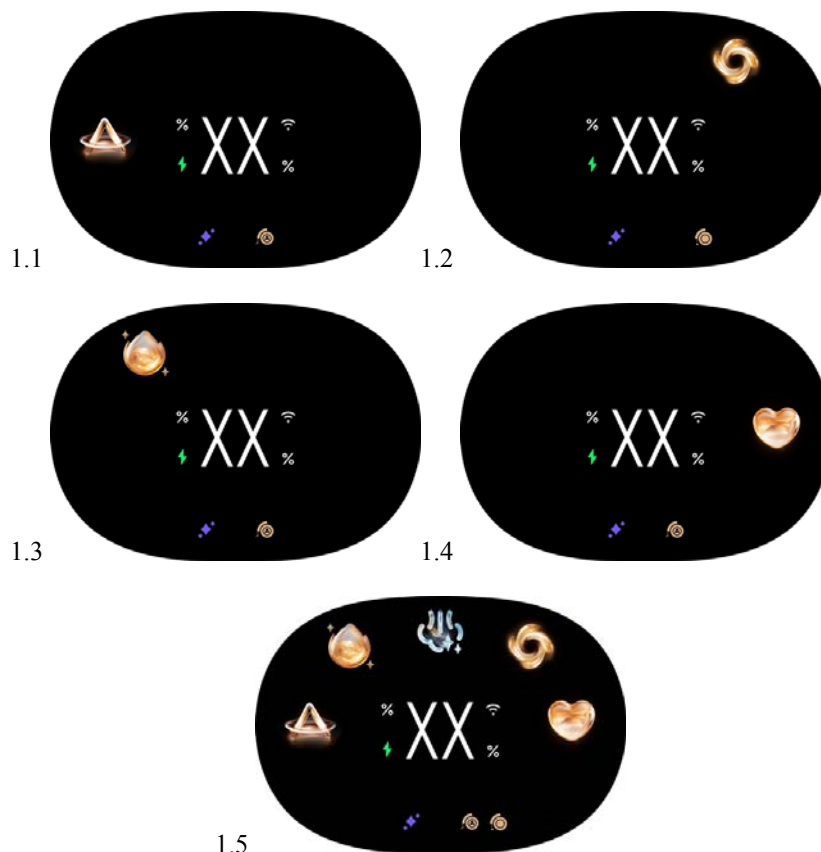
2.5



2.6



- (11) DM/254 228 (51) 14-04
- (15) 2025 12 24 (44) 08/2026 (2026 02 20)
- (22) 2025 12 24
- (28) 1
- (30) №1: 23.10.2023; 2025306237448; CN
- (73) Dreame Intelligent Cleaning Future (Suzhou) Technology Co., Ltd.
2nd Floor, Building 6, No. 2288 Wuzhong Avenue, Wuzhong Economic Development Zone, 215100 Suzhou, Jiangsu Province (CN)
- (85) CN
- (86) CN
- (87) CN
- (88) –
- (89) CN
- (81) III. AM, AZ, BG, BR, BX, BY, CA, CH, DE, DK, EE, ES, FI, FR, GB, GE, GR, HR, HU, IL, IT, JP, KG, KR, LI, LT, LV, MC, MD, MN, MX, NO, OM, PL, RS, RU, SA, SG, SI, SM, TJ, TR, UA, US, UZ, VN
- (72) Wei CAO
2nd Floor, Building 6, No. 2288 Wuzhong Avenue, Wuzhong Economic Development Zone, 215100, Suzhou, Jiangsu Province (CN)
- (74) Leader Patent & Trademark Firm
8F-6, Bldg. A, Winland International Center, No. 32 Xizhimen North Street, Haidian District, 100082 Beijing (CN)
- (54) 1. TRANSITIONAL GRAPHICAL USER INTERFACE FOR DISPLAYING FUNCTIONAL MODES
- (55)



- (11) DM/254 492 (51) 14-02
 (15) 2026 02 12 (44) 09/2026 (2026 02 27)
 (22) 2026 02 12
 (28) 1
 (73) Limited Liability Company "UNITODI"
 Int. Ter. G. Municipal District Prospect Vernadskogo, Leninskiy Prospect, 114, Office 515, 119415,
 Moscow (RU)
 (85) –
 (86) –
 (87) –
 (88) RU
 (89) RU
 (81) III. AM, AZ, BY, CN, GE, KG, MD, RU, TJ, UZ
 (72) Igor Vladimirovich Krasnov
 Komendantskiy Prospect 58 Build. 1 Str. 1, Ap. 189, 197373, Saint-Petersburg (RU);
 Viktoria Sergeyevna Nikolayeva
 Nagatinskaya 24, Ap. 14, 115487, Moscow (RU)
 (74) Patent Agency "Ermakova, Stoliarova & Partners"
 Shmitovskiy Proezd, D.2, Str.2, 123100 Moscow (RU)
 (54) 1. POINT-OF-SALE [POS] TERMINAL
 (55)



1.1



1.2



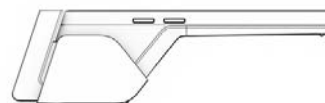
1.3



1.4



1.5

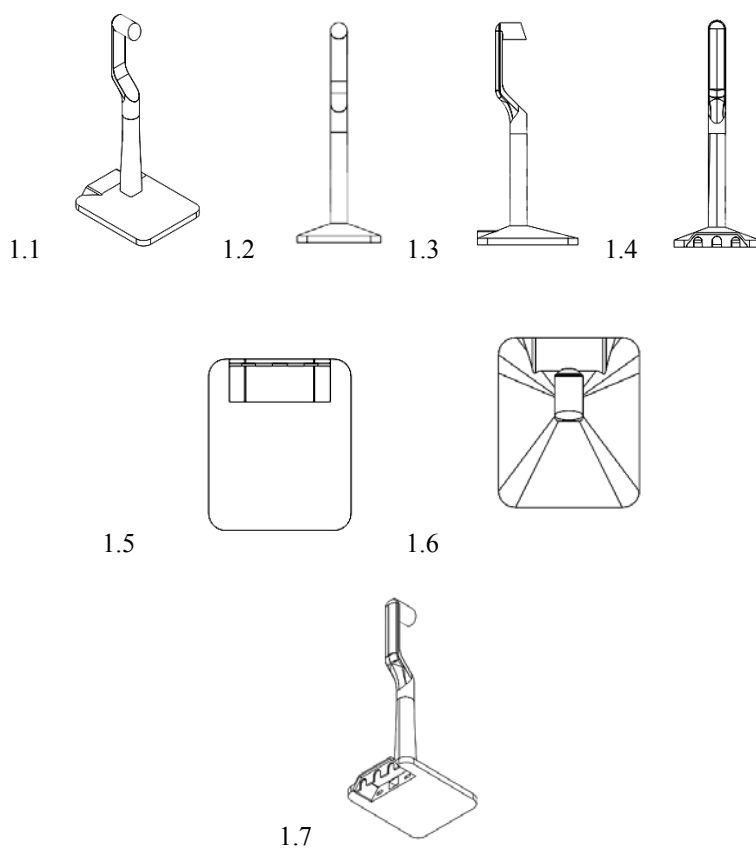


1.6

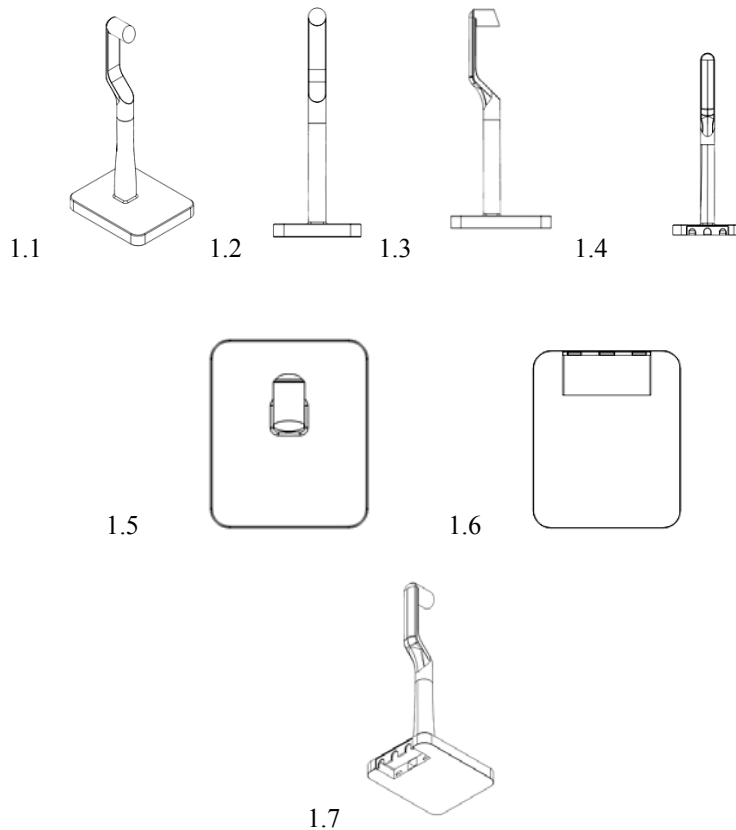


1.7

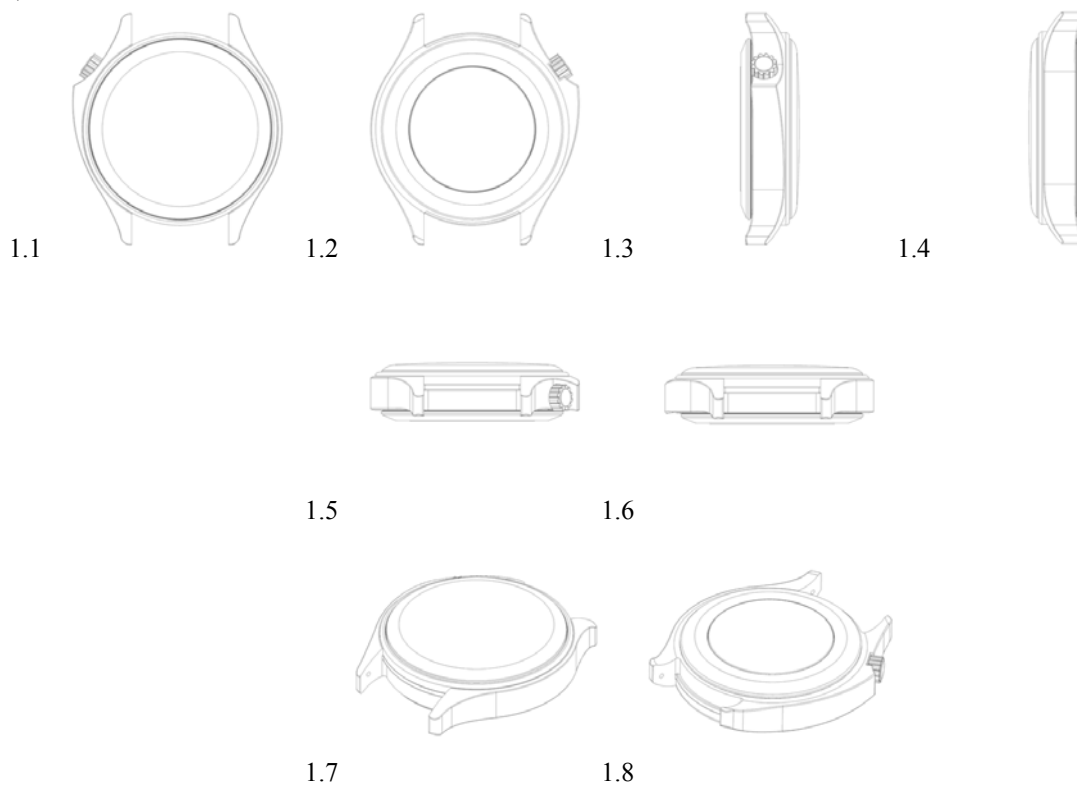
- (11) DM/254 383 (51) 14-06
(15) 2026 02 03 (44) 09/2026 (2026 02 27)
(22) 2026 02 03
(28) 1
(73) Limited Liability Company "UNITODI"
Int. Ter. G. Municipal District Prospect Vernadskogo, Leninskiy Prospect, 114, Office 515, 119415,
Moscow (RU)
(85) –
(86) –
(87) –
(88) RU
(89) RU
(81) III. AM, AZ, BY, CN, GE, KG, MD, RU, TJ, UZ
(72) Igor Vladimirovich Krasnov
Komendantskiy Prospect 58 Build. 1 Str. 1, Ap. 189, 197373, Saint-Petersburg (RU);
Viktoria Sergeevna Nikolayeva
Nagatinskaya 24, Ap. 14, 115487, Moscow (RU)
(74) Patent Agency "Ermakova, Stoliarova & Partners"
Shmitovskiy Proezd, D.2, Str.2, 123100 Moscow (RU)
(54) 1. SUPPORT FOR COMPUTER TERMINALS
(55)



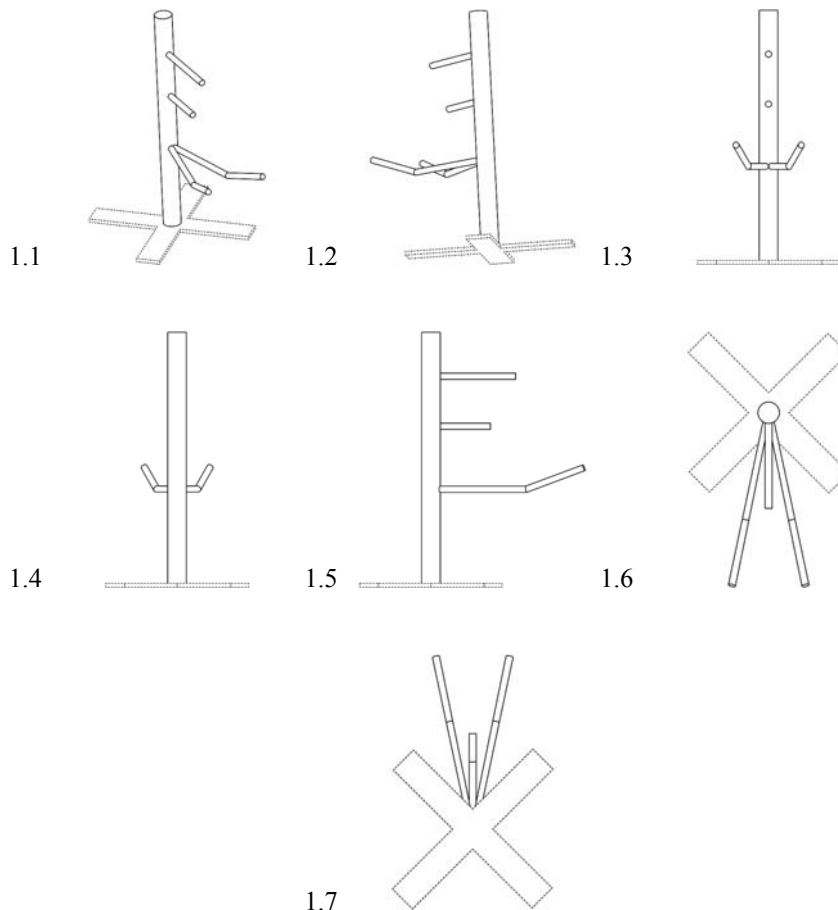
- (11) DM/254 489
- (15) 2026 02 03
- (22) 2026 02 03
- (28) 1
- (73) Limited Liability Company "UNITODI"
Int. Ter. G. Municipal District Prospect Vernadskogo, Leninskiy Prospect, 114, Office 515, 119415,
Moscow (RU)
- (85) –
- (86) –
- (87) –
- (88) RU
- (89) RU
- (81) III. AM, AZ, BY, CN, GE, KG, MD, RU, TJ, UZ
- (72) Igor Vladimirovich Krasnov
Komendantskiy Prospect 58 Build. 1 Str. 1, Ap. 189, 197373, Saint-Petersburg (RU);
Viktoria Sergeevna Nikolayeva
Nagatinskaya 24, Ap. 14, 115487, Moscow (RU)
- (74) Patent Agency "Ermakova, Stoliarova & Partners"
Shmitovskiy Proezd, D.2, Str.2, 123100 Moscow (RU)
- (54) 1. SUPPORT FOR COMPUTER TERMINALS
- (55)



- (11) DM/250 265 (51) 10-07
 (15) 2025 09 01 (44) 10/2026 (2026 03 06)
 (22) 2025 09 01
 (28) 1
 (73) Tissot SA (Tissot AG) (Tissot LTD)
 Chemin Des Tourelles, 17, 2400 Le Locle (CH)
 (85) CH
 (86) CH
 (87) CH
 (88) CH
 (89) CH
 (81) III. AL, BA, CH, EM, GB, GE, MA, MD, ME, MK, NO, RU, SG, TN, TR, UA
 (72) Manuel Bottazzo
 Via San Marco, 11/C, 35129, Padova (IT);
 Fanny Elizabeth Hélène Wargniez
 Avenue De Tivoli, 60, 1007, Lausanne (CH)
 (74) The Swatch Group AG (The Swatch Group SA) (The Swatch Group LTD.)
 Faubourg Du Lac, 6, 2502 Biel/Bienne (CH)
 (46) 2026 03 06
 (54) 1. WATCH CASING
 (55)



- (11) DM/254 641
- (15) 2026 01 08
- (22) 2026 01 08
- (28) 1
- (30) №1: 23.07.2025; 30/014,508; US
- (73) HYHY Incorporated
30 N Gould ST, Suite 5881, 82801 Sheridan, Wyoming (CA)
- (85) CA
- (86) US
- (87) CA
- (88) US
- (89) US
- (81) III. AL, AM, AZ, BA, BG, BN, BR, BW, BX, BY, BZ, CA, CH, CN, DE, DK, EE, EG, EM, ES, FI, FR, GB, GE, GH, GR, HR, HU, IL, IS, IT, JM, JP, KG, KH, KN, KP, KR, LI, LT, LV, MA, MC, MD, ME, MK, MN, MU, MX, NA, NO, OA, OM, PL, RO, RS, RU, RW, SA, SG, SI, SM, SR, ST, SY, TJ, TM, TN, TR, UA, US, UZ, VN, WS
- (72) Paul Leendertse
75 Firefighters Lane, Vittoria, ON N0E 1W0, N0E 1W0, Vittoria, Ontario (CA)
- (74) LegalForce RAPC Worldwide
1580 West El Camino Real, 94040 Mountain View, California (US)
- (54) 1. SOAP HOLDER
- (55)



- (11) DM/249 910 (51) 10-02
 (15) 2025 09 12 (44) 11/2026 (2026 03 13)
 (22) 2025 09 12
 (28) 2
 (73) ETA SA Manufacture Horlogère Suisse
 Schild-Rust-Strasse 17, 2540 Grenchen (CH)
 (85) CH
 (86) CH
 (87) CH
 (88) CH
 (89) CH
 (81) III. AL, AM, AZ, BA, CH, EM, GB, GE, LI, MC, MD, ME, MK, NO, OM, SG, TN, TR, UA
 (72) 1. Linn Behrendt
 Kurgartenstrasse 8, 67098, Bad Dürkheim (DE);
 2. Irene Gough
 2 Cooke Design LTD, Dublin (IE)
 (74) The Swatch Group AG (The Swatch Group SA) (The Swatch Group Ltd)
 6, Faubourg Du Lac, 2501 Biel/Bienne (CH)
 (46) 2026 03 13
 (54) 1. WRIST WATCH, 2. WRIST WATCH
 (55)



1.1



1.2



1.3



1.4



2.1



2.2



2.3



2.4

(11) DM/253 457
(15) 2026 01 13
(22) 2026 01 13
(28) 1

(51) 21-01
(44) 11/2026 (2026 03 13)

(73) Guangdong Loongon Animation & Culture Co., LTD.
East Of Ning Chuan Bei Road, North Of Deng Feng Road Xin Shi District, 515800 Shantou, Guangdong (CN)

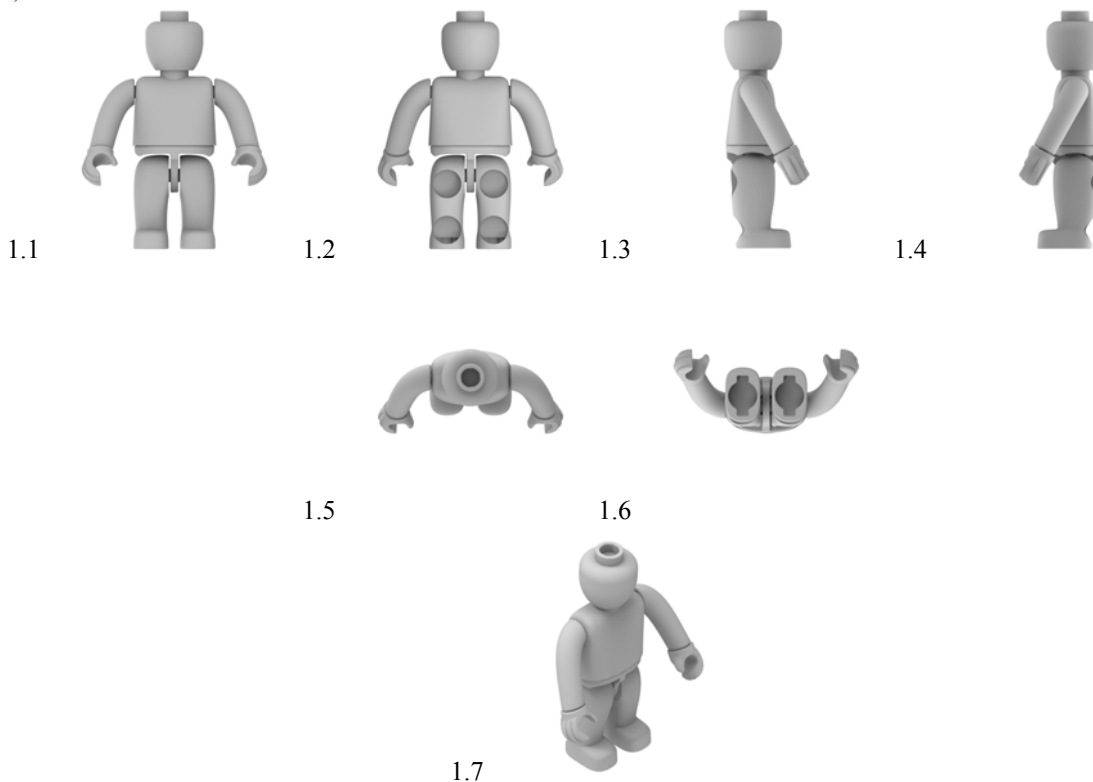
(85) CN
(86) CN
(87) CN
(88) CN
(89) CN

(81) III. BY, CA, CH, EG, GB, GE, IL, IS, KH, MA, MD, MX, NO, OA, OM, PL, RS, RU, TR, UA

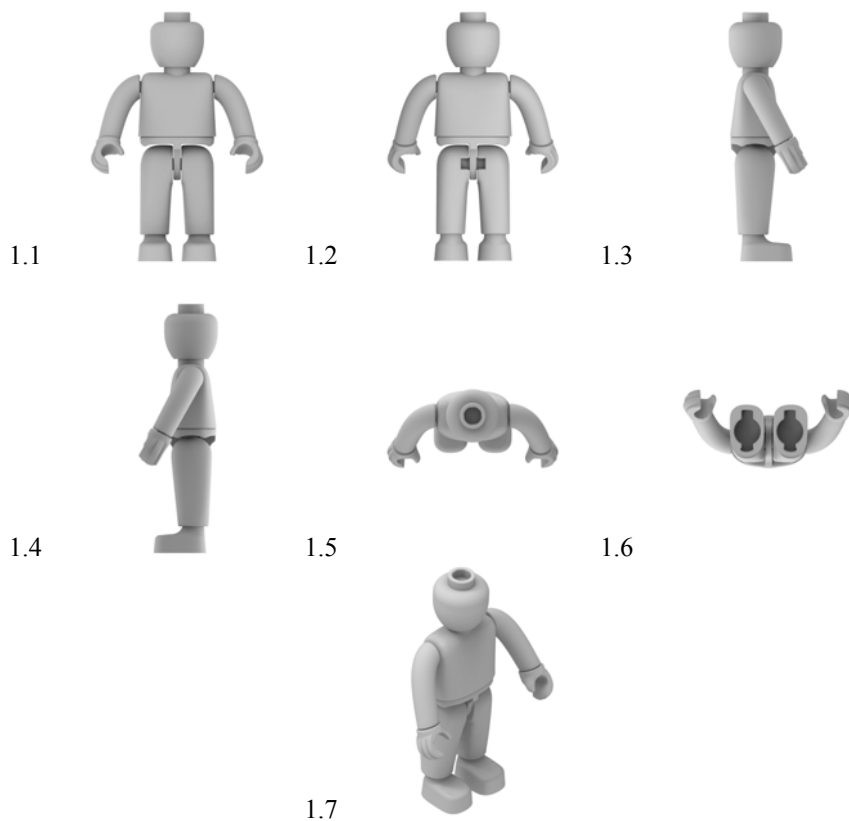
(72) Wenrong Chen
№174, Pumei Zhongshan North Road, Guangyi Street, Chenghai District, 515800, Shantou, Guangdong (CN)

(74) Jia Huang
Room 4704, Unit 2, Building 3, Xinghe Kaishike (Costco), Minzhi Street, Longhua District, 518131
Shenzhen, Guangdong (CN)

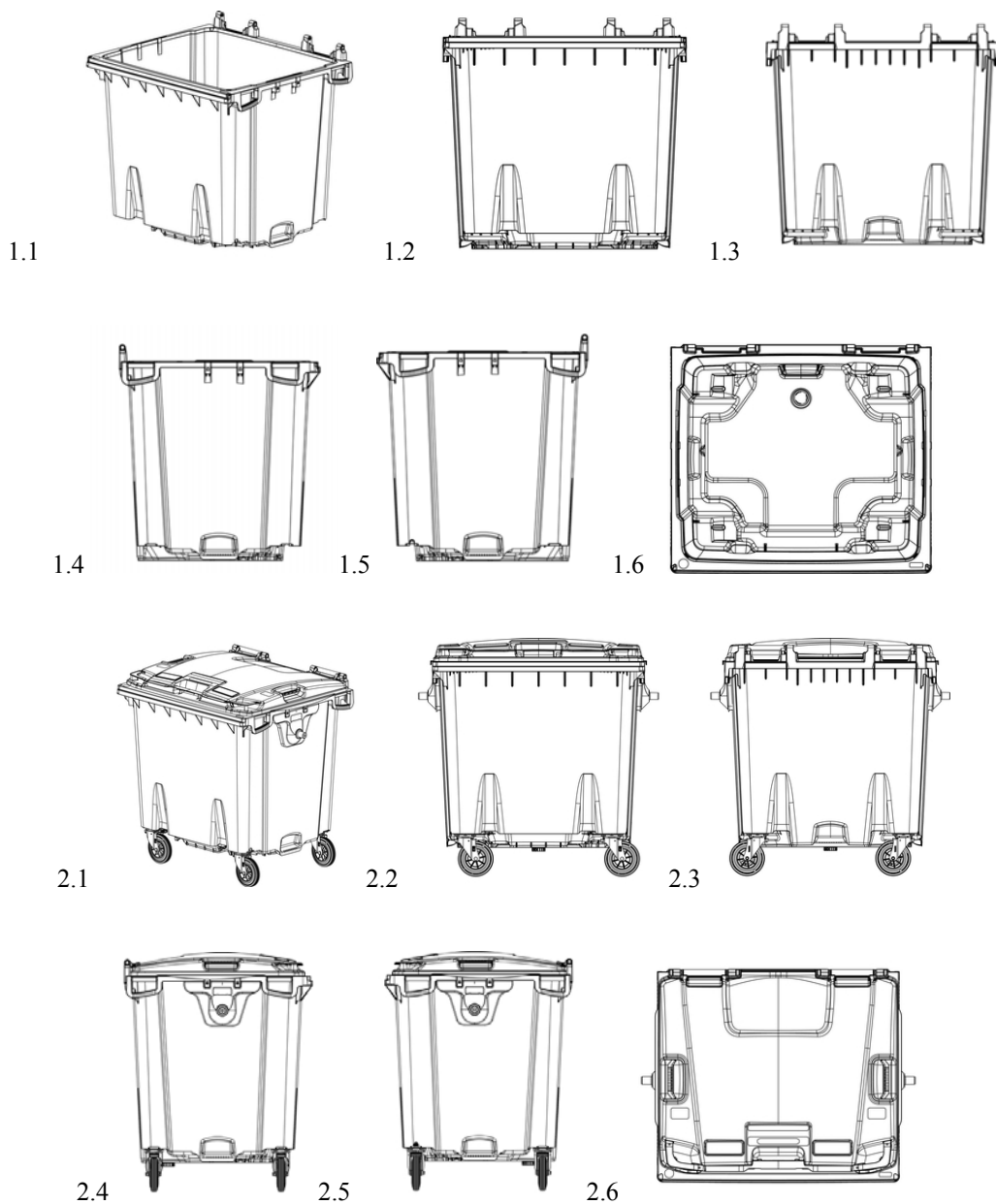
(54) 1. TOY
(55)



- (11) DM/253 443 (51) 21-02
 (15) 2026 01 13 (44) 11/2026 (2026 03 13)
 (22) 2026 01 13
 (28) 1
 (73) Guangdong Loongon Animation & Culture Co., LTD.
 East Of Ning Chuan Bei Road, North Of Deng Feng Road Xin Shi District, 515800 Shantou, Guangdong (CN)
 (85) CN
 (86) CN
 (87) CN
 (88) CN
 (89) CN
 (81) III. BY, CA, CH, EG, GB, GE, IL, IS, KH, MA, MD, MX, NO, OA, OM, PL, RS, RU, TR, UA
 (72) Wenrong Chen
 №174, Pumei Zhongshan North Road, Guangyi Street, Chenghai District, 515800, Shantou, Guangdong (CN)
 (74) Jia Huang
 Room 4704, Unit 2, Building 3, Xinghe Kaishike (Costco), Minzhi Street, Longhua District, 518131
 Shenzhen, Guangdong (CN)
 (46) 2026 03 13
 (54) 1. TOY
 (55)



- (11) DM/254 966 (51) 09-09
- (15) 2025 07 14 (44) 12/2026 (2026 03 20)
- (22) 2025 07 14
- (28) 2
- (30) №1: 12.02.2025; 015092480-0001; EM; No2: 12.02.2025; 015092480-0002; EM
- (73) ESE World B.V.
De Pinckart 37-39, 5674 CB Nuenen (NL)
- (85) BX
- (86) BX
- (87) BX
- (88) BX
- (89) BX
- (81) III. CH, GB, GE, IL, MA, MK, NO, OM, RS, SA, SG, TN, TR, UA
- (74) Thomas Müller
Boschetsrieder Straße 20, 81379 Munich, Bavaria (DE)
- (54) 1. Litter receptacle, 2. Litter receptacle
- (55)



(11) DM/255 000 (51) 09-09
 (15) 2025 11 12 (44) 12/2026 (2026 03 20)

(22) 2025 11 12

(28) 1

(30) №1: 12.05.2025; 30/003,345; US

(73) Confer Plastics Inc.

97 Witmer Road, 14120 North Tonawanda, NY (US)

(85) –

(86) –

(87) –

(88) US

(89) US

(81) II. AL, AM, AZ, BA, BG, BN, BR, BW, BX, BY, BZ, CA, CH, DE, DK, EE, EG, EM, ES, FI, FR, GB, GE, GH, GR, HR, HU, IL, IS, IT, JM, JP, KG, KH, KN, KP, KR, LI, LT, LV, MA, MC, MD, ME, MK, MN, MU, MX, NA, NO, OA, OM, PL, RO, RS, RU, RW, SA, SG, SI, SM, SR, ST, SY, TJ, TM, TN, TR, UA, UZ, VN, WS

(72) David Lipniarski

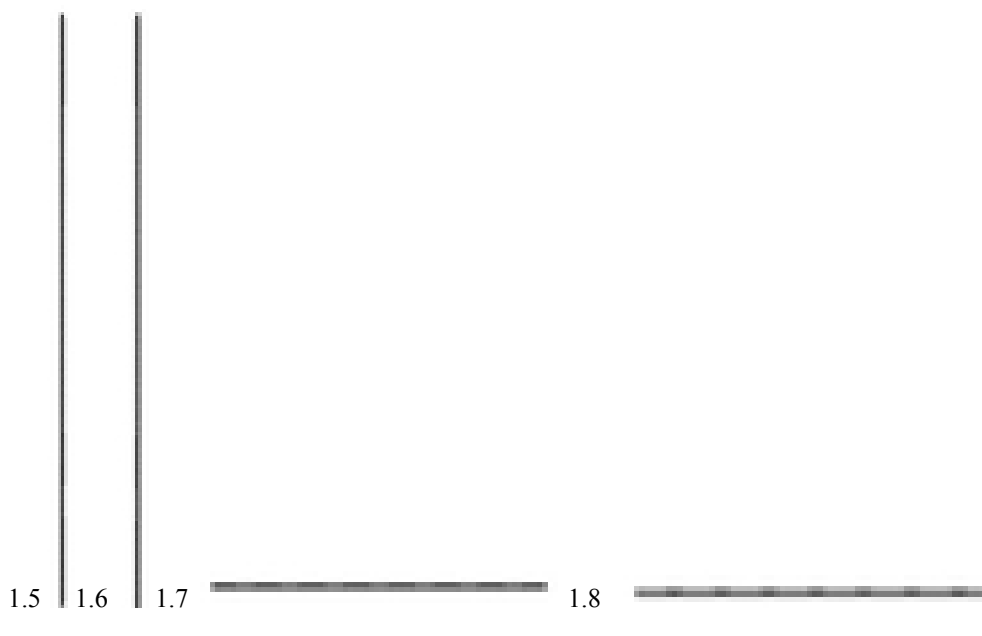
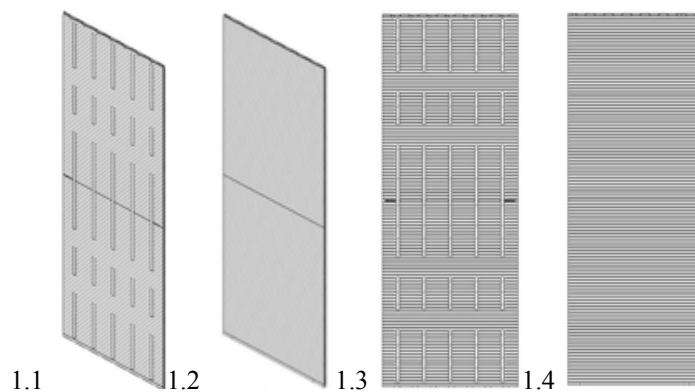
97 Witmer Road, 14120, North Tonawanda, NY (US)

(74) Katherine H. McGuire

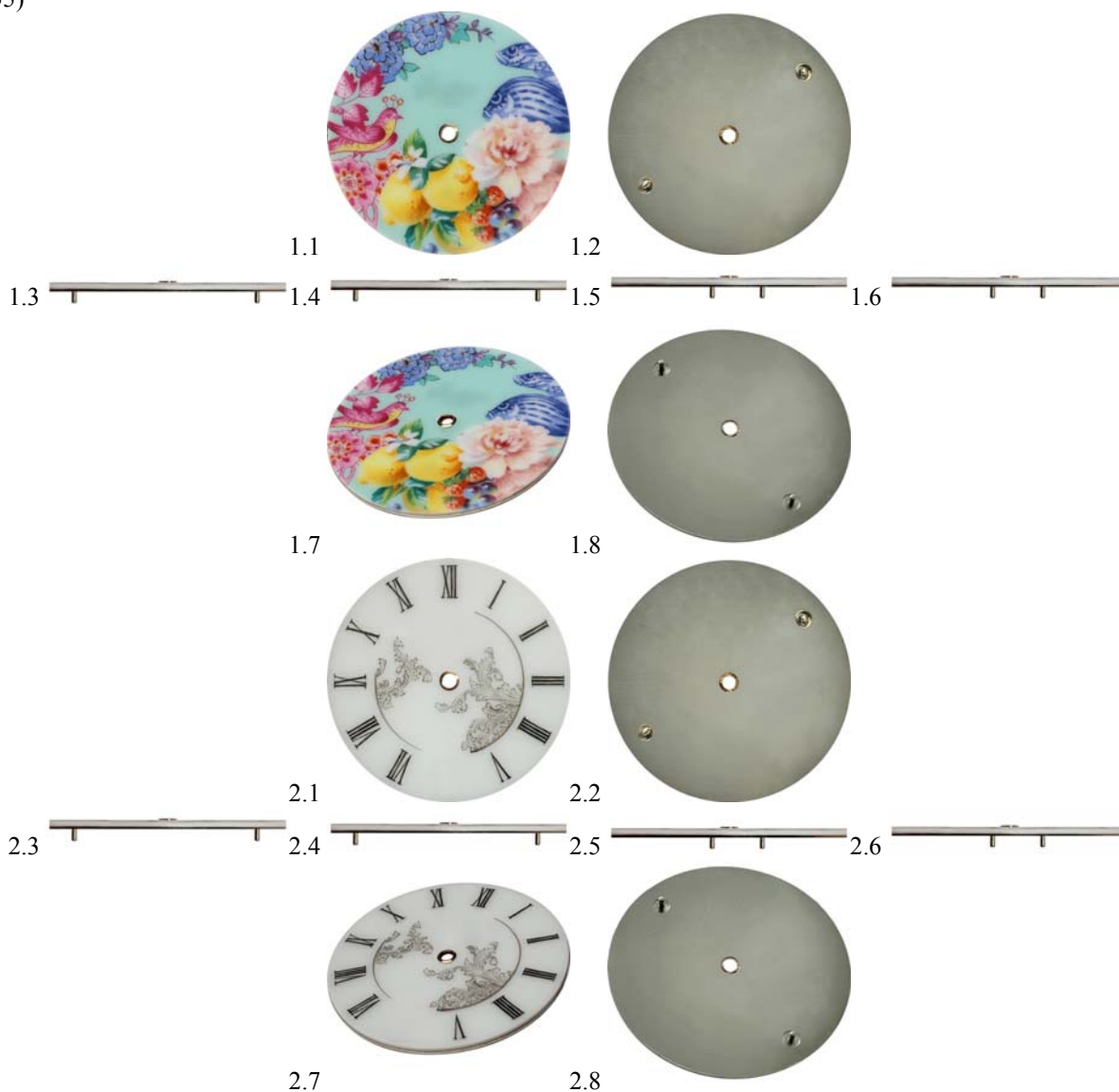
Esq., 1900 Bausch & Lomb Place, 14604 Rochester, NY (US)

(54) 1. FOLDABLE PANEL THAT FORMS A TRASH RECEPTACLE

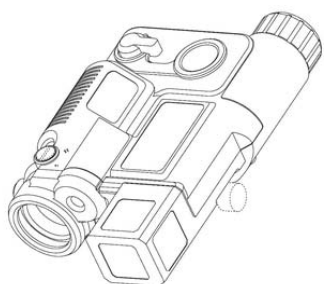
(55)



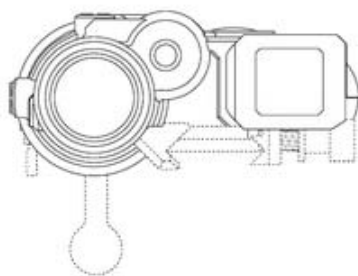
- (11) DM/250 199 (51) 10-07
- (15) 2025 09 19 (44) 12/2026 (2026 03 20)
- (22) 2025 09 19
- (28) 2
- (73) Glashütter Uhrenbetrieb GmbH
Altenberger Strasse 1, 01768 Glashütte (DE)
- (85) DE, EM
- (86) DE, EM
- (87) DE, EM
- (88) DE, EM
- (89) DE
- (81) III. AL, AM, AZ, BA, BZ, CA, CH, EM, GB, GE, KG, LI, MA, MC, MD, ME, MK, MN, NO, OM, SG, TN, TR, UA
- (72) Katharina Stegmann
Krenkelstraße 21, 01309, Dresden (DE);
Lena Hensel
Voglerstr.11, 01277, Dresden (DE)
- (74) The Swatch Group AG (The Swatch Group SA) (The Swatch Group Ltd.)
6, Faubourg Du Lac, 2501 Biel/Bienne (CH)
- (46) 2026 03 20
- (54) 1. WATCH DIAL, 2. WATCH DIAL
- (55)



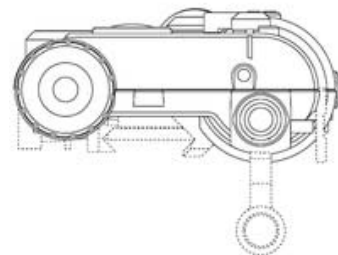
- (11) DM/254 968 (51) 16-06
 (15) 2025 12 09 (44) 12/2026 (2026 03 20)
 (22) 2025 12 09
 (28) 2
 (30) №1: 11.06.2025; 74568; IL; №2: 11.06.2025; 74568; IL
 (73) Israel Aerospace Industries Ltd.
 Ben-Gurion International Airport, 7010000 Lod (IL)
 (85) IL
 (86) IL
 (87) IL
 (88) IL
 (89) IL
 (81) III. AZ, CA, CH, CN, EM, GB, GE, JP, KR, MA, NO, PL, RS, SA, SG, TR, UA, US, VN
 (72) Yuval Cohen Flax
 C/o Israel Aerospace Industries Ltd., Ben Gurion International Airport, 7010000, Lod (IL);
 Yogev Kat
 C/o Israel Aerospace Industries Ltd., Ben Gurion International Airport, 7010000, Lod (IL)
 (74) Reinhold Cohn & Partners
 POB 13239, 6113102 Tel-Aviv (IL)
 (54) 1. FIREARM MOUNTED OPTICAL TARGET IDENTIFICATION DEVICE,
 2. FIREARM MOUNTED OPTICAL TARGET IDENTIFICATION DEVICE
 (55)



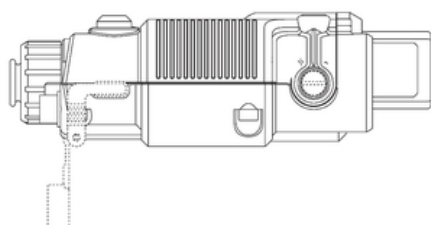
1.1



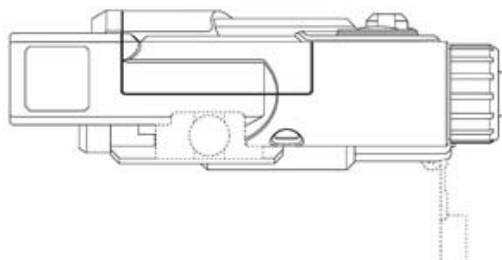
1.2



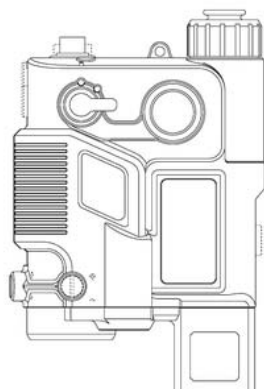
1.3



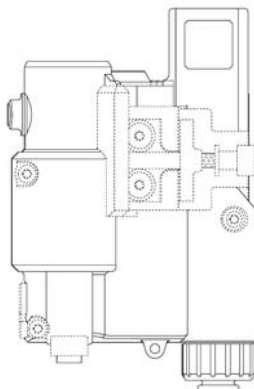
1.4



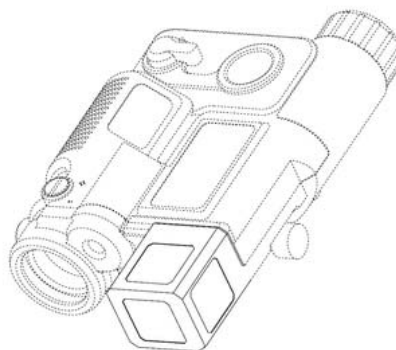
1.5



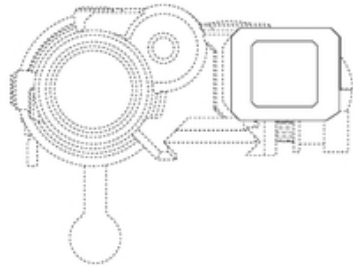
1.6



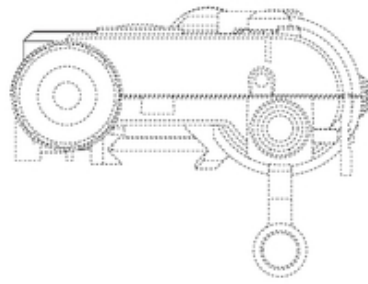
1.7



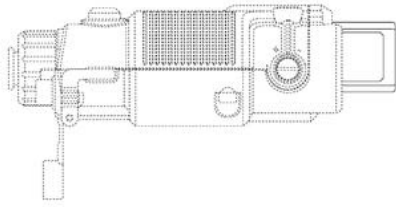
2.1



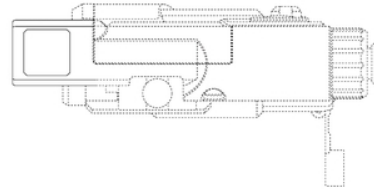
2.2



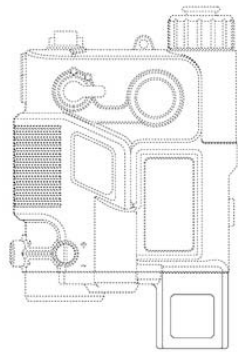
2.3



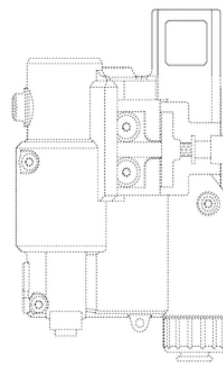
2.4



2.5



2.6



2.7

- (11) DM/246 322 (51) 01-01
 (15) 2025 03 27 (44) 13/2026 (2026 03 27)
 (22) 2025 03 27
 (28) 5
 (30) №1: 27.09.2024; 29965422; US; №2: 27.09.2024; 29965428; US; №3: 27.09.2024; 29965431; US;
 №4: 27.09.2024; 29965434; US; №5: 27.09.2024; 29965437; US
 (73) Liberty Orchards Company Inc.
 117 Mission Ave., 98815-1007 Cashmere, Wa (Us)
 (85) US
 (86) US
 (87) US
 (88) US
 (89) US
 (81) III. AL, AM, AZ, BA, BY, CN, EM, GE, HR, IL, KG, ME, MN, RS, RU
 (72) MARIA KARZHILOVA
 1 Castille Court, AU 4217, Surfers Paradise, Queensland (AU)
 (74) Nadya Reingand
 7 Clifton Ct, 21208 Pikesville, MARYLAND (US)
 (54) 1. CONFECTIONERY, 2. CONFECTIONERY, 3. CONFECTIONERY, 4. CONFECTIONERY,
 5. CONFECTIONERY
 (55)



- (11) DM/255 213 (51) 09-07
(15) 2026 02 11 (44) 13/2026 (2026 03 27)
(22) 2026 02 11
(28) 1
(73) Oleksii Oleksandrovych Bolotov
Prosp. Nezalezhnosti, Bud. 42, Kv. 127, 84301 Kramatorsk, Donetska Obl. (UA)
(85) –
(86) UA
(87) –
(88) –
(89) UA
(81) III. AZ, EM, GB, GE, MD, UA, US, UZ
(72) Oleksii Oleksandrovych Bolotov
Prosp. Nezalezhnosti, Bud. 42, Kv. 127, 84301 Kramatorsk, Donetska Obl. (UA)
(74) Denys Borukha
Gerzena Str. 17-25, Of. 168, 04050 Kyiv (UA)
(54) 1. BOTTLE CAP
(55)



TRADEMARK

APPLICATION FILED UNDER THE NATIONAL PROCEDURE APPROVED FOR REGISTRATION

The decision may be appealed to the Chamber of Appeals of Sakpatenti within 3 months of its publication or to the Administrative Cases Bench of Mtskheta District Court within 1 month, while the decisions of the Chamber of Appeals may be appealed only to the Administrative Cases Bench of Mtskheta District Court within 1 month (Address: 17 Samkhedro St., Mtskheta).

(260) AM 2026 133143 A*

(210) AM 133143

(220) 2025 04 02

(310) UK00004119530

(320) 2024 11 01

(330) UK

(731) Zhejiang Geely Holding Group Co., LTD.
1760 Jiangling Road, Binjiang District,
Hangzhou, Zhejiang, People's Republic
of China

(740) Pavle Meipariani

(540)

9X

(591) Black-white

(511) 12

(260) AM 2026 134469 A

(210) AM 134469

(220) 2025 07 01

(731) LTD "Generikos"

Elizbar Mindeli St. 13 B, b. 76, 0177, Tbilisi,
Georgia

(540)



(591) FFFFFFFF green, white, light green

(531) 26.04.02; 26.04.04; 26.04.05; 26.04.22;
26.04.24; 27.05.03; 27.05.24; 29.01.13

(511) 35

(260) AM 2026 134988 A

(210) AM 134988

(220) 2025 08 06

(731) LLC "Nima"

Korneli Kekelidze St. 5, 0179, Tbilisi, Georgia

(540)

MAJESTIC JEWELS
NY

(591) F7CACA light pink, black

(531) 26.04.22; 27.05.01; 29.01.12

(511) 14

(260) AM 2026 135491 A

(210) AM 135491

(220) 2025 09 10

(731) LLC "Football Club Sioni"

Sulkhan-Saba Orbeliani St. 99, Bolnisi, Georgia

(540)



(591) Yellow, blue, white

(531) 03.01.01; 21.03.01; 24.13.04; 26.01.01;
26.01.04; 26.01.16; 26.01.21

(511) 41

(260) AM 2026 135545 A

(210) AM 135545

(220) 2025 09 12

(731) Pentel Kabushiki Kaisha

(Also Trading As Pentel Co., LTD.)

7-2, Nihonbashi Koami-Cho, Chuo-Ku, Tokyo,
Japan

(740) Ioane Iarajuli;

Zurab Bezhashvili

(540)

Pentel

(591) Black-white

(531) 27.05.01; 27.05.17

(511) 2, 16

(260) AM 2026 135550 A

(210) AM 135550

(220) 2025 09 15

(731) LLC "Camex International"

Borrow Tskneti, Iliko Sukhishvili St. 11, ap. 3,
0190, Tbilisi, Georgia

(540)



(591) Blue, red, white

(531) 06.01.04; 26.11.02; 26.11.13; 27.05.09;
27.05.11; 27.05.17; 29.01.01; 29.01.04;
29.01.12

(511) 32

Giorgi Saakadze Descent 6, floor 3,
Commercial Area 11 (+8.67 mark), 0101,
Saburtalo District, Tbilisi, Georgia

(740) Davit Chikhladze

(540)

მეკორტი

MECORT

MEKOPT

(591) Black-white

(511) 5

(260) AM 2026 135634 A

(210) AM 135634

(220) 2025 09 23

(731) LLC S/C "Kolkheti 1913"

Davit Aghmashenebeli St. 12, 4400, Poti,
Georgia

(540)



(591) Yellow, blue, white, black

(531) 21.03.01; 24.01.13; 24.01.15; 24.01.17;
24.13.04; 27.05.01; 29.01.15

(526) "KOLKHETI", "POTI"

(511) 41

(260) AM 2026 135709 A

(210) AM 135709

(220) 2025 09 26

(310) 85011037

(320) 2025 04 28

(330) CN

(731) BYD Company Limited

№1, Yan'an Road, Kuichong Street, Dapeng
New District, Shenzhen, People's Republic
of China

(740) Giorgi Kartvelishvili

(540)

U8L

(591) Black-white

(531) 27.05.01; 27.05.17; 27.07.01; 27.07.11;
27.07.17

(511) 12

(260) AM 2026 135706 A

(210) AM 135706

(220) 2025 09 26

(731) LLC "Lady Healthcare"

Giorgi Saakadze Daghmarti 6, floor 3,
Commercial Area 11 (+8.67 mark), 0101,
Saburtalo District, Tbilisi, Georgia

(740) Davit Chikhladze

(540)

ვიტა-ცეფ

VITA-CEF

ВИТА-ЦЕФ

(591) Black-white

(511) 5

(260) AM 2026 135721 A

(210) AM 135721

(220) 2025 09 29

(731) JSC "Argo"

Lilo, Lochini Ravine (plot 05/001), 0151,
Tbilisi, Georgia

(540)



(591) Golden, yellow, red, black, white

(531) 24.03.02; 24.03.07; 24.03.18; 24.03.19;
27.05.01; 29.01.15

(511) 32, 35

(260) AM 2026 135707 A

(210) AM 135707

(220) 2025 09 26

(731) LLC "Lady Healthcare"

(260) AM 2026 135739 A

(210) AM 135739

(220) 2025 10 01

(731) LLC "Wimm-Bill-Dann Georgia"

Vill. Ponichala, 0165, Tbilisi, Georgia

(740) Tamar Kochlamazashvili
(540)

სოფლის ნობათი

(591) Black-white
(511) 29

(260) AM 2026 135824 A

(210) AM 135824

(220) 2025 10 08

(731) Marina Starova

Chkondideli St. 28, ap. 31, Tbilisi,
Georgia

(740) Shalva Gvaramadze

(540)



(591) Green, red, white, black

(531) 26.04.02; 26.04.05; 26.04.08; 26.04.12;
26.04.22; 26.04.24; 26.11.03; 26.11.08;
27.05.01; 27.05.24

(511) 35

(260) AM 2026 135825 A

(210) AM 135825

(220) 2025 10 08

(731) Galderma Holding SA

Zählerweg 10, 6300 Zug, Switzerland

(740) Giorgi Taktakishvili

(540)



(591) Black-white

(531) 26.11.02; 26.11.06; 26.11.09; 26.11.25;
27.05.01

(511) 3, 5

(260) AM 2026 135846 A

(210) AM 135846

(220) 2025 10 10

(731) JC Master Distribution Limited

Kildress House, 4th Floor, Pembroke Row,
Dublin D2, D02 H008, Ireland

(740) Giorgi Taktakishvili

(540)

PROPER NO. TWELVE

(591) Black-white

(511) 33

(260) AM 2026 135910 A

(210) AM 135910

(220) 2025 10 13

(731) N(N)LE Football Club "Borjomi 2013"

101 Shota Rustaveli St., Borjomi, Georgia

(540)



(591) Red, white

(531) 03.04.07; 21.03.01; 26.01.03; 26.01.16;
26.01.22

(526) "ბორჯომი", "BORJOMI"

(511) 41

(260) AM 2026 135912 A

(210) AM 135912

(220) 2025 10 13

(731) Contec Medical Systems Co., LTD.

№112 Qinhuang West Street, Economic &
Technical Development Zone, Qinhuangdao,
Hebei Province, People's Republic of China

(740) Shalva Gvaramadze

(540)

CONTECIVD

(591) Black-white

(531) 27.05.01; 27.05.17

(511) 5

(260) AM 2026 135919 A

(210) AM 135919

(220) 2025 10 13

(731) Rawaieh Al Zuhor Cleaning & Detergent TR

LLC Sole Proprietorship
Office №3005 – 3006, Al Majaz 2 - Business
Tower, Sharjah, United Arab Emirates

(740) Merab Kvimsadze

(540)



(591) Black, purple, light orange, pink, green, light
brown

(531) 05.03.13; 27.05.01; 27.05.05; 27.05.08;
27.05.10; 27.05.17; 28.11; 29.01.15

(511) 3, 11

(260) AM 2026 135922 A
 (210) AM 135922
 (220) 2025 10 15
 (731) Kenda Rubber Ind. Co., LTD.
 №146, Sector 1, Zhongshan Road, Yuanlin
 City, Changhua County, Taiwan, Province
 of People's Republic of China
 (740) Pavle Meipariani
 (540)



(591) Black-white
 (531) 26.13.25; 27.01.01; 27.01.05; 27.01.25;
 27.05.01; 27.05.04; 27.05.17
 (511) 12

(260) AM 2026 135924 A
 (210) AM 135924
 (220) 2025 10 15
 (731) Mikheil Janelidze
 Giorgi Shatberashvili St., II Lane 2, ap. 15,
 0179, Tbilisi, Georgia
 (740) Giorgi Taktakishvili
 (540)



(591) Black, white, red, green
 (531) 26.01.06; 26.04.02; 26.04.05; 26.04.12;
 26.04.22; 26.04.24; 27.05.01; 27.05.17;
 27.05.24; 29.01.14
 (511) 45

(260) AM 2026 135931 A
 (210) AM 135931
 (220) 2025 10 15
 (731) Ultramade Nutrition & Beverages (FZE)
 600 M2 Warehouse U2-051, U2-065, U2-066
 U2-052 Sharjah, United Arab Emirates
 (740) Giorgi Meipariani
 (540)



(591) Black-white
 (531) 23.01.05; 24.15.03; 24.15.15; 24.15.21;
 26.04.02; 26.04.05; 26.04.11; 26.04.12;
 26.04.17; 26.04.18; 26.04.24; 27.05.17;
 27.05.24; 27.07.17; 29.01.12
 (511) 32

(260) AM 2026 135932 A
 (210) AM 135932
 (220) 2025 10 15
 (731) Ultramade Nutrition & Beverages (FZE)
 600 M2 Warehouse U2-051, U2-065, U2-066
 U2-052 Sharjah, United Arab Emirates
 (740) Giorgi Meipariani
 (540)



(591) Black-white
 (531) 23.01.05; 24.15.03; 24.15.15; 24.15.21;
 24.17.05; 26.04.02; 26.04.05; 26.04.11;
 26.04.16; 26.04.18; 27.05.01; 27.05.17;
 27.05.24; 27.07.01; 27.07.17
 (511) 32

(260) AM 2026 135934 A
 (210) AM 135934
 (220) 2025 10 16
 (731) LLC "Ardichli Dish Tijaret Teqstil Inshaat Gida
 Sanai"
 Memed Abashidze St. 16, 6000, Batumi,
 Georgia
 (540)



(591) FFFFFFF white, 000000 black
 (531) 27.05.02; 27.05.09; 27.05.11; 27.05.17
 (511) 25, 35

(260) AM 2026 135936 A
 (210) AM 135936
 (220) 2025 10 16
 (731) Kimberly-Clark Worldwide Inc.
 2300 Winchester Road, Neenah, WI 54956,
 USA
 (740) Shalva Gvaramadze
 (540)

SWEETY

(591) Black-white
 (511) 3

(260) AM 2026 135937 A
 (210) AM 135937
 (220) 2025 10 16
 (731) Kimberly-Clark Worldwide Inc.

2300 Winchester Road, Neenah, WI 54956,
USA
(740) Shalva Gvaramadze
(540)

SWEETY

(591) Black-white
(511) 5

(260) AM 2026 135943 A
(210) AM 135943
(220) 2025 10 16
(731) TCL Technology Group Corporation
TCL Technology Building, 17 Huifeng 3rd
Road, Zhongkai High Technology Development
District, Huizhou, Guangdong, 516006,
People's Republic of China
(740) Giorgi Kartvelishvili
(540)

TCL FreshIN

(591) Black-white
(511) 11

(260) AM 2026 135946 A
(210) AM 135946
(220) 2025 10 17
(731) Century 21 Real Estate LLC
175 Park Avenue, Madison, New Jersey 07940,
USA
(740) Tamaz Shilakadze
(540)

CENTURY 21 FINE HOMES & ESTATES

(591) Black-white
(511) 36

(260) AM 2026 136029 A
(210) AM 136029
(220) 2025 10 17
(731) Sandoz AG
Viaduktstrasse 3, 4051 Basel, Switzerland
(740) Shalva Gvaramadze
(540)

LINDIAR

(591) Black-white
(511) 5

(260) AM 2026 136036 A
(210) AM 136036
(220) 2025 10 20
(731) LLC "Tsurkava Property"
26 May St. 68, ap. 13a, Batumi, Georgia

(540)



TSURKAVA PROPERTY

(591) FFFFFFF white, 000000 black
(531) 24.15.02; 24.15.11; 26.03.23; 27.05.01;
27.05.17; 27.05.23
(526) PROPERTY
(511) 35, 36, 41

(260) AM 2026 136037 A
(210) AM 136037
(220) 2025 10 20
(731) Rolex SA
3-5-7 Rue François-Dussaud, Geneva,
Switzerland
(740) Shalva Gvaramadze
(540)

ROLEX SUPERLATIVE CHRONOMETER

(591) Black-white
(511) 14

(260) AM 2026 136039 A
(210) AM 136039
(220) 2025 10 20
(731) JSC "ProCredit Bank"
Al. Kazbegi Av. 21, 0160, Saburtalo District,
Tbilisi, Georgia
(740) Ioane Iarajulu;
Zurab Bezhashvili
(540)



პროკრედიტ ბანკი
პროკრედიტ ბანკი

(591) White, red, green, yellow, orange, lilac, blue
(531) 01.05.02; 26.04.04; 26.04.06; 26.04.07;
26.07.25; 27.05.01; 29.01.15
(511) 9, 36

(260) AM 2026 136040 A
(210) AM 136040
(220) 2025 10 20
(731) JSC "ProCredit Bank"
Al. Kazbegi Av. 21, 0160, Saburtalo District,
Tbilisi, Georgia
(740) Ioane Iarajulu;
Zurab Bezhashvili

(540)



(591) White, red, green, blue, yellow, orange, lilac
 (531) 01.05.02; 26.04.04; 26.04.06; 26.04.07;
 26.07.25; 27.05.01; 29.01.15
 (511) 9, 36

(260) AM 2026 136046 A
 (210) AM 136046
 (220) 2025 10 21
 (731) Monsanto Technology LLC
 800 North Lindbergh Boulevard, St. Louis,
 Missouri, USA
 (740) Shalva Gvaramadze
 (540)

DEKALB

(591) Black-white
 (511) 31

(260) AM 2026 136050 A
 (210) AM 136050
 (220) 2025 10 21
 (731) LLC "Nexus"
 Gulripshi St. 36, 0180, Nadzaladevi District,
 Tbilisi, Georgia
 (540)



(591) 000000 black, FF0000 red
 (531) 26.11.01; 26.11.09; 27.05.01; 27.05.08;
 27.05.12; 27.05.25; 29.01.12
 (511) 45

(260) AM 2026 136053 A
 (210) AM 136053
 (220) 2025 10 22
 (731) Luka Dasen
 Ilia Chavchavadze Av. 83, Tbilisi, Georgia
 (540)

**დეპო დრაივ
 Depo Drive**

(591) 0F0E0E black-white
 (511) 35

(260) AM 2026 136054 A
 (210) AM 136054
 (220) 2025 10 22
 (731) Luka Dasen
 Ilia Chavchavadze Av. 83, Tbilisi, Georgia
 (540)

**დეპო დოთელინგ
 Depo Detailing**

(591) Black-white
 (511) 37

(260) AM 2026 136055 A
 (210) AM 136055
 (220) 2025 10 22
 (731) N(N)LE "Georgian Institute of Public Health"
 Bethlehem Uphill 3, 0108, Tbilisi, Georgia
 (540)



(591) Blue, white
 (531) 27.05.10; 27.05.17; 27.05.24; 29.01.12
 (511) 9, 16

(260) AM 2026 136057 A
 (210) AM 136057
 (220) 2025 10 22
 (731) N(N)LE "Georgian Institute of Public Health"
 Bethlehem Uphill 3, 0108, Tbilisi, Georgia
 (540)



(591) Sky-blue, white
 (531) 26.04.04; 26.04.05; 26.04.12; 26.04.22;
 27.05.17; 29.01.12
 (511) 9, 16

(260) AM 2026 136114 A
 (210) AM 136114
 (220) 2025 10 24
 (731) LLC "Alcoriteil Group"
 Giorgi Mdivani St. 3a, Isani District, Tbilisi,
 Georgia
 (740) Vakhtang Torotadze

(540)

ვინორიუმ
VINORIUM

(591) Black-white

(531) 27.05.01

(511) 33, 35, 43

(260) AM 2026 136117 A

(210) AM 136117

(220) 2025 10 24

(731) Bausch Health Ireland Limited
3013 Lake Drive, Citywest Business Campus,
Dublin 24, Ireland

(740) Giorgi Taktakishvili

(540)

Naproxen EMO

(591) Black-white

(511) 5

(260) AM 2026 136118 A

(210) AM 136118

(220) 2025 10 24

(731) Zurab Dzidziguri
Iakob Nikoladze St. 4, ap. 1, 0179,
Tbilisi, Georgia

(540)



(591) A88836 mustard color

(531) 05.01.19; 05.03.04; 05.03.14; 05.07.10;
27.05.01; 27.05.05; 29.01.11

(511) 33

(260) AM 2026 136119 A

(210) AM 136119

(220) 2025 10 24

(731) Sandoz AG
Viaduktstrasse 3, 4051 Basel, Switzerland

(740) Shalva Gvaramadze

(540)

ЛИНДИАР

(591) Black-white

(511) 5

(260) AM 2026 136120 A

(210) AM 136120

(220) 2025 10 24

(731) Sandoz AG
Viaduktstrasse 3, 4051 Basel, Switzerland

(740) Shalva Gvaramadze

(540)

ЛИНСТОП

(591) Black-white

(511) 5

(260) AM 2026 136125 A

(210) AM 136125

(220) 2025 10 24

(731) Zhejiang Odear Sports Goods Co. LTD
№5 Xiangtai Street, Changsonggang Industrial
Functional Area, Liushi Street, Zhejiang
Province, 321000, People's Republic of China

(740) Giorgi Kartvelishvili

(540)

ODEA

(591) Black-white

(531) 27.05.01; 27.05.17

(511) 28

(260) AM 2026 136131 A

(210) AM 136131

(220) 2025 10 27

(731) ROHTO Pharmaceutical Co. Ltd.
8-1, Tatsuminishi 1 Chome, Ikuno-ku, Osaka-
shi, Osaka 544- 8666, Japan

(740) Irakli Gvilia

(540)

TEARSHIELD TECHNOLOGY

(591) Black-white

(531) 27.05.01

(511) 5

(260) AM 2026 136135 A

(210) AM 136135

(220) 2025 10 27

(731) Davit Abaiadze
Zhiuli Shartava St. 37, Entrance 2, ap. 69A,
0160, Tbilisi, Georgia

(540)

ბორჯგალი
Borjgali
Боржгали

(591) Black-white

(511) 33

(260) AM 2026 136136 A
 (210) AM 136136
 (220) 2025 10 27
 (731) Sportsdirect.com Retail Limited
 Unit A, Brook Park East, Shirebrook, NG20
 8RY, United Kingdom
 (740) Shalva Gvaramadze
 (540)



(591) White, blue, red
 (531) 26.04.02; 26.04.22; 27.05.01; 27.05.17;
 27.05.24; 29.01.13
 (511) 35

(260) AM 2026 136144 A
 (210) AM 136144
 (220) 2025 10 28
 (731) Lavish Perfumes Trading
 Bin Alouh Building, Shop no. 17, Sheikh
 Ammar Street, Al Rawdah Area, Ajman, United
 Arab Emirates
 (740) Merab Kvimsadze
 (540)



(591) Black-white
 (531) 26.04.02; 26.04.05; 26.04.18; 26.04.22;
 26.04.24; 27.05.01; 27.05.10; 27.05.11;
 27.05.24
 (511) 3

(260) AM 2026 136145 A
 (210) AM 136145
 (220) 2025 10 28
 (731) The Procter & Gamble Company
 One Procter & Gamble Plaza, Cincinnati, Ohio,
 45202, USA
 (740) Tamaz Shilakadze
 (540)



(591) Red
 (531) 27.05.01; 29.01.01
 (511) 3, 5

(260) AM 2026 136154 A
 (210) AM 136154
 (220) 2025 10 30
 (731) LLC "Tradeline"
 Davit Gamrekeli St. 19, Office 29, Tbilisi,
 Georgia

(540)
Gallery Accent
 გალერეა აქცენტო

(591) Black-white
 (511) 35

(260) AM 2026 136155 A
 (210) AM 136155
 (220) 2025 10 30
 (731) LLC "Tradeline"
 Davit Gamrekeli St. 19, Office 29, Tbilisi,
 Georgia

(540)

Gallery aXess
 გალერეა აქსესი

(591) Black-white
 (511) 35

(260) AM 2026 136156 A
 (210) AM 136156
 (220) 2025 10 30
 (731) Giorgi Kikabidze
 Ili Chavchavadze Av. 54a, 0179, Tbilisi,
 Georgia

(740) Giorgi Taktakishvili
 (540)

Kikabidze Family Traditions
 კიკაბიძე საგვარეულო
 ტრადიციები

(591) Black-white
 (511) 30, 32, 33

(260) AM 2026 136157 A
 (210) AM 136157
 (220) 2025 10 30
 (731) BLURE LLC
 Kievyan 1A, Yerevan, 0001, Armenia
 (740) Khatuna Imnadze
 (540)



(591) Grey, white
 (531) 27.05.01
 (511) 14

(260) AM 2026 136164 A
 (210) AM 136164
 (220) 2025 10 31
 (731) Kakhaber Kharebava

Davit Gamreli St. 18, ap. 25, 0160,
Tbilisi, Georgia

(540)



(591) White, sky-blue

(531) 02.09.10; 27.05.01; 27.05.10; 27.05.17;
29.01.11

(511) 35, 44

(260) AM 2026 136248 A

(210) AM 136248

(220) 2025 10 31

(731) McDonald's International Property
Company LTD.110 North Carpenter Street, Chicago, Illinois
60607, USA

(740) Shalva Gvaramadze

(540)

მაკვლარი

(591) Black-white

(511) 30

(260) AM 2026 136265 A

(210) AM 136265

(220) 2025 11 03

(731) LLC "Silk Road Business Center"

Shota Rustaveli Av. 31, 0108, Mtatsminda
District, Tbilisi, Georgia

(540)

PHILOSOPHICO
TELEGRAPH

(591) Black-white

(531) 27.05.01; 27.05.09; 27.05.10

(511) 43

(260) AM 2026 136276 A

(210) AM 136276

(220) 2025 11 05

(731) LLC "Oxon Solutions"

Victor Dolidze St. 60, Saburtalo District, Tbilisi,
Georgia

(740) Tamar Kharazishvili

(540)

იდეა სიტი
Idea City

(591) Black-white

(511) 36, 37

(260) AM 2026 136278 A

(210) AM 136278

(220) 2025 11 05

(731) Magnum IP Holdings B.V.

Regulirsdvarstraat 63, Amsterdami 1017BK,
Netherlands

(740) Giorgi Taktakishvili

(540)

ALGIDA FRIGOLA

(591) Black-white

(511) 30

(260) AM 2026 136283 A

(210) AM 136283

(220) 2025 11 05

(731) LLC "Silk Road Business Center"

Shota Rustaveli Av. 31, 0108, Mtatsminda
District, Tbilisi, Georgia

(540)

WINE LIBRARY

TELEGRAPH

(591) Black-white

(531) 27.05.01; 27.05.10; 27.05.17

(511) 43

(260) AM 2026 136295 A

(210) AM 136295

(220) 2025 11 07

(731) Maoren Brand Management Co., LTD.

№5-3, Floor 13, Building 2, Shenzhen City,
Headquarters Economy Zone, Shenka Avenue,
Kashi Economy Development Zone, Kashi
Prefecture, Xinjiang, People's Republic
of China

(740) Giorgi Kartvelishvili

(540)

(591) Black-white

(531) 26.11.03; 26.11.06; 26.11.11; 26.11.12;
26.13.25; 27.05.01

(511) 24, 25, 35

(260) AM 2026 136367 A

(210) AM 136367

(220) 2025 11 11

(731) Tamar Tandashvili

Vakhtang Kotetishvili St. 11/2, Space 3,
Tbilisi, Georgia

(740) Zurab Bezhashvili;
Ioane Iarajuli
(540)



LIFE INTELLIGENCE

(591) Black-white, red, green, blue
(531) 05.01.03; 05.01.04; 05.01.16; 27.05.01;
29.01.15
(511) 35, 41

(260) AM 2026 136443 A
(210) AM 136443
(220) 2025 11 14
(731) Levan Gvaramadze
Al. Kazbegi St. 2, ap. 12, 0160, Tbilisi, Georgia
(740) Levan Gvaramadze
(540)

ვერელი
Vereli
Верели

(591) Black-white
(511) 33

(260) AM 2026 136377 A
(210) AM 136377
(220) 2025 11 13
(731) Joint Stock Company "Technonikol"
St. Gilyarovskogo 47, bld. 5, Floor 5, Office I,
Room 22, Moscow, 129110, Russian
Federation
(740) Shalva Gvaramadze
(540)



(591) 3C6FB2 blue, ACD9F9 sky-blue, white
(531) 26.15.09; 27.05.01; 27.05.10; 27.05.17;
29.01.04; 29.01.11
(511) 17, 19

(260) AM 2026 136378 A
(210) AM 136378
(220) 2025 11 13
(731) Joint Stock Company "Technonikol"
St. Gilyarovskogo 47, bld. 5, Floor 5, Office I,
Room 22, Moscow, 129110, Russian
Federation
(740) Shalva Gvaramadze
(540)



(591) Black, white, grey
(531) 26.15.09; 27.05.01; 27.05.10; 27.05.17
(511) 17, 19

REGISTERED TRADEMARK

<p>(111) M 2026 41199 R (151) 2026 05 11 (181) 2036 05 11 (260) AM 2025 133591 A (220) 2025 05 01 (732) LTD "Proautoparts" A. Sulkhanishvili St. 37, Telavi, Georgia (511) 35</p>	<p>City, Zhejiang Province, 322000, People's Republic of China (511) 8, 21</p>
<p>(111) M 2026 41200 R (151) 2026 05 11 (181) 2036 05 11 (260) AM 2025 132656 A (220) 2025 02 28 (732) Basic Commodities for trade Co. Amman - Al - Qastal - Air Cargo Street, Jordan (511) 30</p>	<p>(111) M 2026 41204 R (151) 2026 05 11 (181) 2036 05 11 (260) AM 2025 131676 A (220) 2025 01 08 (732) LTD "Horizons Georgia" Varketili St. 3, IV m/r, bld. 417, ap. 23, 0163, Samgori District, Tbilisi, Georgia (511) 3, 4, 11, 21, 29, 30, 32, 33, 35, 41</p>
<p>(111) M 2026 41201 R (151) 2026 05 11 (181) 2036 05 11 (260) AM 2025 133016 A (220) 2025 03 24 (732) Las Vegas Sands Corp. 5420 S. Durango Dr., Las Vegas, Nevada 89113, USA (511) 9, 41, 42</p>	<p>(111) M 2026 41205 R (151) 2026 05 11 (181) 2036 05 11 (260) AM 2025 134085 A (220) 2025 06 03 (732) Yiwu Oudiya Trading Co., Ltd. Room 707, 7th Floor, Building 1, Shuangchuang Building, №1133, Chouzhou North Road, Futian Street, Yiwu City, Jinhua City, Zhejiang Province, 322000, People's Republic of China (511) 6, 7, 8</p>
<p>(111) M 2026 41202 R (151) 2026 05 11 (181) 2036 05 11 (260) AM 2025 134080 A (220) 2025 06 03 (732) Zhejiang Xingbao Umbrella Co., LTD. Linghui Street, Xietang Town, Shangyu District, Shaoxing City, Zhejiang Province, People's Republic of China (511) 18</p>	<p>(111) M 2026 41206 R (151) 2026 05 11 (181) 2036 05 11 (260) AM 2025 132499 A (220) 2025 02 26 (732) LTD "Palavani" Shindisi Highway 19, Gori, Georgia (511) 33</p>
<p>(111) M 2026 41203 R (151) 2026 05 11 (181) 2036 05 11 (260) AM 2025 134084 A (220) 2025 06 03 (732) Yiwu Oudiya Trading Co., Ltd. Room 707, 7th Floor, Building 1, Shuangchuang Building, №1133, Chouzhou North Road, Futian Street, Yiwu City, Jinhua</p>	<p>(111) M 2026 41207 R (151) 2026 05 11 (181) 2036 05 11 (260) AM 2025 133968 A (220) 2025 05 27 (732) Savory World Ltd. Steliou Mavrommati, 55 "Agios Dometios" 2364 Nicosia, Cyprus (511) 29, 30</p>

-
- (111) M 2026 41208 R
(151) 2026 05 11
(181) 2036 05 11
(260) AM 2025 133967 A
(220) 2025 05 27
(732) Savory World Ltd.
Steliou Mavrommati, 55 "Agios Dometios"
2364 Nicosia, Cyprus
(511) 29, 30
-
- (111) M 2026 41209 R
(151) 2026 05 11
(181) 2036 05 11
(260) AM 2025 134184 A
(220) 2025 06 10
(732) Shen Zhen Wesort Optoelectronic Co., LTD
101-401, Bldg 29, Longwangmiao Ind Zone,
Baishixia Comm, Fuyong St, Bao'an Dist,
Shenzhen, People's Republic of China
(511) 7
-
- (111) M 2026 41210 R
(151) 2026 05 11
(181) 2036 05 11
(260) AM 2025 133880 A
(220) 2025 05 19
(732) Lotus Bakeries N.V.
Gentstraat 1, 9971 Lembeke, Belgium
(511) 30
-
- (111) M 2026 41211 R
(151) 2026 05 11
(181) 2036 05 11
(260) AM 2025 134081 A
(220) 2025 06 03
(732) Little Things Trading LLC
Strit №48, Plot 597-398, Dubai Investmen
Park 2, Dubai, United Arab Emirates
(511) 28
-
- (111) M 2026 41212 R
(151) 2026 05 11
(181) 2036 05 11
(260) AM 2025 133013 A
(220) 2025 03 22
(732) Limited Liability Company "Bitex"
197341, St. Petersburg, Afonskaya St.,
Dom 2, Litera A, Russian Federation
(511) 5
-
- (111) M 2026 41213 R
(151) 2026 05 11
(181) 2036 05 11
(260) AM 2025 133641 A
(220) 2025 05 02
-
- (732) KMG International N.V.
Strawinskylaan 1571, Tower Ten, 17th Floor,
1077 XX, Amsterdam, Netherlands
(511) 4, 35, 43
-
- (111) M 2026 41214 R
(151) 2026 05 11
(181) 2036 05 11
(260) AM 2025 133287 A
(220) 2025 04 11
(732) White Gold Group LLC
12000 Biscayne Blvd, Ste 220, Miami,
FL 33181, USA
(511) 33
-
- (111) M 2026 41215 R
(151) 2026 05 11
(181) 2036 05 11
(260) AM 2025 133034 A
(220) 2025 03 25
(732) Hangzhou Hikvision Digital
Technology Co., Ltd.
555 Qianmo Road, Binjiang District,
Hangzhou, Zhejiang Province, People's
Republic of China
(511) 9, 42
-
- (111) M 2026 41216 R
(151) 2026 05 11
(181) 2036 05 11
(260) AM 2025 132684 A
(220) 2025 03 05
(732) LLC "Petra Batumi"
Shio Chitadze St. 11, ap. 26, 0108, Mtatsminda
District, Tbilisi, Georgia
(511) 35, 36, 41, 43
-
- (111) M 2026 41217 R
(151) 2026 05 11
(181) 2036 05 11
(260) AM 2025 132687 A
(220) 2025 03 05
(732) LLC "Petra Batumi"
Shio Chitadze St. 11, ap. 26, 0108, Mtatsminda
District, Tbilisi, Georgia
(511) 35, 36, 41, 43
-
- (111) M 2026 41218 R
(151) 2026 05 11
(181) 2036 05 11
(260) AM 2025 132685 A
(220) 2025 03 05
(732) LLC "Petra Batumi"
-

Shio Chitadze St. 11, ap. 26, 0108, Mtatsminda
District, Tbilisi, Georgia
(511) 35, 36, 41, 43

(111) M 2026 41219 R
(151) 2026 05 11
(181) 2036 05 11
(260) AM 2025 132683 A
(220) 2025 03 05
(732) LLC "Petra Batumi"
Shio Chitadze St. 11, ap. 26, 0108, Mtatsminda
District, Tbilisi, Georgia
(511) 35, 36, 41, 43

(111) M 2026 41220 R
(151) 2026 05 11
(181) 2036 05 11
(260) AM 2025 131766 A
(220) 2025 01 15
(732) LTD "Gurmani 001"
Gurjaani St. 14, 0144, Isani District, Tbilisi,
Georgia
(511) 30

(111) M 2026 41221 R
(151) 2026 05 11
(181) 2036 05 11
(260) AM 2025 134354 A
(220) 2025 06 23
(732) LTD "GM Pharmaceuticals"
Rustavi Highway 52, 0114, Tbilisi, Georgia
(511) 5

(111) M 2026 41222 R
(151) 2026 05 11
(181) 2036 05 11
(260) AM 2025 134186 A
(220) 2025 06 10
(732) Irakli Shevchenko
Shartava St. 38, Tbilisi, Georgia;
Nato Davitashvili
Besarion Zhgenti St., Lane 5, Tbilisi,
Georgia
(511) 20, 37, 41, 42

(111) M 2026 41223 R
(151) 2026 05 11
(181) 2036 05 11
(260) AM 2025 133690 A
(220) 2025 05 08
(732) Joint Stock Company "Lomisi"
Village Natakhtari, 3308, Mtskheta, Georgia
(511) 32, 33

(111) M 2026 41224 R
(151) 2026 05 11
(181) 2036 05 11
(260) AM 2025 132688 A
(220) 2025 03 05
(732) LLC "Petra Batumi"
Shio Chitadze St. 11, ap. 26, 0108, Mtatsminda
District, Tbilisi, Georgia
(511) 35, 36, 41, 43

(111) M 2026 41225 R
(151) 2026 05 11
(181) 2036 05 11
(260) AM 2025 132686 A
(220) 2025 03 05
(732) LLC "Petra Batumi"
Shio Chitadze St. 11, ap. 26, 0108, Mtatsminda
District, Tbilisi, Georgia
(511) 35, 36, 41, 43

(111) M 2026 41226 R
(151) 2026 05 11
(181) 2036 05 11
(260) AM 2025 132689 A
(220) 2025 03 05
(732) LLC "Petra Batumi"
Shio Chitadze St. 11, ap. 26, 0108, Mtatsminda
District, Tbilisi, Georgia
(511) 35, 36, 41, 43

(111) M 2026 41227 R
(151) 2026 05 11
(181) 2036 05 11
(260) AM 2025 134376 A
(220) 2025 06 25
(732) LTD "Rilven"
Giorgi Chkondideli St. 111, fl. 9,
ap. 57, 0180, Nadzaladevi District, Tbilisi,
Georgia
(511) 9, 35, 42, 45

(111) M 2026 41228 R
(151) 2026 05 11
(181) 2036 05 11
(260) AM 2025 134258 A
(220) 2025 06 18
(732) LTD "Tiflisidistillery"
Nino Zhvanis St. j. 10, Ent. 2, fl. 11, ap. 31,
Tbilisi, Georgia
(511) 33

(111) M 2026 41229 R
(151) 2026 05 11
(181) 2036 05 11
(260) AM 2025 134350 A
(220) 2025 06 23
(732) Besarion Metonidze
Anton Purtseladze St. 12, 0108, Tbilisi, Georgia
(511) 33

(111) M 2026 41230 R
(151) 2026 05 11
(181) 2036 05 11
(260) AM 2025 133260 A
(220) 2025 04 04
(732) Ulfat Ali
Vazha-Pshavela Av. 79/159, 0186, Tbilisi,
Georgia
(511) 43

(111) M 2026 41231 R
(151) 2026 05 11
(181) 2036 05 11
(260) AM 2025 134457 A
(220) 2025 06 30
(732) Tamar Sujashvili
Nutsbidze IV m/r, bld. 7, 8. 105, Tbilisi,
Georgia
(511) 14, 18, 25, 35

(111) M 2026 41232 R
(151) 2026 05 11
(181) 2036 05 11
(260) AM 2025 133252 A
(220) 2025 04 04
(732) Ulfat Ali
Vazha-Pshavela Av. 79/159, 0186, Tbilisi,
Georgia
(511) 43

(111) M 2026 41233 R
(151) 2026 05 11
(181) 2036 05 11
(260) AM 2025 133544 A
(220) 2025 04 25
(732) Melita Lomadze
Vakhtang Bochorishvili St. 37b, Tbilisi,
Georgia
(511) 41

(111) M 2026 41234 R
(151) 2026 05 11
(181) 2036 05 11
(260) AM 2024 131241 A
(220) 2024 12 06

(732) Altunis - Trading, Gestão E Serviços, Sociedade
Unipessoal, LDA.
Avenida Arriaga, №73, 1 andar, sala 113,
9000-060, Funchal, Madeira, Portugal, Portugal
(511) 33

(111) M 2026 41235 R
(151) 2026 05 11
(181) 2036 05 11
(260) AM 2025 133280 A
(220) 2025 04 09
(732) Jizan Perfumes L.L.C
Deira, Dubai, United Arab Emirates
(511) 03

(111) M 2026 41236 R
(151) 2026 05 11
(181) 2036 05 11
(260) AM 2025 133253 A
(220) 2025 04 04
(732) Ulfat Ali
Vazha-Pshavela Av. 79/159, 0186, Tbilisi,
Georgia
(511) 43

(111) M 2026 41237 R
(151) 2026 05 11
(181) 2036 05 11
(260) AM 2025 133257 A
(220) 2025 04 04
(732) Ulfat Ali
Vazha-Pshavela Av. 79/159, 0186, Tbilisi,
Georgia
(511) 43

(111) M 2026 41238 R
(151) 2026 05 11
(181) 2036 05 11
(260) AM 2025 134467 A
(220) 2025 07 01
(732) Azumi Filtration Product Co., Ltd.
2440 Kikuma, Ichihara-shi, Chiba-ken, Japan
(511) 7

(111) M 2026 41239 R
(151) 2026 05 11
(181) 2036 05 11
(260) AM 2025 134257 A
(220) 2025 06 17
(732) PepsiCo Inc.
700 Anderson Hill Road, Purchase, New
York, 10577, USA
(511) 29

(111) M 2026 41240 R
 (151) 2026 05 11
 (181) 2036 05 11
 (260) AM 2025 133964 A
 (220) 2025 05 27
 (732) Zhejiang Yidun Mechanical & Electrical
 Co., LTD.
 №10, 5th Street, Eastern New District,
 Wenling, Taizhou City, Zhejiang Province,
 People's Republic of China
 (511) 7

(111) M 2026 41241 R
 (151) 2026 05 11
 (181) 2036 05 11
 (260) AM 2025 133985 A
 (220) 2025 05 30
 (732) Kaimin Guo
 506 Daguolou Village, Chengjiao Township,
 Yucheng County, Shangqiu City, Henan
 Province, People's Republic of China
 (511) 7, 8

(111) M 2026 41242 R
 (151) 2026 05 11
 (181) 2036 05 11
 (260) AM 2025 134356 A
 (220) 2025 06 23
 (732) LTD "Euro Group Biolab"
 Zakaria Paliashvili St. 41, Vake District,
 Tbilisi, Georgia
 (511) 5

(111) M 2026 41243 R
 (151) 2026 05 11
 (181) 2036 05 11
 (260) AM 2025 134357 A
 (220) 2025 06 23
 (732) LTD "Euro Group Biolab"
 Zakaria Paliashvili St. 41, Vake District,
 Tbilisi, Georgia
 (511) 5

(111) M 2026 41244 R
 (151) 2026 05 11
 (181) 2036 05 11
 (260) AM 2025 134358 A
 (220) 2025 06 23
 (732) LTD "Euro Group Biolab"
 Zakaria Paliashvili St. 41, Vake District,
 Tbilisi, Georgia
 (511) 5

(111) M 2026 41245 R
 (151) 2026 05 11
 (181) 2036 05 11
 (260) AM 2025 134266 A
 (220) 2025 06 19
 (732) LTD "Gino Park"
 Beshenova St. 9/Liptov St. 8, Nadzaladevi
 District, 0180, Tbilisi, Georgia
 (511) 41

(111) M 2026 41246 R
 (151) 2026 05 11
 (181) 2036 05 11
 (260) AM 2025 134261 A
 (220) 2025 06 18
 (732) Joint Stock Company "Lomisi"
 Village Natakhtari, 3308, Mtskheta, Georgia
 (511) 32

(111) M 2026 41247 R
 (151) 2026 05 11
 (181) 2036 05 11
 (260) AM 2025 134262 A
 (220) 2025 06 18
 (732) Jaba Bokuchava
 Nutsa Ghoghoberidze St. 9, 0179, Tbilisi,
 Georgia
 (511) 41

(111) M 2026 41248 R
 (151) 2026 05 11
 (181) 2036 05 11
 (260) AM 2025 133693 A
 (220) 2025 05 08
 (732) Novartis AG
 4002 Basel, Switzerland
 (511) 5

(111) M 2026 41249 R
 (151) 2026 05 11
 (181) 2036 05 11
 (260) AM 2025 134367 A
 (220) 2025 06 24
 (732) Yiwu Ackiliss Electric Co., Ltd.
 Room 2407-1, Block A, Futian Ginza, №99,
 Financial 6 Street, Financial Business District,
 Futian Street, Yiwu City, Jinhua, Zhejiang,
 People's Republic of China
 (511) 7, 8, 11, 21

(111) M 2026 41250 R
 (151) 2026 05 11
 (181) 2036 05 11
 (260) AM 2025 134272 A

(220) 2025 06 19
(732) Guangzhou Langyi Technology Co., Ltd
Room 1806,1807,1808,18/F, №165,
Qiaozhongzhong Road, Liwan District,
Guangzhou, People's Republic of China
(511) 9

(111) M 2026 41257 R
(151) 2026 05 14
(181) 2036 05 14
(260) AM 2025 133152 A
(220) 2025 04 03
(732) Tea Trapaidze
Vashlijvari, bld. 14A, ap. 11, 0158, Tbilisi,
Georgia
(511) 41

(111) M 2026 41258 R
(151) 2026 05 14
(181) 2036 05 14
(260) AM 2025 133555 A
(220) 2025 04 28
(732) Individual Entrepreneur Kornev Vladimir
Rudolfovich
Dekabristov Street, House 14, Apartment 1,
445350, Samara Region, City Zhigulevsk,
Russian Federation
(511) 32, 33

(111) M 2026 41259 R
(151) 2026 05 14
(181) 2036 05 14
(260) AM 2025 133485 A
(220) 2025 04 24
(732) LTD "Grape Man"
Akaki Tsereteli Av. 87b, ap. 15, 0119,
Didube District, Tbilisi, Georgia
(511) 33, 35

(111) M 2026 41260 R
(151) 2026 05 14
(181) 2036 05 14
(260) AM 2025 133675 A
(220) 2025 05 07
(732) LTD "Aversi-Pharma"
Davit Aghmashenebeli Av. 148, 0112, Tbilisi,
Georgia
(511) 5

(111) M 2026 41261 R
(151) 2026 05 14
(181) 2036 05 14
(260) AM 2025 133669 A
(220) 2025 05 07

(732) LTD "Aversi-Pharma"
Davit Aghmashenebeli Av. 148, 0112, Tbilisi,
Georgia
(511) 5

(111) M 2026 41262 R
(151) 2026 05 14
(181) 2036 05 14
(260) AM 2025 133659 A
(220) 2025 05 06
(732) LTD "Aversi-Pharma"
Davit Aghmashenebeli Av. 148, 0112, Tbilisi,
Georgia
(511) 5, 12, 18, 20, 21, 25

(111) M 2026 41263 R
(151) 2026 05 14
(181) 2036 05 14
(260) AM 2025 133660 A
(220) 2025 05 06
(732) LTD "Aversi-Pharma"
Davit Aghmashenebeli Av. 148, 0112, Tbilisi,
Georgia
(511) 8, 10, 12, 18, 20, 21, 25

(111) M 2026 41264 R
(151) 2026 05 14
(181) 2036 05 14
(260) AM 2025 133661 A
(220) 2025 05 06
(732) LTD "Aversi-Pharma"
Davit Aghmashenebeli Av. 148, 0112, Tbilisi,
Georgia
(511) 5, 8, 10, 12, 18, 20, 21, 25

(111) M 2026 41265 R
(151) 2026 05 14
(181) 2036 05 14
(260) AM 2025 134187 A
(220) 2025 06 11
(732) LTD "TDK Group"
Cosmonauts' Coast 55, Tbilisi, Georgia
(511) 43

(111) M 2026 41266 R
(151) 2026 05 14
(181) 2036 05 14
(260) AM 2025 133662 A
(220) 2025 05 06
(732) LTD "Aversi-Pharma"
Davit Aghmashenebeli Av. 148, 0112, Tbilisi,
Georgia
(511) 5

(111) M 2026 41267 R
(151) 2026 05 14
(181) 2036 05 14
(260) AM 2025 134369 A
(220) 2025 06 24
(732) LTD "Grape Man"
Akaki Tsereteli Av. 87B, ap. 15, 0119,
Didube District, Tbilisi, Georgia
(511) 35

(111) M 2026 41268 R
(151) 2026 05 14
(181) 2036 05 14
(260) AM 2025 133663 A
(220) 2025 05 06
(732) LTD "Aversi-Pharma"
Davit Aghmashenebeli Av. 148, 0112, Tbilisi,
Georgia
(511) 5

(111) M 2026 41269 R
(151) 2026 05 14
(181) 2036 05 14
(260) AM 2025 133665 A
(220) 2025 05 07
(732) LTD "Aversi-Pharma"
Davit Aghmashenebeli Av. 148, 0112, Tbilisi,
Georgia
(511) 5

(111) M 2026 41270 R
(151) 2026 05 14
(181) 2036 05 14
(260) AM 2025 134072 A
(220) 2025 06 02
(732) LTD "Aversi-Pharma"
Davit Aghmashenebeli Av. 148, 0112, Tbilisi,
Georgia
(511) 5

(111) M 2026 41271 R
(151) 2026 05 14
(181) 2036 05 14
(260) AM 2025 133678 A
(220) 2025 05 07
(732) LTD "Aversi-Pharma"
Davit Aghmashenebeli Av. 148, 0112, Tbilisi,
Georgia
(511) 5

(111) M 2026 41272 R
(151) 2026 05 14
(181) 2036 05 14
(260) AM 2025 133666 A

(220) 2025 05 07
(732) LTD "Aversi-Pharma"
Davit Aghmashenebeli Av. 148, 0112, Tbilisi,
Georgia
(511) 5

(111) M 2026 41273 R
(151) 2026 05 14
(181) 2036 05 14
(260) AM 2025 134251 A
(220) 2025 06 16
(732) LTD "Aversi-Pharma"
Davit Aghmashenebeli Av. 148, 0112, Tbilisi,
Georgia
(511) 5

(111) M 2026 41274 R
(151) 2026 05 14
(181) 2036 05 14
(260) AM 2025 133667 A
(220) 2025 05 07
(732) LTD "Aversi-Pharma"
Davit Aghmashenebeli Av. 148, 0112, Tbilisi,
Georgia
(511) 5

(111) M 2026 41275 R
(151) 2026 05 14
(181) 2036 05 14
(260) AM 2025 133668 A
(220) 2025 05 07
(732) LTD "Aversi-Pharma"
Davit Aghmashenebeli Av. 148, 0112, Tbilisi,
Georgia
(511) 5

(111) M 2026 41276 R
(151) 2026 05 14
(181) 2036 05 14
(260) AM 2025 134364 A
(220) 2025 06 24
(732) LTD "Grape Man"
Akaki Tsereteli Av. 87b, ap. 15, 0119,
Didube District, Tbilisi, Georgia
(511) 33, 35

(111) M 2026 41277 R
(151) 2026 05 14
(181) 2036 05 14
(260) AM 2025 133482 A
(220) 2025 04 24
(732) LTD "Grape Man"
Akaki Tsereteli Av. 87b, ap. 15, 0119,
Didube District, Tbilisi, Georgia

(511) 33, 35

(111) M 2026 41278 R
(151) 2026 05 14
(181) 2036 05 14
(260) AM 2025 133671 A
(220) 2025 05 07
(732) LTD "Aversi-Pharma"
Davit Aghmashenebeli Av. 148, 0112, Tbilisi,
Georgia
(511) 5

(111) M 2026 41279 R
(151) 2026 05 14
(181) 2036 05 14
(260) AM 2025 133672 A
(220) 2025 05 07
(732) LTD "Aversi-Pharma"
Davit Aghmashenebeli Av. 148, 0112, Tbilisi,
Georgia
(511) 5

(111) M 2026 41280 R
(151) 2026 05 14
(181) 2036 05 14
(260) AM 2025 133677 A
(220) 2025 05 07
(732) LTD "Aversi-Pharma"
Davit Aghmashenebeli Av. 148, 0112, Tbilisi,
Georgia
(511) 5

(111) M 2026 41281 R
(151) 2026 05 14
(181) 2036 05 14
(260) AM 2025 133696 A
(220) 2025 05 08
(732) LLC "Verona"
51 David Aghmashenebeli Alley, Commercial
Area 1, 0186, Didube District, Tbilisi, Georgia
(511) 7, 8, 9, 11, 21, 35

(111) M 2026 41282 R
(151) 2026 05 14
(181) 2036 05 14
(260) AM 2025 134326 A
(220) 2025 06 20
(732) JSC "Wissol Petroleum Georgia"
Ilia Chavchavadze Av. 74b, 0179, Tbilisi,
Georgia
(511) 35, 37, 43

(111) M 2026 41283 R
(151) 2026 05 14
(181) 2036 05 14
(260) AM 2025 134327 A
(220) 2025 06 20
(732) JSC "Wissol Petroleum Georgia"
Ilia Chavchavadze Av. 74b, 0179, Tbilisi,
Georgia
(511) 35, 37, 43

(111) M 2026 41284 R
(151) 2026 05 14
(181) 2036 05 14
(260) AM 2025 132339 A
(220) 2025 02 15
(732) LTD "Futurium"
Vazisubani III m/r, I qu., bld. 2, ap. 114, 0190,
Isani District, Tbilisi, Georgia
(511) 35, 37

(111) M 2026 41285 R
(151) 2026 05 14
(181) 2036 05 14
(260) AM 2025 132502 A
(220) 2025 02 26
(732) Davit Mchedlidze
N. Zhvania St. 28, ap. 76, 0179, Tbilisi,
Georgia
(511) 33

(111) M 2026 41286 R
(151) 2026 05 14
(181) 2036 05 14
(260) AM 2025 133015 A
(220) 2025 03 24
(732) Nsar General Trading L.L.C
P.O. Box 171611 - Dubai, United
Arab Emirates
(511) 34

(111) M 2026 41287 R
(151) 2026 05 14
(181) 2036 05 14
(260) AM 2025 134491 A
(220) 2025 07 03
(732) LTD "Golden Suneli"
Gldani, VI m/r, bld. 24, ap. 41, Gldani
District, Tbilisi, Georgia
(511) 29, 30

(111) M 2026 41288 R

(151) 2026 05 14

(181) 2036 05 14

(260) AM 2025 133375 A

(220) 2025 04 14

(732) DuPont Specialty Products USA LLC
974 Centre Road, Wilmington, Delaware
19805, USA

(511) 1, 17

TRADEMARK REGISTERED ACCORDING TO THE ACCELERATED PROCEDURE

The decision can be appealed at the Chamber of Appeal of Sakpatenti within 3 months from the publication.

(111) M 2026 41194 R

(151) 2026 05 11

(181) 2036 05 11

(210) AM 138904

(220) 2026 04 23

(732) LLC "Abipharm"

Lado Gudiashvili St. 9, 0101, Mtatsminda
District, Tbilisi, Georgia

(740) David Chikhladze

(540)

აბიფარმი
Abipharm
Абифарм

(591) Black-white

(511) 3, 5

(591) 000000 black, FFFFFFF white

(531) 26.01.03; 26.01.26; 27.01.06; 27.05.01;
27.05.08; 27.05.10

(511) 34

(111) M 2026 41197 R

(151) 2026 05 11

(181) 2036 05 11

(210) AM 139081

(220) 2026 05 01

(732) LLC "Mada"

Tbel Abuseridze St. 5, B. 304, 6004, Batumi,
Georgia

(540)

(591) FEFEFE white, 532220 Bordeaux,
ED3237 red(531) 26.04.02; 26.04.05; 26.04.18; 26.04.24;
27.05.01; 27.05.02; 27.05.17; 29.01.13

(511) 17

(111) M 2026 41195 R

(151) 2026 05 11

(181) 2036 05 11

(210) AM 139023

(220) 2026 04 29

(732) LLC "Abipharm"

Lado Gudiashvili St. 9, 0101, Mtatsminda
District, Tbilisi, Georgia

(740) David Chikhladze

(540)



(591) White, light blue

(531) 26.05.02; 26.05.08; 26.05.18; 27.05.01;
27.05.17; 27.05.24

(511) 3, 5

(111) M 2026 41198 R

(151) 2026 05 11

(181) 2036 05 11

(210) AM 139098

(220) 2026 05 05

(732) LLC "Welt Trade"

Elizabeth Cherkezishvili St. 28, 0180,
Saburtalo District, Tbilisi,
Georgia

(540)



(591) F8DC00 yellow, white

(531) 26.05.04; 27.05.17; 27.05.21; 29.01.02

(511) 6

(111) M 2026 41196 R

(151) 2026 05 11

(181) 2036 05 11

(210) AM 139080

(220) 2026 05 01

(732) LLC "Global Bridge Distribution"

Uznadze St. 111, ap. 11, bld. 2, 0102,
Chughureti District, Tbilisi, Georgia

(540)



(111) M 2026 41251 R

(151) 2026 05 14

(181) 2036 05 14

(210) AM 138884

(220) 2026 04 19

- (732) LLC "Kentin Trust"
Village Akhalsopeli, Tkibuli District, Georgia
(740) Giorgi Kartvelishvili
(540)



- (591) Black, silver
(531) 25.01.25; 26.04.02; 26.04.05; 26.04.16;
26.04.22; 26.04.24; 27.05.01; 27.05.05;
27.05.24; 29.01.12
(511) 29, 32, 33

- (111) M 2026 41252 R
(151) 2026 05 14
(181) 2036 05 14
(210) AM 139009
(220) 2026 04 27
(732) Almofa Limited
Agias Filaxeos 36, Limassol, 3025, Cyprus
(740) Mirian Bichikashvili
(540)



- (591) Black (#09111A), yellow (#F4C430),
white (#FBFCFD)
(531) 26.04.04; 26.04.05; 26.04.24; 27.05.01;
27.05.17; 29.01.13
(511) 9, 35, 42

- (111) M 2026 41253 R
(151) 2026 05 14
(181) 2036 05 14
(210) AM 139112
(220) 2026 05 06
(732) LLC "X Luxury"
Stepane Chrelashvili St. 1, Block A, ap. 21,
Isani District, Tbilisi, Georgia
(540)



- (591) White, dark green, golden, black
(531) 18.01.05; 18.01.14; 27.05.01; 27.05.09;
27.05.21
(511) 12, 39

- (111) M 2026 41254 R
(151) 2026 05 14
(181) 2036 05 14
(210) AM 138874
(220) 2026 04 17
(732) Dimitri Bilino
Ilia Chavchavadze Av., Lane I, bld. 2, ap. 8,
Tbilisi, Georgia
(740) Giorgi Taktakishvili
(540)



- (591) Black-white
(531) 26.04.02; 26.04.05; 26.04.18; 26.04.22;
26.04.24; 27.05.01; 27.05.09; 27.05.17;
27.05.22; 29.01.12
(511) 25, 28

- (111) M 2026 41255 R
(151) 2026 05 14
(181) 2036 05 14
(210) AM 139027
(220) 2026 04 30
(732) Onlinegaming Soft B.V.
Abraham Mendez Chumaceiro Boulevard 03,
P.O. Box 4750, Curaçao
(740) Irakli Gvilia
(540)



- (591) Light grey, dark grey, white, black
(531) 21.01.09; 24.17.18; 27.05.01; 27.05.08;
27.05.09; 27.05.17; 27.05.25
(511) 41

- (111) M 2026 41256 R
(151) 2026 05 14
(181) 2036 05 14
(210) AM 139093
(220) 2026 05 05
(732) JSC "Sarajishvili"
Sarajishvili Av. 4, 0153, Gldani District, Tbilisi,
Georgia
(740) Shalva Gvaramadze
(540)



- (591) Black-white

(531) 27.05.01; 27.05.09; 27.05.10
(511) 33

(111) M 2026 41289 R
(151) 2026 05 18
(181) 2036 05 18
(210) AM 137345
(220) 2026 01 20
(732) LLC "Tsiskvili Group"
Akaki Beliashvili St., nearby the Institute of
Morphology, 0159, Tbilisi, Georgia
(540)

წისკვილი
Tsiskvili

(591) Black-white
(511) 43

(111) M 2026 41290 R
(151) 2026 05 20
(181) 2036 05 20
(210) AM 139108
(220) 2026 05 06
(732) LLC "Evida"
E. Bedia St. 33, Vake District, Tbilisi, Georgia
(540)

EVIDA

(591) 070707 black
(511) 44

(111) M 2026 41291 R
(151) 2026 05 20
(181) 2036 05 20
(210) AM 139028
(220) 2026 04 30
(732) Onlinegaming Soft B.V.
Abraham Mendez Chumaceiro Boulevard 03,
P.O. Box 4750, Curaçao
(740) Irakli Gvilia
(540)



(591) Green, white, black
(531) 26.01.01; 26.01.03; 26.01.04; 26.01.26;
26.04.02; 26.04.05; 26.04.24; 26.11.02;
26.11.06; 26.11.12; 27.05.01; 27.05.24
(511) 41

(111) M 2026 41292 R
(151) 2026 05 20
(181) 2036 05 20
(210) AM 139195
(220) 2026 05 08
(732) Anton Sungatullin
Puteprovodnaya St., House 30, Vill. Sichevo,
Moskow Region, Kolomenskiy District,
Russian Federation
(740) Irakli Kasradze
(540)



(591) FFFFFFF white, 000000 black
(531) 15.01.13; 26.11.03; 26.11.12; 26.13.25;
27.05.01; 27.05.10
(511) 37

INTERNATIONAL TRADEMARK FOR WHICH A DECISION ON GRANTING PROTECTION IS TAKEN

The decision can be appealed at the Chamber of Appeal of Sakpatenti within 3 months from the publication or at the Mtskheta District Court Administrative Cases Board (Address: №17, Samkhedro St., Mtskheta), within 1 month following the publication.

(260) AM 2026 129641 A

(800) 1394423

(151) 2017 11 04

(891) 2024 04 30

(731) Jaguar Land Rover Limited

Abbey Road, Whitley, Coventry CV3 4LF,

United Kingdom

(540)

DISCOVERY

(591) Black, white

(511)

9 – Computer hardware; on-board computers for vehicles; computers for autonomous-driving; on board electronic systems for providing driving and parking assistance; on board electronic systems for automatic braking; on board electronic systems to assisting in maintaining or changing lanes when driving; cruise control systems for vehicles; vehicle speed control apparatus; computer software; automotive computer software and hardware; computer software for use in relation to vehicles; telemetry devices for motor vehicle and engine applications; electric control panels; electronic control apparatus, instruments and displays; sensors; integrated electronic safety systems for vehicles; safety and driving assistant systems; lasers for use in relation to vehicles; lidar apparatus for vehicles; radar apparatus for vehicles; cameras for vehicles; on-board cameras; action cameras; parking sensors and rear-view cameras for vehicles; automotive measuring instruments; electronic apparatus for collecting measurements and receiving data; computer software, mobile applications and wireless transmission and receiving equipment for use in connection with autonomous and hands-free driving, automobile safety features and warning or alarm functions, accident prevention and traffic alerts; driving control unit for vehicles; computerised driver assistance systems for motor vehicles; charging stations for charging electric vehicles; apparatus and cables for use in charging electric vehicles; batteries for vehicles; electric accumulators, voltage regulators, aerials, electric batteries and mountings; anti-theft warning devices; alarm sensors; gauges; electronic or computer instrument panels and clusters; odometers; speedometers; tachometers; temperature sensors; voltmeters; ammeters; testing apparatus; proximity meters; electric circuit breakers; commutators; electric condensers; electric connections; electric cables; electric fuses; electric fuse boxes; electric control apparatus and instruments for motor vehicles and engines; electrical sensors; fire extinguish-

ing apparatus; printed electrical circuits; electric relays; electric switches; electric wiring harnesses; apparatus for recording, transmission or reproduction of sound and images; remote controls for motors; remote control apparatus for starting vehicles; emergency warning lights; electronic emergency notification system; computer interface apparatus forming part of a vehicle; display panels for vehicles; electronic driver display systems for vehicles; audio, audiovisual or telecommunications equipment; radio apparatus; in-car audiovisual entertainment systems; sound reproducing equipment; televisions; radios; CD players; loud speakers; headphones; personal digital assistants; tablet computers; multimedia devices; MP3 or MP4 players; mobile hard drives; universal serial bus drives; cases and holders for mobile phones, smartphones, computers, personal digital assistants, laptops, notebook computers; chargers for mobile phones, smartphones, laptop and tablet computers; telephones; mobile telephones; mobile phone and tablet computer headsets and accessories; straps for telephone handsets; screen-savers for phones and tablets; car telephone installations; recording media; highway emergency warning equipment; thermometers; compasses; calculators; electronic instructional and teaching apparatus and instruments; electrical and scientific apparatus for use in the repair and servicing of vehicles; magnets; tape measures; eyewear, glasses, sunglasses, driving glasses, skiing goggles; cases for eyeglasses, sunglasses or skiing goggles; drivers helmets; racing driver protective clothing; apparatus, gloves and clothing, all for use in protection against accident or injury; global positioning system (GPS); navigational systems, comprising electronic transmitters, receivers, circuitry, microprocessors, cellular telephone and computer software all for use in navigation and all integrated into a motor vehicle; downloadable electronic maps; wireless transmission and receiving equipment; interactive multimedia software; wireless controllers to remotely monitor and control the function and status of other electrical, electronic, signalling systems and mechanical devices for use in connection with vehicles and engines for vehicles; communications apparatus to transmit and receive communications via vehicles; computer hardware and software for tracking driver behaviour; sensors, computers and wireless transceivers to provide connectivity within the vehicle, between vehicles, with cell phones, and with data centers; computer hardware, software and apparatus to provide tactile, audible and visual interfaces to interact with

occupants of the vehicle; wireless transmission and receiving equipment for use in connection with remote computers for use in automobiles for tracking, monitoring and diagnosing maintenance for vehicles and for providing information to drivers; computer application software for use by drivers and passengers of vehicles for accessing, viewing, and interacting with and downloading information and entertainment content; downloadable software and on-board computer software that provides users with remote and in-vehicle access to motor vehicle functions and functions relating to driver safety, convenience, communication, entertainment, and navigation; diagnostic apparatus consisting of sensors for use in testing vehicle function and in diagnosing vehicle electrical and mechanical problems; software and software applications to allow users to track and locate stolen vehicles, charge electronics, and store and synchronize collected personalized user and vehicle information; electronic interface modules for wired and wireless interface of mobile phones and electronic media players with an automotive electrical system; computer systems for automated vehicle control; downloadable mobile applications; downloadable electronic publications; electronic publications; electronic periodic publications; application software for use in or in relation to vehicles; computer games, computer games software; databases, data sets, data files and software relating to 3D printing; databases, data sets, data files and software relating to design and manufacture of vehicles and parts and accessories therefor; databases, data sets, data files and software relating to design and manufacture of replica or model vehicles and parts and accessories therefor; computer-aided design (CAD) software and data files; downloadable image files; electronic databases containing image files; databases, data sets, data files and software relating to car sharing schemes; databases, data sets, data files and software relating to vehicle driver behaviour; simulators for simulating the operation of land vehicles; virtual models of vehicles or vehicle interiors; virtual reality software and hardware; augmented reality software and hardware; parts and fittings for any of the aforesaid goods; all of the aforesaid accessory to or directly related to passenger vehicles.

(260) AM 2026 130614 A

(800) 1818178

(151) 2024 07 05

(891) 2024 07 05

(731) Društvo za trgovija i usluge EVRO GEJMS
TEHNOLODŽI DOOEL Skopje
Ul. BORIS TRAJKOVSKI Br.214 A, KISELA
VODA, 1000 Skopje, The Republic of
North Macedonia

(540)

CIRCUS BRILLIANT

(591) Black, white

(511)

9 – Software; games software; computer gaming software; computer software packages; computer operating system software; computer software for the administration of on-line games and gaming; computer software, recorded; software drivers; virtual reality software; entertainment software for computer games; computer programs for network management; hardware and software for gambling, gambling machines, gambling games on the Internet and via telecommunication network; operating computer software for main frame computers; monitors (computer hardware); computer hardware; apparatus for recording images; monitors (computer programs); computer game programs; computer programs for recorded games; apparatus for recording, transmission or reproduction of sound or images; communications servers [computer hardware]; electronic components for gambling machines; computer application software featuring games and gaming; computer hardware for games and gaming; computer systems; computer terminals; interactive terminals; multimedia terminals; electronic terminals for generating lottery tickets; interactive touch screen terminals; computer touchscreens; electronic display panels; liquid crystal display screens; digital signage display panels; multimedia software; multimedia apparatus and instruments; interactive multimedia software for playing games; computer screens; LCD large-screen displays; liquid crystal displays [LCDs] for home theatres; media streaming software; computer application software for streaming audiovisual media content via the internet; utility software; computer programs, recorded; virtual reality software; games software; computer programs for network management; electronic lottery tickets; computer software platforms; operating systems; interactive computer systems; operating system programs; computer game software for use with on-line interactive games; interactive casino games provided through a computer or mobile platform; software for slot machine games, betting and wagering games, video slot games, casino games, games of chance and bingo games provided online and via computer networks and playable on any type of computing device including arcade games, personal computers, handheld devices and mobile phones.

28 – Games; chips for gambling; mah-jong; arcade games; gambling machines operating with coins, notes and cards; electropneumatic and electrical gambling machines (slot machines), electronic games; parlor games; gaming chips; gaming tables; slot machines [gaming machines]; LCD game machines; slot machines and gaming devices; coin-operated amusement machines; roulette chips; poker chips; chips and dice [gaming equipment]; equipment for casinos; roulette tables; gaming roulette wheels; casino games; automats and gambling machines; coin-operated amusement machines and/or electronic coin-operated amusement machines with or without the possibility

of gain; boxes for coin-operated machines, slot machines and gaming machines; electronic or electrotechnical gaming devices, automats and machines, coin-operated machines; housings for coin-operated machines, gaming equipment, gaming machines, machines for gambling; gaming machines for gambling; lottery wheels; electronic targets for games and sports.

(260) AM 2026 130681 A

(800) 1818822

(151) 2024 02 22

(891) 2024 02 22

(731) Limited Liability Company "Good King Ru"

ul. Shumkina, d. 20, str. 1, vn.ter.g.,
munitsipalniy okrug Sokolniki, RU-107113
Moscow, Russian Federation

(540)



(591) Black, white

(531) 15.07.01; 15.07.04; 27.03.15; 27.05.10;
27.05.17

(511)

35 – Demonstration of goods; marketing; organization of exhibitions for commercial or advertising purposes; shop window dressing; provision of an online marketplace for buyers and sellers of goods and services; presentation of goods on communication media, for retail purposes; sales promotion for others; advertising; administrative processing of purchase orders; procurement services for others [purchasing goods and services for other businesses]; online wholesale and retail services; wholesale services for goods [by any means].

39 – Parcel delivery; delivery of goods; transportation logistics; providing information relating to storage services; providing transportation information; packaging of goods; wrapping of goods; courier services [messages or merchandise]; storage of goods; storage.

(260) AM 2026 130800 A

(800) 1820856

(151) 2024 05 04

(891) 2024 05 04

(731) Lubrex FZC

Plot No: 1 E- 02C, PO Box 42438, Hamriyah
Free Zone, Sharjah, United Arab Emirates

(540)



(591) The claimed colours are black and white to get protection for all colours

(531) 03.07.17; 27.05.02; 27.05.08; 27.05.11

(511)

4 – Industrial oils and greases, lubricants, dust absorbing, wetting and binding compositions, fuels (including motor fuels), lighting fuel, candles and wicks for lighting.

(260) AM 2026 130919 A

(800) 1821838

(151) 2024 06 03

(891) 2024 06 03

(731) Obshchestvo s ogranichennoy otvetstvennostyu

"Nita-Farm"

ul. im. Osipova V.I., 1, RU-410010 Saratov,

Russian Federation

(540)

NITA-FARM

(591) Black, white

(511)

5 – Acaricides; algicides; amino acids for veterinary purposes; amino acids for medical purposes; analgesics; anaesthetics; antibiotics; antiseptics; medicine cases, portable, filled; first-aid boxes, filled; aluminium acetate for pharmaceutical purposes; acetates for pharmaceutical purposes; germicides; balms for medical purposes; bandages for dressings; biocides; bromine for pharmaceutical purposes; paper for mustard plasters; fly catching paper; reagent paper for medical or veterinary purposes; mothproofing paper; petroleum jelly for medical purposes; vaccines; oxygen baths; antiseptic cotton; aseptic cotton; absorbent cotton; wadding for medical purposes; cotton for medical purposes; dietetic substances adapted for medical use; radiological contrast substances for medical purposes; nutritive substances for microorganisms; radioactive substances for medical purposes; bismuth subnitrate for pharmaceutical purposes; melissa water for pharmaceutical purposes; seawater for medicinal bathing; mineral waters for medical purposes; thermal water; dietary fibre; moulding wax for dentists; gases for medical purposes; guaiacol for pharmaceutical purposes; haematogen; haemoglobin; hydrastine; hydrastinine; glycerine for medical purposes; glycerophosphates; glucose for medical purposes; gentian for pharmaceutical purposes; hormones for medical purposes; mustard for pharmaceutical purposes; mustard plasters; mud for baths; medicinal mud; gamboge for medical purposes; gurjun balsam for medical purposes; air deodorizing preparations; deodorants, other than for human beings or for animals; deodorants for clothing and textiles; diastase for medical purposes; digitalin; mineral food supplements; dietary supplements; albumin dietary supplements; dietary supplements for animals; alginate dietary supplements; glucose dietary supplements; casein dietary supplements; lecithin dietary supplements; linseed oil dietary supplements; propolis dietary supplements; protein dietary supplements; protein supplements for animals; royal jelly di-

etary supplements; pollen dietary supplements; wheat germ dietary supplements; linseed dietary supplements; enzyme dietary supplements; yeast for pharmaceutical purposes; gelatine for medical purposes; cod liver oil; isotopes for medical purposes; insecticides; iodine for pharmaceutical purposes; iodides for pharmaceutical purposes; alkaline iodides for pharmaceutical purposes; iodoform; calomel; tartar for pharmaceutical purposes; camphor for medical purposes; capsules for medicines; cachets for pharmaceutical purposes; haemostatic pencils; wart pencils; caustic pencils; carbolineum [parasiticide]; caustics for pharmaceutical purposes; cachou for pharmaceutical purposes; quassia for medical purposes; quebracho for medical purposes; oxygen for medical purposes; gallic acid for pharmaceutical purposes; acids for pharmaceutical purposes; adhesives for dentures; adhesive tapes for medical purposes; stem cells for veterinary purposes; stem cells for medical purposes; collodion for pharmaceutical purposes; corn rings for the feet; medicated sweets; angostura bark for medical purposes; barks for pharmaceutical purposes; cedar wood for use as an insect repellent; condurango bark for medical purposes; croton bark; mangrove bark for pharmaceutical purposes; myrobalan bark for pharmaceutical purposes; quinquina for medical purposes; medicinal roots; rhubarb roots for pharmaceutical purposes; lint for medical purposes; starch for dietetic or pharmaceutical purposes; creosote for pharmaceutical purposes; blood for medical purposes; cultures of microorganisms for medical or veterinary use; dental lacquer; liquorice for pharmaceutical purposes; milk sugar for pharmaceutical purposes; pharmaceutical pastilles; adhesive plasters; medicines for alleviating constipation; lecithin for medical purposes; lotions for veterinary purposes; dog lotions; lotions for pharmaceutical purposes; personal sexual lubricants; lupulin for pharmaceutical purposes; magnesia for pharmaceutical purposes; liniments; ointments for pharmaceutical purposes; sunburn ointments; frostbite salve for pharmaceutical purposes; mercurial ointments; gauze for dressings; medicinal oils; mustard oil for medical purposes; camphor oil for medical purposes; castor oil for medical purposes; oil of turpentine for pharmaceutical purposes; dill oil for medical purposes; dental mastics; dental abrasives; dental impression materials; teeth filling material; medical dressings; surgical dressings; drugs for medical purposes; medicines for veterinary purposes; serotherapeutic medicines; medicines for human purposes; medicines for dental purposes; menthol; medicinal drinks; moleskin for medical purposes; almond milk for pharmaceutical purposes; royal jelly for pharmaceutical purposes; milk ferments for pharmaceutical purposes; Irish moss for medical purposes; flour for pharmaceutical purposes; linseed meal for pharmaceutical purposes; fish meal for pharmaceutical purposes; fly glue; mint for pharmaceutical purposes; dietetic beverages adapted for medical purposes; malted milk beverages for me-

dical purposes; medicinal infusions; tincture of iodine; eucalyptol for pharmaceutical purposes; tinctures for medical purposes; opodeldoc; decoctions for pharmaceutical purposes; antiparasitic collars for animals; stick liquorice for pharmaceutical purposes; sulfur sticks [disinfectants]; pastilles for pharmaceutical purposes; pectin for pharmaceutical purposes; pepsins for pharmaceutical purposes; peptones for pharmaceutical purposes; hydrogen peroxide for medical purposes; pesticides; food for babies; leeches for medical purposes; blood plasma; eyepatches for medical purposes; poultices; compresses; scapulars for surgical purposes; babies' diapers [napkins]; diapers for pets; breast-nursing pads; bunion pads; pomades for medical purposes; powder of cantharides; pyrethrum powder; belts for sanitary napkins [towels]; anti-uric preparations; bacterial preparations for medical and veterinary use; bacteriological preparations for medical and veterinary use; balsamic preparations for medical purposes; albuminous preparations for medical purposes; biological preparations for veterinary purposes; biological preparations for medical purposes; veterinary preparations; bismuth preparations for pharmaceutical purposes; vitamin preparations; diagnostic preparations for medical purposes; therapeutic preparations for the bath; haemorrhoid preparations; preparations for callouses; preparations to facilitate teething; preparations for the treatment of burns; fumigation preparations for medical purposes; opotherapy preparations; air purifying preparations; eye-washes; bronchodilating preparations; preparations for reducing sexual activity; sterilizing preparations; soil-sterilizing preparations; corn remedies; pharmaceutical preparations for treating dandruff; preparations for destroying noxious animals; herbicides; preparations for destroying dry rot fungus; larvae exterminating preparations; preparations for destroying flies; preparations for destroying mice; slug exterminating preparations; preparations for destroying parasites; pharmaceutical preparations for skin care; contact lens cleaning preparations; lime-based preparations for pharmaceutical purposes; chilblain preparations; medicated bath preparations; medicinal hair growth preparations; mothproofing preparations; anticryptogamic preparations; aloe vera preparations for pharmaceutical purposes; preparations of trace elements for human and animal use; sulfonamides [medicines]; pharmaceutical preparations; pharmaceutical preparations for treating sunburn; enzyme preparations for veterinary purposes; enzyme preparations for medical purposes; chemico-pharmaceutical preparations; chemical preparations for veterinary purposes; chemical preparations for the diagnosis of pregnancy; chemical preparations for medical purposes; chemical preparations for treating wheat blight; chemical preparations for treating diseases affecting vine plants; chemical preparations for treating mildew; chemical preparations for treating phylloxera; chemical preparations for pharmaceutical purposes; collyrium; lead water; chemical conductors for el-

ectrocardiograph electrodes; albuminous foodstuffs for medical purposes; dietetic foods adapted for medical purposes; by-products of the processing of cereals for dietetic or medical purposes; sanitary towels; menstruation bandages; panty liners [sanitary]; propolis for pharmaceutical purposes; pearl powder for medical purposes; radium for medical purposes; solvents for removing adhesive plasters; hydrated chloral for pharmaceutical purposes; vaginal washes; solutions for contact lenses; chemical reagents for medical or veterinary purposes; gum for medical purposes; rubber for dental purposes; chewing gum for medical purposes; insect repellents; insect repellent incense; repellents for dogs; tissues impregnated with pharmaceutical lotions; sarsaparilla for medical purposes; sugar for medical purposes; asthmatic tea; fumigating sticks; suppositories; linseed for pharmaceutical purposes; tobacco-free cigarettes for medical purposes; siccatives [drying agents] for medical purposes; syrups for pharmaceutical purposes; turpentine for pharmaceutical purposes; milking grease; greases for veterinary purposes; greases for medical purposes; lacteal flour for babies; soporifics; bicarbonate of soda for pharmaceutical purposes; mineral water salts; bath salts for medical purposes; salts for mineral water baths; salts for medical purposes; potassium salts for medical purposes; sodium salts for medical purposes; smelling salts; malt for pharmaceutical purposes; semen for artificial insemination; alcohol for pharmaceutical purposes; medicinal alcohol; alloys of precious metals for dental purposes; ergot for pharmaceutical purposes; cooling sprays for medical purposes; adjuvants for medical purposes; styptic preparations; vermifuges; disinfectants for hygiene purposes; disinfectants for chemical toilets; douching preparations for medical purposes; appetite suppressants for medical purposes; medical preparations for slimming purposes; parasiticides; mouthwashes for medical purposes; febrifuges; depuratives; animal washes; detergents for medical purposes; cattle washes; dog washes; vesicants; headache treatment preparations; purgatives; chemical contraceptives; antiparasitic preparations; remedies for perspiration; remedies for foot perspiration; sedatives; laxatives; digestives for pharmaceutical purposes; tonics [medicines]; nervines; media for bacteriological cultures; steroids; strychnine; serums; antioxidant pills; tanning pills; appetite suppressant pills; slimming pills; yeast dietary supplements; jujube, medicated; sanitary tampons; vulnery sponges; thymol for pharmaceutical purposes; biological tissue cultures for veterinary purposes; biological tissue cultures for medical purposes; smoking herbs for medical purposes; medicinal herbs; surgical implants comprised of living tissues; pants, absorbent, for incontinence; sanitary panties; charcoal for pharmaceutical purposes; fennel for medical purposes; porcelain for dental prostheses; phenol for pharmaceutical purposes; enzymes for veterinary purposes; enzymes for medical purposes; ferments for pharmaceuti-

cal purposes; formic aldehyde for pharmaceutical purposes; phosphates for pharmaceutical purposes; fungicides; quinine for medical purposes; chinoline for medical purposes; diabetic bread adapted for medical use; chloroform; flowers of sulfur for pharmaceutical purposes; cement for animal hooves; bone cement for surgical and orthopaedic purposes; dental cements; medicinal tea; herbal teas for medicinal purposes; eucalyptus for pharmaceutical purposes; tobacco extracts [insecticides]; extracts of hops for pharmaceutical purposes; elixirs [pharmaceutical preparations]; ethers for pharmaceutical purposes; esters for pharmaceutical purposes; cellulose esters for pharmaceutical purposes; cellulose ethers for pharmaceutical purposes; rat poison; poisons; bacterial poisons; jalap; cream of tartar for pharmaceutical purposes.

16 – Pamphlets; booklets; wrapping paper; newspapers; magazines [periodicals]; periodicals; printed publications; catalogues; flyers; bags [envelopes, pouches] of paper or plastics, for packaging; plastic film for wrapping; printed matter; printing type.

31 – Algarovilla for animal consumption; algae for human or animal consumption; dog biscuits; yeast for animal consumption; edible chews for animals; peanut cake for animals; oil cake; maize cake for cattle; rape cake for cattle; grains for animal consumption; lime for animal forage; animal foodstuffs; pet food; stall food for animals; bird food; strengthening animal forage; groats for poultry; bran mash for animal consumption; peanut meal for animals; linseed meal for animal consumption; meal for animals; flax meal [fodder]; rice meal for forage; fish meal for animal consumption; beverages for pets; oats; distillery waste for animal consumption; cuttle bone for birds; aromatic sand for pets [litter]; mash for fattening livestock; animal fattening preparations; preparations for egg laying poultry; by-products of the processing of cereals, for animal consumption; sanded paper for pets [litter].

(260) AM 2026 130938 A

(800) 1822165

(151) 2024 09 05

(891) 2024 09 05

(731) Farmavita S.r.l.

Via Garibaldi 82/84, I-22070 Locate Varesino
CO, Italy

(540)

FARMAVITA

(591) Black, white

(511)

3 – Soaps; perfumery; essential oils; cosmetics and dentifrices; hair colorants and hair decolorant preparations; hair waving, straightening and fixing preparations; hair styling preparations; hair cleaning preparations, including hair lotions, hair washing powders,

and shampoos; hair care preparations; hair care preparations, namely, hair lacquers and brilliantine.

(260) AM 2026 130939 A

(800) 1822192

(151) 2024 07 26

(891) 2024 07 26

(731) Euro Games Technology Ltd.

Panorama Sofia Str. 6, Richhill Business Center, ground floor, BG-1766 Vitosha Region, Sofia, Bulgaria

(540)



(591) Yellow, orange, red and black

(531) 27.05.02; 27.05.03; 27.05.17; 27.07.02; 27.07.03; 29.01.14

(511)

9 – Operating computer software for main frame computers; monitors (computer hardware), computer hardware; apparatus for recording images; monitors (computer programs); computer game programs; recorded computer game programs; apparatus for recording, transmission or reproduction of sound or images; communications servers (computer hardware); electronic components for gambling machines; computer application software featuring games and gaming; computer software for the administration of on-line games and gaming; computer hardware for games and gaming, computer systems; computer operating system software; computer terminals; interactive terminals; multimedia terminals; electronic terminals for generating lottery tickets; interactive touch screen terminals; computer touchscreens; electronic display panels; liquid crystal display screens; digital signage display panels; multimedia software; multimedia apparatus and instruments; interactive multimedia software for playing games, computer screens; LCD large-screen displays; liquid crystal displays [LCDs] for home theatres; media streaming software; computer application software for streaming audio-visual media content via the internet; software; games software; computer software packages; computer software, recorded; software drivers; virtual reality software; computer gaming software; entertainment software for computer games, computer programs for network management; electronic lottery tickets; computer software platforms; operating systems; interactive computer systems; operating system programs; computer game software for use with on-line interactive games, interactive casino games provided through a computer or mobile platform; electronic ticket examination machines; software for slot machines, betting software, software for video slot games, for casino games, for gambling and bingo games, provided online or through computer networks and that can be played on any type of computer device, including arcade games, per-

sonal computers, portable devices and mobile phones; computer hardware and software for gambling, gambling machines, gambling games on the internet and via telecommunication network.

28 – Gaming machines for gambling; chips for gambling; mah-jong; arcade games; gambling machines operating with coins, notes and cards; games; electronic games; parlor games; gaming chips; gaming tables; slot machines [gaming machines]; LCD game machines; slot machines and gaming devices; coin-operated amusement machines; roulette chips; poker chips; chips and dice [gaming equipment]; gaming equipment for casinos; roulette tables; gaming roulette wheels; casino games; gambling machines and amusement machines, automatic and coin-operated; coin-operated amusement machines and/or electronic coin-operated amusement machines with or without the possibility of gain; boxes for coin-operated amusement machines, slot machines and gaming machines; electronic or electrotechnical amusement machines and apparatus, gaming machines, coin-operated entertainment machines; housings for coin-operated amusement machines, gaming equipment, gaming machines, machines for gambling; electropneumatic and electrical gambling machines (slot machines); lottery games; electronic targets for games and sports; parlor game equipment and accessories not included in other classes, in particular tokens, chips, marbles; parlor games, game apparatus and equipment and accessories therefor, included in this class, in particular electronic targets, backgammon games, scratch cards, playing cards, lottery cards, dice; lottery tickets; printed lottery tickets; lottery scratch cards; scratch cards for playing lottery games.

41 – Gambling; gaming services for entertainment purposes; casino, gaming and gambling services; training in the development of software systems; provision of gaming equipment for gambling halls; providing casino equipment [gambling]; gaming machine entertainment services; providing casino facilities [gambling]; amusement arcade services; games equipment rental; rental of gaming machines; providing amusement arcade services; rental of gaming machines with images of fruits; editing or recording of sounds and images; sound recording and video entertainment services; hire of sound reproducing apparatus; provision of gaming equipment for casinos; providing of casino facilities; online gambling services; entertainment services related to operation of amusement arcades, on-line casinos and on-line betting services via websites; online interactive entertainment; on-line casino services; online game services through mobile devices; providing online entertainment in the nature of game tournaments; providing on-line information in the field of computer gaming entertainment; sports betting services; online sports betting services; lottery services; organization of lotteries; conducting lotteries; prize draws [lotteries]; conducting lotteries for others;

providing slot machine parlors; rental of slot machines [gaming machines]; providing online games and games of chance.

42 – Computer software technical support services; troubleshooting of computer software problems; provision of technical support in the supervision of computing networks; provision of technical support in the operation of computing networks; technical support services relating to computer software and applications; technological monitoring and inspection; monitoring of computer systems by remote access; machine condition monitoring; installation, repair and maintenance of computer software; design, maintenance and updating of computer software; installation, setting up and maintenance of computer software; design, maintenance, development and updating of computer software; installation and customisation of computer applications software; technical consultancy relating to the installation and maintenance of computer software; computer system monitoring services; design of graphic software systems; development of interactive multimedia software; design and development of computer hardware; consultancy relating to the design of computer hardware; consultancy and information services relating to the design and development of computer hardware; design, development and testing of computer software and hardware, in particular for gambling, casino games and betting.

(260) AM 2026 130940 A

(800) 1822193

(151) 2024 07 26

(891) 2024 07 26

(731) Euro Games Technology Ltd.

Panorama Sofia Str. 6, Richhill Business Center, ground floor, BG-1766 Vitosha Region, Sofia, Bulgaria

(540)



(591) Yellow, orange, red and black

(531) 27.05.01; 27.05.02; 27.05.03; 27.05.17; 27.07.01; 27.07.02; 27.07.03; 27.07.17; 29.01.14

(511)

9 – Operating computer software for main frame computers; monitors (computer hardware), computer hardware; apparatus for recording images; monitors (computer programs); computer game programs; recorded computer game programs; apparatus for recording, transmission or reproduction of sound or images; communications servers (computer hardware); electronic components for gambling machines; computer application software featuring games and gaming; computer software for the administration of on-line games and gaming; computer hardware for games and gaming, computer systems; computer operating sys-

tem software; computer terminals; interactive terminals; multimedia terminals; electronic terminals for generating lottery tickets; interactive touch screen terminals; computer touchscreens; electronic display panels; liquid crystal display screens; digital signage display panels; multimedia software; multimedia apparatus and instruments; interactive multimedia software for playing games, computer screens; LCD large-screen displays; liquid crystal displays [LCDs] for home theatres; media streaming software; computer application software for streaming audio-visual media content via the internet; software; games software; computer software packages; computer software, recorded; software drivers; virtual reality software; computer gaming software; entertainment software for computer games, computer programs for network management; electronic lottery tickets; computer software platforms; operating systems; interactive computer systems; operating system programs; computer game software for use with on-line interactive games, interactive casino games provided through a computer or mobile platform; electronic ticket examination machines; software for slot machines, betting software, software for video slot games, for casino games, for gambling and bingo games, provided online or through computer networks and that can be played on any type of computer device, including arcade games, personal computers, portable devices and mobile phones; computer hardware and software for gambling, gambling machines, gambling games on the internet and via telecommunication network.

28 – Gaming machines for gambling; chips for gambling; mah-jong; arcade games; gambling machines operating with coins, notes and cards; games; electronic games; parlor games; gaming chips; gaming tables; slot machines [gaming machines]; LCD game machines; slot machines and gaming devices; coin-operated amusement machines; roulette chips; poker chips; chips and dice [gaming equipment]; gaming equipment for casinos; roulette tables; gaming roulette wheels; casino games; gambling machines and amusement machines, automatic and coin-operated; coin-operated amusement machines and/or electronic coin-operated amusement machines with or without the possibility of gain; boxes for coin-operated amusement machines, slot machines and gaming machines; electronic or electrotechnical amusement machines and apparatus, gaming machines, coin-operated entertainment machines; housings for coin-operated amusement machines, gaming equipment, gaming machines, machines for gambling; electropneumatic and electrical gambling machines (slot machines); lottery games; electronic targets for games and sports; parlor game equipment and accessories therefor, included in this class, in particular gaming tokens, chips and marbles; parlor games, game apparatus and equipment and accessories therefor, included in this class, in particular electronic targets, backgammon games, scratch cards, playing cards, lottery cards, dice; lottery tic-

kets; printed lottery tickets; lottery scratch cards; scratch cards for playing lottery games.

41 – Gambling; gaming services for entertainment purposes; casino, gaming and gambling services; training in the development of software systems; provision of gaming equipment for gambling halls; providing casino equipment [gambling]; gaming machine entertainment services; providing casino facilities [gambling]; amusement arcade services; games equipment rental; rental of gaming machines; providing amusement arcade services; rental of gaming machines with images of fruits; editing or recording of sounds and images; sound recording and video entertainment services; hire of sound reproducing apparatus; provision of gaming equipment for casinos; providing of casino facilities; online gambling services; entertainment services related to operation of amusement arcades, on-line casinos and on-line betting services via websites; online interactive entertainment; on-line casino services; online game services through mobile devices; providing online entertainment in the nature of game tournaments; providing on-line information in the field of computer gaming entertainment; sports betting services; online sports betting services; lottery services; organization of lotteries; conducting lotteries; prize draws [lotteries]; conducting lotteries for others; providing slot machine parlors; rental of slot machines [gaming machines]; providing online games and games of chance.

42 – Computer software technical support services; troubleshooting of computer software problems; provision of technical support in the supervision of computing networks; provision of technical support in the operation of computing networks; technical support services relating to computer software and applications; technological monitoring and inspection; monitoring of computer systems by remote access; machine condition monitoring; installation, repair and maintenance of computer software; design, maintenance and updating of computer software; installation, setting up and maintenance of computer software; design, maintenance, development and updating of computer software; installation and customisation of computer applications software; technical consultancy relating to the installation and maintenance of computer software; computer system monitoring services; design of graphic software systems; development of interactive multimedia software; design and development of computer hardware; consultancy relating to the design of computer hardware; consultancy and information services relating to the design and development of computer hardware; design, development and testing of computer software and hardware, in particular for gambling, casino games and betting.

(260) AM 2026 130941 A

(800) 1822195

(151) 2024 07 12

(891) 2024 07 12

(731) Messe Frankfurt Exhibition GmbH

Ludwig-Erhard-Anlage 1, 60327 Frankfurt
am Main, Germany

(540)

conzoom circle

(591) Black, white

(511)

9 – Apparatus for recording, transmission or reproduction of sound or images; magnetic data carriers, recording discs; CDs, DVDs and other digital data carriers; hardware for data processing; computers; electronically downloadable publications, books, brochures, texts, pictures, programs, games, pieces of music, films; software; all of the aforementioned goods for and in relation to the field of arranging and conducting trade fairs and exhibitions.

16 – Printed matter, particularly newspapers, periodicals, magazines, cards, catalogues, pamphlets, handbooks, prospectuses, placards and photographs; instructional and teaching material (except apparatus); all of the aforementioned goods for and in relation to the field of arranging and conducting trade fairs and exhibitions.

35 – Advertising; marketing research; telemarketing; personnel management consultancy, employment agencies; organization and conducting of trade fairs, exhibitions and special shows for commercial or advertising purposes; business management, particularly in respect of organizing and conducting trade fairs, exhibitions, special shows and selling events; presentation of business companies and their products and services, also via the Internet, for business purposes; sales promotion for others; merchandising (sales promotion); demonstration of goods for publicity purposes; arranging of commercial and business contacts, also via the Internet; rental of advertising space and advertising material; rental of booths for exhibitions and trade fairs; business management consultancy, particularly in respect of organizing and conducting trade fairs, exhibitions, special shows and selling events; compilation and maintenance of data in computer databases; publication of printed matter (also in electronic form) for advertising purposes; searches about business topics in computer databases and in the Internet; business advice, also in the Internet; providing information in commercial matters; customer loyalty, incentive and bonus program services; customer loyalty scheme services [development of bonus programs for marketing purposes]; all of the aforementioned services for and in relation to the field of arranging and conducting trade fairs and exhibitions.

41 – Education; providing of training; entertainment; sporting and cultural activities; consultancy services

relating to education and training; vocational guidance; organization and conducting of exhibitions and special shows for cultural, educational or tuitional purposes; organization and conducting of instructional events, of congresses, seminars, conferences, symposia and workshops (education); arranging and conducting of colloquiums; production of shows; arranging of entertainment shows; organization and conducting of balls; organization and conducting of competitions (education and entertainment); presentation of live performances; musical performances (orchestra); party planning services (entertainment); providing online electronic publications, not downloadable; publication of printed matter (also in electronic form), except for advertising purposes; publication of periodicals and books in electronic form, also in the Internet; game services provided online from a computer network; booking of seats and ticket agency services for entertainment events, also via the Internet; all of the aforementioned services for and in relation to the field of arranging and conducting trade fairs and exhibitions.

(260) AM 2026 130952 A

(800) 1822441

(151) 2024 06 10

(891) 2024 06 10

(731) ALVA EMLAK OTELCILIK İNŞAAT
TICARET ANONİM ŞİRKETİ
Boğazkent Mah. Mimar Sinan Cad., Alva
Donna Exclusive Hotel Belek 17, Serik,
Antalya, Türkiye

(540)



(591) Black, gold, white

(531) 25.07.01; 27.05.01; 29.01.12

(511)

3 – Bleaching and cleaning preparations, detergents other than for use in manufacturing operations and for medical purposes, laundry bleach, fabric softeners for laundry use, stain removers, dishwasher detergents; perfumery; non-medicated cosmetics; fragrances; deodorants for personal use and animals; soaps; dental care preparations: dentifrices, denture polishes, tooth whitening preparations, mouth washes, not for medical purposes; abrasive preparations; emery cloth; sandpaper; pumice stone; abrasive pastes; polishing preparations for leather, vinyl, metal and wood, polishes and creams for leather, vinyl, metal and wood, wax for polishing.

5 – Pharmaceutical and veterinary preparations for medical purposes; chemical preparations for medical and veterinary purposes, chemical reagents for pharmaceutical and veterinary purposes; medicated cos-

metics; dietary supplements for pharmaceutical and veterinary purposes; dietary supplements; nutritional supplements; medical preparations for slimming purposes; food for babies; herbs and herbal beverages adapted for medicinal purposes; dental preparations and articles: teeth filling material, dental impression material, dental adhesives and material for repairing teeth; sanitary preparations for medical use: hygienic pads, hygienic tampons; plasters, materials for dressings, diapers made of paper and textiles for babies, adults and pets; preparations for destroying vermin; herbicides, fungicides, preparations for destroying rodents; deodorants, other than for human beings or for animals; air purifying preparations; air deodorising preparations; disinfectants; antiseptics; detergents for medical purposes; medicated soaps; disinfectant soaps; antibacterial hand lotions.

8 – Hand-operated agricultural, gardening and landscaping tools; hand-operated tools for carpenters, artists and other craftspersons, for example, hammers, chisels and gravers; handles for hand-operated hand tools, such as knives and scythes; electric and non-electric hand implements for personal grooming and body art, for example, razors, implements for hair curling, tattooing, and for manicure and pedicure; hand-operated pumps; table cutlery, such as knives, forks and spoons, including those made of precious metals.

9 – Scientific, research, navigation, surveying, photographic, cinematographic, audiovisual, optical, weighing, measuring, signalling, detecting, testing, inspecting, life-saving and teaching apparatus and instruments; apparatus and instruments for conducting, switching, transforming, accumulating, regulating or controlling the distribution or use of electricity; apparatus and instruments for recording, transmitting, reproducing or processing sound, images or data; recorded and downloadable media, computer software, blank digital or analogue recording and storage media; mechanisms for coin-operated apparatus; cash registers, calculating devices; computers and computer peripheral devices; diving suits, divers' masks, ear plugs for divers, nose clips for divers and swimmers, gloves for divers, breathing apparatus for underwater swimming; fire-extinguishing apparatus.

14 – Jewellery; imitation jewellery; gold; precious stones and jewellery made thereof; cufflinks; tie pins; statuettes and figurines of precious metal; clocks, watches and chronometrical instruments; chronometers and their parts; watch straps; trophies made of precious metal; rosaries.

15 – Musical instruments and cases for musical instruments.

16 – Paper and cardboard; paper and cardboard for packaging and wrapping purposes, cardboard boxes; paper towels; toilet paper; paper napkins; plastic sheets, films and bags for wrapping and packaging; printers' type, printing blocks; bookbinding material; prin-

ted publications; printed matter; books, magazines, newspapers, bill books, printed dispatch notes, printed vouchers, calendars; posters; photographs [printed]; paintings; stickers [stationery]; postage stamps; stationery, office stationery, instructional and teaching material [except furniture and apparatus]; writing and drawing implements; artists' materials; paper products for stationery purposes; adhesives for stationery purposes, pens, pencils, erasers, adhesive tapes for stationery purposes, cardboard cartons [artists' materials], writing paper, copying paper, paper rolls for cash registers, drawing materials, chalkboards, painting pencils, watercolors [paintings]; office requisites; paint rollers and paintbrushes for painting.

32 – Beers; extracts of hops for making beer; mineral water, spring water, table water, soda water; fruit juices and vegetable juices [beverages], fruit and vegetable concentrates for making beverages and non-alcoholic fruit extracts for making beverages, soft drinks; energy drinks; protein-enriched sports beverages.

33 – Alcoholic beverages (except beers), wines, raki [traditional Turkish alcoholic drink], whisky, liqueurs, alcoholic cocktails.

34 – Tobacco, chewing tobacco, cigarettes, cigars; smokers' articles including those made of precious metals: pipes, mouthpieces for cigars and cigarettes, ashtrays, tobacco boxes, pocket apparatus for rolling cigarettes, cigarette paper, tobacco pipes, firestones, lighters for smokers; electronic cigarettes and their cartridges; matches.

36 – Insurance services; financial and monetary affairs; real estate brokers, real estate agencies and real estate management; customs brokerage services.

37 – Construction services, rental of construction machines and equipment; cleaning services for buildings (interior and exterior), public areas, industrial premises; disinfecting, vermin exterminating, other than for agriculture, aquaculture, horticulture and forestry; rental of cleaning machines and equipment; vehicles service stations for land vehicles, maintenance, repair and refueling of land vehicles; vehicles service stations for marine vehicles, maintenance, repair and refueling of marine vehicles; repair and maintenance of air vehicles; upholstery, repair and restoration of furniture; installation, maintenance and repair of heating, cooling and sanitary installations; cleaning, maintenance and repair of clothing; installation, maintenance and repair of industrial machines and equipment, office machines and equipment, communication apparatus, electric and electronic appliances; repair and maintenance of lifts; clock and watch repair; mining and oil extraction; repair of shoes, bags and belts.

38 – Radio and television broadcasting services; telecommunication services; providing access to the Internet; news agencies.

39 – Land, water and air transport services; rental of land, water or air vehicles; arranging of tours; travel reservation; issuing of tickets for travel; courier services (messages or merchandise); car parking; garage rental; boat storage; transport by pipeline; electricity distribution; water supplying; rescue services for vehicles and goods; storage, wrapping and packaging of goods; transport and storage of trash; transport and storage of waste.

40 – Treatment of common metals; treatment of precious metals; processing of photographic and cinematographic films; photocomposing, photographic printing, photogravure; drying, canning, freezing, smoking and preserving foodstuffs; providing information in the field of food manufacturing; slaughtering of animals; leather working and fur conditioning; saddlery working; textile treating, wool treating; dressmaking, embroidery; woodworking and timber processing; framing of works of art; treatment of liquids, chemicals, gas and air for industrial use; grinding of glass and optical glass; custom assembling of materials for others; services of a dental technician; pottery firing; production of energy; rental of generators; paper treating; printing, bookbinding; treatment of plastics.

41 – Arranging and conducting of conferences, congresses and seminars; sporting and cultural activities; entertainment; ticket reservation and booking services for entertainment, sporting and cultural events, including ticket reservation and booking services for theatres, cinemas, museums and concerts; publication and editing of printed matter, including magazines, books, newspapers, other than publicity texts; electronic publication services; production of movie films, radio and television programmes; news reporters services; photographic reporting services; photography; translation.

42 – Scientific and industrial analysis and research services; engineering; engineering and architectural design services; testing services for the certification of quality and standards; design and development of computer hardware and software; industrial design services, other than engineering, computer and architectural design; graphic arts designing; authenticating works of art.

43 – Services for providing food and drink; temporary accommodation; reservation of temporary accommodation; rental of rooms for wedding ceremonies; providing rooms for conferences and various meetings; day-nurseries (crèches); boarding for animals; cooking of foodstuffs.

44 – Medical services; beauty care services, veterinary services, animal husbandry, animal breeding, sho-

eing horses [farrier services]; agriculture, horticulture and forestry services, landscape design services; medical advisory services in the field of personnel health.

45 – Legal services, legal consultancy in the fields of intellectual and industrial property rights; security services for the physical protection of property and individuals; marriage agencies; clothing rental; fire-fighting services; escorting in society (chaperoning); consultancy relating to workplace safety; social networking services.

(260) AM 2026 130953 A

(800) 1822448

(151) 2024 07 12

(891) 2024 07 12

(731) EGT DIGITAL LTD.

"Panorama Sofia" Str. 6, Business Center

"Richhill", block A, BG-1766 Sofia, Bulgaria

(540)

Ola Diego

(591) Black, white

(511)

9 – Operating computer software for main frame computers; monitors (computer hardware); computer hardware; apparatus for recording images; monitors (computer programs); computer game programs; recorded computer game programs; apparatus for recording, transmission or reproduction of sound or images; communications servers (computer hardware); electronic components for gambling machines; computer application software featuring games and gaming; computer software for the administration of online games and gaming; computer hardware for games and gaming; computer hardware and software for gambling, gambling machines, gambling games on the internet and via telecommunication network; computer systems; computer operating system software; computer terminals; interactive terminals; multimedia terminals; electronic terminals for generating lottery tickets; interactive touch screen terminals; computer touchscreens; electronic display panels; liquid crystal display screens; digital signage display panels; multimedia software; multimedia apparatus and instruments; interactive multimedia software for playing games; computer screens; LCD large-screen displays; liquid crystal displays [LCDs] for home theatres; media streaming software; computer application software for streaming audio-visual media content via the internet; software; computer gaming software; computer software packages; computer software, recorded; software drivers; virtual reality software; games software; entertainment software for computer games; computer programs for network management; electronic lottery tickets; computer software platforms; operating systems; interactive computer systems; operating system programs; computer game software for use with on-li-

ne interactive games; interactive casino games provided through a computer or mobile platform; electronic ticket examination machines; software for slot machines, betting software, software for video slot games, for casino games, for gambling and bingo games, provided online or through computer networks and that can be played on any type of computer device, including arcade games, personal computers, portable devices and mobile phones.

28 – Gaming machines for gambling; chips for gambling; mah-jong; arcade games; gambling machines operating with coins, notes and cards; games; electronic games; parlor games; gaming chips; gaming tables; slot machines [gaming machines]; LCD game machines; slot machines and gaming devices; coin-operated amusement machines; roulette chips; poker chips; chips and dice [gaming equipment]; gaming equipment for casinos; roulette tables; gaming roulette wheels; casino games; gambling machines and amusement machines, automatic and coin-operated; coin-operated amusement machines and/or electronic coin-operated amusement machines with or without the possibility of gain; boxes for coin-operated amusement machines, slot machines and gaming machines; electronic or electrotechnical amusement machines and apparatus, gaming machines, coin-operated entertainment machines; housings for coin-operated amusement machines, gaming equipment, gaming machines, machines for gambling; electropneumatic and electrical gambling machines (slot machines); lottery games; electronic targets for games and sports; parlor game equipment and accessories therefor, included in this class, in particular gaming tokens, chips and marbles; parlor games, game apparatus and equipment and accessories therefor, included in this class, in particular electronic targets, backgammon games, scratch cards, playing cards, lottery cards, dice; lottery tickets; printed lottery tickets; lottery scratch cards; scratch cards for playing lottery games.

41 – Gambling; services related to gambling; gaming services for entertainment purposes; casino, gaming and gambling services; training in the development of software systems; provision of gaming equipment for gambling halls; providing casino equipment [gambling]; gaming machine entertainment services; providing casino facilities [gambling]; amusement arcade services; games equipment rental; rental of gaming machines; providing amusement arcade services; rental of gaming machines with images of fruits; editing or recording of sounds and images; sound recording and video entertainment services; hire of sound reproducing apparatus; provision of gaming equipment for casinos; providing of casino facilities; online gambling services; entertainment services related to operation of amusement arcades, on-line casinos and on-line betting services via websites; online interactive entertainment; on-line casino services; online game services through mobile devices; providing online enter-

tainment in the nature of game tournaments; providing on-line information in the field of computer gaming entertainment; sports betting services; online sports betting services; lottery services; organization of lotteries; conducting lotteries; prize draws [lotteries]; conducting lotteries for others; providing slot machine parlors; rental of slot machines [gaming machines]; providing online games and games of chance.

(260) AM 2026 130954 A

(800) 1822548

(151) 2024 09 12

(891) 2024 09 12

(731) Limited Liability Company "Consortium-PIQ"

Oruzheyniy pereulok, d. 25, str. 1, pomesch.
I/etazh1/komnata 21, RU-125047 Moscow,
Russian Federation

(540)

PNEUMOSEPT

(591) Black, white

(511)

5 – Pharmaceutical products; pharmaceutical preparations; medical preparations; veterinary preparations; sanitary preparations for medical purposes; dietetic food and substances adapted for medical or veterinary use; food for babies; dietary supplements for human beings; dietary supplements for animals; plasters, materials for dressings; material for stopping teeth, dental wax; disinfectants; preparations for destroying vermin; fungicides, herbicides.

(260) AM 2026 130955 A

(800) 1822549

(151) 2024 09 12

(891) 2024 09 12

(731) Limited Liability Company "Consortium-PIQ"

Oruzheyniy pereulok, d. 25, str. 1, pomesch.
I/etazh1/komnata 21, RU-125047 Moscow,
Russian Federation

(540)

PANTOGAM

(591) Black, white

(511)

5 – Pharmaceutical products; veterinary products; pharmaceutical preparations; medical preparations; veterinary preparations; sanitary preparations for medical purposes; dietetic food and substances adapted for medical or veterinary use; food for babies; dietary supplements for human beings; dietary supplements for animals; plasters, materials for dressings; material for stopping teeth, dental wax; disinfectants; preparations for destroying vermin; fungicides, herbicides.

(260) AM 2026 130956 A

(800) 872830

(151) 2005 11 15

(891) 2024 10 06

(731) ADIPHARM EAD

130, boul. "Simeonovsko chaussee", BG-1700
SOFIA, Bulgaria

(540)

SPASMOBLOC

(591) Black, white

(511)

5 – Pharmaceutical products.

(260) AM 2026 130957 A

(800) 929804

(151) 2007 06 08

(891) 2024 08 05

(731) KAN Spółka z ograniczoną odpowiedzialnością
ul. Wiańczyńska 8A, PL-92-760 Łódź, Poland

(540)

TATUUM

(591) Black, white

(511)

25 – Clothing, shoes, gloves socks, scarfs, headgears.

(260) AM 2026 130973 A

(800) 1785039

(151) 2024 01 19

(891) 2024 10 11

(731) Shenzhen Sihai Fangyuan Technology Co., Ltd
4F, Yuehuayuan Building, 2008 Nanshan
Avenue, Xuefu Community, Nanshan Street,
Nanshan District, Shenzhen City, 518100
Guangdong Province, China

(540)

AstroPay

(591) Black, white

(531) 27.05.01

(511)

36 – Online banking; exchanging money; processing of credit card payments; processing of debit card payments; electronic funds transfer; financial information; providing financial information via a website; financing services; financial management; business liquidation services, financial.

(260) AM 2026 131037 A

(800) 1823668

(151) 2024 08 22

(891) 2024 08 22

(731) Biriukovych Oksana

vul. Vvedenska, 42, kv. 44; Kyiv 04071,
Ukraine

(540)

tixbox

(591) Black, white

(531) 27.05.01

(511)

41 – Arranging and conducting of congresses; arranging and conducting of colloquiums; arranging and conducting of conferences; arranging and conducting of concerts; arranging and conducting of in-person educational forums; arranging and conducting of workshops [training]; arranging and conducting of entertainment events; arranging and conducting of seminars; arranging and conducting of symposiums; arranging and conducting of sports events; arranging of beauty contests; providing user reviews for entertainment or cultural purposes; providing online virtual guided tours; providing information in the field of entertainment; providing information relating to recreational activities; providing online videos, not downloadable; providing online electronic publications, not downloadable; providing online images, not downloadable; providing online music, not downloadable; providing television programmes, not downloadable, via video-on-demand services; providing user rankings for entertainment or cultural purposes; booking of seats for shows; sound engineering services for events; cinema presentations; film distribution; cultural, educational or entertainment services provided by art galleries; providing museum facilities; screenplay writing; songwriting; scriptwriting, other than for advertising purposes; writing of texts; organization of balls; organization of shows [impresario services]; organization of exhibitions for cultural or educational purposes; organization of electronic sports competitions; organization of fashion shows for entertainment purposes; organization of cosplay entertainment events; organization of sports competitions; party planning [entertainment]; entertainer services; disc jockey services; discotheque services; layout services, other than for advertising purposes; karaoke services; e-sports services; nightclub services [entertainment]; orchestra services; entertainment services provided in virtual environments; lighting technician services for events; recording studio services; ticket agency services [entertainment]; music composition services; presentation of live performances; presentation of variety shows; presenting museum exhibitions; presentation of circus performances; rental of show scenery; rental of lighting apparatus for theatrical sets or television studios; rental of humanoid robots having communication and learning functions for entertaining people; rental of sports grounds; rental of artwork; rental of stage scenery; online publication of electronic books and journals; publication of books; publication of texts, other than publicity texts; radio entertainment; directing of shows; film directing, other than advertising films; entertainment services; production of shows; production of music; production of podcasts; production of radio and television programmes; film

production, other than advertising films; subtitling; captioning; theatre productions; television entertainment; photography.

42 – Computer system analysis; blockchain as a service [BaaS]; recovery of computer data; graphic arts design; graphic design of promotional materials; design of show scenery; business card design; computer graphic design for video projection mapping; design of costumes; off-site data backup; research and development of new products for others; research in the field of telecommunications technology; research in the field of artificial intelligence technology; duplication of computer programs; electronic data storage; electronic monitoring of personally identifying information to detect identity theft via the internet; electronic monitoring of credit card activity to detect fraud via the internet; providing virtual computer systems through cloud computing; providing information relating to computer technology and programming via a website; providing online non-downloadable computer software; providing online non-downloadable computer software for minting non-fungible tokens [NFTs]; providing search engines for the internet; installation of computer software; computer programming; computer programming of smart contracts on a blockchain; conversion of data or documents from physical to electronic media; conversion of computer programs and data, other than physical conversion; computer technology consultancy; telecommunication network security consultancy; telecommunications technology consultancy; internet security consultancy; data security consultancy; computer software consultancy; computer security consultancy; consultancy in the design and development of computer hardware; website design consultancy; artificial intelligence consultancy; quality control; mining of crypto assets; cryptomining; monitoring of computer systems for detecting unauthorized access or data breach; monitoring of computer systems to detect breakdowns; monitoring of computer system operation by remote access; writing of computer code; maintenance of computer software; updating of computer software; platform as a service [PaaS]; user authentication services using blockchain technology; user authentication services using technology for e-commerce transactions; user authentication services using single sign-on technology for online software applications; logo design services; computer programming services for data processing; information technology [IT] support services [troubleshooting of software]; software engineering services for data processing; hosting computer websites; hosting software platforms for virtual reality-based work collaboration; hosting virtual environments; data encryption services; computer virus protection services; conducting technical project studies; software as a service [SaaS]; design of computer-simulated models; computer system design; computer software design; design of prototypes; rental of web servers; computer rental; rental of computer software; deve-

lopment of video and computer games; development of computer platforms; software development in the framework of software publishing; technical writing; digital forensic investigations in the field of computer crimes; creating and maintaining websites for others; creating and designing website-based indexes of information for others [information technology services]; server hosting; styling [industrial design].

(260) AM 2026 131038 A

(800) 1823684

(151) 2024 07 31

(891) 2024 07 31

(731) YIWU KINGYOU IMPORT & EXPORT CO., LTD.

ROOM 704, UNIT 1, BUILDING 9, LONG SHAN YA YUAN, CHENGXI STREET, YIWU, JINHUA; ZHEJIANG, China

(540)

WETOKE

(591) Black, white

(531) 27.05.10; 27.05.17

(511)

7 – Agricultural machines; saws [machines]; wrapping machines; jacks [machines]; electric hammers; metalworking machines; chain saws; industrial robots; angle grinders; hand-held tools, other than hand-operated; power-driven wrenches; paint spray guns; motors, other than for land vehicles; dynamos; pumps [machines]; compressed air machines; valves [parts of machines]; control mechanisms for machines, engines or motors; belts for machines; bearings [parts of machines]; electric welding apparatus; high pressure washers; 3d printers.

8 – Grindstones [hand tools]; hand tools, hand-operated; abrading instruments [hand instruments]; agricultural implements, hand-operated; beard clippers; spanners [hand tools]; bits [parts of hand tools]; scissors; side arms, other than firearms; table cutlery [knives, forks and spoons].

(260) AM 2026 131039 A

(800) 1823757

(151) 2024 06 12

(891) 2024 06 12

(731) Joint Stock Company "PLAYTODAY CIS"

ul. Vasilisy Kozhinoy, dom 1, etazh 9, ofis D.5.4, RU-121096 Moscow, Russian Federation

(540)



(591) Black, white

(531) 27.05.19; 27.05.24

(511)

18 – Alpenstocks; adhesive tags of leather for bags; animal skins; attaché cases; backpacks for carrying infants; bags; bags [envelopes, pouches] of leather, for packaging; bags for campers; bags for climbers; bags for sports; beach bags; bits for animals [harness]; blinkers [harness]; boxes of leather or leatherboard; boxes of vulcanized fibre; bridles [harness]; bridoons; briefcases; business card cases; butts [parts of hides]; card cases [notecases]; cases of leather or leatherboard; casings, of leather, for springs; cat o' nine tails; cattle skins; chain mesh purses; chamois leather, other than for cleaning purposes; chin straps, of leather; clothing for pets; collars for animals; compression cubes adapted for luggage; conference folders; covers for animals; covers for horse saddles; credit card cases [wallets]; curried skins; fastenings for saddles; frames for bags [structural parts of bags]; frames for umbrellas or parasols; fur; furniture coverings of leather; game bags [hunting accessories]; garment bags for travel; girths of leather; goldbeaters' skin; grips for holding shopping bags; halters; handbags; harness fittings; harness for animals; harness straps; hat boxes of leather; haversacks; hiking sticks; horse blankets; horse collars; horseshoes; imitation leather; key cases; kid; knee-pads for horses; labels of leather; leather cord; leather leashes; leather straps; leather, unworked or semi-worked; leatherboard; leathercloth; luggage tags; moleskin [imitation of leather]; motorized suitcases; music cases; muzzles; net bags for shopping; nose bags [feed bags]; pads for horse saddles; parasols; parts of rubber for stirrups; pocket wallets; pouch baby carriers; purses; randsels [Japanese school satchels]; reins; reins for guiding children; reusable shopping bags; riding saddles; rucksacks; saddle trees; saddlebags; saddlecloths for horses; saddlery; school bags; sew-on tags of leather for clothing; shoulder belts [straps] of leather; sling bags for carrying infants; slings for carrying infants; stirrup leathers; stirrups; straps for skates; straps for soldiers' equipment; straps of leather [saddlery]; suitcase handles; suitcase packing organizers; suitcases; suitcases with wheels; tefillin [phylacteries]; toilet bags, not fitted; tool bags, empty; traces [harness]; travelling bags; travelling sets [leatherware]; trimmings of leather for furniture; trunks [luggage]; umbrella covers; umbrella handles; umbrella or parasol ribs; umbrella rings; umbrella sticks; umbrellas; valises; valves of leather; vanity cases, not fitted; vegan leather; walking stick handles; walking stick seats; walking sticks; wheeled shopping bags; whips.

25 – Adhesive bras; adhesive brassieres; albs; ankle boots; aprons [clothing]; ascots; babies' pants [underwear]; bandanas [neckerchiefs]; bath robes; bath sandals; bath slippers; bathing caps; bathing suits; bathing trunks; beach clothes; beach shoes; belts [clothing]; berets; bibs, not of paper; bibs, sleeved, not of

paper; boas [necklets]; bodices [lingerie]; boot uppers; boots; boots for sports; boxer shorts; braces [suspenders] for clothing; brassieres; breeches for wear; camisoles; cap peaks; caps being headwear; chasubles; clothing; clothing containing slimming substances; clothing for gymnastics; clothing incorporating LEDs; clothing of imitations of leather; clothing of leather; coats; collars [clothing]; combinations [clothing]; corselets; corsets [underclothing]; cuffs; cycling gloves; cyclists' clothing; detachable collars; dress shields; dresses; dressing gowns; driving gloves; ear muffs [clothing]; embroidered clothing; espadrilles; face coverings [clothing], not for medical or sanitary purposes; fingerless gloves; fishing vests; fittings of metal for footwear; football boots; football shoes; foot-muffs, not electrically heated; footwear; footwear uppers; fur stoles; furs [clothing]; gabardines [clothing]; gaiter straps; gaiters; galoshes; garters; girdles; gloves [clothing]; gymnastic shoes; hairdressing capes; half-boots; hat frames [skeletons]; hats; headbands [clothing]; headscarfs; headscarves; headwear; heel protectors for shoes; heelpieces for footwear; heelpieces for stockings; heels; hoods [clothing]; hosiery; inner soles; jackets [clothing]; jerseys [clothing]; judo uniforms; jumper dresses; jumpers [pullovers]; karate uniforms; kimonos; knickers; knitwear [clothing]; lace boots; latex clothing; layettes [clothing]; leggings [leg warmers]; leg warmers; leggings [trousers]; leotards; liveries; maniples; mantillas; masquerade costumes; miters [hats]; mitres [hats]; mittens; money belts [clothing]; motorists' clothing; muffs [clothing]; neck gaiters; neck tube scarves; neckties; non-slipping devices for footwear; outerclothing; overcoats; panties; paper clothing; paper hats [clothing]; parkas; pelerines; pelisses; petticoats; pinafore dresses; pocket squares; pockets for clothing; ponchos; pullovers; pyjamas; rash guards; ready-made clothing; ready-made linings [parts of clothing]; sandals; sarongs; sashes for wear; scarfs; scarves; shawls; shirt fronts; shirt yokes; shirts; shoes; short-sleeve shirts; shower caps; ski boots; ski gloves; skirts; skorts; skull caps; sleep masks; slippers; slips [underclothing]; smocks; sock suspenders; socks; soles for footwear; spats; sports jerseys; sports shoes; sports singlets; sportswear incorporating digital sensors; stocking suspenders; stockings; studs for football shoes; stuff jackets [clothing]; suits; swimsuits; sweat-absorbent socks; sweat-absorbent stockings; sweat-absorbent underwear; sweaters; teddies [underclothing]; tee-shirts; thermal gloves for touchscreen devices; tights; tips for footwear; togas; topcoats; top hats; trousers; turbans; underpants; underwear; uniforms; valenki [felted boots]; veils [clothing]; visors being headwear; waistcoats; waterproof clothing; welts for footwear; wimples; wooden shoes.

(260) AM 2026 131040 A
 (800) 1823775
 (151) 2024 08 12
 (891) 2024 08 12
 (731) Zhejiang Xijiaji Technology Co., Ltd.
 No. 3, Zone 5, Maolin Village, Lunan street,
 Luqiao District, Taizhou City, 318000
 Zhejiang, China

(540)

MIMPAN

(591) Black, white
 (531) 27.05.01
 (511)
 7 – Agricultural machines; lawnmowers [machines]; spraying machines; starters for motors and engines; pumps [machines]; compressed air machines; scissors, electric; hand-held tools, other than hand-operated; dynamos; crank shafts; connecting rods for machines, motors and engines.

(260) AM 2026 131042 A
 (800) 1823911
 (151) 2024 08 27
 (891) 2024 08 27
 (731) SHAANXI YANCHANG PETROLEUM
 GROUP RUBBER CO., LTD
 No.1, Tongyi Road, Fengdongxincheng,
 Xixian New Area, Shaanxi, China

(540)

URATURN

(591) Black, white
 (531) 18.01.21; 26.02.07; 26.11.03; 26.11.21;
 27.03.15; 27.05.01
 (511)
 12 – Rolling stock for railways; motorcycles; bicycles; cable cars; sleighs [vehicles]; vehicle tires; tires for aircraft wheels; boats.

(260) AM 2026 131049 A
 (800) 1824042
 (151) 2024 09 25
 (891) 2024 09 25
 (731) Stellar Biome Inc.
 84 Paperbirch Cres; London, ONTARIO
 N6G1L7, Canada

(540)

STELLAR BIOME

(591) Black, white
 (511)
 1 – Probiotic compositions for use as ingredients for dietary supplements, namely, probiotic bacteria and probiotic bacterial cultures; bacteriological preparations other than for medical and veterinary use, pro-

biotic bacteria and bacterial cultures for industrial use, in particular probiotic bacteria and bacteria cultures being ingredients for foodstuffs for human beings and animals.

5 – Food supplements; dietary supplements; nutritional supplements; food, dietary, and nutritional supplements containing probiotic compositions; bacterial and bacteriological preparations and preparations of microorganisms for medical and veterinary use, namely, probiotic bacteria and bacteria cultures being ingredients [for dietetic substances] for pharmaceutical, medical and veterinary use; media for bacteriological cultures; pharmaceutical preparations for use in treating gastric disease and disturbances; baby food; media bacteriological cultures, bacteria and preparations of bacteria in the nature of probiotics and post-biotics for medical use and healthcare; medical dental care preparations, namely, chewing gum, lozenges, pastilles and mouthwash for medical purposes; medicated toothpaste; medicinal preparations for the mouth to be applied in the form of drops, sachets, capsules, tablets and compressed tablets; sanitary preparations for medical purposes; dietetic foods adapted for medical use, namely, dietary nutraceutical supplement drinks, and medicinal drinks.

32 – Bottled water; drinking water; energy drinks; beers; mineral and aerated waters and] non-alcoholic drinks, namely, flavored and non-flavored beverages enhanced with probiotics and vitamins [and energy drinks enhanced with probiotics and vitamins]; fruit drinks, fruit juices; syrups and preparations for making beverages, namely, concentrates, syrups and powders for making soft drinks, non-alcoholic cordials, flavored waters, sports drinks, energy drinks, including recovery drinks, and] flavored and non-flavored beverages enhanced with probiotics.

(260) AM 2026 131050 A

(800) 1824049

(151) 2024 09 03

(891) 2024 09 03

(731) Home Fragrance Italia S.r.l.

Via del Commercio 28; I-20881 Bernareggio
(MB), Italy

(540)

MILLEFIORI

(591) Black, white

(511)

3 – Soaps; cosmetics; perfumery.

5 – Deodorants, other than for human beings, in particular air deodorizing preparations, car deodorants and deodorants for clothing or textiles.

11 – Electric dispensers for air fresheners; electric dispensers for room deodorants; air freshener plug-ins; scented electric candles.

21 – Cleaning articles and household or kitchen utensils and containers, in particular perfume vaporizers, vaporizers for perfume sold empty, pomanders [containers], perfume burners, electric and non-electric.

(260) AM 2026 131051 A

(800) 1824095

(151) 2024 09 03

(891) 2024 09 03

(731) International Business Machines Corporation

New Orchard Road; Armonk, New York
NY 10504, USA

(540)

CONCERT

(591) Black, white

(511)

9 – Computers; quantum computers; computer hardware; computer hardware and software for information technology analysis and data management; computer hardware and software for application development; computer hardware and software for cloud computing; computer hardware and software for cognitive computing; computer hardware and software for artificial intelligence; computer hardware and software for blockchain technology; computer hardware and software for quantum computing and quantum programming; computer hardware, namely, magnetic tape units (data processing), magnetic tapes, printed circuits, integrated circuits, computer keyboards, compact disks (audio-video), optical disks, couplers (data processing), diskettes, magnetic data carriers; computer hardware, namely, video screens, scanners (data processing equipment), computer printers, interfaces (data processing), readers (data processing), computer software (recorded programs) for data processing, microprocessors, modems, monitors (hardware), computers, computer memories, computer peripheral devices; computer adapters; computer components; data processing equipment; computer apparatus for the management of data and information; semiconductors; machine-readable electronic data media; magnetic disks; disk drives; tape recorders; calculating machines; cash registers; facsimile machines; video recorders; videotapes; electric cells and electric batteries; computer chips; boards for integrated circuits; computer accessories, namely, computer communication servers; computer carrying cases; computer interface boards; computer cables and computer cable parts; fax modem cards for computers; computer accessories, namely, screen filters, mouse pads, radio pagers, joysticks; electric converters, namely, digital-to-analog, analog-to-digital and step-by-step voltage switches; computer mice; integrated circuit cards and smart cards, adapters for integrated circuits and adapters for smart cards; readers for integrated circuit cards and smart cards; microcomputers; electrical power supplies; projectors (projection apparatus); remote controls

for computers; inverters, surge protectors and uninterruptible power supplies; point-of-sale terminals (payment terminals); computer servers; computer storage devices, namely high-speed storage subsystems for storage and backup of electronic data either locally or via a telecommunication network; downloadable computer programs; recorded computer programs; recorded or downloadable computer software platforms; downloadable computer software applications; video game software; operating system software and programs; software used for accessing a global computer network; document management software; database management software; software used for locating, retrieving and receiving text, electronic documents, graphics and audiovisual information on enterprise-wide internal computer networks and local and wide-area global computer networks; software used for software development and web authoring and user manuals in electronic format sold as a unit with these products; computer software for use in controlling the operation and execution of computer systems, programs, and computer networks; computer software for use in connecting disparate computer networks and systems, computer servers and storage devices; computer programs for linking computers together and for enabling computer activities across a global computer network; computer software for managing systems, software and processes that exist within an information technology environment; interactive computer systems combining hardware and software for use in managing and analyzing data and instruction manuals in electronic format sold therewith; cloud computing systems, namely, communication networks integrating computer hardware and software for dynamic provisioning, virtualization, and consumption metering of computer resources; recorded and downloadable cloud computing software for deploying and managing virtual machines on a cloud computing platform; computer systems, namely, computer hardware and computer software for developing and integrating artificial intelligence, namely, machine learning, deep learning and natural language processing which are capable of collecting, organizing and analyzing data; computer systems, namely, computer hardware and computer software for integrating Natural Language Processing (NLP), Computational Linguistics (CL), Information Retrieval (IR) and Machine Learning (ML) which is capable of understanding general human queries and formulating responses; software for developing, building and operating blockchain technology applications; computer hardware and computer software for developing and testing quantum algorithms; documentation and instruction manuals downloadable on machine-processible electronic data media and concerning computers or computer programs; downloadable electronic publications; downloadable electronic publications on computer media, namely, user manuals, guidebooks, brochures, information sheets, written presentations and teaching material in the field of

computing, computer networks, computer storage, computer operating systems, information technologies, database management, cloud computing, artificial intelligence, blockchain technology and quantum computing.

35 – Commercial business management and advice regarding commercial business management; provision of business information; distribution of prospectuses; distribution of samples; document reproduction; systematization of data in a central file; business management consulting services and business consulting services; business development service; electronic data processing; computer data processing services for artificial intelligence; computer data processing services for cognitive computing; computer data processing services for cloud computing; computer data processing services for blockchain technology; computer data processing services for data management; computer data processing services for quantum computing and quantum programming; arranging and conducting exhibitions for commercial or advertising purposes in the field of computers, computer services, information technology, artificial intelligence, cloud computing, blockchain technology, quantum computing, database management and electronic business transactions via a global computer network; business consulting services for companies regarding artificial intelligence; business consulting services for companies regarding computer systems that integrate Natural Language Processing (NLP), Computational Linguistics (CL), Information Retrieval (IR) and Machine Learning (ML) functions and capable of understanding general human queries and formulating responses; business consulting services for companies relating to cloud computing; business advisory services for businesses with respect to blockchain technology; business consulting services for companies regarding quantum computing, quantum programming and for developing and testing quantum algorithms; business consulting services for companies regarding information technology; analyzing and compiling business data; systematization of data in computer databases; commercial advice to businesses on the use of computer hardware.

41 – Educational services; coaching [training]; organization and conducting of conferences, seminars and congresses; organization of exhibitions for cultural or educational purposes; educational services, namely, organizing and conducting classes, seminars, conferences, webinars and workshops in the field of computers, computer services, information technology, artificial intelligence, cloud computing, blockchain technology, quantum computing, database management, image and audio processing technology, global computer and telecommunication networks; training in the field of computers, computer services, information technology, artificial intelligence, cloud computing, blockchain technology, quantum computing, database management, image and audio processing technology,

global computer and telecommunication networks; conducting entertainment exhibitions in the nature of information technology demonstrations; entertainment services, namely, online computer game services; conducting entertainment exhibitions, namely, real-time athletic competitions via a global computer network; editing of books and journals; conducting of exhibitions for cultural or educational purposes.

42 – Computer programming; Software as a service (SaaS) services featuring software for data management; software as a service (SaaS) services featuring software for cloud computing; software as a service (SaaS) services featuring software for artificial intelligence; software as a service (SaaS) services featuring software for cognitive computing; Software as a Service (SaaS) services featuring software for blockchain technology; software as a service (SaaS) services featuring software for quantum computing and quantum programming; software as a service (SaaS) services featuring software for constructing, analyzing and running quantum programs and quantum algorithms; software as a service (SaaS) services featuring software for developing and testing quantum algorithms; computer programming and computer consulting services for artificial intelligence; computer programming and computer consulting services for cognitive computing; computer programming and computer consulting services for information management; computer programming and computer consulting services for data management; computer programming and computer consulting services for cloud computing; computer programming and computer advisory services for blockchain technology; computer programming and computer consulting services for quantum computing; computer programming and computer consulting services for software as a service (SaaS); design, installation, updating and maintenance of software; computer software and hardware design for the benefit of third parties, and professional advisory services in the field of computers; technical support services, namely, troubleshooting of computer program and software problems; computer services, namely, design, creation and maintenance of websites for third parties; analysis of computer systems, integration of computer networks and databases, computer programming for third parties, all intended for commercial interactions on global computer networks; design of systems for interconnection of computers and software, namely, electronic connection of computers and software to each other; computer program (software) and computer hardware testing and monitoring services; technical project studies in the field of computer hardware and software; consultancy services in the field of computer hardware, namely consultancy regarding computing research and development; computer advice and assistance concerning Internet use; rental of computers and software; scientific and industrial research, namely research and development of new products, biological research, bacteriological research,

chemical research, cosmetology research, mechanical research, geological research, technological research, pharmaceutical research, scientific research for medical purposes; information technology consulting; computer system integration services; consulting services in the field of design, selection, implementation and use of computer hardware and software systems for third parties; technical support services, namely, troubleshooting computer program problems; computer system design services for third parties; design of computer systems for interconnecting computer hardware and software, namely, electronic interconnection of computers and software; computer program and computer hardware testing services, namely testing of software, computers and servers to ensure proper functioning thereof; cloud computing services pertaining to services for computer hardware and software integrated into a network for dynamic provisioning, virtualization, and consumption metering of computer resources; providing virtual computer systems and virtual computer environments through cloud computing; design and development of software for cloud storage of data; cloud computing hosting provider services; electronic storage of electronic data and data recovery; data security service; computer support services with respect to software rendered by computer specialists; design of computer hardware for computer networks; design and development of computers; quantum computing; consulting services with respect to computer and Internet security and data encryption.

(260) AM 2026 131535 A

(800) 1830299

(151) 2024 10 25

(891) 2024 10 25

(731) "Agribusiness Holding "Miratorg" Limited Liability Company
Building 3, "Trio-Invest"-Yam" area, Central microdistrict, RU-142000 Domodedovo, Moscow Region, Russian Federation

(540)

MIRADOG

(591) Black, white

(511)

5 – Antibacterial feed additives for veterinary preparations; veterinary preparations for animal hair and skin care; dietary supplements for animals; vitamin supplements for animals; medicated animal feed; mineral dietary supplements for animals; probiotic food supplements for animals; veterinary anthelmintic preparations; disinfectants; pharmaceutical products for veterinary use.

31 – Edible chews for animals; canned foodstuffs for animals; canned foodstuffs for pets; plant-based animal feed preparations; animal foodstuffs; pet food; fortified food substances for animals; pet treats; edible pet treats containing beef; edible pet treats containing

poultry; grain-free animal foodstuffs; mixed animal feeds; dry food for pets.

(260) AM 2026 131658 A

(800) 977757

(151) 2008 08 25

(891) 2024 12 18

(731) bioMérieux, Inc.

515 Colorow Drive, Salt Lake City UT 84108,
USA

(540)

VITEK

(591) Black, white

(511)

1 – Chemicals for use in industry and science; reagents and media to control and detect contaminating substances in industrial, agricultural, cosmetic, and pharmaceutical products; all of these products excluding any goods used in membrane separation processes used for the treatment of water.

5 – Reagents and media for medical and veterinary diagnosis.

(260) AM 2026 131895 A

(800) 1834969

(151) 2024 08 27

(891) 2024 08 27

(731) EGT DIGITAL LTD.

"Panorama Sofia" Str. 6, Business Center
"Richhill", block A, BG-1766 Sofia, Bulgaria

(540)

Locked Wilds

(591) Black, white

(511)

9 – Operating computer software for main frame computers; monitors (computer hardware); computer hardware; apparatus for recording images; monitors (computer programs); computer game programs; recorded computer game programs; apparatus for recording, transmission or reproduction of sound or images; communications servers (computer hardware); electronic components for gambling machines; computer application software featuring games and gaming; computer software for the administration of on-line games and gaming; computer hardware for games and gaming; computer hardware and software for gambling, gambling machines, gambling games on the internet and via telecommunication network; computer systems; computer operating system software; computer terminals; interactive terminals; multimedia terminals; electronic terminals for generating lottery tickets; interactive touch screen terminals; computer touchscreens; electronic display panels; liquid crystal display screens; digital signage display panels; multimedia software; multimedia apparatus and instruments; interactive multimedia software for playing ga-

mes; computer screens; lcd large-screen displays; liquid crystal displays [lcds] for home theatres; media streaming software; computer application software for streaming audio-visual media content via the internet; software; computer gaming software; computer software packages; computer software, recorded; software drivers; virtual reality software; games software; entertainment software for computer games; computer programs for network management; electronic lottery tickets; computer software platforms; operating systems; interactive computer systems; operating system programs; computer game software for use with on-line interactive games; interactive casino games provided through a computer or mobile platform; software for slot machines, betting software, software for video slot games, for casino games, for gambling and bingo games, provided online or through computer networks and that can be played on any type of computer device, including arcade games, personal computers, portable devices and mobile phones; electronic ticket examination machines.

28 – Gaming machines for gambling; chips for gambling; mah-jong; arcade games; gambling machines operating with coins, notes and cards; games; electronic games; parlor games; gaming chips; gaming tables; slot machines [gaming machines]; LCD game machines; slot machines and gaming devices; coin-operated amusement machines; roulette chips; poker chips; chips and dice [gaming equipment]; gaming equipment for casinos; roulette tables; gaming roulette wheels; casino games; gambling machines and amusement machines, automatic and coin-operated; coin-operated amusement machines and/or electronic coin-operated amusement machines with or without the possibility of gain; boxes for coin-operated amusement machines, slot machines and gaming machines; electronic or electrotechnical amusement machines and apparatus, gaming machines, coin-operated entertainment machines; housings for coin-operated amusement machines, gaming equipment, gaming machines, machines for gambling; electropneumatic and electrical gambling machines (slot machines); lottery games; electronic targets for games and sports; parlor game equipment and accessories not included in other classes, in particular tokens, chips, marbles; parlor games, apparatus, equipment and accessories therefor, not included in other classes, in particular electronic targets, backgammon, scratch cards, playing cards, lottery cards, dice; lottery tickets; printed lottery tickets; lottery scratch cards; scratch cards for playing lottery games.

41 – Gambling; services related to gambling; gaming services for entertainment purposes; casino, gaming and gambling services; training in the development of software systems; provision of gaming equipment for gambling halls; providing casino equipment [gambling]; gaming machine entertainment services; providing casino facilities [gambling]; amusement arcade

services; games equipment rental; rental of gaming machines; providing amusement arcade services; rental of gaming machines with images of fruits; editing or recording of sounds and images; sound recording and video entertainment services; hire of sound reproducing apparatus; provision of gaming equipment for casinos; providing of casino facilities; online gambling services; entertainment services related to operation of amusement arcades, on-line casinos and on-line betting services via websites; online interactive entertainment; on-line casino services; online game services through mobile devices; providing online entertainment in the nature of game tournaments; providing on-line information in the field of computer gaming entertainment; sports betting services; online sports betting services; lottery services; organization of lotteries; conducting lotteries; prize draws [lotteries]; conducting lotteries for others; providing slot machine parlors; rental of slot machines [gaming machines]; providing online games and games of chance.

(260) AM 2026 131896 A

(800) 1834974

(151) 2024 10 18

(891) 2024 10 18

(731) CERTUS ALCI VE DOKUM TEKNOLOJI
SANAYI ANONIM SİRKETİ
Muratpaşa Mah.Siteler Cad. No.14 B,
Bayrampasa, İstanbul, Türkiye

(540)



(591) Black, blue, red

(531) 26.04.22; 27.05.10; 29.01.13

(511)

19 – Sand, gravel, crushed stone, asphalt, bitumen, cement, gypsum for use in construction, road construction, repair and covering work; building materials (as finished products) made of concrete, gypsum, clay, potters' clay, natural or artificial stone, wood, plastics and synthetic materials for building, construction, road construction purposes, included in this class; non-metallic buildings, nonmetallic building materials, non-metallic transportable buildings, poles, not of metal for power lines, barriers not of metal, doors and windows of wood and synthetic materials; traffic signs not of metal, non-luminous and non-mechanical, for roads; monuments and statuettes of stone, concrete and marble; natural and synthetic surface coatings in the form of panels and sheets, being building materials; heat adhesive synthetic surface coating, being building materials; bitumen cardboard coatings for roofing; bitumen coating for roofing; building glass; prefabricated swimming pools not of metal (structures); aquarium sand.

(260) AM 2026 131898 A

(800) 1834991

(151) 2024 11 26

(891) 2024 11 26

(731) Henkel AG & Co. KgaA
Henkelstr. 67, 40589 Düsseldorf,
Germany

(540)



(591) Pink, white and grey

(531) 07.01.24; 24.01.03; 24.01.05; 24.01.15;
26.03.23; 27.05.24; 29.01.13

(511)

1 – Chemical preparations for use in industry; silicon; concrete preservatives, except paints and oils; preservatives for tiles, except paints and oils; cement-waterproofing preparations, except paints; corrosive preparations; degreasing preparations for use in manufacturing; epoxy resins; unprocessed artificial and synthetic resins; tempering and soldering preparations; brazing preparations; adhesives for industrial purposes; adhesives for tiles; putties, and fillers and pastes for use in industry.

17 – Sealing compounds; adhesive caulking compounds; adhesive sealant compounds; weatherstripping compositions; caulking materials; sealant compounds for joints; expansion joint fillers; insulating materials for building; insulating materials made of polyurethane foam; insulating plaster; insulating tapes; insulating varnish; insulating water proofing membranes; packing, stopping and insulating materials, silicone sealants; seals, sealants and fillers.

19 – Non-metallic building material; bituminous coatings for roofing; plaster; cement plaster; mortar, concrete, cement, gypsum, pitch, bitumen, screed, spackling compounds, coatings (building material), grouting material, levelling preparations (cement or mortar).

(260) AM 2026 131899 A

(800) 1834993

(151) 2024 11 26

(891) 2024 11 26

(731) Henkel AG & Co. KgaA
Henkelstr. 67, 40589 Düsseldorf,
Germany

(540)



(591) Grey, blue, white and green

(531) 01.15.15; 01.15.21; 24.01.07; 24.15.01;
27.01.12; 29.01.13

(511)

1 – Chemical preparations for use in industry; silicon; concrete preservatives, except paints and oils; preservatives for tiles, except paints and oils; cement-waterproofing preparations, except paints; corrosive preparations; degreasing preparations for use in manufacturing; epoxy resins; unprocessed artificial and synthetic resins; tempering and soldering preparations; brazing preparations; adhesives for industrial purposes; adhesives for tiles; putties, and fillers and pastes for use in industry.

17 – Sealing compounds; adhesive caulking compounds; adhesive sealant compounds; weatherstripping compositions; caulking materials; sealant compounds for joints; expansion joint fillers; insulating materials for building; insulating materials made of polyurethane foam; insulating plaster; insulating tapes; insulating varnish; insulating water proofing membranes; packing, stopping and insulating materials, silicone sealants; seals, sealants and fillers.

19 – Non-metallic building material; bituminous coatings for roofing; plaster; cement plaster; mortar, concrete, cement, gypsum, pitch, bitumen, screed, spackling compounds, coatings (building material), grouting material, levelling preparations (cement or mortar).

(260) AM 2026 132021 A

(800) 1835851

(151) 2024 08 10

(891) 2024 08 10

(731) BHARTI AIRTEL LIMITED

airtel center, plot no. 16, udyog vihar, phase- iv,
gurugram, haryana – 122015, India

(540)

AIRTEL

(591) Black, white

(511)

9 – Telecommunications, telephonic and communications apparatus and instruments; data communication apparatus and instruments; apparatus and instruments for the processing, transmission, storage, logging, reception and retrieval of data being in the form of en-

coded data, text, audio, graphic images or video or a combination of these formats; modems; machine readable media; digital music (downloadable) provided from a computer database or the internet, including mp3 internet websites; personal digital assistants; satellite receiving and transmission apparatus and instruments; apparatus for listening to music downloaded from the internet; battery chargers for use with telecommunications apparatus; adapters for use with telecommunications apparatus; radio telephones, mobile and fixed telephones; electronic personal organisers; computer application software for mobile phones; computer software for use as an application programming interface (api) for communications software facilitating voice over internet protocol (voip) calls, phone calls, video calls, text messages, instant message and online social networking services that may be downloaded from a global computer network; computer software, namely, software development tools for the creation of mobile internet applications and client interfaces; computer telephony software; downloadable cloud computer software for social communications over the internet, storage of data over the internet cloud, sharing user locations.

38 – Telecommunications services; telecommunication, mobile and fixed telecommunication and telephone, satellite telecommunication, cellular telecommunication, radio and cellular telephone, radio facsimile, radio paging and radio communication services; hire, leasing and rental of telecommunications, radio, radio telephone and radio facsimile apparatus; provision of internet services, in particular internet access services; transmission of information, including web pages, computer programmes and any other data; electronic mail services; provision of location based services for telecommunications apparatus; provision of wireless application protocol services including those utilising a secure communications channel; transfer of data by telecommunications; broadcast or transmission of radio or television programmes; video text, teletext and view data services; messaging services, namely, sending, receiving and forwarding messages in the form of text, audio, graphic images or video or a combination of these formats; unified messaging services; voicemail services; video conferencing services; providing telecommunications connections to the internet or databases; providing access to digital music websites on the internet; providing access to mp3 websites on the internet; delivery of digital music by telecommunications; computer aided transmission of messages, data and images; providing chat-line services; provision and operation of electronic conferencing, discussion groups and chat rooms; computer bulletin boards; leasing access time to databases.

41 – Education; providing of training; entertainment; sporting and cultural activities; entertainment, education and training including such services provided online from a computer, the internet or other electronic

network; providing games; providing on-line electronic publications; publication of electronic books and journals on-line; operating quizzes; movie screening services, music performance services; radio and television entertainment services including those provided on-line from a computer, the internet or other electronic network; news programming services for transmission across the internet; gaming services; electronic library services for the supply of electronic information (including archive information) in the form of text, audio and/or video information; providing digital music (not downloadable) from the internet; providing digital music (not downloadable from mp3 internet websites); provision of information and advice relating to sports events, news events, translation services provided on-line from a computer databases, the internet or other electronic network.

42 – Telecommunications technology consultancy; research relating to telecommunication; design and development of telecommunications systems; design and development of telecommunications networks; monitoring of telecommunication signals; analysis of telecommunication signals; testing of telecommunication signals; computer programming for telecommunications; computer programming and software design; computer network services by means of the provision of software, programmes, internet or other electronic networks for searching, retrieving, creating and maintaining websites; hosting the websites of others, installation and maintenance of computer software; provision of information from a computer database, the internet or other electronic network relating to services included in this class; technical research; research and development services in connection with new products; hosting computer sites [websites]; rental of web servers; web site design; maintenance of computer software; installation of computer software.

(260) AM 2026 132033 A

(800) 1836214

(151) 2024 10 15

(891) 2024 10 15

(731) Spribe OÜ

Kivila street 5-118, EE-13917 Tallinn, Estonia

(540)



(591) Black, white

(531) 25.07.01; 25.07.03; 26.04.02; 26.04.09;
27.01.02; 27.05.10

(511)

9 – Downloadable and recorded content; software; databases; media content; application software; games

software; virtual and augmented reality software; web application and server software; casino management software; computer game software for use on mobile devices; computer programs, downloadable; computer programs, recorded; computer software; computer software for mobile phones; computer software platforms; computer software, recorded; downloadable software; electronic lottery tickets; interactive software; mobile software; programs for computers; programs for smartphones; software and applications for mobile devices; software downloadable from the internet; software for mobile phones; software for smartphones; software for tablet computers; software related to handheld digital electronic devices; gambling software; interactive casino games provided through a computer or mobile platform.

35 – Advertising, marketing and promotional services; business assistance, management and administrative services.

41 – Education, entertainment and sport services; education, entertainment and sports; gambling services; video game services; casino, gaming and gambling services; casino services; gambling information services; on-line casino services; on-line gambling services; organization of lotteries; gambling; online gambling services; online casino services; leasing of casino games; rental of casino games.

42 – IT services; hosting services, software as a service, and rental of software; IT consultancy, advisory and information services; IT security, protection and restoration; software development, programming and implementation.

(260) AM 2026 132037 A

(800) 1836293

(151) 2024 10 02

(891) 2024 10 02

(731) EGT DIGITAL LTD.

"Panorama Sofia" Str. 6, Business Center

"Richhill", block A, BG-1766 Sofia, Bulgaria

(540)

Captain Drake

(591) Black, white

(511)

9 – Operating computer software for main frame computers; monitors (computer hardware); computer hardware; apparatus for recording images; monitors (computer programs); computer game programs; recorded computer game programs; apparatus for recording, transmission or reproduction of sound or images; communications servers (computer hardware); electronic components for gambling machines; computer application software featuring games and gaming; computer software for the administration of on-line games and gaming; computer hardware for games and gaming; computer hardware and software for

gambling, gambling machines, gambling games on the internet and via telecommunication network; computer systems; computer operating system software; computer terminals; interactive terminals; multimedia terminals; electronic terminals for generating lottery tickets; interactive touch screen terminals; computer touchscreens; electronic display panels; liquid crystal display screens; digital signage display panels; multimedia software; multimedia apparatus and instruments; interactive multimedia software for playing games; computer screens; LCD large-screen displays; liquid crystal displays [LCDs] for home theatres; media streaming software; computer application software for streaming audio-visual media content via the internet; software; computer gaming software; computer software packages; computer software, recorded; software drivers; virtual reality software; games software; entertainment software for computer games; computer programs for network management; electronic lottery tickets; computer software platforms; operating systems; interactive computer systems; operating system programs; computer game software for use with on-line interactive games; interactive casino games provided through a computer or mobile platform; software for slot machines, betting software, software for video slot games, for casino games, for gambling and bingo games, provided online or through computer networks and that can be played on any type of computer device, including arcade games, personal computers, portable devices and mobile phones; electronic ticket examination machines.

28 – Gaming machines for gambling; chips for gambling; mah-jong; arcade games; gambling machines operating with coins, notes and cards; games; electronic games; parlor games; gaming chips; gaming tables; slot machines [gaming machines]; LCD game machines; slot machines and gaming devices; coin-operated amusement machines; roulette chips; poker chips; chips and dice [gaming equipment]; gaming equipment for casinos; roulette tables; gaming roulette wheels; casino games; gambling machines and amusement machines, automatic and coin-operated; coin-operated amusement machines and/or electronic coin-operated amusement machines with or without the possibility of gain; boxes for coin-operated amusement machines, slot machines and gaming machines; electronic or electrotechnical amusement machines and apparatus, gaming machines, coin-operated entertainment machines; housings for coin-operated amusement machines, gaming equipment, gaming machines, machines for gambling; electropneumatic and electrical gambling machines (slot machines); lottery games; electronic targets for games and sports; parlor game equipment and accessories therefor, included in this class, in particular gaming tokens, chips and marbles; parlor games, game apparatus and equipment and accessories therefor, included in this class, in particular electronic targets, backgammon games, scratch cards, playing cards, lottery cards, dice; lottery

tickets; printed lottery tickets; lottery scratch cards; scratch cards for playing lottery games.

41 – Gambling; services related to gambling; gaming services for entertainment purposes; casino, gaming and gambling services; training in the development of software systems; provision of gaming equipment for gambling halls; providing casino equipment [gambling]; gaming machine entertainment services; providing casino facilities [gambling]; amusement arcade services; games equipment rental; rental of gaming machines; providing amusement arcade services; rental of gaming machines with images of fruits; editing or recording of sounds and images; sound recording and video entertainment services; hire of sound reproducing apparatus; provision of gaming equipment for casinos; providing of casino facilities; online gambling services; entertainment services related to operation of amusement arcades, on-line casinos and on-line betting services via websites; online interactive entertainment; on-line casino services; online game services through mobile devices; providing online entertainment in the nature of game tournaments; providing on-line information in the field of computer gaming entertainment; sports betting services; online sports betting services; lottery services; organization of lotteries; conducting lotteries; prize draws [lotteries]; conducting lotteries for others; providing slot machine parlors; rental of slot machines [gaming machines]; providing online games and games of chance.

(260) AM 2026 132039 A

(800) 1836296

(151) 2024 11 26

(891) 2024 11 26

(731) ALTUNFOOD GIDA İTHALAT İHRACAT
SANAYİ TİCARET LİMİTED ŞİRKETİ
SANAYİ MAH. 60126 NOLU CAD. 40.
BLOK 89, Şehitkamil, Gaziantep, Türkiye

(540)



(591) Red, white

(531) 26.01.18; 29.01.12

(511)

29 – Meat, fish, poultry and game, processed meat products; dried pulses; soups, bouillon; processed olives, olive paste; milks of animal origin, milks of herbal origin, milk products, butter; edible oils; dried, preserved, frozen, cooked, smoked or salted fruits and vegetables, tomato paste; prepared nuts and dried fruits as snacks; hazelnut spreads and peanut butter, tahini (sesame seed paste); eggs and powdered eggs; potato chips.

30 – Coffee, cocoa, coffee or cocoa based beverages, chocolate based beverages; pasta, noodles; pastries and bakery products based on flour, desserts based on flour and chocolate, bread, simit [Turkish ring-shaped bagel covered with sesame seeds], poğaç [Turkish bagel], pita, sandwiches, katmer [Turkish pastry], pies, cakes, baklava [Turkish dessert based on dough coated with syrup], kadayıf [Turkish dessert based on dough], desserts based on dough coated with syrup, puddings, custard, kazandibi [Turkish pudding], rice pudding, keşkül [Turkish pudding]; honey, bee glue for human consumption, propolis for food purposes; condiments for foodstuff, vanilla (flavoring), spices, sauces (condiments), tomato sauce; yeast, baking powder; flour, semolina, starch for food; sugar, cube sugar, powdered sugar; tea, iced tea; confectionery, chocolate, biscuits, crackers, wafers; chewing gums; ice-cream, edible ices; salt; cereal-based snack food, popcorn, crushed oats, corn chips, breakfast cereals, processed wheat for human consumption, crushed barley for human consumption, processed oats for human consumption, processed rye for human consumption, rice; molasses for food.

32 – Beers, extracts of hops for making beer; mineral water, spring water, table water, soda water; fruit juices and vegetable juices [beverages], fruit and vegetable concentrates for making beverages and non-alcoholic fruit extracts for making beverages, soft drinks; energy drinks, protein-enriched sports beverages.

(260) AM 2026 132041 A
(800) 1836375
(151) 2024 10 28
(891) 2024 10 28
(731) LÁCTEOS DE FUENTEMIZARRA, S.L.U.
Carretera de Palencia, s/n E-09400 ARANDA
DE DUERO (BURGOS), Spain
(540)



(591) Red, green, white
(531) 05.03.14; 27.05.08; 27.05.09; 27.05.10;
27.05.11; 27.05.17; 29.01.13

(511)
29 – Soy milk [milk substitute]; rice milk; soy-based beverages used as milk substitutes; almond milk; almond milk based beverages; oat milk; oat-based beverages [milk substitute]; peanut milk; peanut milk based beverages; coconut milk; beverages based on coconut milk; milk products and milk substitutes; desserts made of artificial milk; flavored yogurts; yogurts; custard-style yogurts; soy yogurt; coconut

milk yogurt; yogurt substitutes made from soy milk, coconut, rice, almonds, oats, peanuts; yogurt desserts; beverages prepared with yogurt; preparations for making yogurt; low-fat yogurts; yogurt-based beverages; fruit-flavored yogurts.

32 – Non-alcoholic beverages; fruit-juice-based beverages; fruit juices; vegetable juices (beverages); shakes with cereals and oats; non-alcoholic fruit juice beverages; rice-based beverages, other than milk substitutes; soy-based beverages other than milk substitutes; oat-based beverages, other than milk substitutes; non-alcoholic aloe vera beverages; vegetable beverages; vegetable juices [beverages]; fruit or vegetable based beverages; vegetable beverages and vegetable juices; non-alcoholic beverages; non-alcoholic vegetable beverages.

(260) AM 2026 132151 A
(800) 1837401
(151) 2024 12 27
(891) 2024 12 27
(731) Shanghai Tanxun Information Technology Co.,
Ltd
Building C, No. 888, West Second Huanhu
Road, Lingang New Zone, Pilot Free Trade
Zone, 201100 Shanghai, China

(540)

seekseek

(591) Black, white
(531) 27.05.01
(511)
9 – Headsets; audiovisual teaching apparatus; electronic book readers; photocopiers [photographic, electrostatic, thermic]; remote control apparatus; diagnostic apparatus, not for medical purposes; theft prevention installations, electric.

14 – Jewellery charms; jewellery; clocks; wristwatches; watches; sport watches; watch bands; clocks and watches, electric.

(260) AM 2026 132152 A
(800) 1837410
(151) 2024 12 03
(891) 2024 12 03
(731) Beijing Roborock Technology Co., Ltd.
Room 1001, Floor 10, Building 3, Yard 17,
Anju Road, Changping District, Beijing,
China

(540)

Roborock F25 Combo

(591) Black, white
(511)
7 – Self-propelled road sweeping machines; cleaning appliances utilizing steam; rechargeable floor cleaning machines; hand-held vacuum cleaners; vacuum

cleaners; dust removing installations for cleaning purposes; dust exhausting installations for cleaning purposes; machines and apparatus for carpet shampooing, electric; washing apparatus; machines and apparatus for cleaning, electric; vacuum cleaner hoses; brushes for vacuum cleaners; suction nozzles for vacuum cleaners; vacuum cleaner attachments for disseminating perfumes and disinfectants; dust filters and bags for vacuum cleaners; automatic vacuum cleaners.

(260) AM 2026 132153 A

(800) 1837411

(151) 2024 12 11

(891) 2024 12 11

(731) Beijing Roborock Technology Co., Ltd.
Room 1001, Floor 10, Building 3, Yard 17,
Anju Road, Changping District, Beijing, China

(540)

FreeFlow

(591) Black, white

(511)

7 – Self-propelled road sweeping machines; cleaning appliances utilizing steam; rechargeable floor cleaning machines; hand-held vacuum cleaners; vacuum cleaners; dust removing installations for cleaning purposes; dust exhausting installations for cleaning purposes; machines and apparatus for carpet shampooing, electric; washing apparatus; machines and apparatus for cleaning, electric; vacuum cleaner hoses; brushes for vacuum cleaners; suction nozzles for vacuum cleaners; vacuum cleaner attachments for disseminating perfumes and disinfectants; dust filters and bags for vacuum cleaners; automatic vacuum cleaners.

(260) AM 2026 132154 A

(800) 1837412

(151) 2024 12 03

(891) 2024 12 03

(731) Beijing Roborock Technology Co., Ltd.
Room 1001, Floor 10, Building 3, Yard 17,
Anju Road, Changping District, Beijing, China

(540)

Roborock F25 ACE Combo

(591) Black, white

(511)

7 – Self-propelled road sweeping machines; cleaning appliances utilizing steam; rechargeable floor cleaning machines; hand-held vacuum cleaners; vacuum cleaners; dust removing installations for cleaning purposes; dust exhausting installations for cleaning purposes; machines and apparatus for carpet shampooing, electric; washing apparatus; machines and apparatus for cleaning, electric; vacuum cleaner hoses; brushes for vacuum cleaners; suction nozzles for vacuum cleaners; vacuum cleaner attachments for disseminating

perfumes and disinfectants; dust filters and bags for vacuum cleaners; automatic vacuum cleaners.

(260) AM 2026 132155 A

(800) 1837413

(151) 2024 12 03

(891) 2024 12 03

(731) Beijing Roborock Technology Co., Ltd.
Room 1001, Floor 10, Building 3, Yard 17,
Anju Road, Changping District, Beijing, China

(540)

Roborock F25

(591) Black, white

(511)

7 – Self-propelled road sweeping machines; cleaning appliances utilizing steam; rechargeable floor cleaning machines; hand-held vacuum cleaners; vacuum cleaners; dust removing installations for cleaning purposes; dust exhausting installations for cleaning purposes; machines and apparatus for carpet shampooing, electric; washing apparatus; machines and apparatus for cleaning, electric; vacuum cleaner hoses; brushes for vacuum cleaners; suction nozzles for vacuum cleaners; vacuum cleaner attachments for disseminating perfumes and disinfectants; dust filters and bags for vacuum cleaners; automatic vacuum cleaners.

(260) AM 2026 132157 A

(800) 1837462

(151) 2024 11 08

(891) 2024 11 08

(731) YICHANG TEA GROUP CO., LTD
Chengdong Avenue 168, Wujiagang District,
Yichang, 443003 Hubei Province, China

(540)

Yivana

(591) Black, white

(531) 27.05.01

(511)

30 – Tea; tea-based beverages; tea powder made from tea leaves; flavored tea; instant tea; fruit-flavored tea beverage; tea bags; natural sweeteners; candies.

(260) AM 2026 132175 A

(800) 1837756

(151) 2024 11 19

(891) 2024 11 19

(731) ABRAHAM INDUSTRIES S.r.l.
Via Fosse Incrociate 284, I-47822
Santarcangelo di Romagna (Rimini), Italy

(540)

LIVI

(591) Black, white

(511)

3 – Soaps; perfumery, essential oils; dentifrices.

4 – Candles; candles for lighting; candles; floating candles; candles for absorbing smoke; perfumed candles.

14 – Paste jewellery [costume jewelry (Am.)]; jewellery, including imitation jewellery and plastic jewellery; imitation jewellery ornaments; paste jewellery [costume jewelry (Am.)]; pendants; bracelets [jewellery, jewelry (Am.)]; beads for making jewelry; jewellery rope chain for bracelets; semi-precious articles of bijouterie; jewels; locket [jewellery]; jewellery charms; paste jewellery [costume jewelry (Am.)]; jewel pendants; necklaces [jewellery]; brooches [jewellery]; jewelry findings; clocks; bracelets for watches; key rings [split rings with trinket or decorative fob]; charms for key rings; rope chain made of precious metal; chains [jewelry]; key rings and key chains, and charms therefor; key chains as jewellery [trinkets or fobs]; key rings; decorative articles [trinkets or jewellery] for personal use; personal jewellery; rings [jewellery, jewelry (Am.)].

16 – Books, bookmarks, book covers; calendars; appointment books, index books, diaries; posters; posters; binders; albums; folders; memo pads; pens, pencils; table cloths, table mats and table napkins of paper; paper, cardboard and goods made from these materials, not included in other classes; book binding material; photographs; stationery; adhesives for stationery or household purposes; artists' materials; paint brushes; typewriters and office requisites (except furniture); plastic materials for packing (not included in other classes); printers' type; printing blocks.

18 – Leather purses; briefcases [leather goods]; travelling sets [leatherware]; leather shoulder belts; briefbags; bags; duffel bags; holdalls for sports clothing; handbags; backpacks; trunks [luggage]; suitcases; key cases; key-cases of leather and skins; briefcases [leather goods]; briefcases [leather goods]; wallets; banknote holders; card wallets [leatherware]; portfolio cases [briefcases]; attaché cases; card wallets [leatherware]; cosmetic cases sold empty; wheeled luggage; toiletry bags; cases of imitation leather; vanity cases, not fitted; tool pouches, sold empty; luggage; travel luggage; carry-on bags; traveling trunks; bucket bags; shoulder bags; umbrellas; parasols; golf umbrellas.

24 – Towels; bed linen, sheets; textiles and textile goods, not included in other classes; bed and table covers.

25 – Menswear; skirts; trousers; trousers; shorts; denim jeans; shirts; chemisettes; jumpers; sweaters; undershirts; vest tops; snow suits; snow suits; flying suits; jumper suits; cloaks; stuff jackets [clothing]; coats; blousons; stuff jackets [clothing]; jackets [clothing]; cagoules; mackintoshes; stockings; socks; hats; headgear; bonnets [headwear]; shrugs; sashes for

wear; gloves [clothing]; neckties; swimming costumes; waist belts; shoes; beach shoes; mules; boots; gymnastic shoes; tennis shoes; robes; tights; underwear; sportswear; ladies' clothing; children's wear; boys' clothing; girls' clothing.

(260) AM 2026 132180 A

(800) 1837847

(151) 2024 11 04

(891) 2024 11 04

(731) "TD Ramtex-Trading" Limited Liability

Company

Krasnozvezdnaya str., 18B-56, 220034 Minsk,

Belarus

(540)



(591) Black, white

(531) 05.05.20; 05.07.07; 05.07.10; 05.07.16;

25.01.25; 26.01.15; 28.05

(511)

6 – Lids of metal for cans and bottles; bottle caps of metal; crown caps of metal for bottles; sealing caps of metal; preserve tins; tinsplate packings.

29 – Meat, fish, poultry and game; meat extracts; preserved, dried and cooked fruits and vegetables; jellies, jams, compotes; eggs, milk, cheese, butter, yoghurt and other dairy products; edible oils and fats.

30 – Coffee, tea, cocoa and substitutes therefor; rice, pasta and noodles; tapioca and sago; flour and preparations made from cereals; bread, pastries and confectionery; chocolate; ice cream, sorbets and other edible ices; sugar, honey, treacle; yeast, baking-powder; salt, seasonings, preserved herbs; vinegar, sauces and other condiments; ice (frozen water).

32 – Beers; non-alcoholic beverages; mineral and aerated waters; fruit beverages and fruit juices; syrups and other preparations for making non-alcoholic beverages.

(260) AM 2026 132295 A

(800) 1838577

(151) 2025 01 08

(891) 2025 01 08

(731) Apple Inc.

One Apple Park Way, Cupertino CA 95014,

USA

(540)

APPLE IMMERSIVE

(591) Black, white

(511)

9 – Downloadable audio files, image files, video files, music files and multimedia content; downloadable audio and visual recordings, musical recordings, movies, films and television shows; downloadable films and videos featuring 3D and 360-degree viewing in the field of entertainment and sports.

(260) AM 2026 132296 A

(800) 1838578

(151) 2025 01 08

(891) 2025 01 08

(731) Apple Inc.

One Apple Park Way, Cupertino CA 95014,
USA

(540)

APPLE IMMERSIVE

(591) Black, white

(511)

41 – Providing entertainment, sports, music, reality, documentary, and arts and culture programming by means of telecommunications networks, computer networks, the Internet, and wireless communications networks; providing non-downloadable entertainment, sports, music, reality, documentary, and arts and culture programming; providing non-downloadable pre-recorded music, video, and graphics for use on mobile communications devices.

(260) AM 2026 132297 A

(800) 1838608

(151) 2024 12 03

(891) 2024 12 03

(731) KUBOTA CORPORATION

2-47, Shikitsuhigashi 1-chome, Naniwa-ku,
Osaka-shi, Osaka 556-8601, Japan

(540)



(591) Black, white

(531) 27.05.01; 27.05.17; 27.05.21

(511)

1 – Industrial chemicals; alcohols; alcohol for industrial purposes; waste water treatment chemicals for industrial use; descaling preparations for industrial purposes; chemical preparations for use in industry; chemical preparations for repelling stains; transmis-

sion oil; transmission fluid; power steering fluid; brake fluid; oils for hydraulic circuits; oils for hydraulic cushions; oils for hydraulic suspensions; hydraulic oils for brake circuits; fluids for hydraulic circuits.

2 – Rust inhibiting preparations in the nature of a coating for use on vehicles; anti-corrosive preparations; corrosion inhibiting preparations for vehicles; mordants; dyestuffs; colorants; pigments; paints; anti-corrosive paints; spray paint; paints for industrial equipment; anti-rust greases; anti-rust oils.

4 – Lubricants; solid lubricants; solid lubricants for industrial purposes; fuel; solid fuels; biomass fuel; hydrogen fuel; fuel for lighters; liquid fuels; gases for use as fuel; motor fuel; alcohol [fuel]; gasoline; industrial oil; gear oil; engine oils; motor oil; lubricating grease; industrial lubricants; industrial gasoline; industrial greases.

7 – Metalworking machine tools; cutting machines; mining machines; rock drills; multi-purpose high pressure washers; construction machines; road making machines; cranes; excavating machines; backhoes [earth moving machines]; power shovels; earth compacting machines; earth moving machines; loading and unloading machines; materials handling machines; snow plows; industrial robots; filters being parts of machines or engines; filtering machines; filling machines; cereal processing machines; agricultural machines; agricultural implements, other than hand-operated hand tools; rice transplanting machines; combine harvesters; harvesting machines; reapers; windrowers for agricultural machines; threshing machines; cultivators [machines]; tilling machines for agricultural purposes; sowers [machines]; raking machines; balers for agricultural use; trussing apparatus for hay; spraying machines; mechanical fertilizer spreading machines; mechanical agricultural pesticides spreaders; seed drills for agricultural machines; electric grass trimmers; harrows; ploughs; engines not for land vehicles; diesel engines not for land vehicles; piston rings; oil filters; oil filters for motors and engines; automotive engine blocks; engines for marine vessels; mechanical engine parts for land vehicles; pumps as parts of machines, motors and engines; sump pumps; submersible pumps; vehicle washing installations; food slicing machines for commercial use; crank shafts; engine bearings; bearings, as parts of machines; shaft couplings as parts of machines; transmission shafts, other than for land vehicles; reduction gears, other than for land vehicles; reduction gears being parts of machines; cams being parts of machines; clutches, other than for land vehicles; pistons [parts of machines or engines]; roller chains, other than for land vehicles; transmissions, other than for land vehicles; metal pulleys being parts of machines; drive chains, other than for land vehicles; belts for machines; transmissions for machines; gears, other than for land vehicles; pneumatic or hydraulic linear actuators, other than for land vehicles; springs

being parts of machines; shock absorbers for machines; shock absorber plungers [parts of machines]; brakes for machines; brake linings, other than for vehicles; brake segments, other than for vehicles; valves being parts of machines; pressure regulators [parts of machines]; dispensing valves being machine parts; clack valves [parts of machines]; pressure valves being parts of machines; lawnmowers; waste crushing machines; waste disposal units.

12 – Traction engine; treads for vehicles [tractor type]; treads for vehicles [roller belts]; engines for land vehicles; motors for land vehicles; bearings [parts of vehicles]; universal joints for land vehicles; axles for land vehicles; spindles for land vehicles; shaft couplings for land vehicles; speed change gears for land vehicles; transmissions for land vehicles; gearing for land vehicles; transmission belts for land vehicles; reduction gears for land vehicles; pneumatic or hydraulic linear actuators for land vehicles; drive gears for land vehicles; vehicle suspension springs; shock absorbing springs for vehicles; suspension systems for land vehicles; brake segments for vehicles; brakes for vehicles; tires; automobile tires; camera drones, other than toys; photography drones; parts and fittings for automobiles; automobiles; tractors; tractors for agricultural purposes; utility vehicles; all-terrain vehicles; robotic cars; self-driving cars; electrically powered motor vehicles; amphibious vehicles; hydrogen-fueled cars; fuel cell cars; swamp-going vehicles; structural parts for automobiles; lorries; motor cars for transport on land; snowmobiles; automobiles equipped with sump pumps; automobiles equipped with sump pumps for natural disasters.

(260) AM 2026 132298 A

(800) 1838682

(151) 2024 09 13

(891) 2024 09 13

(731) Euro Games Technology Ltd.

Panorama Sofia Str. 6, Richhill Business Center, ground floor, Vitosha Region, BG-1766 Sofia, Bulgaria

(540)



(591) Red, orange, yellow, black and white

(531) 01.15.05; 25.01.10; 27.05.03; 27.05.04;

27.05.09; 27.05.17; 29.01.13

(511)

9 – Operating computer software for main frame computers; monitors (computer hardware); computer hardware; apparatus for recording images; monitors (computer programs); computer game programs; recorded computer game programs; apparatus for recording, transmission or reproduction of sound or ima-

ges; communications servers (computer hardware); electronic components for gambling machines; computer application software featuring games and gaming; computer software for the administration of on-line games and gaming; computer hardware for games and gaming; computer hardware and software for gambling, gambling machines, gambling games on the internet and via telecommunication network; computer systems; computer operating system software; computer terminals; interactive terminals; multimedia terminals; electronic terminals for generating lottery tickets; interactive touch screen terminals; computer touchscreens; electronic display panels; liquid crystal display screens; digital signage display panels; multimedia software; multimedia apparatus and instruments; interactive multimedia software for playing games; computer screens; LCD large-screen displays; liquid crystal displays [LCDs] for home theatres; media streaming software; computer application software for streaming audio-visual media content via the internet; computer gaming software; software drivers; virtual reality software; games software; entertainment software for computer games; computer programs for network management; electronic lottery tickets; computer software platforms; operating systems; interactive computer systems; operating system programs; computer game software for use with on-line interactive games; interactive casino games provided through a computer or mobile platform; electronic ticket examination machines; software for slot machines, betting software, software for video slot games, for casino games, for gambling and bingo games, provided online or through computer networks and that can be played on any type of computer device, including arcade games, personal computers, portable devices and mobile phones; software; computer software packages; computer software, recorded.

28 – Gaming machines for gambling; chips for gambling; mah-jong; arcade games; gambling machines operating with coins, notes and cards; games; electronic games; parlor games; gaming chips; gaming tables; slot machines [gaming machines]; LCD game machines; slot machines and gaming devices; coin-operated amusement machines; roulette chips; poker chips; chips and dice [gaming equipment]; gaming equipment for casinos; roulette tables; gaming roulette wheels; casino games; gambling machines and amusement machines, automatic and coin-operated; coin-operated amusement machines and/or electronic coin-operated amusement machines with or without the possibility of gain; boxes for coin-operated amusement machines, slot machines and gaming machines; electronic or electrotechnical amusement machines and apparatus, gaming machines, coin-operated entertainment machines; housings for coin-operated amusement machines, gaming equipment, gaming machines, machines for gambling; electropneumatic and electrical gambling machines (slot machines); lottery games; electronic targets for games and sports; parlor game

equipment and accessories therefor, included in this class, in particular gaming tokens, chips and marbles; parlor games, game apparatus and equipment and accessories therefor, included in this class, in particular electronic targets, backgammon games, scratch cards, playing cards, lottery cards, dice; lottery tickets; printed lottery tickets; lottery scratch cards; scratch cards for playing lottery games.

41 – Gambling; gaming services for entertainment purposes; casino, gaming and gambling services; training in the development of software systems; provision of gaming equipment for gambling halls; providing casino equipment [gambling]; gaming machine entertainment services; providing casino facilities [gambling]; amusement arcade services; games equipment rental; rental of gaming machines; providing amusement arcade services; rental of gaming machines with images of fruits; editing or recording of sounds and images; sound recording and video entertainment services; hire of sound reproducing apparatus; provision of gaming equipment for casinos; providing of casino facilities; online gambling services; entertainment services related to operation of amusement arcades, on-line casinos and on-line betting services via websites; online interactive entertainment; on-line casino services; online game services through mobile devices; providing online entertainment in the nature of game tournaments; providing on-line information in the field of computer gaming entertainment; sports betting services; online sports betting services; lottery services; organization of lotteries; conducting lotteries; prize draws [lotteries]; conducting lotteries for others; providing slot machine parlors; rental of slot machines [gaming machines]; providing online games and games of chance.

(260) AM 2026 132299 A

(800) 1838685

(151) 2024 09 30

(891) 2024 09 30

(731) Euro Games Technology Ltd.

Panorama Sofia Str. 6, Richhill Business
Center, ground floor, BG-1766 Vitosha Region,
Sofia, Bulgaria

(540)

Compact Six Roulette

(591) Black, white

(511)

28 – Gaming machines for gambling; chips for gambling; mah-jong; arcade games; gambling machines operating with coins, notes and cards; games; electronic games; parlor games; gaming chips; gaming tables; slot machines [gaming machines]; LCD game machines; slot machines and gaming devices; coin-operated amusement machines; roulette chips; poker chips; chips and dice [gaming equipment]; gaming

equipment for casinos; roulette tables; gaming roulette wheels; casino games; gambling machines and amusement machines, automatic and coin-operated; coin-operated amusement machines and/or electronic coin-operated amusement machines with or without the possibility of gain; boxes for coin-operated amusement machines, slot machines and gaming machines; electronic or electrotechnical amusement machines and apparatus, gaming machines, coin-operated entertainment machines; housings for coin-operated amusement machines, gaming equipment, gaming machines, machines for gambling; electropneumatic and electrical gambling machines (slot machines); lottery games; electronic targets for games and sports; parlor game equipment and accessories therefor, included in this class, in particular gaming tokens, chips and marbles; parlor games, game apparatus and equipment and accessories therefor, included in this class, in particular electronic targets, backgammon games, scratch cards, playing cards, lottery cards, dice; lottery tickets; printed lottery tickets; lottery scratch cards; scratch cards for playing lottery games.

(260) AM 2026 132300 A

(800) 1838698

(151) 2024 10 17

(891) 2024 10 17

(731) Limited liability company "Belprodukt"
d.12E-1, ul. Dobrushskaya, Gomelskaya oblast,
246000 Gomel, Belarus

(540)



(591) Red, white, brown and orange

(531) 27.05.02; 29.01.14

(511)

29 – Potato chips; low-fat potato chips; fruit chips.

(260) AM 2026 132302 A

(800) 1838863

(151) 2024 09 05

(891) 2024 09 05

(731) Ameriflo Corporation

466 Althea Lane, Collierville TN 38017, USA

(540)



(591) The color(s) blue, red and white is/are claimed
as a feature of the mark

(531) 24.07.01; 24.07.23; 27.03.15; 27.05.01;
29.01.13

(511)

7 – Oil lubricated lineshaft turbine water pumps; water lubricated lineshaft turbine water pumps; submersible turbine water pumps; mix-flow water pumps, namely, vertical turbine submersible water pumps; axial-flow water pumps, namely, vertical turbine submersible water pumps; motorized positive displacement water pumps; motorized centrifugal water pumps; submersible water pumps; end suction pumps; vertical inline centrifugal pumps; split case centrifugal pumps; vertical multistage centrifugal pumps; submersible non-clog pumps; submersible grinder pumps; diesel engines; electric motor couplings; diesel engine driveshafts; right angle gears; single wall liquid fuel tanks [parts of machines]; double wall liquid fuel tanks [parts of machines].

(260) AM 2026 132303 A

(800) 1838865

(151) 2024 08 05

(891) 2024 08 05

(731) Otkrytoe aktsionernoe obshchestvo "Brestsky Myasokombinat"
ul. Pisatelya Smirnova, 4, 224034 Brest,
Belarus

(540)

ЗАЛИВЪЕ

(591) Black, white

(531) 28.05

(511)

35 – Advertising; internet advertising services; promoting the goods and services of others; promoting the goods and services of others on the Internet; sales promotion for others.

(260) AM 2026 132305 A

(800) 1838976

(151) 2024 11 12

(891) 2024 11 12

(731) BTL Industries

8 Tzar Kaloyan str, BG-1000 Sofia, Bulgaria

(540)

EXOTMS

(591) Black, white

(511)

10 – Medical apparatus and instruments; medical apparatus and instruments, in particular apparatus and instruments generating electric, magnetic, electromagnetic, mechanical or thermal therapeutic energy; electromagnetic therapy apparatus for medical purposes; low frequency electromagnetic therapy apparatus; high frequency electromagnetic therapy apparatus; medical and aesthetic apparatus and instruments for aesthetic therapy, in particular apparatus and instruments for body shaping, fat removal, girth reduction, skin tightening, cellulite reduction, skin rejuvenation, wrinkle reduction, scar reduction, stretch mark reduction, muscle volume increase, muscle fiber increase,

increase in muscle tone; body shaping apparatus using electromagnetic energy; skin toning machines for cosmetic use for the face, body and hands; medical devices for nonsurgical cosmetic treatments; medical apparatus and instruments for non-invasive nerve stimulation for use in psychiatry, neurology, neurophysiology, rehabilitation, pain management, psychotherapy or mental health care; therapeutic or diagnostic nerve stimulation apparatus and instruments for use in psychiatry, neurology, neurophysiology, rehabilitation, pain management, psychotherapy or mental health care; medical apparatus and instruments, namely, non-invasive magnetic devices for the stimulation of muscles, nerves or brain tissue using a magnetic field; medical devices, namely, non-invasive devices for use in therapy for improvement of mental health and well-being, for use in treating mental health conditions or psychological disorders; aesthetic massage apparatus; physical therapy devices, in particular devices for the treatment of pain, elimination of muscle spasms; gynecological and urological apparatus and instruments; dental equipment; body rehabilitation apparatus for medical purposes; physical therapy equipment; physiotherapy and rehabilitation equipment; beds specially made for medical purposes; contraceptive devices; artificial limbs; orthopedic articles; suture materials; none of the aforesaid goods being ultrasound-based medical imaging diagnostic devices.

44 – Medical services; health clinic services; gynecology services; cosmetic and plastic surgery; liposuction services; removal of body cellulite; physiotherapy; consulting services relating to health care; consulting services in the field of mental health and wellness; massage; providing weight loss program services; therapy services; psychotherapy services; mental health services; providing therapeutic sessions in the field of mental health and wellness; beauty salon services; hygienic and beauty care; beauty care for human beings; medical equipment rental; rental of equipment for human hygiene and beauty care; all of the aforesaid services except for providing information, advice and data on medical imaging, and all of the aforesaid services except for providing information concerning the use of medical diagnostic and surgical imaging equipment by means of a web site.

(260) AM 2026 132306 A

(800) 1838977

(151) 2024 11 15

(891) 2024 11 15

(731) Golden Lady Company S.p.A.

Via Leopardi, 3/5, I-46043 Castiglione delle Stiviere (MN), Italy

(540)

GOLDEN LADY

(591) Black, white

(511)

9 – Downloadable virtual goods, namely, raw textile fibers, natural fibers, acrylic fibers, textile fibres, cotton fibers, yarn fibers, textile filaments, silk fibers, hemp fibres, synthetic textile filaments, non-woven textile fibres, raw flax fiber, raw fibrous textile, synthetic fibers for textile use for use online and in online virtual worlds; downloadable virtual goods, namely, raw textile fibers and substitutes, semi-synthetic fibers for textile use, carbon fibres for textile use, glass fibres for textile use, plastic fibres for textile use, vitreous silica fibres for textile use, non-woven polymeric fibers for textile use, fibres being partly prepared synthetic materials for textile use for use online and in online virtual worlds; downloadable virtual goods, namely, yarn and spun thread for use online and in online virtual worlds; downloadable virtual goods, namely, textile goods, and substitutes for textile goods, non-woven textile fabrics, cloth, travelling rugs [lap robes], bed clothes and blankets, lingerie fabric, bath linen, except clothing, household linen, bed linen, table linen of textile, for use online and in online virtual worlds; downloadable virtual goods, namely, table linen, not of paper, table covers, covers for cushions, pillow shams, protective loose covers for mattresses and furniture, curtains of textile or plastic, shower curtains of textile or plastic for use online and in online virtual worlds; downloadable virtual goods, namely, clothing, bathing suits, neckerchiefs, gloves [clothing], underwear, pyjamas, nightgowns, shawls, scarves, stockings, socks, tights, footless tights, leggings [leg warmers], sock suspenders, stocking suspenders, leotards, for use online and in online virtual worlds; downloadable virtual goods, namely, clothing for men, beach clothes, clothing for gymnastics, clothing for sports, bath robes, dressing gowns, bodies [clothing], knee warmers [clothing], belts [clothing], sports socks, knee-high stockings for use online and in online virtual worlds; downloadable virtual goods, namely, carpets, mats and matting, wall coverings, not of textile for use online and in online virtual worlds; computer software, downloadable; downloadable computer software for use in displaying, monetising, purchasing, selling, trading, clearing, confirming and authenticating digitised assets and non-fungible tokens (NFTs); downloadable software for managing digital collectables; downloadable software for archiving blockchain-based data; downloadable software for facilitating blockchain-based financial transactions; downloadable software for data authentication via blockchain; downloadable digital media, namely digital collectibles created with blockchain-based software technology; downloadable electronic data files with non-fungible tokens (NFTs) and other application tokens; downloadable augmented reality software; downloadable virtual reality software; downloadable mixed reality software; downloadable game software; downloadable digital files containing images, text, videos and/or musical collectables.

35 – Provision of an online marketplace for buyers and sellers of goods and services; providing digital collectible services, namely managing an online marketplace for blockchain-based transactions and registry services for selling in relation to digitised assets, namely raw textile fibers, natural fibers, acrylic fibers, textile fibres, cotton fibers, yarn fibers, collectibles, namely raw textile fibers, natural fibers, acrylic fibers, textile fibres, cotton fibers, yarn fibers, authenticated by non-fungible tokens (NFT); providing digital collectible services, namely managing an online marketplace for blockchain-based transactions and registry services for selling in relation to digitised assets, namely textile filaments, silk fibers, hemp fibres, synthetic textile filaments, collectibles, namely textile filaments, silk fibers, hemp fibres, synthetic textile filaments, authenticated by non-fungible tokens (NFT); providing digital collectible services, namely managing an online marketplace for blockchain-based transactions and registry services for selling in relation to digitised assets, namely non-woven textile fibres, raw flax fiber, raw fibrous textile, synthetic fibers for textile use, collectibles, namely non-woven textile fibres, raw flax fiber, raw fibrous textile, synthetic fibers for textile use, authenticated by non-fungible tokens (NFT); providing digital collectible services, namely managing an online marketplace for blockchain-based transactions and registry services for selling in relation to digitised assets, namely raw textile fibers and substitutes, semi-synthetic fibers for textile use, carbon fibres for textile use, collectibles, namely raw textile fibers and substitutes, semi-synthetic fibers for textile use, carbon fibres for textile use, authenticated by non-fungible tokens (NFT); providing digital collectible services, namely managing an online marketplace for blockchain-based transactions and registry services for selling in relation to digitised assets, namely glass fibres for textile use, plastic fibres for textile use, collectibles, namely glass fibres for textile use, plastic fibres for textile use, authenticated by non-fungible tokens (NFT); providing digital collectible services, namely managing an online marketplace for blockchain-based transactions and registry services for selling in relation to digitised assets, namely vitreous silica fibres for textile use, non-woven polymeric fibers for textile use, collectibles, namely vitreous silica fibres for textile use, non-woven polymeric fibers for textile use, authenticated by non-fungible tokens (NFT); providing digital collectible services, namely managing an online marketplace for blockchain-based transactions and registry services for selling in relation to digitised assets, namely fibres being partly prepared synthetic materials for textile use, collectibles, namely fibres being partly prepared synthetic materials for textile use, authenticated by non-fungible tokens (NFT); providing digital collectible services, namely managing an online marketplace for blockchain-based transactions and registry services for selling in relation to digitised assets, na-

mely yarn, spun thread and yarn, collectibles, namely yarn, spun thread and yarn, authenticated by non-fungible tokens (NFT); providing digital collectible services, namely managing an online marketplace for blockchain-based transactions and registry services for selling in relation to digitised assets, namely textile goods, and substitutes for textile goods, non-woven textile fabrics, cloth, collectibles, namely textile goods, and substitutes for textile goods, non-woven textile fabrics, cloth, authenticated by non-fungible tokens (NFT); providing digital collectible services, namely managing an online marketplace for blockchain-based transactions and registry services for selling in relation to digitised assets, namely travelling rugs [lap robes], bed clothes and blankets, lingerie fabric, collectibles, namely travelling rugs [lap robes], bed clothes and blankets, lingerie fabric, authenticated by non-fungible tokens (NFT); providing digital collectible services, namely managing an online marketplace for blockchain-based transactions and registry services for selling in relation to digitised assets, namely bath linen, except clothing, household linen, collectibles, namely bath linen, except clothing, household linen, authenticated by non-fungible tokens (NFT); providing digital collectible services, namely managing an online marketplace for blockchain-based transactions and registry services for selling in relation to digitised assets, namely bed linen, table linen of textile, table linen, not of paper, collectibles, namely bed linen, table linen of textile, table linen, not of paper, authenticated by non-fungible tokens (NFT); providing digital collectible services, namely managing an online marketplace for blockchain-based transactions and registry services for selling in relation to digitised assets, namely table covers, covers for cushions, pillow shams, protective loose covers for mattresses and furniture, collectibles, namely table covers, covers for cushions, pillow shams, protective loose covers for mattresses and furniture, authenticated by non-fungible tokens (NFT); providing digital collectible services, namely managing an online marketplace for blockchain-based transactions and registry services for selling in relation to digitised assets, namely curtains of textile or plastic, shower curtains of textile or plastic, collectibles, namely curtains of textile or plastic, shower curtains of textile or plastic, authenticated by non-fungible tokens (NFT); providing digital collectible services, namely managing an online marketplace for blockchain-based transactions and registry services for selling in relation to digitised assets, namely clothing, bathing suits, neckerchiefs, gloves [clothing], collectibles, namely clothing, bathing suits, neckerchiefs, gloves [clothing], authenticated by non-fungible tokens (NFT); providing digital collectible services, namely managing an online marketplace for blockchain-based transactions and registry services for selling in relation to digitised assets, namely underwear, pyjamas, nightgowns, shawls, scarves, stockings, socks, tights, collectibles, namely un-

derwear, pyjamas, nightgowns, shawls, scarves, stockings, socks, tights, authenticated by non-fungible tokens (NFT); providing digital collectible services, namely managing an online marketplace for blockchain-based transactions and registry services for selling in relation to digitised assets, namely footless tights, leggings [leg warmers], sock suspenders, stocking suspenders, leotards, collectibles, namely footless tights, leggings [leg warmers], sock suspenders, stocking suspenders, leotards, authenticated by non-fungible tokens (NFT); providing digital collectible services, namely managing an online marketplace for blockchain-based transactions and registry services for selling in relation to digitised assets, namely clothing for men, beach clothes, clothing for gymnastics, collectibles, namely clothing for men, beach clothes, clothing for gymnastics, authenticated by non-fungible tokens (NFT); providing digital collectible services, namely managing an online marketplace for blockchain-based transactions and registry services for selling in relation to digitised assets, namely clothing for sports, bath robes, dressing gowns, bodies [clothing], knee warmers [clothing], collectibles, namely clothing for sports, bath robes, dressing gowns, bodies [clothing], knee warmers [clothing], authenticated by non-fungible tokens (NFT); providing digital collectible services, namely managing an online marketplace for blockchain-based transactions and registry services for selling in relation to digitised assets, namely belts [clothing], sports socks, knee-high stockings, collectibles, namely belts [clothing], sports socks, knee-high stockings, authenticated by non-fungible tokens (NFT); providing digital collectible services, namely managing an online marketplace for blockchain-based transactions and registry services for selling in relation to digitised assets, namely carpets, mats and matting, wall coverings, not of textile, collectibles, namely carpets, mats and matting, wall coverings, not of textile, authenticated by non-fungible tokens (NFT); auctioneering; retail store services, in relation to the following virtual goods, namely raw textile fibers, natural fibers, acrylic fibers, textile fibres, cotton fibers, yarn fibers, textile filaments, silk fibers, hemp fibres, synthetic textile filaments, non-woven textile fibres, raw flax fiber, raw fibrous textile, synthetic fibers for textile use; retail store services, in relation to the following virtual goods, namely raw textile fibers and substitutes, semi-synthetic fibers for textile use, carbon fibres for textile use, glass fibres for textile use, plastic fibres for textile use, vitreous silica fibres for textile use, non-woven polymeric fibers for textile use, fibres being partly prepared synthetic materials for textile use; retail store services, in relation to the following virtual goods, namely yarn, spun thread and yarn; retail store services, in relation to the following virtual goods, namely textile goods, and substitutes for textile goods, non-woven textile fabrics, cloth, travelling rugs [lap robes], bed clothes and blankets, lingerie fabric, bath linen, except

clothing, household linen, bed linen, table linen of textile; retail store services, in relation to the following virtual goods, namely table linen, not of paper, table covers, covers for cushions, pillow shams, protective loose covers for mattresses and furniture, curtains of textile or plastic, shower curtains of textile or plastic; retail store services, in relation to the following virtual goods, namely clothing, bathing suits, neckerchiefs, gloves [clothing], underwear, pyjamas, nightgowns, shawls, scarves, stockings, socks, tights, footless tights, leggings [leg warmers], sock suspenders, stocking suspenders, leotards; retail store services, in relation to the following virtual goods, namely clothing for men, beach clothes, clothing for gymnastics, clothing for sports, bath robes, dressing gowns, bodies [clothing], knee warmers [clothing], belts [clothing], sports socks, knee-high stockings; retail store services, in relation to the following virtual goods, namely carpets, mats and matting, wall coverings, not of textile; online retail services relating to raw textile fibers, natural fibers, acrylic fibers, textile fibres, cotton fibers, yarn fibers, textile filaments, silk fibers, hemp fibres, synthetic textile filaments, non-woven textile fibres, raw flax fiber, raw fibrous textile, synthetic fibers for textile use, raw textile fibers and substitutes; online retail services relating to semi-synthetic fibers for textile use, carbon fibres for textile use, glass fibres for textile use, plastic fibres for textile use, vitreous silica fibres for textile use, non-woven polymeric fibers for textile use, fibres being partly prepared synthetic materials for textile use; online retail services relating to yarn, spun thread and yarn; online retail services relating to textile goods, and substitutes for textile goods, non-woven textile fabrics, cloth, travelling rugs [lap robes], bed clothes and blankets, lingerie fabric, bath linen, except clothing, household linen, bed linen, table linen of textile; online retail services relating to table linen, not of paper, table covers, covers for cushions, pillow shams, protective loose covers for mattresses and furniture, curtains of textile or plastic, shower curtains of textile or plastic; online retail services relating to clothing, bathing suits, neckerchiefs, gloves [clothing], underwear, pyjamas, nightgowns, shawls, scarves, stockings, socks, tights, footless tights, leggings [leg warmers], sock suspenders, stocking suspenders, leotards; online retail services relating to clothing for men, beach clothes, clothing for gymnastics, clothing for sports, bath robes, dressing gowns, bodies [clothing], knee warmers [clothing], belts [clothing], sports socks, knee-high stockings; online retail services relating to carpets, mats and matting, wall coverings, not of textile.

(260) AM 2026 132307 A

(800) 1838997

(151) 2024 12 06

(891) 2024 12 06

(731) PROCESS ALÜMİNYUM PLASTİK SANAYİ

TİCARET LİMİTED ŞİRKETİ
AŞAĞIPINARBAŞI OSB MAH., 524 NOLU
SK. İDARİ BİNA BLOK NO: 3, SELÇUKLU /
KONYA, Türkiye

(540)



(591) Black, white

(531) 26.04.07; 26.04.09; 27.05.10; 29.01.13

(511)

6 – Ores of non-precious metal; common metals and their alloys and semi-wrought products made of these materials; reinforcing materials of metal for building purposes, for concrete, namely, reinforcing bars; reinforcing materials of common metal for buildings, namely, mesh and stirrup; common metals in the form of panels, billets, bars, profiles, plates and sheets; goods and materials of common metal used for sheltering, preserving, protecting, wrapping, packaging, enclosing, storing and placement purposes, namely, packing trays, boxes; transportable buildings made of metal; boxes of common metal; industrial packaging containers of metal; aluminium foil; metal fences, metal guard barriers for the transportation of goods; metal tubes; metal containers for liquid fuel; metal storages, namely, tanks, drums, shelter; metal containers for the transportation of goods; metal portable ladders; metal filtering tubes for sifting, filtering and used to prevent storm water runoff pollutants from entering sewer system; doors of metal; door casings of metal; window casings of metal; exterior shutters of metal; жалусіes of metal; cables and wires of common metal, not for electricity; ironmongery hardware, namely, metal screws, nails, bolts of metal, metal cotter pins, flakes being metal shims, metal pitons for mountaineers, metal chains, metal furniture fittings, metal wheels in the nature of industrial garage door rollers; screws of metal; nails; metal bolts; metal studs used for further manufacture in metallurgy industry; metal cotter pins; metal ball lock pins; metal flakes used for further manufacture in metallurgy industry; metal piton for mountaineers; metal chains; metal furniture fittings; metal furniture fittings, namely, metal furniture wheels; metal hardware, namely, metal wheels for industrial pulley and industrial track systems; metal door and window handles; metal hinge; metal latches, metal locks; metal lock keys; metal hardware, namely, pulleys; metal ventilation ducts; metal roof vents for heating, cooling, ventilation; metal vent covers for drains and pitch pans; pipes of metal; metal chimney caps; metal manhole covers; grilles being grates of metal for heating installations; grilles being grates of metal for sewage installations; grilles being grates of metal for telephone installations; grilles being grates of metal for underground electricity installations; grilles being grates of metal for air conditioning installations; signs, namely, signalling panels,

non-luminous and non-mechanical, of metal; non-luminous, non-mechanical metal signs, namely, signboards, panels, plates, nonluminous traffic guidance signs of metal; pipes of metal for transportation of liquid and gas; drilling pipes of metal for use in well boring and metal fittings therefor; drilling pipe fittings of metal; valves of metal not being parts of machines; pipe couplings of metal; elbows of metal for pipes; clips of metal for tubes and sealing bags; structure joint connectors of metal; fire resistant safes of metal; materials of metal for railway construction, namely, rails, railway ties, railway switches; metal bollards; mooring buoys of metal; floating docks of metal, for mooring boats; anchors for vessels; metallic moulds for metal casting other than machine parts; works of art made of common metals and their alloys; trophies given in sports tournaments, of common metal; bottle closures of metal, namely, bottle caps; metal poles; metal stanchions; metal structural frameworks, namely, beams of metal for building; metal piles; scaffolding towers of metal; metal pallets; metal ropes for lifting, loading and transportation purposes; metal hangers for load-lifting; metal strapping or tie downs, namely, ties, cords, straps, tapes and bands for load-lifting; wheel chocks made primarily of metal, namely, load-bearing metal chocks for wheels; metal laths.

19 – Sand, gravel, crushed stone, asphalt, bitumen, cement, gypsum, plaster, concrete, marble blocks for construction, included in this class; building materials (as finished products) made of concrete, gypsum, clay, potters' clay, stone, marble, wood, plastics and synthetic materials for building, construction, road construction purposes, included in this class: non-metallic buildings, non-metallic building materials, poles, not of metal for power lines, barriers not of metal; natural and synthetic coverings in the form of panels and sheets, being building materials; bitumen cardboard for roofing; bitumen covering for roofing; doors and windows of wood and synthetic materials; traffic signs not of metal, non-luminous and non-mechanical, for roads; monuments and statuettes of stone, concrete and marble; building glass; prefabricated swimming pools not of metal (structures).

(260) AM 2026 132308 A

(800) 1839030

(151) 2024 12 16

(891) 2024 12 16

(731) Rijk Zwaan Zaadteelt en Zaadhandel B.V.
Burgemeester Crezéelaan 40, NL-2678 KX
De Lier, Netherlands

(540)



(591) Green and yellow

(531) 05.07.01; 25.01.25; 26.01.03; 26.11.13;
26.13.25; 27.05.04; 27.05.17; 27.05.19;
27.05.22; 27.05.25; 29.01.12

(511)

31 – Fresh fruits and vegetables, fresh herbs; natural plants; bulbs, seedlings and seeds for planting; seeds for fruit and vegetables.

35 – Commercial intermediary services; wholesaling and retailing of fresh fruits and vegetables, fresh herbs, natural plants, bulbs, seedlings and seeds for planting, seeds for fruits and vegetables; provision of commercial information; import-export agency services; advertising, marketing and promotional services in relation to fresh fruits and vegetables, fresh herbs, natural plants, bulbs, seedlings and seeds for planting, seeds for fruits and vegetables; organization of events, exhibitions, fairs and shows for commercial, promotional and advertising purposes; consultancy and provision of information relating to the aforesaid services; the aforementioned services also provided via electronic networks, including the internet.

(260) AM 2026 132329 A

(800) 1831773

(151) 2024 06 06

(891) 2025 01 29

(731) COSWELL S.p.A.

Via P. Gobetti, 4, I-40050 Funo di Argelato,
Italy

(540)



(591) Black, white

(531) 07.01.01; 07.01.25; 27.05.10

(511)

3 – Cleansers; toilet preparations; soaps for the body, perfumery, essential oils, cosmetics, bath foams, shower foams, body creams, hair lotions, dentifrices.

5 – dietetic substances adapted for medical use, food for babies; non-prescription pharmaceutical dietetic preparations; preparations of vitamins and trace elements for human consumption; nutritional supplements based on vitamins and trace elements for human consumption, for dietetic and medical purposes; herb teas for medical purposes.

32 – Mineral water; fruit juices; fruit drinks; alcoholic and alcohol-free beers.

(260) AM 2026 132373 A

(800) 1839402

(151) 2024 09 30

(891) 2024 09 30

(731) Euro Games Technology Ltd.

Panorama Sofia Str. 6, Richhill Business
Center, ground floor, BG-1766 Vitosha Region,
Sofia, Bulgaria

(540)

Flaming Coins

(591) Black, white

(511)

9 – Operating computer software for main frame computers; monitors (computer hardware); computer hardware; apparatus for recording images; monitors (computer programs); computer game programs; recorded computer game programs; apparatus for recording, transmission or reproduction of sound or images; communications servers (computer hardware); electronic components for gambling machines; computer application software featuring games and gaming; computer software for the administration of on-line games and gaming; computer hardware for games and gaming; computer hardware and software for gambling, gambling machines, gambling games on the internet and via telecommunication network; computer systems; computer operating system software; computer terminals; interactive terminals; multimedia terminals; electronic terminals for generating lottery tickets; interactive touch screen terminals; computer touchscreens; electronic display panels; liquid crystal display screens; digital signage display panels; multimedia software; multimedia apparatus and instruments; interactive multimedia software for playing games; computer screens; LCD large-screen displays; liquid crystal displays [LCDs] for home theatres; media streaming software; computer application software for streaming audio-visual media content via the internet; computer gaming software; software drivers; virtual reality software; games software; entertainment software for computer games; computer programs for network management; electronic lottery tickets; computer software platforms; operating systems; interactive computer systems; operating system programs; computer game software for use with on-line interactive games; interactive casino games provided through a computer or mobile platform; electronic ticket examination machines; software for slot machines, betting software, software for video slot games, for casino games, for gambling and bingo games, provided online or through computer networks and that can be played on any type of computer device, including arcade games, personal computers, portable devices and mobile phones; software; computer software packages; computer software, recorded.

28 – Gaming machines for gambling; chips for gambling; mah-jong; arcade games; gambling machines operating with coins, notes and cards; games; electronic games; parlor games; gaming chips; gaming tables; slot machines [gaming machines]; LCD game machines; slot machines and gaming devices; coin-operated amusement machines; roulette chips; poker chips; chips and dice [gaming equipment]; gaming equipment for casinos; roulette tables; gaming roulette wheels; casino games; gambling machines and amusement machines, automatic and coin-operated; coin-

operated amusement machines and/or electronic coin-operated amusement machines with or without the possibility of gain; boxes for coin-operated amusement machines, slot machines and gaming machines; electronic or electrotechnical amusement machines and apparatus, gaming machines, coin-operated entertainment machines; housings for coin-operated amusement machines, gaming equipment, gaming machines, machines for gambling; electropneumatic and electrical gambling machines (slot machines); lottery games; electronic targets for games and sports; parlor game equipment and accessories therefor, included in this class, in particular gaming tokens, chips and marbles; parlor games, game apparatus and equipment and accessories therefor, included in this class, in particular electronic targets, backgammon games, scratch cards, playing cards, lottery cards, dice; lottery tickets; printed lottery tickets; lottery scratch cards; scratch cards for playing lottery games.

41 – Gambling; gaming services for entertainment purposes; casino, gaming and gambling services; training in the development of software systems; provision of gaming equipment for gambling halls; providing casino equipment [gambling]; gaming machine entertainment services; providing casino facilities [gambling]; amusement arcade services; games equipment rental; rental of gaming machines; providing amusement arcade services; rental of gaming machines with images of fruits; editing or recording of sounds and images; sound recording and video entertainment services; hire of sound reproducing apparatus; provision of gaming equipment for casinos; providing of casino facilities; online gambling services; entertainment services related to operation of amusement arcades, on-line casinos and on-line betting services via websites; online interactive entertainment; on-line casino services; online game services through mobile devices; providing online entertainment in the nature of game tournaments; providing on-line information in the field of computer gaming entertainment; sports betting services; online sports betting services; lottery services; organization of lotteries; conducting lotteries; prize draws [lotteries]; conducting lotteries for others; providing slot machine parlors; rental of slot machines [gaming machines]; providing online games and games of chance.

(260) AM 2026 132376 A

(800) 1839438

(151) 2024 11 26

(891) 2024 11 26

(731) KRKA, tovarna zdravil, d.d. Novo mesto
Šmarješka cesta 6, SI-8000 Novo mesto,
Slovenia

(540)

ASIGLIYA

(591) Black, white

(511)
5 – Pharmaceutical preparation.

(260) AM 2026 132377 A

(800) 1839444

(151) 2024 12 06

(891) 2024 12 06

(731) KRKA, tovarna zdravil, d.d. Novo mesto
Šmarješka cesta 6, SI-8000 Novo mesto,
Slovenia

(540)

NEXALANER

(591) Black, white

(511)

5 – Veterinary preparations.

(260) AM 2026 132378 A

(800) 1839452

(151) 2024 11 21

(891) 2024 11 21

(731) INDUSTRIA DE DISEÑO TEXTIL, S.A.
(INDITEX, S.A.)
Avenida de la Diputación, "Edificio Inditex",
E-15142 Arteixo (A Coruña), Spain

(540)

OF10

(591) Black, white

(511)

18 – Leather and imitation leather; animal skins; trunks and suitcases; umbrellas; sunshades; walking sticks; whips; saddlery; collars for animals; leashes for animals; clothing for animals; bags for climbers; bags for campers; beach bags; handbag frames; frames for umbrellas or parasols; mountaineering sticks; sports bags; net bags for shopping; travel bags; bags [envelopes, pouches] of leather, for packaging; bags (purses); bags; traveling cases [leatherware]; key cases; attaché cases; coin purses, not of precious metal; backpacks for carrying babies; wheeled shopping bags; boxes of leather or leather board; boxes of vulcanized fiber; card cases [notecases]; wallets; satchels [handbags]; school satchels; vanity cases; leather laces; umbrella covers; covers for horse-saddles; haversacks; backpacks; reins; suitcase handles; walking stick handles; umbrella handles; whips; horse blankets; furniture coverings of leather; umbrella rings; blinkers [harness]; harnesses for animals; harness for animals; harness fittings; walking stick seats; shoulder belts [straps] of leather; empty tool bags of leather; muzzles; bridles [harness]; halters; leather board; bands of leather; re-usable shopping bags; straps for soldiers' equipment; straps (thongs) of leather; harness straps; straps for skates; trimmings of leather for furniture; leather straps; butts [parts of hides]; curried skins; blankets for covering animals; stirrups; parts of rubber for stirrups; bits for animals [harness]; reins made of rope; attaché cases; moleskin [imitation of

leather]; chamois leather other than for cleaning purposes; nosebags; casings, of leather, for springs; knee-pads for horses; riding saddles; fastenings for saddles; traces [harness]; valves of leather.

25 – Clothing; footwear; headwear; bibs not of paper; headbands (clothing); bathrobes; bathing suits; bath sandals; boas (necklets); scarves; hoods [clothing]; shawls; belts (clothing); money belts (clothing); neckties; girdles [corsets]; fur stoles; foulards; caps [headwear]; caps; gloves (clothing); raincoats; girdles (underwear); body linen [garments]; mantillas; stockings; socks; neckerchiefs; furs [clothing]; pajamas; soles (for footwear); heels; veils [clothing]; suspenders; capes; sports jerseys; mittens; ear muffs (clothing); inner soles; wristbands (clothing); dress shields; beach wear; dressing gowns; pockets for clothing; sock suspenders; stocking suspenders; petticoats; tights; aprons (clothing); masquerade costumes; uniforms; visors [headgear]; wooden shoes; caps; coats; esparto shoes or sandals; non-slip devices for footwear; bath slippers; academic caps; blouses; bodysuits [clothing]; berets; footmuffs, not electrically heated; boots; boot uppers; studs for football boots; half-boots; fittings of metal for footwear; tips for footwear; heelpieces for footwear; shirts; shirt yokes; shirt fronts; T-shirts; short-sleeved tee-shirts; bodices [lingerie]; vests; jackets; fishing vests; stuff jackets; slips (underwear); ready-made clothing; detachable collars; clothing of leather; clothing of imitation leather; shower caps; slippers; skirts; trousers; ready-made linings (parts of clothing); top coats; trench coats (clothing); gymnastic shoes; jerseys (clothing); pullovers; sweaters; liveries; muffs (clothing); footwear uppers; pocket squares; parkas; pelerines; pelisses; spats; leggings (trousers); knitwear [clothing]; clothing for gymnastics; underwear; sandals; saris; underpants; hats; wimples (clothing); togas; suits; turbans; dresses; sports shoes; shoes; footwear for sporting activities; slippers; motorists' clothing; clothing for cyclists; beach shoes.

(260) AM 2026 132381 A

(800) 1839546

(151) 2024 12 02

(891) 2024 12 02

(731) FrieslandCampina Nederland B.V.
Stationsplein 4, NL-3818 LE Amersfoort,
Netherlands

(540)

FRISOLAC LIFE-FORCE

(591) Black, white

(511)

5 – Food for babies; milk powder for infants; infant formula milk powder; infant formula being plant-based substitutes.

29 – Milk and milk products, including milk powder; plant based substitutes for dairy products.

(260) AM 2026 132382 A

(800) 1839591

(151) 2024 11 21

(891) 2024 11 21

(731) Timeleft

128 rue La Boétie, F-75008 Paris,
France

(540)

The logo for 'Timeleft' features the word 'Timeleft' in a stylized, lowercase, black font. The 'i' in 'Timeleft' has a long, thin tail that extends to the right and then curves downwards, resembling a horizontal line.

(591) Black, white

(531) 24.17.02; 27.05.01

(511)

41 – Organization of entertainment events; organization of entertainment events intended for single people; organization of entertainment events in the form of meals, intended for single people; information with respect to entertainment; entertainment services in the form of organizing social entertainment events; reservation and booking services in the field of entertainment; entertainment club services; organizing ticketing for shows and other entertainment events; ticket agency services [entertainment]; organization of recreational outings; booking of seats for entertainment shows.

45 – Dating services; social introduction agency services; matchmaking services; dating services; personal introduction services.

(260) AM 2026 132383 A

(800) 1839598

(151) 2024 11 06

(891) 2024 11 06

(731) EGIS Gyógyszergyár Zrt.

30-38 Keresztúri út, H-1106 Budapest,
Hungary

(540)

The logo for 'EMCARVY' consists of the word 'EMCARVY' in a bold, uppercase, sans-serif font.

(591) Black, white

(511)

5 – Pharmaceutical preparations for human use; vitamin preparations; food supplements; dietary supplements and dietetic preparations; medicinal ointments; medicated skin creams; antiseptic preparations; disinfectants.

(260) AM 2026 132423 A

(800) 1839891

(151) 2024 09 30

(891) 2024 09 30

(731) Euro Games Technology Ltd.

Panorama Sofia Str. 6, Richhill Business
Center, ground floor, BG-1766 Vitosha Region,
Sofia, Bulgaria

(540)

The logo for '10 BURNING POWER' features the number '10' in a large, bold, red font with a black outline, followed by the words 'BURNING POWER' in a bold, green, sans-serif font with a black outline.

(591) Green, red, yellow and black

(531) 27.05.02; 27.05.03; 27.05.17; 27.07.02;

27.07.03; 27.07.17; 29.01.14

(511)

9 – Operating computer software for main frame computers; monitors (computer hardware); computer hardware; apparatus for recording images; monitors (computer programs); computer game programs; recorded computer game programs; apparatus for recording, transmission or reproduction of sound or images; communications servers (computer hardware); electronic components for gambling machines; computer application software featuring games and gaming; computer software for the administration of on-line games and gaming; computer hardware for games and gaming; computer hardware and software for gambling, gambling machines, gambling games on the internet and via telecommunication network; computer systems; computer operating system software; computer terminals; interactive terminals; multimedia terminals; electronic terminals for generating lottery tickets; interactive touch screen terminals; computer touchscreens; electronic display panels; liquid crystal display screens; digital signage display panels; multimedia software; multimedia apparatus and instruments; interactive multimedia software for playing games; computer screens; LCD large-screen displays; liquid crystal displays [LCDs] for home theatres; media streaming software; computer application software for streaming audio-visual media content via the internet; computer gaming software; software drivers; virtual reality software; games software; entertainment software for computer games; computer programs for network management; electronic lottery tickets; computer software platforms; operating systems; interactive computer systems; operating system programs; computer game software for use with on-line interactive games; interactive casino games provided through a computer or mobile platform; electronic ticket examination machines; software for slot machines, betting software, software for video slot games, for casino games, for gambling and bingo games, provided online or through computer networks and that can be played on any type of computer device, including arcade games, personal computers, portable devices and mobile phones; software; computer software packages; computer software, recorded.

28 – Gaming machines for gambling; chips for gambling; mah-jong; arcade games; gambling machines operating with coins, notes and cards; games; electronic games; parlor games; gaming chips; gaming tables; slot machines [gaming machines]; LCD game machines; slot machines and gaming devices; coin-operated amusement machines; roulette chips; poker chips; chips and dice [gaming equipment]; gaming equipment for casinos; roulette tables; gaming roulette

wheels; casino games; gambling machines and amusement machines, automatic and coin-operated; coin-operated amusement machines and/or electronic coin-operated amusement machines with or without the possibility of gain; boxes for coin-operated amusement machines, slot machines and gaming machines; electronic or electrotechnical amusement machines and apparatus, gaming machines, coin-operated entertainment machines; housings for coin-operated amusement machines, gaming equipment, gaming machines, machines for gambling; electropneumatic and electrical gambling machines (slot machines); lottery games; electronic targets for games and sports; parlor game equipment and accessories therefor, included in this class, in particular gaming tokens, chips and marbles; parlor games, game apparatus and equipment and accessories therefor, included in this class, in particular electronic targets, backgammon games, scratch cards, playing cards, lottery cards, dice; lottery tickets; printed lottery tickets; lottery scratch cards; scratch cards for playing lottery games.

41 – Gambling; gaming services for entertainment purposes; casino, gaming and gambling services; training in the development of software systems; provision of gaming equipment for gambling halls; providing casino equipment [gambling]; gaming machine entertainment services; providing casino facilities [gambling]; amusement arcade services; games equipment rental; rental of gaming machines; providing amusement arcade services; rental of gaming machines with images of fruits; editing or recording of sounds and images; sound recording and video entertainment services; hire of sound reproducing apparatus; provision of gaming equipment for casinos; providing of casino facilities; online gambling services; entertainment services related to operation of amusement arcades, on-line casinos and on-line betting services via websites; online interactive entertainment; on-line casino services; online game services through mobile devices; providing online entertainment in the nature of game tournaments; providing on-line information in the field of computer gaming entertainment; sports betting services; online sports betting services; lottery services; organization of lotteries; conducting lotteries; prize draws [lotteries]; conducting lotteries for others; providing slot machine parlors; rental of slot machines [gaming machines]; providing online games and games of chance.

(260) AM 2026 132425 A
(800) 1839959
(151) 2024 11 27
(891) 2024 11 27
(731) Prime Capital Ventures LLC
Sharjah Media City, Sharjah, United Arab
Emirates

(540)

البيروتي
AL BEIRUTI

مطعم ومقهى
RESTAURANT & CAFE

(591) Black, white
(531) 27.05.01; 28.01
(511)
43 – Food and beverage preparation services, temporary accommodation in this class.

(260) AM 2026 132426 A
(800) 1839997
(151) 2024 06 20
(891) 2024 06 20
(731) MEMİŞLER ÇAY SANAYİ VE TİCARET
ANONİM ŞİRKETİ
BAŞPINAR (ORGANİZE) OSB MAH., O.S.B.
1.BÖLGE 83103 NOLU CAD. 12,
ŞEHİTKAMİL / GAZİANTEPTR, Türkiye

(540)



SAME TASTE LESS PRICE

(591) Black, red, yellow, brown, white
(531) 01.01.01; 03.02.01; 03.02.03; 26.04.18;
27.05.24; 29.01.14
(511)
29 – Meat, fish, poultry and game meat and all kinds of processed meat products (term considered linguistically incorrect by the International Bureau pursuant to Rule 13 (2) (b) of the Regulations); dried pulses; ready soups, bouillons; olives, olive pastes; milk and dairy products (including butter); edible vegetable oils; dried, canned, frozen, cooked, smoked, pickled fruits and vegetables, tomato pastes; prepared nuts and dried fruits as snacks; hazelnut spreads and peanut butter, tahin sesame seed paste (term considered too vague by the International Bureau pursuant to Rule 13 (2) (b) of the Regulations); eggs, egg powders (term considered too vague by the International Bureau pursuant to Rule 13 (2) (b) of the Regulations); potato chips.

30 – Coffee, cocoa; coffee or cocoa-based drinks, chocolate-based drinks; pastas, dumplings, noodles; pastry and bakery products, desserts: bread, bagel, pastry, pita, sandwich, katmer, pastry, fresh cake, baklava, kadayıf, sherbet desserts, pudding, pudding, kazardibi, rice pudding, keşkül (term considered too va-

gue by the International Bureau pursuant to Rule 13 (2) (b) of the Regulations); honey, royal jelly, propolis; food seasonings, vanilla, spices, sauces including tomato sauces; yeast, baking-powder; all kinds of flour, semolina, starches; granulated sugar, cube sugar, powdered sugar; teas, iced teas; confectionery, chocolates, biscuits, crackers, wafers; gummies (term considered too vague by the International Bureau pursuant to Rule 13 (2) (b) of the Regulations); ice creams, edible ices; salt; snacks, popcorn, oatmeal, corn chips, breakfast cereals, processed wheat, barley, oats, rye, rice (term considered too vague by the International Bureau pursuant to Rule 13 (2) (b) of the Regulations); treacle; salt.

35 – Services related to advertising, marketing and public relations, organization of exhibitions and fairs for commercial and advertising purposes; the bringing together, for the benefit of others, of a variety of goods, namely, meat, fish, poultry and game, processed meat products, dried pulses, soups, bouillon, processed olives, olive paste, milks of animal origin, milks of herbal origin, milk products, butter, edible oil, dried, preserved, frozen, cooked, smoked or salted fruits and vegetables, tomato paste, prepared nuts and dried fruits as snacks, hazelnut spreads and peanut butter, tahini, sesame seed paste, eggs and powdered eggs, potato chips, coffee, cocoa, coffee or cocoa based beverages, chocolate based beverages, pasta, stuffed dumplings, noodles, pastries and bakery products based on flour, desserts based on flour and chocolate, bread, simit Turkish ring-shaped bagel covered with sesame seeds, poğaça Turkish bagel, pita, sandwiches, katmer Turkish pastry, pies, cakes, baklava Turkish dessert based on dough coated with syrup, kadayif Turkish dessert based on dough, desserts based on dough coated with syrup, puddings, custard, kazandibi Turkish pudding, rice pudding, keşkül Turkish pudding, honey, bee glue for human consumption, propolis for food purposes, condiments for foodstuff, vanilla flavoring, spices, sauces condiments, tomato sauce, yeast, baking powder, flour, semolina, starch for food, sugar, cube sugar, powdered sugar, tea, iced tea, confectionery, chocolate, biscuits, crackers, wafers, chewing gums, ice-cream, edible ices, salt, cereal-based snack food, popcorn, crushed oats, corn chips, breakfast cereals, processed wheat for, human consumption, crushed barley for human consumption, processed oats for human consumption, processed rye for human consumption, rice, molasses for food, enabling customers to conveniently view and purchase those goods, such services may be provided by retail stores, wholesale outlets, by means of electronic media or through mail order catalogues.

(260) AM 2026 132427 A
(800) 1840032
(151) 2024 09 03
(891) 2024 09 03

(731) Akcionernoe obshchestvo "Matching Galaxy" nab. reki Karpovki, d. 5, korp. 22, litera A, pomeschenie 13H, of.25, vn. ter. g. municipalnij okrug, Aptekarskij ostrov, RU-197022 Saint Petersburg, Russian Federation

(540)

Dubrovsky

(591) Black, white

(511)

9 – Interfaces for computers, namely, in the financial sector; downloadable cryptographic keys for receiving and spending crypto assets, namely, in the financial sector; computer software, recorded, namely, in the financial sector; downloadable computer software for managing crypto asset transactions using blockchain technology, namely, in the financial sector; computer software platforms, recorded or downloadable, namely, in the financial sector; computer software applications, downloadable, namely, in the financial sector; computer programs, recorded, namely, in the financial sector; computer programs, downloadable, namely, in the financial sector; computer operating programs, recorded, namely, in the financial sector; computer screen saver software, recorded or downloadable, namely, in the financial sector; integrated circuit cards [smart cards], namely, in the financial sector; invoicing machines, namely, in the financial sector; data processing apparatus, namely, in the financial sector; couplers [data processing equipment], namely, in the financial sector; computer peripheral devices, namely, in the financial sector; readers [data processing equipment], namely, in the financial sector; downloadable image files, namely, in the financial sector; downloadable digital files authenticated by non-fungible tokens [NFTs], namely, in the financial sector; chips [integrated circuits], namely, in the financial sector.

36 – Credit bureau services; debt collection agency services; financial analysis; lease-purchase financing; savings bank services; rent collection; issuance of travellers' cheques; issuance of credit cards; issuance of tokens of value; capital investment; financial research; clearing, financial; insurance consultancy; financial consultancy; debt advisory services; stock exchange quotations; crowdfunding; lending against security; business liquidation services, financial; brokerage; financial management; exchanging money; online banking; processing of debit card payments; processing of credit card payments; digital currency exchange services; factoring; organization of monetary collections; arranging finance for construction projects; antique appraisal; jewellery appraisal; financial evaluation of standing timber; stamp appraisal; real estate appraisal; numismatic appraisal; art appraisal; financial evaluation of development costs relating to the oil, gas and mining industries; financial valuation of intellectual property assets; financial evaluation of wool; financial evaluation [insurance, banking, real estate];

financial appraisals in responding to calls for tenders; repair costs evaluation [financial appraisal]; electronic funds transfer; guarantees; securities brokerage; brokerage of carbon credits; insurance brokerage; providing insurance information; providing rebates at participating establishments of others through use of a membership card; loans [financing]; pawnbrokerage; providing financial information; providing financial information via a website; cheque verification; investment of funds; charitable fund raising; stocks and bonds brokerage; financial sponsorship; mortgage banking; instalment loans; insurance underwriting; life insurance underwriting; health insurance underwriting; accident insurance underwriting; marine insurance underwriting; fire insurance underwriting; financial management of reimbursement payments for others; actuarial services; banking; stock brokerage services; e-wallet payment services; retirement payment services; bail-bonding; preparation of quotes for cost estimation purposes; electronic transfer of virtual currencies; trusteeship; provident fund services; financial customs brokerage services; mutual funds; financing; safe deposit services; deposits of valuables; fiscal valuation.

42 – Computer security consultancy, namely, in the financial sector; internet security consultancy, namely, in the financial sector; data security consultancy, namely, in the financial sector; technological consultancy, namely, in the financial sector; monitoring of computer systems for detecting unauthorized access or data breach, namely, in the financial sector; electronic monitoring of credit card activity to detect fraud via the internet, namely, in the financial sector; electronic monitoring of personally identifying information to detect identity theft via the internet, namely, in the financial sector; software as a service [SaaS], namely, in the financial sector; providing information relating to computer technology and programming via a website, namely, in the financial sector; providing temporary use of online non-downloadable operating software for accessing and using a cloud computing network, namely, in the financial sector; conversion of computer programs and data, other than physical conversion, namely, in the financial sector; rental of web servers, namely, in the financial sector; server hosting, namely, in the financial sector; computer software design, namely, in the financial sector; cloud computing services, namely, in the financial sector; off-site data backup, namely, in the financial sector; user authentication services using single sign-on technology for online software applications, namely, in the financial sector; user authentication services using technology for e-commerce transactions, namely, in the financial sector; electronic data storage, namely, in the financial sector.

(260) AM 2026 132545 A

(800) 1840582

(151) 2024 12 18

(891) 2024 12 18

(731) Amusnet Interactive

Garitage Park, Building No. 4, Floor 2,
2 Donka, Ushlinova Str., BG-1766 Sofia,
Bulgaria

(540)



(591) Blue, yellow, pink, white and black

(531) 01.01.02; 01.01.10; 24.05.07; 27.05.02;

27.05.03; 27.05.07; 27.05.09; 27.05.15;

27.05.17; 29.01.15

(511)

9 – Computer software for the administration of online games and gaming; computer application software featuring games and gaming; betting software; gaming software that generates or displays wager outcomes of gaming machines.

28 – Slot machines [gaming machines]; gaming machines for gambling.

41 – Providing of casino and gaming facilities; gambling services.

(260) AM 2026 132566 A

(800) 1840868

(151) 2025 01 07

(891) 2025 01 07

(731) GAC AION NEW ENERGY AUTOMOBILE CO., LTD.

No.36, Longying Road, Panyu District,
Guangzhou, 511400 Guangdong, China

(540)



(591) Black, white

(531) 27.05.01

(511)

9 – Computer software applications, downloadable; computer software, recorded; vehicle radios; automatic indicators of low pressure in vehicle tires; electronic control units for automobiles; parking sensors for vehicles; batteries, electric, for vehicles; charging stations for electric vehicles; batteries, electric; battery chargers.

12 – Electric vehicles; remote control vehicles, other than toys; sports cars; autonomous cars; motors, electric, for land vehicles; cars; tires for vehicle wheels; safety seats for children, for vehicles; seat covers for vehicles; upholstery for vehicles.

37 – Electric appliance installation and repair; vehicle cleaning; motor vehicle maintenance and repair; vehicle breakdown repair services; charging of electric

vehicles; tuning of bodies for automobiles; vehicle battery charging; custom installation of exterior, interior and mechanical parts of vehicles [tuning]; tire balancing; rental of battery chargers.

(260) AM 2026 132567 A

(800) 1840872

(151) 2024 12 04

(891) 2024 12 04

(731) NIE JUANRONG

No. 309, Group 19, Luoshi Village, Mianpu Town, Daxiang District, Shaoyang City, 522000 Hunan Province, China

(540)

SMASH

(591) Black, white

(531) 27.05.01

(511)

8 – Abrading instruments [hand instruments]; hand tools, hand-operated; agricultural implements, hand-operated; garden tools, hand-operated; livestock marking tools; beard clippers; riveters [hand tools]; trowels; knives; spoons.

(260) AM 2026 132568 A

(800) 1840886

(151) 2024 11 28

(891) 2024 11 28

(731) PODRAVKA prehrabena industrija d.d.

Ante Starčevića 32, HR-48000 Koprivnica, Croatia

(540)



(591) Blue, black, white, gold and yellow

(531) 02.01.11; 02.09.01; 29.01.13

511)

29 – Vegetables, preserved; vegetables, dried; vegetable juices for cooking; vegetable stock; chowder; vegetable soup preparations; preparations for making soup; mixes for making soup; extracts for soups; soup powders; soup cubes; pre-cooked soup; consommés; soups; soup concentrates; broth [soup]; preparations for making bouillon; broth.

30 – Thickening agents for cooking foodstuffs; thickening agents for cooking foodstuffs; vegetable thickeners; spices; sauces for chicken; cooking sauces; dressings for food; meat gravies; sauces; salt for preserving foodstuffs; relish [condiment]; pepper spice; meat tenderizers for culinary purposes; minced garlic [condiment]; seasoned coating for meat, fish, poultry;

marinades containing seasonings; basting sauces; garden herbs, preserved [seasonings]; dry seasoning mixes for stews; marinades containing herbs; stew seasoning mixes; vegetable concentrates used for seasoning; spicy sauces; savory sauces used as condiments; condiments; sauces [condiments]; spice extracts; spice preparations; seasoning mixes; seaweed [condiment]; alimentary seasonings; alimentary seasonings; dried herbs; seasoning mixes; food dressings [sauces]; curry [spice]; aromatic preparations for food; flavourings for soups; flavourings and seasonings; salts, seasonings, flavourings and condiments; spiced salt.

(260) AM 2026 132569 A

(800) 1840887

(151) 2024 11 28

(891) 2024 11 28

(731) PODRAVKA prehrabena industrija d.d.

Ante Starčevića 32, HR-48000 Koprivnica, Croatia

(540)



(591) Blue, white, yellow, gold, orange, beige, green, black and brown

(531) 01.15.09; 02.01.11; 02.09.01; 19.11.01; 25.01.01; 25.12.03; 29.01.15

(511)

30 – Thickening agents for cooking foodstuffs; thickening agents for cooking foodstuffs; vegetable thickeners; spices; sauces for chicken; cooking sauces; dressings for food; meat gravies; sauces; salt for preserving foodstuffs; relish [condiment]; pepper spice; meat tenderizers for culinary purposes; minced garlic [condiment]; seasoned coating for meat, fish, poultry; marinades containing seasonings; basting sauces; garden herbs, preserved [seasonings]; dry seasoning mixes for stews; marinades containing herbs; stew seasoning mixes; vegetable concentrates used for seasoning; spicy sauces; savory sauces used as condiments; condiments; sauces [condiments]; spice extracts; spice preparations; seasoning mixes; seaweed [condiment]; alimentary seasonings; dried herbs; seasoning mixes; food dressings [sauces]; curry [spice]; aromatic preparations for food; flavourings for soups; flavourings and seasonings; salts, seasonings, flavourings and condiments; spiced salt.

(260) AM 2026 132571 A

(800) 1840894

(151) 2024 11 27

(891) 2024 11 27

(731) Shanghai Flyco Electrical Appliance Co., Ltd.
No.555 East Guangfulin Rd, Songjiang District,
200000 Shanghai, China

(540)

FLYCO

(591) Black, white

(531) 27.05.17

(511)

3 – Shaving soap; shampoos; laundry preparations; cleaning preparations; pastes for razor strops; abrasives; essential oils; moustache wax; after-shave lotions; toothpaste.

7 – Vacuum cleaners; cordless sweepers, electric; kitchen machines, electric; electric grinders; electric fruit squeezers; mixing machines; mixers [machines]; dishwashers; food preparation machines, electromechanical; motors, electric, other than for land vehicles.

9 – Scales; bathroom scales; portable digital electronic scales; kitchen electronic scale; scales with body mass analysers; household body-fat scales; USB cables; wires, electric; switches, electric; patch board; electrical current converters; electrical adapters; USB chargers; remote control apparatus; remote controller for household use; electric power converters; mobile power supply [rechargeable batteries]; batteries, electric; battery chargers; mobile phone chargers; wireless chargers; portable power chargers.

10 – Massage apparatus; vibromassage apparatus; sphygmomanometers; pulse meters; thermometers for medical purposes; glucometers; hearing aids; ear picks; hair prostheses; galvanic therapeutic appliances.

11 – Heaters for baths; microwave ovens [cooking apparatus]; refrigerators; extractor hoods for kitchens; electric hair dryers; fans [air-conditioning]; air-conditioning apparatus; air-conditioning installations; water purifying apparatus and machines; cooking apparatus and installations; water dispenser; electric cookers; electric pressure cooker (pressure cooker); food steamers, electric; cooking ovens; kettles, electric; coffee machines, electric; bread baking machines; fabric steamers.

21 – Kitchen utensils; stands for clothes irons; combs; brushes; cosmetic utensils; lint removers, electric or non-electric; toothbrushes; toothbrushes, electric; tongue cleaning brush; heads for electric toothbrushes; water apparatus for cleaning teeth and gums; water flossers.

(260) AM 2026 132572 A

(800) 1840898

(151) 2024 11 19

(891) 2024 11 19

(731) Lumi United Technology Co., Ltd
Room 801-804, Building 1, Chongwen Park,
Nanshan iPark, No.3370, Liuxian Avenue,
Fuguang Community, Taoyuan Residential
District, Nanshan District, 518000 Shenzhen,
China

(540)

Aqara

(591) Black, white

(531) 27.05.01

(511)

6 – Laths of metal; pipes of metal; doors of metal; ironmongery; door openers of metal, non-electric; door bells of metal, non-electric; locks of metal, other than electric; safes, electronic; machine belt fasteners of metal; nameplates of metal; railway material of metal; braces of metal for handling loads; pulleys of aluminium alloys; containers of metal [storage, transport]; dispensers of metal for dog waste bags; soldering wire of metal; anchors; identification bracelets of metal; wind vanes of metal; tree protectors of metal; traps for wild animals; works of art of common metal; ores of metal; monuments of metal.

7 – Juice extractors, electric; pedal drives for sewing machines; semi-conductor manufacturing machines; pumps [parts of machines, engines or motors]; bread cutting machines; dishwashers; knives, electric; machines for generating gas by electrolysis; guides for machines; agricultural machines; aerating pumps for aquaria; shredders [machines] for industrial use; milking machines; shearing machines for animals; salt scooping machines; woodworking machines; paper-making machines; machines for use in the manufacture of sanitary towels; printing machines; spinning machines; dyeing machines; drying machines for tea processing; tobacco processing machines; leather-working machines; bicycle assembling machines; potters' wheels; industrial inkjet printing machines; pen making machines; enamel making machinery; briquette making machines; mills [machines]; machines for processing plastics; glass-working machines; ammonia separation tower; electromechanical machines for chemical industry; rinsing machines; puddling machines; drilling rigs, floating or non-floating; agitators; lifts, other than ski-lifts; metalworking machines; foundry machines; steam engines; fuel conversion apparatus for internal combustion engines; turbines other than for land vehicles; needle making machines; clothes-button making machines; electric wire and cable manufacturing machines; hand-held tools, other than hand-operated; optical cold working machines; painting machines; alternators; valves [parts of machines];

compressed air machines; air cylinders [parts of machines]; bearings [parts of machines]; belts for machines; welding apparatus, gas-operated; drums [parts of machines]; electroplating machines; mixing machines; machines for battery industry; light bulb making machines; electrical apparatus for sealing plastics [packaging]; kitchen machines, electric; washing machines [laundry]; gas separating installations; door openers, electric; machines and apparatus for cleaning, electric; curtain drawing devices, electrically operated; lifting apparatus; industrial robots; driving motors other than for land vehicles; garbage disposal units; dust exhausting installations for cleaning purposes.

9 – Apparatus to check franking; money counting and sorting machines; mechanisms for coin-operated apparatus; dictating machines; face recognition apparatus; speed checking apparatus for vehicles; pressure indicators; audiovisual teaching apparatus; measuring devices, electric; particle accelerators; semiconductors; coils, electric; optical fibers [light conducting filaments]; lightning arresters; time recording apparatus; egg-candlers; electronic collars to train animals; decorative magnets; electrified fences; sports whistles; humanoid robots with artificial intelligence for preparing beverages; sunglasses for pets; portable remote retarder; couplers [data processing equipment]; phototelegraphy apparatus; weighing apparatus and instruments; measures; transponders; camcorders; integrated circuits; electric plugs; sensors; light dimmers [regulators], electric; switches, electric; remote control apparatus; video screens; fire extinguishers; radiological apparatus for industrial purposes; theft prevention installations, electric; spectacles; batteries, electric; refrigerator magnets; signal lanterns; multimedia projectors; air analysis apparatus; heat regulating apparatus; ionization apparatus not for the treatment of air or water; protection devices for personal use against accidents; animated cartoons; ticket dispensing terminals, electronic; telescopes; wires, electric.

11 – Germicidal lamps for purifying air; nail lamps; oil lamps; lava rocks for use in barbecue grills; smoke machines; gas lighters; polymerisation installations; lighting apparatus and installations; toilets [water-closets]; pocket warmers; lamps; cooking apparatus and installations; freezers; air-conditioning installations; electric hair dryers; regulating accessories for water or gas apparatus and pipes; watering installations, automatic; bath fittings; water purifying apparatus and machines; electric radiant heaters for household purposes.

20 – Ladders of wood or plastics; plastic valves, other than machine parts; plaited straw, except matting; bamboo curtains; numberplates, not of metal; identification bracelets, not of metal; funerary urns; doors for furniture; sleeping mats for camping; window pulleys, not of metal; furniture; easel tv stands; containers, not of metal [storage, transport]; mirrors [looking glass];

wind chimes [decoration]; decorations of plastic for foodstuffs; pet cushions; furniture fittings, not of metal; bolsters; curtain rails; tables; sofas; freestanding towel racks [furniture]; cots for babies; chests for toys; picture frames; kennels for household pets.

35 – Production of advertising films; administrative services for the relocation of businesses; providing commercial information and advice for consumers in the choice of products and services; import-export agency services; personnel management consultancy; web indexing for commercial or advertising purposes; accounting; rental of sales stands; sponsorship search; retail services for pharmaceutical, veterinary and sanitary preparations and medical supplies; on-line advertising on computer networks; providing business information via a website; sales promotion for others; updating and maintenance of data in computer databases; rental of vending machines.

37 – Hydraulic fracturing services; vehicle cleaning services; clock and watch repair; safe maintenance and repair; rustproofing; tyre balancing; rental of laundry washing machines; lift installation and repair; cell phone battery charging services; interference suppression in electrical apparatus; installation and maintenance of medical devices; vehicle battery charging; vehicle maintenance; retreading of tires; dry cleaning; shoe repair; telephone installation and repair; knife sharpening; pump repair; umbrella repair; artificial snow-making services; restoration of works of art; tuning of musical instruments; swimming-pool maintenance; rental of drainage pumps; repair of power lines; rental of dishwashing machines; repair of hand tools; jewelry repair services; installation and maintenance of entertainment or sports apparatus; building construction supervision; installation of doors and windows; upholstering; heating equipment installation and repair; electric appliance installation and repair; motor vehicle maintenance and repair; photographic apparatus repair; furniture restoration; disinfecting; burglar alarm installation and repair.

(260) AM 2026 132573 A

(800) 1840899

(151) 2025 01 07

(891) 2025 01 07

(731) ZTO EXPRESS CO., LTD.

Building 1, No. 1685 Huazhi Road, HuaXin Town, Qingpu District, 201708 Shanghai, China

(540)



(591) Black, white

(531) 28.03

(511)
39 – Packaging of goods; freighting; transportation logistics; freight brokerage; providing transportation information; boat transport; car transport; air transport; car rental; storage of goods; courier services [messages or merchandise]; delivery of goods; parcel delivery.

(260) AM 2026 132574 A
(800) 1840975
(151) 2024 12 03
(891) 2024 12 03
(731) MIXUEBINGCHENG Co., Ltd.
Room 16004, Block A, Hanhaibeijin Business Center, North 3rd Ring Wenhua Road, Jinshui District, Zhengzhou City, 450000 Henan Province, China
(540)



LUCKYCUP

(591) Black, white
(531) 02.01.01; 02.01.04; 02.01.23; 24.09.02; 24.09.12; 26.01.03; 26.01.14; 26.01.24; 27.05.17
(511)
29 – Meat; fish-based foodstuffs; fruits, tinned; jams; vegetables, preserved; milk beverages, milk predominating; oils for food; jellies for food, other than confectionery; nuts, prepared; tofu.
30 – Coffee; tea; treacle; sushi; ice cream; tea-based beverages; sugar; ice cream cones; cereal preparations; condiments; noodles; popcorn; pastries.
32 – Fruit juices; waters [beverages]; non-alcoholic beverages; non-alcoholic beverages flavoured with tea; lemonades; must; fruit nectars, non-alcoholic; smoothies; syrups for beverages; preparations for making non-alcoholic beverages.
35 – Advertising; commercial administration of the licensing of the goods and services of others; sales promotion for others; business management of hotels; accounting; personnel management consultancy; retail services for pharmaceutical, veterinary and sanitary preparations and medical supplies; rental of sales stands; marketing; systemization of information into computer databases.
43 – Rental of lighting apparatus; restaurant services; take-away restaurant services; canteen services; café services; boarding for animals; rental of cooking apparatus; day-nursery [crèche] services; retirement home services; rental of drinking water dispensers.

(260) AM 2026 132575 A
(800) 1840985
(151) 2025 01 30
(891) 2025 01 30
(731) StoneX Group Inc.
1075 Jordan Creek Parkway, Suite 300,
West Des Moines IA 50266, USA
(540)

STONEX BULLION

(591) Black, white
(511)
14 – Precious metals, namely, gold, silver, platinum, palladium; gold bullion; gold bullion coins; silver bullion; silver bullion coins; wearable bullion; jewelry.
35 – Wholesale and on-line retail store services featuring precious metals of gold, silver, platinum and palladium, gold bullion, gold bullion coins, silver bullion, silver bullion coins, wearable bullion, jewelry.

(260) AM 2026 132576 A
(800) 1841029
(151) 2024 11 27
(891) 2024 11 27
(731) Richter Gedeon Nyrt.
Gyömrői út 19-21., H-1103 Budapest, Hungary
(540)

DIREZIMIN

(591) Black, white
(511)
5 – Pharmaceutical preparations.

(260) AM 2026 132577 A
(800) 1841030
(151) 2024 11 27
(891) 2024 11 27
(731) Richter Gedeon Nyrt.
Gyömrői út 19-21., H-1103 Budapest, Hungary
(540)

CEEDRESION

(591) Black, white
(511)
5 – Pharmaceutical preparations.

(260) AM 2026 132578 A
(800) 1841031
(151) 2024 11 27
(891) 2024 11 27
(731) Richter Gedeon Nyrt.
Gyömrői út 19-21., H-1103 Budapest,
Hungary
(540)

ATUCNIR

(591) Black, white

(511)
5 – Pharmaceutical preparations.

(260) AM 2026 132581 A
(800) 1841039
(151) 2024 11 27
(891) 2024 11 27
(731) Richter Gedeon Nyrt.
Gyömrői út 19-21., H-1103 Budapest, Hungary
(540)

TOMEZYN

(591) Black, white
511
5 – Pharmaceutical preparations.

(260) AM 2026 132586 A
(800) 1841189
(151) 2024 07 31
(891) 2024 07 31
(731) Chastnoe proizvodstvennoe unitarnoe
predpriyatie "Darida"
ul. Lineynaya 1a, ag. Zhdanovichi, Minskiy
rajon, 223028 Minskaya oblast', Belarus
(540)



(591) Dark purple, gold, shades of gold and white
(531) 19.01.05; 26.01.18; 27.05.10; 27.05.19;
29.01.13

(511)
33 – Wine; sparkling wines; piquette; wine-based beverages; alcoholic cocktails with the addition or flavor of wine.

(260) AM 2026 132587 A
(800) 1841195
(151) 2024 11 15
(891) 2024 11 15
(731) Joint Stock Company "GODJI GROUP"
Admiralteyskaya street, 3, premises 1058,
office 205, RU-420030 Kazan city district,
Republic of Tatarstan, Russian Federation
(540)



(591) Gray, red and black
(531) 25.01.10; 27.05.01; 27.05.09; 29.01.12
(526) CYBER LOUNGE.

(511)
41 – Rental of sound recordings; games equipment rental; rental of electronic book readers; booking of seats for shows; escape room [entertainment]; film distribution; practical training [demonstration]; providing recreation facilities; arranging and conducting of workshops [training]; arranging and conducting of entertainment events; arranging and conducting of seminars; arranging and conducting of sports events; organization of competitions [education or entertainment]; organization of electronic sports competitions; providing online videos, not downloadable; providing information relating to recreational activities; providing information in the field of entertainment; providing online images, not downloadable; providing user reviews for entertainment or cultural purposes; providing user rankings for entertainment or cultural purposes; providing sports facilities; providing amusement arcade services; cinema presentations; providing online electronic publications, not downloadable; gambling services; game services provided online from a computer network; games library services; entertainment services; entertainment services provided in virtual environments.

42 – Computer rental; rental of computer software; rental of web servers; recovery of computer data; installation of computer software; computer software consultancy; computer technology consultancy; data security consultancy; updating of computer software; maintenance of computer software; providing virtual computer systems through cloud computing; providing information relating to computer technology and programming via a website; development of video and computer games; computer software design; creating and maintaining websites for others; computer graphic design for video projection mapping; computer programming; computer programming services for data processing; electronic data storage.

(260) AM 2026 132588 A
(800) 1841242
(151) 2024 07 29
(891) 2024 07 29
(731) Sopro Bauchemie GmbH
Biebricher Strasse 74, 65203 Wiesbaden,
Germany
(540)

DF Hybrid

(591) Black, white
(511)
1 – Chemicals used in industry; impregnating preparations; adhesives used in industry, in particular made of synthetic resins; chemicals used in industry, being additives for building materials; chemicals used in in-

dustry, being additives for screed, concrete and mortar; liquid plastics, unprocessed, included in this class; preservatives for building materials (except for organic substances); refining agents for concrete, mortar and screed, included in this class, in particular for preventing the drying out of concrete and mortar, for screeds and finished concrete parts, for enhancing the resistance of cement screeds to impact, wear, frost and chemical stress, for increasing imperviousness against liquids and gases as well as for controlling the processing consistency; unprocessed artificial resins; surface-active agents (tensides); damp proofing preparations for brickwork, except paints; horticulture chemicals; antifreeze; chemicals as aid for washing out (removing and cleaning) joint compounds; solvents for paints; solvents for varnishes; solvents for lacquers; silicones.

17 – Rubber, gutta-percha, gum, asbestos, mica; goods made of plastics as semi-finished products; artificial and synthetic resins (semi-finished products); resins (semi-finished products) for fabricating adhesives; cast resins (semi-finished products) incorporating silica sand; packing materials; insulating materials; sealing tapes; sealing collars; joint fillers (sealant compounds for joints); insulating coatings (paints); insulating lacquers; insulating paints; self-adhesive tapes, other than stationery and not for medical or household purposes; insulating coatings; insulating material; filling material as insulating, damping and sealing materials; bituminous sealing and insulating materials for roofs; fiberglass insulation materials for building purposes; fiberglass fabrics for building insulation.

19 – Building materials (non-metallic), in particular with damping and insulating properties; building materials (non-metallic), namely hydraulic binding agents such as cement, lime, gypsum and as additives for binding and hardening concrete, mortar and stone-like building materials; building materials (non-metallic), namely hydraulic binding agents and mixtures composed thereof containing aggregates, pozzolanic materials (concrete admixtures) and/or chemical substances (concrete admixtures); mortar (building material); plaster (building material); screeds (building material); reinforcing fabrics (non-metallic) for building purposes; contact sludges (non-metallic) for building purposes; building materials, non-metallic, in the form of filling materials for building purposes for preparing surfaces made of concrete, mortar and other stone-like building materials; silica sand for building purposes; bitumen; bituminous products for building; pipes, not of metal, for building purposes; concrete; concrete building elements; roof coverings, not of metal; bituminous coatings for roofing (except for sealing and insulating purposes); windows, not of metal; felts for building; gravel; sand for building purposes; prefabricated swimming pools (not of metal); prefabricated chimneys, not of metal; floor tiles, not of metal; tile floorings, not of metal; binding material for road repair;

road coating materials; surface coatings made of liquid plastic as moisture protection (no paints).

(260) AM 2026 132589 A

(800) 1841256

(151) 2024 07 25

(891) 2024 07 25

(731) Equiti Group Ltd

2nd Floor, Gaspé House, 66-72 Esplanade,
St Helier, JERSEY JE1 1GH, Jersey

(540)

EQUITI

(591) Black, white

(511)

9 – Downloadable computer software; downloadable computer software for use in connection with financial services; downloadable computer software for brokerage and financial trading; downloadable computer software to facilitate trading in forex, contracts for difference (CFDs), stocks, shares, indices, options, precious metals, futures, commodities, cryptocurrencies, virtual goods and downloadable digital files authenticated by non-fungible tokens; downloadable computer software to facilitate trading in contracts for difference (CFDs) based on, and positions in, stocks, shares, indices, options, precious metals, futures, commodities, cryptocurrencies, virtual goods and downloadable digital files authenticated by non-fungible tokens; downloadable computer software for investment and trading portfolio management; downloadable computer software for analysing, processing and visualising investments and trading performance data; downloadable computer software for use in accessing information about brokerage and trading of financial instruments; downloadable computer software for use as a cryptocurrency wallet and to manage cryptographically secured products and services; computer software platforms; computer software platforms for use in connection with financial services; computer software platforms for brokerage and financial trading; computer software platforms to facilitate trading in forex, contracts for difference (CFDs), stocks, shares, indices, options, precious metals, futures, commodities, cryptocurrencies, virtual goods and downloadable digital files authenticated by non-fungible tokens; computer software platforms to facilitate trading in contracts for difference (CFDs) based on, and positions in, stocks, shares, indices, options, precious metals, futures, commodities, cryptocurrencies, virtual goods and downloadable digital files authenticated by non-fungible tokens; computer software platforms for investment and trading portfolio management; computer software platforms for analysing, processing and visualising investments and trading performance data; computer software platforms for use in accessing information about brokerage and trading of financial instruments; computer software platforms for use as a cryptocurrency wallet and to manage cryptographi-

cally secured products and services; mobile application software; mobile application software for use in connection with financial services; mobile application software for brokerage and financial trading; mobile application software to facilitate trading in forex, contracts for difference (CFDs), stocks, shares, indices, options, precious metals, futures, commodities, cryptocurrencies, virtual goods and downloadable digital files authenticated by non-fungible tokens; mobile application software to facilitate trading in contracts for difference (CFDs) based on, and positions in, stocks, shares, indices, options, precious metals, futures, commodities, cryptocurrencies, virtual goods and downloadable digital files authenticated by non-fungible tokens; mobile application software for investment and trading portfolio management; mobile application software for analysing, processing and visualising investments and trading performance data; mobile application software for use in accessing information about brokerage and trading of financial instruments; mobile application software for use as a cryptocurrency wallet and to manage cryptographically secured products and services; interactive software; interactive software for use in connection with financial services; interactive software for brokerage and financial trading; interactive software to facilitate trading in forex, contracts for difference (CFDs), stocks, shares, indices, options, precious metals, futures, commodities, cryptocurrencies, virtual goods and downloadable digital files authenticated by non-fungible tokens; interactive software to facilitate trading in contracts for difference (CFDs) based on, and positions in, stocks, shares, indices, options, precious metals, futures, commodities, cryptocurrencies, virtual goods and downloadable digital files authenticated by non-fungible tokens; interactive software for investment and trading portfolio management; interactive software for analysing, processing and visualising investments and trading performance data; interactive software for use in accessing information about brokerage and trading of financial instruments; interactive software for use as a cryptocurrency wallet and to manage cryptographically secured products and services; artificial intelligence and machine learning software; artificial intelligence and machine learning software for use in connection with financial services; artificial intelligence and machine learning software for brokerage and financial trading; artificial intelligence and machine learning software to facilitate trading in forex, contracts for difference (CFDs), stocks, shares, indices, options, precious metals, futures, commodities, cryptocurrencies, virtual goods and downloadable digital files authenticated by non-fungible tokens; artificial intelligence and machine learning software for investment and trading portfolio management; artificial intelligence and machine learning software for analysing, processing and visualising investments and trading performance data; downloadable electronic publications; downloadable electronic publications in the

field of financial services; downloadable electronic publications providing information on the brokerage and trading of financial instruments; downloadable electronic publications in the fields of investment and trading portfolio management; downloadable electronic publications in the fields of forex, contracts for difference (CFDs), stocks, shares, indices, options, precious metals, futures, commodities, cryptocurrencies, virtual goods and downloadable digital files authenticated by non-fungible tokens; downloadable digital files authenticated by non-fungible tokens; credit cards; pre-paid credit cards.

36 – Financial services; computerised financial services; financial services provided via electronic communications networks; brokerage; brokerage, provided via electronic communications networks; brokerage services related to forex, contracts for difference (CFDs), stocks, shares, indices, options, precious metals, futures, commodities, cryptocurrencies, virtual goods and downloadable digital files authenticated by non-fungible tokens; brokerage services related to contracts for difference (CFDs) based on, and positions in, stocks, shares, indices, options, precious metals, futures, commodities, cryptocurrencies, virtual goods and downloadable digital files authenticated by non-fungible tokens; brokerage services related to forex, contracts for difference (CFDs), stocks, shares, indices, options, precious metals, futures, commodities, cryptocurrencies, virtual goods and downloadable digital files authenticated by non-fungible tokens, provided via electronic communications networks; brokerage services related to contracts for difference (CFDs) based on, and positions in, stocks, shares, indices, options, precious metals, futures, commodities, cryptocurrencies, virtual goods and downloadable digital files authenticated by non-fungible tokens, provided via electronic communications networks; brokers and agents (for bonds and other securities); electronic financial trading services; financial trading relating to forex, contracts for difference (CFDs), stocks, shares, indices, options, precious metals, futures, commodities, cryptocurrencies, virtual goods and downloadable digital files authenticated by non-fungible tokens; financial trading relating to forex, contracts for difference (CFDs) based on, and positions in, stocks, shares, indices, options, precious metals, futures, commodities, cryptocurrencies, virtual goods and downloadable digital files authenticated by non-fungible tokens; financial trading relating to forex, contracts for difference (CFDs), stocks, shares, indices, options, precious metals, futures, commodities, cryptocurrencies, virtual goods and downloadable digital files authenticated by non-fungible tokens, provided via electronic communications networks; financial trading relating to contracts for difference (CFDs), stocks, shares, indices, options, precious metals, futures, commodities, cryptocurrencies, virtual goods and downloadable digital files authenticated by non-fungible tokens, provided via electronic communications

networks; securities trading and services thereto; trading of securities options; trading of overseas market securities futures; margin trading; money exchange, foreign exchange transactions, currency exchange services; payment processing services; financial investment, management and consultancy services; providing financial information, analysis, news and commentary; providing financial information, analysis, news and commentary, via communications networks; providing stock market information and investment information; financial analysis and research services; preparation and analysis of financial reports; advice and enquiries regarding credit; brokerage relating to the provision of credit; issuing credit cards; issuing pre-paid credit cards; acceptance of deposits; domestic remittance services; foreign remittance services; securities lending; issuance of tokens of value; provision of a financial exchange for the trading of securities, commodities, derivatives and cryptographically secured tokens; financial transactions via blockchain; financial risk management; information, advisory and consultancy services relating to all of the aforesaid.

41 – Education and training; education and training provided via webinars; education and training relating to finance; education and training relating to investments, brokerage, financial trading, forex, contracts for difference (CFDs), stocks, shares, indices, options, precious metals, futures, commodities, cryptocurrencies, virtual goods and downloadable digital files authenticated by non-fungible tokens; arranging, conducting and organising educational events, seminars, conferences and exhibitions; arranging, conducting and organising educational events, seminars, conferences and exhibitions relating to finance; arranging, conducting and organising educational events, seminars, conferences and exhibitions relating to investment, brokerage, financial trading, forex, contracts for difference (CFDs), stocks, shares, indices, options, precious metals, futures, commodities, cryptocurrencies, virtual goods and downloadable digital files authenticated by non-fungible tokens; ticket reservation and booking services for educational events, seminars, workshops, conferences and exhibitions; ticket reservation and booking services for educational events, seminars, workshops, conferences and exhibitions relating to finance; ticket reservation and booking services for educational events, seminars, workshops, conferences and exhibitions relating to investments, brokerage, financial trading, forex, contracts for difference (CFDs), stocks, shares, indices, options, precious metals, futures, commodities, cryptocurrencies, virtual goods and downloadable digital files authenticated by non-fungible tokens; news reporting services in the fields of finance, investments, brokerage, financial trading, forex, contracts for difference (CFDs), stocks, shares, indices, options, precious metals, futures, commodities, cryptocurrencies, virtual goods and downloadable digital files authenticated by non-fungible tokens, via a website; providing non-downloadable el-

ectronic publications; providing non-downloadable electronic publications relating to finance; providing non-downloadable electronic publications relating to investments, brokerage, financial trading, forex, contracts for difference (CFDs), stocks, shares, indices, options, precious metals, futures, commodities, cryptocurrencies, virtual goods and downloadable digital files authenticated by non-fungible tokens; provision of non-downloadable videos; provision of non-downloadable videos relating to finance; provision of non-downloadable videos relating to investments, brokerage, financial trading, forex, contracts for difference (CFDs), stocks, shares, indices, options, precious metals, futures, commodities, cryptocurrencies, virtual goods and downloadable digital files authenticated by non-fungible tokens; development and publication of educational materials; development and publication of educational materials relating to finance; development and publication of educational materials relating to investments, brokerage, financial trading, forex, contracts for difference (CFDs), stocks, shares, indices, options, precious metals, futures, commodities, cryptocurrencies, virtual goods and downloadable digital files authenticated by non-fungible tokens; information, advisory and consultancy services relating to all of the aforesaid.

42 – Scientific and technological services and research and design relating thereto; design, development and maintenance of computer software; providing temporary use of on-line non-downloadable computer software; providing temporary use of on-line non-downloadable computer software for use in connection with financial services; providing temporary use of on-line non-downloadable computer software for brokerage and financial trading; providing temporary use of on-line non-downloadable computer software to facilitate trading in forex, contracts for difference (CFDs), stocks, shares, indices, options, precious metals, futures, commodities, cryptocurrencies, virtual goods and downloadable digital files authenticated by non-fungible tokens; providing temporary use of on-line non-downloadable computer software to facilitate trading in contracts for difference (CFDs), stocks, shares, indices, options, precious metals, futures, commodities, cryptocurrencies, virtual goods and downloadable digital files authenticated by non-fungible tokens; providing an online trading platform to trade forex, contracts for difference (CFDs), stocks, shares, indices, options, precious metals, futures, commodities, cryptocurrencies, virtual goods and downloadable digital files authenticated by non-fungible tokens; providing an online trading platform to trade contracts for difference (CFDs) based on, and positions in, stocks, shares, indices, options, precious metals, futures, commodities, cryptocurrencies, virtual goods and downloadable digital files authenticated by non-fungible tokens; providing temporary use of on-line non-downloadable computer software for investment and trading portfolio management; providing temporary use

of on-line non-downloadable computer software for analysing, processing and visualising investments and trading performance data; providing temporary use of on-line non-downloadable computer software for use in accessing information about brokerage and trading of financial instruments; providing temporary use of on-line non-downloadable computer software for use as a cryptocurrency wallet and to manage cryptographically secured products and services; development and testing of computing methods, algorithms and software; development and testing of computing methods, algorithms and software for use in connection with investments, brokerage, financial trading, forex, contracts for difference (CFDs), stocks, shares, indices, options, precious metals, futures, commodities, cryptocurrencies, virtual goods and downloadable digital files authenticated by non-fungible tokens; development and testing of computing methods, algorithms and software for use in connection with contracts for difference (CFDs) based on, and positions in, stocks, shares, indices, options, precious metals, futures, commodities, cryptocurrencies, virtual goods and downloadable digital files authenticated by non-fungible tokens; information, advisory and consultancy services relating to all of the aforesaid.

(260) AM 2026 132590 A

(800) 1841264

(151) 2024 09 06

(891) 2024 09 06

(731) Zhejiang Zhuoyue Electronics Co., Ltd.
No. 99, Chaoyang East Road, Fotang Town,
Yiwu City, 322002 Zhejiang Province, China

(540)

DIRAY

(591) Black, white

(531) 27.05.01

(511)

9 – Smartwatches (data processing apparatus).

(260) AM 2026 132591 A

(800) 1841274

(151) 2024 10 01

(891) 2024 10 01

(731) Max Lehner AG
Buckhauserstrasse 1, CH-8048 Zürich,
Switzerland

(540)



(591) Black, white

(531) 26.01.03; 26.01.20; 26.01.24; 27.05.01;
27.05.17; 27.05.24

(511)

1 – Chemical products for industrial, scientific, photographic, agricultural, horticultural and forestry use; unprocessed synthetic resins, unprocessed plastic materials; antifreeze; scale-removing products, with the exception of products for household use; products for preserving paints for automobiles, yachts, boats, engines, parts of plastic material, parts of rubber for automobiles, for tires; impregnating chemical products for textiles and leather; glues for industrial use.

2 – Paints, varnishes, lacquers; anti-rust products; surface protection coatings in the form of lacquers; dyes; mordants; Unprocessed natural resins.

3 – Bleaching and washing preparations; cleaning, polishing, degreasing and abrasive preparations; soaps; polishing wax; creams for leather; rust removing products; cleaning products, in particular products for removing tar, products for cleaning plastic materials, products for cleaning rims, products for removing paraffin and copolymers, cleaning products for building interiors (floors, carpets, windows); shampoos for washing chains; windshield cleaning liquid; polishing cream for parts of plastic material and paints for automobiles; fragrances for vehicle interiors.

37 – Repair services; installation services.

40 – Treatment of materials.

(260) AM 2026 132713 A

(800) 1842209

(151) 2024 10 10

(891) 2024 10 10

(731) Euro Games Technology Ltd.
Panorama Sofia Str. 6, Richhill Business C
enter, ground floor, BG-1766 Vitosha Region,
Sofia, Bulgaria

(540)



(591) Green, red, yellow, orange, black and white

(531) 01.01.03; 01.01.09; 25.01.06; 27.01.12;
27.05.02; 27.05.03; 27.05.08; 27.05.09;
27.05.17; 29.01.15

(511)

9 – Operating computer software for main frame computers; monitors (computer hardware); computer hardware; apparatus for recording images; monitors (computer programs); computer game programs; recorded computer game programs; apparatus for recording, transmission or reproduction of sound or images; communications servers (computer hardware); electronic components for gambling machines; computer application software featuring games and gaming; computer software for the administration of on-line games and gaming; computer hardware for games and

gaming; computer hardware and software for gambling, gambling machines, gambling games on the internet and via telecommunication network; computer systems; computer operating system software; computer terminals; interactive terminals; multimedia terminals; electronic terminals for generating lottery tickets; interactive touch screen terminals; computer touchscreens; electronic display panels; liquid crystal display screens; digital signage display panels; multimedia software; multimedia apparatus and instruments; interactive multimedia software for playing games; computer screens; LCD large-screen displays; liquid crystal displays [LCDs] for home theatres; media streaming software; computer application software for streaming audio-visual media content via the internet; computer gaming software; software drivers; virtual reality software; games software; entertainment software for computer games; computer programs for network management; electronic lottery tickets; computer software platforms; operating systems; interactive computer systems; operating system programs; computer game software for use with on-line interactive games; interactive casino games provided through a computer or mobile platform; electronic ticket examination machines; software for slot machines, betting software, software for video slot games, for casino games, for gambling and bingo games, provided online or through computer networks and that can be played on any type of computer device, including arcade games, personal computers, portable devices and mobile phones; software; computer software packages; computer software, recorded.

28 – Gaming machines for gambling; chips for gambling; mah-jong; arcade games; gambling machines operating with coins, notes and cards; games; electronic games; parlor games; gaming chips; gaming tables; slot machines [gaming machines]; LCD game machines; slot machines and gaming devices; coin-operated amusement machines; roulette chips; poker chips; chips and dice [gaming equipment]; gaming equipment for casinos; roulette tables; gaming roulette wheels; casino games; gambling machines and amusement machines, automatic and coin-operated; coin-operated amusement machines and/or electronic coin-operated amusement machines with or without the possibility of gain; boxes for coin-operated amusement machines, slot machines and gaming machines; electronic or electrotechnical amusement machines and apparatus, gaming machines, coin-operated entertainment machines; housings for coin-operated amusement machines, gaming equipment, gaming machines, machines for gambling; electropneumatic and electrical gambling machines (slot machines); lottery games; electronic targets for games and sports; parlor game equipment and accessories therefor, included in this class, in particular gaming tokens, chips and marbles; parlor games, game apparatus and equipment and accessories therefor, included in this class, in particular electronic targets, backgammon games, scratch

cards, playing cards, lottery cards, dice; lottery tickets; printed lottery tickets; lottery scratch cards; scratch cards for playing lottery games.

41 – Gambling; gaming services for entertainment purposes; casino, gaming and gambling services; training in the development of software systems; provision of gaming equipment for gambling halls; providing casino equipment [gambling]; gaming machine entertainment services; providing casino facilities [gambling]; amusement arcade services; games equipment rental; rental of gaming machines; providing amusement arcade services; rental of gaming machines with images of fruits; editing or recording of sounds and images; sound recording and video entertainment services; hire of sound reproducing apparatus; provision of gaming equipment for casinos; providing of casino facilities; online gambling services; entertainment services related to operation of amusement arcades, on-line casinos and on-line betting services via websites; online interactive entertainment; on-line casino services; online game services through mobile devices; providing online entertainment in the nature of game tournaments; providing on-line information in the field of computer gaming entertainment; sports betting services; online sports betting services; lottery services; organization of lotteries; conducting lotteries; prize draws [lotteries]; conducting lotteries for others; providing slot machine parlors; rental of slot machines [gaming machines]; providing online games and games of chance.

(260) AM 2026 132715 A

(800) 1842244

(151) 2024 12 20

(891) 2024 12 20

(731) LIMITED LIABILITY COMPANY "DELTA WILMAR UKRAINE"

6, Industrialna str., Pivdenne city, Odesa district, Odesa region 65481, Ukraine

(540)

ЗОЛОТИСТА

(591) Black, white

(531) 28.05

(511)

29 – Seeds, prepared; sunflower seeds, prepared; sunflower oil for food; oils for food.

35 – Cost price analysis; negotiation of business contracts for others; market studies; arranging and conducting of commercial events; demonstration of goods; providing user reviews for commercial or advertising purposes; providing business information via a website; providing business information; providing commercial and business contact information; providing commercial information and advice for consumers in the choice of products and services; providing

user rankings for commercial or advertising purposes; compilation of information into computer databases; web indexing for commercial or advertising purposes; computerized file management; marketing; influencer marketing; targeted marketing; marketing through product placement for others in virtual environments; marketing research; provision of an online marketplace for buyers and sellers of goods and services; updating and maintenance of data in computer databases; updating and maintenance of information in registries; search engine optimization for sales promotion; organization of exhibitions for commercial or advertising purposes; business intermediary services relating to the matching of potential private investors with entrepreneurs needing funding; commercial information agency services; competitive intelligence services; price comparison services; sales prospecting for others; market intelligence services; procurement services for others [purchasing goods and services for other businesses]; business partnership search; commercial lobbying services; commercial intermediation services; data search in computer files for others; sponsorship search; presentation of goods on communication media, for retail purposes; online advertising on a computer network; distribution of samples; systemization of information into computer databases; sales promotion for others; telemarketing services; negotiation and conclusion of commercial transactions for third parties; professional business consultancy.

(260) AM 2026 132718 A
 (800) 1842327
 (151) 2025 01 10
 (891) 2025 01 10
 (731) J.J. Darboven Holding AG & Co. KG
 Pinkertweg 13, 22113 Hamburg, Germany
 (540)



(591) Gold
 (531) 27.05.01; 29.01.02
 (511)
 30 – Coffee, coffee products, coffee extracts, artificial coffee; coffee-based beverages; cold-brewed coffee; tea and tea products; tea extracts; cocoa, cocoa powder and cocoa products; instant products for preparing coffee, tea and cocoa-based beverages; coffee, tea and cocoa flavourings and flavouring concentrates; sugar, confectionery and natural sweeteners, pralines, chocolate and chocolate goods, pastry and confectionery; biscuits, salted and sweet; beverage preparations with a base of coffee, tea, cocoa and drinking chocolate; ice cream.

(260) AM 2026 132719 A
 (800) 1842334
 (151) 2025 01 10
 (891) 2025 01 10
 (731) Apple Inc.
 One Apple Park Way, Cupertino CA 95014,
 USA

(540)



(591) Black, white
 (531) 05.07.13; 05.07.23
 (511)
 9 – Downloadable audio files, image files, video files, music files and multimedia content; downloadable audio and visual recordings, musical recordings, movies, films and television shows; downloadable films and videos featuring 3D and 360-degree viewing in the field of entertainment and sports.

(260) AM 2026 132721 A
 (800) 1842394
 (151) 2025 01 03
 (891) 2025 01 03
 (731) VENUS MANAGEMENT PTE. LTD.
 111 NORTH BRIDGE ROAD, #21-03
 PENINSULA PLAZA, SINGAPORE 179098,
 Singapore

(540)



(591) Black, white
 (531) 03.01.02; 03.01.22; 24.01.15; 24.01.18;
 24.01.19; 24.01.20; 24.09.02; 24.09.05;
 24.09.07; 25.01.25; 27.05.10
 (526) Registration of this trademark shall give no right to the exclusive use of the letter “B” and the word “INTERNATIONAL”.

(511)
 34 – Electric cigarettes [electronic cigarettes]; liquids for electronic cigarettes; electronic cigarette cases; holders for electronic cigarettes; cases for electronic cigarettes; electronic cigarettes; tobacco substitutes; electronic cigarettes and oral vaporizers for smokers; oral vaporizers for smokers; vaporizers being smokers' requisites; refill cartridges for electronic cigarettes; electronic cigarette atomizers; boxes for electronic cigarettes; cartridges for electronic cigarettes; electronic cigarette liquid [e-liquid] comprised of flavourings in liquid form used to refill electronic cigarette cartridges; cleaning brushes specially adapted for el-

ectronic cigarettes; cleaning sticks specially adapted for electronic cigarettes; electronic cigarette lighters; electronic cigars; electronic smoking devices; flavourings, other than essential oils, for use in electronic cigarettes; smokers' articles; cigarettes; cigars; tobacco; cigarette filters; cigarette holders; cigarette paper; cigarette cases; lighters for smokers; disposable oral vaporizers for smoking purposes sold filled with vegetable glycerin; oral vaporizers for smoking purposes sold filled with vegetable glycerin.

(260) AM 2026 132722 A
 (800) 1842396
 (151) 2025 01 09
 (891) 2025 01 09
 (731) Joint stock company "Tatspirtprom"
 Bauman Street, 44/8, Kazan, RU-420111
 Republic of Tatarstan, Russian Federation
 (540)

Купава

(591) Black, white
 (531) 28.05
 (511)
 33 – Alcoholic drinks, except beer.

(260) AM 2026 132723 A
 (800) 1842481
 (151) 2025 01 30
 (891) 2025 01 30
 (731) LAINCO, S.A.
 Avda. Bizet, 8-10-12, E-08191 Rubi
 (Barcelona), Spain
 (540)

INFISS

(591) Black, white
 (511)
 5 – Disinfectants; products for destroying weeds; chemical preparations for plant disease treatment; products and preparations for pest control; insecticides for agricultural use.

(260) AM 2026 132724 A
 (800) 1842501
 (151) 2024 09 30
 (891) 2024 09 30
 (731) Euro Games Technology Ltd.
 Panorama Sofia Str. 6, Richhill Business
 Center, ground floor, BG-1766 Vitosha Region,
 Sofia, Bulgaria
 (540)

SUPREME
ROULETTE

(591) Blue, white and black

(531) 25.01.10; 26.04.02; 26.04.09; 26.04.22;
 27.05.03; 27.05.09; 27.05.10; 29.01.13
 (511)

9 – Operating computer software for main frame computers; monitors (computer hardware); computer hardware; apparatus for recording images; monitors (computer programs); computer game programs; recorded computer game programs; apparatus for recording, transmission or reproduction of sound or images; communications servers (computer hardware); electronic components for gambling machines; computer application software featuring games and gaming; computer software for the administration of on-line games and gaming; computer hardware for games and gaming; computer hardware and software for gambling, gambling machines, gambling games on the internet and via telecommunication network; computer systems; computer operating system software; computer terminals; interactive terminals; multimedia terminals; electronic terminals for generating lottery tickets; interactive touch screen terminals; computer touchscreens; electronic display panels; liquid crystal display screens; digital signage display panels; multimedia software; multimedia apparatus and instruments; interactive multimedia software for playing games; computer screens; LCD large-screen displays; liquid crystal displays [LCDs] for home theatres; media streaming software; computer application software for streaming audio-visual media content via the internet; computer gaming software; software drivers; virtual reality software; games software; entertainment software for computer games; computer programs for network management; electronic lottery tickets; computer software platforms; operating systems; interactive computer systems; operating system programs; computer game software for use with on-line interactive games; interactive casino games provided through a computer or mobile platform; electronic ticket examination machines; software for slot machines, betting software, software for video slot games, for casino games, for gambling and bingo games, provided online or through computer networks and that can be played on any type of computer device, including arcade games, personal computers, portable devices and mobile phones; software; computer software packages; computer software, recorded.

28 – Gaming machines for gambling; chips for gambling; mah-jong; arcade games; gambling machines operating with coins, notes and cards; games; electronic games; parlor games; gaming chips; gaming tables; slot machines [gaming machines]; LCD game machines; slot machines and gaming devices; coin-operated amusement machines; roulette chips; poker chips; chips and dice [gaming equipment]; gaming equipment for casinos; roulette tables; gaming roulette wheels; casino games; gambling machines and amusement machines, automatic and coin-operated; coin-operated amusement machines and/or electronic coin-operated amusement machines with or without the po-

ssibility of gain; boxes for coin-operated amusement machines, slot machines and gaming machines; electronic or electrotechnical amusement machines and apparatus, gaming machines, coin-operated entertainment machines; housings for coin-operated amusement machines, gaming equipment, gaming machines, machines for gambling; electropneumatic and electrical gambling machines (slot machines); lottery games; electronic targets for games and sports; parlor game equipment and accessories therefor, included in this class, in particular gaming tokens, chips and marbles; parlor games, game apparatus and equipment and accessories therefor, included in this class, in particular electronic targets, backgammon games, scratch cards, playing cards, lottery cards, dice; lottery tickets; printed lottery tickets; lottery scratch cards; scratch cards for playing lottery games.

41 – Gambling; gaming services for entertainment purposes; casino, gaming and gambling services; training in the development of software systems; provision of gaming equipment for gambling halls; providing casino equipment [gambling]; gaming machine entertainment services; providing casino facilities [gambling]; amusement arcade services; games equipment rental; rental of gaming machines; providing amusement arcade services; rental of gaming machines with images of fruits; editing or recording of sounds and images; sound recording and video entertainment services; hire of sound reproducing apparatus; provision of gaming equipment for casinos; providing of casino facilities; online gambling services; entertainment services related to operation of amusement arcades, online casinos and on-line betting services via websites; online interactive entertainment; on-line casino services; online game services through mobile devices; providing online entertainment in the nature of game tournaments; providing on-line information in the field of computer gaming entertainment; sports betting services; online sports betting services; lottery services; organization of lotteries; conducting lotteries; prize draws [lotteries]; conducting lotteries for others; providing slot machine parlors; rental of slot machines [gaming machines]; providing online games and games of chance.

(260) AM 2026 132739 A

(800) 1842894

(151) 2024 11 29

(891) 2024 11 29

(731) SMEC Holdings Ltd

220-226 Sharp St, COOMA NSW 2630,
Australia

(540)



(591) Blue, white

(531) 26.13.25; 29.01.04

(511)

9 – Computer software; software platforms, downloadable; computer programs including programs for asset management; mobile applications; downloadable applications; downloadable data files; downloadable and recorded content.

37 – Civil engineering services (construction, maintenance and repair); civil engineering construction; civil engineering advisory and consultancy services (construction, maintenance and repair); advisory services relating to excavating, building and construction; construction, repair and maintenance services in this class; advisory services relating to the repair, maintenance and renovation of buildings, structures, infrastructure and property; construction supervision; building project supervision and management (construction supervision).

42 – Advisory services relating to industrial engineering; building and structural inspection services (engineering, quality assessment and surveying services); engineering and engineering consultancy services; engineering research and design; engineering drawing; engineering feasibility studies; engineering project management services; construction project management [construction drafting, design and planning]; civil engineering design services; design of pipelines, road networks and telecommunications installations; designing and planning real estate subdivisions and developments; engineering pre-feasibility and feasibility studies; structural, electrical and mechanical engineering services (design); engineering project studies; engineering research; engineering surveys and inspections; building and structural inspection services (engineering, quality assessment, and surveying services); engineering testing; preparation of engineering drawings and reports; technological engineering analysis; laboratory analysis and research; analytical laboratory services and testing; environmental hazard assessment; quality assurance consultancy services; advisory services relating to building and industrial design; structural engineering services (design); advisory services relating to computer programming and computer software; design and development of computer software; advisory services relating to energy efficiency; energy auditing; energy use and conservation consultancy; advisory services relating to pollution and environmental protection; advisory services relating to material testing; advisory services relating to planning applications; analysis of aerial photographs and surveys; analysis of building materials; analysis of geological samples; analysis of materials being chemical analysis services, soil analysis, analysis of geological samples; analysis of water; surveying services being land surveying, technical surveying, surveying [engineering], geological surveying, topographical surveying, engineering surveying, marine,

aerial and land surveying services; designing and conducting feasibility studies; conducting surveys; road surveying; construction drafting; design of facilities for the transportation of waste; environment design and consultancy services; environmental monitoring services; geological surveys; mapping services; preparation of technical reports; technical projects, technical research and consultancy services in the field of carbon offsetting.

(260) AM 2026 132815 A
 (800) 1843246
 (151) 2024 12 12
 (891) 2024 12 12
 (731) The Federation for Associations connected to the International HUMANA PEOPLE TO PEOPLE Movement (FAIHPP)
 Rue Kitty-PONSE 4, CH-1205 Genève, Switzerland

(540)



HUMANA

(591) Black, grey, white
 (531) 01.05.01; 01.05.06
 (511)

36 – Collection of charitable donations and charitable fund raising for third parties; provision of monetary grants to charities; investment of funds for charitable purposes, provision of financial assistance to social, charitable and religious organizations; financial sponsorship of social, charitable and religious organizations; financing of development projects.

41 – Education, teaching and training; organization and conducting of symposiums, seminars and workshops for training; publication of texts (other than advertising texts); provision of training in the field of agriculture, horticulture and forestry; education and training relating to nature conservation and the environment; education and training relating to nutrition, health and food.

(260) AM 2026 132822 A
 (800) 1843403
 (151) 2025 01 22
 (891) 2025 01 22
 (731) Blaser Group GmbH
 Ziegelstadel 1, 88316 Isny, Germany

(540)

CDH

(591) Black, white
 (511)
 13 – Ammunition and projectiles; belts adapted for ammunition; cartridge pouches.

(260) AM 2026 132823 A
 (800) 1843405
 (151) 2025 01 22
 (891) 2025 01 22
 (731) Blaser Group GmbH
 Ziegelstadel 1, 88316 Isny, Germany

(540)

Blaser CDH

(591) Black, white
 (511)
 13 – Ammunition and projectiles; belts adapted for ammunition; cartridge pouches.

(260) AM 2026 132824 A
 (800) 1843407
 (151) 2025 01 22
 (891) 2025 01 22
 (731) Blaser Group GmbH
 Ziegelstadel 1, 88316 Isny, Germany

(540)

CDS

(591) Black, white
 (511)
 13 – Ammunition and projectiles; belts adapted for ammunition; cartridge pouches.

(260) AM 2026 132825 A
 (800) 1843409
 (151) 2025 01 22
 (891) 2025 01 22
 (731) Blaser Group GmbH
 Ziegelstadel 1, 88316 Isny, Germany

(540)

Blaser CDS

(591) Black, white
 (511)
 13 – Ammunition and projectiles; belts adapted for ammunition; cartridge pouches.

(260) AM 2026 132827 A
 (800) 1843473
 (151) 2024 12 03
 (891) 2024 12 03
 (731) Shanghai Tobacco Group Beijing Cigarette Factory Co., Ltd.
 No.99 WanSheng NanJie TongZhou District,
 101121 Beijing, China

(540)

ZNH

(591) Black, white
 (531) 27.05.17; 27.05.23
 (511)
 34 – Cigarettes; cigars; tobacco; tobacco pipes; cigarette cases; ashtrays for smokers; matches; lighters for

smokers; cigarette paper; electronic cigarettes; electronic cigarette liquid [e-liquid].

(260) AM 2026 132851 A

(800) 1843736

(151) 2024 12 03

(891) 2024 12 03

(731) Richter Gedeon Nyrt.

Gyömrői út 19-21., H-1103 Budapest, Hungary

(540)

Катримитрон

(591) Black, white

(531) 28.05

(526)

(511) 05 – Pharmaceutical preparations.

(260) AM 2026 132852 A

(800) 1843737

(151) 2024 12 03

(891) 2024 12 03

(731) Richter Gedeon Nyrt.

Gyömrői út 19-21., H-1103 Budapest, Hungary

(540)

Сидресион

(591) Black, white

(531) 28.05

511)

5 – Pharmaceutical preparations.

(260) AM 2026 132854 A

(800) 1843799

(151) 2024 11 21

(891) 2024 11 21

(731) Euro Games Technology Ltd.

6 Panorama Sofia Str., Richhill Business
Center, ground floor, Vitosha Region, BG-1766
Sofia, Bulgaria

(540)

Dazzling Rolls

(591) Black, white

(511)

9 – Operating computer software for main frame computers; monitors (computer hardware); computer hardware; apparatus for recording images; monitors (computer programs); computer game programs; recorded computer game programs; apparatus for recording, transmission or reproduction of sound or images; communications servers (computer hardware); electronic components for gambling machines; computer application software featuring games and gaming; computer software for the administration of on-line games and gaming; computer hardware for games and gaming; computer systems; computer operating sys-

tem software; computer terminals; interactive terminals; multimedia terminals; electronic terminals for generating lottery tickets; interactive touch screen terminals; computer touchscreens; electronic display panels; liquid crystal display screens; digital signage display panels; multimedia software; multimedia apparatus and instruments; interactive multimedia software for playing games; computer screens; lcd large-screen displays; liquid crystal displays [lcds] for home theatres; media streaming software; computer application software for streaming audio-visual media content via the internet; computer gaming software; software; computer software packages; computer software, recorded; software drivers; virtual reality software; games software; entertainment software for computer games; computer programs for network management; electronic lottery tickets; computer software platforms; operating systems; interactive computer systems; operating system programs; computer game software for use with on-line interactive games; interactive casino games provided through a computer or mobile platform; electronic ticket examination machines; software for slot machines, betting software, software for video slot games, for casino games, for gambling and bingo games, provided online or through computer networks and that can be played on any type of computer device, including arcade games, personal computers, portable devices and mobile phones; computer hardware and software for gambling, gambling machines, gambling games on the internet and via telecommunication network.

28 – Gaming machines for gambling; chips for gambling; mah-jong; arcade games; gambling machines operating with coins, notes and cards; games; electronic games; parlor games; gaming chips; gaming tables; slot machines [gaming machines]; LCD game machines; slot machines and gaming devices; coin-operated amusement machines; roulette chips; poker chips; chips and dice [gaming equipment]; gaming equipment for casinos; roulette tables; gaming roulette wheels; casino games; gambling machines and amusement machines, automatic and coin-operated; coin-operated amusement machines and / or electronic coin-operated amusement machines with or without the possibility of gain; boxes for coin-operated amusement machines, slot machines and gaming machines; electronic or electrotechnical amusement machines and apparatus, gaming machines, coin-operated entertainment machines; housings for coin-operated amusement machines, gaming equipment, gaming machines, machines for gambling; electropneumatic and electrical gambling machines (slot machines); lottery games; electronic targets for games and sports; parlor game equipment and accessories not included in other classes, in particular tokens, chips, marbles; parlor games, apparatus, equipment and accessories therefor, not included in other classes, in particular electronic targets, backgammon, scratch cards, playing cards, lottery cards, dice; lottery tickets; printed lottery tic-

kets; lottery scratch cards; scratch cards for playing lottery games.

41 – Gambling; gaming services for entertainment purposes; casino, gaming and gambling services; training in the development of software systems; provision of gaming equipment for gambling halls; providing casino equipment [gambling]; gaming machine entertainment services; providing casino facilities [gambling]; amusement arcade services; games equipment rental; rental of gaming machines; providing amusement arcade services; rental of gaming machines with images of fruits; editing or recording of sounds and images; sound recording and video entertainment services; hire of sound reproducing apparatus; provision of gaming equipment for casinos; providing of casino facilities; online gambling services; entertainment services related to operation of amusement arcades, on-line casinos and on-line betting services via websites; online interactive entertainment; on-line casino services; online game services through mobile devices; providing online entertainment in the nature of game tournaments; providing on-line information in the field of computer gaming entertainment; sports betting services; online sports betting services; lottery services; organization of lotteries; conducting lotteries; prize draws [lotteries]; conducting lotteries for others; providing slot machine parlors; rental of slot machines [gaming machines]; providing online games and games of chance.

(260) AM 2026 132855 A

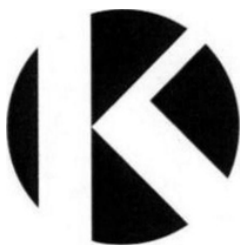
(800) 1843802

(151) 2024 11 11

(891) 2024 11 11

(731) KRKA, tovarna zdravil, d.d., Novo mesto
Šmarješka cesta 6, SI-8000 Novo mesto,
Slovenia

(540)



(591) Black, white

(531) 26.01.03; 26.01.18; 27.05.21

(511)

1 – Chemicals used in industry, science and photography, as well as in agriculture, horticulture and forestry; unprocessed artificial resins, unprocessed plastics; fertilizers; fire-extinguishing compositions; tempering and soldering preparations; chemical substances for preserving foodstuffs; tanning substances; adhesives used in industry.

3 – Bleaching preparations and other substances for laundry use; cleaning, polishing, scouring and abrasi-

ve preparations; soaps; perfumery, essential oils, cosmetics, hair lotions; dentifrices.

5 – Pharmaceutical and veterinary products; sanitary preparations for medical purposes; dietetic substances adapted for medical use, food for babies; plasters, materials for dressings; materials for stopping teeth, dental wax; disinfectants; preparations for destroying vermin; fungicides, herbicides.

10 – Surgical, medical, dental and veterinary apparatus and instruments, artificial limbs, eyes and teeth; orthopedic articles; suture materials.

16 – Paper, cardboard; printed matter; bookbinding material; photographs; stationery; adhesives for stationery or household purposes; artists' materials; paint brushes; typewriters and office requisites (except furniture); instructional and teaching material (except apparatus); plastic materials for packaging (not included in other classes); printing blocks.

42 – Scientific and technological services and research and design services relating thereto; industrial analysis and research services; design and development of computer hardware and software.

44 – Health care services; veterinary services; hygienic and beauty care for human beings or animals; agricultural, horticultural and forestry services.

45 – Legal services.

(260) AM 2026 132856 A

(800) 1843803

(151) 2024 11 11

(891) 2024 11 11

(731) KRKA, tovarna zdravil, d.d., Novo mesto
Šmarješka cesta 6, SI-8000 Novo mesto,
Slovenia

(540)



(591) Green

(531) 26.01.03; 26.01.18; 27.05.21; 29.01.03

511)

1 – Chemicals used in industry, science and photography, as well as in agriculture, horticulture and forestry; unprocessed artificial resins, unprocessed plastics; fertilizers; fire-extinguishing compositions; tempering and soldering preparations; chemical substances for preserving foodstuffs; tanning substances; adhesives used in industry.

3 – Bleaching preparations and other substances for laundry use; cleaning, polishing, scouring and abrasi-

ve preparations; soaps; perfumery, essential oils, cosmetics, hair lotions; dentifrices.

5 – Pharmaceutical and veterinary products; sanitary preparations for medical purposes; dietetic substances adapted for medical use, food for babies; plasters, materials for dressings; materials for stopping teeth, dental wax; disinfectants; preparations for destroying vermin; fungicides, herbicides.

10 – Surgical, medical, dental and veterinary apparatus and instruments, artificial limbs, eyes and teeth; orthopedic articles; suture materials.

16 – Paper, cardboard; printed matter; bookbinding material; photographs; stationery; adhesives for stationery or household purposes; artists' materials; paint brushes; typewriters and office requisites (except furniture); instructional and teaching material (except apparatus); plastic materials for packaging (not included in other classes); printing blocks.

42 – Scientific and technological services and research and design services relating thereto; industrial analysis and research services; design and development of computer hardware and software.

44 – Health care services; veterinary services; hygienic and beauty care for human beings or animals; agricultural, horticultural and forestry services.

45 – Legal services.

(260) AM 2026 132857 A

(800) 1843804

(151) 2024 11 11

(891) 2024 11 11

(731) KRKA, tovarna zdravil, d.d., Novo mesto
Šmarješka cesta 6, SI-8000 Novo mesto,
Slovenia

(540)



(591) Green

(531) 26.01.03; 26.01.18; 27.05.01; 29.01.03

(511)

1 – Chemicals used in industry, science and photography, as well as in agriculture, horticulture and forestry; unprocessed artificial resins, unprocessed plastics; fertilizers; fire-extinguishing compositions; tempering and soldering preparations; chemical substances for preserving foodstuffs; tanning substances; adhesives used in industry.

3 – Bleaching preparations and other substances for laundry use; cleaning, polishing, scouring and abrasive preparations; soaps; perfumery, essential oils, cosmetics, hair lotions; dentifrices.

5 – Pharmaceutical and veterinary products; sanitary preparations for medical purposes; dietetic substances

adapted for medical use, food for babies; plasters, materials for dressings; materials for stopping teeth, dental wax; disinfectants; preparations for destroying vermin; fungicides, herbicides.

10 – Surgical, medical, dental and veterinary apparatus and instruments, artificial limbs, eyes and teeth; orthopedic articles; suture materials.

16 – Paper, cardboard and goods made from these materials, not included in other classes; printed matter; bookbinding material; photographs; stationery; adhesives for stationery or household purposes; artists' materials; paint brushes; typewriters and office requisites (except furniture); instructional and teaching material (except apparatus); plastic materials for packaging (not included in other classes); printing blocks.

42 – Scientific and technological services and research and design services relating thereto; industrial analysis and research services; design and development of computer hardware and software.

44 – Health care services; veterinary services; hygienic and beauty care for human beings or animals; agricultural, horticultural and forestry services.

45 – Legal services.

(260) AM 2026 132858 A

(800) 1843811

(151) 2024 12 03

(891) 2024 12 03

(731) Richter Gedeon Nyrt.

Gyömrői út 19-21., H-1103 Budapest, Hungary

(540)

ТОМЕЗИН

(591) Black, white

(531) 28.05

(511)

5 – Pharmaceutical preparations.

(260) AM 2026 132943 A

(800) 1844426

(151) 2024 10 25

(891) 2024 10 25

(731) Limited Liability Company "Pekkers"

Tsentralnaya str., p. 149, building letter A 1,
Yurovo village, Ramenskoye district,
RU-140152 Moscow region, Russian
Federation

(540)



(591) White and pink

(531) 03.07.03; 11.01.22; 26.01.03; 26.01.15;
26.01.16; 26.01.20; 27.05.01; 27.05.03;
27.05.24; 29.01.12

(511)

35 – Business administration; demonstration of goods; layout services for advertising purposes; marketing; business management; updating and maintenance of data in computer databases; updating of advertising material; organization of exhibitions for commercial or advertising purposes; organization of trade fairs for commercial or advertising purposes; office functions; shop window dressing; sales promotion for others; production of advertising films; publication of publicity texts; radio advertising; distribution of samples; dissemination of advertising matter; advertising; online advertising on a computer network; advertising by mail order; television advertising; procurement services for others [purchasing goods and services for other businesses]; production of advertising matter and commercials; distribution of advertising, marketing and promotional material; publicity material rental; presentation of goods on communication media, for retail purposes; rental of advertising time on communication media; rental of billboards [advertising boards].

(260) AM 2026 132944 A

(800) 1844430

(151) 2024 11 21

(891) 2024 11 21

(731) Euro Games Technology Ltd.

Panorama Sofia Str. 6, Richhill Business
Center, ground floor, BG-1766 Vitosha Region,
Sofia, Bulgaria

(540)

Shining Rolls

(591) Black, white

(511)

9 – Operating computer software for main frame computers; monitors (computer hardware); computer hardware; apparatus for recording images; monitors (computer programs); computer game programs; recorded computer game programs; apparatus for recording, transmission or reproduction of sound or images; communications servers (computer hardware); electronic components for gambling machines; computer application software featuring games and gaming; computer software for the administration of on-line games and gaming; computer hardware for games and gaming; computer systems; computer operating system software; computer terminals; interactive terminals; multimedia terminals; electronic terminals for generating lottery tickets; interactive touch screen terminals; computer touchscreens; electronic display panels; liquid crystal display screens; digital signage display panels; multimedia software; multimedia apparatus and instruments; interactive multimedia software

for playing games; computer screens; lcd large-screen displays; liquid crystal displays [lcds] for home theatres; media streaming software; computer application software for streaming audio-visual media content via the internet; computer gaming software; software; computer software packages; computer software, recorded; software drivers; virtual reality software; games software; entertainment software for computer games; computer programs for network management; electronic lottery tickets; computer software platforms; operating systems; interactive computer systems; operating system programs; computer game software for use with on-line interactive games; interactive casino games provided through a computer or mobile platform; electronic ticket examination machines; software for slot machines, betting software, software for video slot games, for casino games, for gambling and bingo games, provided online or through computer networks and that can be played on any type of computer device, including arcade games, personal computers, portable devices and mobile phones; computer hardware and software for gambling, gambling machines, gambling games on the internet and via telecommunication network.

28 – Gaming machines for gambling; chips for gambling; mah-jong; arcade games; gambling machines operating with coins, notes and cards; games; electronic games; parlor games; gaming chips; gaming tables; slot machines [gaming machines]; LCD game machines; slot machines and gaming devices; coin-operated amusement machines; roulette chips; poker chips; chips and dice [gaming equipment]; gaming equipment for casinos; roulette tables; gaming roulette wheels; casino games; gambling machines and amusement machines, automatic and coin-operated; coin-operated amusement machines and / or electronic coin-operated amusement machines with or without the possibility of gain; boxes for coin-operated amusement machines, slot machines and gaming machines; electronic or electrotechnical amusement machines and apparatus, gaming machines, coin-operated entertainment machines; housings for coin-operated amusement machines, gaming equipment, gaming machines, machines for gambling; electropneumatic and electrical gambling machines (slot machines); lottery games; electronic targets for games and sports; parlor game equipment and accessories not included in other classes, in particular tokens, chips, marbles; parlor games, apparatus, equipment and accessories therefor, not included in other classes, in particular electronic targets, backgammon, scratch cards, playing cards, lottery cards, dice; lottery tickets; printed lottery tickets; lottery scratch cards; scratch cards for playing lottery games.

41 – Gambling; gaming services for entertainment purposes; casino, gaming and gambling services; training in the development of software systems; provision of gaming equipment for gambling halls; provi-

ding casino equipment [gambling]; gaming machine entertainment services; providing casino facilities [gambling]; amusement arcade services; games equipment rental; rental of gaming machines; providing amusement arcade services; rental of gaming machines with images of fruits; editing or recording of sounds and images; sound recording and video entertainment services; hire of sound reproducing apparatus; provision of gaming equipment for casinos; providing of casino facilities; online gambling services; entertainment services related to operation of amusement arcades, on-line casinos and on-line betting services via websites; online interactive entertainment; on-line casino services; online game services through mobile devices; providing online entertainment in the nature of game tournaments; providing on-line information in the field of computer gaming entertainment; sports betting services; online sports betting services; lottery services; organization of lotteries; conducting lotteries; prize draws [lotteries]; conducting lotteries for others; providing slot machine parlors; rental of slot machines [gaming machines]; providing online games and games of chance.

(260) AM 2026 132950 A

(800) 1844506

(151) 2025 01 10

(891) 2025 01 10

(731) Apple Inc.

One Apple Park Way, Cupertino CA 95014,
USA

(540)



(591) Black, white

(531) 05.07.13; 05.07.23

(511)

41 – Providing entertainment, sports, music, reality, documentary, and arts and culture programming by means of telecommunications networks, computer networks, the Internet, and wireless communications networks; providing non-downloadable entertainment, sports, music, reality, documentary, and arts and culture programming; providing non-downloadable pre-recorded music, video, and graphics for use on mobile communications devices.

(260) AM 2026 132951 A

(800) 1844507

(151) 2025 01 16

(891) 2025 01 16

(731) Individualniy predprinimatel Geldutis

Remigiyus

pr-kt Budennogo, 30/8, kv. 125, RU-105118
Moscow, Russian Federation

(540)

•АЛИСА•

(591) Black, white

(531) 24.17.02; 28.05

(511)

29 – Milk; milk products; cottage cheese; oils for food; milk substitutes; yogurt; margarine; butter; lactic acid drinks; milk beverages, milk predominating; cream [dairy products]; smetana; whey; cheese.

30 – Frozen yogurt [confectionery ices]; ice cubes; edible ices; ice pops; ice cream; sorbets [ices].

(260) AM 2026 132969 A

(800) 1844902

(151) 2024 12 03

(891) 2025 01 30

(731) Richter Gedeon Nyrt.

Gyömrői út 19-21., H-1103 Budapest, Hungary

(540)

ОКАБОРИ

(591) Black, white

(531) 28.05

(511)

5 – Pharmaceutical preparations.

(260) AM 2026 133103 A

(800) 1846397

(151) 2025 02 03

(891) 2025 02 03

(731) IPack B.V.

Cruquiusweg 98 W, NL-1019 AJ

AMSTERDAM, Netherlands

(540)



(591) Red, green, pink, blue, brown, black and white

(531) 02.01.07; 02.01.16; 02.01.22; 02.01.23;
02.01.25; 29.01.15

(511)

32 – Beer and non-alcoholic beer.

(260) AM 2026 133210 A

(800) 1847676

(151) 2025 01 23

(891) 2025 01 23

(731) Amgen Inc.

One Amgen Center Drive, Thousand Oaks
CA 91320-1799, USA

(540)



(591) The color(s) white and blue is/are claimed as a feature of the mark

(531) 26.01.03; 26.01.18; 27.05.21; 29.01.12

(511)

44 – Providing medical information and patient support services, namely, providing medical information in the fields of pharmaceuticals and the treatment of various illnesses, disorders and maladies.

(260) AM 2026 133236 A

(800) 1848097

(151) 2024 10 18

(891) 2024 10 18

(731) LARA KOZMETİK HİJYENİK ÜRÜNLERİ
SANAYİ VE DIŞ TİCARET ANONİM
ŞİRKETİ

Türkücü OSB Mahallesi, 123 Sokak, Lara
Cosmetics, 4 /1, Çorlu, Tekirdağ, Türkiye

(540)

FÈNCY
BY LARA

(591) Black, white

(531) 27.05.01; 27.05.09; 27.05.10

(511)

35 – Advertising, marketing and public relations; organization of exhibitions and trade fairs for commercial or advertising purposes; development of advertising concepts; provision of an online marketplace for buyers and sellers of goods and services; office functions; secretarial services; arranging newspaper subscriptions for others; compilation of statistics; rental of office machines; systemization of information into computer databases; telephone answering for unavailable subscribers; business management, business administration and business consultancy; accounting; commercial consultancy services; personnel recruitment, personnel placement, employment agencies, import-export agencies; temporary personnel placement services; auctioneering.

(260) AM 2026 133317 A

(800) 1848602

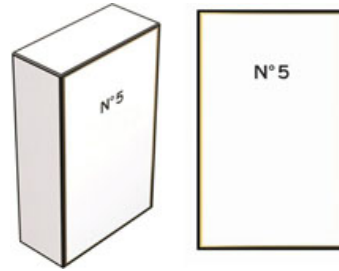
(151) 2024 12 13

(891) 2024 12 13

(731) Chanel SARL

Quai du Général-Guisan 24, CH-1204 Genève,
Switzerland

(540)



(591) Black, white and gold

(531) 19.03.03; 26.15.11; 26.15.13; 29.01.13

(554) მოცულობითი

(511)

3 – Preparations for cosmetic use for skin, scalp, hair or nail care; preparations for cosmetic use for application on the skin, scalp, hair or nails; soaps; perfumery products; perfumes; eau de Cologne; eaux de toilette; after-shave lotions; shaving soap; shaving products; essential oils; make-up products; cosmetics; toiletries for non-medical use; talcum powder for toilet use; deodorants (antiperspirants) for personal use; make-up removing products, tissues impregnated with make-up removing preparations; nail polish removers; cosmetic preparations for tanning the skin, sunscreen preparations; tissues impregnated with cosmetic lotions; massage gels other than for medical use; nail polish; artificial nails for cosmetic use; nail art stickers; adhesives for affixing artificial nails; temporary tattoos for cosmetic use; false eyelashes; perfumed sprays for indoor use; air fragrances; potpourris [fragrances].

(260) AM 2026 133318 A

(800) 1848605

(151) 2024 12 13

(891) 2024 12 13

(731) Chanel SARL

Quai du Général-Guisan 24, CH-1204 Genève,
Switzerland

(540)



(591) Metallic gray and black

(531) 19.03.03; 26.15.11; 26.15.13; 29.01.12

(554) მოცულობითი

(511)

3 – Preparations for cosmetic use for skin, scalp, hair or nail care; preparations for cosmetic use for application on the skin, scalp, hair or nails; soaps; perfumery products; perfumes; eau de Cologne; eaux de toilette; after-shave lotions; shaving soap; shaving

products; essential oils; make-up products; cosmetics; toiletries for non-medical use; talcum powder for toiletry use; deodorants (antiperspirants) for personal use; make-up removing products, tissues impregnated with make-up removing preparations; nail polish removers; cosmetic preparations for tanning the skin, sunscreen preparations; tissues impregnated with cosmetic lotions; massage gels other than for medical use; nail polish; artificial nails for cosmetic use; nail art stickers; adhesives for affixing artificial nails; temporary tattoos for cosmetic use; false eyelashes; perfumed sprays for indoor use; air fragrances; potpourris [fragrances].

(260) AM 2026 133319 A

(800) 1848606

(151) 2024 12 13

(891) 2024 12 13

(731) Chanel SARL

Quai du Général-Guisan 24, CH-1204 Genève, Switzerland

(540)



(591) Beige and golden

(531) 19.03.03; 26.15.11; 26.15.13; 29.01.12

(554) მოცულობითი

(511)

3 – Preparations for cosmetic use for skin, scalp, hair or nail care; preparations for cosmetic use for application on the skin, scalp, hair or nails; soaps; perfumery products; perfumes; eau de Cologne; eaux de toilette; after-shave lotions; shaving soap; shaving products; essential oils; make-up products; cosmetics; toiletries for non-medical use; talcum powder for toiletry use; deodorants (antiperspirants) for personal use; make-up removing products, tissues impregnated with make-up removing preparations; nail polish removers; cosmetic preparations for tanning the skin, sunscreen preparations; tissues impregnated with cosmetic lotions; massage gels other than for medical use; nail polish; artificial nails for cosmetic use; nail art stickers; adhesives for affixing artificial nails; temporary tattoos for cosmetic use; false eyelashes; perfumed sprays for indoor use; air fragrances; potpourris [fragrances].

(260) AM 2026 133320 A

(800) 1848643

(151) 2025 03 18

(891) 2025 03 18

(731) Shenzhenshi LuTuo Technology Co., Ltd

B612, Niulanqian Bldg, Minzhi Avenue,
Xinniu Community, Minzhi St., Longhua,
Shenzhen, 518000 Guangdong, China

(540)

carpuride

(591) Black, white

(511)

9 – Computer peripheral devices; black boxes [data recorders]; transmitters of electronic signals; navigational instruments; in-car telephone handset cradles; earphones; portable media players; spectacles; batteries, electric; wireless chargers.

(260) AM 2026 133321 A

(800) 1848670

(151) 2024 10 14

(891) 2024 10 14

(731) LANDMANN Germany GmbH

Stormarnring 14, 22145 Stapelfeld, Germany

(540)

LANDMANN

(591) Black, white

(511)

4 – Barbecue fuel made from woodchips; wood chips for smoking foods; wood chips for smoking and flavouring foods; barbecue lighting fuel; firelighters for grills; barbecue liquid lighters; fuel for use in barbecues; barbecue briquettes; wood coal for grilling; coal based fuels; fuel; briquettes; combustible briquettes; fuels for cooking; fuel pellets; coal briquettes; charcoal based products for use as a fuel; manufactured solid fuels; charcoal lighter fluid; gases for flame heating; gases for use in cooking; butane gas cartridges sold filled; charcoal [fuel]; charcoal for use as fuel; charcoal briquettes; charcoal briquettes (tadon); coal; low ash content coal; low sulphur coal; firelighters; coke; smokeless fuels; propane gas; wood for use as fuel; fuels and illuminants.

11 – Roasting spits [electric] for use with electric barbecues; barbecues; barbecue apparatus; roasting spits [electric] for use with barbecues; electric broilers; electric outdoor grills; domestic rotisseries [electric]; electric indoor grills; electric rotisseries; electric grills; meat broilers; gas fired broilers; roasting spits [electric] for use with gas barbecues; gas grills; gas cooking apparatus incorporating cooking grills; barbecue starters; roasting apparatus; rotisseries; grill heating plates; cooking grills; roasting spits; roasting spits for cooking ovens; charcoal grills; charcoal roasters for household purposes; ceramic briquettes for use in barbecue grills [non-flammable]; lava rocks for use in barbecue grills; barbecue smokers; solar powered grills for cooking; cookers incorporating grills; gas stoves; pizza ovens; stove burner covers; smoke baking units; appliances for smoking foodstuffs; smoke cooking units; smoke curing units; smokers [cooking apparatus]; smoke drying units; electric fires; et-

hanol fireplaces; fire pits; fitted covers for portable fireplaces; dampers for furnaces; portable fire pits; grates; furnace grates for solid fuel; grates (furnace -); electric fires for domestic use in the shapes of log fires; electric fires for domestic use in the shapes of coal fires; damping nozzles [parts of fireplaces]; gas fires; gas fired furnaces; refractory furnaces; industrial ovens, boilers, burners and furnaces (not for food or beverages); electric firelighters; friction lighters for igniting gas; grill lighters; fumigation apparatus, not for medical purposes; cooking, heating, cooling and preservation equipment, for food and beverages; fireplaces; heating, ventilating, and air conditioning and purification equipment (ambient); industrial treatment apparatus and installations; igniters; heating elements and filaments; lighting and lighting reflectors.

21 – Grilling planks of wood; barbecue forks; grill pans made of precious stone; grills [cooking utensils]; grill supports; camping grills; barbecue turners; barbecue tongs; non-electric griddles; cooking utensils for use with domestic barbecues; fireproof dishes; pizza peels; pizza tray stands; pizza stones; oven mitts; perfume burners, electric and non-electric; incense burners [domestic]; incense stick holders; grill scrapers [cleaning articles]; cleaning brushes for barbecue grills; air fragrancing apparatus; tableware, cookware and containers; household utensils for cleaning, brushes and brush-making materials; broiling pans.

(260) AM 2026 133322 A

(800) 1848678

(151) 2024 11 12

(891) 2024 11 12

(731) Euro Games Technology Ltd.

Panorama Sofia Str. 6, Richhill Business Center, ground floor, BG-1766 Vitosha Region, Sofia, Bulgaria

(540)



(591) Red, orange, yellow, black and white

(531) 01.15.07; 27.05.02; 27.05.03; 27.05.04; 27.05.09; 27.05.17; 29.01.15

(511)

9 – Operating computer software for main frame computers; monitors (computer hardware); computer hardware; apparatus for recording images; monitors (computer programs); computer game programs; recorded computer game programs; apparatus for recording, transmission or reproduction of sound or images; communications servers (computer hardware); electronic components for gambling machines; computer application software featuring games and gaming; computer software for the administration of on-line games and gaming; computer hardware for games and

gaming; computer systems; computer operating system software; computer terminals; interactive terminals; multimedia terminals; electronic terminals for generating lottery tickets; interactive touch screen terminals; computer touchscreens; electronic display panels; liquid crystal display screens; digital signage display panels; multimedia software; multimedia apparatus and instruments; interactive multimedia software for playing games; computer screens; LCD large-screen displays; liquid crystal displays [LCDs] for home theatres; media streaming software; computer application software for streaming audio-visual media content via the internet; computer gaming software; software; computer software packages; computer software, recorded; software drivers; virtual reality software; games software; entertainment software for computer games; computer programs for network management; electronic lottery tickets; computer software platforms; operating systems; interactive computer systems; operating system programs; computer game software for use with on-line interactive games; interactive casino games provided through a computer or mobile platform; electronic ticket examination machines; software for slot machines, betting software, software for video slot games, for casino games, for gambling and bingo games, provided online or through computer networks and that can be played on any type of computer device, including arcade games, personal computers, portable devices and mobile phones; computer hardware and software for gambling, gambling machines, gambling games on the internet and via telecommunication network.

28 – Gaming machines for gambling; chips for gambling; mah-jong; arcade games; gambling machines operating with coins, notes and cards; games; electronic games; parlor games; gaming chips; gaming tables; slot machines [gaming machines]; LCD game machines; slot machines and gaming devices; coin-operated amusement machines; roulette chips; poker chips; chips and dice [gaming equipment]; gaming equipment for casinos; roulette tables; gaming roulette wheels; casino games; gambling machines and amusement machines, automatic and coin-operated; coin-operated amusement machines and/or electronic coin-operated amusement machines with or without the possibility of gain; boxes for coin-operated amusement machines, slot machines and gaming machines; electronic or electrotechnical amusement machines and apparatus, gaming machines, coin-operated entertainment machines; housings for coin-operated amusement machines, gaming equipment, gaming machines, machines for gambling; electropneumatic and electrical gambling machines (slot machines); lottery games; electronic targets for games and sports; parlor game equipment and accessories therefor, included in this class, in particular gaming tokens, chips and marbles; parlor games, game apparatus and equipment and accessories therefor, included in this class, in particular electronic targets, backgammon games, scratch

cards, playing cards, lottery cards, dice; lottery tickets; printed lottery tickets; lottery scratch cards; scratch cards for playing lottery games.

41 – Gambling; gaming services for entertainment purposes; casino, gaming and gambling services; training in the development of software systems; provision of gaming equipment for gambling halls; providing casino equipment [gambling]; gaming machine entertainment services; providing casino facilities [gambling]; amusement arcade services; games equipment rental; rental of gaming machines; providing amusement arcade services; rental of gaming machines with images of fruits; editing or recording of sounds and images; sound recording and video entertainment services; hire of sound reproducing apparatus; provision of gaming equipment for casinos; providing of casino facilities; online gambling services; entertainment services related to operation of amusement arcades, on-line casinos and on-line betting services via websites; online interactive entertainment; on-line casino services; online game services through mobile devices; providing online entertainment in the nature of game tournaments; providing on-line information in the field of computer gaming entertainment; sports betting services; online sports betting services; lottery services; organization of lotteries; conducting lotteries; prize draws [lotteries]; conducting lotteries for others; providing slot machine parlors; rental of slot machines [gaming machines]; providing online games and games of chance.

(260) AM 2026 133418 A

(800) 1849673

(151) 2024 07 02

(891) 2024 07 02

(731) NIKOTABAKO SPOLKA Z OGRANICZONA
ODPOWIEDZIALNOSCIA
AL. GEN. ANTONIEGO CHRUSCIELA,
"MONTERA" 88A, PL-04-412 WARSAW,
Poland

(540)



(591) Black, white

(531) 27.05.02; 27.05.17; 27.05.22

(511)

34 – Snus; snus containing tobacco substitutes, not for medical use.

(260) AM 2026 133420 A

(800) 1849682

(151) 2025 01 17

(891) 2025 01 17

(731) PROTOX Inc.

94 Jeyakongdan 4-gil, Hyangnam-eup,

Hwaseong-si, Gyeonggi-do 18622,
Republic of Korea

(540)

B TSA9

(591) Black, white

511)

5 – Pharmaceutical agents affecting sensory organs; pharmaceutical preparations for treating convulsion; pharmaceutical preparations for treating dystonia; injectable pharmaceuticals for the treatment of muscle; pharmaceutical preparations for treating heterotopia of muscle; pharmaceutical preparations for treating cerebral palsy; pharmaceutical preparations for treating hyperhidrosis; pharmaceutical preparations for treating headache; pharmaceutical preparations for treating tremor; pharmaceutical preparations for peripheral nervous system; pharmaceuticals containing botulinum toxin; pharmaceutical preparations for treating sports injuries; pharmaceuticals preparations for treating neuropathy; chemical preparations for pharmaceutical purposes; adjuvants for medical purposes; drugs for medical purposes; injectable pharmaceuticals for the treatment of ligaments; medicines for human purposes; pharmaceutical preparations for treating dysautonomia; pharmaceutical preparations for treating wrinkles; pharmaceutical preparations for central nerve treatment; pharmaceutical preparations for diagnosis; analgesics; pharmaceutical preparations for treating leiodytonia; pharmaceutical preparations for chemical disorder treatment; injectable pharmaceuticals for the treatment of tendons.

(260) AM 2026 133421 A

(800) 1849703

(151) 2025 03 05

(891) 2025 03 05

(731) Beijing Chj Information Technology Co., Ltd.
Room 101, Building 1 No. 4 Hengxing Road,
Gaoliying, Shunyi District, 101300 Beijing
(Technological Innovation Industry Functional
Zone), China

(540)



(591) Black, white

(531) 27.05.01; 27.07.01; 27.07.11

(511)

12 – Electric vehicles; remote control vehicles, other than toys; hybrid car; fuel cell cars; electric cars; hubs for automobile wheels; couplings for land vehicles; roof racks for vehicles; engines for land vehicles; cars; autonomous cars; bearings [parts of vehicles]; shock absorbers for automobiles; bumpers for automobiles; air bags [safety devices for automobiles]; motors, electric, for land vehicles; vehicles for loco-

motion by land, air, water or rail; tyres for vehicle wheels; steering wheels for vehicles; upholstery for vehicles; safety seats for children, for vehicles; wind-screens; vehicle seats; suspension shock absorbers for vehicles; non-skid devices for vehicle tyres; anti-glare devices for vehicles; brake linings for vehicles; air pumps [vehicle accessories].

(260) AM 2026 133423 A

(800) 1849834

(151) 2025 01 29

(891) 2025 01 29

(731) Abbott Products Operations AG

Hegenheimerweg 127, CH-4123 Allschwil,
Switzerland

(540)

РЕЗИНИВ

(591) Black, white

(531) 28.05

(511)

5 – Pharmaceutical preparations, medicines for human purposes; sanitary preparations for medical use; dietetic food and substances for medical use; nutraceutical preparations for therapeutic or medical use; dietary supplements; vitamin preparations; plasters, materials for dressings.

(260) AM 2026 133430 A

(800) 1849922

(151) 2024 11 12

(891) 2024 11 12

(731) Euro Games Technology Ltd.

Panorama Sofia Str. 6, Richhill Business
Center, ground floor, BG-1766 Vitosha Region,
Sofia, Bulgaria

(540)



(591) Green, purple, yellow, black and white

(531) 01.15.15; 01.15.25; 27.05.02; 27.05.03;
27.05.09; 27.05.17; 29.01.15

(511)

9 – Operating computer software for main frame computers; monitors (computer hardware); computer hardware; apparatus for recording images; monitors (computer programs); computer game programs; recorded computer game programs; apparatus for recording, transmission or reproduction of sound or images; communications servers (computer hardware); electronic components for gambling machines; computer application software featuring games and gaming; computer software for the administration of on-line games and gaming; computer hardware for games and

gaming; computer systems; computer operating system software; computer terminals; interactive terminals; multimedia terminals; electronic terminals for generating lottery tickets; interactive touch screen terminals; computer touchscreens; electronic display panels; liquid crystal display screens; digital signage display panels; multimedia software; multimedia apparatus and instruments; interactive multimedia software for playing games; computer screens; LCD large-screen displays; liquid crystal displays [LCDs] for home theatres; media streaming software; computer application software for streaming audio-visual media content via the internet; computer gaming software; software; computer software packages; computer software, recorded; software drivers; virtual reality software; games software; entertainment software for computer games; computer programs for network management; electronic lottery tickets; computer software platforms; operating systems; interactive computer systems; operating system programs; computer game software for use with on-line interactive games; interactive casino games provided through a computer or mobile platform; electronic ticket examination machines; software for slot machines, betting software, software for video slot games, for casino games, for gambling and bingo games, provided online or through computer networks and that can be played on any type of computer device, including arcade games, personal computers, portable devices and mobile phones; computer hardware and software for gambling, gambling machines, gambling games on the internet and via telecommunication network.

28 – Gaming machines for gambling; chips for gambling; mah-jong; arcade games; gambling machines operating with coins, notes and cards; games; electronic games; parlor games; gaming chips; gaming tables; slot machines [gaming machines]; LCD game machines; slot machines and gaming devices; coin-operated amusement machines; roulette chips; poker chips; chips and dice [gaming equipment]; gaming equipment for casinos; roulette tables; gaming roulette wheels; casino games; gambling machines and amusement machines, automatic and coin-operated; coin-operated amusement machines and/or electronic coin-operated amusement machines with or without the possibility of gain; boxes for coin-operated amusement machines, slot machines and gaming machines; electronic or electrotechnical amusement machines and apparatus, gaming machines, coin-operated entertainment machines; housings for coin-operated amusement machines, gaming equipment, gaming machines, machines for gambling; electropneumatic and electrical gambling machines (slot machines); lottery games; electronic targets for games and sports; parlor game equipment and accessories therefor, included in this class, in particular gaming tokens, chips and marbles; parlor games, game apparatus and equipment and accessories therefor, included in this class, in particular electronic targets, backgammon games, scratch cards,

playing cards, lottery cards, dice; lottery tickets; printed lottery tickets; lottery scratch cards; scratch cards for playing lottery games.

41 – Gambling; gaming services for entertainment purposes; casino, gaming and gambling services; training in the development of software systems; provision of gaming equipment for gambling halls; providing casino equipment [gambling]; gaming machine entertainment services; providing casino facilities [gambling]; amusement arcade services; games equipment rental; rental of gaming machines; providing amusement arcade services; rental of gaming machines with images of fruits; editing or recording of sounds and images; sound recording and video entertainment services; hire of sound reproducing apparatus; provision of gaming equipment for casinos; providing of casino facilities; online gambling services; entertainment services related to operation of amusement arcades, on-line casinos and on-line betting services via websites; online interactive entertainment; on-line casino services; online game services through mobile devices; providing online entertainment in the nature of game tournaments; providing on-line information in the field of computer gaming entertainment; sports betting services; online sports betting services; lottery services; organization of lotteries; conducting lotteries; prize draws [lotteries]; conducting lotteries for others; providing slot machine parlors; rental of slot machines [gaming machines]; providing online games and games of chance.

(260) AM 2026 133601 A

(800) 1851853

(151) 2024 12 27

(891) 2024 12 27

(731) ÜNLÜ ZİRAAT ALETLERİ ZİRAİ
ÜRÜNLERİ SANAYİ VE TİCARET
ANONİM ŞİRKETİ
MURADIYE MAH. DEMİRYOLU CAD.
NO:28, TR-45140 YUNUSEMRE/MANİSA,
Türkiye

(540)



(591) Black, red, white

(531) 26.04.03; 26.04.09; 26.04.18; 27.05.21;
29.01.12

(511)

7 – Construction machinery: dozers, diggers, excavators, road construction and paving machines, drilling machines, rock drilling machines, sweeping machines and robotic mechanisms with the same function; ma-

chines and robotic mechanisms used in agriculture, animal husbandry, agricultural sectors and grain/fruit/vegetable/food processing, beverage production and processing machines; bearings, ball or roller bearings; alternators, generators, electric generators, solar powered generators; electric and gas welding machines, electric arc welding devices, electric soldering devices, electric arc cutting devices, electric welding machine electrodes and robots with the same function; packaging machines, filling-capping and closing machines, labeling machines, sorting machines and robots and robotic mechanisms having the same function as the machines listed above (including electric plastic closing/sealing devices [packaging]); pumps that are not machine or engine parts (including fuel filling and dispensing pumps and their nozzles); automatic vending machines; control mechanisms for machinery; machines, machine tools and industrial robots used for this purpose, three-dimensional printers for processing wood, metal, glass and plastic materials and minerals, and for shaping them; lifting, transporting and conveying machines: elevators, escalators, cranes, robotic mechanisms with the same function; engines, electric motors, parts and assemblies thereof, except for land vehicles: hydraulic, pneumatic controls, brakes, linings, crankshafts, gears, cylinders, pistons, turbines, filters, except for land vehicles; parts used in land vehicles and included in this class: oil, fuel and air filters for vehicles, exhausts, exhaust manifolds, cylinders, cylinder heads, pistons, carburetors, fuel conversion devices, injectors, fuel saving devices, pumps, valves, starters, dynamos, spark plugs bearings, ball or roller bearings; tyre removal and mounting machines; paint machines, automatic paint spray guns, electric, hydraulic and pneumatic staplers and guns, electric glue guns, guns for compressed air or liquid sprayers, electric hand drills, motorized hand saws, jigsaws, spiral machines, compressed air generators, compressors, car washers and robots with the same function as the machines and tools listed above; printing machines; textile machines, sewing machines and industrial robots with the same function; kitchen power tools for chopping, grinding, mashing, whisking and crushing; washing machines (including washing/dishwashing machines, non-heated centrifugal tumble dryers); electric machines, vacuum cleaners and parts thereof for cleaning floors, carpets or upholstery; galvanizing and electrolysis (electroplating) machines; cylinder seals for machinery and engines.

(260) AM 2026 133739 A

(800) 1853580

(151) 2025 01 15

(891) 2025 01 15

(731) EGT DIGITAL LTD.

"Panorama Sofia" Str. 6, Business Center
"Richhill", block A, BG-1766 Sofia,
Bulgaria

(540)

5 SHINY HIT

(591) Red, yellow, pink, black and white

(531) 27.05.01; 27.05.03; 27.07.01; 27.07.03;
29.01.13

(511)

9 – Operating computer software for main frame computers; monitors (computer hardware); computer hardware; apparatus for recording images; monitors (computer programs); computer game programs; recorded computer game programs; apparatus for recording, transmission or reproduction of sound or images; communications servers (computer hardware); electronic components for gambling machines; computer application software featuring games and gaming; computer software for the administration of on-line games and gaming; computer hardware for games and gaming; computer systems; computer operating system software; computer terminals; interactive terminals; multimedia terminals; electronic terminals for generating lottery tickets; interactive touch screen terminals; computer touchscreens; electronic display panels; liquid crystal display screens; digital signage display panels; multimedia software; multimedia apparatus and instruments; interactive multimedia software for playing games; computer screens; lcd large-screen displays; liquid crystal displays [lcds] for home theatres; media streaming software; computer application software for streaming audio-visual media content via the internet; computer gaming software; software; computer software packages; computer software, recorded; software drivers; virtual reality software; games software; entertainment software for computer games; computer programs for network management; electronic lottery tickets; computer software platforms; operating systems; interactive computer systems; operating system programs; computer game software for use with on-line interactive games; interactive casino games provided through a computer or mobile platform; software for slot machines, betting software, software for video slot games, for casino games, for gambling and bingo games, provided online or through computer networks and that can be played on any type of computer device, including arcade games, personal computers, portable devices and mobile phones; electronic ticket examination machines; computer hardware and software for gambling, gambling machines, gambling games on the internet and via telecommunication network; all of the aforesaid goods exclusively related to lottery games, casino related games, gambling games and games of chance.

28 – Gaming machines for gambling; chips for gambling; mah-jong; arcade games; gambling machines operating with coins, notes and cards; games; electronic games; parlor games; gaming chips; gaming tables; slot machines [gaming machines]; LCD game machines; slot machines and gaming devices; coin-operated

amusement machines; roulette chips; poker chips; chips and dice [gaming equipment]; gaming equipment for casinos; roulette tables; gaming roulette wheels; casino games; gambling machines and amusement machines, automatic and coin-operated; coin-operated amusement machines and / or electronic coin-operated amusement machines with or without the possibility of gain; boxes for coin-operated amusement machines, slot machines and gaming machines; electronic or electrotechnical amusement machines and apparatus, gaming machines, coin-operated entertainment machines; housings for coin-operated amusement machines, gaming equipment, gaming machines, machines for gambling; electropneumatic and electrical gambling machines (slot machines); lottery games; electronic targets for games and sports; parlor game equipment and accessories not included in other classes, in particular tokens, chips, marbles; parlor games, apparatus, equipment and accessories therefor, not included in other classes, in particular electronic targets, backgammon, scratch cards, playing cards, lottery cards, dice; lottery tickets; printed lottery tickets; lottery scratch cards; scratch cards for playing lottery games.

41 – Gambling; gaming services for entertainment purposes; casino, gaming and gambling services; training in the development of software systems; provision of gaming equipment for gambling halls; providing casino equipment [gambling]; gaming machine entertainment services; providing casino facilities [gambling]; amusement arcade services; games equipment rental; rental of gaming machines; providing amusement arcade services; rental of gaming machines with images of fruits; editing or recording of sounds and images; sound recording and video entertainment services; hire of sound reproducing apparatus; provision of gaming equipment for casinos; providing of casino facilities; online gambling services; entertainment services related to operation of amusement arcades, on-line casinos and on-line betting services via websites; online interactive entertainment; on-line casino services; online game services through mobile devices; providing online entertainment in the nature of game tournaments; providing on-line information in the field of computer gaming entertainment; sports betting services; online sports betting services; lottery services; organization of lotteries; conducting lotteries; prize draws [lotteries]; conducting lotteries for others; providing slot machine parlors; rental of slot machines [gaming machines]; providing online games and games of chance.

(260) AM 2026 133823 A

(800) 1854560

(151) 2025 01 20

(891) 2025 01 20

(731) EGIS Gyógyszergyár Zrt.

30-38 Keresztúri út, H-1106 Budapest, Hungary

(540)

YWIQ

(591) Black, white

(511)

5 – Pharmaceutical preparations for human use; vitamin preparations; food supplements; dietary supplements and dietetic preparations; medicinal ointments; medicated skin creams.

(260) AM 2026 133825 A

(800) 1854600

(151) 2024 11 27

(891) 2024 11 27

(731) EGIS Gyógyszergyár Zrt.

30-38 Keresztúri út, H-1106 Budapest,
Hungary

(540)

NOMBYA

(591) Black, white

(511)

5 – Pharmaceutical preparations for human use; vitamin preparations; food supplements; dietary supplements and dietetic preparations; medicinal ointments; medicated skin creams.

(260) AM 2026 133826 A

(800) 1854602

(151) 2025 01 20

(891) 2025 01 20

(731) EGIS Gyógyszergyár Zrt

30-38 Keresztúri út, H-1106 Budapest,
Hungary

(540)

SHIXEDY

(591) Black, white

(511)

5 – Pharmaceutical preparations for human use; vitamin preparations; food supplements; dietary supplements and dietetic preparations; medicinal ointments; medicated skin creams.

(260) AM 2026 133828 A

(800) 1854658

(151) 2025 03 14

(891) 2025 03 14

(731) IntraBio Inc.

201 W 5th Street, Suite 100, Austin TX 78701,
USA

(540)



(591) Pink, green, and blue is/are claimed as a feature of the mark

(531) 26.01.03; 26.11.12; 29.01.13

(511)

5 – Pharmaceutical preparations for activating cellular function; pharmaceutical preparations for the prevention and treatment of diseases, disorders, or conditions of the nervous system; pharmaceutical preparations for treating sensory organ disorders; pharmaceutical preparations for treating nervous system injury or impairment; pharmaceutical preparations for use in the prevention and treatment of neurological and neurodegenerative diseases; drugs for medical purposes, namely, drugs for the prevention and treatment of neurological and neurodegenerative diseases.

(260) AM 2026 134019 A

(800) 1856924

(151) 2025 03 22

(891) 2025 03 22

(731) Coral Holding A.Ş

Ayazağa Mah. Azerbaycan Cad., 2b No: 3k İç
Kapı No: 27, Sarıyer /İSTANBUL, Türkiye

(540)

Coral World Best Hotels Awards

(591) Black, white

(511)

35 – Advertising, marketing and public relations; organization of exhibitions and trade fairs for commercial or advertising purposes; consumer loyalty services for commercial, promotional, and/or advertising purposes; administration of incentive award programs to promote the sale of the goods and services of others; promoting the sale of goods and services of others by means of contests and incentive award programs; prize draw (organization) services for promotional purposes; organization, operation, and management of incentive programs; advertising in the field of tourism and travel.

41 – Organizing and managing symposia, conferences, congresses, and seminars; sports, culture, and entertainment services, namely, ticket reservation and provision for cultural and entertainment events such as cinema, sports matches, theater, museums, and concerts; services related to preparing publications such as magazines, books, newspapers for printing and delivering them to the reader (including providing these services via global communication networks); arranging and conducting award ceremonies; organization of competitions and awards; organizing awards and award ceremonies related to accommodation services; organizing awards and award ceremonies related to agency services; organizing awards and award ceremonies related to tourism and travel; organizing award ceremonies to recognize achievement.

(260) AM 2026 134035 A

(800) 1268570

(151) 2015 05 08

(891) 2025 05 09

(731) BTA HAVALİMANLARI YİYECEK VE
İÇECEK HİZMETLERİ ANONİM ŞİRKETİ
Ayazağa Mahallesi, Azerbaycan Caddesi 2C
Blok No: 3L İç Kapı No: 2, Sarıyer – İstanbul,
Türkiye

(540)



(591) Black, gold, grey

(531) 17.01.01; 26.05.01; 26.05.22; 26.05.24;
27.05.09; 27.05.24; 29.01.13

(511)

43 – Services for providing food and drink; temporary
accommodation services.

(260) AM 2026 134109 A

(800) 1857576

(151) 2024 12 30

(891) 2024 12 30

(731) ÜNLÜ ZİRAAT ALETLERİ ZİRAİ
ÜRÜNLERİ SANAYİ VE TİCARET
ANONİM ŞİRKETİ
MURADİYE MAH. DEMİRYOLU CAD.
NO:28, TR-45140 YUNUSEMRE/MANİSA,
Türkiye

(540)



(591) Red, black, white

(531) 26.04.03; 26.04.09; 26.04.18; 26.04.26;
27.05.09; 27.05.17; 29.01.13

(511)

7 – Machines, machine tools and industrial robots
used for this purpose, three-dimensional printers for
processing wood, metal, glass and plastic materials
and minerals, and for shaping them; construction ma-
chinery: dozers, diggers, excavators, road construction
and paving machines, drilling machines, rock drilling
machines, sweeping machines and robotic mecha-
nisms with the same function; lifting, transporting and
conveying machines: elevators, escalators, cranes, ro-
botic mechanisms with the same function; machines
and robotic mechanisms used in agriculture, animal
husbandry, agricultural sectors and grain/fruit/vege-
table/food processing, beverage production and pro-

cessing machines; engines, electric motors, parts and
assemblies thereof, except for land vehicles: hydrau-
lic, pneumatic controls, brakes, linings, crankshafts,
gears, cylinders, pistons, turbines, filters, except for
land vehicles; parts used in land vehicles and included
in this class: oil, fuel and air filters for vehicles, ex-
hausts, exhaust manifolds, cylinders, cylinder heads,
pistons, carburetors, fuel conversion devices, injec-
tors, fuel economisers for motors and engines, pumps,
valves, starters, dynamos, spark plugs, bearings, ball
or roller bearings; tyre removal and mounting ma-
chines; alternators, generators, electric generators, so-
lar powered generators; paint machines, automatic pa-
int spray guns, electric, hydraulic and pneumatic sta-
plers and guns, electric glue guns, guns for compressed
air or liquid sprayers, electric hand drills, motorized
hand saws, jigsaws, spiral machines, compressors, car
washers and robots with the same function as the ma-
chines and tools listed above; electric and gas welding
machines, electric arc welding devices, electric solde-
ring devices, electric arc cutting devices, electric
welding machine electrodes and robots with the same
function; printing machines; packaging machines, fi-
lling, capping and sealing machines, labeling machi-
nes, sorting machines and robots and robotic mecha-
nisms having the same function as the machines listed
above (including electric plastic closing/sealing devi-
ces [packaging]); textile machines, sewing machines
and industrial robots with the same function; centri-
fugal pumps, and fuel filling and dispensing pumps
and their nozzles; kitchen power tools for chopping,
grinding, mashing, whisking and crushing; washing
machines (including washing/dishwashing machines,
non-heated centrifugal tumble dryers); electric machi-
nes, vacuum cleaners and parts thereof for cleaning
floors, carpets or upholstery; automatic vending ma-
chines; galvanizing and electrolysis (electroplating)
machines; electric opening and closing mechanisms
for vehicle windows; cylinder seals for machinery and
engines.

(260) AM 2026 134211 A

(800) 1858937

(151) 2025 03 13

(891) 2025 03 13

(731) Ride Aventon Inc.

3040 Saturn St., Ste. 202, Brea CA 92821, USA

(540)



(591) Black, white

(531) 01.15.03; 27.05.21

(511)
12 – Electrically-powered motor scooters; electric bicycles; components for bicycles, namely, kickstands, bicycle seat posts, bicycle pedals, derailleur hangers, forks, spokes, handlebars, saddles, handlebar grips, bicycle seat post clamps; bike accessories, namely, bicycle rear racks, bicycle front racks, bicycle bumpers, bicycle fenders; bicycle bells; tire pumps; electric motors for bicycles; electric hub motors for bicycles; electric mid-drive motors for bicycles; tires; inner tubes; bicycle racks for vehicles; bicycle trailers; baskets adapted for bicycles; rearview mirrors.

(260) AM 2026 134212 A
(800) 1858960
(151) 2025 04 30
(891) 2025 04 30
(731) Vissers America B.V.
Midden Peelweg 10, NL-5966 RE America,
Netherlands
(540)

TIFFANY

(591) Black, white
(511)
31 – Agricultural, horticultural and forestry products; seeds for sowing; fresh fruits; natural plants and flowers, including their tissue culture materials, being parts of plants for propagation purposes; all of the aforesaid goods mainly relating to strawberry varieties; all the abovementioned goods other than those of botanical genera eragrostis, chrysanthemum, vicia, pisum, dianthus, hordeum, solanum, dianthus, hybrids between prunus salicina and prunus armeniaca, hordeum, gerbera, festuca, dactylis, agrostis, phalaris, phleum, poa, lolium, festulolium, ajanina.

(260) AM 2026 134303 A
(800) 1860335
(151) 2025 04 15
(891) 2025 04 15
(731) GODIVA BELGIUM B.V./S.R.L.
Veeartsenstraat 42 D, B-1070 Anderlecht,
Belgium
(540)



(591) Black, white
(531) 02.03.16; 02.03.20; 02.03.23; 27.05.10
(511)
30 – Coffee; cocoa; coffee-based beverages; cocoa-based beverages; chocolate based beverages; pastries; bakery goods; chocolate desserts; flour based snack

foods; bread; pita bread; sandwiches; pies; cakes; foodstuffs made from dough; puddings; custard; tea; iced tea; confectionery; chocolate; biscuits; crackers; wafers; chewing gums; ice-cream; edible ices; cereal-based snack food; popcorn; crushed oats; corn chips; breakfast cereals.

35 – The bringing together, for the benefit of others, of a variety of goods, namely, coffee, cocoa, coffee-based beverages, cocoa-based beverages, chocolate based beverages, pastries, bakery goods, chocolate desserts, flour based snack foods, bread, pita bread, sandwiches, pies, cakes, foodstuffs made from dough, puddings, custard, tea, iced tea, confectionery, chocolate, biscuits, crackers, wafers, chewing gums, ice-cream, edible ices, cereal-based snack food, popcorn, crushed oats, corn chips, breakfast cereals enabling customers to conveniently view and purchase those goods, such services may be provided by retail stores, wholesale outlets, by means of electronic media, NFT marketplace or through mail order catalogues.

43 – Services for providing food and drink.

(260) AM 2026 134518 A
(800) 1862732
(151) 2025 02 10
(891) 2025 02 10
(731) EGT DIGITAL LTD.
"Panorama Sofia" Str. 6, Business Center
"Richhill", block A, BG-1766 Sofia,
Bulgaria
(540)



(591) Yellow, red, green, purple, white and black
(531) 03.09.01; 03.09.06; 27.01.12; 27.05.03;
27.05.04; 27.05.09; 27.05.17; 29.01.15

(511)
9 – Operating computer software for main frame computers; monitors (computer hardware); computer hardware; apparatus for recording images; monitors (computer programs); computer game programs; recorded computer game programs; apparatus for recording, transmission or reproduction of sound or images; communications servers (computer hardware); electronic components for gambling machines; computer application software featuring games and gaming; computer software for the administration of on-line games and gaming; computer hardware for games and gaming; computer systems; computer operating system software; computer terminals; interactive terminals; multimedia terminals; electronic terminals for generating lottery tickets; interactive touch screen terminals; computer touchscreens; electronic display panels; liquid crystal display screens; digital signage

display panels; multimedia software; multimedia apparatus and instruments; interactive multimedia software for playing games; computer screens; lcd large-screen displays; liquid crystal displays [lcds] for home theatres; media streaming software; computer application software for streaming audio-visual media content via the internet; computer gaming software; software; computer software packages; computer software, recorded; software drivers; virtual reality software; games software; entertainment software for computer games; computer programs for network management; electronic lottery tickets; computer software platforms; operating systems; interactive computer systems; operating system programs; computer game software for use with on-line interactive games; interactive casino games provided through a computer or mobile platform; software for slot machines, betting software, software for video slot games, for casino games, for gambling and bingo games, provided online or through computer networks and that can be played on any type of computer device, including arcade games, personal computers, portable devices and mobile phones; electronic ticket examination machines; computer hardware and software for gambling, gambling machines, gambling games on the internet and via telecommunication network.

28 – Gaming machines for gambling; chips for gambling; mah-jong; arcade games; gambling machines operating with coins, notes and cards; games; electronic games; parlor games; gaming chips; gaming tables; slot machines [gaming machines]; LCD game machines; slot machines and gaming devices; coin-operated amusement machines; roulette chips; poker chips; chips and dice [gaming equipment]; gaming equipment for casinos; roulette tables; gaming roulette wheels; casino games; gambling machines and amusement machines, automatic and coin-operated; coin-operated amusement machines and / or electronic coin-operated amusement machines with or without the possibility of gain; boxes for coin-operated amusement machines, slot machines and gaming machines; electronic or electrotechnical amusement machines and apparatus, gaming machines, coin-operated entertainment machines; housings for coin-operated amusement machines, gaming equipment, gaming machines, machines for gambling; electropneumatic and electrical gambling machines (slot machines); lottery games; electronic targets for games and sports; parlor game equipment and accessories therefor, included in this class, in particular game tokens, chips and marbles; parlor game apparatus and equipment, and accessories therefor, included in this class, in particular electronic targets, backgammon games, scratch cards, playing cards, lottery cards, dice; lottery tickets; printed lottery tickets; lottery scratch cards; scratch cards for playing lottery games.

41 – Gambling; gaming services for entertainment purposes; casino, gaming and gambling services; train-

ing in the development of software systems; provision of gaming equipment for gambling halls; providing casino equipment [gambling]; gaming machine entertainment services; providing casino facilities [gambling]; amusement arcade services; games equipment rental; rental of gaming machines; providing amusement arcade services; rental of gaming machines with images of fruits; editing or recording of sounds and images; sound recording and video entertainment services; hire of sound reproducing apparatus; provision of gaming equipment for casinos; providing of casino facilities; online gambling services; entertainment services related to operation of amusement arcades, on-line casinos and on-line betting services via websites; online interactive entertainment; on-line casino services; online game services through mobile devices; providing online entertainment in the nature of game tournaments; providing on-line information in the field of computer gaming entertainment; sports betting services; online sports betting services; lottery services; organization of lotteries; conducting lotteries; prize draws [lotteries]; conducting lotteries for others; providing slot machine parlors; rental of slot machines [gaming machines]; providing online games and games of chance.

(260) AM 2026 134521 A

(800) 1862802

(151) 2025 02 24

(891) 2025 02 24

(731) Euro Games Technology Ltd.

6 Panorama Sofia Str., Richhill Business

Center, ground floor, Vitosha Region, BG-1766

Sofia, Bulgaria

(540)



(591) Yellow, red, white and black

(531) 03.07.17; 25.01.05; 27.05.04; 27.05.09;

27.05.10; 29.01.14

(511)

9 – Operating computer software for main frame computers; monitors (computer hardware); computer hardware; apparatus for recording images; monitors (computer programs); computer game programs; recorded computer game programs; apparatus for recording, transmission or reproduction of sound or images; communications servers (computer hardware); electronic components for gambling machines; computer application software featuring games and gaming; computer software for the administration of on-line games and gaming; computer hardware for games and gaming; computer systems; computer operating system software; computer terminals; interactive terminals; multimedia terminals; electronic terminals for generating lottery tickets; interactive touch screen terminals; computer touchscreens; electronic display pa-

nels; liquid crystal display screens; digital signage display panels; multimedia software; multimedia apparatus and instruments; interactive multimedia software for playing games; computer screens; lcd large-screen displays; liquid crystal displays [lcds] for home theatres; media streaming software; computer application software for streaming audio-visual media content via the internet; computer gaming software; software; computer software packages; computer software, recorded; software drivers; virtual reality software; games software; entertainment software for computer games; computer programs for network management; electronic lottery tickets; computer software platforms; operating systems; interactive computer systems; operating system programs; computer game software for use with on-line interactive games; interactive casino games provided through a computer or mobile platform; electronic ticket examination machines; software for slot machines, betting software, software for video slot games, for casino games, for gambling and bingo games, provided online or through computer networks and that can be played on any type of computer device, including arcade games, personal computers, portable devices and mobile phones; computer hardware and software for gambling, gambling machines, gambling games on the internet and via telecommunication network.

28 – Gaming machines for gambling; chips for gambling; mah-jong; arcade games; gambling machines operating with coins, notes and cards; games; electronic games; parlor games; gaming chips; gaming tables; slot machines [gaming machines]; LCD game machines; slot machines and gaming devices; coin-operated amusement machines; roulette chips; poker chips; chips and dice [gaming equipment]; gaming equipment for casinos; roulette tables; gaming roulette wheels; casino games; gambling machines and amusement machines, automatic and coin-operated; coin-operated amusement machines and / or electronic coin-operated amusement machines with or without the possibility of gain; boxes for coin-operated amusement machines, slot machines and gaming machines; electronic or electrotechnical amusement machines and apparatus, gaming machines, coin-operated entertainment machines; housings for coin-operated amusement machines, gaming equipment, gaming machines, machines for gambling; electropneumatic and electrical gambling machines (slot machines); lottery games; electronic targets for games and sports; parlor game equipment and accessories therefor, included in this class, in particular game tokens, chips and marbles; parlor game apparatus and equipment, and accessories therefor, included in this class, in particular electronic targets, backgammon games, scratch cards, playing cards, lottery cards, dice; lottery tickets; printed lottery tickets; lottery scratch cards; scratch cards for playing lottery games.

41 – Gambling; gaming services for entertainment purposes; casino, gaming and gambling services; training in the development of software systems; provision of gaming equipment for gambling halls; providing casino equipment [gambling]; gaming machine entertainment services; providing casino facilities [gambling]; amusement arcade services; games equipment rental; rental of gaming machines; providing amusement arcade services; rental of gaming machines with images of fruits; editing or recording of sounds and images; sound recording and video entertainment services; hire of sound reproducing apparatus; provision of gaming equipment for casinos; providing of casino facilities; online gambling services; entertainment services related to operation of amusement arcades, on-line casinos and on-line betting services via websites; online interactive entertainment; on-line casino services; online game services through mobile devices; providing online entertainment in the nature of game tournaments; providing on-line information in the field of computer gaming entertainment; sports betting services; online sports betting services; lottery services; organization of lotteries; conducting lotteries; prize draws [lotteries]; conducting lotteries for others; providing slot machine parlors; rental of slot machines [gaming machines]; providing online games and games of chance.

(260) AM 2026 134590 A

(800) 1863165

(151) 2024 12 30

(891) 2024 12 30

(731) ÇAĞATAY EVCİL HAYVAN MAMALARI VE YEM ÜRÜNLERİ SANAYİ VE TİCARET ANONİM ŞİRKETİ
ÜMİT MAHALLESİ 7406/1 SOKAK
ÇAĞATAY 9, Bornova, İzmir, Türkiye

(540)



(591) Red, black and white

(531) 24.17.05; 24.17.07; 24.17.20; 27.03.15;

27.05.01; 27.05.11; 29.01.12

(511)

31 – Agricultural and horticultural products not included in other classes, seeds; forestry products not included in other classes; live animals; fertilized eggs for hatching; plants; dried plants for decoration; fresh garden herbs; dried garden herbs for decoration; animal foodstuffs; malt not for human consumption; sanded paper [litter] for pets; cat litters.

(260) AM 2026 134592 A

(800) 1863255

(151) 2025 03 12

(891) 2025 03 12

(731) EGIS Gyógyszergyár Zrt.
30-38 Keresztúri út, H-1106 Budapest,
Hungary

(540)

CYRENOSSA

(591) Black, white
(511)

5 – Pharmaceutical preparations for human use; vitamin preparations; food supplements; dietary supplements and dietetic preparations; medicinal ointments; medicated skin creams.

(260) AM 2026 134601 A

(800) 1863329

(151) 2025 05 12

(891) 2025 05 12

(731) KING QUENSON TARIM SANAYI VE
TİCARET ANONİM ŞİRKETİ
DEMİRCİKARA MAH. 1419 SK. A BLOK
1 A 13, Muratpaşa, Antalya, Türkiye

(540)

NUTRİFE

(591) Black, white
(531) 27.05.01
(511)

1 – Chemicals used in industry, science, photography, agriculture, horticulture and forestry; manures and soils; unprocessed artificial resins and unprocessed plastics; fire extinguishing compositions; adhesives not for medical, household and stationery purposes.

(260) AM 2026 134602 A

(800) 1863330

(151) 2025 05 14

(891) 2025 05 14

(731) KING QUENSON TARIM SANAYI VE
TİCARET ANONİM ŞİRKETİ
DEMİRCİKARA MAH. 1419 SK. A BLOK
1 A 13, Muratpaşa, Antalya, Türkiye

(540)

TERRABOOST

(591) Black, white
(531) 27.05.01
(511)

1 – Unprocessed artificial resins and unprocessed plastics; fire extinguishing compositions; adhesives not for medical, household and stationery purposes.

(260) AM 2026 134603 A

(800) 1863399

(151) 2025 06 04

(891) 2025 06 04

(731) KRKA, tovarna zdravil, d.d., Novo mesto
Šmarješka cesta 6, SI-8000 Novo mesto,
Slovenia

(540)

MELLDAGRY

(591) Black, white
(511)

5 – Pharmaceutical preparations.

(260) AM 2026 134611 A

(800) 1863506

(151) 2025 06 11

(891) 2025 06 11

(731) Joh. Wilh. von Eicken GmbH
Drechslerstr. 1-3, 23556 Lübeck, Germany

(540)

LANCASTER

(591) Black, white
(511)

34 – Tobacco substitutes not for medical purposes; tobacco and tobacco products (including substitutes); flavorings, other than essential oils, for tobacco substitutes; cigarettes containing tobacco substitutes, not for medical purposes; herbs for smoking; snus; snus with tobacco; snus without tobacco; articles for use with tobacco; smoking tobacco; personal vaporisers and electronic cigarettes, and flavourings and solutions therefor; pipe tobacco; hookah tobacco; cigarettes, cigars, cigarillos and other ready-for-use smoking articles; cigarette filters; cigarette tubes; cigarette paper; ready-made cigarette tubes with filters; chewing tobacco; snuff; devices for heating tobacco substitutes for the purpose of inhalation; devices for heating tobacco for the purpose of inhalation; tobacco products for the purpose of being heated.

(260) AM 2026 134616 A

(800) 1863617

(151) 2025 02 12

(891) 2025 02 12

(731) GUANGZHOU DAYUN VEHICLE CO., LTD.
No.12, Sandong Avenue, Huacheng Sub-
district, Huadu District, Guangzhou City,
Guangdong Province, China

(540)

DAYUN

(591) Black, white
(531) 27.05.01
(511)

12 – Electric vehicles; electric cars; off-road vehicles; motorcycle engines; motorcycles; lorries; electric tricycles; motorized tricycles; braking systems for vehicles; automobiles.

(260) AM 2026 134687 A

(800) 1864086

(151) 2025 04 16

(891) 2025 04 16

(731) Limited Liability Company "PROFIT PHARM"
bul'var Generala Karbysheva, house 8,
building 3, RU-123154 Moscow, Russian
Federation

(540)

Jintropin

(591) Black, white

(511)

5 – Pharmaceutical and veterinary preparations; dietetic substances adapted for medical use.

(260) AM 2026 134692 A

(800) 1864210

(151) 2025 03 21

(891) 2025 03 21

(731) The Bakers AD
Industrialna Str. 13, BG-9700 Shumen,
Bulgaria

(540)

KARUZO

(591) Black, white

(511)

30 – Flour and preparations made from cereal except popcorn; bread, pastries and confectionery; biscuits; candy; waffles; noodle-based prepared meals; fruit jellies [confectionery]; cereal- and rice-based snack food; cereal bars; bread rolls; crackers; vermicelli [noodles]; farinaceous foods and oat-based foods; crepes; petits fours [cakes]; tarts; pralines; puddings; muesli; rusks; pasta; fondants [confectionery]; peanut confectionery; halvah; chocolate; pastries; pastries containing creams and fruit; homemade pastry; pasties; pies; chocolate-based beverages; crème caramel; cocoa products; cookies; aperitif biscuits; petit-beurre biscuits; biscuits [sweet and salty]; crackers flavoured with vegetables; crispy biscuits made of cereals; crackers flavoured with meat; crackers flavoured with herbs; crackers flavoured with cheese; crackers filled with cheese; crackers with nuts; crackers with dried fruits; almond biscuits [confectionery]; buns; salted crackers; crackers flavoured with spices; crackers made of processed cereals; pretzels; fresh pasties; meat pies; pies; pies [sweet or savoury]; corn snacks; crispbread snacks; snack food products made from potato flour; cheese flavored puffed corn snacks; cereal-based snack food; extruded snacks containing maize; tortilla snacks; snack foods consisting principally of extruded cereals; flour based savory snacks; cakes; chips [cereal products]; croissant; sweet croissant; croissant with filling; croissant with chocolate; croissant with fruit fillings; salty croissant; croissant with cheese filling; croissant bun; sweet croissant bun; croissant bun with filling; croissant bun with chocolate; croissant bun with fruit fillings; salty croissant bun; croissant bun with cheese filling; sweet bread; salty bread.

(260) AM 2026 134693 A

(800) 1864227

(151) 2025 06 17

(891) 2025 06 17

(731) "PRESTIGE-96" AD
"Cholakovtsi" District, 6 "Dalga Laka" Street,
BG-5000 Veliko Tarnovo, Bulgaria

(540)

NAYA

(591) Black, white

(511)

30 – Pastry and confectionery.

(260) AM 2026 134697 A

(800) 1864399

(151) 2025 04 16

(891) 2025 04 16

(731) WOW COLOUR (GUANGDONG)
TECHNOLOGY CO., LTD.
B108, No. 113, First Floor, South District,
Xinguang City Square, Liwan District,
Guangzhou, Guangdong, China

(540)

FENBIDREAM

(591) Black, white

(531) 27.05.01

(511)

3 – Cakes of toilet soap; essential oils; cosmetics; cotton wool for cosmetic purposes; toners for cosmetic purposes; eyebrow pencils; skin creams; body lotions; beauty masks; sunscreen creams; perfumes; nail polish.

21 – Combs; floss for dental purposes; fitted vanity cases; make-up brushes; cosmetic utensils; make-up sponges; make-up removing appliances; powder puffs; eyebrow thread; foam toe separators for use in pedicures.

(260) AM 2026 134698 A

(800) 1864403

(151) 2025 01 22

(891) 2025 01 22

(731) 113 Power Atenea S.L.
Av. Seminario, 16-Bajo, E-46113 VALENCIA,
Spain

(540)



(591) GREEN PANTONE 368C and ORANGE
PANTONE 021

(531) 05.03.11; 05.03.13; 05.03.15; 27.03.11;
29.01.12

(511)

1 – Manures, fertilizers and chemical products used in agriculture, horticulture and forestry; biostimulants and biofertilizers; products for correcting micro and macro element deficiencies in crops; adjuvants; phytofortifiers; organic compost; organic fertilizers; organic manures; biostimulants which are prepared for plant nutrition; biostimulants for plant growth stimulation; organic biostimulants for plants; extracts of marine plants for use as plant growth stimulants; seaweed extracts for use as fertilizers; all of organic and vegan origin, for use in agriculture, horticulture and forestry, expressly excluding any chemical product for use in cosmetics and sun creams.

5 – Biocides; products and preparations for pest control; biological herbicides; biological fungicides; products for destroying vermin; biopesticides; acaricides; fungicides; algicides; herbicides; insecticides; all these products being organic and vegan for use in agriculture, horticulture and forestry.

35 – Retail services, wholesale services and retail and/or wholesale services via global computer networks in relation to manures, fertilizers and chemical products for use in agriculture, horticulture and forestry, biostimulants and biofertilizers, bio-control products and products for correcting micro and macro element deficiencies in crops, adjuvants, phytofortifiers, organic compost, organic fertilizers, organic manures, biostimulants which are prepared for plant nutrition, biostimulants for plant growth stimulation; Retail services, wholesale services and retail and/or wholesale services via global computer networks in relation to biocides, products and preparations for pest control, biological herbicides, biological fungicides, preparations for destroying vermin, biopesticides, acaricides, fungicides, algicides, herbicides, insecticides, all being organic and vegan for use in agriculture, horticulture and forestry; import and export agency services; assistance in the operation and/or management of a commercial company under franchise; advertising; commercial business management, organization and administration; office functions.

(260) AM 2026 134699 A

(800) 1864406

(151) 2025 02 25

(891) 2025 02 25

(731) z.one concept s.r.l.

Via Brodolini 30, I-21046 Malnate (VA), Italy

(540)

milk
shake
icy blond

(591) Black, white

(531) 27.05.10; 27.05.17

(511)

3 – Eau de Cologne; eau de toilette; hair conditioners; cosmetics; cosmetic creams; after-shave creams; scented body lotions and creams; dentifrices; deodorants for people or animals; fragrances; after-shave gel; massage gels, other than for medical use; hair spray; beard lotions; after-shave lotions; massage oils and lotions; ethereal oils; oils for perfumes and scents; shaving stones [astringents]; sun-tanning preparations [cosmetics]; cosmetic preparations for body care; after-shave preparations; nail care preparations; perfumes; shaving soap; soap; deodorant soap; body soap; shampoos; beard dyes; shaving gel; anti-wrinkle cream; shaving cream; face cream; perfumed creams; hair gel; lotions for hair care; perfumed lotions [toilet preparations]; body cleaning and beauty care preparations; shaving foam; body sprays; hair dyes; hair sprays; cosmetic hair mousses; cosmetic styling mousses; hair dyes; hair waving preparations; hair balsams; hair styling preparations; hair cosmetics; cosmetic hair lotions; hair care preparations; hair coloring lotions; hair bleaching preparations.

(260) AM 2026 134700 A

(800) 1864441

(151) 2025 05 22

(891) 2025 05 22

(731) Landollina, Alessandro

Neustraße 139, 42553 Velbert, Germany

(540)

MATINE

(591) Black, white

(511)

16 – Printed matter, and stationery and educational supplies; paper and cardboard.

(260) AM 2026 134701 A

(800) 1864472

(151) 2025 05 30

(891) 2025 05 30

(731) NV Biomedical

1820 Whitney Mesa Dr., Suite 100, Henderson
NV 89074, USA

(540)

HYDROGOLD

(591) Black, white

(511)

3 – Cosmetics; hair care preparations; tooth cleaning preparations.

5 – Health food supplements; vitamin and mineral supplements.

32 – Beauty beverages, namely, fruit juices and energy drinks containing nutritional supplements; energy drinks.

(260) AM 2026 134702 A

(800) 1864492

(151) 2025 05 09

(891) 2025 05 09

(731) Cilag GmbH International

Gubelstrasse 34, CH-6300 Zug, Switzerland

(540)

KEYNOTE

(591) Black, white

(511)

10 – Medical and surgical apparatus and instruments for grasping, dissecting, transecting, sealing and hemostasis of tissue.

(260) AM 2026 134703 A

(800) 1864501

(151) 2024 10 30

(891) 2024 10 30

(731) OMV Aktiengesellschaft

Trabrennstraße 6-8, A-1020 Wien, Austria

(540)

OMV FORWARD FOR GOOD

(591) Black, white

(511)

1 – Chemical substances, chemical materials, chemical preparations for use in industry; biological preparations for use in industry; biological preparations for use as reference materials for research purposes; chemical preparations for use as additive to fuels for improving combustion; chemical substances for use in industry; additives, chemical, to motor fuel; hydrogen; polymerisates of organic compounds for the plastics industry; metal hardening preparations, limestone hardening substances and chemical agents for hardening wood; compositions for fire extinguishing and prevention; chemical and organic compositions and substances for treatment of leather and textile; unprocessed plastics; adhesives for use in industry; fertilizing preparations; growing media, fertilizers and chemicals for use in agriculture, horticulture and forestry; synthetic resins, unprocessed; brake fluid; antifreeze; anti-freeze for vehicle radiators; anti-freeze for windscreen washer systems.

4 – Fuels and illuminants; non-chemical additives for fuels; electrical energy; dust controlling compositions;

lubricants and industrial greases, waxes and fluids; industrial oil; hydrogen (fuel) for motor vehicles.

7 – Machinery and installations for oil and gas extraction and mining operations; industrial machinery for use in exploration, extraction, processing, production or storage of hydrocarbons or fuels; dispensing machines; fuel dispensing pumps for service stations; hydrogen dispensing pumps for service stations; pumps (machines), compressors (machines) and blowing machines; machines and machine tools for treatment of materials and for manufacturing; engines and powertrains, other than for land vehicles; control mechanisms for machines, motors and engines.

9 – Software; memory cards; magnetic strip cards; identity cards, magnetic; electronic ID cards; automated teller machines [ATM]; electronic payment terminals; data storage devices.

11 – Industrial water treatment installations, industrial air treatment installations, industrial wastewater treatment installations, petrochemical wastewater treatment installations, bio-oil purifying installations.

17 – Insulation and barrier articles and materials; semi-worked plastic substances.

19 – Building and construction materials and elements, not of metal; pitch, tar, bitumen and asphalt.

22 – Raw textile fibers and substitutes.

37 – Construction or demolition of industrial buildings for use in exploration, extraction, processing, production, storage, transport or distribution of hydrocarbons, hydrogen, minerals, bitumen, fuels, illuminants, lubricants, industrial oil or energy; construction of industrial buildings for use in exploration, extraction, treatment of radioactive minerals; installation, cleaning, repair or maintenance of industrial facilities or installations for exploration, extraction, treatment of radioactive minerals; mining extraction; extraction of natural resources; deep drilling for hot water; deep drilling services for others; installation, maintenance and repair of industrial machinery; installation, cleaning, repair or maintenance of industrial facilities or installations for exploration, extraction, processing, production, storage, transport or distribution of hydrocarbons, hydrogen, minerals, bitumen, fuels, illuminants, lubricants, industrial oil or energy; refuelling of land vehicles; fuelling services for aircraft; refuelling of watercraft; charging of electric vehicles; vehicle service stations [refuelling and maintenance]; automobile cleaning and car washing; vehicle maintenance and repair; vehicle repair, maintenance, and refuelling; rental, hire and leasing of charging stations for electric vehicles; rental, hire and leasing of fuel dispensing pumps for service stations; rental, hire and leasing of hydrogen dispensing pumps for service stations; rental, hire and leasing of tools and equipment for maintenance work on charging stations for electric vehicles, fuel dispensing pumps and hydrogen dispen-

sing pumps for service stations; rental, hire and leasing of tools and equipment for the repair and maintenance of vehicles; advice, consultancy and information in relation to the aforesaid services.

39 – Delivery of fuel; storage; storage of fuels; storage of petroleum; storage of gas; storage of natural gas, liquefied petroleum gas, biogas, hydrogen [fuel]; storage of energy; services connected with storage of gas; storage of captured carbon dioxide for others; gas storage services; storage of natural gas, liquefied petroleum gas, biogas, hydrogen [fuel]; transport; transport and distribution of petroleum; transport and distribution of gas; transport and distribution of natural gas, liquefied petroleum gas, biogas, hydrogen [fuel]; transport by pipeline; transport of petroleum in pipelines; transport of gas in pipelines; transport of natural gas, liquefied petroleum gas, biogas, hydrogen [fuel] in pipelines; collection of waste and recyclable materials; fuel distribution services; distribution of energy; distribution by pipeline and cable; distribution of petroleum through pipelines; distribution of gas through pipelines; distribution of natural gas, liquefied petroleum gas, biogas, hydrogen [fuel] through pipelines; rental of garages and parking places; rental, hire and leasing of means of transport; rental, hire and leasing of areas, structures, units and containers for storage and transport; advice, consultancy and information in relation to the aforesaid services.

40 – Production of energy; electricity generating; treatment of materials using chemicals; treatment of materials, namely treatment, processing and refinement of petroleum, natural gas, biogas, gas and products thereof, as well as of hydrocarbons, bitumen and mineral raw materials; treatment of materials, namely processing and treatment of hot water; refining services; production of hydrogen from water by electrolysis; chemical recycling of waste products; treatment and processing of plastics; waste treatment [transformation]; recycling and waste treatment; sorting of waste and recyclable material; rental and leasing of equipment for processing and transforming of aforementioned materials and for generating energy; advice, consultancy and information in relation to the aforesaid services.

42 – Software development; design, maintenance, development and updating of software; Software as a Service [SaaS]; technical project planning; scientific and technological services; design and development of new technology for others, related to the production of fuels and energy; conducting research and technical project studies in the field of energy use; providing information on research and technical project planning related to the use of energy; industrial analysis and research services in the field of energy; exploration services in the field of renewable energy; engineering services; geological surveys; geological prospecting; technical measuring and testing; scientific research; testing, authentication and quality control;

rol; rental, hire and leasing of scientific and technological equipment; advice, consultancy and information in relation to the aforesaid services; quality checking and testing; provision of information and data relating to scientific and technological research and development.

45 – Licensing services; licensing of research and development [legal services]; licensing of technology; advice, consultancy and information in relation to the aforesaid services.

(260) AM 2026 134704 A

(800) 1864517

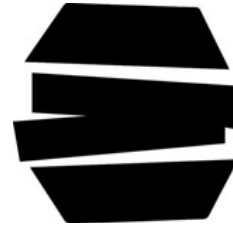
(151) 2025 05 21

(891) 2025 05 21

(731) Burgermeister Franchise GmbH

Ringbahnstraße 22-30, 12099 Berlin, Germany

(540)



(591) Black, white

(531) 26.04.02; 26.04.04; 26.04.09; 26.04.24

(511)

43 – Accommodation and catering for guests; canteen services; restaurant services; snack-bars; snack bars; food and drink catering; catering services, namely fixed date delivery for providing food and drink at parties.

(260) AM 2026 134705 A

(800) 1864542

(151) 2024 10 21

(891) 2024 10 21

(731) Gerbou llc

125563 Gerbou Restaurant Street 5 &20,

Community 618, Dubai, United Arab Emirates

(540)



(591) Black, white

(531) 01.03.02; 26.01.03; 26.01.12; 26.01.13;

27.05.01; 28.01

(511)

43 – Restaurant services; catering services.

(260) AM 2026 134725 A

(800) 682541

(151) 1997 11 07

(891) 2025 05 06

(731) Société de Vins et Spiritueux LA
MARTINIQUAISE (Société anonyme)
18, rue de l'Entrepôt, F-94227 CHARENTON-
LE-PONT CEDEX, France

(540)

GIBSON'S

(591) Black, white

(511)

33 – Gin.

(260) AM 2026 134726 A

(800) 858718

(151) 2005 06 28

(891) 2025 06 29

(731) Bayerische Motoren Werke Aktiengesellschaft
Petuelring 130, 80809 München, Germany

(540)

BMW Motorrad

(591) Black, white

(511)

12 – Engines for land vehicles; vehicles, apparatus for locomotion by land, air or water, parts of all the aforesaid goods, included in this class.

37 – Maintenance and repair of motor vehicles, road-way repair services, servicing of motor vehicles, washing and cleaning of motor vehicles.

(260) AM 2026 134727 A

(800) 1186978

(151) 2013 09 20

(891) 2025 06 03

(731) FARMAK GROUP LIMITED
Alkaiou, 24, Flat/Office 201, Strovolos,
CY-2064 Nicosia, Cyprus

(540)

ДИПРОФОЛ

(591) Black, white

(531) 28.05

(511)

5 – Pharmaceutical preparations; medicines for human purposes.

(260) AM 2026 134728 A

(800) 1468038

(151) 2019 02 26

(891) 2025 07 01

(731) AKUVOX (XIAMEN) NETWORKS CO.,
LTD.
ROOM 217, NO.73, HUIZHAN SOUTH 7TH
ROAD, SIMING DISTRICT, XIAMEN CITY,
361003 FUJIAN PROVINCE, China

(540)

Akuvox

(591) Black, white

(531) 27.05.17

(511)

9 – Computer peripheral devices; telephone apparatus; video telephones; optical communication instrument; network communication equipment; camcorders; electric door bells; data processing apparatus; computer software (recorded).

(260) AM 2026 134729 A

(800) 1730504

(151) 2022 12 20

(891) 2025 06 02

(731) On Clouds GmbH
Förllibuckstrasse 190, CH-8005 Zürich,
Switzerland

(540)



(591) Black, white

(531) 27.05.01; 27.05.02; 27.05.10; 27.05.15;
27.05.17; 27.05.23

(511)

18 – Leather and imitations of leather; Luggage and transport bags; shoulder bags; multi-purpose bags for sports; sports bags; rucksacks; rucksacks for climbers; daypacks; bags for sports clothing; traveling bags for sports shoes and sports clothing; gym bags; shoe bags for travel; all-purpose sports bags; multi-purpose handbags; handbags attached at the wrist; beach bags; mountaineering sticks; wallets; bags for campers; felt clutch bags; golf umbrellas; handbags; suitcases; traveling trunks; vanity cases, not fitted; leather handbags; leather bags; umbrellas; parasols; beach umbrellas; riding crops; barrel bags; shoulder bags; clutch bags; clutch bags (wallets); hiking rucksacks; hiking sticks; hiking bags; backpacks incorporating a liquid pouch.

25 – Clothing; Footwear; headwear; outdoor shoes; casual shoes; running shoes; sports shoes; athletic footwear; trekking shoes; trail shoes; trail running shoes; hiking boots; alpine boots; mountaineering boots; climbing shoes; baseball shoes; football boots; tennis shoes; snowboard boots; ski boots; basketball sneakers; bath slippers; sports clothing; leisure wear; moisture-wicking tops and pants; moisture-wicking underwear; breathable tops and pants; breathable underwear; sports bras; T-shirts; sports T-shirts; running shirts; tops; jerseys; tank tops; long-sleeved jerseys;

sweatshirts; vests; trousers; sweatpants; running pants; shorts; sports shorts; running shorts; ski pants; jackets; outdoor jackets; sports jackets; sports coats; rain slickers; pelerines; ski jackets; bathing suits; bathing trunks; bikinis; baseball caps; stocking caps; caps; bathing caps; leg warmers; boxer shorts; socks; sports socks; ankle socks; sports tank tops; underwear; thermal protection clothing; thermal underwear; thermal socks; headwear of thermal textile materials; headbands; neck scarves; gloves; sweat bands; head sweatbands; waist belts; bathrobes; insoles; soles for footwear; heels for shoes; children's shoes; children's clothing; tennis clothing; shoe insoles; rubber soles; foam rubber soles; tongues and pull straps for shoes and boots; drinking vests; bags for sports shoes.

35 – Retail and wholesale services (online and offline) with computer programs representing footwear, apparel, headwear, eyewear, bags, bags for sport, backpacks, sports equipment, gymnastics and sporting goods, toys and accessories for use in virtual environment (online and offline); Retail and wholesale services for footwear, apparel, headwear, eyewear, bags, bags for sports, backpacks, sports equipment, gymnastics and sporting goods, toys and accessories; online retail and wholesale services relating to footwear, apparel, headwear, eyewear, bags, bags for sports, backpacks, sports equipment, gymnastics and sporting articles, toys and accessories; promotion of goods and services through sponsorship of sports events; retail and wholesale services (online and offline) featuring downloadable digital files authenticated by non-fungible tokens (NFTs).

(260) AM 2026 134731 A

(800) 1809534

(151) 2024 06 29

(891) 2025 06 06

(731) Qingyi Technology (Hangzhou) Co., Ltd.
Room 3508, Floor 35, Huaye Development
Center, No. 599 Jianye Road, Changhe Street,
Binjiang District, Hangzhou City, Zhejiang
Province, China

(540)

SIINSIIN

(591) Black, white

(511)

25 – Sports jerseys; tights; underpants; underwear; corselets; shirts; clothing; waterproof clothing; layettes [clothing]; swimsuits; dance costumes; sports shoes; shoes; hats; pantyhose; socks; gloves [clothing]; scarves; belts [clothing]; wedding gowns; religious attire.

(260) AM 2026 134768 A

(800) 1865266

(151) 2025 05 20

(891) 2025 05 20

(731) Finance in Motion GmbH
Carl-von-Noorden-Platz 5, 60596 Frankfurt
am Main, Germany

(540)



(591) Black, white

(531) 03.07.07; 03.07.16; 03.07.24

(511)

36 – Financial affairs; monetary affairs; financial consultancy; investment services; financing services; investment consultancy; raising of funds for financial purposes; mutual funds; investment management; asset management.

(260) AM 2026 134769 A

(800) 1865299

(151) 2024 12 06

(891) 2024 12 06

(731) Limited Liability Company "RELOUIS BEL"
Office 26, Pobediteley Avenue 104, 220062
Minsk, Belarus

(540)



(591) Black, white

(531) 27.05.15

(511)

3 – Amber [perfume]; aromatics [essential oils]; balms, other than for medical purposes; cosmetic lip balms; lip glosses; lip balm glosses; nail glosses; nail glitter; body glitter; cosmetics for giving the skin a tan tone [bronzers]; adhesives for cosmetic purposes; scented water; lavender water; micellar water; toilet water; beauty gels; air fragrance reed diffusers; perfumes; liquid perfumes and cosmetics formed by steam distillation of plant and/or essential oil raw materials [hydrolates]; decorative cosmetics for smoothing and moisturizing lips [glides]; cosmetic make-up; lipstick fixer; nail varnish top coat; perfumery; cosmetic pencils; concealers [decorative cosmetics]; hypoallergenic cosmetics; decorative cosmetics; professional cosmetics; cosmetics for tattooing; skin color correctors; cosmetic creams; perfumes and cosmetics packaged in cushions; hair spray; nail varnish; perfumery and cosmetic products for increasing elasticity and smoothing the skin surface [lifting]; lotions for cosmetic purposes; non-medicated hair lotions; decorative cosmetics

for imparting shine to the skin [luminizers]; beauty masks; sheet masks for cosmetic purposes; disposable steam-heated masks, not for medical purposes; oils for cosmetic purposes; oils for perfumes and scents; essential oils; essential oils for use in aromatherapy; essential oils of cedar; essential oils of lemon; essential oils of citron; bergamot oil; gaultheria oil; jasmine oil; lavender oil; almond oil; rose oil; musk [perfumery]; deodorant soap; cakes of toilet soap; non-medicated soap; almond soap; beauty milk; nail art stickers; leather bleaching preparations; potpourris [fragrances]; bath salts, not for medical purposes; perfumery and cosmetic products of liquid or gel consistency, converted into foam by means of a special dispenser [mousses]; cosmetic kits; lipstick cases; makeup remover foam; perfumery and cosmetic preparations for removing surface epidermal cells based on chemical effect (peel preparations); make-up palettes containing cosmetics; lipsticks; pomades for cosmetic purposes; lipstick balm; lipstick gloss; hygienic lipstick; plasters impregnated with cosmetics; cosmetic products for creating a short-term effect of lip enlargement [plumpers]; eyebrow liner; eyeliners; lip liner; sunscreen preparations; cosmetics for smoothing the texture of skin, lips, eyelids, eyelashes, nails and hair [primers]; samples of perfumes and cosmetics presented in small packaging [samples]; make-up removing preparations; lacquer-removing preparations; cosmetic cuticle removers; nail varnish removers; rouges; tissues impregnated with cosmetic lotions; tissues impregnated with make-up removing preparations; cosmetics; cosmetics for dyeing eyelashes and eyebrows; cosmetic masking products; cosmetic nail strengthening products; make-up powder; perfumes and cosmetics in soft packaging [sachets]; cosmetic lip scrubs; cosmetic products for moisturizing and softening the skin [softeners]; nail care preparations; cosmetics in the form of sprays; perfumery and cosmetic products of solid consistency in the form of a pencil [sticks]; cosmetic products that accelerate the drying process of varnish on the nail plate; eyebrow shadows; eye-shadow; decorative cosmetic products for long-lasting coloring of lips, cheeks, eyelids, eyebrows with a high content of dyes [tilts]; foundation creams; cosmetic products for moisturizing the skin of the face [toners]; toiletries [products for hygienic purposes related to the category of perfumery and cosmetics]; mascara; cosmetic markers; cosmetic products with a minimum content of fatty components [fluids]; cosmetic products for highlighting individual areas of the face or body and giving them relief [highlighters]; decorative cosmetic products for giving radiance to the skin, hair and nails [shimmers]; cleansing milk for toilet purposes; nail enamels; cosmetic emulsions; cosmetic whitening creams; hair dyes; cosmetic preparations for eyelashes; eyebrow pencils; body paint for cosmetic purposes; cosmetic toilet milk; collagen preparations for cosmetic purposes; aloe vera preparations for cosmetic purposes; cooling sprays for cosmetic purposes;

eyebrow cosmetics; make-up preparations; sun-tanning preparations [cosmetics]; cosmetic preparations for skin care; skin care cosmetic products [tonics]; serums for cosmetic purposes; dry shampoos; shampoos, non-medicated; cosmetic dyes; almond milk for cosmetic purposes; cosmetic preparations for slimming purposes; decorative transfers for cosmetic purposes; astringents for cosmetic purposes; bleaching preparations [decolorants] for cosmetic purposes; make-up; hair conditioners; hair straightening preparations; phytocosmetic preparations; skin hydrators for cosmetic purposes; herbal extracts for cosmetic purposes; cosmetics for children; gel eye patches for cosmetic purposes; liquid latex body paint for cosmetic purposes; cosmetic stamps, filled; bath tea for cosmetic purposes; essential oil-based creams for aromatherapy use; hair mascara; makeup fixing agents; ethereal essences.

(260) AM 2026 134770 A

(800) 1865324

(151) 2025 06 03

(891) 2025 06 03

(731) Shuma Tyre International (Qingdao) Co., Ltd.
No. 2117 West (A), 2nd Floor, Building 4,
No. 38 Beijing Road, Qianwan Bonded Port
Area, Qingdao Area, Pilot Free Trade Zone
Shandong Province, China

(540)

KILOMAX

(591) Black, white

(531) 27.05.01

511)

12 – Vehicles for locomotion by land, air, water and rail; trolleys; treads for retreading tyres; treads for vehicles [roller belts]; solid tyres for vehicle wheels; repair outfits for inner tubes; vehicle tires; inner tubes for automobile tires; automobile tyres.

(260) AM 2026 134771 A

(800) 1865338

(151) 2025 04 10

(891) 2025 04 10

(731) Shaanxi Coal and Chemical Industry Group
Co., Ltd.

No. 636 East Chang'an Avenue, Xi'an National
Civil Aerospace Industry Base, 710000
Shaanxi Province, China

(540)

SHCCIG

(591) Black, white

(531) 27.05.17

(511)

1 – Alkalies; acetic anhydride; acetic acid; ethylene; refined methanol; paraformaldehyde; chemicals for

industrial use; industrial chemicals; nitrogenous fertilizers; phosphate fertilisers.

4 – Fuel; coke; coal.

(260) AM 2026 134772 A
(800) 1865358
(151) 2025 06 02
(891) 2025 06 02
(731) Ferrara Candy Company
404 W. Harrison Street, Chicago IL 60607,
USA

(540)



(591) Black, white
(531) 08.01.19; 26.13.25
511)
30 – Candy; frozen confectionery; sugar confectionery.

(260) AM 2026 134773 A
(800) 1865359
(151) 2025 06 02
(891) 2025 06 02
(731) Ferrara Candy Company
404 W. Harrison Street, Chicago IL 60607,
USA

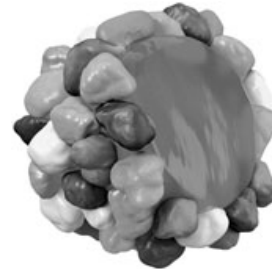
(540)



(591) Black, white
(531) 08.01.19; 26.11.01; 26.11.06; 26.11.13;
26.13.25
(511)
30 – Candy; frozen confectionery; sugar confectionery.

(260) AM 2026 134774 A
(800) 1865360
(151) 2025 06 02
(891) 2025 06 02
(731) Ferrara Candy Company
404 W. Harrison Street, Chicago IL 60607,
USA

(540)



(591) Black, white
(531) 08.01.19; 26.13.25
(511)
30 – Candy; frozen confectionery; sugar confectionery.

(260) AM 2026 134775 A
(800) 1865415
(151) 2025 06 25
(891) 2025 06 25
(731) The H.D. Lee Company, Inc.
3411 Silverside Road, Wilmington DE 19810,
USA

(540)

RIDER

(591) Black, white
(511)
25 – Jeans; bottoms as clothing; outer jackets.

(260) AM 2026 134776 A
(800) 1865424
(151) 2025 05 15
(891) 2025 05 15
(731) Byredo AB
Box 3065, SE-103 61 Stockholm, Sweden

(540)

ALTO ASTRAL

(591) Black, white
(511)
3 – Non-medicated cosmetics and toiletry preparations; non-medicated dentifrices; perfumery, essential oils; bleaching preparations and other substances for laundry use; cleaning, polishing and abrasive preparations; fragrances for personal use; eau de cologne; eau de parfum; toilet water; scented water; perfumes; extracts of perfumes; non-medicated oral hygiene products; body care and cleansing products not for medical use; body lotions, milks and creams not for medical use; deodorants for personal use; antiperspirants for personal use; non-medicated soaps; non-medicated soaps for personal use; non-medicated soaps in liquid, solid or gel form for personal use; bath gels not for medical use; shower gels not for medical use; bath preparations not for medical use; bath salts not for medical use; skin care preparations other than for medical use; exfoliants; talcum powder for toilet use;

perfumed powders; wipes, cotton and cloths impregnated with non-medicated cosmetic lotions and for perfuming; cosmetics other than for medical use, non-medicated toiletries and perfumery for the care and beauty of the eyelashes, eyebrows, eyes, lips and nails; non-medicated lip balms; nail polish; nail polish removers; adhesives for cosmetic use; cosmetic preparations for slimming other than for medical use; hair preparations and treatments other than for medical use; shampoos other than for medical use; make-up products; make-up removing products; depilatory preparations; non-medicated shaving products; non-medicated pre-shaving products; non-medicated after-shave products; beauty products other than for medical use; cosmetic sun-tanning and self-tanning preparations, other than for medical use; cosmetic kits mainly containing mascara, eye shadows, eye pencils, blushers for cosmetic use, lipsticks, eyebrow pencils, make-up, foundation and lip glosses; household fragrances; incense; aromatic potpourris; scented wood; products for perfuming linen; aromatic extracts for cosmetic use; non-medicated animal grooming preparations; tailors' and cobblers' wax; leather and shoe cleaning and polishing preparations.

(260) AM 2026 134777 A

(800) 1865467

(151) 2025 05 28

(891) 2025 05 28

(731) SYNYTSYA YURIY

Pukhova, 1448, CHERNIGIV 14032, Ukraine

(540)

SUPERIUM PANACEA

(591) Black, white

(511)

3 – Shampoos for pets [non-medicated grooming preparations]; deodorants for pets; shampoos for animals [non-medicated grooming preparations]; cosmetics for animals; deodorants for human beings or for animals.

5 – Antiparasitic collars for animals; deodorants, other than for human beings or for animals; preparations of trace elements for human and animal use; dietary supplements for animals; diapers for pets; medicated shampoos for pets; animal washes [insecticides]; protein supplements for animals; medicated animal feed; insecticidal animal shampoos; preparations for destroying parasites and vermin; amino acids for veterinary purposes; bacterial preparations for medical and veterinary use; bacteriological preparations for medical and veterinary use; biological preparations for veterinary purposes; veterinary preparations; diagnostic agents for veterinary purposes; enzymes for veterinary purposes; greases for veterinary purposes; biological tissue cultures for veterinary purposes; cultures of microorganisms for medical or veterinary use; medicines for veterinary purposes; lotions for veterinary purposes; insecticidal veterinary washes; stem cells

for veterinary purposes; enzyme preparations for veterinary purposes; chemical preparations for veterinary purposes; chemical reagents for medical or veterinary purposes.

(260) AM 2026 134778 A

(800) 1865489

(151) 2025 04 10

(891) 2025 04 10

(731) Shaanxi Coal and Chemical Industry Group Co., Ltd.

No. 636 East Chang'an Avenue, Xi'an National Civil Aerospace Industry Base, 710000 Shaanxi Province, China

(540)



(591) Black, white

(531) 26.01.12; 26.07.04

(511)

1 – Acetic anhydride; acetic acid; ethylene; refined methanol; alkalies; Paraformaldehyde.

4 – Fuel; coke; coal.

(260) AM 2026 134779 A

(800) 1865494

(151) 2025 06 03

(891) 2025 06 03

(731) Obschestvo s ogranichennoy otvetstvennostyu "MAY"

Ozernaya, dom 1a, FryazinoБ RU-141191 Moskovskoy obl., Russian Federation

(540)



(591) Red, light red, dark red, white, gold, beige, gray and dark gray

(531) 05.03.13; 05.03.15; 28.05; 29.01.14

(511)

30 – Tea substitutes; tea-based beverages; tea beverages with milk; flowers or leaves for use as tea substitutes; herbal teas; tea; kelp tea; iced tea; cocoa; coffee-based beverages; cocoa-based beverages; choco-

late-based beverages; cocoa beverages with milk; coffee beverages with milk; chocolate beverages with milk; coffee substitutes; coffee capsules, filled; roasted coffee beans; coffee; unroasted coffee beans; chicory [coffee substitute].

(260) AM 2026 134780 A
 (800) 1865501
 (151) 2025 04 10
 (891) 2025 04 10
 (731) Chongqing Six Days Motocross Manufacturing Co., Ltd.
 (Building 1-1, The Second Factory of Chongqing Six Days Motocross Manufacturing Co., Ltd.), No. 7-3, Jiujiangdadao, Shuangfu Jiangjin District, Chongqing, China

(540)

WINGBACK

(591) Black, white
 (531) 27.05.01; 27.05.17
 (511)
 12 – Motorcycles; motorcycles for motocross; wheels for motorcycles; bicycles; electric tricycles; trolley railways [cable cars]; trolleys; kick sledges; tyres for vehicle wheels; upholstery for vehicles.

(260) AM 2026 134781 A
 (800) 1865547
 (151) 2025 04 24
 (891) 2025 04 24
 (731) Jinjiang Xinguo Shoes Co., Ltd.
 No. 611, Jinxin Middle Road, Jinjiang City, 362200 Fujian Province, China

(540)



GORNORNIE

(591) Black, white
 (531) 26.13.25; 27.05.01; 27.05.09
 (511)
 25 – Clothing; ready-made clothing; trousers; swimsuits; gloves [clothing]; shoes; hats; socks; scarves; leather belt (clothing).

(260) AM 2026 134782 A
 (800) 1865555
 (151) 2025 06 16
 (891) 2025 06 16
 (731) Bayer Aktiengesellschaft
 Kaiser-Wilhelm-Allee, 51373 Leverkusen, Germany

(540)

ARNUVEQS

(591) Black, white
 (511)
 5 – Pharmaceutical preparations for the treatment of soil-transmitted helminthiasis and onchocerciasis; pharmaceutical preparations, namely anthelmintic agents.

(260) AM 2026 134783 A
 (800) 1865584
 (151) 2025 06 05
 (891) 2025 06 05
 (731) MF BEAUTY PARTNERS LLC
 4100 SAINT ANDREWS BLVD., IRVING TX 75038, USA

(540)

MATTER OF FACT

(591) Black, white
 (511)
 3 – Non-medicated skin care preparations; non-medicated lotions, creams, gels, salves, sprays, and powders for the skin and body; non-medicated cosmetics in the nature of ointments for the skin and body.

(260) AM 2026 134784 A
 (800) 1865602
 (151) 2025 04 29
 (891) 2025 04 29
 (731) Barilla G. e R. Fratelli – Società per Azioni
 Via Mantova 166, I-43122 Parma PR, Italy

(540)



(591) Bronze
 (531) 02.01.11; 02.01.15; 24.03.07; 27.01.01; 29.01.11

(511)
 30 – Coffee; tea; cocoa and coffee substitutes; rice; tapioca and sago; flour and preparations made from cereals; bread; pastry; confectionery; edible ices; sugar; honey; golden syrup; yeast; baking powder; salt; mustard; vinegar; sauce (condiments); spices; ice; oat-based food; farinaceous foods; starch for food; aniseed; star aniseed; seasonings; coffee flavorings (flavourings); flavourings (other than essential oils); plant-based flavourings, other than essential oils, for beverages; flavourings, other than essential oils, for cakes; oatmeal; high-protein cereal bars; stick liquorice (con-

fectionery); cocoa-based beverages; coffee-based beverages; chocolate-based beverages; tea-based beverages; baking soda (bicarbonate of soda for cooking purposes); petit-beurre biscuits; biscuits; malt biscuits; bonbons; brioches; puddings; cocoa; cocoa beverages with milk; coffee beverages with milk; coffee (unroasted -); cinnamon (spice); caramels; condiments; crackers; couscous (semolina); sponge cake; wheat flour; flour; fruit jellies (confectionery); baking powder; macaroni; mayonnaise; rusks; unleavened bread; breadcrumbs; bread rolls; pasta; pesto (sauce); pizza; cereal preparations; ravioli; table salt; tomato sauce; soya sauce; dressings for salad; sandwiches; semolina; hominy grits; cereal-based snack food; rice-based snack food; sorbets (ices); spaghetti; pasta sauce; noodles; tarts; vermicelli (noodles); saffron (seasoning); ginger (spice).

(260) AM 2026 134785 A

(800) 1865610

(151) 2025 06 04

(891) 2025 06 04

(731) Apple Inc.

One Apple Park Way, Cupertino CA 95014,
USA

(540)

CARPLAY ULTRA

(591) Black, white

(511)

42 – Design and development of computer hardware and software; providing online non-downloadable software for providing travel and tourism information, travel planning, navigation, travel route planning, geographic, destination, transportation and traffic information, driving and walking directions, customized mapping of locations, street atlas information, electronic map display, and destination information; computer software consulting services; consultation services for developing computer systems, databases and applications; providing computer software information online, namely, providing information relating to computer technology and programming via a website; maintenance, repair and updating of computer software; technical support services, diagnosing and troubleshooting of computer software problems.

(260) AM 2026 134808 A

(800) 1866173

(151) 2025 03 18

(891) 2025 03 18

(731) Shenzhen King Quenson Industry Co., Ltd.

A1402, Future Plaza, Qiaocheng Bei Road,
Nanshan District, Shenzhen City, Guangdong
Province, China

(540)

AGROK ING

(591) Black, white

(531) 27.05.01

(511)

5 – Disinfectants; animal washes [insecticides]; preparations for destroying mice; larvae exterminating preparations; herbicides; soil-sterilizing preparations; acaricides; pesticides; fungicides for agricultural purposes; all purpose disinfectants.

(260) AM 2026 134826 A

(800) 1866424

(151) 2025 04 16

(891) 2025 05 30

(731) Barilla G. e R. Fratelli – Società per Azioni

Via Mantova 166, I-43122 Parma PR, Italy

(540)

BARILLA PROTEIN+

(591) Black, white

(511)

29 – Meat; fish, not live; poultry and game; meat extracts; preserved, frozen, dried and cooked fruits and vegetables; jellies; marmalade; eggs; milk and milk products; edible oils and fats; anchovy, not live; stock; soups; caviar; canned fruits; canned vegetables; cheese; milk shakes; fruit chips; frozen fruits; fruits, preserved; fruit preserved in alcohol; cooked fruits; crystallized fruits; mushrooms, preserved; gelatine; fruit jellies; vegetable soup preparations; vegetable preserves; vegetables, cooked; dried pulses; lentils, preserved; fruit salads; vegetable salads; margarine; whipped cream; cream (dairy products); potato chips; low-fat potato crisps; fish, preserved; poultry (not live); preparations for making soup; fruit-based snack food; vegetable juices for cooking; tomato juice for cooking; yoghurt.

30 – Coffee; tea; cocoa and coffee substitutes; rice; tapioca and sago; flour and preparations made from cereals; bread; pastry; confectionery; edible ices; sugar; honey; golden syrup; yeast; baking powder; salt; mustard; vinegar; sauce (condiments); spices; ice; oat-based food; farinaceous foods; starch for food; aniseed; star aniseed; seasonings; coffee flavorings (flavourings); flavourings (other than essential oils); plant-based flavourings, other than essential oils, for beverages; flavourings, other than essential oils, for cakes; oatmeal; high-protein cereal bars; stick liquorice (confectionery); cocoa-based beverages; coffee-based beverages; chocolate-based beverages; tea-based beverages; baking soda (bicarbonate of soda for cooking purposes); petit-beurre biscuits; biscuits; malt biscuits; bonbons; brioches; puddings; cocoa; cocoa beverages with milk; coffee beverages with milk; coffee (unroasted -); cinnamon (spice); caramels; condiments; crackers; couscous (semolina); sponge cake; wheat flour; flour; fruit jellies (confectionery); baking powder; macaroni; mayonnaise; rusks; unleavened bread; breadcrumbs; bread rolls; pasta; pesto (sauce);

pizza; cereal preparations; ravioli; table salt; tomato sauce; soya sauce; dressings for salad; sandwiches; semolina; hominy grits; cereal-based snack food; rice-based snack food; sorbets (ices); spaghetti; pasta sauce; noodles; tarts; vermicelli (noodles); saffron (seasoning); ginger (spice).

(260) AM 2026 134827 A
 (800) 1866522
 (151) 2025 02 28
 (891) 2025 02 28
 (731) Yarros Ink, Inc.
 1235 Lake Plaza Drive #124, Colorado Springs
 CO 80906, USA

(540)

REBECCA YARROS

(591) Black, white
 (511)
 16 – Series of printed fiction books; stationery; blank writing journals; printed notebooks; art prints; paper dust jackets for books; paper bookmarks; bookends; stickers; page overlays (terms considered too vague by the International Bureau – Rule 13 (2) (b) of the Regulations); paintings; spiral bound notebooks.

(260) AM 2026 134828 A
 (800) 1866524
 (151) 2025 01 31
 (891) 2025 01 31
 (731) Limited Liability Company "Arnest UniRus"
 Sergey Makeev str., 13, RU-123022
 Moscow, Russian Federation

(540)



TISWELL

(591) Black, white
 (531) 26.01.03; 26.01.18; 27.05.01; 27.05.11
 (511)
 3 – Dental bleaching gels; teeth whitening pens; toothpaste; breath freshening strips; teeth whitening strips; denture polishes; mouthwashes, not for medical purposes; preparations for cleaning dentures; breath freshening preparations for personal hygiene; breath freshening sprays; dentifrices.
 21 – Battery-powered oral irrigators for household purposes; electric oral irrigators for household purposes; cordless oral irrigators for household purposes; apparatus for cleaning teeth and gums using high-pressure water for home use; heads for electric toothbrushes; toothpick holders; toothpicks; material for brush-making; floss for dental purposes; toothbrush organizers for personal use; electronic toothbrush organizers for personal use; toothbrush holders, not of paper or textile; oral cleaning devices, including for children;

pads for cleaning; toothbrushes; toothbrushes, electric; toothbrushes for children, including fingerstalls.

(260) AM 2026 134835 A
 (800) 1866568
 (151) 2025 06 12
 (891) 2025 06 12
 (731) RG Petro-machinery Group Co., Ltd.
 No.869, Western Zhongzhou Road, Nanyang
 City, Henan Province, China

(540)



(591) Black, white
 (531) 26.11.08; 27.05.01; 27.05.11; 27.05.17
 (511)
 7 – Drilling rigs, floating or non-floating.

(260) AM 2026 134836 A
 (800) 1866572
 (151) 2025 05 22
 (891) 2025 05 22
 (731) Tanabe Pharma Corporation
 3-2-10, Doshomachi, Chuo-ku, Osaka-shi,
 Osaka 541-8505, Japan

(540)



Tanabe Pharma

(591) Black, white
 (531) 03.07.16; 03.07.21; 03.07.24
 (511)
 5 – Pharmaceutical preparations; medicines for human purposes.

(260) AM 2026 134837 A
 (800) 1866660
 (151) 2025 06 12
 (891) 2025 06 12
 (731) Shandong Youyue Rubber Technology Co.,
 Ltd.
 No.1 Futian Road, Zhucheng City, Weifang
 City, Shandong Province, China

(540)



(591) Black, white
 (531) 26.03.01; 27.05.01
 (511)
 12 – Tyres for vehicle wheels; adhesive rubber patches for repairing inner tubes; repair outfits for inner

tubes; inner tubes for pneumatic tyres; inner tubes for bicycle tyres; casings for pneumatic tyres; solid tyres for vehicle wheels; tyre mousse inserts; automobile tyres; pneumatic tyres.

(260) AM 2026 134838 A
 (800) 1866671
 (151) 2025 05 20
 (891) 2025 05 20
 (731) XIAMEN YARUI OPTICAL Co., Ltd.
 Unit 1101, No.1 Nantou Road, Siming
 District, Xiamen, Fujian Province, China

(540)

QINA

(591) Black, white
 (511)
 9 – Correcting lenses [optics]; smartglasses; spectacle lenses; spectacle frames; spectacles; spectacle cases; sunglasses; goggles for sports; contact lenses; optical glass.

(260) AM 2026 134839 A
 (800) 803911
 (151) 2003 05 10
 (891) 2025 06 17
 (731) Bayerische Motoren Werke Aktiengesellschaft
 Petuelring 130, 80809 München, Germany

(540)

PHANTOM

(591) Black, white
 (511)
 12 – Motor vehicles; apparatus for locomotion by land.

(260) AM 2026 134843 A
 (800) 1379635
 (151) 2017 10 12
 (891) 2025 07 04
 (731) BIOFARMA
 50 rue Carnot, F-92284 Suresnes Cedex,
 France

(540)

TERINDAX

(591) Black, white
 (511)
 5 – Pharmaceutical products used for treating and/or preventing cardiovascular diseases, excluding anti-infective and antiviral agents.

(260) AM 2026 134844 A
 (800) 1433454
 (151) 2018 06 18
 (891) 2025 06 03
 (731) FARMAK GROUP LIMITED

Alkaiou, 24, Flat/Office 201, Strovolos,
 CY-2064 Nicosia, Cyprus

(540)

ГРОПИВИРИН

(591) Black, white
 (531) 28.05
 (511)
 5 – Pharmaceutical preparations; medicines for human purposes; antivirals.

(260) AM 2026 134845 A
 (800) 1463914
 (151) 2019 01 31
 (891) 2025 06 03
 (731) FARMAK GROUP LIMITED
 Alkaiou, 24, Flat/Office 201, Strovolos,
 CY-2064 Nicosia, Cyprus

(540)

ЭДЕРМИК

(591) Black, white
 (531) 28.05
 (511)
 5 – Pharmaceutical preparations; medicines for human purposes; drugs for medical purposes; oral drops; medicines for the treatment of allergies; antihistamines.

(260) AM 2026 134846 A
 (800) 1485834
 (151) 2019 01 15
 (891) 2025 06 11
 (731) Daiso Industries Co., Ltd.
 1-4-14 Yoshiyuki Higashi, Saijo, Higashihiroshima-city, Hiroshima 739-8501, Japan

(540)



(591) Black, white
 (531) 26.03.23
 (511)
 35 – Business management analysis or business consultancy; business management of franchisees; providing franchising information; business consultancy in the establishment and operation of franchisees; procurement services for franchisees; sales promotion for franchisees; import-export agencies; retail services or wholesale services for a variety of goods in each field of clothing, foods and beverages, and livingware, carrying all goods together; on-line retail and wholesale services for a variety of goods in each field of clothing, foods and beverages, and livingware, carrying

all goods together; retail services or wholesale services for woven fabrics and beddings; on-line retail and wholesale services for woven fabrics and beddings; retail services or wholesale services for clothing; on-line retail and wholesale services for clothing; retail services or wholesale services for diapers; on-line retail and wholesale services for diapers; retail services or wholesale services for footwear [other than special footwear for sports]; on-line retail and wholesale services for footwear [other than special footwear for sports]; retail services or wholesale services for bags and pouches; on-line retail and wholesale services for bags and pouches; retail services or wholesale services for personal articles, other than false nails, false eyelashes, shaving cases, pedicure sets, eyelash curlers, manicure sets, ear picks, vanity cases, not fitted, pocket mirrors, pocket mirror bags, cosmetic utensils, other than "toothbrushes, electric", false beards, false moustaches, hair curlers, non-electric; on-line retail and wholesale services for personal articles, other than false nails, false eyelashes, shaving cases, pedicure sets, eyelash curlers, manicure sets, ear picks, vanity cases, not fitted, pocket mirrors, pocket mirror bags, cosmetic utensils, other than "toothbrushes, electric", false beards, false moustaches, hair curlers, non-electric; retail services or wholesale services for food and beverages; on-line retail and wholesale services for food and beverages; retail services or wholesale services for liquor; on-line retail and wholesale services for liquor; retail services or wholesale services for meat; on-line retail and wholesale services for sea food; on-line retail and wholesale services for sea food; retail services or wholesale services for vegetables and fruits; on-line retail and wholesale services for vegetables and fruits; retail services or wholesale services for confectionery, bread and buns; on-line retail and wholesale services for confectionery, bread and buns; retail services or wholesale services for rice and cereals; on-line retail and wholesale services for rice and cereals; retail services or wholesale services for milk; on-line retail and wholesale services for milk; retail services or wholesale services for carbonated drinks [refreshing beverages] and non-alcoholic fruit juice beverages; on-line retail and wholesale services for carbonated drinks [refreshing beverages] and non-alcoholic fruit juice beverages; retail services or wholesale services for tea, prepared coffee and coffee-based beverages and prepared cocoa and cocoa-based beverages; on-line retail and wholesale services for tea, prepared coffee and coffee-based beverages and prepared cocoa and cocoa-based beverages; retail services or wholesale services for processed food; on-line retail and wholesale services for processed food; retail services or wholesale services for automobiles; on-line retail and wholesale services for automobiles; retail services or wholesale services for two-wheeled motor vehicles; on-line retail and wholesale services for two-wheeled motor vehicles; retail

services or wholesale services for bicycles; on-line retail and wholesale services for bicycles; retail services or wholesale services for tatami mats and the like; on-line retail and wholesale services for tatami mats and the like; retail services or wholesale services for ritual equipment; on-line retail and wholesale services for ritual equipment; retail services or wholesale services for electrical machinery and apparatuses; on-line retail and wholesale services for electrical machinery and apparatuses; retail services or wholesale services for bladed or pointed hand tools, hand tools and metal hardware, namely decorators' paintbrushes, tub brushes, metal brushes, brushes for pipes, industrial brushes, ship-scrubbing brushes, security locks, rings of metal for keys, keys of metal for locks, padlocks, key rings, keys, non-electric, needles; on-line retail and wholesale services for bladed or pointed hand tools, hand tools and metal hardware, namely decorators' paintbrushes, tub brushes, metal brushes, brushes for pipes, industrial brushes, ship-scrubbing brushes, security locks, rings of metal for keys, keys of metal for locks, padlocks, key rings, keys, non-electric, needles; retail services or wholesale services for kitchen equipment, cleaning tools and washing utensils, namely non-electric cooking heaters for household purposes, kitchen sinks incorporating integrated worktops for household purposes, kitchen sinks for household purposes, household tap-water filters, non-electric; on-line retail and wholesale services for kitchen equipment, cleaning tools and washing utensils, namely non-electric cooking heaters for household purposes, kitchen sinks incorporating integrated worktops for household purposes, kitchen sinks for household purposes, household tap-water filters, non-electric; retail services or wholesale services for pharmaceutical, veterinary and sanitary preparations and medical supplies, other than oiled paper for medical purposes, adhesive tapes for medical purposes, sanitary masks, drug delivery agents in the form of edible wafers for wrapping powdered pharmaceuticals, gauze, empty capsules for pharmaceuticals, eye pads, ear bandages, menstruation bandages, menstruation tampons, sanitary pads, menstruation knickers, absorbent wadding, adhesive plasters, bandages for dressings, liquid bandages, breast-nursing pads, cotton swabs for medical use, tweezers, finger guards for medical purposes, teething rings, ice bag pillows for medical purposes, triangular bandages, support bandages, surgical catguts, feeding cups for medical purposes, dropping pipettes for medical purposes, teats, medical ice bags, medical ice bag holders, baby bottles, nursing bottles, floss for dental purposes; on-line retail and wholesale services for pharmaceutical, veterinary and sanitary preparations and medical supplies, other than oiled paper for medical purposes, adhesive tapes for medical purposes, sanitary masks, drug delivery agents in the form of edible wafers for wrapping powdered pharmaceuticals, gauze, empty capsules for pharmaceuticals, eye pads, ear bandages, menstruation bandages, menstru-

ation tampons, sanitary pads, menstruation knickers, absorbent wadding, adhesive plasters, bandages for dressings, liquid bandages, breast-nursing pads, cotton swabs for medical use, tweezers, finger guards for medical purposes, teething rings, ice bag pillows for medical purposes, triangular bandages, support bandages, surgical catguts, feeding cups for medical purposes, dropping pipettes for medical purposes, teats, medical ice bags, medical ice bag holders, baby bottles, nursing bottles, floss for dental purposes; retail services or wholesale services for cosmetics, toiletries, dentifrices, soaps and detergents; on-line retail and wholesale services for cosmetics, toiletries, dentifrices, soaps and detergents; retail services or wholesale services for agricultural machines, implements and supplies; on-line retail and wholesale services for agricultural machines, implements and supplies; retail services or wholesale services for flowers [natural] and trees; on-line retail and wholesale services for flowers [natural] and trees; retail services or wholesale services for fuel; on-line retail and wholesale services for fuel; retail services or wholesale services for printed matter; on-line retail and wholesale services for printed matter; retail services or wholesale services for paper and stationery; on-line retail and wholesale services for paper and stationery; retail services or wholesale services for sports goods, other than crampons [climbing irons], carabiners, ice axes, rock pitons, portable cooking kits for outdoor use, mountaineering ropes, tents for mountaineering or camping, sleeping bags, climbers' harness; on-line retail and wholesale services for sports goods, other than crampons [climbing irons], carabiners, ice axes, rock pitons, portable cooking kits for outdoor use, mountaineering ropes, tents for mountaineering or camping, sleeping bags, climbers' harness; retail services or wholesale services for toys, dolls, game machines and apparatus; on-line retail and wholesale services for toys, dolls, game machines and apparatus; retail services or wholesale services for musical instruments and records; on-line retail and wholesale services for musical instruments and records; retail services or wholesale services for photographic machines and apparatus and photographic supplies; on-line retail and wholesale services for photographic machines and apparatus and photographic supplies; retail services or wholesale services for clocks, watches and spectacles [eyeglasses and goggles]; on-line retail and wholesale services for clocks, watches and spectacles [eyeglasses and goggles]; retail services or wholesale services for tobaccos and smokers' articles; on-line retail and wholesale services for tobaccos and smokers' articles; retail services or wholesale services for building materials; on-line retail and wholesale services for building materials; retail services or wholesale services for semi-wrought precious stones and their imitations; on-line retail and wholesale services for semi-wrought precious stones and their imitations; retail services or wholesale services for pets; on-line retail and who-

lesale services for pets; retail services or wholesale services for vacuum storage bags for futon and vacuum storage bags for clothing; on-line retail and wholesale services for vacuum storage bags for futon and vacuum storage bags for clothing; retail services or wholesale services for chemicals, mastic, anti-corrosive preparations, mordants, dammar, shellac, sandarac, copal, canada balsam, anti-rust preparations, natural resins, raw, pine gum, fabric softeners for laundry use, rust removing preparations, antistatic preparations for household purposes, laundry bleach, stain removing benzine, de-greasing preparations for household purposes, solid lubricants; on-line retail and wholesale services for chemicals, mastic, anti-corrosive preparations, mordants, dammar, shellac, sandarac, copal, Canada balsam, anti-rust preparations, natural resins, raw, pine gum, fabric softeners for laundry use, rust removing preparations, antistatic preparations for household purposes, laundry bleach, stain removing benzine, de-greasing preparations for household purposes, solid lubricants; retail services or wholesale services for glue and adhesives; on-line retail and wholesale services for glue and adhesives; retail services or wholesale services for priming putty, paints, paint stripping preparations; on-line retail and wholesale services for priming putty, paints, paint stripping preparations; retail services or wholesale services for printing ink; on-line retail and wholesale services for printing ink; retail services or wholesale services for shoe cream, shoe black [shoe polish], grease for shoes and boots; on-line retail and wholesale services for shoe cream, shoe black [shoe polish], grease for shoes and boots; retail services or wholesale services for polishing preparations, leather preserving oil and grease; on-line retail and wholesale services for polishing preparations, leather preserving oil and grease; retail services or wholesale services for aromatics [essential oils], perfume and flavour materials; on-line retail and wholesale services for aromatics [essential oils], perfume and flavour materials; retail services or wholesale services for air fragrancing preparations, potpourris [fragrances], perfuming sachets, incense; on-line retail and wholesale services for air fragrancing preparations, potpourris [fragrances], perfuming sachets, incense; retail services or wholesale services for waxes [raw material], sealing wax; on-line retail and wholesale services for waxes [raw material], sealing wax; retail services or wholesale services for nonferrous metals and their alloys, solder; on-line retail and wholesale services for nonferrous metals and their alloys, solder; retail services or wholesale services for non-metallic minerals for building or construction; on-line retail and wholesale services for non-metallic minerals for building or construction; retail services or wholesale services for cutting tools for machinery and their parts and fittings, power-driven hand-held tools and their parts and fittings; on-line retail and wholesale services for cutting tools for machinery and their parts and fittings, power-driven hand-held tools

and their parts and fittings; retail services or wholesale services for lumbering, woodworking, or veneer or plywood making machines and apparatus and their parts and fittings; on-line retail and wholesale services for lumbering, woodworking, or veneer or plywood making machines and apparatus and their parts and fittings; retail services or wholesale services for painting machines and apparatus and their parts and fittings; on-line retail and wholesale services for painting machines and apparatus and their parts and fittings; retail services or wholesale services for air compressors, pneumatic or hydraulic machines and instruments and their parts and fittings; on-line retail and wholesale services for air compressors, pneumatic or hydraulic machines and instruments and their parts and fittings; retail services or wholesale services for filters for air purifier, air-conditioning apparatus and their fittings, filters for air conditioner; on-line retail and wholesale services for filters for air purifier, air-conditioning apparatus and their fittings, filters for air conditioner; retail services or wholesale services for valves of metal, not machine elements; on-line retail and wholesale services for valves of metal, not machine elements; retail services or wholesale services for metal flanges, metal junctions for pipes, joint packings, gaskets, junctions for pipes, not of metal; on-line retail and wholesale services for metal flanges, metal junctions for pipes, joint packings, gaskets, junctions for pipes, not of metal; retail services or wholesale services for life saving apparatus and equipment; on-line retail and wholesale services for life saving apparatus and equipment; retail services or wholesale services for anti-theft warning apparatus, fire alarms, personal alarms, gas alarms, anti-theft alarms for vehicles; on-line retail and wholesale services for anti-theft warning apparatus, fire alarms, personal alarms, gas alarms, anti-theft alarms for vehicles; retail services or wholesale services for protective helmets; on-line retail and wholesale services for protective helmets; retail services or wholesale services for anti-dazzle shades, anti-glare visors; on-line retail and wholesale services for anti-dazzle shades, anti-glare visors; retail services or wholesale services for tuning apparatus for musical instruments; on-line retail and wholesale services for tuning apparatus for musical instruments; retail services or wholesale services for laboratory apparatus and instruments; on-line retail and wholesale services for laboratory apparatus and instruments; retail services or wholesale services for measuring or testing machines and instruments; on-line retail and wholesale services for measuring or testing machines and instruments; retail services or wholesale services for wheelchairs and their parts and fittings; on-line retail and wholesale services for wheelchairs and their parts and fittings; retail services or wholesale services for dynamo brushes and their parts and fittings, electrical insulating materials; on-line retail and wholesale services for dynamo brushes and their parts and fittings, electrical insu-

lating materials; retail services or wholesale services for adhesive rubber patches for repairing tubes or tires; on-line retail and wholesale services for adhesive rubber patches for repairing tubes or tires; retail services or wholesale services for baby carriage [prams] and their parts and fittings; on-line retail and wholesale services for baby carriage [prams] and their parts and fittings; retail services or wholesale services for decorators' paintbrushes, industrial brushes, metal brushes, ship-scrubbing brushes, brushes for pipes, tub brushes; on-line retail and wholesale services for decorators' paintbrushes, industrial brushes, metal brushes, ship-scrubbing brushes, brushes for pipes, tub brushes; retail services or wholesale services for chemical fiber yarn and thread, not for textile use, rubber thread and covered rubber yarn, not for textile use; on-line retail and wholesale services for chemical fiber yarn and thread, not for textile use, rubber thread and covered rubber yarn, not for textile use; retail services or wholesale services for threads and yarns for handicraft work, threads and yarns; on-line retail and wholesale services for threads and yarns for handicraft work, threads and yarns; retail services or wholesale services for textile material; on-line retail and wholesale services for textile material; retail services or wholesale services for tapes [semi-finished], ribbons; on-line retail and wholesale services for tapes [semi-finished], ribbons; retail services or wholesale services for knitted fabrics, embroidery lace fabrics, knitted raschel lace fabrics; on-line retail and wholesale services for knitted fabrics, embroidery lace fabrics, knitted raschel lace fabrics; retail services or wholesale services for felt and non-woven textile fabrics; on-line retail and wholesale services for felt and non-woven textile fabrics; retail services or wholesale services for leather cloth, filtering materials of textile, vinyl coated cloth, rubberized cloth, gummed waterproof cloth, oilcloth; on-line retail and wholesale services for leather cloth, filtering materials of textile, vinyl coated cloth, rubberized cloth, gummed waterproof cloth, oilcloth; retail services or wholesale services for headgear for wear; on-line retail and wholesale services for headgear for wear; retail services or wholesale services for footwear [other than special footwear for sports]; on-line retail and wholesale services for footwear [other than special footwear for sports]; retail services or wholesale services for welding masks, gas masks, dust masks; on-line retail and wholesale services for welding masks, gas masks, dust masks; retail services or wholesale services for disaster prevention hoods, fireproof garments; on-line retail and wholesale services for disaster prevention hoods, fireproof garments; retail services or wholesale services for gloves for protection against accidents, insulating gloves, gardening gloves, gloves for household purposes; on-line retail and wholesale services for gloves for protection against accidents, insulating gloves, gardening gloves, gloves for household purposes; retail services or wholesale services for gloves for

medical purposes; on-line retail and wholesale services for gloves for medical purposes; retail services or wholesale services for cords and cordage; on-line retail and wholesale services for cords and cordage; retail services or wholesale services for wire ropes; on-line retail and wholesale services for wire ropes; retail services or wholesale services for netting, not of metal; on-line retail and wholesale services for netting, not of metal; retail services or wholesale services for wire nets and gauzes; on-line retail and wholesale services for wire nets and gauzes; retail services or wholesale services for industrial packaging containers of metal; on-line retail and wholesale services for industrial packaging containers of metal; retail services or wholesale services for industrial packaging containers of glass or porcelain; on-line retail and wholesale services for industrial packaging containers of glass or porcelain; retail services or wholesale services for industrial packaging containers of wood, bamboo or plastics; on-line retail and wholesale services for industrial packaging containers of wood, bamboo or plastics; retail services or wholesale services for paper bags and sacks, industrial packaging containers of paper; on-line retail and wholesale services for paper bags and sacks, industrial packaging containers of paper; retail services or wholesale services for industrial packaging containers of textile; on-line retail and wholesale services for industrial packaging containers of textile; retail services or wholesale services for bags [pouches] of plastics, for packaging; on-line retail and wholesale services for bags [pouches] of plastics, for packaging; retail services or wholesale services for elastic bands for binding; on-line retail and wholesale services for elastic bands for binding; retail services or wholesale services for dressmakers' chalk sharpeners, tailors' chalk, paper patterns, embroidery frames and hoops, Hera-dai [fabric marking boards], tailors' sprayers, ironing boards, ironing boards [Kotedai], needle-threaders, boxes for needles, sewing thimbles, dressmakers' impressing blades, sewing boxes, knitting sticks, pin and needle cushions; on-line retail and wholesale services for dressmakers' chalk sharpeners, tailors' chalk, paper patterns, embroidery frames and hoops, hera-dai [fabric marking boards], tailors' sprayers, ironing boards, ironing boards [Kotedai], needle-threaders, boxes for needles, sewing thimbles, dressmakers' impressing blades, sewing boxes, knitting sticks, pin and needle cushions; retail services or wholesale services for bathroom stools, stirrers for hot bathtub water [Yukakibo], bathroom pails, shower curtains, bath mats for wash places; on-line retail and wholesale services for bathroom stools, stirrers for hot bathtub water [Yukakibo], bathroom pails, shower curtains, bath mats for wash places; retail services or wholesale services for nameplates and door nameplates, not of metal; on-line retail and wholesale services for nameplates and door nameplates, not of metal; retail services or wholesale services for flags of paper, banners of paper, banners and flags,

not of paper; on-line retail and wholesale services for flags of paper, banners of paper, banners and flags, not of paper; retail services or wholesale services for portable paper lanterns [Chochin], standing paper lanterns [Andon]; on-line retail and wholesale services for portable paper lanterns [Chochin], standing paper lanterns [Andon]; retail services or wholesale services for candles; on-line retail and wholesale services for candles; retail services or wholesale services for Japanese pocket warmers filled with fuel, hot water bottles for warming one's feet in bed, pocket warmers, non-electric, warming pans, non-electric; on-line retail and wholesale services for Japanese pocket warmers filled with fuel, hot water bottles for warming one's feet in bed, pocket warmers, non-electric, warming pans, non-electric; retail services or wholesale services for fly catching paper, fly swatters, mouse and rat traps; on-line retail and wholesale services for fly catching paper, fly swatters, mouse and rat traps; retail services or wholesale services for stakes of metal for plants or trees, stakes for plants or trees, not of metal, flyscreen for use in home gardening, hydroponic plant pots for home gardening, watering cans, flower pots; on-line retail and wholesale services for stakes of metal for plants or trees, stakes for plants or trees, not of metal, flyscreen for use in home gardening, hydroponic plant pots for home gardening, watering cans, flower pots; retail services or wholesale services for clothing for domestic pets, nesting boxes for small birds, dog kennels, beds for household pets, bird cages, feeding vessels for pets, bird baths, brushes for pets, toys for domestic pets, chewing goods for pet dogs; on-line retail and wholesale services for clothing for domestic pets, nesting boxes for small birds, dog kennels, beds for household pets, bird cages, feeding vessels for pets, bird baths, brushes for pets, toys for domestic pets, chewing goods for pet dogs; retail services or wholesale services for step ladders and ladders, not of metal; on-line retail and wholesale services for step ladders and ladders, not of metal; retail services or wholesale services for hat-hanging hooks of metal and hat hooks, not of metal; on-line retail and wholesale services for hat-hanging hooks of metal and hat hooks, not of metal; retail services or wholesale services for clothes brushes; on-line retail and wholesale services for clothes brushes; retail services or wholesale services for handkerchiefs of paper, table napkins of paper, hand towels of paper, towels of paper, hygienic hand towels of paper; on-line retail and wholesale services for handkerchiefs of paper, table napkins of paper, hand towels of paper, towels of paper, hygienic hand towels of paper; retail services or wholesale services for bed pans, urinals for medical purposes, chamber pots; on-line retail and wholesale services for bed pans, urinals for medical purposes, chamber pots; retail services or wholesale services for shopping baskets; on-line retail and wholesale services for shopping baskets; retail services or wholesale services for piggy banks; on-line retail and wholesale services for

piggy banks; retail services or wholesale services for baggage tags; on-line retail and wholesale services for baggage tags; retail services or wholesale services for water tanks for household purposes, not of metal or masonry; on-line retail and wholesale services for water tanks for household purposes, not of metal or masonry; retail services or wholesale services for covers for flower pots, not of paper, heating or cooling packs filled with chemical substances ready to react when required, industrial packaging bottles of plastics; on-line retail and wholesale services for covers for flower pots, not of paper, heating or cooling packs filled with chemical substances ready to react when required, industrial packaging bottles of plastics; retail services or wholesale services for hanging boards [Japanese style pegboards using positional hooks]; on-line retail and wholesale services for hanging boards [Japanese style pegboards using positional hooks]; retail services or wholesale services for tool boxes of metal, empty and tool boxes, not of metal; on-line retail and wholesale services for tool boxes of metal, empty and tool boxes, not of metal; retail services or wholesale services for towel dispensers of metal, towel dispensers, not of metal, soap dispensers, boxes of metal for dispensing paper towels; on-line retail and wholesale services for towel dispensers of metal, towel dispensers, not of metal, soap dispensers, boxes of metal for dispensing paper towels; retail services or wholesale services for tanks [indoor aquaria] and their fittings; on-line retail and wholesale services for tanks [indoor aquaria] and their fittings; retail services or wholesale services for toilet paper holder, toilet seat covers of textile; on-line retail and wholesale services for toilet paper holder, toilet seat covers of textile; retail services or wholesale services for bath fittings, showers; on-line retail and wholesale services for bath fittings, showers; retail services or wholesale services for pill boxes, not of precious metal, for personal use; on-line retail and wholesale services for pill boxes, not of precious metal, for personal use; retail services or wholesale services for window shades, bead curtains for decoration, indoor window blinds [shade] [furniture], blinds of reed, rattan or bamboo [Sudare], table cloths, not of paper, wall hangings of textile, seat covers of textile, draperies [thick drop curtains], curtains, wall hangings, not of textile, floor coverings; on-line retail and wholesale services for window shades, bead curtains for decoration, indoor window blinds [shade] [furniture], blinds of reed, rattan or bamboo [Sudare], table cloths, not of paper, wall hangings of textile, seat covers of textile, draperies [thick drop curtains], curtains, wall hangings, not of textile, floor coverings; retail services or wholesale services for figurines of wood, bamboo or plastic, figurines of glass or ceramics; on-line retail and wholesale services for figurines of wood, bamboo or plastic, figurines of glass or ceramics; retail services or wholesale services for oriental folding partition screens [Byoubu], oriental single panel standing partition [Tsuitate]; on-

line retail and wholesale services for oriental folding partition screens [Byoubu], oriental single panel standing partition [Tsuitate]; retail services or wholesale services for plastic sheeting for agricultural purposes; on-line retail and wholesale services for plastic sheeting for agricultural purposes; retail services or wholesale services for upright signboards of metal, upright signboards of wood or plastics, advertising balloons, upright signboards of glass or ceramics; on-line retail and wholesale services for upright signboards of metal, upright signboards of wood or plastics, advertising balloons, upright signboards of glass or ceramics; retail services or wholesale services for artificial model food samples; on-line retail and wholesale services for artificial model food samples; retail services or wholesale services for artificial turf; on-line retail and wholesale services for artificial turf; retail services or wholesale services for commemorative shields, trophies [prize cups]; on-line retail and wholesale services for commemorative shields, trophies [prize cups]; retail services or wholesale services for buttons and the like; on-line retail and wholesale services for buttons and the like; retail services or wholesale services for artificial flowers; on-line retail and wholesale services for artificial flowers; retail services or wholesale services for mannequins and costume display stands; on-line retail and wholesale services for mannequins and costume display stands; retail services or wholesale services for masquerade costumes; on-line retail and wholesale services for masquerade costumes; retail services or wholesale services for fishing tackle and fishing baits; on-line retail and wholesale services for fishing tackle and fishing baits; retail services or wholesale services for adhesive tapes, other than stationery and not for medical or household purposes; on-line retail and wholesale services for adhesive tapes, other than stationery and not for medical or household purposes; retail services or wholesale services for insect collecting implements; on-line retail and wholesale services for insect collecting implements; retail services or wholesale services for electronic publications; on-line retail and wholesale services for electronic publications; retail services or wholesale services for paintings and calligraphic works and picture frames; on-line retail and wholesale services for paintings and calligraphic works and picture frames; retail services or wholesale services for exposed slide films, exposed cinematographic films, slide film mounts, photograph stands, photographs; on-line retail and wholesale services for exposed slide films, exposed cinematographic films, slide film mounts, photograph stands, photographs; retail services or wholesale services for matches; on-line retail and wholesale services for matches; retail services or wholesale services for Japanese Shochu-based mixed liquor [Mirin]; on-line retail and wholesale services for Japanese Shochu-based mixed liquor [Mirin]; retail services or wholesale services for Chinese liquors in general; on-line retail and wholesale services for Chinese liquors

in general; retail services or wholesale services for flavored liquors; on-line retail and wholesale services for flavored liquors; retail services or wholesale services for frozen fruits, fresh fruits; on-line retail and wholesale services for frozen fruits, fresh fruits; retail services or wholesale services for processed vegetables and fruits; on-line retail and wholesale services for processed vegetables and fruits; retail services or wholesale services for unprocessed plastics [plastics in primary form] and plastic semi-worked products [for use as material]; on-line retail and wholesale services for unprocessed plastics [plastics in primary form] and plastic semi-worked products [for use as material]; retail services or wholesale services for rubber [raw or semi-worked]; on-line retail and wholesale services for rubber [raw or semi-worked]; retail services or wholesale services for tree barks, vines, bamboo skins [unworked or partly worked material], bamboo [unworked or partly worked material], ferns [unworked or partly worked material], Japanese food wrapping sheets of wood as materials [Kyogi], rattan [unworked or partly worked], rough cork, palm tree leaves, unworked; on-line retail and wholesale services for tree barks, vines, bamboo skins [unworked or partly worked material], bamboo [unworked or partly worked material], ferns [unworked or partly worked material], Japanese food wrapping sheets of wood as materials [Kyogi], rattan [unworked or partly worked], rough cork, palm tree leaves, unworked.

(260) AM 2026 134847 A
 (800) 1545434
 (151) 2020 06 16
 (891) 2025 07 04
 (731) COGNAC FERRAND
 4 rue de Saint-Petersbourg, F-75008 PARIS,
 France

(540)
FERRAND

(591) Black, white
 (531) 27.05.01
 (511)
 33 – Alcoholic beverages, with the exception of beers and wines; liqueurs and digesters; eaux-de-vie; apéritifs; cocktails; alcoholic beverages containing fruit; alcoholic fruit extracts; spirits [beverages]; distilled wines; liqueur wines; gin; vodka; brandy; rum.

(260) AM 2026 134848 A
 (800) 1596640
 (151) 2021 05 17
 (891) 2025 05 29
 (731) Denair Energy Saving Technology (Shanghai) PLC.
 No. 6767, Tingfeng Rd., Jinshan District,
 201502 Shanghai, China

(540)

DENAIR

(591) Black, white
 (531) 05.03.13; 05.03.14; 27.03.11; 27.05.01;
 27.05.17

(511)
 7 – Compressed air pumps; blowing machines for the compression, exhaustion and transport of gases; blowing machines; superchargers; compressed air machines; pneumatic transporters; pumps [parts of machines engines or motors]; vacuum pumps [machines]; compressors [machines]; spin driers [not heated].

(260) AM 2026 134849 A
 (800) 1694182
 (151) 2022 08 30
 (891) 2025 05 23
 (731) Grandstone Corp.
 7901 4TH STREET NORTH, STE 300,
 ST. PETERSBURG FL 33702, USA

(540)

ATVEL

(591) Black, white
 (531) 27.05.17
 (511)
 7 – 3D printers; 3D printing pens; acetylene cleaning apparatus; adhesive bands for pulleys; adhesive tape dispensers [machines]; aerating pumps for aquaria; apparatus for aerating beverages; apparatus for aerating water; aerocondensers; aeronautical engines; aeroplane engines; agitators; agricultural elevators; agricultural implements, other than hand-operated; agricultural machines; air brushes for applying colour; air condensers; air cushion devices for moving loads; air pumps [garage installations]; air suction machines; alternators; anti-friction bearings for machines; anti-friction pads for machines; anti-pollution devices for motors and engines; aprons [parts of machines]; carriage aprons; electric arc cutting apparatus; electric arc welding apparatus; ball rings for bearings; ball-bearings; bearings [parts of machines]; bearings for transmission shafts; beaters, electric; beating machines; beer pumps; bellows [parts of machines]; belt conveyors; belts for conveyors; belts for machines; belts for motors and engines; bending machines; beverage preparation machines, electromechanical; bicycle assembling machines; bicycle dynamos; binding apparatus for hay; trussing apparatus for hay; bitumen making machines; blade holders [parts of machines]; blade sharpening [stropping] machines; stropping machines; blenders, electric, for household purposes; blowing machines; blowing machines for the compression, exhaustion and transport of gases; blowing machines for the compression, sucking and carrying of gra-

in; blowing machines or fans for the compression, sucking and carrying of grain; fans for the compression, sucking and carrying of grain; bobbins for weaving looms; reels for weaving looms; boiler tubes [parts of machines]; bookbinding apparatus and machines for industrial purposes; bottle capping machines; bottle filling machines; bottle sealing machines; bottle stoppering machines; bottle washing machines; boxes for matrices [printing]; braiding machines; brake linings, other than for vehicles; brake pads, other than for vehicles; brake segments, other than for vehicles; brake shoes, other than for vehicles; bread cutting machines; brewing machines; brushes [parts of machines]; brushes for vacuum cleaners; brushes, electrically operated [parts of machines]; bulldozers; butter machines; calenders; mangles; camshafts for vehicle engines; capstans; carbon brushes [electricity]; carburetter feeders; carburetters; card clothing [parts of carding machines]; carding machines; machines and apparatus for carpet shampooing, electric; cartridges for filtering machines; catalytic converters; central vacuum cleaning installations; centrifugal machines; centrifuges [machines]; centrifugal mills; centrifugal pumps; chaff cutter blades; chain saws; drive chains, other than for land vehicles; cheese slicers, electric; electromechanical machines for chemical industry; chisels for machines; chucks [parts of machines]; churns; cigarette machines for industrial purposes; cinder sifters [machines]; clack valves [parts of machines]; cleaning appliances utilizing steam; machines and apparatus for cleaning, electric; clippers [machines]; clutches, other than for land vehicles; coal-cutting machines; coffee grinders, other than hand-operated; coin-operated washing machines; compressed air engines; compressed air guns for the extrusion of mastics; compressed air machines; compressed air pumps; compressors [machines]; compressors for refrigerators; concrete mixers [machines]; condensing installations; control cables for machines, engines or motors; control mechanisms for machines, engines or motors; hydraulic controls for machines, motors and engines; pneumatic controls for machines, motors and engines; converters for steelworks; conveyors [machines]; cord making machines; couplings, other than for land vehicles; cowlings [parts of machines]; guards [parts of machines]; hoods [parts of machines]; cranes [lifting and hoisting apparatus]; crankcases for machines, motors and engines; cream/milk separators; crushers for kitchen use, electric; crushing machines; cultivators [machines]; current generators; curtain drawing devices, electrically operated; cutters [machines]; cutting blow pipes, gas-operated; cutting machines; cylinder heads for engines; cylinders for motors and engines; dairy machines; darning machines; de-aerators for feedwater; degreasers [machines]; derricks; die-cutting and tapping machines; nut-tapping machines; die-stamping machines; diggers [machines]; dishwashers; disintegrators; ditchers [ploughs]; dividing machines; door closers, electric; door closers, hydraulic; door

closers, pneumatic; door openers, electric; door openers, hydraulic; door openers, pneumatic; drainage machines; apparatus for drawing up beer under pressure; metal drawing machines; drill chucks [parts of machines]; drilling bits [parts of machines]; drilling heads [parts of machines]; drilling machines; drilling rigs, floating or non-floating; driving motors, other than for land vehicles; dust exhausting installations for cleaning purposes; dust removing installations for cleaning purposes; dyeing machines; dynamo belts; dynamo brushes; dynamos; earth moving machines; ejectors; electrodes for welding machines; electroplating machines; elevating apparatus; elevator belts; lift belts; elevator chains [parts of machines]; elevator operating apparatus; lift operating apparatus; elevators [lifts]; embossing machines; emergency power generators; engine mounts, other than for land vehicles; engines for air cushion vehicles; engines for boats; hydraulic engines and motors; engraving machines; excavators; exhaust manifold for engines; exhausts for motors and engines; expansion tanks [parts of machines]; fan belts for motors and engines; fans for motors and engines; feeders [parts of machines]; feeding apparatus for engine boilers; filling machines; filter presses; filtering machines; filters being parts of machines or engines; filters for cleaning cooling air, for engines; finishing machines; fittings for engine boilers; fleshing machines; floating production, storage and offloading [FPSO] units; flour mill machines; flues for engine boilers; fodder presses; food preparation machines, electromechanical; food processors, electric; forge blowers; foundry machines; friezing machines; fruit presses, electric, for household purposes; fuel conversion apparatus for internal combustion engines; fuel dispensing pumps for service stations; fuel economisers for motors and engines; galvanizing machines; gas-operated blow torches; gear boxes, other than for land vehicles; gears for weaving looms; gears, other than for land vehicles; electricity generators; glass-working machines; glaziers' diamonds [parts of machines]; glow plugs for Diesel engines; glue guns, electric; grain husking machines; corn and grain husking machines; corn husking machines; grain separators; automatic grapnels for marine purposes; grating machines for vegetables; grease boxes [parts of machines]; grease rings [parts of machines]; grinding machines; grindstones [parts of machines]; sharpening wheels [parts of machines]; guides for machines; guns [tools using explosive cartridges]; electric hammers; hammers [parts of machines]; pneumatic hammers; electric hand drills; hand-held tools, other than hand-operated; handling apparatus for loading and unloading; handling machines, automatic [manipulators]; hangers [parts of machines]; harrows; harvesting machines; mining and reaping machines; haulage apparatus [mining]; extractors for mines; heat exchangers [parts of machines]; hemming machines; high pressure washers; hoists; holding devices for machine tools; hoppers [mechanical discharging]; hosiery looms; ho-

usings [parts of machines]; hydrogen dispensing pumps for service stations; igniting devices for internal combustion engines; igniting magnetos; incubators for eggs; industrial inkjet printing machines; industrial robots; injectors for engines; inking apparatus for printing machines; ironing machines; jacks [machines]; pneumatic jacks; jet engines, other than for land vehicles; joints [parts of engines]; sealing joints [parts of engines]; journal boxes [parts of machines]; joysticks being parts of machines, other than for game machines; juice extractors, electric; kick starters for motorcycles; kitchen grinders, electric; kitchen machines, electric; kneading machines; knitting machines; knives being parts of machines; knives for mowing machines; knives, electric; labellers [machines]; lace making machines; lasts for shoes [parts of machines]; shoe lasts [parts of machines]; lathes [machine tools]; lawnmowers [machines]; leather paring machines; leather-working machines; lifting apparatus; lifts, other than ski-lifts; mechanized livestock feeders; loading ramps; loom shafts; looms; lubricating pumps; lubricators [parts of machines]; machine tools; matrices for use in printing; meat choppers, electric; meat mincers, electric; metalworking machines; milking machines; milling machines; mills [machines]; mills for household purposes, other than hand-operated; millstones; mine borers; machines for the mineralization of drinking water; machines for the mineralisation of drinking water; mineworking machines; mixers [machines]; mixing machines; mobile cranes; mortising machines; paring machines; motorized cultivators; motors for boats; motors, electric, other than for land vehicles; motors, other than for land vehicles; engines, other than for land vehicles; moulding machines; molding machines; moulds [parts of machines]; molds [parts of machines]; moving staircases [escalators]; escalators; moving walkways; moving sidewalks; mud catchers and collectors [machines]; mufflers for motors and engines; silencers for motors and engines; nail extractors, electric; nail pullers, electric; net hauling machines [fishing]; notchers [machine tools]; oil refining machines; ore treating machines; packaging machines; packing machines; painting machines; paper feeders [printing]; papermaking machines; parquet wax-polishers, electric; pasta making machines, electric; pedal drives for sewing machines; peeling machines; pepper mills, other than hand-operated; pigs for cleaning pipes; piston segments; piston rings; pistons [parts of machines or engines]; pistons for cylinders; pistons for engines; planing machines; ploughs; ploughshares; machines and apparatus for polishing [electric]; potters' wheels; power hammers; presses [machines for industrial purposes]; pressure reducers [parts of machines]; pressure regulators [parts of machines]; pressure valves [parts of machines]; printing cylinders; printing machines; printing machines for use on sheet metal; printing plates; printing presses; printing rollers for machines; machines for processing plastics; propulsion mechanisms, other

than for land vehicles; puddling machines; pulleys; pulverisers [machines]; atomisers [machines]; spraying machines; pump diaphragms; pumps [machines]; pumps [parts of machines, engines or motors]; pumps for counter-current swimming; pumps for heating installations; punches for punching machines; punching machines; rack and pinion jacks; racket stringing machines; radiators [cooling] for motors and engines; rail-laying machines; railroad constructing machines; railway wagon lifts; rakes for raking machines; raking machines; rammers [machines]; rams [machines]; reapers; reapers and binders; reapers and threshers; reduction gears, other than for land vehicles; reeling apparatus, mechanical; regulators [parts of machines]; riveting machines; road making machines; road building machines; road sweeping machines, self-propelled; robotic exoskeleton suits, other than for medical purposes; roller bearings; roller bridges; rolling mill cylinders; rolling mills; rotary printing presses; rotary steam presses, portable, for fabrics; rubber tracks being parts of crawlers on agricultural machines; rubber tracks being parts of crawlers on construction machines; rubber tracks being parts of crawlers on loading-unloading machines and apparatus; rubber tracks being parts of crawlers on mining machines; rubber tracks being parts of crawlers on snow ploughs; satini-zing machines; sausage making machines; saw benches [parts of machines]; saw blades [parts of machines]; saws [machines]; scale collectors for machine boilers; scissors, electric; screwdrivers, electric; electrical apparatus for sealing plastics [packaging]; sealing machines for industrial purposes; self-oiling bearings; self-regulating fuel pumps; sewage pulverizers; sewage pulverisers; sewing machines; shaft couplings [machines]; sharpening machines; sheaf-binding machines; shearing machines for animals; hair clipping machines for animals; hair cutting machines for animals; shears, electric; shock absorber plungers [parts of machines]; dashpot plungers [parts of machines]; plunger pistons; shoe polishers, electric; shovels, mechanical; shredders [machines] for industrial use; shuttles [parts of machines]; sieves [machines or parts of machines]; sifting installations; sifting machines; size adjustment cutting machines for industrial purposes; ski edge sharpening tools, electric; slide rests [parts of machines]; sliders for knitting machines; carriages for knitting machines; slides for knitting machines; smoothing presses; snow ploughs; soldering apparatus, electric; soldering apparatus, gas-operated; welding apparatus, gas-operated; soldering blow pipes, gas-operated; soldering irons, electric; soldering irons, gas-operated; soldering lamps; sorting machines for industry; sowers [machines]; sparking plugs for internal combustion engines; speed governors for machines, engines and motors; spin driers [not heated]; spinning frames; spinning machines; spinning wheels; spray guns for paint; springs [parts of machines]; stalk separators [machines]; stamping machines; stands for machines; starters for motors and engines; stators

[parts of machines]; steam condensers [parts of machines]; steam engine boilers; steam engines; steam mops; steam traps; steam/oil separators; oil separators; steamrollers; road rollers; stereotype machines; stitching machines; stone-working machines; straw [chaff] cutters; chaff cutters; stuffing boxes [parts of machines]; suction cups for milking machines; teat cups for milking machines; suction machines for industrial purposes; suction nozzles for vacuum cleaners; machines for the production of sugar; superchargers; superheaters; swaging machines; tables for machines; tambours for embroidery machines; taps [parts of machines, engines or motors]; faucets [parts of machines, engines or motors]; tarring machines; tedding machines; machines for the textile industry; thermic lances [machines]; threading machines; threshing machines; tilling machines for agricultural purposes; tilt hammers; tin openers, electric; can openers, electric; tobacco processing machines; transmission chains, other than for land vehicles; transmission mechanisms, other than for land vehicles; transmissions for machines; pneumatic transporters; trimming machines; apparatus for dressing; apparatus for machining; pneumatic tube conveyors; tube conveyors, pneumatic; hydraulic turbines; turbines, other than for land vehicles; turbocompressors; turf removing ploughs; tympan [parts of printing presses]; type-setting machines [photocomposition]; type-setting machines [printing]; typecasting machines; typographic machines; typographic presses; vacuum cleaner attachments for disseminating perfumes and disinfectants; vacuum cleaner bags; vacuum cleaner hoses; vacuum cleaners; vacuum pumps [machines]; valves [parts of machines]; vegetable peelers, electric; vegetable spiralizers, electric; vegetable slicers, electric; vending machines; vibrators [machines] for industrial use; vulcanization apparatus; washing apparatus; washing installations for vehicles; vehicle washing installations; washing machines [laundry]; pneumatic waste oil drainers; waste compacting machines; trash compacting machines; waste disposal units; garbage disposal units; water heaters being parts of machines; water separators; drain cocks; machines and apparatus for wax-polishing, electric; weeding machines; electric welding apparatus; welding machines, electric; machine wheelwork; whisks, electric, for household purposes; whitewashing machines; colour-washing machines; winches; wind turbines; window closers, electric; window closers, hydraulic; window closers, pneumatic; window openers, electric; window openers, hydraulic; window openers, pneumatic; wine presses; winnowers; wood-working machines; wrapping machines; wringing machines for laundry.

9 – 3D spectacles; abacuses; accelerometers; accumulators, electric; acid hydrometers; acidimeters for batteries; acoustic alarms; sound alarms; acoustic conduits; acoustic couplers; actinometers; electrical adapters; adding machines; aerials; antennas; aerometers; air analysis apparatus; alarm bells, electric; alarms; al-

coholmeters; alidades; altimeters; ammeters; amplifiers; amplifying tubes; amplifying valves; anemometers; animal signalling rattles for directing livestock; animated cartoons; anode batteries; high tension batteries; anodes; answering machines; anti-glare glasses; anti-interference devices [electricity]; anti-theft warning apparatus; anticathodes; apertometers [optics]; armatures [electricity]; asbestos clothing for protection against fire; asbestos gloves for protection against accidents; asbestos screens for firemen; apparatus and instruments for astronomy; audio interfaces; audio mixers; audio- and video-receivers; audiovisual teaching apparatus; automated teller machines [ATM]; azimuth instruments; baby monitors; baby scales; bags adapted for laptops; balances [steelyards]; lever scales [steelyards]; steelyards [lever scales]; balancing apparatus; bar code readers; barometers; bathroom scales; batteries for electronic cigarettes; batteries, electric; batteries, electric, for vehicles; accumulators, electric, for vehicles; battery boxes; accumulator boxes; battery chargers; battery jars; accumulator jars; beacons, luminous; bells [warning devices]; betatrons; binoculars; biochips; biometric identity cards; biometric passports; e-passports; blueprint apparatus; body harnesses for support when lifting loads; boiler control instruments; branch boxes [electricity]; breathing apparatus for underwater swimming; breathing apparatus, except for artificial respiration; bullet-proof clothing; bullet-proof vests; bullet-proof waistcoats; buzzers; cabinets for loudspeakers; cables, electric; calculating machines; calibrating rings; calipers; calorimeters; camcorders; cameras [photography]; capillary tubes for laboratory use; carpenters' rules; carriers for dark plates [photography]; cases especially made for photographic apparatus and instruments; cases for smartphones; cash registers; cassette players; cathodes; cathodic anti-corrosion apparatus; cell phone straps; cell switches [electricity]; reducers [electricity]; centering apparatus for photographic transparencies; apparatus for changing record player needles; chargers for electric accumulators; chargers for electronic cigarettes; charging stations for electric vehicles; apparatus to check franking; apparatus to check stamping mail; chemistry apparatus and instruments; chips [integrated circuits]; choking coils [impedance]; chromatography apparatus for laboratory use; chronographs [time recording apparatus]; cinematographic cameras; cinematographic film, exposed; circuit breakers; circuit closers; circular slide rules; cleaning apparatus for phonograph records; cleaning apparatus for sound recording discs; climate control digital thermostats; close-up lenses; clothing especially made for laboratories; clothing for protection against accidents, irradiation and fire; clothing for protection against fire; garments for protection against fire; coaxial cables; coils, electric; coin-operated mechanisms for television sets; mechanisms for coin-operated apparatus; collectors, electric; electric apparatus for commutation; commutators; compact disc players; compact discs [audio-vi-

deo]; compact discs [read-only memory]; comparators; compasses for measuring; computer game software, downloadable; computer game software, recorded; computer hardware; computer keyboards; computer memory devices; computer operating programs, recorded; computer peripheral devices; computer programs, downloadable; computer programs, recorded; computer screen saver software, recorded or downloadable; computer software applications, downloadable; computer software platforms, recorded or downloadable; computer software, recorded; computers; condensers [capacitors]; capacitors; conductors, electric; connected bracelets [measuring instruments]; connections for electric lines; connectors [electricity]; contact lenses; contacts, electric; containers for contact lenses; containers for microscope slides; control panels [electricity]; converters, electric; copper wire, insulated; cordless telephones; correcting lenses [optics]; cosmographic instruments; mechanisms for counter-operated apparatus; counterfeit coin detectors; counters; meters; couplers [data processing equipment]; couplings, electric; connections, electric; covers for electric outlets; covers for personal digital assistants [PDAs]; covers for smartphones; covers for tablet computers; crash test dummies; credit card terminals; crucibles [laboratory]; cupels [laboratory]; current rectifiers; cyclotrons; darkroom lamps [photography]; darkrooms [photography]; data gloves; data processing apparatus; decompression chambers; decorative magnets; demagnetizing apparatus for magnetic tapes; densimeters; densitometers; detectors; metal detectors for industrial or military purposes; diagnostic apparatus, not for medical purposes; diaphragms [acoustics]; diaphragms [photography]; diaphragms for scientific apparatus; dictating machines; diffraction apparatus [microscopy]; digital photo frames; digital signs; digital weather stations; personal digital assistants [PDAs]; directional compasses; discharge tubes, electric, other than for lighting; electric discharge tubes, other than for lighting; disk drives for computers; disks, magnetic; distance measuring apparatus; distance recording apparatus; apparatus for recording distance; distillation apparatus for scientific purposes; distribution boards [electricity]; distribution boxes [electricity]; distribution consoles [electricity]; divers' masks; diving suits; DNA chips; dog whistles; electric door bells; dosage dispensers; dosimeters; downloadable cryptographic keys for receiving and spending crypto assets; downloadable e-wallets; downloadable emoticons for mobile phones; downloadable graphics for mobile phones; downloadable image files; downloadable music files; downloadable ring tones for mobile phones; drainers for use in photography; photographic racks; dressmakers' measures; droppers for measuring, other than for medical or household purposes; drying apparatus for photographic prints; drying racks [photography]; ducts [electricity]; DVD players; dynamometers; ear pads for headphones; ear plugs for divers; earpieces for remote communication;

apparatus for editing cinematographic film; egg timers [sandglasses]; hourglasses; egg-candlers; electricity conduits; materials for electricity mains [wires, cables]; electrified fences; electrified rails for mounting spot lights; electro-dynamic apparatus for the remote control of railway points; electro-dynamic apparatus for the remote control of signals; electrolysis apparatus for laboratory use; electromagnetic coils; electric and electronic effects units for musical instruments; electronic access control systems for interlocking doors; electronic agendas; electronic book readers; electronic collars to train animals; electronic interactive whiteboards; electronic key fobs being remote control apparatus; electronic notice boards; electronic numeric displays; electronic pens [visual display units]; electronic pocket translators; electronic publications, downloadable; electronic sheet music, downloadable; electronic tags for goods; encoded identification bracelets, magnetic; encoded key cards; encoded magnetic cards; enlarging apparatus [photography]; epidiascopes; equalizers [audio apparatus]; equalisers [audio apparatus]; ergometers; exposure meters [light meters]; eyepieces; instruments containing eyepieces; eyewear; facsimile machines; fermentation apparatus for laboratory use; fibre optic cables; fiber optic cables; film cutting apparatus; films, exposed; filters for respiratory masks; filters for ultraviolet rays, for photography; filters for use in photography; finger sizers; fire alarms; fire beaters; fire blankets; fire boats; fire engines; fire escapes; fire extinguishers; fire extinguishing apparatus; fire hose; fire hose nozzles; fire pumps; fire-extinguishing balls; flash-bulbs [photography]; flashing lights [luminous signals]; flashlights [photography]; floppy disks; flowmeters; fluorescent screens; fog signals, non-explosive; food analysis apparatus; frames for photographic transparencies; frequency meters; furnaces for laboratory use; ovens for laboratory use; furniture especially made for laboratories; fuse wire; fuses; galena crystals [detectors]; galvanic batteries; galvanic cells; galvanometers; gas testing instruments; gasometers [measuring instruments]; gauges; glazing apparatus for photographic prints; Global Positioning System [GPS] apparatus; gloves for divers; gloves for protection against accidents; gloves for protection against X-rays for industrial purposes; goggles for sports; grids for batteries; hairdressing training heads [teaching apparatus]; hand-held electronic dictionaries; hands-free kits for telephones; head cleaning tapes [recording]; head guards for sports; headgear being protective helmets; headphones; heat regulating apparatus; height measuring instruments; heliographic apparatus; hemline markers; high-frequency apparatus; holders for electric coils; holders adapted for mobile telephones and smartphones; holograms; horns for loudspeakers; hydrometers; hygrometers; identification sheaths for electric wires; identification threads for electric wires; identity cards, magnetic; igniting apparatus, electric, for igniting at a distance; electric apparatus for remote ignition; igniti-

on batteries; incubators for bacteria culture; automatic indicators of low pressure in vehicle tyres; automatic indicators of low pressure in vehicle tires; inductors [electricity]; infrared detectors; ink cartridges, unfilled, for printers and photocopiers; integrated circuit cards [smart cards]; smart cards [integrated circuit cards]; integrated circuits; interactive touch screen terminals; intercommunication apparatus; interfaces for computers; inverters [electricity]; invoicing machines; ionization apparatus not for the treatment of air or water; jigs [measuring instruments]; joysticks for use with computers, other than for video games; juke boxes for computers; juke boxes, musical; coin-operated musical automata [juke boxes]; junction boxes [electricity]; junction sleeves for electric cables; knee-pads for workers; laboratory centrifuges; laboratory pipettes; laboratory robots; laboratory trays; lactodensimeters; lactometers; laptop computers; lasers, not for medical purposes; lens hoods; lenses for astrophotography; letter scales; levelling instruments; levelling staffs [surveying instruments]; rods [surveying instruments]; levels [instruments for determining the horizontal]; life belts; life buoys; life jackets; life-saving capsules for natural disasters; life-saving rafts; lifeboats; light dimmers [regulators], electric; light regulators [dimmers], electric; light-emitting diodes [LED]; light-emitting electronic pointers; lighting ballasts; lightning conductors; lightning arresters; lightning rods; limiters [electricity]; locks, electric; logs [measuring instruments]; electric loss indicators; loudspeakers; magic lanterns; magnetic data media; magnetic encoders; magnetic resonance imaging [MRI] apparatus, not for medical purposes; magnetic tape units for computers; magnetic tapes; magnetic wires; magnets; magnifying glasses [optics]; marine compasses; marine depth finders; marking buoys; marking gauges [joinery]; protective masks, not for medical purposes; masts for wireless aerials; mathematical instruments; measures; apparatus for measuring the thickness of skins; appliances for measuring the thickness of leather; measuring apparatus; measuring devices, electric; measuring glassware; graduated glassware; measuring instruments; measuring spoons; megaphones; memory cards for video game machines; mercury levels; meteorological balloons; meteorological instruments; metronomes; micrometer screws for optical instruments; micrometers; micrometer gauges; microphones; microprocessors; microscopes; microtomes; mileage recorders for vehicles; kilometer recorders for vehicles; mirrors [optics]; mirrors for inspecting work; mobile telephones; cell phones; cellular phones; modems; money counting and sorting machines; monitoring apparatus, other than for medical purposes; monitors [computer hardware]; monitors [computer programs]; mouse [computer peripheral]; mouse pads; mouth guards for sports; nanoparticle size analysers; nanoparticle size analyzers; nautical apparatus and instruments; naval signalling apparatus; navigation apparatus for vehicles [on-board computers]; navigational

instruments; needles for record players; styli for record players; needles for surveying compasses; neon signs; nets for protection against accidents; nose clips for divers and swimmers; notebook computers; objectives [lenses] [optics]; observation instruments; octants; ohmmeters; optical apparatus and instruments; optical character readers; optical condensers; optical data media; optical discs; optical fibres [light conducting filaments]; optical fibers [light conducting filaments]; optical glass; optical lanterns; optical lamps; optical lenses; oxygen transvasing apparatus; ozonizers [ozonators]; padlocks, electronic; parking meters; parking sensors for vehicles; particle accelerators; pedometers; peepholes [magnifying lenses] for doors; periscopes; Petri dishes; petrol gauges; gasoline gauges; phonograph records; sound recording discs; photocopiers [photographic, electrostatic, thermic]; photometers; phototelegraphy apparatus; photovoltaic cells; apparatus and instruments for physics; piezoelectric sensors; pince-nez; Pitot tubes; plane tables [surveying instruments]; planimeters; plates for batteries; plotters; electric plugs; plumb bobs; plumb lines; pocket calculators; polarimeters; portable media players; portable speakers; precision balances; precision measuring apparatus; pressure gauges; manometers; pressure indicator plugs for valves; pressure indicators; pressure measuring apparatus; printed circuit boards; printed circuits; printers for use with computers; prisms [optics]; probes for scientific purposes; processors [central processing units]; central processing units [processors]; devices for the projection of virtual keyboards; projection apparatus; projection screens; protection devices against X-rays, not for medical purposes; protection devices for personal use against accidents; protective films adapted for computer screens; protective films adapted for smartphones; protective helmets; protective helmets for sports; protective suits for aviators; protractors [measuring instruments]; punched card machines for offices; push buttons for bells; pyrometers; quantity indicators; quantum dot light-emitting diodes [QLED]; radar apparatus; radio pagers; radiological apparatus for industrial purposes; radiology screens for industrial purposes; radios; radiotelegraphy sets; radiotelephony sets; railway traffic safety appliances; range finders; telemeters; readers [data processing equipment]; rearview cameras for vehicles; record players; reflective articles for wear, for the prevention of accidents; reflective safety vests; refractometers; refractors; regulating apparatus, electric; relays, electric; electric installations for the remote control of industrial operations; remote control apparatus; rescue flares, non-explosive and non-pyrotechnic; rescue laser signalling flares; resistances, electric; respirators for filtering air; respiratory masks, other than for artificial respiration; resuscitation mannequins [teaching apparatus]; resuscitation training simulators; retorts; retorts' stands; revolution counters; rheostats; riding helmets; ring sizers; road signs, luminous or mechanical; humanoid robots with artificial

intelligence for use in scientific research; rods for water diviners; rulers [measuring instruments]; rules [measuring instruments]; saccharometers; safety nets; life nets; safety restraints, other than for vehicle seats and sports equipment; safety tarpaulins; salinometers; satellite finder meters; satellite navigational apparatus; satellites for scientific purposes; scales; scales with body mass analysers; scales with body mass analysers; scanners [data processing equipment]; screens [photography]; screens for photoengraving; screw-tapping gauges; security surveillance robots; security tokens [encryption devices]; selfie lenses; selfie sticks [hand-held monopods]; semi-conductors; sextants; sheaths for electric cables; shoes for protection against accidents, irradiation and fire; shutter releases [photography]; shutters [photography]; sighting telescopes for firearms; telescopic sights for firearms; signal bells; signal lanterns; signalling buoys; signalling panels, luminous or mechanical; signalling whistles; signals, luminous or mechanical; mechanical signs; signs, luminous; simulators for the steering and control of vehicles; sirens; sleeves for laptops; slide calipers; slide projectors; transparency projection apparatus; slide-rules; slope indicators; clinometers; gradient indicators; inclinometers; smart rings; smart speakers; smartglasses; smartphones; smartwatches; smoke detectors; snorkels; electric sockets; solar batteries; solar panels for the production of electricity; solderers' helmets; solenoid valves [electromagnetic switches]; sonars; sound locating instruments; sound recording apparatus; sound recording carriers; sound recording strips; sound reproduction apparatus; sound transmitting apparatus; sounding apparatus and machines; sounding leads; sounding lines; spark-guards; speaking tubes; spectacle cases; eyeglass cases; spectacle chains; eyeglass chains; spectacle cords; eyeglass cords; spectacle frames; eyeglass frames; spectacle lenses; eyeglass lenses; spectacles; eyeglasses; spectacles for correcting colour blindness; color blindness correction glasses; colour blindness correction glasses; spectacles for correcting color blindness; spectrograph apparatus; spectrometers; speed checking apparatus for vehicles; speed indicators; speed measuring apparatus [photography]; speed regulators for record players; spherometers; spirit levels; spools [photography]; sports whistles; sprinkler systems for fire protection; square rulers for measuring; squares for measuring; stage lighting regulators; stands adapted for laptops; stands for photographic apparatus; starter cables for motors; steering apparatus, automatic, for vehicles; step-up transformers; personal stereos; stereoscopes; stereoscopic apparatus; stills for laboratory experiments; stroboscopes; subwoofers; sulfimeters; sunglasses; surveying apparatus and instruments; surveying chains; surveying instruments; surveyors' levels; survival blankets; switchboards; switchboxes [electricity]; switches, electric; T-squares for measuring; tablet computers; tachometers; tape recorders; taximeters; teaching apparatus; teaching robots; teeth protec-

tors; telecommunication apparatus in the form of jewellery; telecommunication apparatus in the form of jewelry; telegraph wires; telegraphs [apparatus]; telephone apparatus; telephone receivers; telephone transmitters; telephone wires; telepresence robots; teleprinters; teletypewriters; teleprompters; telerupters; telescopes; telescopic sights for artillery; television apparatus; temperature indicator labels, not for medical purposes; temperature indicators; terminals [electricity]; test tubes; material testing instruments and machines; testing apparatus not for medical purposes; theft prevention installations, electric; theodolites; thermal imaging cameras; thermionic valves; thermionic tubes; thermo-hygrometers; thermometers, not for medical purposes; thermostats; thermostats for vehicles; thin client computers; thread counters; ticket dispensers; ticket printers; time clocks [time recording devices]; time recording apparatus; time switches, automatic; tone arms for record players; toner cartridges, unfilled, for printers and photocopiers; totalizers; trackballs [computer peripherals]; traffic cones; traffic-light apparatus [signalling devices]; transformers [electricity]; transistors [electronic]; transmitters [telecommunication]; transmitters of electronic signals; transmitting sets [telecommunication]; transparencies [photography]; slides [photography]; transponders; triodes; tripods for cameras; urinometers; USB flash drives; vacuum gauges; vacuum tubes [radio]; variometers; vehicle breakdown warning triangles; vehicle radios; verniers; video baby monitors; video cassettes; video game cartridges; video projectors; video recorders; video screens; video telephones; videotapes; viewfinders, photographic; virtual reality headsets; viscosimeters; visors for helmets; voltage regulators for vehicles; voltage surge protectors; voltmeters; voting machines; wafers for integrated circuits; wah-wah pedals; walkie-talkies; washing trays [photography]; water level indicators; wavemeters; wearable activity trackers; wearable computers; wearable video display monitors; weighbridges; weighing apparatus and instruments; weighing machines; weight belts for divers; weights; whistle alarms; wind socks for indicating wind direction; electric wire harnesses for automobiles; wire connectors [electricity]; wires, electric; workmen's protective face-shields; wrist rests for use with computers; X-ray apparatus not for medical purposes; X-ray films, exposed; X-ray photographs, other than for medical purposes; X-ray tubes not for medical purposes; apparatus and installations for the production of X-rays, not for medical purposes.

11 – Acetylene burners; acetylene flares; acetylene generators; air conditioners for vehicles; air cooling apparatus; air deodorizing apparatus; air deodorising apparatus; air dryers; air driers; air filtering installations; air fryers; air purifying apparatus and machines; air reheaters; air sterilizers; air sterilisers; air valves for steam heating installations; air-conditioning apparatus; air-conditioning installations; alcohol burners; anti-glare devices for vehicles [lamp fittings]; anti-

dazzle devices for vehicles [lamp fittings]; anti-splash tap nozzles; aquarium filtration apparatus; aquarium heaters; aquarium lights; arc lamps; ash conveyor installations, automatic; autoclaves, electric, for cooking; pressure cookers, electric; bakers' ovens; barbecues; bath fittings; bath installations; bath plumbing fixtures; bath tubs; bath tubs for sitz baths; bed warmers; beverage cooling apparatus; beverage urns, electric; bicycle lights; bidets; blankets, electric, not for medical purposes; boiler pipes [tubes] for heating installations; boilers, other than parts of machines; book sterilization apparatus; book sterilisation apparatus; brackets for gas burners; bread baking machines; bread toasters; toasters; bread-making machines; burners; burners for lamps; candle lanterns; carbon for arc lamps; electrically heated carpets; ceiling lights; central heating radiators; chandeliers; chimney blowers; chimney flues; Chinese lanterns; chocolate fountains, electric; chromatography apparatus for industrial purposes; clean chambers [sanitary installations]; electrically heated clothing; coffee capsules, empty, for electric coffee machines; coffee machines, electric; coffee percolators, electric; coffee roasters; coffee machines incorporating water purifiers; coils [parts of distilling, heating or cooling installations]; cooking apparatus and installations; cooking rings; cooking stoves; cookers; cooking utensils, electric; cooking pots, electric; electric cooking pots; electric cooktops; cool boxes, electric; coolers, electric; coolers for furnaces; cooling vats for furnaces; cooling appliances and installations; cooling installations and machines; cooling installations for liquids; cooling installations for tobacco; cooling installations for water; couscous cookers, electric; curing lamps, not for medical purposes; curling lamps; dampers [heating]; deep fryers, electric; defrosters for vehicles; apparatus for dehydrating food waste; dental ovens; deodorizing apparatus, not for personal use; deodorising apparatus, not for personal use; desalination plants; desiccating apparatus; directional lights for bicycles; discharge tubes, electric, for lighting; disinfectant apparatus; disinfectant apparatus for medical purposes; disinfectant apparatus for dispensing solutions into water-pipes for sanitary installations; distillation apparatus; distillation columns; diving lights; drip irrigation emitters [irrigation fittings]; drying apparatus; drying apparatus and installations; drying apparatus for fodder and forage; forage drying apparatus; electrically heated mugs; evaporators; expansion tanks for central heating installations; extractor hoods for kitchens; fabric steamers; fairy lights for festive decoration; string lights for festive decoration; electric fans for personal use; fans [air-conditioning]; fans [parts of air-conditioning installations]; feeding apparatus for heating boilers; filaments for electric lamps; filters for air conditioning; filters for drinking water; membranes for water filtering apparatus; fireplaces, domestic; fittings, shaped, for furnaces; fittings, shaped, for ovens; shaped fittings for furnaces; shaped fittings for ovens; flaming

torches; flare stacks for use in the oil industry; flues for heating boilers; flushing tanks; fog machines; food dehydrators, electric; food steamers, electric; foot-muffs, electrically heated; footwarmers, electric or non-electric; forges, portable; fountains; freezers; friction lighters for igniting gas; fruit roasters; fumigation apparatus, not for medical purposes; furnace ash boxes; ash pits for furnaces; furnace grates; furnaces, other than for laboratory use; ovens, other than for laboratory use; gas boilers; gas burners; gas condensers, other than parts of machines; gas lamps; gas lighters; gas scrubbers [parts of gas installations]; scrubbers [parts of gas installations]; gas scrubbing apparatus; germicidal burners; germicidal lamps for purifying air; glue-heating appliances; hair dryers; hair driers; hand drying apparatus for washrooms; head torches; portable headlamps; headlights for automobiles; hearths; heat accumulators; heat exchangers, other than parts of machines; heat guns; heat pumps; heat regenerators; heated display cabinets; heaters for baths; heaters for heating irons; heaters for vehicles; heaters, electric, for feeding bottles; heating and cooling apparatus for dispensing hot and cold beverages; heating apparatus; heating apparatus for defrosting vehicle windows; heating apparatus for solid, liquid or gaseous fuels; heating apparatus, electric; heating boilers; heating cushions, electric, not for medical purposes; heating pads, electric, not for medical purposes; heating elements; heating filaments, electric; heating installations; heating installations [water]; hot water heating installations; heating plates; hot air apparatus; hot air bath fittings; hot air ovens; hot plates; hot water bottles; luminous house numbers; humidifiers; humidifiers for central heating radiators; hydrants; hydromassage bath apparatus; hydroponic growing systems; ice machines and apparatus; ice-cream making machines; immersion heaters; incandescent burners; incinerators; ionization apparatus for the treatment of air or water; kettles, electric; kiln furniture [supports]; kilns; kitchen ranges [ovens]; laboratory burners; laboratory lamps; lamp chimneys; lamp glasses; lamp globes; globes for lamps; lamp mantles; lamp casings; lamp reflectors; electric lamps; lamps; lampshade holders; lampshades; lanterns for lighting; laundry dryers, electric; laundry driers, electric; laundry room boilers; washing coppers; lava rocks for use in barbecue grills; level controlling valves in tanks; light bulbs; light bulbs for directional signals for vehicles; light bulbs, electric; light diffusers; light projectors; light-emitting diodes [LED] lighting apparatus; lighting apparatus and installations; lighting apparatus for vehicles; lighting installations for air vehicles; lights for automobiles; automobile lights; lights for vehicles; lights, electric, for Christmas trees; electric lights for Christmas trees; loading apparatus for furnaces; magnesium filaments for lighting; malt roasters; microbubble generators for baths; microwave ovens [cooking apparatus]; microwave ovens for industrial purposes; milk cooling installations; miners' lamps; mixer taps

for water pipes; mixer faucets for water pipes; motorcycle lights; multicookers; nail lamps; nuclear reactors; oil burners; oil lamps; oil-scrubbing apparatus; ornamental fountains; oven fittings made of fireclay; oxyhydrogen burners; pasteurisers; pipes [parts of sanitary installations]; water-pipes for sanitary installations; plate warmers; pocket warmers; polymerisation installations; pounded rice cake making machines, electric, for household purposes; pressure water tanks; installations for processing nuclear fuel and nuclear moderating material; purification installations for sewage; radiator caps; radiators [heating]; radiators, electric; refining towers for distillation; refrigerating apparatus and machines; refrigerating appliances and installations; refrigerating cabinets; refrigerating chambers; walk-in refrigerators; refrigerating containers; refrigerating display cabinets; refrigerators; refrigerators, cooling apparatus and freezers for medical storage purposes; regulating accessories for water or gas apparatus and pipes; regulating and safety accessories for gas apparatus; regulating and safety accessories for gas pipes; regulating and safety accessories for water apparatus; roasters; roasting apparatus; griddles [cooking appliances]; grills [cooking appliances]; roasting jacks; roasting spits; rotisseries; safety accessories for water or gas apparatus and pipes; safety lamps; sanitary apparatus and installations; sauna bath installations; searchlights; shower cubicles; shower enclosures; showers; sinks; sockets for electric lights; socks, electrically heated; solar furnaces; solar thermal collectors [heating]; sous-vide cookers, electric; soya milk making machines, electric; spa baths [vessels]; standard lamps; floor lamps; steam accumulators; steam boilers, other than parts of machines; steam facial apparatus [saunas]; steam generating installations; sterilizers; sterilisers; stills; stoves [heating apparatus]; street lamps; structural framework for ovens; swimming pool chlorinating apparatus; tajines, electric; tagines, electric; tanning beds; taps for pipes and pipelines; cocks for pipes and pipelines; faucets for pipes and pipelines; spigots for pipes and pipelines; taps; faucets; thermo-pots, electric; thermostatic valves [parts of heating installations]; tobacco roasters; toilet bowls; toilet seats; toilets [water-closets]; water closets; toilets, portable; electric torches; electric flashlights; tortilla presses, electric; luminous tubes for lighting; Turkish bath cabinets, portable; ultraviolet ray lamps, not for medical purposes; underfloor heating apparatus and installations; urinals being sanitary fixtures; USB-powered cup heaters; USB-powered hand warmers; vehicle headlights; vehicle reflectors; ventilation [air-conditioning] installations and apparatus; ventilation [air-conditioning] installations for vehicles; ventilation hoods; ventilation hoods for laboratories; waffle irons, electric; warming pans; wash-hand basins [parts of sanitary installations]; wash-hand bowls [parts of sanitary installations]; washers for water taps; washers for water faucets; water conduits installations; water distribution

installations; water filtering apparatus; water flushing installations; flushing apparatus; water heaters; water intake apparatus; water purification installations; water purifying apparatus and machines; water softening apparatus and installations; water sterilizers; water sterilisers; water supply installations; watering installations, automatic; watering machines for agricultural purposes; whirlpool-jet apparatus; wicks adapted for oil stoves; wine cellars, electric; electric appliances for making yogurt; electric appliances for making yoghurt.

(260) AM 2026 134904 A

(800) 1867084

(151) 2025 02 28

(891) 2025 02 28

(731) Yarros Ink, Inc.

1235 Lake Plaza Drive #124, Colorado Springs
CO 80906, USA

(540)

FOURTH WING

(591) Black, white

(511)

16 – Series of printed fiction books; stationery; blank writing journals; printed notebooks; art prints; paper dust jackets for books; paper bookmarks; bookends; stickers; page overlays (term considered too vague by the International Bureau pursuant to Rule 13 (2) (b) of the Regulations); paintings; spiral bound notebooks.

24 – Bed covers, table covers, and household linens.

(260) AM 2026 134905 A

(800) 1867145

(151) 2025 03 17

(891) 2025 03 17

(731) Jiangsu Guowang High-Technique Fiber Co.,
Ltd.

Meiyan Development Area, Wujiang, Suzhou
City, 215000 Jiangsu Province, China

(540)

REBORN 芮邦

(591) Black, white

(531) 05.03.13; 05.03.14; 27.05.01; 27.05.07; 28.03

(511)

23 – Rayon; yarn; silk thread and yarn; rayon thread and yarn; darning thread and yarn; nylon thread; threads of plastic materials for textile use; spun wool; synthetic caddis wool yarn; filament yarn.

24 – Banners of textile; elastic woven fabrics; fabric; non-woven textile fabrics; wall hangings of textile; felt; towels of textile; quilts; furniture coverings of textile; hada [greeting fabric].

(260) AM 2026 134906 A
 (800) 1867173
 (151) 2025 04 10
 (891) 2025 04 10
 (731) TUDAPETROL Mineralölerzeugnisse Nils Hansen GmbH & Co. KG
 Am Sandtorkai 64, 20457 Hamburg, Germany
 (540)



(591) Blue and yellow
 (531) 19.11.13; 26.04.05; 26.04.16; 26.04.22; 26.04.24; 27.05.24; 29.01.12
 (511)
 1 – Chemical additives for lubricants; chemical additives for use in the manufacture of lubricants; synthetic substances for absorbent oils; chemical additives for industrial oils; chemical additives for engine oils; hydraulic oils for brake circuits [hydraulic fluids]; oils for hydraulic circuits [hydraulic fluids]; oils for hydraulic dampers [hydraulic fluids]; oils for hydraulic suspensions [hydraulic fluids]; transmission oil [transmission fluids]; transmission oils; hydraulic oils.
 4 – Industrial oils and greases; lubricants; lubricants for automobiles; general purpose lubricants; lubricants for machinery; metalworking lubricants; lubricants which are gear oils; lubricants in the form of oils; engine oils; release oils [industrial oils]; industrial gear oils [lubricants]; liquid gear oils [lubricants]; turbine oils; circulating oils [technical oils]; compressor oils; heat transfer oils [technical oils]; cooling oils; spray oils for technical purposes; non-chemical additives for oils; metalworking oils; release oils for construction [technical oils]; oils for turbines; oils for use with machine tools; release agents in the form of oils; lubricating oils for sewing machines.

(260) AM 2026 134907 A
 (800) 1867178
 (151) 2025 03 17
 (891) 2025 03 17
 (731) Jiangsu Guowang High-Technique Fiber Co., Ltd.
 Meiyuan Development Area, Wujiang, Suzhou City, 215000 Jiangsu Province, China
 (540)



(591) Black, white
 (531) 26.11.02; 26.11.12; 27.05.01
 (511)
 24 – Elastic woven fabrics; fabric; non-woven textile fabrics; wall hangings of textile; towels of textile;

quilts; furniture coverings of textile; hada [greeting fabric]; banners of textile; curtains of textile.

25 – Clothing; baby layettes for clothing; clothing for gymnastics; waterproof clothing; stage costumes; shoes; hats; hosiery; gloves [clothing]; neckties; scarves; mantillas; veils [clothing]; belts [clothing]; belts for clothing; religious dresses; wedding dresses.

(260) AM 2026 134908 A
 (800) 1867229
 (151) 2025 04 28
 (891) 2025 04 28
 (731) Vingroup Joint Stock Company
 No. 7, Bang Lang 1 Street, Vinhomes Riverside Urban Area, Viet Hung Ward, Long Bien District, Hanoi City, Viet Nam
 (540)



(591) Gray
 (531) 03.07.17
 (511)
 4 – Lubricating oils; lubricating greases; motor oils; fuel oils.
 11 – Air conditioners for vehicles; anti-glare devices for vehicles [lamp fittings]; defrosters for vehicles; lights for vehicles; heaters for vehicles.
 12 – Land vehicles; automobiles; motorcycles; bicycles; all-terrain vehicles; golf cars; engines and motors for land vehicles; side cars; vehicles for locomotion by air, water or rail; structural parts and component parts for land vehicles; structural parts and component parts for vehicles for locomotion by air, water or rail.
 35 – Advertising services for others; retail services and wholesale services for automobiles and their parts, fuels, lubricating oil and lubricating grease.
 37 – Installation, maintenance and repair of land vehicles, automobiles, motorcycles; automobile cleaning; automobile polishing.
 42 – Industrial design, including design of automobiles and parts thereof; vehicle roadworthiness testing; quality control; mechanical research; research and development of new products relating to automobiles for others.

(260) AM 2026 134909 A
 (800) 1867277
 (151) 2025 01 08
 (891) 2025 01 08

(731) Siemens Energy Global GmbH & Co. KG
Otto-Hahn-Ring 6, 81739 München, Germany

(540)

omterra



(591) Dark purple, light purple, lilac and green

(531) 26.04.09; 26.11.01; 26.11.08; 27.05.11;
29.01.13

(511)

1 – Chemicals for use in industry and science as well as in agriculture; gases (solidified -) for industrial purposes; unprocessed artificial and synthetic resins; ammonia; methanol; hydrogen; fertilizers.

3 – Chemical cleaning preparations for electric and electronic apparatus, equipment, instruments and installations.

6 – Non-electric cables and wires of common metal.

7 – Electricity generating machines, power transmission machines, machine tools, power-operated tools; machine coupling and transmission components, except for land vehicles; electrical and other generators, namely hydroelectric generators, geothermal power generators, gas generators; power generation plants and equipment, namely gas and steam turbine power plants, wind and hydroelectric power plants, solar power plants [generators], components and parts of these plants as included in this class; centrifuges; power supply apparatus (generators); electric motors and parts thereof, except for land vehicles; electric power generators for ships equipped with electric azimuth thrusters; diesel motors for ships equipped with azimuth thrusters; thrusters for machinery; thrusters [marine propulsion apparatus]; vessels of all kind, namely containers designed to hold gases or liquids at a specific pressure [parts of machines]; high pressure vessels [parts of machines]; electricity generators, in particular driven by wind power; wind turbines, windmills, wind power plants, wind turbine towers; turbines; turbine blades for power generation; turbines for power generation; pumps, compressors, fans for engines; bushings as parts of machines; gears for machines; gear boxes other than for land vehicles; turbine vanes other than parts for land vehicle engines; couplings for machines; rotating equipment for power generation; machines and equipment for combined compression and chemical processes (rotating olefin cracker), as far as included in this class; equipment for conversion of mechanical into electrical energy; parts of machines, namely pipes (fitted parts of machines), storage vessels for CO₂ (fitted parts of machines), containers designed to hold CO₂ gases or liquids at a specific pressure (parts of machines) in the field of carbon management, including capture, utilization and storage of carbon; power generating apparatus for biomass installations and plants and parts thereof such as machines, engines and components (as far as included

in this class); water heaters (parts of machines); heat pumps (parts of machines); electrolysis apparatus for generating hydrogen, oxygen, carbon monoxide and other gases; industrial machines for generating fuels, gases and chemicals by electrolysis; electrolytic apparatus for generating fuels, gases and chemicals; electric azimuth thrusters for ships; industrial robots; robots for industrial use; windmill sails, sail panels, windmill housings; machine foundations being parts of machines for generating and converting energy; machine foundations being parts of wind power plants; parts of machines, namely sail pitch setting devices for wind energy generating machines; brakes and brake devices for machines for generating and converting energy; main shafts for machines for generating and converting energy; cardan joints; drives for machines for generating and converting energy; couplings for machines for generating and converting energy; yaw rings for machines for generating and converting energy; parts of machines, namely devices for setting the pitch of the wings, brakes and brake devices, main drive shafts, universal joints; steam engine boilers; electro-chemical generators for generating electricity; rotating grid stabilizer, namely rotating machines for providing grid stability to maintain frequency and voltage stability during disturbances in the grid; parts and accessories for the aforementioned goods as far as included in this class.

9 – Scientific, research, navigation, surveying, photographic, cinematographic, audiovisual, optical, weighing, measuring, signalling, detecting, testing, inspecting, life-saving and teaching apparatus and instruments; apparatus and instruments for conducting, switching, transforming, accumulating, regulating or controlling the distribution or use of electricity; apparatus and instruments for recording, transmitting, reproducing or processing sound, images or data; recorded and downloadable computer software; computers and computer peripheral devices; solar cells for generating energy; photovoltaic apparatus and installations for generating solar electricity; photovoltaic cells; solar panels, modules and cells for electricity generation; electricity storage apparatus; batteries; accumulators; downloadable software for blockchain technology; sensors and detectors; servicing equipment and automated monitoring apparatus for power plant engineering, namely testing equipment to examine rotor discs, machine parts, weldings and generators; equipment for non-destructive testing of materials in power plants, namely ultrasonic test devices to examine rotor discs and other parts of a turbine; eddy-current test equipment; ultrasonic test equipment; leakage detectors; electricity-generating fuel cell power modules; controllers, electric control valves, switches and circuits; electrolyzer cells; fuel cell power units; test stations for fuels, gas and chemical generators; hydrogen fuel cells; chargers for electric batteries.

11 – Apparatus and installations for heating, steam generating, drying, cooling, ventilating in the field of energy generation and energy storage; heat generating apparatus; heat pumps; nuclear generators; nuclear reactors; nuclear power plant installations; reactor vessels; laser driven fusion reactors; power generation equipment and machines for nuclear applications, namely nuclear power plant installations; sanitary installations and equipment, water supply systems; water cleaning, desalination and conditioning systems; steam boilers, other than parts of machines; gas boilers; the aforesaid goods not relating to or not as parts of surface heating and surface cooling systems.

17 – Seals, silicone sealants and expansion joint fillers; insulation and barrier articles and materials; expansion joint fillers for insulating.

35 – Advertising; advertising and marketing research for others, in particular on digital networks (webvertising); market research; business administration; business consultancy and advisory services; business management; adjustment and structuring of data in computer databases; updating data in computer databases; maintenance of data in computer databases; organization of data in computer databases; systemization of information into computer databases; compilation of information into computer databases; computer data processing; data acquisition and data evaluation for data modeling, namely collection, systematization, compilation and management of data; all of the aforesaid services in the field of wind energy, solar energy, hydrogen energy, renewable energy, conventional and nuclear energy.

36 – Financial and insurance consultancy in the field of wind energy, solar energy, hydrogen energy, renewable energy, conventional and nuclear energy; brokerage of electricity.

37 – Construction services; installation and repair services of power plants, machines and machine parts and equipment in the field of wind energy, solar energy, hydrogen energy, renewable energy, conventional and nuclear energy; mining extraction, oil and gas drilling; erection, construction, installation, maintenance and repair of power plants in the field of wind energy, solar energy, hydrogen energy, renewable energy, conventional and nuclear energy; installation, maintenance and repair of machines and machine parts and equipment in the field of wind energy, solar energy, hydrogen energy, renewable energy, conventional and nuclear energy; installation, maintenance and repair of machine equipment in the field of wind energy, solar energy, hydrogen energy, renewable energy, conventional and nuclear energy, namely pipe network; installation, maintenance, repair, and supervision in the framework of repair and maintenance of systems, products and equipment used in power generation, transmission and distribution, electrical engineering, electronics, information technology and

mechanical engineering; laying of cables; installation of machines and machine parts in the field of wind energy, solar energy, hydrogen energy, renewable energy, conventional and nuclear energy; installation of machine equipment in the field of wind energy, solar energy, hydrogen energy, renewable energy, conventional and nuclear energy, namely cranes, power transmission and distribution machines.

39 – Energy storage; storage of gas; distribution of energy; distribution of gas; electricity distribution; distribution of renewable energy.

40 – Treatment of waste materials; recycling of waste and trash; recycling services; rental of equipment for the treatment and transformation of materials, for energy production and for custom manufacturing; generation of energy, in particular by use of fusion energy; generation of electricity, in particular from wind energy and from solar energy; generation of electrical power using carbon sequestration; conversion of nuclear fuels; production of electrical energy from renewable sources; production of hydrogen and other gases; leasing of energy generating machines and systems, namely, leasing of energy conversion equipment, in particular of turbines, compressors, and electrolyzers for production of energy and generation of electricity, leasing of electric and electronic equipment for use in clean energy production; assembly of systems, products and equipment for others used in power generation, transmission and distribution, electrical engineering, electronics, information technology and mechanical engineering; generation of electricity; generation of renewable energy; generation of electric energy; custom manufacturing of fuel cell systems and hydrogen generators.

41 – Education; providing of training; entertainment; sporting and cultural activities; providing online electronic publications, not downloadable.

42 – Scientific and technological services and research and design relating thereto in the field of wind energy, solar energy, hydrogen energy, renewable energy, conventional energy and nuclear energy; industrial analysis, industrial research and industrial design services; research and development for third parties in the fields of electrical engineering, electronics, information technology, medical engineering, physics, chemistry and mechanical engineering as well as planning, consulting, engineering services and technical supervision in these fields; construction and design planning and consulting relating thereto; materials testing; technical support services, namely, remote and on-site infrastructure management services for monitoring, administration and management of public and private cloud computing IT and application systems; quality control and authentication services; design and development of computer hardware and software; software as a service (SaaS); platform as a service (PaaS); blockchain as a service (BaaS); elec-

tronic data storage; data storage via blockchain; hosting platforms on the internet; cloud computing; technical consultancy in the field of energy production and conversion; leasing of products and systems, namely, of information technology apparatus for use in energy production; engineering services relating to robotics; maintenance and installation of software.

(260) AM 2026 134910 A

(800) 1867278

(151) 2025 01 08

(891) 2025 01 08

(731) Siemens Energy Global GmbH & Co. KG
Otto-Hahn-Ring 6, 81739 München, Germany

(540)



(591) Dark purple, light purple, lilac and green

(531) 26.04.02; 26.04.09; 27.05.24; 29.01.13

(511)

1 – Chemicals for use in industry and science as well as in agriculture; gases (solidified -) for industrial purposes; unprocessed artificial and synthetic resins; ammonia; methanol; hydrogen; fertilizers.

3 – Chemical cleaning preparations for electric and electronic apparatus, equipment, instruments and installations.

6 – Non-electric cables and wires of common metal.

7 – Electricity generating machines, power transmission machines, machine tools, power-operated tools; machine coupling and transmission components, except for land vehicles; electrical and other generators, namely hydroelectric generators, geothermal power generators, gas generators; power generation plants and equipment, namely gas and steam turbine power plants, wind and hydroelectric power plants, solar power plants [generators], components and parts of these plants as included in this class; centrifuges; power supply apparatus (generators); electric motors and parts thereof, except for land vehicles; electric power generators for ships equipped with electric azimuth thrusters; diesel motors for ships equipped with azimuth thrusters; thrusters for machinery; thrusters [marine propulsion apparatus]; vessels of all kind, namely containers designed to hold gases or liquids at a specific pressure [parts of machines]; high pressure vessels [parts of machines]; electricity generators, in particular driven by wind power; wind turbines, windmills, wind power plants, wind turbine towers; turbines; turbine blades for power generation; turbines for power generation; pumps, compressors, fans for engines; bushings as parts of machines; gears for machines; gear boxes other than for land vehicles; turbine

vanes other than parts for land vehicle engines; couplings for machines; rotating equipment for power generation; machines and equipment for combined compression and chemical processes (rotating olefin cracker), as far as included in this class; equipment for conversion of mechanical into electrical energy; parts of machines, namely pipes (fitted parts of machines), storage vessels for co2 (fitted parts of machines), containers designed to hold co2 gases or liquids at a specific pressure (parts of machines) in the field of carbon management, including capture, utilization and storage of carbon; power generating apparatus for biomass installations and plants and parts thereof such as machines, engines and components (as far as included in this class); water heaters (parts of machines); heat pumps (parts of machines); electrolysis apparatus for generating hydrogen, oxygen, carbon monoxide and other gases; industrial machines for generating fuels, gases and chemicals by electrolysis; electrolytic apparatus for generating fuels, gases and chemicals; electric azimuth thrusters for ships; industrial robots; robots for industrial use; windmill sails, sail panels, windmill housings; machine foundations being parts of machines for generating and converting energy; machine foundations being parts of wind power plants; parts of machines, namely sail pitch setting devices for wind energy generating machines; brakes and brake devices for machines for generating and converting energy; main shafts for machines for generating and converting energy; cardan joints; drives for machines for generating and converting energy; couplings for machines for generating and converting energy; yaw rings for machines for generating and converting energy; parts of machines, namely devices for setting the pitch of the wings, brakes and brake devices, main drive shafts, universal joints; steam engine boilers; electro-chemical generators for generating electricity; rotating grid stabilizer, namely rotating machines for providing grid stability to maintain frequency and voltage stability during disturbances in the grid; parts and accessories for the afore-mentioned goods as far as included in this class.

9 – Scientific, research, navigation, surveying, photographic, cinematographic, audiovisual, optical, weighing, measuring, signalling, detecting, testing, inspecting, life-saving and teaching apparatus and instruments; apparatus and instruments for conducting, switching, transforming, accumulating, regulating or controlling the distribution or use of electricity; apparatus and instruments for recording, transmitting, reproducing or processing sound, images or data; recorded and downloadable computer software; computers and computer peripheral devices; solar cells for generating energy; photovoltaic apparatus and installations for generating solar electricity; photovoltaic cells; solar panels, modules and cells for electricity generation; electricity storage apparatus; batteries; accumulators; downloadable software for blockchain technology; sensors and detectors; servicing equipment and

automated monitoring apparatus for power plant engineering, namely testing equipment to examine rotor discs, machine parts, weldings and generators; equipment for non-destructive testing of materials in power plants, namely ultrasonic test devices to examine rotor discs and other parts of a turbine; eddy-current test equipment; ultrasonic test equipment; leakage detectors; electricity-generating fuel cell power modules; controllers, electric control valves, switches and circuits; electrolyzer cells; fuel cell power units; test stations for fuels, gas and chemical generators; hydrogen fuel cells; chargers for electric batteries.

11 – Apparatus and installations for heating, steam generating, drying, cooling, ventilating in the field of energy generation and energy storage; heat generating apparatus; heat pumps; nuclear generators; nuclear reactors; nuclear power plant installations; reactor vessels; laser driven fusion reactors; power generation equipment and machines for nuclear applications, namely nuclear power plant installations; sanitary installations and equipment, water supply systems; water cleaning, desalination and conditioning systems; steam boilers, other than parts of machines; gas boilers; the aforesaid goods not relating to or not as parts of surface heating and surface cooling systems.

17 – Seals, silicone sealants and expansion joint fillers; insulation and barrier articles and materials; expansion joint fillers for insulating.

35 – Advertising; advertising and marketing research for others, in particular on digital networks (webvertising); market research; business administration; business consultancy and advisory services; business management; adjustment and structuring of data in computer databases; updating data in computer databases; maintenance of data in computer databases; organization of data in computer databases; systemization of information into computer databases; compilation of information into computer databases; computer data processing; data acquisition and data evaluation for data modeling, namely collection, systematization, compilation and management of data; all of the aforesaid services in the field of wind energy, solar energy, hydrogen energy, renewable energy, conventional and nuclear energy.

36 – Financial and insurance consultancy in the field of wind energy, solar energy, hydrogen energy, renewable energy, conventional and nuclear energy; brokerage of electricity.

37 – Construction services; installation and repair services of power plants, machines and machine parts and equipment in the field of wind energy, solar energy, hydrogen energy, renewable energy, conventional and nuclear energy; mining extraction, oil and gas drilling; erection, construction, installation, maintenance and repair of power plants in the field of wind energy, solar energy, hydrogen energy, renewable energy, conventional and nuclear energy; installation,

maintenance and repair of machines and machine parts and equipment in the field of wind energy, solar energy, hydrogen energy, renewable energy, conventional and nuclear energy; installation, maintenance and repair of machine equipment in the field of wind energy, solar energy, hydrogen energy, renewable energy, conventional and nuclear energy, namely pipe network; installation, maintenance, repair, and supervision in the framework of repair and maintenance of systems, products and equipment used in power generation, transmission and distribution, electrical engineering, electronics, information technology and mechanical engineering; laying of cables; installation of machines and machine parts in the field of wind energy, solar energy, hydrogen energy, renewable energy, conventional and nuclear energy; installation of machine equipment in the field of wind energy, solar energy, hydrogen energy, renewable energy, conventional and nuclear energy, namely cranes, power transmission and distribution machines.

39 – Energy storage; storage of gas; distribution of energy; distribution of gas; electricity distribution; distribution of renewable energy.

40 – Treatment of waste materials; recycling of waste and trash; recycling services; rental of equipment for the treatment and transformation of materials, for energy production and for custom manufacturing; generation of energy, in particular by use of fusion energy; generation of electricity, in particular from wind energy and from solar energy; generation of electrical power using carbon sequestration; conversion of nuclear fuels; production of electrical energy from renewable sources; production of hydrogen and other gases; leasing of energy generating machines and systems, namely, leasing of energy conversion equipment, in particular of turbines, compressors, and electrolyzers for production of energy and generation of electricity, leasing of electric and electronic equipment for use in clean energy production; assembly of systems, products and equipment for others used in power generation, transmission and distribution, electrical engineering, electronics, information technology and mechanical engineering; generation of electricity; generation of renewable energy; generation of electric energy; custom manufacturing of fuel cell systems and hydrogen generators.

41 – Education; providing of training; entertainment; sporting and cultural activities; providing online electronic publications, not downloadable.

42 – Scientific and technological services and research and design relating thereto in the field of wind energy, solar energy, hydrogen energy, renewable energy, conventional energy and nuclear energy; industrial analysis, industrial research and industrial design services; research and development for third parties in the fields of electrical engineering, electronics, information technology, medical engineering, physics, che-

mistry and mechanical engineering as well as planning, consulting, engineering services and technical supervision in these fields; construction and design planning and consulting relating thereto; materials testing; technical support services, namely, remote and on-site infrastructure management services for monitoring, administration and management of public and private cloud computing IT and application systems; quality control and authentication services; design and development of computer hardware and software; software as a service (SaaS); platform as a service (PaaS); blockchain as a service (BaaS); electronic data storage; data storage via blockchain; hosting platforms on the internet; cloud computing; technical consultancy in the field of energy production and conversion; leasing of products and systems, namely, of information technology apparatus for use in energy production; engineering services relating to robotics; maintenance and installation of software.

(260) AM 2026 134919 A

(800) 1867597

(151) 2025 04 02

(891) 2025 04 02

(731) FUNDACIÓN PRIVADA BUFÍ Y PLANAS
CTRA. ARGENTONA-DOSRIUS, KM.
2 – PISO 1, E-08319 DOSRIUS, Barcelona,
Spain

(540)

EUROQUIMICA

(591) Black, white

(511)

2 – Paints, enamels for paints, binders for paints, thinners for paints, distempers for walls, bactericidal paints, fireproof paints, raw natural resins, colors, varnishes, lacquers, preservatives against rust (antioxidants) and against deterioration of wood; dyestuffs; mordants.

(260) AM 2026 134920 A

(800) 1197399

(151) 2014 02 26

(891) 2025 07 15

(731) JUVE & CAMPS, S.A.
Sant Venat, 1, E-08770 Sant Sadurni
d'Anoia (Barcelona), Spain

(540)

JUVE & CAMPS

(591) Black, white

(511)

33 – Alcoholic beverages (excluding beers).

(260) AM 2026 134921 A

(800) 1309548

(151) 2016 06 07

(891) 2025 06 23

(731) BANGLE UP

13 Rue Chaudron, F-75010 PARIS, France

(540)

BANGLE UP

(591) Black, white

(511)

14 – Jewelry; jewelry products, precious stones; timepieces and chronometric instruments; precious metals and their alloys; works of art of precious metal; jewelry cases [caskets]; boxes of precious metal; watch cases, straps, chains, springs or glasses; key rings [trinkets or fobs]; statues or figurines (statuettes) of precious metals; cases or presentation cases for timepieces; medals.

(260) AM 2026 134922 A

(800) 1500766

(151) 2019 10 22

(891) 2025 07 14

(731) Swinkels Family Brewers N.V.

De Stater 1, NL-5737 RV Lieshout, Netherlands

(540)



(591) Blue, dark blue, red, white

(531) 03.01.08; 03.01.16; 24.17.02; 27.07.01;
29.01.13

(511)

32 – Beers; mineral and aerated waters and other non-alcoholic drinks; fruit drinks and fruit juices; syrups and other preparations for making beverages.

(260) AM 2026 134923 A

(800) 1770742

(151) 2023 10 27

(891) 2025 06 27

(731) Limited Liability Company Scientific and
Production Association "Company SIVIK"
Kosmichesky pr., 109A, Omsk, RU-644076
Omskaya oblast', Russian Federation

(540)

(591) Black, white

(531) 27.05.01; 27.05.17

(511)

7 – Welding machines, electric; welding apparatus, gas-operated; vulcanization apparatus; high pressure washers; electric arc cutting apparatus; electric arc

welding apparatus; electric welding apparatus; soldering apparatus, electric; saw benches [parts of machines]; vibrators [machines] for industrial use; bellows [parts of machines]; hydraulic controls for machines, motors and engines; soldering blow pipes, gas-operated; gas-operated blow torches; mud catchers and collectors [machines]; holding devices for machine tools; pump diaphragms; jacks [machines]; rack and pinion jacks; electric hand drills; injectors for engines; tools [parts of machines]; hand-held tools, other than hand-operated; compressors [machines]; air pumps [garage installations]; conveyors [machines]; belt conveyors; grease boxes [parts of machines]; housings [parts of machines]; cranes [lifting and hoisting apparatus]; roller bridges; mobile cranes; spray guns for paint; grindstones [parts of machines]; sharpening wheels [parts of machines]; soldering lamps; winches; blades [parts of machines]; handling machines, automatic [manipulators]; blowing machines; bending machines; blowing machines for the compression, exhaustion and transport of gases; sealing machines for industrial purposes; embossing machines; finishing machines; blade sharpening [stropping] machines; stropping machines; cord making machines; dyeing machines; painting machines; machines for generating gas by electrolysis; die-stamping machines; stamping machines; machines and apparatus for cleaning, electric; machines and apparatus for polishing [electric]; rinsing machines; cutting machines; compressed air machines; apparatus for machining; cutters [machines]; mixing machines; sorting machines for industry; packing machines; filtering machines; moulding machines; electromechanical machines for chemical industry; machine wheelwork; feeders [parts of machines]; forge blowers; pneumatic hammers; hammers [parts of machines]; tilt hammers; superchargers; tyre inflating machines [garage installations]; guides for machines; pumps [machines]; pumps [parts of machines, engines or motors]; vacuum pumps [machines]; compressed air pumps; pumps for heating installations; pumps for counter-current swimming; lubricating pumps; self-regulating fuel pumps; fuel dispensing pumps for service stations; centrifugal pumps; hydrogen dispensing pumps for service stations; knives, electric; knives being parts of machines; shears, electric; scissors, electric; soldering irons, gas-operated; soldering irons, electric; saws [machines]; guns [tools using explosive cartridges]; glue guns, electric; compressed air guns for the extrusion of mastics; loading ramps; pneumatic transporters; pneumatic controls for machines, motors and engines; elevators [lifts]; hoists; hydraulic elevating apparatus; electric hoists; lifts, other than ski-lifts; pulleys; presses [machines for industrial purposes]; swaging machines; fuel conversion apparatus for internal combustion engines; pneumatic or hydraulic linear actuators, other than for land vehicles; cleaning appliances utilizing steam; vacuum cleaners; touchless stationary vacuums; air brushes for applying colour; regu-

lators [parts of machines]; pressure regulators [parts of machines]; speed governors for machines, engines and motors; cutting blow pipes, gas-operated; plasma cutting machines; blade holders [parts of machines]; elevator belts; industrial robots; joysticks being parts of machines, other than for game machines; steam/oil separators; exhausts for motors and engines; pigs for cleaning pipes; machine tools; tire changing machines; rim straightening machines; die-cutting and tapping machines; sharpening machines; metalworking machines; size adjustment cutting machines for industrial purposes; threading machines; trueing machines; planing machines; lathes [machine tools]; milling machines; grinding machines; tables for machines; derricks; spin dryers [not heated]; turbocompressors; central vacuum cleaning installations; brake flushing machines; washing installations for vehicles; pneumatic waste oil drainers; suction machines for industrial purposes; lifting apparatus; degreasers [machines]; dust removing installations for cleaning purposes; air suction machines; washing apparatus; anti-pollution devices for motors and engines; control mechanisms for machines, engines or motors; air cushion devices for moving loads; handling apparatus for loading and unloading; elevating apparatus; filter presses; filters for cleaning cooling air, for engines; filters being parts of machines or engines; centrifugal machines; elevator chains [parts of machines]; screwdrivers, electric; electric hammers.

9 – Batteries, electric, for vehicles; 3D scanners; testing apparatus not for medical purposes; monitoring apparatus, other than for medical purposes; air analysis apparatus; ignition batteries; scales; weighbridges; precision balances; gas testing instruments; apparatus for generating gas for calibration purposes; gauges; parking sensors for vehicles; detectors; smoke detectors; infrared detectors; electric wire harnesses for automobiles; measures; simulators for the steering and control of vehicles; pressure indicators; automatic indicators of low pressure in vehicle tyres; measuring instruments; calipers; slide calipers; screw-tapping gauges; rearview cameras for vehicles; calibrating rings; rulers [measuring instruments]; material testing instruments and machines; microprocessors; monitors [computer programs]; computer game software, recorded; computer software, recorded; weighing machines; computer hardware; computer software platforms, recorded or downloadable; diagnostic apparatus, not for medical purposes; speed checking apparatus for vehicles; weighing apparatus and instruments; optical apparatus and instruments; apparatus and instruments for physics; chemistry apparatus and instruments; measuring apparatus, including wheel alignment measuring apparatus; measuring devices, electric; observation instruments; navigation apparatus for vehicles [on-board computers]; regulating apparatus, electric; precision measuring apparatus; computer software applications, downloadable; test tubes; computer programs, recorded; computer game software,

downloadable; computer programs, downloadable; computer operating programs, recorded; computer screen saver software, recorded or downloadable; processors [central processing units]; control panels [electricity]; radios; vehicle radios; voltage surge protectors; voltage regulators for vehicles; stage lighting regulators; light dimmers [regulators], electric; signals, luminous or mechanical; scanners [data processing equipment]; scanners [apparatus] for performing automotive diagnostics; speed indicators; charging stations for electric vehicles; counters; parking meters; mileage recorders for vehicles; revolution counters; taximeters; tachometers; thermostats for vehicles; climate control digital thermostats; transformers [electricity]; welding transformers; step-up transformers; vehicle breakdown warning triangles; starter cables for motors; quantity indicators; petrol gauges; electric loss indicators; steering apparatus, automatic, for vehicles; balancing apparatus; data processing apparatus; battery chargers; chargers for electric accumulators; portable power chargers; acoustic alarms; anti-theft warning apparatus; alarms; whistle alarms; readers [data processing equipment]; head-up display apparatus for vehicles; frequency meters; chips [integrated circuits]; stills for laboratory experiments; fermentation apparatus for laboratory use; bioreactors for laboratory use; furniture especially made for laboratories; clothing especially made for laboratories; furnaces for laboratory use; laboratory pipettes; laboratory trays; laboratory robots; crucibles [laboratory]; capillary tubes for laboratory use; chromatography apparatus for laboratory use; laboratory centrifuges; electrolysis apparatus for laboratory use.

11 – Adsorption apparatus for generating gas; nitrogen generators for industrial purposes; membrane apparatus for generating gas; drying apparatus and installations; gas scrubbing apparatus; oil-scrubbing apparatus; regulating and safety accessories for gas apparatus; air-conditioning installations; chromatography apparatus for industrial purposes.

(260) AM 2026 134924 A

(800) 1831335

(151) 2024 08 02

(891) 2025 04 01

(731) Karimov Vugar

ul.Seslavinskaya, d.20 kv.14, Moscow,
Russian Federation

(540)



(591) Beige and dark green

(531) 09.05.02; 24.01.12; 24.01.15; 24.01.18;
24.01.19; 24.01.20; 24.09.02; 25.01.06;
25.01.25; 27.05.10; 29.01.12

(511)

3 – Scented water; toilet water; perfumes.

18 – Luggage tags; sew-on tags of leather for clothing; adhesive tags of leather for bags; pocket wallets; business card cases; credit card cases [wallets]; umbrellas; card cases [notecases]; cases of leather or leatherboard; valves of leather; imitation leather; hat boxes of leather; boxes of leather or leatherboard; purses; bags [envelopes, pouches] of leather, for packaging; moleskin [imitation of leather]; travelling sets [leatherware]; suitcase packing organizers; conference folders; music cases; briefcases; randsels [Japanese school satchels]; haversacks; leather straps; rucksacks; backpacks for carrying infants; travelling bags; bags; garment bags for travel; toilet bags, not fitted; handbags; beach bags; bags for sports; school bags; suitcases; umbrella covers; labels of leather.

24 – Household linen; bed linen; bed blankets; handkerchiefs of textile; picnic blankets; travelling rugs [lap robes]; bed covers; yoga towels; face towels of textile; towels of textile; tea towels; bedsheets; covers for cushions; covers [loose] for furniture; pillow shams; labels of textile.

25 – Bandanas [neckerchiefs]; underwear; sweat-absorbent underwear; berets; boas [necklets]; teddies [underclothing]; boxer shorts; ankle boots; ski boots; boots for sports; straps for bras; breeches for wear; trousers; football shoes; brassieres; adhesive bras; valenki [felted boots]; mittens; collars [clothing]; detachable collars; shirt yokes; veils [clothing]; gabardines [clothing]; galoshes; neckties; ascots; gaiters; spats; leggings [leg warmers]; boot uppers; corselets; jerseys [clothing]; waistcoats; sports jerseys; hosiery; heels; heelpieces for footwear; hoods [clothing]; hat frames [skeletons]; pockets for clothing; scarves; caps being headwear; kimonos; cap peaks; visors being headwear; tights; slips [underclothing]; combinations [clothing]; overalls; bodices [lingerie]; corsets [underclothing]; suits; bathing suits; masquerade costumes; beach clothes; leotards; jackets [clothing]; stuff jackets [clothing]; fishing vests; leggings [trousers]; liveries; camisoles; sports singlets; cuffs; mantillas; coats; face coverings [clothing], not for medical or sanitary purposes; sleep masks; furs [clothing]; fingerless gloves; muffs [clothing]; footmuffs, not electrically heated; bibs, not of paper; bibs, sleeved, not of paper; fur stoles; hairdressing capes; nipple pasties being underclothing; heel protectors for shoes; ear muffs [clothing]; socks; sweat-absorbent socks; footwear; gymnastic shoes; beach shoes; sports shoes; clothing; paper clothing; outerclothing; embroidered clothing; ready-made clothing; motorists' clothing; cyclists' clothing; clothing for gymnastics; clothing of imitations of leather; latex clothing; clothing of leather;

waterproof clothing; clothing incorporating LEDs; sportswear incorporating digital sensors; uniforms; clothing authenticated by non-fungible tokens [NFTs]; clothing containing slimming substances; fittings of metal for footwear; overcoats; knickers; parkas; pelerines; gloves [clothing]; cycling gloves; driving gloves; ski gloves; pyjamas; bathing trunks; shirt fronts; headscarves; pocket squares; dresses; headbands [clothing]; garters; sock suspenders; stocking suspenders; ready-made linings [parts of clothing]; dress shields; soles for footwear; braces [suspenders] for clothing; half-boots; ponchos; girdles; belts [clothing]; sashes for wear; money belts [clothing]; layettes [clothing]; non-slipping devices for footwear; heelpieces for stockings; welts for footwear; chasubles; shirts; short-sleeve shirts; wooden shoes; sandals; bath sandals; boots; jumper dresses; saris; sarongs; sweaters; footwear uppers; inner soles; albs; bath slippers; thermal gloves for touchscreen devices; togas; knitwear [clothing]; underpants; shoes; slippers; skull caps; turbans; headwear; aprons [clothing]; judo uniforms; karate uniforms; tee-shirts; rash guards; dressing gowns; bath robes; hanbok; top hats; tips for footwear; stockings; sweat-absorbent stockings; shawls; paper hats [clothing]; shower caps; bathing caps; neck tube scarves; studs for football shoes; hats; babies' pants [underwear]; gaiter straps; pelisses; espadrilles; skirts; petticoats; shorts.

35 – Demonstration of goods; market studies; marketing research; marketing; organization of exhibitions for commercial or advertising purposes; organization of fashion shows for promotional purposes; shop window dressing; providing business information; provision of an online marketplace for buyers and sellers of goods and services; presentation of goods on communication media, for retail purposes; sales promotion for others; promotion of goods through influencers; advertising; online advertising on a computer network; advisory services for business management; modelling for advertising or sales promotion; market intelligence services; procurement services for others [purchasing goods and services for other businesses].

40 – Embroidering; leather staining; fur dyeing; shoe staining; textile dyeing; cloth dyeing; leather working; cloth edging; fur conditioning; textile treating; clothing alteration; dressmaking; cloth cutting; custom tailoring.

42 – Industrial design; graphic arts design; research and development of new products for others; dress designing; design of computer-simulated models; styling [industrial design].

(260) AM 2026 134925 A
(800) 1843461
(151) 2025 01 22
(891) 2025 07 10

(731) PERFETTI VAN MELLE S.P.A.
Via XXV Aprile, 7, I-20045 Lainate (MI),
Italy

(540)



(591) Blue, white, red and green

(531) 02.09.01; 06.19.05; 06.19.11; 06.19.13;
07.01.03; 25.01.06; 27.05.07; 29.01.14

(511)

30 – Bubble gum; candies; chewing candy; chewing gums; chocolate; cocoa; coffee; confectionery; fruit drops [confectionery]; fruit jelly candy; jellies (fruit -) [confectionery]; licorice; lollipops; mints [candies, non-medicated]; pastilles [confectionery]; pastry; sugars; sweets; toffees; lozenges [confectionery].

(260) AM 2026 134998 A

(800) 1867702

(151) 2025 02 03

(891) 2025 02 03

(731) Unilever Rus, LLC

Sergey Makeev str. 13, RU-123022 Moscow,
Russian Federation

(540)



(591) Red, gold and white

(531) 24.09.05; 28.05; 29.01.13

(511)

30 – Ice cream; sorbets [ices].

(260) AM 2026 134999 A

(800) 1867723

(151) 2025 04 14

(891) 2025 04 14

(731) NEXUS BRANDS L.L.C.-FZ

Meydan Grandstand, 6th floor, Meydan Road,
Nad Al Sheba, Dubai, United Arab Emirates

(540)



(591) Black, gray and silver

(531) 20.05.07; 26.11.01; 26.11.06; 26.11.11;
27.05.01; 27.05.09

(511)

3 – Adhesives for affixing false hair; shaving stones [astringents]; almond oil for cosmetic purposes; almond soap; amber [perfume]; soap; badian essence; cosmetic preparations for baths; shaving soap; lipsticks; cotton swabs for cosmetic purposes; beauty masks; bergamot oil; whitening; skin whitening creams; scented wood; mouthwashes, not for medical purposes; make-up preparations; hair lotions; essential oils of cedarwood; hair dyes; hair waving preparations; false eyelashes; cosmetic preparations for eyelashes; moustache wax; essential oils of lemon; eau de Cologne; make-up palettes containing cosmetics; cosmetics; cotton wool for cosmetic purposes; cosmetic pencils; cosmetic creams; make-up removing preparations; dentifrices; lavender water; scented water; toilet water; incense; depilatory preparations; depilatory wax; ethereal essences; essential oils; extracts of flowers [perfumes]; make-up; gaultheria oil; petroleum jelly for cosmetic purposes; geraniol; greases for cosmetic purposes; hydrogen peroxide for cosmetic purposes; heliotropine; oils for cosmetic purposes; jasmine oil; lavender oil; oils for perfumes and scents; rose oil; oils for toilet purposes; ionone [perfumery]; lotions for cosmetic purposes; cleansing milk for toilet purposes; toiletry preparations; mint essence [essential oil]; mint for perfumery; eyebrow cosmetics; musk [perfumery]; neutralizers for permanent waving; shampoos; perfumes; false nails; perfumery; cosmetic preparations for skin care; soap for foot perspiration; pomades for cosmetic purposes; make-up powder; shaving preparations; deodorant soap; sachets for perfuming linen; safrol; cakes of toilet soap; eyebrow pencils; talcum powder, for toilet use; cosmetic dyes; terpenes [essential oils]; antiperspirants [toiletries]; antiperspirant soap; alum stones [astringents]; almond milk for cosmetic purposes; sun-tanning preparations [cosmetics]; aromatics [essential oils]; bath salts, not for medical purposes; beard dyes; cosmetic preparations for slimming purposes; adhesives for affixing false eyelashes; deodorants for human beings or for animals; decorative transfers for cosmetic purposes; astringents for cosmetic purposes; bleaching preparations [decolorants] for cosmetic purposes; preparations for cleaning dentures; adhesives for cosmetic purposes; after-shave lotions; hair spray; mascara; potpourris [fragrances]; breath freshening sprays; dental bleaching gels; joss sticks; air fragrancing preparations; breath freshening strips; deodorants for pets; douching preparations for personal sanitary or deodorant purposes [toiletries]; aloe vera preparations for cosmetic purposes; massage gels, other than for medical purposes; lip glosses; balms, other than for medical purposes; dry shampoos; nail art stickers; sunscreen preparations; essential oils of citron; henna [cosmetic dye]; lipstick cases; bath preparations, not for medical purposes; hair conditioners; hair straightening preparations; collagen preparations for cosmetic purposes; teeth whitening strips; phytocosmetic

preparations; cleansers for intimate personal hygiene purposes, non-medicated; herbal extracts for cosmetic purposes; shampoos for animals [non-medicated grooming preparations]; eye-washes, not for medical purposes; vaginal washes for personal sanitary or deodorant purposes; air fragrance reed diffusers; massage candles for cosmetic purposes; cosmetics for children; breath freshening preparations for personal hygiene; basma [cosmetic dye]; gel eye patches for cosmetic purposes; nail glitter; micellar water; body paint for cosmetic purposes; liquid latex body paint for cosmetic purposes; toothpaste; body glitter; double eyelid tapes; cooling sprays for cosmetic purposes; disposable steam-heated masks, not for medical purposes; dressings for nail reconstruction; wax melts [fragrancing preparations]; cosmetic stamps, filled; essential oils for aromatherapy use; bath tea for cosmetic purposes; sheet masks for cosmetic purposes; toners for cosmetic purposes; essential oil-based creams for aromatherapy use; serums for cosmetic purposes; teeth whitening pens; skin hydrators for cosmetic purposes; depilatory sugar paste; agarwood [incense].

(260) AM 2026 135001 A

(800) 1867770

(151) 2025 06 04

(891) 2025 06 04

(731) TEMESİST ENDÜSTRİYEL DEPO VE RAF SİSTEMLERİ SANAYİ DİŞ TİCARET ANONİM ŞİRKETİ
İKİTELLİ OSB MAH. KERESTECİLER 15.
BLOK SK., KERESTECİLER SANAYİ 15.
BLOK 14, Başakşehir, İstanbul, Türkiye

(540)



(591) Blue, red, white

(531) 07.15.05; 26.04.03; 26.04.09; 27.05.01;
27.05.07; 29.01.12

(511)

6 – Ores of non-precious metal; common metals and their alloys and semi-finished products made of these materials; goods and materials of common metal used for storage, wrapping, packaging and sheltering purposes, containers of metal (storage, transport), buildings of metal, frames of metal for building, poles of metal for building, metal boxes, packaging containers of metal, aluminium foil, fences made of metal, guard barriers of metal, metal tubes, storage containers of metal, metal containers for the transportation of goods, ladders of metal; wire cloth, wire gauze, wire mesh; included in this class; doors, windows, shutters, jalousies and their cases and fittings of metal; non-electric cables and wires of metal; ironmongery; small hardware of metal: screws of metal; nails; bolts of metal; nuts of metal; pegs of metal; flakes of metal; pitons of metal; metal chains; furniture casters of

metal; fittings of metal for furniture; industrial metal wheels; door handles of metal; window handles of metal; hinges of metal; metal latches; metal locks; metal keys for locks; metal rings for carrying keys; metal pulleys; ventilation ducts, vents, vent covers, pipes, chimney caps, manhole covers, grilles of metal for ventilation, heating, sewage, telephone, underground electricity and air conditioning installations; metal panels or boards (non-luminous and non-mechanical) used for signalling, route showing, publicity purposes, signboards of metal, advertisement columns of metal, signaling panels of metal, non-luminous and non-mechanical traffic signs of metal; pipes of metal for transportation of liquids and gas, drilling pipes of metal and their metal fittings, valves of metal, couplings of metal for pipes, elbows of metal for pipes, clips of metal for pipes, connectors of metal for pipes; safes (strong boxes) of metal; metal railway materials, metal rails, metal railway ties, railway switches; bollards of metal, floating docks of metal, mooring buoys of metal, anchors; metal moulds for casting, other than machine parts; works of art made of common metals or their alloys, trophies of common metal; metal closures, bottle caps of metal; metal poles; metal pillars; scaffolding of metal; metal stakes, scaffolding towers of metal; metal pallets and metal ropes for lifting, loading and transportation purposes; metal hangers, ties, straps, tapes and bands used for load-lifting and load-carrying; wheel chocks made primarily of metal; metal profile laths for vehicles for the purposes of decoration.

(260) AM 2026 135003 A

(800) 1867837

(151) 2025 06 18

(891) 2025 06 18

(731) Apple Inc.

One Apple Park Way, Cupertino CA 95014,
USA

(540)

ENERGYKIT

(591) Black, white

(511)

9 – Downloadable computer software development tools; downloadable application development software; downloadable application programming interface (API) software for building software applications.

(260) AM 2026 135004 A

(800) 1867838

(151) 2025 06 18

(891) 2025 06 18

(731) Apple Inc.

One Apple Park Way, Cupertino CA 95014,
USA

(540)

MACOS TAHOE

(591) Black, white

(511)

9 – Recorded computer operating software; downloadable computer operating software; downloadable computer operating system software; recorded computer operating system software.

(260) AM 2026 135020 A

(800) 1868376

(151) 2025 05 27

(891) 2025 05 27

(731) Hongda Civil Explosives Group Co., Ltd.

No. 28, Guangda Road, Lianyi Village,
Zengjiang Street, Zengcheng, Guangzhou City,
510000 Guangdong Province, China

(540)

GranDev

(591) Black, white

(531) 27.05.01

(511)

13 – Dynamite; explosives; detonators; ammonium nitrate explosives; detonating fuses for explosives; explosive powders; gunpowder; explosive devices; explosive substances; liquid explosives.

(260) AM 2026 135021 A

(800) 1868439

(151) 2025 05 27

(891) 2025 05 27

(731) Hongda Civil Explosives Group Co., Ltd.

No. 28, Guangda Road, Lianyi Village,
Zengjiang Street, Zengcheng, Guangzhou City,
Guangdong Province, China

(540)



(591) Black, white

(531) 01.15.07; 01.15.23; 25.01.25; 26.13.25

(511)

13 – Dynamite; explosives; detonators; ammonium nitrate explosives; detonating fuses for explosives; explosive powders; gunpowder; explosive devices; explosive substances; liquid explosives.

(260) AM 2026 135022 A

(800) 1868445

(151) 2025 05 24

(891) 2025 05 24

(731) Truking Technology Limited
No.1, Xinkang Road, Yutan Town, Ningxiang
City, Changsha City, 410600 Hunan Province,
China

(540)



(591) Black, white

(531) 26.15.25

(511)

7 – Electromechanical machines for chemical industry; filtering machines; bottle washing machines; bottle filling machines; wrapping machines; food preparation machines, electromechanical; sealing machines for industrial purposes; filling machines; bottle sealing machines; bottle stoppering machines; packing machines.

(260) AM 2026 135023 A

(800) 1868449

(151) 2025 07 03

(891) 2025 07 03

(731) Richter Gedeon Nyrt.

Gyömrői út 19-21, H-1103 Budapest, Hungary

(540)

DORIMETTE

(591) Black, white

(511)

5 – Pharmaceutical preparations.

(260) AM 2026 135024 A

(800) 1868457

(151) 2025 07 11

(891) 2025 07 11

(731) PharmaLinea d.o.o.

Cesta v mestni log 88a, SI-1000 Ljubljana,
Slovenia

(540)

QvitK2

(591) Black, white

(511)

1 – Chemical substances for use as semi-finished products in the manufacture of medicines and pharmaceuticals; chemical substances for use as semi-finished products in the manufacture of cosmetics; substances of natural origin for use as semi-finished products in the manufacture of medicines and pharmaceuticals; substances of natural origin for use as semi-finished products in the manufacture of cosmetics; compositions of chemical substances and/or substances of natural origin for use as semi-finished products

in the manufacture of medicines and pharmaceuticals; compositions of chemical substances and/or substances of natural origin for use as semi-finished products in the manufacture of cosmetics; raw chemicals and intermediate products for the pharmaceutical industry; reagents, preparations and substances for preparation or manufacture of pharmaceutical preparations; pharmaceutical intermediate goods; chemicals for use in the pharmaceutical industry; chemicals used in the manufacture of coatings for medicines; preservatives for use in the pharmaceutical industry.

5 – Pharmaceutical and veterinary preparations; medicine; dietetic food and substances adapted for medical or veterinary use, food for babies; dietary supplements for humans and animals; food supplements for humans; dietary supplements and dietetic preparations; medicated food supplements; chemical preparations and chemical agents, pharmaceutical; pharmaceuticals; medicinal preparations; medicinal substances; intermediate products used in the preparation of medicinal substances; intermediate products for the manufacture of pharmaceutical products; vitamins and vitamin preparations; vitamin and mineral supplements; enzymes for medical and veterinary purposes; herbal, vitamin, mineral, dietary, sports and other dietary supplements and preparations.

40 – Private labelling services in the form of customised manufacturing in relation to the following goods: pharmaceutical preparations and veterinary products, drugs, dietetic substances for medical use or for veterinary use, food for babies, dietary supplements for human beings and animals; private labelling services in the form of customised manufacturing in relation to the following goods: food supplements adapted for human use, dietary supplements and dietetic preparations, food additives with active ingredients, chemical preparations and agents for pharmaceutical purposes, pharmaceuticals, pharmaceutical preparations, pharmaceutical substances, private brand food products, intermediates for the manufacture of pharmaceutical substances, intermediates for the manufacture of pharmaceuticals; private labelling services in the form of customised manufacturing in relation to the following goods: vitamins and vitamin preparations, vitamin and mineral supplements, enzymes for medical purposes and for veterinary purposes, herbal, vitamin, mineral, dietary, sports and other dietary supplements and preparations; private labelling services in the form of custom-made labelling of the following articles: food supplements in the form of bars, powder, liquid, tablets, granules, capsules, syrups, sachets, patches, sprays, drops, gels; customised manufacturing in the field of nutrition, namely products including dietary supplements, food supplements, vitamin supplements, mineral supplements.

(260) AM 2026 135025 A

(800) 1868458

(151) 2025 07 11

(891) 2025 07 11

(731) PharmaLinea d.o.o.

Cesta v mestni log 88a, SI-1000 Ljubljana,
Slovenia

(540)

QlipoMg

(591) Black, white

(511)

1 – Chemical substances for use as semi-finished products in the manufacture of medicines and pharmaceuticals; chemical substances for use as semi-finished products in the manufacture of cosmetics; substances of natural origin for use as semi-finished products in the manufacture of medicines and pharmaceuticals; substances of natural origin for use as semi-finished products in the manufacture of cosmetics; compositions of chemical substances and/or substances of natural origin for use as semi-finished products in the manufacture of medicines and pharmaceuticals; compositions of chemical substances and/or substances of natural origin for use as semi-finished products in the manufacture of cosmetics; raw chemicals and intermediate products for the pharmaceutical industry; reagents, preparations and substances for preparation or manufacture of pharmaceutical preparations; pharmaceutical intermediate goods; chemicals for use in the pharmaceutical industry; chemicals used in the manufacture of coatings for medicines; preservatives for use in the pharmaceutical industry.

5 – Pharmaceutical and veterinary preparations; medicine; dietetic food and substances adapted for medical or veterinary use, food for babies; dietary supplements for humans and animals; food supplements for humans; dietary supplements and dietetic preparations; medicated food supplements; chemical preparations and chemical agents, pharmaceutical; pharmaceuticals; medicinal preparations; medicinal substances; intermediate products used in the preparation of medicinal substances; intermediate products for the manufacture of pharmaceutical products; vitamins and vitamin preparations; vitamin and mineral supplements; enzymes for medical and veterinary purposes; herbal, vitamin, mineral, dietary, sports and other dietary supplements and preparations.

40 – Private labelling services in the form of customised manufacturing in relation to the following goods: pharmaceutical preparations and veterinary products, drugs, dietetic substances for medical use or for veterinary use, food for babies, dietary supplements for human beings and animals; private labelling services in the form of customised manufacturing in relation to the following goods: food supplements adapted for human use, dietary supplements and dietetic preparations, food additives with active ingredients, chemical preparations and agents for pharmaceutical purposes,

pharmaceuticals, pharmaceutical preparations, pharmaceutical substances, private brand food products, intermediates for the manufacture of pharmaceutical substances, intermediates for the manufacture of pharmaceuticals; private labelling services in the form of customised manufacturing in relation to the following goods: vitamins and vitamin preparations, vitamin and mineral supplements, enzymes for medicinal purposes and for veterinary purposes, herbal, vitamin, mineral, dietary, sports and other dietary supplements and preparations; private labelling services in the form of custom-made labelling of the following articles: food supplements in the form of bars, powder, liquid, tablets, granules, capsules, syrups, sachets, patches, sprays, drops, gels; customised manufacturing in the field of nutrition, namely products including dietary supplements, food supplements, vitamin supplements, mineral supplements.

(260) AM 2026 135034 A

(800) 1868750

(151) 2025 03 22

(891) 2025 03 22

(731) Coral Holding A.Ş

Ayazağa Mah. Azerbaijan Cad., 2b No: 3k İç
Kapı No: 27, Sarıyer /İSTANBUL, Türkiye

(540)

CORAL STARWAY WORLD BEST HOTELS AWARDS

(591) Black, white

(511)

35 – Advertising, marketing and public relations; organization of exhibitions and trade fairs for commercial or advertising purposes; consumer loyalty services for commercial, promotional, and/or advertising purposes; administration of incentive award programs to promote the sale of the goods and services of others; promoting the sale of goods and services of others by means of contests and incentive award programs; organizing of prize draws for promotional purposes; organization, operation, and management of incentive programs; advertising in the field of tourism and travel.

41 – Organizing, arranging and conducting of symposia, conferences, congresses, and seminars; sports, cultural and entertainment services, namely, ticket reservation and provision for cultural and entertainment events such as cinema, sports matches, theater, museums, and concerts; Publication and editing of printed matter, including magazines, books, newspapers, other than publicity texts; electronic publication services; arranging and conducting award ceremonies; organization of competitions and award ceremonies; organizing awards and award ceremonies related to accommodation services; organizing awards and award ceremonies related to agency services; organizing awards and award ceremonies related to tourism and

travel; organizing award ceremonies to recognize achievement.

(260) AM 2026 135035 A
 (800) 1868799
 (151) 2025 07 04
 (891) 2025 07 04
 (731) BIOFARMA
 50 rue Carnot, F-92284 Suresnes Cedex, France
 (540)

DYVERTYS

(591) Black, white
 (511)
 5 – Pharmaceutical products for prevention and treatment of cardio-metabolic diseases.

(260) AM 2026 135036 A
 (800) 1868800
 (151) 2025 07 04
 (891) 2025 07 04
 (731) BIOFARMA
 50 rue Carnot, F-92284 Suresnes Cedex, France
 (540)

INLIABIX

(591) Black, white
 (511)
 5 – Pharmaceutical products for prevention and treatment of cardio-metabolic diseases.

(260) AM 2026 135037 A
 (800) 1868826
 (151) 2025 05 27
 (891) 2025 05 27
 (731) Hongda Civil Explosives Group Co., Ltd.
 No. 28, Guangda Road, Lianyi Village,
 Zengjiang Street, Zengcheng, Guangzhou City,
 510000 Guangdong Province, China
 (540)

GranDet 宏雷

(591) Black, white
 (531) 27.05.01; 28.03
 (511)
 13 – Dynamite; explosives; detonators; ammonium nitrate explosives; detonating fuses for explosives; explosive powders; gunpowder; explosive devices; - explosive substances; liquid explosives.

(260) AM 2026 135038 A
 (800) 1868827
 (151) 2025 05 27
 (891) 2025 05 27
 (731) Hongda Civil Explosives Group Co., Ltd.

No. 28, Guangda Road, Lianyi Village,
 Zengjiang Street, Zengcheng, Guangzhou City,
 510000 Guangdong Province, China

(540)



(591) Black, white
 (531) 01.01.02; 01.15.07; 23.01.25; 23.03.10;
 25.07.01; 26.13.25
 (511)
 13 – Dynamite; explosives; detonators; ammonium nitrate explosives; detonating fuses for explosives; explosive powders; gunpowder; explosive devices; explosive substances; liquid explosives.

(260) AM 2026 135039 A
 (800) 1868843
 (151) 2025 07 03
 (891) 2025 07 03
 (731) Richter Gedeon Nyrt.
 Gyömrői út 19-21, H-1103 Budapest, Hungary
 (540)

EGLOMETTE

(591) Black, white
 (511)
 5 – Pharmaceutical preparations.

(260) AM 2026 135040 A
 (800) 1868851
 (151) 2025 06 30
 (891) 2025 06 30
 (731) Bauerfeind AG
 Triebeser Straße 16, 07937 Zeulenroda-Triebes,
 Germany
 (540)

GenuTrain

(591) Black, white
 (511)
 10 – Orthopedic devices and articles, including those devices and articles made of silicone, in particular bandages, elastic bandages, elastic therapeutic bands, supports, compression garments, body compression garments, splints, knee bandages, as well as elastic supports for elbows, back, shoulders, foot, ankles, hands, wrists and spine; orthoses, in particular orthoses for the lower extremities, upper extremities and trunk; compression stockings, compression socks and compression tights; foot supports and foot arch supports for footwear; medical prostheses, in particular orthopedic prostheses for the upper extremities, lower

extremities and trunk; orthopedic inserts, pads and insoles.

25 – Clothing for men, women and children, in particular gloves, scarves, T-shirts, sweatshirts, jackets, coats and shirts; footwear; inserts and insoles for footwear; headgear, in particular baseball caps and hats; sport socks; inserts and insoles for sports shoes.

(260) AM 2026 135041 A

(800) 1868870

(151) 2025 06 30

(891) 2025 06 30

(731) VAN PUR S. A.

Rakszawa 334, PL-37-111 Rakszawa, Poland

(540)



(591) Black, white

(531) 27.05.02; 27.05.25

(511)

32 – Flavoured beer; non-alcoholic flavoured beer.

(260) AM 2026 135042 A

(800) 1868871

(151) 2025 07 01

(891) 2025 07 01

(731) Hong Jiayun

No. 6, Unit 1, Building 1, No. 129 Zhongling Street, Nanxi Town, Nanxi County, 322300 Sichuan Province, China

(540)



(591) Black, white

(531) 27.05.02; 27.05.19

(526) Accessories

(511)

3 – Stain removers; polishing preparation.

(260) AM 2026 135043 A

(800) 1868947

(151) 2025 05 12

(891) 2025 05 12

(731) Shenzhen Yizhita Technology Co., Ltd.

1901 Zhongxing Hotel (Qianhai HOP International), No.19 Xinghua First Road (Extension Section), Haiwang Community, Xin'an Street, Bao'an District, Shenzhen City, Guangdong Province, China

(540)

ATK

(591) Black, white

(531) 27.05.23

(511)

9 – Data processing apparatus; computer peripheral devices; processors [central processing units]; computer keyboards; computer mice; USB flash drives; display devices.

(260) AM 2026 135044 A

(800) 1868954

(151) 2025 06 26

(891) 2025 06 26

(731) Limited Liability Company "Zoloto Kubani"

Karla Libknekhta St., 230, Ust-Labinsk, RU-352331 Ust-Labinsk District, Krasnodar Region, Russian Federation

(540)

ЗЛАТОЗАРНОЕ

(591) Black, white

(531) 28.05

(511)

29 – Vegetable oils.

(260) AM 2026 135046 A

(800) 1869002

(151) 2025 04 08

(891) 2025 04 08

(731) Semen Pogossian Hmayaki

Tavrizyan st. 46, 0012 Yerevan, Armenia

(540)



(591) Black, white, red, grey, brown, light brown, beige, light beige and light pink

(531) 02.09.23; 04.05.21; 25.01.15; 27.05.10; 29.01.15

(511)

32 – Non-alcoholic fruit extracts; beer; ginger beer; malt beer; beer wort; non-alcoholic fruit juice beverages; whey beverages; preparations for making non-alcoholic beverages; non-alcoholic essences for making beverages; fruit juices; syrups for beverages; waters [beverages]; preparations for making carbonated water; lithia water; mineral water [beverages]; seltzer water; table waters; must; lemonades; extracts of hops for making beer; vegetable juices [beverages]; syrups

for lemonade; malt wort; grape must, unfermented; orgeat; soda water; sherbets [beverages]; tomato juice [beverage]; non-alcoholic beverages; pastilles for effervescing beverages; powders for effervescing beverages; carbonated water; sarsaparilla [non-alcoholic beverage]; aperitifs, non-alcoholic; cocktails, non-alcoholic; fruit nectars, non-alcoholic; isotonic beverages; cider, non-alcoholic; kvass; non-alcoholic honey-based beverages; smoothies; aloe vera drinks, non-alcoholic; beer-based cocktails; soya-based beverages, other than milk substitutes; protein-enriched sports beverages; rice-based beverages, other than milk substitutes; non-alcoholic beverages flavoured with coffee; non-alcoholic beverages flavoured with tea; soft drinks; barley wine [beer]; energy drinks; non-alcoholic dried fruit beverages; shandy; starch-based dry mixes for beverage preparation; non-alcoholic beer-based cocktails; non-alcoholic beer; powders for making soft drinks; frozen hops for brewing beer; hop pellets for brewing beer.

33 – Peppermint liqueurs; fruit extracts, alcoholic; bitters; anise [liqueur]; anisette [liqueur]; aperitifs; arack [arak]; distilled beverages; cider; cocktails; curacao; digestifs [liqueurs and spirits]; wine; gin; liqueurs; mead [hydromel]; kirsch; spirits [beverages]; brandy; piquette; perry; sake; whisky; alcoholic essences; alcoholic extracts; alcoholic beverages, except beer; alcoholic beverages containing fruit; rice alcohol; rum; vodka; pre-mixed alcoholic beverages, other than beer-based; sugarcane-based alcoholic beverages; grain-based distilled alcoholic beverages; wine-based beverages; soju; makkoli.

(260) AM 2026 135047 A

(800) 1869003

(151) 2025 04 08

(891) 2025 04 08

(731) Semen Pogossian Hmayaki

Tavrizyan st. 46, 0012 Yerevan, Armenia

(540)



(591) Black, white, red, grey, brown, light brown, beige, light beige, light pink and light green

(531) 02.09.23; 04.05.21; 25.01.15; 27.05.10; 29.01.15

(511)

32 – Non-alcoholic fruit extracts; beer; ginger beer; malt beer; beer wort; non-alcoholic fruit juice beverages; whey beverages; preparations for making non-alcoholic beverages; non-alcoholic essences for ma-

king beverages; fruit juices; syrups for beverages; waters [beverages]; preparations for making carbonated water; lithia water; mineral water [beverages]; seltzer water; table waters; must; lemonades; extracts of hops for making beer; vegetable juices [beverages]; syrups for lemonade; malt wort; grape must, unfermented; orgeat; soda water; sherbets [beverages]; tomato juice [beverage]; non-alcoholic beverages; pastilles for effervescing beverages; powders for effervescing beverages; carbonated water; sarsaparilla [non-alcoholic beverage]; aperitifs, non-alcoholic; cocktails, non-alcoholic; fruit nectars, non-alcoholic; isotonic beverages; cider, non-alcoholic; kvass; non-alcoholic honey-based beverages; smoothies; aloe vera drinks, non-alcoholic; beer-based cocktails; soya-based beverages, other than milk substitutes; protein-enriched sports beverages; rice-based beverages, other than milk substitutes; non-alcoholic beverages flavoured with coffee; non-alcoholic beverages flavoured with tea; soft drinks; barley wine [beer]; energy drinks; non-alcoholic dried fruit beverages; shandy; starch-based dry mixes for beverage preparation; non-alcoholic beer-based cocktails; non-alcoholic beer; powders for making soft drinks; frozen hops for brewing beer; hop pellets for brewing beer.

33 – Peppermint liqueurs; fruit extracts, alcoholic; bitters; anise [liqueur]; anisette [liqueur]; aperitifs; arack [arak]; distilled beverages; cider; cocktails; curacao; digestifs [liqueurs and spirits]; wine; gin; liqueurs; mead [hydromel]; kirsch; spirits [beverages]; brandy; piquette; perry; sake; whisky; alcoholic essences; alcoholic extracts; alcoholic beverages, except beer; alcoholic beverages containing fruit; rice alcohol; rum; vodka; pre-mixed alcoholic beverages, other than beer-based; sugarcane-based alcoholic beverages; grain-based distilled alcoholic beverages; wine-based beverages; soju; makkoli.

(260) AM 2026 135048 A

(800) 1869009

(151) 2025 05 27

(891) 2025 05 27

(731) Hongda Civil Explosives Group Co., Ltd.

No. 28, Guangda Road, Lianyi Village,
Zengjiang Street, Zengcheng, Guangzhou
City, 510000 Guangdong Province, China

(540)

宏拓

(591) Black, white

(531) 28.03

(511)

13 – Dynamite; explosives; detonators; ammonium nitrate explosives; detonating fuses for explosives; explosive powders; gunpowder; explosive devices; explosive substances; liquid explosives.

(260) AM 2026 135049 A

(800) 1869010

(151) 2025 05 27

(891) 2025 05 27

(731) Hongda Civil Explosives Group Co., Ltd.

No. 28, Guangda Road, Lianyi Village,

Zengjiang Street, Zengcheng, Guangzhou

City, 510000 Guangdong Province, China

(540)

GranDet

(591) Black, white

(531) 27.05.17

(511)

13 – Dynamite; explosives; detonators; ammonium nitrate explosives; detonating fuses for explosives; explosive powders; gunpowder; explosive devices; explosive substances; liquid explosives.

(260) AM 2026 135051 A

(800) 1869055

(151) 2025 06 02

(891) 2025 06 02

(731) JOINT-STOCK COMPANY THE "CLOSED

NON-DIVERSIFIED VENTURE

CORPORATE

INVESTMENT FUND "SMART GROUP

INVESTMENTS"

vul. Radystiv, 5-A, of. 402, m. Dnipro 49023,

Ukraine

(540)

F I L L I N

(591) Black, white

(531) 27.05.01

(511)

35 – Advertising; business management; business administration; office functions; commercial information agencies; administrative processing of purchase orders; cost price analysis; business auditing; outsourced administrative management for companies; automated data processing; market studies; opinion polling; arranging subscriptions to telecommunication services for others; demonstration of goods; business inquiries; providing information and advice to consumers regarding the selection of products and items to be purchased; commercial or industrial management assistance; business management advisory services; business research; economic forecasting; providing business information via a website; compilation of information into computer databases; compilation of statistics; business consultancy regarding marketing activities and launching of new products; business management for freelance service providers; business management of reimbursement programmes for others; commercial information and advice for consumers; commercial administration of the licensing of the goods and services of others; computerized file

management; personnel management consultancy; business management consultancy; business organization consultancy; business consulting services; marketing; marketing research; providing commercial and business contact information; provision of an online marketplace for buyers and sellers of goods and services; word processing; updating and maintenance of data in computer databases; website traffic optimization; organization of exhibitions and trade fairs for commercial or advertising purposes; rental of advertising space; shop window dressing; business appraisals; personnel recruitment; assistance and advice regarding business organization and management; business efficiency expert services; outsourcing services [business assistance]; layout services for advertising purposes; price comparison services; advertising services for others; goods import-export agency services; public relations; data search in computer files for others; sponsorship search; search engine optimization; presentation of goods on communication media, for retail purposes; office machines and equipment rental; rental of vending machines; rental of sales stands; psychological testing for the selection of personnel; publication of publicity texts; online advertising on computer networks; dissemination of advertising matter; distribution of samples; business investigations; systemization of information into computer databases; sales promotion for others; telemarketing services; negotiation and conclusion of commercial transactions for third parties; professional business consultancy.

42 – Scientific and technological services and research and design relating thereto; industrial analysis and industrial research services; design and development of computer hardware and computer software; computer system analysis; research services in the field of information technology; web design; arranging technical project studies; recovery of computer data; design services; software design; off-site data backup; research and development of new products for others; duplication of computer programs; electronic data storage; providing information on computer technology and programming via a website; providing search engines for the internet; engineering; installation of computer software; IT consultancy, advisory and information services; computer programming; conversion of data or documents from physical to electronic media; data conversion of computer program data other than physical conversion; computer technology consultancy; telecommunications technology consultancy; information technology (IT) consulting; computer software consultancy; research and consultancy in the design and development of computer hardware; website development; quality control; monitoring of computer systems by remote access; maintenance of computer software; updating of computer software; digitization of documents [scanning]; design, development and implementation of computer software; computer virus protection services; software as a

service [SaaS]; rental of web servers; computer rental; rental of computer software; hosting computer sites (websites); computer systems development; creating and maintaining websites for others; graphic design services for creating graphic elements of corporate logos; quality control and audits; technological consulting; cloud computing; server hosting; styling [industrial design]; design engineering.

(260) AM 2026 135061 A

(800) 1869212

(151) 2025 05 27

(891) 2025 05 27

(731) SHUSHI GROUP CO., LTD.

Nanda Industrial Development District,
Xiaonan Area, Xiaogan City, 432100 Hubei
Province, China

(540)



(591) Black, white

(531) 03.09.02; 03.09.24; 27.05.17

(511)

17 – Chemical compositions for sealing leaks; lute; adhesive tapes, other than stationery and not for medical or household purposes; self-adhesive tapes, other than stationery and not for medical or household purposes; duct tapes; polyurethane foam sealants; drywall joint tape; carpet seam tape; pipe joint tape; pipe tape; silicone sealants; thermoplastic heat shrinkable tubing for managing electric cables; insulating tapes; electromagnetic interference [EMI] shielding films; electrical insulating tapes; electrical insulators made of rubber; plastic films for electrical insulation; fiber insulating tape; insulation materials for air conditioners.

(260) AM 2026 135062 A

(800) 1869225

(151) 2025 04 28

(891) 2025 04 28

(731) Individual entrepreneur Zabrodina Inna

Markovna
ul. Il'icha, d. 9, kv. 52, g. Novosibirsk,
RU-630090 Novosibirskaya obl., Russian
Federation

(540)



(591) Green

(531) 26.01.06; 26.04.02; 28.05; 29.01.03

(511)

3 – Amber [perfume]; descaling preparations for household purposes; antistatic preparations for household purposes; aromatics [essential oils]; air fragrancing preparations; cake flavourings [essential oils]; flavourings for beverages [essential oils]; food flavourings [essential oils]; breath freshening sprays; canned pressurized air for cleaning and dusting purposes; balms, other than for medical purposes; basma [cosmetic dye]; lip glosses; glitter for nails; petroleum jelly for cosmetic purposes; shoe polish; cobblers' wax; cotton wool for cosmetic purposes; sachets for perfuming linen; drying agents for dishwashing machines; pomanders [aromatic substances]; adhesives for cosmetic purposes; scented water; Javelle water; lavender water; toilet water; wax for parquet floors; floor wax; non-slipping wax for floors; depilatory wax; moustache wax; tailors' wax; waxes for leather; polish for furniture and flooring; shoemakers' wax; polishing wax; massage gels, other than for medical purposes; heliotropine; cleaning gel for plumbing; dental bleaching gels; geraniol; make-up; cleaning sponges soaked in detergents; deodorants for pets; deodorants for humans or animals; depilatory preparations; air fragrance reed diffusers; scented wood; perfumes; non-slipping liquids for floors; windscreen cleaning liquids; greases for cosmetic purposes; volcanic ash for cleaning; perfumery; decorative transfers for cosmetic purposes; ionone [perfumery]; shaving stones [astringents]; eyebrow pencils; cosmetic pencils; alum stones [astringents]; adhesives for affixing false eyelashes; adhesives for affixing false hair; hair conditioners; quillaia bark for washing; beauty care cosmetics; beard dyes; colorants for toilet purposes; cosmetic dyes; starch for laundry purposes; shoe cream; polishing creams; cosmetic creams; incense; hair spray; nail varnish; hair lotions; lotions for cosmetic purposes; after-shave lotions; beauty masks; oils for perfumes and scents; oils for cosmetic purposes; oils for toilet purposes; essential oils; essential oils of cedarwood; essential oils of lemon; essential oils of citron; oils for cleaning purposes; bergamot oil; gaultheria oil; jasmine oil; lavender oil; rose oil; oil of turpentine for degreasing; whitening; cleaning chalk; almond milk for cosmetic purposes; cleansing milk for toilet purposes; musk [perfumery]; deodorant soap; shaving soap; soap for brightening textile; cakes of toilet soap; anti-perspirant soap; soap for foot perspiration; soap; almond soap; mint for perfumery; make-up palettes containing cosmetics; gel eye patches for cosmetic purposes; nail art stickers; false nails; eau de Cologne; joss sticks; tooth powders for cosmetic purposes; toothpaste; lipstick cases; hydrogen peroxide for cosmetic purposes; breath freshening strips; teeth whitening strips; lipsticks; pomades for cosmetic purposes; shaving preparations; cosmetic preparations for baths; bath preparations, not for medical purposes; hair stra-

lightening preparations; hair waving preparations; laundry soaking preparations; smoothing preparations [starching]; colour-removing preparations; leather bleaching preparations; polishing preparations; mouthwashes, not for medical purposes; cosmetic preparations for slimming purposes; starch glaze for laundry purposes; preparations to make the leaves of plants shiny; eye-washes, not for medical purposes; fabric softeners for laundry use; preparations for washing; dry-cleaning preparations; paint stripping preparations; lacquer-removing preparations; make-up removing preparations; floor wax removers [scouring preparations]; varnish-removing preparations; rust removing preparations; nail care preparations; shoe wax; antistatic dryer sheets; cleaning preparations; preparations for cleaning dentures; wallpaper cleaning preparations; preparations for unblocking drain pipes; chemical cleaning preparations for household purposes; collagen preparations for cosmetic purposes; bleaching preparations [decolorants] for household purposes; laundry preparations; aloe vera preparations for cosmetic purposes; sunscreen preparations; colour-brightening chemicals for household purposes [laundry]; breath freshening preparations for personal hygiene; shining preparations [polish]; make-up powder; stain removers; nail varnish removers; vaginal washes for personal sanitary or deodorant purposes; scouring solutions; false eyelashes; baby wipes impregnated with cleaning preparations; colour run prevention laundry sheets; tissues impregnated with cosmetic lotions; tissues impregnated with make-up removing preparations; saffrol; massage candles for cosmetic purposes; laundry blueing; turpentine for degreasing; potpourris [fragrances]; bleaching soda; washing soda, for cleaning; bath salts, not for medical purposes; bleaching salts; leather preservatives [polishes]; ammonia [volatile alkali] [detergent]; sponges impregnated with facial peel preparations for cosmetic purposes; sponges impregnated with make-up remover; teeth whitening strips impregnated with teeth whitening preparations [cosmetics]; sponges impregnated with cleaning preparations; fragrances; astringents for cosmetic purposes; eyebrow cosmetics; make-up preparations; sun-tanning preparations [cosmetics]; hair dyes; neutralizers for permanent waving; cosmetic preparations for eyelashes; hair grooming preparations; cosmetic preparations for skin care; cosmetics; cosmetics for children; cosmetics for animals; eyebrow dyes and eyelash dyes; cleansers for intimate personal hygiene purposes, non-medicated; douching preparations for personal sanitary or deodorant purposes [toiletries]; detergents, other than for use in manufacturing operations and for medical purposes; degreasing preparations, other than for use in manufacturing processes; bleaching preparations [decolorants] for cosmetic purposes; antiperspirants [toiletries]; toiletry preparations; cleaning preparations for leather; phytocosmetic preparations; talcum powder, for toilet use; cotton swabs for cosmetic purposes; terpe-

nes [essential oils]; cloths impregnated with a detergent for cleaning; henna [cosmetic dye]; shampoos for animals [non-medicated grooming preparations]; dry shampoos; shampoos; soda lye; herbal extracts for cosmetic purposes; extracts of flowers [perfumes]; ethereal essences; badian essence; mint essence [essential oil]; creams for leather.

(260) AM 2026 135063 A

(800) 1869233

(151) 2025 06 17

(891) 2025 06 17

(731) "PRESTIGE-96" AD

"Cholakovtsi" District, 6 "Dalga Laka" Street,
BG-5000 Veliko Tarnovo, Bulgaria

(540)



(591) Blue, red and white

(531) 02.09.01; 24.03.07; 24.03.18; 24.03.19;
27.05.24; 29.01.13

(511)

30 – Biscuits (cookies); salted biscuits; salted wafer biscuits; savory biscuits; waffles.

(260) AM 2026 135064 A

(800) 1869240

(151) 2025 05 13

(891) 2025 05 13

(731) AUX GROUP CO., LTD.

Mingzhou Industrial Park, Jiangshan Town,
Yinzhou District, Ningbo, Zhejiang, China

(540)

AUX

(591) Black, white

(531) 27.05.17; 27.05.23

(511)

8 – Beard clippers; electric hair clippers; hand implements for hair curling; depilation appliances, electric and non-electric; hand tools, hand-operated; hair clippers, hand-operated; clippers, hand-operated.

10 – Massage chairs with built-in massage apparatus; electric massage chairs; massage apparatus; eye massage apparatus; foot massage apparatus; sphygmomanometers; electric nasal irrigators; nebulisers for medical purposes; oxygen concentrators for medical purposes; testing apparatus for medical purposes; diagnostic apparatus for medical purposes; ophthalmology

logical instruments; dental apparatus and instruments; ultrasonic instrument and parts for medical use; radiological apparatus for medical purposes; lasers for medical purposes; hot air vibrators for medical purposes; physiotherapy apparatus; beds specially made for medical purposes; surgical implants comprised of artificial materials; orthopaedic articles; laser therapy helmets for treating alopecia; electric scalp massagers for household use; electric massage apparatus for household use; vibromassage apparatus; esthetic massage apparatus; glucometers; blood oxygen monitor; apparatus for use in medical analysis; body composition monitors; respirators for filtering air for medical purposes; hearing aids; traction apparatus for medical purposes; body rehabilitation apparatus for medical purposes; electric sputum aspirators; canes for medical purposes; wearable walking assistive robots for medical purposes; wheeled walkers to aid mobility; walking frames for disabled persons; furniture especially made for medical purposes; medical apparatus and instruments; massage apparatus for medical purposes; medical knee joint protectors; physical exercise apparatus for medical purposes.

12 – Wheelchairs; electric wheelchairs; electric wheelchairs for the disabled and those with mobility difficulties; hospital trolley; trolleys.

35 – Advertising; presentation of goods on communication media, for retail purposes; publicity; marketing; organization of exhibitions for commercial or advertising purposes; arranging and conducting of commercial events; import-export agency services; web indexing for commercial or advertising purposes.

(260) AM 2026 135065 A
(800) 1869259
(151) 2025 06 05
(891) 2025 06 05
(731) AGRIMATCO LIMITED
Gladstonos 114, Oasis Center, Floor 3,
CY-3032 Limassol, Cyprus
(540)



agrimatco

(591) Green – R:0 G:187 B:51; black – R:60 G:60 B:60 and brown – R:195 G:151 B:104
(531) 01.05.01; 01.05.02; 01.05.09; 05.01.21; 05.03.20; 27.05.01; 29.01.13
(511)
1 – Chemicals for use in forestry, except fungicides, herbicides, insecticides and parasiticides; fertilizers; fertilizing preparations.

5 – Pesticides.

7 – Agricultural implements, other than hand-operated; agricultural machines; harvesting machines; mowing and reaping machines.

8 – Agricultural forks [hand tools]; agricultural implements, hand-operated.

11 – Drip irrigation emitters [irrigation fittings].

31 – Seedlings; seeds for planting; plant seeds.

35 – Wholesale services for pharmaceutical, veterinary and sanitary preparations and medical supplies; retail services for pharmaceutical, veterinary and sanitary preparations and medical supplies.

(260) AM 2026 135066 A
(800) 1354182
(151) 2017 03 16
(891) 2025 07 09
(731) Fraunhofer-Gesellschaft zur Förderung der angewandten Forschung e.V.
Hansastraße 27c, 80686 München, Germany
(540)

Sonamic

(591) Black, white
(511)
9 – Data processing apparatus; computers; digital signal processors; software; apparatus for recording, transmission, reception, processing or reproduction of sound, images or data.

(260) AM 2026 135067 A
(800) 1418441
(151) 2018 06 18
(891) 2025 06 25
(731) MAVROGIANNIS EMPORIKI EISAGOGIKI
VIOTECHNIKI TOURISTIKI
XENODOCHEIAKI
KATASKEVASTI ANONYMI ETAIRIA
Agioy Alexandpoy, M. Karteros, GR-716 01
Irakleio Kritis, Greece
(540)



(591) Light orange, light blue, beige, white and purple
(531) 01.03.01; 06.03.02; 27.05.01; 29.01.14
(511)
3 – Cosmetics, sun-tanning preparations.

(260) AM 2026 135068 A
 (800) 1473236
 (151) 2019 03 20
 (891) 2025 05 30
 (731) CHANGSHA SINOCARE INC.
 No. 265 Guyuan Road, Hi-Tech Zone,
 Changsha, 410205 Hunan Province, China
 (540)

Sinocare

(591) Black, white
 (511)
 10 – Apparatus for use in medical analysis; blood glucose measuring apparatus; physiotherapy apparatus; apparatus for use in medical analysis; apparatus for eliciting a blood sample; blood collection apparatus; medical apparatus and instruments; blood testing apparatus; sphygmomanometers; capillary for blood collection.

(260) AM 2026 135069 A
 (800) 1561982
 (151) 2020 09 01
 (891) 2025 05 16
 (731) JOYALL (WEIHAI) TIRE CO., LTD.
 South Side East Kaiyuan Road, International
 Port Economical &, Technological
 Development Zone, Weihai, 250101 Shandong,
 China
 (540)

JOYALL

(591) Black, white
 (531) 27.05.01; 27.05.17
 (511)
 12 – Inner tubes for pneumatic tires; pneumatic tires; tires for vehicle wheels; spikes for tires; treads for retreading tires; automobile tires; bicycle tires; tires, solid, for vehicle wheels; casings for pneumatic tires; vehicle wheel tires.

(260) AM 2026 135070 A
 (800) 1561983
 (151) 2020 09 01
 (891) 2025 05 16
 (731) JOYALL (WEIHAI) TIRE CO., LTD.
 South Side East Kaiyuan Road, International
 Port Economical &, Technological
 Development Zone, Weihai, 250101 Shandong,
 China
 (540)

GIANROI

(591) Black, white
 (531) 27.05.01; 27.05.17

(511)
 12 – Inner tubes for pneumatic tires; pneumatic tires; tires for vehicle wheels; spikes for tires; treads for retreading tires; automobile tires; bicycle tires; tires, solid, for vehicle wheels; casings for pneumatic tires; vehicle wheel tires.

(260) AM 2026 135071 A
 (800) 1611959
 (151) 2020 11 27
 (891) 2025 07 07
 (731) CASA DEL CAFFE' VERGNANO S.P.A.
 S.S. Torino-Asti KM. 20, I-10026 Santena
 (Torino), Italy
 (540)



(591) Black, white, red and gold
 (531) 26.01.04; 26.01.19; 26.01.24; 27.05.01;
 27.07.01; 29.01.14

(511)
 43 – Provision of conference, exhibition and meeting facilities; provision of conference facilities; provision of temporary work accommodation; wine bar services; providing food and drink in restaurants and bars; providing information about bartending; banqueting services; restaurant reservation services; services for the preparation of food and drink; takeaway food and drink services; serving food and drinks; snack-bar services; serving food and drink in restaurants and bars; mobile restaurant services; tea rooms; food and drink catering; food and drink catering for cocktail parties; providing food and drink catering services for fair and exhibition facilities; providing food and drink catering services for convention facilities; catering services for conference centers; coffee supply services for offices [provision of beverages]; consultancy services in the field of food and drink catering; rental of bar equipment; business catering services; providing drink services; decorating of food; information and advice in relation to the preparation of meals; rental of chairs, tables, table linen, glassware; rental of meeting rooms; rental of cooking apparatus; rental of furniture, linens and table settings; rental of catering equipment; drink dispensing machines (rental of); bar services; providing of food and drink via a mobile truck; providing food and drink for guests in restaurants; preparation of meals; preparation and provision of food and drink for immediate consumption; take-out restaurant services; bar and restaurant services; café services; takeaway food and drink services; take-away

food services; services for providing drink; services for providing food; reservation services for booking meals; provision of information relating to the preparation of food and drink.

(260) AM 2026 135072 A

(800) 1698865

(151) 2022 10 03

(891) 2025 05 08

(731) Novartis AG

CH-4002 Basel, Switzerland

(540)

TAFREMPA

(591) Black, white

(511)

5 – Pharmaceutical preparations.

(260) AM 2026 135073 A

(800) 1731510

(151) 2023 03 03

(891) 2025 06 19

(731) Guangzhou Xianyou Intelligent Technology Co., Ltd

NO. 32 Xixiu Road, Xiuquan Street, Huadu District, Guangzhou, Guangdong, China

(540)

NicHub

(591) Black, white

(531) 27.05.17

(511)

9 – Notebook computers; computers; monitors [computer hardware]; flat panel display screens; face recognition equipment; television apparatus; earphones; virtual reality glasses; cabinets for loudspeakers; slide projectors; video projectors; video screens; batteries, electric.

(260) AM 2026 135074 A

(800) 1747381

(151) 2023 03 09

(891) 2025 07 08

(731) Dmitrii Shesternenko

ul. Kawek 2a/20, PL-40-534 Katowice, Poland

(540)



(591) Black, white

(531) 24.09.02; 24.09.09; 26.11.02; 26.11.06; 26.11.08; 27.05.10; 27.05.11

(511)

34 – Electronic cigarettes; cigarettes containing tobacco substitutes, not for medical purposes; tobacco free oral nicotine pouches [not for medical use]; pipes for smoking mentholated tobacco substitutes; herbal molasses [tobacco substitutes]; snus; snus without tobacco; snus with tobacco; substances for inhalation using water pipes, in particular aromatic substances; tobacco substitutes; tobacco substitutes not for medical purposes; snuff; snuff without tobacco; snuff with tobacco; electronic smoking pipes; electronic cigarette cases; pipes for smoking mentholated tobacco substitutes; tobacco products for the purpose of being heated; electronic cigarette boxes; holders for electronic cigarettes; devices for heating tobacco substitutes for the purpose of inhalation; electronic cigarette cleaners; devices for heating tobacco for the purpose of inhalation; tobacco pouches; chemical flavorings in liquid form used to refill electronic cigarette cartridges; electronic cigarette atomizers; liquid solutions for use in electronic cigarettes; electronic cigars; inhalers for use as an alternative to tobacco cigarettes; electronic cigarette cartomizers; cartridges for electronic cigarettes; refill cartridges for electronic cigarettes; electronic cigarette liquid [e-liquid] comprised of vegetable glycerin; electronic cigarette liquid [e-liquid] comprised of propylene glycol; electronic cigarette liquid [e-liquid] comprised of flavorings in liquid form used to refill electronic cigarette cartridges; tobacco tar for use in electronic cigarettes; electronic devices for the inhalation of nicotine containing aerosol; electronic nicotine inhalation devices; oral vaporizers for smokers; smokeless cigarette vaporizer pipes; cartridges sold filled with chemical flavorings in liquid form for electronic cigarettes; smoking sets for electronic cigarettes; flavourings, other than essential oils, for use in electronic cigarettes; flavouring inserts for tobacco products; flavour accessories for tobacco products; electronic hookahs.

(260) AM 2026 135075 A

(800) 1782575

(151) 2024 02 07

(891) 2025 07 15

(731) NicomGroup AG

Baarerstrasse 21, CH-6302 Zug, Switzerland

(540)

VIKA

(591) Black, white

(511)

34 – Tobacco and tobacco substitutes; cigarettes and cigars; electronic cigarettes and oral sprays for smokers; smokers' articles; matches.

(260) AM 2026 135076 A
 (800) 1822091
 (151) 2024 09 20
 (891) 2025 07 23

(731) CASETAGRAM LIMITED
 18/F, NEO, 123 HOI BUN ROAD, KWUN
 TONG, KOWLOON, HONG KONG, China
 (540)

CASETIFY

(591) Black, white
 (511)

9 – Covers, cases, sleeves and bags especially adapted for handheld electronic devices, namely, cell phones, mobile phones, smartphones, laptops, tablet computers, portable computers, ear buds, earphones, headphones, radio-frequency identification (RFID) tags, tracking device, smartwatches, wireless charger, battery charging device, portable media players, tablets, personal digital assistants, electronic book readers, and computers; earphones; ear buds; wireless headphones; radio-frequency identification (RFID) tags; tracking device; stands for handheld digital electronic devices, namely, cell phones, mobile phones, smartphones, laptops, tablet computers, portable computers, ear buds, earphones, headphones, radio-frequency identification (RFID) tags, tracking device, smartwatches, wireless charger, battery charging device, portable media players, personal digital assistants, electronic book readers and computers; holders for handheld digital electronic devices, namely, cell phones, mobile phones, smartphones, laptops, tablet computers, portable computers, ear buds, earphones, headphones, radio-frequency identification (RFID) tags, tracking device, smartwatches, wireless charger, battery charging device, portable media players, personal digital assistants, electronic book readers and computers; selfie lenses; selfie sticks; protective films adapted for computer screens; protective films adapted for smartphones; protective cover adapted for smartphone camera lens; camera flashes; wireless charging pad for handheld electronic devices, namely, cell phones, mobile phones, smartphones, laptops, tablet computers, portable computers, ear buds, earphones, headphones, radio-frequency identification (RFID) tags, tracking device, smartwatches, wireless charger, battery charging device, portable media players, personal digital assistants, electronic book readers and computers; wireless chargers; battery charging devices; battery charging devices in the nature of portable battery chargers specially adapted for use with handheld digital electronic devices; battery chargers; USB battery chargers; batteries; electric charging cables; USB cables; cell phone straps; digital photo frames; telephone and mobile phone accessories; earphone accessories; audio, video and audio-visual equipment and accessories thereof; blank electronic chip cards [blank smart cards]; downloadable multimedia file containing artwork, text, audio, video, memes and digital collectib-

les authenticated by non-fungible tokens (NFTs); downloadable image files.

(260) AM 2026 135077 A
 (800) 1842237

(151) 2025 01 14
 (891) 2025 07 23
 (731) BIOFARMA
 50 rue Carnot, F-92284 Suresnes Cedex, France
 (540)

CADZUVY

(591) Black, white
 (511)

5 – Pharmaceutical products for prevention and treatment of cardio-metabolic diseases.

(260) AM 2026 135078 A
 (800) 1851719

(151) 2025 01 28
 (891) 2025 07 23
 (731) THE SKIN LOUNGE 012, S.L.
 Bruc, 49 ppal, E-08009 Barcelona, Spain
 (540)

**ANOTHER
 LANGUAGE**

(591) Black, white
 (531) 27.05.01; 27.05.19
 (511)

3 – Cosmetics; oils for cosmetic purposes; conditioning preparations for the hair; cologne; balms, other than for medical purposes; lipstick; cosmetic masks; lip gloss; nail glitter; sun blocking preparations [cosmetics]; hair colourants; hair spray; decorative transfers for cosmetic purposes; depilatory wax; shampoo; cosmetic rouges; depilatory creams; cosmetic creams; liners [cosmetics] for the eyes; make-up removing preparations; deodorants for human beings (perfumery); nail polish; exfoliants for the care of the skin; bath gel; skin moisturisers; soaps; hair spray; cosmetic pencils; lipstick; body milks; hair lotion; skin care lotions [cosmetic]; make-up; perfume; cosmetics for eyelashes; powder for make-up; pomades for cosmetic purposes; cosmetic preparations for baths; make-up preparations; tonics [cosmetic].

(260) AM 2026 135130 A
 (800) 1869270

(151) 2025 06 29
 (891) 2025 06 29
 (731) Monsieur AMAT PHILIPPE
 8 RUE BUFFON, F-72000 LE MANS, France
 (540)

MYOsimple

(591) Black, white
(511)
10 – Medical apparatus and instruments; dental apparatus and instruments.

44 – Medical services; hospital services; alternative medicine services.

(260) AM 2026 135131 A
(800) 1869284
(151) 2025 06 23
(891) 2025 06 23
(731) Shiseido Americas Corporation
390 Madison Avenue, 15th Floor, New York
NY 10017, USA

(540)

DR DENNIS GROSS

(591) Black, white
(511)
3 – Skin care products and skin care preparations, namely, anti-aging cleanser; anti-aging toner; anti-wrinkle creams; cleansing pads impregnated with skin cleansers; cosmetic creams; cosmetic creams for skin care; eye cream; eye gels; face and body beauty creams; face and body creams; face creams for cosmetic use; face toners; facial cleansers; facial moisturizers; a kit for cosmetics, namely, a kit comprising face and skin care lotions, peels, cleansers and creams; lotions for skincare; non-medicated skin creams; a proprietary mixture of anti-aging ingredients sold as an integral component of non-medicated skin care preparations and cosmetics; self-tanning preparations; skin cleansers; skin cleansing cream; skin cleansing lotion; skin creams; skin lotions; skin moisturizer; skin moisturizing gel; non-medicated skin peels; sun block, wrinkle removing skin care preparations, hair care preparations.

5 – Acne treatment preparations.

10 – Beauty devices for skin care, namely, light therapy devices featuring LED lights for the treatment of fine lines, wrinkles and acne and electronic facial steamers.

(260) AM 2026 135132 A
(800) 1869324
(151) 2025 06 25
(891) 2025 06 25
(731) RETAL INDUSTRIES LIMITED
Epimitheos 6, Industrial Area A, CY-3056
Limassol, Cyprus

(540)



(591) Black, white
(531) 01.05.02; 26.11.09; 26.15.01; 27.05.01
(511)
16 – Plastic film for wrapping.

17 – Semi-processed plastics, including semi-finished preformed plastic products, namely, preforms for manufacturing containers for food and non-food products, including bottles, cans, jars and other containers; plastic films, not for packaging.

20 – Plastic caps; polymer screw caps, polymer closure caps, polyethylene caps; non-metal polymer screw caps; non-metal polymer closure caps; caps, closure caps and closures not of metal and not of paper for bottles, jars, and other containers; plastic handles for carrying bottles.

21 – Plastic water bottles, disposable and reusable, empty; household containers for food and non-food products, including bottles, cans, jars and other containers, disposable and reusable.

(260) AM 2026 135133 A
(800) 1869336
(151) 2025 05 27
(891) 2025 05 27
(731) Hongda Civil Explosives Group Co., Ltd.
No. 28, Guangda Road, Lianyi Village,
Zengjiang Street, Zengcheng, Guangzhou City,
510000 Guangdong Province, China

(540)

(591) Black, white
(531) 28.03
(511)
13 – Dynamite; explosives; detonators; ammonium nitrate explosives; detonating fuses for explosives; explosive powders; gunpowder; explosive devices; explosive substances; liquid explosives.

(260) AM 2026 135134 A
(800) 1869340
(151) 2025 05 22
(891) 2025 05 22
(731) ZHEJIANG GEELY HOLDING GROUP CO.,
LTD.
1760 Jiangling Road, Binjiang District,
Hangzhou, Zhejiang, China

(540)

(591) Black, white

(531) 27.05; 27.05.01; 27.07; 27.07.01; 27.07.11
 (511)
 12 – Brakes for vehicles; tyres for vehicle wheels; self-balancing boards; automobile chassis; cars; electric cars; propulsion mechanisms for land vehicles; gear boxes for land vehicles; vehicles for locomotion by land, air, water or rail; electric vehicles.

(260) AM 2026 135135 A
 (800) 1869378
 (151) 2025 03 26
 (891) 2025 03 26
 (731) Délice Network
 Hôtel de Ville de Lyon, Place de la Comédie 1,
 F-69001 Lyon, France

(540)
THE FOOD CAPITALS

(591) Black, white
 (511)
 35 – Professional networking services; commercial networking services; providing professional networking and information services with respect to business and commerce in the field of food, gastronomy and urban development; organization of professional networking events and provision of professional networking services for public, private or public-private organizations representing a local authority in the field of food and gastronomy in order to stimulate urban development, promotion and well-being.

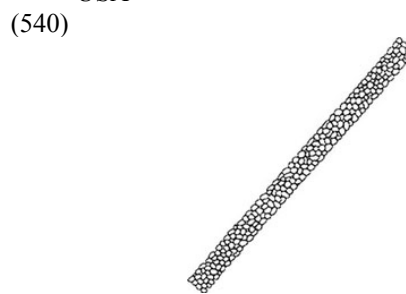
(260) AM 2026 135151 A
 (800) 1869816
 (151) 2025 07 01
 (891) 2025 07 01
 (731) Ferrara Candy Company
 404 W. Harrison Street, Chicago IL 60607,
 USA



(591) The color(s) dark blue, light blue, green, yellow, pink, and purple is/are claimed as a feature of the mark
 (531) 01.15.11; 01.15.21; 26.13.25; 29.01.15
 (511)
 30 – Candy.

(260) AM 2026 135152 A
 (800) 1869829
 (151) 2025 07 01
 (891) 2025 07 01

(731) Ferrara Candy Company
 404 W. Harrison Street, Chicago IL 60607,
 USA



(591) Black, white
 (531) 08.01.03; 08.01.19; 08.01.21; 08.01.22;
 08.01.25
 (554) მოცულობითი
 (511)
 30 – Candy.

(260) AM 2026 135153 A
 (800) 1869860
 (151) 2025 02 26
 (891) 2025 02 26
 (731) INSTITUT NATIONAL DE RECHERCHE
 POUR L'AGRICULTURE,
 L'ALIMENTATION ET
 L'ENVIRONNEMENT 147 RUE DE
 L'UNIVERSITE, F-75007 PARIS, France;
 INSTITUT FRANCAIS DE LA VIGNE ET
 DU VIN L'ESPIGUETTE, F-30240 LE GRAU
 DU ROI, France



(591) Pantone codes: #2F3041, #B2BE32
 (531) 05.03.02; 05.03.13; 05.03.14; 27.05.08;
 27.05.17; 29.01.12

(511)
 31 – Grains (seeds) and agricultural, horticultural and forestry products, neither prepared, nor transformed; fresh fruits and vegetables; natural plants and flowers; trees; shrubs; unprocessed cereal grains; fresh garden herbs; seedlings; vine plants; seeds (grains); seeds.

42 – Evaluations, assessments, research and reports in the scientific and technological fields provided by engineers; industrial research and analysis services provided by engineers; chemical analysis; technical project study; geological surveys; research with respect to environmental protection; biological research; bacteriological research; chemical research; geological research.

44 – Agricultural, horticultural and forestry services; tree surgery; landscape design; plant nursery services; selection, propagation and production of plants, namely, agricultural, horticultural and forestry services.

(260) AM 2026 135154 A

(800) 1869865

(151) 2025 06 25

(891) 2025 06 25

(731) LFB FRANCE

6 RUE DES ALBATROS, ZI Les Meurières,
F-69780 MIONS, France

(540)

REDGE

(591) Black, white

(511)

11 – Apparatus for heating, refrigerating, ventilating, air conditioning, heat pumps, heat exchangers, parts and components of installations and apparatus for heating, refrigerating, ventilating, air conditioning, heat pumps and energy recovery.

(260) AM 2026 135155 A

(800) 1869870

(151) 2025 07 11

(891) 2025 07 11

(731) SHISEIDO COMPANY, LIMITED

7-5-5, Ginza, Chuo-ku, Tokyo 104-0061, Japan

(540)



(591) Light brown, light pink

(531) 05.03.11; 05.03.13; 05.03.16; 05.03.20;
05.05.19; 05.05.20; 19.07.25; 19.08.05;
25.01.10; 26.13.25; 29.01.02

(554) მოცულობითი

(511)

3 – Perfumes; eaux de toilette; eaux de parfum; deodorants for personal use; perfumed oils; essential oils for personal use; oils for cosmetic use; liquid soaps; cleansing milk for toilet purposes; cosmetic creams; make-up removing lotions; lotions for cosmetic use; cosmetic products for personal use; cosmetic preparations for baths; cosmetic preparations for slimming; cosmetic skin-tanning preparations; beauty masks; shower and bath gel; bath foams; hair lotions; hair care preparations; non-medicated hair shampoos; after-shave lotions; after-shave balms.

(260) AM 2026 135156 A

(800) 1869877

(151) 2025 05 23

(891) 2025 05 23

(731) Wei Yumei

Block B, Duantou Apartment, Duantou Village,
Jiangdong Street, Yiwu City, Zhejiang
Province, China

(540)

ukeimax

(591) Black, white

(531) 27.05.01; 27.05.17

(511)

7 – Agricultural machines; woodworking machines; mixing machines; engraving machines; sheaf-binding machines; injection plastic molding machines; cutters [machines]; concrete mixers [machines]; elevating apparatus; electric hammers; cutting machines; hand-held tools, other than hand-operated; angle grinders; alternators; centrifugal pumps; valves [parts of machines]; compressed air machines; transmissions for machines; belts for machines; welding machines, electric; washing apparatus.

8 – Emery grinding wheels; hand tools, hand-operated; pickhammers; agricultural implements, hand-operated; garden tools, hand-operated; lifting jacks, hand-operated; hobby knives [scalpels]; scissors; handles for hand-operated hand tools.

9 – Quantity indicators; weighing apparatus and instruments; measures; signs, luminous; wind pressure gauges; electrical voltage tester pens; measuring apparatus; surveyors' levels; wires, electric; electric plugs; protection devices for personal use against accidents; eyeglasses; accumulator jars.

(260) AM 2026 135175 A

(800) 1870536

(151) 2025 06 17

(891) 2025 06 17

(731) "Metal Rolling Company" Limited Liability
Company

Metallurgov str. 1, Vitebsk region, Miory
district, 211287 Miory, Belarus

(540)

Tinergy

(591) Black, white

(531) 26.11.01; 26.11.12; 26.13.25; 27.05.01

(511)

6 – Common metals and their alloys; tinplate.

(260) AM 2026 135177 A

(800) 1863751

(151) 2025 02 27

(891) 2025 02 27

(731) Solstice Advanced Materials US, Inc.

Inc. 115 Tabor Road, Morris Plains NJ 07950,
USA

(540)

SOLSTICE ADVANCED MATERIALS

(591) Black, white

(511)

1 – Chemical products for use in industry; industrial chemicals; gaseous chemicals for use as propellants and dispersants; fluorocarbon refrigerants; refrigerants; refrigerants for use in commercial refrigeration applications; foam blowing agents for use in commercial products; coolant gases; chemicals for the manufacture of pigments; asphalt additives; chemical additives; synthetic resins and polymers; oxidized polyethylenes; maleated polyethylene; maleated polypropylenes; ethylene vinyl acetate copolymers; high-density oxidized polyethylene; ethylene acrylic acetate copolymers; low molecular weight ionomers; synthetic polymers for use in electrical and electronic applications, electronic displays, electrophoretic displays, organic light-emitting diode (OLED) displays, active-matrix organic light-emitting diode (AMOLED) displays, electronic sensors, electronic touch screens, electronic logic circuitry, radio frequency identification devices, conductors, semiconductors or di-electric insulators; polymers for use in the production of coatings and surface coatings used in electronic devices; high purity solvents for high-performance liquid chromatography (HPLC), gas chromatography, pesticide residue analysis and spectrophotometry, analytical labs and lab applications, and pharmaceutical manufacturing; chemicals used for cleaning and etching semiconductors during manufacturing; stannous fluoride; coolant gases; refrigerants.

4 – Industrial oils and greases; fuel gases; thermal greases for use as an interface between CPU heat sinks and heat sources; waxes; polyethylene waxes; polypropylene waxes; polyolefin waxes; wax blends; micronized polyolefin waxes.

5 – Stannous fluoride for dental use.

6 – Common metals and their alloys excluding metal materials for building and construction; metal sputtering targets; semiconductor packaging parts in the nature of precision metal components, namely, heat spreaders; high purity metals for use in manufacturing semiconductor materials.

9 – Anodes for use in lithography machines.

17 – Synthetic fibers for use in manufacturing; plastics and resins in extruded form for use in manufacture; packing, stopping and insulating materials; composite materials composed of highperformance fibers; fiber reinforcing materials for vehicle armor and other ballistic applications; thermally insulating interface materials, namely, thermally conductive gap pads, gap fillers, phase change materials and thermal hybrids for industrial and commercial use.

22 – Raw fibrous textile materials; polyethylene fibers; raw fibrous textile materials including polyethylene fiber; synthetic fibers; fibers; composite materials made of high-performance fibers used in textiles for bulletproof vests and military helmets.

24 – Textile fabrics made of synthetic fibers for use in the manufacture of industrial protective clothing, aprons and protective gear; laminated fabrics; textiles and substitutes for textiles; ballistic resistant fabrics for use in the production of bulletproof and blast proof of clothing, shoes and bullet proof and blast proof garments and shields; semi-finished plastic products, namely, fabrics for use in the manufacture of protective clothing and helmets and clothing and helmets in hard armor.

(260) AM 2026 135178 A

(800) 1863752

(151) 2025 02 27

(891) 2025 02 27

(731) Solstice Advanced Materials US, Inc.

115 Tabor Road, Morris Plains NJ 07950,
USA

(540)

SOLSTICE

(591) Black, white

(511)

1 – Chemical products for use in industry; industrial chemicals; gaseous chemicals for use as propellants and dispersants; fluorocarbon refrigerants; refrigerants; refrigerants for use in commercial refrigeration applications; foam blowing agents for use in commercial products; coolant gases; chemicals for the manufacture of pigments; asphalt additives; chemical additives; synthetic resins and polymers; oxidized polyethylenes; maleated polyethylene; maleated polypropylenes; ethylene vinyl acetate copolymers; high-density oxidized polyethylene; ethylene acrylic acetate copolymers; low molecular weight ionomers; synthetic polymers for use in electrical and electronic applications, electronic displays, electrophoretic displays, organic light-emitting diode (OLED) displays, active-matrix organic light-emitting diode (AMOLED) displays, electronic sensors, electronic touch screens, electronic logic circuitry, radio frequency identification devices, conductors, semi-conductors or di-electric insulators; polymers for use in the production of coatings and surface coatings used in electronic devices; high purity solvents for high-performance liquid chromatography (HPLC), gas chromatography, pesticide residue analysis and spectrophotometry, analytical labs and lab applications, and pharmaceutical manufacturing; chemicals used for cleaning and etching semiconductors during manufacturing; stannous fluoride; coolant gases; refrigerants.

4 – Industrial oils and greases; fuel gases; thermal greases for use as an interface between CPU heat

sinks and heat sources; waxes; polyethylene waxes; polypropylene waxes; polyolefin waxes; wax blends; micronized polyolefin waxes.

5 – Stannous fluoride for dental use.

6 – Common metals and their alloys excluding metal materials for building and construction; metal sputtering targets; semiconductor packaging parts in the nature of precision metal components, namely, heat spreaders; high purity metals for use in manufacturing semiconductor materials.

9 – Anodes for use in lithography machines.

17 – Synthetic fibers for use in manufacturing; plastics and resins in extruded form for use in manufacture; packing, stopping and insulating materials; composite materials composed of high-performance fibers; fiber reinforcing materials for vehicle armor and other ballistic applications; thermally insulating interface materials, namely, thermally conductive gap pads, gap fillers, phase change materials and thermal hybrids for industrial and commercial use.

22 – Raw fibrous textile materials; polyethylene fibers; raw fibrous textile materials including polyethylene fiber; synthetic fibers; fibers; composite materials made of high-performance fibers used in textiles for bulletproof vests and military helmets.

24 – Textile fabrics made of synthetic fibers for use in the manufacture of industrial protective clothing, aprons and protective gear; laminated fabrics; textiles and substitutes for textiles; ballistic resistant fabrics for use in the production of bulletproof and blast proof clothing, shoes and bullet proof and blast proof garments and shields; semi-finished plastic products, namely, fabrics for use in the manufacture of protective clothing and helmets and clothing and helmets in hard armor.

(260) AM 2026 135180 A

(800) 895474

(151) 2006 08 08

(891) 2025 07 28

(731) Boehringer Ingelheim Vetmedica GmbH
55218 Ingelheim, Germany

(540)

INGELVAC MYCOFLEX

(591) Black, white

(511)

5 – Vaccines for swine.

(260) AM 2026 135183 A

(800) 1634332

(151) 2021 09 15

(891) 2025 06 11

(731) Squadra Group d.o.o. Beograd Terazije 27,
11000 Beograd, Serbia

(540)



(591) Green, blue and white

(531) 24.03.07; 24.03.17; 24.03.18; 27.05.01;
27.05.02; 29.01.13

(511)

25 – Clothing, footwear, headwear.

35 – Advertising; business management, organization and administration; office functions; retail services for food and drinks.

43 – Services for providing food and drinks; temporary accommodation; restaurant services; serving of food and drinks; services for the preparation of food and drinks; food and drinks catering.

(260) AM 2026 135185 A

(800) 1846984

(151) 2024 08 28

(891) 2025 07 28

(731) COOP ITALIA SOCIETA' COOPERATIVA
Via del Lavoro 6/8, I-40033 Casalecchio
di Reno (BI), Italy

(540)

gli SPESOTTI

(591) Brown

(531) 27.05.01; 27.05.10; 29.01.07

(511)

3 – Cotton swabs for cosmetic purposes; javelle water; polishing wax; polishing creams; mascara; preparations for unblocking drain pipes; cleaning preparations; tissues impregnated with cosmetic lotions; de-stainers; toilet cleaning gels; hair preparations and treatments; cotton balls for cosmetic purposes; powder for make-up; beauty care cosmetics; deodorants and antiperspirants; make-up pads of cotton wool; foams for use in the shower; household fragrances; hair gel; massage oils and lotions; essential oils and aromatic extracts; dishwasher tablets; body cleaning and beauty care preparations; leather and shoe cleaning and polishing preparations; dishwashing detergents; hair tinting preparations; perfumery and fragrances; non-medicated bath salts; liquid soap for dish washing; soaps and gels; shaving foam; cleaning agents for household purposes; ammonia for cleaning purposes; balms, other than for medical purposes; depilatory wax; facial concealer; cosmetics; washing creams; body and facial creams [cosmetics]; detergents; detergents for hou-

shold use; air fragrance reed diffusers; eyeliner; rouges; wipes impregnated with cosmetic lotions; hair spray; balms, other than for medical purposes; make-up preparations; face and body masks; make-up pencils; grease-removing preparations; oral hygiene preparations; pedicure preparations; cleaning and fragrancing preparations, other than for personal use; toiletries; cakes of soap for household cleaning purposes; shampoos.

29 – Coconut milk-based beverages; almond milk-based beverages; broth; butter; peanut butter; meat, preserved; meat, tinned; caviar; fish-based foodstuffs; tomato paste; jams; potato puffs; cheese; berries, preserved; guacamole [mashed avocado]; hummus [chickpea paste]; milk; coconut milk; margarine; marmalade; olives, preserved; tomato puree; meat; pickles; vegetable juices for cooking; lemon juice for culinary purposes; tomato juice for cooking; tofu; eggs; yoghurt; cold cuts; nut and seed-based snack bars; fruit spreads; beans; mushrooms, prepared; fish sausages; preserved vegetables; fish, seafood and molluscs, not live; processed meat products; salted cashews; sliced meat; vegetable chips; tomato extracts; dried figs; dried fruit; frozen seafood; hamburgers; vegetable burgers; soya patties; processed almonds; processed blueberries; dried fruit mixes; canned peanuts; frozen vegetables; frozen French fries; processed pepperoncinis; tinned tomatoes; dairy products and dairy substitutes; preserved plums; fruit purees; mashed potato; frozen spinach; birds' eggs and egg products; pickled vegetables; anchovy, not live; oat-based beverages [milk substitute]; beverages having a milk base; drinks based on yogurt; vegetable stock; meat and meat products; carrots; broad beans; processed fruits, fungi, vegetables, nuts and pulses; jellies, jams, compotes, fruit and vegetable spreads; prepared salads; lentils, preserved; processed apples; mixes for making soup; salted nuts; edible oils and fats; vegetables, processed; potato crisps; fish, not live; processed peaches; peas, processed; poultry; tomato preserves; frozen meat products; pickles; edible seeds; soya beans, preserved, for food; tuna fish [preserved]; vegetables, cooked; hot dog sausages; soups and stocks, meat extracts.

30 – Vinegar; oat-based food; seasonings; puddings; cocoa; coffee; capers; caramels [candy]; confectionery; couscous [semolina]; croutons; cakes; natural sweeteners; pies; ice cream; gnocchi; chewing gum; honey; husked barley; pasta; pastries; popcorn; quiches; quinoa, processed; ramen [Japanese noodle-based dish]; ravioli; rice; sandwiches; cereal-based snack food; spaghetti; tortillas; tea; sugar; preserved herbs; yeast and leavening agents; candy mints; bread and buns; powdered garlic; vanilla flavorings; pie shells; instant coffee; cappuccino; chocolates; thin breadsticks; tea mixtures; frozen pizzas; plum-cakes (term considered linguistically incorrect by the International Bureau pursuant to Rule 13 (2) (b) of the Regulati-

ons); salt; seitan [dried wheat gluten]; tortellini; natural starches for food; flavourings for foods; flavourings for beverages; cereal bars and energy bars; oat bars; pastry shells; flavourings, other than essential oils, for milk shakes; biscuits [sweet or savoury]; salted biscuits; brioches; coffee bags; tea bags; coffee, teas and cocoa and substitutes therefor; cinnamon [spice]; cereals; processed grains, starches, and goods made thereof, baking preparations and yeasts; breakfast cereals, porridge and grits; edible wafers; fruit coulis [sauces]; alimentary seasonings; crackers made of prepared cereals; sweetmeats [candy]; chickpea flour; almond flour; potato flour; oatmeal; ice creams, frozen yogurts, and sorbets; ice pops; lollipops; liquorice [confectionery]; black pepper; pizzas; polenta; chocolate based products; salts, seasonings, flavourings and condiments; snacks manufactured from muesli; herbal teas; tarts [sweet or savoury]; wafers; sugars, natural sweeteners, sweet coatings and fillings, bee products.

31 – Algae for human or animal consumption; live animals; berries, fresh; crustaceans, live; fruit, fresh; fresh pulses; almonds [fruits]; aromatic sand [litter] for pets; fish spawn; foodstuffs for domestic animals; plant and crop seeds, bulbs; organic fresh herbs; fresh fruits and vegetables, garden herbs, fresh; organic fresh fruit; raw and unprocessed grains and seeds; malt; natural plants and flowers; fresh pine nuts; agricultural, aquacultural, horticulture and forestry products, unprocessed; organic fresh vegetables; beverages for animals; meal for consumption by animals; nuts [fruits]; chillies (Fresh -).

32 – Aperitifs, non-alcoholic; rice-based beverages, other than milk substitutes; non-alcoholic beverages; soda water; sherbets [beverages]; vegetable juices [beverages]; fruit squashes; fruit juice beverages; fruit drinks; non-alcoholic beverages containing fruit juices; beverages consisting of a blend of fruit and vegetable juices; beer; lemon squash; waters; oat-based beverages [not being milk substitutes]; water-based beverages containing tea extracts; nut and soy based beverages; non-alcoholic beverages flavoured with tea; flavoured carbonated beverages; beer and non-alcoholic beer; beer and brewery products; non-alcoholic preparations for making beverages; cider, non-alcoholic; juices; organic fruit juice; vegetable juices [beverages]; mineral and aerated waters and other non-alcoholic beverages; gluten free beers; syrups and other preparations for making beverages.

33 – Bitters; cocktails; digestifs [liqueurs and spirits]; liqueurs; alcoholic aperitif bitters; alcoholic fruit cocktail drinks; extracts of spiritous liquors; coffee-based liqueurs; cream liqueurs; herb liqueurs; alcoholic preparations for making beverages; spirits [beverages]; alcoholic beverages (except beer); prepared wine cocktails; wine.

(260) AM 2026 135186 A

(800) 1857305

(151) 2024 11 05

(891) 2025 06 24

(731) SUNGROW POWER SUPPLY CO., LTD.

No.1699 Xiyou Road, New & High,
Technology Industrial Development Zone,
Hefei, 230088 Anhui, China

(540)

SUNGROW

(591) Black, white

(531) 27.05.01

(511)

9 – Electro-dynamic apparatus for the remote control of signals; humanoid robots with artificial intelligence for use in scientific research; material testing instruments and machines; electrolysis apparatus for laboratory use; inductors [electricity]; measuring devices, electric; materials for electricity mains [wires, cables]; semiconductors; condensers [capacitors]; integrated circuits; conductors, electric; remote control apparatus; ultracapacitors for energy storage; transformers [electricity]; electronic integrated circuits; converters, electric; semi-conductor devices; distribution boxes [electricity]; chips [integrated circuits]; automatic solar tracking sensors; electric current control devices; video screens; voltage regulators; inverters [electricity]; current rectifiers; voltage stabilizing power supplies; electric control devices for energy management; automation systems for power plants; electric apparatus for commutation; ionization apparatus not for the treatment of air or water; protection devices for personal use against accidents; battery chargers; photovoltaic apparatus and installations for generating solar electricity; electric car charging piles; battery charging devices for motor vehicles; photovoltaic cells; solar panels for the production of electricity; photovoltaic apparatus for the production of electricity; mobile power supply [rechargeable batteries].

(260) AM 2026 135237 A

(800) 1870650

(151) 2025 07 02

(891) 2025 07 02

(731) AriensCo GmbH

Ellwanger Straße 15; 74424 Bühlertann,
Germany

(540)

TAHR

(591) Black, white

(511)

7 – Motor-operated apparatus for mowing and mulching grass, undergrowth and young woodland and for removing weeds for use in agriculture, forestry and horticulture and for landscape conservation and garden maintenance; the aforementioned apparatus as walk-behind or ride-on apparatus; the aforementioned

apparatus operated with internal combustion engine or with electric motor; the aforementioned apparatus with or without traction drive; the aforementioned apparatus with or without remote control; the aforementioned apparatus with autonomous or without autonomous control; lawn mowers; sickle mowers; rotary mowers; mulch mowers; flail mowers; meadow mowers; undergrowth mowers; two-stroke motors for motorized gardening equipment and landscape maintenance equipment; parts of the aforementioned goods insofar as included in class 7.

(260) AM 2026 135238 A

(800) 1870666

(151) 2025 06 26

(891) 2025 06 26

(731) NATURA &CO UK HOLDINGS LIMITED

5th Floor Halo, Counterslip, Bristol BS1 6AJ,
United Kingdom

(540)

HER WISDOM

(591) Black, white

(511)

3 – Non-medicated toilet preparations; toiletries; skin care preparations; skin moisturizers; skin toners; body and beauty care preparations; powders, cleansers, creams and lotions, all for the face, hands and body; exfoliating scrubs for cosmetic purposes; cosmetic sun-tan preparations; sunscreen oils and lotions; soaps; shower and bath preparations; bath gel, bath oils, bath salts, bath beads, and effervescent bath preparations; beauty masks; talcum powder; nail polish; nail polish remover; false nails; adhesives for cosmetic purposes; cosmetics; eye cream; eye gels; eye lotions; eye make-up remover; eye shadow; eye liner; eyebrow cosmetics; mascara; lipstick; lip liner; lip-gloss; lip balm; make-up foundation; facial concealer; blusher; tissues impregnated with cosmetic lotions; powdered cosmetic tissues; cotton sticks for cosmetic purposes; cotton wool for cosmetic purposes; pumice stone; preparations for cleaning, moisturising, colouring and styling the hair; shampoos, conditioners, finishing spray, and gels, all for the hair; preparations for cleaning the teeth; shaving and aftershave preparations; perfumes; fragrances; toilet waters; cologne; room fragrances; incense sticks; deodorants for human beings; anti-perspirants for personal use (toiletries); essential oils (cosmetic); oils for perfumes and scents; potpourri; cosmetic and fragrance kits.

(260) AM 2026 135241 A

(800) 1870740

(151) 2025 05 14

(891) 2025 05 14

(731) Grishko Nikolaj

Ul. 7 br.1, Dolno Lisice, 1000 Skopje,
The Republic of North Macedonia

(540)



(591) Black, white

*(531) 26.11.02; 26.11.08; 27.05.01; 27.05.09;
27.05.10; 27.05.11

(511)

25 – Clothing; ballet suits; ballet and dance shoes.

28 – Gymnastic and sporting articles not included in other classes.

35 – Commercial or industrial management assistance; marketing research.

(260) AM 2026 135242 A

(800) 1870795

(151) 2025 07 04

(891) 2025 07 04

(731) Bolotov Oleksii Oleksandrovych
prosp. Nezalezhnosti, bud. 42, kv. 127,
Kramatorsk, Donetsk obl. 84301, Ukraine

(540)

KOLOSKOVA

(591) Black, white

(511)

33 – Alcoholic beverages, except beer; alcoholic preparations for making beverages; sugarcane-based alcoholic beverages; distilled alcoholic beverages; alcoholic beverages containing fruit; aperitifs; brandy; fruit brandy; wine; wines; organic wines; dessert wines; sparkling wines; sparkling grape wine; whisky; alcoholic seltzers; vodka; vodka cocktails; grape brandy; kirsch; rye whiskey; juniper vodka; vodka jelly shots; perry; gin; digestifs [liqueurs and spirits]; alcoholic extracts; fruit extracts, alcoholic; cocktails; cream liqueurs; curacao; liqueurs; hydromel [mead]; peppermint liqueurs; pre-mixed alcoholic beverages, other than beer-based; flavoured brewed alcoholic malt beverages, except beers; wine-based beverages; bitters; piquette; rum; sake; cider; low alcohol drinks, except beers; spirits [beverages]; distilled beverages; grain-based distilled alcoholic beverages.

(260) AM 2026 135245 A

(800) 1870883

(151) 2025 04 03

(891) 2025 04 03

(731) Limited Liability Company "FIOLINA"
ul. Usacheva, d. 2, srt. 1, pomeshch. 1/2, vn.ter.
g. munitsipal'niy okrug Hamovniki, RU-119048
Moscow, Russian Federation

(540)

Namqin

(591) Black, white

(511)

29 – Agar-agar for culinary purposes; aloe vera prepared for human consumption; alginates for culinary purposes; andouillettes; anchovy, not live; peanuts, prepared; artichokes, preserved; white of eggs; beans, preserved; soya beans, preserved, for food; broth; ginger jam; verjuice for culinary purposes; ham; fatty substances for the manufacture of edible fats; laver, preserved; edible birds' nests; cabbage rolls stuffed with meat; peas, preserved; mushrooms, preserved; guacamole; berry-based fool; game, not live; gelatine; meat jellies; jellies for food, other than confectionery; yolk of eggs; coconut fat; bone oil for food; lard; suet for food; edible fats; fruit-based snack food; milk substitutes; charcuterie; raisins; caviar; aubergine paste; vegetable marrow paste; fish roe, prepared; ginger, preserved; crystallized ginger; pickled ginger; yogurt; sauerkraut; cassoulet; quark; kephir; kimchi; isinglass for food; potato-based dumplings; klipfish [salted and dried cod]; clams, not live; milk shakes; black pudding; onion rings; arrangements of processed fruit; compotes; meat, tinned; vegetables, tinned; fish, tinned; fruits, tinned; duck confits; broth concentrates; vegetable-based concentrate for cooking; fruit-based concentrate for cooking; corn dogs; gherkins; tofu patties; soya patties; shrimps, not live; prawns, not live; buttercream; croquettes; silkworm chrysalis for human consumption; sweet corn, processed; koumiss; spiny lobsters, not live; lecithin for culinary purposes; edible ant larvae, prepared; salmon, not live; onions, preserved; margarine; marmalade; oils for food; peanut butter; cocoa butter for food; coconut oil for food; coconut butter; maize oil for food; sesame oil for food; linseed oil for food; extra virgin olive oil for food; olive oil for food; palm oil for food; palm kernel oil for food; sunflower oil for food; rape oil for food; butter; soya bean oil for food; mussels, not live; almonds, ground; animal marrow for food; shellfish, not live; molluscs, not live; milk; peanut milk; peanut milk for culinary purposes; coconut milk; coconut milk for culinary purposes; almond milk; almond milk for culinary purposes; oat milk; rice milk; rice milk for culinary purposes; albumin milk; curd; condensed milk; soured milk; soya milk; powdered milk; fermented baked milk; fish meal for human consumption; vegetable mousses; fish mousses; fruit pulp; meat; meat, preserved; freeze-dried meat; lactic acid drinks; milk beverages, milk predominating; peanut milk-based beverages; coconut milk-based beverages; almond milk-based beverages; edible insects, not live; sausage casings, natural or artificial; vegetables, preserved; freeze-dried vegetables; vegetables, processed; vegetables, dried; vegetables, cooked; hash browns; potato fritters; olives, preserved; lobsters, not live; omelettes; flavoured nuts; candied nuts; coconut, desiccated; nuts, prepared; tomato paste; pressed fruit paste; liver pâté; pectin for culinary purposes; preserved peppers; liver; pickles; vegetable-based prepared meals for tod-

dlers; jams; powdered eggs; milk products; fish-based foodstuffs; poultry, not live; white pudding; bulgogi; pollen prepared as foodstuff; cranberry compote; tomato purée; apple purée; crayfish, not live; crustaceans, not live; ratatouille; fish, preserved; fish, not live; salted fish; vegetable salads; fruit salads; bacon; sardines, not live; satay; pork; herrings, not live; seeds, prepared; sunflower seeds, prepared; cream [dairy products]; whipped cream; vegetable-based cream; fat-based spreads for bread slices; smetana; lemon juice for culinary purposes; tomato juice for cooking; vegetable juices for cooking; salted meats; sausages; sausages in batter; hot dog sausages; preparations for making bouillon; preparations for making soup; tofu skin; vegetable-based spreads; nut-based spreads; fruit jelly spreads; tripe; berry soup; soups; vegetable soup preparations; whey; cottage cheese fritters; cheese; tajine [prepared meat, fish or vegetable dish]; tahini; cottage cheese; tempeh; tofu; sea-cucumbers, not live; truffles, preserved; tuna, not live; oysters, not live; falafel; milk ferments for culinary purposes; rennet; fish fillets; dates, processed; crystallized fruits; frozen fruits; fruit, preserved; fruit, processed; fruit preserved in alcohol; fruit, stewed; hazelnuts, prepared; potato flakes; hummus; edible flowers, dried; fruit peel; preserved garlic; lentils, preserved; potato crisps; low-fat potato crisps; fruit chips; choucroute garnie; non-alcoholic eggnog; seaweed extracts for food; meat extracts; berries, preserved; snail eggs for consumption; eggs; yakitori.

30 – Vanilla flavourings for culinary purposes; flavourings, other than essential oils, for cakes; flavourings, other than essential oils, for beverages; coffee flavourings; food flavourings, other than essential oils; star aniseed; baozi; cereal bars; high-protein cereal bars; pancakes; savoury pancakes; freeze-dried dishes with the main ingredient being pasta; freeze-dried dishes with the main ingredient being rice; noodle-based prepared meals; buns; bulgur; bread rolls; pains au chocolat; edible paper wafers; edible rice paper; edible paper; burritos; vanillin [vanilla substitute]; waffles; vermicelli; natural sweeteners; sausage binding materials; binding agents for ice cream; orange blossom water for culinary purposes; seawater for cooking; seaweed [condiment]; malt biscuits; cloves [spice]; mirror icing [mirror glaze]; cake frosting [icing]; glucose for culinary purposes; mustard; croûtons; buckwheat, processed; gluten additives for culinary purposes; yeast for brewing beer; yeast; thickening agents for cooking foodstuffs; leaven; rice-based snack food; cereal-based snack food; cocoa substitutes; coffee substitutes; vegetal preparations for use as coffee substitutes; tea substitutes; dressings for salad; fruit jellies [confectionery]; candy decorations for cakes; confectionery in the form of mousses; confectionery for decorating Christmas trees; cakes; Danish pastries; pastries; peanut confectionery; almond confectionery; confectionery; fruit confectionery; pasta; ground ginger; frozen yogurt [confectionery ices]; co-

coa; cream of tartar for culinary purposes; capers; coffee capsules, filled; caramels [sweets]; curry [spice]; ketchup [sauce]; quinoa, processed; quiches; gluten prepared as foodstuff; flour-based dumplings; kombucha; sweets; liquorice [confectionery]; peppermint sweets; mints for breath freshening; liqueur chocolates; dulce de leche; cinnamon [spice]; coffee; unroasted coffee beans; starch for food; crackers; rice crackers; custard; crème brûlée; flavoured jelly crystals for making jelly confectionery; croissants; hominy grits; semolina; oatmeal; crushed barley; groats for human food; ice cubes; corn, milled; corn, roasted; meat pies; fruit coulis [sauces]; turmeric; couscous; laksa; noodles; soba noodles; udon noodles; ice [frozen water]; ice, natural or artificial; edible ices; ice pops; potato-based flatbreads; rice cakes; mayonnaise; macaroons [pastries]; macaroni; maltose; hominy; piccalilli; marinades; marzipan; honey; miso; royal jelly; ice cream; bean flour; buckwheat flour; tapioca flour; potato flour; corn flour; nut flours; flour; wheat flour; soya flour; barley meal; chocolate mousses; muesli; mint for confectionery; cocoa beverages with milk; coffee beverages with milk; coffee-based beverages; cocoa-based beverages; chamomile-based beverages; tea-based beverages; tea beverages with milk; chocolate beverages with milk; chocolate-based beverages; infusions, not medicinal; nougat; gnocchi; crushed oats; husked oats; kimchi pancakes; onigiri; nutmegs [spice]; chocolate-coated nuts; stick liquorice [confectionery]; ginger paste [seasoning]; lozenges [confectionery]; treacle; pâtés en croûte; pelmeni; pepper; allspice; peppers [seasonings]; pesto; biscuits; coconut macaroons; petit-beurre biscuits; bibimbap [rice mixed with vegetables and beef]; pies; noodle-based prepared meals for toddlers; pizzas; meat gravies; spelt, processed; fondants [confectionery]; popcorn; powders for making ice cream; baking powder; mustard meal; pralines; aromatic preparations for food; condiments; meat tenderizers for culinary purposes; cereal preparations; oat-based food; propolis; profiteroles; gingerbread; spices; petits fours; rice pudding; puddings; cake powder; ravioli; ramen; chewing gum for breath freshening; chewing gum; relish [condiment]; rice; prepared rice rolled in seaweed; instant rice; wheat germ for human consumption; spring rolls; sago; crystallized rock sugar; palm sugar; sugar; processed hemp seeds [seasonings]; sesame seeds [seasonings]; linseed for culinary purposes [seasoning]; processed seeds for use as a seasoning; processed squash seeds [seasonings]; aniseed; agave syrup [natural sweetener]; golden syrup; savoury pancake mixes; batter mixes; baking soda [bicarbonate of soda for cooking purposes]; crystallized lemon juice [seasoning]; malt for human consumption; salt for preserving foodstuffs; cooking salt; celery salt; sorbets [ices]; ham glaze; cranberry sauce [condiment]; soya sauce; tomato sauce; apple sauce [condiment]; sauces [condiments]; pasta sauce; spaghetti; seasonings; chocolate-based spreads; chocolate spreads containing nuts; pre-

parations for stiffening whipped cream; shaved ice with sweetened red beans; rusks; breadcrumbs; sushi; sandwiches; tabbouleh; tacos; tamarind [condiment]; tapioca; tarts; dough; pastry dough; almond paste; rice pulp for culinary purposes; cake batter; tortillas; garden herbs, preserved [seasonings]; chocolate decorations for cakes; vinegar; beer vinegar; ferments for dough; halvah; harissa [condiment]; gluten-free bread; unleavened bread; bread; chips [cereal products]; corn flakes; oat flakes; hot dog sandwiches; flowers or leaves for use as tea substitutes; jiaozi; chicory [coffee substitute]; herbal teas; kelp tea; iced tea; tea; chutneys [condiments]; minced garlic [condiment]; cheeseburgers [sandwiches]; chocolate-covered potato chips; chow-chow [condiment]; saffron [seasoning]; chocolate; malt extract for food; essences for foodstuffs, except etheric essences and essential oils; husked barley.

32 – Aperitifs, non-alcoholic; barley wine [beer]; carbonated water; lithia water; seltzer water; soda water; waters [beverages]; mineral water [beverages]; table waters; kvass; cocktails, non-alcoholic; beer-based cocktails; lemonades; non-alcoholic beverages; non-alcoholic dried fruit beverages; isotonic beverages; non-alcoholic honey-based beverages; rice-based beverages, other than milk substitutes; soya-based beverages, other than milk substitutes; aloe vera drinks, non-alcoholic; whey beverages; protein-enriched sports beverages; soft drinks; non-alcoholic beverages flavoured with coffee; non-alcoholic beverages flavoured with tea; non-alcoholic fruit juice beverages; energy drinks; fruit nectars, non-alcoholic; orgeat; beer; ginger beer; malt beer; powders for effervescing beverages; sarsaparilla [non-alcoholic beverage]; syrups for lemonade; syrups for beverages; starch-based dry mixes for beverage preparation; smoothies; tomato juice [beverage]; apple juice; vegetable juices [beverages]; fruit juices; preparations for making non-alcoholic beverages; preparations for making carbonated water; must; grape must, unfermented; beer wort; malt wort; pastilles for effervescing beverages; shandy; sherbets [beverages]; non-alcoholic fruit extracts; extracts of hops for making beer; non-alcoholic essences for making beverages.

(260) AM 2026 135246 A

(800) 1870921

(151) 2025 07 09

(891) 2025 07 09

(731) CELLTRION, INC.

23, Academy-ro, Yeonsu-gu, Incheon,
Republic of Korea

(540)

СТОБОКЛО

(591) Black, white

(531) 28.05

(511)

5 – Pharmaceutical preparations; pharmaceutical preparations for the treatment of osteoporosis; pharma-

ceutical products for the treatment of bone diseases; pharmaceutical products for the treatment of bone loss; drugs for increasing bone density.

(260) AM 2026 135262 A

(800) 1871365

(151) 2025 06 25

(891) 2025 06 25

(731) PRESTIGE-96 AD

6 Dalga Laka str., BG-5000 Veliko Turnovo,
Bulgaria

(540)



(591) Red, green, white

(531) 05.03.13; 05.03.15; 26.04.05; 26.04.06;
26.04.18; 27.03.11; 27.05.01; 27.05.11; 28.05;
29.01.14

(511)

30 – Flour and preparations made from cereals; chocolate; bread, pastries and confectionery.

(260) AM 2026 135263 A

(800) 1871437

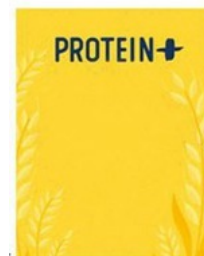
(151) 2025 05 26

(891) 2025 05 26

(731) Barilla G. e R. Fratelli – Società per Azioni

Via Mantova 166, I-43122 Parma PR, Italy

(540)



(591) Yellow, gold, white and blue

(531) 05.07.02; 24.17.05; 26.04.16; 26.04.22;
27.05.01; 29.01.12

(511)

29 – Meat; fish, not live; poultry and game; meat extracts; preserved, frozen, dried and cooked fruits and vegetables; jellies; marmalade; eggs; milk and milk products; edible oils and fats; anchovy, not live; stock; soups; caviar; canned fruits; canned vegetables; cheese; milk shakes; fruit chips; frozen fruits; fruits, preserved; fruit preserved in alcohol; cooked fruits; crystallized fruits; mushrooms, preserved; gelatine; fruit jellies; vegetable soup preparations; vegetable preserves; vegetables, cooked; dried pulses; lentils, preserved; fruit salads; vegetable salads; margarine; whipped cream; cream (dairy products); potato chips; low-fat potato crisps; fish, preserved; poultry (not

live); preparations for making soup; fruit-based snack food; vegetable juices for cooking; tomato juice for cooking; yoghurt.

30 – Coffee; tea; cocoa and coffee substitutes; rice; tapioca and sago; flour and preparations made from cereals; bread; pastry; confectionery; edible ices; sugar; honey; golden syrup; yeast; baking powder; salt; mustard; vinegar; sauce (condiments); spices; ice; oat-based food; farinaceous foods; starch for food; aniseed; star aniseed; seasonings; coffee flavorings (flavourings); flavourings, other than essential oils; plant-based flavourings, other than essential oils, for beverages; flavourings, other than essential oils, for cakes; oatmeal; high-protein cereal bars; stick liquorice (confectionery); cocoa-based beverages; coffee-based beverages; chocolate-based beverages; tea-based beverages; baking soda (bicarbonate of soda for cooking purposes); petit-beurre biscuits; biscuits; malt biscuits; bonbons; brioches; puddings; cocoa; cocoa beverages with milk; coffee beverages with milk; coffee (unroasted -); cinnamon (spice); caramels; condiments; crackers; couscous (semolina); sponge cake; wheat flour; flour; fruit jellies (confectionery); baking powder; macaroni; mayonnaise; rusks; unleavened bread; breadcrumbs; bread rolls; pasta; pesto (sauce); pizza; cereal preparations; ravioli; table salt; tomato sauce; soya sauce; dressings for salad; sandwiches; semolina; hominy grits; cereal-based snack food; rice-based snack food; sorbets (ices); spaghetti; pasta sauce; noodles; tarts; vermicelli (noodles); saffron (seasoning); ginger (spice).

(260) AM 2026 135264 A

(800) 1871586

(151) 2025 07 31

(891) 2025 07 31

(731) AUDI AG

Auto-Union-Str. 1, 85057 Ingolstadt,
Germany

(540)

Q9

(591) Black, white

(511)

12 – Vehicles, parts and fittings for vehicles; apparatus for locomotion by land, air or water.

(260) AM 2026 135265 A

(800) 1871667

(151) 2025 05 13

(891) 2025 05 13

(731) PDM EU s.r.l.

Via delle Orchidee, n.6; Modugno (BA),
Italy

(540)



(591) Red and blue

(531) 01.01.01; 26.11.02; 26.11.12; 27.05.10;
29.01.12

(511)

6 – Copper, unwrought or semi-wrought; copper rings; drain pipes of metal; pipes and tubes of metal; buildings, transportable, of metal; pipe muffs of metal; common metals, unwrought or semi-wrought; linings of metal for building; junctions of metal for pipes; pipework of metal; building materials of metal; cables of metal, non-electric; binding screws of metal for cables; buildings of metal; copper wire, not insulated; gutter pipes of metal; reels of metal, non-mechanical, for flexible hoses; reels of metal, non-mechanical, for flexible hoses; branching pipes of metal; ducts of metal for ventilating and air-conditioning installations; cladding of metal for building; building materials of metal with soundproofing qualities.

(260) AM 2026 135266 A

(800) 1871685

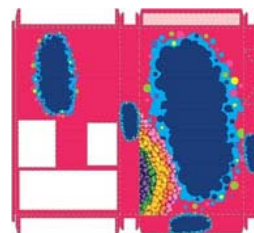
(151) 2025 07 01

(891) 2025 07 01

(731) Ferrara Candy Company

404 W. Harrison Street, Chicago IL 60607,
USA

(540)



(591) The color(s) pink, dark blue, light blue, green, yellow, purple, and orange is/are claimed as a feature of the mark

(531) 01.15.11; 01.15.21; 19.03.24; 29.01.15

(554) მოცულობითი

(511)

30 – Candy.

(260) AM 2026 135356 A

(800) 1873005

(151) 2025 06 18

(891) 2025 06 18

(731) Individual entrepreneur Morgunov Leonid
Grigor'evich
ul. Dostoevskogo, d. 8, kv. 47, g. Novosibirsk,
RU-630091 Novosibirskaya oblast', Russian
Federation

(540)



(591) Black, white

(531) 26.03.23; 26.11.07; 27.05.01

(511)

5 – Antiseptics; fly catching paper; mothproofing paper; oxygen baths; dietetic substances adapted for medical use; melissa water for pharmaceutical purposes; seawater for medicinal bathing; mineral waters for medical purposes; thermal water; sexual stimulant gels; haematogen; hydrastine; hydrastinine; mud for baths; disinfectants; air deodorizing preparations; deodorants, other than for human beings or for animals; vitamin supplement patches; mineral supplements for foodstuffs; dietary supplements; albumin dietary supplements; dietary supplements for animals; yeast dietary supplements; alginate dietary supplements; glucose dietary supplements; casein dietary supplements; lecithin dietary supplements; linseed oil dietary supplements; propolis dietary supplements; protein dietary supplements; protein supplements for animals; royal jelly dietary supplements; pollen dietary supplements; wheat germ dietary supplements; linseed dietary supplements; acai powder dietary supplements; dietary supplements with a cosmetic effect; enzyme dietary supplements; cod liver oil; insecticides; haemostatic pencils; wart pencils; caustic pencils; medicated sweets; cedar wood for use as an insect repellent; medicated animal feed; pharmaceutical pastilles; adhesive plasters; medicines for alleviating constipation; lotions for veterinary purposes; medicated hair lotions; lotions for pharmaceutical purposes; medicated after-shave lotions; personal sexual lubricants; lupulin for pharmaceutical purposes; liniments; ointments for pharmaceutical purposes; sunburn ointments; mercurial ointments; frostbite salve for pharmaceutical purposes; medicinal oils; mustard oil for medical purposes; camphor oil for medical purposes; castor oil for medical purposes; oil of turpentine for pharmaceutical purposes; dill oil for medical purposes; materials for dressings; menthol; powdered milk for babies; royal jelly for pharmaceutical purposes; fly glue; antibacterial soap; disinfectant soap; medicated soap; freeze-dried meat adapted for medical purposes; dietetic beverages adapted for medical purposes; malted milk beverages for medical purposes; injectable dermal filler; stick liquorice for pharmaceutical purposes; sulfur sticks [disinfectants]; pastilles for pharmaceutical purposes; medicated toothpaste; nicotine patches for use as aids to stop smoking; babies' diapers; diapers for pets; diapers for incontinence; breast-nursing pads; pomades for medical purposes; pyrethrum powder; al-

buminous preparations for medical purposes; vitamin preparations; bath preparations for medical purposes; therapeutic preparations for the bath; pharmaceutical preparations for skin care; preparations for callouses; acne treatment preparations; ophotherapy preparations; air purifying preparations; sterilizing preparations; corn remedies; pharmaceutical preparations for treating dandruff; larvae exterminating preparations; preparations for destroying flies; insect repellent preparations; nutraceutical preparations for therapeutic or medical purposes; aloe vera preparations for pharmaceutical purposes; pharmaceutical preparations for treating sunburn; phytotherapy preparations for medical purposes; chemical preparations for treating phylloxera; mothproofing preparations; albuminous foodstuffs for medical purposes; dietetic foods adapted for medical purposes; by-products of the processing of cereals for dietetic or medical purposes; homogenized food adapted for medical purposes; food for babies; freeze-dried food adapted for medical purposes; sanitary towels; panty liners [sanitary]; propolis for pharmaceutical purposes; chewing gum for medical purposes; nicotine gum for use as an aid to stop smoking; insect repellents; insect repellent incense; repellents for dogs; impregnated medicated wipes; sugar for medical purposes; asthmatic tea; tobacco-free cigarettes for medical purposes; turpentine for pharmaceutical purposes; lacteal flour for babies; infant formula; soporifics; bicarbonate of soda for pharmaceutical purposes; bath salts for medical purposes; salts for mineral water baths; antibacterial handwashes; disinfectants for hygiene purposes; disinfectants for chemical toilets; preparations for treating digestive system disorders; appetite suppressants for medical purposes; pharmaceutical preparations for weight management; preparations for the central nervous system; animal washes [insecticides]; detergents for medical purposes; dog washes [insecticides]; vesicants; purgatives; remedies for perspiration; remedies for foot perspiration; sedatives; laxatives; tonics [medicines]; medicated toiletry preparations; digestives for pharmaceutical purposes; nervines; tanning pills; appetite suppressant pills; slimming pills; antioxidant pills; sanitary tampons; thymol for pharmaceutical purposes; pants, absorbent, for incontinence; sanitary panties; babies' diaper-pants; diabetic bread adapted for medical use; medicinal tea; herbal teas for medicinal purposes; medicated shampoos; medicated shampoos for pets; medicated dry shampoos; pre-filled syringes for medical purposes; plant extracts, other than essential oils, for pharmaceutical purposes; herbal extracts, other than essential oils, for medical purposes; tobacco extracts [insecticides]; extracts of hops for pharmaceutical purposes.

(260) AM 2026 135357 A

(800) 1873006

(151) 2025 06 30

(891) 2025 06 30

(731) Individual entrepreneur Morgunov Leonid
Grigor'evichul. Dostoevskogo, d. 8, kv. 47, g. Novosibirsk,
RU-630091 Novosibirskaya oblast', Russian
Federation

(540)

FINECODE

(591) Black, white

(531) 27.05.17

(511)

5 – Antiseptics; dietary meal replacement bars; fly catching paper; mothproofing paper; oxygen baths; dietetic substances adapted for medical use; melissa water for pharmaceutical purposes; seawater for medicinal bathing; mineral waters for medical purposes; thermal water; sexual stimulant gels; haematogen; hydrastine; hydrastinine; mud for baths; disinfectants; air deodorizing preparations; deodorants, other than for human beings or for animals; vitamin supplement patches; dietary supplements for controlling cholesterol; dietary supplements for human beings; dietary food supplements in granular form; whey protein dietetic supplements; nutritional and dietary supplements for stress relief; dietary supplements and preparations; mineral dietary supplements; dietary supplements; albumin dietary supplements; dietary supplements for animals; yeast dietary supplements; alginate dietary supplements; glucose dietary supplements; casein dietary supplements; lecithin dietary supplements; linseed oil dietary supplements; propolis dietary supplements; protein dietary supplements; protein supplements for animals; royal jelly dietary supplements; pollen dietary supplements; wheat germ dietary supplements; linseed dietary supplements; acai powder dietary supplements; dietary supplements with a cosmetic effect; enzyme dietary supplements; cod liver oil; meal replacement and dietary supplement drink mixes for medical purposes; sanitary preparations for medical purposes; insecticides; haemostatic pencils; wart pencils; caustic pencils; medicated sweets; cedar wood for use as an insect repellent; pharmaceutical pastilles; adhesive plasters; medicines for alleviating constipation; lotions for veterinary purposes; medicated hair lotions; lotions for pharmaceutical purposes; medicated after-shave lotions; personal sexual lubricants; lupulin for pharmaceutical purposes; liniments; ointments for pharmaceutical purposes; sunburn ointments; mercurial ointments; frostbite salve for pharmaceutical purposes; medicinal oils; mustard oil for medical purposes; camphor oil for medical purposes; castor oil for medical purposes; oil of turpentine for pharmaceutical purposes; dill oil for medical purposes; materials for dressings; menthol; powdered milk

for babies; royal jelly for pharmaceutical purposes; fly glue; antibacterial soap; disinfectant soap; medicated soap; freeze-dried meat adapted for medical purposes; dietary drink mixes for use as meal replacements for medical purposes; nutritionally fortified beverages for medical purposes; dietetic beverages adapted for medical purposes; dietary food supplemental drinks, not for medical purposes; dietary food supplemental drinks; malted milk beverages for medical purposes; nutritional beverages for dietary purposes; injectable dermal fillers; nutraceuticals for use as dietary supplements; stick liquorice for pharmaceutical purposes; sulfur sticks [disinfectants]; pastilles for pharmaceutical purposes; medicated toothpaste; nicotine patches for use as aids to stop smoking; babies' diapers; diapers for pets; diapers for incontinence; breast-nursing pads; pomades for medical purposes; pyrethrum powder; albuminous preparations for medical purposes; vitamin preparations; bath preparations for medical purposes; therapeutic preparations for the bath; pharmaceutical preparations for skin care; preparations for callouses; acne treatment preparations; oophorectomy preparations; air purifying preparations; sterilizing preparations; corn remedies; pharmaceutical preparations for treating dandruff; larvae exterminating preparations; preparations for destroying flies; nutraceutical preparations for therapeutic or medical purposes; aloe vera preparations for pharmaceutical purposes; pharmaceutical preparations for treating sunburn; phytotherapy preparations for medical purposes; chemical preparations for treating phylloxera; mothproofing preparations; albuminous foodstuffs for medical purposes; dietetic foods adapted for medical purposes; by-products of the processing of cereals for dietetic or medical purposes; homogenized food adapted for medical purposes; food for babies; medicated animal feed; freeze-dried food adapted for medical purposes; sanitary towels; panty liners [sanitary]; propolis for pharmaceutical purposes; chewing gum for medical purposes; nicotine gum for use as an aid to stop smoking; insect repellents; insect repellent incense; repellents for dogs; impregnated medicated wipes; sugar for medical purposes; asthmatic tea; tobacco-free cigarettes for medical purposes; turpentine for pharmaceutical purposes; dietary drink mixes for use as meal replacements for nutritional purposes; dietary drink mixes for use as performance enhancers; lacteal flour for babies; dietary drink mixes for nutritional purposes for weight management; dietary drink mixes for enhancing sports performance; infant formula; soporifics; bicarbonate of soda for pharmaceutical purposes; bath salts for medical purposes; salts for mineral water baths; antibacterial handwashes; disinfectants for hygiene purposes; disinfectants for chemical toilets; insect repellent preparations; pharmaceutical preparations for treating digestive system disorders; appetite suppressants for medical purposes; pharmaceutical preparations for weight management; pharmaceutical preparations for the central nervous system; animal

washes [insecticides]; detergents for medical purposes; dog washes [insecticides]; vesicants; purgatives; remedies for perspiration; remedies for foot perspiration; sedatives; laxatives; tonics [medicines]; medicated toiletry preparations; digestives for pharmaceutical purposes; nervines; tanning pills; appetite suppressant pills; slimming pills; antioxidant pills; sanitary tampons; thymol for pharmaceutical purposes; pants, absorbent, for incontinence; sanitary panties; babies' diaper-pants; diabetic bread adapted for medical use; medicinal tea; herbal teas for medicinal purposes; medicated shampoos; medicated shampoos for pets; medicated dry shampoos; pre-filled syringes for medical purposes; plant extracts, other than essential oils, for pharmaceutical purposes; herbal extracts, other than essential oils, for medical purposes; tobacco extracts [insecticides]; extracts of hops for pharmaceutical purposes.

(260) AM 2026 135359 A

(800) 1873030

(151) 2025 05 07

(891) 2025 05 07

(731) Grimme Landmaschinenfabrik SE & Co. KG
Hunteburger Str. 32, 49401 Damme, Germany

(540)

GRIMME

(591) Black, white

(511)

7 – Agricultural machines; machine tools; power operated tools; raking machines; crushing machines; rammers [machines]; jacks [machines]; compressors [machines]; diggers [machines]; spraying machines; stalk separators [machines]; filling machines; driving motors, other than for land vehicles; grain separators; belt conveyors; metal drawing machines; threshing machines; earth moving machines; braiding machines; conveyors [machines]; grating machines for vegetables; reapers; grain husking machines; winnowers; chaff cutter blades; tedding machines; agricultural implements other than hand operated hand tools; reapers and threshers; mixing machines; rakes for raking machines; turnip cutting machines; sowers [machines]; cutters [machines]; sifting machines; weeding machines; tools [parts of machines]; waste compacting machines.

12 – Vehicles for use on land; apparatus for locomotion by land; driving motors for land vehicles; parts and fittings for land vehicles.

35 – Computerized file management; computerised data processing; data management services; business consulting services in the agriculture field; wholesale services in relation to agricultural, earthmoving, construction, oil and gas extraction and mining equipment; retail services in relation to agricultural, earthmoving, construction, oil and gas extraction and mining equipment; wholesale services in relation to machines and

machine tools for treatment of materials and for manufacturing; retail services in relation to machines and machine tools for treatment of materials and for manufacturing; wholesale services in relation to fuels and illuminants; retail services in relation to fuels and illuminants; wholesale services in relation to lubricants and industrial greases, waxes and fluids; retail services in relation to lubricants and industrial greases, waxes and fluids; wholesale services in relation to building and construction materials and elements of metal; retail services in relation to building and construction materials and elements of metal; wholesale services in relation to structures and transportable buildings of metal; retail services in relation to structures and transportable buildings of metal; wholesale services in relation to containers, and transportation and packaging articles, of metal; retail services in relation to containers, and transportation and packaging articles, of metal; wholesale services in relation to metal hardware; retail services in relation to metal hardware; wholesale services in relation to unprocessed and semi-processed non-precious metals and their alloys; retail services in relation to unprocessed and semi-processed non-precious metals and their alloys; retail services in relation to downloadable and recorded content; wholesale services in relation to downloadable and recorded content; retail services in relation to information technology and audio-visual, multimedia and photographic devices; wholesale services in relation to information technology and audio-visual, multimedia and photographic devices; retail services in relation to measuring, detecting, monitoring and controlling devices; wholesale services in relation to measuring, detecting, monitoring and controlling devices; retail services in relation to navigation, guidance, tracking, targeting and map making devices; wholesale services in relation to navigation, guidance, tracking, targeting and map making devices; retail services in relation to optical devices, enhancers and correctors; wholesale services in relation to optical devices, enhancers and correctors; retail services in relation to safety, security, protection and signalling devices; wholesale services in relation to safety, security, protection and signalling devices; retail services in relation to apparatus, instruments and cables for electricity; wholesale services in relation to apparatus, instruments and cables for electricity; retail services in relation to vehicles and conveyances; wholesale services in relation to vehicles and conveyances; retail services in relation to seals, sealants and fillers; wholesale services in relation to seals, sealants and fillers; retail services in relation to flexible pipes, tubes, hoses and fittings therefor (including valves), and fittings for rigid pipes, all non-metallic; wholesale services in relation to flexible pipes, tubes, hoses and fittings therefor (including valves), and fittings for rigid pipes, all non-metallic; retail services in relation to flexible pipes, tubes, hoses, and fittings therefor, including valves, non-metallic; wholesale services in relation to

flexible pipes, tubes, hoses, and fittings therefor, including valves, non-metallic; retail services in relation to semi-processed plastics, resins, polymers or synthetic fibres (other than for textile use), or substitutes for these; wholesale services in relation to semi-processed plastics, resins, polymers or synthetic fibres (other than for textile use), or substitutes for these; wholesale services in relation to building and construction materials and elements, not of metal; retail services in relation to building and construction materials and elements, not of metal; retail services in relation to structures and transportable buildings, not of metal; wholesale services in relation to structures and transportable buildings, not of metal; retail services in relation to semi-processed or artificial wood; wholesale services in relation to semi-processed or artificial wood; retail services in relation to doors, gates, windows and window coverings, not of metal; wholesale services in relation to doors, gates, windows and window coverings, not of metal; retail services in relation to unprocessed and semi-processed non-metallic mineral materials such as stone, clay, bitumen or concrete, or substitutes for these; wholesale services in relation to unprocessed and semi-processed non-metallic mineral materials such as stone, clay, bitumen or concrete, or substitutes for these; retail services in relation to bags and sacks for packaging, storage and transport; wholesale services in relation to bags and sacks for packaging, storage and transport; retail services in relation to nets; wholesale services in relation to nets; retail services in relation to padding and stuffing materials; wholesale services in relation to padding and stuffing materials; retail services in relation to raw textile fibers and substitutes; wholesale services in relation to raw textile fibers and substitutes; retail services in relation to ropes, strings, slings, and bands; wholesale services in relation to ropes, strings, slings, and bands; retail services in relation to clothing; wholesale services in relation to clothing; retail services in relation to headgear; wholesale services in relation to headgear; retail services in relation to footwear; wholesale services in relation to footwear; retail services in relation to parts of clothing, footwear and headgear; wholesale services in relation to parts of clothing, footwear and headgear.

37 – Machinery installation, maintenance and repair; rebuilding machines that have been worn or partially destroyed; irrigation devices installation and repair; rental of tools, machines and equipment for construction, demolition, cleaning and maintenance purposes; repair and maintenance of machines and machine tools for treatment of materials and for manufacturing; repair and maintenance of agricultural, earthmoving, construction, oil and gas extraction and mining equipment.

(260) AM 2026 135360 A

(800) 1873089

(151) 2025 07 30

(891) 2025 07 30

(731) Društvo za trgovija i uslugi EVRO GEJMS
TEHNOLODŽI DOOEL Skopje
Ul. BORIS TRAJKOVSKI Br.214 A, Skopje-
KISELA VODA, 1000 Skopje, The Republic
of North Macedonia

(540)

MIGHTY CROWNS

(591) Black, white

(531) 27.05.01

(511)

9 – Software; games software; computer gaming software; computer software packages; computer operating system software; computer software for the administration of on-line games and gaming; computer software, recorded; software drivers; virtual reality software; entertainment software for computer games; computer programs for network management; hardware and software for gambling, gambling machines, gambling games on the Internet and via telecommunication network; operating computer software for main frame computers; monitors (computer hardware); computer hardware; apparatus for recording images; monitors (computer programs); computer game programs; computer programs for recorded games; apparatus for recording, transmission or reproduction of sound or images; communications servers [computer hardware]; electronic components for gambling machines; computer application software featuring games and gaming; computer hardware for games and gaming; computer systems; computer terminals; interactive terminals; multimedia terminals; electronic terminals for generating lottery tickets; interactive touch screen terminals; computer touchscreens; electronic display panels; liquid crystal display screens; digital signage display panels; multimedia software; multimedia apparatus and instruments; interactive multimedia software for playing games; computer screens; LCD large-screen displays; liquid crystal displays [LCDs] for home theatres; media streaming software; computer application software for streaming audiovisual media content via the internet; utility software; computer programs, recorded; virtual reality software; games software; computer programs for network management; electronic lottery tickets; computer software platforms; operating systems; interactive computer systems; operating system programs; computer game software for use with on-line interactive games; interactive casino games provided through a computer or mobile platform; software for slot machine games, betting and wagering games, video slot games, casino games, games of chance and bingo games provided online and via computer networks and playable on any type of computing device including arcade games,

personal computers, handheld devices and mobile phones.

28 – Games; chips for gambling; mah-jong; arcade games; gambling machines operating with coins, notes and cards; electropneumatic and electrical gambling machines (slot machines), electronic games; parlor games; gaming chips; gaming tables; slot machines [gaming machines]; LCD game machines; slot machines and gaming devices; coin-operated amusement machines; roulette chips; poker chips; chips and dice [gaming equipment]; equipment for casinos; roulette tables; gaming roulette wheels; casino games; automats and gambling machines; coin-operated amusement machines and/or electronic coin-operated amusement machines with or without the possibility of gain; boxes for coin-operated machines, slot machines and gaming machines; electronic or electrotechnical gaming devices, automats and machines, coin-operated machines; housings for coin-operated machines, gaming equipment, gaming machines, machines for gambling; gaming machines for gambling; lottery wheels; electronic targets for games and sports.

41 – Casino management services; operation of gaming establishments, gaming halls, internet casinos, online gambling sites; services related to gambling; gaming services for entertainment purposes; casino, gaming and gambling services; gambling; training in the development of software systems; provision of gaming equipment for gambling halls; providing casino equipment [gambling]; gaming machine entertainment services; providing casino facilities [gambling]; halls with gaming machines; amusement arcade services; games equipment rental; rental of gaming machines; providing amusement arcade services; rental of gaming machines with images of fruits; editing or recording of sounds and images; sound recording and video entertainment services; hire of sound reproducing apparatus; provision of gaming equipment for casinos; providing of casino facilities; online gambling services; gambling services; gaming, online casino and online betting services; organization of lotteries; provision of games by means of a computer based system; online interactive entertainment; on-line casino services; online game services through mobile devices; providing online entertainment in the nature of game tournaments; providing on-line information in the field of computer gaming entertainment; sports betting services; online sports betting services; provision of gaming equipment for gambling halls; provision of on-line games and games of chance, in particular use of software for games, which cannot be downloaded.

(260) AM 2026 135362 A
(800) 1873099
(151) 2025 06 12
(891) 2025 06 12

(731) VIENNA INSURANCE GROUP AG Wiener
Versicherung Gruppe
Schottenring 30, A-1010 Wien, Austria

(540)



(591) Black, red, green, white

(531) 24.17.20; 26.03.23; 26.11.08; 27.05.25;
29.01.13

(511)

36 – Insurance; financial affairs; monetary affairs; real estate affairs.

(260) AM 2026 135454 A

(800) 1612082

(151) 2021 06 08

(891) 2025 08 08

(731) GOLDEN GOOSE S.P.A.

Via Privata Ercole Marelli 10, I-20139
MILANO, Italy

(540)

GOLDEN GOOSE

(591) Black, white

(511)

3 – Cosmetics; perfumes; toilet water; sun-tanning preparations [cosmetics]; after-sun creams and preparations; deodorants for human beings or for animals; essential oils for personal use; make-up preparations; shower and bath foam; cosmetic creams; moisturizing creams, lotions and gels; hair lotions; shaving lotions; tissues impregnated with make-up removing preparations; cosmetic pencils; mascara; make-up powder; lipsticks; lipstick cases; cleansing milk; hair care preparations; shampoos; nail varnish; perfumery; joss sticks; incense; cosmetics for animals; scented room sprays; air fragrancing preparations; fragrance refills for electric room fragrance dispensers; fragrance refills for non-electric room fragrance dispensers; air fragrance reed diffusers; shoe polish and creams; shoemakers' wax; abrasive paper; household cleaning agents and preparations; dentifrices; essential oils for use in the manufacture of scented products; soap.

(260) AM 2026 135455 A

(800) 1730891

(151) 2023 03 14

(891) 2025 08 15

(731) DAW SE

Roßdörfer Str. 50, 64372 Ober-Ramstadt,
Germany

(540)

CAPADIN

(591) Black, white

(511)

1 – Unprocessed artificial resins in the form of powders, granules or liquids being additives to building materials; adhesives for industrial purposes; adhesives for wallpaper; building adhesives; preservative and damp-proofing preparations for masonry, roofing tiles, cement and concrete, except paints and oils; fire prevention compositions; paste fillers.

2 – Paints, varnishes, lacquers, wood preservatives, primers, preservatives against rust, binding agents for paints, bactericidal/fungicide paints, thinners for paints, lacquers for buildings.

19 – Natural and artificial stones; building materials, not of metal; mortar; artificial resin plaster.

**INTERNATIONAL TRADEMARK PROTECTED
IN GEORGIA**

(260) AM 2026 129219 A
(800) 1585559
(151) 2020 08 06
(181) 2030 08 06
(891) 2024 05 31
(511) 1, 2, 6, 7, 8, 9, 16, 17, 20, 21, 24

(260) AM 2026 129543 A
(800) 1803732
(151) 2024 03 07
(181) 2034 03 07
(891) 2024 03 07
(511) 6, 17, 35

(260) AM 2026 129442 A
(800) 1802290
(151) 2024 05 16
(181) 2034 05 16
(891) 2024 05 16
(511) 9

(260) AM 2026 129544 A
(800) 1803750
(151) 2024 04 05
(181) 2034 04 05
(891) 2024 04 05
(511) 9, 35, 36, 42

(260) AM 2026 129443 A
(800) 1802294
(151) 2024 07 01
(181) 2034 07 01
(891) 2024 07 01
(511) 12

(260) AM 2026 129545 A
(800) 1803754
(151) 2024 03 25
(181) 2034 03 25
(891) 2024 03 25
(511) 4, 35

(260) AM 2026 129445 A
(800) 1802335
(151) 2023 12 29
(181) 2033 12 29
(891) 2023 12 29
(511) 9, 12, 35, 42

(260) AM 2026 129546 A
(800) 1803793
(151) 2024 04 25
(181) 2034 04 25
(891) 2024 04 25
(511) 30

(260) AM 2026 129446 A
(800) 1802348
(151) 2024 02 27
(181) 2034 02 27
(891) 2024 02 27
(511) 9, 28, 41

(260) AM 2026 129547 A
(800) 1803804
(151) 2024 06 20
(181) 2034 06 20
(891) 2024 06 20
(511) 9

(260) AM 2026 129450 A
(800) 1802546
(151) 2024 02 27
(181) 2034 02 27
(891) 2024 02 27
(511) 9, 28, 41

(260) AM 2026 129551 A
(800) 1803845
(151) 2024 03 22
(181) 2034 03 22
(891) 2024 03 22
(511) 9, 28, 41

(260) AM 2026 129541 A
(800) 1803729
(151) 2024 02 27
(181) 2034 02 27
(891) 2024 02 27
(511) 30, 32, 35

(260) AM 2026 129552 A
(800) 1803878
(151) 2024 03 22
(181) 2034 03 22
(891) 2024 03 22
(511) 9, 28, 41

(260) AM 2026 129553 A
(800) 1803889
(151) 2024 05 16
(181) 2034 05 16
(891) 2024 05 16
(511) 11

(260) AM 2026 129554 A
(800) 1803915
(151) 2024 07 01
(181) 2034 07 01
(891) 2024 07 01
(511) 9

(260) AM 2026 129618 A
(800) 1804511
(151) 2024 05 09
(181) 2034 05 09
(891) 2024 05 09
(511) 5, 29, 30, 32, 35, 43

(260) AM 2026 129620 A
(800) 1804543
(151) 2024 02 22
(181) 2034 02 22
(891) 2024 02 22
(511) 29

(260) AM 2026 129621 A
(800) 1804566
(151) 2024 07 08
(181) 2034 07 08
(891) 2024 07 08
(511) 29

(260) AM 2026 129623 A
(800) 1804638
(151) 2024 03 05
(181) 2034 03 05
(891) 2024 03 05
(511) 9, 28, 41, 42

(260) AM 2026 129627 A
(800) 1804746
(151) 2024 04 17
(181) 2034 04 17
(891) 2024 04 17
(511) 9, 41, 42

(260) AM 2026 129628 A
(800) 1804779
(151) 2024 04 12
(181) 2034 04 12

(891) 2024 04 12
(511) 35

(260) AM 2026 129629 A
(800) 1804889
(151) 2024 05 30
(181) 2034 05 30
(891) 2024 05 30
(511) 30

(260) AM 2026 130108 A
(800) 1458287
(151) 2018 11 23
(181) 2028 11 23
(891) 2024 08 15
(511) 31

(260) AM 2026 133093 A
(800) 1846096
(151) 2025 01 15
(181) 2035 01 15
(891) 2025 01 15
(511) 7

(260) AM 2026 133094 A
(800) 1846120
(151) 2024 12 03
(181) 2034 12 03
(891) 2024 12 03
(511) 5

(260) AM 2026 133100 A
(800) 1846170
(151) 2025 02 06
(181) 2035 02 06
(891) 2025 02 06
(511) 16

(260) AM 2026 133102 A
(800) 1846387
(151) 2024 11 01
(181) 2034 11 01
(891) 2024 11 01
(511) 9

(260) AM 2026 133104 A
(800) 1846427
(151) 2024 09 17
(181) 2034 09 17
(891) 2024 09 17
(511) 33

(260) AM 2026 133295 A
(800) 1848265
(151) 2025 01 24
(181) 2035 01 24
(891) 2025 01 24
(511) 7

(260) AM 2026 133349 A
(800) 922218
(151) 2007 04 26
(181) 2027 04 26
(891) 2025 03 26
(511) 39

(260) AM 2026 133451 A
(800) 1850662
(151) 2025 01 22
(181) 2035 01 22
(891) 2025 01 22
(511) 7

(260) AM 2026 133452 A
(800) 1850669
(151) 2025 02 17
(181) 2035 02 17
(891) 2025 02 17
(511) 12

(260) AM 2026 133453 A
(800) 1850689
(151) 2024 10 21
(181) 2034 10 21
(891) 2024 10 21
(511) 9, 28, 41

(260) AM 2026 133454 A
(800) 633444
(151) 1995 03 17
(181) 2035 03 17
(891) 2025 03 18
(511) 5

(260) AM 2026 133456 A
(800) 1609476
(151) 2021 06 30
(181) 2031 06 30
(891) 2025 04 01
(511) 3, 35

(260) AM 2026 133457 A
(800) 1648746
(151) 2021 11 23
(181) 2031 11 23

(891) 2025 03 11
(511) 03

(260) AM 2026 133458 A
(800) 1711604
(151) 2022 09 15
(181) 2032 09 15
(891) 2025 03 27
(511) 32

(260) AM 2026 133460 A
(800) 1778459
(151) 2023 11 29
(181) 2033 11 29
(891) 2025 03 13
(511) 35, 36

(260) AM 2026 133461 A
(800) 1790238
(151) 2024 04 15
(181) 2034 04 15
(891) 2025 01 23
(511) 12

(260) AM 2026 133462 A
(800) 1813873
(151) 2024 05 23
(181) 2034 05 23
(891) 2024 12 05
(511) 31

(260) AM 2026 133517 A
(800) 1851592
(151) 2024 11 12
(181) 2034 11 12
(891) 2024 11 12
(511) 9, 28, 41

(260) AM 2026 133518 A
(800) 1851631
(151) 2025 01 24
(181) 2035 01 24
(891) 2025 01 24
(511) 43

(260) AM 2026 133519 A
(800) 1851656
(151) 2025 02 28
(181) 2035 02 28
(891) 2025 02 28
(511) 5, 31, 35

(260) AM 2026 133521 A
(800) 1851673
(151) 2025 02 25
(181) 2035 02 25
(891) 2025 02 25
(511) 7

(260) AM 2026 133532 A
(800) 1566720
(151) 2020 08 26
(181) 2030 08 26
(891) 2025 01 17
(511) 35

(260) AM 2026 133533 A
(800) 1568386
(151) 2020 09 16
(181) 2030 09 16
(891) 2025 03 17
(511) 9, 20, 28

(260) AM 2026 133534 A
(800) 1655582
(151) 2021 12 20
(181) 2031 12 20
(891) 2025 03 24
(511) 9, 38, 41, 45

(260) AM 2026 133535 A
(800) 1670025
(151) 2022 05 23
(181) 2032 05 23
(891) 2025 04 09
(511) 11, 30, 43

(260) AM 2026 133536 A
(800) 1691352
(151) 2022 06 29
(181) 2032 06 29
(891) 2025 03 17
(511) 9, 18, 20, 28

(260) AM 2026 133537 A
(800) 1721610
(151) 2023 03 08
(181) 2033 03 08
(891) 2025 04 11
(511) 5

(260) AM 2026 133538 A
(800) 1721612
(151) 2023 03 08
(181) 2033 03 08

(891) 2025 04 11
(511) 5

(260) AM 2026 133539 A
(800) 1726354
(151) 2023 02 16
(181) 2033 02 16
(891) 2025 02 11
(511) 9

(260) AM 2026 133540 A
(800) 1827871
(151) 2024 11 06
(181) 2034 11 06
(891) 2025 04 09
(511) 5

(260) AM 2026 133596 A
(800) 1851802
(151) 2025 03 05
(181) 2035 03 05
(891) 2025 03 05
(511) 3

(260) AM 2026 133710 A
(800) 1853099
(151) 2024 11 13
(181) 2034 11 13
(891) 2024 11 13
(511) 3, 4, 8, 18, 20, 21, 24, 25, 27, 35, 43

(260) AM 2026 133711 A
(800) 1853131
(151) 2024 11 27
(181) 2034 11 27
(891) 2024 11 27
(511) 20

(260) AM 2026 133712 A
(800) 1853152
(151) 2025 01 13
(181) 2035 01 13
(891) 2025 01 13
(511) 1, 3, 5, 35, 44

(260) AM 2026 133713 A
(800) 1853160
(151) 2025 02 04
(181) 2035 02 04
(891) 2025 02 04
(511) 6, 9, 19, 42

(260) AM 2026 133715 A
(800) 1853224
(151) 2025 02 04
(181) 2035 02 04
(891) 2025 02 04
(511) 6, 9, 19, 42

(260) AM 2026 133719 A
(800) 1853272
(151) 2025 03 17
(181) 2035 03 17
(891) 2025 03 17
(511) 20

(260) AM 2026 133720 A
(800) 1853291
(151) 2025 02 18
(181) 2035 02 18
(891) 2025 02 18
(511) 12

(260) AM 2026 133727 A
(800) 1853375
(151) 2025 03 17
(181) 2035 03 17
(891) 2025 03 17
(511) 7

(260) AM 2026 133741 A
(800) 1853610
(151) 2025 03 26
(181) 2035 03 26
(891) 2025 03 26
(511) 43

(260) AM 2026 133745 A
(800) 1853686
(151) 2025 02 20
(181) 2035 02 20
(891) 2025 02 20
(511) 35, 36, 43

(260) AM 2026 133751 A
(800) 1853774
(151) 2025 02 27
(181) 2035 02 27
(891) 2025 02 27
(511) 7, 8, 9

(260) AM 2026 133756 A
(800) 1574599
(151) 2020 10 27
(181) 2030 10 27

(891) 2025 01 23
(511) 31, 35

(260) AM 2026 133760 A
(800) 1657528
(151) 2022 01 20
(181) 2032 01 20
(891) 2025 02 08
(511) 1, 30

(260) AM 2026 133792 A
(800) 1853844
(151) 2025 01 30
(181) 2035 01 30
(891) 2025 01 30
(511) 6

(260) AM 2026 133794 A
(800) 1854008
(151) 2024 12 04
(181) 2034 12 04
(891) 2024 12 04
(511) 1, 6, 19, 35

(260) AM 2026 133795 A
(800) 1854010
(151) 2025 02 21
(181) 2035 02 21
(891) 2025 02 21
(511) 9

(260) AM 2026 133796 A
(800) 1854027
(151) 2025 03 26
(181) 2035 03 26
(891) 2025 03 26
(511) 43

(260) AM 2026 133830 A
(800) 1854691
(151) 2025 04 23
(181) 2035 04 23
(891) 2025 04 23
(511) 9

(260) AM 2026 133831 A
(800) 1854701
(151) 2024 12 23
(181) 2034 12 23
(891) 2024 12 23
(511) 32

(260) AM 2026 133834 A
(800) 1854813
(151) 2024 11 14
(181) 2034 11 14
(891) 2024 11 14
(511) 5, 35

(260) AM 2026 133835 A
(800) 1854831
(151) 2025 02 19
(181) 2035 02 19
(891) 2025 02 19
(511) 5

(260) AM 2026 133836 A
(800) 1854865
(151) 2025 03 17
(181) 2035 03 17
(891) 2025 03 17
(511) 14

(260) AM 2026 133837 A
(800) 1854904
(151) 2025 01 30
(181) 2035 01 30
(891) 2025 01 30
(511) 32

(260) AM 2026 134005 A
(800) 1856693
(151) 2025 02 25
(181) 2035 02 25
(891) 2025 02 25
(511) 1, 2, 6, 9, 17, 19, 20, 35, 36, 37, 40, 41, 42

(260) AM 2026 134030 A
(800) 1857381
(151) 2025 01 08
(181) 2035 01 08
(891) 2025 01 08
(511) 9, 12

(260) AM 2026 134031 A
(800) 1857391
(151) 2025 03 07
(181) 2035 03 07
(891) 2025 03 07
(511) 35

(260) AM 2026 134032 A
(800) 823986
(151) 2004 04 05
(181) 2034 04 05

(891) 2025 05 05
(511) 6, 11

(260) AM 2026 134033 A
(800) 895696
(151) 2006 07 28
(181) 2026 07 28
(891) 2025 04 16
(511) 33

(260) AM 2026 134034 A
(800) 1229689
(151) 2014 11 21
(181) 2034 11 21
(891) 2025 05 13
(511) 6

(260) AM 2026 134036 A
(800) 1410128
(151) 2018 02 14
(181) 2028 02 14
(891) 2025 05 09
(511) 5, 29, 30

OFFICIAL NOTIFICATIONS

INVENTION

LAPSE OF PATENT WITH THE RIGHT TO RESTORE

(21) AP 2024 16513
(11) P 2024 7685 B
(73) Nino Dvali
(54) ASTIGMATISM CORRECTIVE INTRAOCULAR PHAKIC LENS DURING KERATOCONUS
DATE OF PATENT LAPSE: 2026 05 02
PATENT RESTORATION TERM: 2027 05 02

EXPIRATION OF PATENT RESTORATION TERM

(21) AP 2015 14386
(11) P 2019 7000 B
(73) Andritz Hydro Canada Inc.
(54) FRANCIS TURBINE WITH SHORT BLADE AND SHORT BAND
DATE OF PATENT LAPSE: 2025 04 30
DATE OF EXPIRATION OF PATENT RESTORATION TERM: 2026 04 30

(21) AP 2015 14636
(11) P 2020 7090 B
(73) Bio Ammo S.L.
(54) BIODEGRADABLE CARTRIDGE FOR SHOTGUNS
DATE OF PATENT LAPSE: 2025 04 30
DATE OF EXPIRATION OF PATENT RESTORATION TERM: 2026 04 30

(21) AP 2017 14932
(11) P 2021 7230 B
(73) Bayer Pharma Aktiengesellschaft
(54) CRYSTALLINE FORMS OF N-[2-(3-HYDROXY-3-METHYLBUTYL)-6-(2-HYDROXYPROPAN-2-YL)-2H-INDAZOL-5-YL]-6-(TRIFLUOROMETHYL)PYRIDINE-2-CARBOXAMIDE
DATE OF PATENT LAPSE: 2025 04 25
DATE OF EXPIRATION OF PATENT RESTORATION TERM: 2026 04 25

(21) AP 2017 14933
(11) P 2021 7214 B
(73) Bayer Pharma Aktiengesellschaft
(54) POLYMORPHIC FORM OF N-{6-(2-HYDROXYPROPAN-2-YL)-2-[2-(METHYLSULPHONYL)ETHYL]-2H-INDAZOL-5-YL}-6-(TRIFLUOROMETHYL)PYRIDINE-2-CARBOXAMIDE
DATE OF PATENT LAPSE: 2025 04 25
DATE OF EXPIRATION OF PATENT RESTORATION TERM: 2026 04 25

(21) AP 2017 14943
(11) P 2021 7316 B
(73) Bayer Pharma Aktiengesellschaft
(54) AROMATIC SULFONAMIDE DERIVATIVES
DATE OF PATENT LAPSE: 2025 04 26
DATE OF EXPIRATION OF PATENT RESTORATION TERM: 2026 04 26

(21) AP 2020 15747
(11) P 2024 7598 B
(73) Laboratorios Farmacéuticos Rovi S.A.
(54) METHOD FOR OBTAINING LOW-MOLECULAR-WEIGHT HEPARINS BY MEANS OF TANGENTIAL
FLOW FILTRATION
DATE OF PATENT LAPSE: 2025 04 24
DATE OF EXPIRATION OF PATENT RESTORATION TERM: 2026 04 24

EXPIRATION OF PATENT

(21) AP 2006 10410
(11) P 2010 4927 B
(73) Bristol-Myers Squibb Holdings Ireland Unlimited Company
(54) FORMULATIONS OF A SRC/ABL INHIBITOR
DATE OF PATENT RESTORATION TERM: 2026 05 04

DESIGN

EXTENSION OF TERM OF DESIGN REGISTRATION

(11) D 2016 690 S
(73) LTD "Diplomat Georgia" (GE)
T. Chantladze St., I Lane 10, Samgori District, Tbilisi, Georgia (GE)
(54) PACKAGE
(28) 9
(24) 2016 07 21
(18) 2031 07 21
(58) 2026 05 06

CANCELLATION OF DESIGN REGISTRATION

(11) D 2016 684 S
(73) Nikoloz Nutsubidze (GE)
Zaza Panaskertel-Tsitsishvili St. 11, ap. 68, 0194, Tbilisi, Georgia (GE)
(54) GEORGIAN SQUARE TABLECLOT, GEORGIAN ROUND TABLECLOTH, GEORGIAN RUG-LIKE
PAINTED LARGE TABLECLOTH, GEORGIAN RUG-LIKE PAINTED SMALL TABLECLOTH
(18) 2025 11 06
(58) 2026 05 13

EXTENSION OF TERM OF INTERNATIONAL DESIGN REGISTRATION

(11) DM/213 179
(73) AH License ApS
Høgevej 19, 3400 Hillerød (DK)
(15) 2021 03 10
(24) 2021 03 10
(18) 2031 03 10
(28) 1
(28') 1
(54) 1. TEAT FOR FEEDING BOTTLES

(11) DM/213 324
(73) Moncler S.P.A.
Via Stendhal, 47, 20144 Milano (IT)
(15) 2021 03 11
(24) 2021 03 11
(18) 2031 03 11
(28) 1
(28') 1
(54) 1. PERFUME BOTTLE

(11) DM/213 347
(73) Disc-O-Bed Holdings Limited
3 Chrysanthou Mylona, 3030 Limassol (CY)
(15) 2020 02 24
(24) 2020 02 24
(18) 2030 02 24
(28) 1
(28') 1
(54) 1. MOBILE CARE BED

(11) DM/213 799
(73) Rado Uhren AG (Rado Watch Co. LTD.) (Montres Rado SA)
Bielstrasse 45, 2543 Lengnau (CH)
(15) 2021 03 31
(24) 2021 03 31
(18) 2031 03 31
(28) 1
(28') 1
(54) 1. WATCH

(11) DM/213 863
(73) AH License ApS
Høgevej 19, 3400 Hillerød (DK)
(15) 2021 04 08
(24) 2021 04 08
(18) 2031 04 08
(28) 1
(28') 1
(54) 1. PACIFIER FOR BABIES

(11) DM/215 349
(73) Feather Company LTD
40 Larch Street, Suite 201 P3E 5M7 Sudbury, ON (CA)
(15) 2021 03 17
(24) 2021 03 17
(18) 2031 03 17
(28) 1
(28') 1
(54) 1. INHALER

(11) DM/217 937
(73) 1000739373 Ontario Ltd.
1040 Lorne St., Unit 7 P3C 4R9 Sudbury, Ontario (CA)
(15) 2021 03 08
(24) 2021 03 08
(18) 2031 03 08
(28) 1
(28') 1
(54) 1. INHALER

(11) DM/67708
(73) Breitling SA
Schlachthausstrasse 2, case postale 1132, CH-2540 Granges (CH)
(15) 2006 03 29
(24) 2006 03 29
(18) 2031 03 29
(28) 1
(28') 1
(54) WATCH CASE

(11) DM/75718
(73) Swatch AG (Swatch SA) (Swatch LTD.)
Jakob-Stämpfli-Strasse 94, CH-2502 Biel/Bienne (CH)
(15) 2011 04 01
(24) 2011 04 01
(18) 2031 04 01
(28) 5
(28') 2
(54) WRISTWATCHES

(11) DM/75881
(73) Swatch AG (Swatch SA) (Swatch LTD.)
Jakob-Stämpfli-Strasse 94, CH-2502 Biel/Bienne (CH)
(15) 2011 04 15
(24) 2011 04 15
(18) 2031 04 15
(28) 8
(28') 3
(54) WRISTWATCHES WITH DIGITAL DISPLAY

(11) DM/90409
(73) Omega SA (Omega AG) (Omega LTD.)
Jakob-Stämpfli-Strasse 96, CH-2502 Biel/Bienne (CH)
(15) 2016 04 28
(24) 2016 04 28
(18) 2031 04 28
(28) 1
(28') 1
(54) BOTTOM OF A WATCH CASE COMPRISING A DECORATION

(11) DM/90783
(73) Biofarma
50 rue Carnot, F-92284 Suresnes Cedex (FR)
(15) 2016 02 11
(24) 2016 02 11
(18) 2031 02 11
(28) 4
(28') 1
(54) PACKAGINGS

(11) DM/90802
(73) Hyper Blackjack Holding OÜ
Sepapaja tn 6, Lasnamäe linnaosa, EE-15551 Tallinn, Harju maakond (EE)
(15) 2016 04 05
(24) 2016 04 05
(18) 2031 04 05
(28) 8
(28') 8
(54) BETTING AREAS FOR BLACKJACK RELATED GAMES

(11) DM/94608
(73) Yıldız Holding Anonim Şirketi
Kısıklı Mahallesi Çeşme Çıkmaızı Sokak №6/1, Üsküdar (TR)
(15) 2016 03 16
(24) 2016 03 16
(18) 2031 03 16
(28) 4
(28') 4
(54) ORNAMENTATION FOR T-SHIRTS

TRADEMARK

EXTENSION OF TERM OF TRADEMARK REGISTRATION

(111) M 1996 1675 R3
(151) 1996 03 05
(186) 2036 03 05
(732) Automobile Club De L'ouest De La France
Circuit des 24 Heures, Les Raineries,
F-72 100 Le Mans, France
(511) 4, 12, 16, 28, 34, 35, 38, 39, 41

(111) M 1996 1679 R3
(151) 1996 03 05
(186) 2036 03 05
(732) Automobile Club De L'ouest De La France
Circuit des 24 Heures, Les Raineries,
F-72 100 Le Mans, France
(511) 25

(111) M 1996 1678 R3
(151) 1996 03 05
(186) 2036 03 05
(732) Automobile Club De L'ouest De La France
Circuit des 24 Heures, Les Raineries,
F-72 100 Le Mans, France
(511) 9

(111) M 1996 2614 R3
(151) 1996 07 15
(186) 2036 07 15
(732) August STorck KG
Waldstrase 27, D-13403 Berlin,
Germany
(511) 30

(111) M 1996 2616 R3
(151) 1996 07 15
(732) August Storck KG
Waldstrase 27, D-13403 Berlin,
Germany
(511) 30

(111) M 1996 2617 R3
(151) 1996 07 15
(186) 2036 07 15
(732) August Storck KG
Waldstrase 27, D-13403 Berlin,
Germany
(511) 30

(111) M 1996 2618 R3
(151) 1996 07 15
(186) 2036 07 15
(732) August Storck KG
Waldstrase 27, D-13403 Berlin,
Germany
(511) 30

(111) M 1996 2619 R3
(151) 1996 07 15
(186) 2036 07 15
(732) August sTorck KG
Waldstrase 27, D-13403 Berlin,
Germany
(511) 30

(111) M 1996 2620 R3
(151) 1996 07 15
(186) 2036 07 15
(732) August Storck KG
Waldstrase 27, D-13403 Berlin,
Germany
(511) 30

(111) M 1996 2667 R3
(151) 1996 07 18
(186) 2036 07 18
(732) The Coca-Cola Company
One Coca-Cola Plaza, Atlanta, Georgia
30313, USA
(511) 32

(111) M 1996 2668 R3
(151) 1996 07 18
(186) 2036 07 18
(732) The Coca-Cola Company
One Coca-Cola Plaza, Atlanta,
Georgia 30313, USA
(511) 32

(111) M 1996 2669 R3
(151) 1996 07 18
(186) 2036 07 18
(732) The Coca-Cola Company
One Coca-Cola Plaza, Atlanta,
Georgia 30313, USA
(511) 32

(111) M 1996 2671 R3 (151) 1996 07 18 (186) 2036 07 18 (732) The Coca-Cola Company One Coca-Cola Plaza, Atlanta, Georgia, 30313, USA (511) 32	(511) 18, 28
(111) M 1996 3141 R3 (151) 1996 09 16 (186) 2036 09 16 (732) Lcs International SAS 60/62 avenue de la Liberté, 10100 Romilly sur Seine, France (511) 18, 25, 28	(111) M 1996 2591 R3 (151) 1996 07 08 (186) 2036 07 08 (732) Audemars Piguet Holding S.A. 16, route de France, Le Chenit, Le Brassus, Switzerland (511) 14
(111) M 1996 3142 R3 (151) 1996 09 16 (186) 2036 09 16 (732) Lcs International SAS 60/62 avenue de la Liberté, 10100 Romilly sur Seine, France (511) 18, 25, 28	(111) M 1996 2046 R3 (151) 1996 05 10 (186) 2036 05 10 (732) Daimler Truck AG Fasanenweg 10, 70771 Leinfelden – Echterdingen, Germany (511) 6, 7, 12
(111) M 1996 3003 R3 (151) 1996 09 11 (186) 2036 09 11 (732) Fossil Group, Inc 901 South Central Expressway, Richardson, Texas 75080, USA (511) 14, 18	(111) M 1996 3429 R3 (151) 1996 09 30 (186) 2036 09 30 (732) Böllhoff Produktion GmbH Archimedesstrasse 1-4 33649 Bielefeld, Germany (511) 6, 8
(111) M 1996 3830 R3 (151) 1996 11 04 (186) 2036 11 04 (732) Fischer Beteiligungsverwaltungs GmbH Fischerstrasse 8, 4910 Ried im Innkreis, Austria (511) 18	(111) M 1996 2175 R3 (151) 1996 05 29 (186) 2036 05 29 (732) Essity Hygiene and Health Aktiebolag SE-40503 Göteborg, Sweden (511) 8, 16, 21
(111) M 1996 3428 R3 (151) 1996 09 30 (186) 2036 09 30 (732) Fischer Beteiligungsverwaltungs GmbH Fischerstrasse 8, 4910 Ried im Innkreis, Austria (511) 12, 25, 28	(111) M 1996 2760 R3 (151) 1996 07 29 (186) 2036 07 29 (732) J.C.Bamford Excavators Limited Rochester, Staffordshire, United Kingdom (511) 7, 12
(111) M 1996 3831 R3 (151) 1996 11 04 (186) 2036 11 04 (732) Fischer Beteiligungsverwaltungs GmbH Fischerstrasse 8, 4910 Ried im Innkreis, Austria	(111) M 1996 4146 R3 (151) 1996 12 04 (186) 2036 12 04 (732) Kellanova One Kellogg Square, Battle Creek, Michigan 49016, USA (511) 30
	(111) M 1996 2044 R3 (151) 1996 05 10 (186) 2036 05 10 (732) PPG Industries Ohio Inc.

3800 West 143rd Street, Cleveland,
State of Ohio 44111, USA
(511) 2

(111) M 1996 2566 R3
(151) 1996 07 02
(186) 2036 07 02
(732) Ovs S.P.A.
Via Terraglio 17, 30174 Venezia (VE), Italy
(511) 3, 9, 14, 16, 18, 24, 25, 41, 42

(111) M 1996 2567 R3
(151) 1996 07 02
(186) 2036 07 02
(732) Ovs S.P.A.
Via Terraglio 17, 30174 Venezia (VE),
Italy
(511) 3, 9, 14, 16, 18, 24, 25, 41, 42

(111) M 1996 1366 R3
(151) 1996 01 15
(186) 2036 01 15
(732) Ingersoll-Rand Industrial U.S., Inc.
525 Harbour Place, Suite 600, Davidson,
North Carolina 28036, USA
(511) 7

(111) M 2006 16795 R2
(151) 2006 08 14
(186) 2036 08 14
(732) Merck Sharp & Dohme LLC
126 East Lincoln Ave., P.O. Box 2000,
Rahway New Jersey 07065, USA
(511) 5

(111) M 1996 1669 R3
(151) 1996 03 04
(186) 2036 03 04
(732) Atnahs Pharma UK LTD
Sovereign House, Miles Gray Road,
Basildon, Essex, SS14 3FR, United Kingdom
(511) 5

(111) M 1996 2606 R3
(151) 1996 07 10
(186) 2036 07 10
(732) HENKEL AG & Co. KgaA
Henkelstrasse 67, 40589 Dusseldorf,
Germany
(511) 1, 3

(111) M 2005 16318 R2
(151) 2005 11 02
(186) 2035 11 02
(732) LTD "D and G"
Davit Aghmashenebeli Av. 158, Didube
District, Tbilisi, Georgia
(511) 35

(111) M 2006 16512 R2
(151) 2006 03 02
(186) 2036 03 02
(732) LLC "Tiflissky Vinny Pogreb"
Iumashev St. 27, 0198, Tbilisi, Georgia
(511) 33

(111) M 2006 17013 R2
(151) 2006 11 13
(186) 2036 11 13
(732) GM Pharmaceuticals LTD
Rustavi highway 52, 0114, Tbilisi, Georgia
(511) 5

(111) M 2006 17014 R2
(151) 2006 11 13
(186) 2036 11 13
(732) GM Pharmaceuticals LTD
Rustavi highway 52, 0114, Tbilisi, Georgia
(511) 5

(111) M 2006 16520 R2
(151) 2006 03 02
(186) 2036 03 02
(732) Choice Hotels International Inc.
(a Delaware Corporation)
1 Choice Hotels Circle, Rockville, Maryland
20850, USA
(511) 43

(111) M 2006 16693 R2
(151) 2006 06 26
(186) 2036 06 26
(732) LEO Pharma A/S
Industriparken 55, 2750 Ballerup, Denmark
(511) 5

(111) M 2006 16547 R2
(151) 2006 03 15
(186) 2036 03 15
(732) Mars, Incorporated (a Delaware Corporation)
6885 Elm Street, McLean, Virginia
22101-3883, USA
(511) 29, 30

(111) M 1996 3784 R3
(151) 1996 10 31
(186) 2036 10 31
(732) Kudelski S.A.
Route de Geneve 22, 1033 Cheseaux-Sur-
Lausanne, Switzerland
(511) 9

(111) M 1996 2156 R3
(151) 1996 05 28
(186) 2036 05 28
(732) Kimberly-Clark Worldwide Inc.
Neenah, WI 54956, USA
(511) 16, 25

(111) M 1996 2152 R3
(151) 1996 05 28
(186) 2036 05 28
(732) Kimberly-Clark Worldwide Inc.
Neenah, WI 54956, USA
(511) 16

(111) M 1996 2153 R3
(151) 1996 05 28
(186) 2036 05 28
(732) Kimberly-Clark Worldwide Inc.
Neenah, WI 54956, USA
(511) 25

(111) M 1996 2149 R3
(151) 1996 05 27
(186) 2036 05 27
(732) Kimberly-Clark Worldwide Inc.
Neenah, WI 54956, USA
(511) 5

(111) M 2006 16723 R2
(151) 2006 07 12
(186) 2036 07 12
(732) Jack Daniel's Properties Inc.
4040 Civic Center Drive, Suite 528
San Rafael, California 94903, USA
(511) 33

(111) M 2006 16627 R2
(151) 2006 05 17
(186) 2036 05 17
(732) Greenme SA
Route de Champ-Colin 12, 1260 Nyon,
Switzerland
(511) 32, 33

(111) M 2006 17026 R2
(151) 2006 11 13
(186) 2036 11 13
(732) Joint-Stock Company "Aston Products Food
and Food Ingredients"
Ul. 1-ya Lugovaya 3b, Rostov-on-Don, Rostov
Region, 344002, Russian Federation
(511) 29, 30

(111) M 1996 3730 R3
(151) 1996 10 29
(186) 2036 10 29
(732) Arlanxeo Deutschland GmbH
Alte Heerstr. 2, 41540 Dormagen,
Germany
(511) 1

(111) M 1996 1858 R3
(151) 1996 03 26
(186) 2036 03 26
(732) Tetra Laval Holdings & Finance S.A.
Avenue General-Giusan 70, CH-1009 Pully,
Switzerland
(511) 7, 16, 17

(111) M 1996 1859 R3
(151) 1996 03 26
(186) 2036 03 26
(732) Tetra Laval Holdings & Finance S.A.
Avenue General-Giusan 70, CH-1009 Pully,
Switzerland
(511) 7, 16, 17

(111) M 1996 1860 R3
(151) 1996 03 26
(186) 2036 03 26
(732) Tetra Laval Holdings & Finance S.A.
Avenue General-Giusan 70, CH-1009 Pully,
Switzerland
(511) 7, 16, 17

(111) M 1996 1861 R3
(151) 1996 03 26
(186) 2036 03 26
(732) Tetra Laval Holdings & Finance S.A.
Avenue General-Giusan 70, CH-1009 Pully,
Switzerland
(511) 7, 16, 29, 32

(111) M 2006 16983 R2
(151) 2006 10 26
(186) 2036 10 26
(732) JSC "Nobel Ilac Sanayii Ve Ticaret Anonim

Sirketi" Representative in Georgia
Freedom Square 4, 0105, Tbilisi, Georgia
(511) 5

(111) M 2006 16995 R2
(151) 2006 10 26
(186) 2036 10 26
(732) JSC Aspharma Medical Dental Urunleri
Ve Ilach Sanai Tijareti Georgia Branch
Metekhi St. 22, 0144, Tbilisi, Georgia
(511) 5

(111) M 2006 17192 R2
(151) 2006 12 15
(186) 2036 12 15
(732) Kohler Co.
A Corporation Organized And Existing Under
The Laws State Of Wisconsin
444 Highland Drive, Kohler, Wisconsin,
53044, USA
(511) 11

(111) M 2006 17193 R2
(151) 2006 12 15
(186) 2036 12 15
(732) Kohler Co.
A Corporation Organized And Existing Under
The Laws State Of Wisconsin
444 Highland Drive, Kohler, Wisconsin,
53044, USA
(511) 6, 20

(111) M 2006 17064 R2
(151) 2006 11 13
(186) 2036 11 13
(732) GM Pharmaceuticals LTD
Rustavi highway 52, 0114, Tbilisi, Georgia
(511) 5

(111) M 2006 17066 R2
(151) 2006 11 13
(186) 2036 11 13
(732) LLC "GM Pharmaceuticals"
Rustavi Highway 52, 0114, Tbilisi, Georgia
(511) 5

(111) M 2006 17067 R2
(151) 2006 11 13
(186) 2036 11 13
(732) LLC "GM Pharmaceuticals"
Rustavi Highway 52, 0114, Tbilisi, Georgia
(511) 5

(111) M 1996 1881 R3
(151) 1996 04 01
(186) 2036 04 01
(732) Baxter Healthcare S.A.
Thurgauerstrasse 130, Glattpark (Opfikon),
Switzerland
(511) 5

(111) M 1996 1882 R3
(151) 1996 04 01
(186) 2036 04 01
(732) Baxter Healthcare S.A.
Thurgauerstrasse 130, Glattpark (Opfikon),
Switzerland
(511) 5

(111) M 1996 1846 R3
(151) 1996 03 25
(186) 2036 03 25
(732) Societe Des Produits Nestle S.A.
1800 Vevey, Switzerland
(511) 1, 5, 29, 30, 31, 32, 33

(111) M 1996 4162 R3
(151) 1996 12 05
(186) 2036 12 05
(732) Kellanova
One Kellogg Square, Battle Creek, Michigan
9016, USA
(511) 30

(111) M 1996 3066 R3
(151) 1996 09 13
(186) 2036 09 13
(732) Kellanova
One Kellogg Square, Battle Creek, Michigan
49016, USA
(511) 30

(111) M 1996 3067 R3
(151) 1996 09 13
(186) 2036 09 13
(732) Kellanova
One Kellogg Square, Battle Creek, Michigan
49016, USA
(511) 30

(111) M 1996 3068 R3
(151) 1996 09 13
(186) 2036 09 13
(732) Kellanova

One Kellogg Square, Battle Creek, Michigan
49016, USA
(511) 29, 30, 31

(111) M 1996 3069 R3
(151) 1996 09 13
(186) 2036 09 13
(732) Kellanova
One Kellogg Square, Battle Creek, Michigan
49016, USA
(511) 30

(111) M 1996 1660 R3
(151) 1996 02 29
(186) 2036 02 28
(732) Citibank N.A.
388 Greenwich Street, 10013 New York,
New York, USA
(511) 36

(111) M 1996 2285 R3
(151) 1996 06 10
(186) 2036 06 10
(732) Tigi Holdings Limited
1 Scott Place, 2 Hardman Street, Manchester,
M3 3AA, United Kingdom
(511) 3, 5

(111) M 1996 2374 R3
(151) 1996 06 14
(186) 2036 06 14
(732) Scania Cv Aktiebolag
15187 Sodertalje, Sweden
(511) 7, 12

(111) M 1996 2735 R3
(151) 1996 07 25
(186) 2036 07 25
(732) The Caledonian Brewing Company Limited
6 St. Andrew Square, Edinburgh, EH2 2BD
Scotland, United Kingdom
(511) 32

(111) M 1996 2959 R3
(151) 1996 09 09
(186) 2036 09 09
(732) Visa International Service Association
900 Metro Center Boulevard, Foster City,
California 94404, USA
(511) 36

(111) M 1996 2071 R3
(151) 1996 05 15
(186) 2036 05 15
(732) Laboratories Dr Ng Payot
40-52 Boulevard du Parc, 92200 Neuilly-Sur-
Seine, France
(511) 1, 3, 5, 16, 21

(111) M 1996 2700 R3
(151) 1996 07 19
(186) 2036 07 19
(732) Sebago S.R.L.
Largo Maurizio Vitale 1, I-10152 Torino,
Italy
(511) 25

(111) M 1996 2702 R3
(151) 1996 07 19
(186) 2036 07 19
(732) Sebago S.R.L.
Largo Maurizio Vitale 1, I-10152 Torino,
Italy
(511) 25

(111) M 1996 1693 R3
(151) 1996 03 07
(186) 2036 03 07
(732) Campari France
14 Rue Montalivet, 75008 Paris, France
(511) 33

(111) M 1996 1939 R3
(151) 1996 04 11
(186) 2036 04 11
(732) Thermo King LLC
314 West 90th Street, Minneapolis, Minnesota
55420, USA
(511) 11

(111) M 1996 1940 R3
(151) 1996 04 11
(186) 2036 04 11
(732) Thermo King LLC
314 West 90th Street, Minneapolis, Minnesota
55420, USA
(511) 11

(111) M 1996 2927 R3
(151) 1996 09 05
(186) 2036 09 05
(732) Compagnie Gervais Danone Societe Anonyme
17 Boulevard Haussmann, 75009 Paris, France
(511) 29, 30

(111) M 1996 2466 R3
(151) 1996 06 24
(186) 2036 06 24
(732) Compagnie Gervais Danone Societe Anonyme
17 Boulevard Haussmann, 75009 Paris, France
(511) 29, 30

(111) M 1996 1960 R3
(151) 1996 04 19
(186) 2036 04 19
(732) Jockey International Inc.
State of Wisconsin, USA
(511) 25

(111) M 1996 2251 R3
(151) 1996 06 05
(186) 2036 06 05
(732) HP Hewlett Packard Group LLC
10300 Energy Drive, Spring, Texas 77389, USA
(511) 16, 42

(111) M 1996 2244 R3
(151) 1996 06 05
(186) 2036 06 05
(732) HP Hewlett Packard Group LLC
10300 Energy Drive, Spring, Texas 77389,
USA
(511) 9

(111) M 1996 2417 R3
(151) 1996 06 18
(186) 2036 06 18
(732) Ledvance GmbH
Parkring 29-33, 85748 Garching bei München,
Germany
(511) 11

(111) M 1996 2342 R3
(151) 1996 06 12
(186) 2036 06 12
(732) ASP Global Manufacturing GmbH
(a Swiss limited liability company)
Im Majorenacker, 10, Schaffhausen 8207,
Switzerland
(511) 5

(111) M 1996 2720 R3
(151) 1996 07 25
(186) 2036 07 25
(732) SI Group, Inc.
2750 Balltown Road, Schenectady,
New York 12309, USA
(511) 1

(111) M 1996 2186 R3
(151) 1996 05 30
(186) 2036 05 30
(732) Hyundai Motor Company
140-2, Kye-Dong, Jongro-ku, Seoul, Republic
of Korea
(511) 12

(111) M 1996 2187 R3
(151) 1996 05 30
(186) 2036 05 30
(732) Hyundai Motor Company
140-2, Kye-Dong, Jongro-ku, Seoul, Republic
of Korea
(511) 12

(111) M 1996 2188 R3
(151) 1996 05 30
(186) 2036 05 30
(732) Hyundai Motor Company
140-2, Kye-Dong, Jongro-ku, Seoul, Republic
of Korea
(511) 12

(111) M 2015 26521 R1
(151) 2015 12 03
(186) 2035 12 03
(732) Joint-Stock Company "Biocad"
ul. Svyazi, Dom 38, Stroenie 1, Pomeshe-
nie 89, 198515, Saint Petersburg, Intracity
Municipality the Settlement of Strelna,
Russian Federation
(511) 5

(111) M 2016 26774 R1
(151) 2016 01 29
(186) 2036 01 29
(732) Société des Produits Nestlé S.A.
1800 Vevey, Switzerland
(511) 5

(111) M 2016 26676 R1
(151) 2016 01 13
(186) 2036 01 13
(732) Société Des Produits Nestlé S.A.
CH-1800 Vevey, Switzerland
(511) 30

(111) M 2016 26819 R1
(151) 2016 03 01
(186) 2036 03 01
(732) LEO Pharma A/S
Industriparken 55, 2750 Ballerup, Denmark

(511) 5

(111) M 2016 26707 R1
(151) 2016 01 14
(186) 2036 01 14
(732) Irakli Gogitidze
Rustaveli St. 136a, ap. 39, 0179, Kobuleti,
Georgia
(511) 43

(111) M 2016 26760 R1
(151) 2016 01 28
(186) 2036 01 28
(732) Rational Intellectual Holdings Limited
Douglas Bay Complex, King Edward Road,
IM3 1DZ Onchan, Isle of Man
(511) 9, 41, 42

(111) M 2016 26761 R1
(151) 2016 01 28
(186) 2036 01 28
(732) Rational Intellectual Holdings Limited
Douglas Bay Complex, King Edward Road,
IM3 1DZ Onchan, Isle of Man
(511) 9, 41, 42

(111) M 2016 27223 R1
(151) 2016 06 26
(186) 2036 06 26
(732) Abbott Laboratories.
100 Abbott Park Road, Abbott Park, Illinois
60064. USA
(511) 32, 41, 44, 45

(111) M 2016 26728 R1
(151) 2016 01 14
(186) 2036 01 14
(732) Swift Brands Company
1770 Promontory Circle, Greeley, Colorado
80634, USA
(511) 29

(111) M 2016 27075 R1
(151) 2016 05 18
(186) 2036 05 18
(732) Zebra Technologies Corporation
3 Overlook Point, Lincolnshire, Illinois
60069, USA
(511) 9, 16, 20, 35, 38, 40, 42

(111) M 2016 27090 R1
(151) 2016 05 18
(186) 2036 05 18
(732) JSC Aspharma Medical Dental Urunler
Ve Ilac Sanayi Ticaret Branch of Georgia
Metekhi St. 22, 0144, Tbilisi, Georgia
(511) 5

(111) M 2016 27093 R1
(151) 2016 05 18
(186) 2036 05 18
(732) Abdi İbrahim İlaç Sanayi ve Ticaret Anonim
Şirketi
Reşitpaşa Mahallesi Eski Büyükdere Caddesi
№4, 34467 Maslak-Sarıyer-İstanbul, Türkiye
(511) 5

(111) M 2016 27094 R1
(151) 2016 05 18
(186) 2036 05 18
(732) Abdi İbrahim İlaç Sanayi ve Ticaret Anonim
Şirketi
Reşitpaşa Mahallesi Eski Büyükdere Caddesi
№4, 34467 Maslak-Sarıyer-İstanbul, Türkiye
(511) 5

(111) M 2016 27099 R1
(151) 2016 05 18
(186) 2036 05 18
(732) LLC "Europroduct"
Akaki Tsereteli Av. 77/31, 0119 Tbilisi,
Georgia
(511) 29, 30, 35, 39

(111) M 2016 27160 R1
(151) 2016 06 03
(186) 2036 06 03
(732) Enoc Marketing LLC
P.O. Box 6442, Dubai, United Arab Emirates
(511) 4

(111) M 2016 27103 R1
(151) 2016 05 18
(186) 2036 05 18
(732) Harry Winston SA.
Chemin du Tourbillon 8, 1228 Plan-les-
Ouates, Switzerland
(511) 14

(111) M 2016 27170 R1
(151) 2016 06 03
(186) 2036 06 03
(732) Al Taqaddom Paints Company

Abu A'landa, Jordan PO Box 533-11592
 Abu A'landa, Jordan
 (511) 2

(111) M 2016 27171 R1
 (151) 2016 06 03
 (186) 2036 06 03
 (732) Al Taqaddom Paints Company
 Abu A'landa, Jordan PO Box 533-11592
 Abu A'landa, Jordan
 (511) 2

(111) M 2016 27172 R1
 (151) 2016 06 03
 (186) 2036 06 03
 (732) Al Taqaddom Paints Company
 Abu A'landa, Jordan PO Box 533-11592
 Abu A'landa, Jordan
 (511) 2

(111) M 2016 27173 R1
 (151) 2016 06 03
 (186) 2036 06 03
 (732) Al Taqaddom Paints Company
 Abu A'landa, Jordan PO Box 533-11592
 Abu A'landa, Jordan
 (511) 2

(111) M 2016 27174 R1
 (151) 2016 06 03
 (186) 2036 06 03
 (732) Al Taqaddom Paints Company
 Abu A'landa, Jordan PO Box 533-11592
 Abu A'landa, Jordan
 (511) 2

(111) M 2016 27114 R1
 (151) 2016 05 18
 (186) 2036 05 18
 (732) SkyLab AG
 Route de la Corniche 6, Biopôle, 1066
 Epalinges, Switzerland
 (511) 3, 21

(111) M 2016 27019 R1
 (151) 2016 04 20
 (186) 2036 04 20
 (732) Diageo North America Inc.
 a Connecticut Corporation
 Three World Trade Center, 175 Greenwich
 Street, New York, NY 10007, USA
 (511) 33

(111) M 2016 27362 R1
 (151) 2016 07 18
 (186) 2036 07 18
 (732) GM Pharmaceuticals LTD
 Rustavi highway 52, 0114, Tbilisi, Georgia
 (511) 5

(111) M 2016 27375 R1
 (151) 2016 07 19
 (186) 2036 07 19
 (732) Galderma Holding SA
 Zählerweg 10 6300 Zug, Switzerland
 (511) 3, 5, 10

(111) M 2016 27799 R1
 (151) 2016 11 10
 (186) 2036 11 10
 (732) LLC "New Georgian Product"
 Al. Kazbegi Av. 41, ap. 64, 0177, Tbilisi,
 Georgia
 (511) 29, 35

(111) M 2016 27530 R1
 (151) 2016 08 22
 (186) 2036 08 22
 (732) Huawei Technologies Co. LTD.
 Administration Building Huawei
 Technologies Co., LTD., Bantian, Longgang
 District, Shenzhen, China
 (511) 9

(111) M 2016 27531 R1
 (151) 2016 08 22
 (186) 2036 08 22
 (732) GM Pharmaceuticals LTD
 Rustavi highway 52, 0114, Tbilisi, Georgia
 (511) 5

(111) M 2016 27816 R1
 (151) 2016 11 10
 (186) 2036 11 10
 (732) Yildiz Holding A.Ş.
 Kısıklı Mahallesi, Çeşme Çıkmazı Sokak
 №6/1 Üsküdar İstanbul, Türkiye
 (511) 29

(111) M 2016 27612 R1
 (151) 2016 09 12
 (186) 2036 09 12
 (732) LLC "GM Pharmaceuticals"
 Rustavi Highway 52, 0114, Tbilisi, Georgia
 (511) 5

(111) M 2016 27698 R1 (151) 2016 09 29 (186) 2036 09 29 (732) HP Hewlett Packard Group LLC. 10300 Energy Drive, Spring, Texas 77389, USA (511) 9, 16, 35, 36, 37, 38, 41, 42	(511) 35
<hr/>	
(111) M 2016 27917 R1 (151) 2016 12 06 (186) 2036 12 06 (732) LLC "GM Pharmaceuticals" Rustavi Highway 52, 0114, Tbilisi, Georgia (511) 5	(111) M 1996 2661 R3 (151) 1996 07 17 (186) 2036 07 17 (732) Aspen Global Incorporated GBS Plaza, Cnr. La Salette & Royal Roads, Grand Bay, Mauritius (511) 5
<hr/>	
(111) M 2016 27918 R1 (151) 2016 12 06 (186) 2036 12 06 (732) LLC "GM Pharmaceuticals" Rustavi Highway 52, 0114, Tbilisi, Georgia (511) 5	(111) M 2017 28489 R1 (151) 2017 05 05 (186) 2037 05 05 (732) Sangsin Brake Co., LTD. 10, Nongongjungang-ro 33-gil, Nongong- eup, Dalseong-gun, Daegu, Republic of Korea (511) 12
<hr/>	
(111) M 2016 28019 R1 (151) 2016 12 21 (186) 2036 12 21 (732) Kellanova One Kellogg Square, Battle Creek, Michigan 49016, USA (511) 30	(111) M 2017 28490 R1 (151) 2017 05 05 (186) 2037 05 05 (732) SANGSIN BRAKE CO., LTD. 10, Nongongjungang-ro 33-gil, Nongong-eup, Dalseong-gun, Daegu, Republic of Korea (511) 12
<hr/>	
(111) M 2017 28287 R1 (151) 2017 03 12 (186) 2037 03 12 (732) LTD "Aromaproduct" Davit Guramishvili Av. 17, 0192 Tbilisi, Georgia (511) 29, 30, 32	(111) M 2016 28033 R1 (151) 2016 12 26 (186) 2036 12 26 (732) LLC "Full House" Ateni St. 16a, Floor 1, Vake District, Tbilisi, Georgia (511) 41
<hr/>	
(111) M 2017 28288 R1 (151) 2017 03 12 (186) 2037 03 12 (732) LTD "Aromaproduct" Davit Guramishvili Av. 17, 0192 Tbilisi, Georgia (511) 29, 30, 32	(111) M 1996 2030 R3 (151) 1996 05 08 (186) 2036 05 08 (732) Cecil Gmbh Satterstraße 10, 30916 Isernhagen-Kirchhorst, Germany (511) 25
<hr/>	
(111) M 2017 28406 R1 (151) 2017 04 20 (186) 2037 04 20 (732) LLC "EMD Group" Davit Aghmashenebeli Alley 95, Area 21A, Tbilisi, Georgia	

COMPLETE TRANSFER OF RIGHT

(111) M 2024 38003 R
(732) Pipwise LTD
Bonovo Road, Fomboni, Island of Mohéli,
Comoros
(770) LTD "Pipwise"
Mikheil Gakhokidze St. 49, Samgori District,
Tbilisi, Georgia
(580) 2026 05 06

(111) M 1999 12428 R
(732) GlaxosmithKline Consumer Healthcare
Hotdings (US) LLC
Corporation Service Company, 251 Little
Falls Drive, Wilmington, Delaware 19808,
USA
(770) PF Consumer Healthcare 1 LLC, Corporation
Service Company, a Delaware limited liability
Company
251 Little Falls Drive, Wilmington, Delaware
19808, USA
(580) 2026 05 05

(111) M 1997 6546 R
(732) ABG-Dockers LLC
1411 Broadway, New York, NY 10018,
USA
(770) ABG-Dockers Limited
3rd Floor, 1 Ashley Road, Altrincham,
Cheshire WA14 2DT, United Kingdom
(580) 2026 03 19

(111) M 2008 18568 R
(732) ICE S.P.A.
Via Sicilia 8/10, 42122 Reggio Emilia,
Italy
(770) ABC Farmaceutici S.P.A.
Corso Vittorio Emanuele II 72, 10121 Torino,
Italy
(580) 2026 05 01

(111) M 2013 23267 R
(732) ICE S.P.A.
Via Sicilia 8/10, 42122 Reggio Emilia,
Italy
(770) ABC Farmaceutici S.P.A.
Corso vittorio Emanuele II 72, 10121, Torino,
Italy
(580) 2026 05 01

(111) M 1997 7130 R
(732) Puig France
65/67 avenue des Champs-Élysées 75008
Paris, France
(770) Nina Ricci
39, avenue Montaigne, Paris, France
(580) 2026 04 05

(111) M 2016 27176 R
(732) LLC "Ibercompany"
Ilia Chavchavadze Av. 37L, Floor 3, Block B,
Tbilisi, Vake District, Georgia
(770) LLC "Ibercompany"
Al. Kazbegi Av. 12, 0160, Tbilisi, Georgia
(580) 2026 05 14

CHANGE OF NAME AND/OR ADDRESS OF TRADEMARK OWNER

(111) M 1996 3770 R
(732) Wells Fargo & Company
333 Market Street, San Francisco, CA 94105,
USA
(770) Wells Fargo & Company
San Francisco, California, USA
(580) 2026 04 15

(111) M 1996 1807 R
(732) Bel
2, Allee de Longchamp, 92150 Suresnes,
France
(770) Fromageries Bel S.A.
2, Allee de Longchamp, 92150 Suresnes,
France
(580) 2026 05 13

(111) M 1996 1669 R
(732) Atnahs Pharma UK LTD
Sovereign House, Miles GraY Road,
Basildon, Essex, SS14 3FR,
United Kingdom
(770) Atnahs Pharma UK LTD
Suite 1, 3rd Floor 11-12 St. James's Square,
London SW1Y 4LB, United Kingdom
(580) 2026 03 17

(111) M 2006 17013 R
(732) LLC "GM Pharmaceuticals"
Rustavi Highway 52, 0114, Tbilisi, Georgia
(770) LLC "G-M-P"
Zemo Vedzisi St. 103, 0160, Tbilisi, Georgia
(580) 2026 05 06

(111) M 2006 17014 R
(732) LLC "GM Pharmaceuticals"
Rustavi Highway 52, 0114, Tbilisi, Georgia
(770) LLC "G-M-P"
Zemo Vedzisi St. 103, 0160, Tbilisi, Georgia
(580) 2026 05 06

(111) M 2006 17064 R
(732) LLC "GM Pharmaceuticals"
Rustavi Highway 52, 0114, Tbilisi, Georgia
(770) LLC "G-M-P"
Zemo Vedzisi St. 103, 0160, Tbilisi, Georgia
(580) 2026 05 06

(111) M 2006 17066 R
(732) LLC "GM Pharmaceuticals"
Rustavi Highway 52, 0114, Tbilisi, Georgia
(770) LLC "G-M-P"
Zemo Vedzisi St. 103, 0160, Tbilisi, Georgia
(580) 2026 05 06

(111) M 2006 17067 R
(732) LLC "GM Pharmaceuticals"
Rustavi Highway 52, 0114, Tbilisi, Georgia
(770) LLC "G-M-P"
Zemo Vedzisi St. 103, 0160, Tbilisi, Georgia
(580) 2026 05 06

(111) M 1996 1881 R
(732) Baxter Healthcare S.A.
Thurgauerstrasse 130, Glattpark (Opfikon),
Switzerland
(770) Baxter Healthcare S.A.
Hertistrasse 2, 8304 Wallisellen,
Switzerland
(580) 2026 04 29

(111) M 1996 1882 R
(732) Baxter Healthcare S.A.
Thurgauerstrasse 130, Glattpark (Opfikon),
Switzerland
(770) Baxter Healthcare S.A.
Hertistrasse 2, 8304 Wallisellen,
Switzerland
(580) 2026 04 29

(111) M 1996 2421 R
(732) Sabic Global Technologies B.V.
Urmonderbaan 22, Building 130, 6167 RD
Geleen, Netherlands
(770) Sabic Global Technologies B.V.
Plasticslaan 1, 4612 PX Bergen op Zoom,
Netherlands
(580) 2026 05 12

(111) M 1996 2735 R
(732) The Caledonian Brewing Company Limited
6 St. Andrew Square, Edinburgh, EH2 2BD
Scotland, United Kingdom
(770) S&NF Limited
3-4 Broadway Park, South Gyle Broaddway,
Edinburgh, EH12 9JZ, Scotland, United
Kingdom
(580) 2026 04 24

(111) M 1996 2071 R
 (732) Laboratories DR NG Payot
 40-52 Boulevard du Parc, 92200 Neuilly-sur-Seine, France
 (770) LaboraTories DR NG Payot
 6, Boulevard du Parc, 92200 Neuilly-sur-Seine, France
 (580) 2026 05 07

(111) M 1996 2700 R
 (732) Sebago S.R.L.
 Largo Maurizio Vitale 1, I-10152 Torino, Italy
 (770) Tos S.R.L.
 Largo Maurizio Vitale 1, I-10152 Torino, Italy
 (580) 2026 04 24

(111) M 1996 2702 R
 (732) Sebago S.R.L.
 Largo Maurizio Vitale 1, I-10152 Torino, Italy
 (770) Tos S.R.L.
 Largo Maurizio Vitale 1, I-10152 Torino, Italy
 (580) 2026 04 24

(111) M 2016 27114 R
 (732) SkyLab AG
 Route de la Corniche 6, Biopôle, 1066 Epalinges, Switzerland
 (770) SkyLab AG
 Nüscherstrasse 31, 8001 Zürich, Switzerland
 (580) 2026 04 28

(111) M 2016 27362 R
 (732) LLC "GM Pharmaceuticals"
 Rustavi Highway 52, 0114, Tbilisi, Georgia
 (770) LLC "G-M-P"
 Vill. Ponichala 65, 0165, Tbilisi, Georgia
 (580) 2026 05 06

(111) M 2016 27531 R
 (732) LLC "GM Pharmaceuticals"
 Rustavi Highway 52, 0114, Tbilisi, Georgia
 (770) LLC "G-M-P"
 Vill. Ponichala 65, 0165, Tbilisi, Georgia
 (580) 2026 05 06

(111) M 2016 27612 R
 (732) LLC "GM Pharmaceuticals"
 Rustavi Highway 52, 0114, Tbilisi, Georgia
 (770) LLC "G-M-P"
 Vill. Ponichala 65, 0165, Tbilisi, Georgia
 (580) 2026 05 06

(111) M 2016 27917 R
 (732) LLC "GM Pharmaceuticals"
 Rustavi Highway 52, 0114, Tbilisi, Georgia
 (770) LLC "G-M-P"
 Vill. Ponichala 65, 0165, Tbilisi, Georgia
 (580) 2026 05 06

(111) M 2016 27918 R
 (732) LLC "GM Pharmaceuticals"
 Rustavi Highway 52, 0114, Tbilisi, Georgia
 (770) LLC "G-M-P"
 Vill. Ponichala 65, 0165, Tbilisi, Georgia
 (580) 2026 05 06

(111) M 2015 26598 R
 (732) Public Joint Stock Company "Pharmsintez" (JSC "Pharmsintez")
 Zavodskaya St., Stroenie 3, Building 134, Leningrad Region, Vsevolozhsky Municipal District, Kuzmolovsky Urban-Type Settlement, Kuzmolovsky Urban-Type Settlement, 188663, Russian Federation
 (770) Open Joint Stock Company "Pharmsintez"
 Station Kapitolovo №134, Litera 1, Leningrad Region, Vsevolozhsky District, Kuzmolovsky Settlement, 188663, Russian Federation
 (580) 2026 05 06

(111) M 2016 28033 R
 (732) LLC "Full House"
 Ateni St. 16a, 1st Floor, Vake District, Tbilisi, Georgia
 (770) LLC "Full House"
 Vazha-Pshavela Av. 76b, (Plot N039/032), ap. 39, Vake-Saburtalo District, Tbilisi, Georgia
 (580) 2026 05 06

(111) M 1996 3119 R
 (732) Sabic Global Technologies B.V.
 Urmonderbaan 22, Building 130, 6167 RD Geleen, Netherlands
 (770) Sabic Global Technologies B.V.
 Plasticslaan 1, 4612 PX Bergen op Zoom, Netherlands
 (580) 2026 05 12

(111) M 1996 3120 R
 (732) Sabic Global Technologies B.V.
 Urmonderbaan 22, Building 130, 6167 RD Geleen, Netherlands
 (770) Sabic Global Technologies B.V.
 Plasticslaan 1, 4612 PX Bergen op Zoom, Netherlands
 (580) 2026 05 12

CANCELLATION OF TRADEMARK REGISTRATION

(111) M 2005 16293 R
(151) 2005 11 02
(732) Guram Darsania
Mosashvili St. 5, ap. 42, 0162, Tbilisi, Georgia
(141) 2026 05 08

(111) M 2005 16313 R
(151) 2005 11 02
(732) Obschestvo s Ogranichennoy Otvetstvennostyu
"Mon'delez Rus" (Mon'delez Rus LLC)
Ul. Frantsa Shtolverka 10, Vladimirskaia
Oblast, Petushinskiy Rayon, 601123 Pokrov,
Russian Federation
(141) 2026 05 08

(111) M 2005 16315 R
(151) 2005 11 02
(732) Perrigo Pharma International DAC
The Sharp Building, Hogan Place, Dublin 2,
D02 TY74, Ireland
(141) 2026 05 08

(111) M 2005 16317 R
(151) 2005 11 02
(732) Mlss Sixty Investments SA
17 Rue Beaumont, L-1219 Luxembourg,
Luxembourg
(141) 2026 05 08

(111) M 1995 1122 R
(151) 1995 11 08
(732) Japan Tobacco Inc.
1-1, Toranomom 4-chome, Minato-ku, Tokyo,
Japan
(141) 2026 05 14

(111) M 1995 1123 R
(151) 1995 11 08
(732) Japan Tobacco Inc.
1-1, Toranomom 4-chome, Minato-ku, Tokyo,
Japan
(141) 2026 05 14

(111) M 1995 1125 R
(151) 1995 11 09
(732) Zino Davidoff S.A.
5, rue Faucigny 1700 Fribourg, Switzerland
(141) 2026 05 19

(111) M 1995 1128 R
(151) 1995 11 09
(732) Axel Springer SE
Axel-Springer-Strasse 65, 10969 Berlin/
10888 Berlin, Germany
(141) 2026 05 19

(111) M 1995 1159 R
(151) 1995 11 13
(732) Prescriptives Inc.
767 Fifth Avenue, New York, USA
(141) 2026 05 19

(111) M 1995 1150 R
(151) 1995 11 13
(732) Prescriptives Inc.
767, Fifth Avenue, New York, USA
(141) 2026 05 19

(111) M 1995 1148 R
(151) 1995 11 13
(732) Whirlpool Properties Inc.
500 Renaissance Drive, Suite 101, Saint
Joseph, Michigan 49085, USA
(141) 2026 05 19

(111) M 2015 26482 R
(151) 2015 11 13
(732) Amgen Inc.
One Amgen Center Drive, Thousand Oaks,
California 91320-1799, USA
(141) 2026 05 19

(111) M 2015 26381 R
(151) 2015 10 26
(732) LLC "TBS Group"
Dighomi Educational Experimental Farm
Territory, Georgia
(141) 2026 05 06

(111) M 2015 26382 R
(151) 2015 10 26
(732) Kakhaber Onashvili
Zedazeni St. 16, 0180, Tbilisi, Georgia
(141) 2026 05 06

(111) M 2015 26383 R
 (151) 2015 10 26
 (732) Karen Vardanyan
 Bairon St. 3, ap. 36, Yerevan Armenia
 (141) 2026 05 06

(111) M 2015 26384 R
 (151) 2015 10 26
 (732) Karen Vardanyan
 Bairon St. 3, ap. 36, Yerevan Armenia
 (141) 2026 05 06

(111) M 2015 26385 R
 (151) 2015 10 26
 (732) Karen Vardanyan
 Bairon St. 3, ap. 36, Yerevan Armenia
 (141) 2026 05 06

(111) M 2015 26386 R
 (151) 2015 10 26
 (732) Karen Vardanyan
 Bairon St. 3, ap. 36, Yerevan Armenia
 (141) 2026 05 06

(111) M 2015 26387 R
 (151) 2015 10 26
 (732) Karen Vardanyan
 Bairon St. 3, ap. 36, Yerevan Armenia
 (141) 2026 05 06

(111) M 2015 26390 R
 (151) 2015 10 26
 (732) The Coca-Cola Company;
 One Coca-Cola Plaza, Atlanta, Georgia
 30313, USA
 (141) 2026 05 06

(111) M 2015 26397 R
 (151) 2015 10 26
 (732) Swiss Pharma International AG.
 Waldmannstrasse 8, 8001 Zurich
 Switzerland
 (141) 2026 05 06

(111) M 2015 26398 R
 (151) 2015 10 26
 (732) Swiss Pharma International AG.
 Waldmannstrasse 8, 8001 Zurich
 Switzerland
 (141) 2026 05 06

(111) M 2015 26399 R
 (151) 2015 10 26
 (732) Daewoong Pharmaceutical Co., LTD.
 244, Galmachi-ro, Jungwon-gu, Seongnam-si,
 Gyeonggi-do, Republic of Korea
 (141) 2026 05 06

(732) Daewoong Pharmaceutical Co., LTD.
 244, Galmachi-ro, Jungwon-gu, Seongnam-si,
 Gyeonggi-do Republic of Korea
 (141) 2026 05 06

(111) M 2015 26401 R
 (151) 2015 10 26
 (732) Daewoong Pharmaceutical Co., LTD.
 244, Galmachi-ro, Jungwon-gu, Seongnam-si,
 Gyeonggi-do Republic of Korea
 (141) 2026 05 06

(111) M 2015 26402 R
 (151) 2015 10 26
 (732) Daewoong Pharmaceutical Co., LTD.
 244, Galmachi-ro, Jungwon-gu, Seongnam-si,
 Gyeonggi-do Republic of Korea
 (141) 2026 05 06

(111) M 2015 26403 R
 (151) 2015 10 26
 (732) Daewoong Pharmaceutical Co., LTD.
 244, Galmachi-ro, Jungwon-gu, Seongnam-si,
 Gyeonggi-do Republic of Korea
 (141) 2026 05 06

(111) M 2015 26486 R
 (151) 2015 11 13
 (732) LLC "Elit"
 Salmi St. 10, Part 2/3, 0105, Tbilisi, Georgia
 (141) 2026 05 19

(111) M 2015 26487 R
 (151) 2015 11 13
 (732) LLC "Elit"
 Salmi St. 10, Part 2/3, 0105, Tbilisi, Georgia
 (141) 2026 05 19

(111) M 2015 26404 R
 (151) 2015 10 26
 (732) LLC "CT Park"
 Kandelaki St. 47, 0160, Tbilisi, Georgia
 (141) 2026 05 06

(111) M 2015 26407 R
(151) 2015 10 26
(732) Eurodrug Laboratories B.V.
Laan Copes van Cattenburch 74, 2585GD
The Hague Netherlands
(141) 2026 05 06

(111) M 2015 26411 R
(151) 2015 10 26
(732) Qualcomm Incorporated.
5775 Morehouse Drive, San Diego,
CA 92121-1714 USA
(141) 2026 05 06

(111) M 2015 26412 R
(151) 2015 10 26
(732) Nodari Esiava
Simon Chikovani St. 4/10, ap. 51, 0171,
Tbilisi, Georgia;
Besarion Surmava
Ghrmagheli Settlement, Sanzona, bld. 7,
ap. 34, Tbilisi, Georgia
(141) 2026 05 06

(111) M 2015 26424 R
(151) 2015 10 27
(732) LLC "Geocell"
Gotua St. 3, Right Bank of the River Mtkvari,
0160, Tbilisi, Georgia
(141) 2026 05 06

(111) M 2015 26425 R
(151) 2015 10 27
(732) Daw Se.
Rossoerfer Str. 50, D-64372 Ober-Ramstadt,
Germany
(141) 2026 05 06

(111) M 2015 26426 R
(151) 2015 10 27
(732) Hankook & Company Co., LTD.
286, Pangyo-ro, Bundang-gu, Seongnam -si,
Gyeonggi-do, Republic of Korea
(141) 2026 05 06

(111) M 2015 26427 R
(151) 2015 10 27
(732) Hankook & Company Co., LTD.
286, Pangyo-ro, Bundang-gu, Seongnam -si,
Gyeonggi-do, Republic of Korea
(141) 2026 05 06

(111) M 2015 26428 R
(151) 2015 10 27
(732) Hankook & Company Co., LTD.
286, Pangyo-ro, Bundang-gu, Seongnam -si,
Gyeonggi-do, Republic of Korea
(141) 2026 05 06

(111) M 2015 26429 R
(151) 2015 10 27
(732) Hankook & Company Co., LTD.
286, Pangyo-ro, Bundang-gu, Seongnam -si,
Gyeonggi-do, Republic of Korea
(141) 2026 05 06

(111) M 2015 26430 R
(151) 2015 10 27
(732) MasterCard International Incorporated,
a Delaware corporation
2000 Purchase Street, Purchase, New York
10577 USA
(141) 2026 05 06

(111) M 2015 26431 R
(151) 2015 10 27
(732) Daewoong Pharmaceutical Co., LTD.
244, Galmachi-ro, Jungwon-gu, Seongnam-si,
Gyeonggi-do, Republic of Korea
(141) 2026 05 06

(111) M 2015 26432 R
(151) 2015 10 27
(732) Daewoong Pharmaceutical Co., LTD.
244, Galmachi-ro, Jungwon-gu, Seongnam-si,
Gyeonggi-do, Republic of Korea
(141) 2026 05 06

(111) M 2015 26433 R
(151) 2015 10 27
(732) Daewoong Pharmaceutical Co., LTD.
244, Galmachi-ro, Jungwon-gu, Seongnam-si,
Gyeonggi-do, Republic of Korea
(141) 2026 05 06

(111) M 2015 26440 R
(151) 2015 10 27
(732) Novartis AG.
4002 Basel Switzerland
(141) 2026 05 06

(111) M 2015 26442 R
 (151) 2015 10 27
 (732) Open Joint Stock Company "Tatchiimpharm-preparat"
 Belomorskaya Street 260, Kazan, Republic of Tatarstan, 420091, Russian Federation
 (141) 2026 05 06

(111) M 2015 26446 R
 (151) 2015 10 27
 (732) Capbran Holdings LLC
 (California limited Liability company)
 11601 Wilshire Blvd., Suite 2300, Los Angeles, CA 90025, USA
 (141) 2026 05 06

(111) M 2015 26450 R
 (151) 2015 10 27
 (732) Irakli Qiria
 G. Dzotsenidze St. 5, ap. 29, 0183, Tbilisi, Georgia
 (141) 2026 05 06

(111) M 2015 26452 R
 (151) 2015 10 27
 (732) Irakli Qiria
 G. Dzotsenidze St. 5, ap. 29, 0183, Tbilisi, Georgia
 (141) 2026 05 06

(111) M 2015 26453 R
 (151) 2015 10 27
 (732) Irakli Qiria
 G. Dzotsenidze St. 5, ap. 29, 0183, Tbilisi, Georgia
 (141) 2026 05 06

(111) M 2015 26454 R
 (151) 2015 10 27
 (732) Irakli Qiria
 G. Dzotsenidze St. 5, ap. 29, 0183, Tbilisi, Georgia
 (141) 2026 05 06

(111) M 2015 26460 R
 (151) 2015 10 27
 (732) Harrington Development Inc.
 Elivira Mendez Street, Valerino Bldg,
 3rd Floor, Panama, Republic of Panama
 (141) 2026 05 06

(111) M 2015 26461 R
 (151) 2015 10 27
 (732) Shulton, Inc.
 Uan Proqter & Gembl Plaza, Cincinati Shtatii Ohaio 45202, USA
 (141) 2026 05 06

(111) M 2015 26462 R
 (151) 2015 10 27
 (732) Novartis AG
 4002 Basel, Switzerland
 (141) 2026 05 06

(111) M 2015 26463 R
 (151) 2015 10 27
 (732) Novartis AG
 4002 Basel, Switzerland
 (141) 2026 05 06

(111) M 2015 26474 R
 (151) 2015 11 06
 (732) Joint Stock Company "Georgian Beer Company"
 Village Saguramo, 3311, Mtskheta, Georgia
 (141) 2026 05 13

(111) M 2015 26475 R
 (151) 2015 11 06
 (732) Joint Stock Company "Georgian Beer Company"
 Village Saguramo, 3311, Mtskheta, Georgia
 (141) 2026 05 13

(111) M 2015 26476 R
 (151) 2015 11 11
 (732) LTD "Dike International"
 G. Lortkipanidze St. 2 (formerly Lermontov St. 16), 0107, Tbilisi, Georgia
 (141) 2026 05 18

REGISTRATION OF LICENSE AGREEMENT

(111) M 2014 24474 R

(732) LTD "Tiflissky Vinny Pogreb"

Iumashev St. 27, 0198, Tbilisii, Georgia

(791) LLC "Kartuli Vazi Marani"

Vazha-Pshavela Av., IV qu., bld. 2, ap. 3,

Vake District, Georgia

(793) №1876

2026 01 05 – from the term of validity of the

mark

Simple

(511) 33

CLASSIFICATION INDEXES

INVENTION

CONCORDANCE TABLE OF INTERNATIONAL CLASSIFICATION INDEX AND PUBLICATION NUMBER

INTERNATIONAL CLASSIFICATION INDEXES (51)	NUMBER OF PUBLISHED APPLICATION (10)
A 61 K 31/443; A 61 P 29/00; C 07 D 405/14; C 07 D 405/12	AP 2026 15997 A
A 61 K 31/7068; A 61 K 31/7064; A 61 P 31/12; C 07 H 19/04; C 07 H 19/067; C 07 H 19/06	AP 2026 16034 A

CONCORDANCE TABLE OF PUBLICATION NUMBER AND INTERNATIONAL CLASSIFICATION INDEX

NUMBER OF PUBLISHED APPLICATION (10)	INTERNATIONAL CLASSIFICATION INDEXES (51)
AP 2026 15997 A	A 61 K 31/443; A 61 P 29/00; C 07 D 405/14; C 07 D 405/12
AP 2026 16034 A	A 61 K 31/7068; A 61 K 31/7064; A 61 P 31/12; C 07 H 19/04; C 07 H 19/067; C 07 H 19/06

PATENTED INVENTION

CONCORDANCE TABLE OF INTERNATIONAL CLASSIFICATION INDEX, PATENT NUMBER AND PUBLICATION NUMBER

INTERNATIONAL CLASSIFICATION INDEX (51)	NUMBER OF PATENT (11)	NUMBER OF PUBLISHED APPLICATION (10)
F 24 J 23/30	P 2026 7898 B	AP 2025 15760 A

CONCORDANCE TABLE OF PATENT NUMBER, PUBLICATION NUMBER AND INTERNATIONAL CLASSIFICATION INDEX

NUMBER OF PATENT (11)	NUMBER OF PUBLISHED APPLICATION (10)	INTERNATIONAL CLASSIFICATION INDEX (51)
P 2026 7898 B	AP 2025 15760 A	F 24 J 23/30

**CONCORDANCE TABLE OF APPLICATION NUMBER,
PUBLICATION NUMBER AND PATENT**

NUMBER OF APPLICATION (21)	NUMBER OF PUBLISHED APPLICATION (10)	NUMBER OF PATENT (11)
AP 2021 15760	AP 2025 15760 A	P 2026 7898 B

APPLICATION***
**CONCORDANCE TABLE OF INTERNATIONAL CLASSIFICATION INDEX
AND PUBLICATION NUMBER**

INTERNATIONAL CLASSIFICATION INDEXES (51)	NUMBER OF PUBLISHED APPLICATION (10)
A 01 N 1/02	AP 2026 16927 A
A 01 N 43/56; A 01 N 43/836; A 01 P 3/00	AP 2026 16919 A
A 01 N 43/713; A 01 N 43/56; A 01 P 3/00	AP 2026 16920 A
A 61 K 31/517; A 61 P 31/18; C 07 D 471/04; C 07 D 405/12; C 07 D 417/12; C 07 D 403/06; C 07 D 401/14; C 07 D 491/04; C 07 D 487/04	AP 2026 16904 A
A 61 K 31/495; A 61 K 31/155; A 61 K 31/4402; A 61 K 31/496; A 61 P 35/00; A 61 K 31/15; C 07 B 59/00; C 07 C 291/02; C 07 C 243/18; C 07 D 487/04; C 07 D 233/90	AP 2026 16916 A
A 61 K 31/5025; A 61 K 31/437; A 61 K 31/519; A 61 P 35/00; C 07 D 471/04; C 07 D 487/04	AP 2026 16947 A
B 65 G 1/04; B 65 G 47/36; B 66 F 9/06	AP 2026 16966 A
F 03 B 3/02; F 03 B 3/12	AP 2026 16685 A

**CONCORDANCE TABLE OF PUBLICATION NUMBER
AND INTERNATIONAL CLASSIFICATION INDEX**

NUMBER OF PUBLISHED APPLICATION (10)	INTERNATIONAL CLASSIFICATION INDEXES (51)
AP 2026 16685 A	F 03 B 3/02; F 03 B 3/12
AP 2026 16904 A	A 61 K 31/517; A 61 P 31/18; C 07 D 471/04; C 07 D 405/12; C 07 D 417/12; C 07 D 403/06; C 07 D 401/14; C 07 D 491/04; C 07 D 487/04
AP 2026 16916 A	A 61 K 31/495; A 61 K 31/155; A 61 K 31/4402; A 61 K 31/496; A 61 P 35/00; A 61 K 31/15; C 07 B 59/00; C 07 C 291/02; C 07 C 243/18; C 07 D 487/04; C 07 D 233/90
AP 2026 16919 A	A 01 N 43/56; A 01 N 43/836; A 01 P 3/00
AP 2026 16920 A	A 01 N 43/713; A 01 N 43/56; A 01 P 3/00
AP 2026 16927 A	A 01 N 1/02
AP 2026 16947 A	A 61 K 31/5025; A 61 K 31/437; A 61 K 31/519; A 61 P 35/00; C 07 D 471/04; C 07 D 487/04
AP 2026 16966 A	B 65 G 1/04; B 65 G 47/36; B 66 F 9/06

PATENT***CONCORDANCE TABLE OF INTERNATIONAL CLASSIFICATION INDEX,
PATENT NUMBER AND PUBLICATION NUMBER

INTERNATIONAL CLASSIFICATION INDEX (51)	NUMBER OF PATENT (11)	NUMBER OF PUBLISHED APPLICATION (10)
A 61 K 31/4196; A 61 P 25/00; C 07 D 513/04; C 07 D 498/04; C 07 D 487/04; C 07 D 471/04	P 2026 7896 B	AP 2025 16658 A
A 61 K 45/06; A 61 K 51/10; A 61 K 31/4155; A 61 P 35/00; C 07 K 16/30	P 2026 7897 B	AP 2025 16653 A
C 07 C 219/24; C 07 C 223/04; C 07 C 227/34; C 07 C 229/28; C 12 P 17/02; C 12 P 41/00; C 12 P 13/00	P 2026 7895 B	AP 2024 16498 A
F 03 B 3/02; F 03 B 3/12	P 2026 7894 B	AP 2026 16685 A

CONCORDANCE TABLE OF PATENT NUMBER,
PUBLICATION NUMBER AND INTERNATIONAL CLASSIFICATION INDEX

NUMBER OF PATENT (11)	NUMBER OF PUBLISHED APPLICATION (10)	INTERNATIONAL CLASSIFICATION INDEX (51)
P 2026 7894 B	AP 2026 16685 A	F 03 B 3/02; F 03 B 3/12
P 2026 7895 B	AP 2024 16498 A	C 07 C 219/24; C 07 C 223/04; C 07 C 227/34; C 07 C 229/28; C 12 P 17/02; C 12 P 41/00; C 12 P 13/00
P 2026 7896 B	AP 2025 16658 A	A 61 K 31/4196; A 61 P 25/00; C 07 D 513/04; C 07 D 498/04; C 07 D 487/04; C 07 D 471/04
P 2026 7897 B	AP 2025 16653 A	A 61 K 45/06; A 61 K 51/10; A 61 K 31/4155; A 61 P 35/00; C 07 K 16/30

CONCORDANCE TABLE OF APPLICATION NUMBER,
PUBLICATION NUMBER AND PATENT

NUMBER OF APPLICATION (21)	NUMBER OF PUBLISHED APPLICATION (10)	NUMBER OF PATENT (11)
AP 2022 16498	AP 2024 16498 A	P 2026 7895 B
AP 2023 16653	AP 2025 16653 A	P 2026 7897 B
AP 2023 16658	AP 2025 16658 A	P 2026 7896 B
AP 2025 16685	AP 2026 16685 A	P 2026 7894 B

**UTILITY MODEL
APPLICATION*****

CONCORDANCE TABLE OF INTERNATIONAL CLASSIFICATION INDEX
AND PUBLICATION NUMBER

INTERNATIONAL CLASSIFICATION INDEXES (51)	NUMBER OF PUBLISHED APPLICATION (10)
F 24 F 7/00	AU 2026 16832 U

CONCORDANCE TABLE OF PUBLICATION NUMBER
AND INTERNATIONAL CLASSIFICATION INDEX

NUMBER OF PUBLISHED APPLICATION (10)	INTERNATIONAL CLASSIFICATION INDEXES (51)
AU 2026 16832 U	F 24 F 7/00

REGISTERED UTILITY MODEL***

CONCORDANCE TABLE OF INTERNATIONAL CLASSIFICATION INDEX,
NUMBER OF REGISTRATION AND PUBLICATION NUMBER

INTERNATIONAL CLASSIFICATION INDEX (51)	NUMBER OF REGISTRATION (11)	NUMBER OF PUBLISHED APPLICATION (10)
F 24 F 7/00	2026 2246 Y	AU 2026 16832 U

CONCORDANCE TABLE OF NUMBER OF REGISTRATION,
PUBLICATION NUMBER AND INTERNATIONAL CLASSIFICATION INDEX

NUMBER OF REGISTRATION (11)	NUMBER OF PUBLISHED APPLICATION (10)	INTERNATIONAL CLASSIFICATION INDEX (51)
2026 2246 Y	AU 2026 16832 U	F 24 F 7/00

CONCORDANCE TABLE OF APPLICATION NUMBER,
PUBLICATION NUMBER AND NUMBER OF REGISTRATION

NUMBER OF APPLICATION (21)	NUMBER OF PUBLISHED APPLICATION (10)	NUMBER OF REGISTRATION (11)
AU 2025 16832	AU 2026 16832 U	2026 2246 Y

DESIGN

CONCORDANCE TABLE OF INTERNATIONAL CLASSIFICATION INDEX,
NUMBER OF REGISTRATION AND PUBLICATION NUMBER

INTERNATIONAL CLASSIFICATION INDEXES (51)	NUMBER OF REGISTRATION (11)	NUMBER OF PUBLISHED APPLICATION (10)
09-07	D 2026 1118 S	AD 2026 1466 S

CONCORDANCE TABLE OF NUMBER OF REGISTRATION,
PUBLICATION NUMBER AND INTERNATIONAL CLASSIFICATION INDEX

NUMBER OF REGISTRATION (11)	NUMBER OF PUBLISHED APPLICATION (10)	INTERNATIONAL CLASSIFICATION INDEXES (51)
D 2026 1118 S	AD 2026 1466 S	09-07

CONCORDANCE TABLE OF APPLICATION NUMBER,
PUBLICATION NUMBER AND NUMBER OF REGISTRATION

NUMBER OF APPLICATION (21)	NUMBER OF PUBLISHED APPLICATION (10)	NUMBER OF REGISTRATION (11)
AD 2025 1466	AD 2026 1466 S	D 2026 1118 S

TRADEMARKCONCORDANCE TABLE OF REGISTRATION NUMBER, APPLICATION NUMBER,
PUBLICATION NUMBER AND BULLETIN NUMBER

NUMBER OF REGISTRATION (111)	NUMBER OF APPLICATIONS (210)	NUMBER OF PUBLISHED APPLICATIONS (260)	NUMBER OF BULLETIN
1	2	3	4
M 2026 41194 R	AM 138904	–	10(685)2026
M 2026 41195 R	AM 139023	–	10(685)2026
M 2026 41196 R	AM 139080	–	10(685)2026
M 2026 41197 R	AM 139081	–	10(685)2026
M 2026 41198 R	AM 139098	–	10(685)2026
M 2026 41199 R	AM 133591	AM 2025 133591 A	24(675)2025
M 2026 41200 R	AM 132656	AM 2025 132656 A	20(671)2025
M 2026 41201 R	AM 133016	AM 2025 133016 A	20(671)2025
M 2026 41202 R	AM 134080	AM 2026 134080 A	1(676)2026
M 2026 41203 R	AM 134084	AM 2026 134084 A	1(676)2026
M 2026 41204 R	AM 131676	AM 2025 131676 A	23(674)2025
M 2026 41205 R	AM 134085	AM 2026 134085 A	1(676)2026
M 2026 41206 R	AM 132499	AM 2025 132499 A	20(671)2025
M 2026 41207 R	AM 133968	AM 2026 133968 A	1(676)2026
M 2026 41208 R	AM 133967	AM 2026 133967 A	1(676)2026
M 2026 41209 R	AM 134184	AM 2025 134184 A	24(675)2025
M 2026 41210 R	AM 133880	AM 2025 133880 A	24(675)2025
M 2026 41211 R	AM 134081	AM 2026 134081 A	2(677)2026
M 2026 41212 R	AM 133013	AM 2025 133013 A	20(671)2025
M 2026 41213 R	AM 133641	AM 2025 133641 A	24(675)2025
M 2026 41214 R	AM 133287	AM 2025 133287 A	21(672)2025
M 2026 41215 R	AM 133034	AM 2025 133034 A	20(671)2025
M 2026 41216 R	AM 132684	AM 2025 132684 A	22(673)2025
M 2026 41217 R	AM 132687	AM 2025 132687 A	22(673)2025
M 2026 41218 R	AM 132685	AM 2025 132685 A	22(673)2025
M 2026 41219 R	AM 132683	AM 2025 132683 A	22(673)2025
M 2026 41220 R	AM 131766	AM 2025 131766 A	20(671)2025
M 2026 41221 R	AM 134354	AM 2026 134354 A	2(677)2026
M 2026 41222 R	AM 134186	AM 2026 134186 A	1(676)2026
M 2026 41223 R	AM 133690	AM 2025 133690 A	24(675)2025
M 2026 41224 R	AM 132688	AM 2025 132688 A	22(673)2025
M 2026 41225 R	AM 132686	AM 2025 132686 A	22(673)2025
M 2026 41226 R	AM 132689	AM 2025 132689 A	22(673)2025
M 2026 41227 R	AM 134376	AM 2026 134376 A	2(677)2026
M 2026 41228 R	AM 134258	AM 2026 134258 A	2(677)2026
M 2026 41229 R	AM 134350	AM 2026 134350 A	2(677)2026
M 2026 41230 R	AM 133260	AM 2025 133260 A	22(673)2025
M 2026 41231 R	AM 134457	AM 2026 134457 A	2(677)2026
M 2026 41232 R	AM 133252	AM 2025 133252 A	22(673)2025
M 2026 41233 R	AM 133544	AM 2025 133544 A	23(674)2025
M 2026 41234 R	AM 131241	AM 2025 131241 A	24(675)2025
M 2026 41235 R	AM 133280	AM 2025 133280 A	22(673)2025
M 2026 41236 R	AM 133253	AM 2025 133253 A	22(673)2025
M 2026 41237 R	AM 133257	AM 2025 133257 A	20(671)2025
M 2026 41238 R	AM 134467	AM 2026 134467 A	2(677)2026
M 2026 41239 R	AM 134257	AM 2026 134257 A	2(677)2026

1	2	3	4
M 2026 41240 R	AM 133964	AM 2026 133964 A	2(677)2026
M 2026 41241 R	AM 133985	AM 2026 133985 A	2(677)2026
M 2026 41242 R	AM 134356	AM 2026 134356 A	2(677)2026
M 2026 41243 R	AM 134357	AM 2026 134357 A	2(677)2026
M 2026 41244 R	AM 134358	AM 2026 134358 A	2(677)2026
M 2026 41245 R	AM 134266	AM 2026 134266 A	2(677)2026
M 2026 41246 R	AM 134261	AM 2026 134261 A	2(677)2026
M 2026 41247 R	AM 134262	AM 2026 134262 A	2(677)2026
M 2026 41248 R	AM 133693	AM 2026 133693 A	2(677)2026
M 2026 41249 R	AM 134367	AM 2026 134367 A	2(677)2026
M 2026 41250 R	AM 134272	AM 2026 134272 A	2(677)2026
M 2026 41251 R	AM 138884	–	10(685)2026
M 2026 41252 R	AM 139009	–	10(685)2026
M 2026 41253 R	AM 139112	–	10(685)2026
M 2026 41254 R	AM 138874	–	10(685)2026
M 2026 41255 R	AM 139027	–	10(685)2026
M 2026 41256 R	AM 139093	–	10(685)2026
M 2026 41257 R	AM 133152	AM 2026 133152 A	2(677)2026
M 2026 41258 R	AM 133555	AM 2025 133555 A	24(675)2025
M 2026 41259 R	AM 133485	AM 2025 133485 A	23(674)2025
M 2026 41260 R	AM 133675	AM 2025 133675 A	22(673)2025
M 2026 41261 R	AM 133669	AM 2025 133669 A	23(674)2025
M 2026 41262 R	AM 133659	AM 2025 133659 A	23(674)2025
M 2026 41263 R	AM 133660	AM 2025 133660 A	23(674)2025
M 2026 41264 R	AM 133661	AM 2025 133661 A	23(674)2025
M 2026 41265 R	AM 134187	AM 2026 134187 A	2(677)2026
M 2026 41266 R	AM 133662	AM 2025 133662 A	22(673)2025
M 2026 41267 R	AM 134369	AM 2026 134369 A	3(678)2026
M 2026 41268 R	AM 133663	AM 2025 133663 A	22(673)2025
M 2026 41269 R	AM 133665	AM 2025 133665 A	22(673)2025
M 2026 41270 R	AM 134072	AM 2025 134072 A	24(675)2025
M 2026 41271 R	AM 133678	AM 2025 133678 A	23(674)2025
M 2026 41272 R	AM 133666	AM 2025 133666 A	22(673)2025
M 2026 41273 R	AM 134251	AM 2026 134251 A	2(677)2026
M 2026 41274 R	AM 133667	AM 2025 133667 A	24(675)2025
M 2026 41275 R	AM 133668	AM 2025 133668 A	24(675)2025
M 2026 41276 R	AM 134364	AM 2026 134364 A	2(677)2026
M 2026 41277 R	AM 133482	AM 2025 133482 A	22(673)2025
M 2026 41278 R	AM 133671	AM 2025 133671 A	23(674)2025
M 2026 41279 R	AM 133672	AM 2025 133672 A	23(674)2025
M 2026 41280 R	AM 133677	AM 2025 133677 A	22(673)2025
M 2026 41281 R	AM 133696	AM 2025 133696 A	23(674)2025
M 2026 41282 R	AM 134326	AM 2026 134326 A	2(677)2026
M 2026 41283 R	AM 134327	AM 2026 134327 A	2(677)2026
M 2026 41284 R	AM 132339	AM 2025 132339 A	22(673)2025
M 2026 41285 R	AM 132502	AM 2025 132502 A	21(672)2025
M 2026 41286 R	AM 133015	AM 2025 133015 A	21(672)2025
M 2026 41287 R	AM 134491	AM 2026 134491 A	2(677)2026
M 2026 41288 R	AM 133375	AM 2025 133375 A	21(672)2025
M 2026 41289 R	AM 137345	–	10(685)2026
M 2026 41290 R	AM 139108	–	10(685)2026
M 2026 41291 R	AM 139028	–	10(685)2026
M 2026 41292 R	AM 139195	–	10(685)2026

CONCORDANCE TABLE OF INDEX OF GOODS AND/OR SERVICE
AND APPLICATION NUMBER

NUMBER OF PUBLISHED APPLICATION (260)	NUMBER OF APPLICATION (210)	1	2
1	2	AM 2026 136039 A	AM 136039
AM 2026 133143 A*	AM 133143	AM 2026 136040 A	AM 136040
AM 2026 134469 A	AM 134469	AM 2026 136046 A	AM 136046
AM 2026 134988 A	AM 134988	AM 2026 136050 A	AM 136050
AM 2026 135491 A	AM 135491	AM 2026 136053 A	AM 136053
AM 2026 135545 A	AM 135545	AM 2026 136054 A	AM 136054
AM 2026 135550 A	AM 135550	AM 2026 136055 A	AM 136055
AM 2026 135634 A	AM 135634	AM 2026 136057 A	AM 136057
AM 2026 135706 A	AM 135706	AM 2026 136114 A	AM 136114
AM 2026 135707 A	AM 135707	AM 2026 136117 A	AM 136117
AM 2026 135709 A	AM 135709	AM 2026 136118 A	AM 136118
AM 2026 135721 A	AM 135721	AM 2026 136119 A	AM 136119
AM 2026 135739 A	AM 135739	AM 2026 136120 A	AM 136120
AM 2026 135824 A	AM 135824	AM 2026 136125 A	AM 136125
AM 2026 135825 A	AM 135825	AM 2026 136131 A	AM 136131
AM 2026 135846 A	AM 135846	AM 2026 136135 A	AM 136135
AM 2026 135910 A	AM 135910	AM 2026 136136 A	AM 136136
AM 2026 135912 A	AM 135912	AM 2026 136144 A	AM 136144
AM 2026 135919 A	AM 135919	AM 2026 136145 A	AM 136145
AM 2026 135922 A	AM 135922	AM 2026 136154 A	AM 136154
AM 2026 135924 A	AM 135924	AM 2026 136155 A	AM 136155
AM 2026 135931 A	AM 135931	AM 2026 136156 A	AM 136156
AM 2026 135932 A	AM 135932	AM 2026 136157 A	AM 136157
AM 2026 135934 A	AM 135934	AM 2026 136164 A	AM 136164
AM 2026 135936 A	AM 135936	AM 2026 136248 A	AM 136248
AM 2026 135937 A	AM 135937	AM 2026 136265 A	AM 136265
AM 2026 135943 A	AM 135943	AM 2026 136276 A	AM 136276
AM 2026 135946 A	AM 135946	AM 2026 136278 A	AM 136278
AM 2026 136029 A	AM 136029	AM 2026 136283 A	AM 136283
AM 2026 136036 A	AM 136036	AM 2026 136295 A	AM 136295
AM 2026 136037 A	AM 136037	AM 2026 136367 A	AM 136367
		AM 2026 136377 A	AM 136377
		AM 2026 136378 A	AM 136378
		AM 2026 136443 A	AM 136443

CONCORDANCE TABLE OF PUBLICATION NUMBER
AND APPLICATION NUMBER

INDEX OF GOODS AND/OR SERVICE (511)	NUMBER OF PUBLISHED APPLICATION (260)	1	2
1	2	30	AM 2026 136156 A
2	AM 2026 135545 A	30	AM 2026 136248 A
3	AM 2026 135825 A	30	AM 2026 136278 A
3	AM 2026 135919 A	31	AM 2026 136046 A
3	AM 2026 135936 A	32	AM 2026 135550 A
3	AM 2026 136144 A	32	AM 2026 135721 A
3	AM 2026 136145 A	32	AM 2026 135931 A
5	AM 2026 135706 A	32	AM 2026 135932 A
5	AM 2026 135707 A	32	AM 2026 136156 A
5	AM 2026 135825 A	33	AM 2026 135846 A
5	AM 2026 135912 A	33	AM 2026 136114 A
5	AM 2026 135937 A	33	AM 2026 136118 A
5	AM 2026 136029 A	33	AM 2026 136135 A
5	AM 2026 136117 A	33	AM 2026 136156 A
5	AM 2026 136119 A	33	AM 2026 136443 A
5	AM 2026 136120 A	35	AM 2026 134469 A
5	AM 2026 136131 A	35	AM 2026 135721 A
5	AM 2026 136145 A	35	AM 2026 135824 A
9	AM 2026 136039 A	35	AM 2026 135934 A
9	AM 2026 136040 A	35	AM 2026 136036 A
9	AM 2026 136055 A	35	AM 2026 136053 A
9	AM 2026 136057 A	35	AM 2026 136114 A
11	AM 2026 135919 A	35	AM 2026 136136 A
11	AM 2026 135943 A	35	AM 2026 136154 A
12	AM 2026 133143 A*	35	AM 2026 136155 A
12	AM 2026 135709 A	35	AM 2026 136164 A
12	AM 2026 135922 A	35	AM 2026 136295 A
14	AM 2026 134988 A	35	AM 2026 136367 A
14	AM 2026 136037 A	36	AM 2026 135946 A
14	AM 2026 136157 A	36	AM 2026 136036 A
16	AM 2026 135545 A	36	AM 2026 136039 A
16	AM 2026 136055 A	36	AM 2026 136040 A
16	AM 2026 136057 A	36	AM 2026 136276 A
17	AM 2026 136377 A	37	AM 2026 136054 A
17	AM 2026 136378 A	37	AM 2026 136276 A
19	AM 2026 136377 A	41	AM 2026 135491 A
19	AM 2026 136378 A	41	AM 2026 135634 A
24	AM 2026 136295 A	41	AM 2026 135910 A
25	AM 2026 135934 A	41	AM 2026 136036 A
25	AM 2026 136295 A	41	AM 2026 136367 A
28	AM 2026 136125 A	43	AM 2026 136114 A
29	AM 2026 135739 A	43	AM 2026 136265 A
		43	AM 2026 136283 A
		44	AM 2026 136164 A
		45	AM 2026 135924 A
		45	AM 2026 136050 A

CONCORDANCE TABLE OF INDEX OF GOODS AND/OR SERVICE
AND NUMBER OF TRADEMARK REGISTERED ACCORDING
TO THE ACCELERATED PROCEDURE

INDEX OF GOODS AND/OR SERVICE (511)	NUMBER OF REGISTERED ACCORDING TO THE ACCELERATED PROCEDURE (111)
3	M 2026 41194 R
3	M 2026 41195 R
5	M 2026 41194 R
5	M 2026 41195 R
6	M 2026 41198 R
9	M 2026 41252 R
12	M 2026 41253 R
17	M 2026 41197 R
17	M 2026 41197 R
25	M 2026 41254 R
28	M 2026 41254 R
29	M 2026 41251 R
32	M 2026 41251 R
33	M 2026 41251 R
33	M 2026 41256 R
34	M 2026 41196 R
35	M 2026 41252 R
37	M 2026 41292 R
39	M 2026 41253 R
39	M 2026 41253 R
41	M 2026 41255 R
41	M 2026 41291 R
42	M 2026 41252 R
43	M 2026 41289 R
44	M 2026 41290 R

OFFICIAL BULLETIN OF THE INDUSTRIAL PROPERTY

INVENTION

UTILITY MODEL

VALIDATION OF EUROPEAN PATENT

DESIGN

TRADEMARK

10(685)

EDITOR-IN-CHIEF: N. Bebrishvili

EDITOR-TRANSLATOR: E. Gabunia

PROOFREADER: A. Shikhashvili

COMPUTER LAYOUT: M. Ordenidze
K. Svanidze

ISSN 2720-8486

info@sakpatenti.gov.ge
www.sakpatenti.gov.ge

**LIST OF CODES, IN ALPHABETIC SEQUENCE, AND THE CORRESPONDING (SHORT) NAMES OF STATES, OTHER ENTITIES AND INTERGOVERNMENTAL ORGANIZATIONS
(WIPO STANDARD ST.3)**

AD	Andorra				
AE	United Arab Emirates	GD	Grenada	NE	Niger
AF	Afghanistan	GG	Guernsey	NG	Nigeria
AG	Antigua and Barbuda	GH	Ghana	NI	Nicaragua
AI	Anguilla	GI	Gibraltar	NL	Netherlands
AL	Albania	GT	Guatemala	NO	Norway
AM	Armenia	GW	Guinea- Bissau	NP	Nepal
AN	Netherlands Antilles	GY	Guyana	NR	Nauru
AO	Angola	HK	The Hong Kong Special Administrative Region of the People's Republic of China	NZ	New Zealand
AP	African Regional Intellectual Property Organization (ARIPO)	HN	Honduras	OA	African Intellectual Property Organization (OAPI)
AR	Argentina	HR	Croatia	OM	Oman
AT	Austria	HT	Haiti	PA	Panama
AU	Australia	HU	Hungary	PE	Peru
AW	Aruba	IB	International Bureau of the World Intellectual Property Organization (WIPO)	PG	Papua New Guinea
AZ	Azerbaijan	ID	Indonesia	PH	Philippines
BA	Bosnia and Herzegovina	IE	Ireland	PK	Pakistan
BB	Barbados	IL	Israel	PL	Poland
BD	Bangladesh	IM	Isle of Man	PT	Portugal
BE	Belgium	IN	India	PW	Palau
BF	Burkina Faso	IQ	Iraq	PY	Paraguay
BG	Bulgaria	IR	Iran (Islamic Republic of)	QA	Qatar
BH	Bahrain	IS	Iceland	QZ	Community Plant Variety Office (European Community) (CPVO)
BI	Burundi	IT	Italy	RO	Romania
BJ	Benin	JE	Jersey	RS	Serbia
BM	Bermuda	JM	Jamaica	RU	Russian Federation
BN	Brunei Darussalam	JO	Jordan	RW	Rwanda
BO	Bolivia	JP	Japan	SA	Saudi Arabia
BR	Brazil	KE	Kenya	SB	Solomon Islands
BS	Bahamas	KG	Kyrgyzstan	SC	Seychelles
BT	Bhutan	KH	Cambodia	SD	Sudan
BV	Bouvet Island	KI	Kiribati	SG	Singapore
BW	Botswana	KM	Saint Kitts and Nevis	SH	Saint Helena
BX	Benelux Office for Intellectual Property (BOIP)	KP	Democratic People's Republic of Korea	SI	Slovenia
BY	Belarus	KR	Republic of Korea	SK	Slovakia
BZ	Belize	KW	Kuwait	SL	Sierra Leone
CA	Canada	KY	Cayman Islands	SM	San Marino
CD	Democratic Republic of the Congo	KZ	Kazakhstan	SN	Senegal
CF	Central African Republic	LA	Lao People's Democratic Republic	SO	Somalia
CG	Congo	LB	Lebanon	SR	Suriname
CH	Switzerland	LC	Saint Lucia	ST	Sao Tome and Principe
CI	Cote d'Ivoire	LI	Liechtenstein	SV	El Salvador
CK	Cook Islands	LK	Sri Lanka	SY	Syrian Arab Republic
CL	Chile	LR	Liberia	SZ	Swaziland
CM	Cameroon	LS	Lesotho	TC	Turks and Caicos Islands
CN	China	LT	Lithuania	TD	Chad
CO	Colombia	LU	Luxembourg	TG	Togo
CR	Costa Rica	LV	Latvia	TH	Thailand
CU	Cuba	LY	Libyan Arab Jamahiriya	TJ	Tajikistan
CV	Cape Verde	MA	Morocco	TL	Timor-Leste
CY	Cyprus	MC	Monaco	TM	Turkmenistan
CZ	Czech Republic	MD	Republic of Moldova	TN	Tunisia
DE	Germany	ME	Montenegro	TO	Tonga
DJ	Djibouti	MG	Madagascar	TR	Turkey
DM	Dominica	MK	The former Yugoslav Republic of Macedonia	SE	Sweden
DO	Dominican Republic	ML	Mali	TT	Trinidad and Tobago
DZ	Algeria	MM	Myanmar	TV	Tuvalu
EA	Eurasian Patent Organization (EAPO)	MN	Mongolia	TW	Taiwan, Province of China
EC	Ecuador	MO	Macao	TZ	United Republic of Tanzania
EE	Estonia	MP	Northern Mariana Islands	UA	Ukraine
EG	Egypt	MR	Mauritania	UG	Uganda
EH	Western Sahara	MS	Montserrat	US	United States of America
EM	Office for Harmonization in the Internal Market (Trademarks and Designs)(OHIM)	MT	Malta	UY	Uruguay
EP	European Patent Office (EPO)	MU	Mauritius	UZ	Uzbekistan
ER	Eritrea	MV	Maldives	VA	Holy See
ES	Spain	MW	Malawi	VC	Saint Vincent and the Grenadines
ET	Ethiopia	MX	Mexico	VE	Venezuela
FI	Finland	MY	Malaysia	VG	Virgin Islands (British)
FJ	Fiji	MZ	Mozambique	VN	Viet Nam
FK	Falkland Islands (Malvinas)	NA	Namibia	VU	Vanuatu
FO	Faroe Islands			WO	World Intellectual Property Organization (WIPO)
FR	France			WS	Samoa
GA	Gabon			XN	Nordic Patent Institute (NPI)
GB	United Kingdom			YE	Yemen
GC	Patent Office of the Cooperation Council for the Arab States of the Gulf (GCC)			ZA	South Africa
				ZM	Zambia
				ZW	Zimbabwe