

Official Bulletin of the Industrial Property

Inventions

Utility Models

Designs

Trademarks



საქართველოს ინტელექტუალური
საკუთრების ეროვნული ცენტრი

საკპატი

SAKPATENTI

NATIONAL INTELLECTUAL PROPERTY
CENTER OF GEORGIA

www.sakpatenti.gov.ge

Date of Publication – 2021 10 25

19(575)

INID CODES FOR IDENTIFICATION OF BIBLIOGRAPHIC DATA

INVENTIONS, UTILITY MODELS

- (10) Number of publication for application, which has been examined
- (11) Number of patent and kind of document
- (21) Serial number of application
- (22) Date of filing of the application
- (23) Date of exhibition or the date of the earlier filing and the number of application, if any
- (24) Date from which patent may have effect
- (31) Number of priority application
- (32) Date of filing of priority application
- (33) Code of the country or regional organization allotting priority application number
- (44) Date of publication of application not granted, but examined and number of bulletin
- (45) Date of publication of registered document
- (51) International Patent Classification Index

- (54) Title of the invention
- (57) Abstract
- (60) Number of examined patent document granted by foreign patent office, date from which patent has effect and country code
- (62) Number of the earlier application and in case of divided application, date of filing an application
- (71) Name, surname and address of applicant (country code)
- (72) Name, surname of inventor (country code)
- (73) Name, surname and address of patent owner (country code)
- (74) Name, surname of representative or patent attorney
- (85) Date of commencement of the national phase of International Application
- (86) Number and date of filing of international application
- (87) Number and date of publication of international application
- (94) Calculated date of expiry of the SPC or the duration of the SPC

DESIGNS

- (10) Number of publication for application
- (11) Number of patent and kind of document or number of registration
- (15) Date of registration/Date of patent renewal
- (18) Expected expiration date of patent or registration
- (21) Serial number of application
- (22) Date of filing of the application
- (23) Date of exhibition or the date of the earlier filing and the number of application, if any
- (24) Date from which patent may have effect
- (28) Number of designs included in the application
- (30) Data relating to priority (number of application, date of filing of application, two-letter code identifying the authority with whom the priority application was made)
- (31) Number of priority application
- (32) Date of filing of priority application
- (33) Code of the country or regional organization allotting priority application number
- (34) Two-letter code according to WIPO St.3 identifying the authority with which the priority application was made
- (44) Date of publication of design and number of bulletin (the first publication)
- (45) Date of publication of design registered by WIPO and number of bulletin

- (51) International Classification for designs (class and subclass of the Locarno Classification)
- (54) Title of the invention
- (55) Reproduction of the design
- (57) Description of characteristic features of the design including indication of colors
- (58) Date of recording of any kind of amendment in the Register
- (62) Number of the earlier application, registration and document number and if available the date of filing an application in case of divided application
- (71) Name, surname and address of applicant (country code)
- (72) Name, surname of creator (country code)
- (73) Name, surname and address of patent owner (country code)
- (74) Name, surname of representative or patent attorney
- (81) Contracting states concerned
 - II designated contracting states according to the 1960 Act
 - III designated contracting states according to the 1999 Act
- (85) Owner's permanent address
- (86) Owner's nationality
- (87) Owner's residence
- (88) State in which the owner has a real and effective industrial or commercial establishment

TRADEMARKS

- (111) - Number of registration
- (151) - Date of registration
- (156) - Date of the renewal
- (181) - Expected expiration date of registration
- (186) - Renewal expiration date of registration
- (141) - Date of cancel of duration of the mark
- (210) - Serial number of application
- (220) - Date of filing of the application
- (230) - Data concerning exhibition
- (260) - Number of application, for which favorable decision of examination about registration has been taken (publication number)
- (310) - Number of the first application
- (320) - Date of filing of the first application
- (330) - Code, identifying national or regional Office where the first application was made
- (511) - International Classification of Goods and Services for the purposes of registration of trade marks and/or list of goods and/or services classified according thereto
- (526) - Disclaimer
- (531) - Description of figurative elements of Trade Marks according to the International Classification of the Figurative Elements of Marks

- (540) - Reproduction of Trade Mark
- (550) - Nature and kind of Trade Mark
- (551) - Indication to the effect that the mark is a collective mark, a certification mark or a guarantee mark
- (554) - Three-dimensional mark
- (580) - Date of recording of any kind changes in respect of applications or registrations
- (591) - Information concerning colors claimed
- (731) - Name and address of the applicant
- (732) - Name and address of the holder of the registration
- (740) - Name and address of the representative
- (750) - Addreses for correspondence
- (770) - Name and address of the previous applicant or holder in case of change in ownership
- (771) - Previous name and address of the applicant or holder in case of change in ownership
- (791) - Name and address of the licensee
- (793) - Indication of conditions and/or restrictions under the license (Type of license, number of license agreement, data of license, data of validity of license)
- (800) - Certain data relating to the international registration of Trade Marks under the Protocol Relating to Madrid Agreement (International registration number
- (852) - Partial cancellation of the list of goods and services
- (891) - Date of subsequent designation

CODES FOR PUBLICATION IN BULLETIN

- (21) AP 0000 000000 - serial number of application for invention
- (10) AP 0000 0000 A - number of published application for invention (first publication)
- (11) P 0000 0000 B - number of patent for invention (second publication)
- (21) API 0000 000000 - number of application for imported patent
- (11) PI 0000 0000 A - number of imported patent (first publication)
- (21) AU 0000 000000 - serial number of application for utility model
- (10) AU 0000 000 U - number of published application for utility model (first publication)
- (11) U 0000 000 Y - number of patent for utility model (second publication)
- (21) AD 0000 000000 - serial number of application for design
- (10) AD 0000 000 S - number of published application for design (first publication)
- (11) D 0000 000 S - registered design

INTERNATIONAL PATENT CLASSIFICATION FOR INVENTIONS AND UTILITY MODELS

- SECTION A - HUMAN NECESSITIES
- SECTION B - PERFORMING OPERATIONS; TRANSPORTING
- SECTION C - CHEMISTRY; METALLURGY
- SECTION D - TEXTILES; PAPER
- SECTION E - FIXED CONSTRUCTIONS
- SECTION F - MECHANICAL ENGINEERING; LIGHTING; HEATING; WEAPONS; BLASTING
- SECTION G - PHYSICS
- SECTION H - ELECTRICITY

-
- M - Trade Mark
 - (210) AM 0000 000000 - Serial number of application;
 - (260) AAM 0000 00000 A - Publication number of application;
 - (111) M 0000 00000 R - Number of registration;
 - (111) MMM0000 00000 Rn - Number of renewals, in which n=1,2,3;
 - (111) M 0000 00000 R(P) - Number of registration under partial assignment of rights
-

Official Bulletin of the Industrial Property

Inventions

Utility Models

Designs

Trademarks

CONTENTS

PUBLISHED TITLES OF PROTECTION	3
INVENTIONS	
▪ APPLICATIONS APPROVED FOR GRANTING PATENT	4
▪ PATENTED INVENTIONS	7
UTILITY MODELS	
▪ APPLICATION APPROVED FOR GRANTING PATENT	8
▪ PATENTED UTILITY MODEL	9
DESIGNS	
▪ APPLICATIONS APPROVED FOR REGISTRATION	10
▪ REGISTERED DESIGN	12
▪ DESIGNS, WHICH HAVE BEEN REGISTERED WITH THE INTERNATIONAL BUREAU CLAIMING PRIORITY ON THE TERRITORY OF GEORGIA	13
TRADEMARKS	
▪ APPLICATIONS FILED UNDER THE NATIONAL PROCEDURE APPROVED FOR REGISTRATION	26
▪ REGISTERED TRADEMARKS	33
▪ TRADEMARKS REGISTERED ACCORDING TO THE ACCELERATED PROCEDURE	38
▪ INTERNATIONAL TRADEMARKS FOR WHICH A DECISION ON GRANTING PROTECTION IS TAKEN	41
▪ INTERNATIONAL TRADEMARKS PROTECTED IN GEORGIA	161
OFFICIAL NOTIFICATIONS	
INVENTIONS	
▪ EXPIRATION OF PATENTS RESTORATION	168
▪ ABOLITION OF PATENTS WITH THE RIGHT TO RESTORE	169
▪ EXPIRATION OF TERM OF RESTORATION OF PATENTS	171
▪ EXPIRATION OF PATENTS	172
▪ CHANGE OF NAME AND/OR ADDRESS OF PATENTOWNER	173
UTILITY MODELS	
▪ ABOLITION OF PATENT WITH THE RIGHT TO RESTORE	173
▪ EXPIRATION OF TERM OF RESTORATION OF PATENTS	174
DESIGNS	
▪ EXTENSION OF DESIGN REGISTRATION	175
▪ CANCELLATION OF REGISTRATION OF DESIGNS	175
TRADEMARKS	
▪ COMPLET TRANSFER OF RIGHTS	177
▪ CHANGES OF NAMES AND/OR ADDRESSES OF OWNER	178
▪ CANCELLATION OF TRADEMARKS REGISTRATIONS	180
▪ CHANGE OF THE LIST OF GOOD AND/OR SERVICE OF TRADEMARK	181
CLASSIFICATION INDEXES	
INVENTIONS	182
UTILITY MODELS	183
DESIGNS	184
TRADEMARKS	185

PUBLISHED TITLES OF PROTECTION

INVENTIONS

- **APPLICATION APPROVED FOR GRANTING PATENTS:**
15478; 15450; 15405; 15438
- **PATENTED INVENTIONS:**
7307, 7308

UTILITY MODELS

- **APPLICATION APPROVED FOR GRANTING PATENT:**
15434
- **PATENTED UTILITY MODEL:**
2101

DESIGNS

- **APPLICATIONS APPROVED FOR REGISTRATION:**
1218, 1219; 1230
- **REGISTERED DESIGN:**
907
- **DESIGNS, WHICH HAVE BEEN REGISTERED WITH THE INTERNATIONAL BUREAU CLAIMING PRIORITY ON THE TERRITORY OF GEORGIA:**
215535; 215534; 214679; 213118; 215790; 215810

TRADEMARKS

- **APPLICATIONS FILED UNDER THE NATIONAL PROCEDURE APPROVED FOR REGISTRATION:**
109764; 110973; 111601; 111939; 111958; 111969; 111971-111973; 111976, 111977; 112061; 112065; 112075, 112076; 112081; 112089; 112095; 112164; 112171-112173; 112192; 112258; 112300; 112399; 112403; 112476-112480; 112483, 112484; 112491, 112492; 112498; 112503
- **REGISTERED TRADEMARKS:**
34580-34607; 34616-34634
- **TRADEMARKS REGISTERED ACCORDING TO THE ACCELERATED PROCEDURE:**
34576-34579; 34608-34615; 34635
- **INTERNATIONAL TRADEMARKS FOR WHICH A DECISION ON GRANTING PROTECTIONS IS TAKEN:**
108900; 110241; 110739; 110989; 110993; 111015; 111025; 111027-111030; 111048, 111049; 111056; 111107-111121; 111128; 111132; 111134-111136; 111164; 111166-111174; 111185-111195; 111197-111199; 111210-111230; 111232; 111240-111253; 111263; 111284-111292; 111294, 111295; 111309; 111313-111315; 111348; 111359, 111360; 111362-111378; 111383; 111389; 111393; 111451-111455; 111466-111477; 111479-111487; 111547, 111548; 111550; 111552; 111555; 111557, 111558; 111565-111573; 111575; 111577; 111620; 111628-111630; 111638; 111640, 111641; 111643-111650; 111652; 111663, 111664; 111667-111670; 111673-111677; 111679-111682; 111761; 111773-111775; 111779; 111802; 111804; 111806; 111827-111829; 111831; 111910, 111911; 111921; 111924; 112010
- **INTERNATIONAL TRADEMARKS PROTECTED IN GEORGIA:**
106248; 106552; 108073; 108715; 109637; 109686; 109694, 109695; 109697; 109704; 109715, 109716; 109720; 109778-109781; 109784; 109790-109795; 109799-109801; 109810; 109812, 109813; 109817; 109870-109874; 109877; 109879; 109881, 109882; 109897; 109899-109981; 109983; 109996; 109998-110000; 110003; 110054; 110067; 110092, 110093; 110095-110097; 110099-110101; 110104; 110153; 110177-110179; 110181-110184; 110239; 110266; 110269-110273; 110313-110315; 110328-110330; 110345, 110346; 110351, 110352; 110484; 110583, 110584; 110587

INVENTIONS

APPLICATIONS APPROVED FOR GRANTING PATENT

The decision can be appealed at the Chamber of Appeal of Sakpatenti within 3 months from the publication or at the Mtskheta District Court Administrative Cases Board (Address: №17, Samkhedro St., Mtskheta), within 1 month following the publication.

PART B

B 60

(10) AP 2021 15478 A (51) Int. Cl. (2006)
B 60 G 13/14

(21) AP 2020 15478 (22) 2020 10 28

(71) Omari Zivzivadze (GE)

Rozevich St. 3, 4600, Kutaisi,
Georgia (GE);

Archil Geguchadze (GE)

Chekhov St. 25, 4600, Kutaisi,
Georgia (GE);

LEPL "Akaki Tsereteli State

University" (GE)

Tamar Mepe St. 25, 4600, Kutaisi,
Georgia (GE);

LTD "Kutaisi Automechanical Plant" (GE)

Avtomshenebeli St. 88, 4600, Kutaisi,
Georgia (GE);

LEPL "Shota Rustaveli National Scientific
Foundation" (GE)

Merab Aleksidze St. II Lane 2, 0193, Tbilisi,
Georgia (GE)

(72) Omari Zivzivadze (GE);

Archil Geguchadze (GE)

(54) CAR RECUPERATIVE SUSPENSION

(57) A suspension includes flexible component 6 connecting car wheel 2 semiaxis 3 holding bridge 4 with body 5, allocated between the bridge 4 and the body 5 the screw transmission, on the screw 7 whereof the flywheel 9 is set, and transmission screw nut 8 is hingedly connected to two-way-lever 11 long arm thereof, which is telescopic, and the short arm is hingedly connected to the body by means of lever, as well. The suspension is equipped with a generator 1, whereof screw transmission screw is connected with tooth transmission.

Claims: 1 independent

2 dependent

Fig.: 2

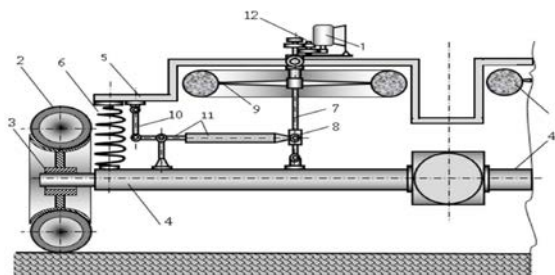


Fig. 1

B 62

(10) AP 2021 15450 A (51) Int. Cl. (2006)
B 62 D 55/075

(21) AP 2020 15450 (22) 2020 09 18

(71) LEPL "Technical University Of Georgia" (GE)
M. Kostava St. 77, 0109, Tbilisi, Georgia (GE)

(72) Zviadi Ghvianiashvili (GE);

Tamaz Dzaganian (GE);

Mikheil Janikashvili (GE);

Davit Tavkheldze (GE);

Niko Nebieridze (GE);

Vazha Kiria (GE)

(74) Tamazi Urtmelidze

(54) VEHICLE FOR DISABLE PERSONS'
WHEELCHAIRS MOTION UP-DOWN ONTO
STAIRS

(57) A vehicle contains load-bearing case 1 equipped with a platform for placing a wheelchair 2 for disable persons. The stands 4 connected to the platform equipped with the means 3 capable to be attached to the wheelchair backrest. The vehicle has also caterpillar engine consisting of thin constant caterpillar ribbons 11 disposed opposite of load-bearing case 1, and embracing leading 8, following 9, and tightening 10 wheels. Furthermore, said engine includes the guides 12 for each caterpillar ribbon, and creates five-ring mechanism together with said guids and their rotating mechanism executed as joint-lever node.

Claims: 1 independent

1 dependent

Fig.: 5

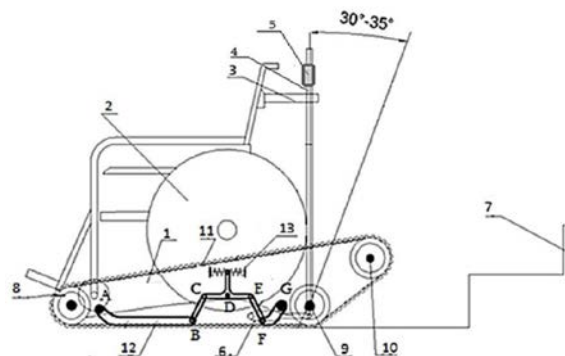


Fig. 1

PART F

F 02

(10) AP 2021 15405 A (51) Int. Cl. (2006)

F 02 B 75/04

F 02 D 15/00

(21) AP 2020 15405 (22) 2020 08 06

(71) Ramzan Goytemirov (RU)

Razdelnaya St. 13, Grozno, Republic of
Chechnya, Russian Federation (RU)

(72) Ramzan Goytemirov (RU)

(74) Besiki Kobakhidze

(54) ENGINE HAVING COMPRESSION RATIO
CONTROL MECHANISM

(57) An engine having compression ratio control mechanism includes a cylinder 2, a piston 3, piston finger, and the connecting rod 5, in lower end 6 whereof the eccentric 7 is installed equipped with, at least, one wheel having outer external teeth connected to compression throttle controller 25 installed immobile into engine case, and kinematically 23 connected to crankshaft 1 on one line of concentric circle (r) of an axis thereof, and at least one of interacting componentry is made rotatable around its own axis; at that, the mechanism is made as two, movable 10 and immobile 9 discs placed on the crankshaft 1, at least on one jaw, and connected to each other hingedly, in parallel planes, and perpendicular to shaft axis and concentrically, directly close to each other; at that, immobile disc 9 is rigidly mounted in engine case, and has guiding channels 12 radially directed, wherein leading componentry are placed, which are movable radially and performed as teeth 13, the curvature whereof is equal of above mentioned circle curvature, and is engaged with screw shaft 14 hingedly 16 installed in jaw tube of screw shaft, and screw shaft axis 17 is perpendicular to the 6 axes of connecting rod neck connected to screw shaft, for transmitting rotating to screw wheel 16 executed as a wheel equipped with eccentric or as segment 19; at that, said

each leading drive tooth has a ledge 20 on the rear side located in the channel of movable disc 21 equipped with external mechanical or electric engine 25 kinematically 23 connected with a star 24.

Claims: 3 independent

2 dependent

Fig.: 8

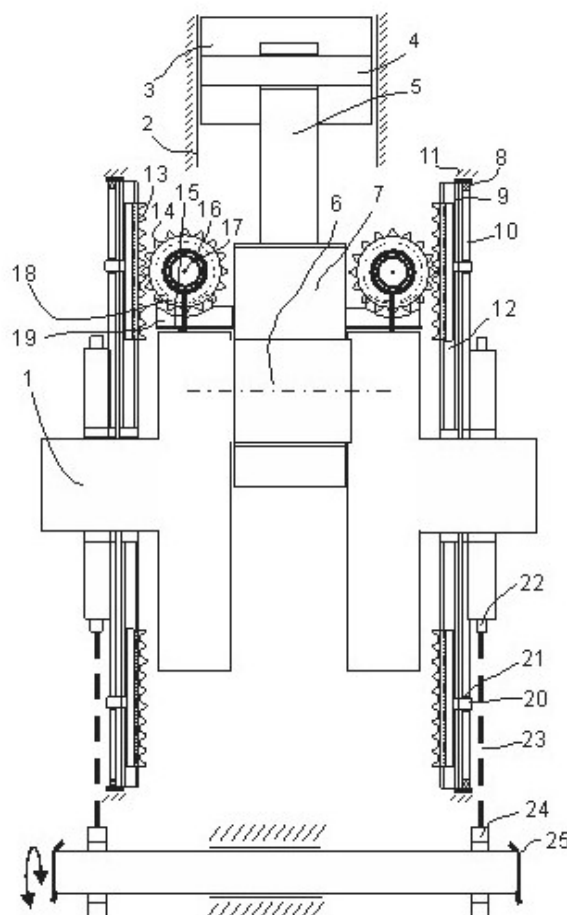


Fig. 1

PART G

G 09

(10) AP 2021 15438 A (51) Int. Cl. (2006)

G 09 B 1/00

(21) AP 2019 15438 (22) 2019 02 24

(31) 15/906,374

(32) 2018 02 27

(33) US

(71) RANKINE, Anthony, John (US)

5072 16 Street, Dr. The Northern-East 28601

Hikory, North Carolina, USA (US)

(72) RANKINE, Anthony, John (US)

(74) Shalva Gvaramadze

(85) 2020 09 10

(86) PCT/US2019/019329 , 2019 02 24

(54) BEAD-ON-TILE APPARATUS AND
METHODS

(57) An apparatus for providing instruction includes at least one instruction site defining an instruction board and at least one instruction piece configured to be received on the instruction site. A user manipulates the at least one instruction piece to perform a change of state operation relating to the instruction. The apparatus and methods are based on applied cognitive science, where children play the lead role in storylines staged upon a rule-enforcing apparatus and by so doing, become self-enlightened about denumerability, rank-wise denumerability, addition, subtraction, multiplication, division, and other change-of-state processes encountered in mathematics and the quantifiable sciences.

Claims: 5 independent

14 dependent

Fig.: 11

PATENTED INVENTIONS**PART A****A 61**

- (11) P 2021 7308 B (51) Int. Cl. (2006)
A 61 K 31/565
A 61 K 9/20
A 61 K 9/00
- (10) AP 2021 14677 A (44) 10(566)/2021
(21) AP 2016 14677
(22) 2016 06 17
(24) 2016 06 17
(31) 15172747.6
(32) 2015 06 18
(33) EP
(86) PCT/EP2016/064074, 2016 06 17
(73) Estetra SPRL (BE)
Rue Saint-Georges 5/7, Liège, BE-4000,
Belgium (BE)
- (72) PLATTEEUW, Johannes, Jan (NL);
JASPART, Séverine, Francine, Isabelle (BE);
VAN DEN HEUVEL, Denny, Johan,
Marijn (NL)
- (74) Larisa Amirkhanyan
- (54) ORODISPERSIBLE DOSAGE UNIT
CONTAINING AN ESTETROL
COMPONENT
-

PART C**C 07**

- (11) P 2021 7307 B (51) Int. Cl. (2006)
C 07 K 16/24
- (10) AP 2021 14876 A (44) 8(564)/2021
(21) AP 2017 14876
(22) 2017 03 16
(24) 2017 03 16
(31) 16160907.8
(32) 2016 03 17
(33) EP
(86) PCT/EP2017/056237, 2017 03 16
(73) Tillotts Pharma Ag (CH)
Baslerstrasse 15, Rheinfelden 4310,
Switzerland (CH)
- (72) GUNDE, Tea (CH);
MEYER, Sebastian (CH);
FURRER, Esther Maria (CH)
- (74) Khatuna Imnadze
- (54) ANTI-TNF α -ANTIBODIES AND
FUNCTIONAL FRAGMENTS
THEREOF
-

UTILITY MODELS

APPLICATION APPROVED FOR GRANTING PATENT

The decision can be appealed at the Chamber of Appeal of Sakpatenti within 3 months from the publication or at the Mtskheta District Court Administrative Cases Board (Address: №17, Samkhedro St., Mtskheta), within 1 month following the publication.

PART C

C 04

than 110°C/min before the formation of swelled granules.

Claims: 1 independent

Table: 2

(10) AU 2021 15434 U (51) Int. Cl. (2006)

C 04 B 14/10

C 04 B 14/12

C 04 B 14/38

C 04 B 20/04

C 04 B 20/06

(21) AU 2020 15434 (22) 2020 09 03

(71) LEPL "Technical University Of Georgia" (GE)

M. Kostava St. 77, 0109, Tbilisi, Georgia (GE);

LEPL "Shota Rustaveli National Scientific Foundation" (GE)

Merab Aleksidze St. II Lane 2, 0193, Tbilisi, Georgia (GE)

(72) Elene Shapakidze (GE);

Ioseb Gejadze (GE);

Merab Abazadze (GE);

Malkhaz Turdzeladze (GE);

Shalva Verulava (GE);

Razhden Skhvitaridze (GE);

Teimuraz Cheishvili (GE);

Akaki Skhvitaridze (GE)

(54) METHOD FOR CEMENT-CONCRETE

FILLER PREPARATION WITH CLAY

MATERIAL THERMAL MODIFICA-

TION AND FILLING

(57) A method for cement-concrete filler preparation with clay material thermal modification and filling provides clay material shredding, fractional sorting, removal of particles smaller than 5 mm and more than 25 mm, heating of particles of 5-25 mm at a speed of no less than 20°C/min up to 600°C, and on the second step – at a speed of not less than 100°C/min, and at the temperature of no more than 1200°C until swelling, and the formation of granules of baked surface ceramite, no more than of 40 mm in size; at that, clay material is sorted into fractions after reaching of temperature of first step to 600°C, and delayed for not less than 20 minutes, and the removed particles smaller than 5 mm and larger than 25 mm are ground till passing through perforated sieve of 0.31 mm holes prior to complete drilling to obtain cement-concrete filler, and 5-25 mm particles are heated on the second step at a speed of no less

DESIGNS

APPLICATIONS APPROVED FOR REGISTRATION

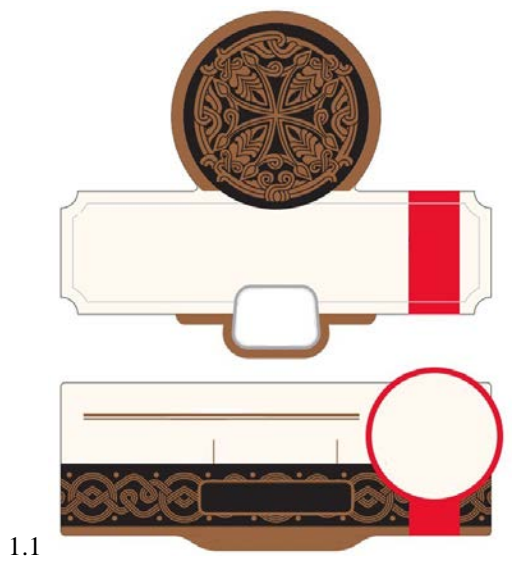
The decision can be appealed at the Chamber of Appeal of Sakpatenti within 3 months from the publication or at the Mtskheta District Court Administrative Cases Board (Address: №17, Samkhedro str., Mtskheta), within 1 month following the publication.

- (10) AD 2021 1218 S (51) 09-01
- (21) AD 2021 1218 (22) 2021 06 04
- (28) 1
- (71) LLC "KVARELI CELLAR" (GE)
Vill. Chikaani, 4814, Kvareli, Georgia (GE)
- (72) Otar Tabatadze (GE)
- (74) Khatuna Imnadze (GE)
- (54) BOTTLE
- (55)

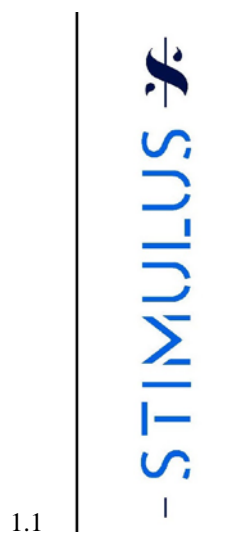


1.1

(10) AD 2021 1219 S (51) 19-08
 (21) AD 2021 1219 (22) 2021 06 04
 (28) 1
 (71) LLC "KVARELI CELLAR" (GE)
 Vill. Chikaani, 4814, Kvareli, Georgia (GE)
 (72) Otar Tabatadze (GE)
 (74) Khatuna Imnadze (GE)
 (54) BOTTLE LABEL
 (55)



(10) AD 2021 1230 S (51) 19-08
 (21) AD 2021 1230 (22) 2021 07 05
 (28) 1
 (71) Giorgi Zautashvili (GE)
 D. Tavdadebuli St. 3, 4800, Kvareli, Georgia (GE)
 (72) Giorgi Zautashvili (GE)
 (74) Giorgi Kartvelishvili (GE)
 (54) BOTTLE LABEL
 (55)



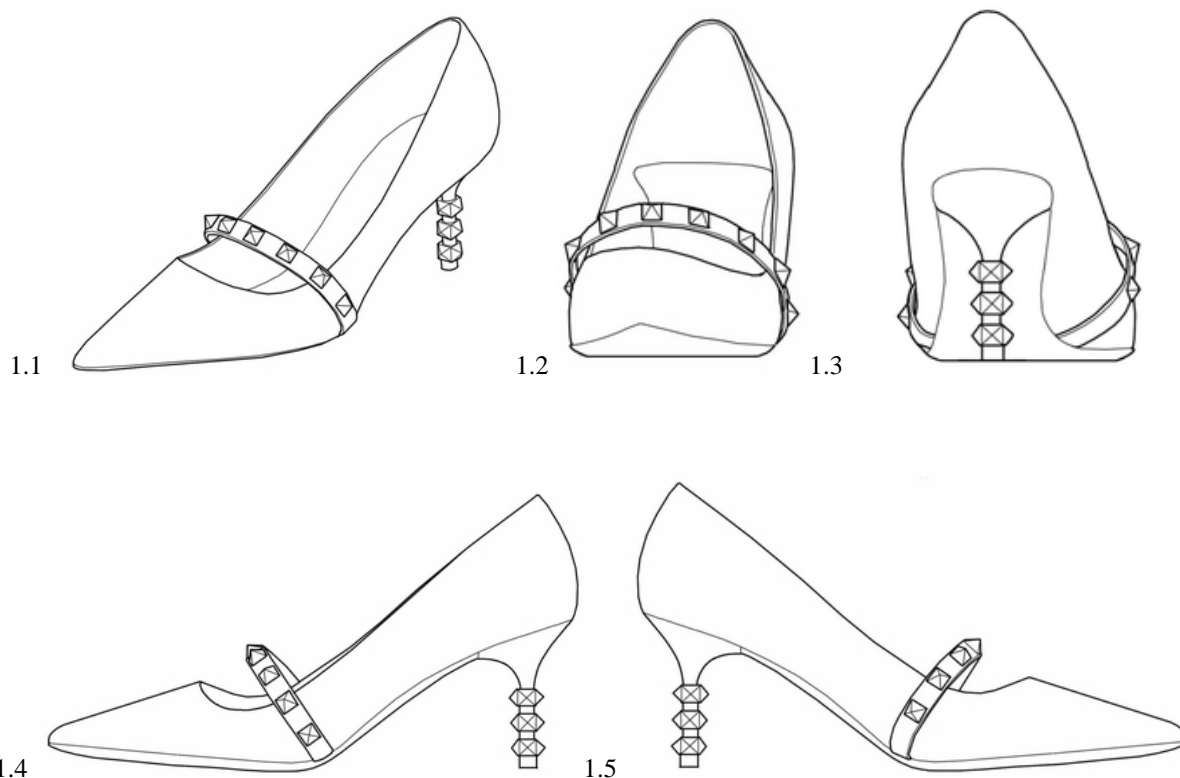
REGISTERED DESIGN

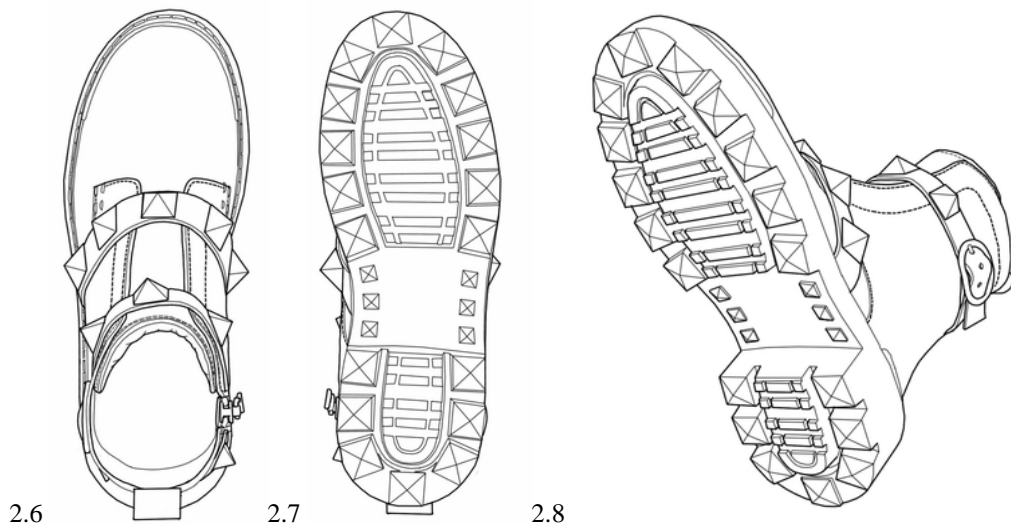
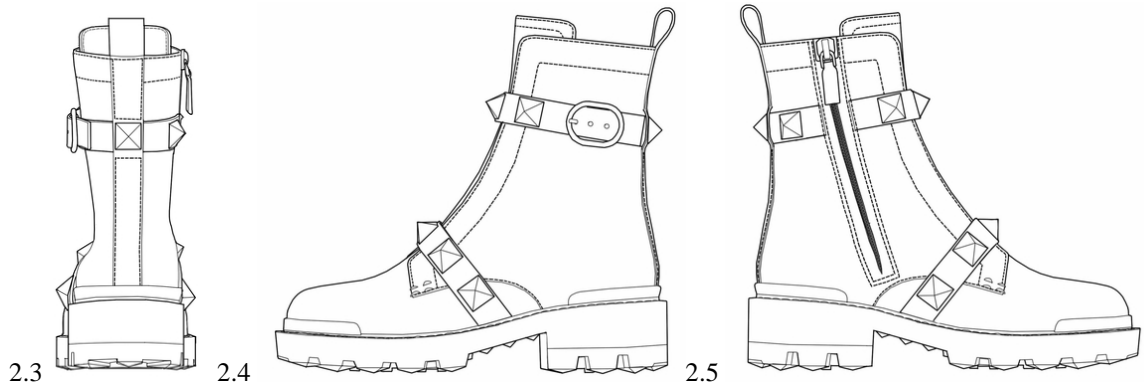
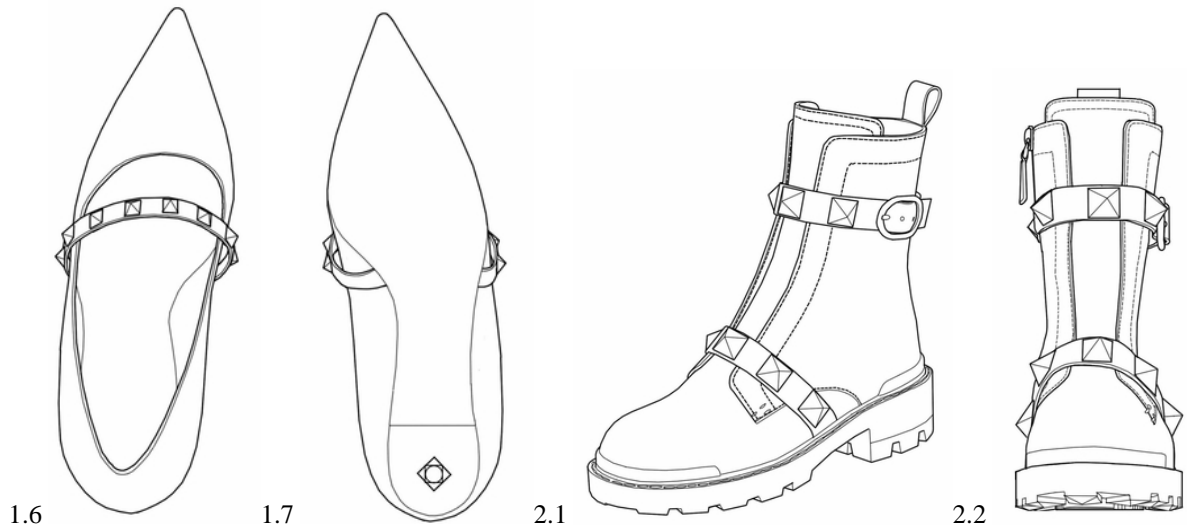
- (11) D 2021 907 S (51) 21-99
(10) AD 2021 1202 S (44) 2021 07 12 №12
(21) AD 2021 1202
(22) 2021 01 29
(24) 2021 01 29
(28) 2
(18) 2026 01 29
(73) Giorgi Chiradze (GE)
 Tiripebi St. 2, app. 20, 0186, Tbilisi,
 Georgia (GE)
(72) Giorgi Chiradze (GE)
(54) 1. HAND HOLDER FOR FAST CLIMBING;
 2. LEG HOLDER FOR FAST CLIMBING
-

DESIGNS, WHICH HAVE BEEN REGISTERED WITH THE INTERNATIONAL BUREAU CLAIMING PRIORITY ON THE TERRITORY OF GEORGIA

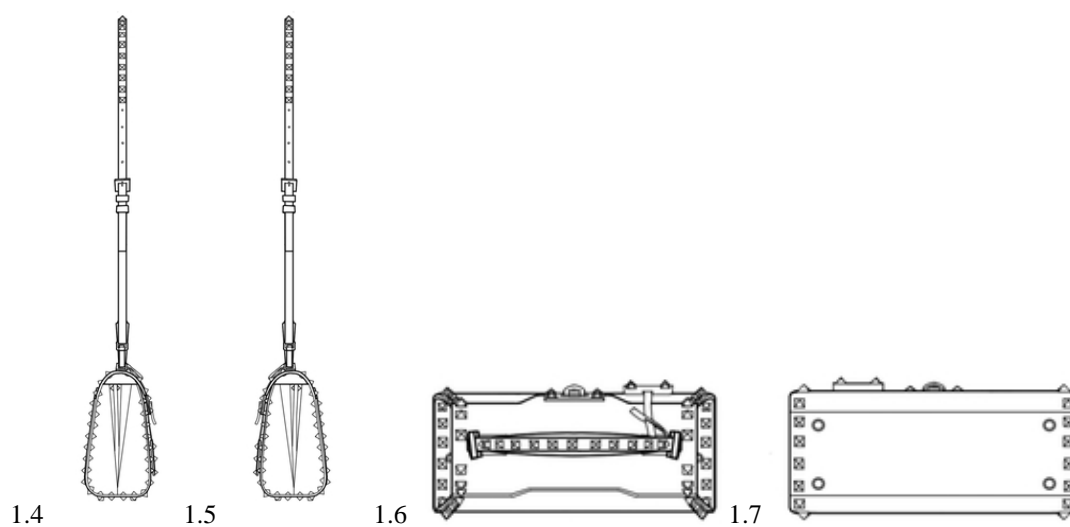
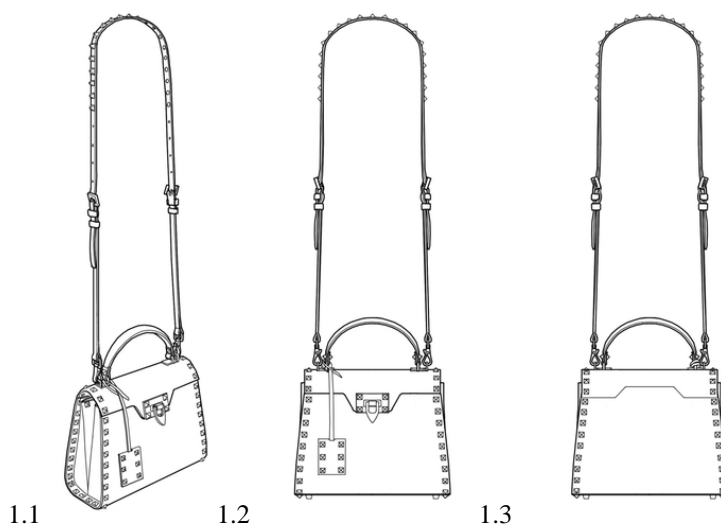
The decision can be appealed at the Chamber of Appeal of Sakpatenti within 3 months from the publication or at the Mtskheta District Court Administrative Cases Board (Address: №17, Samkhedro St., Mtskheta), within 1 month following the publication.

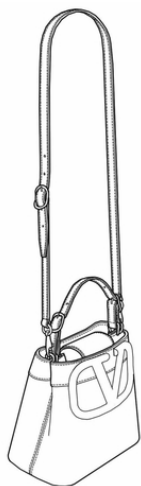
- (11) DM/215 535 (51) 02-04
(15) 2021 07 22 (44) 31/2021 (2021 08 06)
(22) 2021 07 22
(28) 2
(73) Valentino S.p.A
Via Turati 16/18, I-20121 Milano (EM)
(85) –
(86) EM, IT
(87) EM, IT
(88) EM, IT
(89) EM
(81) III. AZ, EM, GB, GE, JP, KG, KR, RU, TJ, TR, UA
(72) Pierpaolo PICCIOLI
C/o VALENTINO S.p.A. Via Turati, 16/18, I-20121, Milano (IT)
(74) Jacobacci & Partners /Matteo Mozzi
Via Senato, 8, I-20121 Milano (IT)
(54) 1.-2. Shoe
(55)





- (11) DM/215 534 (51) 03-01
 (15) 2021 07 22 (44) 31/2021 (2021 08 06)
 (22) 2021 07 22
 (28) 3
 (73) Valentino S.p.A
 Via Turati 16/18, I-20121 Milano (EM)
 (85) –
 (86) EM, IT
 (87) EM, IT
 (88) EM, IT
 (89) EM
 (81) III. AZ, EM, GB, GE, JP, KG, KR, RU, TJ, TR, UA
 (72) Pierpaolo PICCIOLI
 C/o VALENTINO S.p.A. Via Turati, 16/18, I-20121, Milano (IT)
 (74) Jacobacci & Partners / Matteo Mozzi
 Via Senato, 8, I-20121 Milano (IT)
 (54) 1.-3. Bag
 (55)





2.1



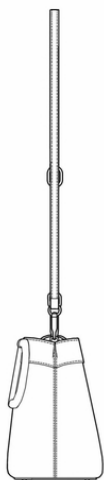
2.2



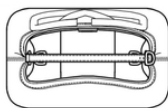
2.3



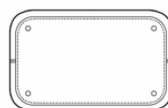
2.4



2.5



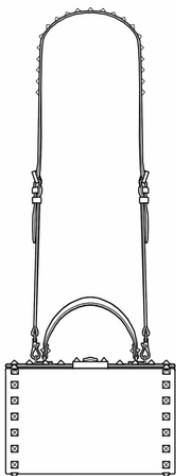
2.6



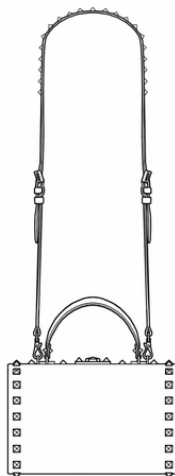
2.7



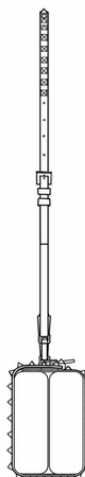
3.1



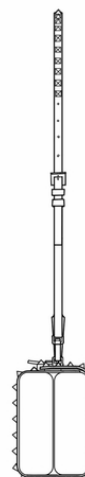
3.2



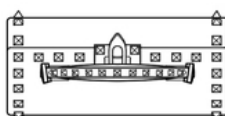
3.3



3.4



3.5



3.6



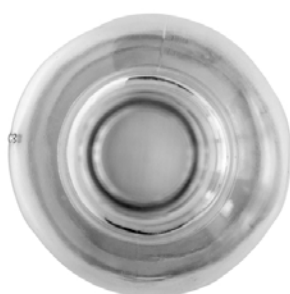
3.7

- (11) DM/214 679 (51) 09-01
(15) 2021 02 04 (44) 31/2021 (2021 08 06)
(22) 2021 02 04
(28) 1
(73) BAYADERA MANAGEMENT LIMITED
Karpensiou, 30,, CY-1660 Nicosia (CY)
(85) –
(86) UA
(87) –
(88) –
(89) UA
(81) III. AM, AZ, GE, KG, KR, MD, TJ, TM
(72) SVIATOSLAV IHOROVYCH NECHYTAILO
Zankovetskoi, 4, Kv.27, 01001, Kiev (UA)
(54) 1. Bottle
(55)



1.1

1.2



1.3



1.4

- (11) DM/213 118
- (15) 2021 02 05
- (22) 2021 02 05
- (28) 6
- (73) HARRY WINSTON SA
Chemin du Tourbillon 8, 1228 Plan-les-Ouates (CH)
- (85) CH
- (86) CH
- (87) CH
- (88) CH
- (89) CH
- (81) II. MA III. AL, AM, AZ, BA, BZ, CA, CH, EM, GB, GE, KG, LI, MC, MD, ME, MK, MN, NO, OM, SG, TN, TR, UA
- (72) 1; 3 Rie YATSUGI-KANG
C/o Harry Winston Inc. 718 Fifth Avenue, 10019, New York (US);
2; 4 Delphine ABDOURAHIM
C/o Harry Winston Inc. 718 Fifth Avenue, 10019, New York (US);
5-6 Dominique RIVIERE
C/o Harry Winston Inc. 718 Fifth Avenue, 10019, New York (US)
- (74) The Swatch Group AG (The Swatch Group SA) (The Swatch Group Ltd.)
Faubourg Du Lac 6, 2501 Biel/Bienne (CH)
- (54) 1.-2. Finger ring, 3.-4. Necklace, 5.-6. Finger ring
- (55)



1.1



1.2



1.3



1.4



1.5



1.6



1.7



1.8



2.1



2.2



2.3



2.4



2.5



2.6



2.7



2.8



3.1



3.2



3.3



3.4



3.5



3.6



3.7



3.8



4.1



4.2



4.3



4.4



4.5



4.6



4.7



4.8



5.1



5.2



5.3



5.4



5.5



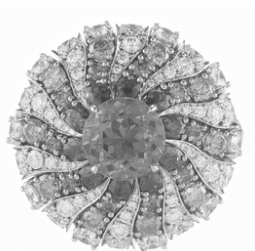
5.6



5.7



5.8



6.1



6.2



6.3



6.4



6.5



6.6

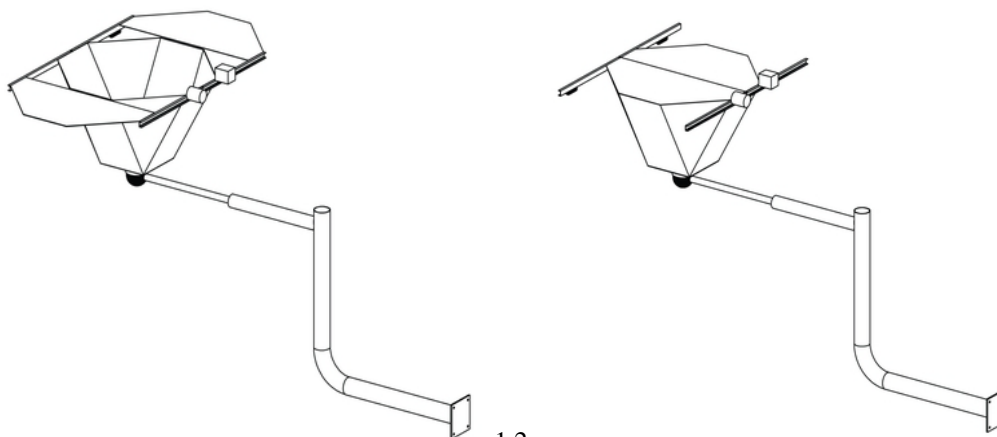


6.7



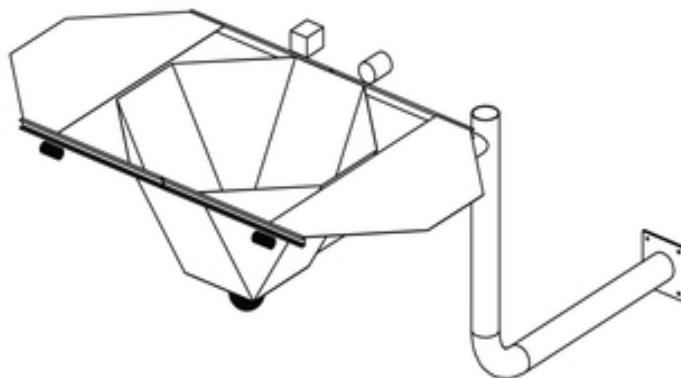
6.8

- (11) DM/215 790 (51) 25-03
(15) 2021 03 30 (44) 33/2021 (2021 08 20)
(22) 2021 03 30
(28) 1
(30) No1: 04.03.2021; DAS: 2503; EM
(73) TOMASZ KNYSAK
WYSZYŃSKIEGO 75, 42-200 CZĘSTOCHOWA (PL);
JAGODA KNYSAK
OKRZEI 94, 42-300 MYSZKÓW (PL);
MARCIN KNYSAK
POKORNA 2/1010, 00-199 WARSZAWA (PL)
(85) PL; PL; PL
(86) PL; PL; PL
(87) PL; PL; PL
(88) –; –; –
(89) PL; PL; PL
(81) III. CA, CH, GB, GE, GH, IL, IS, JP, KP, KR, LI, NO, OA, OM, SG, TN, TR, US
(72) MARCIN KNYSAK
POKORNA 2/1010, 00-199 WARSZAWA (PL);
JAGODA KNYSAK
OKRZEI 94, 42-300 MYSZKÓW (PL);
TOMASZ KNYSAK
WYSZYŃSKIEGO 75, 42-200 CZĘSTOCHOWA (PL)
(74) BIURO DORADZTWA TECHNICZNEGO I USŁUG PATENTOWYCH PLIK PAWLIK JOANNA
GRAŻYŃSKIEGO 15A/42, 40-126 KATOWICE (PL)
(54) 1. Letter box
(55)

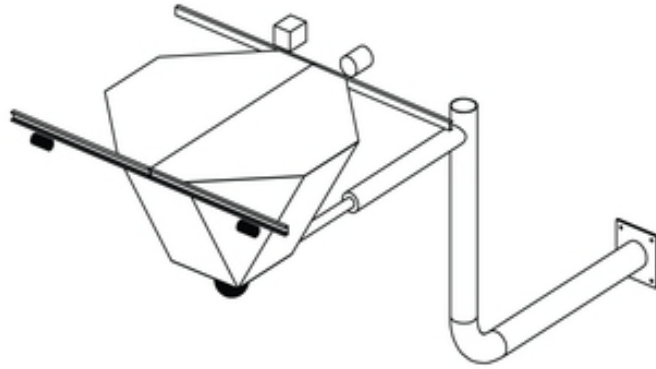


1.1

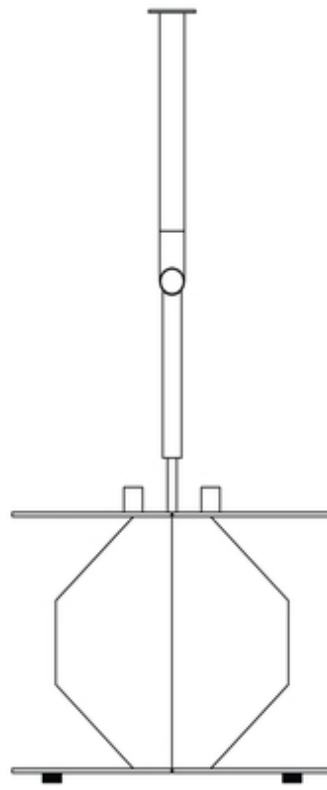
1.2



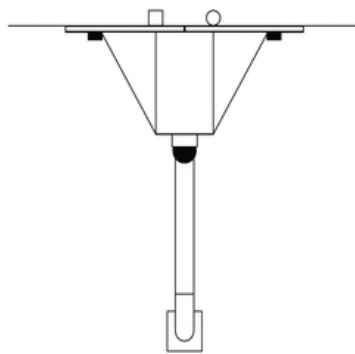
1.3



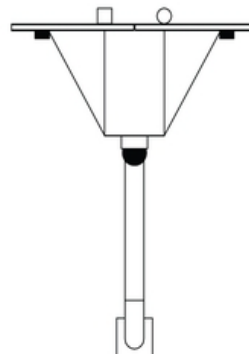
1.4



1.5



1.6



1.7

(11) DM/215 810

(51) 12-16

(15) 2021 01 15

(44) 34/2021 (2021 08 27)

(22) 2021 01 15

(28) 1

(73) HOPIUM S.A.S.

54/56 Avenue Hoche, 75008 Paris (FR)

(85) FR

(86) FR

(87) FR

(88) FR

(89) EM

(81) II. BJ, CI, GA, GR, IT, MA, ML, NE, SN III. AL, AM, AZ, BA, BG, BN, BW, BX, BZ, CA, CH, DE, DK, EE, EG, EM, ES, FI, FR, GB, GE, GH, HR, HU, IL, IS, JP, KG, KH, KP, KR, LI, LT, LV, MC, MD, ME, MK, MN, MX, NA, NO, OA, OM, PL, RO, RS, RU, RW, SG, SI, SM, SR, ST, SY, TJ, TM, TN, TR, UA, US, VN, WS

(72) Felix Godard

20 Rue De Princay, 86530, Availles-en-Chatellerault (FR)

(74) Law Office Prof

Dr. Benjamin F. Schaarschmidt, Kurfürstendamm 70, 10709 Berlin (DE)

(54) 1. Motorcar platform

(55)



1.1



1.2



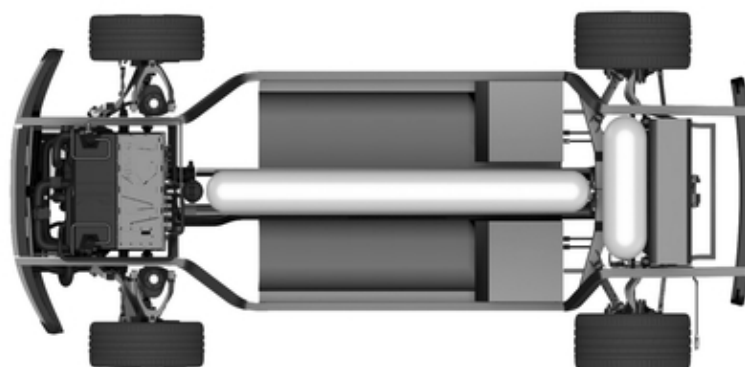
1.3



1.4



1.5



1.6



1.7

TRADEMARKS

APPLICATIONS FILED UNDER THE NATIONAL PROCEDURE APPROVED FOR REGISTRATION

The decision can be appealed at the Chamber of Appeal of Sakpatenti within 3 months from the publication or at the Mtskheta District Court Administrative Cases Board (Address: №17, Samkhedro St., Mtskheta), within 1 month following the publication.

(260) AM 2021 109764 A
(210) AM 109764
(220) 2021 04 08
(731) LTD "Badagoni Home"
Adam Mitskevich St. 29-29a, app. 65, Tbilisi,
Georgia
(740) Tamar Machavariani
(540)



(591) Black-white
(531) 26.04.02; 26.04.05; 26.04.22; 26.04.24;
27.05.01; 27.05.23; 27.05.24
(511) 33, 43

(260) AM 2021 110973 A
(210) AM 110973
(220) 2020 12 23
(731) Giorgi Chikhladze
N. Kipshidze St. 2, 0162, Tbilisi, Georgia
(540)

კახთუბანი



(591) Black-white
(531) 26.01.01; 26.01.04
(526) კახთუბანი
(511) 31, 33

(260) AM 2021 111601 A
(210) AM 111601
(220) 2021 02 09
(731) JSC "Gefa"
Akaki Belashvili St. 142, 0159, Tbilisi,
Georgia
(740) Salome Jeladze
(540)

SUPERPHARMACY
სუპერფარმასი

(591) Black-white
(511) 44

(260) AM 2021 111939 A
(210) AM 111939
(220) 2021 02 27
(731) Pegas Touristik UK Limited
16 Upper Woburn Place, London, England,
WC1H 0BS, United Kingdom
(740) Vakhtang Torotadze
(540)



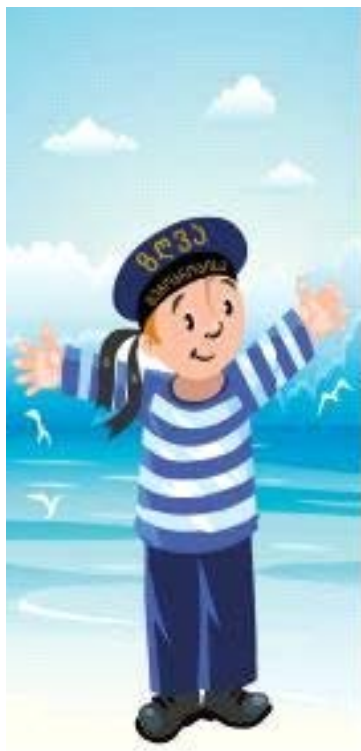
(591) 63AF3A green, 255588 blue
(531) 03.03.17; 04.03.05; 26.11.03; 26.11.06;
26.11.08; 29.01.12
(511) 39, 43

(260) AM 2021 111958 A
(210) AM 111958
(220) 2021 03 02
(731) L3Harris Technologies Inc.
(Delaware Corporation)
1025 West NASA Boulevard, Melbourne,
Florida 32919, USA
(740) Shalva Gvaramadze
(540)

 **L3HARRIS**

(591) Black-white
 (531) 26.01.01; 26.01.10; 26.03.04; 26.15.01;
 27.05.01
 (526) 9, 35, 37, 38, 42, 45

(260) AM 2021 111969 A
 (210) AM 111969
 (220) 2021 03 04
 (731) Gaga Lomouri
 M. Lermontov St. 67, Batumi, Georgia
 (740) Tamaz Shilakadze
 (540)



(591) White, black, blue, sky-blue, golden, ivory
 (531) 02.01.12; 02.05.05; 02.05.23; 29.01.15
 (511) 35, 36, 43

(260) AM 2021 111971 A
 (210) AM 111971
 (220) 2021 03 04
 (731) LTD "Aversi-Pharma"
 David Aghmashenebeli Av. 148, 0112, Tbilisi,
 Georgia
 (540)

ბაიფარო
Баифар
Byfar

(591) Black-white
 (511) 5

(260) AM 2021 111972 A
 (210) AM 111972
 (220) 2021 03 04
 (731) LTD "Aversi-Pharma"
 David Aghmashenebeli Av. 148, 0112, Tbilisi,
 Georgia
 (540)

უნიკველო
Униквел
Uniquel

(591) Black-white
 (511) 5

(260) AM 2021 111973 A
 (210) AM 111973
 (220) 2021 03 04
 (731) LLC "Inex Group"
 The surrounding area Metro Destination
 "Akhmeteli Theater", building 1, floor 1,
 Tbilisi, Georgia
 (540)



ინექს გროუპი
INEX GROUP
ИНЭКС ГРУП
INEΞ ΓΚΡΟΥΠ

(591) Red, black
 (531) 27.05.01; 27.05.22; 28.05; 28.19; 29.01.12
 (511) 12, 35, 39

(260) AM 2021 111976 A
 (210) AM 111976
 (220) 2021 03 04
 (731) Gravity Co., Ltd.
 (Sangam-dong) 15F. Nuritkum Square R&D
 Tower, 396, World Cup Buk-Ro, Mapo-Gu,
 Seoul, Republic of Korea
 (740) Giorgi Taktakishvili
 (540)



(591) Sky-blue, bacle blue, blue
 (531) 26.11.08; 27.05.01; 27.05.09; 27.05.10;
 29.01.04
 (511) 9, 41

(591) ADCA35 light green, 36552C green
 (531) 05.03.14; 26.11.12; 27.05.01; 27.05.08;
 29.01.03
 (511) 29, 30

(260) AM 2021 111977 A
 (210) AM 111977
 (220) 2021 03 05
 (731) Sarkhan Akhmedov
 Vill. Tulari, Sagarejo Region, Georgia
 (540)



(554) Three-dimensional
 (591) Brown, dark yellow, beige, light chestnut brown
 (531) 03.05.03; 19.03.03; 19.03.24; 19.03.25;
 29.01.07
 (511) 31

(260) AM 2021 112075 A
 (210) AM 112075
 (220) 2021 03 09
 (731) PEDIATRICA Specialist S.r.L.
 Via Nicolodi 28/A, 57121 Livorno (LI), Italy
 (740) Giorgi Taktakishvili
 (540)



(591) Grey, black, white
 (531) 02.09.15; 04.05.02; 04.05.04; 19.13.22;
 27.05.01; 27.05.24
 (511) 3, 5

(260) AM 2021 112061 A
 (210) AM 112061
 (220) 2021 03 08
 (731) Bosnalijek d.d.
 Pharmaceutical and Chemical Industry
 Joint Stock Company
 71000 Sarajevo, Jukićeva 53, Bosnia and
 Herzegovina
 (740) Nino Bakhtadze
 (540)

LYNASE

(591) Black-white
 (511) 5

(260) AM 2021 112076 A
 (210) AM 112076
 (220) 2021 03 09
 (731) PEDIATRICA Specialist S.r.L.
 Via Nicolodi 28/A, 57121 Livorno (LI), Italy
 (740) Giorgi Taktakishvili
 (540)



(591) Grey, black, white
 (531) 04.05.02; 04.05.04; 04.05.05; 04.05.21;
 19.13.22
 (511) 3, 5

(260) AM 2021 112065 A
 (210) AM 112065
 (220) 2021 03 09
 (731) LTD "Big Trade"
 Sherif Khimshiashvili St. 41, app. 26, 6010,
 Batumi, Georgia
 (540)



(260) AM 2021 112081 A
 (210) AM 112081
 (220) 2021 03 10
 (731) Daiichi Sankyo Europe GmbH
 Zielstattstr. 48, 81379 Munich, Germany
 (740) Shalva Gvaramadze
 (540)

Hirudoid

(591) Black-white
 (511) 5

(260) AM 2021 112089 A
 (210) AM 112089
 (220) 2021 03 11
 (731) Enriko Beridze
 G. Tsitsishvili St. 18, Tbilisi,
 Georgia
 (740) Salome Jeladze
 (540)

ZEDASHELI
ზედაშელი

(591) Black-white
 (511) 33, 35, 43

(260) AM 2021 112095 A
 (210) AM 112095
 (220) 2021 03 11
 (731) Enriko Beridze
 G. Tsitsishvili St. 18, Tbilisi,
 Georgia
 (740) Salome Jeladze
 (540)

VITAVIN
ვიტავინი

(591) Black-white
 (511) 5

(260) AM 2021 112164 A
 (210) AM 112164
 (220) 2021 03 15
 (731) Veronika Gamieva
 Metrologichna St. 113, app. 42 Kyiv,
 Ukraine
 (740) Ivane Goglidze
 (540)


VITAGURU
 ENERGY OF LIFE

(591) Green, grey, white
 (531) 05.03.06; 05.03.13; 05.03.15; 05.05.16;
 27.05.01; 27.05.10; 29.01.12
 (511) 3, 5, 29, 30, 31, 35, 38, 41, 44

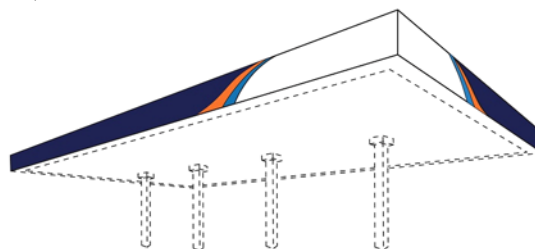
(260) AM 2021 112171 A
 (210) AM 112171
 (220) 2021 03 15
 (731) LLC "Biopolus"
 I. Noneshvili St. 65, Batumi, Georgia
 (740) Monika Kvaratskhelia

(540)

ზიტრომი
ZITHROM
ЗИТРОМ

(591) Black-white
 (511) 5

(260) AM 2021 112172 A
 (210) AM 112172
 (220) 2021 03 15
 (731) Gulf International Lubricants Ltd.
 (Bermuda Corporation)
 Victoria Place, 5th Floor, 31 Victoria Street,
 Hamilton, HM 10, Bermuda
 (740) Shalva Gvaramadze
 (540)



(591) Black, orange, dark blue, sky-blue, white
 (531) 07.01.10; 07.01.15; 07.03.11; 29.01.15
 (511) 37

(260) AM 2021 112173 A
 (210) AM 112173
 (220) 2021 03 15
 (731) Gulf International Lubricants Ltd.
 (Bermuda Corporation)
 Victoria Place, 5th Floor, 31 Victoria Street,
 Hamilton, HM 10, Bermuda
 (740) Shalva Gvaramadze
 (540)



(591) Black, white, dark blue, sky-blue,
 different tones of orange, light lilac

(531) 09.01.07; 26.11.13; 26.13.25; 26.15.03;
29.01.14
(511) 37

(260) AM 2021 112192 A
(210) AM 112192
(220) 2021 03 18
(731) LTD "Marbano"
Patman Str. 10, app. 15, Vill. Dighomi,
Saburtalo District, Tbilisi, Georgia
(540)



(591) Black-white
(531) 05.03.04; 05.07.10; 27.05.01
(511) 33, 35

(260) AM 2021 112258 A
(210) AM 112258
(220) 2021 03 19
(731) JSC Corporation Kindzmarauli,
Ilia Chavchavadze St. 55, 4800, Kvareli,
Georgia
(540)

თავადი ილია
КНЯЗЬ ИЛЪЯ
Nobleman Ilia

(591) Black-white
(511) 33

(260) AM 2021 112300 A
(210) AM 112300
(220) 2021 03 24
(731) LLC "Parvus Group"
Gldani, IIIa mcr., corp. 22, app. 107, 0107,
Gldani District, Tbilisi, Georgia
(740) Shota Metreveli
(540)

parvus group / პარვუს ჯგუფი

(591) Black-white
(511) 37

(260) AM 2021 112399 A
(210) AM 112399
(220) 2021 03 30
(731) LLC "NGS Group"
Amaghleba St. 47, 0105, Tbilisi, Georgia
(540)

HILLSIDE

(591) Black-white
(511) 43

(260) AM 2021 112403 A
(210) AM 112403
(220) 2021 03 30
(731) Glovoaap23 S.L.
Calle Pallars, 190, Barcelona, 08005, Spain
(740) Giorgi Batlidze;
Mariam Ghubianuri
(540)

Bendito Burrito

(591) Black-white
(511) 29, 43

(260) AM 2021 112476 A
(210) AM 112476
(220) 2021 04 05
(731) JFC International Inc.
7101 East Slauson Avenue, CA, Los Angeles,
90040-3622, USA
(740) Tamar Kochlamazashvili
(540)

NISHIKI

(591) Black-white
(511) 30

(260) AM 2021 112477 A
(210) AM 112477
(220) 2021 04 05
(731) JFC International Inc.
7101 East Slauson Avenue, CA, Los Angeles,
90040-3622, USA
(740) Tamar Kochlamazashvili
(540)

BOTAN

(591) Black-white
(511) 30

(260) AM 2021 112478 A
(210) AM 112478
(220) 2021 04 05
(731) JFC International Inc.
7101 East Slauson Avenue, CA, Los Angeles,
90040-3622, USA

(740) Tamar Kochlamazashvili
(540)



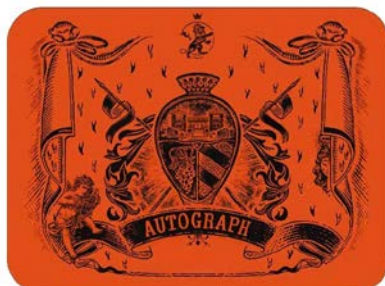
(591) Red, green, white, blue
(531) 05.05.01; 27.05.03; 28.03; 29.01.15
(511) 30

(260) AM 2021 112479 A
(210) AM 112479
(220) 2021 04 05
(731) JFC International Inc.
7101 East Slauson Avenue, CA, Los Angeles,
90040-3622, USA
(740) Tamar Kochlamazashvili
(540)



(591) Red, blue, white, yellow
(531) 05.07.02; 25.01.05; 25.01.06; 26.01.01;
26.01.05; 26.01.18; 27.05.01; 27.05.03;
29.01.14
(511) 30

(260) AM 2021 112480 A
(210) AM 112480
(220) 2021 04 05
(731) Giorgi Dekanozishvili
Arsena St. 81, Tskneti, Tbilisi, Georgia
(540)



(591) Terracota, orange, carnelian, black
(531) 19.09.02; 24.01.03; 24.01.05; 24.01.11;
24.01.13; 24.01.17; 24.01.18; 24.01.25;
27.05.01; 27.05.24; 29.01.12
(511) 33

(260) AM 2021 112483 A
(210) AM 112483
(220) 2021 04 05
(731) JFC International Inc.
7101 East Slauson Avenue, CA, Los Angeles,
90040-3622, USA
(740) Tamar Kochlamazashvili
(540)



(591) Black-white
(531) 05.05.01; 27.05.01; 27.05.17; 28.03
(511) 30

(260) AM 2021 112484 A
(210) AM 112484
(220) 2021 04 05
(731) JFC International Inc.
7101 East Slauson Avenue, CA, Los Angeles,
90040-3622, USA
(740) Tamar Kochlamazashvili
(540)



(591) Black-white
(531) 05.07.02; 25.01.05; 25.01.06; 26.01.05;
26.01.18; 27.05.01; 27.05.17; 28.03
(511) 30

(260) AM 2021 112491 A
(210) AM 112491
(220) 2021 04 06
(731) JSC "Bank of Georgia"
Gagarin St. 29a, 0160, Tbilisi, Georgia

(740) Giorgi Taktakishvili
(540)



(540)

გაბო
GABO

(591) Black-white
(511) 33

(591) Red, yellow, orange, lilac, pink, green,
sky-blue, blue
(531) 01.01.01; 01.01.04; 01.01.10; 01.07.06;
03.13.01; 03.13.09; 03.13.18; 03.13.21;
03.13.24; 28.19; 29.01.15
(511) 35, 36, 41

(260) AM 2021 112492 A
(210) AM 112492
(220) 2021 04 06
(731) JSC "Bank of Georgia"
Gagarini St. 29a, 0160, Tbilisi, Georgia
(740) Giorgi Taktakishvili
(540)



(591) Black-white
(531) 26.05.04; 26.05.22
(511) 35, 36, 41

(260) AM 2021 112498 A
(210) AM 112498
(220) 2021 04 06
(731) Novartis AG
4002 Basel, Switzerland
(740) Shalva Gvaramadze
(540)

Золдженсма

(591) Black-white
(531) 28.05
(511) 5

(260) AM 2021 112503 A
(210) AM 112503
(220) 2021 04 07
(731) Gocha Avkopashvili
Ilia Chavchavadze St. 127, Bolnisi, Georgia

REGISTERED TRADEMARKS

(111) M 2021 34580 R
(151) 2021 10 07
(181) 2031 10 07
(260) AM 2019 103313 A
(220) 2019 11 21

(732) LTD "Georgian-German School Skhivi"
Dighomi Experimental Training Farm,
Plot 368, Vake-Saburtalo District, Tbilisi,
Georgia

(111) M 2021 34581 R
(151) 2021 10 07
(181) 2031 10 07
(260) AM 2019 105234 A
(220) 2019 10 09

(732) Windmill Organics Limited
Mill House, 6a Lower Teddington Road,
Kingston Upon Thames, Surrey, England,
KT1 4ER, United Kingdom

(111) M 2021 34582 R
(151) 2021 10 07
(181) 2031 10 07
(260) AM 2020 105794 A
(220) 2020 09 29

(732) Joni Bakuridze
Vazha-Pshavela St. 41, 6010, Batumi,
Georgia

(111) M 2021 34583 R
(151) 2021 10 07
(181) 2031 10 07
(260) AM 2020 105970 A
(220) 2020 09 09

(732) LTD "Vitamedi"
Egnate Ninoshvili St. 38b, Tbilisi, Georgia

(111) M 2021 34584 R
(151) 2021 10 07
(181) 2031 10 07
(260) AM 2020 109430 A
(220) 2020 08 17

(732) Mega Development
Moscow Av. 14a, corp. 1, entrance II,
Fl. 13, app. 154, 0137, Isani-Samgori
District, Tbilisi, Georgia

(111) M 2021 34585 R
(151) 2021 10 07
(181) 2031 10 07
(260) AM 2020 109681 A
(220) 2020 09 10

(732) OOO "ROST-Brand"
Leningradskiy Prospekt, dom 37, stroenie 9,
office 808, 125167, Moscow, Russian Federation

(111) M 2021 34586 R
(151) 2021 10 07
(181) 2031 10 07
(260) AM 2020 109729 A
(220) 2020 09 11

(732) LLC "Ariix"
Acting as an Arix
737 East 1180 South, American Fork, UT 84003,
USA

(111) M 2021 34587 R
(151) 2021 10 07
(181) 2031 10 07
(260) AM 2020 109730 A
(220) 2020 09 11

(732) LLC "Ariix"
Acting as an Arix
737 East 1180 South, American Fork, UT 84003,
USA

(111) M 2021 34588 R
(151) 2021 10 07
(181) 2031 10 07
(260) AM 2020 109751 A
(220) 2020 09 15

(732) LLC "Senso Vita Pharmacy"
Ak. Beliashvili St. 43, 99532, Tbilisi, Georgia

(111) M 2021 34589 R
(151) 2021 10 07
(181) 2031 10 07
(260) AM 2020 109752 A
(220) 2020 09 15

(732) LLC "Senso Vita Pharmacy"
Ak. Beliashvili St. 43, 99532, Tbilisi, Georgia

(111) M 2021 34590 R
(151) 2021 10 07
(181) 2031 10 07
(260) AM 2020 109922 A
(220) 2020 09 25
(732) LTD "Wooden Eco House"
Vazha-Pshavela Av., II qu., corp. 25, app. 2,
0186, Tbilisi, Georgia

(111) M 2021 34591 R
(151) 2021 10 07
(181) 2031 10 07
(260) AM 2020 109962 A
(220) 2020 10 01
(732) Off-White LLC
360 Hamilton Ave., N100 White Plains,
New York, 10601, USA

(111) M 2021 34592 R
(151) 2021 10 07
(181) 2031 10 07
(260) AM 2020 109963 A
(220) 2020 10 01
(732) Off-White LLC
360 Hamilton Ave., N100 White Plains,
New York, 10601, USA

(111) M 2021 34593 R
(151) 2021 10 07
(181) 2031 10 07
(260) AM 2020 109964 A
(220) 2020 10 01
(732) Off-White LLC
360 Hamilton Ave., N100 White Plains,
New York, 10601, USA

(111) M 2021 34594 R
(151) 2021 10 07
(181) 2031 10 07
(260) AM 2020 110037 A
(220) 2020 10 07
(732) LLC "Vine Products Company Tibaren"
Tabidze St. 10, Shindisi, Tbilisi, Georgia

(111) M 2021 34595 R
(151) 2021 10 07
(181) 2031 10 07
(260) AM 2020 110038 A
(220) 2020 10 07
(732) LLC "Vine Products Company Tibaren"
Tabidze St. 10, Shindisi, Tbilisi, Georgia

(111) M 2021 34596 R
(151) 2021 10 07
(181) 2031 10 07
(260) AM 2020 110147 A
(220) 2020 10 15
(732) LTD "Winery"
O. Khizanishvili St. 8, app. 66, Tbilisi, Georgia

(111) M 2021 34597 R
(151) 2021 10 07
(181) 2031 10 07
(260) AM 2020 110369 A
(220) 2020 11 03
(732) JSC "Gefa"
Ak. Beliashvili St. 142, 0159, Tbilisi Georgia

(111) M 2021 34598 R
(151) 2021 10 07
(181) 2031 10 07
(260) AM 2020 110445 A
(220) 2020 11 06
(732) JSC "Gefa"
Ak. Beliashvili St. 142, 0159, Tbilisi Georgia

(111) M 2021 34599 R
(151) 2021 10 07
(181) 2031 10 07
(260) AM 2020 110473 A
(220) 2020 11 10
(732) Dow AgroSciences LLC
9330 Zionsville Road, Indianapolis, Indiana
46268, USA

(111) M 2021 34600 R
(151) 2021 10 07
(181) 2031 10 07
(260) AM 2020 110515 A
(220) 2020 11 16
(732) JSC "Georgian Beer Company"
Vill. Saguramo, 3311, Mtskheta, Georgia

(111) M 2021 34601 R
(151) 2021 10 07
(181) 2031 10 07
(260) AM 2020 110521 A
(220) 2020 11 17
(732) INPHA LLP Representative Office
in Georgia
Nearby Besiki St. 4, Plot 46/10, 0108, Tbilisi,
Georgia

(111) M 2021 34602 R
(151) 2021 10 07
(181) 2031 10 07
(260) AM 2020 110523 A
(220) 2020 11 18
(732) LTD "IDS Borjomi Beverages Company"
Pareraveg 45, Curaçao

(111) M 2021 34603 R
(151) 2021 10 07
(181) 2031 10 07
(260) AM 2020 110531 A
(220) 2020 11 18
(732) LTD "IDS Borjomi Beverages Company"
Pareraveg 45, Curaçao

(111) M 2021 34604 R
(151) 2021 10 07
(181) 2031 10 07
(260) AM 2020 110532 A
(220) 2020 11 18
(732) LTD "IDS Borjomi Beverages Company"
Pareraveg 45, Curaçao

(111) M 2021 34605 R
(151) 2021 10 07
(181) 2031 10 07
(260) AM 2020 110534 A
(220) 2020 11 18
(732) LTD "IDS Borjomi Beverages Company"
Pareraveg 45, Curaçao

(111) M 2021 34606 R
(151) 2021 10 07
(181) 2031 10 07
(260) AM 2020 110535 A
(220) 2020 11 18
(732) LTD "IDS Borjomi Beverages Company"
Pareraveg 45, Curaçao

(111) M 2021 34607 R
(151) 2021 10 07
(181) 2031 10 07
(260) AM 2020 110691 A
(220) 2020 12 02
(732) The Sporting Exchange Limited
Waterfront Hammersmith Embankment,
Chancellors Road, London W6 9HP, Great
Britain, United Kingdom

(111) M 2021 34616 R
(151) 2021 10 19
(181) 2031 10 19
(260) AM 2020 107479 A
(220) 2020 03 09
(732) Archil Maziashvili
Ilia Chavchavadze Av. 78, corp. 6, app. 6,
Tbilisi, Georgia

(111) M 2021 34617 R
(151) 2021 10 19
(181) 2031 10 19
(260) AM 2020 109366 A
(220) 2020 08 11
(732) Hyundai Heavy Industries Holdings Co., LTD
50, Techno sunhwan-ro 3-gil, Yuga-eup,
Dalseong-gun, Daegu, Republic of Korea

(111) M 2021 34618 R
(151) 2021 10 19
(181) 2031 10 19
(260) AM 2020 109502 A
(220) 2020 08 24
(732) LTD "MG Law Office"
Ilia Chavchavadze Av. 34, floor. 7, 0162,
Vake-Saburtalo District, Tbilisi, Georgia

(111) M 2021 34619 R
(151) 2021 10 19
(181) 2031 10 19
(260) AM 2020 109595 A
(220) 2020 08 31
(732) LTD "Omega Motor Group"
V. Petriashvili St. 1, 1400, Gori, Georgia

(111) M 2021 34620 R
(151) 2021 10 19
(181) 2031 10 19
(260) AM 2020 109682 A
(220) 2020 09 10
(732) LTD "Gemovani"
Krtsanisi St. 22-24, app. 44, Krtsanisi District,
Tbilisi, Georgia

(111) M 2021 34621 R
(151) 2021 10 19
(181) 2031 10 19
(260) AM 2020 109773 A
(220) 2020 09 17
(732) LTD "Wayne Enterprises"
Gldani, II mcr, corp. 28, app. 97, 0167,
Gldani District, Tbilisi, Georgia;

JSC "Gefa" Akaki Beliashvili St. 142, 0159, Tbilisi, Georgia	(111) M 2021 34627 R (151) 2021 10 19 (181) 2031 10 19 (260) AM 2020 110512 A (220) 2020 11 16 (732) N(N)LE "Eliava Foundation - in Georgia Development of Bacteriophage Association" L. Gotua St. 3, 0160, Tbilisi, Georgia
(111) M 2021 34622 R (151) 2021 10 19 (181) 2031 10 19 (260) AM 2020 109774 A (220) 2020 09 17 (732) LTD "Social Enterprise Dadari" Victor Kupradze St. 72, corp. 25, 26, 27, app. 65, Tbilisi, Georgia	(111) M 2021 34628 R (151) 2021 10 19 (181) 2031 10 19 (260) AM 2020 110670 A (220) 2020 11 27 (732) LLC "Griniko" Pavle Ingorokva St. 17, / 9 April St. 5, Block "B", app. 13, Mtatsminda District, Tbilisi, Georgia
(111) M 2021 34623 R (151) 2021 10 19 (181) 2031 10 19 (260) AM 2020 109959 A (220) 2020 10 01 (732) Zhejiang Geely Holding Group Co., LTD 1760 Jiangling Road, Binjiang District, Hangzhou, Zhejiang, China	(111) M 2021 34629 R (151) 2021 10 19 (181) 2031 10 19 (260) AM 2020 110697 A (220) 2020 12 03 (732) LLC "Impexpharm" Right Bank of the River Mtkvari, nearby Bacteriophage, 0160, Tbilisi, Georgia
111) M 2021 34624 R (151) 2021 10 19 (181) 2031 10 19 (260) AM 2020 109960 A (220) 2020 10 01 (732) Zhejiang Geely Holding Group Co., LTD 1760 Jiangling Road, Binjiang District, Hangzhou, Zhejiang, China	(111) M 2021 34630 R (151) 2021 10 19 (181) 2031 10 19 (260) AM 2020 110762 A (220) 2020 12 07 (732) LTD "Amber Trade" Mukhran Machavariani St. 6b, app. 8, Saburtalo District, Tbilisi, Georgia
(111) M 2021 34625 R (151) 2021 10 19 (181) 2031 10 19 (260) AM 2020 110130 A (220) 2020 10 14 (732) PLATINUM WINES Sp. z o.o. Ul. Wolodyjowskiego 70/1, Warszawa, 02-724, Poland	(111) M 2021 34631 R (151) 2021 10 19 (181) 2031 10 19 (260) AM 2020 110792 A (220) 2020 12 11 (732) LTD "Rich Group" Vill. Mughanlo, Marneuli District, Georgia
(111) M 2021 34626 R (151) 2021 10 19 (181) 2031 10 19 (260) AM 2020 110511 A (220) 2020 11 16 (732) N(N)LE "Eliava Foundation - in Georgia Development of Bacteriophage Association" L. Gotua St. 3, 0160, Tbilisi, Georgia	(111) M 2021 34632 R (151) 2021 10 19 (181) 2031 10 19 (260) AM 2020 110795 A (220) 2020 12 11 (732) LTD "Rich Group" Vill. Mughanlo, Marneuli District, Georgia

(111) M 2021 34633 R
(151) 2021 10 19
(181) 2031 10 19
(260) AM 2020 110796 A
(220) 2020 12 11
(732) LTD "Rich Group"
Vill. Mughanlo, Marneuli District, Georgia

(111) M 2021 34634 R
(151) 2021 10 19
(181) 2031 10 19
(260) AM 2020 110878 A
(220) 2020 12 16
(732) LLC "Impexpharm"
Right Bank of the River Mtkvari, nearby
Bacteriophage, 0160, Tbilisi, Georgia

TRADEMARKS REGISTERED ACCORDING TO THE ACCELERATED PROCEDURE

The decision can be appealed at the Chamber of Appeal of Sakpatenti within 3 months from the publication.

(111) M 2021 34576 R
 (151) 2021 10 05
 (181) 2031 10 05
 (210) AM 114542
 (220) 2021 09 09
 (732) LTD "Glavspirtrom"
 Lilo Settlement 51, 0198, Tbilisi,
 Georgia
 (540)

OLD IBERIA

(591) Black-white
 (526) IBERIA
 (511) 33

(111) M 2021 34577 R
 (151) 2021 10 06
 (181) 2031 10 06
 (210) AM 114678
 (220) 2021 09 17
 (732) Ontex Tüketim Ürünleri Sanayi Ve Ticaret
 Anonim Sirketi
 Oruch Reis Mah. Teqstilqent Jad. Qoza Plaza
 A Bloq, Qar.: 2 Esenleri, İstanbul , Turkey
 (740) Zurab Bezhashvili
 (540)



(591) E5E5E5 grey, 4EC7F2 sky-blue,
 9F5DB4 dark lilac, ED2027 red,
 FFF699 yellow, 80BA92 green,
 BEA1CD lilac
 (531) 01.15.15; 02.05.02; 02.05.03; 02.05.06;
 02.05.17; 02.09.01; 09.03.14; 25.01.19;
 29.01.15
 (511) 5

(111) M 2021 34578 R
 (151) 2021 10 07
 (181) 2031 10 07
 (210) AM 114540
 (220) 2021 09 08
 (732) LTD "Geobars"
 Moscow Av. 24a, 0137, Tbilisi, Georgia
 (540)



(591) Black, white, orange
 (531) 24.15.03; 26.01.18; 27.05.01; 29.01.13
 (511) 6

(111) M 2021 34579 R
 (151) 2021 10 07
 (181) 2031 10 07
 (210) AM 114681
 (220) 2021 09 20
 (732) JSC "Tobacco of Tbilisi"
 Giorgi Nadareishvili St. 7, Isani District,
 Tbilisi, Georgia
 (540)



(591) White, dark blue, sky-blue, black
 (531) 19.03.24; 27.05.01; 27.05.10; 29.01.15
 (511) 34

(111) M 2021 34608 R
 (151) 2021 10 07
 (181) 2031 10 07
 (210) AM 114619
 (220) 2021 09 16
 (732) LTD "Boulevard Gate"
 Konstantine Gamsakhurdia St. 20, 6000,
 Batumi, Georgia

(540)



(591) Black, brown
 (531) 26.01.05; 26.01.20; 27.01.01; 27.01.06;
 27.05.02; 29.01.12
 (511) 43

(111) M 2021 34609 R
 (151) 2021 10 08
 (181) 2031 10 08
 (210) AM 114803
 (220) 2021 10 05
 (732) LLC "Winery Khareba"
 David Aghmashenebeli Alley 170a, 0131,
 Tbilisi Georgia

(540)



ბაჭყალიანის ხარება
WINERY KHAREBA

(591) 000000 black, BCA876 golden,
 EA3639 red (scarlet)
 (531) 03.07.11; 03.07.16; 05.03.04; 05.03.14;
 26.01.15; 27.05.01; 28.19; 29.01.14
 (511) 32, 33, 35, 43

(111) M 2021 34610 R
 (151) 2021 10 13
 (181) 2031 10 13
 (210) AM 114801
 (220) 2021 10 04
 (732) JSC "Misso Euro Credit"
 Giorgi Saakadze II, exit 11, Saburtalo District,
 Tbilisi, Georgia

(540)



(591) Sky-blue, blue
 (531) 24.01.01; 24.01.03; 27.05.01; 28.19; 29.01.12
 (511) 36

(111) M 2021 34611 R
 (151) 2021 10 13
 (181) 2031 10 13
 (210) AM 114807
 (220) 2021 10 05
 (732) LTD "100 X"
 Bogdan Khmelnitskiy St. 8, app. 17, Tbilisi,
 Georgia

(540)



(591) Pink, sky-blue, lilac, black
 (531) 27.05.01; 27.05.10; 28.05; 29.01.13
 (511) 9

(111) M 2021 34612 R
 (151) 2021 10 15
 (181) 2031 10 15
 (210) AM 114815
 (220) 2021 10 07
 (732) LTD "Champions 111"
 Ilia Chavchavadze Av. 29, floor 5, 0179,
 Tbilisi, Georgia

(740) Mariam Meskhi

(540)



(591) White, black, blue, golden, red
 (531) 01.01.05; 01.01.09; 01.01.15; 01.11.12;
 18.05.01; 18.05.03; 18.05.10; 27.05.01;
 27.05.15; 29.01.15

(511) 41

(111) M 2021 34613 R
 (151) 2021 10 15
 (181) 2031 10 15
 (210) AM 114816
 (220) 2021 10 07
 (732) LTD "Champions 111"
 Ilia Chavchavadze Av. 29, floor 5, 0179,
 Tbilisi, Georgia

(740) Mariam Meskhi

(540)



(591) White, black, blue, golden, red
 (531) 18.05.01; 18.05.03; 18.05.10; 29.01.15
 (511) 41

(540)



(591) Green, yellow
 (531) 01.03.01; 01.03.15; 05.07.02; 07.01.09;
 26.01.13; 26.01.16; 26.04.02; 26.04.05;
 26.04.22; 26.04.24; 27.05.01; 27.05.09;
 27.05.11; 27.05.24; 29.01.12
 (511) 29, 31

(111) M 2021 34614 R
 (151) 2021 10 18
 (181) 2031 10 18
 (210) AM 114811
 (220) 2021 10 06
 (732) Eynar Ilyazov
 Viktor Kupradze St. 72, Tbilisi, Georgia
 (541)

Roober

(591) Black-white
 (511) 25

(111) M 2021 34615 R
 (151) 2021 10 18
 (181) 2031 10 18
 (210) AM 114916
 (220) 2021 10 12
 (732) LTD "Orovela"
 Vill. Chibaani, 0151, Akhmeta Region,
 Georgia
 (541)

აი ღვინო

(591) Black-white
 (511) 32, 33

(111) M 2021 34635 R
 (151) 2021 10 20
 (181) 2031 10 20
 (210) AM 114740
 (220) 2021 09 27
 (732) LTD "Our Farm"
 Bezhan Kalandadze St. 15, block V,
 Commercial Space, Krtsanisi District,
 Tbilisi Georgia

INTERNATIONAL TRADEMARKS FOR WHICH A DECISION ON GRANTING PROTECTIONS IS TAKEN

The decision can be appealed at the Chamber of Appeal of Sakpatenti within 3 months from the publication or at the Mtskheta District Court Administrative Cases Board (Address: №17, Samkhedro St., Mtskheta), within 1 month following the publication.

(260) AM 2021 108900 A

(800) 1538244

(151) 2020 03 27

(891) 2020 03 27

(731) G.brand S.P.A.

Viale G. Matteotti, 2b – 2c, I-50031 Barberino di Mugello (FI), Italy

(540)

RIFLE

(591) Black, white

(511)

9 – Spectacle lenses; eyewear; goggles for sports; spectacle frames; spectacle holders; sunglasses; eyeglasses; eyeglass cases; cases for sunglasses; eyeglass chains; eyeglass cords; cases adapted for cellular phones; carrying cases adapted for computers.

25 – Clothing; dresses; suits; berets; underwear; blouses; braces for clothing [suspenders]; stockings; socks; sports socks; hats; small hats; shirts; coats; belts [clothing]; jackets [clothing]; blouses; heavy jackets; skirts; gloves [clothing]; raincoats; clothing of leather; hosiery; jerseys [clothing]; turtleneck sweaters; sweaters; cloaks; sandals; scarfs; beach clothes; denims; leisure suits; clothing for sports; sports jerseys; T-shirt; sweatshirts; trousers; sweatpants; Bermuda shorts; tank tops; sports singlets; footwear; boots for sports; shoes; half-boots; boots; slippers; layettes [clothing]; clothing for children; infants' shoes and boots; hats for infants, babies, toddlers and children.

35 – Organization of exhibitions and events for commercial or advertising purposes; services consisting of bringing together for viewing and purchase of clothing articles, footwear, so that consumers can view and purchase them; retail and wholesale services connected with the sale of paper and stationery; retail and wholesale services, also on-line, connected with the sale of clothing articles, footwear.

(260) AM 2021 110241 A

(800) 1556315

(151) 2020 05 25

(891) 2020 05 25

(731) Bogdanovich Nikolay Grigor'yevich

g. Zelenograd, korp. 1559, kv. 31, RU-124683 Moscow, Russian Federation

(540)

monochrome[®]

(591) Black, white

(531) 26.01.01; 26.01.18; 27.05.01; 27.05.10

(511)

25 – Wimples; bandanas [neckerchiefs]; underwear; sweat-absorbent underwear; berets; overalls; boas [necklets]; teddies [underclothing]; boxer shorts; ankle boots; ski boots; boots for sports; breeches for wear; trousers; football boots; brassieres; valenki [felted boots]; collars [clothing]; detachable collars; shirt yokes; veils [clothing]; gabardines [clothing]; galoshes; neckties; ascots; leggings [leg warmers]; gaiters; boot uppers; corselets; jerseys [clothing]; vests; sports jerseys; hosiery; heels; hoods [clothing]; hat frames [skeletons]; pockets for clothing; kimonos; visors being headwear; cap peaks; tights; slippers [underclothing]; combinations [clothing]; wet suits for water-skiing; bodices [lingerie]; corsets [underclothing]; suits; bathing suits; masquerade costumes; beach clothes; leotards; jackets [clothing]; stuff jackets [clothing]; fishing vests; leggings [trousers]; liveries; camisoles; sports singlets; cuffs; short-sleeve shirts; mantillas; coats; sleep masks; furs [clothing]; fingerless gloves; miters [hats]; muffs [clothing]; footmuffs, not electrically heated; heelpieces for footwear; bibs, not of paper; fur stoles; hairdressing capes; ear muffs [clothing]; socks; sweat-absorbent socks; beach shoes; footwear; sports shoes; paper clothing; outerclothing; ready-made clothing; motorists' clothing; cyclists' clothing; clothing for gymnastics; clothing of imitations of leather; clothing of leather; waterproof clothing; uniforms; clothing; fittings of metal for footwear; maniples; overcoats; panties; parkas; pelerines; gloves [clothing]; ski gloves; pajamas; bathing trunks; shirt fronts; silk scarves; pocket squares; dresses; headbands [clothing]; garters; sock suspenders; stocking suspenders; ready-made linings [parts of clothing]; dress shields; soles for footwear; braces for clothing [suspenders]; half-boots; lace boots; pullovers; sweaters; ponchos; girdles; belts [clothing]; money belts [clothing]; layettes [clothing]; non-slipping devices for footwear; heelpieces for stockings; welts for footwear; chasubles; shirts; wooden shoes; sandals; bath sandals; boots; jumper dresses; saris; sarongs; footwear uppers; inner soles; albs; bath slippers; togas; knitwear [clothing]; underpants; gymnastic shoes; sli-

ppers; shoes; skull caps; turbans; headwear; aprons [clothing]; judo uniforms; karate uniforms; tee-shirts; dressing gowns; bath robes; top hats; tips for footwear; stockings; sweat-absorbent stockings; shawls; paper hats [clothing]; shower caps; bathing caps; scarves; studs for football boots; hats; babies' pants [underwear]; trouser straps; pelisses; esparto shoes or sandals; skirts; petticoats; skorts.

(260) AM 2021 110739 A

(800) 1537539

(151) 2020 02 25

(891) 2020 10 12

(731) F. Smit Holding B.V.

Innovatieweg 18, NL-7007 CD Doetinchem,
Netherlands

(540)

PLAYSEAT

(591) Black, white

(511)

9 – Computer games; mobile apps; glasses; sunglasses; protective helmets; protective shoes; protective clothing; apparatus.

(260) AM 2021 110989 A

(800) 1566089

(151) 2020 07 29

(891) 2020 07 29

(731) SEKTÖR KİMYA DETERJAN SANAYİ VE
TİCARET ANONİM ŞİRKETİ

Büyükayacak Mah., 8 Sokak.No:17 / 1 90,
Selçuklu Konya, Turkey

(540)

mr.OXY

(591) Red, white

(531) 27.05.01; 29.01.01

(511)

3 – Bleaching and cleaning preparations, detergents other than for use in manufacturing operations and for medical purposes, laundry bleach, fabric softeners for laundry use, stain removers, dishwasher detergents; perfumery; non-medicated cosmetics; fragrances; deodorants for personal use and animals; soaps; dental care preparations: dentifrices, denture polishes, tooth whitening preparations, mouth washes, not for medical purposes; abrasive preparations; emery cloth; sandpaper; pumice stone; abrasive pastes; polishing preparations for leather, vinyl, metal and wood, polishes and creams for leather, vinyl, metal and wood, wax for polishing.

(260) AM 2021 110993 A

(800) 1566169

(151) 2020 08 04

(891) 2020 08 04

(731) Federalnoe byudzhethnoe uchrezhdenie nauki

"Centralniy Nauchno-Issledovatel'skiy Institut

Epidemiologii" Federalnoy sluzhbi po nadzoru

v sfere zashity prav potrebiteley i

blagopoluchiya cheloveka ul. Novogireevskaya,

3A, RU-111123 Moscow, Russian Federation

(540)

АмплиСенс

AmpliSens

(591) Black, white

(531) 28.05

(511)

1 – Biological tissue cultures, other than for medical or veterinary purposes; cultures of microorganisms, other than for medical and veterinary purposes; bacterial preparations other than for medical and veterinary purposes; bacteriological preparations, other than for medical and veterinary use; biological preparations, other than for medical or veterinary purposes; diagnostic preparations, other than for medical or veterinary purposes; preparations of microorganisms, other than for medical and veterinary purposes; chemical preparations for analyses in laboratories, other than for medical or veterinary purposes; chemical preparations for scientific purposes, other than for medical or veterinary use.

5 – Diagnostic biomarker reagents for medical purposes; reagent paper for medical purposes; reagent paper for veterinary purposes; vaccines; diagnostic kits comprising diagnostic agents, preparations and substances for veterinary purposes; diagnostic kits comprising diagnostic agents, preparations and substances for medical purposes; diagnostic agents, preparations and substances for veterinary purposes; diagnostic agents, preparations and substances for medical purposes; cultures of microorganisms for medical or veterinary use; cotton sticks for medical purposes; cotton swabs for medical purposes; bacterial preparations for medical or veterinary purposes; bacteriological preparations for medical and veterinary purposes; biological preparations for veterinary purposes including immunobiological preparations; biological preparations for medical purposes including immunobiological preparations; veterinary preparations; diagnostic preparations for veterinary purposes including diagnostic kits based on polymerase chain reaction (PCR) for detection of DNA/RNA; diagnostic preparations for medical purposes including diagnostic kits based on polymerase chain reaction (PCR) for detection of DNA/RNA; preparations of microorganisms for medical or veterinary purposes; pharmaceutical

preparations; chemico-pharmaceutical preparations; chemical preparations for veterinary purposes; chemical preparations for medicinal purposes; chemical preparations for pharmaceutical purposes; chemical reagents for medical or veterinary purposes; adjuvants for medical purposes; disinfectants for hygiene purposes; biological tissue cultures for veterinary purposes; biological tissue cultures for medical purposes.

9 – DNA chips.

10 – Analyzers for bacterial identification for medical purposes; apparatus for use in medical analysis; diagnostic apparatus for medical purposes; apparatus for DNA and RNA testing for medical purposes; probes for medical purposes; veterinary apparatus and instruments; medical apparatus and instruments.

(260) AM 2021 111015 A

(800) 1566692

(151) 2020 11 11

(891) 2020 11 11

(731) Individual entrepreneur Morgunov Leonid Grigor'evich
ul. Dostoevskogo, d. 8, kv. 47, RU-630091
Novosibirsk, Russian Federation

(540)

GREENFIBER

(591) Black, white

(511)

3 – Antistatic dryer sheets; baby wipes impregnated with cleaning preparations; color run prevention laundry sheets; tissues impregnated with cosmetic lotions; tissues impregnated with make-up removing preparations; cosmetics; detergents, other than for use in manufacturing operations and for medical purposes; degreasers, other than for use in manufacturing processes; phytocosmetic preparations; cloths impregnated with a detergent for cleaning; shampoos; dry shampoos; herbal extracts for cosmetic purposes; extracts of flowers [perfumes]; ethereal essences; badian essence; mint essence [essential oil]; essential oils.

21 – Make-up sponges; sponges for household purposes; toilet sponges; sponge holders; table napkin holders; make-up brushes; basting brushes; napkin rings; dishcloths; abrasive pads for kitchen purposes; scouring pads; cosmetic utensils; toilet utensils; place mats, not of paper or textile; cloth for washing floors; polishing cloths; cloths for cleaning; dusting cloths [rags]; furniture dusters; ironing board covers, shaped; mop wringers; dishwashing brushes; toothbrushes; tar-brushes, long handled; eyebrow brushes; nail brushes; eyelash brushes.

24 – Banners of textile or plastic; household linen; bath linen, except clothing; bed linen; table linen, not of paper; bunting of textile or plastic; fabrics for texti-

le use; textile material; handkerchiefs of textile; towels of textile; bath mitts; glass cloths [towels]; cloths for removing make-up; face towels of textile; place mats of textile; table napkins of textile; labels of textile.

(260) AM 2021 111025 A

(800) 1566993

(151) 2020 03 03

(891) 2020 03 03

(731) Soft Construct Limited

Clinch's House, Lord Street, Douglas,
Isle of Man IM99 1RZ, United Kingdom

(540)

VIVARO

(591) Black, white

(511)

9 – Scientific, nautical, surveying, photographic, cinematographic, optical, weighing, measuring, signalling, checking (supervision), life-saving and teaching apparatus and instruments; apparatus and instruments for conducting, switching, transforming, accumulating, regulating or controlling electricity; apparatus for recording, transmission or reproduction of sound or images; magnetic data carriers; recording discs; application software; electronic components for gambling machines being mechanisms for coin-operated apparatus; cash registers, calculating machines, data processing equipment and computers; fire extinguishing apparatus; apparatus and instruments for recording, transmission or reproduction of sound, data and/or images; application software relating to and for playing casino games, gambling and betting; audio and video tapes; electronic components for gambling machines being mechanisms for coin-operated apparatus; betting terminals; betting terminals with internet connections; betting terminals with screens; calculators; cards bearing magnetic data; cash registers; CD-ROMs; checking (supervision) apparatus and instruments; compact discs; computer and electronic games software; computer game tapes; computer hardware and software for playing games; computer hardware and software for digital lotteries and casinos; computer hardware and software for gaming, gambling and betting; computer interfaces; computer lottery games; computer lottery games downloadable from the Internet; computer software; computer software applications, downloadable; computer software distributed via the Internet; computer software downloadable from the Internet; computer software and programs for use on computer networks including the Internet; computer software platforms for social networking; computer software to enable uploading, posting, showing, displaying, tagging, blogging, sharing or otherwise providing electronic media or information in the fields of virtual communities, electronic gaming, entertainment, and general interest via the Internet or other

communications networks with third parties; computer software platforms for computer software programs running on, or in connection with, mobile devices; computer software for the provision and management of on-line games and competitions; computer software for use on computer networks, including the Internet for gaming, gambling and betting; computer software relating to and for playing casino games, gambling and betting; computer software for use on computer networks, including the Internet for gaming, gambling and betting; computer programs and application software for use on telephones and handheld mobile devices; computer programs relating to and for playing casino games, gambling and betting; data processing equipment and computers; devices for checking tickets, passes and lottery tickets; digital video discs; downloadable electronic publications; downloadable electronic publications featuring gaming, gambling and betting; electric and electronic apparatus for betting offices, namely, computers; electric, electronic or mechanical apparatus for betting, namely, data processing equipment; electronic apparatus and instruments for use in relation to betting and gaming, bonus schemes related to betting and gaming, amusement, and entertainment services, namely, computers; electrical and electronic apparatus for use in on-line betting, namely, computers; electronic betting terminals; electronic cards for use in connection with promotion schemes; electronic loyalty scheme cards; electronic number terminals; electronic publications; electronic publications provided by electronic mail; electronic publications featuring gaming, gambling and betting; electronic tags; entertainment software; equipment for apparatus for sorting and counting, namely, money counting and sorting machines; games, gaming, and gambling related software; holographic images; information recorded on computer media; interactive computer systems; interactive computer and mobile device systems; interactive software; interactive games, gaming and gambling software; Internet terminals and terminals for receiving and arranging sports betting; machines for issuing tickets, lottery tickets and forms; magnetic, optic and data recording- and sound carriers; magnetic, optical, electronic and smart cards (cards with integrated circuits); magnetically encoded cards; online games, gaming and gambling related software; operating terminals for acceptance of betting games; publications in electronic form supplied online from a computer database or the Internet; interactive computer software; software for use with games, entertainment, recreational, amusement, gaming and video game terminals, machines and apparatus; software for interactive scratch cards and scratch card games; software and software packages for the registration and operation of betting related to sports; software and computer hardware for automatic gaming machines and gaming machines; software for processing bets including through the Internet; sound and video recordings; totalisators; video screens; virtual rea-

lity games software; voting machines; wagering systems; wagering terminals; display screens; computer game programs; competitions recorded on computer media; digital signage display panels, data and information transmission installations, monitors, control consoles and printers all for bookmaking; parts and fittings for all the aforesaid goods; scientific, nautical, surveying, photographic, cinematographic, optical, weighing, measuring, signalling, checking (supervision), life-saving and teaching apparatus and instruments.

16 – Paper, cardboard; printed matter; bookbinding material; photographs; stationery; adhesives for stationery or household purposes; artists' materials; paint brushes; typewriters and office requisites (except furniture); instructional and teaching material (except apparatus); plastic materials for packaging (not included in other classes); printers' type; printing blocks; instructional and informative printed matter relating to bets, betting, games, gaming and gambling betting forms; betting slips; coupons for betting purposes; calendars; printed cards; instructional manuals; printed scoring sheets; tickets; vouchers; printed publications relating to bets, betting, games, gaming and gambling; paper, cardboard.

28 – Games, toys, playthings and novelties; apparatus for games; appliances, equipment and accessories for bingo; arcade games; lottery tickets; articles and apparatus for use in games, in lottery games and in playing games and lottery games; automatic gaming machines; automatic slot machines; bags specially adapted for handheld games; bags specially adapted for handheld video games; bingo game playing apparatus; bingo cards; bingo markers; board games; bill-operated gaming equipment; bowling apparatus and machines; card games; cards (games); casino games, and gaming equipment and accessories therefor; chips and dice [gaming equipment]; chips, counters, discs and tokens for gambling; action skill games; coin fed gaming machines; coin-operated amusement gaming machines; coin-operated gambling and betting machines; coin-operated games; coin-operated gaming equipment; counters, discs and pawns for games; darts, quoits; dart games; dice and cases therefor; dice games; electronic board games; electronic games other than those adapted for use with television receivers only; free standing games apparatus; free standing video games apparatus; free standing gaming and gambling apparatus; game boards; game cards; gaming apparatus; gaming and amusement machines and parts and fittings therefor; gaming chips; gaming equipment; gaming machines; gaming machines, operated by inserting coins, counters, chips and cards; gaming tables; gaming tables for poker and blackjack; gambling machines; hand held computer games; lottery balls; mahjong (Chinese gambling game); parlour games, gaming devices, equipment and accessories therefor; pinball games; pinball games machines (coins or counter opera-

ted); pinball machines (pachinko machines, korinto games machines, smartball machines); playing cards; poker chips; portable games with liquid crystal displays; puzzle games; puzzles; question sets for games, gaming and gambling; quiz games; roulette sets, chips, wheels, tables, equipment and accessories therefor; scratch cards; scratch card games; slot machines (gaming devices); snooker tables and snooker accessories; sports games; amusement apparatus and accessories for games; amusement apparatus and accessories for games, adapted for use with televisions; slot machines; electronic game equipment; gaming machines operated by inserting coins, chips and cards, and mechanisms therefor; electro pneumatic and electric gambling machines for detecting winning symbols or winning numbers; parts and fittings for all the aforesaid goods; games, toys, playthings and novelties; electronic number generators being gaming apparatus.

35 – Advertising; business management; business administration; office functions; auctioneering, including on the Internet; bookkeeping; business management; business administration; classified advertising services; collating of data in computer databases; compilation of statistics; computerised file managing; demonstration of goods; distribution of samples; business management services related to establishing and providing sales, brokerage and collection points for betting; loyalty card services; office functions; on-line advertising in computer networks; on-line advertising on a computer network; on-line data processing services; organisation of promotional incentive schemes; presentation of goods on communication media, for retail purposes; production of radio, television and cinema advertisements; retail services in relation to games, apparatus and devices for betting, games, gaming, gambling and wagering; retail services in relation to software and software packages for the registration and operation of betting related to sports, magnetic, optic and data recording- and sound carriers, data processing equipment and computers and CD-ROMs; sales promotion [for others]; retail services connected with the sale of printed publications; systematic ordering of data in computer databases; business organisation consultancy with regard to providing of betting; television advertising; vending machine rental services; wholesale services in relation to games, gaming and gambling equipment, games and books relating to gambling, and betting materials, devices and equipment; providing information concerning the aforementioned services; the aforementioned services provided through or not through the Internet; promoting the goods and services of others by arranging for sponsors to affiliate their goods and services; advisory and consultancy services in relation to the aforesaid; advertising.

38 – Providing multiple user access to information and news information over the Internet and other global networks.

41 – Education (training); entertainment services; sporting and cultural activities; entertainment by or relating to games, competitions, quizzes and audience participation events; gaming and gambling machine rental services; amusement arcades; amusement arcade gaming machine rental services; amusement parks; arranging and conducting of contests and competitions, including offline and online by way of a computer database or the Internet; betting; betting, gaming, games, gambling, book-making, bingo, poker and casino services; betting and pools services; betting services for receiving, recording and conducting bets and paying out betting winnings; betting and bookmaking services provided by means of the internet; betting services provided through retail betting shops; casino, gaming and gambling services; conducting lotteries; electronic betting, gambling and gaming services; entertainment; entertainment information for tourists; entertainment services in the nature of on-line gaming and gambling; entertainment services provided via virtual environments in which users can interact through social games for recreational, leisure or entertainment purposes; electronic game, quiz and competition services provided by means of the Internet or on-line from a computer network or database; entertainment services provided via an internet platform for downloading software for electronic games, electronic games downloadable from the Internet, electronic action games downloadable from the Internet, electronic puzzles downloadable from the Internet, electronic board games downloadable from the Internet, electronic games of skill, electronic gambling games and electronic card games downloadable from the Internet, skill games, electronic games and software for fixed odds betting programs, horse racing betting, instant lotteries, pools; entertainment and sporting services provided on-line from a computer database or the Internet; provision of sports betting offices (gambling); gambling, gaming, betting and wagering services; gambling services provided by means of the internet; horses (betting on-); entertainment; information services relating to recreation; information relating to on-line computer games; interactive entertainment; interactive lottery, gambling, gaming, betting and pools services; internet lottery, gambling, gaming, betting and pools services; lottery services; lottery, gambling, gaming, betting and pools services; on-line betting, gambling and gaming services; on-line spread betting, gaming, betting, gambling bookmaking and wagering services; organization, production, presentation and conducting of betting events and forums, competitions, contests, games and quizzes; organization, production and presentation of television and radio programs; organization, production and presentation of shows and live performances; organisation and operation of football pools, lotteries and betting; organisation and holding of contests and competitions, including on-line by way of a computer database or the Internet; organising of lotteries; organisation of televi-

sion lotteries; organisation of on-line betting; organisation of television games and on-line games in the global computer network; prize draws; providing interactive multi-player computer games via the Internet and electronic communication networks; providing temporary use of non-downloadable interactive, multiplayer and single player games; providing online computer and electronic games by means of a web-based system; providing a computer game that may be accessed network-wide by network users; provision of betting and gaming services by means of a computer based system; provision of non-downloadable internet games; providing games online, namely, interactive scratch cards and scratch card games by wireless, mobile phone, telephone, television, internet or by remote or network communication; providing online reviews of computer games, and providing of information relating to computer games; provision of information on-line via the Internet or from a computer network or database relating to entertainment, lottery, gaming, betting and gambling services; providing casino facilities (gambling); providing casino and gaming services by means of a website and a global computer network; providing on-line information about casinos, gambling and general news about the gaming industry; providing on-line computer games; providing information regarding on-line games; providing information on-line from a computer database or electronic network, including the Internet, relating to entertainment and sporting events; provision of information relating to sporting events; publishing of books; publication of texts, other than publicity texts; production of radio and television programmes; publication of electronic books or periodicals on-line; providing of on-line electronic publications, not downloadable; providing gaming services in halls with games machines; provision of information on-line from a computer database or from the Internet in relation to casinos, gaming, gambling, general news about the gaming industry, bonus schemes related to betting and gaming, betting services, sporting events, amusement, casino, entertainment and betting consultation services; providing on-line information in the field of computer gaming entertainment; providing gaming house facilities; providing information relating to sport and entertainment online from a computerised database on the Internet; provision of information about gambling and games; on-line gaming services; provision of on-line publications about gambling; rental of gaming and gambling machines and equipment; receiving and conducting of betting, in particular sports betting; running lotteries, exchange rate betting, pools, jackpot systems, tipping competitions and games, running online games, keeping gambling houses, keeping casinos; provision of gambling services in the field of racing, wagers and betting, games of chance, entertainment, bingo halls, casinos, contests, gaming, gambling, games of chance, electronic games, media games, tournaments for poker and other card games, action skill

games and lotteries, including online via a computer database, telecommunications and the Internet; provision of gambling and betting services managed by a sports bookmaker; gambling and betting services providing and operating computerized bingo; spread betting, gaming, betting, gambling, bookmaking and wagering services; television betting, gambling and gaming services; telephone betting, gambling and gaming services and offshore betting, gambling and gaming services; provision of the aforesaid services in electronic or computer form, via the television, radio or other means of broadcasting; provision of the aforesaid services on-line via the Internet or from a computer network or database; consultancy, information and advisory services relating to all the aforesaid services; education (training); betting; arranging, organizing, providing, presenting, management and administration of a lottery, of competitions, games, quizzes, fun entertainment events and audience participation entertainment events, and of gaming and gambling services; betting services provided via betting offices and sports betting terminals; providing sports and entertainment information via computerised, electronic and online databases.

42 – Scientific and technological services and research and design relating thereto; industrial analysis and research services; design and development of computer hardware and software; layout graphic design for advertising purposes; application service provider (ASP); computer services, namely, hosting an online platform for an online community of registered users to participate in competitions, showcase their skills, get feedback from their peers, form virtual communities, and engage in social networking; application service provider (ASP) featuring software to enable or facilitate the uploading, downloading, streaming, posting, displaying, blogging, linking, sharing or otherwise providing electronic media or information over communication networks; computer game design; creating, hosting, updating and maintaining Internet sites; design and development of software in the form of services relating to the development and creation of software for use in relation to electronic games downloadable from the Internet, electronic puzzles downloadable from the Internet, electronic board games downloadable from the Internet, electronic games of skill, electronic gambling games and electronic card games downloadable from the Internet, skill games, electronic games and software for fixed odds betting programs, spread betting programs, horse racing betting, instant lotteries, and pools; design and development services in relation to gaming and gambling machines, apparatus and accessories; design and development services in relation to interactive entertainment products; design of scratch cards and electronic scratch cards and scratch card games; design services relating to the production of computer games and interactive entertainment products; design services in

relation to interactive games enabling users to buy, sell, and participate in auctions whilst participating in the game; design of graphics, visuals, virtual and interactive images, and of special effects for games, audiovisual, multimedia productions and for Internet gaming and gambling website pages; development of computer software applications solutions; providing temporary use of non-downloadable software for use in connection with interactive, multiplayer and single player games, gaming and gambling; hosting a web hosting platform for use of non-downloadable software in connection with interactive, multiplayer and single player games, gaming and gambling for third parties; provision of quality assurance services in relation to equipment for gambling in casinos; consultancy, information and advisory services relating to all the aforesaid services; scientific and technological services and research and design relating thereto.

(260) AM 2021 111027 A

(800) 1567000

(151) 2020 07 20

(891) 2020 07 20

(731) Euro Games Technology Ltd.

"Maritsa" Str., 4, "Vranya-Lozen-Triugulnika",
BG-1151 Sofia, Bulgaria

(540)



(591) White, gold, yellow, orange, brown and red

(531) 07.05.01; 27.05.02; 29.01; 29.01.15

(511)

9 – Software; computer gaming software; computer software packages; computer operating system software; computer software, recorded; software drivers; virtual reality software; games software; entertainment software for computer games; computer programs for network management; operating computer software for main frame computers; monitors (computer hardware); computer hardware; apparatus for recording images; monitors (computer programs); computer game programs; computer programs for recorded games; apparatus for recording, transmission or reproduction of sound or images; communications servers [computer hardware]; electronic components for gambling machines; computer application software featuring games and gaming; computer software for the administration of on-line games and gaming; computer hardware for games and gaming; computer hardware and software for gambling, gambling machines, gambling games on the Internet and via telecommunication network.

28 – Gaming machines for gambling; chips for gambling; mah-jong; arcade games; gambling machines operating with coins, notes and cards; games; electronic games; parlor games; gaming chips; gaming tables; slot machines [gaming machines]; LCD game machines; slot machines and gaming devices; coin-operated amusement machines; roulette chips; poker chips; chips and dice [gaming equipment]; gaming equipment for casinos; roulette tables; gaming roulette wheels; casino games; amusement and gambling machines; coin-operated gaming machines and / or electronic coin-operated gaming machines with or without the possibility of gain; boxes for coin-operated machines, slot machines and gaming machines; electronic or electro-technical gaming devices, amusement and gaming machines, including coin-operated machines; housings for coin-operated machines, gaming equipment, gaming machines, machines for gambling; electro-pneumatic and electrical gambling machines (slot machines).

41 – Gambling; entertainment services related to gambling; gaming services for entertainment purposes; casino, gaming and gambling services; training in the development of software systems; provision of equipment for gambling halls; providing casino equipment [gambling]; gaming machine entertainment services; providing casino facilities [gambling]; providing halls with gaming machines; amusement arcade services; games equipment rental; rental of gaming machines; providing amusement arcade services; rental of gaming machines with images of fruits; editing or recording of sounds and images; sound recording and video entertainment services; hire of sound reproducing apparatus; provision of gaming equipment for casinos; providing of casino facilities; online gambling services; provision of casino services; provision of gaming establishments, gaming halls, internet casinos, online gambling services.

(260) AM 2021 111028 A

(800) 1567007

(151) 2020 07 07

(891) 2020 07 07

(731) PPF a.s.

Evropská 2690/17, CZ-160 41 Praha 6,
Dejvice, Czech Republic

(540)

YETTEL

(591) Black, white

(511)

9 – Scientific, nautical, surveying, photographic, cinematographic apparatus and instruments; optical apparatus and instruments for weighing, measuring, signaling, checking (supervision), life-saving included in this class and teaching apparatus and instruments; apparatus for controlling, switching, transforming, accu-

ulating, regulating or controlling of electric current; apparatus for sound or image recording, conversion, transmission or reproduction; magnetic data media; optical data media; recording discs; SD cards; micro SD cards; USB flash drives; memory cards; hard drives; mechanisms for coin-operated apparatus; calculating machines; data-processing equipment and computers; sound and image transmitting apparatus; telecommunications apparatus; mobile telecommunications apparatus; mobile telecommunications kits; computer hardware; computer software; downloadable computer software; multimedia applications; PDA (personal digital assistant); pocket PCs; mobile telephones; laptops; telecommunications network devices; control software for telecommunications networks and telecommunications devices; video recorders; cameras; MP3 and MP4 players; electronic publications (downloadable); periodicals in electronic form; electronic databases and databases products; information and data in electronic form; information and data on carriers or in electronic form; data, information, computer and communication networks of all kinds; covers for smartphones and computers; protective films and cases adapted for smartphones and computers; parts and accessories for all the aforesaid goods; coin-operated mechanisms for vending machines.

16 – Printed matter; paper labels; printed forms; brochures; printed catalogues; printed manuals; printed reference; user manuals and other printed manuals; printed instructions for use and other documentation for computer, telecommunication and other technical equipment and apparatus.

35 – Advertising; advertisement and promotional activities; marketing; provision of advertising time to advertisers; advertising and commercial information services; providing an on-line commercial information directory on the Internet; on-line advertising; business intermediary services relating to advertising, publicity and promotional activities; business management assistance; business administration; office work; retail and wholesale services relating to scientific, nautical, surveying, photographic, cinematographic apparatus and instruments, optical apparatus and instruments for weighing, measuring, signaling, checking (supervision), life-saving and teaching apparatus and instruments, apparatus for controlling, switching, transforming, accumulating, regulating or controlling of electric current, apparatus for sound or image recording, conversion, transmission or reproduction, magnetic data media, optical data media, recording discs, SD cards, micro SD cards, USB flash drives, memory cards, hard drives, coin-operated mechanisms for vending machines and mechanisms for coin-operated apparatus, calculating machines, data-processing equipment and computers, sound and image transmitting apparatus, telecommunications apparatus, mobile telecommunications apparatus, mobile telecommunications kits, computer hardware, compu-

ter software, downloadable computer software, multimedia applications, PDA (personal digital assistant), pocket PCs, mobile telephones, laptops, telecommunications network devices, control software for telecommunications networks and telecommunications devices, video recorders, cameras, MP3 and MP4 players, electronic publications (downloadable), periodicals in electronic form, electronic databases and databases products, information and data in electronic form, information and data recorded on carriers or in electronic, data, information, computer and communication networks of all kinds, covers for smartphones and computers, protective films and cases adapted for smartphones and computers, parts and accessories for all the aforesaid goods; online retail and wholesale services relating to scientific, nautical, surveying, photographic, cinematographic apparatus and instruments, optical apparatus and instruments for weighing, measuring, signaling, checking (supervision), life-saving and teaching apparatus and instruments, apparatus for controlling, switching, transforming, accumulating, regulating or controlling of electric current, apparatus for sound or image recording, conversion, transmission or reproduction, magnetic data media, optical data media, recording discs, SD cards, micro SD cards, USB flash drives, memory cards, hard drives, coin-operated mechanisms for vending machines and mechanisms for coin-operated apparatus, calculating machines, data-processing equipment and computers, sound and image transmitting apparatus, telecommunications apparatus, mobile telecommunications apparatus, mobile telecommunications kits, computer hardware, computer software, downloadable computer software, multimedia applications, PDA (personal digital assistant), pocket PCs, mobile telephones, laptops, telecommunications network devices, control software for telecommunications networks and telecommunications devices, video recorders, cameras, MP3 and MP4 players, electronic publications (downloadable), periodicals in electronic form, electronic databases and databases products, information and data in electronic form, information and data recorded on carriers or in electronic, data, information, computer and communication networks of all kinds, covers for smartphones and computers, protective films and cases adapted for smartphones and computers, parts and accessories for all the aforesaid goods; intermediation in the business of relating to scientific, nautical, surveying, photographic, cinematographic apparatus and instruments, optical apparatus and instruments for weighing, measuring, signaling, checking (supervision), life-saving and teaching apparatus and instruments, apparatus for controlling, switching, transforming, accumulating, regulating or controlling of electric current, apparatus for sound or image recording, conversion, transmission or reproduction, magnetic data media, optical data media, recording discs, SD cards, micro SD cards, USB flash drives, memory cards, hard drives, coin-operated

mechanisms for vending machines and mechanisms for coin-operated apparatus, calculating machines, data-processing equipment and computers, sound and image transmitting apparatus, telecommunications apparatus, mobile telecommunications apparatus, mobile telecommunications kits, computer hardware, computer software, downloadable computer software, multimedia applications, PDA (personal digital assistant), pocket PCs, mobile telephones, laptops, telecommunications network devices, control software for telecommunications networks and telecommunications devices, video recorders, cameras, MP3 and MP4 players, electronic publications (downloadable), periodicals in electronic form, electronic databases and databases products, information and data in electronic form, information and data recorded on carriers or in electronic, data, information, computer and communication networks of all kinds, covers for smartphones and computers, protective films and cases adapted for smartphones and computers, parts and accessories for all the aforesaid goods, computerized data processing; systematization of information into computer databases; market research and market analysis; promotion by electronic means, including by means of Internet search engines; consultancy in the field of Internet marketing; rental of advertising space; dissemination of advertising matter; opinion polling, collection, classification, updating and systematization of data and compilation and systemization of marketing information into computer databases; providing business information, including via the Internet; cable or other forms of data transmission; information, consultancy and advisory services in relation to the aforesaid services in this class; professional business research services, in particular in the field of market research and product research for others.

36 – Banking; factoring; financing services, hire-purchase financing; financial analysis; financial evaluation (insurance, banking, real estate); financial information; financial consultancy; financial management; financial sponsorship; financial clearing houses; financial clearing; mortgage banking; investment of funds; capital investment; brokerage services; stocks and bonds brokerage; securities brokerage; online banking; insurance consultancy; providing financial information via a website, providing rebates at participating establishments of others through use of a membership card; loans (financing); installment loans; lending against security; financial research; insurance underwriting; fire insurance underwriting; accident insurance underwriting; health insurance underwriting; life insurance underwriting; surety services; insurance brokerage.

37 – Construction of industrial complexes, residential buildings and civil engineering works; construction, assembly, maintenance, repair and revisions of telecommunication, radio communication and data machines and equipment; service for domestic and foreign

telecommunication and other equipment; installation, assembly, maintenance, repair and revisions of electrical machinery, apparatus and equipment; installation, assembly, maintenance, repair and revisions of measuring and control equipment.

38 – Wireless broadcasting; electronic bulletin board services (telecommunication services); information about telecommunications; communication by fiber optic networks; communication by cellular phones; communication by computer terminals; online transmission of greeting cards online; paging (radio, telephone or other means of electronic communication); providing Internet chatrooms; providing online forums; providing access to databases; providing telecommunications connections to a global computer network; providing telecommunications channels for teleshopping services; providing user access to global computer networks; rental of access time to global computer networks; rental of fax machines; rental of modems; rental of message transmission equipment; rental of telephones; rental of telecommunications equipment; rental of telecommunication apparatus and installations; digital file transmission; electronic mail transmission; facsimile transmission; telegram transmission; video on demand transmission; computer-aided transmission of messages and images; radio communication; radio broadcasting, satellite transmission; voice mail services; news agency services; telecommunications routing and junction services; streaming of data; communication by telephone; telephone services; communication by telegraph; telegraph services; teleconferencing services; television broadcasting; telex services; videoconferencing services; cable television broadcasting; messaging, communications (telecommunications); network telecommunication services; mobile telecommunications services; telecommunications portal services; Internet portal services; mobile telecommunications network services; consulting services in the field of telecommunications; mobile telecommunications and data communication services; fixed line telecommunications services; broadband telecommunications access services; broadband services; broadcasting services, television broadcasting services, broadcasting services relating to IP / TV or based on IP / TV, IP / TV access services; television transmission services provided via the Internet Protocol technology including IP / TV, television and IP / TV; Internet access services; services of e-mail, text and multimedia messages, services relating to the provision of access to computer networks, in particular the assurance, provision and rental of access time to data networks and databases, in particular to the Internet; the provision of access to computer databases and communication services relating thereto; ancillary, supportive and assistance services in the field of telecommunications and telecommunications equipment; operation of networks, especially telecommunications and data networks; expert advisory and

consultancy services in the field of telecommunications and data communication services; information, consultancy and advisory services in relation to the aforesaid services in this class; rental of telecommunications apparatus; rental of apparatus for data transfer.

41 – Publishing; education and training; training services; entertainment; sports and cultural activities; interactive entertainment services, electronic and computer games services provided via any communication networks; entertainment and information services relating to the aforesaid services provided via telecommunications networks; news reporters services; television entertainment services; providing entertainment via television and IP/TV; information, consultancy and advisory services relating to the aforesaid services in this class.

42 – Development of databases; updating of computer software; computer system analysis; cloud computing; digitization of documents (scanning); electronic monitoring of personally identifying information to detect identity theft via the Internet; electronic monitoring of credit card activity to detect fraud via the Internet, off-site data backup; graphic design of promotional materials; hosting computer sites (web sites); installation of computer software; conversion of computer programs and data other than physical conversion; duplication of computer programs; recovery of computer data, unlocking smartphones; platform as a service (PaaS); computer programming; information technology (IT) consultancy; Internet security consultancy; consultancy in the design and development of computer hardware; web site design consultancy; computer software consultancy; computer technology consultancy; data encryption services; telecommunications technology consultancy; data security consultancy; computer security consultancy; providing information on computer technology and programming via a website; providing of outsource services in the field of information technology; rental of computer software; rental of computers and data processing equipment; rental of web servers; surveying, providing search engine for the Internet, server hosting; monitoring of computer systems for detecting unauthorized access or data breach; monitoring of computer systems to detect breakdowns; software as a service (SaaS); computer software design, computer system design; maintenance of computer software; development of computer platforms; software development in the framework of software publishing; research in the field of telecommunications technology; monitoring of computer systems by remote access; scientific and technological services and research and development relating thereto; industrial analysis and research; research in the field of telecommunications; data services and telecommunication technology; designing, development and analysis of computer, telecommunication and data systems; planning and design

services in the field of telecommunications equipment; rental of computers and data processing apparatus and installations; monitoring of telecommunication and data systems; technical consulting services in the field of information technology; computer technology and data technology; engineering services in the field of information, telecommunications and data technology; design and development of computer hardware and software; information technology consultancy services; computer programming services; IT programming services; recovery of computer data; consultancy in the design and development of computer hardware; computer software consultancy; backup and copying of computer programs; rental of computers; design, development and creation of computer software; installation and maintenance of computer software, updating of computer software; rental of computer software and hardware; conversion of data or documents from physical to electronic media; conversion of data and computer programs (not physical conversion); creating and maintaining websites for others; webhosting; information and advisory services relating to the aforesaid services in this class.

(260) AM 2021 111029 A

(800) 1567047

(151) 2020 09 27

(891) 2020 09 27

(731) Hebei shengzhuo construction equipment manufacturing Co., Ltd.

West side of Minsheng street, West District, economic development zone, Feixiang District, Handan City, 056000 Hebei Province, China

(540)



SHENG ZHUO

盛卓

(591) Black, white

(531) 26.05.01; 26.05.18; 26.05.24; 27.05.01; 28.03

(511)

7 – Elevators [lifts]; hoists; elevating apparatus; lifting apparatus; derricks; hoist cranes; Hoisters [machines]; elevator operating apparatus; cranes [lifting and hoisting apparatus].

(260) AM 2021 111030 A

(800) 1567065

(151) 2020 06 15

(891) 2020 06 15

(731) LLC Crystal Management company

Sacco and Vanzetti Str., 62, office 507, RU-620014 Ekaterinburg, Russian Federation

(540)

ЗОЛОТОЕ ЯБЛОКО

(591) Black, white

(531) 28.05

(511)

35 – The bringing together, for the benefit of others, of a variety of goods, excluding the transport thereof, enabling customers to conveniently view and purchase those goods; market research; organization of exhibitions and trade fairs for commercial purposes; auctioneering; promoting the goods of others; retail and wholesale services; promoting the goods of others on the Internet; procurement services for others [purchasing goods and services for other businesses].

(260) AM 2021 111048 A

(800) 1170720

(151) 2013 06 24

(891) 2020 12 08

(731) Aquama Sàrl

Route de Lully 5C, Lake Geneva Park D,
CH-1131 Tolochenaz, Switzerland

(540)

AQUAMA

(591) Black, white

(511)

3 – Bleaching preparations and other substances for laundry use; cleaning, polishing, scouring and abrasi-
ve preparations.

5 – Pharmaceutical and veterinary products; sanitary products for medical purposes; dietetic food and substances adapted for medical or veterinary use, food for babies; food supplements for humans and animals; plasters, materials for dressings; material for dental fillings and dental impressions; disinfectants; products for destroying vermin; fungicides, herbicides.

11 – Apparatus for lighting, heating, steam generating, cooking, refrigerating, drying, ventilating, water supply and sanitary purposes.

(260) AM 2021 111049 A

(800) 1213111

(151) 2014 01 28

(891) 2020 12 07

(731) AYKIM TEMIZLIK MADDELERI SANAYI
VE TICARET ANONIM SIRKETI

Cumhuriyet Mah. Lütfi Aykaç Bulvarı No: 7,
Sultangazi ISTANBUL, Turkey

(540)



(591) Blue and red

(531) 01.01.12; 26.01.18; 27.05.17; 29.01.13

(511)

3 – Perfumery, essential oils, cosmetics, hair lotions;
dentifrices.

(260) AM 2021 111056 A

(800) 1497126

(151) 2019 10 04

(891) 2020 11 30

(731) Zinzino AB

Hulda Mellgrens gata 5, SE-421 32 Västra
Frölunda, Sweden

(540)

ZINZINO

(591) Black, white

(511)

3 – Skin care preparations; skin cream; cosmetic skin
enhancers.

5 – Pharmaceutical preparations; dietetic foods and substances adapted for medical use; dietetic beverages; nutritional additives for humans; dietary supplements and dietetic preparations; food supplements; food supplements in liquid form; nutritional dietary supplements; meal replacement powders; nutritional drink mix for use as a meal replacement; nutritional supplement energy bars; nutritional supplement meal replacement bars for boosting energy; vitamin preparations; medical diagnostic reagents and assays for testing of body fluids.

29 – Edible oils and fats.

(260) AM 2021 111107 A

(800) 1567802

(151) 2020 11 03

(891) 2020 11 03

(731) Beiersdorf AG

Unnastr. 48, 20253 Hamburg, Germany

(540)

FRESH KICK

(591) Black, white

(511)

3 – Non-medicated cosmetics; cosmetic skin care pre-
parations; cosmetic shaving and after-shave prepara-
tions; cosmetic bath and shower preparations; deodo-
rants and anti-perspirants for personal use.

(260) AM 2021 111108 A

(800) 1567811

(151) 2020 07 20

(891) 2020 07 20

(731) Euro Games Technology Ltd.

"Maritsa" Str., 4, "Vranya-Lozen-Triugulnika",
BG-1151 Sofia, Bulgaria

(540)



(591) Yellow, gold, green, orange, brown and black

(531) 05.03.20; 27.05.04; 29.01.15

(511)

9 – Software; computer gaming software; computer software packages; computer operating system software; computer software, recorded; software drivers; virtual reality software; games software; entertainment software for computer games; computer programs for network management; operating computer software for main frame computers; monitors (computer hardware); computer hardware; apparatus for recording images; monitors (computer programs); computer game programs; computer programs for recorded games; apparatus for recording, transmission or reproduction of sound or images; communications servers [computer hardware]; electronic components for gambling machines; computer application software featuring games and gaming; computer software for the administration of on-line games and gaming; computer hardware for games and gaming; computer hardware and software for gambling, gambling machines, gambling games on the Internet and via telecommunication network.

28 – Gaming machines for gambling; chips for gambling; mah-jong; arcade games; gambling machines operating with coins, notes and cards; games; electronic games; parlor games; gaming chips; gaming tables; slot machines [gaming machines]; LCD game machines; slot machines and gaming devices; coin-operated amusement machines; roulette chips; poker chips; chips and dice [gaming equipment]; gaming equipment for casinos; roulette tables; gaming roulette wheels; casino games; amusement and gambling machines; coin-operated gaming machines and / or electronic coin-operated gaming machines with or without the possibility of gain; boxes for coin-operated machines, slot machines and gaming machines; electronic or electro-technical gaming devices, amusement and gaming machines, including coin-operated machines; housings for coin-operated machines, gaming equipment, gaming machines, machines for gambling; electro-pneumatic and electrical gambling machines (slot machines).

41 – Gambling; entertainment services related to gambling; gaming services for entertainment purposes; casino, gaming and gambling services; training in the development of software systems; provision of equipment for gambling halls; providing casino equipment [gambling]; gaming machine entertainment services; providing casino facilities [gambling]; providing halls with gaming machines; amusement arcade services; games equipment rental; rental of gaming machines; providing amusement arcade services; rental of ga-

ming machines with images of fruits; editing or recording of sounds and images; sound recording and video entertainment services; hire of sound reproducing apparatus; provision of gaming equipment for casinos; providing of casino facilities; online gambling services; provision of casino services; provision of gaming establishments, gaming halls, internet casinos, online gambling services.

(260) AM 2021 111109 A

(800) 1567828

(151) 2020 08 31

(891) 2020 08 31

(731) KESENLER KOZMETİK PAZARLAMA,
SANAYİ VE TİCARET ANONİM ŞİRKETİ
3. Organize Sanayi Bölgesi, 18 Sokak, No:7,
Selçuklu, Konya, Turkey

(540)

CYGNUS

(591) Black, white

(531) 27.05.01

(511)

3 – Detergents for household use and laundry preparations, bleaching preparations for household use, laundry starch, fabric softeners for laundry use, lime removers for laundry use, granulated soaps, polishing preparations for household use; essential oils for personal use, perfumes and colognes, cosmetics and cosmetic preparations, namely, shaving lotions, shaving foam, shaving gel, non-medicated stimulating lotions for the skin, after-shave creams, cosmetic creams for skin care, depilatories, shower and bath gel, rose oil for cosmetic purposes, nail varnish for cosmetic purposes, nail polish remover, lipsticks, eyeliner pencils, cosmetic preparations for eyelashes, namely, mascaras, hair dyes, hair sprays and hair gels, hair care kits comprising non-medicated hair care preparations, namely, shampoo, conditioner; petroleum jelly for cosmetic purposes, depilatories, henna for cosmetic purposes, cosmetic preparations for slimming and for skin tanning; antiperspirants for personal use, deodorants and antiperspirants (including deodorants for human beings and animals); toothpastes, dentifrices in the form of chewing gum, dental bleaching gel, tooth powders, denture cleaning preparations, non-medicated mouth wash and rinse, tartar preventing toothpastes; emery paper, abrasive paste, pumice stones for personal use; leather polishes, polishes for metallic items, furniture polishes, floor polishes.

(260) AM 2021 111110 A
 (800) 1567834
 (151) 2020 09 15
 (891) 2020 09 15
 (731) Tovarystvo z obmezhenoiu vidpovidalnistiu
 "MEHATEKS"
 pr. Povitroflotskyi, bud. 64, m. Kyiv 03151,
 Ukraine
 (540)

A-mega

(591) Black, white
 (531) 15.09.02; 24.17.01; 27.05.01
 (511)
 1 – Antifreeze; brake fluids; distilled water; acids;
 acid proof chemical compositions; persulfuric acid;
 coolants for vehicle engines; acidulated water for re-
 charging accumulators; acidulated water for recharging
 batteries; water-softening preparations; anti-frothing
 solutions for batteries; anti-frothing solutions for ac-
 cumulators; emollients for industrial purposes; fluids
 for hydraulic circuits; power steering fluid; liquids for
 removing sulfates from accumulators; liquids for
 removing sulfates from batteries; sulfuric acid; water-
 purifying chemicals.

9 – Accumulators, electric; accumulators, electric, for
 vehicles; acid hydrometers; acidimeters for batteries;
 accumulator jars; batteries, electric; batteries, electric,
 for vehicles; battery chargers; chargers for electric ac-
 cumulators; accumulator boxes; plates for batteries;
 grids for batteries.

(260) AM 2021 111111 A
 (800) 1567841
 (151) 2020 11 10
 (891) 2020 11 10
 (731) Apple Inc.
 One Apple Park Way, Cupertino CA 95014,
 USA
 (540)

APP CLIP

(591) Black, white
 (511)
 42 – Providing online non-downloadable application
 development software; providing online non downloa-
 dable computer software development tools; provid-
 ing online non-downloadable computer software us-
 ed in developing other software applications; user au-
 thentication services using a software application; user
 authentication services using technology for ecom-
 merce transactions; providing online information rela-
 ting to computer technology, computer programming,
 and computer software.

(260) AM 2021 111112 A
 (800) 1567860
 (151) 2020 10 20
 (891) 2020 10 20
 (731) FrieslandCampina Nederland B.V.
 Stationsplein 4, NL-3818 LE Amersfoort,
 Netherlands
 (540)



(591) Various shades of green, dark blue and white
 (531) 25.03.03; 26.01.18; 28.05; 29.01.13
 (511)
 29 – Milk and milk products; yoghurt and yoghurt
 products; quark, curd, kefir; dairy based beverages.
 30 – Pudding.

(260) AM 2021 111113 A
 (800) 1567868
 (151) 2020 03 25
 (891) 2020 03 25
 (731) UAB "VICIŪNŲ GRUPĖ"
 V. Krėvės pr.97, LT-50369 Kaunas, Lithuania
 (540)



(591) Red, white, blue, grey and yellow
 (531) 03.07.17; 08.01.06; 08.07.10; 26.01.18;
 27.05.01; 27.05.09; 27.05.10; 29.01.14
 (511)
 29 – Vegetable marrow paste; ajvar (preserved pep-
 pers); aloe vera prepared for human consumption; al-
 bumen for culinary purposes; albumin milk; alginates
 for culinary purposes; oils for food; olive oil for food;
 anchovy, not live; yakitori; arrangements of processed
 fruit; flavoured nuts; extra virgin olive oil for food;
 oysters, not live; oat milk; guacamole (mashed avoca-
 do); aubergine paste; protein milk; bacon; broth; po-
 tato-based dumplings; potato flakes; potato fritters;
 potato chips; lemon juice for culinary purposes; can-
 died nuts; crystallized fruits; vegetable mousses; ve-
 getable salads; vegetable soup preparations; vegetable
 juices for cooking; vegetable-based cream; dates; hot
 dog sausages; sausages; sausages in batter; jellies for
 food; spiny lobsters, not live; coconut, desiccated; ve-
 getables, dried; falafel; non-alcoholic eggnog; suet for
 food; animal marrow for food; smetana (sour cream);
 cream (dairy products); buttercream; sea-cucumbers,
 not live; hummus (chickpea paste); caviar; ginger

jam; edible birds' nests; yogurt; seaweed extracts for food; clams, not live; cocoa butter for food; bone oil for food; kefir (milk beverage); liver; liver pate; liver pastes; galbi (grilled meat dish); pork; eggs; white of eggs; powdered eggs; yolk of eggs; kimchi (fermented vegetable dish); coconut oil for food; coconut milk; coconut milk for culinary purposes; coconut milk-based beverages; coconut fat; coconut butter; compotes; meat, preserved; meat, canned; fish, preserved; fish canned; artichokes, preserved; preserved garlic; mushrooms, preserved; laver, preserved; lentils, preserved; onions, preserved; truffles, preserved; fruit, preserved; fruits, canned; peas, preserved; olives, preserved; vegetables, preserved; vegetables, canned; beans, preserved; soya beans, preserved, for food; berries, preserved; bulgogi (Korean beef dish); gherkins; black pudding; blood sausage; shrimps, not live; prawns, not live; croquettes; corn oil for food; corn dogs; kumys (milk beverage); ham; salmon, not live; game, not live; lecithin for culinary purposes; lyophilised meat; lyophilised vegetables; lard; edible fats; isinglass for food; margarine; marmalade; klipfish (salted and dried cod); meat; meat jellies; meat extracts; charcuterie; mussels, not live; almond milk; almond milk for culinary purposes; almond milk-based beverages; shellfish, not live; poultry, not live; sausage casings, natural or artificial; low-fat potato chips; apple purée; lobsters, not live; palm oil for food; palm kernel oil for food; hazelnuts, prepared; nuts, prepared; sweet corn, processed; peanuts, prepared; fish roe, prepared; sunflower seeds, prepared; seeds, prepared; escamoles (edible ant larvae, prepared); pectin for culinary purposes; milk; milk ferments for culinary purposes; milk beverages, milk predominating; whey; milkshakes; powdered milk; milk substitutes; milk products; rennet; pickles; whipped cream; tomato paste; tomato purée; tomato juice for cooking; rape oil for food; sauerkraut; raisins; ryazhenka [fermented baked milk]; fatty substances for the manufacture of edible fats; fat-containing mixtures for bread slices; nut-based spreads; rice milk; rice milk for culinary purposes; soured milk; sardines, not live; sunflower oil for food; linseed oil for food; sesame oil for food; tahini [sesame seed paste]; herrings, not live; almonds, ground; soya patties; soya milk; soya bean oil for food; tofu; tofu patties; cranberry compote; fruit preserved in alcohol; snail eggs for consumption; soups; broth concentrates; preparations for making soup; salted fish; salted meats; bouillon; bouillon concentrates; preparations for making bouillon; cheese; condensed milk; butter; onion rings; freeze-dried meat; freeze-dried vegetables; frozen fruits; silkworm chrysalis for human consumption; yuba [tofu skin]; tuna, not live; jams; fruit-based snack food; fruit, stewed; pressed fruit paste; fruit pulp; fruit salads; fruit chips; fruit jellies; fruit peel; edible insects, not live; curd; cottage cheese fritters; crustaceans, not live; crayfish, not live; vegetables, cooked; tripe; gelatine; peanut milk; peanut milk for culinary purposes; peanut milk-based beverages; pea-

nut butter; pollen prepared as foodstuff; fish-based foodstuffs; fish, not live; fish fillets; fish meal for human consumption; fish mousses.

30 – Vinegar; agave syrup (natural sweetener); beer vinegar; aniseed; tabbouleh; tea; iced tea; tea-based beverages; aromatic preparations for food; chowchow (condiment); vegetal preparations for use as coffee substitutes; oat-based food; oatmeal; oat flakes; crushed oats; high-protein cereal bars; bread rolls; baozi (stuffed buns); royal jelly; biscuits; pancakes; tacos; quinoa, processed; bulgur; potato flour; lomper (potato-based flatbread); burritos; halvah; turmeric; chicory (coffee substitute); cinnamon (spice); mirror icing (mirror glaze); sugar; dessert mousses (confectionery); hot dog sandwiches; sausage binding materials; chips (cereal products); bread; breadcrumbs; rusks; kimchiyeon (fermented vegetable pancakes); mustard; mustard meal; flowers or leaves for use as tea substitutes; flavourings, other than essential oils, for beverages; gluten prepared as foodstuff; gluten additives for culinary purposes; glucose for culinary purposes; instant rice; buckwheat, processed; buckwheat flour; cereal preparations; cloves (spice); ginger (spice); gingerbread; vareniki (stuffed dumplings); jiaozi (stuffed dumplings); ramen (Japanese noodle-based dish); soba noodles; okonomiyaki (Japanese savoury pancakes); muesli; cereal bars; cereal-based snack food; seaweed (condiment); sea water for cooking; cocoa; cocoa-based beverages; cocoa beverages with milk; capers; caramels (candy); dulce de leche; curry (spice); coffee; coffee flavourings; coffee-based beverages; coffee beverages with milk; artificial coffee; ketchup (sauce); baking powder; cakes; flavourings, other than essential oils, for cakes; cake frosting (icing); cake powder; cake dough; confectionery; confectionery for decorating Christmas trees; almond confectionery; pastry dough; garden herbs, preserved (seasonings); gimbap (Korean rice dish); chewing gum; chewing gum for breath freshening; crackers; corn, milled; corn, roasted; maize, milled; maize, roasted; corn flour; corn flakes; maize flakes; hominy; hominy grits; corn meal; popcorn; ham glaze; couscous; allspice; wheat germ for human consumption; wheat flour; stick liquorice (confectionery); noodles; ice cream; ice for refreshment; candy; ice cubes; binding agents for ice cream; lyophilised dishes with main ingredient being pasta; lyophilised dishes with main ingredient being rice; husked barley; husked oats; food flavourings, other than essential oils; groats for human food; starch for food; salt for preserving foodstuffs; essences for foodstuffs, except etheric essences and essential oils; mayonnaise; macaroni; pasta; pasta sauce; pasta dough; minced garlic (condiment); maltose; semolina; marzipan; marinades; honey; molasses for food; golden syrup; pelmeni (dumplings stuffed with meat); ravioli; meat tenderizers for household purposes; meat gravies; mints for breath freshening; mint for confectionery; yeast; barley meal;

almond biscuits (confectionery); almond paste; flour; pastries; flour-based dumplings; rice pulp for culinary purposes; miso [condiment]; batter mixes for okonomiyaki (Japanese savoury pancakes); nutmegs; natural sweeteners; ice, natural or artificial; infusions, not medicinal; unleavened bread; unroasted coffee; apple sauce (condiment); sauces (condiments); palm sugar; peppers (seasonings); noodle-based prepared meals; processed seeds for use as a seasoning; pastila (confectionery); lozenges (confectionery); pastilles (confectionery); pesto (sauce); pizzas; piccalilli; pepper; pies; quiches; meat pies; pates en croute; petits fours (cakes); spring rolls; cake batter; preparations for stiffening whipped cream; ribbon vermicelli; tomato sauce; pralines; condiments; spices; seasonings; relish (condiment); bee glue; puddings; bean meal; chamomile-based beverages; leaven; nut flours; rice; bibimbap (rice mixed with vegetables and beef); rice cakes; senbei (rice crackers); onigiri (rice balls); rice pudding; rice-based snack food; maize flour; sago; sweetmeats (candy); fondants (confectionery); sugar confectionery; liquorice (confectionery); custard; buns; candy decorations for cakes; celery salt; malt for human consumption; malt biscuits; malt extract for food; dressings for salad; cookies; powders for making ice cream; linseed for culinary purposes (seasoning); sesame seeds (seasonings); croutons; shaved ice with sweetened red beans; crushed barley; bicarbonate of soda for cooking purposes (baking soda); soya flour; soya bean paste (condiment); soya sauce; spaghetti; cranberry sauce (condiment); sandwiches; cheeseburgers (sandwiches); sushi; saffron (seasoning); freeze-dried dishes with main ingredient being pasta; freeze-dried dishes with main ingredient being rice; frozen yogurt (confectionery ices); peppermint sweets; sorbets (ices); chocolate; chocolate decorations for cakes; chocolate mousses; chocolate-based spreads; chocolate spreads containing nuts; chocolate-based beverages; chocolate beverages with milk; chocolate-coated nuts; tapioca; tapioca flour; dough; petit-beurre biscuits; ferments for pastes; chutneys (condiments); thickening agents for cooking foodstuffs; tarts; tortillas; udon noodles; waffles; sherbets (ices); fruit jellies (confectionery); fruit coulis (sauces); edible paper; edible rice paper; edible ices; cooking salt; vanilla flavourings for culinary purposes; vanillin (vanilla substitute); vermicelli (noodles); cream of tartar for culinary purposes; zephyr (confectionery); peanut confectionery; star aniseed.

(260) AM 2021 111114 A
 (800) 1567920
 (151) 2020 09 30
 (891) 2020 09 30
 (731) GIORGIO ARMANI S.P.A.
 Via Borgonuovo, 11, I-20121 MILANO
 (Milano), Italy

(540)

GIORGIO ARMANI
Prima

(591) Black, white

(531) 27.05.01; 27.05.09

(511)

18 – Luggage and carrying bags.

(260) AM 2021 111115 A

(800) 1568035

(151) 2020 01 14

(891) 2020 01 14

(731) Obshchestvo s ogranichennoy otvetstvennostyu
 "Amata"

1-y Institutskiy proezd, 3, str. 10,
 pomeshcheniye 55, RU-109428 Moskva,
 Russian Federation

(540)

NOONY

(591) Black, white

(511)

9 – Computer programs, recorded; computer operating programs, recorded; record players; processors [central processing units]; computer game software; computer software applications, downloadable.

11 – Lamp shades; steam accumulators; heat accumulators; defrosters for vehicles; disinfectant apparatus for medical purposes; distillation apparatus; desiccating apparatus; hydromassage bath apparatus; disinfectant apparatus; air deodorizing apparatus; tanning apparatus [sun beds]; ionization apparatus for the treatment of air or water; coffee roasters; beverage cooling apparatus; hand drying apparatus for washrooms; fruit roasters; water purifying apparatus and machines; refrigerating apparatus and machines; drying apparatus and installations; freezers; heating and cooling apparatus for dispensing hot and cold beverages; drying apparatus; coolers for furnaces; expansion tanks for central heating installations; flushing tanks; refining towers for distillation; bidets; boilers, other than parts of machines; bath tubs; spa baths [vessels]; bath tubs for sitz baths; waffle irons, electric; fans [air-conditioning]; fans [parts of air-conditioning installations]; electric fans for personal use; roasting spits; refrigerating display cabinets; heated display cabinets; water heaters; water heaters [apparatus]; water flushing installations; air reheaters; extractor hoods for kitchens; gas condensers, other than parts of machines; acetylene generators; microbubble generators for baths; hydrants; burners; acetylene burners; gas burners; burners for lamps; germicidal burners; incandescent burners; oxyhydrogen burners; laboratory burners; oil burners; alcohol burners; hot water bottles;

footwarmers, electric or non-electric; bed warmers; USB-powered hand warmers; pocket warmers; warming pans; grills [cooking appliances]; food dehydrators, electric; lampshade holders; stills; showers; refrigerating containers; lighters; gas lighters; friction lighters for igniting gas; chimney blowers; coils [parts of distilling, heating or cooling installations]; furnace ash boxes; evaporators; shower enclosures; Turkish bath cabinets, portable; heating apparatus; cool boxes, electric; refrigerating chambers; fireplaces, domestic; chimney flues; structural framework for ovens; air valves for steam heating installations; level controlling valves in tanks; thermostatic valves [parts of heating installations]; electrically heated carpets; light bulbs; light bulbs, electric; solar thermal collectors [heating]; distillation columns; furnace grates; ventilation hoods; ventilation hoods for laboratories; lamp globes; air-conditioning apparatus; air conditioners for vehicles; gas boilers; laundry room boilers; heating boilers; coffee machines, electric; taps; faucets for pipes and pipelines; mixer faucets for water pipes; forges, portable; lava rocks for use in barbecue grills; couscous cookers, electric; electric lights for Christmas trees; acetylene flares; safety lamps; gas lamps; curling lamps; nail lamps; curing lamps, not for medical purposes; germicidal lamps for purifying air; light bulbs for directional signals for vehicles; arc lamps; laboratory lamps; oil lamps; ultraviolet ray lamps, not for medical purposes; miners' lamps; electric lamps; chandeliers; barbecues; watering machines for agricultural purposes; ice-cream making machines; pounded rice cake making machines, electric, for household purposes; multicookers; footmuffs, electrically heated; heaters for baths; heaters for heating irons; immersion heaters; brackets for gas burners; anti-splash tap nozzles; heat pumps; filaments for electric lamps; magnesium filaments for lighting; heating filaments, electric; luminous house numbers; socks, electrically heated; heating apparatus for defrosting vehicle windows; hot air bath fittings; bath fittings; loading apparatus for furnaces; kiln furniture [supports]; sauna bath installations; refrigerating appliances and installations; directional lights for bicycles; electrically heated clothing; blankets, electric, not for medical purposes; fabric steamers; lamp reflectors; vehicle reflectors; hearths; electric cooktops; food steamers, electric; steam boilers, other than parts of machines; pasteurisers; lamp mantles; sockets for electric lights; coffee percolators, electric; stoves [heating apparatus]; bakers' ovens; hot air ovens; kitchen ranges [ovens]; microwave ovens [cooking apparatus]; microwave ovens for industrial purposes; incinerators; kilns; solar furnaces; dental ovens; furnaces, other than for laboratory use; urinals being sanitary fixtures; feeding apparatus for heating boilers; heating plates; cookers; hot plates; wine cellars, electric; heaters, electric, for feeding bottles; aquarium heaters; USB-powered cup heaters; aquarium lights; heating cushions, electric, not for medical purposes; clean chambers [sanitary

installations]; tortilla presses, electric; water intake apparatus; deodorizing apparatus, not for personal use; apparatus for dehydrating food waste; fumigation apparatus, not for medical purposes; gas scrubbing apparatus; oil-scrubbing apparatus; glue-heating appliances; forage drying apparatus; water filtering apparatus; air purifying apparatus and machines; ice machines and apparatus; cooling appliances and installations; cooking apparatus and installations; lighting apparatus and installations; sanitary apparatus and installations; cooking rings; lighting apparatus for vehicles; light-emitting diodes [LED] lighting apparatus; heating apparatus for solid, liquid or gaseous fuels; heating apparatus, electric; hot air apparatus; steam facial apparatus [saunas]; safety accessories for water or gas apparatus and pipes; regulating and safety accessories for gas apparatus; regulating accessories for water or gas apparatus and pipes; regulating and safety accessories for water apparatus; regulating and safety accessories for gas pipes; roasting jacks; plate warmers; anti-glare devices for vehicles [lamp fittings]; rotisseries; radiator caps; searchlights; diving lights; washers for water faucets; heat guns; radiators [heating]; central heating radiators; radiators, electric; sinks; disinfectant dispensers for toilets; drip irrigation emitters [irrigation fittings]; light diffusers; nuclear reactors; heat regenerators; pressure water tanks; roasters; lamps; ceiling lights; toilet seats; hydroponic growing systems; lighting installations for air vehicles; sous-vide cookers, electric; pressure cookers, electric; gas scrubbers [parts of gas installations]; lamp glasses; sterilizers; water sterilizers; air sterilizers; air dryers; laundry dryers, electric; hair dryers; malt roasters; tobacco roasters; tajines, electric; heat exchangers, other than parts of machines; bread toasters; discharge tubes, electric, for lighting; lamp chimneys; luminous tubes for lighting; pipes [parts of sanitary installations]; flues for heating boilers; boiler pipes [tubes] for heating installations; toilets [water-closets]; toilets, portable; humidifiers for central heating radiators; wash-hand basins [parts of sanitary installations]; toilet bowls; water conduits installations; air-conditioning installations; desalination plants; installations for processing nuclear fuel and nuclear moderating material; watering installations, automatic; cooling installations for water; cooling installations for liquids; milk cooling installations; cooling installations for tobacco; water purification installations; purification installations for sewage; steam generating installations; water distribution installations; air filtering installations; swimming pool chlorinating apparatus; ventilation [air-conditioning] installations and apparatus; ventilation [air-conditioning] installations for vehicles; water softening apparatus and installations; cooling installations and machines; heating installations; heaters for vehicles; hot water heating installations; polymerisation installations; water supply installations; flare stacks for use in the oil industry; ash conveyor installations, automatic; whirlpool-jet

apparatus; air cooling apparatus; aquarium filtration apparatus; cooking utensils, electric; flaming torches; headlights for automobiles; vehicle headlights; filters for air conditioning; filters for drinking water; wicks adapted for oil stoves; lights for automobiles; bicycle lights; motorcycle lights; lights for vehicles; electric torches; head torches; lanterns for lighting; candle lanterns; street lamps; Chinese lanterns; fountains; ornamental fountains; chocolate fountains, electric; air fryers; deep fryers, electric; fittings, shaped, for ovens; oven fittings made of fireclay; bread-making machines; refrigerators; refrigerators, cooling apparatus and freezers for medical storage purposes; chromatography apparatus for industrial purposes; kettles, electric; dampers [heating]; book sterilization apparatus; refrigerating cabinets; carbon for arc lamps; heating elements; fairy lights for festive decoration; electric appliances for making yogurt; bread baking machines; standard lamps; thermo-pots, electric; bath installations.

12 – Motor buses; motor coaches; motor homes; driverless cars [autonomous cars]; motor racing cars; cars; robotic cars; sports cars; concrete mixing vehicles; refrigerated vehicles; caravans; shock absorbers for automobiles; suspension shock absorbers for vehicles; space vehicles; aircraft; aeronautical apparatus, machines and appliances; air cushion vehicles; hot air balloons; ski carriers for cars; luggage carriers for vehicles; bumpers for automobiles; vehicle bumpers; tires for vehicle wheels; barges; brake shoes for vehicles; tailboard lifts [parts of land vehicles]; armored vehicles; buffers for railway rolling stock; mine cars; tilt trucks; railway carriages; sleeping cars; dining cars; refrigerated railway wagons; transmission shafts for land vehicles; bicycles; electric bicycles; valves for vehicle tires; helicopters; helicams; automobile hoods; stroller hoods; hoods for vehicles; oars; paddles for canoes; sculls; screws [propellers] for ships; lug nuts for vehicle wheels; hydroplanes; seaplanes; flanges for railway wheel tires; trucks; trucks with a crane feature incorporated; horns for vehicles; treads for vehicles [tractor type]; doors for vehicles; bicycle motors; motorcycle engines; engines for land vehicles; jet engines for land vehicles; driving motors for land vehicles; screw-propellers; screw-propellers for boats; airships; brake discs for vehicles; telfer railways [cable cars]; dredgers [boats]; trolleys; military drones; civilian drones; delivery drones; camera drones; clips adapted for fastening automobile parts to automobile bodies; vehicle bonnet pins; adhesive rubber patches for repairing inner tubes; bicycle bells; rearview mirrors; portholes; cars for cable transport installations; inner tubes for pneumatic tires; inner tubes for bicycle tires; canoes; hoods for vehicle engines; crankcases for land vehicle components, other than for engines; boats; caissons [vehicles]; bicycle wheels; vehicle wheels; mine cart wheels; casters for trolleys [vehicles]; brake pads for automobiles; hub

caps; strollers; pet strollers; side cars; prams; brake linings for vehicles; ships; baskets adapted for bicycles; gear boxes for land vehicles; ship hulls; panniers adapted for bicycles; panniers adapted for motorcycles; fenders for ships; bands for wheel hubs; ejector seats for aircraft; wheelchairs; caps for vehicle fuel tanks; boat hooks; automobile bodies; tipping bodies for trucks; bodies for vehicles; treads for retreading tires; locomotives; masts for boats; golf carts [vehicles]; sprinkling trucks; propulsion mechanisms for land vehicles; mopeds; motor scooters; motorcycles; rubbish trucks; tyre mousse inserts; fitted footmuffs for pushchairs; fitted footmuffs for prams; freewheels for land vehicles; clutches for land vehicles; repair outfits for inner tubes; pumps for bicycle tires; upholstery for vehicles; rims for bicycle wheels; rims for vehicle wheels; windows for vehicles; omnibuses; engine mounts for land vehicles; axles for vehicles; headlight wipers; parachutes; ferry boats; bicycle pedals; ashtrays for automobiles; gearing for land vehicles; carts; head-rests for vehicle seats; bicycle kickstands; vehicle running boards; air bags [safety devices for automobiles]; ski lifts; chairlifts; casings for pneumatic tyres; sleeping berths for vehicles; pontoons; torque converters for land vehicles; cigar lighters for automobiles; non-skid devices for vehicle tires; anti-glare devices for vehicles; anti-theft devices for vehicles; sun-blinds adapted for automobiles; trailers for transporting bicycles; bicycle trailers; balance weights for vehicle wheels; shock absorbing springs for vehicles; bicycle frames; motorcycle frames; spars for ships; reduction gears for land vehicles; safety belts for vehicle seats; security harness for vehicle seats; vehicle suspension springs; rudders; bicycle handlebars; motorcycle handlebars; vehicle joysticks; bicycle cranks; aeroplanes; amphibious airplanes; sleighs [vehicles]; rescue sleds; kick sledges; brake segments for vehicles; bicycle saddles; luggage nets for vehicles; dress guards for bicycles; fitted stroller mosquito nets; anti-theft alarms for vehicles; reversing alarms for vehicles; safety seats for children, for vehicles; vehicle seats; bellows for articulated buses; hydraulic circuits for vehicles; push scooters [vehicles]; mobility scooters; snowmobiles; rolling stock for railways; rolling stock for funicular railways; spokes for bicycle wheels; vehicle wheel spokes; spoilers for vehicles; air vehicles; vehicles for locomotion by land, air, water or rail; ambulances; autonomous underwater vehicles for seabed inspections; water vehicles; remotely operated vehicles for underwater inspections; remote control vehicles, other than toys; electric vehicles; tricycles; delivery tricycles; inclined ways for boats; windscreens; windshield wipers; hubs for bicycle wheels; hubs for vehicle wheels; bags adapted for pushchairs; saddlebags adapted for bicycles; railway couplings; trailer hitches for vehicles; couplings for land vehicles; wheelbarrows; handling carts; two-wheeled trolleys; shopping trolleys; fishing trolleys; hose carts; bogies for railway cars; casting carriages;

tilting-carts; roll cage trolleys; forklift trucks; cleaning trolleys; bicycle brakes; brakes for vehicles; torsion bars for vehicles; tractors; tramcars; transmissions for land vehicles; military vehicles for transport; aerial conveyors; trailers [vehicles]; funnels for ships; funnels for locomotives; cleats [nautical]; turbines for land vehicles; signal arms for vehicles; rowlocks; disengaging gear for boats; steering gears for ships; cable transport apparatus and installations; spoke clips for wheels; tipping apparatus [parts of railway wagons]; funiculars; vans [vehicles]; automobile chains; bicycle chains; motorcycle chains; driving chains for land vehicles; anti-skid chains; transmission chains for land vehicles; undercarriages for vehicles; stroller covers; spare wheel covers; covers for vehicle steering wheels; saddle covers for bicycles; saddle covers for motorcycles; seat covers for vehicles; vehicle covers [shaped]; automobile chassis; vehicle chassis; connecting rods for land vehicles, other than parts of motors and engines; axle journals; gears for bicycles; tubeless tires for bicycles; bicycle tyres; automobile tires; pneumatic tires; solid tires for vehicle wheels; spikes for tires; davits for boats; launches; timbers [frames] for ships; mudguards; bicycle mudguards; tow trucks; motors, electric, for land vehicles; yachts; gyrocopters; self-balancing scooters; self-balancing boards; side view mirrors for vehicles; steering wheels for vehicles; self-balancing electric unicycles; air pumps [vehicle accessories].

18 – Pouch baby carriers; mountaineering sticks; luggage tags; pocket wallets; business card cases; reins; reins for guiding children; sling bags for carrying infants; harness fittings; parts of rubber for stirrups; chamois leather, other than for cleaning purposes; umbrellas; parasols; saddlery; frames for umbrellas or parasols; handbag frames; card cases [notecases]; cases of leather or leatherboard; valves of leather; whips; imitation leather; leather, unworked or semi-worked; leatherboard; casings, of leather, for springs; umbrella rings; hat boxes of leather; boxes of leather or leatherboard; boxes of vulcanized fiber; chain mesh purses; fastenings for saddles; butts [parts of hides]; saddle trees; bags [envelopes, pouches] of leather, for packaging; moleskin [imitation of leather]; travelling sets [leatherware]; knee-pads for horses; muzzles; halters; vanity cases, not fitted; furniture coverings of leather; clothing for pets; covers for animals; trimmings of leather for furniture; collars for animals; music cases; goldbeaters' skin; cat o' nine tails; leather leashes; pads for horse saddles; horseshoes; girths of leather; horse blankets; shoulder belts [straps] of leather; briefcases; traces [harness]; fur; randsels [Japanese school satchels]; haversacks; leather straps; straps for soldiers' equipment; harness straps; straps for skates; straps of leather [saddlery]; chin straps, of leather; stirrup leathers; umbrella handles; walking stick handles; suitcase handles; grips for holding shopping bags; rucksacks; travelling bags; riding saddles; net bags for

shopping; umbrella or parasol ribs; stirrups; bags for climbers; tool bags, empty; handbags; beach bags; saddlebags; bags for sports; bags for campers; shopping bags; wheeled shopping bags; school satchels; bags; travelling trunks; nose bags [feed bags]; bridons; walking sticks; umbrella sticks; walking stick seats; tefillin [phylacteries]; bits for animals [harness]; bridles [harness]; harness for animals; key cases; horse collars; suitcases; suitcases with wheels; valises; attaché cases; covers for horse saddles; umbrella covers; kid; curried skins; animal skins; cattle skins; leather cord; blinkers [harness]; labels of leather; game bags [hunting accessories]; slings for carrying infants; saddlecloths for horses; credit card holders of leather; purses; garment bags for travel.

20 – Picture frame brackets; reels, not of metal, non-mechanical, for flexible hoses; pulleys of plastics for blinds; bolts, not of metal; casks of wood for decanting wine; mooring buoys, not of metal; casks, not of metal; barrels, not of metal; sideboards; busts of wood, wax, plaster or plastic; costume stands; bolsters; fans for personal use, non-electric; work benches; vice benches, not of metal; coat hangers; coatstands; shoulder poles [yokes]; screws, not of metal; display stands; showcases [furniture]; newspaper display stands; comb foundations for beehives; signboards of wood or plastics; loading gauge rods, not of metal, for railway wagons; nuts, not of metal; covers for clothing [wardrobe]; nesting boxes; coffins; doors for furniture; curtain holders, not of textile material; pegs [pins], not of metal; divans; kennels for household pets; keyboards for hanging keys; display boards; plugs [dowels], not of metal; containers, not of metal, for liquid fuel; troughs, not of metal, for mixing mortar; packaging containers of plastic; flower-stands [furniture]; curtain tie-backs; binding screws, not of metal, for cables; rivets, not of metal; imitation tortoiseshell; locks, not of metal, for vehicles; locks, other than electric, not of metal; bead curtains for decoration; door bolts, not of metal; bottle closures, not of metal; closures, not of metal, for containers; latches, not of metal; mirrors [looking glasses]; hand-held mirrors [toilet mirrors]; bamboo; scratching posts for cats; animal claws; animal hooves; coral; meerschaum; whalebone, unworked or semi-worked; stag antlers; tortoiseshell; shells; horn, unworked or semi-worked; animal horns; rattan; corozo; plaited straw, except matting; wickerwork; hampers [baskets]; works of art of wood, wax, plaster or plastic; cabinet work; reeds [plaiting materials]; settees; curtain rods; index cabinets [furniture]; drain traps [valves] of plastic; water-pipe valves of plastic; valves, not of metal, other than parts of machines; staves of wood; mats for infant playpens; saw horses; bed casters, not of metal; furniture casters, not of metal; brush mountings; chopping blocks [tables]; wind chimes [decoration]; door bells, not of metal, non-electric; bottle caps, not of metal; cradles; tent pegs, not of metal; curtain rings; chests

of drawers; floating containers, not of metal; containers, not of metal [storage, transport]; lecterns; dog kennels; bakers' bread baskets; baskets, not of metal; bottle casings of wood; faucets, not of metal, for casks; armchairs; hairdressers' chairs; deck chairs; hospital beds; bedsteads of wood; beds; edgings of plastic for furniture; table tops; hooks, not of metal, for clothes rails; curtain hooks; clothes hooks, not of metal; beds for household pets; nesting boxes for household pets; ladders of wood or plastics; playpens for babies; mannequins; air mattresses, not for medical purposes; mattresses; furniture of metal; office furniture; school furniture; mobiles [decoration]; door knockers, not of metal; curtain rails; barrel hoops, not of metal; furniture; moldings for picture frames; furniture partitions of wood; mother-of-pearl, unworked or semi-worked; mirror tiles; ambroid plates; registration plates, not of metal; identity plates, not of metal; loading pallets, not of metal; handling pallets, not of metal; transport pallets, not of metal; head-rests [furniture]; trays, not of metal; stakes for plants or trees; trestles [furniture]; magazine racks; book rests [furniture]; stands for calculating machines; flower-pot pedestals; baby changing mats; pet cushions; pillows; cushions; air cushions, not for medical purposes; air pillows, not for medical purposes; removable mats or covers for sinks; racks [furniture]; library shelves; furniture shelves; shelves for storage; wood ribbon; straw edgings; towel stands [furniture]; hat stands; cask stands, not of metal; inflatable publicity objects; counters [tables]; bedding, except linen; corks for bottles; corks; sealing caps, not of metal; stair rods; standing desks; embroidery frames; towel dispensers, fixed, not of metal; picture frames; sections of wood for beehives; tanks, not of metal nor of masonry; fodder racks; curtain rollers; door handles, not of metal; knobs, not of metal; fishing baskets; writing desks; seats of metal; benches [furniture]; vats, not of metal; honeycombs; sofas; bungs, not of metal; statues of wood, wax, plaster or plastic; oyster shells; silvered glass [mirrors]; ambroid bars; umbrella stands; gun racks; carts for computers [furniture]; dressing tables; washstands [furniture]; typing desks; drafting tables; massage tables; tables of metal; wall-mounted baby changing platforms; desks; tea carts; dinner wagons [furniture]; tables; steps [ladders], not of metal; chairs [seats]; high chairs for babies; chests, not of metal; placards of wood or plastics; stools; crates; trolleys [furniture]; straw plaits; mobile boarding stairs, not of metal, for passengers; straw mattresses; decorations of plastic for foodstuffs; beehives; funerary urns; wax figures; door fittings, not of metal; coffin fittings, not of metal; bed fittings, not of metal; furniture fittings, not of metal; window fittings, not of metal; infant walkers; garment covers [storage]; stuffed animals; stuffed birds; hinges, not of metal; chaise longues; poles, not of metal; screens [furniture]; filing cabinets; medicine cabinets; meat safes, not of metal; plate racks; bamboo curtains; slatted indoor blinds; yellow amber;

lockers; cases of wood or plastic; chests for toys; bottle racks; identification bracelets, not of metal, for hospitals; screw tops, not of metal, for bottles; house numbers, not of metal, non-luminous; freestanding partitions [furniture]; shelves for file cabinets; figurines of wood, wax, plaster or plastic; winding spools, not of metal, non-mechanical, for flexible hoses; screens for fireplaces [furniture]; letter boxes, not of metal or masonry.

21 – Indoor aquaria; wine aerators; candle jars [holders]; china ornaments; dishes; paper plates; vegetable dishes; saucers; candy boxes; bottles; demijohns; vases; epergnes; fruit cups; bird baths; baby baths, portable; plungers for clearing blocked drains; waffle irons, non-electric; coolers [ice pails]; mop wringer buckets; buckets made of woven fabrics; whisks, non-electric, for household purposes; towel rails and rings; hair for brushes; horsehair for brush-making; birdcages; funnels; carpet beaters [hand instruments]; signboards of porcelain or glass; candle extinguishers; heads for electric toothbrushes; flower pots; chamber pots; glue-pots; cruets; decanters; large-toothed combs for the hair; combs for animals; tea cosies; sponges for household purposes; toilet sponges; sponge holders; toothpick holders; soap holders; table napkin holders; holders for flowers and plants [flower arranging]; shaving brush stands; toilet paper holders; toilet paper dispensers; plug-in diffusers for mosquito repellents; ironing boards; cutting boards for the kitchen; bread boards; washing boards; crushers for kitchen use, non-electric; strainers for household purposes; smoke absorbers for household purposes; closures for pot lids; chamois leather for cleaning; toothpicks; ceramics for household purposes; majolica; kitchen grinders, non-electric; cleaning instruments, hand-operated; cabarets [trays]; stew-pans; covers, not of paper, for flower pots; shaving brushes; basting brushes; baking mats; ladles for serving wine; polishing leather; hot pots, not electrically heated; napkin rings; poultry rings; rings for birds; coin banks; piggy banks; bread baskets for household purposes; baskets for household purposes; waste paper baskets; feeding troughs; mangers for animals; lunch boxes; tea caddies; washtubs; earthenware saucepans; mess-tins; cauldrons; coffee percolators, non-electric; coffeepots, non-electric; coffee grinders, hand-operated; fused silica [semi-worked product], other than for building; rat traps; pot lids; aquarium hoods; butter-dish covers; dish covers; cheese-dish covers; buttonhooks; reusable ice cubes; pitchers; perfume burners; watering cans; fly traps; insect traps; ice cream scoops; mixing spoons [kitchen utensils]; basting spoons [cooking utensils]; pie servers; spatulas for kitchen use; litter boxes for pets; butter dishes; material for brush-making; polishing materials for making shiny, except preparations, paper and stone; tablemats, not of paper or textile; noodle machines, hand-operated; lint removers, electric or non-electric; polishing apparatus and ma-

chines, for household purposes, non-electric; pepper mills, hand-operated; mills for household purposes, hand-operated; feather-dusters; brooms; isothermic bags; confectioners' decorating bags [pastry bags]; bowls [basins]; mosaics of glass, not for building; saucepan scourers of metal; soap boxes; mouse traps; cooking pot sets; nozzles for watering cans; pouring spouts; nozzles for watering hose; fitted picnic baskets, including dishes; toilet cases; floss for dental purposes; fiberglass thread, other than for textile use; cookie [biscuit] cutters; pastry cutters; sprinklers; syringes for watering flowers and plants; cotton waste for cleaning; wool waste for cleaning; cleaning tow; cold packs for chilling food and beverages; chopsticks; cocktail stirrers; food steamers, non-electric; pepper pots; oven mitts; gloves for household purposes; car washing mitts; polishing gloves; gardening gloves; pestles for kitchen use; plates to prevent milk boiling over; dripping pans; trays for household purposes; trays of paper, for household purposes; lazy susans; heaters for feeding bottles, non-electric; candleabra [candlesticks]; trivets [table utensils]; coasters, not of paper or textile; grill supports; menu card holders; knife rests for the table; flat-iron stands; egg cups; abrasive pads for kitchen purposes; scouring pads; drinking troughs; serving ladles; powdered glass for decoration; pottery; pots; cooking pots; porcelain ware; earthenware; toilet utensils; trouser presses; tortilla presses, non-electric [kitchen utensils]; cruet sets for oil and vinegar; spice sets; apparatus for wax-polishing, non-electric; bottle openers, electric and non-electric; glove stretchers; boot jacks; crumb trays; tie presses; potholders; clothes-pegs; glass stoppers; powder compacts; perfume vaporizers; powder puffs; dusting apparatus, non-electric; foam toe separators for use in pedicures; electric combs; combs; grills [cooking utensils]; sifters [household utensils]; drinking horns; shoe horns; candle drip rings; broom handles; salad bowls; place mats, not of paper or textile; sugar bowls; beaters, non-electric; egg separators, non-electric, for household purposes; services [dishes]; coffee services [tableware]; liqueur sets; tea services [tableware]; sieves [household utensils]; cinder sifters [household utensils]; tea strainers; siphon bottles for carbonated water; rolling pins, domestic; frying pans; steel wool for cleaning; currycombs; blenders, non-electric, for household purposes; scoops for household purposes; fruit presses, non-electric, for household purposes; drinking straws; salt cellars; vessels of metal for making ices and iced drinks; refrigerating bottles; cups of paper or plastic; glass for vehicle windows [semi-finished product]; plate glass [raw material]; opal glass; glass, unworked or semi-worked, except building glass; opaline glass; glass incorporating fine electrical conductors; enamelled glass, not for building; glass wool, other than for insulation; vitreous silica fibers, other than for textile use; fiberglass, other than for insulation or textile use; mortars for kitchen use; portable cool boxes, non-electric; soup

bowls; drying racks for laundry; basins [receptacles]; table plates; disposable table plates; graters for kitchen use; insulating flasks; indoor terrariums [plant cultivation]; indoor terrariums [vivariums]; cloth for washing floors; polishing cloths; cloths for cleaning; dusting cloths [rags]; furniture dusters; urns; wax-polishing appliances, non-electric, for shoes; water apparatus for cleaning teeth and gums; electric devices for attracting and killing insects; watering devices; kitchen utensils; cooking utensils, non-electric; coffee filters, non-electric; hip flasks; drinking bottles for sports; molds [kitchen utensils]; cake moulds; ice cube molds; cookery moulds; deep fryers, non-electric; comb cases; bread bins; fly swatters; teapots; kettles, non-electric; cups; garlic presses [kitchen utensils]; ironing board covers, shaped; tea infusers; glass bowls; mops; mop wringers; cocktail shakers; corkscrews, electric and non-electric; animal bristles [brushware]; pig bristles for brush-making; dishwashing brushes; ski wax brushes; brushes for cleaning tanks and containers; lamp-glass brushes; horse brushes; carpet sweepers; brushes for footwear; tar-brushes, long handled; toilet brushes; nutcrackers; ice tongs; salad tongs; sugar tongs; decanter tags; nest eggs, artificial; boxes for dispensing paper towels; dustbins; window-boxes; pressure cookers, non-electric; buckets; cookie jars; busts of porcelain, ceramic, earthenware or glass; cooking skewers of metal; clothing stretchers; works of art of porcelain, ceramic, earthenware or glass; shoe trees; wine-tasting pipettes; bulb basters; statues of porcelain, ceramic, earthenware or glass.

24 – Frieze [cloth]; banners of textile or plastic; velvet; household linen; diapered linen; bath linen, except clothing; bed linen; table linen, not of paper; cot bumpers [bed linen]; buckram; fustian; sleeping bag liners; felt; bunting of textile or plastic; gauze [cloth]; damask; jersey [fabric]; table runners, not of paper; drugget; shower curtains of textile or plastic; curtains of textile or plastic; net curtains; zephyr [cloth]; canvas for tapestry or embroidery; bolting cloth; baby buntings; crepe [fabric]; crepon; furniture coverings of textile; fabrics for textile use; filtering materials of textile; wall hangings of textile; non-woven textile fabrics; plastic material [substitute for fabrics]; textile material; tablemats of textile; bivouac sacks being covers for sleeping bags; sleeping bags; sleeping bags for babies; moleskin [fabric]; muslin fabric; pillowcases; bed blankets; blankets for household pets; brocades; diaper changing cloths for babies; handkerchiefs of textile; picnic blankets; travelling rugs [lap robes]; coasters of textile; bed valances; linings [textile]; hat linings, of textile, in the piece; curtain holders of textile material; bed covers; bed covers of paper; furniture coverings of plastic; towels of textile; cloth; hemp cloth; gummed cloth, other than for stationery purposes; printers' blankets of textile; door curtains; sheets [textile]; eiderdowns [down coverlets]; bath mitts;

shrouds; glass cloths [towels]; cloths for removing make-up; face towels of textile; place mats of textile; table napkins of textile; mosquito nets; calico; oilcloth for use as tablecloths; tablecloths, not of paper; billiard cloth; taffeta [cloth]; ticks [mattress covers]; tick [linen]; fabric; lingerie fabric; fabric, impervious to gases, for aeronautical balloons; jute fabric; fabric for footwear; ramie fabric; esparto fabric; rayon fabric; fiberglass fabrics for textile use; adhesive fabric for application by heat; linen cloth; upholstery fabrics; hemp fabric; lining fabric for footwear; traced cloth for embroidery; chenille fabric; printed calico cloth; knitted fabric; cotton fabrics; silk fabrics for printing patterns; woollen cloth; elastic woven material; fabric of imitation animal skins; haircloth [sackcloth]; cheese cloth; tulle; flags of textile or plastic; flannel [fabric]; trellis [cloth]; covers for cushions; fitted toilet lid covers of fabric; covers [loose] for furniture; pillow shams; cheviots [cloth]; silk [cloth]; labels of textile; marabouts [cloth]; mattress covers.

27 – Artificial turf; yoga mats; floor mats, fire-resistant, for fireplaces and barbecues; carpets; decorative wall hangings, not of textile; carpets for automobiles; bath mats; non-slip mats; linoleum; wallpaper; textile wallpaper; carpet underlay; vinyl floor coverings; floor coverings; door mats; mats; reed mats.

28 – Arcade video game machines; video game machines; gaming machines for gambling; amusement machines, automatic and coin-operated; toy vehicles; swimming pools [play articles]; trampolines; novelty toys for parties; scratch cards for playing lottery games; starting blocks for sports; bodyboards; skating boots with skates attached; dolls' feeding bottles; tricycles for infants [toys]; stationary exercise bicycles; creels [fishing traps]; shuttlecocks; spinning tops [toys]; dumb-bells; gyroscopes and flight stabilizers for model aircraft; jigsaw puzzles; clay pigeons [targets]; punching bags; bite sensors [fishing tackle]; hang gliders; joysticks for video games; flying discs [toys]; discuses for sports; dolls' houses; dominoes; swimming kickboards; paddleboards; surfboards; spring boards [sports articles]; skateboards; sailboards; chessboards; checkerboards; drones [toys]; darts; Christmas trees of synthetic material; cups for dice; swimming jackets; ascenders [mountaineering equipment]; kites; needles for pumps for inflating balls for games; toys for pets; stuffed toys; plush toys; toy mobiles; toys; parlor games; board games; ring games; games; building games; kaleidoscopes; bladders of balls for games; rosin used by athletes; edges of skis; bingo cards; playing cards; fairground ride apparatus; reels for fishing; rocking horses; swings; skittles; skittles [games]; billiard cues; golf clubs; hockey sticks; baby gyms; seal skins [coverings for skis]; bells for Christmas trees; dolls' rooms; controllers for toys; confetti; ice skates; roller skates; in-line roller skates; dice; paintball guns [sports apparatus]; ski bindings; dolls' beds; roulette wheels; fish hooks; building blocks [toys]; dolls; flippers for swimming; fishing lines; gut for fishing; bows for archery; skis; waterskis; surf skis; mah-jong; toy models; hunting game calls; puppets; masks [playthings]; carnival masks; theatrical masks; fencing masks; matryoshka dolls; masts for sailboards; ball pitching machines; teddy bears; chalk for billiard cues; targets; electronic targets; scale model kits [toys]; scale model vehicles; kite reels; balls for games; artificial fishing bait; billiard table cushions; knee guards [sports articles]; billiard cue tips; elbow guards [sports articles]; backgammon games; pumps specially adapted for use with balls for games; dolls' clothes; fencing weapons; twirling batons; paragliders; pachinkos; baseball gloves; boxing gloves; golf gloves; gloves for games; batting gloves [accessories for games]; fencing gauntlets; pinatas; toy pistols; toy air pistols; percussion caps [toys]; caps for pistols [toys]; protective films adapted for screens for portable games; rattles [playthings]; horseshoe games; candle holders for Christmas trees; Christmas tree stands; sole coverings for skis; water wings; floats for fishing; portable games with liquid crystal displays; swimming belts; decoys for hunting or fishing; scent lures for hunting or fishing; archery implements; soap bubbles [toys]; divot repair tools [golf accessories]; billiard markers; protective paddings [parts of sports suits]; rackets; surfboard leashes; harness for sailboards; weight lifting belts [sports articles]; toy robots; sling shots [sports articles]; rollers for stationary exercise bicycles; harpoon guns [sports articles]; plush toys with attached comfort blanket; scooters [toys]; sleds [sports articles]; bob-sleighs; butterfly nets; landing nets for anglers; nets for sports; tennis nets; bite indicators [fishing tackle]; slot machines [gaming machines]; appliances for gymnastics; quoits; barbells; climbers' harness; fishing tackle; artificial snow for Christmas trees; snowshoes; snowboards; remote-controlled toy vehicles; clay pigeon traps; billiard tables; coin-operated billiard tables; tables for table tennis; strings for rackets; gut for rackets; cricket bags; golf bag carts; slides [playthings]; body-building apparatus; machines for physical exercises; men's athletic supporters [sports articles]; rods for fishing; ornaments for Christmas trees, except illumination articles and confectionery; tennis ball throwing apparatus; conjuring apparatus; apparatus for games; bowling apparatus and machinery; toy figures; counters [discs] for games; chips for gambling; foosball tables; bags especially designed for skis and surfboards; marbles for games; billiard balls; playing balls; play balloons; paintballs [ammunition for paintball guns] [sports apparatus]; snow globes; chess games; checkers [games]; poles for pole vaulting; paper party hats; shin guards [sports articles]; camouflage screens [sports articles]; chest expanders [exercisers]; novelty toys for playing jokes; controllers for game consoles; golf bags, with or without wheels.

ys]; dolls; flippers for swimming; fishing lines; gut for fishing; bows for archery; skis; waterskis; surf skis; mah-jong; toy models; hunting game calls; puppets; masks [playthings]; carnival masks; theatrical masks; fencing masks; matryoshka dolls; masts for sailboards; ball pitching machines; teddy bears; chalk for billiard cues; targets; electronic targets; scale model kits [toys]; scale model vehicles; kite reels; balls for games; artificial fishing bait; billiard table cushions; knee guards [sports articles]; billiard cue tips; elbow guards [sports articles]; backgammon games; pumps specially adapted for use with balls for games; dolls' clothes; fencing weapons; twirling batons; paragliders; pachinkos; baseball gloves; boxing gloves; golf gloves; gloves for games; batting gloves [accessories for games]; fencing gauntlets; pinatas; toy pistols; toy air pistols; percussion caps [toys]; caps for pistols [toys]; protective films adapted for screens for portable games; rattles [playthings]; horseshoe games; candle holders for Christmas trees; Christmas tree stands; sole coverings for skis; water wings; floats for fishing; portable games with liquid crystal displays; swimming belts; decoys for hunting or fishing; scent lures for hunting or fishing; archery implements; soap bubbles [toys]; divot repair tools [golf accessories]; billiard markers; protective paddings [parts of sports suits]; rackets; surfboard leashes; harness for sailboards; weight lifting belts [sports articles]; toy robots; sling shots [sports articles]; rollers for stationary exercise bicycles; harpoon guns [sports articles]; plush toys with attached comfort blanket; scooters [toys]; sleds [sports articles]; bob-sleighs; butterfly nets; landing nets for anglers; nets for sports; tennis nets; bite indicators [fishing tackle]; slot machines [gaming machines]; appliances for gymnastics; quoits; barbells; climbers' harness; fishing tackle; artificial snow for Christmas trees; snowshoes; snowboards; remote-controlled toy vehicles; clay pigeon traps; billiard tables; coin-operated billiard tables; tables for table tennis; strings for rackets; gut for rackets; cricket bags; golf bag carts; slides [playthings]; body-building apparatus; machines for physical exercises; men's athletic supporters [sports articles]; rods for fishing; ornaments for Christmas trees, except illumination articles and confectionery; tennis ball throwing apparatus; conjuring apparatus; apparatus for games; bowling apparatus and machinery; toy figures; counters [discs] for games; chips for gambling; foosball tables; bags especially designed for skis and surfboards; marbles for games; billiard balls; playing balls; play balloons; paintballs [ammunition for paintball guns] [sports apparatus]; snow globes; chess games; checkers [games]; poles for pole vaulting; paper party hats; shin guards [sports articles]; camouflage screens [sports articles]; chest expanders [exercisers]; novelty toys for playing jokes; controllers for game consoles; golf bags, with or without wheels.

35 – Arranging subscriptions to telecommunication services for others; import-export agency services; commercial information agency services; advertising agency services; cost price analysis; rental of advertising space; business auditing; employment agency services; computerized file management; book-keeping; invoicing; demonstration of goods; opinion polling; market studies; business information; business investigations; business research; marketing research; personnel recruitment; business management and organization consultancy; business organization consultancy; business management consultancy; personnel management consultancy; professional business consultancy; layout services for advertising purposes; marketing; business management of performing artists; business management of sports people; news clipping services; updating of advertising material; word processing; organization of exhibitions for commercial or advertising purposes; arranging newspaper subscriptions for others; organization of fashion shows for promotional purposes; organization of trade fairs for commercial or advertising purposes; shop window dressing; business appraisals; payroll preparation; data search in computer files for others; sponsorship search; business management assistance; commercial or industrial management assistance; economic forecasting; auctioneering; sales promotion for others; production of advertising films; office machines and equipment rental; rental of advertising time on communication media; publicity material rental; rental of vending machines; rental of photocopying machines; publication of publicity texts; radio advertising; bill-posting; distribution of samples; dissemination of advertising matter; direct mail advertising; writing of publicity texts; advertising; online advertising on a computer network; advertising by mail order; television advertising; document reproduction; compilation of statistics; compilation of information into computer databases; business inquiries; systemization of information into computer databases; tax preparation; drawing up of statements of accounts; telemarketing services; psychological testing for the selection of personnel; business management of hotels; commercial administration of the licensing of the goods and services of others; administrative processing of purchase orders; public relations; modelling for advertising or sales promotion; typing; relocation services for businesses (terms too vague in the opinion of the International Bureau – Rule 13 (2) (b) of the Regulations); price comparison services; secretarial services; procurement services for others [purchasing goods and services for other businesses]; shorthand; outsourcing services [business assistance]; telephone answering for unavailable subscribers; photocopying services; business efficiency expert services; transcription of communications [office functions]; presentation of goods on communication media, for retail purposes; advisory services for business management.

37 – Asphaltting; drilling of deep oil or gas wells; drilling of wells; rebuilding engines that have been worn or partially destroyed; rebuilding machines that have been worn or partially destroyed; renovation of clothing; retreading of tires; vulcanization of tires [repair]; building sealing; linen ironing; pressing of clothing; disinfecting; rat exterminating; vehicle battery charging; knife sharpening; building insulating; repair information; construction information; bricklaying; riveting; construction consultancy; varnishing; re-tinning; scaffolding; road paving; window cleaning; vehicle washing; building construction supervision; tuning of musical instruments; upholstery; rustproofing; anti-rust treatment for vehicles; sanding; pumicing; strong-room maintenance and repair; vehicle maintenance; paper hanging; painting or repair of signs; cleaning of buildings [exterior surface]; vehicle polishing; vehicle breakdown repair services; rental of bulldozers; rental of drainage pumps; rental of dish drying machines; rental of road sweeping machines; rental of cleaning machines; rental of cranes [construction equipment]; rental of dishwashing machines; rental of laundry washing machines; rental of construction equipment; rental of excavators; laying of cable; plumbing; masonry; roofing services; painting, interior and exterior; carpentry services; underwater repair; plastering; quarrying services; repair of security locks; umbrella repair; parasol repair; motor vehicle maintenance and repair; burner maintenance and repair; film projector repair and maintenance; airplane maintenance and repair; safe maintenance and repair; clock and watch repair; repair of power lines; pump repair; upholstery repair; shoe repair; clothing repair; photographic apparatus repair; furniture restoration; restoration of musical instruments; restoration of works of art; vehicle greasing; demolition of buildings; warehouse construction and repair; vehicle service stations [refuelling and maintenance]; sterilization of medical instruments; washing; washing of linen; pier breakwater building; pipeline construction and maintenance; underwater construction; harbour construction; factory construction; building of fair stalls and shops; construction; shipbuilding; cleaning of buildings [interior]; street cleaning; vermin exterminating, other than for agriculture, aquaculture, horticulture and forestry; tire balancing; pest control services, other than for agriculture, aquaculture, horticulture and forestry; hydraulic fracturing services; artificial snow-making services; laundering; installation of doors and windows; irrigation devices installation and repair; elevator installation and repair; heating equipment installation and repair; burglar alarm installation and repair; furnace installation and repair; telephone installation and repair; installation and repair of air-conditioning apparatus; fire alarm installation and repair; freezing equipment installation and repair; electric appliance installation and repair; kitchen equipment installation; installation, maintenance and repair of computer hardware; machinery installa-

tion, maintenance and repair; office machines and equipment installation, maintenance and repair; interference suppression in electrical apparatus; swimming-pool maintenance; furniture maintenance; chimney sweeping; boiler cleaning and repair; cleaning of clothing; dry cleaning; vehicle cleaning; diaper cleaning; leather care, cleaning and repair; fur care, cleaning and repair; mining extraction.

39 – Air transport; motor coach rental; boat rental; garage rental; rental of vehicle roof racks; aircraft rental; parking place rental; rental of warehouses; rental of tractors; booking of seats for travel; travel reservation; transport reservation; towing; vehicle breakdown towing services; bottling services; water distribution; delivery of newspapers; message delivery; parcel delivery; delivery of goods; delivery of goods by mail order; flower delivery; launching of satellites for others; traffic information; transportation information; storage information; transportation logistics; rescue operations [transport]; arranging of cruises; organization of tours; armored-car transport; hauling; carting; transport and storage of trash; transporting furniture; lightering services; ferry-boat transport; removal services; transport of travellers; guarded transport of valuables; bus transport; car transport; barge transport; boat transport; railway transport; marine transport; passenger transport; river transport; ambulance transport; streetcar transport; portering; refloating of ships; cash replenishment of automated teller machines; shipbrokerage; transport brokerage; freight brokerage [forwarding (Am.)]; providing driving directions for travel purposes; car rental; railway truck rental; rental of diving bells; rental of diving suits; rental of motor racing cars; rental of aircraft engines; railway coach rental; rental of wheelchairs; rental of storage containers; horse rental; rental of freezers; rental of navigational systems; refrigerator rental; vehicle rental; rental of electric wine cellars; stevedoring; unloading cargo; electricity distribution; distribution of energy; packaging of goods; collection of recyclable goods [transport]; ice-breaking; piloting; water supplying; escorting of travellers; transport by pipeline; wrapping of goods; operating canal locks; car parking; chauffeur services; pleasure boat transport; car sharing services; courier services [messages or merchandise]; salvaging; salvage of ships; gift wrapping; underwater salvage; taxi transport; transport; transport services for sightseeing tours; franking of mail; freight [shipping of goods]; freighting; physical storage of electronically stored data or documents; boat storage; storage of goods; storage; freight forwarding.

40 – Paper finishing; applying finishes to textiles; up-cycling [waste recycling]; vulcanization [material treatment]; skin dressing; fruit crushing; embroidering; galvanization; electroplating; engraving; decontamination of hazardous materials; air deodorizing; stripping finishes; tanning; metal tempering; freezing of foods; gilding; gold plating; material treatment infor-

mation; cadmium plating; permanent-press treatment of fabrics; food and drink preservation; food smoking; leather staining; fur dyeing; shoe staining; textile dyeing; cloth dyeing; laminating; lithographic printing; metal casting; fur glossing; tin plating; boilermaking; taxidermy; magnetization; nickel plating; abrasion; paper treating; water treating; woodworking; processing of cinematographic films; leather working; cloth edging; metal treating; fur conditioning; fur mothproofing; waste treatment [transformation]; textile mothproofing; fabric waterproofing; crease-resistant treatment for clothing; cloth fireproofing; textile treating; wool treating; framing of works of art; window tinting treatment, being surface coating; air freshening; fabric bleaching; air purification; soldering; clothing alteration; recycling of waste and trash; processing of oil; pattern printing; photographic printing; offset printing; metal plating; printing; burnishing by abrasion; flour milling; dressmaking; rental of boilers; knitting machine rental; rental of generators; rental of air-conditioning apparatus; rental of space heating apparatus; photographic film development; pottery firing; blacksmithing; custom assembling of materials for others; bookbinding; welding services; glass-blowing; saddlery working; grinding; cloth cutting; sawing of materials; refining services; timber felling and processing; fur satining; silver plating; incineration of waste and trash; laser scribing; warping [looms]; sorting of waste and recyclable material [transformation]; photocomposing services; quilting; planing of materials; fulling of cloth; tinting of car windows; slaughtering of animals; destruction of waste and trash; cloth pre-shrinking; services of a dental technician; cryopreservation services; key cutting; dyeing services; sandblasting services; production of energy; custom tailoring; custom fashioning of fur; photogravure; millworking; chromium plating; colour separation services; silkscreen printing; optical glass grinding.

41 – Modelling for artists; academies [education]; rental of indoor aquaria; rental of artwork; rental of sports grounds; rental of tennis courts; lending library services; booking of seats for shows; videotaping; physical education; production of music; discotheque services; animal training; dubbing; gambling services; publication of books; education information; recreation information; entertainment information; movie studio services; nightclub services [entertainment]; layout services, other than for advertising purposes; microfilming; videotape editing; production of radio and television programmes; screenplay writing; religious education; aikido instruction; gymnastic instruction; correspondence courses; practical training [demonstration]; training services provided via simulators; organization of balls; providing recreation facilities; arranging and conducting of colloquiums; arranging and conducting of congresses; arranging and conducting of conferences; arranging and conducting of concerts; arranging and conducting of workshops [training]; ar-

ranging and conducting of seminars; arranging and conducting of symposiums; organization of competitions [education or entertainment]; arranging of beauty contests; organization of lotteries; organization of fashion shows for entertainment purposes; organization of shows [impresario services]; organization of sports competitions; vocational guidance [education or training advice]; amusement park services; sign language interpretation; television entertainment; mobile library services; vocational retraining; providing online videos, not downloadable; providing online music, not downloadable; providing golf facilities; providing sports facilities; providing amusement arcade services; cinema presentations; presentation of circus performances; presentation of variety shows; presentation of live performances; theatre productions; conducting fitness classes; educational examination; film production, other than advertising films; rental of audio equipment; rental of video cameras; rental of video cassette recorders; rental of videotapes; rental of show scenery; rental of sound recordings; toy rental; rental of cinematographic apparatus; rental of motion pictures; games equipment rental; rental of stadium facilities; rental of lighting apparatus for theatrical sets or television studios; rental of radio and television sets; rental of skin diving equipment; rental of sports equipment, except vehicles; rental of stage scenery; electronic desktop publishing; online publication of electronic books and journals; publication of texts, other than publicity texts; radio entertainment; entertainer services; entertainment services; writing of texts; sado instruction [tea ceremony instruction]; zoological garden services; news reporters services; party planning [entertainment]; music composition services; subtitling; tutoring; holiday camp services [entertainment]; conducting guided tours; disc jockey services; personal trainer services [fitness training]; calligraphy services; karaoke services; club services [entertainment or education]; songwriting; providing museum facilities [presentation, exhibitions]; teaching; educational services provided by schools; orchestra services; translation; scriptwriting, other than for advertising purposes; ticket agency services [entertainment]; coaching [training]; sport camp services; recording studio services; language interpreter services; nursery schools; photography; photographic reporting; timing of sports events; boarding school education; production of shows; health club services [health and fitness training]; organization of exhibitions for cultural or educational purposes; arranging and conducting of in-person educational forums; providing television programs, not downloadable, via video-on-demand services; providing casino facilities [gambling].

42 – Water analysis; computer system analysis; handwriting analysis [graphology]; chemical analysis; energy auditing; recovery of computer data; industrial design; graphic arts design; computer virus protection

services; oil-field surveys; geological surveys; engineering; installation of computer software; meteorological information; clinical trials; material testing; textile testing; bacteriological research; biological research; geological research; research in the field of environmental protection; cosmetic research; mechanical research; chemical research; research and development of new products for others; scientific research; analysis for oil-field exploitation; underwater exploration; calibration [measuring]; web site design consultancy; computer security consultancy; information technology [IT] consultancy; consultancy in the design and development of computer hardware; architectural consultancy; internet security consultancy; computer software consultancy; data security consultancy; technological consultancy; oil-well testing; quality control; vehicle roadworthiness testing; land surveying; dress designing; updating of computer software; monitoring of computer systems to detect breakdowns; monitoring of computer systems for detecting unauthorized access or data breach; monitoring of computer systems by remote access; software as a service [SaaS]; maintenance of computer software; authenticating works of art; design of interior decor; quality evaluation of standing timber; quality evaluation of wool; digitization of documents [scanning]; conversion of data or documents from physical to electronic media; urban planning; providing information on computer technology and programming via a web site; providing search engines for the internet; conversion of computer programs and data, other than physical conversion; conducting technical project studies; computer system design; rental of web servers; computer rental; rental of computer software; unlocking of mobile phones; geological prospecting; oil prospecting; hosting computer sites [web sites]; construction drafting; computer software design; cloud seeding; consultancy in the field of energy-saving; creating and designing website-based indexes of information for others [information technology services]; creating and maintaining web sites for others; computer programming; technical writing; copying of computer programs; architectural services; chemistry services; outsource service providers in the field of information technology; packaging design; off-site data backup; computer technology consultancy; telecommunications technology consultancy; scientific laboratory services; weather forecasting; styling [industrial design]; cartography services; data encryption services; electronic data storage; surveying; electronic monitoring of credit card activity to detect fraud via the internet; electronic monitoring of personally identifying information to detect identity theft via the internet; provision of scientific information, advice and consultancy in relation to carbon offsetting; cloud computing; research in the field of physics.

(260) AM 2021 111116 A
 (800) 1568056
 (151) 2020 07 21
 (891) 2020 07 21
 (731) Euro Games Technology Ltd.
 4, "Maritsa" Str., "Vranya-Lozen-Triugulnika",
 BG-1151 Sofia, Bulgaria
 (540)

Cash Heat

(591) Black, white
 (511)
 9 – Software; computer gaming software; computer software packages; computer operating system software; computer software, recorded; software drivers; virtual reality software; games software; entertainment software for computer games; computer programs for network management; operating computer software for main frame computers; monitors (computer hardware); computer hardware; apparatus for recording images; monitors (computer programs); computer game programs; computer programs for recorded games; apparatus for recording, transmission or reproduction of sound or images; communications servers [computer hardware]; electronic components for gambling machines; computer application software featuring games and gaming; computer software for the administration of on-line games and gaming; computer hardware for games and gaming; computer hardware and software for gambling, gambling machines, gambling games on the Internet and via telecommunication network.

28 – Gaming machines for gambling; chips for gambling; mah-jong; arcade games; gambling machines operating with coins, notes and cards; games; electronic games; parlor games; gaming chips; gaming tables; slot machines [gaming machines]; LCD game machines; slot machines and gaming devices; coin-operated amusement machines; roulette chips; poker chips; chips and dice [gaming equipment]; gaming equipment for casinos; roulette tables; gaming roulette wheels; casino games; amusement and gambling machines; coin-operated gaming machines and / or electronic coin-operated gaming machines with or without the possibility of gain; boxes for coin-operated machines, slot machines and gaming machines; electronic or electro-technical gaming devices, amusement and gaming machines, including coin-operated machines; housings for coin-operated machines, gaming equipment, gaming machines, machines for gambling; electro-pneumatic and electrical gambling machines (slot machines).

41 – Gambling; entertainment services related to gambling; gaming services for entertainment purposes; casino, gaming and gambling services; training in the development of software systems; provision of equipment for gambling halls; providing casino equipment [gambling]; gaming machine entertainment services;

providing casino facilities [gambling]; providing halls with gaming machines; amusement arcade services; games equipment rental; rental of gaming machines; providing amusement arcade services; rental of gaming machines with images of fruits; editing or recording of sounds and images; sound recording and video entertainment services; hire of sound reproducing apparatus; provision of gaming equipment for casinos; providing of casino facilities; online gambling services; provision of casino services; provision of gaming establishments, gaming halls, internet casinos, online gambling services.

(260) AM 2021 111117 A
 (800) 1568071
 (151) 2020 09 09
 (891) 2020 09 09
 (731) Joint-Stock Company "Apatit"
 Severnoye Shosse, 75, Cherepovets,
 RU-162622 Vologda Oblast, Russian
 Federation
 (540)



(591) Green and white
 (531) 05.07.02; 26.01.04; 26.01.15; 29.01.12
 (511)

1 – Nitrogen; anhydrous ammonia; borax; potassium; magnesium carbonate; kieselgur; nitric acid; boric acid for industrial purposes; sulfuric acid; phosphoric acid; acids; mineral acids; magnesite; alkaline-earth metals; alkaline metals; ammonium nitrate; nitrates; fertilizing preparations; preparations of trace elements for plants; saltpeter; sulfur; salts [fertilizers]; salts [chemical preparations]; ammoniacal salts; ammonium salts; calcium salts; salt, raw; salts of alkaline metals; blue vitriol; sulfates; fertilizers; nitrogenous fertilizers; phosphates [fertilizers]; phosphorus; horticultural chemicals, except fungicides, herbicides, insecticides and parasiticides; agricultural chemicals, except fungicides, herbicides, insecticides and parasiticides; soil conditioning preparations; magnesium chloride; chlorides; cultures of microorganisms, other than for medical and veterinary use; bacteriological preparations, other than for medical and veterinary use; biological preparations, other than for medical or veterinary purposes; plant growth regulating preparations; preparations of microorganisms, other than for medical and veterinary use; gypsum for use as a fertilizer; bentonite; surface-active chemical agents; flower

preservatives; seed preserving substances; diatomaceous earth; silicon; silicates.

31 – Algarovilla for animal consumption; draff; algae, unprocessed, for human or animal consumption; fruit residue [marc]; dog biscuits; peas, fresh; trees; palm trees; turf, natural; yeast for animal consumption; edible chews for animals; peanut cake for animals; oil cake; maize cake for cattle; rape cake for cattle; bagasses of cane [raw material]; cereal seeds, unprocessed; grains [cereals]; grains for animal consumption; lime for animal forage; vegetable marrows, fresh; cocoa beans, raw; potatoes, fresh; chestnuts, fresh; quinoa, unprocessed; arrangements of fresh fruit; animal foodstuffs; pet food; stall food for animals; bird food; strengthening animal forage; roots for animal consumption; groats for poultry; maize; edible sesame, unprocessed; shrubs; lemons, fresh; vine plants; onions, fresh; flower bulbs; leeks, fresh; olives, fresh; bran mash for animal consumption; peanut meal for animals; linseed meal for animal consumption; meal for animals; flax meal [fodder]; rice meal for forage; beverages for pets; vegetables, fresh; cucumbers, fresh; nuts [fruits]; coconuts; kola nuts; bran; palms [leaves of the palm tree]; cuttle bone for birds; peppers [plants]; locust beans, raw; citrus fruit, fresh; mash for fattening livestock; unprocessed sweet corn ears [husked or unhusked]; animal fattening preparations; preparations for egg laying poultry; by-products of the processing of cereals, for animal consumption; seed germ for botanical purposes; wheat; seedlings; plants; aloe vera plants; plants, dried, for decoration; rhubarb, fresh; rice, unprocessed; rye; wheat germ for animal consumption; lettuce, fresh; beet, fresh; linseed for animal consumption; edible linseed, unprocessed; hay; malt for brewing and distilling; sea-cucumbers, live; straw [forage]; straw litter; salt for cattle; trunks of trees; litter peat; garden herbs, fresh; sugarcane; truffles, fresh; squashes, fresh; fruit, fresh; hazelnuts, fresh; fodder; hops; garlic, fresh; lentils, fresh; pine cones; hop cones; spinach, fresh; juniper berries; berries, fresh; barley.

35 – Import-export agency services; commercial information agency services; cost price analysis; business intermediary services relating to the matching of potential private investors with entrepreneurs needing funding; demonstration of goods, namely demonstration of chemicals for use in agriculture, horticulture and forestry, compost, manures, fertilizers; demonstration of goods, namely raw and unprocessed agricultural, aquacultural, horticultural and forestry products, raw and unprocessed grains and seeds, fresh fruits and vegetables, fresh herbs, natural plants and flowers, bulbs, seedlings and seeds for planting, foodstuffs and beverages for animals; market opinion polling; market research studies; providing business information; providing commercial information and advice for consumers in the choice of products, namely chemicals for use in agriculture, horticulture and

forestry, compost, manures, fertilizers; providing commercial information and advice for consumers in the choice of products, namely raw and unprocessed agricultural, aquacultural, horticultural and forestry products, raw and unprocessed grains and seeds, fresh fruits and vegetables, fresh herbs, natural plants and flowers, bulbs, seedlings and seeds for planting, foodstuffs and beverages for animals; business investigations; business research; marketing research; business management and organization consultancy; business organization consultancy; business management consultancy; personnel management consultancy; professional business consultancy; consultancy regarding advertising communication strategies; consultancy regarding public relations communication strategies; layout services for advertising purposes; marketing of goods, namely chemicals for use in agriculture, horticulture and forestry, compost, manures, fertilizers; marketing of goods, namely raw and unprocessed agricultural, aquacultural, horticultural and forestry products, raw and unprocessed grains and seeds, fresh fruits and vegetables, fresh herbs, natural plants and flowers, bulbs, seedlings and seeds for planting, foodstuffs and beverages for animals; scriptwriting for advertising purposes; news clipping services; updating of advertising material; organization of exhibitions for commercial or advertising purposes; organization of exhibitions and trade fairs for commercial or advertising purposes; shop window dressing; business appraisals; business administrative assistance in responding to calls for tenders; business management assistance; commercial and industrial management assistance; commercial intermediation services, namely business intermediary services relating to the matching of potential private investors with entrepreneurs needing funding; providing business information via a web site; providing commercial and business contact information; provision of an online marketplace for buyers and sellers of goods and services; presentation of goods on communication media, for retail purposes, namely providing television home shopping services for chemicals for use in agriculture, horticulture and forestry, compost, manures, fertilizers; presentation of goods on communication media, for retail purposes, namely providing television home shopping services for raw and unprocessed agricultural, aquacultural, horticultural and forestry products, raw and unprocessed grains and seeds, fresh fruits and vegetables, fresh herbs, natural plants and flowers, bulbs, seedlings and seeds for planting, foodstuffs and beverages for animals; writing of publicity texts; advertising of goods, namely chemicals for use in agriculture, horticulture and forestry, compost, manures, fertilizers; advertising of goods, namely raw and unprocessed agricultural, aquacultural, horticultural and forestry products, raw and unprocessed grains and seeds, fresh fruits and vegetables, fresh herbs, natural plants and flowers, bulbs, seedlings and seeds for planting, foodstuffs and beverages for animals; advi-

sory services for business management; negotiation of business contracts for others; negotiation and conclusion of commercial transactions for third parties; commercial administration of the licensing of the goods and services of others; business management of reimbursement programs for others; business administration of consumer loyalty programs; administrative processing of purchase orders; commercial lobbying services; competitive intelligence services; market intelligence services; search engine optimization for sales promotion; price comparison services; procurement services for others in the nature of purchasing goods and services for other businesses, namely procurement of chemicals for use in agriculture, horticulture and forestry, compost, manures, fertilizers; procurement services for others in the nature of purchasing goods and services for other businesses, namely procurement of raw and unprocessed agricultural, aquacultural, horticultural and forestry products, raw and unprocessed grains and seeds, fresh fruits and vegetables, fresh herbs, natural plants and flowers, bulbs, seedlings and seeds for planting, foodstuffs and beverages for animals; retail and wholesale store services, namely, retail store services and wholesale store services and online retail store services featuring chemicals for use in agriculture, horticulture and forestry, compost, manures, fertilizers; retail and wholesale store services, namely, retail store services and wholesale store services and online retail store services featuring raw and unprocessed agricultural, aquacultural, horticultural and forestry products, raw and unprocessed grains and seeds, fresh fruits and vegetables, fresh herbs, natural plants and flowers, bulbs, seedlings and seeds for planting, foodstuffs and beverages for animals; outsourcing services; business efficiency expert services.

(260) AM 2021 111118 A
 (800) 1568083
 (151) 2020 01 14
 (891) 2020 01 14
 (731) SAAT VE SAAT SANAYİ VE TİCARET ANONİM ŞİRKETİ
 Maslak Mah. Büyükdere Cad., Noramin İş Merkezi No:237/D Kat B-2, Sarıyer, İstanbul, Turkey
 (540)

||
 - saat&saat
 |

(591) Black, red
 (531) 24.17.25; 26.11.06; 26.11.07; 26.11.08; 29.01.12
 (511)
 35 – Advertising, marketing and public relations; organization of exhibitions and trade fairs for com-

mercial or advertising purposes; office functions; business management, business administration and business consultancy; accounting; import-export agencies; the bringing together, for the benefit of others, of a variety of goods, namely, apparatus for recording, transmission or reproduction of sound or images, wearable technological devices (smart watches, wristbands, head-mounted devices), counters and quantity indicators for measuring the quantity of consumption, automatic time switches, eyeglasses, sunglasses, optical lenses and cases, containers, parts and components thereof, alarms and anti-theft alarms, other than for vehicles, jewellery, imitation jewellery, gold, precious stones and jewellery made thereof, cufflinks, tie pins, statuettes and figurines of precious metal, clocks, watches and chronometrical instruments, chronometers and their parts, watch straps enabling customers to conveniently view and purchase those goods, such services may be provided by retail stores, wholesale outlets, by means of electronic media or through mail order catalogues.

(260) AM 2021 111119 A
 (800) 1568099
 (151) 2020 10 08
 (891) 2020 10 08
 (731) GIORGIO ARMANI S.P.A.
 Via Borgonuovo, 11, I-20121 MILANO
 (Milano), Italy
 (540)

ARMANI
 sustainability
 project

(591) Black, white
 (531) 05.03.20; 27.05.01
 (511)
 16 – Printed matter, namely, informational cards and brochures in the field of clothing and clothing accessories, cosmetics, eyewear, watches, furniture, lamps and home accessories, foodstuffs; boxes of cardboard or paper; labels of cardboard or paper; hang tags of cardboard or paper; shopping bags of cardboard or paper; blank journals; note books; writing or drawing books; nibs; fountain pens; ball-point pens; pencils; felt-tip markers; pen cases; adhesive labels of paper; transfers [decalcomanias]; calendars; catalogues; loose-leaf binders; travel magazines; lifestyle and entertainment magazines; photographic prints; posters made of paper; rubber erasers; diaries; photograph albums; note cards; greeting cards; printed tickets; envelopes [stationery]; books.

(260) AM 2021 111120 A
 (800) 1568179
 (151) 2020 10 28
 (891) 2020 10 28
 (731) DAIICHI SANKYO COMPANY LIMITED
 3-5-1, Nihonbashi Honcho, Chuo-ku,
 Tokyo 103-8426, Japan
 (540)

DAIICHI SANKYO

(591) Black, white
 (511)
 10 – Surgical, medical, dental and veterinary apparatus, instruments and articles; diagnostic apparatus and instruments; apparatus for the regeneration of stem cells for medical purposes; prosthetic tissues for parietal use; prosthetic tissues for visceral use; prosthetic tissues for vascular use; medical apparatus for introducing pharmaceutical preparations into the human body; medical apparatus and instruments for use in treatment with cell preparations; medical apparatus and instruments for cell culture; pacifiers for babies; ice bag pillows for medical purposes; triangular bandages; supportive bandages; surgical catguts; feeding cups for medical purposes; dropping pipettes for medical purposes; teats; medical ice bags; medical ice bag holders; baby bottles; nursing bottles; finger guards for medical purposes; contraceptives, non-chemical; artificial tympanic membranes; prosthetics or fillings materials, not for dental use; medical apparatus and instruments; electric massage apparatus for household purposes; gloves for medical purposes; ear picks; esthetic massage apparatus for commercial use; urinals for medical purposes; bed pans.

(260) AM 2021 111121 A
 (800) 1568188
 (151) 2020 10 29
 (891) 2020 10 29
 (731) Stafford-Miller (Ireland) Limited
 Clocherane, Youghal Road, Dungarvan,
 Co. Waterford, Ireland
 (540)



(591) Black, white
 (531) 26.11.03; 26.11.13
 (511)
 3 – Non-medicated toilet preparations, dentifrices, mouthwashes and breath fresheners; oral care preparations, dental gels, bleaching preparations, tooth polishing preparations, tooth whitening preparations and accelerators, cosmetic stain removal preparations.

5 – Medicated oral care preparations, medicated tooth polishing preparations, medicated tooth whitening preparations, medicated mouthwashes, medicated bleaching preparations, medicated chewing gum and lozenges for dental hygiene.

10 – Dental care apparatus; flexible and disposable dental trays.

21 – Toothbrushes, toothpicks, dental floss, brushes and sponges.

(260) AM 2021 111128 A
 (800) 1568354
 (151) 2020 07 09
 (891) 2020 07 09
 (731) Bit Bio Limited
 Pioneer House, Vision Park, Histon,
 Cambridge, Cambridgeshire CB24 9NL,
 United Kingdom
 (540)



(591) Black, purple, light blue, brown
 (531) 27.05.01; 29.01.12
 (511)
 9 – Computer software and computer hardware for the separation of biological and non-biological materials; bioinformatics software; software for the control of laboratory robots; software program and algorithm for medical, clinical, research and biomanufacturing purposes; bioreactors; bioreactors for biomanufacturing; bioreactors for research use; bioreactor for cell culturing; bioreactors for laboratory use; manufacturing software; smart manufacturing system controls; electronic control units; laboratory apparatus for magnetic cell separation; magnetic cell separation laboratory equipment.

29 – Meat; meat substitutes; tissue engineered meat; synthetic meat; cultured meat; laboratory-grown meat; fish, not live.

40 – Custom manufacture of biopharmaceuticals; processing of biopharmaceutical materials for others; custom manufacture of stem cells for research purposes, stem cells for scientific purposes, stem cells other than for medical or veterinary purposes, skeletal myocytes for research purposes, cortical neurons for research purposes, biological tissue for research and scientific purposes, biological tissue cultures other than for medical or veterinary purposes, cultures of cell media [other than for medical or veterinary use], che-

mical reagents for use in biotechnology, other than for medical or veterinary use, nutritive agents for processing living cells [other than for medical use], semi-processed natural proteins for manufacturing food, proteins for use in the manufacture of food products, proteins for use in recombinant dna technology [other than for medical use], cell therapeutics, genetically or otherwise modified cells, cells which are propagated, cultivated and expanded in bioreactors, cells for the purpose of tissue regeneration, living cells for medical use, cells for medical use, biological preparations for medical use, diagnostic preparations for medical and/or veterinary purposes, cell preparations for drug screening, cell preparations for genetic testing, screening, stem cells for medical purposes, stem cells for veterinary purposes, cell growth media, tissue culture media, cytokines, antibodies, and reagents for medical, medical research or diagnostic use, tissue culture media, growth factors, growth media, serum, and nutritional supplements for in vitro culturing, development, maintenance, expansion, assay or manipulation of cells, cell separation reagents, magnetic cell separation equipment, dietary supplements, protein supplements, nutrition supplements, meat, meat substitutes, tissue engineered meat, synthetic meat, cultured meat, laboratory-grown meat and fish, not live.

42 – Biotechnology research; biotechnology testing; stem cell research; synthetic biology services; stem cell biology services; scientific services relating to the isolation and cultivation of human tissues and cells; research and development in the field of microorganisms and cells; research and development in relation to genetic testing, screening; research and development in relation to drug screening; cell separation technology services; cell separation research services; consultancy relating to biotechnology; scientific and technological consultancy relating to drug screening; scientific and technological consultancy relating to genetic screening; scientific and technological consultancy relating to cell therapy; laboratory research; research on food; research and development in the field of animal cells cultivated within bioreactors; research in the reduction of carbon emissions.

(260) AM 2021 111132 A

(800) 1568457

(151) 2020 10 21

(891) 2020 10 21

(731) SF (IP) LIMITED

12/F, San Toi Building, 137-139 Connaught Road Central, Hong Kong, China

(540)



(591) Black, white

(531) 26.01.03; 26.01.18; 26.11.03; 26.11.12;

27.05.04; 27.05.09; 27.05.10; 28.03

(511)

9 – Computer programmes [programs], recorded; computer software applications, downloadable; downloadable mobile applications; computer program (downloadable software); data processing apparatus; computer software, recorded; computer operating programs, recorded; electronic publications, downloadable; network communication equipment; remote control apparatus.

16 – Paper; printed matter; paper gift wrap; paper box; stationery; bags [envelopes, pouches] of paper or plastics for packaging; stuffing of paper or cardboard; plastic film for wrapping; glue for stationery or household purposes; writing or drawing books; stamps [seals]; writing materials; cardboard for packaging; printed publications; lithographic works of art; teaching materials [except apparatus].

35 – Presentation of goods on communication media, for retail purposes; advertising; commercial management consulting in the field of transportation and delivery; commercial administration of the licensing of the goods and services of others; business management assistance; market studies; providing business information via a web site; import-export agency services; provision of an on-line marketplace for buyers and sellers of goods and services; marketing; procurement services for others [purchasing goods and services for other businesses]; sales promotion for others; commercial consultant in the field of transportation and delivery; personnel recruitment; administrative services for the relocation of businesses; systemization of information into computer databases; web indexing for commercial or advertising purposes; accounting; rental of vending machines; retail services for pharmaceutical, veterinary and sanitary preparations and medical supplies; sponsorship search; outsourcing services [business assistance].

36 – Insurance underwriting; insurance claims processing; financing and loan services; clearing, financial; organization of monetary collections; financial management; mortgage banking; debt management services; processing of electronic credit card transactions; financial management by the internet; electronic funds transfer; art appraisal; real estate rental service; financial customs brokerage services; financial guarantees [surety services]; charitable fund raising; fiduciary; lending against security.

39 – Freightage; transportation logistics; unloading cargo; traffic information; wrapping of goods; piloting; vehicle breakdown towing services; marine transport; car transport; railway transport; air transport; car parking; storage of goods; rental of warehouses; parcel delivery; delivery of goods; courier services [messages or merchandise]; message delive-

ry; delivery of goods by mail order; car sharing services; rental of storage containers.

42 – Research and development of new products for others; computer software design; design and development of application software for mobile phones; software development for secure network operations; maintenance of computer software; monitoring of computer systems by remote access; development of computer platforms; electronic storage service for electronic data archiving; research in the field of telecommunications technology; developing data processing programs based on third party orders; off-site data backup; software as a service [SaaS]; cloud computing; server hosting; data encryption services.

(260) AM 2021 111134 A

(800) 1246496

(151) 2014 10 10

(891) 2020 12 09

(731) ICON S.R.L.

Via G. Di Vittorio, 11, I-40057 CADRIANO
DI GRANAROLO EMILIA (BO), Italy

(540)

INSIGHT

(591) Black, white

(531) 27.05.10

(511)

3 – Hair preparation; hair care preparations; oil baths for hair care; hair conditioner; hair wax; hair dyes; cosmetics for hair; hair creams; bleaches for use on the hair; bleaching preparations for the hair; hair emollients; gels for use on the hair; hair moisturisers; hair lacquer; hair permanent wave kit; hair lotions; hair glosses; hair mascara; oils and hair pomades; hair treatment preparations; preparations for styling, colouring and waving the hair; preparations for care and styling of the hair; hair conditioners; hair care cosmetics; hair neutralisers; preparations for colouring the hair; preparations for decolouring and removing dye from the hair; hair cleaning preparations; hair glosses; relaxers and lightening preparations for the hair; hair mousses; shampoos for the hair; hair thickeners; sprays for the hair; hair styling spray; colour for the hair; cosmetic dyes; shampoos, hair-dyeing preparations; hair tonic; hair conditioning treatments; wax treatments for the hair; disciplining treatments for the hair.

(260) AM 2021 111135 A

(800) 1281857

(151) 2015 10 22

(891) 2020 12 14

(731) Tomcat International Limited

1st Floor 26 Eastcastle Street, London
W1W 8DQ, United Kingdom

(540)

CAUDALIE

(591) Black, white

(511)

3 – Bleaching preparations and other substances for laundry use; cleaning, polishing, degreasing and abrasive preparations; soaps; perfumery, essential oils, cosmetics, hair lotions; dentifrices.

5 – Pharmaceutical, veterinary and sanitary products for medical purposes; dietetic foodstuffs and substances for medical use, food supplements for human beings; food for babies; plasters, materials for dressings (excluding instruments); material for dental fillings and dental impressions; disinfectants for medical or sanitary use (other than soaps); products for destroying vermin; fungicides, herbicides.

44 – Medical services; veterinary services; health and beauty treatments for human beings or animals; beauty salons.

(260) AM 2021 111136 A

(800) 1414587

(151) 2018 05 22

(891) 2020 12 16

(731) AstraZeneca AB

SE-151 85 Södertälje, Sweden

(540)



(591) Black, white

(531) 25.07.08; 26.03.04; 26.11.12; 26.15.01

(511)

5 – Pharmaceutical preparations and substances.

(260) AM 2021 111164 A

(800) 1568522

(151) 2020 12 14

(891) 2020 12 14

(731) CHIRANA, a.s.

Námestie Dr. Alberta Schweitzera 194,
SK-916 01 Stará Turá, Slovakia

(540)

CHIRANA

(591) Black, white

(511)

10 – Medical apparatus and instruments with the exception of disposable syringes and needles for medical use, conventional syringes and needles for medical

use, dialyzers and other articles for medical use concerning syringes, needles and dialyzers; special furniture for medical use; anesthetic apparatus; apparatus for artificial respiration; dental apparatus and instruments; electric dental apparatus; dentists' armchairs; dental kits.

(260) AM 2021 111166 A

(800) 1568546

(151) 2020 08 13

(891) 2020 08 13

(731) Limited liability company "MARTIN"

Tsentralnaya str., 109, Elektrougli, Noginsk district, RU-142455 Moscow region, Russian Federation

(540)



(591) Black, white

(531) 01.15.11; 03.13.09; 05.05.04; 05.05.20; 07.01.09; 07.01.24; 07.15.22; 28.05

(511)

29 – Sunflower seeds, prepared.

(260) AM 2021 111167 A

(800) 1568560

(151) 2020 09 29

(891) 2020 09 29

(731) Rohde & Schwarz GmbH & Co. KG

Mühldorfstrasse 15, 81671 München, Germany

(540)

ROHDE & SCHWARZ

(591) Black, white

(511)

9 – Electric and electronic measuring, signalling, checking (supervision) and testing apparatus and instruments; electric and electronic communications technology equipment; measuring and testing apparatus for wired and wireless signals, sound, image and net communication applications; high frequency transmitting and receiving apparatus; probes; test probes [electrical]; antennas; aerials; direction finders; radios; radio apparatus; radio transmitters; TV transmitters; radio receivers; radio transceivers; radio-frequency transmitters; radio-frequency receivers; air traffic control radio equipment; aeronautical radio communica-

tion machines and apparatus; single-channel radio communication apparatus for fixed stations; radio network management systems; electronic apparatus and software for Internet Protocol based voice and data communication via radio systems; radio systems components, in particular filters, amplifiers, couplers, switchers, circulators, antenna tuning units, racks, power supplies, remote control units, loudspeakers; software for defining radio waves; software defined radios; exchanges and switchboards for data transmission installations and apparatus as well as for radio and telephone installations and apparatus; electric and electronic apparatus and installations for flight operations centres, radio operations centres, traffic safety centres, telecommunications systems and networks; electric and electronic monitoring installations and apparatus; coastal radio installations and apparatus; radio installations and apparatus, mobile radio installations and apparatus, train radio installations and apparatus, speech communications installations and apparatus; remote control apparatus and software for radio networks; base stations for radio networks; hardware and software for testing electromagnetic compatibility, electromagnetic interference and electromagnetic failure susceptibility; drive tester hardware and software; automatic testing devices for the manufacture of mobile communications equipment; automatic testing devices for the manufacture of mobile communications equipment, in particular Over The Air (OTA) testing devices for the manufacture of mobile communications equipment; anechoic chambers [test and measurement technology]; telephones; data processing equipment and computers; data processing equipment and computers for bandwidth management, network analysis and network monitoring; satellite monitoring systems; satellite earth stations; apparatus and software for monitoring, controlling and operating satellites; signal collection systems; signal collection apparatus, instruments and software; spectrum monitoring systems; air traffic control monitoring systems; air traffic control remote control systems; message handling systems; hardware and software for measuring, analyzing, monitoring, controlling and optimizing network traffic and network performance; computer peripherals; cables and wires; equipment for data entry, equipment for data output; equipment for data storage and data transmission equipment; electronic databases; data processing equipment and accessories (electrical and mechanical); communications equipment; electrical multimedia service equipment; electric control panels for broadcasting apparatus; electric control panels for multicast equipment; Internet Protocol (IP) video distribution equipment; video mastering apparatus and systems consisting thereof; media servers; media memories; media storages; computer programs and computer databases; computer hardware and software, including computer software for application in the field of network applications and system management as

well as for the development of further software; Internet Protocol (IP) baseband multiviewer software; audio monitoring software; video monitoring software; audio sequencer software; video sequencer software; broadcast sequencer software; browser software; virtual private network (VPN) hardware and software; firewall hardware and software; deep packet inspection (DPI) hardware and software; firmware; cryptography, encryption, anti-virus, security and internet security software; computer hardware and software, including computer software for entering and calling up information in the internet and the worldwide web; computer software downloadable from a global computer network; computer programs for using the internet and the worldwide web; computer programs retrievable from the Internet and worldwide web; computer hardware and software, in particular for access to internet systems and for using these systems; computer hardware and software for media solutions; hardware and software for image and sound post processing; data transformation and data transmission hardware and software for live broadcasting and for play-back applications; hardware and software for sound and image processing in studio productions; operating and user instructions stored in digital form for computers and computer software; servers and software, apparatus and instruments for use therewith; cloud servers; cloud computing software; artificial intelligence software; machine learning software; recorded content; information technology and audiovisual equipment; bundled products consisting of IT apparatus and software; bundled products consisting data transmission apparatus and software; bundled products consisting data transmission apparatus and firmware; data transmission apparatus; software for monitoring, controlling and optimizing data transmission; downloadable publications; security scanners; body scanners (not for medical purposes); radio scanners; audio analyzers; circuit testers; data recorders; attenuators; broadband amplifiers; test and measurement apparatus and instruments for broadcasting applications; meters; power meters; power sensors; audio switchers [communication and network technology]; multimeters; LCR bridges; LCR meters; counters; frequency counters; masers [microwave amplifiers]; oscilloscopes; electronic power supplies; radar apparatus; apparatus for testing radar sensors and radar covers; radar target simulators; signal generators; video signal generators; audio signal generators; signal analyzers; spectrum analyzers; modulation analyzers; wireless electronic communications testers and systems consisting thereof; radio testers; analog radio testers; video testers; electronic protocol testers; electronic conformance and pre-conformance testers; network analyzers; vector network analyzers; converters, in particular frequency converters; frequency extenders; wireless communication apparatus and instruments; drone and drone radio control signal detection systems; automated drone and drone radio control sig-

nal detection systems; apparatus and instruments for detection, visualization, classification and disruption of drones; intelligent VPN [virtual private network] gateways; VPN [virtual private network] routers; VoIP [Voice-over-IP] routers; VPN [virtual private network] client software and hardware; internet access routers; network management cloud software; content filter hardware and software; computer network switches; LAN access points; wireless e-paper [display units]; wireless e-beacon transmitting modules; electronic WiFi controllers; software-defined local networks (WAN, WLAN, LAN); computer network devices and equipment; digital signs.

12 – Drones; military drones; civilian drones; camera drones; rescue drones; delivery drones.

35 – Business consultancy; risk management consultancy [business]; compilation of statistics and statistical analysis; compilation of statistical data in databases; systematic-ordering of data in computer databases; all the aforesaid services in the fields of analysis, viewing and monitoring of network resources; marketing consultancy; marketing research; benchmarking services.

37 – Maintenance and repair of the goods indicated in class 9; installation services for flight safety and air traffic control installations, flight operations control centres, radio control centres, radio operations centres, traffic safety centres, telecommunications systems and networks, coastal radio installations, mobile radio installations, train radio installations, radio networks and speech communications installations; installation; and maintenance of flight safety and air traffic control installations, flight operations control centres, radio control centres, radio operations centres, traffic safety centres, telecommunications systems and networks, coastal radio installations, mobile radio installations, train radio installations, radio networks and speech communications installations.

38 – Telecommunication; secure telecommunications, namely secure electronic transmission of data, images and documents via computer terminals; information about telecommunication; broadcasting; wireless broadcasting; electronic data transmission; leasing of access time to global computer networks for telecommunications purposes and data and information exchange; wireless communication services; provision and rental of telecommunications facilities and equipment; communications by cellular phones and other mobile telecommunication devices; communications by computer terminals; computer aided transmission of messages and images; message sending; paging services [radio, telephone or other means of electronic communication]; streaming of data; video-on-demand transmission; videoconferencing services; voice mail services; voice over IP (VoIP) services; Internet Protocol (IP) based voice and data communication via radio systems; provision of access to an online shop-

ping website related to electrical and electronic measurement, signalling, control and test equipment and instruments for broadcasting and media, network security, networks and communications; Voice-over-IP (VoIP) communication services using mobile devices; access-protected communication using mobile devices.

41 – Training; organising and conducting of courses, seminars, workshops and colloquia for training and further training; providing online training seminars; electronic publication services.

42 – Scientific and technological services and research and design relating thereto; industrial analysis and research services; information technology (IT) consulting services; technical and technological consultancy; IT consultancy, advisory and information services; internet and data security consultancy; computer programming and development of programs for data processing; development of computer programs for quality control, quality analysis and consulting related thereto; computer virus protection services; technical analysis of traffic through the internet; technical analysis and monitoring for optimizing network traffic; technical analysis of data exchange; technical and technological consultancy; computer security consultancy, computer software consultancy, computer technology consultancy and consultancy in the design and development of computer hardware; technical consultation services relating to electronic data processing, updating computer software, designing computer software; software as a service (SaaS) and rental of software; software as a service (SaaS) featuring software for machine learning, deep learning and deep neural networks; maintenance of computer programs; conducting technical tests and technical check-ups relating to the goods indicated in class 9; technical testing of products and plants; technical planning and technical testing of production lines for communications equipment; hosting computer sites [web sites]; server administration and hosting; data conversion services; technical and technological services relating to bandwidth management in computer networks; technological consultancy, technical planning and technical monitoring relating to quality management in Voice-over-IP (VoIP) systems, network management systems for ATM/ATC systems.

(260) AM 2021 111168 A

(800) 1568564

(151) 2020 09 29

(891) 2020 09 29

(731) Rohde & Schwarz GmbH & Co. KG
Mühldorfstrasse 15, 81671 München,
Germany

(540)



(591) Black, white

(531) 26.04.03; 26.04.18; 26.07.20; 27.05.01

(511)

9 – Electric and electronic measuring, signalling, checking (supervision) and testing apparatus and instruments; electric and electronic communications technology equipment; measuring and testing apparatus for wired and wireless signals, sound, image and net communication applications; high frequency transmitting and receiving apparatus; probes; test probes [electrical]; antennas; aerials; direction finders; radios; radio apparatus; radio transmitters; TV transmitters; radio receivers; radio transceivers; radio-frequency transmitters; radio-frequency receivers; air traffic control radio equipment; aeronautical radio communication machines and apparatus; single-channel radio communication apparatus for fixed stations; radio network management systems; electronic apparatus and software for Internet Protocol based voice and data communication via radio systems; radio systems components, in particular filters, amplifiers, couplers, switchers, circulators, antenna tuning units, racks, power supplies, remote control units, loudspeakers; software for defining radio waves; software defined radios; exchanges and switchboards for data transmission installations and apparatus as well as for radio and telephone installations and apparatus; electric and electronic apparatus and installations for flight operations centres, radio operations centres, traffic safety centres, telecommunications systems and networks; electric and electronic monitoring installations and apparatus; coastal radio installations and apparatus; radio installations and apparatus, mobile radio installations and apparatus, train radio installations and apparatus, speech communications installations and apparatus; remote control apparatus and software for remote control apparatus; base stations for radio networks; hardware and software for testing electromagnetic compatibility, electromagnetic interference and electromagnetic failure susceptibility; drive tester hardware and software; automatic testing devices for the manufacture of mobile communications equipment; automatic testing devices for the manufacture of mobile communications equipment, in particular Over The Air (OTA) testing devices for the manufacture of mobile communications equipment; anechoic chambers [test and measurement technology]; telephones; data processing equipment and computers; data

processing equipment and computers for bandwidth management, network analysis and network monitoring; satellite monitoring systems; satellite earth stations; apparatus and software for monitoring, controlling and operating satellites; signal collection systems; signal collection apparatus, instruments and software; spectrum monitoring systems; air traffic control monitoring systems; air traffic control remote control systems; message handling systems; hardware and software for measuring, analyzing, monitoring, controlling and optimizing network traffic and network performance; computer peripherals; cables and wires; equipment for data entry, equipment for data output; equipment for data storage and data transmission equipment; electronic databases; data processing equipment and accessories (electrical and mechanical); communications equipment; electrical multimedia service equipment; electric control panels for broadcasting apparatus; electric control panels for multicast equipment; Internet Protocol (IP) video distribution equipment; video mastering apparatus and systems consisting thereof; media servers; media memories; media storages; computer programs and computer databases; computer hardware and software, including computer software for application in the field of network applications and system management as well as for the development of further software; Internet Protocol (IP) baseband multiviewer software; audio monitoring software; video monitoring software; audio sequencer software; video sequencer software; broadcast sequencer software; browser software; virtual private network (VPN) hardware and software; firewall hardware and software; deep packet inspection (DPI) hardware and software; firmware; cryptography, encryption, anti-virus, security and internet security software; computer hardware and software, including computer software for entering and calling up information in the internet and the worldwide web; computer software downloadable from a global computer network; computer programs for using the internet and the worldwide web; computer programs retrievable from the internet and worldwide web; computer hardware and software, in particular for access to internet systems and for using these systems; computer hardware and software for media solutions; hardware and software for image and sound post processing; data transformation and data transmission hardware and software for live broadcasting and for playback applications; hardware and software for sound and image processing in studio productions; operating and user instructions stored in digital form for computers and computer software; servers and software, apparatus and instruments for use therewith; cloud servers; cloud computing software; artificial intelligence software; machine learning software; recorded content; information technology and audiovisual equipment; bundled products consisting of IT apparatus and software; bundled products consisting data transmission apparatus and software; bundled products

consisting data transmission apparatus and firmware; data transmission apparatus; software for monitoring, controlling and optimizing data transmission; downloadable publications; security scanners; body scanners (not for medical purposes); radio scanners; audio analyzers; circuit testers; data recorders; attenuators; broadband amplifiers; test and measurement apparatus and instruments for broadcasting applications; meters; power meters; power sensors; audio switchers [communication and network technology]; multimeters; LCR bridges; LCR meters; counters; frequency counters; masers [microwave amplifiers]; oscilloscopes; electronic power supplies; radar apparatus; apparatus for testing radar sensors and radar covers; radar target simulators; signal generators; video signal generators; audio signal generators; signal analyzers; spectrum analyzers; modulation analyzers; wireless electronic communications testers and systems consisting thereof; radio testers; analog radio testers; video testers; electronic protocol testers; electronic conformance and pre-conformance testers; network analyzers; vector network analyzers; converters, in particular frequency converters; frequency extenders; wireless communication apparatus and instruments; drone and drone radio control signal detection systems; automated drone and drone radio control signal detection systems; apparatus and instruments for detection, visualization, classification and disruption of drones; intelligent VPN [virtual private network] gateways; VPN [virtual private network] routers; VoIP [Voice-over-IP] routers; VPN [virtual private network] client software and hardware; internet access routers; network management cloud software; content filter hardware and software; computer network switches; LAN access points; wireless e-paper [display units]; wireless e-beacon transmitting modules; electronic WiFi controllers; software defined local networks (WAN, WLAN, LAN); computer network devices and equipment; digital signs.

12 – Drones; military drones; civilian drones; camera drones; rescue drones; delivery drones.

35 – Business consultancy; risk management consultancy [business]; compilation of statistics and statistical analysis; compilation of statistical data in databases; systematic-ordering of data in computer databases; all the aforesaid services in the fields of analysis, viewing and monitoring of network resources; marketing consultancy; marketing research; benchmarking services.

37 – Maintenance and repair of the goods indicated in class 9; installation services for flight safety and air traffic control installations, flight operations control centres, radio control centres, radio operations centres, traffic safety centres, telecommunications systems and networks, coastal radio installations, mobile radio installations, train radio installations, radio networks and speech communications installations; ins-

tallation; and maintenance of flight safety and air traffic control installations, flight operations control centres, radio control centres, radio operations centres, traffic safety centres, telecommunications systems and networks, coastal radio installations, mobile radio installations, train radio installations, radio networks and speech communications installations.

38 – Telecommunication; secure telecommunications, namely secure electronic transmission of data, images and documents via computer terminals; information about telecommunication; broadcasting; wireless broadcasting; electronic data transmission; leasing of access time to global computer networks for telecommunications purposes and data and information exchange; wireless communication services; provision and rental of telecommunications facilities and equipment; communications by cellular phones and other mobile telecommunication devices; communications by computer terminals; computer aided transmission of messages and images; message sending; paging services [radio, telephone or other means of electronic communication]; streaming of data; video-on-demand transmission; videoconferencing services; voice mail services; voice over IP (VoIP) services; Internet Protocol (IP) based voice and data communication via radio systems; provision of access to an online shopping website related to electrical and electronic measurement, signalling, control and test equipment and instruments for broadcasting and media, network security, networks and communications; Voice-over-IP (VoIP) communication services using mobile devices; access-protected communication using mobile devices.

41 – Training; organising and conducting of courses, seminars, workshops and colloquia for training and further training; providing online training seminars; electronic publication services.

42 – Scientific and technological services and research and design relating thereto; industrial analysis and research services; information technology (IT) consulting services; technical and technological consultancy; IT consultancy, advisory and information services; internet and data security consultancy; computer programming and development of programs for data processing; development of computer programs for quality control, quality analysis and consulting related thereto; computer virus protection services; technical analysis of traffic through the internet; technical analysis and monitoring for optimizing network traffic; technical analysis of data exchange; technical and technological consultancy; computer security consultancy, computer software consultancy, computer technology consultancy and consultancy in the design and development of computer hardware; technical consultation services relating to electronic data processing, updating computer software, designing computer software; software as a service (SaaS) and

rental of software; software as a service (SaaS) featuring software for machine learning, deep learning and deep neural networks; maintenance of computer programs; conducting technical tests and technical check-ups relating to the goods indicated in class 9; technical testing of products and plants; technical planning and technical testing of production lines for communications equipment; hosting computer sites [web sites]; server administration and hosting; data conversion services; technical and technological services relating to bandwidth management in computer networks; technological consultancy, technical planning and technical monitoring relating to quality management in Voice-over-IP (VoIP) systems, network management systems for ATM/ATC systems.

(260) AM 2021 111169 A

(800) 1568577

(151) 2020 02 03

(891) 2020 02 03

(731) KAVSAN AYAKKABI SANAYİ VE
TİCARET ANONİM ŞİRKETİ
Hacıpiri Mahallesi, Yeni Sanayi Sitesi,
Kavlu Caddesi, No:2, İskilip-Çorum, Turkey

(540)



(591) Dark yellow and black

(531) 26.04.05; 27.05.01; 29.01.12

(511)

18 – Unworked or semi-worked leather and animal skins, imitations of leather, stout leather, leather used for linings; goods made of leather, imitations of leather or other materials, designed for carrying items, included in this class; bags, wallets, boxes and trunks made of leather or stout leather; keycases, trunks [luggage], suitcases; umbrellas; parasols; sun umbrellas; walking sticks; whips; harness; saddlery; stirrups; straps of leather (saddlery).

25 – Clothing, including underwear and outerclothing, other than special purpose protective clothing; socks, mufflers [clothing], shawls, bandanas, scarves, belts [clothing]; footwear, shoes, slippers, sandals; headgear, hats, caps with visors, berets, caps [headwear], skull caps.

35 – The bringing together, for the benefit of others, of a variety of goods, namely, unworked or semi-worked leather and animal skins, imitations of leather, stout leather, leather used for linings, goods made of leather, imitations of leather or other materials, designed for carrying items, bags, wallets, boxes and trunks made of leather or stout leather, keycases, trunks [luggage], suitcases, umbrellas, parasols, sun umbrellas,

walking sticks, whips, harness, saddlery, stirrups, straps of leather (saddlery), clothing, including underwear and outer clothing, other than special purpose protective clothing, socks, mufflers [clothing], shawls, bandanas, scarves, belts [clothing], footwear, shoes, slippers, sandals, headgear, hats, caps with visors, berets, caps [headwear], skull caps, enabling customers to conveniently view and purchase those goods, such services may be provided by retail stores, wholesale outlets, by means of electronic media or through mail order catalogues.

(260) AM 2021 111170 A

(800) 1568588

(151) 2020 08 13

(891) 2020 08 13

(731) Limited liability company "MARTIN"

Tsentrálnaya str., 109, Elektrougli, Noginsk district, RU-142455 Moscow region, Russian Federation

(540)



(591) Black, white

(531) 05.05.04; 05.07.01; 25.01.15; 25.05.02; 26.04.04; 26.04.18; 26.04.24; 28.05

(511)

29 – Sunflower seeds, prepared.

(260) AM 2021 111171 A

(800) 1568636

(151) 2020 04 14

(891) 2020 04 14

(731) BPS FINANCIAL LIMITED

Level 1, 121 Scarborough Street, Southport QLD 4215, Australia

(540)

Qoin

(591) Black, white

(511)

9 – Computer software for transfer of funds; computer software for collection of fees; computer programs and computer software for digital wallets; computer programs and computer software to enable the electronic trading of fiat currency and virtual currency;

electronic financial platforms that enable payment and financial transactions; computer hardware for transmitting virtual currency and fiat currency between computers and/or electronic devices through peer-to-peer networks; electronic data files featuring interchangeable electronic cash comparable units having a specific cash value; software for providing an electronic financial platform that facilitates the transaction of payments and financial transactions over a computer network.

36 – Financial advisory services; financial exchange services; on-line real-time currency trading, namely, enabling transfers of electronic cash comparable units; virtual currency exchange transaction services for transferrable electronic cash comparable units having a specific cash value; monetary services for receiving and disbursing payments and gifts in fiat currencies and virtual currencies over a computer network and exchanging fiat currencies and virtual currencies over a virtual network; providing a virtual currency for exchange and storage over a computer network; currency exchange services; check verification services; clearing services for payment transactions; facilitating transfers of virtual currency through electronic transmission networks; electronic transmission of currency through computers and electronic devices; transmission of virtual currency via electronic transmission networks; currency exchange services; electronic transfer of a virtual currency for use by members of an online community via a global computer network.

38 – Communication between computers and electronic devices; transmission of data by means of telecommunications; transmission of data by computers and other electronic means; transmission of services between computers and electronic devices; transmission of financial information by electronic transmission networks; electronic transmission of financial data through computers and electronic devices.

42 – Providing temporary use of online, non-downloadable computer software for use in an electronic financial platform that facilitates transactions of payments over a computer network; computer support services; computer software development; computer software engineering.

45 – Verification of personal identification [personal background investigations]; licensing of computer programs; licensing of software; licensing of technology; licensing of intellectual property.

(260) AM 2021 111172 A

(800) 1568681

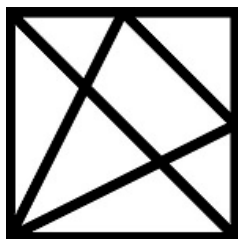
(151) 2020 11 27

(891) 2020 11 27

(731) Lightbox Jewelry Ltd

20 Carlton House Terrace, London SW1Y 5AN, United Kingdom

(540)



(591) Black, white

(531) 26.03.04; 26.04.01; 26.04.05; 26.04.11;
26.07.20; 26.11.09

(511)

14 – Precious metals and their alloys; badges of precious metal; ingots of precious metal; boxes of precious metal; ornaments of precious metal; jewellery including precious stones, diamonds, synthetic stones; precious stones; diamonds; synthetic stones; horological and chronometric instruments including watches, pocket watches and clocks.

35 – Retail and wholesale services, advertising and marketing services all in the field of precious metals and their alloys, badges of precious metal, ingots of precious metal, boxes of precious metal, ornaments of precious metal, jewellery including precious stones, diamonds, synthetic stones, horological and chronometric instruments including watches, pocket watches and clocks.

(260) AM 2021 111173 A

(800) 1568698

(151) 2020 10 27

(891) 2020 10 27

(731) Incyte Holdings Corporation

1801 Augustine Cut-Off, Wilmington

DE 19803, USA

(540)

Pemazyre 

(591) Black, white

(531) 26.01.02; 26.03.04; 26.03.05; 27.05.01

(511)

44 – Providing information relating to autoimmune disorders and oncological disorders, namely, providing information relating to diagnostic, prophylactic and therapeutic properties of pharmaceuticals, via a website.

(260) AM 2021 111174 A

(800) 1568699

(151) 2020 11 27

(891) 2020 11 27

(731) Lightbox Jewelry Ltd

20 Carlton House Terrace, London

SW1Y 5AN, United Kingdom

(540)

LIGHTBOX
LABORATORY-GROWN DIAMONDS

(591) Black, white

(531) 27.05.01

(511)

14 – Precious metals and their alloys; badges of precious metal; ingots of precious metal; boxes of precious metal; ornaments of precious metal; jewellery including precious stones, diamonds, man-made diamonds; precious stones; diamonds; synthetic stones; horological and chronometric instruments including watches, pocket watches and clocks.

35 – Retail and wholesale services, advertising and marketing services all in the field of precious metals and their alloys, badges of precious metal, ingots of precious metal, boxes of precious metal, ornaments of precious metal, jewellery including precious stones, diamonds, synthetic stones, horological and chronometric instruments including watches, pocket watches and clocks.

(260) AM 2021 111185 A

(800) 1568901

(151) 2020 11 24

(891) 2020 11 24

(731) FINCHIMICA S.P.A.

Via Lazio 13, I-25025 MANERBIO (BS),

Italy

(540)

METFIN

(591) Black, white

(511)

1 – Chemicals used in industry, science and photography, as well as in agriculture, horticulture and forestry; synthetic resins, unprocessed; unprocessed plastics; manures; fire extinguishing compositions; tempering and soldering preparations; chemical substances for preserving foodstuffs; tanning substances; adhesives used in industry; chemically converted compound fertilizers; chemically treated peat for use in horticulture; manures; chemicals for use in agriculture; growing media, fertilizers and chemicals for use in agriculture, horticulture and forestry; adhesives for agricultural use in pest control; chemically treated peat for use in agriculture; chemicals for use in agriculture; chemical adjuvants for use in agriculture; bacteriological preparations for use in agriculture; fertilizers, and chemicals used in agriculture, horticulture and forestry.

5 – Preparations for destroying vermin; insecticides; fungicides; herbicides; vermin destroying preparations; forestry (chemicals for -), [parasiticide]; parasitocides; pest control preparations and articles; antiparasitic preparations from chemical sources; antiparasitic

tic preparations; fungicides; biological fungicides; fungicides; fungicides for horticultural use; fungicides for agricultural use; fungicides for killing vermin; forestry (chemicals for -), [herbicides]; biological herbicides; anti-pathogen plant-protecting preparations; chemical preparations for treating diseases affecting plants.

(260) AM 2021 111186 A

(800) 1568942

(151) 2020 09 03

(891) 2020 09 03

(731) Xiaofeng Lin

Linshan Village, Yantou Town, Yongjia County, Wenzhou City, 325113 Zhejiang Province, China

(540)



DOSUESPIRIT

(591) Black, white

(531) 04.01.03

(511)

25 – Jackets [clothing]; leather coats; wind coats; down jackets; waterproof jackets and pants; coats made of cotton; topcoats; stuff jackets [clothing]; clothing; clothing of imitations of leather.

(260) AM 2021 111187 A

(800) 1568967

(151) 2020 09 30

(891) 2020 09 30

(731) Belarusian-German Joint Venture "Santa Bremor" Limited Liability Company

ul. Katin Bor 106, 224004 g. Brest, Belarus

(540)

Бабушка Аня

(591) Black, white

(531) 28.05

(511)

29 – Meat, fish, poultry and game; meat extracts; preserved, dried and cooked fruits and vegetables; jellies, jams, compotes; eggs; milk, cheese, butter, yogurt and other milk products; oils and fats for food; laver, preserved; peas, preserved; mushrooms, preserved; fruit-based snack food; soya patties; tofu patties; meat patties; cottage cheese fritters; eggplant paste; vegetable marrow paste; fish roe, prepared; sauerkraut; potato-based dumplings; arrangements of processed fruit; vegetable-based concentrate for cooking; bouillon

concentrates; shrimps, not live; prawns, not live; croquettes; sweet corn, processed; spiny lobsters, not live; salmon, not live; shellfish, not live; mussels, not live; fish mousses; lactic acid drinks; hash browns; potato fritters; lobsters, not live; tomato purée; liver pâté; crayfish, not live; crustaceans, not live; fish, preserved; salted fish; vegetable salads; fruit salads; fat-containing mixtures for bread slices; cottage cheese; tuna, not live; oysters, not live; fish fillets; hummus; cottage cheese fritters.

30 – Coffee, tea, cocoa and artificial coffee; rice, pasta and noodles; tapioca and sago; flour and preparations made from cereals; bread, pastries and confectionery; chocolate; ice cream, sorbets and other edible ices; sugar, honey, treacle; yeast, baking-powder; salt, seasonings, spices, preserved herbs; vinegar; sauces [condiments]; ice for refreshment; ice-lolly; ice cream bars; ice cream bricks; fruit ice cream; ice cream cakes; vareniki; vermicelli; vegetal preparations for use as coffee substitutes; fruit jellies [confectionery]; peanut confectionery; almond confectionery; pasta; pastry products; groats for human food; couscous; flour dishes; noodles; custard; muesli; pastilles [confectionery]; petits fours; biscuits; popcorn; flour products; oat-based food; gingerbread; spring rolls [raw vegetables wrapped in a pancake made of rice flour]; sugar confectionery; spaghetti; rusks; breadcrumbs; tabbouleh [vegetable dish with wheat grits]; tacos [fresh corn tortilla stuffed with meat and vegetables]; fruit and berry cakes; bread; unleavened bread; chips [cereal products]; pancakes; savory pancakes; stuffed pancakes; buns; bread rolls; edible paper wafers; edible rice paper; waffles; rice-based snack food; cereal-based snack food; cakes; pastries; frozen yogurt [confectionery ices]; ketchup [sauce]; flour-based dumplings; crackers; rice crackers; meat pies; potato-based flatbreads; rice cakes; hominy; pelmeni; pies; pizzas; puddings; ravioli; chocolate-based spreads; sandwiches; tarts; dough; pastry dough; almond paste; rice pulp for culinary purposes; cake dough; soybean dough; tortillas.

(260) AM 2021 111188 A

(800) 1569019

(151) 2020 07 06

(891) 2020 07 06

(731) OYSAN OTOMOTİV KEÇE PAZARLAMA SANAYİ VE TİCARET LİMİTED ŞİRKETİ
Mimar Sinan Mahallesi, Yedpa Ticaret Merkezi,
A Caddesi, No:57, Ataşehir, İstanbul, Turkey

(540)



(591) Blue and green
 (531) 26.11.02; 26.11.08; 27.05.11; 27.05.17;
 29.01.12

(511)
 17 – Non-metallic piston seals; seals; combination seals; non-metallic radial shaft sealing rings; non-metallic sealing rings; non-metallic seals for automotive applications; non-metallic oil seals; oil seals [packings]; oil seals for vehicles.

(260) AM 2021 111189 A
 (800) 1569080
 (151) 2020 11 24
 (891) 2020 11 24
 (731) Richter Gedeon Nyrt.
 Gyömrői út 19-21, H-1103 Budapest, Hungary
 (540)

ROVOBINT

(591) Black, white
 (511)
 5 – Pharmaceutical preparations.

(260) AM 2021 111190 A
 (800) 1569081
 (151) 2020 11 24
 (891) 2020 11 24
 (731) Richter Gedeon Nyrt.
 Gyömrői út 19-21, H-1103 Budapest, Hungary
 (540)

FILEROB

(591) Black, white
 (511)
 5 – Pharmaceutical preparations.

(260) AM 2021 111191 A
 (800) 1569082
 (151) 2020 11 24
 (891) 2020 11 24
 (731) Richter Gedeon Nyrt.
 Gyömrői út 19-21, H-1103 Budapest, Hungary
 (540)

KUNDEVIN

(591) Black, white
 (511)
 5 – Pharmaceutical preparations.

(260) AM 2021 111192 A
 (800) 1569086
 (151) 2020 11 24
 (891) 2020 11 24
 (731) Richter Gedeon Nyrt.
 Gyömrői út 19-21, H-1103 Budapest, Hungary

(540)

PILAMIN

(591) Black, white
 (511)
 5 – Pharmaceutical preparations, excluding preparations administered intravenously.

(260) AM 2021 111193 A
 (800) 1569090
 (151) 2020 11 24
 (891) 2020 11 24
 (731) Richter Gedeon Nyrt.
 Gyömrői út 19-21, H-1103 Budapest, Hungary
 (540)

SORPATIN

(591) Black, white
 (511)
 5 – Pharmaceutical preparations.

(260) AM 2021 111194 A
 (800) 1569092
 (151) 2020 06 12
 (891) 2020 06 12
 (731) FITDEX, SIA
 Staičeles iela 1 k-2 – 83, LV-1035 Rīga, Latvia
 (540)



(591) Black, white
 (531) 03.13.01; 03.13.24; 09.05.01; 09.05.12;
 27.05.01
 (511)
 16 – Sewing patterns.

(260) AM 2021 111195 A
 (800) 1569093
 (151) 2020 11 24
 (891) 2020 11 24
 (731) Richter Gedeon Nyrt.
 Gyömrői út 19-21, H-1103 Budapest, Hungary
 (540)

TRESSETIN

(591) Black, white
 (511)
 5 – Pharmaceutical preparations for gynecological purposes.

(260) AM 2021 111197 A
 (800) 1569101
 (151) 2020 11 24
 (891) 2020 11 24
 (731) Richter Gedeon Nyrt.
 Gyömrői út 19-21, H-1103 Budapest, Hungary
 (540)

HUMETRISYN

(591) Black, white
 (511)
 5 – Pharmaceutical preparations.

(260) AM 2021 111198 A
 (800) 1569102
 (151) 2020 11 24
 (891) 2020 11 24
 (731) Richter Gedeon Nyrt.
 Gyömrői út 19-21, H-1103 Budapest, Hungary
 (540)

STAXTON

(591) Black, white
 (511)
 5 – Pharmaceutical preparations.

(260) AM 2021 111199 A
 (800) 1569106
 (151) 2020 08 03
 (891) 2020 08 03
 (731) Obschestvo s ogranichennoy
 otvetstvennostyu "Tabak-invest"
 Gusovskogo St. d. 22, 220073 Minsk, Belarus
 (540)



(591) Black, white
 (531) 24.09.01; 28.05
 (511)
 34 – Tobacco; tobacco products; cigars, cigarettes;
 smokers' articles; matches.

(260) AM 2021 111210 A
 (800) 1569158
 (151) 2020 11 24
 (891) 2020 11 24
 (731) Richter Gedeon Nyrt.
 Gyömrői út 19-21, H-1103 Budapest, Hungary
 (540)

GRASELIN

(591) Black, white

(511)
 5 – Pharmaceutical preparations.

(260) AM 2021 111211 A
 (800) 1569161
 (151) 2020 11 24
 (891) 2020 11 24
 (731) Richter Gedeon Nyrt.
 Gyömrői út 19-21, H-1103 Budapest, Hungary
 (540)

LADERTIN

(591) Black, white
 (511)
 5 – Pharmaceutical preparations.

(260) AM 2021 111212 A
 (800) 1569166
 (151) 2020 11 24
 (891) 2020 11 24
 (731) Richter Gedeon Nyrt.
 Gyömrői út 19-21, H-1103 Budapest, Hungary
 (540)

GRIVOLTIN

(591) Black, white
 (511)
 5 – Pharmaceutical preparations.

(260) AM 2021 111213 A
 (800) 1569169
 (151) 2020 11 24
 (891) 2020 11 24
 (731) Richter Gedeon Nyrt.
 Gyömrői út 19-21, H-1103 Budapest, Hungary
 (540)

GILADET

(591) Black, white
 (511)
 5 – Pharmaceutical preparations.

(260) AM 2021 111214 A
 (800) 1569172
 (151) 2020 02 10
 (891) 2020 02 10
 (731) IDEUS SP. Z O.O.
 ul. Bolesława Chrobrego 26/114, PL-40-881
 Katowice, Poland
 (540)

(591) Red

(531) 26.11.05; 26.11.08; 27.05.11; 29.01.01
(511)

9 – Modular safety, protection, control and signalling apparatus; alarm and signalling apparatus; industrial control, switching and safety apparatus; measuring apparatus, data reading, alarm and checking (supervision) apparatus; electrical installation equipment, including extension cords, power cords and connecting cords, adapter units, plug boxes, plug-in connectors, ac adaptors, electricity transformers (term considered too vague by the International Bureau – Rule 13 (2) (b) of the Regulations); power supply converters; tactile sensors; house doorbell installations (term considered too vague by the International Bureau – Rule 13 (2) (b) of the Regulations); programmers (term considered too vague by the International Bureau – Rule 13 (2) (b) of the Regulations); time delay switches; current switches; sleeves (term considered too vague by the International Bureau – Rule 13 (2) (b) of the Regulations); connecting terminals; batteries; electric rechargeable batteries; electric chargers; surveillance cameras; intercom systems; video intercoms; power supplies for discharge lamps and fluorescent lamps, including electronic ballasts.

11 – Light sources; luminaires for household, decorative or special purposes; electrically powered fans for ventilation purposes; sockets and parts of sockets for lamps, light bulbs and fluorescent lamps; lamp globes, protective mesh for luminaires.

17 – Electro-insulating tapes and shields.

(260) AM 2021 111215 A

(800) 1569174

(151) 2020 09 30

(891) 2020 09 30

(731) Sichuan Prius Biotechnology Co., Ltd.
No.2 Prius Road, Luolong Industry Park,
Nanxi District, Yibin City, Sichuan Province,
China

(540)



(591) Black, white

(531) 18.03.02; 18.03.09; 18.03.23; 26.11.13;
27.05.01; 28.03

(511)

10 – Containers especially made for medical waste; basins for medical purposes; masks for use by medical personnel; sanitary masks for dust isolation for me-

dical purposes; surgical sutures; surgical catgut; disposable syringes; sanitary masks for medical purposes; clothing especially for operating rooms; hypodermic syringes; syringes for injections; dialyzers; sterile sheets, surgical; catheters; gloves for medical purposes; needles for medical purposes; thread for medical use; vascular access ports for medical use; blood transfusion apparatus; injection needles for medical use; infusion apparatus for therapeutic purposes; medical apparatus and instruments; syringes for medical purposes; testing apparatus for medical purposes; surgical apparatus and instruments; hemostatic suture instruments; radiological apparatus for medical purposes; dental apparatus and instruments; suture materials; thread, surgical.

(260) AM 2021 111216 A

(800) 1569191

(151) 2020 11 11

(891) 2020 11 11

(731) Trading company "SAN" Limited liability
Company
Novokurkinskoje shosse, 51, RU-125466
Moscow, Russian Federation

(540)



(591) Yellow, white, red, black, green and blue

(531) 03.07.03; 03.07.24; 27.05.01; 27.05.02;
27.05.03; 27.05.08; 27.05.17; 29.01.15

(511)

43 – Café services; cafeteria services; restaurant services; self-service restaurant services; canteens; bar services; food and drink catering; services for providing food and drink.

(260) AM 2021 111217 A

(800) 1569223

(151) 2020 09 23

(891) 2020 09 23

(731) Nemyro Volodymyr Serhiyovych
vul. Rozy Luxemburg, 82, kv. 19, Donetsk
83114, Ukraine

(540)

Uterm

(591) Black, white

(531) 27.05.01; 27.05.17

(511)

11 – Installations for lighting, heating, steam generating, cooking, cooling, drying, ventilating, water sup-

ply and sanitary purposes; heat accumulators; water heaters; hot air apparatus; heating installations; hot water heating installations; radiator caps; radiators [heating]; radiators, electric.

(260) AM 2021 111218 A
 (800) 1569336
 (151) 2020 07 15
 (891) 2020 07 15
 (731) Gaz & Jo Intellectual Property Holdings Limited
 Suite 4, Queripel House, 1 Duke of York Square, London SW3 4LY, United Kingdom
 (540)

JO LOVES

(591) Black, white
 (511)
 3 – Soaps; perfumery, essential oils, cosmetics, hair lotions; dentifrices, cleaning, polishing, scouring and abrasive preparations; aftershave; after shave balms, lotions and gels; air fragrancing preparations; antiperspirants; antistatic preparations for household purposes; antistatic dryer sheets; aromatherapy oils, lotions, creams and gels; bath and shower preparations, oils, lotions, creams, foams and gels; beauty creams, gels, lotions, serums, masks and foams; bleaching preparations for household use; bleaching preparations for laundry; face and body creams, lotions, gels, serums, masks and foams; body scrubs; fragrancing preparations; shampoos and conditioners for the hair; degreasing preparations for household purposes; detergents; dishwashing preparations; fabric softeners and conditioners; floor cleaning preparations; hair care preparations; fragrances for the hair; hair care creams, lotions, gels, liquids; hair pomades; household fragrances; impregnated cloths and wipes; laundry preparations; polishes; pot pourri; reed diffusers and refills for reed diffusers; scented fabric refresher sprays; sachets for perfuming linen; scented room sprays; skin care preparations.

4 – Candles and wicks for lighting.

(260) AM 2021 111219 A
 (800) 1569352
 (151) 2020 10 19
 (891) 2020 10 19
 (731) Janssen Pharmaceutica NV
 Turnhoutseweg 30, B-2340 Beerse, Belgium
 (540)

JCOVDEN

(591) Black, white
 (511)
 5 – Vaccines.

(260) AM 2021 111220 A
 (800) 1569372
 (151) 2020 07 21
 (891) 2020 07 21
 (731) Euro Games Technology Ltd.
 "Maritsa" Str., 4, "Vranya-Lozen-Triugulnika",
 BG-1151 Sofia, Bulgaria
 (540)

BURNING HOT

(591) Black, white
 (511)
 9 – Software; computer gaming software; computer software packages; computer operating system software; computer software, recorded; software drivers; virtual reality software; games software; entertainment software for computer games; computer programs for network management; operating computer software for main frame computers; monitors (computer hardware); computer hardware; apparatus for recording images; monitors (computer programs); computer game programs; computer programs for recorded games; apparatus for recording, transmission or reproduction of sound or images; communications servers [computer hardware]; electronic components for gambling machines; computer application software featuring games and gaming; computer software for the administration of on-line games and gaming; computer hardware for games and gaming; computer hardware and software for gambling, gambling machines, gambling games on the Internet and via telecommunication network.

28 – Gaming machines for gambling; chips for gambling; mah-jong; arcade games; gambling machines operating with coins, notes and cards; games; electronic games; parlor games; gaming chips; gaming tables; slot machines [gaming machines]; LCD game machines; slot machines and gaming devices; coin-operated amusement machines; roulette chips; poker chips; chips and dice [gaming equipment]; gaming equipment for casinos; roulette tables; gaming roulette wheels; casino games; amusement and gambling machines; coin-operated gaming machines and / or electronic coin-operated gaming machines with or without the possibility of gain; boxes for coin-operated machines, slot machines and gaming machines; electronic or electro-technical gaming devices, amusement and gaming machines, including coin-operated machines; housings for coin-operated machines, gaming equipment, gaming machines, machines for gambling; electro-pneumatic and electrical gambling machines (slot machines).

41 – Gambling; entertainment services related to gambling; gaming services for entertainment purposes; casino, gaming and gambling services; training in the development of software systems; provision of equipment for gambling halls; providing casino equipment [gambling]; gaming machine entertainment services;

providing casino facilities [gambling]; providing halls with gaming machines; amusement arcade services; games equipment rental; rental of gaming machines; providing amusement arcade services; rental of gaming machines with images of fruits; editing or recording of sounds and images; sound recording and video entertainment services; hire of sound reproducing apparatus; provision of gaming equipment for casinos; providing of casino facilities; online gambling services; provision of casino services; provision of gaming establishments, gaming halls, internet casinos, online gambling services.

(260) AM 2021 111221 A

(800) 1569389

(151) 2020 02 14

(891) 2020 02 14

(731) ÇAĞATAY EVCİL HAYVAN MAMALARI VE YEM ÜRÜNLERİ SANAYİ VE TİCARET ANONİM ŞİRKETİ

Ümit Mahallesi, 7406/1 Sokak, No: 9,
Bornova – İzmir, Turkey

(540)

LAMİTOMIX

(591) Red, grey and white are the feature of the mark

(531) 03.06.03; 27.05.02; 27.05.07; 27.05.17;
29.01.13

(511)

31 – Animal foodstuffs; cat litter and litter for small animals; fodder; cat food; dog food; pet food; food for animals.

(260) AM 2021 111222 A

(800) 1569391

(151) 2020 10 15

(891) 2020 10 15

(731) CELLTRION, INC.

23, Academy-ro, Yeonsu-gu, Incheon 22014,
Republic of Korea

(540)

Remsimate

(591) Black, white

(511)

9 – Smartphone applications for health care or medical purposes (software); smartphone application software for providing medical information; downloadable smartphone application for healthcare or medical use; downloadable computer software application for providing medical information; computer application software for digital or electronic tablets for medical use; medical software; computer software for diagnosing diseases for medical purposes; medical software for disease management.

(260) AM 2021 111223 A

(800) 1569410

(151) 2020 08 06

(891) 2020 08 06

(731) LUHOVYI SERHII MYKOLAIOVYCH

vul. Pushkinska, bud. 11/13, kv. 88, m. Kharkiv
61057, Ukraine

(540)



(591) Black, white

(531) 04.03.05; 26.11.02; 26.11.13; 28.05

(511)

16 – Paper, cardboard and products made of them, which are not referred to another classes; printed matter; bookbinding material; photographs; stationery; glue for stationery or household purposes; materials for artists; paintbrushes; typewriters and office requisites, except furniture; teaching materials; plastic materials for wrapping and packaging; printing type; printing blocks.

40 – Engraving; printing; lithographic printing; pattern printing; offset printing; photographic printing; bookbinding; laminating; framing of works of art; silkscreen printing; photogravure; photocomposing services.

(260) AM 2021 111224 A

(800) 1569470

(151) 2020 06 19

(891) 2020 06 19

(731) TAN-ALİZE KOZMETİK VE TEMİZLİK ÜRÜNLERİ SANAYİ VE TİCARET ANONİM ŞİRKETİ

Ömerli Mahallesi, Uran Caddesi No:32,
Çekmeköy, TR-81730 İstanbul, Turkey

(540)

Mr. Wipes
OHME

(591) Black, white, green

(531) 05.01.05; 05.01.16; 27.03.01; 27.03.11;
27.05.10; 29.01.12

(511)

3 – Preparations for bleaching and cleaning purposes: detergents, laundry bleach, laundry softeners, stain

removers, dish-washing preparations; perfumery; cosmetic products, fragrances for personal use (including deodorants for human beings and animals, other than cosmetics containing medication); soaps (other than medicated soaps); dental care products: dentifrices, tooth polishing and whitening substances, mouth washes, not for medical purposes; abrasive products: emery cloth, sandpaper, pumice stone, abrasive pastes; polishing and care preparations for leather, vinyl, metal and wood; polishes, care creams, polishing wax.

(260) AM 2021 111225 A

(800) 1569478

(151) 2020 11 11

(891) 2020 11 11

(731) Apple Inc.

One Apple Park Way, Cupertino CA 95014,
USA

(540)



(591) Blue, white, gray, and black

(531) 14.07.01; 26.04.04; 26.04.10; 27.03.15;
29.01.14

(511)

9 – Computer software for software development.

(260) AM 2021 111226 A

(800) 1569488

(151) 2020 01 01

(891) 2020 01 01

(731) İSA TEKSTİL SANAYİ VE TİCARET
LİMİTED ŞİRKETİ

Aksaray Mahallesi Küçüklanga Caddesi,
No:61/A Fatih, İstanbul, Turkey

(540)

NAPOLYON

(591) Black, white

(531) 27.05.17

(511)

24 – Woven or non-woven textile fabrics; textile goods for household use, not included in other classes: curtains, bed covers, sheets (textile), pillowcases, blankets, quilts, towels; flags, pennants, labels of textile; swaddling blankets.

(260) AM 2021 111227 A

(800) 1569516

(151) 2020 09 24

(891) 2020 09 24

(731) Dutch Passion Holding B.V.

Hoogoorddreef 135, NL-1101 BB Amsterdam
Zuid-Oost, Netherlands

(540)



(591) Yellow, black and white

(531) 03.05.03; 03.05.20; 03.05.24; 27.05.01;
27.05.08; 29.01.13

(511)

31 – Seeds; natural plants and flowers.

35 – Business intermediary services in the sale of nursery supplies for the cultivation of plants; business intermediary services in the marketing of seeds and plants; aforementioned services also provided online.

(260) AM 2021 111228 A

(800) 1569571

(151) 2020 04 27

(891) 2020 04 27

(731) KOPOS HOLDING, a.s.

Šumavská 46, CZ-120 00 PRAHA
2 – Vinohrady, Czech Republic

(540)



(591) Black, white

(531) 26.01.07; 26.01.18; 27.05.21; 27.05.22

(511)

6 – Wires, metal tubes stable and flexible, fixing material of metal.

7 – Replaceable accessories and mechanical preparations for injection and mechanical presses, single-purpose machines and equipment for listed products.

9 – Varnished wires for needs in electrotechnics and outside, wiring storage material for high and low current lines, fixed, flexible tubes, boxes, bars, channels, boards and other various moldings for surface and flush mounting, high-current electrical equipment and apparatuses, switchboards.

17 – Plastic fastening material, various plastic moldings for electrotechnics and other fields.

20 – Special plastic products, coils, shielding fittings, extrusion profiles of special shapes.

35 – Advertising activity.

37 – Assembly and repairs of multipurpose machines and equipment, tools, molds and mechanical preparations.

39 – Transport and transport services for transport of own and foreign goods including its storage.

(260) AM 2021 111229 A

(800) 1569581

(151) 2020 10 15

(891) 2020 10 15

(731) Apple Inc.

One Apple Park Way, Cupertino CA 95014,
USA

(540)

A14 BIONIC

(591) Black, white

(511)

9 – Computer hardware, namely, integrated circuits and computer chips.

(260) AM 2021 111230 A

(800) 1569599

(151) 2020 04 27

(891) 2020 04 27

(731) MARKANT Services International GmbH

Hanns-Martin-Schleyer-Str. 2, 77656
Offenburg, Germany

(540)



(591) Red and white

(531) 02.09.04; 26.01.04; 26.01.12; 26.01.24;
29.01.12

(511)

35 – Advertising; business management; business administration; clerical services; retail services and wholesale services with chemicals used in industry, science and photography, as well as in agriculture, horticulture and forestry, unprocessed artificial resins, unprocessed plastics, manure, fire-extinguishing compositions, tempering and soldering preparations, chemicals for preserving foodstuffs, tanning materials, adhesives for use in industry, paints, varnishes, lacquers, preservatives against rust and against deterioration of wood, dyes, mordants, raw natural resins, metal in sheet and powder form for painters, decorators, printers and artists, bleaching preparations and other

substances for laundry use, cleaning, polishing, scouring and abrasive preparations, soaps, perfumery, essential oils, cosmetics, hair lotions, dentifrices, industrial oils and greases, lubricants, dust absorbing, wetting and binding compositions, fuels (including motor spirit) and illuminants, candles and wicks for lighting, pharmaceutical and veterinary preparations, sanitary preparations for medical purposes, dietetic substances adapted for medical use, food for babies, plasters, materials for dressings, material for stopping teeth, dental wax, disinfectants, preparations for destroying vermin, fungicides, herbicides, common metals and their alloys, metal building materials, transportable buildings of metal, material of metal for railway tracks, non-electric cables and wires of common metal, ironmongery, small items of metal hardware, pipes and tubes of metal, safes, goods of common metal, ores, machines and machine tools, motors and engines (except for land vehicles), machine coupling and transmission components (except for land vehicles), agricultural implements other than hand-operated, incubators for eggs, hand tools and implements (hand-operated), cutlery, side arms, razors, scientific, nautical, surveying, photographic, optical, weighing, measuring, signalling, checking (supervision), life-saving and teaching apparatus and instruments, apparatus and instruments for conducting, switching, transforming, accumulating, regulating or controlling electricity, automatic vending machines and mechanisms for coin-operated apparatus, cash registers, calculating machines, data processing equipment and computers, fire-extinguishing apparatus, surgical, medical, dental and veterinary apparatus and instruments, artificial limbs, eyes and teeth, orthopedic articles, suture materials, apparatus for lighting, heating, steam generating, cooking, refrigerating, drying, ventilating, water supply and sanitary purposes, vehicles, apparatus for locomotion by land, air or water, firearms, ammunition and projectiles, explosives, fireworks, precious metals and their alloys and goods in precious metals or coated therewith, jewellery, precious stones, horological and chronometric instruments, musical instruments, paper, cardboard and goods made from these materials, printed matter, book binding material, photographs, stationery, adhesives for stationery or household purposes, artists' materials, paint brushes, typewriters and office requisites (except furniture), instructional and teaching material (except apparatus), plastic materials for packaging, printers' type, printing blocks, rubber, gutta-percha, gum, asbestos, mica and goods made from these materials, plastics in extruded form for use in manufacture, packing, stopping and insulating materials, flexible pipes, not of metal, leather and imitations of leather, and goods made of these materials, animal skins, hides, trunks and travelling bags, umbrellas, parasols and walking sticks, whips, harness and saddlery, building materials (non-metallic), non-metallic rigid pipes for building, asphalt, pitch and bitumen, non-metallic transportable

buildings, monuments, not of metal, furniture, mirrors, picture frames, goods of wood, cork, reed, cane, wicker, horn, bone, ivory, whalebone, shell, amber, mother-of-pearl, meerschaum and substitutes for all these materials, or of plastics, household or kitchen utensils and containers, combs and sponges, brushes (except paint brushes), brush-making materials, articles for cleaning purposes, steel wool, unworked or semi-worked glass (except glass used in building), glassware, porcelain and earthenware, ropes, string, nets, tents, awnings, tarpaulins, sails, sacks and bags, padding and stuffing materials (except of rubber or plastics), raw fibrous textile materials, yarns and threads, for textile use, textiles and textile goods, bed and table covers, clothing, footwear, headgear, lace and embroidery, ribbons and braid, buttons, hooks and eyes, pins and needles, artificial flowers, carpets, rugs, mats and matting, linoleum and other materials for covering existing floors, wall hangings (non-textile), games and playthings, gymnastic and sporting articles, decorations for Christmas trees, meat, fish, poultry and game, meat extracts, preserved, frozen, dried and cooked fruits and vegetables, jellies, jams, compotes, eggs, milk and milk products, edible oils and fats, coffee, tea, cocoa, sugar, rice, tapioca, sago, artificial coffee, flour and preparations made from cereals, bread, pastry and confectionery, ices, honey, treacle, yeast, baking-powder, salt, mustard, vinegar, sauces (condiments), spices, ice, agricultural, horticultural and forestry products and grains, live animals, fresh fruits and vegetables, seeds, natural plants and flowers, foodstuffs for animals, malt, beers, mineral and aerated waters and other non-alcoholic drinks, fruit drinks and fruit juices, syrups and other preparations for making beverages, alcoholic beverages (except beers), tobacco, smokers' articles, matches; professional and organizational business consultancy; business consultancy and information; sales and purchasing consultancy; compilation of goods for third parties for presentation, sale and re-sale purposes; planning services for advertising; advertising documentation; promoting the goods and/or services of others; advice relating to the sale of businesses; business consultancy for selling and purchasing goods; public relations services; organization of exhibitions for commercial or advertising purposes; organization of trade fairs for commercial or advertising purposes; shop window dressing; market research and market analysis; marketing; agency of commercial transactions for others, also by means of e-commerce; consulting and providing of business expertise, especially for food trade; commercial and business consultancy for franchising concepts, especially for food trade; presentation of offers for goods and services, for others, on the Internet; arranging of business introductions via internet.

(260) AM 2021 111232 A
 (800) 1569676
 (151) 2020 07 20
 (891) 2020 07 20
 (731) Markushevskiy Igor Isaakovych
 vul. Bolharska, 82, kv. 8, m. Odesa 65005,
 Ukraine;
 Maslenkov Volodymyr Mykolaiovych
 vul. Marshala Hovorova, 1-2, kv. 101, m. Odesa
 65058, Ukraine;
 Shmulevych Vitalii Naumovych
 vul. Levanevskoho, 7, kv. 63; m. Odesa
 65062, Ukraine

(540)

PONTE AZZURRO

(591) Black, white
 (531) 27.05.01
 (511)
 33 – Alcoholic beverages, except beer; aperitif wines; wine; grape wine; digesters [liqueurs and spirits]; brandy; whisky; grape-based alcoholic beverages; gin; arrack [arak]; anisette [liqueur]; anise [liqueur]; mead [hydromel]; vodka; kirsch; perry; cocktails; liqueurs; peppermint liqueurs; distilled beverages; pre-mixed alcoholic beverages, other than beer-based; alcoholic beverages containing fruit; bitters; piquette; rice alcohol; rum; cider; spirits [beverages]; alcoholic extracts; alcoholic essences; fruit extracts, alcoholic.

(260) AM 2021 111240 A
 (800) 1569862
 (151) 2020 07 17
 (891) 2020 07 17
 (731) Public Joint Stock Company "GAZ"
 prospect Lenina, 88, RU-603004 Nizhny
 Novgorod, Russian Federation

(540)

ПОБЕДА

(591) Black, white
 (531) 28.05
 (511)
 12 – Vehicles; motor buses; automobiles; caravans; vans [vehicles]; trucks; engines for land vehicles; automobile bodies; tipping bodies for trucks; vehicle chassis.

(260) AM 2021 111241 A
 (800) 1569865
 (151) 2020 07 02
 (891) 2020 07 02
 (731) SHENZHEN KTC TECHNOLOGY CO., LTD.
 Floor 1-5, Building 1, No.4023 Wuhe Avenue,
 Gangtuo Community, Bantian Street, Longgang
 District, Shenzhen, Guangdong, China

(540)

KTC

(591) Black, white

(531) 27.05.01; 27.05.17; 27.05.23

(511)

9 – Semi-conductors; notebook computers; laptop computers; polycrystalline silicon wafers; computer peripheral devices; monitors [computer hardware]; video screens; audiovisual teaching apparatus; data processing apparatus; fluorescent screens; electronic interactive whiteboards; interactive touch screen terminals; computer software, recorded; computer software applications, downloadable; electronic numeric displays; monitors [computer programs]; electronic pens [visual display units].

(260) AM 2021 111242 A

(800) 1569902

(151) 2020 07 06

(891) 2020 07 06

(731) Gaja S.S.

Via Torino, 18, I-12050 Barbaresco (CN), Italy

(540)

GAJA'S

(591) Black, white

(511)

33 – Alcoholic beverages, except beers.

(260) AM 2021 111243 A

(800) 1569922

(151) 2020 11 24

(891) 2020 11 24

(731) Richter Gedeon Nyrt.

Gyömrői út 19-21, H-1103 Budapest, Hungary

(540)

TREFULIS

(591) Black, white

(511)

5 – Pharmaceutical preparations.

(260) AM 2021 111244 A

(800) 1569927

(151) 2020 11 24

(891) 2020 11 24

(731) Richter Gedeon Nyrt.

Gyömrői út 19-21, H-1103 Budapest, Hungary

(540)

FRADUXIN

(591) Black, white

(511)

5 – Pharmaceutical preparations.

(260) AM 2021 111245 A

(800) 1569956

(151) 2020 11 24

(891) 2020 11 24

(731) Richter Gedeon Nyrt.

Gyömrői út 19-21, H-1103 Budapest, Hungary

(540)

BLEVANDIX

(591) Black, white

(511)

5 – Pharmaceutical preparations.

(260) AM 2021 111246 A

(800) 1569967

(151) 2020 11 24

(891) 2020 11 24

(731) Richter Gedeon Nyrt.

Gyömrői út 19-21, H-1103 Budapest, Hungary

(540)

BALDOMIN

(591) Black, white

(511)

5 – Pharmaceutical preparations.

(260) AM 2021 111247 A

(800) 1569975

(151) 2020 11 24

(891) 2020 11 24

(731) Richter Gedeon Nyrt.

Gyömrői út 19-21, H-1103 Budapest, Hungary

(540)

BAVARTIN

(591) Black, white

(511)

5 – Pharmaceutical preparations.

(260) AM 2021 111248 A

(800) 1569984

(151) 2020 10 06

(891) 2020 10 06

(731) "TOSPA" RADIO EDITORS Closely Held

Corporation

Northern Ave 1, Room 28, 0001 Yerevan,

Armenia

(540)



(591) Black, white

(531) 05.01.03; 05.01.05; 05.03.13; 27.03.11;
27.05.08; 27.05.10
(526) healthy food from the Armenian highlands.
(511)
29 – Dried fruits; vegetables and fruits, tinned.
30 – Teas; teas prepared from herbs.
32 – Drinking water; juices.

(260) AM 2021 111249 A
(800) 1570017
(151) 2020 06 24
(891) 2020 06 24
(731) Shandong Fujizy Elevator Co., Ltd.
South end of Taishan Road, economic
development zone of Ningjin, 253400
Shandong Province, China

(540)



(591) Black, white
(531) 24.15.01; 26.04.03; 26.04.19; 26.04.24
(511)
7 – Elevators [lifts]; belt conveyors; elevating apparatus; hoist; wind power plants; elevator [except ski carrier]; escalator; movable sidewalk; wind turbine and its accessories.

(260) AM 2021 111250 A
(800) 1570018
(151) 2020 11 09
(891) 2020 11 09
(731) Joint stock company "Prosveshcheniye publishers"
Krasno proletarskaya street, d. 16, bldg. 3,
4th floor, suite 1, RU-127473 Moscow,
Russian Federation

(540)



(591) Black, white
(531) 26.11.08; 26.15.25; 27.05.09
(526) PUBLISHERS

(511)
9 – Magnetic tape units for computers; computer memory devices; video cassettes; floppy disks; sound recording discs; disks, magnetic; optical discs; electronic notice boards; interfaces for computers; electronic book readers; compact discs [audio-video]; compact discs [read-only memory]; magnetic tapes; videotapes; sound recording carriers; magnetic data media; optical data media; computer programs, recorded; computer game software; computer programs, downloadable software; electronic publications [downloadable]; integrated circuit cards [smart cards]; chips [integrated circuits].

16 – Albums; almanacs; atlases; posters; forms, printed; pads [stationery]; drawing pads; spiral notebooks; pamphlets; booklets; newsletters; signboards of paper or cardboard; newspapers; engravings; magazines [periodicals]; bookmarks; periodicals; printed publications; bags [envelopes, pouches] of paper or plastics, for packaging; cardboard; graphic representations; calendars; pictures; transfers [decalcomanias]; cards; index cards; geographical maps; books; comic books; envelopes [stationery]; postage stamps; lithographs; graphic prints; teaching materials [except apparatus]; stickers [stationery]; covers [stationery]; greeting cards; postcards; etchings; paper bags; bookbindings; song books; printed matter; prospectuses; printed timetables; indexes; graphic reproductions; writing or drawing books; stationery; transparencies; manuals [handbooks]; photo-engravings; photographs; prints; labels of paper or cardboard.

41 – Academies [education]; publication of books; layout services, other than for advertising purposes; providing online electronic publications, not downloadable; game services provided online from a computer network; organization of exhibitions for cultural or educational purposes; arranging and conducting of conferences; arranging and conducting of seminars; arranging and conducting of symposiums; organization of competitions [education or entertainment]; arranging and conducting of workshops [training]; arranging and conducting of in-person educational forums; vocational guidance [education or training advice]; vocational retraining; television entertainment; educational examination; film production, other than advertising films; electronic desktop publishing; online publication of electronic books and journals; publication of texts, other than publicity texts; teaching; correspondence courses; practical training [demonstration]; coaching [training]; scriptwriting, other than for advertising purposes; ticket agency services [entertainment]; arranging and conducting of colloquiums; photography; photographic reporting.

(260) AM 2021 111251 A

(800) 1570052

(151) 2020 11 09

(891) 2020 11 09

(731) Joint stock company "Prosveshcheniye publishers"
Krasnoproletarskaya street, d. 16, bldg. 3,
4th floor, suite 1, RU-127473 Moscow,
Russian Federation

(540)



(591) Black, white

(531) 26.11.08; 26.15.25; 28.05

(526) IZDATELSTVO

(511)

9 – Video cassettes; floppy disks; sound recording discs; disks, magnetic; optical discs; compact discs [audio-video]; sound recording carriers; magnetic data media; optical data media; computer programs, recorded; electronic publications [downloadable].

16 – Almanacs; atlases; posters; forms, printed; pamphlets; booklets; newsletters; signboards of paper or cardboard; newspapers; engravings; bookmarks; printed publications; bags [envelopes, pouches] of paper or plastics, for packaging; cardboard; graphic representations; calendars; tear-off calendars; pictures; transfers [decalcomanias]; index cards; geographical maps; books; ledgers [books]; comic books; envelopes [stationery]; postage stamps; lithographs; graphic prints; teaching materials [except apparatus]; stickers [stationery]; covers; greeting cards; postcards; etchings; paper bags; bookbindings; periodicals; song books; prospectuses; printed timetables; indexes; graphic reproductions; stationery; transparencies; textbooks; photo-engravings; photographs; prints; labels of paper or cardboard.

41 – Publication of books; providing online electronic publications, not downloadable; organization of exhibitions for cultural or educational purposes; arranging and conducting of conferences; arranging and conducting of seminars; arranging and conducting of symposiums; arranging and conducting of workshops [training]; electronic desktop publishing; online publication of electronic books and journals; publication of texts, other than publicity texts; teaching; digital imaging services [photography]; arranging and conducting of colloquiums.

(260) AM 2021 111252 A

(800) 1570087

(151) 2020 05 29

(891) 2020 05 29

(731) Nanjing Easthouse Electrical Co., Ltd.
No. 27 Puzhou Road, Jiangbei New Area,
210032 Nanjing, Jiangsu, China

(540)

SECURAM

(591) Black, white

(531) 27.05.01

(511)

6 – Padlocks of metal, other than electronic; cashboxes [metal or non-metal]; safes [metal or non-metal]; strongboxes [metal or non-metal]; safety cashboxes; safes, electronic; metal fire-resistant safes; doors of metal; windows of metal; door handles of metal; ironmongery; door fittings of metal; keys of metal; locks of metal, other than electric; door bells of metal, non-electric.

9 – Biometric scanners; face recognition device; switches, electric; climate control digital thermostats; electric sockets; transducers; patch board; power switches; multi-start patch board; lighting control apparatus; time switches; alarm sensors; light dimmers; remote control apparatus; sound alarms; alarms; fire alarms; electronic access control systems for interlocking doors; electric locks for vehicles; light switches; alarm bells, electric; electronic burglar alarms; anti-intrusion alarms; fire detectors; gas alarms; digital door locks; alarms for detecting flammable gas; central alarms; network communication equipment; motion detectors; infrared detectors; passive infrared detectors; electro-dynamic apparatus for the remote control of signals; regulating apparatus, electric; plugs, sockets and other contacts [electric connections]; electronic key fobs being remote control apparatus; transfer switches for communication devices; theft prevention installations, electric; electric door bells; smoke detectors; biometric fingerprint door locks; locks, electronic.

(260) AM 2021 111253 A

(800) 1570130

(151) 2020 11 30

(891) 2020 11 30

(731) Peter Schuju
Robert-Bosch-Str. 8, 33178 Borchen, Germany

(540)

Ikroff

(591) Black, white

(511)

29 – Meat, fish, poultry and game; meat extracts; preserved, frozen, dried and cooked fruits and vegetables; jellies, jams, compotes; eggs; milk and milk pro-

ducts; edible oils and fats; processed fish products for human consumption; bottled fish products; caviar; caviar cream; fish, tinned; fish roe, prepared; preparations made from caviar.

(260) AM 2021 111263 A

(800) 1369103

(151) 2016 12 13

(891) 2020 12 22

(731) IMI Hydronic Engineering International SA
Route de Crassier 19, CH-1262 Eysins,
Switzerland

(540)

IMI HYDRONIC ENGINEERING

(591) Black, white

(511)

6 – Metal valves; pipes of metal; common metals and alloys thereof; copper alloys resistant to dezincification; alloys resistant to on-load corrosion; ironmongery and small items of metal hardware; building materials of metal; transportable buildings of metal; non-electric cables and wires and their alloys; couplings for chains; sleeves of metal; pipes of metal; caps of metal; junctions of metal for pipes; pipe joints, pipe clips of metal; hand wheels of metal; fittings for compression sleeves of metal; nozzles of metal; rods of metal; closing pieces of metal, nuts of metal; bolts of metal; screws of metal; junctions of metal; assembly parts of metal; pegs of metal; parts and fittings for all aforesaid goods.

7 – Valves; valves (parts of machines); valves (parts of machine-tools); mechanisms for hydraulic valves; pressure valves; valve pins; controls for electric, electric-motor, electrothermal and electromechanical valves; air valves; closing mechanisms for valves; control valves for regulating the flow, temperature, pressure and level of liquid; actuators; pressure regulators; apparatus for regulating pressure (parts of machines); pressure regulators (parts of machines); pressure reducers (parts of machines); separators; cyclone separators; fluid separators; vacuum separators; regulators and controllers; parts and fittings for all aforesaid goods; valves; control valves; pressure regulators; separators.

9 – Apparatus and instruments for recording, reproducing, transporting, storing, processing, handling, transmitting, broadcasting and retrieving publications, text, signals, software, information, data, code, sounds and images; computer programs; computer software; computer software, mobile telephones, tablets and hand-held devices; computer software, mobile telephones, tablets and hand-held devices for recording, organizing, transmitting, handling and checking data, text files, sound, image and video files; computer soft-

ware, mobile telephones, tablets and hand-held devices with multimedia and interactive functions; software for re-orientation of messages, electronic mail and/or other data from a personal computer or a server towards one or several portable electronic devices; data synchronization software between a remote station or device and a fixed or remote station or remote device; software and computer programs and application development software for use on or in connection with portable telephones, tablets and hand-held devices; data processing equipment and computers; data media containing electronic publications and data; electronic publications; electronic publications (downloadable) provided on-line from databases or the Internet; user manuals in electronic format; downloadable sounds, downloadable images, downloadable texts and downloadable information provided electronically, via telecommunications networks, online and via the Internet; electronic databases; data stored in electronic, digital and magnetic form; audio and video recordings; software for creating, managing, updating and using databases; apparatus and instruments for controlling, measuring, programming, monitoring or regulating, namely temperature controllers, sensor controllers, boiler control apparatus, thermostat control apparatus, electric control devices, electric control valves, programmable control apparatus, thermal controls [thermostats], pressure controllers [gages], measuring and control devices for air conditioning technology, temperature control apparatus for machines [thermostats], measuring apparatus, measuring sensors, air measuring apparatus, vacuum measuring apparatus, humidity measuring apparatus, remote control monitoring apparatus, apparatus for monitoring liquid levels, electric monitoring apparatus, electric control apparatus, heat control apparatus, electrical current control apparatus; portable digital electronic devices for data processing, information processing, storage and presentation of data, transmission and reception of data, transmission of data between computers and software relating thereto; software for accessing, searching, indexing and retrieving information and data from global computer networks and global communication networks, and for navigation on the aforesaid networks and websites; printed circuits; software (recorded programs); apparatus for controlling and regulating electricity; thermostats; temperature gages; pressure measuring apparatus; pressure controllers [gages]; electronic controllers; temperature sensors with elastic elements, liquids, filled with steam or bimetallic; control valve controls; electronic controllers and time regulators for control valves; diaphragms, capillary pipes and membranes for control systems; pressure sensors; parts and accessories for the aforesaid goods.

11 – Apparatus, instruments and installations for heating, refrigerating, ventilating, air-conditioning, steam generating, water flow, water supply and sanitary ins-

tallations; automatic and manual controllers for regulating temperature and humidity, regulating electricity and regulating lighting; apparatus, installations and instruments for security systems in buildings included in this class; decompression apparatus as parts of water supply systems; valves; control valves; safety valves; valves for use in equipment for heating, refrigerating, ventilating, air-conditioning, steam generating, water flow, water supply, sanitary installations, supply of electricity, controlling of temperature and humidity, controlling of electricity and lighting, power supply and security for use in buildings; equipment for controlling temperature and humidity; one-way valves; multi-way valves; voltage regulation valves; balancing valves; valves for regulating volume; thermostatically controlled valves; thermostat fittings for valves; shut-off valves; multi-way valves; thermostatic control valves of metal, thermostatic accessories for valves; cut-off valves; apparatus and installations for water lines; fans; apparatus for separating gas and water and devices for ventilation; air purification apparatus; ventilation apparatus; gas purification apparatus; degassing apparatus; vacuum degassing equipment; filtering equipment; filters; equipment for purifying water, namely dirt, sludge and magnetite (black iron oxide) separators; equipment for purifying water for use in heating systems, solar systems and cooling water systems, namely fans for micro-bubbles, sludge, oxygen and magnetite (black iron oxide); apparatus and installations for degasification of water; equipment for purifying water for water heating systems, cold water and solar systems, namely vacuum deaerators for removing gas from liquids; pressure chamber for sterilization; equipment for stabilizing pressure (control apparatus); apparatus for monitoring pressure (as parts of machines); decompression apparatus for use with gas, heating and water installations; gas purification apparatus; air purification apparatus; parts and fittings for all aforesaid goods.

17 – Valves not of metal; seals; gaskets for sealing and packing; connections not of metal for pipes; pipe sleeves, not of metal; rubber stoppers for pipes; seals for pipe connections; clips for pipes; pipe joints not of metal; non-metallic hoses and pipes; rubber stoppers; pipe joints not of metal; hand wheels, namely hand-operated valve heads of rubber or vulcanized fiber (except machine parts); compression sleeve fittings not of metal; parts and fittings for all aforesaid goods.

37 – Construction, installation, maintenance and repair, all these services relating to valves of metal, pipes of metal, common metals and alloys thereof, copper alloys resistant to dezincification, alloys resistant to on-load corrosion, ironmongery and small items of metal hardware, building materials of metal, transportable buildings of metal, non-electric cables and wires and their alloys, couplings, sleeves of metal, pipes of metal, caps of metal, junctions of metal for pipes, pipe joints, pipe clips of metal, hand wheels of metal, fit-

tings for compression sleeves of metal, nozzles of metal, rods of metal, closing pieces of metal, nuts of metal, bolts of metal, screws of metal, junctions of metal, assembly parts of metal, pegs of metal, valves [parts of machines], valves [parts of machine-tools], mechanisms for hydraulic valves, pressure valves, valve pins, controls for electric, electric-motor, electrothermal and electromechanical valves, air valves, closing mechanisms for valves, control valves for regulating the flow, temperature, pressure and level of liquid, actuators, pressure regulators, apparatus for regulating pressure [parts of machines, pressure regulators [parts of machines], pressure reducers [parts of machines], separators, cyclone separators, fluid separators, vacuum separators, regulators and controllers, apparatus and instruments for recording, reproducing, transporting, storing, processing, handling, transmitting, broadcasting and retrieving publications, text, signals, software, information, data, code, sounds and images, computer programs, computer software, mobile telephones, tablets and hand-held devices computer software, mobile telephones, tablets and hand-held devices for recording, organizing, transmitting, handling and checking data, text files, sound, image and video files, computer software, mobile telephones, tablets and hand-held devices with multimedia and interactive functions, software for re-orientation of messages, electronic mail and/or other data from a personal computer or a server towards one or several portable electronic devices data synchronization software between a remote station or device and a fixed or remote station or remote device, software and computer programs and application development software for use on or in connection with portable telephones, tablets and hand-held devices, data processing equipment and computers, data media containing electronic publications and data electronic publications, electronic publications [downloadable] provided on-line from databases or the Internet, user manuals in electronic format, downloadable sounds, downloadable images, downloadable texts and downloadable information provided electronically, via telecommunications networks, online and via the Internet, electronic databases, data stored in electronic, digital and magnetic form, audio and video recordings, software for creating, managing, updating and using databases, valves, control valves, apparatus and instruments for controlling, detecting, measuring, indicating, timing, distributing, programming, transforming, inspecting, perceiving, verifying, signalling, monitoring, accumulating, weighing, adjusting or regulating, apparatus and instruments for controlling, detecting, measuring, indicating, timing, distributing, transforming, inspecting, perceiving, verifying, signalling, monitoring, accumulating, weighing, adjusting or regulating, all these apparatus and instruments controlled by computer, portable digital electronic devices for data processing, information processing, storage and presentation of data, transmission and reception of data, transmission of data bet-

ween computers and software relating thereto, software for accessing, exploring and searching online databases, printed circuits, software [recorded programs], apparatus for controlling and regulating, thermostats, temperature gages, pressure measuring apparatus, pressure controllers [gages], electronic controllers [gages], electronic controllers, temperature sensors with elastic elements, liquids, filled with steam or bimetallic, control valve controls, electronic controllers and time regulators for control valves, diaphragms, capillary pipes and membranes for control systems, pressure sensors, apparatus, instruments and installations for heating, refrigerating, ventilating, air-conditioning, steam generating, water flow, water supply and sanitary installations, supply of electricity, controlling of temperature and humidity, controlling of electricity and lighting, power supply and security for use in buildings, for supplying electricity, controllers for temperature and humidity, regulating electricity and regulating lighting, apparatus, installations and instruments for security systems in buildings, decompression apparatus as parts of water supply systems, valves, control valves, safety valves, valves for use in equipment for heating, refrigerating, ventilating, air-conditioning, steam generating, water flow, water supply, sanitary installations, power supply, controlling of temperature and humidity, controlling of electricity and lighting, power supply and security for use in buildings, equipment for controlling temperature and humidity, one-way valves, multi-way valves, voltage regulation valves, balancing valves, valves for regulating volume, thermostatically controlled valves, thermostat fittings for valves, shut-off valves, multi-way valves, thermostatic control valves of metal, thermostatic accessories for valves, cut-off valves, apparatus and installations for water lines, fans, apparatus for separating gas and water and devices for ventilation, air purification apparatus, ventilation apparatus, gas purification apparatus, degassing apparatus, vacuum degassing equipment, filtering equipment, filters, equipment for purifying water, namely dirt, sludge and magnetite [black iron oxide] separators, equipment for purifying water for use in heating systems, solar systems and cooling water systems, namely fans for micro-bubbles, sludge, oxygen and magnetite [black iron oxide], equipment for purifying water for water heating systems, cold water and solar systems, namely vacuum deaerators for removing gas from liquids, pressure chamber for sterilization, equipment for stabilizing pressure [control apparatus], apparatus for monitoring pressure [as parts of machines], decompression apparatus for use with gas, heating and water installations, gas purification apparatus, air purification apparatus, valves not of metal, seals, gaskets for sealing and packing, connections not of metal for pipes, pipe sleeves, not of metal, rubber stoppers for pipes, seals for pipe connections, clips for pipes, pipe joints not of metal, non-metallic hoses and pipes, rubber stoppers, pipe joints not of metal, hand wheels

not of metal, fittings for compression sleeves not of metal, control wheels, accessories for screws, parts and fittings for all the aforesaid goods.

42 – Scientific and technological services; industrial research services; design services; computer programming services; programming and updating of software; all the aforesaid services in connection with HVAC (heating, ventilation, air-conditioning), heating, cooling, ventilation, air-conditioning, steam generation, water supply, water flow, sanitary installations, the supply of electricity, temperature regulation, electricity regulation and security equipment for use in buildings; information and consultancy services relating to all the aforesaid services.

(260) AM 2021 111284 A

(800) 1570328

(151) 2020 07 21

(891) 2020 07 21

(731) Euro Games Technology Ltd.

"Maritsa" Str., 4, "Vranya-Lozen-Triugulnika",
BG-1151 Sofia, Bulgaria

(540)



(591) Yellow, gold, brown, black, orange and red

(531) 03.06.25; 26.03.06; 27.05.02; 29.01.13

(511)

9 – Software; computer gaming software; computer software packages; computer operating system software; computer software, recorded; software drivers; virtual reality software; games software; entertainment software for computer games; computer programs for network management; operating computer software for main frame computers; monitors (computer hardware); computer hardware; apparatus for recording images; monitors (computer programs); computer game programs; computer programs for recorded games; apparatus for recording, transmission or reproduction of sound or images; communications servers [computer hardware]; electronic components for gambling machines; computer application software featuring games and gaming; computer software for the administration of on-line games and gaming; computer hardware for games and gaming; computer hardware and software for gambling, gambling machines, gambling games on the Internet and via telecommunication network.

28 – Gaming machines for gambling; chips for gambling; mah-jong; arcade games; gambling machines

operating with coins, notes and cards; games; electronic games; parlor games; gaming chips; gaming tables; slot machines [gaming machines]; LCD game machines; slot machines and gaming devices; coin-operated amusement machines; roulette chips; poker chips; chips and dice [gaming equipment]; gaming equipment for casinos; roulette tables; gaming roulette wheels; casino games; amusement and gambling machines; coin-operated gaming machines and / or electronic coin-operated gaming machines with or without the possibility of gain; boxes for coin-operated machines, slot machines and gaming machines; electronic or electro-technical gaming devices, amusement and gaming machines, including coin-operated machines; housings for coin-operated machines, gaming equipment, gaming machines, machines for gambling; electro-pneumatic and electrical gambling machines (slot machines).

41 – Gambling; entertainment services related to gambling; gaming services for entertainment purposes; casino, gaming and gambling services; training in the development of software systems; provision of equipment for gambling halls; providing casino equipment [gambling]; gaming machine entertainment services; providing casino facilities [gambling]; providing halls with gaming machines; amusement arcade services; games equipment rental; rental of gaming machines; providing amusement arcade services; rental of gaming machines with images of fruits; editing or recording of sounds and images; sound recording and video entertainment services; hire of sound reproducing apparatus; provision of gaming equipment for casinos; providing of casino facilities; online gambling services; provision of casino services; provision of gaming establishments, gaming halls, internet casinos, online gambling services.

(260) AM 2021 111285 A

(800) 1570332

(151) 2020 07 20

(891) 2020 07 20

(731) Euro Games Technology Ltd.

"Maritsa" Str. 4, "Vranya-Lozen-Triugulnika",
BG-1151 Sofia, Bulgaria

(540)



(591) Yellow, gold, red, brown and purple

(531) 26.04.09; 26.04.19; 27.05.03; 27.07.21;
29.01.15

(511)

9 – Software; computer gaming software; computer software packages; computer operating system software; computer software, recorded; software drivers; virtual reality software; games software; entertainment software for computer games; computer programs for network management; operating computer software for main frame computers; monitors (computer hardware); computer hardware; apparatus for recording images; monitors (computer programs); computer game programs; computer programs for recorded games; apparatus for recording, transmission or reproduction of sound or images; communications servers [computer hardware]; electronic components for gambling machines; computer application software featuring games and gaming; computer software for the administration of on-line games and gaming; computer hardware for games and gaming; computer hardware and software for gambling, gambling machines, gambling games on the Internet and via telecommunication network.

28 – Gaming machines for gambling; chips for gambling; mah-jong; arcade games; gambling machines operating with coins, notes and cards; games; electronic games; parlor games; gaming chips; gaming tables; slot machines [gaming machines]; LCD game machines; slot machines and gaming devices; coin-operated amusement machines; roulette chips; poker chips; chips and dice [gaming equipment]; gaming equipment for casinos; roulette tables; gaming roulette wheels; casino games; amusement and gambling machines; coin-operated gaming machines and / or electronic coin-operated gaming machines with or without the possibility of gain; boxes for coin-operated machines, slot machines and gaming machines; electronic or electro-technical gaming devices, amusement and gaming machines, including coin-operated machines; housings for coin-operated machines, gaming equipment, gaming machines, machines for gambling; electro-pneumatic and electrical gambling machines (slot machines).

41 – Gambling; entertainment services related to gambling; gaming services for entertainment purposes; casino, gaming and gambling services; training in the development of software systems; provision of equipment for gambling halls; providing casino equipment [gambling]; gaming machine entertainment services; providing casino facilities [gambling]; providing halls with gaming machines; amusement arcade services; games equipment rental; rental of gaming machines; providing amusement arcade services; rental of gaming machines with images of fruits; editing or recording of sounds and images; sound recording and video entertainment services; hire of sound reproducing apparatus; provision of gaming equipment for casinos; providing of casino facilities; online gambling services; provision of casino services; provision of ga-

ming establishments, gaming halls, internet casinos, online gambling services.

(260) AM 2021 111286 A

(800) 1570366

(151) 2020 09 30

(891) 2020 09 30

(731) FIATA, Fédération Internationale des Associations de Transitaires et Assimilés
Schaffhauserstrasse 104, CH-8152 Glattbrugg, Switzerland

(540)



(591) Black, white

(531) 01.05.01; 01.05.06; 01.05.12; 24.15.01; 24.15.11; 24.15.15; 24.15.17; 27.01.12; 27.05.24

(511)

16 – Printed timetables, forms, freight documents.

39 – Freight forwarding services.

(260) AM 2021 111287 A

(800) 1570398

(151) 2020 10 09

(891) 2020 10 09

(731) SUBSIDIARY COMPANY
"CONFECTIONERY CORPORATION
"ROSHEN"
prospect Nauky, bud. 1, korpus 1, m. Kyiv
03039, Ukraine

(540)

tidbit

(591) Black, white

(511)

30 – Candy bars; chocolate bars; confectionery bars; nougat bars; cereal bars; granola bars; muesli bars; cereal-based energy bars; chocolate-based snack bars; chocolate-coated nougat bars; chocolate-covered nougat bars; filled chocolate bars; flapjacks [oat bars]; fruit ice bars; fruit ice cream bars; granola-based snack bars; high-protein cereal bars; ice cream bars; ice cream bars [confectionery]; ice milk bars; muesli-based snack bars; probiotic cereal-based snack bars; probiotic chocolate-based snack bars; probiotic cocoa-based snack bars; probiotic coffee-based snack bars; probiotic grain-based snack bars; probiotic granola-based snack bars; cereal-based energy bars containing insect larvae; cereal-based energy bars containing in-

sects; energy bars, other than for dietary or medical purposes; snack bars consisting predominantly of chocolate; snack bars consisting primarily of chocolate; snack bars consisting principally of chocolate; yohkan [bars of sweet jelly bean paste].

(260) AM 2021 111288 A

(800) 1570417

(151) 2020 12 04

(891) 2020 12 04

(731) Exit Realty Corp. International
2345 Argentia Road, Suite 200, Mississauga, Ontario L5N 8K4, Canada

(540)



(591) Black, white

(531) 01.03.02; 07.01.08; 07.01.09; 07.01.24; 27.05.07; 27.05.17

(511)

36 – Real estate services, namely, real estate brokerage.

(260) AM 2021 111289 A

(800) 1570460

(151) 2020 11 17

(891) 2020 11 17

(731) Limited Liability Company "Evrosnack-YUG"
Imama Shamilya pr-kt, 76, korp. A, 5/1,
Makhachkala, RU-367026 Respublika
Dagestan, Russian Federation

(540)



(591) White, light beige, green, black, blue, yellow, crimson, light pink

(531) 02.07.10; 02.07.23; 28.05; 29.01.15

(511)

30 – High-protein cereal bars; sponge cakes; pancakes; noodle-based prepared meals; buns; bread rolls; waffles; vermicelli; malt biscuits; rice-based snack food; cereal-based snack food; fruit jellies [confectionery]; confectionery for decorating Christmas trees; cakes; pastries; peanut confectionery; almond confec-

tionery; pasta; frozen yogurt [confectionery ices]; quiches; sweetmeats [candy]; peppermint sweets; liquorice [confectionery]; crackers; custard; meat pies; couscous; noodles; candies; rice cakes; macaroons; macaroni; hominy; marzipan; honey; royal jelly; ice cream; dessert mousses [confectionery]; chocolate mousses; muesli; stick liquorice [confectionery]; pastilles [confectionery]; molasses for food; cookies; petit-beurre biscuits; pies; pizzas; fondants [confectionery]; popcorn; pralines; propolis; caramels [sweets]; powders for making ice cream; gingerbread; petits fours [cakes]; puddings; cake powder; ravioli; chewing gum; spring rolls; cake dough; confectionery; sorbets [ices]; spaghetti; rusks; breadcrumbs; sushi; sandwiches; tabbouleh; tacos; tarts; almond paste; tortillas; halvah; bread; unleavened bread; cheeseburgers [sandwiches]; chocolate; corn flakes.

(260) AM 2021 111290 A

(800) 1570503

(151) 2020 08 12

(891) 2020 08 12

(731) Plaček Pet Products s.r.o.

Revoluční 1381, CZ-290 01 Poděbrady,
Poděbrady III, Czech Republic

(540)

ONTARIO

(591) Black, white

(511)

5 – Vitamins; amino acids for veterinary purposes; bacterial and bacteriological preparations for veterinary use; biological preparations for veterinary purposes; medicines for veterinary purposes; powders for animals (antiparasitic); antiparasitic collars and preparations for animals; animal washes; repellents for dogs; disinfectants; preparations for destroying vermin; fungicides; herbicides; medicines for animals; dietary supplements for animals.

28 – Toys for animals; retrieval playthings; chewing sticks; bones; rings; balls; play ropes; all these products being toys for animals.

31 – Feed for fish and animals; dog biscuits; animal biscuits; litter for pets; cuttle bone for birds; edible chews for animals; beverages for pets; live animals; live fish; seeds; plants.

(260) AM 2021 111291 A

(800) 1570515

(151) 2020 08 19

(891) 2020 08 19

(731) ZHEJIANG GEYA ELECTRICAL CO., LTD.

Wenzhou Bridge Industrial Zone, Beibaixiang
Town, Yueqing City, Zhejiang Province,
China

(540)

GEYA

(591) Black, white

(531) 27.05.01

(511)

9 – Electrical switches; electricity meters; electric accumulators; electric plugs; circuit breakers; anemometers; relays, electric; junction boxes; thermionic tubes; voltage regulators.

(260) AM 2021 111292 A

(800) 1570546

(151) 2020 10 13

(891) 2020 10 13

(731) A-Brands LLC

Ochakovskoe shosse, d. 34, pom. V,
komn. 21, of. 2, RU-119530 Moscow,
Russian Federation

(540)

СОЛОДОВАЯ ЯРМАРКА

(591) Black, white

(531) 28.05

(511)

33 – Aperitifs; arrack [arak]; whisky; vodka; anisette [liqueur]; kirsch; gin; digesters [liqueurs and spirits]; cocktails; anise [liqueur]; liqueurs; pre-mixed alcoholic beverages, other than beer-based; alcoholic beverages, except beer; alcoholic beverages containing fruit; spirits [beverages]; distilled beverages; peppermint liqueurs; bitters; sake; rice alcohol; alcoholic extracts; fruit extracts, alcoholic; alcoholic essences.

(260) AM 2021 111294 A

(800) 1570688

(151) 2020 10 09

(891) 2020 10 09

(731) F.O.M.E.T. S.P.A.

VIA VIALARGA 25, SAN PIETRO DI
MORUBIO (VR), Italy

(540)



(591) Black, white

(531) 05.03.13

(511)

1 – Chemicals for use in industry, science and photography, as well as in agriculture, horticulture and forestry; unprocessed artificial resins, unprocessed plas-

tics; fire extinguishing and fire prevention compositions; tempering and soldering preparations; substances for tanning animal skins and hides; adhesives for use in industry; putties and other paste fillers; compost, manures, fertilizers; biological preparations for use in industry and science; fissionable chemical elements; salts for galvanic cells; radioactive elements for scientific purposes; nitrogenous fertilizers; phosphates [fertilizers]; compost; salts [fertilizers]; slag [fertilizers]; superphosphates [fertilizers]; peat [fertilizer]; calcium cyanamide [fertilizer]; fertilizers; seaweeds [fertilizers]; nitrogen; nitrous oxide; calcium carbide; calcium salts; organic digestate [fertilizer]; ammoniacal salts; phosphorus; phosphoric acid; carbonates; carbon; carbonic acid; animal carbon; activated carbon; carbonic hydrates; carbon disulfide; carbon tetrachloride; sulfuric acid; sulfurous acid; acids; mineral acids; protein [raw material]; proteins for use in the manufacture of food supplements; iron salts; anhydrides; acetic anhydride; substrates for soil-free growing [agriculture]; biological tissue cultures, other than for medical or veterinary purposes; expanded clay for hydroponic plant growing [substrate]; soil conditioning preparations; plant growth regulating preparations; complex fertilizers; manganese fertilizers; double superphosphate fertilizers; triple superphosphate fertilizers; mixed fertilizers; thomas phosphate [fertilizer]; urea fertilizers; ammonium chloride fertilizers; potassium chloride fertilizers; ammonium nitrate fertilizers; sodium nitrate fertilizers; calcined potassium fertilizers; calcium silicate fertilizers; ammonium sulfate fertilizers; potassium sulfate fertilizers; calcium superphosphate fertilizers; calcium; calcium aluminate; calcium bisulfite; agricultural lime; calcium carbonate; calcium cyanide; calcium chloride; calcium fluoride; calcium phosphate; calcium hydroxide; calcium iodide; calcium nitrate; calcium oxide; calcium silicate; calcium sulfide; pulverized limestone for agricultural purposes; granulated limestone for agricultural purposes; calcium-based algae nutrient supplements for use in aquaria; nitrogen compounds; nitric oxide; organic halogenides; organic soil enhancement powders and preparations; ammonia water; phosphoric anhydride; phosphorus chloride; phosphorus sulfide; carbon dioxide; ammonium carbonate; carbon monoxide; charcoal for horticultural purposes; charcoal for use as a soil conditioner; sulfur dioxide; hydrogen sulfide; chemicals for use in the purification of proteins for in vitro use; boron; reagents for use in scientific apparatus for chemical or biological analysis; chemicals for use in agriculture; chemicals for use in horticulture; chemicals for use in forestry; chemicals for use in agriculture, horticulture and forestry; plant food; soil amendments; soil amendments for agricultural purposes; soil amendments for horticultural purposes; soil surfactants used to promote uniform movement of water in soil; surface-active compounds; surface-active chemical agents; granular absorbent mineral-based composition for absorbing

spills from floors; chemicals for use in agriculture, horticulture and forestry, except fungicides, herbicides, insecticides and parasiticides; plant growth regulators for agricultural purposes; plant growth regulating substances; natural fertilizer; animal manure; liquid fertilizer; filtering materials of vegetable substances; filtering materials of chemical substances; filtering materials of mineral substances; humus; organic fertilizers; mineral fertilizers; stimulants to promote the growth of plants.

(260) AM 2021 111295 A

(800) 1570731

(151) 2020 09 20

(891) 2020 09 20

(731) OXYGENTRACK LLC

1209 Orange Street, Wilmington DE 19801, USA

(540)

TIME TO ROLL

(591) Black, white

(511)

38 – Transmission and streaming of data, images, music, audio, video, and multimedia by means of telecommunications networks; subscription transmission and streaming services of data, images, music, audio, video, and multimedia by means of telecommunications networks; video-on-demand transmission services; peer-to-peer photo sharing services, namely, electronic transmission of music, audio, video, and multimedia among Internet users; providing access to websites, databases, electronic bulletin boards, on-line forums, directories, music, and video and audio programs on the Internet.

41 – Educational services; fitness and exercise instruction, training, and consultation; providing fitness and exercise classes; providing information on fitness and exercise via a website; production of podcasts, presentation and distribution of films and of sound and video recordings, production or distribution of television programs with entertainment content; providing ongoing audio, video, podcast, and webcast programs; providing non-downloadable entertainment, music, informational, reality, documentary, current events, and arts and culture programming; entertainment information.

42 – Providing temporary use of online non-downloadable computer software; providing temporary use of online non-downloadable computer software for use in connection with fitness and exercise; hosting a website for the uploading, storing, sharing, viewing, and posting of images, audio, videos, podcasts, and multimedia content; hosting websites and computer applications featuring entertainment, music, informational, reality, documentary, current events, and arts and culture programming.

(260) AM 2021 111309 A

(800) 1570966

(151) 2020 10 23

(891) 2020 10 23

(731) Antonenkova Albina Gusmanivna
Starokozatska Str., 52A, flat 60, Dnipro 49070,
Ukraine

(540)



(591) Black, white

(531) 01.01.02; 03.13.01; 05.05.20; 28.05

(511)

1 – Seaweeds (fertilizers); fertilizers; fish meal fertilizers; fertilizing preparations; organic digestate (fertilizer); peat (fertilizer); slag (fertilizers).

31 – Live insects, namely entomophages (insect killers).

(260) AM 2021 111313 A

(800) 998040

(151) 2008 08 01

(891) 2020 11 23

(731) COMPAGNIE MEDITERRANEENNE DES
CAFES

Lotissement Industriel, Départemental (LID),
9ème rue, F-06510 CARROS, France

(540)

MALONGO

(591) Black, white

(531) 27.05.01

(511)

30 – Ground coffee in the form of cakes, coffee pods or fixed-strength sachets; coffee in all its forms; soluble coffees; coffee extracts; green coffees, roasted coffees, coffee beans, decaffeinated coffee; artificial coffee; sugar; chocolate; tea; cocoa; beverages made with cocoa, coffee, chocolate, or tea; honey; royal jelly for human consumption (not for medical use); non-medicinal infusions; iced tea; sugar (for food); sugar confectionery; ice-creams; confectionery; chicory (artificial coffee); cakes, biscuits, cookies and biscuits; pancakes (foodstuffs); waffles; beverage flavourings, other than essential oils, spices, natural sweeteners, vegetal preparations for use as coffee substitutes; coffee extract liquid or instant; seasoning made with coffee, tea; tea in all its forms with the exception of teas for medical use, slimming teas for medical use and teas against asthma; beverages made with coffee; beverages made with tea; iced coffee; iced tea; cappuccino.

43 – Services for providing food and drink; cocktail lounge services; catering; cafés, cafeterias, canteens,

fast food restaurants and snackbars, self-service restaurants; tasting parlours

(260) AM 2021 111314 A

(800) 1272844

(151) 2015 07 23

(891) 2020 11 23

(731) COMPAGNIE MEDITERRANEENNE DES
CAFES

Lotissement Industriel, Départemental (LID),
9ème rue, F-06510 CARROS, France

(540)

L'atelier Barista

(591) Black, white

(511)

43 – Restaurant service (provision of food and drinks); bar services; food and drink catering; coffee shops; cafeterias; canteens; snack bars; snack bars; self-service restaurants; coffee tasting parlors; tea rooms; tasting parlors (bar services).

(260) AM 2021 111315 A

(800) 1332958

(151) 2016 12 27

(891) 2020 12 03

(731) KIM, MYUNG HYUN

#102-502, 26, Wolgok-ro 14-gil, Seongbuk-gu,
Seoul 02793, Republic of Korea

(540)

Farm stay

(591) Black, white

(511)

3 – Cosmetics; polishing preparations; lipsticks; make-up foundations; cosmetic preparations for baths; non-medicated toiletries; laundry detergents; cosmetic preparations for skin care; eye cream; essential oils; massage gels other than for medical purposes; soaps for personal use; cosmetics for the face and body; perfume; hair shampoo; mask pack for cosmetic purposes; cosmetic sunscreen preparations; adhesives for cosmetic purposes; make-up removing preparations.

(260) AM 2021 111348 A

(800) 1571042

(151) 2020 09 29

(891) 2020 09 29

(731) Ropetrans AG

c/o Garaventa AG, Birkenstrasse 47,
CH-6343 Rotkreuz, Switzerland

(540)

GARAVENTA

(591) Black, white

(511)

12 – Cable cars, funiculars, suspended railways and air carriers; telpher railways [cable cars]; suspension arms for telpher railways [cable cars]; funicular carriages; rolling stock for funicular railways; cars for cable transport installations; ski lifts; vehicles, cable cars, funiculars, suspended railways, air carriers and funicular carriages for transporting passengers and goods; driving motors, provision and parking systems for transport and conveying systems as well as for railway track installations, including railway systems, and vehicles and driving equipment; funicular carriages, funicular cabins, passenger compartments, seats for lifts; cable and rail transport apparatus and installations; fittings and accessories (not included for other classes) for vehicles, cable cars, funiculars, suspended railways, aerial conveyors and funicular carriages, namely, hoods for passenger compartments, seats for chairlifts, transport platforms (transport equipment) and vehicles as well as driving equipment, trailer couplings, tension shafts, anti-dazzle devices, brake segments, brake linings, brakes, brake shoes, chassis as well as rail systems, and for vehicles as well as driving equipment; trucks of metal or mainly of metal; bogies for transport carriages and platforms; bogies for chairlift seats; car cabins, carriages and bodies, shock absorbers, bumpers, torsion shafts, support springs, running boards, windows, vehicle wheels, vehicle seats, armrests and headrests as well as covers for vehicle seats, doors, hoods, housings for vehicle fittings (except housings for motors and engines) gear sets, vans, railway carriage couplings, flanging walls, motors and engines for land vehicles, turbines for land vehicles, buffers for rail vehicles and for funiculars, axles, hubcaps; vehicle fittings, cable cars, funiculars, suspended railways, air carriers and funicular carriages, namely, skid chains, reduction gears, alarm apparatus for reversing, windshield wipers, protection sheets, braiders, rails, coils, rollers, pulleys, cables, seats for suspended railways, chairlift seats, ski crossings, windshields, sun visors; suspension devices, roller mechanisms, ski carriers, undercarriages for vehicles, tipping devices for railway carriages; driving motors for land vehicles.

(260) AM 2021 111359 A

(800) 1571373

(151) 2020 12 14

(891) 2020 12 14

(731) Publichnoye aktsionernoye obshchestvo

"Moskovskoye proizvodstvennoye,
obyedineniye po vypusku vysokotochnykh
mashinostroitelnykh izdeliy"

Dorogobuzhskaya ul., 14, RU-121354 Moskva,
Russian Federation

(540)

РАПИРА
РАПИРА

(591) Black, white

(531) 27.05.17; 28.05

(511)

8 – Glaziers' diamonds [parts of hand tools]; apparatus for tattooing; laser hair removal apparatus, other than for medical purposes; razors, electric or non-electric; sharpening steels; scythe stones; gimlets [hand tools]; borers; augers [hand tools]; carpenters' augers; hand drills, hand-operated; pickhammers; table forks; weeding forks [hand tools]; agricultural forks [hand tools]; lawn clippers [hand instruments]; nail pullers, hand-operated; rakes [hand tools]; sand trap rakes; cutter bars [hand tools]; whetstone holders; priming irons [hand tools]; sculptors' chisels; lifting jacks, hand-operated; truncheons; clamps for carpenters or coopers; spades [hand tools]; rabbeting planes; chisels; engraving needles; tattoo needles; edge tools [hand tools]; garden tools, hand-operated; abrading instruments [hand instruments]; numbering punches; goffering irons; implements for decanting liquids [hand tools]; depilation appliances, electric and non-electric; sharpening instruments; blade sharpening instruments; livestock marking tools; oyster openers; polishing irons [glazing tools]; ear-piercing apparatus; tube cutting instruments; wire strippers [hand tools]; riveters [hand tools]; expanders [hand tools]; cutting tools [hand tools]; ski edge sharpening tools, hand-operated; hand tools, hand-operated; sterile body piercing instruments; stamping-out tools [hand tools]; picks [hand tools]; sharpening stones; punch rings [knuckle dusters]; trowels; centre punches [hand tools]; pickaxes; mallets [hand instruments]; pliers; punch pliers [hand tools]; annular screw plates; wrenches [hand tools]; tap wrenches; ladles [hand tools]; foundry ladles [hand tools]; meat claws; breast drills; lasts [shoemakers' hand tools]; scythe rings; instruments for punching tickets; diggers [hand tools]; rams [hand tools]; scythes; hainault scythes; fire irons; emery grinding wheels; grindstones [hand tools]; sledgehammers; thistle extractors [hand tools]; nail nippers; tree pruners; nail drawers [hand tools]; ice picks; blades [hand tools]; razor blades; blades for planes; plane irons; jig-saws; spoons; table knives, forks and spoons for babies; table knives, forks and spoons of plastic; crow bars; trowels [gardening]; shovels [hand tools]; beard clippers; hair clippers for personal use, electric and non-electric; hair clippers for animals [hand instruments]; taps [hand tools]; fireplace bellows [hand tools]; hammers [hand tools]; emergency hammers; stone hammers; masons' hammers; riveting hammers [hand tools]; mattocks; ditchers [hand to-

ols]; mincing knives [hand tools]; manicure sets; manicure sets, electric; pedicure sets; needle files; bits [hand tools]; files [tools]; emery files; air pumps, hand-operated; hand pumps; shaving cases; fruit segmenters; scaling knives; hobby knives [scalpels]; fruit corers; molding irons; ceramic knives; farriers' knives; budding knives; grafting tools [hand tools]; braiders [hand tools]; box cutters; bill-hooks; paring knives; cleavers; scissors; wick trimmers [scissors]; shears; cattle shearers; border shears; pruning shears; shearers [hand instruments]; vegetable slicers; kitchen mandolines; vegetable peelers [hand tools]; agricultural implements, hand-operated; stropping instruments; screwdrivers, non-electric; stirring sticks for mixing paint; reamer sockets; drill holders [hand tools]; perforating tools [hand tools]; pestles for pounding [hand tools]; emery boards; nail files; nail files, electric; saws [hand tools]; bow saws; tweezers; hair-removing tweezers; guns [hand tools]; non-electric caulking guns; guns, hand-operated, for the extrusion of mastics; dies [hand tools]; fruit pickers [hand tools]; saw blades [parts of hand tools]; shear blades; tool belts [holders]; hair braiders, electric; table cutlery [knives, forks and spoons]; crimping irons; hand implements for hair curling; vegetable choppers; money scoops; instruments and tools for skinning animals; hackles [hand tools]; pin punches; nail punches; fish tapes [hand tools]; punches [hand tools]; insecticide sprayers [hand tools]; syringes for spraying insecticides; reamers; frames for handsaws; saw holders; rasps [hand tools]; cutters; paring irons [hand tools]; graving tools [hand tools]; milling cutters [hand tools]; razor strops; leather strops; planes; scythe handles; handles for hand-operated hand tools; marline spikes; bits [parts of hand tools]; hollowing bits [parts of hand tools]; secateurs; silver plate [knives, forks and spoons]; pruning knives; sickles; drawing knives; scrapers [hand tools]; scrapers for skis; mortise chisels; caulking irons; gouges [hand tools]; mortars for pounding [hand tools]; mitre boxes [hand tools]; branding irons; adzes [tools]; vices; bench vices [hand implements]; hoop cutters [hand tools]; axes; holing axes; fulling tools [hand tools]; earth rammers [hand tools]; tube cutters [hand tools]; squares [hand tools]; extension pieces for braces for screw taps; embossers [hand tools]; apparatus for destroying plant parasites, hand-operated; metal wire stretchers [hand tools]; metal band stretchers [hand tools]; flat irons; irons [non-electric hand tools]; razor cases; ratchets [hand tools]; scraping tools [hand tools]; awls; choppers [knives]; palette knives; spatulas [hand tools]; spatulas for use by artists; wine bottle foil cutters, hand-operated; bayonets; curling tongs; cuticle tweezers; eyelash curlers.

(260) AM 2021 111360 A

(800) 1571389

(151) 2020 12 07

(891) 2020 12 07

(731) APPLE INC.

One Apple Park Way, Cupertino CA 95014, USA

(540)

APP CLIPS

(591) Black, white

(511)

42 – Providing online non-downloadable application development software; providing online non-downloadable computer software development tools; providing online non-downloadable computer software used in developing other software applications; user authentication services using a software application; user authentication services using technology for e-commerce transactions; providing online information relating to computer technology, computer programming, and computer software.

(260) AM 2021 111362 A

(800) 1571412

(151) 2020 11 27

(891) 2020 11 27

(731) Broadfar (Shanghai) Management Consulting Co., LTD.

Room 2453, Floor 2, No. 1420 South Zhongshan Rd., Huangpu District, 200001 Shanghai, China

(540)

NUSO

(591) Black, white

(531) 27.05.01

(511)

34 – Hand-rolling tobacco; matches; tobacco; electronic cigarettes; filter tips; flavorings, other than essential oils, for tobacco; cigars; cigarettes; cigarette tips; cigarette lighters.

(260) AM 2021 111363 A

(800) 1571495

(151) 2020 10 22

(891) 2020 10 22

(731) R-Pharm, Joint Stock Company

Berzarina street, 19, bld. 1, RU-123154 Moscow, Russian Federation

(540)

R-COVI

(591) Black, white

(531) 27.05.01

(511)

5 – Acaricides; aconitine; alkaloids for medical purposes; alginates for pharmaceutical purposes; algici-

des; aldehydes for pharmaceutical purposes; dental amalgams of gold; dental amalgams; amino acids for veterinary purposes; amino acids for medical purposes; analgesics; anaesthetics; antibiotics; antiseptics; medicine cases, portable, filled; first-aid boxes, filled; aluminium acetate for pharmaceutical purposes; acetates for pharmaceutical purposes; germicides; balms for medical purposes; bandages for dressings; diagnostic biomarker reagents for medical purposes; biocides; bromine for pharmaceutical purposes; paper for mustard poultices; fly catching paper; reagent paper for veterinary purposes; reagent paper for medical purposes; mothproof paper; petroleum jelly for medical purposes; vaccines; oxygen baths; antiseptic cotton; aseptic cotton; absorbent wadding; wadding for medical purposes; cotton for medical purposes; dietetic substances adapted for medical use; radiological contrast substances for medical purposes; nutritive substances for microorganisms; radioactive substances for medical purposes; bismuth subnitrate for pharmaceutical purposes; melissa water for pharmaceutical purposes; sea water for medicinal bathing; mineral waters for medical purposes; thermal water; dietary fiber; molding wax for dentists; gases for medical purposes; guaiacol for pharmaceutical purposes; sexual stimulant gels; hematogen; hemoglobin; hydrastine; hydrastinine; glycerine for medical purposes; glycerophosphates; glucose for medical purposes; gentian for pharmaceutical purposes; hormones for medical purposes; mustard for pharmaceutical purposes; mustard poultices; mud for baths; medicinal sediment [mud]; gamboge for medical purposes; gurjun balsam for medical purposes; disinfectants; air deodorising preparations; deodorants, other than for human beings or for animals; deodorants for clothing and textiles; diastase for medical purposes; digitalin; mineral food supplements; nutritional supplements; albumin dietary supplements; dietary supplements for animals; yeast dietary supplements; alginate dietary supplements; glucose dietary supplements; casein dietary supplements; lecithin dietary supplements; flaxseed oil dietary supplements; propolis dietary supplements; protein dietary supplements; protein supplements for animals; royal jelly dietary supplements; pollen dietary supplements; wheat germ dietary supplements; flaxseed dietary supplements; enzyme dietary supplements; yeast for pharmaceutical purposes; gelatine for medical purposes; cod liver oil; isotopes for medical purposes; immunostimulants; insecticides; iodine for pharmaceutical purposes; iodides for pharmaceutical purposes; alkaline iodides for pharmaceutical purposes; iodoform; calomel [fungicide]; cream of tartar for pharmaceutical purposes; tartar for pharmaceutical purposes; camphor for medical purposes; capsules for medicines; cachets for pharmaceutical purposes; hemostatic pencils; wart pencils; caustic pencils; carbolineum [parasiticide]; caustics for pharmaceutical purposes; cachou for pharmaceutical purposes; quassia for medical purposes; quebracho for medical purposes; oxy-

gen for medical purposes; gallic acid for pharmaceutical purposes; acids for pharmaceutical purposes; adhesives for dentures; surgical glues; stem cells for veterinary purposes; stem cells for medical purposes; cocaine; collagen for medical purposes; collodion for pharmaceutical purposes; corn rings for the feet; candy, medicated; angostura bark for medical purposes; barks for pharmaceutical purposes; cedar wood for use as an insect repellent; condurango bark for medical purposes; croton bark; mangrove bark for pharmaceutical purposes; myrobalan bark for pharmaceutical purposes; cinchona for medical purposes; medicated animal feed; medicinal roots; rhubarb roots for pharmaceutical purposes; lint for medical purposes; starch for dietetic or pharmaceutical purposes; creosote for pharmaceutical purposes; blood for medical purposes; cultures of microorganisms for medical or veterinary use; curare; dental lacquer; liquorice for pharmaceutical purposes; lactose for pharmaceutical purposes; candy for medical purposes; sticking plasters; medicines for alleviating constipation; adhesive bands for medical purposes; lecithin for medical purposes; lotions for veterinary purposes; medicated hair lotions; lotions for pharmaceutical purposes; medicated after-shave lotions; personal sexual lubricants; lupulin for pharmaceutical purposes; magnesia for pharmaceutical purposes; liniments; ointments for pharmaceutical purposes; sunburn ointments; mercurial ointments; frostbite salve for pharmaceutical purposes; gauze for dressings; medicinal oils; mustard oil for medical purposes; camphor oil for medical purposes; castor oil for medical purposes; oil of turpentine for pharmaceutical purposes; dill oil for medical purposes; dental mastics; dental abrasives; dental impression materials; teeth filling material; dressings, medical; surgical dressings; drugs for medical purposes; medicines for veterinary purposes; serotherapeutic medicines; medicines for human purposes; medicines for dental purposes; menthol; medicinal drinks; moleskin for medical purposes; almond milk for pharmaceutical purposes; powdered milk for babies; royal jelly for pharmaceutical purposes; milk ferments for pharmaceutical purposes; Irish moss for medical purposes; meal for pharmaceutical purposes; flaxseed meal for pharmaceutical purposes; fish meal for pharmaceutical purposes; fly catching adhesives; antibacterial soap; disinfectant soap; medicated soap; lyophilized meat adapted for medical purposes; mint for pharmaceutical purposes; dietetic beverages adapted for medical purposes; malted milk beverages for medical purposes; narcotics; medicinal infusions; tincture of iodine; eucalyptol for pharmaceutical purposes; tinctures for medical purposes; opium; opodeldoc; decoctions for pharmaceutical purposes; antiparasitic collars for animals; cotton sticks for medical purposes; stick liquorice for pharmaceutical purposes; sulfur sticks [disinfectants]; lozenges for pharmaceutical purposes; medicated dentifrices; pectin for pharmaceutical purposes; pepsins for pharmaceutical purposes; peptones for pharmaceu-

tical purposes; hydrogen peroxide for medical purposes; pesticides; food for babies; leeches for medical purposes; blood plasma; eyepatches for medical purposes; poultices; compresses; scapulars for surgical purposes; babies' napkins; diapers for pets; diapers for incontinence; bunion pads; breast-nursing pads; pomades for medical purposes; powder of cantharides; pyrethrum powder; anti-uric preparations; bacterial preparations for medical and veterinary use; bacteriological preparations for medical and veterinary use; balsamic preparations for medical purposes; albuminous preparations for medical purposes; biological preparations for veterinary purposes; biological preparations for medical purposes; veterinary preparations; bismuth preparations for pharmaceutical purposes; vitamin preparations; diagnostic preparations for veterinary purposes; diagnostic preparations for medical purposes; bath preparations for medical purposes; therapeutic preparations for the bath; hemorrhoid preparations; preparations for callouses; lice treatment preparations [pediculicides]; acne treatment preparations; preparations to facilitate teething; preparations for the treatment of burns; fumigation preparations for medical purposes; organotherapy preparations; air purifying preparations; bronchodilating preparations; preparations for reducing sexual activity; sterilising preparations; soil-sterilising preparations; corn remedies; pharmaceutical preparations for treating dandruff; preparations for destroying noxious animals; weedkillers; preparations for destroying dry rot fungus; larvae exterminating preparations; fly destroying preparations; preparations for destroying mice; slug exterminating preparations; vermin destroying preparations; pharmaceutical preparations for skin care; contact lens cleaning preparations; preparations of microorganisms for medical or veterinary use; lime-based pharmaceutical preparations; styptic preparations; medicated eye-washes; medicinal hair growth preparations; nutraceutical preparations for therapeutic or medical purposes; opiates; anticryptogamic preparations; aloe vera preparations for pharmaceutical purposes; preparations of trace elements for human and animal use; sulfonamides [medicines]; pharmaceutical preparations; pharmaceutical preparations for treating sunburn; enzyme preparations for veterinary purposes; enzyme preparations for medical purposes; phytotherapy preparations for medical purposes; chemico-pharmaceutical preparations; chemical preparations for veterinary purposes; chemical preparations for the diagnosis of pregnancy; chemical preparations for medical purposes; chemical preparations for treating wheat smut; chemical preparations for treating diseases affecting vine plants; chemical preparations for treating mildew; chemical preparations for treating phylloxera; chemical preparations for pharmaceutical purposes; chilblain preparations; mothproofing preparations; collyrium; Goulard water; chemical conductors for electrocardiograph electrodes; albuminous foodstuffs for medical purposes; dietetic foods adapted

for medical purposes; by-products of the processing of cereals for dietetic or medical purposes; homogenised food adapted for medical purposes; lyophilized food adapted for medical purposes; pharmaceuticals; sanitary pads; panty liners [sanitary]; propolis for pharmaceutical purposes; pearl powder for medical purposes; radium for medical purposes; hydrated chloral for pharmaceutical purposes; solvents for removing adhesive plasters; vaginal washes for medical purposes; solutions for use with contact lenses; chemical reagents for medical or veterinary purposes; gum for medical purposes; rubber for dental purposes; chewing gum for medical purposes; insect repellents; insect repellent incense; repellents for dogs; tissues impregnated with pharmaceutical lotions; sarsaparilla for medical purposes; sugar for medical purposes; asthmatic tea; fumigating pastilles; suppositories; flaxseed for pharmaceutical purposes; tobacco-free cigarettes for medical purposes; siccatives [drying agents] for medical purposes; syrups for pharmaceutical purposes; turpentine for pharmaceutical purposes; milking grease; greases for veterinary purposes; greases for medical purposes; lacteal flour for babies; infant formula; soporifics; bicarbonate of soda for pharmaceutical purposes; bath salts for medical purposes; salts for mineral water baths; salts for medical purposes; potassium salts for medical purposes; sodium salts for medical purposes; smelling salts; mineral water salts; malt for pharmaceutical purposes; semen for artificial insemination; alcohol for pharmaceutical purposes; medicinal alcohol; alloys of precious metals for dental purposes; ergot for pharmaceutical purposes; cooling sprays for medical purposes; antibacterial handwashes; adjuvants for medical purposes; astringents for medical purposes; anthelmintics; disinfectants for hygiene purposes; disinfectants for chemical toilets; douching preparations for medical purposes; appetite suppressants for medical purposes; medical preparations for slimming purposes; parasiticides; mouthwashes for medical purposes; febrifuges; depuratives; animal washes [insecticides]; detergents for medical purposes; cattle washes [insecticides]; dog washes [insecticides]; insecticidal veterinary washes; vesicants; evacuants; remedies for perspiration; remedies for foot perspiration; chemical contraceptives; antiparasitic preparations; tranquilizers; laxatives; tonics [medicines]; medicated toiletry preparations; digestives for pharmaceutical purposes; nervines; media for bacteriological cultures; steroids; strychnine; serums; tanning pills; appetite suppressant pills; slimming pills; jujube, medicated; antioxidant pills; menstruation tampons; vulnerary sponges; thymol for pharmaceutical purposes; biological tissue cultures for veterinary purposes; biological tissue cultures for medical purposes; smoking herbs for medical purposes; medicinal herbs; transplants [living tissues]; surgical implants comprised of living tissues; pants, absorbent, for incontinence; sanitary pants; babies' napkin-pants; charcoal for pharmaceutical purposes; fennel for me-

dical purposes; porcelain for dental prostheses; phenol for pharmaceutical purposes; enzymes for veterinary purposes; enzymes for medical purposes; ferments for pharmaceutical purposes; formic aldehyde for pharmaceutical purposes; phosphates for pharmaceutical purposes; fungicides; quinine for medical purposes; chinoline for medical purposes; diabetic bread adapted for medical use; chloroform; flowers of sulfur for pharmaceutical purposes; cement for animal hooves; bone cement for surgical and orthopedic purposes; dental cements; medicinal tea; herbal teas for medicinal purposes; insecticidal animal shampoos; medicated shampoos; medicated shampoos for pets; pediculicidal shampoos; medicated dry shampoos; pre-filled syringes for medical purposes; eucalyptus for pharmaceutical purposes; herbal extracts for medical purposes; plant extracts for pharmaceutical purposes; tobacco extracts [insecticides]; extracts of hops for pharmaceutical purposes; elixirs [pharmaceutical preparations]; ethers for pharmaceutical purposes; esters for pharmaceutical purposes; cellulose esters for pharmaceutical purposes; cellulose ethers for pharmaceutical purposes; rat poison; poisons; bacterial poisons; jalap.

35 – Arranging subscriptions to telecommunication services for others; import-export agency services; commercial information agency services; publicity agency services; cost price analysis; rental of advertising space; business auditing; business intermediary services relating to the matching of potential private investors with entrepreneurs needing funding; employment agency services; computerized file management; accounting; invoicing; demonstration of goods; transcription of communications [office functions]; opinion polling; market studies; business information; commercial information and advice for consumers in the choice of products and services; business investigations; business research; marketing research; personnel recruitment; business management and organization consultancy; business organization consultancy; consultancy regarding public relations communication strategies; business management consultancy; personnel management consultancy; professional business consultancy; consultancy regarding advertising communication strategies; layout services for advertising purposes; marketing; business management of performing artists; business management of sports people; writing of résumés for others; scriptwriting for advertising purposes; news clipping services; updating and maintenance of information in registries; updating and maintenance of data in computer databases; updating of advertising material; word processing; organization of exhibitions for commercial or advertising purposes; arranging newspaper subscriptions for others; organization of fashion shows for promotional purposes; organization of trade fairs for commercial or advertising purposes; shop window dressing; development of advertising concepts; business appraisals; payroll preparation; data search in compu-

ter files for others; sponsorship search; business management assistance; commercial or industrial management assistance; commercial intermediation services; providing business information via a web site; provision of commercial and business contact information; provision of an online marketplace for buyers and sellers of goods and services; web indexing for commercial or advertising purposes; presentation of goods on communication media, for retail purposes; economic forecasting; auctioneering; retail services for pharmaceutical, veterinary and sanitary preparations and medical supplies; sales promotion for others; production of teleshopping programs; production of advertising films; office machines and equipment rental; rental of advertising time on communication media; publicity material rental; rental of billboards [advertising boards]; rental of vending machines; rental of sales stands; rental of photocopying machines; publication of publicity texts; radio advertising; billposting; distribution of samples; dissemination of advertising matter; direct mail advertising; registration of written communications and data; writing of publicity texts; publicity; online advertising on a computer network; advertising by mail order; television advertising; compilation of statistics; compilation of information into computer databases; business inquiries; systemization of information into computer databases; advisory services for business management; negotiation of business contracts for others; negotiation and conclusion of commercial transactions for third parties; compiling indexes of information for commercial or advertising purposes; tax preparation; drawing up of statements of accounts; telemarketing services; psychological testing for the selection of personnel; outsourced administrative management for companies; business management of hotels; business management for freelance service providers; business project management services for construction projects; commercial administration of the licensing of the goods and services of others; business management of reimbursement programs for others; administration of consumer loyalty programs; administration of frequent flyer programs; administrative processing of purchase orders; public relations; modelling for advertising or sales promotion; typing; appointment reminder services [office functions]; web site traffic optimisation; administrative services for the relocation of businesses; tax filing services; search engine optimisation for sales promotion; appointment scheduling services [office functions]; price comparison services; pay per click advertising; secretarial services; procurement services for others [purchasing goods and services for other businesses]; shorthand; outsourcing services [business assistance]; telephone answering for unavailable subscribers; photocopying services; business efficiency expert services.

(260) AM 2021 111364 A

(800) 1571511

(151) 2020 12 08

(891) 2020 12 08

(731) Richard Delaney

Terrasses du Port, 2 Avenue des Liguères,
MC-98000 Monaco, Monaco

(540)



(591) Black, white

(531) 24.09.01; 24.09.03; 24.17.02; 26.04.02;
26.04.18; 26.04.24; 27.05.02

(511)

16 – Printed matter, publications; newspapers, books, magazines, periodicals, catalogues, calendars, leaflets; beer mats, mats for beer glasses, mats of paper for beer glasses; cocktail mats of paper; mats of paper for drinking glasses; printed advertisements.

25 – Clothing, footwear and headgear.

32 – Beer, low alcohol beers, flavoured beers, non-alcoholic beers; non-alcoholic beverages.

(260) AM 2021 111365 A

(800) 1571522

(151) 2020 10 22

(891) 2020 10 22

(731) R-Pharm, Joint Stock Company

Berzarina street, 19, bld. 1, RU-123154
Moscow, Russian Federation

(540)



(591) White and green

(531) 24.15.01; 26.03.23; 26.04.05; 26.04.11;
26.04.16; 26.04.18; 27.05.09; 27.05.22;
29.01.12

(511)

5 – Acaricides; aconitine; alkaloids for medical purposes; alginates for pharmaceutical purposes; algicides; aldehydes for pharmaceutical purposes; dental amalgams of gold; dental amalgams; amino acids for veterinary purposes; amino acids for medical purposes; analgesics; anaesthetics; antibiotics; antiseptics;

medicine cases, portable, filled; first-aid boxes, filled; aluminium acetate for pharmaceutical purposes; acetates for pharmaceutical purposes; germicides; balms for medical purposes; bandages for dressings; diagnostic biomarker reagents for medical purposes; biocides; bromine for pharmaceutical purposes; paper for mustard poultices; fly catching paper; reagent paper for veterinary purposes; reagent paper for medical purposes; mothproof paper; petroleum jelly for medical purposes; vaccines; oxygen baths; antiseptic cotton; aseptic cotton; absorbent wadding; wadding for medical purposes; cotton for medical purposes; dietic substances adapted for medical use; radiological contrast substances for medical purposes; nutritive substances for microorganisms; radioactive substances for medical purposes; bismuth subnitrate for pharmaceutical purposes; melissa water for pharmaceutical purposes; sea water for medicinal bathing; mineral waters for medical purposes; thermal water; dietary fiber; molding wax for dentists; gases for medical purposes; guaiacol for pharmaceutical purposes; sexual stimulant gels; hematogen; hemoglobin; hydrastine; hydrastinine; glycerine for medical purposes; glycerophosphates; glucose for medical purposes; gentian for pharmaceutical purposes; hormones for medical purposes; mustard for pharmaceutical purposes; mustard poultices; mud for baths; medicinal sediment [mud]; gamboge for medical purposes; gurjun balsam for medical purposes; disinfectants; air deodorising preparations; deodorants, other than for human beings or for animals; deodorants for clothing and textiles; diastase for medical purposes; digitalin; mineral food supplements; nutritional supplements; albumin dietary supplements; dietary supplements for animals; yeast dietary supplements; alginate dietary supplements; glucose dietary supplements; casein dietary supplements; lecithin dietary supplements; flaxseed oil dietary supplements; propolis dietary supplements; protein dietary supplements; protein supplements for animals; royal jelly dietary supplements; pollen dietary supplements; wheat germ dietary supplements; flaxseed dietary supplements; enzyme dietary supplements; yeast for pharmaceutical purposes; gelatine for medical purposes; cod liver oil; isotopes for medical purposes; immunostimulants; insecticides; iodine for pharmaceutical purposes; iodides for pharmaceutical purposes; alkaline iodides for pharmaceutical purposes; iodoform; calomel [fungicide]; cream of tartar for pharmaceutical purposes; tartar for pharmaceutical purposes; camphor for medical purposes; capsules for medicines; cachets for pharmaceutical purposes; hemostatic pencils; wart pencils; caustic pencils; carbolineum [parasiticide]; caustics for pharmaceutical purposes; cachou for pharmaceutical purposes; quassia for medical purposes; quebracho for medical purposes; oxygen for medical purposes; gallic acid for pharmaceutical purposes; acids for pharmaceutical purposes; adhesives for dentures; surgical glues; stem cells for veterinary purposes; stem cells for medical purposes;

ses; cocaine; collagen for medical purposes; collodion for pharmaceutical purposes; corn rings for the feet; candy, medicated; angostura bark for medical purposes; barks for pharmaceutical purposes; cedar wood for use as an insect repellent; condurango bark for medical purposes; croton bark; mangrove bark for pharmaceutical purposes; myrobalan bark for pharmaceutical purposes; cinchona for medical purposes; medicated animal feed; medicinal roots; rhubarb roots for pharmaceutical purposes; lint for medical purposes; starch for dietetic or pharmaceutical purposes; creosote for pharmaceutical purposes; blood for medical purposes; cultures of microorganisms for medical or veterinary use; curare; dental lacquer; liquorice for pharmaceutical purposes; lactose for pharmaceutical purposes; candy for medical purposes; sticking plasters; medicines for alleviating constipation; adhesive bands for medical purposes; lecithin for medical purposes; lotions for veterinary purposes; medicated hair lotions; lotions for pharmaceutical purposes; medicated after-shave lotions; personal sexual lubricants; lupulin for pharmaceutical purposes; magnesia for pharmaceutical purposes; liniments; ointments for pharmaceutical purposes; sunburn ointments; mercurial ointments; frostbite salve for pharmaceutical purposes; gauze for dressings; medicinal oils; mustard oil for medical purposes; camphor oil for medical purposes; castor oil for medical purposes; oil of turpentine for pharmaceutical purposes; dill oil for medical purposes; dental mastics; dental abrasives; dental impression materials; teeth filling material; dressings, medical; surgical dressings; drugs for medical purposes; medicines for veterinary purposes; serotherapeutic medicines; medicines for human purposes; medicines for dental purposes; menthol; medicinal drinks; moleskin for medical purposes; almond milk for pharmaceutical purposes; powdered milk for babies; royal jelly for pharmaceutical purposes; milk ferments for pharmaceutical purposes; Irish moss for medical purposes; meal for pharmaceutical purposes; flaxseed meal for pharmaceutical purposes; fish meal for pharmaceutical purposes; fly catching adhesives; antibacterial soap; disinfectant soap; medicated soap; lyophilized meat adapted for medical purposes; mint for pharmaceutical purposes; dietetic beverages adapted for medical purposes; malted milk beverages for medical purposes; narcotics; medicinal infusions; tincture of iodine; eucalyptol for pharmaceutical purposes; tinctures for medical purposes; opium; opodeldoc; decoctions for pharmaceutical purposes; antiparasitic collars for animals; cotton sticks for medical purposes; stick liquorice for pharmaceutical purposes; sulfur sticks [disinfectants]; lozenges for pharmaceutical purposes; medicated dentifrices; pectin for pharmaceutical purposes; pepsins for pharmaceutical purposes; peptones for pharmaceutical purposes; hydrogen peroxide for medical purposes; pesticides; food for babies; leeches for medical purposes; blood plasma; eyepatches for medical purposes; poultices; com-

presses; scapulars for surgical purposes; babies' napkins; diapers for pets; diapers for incontinence; nixon pads; breast-nursing pads; pomades for medical purposes; powder of cantharides; pyrethrum powder; anti-uric preparations; bacterial preparations for medical and veterinary use; bacteriological preparations for medical and veterinary use; balsamic preparations for medical purposes; albuminous preparations for medical purposes; biological preparations for veterinary purposes; biological preparations for medical purposes; veterinary preparations; bismuth preparations for pharmaceutical purposes; vitamin preparations; diagnostic preparations for veterinary purposes; diagnostic preparations for medical purposes; bath preparations for medical purposes; therapeutic preparations for the bath; hemorrhoid preparations; preparations for callouses; lice treatment preparations [pediculicides]; acne treatment preparations; preparations to facilitate teething; preparations for the treatment of burns; fumigation preparations for medical purposes; organotherapy preparations; air purifying preparations; bronchodilating preparations; preparations for reducing sexual activity; sterilising preparations; soil-sterilising preparations; corn remedies; pharmaceutical preparations for treating dandruff; preparations for destroying noxious animals; weedkillers; preparations for destroying dry rot fungus; larvae exterminating preparations; fly destroying preparations; preparations for destroying mice; slug exterminating preparations; vermin destroying preparations; pharmaceutical preparations for skin care; contact lens cleaning preparations; preparations of microorganisms for medical or veterinary use; lime-based pharmaceutical preparations; styptic preparations; medicated eye-washes; medicinal hair growth preparations; nutraceutical preparations for therapeutic or medical purposes; opiates; anticryptogamic preparations; aloe vera preparations for pharmaceutical purposes; preparations of trace elements for human and animal use; sulfonamides [medicines]; pharmaceutical preparations; pharmaceutical preparations for treating sunburn; enzyme preparations for veterinary purposes; enzyme preparations for medical purposes; phytotherapy preparations for medical purposes; chemico-pharmaceutical preparations; chemical preparations for veterinary purposes; chemical preparations for the diagnosis of pregnancy; chemical preparations for medical purposes; chemical preparations for treating wheat smut; chemical preparations for treating diseases affecting vine plants; chemical preparations for treating mildew; chemical preparations for treating phylloxera; chemical preparations for pharmaceutical purposes; chilblain preparations; mothproofing preparations; collyrium; Goulard water; chemical conductors for electrocardiograph electrodes; albuminous foodstuffs for medical purposes; dietetic foods adapted for medical purposes; by-products of the processing of cereals for dietetic or medical purposes; homogenised food adapted for medical purposes; lyophilized food adapted for medical purposes;

pharmaceuticals; sanitary pads; panty liners [sanitary]; propolis for pharmaceutical purposes; pearl powder for medical purposes; radium for medical purposes; hydrated chloral for pharmaceutical purposes; solvents for removing adhesive plasters; vaginal washes for medical purposes; solutions for use with contact lenses; chemical reagents for medical or veterinary purposes; gum for medical purposes; rubber for dental purposes; chewing gum for medical purposes; insect repellents; insect repellent incense; repellents for dogs; tissues impregnated with pharmaceutical lotions; sarsaparilla for medical purposes; sugar for medical purposes; asthmatic tea; fumigating pastilles; suppositories; flaxseed for pharmaceutical purposes; tobacco-free cigarettes for medical purposes; siccatives [drying agents] for medical purposes; syrups for pharmaceutical purposes; turpentine for pharmaceutical purposes; milking grease; greases for veterinary purposes; greases for medical purposes; lacteal flour for babies; infant formula; soporifics; bicarbonate of soda for pharmaceutical purposes; bath salts for medical purposes; salts for mineral water baths; salts for medical purposes; potassium salts for medical purposes; sodium salts for medical purposes; smelling salts; mineral water salts; malt for pharmaceutical purposes; semen for artificial insemination; alcohol for pharmaceutical purposes; medicinal alcohol; alloys of precious metals for dental purposes; ergot for pharmaceutical purposes; cooling sprays for medical purposes; antibacterial handwashes; adjuvants for medical purposes; astringents for medical purposes; anthelmintics; disinfectants for hygiene purposes; disinfectants for chemical toilets; douching preparations for medical purposes; appetite suppressants for medical purposes; medical preparations for slimming purposes; parasiticides; mouthwashes for medical purposes; febrifuges; depuratives; animal washes [insecticides]; detergents for medical purposes; cattle washes [insecticides]; dog washes [insecticides]; insecticidal veterinary washes; vesicants; evacuants; remedies for perspiration; remedies for foot perspiration; chemical contraceptives; antiparasitic preparations; tranquilizers; laxatives; tonics [medicines]; medicated toiletry preparations; digestives for pharmaceutical purposes; nervines; media for bacteriological cultures; steroids; strychnine; serums; tanning pills; appetite suppressant pills; slimming pills; jujube, medicated; antioxidant pills; menstruation tampons; vulnery sponges; thymol for pharmaceutical purposes; biological tissue cultures for veterinary purposes; biological tissue cultures for medical purposes; smoking herbs for medical purposes; medicinal herbs; transplants [living tissues]; surgical implants comprised of living tissues; pants, absorbent, for incontinence; sanitary pants; babies' napkin-pants; charcoal for pharmaceutical purposes; fennel for medical purposes; porcelain for dental prostheses; phenol for pharmaceutical purposes; enzymes for veterinary purposes; enzymes for medical purposes; ferments for pharmaceutical purposes; formic al-

dehyde for pharmaceutical purposes; phosphates for pharmaceutical purposes; fungicides; quinine for medical purposes; chinoline for medical purposes; diabetic bread adapted for medical use; chloroform; flowers of sulfur for pharmaceutical purposes; cement for animal hooves; bone cement for surgical and orthopedic purposes; dental cements; medicinal tea; herbal teas for medicinal purposes; insecticidal animal shampoos; medicated shampoos; medicated shampoos for pets; pediculicidal shampoos; medicated dry shampoos; pre-filled syringes for medical purposes; eucalyptus for pharmaceutical purposes; herbal extracts for medical purposes; plant extracts for pharmaceutical purposes; tobacco extracts [insecticides]; extracts of hops for pharmaceutical purposes; elixirs [pharmaceutical preparations]; ethers for pharmaceutical purposes; esters for pharmaceutical purposes; cellulose esters for pharmaceutical purposes; cellulose ethers for pharmaceutical purposes; rat poison; poisons; bacterial poisons; jalap.

35 – Arranging subscriptions to telecommunication services for others; import-export agency services; commercial information agency services; publicity agency services; cost price analysis; rental of advertising space; business auditing; business intermediary services relating to the matching of potential private investors with entrepreneurs needing funding; employment agency services; computerized file management; accounting; invoicing; demonstration of goods; transcription of communications [office functions]; opinion polling; market studies; business information; commercial information and advice for consumers in the choice of products and services; business investigations; business research; marketing research; personnel recruitment; business management and organization consultancy; business organization consultancy; consultancy regarding public relations communication strategies; business management consultancy; personnel management consultancy; professional business consultancy; consultancy regarding advertising communication strategies; layout services for advertising purposes; marketing; business management of performing artists; business management of sports people; writing of résumés for others; scriptwriting for advertising purposes; news clipping services; updating and maintenance of information in registries; updating and maintenance of data in computer databases; updating of advertising material; word processing; organization of exhibitions for commercial or advertising purposes; arranging newspaper subscriptions for others; organization of fashion shows for promotional purposes; organization of trade fairs for commercial or advertising purposes; shop window dressing; development of advertising concepts; business appraisals; payroll preparation; data search in computer files for others; sponsorship search; business management assistance; commercial or industrial management assistance; commercial intermediation services; providing business

information via a web site; provision of commercial and business contact information; provision of an on-line marketplace for buyers and sellers of goods and services; web indexing for commercial or advertising purposes; presentation of goods on communication media, for retail purposes; economic forecasting; auctioneering; retail services for pharmaceutical, veterinary and sanitary preparations and medical supplies; sales promotion for others; production of teleshopping programs; production of advertising films; office machines and equipment rental; rental of advertising time on communication media; publicity material rental; rental of billboards [advertising boards]; rental of vending machines; rental of sales stands; rental of photocopying machines; publication of publicity texts; radio advertising; bill-posting; distribution of samples; dissemination of advertising matter; direct mail advertising; registration of written communications and data; writing of publicity texts; publicity; online advertising on a computer network; advertising by mail order; television advertising; compilation of statistics; compilation of information into computer databases; business inquiries; systemization of information into computer databases; advisory services for business management; negotiation of business contracts for others; negotiation and conclusion of commercial transactions for third parties; compiling indexes of information for commercial or advertising purposes; tax preparation; drawing up of statements of accounts; telemarketing services; psychological testing for the selection of personnel; outsourced administrative management for companies; business management of hotels; business management for freelance service providers; business project management services for construction projects; commercial administration of the licensing of the goods and services of others; business management of reimbursement programs for others; administration of consumer loyalty programs; administration of frequent flyer programs; administrative processing of purchase orders; public relations; modelling for advertising or sales promotion; typing; appointment reminder services [office functions]; web site traffic optimisation; administrative services for the relocation of businesses; tax filing services; search engine optimisation for sales promotion; appointment scheduling services [office functions]; price comparison services; pay per click advertising; secretarial services; procurement services for others [purchasing goods and services for other businesses]; shorthand; outsourcing services [business assistance]; telephone answering for unavailable subscribers; photocopying services; business efficiency expert services.

(260) AM 2021 111366 A
 (800) 1571531
 (151) 2020 11 06
 (891) 2020 11 06
 (731) Gao Juntao
 Room 312, No. 61, Xiazhai Zhi Street, Heping
 Town, Chaoyang District, Shantou City,
 Guangdong Province, China
 (540)

GFUZ

(591) Black, white
 (511)
 9 – Computer peripheral devices; identification threads for electric wires; connections for electric lines; couplers [data processing equipment]; battery chargers; cases for smartphones; electrical adapters; protective films adapted for smartphones; covers for smartphones; selfie sticks [hand-held monopods].

(260) AM 2021 111367 A
 (800) 1571578
 (151) 2020 10 27
 (891) 2020 10 27
 (731) Shandong Jinyu Tire Co., Ltd.
 No. 260, Qingken Road, Dawang Town,
 Guangrao County, Dongying City, Shandong
 Province, China
 (540)



(591) Black, white
 (531) 03.02.01; 03.02.24; 03.02.25; 03.02.26
 (511)
 12 – Inner tubes for pneumatic tires; tires for vehicle wheels; casings for pneumatic tyres; pneumatic tires; adhesive rubber patches for repairing inner tubes; automobile tires; solid tires for vehicle wheels; treads for retreading tires; tires for aircraft wheels; spikes for tires.

(260) AM 2021 111368 A
 (800) 1571593
 (151) 2020 11 10
 (891) 2020 11 10
 (731) SUMITOMO RUBBER INDUSTRIES, LTD.
 6-9, Wakinoama-cho 3-chome, Chuo-ku,
 Kobe-shi, Hyogo 651-0072, Japan

(540)

SP WINTER ICE

(591) Black, white

(511)

12 – Tires for vehicles; tires for automobiles; tires for trucks; tires for buses; tires for two-wheeled motor vehicles.

(260) AM 2021 111369 A

(800) 1571610

(151) 2020 10 15

(891) 2020 10 15

(731) ROYAL ARMENIA JV LTD

Davtashen 2nd Block 268, 0054 Yerevan,
Armenia

(540)



(591) Black, white, red

(531) 02.07.23; 05.07.27; 06.01.02; 07.05.05;

22.05.10; 25.01.15; 25.07.01; 27.05.01;

29.01.14

(526) "ARMENIA", "®", "GROUND COFFEE", "ARABICA & ROBUSTA"

(511)

30 – Ground coffee.

(260) AM 2021 111370 A

(800) 1571616

(151) 2020 10 06

(891) 2020 10 06

(731) AFLOFARM Farmacja Polska Sp. z o.o.

ul. Partyzancka 133/151, PL-95-200 Pabianice,
Poland

(540)

ZOXIN-MED

(591) Black, white

(511)

3 – Bleaching agents and other substances used in washing, cleaning, polishing, scouring and abrasions, soaps, perfumery, essential oils, cosmetics, hair lotions, dentifrices.

5 – Pharmaceutical and veterinary products, sanitary preparations for medical purposes, dietetic substances for medical purposes, baby food, dietary supplements

for health purposes, plasters, medical plaster dressings, surgical dressings, materials for sealing teeth, dental waxes, disinfectants, preparations for destroying vermin, fungicides, herbicides.

(260) AM 2021 111371 A

(800) 1571653

(151) 2020 08 03

(891) 2020 08 03

(731) Stratpharma AG

Aeschenvorstadt 57, CH-4051 Basel,
Switzerland

(540)

STRATACTX

(591) Black, white

(511)

5 – Medicated skin creams; adhesive bandages for skin wounds; medicinal creams for skin care; pharmaceutical preparations for skin care.

(260) AM 2021 111372 A

(800) 1571673

(151) 2020 08 03

(891) 2020 08 03

(731) Stratpharma AG

Aeschenvorstadt 57, CH-4051 Basel,
Switzerland

(540)

StrataGRT

(591) Black, white

(511)

5 – Medicated skin creams; adhesive bandages for skin wounds; medicinal creams for skin care; pharmaceutical preparations for skin care.

(260) AM 2021 111373 A

(800) 1571694

(151) 2020 11 11

(891) 2020 11 11

(731) HUAWEI TECHNOLOGIES CO., LTD.

Administration Building, Huawei Technologies
Co., Ltd., Bantian, Longgang District,
Shenzhen, China

(540)



(591) Black, white

(531) 27.05.01; 27.05.02; 27.07.01; 27.07.02

(511)

9 – Selfie sticks (hand-held monopods); sleeves for laptops; electric batteries; mobile power source (rechargeable batteries); set-top boxes; smart rings; downloadable graphics for mobile phones; wearable computers; wearable video display monitors; computer software applications, downloadable; smartwatches; wearable activity trackers; selfie sticks for mobile phones; selfie lenses; smartphones; smartglasses; cabinets for loudspeakers; modems; tablet computers; computer programs, recorded; cameras (photography); personal digital assistants (PDAs); audio interfaces; virtual reality headsets; notebook computers; earphones; USB data lines or data cables; protective films adapted for smartphones; cases for smartphones; covers for smartphones; microphones; laptop computers; headphones; television apparatus; portable media players; sound transmitting apparatus; camcorders; security surveillance robots; telecommunication apparatus in the form of jewellery; digital photo frames; network communication apparatus; chargers for electric batteries; digital video recorder for vehicles; humanoid robots with artificial intelligence; loudspeakers.

(260) AM 2021 111374 A

(800) 1571695

(151) 2020 11 11

(891) 2020 11 11

(731) HUAWEI TECHNOLOGIES CO., LTD.

Administration Building; Huawei Technologies Co., Ltd., Bantian, Longgang District, Shenzhen, China

(540)



(591) Black, white

(531) 27.05.01; 27.05.02; 27.07.01; 27.07.02

(511)

9 – Portable media players; sound transmitting apparatus; camcorders; security surveillance robots; digital photo frames; chargers for electric batteries; network communication apparatus; digital video recorder for vehicles; humanoid robots with artificial intelligence; loudspeakers; selfie sticks (hand-held monopods); sleeves for laptops; electric batteries; mobile power source (rechargeable batteries); set-top boxes; smart rings; downloadable graphics for mobile phones; wearable computers; wearable activity trackers; wearable video display monitors; computer software applications, downloadable; smartwatches; smartphones; telecommunication apparatus in the form of jewellery; selfie sticks for mobile phones; selfie lenses; smartglasses; cabinets for loudspeakers; modems; tablet computers; computer programs, recorded; cameras (photograp-

hy); personal digital assistants (PDAs); audio interfaces; virtual reality headsets; notebook computers; earphones; protective films adapted for smartphones; cases for smartphones; covers for smartphones; microphones; laptop computers; headphones; television apparatus; USB data lines or data cables.

(260) AM 2021 111375 A

(800) 1571723

(151) 2020 12 15

(891) 2020 12 15

(731) Richter Gedeon Nyrt.

Gyömrői út 19-21, H-1103 Budapest, Hungary

(540)

ГРИВОЛТИН

(591) Black, white

(531) 28.05

(511)

5 – Pharmaceutical preparations.

(260) AM 2021 111376 A

(800) 1571738

(151) 2020 12 15

(891) 2020 12 15

(731) Richter Gedeon Nyrt.

Gyömrői út 19-21, H-1103 Budapest, Hungary

(540)

ГРЕТЕЛАН

(591) Black, white

(531) 28.05

(511)

5 – Pharmaceutical preparations.

(260) AM 2021 111377 A

(800) 1571742

(151) 2020 12 15

(891) 2020 12 15

(731) Richter Gedeon Nyrt.

Gyömrői út 19-21, H-1103 Budapest, Hungary

(540)

ГЛАНДУРИТ

(591) Black, white

(531) 28.05

(511)

5 – Pharmaceutical preparations.

(260) AM 2021 111378 A

(800) 1571777

(151) 2020 12 15

(891) 2020 12 15

(731) Richter Gedeon Nyrt.

Gyömrői út 19-21, H-1103 Budapest, Hungary

(540)

ГРАСЕЛИН

(591) Black, white

(531) 28.05

(511)

5 – Pharmaceutical preparations.

(260) AM 2021 111383 A

(800) 1571870

(151) 2020 10 14

(891) 2020 10 14

(731) Head Technology GmbH

Wuhrkopfweg 1, A-6921 Kennelbach, Austria

(540)



(591) Black, white

(531) 21.03.09; 24.17.02; 26.11.12

(511)

9 – Diving masks; diving goggles; gloves for diving; diving suits; breathing apparatus for diving; earplugs for diving; snorkels; protective helmets; protective eyewear; spectacle cases; ski goggles; sun glasses; optical eyewear.

14 – Wrist watches; chronometers.

(260) AM 2021 111389 A

(800) 1195689

(151) 2013 08 27

(891) 2020 12 17

(731) BIOPHA

Parc d'Activité Sud Loire Boufféré, F-85612

MONTAIGU CEDEX, France

(540)

BIOLANE

(591) Black, white

(511)

5 – Food for babies; dietary foodstuffs for medical use; dietetic substances for medical use; dietetic products for medical use; food supplements for human beings; dietetic beverages for medical use; nutritional supplements for medical use; vitamin preparations, vitamins, herbal teas, medicinal tea, medicinal infusions; food supplements prepared for human consumption for medical use; nutritional supplements; nutritional beverages for medical use in the form of liquid, powder, capsules, pills, tablets, dragées, gelatin capsules, sachets; nutritional and dietetic foods in the form of liquid, powder, capsules, pills, tablets, dragé-

es, gelatin capsules, sachets; tonics, restoratives, stimulants, snacks in the form of dietetic food preparations rich in protein for medical use; powdered milk for infants; formula milk; milk for children; lacteal flour for babies; gruels [food for babies]; pharmaceutical preparations for the prevention of stretch marks; arnica-based gel; pharmaceutical products for skin care; nutritional supplements in the form of liquid, powder, capsules, pills, tablets, dragées, gelatin capsules, sachets for cosmetic use; nutritional supplements for the care of the skin, face and body.

(260) AM 2021 111393 A

(800) 1428556

(151) 2018 03 14

(891) 2020 11 05

(731) GÖRKEM BİLGİN AYAKKABİTİCARET
LİMİTED ŞİRKETİ

Yakuplu Merkez Mah. Hürriyet Bulvarı No:1,

Skyport Rezidans Kat:3 No:64-65 90,

Beylikdüzü, İstanbul, Turkey

(540)

(591) Black, white

(531) 26.11.11; 27.01.01; 27.05.09

(511)

25 – Clothing, including underwear and outerclothing, other than special purpose protective clothing, socks, mufflers [clothing], shawls, bandanas, scarves, belts [clothing], footwear, shoes, slippers, sandals, headgear, hats, caps with visors, berets, caps [headwear], skull caps.

35 – The bringing together, for the benefit of others, of clothing, including underwear and outerclothing, other than special purpose protective clothing, socks, mufflers [clothing], shawls, bandanas, scarves, belts [clothing], footwear, shoes, slippers, sandals, headgear, hats, caps with visors, berets, caps [headwear], skull caps enabling customers to conveniently view and purchase those goods, such services may be provided by retail stores, wholesale outlets, by means of electronic media or through mail order catalogues.

(260) AM 2021 111451 A

(800) 1572059

(151) 2020 08 20

(891) 2020 08 20

(731) TikTok Information Technologies UK Limited

Wework, 125 Kingsway, London

WC2B 6NH, United Kingdom

(540)

TikTok

(591) Black, white

(511)

14 – Alarm clocks; badges of precious metal; boxes of precious metal; bracelets; earrings; jewellery; ornamental pins; shoe jewellery; tie clips; necklaces; watches; split rings of precious metal for keys; key rings; key chains.

16 – Bookmarks; printed matter; composing frames; drawing materials; desk mats; document holders; marking pens; school supplies; stationery; writing paper; table napkins of paper; paper; pencils; pictures; stands for pens and pencils; ink; teaching materials.

18 – Bags; bags for sports; boxes of leather or leather-board; card cases; chain mesh purses; clothing for pets; handbags; net bags for shopping; suitcases; umbrellas; walking sticks; leather goods unworked or semi-worked namely, leather purses, leather cloths, leather bags, leather wallets, leather coin purses and leather briefcases.

25 – Clothing, namely, shirts, t-shirts, jackets, sweaters, sweatshirts, vests, shorts, pants, bodysuits, cloth bibs, jerseys, pullovers, socks; headgear, namely, hats, caps, beanies, visors; beach shoes; belts; caps being headwear; bandanas [neckerchiefs]; gloves.

28 – Games; toys; board games; balls for games; body-building apparatus; archery implements; physical exercise machines; toy whistles; inflatable swimming pools; plastic race tracks; ice skates; Christmas tree ornaments, except illumination articles and confectionery; fishing tackle; twirling batons; camouflage screens [sports articles]; scratch cards for playing lottery games.

(260) AM 2021 111452 A

(800) 1572061

(151) 2020 08 20

(891) 2020 08 20

(731) VIENNA INSURANCE GROUP AG Wiener
Versicherung Gruppe
Schottenring 30, A-1010 Wien, Austria

(540)



(591) Black, red and white

(531) 24.17.20; 26.03.23; 27.05.01; 27.07.01;
27.07.11; 29.01.12

(511)

36 – Insurance management services; administration of financial affairs; financial management of insurance plans; financial management of pre-paid health care plans; financial management of insurance claims; financial management of group insurance plans; life insurance agencies; financial data analysis; financial evaluation and analysis relating to insurance; financial

feasibility studies relating to insurance; retail financing services; financial consultancy and insurance consultancy; insurance consultancy; insurance underwriting consultancy; travel insurance; real estate insurance services; insurance services relating to holiday travels and accommodation; life insurance; motor insurance brokerage; financial services relating to insurance; financial services relating to the insurance of motor vehicles; consulting and information concerning insurance; personal insurance services relating to the supply of legal services; consultancy and brokerage services relating to vehicle insurance; consultancy and brokerage services relating to health insurance; consultancy and brokerage services relating to home insurance; consultancy and brokerage services relating to travel insurance; claim adjustment for non-life insurance; consultancy and brokerage services relating to accident insurance; consultancy and brokerage services relating to life insurance; health insurance; accident insurance; home contents insurance; insurance services relating to motor vehicles; property insurance underwriting; insurance information; advisory services relating to life insurance; insurance brokerage; insurance services; insurance agencies; insurance agency and brokerage; insurance services relating to real estate; insurance underwriting; insurance services relating to property; insurance brokerage for property; insurance services relating to holiday accommodation; providing insurance information; financial services rendered by insurance companies; insurance services relating to mechanical breakdown; insurance services for the protection of drivers; insurance services relating to the loss of personal possessions; life assurance brokerage; insurance services relating to the theft of personal possessions; insurance brokerage consultancy and information; insurance services relating to cancelled bookings for holidays; insurance services for the provision of emergency cash; computerised processing of insurance claims; provision of insurance premium quotations; insurance premium rate computing; computerised information services relating to insurance; insurance services relating to life; financial advisory services relating to life assurance.

(260) AM 2021 111453 A

(800) 1572131

(151) 2020 10 20

(891) 2020 10 20

(731) KYNC Design LLC

701 Penhorn Ave, Unit 1, Secaucus NJ 07094,
USA

(540)

Juniper CLEAN

(591) Black, white

(526) CLEAN

(511)

3 – All-purpose cleaners; baby wipes impregnated with cleaning preparations, sold in cases; disposable wipes impregnated with cleaning chemicals or compounds for industrial and commercial use; paper soaps for personal uses.

5 – All-purpose disinfectants; all-purpose disinfecting and deodorizing preparations; anti-bacterial soap; antibacterial soap; antibacterial hand soaps; antibacterial industrial soap; antibacterial liquid soap; antibacterial liquid soaps; antibacterial skin soaps; antibacterial waterless soap.

(260) AM 2021 111454 A

(800) 1572180

(151) 2020 09 16

(891) 2020 09 16

(731) Almirall, S.A.

Ronda General Mitre, 151, E-08022 Barcelona, Spain

(540)



(591) Red (Pantone 2034), blue (Pantone 295), mint green (Pantone 566) and yellow (Pantone 1205)

(531) 26.01.12; 26.03.04; 27.05.01; 29.01.15

(511)

5 – Pharmaceutical preparations; pharmaceutical preparations for the treatment of skin diseases and disorders; pharmaceutical preparations for the treatment of keratinocyte-derived precancerous and cancerous skin conditions.

16 – Printed materials, namely, brochures, journals, instruction manuals, and reports in the fields of dermatological diseases and disorders, and the use of medical devices for the treatment of dermatological diseases and disorders.

41 – Educational services, namely, medical training and teaching; providing classes, workshops, seminars, and educational conferences in the fields of dermatological diseases and disorders, and the use of medical devices pertaining thereto; providing a website featuring online non-downloadable video recordings featuring healthcare information.

42 – Pharmaceutical research and development services.

44 – Providing medical information; health counselling; telemedicine services.

(260) AM 2021 111455 A

(800) 1572198

(151) 2020 11 02

(891) 2020 11 02

(731) ZHONGCE RUBBER GROUP COMPANY LIMITED

No.2 10th Avenue, Economic and Technological, Development Zone, Hangzhou, Zhejiang, China

(540)

DIDAR

(591) Black, white

(531) 27.05.01; 27.05.17

(511)

12 – Repair outfits for inner tubes; tires for vehicle wheels; upholstery for vehicles; vehicle wheels; treads for retreading tires; automobile tires; bicycles; vehicles for locomotion by land, air, water or rail; bicycle tires; inner tubes for bicycle tires.

(260) AM 2021 111466 A

(800) 1572329

(151) 2020 11 27

(891) 2020 11 27

(731) ROLEX SA

3-5-7 rue François-Dussaud, CH-1211 Genève 26, Switzerland

(540)

PARACHROM

(591) Black, white

(511)

14 – Timepieces, namely, watches, wrist-watches, component parts for timepieces and accessories for timepieces not included in other classes, clocks and other chronometric instruments, chronometers, chronographs (timepieces), watch bands, dials (timepieces), boxes and cases for timepieces and jewelry, watch movements and their parts; watch springs; jewelry, jewelry items; precious stones and semi-precious stones; precious metals and their alloys; pins (jewelry).

(260) AM 2021 111467 A

(800) 1572336

(151) 2020 08 20

(891) 2020 08 20

(731) TikTok Information Technologies UK Limited

One London Wall, 6th Floor, London EC2Y 5EB, United Kingdom

(540)

TikTok

(591) Black, white

(511)

9 – Software; application software; application software for smartphones; downloadable computer software applications; downloadable smart phone applications; covers for smartphones and mobile phones; cases for smartphones and mobile phones; protective cases for smartphones; selfie sticks used as smartphone accessories; holders adapted for smartphones; mobile phones; straps for smartphones; batteries; battery chargers; USB chargers (battery chargers); USB cables; earphones; headphones; headsets; protective films adapted for smartphones and mobile phones; other accessories designed for smartphones or mobile phones; fridge magnets; blank digital or analogue recording and storage media; decorative magnets; alarms; sunglasses; optical apparatus and instruments; video screens.

35 – Advertising and advertisement services; advertising agency services; on-line advertising on computer networks; pay per click advertising; preparing advertisements for others; dissemination of advertising matter; advertising through all public communication means; sales promotion for others; advice in the field of business management and marketing; presentation of goods on communication media, for retail purposes; search engine optimization services; provision and rental of advertising space on the internet; business advice and information services; assistance in management of business activities; commercial information agency services; providing business information via a website; personnel management consultancy services; updating and maintenance of data in computer databases; providing information relating to tax preparation and tax filing services; advertising; online advertising on a computer network.

36 – Insurance; financial affairs; monetary affairs; real estate affairs; clearing and reconciling financial transactions via a global computer network; online banking services; financial services; credit card services, electronic payment services involving electronic processing and subsequent transmission of bill payment data, and providing insurance for financial transactions; funds transfer services; transmission of funds by electronic means for others; transfer of payments for others via the internet; financial services in the nature of electronic bill payment services; real estate management services; apartment management services; renting and leasing of real estate; real estate appraisal; real estate valuation; real estate financing; real estate investment; real estate brokerage services; housing agency services; actuarial services; real estate management and consultancy services; rent collection; rental of offices; capital investment services; financial evaluation services; financial and asset management services; insurance and financial services; financial services provided by telecommunication means; financial consultancy and advisory services; online banking; information services relating to finance

and insurance, provided online from a computer database or the internet; antique appraisal; art appraisal; jewelry appraisal; used car appraisal; charitable fund raising; organizing of charitable collections; charitable collection services; online payment services; safe deposit services; arranging of finance for construction projects.

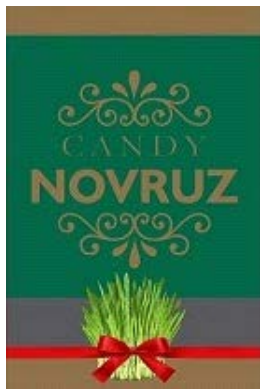
38 – Communications services provided over the internet; SMS message sending services; electronic message sending services; transmission of data from software applications via internet; providing user access to search engines; communication via virtual private networks [vpn]; electronic delivery of images and photographs via a global computer network; data transmission and telecommunication services; telecommunications services for providing access to data, sound or images; transmission of text, photos or video via a smartphone application; transmission of information via applications for smartphones; transmission, broadcasting and reception of audio, video, still and moving images, text and data; transfer of data via on-line services; peer-to-peer (p2p) sharing services; providing access to a video sharing portal; live video streaming services.

41 – Educational services; training services; providing video entertainment featuring music videos, via mobile devices online; provision of online electronic publications (not downloadable), via mobile devices; multimedia publishing of printed matter, books, magazines, journals, newspapers, newsletters, tutorials, maps, graphics, photographs, videos, music and electronic publications; electronic publication of information on-line; entertainment and amusement information via the internet; entertainment services; organization and presentation of shows, competitions, games, concerts and entertainment events; arranging, organizing, conducting, and hosting social entertainment events; conducting educational conferences; publication of user generated content.

42 – Provision of software applications through a website; hosting on-line web facilities for others for sharing on-line content; hosting platforms on the internet; computer programming; computer software design; electronic data storage; software as a service (saas) services; cloud computing; hosting a website for the electronic storage of digital photographs and videos; hosting digital content on the internet; hosting multimedia entertainment content; hosting of multimedia and interactive applications; web site hosting services; business card design.

45 – Online social networking services; licensing of computer software; legal services; licensing of intellectual property.

(260) AM 2021 111468 A
 (800) 1572337
 (151) 2020 11 20
 (891) 2020 11 20
 (731) "KONTI-RUS" JOINT STOCK COMPANY
 ul. Zolotaia, 13, Kursk, RU-305000 Kursk
 oblast, Russian Federation
 (540)



(591) Red, green, light green, dark green, golden, gray
 (531) 05.07.02; 05.07.03; 09.01.10; 25.01.25;
 27.05.10; 29.01.15
 (526) CANDY NOVRUZ
 (511)
 30 – Sweetmeats [candy].

(260) AM 2021 111469 A
 (800) 1572350
 (151) 2020 08 14
 (891) 2020 08 14
 (731) Industrial Innovation Group SARL
 16 Rue de la Pélisserie, CH-1204 Genève,
 Switzerland
 (540)

LEORIA

(591) Black, white
 (511)
 1 – Chemicals used in industry, science, photography, as well as in agriculture, horticulture and forestry; unprocessed artificial resins, unprocessed plastics; fire extinguishing and fire prevention compositions; tempering and soldering preparations; materials for tanning leather and animal skins; adhesives for use in industry; mastics and other filler pastes; compost, manures, fertilizing products; biological preparations for use in industry and science.
 2 – Paints, varnishes, lacquers; preservatives against rust and against deterioration of wood; colorants, dyes; printing inks, marking inks and engraving inks; Unprocessed natural resins; metals in foil and powder form for painting, decoration, printing and works of art.
 3 – Non-medicated toiletry preparations and cosmetic products; non-medicated dentifrices; perfumery products, essential oils; bleaching preparations and other

substances for laundry use; cleaning, polishing, degreasing and abrasive preparations.

5 – Veterinary preparations; hygienic products for medicine; dietetic substances and foodstuffs for medical or veterinary use, food for babies; food supplements for humans and animals; plasters, materials for dressings; material for dental fillings and dental impressions; disinfectants; products for destroying vermin; fungicides, herbicides.

10 – Surgical, medical, dental and veterinary apparatus and instruments; artificial limbs, eyes and teeth; orthopedic articles; suture material; therapeutic and assistance devices designed for people with disabilities; massage apparatus; apparatus, devices and articles for child care.

16 – Paper and cardboard; printing products (printed matter); bookbinding material; photographs; stationery and office requisites, excluding furniture; adhesives for stationery or household purposes; drawing material and material for artists; paintbrushes; instructional or teaching material; sheets, films and bags of plastic materials for wrapping and packaging; printing type, printing blocks.

17 – Rubber, gutta-percha, gum, asbestos, mica being unprocessed or semi-processed and substitutes of all these materials; plastic materials and resins in extruded form used in manufacturing operations; packing, stopping and insulating materials; flexible pipes not of metal.

18 – Leather and imitations of leather; animal skins; luggage and transport bags; umbrellas and parasols; walking sticks; whips, harness and saddlery; collars, leashes and clothing for animals.

19 – Non-metallic building materials; non-metallic rigid pipes for building; asphalt, pitch, tar and bitumen; transportable buildings not of metal; monuments not of metal.

22 – Ropes and strings; nets; tents and tarpaulins; awnings of textile or synthetic materials; sails; bags for the transport and storage of merchandise in bulk; padding and stuffing materials, excluding paper, cardboard, rubber or plastic materials; raw fibrous textile materials and their substitutes.

23 – Threads for textile use.

24 – Textiles and substitutes thereof; household linen; curtains of textile or plastic.

25 – Clothing, footwear, headwear.

27 – Carpets, rugs, mats and matting, linoleum and other materials for covering existing floors; wall hangings not of textile.

34 – Tobacco and tobacco substitutes; cigarettes and cigars; electronic cigarettes and oral sprays for smokers; smokers' articles; matches.

35 – Advertising; commercial business management; commercial administration; office functions; the bringing together, for the benefit of others, of a variety of goods (excluding the transport thereof) in retail and/or wholesale stores, as well as in mail-order catalogs and on websites enabling customers to conveniently view and purchase said goods.

39 – Transport; packaging and storage of merchandise; travel organization.

40 – Treatment of materials; recycling of trash and waste; air purification and water treatment; printing services; food and beverage preservation.

41 – Education; training; entertainment; sporting and cultural activities.

42 – Scientific and technological services as well as research and design services relating thereto; industrial analysis, industrial research and industrial design services; quality control and authentication services; design and development of computers and software.

(260) AM 2021 111470 A

(800) 1572420

(151) 2020 10 30

(891) 2020 10 30

(731) Shenzhen Crawford Technology Co., Ltd
2nd, Building C1, Hongdehui Industrial Park,
No.128 Baoguan Road, Nanwan Street,
Longgang District, Shenzhen, 518000
Guangdong, China

(540)



(591) Black, white

(531) 25.03.01; 25.03.03; 27.05.09; 27.05.24

(511)

9 – Protective case for smartphone; smartphone case; special protective film for smartphone screen; portable power supply (rechargeable battery); speaker; headphone; selfie stick (hand-held monopod); data line power supply material (wire and cable); plugs, sockets and other contacts (electrical connections); power plug converter.

(260) AM 2021 111471 A

(800) 1572422

(151) 2020 12 17

(891) 2020 12 17

(731) Janssen Pharmaceutica NV
Turnhoutseweg 30, B-2340 Beerse,
Belgium

(540)

INVEGA HAFYERA

(591) Black, white

(511)

5 – Human pharmaceutical preparations for the treatment of central nervous system diseases.

(260) AM 2021 111472 A

(800) 1572447

(151) 2020 10 30

(891) 2020 10 30

(731) Shenzhen Crawford Technology Co., Ltd
2nd, Building C1, Hongdehui Industrial Park,
No.128 Baoguan Road, Nanwan Street,
Longgang District, Shenzhen, 518000
Guangdong, China

(540)

THREEKEY

(591) Black, white

(531) 27.05.01; 27.05.19; 27.05.22

(511)

9 – Protective case for smartphone; smartphone case; special protective film for smartphone screen; portable power supply (rechargeable battery); speaker; headphone; selfie stick (hand-held monopod); data line power supply material (wire and cable); plugs, sockets and other contacts (electrical connections); power plug converter.

(260) AM 2021 111473 A

(800) 1572478

(151) 2020 11 11

(891) 2020 11 11

(731) ApeironSpace AG
Oberneuhofstrasse 5, CH-6340 Baar,
Switzerland

(540)

Apeiron Space

(591) Black, white

(511)

35 – Advertising; commercial business management; commercial administration; office functions; services provided by consultants relating to hotel administration and management; administrative management of hotels.

43 – Agency services for reservation of accommodation in hotels; hotel information services; Hotel, restaurant and coffee shop services; reservation of accommodation in hotels; hotel accommodation services; providing information relating to hotels; hotel reservation services provided via the Internet; provision of online information relating to hotel reservations.

(260) AM 2021 111474 A
 (800) 1572479
 (151) 2020 11 11
 (891) 2020 11 11
 (731) ApeironSpace AG
 Oberneuhofstrasse 5, CH-6340 Baar,
 Switzerland
 (540)



(591) Black, white
 (531) 26.04.07; 26.07.25; 27.05.01
 (511)
 35 – Advertising; commercial business management; commercial administration; office functions; services provided by consultants relating to hotel administration and management; administrative management of hotels.

43 – Agency services for reservation of accommodation in hotels; hotel information services; Hotel, restaurant and coffee shop services; reservation of accommodation in hotels; hotel accommodation services; providing information relating to hotels; hotel reservation services provided via the Internet; provision of online information relating to hotel reservations.

(260) AM 2021 111475 A
 (800) 1572516
 (151) 2020 12 15
 (891) 2020 12 15
 (731) Richter Gedeon Nyrt.
 Gyömrői út 19-21, H-1103 Budapest, Hungary
 (540)

ПИЛАМИН

(591) Black, white
 (531) 28.05
 (511)
 5 – Pharmaceutical preparations.

(260) AM 2021 111476 A
 (800) 1572518
 (151) 2020 10 27
 (891) 2020 10 27
 (731) HUANG JING
 No.49, Liangpu Road, Niansanli Village,
 Niansanli Town, Yiwu City, Jinhua City,
 322013 Zhejiang Province, China
 (540)

(591) Black, white
 (531) 27.05.03; 27.05.04; 27.05.17
 (511)
 25 – Clothing; dust coat; shoes; hats; hosiery; gloves [clothing]; neckties; scarfs; girdles; belts [clothing].

(260) AM 2021 111477 A
 (800) 1572531
 (151) 2020 12 15
 (891) 2020 12 15
 (731) Richter Gedeon Nyrt.
 Gyömrői út 19-21, H-1103 Budapest, Hungary
 (540)

РОВОБИНТ

(591) Black, white
 (531) 28.05
 (511)
 5 – Pharmaceutical preparations.

(260) AM 2021 111479 A
 (800) 1572563
 (151) 2020 12 15
 (891) 2020 12 15
 (731) Richter Gedeon Nyrt.
 Gyömrői út 19-21, H-1103 Budapest, Hungary
 (540)

СИРГАЛЕД

(591) Black, white
 (531) 28.05
 (511)
 5 – Pharmaceutical preparations.

(260) AM 2021 111480 A
 (800) 1572567
 (151) 2020 12 15
 (891) 2020 12 15
 (731) Richter Gedeon Nyrt.
 Gyömrői út 19-21, H-1103 Budapest, Hungary
 (540)

НЕКСЕДИН

(591) Black, white
 (531) 28.05
 (511)
 5 – Gynecological pharmaceutical preparations.

(260) AM 2021 111481 A
 (800) 1572569
 (151) 2020 12 15
 (891) 2020 12 15
 (731) Richter Gedeon Nyrt.
 Gyömrői út 19-21, H-1103 Budapest, Hungary

(540)

РАДИКТИН

(591) Black, white

(531) 28.05

(511)

5 – Pharmaceutical preparations.

(260) AM 2021 111482 A

(800) 1572635

(151) 2020 11 06

(891) 2020 11 06

(731) AROMATIKA LTD.

7-9 Nyzhniy Val str., Kyiv 04071, Ukraine

(540)



(591) Black, white

(531) 05.03.11; 05.03.15; 05.07.21; 26.01.04;

26.01.18; 26.11.12; 27.05.01

(511)

29 – Preserved, frozen, dried and cooked fruits and vegetables; jellies, jams, compotes; eggs; edible oils and fats.

30 – Coffee, tea, cocoa, sugar, rice, tapioca, sago, artificial coffee; flour and preparations made from cereals, bread, pastry and confectionery, ices; honey, treacle; yeast, baking-powder; salt, mustard; vinegar, sauces (condiments); spices; ice.

31 – Animal feed, edible pet treats and pet food; litter for animals; meal for animals; animal foodstuffs.

(260) AM 2021 111483 A

(800) 1572667

(151) 2019 10 16

(891) 2019 10 16

(731) Ahmet BULUT

Karamehmet Mah. Avrupa Serbest Bolgesi, Avrasya Bulvarı, No.11, Ergene, Tekirdag, Turkey

(540)



(591) Red, white

(531) 26.04.04; 27.05.10; 29.01.12

(511)

7 – Machines, machine tools and industrial robots for processing and shaping wood, metals, glass, plastics and minerals, 3D printers; construction machines and robotic mechanisms (machines) for use in construction; bulldozers, diggers (machines), excavators, road construction and road paving machines, drilling machines, rock drilling machines, road sweeping machines; lifting, loading and transmission machines and robotic mechanisms (machines) for lifting, loading and transmission purposes; elevators, escalators and cranes; machines and robotic mechanisms (machines) for use in agriculture and animal breeding, machines and robotic mechanisms (machines) for processing cereals, fruits, vegetables and food; machines for preparing and processing beverages; engines and motors, other than for land vehicles, parts and fittings therefor; hydraulic and pneumatic controls for engines and motors, brakes other than for vehicles, brake linings for engines, crankshafts, gearboxes, other than for land vehicles, cylinders for engines, pistons for engines, turbines, not for land vehicles, filters for engines and motors, oil, air and fuel filters for land vehicle engines, exhausts for land vehicle engines, exhaust manifolds for land vehicle engines, engine cylinders for land vehicles, engine cylinder heads for land vehicles, pistons for land vehicle engines, carburetors for land vehicles, fuel conversion apparatus for land vehicle engines, injectors for land vehicle engines, fuel economisers for land vehicle engines, pumps for land vehicle engines, valves for land vehicle engines, starter motors for land vehicles, dynamos for land vehicle engines, sparking plugs for land vehicle engines; bearings (parts of machines), roller or ball bearings; timing belts, v belts, alternator belts; machines for mounting and detaching tires; alternators, current generators, electric generators, current generators operated with solar energy; painting machines, automatic spray guns for paint, electric, hydraulic and pneumatic punching machines and guns, electric adhesive tape dispensers (machines), electric guns for compressed gas or liquid spraying machines, electric hand drills, electric hand saws, electric jigsaw machines, spiral machines, compressed air machines, compressors (machines), vehicle washing installations, robotic mechanisms (machines) with the abovementioned functions; electric and gas-operated welding apparatus, electric arc welding apparatus, electric soldering apparatus, electric arc cutting apparatus, electrodes for welding machines, industrial robots (machines) with the abovementioned functions; printing machines; packaging machines, filling, plugging and sealing machines, labellers (machines), sorting machines, industrial robots (machines) with the abovementioned functions, electric packing machines for plugging and sealing of plastics; machines for textile processing, sewing machines, industrial robots (machines) with the

abovementioned functions; pumps other than parts of machines or engines (term considered too vague by the International Bureau – Rule 13 (2) (b) of the Regulations), fuel dispensing pumps for service stations, self-regulating fuel pumps; electric kitchen machines for chopping, grinding, crushing, mixing and mincing foodstuff, washing machines, laundry washing machines, dishwashers, spin driers (not heated), electric cleaning machines for cleaning floors, carpets or floorings, vacuum cleaners and parts thereof; automatic vending machines; galvanizing and electroplating machines; electric door openers and closers; gaskets for engines and motors.

12 – Motor land vehicles, motorcycles, mopeds; engines and motors for land vehicles; clutches for land vehicles; transmissions, transmission belts and transmission chains for land vehicles; gearing for land vehicles; brakes, brake discs and brake linings for land vehicles; vehicle chassis, automobile bonnets, vehicle suspension springs, shock absorbers for automobiles, gearboxes for land vehicles, steering wheels for vehicles, rims for vehicle wheels; bicycles and their bodies; handlebars and mudguards for bicycles; vehicle bodies; tipping bodies for trucks; trailers for tractors; frigorific bodies for land vehicles; trailer hitches for vehicles; vehicle seats; head-rests for vehicle seats; safety seats for children, for vehicles; seat covers for vehicles; vehicle covers (shaped); sun-blinds adapted for vehicles; direction signals and arms for direction signals for vehicles; windscreen wipers and wiper arms for vehicles; inner and outer tires for vehicle wheels; tubeless tires; tire-fixing sets comprised of tire patches and tire valves for vehicles; windows for vehicles, safety windows for vehicles, rearview mirrors and wing mirrors for vehicles; anti-skid chains for vehicles; luggage carriers for vehicles; bicycle and ski carriers for cars; saddles for bicycles or motorcycles; air pumps for vehicles, for inflating tires; anti-theft alarms for vehicles, horns for vehicles; safety belts for vehicle seats, air bags (safety devices for automobiles); baby carriages, wheelchairs, pushchairs; wheelbarrows; shopping carts; single or multi-wheeled wheelbarrows; shopping trolleys; grocery carts; handling carts; rail vehicles; locomotives; trains; trams; waggons; cable cars; chairlifts; vehicles for locomotion by water and their parts, other than their motors and engines; vehicles for locomotion by air and their parts, other than their motors and engines; gearboxes.

(260) AM 2021 111484 A

(800) 1572691

(151) 2020 10 28

(891) 2020 10 28

(731) Bora Creations S.L.

11, Calle Velázquez (Pto. de Andratx), E-07157 Andratx, Balearn, Spain

(540)

SKIN LOVIN

(591) Black, white

(511)

3 – Cosmetics; decorative cosmetics; skin care preparations; skincare cosmetics; cosmetic primers, face primers; make-up bases; skin foundation; concealer; cover sticks; face powder; make-up preparations; skin highlighter [cosmetic]; bronzers; mascara; eyeliner; eyelid shadow; lipstick; lip gloss; lip balms; lip liners.

(260) AM 2021 111485 A

(800) 1572731

(151) 2020 11 17

(891) 2020 11 17

(731) "WELLCORM" Limited Liability Company
Centralnaya street, 46, office 205, Murino,
Vsevolozhsky district, RU-188669 Leningrad
region, Russian Federation

(540)



(591) Black, light green

(531) 05.03.13; 05.03.14; 27.05.02; 27.05.08;
27.05.17; 29.01.12

(511)

31 – Animal foodstuffs; pet food; strengthening animal forage; pet treats, edible; beverages for pets; aromatic sand [litter] for pets; sanded paper [litter] for pets; cat litter; litter for animals.

(260) AM 2021 111486 A

(800) 1572791

(151) 2020 12 07

(891) 2020 12 07

(731) Apple Inc.

One Apple Park Way, Cupertino CA 95014,
USA

(540)

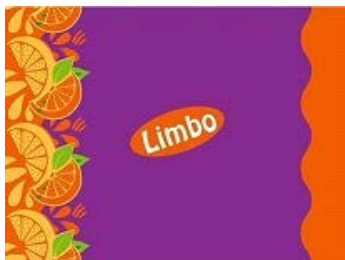
APP CLIP CODE

(591) Black, white

(511)

42 – Providing online non-downloadable application development software; providing online non-downloadable computer software development tools; providing online non-downloadable computer software used in developing other software applications; user authentication services using a software application; user authentication services using technology for e-commerce transactions; providing online information relating to computer technology, computer programming, and computer software.

(260) AM 2021 111487 A
 (800) 1572848
 (151) 2020 11 20
 (891) 2020 11 20
 (731) "KONTI-RUS" JOINT STOCK COMPANY
 ul. Zolotaia, 13, Kursk, RU-305000 Kursk
 oblast, Russian Federation
 (540)



(591) Orange, yellow, green, dark green, purple,
 white
 (531) 01.15.15; 05.07.22; 19.03.24; 26.01.18;
 29.01.15
 (511)
 30 – Confectionery; pastries.

(260) AM 2021 111547 A
 (800) 1572999
 (151) 2020 09 07
 (891) 2020 09 07
 (731) Lenzing Aktiengesellschaft
 Werkstr. 2, A-4860 Lenzing, Austria
 (540)

VEOCEL

(591) Black, white
 (511)
 35 – Advertising; advertising, marketing and promotional services; arranging of demonstrations for advertising purposes; arranging of displays for commercial purposes; arranging of exhibitions for advertising purposes; arranging of exhibitions for business purposes; distribution of advertising matter in response to telephone enquiries; banner advertising; bill-posting; business administration; business management; demonstration of goods; demonstration of goods and services by electronic means, also for the benefit of the so-called teleshopping and homeshopping services; demonstration of goods for promotional purposes; display services for merchandise; dissemination of advertisements; dissemination of advertising and promotional materials; dissemination of advertising for others; dissemination of advertising for others via the internet; dissemination of advertising matter; dissemination of advertising, marketing and publicity materials; distribution and dissemination of advertising materials [leaflets, prospectuses, printed material, samples]; distribution of advertisements and commercial announcements; distribution of advertising announcements; distribution of advertising material; distribution of adver-

tising, marketing and promotional material; distribution of products for advertising purposes; distribution of promotional matter; distribution of prospectuses and samples; distribution of samples for publicity purposes; exhibitions (conducting -) for advertising purposes; exhibitions (conducting -) for business purposes; organisation of fashion shows for commercial purposes; handbill distribution; marketing studies; merchandising; office functions; online advertising services; organisation and conducting of product presentations; organisation of events for commercial and advertising purposes; organisation of exhibitions and trade fairs for business and promotional purposes; organization of events, exhibitions, fairs and shows for commercial, promotional and advertising purposes; planning and conducting of trade fairs, exhibitions and presentations for economic or advertising purposes; preparation and presentation of audio visual displays for advertising purposes; presentation of goods and services; public relations services; rental of advertising space; rental of advertising space on-line; sales demonstration [for others]; sales promotion for others; sample distribution; shows (conducting business -); supply chain management services; telemarketing services; arranging and conducting trade show exhibitions.

(260) AM 2021 111548 A
 (800) 1573131
 (151) 2020 12 11
 (891) 2020 12 11
 (731) AstraZeneca UK Limited
 1 Francis Crick Avenue, Cambridge Biomedical
 Campus, Cambridge CB2 0AA, United Kingdom
 (540)

VAXZEVRIA

(591) Black, white
 (511)
 5 – Pharmaceutical preparations and substances.

(260) AM 2021 111550 A
 (800) 1573178
 (151) 2020 12 11
 (891) 2020 12 11
 (731) De Rigo Vision S.p.A.
 Zona Industriale Villanova 12, I-32013
 Longarone (BL), Italy
 (540)

YALEA

(591) Black, white
 (511)
 9 – Optical apparatus and instruments namely spectacles, lens and spectacle frames, sunglasses, spectacle lenses, contact lenses, spectacle cases, parts and fittings for the aforesaid goods not included in other

classes; polarizing spectacles; goggles; anti-glare glasses; corrective eyewear; eyeglass shields; cyclists' glasses; snow goggles; spectacle cords; prescription eyeglasses; bars for spectacles; children's eye glasses; spectacle chains; reading glasses; glacier eyeglasses; spectacle cases; goggles for sports; frames for spectacles and sunglasses; cords and chains for sunglasses; spectacle lenses.

(260) AM 2021 111552 A
 (800) 1573339
 (151) 2020 09 28
 (891) 2020 09 28
 (731) Egis Gyógyszergyár Zrt.
 Keresztúri út 30-38., H-1106 Budapest,
 Hungary
 (540)

CLOSOLUTE

(591) Black, white
 (511)
 3 – Cosmetics and cosmetic preparations.
 5 – Human pharmaceutical preparations; dietetic substances adapted for medical use; dietary supplements; medicinal ointments; medicated skin creams; plasters, materials for dressings.

(260) AM 2021 111555 A
 (800) 1573390
 (151) 2020 09 28
 (891) 2020 09 28
 (731) Egis Gyógyszergyár Zrt.
 Keresztúri út 30-38., H-1106 Budapest,
 Hungary
 (540)

INFILEA

(591) Black, white
 (511)
 3 – Cosmetics and cosmetic preparations.
 5 – Human pharmaceutical preparations; dietetic substances adapted for medical use; dietary supplements; medicinal ointments; medicated skin creams; plasters, materials for dressings.

(260) AM 2021 111557 A
 (800) 1573411
 (151) 2020 09 28
 (891) 2020 09 28
 (731) Egis Gyógyszergyár Zrt.
 Keresztúri út 30-38., H-1106 Budapest,
 Hungary
 (540)

INFILIMA

(591) Black, white
 (511)
 3 – Cosmetics and cosmetic preparations.

5 – Human pharmaceutical preparations; dietetic substances adapted for medical use; dietary supplements; medicinal ointments; medicated skin creams; plasters, materials for dressings.

(260) AM 2021 111558 A
 (800) 1573620
 (151) 2020 12 25
 (891) 2020 12 25
 (731) Individual entrepreneur Zabrodina Inna
 Markovna
 ul. Il'icha, d. 9, kv. 52, Novosibirsk, RU-630090
 Novosibirskaya obl., Russian Federation
 (540)

FOET

(591) Black, white
 (511)
 3 – Aromatics [essential oils]; balms, other than for medical purposes; lip glosses; nail glitter; petroleum jelly for cosmetic purposes; cotton wool for cosmetic purposes; scented water; toilet water; depilatory wax; creams for leather; deodorants for human beings or for animals; depilatory preparations; air fragrance reed diffusers; perfumes; perfumery; eyebrow pencils; cosmetic pencils; adhesives for affixing false eyelashes; hair conditioners; cosmetic creams; skin whitening creams; hair spray; nail polish; hair lotions; lotions for cosmetic purposes; beauty masks; oils for cosmetic purposes; oils for toilet purposes; essential oils; cleansing milk for toilet purposes; deodorant soap; cakes of toilet soap; cosmetic kits; eau de Cologne; gel eye patches for cosmetic purposes; lipstick cases; lipsticks; pomades for cosmetic purposes; cosmetic preparations for baths; bath preparations, not for medical purposes; hair straightening preparations; hair waving preparations; leather bleaching preparations; make-up removing preparations; nail care preparations; collagen preparations for cosmetic purposes; aloe vera preparations for cosmetic purposes; breath freshening preparations for personal hygiene; make-up powder; nail varnish removers; vaginal washes for personal sanitary or deodorant purposes; false eyelashes; tissues impregnated with cosmetic lotions; tissues impregnated with make-up removing preparations; potpourris [fragrances]; bleaching soda; bath salts, not for medical purposes; bleaching salts; eyebrow cosmetics; make-up preparations; sun-tanning preparations [cosmetics]; hair dyes; cosmetic preparations for eyelashes; cosmetic preparations for skin care; cosmetics; mascara; cleansers for intimate personal hygiene purposes, non medicated; douching preparations for personal sanitary or deodorant purposes [toilettries]; phyto-cosmetic preparations; cotton swabs for cosmetic

purposes; shampoos; dry shampoos; herbal extracts for cosmetic purposes; extracts of flowers [perfumes]; ethereal essences.

(260) AM 2021 111565 A
 (800) 1573893
 (151) 2020 10 30
 (891) 2020 10 30
 (731) STADA Arzneimittel AG
 Stadastr. 2-18, 61118 Bad Vilbel, Germany
 (540)

ВируШтад

(591) Black, white
 (531) 28.05
 (511)

5 – Pharmaceutical preparations; medical and veterinary preparations; medicine; sanitary preparations for medical purposes; nasal rinsing, nasal sprays; solutions for nasal inhalation, gargling and rinsing; dietetic food and substances adapted for medical or veterinary use, food for babies; dietary supplements for humans and animals; plasters, materials for dressings; material for stopping teeth and dental wax; disinfectants; preparations for destroying vermin; fungicides, herbicides.

10 – Inhalers; medical devices and apparatus; aerosol dispensers for medical purposes; containers for administering pharmaceuticals, vaporizers for medical purposes.

(260) AM 2021 111566 A
 (800) 1573909
 (151) 2020 10 30
 (891) 2020 10 30
 (731) STADA Arzneimittel AG
 Stadastr. 2-18, 61118 Bad Vilbel, Germany
 (540)

ВируПротект

(591) Black, white
 (531) 28.05
 (511)

5 – Pharmaceutical preparations; medical and veterinary preparations; medicine; sanitary preparations for medical purposes; nasal rinsing, nasal sprays; solutions for nasal inhalation, gargling and rinsing; dietetic food and substances adapted for medical or veterinary use, food for babies; dietary supplements for humans and animals; plasters, materials for dressings; material for stopping teeth and dental wax; disinfectants; preparations for destroying vermin; fungicides, herbicides.

10 – Inhalers; medical devices and apparatus; aerosol dispensers for medical purposes; containers for ad-

ministering pharmaceuticals, vaporizers for medical purposes.

(260) AM 2021 111567 A
 (800) 1573911
 (151) 2020 10 30
 (891) 2020 10 30
 (731) STADA Arzneimittel AG
 Stadastr. 2-18, 61118 Bad Vilbel, Germany
 (540)

ШТАДА Протект

(591) Black, white
 (531) 28.05
 (511)

5 – Pharmaceutical preparations; medical and veterinary preparations; medicine; sanitary preparations for medical purposes; nasal rinsing, nasal sprays; solutions for nasal inhalation, gargling and rinsing; dietetic food and substances adapted for medical or veterinary use, food for babies; dietary supplements for humans and animals; plasters, materials for dressings; material for stopping teeth and dental wax; disinfectants; preparations for destroying vermin; fungicides, herbicides.

10 – Inhalers; medical devices and apparatus; aerosol dispensers for medical purposes; containers for administering pharmaceuticals, vaporizers for medical purposes.

(260) AM 2021 111568 A
 (800) 1573974
 (151) 2020 12 09
 (891) 2020 12 09
 (731) Apple Inc.
 One Apple Park Way, Cupertino CA 95014,
 USA
 (540)

AIRPODS MAX

(591) Black, white
 (511)

9 – Wireless communication devices for the transmission of voice, data, and audio content; peripheral devices for computers; sound reproducing apparatus; digital audio players; apparatus for voice recording and also voice recognition; earphones; headphones; headsets for use with computers, smart phones, mobile electronic devices, wearable electronic devices, smart watches, televisions, and audio and video players and recorders; electronic connectors, couplers, chargers, docks, docking stations, and adapters, all being accessories to and for use with all of the aforesaid goods; microphones; audio speakers; radios; radio transmitters and receivers; remote controls for controlling computers, mobile telephones, mobile electronic devi-

ces, wearable electronic devices, smart watches, audio and video players and recorders, televisions, speakers, home theatre systems, and entertainment systems; wearable devices in the nature of headphones and earphones with remote controls for controlling computers, mobile telephones, mobile electronic devices, smart watches, audio and video players and recorders, televisions, speakers, home theatre systems, and entertainment systems; interfaces for computers, computer peripherals, mobile telephones, wearable activity trackers, smart watches, televisions, set top boxes, and audio and video players and recorders; cases for earphones and headphones; covers and sleeves for earphones and headphones; electronic voice command and recognition apparatus in the nature of headphones and earphones with remote controls for controlling computers, mobile telephones, mobile electronic devices, wearable electronic devices, smart watches, audio and video players and recorders, televisions, speakers, home theatre systems, and entertainment systems.

(260) AM 2021 111569 A

(800) 1574014

(151) 2020 11 06

(891) 2020 11 06

(731) LIMITED LIABILITY COMPANY

"PREMIORI"

street Levanevskogo, 91, t. Bila Tserkva 09100,

Kyiv region, Ukraine

(540)

PREMIORRI

(591) Black, white

(531) 27.05.01; 27.05.19

(511)

12 – Automobile tyres; inner tubes for pneumatic tyres; vehicle wheels; pneumatic tyres.

(260) AM 2021 111570 A

(800) 1574032

(151) 2020 07 17

(891) 2020 07 17

(731) Limited Liability Company "Russian Mining

Chemical Company"

Lyusinovskaya ul., d. 36, str. 1, et. 8,

RU-115093 Moskva, Russian Federation

(540)

 **Kuldur Brucite**
By Brucite*

(591) Turquoise and its tinctures and black

(531) 01.15.17; 01.15.19; 24.13.01; 26.05.03;

29.01.12

(511)

1 – Agar-agar for industrial purposes; nitrogen; actinium; alkaloids; alginates for the food industry; alginates for industrial purposes; crotonic aldehyde; ammonium aldehyde; aldehydes; americium; amyl acetate; ammonia; ammonia [volatile alkali] for industrial purposes; anhydrous ammonia; acetic anhydride; anhydrides; anti-knock substances for internal combustion engines; disincrustants; antioxidants for use in the manufacture of cosmetics; antioxidants for use in the manufacture of food supplements; antioxidants for use in the manufacture of pharmaceuticals; antioxidants for use in manufacture; antistatic preparations, other than for household purposes; antifreeze; size for use in the textile industry; argon; lead arsenate; astatine; aluminium acetate; lime acetate; lead acetate; acetate of cellulose, unprocessed; acetates [chemicals]; acetylene; acetone; oenological bactericides [chemical preparations for use in wine making]; barium; barytes; albumin [animal or vegetable, raw material]; animal albumen [raw material]; iodised albumen; malt albumen; benzene; benzol; bentonite; berkelium; bicarbonate of soda for chemical purposes; potassium dioxalate; bichromate of potassium; bichromate of soda; bauxite; bromine for chemical purposes; albumenized paper; baryta paper; diazo paper; blueprint paper; test paper, chemical; litmus paper; self-toning paper [photography]; nitrate paper; sensitized paper; photometric paper; reagent paper, other than for medical or veterinary purposes; borax; grafting wax for trees; agglutinants for concrete; gas purifying preparations; polish removing substances; preparations for the separation of greases; substances for preventing runs in stockings; water-softening preparations; limestone hardening substances; tanning substances; adhesives for industrial purposes; surface-active chemical agents; foundry binding substances; concrete-aeration chemicals; leather-dressing chemicals; chemicals for the manufacture of paints; chemicals for the manufacture of pigments; starch-liquifying chemicals [ungluing agents]; artificial sweeteners [chemical preparations]; flower preservatives; fissionable material for nuclear energy; seed preserving substances; viscose; bismuth; bismuth subnitrate for chemical purposes; vitamins for the food industry; vitamins for use in the manufacture of cosmetics; vitamins for use in the manufacture of food supplements; vitamins for use in the manufacture of pharmaceuticals; witherite; distilled water; seawater for industrial purposes; acidulated water for recharging accumulators; heavy water; hydrogen; seaweeds [fertilizers]; gadolinium; getters [chemically active substances]; protective gases for welding; solidified gases for industrial purposes; propellant gases for aerosols; basic gallate of bismuth; gallium; gambier; helium; electrophoresis gels; genes of seeds for agricultural production; hydrazine; aluminium hydrate; hydrates; hyposulfites; gypsum for use as a fertilizer; ceramic glazings; glycol; expanded clay for hydroponic plant growing [substrate]; kaolin; alumina;

glycerides; glycerine for industrial purposes; glucose for the food industry; glucose for industrial purposes; glucosides; gluten for the food industry; gluten for industrial purposes; holmium; hormones for hastening the ripening of fruit; peat pots for horticulture; graphene; graphite for industrial purposes; guano; humus; gurjun balsam for use in the manufacture of varnish; dextrin [size]; dendrimer-based polymers for use in the manufacture of capsules for pharmaceuticals; detergents for use in manufacturing processes; defoliants; diastase for industrial purposes; kieselgur; manganese dioxide; titanium dioxide for industrial purposes; zirconia; oil dispersants; petroleum dispersants; dispersions of plastics; dysprosium; bichloride of tin; gasoline additives; detergent additives to petrol; ceramic compositions for sintering [granules and powders]; additives, chemical, to drilling muds; additives, chemical, to insecticides; chemical additives for oils; additives, chemical, to motor fuel; additives, chemical, to fungicides; dolomite for industrial purposes; tan-wood; europium; gelatine for photographic purposes; gelatine for industrial purposes; auxiliary fluids for use with abrasives; fluids for hydraulic circuits; liquids for removing sulfates from accumulators; power steering fluid; brake fluid; magnetic fluid for industrial purposes; transmission fluid; tree cavity fillers [forestry]; glaziers' putty; moderating materials for nuclear reactors; diatomaceous earth; fuller's earth for use in the textile industry; lime chloride; isotopes for industrial purposes; ion exchangers [chemicals]; ytterbium; yttrium; iodine for industrial purposes; iodine for chemical purposes; aluminium iodide; alkaline iodides for industrial purposes; casein for the food industry; casein for industrial purposes; kainite; potassium; sorrel salt; californium; calomel [mercurous chloride]; gum arabic for industrial purposes; tartar, other than for pharmaceutical purposes; camphor, for industrial purposes; calcium carbide; silicon carbide [raw material]; carbide; lime carbonate; magnesium carbonate; carbonates; cement [metallurgy]; lutetium [cassiopium]; catalysts; biochemical catalysts; catechu; caustics for industrial purposes; alum; ammonia alum; aluminium alum; chrome alum; quebracho for industrial purposes; ketones; cinematographic films, sensitized but not exposed; oxygen for industrial purposes; nitric acid; anthranilic acid; benzoic acid; boric acid for industrial purposes; tartaric acid; tungstic acid; gallic acid for the manufacture of ink; gallotannic acid; glutamic acid for industrial purposes; tannic acid; iodic acid; phenol for industrial purposes; citric acid for industrial purposes; lactic acid; formic acid; persulfuric acid; oleic acid; picric acid; pyrogallic acid; salicylic acid; sebacic acid; sulfuric acid; sulfurous acid; spirits of salt; stearic acid; carbonic acid; spirits of vinegar [dilute acetic acid]; phosphoric acid; hydrofluoric acid; cholic acid; chromic acid; oxalic acid; acids; benzene-based acids; fatty acids; mineral acids; arsenious acid; adhesives for billposting; leather glues; adhesives for wall tiles; adhesives for wallpaper;

glue for industrial purposes; cement for mending broken articles; gums [adhesives] for industrial purposes; birdlime; isinglass, other than for stationery, household or alimentary purposes; gluten [glue], other than for stationery or household purposes; starch paste [adhesive], other than for stationery or household purposes; stem cells, other than for medical or veterinary purposes; collagen for industrial purposes; collodion; compost; beer preserving agents; preservatives for use in the pharmaceutical industry; mangrove bark for industrial purposes; tan; starch for industrial purposes; magnesium silicate; silicon; creosote for chemical purposes; krypton; xenon; xylene; xylol; biological tissue cultures, other than for medical or veterinary purposes; cultures of microorganisms, other than for medical and veterinary use; curium; lactose [raw material]; lactose for the food industry; lactose for industrial purposes; lanthanum; dry ice [carbon dioxide]; lecithin [raw material]; lecithin for the food industry; lecithin for industrial purposes; lithium; magnesite; magnesium carbon dioxide; manganate; oils for tanning leather; oils for currying leather; oils for preparing leather in the course of manufacture; oils for the preservation of food; transmission oil; carbolineum for the protection of plants; paper pulp; wood pulp; grafting mastic for trees; mastic for leather; mastic for tires; oil cement [putty]; synthetic materials for absorbing oil; brazing preparations; ceramic materials in particulate form, for use as filtering media; filtering materials of unprocessed plastics; filtering materials of mineral substances; filtering materials of vegetable substances; filtering materials of chemical substances; blue vitriol; metalloids; alkaline-earth metals; alkaline metals; methane; methyl benzene; methyl benzol; flour for industrial purposes; tapioca flour for industrial purposes; potato flour for industrial purposes; soap [metallic] for industrial purposes; arsenic; bate for dressing skins; emollients for industrial purposes; animal manure; nanopowders for industrial purposes; sodium; hypochlorite of soda; naphthalene; sal ammoniac; toxic gas neutralizers; neodymium; neon; neptunium; ammonium nitrate; uranium nitrate; nitrates; combusting preparations [chemical additives to motor fuel]; nitrous oxide; baryta; uranium oxide; oxalates; lithia [lithium oxide]; lead oxide; antimony oxide; chromium oxide; cobalt oxide for industrial purposes; mercuric oxide; olivine [silicate mineral]; gallnuts; purification preparations; wine finings; textile-brightening chemicals; beer-clarifying and preserving agents; must-fining preparations; reducing agents for use in photography; bases [chemical preparations]; wax-bleaching chemicals; fat-bleaching chemicals; organic digestate [fertilizer]; pectin for the food industry; pectin for industrial purposes; pectin [photography]; perborate of soda; humus top dressing; percarbonates; hydrogen peroxide for industrial purposes; persulfates; perchlorates; foundry sand; plastisols; sensitized plates for offset printing; ferrotype plates [photography]; plasticizers; plastics, unprocessed; X-ray films,

sensitized but not exposed; plutonium; chemical coatings for ophthalmic lenses; polonium; potash; potash water; soil for growing; praseodymium; rubber preservatives; masonry preservatives, except paints and oils; brickwork preservatives, except paints and oils; cement preservatives, except paints and oils; preservatives for tiles, except paints and oils; bacterial preparations, other than for medical and veterinary use; bacteriological preparations for acetification; bacteriological preparations, other than for medical and veterinary use; biological preparations, other than for medical or veterinary purposes; vulcanizing preparations; diagnostic preparations, other than for medical or veterinary purposes; renovating preparations for phonograph records; currying preparations for leather; currying preparations for skins; galvanizing preparations; metal hardening preparations; fixing baths [photography]; opacifiers for glass; opacifiers for enamel; separating and unsticking [ungluing] preparations; metal annealing preparations; metal tempering preparations; preparations for preventing the tarnishing of lenses; preparations for preventing the tarnishing of glass; cement-waterproofing chemicals, except paints; plant growth regulating preparations; wallpaper removing preparations; anti-boil preparations for engine coolants; fulling preparations for use in the textile industry; descaling preparations, other than for household purposes; fertilizing preparations; flashlight preparations; finishing preparations for use in the manufacture of steel; sizing preparations; animal carbon preparations; preparations of microorganisms, other than for medical and veterinary use; corrosive preparations; cryogenic preparations; dehydrating preparations for industrial purposes; degreasing preparations for use in manufacturing processes; degumming preparations; oil-bleaching chemicals; bleaching preparations [decolorants] for industrial purposes; meat tenderizers for industrial purposes; preparations for stimulating cooking for industrial purposes; anti-incrustants; preparations of trace elements for plants; moistening [wetting] preparations for use in the textile industry; moistening [wetting] preparations for use in dyeing; moistening [wetting] preparations for use in bleaching; enzyme preparations for the food industry; enzyme preparations for industrial purposes; filtering preparations for the beverages industry; chemical preparations to prevent mildew; chemical preparations to prevent wheat smut; chemical condensation preparations; chemical preparations for smoking meat; chemical substances for analyses in laboratories, other than for medical or veterinary purposes; chemical preparations for scientific purposes, other than for medical or veterinary use; chemical preparations for facilitating the alloying of metals; chemical preparations to prevent diseases affecting vine plants; chemical preparations to prevent diseases affecting cereal plants; engine-decarbonising chemicals; fulling preparations; fuel-saving preparations; coal saving preparations; damp-proofing chemicals, except paints, for masonry;

anti-sprouting preparations for vegetables; preparations of the distillation of wood alcohol; by-products of the processing of cereals for industrial purposes; chemical substances for preserving foodstuffs; benzene derivatives; cellulose derivatives [chemicals]; promethium; protactinium; protein [raw material]; proteins for the food industry; proteins for use in the manufacture of food supplements; proteins for use in manufacture; mordants for metals; radium for scientific purposes; radon; solvents for varnishes; anti-frothing solutions for accumulators; drilling muds; galvanizing baths; solutions for cyanotyping; silver salt solutions for silvering; toning baths [photography]; chemical reagents, other than for medical or veterinary purposes; rhenium; mercury; rubidium; carbon black for industrial purposes; soot for industrial or agricultural purposes; lamp black for industrial purposes; samarium; saccharin; selenium; saltpeter; sulfur; silver nitrate; carbon disulfide; silicates; aluminium silicate; silicenes; scandium; topsoil; foundry molding preparations; potting soil; acrylic resins, unprocessed; polymer resins, unprocessed; synthetic resins, unprocessed; epoxy resins, unprocessed; soda ash; calcined soda; caustic soda for industrial purposes; barium compounds; fluorspar compounds; salts [fertilizers]; salts [chemical preparations]; ammoniacal salts; ammonium salts; salts of precious metals for industrial purposes; salts for galvanic cells; salt for preserving, other than for foodstuffs; salts for coloring metal; salts for industrial purposes; iron salts; gold salts; iodised salts; calcium salts; sodium salts [chemical compounds]; salt, raw; salts from rare earth metals; mercury salts; toning salts [photography]; chrome salts; chromic salts; alkaline earth metal salts; salts of alkaline metals; rock salt; mold-release preparations; fire extinguishing compositions; compositions for the manufacture of phonograph records; compositions for the manufacture of technical ceramics; compositions for repairing inner tubes of tires; compositions for repairing tires; acid proof chemical compositions; glutinous tree-grafting preparations; adhesive preparations for surgical bandages; fireproofing preparations; compositions for threading; sauce for preparing tobacco; amyl alcohol; vinic alcohol; wood alcohol; sal ammoniac spirits; ethyl alcohol; alcohol; adjuvants, other than for medical or veterinary purposes; cement for footwear; concrete preservatives, except paints and oils; water glass [soluble glass]; strontium; substrates for soil-free growing [agriculture]; barium sulfate; sulfates; antimony sulfide; sulfides; benzoic sulfimide; sulfonic acids; sumac for use in tanning; superphosphates [fertilizers]; antimony; raw materials for use in the production of magnesium compounds; thallium; talc [magnesium silicate]; tannin; cream of tartar for the food industry; cream of tartar for industrial purposes; cream of tartar for chemical purposes; tellurium; terbium; tetrachlorides; carbon tetrachloride; acetylene tetrachloride; technetium; thymol for industrial purposes; thiocarbamide; titanite; sensitized cloth for photo-

graphy; blueprint cloth; toluene; fuel for nuclear reactors; thorium; peat [fertilizer]; gum tragacanth for industrial purposes; thulium; carbonic hydrates; carbon; activated carbon; carbon for filters; animal charcoal; animal carbon; bone charcoal; blood charcoal; nitrogenous fertilizers; fertilizers; fish meal fertilizers; wood vinegar [pyroligneous acid]; uranium; chemical intensifiers for paper; chemical intensifiers for rubber; vulcanization accelerators; enzymes for the food industry; enzymes for industrial purposes; ferments for chemical purposes; milk ferments for the food industry; milk ferments for industrial purposes; milk ferments for chemical purposes; fermium; ferrocyanides; fixing solutions [photography]; flavonoids [phenolic compounds] for industrial purposes; flocculants; fluxes for melting metals; fluxes for steelmaking; cast iron fluxes; soldering fluxes; brazing fluxes; metallurgical fluxes; formic aldehyde for chemical purposes; phosphatides; phosphates [fertilizers]; phosphorus; photographic paper; photosensitive plates; sensitized photographic plates; sensitized films, unexposed; photographic developers; photographic sensitizers; chemical preparations for use in photography; photographic emulsions; francium; fluorine; chemicals for use in forestry, except fungicides, herbicides, insecticides and parasiticides; glass-frosting chemicals; leather-renovating chemicals; glass-staining chemicals; enamel-staining chemicals; oil-separating chemicals; water-purifying chemicals; oil-purifying chemicals; welding chemicals; condensation-preventing chemicals; stain-preventing chemicals for use on fabrics; anti-tarnishing chemicals for windows; leather-waterproofing chemicals; textile-waterproofing chemicals; chemicals, except pigments, for the manufacture of enamel; radiator flushing chemicals; leather-impregnating chemicals; textile-impregnating chemicals; horticultural chemicals, except fungicides, herbicides, insecticides and parasiticides; agricultural chemicals, except fungicides, herbicides, insecticides and parasiticides; soil conditioning preparations; chimney cleaners, chemical; industrial chemicals; color-brightening chemicals for industrial purposes; chemicals for use in cellulose and paper industry; chemicals for use in the manufacture of paper; chemicals for use in the manufacture of magnesium compounds; paper bleaching chemicals; chemicals for industrial use; chemical preparations for use in industry; refrigerants; coolants for vehicle engines; chlorine; chlorates; hydrochlorates; aluminium chloride; magnesium chloride; chlorides; palladium chloride; chromates; flowers of sulfur for chemical purposes; caesium; cellulose; cerium; cyanides [prussiates]; calcium cyanamide [fertilizer]; cymene; loam; slag [fertilizers]; size for finishing and priming; paste fillers for automobile body repair; spinel [oxide mineral]; alkalis; caustic alkali; tea extracts for the food industry; tea extracts for use in the manufacture of cosmetics; tea extracts for use in the manufacture of pharmaceuticals; radioactive elements for scientific purposes; rare earths; fissionable chemi-

cal elements; emulsifiers; erbium; ethane; methyl ether; sulfuric ether; ethyl ether; glycol ether; ethers; esters; cellulose ethers for industrial purposes; cellulose esters for industrial purposes.

35 – Arranging subscriptions to telecommunication services for others; import-export agency services; commercial information agency services; advertising agency services; business administration; administration of loyalty rewards programs; administration of loyalty programs and bonus programs via wireless networks; cost price analysis; rental of office equipment in co-working facilities; rental of advertising space; business auditing; financial auditing; business intermediary services relating to the matching of potential private investors with entrepreneurs needing funding; employment agency services; computerized file management; bookkeeping; outsourced administrative management for companies; invoicing; demonstration of goods; transcription of communications [office functions]; opinion polling; market studies; business information; business investigations; business research; marketing research; personnel recruitment; business management and organization consultancy; business organization consultancy; business management consultancy; personnel management consultancy; professional business consultancy; consultancy regarding advertising communication strategies; consultancy regarding public relations communication strategies; layout services for advertising purposes; marketing; marketing in the framework of software publishing; targeted marketing; business management of performing artists; business management; business management of sports people; writing of résumés for others; scriptwriting for advertising purposes; news clipping services; updating and maintenance of information in registries; updating and maintenance of data in computer databases; updating of advertising material; word processing; online retail services for downloadable and pre-recorded music and movies; online retail services for downloadable ring tones; online retail services for downloadable digital music; organization of exhibitions for commercial or advertising purposes; arranging newspaper subscriptions for others; organization of fashion shows for promotional purposes; organization of customer loyalty programs for commercial, promotional or advertising purposes; organization of trade fairs; organization, operation and supervision of customer loyalty schemes; shop window dressing; business appraisals; payroll preparation; data search in computer files for others; sponsorship search; administrative assistance in responding to calls for tenders; business management assistance; commercial or industrial management assistance; commercial intermediation services; providing business information; providing business information via a web site; providing commercial and business contact information; providing commercial information and advice for consumers in the choice of products

and services; provision of an online marketplace for buyers and sellers of goods and services; providing user reviews for commercial or advertising purposes; web indexing for commercial or advertising purposes; providing user rankings for commercial or advertising purposes; presentation of goods on communication media, for retail purposes; media relations services; economic forecasting; auctioneering; retail services for works of art provided by art galleries; sales promotion for others; promoting the goods and services of others by means of a loyalty rewards card scheme; promotion of goods and services through sponsorship of sports events; production of teleshopping programmes; production of advertising films; office machines and equipment rental; rental of advertising time on communication media; publicity material rental; rental of billboards [advertising boards]; rental of vending machines; rental of sales stands; rental of photocopying machines; consumer profiling for commercial or marketing purposes; publication of publicity texts; radio advertising; development of advertising concepts; bill-posting; distribution of samples; dissemination of advertising matter; direct mail advertising; registration of written communications and data; writing of publicity texts; advertising; online advertising on a computer network; advertising by mail order; television advertising; compilation of statistics; compilation of information into computer databases; business inquiries; systemization of information into computer databases; administrative services for medical referrals; advisory services for business management; corporate communications services; negotiation of business contracts for others; negotiation and conclusion of commercial transactions for third parties; compiling indexes of information for commercial or advertising purposes; tax preparation; drawing up of statements of accounts; copywriting; promotion of the sale of goods and services of third parties through the provision of incentives and benefits generated by the use of credit, debit and payment cards, via wireless networks, mobile telecommunications devices or a global computer network, promotion of the sale of goods and services of third parties through the provision of incentives and benefits generated by the use of credit, debit and payment cards, via wireless networks, mobile telecommunications devices or a global computer network; telemarketing services; psychological testing for the selection of personnel; wholesale services for pharmaceutical, veterinary and sanitary preparations and medical supplies; retail services for pharmaceutical, veterinary and sanitary preparations and medical supplies; interim business management; business management of hotels; business management for freelance service providers; business project management services for construction projects; commercial administration of the licensing of the goods and services of others; business management of reimbursement programs for others; administration of consumer loyalty programs; administration of frequent flyer

programs; administrative processing of purchase orders; administrative services for the relocation of businesses; public relations; commercial lobbying services; competitive intelligence services; modelling for advertising or sales promotion; typing; market intelligence services; appointment reminder services [office functions]; web site traffic optimization; services in wholesale and retail sale of minerals, including alkaline earth and rare earth metals, minerals; tax filing services; search engine optimization for sales promotion; appointment scheduling services [office functions]; retail services relating to bakery products; gift registry services; price comparison services; pay per click advertising; secretarial services; procurement services for others [purchasing goods and services for other businesses]; shorthand; outsourcing services [business assistance]; telephone answering for unavailable subscribers; telephone switchboard services; photocopying services; business efficiency expert services.

37 – Asphaltting; drilling of deep oil or gas wells; drilling of wells; rebuilding engines that have been worn or partially destroyed; rebuilding machines that have been worn or partially destroyed; retreading of tires; vulcanization of tires [repair]; building sealing; disinfecting; mining extraction; mining of alkaline earth, rare earth metals, minerals; fueling of vehicles; vehicle battery charging; charging of electric vehicles; knife sharpening; building insulating; repair information; construction information; bricklaying; riveting; construction consultancy; varnishing; re-tinning; installation of utilities in construction sites; scaffolding; erection, installation, maintenance and repair of wind turbines, wind stations and other wind-powered machines and structures; road paving; window cleaning; vehicle washing; building construction supervision; rustproofing; anti-rust treatment for vehicles; sanding; pumicing; maintenance of wells and mines; strong-room maintenance and repair; vehicle maintenance; cleaning of buildings [exterior surface]; vehicle polishing; vehicle breakdown repair services; providing information relating to repairs; providing construction information; rental of bulldozers; rental of drainage pumps; rental of road sweeping machines; rental of cleaning machines; rental of cranes [construction equipment]; rental of construction equipment; rental of excavators; laying of cable; plumbing; masonry; roofing services; painting, interior and exterior; carpentry services; underwater repair; plastering; quarrying services; repair of security locks; motor vehicle maintenance and repair; burner maintenance and repair; airplane maintenance and repair; safe maintenance and repair; repair of power lines; pump repair; vehicle greasing; demolition of buildings; warehouse construction and repair; vehicle service stations [refuelling and maintenance]; construction; pier breakwater building; construction and repair of facilities for mining; mine construction and maintenance; pipeline construction and maintenance; underwater construction;

harbour construction; factory construction; shipbuilding; cleaning of buildings [interior]; snow removal; street cleaning; vermin exterminating, other than for agriculture, aquaculture, horticulture and forestry; tire balancing; pest control services, other than for agriculture, aquaculture, horticulture and forestry; hydraulic fracturing services; artificial snow-making services; services of electricians; installation of doors and windows; irrigation devices installation and repair; elevator installation and repair; installation and repair of flood protection equipment; heating equipment installation and repair; burglar alarm installation and repair; furnace installation and repair; installation and repair of air-conditioning apparatus; fire alarm installation and repair; freezing equipment installation and repair; electric appliance installation and repair; installation services; installation, maintenance and repair of computer hardware; machinery installation, maintenance and repair; office machines and equipment installation, maintenance and repair; interference suppression in electrical apparatus; chimney sweeping; boiler cleaning and repair; dry cleaning; vehicle cleaning.

40 – Paper finishing; upcycling [waste recycling]; vulcanization [material treatment]; galvanization; electroplating; engraving; decontamination of hazardous materials; air deodorizing; stripping finishes; metal tempering; gilding; gold plating; cadmium plating; metal casting; tin plating; boilermaking; magnetization; nickel plating; abrasion; paper treating; water treating; woodworking; metal treating; waste treatment [transformation]; mineral processing to improve their properties; window tinting treatment, being surface coating; air freshening; air purification; soldering; processing (preparation) of minerals; recycling of waste and trash; processing of oil; recycling of waste; mineral processing [chemical]; metal plating; burnishing by abrasion; providing information relating to material treatment; rental of boilers; rental of generators; rental of air-conditioning apparatus; rental of space heating apparatus; custom steel rolling; pottery firing; blacksmithing; custom assembling of materials for others; welding services; glass-blowing; grinding; sawing of materials; timber felling and processing; silver plating; incineration of waste and trash; laser scribing; sorting of waste and recyclable material [transformation]; planing of materials; tinting of car windows; destruction of waste and trash; custom 3D printing for others; cryopreservation services; sandblasting services; production of energy; millworking; chromium plating; colour separation services; optical glass grinding.

(260) AM 2021 111571 A

(800) 1574063

(151) 2020 07 23

(891) 2020 07 23

(731) MySam GmbH

Kärntner Straße 570a/06, A-8054

Seiersberg-Pirka, Austria

(540)



(591) Black, white

(531) 04.05.05; 26.11.01; 26.11.12; 27.03.02

(511)

35 – Sales promotion, marketing and advertising services; advice on sales methods and sales programs; consultancy services relating to the procurement of goods and services; procurement agency services; information about sales methods; price analysis services; price comparison services; mediation of trade and economic contacts; mediation of name and address lists for advertising purposes; procurement of contracts for others; mediation services relating to advertising; business acquisition; business networking services; development of corporate strategies; business management assistance for trading companies in relation to advertising; commercial business support services; commercial intermediation services; consulting in the field of business management and marketing; providing user reviews for commercial or advertising purposes; promotional services; brand development [advertising and sales promotion]; creation of advertising analyzes; advice and assistance services in the field of advertising, marketing and sales promotion; business brand evaluation services; advertising agency services; carrying out analyzes relating to advertising returns and market research; referral marketing; development of marketing strategies and concepts; development of sales promotion campaigns; providing information about business and marketing information; help in the field of product marketing; sales promotion for companies; sales promotion for the trade; arranging business contacts; mediation of commercial transactions.

(260) AM 2021 111572 A

(800) 1574071

(151) 2020 07 17

(891) 2020 07 17

(731) Limited Liability Company "Russian Mining Chemical Company"

Lyusinovskaya ul., d. 36, str. 1, et. 8,

RU-115093 Moskva, Russian Federation

(540)



(591) Blue and its tinctures and black

(531) 01.15.17; 01.15.19; 24.13.01; 26.05.04;
27.05.10; 29.01.12

(511)

1 – Agar-agar for industrial purposes; nitrogen; actinium; alkaloids; alginates for the food industry; alginates for industrial purposes; crotonic aldehyde; ammonium aldehyde; aldehydes; americium; amyl acetate; ammonia; ammonia [volatile alkali] for industrial purposes; anhydrous ammonia; acetic anhydride; anhydrides; anti-knock substances for internal combustion engines; disincrustants; antioxidants for use in the manufacture of cosmetics; antioxidants for use in the manufacture of food supplements; antioxidants for use in the manufacture of pharmaceuticals; antioxidants for use in manufacture; antistatic preparations, other than for household purposes; antifreeze; size for use in the textile industry; argon; lead arsenate; astatine; aluminium acetate; lime acetate; lead acetate; acetate of cellulose, unprocessed; acetates [chemicals]; acetylene; acetone; oenological bactericides [chemical preparations for use in wine making]; barium; barytes; albumin [animal or vegetable, raw material]; animal albumen [raw material]; iodised albumen; malt albumen; benzene; benzol; bentonite; berkelium; bicarbonate of soda for chemical purposes; potassium dioxalate; bichromate of potassium; bichromate of soda; bauxite; bromine for chemical purposes; albumenized paper; baryta paper; diazo paper; blueprint paper; test paper, chemical; litmus paper; self-toning paper [photography]; nitrate paper; sensitized paper; photometric paper; reagent paper, other than for medical or veterinary purposes; borax; grafting wax for trees; agglutinants for concrete; gas purifying preparations; polish removing substances; preparations for the separation of greases; substances for preventing runs in stockings; water-softening preparations; limestone hardening substances; tanning substances; adhesives for industrial purposes; surface-active chemical agents; foundry binding substances; concrete-aeration chemicals; leather-dressing chemicals; chemicals for the manufacture of paints; chemicals for the manufacture of pigments; starch-liquifying chemicals [ungluing agents]; artificial sweeteners [chemical preparations]; flower preservatives; fissionable material for nuclear energy; seed preserving substances; viscose; bismuth; bismuth subnitrate for chemical purposes; vitamins for the food industry; vitamins for use in the manufacture of cosmetics; vitamins for use in the manufacture of food supplements; vitamins for use in the manufacture of pharmaceuticals; witherite; distilled water; seawater for industrial purposes; acidulated water for recharging accumulators; heavy water; hydrogen; sea-

weeds [fertilizers]; gadolinium; getters [chemically active substances]; protective gases for welding; solidified gases for industrial purposes; propellant gases for aerosols; basic gallate of bismuth; gallium; gambier; helium; electrophoresis gels; genes of seeds for agricultural production; hydrazine; aluminium hydrate; hydrates; hyposulfites; gypsum for use as a fertilizer; ceramic glazings; glycol; expanded clay for hydroponic plant growing [substrate]; kaolin; alumina; glycerides; glycerine for industrial purposes; glucose for the food industry; glucose for industrial purposes; glucosides; gluten for the food industry; gluten for industrial purposes; holmium; hormones for hastening the ripening of fruit; peat pots for horticulture; graphene; graphite for industrial purposes; guano; humus; gurjun balsam for use in the manufacture of varnish; dextrin [size]; dendrimer-based polymers for use in the manufacture of capsules for pharmaceuticals; detergents for use in manufacturing processes; defoliants; diastase for industrial purposes; kieselgur; manganese dioxide; titanium dioxide for industrial purposes; zirconia; oil dispersants; petroleum dispersants; dispersions of plastics; dysprosium; bichloride of tin; gasoline additives; detergent additives to petrol; ceramic compositions for sintering [granules and powders]; additives, chemical, to drilling muds; additives, chemical, to insecticides; chemical additives for oils; additives, chemical, to motor fuel; additives, chemical, to fungicides; dolomite for industrial purposes; tan-wood; europium; gelatine for photographic purposes; gelatine for industrial purposes; auxiliary fluids for use with abrasives; fluids for hydraulic circuits; liquids for removing sulfates from accumulators; power steering fluid; brake fluid; magnetic fluid for industrial purposes; transmission fluid; tree cavity fillers [forestry]; glaziers' putty; moderating materials for nuclear reactors; diatomaceous earth; fuller's earth for use in the textile industry; lime chloride; isotopes for industrial purposes; ion exchangers [chemicals]; ytterbium; yttrium; iodine for industrial purposes; iodine for chemical purposes; aluminium iodide; alkaline iodides for industrial purposes; casein for the food industry; casein for industrial purposes; kainite; potassium; sorrel salt; californium; calomel [mercurous chloride]; gum arabic for industrial purposes; tartar, other than for pharmaceutical purposes; camphor, for industrial purposes; calcium carbide; silicon carbide [raw material]; carbide; lime carbonate; magnesium carbonate; carbonates; cement [metallurgy]; lutetium [cesium]; catalysts; biochemical catalysts; catechu; caustics for industrial purposes; alum; ammonia alum; aluminium alum; chrome alum; quebracho for industrial purposes; ketones; cinematographic films, sensitized but not exposed; oxygen for industrial purposes; nitric acid; anthranilic acid; benzoic acid; boric acid for industrial purposes; tartaric acid; tungstic acid; gallic acid for the manufacture of ink; gallotannic acid; glutamic acid for industrial purposes; tannic acid; iodic acid; phenol for industrial purposes; citric acid for

industrial purposes; lactic acid; formic acid; persulfuric acid; oleic acid; picric acid; pyrogallic acid; salicylic acid; sebamic acid; sulfuric acid; sulfurous acid; spirits of salt; stearic acid; carbonic acid; spirits of vinegar [dilute acetic acid]; phosphoric acid; hydrofluoric acid; cholic acid; chromic acid; oxalic acid; acids; benzene-based acids; fatty acids; mineral acids; arsenious acid; adhesives for billposting; leather glues; adhesives for wall tiles; adhesives for wallpaper; glue for industrial purposes; cement for mending broken articles; gums [adhesives] for industrial purposes; birdlime; isinglass, other than for stationery, household or alimentary purposes; gluten [glue], other than for stationery or household purposes; starch paste [adhesive], other than for stationery or household purposes; stem cells, other than for medical or veterinary purposes; collagen for industrial purposes; collodion; compost; beer preserving agents; preservatives for use in the pharmaceutical industry; mangrove bark for industrial purposes; tan; starch for industrial purposes; magnesium silicate; silicon; creosote for chemical purposes; krypton; xenon; xylene; xylol; biological tissue cultures, other than for medical or veterinary purposes; cultures of microorganisms, other than for medical and veterinary use; curium; lactose [raw material]; lactose for the food industry; lactose for industrial purposes; lanthanum; dry ice [carbon dioxide]; lecithin [raw material]; lecithin for the food industry; lecithin for industrial purposes; lithium; magnesite; magnesium carbon dioxide; manganate; oils for tanning leather; oils for currying leather; oils for preparing leather in the course of manufacture; oils for the preservation of food; transmission oil; carbolineum for the protection of plants; paper pulp; wood pulp; grafting mastic for trees; mastic for leather; mastic for tires; oil cement [putty]; synthetic materials for absorbing oil; brazing preparations; ceramic materials in particulate form, for use as filtering media; filtering materials of unprocessed plastics; filtering materials of mineral substances; filtering materials of vegetable substances; filtering materials of chemical substances; blue vitriol; metalloids; alkaline-earth metals; alkaline metals; methane; methyl benzene; methyl benzol; flour for industrial purposes; tapioca flour for industrial purposes; potato flour for industrial purposes; soap [metallic] for industrial purposes; arsenic; bate for dressing skins; emollients for industrial purposes; animal manure; nanopowders for industrial purposes; sodium; hypochlorite of soda; naphthalene; sal ammoniac; toxic gas neutralizers; neodymium; neon; neptunium; ammonium nitrate; uranium nitrate; nitrates; combusting preparations [chemical additives to motor fuel]; nitrous oxide; baryta; uranium oxide; oxalates; lithia [lithium oxide]; lead oxide; antimony oxide; chromium oxide; cobalt oxide for industrial purposes; mercuric oxide; olivine [silicate mineral]; gallnuts; purification preparations; wine finings; textile-brightening chemicals; beer-clarifying and preserving agents; must-finishing preparations; reducing agents

for use in photography; bases [chemical preparations]; wax-bleaching chemicals; fat-bleaching chemicals; organic digestate [fertilizer]; pectin for the food industry; pectin for industrial purposes; pectin [photography]; perborate of soda; humus top dressing; percarbonates; hydrogen peroxide for industrial purposes; persulfates; perchlorates; foundry sand; plastisols; sensitized plates for offset printing; ferrotype plates [photography]; plasticizers; plastics, unprocessed; X-ray films, sensitized but not exposed; plutonium; chemical coatings for ophthalmic lenses; polonium; potash; potash water; soil for growing; praseodymium; rubber preservatives; masonry preservatives, except paints and oils; brickwork preservatives, except paints and oils; cement preservatives, except paints and oils; preservatives for tiles, except paints and oils; bacterial preparations, other than for medical and veterinary use; bacteriological preparations for acetification; bacteriological preparations, other than for medical and veterinary use; biological preparations, other than for medical or veterinary purposes; vulcanizing preparations; diagnostic preparations, other than for medical or veterinary purposes; renovating preparations for phonograph records; currying preparations for leather; currying preparations for skins; galvanizing preparations; metal hardening preparations; fixing baths [photography]; opacifiers for glass; opacifiers for enamel; separating and unsticking [ungluing] preparations; metal annealing preparations; metal tempering preparations; preparations for preventing the tarnishing of lenses; preparations for preventing the tarnishing of glass; cement-waterproofing chemicals, except paints; plant growth regulating preparations; wallpaper removing preparations; anti-boil preparations for engine coolants; fulling preparations for use in the textile industry; descaling preparations, other than for household purposes; fertilizing preparations; flashlight preparations; finishing preparations for use in the manufacture of steel; sizing preparations; animal carbon preparations; preparations of microorganisms, other than for medical and veterinary use; corrosive preparations; cryogenic preparations; dehydrating preparations for industrial purposes; degreasing preparations for use in manufacturing processes; degumming preparations; oil-bleaching chemicals; bleaching preparations [decolorants] for industrial purposes; meat tenderizers for industrial purposes; preparations for stimulating cooking for industrial purposes; anti-incrustants; preparations of trace elements for plants; moistening [wetting] preparations for use in the textile industry; moistening [wetting] preparations for use in dyeing; moistening [wetting] preparations for use in bleaching; enzyme preparations for the food industry; enzyme preparations for industrial purposes; filtering preparations for the beverages industry; chemical preparations to prevent mildew; chemical preparations to prevent wheat smut; chemical condensation preparations; chemical preparations for smoking meat; chemical substances for analyses in laboratories, other

than for medical or veterinary purposes; chemical preparations for scientific purposes, other than for medical or veterinary use; chemical preparations for facilitating the alloying of metals; chemical preparations to prevent diseases affecting vine plants; chemical preparations to prevent diseases affecting cereal plants; engine-decarbonising chemicals; fulling preparations; fuel-saving preparations; coal saving preparations; damp-proofing chemicals, except paints, for masonry; anti-sprouting preparations for vegetables; preparations of the distillation of wood alcohol; by-products of the processing of cereals for industrial purposes; chemical substances for preserving foodstuffs; benzene derivatives; cellulose derivatives [chemicals]; promethium; protactinium; protein [raw material]; proteins for the food industry; proteins for use in the manufacture of food supplements; proteins for use in manufacture; mordants for metals; radium for scientific purposes; radon; solvents for varnishes; anti-frothing solutions for accumulators; drilling muds; galvanizing baths; solutions for cyanotyping; silver salt solutions for silvering; toning baths [photography]; chemical reagents, other than for medical or veterinary purposes; rhenium; mercury; rubidium; carbon black for industrial purposes; soot for industrial or agricultural purposes; lamp black for industrial purposes; samarium; saccharin; selenium; saltpeter; sulfur; silver nitrate; carbon disulfide; silicates; aluminium silicate; silicones; scandium; topsoil; foundry molding preparations; potting soil; acrylic resins, unprocessed; polymer resins, unprocessed; synthetic resins, unprocessed; epoxy resins, unprocessed; soda ash; calcined soda; caustic soda for industrial purposes; barium compounds; fluorspar compounds; salts [fertilizers]; salts [chemical preparations]; ammoniacal salts; ammonium salts; salts of precious metals for industrial purposes; salts for galvanic cells; salt for preserving, other than for foodstuffs; salts for coloring metal; salts for industrial purposes; iron salts; gold salts; iodised salts; calcium salts; sodium salts [chemical compounds]; salt, raw; salts from rare earth metals; mercury salts; toning salts [photography]; chrome salts; chromic salts; alkaline earth metal salts; salts of alkaline metals; rock salt; mold-release preparations; fire extinguishing compositions; compositions for the manufacture of phonograph records; compositions for the manufacture of technical ceramics; compositions for repairing inner tubes of tires; compositions for repairing tires; acid proof chemical compositions; glutinous tree-grafting preparations; adhesive preparations for surgical bandages; fireproofing preparations; compositions for threading; sauce for preparing tobacco; amyl alcohol; vinic alcohol; wood alcohol; sal ammoniac spirits; ethyl alcohol; alcohol; adjuvants, other than for medical or veterinary purposes; cement for footwear; concrete preservatives, except paints and oils; water glass [soluble glass]; strontium; substrates for soil-free growing [agriculture]; barium sulfate; sulfates; antimony sulfide; sulfides; benzoic sulfimi-

de; sulfonic acids; sumac for use in tanning; superphosphates [fertilizers]; antimony; raw materials for use in the production of magnesium compounds; thallium; talc [magnesium silicate]; tannin; cream of tartar for the food industry; cream of tartar for industrial purposes; cream of tartar for chemical purposes; tellurium; terbium; tetrachlorides; carbon tetrachloride; acetylene tetrachloride; technetium; thymol for industrial purposes; thiocarbanilide; titanite; sensitized cloth for photography; blueprint cloth; toluene; fuel for nuclear reactors; thorium; peat [fertilizer]; gum tragacanth for industrial purposes; thulium; carbonic hydrates; carbon; activated carbon; carbon for filters; animal charcoal; animal carbon; bone charcoal; blood charcoal; nitrogenous fertilizers; fertilizers; fish meal fertilizers; wood vinegar [pyroligneous acid]; uranium; chemical intensifiers for paper; chemical intensifiers for rubber; vulcanization accelerators; enzymes for the food industry; enzymes for industrial purposes; ferments for chemical purposes; milk ferments for the food industry; milk ferments for industrial purposes; milk ferments for chemical purposes; fermium; ferrocyanides; fixing solutions [photography]; flavonoids [phenolic compounds] for industrial purposes; flocculants; fluxes for melting metals; fluxes for steelmaking; cast iron fluxes; soldering fluxes; brazing fluxes; metallurgical fluxes; formic aldehyde for chemical purposes; phosphatides; phosphates [fertilizers]; phosphorus; photographic paper; photosensitive plates; sensitized photographic plates; sensitized films, unexposed; photographic developers; photographic sensitizers; chemical preparations for use in photography; photographic emulsions; francium; fluorine; chemicals for use in forestry, except fungicides, herbicides, insecticides and parasiticides; glass-frosting chemicals; leather-renovating chemicals; glass-staining chemicals; enamel-staining chemicals; oil-separating chemicals; water-purifying chemicals; oil-purifying chemicals; welding chemicals; condensation-preventing chemicals; stain-preventing chemicals for use on fabrics; anti-tarnishing chemicals for windows; leather-waterproofing chemicals; textile-waterproofing chemicals; chemicals, except pigments, for the manufacture of enamel; radiator flushing chemicals; leather-impregnating chemicals; textile-impregnating chemicals; horticultural chemicals, except fungicides, herbicides, insecticides and parasiticides; agricultural chemicals, except fungicides, herbicides, insecticides and parasiticides; soil conditioning preparations; chimney cleaners, chemical; industrial chemicals; color-brightening chemicals for industrial purposes; chemicals for use in cellulose and paper industry; chemicals for use in the manufacture of paper; chemicals for use in the manufacture of magnesium compounds; paper bleaching chemicals; chemicals for industrial use; chemical preparations for use in industry; refrigerants; coolants for vehicle engines; chlorine; chlorates; hydrochlorates; aluminium chloride; magnesium chloride; chlorides; palladium chloride; chromates; flowers of

sulfur for chemical purposes; caesium; cellulose; cerium; cyanides [prussiates]; calcium cyanamide [fertilizer]; cymene; loam; slag [fertilizers]; size for finishing and priming; paste fillers for automobile body repair; spinel [oxide mineral]; alkalies; caustic alkali; tea extracts for the food industry; tea extracts for use in the manufacture of cosmetics; tea extracts for use in the manufacture of pharmaceuticals; radioactive elements for scientific purposes; rare earths; fissionable chemical elements; emulsifiers; erbium; ethane; methyl ether; sulfuric ether; ethyl ether; glycol ether; ethers; esters; cellulose ethers for industrial purposes; cellulose esters for industrial purposes.

35 – Arranging subscriptions to telecommunication services for others; import-export agency services; commercial information agency services; advertising agency services; business administration; administration of loyalty rewards programs; administration of loyalty programs and bonus programs via wireless networks; cost price analysis; rental of office equipment in co-working facilities; rental of advertising space; business auditing; financial auditing; business intermediary services relating to the matching of potential private investors with entrepreneurs needing funding; employment agency services; computerized file management; bookkeeping; outsourced administrative management for companies; invoicing; demonstration of goods; transcription of communications [office functions]; opinion polling; market studies; business information; business investigations; business research; marketing research; personnel recruitment; business management and organization consultancy; business organization consultancy; business management consultancy; personnel management consultancy; professional business consultancy; consultancy regarding advertising communication strategies; consultancy regarding public relations communication strategies; layout services for advertising purposes; marketing; marketing in the framework of software publishing; targeted marketing; business management of performing artists; business management; business management of sports people; writing of résumés for others; scriptwriting for advertising purposes; news clipping services; updating and maintenance of information in registries; updating and maintenance of data in computer databases; updating of advertising material; word processing; online retail services for downloadable and pre-recorded music and movies; online retail services for downloadable ring tones; online retail services for downloadable digital music; organization of exhibitions for commercial or advertising purposes; arranging newspaper subscriptions for others; organization of fashion shows for promotional purposes; organization of customer loyalty programs for commercial, promotional or advertising purposes; organization of trade fairs; organization, operation and supervision of customer loyalty schemes; shop window dressing; business appraisals; pay-

roll preparation; data search in computer files for others; sponsorship search; administrative assistance in responding to calls for tenders; business management assistance; commercial or industrial management assistance; commercial intermediation services; providing business information; providing business information via a web site; providing commercial and business contact information; providing commercial information and advice for consumers in the choice of products and services; provision of an online marketplace for buyers and sellers of goods and services; providing user reviews for commercial or advertising purposes; web indexing for commercial or advertising purposes; providing user rankings for commercial or advertising purposes; presentation of goods on communication media, for retail purposes; media relations services; economic forecasting; auctioneering; retail services for works of art provided by art galleries; sales promotion for others; promoting the goods and services of others by means of a loyalty rewards card scheme; promotion of goods and services through sponsorship of sports events; production of teleshopping programmes; production of advertising films; office machines and equipment rental; rental of advertising time on communication media; publicity material rental; rental of billboards [advertising boards]; rental of vending machines; rental of sales stands; rental of photocopying machines; consumer profiling for commercial or marketing purposes; publication of publicity texts; radio advertising; development of advertising concepts; bill-posting; distribution of samples; dissemination of advertising matter; direct mail advertising; registration of written communications and data; writing of publicity texts; advertising; online advertising on a computer network; advertising by mail order; television advertising; compilation of statistics; compilation of information into computer databases; business inquiries; systemization of information into computer databases; administrative services for medical referrals; advisory services for business management; corporate communications services; negotiation of business contracts for others; negotiation and conclusion of commercial transactions for third parties; compiling indexes of information for commercial or advertising purposes; tax preparation; drawing up of statements of accounts; copywriting; promotion of the sale of goods and services of third parties through the provision of incentives and benefits generated by the use of credit, debit and payment cards, via wireless networks, mobile telecommunications devices or a global computer network, promotion of the sale of goods and services of third parties through the provision of incentives and benefits generated by the use of credit, debit and payment cards, via wireless networks, mobile telecommunications devices or a global computer network; telemarketing services; psychological testing for the selection of personnel; wholesale services for pharmaceutical, veterinary and sanitary preparations and medical supplies; retail services for

pharmaceutical, veterinary and sanitary preparations and medical supplies; interim business management; business management of hotels; business management for freelance service providers; business project management services for construction projects; commercial administration of the licensing of the goods and services of others; business management of reimbursement programs for others; administration of consumer loyalty programs; administration of frequent flyer programs; administrative processing of purchase orders; administrative services for the relocation of businesses; public relations; commercial lobbying services; competitive intelligence services; modelling for advertising or sales promotion; typing; market intelligence services; appointment reminder services [office functions]; web site traffic optimization; services in wholesale and retail sale of minerals, including alkaline earth and rare earth metals, minerals; tax filing services; search engine optimization for sales promotion; appointment scheduling services [office functions]; retail services relating to bakery products; gift registry services; price comparison services; pay per click advertising; secretarial services; procurement services for others [purchasing goods and services for other businesses]; shorthand; outsourcing services [business assistance]; telephone answering for unavailable subscribers; telephone switchboard services; photocopying services; business efficiency expert services.

37 – Asphaltting; drilling of deep oil or gas wells; drilling of wells; rebuilding engines that have been worn or partially destroyed; rebuilding machines that have been worn or partially destroyed; retreading of tires; vulcanization of tires [repair]; building sealing; disinfecting; mining extraction; mining of alkaline earth, rare earth metals, minerals; fueling of vehicles; vehicle battery charging; charging of electric vehicles; knife sharpening; building insulating; repair information; construction information; bricklaying; riveting; construction consultancy; varnishing; re-tinning; installation of utilities in construction sites; scaffolding; erection, installation, maintenance and repair of wind turbines, wind stations and other wind-powered machines and structures; road paving; window cleaning; vehicle washing; building construction supervision; rustproofing; anti-rust treatment for vehicles; sanding; pumicing; maintenance of wells and mines; strong-room maintenance and repair; vehicle maintenance; cleaning of buildings [exterior surface]; vehicle polishing; vehicle breakdown repair services; providing information relating to repairs; providing construction information; rental of bulldozers; rental of drainage pumps; rental of road sweeping machines; rental of cleaning machines; rental of cranes [construction equipment]; rental of construction equipment; rental of excavators; laying of cable; plumbing; masonry; roofing services; painting, interior and exterior; carpentry services; underwater repair; plastering; quarrying services; repair of security locks; motor vehicle

maintenance and repair; burner maintenance and repair; airplane maintenance and repair; safe maintenance and repair; repair of power lines; pump repair; vehicle greasing; demolition of buildings; warehouse construction and repair; vehicle service stations [refuelling and maintenance]; construction; pier breakwater building; construction and repair of facilities for mining; mine construction and maintenance; pipeline construction and maintenance; underwater construction; harbour construction; factory construction; shipbuilding; cleaning of buildings [interior]; snow removal; street cleaning; vermin exterminating, other than for agriculture, aquaculture, horticulture and forestry; tire balancing; pest control services, other than for agriculture, aquaculture, horticulture and forestry; hydraulic fracturing services; artificial snow-making services; services of electricians; installation of doors and windows; irrigation devices installation and repair; elevator installation and repair; installation and repair of flood protection equipment; heating equipment installation and repair; burglar alarm installation and repair; furnace installation and repair; installation and repair of air-conditioning apparatus; fire alarm installation and repair; freezing equipment installation and repair; electric appliance installation and repair; installation services; installation, maintenance and repair of computer hardware; machinery installation, maintenance and repair; office machines and equipment installation, maintenance and repair; interference suppression in electrical apparatus; chimney sweeping; boiler cleaning and repair; dry cleaning; vehicle cleaning.

40 – Paper finishing; upcycling [waste recycling]; vulcanization [material treatment]; galvanization; electroplating; engraving; decontamination of hazardous materials; air deodorizing; stripping finishes; metal tempering; gilding; gold plating; cadmium plating; metal casting; tin plating; boilermaking; magnetization; nickel plating; abrasion; paper treating; water treating; woodworking; metal treating; waste treatment [transformation]; mineral processing to improve their properties; window tinting treatment, being surface coating; air freshening; air purification; soldering; processing (preparation) of minerals; recycling of waste and trash; processing of oil; recycling of waste; mineral processing [chemical]; metal plating; burnishing by abrasion; providing information relating to material treatment; rental of boilers; rental of generators; rental of air-conditioning apparatus; rental of space heating apparatus; custom steel rolling; pottery firing; blacksmithing; custom assembling of materials for others; welding services; glass-blowing; grinding; sawing of materials; timber felling and processing; silver plating; incineration of waste and trash; laser scribing; sorting of waste and recyclable material [transformation]; planing of materials; tinting of car windows; destruction of waste and trash; custom 3D printing for others; cryopreservation services; san-

dblasting services; production of energy; millworking; chromium plating; colour separation services; optical glass grinding.

(260) AM 2021 111573 A

(800) 1574082

(151) 2020 07 17

(891) 2020 07 17

(731) Limited Liability Company "Russian Mining Chemical Company"

Lyusinovskaya ul., d. 36, str. 1, et. 8,

RU-115093 Moskva, Russian Federation

(540)



(591) Azure and its tinctures and black

(531) 01.15.17; 01.15.19; 24.13.01; 26.05.02;
29.01.12

(511)

1 – Agar-agar for industrial purposes; nitrogen; actinium; alkaloids; alginates for the food industry; alginates for industrial purposes; crotonic aldehyde; ammonium aldehyde; aldehydes; americium; amyl acetate; ammonia; ammonia [volatile alkali] for industrial purposes; anhydrous ammonia; acetic anhydride; anhydrides; anti-knock substances for internal combustion engines; disincrustants; antioxidants for use in the manufacture of cosmetics; antioxidants for use in the manufacture of food supplements; antioxidants for use in the manufacture of pharmaceuticals; antioxidants for use in manufacture; antistatic preparations, other than for household purposes; antifreeze; size for use in the textile industry; argon; lead arsenate; astatine; aluminium acetate; lime acetate; lead acetate; acetate of cellulose, unprocessed; acetates [chemicals]; acetylene; acetone; oenological bactericides [chemical preparations for use in wine making]; barium; barytes; albumin [animal or vegetable, raw material]; animal albumen [raw material]; iodised albumen; malt albumen; benzene; benzol; bentonite; berkelium; bicarbonate of soda for chemical purposes; potassium dioxalate; bichromate of potassium; bichromate of soda; bauxite; bromine for chemical purposes; albumenized paper; baryta paper; diazo paper; blueprint paper; test paper, chemical; litmus paper; self-toning paper [photography]; nitrate paper; sensitized paper; photometric paper; reagent paper, other than for medical or veterinary purposes; borax; grafting wax for trees; agglutinants for concrete; gas purifying preparations; polish removing substances; preparations for the separation of greases; substances for preventing runs in stockings; water-softening preparations; limestone hardening substances; tanning substances; adhesives for industrial purposes; surface-active chemical agents; foundry binding substances; concrete-aeration chemi-

cals; leather-dressing chemicals; chemicals for the manufacture of paints; chemicals for the manufacture of pigments; starch-liquifying chemicals [ungluing agents]; artificial sweeteners [chemical preparations]; flower preservatives; fissionable material for nuclear energy; seed preserving substances; viscose; bismuth; bismuth subnitrate for chemical purposes; vitamins for the food industry; vitamins for use in the manufacture of cosmetics; vitamins for use in the manufacture of food supplements; vitamins for use in the manufacture of pharmaceuticals; witherite; distilled water; seawater for industrial purposes; acidulated water for recharging accumulators; heavy water; hydrogen; seaweeds [fertilizers]; gadolinium; getters [chemically active substances]; protective gases for welding; solidified gases for industrial purposes; propellant gases for aerosols; basic gallate of bismuth; gallium; gambier; helium; electrophoresis gels; genes of seeds for agricultural production; hydrazine; aluminium hydrate; hydrates; hyposulfites; gypsum for use as a fertilizer; ceramic glazings; glycol; expanded clay for hydroponic plant growing [substrate]; kaolin; alumina; glycerides; glycerine for industrial purposes; glucose for the food industry; glucose for industrial purposes; glucosides; gluten for the food industry; gluten for industrial purposes; holmium; hormones for hastening the ripening of fruit; peat pots for horticulture; graphene; graphite for industrial purposes; guano; humus; gurjun balsam for use in the manufacture of varnish; dextrin [size]; dendrimer-based polymers for use in the manufacture of capsules for pharmaceuticals; detergents for use in manufacturing processes; defoliants; diastase for industrial purposes; kieselgur; manganese dioxide; titanium dioxide for industrial purposes; zirconia; oil dispersants; petroleum dispersants; dispersions of plastics; dysprosium; bichloride of tin; gasoline additives; detergent additives to petrol; ceramic compositions for sintering [granules and powders]; additives, chemical, to drilling muds; additives, chemical, to insecticides; chemical additives for oils; additives, chemical, to motor fuel; additives, chemical, to fungicides; dolomite for industrial purposes; tan-wood; europium; gelatine for photographic purposes; gelatine for industrial purposes; auxiliary fluids for use with abrasives; fluids for hydraulic circuits; liquids for removing sulfates from accumulators; power steering fluid; brake fluid; magnetic fluid for industrial purposes; transmission fluid; tree cavity fillers [forestry]; glaziers' putty; moderating materials for nuclear reactors; diatomaceous earth; fuller's earth for use in the textile industry; lime chloride; isotopes for industrial purposes; ion exchangers [chemicals]; ytterbium; yttrium; iodine for industrial purposes; iodine for chemical purposes; aluminium iodide; magnesium carbonate; alkaline iodides for industrial purposes; casein for the food industry; casein for industrial purposes; kainite; potassium; sorrel salt; californium; calomel [mercurous chloride]; gum arabic for industrial purposes; tartar, other than for pharmaceutical purpo-

ses; camphor, for industrial purposes; calcium carbide; silicon carbide [raw material]; carbide; lime carbonate; carbonates; cement [metallurgy]; lutetium [cassioptium]; catalysts; biochemical catalysts; catechu; caustics for industrial purposes; alum; ammonia alum; aluminium alum; chrome alum; quebracho for industrial purposes; ketones; cinematographic films, sensitized but not exposed; oxygen for industrial purposes; nitric acid; anthranilic acid; benzoic acid; boric acid for industrial purposes; tartaric acid; tungstic acid; gallic acid for the manufacture of ink; gallotannic acid; glutamic acid for industrial purposes; tannic acid; iodic acid; phenol for industrial purposes; citric acid for industrial purposes; lactic acid; formic acid; persulfuric acid; oleic acid; picric acid; pyrogallic acid; salicylic acid; sebacic acid; sulfuric acid; sulfurous acid; spirits of salt; stearic acid; carbonic acid; spirits of vinegar [dilute acetic acid]; phosphoric acid; hydrofluoric acid; cholic acid; chromic acid; oxalic acid; acids; benzene-based acids; fatty acids; mineral acids; arsenious acid; adhesives for billposting; leather glues; adhesives for wall tiles; adhesives for wallpaper; glue for industrial purposes; cement for mending broken articles; gums [adhesives] for industrial purposes; birdlime; isinglass, other than for stationery, household or alimentary purposes; gluten [glue], other than for stationery or household purposes; starch paste [adhesive], other than for stationery or household purposes; stem cells, other than for medical or veterinary purposes; collagen for industrial purposes; collodion; compost; beer preserving agents; preservatives for use in the pharmaceutical industry; mangrove bark for industrial purposes; tan; starch for industrial purposes; magnesium silicate; silicon; creosote for chemical purposes; krypton; xenon; xylene; xylol; biological tissue cultures, other than for medical or veterinary purposes; cultures of microorganisms, other than for medical and veterinary use; curium; lactose [raw material]; lactose for the food industry; lactose for industrial purposes; lanthanum; dry ice [carbon dioxide]; lecithin [raw material]; lecithin for the food industry; lecithin for industrial purposes; lithium; magnesite; magnesium carbon dioxide; magnesium muriate; manganate; oils for tanning leather; oils for currying leather; oils for preparing leather in the course of manufacture; oils for the preservation of food; transmission oil; carbolineum for the protection of plants; paper pulp; wood pulp; grafting mastic for trees; mastic for leather; mastic for tires; oil cement [putty]; synthetic materials for absorbing oil; brazing preparations; ceramic materials in particulate form, for use as filtering media; filtering materials of unprocessed plastics; filtering materials of mineral substances; filtering materials of vegetable substances; filtering materials of chemical substances; blue vitriol; metalloids; alkaline-earth metals; alkaline metals; methane; methyl benzene; methyl benzol; flour for industrial purposes; tapioca flour for industrial purposes; potato flour for industrial purposes; soap [metallic]

for industrial purposes; arsenic; bate for dressing skins; emollients for industrial purposes; animal manure; nanopowders for industrial purposes; sodium; hypochlorite of soda; naphthalene; sal ammoniac; toxic gas neutralizers; neodymium; neon; neptunium; ammonium nitrate; uranium nitrate; nitrates; combusting preparations [chemical additives to motor fuel]; nitrous oxide; baryta; uranium oxide; oxalates; lithia [lithium oxide]; lead oxide; antimony oxide; chromium oxide; cobalt oxide for industrial purposes; mercuric oxide; olivine [silicate mineral]; gallnuts; purification preparations; wine finings; textile-brightening chemicals; beer-clarifying and preserving agents; must-fining preparations; reducing agents for use in photography; bases [chemical preparations]; wax-bleaching chemicals; fat-bleaching chemicals; organic digestate [fertilizer]; pectin for the food industry; pectin for industrial purposes; pectin [photography]; perborate of soda; humus top dressing; percarbonates; hydrogen peroxide for industrial purposes; persulfates; perchlorates; foundry sand; plastisols; sensitized plates for offset printing; ferrotype plates [photography]; plasticizers; plastics, unprocessed; X-ray films, sensitized but not exposed; plutonium; chemical coatings for ophthalmic lenses; polonium; potash; potash water; soil for growing; praseodymium; rubber preservatives; masonry preservatives, except paints and oils; brickwork preservatives, except paints and oils; cement preservatives, except paints and oils; preservatives for tiles, except paints and oils; bacterial preparations, other than for medical and veterinary use; bacteriological preparations for acetification; bacteriological preparations, other than for medical and veterinary use; biological preparations, other than for medical or veterinary purposes; vulcanizing preparations; diagnostic preparations, other than for medical or veterinary purposes; renovating preparations for phonograph records; currying preparations for leather; currying preparations for skins; galvanizing preparations; metal hardening preparations; fixing baths [photography]; opacifiers for glass; opacifiers for enamel; separating and unsticking [ungluing] preparations; metal annealing preparations; metal tempering preparations; preparations for preventing the tarnishing of lenses; preparations for preventing the tarnishing of glass; cement-waterproofing chemicals, except paints; plant growth regulating preparations; wallpaper removing preparations; anti-boil preparations for engine coolants; fulling preparations for use in the textile industry; descaling preparations, other than for household purposes; fertilizing preparations; flashlight preparations; finishing preparations for use in the manufacture of steel; sizing preparations; animal carbon preparations; preparations of microorganisms, other than for medical and veterinary use; corrosive preparations; cryogenic preparations; dehydrating preparations for industrial purposes; degreasing preparations for use in manufacturing processes; degumming preparations; oil-bleaching chemicals; bleaching preparations [de-

colorants] for industrial purposes; meat tenderizers for industrial purposes; preparations for stimulating cooking for industrial purposes; anti-incrustants; preparations of trace elements for plants; moistening [wetting] preparations for use in the textile industry; moistening [wetting] preparations for use in dyeing; moistening [wetting] preparations for use in bleaching; enzyme preparations for the food industry; enzyme preparations for industrial purposes; filtering preparations for the beverages industry; chemical preparations to prevent mildew; chemical preparations to prevent wheat smut; chemical condensation preparations; chemical preparations for smoking meat; chemical substances for analyses in laboratories, other than for medical or veterinary purposes; chemical preparations for scientific purposes, other than for medical or veterinary use; chemical preparations for facilitating the alloying of metals; chemical preparations to prevent diseases affecting vine plants; chemical preparations to prevent diseases affecting cereal plants; engine-decarbonising chemicals; fulling preparations; fuel-saving preparations; coal saving preparations; damp-proofing chemicals, except paints, for masonry; anti-sprouting preparations for vegetables; preparations of the distillation of wood alcohol; by-products of the processing of cereals for industrial purposes; chemical substances for preserving foodstuffs; benzene derivatives; cellulose derivatives [chemicals]; promethium; protactinium; protein [raw material]; proteins for the food industry; proteins for use in the manufacture of food supplements; proteins for use in manufacture; mordants for metals; radium for scientific purposes; radon; solvents for varnishes; anti-frothing solutions for accumulators; drilling muds; galvanizing baths; solutions for cyanotyping; silver salt solutions for silvering; toning baths [photography]; chemical reagents, other than for medical or veterinary purposes; rhenium; mercury; rubidium; carbon black for industrial purposes; soot for industrial or agricultural purposes; lamp black for industrial purposes; samarium; saccharin; selenium; saltpeter; sulfur; silver nitrate; carbon disulfide; silicates; aluminium silicate; silicones; scandium; topsoil; foundry molding preparations; potting soil; acrylic resins, unprocessed; polymer resins, unprocessed; synthetic resins, unprocessed; epoxy resins, unprocessed; soda ash; calcined soda; caustic soda for industrial purposes; barium compounds; fluorspar compounds; salts [fertilizers]; salts [chemical preparations]; ammoniacal salts; ammonium salts; salts of precious metals for industrial purposes; salts for galvanic cells; salt for preserving, other than for foodstuffs; salts for coloring metal; salts for industrial purposes; iron salts; gold salts; iodised salts; calcium salts; sodium salts [chemical compounds]; salt, raw; salts from rare earth metals; mercury salts; toning salts [photography]; chrome salts; chromic salts; alkaline earth metal salts; salts of alkaline metals; rock salt; mold-release preparations; fire extinguishing compositions; compositions for the manufac-

ture of phonograph records; compositions for the manufacture of technical ceramics; compositions for repairing inner tubes of tires; compositions for repairing tires; acid proof chemical compositions; glutinous tree-grafting preparations; adhesive preparations for surgical bandages; fireproofing preparations; compositions for threading; sauce for preparing tobacco; amyl alcohol; vinic alcohol; wood alcohol; sal ammoniac spirits; ethyl alcohol; alcohol; adjuvants, other than for medical or veterinary purposes; cement for footwear; concrete preservatives, except paints and oils; water glass [soluble glass]; strontium; substrates for soil-free growing [agriculture]; barium sulfate; sulfates; antimony sulfide; sulfides; benzoic sulfimide; sulfonic acids; sumac for use in tanning; superphosphates [fertilizers]; antimony; raw materials for use in the production of magnesium compounds; thallium; talc [magnesium silicate]; tannin; cream of tartar for the food industry; cream of tartar for industrial purposes; cream of tartar for chemical purposes; tellurium; terbium; tetrachlorides; carbon tetrachloride; acetylene tetrachloride; technetium; thymol for industrial purposes; thiocarbanilide; titanite; sensitized cloth for photography; blueprint cloth; toluene; fuel for nuclear reactors; thorium; peat [fertilizer]; gum tragacanth for industrial purposes; thulium; carbonic hydrates; carbon; activated carbon; carbon for filters; animal charcoal; animal carbon; bone charcoal; blood charcoal; nitrogenous fertilizers; fertilizers; fish meal fertilizers; wood vinegar [pyrolygneous acid]; uranium; chemical intensifiers for paper; chemical intensifiers for rubber; vulcanization accelerators; enzymes for the food industry; enzymes for industrial purposes; ferments for chemical purposes; milk ferments for the food industry; milk ferments for industrial purposes; milk ferments for chemical purposes; fermium; ferrocyanides; fixing solutions [photography]; flavonoids [phenolic compounds] for industrial purposes; flocculants; fluxes for melting metals; fluxes for steelmaking; cast iron fluxes; soldering fluxes; brazing fluxes; metallurgical fluxes; formic aldehyde for chemical purposes; phosphatides; phosphates [fertilizers]; phosphorus; photographic paper; photosensitive plates; sensitized photographic plates; sensitized films, unexposed; photographic developers; photographic sensitizers; chemical preparations for use in photography; photographic emulsions; francium; fluorine; chemicals for use in forestry, except fungicides, herbicides, insecticides and parasiticides; glass-frosting chemicals; leather-renovating chemicals; glass-staining chemicals; enamel-staining chemicals; oil-separating chemicals; water-purifying chemicals; oil-purifying chemicals; welding chemicals; condensation-preventing chemicals; stain-preventing chemicals for use on fabrics; anti-tarnishing chemicals for windows; leather-waterproofing chemicals; textile-waterproofing chemicals; chemicals, except pigments, for the manufacture of enamel; radiator flushing chemicals; leather-impregnating chemicals; textile-impregnating

chemicals; horticultural chemicals, except fungicides, herbicides, insecticides and parasiticides; agricultural chemicals, except fungicides, herbicides, insecticides and parasiticides; soil conditioning preparations; chimney cleaners, chemical; industrial chemicals; color-brightening chemicals for industrial purposes; chemicals for use in the cellulose and paper industry; chemicals for use in the manufacture of paper; chemicals for use in the manufacture of magnesium compounds; paper bleaching chemicals; chemicals for industrial use; chemical preparations for use in industry; refrigerants; coolants for vehicle engines; chlorine; chlorates; hydrochlorates; aluminium chloride; magnesium chloride; chlorides; palladium chloride; chromates; flowers of sulfur for chemical purposes; caesium; cellulose; cerium; cyanides [prussiates]; calcium cyanamide [fertilizer]; cymene; loam; slag [fertilizers]; size for finishing and priming; paste fillers for automobile body repair; spinel [oxide mineral]; alkalies; caustic alkali; tea extracts for the food industry; tea extracts for use in the manufacture of cosmetics; tea extracts for use in the manufacture of pharmaceuticals; radioactive elements for scientific purposes; rare earths; fissionable chemical elements; emulsifiers; erbium; ethane; methyl ether; sulfuric ether; ethyl ether; glycol ether; ethers; esters; cellulose ethers for industrial purposes; cellulose esters for industrial purposes.

35 – Arranging subscriptions to telecommunication services for others; import-export agency services; commercial information agency services; advertising agency services; business administration; administration of loyalty rewards programs; administration of loyalty programs and bonus programs via wireless networks; cost price analysis; rental of office equipment in co-working facilities; rental of advertising space; business auditing; financial auditing; business intermediary services relating to the matching of potential private investors with entrepreneurs needing funding; employment agency services; computerized file management; bookkeeping; outsourced administrative management for companies; invoicing; demonstration of goods; transcription of communications [office functions]; opinion polling; market studies; business information; business investigations; business research; marketing research; personnel recruitment; business management and organization consultancy; business organization consultancy; business management consultancy; personnel management consultancy; professional business consultancy; consultancy regarding advertising communication strategies; consultancy regarding public relations communication strategies; layout services for advertising purposes; marketing; marketing in the framework of software publishing; targeted marketing; business management of performing artists; business management; business management of sports people; writing of résumés for others; scriptwriting for advertising purposes; news clipping services; updating and maintenance of infor-

mation in registries; updating and maintenance of data in computer databases; updating of advertising material; word processing; online retail services for downloadable and pre-recorded music and movies; online retail services for downloadable ring tones; online retail services for downloadable digital music; organization of exhibitions for commercial or advertising purposes; arranging newspaper subscriptions for others; organization of fashion shows for promotional purposes; organization of customer loyalty programs for commercial, promotional or advertising purposes; organization of trade fairs; organization, operation and supervision of customer loyalty schemes; shop window dressing; business appraisals; payroll preparation; data search in computer files for others; sponsorship search; administrative assistance in responding to calls for tenders; business management assistance; commercial or industrial management assistance; commercial intermediation services; providing business information; providing business information via a web site; providing commercial and business contact information; providing commercial information and advice for consumers in the choice of products and services; provision of an online marketplace for buyers and sellers of goods and services; providing user reviews for commercial or advertising purposes; web indexing for commercial or advertising purposes; providing user rankings for commercial or advertising purposes; presentation of goods on communication media, for retail purposes; media relations services; economic forecasting; auctioneering; retail services for works of art provided by art galleries; sales promotion for others; promoting the goods and services of others by means of a loyalty rewards card scheme; promotion of goods and services through sponsorship of sports events; production of teleshopping programmes; production of advertising films; office machines and equipment rental; rental of advertising time on communication media; publicity material rental; rental of billboards [advertising boards]; rental of vending machines; rental of sales stands; rental of photocopying machines; consumer profiling for commercial or marketing purposes; publication of publicity texts; radio advertising; development of advertising concepts; billposting; distribution of samples; dissemination of advertising matter; direct mail advertising; registration of written communications and data; writing of publicity texts; advertising; online advertising on a computer network; advertising by mail order; television advertising; compilation of statistics; compilation of information into computer databases; business inquiries; systemization of information into computer databases; administrative services for medical referrals; advisory services for business management; corporate communications services; negotiation of business contracts for others; negotiation and conclusion of commercial transactions for third parties; compiling indexes of information for commercial or advertising purposes; tax preparation; drawing up of statements of accounts;

copywriting; promotion of the sale of goods and services of third parties through the provision of incentives and benefits generated by the use of credit, debit and payment cards, via wireless networks, mobile telecommunications devices or a global computer network, promotion of the sale of goods and services of third parties through the provision of incentives and benefits generated by the use of credit, debit and payment cards, via wireless networks, mobile telecommunications devices or a global computer network; telemarketing services; psychological testing for the selection of personnel; wholesale services for pharmaceutical, veterinary and sanitary preparations and medical supplies; retail services for pharmaceutical, veterinary and sanitary preparations and medical supplies; interim business management; business management of hotels; business management for freelance service providers; business project management services for construction projects; commercial administration of the licensing of the goods and services of others; business management of reimbursement programs for others; administration of frequent flyer programs; administrative processing of purchase orders; administrative services for the relocation of businesses; public relations; commercial lobbying services; competitive intelligence services; modelling for advertising or sales promotion; typing; market intelligence services; appointment reminder services [office functions]; web site traffic optimization; services in wholesale and retail sale of minerals, including alkaline earth and rare earth metals, minerals; tax filing services; search engine optimization for sales promotion; appointment scheduling services [office functions]; retail services relating to bakery products; gift registry services; price comparison services; pay per click advertising; secretarial services; procurement services for others [purchasing goods and services for other businesses]; shorthand; outsourcing services [business assistance]; telephone answering for unavailable subscribers; telephone switchboard services; photocopying services; business efficiency expert services.

37 – Asphaltting; drilling of deep oil or gas wells; drilling of wells; rebuilding engines that have been worn or partially destroyed; rebuilding machines that have been worn or partially destroyed; retreading of tires; vulcanization of tires [repair]; building sealing; disinfecting; mining extraction; mining of alkaline earth, rare earth metals, minerals; fueling of vehicles; vehicle battery charging; charging of electric vehicles; knife sharpening; building insulating; repair information; construction information; bricklaying; riveting; construction consultancy; varnishing; re-tinning; installation of utilities in construction sites; scaffolding; erection, installation, maintenance and repair of wind turbines, wind stations and other wind-powered machines and structures; road paving; window cleaning; vehicle washing; building construction supervision; rus-

tproofing; anti-rust treatment for vehicles; sanding; pumicing; maintenance of wells and mines; strong-room maintenance and repair; vehicle maintenance; cleaning of buildings [exterior surface]; vehicle polishing; vehicle breakdown repair services; providing information relating to repairs; providing construction information; rental of bulldozers; rental of drainage pumps; rental of road sweeping machines; rental of cleaning machines; rental of cranes [construction equipment]; rental of construction equipment; rental of excavators; laying of cable; plumbing; masonry; roofing services; painting, interior and exterior; carpentry services; underwater repair; plastering; quarrying services; repair of security locks; motor vehicle maintenance and repair; burner maintenance and repair; airplane maintenance and repair; safe maintenance and repair; repair of power lines; pump repair; vehicle greasing; demolition of buildings; warehouse construction and repair; vehicle service stations [refuelling and maintenance]; construction; pier breakwater building; construction and repair of facilities for mining; mine construction and maintenance; pipeline construction and maintenance; underwater construction; harbour construction; factory construction; shipbuilding; cleaning of buildings [interior]; snow removal; street cleaning; vermin exterminating, other than for agriculture, aquaculture, horticulture and forestry; tire balancing; pest control services, other than for agriculture, aquaculture, horticulture and forestry; hydraulic fracturing services; artificial snow-making services; services of electricians; installation of doors and windows; irrigation devices installation and repair; elevator installation and repair; installation and repair of flood protection equipment; heating equipment installation and repair; burglar alarm installation and repair; furnace installation and repair; installation and repair of air-conditioning apparatus; fire alarm installation and repair; freezing equipment installation and repair; electric appliance installation and repair; installation services; installation, maintenance and repair of computer hardware; machinery installation, maintenance and repair; office machines and equipment installation, maintenance and repair; interference suppression in electrical apparatus; chimney sweeping; boiler cleaning and repair; dry cleaning; vehicle cleaning.

40 – Paper finishing; upcycling [waste recycling]; vulcanization [material treatment]; galvanization; electroplating; engraving; decontamination of hazardous materials; air deodorizing; stripping finishes; metal tempering; gilding; gold plating; cadmium plating; metal casting; tin plating; boilermaking; magnetization; nickel plating; abrasion; paper treating; water treating; woodworking; metal treating; waste treatment [transformation]; mineral processing to improve their properties; window tinting treatment, being surface coating; air freshening; air purification; soldering; processing (preparation) of minerals; recyc-

ling of waste and trash; processing of oil; recycling of waste; mineral processing [chemical]; metal plating; burnishing by abrasion; providing information relating to material treatment; rental of boilers; rental of generators; rental of air-conditioning apparatus; rental of space heating apparatus; custom steel rolling; pottery firing; blacksmithing; custom assembling of materials for others; welding services; glass-blowing; grinding; sawing of materials; timber felling and processing; silver plating; incineration of waste and trash; laser scribing; sorting of waste and recyclable material [transformation]; planing of materials; tinting of car windows; destruction of waste and trash; custom 3D printing for others; cryopreservation services; sandblasting services; production of energy; millworking; chromium plating; colour separation services; optical glass grinding.

(260) AM 2021 111575 A
(800) 1501788
(151) 2019 08 15
(891) 2020 12 25
(731) Individual entrepreneur, Zabrodina Inna Markovna
kv. 52, d. 9, ul. Il'icha; RU-630090 Novosibirsk, Russian Federation

(540)

NICE CODE

(591) Black, white

(511)

3 – Aromatics [essential oils]; bases for flower perfumes; beauty masks; cakes of toilet soap; cosmetic creams; cosmetic dyes; cosmetic kits; cosmetic pencils; cosmetic preparations for baths; cosmetic preparations for eyelashes; cosmetic preparations for skin care; cosmetic preparations for slimming purposes; cosmetics; creams for leather; deodorant soap; deodorants for human beings; ethereal oils; ethereal essences; extracts of flowers [perfumes]; eyebrow cosmetics; eyebrow pencils; fumigation preparations [perfumes]; greases for cosmetic purposes; hair colorants; leather bleaching preparations; lipsticks; lotions for cosmetic purposes; nail care preparations; oils for cleaning purposes; oils for cosmetic purposes; oils for toilet purposes; perfumery; perfumes; petroleum jelly for cosmetic purposes; pomades for cosmetic purposes; potpourris [fragrances]; scented water; shampoos; shaving preparations; cream for whitening the skin; sun-tanning preparations [cosmetics]; tissues impregnated with cosmetic lotions; toilet water.

(260) AM 2021 111577 A

(800) 1517401

(151) 2019 12 30

(891) 2021 01 04

(731) Toruńskie Zakłady Materiałów, Opatrunkowych Spółka Akcyjna Żółkiewskiego 20/26, PL-87-100 Toruń, Poland

(540)



(591) Green

(531) 05.05.20; 05.05.21; 27.05.01; 27.05.07; 29.01.03

(511)

3 – Hair shampoos, milk [cosmetics], body care creams, body washes, tissues impregnated with cosmetic liquids, bathing lotions, body emulsion for cosmetic use, body care lotions, body lotions for cosmetic purposes, cleaning creams for cosmetic purposes.

(260) AM 2021 111620 A

(800) 1574175

(151) 2020 11 27

(891) 2020 11 27

(731) UAB "ŠVIEŽIA KAVA"

Gedimino pr. 54-6, LT-01110 Vilnius, Lithuania

(540)



(591) Black, white

(531) 02.01.01; 02.03.01; 04.05.05; 26.13.25

(511)

30 – Sugar; cocoa; cocoa based beverages; coffee; artificial coffee; ice cream; unroasted coffee.

43 – Cafe services; cafeteria services.

(260) AM 2021 111628 A

(800) 1574419

(151) 2020 12 18

(891) 2020 12 18

(731) LIMITED LIABILITY COMPANY "PHD"

Studyony proezd, 4, korp.1, et.1, pom.V, k.18, of. 63, RU-127282 Moscow, Russian Federation

(540)

FUMO

(591) Black, white

(531) 27.05.01

(511)

34 – Flavorings, other than essential oils, for tobacco; flavorings, other than essential oils, for use in electronic cigarettes; gas containers for cigar lighters; lighters for smokers; cigarette holders; mouthpieces for cigarette holders; hookahs; liquid solutions for use in electronic cigarettes; electronic cigarettes; cigarettes; cigarettes containing tobacco substitutes, not for medical purposes; cigarillos; cigars; oral vaporizers for smokers; tobacco; chewing tobacco; snuff; herbs for smoking; tobacco pipes.

(260) AM 2021 111629 A

(800) 1574429

(151) 2020 08 29

(891) 2020 08 29

(731) CHINA UNIONPAY CO., LTD.

No. 498 Guoshoujing Road, Pudong,
201203 Shanghai, China

(540)



(591) Red, blue and green

(531) 26.04.04; 26.04.07; 26.04.09; 26.04.18;
26.04.24; 27.05.24; 28.03; 29.01.13

(511)

9 – Interactive touch screen terminals; mobile phone software applications, downloadable; card reading equipment; chipcards; electronic and magnetic identity cards for use in connection with payment services; computer terminals for banking purposes; computer terminals; counters; cash registers; automated teller machines [ATM]; Point-of-Sale terminals [POS terminals]; ticket dispensers; holograms; fingerprint identifiers; face recognition apparatus; biometric iris scanners; biometric retinal scanners; biometric scanners; video screens; electric installations for the remote control of industrial operations; lightning arresters; electrolyzers; fingerprint imagers; fingerprint scanners; remote control apparatus; optical fibers [light conducting filaments].

35 – Presentation of goods on communication media, for retail purposes; providing business information via a web site; business appraisals; provision of an online marketplace for buyers and sellers of goods and services; personnel management consultancy; appointment

reminder services [office functions]; administrative services for the relocation of businesses; accounting; rental of vending machines; sponsorship search; rental of sales stands; retail services for pharmaceutical, veterinary and sanitary preparations and medical supplies; wholesale services for pharmaceutical, veterinary and sanitary preparations and medical supplies; business management assistance; market studies; business information; organization of exhibitions for commercial or advertising purposes; sales promotion for others; updating and maintenance of data in computer databases; advertising; advertising planning services; administration of frequent flyer programs; administration of consumer loyalty programs; telephone directory assistance services; telephone directory information services.

38 – Wireless broadcasting; news agency services; television broadcasting; message sending; communications by telegrams; communications by telephone; communications by cellular phones; communications by computer terminals; computer aided transmission of messages and images; information about telecommunication; rental of message sending apparatus; communications by fiber optic networks; electronic bulletin board services [telecommunications services]; providing telecommunications connections to a global computer network; telecommunications routing and junction services; teleconferencing services; providing user access to global computer networks; providing internet chatrooms; providing access to databases; voice mail services; transmission of greeting cards online; transmission of digital files; videoconferencing services; providing online forums; streaming of data; radio communications; telephone services; transmission of electronic mail.

42 – Conducting technical project studies; quality control; oil-field surveys; chemistry services; clinical trials; meteorological information; material testing; industrial design; research in the field of building construction; technical project studies in the field of construction; construction engineering services [construction design]; dress designing; computer software design; design and development of computer software; computer hardware design; development of computer hardware; computer programming; computer system design; conversion of data or documents from physical to electronic media; conversion of computer programs and data, other than physical conversion; monitoring of computer systems by remote access; creating and maintaining web sites for others; computer software consultancy; rental of web servers; providing search engines for the internet; software as a service [SaaS]; platform as a service [PaaS]; development of computer platforms; electronic monitoring of credit card activity to detect fraud via the internet; authenticating works of art; graphic arts design; cloud seeding; handwriting analysis [graphology]; carto-

graphy services; graphic design of promotional materials; weighing of goods for others.

(260) AM 2021 111630 A
 (800) 1574490
 (151) 2020 12 03
 (891) 2020 12 03
 (731) Danstar Ferment AG
 Poststrasse 30, CH-6300 Zug, Switzerland
 (540)

MYZYM

(591) Black, white
 (511)
 1 – Enzyme preparations for use in wine-making.

(260) AM 2021 111638 A
 (800) 1574784
 (151) 2020 11 16
 (891) 2020 11 16
 (731) Techfluid Yantai Limited
 Pinglidian Town, Laizhou City, Yantai,
 Shandong Province, China
 (540)

FLUIDFRAC

(591) Black, white
 (531) 27.05.04; 27.05.09
 (511)
 17 – Synthetic rubber; reinforcing materials, not of metal, for pipes; fittings, not of metal, for compressed air lines; ebonite; watering hose; waterproof packings; flexible hoses, not of metal; hoses of textile material; canvas hose pipes; connecting hose for vehicle radiators.

(260) AM 2021 111640 A
 (800) 1574881
 (151) 2020 09 03
 (891) 2020 09 03
 (731) Egis Gyógyszergyár Zrt.
 Keresztúri út 30-38., H-1106 Budapest,
 Hungary
 (540)

REVERSOLUTE

(591) Black, white
 (511)
 3 – Cosmetics and cosmetic preparations.
 5 – Human pharmaceutical preparations; dietetic substances adapted for medical use; dietary supplements; medicinal ointments; medicated skin creams; plasters, materials for dressings.

(260) AM 2021 111641 A
 (800) 1574921
 (151) 2020 09 23
 (891) 2020 09 23
 (731) JOINT STOCK COMPANY "GAZPROM
 HOUSEHOLD SYSTEMS"
 Prospect Metallistov, 7, letter A, office 212,
 RU-195027 St Petersburg, Russian Federation
 (540)

DARINA™

(591) Black, white
 (531) 27.05.01
 (511)
 11 – Refrigerating cabinets; boilers, other than parts of machines; water heaters; heating boilers; drying apparatus; freezers; cookers; cooking stoves; refrigerating chambers; walk-in refrigerators; fruit roasters; gas boilers; cool boxes, electric; coolers, electric; bread toasters; toasters; grills [cooking appliances]; roasting apparatus; griddles [cooking appliances]; kitchen ranges [ovens]; coffee machines, electric; refrigerators; extractor hoods for kitchens; microwave ovens [cooking apparatus]; refrigerating display cabinets; bread-making machines; electric cooktops.

(260) AM 2021 111643 A
 (800) 1574951
 (151) 2020 09 25
 (891) 2020 09 25
 (731) Egis Gyógyszergyár Zrt.
 Keresztúri út 30-38., H-1106 Budapest, Hungary
 (540)

ORIVEAL

(591) Black, white
 (511)
 3 – Cosmetics and cosmetic preparations.
 5 – Human pharmaceutical preparations; dietetic substances adapted for medical use; dietary supplements; medicinal ointments; medicated skin creams; plasters, materials for dressings; none of the aforesaid being pharmaceutical preparations for the treatment of fungal infections and diseases; antifungal drugs; antifungal preparations.

(260) AM 2021 111644 A
 (800) 1574962
 (151) 2020 09 25
 (891) 2020 09 25
 (731) Egis Gyógyszergyár Zrt.
 Keresztúri út 30-38. H-1106 Budapest, Hungary
 (540)

ORICLOB

(591) Black, white
(511)
3 – Cosmetics and cosmetic preparations.

5 – Human pharmaceutical preparations; dietetic substances adapted for medical use; dietary supplements; medicinal ointments; medicated skin creams; plasters, materials for dressings.

(260) AM 2021 111645 A
(800) 1574968
(151) 2020 09 03
(891) 2020 09 03
(731) Egis Gyógyszergyár Zrt.
Keresztúri út 30-38., H-1106 Budapest,
Hungary
(540)

SAVIOLUS

(591) Black, white
(511)
3 – Cosmetics and cosmetic preparations.

5 – Human pharmaceutical preparations; dietetic substances adapted for medical use; dietary supplements; medicinal ointments; medicated skin creams; plasters, materials for dressings.

(260) AM 2021 111646 A
(800) 1574972
(151) 2021 01 04
(891) 2021 01 04
(731) LIU QIN
Shimashan Base Reception Office, (Yuan 468
Team) 418 Team, No. 930, Xinxing South
Road, Louxing District, Loudi, Hunan, China
(540)

DNM

(591) Black, white
(531) 27.05.17; 27.05.23
(511)
3 – Cakes of toilet soap; facial cleanser; beauty masks; nail varnish; cosmetics; perfumes; false eyelashes; false nails; eyebrow pencils; cosmetic pencils.

(260) AM 2021 111647 A
(800) 1574985
(151) 2020 09 25
(891) 2020 09 25
(731) Egis Gyógyszergyár Zrt.
Keresztúri út 30-38.; H-1106 Budapest,
Hungary
(540)

REVEALUTE

(591) Black, white
(511)
3 – Cosmetics and cosmetic preparations.

5 – Human pharmaceutical preparations; dietetic substances adapted for medical use; dietary supplements; medicinal ointments; medicated skin creams; plasters, materials for dressings.

(260) AM 2021 111648 A
(800) 1574988
(151) 2020 09 03
(891) 2020 09 03
(731) Egis Gyógyszergyár Zrt.
Keresztúri út 30-38., H-1106 Budapest,
Hungary
(540)

ALBALIVA

(591) Black, white
(511)
3 – Cosmetics and cosmetic preparations.

5 – Human pharmaceutical preparations; dietetic substances adapted for medical use; dietary supplements; medicinal ointments; medicated skin creams; plasters, materials for dressings.

(260) AM 2021 111649 A
(800) 1574996
(151) 2020 09 03
(891) 2020 09 03
(731) Egis Gyógyszergyár Zrt.
Keresztúri út 30-38., H-1106 Budapest,
Hungary
(540)

NIDILION

(591) Black, white
(511)
3 – Cosmetics and cosmetic preparations.

5 – Human pharmaceutical preparations; dietetic substances adapted for medical use; dietary supplements; medicinal ointments; medicated skin creams; plasters, materials for dressings.

(260) AM 2021 111650 A
(800) 1575020
(151) 2021 01 05
(891) 2021 01 05
(731) DONGFENG MOTOR CORPORATION
Special No.1 Dongfeng Road, Wuhan
Economic & Technical, Development Zone
Wuhan, 430056 Hubei Province,
China

(540)

HUASOL

(591) Black, white

(531) 27.05.01

(511)

12 – Cars; motor coaches; automobile chassis; clutches for land vehicles; automobile bodies; lorries; motors, electric, for land vehicles; brake pads for automobiles; tires for vehicle wheels; suspension shock absorbers for vehicles.

37 – Rebuilding engines that have been worn or partially destroyed; vehicle washing; vehicle polishing; vehicle maintenance; vehicle breakdown repair services; motor vehicle maintenance and repair; vehicle battery replacement service; tire balancing; vehicle service stations [refuelling and maintenance]; repair of rubber tires.

(260) AM 2021 111652 A

(800) 1575057

(151) 2020 11 20

(891) 2020 11 20

(731) BYD COMPANY LIMITED

No.1, Yan'an Road, Kuichong Street,
Dapeng New District, Shenzhen, Guangdong,
China

(540)

BYD

(591) Black, white

(531) 27.05.01

(511)

12 – Forklift trucks; bus; trucks; automobile chassis; automobiles; automobile bodies; driverless cars; steering wheels for vehicles; engines for land vehicles; electric vehicles.

(260) AM 2021 111663 A

(800) 1575190

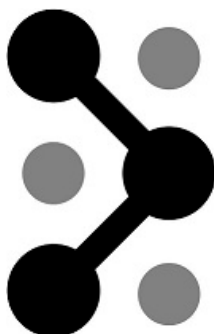
(151) 2020 12 07

(891) 2020 12 07

(731) BioNTech SE

An der Goldgrube 12, 55131 Mainz, Germany

(540)



(591) Black, white

(531) 01.13.01; 26.01.01

(511)

5 – Vaccines for human use.

(260) AM 2021 111664 A

(800) 1575191

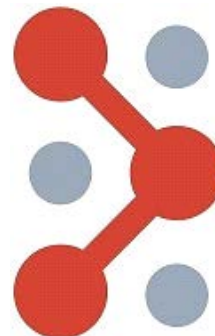
(151) 2020 12 07

(891) 2020 12 07

(731) BioNTech SE

An der Goldgrube 12, 55131 Mainz, Germany

(540)



(591) Grey and red

(531) 01.13.01; 01.13.15; 26.01.01; 26.01.24;
29.01.12

(511)

5 – Vaccines for human use.

(260) AM 2021 111667 A

(800) 1575262

(151) 2020 12 13

(891) 2020 12 13

(731) URSA Salgótarján Glass Wool Close Co., Ltd.

Szép völgyi út 41, 2/2, H-1037 BUDAPEST,
Hungary

(540)



(591) Blue and red

(531) 03.01.14; 03.01.24; 27.05.09; 27.05.11;
27.05.17; 29.01.12

(511)

17 – Insulating, soundproofing and stopping materials; fabrics, felts, webs, plates, panels and sheets for use as insulation material; rubber or plastics for padding and stuffing; mineral wool, glass wool, stone wool, rock wool, slag wool and fiber glass for thermal or acoustic insulation; glass fibers for insulation; slag wool, glass wool blankets and panels for insulation;

wood fiber, plastic insulation materials, especially foamed plastic materials; insulation boards, made from polystyrene, especially made from extruded polystyrene; XPS (extruded polystyrene) material for packing and stuffing; XPS (extruded polystyrene) panels for insulation; plastic film, other than for packaging purposes; substances for insulating buildings against moisture; sealant compounds for joints; insulating paper, insulating tape and band, rubber, gutta-percha, gum, asbestos, mica; plastics in extruded form for use in manufacture; packing materials, joint packaging for flexible pipes; membranes and other materials for air tightness and vapor barriers (membrane for moisture protection); vapor barriers; insulating adhesives for sealing and/or attaching or linking membranes of air tightness and/or vapor barriers (for moisture protection) to anything that has to pass through like carpentry, timber studs, tubes, chimney, parts used for ventilation, ducts; insulating adhesives, especially in the form of tapes to be used in combination with insulating material, like mineral wool and XPS (extruded polystyrene); adhesive tapes for industrial purposes; insulating material for buildings and/or to glass; mineral wool for insulation purposes together with respective fixing for fastening the insulation material and/or mineral wool to the construction of a building, namely warm frame construction, cold frame construction, wall/floor junction timber floor, cavity batts made of mineral fibers, pitched roof insulation, roof junctions for separating wall / attic space, roof junctions for separating wall / room in the roof.

19 – Building materials (non-metallic), including panels and sheets of mineral fibers (especially fiber glass) for buildings; ducts for air conditioning, self-bearing duct designs made from mineral wool especially glass fiber panels used for HVAC (heating, ventilation and air conditioning); mineral wool panels with woven or non-woven facings or coverings; non-metallic rigid pipes for building; asphalt, pitch and bitumen; non-metallic transportable buildings; monuments, not of metal, waterproofing claddings.

(260) AM 2021 111668 A

(800) 1575266

(151) 2020 12 12

(891) 2020 12 12

(731) URSA Salgótarján Glass Wool Close Co., Ltd.
Szépvölgyi út 41, 2/2, H-1037 BUDAPEST,
Hungary

(540)

URSA XPS ECO

(591) Black, white

(511)

17 – Insulating, soundproofing and stopping materials; fabrics, felts, webs, plates, panels and sheets for use as insulation material; rubber or plastics for pad-

ding and stuffing; mineral wool, glass wool, stone wool, rock wool, slag wool and fiber glass for thermal or acoustic insulation; glass fibers for insulation; slag wool, glass wool blankets and panels for insulation; wood fiber, plastic insulation materials, especially foamed plastic materials; insulation boards, made from polystyrene, especially made from extruded polystyrene; XPS (extruded polystyrene) material for packing and stuffing; XPS (extruded polystyrene) panels for insulation; plastic film, other than for packaging purposes; substances for insulating buildings against moisture; sealant compounds for joints; insulating paper, insulating tape and band, rubber, gutta-percha, gum, asbestos, mica; plastics in extruded form for use in manufacture; packing materials, joint packaging for flexible pipes; membranes and other materials for air tightness and vapor barriers (membrane for moisture protection); vapor barriers; insulating adhesives for sealing and/or attaching or linking membranes of air tightness and/or vapor barriers (for moisture protection) to anything that has to pass through like carpentry, timber studs, tubes, chimney, parts used for ventilation, ducts; insulating adhesives, especially in the form of tapes to be used in combination with insulating material, like mineral wool and XPS (extruded polystyrene); adhesive tapes for industrial purposes; insulating material for buildings and/or to glass; mineral wool for insulation purposes together with respective fixing for fastening the insulation material and/or mineral wool to the construction of a building, namely warm frame construction, cold frame construction, wall/floor junction timber floor, cavity batts made of mineral fibers, pitched roof insulation, roof junctions for separating wall / attic space, roof junctions for separating wall / room in the roof.

19 – Building materials (non-metallic), including panels and sheets of mineral fibers (especially fiber glass) for buildings; ducts for air conditioning, self-bearing duct designs made from mineral wool especially glass fiber panels used for HVAC (heating, ventilation and air conditioning); mineral wool panels with woven or non-woven facings or coverings; non-metallic rigid pipes for building; asphalt, pitch and bitumen; non-metallic transportable buildings; monuments, not of metal, waterproofing claddings.

(260) AM 2021 111669 A

(800) 1575292

(151) 2020 12 12

(891) 2020 12 12

(731) URSA Salgótarján Glass Wool Close Co., Ltd.
Szépvölgyi út 41, 2/2, H-1037 BUDAPEST,
Hungary

(540)

URSA HOME

(591) Black, white

(511)

17 – Insulating, soundproofing and stopping materials; fabrics, felts, webs, plates, panels and sheets for use as insulation material; rubber or plastics for padding and stuffing; mineral wool, glass wool, stone wool, rock wool, slag wool and fiber glass for thermal or acoustic insulation; glass fibers for insulation; slag wool, glass wool blankets and panels for insulation; wood fiber, plastic insulation materials, especially foamed plastic materials; insulation boards, made from polystyrene, especially made from extruded polystyrene; XPS (extruded polystyrene) material for packing and stuffing; XPS (extruded polystyrene) panels for insulation; plastic film, other than for packaging purposes; substances for insulating buildings against moisture; sealant compounds for joints; insulating paper, insulating tape and band, rubber, gutta-percha, gum, asbestos, mica; plastics in extruded form for use in manufacture; packing materials, joint packaging for flexible pipes; membranes and other materials for air tightness and vapor barriers (membrane for moisture protection); vapor barriers; insulating adhesives for sealing and/or attaching or linking membranes of air tightness and/or vapor barriers (for moisture protection) to anything that has to pass through like carpentry, timber studs, tubes, chimney, parts used for ventilation, ducts; insulating adhesives, especially in the form of tapes to be used in combination with insulating material, like mineral wool and XPS (extruded polystyrene); adhesive tapes for industrial purposes; insulating material for buildings and/or to glass; mineral wool for insulation purposes together with respective fixing for fastening the insulation material and/or mineral wool to the construction of a building, namely warm frame construction, cold frame construction, wall/floor junction timber floor, cavity batts made of mineral fibers, pitched roof insulation, roof junctions for separating wall / attic space, roof junctions for separating wall / room in the roof.

19 – Building materials (non-metallic), including panels and sheets of mineral fibers (especially fiber glass) for buildings; ducts for air conditioning, self-bearing duct designs made from mineral wool especially glass fiber panels used for HVAC (heating, ventilation and air conditioning); mineral wool panels with woven or non-woven facings or coverings; non-metallic rigid pipes for building; asphalt, pitch and bitumen; non-metallic transportable buildings; monuments, not of metal, waterproofing claddings.

(260) AM 2021 111670 A

(800) 1575293

(151) 2020 12 21

(891) 2020 12 21

(731) Apple Inc.

One Apple Park Way, Cupertino CA 95014,
USA

(540)



(591) Red, white, black, purple, blue and green

(531) 04.05.03; 16.03.19; 26.04.04; 26.04.07;
29.01.15

(511)

9 – Recorded computer software used for image editing, image acquisition, and image viewing; recorded computer software for accessing, viewing, annotating, storing, editing, downloading, displaying, sharing, and distributing electronic images and video.

(260) AM 2021 111673 A

(800) 1575359

(151) 2020 12 01

(891) 2020 12 01

(731) Incyte Holdings Corporation

1801 Augustine Cut-Off, Wilmington
DE 19803, USA

(540)

ONNELURA

(591) Black, white

(511)

5 – Pharmaceutical preparations, namely, topical preparations for the treatment of dermatological disorders; topical preparations for the treatment of autoimmune disorders; topical preparations for the treatment of oncological disorders.

44 – Providing health information relating to dermatologic disorders, autoimmune disorders and oncological disorders via a website.

(260) AM 2021 111674 A

(800) 1575364

(151) 2020 12 24

(891) 2020 12 24

(731) Apple Inc.

One Apple Park Way, Cupertino CA 95014, USA

(540)



(591) Red, white, yellow, and orange
 (531) 17.01.02; 20.05.03; 20.05.07; 26.15.09;
 29.01.14

(511)
 9 – Downloadable application development software;
 downloadable computer software for software development.

(260) AM 2021 111675 A
 (800) 1575374
 (151) 2020 12 12
 (891) 2020 12 12
 (731) URSA Salgótarján Glass Wool Close Co., Ltd.
 Szépvölgyi út 41, 2/2, H-1037 BUDAPEST,
 Hungary
 (540)



(591) Blue and red
 (531) 03.01.14; 03.01.16; 03.01.24; 26.11.02;
 26.11.08; 27.05.10; 27.05.11; 29.01; 29.01.12
 (511)

17 – Insulating, soundproofing and stopping materials; fabrics, felts, webs, plates, panels and sheets for use as insulation material; rubber or plastics for padding and stuffing; mineral wool, glass wool, stone wool, rock wool, slag wool and fiber glass for thermal or acoustic insulation; glass fibers for insulation; slag wool, glass wool blankets and panels for insulation; wood fiber, plastic insulation materials, especially foamed plastic materials; insulation boards, made from polystyrene, especially made from extruded polystyrene; XPS (extruded polystyrene) material for packing and stuffing; XPS (extruded polystyrene) panels for insulation; plastic film, other than for packaging purposes; substances for insulating buildings against moisture; sealant compounds for joints; insulating paper, insulating tape and band, rubber, gutta-percha, gum, asbestos, mica; plastics in extruded form for use in manufacture; packing materials, joint packaging for flexible pipes; membranes and other materials for air tightness and vapor barriers (membrane for moisture protection); vapor barriers; insulating adhesives for sealing and/or attaching or linking membranes of air tightness and/or vapor barriers (for moisture protection) to anything that has to pass through like carpentry, timber studs, tubes, chimney, parts used for ventilation, ducts; insulating adhesives, especially in the form of tapes to be used in combination with insulating material, like mineral wool and XPS (extruded polystyrene); adhesive tapes for industrial purposes; insulating material for buildings and/or to glass; mineral wool

for insulation purposes together with respective fixing for fastening the insulation material and/or mineral wool to the construction of a building, namely warm frame construction, cold frame construction, wall/floor junction timber floor, cavity batts made of mineral fibers, pitched roof insulation, roof junctions for separating wall / attic space, roof junctions for separating wall / room in the roof.

19 – Building materials (non-metallic), including panels and sheets of mineral fibers (especially fiber glass) for buildings; ducts for air conditioning, self-bearing duct designs made from mineral wool especially glass fiber panels used for HVAC (heating, ventilation and air conditioning); mineral wool panels with woven or non-woven facings or coverings; non-metallic rigid pipes for building; asphalt, pitch and bitumen; non-metallic transportable buildings; monuments, not of metal, waterproofing claddings.

(260) AM 2021 111676 A
 (800) 1575378
 (151) 2020 07 27
 (891) 2020 07 27
 (731) HEREHA VITALII VOLODYMYROVYCH
 7 house, Zavalivska st., Snyatyn city 78300,
 Ivano-Frankivska region, Ukraine
 (540)



(591) Black, white
 (531) 03.05.01; 03.05.20; 03.05.24; 03.06.25;
 05.09.01; 24.03.09; 24.03.18; 24.03.19;
 27.03.03; 27.05; 27.05.24

(511)
 3 – Scouring preparations, namely: baby wipes impregnated with cleaning preparations, wipes impregnated with cleaning preparations; cosmetic kits; tissues impregnated with cosmetic lotions; tissues impregnated with make-up removing preparations.

(260) AM 2021 111677 A
 (800) 1575382
 (151) 2020 07 30
 (891) 2020 07 30
 (731) HAYAT KİMYA SANAYİ ANONİM
 ŞİRKETİ
 Mahir İz Caddesi No: 25, Altunizade, Üsküdar,
 İSTANBUL, Turkey

(540)



(591) Blue, gray, white

(531) 24.03.08; 24.03.18; 27.05.01; 27.05.24;
29.01.13

(511)

5 – Pharmaceutical and veterinary preparations for medical purposes; chemical preparations for medical and veterinary purposes, chemical reagents for pharmaceutical and veterinary purposes, dietary supplements for pharmaceutical and veterinary purposes; dietary supplements; nutritional supplements; medical preparations for slimming purposes; food for babies; herbs and herbal beverages adapted for medicinal purposes, dental preparations and articles: teeth filling material, dental impression material, dental adhesives and material for repairing teeth, sanitary preparations for medical use; hygienic pads; hygienic tampons; plasters; materials for dressings; diapers for babies, adults and pets, including those made of paper and textiles, preparations for destroying vermin; fungicides, herbicides, deodorants, other than for human beings or for animals; air deodorising preparations, air purifying preparations, disinfectants; antiseptics; detergents for medical purposes, antibacterial soaps, medicated soaps, disinfectant soaps, antibacterial lotions, antibacterial cleaning preparations, medicated toiletry preparations with antibacterial properties, medicated skin creams with antibacterial properties; air deodorizing preparations with antibacterial properties, medicinal oils with antibacterial properties, antibacterial adult diaper, antibacterial adult pants, namely, absorbent pants for incontinents, antibacterial bladder pad, antibacterial wet wipes.

10 – Surgical, medical, dental and veterinary apparatus and instruments; furniture especially made for medical purposes, artificial limbs and prostheses, medical orthopaedic articles: corsets for medical purposes, orthopaedic shoes, elastic bandages and supportive bandages, surgical gowns and surgical sterile sheets, underpads, adult sexual aids, condoms, babies' bottles; babies' pacifiers; teats; teethers for babies, medical disposable masks and masks for use by medical personnel, disposable surgical masks, antibacterial underpads for medical purposes, antibacterial masks for medical purposes.

(260) AM 2021 111679 A

(800) 1575426

(151) 2020 11 30

(891) 2020 11 30

(731) Ningbo Ulica Solar Co., Ltd

No.181-197, Shanshan Road, Wangchun

Industrial Park, Haishu District, Ningbo,

Zhejiang, China

(540)



(591) Black, white

(531) 01.03.02; 01.03.13; 26.04.02; 26.04.09;
26.04.18; 26.04.24; 27.05.01; 27.05.08;
27.05.24

(526) LEADING IN TECHNOLOGY

(511)

9 – Silicon epitaxial wafers; rectifiers [electricity]; inverters [electricity]; single-crystal silicon wafers; battery chargers; solar cells; backup battery pack; crystalline silicon solar cells.

(260) AM 2021 111680 A

(800) 1575442

(151) 2020 07 24

(891) 2020 07 24

(731) D-MARKET ELEKTRONİK HİZMETLER VE
TİCARET ANONİM ŞİRKETİ

Kuştepe Mah. Mecidiyeköy Yolu Cad., No:12

Trump Towers Kule 2 Kat:2, Şişli İstanbul,

Turkey

(540)



(591) Blue, red, yellow

(531) 27.05.01; 29.01.15

(511)

35 – Advertising, marketing and public relations; organization of exhibitions and trade fairs for commercial or advertising purposes; development of advertising concepts; provision of an online marketplace for buyers and sellers of goods and services; office functions; secretarial services; arranging newspaper subscriptions for others; compilation of statistics; rental of office machines; systemization of information into computer databases; telephone answering for unavailable subscribers; business management, business administration and business consultancy; accounting; commercial consultancy services; personnel recruitment, personnel placement, employment agencies, import-export agencies; temporary personnel placement services; auctioneering; the bringing together, for the

benefit of others, of a variety of goods, namely, chemicals used in industry, science, photography, agriculture, horticulture and forestry, manures and soils, unprocessed artificial resins and unprocessed plastics, fire extinguishing compositions, adhesives not for medical, household and stationery purposes, paints, varnishes, lacquers, preservatives against rust, preservatives against deterioration of wood, thinners and binders for paints, pigments, preservatives for metals, shoe dyes, printing dyes and ink, toners (including filled toner cartridges), colorants for food, pharmaceuticals and beverages, raw natural resins, metals in foil and powder form for painters, decorators, printers and artists, bleaching and cleaning preparations, detergents other than for use in manufacturing operations and for medical purposes, laundry bleach, fabric softeners for laundry use, stain removers, dishwasher detergents, perfumery, non-medicated cosmetics, fragrances, deodorants for personal use and animals, soaps, dental care preparations: dentifrices, denture polishes, tooth whitening preparations, mouth washes, not for medical purposes, abrasive preparations, emery cloth, sandpaper, pumice stone, abrasive pastes, polishing preparations for leather, vinyl, metal and wood, polishes and creams for leather, vinyl, metal and wood, wax for polishing, industrial oils and greases, cutting fluids, dust absorbing, wetting and binding compositions, solid fuels, coal, firewood, liquid and gas fuels, petrol, diesel oil, liquified petroleum gas, natural gas, fuel oil and their non-chemical additives, candles, wicks, semi-finished wax, wax and paraffin for lighting purposes, electrical energy, pharmaceutical and veterinary preparations for medical purposes, chemical preparations for medical and veterinary purposes, chemical reagents for pharmaceutical and veterinary purposes, medicated cosmetics, dietary supplements for pharmaceutical and veterinary purposes, dietary supplements, nutritional supplements, medical preparations for slimming purposes, food for babies, herbs and herbal beverages adapted for medicinal purposes, dental preparations and articles: teeth filling material, dental impression material, dental adhesives and material for repairing teeth, sanitary preparations for medical use, hygienic pads, hygienic tampons, plasters, materials for dressings, diapers made of paper and textiles for babies, adults and pets, preparations for destroying vermin, herbicides, fungicides, preparations for destroying rodents, deodorants, other than for human beings or for animals, air purifying preparations, air deodorising preparations, disinfectants, antiseptics, detergents for medical purposes, medicated soaps, disinfectant soaps, antibacterial hand lotions, ores of non-precious metal, common metals and their alloys and semi-finished products made of these materials, irons for construction, mats and stirrups of common metals for buildings, common metals in the form of plate, billet, stick, profile, sheet and sheeting, goods and materials of common metal used for storage, wrapping, packaging and sheltering

purposes, containers of metal (storage, transport), buildings of metal, frames of metal for building, poles of metal for building, metal boxes, packaging containers of metal, aluminium foil, fences made of metal, guard barriers of metal, metal tubes, storage containers of metal, metal containers for the transportation of goods, ladders of metal, goods of common metal for filtering and sifting purposes, doors, windows, shutters, jalousies and their eases and fittings of metal, non-electric cables and wires of metal, ironmongery, small hardware of metal, screws of metal, nails, bolts of metal, nuts of metal, pegs of metal, flakes of metal, pitons of metal, metal chains, furniture casters of metal, fittings of metal for furniture, industrial metal wheels, door handles of metal, window handles of metal, hinges of metal, metal latches, metal locks, metal keys for locks, metal rings, metal pulleys, ventilation ducts, vents, vent covers, pipes, chimney caps, manhole covers, grilles of metal for ventilation, heating, sewage, telephone, underground electricity and air conditioning installations, metal panels or boards (non-luminous and non-mechanical) used for signalling, route showing, publicity purposes, signboards of metal, advertisement columns of metal, signaling panels of metal, non-luminous and non-mechanical traffic signs of metal, pipes of metal for transportation of liquids and gas, drilling pipes of metal and their metal fittings, valves of metal, couplings of metal for pipes, elbows of metal for pipes, clips of metal for pipes, connectors of metal for pipes, safes (strong boxes) of metal, metal railway materials, metal rails, metal railway ties, railway switches, bollards of metal, floating docks of metal, mooring buoys of metal, anchors, metal moulds for casting, other than machine parts, works of art made of common metals or their alloys, trophies of common metal, metal closures, bottle caps of metal, metal poles, metal pillars, scaffolding of metal, metal stakes, metal towers, metal pallets and metal ropes for lifting, loading and transportation purposes, metal hangers, ties, straps, tapes and bands used for load-lifting and load-carrying, wheel chocks made primarily of metal, metal profile laths for vehicles for the purposes of decoration, machines, machine tools and industrial robots for processing and shaping wood, metals, glass, plastics and minerals, 3d printers, construction machines and robotic mechanisms (machines) for use in construction: bulldozers, diggers (machines), excavators, road construction and road paving machines, drilling machines, rock drilling machines, road sweeping machines, lifting, loading and transmission machines and robotic mechanisms (machines) for lifting, loading and transmission purposes: elevators, escalators and cranes, machines and robotic mechanisms (machines) for use in agriculture and animal breeding, machines and robotic mechanisms (machines) for processing cereals, fruits, vegetables and food, machines for preparing and processing beverages, engines and motors, other than for land vehicles, parts and fittings therefor: hydraulic and pneumatic

controls for engines and motors, brakes other than for vehicles, brake linings for engines, crankshafts, gearboxes, other than for land vehicles, gearboxes, cylinders for engines, pistons for engines, turbines, not for land vehicles, fillers for engines and motors, oil, air and fuel filters for land vehicle engines, exhausts for land vehicle engines, exhaust manifolds for land vehicle engines, engine cylinders for land vehicles, engine cylinder heads for land vehicles, pistons for land vehicle engines, carburetors for land vehicles, fuel conversion apparatus for land vehicle engines, injectors for land vehicle engines, fuel economisers for land vehicle engines, pumps for land vehicle engines, valves for land vehicle engines, starter motors for land vehicles, dynamos for land vehicle engines, sparking plugs for land vehicle engines, bearings (parts of machines), roller or ball bearings, machines for mounting and detaching tires, alternators, current generators, electric generators, current generators operated with solar energy, painting machines, automatic spray guns for paint, electric, hydraulic and pneumatic punching machines and guns, electric adhesive tape dispensers (machines), electric guns for compressed gas or liquid spraying machines, electric hand drills, electric hand saws, electric jigsaw machines, spiral machines, compressed air machines, compressors (machines), vehicle washing installations, robotic mechanisms (machines) with the abovementioned functions, electric and gas-operated welding apparatus, electric arc welding apparatus, electric soldering apparatus, electric arc cutting apparatus, electrodes for welding machines, industrial robots (machines) with the abovementioned functions, printing machines, packaging machines, filling, plugging and sealing machines, labellers (machines), sorting machines, industrial robots (machines) with the abovementioned functions, electric packing machines for plugging and scaling of plastics, machines for textile processing, sewing machines, industrial robots (machines) with the abovementioned functions, pumps other than parts of machines or engines, fuel dispensing pumps for service stations, self-regulating fuel pumps, electric kitchen machines for chopping, grinding, crushing, mixing and mincing foodstuff, washing machines, laundry washing machines, dishwashers, spin driers (not heated), electric cleaning machines for cleaning floors, carpets or floorings, vacuum cleaners and parts thereof, automatic vending machines, galvanizing and electroplating machines, electric door openers and closers, gaskets for engines and motors, forks, spoons, knives and non-electric cutters, slicers, peelers for kitchen use, including those made of precious metals, side arms and blades (weapons), tools and apparatus for personal beauty care use: tools and apparatus for shaving, epilation, manicure and pedicure, electric hand implements for straightening and curling hair, scissors, hand-operated [non-electric] hand tools for the repair of machines, apparatus and vehicles and for use in construction, agriculture, horticultural and fo-

restry, none of them being power tools, electric or non-electric irons, steam irons, handles for hand-operated hand tools, measurement apparatus and equipment including those for scientific, nautical, topographic, meteorologic, industrial and laboratory purposes, thermometers, not for medical purposes, barometers, ammeters, voltmeters, hygrometers, testing apparatus not for medical purposes, telescopes, periscopes, directional compasses, speed indicators, laboratory apparatus, microscopes, magnifying glasses, stills, binoculars, ovens and furnaces for laboratory experiments, apparatus for recording, transmission or reproduction of sound or images, cameras, photographic cameras, television apparatus, video recorders, CD and DVD players and recorders, MP3 players, computers, desktop computers, tablet computers, wearable technological devices (smart watches, wristbands, head-mounted devices) microphones, loudspeakers, earphones, telecommunications apparatus, apparatus for the reproduction of sound or images, computer peripheral devices, cell phones, covers for cell phones, telephone apparatus, computer printers, scanners [data processing equipment], photocopiers, magnetic and optic data carriers and computer software and programmes recorded thereto, downloadable and recordable electronic publications, encoded magnetic and optic cards, movies, tv series and video music clips recorded on magnetic, optical and electronic media, antennas, satellite antennas, amplifiers for antennas, parts of the aforementioned goods, ticket dispensers, automatic teller machines (atm), electronic components used in the electronic parts of machines and apparatus, semi-conductors, electronic circuits, integrated circuits, chips [integrated circuits], diodes, transistors [electronic], magnetic heads for electronic apparatus, electronic locks, photocells, remote control apparatus for opening and closing doors, optical sensors, counters and quantity indicators for measuring the quantity of consumption, automatic time switches, clothing for protection against accidents, irradiation and fire, safety vests and life-saving apparatus and equipment, eyeglasses, sunglasses, optical lenses and cases, containers, parts and components thereof, apparatus and instruments for conducting, transforming, accumulating or controlling electricity, electric plugs, junction boxes [electricity], electric switches, circuit breakers, fuses, lighting ballasts, battery starter cables, electrical circuit boards, electric resistances, electric sockets, transformers [electricity], electrical adapters, battery chargers, electric door bells, electric and electronic cables, batteries, electric accumulators, solar panels for production of electricity, alarms and anti-theft alarms, other than for vehicles, electric bells, signalling apparatus and instruments, luminous or mechanical signs for traffic use, fire extinguishing apparatus, fire engines, fire hose and fire hose nozzles, radar apparatus, sonars, night vision apparatus and instruments, decorative magnets, metronomes, surgical, medical, dental and veterinary apparatus and instruments, fur-

niture especially made for medical purposes, artificial limbs and prostheses, medical orthopaedic articles: corsets for medical purposes, orthopaedic shoes, elastic bandages and supportive bandages, surgical gowns and surgical sterile sheets, adult sexual aids, condoms, babies' bottles, babies' pacifiers, teats, teethers for babies, bracelets and rings for medical purposes, anti-rheumatism bracelets, anti-rheumatism rings, lighting installations, lights for vehicles and interior-exterior spaces, heating installations using solid, liquid or gas fuels or electricity, central heating boilers, boilers for heating installations, radiators [heating], heat exchangers, not parts of machines, stoves, kitchen stoves, solar thermal collectors [heating], steam, gas and fog generators, steam boilers, other than parts of machines, acetylene generators, oxygen generators, nitrogen generators, installations for air-conditioning and ventilating, cooling installations and freezers, electric and gas-powered devices, installations and apparatus for cooking, drying and boiling: cookers, electric cooking pots, electric water heaters, barbecues, electric laundry driers, hair driers, hand drying apparatus, sanitary installations, taps [faucets], shower installations, toilets [water-closets], shower and bathing cubicles, bath tubs, toilet seats, sinks, wash-hand basins [parts of sanitary installations], washers for water taps, stuffings (tap valves), water softening apparatus, water purification apparatus, water purification installations, waste water purification installations, electric bed warmers and electric blankets, not for medical use, electric pillow warmers, electric or non-electric footwarmers, hot water bottles, electrically heated socks, filters for aquariums and aquarium filtration apparatus, industrial type installations for cooking, drying and cooling purposes, pasteurizers and sterilizers, motor land vehicles, motorcycles, mopeds, engines and motors for land vehicles, clutches for land vehicles, transmissions, transmission belts and transmission chains for land vehicles, gearing for land vehicles, brakes, brake discs and brake linings for land vehicles, vehicle chassis, automobile bonnets, vehicle suspension springs, shock absorbers for automobiles, gearboxes for land vehicles, steering wheels for vehicles, rims for vehicle wheels, bicycles and their bodies, handlebars and mudguards for bicycles, vehicle bodies, tipping bodies for trucks, trailers for tractors, frigorific bodies for land vehicles, trailer hitches for vehicles, vehicle seats, head-rests for vehicle seats, safety seats for children, for vehicles, seat covers for vehicles, vehicle covers (shaped), sun-blinds adapted for vehicles, direction signals and arms for direction signals for vehicles, windscreen wipers and wiper arms for vehicles, inner and outer tires for vehicle wheels, tubeless tires, tire-fixing sets comprised of tire patches and tire valves for vehicles, windows for vehicles, safety windows for vehicles, rearview mirrors and wing minors for vehicles, anti-skid chains for vehicles, luggage carriers for vehicles, bicycle and ski carriers for cars, saddles for bicycles or motorcycles,

air pumps for vehicles, for inflating tires, anti-theft alarms for vehicles, horns for vehicles, safety belts for vehicle seats, air bags (safety devices for automobiles), baby carriages, wheelchairs, pushchairs, wheelbarrows, shopping carts, single or multi-wheeled wheelbarrows, shopping trolleys, grocery carts, handling carts, rail vehicles: locomotives, trains, trams, wagons, cable cars, chairlifts, vehicles for locomotion by water and their parts, other than their motors and engines, vehicles for locomotion by air and their parts, other than their motors and engines, firearms, air pistols (weapons), spring-loaded firearms, adapted cases and shoulder straps therefor, heavy weapons, mortars and rockets, fireworks, sprays for personal defence purposes, jewellery, imitation jewellery, gold, precious stones and jewellery made thereof, cufflinks, tie pins, statuettes and figurines of precious metal, clocks, watches and chronometrical instruments, chronometers and their parts, watch straps, trophies made of precious metal, rosarie, musical instruments and eases for musical instruments, paper and cardboard, paper and cardboard for packaging and wrapping purposes, cardboard boxes, paper towels, toilet paper, paper napkins, plastic materials for packaging and wrapping purposes, printing blocks and types, bookbinding material, printed publications, printed matter, books, magazines, newspapers, bill books, printed dispatch notes, printed vouchers, calendars, posters, photographs [printed], paintings, stickers [stationery], postage stamps, stationery, office stationery, instructional and teaching material [except furniture and apparatus], writing and drawing implements, artists' materials, paper products for stationery purposes, adhesives for stationery purposes, pens, pencils, erasers, adhesive tapes for stationery purposes, cardboard cartons [artists' materials], writing paper, copying paper, paper rolls for cash registers, drawing materials, chalkboards, painting pencils, watercolors [paintings], office requisites, paint rollers and paintbrushes for painting, rubber, gutta-percha, gum, asbestos, mica and semi-finished synthetic goods made from these materials in the form of powder, bars, panels and foils, insulation, stopping and sealing materials: insulation paints, insulation fabrics, insulating tape and band, insulation covers for industrial machinery, joint sealant compounds for joints, gaskets, o-rings for scaling purposes (other than gaskets for motors, cylinders and washer for water taps), flexible pipes made from rubber and plastic, hoses made of plastic and rubber, including those used for vehicles, junctions for pipes of plastic and rubber, pipe jackets of plastic and rubber, hoses of textile material, junctions for pipes, not of metal, pipe jackets, not of metal, connecting hose for vehicle radiators, profile laths made of synthetic materials for vehicles for the purposes of decoration, unworked or semi-worked leather and animal skins, imitations of leather, stout leather, leather used for linings, goods made of leather, imitations of leather or other materials, designed for carrying items, bags,

wallets, boxes and trunks made of leather or stout leather, keycases, trunks [luggage], suitcases, umbrellas, parasols, sun umbrellas, walking sticks, whips, harness, saddlery, stirrups, straps of leather (saddlery), sand, gravel, crushed stone, asphalt, bitumen, cement, gypsum, plaster, concrete, marble blocks for construction, building materials (as finished products) made of concrete, gypsum, clay, potters' clay, stone, marble, wood, plastics and synthetic materials for building, construction, road construction purposes, non-metallic buildings, non-metallic building materials, poles not of metal for power lines, barriers not of metal, natural and synthetic coatings in the form of panels and sheets, being building materials, bitumen cardboard coatings for roofing, bitumen coating for roofing, doors and windows of wood and synthetic materials, traffic signs not of metal, non-luminous and non-mechanical, for roads, monuments and statuettes of stone, concrete and marble, building glass, prefabricated swimming pools not of metal (structures), aquarium sand, furniture, made of any kind of material, mattresses, pillows, air mattresses and cushions, not for medical purposes, water beds, mirrors, beehives, artificial honeycombs and sections of wood for honeycombs, bouncing chairs for babies, playpens for babies, cradles, infant walkers, display boards, frames for pictures and paintings, identification plates, identification tags, nameplates, identification labels made of wood or synthetic materials, packaging containers of wood or plastics, casks for use in transportation or storage, barrels, storage drums, tanks, boxes, storage containers, transportation containers, chests, loading pallets and closures for the aforementioned goods, of wood or plastics, small hardware goods of wood or synthetic materials, furniture fittings, of wood or synthetic materials, opening and closing mechanisms of wood or synthetic materials, ornaments anti decorative goods of wood, cork, reed, cane, wicker, horn, bone, ivory, whalebone, shell, amber, mother-of-pearl, meerschaum, beeswax, plastic or plaster namely figurines, holiday ornaments for walls, sculptures, trophies, baskets, fishing baskets, kennels, nesting boxes and beds for household pets, portable ladders and mobile boarding stairs of wood or synthetic materials, bamboo curtains, roller indoor blinds [for interiors], slatted indoor blinds, trip curtains, bead curtains for decoration, curtain hooks, curtain rings, curtain tie-backs, curtain rods, non-metal wheel chocks, hand-operated non-electric cleaning instruments and appliances, brushes, other than paintbrushes, steel chips for cleaning, sponges for cleaning, steel wool for cleaning, cloths of textile for cleaning, gloves for dishwashing, non-electric polishing machines for household purposes, brooms for carpets, mops, toothbrushes, electric toothbrushes, dental floss, shaving brushes, hair brushes, combs, non-electric household or kitchen utensils, [other than forks, knives, spoons], services [dishes], pots and pans, bottle openers, flower pots, drinking straws, non-electric cooking utensils,

ironing boards and shaped covers therefor, drying racks for washing, clothes drying hangers, cages for household pets, indoor aquariums, vivariums and indoor terrariums for animals and plant cultivation, ornaments and decorative goods of glass, porcelain, earthenware or clay namely statues, figurines, vases, and trophies, mouse traps, insect traps, electric devices for attracting and killing flies and insects, fly catchers, fly swatters, perfume burners, perfume sprayers, perfume vaporizers, electric or non-electric make-up removing appliances, powder puffs, toilet cases, nozzles for sprinkler hose, nozzles for watering cans, watering devices, garden watering cans, unworked or semi-worked glass, except building glass, mosaics of glass and powdered glass for decoration, except for building, glass wool other than for insulation or textile use, ropes, strings, rope ladders, hammocks, fishing nets, tents, awnings, tarpaulins, sails, vehicle covers, not fitted, bags of textile for packaging, padding and stuffing materials, except of rubber and plastics, including those of wool and cotton, textile fibers, raw spun fiber, glass fibers for textile use, yarns and threads for textile use, threads and yams for sewing, embroidery and knitting, thread, elastic yarns and threads for textile use, woven or non-woven textile fabrics, textile goods for household use, curtains, bed covers, sheets (textile), pillowcases, blankets, quilts, towels, flags, pennants, labels of textile, swaddling blankets, sleeping bags for camping, clothing, including underwear and outerclothing, other than special purpose protective clothing, socks, mufflers [clothing], shawls, bandanas, scarves, belts [clothing], footwear, shoes, slippers, sandals, headgear, hats, caps with visors, berets, caps [headwear], skull caps, laces and embroidery, guipures, festoons, ribbons (haberdashery), ribbons and braid, fastening tapes for clothing, cords for clothing, letters and numerals for marking linen, embroidered emblems, badges for wear, not of precious metal, shoulder pads for clothing, buttons for clothing, fasteners for clothing, eyelets for clothing, zippers, buckles for shoes and bells, fasteners, shoe and bell buckles, pins, other than jewelry, adhesive patches for decoration of textile articles, laces, needles, sewing needles, needles for sewing machines, needles for knitting and embroidery, boxes for needles, needle cushions, artificial flowers, artificial fruits, hair pins, hair buckles, hair bands, decorative articles for the hair, not made of precious metal, wigs, hair extensions, electric or non-electric hair curlers, other than hand implements, carpets, rugs, mats, prayer rugs, linoleum, artificial turf, linoleum for covering floors, gymnasium mats, wallpaper, wall hangings not of textile, games and toys, arcade video game machines, game apparatus and machines for use with an external display screen and monitor, including those coin-operated, toys for animals, toys for outdoor playgrounds, parks and game parks, gymnastic and sporting articles, fishing tackle, artificial fishing bait, decoys for hunting and fishing, Christmas trees of ar-

tificial material, ornaments for Christmas trees, artificial snow for Christmas trees, rattles (playthings), novelties for parties, dances (party favors), paper party hats, meat, fish, poultry and game, processed meat products, dried pulses, soups, bouillon, processed olives, olive paste, milks of animal origin, milks of herbal origin, milk products, butter, edible oils, dried, preserved, frozen, cooked, smoked or salted fruits and vegetables, tomato paste, prepared nuts and dried fruits as snacks, hazelnut spreads and peanut butter, tahini (sesame seed paste), eggs and powdered eggs, potato chips, coffee, cocoa, coffee or cocoa based beverages, chocolate based beverages, pasta, stuffed dumplings, noodles, pastries and bakery products based on flour, desserts based on flour and chocolate, bread, simit [Turkish ring-shaped bagel covered with sesame seeds], pogaça [Turkish bagel], pita, sandwiches, katmer [Turkish pastry], pies, cakes, baklava [Turkish dessert based on dough coated with syrup], kadayif [Turkish dessert based on dough], desserts based on dough coated with syrup, puddings, custard, kazandibi [Turkish pudding], rice pudding, keskül [Turkish pudding], honey, bee glue for human consumption, propolis for food purposes, condiments for foodstuff, vanilla (flavoring), spices, sauces (condiments), tomato sauce, yeast, baking powder, flour, semolina, starch for food, sugar, cube sugar, powdered sugar, tea, ice tea, confectionery, chocolate, biscuits, crackers, wafers, chewing gums, ice-cream, edible ices, salt, cereal-based snack food, popcorn, crushed oats, corn chips, breakfast cereals, processed wheat for human consumption, crushed barley for human consumption, processed oats for human consumption, processed rye for human consumption, rice, molasses for food, agricultural and horticultural product, seeds, forestry products, live animals, fertilized eggs for hatching, plants, dried plants for decoration, fresh garden herbs, dried garden herbs for decoration, animal foodstuffs, malt not for human consumption, underlays for pets, cat litters, beers, preparations for making beer, mineral water, spring water, table water, soda water, fruit and vegetable juices, fruit and vegetable concentrates and extracts for making beverages, non-alcoholic soft drinks, energy drinks, protein-enriched sports beverages, alcoholic beverages (except beers), wines, raki [traditional Turkish alcoholic drink], whisky, liqueurs, alcoholic cocktails, tobacco, chewing tobacco, cigarettes, cigars, smokers' articles including those made of precious metals: pipes, mouthpieces for cigars and cigarettes, ashtrays, tobacco boxes, pocket apparatus for rolling cigarettes, cigarette paper, tobacco pipes, firestones, lighters for smokers, electronic cigarettes and their cartridges, matches, enabling customers to conveniently view and purchase those goods, such services may be provided by retail stores, wholesale outlets, by means of electronic media or through mail order catalogues.

38 – Radio and television broadcasting services; telecommunication services; providing access to internet; news agencies.

42 – Scientific and industrial analysis and research services; engineering; engineering and architectural design services; testing services for the certification of quality and standards; computer services, namely, computer programming, computer virus protection services, computer system design, creating, maintaining and updating websites for others, computer software design, updating and rental of computer software, providing search engines for the internet, hosting websites, consultancy in the design and development of computer hardware, rental of computer hardware; industrial design services, other than engineering, computer and architectural design; graphic arts designing; authenticating works of art.

(260) AM 2021 111681 A

(800) 419646

(151) 1975 11 28

(891) 2021 01 22

(731) Boehringer Ingelheim Animal Health France
29, avenue Tony Garnier, F-69007 LYON,
France

(540)

IMOPEST

(591) Black, white

(531) 27.05.17

(511)

5 – Veterinary products.

(260) AM 2021 111682 A

(800) 688632

(151) 1998 01 21

(891) 2021 01 12

(731) SOS-KINDERDORF
Stafflerstrasse 10a, A-6021 INNSBRUCK,
Austria

(540)



(591) Black, white

(531) 02.05.22; 02.07.02; 02.07.23; 05.03.11;
26.04.04

(511)

36 – Collections for institutions for the support and supervision of children and young people.

41 – Education and training of children and young people; operation of institutions for the support and supervision of children and young people.

42 – Technical project studies; exploitation of industrial protection rights.

(260) AM 2021 111761 A

(800) 1575535

(151) 2020 12 15

(891) 2020 12 15

(731) Richter Gedeon Nyrt.

Gyömrői út 19-21, H-1103 Budapest, Hungary

(540)

НЕСЕПОД

(591) Black, white

(531) 28.05

(511)

5 – Pharmaceutical preparations.

(260) AM 2021 111773 A

(800) 1575674

(151) 2021 01 14

(891) 2021 01 14

(731) Apple Inc.

One Apple Park Way, Cupertino CA 95014, USA

(540)



(591) Black, white

(531) 16.03.01; 26.01.05

(511)

42 – Providing online non-downloadable application development software; providing online non-downloadable computer software development tools; providing online non-downloadable computer software used in developing other software applications; user authentication services using a software application; user authentication services using technology for e-commerce transactions; providing online information relating to computer technology, computer programming, and computer software.

(260) AM 2021 111774 A

(800) 1575700

(151) 2021 01 05

(891) 2021 01 05

(731) DONGFENG MOTOR CORPORATION

Special No.1 Dongfeng Road, Wuhan

Economic & Technical, Development Zone

Wuhan, 430056 Hubei Province, China

(540)

VOYAH

(591) Black, white

(531) 27.05.01

(511)

12 – Driverless cars [autonomous cars]; driverless cars [autonomous cars]; automatic guided (unmanned) material handling vehicle; cars; remote control vehicles, other than toys; automobile chassis; bodies for vehicles; tires for vehicle wheels; anti-theft devices for vehicles; vehicle joysticks.

37 – Repair or maintenance of communication machines and equipment; motor vehicle maintenance and repair; customized installation of automobile interior; land vehicle maintenance and repair; repair and maintenance of electric vehicles; motor vehicle repair; motor vehicle charging service; vehicle service stations [refuelling and maintenance]; repair of radio or television equipment; repair of telecommunication machines and equipment.

(260) AM 2021 111775 A

(800) 1575716

(151) 2021 01 07

(891) 2021 01 07

(731) Shenzhen Weisida Electronics Technology Co., Ltd.

201, Building A, No.3 Yanhe Road,

Xiangjiaotang Vil., Bantian St., Longgang

District, Shenzhen City, Guangdong Province, China

(540)

GERLAX

(591) Black, white

(531) 27.05.01; 27.05.17

(511)

9 – USB cables for cellphones; cell phone cases; loud speakers; USB chargers; earphones; wireless chargers; cameras; protective films adapted for smartphones; 3D spectacles; protective cases for smartphones.

(260) AM 2021 111779 A
 (800) 1575869
 (151) 2021 01 14
 (891) 2021 01 14
 (731) Apple Inc.
 One Apple Park Way, Cupertino CA 95014,
 USA

(540)



(591) Black, white
 (531) 16.03.01; 26.01.05

(511)
 9 – Downloadable and recorded computer software; downloadable and recorded computer software for processing, facilitating, verifying, and authenticating mobile payments and contactless transactions with retailers, merchants, and vendors via wearable and mobile devices; downloadable and recorded computer software for use in searching, transmitting, receiving, storing, accessing, finding, organizing and viewing geographic location information and providing content based on location; downloadable and recorded computer software for application development; downloadable and recorded computer software development tools; downloadable and recorded computer software used in developing other software applications; downloadable and recorded application programming interface (API) software; downloadable and recorded software development kits (SDK); downloadable and recorded computer software to maintain and operate a computer system; downloadable and recorded computer operating software.

(260) AM 2021 111802 A
 (800) 1576474
 (151) 2020 12 11
 (891) 2020 12 11
 (731) MR Chemie GmbH
 Nordstrasse 61 – 63, 59427 Unna, Germany

(540)



(591) Blue and grey
 (531) 27.01.03; 27.05.21; 29.01.12

(511)
 1 – Chemicals for use in industry, manufacture, science, agriculture, horticulture and forestry; surface-active chemical agents; delustering agents.

(260) AM 2021 111804 A
 (800) 1576500
 (151) 2020 12 21
 (891) 2020 12 21
 (731) SANTEX S.p.A.
 Via S. Giovanni sul Muro, 1, I-20121 Milano,
 Italy

(540)

PARENTGIVING

(591) Black, white
 (511)
 35 – Retail store services featuring medical supplies, medical equipment, urinary incontinence devices, incontinence pads and health care products.
 44 – Providing a website featuring health and wellness information for the elderly; Health advice and information services.

(260) AM 2021 111806 A
 (800) 1576559
 (151) 2020 11 27
 (891) 2020 11 27
 (731) Armacell Enterprise GmbH & Co. KG
 Zeppelinstraße 1, 12529 Schönefeld OT
 Waltersdorf, Germany

(540)

ArmaFlex

(591) Black, white
 (511)
 1 – Adhesives for industrial purposes; glue for industrial purposes; industrial chemicals; artificial resins, unprocessed; plastics, unprocessed.

(260) AM 2021 111827 A
 (800) 1404691
 (151) 2018 01 10
 (891) 2021 01 29
 (731) Joint Stock Company Polyus Krasnoyarsk
 ul. Belinskogo, 2-B, g. p. Severo-Yeniseyskiy,
 Severo-Yeniseyskiy r-n, RU-663282
 Krasnoyarsk Krai, Russian Federation

(540)



(591) Yellow and grey
 (531) 26.04.04; 26.04.09; 29.01.13

(511)

1 – Antimony; antimony sulfide; gold salts; silver nitrate.

4 – Coal; coal briquettes.

6 – Silver solder; cobalt, raw; copper, unwrought or semi-wrought; badges of metal for vehicles; magnesium; common metals, unwrought or semi-wrought; ores of metal; nickel; packaging containers of metal; alloys of common metal; gold solder; boxes of common metal.

14 – Ingots of precious metals; jewelry; gold, unwrought or beaten; ornaments [jewelry]; alloys of precious metal; works of art of precious metal; silver, unwrought or beaten; badges of precious metal.

19 – Limestone; schists; granite; sandstone for building.

35 – Business management assistance; business inquiries; book-keeping; drawing up of statements of accounts; business management and organization consultancy; personnel management consultancy; business management consultancy; business efficiency expert services; business organization consultancy; computerized file management; payroll preparation; tax preparation; compilation of information into computer databases; systemization of information into computer databases; compilation of statistics; sponsorship search; provision of commercial and business contact information; negotiation and conclusion of commercial transactions for third parties; business project management services for construction projects; tax filing services; business management of reimbursement programs for others; commercial or industrial management assistance; outsourced administrative management for companies.

37 – Office machines and equipment installation, maintenance and repair; machinery installation, maintenance and repair; building construction supervision; warehouse construction and repair; factory construction; masonry; vehicle maintenance; construction information; quarrying services; drilling of wells; mining extraction; installation, maintenance and repair of computer hardware; construction consultancy; repair of power lines; construction.

38 – Communications by telephone; rental of telecommunication equipment; providing telecommunication connections to a global computer network; providing user access to global computer networks; providing access to databases.

39 – Transport and storage of trash; car transport; boat transport; railway transport; marine transport; passenger transport; river transport; stevedoring; electricity distribution; rental of warehouses; garage rental; parking place rental; freight forwarding; storage information; transportation information; rental of vehicle roof

racks; distribution of energy; unloading cargo; transportation logistics.

40 – Water treating; gilding; metal treating; gold plating; grinding; timber felling and processing; recycling of waste and trash; recycling of waste; waste treatment [transformation]; production of energy; decontamination of hazardous materials; sorting of waste and recyclable material [transformation].

42 – Chemistry services; chemical research; construction drafting; technical research; geological surveys; scientific research; scientific laboratory services; geological prospecting; geological research; computer software design; updating of computer software; quality control; rental of computer software; maintenance of computer software; surveying; computer system design; copying of computer programs; computer software consultancy; research in the field of environmental protection; monitoring of computer systems by remote access; web site design consultancy; software as a service [SaaS]; information technology [IT] consultancy; off-site data backup; electronic data storage; outsource service providers in the field of information technology; computer technology consultancy; telecommunications technology consultancy; bacteriological research; conducting technical project studies; computer programming; installation of computer software; conversion of computer programs and data, other than physical conversion; server hosting; cloud computing.

45 – Security consultancy; licensing of computer software [legal services]; intellectual property consultancy; copyright management; licensing of intellectual property; monitoring intellectual property rights for legal advisory purposes; litigation services; alternative dispute resolution services; legal document preparation services; legal administration of licences.

(260) AM 2021 111828 A

(800) 1435370

(151) 2018 09 13

(891) 2021 01 26

(731) Obschestvo s ogranichennoy otvetstvennost'yu "NL Kontinent"

ul. Yadrintsevskaya, d. 53/1, of. 1015,

RU-630099 Novosibirsk, Russian Federation

(540)



(591) Black, white

(531) 01.15.21; 26.01.01; 26.01.21; 27.01.01

(511)

5 – Acaricides; aconitine; alkaloids for medical purposes; alginates for pharmaceutical purposes; algicides; aldehydes for pharmaceutical purposes; dental amalgams of gold; dental amalgams; amino acids for veterinary purposes; amino acids for medical purposes; analgesics; anaesthetics; antibiotics; antiseptics; medicine cases, portable, filled; first-aid boxes, filled; aluminium acetate for pharmaceutical purposes; acetates for pharmaceutical purposes; germicides; balms for medical purposes; bandages for dressings; diagnostic biomarker reagents for medical purposes; biocides; bromine for pharmaceutical purposes; paper for mustard plasters; fly catching paper; reagent paper for veterinary purposes; reagent paper for medical purposes; mothproofing paper; petroleum jelly for medical purposes; vaccines; oxygen baths; antiseptic cotton; aseptic cotton; absorbent cotton; wadding for medical purposes; cotton for medical purposes; dietetic substances adapted for medical use; radiological contrast substances for medical purposes; nutritive substances for microorganisms; radioactive substances for medical purposes; melissa water for pharmaceutical purposes; sea water for medicinal bathing; mineral waters for medical purposes; thermal water; dietary fiber; molding wax for dentists; gases for medical purposes; guaiacol for pharmaceutical purposes; sexual stimulant gels; hematogen; hemoglobin; hydrastine; hydrastinine; glycerine for medical purposes; glycerophosphates; glucose for medical purposes; gentian for pharmaceutical purposes; hormones for medical purposes; mustard for pharmaceutical purposes; mustard plasters; mud for baths; medicinal mud; gamboge for medical purposes; gurjun balsam for medical purposes; disinfectants; air deodorising preparations; deodorants, other than for human beings or for animals; deodorants for clothing and textiles; diastase for medical purposes; digitalin; mineral food supplements; nutritional supplements; albumin dietary supplements; dietary supplements for animals; yeast dietary supplements; alginate dietary supplements; glucose dietary supplements; casein dietary supplements; lecithin dietary supplements; linseed oil dietary supplements; propolis dietary supplements; protein dietary supplements; protein supplements for animals; royal jelly dietary supplements; pollen dietary supplements; wheat germ dietary supplements; linseed dietary supplements; enzyme dietary supplements; yeast for pharmaceutical purposes; gelatine for medical purposes; cod liver oil; isotopes for medical purposes; immunostimulants; insecticides; iodine for pharmaceutical purposes; iodides for pharmaceutical purposes; alkaline iodides for pharmaceutical purposes; iodoform; calomel [fungicide]; tartar for pharmaceutical purposes; camphor for medical purposes; capsules for medicines; cachets for pharmaceutical purposes; hemostatic pencils; wart pencils; caustic pencils; carbolineum

[parasiticide]; caustics for pharmaceutical purposes; cachou for pharmaceutical purposes; quassia for medical purposes; quebracho for medical purposes; oxygen for medical purposes; gallic acid for pharmaceutical purposes; acids for pharmaceutical purposes; adhesives for dentures; surgical glues; stem cells for veterinary purposes; stem cells for medical purposes; cocaine; collagen for medical purposes; collodion for pharmaceutical purposes; corn rings for the feet; candy, medicated; angostura bark for medical purposes; barks for pharmaceutical purposes; cedar wood for use as an insect repellent; condurango bark for medical purposes; croton bark; mangrove bark for pharmaceutical purposes; myrobalan bark for pharmaceutical purposes; quinquina for medical purposes; medicated animal feed; medicinal roots; rhubarb roots for pharmaceutical purposes; lint for medical purposes; starch for dietetic or pharmaceutical purposes; creosote for pharmaceutical purposes; blood for medical purposes; cultures of microorganisms for medical or veterinary use; curare; dental lacquer; liquorice for pharmaceutical purposes; lactose for pharmaceutical purposes; candy for medical purposes; adhesive plasters; medicines for alleviating constipation; lecithin for medical purposes; lotions for veterinary purposes; medicated hair lotions; lotions for pharmaceutical purposes; medicated after-shave lotions; personal sexual lubricants; lupulin for pharmaceutical purposes; magnesia for pharmaceutical purposes; liniments; ointments for pharmaceutical purposes; sunburn ointments; mercurial ointments; frostbite salve for pharmaceutical purposes; gauze for dressings; medicinal oils; mustard oil for medical purposes; camphor oil for medical purposes; castor oil for medical purposes; oil of turpentine for pharmaceutical purposes; dill oil for medical purposes; dental mastics; dental abrasives; dental impression materials; teeth filling material; dressings, medical; surgical dressings; drugs for medical purposes; medicines for veterinary purposes; serotherapeutic medicines; medicines for human purposes; medicines for dental purposes; menthol; medicinal drinks; moleskin for medical purposes; almond milk for pharmaceutical purposes; powdered milk for babies; royal jelly for pharmaceutical purposes; milk ferments for pharmaceutical purposes; Irish moss for medical purposes; flour for pharmaceutical purposes; linseed meal for pharmaceutical purposes; fish meal for pharmaceutical purposes; fly glue; antibacterial soap; disinfectant soap; medicated soap; freeze-dried meat adapted for medical purposes; mint for pharmaceutical purposes; dietetic beverages adapted for medical purposes; malted milk beverages for medical purposes; narcotics; medicinal infusions; tincture of iodine; eucalyptol for pharmaceutical purposes; tinctures for medical purposes; opium; opodeldoc; decoctions for pharmaceutical purposes; antiparasitic collars for animals; cotton sticks for medical purposes; stick liquorice for pharmaceutical purposes; sulfur sticks [disinfectants]; medicated dentifrices; pectin for pharma-

ceutical purposes; pepsins for pharmaceutical purposes; peptones for pharmaceutical purposes; hydrogen peroxide for medical purposes; pesticides; food for babies; leeches for medical purposes; blood plasma; eyepatches for medical purposes; poultices; compresses; scapulars for surgical purposes; babies' diapers; diapers for pets; diapers for incontinents; bunion pads; breast-nursing pads; pomades for medical purposes; powder of cantharides; pyrethrum powder; anti-uric preparations; bacterial preparations for medical and veterinary use; bacteriological preparations for medical and veterinary use; balsamic preparations for medical purposes; albuminous preparations for medical purposes; biological preparations for veterinary purposes; biological preparations for medical purposes; veterinary preparations; bismuth preparations for pharmaceutical purposes; vitamin preparations; diagnostic preparations for medical purposes; bath preparations for medical purposes; therapeutic preparations for the bath; hemorrhoid preparations; preparations for callouses; lice treatment preparations [pediculicides]; acne treatment preparations; preparations to facilitate teething; preparations for the treatment of burns; fumigation preparations for medical purposes; opotherapy preparations; air purifying preparations; bronchodilating preparations; preparations for reducing sexual activity; sterilising preparations; soil-sterilising preparations; corn remedies; pharmaceutical preparations for treating dandruff; preparations for destroying noxious animals; herbicides; preparations for destroying dry rot fungus; larvae exterminating preparations; fly destroying preparations; preparations for destroying mice; slug exterminating preparations; vermin destroying preparations; pharmaceutical preparations for skin care; contact lens cleaning preparations; preparations of microorganisms for medical or veterinary use; lime-based pharmaceutical preparations; medicated eye-washes; medicinal hair growth preparations; nutraceutical preparations for therapeutic or medical purposes; opiates; anticryptogamic preparations; aloe vera preparations for pharmaceutical purposes; preparations of trace elements for human and animal use; sulfonamides [medicines]; pharmaceutical preparations; pharmaceutical preparations for treating sunburn; enzyme preparations for veterinary purposes; enzyme preparations for medical purposes; phytotherapy preparations for medical purposes; chemico-pharmaceutical preparations; chemical preparations for veterinary purposes; chemical preparations for the diagnosis of pregnancy; chemical preparations for medical purposes; chemical preparations to treat wheat blight; vine disease treating chemicals; chemical preparations to treat mildew; chemical preparations for treating phyloxera; chemical preparations for pharmaceutical purposes; chilblain preparations; mothproofing preparations; collyrium; lead water; chemical conductors for electrocardiograph electrodes; albuminous foodstuffs for medical purposes; dietetic foods adapted for medical purposes; by-products of the processing of ce-

reals for dietetic or medical purposes; homogenized food adapted for medical purposes; freeze-dried food adapted for medical purposes; pharmaceuticals; sanitary towels; panty liners [sanitary]; propolis for pharmaceutical purposes; pearl powder for medical purposes; radium for medical purposes; hydrated chloral for pharmaceutical purposes; solvents for removing adhesive plasters; vaginal washes for medical purposes; solutions for contact lenses; chemical reagents for medical or veterinary purposes; gum for medical purposes; rubber for dental purposes; chewing gum for medical purposes; insect repellents; insect repellent incense; repellents for dogs; tissues impregnated with pharmaceutical lotions; sarsaparilla for medical purposes; sugar for medical purposes; asthmatic tea; fumigating sticks; suppositories; linseed for pharmaceutical purposes; tobacco-free cigarettes for medical purposes; siccatives [drying agents] for medical purposes; syrups for pharmaceutical purposes; turpentine for pharmaceutical purposes; greases for veterinary purposes; greases for medical purposes; lacteal flour for babies; infant formula; soporifics; bicarbonate of soda for pharmaceutical purposes; bath salts for medical purposes; salts for mineral water baths; salts for medical purposes; potassium salts for medical purposes; sodium salts for medical purposes; smelling salts; mineral water salts; malt for pharmaceutical purposes; semen for artificial insemination; alcohol for pharmaceutical purposes; medicinal alcohol; alloys of precious metals for dental purposes; ergot for pharmaceutical purposes; cooling sprays for medical purposes; antibacterial handwashes; adjuvants for medical purposes; astringents for medical purposes; vermifuges; disinfectants for hygiene purposes; disinfectants for chemical toilets; douching preparations for medical purposes; appetite suppressants for medical purposes; medical preparations for slimming purposes; parasitocides; mouthwashes for medical purposes; febrifuges; depuratives; animal washes [insecticides]; detergents for medical purposes; cattle washes [insecticides]; dog washes [insecticides]; insecticidal veterinary washes; vesicants; purgatives; remedies for perspiration; remedies for foot perspiration; chemical contraceptives; antiparasitic preparations; sedatives; laxatives; tonics [medicines]; medicated toiletry preparations; digestives for pharmaceutical purposes; nervines; media for bacteriological cultures; steroids; strychnine; serums; tanning pills; appetite suppressant pills; slimming pills; jujube, medicated; antioxidant pills; sanitary tampons; vulnerary sponges; thymol for pharmaceutical purposes; biological tissue cultures for veterinary purposes; biological tissue cultures for medical purposes; smoking herbs for medical purposes; medicinal herbs; surgical implants comprised of living tissues; pants, absorbent, for incontinents; sanitary panties; babies' diaper-pants; charcoal for pharmaceutical purposes; porcelain for dental prostheses; phenol for pharmaceutical purposes; enzymes for veterinary purposes; enzymes for medical purposes; ferments for pharma-

ceutical purposes; formic aldehyde for pharmaceutical purposes; phosphates for pharmaceutical purposes; fungicides; quinine for medical purposes; chinoline for medical purposes; diabetic bread adapted for medical use; chloroform; flowers of sulfur for pharmaceutical purposes; cement for animal hooves; bone cement for surgical and orthopaedic purposes; dental cements; medicinal tea; herbal teas for medicinal purposes; insecticidal animal shampoo; medicated shampoos; medicated shampoos for pets; pediculicidal shampoos; medicated dry shampoos; pre-filled syringes for medical purposes; eucalyptus for pharmaceutical purposes; herbal extracts for medical purposes; plant extracts for pharmaceutical purposes; tobacco extracts [insecticides]; extracts of hops for pharmaceutical purposes; elixirs [pharmaceutical preparations]; ethers for pharmaceutical purposes; esters for pharmaceutical purposes; cellulose esters for pharmaceutical purposes; cellulose ethers for pharmaceutical purposes; rat poison; poisons; bacterial poisons; jalap.

29 – Ajvar [preserved peppers]; aloe vera prepared for human consumption; alginates for culinary purposes; anchovy, not live; peanuts, prepared; artichokes, preserved; albumen for culinary purposes; white of eggs; beans, preserved; soya beans, preserved, for food; bouillon; ginger jam; ham; fatty substances for the manufacture of edible fats; edible birds' nests; peas, preserved; mushrooms, preserved; guacamole [mashed avocado]; game, not live; gelatine; meat jellies; jellies for food; fruit jellies; yolk of eggs; coconut fat; bone oil for food; lard; suet for food; edible fats; fruit-based snack food; milk substitutes; charcuterie; raisins; caviar; eggplant paste; vegetable marrow paste; fish roe, processed; yogurt; galbi [grilled meat dish]; sauerkraut; kephir [milk beverage]; isinglass for food; clams, not live; potato-based dumplings; milk shakes; black pudding; onion rings; arrangements of processed fruit; compotes; meat, tinned; vegetables, tinned; fish, tinned; fruits, tinned; bouillon concentrates; corn dogs; gherkins; shrimps, not live; prawns, not live; buttercream; croquettes; silkworm chrysalis for human consumption; sweet corn, processed; kumys [milk beverage]; spiny lobsters, not live; lecithin for culinary purposes; salmon, not live; onions, preserved; margarine; marmalade; oils for food; peanut butter; cocoa butter for food; coconut oil for food; coconut butter; corn oil for food; sesame oil for food; olive oil for food; palm oil for food; palm kernel oil for food; sunflower oil for food; colza oil for food; butter; soya bean oil for food; shellfish, not live; almonds, ground; animal marrow for food; mussels, not live; milk; peanut milk; peanut milk for culinary purposes; coconut milk; coconut milk for culinary purposes; almond milk; almond milk for culinary purposes; oat milk; rice milk; rice milk for culinary purposes; albumin milk; condensed milk; soya milk; powdered milk; fish meal for human consumption; vegetable mousses; fish mousses; fruit pulp; meat; meat, preserved; free-

ze-dried meat; milk beverages, milk predominating; peanut milk-based beverages; coconut milk-based beverages; almond milk-based beverages; edible insects, not live; sausage casings, natural or artificial; vegetables, preserved; freeze-dried vegetables; vegetables, dried; vegetables, cooked; potato fritters; olives, preserved; lobsters, not live; flavored nuts; candied nuts; coconut, desiccated; nuts, prepared; tomato purée; liver pâté; pectin for culinary purposes; liver; pickles; jams; powdered eggs; milk products; fish-based foodstuffs; prostokvasha [soured milk]; poultry, not live; bulgogi [Korean beef dish]; pollen prepared as foodstuff; cranberry compote; apple purée; crayfish, not live; crustaceans, not live; fish, preserved; fish, not live; salted fish; ryazhenka [fermented baked milk]; vegetable salads; fruit salads; bacon; sardines, not live; pork; herrings, not live; seeds, prepared; sunflower seeds, prepared; cream [dairy products]; whipped cream; vegetable-based cream; fat-containing mixtures for bread slices; smetana [sour cream]; lemon juice for culinary purposes; tomato juice for cooking; vegetable juices for cooking; salted meats; sausages; sausages in batter; hot dog sausages; preparations for making bouillon; preparations for making soup; nut-based spreads; tripe; soups; vegetable soup preparations; whey; cheese; tahini [sesame seed paste]; tofu; truffles, preserved; tuna, not live; oysters, not live; falafel; milk ferments for culinary purposes; rennet; dates; crystallized fruits; frozen fruits; fruit, preserved; fruit preserved in alcohol; fruit, stewed; hazelnuts, prepared; potato flakes; hummus [chickpea paste]; fruit peel; preserved garlic; lentils, preserved; potato chips; low-fat potato chips; fruit chips; non-alcoholic eggnog; seaweed extracts for food; meat extracts; escamoles [edible ant larvae, prepared]; berries, preserved; snail eggs for consumption; eggs; yakitori.

30 – Vanilla flavorings for culinary purposes; flavorings, other than essential oils, for cakes; flavorings, other than essential oils, for beverages; coffee flavorings; food flavorings, other than essential oils; star aniseed; baozi [stuffed buns]; cereal bars; high-protein cereal bars; pancakes; noodle-based prepared meals; freeze-dried dishes with the main ingredient being pasta; freeze-dried dishes with the main ingredient being rice; buns; bread rolls; edible rice paper; edible paper; burritos; vanillin [vanilla substitute]; vareniki [stuffed dumplings]; waffles; vermicelli [noodles]; natural sweeteners; sausage binding materials; binding agents for ice cream; sea water for cooking; seaweed [condiment]; malt biscuits; cloves [spice]; mirror icing [mirror glaze]; cake frosting [icing]; glucose for culinary purposes; mustard; gluten additives for culinary purposes; yeast; thickening agents for cooking foodstuffs; leaven; rice-based snack food; cereal-based snack food; artificial coffee; vegetal preparations for use as coffee substitutes; dressings for salad; fruit jellies [confectionery]; candy decorations for cakes; confectionery for decorating Christmas trees; cakes;

pastries; peanut confectionery; almond confectionery; pasta; ginger [spice]; frozen yogurt [confectionery ices]; cocoa; cream of tartar for culinary purposes; capers; caramels [candy]; curry [spice]; ketchup [sauce]; gimbap [Korean rice dish]; quiches; gluten prepared as foodstuff; flour-based dumplings; sweetmeats [candy]; liquorice [confectionery]; peppermint sweets; dulce de leche; cinnamon [spice]; coffee; unroasted coffee; starch for food; crackers; custard; hominy grits; semolina; oatmeal; crushed barley; groats for human food; ice cubes; corn, milled; corn, roasted; meat pies; turmeric; couscous [semolina]; noodles; ice for refreshment; ice, natural or artificial; edible ices; candy; rice cakes; mayonnaise; macaroons [pastry]; macaroni; maltose; hominy; piccalilli; marinades; marzipan; honey; soya bean paste [condiment]; royal jelly; ice cream; bean meal; tapioca flour; potato flour; corn flour; nut flours; flour; wheat flour; soya flour; barley meal; dessert mousses [confectionery]; chocolate mousses; muesli; mint for confectionery; cocoa beverages with milk; coffee beverages with milk; coffee-based beverages; cocoa-based beverages; chamomile-based beverages; tea-based beverages; chocolate beverages with milk; chocolate-based beverages; infusions, not medicinal; crushed oats; husked oats; okonomiyaki [Japanese savory pancakes]; onigiri [rice balls]; nutmegs; chocolate-coated nuts; stick liquorice [confectionery]; pastilles [confectionery]; molasses for food; pâtés en croûte; pelmeni [dumplings stuffed with meat]; pepper; allspice; peppers [seasonings]; pesto [sauce]; cookies; petit-beurre biscuits; bibimbap [rice mixed with vegetables and beef]; pies; pizzas; meat gravies; fondants [confectionery]; popcorn; powders for making ice cream; baking powder; mustard meal; pralines; condiments; meat tenderizers for household purposes; cereal preparations; oat-based food; propolis; gingerbread; spices; petits fours [cakes]; puddings; cake powder; fruit coulis [sauces]; ravioli; ramen [Japanese noodle-based dish]; chewing gum; relish [condiment]; rice; instant rice; wheat germ for human consumption; spring rolls; sago; palm sugar; sugar; sesame seeds [seasonings]; linseed for culinary purposes [seasoning]; processed seeds for use as a seasoning; aniseed; agave syrup [natural sweetener]; golden syrup; confectionery; batter mixes for okonomiyaki [Japanese savory pancakes]; baking soda [bicarbonate of soda for cooking purposes]; malt for human consumption; salt for preserving foodstuffs; cooking salt; celery salt; sherbets [ices]; ham glaze; soya sauce; tomato sauce; sauces [condiments]; pasta sauce; spaghetti; seasonings; chocolate-based spreads; chocolate spreads containing nuts; preparations for stiffening whipped cream; rusks; breadcrumbs; sushi; sandwiches; tabbouleh; tacos; tapioca; tarts; dough; pastry dough; almond paste; rice pulp for culinary purposes; cake dough; garden herbs, preserved [seasonings]; chocolate decorations for cakes; vinegar; beer vinegar; ferments for pastes; halvah; bread; unleavened bread; chips [cereal products]; corn flakes; oat

flakes; hot dog sandwiches; tea substitutes; jiaozi [stuffed dumplings]; chicory [coffee substitute]; tea; iced tea; chutneys [condiments]; minced garlic [condiment]; cheeseburgers [sandwiches]; chow-chow [condiment]; saffron [seasoning]; chocolate; malt extract for food; essences for foodstuffs, except etheric essences and essential oils; husked barley.

32 – Aperitifs, non-alcoholic; lithia water; seltzer water; soda water; waters [beverages]; aerated water; mineral water [beverages]; table waters; kvass [non-alcoholic beverage]; cocktails, non-alcoholic; beer-based cocktails; lemonades; non-alcoholic beverages; isotonic beverages; non-alcoholic honey-based beverages; rice-based beverages, other than milk substitutes; soya-based beverages, other than milk substitutes; aloe vera drinks, non-alcoholic; whey beverages; protein-enriched sports beverages; soft drinks; non-alcoholic beverages flavored with coffee; non-alcoholic beverages flavored with tea; non-alcoholic fruit juice beverages; fruit nectars, non-alcoholic; orgeat; ginger beer; malt beer; powders for effervescing beverages; sarsaparilla [non-alcoholic beverage]; syrups for lemonade; syrups for beverages; smoothies; tomato juice [beverage]; cider, non-alcoholic; vegetable juices [beverages]; fruit juices; preparations for making aerated water; preparations for making liqueurs; preparations for making beverages; must; grape must, unfermented; beer wort; malt wort; pastilles for effervescing beverages; non-alcoholic fruit extracts; extracts of hops for making beer; essences for making beverages.

35 – Arranging subscriptions to telecommunication services for others; import-export agency services; commercial information agency services; advertising agency services; cost price analysis; rental of advertising space; business auditing; business intermediary services relating to the matching of potential private investors with entrepreneurs needing funding; employment agency services; computerized file management; book-keeping; invoicing; demonstration of goods; transcription of communications [office functions]; opinion polling; market studies; business information; business investigations; business research; marketing research; personnel recruitment; business management and organization consultancy; business organization consultancy; public relations consultancy; business management consultancy; personnel management consultancy; professional business consultancy; layout services for advertising purposes; marketing; business management of performing artists; business management of sports people; writing of résumés for others; scriptwriting for advertising purposes; news clipping services; updating and maintenance of information in registries; updating and maintenance of data in computer databases; updating of advertising material; word processing; organization of exhibitions for commercial or advertising purposes; arranging newspaper subscriptions for others; organization of

fashion shows for promotional purposes; organization of trade fairs for commercial or advertising purposes; shop window dressing; design of advertising materials; business appraisals; payroll preparation; data search in computer files for others; sponsorship search; business management assistance; commercial or industrial management assistance; commercial intermediation services; providing business information via a web site; provision of commercial and business contact information; provision of an on-line marketplace for buyers and sellers of goods and services; web indexing for commercial or advertising purposes; economic forecasting; auctioneering; sales promotion for others; production of teleshopping programmes; production of advertising films; office machines and equipment rental; rental of advertising time on communication media; publicity material rental; rental of vending machines; rental of photocopying machines; publication of publicity texts; radio advertising; distribution of samples; dissemination of advertising matter; direct mail advertising; registration of written communications and data; writing of publicity texts; on-line advertising on a computer network; advertising by mail order; television advertising; document reproduction; compilation of statistics; compilation of information into computer databases; business inquiries; systemization of information into computer databases; advisory services for business management; negotiation of business contracts for others; negotiation and conclusion of commercial transactions for third parties; compiling indexes of information for commercial or advertising purposes; tax preparation; drawing up of statements of accounts; telemarketing services; psychological testing for the selection of personnel; business management of hotels; business management for freelance service providers; business project management services for construction projects; commercial administration of the licensing of the goods and services of others; business management of reimbursement programs for others; administration of consumer loyalty programs; administration of frequent flyer programs; administrative processing of purchase orders; public relations; modelling for advertising or sales promotion; typing; appointment reminder services [office functions]; relocation services for businesses; tax filing services; search engine optimization for sales promotion; appointment scheduling services [office functions]; price comparison services; secretarial services; procurement services for others [purchasing goods and services for other businesses]; shorthand; outsourcing services [business assistance]; telephone answering for unavailable subscribers; photocopying services; business efficiency expert services; product marketing; advertising and marketing consultancy; presentation of goods on communication media, for retail purposes; retail services for pharmaceutical, veterinary and sanitary preparations and medical supplies; wholesale services for pharmaceutical, veterinary and sanitary preparations and medical supplies; rental

of signs for advertising purposes; rental of sales stands; bill-posting; advertising and marketing services; outsourced administrative management for companies; web site traffic optimization; pay per click advertising.

(260) AM 2021 111829 A

(800) 1461157

(151) 2019 02 08

(891) 2021 01 20

(731) EPL SYSTEMS LTD

Gladstonos, 116, M. KYPRIANOU HOUSE,
3&4th floor 3032, Limassol, Cyprus

(540)



(591) Black, white

(531) 05.05.20; 05.05.21; 17.02.01; 17.02.02;
17.02.04; 26.04.05; 26.04.16; 26.04.18;
26.04.24; 27.05.24; 28.05

(511)

14 – Diamonds; bracelets [jewelry]; jewellery charms; brooches [jewelry]; pins [jewelry]; pearls [jewelry]; tie clips; cufflinks; clasps for jewelry; badges of precious metal; works of art of precious metal; jewelry; ivory jewelry; jewelry of yellow amber; cabochons; precious stones; semi-precious stones; necklaces [jewelry]; rings [jewelry]; boxes of precious metal; presentation boxes for jewelry; watch cases [parts of watches]; medals; lockets [jewelry]; precious metals, unwrought or semi-wrought; earrings; figurines of precious metal; paste jewelry [costume jewelry]; hat jewelry; chains [jewelry]; wristwatches; chronographs [watches]; chronometers; watch chains; watches; jewelry boxes; spinel [precious stones].

35 – Import-export agency services; commercial information agency services; demonstration of goods; opinion polling; market studies; business information; commercial information and advice for consumers in the choice of products and services; marketing research; business management and organization consultancy; marketing; layout services for advertising purposes; targeted marketing; business management of performing artists; updating and maintenance of data in computer databases; updating of advertising material; organization of exhibitions for commercial or advertising purposes; organization of fashion shows for promotional purposes; organization of trade fairs for commercial or advertising purposes; shop window dressing; design of advertising materials; commercial or industrial management assistance; providing busi-

ness information via a web site; provision of commercial and business contact information; provision of an online marketplace for buyers and sellers of goods and services; web indexing for commercial or advertising purposes; presentation of goods on communication media, for retail purposes; auctioneering; sales promotion for others; publication of publicity texts; distribution of samples; dissemination of advertising matter; writing of publicity texts; online advertising on a computer network; advisory services for business management; negotiation of business contracts for others; negotiation and conclusion of commercial transactions for third parties; telemarketing services; commercial administration of the licensing of the goods and services of others; administrative processing of purchase orders; modelling for advertising or sales promotion; search engine optimization for sales promotion; procurement services for others [purchasing goods and services for other businesses]; outsourcing services [business assistance].

(260) AM 2021 111831 A

(800) 1531459

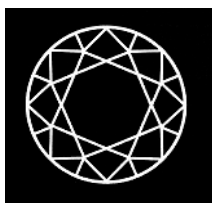
(151) 2020 04 11

(891) 2021 01 20

(731) EPL SYSTEMS LTD

Gladstonos, 116, M. KYPRIANOU HOUSE,
3&4th floor, Limassol, CY-3032, Cyprus

(540)



(591) Black, white

(531) 17.02.01; 17.02.02; 26.01.16; 26.04.24

(511)

19 – Wooden flooring; floors, not of metal; glazed ceramic floor tiles; ceramic floor tiles; flooring or wall claddings of synthetic materials; wood tile flooring; hardwood flooring; ceramic tiles for flooring and lining; rock materials used in building flooring, roofing, countertops, walls, cladding and fireplaces; artificial stone; building stone.

20 – Furniture for displaying goods; mirrors [looking glasses]; display stands; showcases [furniture]; display cases for merchandise; presentation boards; floor units of cardboard for displaying merchandise; signboards of wood or plastics; doors for furniture; trestles [furniture]; racks [furniture]; shelves for storage; tables; placards of wood or plastics; display cabinets; window blinds of fabric; slatted indoor blinds for windows; drawers [furniture parts].

27 – Floor coverings; linoleum for use on floors; hard surface coverings for floors; resilient hard surface coverings for floors, walls and other surfaces.

(260) AM 2021 111910 A

(800) 1577589

(151) 2020 07 10

(891) 2020 07 10

(731) TUNAY GIDA, SANAYİ VE TİCARET
ANONİM ŞİRKETİ

Organize Sanayi Bölgesi 1. Cadde No:12
Merkez, TR-24000 Erzincan, Turkey

(540)



(591) Green, orange, red and white

(531) 05.03.15; 05.07.14; 25.01.19; 26.11.12;
29.01.13

(526) FRUIT PROCESSING INDUSTRY

(511)

32 – Beers; preparations used in brewing; mineral waters; spring waters; table waters; sparkling waters; vegetable juices and fruit juices, their concentrates and extracts; soft drinks; non-alcoholic energy drinks; protein-enriched sports beverages.

(260) AM 2021 111911 A

(800) 1577622

(151) 2020 12 08

(891) 2020 12 08

(731) Kipina Worldwide Licensing Limited

12 Greenway Farm, Bath Road, Wick,
Bristol BS30 5RL, United Kingdom

(540)

Kipina

(591) Black, white

(511)

41 – Nursery school services; nursery school services [educational]; nursery schools.

(260) AM 2021 111921 A

(800) 1577834

(151) 2020 09 21

(891) 2020 09 21

(731) Ugreen Group Limited

4/F, Plant 6, 1F-6/F, Block 7, YuAn Zone,
Gaofeng Community, Dalang Street, Longhua
District, Shenzhen, Guangdong, China

(540)

DATA DR.

(591) Black, white

(531) 27.05.01; 27.05.17

(511)
 9 – Data processing apparatus; computer peripheral devices; computer memory devices; disks, magnetic; battery chargers; magnetic data media; readers [data processing equipment]; materials for electricity mains [wires, cables]; connectors [electricity]; batteries, electric.

(260) AM 2021 111924 A
 (800) 1577929
 (151) 2021 01 04
 (891) 2021 01 04
 (731) Amgen Inc.
 Trademark Operations MS 28-5-A, One Amgen Center Drive, Thousand Oaks CA 913201799, USA

(540)

LUMAKRAS

(591) Black, white
 (511)
 5 – Pharmaceutical preparations for use in the prevention of amyloidosis, metabolic diseases and disorders, lupus, and inflammation and autoimmune diseases and disorders; pharmaceutical preparations for use in the treatment of cancer, oncology, tumors, solid and hematological tumors and growths, hematological and hemolytic diseases and disorders, including bone, joint, vertebral column, intestine, colon, skin, lung, eye, breast, ovary, cervix, stomach, bladder, kidney, head, brain, neck, and blood diseases and disorders; pharmaceutical preparations for use in the treatment of amyloidosis, metabolic diseases and disorders, lupus, and inflammation and autoimmune diseases and disorders; pharmaceutical preparations for use in the treatment of solid tumors and growths, hemolytic diseases and disorders, amyloidosis, metabolic diseases and disorders, lupus, and inflammation and autoimmune diseases and disorders.

(260) AM 2021 112010 A
 (800) 1578795
 (151) 2021 01 18
 (891) 2021 01 18
 (731) Apple Inc.
 One Apple Park Way, Cupertino
 CA 95014, USA

(540)



(591) black, gray and white
 (531) 05.07.13; 16.03.01; 26.01.05; 26.04.04;
 26.04.24

(511)
 9 – Downloadable and recorded computer software; downloadable and recorded computer software for processing, facilitating, verifying, and authenticating mobile payments and contactless transactions with retailers, merchants, and vendors via wearable and mobile devices; downloadable and recorded computer software for use in searching, transmitting, receiving, storing, accessing, finding, organizing and viewing geographic location information and providing content based on location; downloadable and recorded computer software for application development; downloadable and recorded computer software development tools; downloadable and recorded computer software used in developing other software applications; downloadable and recorded application programming interface (API) software; downloadable and recorded software development kits (SDK); downloadable and recorded computer software to maintain and operate a computer system; downloadable and recorded computer operating software.

42 – Providing online non-downloadable application development software; providing online non-downloadable computer software development tools; providing online non-downloadable computer software used in developing other software applications; user authentication services using a software application; user authentication services using technology for e-commerce transactions; providing online information relating to computer technology, computer programming, and computer software.

INTERNATIONAL TRADEMARKS PROTECTED IN GEORGIA

(260) AM 2021 106248 A
(800) 1504776
(151) 2019 10 24
(181) 2029 10 24
(891) 2019 10 24
(511) 09, 42

(260) AM 2021 106552 A
(800) 1508240
(151) 2019 12 04
(181) 2029 12 04
(891) 2019 12 04
(511) 35, 41

(260) AM 2021 108073 A
(800) 1527395
(151) 2020 02 21
(181) 2030 02 21
(891) 2020 02 21
(511) 30

(260) AM 2021 108715 A
(800) 1536236
(151) 2020 05 04
(181) 2030 05 04
(891) 2020 05 04
(511) 35, 38, 41, 42, 45

(260) AM 2021 109637 A
(800) 1548507
(151) 2020 06 02
(181) 2030 06 02
(891) 2020 06 02
(511) 29, 30, 31, 32, 35

(260) AM 2021 109686 A
(800) 1549155
(151) 2020 07 01
(181) 2030 07 01
(891) 2020 07 01
(511) 29, 30

(260) AM 2021 109694 A
(800) 1549245
(151) 2019 10 21
(181) 2029 10 21
(891) 2019 10 21
(511) 05

(260) AM 2021 109695 A
(800) 1549277
(151) 2020 04 28
(181) 2030 04 28
(891) 2020 04 28
(511) 05

(260) AM 2021 109697 A
(800) 1549328
(151) 2020 07 07
(181) 2030 07 07
(891) 2020 07 07
(511) 07

(260) AM 2021 109704 A
(800) 1549428
(151) 2020 02 26
(181) 2030 02 26
(891) 2020 02 26
(511) 25

(260) AM 2021 109715 A
(800) 1549679
(151) 2020 07 13
(181) 2030 07 13
(891) 2020 07 13
(511) 09, 41, 42, 44

(260) AM 2021 109716 A
(800) 1549735
(151) 2020 04 03
(181) 2030 04 03
(891) 2020 04 03
(511) 25, 35

(260) AM 2021 109720 A
(800) 1549903
(151) 2020 04 22
(181) 2030 04 22
(891) 2020 04 22
(511) 07, 09, 11

(260) AM 2021 109778 A
(800) 1550112
(151) 2019 11 25
(181) 2029 11 25
(891) 2019 11 25
(511) 01, 02, 03

(260) AM 2021 109779 A
(800) 1550202
(151) 2020 06 02
(181) 2030 06 02
(891) 2020 06 02
(511) 09, 28, 41

(260) AM 2021 109793 A
(800) 1550661
(151) 2020 08 05
(181) 2030 08 05
(891) 2020 08 05
(511) 03, 44

(260) AM 2021 109780 A
(800) 1550203
(151) 2020 06 02
(181) 2030 06 02
(891) 2020 06 02
(511) 09, 28, 41

(260) AM 2021 109794 A
(800) 1550671
(151) 2020 05 29
(181) 2030 05 29
(891) 2020 05 29
(511) 09, 28, 41

(260) AM 2021 109781 A
(800) 1550237
(151) 2020 02 14
(181) 2030 02 14
(891) 2020 02 14
(511) 39, 42, 43

(260) AM 2021 109795 A
(800) 1550673
(151) 2020 05 29
(181) 2030 05 29
(891) 2020 05 29
(511) 09, 28, 41

(260) AM 2021 109784 A
(800) 1550301
(151) 2020 06 25
(181) 2030 06 25
(891) 2020 06 25
(511) 03

(260) AM 2021 109799 A
(800) 1550785
(151) 2020 06 02
(181) 2030 06 02
(891) 2020 06 02
(511) 09, 28, 41

(260) AM 2021 109790 A
(800) 1550522
(151) 2019 12 12
(181) 2029 12 12
(891) 2019 12 12
(511) 09, 11, 35

(260) AM 2021 109800 A
(800) 1550951
(151) 2020 06 02
(181) 2030 06 02
(891) 2020 06 02
(511) 09, 28, 41

(260) AM 2021 109791 A
(800) 1550528
(151) 2020 06 03
(181) 2030 06 03
(891) 2020 06 03
(511) 04, 06, 09, 19, 35, 39, 42

(260) AM 2021 109801 A
(800) 1550971
(151) 2020 05 29
(181) 2030 05 29
(891) 2020 05 29
(511) 09, 28, 41

(260) AM 2021 109792 A
(800) 1550637
(151) 2020 05 18
(181) 2030 05 18
(891) 2020 05 18
(511) 06, 07, 10, 12, 20

(260) AM 2021 109810 A
(800) 1551166
(151) 2020 02 26
(181) 2030 02 26
(891) 2020 02 26
(511) 25, 35

(260) AM 2021 109812 A
(800) 1551233
(151) 2020 06 18
(181) 2030 06 18
(891) 2020 06 18
(511) 16, 35

(260) AM 2021 109813 A
(800) 673829
(151) 1997 02 27
(181) 2027 02 27
(891) 2020 08 18
(511) 01, 02, 16, 17

(260) AM 2021 109817 A
(800) 1314200
(151) 2016 06 20
(181) 2026 06 20
(891) 2020 08 03
(511) 34

(260) AM 2021 109870 A
(800) 1551559
(151) 2020 06 30
(181) 2030 06 30
(891) 2020 06 30
(511) 35, 43

(260) AM 2021 109871 A
(800) 1551584
(151) 2020 04 13
(181) 2030 04 13
(891) 2020 04 13
(511) 02, 17, 35, 37

(260) AM 2021 109872 A
(800) 1551587
(151) 2020 07 13
(181) 2030 07 13
(891) 2020 07 13
(511) 03, 05, 35

(260) AM 2021 109873 A
(800) 1551600
(151) 2020 07 16
(181) 2030 07 16
(891) 2020 07 16
(511) 07

(260) AM 2021 109874 A
(800) 1551611
(151) 2020 06 02
(181) 2030 06 02
(891) 2020 06 02
(511) 09, 28, 41

(260) AM 2021 109877 A
(800) 1551673
(151) 2020 04 09
(181) 2030 04 09
(891) 2020 04 09
(511) 03, 18, 25, 35

(260) AM 2021 109879 A
(800) 1551707
(151) 2020 05 21
(181) 2030 05 21
(891) 2020 05 21
(511) 30, 35, 43

(260) AM 2021 109881 A
(800) 1551715
(151) 2020 07 31
(181) 2030 07 31
(891) 2020 07 31
(511) 03

(260) AM 2021 109882 A
(800) 1551747
(151) 2020 05 29
(181) 2030 05 29
(891) 2020 05 29
(511) 09, 28, 41

(260) AM 2021 109897 A
(800) 1552207
(151) 2020 08 05
(181) 2030 08 05
(891) 2020 08 05
(511) 03

(260) AM 2021 109899 A
(800) 1552395
(151) 2020 06 11
(181) 2030 06 11
(891) 2020 06 11
(511) 12

(260) AM 2021 109980 A
(800) 1552769
(151) 2020 07 07
(181) 2030 07 07
(891) 2020 07 07
(511) 09

(260) AM 2021 110003 A
(800) 1102325
(151) 2011 11 29
(181) 2021 11 29
(891) 2020 08 24
(511) 35

(260) AM 2021 109981 A
(800) 1552775
(151) 2020 01 30
(181) 2030 01 30
(891) 2020 01 30
(511) 05, 10, 35

(260) AM 2021 110054 A
(800) 1553558
(151) 2020 08 11
(181) 2030 08 11
(891) 2020 08 11
(511) 30

(260) AM 2021 109983 A
(800) 1552787
(151) 2020 05 28
(181) 2030 05 28
(891) 2020 05 28
(511) 03, 08, 11, 20, 21, 25

(260) AM 2021 110067 A
(800) 1553832
(151) 2020 07 28
(181) 2030 07 28
(891) 2020 07 28
(511) 34, 35, 40

(260) AM 2021 109996 A
(800) 1553203
(151) 2020 05 29
(181) 2030 05 29
(891) 2020 05 29
(511) 09, 28, 41

(260) AM 2021 110092 A
(800) 1554587
(151) 2020 08 12
(181) 2030 08 12
(891) 2020 08 12
(511) 33

(260) AM 2021 109998 A
(800) 1553297
(151) 2020 07 15
(181) 2030 07 15
(891) 2020 07 15
(511) 08, 09

(260) AM 2021 110093 A
(800) 1554616
(151) 2020 08 14
(181) 2030 08 14
(891) 2020 08 14
(511) 09, 41

(260) AM 2021 109999 A
(800) 1553298
(151) 2020 07 27
(181) 2030 07 27
(891) 2020 07 27
(511) 25, 35

(260) AM 2021 110095 A
(800) 1554661
(151) 2020 07 22
(181) 2030 07 22
(891) 2020 07 22
(511) 03, 05

(260) AM 2021 110000 A
(800) 1553321
(151) 2020 05 22
(181) 2030 05 22
(891) 2020 05 22
(511) 36

(260) AM 2021 110096 A
(800) 1554719
(151) 2020 04 27
(181) 2030 04 27
(891) 2020 04 27
(511) 06, 07, 09, 17, 35, 37, 39

(260) AM 2021 110097 A
(800) 1554789
(151) 2020 07 31
(181) 2030 07 31
(891) 2020 07 31
(511) 09

(260) AM 2021 110178 A
(800) 1555980
(151) 2020 06 17
(181) 2030 06 17
(891) 2020 06 17
(511) 32, 33

(260) AM 2021 110099 A
(800) 1554826
(151) 2020 06 02
(181) 2030 06 02
(891) 2020 06 02
(511) 09, 28, 41

(260) AM 2021 110179 A
(800) 1556004
(151) 2020 06 02
(181) 2030 06 02
(891) 2020 06 02
(511) 09, 28, 41

(260) AM 2021 110100 A
(800) 1554849
(151) 2020 07 17
(181) 2030 07 17
(891) 2020 07 17
(511) 01

(260) AM 2021 110181 A
(800) 1161241
(151) 2012 12 15
(181) 2022 12 15
(891) 2020 09 25
(511) 01, 05

(260) AM 2021 110101 A
(800) 560049
(151) 1990 08 20
(181) 2030 08 20
(891) 2020 09 16
(511) 07

(260) AM 2021 110182 A
(800) 1399295
(151) 2017 12 05
(181) 2027 12 05
(891) 2020 09 30
(511) 32

(260) AM 2021 110104 A
(800) 1026412
(151) 2009 12 16
(181) 2029 12 16
(891) 2020 09 01
(511) 24

(260) AM 2021 110183 A
(800) 1472565
(151) 2019 02 26
(181) 2029 02 26
(891) 2020 09 24
(511) 30, 32

(260) AM 2021 110153 A
(800) 1554987
(151) 2020 08 27
(181) 2030 08 27
(891) 2020 08 27
(511) 10

(260) AM 2021 110184 A
(800) 1507723
(151) 2019 11 02
(181) 2029 11 02
(891) 2020 09 25
(511) 09, 35, 38, 41, 42

(260) AM 2021 110177 A
(800) 1555958
(151) 2020 08 19
(181) 2030 08 19
(891) 2020 08 19
(511) 03, 05, 10

(260) AM 2021 110239 A
(800) 1556242
(151) 2020 08 13
(181) 2030 08 13
(891) 2020 08 13
(511) 07

(260) AM 2021 110266 A
(800) 773659
(151) 2002 01 23
(181) 2022 01 23
(891) 2020 10 02
(511) 05

(260) AM 2021 110269 A
(800) 1373913
(151) 2017 08 30
(181) 2027 08 30
(891) 2020 09 21
(511) 03, 35

(260) AM 2021 110270 A
(800) 1433317
(151) 2018 08 24
(181) 2028 08 24
(891) 2020 10 07
(511) 07, 09, 35

(260) AM 2021 110271 A
(800) 1445809
(151) 2018 08 16
(181) 2028 08 16
(891) 2020 09 12
(511) 30

(260) AM 2021 110272 A
(800) 1497681
(151) 2019 09 27
(181) 2029 09 27
(891) 2020 09 03
(511) 05

(260) AM 2021 110273 A
(800) 1506301
(151) 2019 11 05
(181) 2029 11 05
(891) 2020 07 02
(511) 07, 08, 09, 11, 14, 28, 35

(260) AM 2021 110313 A
(800) 1557546
(151) 2020 08 27
(181) 2030 08 27
(891) 2020 08 27
(511) 09, 18, 34, 35, 37, 41

(260) AM 2021 110314 A
(800) 1557570
(151) 2020 07 21
(181) 2030 07 21
(891) 2020 07 21
(511) 01, 03, 29, 30, 31, 32, 35, 39, 40, 41, 42, 43

(260) AM 2021 110315 A
(800) 1557572
(151) 2020 07 01
(181) 2030 07 01
(891) 2020 07 01
(511) 19

(260) AM 2021 110328 A
(800) 1557944
(151) 2020 08 07
(181) 2030 08 07
(891) 2020 08 07
(511) 33

(260) AM 2021 110329 A
(800) 1557945
(151) 2020 09 15
(181) 2030 09 15
(891) 2020 09 15
(511) 36

(260) AM 2021 110330 A
(800) 1557986
(151) 2020 08 12
(181) 2030 08 12
(891) 2020 08 12
(511) 09

(260) AM 2021 110345 A
(800) 1036097
(151) 2009 12 08
(181) 2029 12 08
(891) 2020 10 12
(511) 29, 43

(260) AM 2021 110346 A
(800) 1060114
(151) 2010 08 26
(181) 2030 08 26
(891) 2020 08 27
(511) 30

(260) AM 2021 110351 A
(800) 1378264
(151) 2017 10 10
(181) 2027 10 10
(891) 2019 12 13
(511) 05

(260) AM 2021 110352 A
(800) 1412123
(151) 2018 05 02
(181) 2028 05 02
(891) 2020 06 29
(511) 33

(260) AM 2021 110484 A
(800) 1559452
(151) 2020 08 17
(181) 2030 08 17
(891) 2020 08 17
(511) 02, 16

(260) AM 2021 110583 A
(800) 1561225
(151) 2020 07 14
(181) 2030 07 14
(891) 2020 07 14
(511) 35

(260) AM 2021 110584 A
(800) 1561273
(151) 2020 10 13
(181) 2030 10 13
(891) 2020 10 13
(511) 05

(260) AM 2021 110587 A
(800) 1561302
(151) 2020 05 22
(181) 2030 05 22
(891) 2020 05 22
(511) 35

OFFICIAL NOTIFICATIONS
INVENTIONS
EXPIRATION OF PATENTS RESTORATION

(21) AP 2012 12766
(11) P 2013 5987 B
(73) Sarkis Markaryan
(54) METHOD OF WATER COMPLEX DEACTIVATION AND MODULE FOR EXECUTION THEREOF
DATE OF CANCELLATION OF PATENT: 2021 06 27
THE TERM OF RESTORATION OF PATENT: 2021 10 25

(21) AP 2014 13559
(11) P 2016 6511 B
(73) Aleksandre Kvernadze
(54) DEVICE FOR DISTILLING VODKA
DATE OF CANCELLATION OF PATENT: 2021 08 25
THE TERM OF RESTORATION OF PATENT: 2021 10 25

(21) AP 2016 14730
(11) P 2020 7071 B
(73) Sergey Dmitrievich Filipov
(54) HYDROGEN-ENRICHED WATER WITH INCREASED ANTIOXIDANT ACTIVITY AND
PREPARATION METHODS THEREOF
DATE OF CANCELLATION OF PATENT: 2021 08 08
THE TERM OF RESTORATION OF PATENT: 2021 10 25

(21) AP 2019 15184
(11) P 2021 7264 B
(73) Vladimir Vladimirovich Ivanov
(54) METHOD FOR AUTOMOTIVE SEMITRAILER CARRIAGE-PLATFORM LOADING
DATE OF CANCELLATION OF PATENT: 2021 09 10
THE TERM OF RESTORATION OF PATENT: 2021 10 25

ABOLITION OF PATENTS WITH THE RIGHT TO RESTORE

(21) AP 2005 10669
(11) P 2012 5369 B
(73) One Smart Star Limited
(54) COMMUNICATING WITH BUSINESS CUSTOMERS
DATE OF CANCELLATION OF PATENT: 2021 09 28
THE TERM OF RESTORATION OF PATENT: 2022 09 28

(21) AP 2006 10681
(11) P 2011 5168 B
(73) Chinoi Gyogyszer Es Vegyeszeti Termek Gyara Zrt
(54) DEVICE FOR PACKAGING AND DISPENSING OF SOLID SHAPED BODIES, ESPECIALLY ORAL TABLETS OR/AND CAPSULES
DATE OF CANCELLATION OF PATENT: 2021 09 26
THE TERM OF RESTORATION OF PATENT: 2022 09 26

(21) AP 2010 12660
(11) P 2016 6528 B
(73) Officine Maccaferri S.p.A.
(54) PROTECTIVE METAL NETTING WITH INTERWOVEN WIRES, AND MACHINE AND METHOD FOR ITS MANUFACTURE
DATE OF CANCELLATION OF PATENT: 2021 09 10
THE TERM OF RESTORATION OF PATENT: 2022 09 10

(21) AP 2010 12676
(11) P 2015 6214 B
(73) The Regents of the University of California
(54) MONOCLONAL ANTIBODIES
DATE OF CANCELLATION OF PATENT: 2021 09 30
THE TERM OF RESTORATION OF PATENT: 2022 09 30

(21) AP 2010 13232
(11) P 2016 6458 B
(73) The Regents of the University of California
(54) MONOCLONAL ANTIBODIES
DATE OF CANCELLATION OF PATENT: 2021 09 30
THE TERM OF RESTORATION OF PATENT: 2022 09 30

(21) AP 2013 13243
(11) P 2015 6305 B
(73) Eter Kemertelidze;
Paul Yavich;
Luiza Tschuradze
(54) DRUG FOR PATIENT PREPARATION FOR PROCTOSCOPY
DATE OF CANCELLATION OF PATENT: 2021 09 26
THE TERM OF RESTORATION OF PATENT: 2022 09 26

(21) AP 2013 13245
(11) P 2014 6172 B
(73) Merab Dvali
(54) PHACO INTRAOCULAR CRYSTALLINE LENS
DATE OF CANCELLATION OF PATENT: 2021 09 26
THE TERM OF RESTORATION OF PATENT: 2022 09 26

(21) AP 2013 13247
(11) P 2019 6994 B
(73) Ivane Beroshvili;
Abesalom Beroshvili;
Teimuraz Kachiani
(54) METHOD FOR GAS INJECTION
DATE OF CANCELLATION OF PATENT: 2021 09 27
THE TERM OF RESTORATION OF PATENT: 2022 09 27

(21) AP 2014 13580
(11) P 2016 6445 B
(73) Shota Amiridze;
Genadi Elnikov;
Giorgi Zunturashvili;
Marad Kukhulaishvili
(54) MONITORING SYSTEM OF OPEN IRRIGATING CHANNELS
DATE OF CANCELLATION OF PATENT: 2021 09 24
THE TERM OF RESTORATION OF PATENT: 2022 09 24

(21) AP 2014 13592
(11) P 2016 6516 B
(73) LTD "Georgian Natural Prodcuts"
(54) COMPOSITION OF INGREDIENTS FOR BIOACTIVE SUPPLEMENT "GRAIL"
DATE OF CANCELLATION OF PATENT: 2021 10 06
THE TERM OF RESTORATION OF PATENT: 2022 10 06

(21) AP 2013 13784
(11) P 2018 6881 B
(73) Les Laboratoires Servier;
Shanghai Institute Of Pharmaceutical Industry
(54) STABILISED AMORPHOUS FORM OF AGOMELATINE, A PROCESS FOR ITS PREPARATION AND
PHARMACEUTICAL COMPOSITIONS CONTAINING IT
DATE OF CANCELLATION OF PATENT: 2021 09 11
THE TERM OF RESTORATION OF PATENT: 2022 09 11

(21) AP 2018 14895
(11) P 2020 7120 B
(73) Gocha Kurdadze
(54) METHOD FOR SILICO MANGANESE PRODUCTION
DATE OF CANCELLATION OF PATENT: 2021 10 05
THE TERM OF RESTORATION OF PATENT: 2022 10 05

(21) AP 2019 15184
(11) P 2021 7264 B
(73) Vladimir Vladimirovich Ivanov
(54) METHOD FOR AUTOMOTIVE SEMITRAILER CARRIAGE-PLATFORM LOADING
DATE OF CANCELLATION OF PATENT: 2021 09 10
THE TERM OF RESTORATION OF PATENT: 2023 09 10

(21) AP 2019 15188
(11) P 2021 7289 B
(73) Guram Topuria
(54) MECHANICAL MINI POWER STATION
DATE OF CANCELLATION OF PATENT: 2021 09 27
THE TERM OF RESTORATION OF PATENT: 2022 09 27

(21) AP 2003 8705
(11) P 2011 5167 B
(73) Geox S.P.A.
(54) WATERPROOF AND BREATHABLE SOLE FOR SHOES, AND SHOE MANUFACTURED WITH SUCH SOLE
DATE OF CANCELLATION OF PATENT: 2021 09 18
THE TERM OF RESTORATION OF PATENT: 2022 09 18

(21) AP 2005 8972
(11) P 2009 4663 B
(73) Giorgi Ioramashvili;
Marine Beroshvili
(54) METHOD FOR SEPARATION OF FLUID INTRUSION
DATE OF CANCELLATION OF PATENT: 2021 09 12
THE TERM OF RESTORATION OF PATENT: 2022 09 12

EXPIRATION OF TERM OF RESTORATION OF PATENTS

(21) AP 2010 12743
(11) P 2014 6160 B
(73) Miner Enterprises Inc.
(54) FRICTION/ELASTOMERIC DRAFT GEAR
DATE OF CANCELLATION OF PATENT: 2020 09 17
THE TERM OF RESTORATION OF PATENT VALIDITY HAS EXPIRED: 2021 09 17

(21) AP 2011 13079
(11) P 2016 6429 B
(73) Boehringer Ingelheim International GMBH
(54) CD33 BINDING AGENTS
DATE OF CANCELLATION OF PATENT: 2020 10 04
THE TERM OF RESTORATION OF PATENT VALIDITY HAS EXPIRED: 2021 10 04

(21) AP 2013 13246
(11) P 2014 6173 B
(73) Merab Dvali
(54) ACCOMMODATIVE INTRAOCULAR CRYSTALLINE LENS
DATE OF CANCELLATION OF PATENT: 2020 09 26
THE TERM OF RESTORATION OF PATENT VALIDITY HAS EXPIRED: 2021 09 26

(21) AP 2012 13457
(11) P 2017 6608 B
(73) Takeda Pharmaceutical Company Limited
(54) 1-ARYLCARBONYL-4-OXY – PIPERIDINE COMPOUNDS USEFUL FOR THE TREATMENT OF NEURODEGENERATIVE DISEASES
DATE OF CANCELLATION OF PATENT: 2020 10 03
THE TERM OF RESTORATION OF PATENT VALIDITY HAS EXPIRED: 2021 10 03

(21) AP 2015 14455
(11) P 2018 6927 B
(73) Pfizer Inc.
(54) METHYL-AND TRIFLUOROMETHYL-SUBSTITUTED PYRROLOPYRIDINE MODULATORS OF RORC2 AND METHODS OF USE THEREOF
DATE OF CANCELLATION OF PATENT: 2020 09 22
THE TERM OF RESTORATION OF PATENT VALIDITY HAS EXPIRED: 2021 09 22

(21) AP 2005 8987
(11) P 2007 4253 B
(73) Otkrytoe Aktsionernoje Obshchestvo "Nizhegorodskij Khimiko-Farmatsevticheskij Zavod"
(54) AGENT FOR TREATMENT OF JOINT DISEASE
DATE OF CANCELLATION OF PATENT: 2020 09 20
THE TERM OF RESTORATION OF PATENT VALIDITY HAS EXPIRED: 2021 09 20

(21) AP 2005 8988
(11) P 2007 4254 B
(73) Otkrytoe Aktsionernoje Obshchestvo "Nizhegorodskij Khimiko-Farmatsevticheskij Zavod"
(54) AGENT FOR TREATMENT OF JOINT DISEASE
DATE OF CANCELLATION OF PATENT: 2020 09 20
THE TERM OF RESTORATION OF PATENT VALIDITY HAS EXPIRED: 2021 09 20

EXPIRATION OF PATENTS

(21) AP 2001 6937
(11) P 2006 3905 B
(73) Boehringer Ingelheim Pharma GMBH&CO. KG
(54) CRYSTALLINE MONOHYDRATE, METHOD FOR PRODUCING THE SAME AND THE USE THEREOF IN THE PRODUCTION OF A MEDICAMENT
DATE OF EXPIRATION OF PATENT ACTION: 2021 09 28

(21) AP 2001 6938
(11) P 2006 3865 B
(73) Boehringer Ingelheim Pharma GMBH&CO. KG
(54) NOVEL TIOTROPIUM-CONTAINING INHALATION POWDER
DATE OF EXPIRATION OF PATENT ACTION: 2021 09 28

CHANGE OF NAME AND/OR ADDRESS OF PATENTOWNER

(21) AP 2019 15218
(11) P 2021 7262 B
(54) ELECTROMAGNETIC VIBRATING FEEDER

NEW NAME AND NEW ADDRESS: Victor Zviadauri (GE)
Vazha-Pshavela Av., V quarter, corp. 4, app. 79, 0186, Tbilisi,
Georgia (GE);
Merab Tedovishvili (GE)
Temka, XI mkr., I quarter, app. 6, 0197, Tbilisi, Georgia (GE);
Merab Chelidze (GE)
Chitaia St. 38, 0164, Tbilisi, Georgia (GE);
LEPL "National Science Foundation of Shota Rustaveli" (GE)
M. Aleksidze St. 1, 0183, Tbilisi, Georgia (GE)
Victor Zviadauri (GE)
Vazha-Pshavela Av., V quarter, corp. 4, app. 79, 0186, Tbilisi,
Georgia (GE);

FORMER NAME AND FORMER ADDRESS: Merab Tedovishvili (GE)
Temka, XI mkr., I quarter, app. 6, 0197, Tbilisi, Georgia (GE);
Merab Chelidze (GE)
Chitaia St. 38, 0164, Tbilisi, Georgia (GE)

DATE OF REGISTRATION: 2021 10 12

UTILITY MODELS

ABOLITION OF PATENT WITH THE RIGHT TO RESTORE

(21) AU 2017 14589
(11) U 2018 1987 Y
(73) Davit Shavgulidze
(54) METHOD FOR FOODSTUFF "POMI" PREPARATION
DATE OF CANCELLATION OF PATENT: 2021 09 18
THE TERM OF RESTORATION OF PATENT: 2022 09 18

EXPIRATION OF TERM OF RESTORATION OF PATENTS

(21) AU 2013 13256

(11) U 2016 1886 Y

(73) Givi Papava;

Vitaly Sherozia;

Eldar Gugava;

Nora Dokhturishvili;

Nunu Maisuradze;

Marina Gurgenishvili;

Ia Chitrekashvili;

Eter Gavashelidze;

Shalva Papava

(54) METHOD FOR GRAPHITE COMPOSITION PRODUCTION PLATED WITH COPPER

DATE OF CANCELLATION OF PATENT: 2020 10 04

THE TERM OF RESTORATION OF PATENT VALIDITY HAS EXPIRED: 2021 10 04

(21) AU 2015 13948

(11) U 2016 1905 Y

(73) LEPL Institute "Optica"

(54) OPTICAL DEVICE LENS FOR NIGHT VISION

DATE OF CANCELLATION OF PATENT: 2020 10 01

THE TERM OF RESTORATION OF PATENT VALIDITY HAS EXPIRED: 2021 10 01

(21) AU 2017 14596

(11) U 2019 2000 Y

(73) Mzia Tsitsagi;

Mariam Chkhaidze;

Ketevan Ebralidze;

Miranda Khachidze;

Manana Buzariashvili;

Imeda Rubashvili

(54) METHOD FOR ANTHOCYANIN PREPARATION

DATE OF CANCELLATION OF PATENT: 2020 09 28

THE TERM OF RESTORATION OF PATENT VALIDITY HAS EXPIRED: 2021 09 28

(21) AU 2018 14890

(11) U 2019 2019 Y

(73) Sergo Jorbenadze

(54) TABLE-BED "SERMA"

DATE OF CANCELLATION OF PATENT: 2020 10 02

THE TERM OF RESTORATION OF PATENT VALIDITY HAS EXPIRED: 2021 10 02

(21) AU 2018 14893

(11) U 2019 2020 Y

(73) Zurab Dzeladze

(54) METHOD FOR STRONG ALCOHOLIC BEVERAGES PRODUCTION HAVING FEATURES OF HIGH-QUALITY WINES

DATE OF CANCELLATION OF PATENT: 2020 10 04

THE TERM OF RESTORATION OF PATENT VALIDITY HAS EXPIRED: 2021 10 04

DESIGNS

EXTENSION OF DESIGN REGISTRATION

- (11) D 2016 677 S
(73) Leonis Ezik (GE)
Vill. Khutsubani, 6200, Kobuleti, Georgia (GE)
(54) FACING CONCRETE SLAB DISPOSITION
(28) 1
(24) 2015 09 11
(18) 2025 09 11
(58) 2021 10 06
-

CANCELLATION OF REGISTRATION OF DESIGNS

- (11) D 2011 484 S
(73) Merab Peradze (GE)
Vill. Apeni, 2701, Lagodekhi, Georgia (GE)
(54) CONFECTIONERY BASKET
(18) 2021 03 18
(58) 2021 10 08
-

- (11) D 2011 463 S
(73) Gia Tikaradze (GE)
Ilia Chavchavadze St. 15, 4200, Sighnaghi, Georgia (GE)
(54) BOTTLE
(18) 2021 03 31
(58) 2021 10 15
-

- (11) D 2011 460 S
(73) Gia Tikaradze (GE)
Ilia Chavchavadze St. 15, 4200, Sighnaghi, Georgia (GE)
(54) ETIQUETTE
(18) 2021 03 31
(58) 2021 10 15
-

TRADEMARKS

RENEWAL OF REGISTRATIONS

(111) M 2001 14049 R2
(156) 2001 10 01
(186) 2031 10 01
(732) M & B. - Marchi e Brevetti S.R.L.
Via San Filippo 2, I - 60044, Fabriano
(Ancona), Italy

(111) M 2011 21958 R1
(156) 2011 10 28
(186) 2031 10 28
(732) Visa International Service Association
900 Metro Center Boulevard, Foster City,
California 94404, USA

(111) M 2001 14048 R2
(156) 2001 10 01
(186) 2031 10 01
(732) M & B. - Marchi e Brevetti S.R.L.
Via San Filippo 2, I - 60044, Fabriano
(Ancona), Italy

(111) M 2011 21977 R1
(156) 2011 11 17
(186) 2031 11 17
(732) Visa International Service Association
900 Metro Center Boulevard, Foster City,
California 94404, USA

(111) M 2002 14698 R2
(156) 2002 09 30
(186) 2032 09 30
(732) Sanofi
54, rue La Boétie, 75008 Paris, France

(111) M 2012 22278 R1
(156) 2012 02 03
(186) 2032 02 03
(732) Mitel Networks Corporation
4000 Innovation Drive, Kanata, ON K2K3K1,
Canada

(111) M 2011 22125 R1
(156) 2011 12 29
(186) 2031 12 29
(732) Electrolux Italya S.P.A.
Corso Lino Zanussi, 30, 33080 Porcia (PN),
Italy

(111) M 2011 21347 R1
(156) 2011 04 06
(186) 2031 04 06
(732) LTD "Wimm-Bill-Dann Georgia"
Ponitchala, 0165, Tbilisi, Georgia

(111) M 2011 22060 R1
(156) 2011 12 14
(186) 2031 12 14
(732) Purolator filters NA LLC
3200 Natal Street, Fayetteville, North Carolina
28306, USA

(111) M 2011 21385 R1
(156) 2011 04 15
(186) 2031 04 15
(732) LTD "Wimm-Bill-Dann Georgia"
Ponitchala, 0165, Tbilisi, Georgia

(111) M 2011 22017 R1
(156) 2011 11 30
(186) 2031 11 30
(732) Visa International Service Association
900 Metro Center Boulevard, Foster City,
California 94404, USA

(111) M 2011 21487 R1
(156) 2011 05 20
(186) 2031 05 20
(732) Japan Tobacco Inc.
2-2-1, Toranomom, Minato-ku, Tokyo, Japan

(111) M 2011 21976 R1
(156) 2011 11 17
(186) 2031 11 17
(732) Visa International Service Association
900 Metro Center Boulevard, Foster City,
California 94404, USA

COMPLETE TRANSFER OF RIGHTS

(111) M 2019 31486 R
(732) LLC "SAM Support and Management"
Iasamani St. 6, app. 112, Saburtalo District,
Tbilisi, Georgia
(770) LTD "Shevi"
Ilia Chavchavadze Av. 78, corp. 1, app. 4,
0179, Tbilisi, Georgia
(580) 2021 10 15

(111) M 2021 33890 R
(732) LLC "SAM Support and Management"
Iasamani St. 6, app. 112, Saburtalo District,
Tbilisi, Georgia
(770) LTD "Shevi"
Ilia Chavchavadze Av. 78, corp. 1, app. 4,
0179, Tbilisi, Georgia
(580) 2021 10 15

(111) M 2012 22349 R
(732) Karsten Manufacturing Corporation
2201 West Desert Cove Phoenix, Arizona
85029, USA
(770) Apple Inc.
One Apple Park Way, Cupertino, California
95014, USA
(580) 2021 10 13

(111) M 2016 26730 R
(732) LTD "Global Brand"
Vazha-Pshavela Av. 29 (plot 07/081), Vake-
Saburtalo District, Tbilisi, Georgia
(770) Levan Gachechiladze
Ilia Chavchavadze Av. 50a, 0179, Tbilisi,
Georgia
(580) 2021 10 11

(111) M 1998 10443 R
(732) Laboratoire Native
4 rue Euler, F-75008 PARIS, France
(770) L' Oreal
14 Rue Royale, 75008 Paris, France
(580) 2021 09 30

(111) M 1998 10444 R
(732) Laboratoire Native
4 rue Euler, F-75008 PARIS, France
(770) L' Oreal
14 Rue Royale, 75008 Paris, France
(580) 2021 09 30

(111) M 2019 31214 R
(732) Gela Arabuli
Vill. Juta, 4704, Kazbegi District, Georgia
(770) LTD "Fifth Season"
Vill. Juta, 4704, Kazbegi District, Georgia
(580) 2021 10 01

(111) M 2019 31215 R
(732) Gela Arabuli
Vill. Juta, 4704, Kazbegi District, Georgia
(770) LTD "Fifth Season"
Vill. Juta, 4704, Kazbegi District, Georgia
(580) 2021 10 01

CHANGES OF NAMES AND/OR ADDRESS OF OWNERS

(111) M 1997 7700 R
(732) AIWA CO., LTD
Metro AI Building 3th Floor, 1-54-5, Akabane,
Kita-ku, Tokyo 115-0045, Japan

(770) Aiwa CO., LTD
1-6-3, Higashi-gotanda, Shinagawa-ku,
Tokyo, Japan
(580) 2021 10 08

(111) M 1998 9236 R
(732) Aiwa Co., LTD
Metro AI Building 3th Floor, 1-54-5, Akabane,
Kita-ku, Tokyo 115-0045, Japan

(770) Aiwa Co., LTD
1-6-3, Higashi-gotanda, Shinagawa-ku,
Tokyo, Japan
(580) 2021 10 08

(111) M 1998 10973 R
(732) TotalEnergies SE
2, place Jean Millier, La Defense 6, F-92400
Courbevoie, France

(770) Total SE
2, place Jean Millier, La Defense 6,
F-92400 Courbevoie, France
(580) 2021 09 16

(111) M 1998 10974 R
(732) TotalEnergies SE
2, place Jean Millier, La Defense 6,
F-92400 Courbevoie, France

(770) Total SE
2, place Jean Millier, La Defense 6,
F-92400 Courbevoie, France
(580) 20 21 09 16

(111) M 1998 10976 R
(732) TotalEnergies SE
2, place Jean Millier, La Defense 6,
F-92400 Courbevoie, France

(770) Total SE
2, place Jean Millier, La Defense 6, F-92400
Courbevoie, France
(580) 2021 09 16

(111) M 1998 10977 R
(732) TotalEnergies SE
2, place Jean Millier, La Defense 6, F-92400
Courbevoie, France

(770) Total SE
2, place Jean Millier, La Defense 6,
F-92400 Courbevoie, France

(580) 2021 09 16

(111) M 2003 15316 R
(732) Thorn (IP) Limited
Point 3, Heivud Roud Varviki, Inglisi,
CV34 5AH, United Kingdom

(770) Thorn (IP) Limited
14 Cornhill, London EC3V 3ND,
United Kingdom
(580) 2021 10 05

(111) M 1995 577 R
(732) International Business Machines Corporation
New Orchard Road, Armonk, New York
10504, USA

(770) International Business Machines Corporation
Old Orchard Road, Armonk, NY 10504, USA
(580) 2021 10 13

(111) M 1995 580 R
(732) International Business Machines Corporation
New Orchard Road, Armonk, New York
10504, USA

(770) International Business Machines Corporation
Old Orchard Road, Armonk, NY 10504, USA
(580) 2021 10 13

(111) M 1995 618 R
(732) International Business Machines Corporation
New Orchard Road, Armonk, New York
10504, USA

(770) International Business Machines Corporation
Old Orchard Road, Armonk, NY 10504, USA
(580) 2021 10 15

(111) M 1995 581 R
(732) International Business Machines Corporation
New Orchard Road, Armonk, New York
10504, USA

(770) International Business Machines Corporation
Old Orchard Road, Armonk, NY 10504, USA
(580) 2021 10 13

(111) M 1996 3696 R
(732) International Business Machines Corporation
New Orchard Road, Armonk, New York
10504, USA
(770) International Business Machines Corporation
Old Orchard Road, Armonk, NY 10504, USA
(580) 2021 10 13

(111) M 1996 3697 R
(732) International Business Machines Corporation
New Orchard Road, Armonk, New York
10504, USA
(770) International Business Machines Corporation
Old Orchard Road, Armonk, NY 10504, USA
(580) 2021 10 13

(111) M 1996 3698 R
(732) International Business Machines Corporation
New Orchard Road, Armonk, New York
10504, USA
(770) International Business Machines Corporation
Old Orchard Road, Armonk, NY 10504, USA
(580) 2021 10 13

(111) M 1996 3699 R
(732) International Business Machines Corporation
New Orchard Road, Armonk, New York
10504, USA
(770) International Business Machines Corporation
Old Orchard Road, Armonk, NY 10504, USA
(580) 2021 10 13

(111) M 1997 4744 R
(732) International Business Machines Corporation
New Orchard Road, Armonk, New York
10504, USA
(770) International Business Machines Corporation
Old Orchard Road, Armonk, NY 10504, USA
(580) 2021 10 13

(111) M 1996 4265 R
(732) International Business Machines Corporation
New Orchard Road, Armonk, New York
10504, USA
(770) International Business Machines Corporation
Old Orchard Road, Armonk, NY 10504, USA
(580) 2021 10 13

(111) M 2012 22278 R
(732) Mitel Networks Corporation
4000 Innovation Drive, Kanata, ON K2K3K1,
Canada

(770) Mitel Networks Corporation
350 Legget Drive, Ottawa, Ontario K2K 2W7,
Canada, Canada
(580) 2021 09 20

(111) M 2015 25547 R
(732) Mey Alkollu Ickiler Sanayii Ve Ticaret
Anonim Sirketi
Büyükdere Cad. Bahar Sok. №13 River
Plaza Kat:25 34394 Şişli, İstanbul, Turkey
(770) Mey Alkollu Ickiler Sanayii Ve
Ticaret Anonim Sirketi
Abide-i Hurriyet Cad. №211 Bolkan Center
B Blok Sisli 34381 Istanbul, Turkey
(580) 2021 09 30

(111) M 2015 25548 R
(732) Mey Alkollu Ickiler Sanayii Ve Ticaret
Anonim Sirketi
Büyükdere Cad. Bahar Sok. №13 River
Plaza Kat:25 34394 Şişli, İstanbul, Turkey
(770) Mey Alkollu Ickiler Sanayii Ve
Ticaret Anonim Sirketi
Abide-i Hurriyet Cad. №211 Bolkan Center
B Blok Sisli 34381 Istanbul, Turkey
(580) 2021 09 30

(111) M 1998 10387 R
(732) International Business Machines Corporation
New Orchard Road, Armonk, New York
10504, USA
(770) International Business Machines Corporation
Old Orchard Road, Armonk, NY 10504, USA
(580) 2021 10 13

CANCELLATION OF TRADEMARKS REGISTRATION

(111) M 2019 30847 R

(151) 2019 02 22

(732) Nikoloz Tsiklauri

Burdzгла St. 80, Tbilisi, Georgia

(141) 2021 10 06

(111) M 2001 13833 R

(151) 2001 04 04

(732) Unilever N.V.

Weena 455, NL-3013 AL Rotterdam,

Netherlands

(141) 2021 10 13

(111) M 2011 21348 R

(151) 2011 04 06

(732) LTD "Geofation"

Rustaveli Ave. 40a, Tbilisi, 0108, Georgia

(141) 2021 10 18

(111) M 2011 21332 R

(151) 2011 04 06

(732) Harrington Development Inc.

Elvira Mendez Street, Vallarino bldg.,

3rd Floor, Panama, Republic of Panama

(141) 2021 10 18

(111) M 2011 21333 R

(151) 2011 04 06

(732) Harrington Development Inc.

Elvira Mendez Street, Vallarino bldg.,

3rd Floor, Panama, Republic of Panama

(141) 2021 10 18

(111) M 2011 21334 R

(151) 2011 04 06

(732) Harrington Development Inc.

Elvira Mendez Street, Vallarino bldg.,

3rd Floor, Panama, Republic of Panama

(141) 2021 10 18

(111) M 2011 21335 R

(151) 2011 04 06

(732) Harrington Development Inc.

Elvira Mendez Street, Vallarino bldg.,

3rd Floor, Panama, Republic of Panama

(141) 2021 10 18

(111) M 2011 21336 R

(151) 2011 04 06

(732) Harrington Development Inc.

Elvira Mendez Street, Vallarino bldg.,

3rd Floor, Panama, Republic of Panama

(141) 2021 10 18

(111) M 2011 21349 R

(151) 2011 04 06

(732) LTD "Kedari"

Ilori St. 22, app. 36, 0103, Tbilisi, Georgia

(141) 2021 10 18

(111) M 2011 21350 R

(151) 2011 04 06

(732) LTD "Kampa"

Erekle II, 8/10, 0105, Tbilisi, Georgia

(141) 2021 10 18

(111) M 2011 21351 R

(151) 2011 04 06

(732) LTD "Kampa"

Erekle II, 8/10, 0105, Tbilisi, Georgia

(141) 2021 10 18

(111) M 2011 21338 R

(151) 2011 04 06

(732) LTD "Vere Palace"

Kuchishvili St. 22/24, 0179, Tbilisi, Georgia

(141) 2021 10 18

(111) M 2011 21340 R

(151) 2011 04 06

(732) LTD "Ghvinadze and Partners"

Kote Abkhazi St. 44, 0105, Tbilisi, Georgia

(141) 2021 10 18

(111) M 2011 21352 R

(151) 2011 04 06

(732) LTD "A-B-C Pharmacy"

Sanapiro St. 10a, 0108, Tbilisi, Georgia

(141) 2021 10 18

(111) M 2011 21341 R

(151) 2011 04 06

(732) LTD "Tbilisi Transport Company"

Station Square 2, 0112, Tbilisi, Georgia

(141) 2021 10 18

(111) M 2011 21342 R
(151) 2011 04 06
(732) Piola S.N.C. Di F.E.S. Carniato
Via Carlo Alberto N11, 31100 Treviso, Italy
(141) 2021 10 18

(111) M 2011 21343 R
(151) 2011 04 06
(732) LTD "Ellip textile"
Lilo, Shopping Center "GS", Shop 1, 0151,
Tbilisi, Georgia
(141) 2021 10 18

(111) M 2011 21344 R
(151) 2011 04 06
(732) LTD "Ellip textile"
Lilo, Shopping Center "GS", Shop 1, 0151,
Tbilisi, Georgia
(141) 2021 10 18

(111) M 2011 21345 R
(151) 2011 04 06
(732) LTD "Ellip textile"
Lilo, Shopping Center "GS", Shop 1, 0151,
Tbilisi, Georgia
(141) 2021 10 18

(111) M 2011 21346 R
(151) 2011 04 06
(732) LTD "Ellip textile"
Lilo, Shopping Center "GS", Shop 1, 0151,
Tbilisi, Georgia
(141) 2021 10 18

(111) M 2011 21354 R
(151) 2011 04 07
(732) Harrington Development Inc.
Elvira Mendez Street, Vallarino bldg.,
3rd Floor, Panama, Republic of Panama
(141) 2021 10 18

(111) M 2011 21355 R
(151) 2011 04 07
(732) Harrington Development Inc.
Arango-Orillac Bldg. East 54 th street,
Panama, Republic of Panama
(141) 2021 10 18

(111) M 2011 21356 R
(151) 2011 04 07
(732) Harrington Development Inc.
Elvira Mendez Street, Vallarino bldg.,
3rd Floor, Panama, Republic of Panama
(141) 2021 10 18

(111) M 2011 21329 R
(151) 2011 03 28
(732) Harrington Development Inc.
Elivira Mendez Street, Valerino Bldg,
3rd Floor, Panama, Republic of Panama
(141) 2021 10 06

(111) M 2018 29915 R
(151) 2018 07 17
(732) Nikoloz Tsiklauri
Burdzгла St. 80, app. 7, 0194, Tbilisi,
Georgia
(141) 2021 10 06

CHANGE OF THE LIST OF GOOD AND/OR SERVICE OF TRADEMARK

(111) M 2011 22060 R
(732) Purolator filters NA LLC
3200 Natal Street, North Carolina, 28306, USA
(511) 7, 12

CLASSIFICATION INDEXES

INVENTIONS

CONCORDANCE TABLE OF INTERNATIONAL CLASSIFICATION INDEX AND PUBLICATION NUMBERS

INTERNATIONAL CLASSIFICATION INDEXES (51)	NUMBER OF PUBLISHED APPLICATION (10)
B 60 G 13/14	AP 2021 15478 A
B 62 D 55/075	AP 2021 15450 A
F 02 B 75/04; F 02 D 15/00	AP 2021 15405 A
G 09 B 1/00	AP 2021 15438 A

CONCORDANCE TABLE OF PUBLICATION NUMBERS AND INTERNATIONAL CLASSIFICATION INDEX

NUMBER OF PUBLISHED APPLICATION (10)	INTERNATIONAL CLASSIFICATION INDEXES (51)
AP 2021 15405 A	F 02 B 75/04; F 02 D 15/00
AP 2021 15438 A	G 09 B 1/00
AP 2021 15450 A	B 62 D 55/075
AP 2021 15478 A	B 60 G 13/14

CONCORDANCE TABLE OF INTERNATIONAL CLASSIFICATION INDEX, PATENT NUMBERS AND PUBLICATION NUMBERS

INTERNATIONAL CLASSIFICATION INDEX (51)	NUMBER OF PATENT (11)	NUMBER OF PUBLISHED APPLICATION (10)
A 61 K 31/565; A 61 K 9/20; A 61 K 9/00	P 2021 7308 B	AP 2021 14677 A
C 07 K 16/24	P 2021 7307 B	AP 2021 14876 A

CONCORDANCE TABLE OF PATENT NUMBERS, PUBLICATION NUMBERS AND INTERNATIONAL CLASSIFICATION INDEX

NUMBER OF PATENT (11)	NUMBER OF PUBLISHED APPLICATION (10)	INTERNATIONAL CLASSIFICATION INDEX (51)
P 2021 7307 B	AP 2021 14876 A	C 07 K 16/24
P 2021 7308 B	AP 2021 14677 A	A 61 K 31/565; A 61 K 9/20; A 61 K 9/00

CONCORDANCE TABLE OF APPLICATION NUMBERS, PUBLICATION NUMBERS AND PATENTS

NUMBER OF APPLICATION (21)	NUMBER OF PUBLISHED APPLICATION (10)	NUMBER OF PATENT (11)
AP 2016 14677	AP 2021 14677 A	P 2021 7308 B
AP 2017 14876	AP 2021 14876 A	P 2021 7307 B

UTILITY MODELS

INTERNATIONAL CLASSIFICATION INDEXES (51)	NUMBER OF PUBLISHED APPLICATION (10)
C 04 B 14/10; C 04 B 14/12; C 04 B 14/38; C 04 B 20/04; C 04 B 20/06	AU 2021 15434 U

CONCORDANCE TABLE OF PUBLICATION NUMBERS AND INTERNATIONAL CLASSIFICATION INDEX

NUMBER OF PUBLISHED APPLICATION (10)	INTERNATIONAL CLASSIFICATION INDEXES (51)
AU 2021 15434 U	C 04 B 14/10; C 04 B 14/12; C 04 B 14/38; C 04 B 20/04; C 04 B 20/06

CONCORDANCE TABLE OF INTERNATIONAL CLASSIFICATION INDEX, PATENT NUMBERS AND PUBLICATION NUMBERS

INTERNATIONAL CLASSIFICATION INDEX (51)	NUMBER OF PATENT (11)	NUMBER OF PUBLISHED APPLICATION (10)
B 27 B 7/00; B 27 D 1/04	U 2021 2101 Y	AU 2021 15545 U

CONCORDANCE TABLE OF PATENT NUMBERS, PUBLICATION NUMBERS AND INTERNATIONAL CLASSIFICATION INDEX

NUMBER OF PATENT (11)	NUMBER OF PUBLISHED APPLICATION (10)	INTERNATIONAL CLASSIFICATION INDEX (51)
U 2021 2101 Y	AU 2021 15545 U	B 27 B 7/00; B 27 D 1/04

CONCORDANCE TABLE OF APPLICATION NUMBERS, PUBLICATION NUMBERS AND PATENTS

NUMBER OF APPLICATION (21)	NUMBER OF PUBLISHED APPLICATION (10)	NUMBER OF PATENT (11)
AU 2021 15545	AU 2021 15545 U	U 2021 2101 Y

DESIGNS**CONCORDANCE TABLE OF INTERNATIONAL CLASSIFICATION INDEX
AND PUBLICATION NUMBERS**

INTERNATIONAL CLASSIFICATION INDEXES (51)	NUMBER OF PUBLISHED APPLICATION (10)
09-01	AD 2021 1218 S
19-08	AD 2021 1219 S
19-08	AD 2021 1230 S

**CONCORDANCE TABLE OF PUBLICATION NUMBERS
AND INTERNATIONAL CLASSIFICATION INDEX**

NUMBER OF PUBLISHED APPLICATION (10)	INTERNATIONAL CLASSIFICATION INDEXES (51)
AD 2021 1218 S	09-01
AD 2021 1219 S	19-08
AD 2021 1230 S	19-08

**CONCORDANCE TABLE OF INTERNATIONAL CLASSIFICATION INDEX,
NUMBERS OF REGISTRATION AND PUBLICATION NUMBERS**

INTERNATIONAL CLASSIFICATION INDEX (51)	NUMBER OF REGISTRATION (11)	NUMBER OF PUBLISHED APPLICATION (10)
21-99	D 2021 907 S	AD 2021 1202 S

**CONCORDANCE TABLE OF NUMBERS OF REGISTRATION,
PUBLICATION NUMBERS AND INTERNATIONAL CLASSIFICATION INDEX**

NUMBER OF REGISTRATION (11)	NUMBER OF PUBLISHED APPLICATION (10)	INTERNATIONAL CLASSIFICATION INDEX (51)
D 2021 907 S	AD 2021 1202 S	21-99

**CONCORDANCE TABLE OF APPLICATION NUMBERS,
PUBLICATION NUMBERS AND NUMBERS OF REGISTRATION**

NUMBER OF APPLICATION (21)	NUMBER OF PUBLISHED APPLICATION (10)	NUMBER OF REGISTRATION (11)
AD 2021 1202	AD 2021 1202 S	D 2021 907 S

TRADEMARKS

CONCORDANCE TABLE OF REGISTRATION NUMBERS, APPLICATION NUMBERS, PUBLICATION NUMBERS AND BULLETIN NUMBERS

NUMBER OF REGISTRATION (111)	NUMBER OF APPLICATIONS (210)	NUMBER OF PUBLISHED APPLICATIONS (260)	NUMBER OF BULLETIN
1	2	3	4
M 2021 34576 R	AM 114542	–	19(575)2021
M 2021 34577 R	AM 114678	–	19(575)2021
M 2021 34578 R	AM 114540	–	19(575)2021
M 2021 34579 R	AM 114681	–	19(575)2021
M 2021 34580 R	AM 103313	AM 2020 103313 A	13(545)2020
M 2021 34581 R	AM 105234	AM 2021 105234 A	3(559)2021
M 2021 34582 R	AM 105794	AM 2021 105794 A	9(565)2021
M 2021 34583 R	AM 105970	AM 2021 105970 A	5(561)2021
M 2021 34584 R	AM 109430	AM 2021 109430 A	5(561)2021
M 2021 34585 R	AM 109681	AM 2021 109681 A	7(563)2021
M 2021 34586 R	AM 109729	AM 2021 109729 A	6(562)2021
M 2021 34587 R	AM 109730	AM 2021 109730 A	6(562)2021
M 2021 34588 R	AM 109751	AM 2021 109751 A	7(563)2021
M 2021 34589 R	AM 109752	AM 2021 109752 A	7(563)2021
M 2021 34590 R	AM 109922	AM 2021 109922 A	8(564)2021
M 2021 34591 R	AM 109962	AM 2021 109962 A	8(564)2021
M 2021 34592 R	AM 109963	AM 2021 109963 A	8(564)2021
M 2021 34593 R	AM 109964	AM 2021 109964 A	8(564)2021
M 2021 34594 R	AM 110037	AM 2021 110037 A	8(564)2021
M 2021 34595 R	AM 110038	AM 2021 110038 A	8(564)2021
M 2021 34596 R	AM 110147	AM 2021 110147 A	9(565)2021
M 2021 34597 R	AM 110369	AM 2021 110369 A	11(567)2021
M 2021 34598 R	AM 110445	AM 2021 110445 A	11(567)2021
M 2021 34599 R	AM 110473	AM 2021 110473 A	11(567)2021
M 2021 34600 R	AM 110515	AM 2021 110515 A	11(567)2021
M 2021 34601 R	AM 110521	AM 2021 110521 A	11(567)2021
M 2021 34602 R	AM 110523	AM 2021 110523 A	11(567)2021
M 2021 34603 R	AM 110531	AM 2021 110531 A	11(567)2021
M 2021 34604 R	AM 110532	AM 2021 110532 A	11(567)2021
M 2021 34605 R	AM 110534	AM 2021 110534 A	11(567)2021
M 2021 34606 R	AM 110535	AM 2021 110535 A	11(567)2021
M 2021 34607 R	AM 110691	AM 2021 110691 A	11(567)2021
M 2021 34608 R	AM 114619	–	19(575)2021
M 2021 34609 R	AM 114803	–	19(575)2021
M 2021 34610 R	AM 114801	–	19(575)2021
M 2021 34611 R	AM 114807	–	19(575)2021
M 2021 34612 R	AM 114815	–	19(575)2021
M 2021 34613 R	AM 114816	–	19(575)2021
M 2021 34614 R	AM 114811	–	19(575)2021
M 2021 34615 R	AM 114916	–	19(575)2021
M 2021 34616 R	AM 107479	AM 2021 107479 A	13(569)2021
M 2021 34617 R	AM 109366	AM 2021 109366 A	6(562)2021
M 2021 34618 R	AM 109502	AM 2021 109502 A	6(562)2021
M 2021 34619 R	AM 109595	AM 2021 109595 A	6(562)2021
M 2021 34620 R	AM 109682	AM 2021 109682 A	6(562)2021

CONCORDANCE TABLE OF INDEX OF GOODS AND/OR SERVICES
AND APPLICATION NUMBERS

INDEX OF GOODS AND/OR SERVICES (511)	NUMBER OF PUBLISHED APPLICATIONS (260)	1	2
1	2		
3	AM 2021 112075 A	33	AM 2021 112192 A
3	AM 2021 112076 A	33	AM 2021 112258 A
3	AM 2021 112164 A	33	AM 2021 112480 A
5	AM 2021 111971 A	33	AM 2021 112503 A
5	AM 2021 111972 A	35	AM 2021 111958 A
5	AM 2021 112061 A	35	AM 2021 111969 A
5	AM 2021 112075 A	35	AM 2021 111973 A
5	AM 2021 112076 A	35	AM 2021 112089 A
5	AM 2021 112081 A	35	AM 2021 112164 A
5	AM 2021 112095 A	35	AM 2021 112192 A
5	AM 2021 112164 A	35	AM 2021 112491 A
5	AM 2021 112171 A	35	AM 2021 112492 A
5	AM 2021 112498 A	36	AM 2021 111969 A
9	AM 2021 111958 A	36	AM 2021 112491 A
9	AM 2021 111976 A	36	AM 2021 112492 A
12	AM 2021 111973 A	37	AM 2021 111958 A
29	AM 2021 112065 A	37	AM 2021 112172 A
29	AM 2021 112164 A	37	AM 2021 112173 A
29	AM 2021 112403 A	37	AM 2021 112300 A
30	AM 2021 112065 A	38	AM 2021 111958 A
30	AM 2021 112164 A	38	AM 2021 112164 A
30	AM 2021 112476 A	39	AM 2021 111939 A
30	AM 2021 112477 A	39	AM 2021 111973 A
30	AM 2021 112478 A	41	AM 2021 111976 A
30	AM 2021 112479 A	41	AM 2021 112164 A
30	AM 2021 112483 A	41	AM 2021 112491 A
30	AM 2021 112484 A	41	AM 2021 112492 A
31	AM 2021 110973 A	42	AM 2021 111958 A
31	AM 2021 111977 A	43	AM 2021 109764 A
31	AM 2021 112164 A	43	AM 2021 111939 A
33	AM 2021 109764 A	43	AM 2021 111969 A
33	AM 2021 110973 A	43	AM 2021 112089 A
33	AM 2021 112089 A	43	AM 2021 112399 A
		44	AM 2021 112403 A
		44	AM 2021 111601 A
		45	AM 2021 112164 A
			AM 2021 111958 A

CONCORDANCE TABLE OF INDEX OF GOODS AND/OR SERVICES
AND NUMBERS OF TRADEMARKS REGISTERED ACCORDING
TO THE ACCELERATED PROCEDURE

INDEX OF GOODS AND/OR SERVICES (511)	NUMBERS OF REGISTERED ACCORDING TO THE ACCELERATED PROCEDURE (111)
5	M 2021 34577 R
6	M 2021 34578 R
9	M 2021 34611 R
25	M 2021 34614 R
29	M 2021 34635 R
31	M 2021 34635 R
32	M 2021 34609 R
32	M 2021 34615 R
33	M 2021 34576 R
33	M 2021 34609 R
33	M 2021 34615 R
34	M 2021 34579 R
35	M 2021 34609 R
36	M 2021 34610 R
41	M 2021 34612 R
41	M 2021 34613 R
43	M 2021 34608 R
43	M 2021 34609 R

OFFICIAL BULLETIN OF THE INDUSTRIAL PROPERTY

**INVENTIONS
UTILITY MODELS
DESIGNS
TRADEMARKS**

19(575)

EDITOR-IN-CHIEF: N. Bebrishvili

EDITOR-TRANSLATOR: E. Gabunia

PROOFREADER: A. Shikhashvili

COMPUTER LAYOUT: M. Ordenidze
K. Svanidze

info@sakpatenti.gov.ge
www.sakpatenti.gov.ge