

Official Bulletin of the Industrial Property

Inventions

Utility Models

Designs

Trademarks

Appellations of Origin of Goods



საქართველოს ინტელექტუალური
საკუთრების ეროვნული ცენტრი

საკპატი

SAKPATENTI

NATIONAL INTELLECTUAL PROPERTY
CENTER OF GEORGIA

www.sakpatenti.gov.ge

Date of Publication – 2022 01 25

2(581)

INID CODES FOR IDENTIFICATION OF BIBLIOGRAPHIC DATA

INVENTIONS, UTILITY MODELS

- (10) Number of publication for application, which has been examined
- (11) Number of patent and kind of document
- (21) Serial number of application
- (22) Date of filing of the application
- (23) Date of exhibition or the date of the earlier filing and the number of application, if any
- (24) Date from which patent may have effect
- (31) Number of priority application
- (32) Date of filing of priority application
- (33) Code of the country or regional organization allotting priority application number
- (44) Date of publication of application not granted, but examined and number of bulletin
- (45) Date of publication of registered document
- (51) International Patent Classification Index

- (54) Title of the invention
- (57) Abstract
- (60) Number of examined patent document granted by foreign patent office, date from which patent has effect and country code
- (62) Number of the earlier application and in case of divided application, date of filing an application
- (71) Name, surname and address of applicant (country code)
- (72) Name, surname of inventor (country code)
- (73) Name, surname and address of patent owner (country code)
- (74) Name, surname of representative or patent attorney
- (85) Date of commencement of the national phase of International Application
- (86) Number and date of filing of international application
- (87) Number and date of publication of international application
- (94) Calculated date of expiry of the SPC or the duration of the SPC

DESIGNS

- (10) Number of publication for application
- (11) Number of patent and kind of document or number of registration
- (15) Date of registration/Date of patent renewal
- (18) Expected expiration date of patent or registration
- (21) Serial number of application
- (22) Date of filing of the application
- (23) Date of exhibition or the date of the earlier filing and the number of application, if any
- (24) Date from which patent may have effect
- (28) Number of designs included in the application
- (30) Data relating to priority (number of application, date of filing of application, two-letter code identifying the authority with whom the priority application was made)
- (31) Number of priority application
- (32) Date of filing of priority application
- (33) Code of the country or regional organization allotting priority application number
- (34) Two-letter code according to WIPO St.3 identifying the authority with which the priority application was made
- (44) Date of publication of design and number of bulletin (the first publication)
- (45) Date of publication of design registered by WIPO and number of bulletin

- (51) International Classification for designs (class and subclass of the Locarno Classification)
- (54) Title of the invention
- (55) Reproduction of the design
- (57) Description of characteristic features of the design including indication of colors
- (58) Date of recording of any kind of amendment in the Register
- (62) Number of the earlier application, registration and document number and if available the date of filing an application in case of divided application
- (71) Name, surname and address of applicant (country code)
- (72) Name, surname of creator (country code)
- (73) Name, surname and address of patent owner (country code)
- (74) Name, surname of representative or patent attorney
- (81) Contracting states concerned
 - II designated contracting states according to the 1960 Act
 - III designated contracting states according to the 1999 Act
- (85) Owner's permanent address
- (86) Owner's nationality
- (87) Owner's residence
- (88) State in which the owner has a real and effective industrial or commercial establishment

TRADEMARKS

- (111) - Number of registration
- (151) - Date of registration
- (156) - Date of the renewal
- (181) - Expected expiration date of registration
- (186) - Renewal expiration date of registration
- (141) - Date of cancel of duration of the mark
- (210) - Serial number of application
- (220) - Date of filing of the application
- (230) - Data concerning exhibition
- (260) - Number of application, for which favorable decision of examination about registration has been taken (publication number)
- (310) - Number of the first application
- (320) - Date of filing of the first application
- (330) - Code, identifying national or regional Office where the first application was made
- (511) - International Classification of Goods and Services for the purposes of registration of trade marks and/or list of goods and/or services classified according thereto
- (526) - Disclaimer
- (531) - Description of figurative elements of Trade Marks according to the International Classification of the Figurative Elements of Marks

- (540) - Reproduction of Trade Mark
- (550) - Nature and kind of Trade Mark
- (551) - Indication to the effect that the mark is a collective mark, a certification mark or a guarantee mark
- (554) - Three-dimensional mark
- (580) - Date of recording of any kind changes in respect of applications or registrations
- (591) - Information concerning colors claimed
- (731) - Name and address of the applicant
- (732) - Name and address of the holder of the registration
- (740) - Name and address of the representative
- (750) - Addreses for correspondence
- (770) - Name and address of the previous applicant or holder in case of change in ownership
- (771) - Previous name and address of the applicant or holder in case of change in ownership
- (791) - Name and address of the licensee
- (793) - Indication of conditions and/or restrictions under the license (Type of license, number of license agreement, data of license, data of validity of license)
- (800) - Certain data relating to the international registration of Trade Marks under the Protocol Relating to Madrid Agreement (International registration number
- (852) - Partial cancellation of the list of goods and services
- (891) - Date of subsequent designation

CODES FOR PUBLICATION IN BULLETIN

- (21) AP 0000 000000 - serial number of application for invention
- (10) AP 0000 0000 A - number of published application for invention (first publication)
- (11) P 0000 0000 B - number of patent for invention (second publication)
- (21) API 0000 000000 - number of application for imported patent
- (11) PI 0000 0000 A - number of imported patent (first publication)
- (21) AU 0000 000000 - serial number of application for utility model
- (10) AU 0000 000 U - number of published application for utility model (first publication)
- (11) U 0000 000 Y - number of patent for utility model (second publication)
- (21) AD 0000 000000 - serial number of application for design
- (10) AD 0000 000 S - number of published application for design (first publication)
- (11) D 0000 000 S - registered design

INTERNATIONAL PATENT CLASSIFICATION FOR INVENTIONS AND UTILITY MODELS

- SECTION A - HUMAN NECESSITIES
- SECTION B - PERFORMING OPERATIONS; TRANSPORTING
- SECTION C - CHEMISTRY; METALLURGY
- SECTION D - TEXTILES; PAPER
- SECTION E - FIXED CONSTRUCTIONS
- SECTION F - MECHANICAL ENGINEERING; LIGHTING; HEATING; WEAPONS; BLASTING
- SECTION G - PHYSICS
- SECTION H - ELECTRICITY

-
- M - Trade Mark
 - (210) AM 0000 000000 - Serial number of application;
 - (260) AAM 0000 00000 A - Publication number of application;
 - (111) M 0000 00000 R - Number of registration;
 - (111) MMM0000 00000 Rn - Number of renewals, in which n=1,2,3;
 - (111) M 0000 00000 R(P) - Number of registration under partial assignment of rights
-

Official Bulletin of the Industrial Property

Inventions

Utility Models

Designs

Trademarks

Appellations of Origin of Goods

CONTENTS

PUBLISHED TITLES OF PROTECTION	3
INVENTIONS	
▪ APPLICATIONS APPROVED FOR GRANTING PATENT	4
▪ PATENTED INVENTIONS	7
UTILITY MODELS	
PATENTED UTILITY MODELS	10
DESIGNS	
▪ APPLICATIONS APPROVED FOR REGISTRATION	11
▪ REGISTERED DESIGN	13
▪ DESIGN REGISTERED ACCORDING TO THE ACCELERATED PROCEDURE	14
▪ DESIGNS, WHICH HAVE BEEN REGISTERED WITH THE INTERNATIONAL BUREAU CLAIMING PRIORITY ON THE TERRITORY OF GEORGIA	16
TRADEMARKS	
▪ APPLICATIONS FILED UNDER THE NATIONAL PROCEDURE APPROVED FOR REGISTRATION	22
▪ REGISTERED TRADEMARKS	39
▪ TRADEMARKS REGISTERED ACCORDING TO THE ACCELERATED PROCEDURE	45
▪ INTERNATIONAL TRADEMARKS FOR WHICH A DECISION ON GRANTING PROTECTION IS TAKEN	48
▪ INTERNATIONAL TRADEMARKS PROTECTED IN GEORGIA	71
APPELLATIONS OF ORIGIN OF GOODS	
PROTECTED INTERNATIONAL APPELLATIONS OF ORIGIN OF GOODS	79
OFFICIAL NOTIFICATIONS	
INVENTIONS	
▪ RESTORATION OF PATENTS	81
▪ ABOLITION OF PATENTS WITH THE RIGHT TO RESTORE	81
▪ EXPIRATION OF TERM OF RESTORATION OF PATENTS	82
▪ CHANGES OF NAMES AND/OR ADDRESSES OF PATENTOWNER	85
UTILITY MODELS	
▪ ABOLITION OF PATENTS WITH THE RIGHT TO RESTORE	86
▪ EXPIRATION OF TERM OF RESTORATION OF PATENTS	86
DESIGNS	
▪ EXTENSION OF TERMS OF DESIGNS REGISTRATION	87
▪ EXTENSION OF TERMS OF INTERNATIONAL DESIGNS REGISTRATION	87
TRADEMARKS	
▪ EXTENSION OF TERMS OF REGISTRATION	90
▪ COMPLETE TRANSFER OF RIGHTS	93
▪ CHANGES OF NAMES AND/OR ADDRESSES OF OWNERS	94
▪ CANCELLATION OF TRADEMARKS REGISTRATION	95
▪ CHANGE OF THE LIST OF GOOD AND/OR SERVICE OF TRADEMARK	97
CLASSIFICATION INDEXES	
INVENTIONS	98
UTILITY MODELS	99
DESIGNS	100
TRADEMARKS	102

PUBLISHED TITLES OF PROTECTION

INVENTIONS

- **APPLICATIONS APPROVED FOR GRANTING PATENT:**
15459; 15378; 15245; 15451; 15493
- **PATENTED INVENTIONS:**
7337-7345

UTILITY MODELS

- **PATENTED UTILITY MODELS:**
2105, 2106

DESIGNS

- **APPLICATIONS APPROVED FOR REGISTRATION:**
1239; 1234
- **REGISTERED DESIGN:**
918
- **DESIGN REGISTERED ACCORDING TO THE ACCELERATED PROCEDURE:**
917
- **DESIGNS, WHICH HAVE BEEN REGISTERED WITH THE INTERNATIONAL BUREAU CLAIMING PRIORITY ON THE TERRITORY OF GEORGIA:**
215567; 214643; 214635; 217598

TRADEMARKS

- **APPLICATIONS FILED UNDER THE NATIONAL PROCEDURE APPROVED FOR REGISTRATION:**
104319; 111398-111400; 111432; 111518; 113107; 113138; 113186; 113223; 113230; 113239; 113241; 113244; 113252; 113259; 113266; 113269-113272; 113275; 113277; 113278; 113283; 113335; 113336; 113338; 113342; 113344; 113346; 113347; 113353-113356; 113359; 113361; 113365; 113368-113373; 113379; 113385; 113387; 113389; 113392; 113395; 113397; 113401-113404; 113421; 113425; 113426; 113429; 113430; 113432; 113433; 113486; 113507-113518; 113522; 113579-113581; 113585; 113591; 113593; 113596; 113602; 113603; 113608; 113611; 113617; 113619; 113621; 113622; 113684; 113685; 113687-113689; 113692; 113700; 113708; 113764; 113769; 113852; 113853; 114223
- **REGISTERED TRADEMARKS:**
34901-34934; 34943-34974
- **TRADEMARKS REGISTERED ACCORDING TO THE ACCELERATED PROCEDURE:**
34900; 34935-34942; 34975
- **INTERNATIONAL TRADEMARKS FOR WHICH A DECISION ON GRANTING PROTECTIONS IS TAKEN:**
107703*; 109343*; 110253*; 112243; 112316; 112319; 112326-112329; 112437; 112441; 112448-112450; 112512; 112513; 112537-112540; 112557; 112559-112561; 112567-112571; 112630; 112631; 112747; 112748; 112751; 112759-112764; 112772-112776; 112809-112811; 112878; 112982
- **INTERNATIONAL TRADEMARKS PROTECTED IN GEORGIA:**
109474; 109645; 110802-110814; 110830-110839; 110855; 110857; 110892-110894; 110905-110913; 110920-110925; 110927; 110928; 110930; 110987; 110996-110999; 111016; 111026; 111051; 111058; 111059; 111097; 111098; 111122-111124; 111127; 111165; 111175-111179; 111200-111205; 111209; 111231; 111233; 111234; 111255-111259; 111293; 111296; 111297; 111303-111307; 111361; 111381; 111390; 111391; 111450; 111544; 111545

APPELLATIONS OF ORIGIN OF GOODS

- **PROTECTED INTERNATIONAL APPELLATIONS OF ORIGIN OF GOODS:**
1148; 1153-1155

INVENTIONS

APPLICATIONS APPROVED FOR GRANTING PATENT

The decision can be appealed at the Chamber of Appeal of Sakpatenti within 3 months from the publication or at the Mtskheta District Court Administrative Cases Board (Address: №17, Samkhedro St., Mtskheta), within 1 month following the publication.

PART A

A 01

- (10) AP 2022 15459 A (51) Int. Cl. (2006)
A 01 G 13/02
(21) AP 2020 15459 (22) 2020 09 28
(71) LEPL Georgian Technical University (GE)
M. Kostava St. 77, 0109, Tbilisi, Georgia (GE)
(72) Zviadi Ghviniashvili (GE);
Tamazi Dzagania (GE);
Mikheili Janikashvili (GE);
Omar Tedoradze (GE);
Vazha Kiria (GE);
Davit Tavkheldidze (GE)
(74) Tamazi Urtmelidze
(54) HAIL PROTECTION DEVICE FOR
VINEYARDS

(57) A device includes disposed in rows the supporting poles 1 on the tops whereof the clamps are installed, whereon the anti-hail net 4 is fastened, and net open-folding mechanism. The clamps are executed on each supporting pole top as hinged couple of levers 2 and 3 rotatable around their fastening axes in horizontal plane. Anti-hail net is fixed onto side cables 5 and 6 fastened on said levers ends. Net open-folding mechanism is created with side cables fixing the net on the clamps, one end whereof is connected to an actuator; and on another – the stretching load 11 is hanged. The actuator is executed as a ratchet 13 and an electromagnet 14 the core whereof is capable to impact on the lock of ratchet.

Claims: 1 independent

Fig.: 4

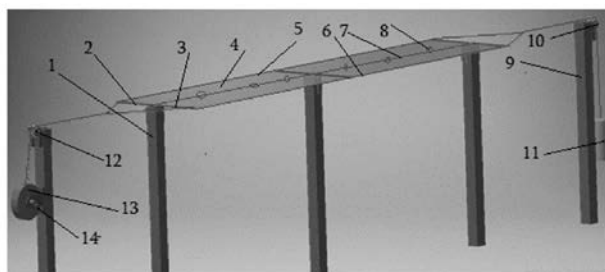
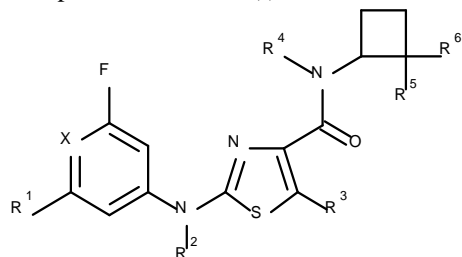


Fig. 1

- (10) AP 2022 15378 A (51) Int. Cl. (2006)
A 01 N 43/78
C 07 D 417/12
C 07 D 277/56
(21) AP 2018 15378 (22) 2018 11 27
(31) 17204474.5
(32) 2017 11 29
(33) EP
(71) Syngenta Participations AG (CH)
Rosentalstrasse 67, Basel, 4058,
Switzerland (CH)
(72) POULIOT, Martin (CH);
RENDINE, Stefano (CH)
(74) Tamar Kochlamazashvili
(85) 2020 06 25
(86) PCT/EP2018/082711, 2018 11 27
(54) MICROBIOCIDAL THIAZOLE
DERIVATIVES
(57) Compound of formula (I)



(I)

and usage thereof as fungicides.

Claims: 4 independents

11 dependents

PART B

B 08

- (10) AP 2022 15245 A (51) Int. Cl. (2006)
B 08 B 7/00
B 08 B 9/08
- (21) AP 2018 15245 (22) 2018 05 24
- (31) 00682/17
- (32) 2017 05 24
- (33) CH
- (71) Bang & Clean GMBH (CH)
Bünzweg 15, Othmarsingen, 5504,
Switzerland (CH)
- (72) BÜRGIN, Markus (CH)
- (74) Aleksandre Gegechkori
- (85) 2019 12 23
- (86) PCT/EP2018/063618, 2018 05 24
- (54) METHOD AND DEVICE FOR
CLEANING INTERIORS OF
CONTAINERS AND
FACILITIES

(57) A device contains supply system (37) for providing explosive mixture or starting components thereof, and transport line (1.2-1.3, 91) connected to supply system (37) and mixing node (12) to create explosive mixture, consisting at least of two starting components. Mixing node is disposed between supply system (37) and transport line (1.2-1.3, 91), at least one section whereof is executed as multilayered transport hose including first pressureresistent hose (4, 94), and another airproof hose (5, 92) disposed inside thereof.

Claims: 2 independents
30 dependents

Fig.: 7

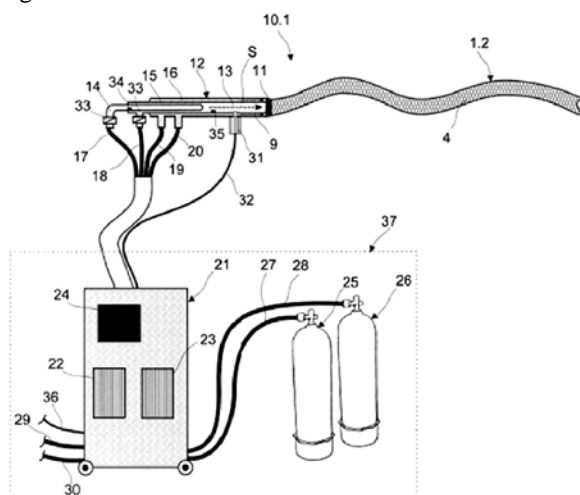


Fig. 1

B 66

- (10) AP 2022 15451 A (51) Int. Cl. (2006)
B 66 B 9/08
- (21) AP 2020 15451 (22) 2020 09 18
- (71) LEPL Georgian Technical University (GE)
M. Kostava St. 77, 0109, Tbilisi, Georgia (GE)
- (72) Mikheili Janikashvili (GE);
Zviad Ghviniashvili (GE);
Vazha Kiria (GE);
Tamazi Dzagania (GE);
Davit Tavkheldize (GE)
- (74) Tamazi Urtmelidze
- (54) SYTEM FOR SPECIAL NEED PERSONS
MOTION ON STAIRWELL

(57) A system includes disposed along stairwell the couple of parallel guides, whereon bearing frame 17 is installed movable, and folding platform 1 connected thereto hingedly to place special need person wheelchair. Actuating mechanism having a drive 15 is disposed on the frame, as well; at that, actuating mechanism is equipped with lifting cable curved on a drum forced on drive outlet shaft with middle part thereof so that directed opposite the branches thereof are connected to the supports by means of springs. Furthermore, the system is equipped with autonomical feeding source 20 with charging node and control panel 4 disposed on the platform.

Claims: 1 independent
2 dependents

Fig.: 3

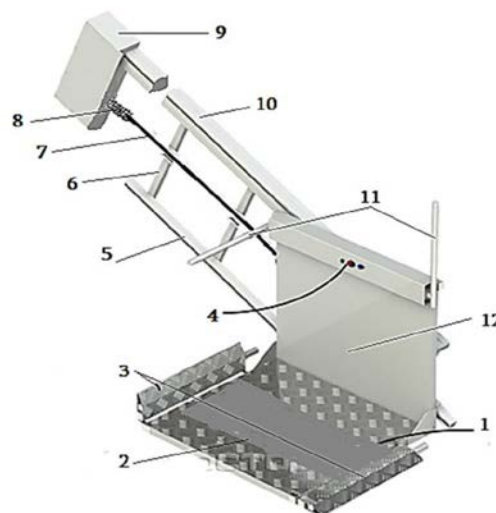


Fig. 1

PART C

C 02

(10) AP 2022 15493 A (51) Int. Cl. (2006)

C 02 F 1/20

E 21 B 43/00

(21) AP 2020 15493 (22) 2020 11 19

(71) Gurami Kemertelidze (GE)

Sulkhan Tsintsadze St. 10, 0060, Tbilisi,
Georgia (GE)

(72) Gurami Kemertelidze (GE)

(54) COMPLEX FOR OBTAINING ELECTRICITY
FROM HYDROGEN SULFIDE EXISTED ON
THE BLACK SEA BOTTOM

(57) A complex includes floating means 1, a turboaggregate 9 disposed thereon, air compressor 5, a winch 2, glass cap 4 to drop a content from floating means by means of cable, a hose 6 to puff a soil by means compressed air from the compressor, to push out hydrogen sulfide intensively, and to fill glass cap with hydrogen sulfide and air; at that, glass cap top is equipped with screwed candles 7 to switch a mixture, and push out water vapor and sulfur air received as a result of combustion by means of outlet pipe 7 connected to turboaggregate placed on floating means; furthermore, the complex is equipped with onboard computer 13, and connected thereto measuring transmitters 10, 11 and 12 measuring a distance between glass cap and sea bottom, and on the basis of hydrogen sulfide maximum concentration the opportunity to determine floating means motion together with glass cap, and combustion mixture content in the glass cap are provided.

Claims: 1 independent

Fig.: 3

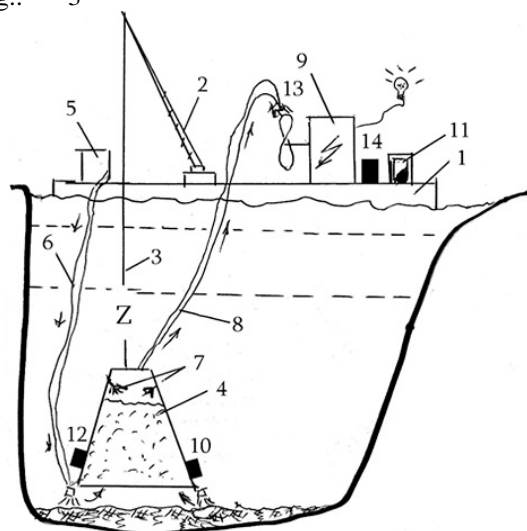


Fig. 1

PATENTED INVENTIONS

PART A

A 23

- (11) P 2022 7338 B (51) Int. Cl. (2006)
A 23 C 21/00
A 23 C 9/13
- (10) AP 2021 15480 A (44) 17(573)/2021
(21) AP 2020 15480
(22) 2020 10 29
(24) 2020 10 29
(73) Giorgi Pkhakadze (GE)
26th May St. 45, 4600, Kutaisi, Georgia (GE)
(72) Giorgi Pkhakadze (GE)
(54) METHOD FOR LACTIC ACID BEVERAGE
PRODUCTION

A 61

- (11) P 2022 7339 B (51) Int. Cl. (2006)
A 61 K 31/519
A 61 P 35/00
- (10) AP 2021 14914 A (44) 15(571)/2021
(21) AP 2017 14914
(22) 2017 04 04
(24) 2017 04 04
(31) 62/318,041; 62/323,452; 62/329,561
(32) 2016 04 04; 2016 04 15; 2016 04 29
(33) US; US; US
(86) PCT/US2017/025939, 2017 04 04
(73) Loxo Oncology Inc. (US)
281 Tresse Blvd. 9th fl., Stamford,
Connecticut 06901, USA (US)
(72) SMITH, Steven A. (US);
REYNOLDS, Mark (US)
(74) Giorgi Kartvelishvili
(54) LIQUID FORMULATIONS OF (S)-N-
(5-((R)-2-(2,5-DIFLUOROPHENYL)-
PYRROLIDIN-1-YL)-PYRAZOLO
[1,5-A]PYRIMIDIN-3-YL)-3-HYDRO-
XYPYRROLIDINE-1-CARBOXAMIDE

- (11) P 2022 7343 B (51) Int. Cl. (2006)
A 61 K 39/395
A 61 K 39/00
A 61 P 37/02
C 07 K 16/28
- (10) AP 2021 14453 A (44) 13(569)/2021
(21) AP 2015 14453
(22) 2015 08 17
(24) 2015 08 17
(31) 62/171,319; 62/.039,081

- (32) 2015 06 05; 2014 08 19
(33) US; US
(86) PCT/US2015/045481, 2015 08 17
(73) Merck Sharp & Dohme Corp. (US)
126 EastLincoln Ave, Rahway,
NJ 07065 – 0907 (US)
(72) LIANG, Linda (US);
FAYADAT-DILMAN, Laurence (US);
MALEFYT, Rene De Waal (NL);
RAGHUNATHAN, Gopalan (US)
(74) Shalva Gvaramadze
(54) ANTI-LAG3 ANTIBODIES AND
ANTIGEN-BINDING FRAGMENTS

- (11) P 2022 7344 B (51) Int. Cl. (2006)
A 61 K 31/519
C 07 D 451/14
C 07 D 451/04
C 07 D 403/12
- (10) AP 2021 15340 A (44) 14(570)/2021
(21) AP 2018 15340
(22) 2018 10 26
(24) 2018 10 26
(31) 62/577,852
(32) 2017 10 27
(33) US
(86) PCT/US2018/057682, 2018 10 26
(73) Theravance Biopharma R&D Ip, LLC (US)
901 Gateway Blvd., South San Francisco,
CA 94080, USA (US)
(72) HUDSON, Ryan (US);
BRANDT, Gary E.L. (US);
DABROS, Marta (US);
KOZAK, Jennifer (US);
NZEREM, Jerry (US)
MCKINNELL, Robert Murray (US)
(74) Shalva Gvaramadze
(54) PYRIMIDINE COMPOUND AS JAK
KINASE INHIBITOR

PART B**B 61**

- (11) P 2022 7345 B (51) Int. Cl. (2006)
B 61 H 1/00
F 16 D 65/06
- (10) AP 2021 15348 A (44) 17(573)/2021
(21) AP 2018 15348
(22) 2018 05 28
(24) 2018 05 28
(31) 2017138323
(32) 2017 11 02
(33) RU
(86) PCT/RU2018/000337, 2018 05 28
(73) Open Joint Stock Company "Ural Plant of
Auto-Textile Products" (RU)
Plekhanov St. 64, Asbest, Sverdlovsk Rgn.,
624269, Russian Federation (RU)
(72) KUZMINYIKH, Andrey Germanovich (RU);
ROMANENKO, Vitaliy Valerievich (RU)
(74) Larisa Amirkhanyan
(54) BRAKE SHOE FOR RAILROAD VEHICLE

B 66

- (11) P 2022 7337 B (51) Int. Cl. (2006)
B 66 D 5/26
- (10) AP 2021 15474 A (44) 16(572)/2021
(21) AP 2020 15474
(22) 2020 10 20
(24) 2020 10 20
(73) Simon Bitsadze (GE)
Pekini St. 31g, app. 29, 0160, Tbilisi,
Georgia (GE);
Rusudan Bitsadze (GE)
Pekini St. 31g, app. 29, 0160, Tbilisi,
Georgia (GE)
(72) Simon Bitsadze (GE);
Rusudan Bitsadze (GE)
(54) MAGNETIC HYDRAULIC PUSHER
HAVING MEMBRANE

PART C**C 07**

- (11) P 2022 7340 B (51) Int. Cl. (2006)
C 07 D 295/205
C 07 D 213/75
- (10) AP 2021 15258 A (44) 16(572)/2021
(21) AP 2018 15258
(22) 2018 06 29
(24) 2018 06 29
(31) 62/527,174; 62/664,363
(32) 2017 06 30; 2018 04 30
(33) US; US
(86) PCT/US2018/040176, 2018 06 29
(73) Amgen Inc. (US)
One Amgen Center Drive, Thousand Oaks,
CA 91320-1799, USA (US)
(72) ROOSEN, Philipp (US);
COSBIE, Andrew (US);
NEERGUNDA, Archana (US);
SHI, Xianqing (US);
WANG, Fang (US);
WU, Zufan (US);
QUAN, Bin, Peter (US);
CAILLE, Sebastien (US);
QUASDORF, Kyle (US);
GUAN, Lianxiu (US)
(74) Shalva Gvaramadze
(54) NEW IMMEDIATE COMPOUNDS FOR
SYNTHESIS OF OMECAMTIV MECARBIL
AND PREPARATION METHODS THEREOF

- (11) P 2022 7342 B (51) Int. Cl. (2006)
C 07 D 498/00
- (10) AP 2021 12996 A (44) 16(572)/2021
(21) AP 2011 12996
(22) 2011 07 12
(24) 2011 07 12
(31) 61/363,609; 61/419,056
(32) 2010 07 12; 2010 12 02
(33) US; US
(86) PCT/US2011/043769, 2011 07 12
(73) Salix Pharmaceuticals LTD (US)
8510 Colonnade Center Dr. Raleigh, North
Carolina 27615 (US)
(72) SELBO, Jon (CN);
TENG, Jing (CN);
KABIR, Mohammed, A. (US);
GOLDEN, Pam (US)
(74) Tamar Kochlamazashvili
(54) FORMULATIONS OF RIFAXIMIN
AND USES THEREOF

PART E**E 21**

- (11) P 2022 7341 B (51) Int. Cl. (2006)
E 21 B 43/24
E 21 B 43/295
- (10) AP 2021 14863 A (44) 16(572)/2021
(21) AP 2017 14863
(22) 2017 02 07
(24) 2017 02 07
(31) 62/292,556
(32) 2016 02 08
(33) US
(86) PCT/CA2017/050135, 2017 02 07
(73) Proton Technologies Inc. (VG)
Wickams Cay I, Rd. Town, Tortola,
British Virgin Islands (VG)
(72) GATES, Ian D. (CA);
WANG, Jingyi (CA)
(74) Shalva Gvaramadze
(54) IN-SITU PROCESS TO PRODUCE
HYDROGEN FROM UNDERGROUND
HYDROCARBON RESERVOIRS
-

UTILITY MODELS

PATENTED UTILITY MODELS

PART B

B 61

- (11) U 2022 2106 Y (51) Int. Cl. (2006)
B 61 H 1/00
F 16 D 69/02
F 16 D 65/06
- (10) AU 2021 15330 U (44) 17(573)/2021
(21) AU 2018 15330
(22) 2018 05 28
(24) 2018 05 28
(31) 2017137563
(32) 2017 10 26
(33) RU
(86) PCT/RU2018/000339, 2018 05 28
(73) Open Joint Stock Company "Ural Plant
of Auto-Textile Products" (RU)
Plekhanov St. 64, Asbest, Sverdlovsk Rgn.,
624269, Russian Federation (RU)
(72) ROMANENKO, Vitaliy Valerievich (RU);
KUZMINYIKH, Andrey Germanovich (RU)
(74) Larisa Amirkhanyan
(54) BRAKE SHOE FOR RAILWAY VEHICLE
-

PART F

F 16

- (11) U 2022 2105 Y (51) Int. Cl. (2006)
F 16 D 65/06
- (10) AU 2021 15350 U (44) 17(573)/2021
(21) AU 2018 15350
(22) 2018 05 28
(24) 2018 05 28
(31) 2017138326
(32) 2017 11 02
(33) RU
(86) PCT/RU2018/000336, 2018 05 28
(73) Open Joint Stock Company "Ural Plant of
Auto-Textile Products" (RU)
Ul. Plekhanova 64, Asbest, Sverdlovsk Rgn.,
624269, Russian Federation (RU)
(72) KUZMINYIKH, Andrey Germanovich (RU);
ROMANENKO, Vitaliy Valerievich (RU)
(74) Larisa Amirkhanyan
(54) BRAKE SHOE FOR RAILWAY VEHICLE
-

DESIGNS

APPLICATIONS APPROVED FOR REGISTRATION

The decision can be appealed at the Chamber of Appeal of Sakpatenti within 3 months from the publication or at the Mtskheta District Court Administrative Cases Board (Address: №17, Samkhedro str., Mtskheta), within 1 month following the publication.

- (10) AD 2022 1239 S (51) 25-01
(21) AD 2021 1239 (22) 2021 09 21
(28) 1
(71) Elguja Beridze (GE)
Kvareli St. 131, 0148, Tbilisi, Georgia (GE)
(72) Elguja Beridze (GE)
(54) CLAMP FOR ARMATURE
(55)



- (10) AD 2022 1234 S (51) 32-00
(21) AD 2021 1234 (22) 2021 07 29
(28) 2
(71) LTD "Tobi" (GE)
Rustaveli Av. 40-40a, 0108, Tbilisi, Georgia (GE)
(72) Gela Dzidzikashvili (GE)
(74) Vakhtang Torotadze (GE)
(54) BOX DESIGN
(55)



REGISTERED DESIGN

- (11) D 2022 918 S (51) 09-01
(10) AD 2021 1228 S (44) 2021 10 11 №18
(21) AD 2021 1228
(22) 2021 06 25
(24) 2021 06 25
(28) 1
(18) 2026 06 25
(73) JSC "Argo" (GE)
 Lilo, Lochini Gorge (Plot 05/001), 0151, Tbilisi,
 Georgia (GE)
(72) Giorgi Nemsadze (GE)
(54) BOTTLE DESIGN
-

DESIGNS REGISTERED ACCORDING TO THE ACCELERATED PROCEDURE

The decision can be appealed at the Chamber of Appeal of Sakpatenti within 3 months from the publication.

- (11) D 2022 917 S (51) 02-04
(21) AD 2021 1251 (22) 2021 12 08
(24) 2021 12 08
(28) 1
(18) 2026 12 08
(73) Zurab Turtuseladze (GE)
 Vazisubani Setlment, IV mcr., II qu., bld. 3, app. 23, 0152, Tbilisi, Georgia (GE)
(72) Zurab Turtuseladze (GE)
(54) WINTER BOOTS FOR WOMEN
(55)



1.1



1.2



1.3



1.4



1.5



1.6



1.7

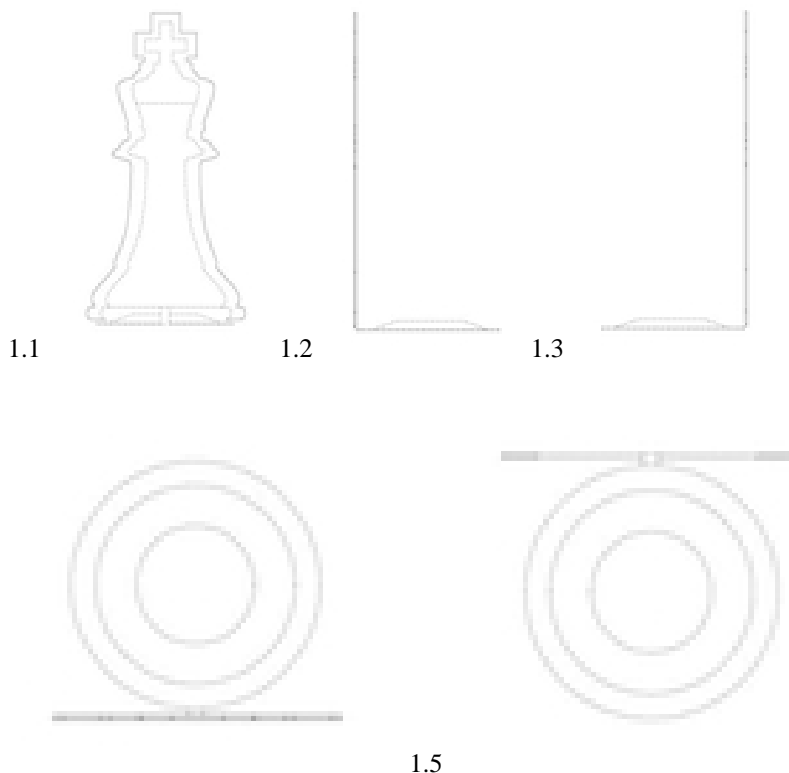


1.8

DESIGNS, WHICH HAVE BEEN REGISTERED WITH THE INTERNATIONAL BUREAU CLAIMING PRIORITY ON THE TERRITORY OF GEORGIA

The decision can be appealed at the Chamber of Appeal of Sakpatenti within 3 months from the publication or at the Mtskheta District Court Administrative Cases Board (Address: №17, Samkhedro St., Mtskheta), within 1 month following the publication.

- (11) DM/215 567 (51) 09-01
- (15) 2021 04 13 (44) 41/2021 (2021 10 15)
- (22) 2021 04 13
- (28) 1
- (30) No1: 01.12.2020; 29760408; US
- (73) Sire Spirits, LLC
264 West 40th Street, 15th Floor, 10018 New York, NY (US)
- (85) US
- (86) US
- (87) US
- (88) US
- (89) US
- (81) III. AL, AM, AZ, BA, BG, BN, BW, BX, BZ, CA, CH, DE, DK, EE, EG, EM, ES, FI, FR, GB, GE, GH, HR, HU, IL, IS, JP, KG, KH, KP, KR, LI, LT, LV, MC, MD, ME, MK, MN, MX, NA, NO, OA, OM, PL, RO, RS, RU, RW, SG, SI, SM, SR, ST, SY, TJ, TM, TN, TR, UA, VN, WS
- (72) Curtis J. Jackson III
264 West 40th Street, 15th Floor, 10018, New York, NY (US)
- (74) Stephen Lieb
Wissing Miller, LLP, 434 West 33rd Street, 7th Floor, 10001 New York, NY (US)
- (54) 1. Bottle covering
- (55)





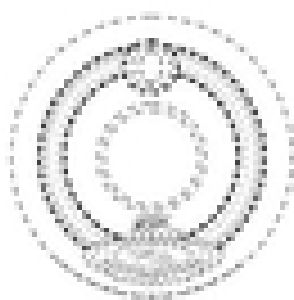
1.6



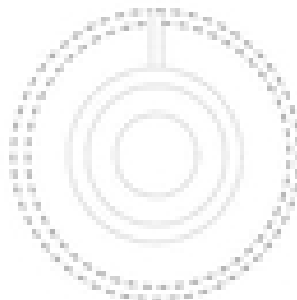
1.7



1.8



1.9

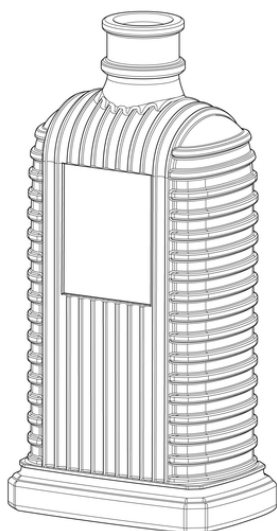


1.10

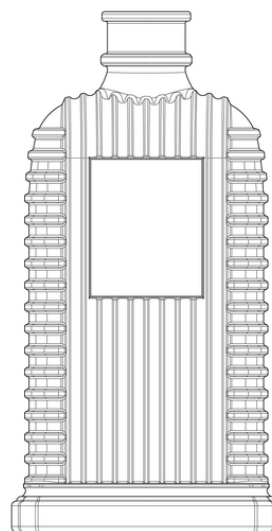


1.11

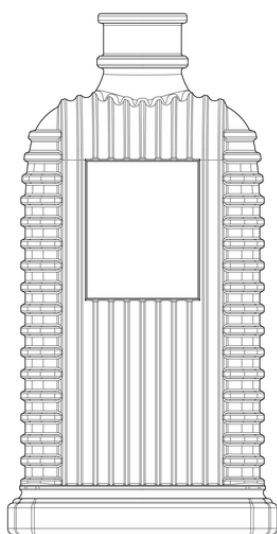
- (11) DM/214 643 (51) 09-01
 (15) 2021 06 03 (44) 48/2021 (2021 12 03)
 (22) 2021 06 03
 (28) 1
 (73) Nemiroff Intellectual Property Establishment
 Städtle 31, 9490 Vaduz (LI)
 (85) LI
 (86) LI
 (87) LI
 (88) LI
 (89) LI
 (81) II. MA III. AL, AM, AZ, BA, CA, CH, EG, EM, GE, IS, JP, KG, KH, KR, MC, MD, ME, MK, MX, NO, OA,
 OM, RS, RU, RW, SG, SM, SY, TJ, TM, TN, TR, UA
 (72) Anatoliy KIPISH
 Provulok 2d Myrnyi, Building 20/2, Khmelnytskyi (UA);
 Yakov FINKELSHTEIN
 16 Orland Yakov, Apt. 13, 3498625, Haifa (LI)
 (74) Isler & Pedrazzini AG
 Giesshübelstrasse 45, 8045 Zürich (CH)
 (54) 1. Bottle
 (55)



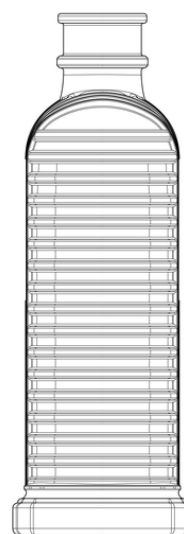
1.1



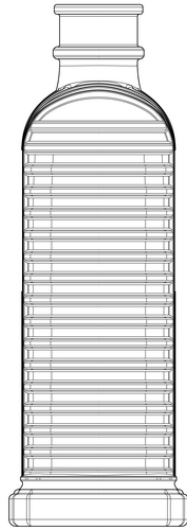
1.2



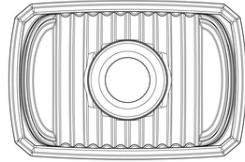
1.3



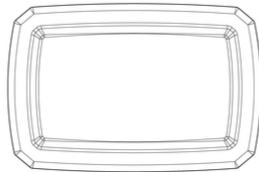
1.4



1.5



1.6



1.7

- (11) DM/214 635
- (15) 2021 05 31
- (22) 2021 05 31
- (28) 1
- (73) Montres Jaquet Droz SA (Montres Jaquet Droz AG) (Montres Jaquet Droz Ltd)
Allée Du Tourbillon 2, 2300 La Chaux-de-Fonds (CH)
- (85) –
- (86) CH
- (87) CH
- (88) –
- (89) CH
- (81) II. MA III. AL, AM, AZ, BA, BZ, CH, EM, GB, GE, KG, LI, MC, MD, ME, MK, MN, NO, OM, SG,
TN, TR, UA
- (72) Simon Prolle
Rue Du Mont D’Amin 7, 2300, La Chaux-de-Fonds (CH)
- (74) The Swatch Group AG (The Swatch Group SA) (The Swatch Group Ltd)
Faubourg Du Lac 6, 2501 Biel/Bienne (CH)
- (54) 1. Watch dial
- (55)



1.1



1.2



1.3

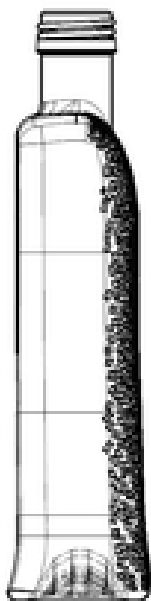
- (11) DM/217 598 (51) 09-01
(15) 2021 06 04 (44) 49/2021 (2021 12 10)
(22) 2021 06 04
(28) 1
(30) No1: 21.06.2021; 2021503091; RU
(73) Sergey Anatolievich Markin
Lebedev-Kumach, 72B, Apt. 22, 410064 Saratov (RU)
(85) RU
(86) RU
(87) RU
(88) RU
(89) RU
(81) III. GE, UA
(72) Sergey Anatolievich Markin
Lebedev-Kumach, 72B, Apt. 22, 410064 Saratov (RU)
(54) 1. Bottle
(55)



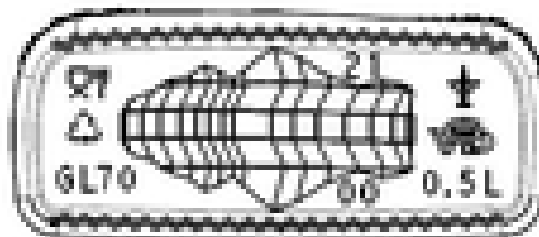
1.1



1.2



1.3



1.4

TRADEMARKS

APPLICATIONS FILED UNDER THE NATIONAL PROCEDURE APPROVED FOR REGISTRATION

The decision can be appealed at the Chamber of Appeal of Sakpatenti within 3 months from the publication or at the Mtskheta District Court Administrative Cases Board (Address: №17, Samkhedro St., Mtskheta), within 1 month following the publication.

(260) AM 2022 104319 A

(210) AM 104319

(220) 2021 06 11

(731) LTD "Rich Group"

Vill. Mughanlo, Marneuli District,
Georgia

(540)

levorich
ლევრიჩი

(591) Black-white

(511) 5

(540)



(591) White, golden, orange

(531) 05.07.10; 26.01.01; 26.01.05; 26.01.15;
26.01.21; 27.01.12; 29.01.12

(526) KAKHETI

(511) 33, 41, 43

(260) AM 2022 111398 A

(210) AM 111398

(220) 2021 06 03

(731) LTD "Georgian Legend"

Irakli Abashidze St. 70, Ent. 3, app. 118,
0162, Tbilisi, Georgia

(740) Giorgi Taktakishvili

(540)



(591) White, golden

(531) 05.03.19; 05.07.10; 29.01.12

(526) KAKHETI

(511) 33, 41, 43

(260) AM 2022 111400 A

(210) AM 111400

(220) 2021 06 03

(731) LTD "Georgian Legend"

Irakli Abashidze St. 70, Ent. 3, app. 118,
0162, Tbilisi, Georgia

(740) Giorgi Taktakishvili

(540)

КНЯЗЬ КАХЕТИНСКИЙ
KNIAZ KAKHETINSKI

(591) Black-white

(526) КАХЕТИНСКИЙ, КАХЕТИНСКИ

(511) 33, 41, 43

(260) AM 2022 111399 A

(210) AM 111399

(220) 2021 06 03

(731) LTD "Georgian Legend"

Irakli Abashidze St. 70, Ent. 3, app. 118,
0162, Tbilisi, Georgia

(740) Giorgi Taktakishvili

(260) AM 2022 111432 A

(210) AM 111432

(220) 2021 06 28

(731) LTD "Daxi"

Gogebashvili St. 3, Kutaisi, Georgia

(540)



(591) 2EF7D5 blue, white, black, grey
 (531) 27.05.01; 27.05.21; 29.01.12
 (511) 9, 42

(260) AM 2022 111518 A
 (210) AM 111518
 (220) 2021 07 02
 (731) Vera Jgharkava
 Rondeli St. 6, Tbilisi, Georgia
 (540)



(591) White, black, red
 (531) 08.01.02; 08.01.03; 08.01.16; 26.11.08;
 26.11.09; 28.19; 29.01.12
 (511) 43

(260) AM 2022 113107 A
 (210) AM 113107
 (220) 2021 05 24
 (731) LLC "Select Georgia"
 St. Ketevan Dedopali Av. 68, Entrance 2,
 Floor 7, App. 75, 0103, Tbilisi, Georgia
 (540)



(591) White, sky-blue, grey, pink, orange
 (531) 18.05.01; 18.05.03; 24.17.20; 27.05.01;
 29.01.13
 (526) Georgia
 (511) 39

(260) AM 2022 113138 A
 (210) AM 113138
 (220) 2021 05 27
 (731) LTD "Nateli Tbilisi"
 Zakaria Paliashvili St. 68, app. 29,
 Vake District, Tbilisi, Georgia

(540)



(591) Black-white
 (531) 02.03.22; 02.03.23; 06.19.01
 (526) Tbilisi
 (511) 39, 41

(260) AM 2022 113186 A
 (210) AM 113186
 (220) 2021 05 28
 (731) LTD "Agronomi"
 B. Kvernadze St. 35, 2 entrance, fl. 3,
 0171, Tbilisi, Georgia
 (540)



MIUCHEM
 COMPANY LIMITED

(591) 0071BC blue, 7AAF25 green
 (531) 05.03.15; 27.05.01; 27.05.08; 27.05.10;
 29.01.12
 (511) 5

(260) AM 2022 113223 A
 (210) AM 113223
 (220) 2021 05 31
 (731) LTD "Biopolusi"
 Noneshvili St. 65, 6000, Batumi, Georgia
 (740) Monika Kvaratskhelia
 (540)

სარბო-ფორტე
ARGI-FORTE
АРГИ-ФОРТЕ

(591) Black-white
 (511) 5

(260) AM 2022 113230 A
 (210) AM 113230
 (220) 2021 05 31
 (731) Tamar Kobakhidze

Ts. Dadiani St. 34, bld. 4A, app. 10, 0180,
Tbilisi, Georgia
(540)



(591) Light turquoise, sky-blue, black
(531) 01.15.11; 13.01.17; 18.05.05; 18.05.06;
21.01.16; 29.01.13
(511) 24, 25, 28, 35

(260) AM 2022 113239 A
(210) AM 113239
(220) 2021 06 01
(731) Luka Kikvidze
Gabriel Salosi Av. 13, Vill. Asureti, Tetrtskaro
Region, Georgia
(540)



(591) Geen, white
(531) 05.03.13; 05.03.15; 07.01.09; 07.03.02;
07.03.11; 29.01.12
(511) 35

(260) AM 2022 113241 A
(210) AM 113241
(220) 2021 06 01
(731) Giorgi Jashiashvili
Moscow Av., IV quarter, bld. II, app. 1, 0145,
Tbilisi, Georgia
(540)



(591) Black, yellow, white
(531) 03.13.04; 26.13.25; 28.19; 29.01.12
(511) 30

(260) AM 2022 113244 A
(210) AM 113244
(220) 2021 06 01
(731) Giorgi Jincharadze
Ninoshvili St. 58, Tbilisi, Georgia
(540)



(591) White, grey, red
(531) 04.02.05; 04.02.20; 04.03.01; 24.13.01;
24.13.22
(526) KARTLI, Georgia
(511) 33, 35

(260) AM 2022 113252 A
(210) AM 113252
(220) 2021 06 01
(731) LTD "Wise Pharmaceutical Company"
14th St., Lane II 1, 1707, Vill. Irganchai,
Dmanisi Region, Georgia
(540)

XOLEDOCVIN
ხოლედოკვინი
ХОЛЕДОКВИН

(591) Black-white
(511) 5

(260) AM 2022 113259 A
(210) AM 113259
(220) 2021 06 01
(731) KT & G Corporation
71, Beotkkot-gil, Daedeok-gu, Daejeon,
Republic of Korea
(740) Giorgi Taktakishvili
(540)

Fiit CRISP

(591) Black-white
(511) 34

(260) AM 2022 113266 A
 (210) AM 113266
 (220) 2021 06 02
 (731) LTD "Retco"
 Zedginidze St. 62, 3700, Rustavi,
 Georgia
 (540)

რეტკო

(591) Black-white
 (511) 40

(260) AM 2022 113269 A
 (210) AM 113269
 (220) 2021 06 02
 (731) LLC "ACT"
 John (Malkhaz) Shalikashvili St. 8, 0159,
 Vake-Saburtalo District, Tbilisi,
 Georgia
 (740) Giorgi Batlidze;
 Mariam Ghubianuri
 (540)

PWR3

(591) 161240 dark blue
 (531) 27.05.17; 27.05.23; 27.07.01; 27.07.11;
 27.07.17; 27.07.21; 29.01.04
 (511) 35

(260) AM 2022 113270 A
 (210) AM 113270
 (220) 2021 06 02
 (731) LLC "ACT"
 John (Malkhaz) Shalikashvili St. 8, 0159,
 Vake-Saburtalo District, Tbilisi, Georgia
 (740) Giorgi Batlidze;
 Mariam Ghubianuri
 (540)

THE POWER OF THREE

(591) 161240 dark blue
 (531) 27.05.01; 29.01.04
 (511) 35

(260) AM 2022 113271 A
 (210) AM 113271
 (220) 2021 06 02
 (731) LLC "ACT"
 John (Malkhaz) Shalikashvili St. 8, 0159,
 Vake-Saburtalo District, Tbilisi,
 Georgia
 (740) Giorgi Batlidze;
 Mariam Ghubianuri

(540)



(591) EC2E56 bright red, 3BB14a moderately dark
 lime green, 161240 dark blue
 (531) 01.13.01; 01.13.05; 05.05.20; 16.01.13;
 29.01.13
 (511) 35

(260) AM 2022 113272 A
 (210) AM 113272
 (220) 2021 06 02
 (731) LLC "ACT"
 John (Malkhaz) Shalikashvili St. 8, 0159,
 Vake-Saburtalo District, Tbilisi, Georgia
 (740) Giorgi Batlidze;
 Mariam Ghubianuri
 (540)



THE POWER OF THREE

(591) 3BB14a moderately dark lime green, EC2E56
 bright red, 161240 dark blue
 (531) 01.13.01; 01.13.05; 05.05.20; 16.01.13;
 27.05.01; 27.05.17; 27.05.21; 27.05.23;
 29.01.13
 (511) 35

(260) AM 2022 113275 A
 (210) AM 113275
 (220) 2021 06 03
 (731) LTD "Fidelio"
 Vakhtang Gorgasali St. 37, app. 32, 0114,
 Tbilisi Georgia
 (540)

ფიდელიო
Fidelio

(591) Black-white
 (511) 30, 43

(260) AM 2022 113277 A
 (210) AM 113277
 (220) 2021 06 03
 (731) Salome Gutierrez Penedo
 Didi Dighomi, III mcr., bld. 5, app. 99, Tbilisi,
 Georgia
 (740) Mariam Gogitidze
 (540)

სალოსია
Salosia

(591) Black-white
 (511) 25, 35

(260) AM 2022 113278 A
 (210) AM 113278
 (220) 2021 06 03
 (731) LLC "Higher Education Academy"
 St. Ketevan Dedopali Av. 68, app. 75, 0103,
 Isani District, Tbilisi, Georgia
 (540)



(591) Blue, white
 (531) 03.07.19; 13.01.05; 20.07.01; 20.07.02;
 20.07.05; 26.01.04; 26.01.21; 27.01.06;
 29.01.12
 (511) 41

(260) AM 2022 113283 A
 (210) AM 113283
 (220) 2021 06 03
 (731) LTD "Tertmeti"
 Mtskheta St. 40a, Benchmark 23.10,
 Vake-Saburtalo District, Tbilisi, Georgia
 (540)

სახლი N11
Sakhli N11
сaxли N11

(591) Black-white
 (511) 43

(260) AM 2022 113335 A
 (210) AM 113335
 (220) 2021 06 04
 (731) LTD "Hotels Management Group – HMG"
 Didveli, 1200, Bakuriani, Georgia
 (740) Giorgi Taktakishvili
 (540)



(591) White, green
 (531) 17.02.01; 17.02.02; 27.05.01; 27.05.11;
 29.01.03
 (511) 37, 42

(260) AM 2022 113336 A
 (210) AM 113336
 (220) 2021 06 04
 (731) LTD "Hotels Management Group – HMG"
 Didveli, 1200, Bakuriani, Georgia
 (740) Giorgi Taktakishvili
 (540)



(591) White, green
 (531) 17.02.01; 17.02.02; 27.05.01; 27.05.11;
 29.01.03
 (511) 35, 37, 39, 41, 44, 45

(260) AM 2022 113338 A
 (210) AM 113338
 (220) 2021 06 04
 (731) Gilead Sciences Ireland UC
 IDA Business and Technology Park,
 Carrigtohill, Co. Cork, Ireland
 (740) Natela Otariidze
 (540)

Санленка

(591) Black-white
 (511) 5

(260) AM 2022 113342 A
 (210) AM 113342
 (220) 2021 06 04
 (731) LTD "Impexpharm"
 Right bank of the River Mtkvari, near the
 entrance to the Bacteriophage, 0160, Tbilisi,
 Georgia
 (740) Nugzar Ksovrevli
 (540)

Portocef

(591) Black-white
 (511) 5

(260) AM 2022 113344 A
 (210) AM 113344
 (220) 2021 06 04
 (731) LTD "Impexpharm"
 Right bank of the River Mtkvari, near the
 entrance to the Bacteriophage, 0160, Tbilisi,
 Georgia
 (740) Nugzar Ksovrevli
 (540)

Gotarut

(591) Black-white
 (511) 5

(260) AM 2022 113346 A
 (210) AM 113346
 (220) 2021 06 04
 (731) Mamuka Khuroshvili
 Gamarjveba St. 7, Mtskheta, Georgia
 (540)

OASIS

(591) Black-white
 (511) 35

(260) AM 2022 113347 A
 (210) AM 113347
 (220) 2021 06 04
 (731) LTD "Tiflisski Vinni Pogreb"
 Umashev St. 27, 0198, Tbilisi, Georgia
 (740) Shalva Gvaramadze
 (540)



(591) Black-white
 (531) 26.01.02; 26.01.18; 26.01.21; 27.01.01;
 27.01.12; 27.05.01; 27.05.22
 (511) 33

(260) AM 2022 113353 A
 (210) AM 113353
 (220) 2021 06 04
 (731) LTD "Magnika"
 Merab Kostava St. 52, 0179, Tbilisi, Georgia
 (540)

მაგნიკა magnika магника

(591) Black-white
 (511) 35, 43

(260) AM 2022 113354 A
 (210) AM 113354
 (220) 2021 06 04
 (731) Lasha Bitsadze
 Akaki Tsereteli Av. 91, app. 56, Tbilisi,
 Georgia
 (540)



გზა მშვიდი ძირობისკენ

(591) Blue, white, emerald
 (531) 01.07.06; 01.07.12; 26.04.06; 26.04.22;
 26.04.24; 28.19; 29.01.12
 (511) 24

(260) AM 2022 113355 A
 (210) AM 113355
 (220) 2021 06 04
 (731) LTD "Fab House"
 Giorgi Tsabadze St. 6a, 0112, Tbilisi, Georgia
 (540)

ფეოლა

(591) Black-white
 (511) 43

(260) AM 2022 113356 A
 (210) AM 113356
 (220) 2021 06 04
 (731) LTD "Ritula"

Uznadze St. 111, bld. 2, app. 11, Tbilisi,
Georgia

(540)



(591) Black-white
(531) 26.11.01; 26.11.06; 26.11.12; 27.05.11; 28.19
(511) 3, 21, 35

(260) AM 2022 113359 A

(210) AM 113359

(220) 2021 06 04

(731) LTD "Meama"

Givi Amilakhvari St. 2, 0159, Samgori District,
Tbilisi, Georgia

(740) Mariam Ghubianuri;

Giorgi Batlidze

(540)



(591) Black-white
(531) 26.13.25; 27.05.01; 27.05.11; 27.05.21; 28.19
(511) 30, 32, 33, 43

(260) AM 2022 113361 A

(210) AM 113361

(220) 2021 06 04

(731) LTD "Meama"

Givi Amilakhvari St. 2, 0159, Samgori District,
Tbilisi, Georgia

(740) Mariam Ghubianuri;

Giorgi Batlidze

(540)



(591) Black-white

(531) 26.13.25; 27.05.01; 27.05.10; 27.05.21;
27.05.24

(511) 30, 32, 33, 43

(260) AM 2022 113365 A

(210) AM 113365

(220) 2021 06 05

(731) Nino Bakhtadze

Zh. Shartava St. 18, app. 15, 0160, Tbilisi,
Georgia

(540)

ნინუკა
Ninuka

(591) Black-white

(511) 25, 30, 32, 33, 43

(260) AM 2022 113368 A

(210) AM 113368

(220) 2021 06 05

(731) LLC "Vis Kitchen"

Merab Kostava St. 75, app. 137, 0171, Tbilisi,
Georgia

(540)



(591) Black, light grey, grey, yellow, light blue

(531) 01.15.11; 28.19; 29.01.12

(511) 43

(260) AM 2022 113369 A

(210) AM 113369

(220) 2021 06 05

(731) LLC "Vis Kitchen"

Merab Kostava St. 75, app. 137, 0171, Tbilisi,
Georgia

(540)



(591) Light grey, dark lilac, light lilac, lilac,
black, white

(531) 08.05.01; 08.05.04; 08.05.25; 26.01.16;
26.01.20; 26.01.24; 28.19; 29.01.13

(511) 43

(260) AM 2022 113370 A
 (210) AM 113370
 (220) 2021 06 05
 (731) LLC "Vis Kitchen"
 Merab Kostava St. 75, app. 137, 0171, Tbilisi,
 Georgia

(540)



(591) Light grey, black, light orange, reddish,
 dark orange, orange, white

(531) 08.01.06; 08.01.10; 08.01.12; 08.01.16;
 08.07.10; 26.01.01; 26.01.06; 26.01.16;
 26.01.20; 26.01.24; 28.19; 29.01.13

(511) 43

(260) AM 2022 113371 A
 (210) AM 113371
 (220) 2021 06 05
 (731) LLC "Vis Kitchen"
 Merab Kostava St. 75, app. 137, 0171, Tbilisi,
 Georgia

(540)



(591) Black, light grey, blue, blue, green, white

(531) 08.05.25; 08.07.10; 26.01.01; 26.01.06;
 26.01.16; 26.01.20; 28.19; 29.01.13

(511) 43

(260) AM 2022 113372 A
 (210) AM 113372
 (220) 2021 06 05
 (731) LLC "Vis Kitchen"
 Merab Kostava St. 75, app. 137, 0171, Tbilisi,
 Georgia

(540)



(591) Black, light grey, yellow, red, orange,
 carrot, white

(531) 08.01.16; 08.07.04; 26.01.01; 26.01.06;
 26.01.16; 26.01.20; 28.19; 29.01.13

(511) 43

(260) AM 2022 113373 A
 (210) AM 113373
 (220) 2021 06 06
 (731) LTD "Kerki"
 Gorgasali St./Khimshiashvili St. 111/13 (15)
 /S. Khimshiashvili St. 15, app. 5, 6000, Batumi,
 Georgia

(540)



(591) 8A3419 dark terracota, 5E2A2B wood
 skin-bark, AD563B rebus brown, 6D3625
 brown, D37A5C peach

(531) 25.07.17; 29.01.12

(511) 29

(260) AM 2022 113379 A
 (210) AM 113379
 (220) 2021 06 06
 (731) Tamar Peikrishvili
 Nutsubidze St. 77, app. 8, 0186, Tbilisi,
 Georgia

(540)



(591) Black-white

(531) 15.03.03; 27.03.01; 27.03.15; 27.05.21; 28.19

(511) 18, 24, 25

(260) AM 2022 113385 A
 (210) AM 113385
 (220) 2021 06 07
 (731) LTD "Oda Souvenirs"
 Otar Tchiladze St. 10, app. N20, 0160, Tbilisi,
 Georgia

(540)



(591) Black, blue, green, terracota, brown, orange,
khaki, grey, white
(531) 07.01.09; 27.05.01
(511) 16, 24, 25, 28, 33

(260) AM 2022 113387 A
(210) AM 113387
(220) 2021 06 07
(731) LTD "Kvarlis Sardapi"
Vill. Chikaani, 4814, Kvareli, Georgia
(740) Khatuna Imnadze
(540)

AVANI
აბანი
АВАНИ

(591) Black-white
(511) 33

(260) AM 2022 113389 A
(210) AM 113389
(220) 2021 06 07
(731) LTD "Kvarlis Sardapi"
Vill. Chikaani, 4814, Kvareli, Georgia
(740) Khatuna Imnadze
(740)

AZMANNI
აზმანი
АЗМАНИ

(591) Black-white
(511) 33

(260) AM 2022 113392 A
(210) AM 113392
(220) 2021 06 08
(731) Jordan River Tobacco Manufacturing Co.
Victor Nadim Victor Barakat Building,
Al-Taybeh, Main Street / Ramallah, The West
Bank, Palestine
(740) Merab Kvimsadze
(540)



(591) Black-white
(531) 02.09.01; 26.04.04; 26.04.16; 28.01
(511) 34

(260) AM 2022 113395 A
(210) AM 113395
(220) 2021 06 08
(731) Reckitt Benckiser Vanish B.V.
Siriusdreef 14, 2132WT Hoofddorp,
Netherlands
(740) Liliana Darakhvelidze
(540)



(591) White, blue, pink, sky-blue, green, yellow,
orange
(531) 01.15.21; 26.01.02; 26.01.19; 26.01.20;
29.01.15
(511) 3, 5

(260) AM 2022 113397 A
(210) AM 113397
(220) 2021 06 08
(731) LTD "Garments Habı"
Vill. Kvemo Sobisi, 1412, Gori Region,
Georgia
(540)



(591) Goldfish yellow rankings, goldfish brown
rankings, grey, blue
(531) 26.01.01; 26.01.09; 26.01.18; 26.04.05;
26.04.18; 26.04.22; 26.04.24; 27.05.01;
27.05.11; 27.05.22; 27.05.24; 28.19; 29.01.13
(511) 25, 35

(260) AM 2022 113401 A
(210) AM 113401
(220) 2021 06 09
(731) INPHA LLP Representative Office in Georgia
Besiki St. Negotiable, plot 46/10, 0108, Tbilisi,
Georgia

(540)

ფერმენტალ
ფერმენტალი
Fermental

(591) Black-white

(511) 5

(260) AM 2022 113402 A

(210) AM 113402

(220) 2021 06 09

(731) INPHA LLP Representative Office in Georgia
Besiki St. Negotiable, plot 46/10, 0108, Tbilisi,
Georgia

(540)

Бифлазим
ბიფლაზიმი
Biflazym

(591) Black-white

(511) 5

(260) AM 2022 113403 A

(210) AM 113403

(220) 2021 06 09

(731) INPHA LLP Representative Office in Georgia
Besiki St. Negotiable, plot 46/10, 0108, Tbilisi,
Georgia

(540)

Инестом
ინესტომი
Inestom

(591) Black-white

(511) 5

(260) AM 2022 113404 A

(210) AM 113404

(220) 2021 06 09

(731) INPHA LLP Representative Office in Georgia
Besiki St. Negotiable, plot 46/10, 0108, Tbilisi,
Georgia

(540)

Рефурил
რეფურილი
Refuril

(591) Black-white

(511) 5

(260) AM 2022 113421 A

(210) AM 113421

(220) 2021 06 09

(731) Giorgi Dalakishvili
Vill. Mukhrani, 3309, Mtskheta, Georgia

(540)

KRAFT&DELE

(591) Black-white

(531) 27.05.11

(511) 7, 8, 9

(260) AM 2022 113425 A

(210) AM 113425

(220) 2021 06 09

(731) Guram Gvasalia
Binzstraße 44, Ciurikhi, 8045, Switzerland

(740) Nino Bakhtadze

(540)

GVASALIA

(591) Black-white

(511) 18, 25

(260) AM 2022 113426 A

(210) AM 113426

(220) 2021 06 10

(731) LTD "Joy Mail"
Grigol Lortkipanidze St. 6, app. 140, 6000,
Batumi, Georgia

(540)

(591) 141212 Black, E8720B orange,
197ED1 blue(531) 01.05.01; 01.05.05; 04.05.02; 04.05.04;
04.05.05; 20.05.13; 29.01.14

(511) 39

(260) AM 2022 113429 A

(210) AM 113429

(220) 2021 06 10

(731) LLC "Aversi-Pharma"
Davit Agmashenebeli Av. 148, 0112, Tbilisi,
Georgia

(540)



(591) Red, white
 (531) 02.09.01; 03.07.11; 05.03.20; 27.05.01;
 27.05.10; 28.19; 29.01.12
 (511) 35

(260) AM 2022 113430 A
 (210) AM 113430
 (220) 2021 06 10
 (731) Advanced Bio-Technologies Inc.
 4830 West Kennedy Blvd., Suite 600, Tampa,
 Florida 33609, USA
 (740) Shalva Gvaramadze
 (540)

KELO-COTE

(591) Black-white
 (511) 5

(260) AM 2022 113432 A
 (210) AM 113432
 (220) 2021 06 11
 (731) Nino Shishniashvili
 Nutsbidze 3 Plateau, II quart., bld. 2, 0183,
 Tbilisi, Georgia;
 Irina Shishniashvili
 Gunia St. 22, 0108, Tbilisi, Georgia
 (740) Giorgi Taktakishvili
 (540)

DIMITRI UZNADZE დიმიტრი უზნაძე

(591) Black-white
 (511) 41, 44

(260) AM 2022 113433 A
 (210) AM 113433
 (220) 2021 06 11
 (731) Gastrotour
 Al. Kazbegi St. 9, 2200, Telavi, Georgia

(540)



(591) Yellow, white, black
 (531) 26.04.05; 26.04.22; 26.04.24; 27.05.01;
 27.05.11; 27.05.24; 29.01.13
 (526) GEORGIA
 (511) 41, 43

(260) AM 2022 113486 A
 (210) AM 113486
 (220) 2021 06 11
 (731) LTD "Impexpharm"
 Right bank of the River Mtkvari, near the
 entrance to the Bacteriophage, 0160, Tbilisi,
 Georgia
 (740) Nugzar Ksovreli
 (540)

Krepitano

(591) Black-white
 (511) 5

(260) AM 2022 113507 A
 (210) AM 113507
 (220) 2021 06 16
 (731) LTD "Paradice 18"
 Tsotne Dadiani St. 30, Tbilisi, Georgia
 (740) Shalva Gvaramadze
 (540)

დადიანი

DADIANI ДАДИАНИ

(591) Black-white
 (511) 43

(260) AM 2022 113508 A
 (210) AM 113508
 (220) 2021 06 16
 (731) Rolex SA
 Rue François-Dussaud 3-5-7, Geneva,
 Switzerland
 (740) Shalva Gvaramadze

(540)

ROLEX(591) Black-white
(511) 14, 35, 37(260) AM 2022 113509 A
(210) AM 113509
(220) 2021 06 16
(731) Rolex SA
Rue François-Dussaud 3-5-7, Geneva,
Switzerland
(740) Shalva Gvaramadze
(540)(591) Black-white
(531) 24.09.07
(511) 14, 35, 37(260) AM 2022 113510 A
(210) AM 113510
(220) 2021 06 16
(731) LTD "Ninea"
Nino Zhvania St. 28, app. 1, Tbilisi, Georgia
(540)(591) Black-white
(531) 05.05.02; 05.05.20; 27.05.01
(511) 25, 35(260) AM 2022 113511 A
(210) AM 113511
(220) 2021 06 16
(731) LTD "Gurila"
Shalva Nutsbidze St. 56 / Vazha-Pshavela
Av., I quart, bld. 17, app. 82, Tbilisi, Georgia
(740) Giorgi Meipariani
(540)**გურილა**
GURILA
ГУРИЛА(591) Black-white
(511) 5(260) AM 2022 113512 A
(210) AM 113512
(220) 2021 06 16
(731) LTD "Gurila"
Shalva Nutsbidze St. 56 / Vazha-Pshavela
Av., I quart, bld. 17, app. 82, Tbilisi, Georgia
(740) Giorgi Meipariani
(540)**ერექტპროსტი**
Erectprost
Эректпрост(591) Black-white
(511) 5(260) AM 2022 113513 A
(210) AM 113513
(220) 2021 06 16
(731) LTD "Gurila"
Shalva Nutsbidze St. 56 / Vazha-Pshavela
Av., I quart, bld. 17, app. 82, Tbilisi, Georgia
(740) Giorgi Meipariani
(540)**კარდიობესტი**
Cardiobest
Кардиобест(591) Black-white
(511) 5(260) AM 2022 113514 A
(210) AM 113514
(220) 2021 06 16
(731) LTD "Gurila"
Shalva Nutsbidze St. 56 / Vazha-Pshavela
Av., I quart, bld. 17, app. 82, Tbilisi, Georgia
(740) Giorgi Meipariani
(540)**კარდიოსტარი**
Cardiostar
Кардиостар(591) Black-white
(511) 5

(260) AM 2022 113515 A
 (210) AM 113515
 (220) 2021 06 16
 (731) LTD "Gurila"
 Shalva Nutsubidze St. 56 / Vazha-Pshavela
 Av., I quart, bld. 17, app. 82, Tbilisi, Georgia
 (740) Giorgi Meipariani
 (540)

პენომენონი
Penomenon
Пеноменон

(591) Black-white
 (511) 5

(260) AM 2022 113516 A
 (210) AM 113516
 (220) 2021 06 17
 (731) Philip Morris Brands Sàrl
 Quai Jeanrenaud 3, 2000 Neuchâtel,
 Switzerland
 (740) Pavle Meipariani
 (540)

BLOSSOM BREEZE

(591) Black-white
 (511) 34

(260) AM 2022 113517 A
 (210) AM 113517
 (220) 2021 06 17
 (731) Philip Morris Brands Sàrl
 Quai Jeanrenaud 3, 2000 Neuchâtel,
 Switzerland
 (740) Pavle Meipariani
 (540)

EXOTIC BREEZE

(591) Black-white
 (511) 34

(260) AM 2022 113518 A
 (210) AM 113518
 (220) 2021 06 17
 (731) J&B Limited
 3rd Floor, Yamraj Building, Market Square,
 P.O. Box 3175, Road Town, Tortola, Virgin
 Islands (British)
 (740) Giorgi Meipariani
 (540)



(591) Black-white
 (531) 01.15.11; 02.07.09; 10.01.10; 10.01.25; 28.01
 (511) 34

(260) AM 2022 113522 A
 (210) AM 113522
 (220) 2021 06 17
 (731) British American Tobacco (Brands) Limited
 Globe House, 4 Temple Place, London, WC2R
 2PG, United Kingdom
 (740) Tamar Kotchlamazashvili
 (540)



(591) Blue, white
 (531) 26.11.12; 28.19; 29.01.04
 (511) 34

(260) AM 2022 113579 A
 (210) AM 113579
 (220) 2021 06 18
 (731) Calzedonia S.p.A.
 Via Portici Umberto I, 5, Malcesine 37018,
 Italy
 (740) Merab Kvimsadze
 (540)

ინტიმისსიმი

(591) Black-white
 (531) 28.19
 (511) 35

(260) AM 2022 113580 A
 (210) AM 113580
 (220) 2021 06 18
 (731) Calzedonia S.p.A.
 Via Portici Umberto I, 5, Malcesine 37018,
 Italy
 (740) Merab Kvimsadze
 (540)

ტეზენის

(591) Black-white
 (531) 28.19
 (511) 35

(260) AM 2022 113581 A
 (210) AM 113581
 (220) 2021 06 18
 (731) Calzedonia S.p.A.
 Via Portici Umberto I, 5, Malcesine 37018,
 Italy
 (740) Merab Kvimsadze

(540)

კალზედონია

(591) Black-white

(531) 28.19

(511) 35

(260) AM 2022 113585 A

(210) AM 113585

(220) 2021 06 19

(731) McDonald's International Property
Company LTD
A Corporation Organized and Existing Under
the Laws of the State of Delaware
110 n. Carpenter Strength, Chicago, Illinois
State 60607, USA

(740) Shalva Gvaramadze

(540)

HAPPY MEAL

(591) Black-white

(511) 16

(260) AM 2022 113591 A

(210) AM 113591

(220) 2021 06 21

(731) LTD "Info Georgia"
S. Chikovani St. 24 on the opposite
Balanchivadze St., Saburtalo district, Tbilisi,
Georgia

(540)

**Lamaziko**

(591) Cornelian-red, yellow, white

(531) 19.09.02; 27.05.01; 29.01.13

(511) 3, 35

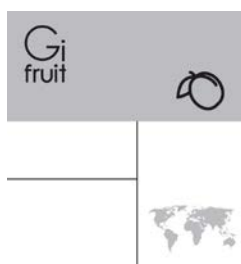
(260) AM 2022 113593 A

(210) AM 113593

(220) 2021 06 21

(731) LTD "Geopert"
Al. Kazbegi Av. 12a, Tbilisi, Georgia

(540)



(591) Black, white, grey

(531) 01.17.07; 01.17.11; 01.17.13; 01.17.16;
05.07.11; 05.07.13; 05.07.14; 27.05.01

(511) 29, 30, 32

(260) AM 2022 113596 A

(210) AM 113596

(220) 2021 06 21

(731) Philip Morris Brands Sàrl
Quai Jeanrenaud 3, Neuchâtel, 2000,
Switzerland

(740) Pavle Meipariani

(540)

**PARLIAMENT GARDEN
FUSION**

(591) Black-white

(511) 34

(260) AM 2022 113602 A

(210) AM 113602

(220) 2021 06 22

(731) Hankook Tire & Technology Co., Ltd
286, Pangyo-ro, Bundang-gu, Seongnam-si,
Gyeonggi-do, Republic of Korea

(740) Tamaz Shilakadze

(540)

ventus iON

(591) Black-white

(531) 27.05.01

(511) 12

(260) AM 2022 113603 A

(210) AM 113603

(220) 2021 06 22

(731) Aleksandre Sukiashvili
Varketili III array, bld. 34, app. 27, 0182,
Tbilisi Georgia

(540)

(591) 707372 grey, 2284B dark blue

(531) 26.13.25; 27.05.01; 28.19; 29.01.04

(511) 6, 11, 35

(260) AM 2022 113608 A

(210) AM 113608

(220) 2021 06 23

(731) LTD "Fripsy"
Vazha-Pshavela Av., V quar., bld. 1, app. 165,
Tbilisi, Georgia

(540)



(591) Red, yellow, black, white
 (531) 08.07.05; 08.07.08; 25.01.18; 25.01.19;
 26.01.04; 26.01.16; 26.01.19; 27.05.02;
 27.05.17; 29.01.15

(511) 43

(260) AM 2022 113611 A
 (210) AM 113611
 (220) 2021 06 24
 (731) LLC "Bravo-S"
 Sanzona, bld. 2b, app. 1, 0192, Tbilisi, Georgia
 (540)

DRON
ДРОН
დრონი

(591) Black-white
 (511) 29, 32, 33

(260) AM 2022 113617 A
 (210) AM 113617
 (220) 2021 06 24
 (731) Asia Symbol China Holdings Limited
 21/F, China Building, No. 29 Queen's Road
 Central, Hong Kong
 (740) Merab Kvimsadze
 (540)



(591) Black, white, grey
 (531) 26.03.22; 26.03.23; 27.05.01; 27.05.09;
 27.05.10
 (511) 16

(260) AM 2022 113619 A
 (210) AM 113619
 (220) 2021 06 24
 (731) LTD "Global Products"
 Zeda Ghele St. 14, 6010, Batumi, Georgia

(540)



გლობალ პროდუქტსი
Global Products

(591) Blue, white
 (531) 27.05.01; 27.05.22; 27.05.23; 28.19; 29.01.04
 (511) 35

(260) AM 2022 113621 A
 (210) AM 113621
 (220) 2021 06 24
 (731) McDonald's International Property
 Company LTD
 A Corporation Organized and Existing Under
 the Laws of the State of Delaware
 110 n. Carpenter Strength, Chicago, Illinois
 State 60607, USA
 (740) Shalva Gvaramadze
 (540)

ჰეფი მილი

(591) Black-white
 (511) 16

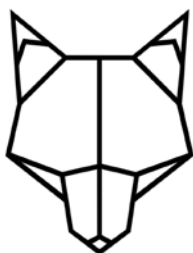
(260) AM 2022 113622 A
 (210) AM 113622
 (220) 2021 06 24
 (731) JSC "Gepha"
 Akaki Beliashvili St. 142, 0159, Tbilisi,
 Georgia
 (740) Salome Jeladze
 (540)

კარდო ბენე
Cardio Bene
Кардио Бене

(591) Black-white
 (511) 5

(260) AM 2022 113684 A
 (210) AM 113684
 (220) 2021 06 25
 (731) Naked Wolfe Footwear PTY. LTD
 C/Abound Business Solutions, Level 4,
 114 William St. Melbourne VIC 3000,
 Australia
 (740) Irakli Gvilia

(540)

Naked Wolfe(591) Black-white
(511) 9, 35(260) AM 2022 113685 A
(210) AM 113685
(220) 2021 06 25
(731) Naked Wolfe Footwear PTY. LTD
C/Abound Business Solutions, Level 4,
114 William St. Melbourne VIC 3000,
Australia
(740) Irakli Gvilia
(540)(591) Black-white
(531) 03.01.08; 03.01.16; 03.01.24
(511) 9(260) AM 2022 113687 A
(210) AM 113687
(220) 2021 06 28
(731) LTD "Biopolusi"
Noneshvili St. 65, 6000, Batumi, Georgia
(740) Monika Kvaratskhelia
(540)

ადიურეტინ-ბიო
Адиуретин-био
Adiuretin-bio

(591) Black-white
(511) 5(260) AM 2022 113688 A
(210) AM 113688
(220) 2021 06 28
(731) LLC "Kakhetis Marani"
Rostevani St. 31, 0152, Vill. Dighomi, Tbilisi,
Georgia
(540)(591) Golden, white
(531) 05.07.10; 26.04.15; 29.01.12
(511) 33(260) AM 2022 113689 A
(210) AM 113689
(220) 2021 06 28
(731) LLC "Kakhetis Marani"
Rostevani St. 31, 0152, Vill. Dighomi, Tbilisi,
Georgia
(540)(591) Black-white
(531) 03.03.01; 03.03.17; 18.01.02; 18.01.03;
19.09.02
(511) 33(260) AM 2022 113692 A
(210) AM 113692
(220) 2021 06 28
(731) LLC "KS Resource"
Bagramyan St., Lane 3, bld. 6a, Yerevan, 0038,
Armenia
(740) Nugzar Ksovreli
(540)(591) Dark carnelian-red, golden, dark golden
(531) 05.07.02; 05.13.07; 05.13.11; 26.01.02; 28.05;
29.01.13
(511) 30(260) AM 2022 113700 A
(210) AM 113700
(220) 2021 06 30
(731) LTD "Mzhaveula"
Z. Paliashvili St. 90-92, app. 6, Tbilisi, Georgia
(540)(591) EC321B orange
(531) 28.19; 29.01.01
(511) 29

(260) AM 2022 113708 A
 (210) AM 113708
 (220) 2021 07 01
 (731) Colgate-Palmolive Company
 Delaware Corporation
 300 Park Avenue, New York, 10022,
 New York, USA
 (740) Tamaz Shilakadze
 (540)

Colgate Bio-Аргинин

(591) Black-white
 (511) 3

(260) AM 2022 113764 A
 (210) AM 113764
 (220) 2021 07 02
 (731) LTD "Best Group"
 M. Kostava St. N47/57, Tbilisi, Saburtalo
 District, Georgia
 (740) Shalva Gvaramadze
 (540)



(591) Various tones of green, white
 (531) 03.07.03; 28.19; 29.01.03
 (511) 29

(260) AM 2022 113769 A
 (210) AM 113769
 (220) 2021 07 05
 (731) Colgate-Palmolive Company
 Delaware Corporation
 300 Park Avenue, New York, New York,
 10022, USA
 (740) Tamaz Shilakadze
 (540)

ZIG ZAG

(591) Black-white
 (511) 21

(260) AM 2022 113852 A
 (210) AM 113852
 (220) 2021 07 12
 (731) SENN-Caucasian Environmental NGO
 Network
 Bethlehem St. 27, 0105, Tbilisi, Georgia

(540)



(591) White, green, yellow, black
 (531) 26.11.08; 27.05.01; 27.05.09; 27.05.10;
 27.05.17; 29.01.13
 (511) 16, 35, 39, 40, 41, 42, 43

(260) AM 2022 113853 A
 (210) AM 113853
 (220) 2021 07 12
 (731) Vivo Mobile Communication Co., LTD
 №168 Jinghai East Rd., Chang'an, Dongguan,
 Guangdong, People's Republic of China
 (740) Irakli Gvilia
 (540)

OriginOS

(591) Black-white
 (511) 9

(260) AM 2022 114223 A
 (210) AM 114223
 (220) 2021 08 10
 (731) LTD "Iveriapharma"
 Zona "B", Cottage7, 0181, Tskneti, Tbilisi,
 Georgia
 (540)

ლაზონელი

(591) Black-white
 (511) 5

REGISTERED TRADEMARKS

(111) M 2022 34901 R
 (151) 2022 01 10
 (181) 2032 01 10
 (260) AM 2020 108957 A
 (220) 2020 12 10
 (732) LTD "Madli"
 Vill. Kvemo Lisi, Mtskheta, Georgia

(111) M 2022 34906 R
 (151) 2022 01 10
 (181) 2032 01 10
 (260) AM 2020 110528 A
 (220) 2020 11 18
 (732) LTD "Aisi"
 Odessa St. 30, Saburtalo District, Tbilisi,
 Georgia

(111) M 2022 34902 R
 (151) 2022 01 10
 (181) 2032 01 10
 (260) AM 2020 110371 A
 (220) 2020 11 03
 (732) Hangzhou Hikmicro Sensing
 Technology Co., Ltd
 Building A1, №299, Qiushi Road, Tonglu
 Economic Development Zone, Tonglu County,
 Hangzhou 311501, People's Republic of China

(111) M 2022 34907 R
 (151) 2022 01 10
 (181) 2032 01 10
 (260) AM 2020 110607 A
 (220) 2020 11 24
 (732) Kiko S.p.A.
 Via Giorgio e Guido Paglia 1/D, 24122
 Bergamo BG, Italy

(111) M 2022 34903 R
 (151) 2022 01 10
 (181) 2032 01 10
 (260) AM 2020 110372 A
 (220) 2020 11 03
 (732) Hangzhou Hikmicro Sensing
 Technology Co., Ltd
 Building A1, №299, Qiushi Road, Tonglu
 Economic Development Zone, Tonglu County,
 Hangzhou 311501, People's Republic of China

(111) M 2022 34908 R
 (151) 2022 01 10
 (181) 2032 01 10
 (260) AM 2020 110616 A
 (220) 2020 11 26
 (732) Philip Morris Products S.A.
 Quai Jeanrenaud 3, 2000 Neuchâtel,
 Switzerland

(111) M 2022 34904 R
 (151) 2022 01 10
 (181) 2032 01 10
 (260) AM 2020 110380 A
 (220) 2020 11 05
 (732) Tamaz Tskhakaia
 Arakishvili St. 2, Paliashvili St. 37/2, Tbilisi,
 Georgia

(111) M 2022 34909 R
 (151) 2022 01 10
 (181) 2032 01 10
 (260) AM 2020 110667 A
 (220) 2020 11 27
 (732) The Coca-Cola Company
 One Coca-Cola Plaza, Atlanta, Georgia
 30313, USA

(111) M 2022 34905 R
 (151) 2022 01 10
 (181) 2032 01 10
 (260) AM 2020 110510 A
 (220) 2020 11 16
 (732) Legal Development
 Nikoloz Khudadov St. 7, Chugureti District,
 Tbilisi, Georgia

(111) M 2022 34910 R
 (151) 2022 01 10
 (181) 2032 01 10
 (260) AM 2020 110668 A
 (220) 2020 11 27
 (732) The Coca-Cola Company
 One Coca-Cola Plaza, Atlanta, Georgia
 30313, USA

(111) M 2022 34911 R
 (151) 2022 01 10
 (181) 2032 01 10
 (260) AM 2020 110669 A
 (220) 2020 11 27

(732) The Coca-Cola Company
One Coca-Cola Plaza, Atlanta, Georgia
30313, USA

(111) M 2022 34912 R
(151) 2022 01 10
(181) 2032 01 10
(260) AM 2020 110684 A
(220) 2020 12 01
(732) The Coca-Cola Company
One Coca-Cola Plaza, Atlanta, Georgia
30313, USA

(111) M 2022 34913 R
(151) 2022 01 10
(181) 2032 01 10
(260) AM 2020 110747 A
(220) 2020 12 06
(732) Greenme SA
Route de Pré-Bois 20, c/o Seges Conseils SA,
1215 Geneva 15 Airport, Switzerland

(111) M 2022 34914 R
(151) 2022 01 10
(181) 2032 01 10
(260) AM 2020 110761 A
(220) 2020 12 07
(732) Greenme SA
Route de Pré-Bois 20, c/o Seges Conseils SA,
1215 Geneva 15 Airport, Switzerland

(111) M 2022 34915 R
(151) 2022 01 10
(181) 2032 01 10
(260) AM 2020 110764 A
(220) 2020 12 07
(732) Greenme SA
Route de Pré-Bois 20, c/o Seges Conseils SA,
1215 Geneva 15 Airport, Switzerland

(111) M 2022 34916 R
(151) 2022 01 10
(181) 2032 01 10
(260) AM 2020 110870 A
(220) 2020 12 14
(732) Industrias Masats, S.L.U
Calle Metalurgia 38-42, 08038,
Barcelona, Spain

(111) M 2022 34917 R
(151) 2022 01 10
(181) 2032 01 10
(260) AM 2020 110941 A

(220) 2020 12 19
(732) Philip Morris Products S.A.
Quai Jeanrenaud 3, 2000 Neuchâtel,
Switzerland

(111) M 2022 34918 R
(151) 2022 01 10
(181) 2032 01 10
(260) AM 2020 110952 A
(220) 2020 12 22
(732) Ferrero Trading Lux S.A.
16, Route de Trèves, L-2633 Senningerberg,
Luxembourg

(111) M 2022 34919 R
(151) 2022 01 10
(181) 2032 01 10
(260) AM 2020 110978 A
(220) 2020 12 24
(732) Naqel Company
P.O. Box 6164, Riyadh 11442, Saudi Arabia

(111) M 2022 34920 R
(151) 2022 01 10
(181) 2032 01 10
(260) AM 2020 111074 A
(220) 2020 12 28
(732) Ioseb Kelenjeridze
Tsintsadze St. 26, app. 18-4, 1804, Tbilisi,
Georgia

(111) M 2022 34921 R
(151) 2022 01 10
(181) 2032 01 10
(260) AM 2021 111271 A
(220) 2021 01 12
(732) LLC "IDS Borjomi Beverages Company"
Pareraweg 45, Curaçao

(111) M 2022 34922 R
(151) 2022 01 10
(181) 2032 01 10
(260) AM 2021 111340 A
(220) 2021 01 21
(732) LTD "Talisman"
N. Tskhvedadze St. 28, 0162, Tbilisi,
Georgia

(111) M 2022 34923 R
(151) 2022 01 10
(181) 2032 01 10
(260) AM 2021 111342 A
(220) 2021 01 21

(732) LTD "Talisman"
N. Tskhvedadze St. 28, 0162, Tbilisi,
Georgia

(111) M 2022 34924 R
(151) 2022 01 10
(181) 2032 01 10
(260) AM 2021 111539 A
(220) 2021 02 04
(732) JSC "Gefa"
Akaki Beliashvili St. 142, 0159, Tbilisi,
Georgia

(111) M 2022 34925 R
(151) 2022 01 10
(181) 2032 01 10
(260) AM 2021 111583 A
(220) 2021 02 05
(732) Philip Morris Products S.A.
Quai Jeanrenaud 3, 2000 Neuchâtel,
Switzerland

(111) M 2022 34926 R
(151) 2022 01 10
(181) 2032 01 10
(260) AM 2021 111584 A
(220) 2021 02 05
(732) Philip Morris Products S.A.
Quai Jeanrenaud 3, 2000 Neuchâtel,
Switzerland

(111) M 2022 34927 R
(151) 2022 01 10
(181) 2032 01 10
(260) AM 2021 111585 A
(220) 2021 02 05
(732) Philip Morris Products S.A.
Quai Jeanrenaud 3, 2000 Neuchâtel,
Switzerland

(111) M 2022 34928 R
(151) 2022 01 10
(181) 2032 01 10
(260) AM 2021 111618 A
(220) 2021 02 11
(732) LLC "Qvevrula"
Vill. Tkemlovana, Chiatura, Georgia

(111) M 2022 34929 R
(151) 2022 01 10
(181) 2032 01 10
(260) AM 2021 111619 A
(220) 2021 02 12

(732) LTD "Best Offer Group"
D. Aghmashenebeli St. 32, app. 34, 0154,
Batumi, Georgia

(111) M 2022 34930 R
(151) 2022 01 10
(181) 2032 01 10
(260) AM 2021 111733 A
(220) 2021 02 17
(732) Izocam Ticaret ve Sanayi Anonim Şirketi
Altaicheshme Mah. Chamli Soq. Esas Ofisfarq
№21 Qat: 4-5 Maltefe-Istanbul, Turkey

(111) M 2022 34931 R
(151) 2022 01 10
(181) 2032 01 10
(260) AM 2021 111948 A
(220) 2021 03 01
(732) JSC "Gefa"
Ak. Beliashvili St. 142, 0159, Tbilisi, Georgia

(111) M 2022 34932 R
(151) 2022 01 10
(181) 2032 01 10
(260) AM 2021 111949 A
(220) 2021 03 01
(732) JSC "Gefa"
Ak. Beliashvili St. 142, 0159, Tbilisi, Georgia

(111) M 2022 34933 R
(151) 2022 01 10
(181) 2032 01 10
(260) AM 2021 111950 A
(220) 2021 03 01
(732) JSC "Gefa"
Ak. Beliashvili St. 142, 0159, Tbilisi, Georgia

(111) M 2022 34934 R
(151) 2022 01 10
(181) 2032 01 10
(260) AM 2021 112062 A
(220) 2021 03 09
(732) LTD "Kvarlis Baga"
Ilia Chavchavadze St. 13, Kvareli, Georgia

(111) M 2022 34943 R
(151) 2022 01 18
(181) 2032 01 18
(260) AM 2020 107034 A
(220) 2020 02 07
(732) LTD "VG"
Isaakyan St. 1, Tbilisi, Georgia

(111) M 2022 34944 R
(151) 2022 01 18
(181) 2032 01 18
(260) AM 2020 109368 A
(220) 2020 08 12
(732) Andrey Derizeev
Ulitsa Fedoskinskaya, dom. 2, kvart. 6,
Moscow, 129337, Russian Federation

(111) M 2022 34945 R
(151) 2022 01 18
(181) 2032 01 18
(260) AM 2021 109763 A
(220) 2021 02 16
(732) LTD "Badagoni House"
Adam Mickiewicz St. 29-29a, app. 65, Tbilisi,
Georgia

(111) M 2022 34946 R
(151) 2022 01 18
(181) 2032 01 18
(260) AM 2020 110794 A
(220) 2020 12 11
(732) LTD "Rich Group"
Vill. Mughanlo, Marneuli Region, Georgia

(111) M 2022 34947 R
(151) 2022 01 18
(181) 2032 01 18
(260) AM 2021 111157 A
(220) 2021 01 05
(732) Getz Pharma International FZ LLC
Office No. 1307, 13th Floor, Al-Thuraya
Tower 1, Dubai Media City, Dubai, United
Arab Emirates

(111) M 2022 34948 R
(151) 2022 01 18
(181) 2032 01 18
(260) AM 2021 111497 A
(220) 2021 01 29
(732) Giorgi Chiradze
Tiripebi St. 2, app. 20, 0186, Tbilisi, Georgia

(111) M 2022 34949 R
(151) 2022 01 18
(181) 2032 01 18
(260) AM 2021 111600 A
(220) 2021 02 09
(732) Shanghai Ramentalk E-Commerce Co., Ltd.
Room 2153, Bld. №2, Zixing Rd. № 588,
Minhang District, Shanghai, People's Republic
of China

(111) M 2022 34950 R
(151) 2022 01 18
(181) 2032 01 18
(260) AM 2021 111694 A
(220) 2021 02 12
(732) Milhans Gida Ve Tarim Ürünleri San. Ve Tic.
A.Ş.
Balçık Köyü Hamidiye Sk. №:14 Gebze
Kocaeli, Turkey

(111) M 2022 34951 R
(151) 2022 01 18
(181) 2032 01 18
(260) AM 2021 111695 A
(220) 2021 02 12
(732) Milhans Gida Ve Tarim Ürünleri San. Ve Tic.
A.Ş.
Balçık Köyü Hamidiye Sk. №:14 Gebze
Kocaeli, Turkey

(111) M 2022 34952 R
(151) 2022 01 18
(181) 2032 01 18
(260) AM 2021 111696 A
(220) 2021 02 12
(732) Milhans Gida Ve Tarim Ürünleri San. Ve Tic.
A.Ş.
Balçık Köyü Hamidiye Sk. №:14 Gebze
Kocaeli, Turkey

(111) M 2022 34953 R
(151) 2022 01 18
(181) 2032 01 18
(260) AM 2021 111697 A
(220) 2021 02 12
(732) Milhans Gida Ve Tarim Ürünleri San. Ve Tic.
A.Ş.
Balçık Köyü Hamidiye Sk. №:14 Gebze
Kocaeli, Turkey

(111) M 2022 34954 R
(151) 2022 01 18
(181) 2032 01 18
(260) AM 2021 111710 A
(220) 2021 02 15
(732) LLC "American Hospital Network"
David Kldiashvili St. 15, app. 56, 0112,
Tbilisi, Georgia

(111) M 2022 34955 R
(151) 2022 01 18
(181) 2032 01 18
(260) AM 2021 111711 A
(220) 2021 02 15

(732) LLC "American Hospital Network "
David Kldiashvili St. 15, app. 56, 0112,
Tbilisi, Georgia

(111) M 2022 34956 R
(151) 2022 01 18
(181) 2032 01 18
(260) AM 2021 111713 A
(220) 2021 02 15

(732) LLC "American Hospital Network"
D. Kldiashvili St. 15, app. 56, 0112, Tbilisi,
Georgia

(111) M 2022 34957 R
(151) 2022 01 18
(181) 2032 01 18
(260) AM 2021 111714 A
(220) 2021 02 15

(732) LLC "American Hospital Network"
D. Kldiashvili St. 15, app. 56, 0112, Tbilisi,
Georgia

(111) M 2022 34958 R
(151) 2022 01 18
(181) 2032 01 18
(260) AM 2021 111716 A
(220) 2021 02 16

(732) LTD "Smart Feed"
14th St. II Lane 15, Vill. Gamarjveba, 1306,
Gardabani, Georgia

(111) M 2022 34959 R
(151) 2022 01 18
(181) 2032 01 18
(260) AM 2021 111731 A
(220) 2021 02 17

(732) Merck Sharp & Dohme Corp.
One Merck Drive, Whitehouse Station,
New Jersey, 08889, USA

(111) M 2022 34960 R
(151) 2022 01 18
(181) 2032 01 18
(260) AM 2021 111849 A
(220) 2021 02 23

(732) Gagi Gogolashvili
I. Mosashvili St. 6, 0162, Tbilisi, Georgia

(111) M 2022 34961 R
(151) 2022 01 18
(181) 2032 01 18
(260) AM 2021 111859 A
(220) 2021 02 24

(732) LTD "GMP"
Vill. Ponichala 65, 0165, Tbilisi, Georgia

(111) M 2022 34962 R
(151) 2022 01 18
(181) 2032 01 18
(260) AM 2021 111860 A
(220) 2021 02 24

(732) LTD "GMP"
Vill. Ponichala 65, 0165, Tbilisi, Georgia

(111) M 2022 34963 R
(151) 2022 01 18
(181) 2032 01 18
(260) AM 2021 111861 A
(220) 2021 02 24

(732) LTD "Icon Group"
Vill. Tsinsvla, Khelvachauri Region,
Georgia

(111) M 2022 34964 R
(151) 2022 01 18
(181) 2032 01 18
(260) AM 2021 111876 A
(220) 2021 02 25

(732) LTD "Rich Group"
Vill. Mughanlo, Marneuli Region,
Georgia

(111) M 2022 34965 R
(151) 2022 01 18
(181) 2032 01 18
(260) AM 2021 111877 A
(220) 2021 02 25

(732) Maia Tsiklauri
Vill. Kvesheti, Dusheti Region, Georgia

(111) M 2022 34966 R
(151) 2022 01 18
(181) 2032 01 18
(260) AM 2021 111934 A
(220) 2021 02 26

(732) LTD "Impexpharm"
On the right bank of the River Mtkvari, nearby
The way to Bacteriophage, 0160, Tbilisi,
Georgia

(111) M 2022 34967 R
(151) 2022 01 18
(181) 2032 01 18
(260) AM 2021 111935 A
(220) 2021 02 26

(732) LTD "Impexpharm"

On the right bank of the River Mtkvari, nearby
The way to Bacteriophage, 0160, Tbilisi,
Georgia

(111) M 2022 34968 R
(151) 2022 01 18
(181) 2032 01 18
(260) AM 2021 111936 A
(220) 2021 02 26
(732) LTD "Impexpharm"

On the right bank of the River Mtkvari, nearby
The way to Bacteriophage, 0160, Tbilisi, Georgia

(111) M 2022 34969 R
(151) 2022 01 18
(181) 2032 01 18
(260) AM 2021 111959 A
(220) 2021 03 02
(732) JSC "Medinserv"

D. Uznadze St. 76/Dgebuadze St. 1, 0102,
Tbilisi Georgia

(111) M 2022 34970 R
(151) 2022 01 18
(181) 2032 01 18
(260) AM 2021 111970 A
(220) 2021 03 04
(732) Ana Godabrelidze

Politkovskaya St. 37, 0186, Tbilisi, Georgia

(111) M 2022 34971 R
(151) 2022 01 18
(181) 2032 01 18
(260) AM 2021 111974 A
(220) 2021 03 04

(732) LTD "Shenzhen Houshuxia Technology Co."
Rm 411, Block A, Weidonglong Business
Building, 2125 Meilong Road, Tsinghua
Community, Longhua Street, Longhua District,
Shenzhen, People's Republic of China

(111) M 2022 34972 R
(151) 2022 01 18
(181) 2032 01 18
(260) AM 2021 112057 A
(220) 2021 03 06

(732) LLC "Alazani Winery"
Demetre Tavdadebuli St. 3, 4800, Kvareli,
Georgia

(111) M 2022 34973 R
(151) 2022 01 18
(181) 2032 01 18
(260) AM 2021 112190 A
(220) 2021 03 17

(732) Shalva Alelishvili
Leselidze St. 21, 3700, Rustavi, Georgia

(111) M 2022 34974 R
(151) 2022 01 18
(181) 2032 01 18
(260) AM 2021 112299 A
(220) 2021 03 24

(732) LTD "Shotas Marani"
Vill. Dzirageuli, 0400, Ambrolauri Region,
Georgia

TRADEMARKS REGISTERED ACCORDING TO THE ACCELERATED PROCEDURE

The decision can be appealed at the Chamber of Appeal of Sakpatenti within 3 months from the publication.

(111) M 2022 34900 R
(151) 2021 12 31
(181) 2031 12 31
(210) AM 115684
(220) 2021 12 08
(732) LLC "Brand Consulting Group"
Degtarnaia Street 9, Apt. 31, Kyiv, 04071,
Ukraine
(740) Ketevan Khutsishvili
(540)



(591) Blak, grey, white
(531) 01.15.15; 06.01.04; 25.01.19; 27.05.01;
27.05.02; 27.05.09; 27.05.10
(526) GEORGIA
(511) 33

(111) M 2022 34935 R
(151) 2022 01 10
(181) 2032 01 10
(210) AM 115996
(220) 2021 12 30
(732) LLC "Proshyan Brandy Factory"
Ajapnyak adm. Region, Ashtarak highway 2,
Yerevan, 0088, Armenia
(740) Ioane Iarajuli
(540)

Sachukari
Сачუკარი
საჩუქარი

(591) Black-white
(511) 33

(111) M 2022 34936 R
(151) 2022 01 10
(181) 2032 01 10
(210) AM 115997
(220) 2021 12 30
(732) LLC "Proshyan Brandy Factory"
Ajapnyak adm. Region, Ashtarak highway 2,
Yerevan, 0088, Armenia
(740) Ioane Iarajuli
(540)

Jigari Khar
Джигари Хар
ჯიგარი ხარ

(591) Black-white
(511) 33

(111) M 2022 34937 R
(151) 2022 01 11
(181) 2032 01 11
(210) AM 115991
(220) 2021 12 29
(732) Vladimer Kavtaradze
Beri Gabriel Salosi St. 81, 0103, Tbilisi,
Georgia
(540)



ყველაფერი შენი სახლისთვის
(591) Black, yellow, blue, green
(531) 07.03.02; 07.03.11; 26.03.04; 26.03.23;
26.11.07; 27.05.01; 28.19; 29.01.15
(511) 25, 35

(111) M 2022 34938 R
(151) 2022 01 12
(181) 2032 01 12
(210) AM 115897
(220) 2021 12 23
(732) Anadolu Efes Biracilik ve Malt Sanayii
Anonim Sirketi

Fatih Sultan Mehmet Mah. Balkan Cad.
Buyaka E Blok №58/24 Umraniye Istanbul,
Turkey

(740) Giorgi Taktakishvili
(540)

Mediterranean Slow Brew

(591) Black-white

(511) 32, 33

(111) M 2022 34939 R

(151) 2022 01 12

(181) 2032 01 12

(210) AM 115898

(220) 2021 12 23

(732) Anadolu Efes Biracilik ve Malt Sanayii

Anonim Sirketi

Fatih Sultan Mehmet Mah. Balkan Cad.
Buyaka E Blok №58/24 Umraniye Istanbul,
Turkey

(740) Giorgi Taktakishvili

(540)



(591) Sky-blue, blue, yellow, white

(531) 01.03.01; 01.03.08; 01.03.15; 01.15.24;
03.07.16; 03.07.24; 26.01.04; 26.01.13;
26.01.22; 26.01.24; 27.05.24; 29.01.14

(511) 32, 33

(111) M 2022 34940 R

(151) 2022 01 12

(181) 2032 01 12

(210) AM 115899

(220) 2021 12 23

(732) Anadolu Efes Biracilik ve Malt Sanayii

Anonim Sirketi

Fatih Sultan Mehmet Mah. Balkan Cad.
Buyaka E Blok №58/24 Umraniye Istanbul,
Turkey

(740) Giorgi Taktakishvili

(540)



(591) Sky-blue, blue, grey, yellow

(531) 01.03.08; 01.03.15; 01.15.24; 11.03.03;
11.03.07; 25.01.19; 25.07.15; 26.01.04;
26.01.13; 27.05.17; 27.05.24; 29.01.14

(511) 32, 33

(111) M 2022 34941 R

(151) 2022 01 13

(181) 2032 01 13

(210) AM 115998

(220) 2021 12 30

(732) LTD "Alazani Winery"

D. Tavdadebuli St. 3, 4800, Kvareli, Georgia

(740) Giorgi Kartvelishvili

(540)

Caucasian harvest

(591) Black-white

(511) 33

(111) M 2022 34942 R

(151) 2022 01 18

(181) 2032 01 18

(210) AM 116160

(220) 2022 01 12

(732) LEPL National Agency For Crime Prevention
Execution Of Non-Custodial Sentences and
Probation

Aleksandre Kazbegi Av. 42, Tbilisi, Georgia

(540)

პრობოქსი
probbox

(591) Black-white

(511) 45

(111) M 2022 34975 R

(151) 2022 01 18

(181) 2032 01 18

(210) AM 116158

(220) 2022 01 12

(732) LTD "MM Consulting"

Grigol Robakidze Av. 7, bld. 5, app. 20, 0179,
Didube District, Tbilisi, Georgia

(540)



(591) Black

(531) 03.07.01; 17.03.01

(511) 45

INTERNATIONAL TRADEMARKS FOR WHICH A DECISION ON GRANTING PROTECTIONS IS TAKEN

The decision can be appealed at the Chamber of Appeal of Sakpatenti within 3 months from the publication or at the Mtskheta District Court Administrative Cases Board (Address: №17, Samkhedro St., Mtskheta), within 1 month following the publication.

(260) AM 2021 107703 A*
 (800) 1521895
 (151) 2019 12 17
 (891) 2019 12 17
 (731) "KONTI-RUS" JOINT STOCK COMPANY
 ul. Zolotaia, 13, RU-305000 Kursk, Russian
 Federation
 (540)



(591) Black, white
 (531) 25.05.25; 26.04.05; 26.04.16; 26.04.18;
 26.04.24; 27.05.09; 27.05.10; 27.05.11;
 27.05.24
 (511)
 30 – Sweetmeats [candy].

(260) AM 2022 109343 A*
 (800) 920680
 (151) 2006 10 31
 (891) 2020 06 25
 (731) Tetra GmbH
 Herrenteich 78, 49324 Melle, Germany
 (540)

Tetra

(591) Black, white
 (531) 03.07.03; 26.01.15; 26.01.16; 27.05.01
 (511)
 7 – Air pumps; water pumps; all aforementioned
 goods to be used in aquaria, terraria and garden
 ponds.

9 – Thermostats; diagnostic apparatus and diagnostic
 equipment for the specification of chemical and phy-
 sical characteristics of water; cases fitted with dia-
 gnostic apparatus, diagnostic equipment and chemical
 preparations for the specification of chemical and
 physical characteristics of water; all aforementioned
 goods to be used in aquaria, terraria and garden
 ponds.

11 – Lighting, heating and aeration apparatus; tempe-
 rature regulators; air filters; water filters; all afore-
 mentioned goods to be used in aquaria, terraria and
 garden ponds.

16 – Indoor aquaria, printed matters, books.

(260) AM 2022 110253 A*
 (800) 1556693
 (151) 2019 12 27
 (891) 2019 12 27
 (731) International Fruit Genetics, LLC
 8224 Espresso Drive, Suite 200, Bakersfield
 CA 93312, USA
 (540)

CANDY HEARTS

(591) Black, white
 (511)
 30 – sorbets and other edible ices;

(260) AM 2021 112243 A
 (800) 1582157
 (151) 2020 12 11
 (891) 2020 12 11
 (731) Open-Type Joint Stock Company "ROT
 FRONT"
 2-oy Novokuznetskiy pereulok, d. 13/15,
 RU-113184 Moscow, Russian Federation
 (540)

КРЕМЛЁВСКИЕ

(591) Black, white
 (531) 28.05
 (511)
 30 – Coffee; tea; cocoa; sugar; rice; tapioca; sago;
 confectionery; flour and preparations made from ce-
 reals; bread; ice cream; honey; yeast; salt; edible ices.

(260) AM 2022 112316 A
 (800) 1582331
 (151) 2021 02 08
 (891) 2021 02 08
 (731) Avon Products, Inc.
 1 Avon Place, Suffern NY 10901, USA
 (540)

POWER STAY

(591) Black, white
 (511)
 3 – Cosmetics and skin care products, namely, foundation, concealer, mascara, eye shadow, eye and/or brow liners, lipstick, lip liner, lip balm, face powder, bronzer, blusher, moisturizers, make-up remover; non-medicated body powder; skin soaps; bath gel, bath oils, bath salts, bath beads, and effervescent bath preparations; non-medicated skin care preparations, namely, lotions, creams, cleansers, scrubs, masks and toners; hair care and hair styling preparations, namely, shampoos, conditioners, finishing spray, and gels; personal deodorants, sun-tanning preparations; sunscreen oils and lotions; shaving preparations; dentifrices; perfumes, eau de toilette, essential oils for personal use, perfume oils; nail care preparations; nail enamel; pumice stone, cotton sticks and wool swabs for non-medical purposes all for use on the body; scented room fragrances, incense sticks, potpourri and sachets; powdered cosmetic tissues; tissues impregnated with cosmetic lotions; kits and gift sets containing skin and/or hair care preparations.

(260) AM 2022 112319 A
 (800) 1582371
 (151) 2021 01 29
 (891) 2021 01 29
 (731) Bora Creations S.L.
 11, Calle Velázquez (Pto. de Andratx), E-07157
 Andratx, Balearen, Spain
 (540)

LASH LIKE A BOSS

(591) Black, white
 (511)
 3 – Cosmetics; decorative cosmetics; mascara; false eyelashes.

(260) AM 2021 112326 A
 (800) 1582663
 (151) 2020 06 30
 (891) 2020 06 30
 (731) DBG GROUP INVESTMENTS, LLC
 14841 Dallas Parkway, Suite 500,
 Dallas TX 75254, USA
 (540)

ACTIVEPURE

(591) Black, white

(511)
 11 – Air purifiers for commercial, industrial, medical, and domestic use; air filters for commercial, industrial, medical, and domestic use; air purifying apparatus and machines; air purifiers.

35 – Providing consumer information services in the field of environmental and disinfecting services for products, services, activities, facilities and locations; business project management services for others for business purposes in the fields of air purifiers, air and surface purification technology, environmental and disinfecting services; business services in the fields of environmental and disinfecting services.

37 – Disinfecting; environmental disinfecting.

40 – Air purification; rental of air purification equipment.

41 – Educational services, namely, conducting classes, seminars, conferences and workshops in the fields of air and surface purification, environmental and disinfecting services and distribution of training materials in connection therewith; training in the use and operation of air purifiers, air purifying apparatus and machines and consultation relating thereto; training services in the fields of air purification and environmental disinfecting.

42 – Providing scientific and technological information for consumers in the fields of air purifiers, air and surface purification technology, environmental and disinfecting services via a website.

(260) AM 2021 112327 A
 (800) 1582664
 (151) 2021 02 11
 (891) 2021 02 11
 (731) Corteva Agriscience LLC
 9330 Zionsville Road, Indianapolis IN 46268,
 USA
 (540)

QALCOVA

(591) Black, white
 (511)
 5 – Insecticide.

(260) AM 2021 112328 A
 (800) 1582665
 (151) 2021 02 11
 (891) 2021 02 11
 (731) Corteva Agriscience LLC
 9330 Zionsville Road, Indianapolis IN 46268,
 USA
 (540)

JEMVELVA

(591) Black, white

(511)
5 – Insecticide.

(260) AM 2022 112329 A
(800) 1582671

(151) 2020 12 28

(891) 2020 12 28

(731) ANHUI COOL BABY SCIENCE &
TECHNOLOGY DEVELOPMENT
CORPORATION.

North Industry Park, Jin'an Zone, Lu'an City,
237000 Anhui Province, China

(540)



(591) Black, white

(531) 26.01.02; 26.01.20; 27.05.17

(511)

20 – Cots for babies; cradles; furniture; tables; beds;
high chairs for babies; infant walkers; cushions; pi-
llows.

(260) AM 2022 112437 A
(800) 1583846

(151) 2020 12 22

(891) 2020 12 22

(731) Yandex LLC

Leo Tolstoy Str., 16, RU-119021 Moscow,
Russian Federation

(540)

ГОЛОСОВОЙ ПОМОЩНИК АЛИСА

(591) Black, white

(531) 28.05

(526) Голосовой помощник (Translation - voice
assistant)

(511)

9 – Computers, computer peripheral devices, compu-
ter terminals; computer hardware; microprocessors;
computer memory devices; monitors [computer hard-
ware]; electronic numeric displays; computer keybo-
ards; cables, electric; modems; printers for use with
computers; disk drives for computers; electrical adap-
ters; adapter cards; connectors and electronic driver
circuits; data storage devices; computer disk drives;
miniature hard disk drive storage units; compact discs
[audio-video], CD-ROMs, DVDs; blank digital data
carriers; magnetic data media; chips, disks and mag-
netic tapes bearing or for recording computer pro-
grams and software; random access memory devices;
read only memory devices; solid state storage devices;
mouse pads; telephone apparatus; facsimile machines,
answering machines; cameras [photography], camcor-
ders; batteries, electric; accumulators, electric; mains
chargers; chargers for electric accumulators; digital

audio players; notebook computers, tablet computers,
hand-held personal computers, electronic personal or-
ganisers, digital organizers; handheld digital electro-
nic devices, namely portable audio speakers, portable
computers, power banks, digital or analogue recording
and storage media, bicycle computers, navigational
instruments, digital books, 3D spectacles, and softwa-
re related thereto; handheld and mobile digital elec-
tronic devices for the sending and receiving of telephone
calls, faxes, electronic mail, and other digital data; el-
ectronic handheld units for the wireless receipt, sto-
rage and/or transmission of data and messages, and
electronic devices that enable the user to keep track of
or manage personal information; electronic communi-
cation equipment and instruments; telecommunicati-
ons apparatus and instruments; telephone-based infor-
mation retrieval software and hardware; mobile digital
electronic devices, global positioning system (GPS)
devices; mobile telephones, video telephones; parts
and accessories for mobile telephones included in this
class; voice recognition apparatus; digital voice recor-
ders; wireless communication devices for voice, data
or image transmission; headphones; audio speakers;
sound recording and reproducing apparatus, ampli-
fiers, electric phonographs, record players; high fide-
lity stereo apparatus, tape recorders and reproducing
apparatus, microphones; digital audio and video re-
corders and players; audio cassette recorders and pla-
yers, video cassette recorders and players, compact
disc recorders and players, digital versatile disc recor-
ders and players, digital audio tape recorders and pla-
yers; radios; radio transmitters and receivers; audio,
video, and digital mixers; apparatus for recording or
reproduction of sound for automobiles; computer soft-
ware, recorded; computer and electronic game softwa-
re; computer software for creating, authoring, distri-
buting, downloading, transmitting, receiving, playing,
editing, extracting, encoding, decoding, displaying,
storing and organizing text, graphics, images, audio,
video, and multimedia content, and electronic publica-
tions; operating system software, data synchronization
software, application development software; computer
software for personal information management; data-
base management software; database synchronization
software; character recognition software; voice recog-
nition software; speech to text conversion software;
voice-enabled software applications; software for con-
trolling and management of telephone communicati-
ons; electronic mail and messaging software; software
for mobiles telephones; computer software for acces-
sing, browsing and searching online databases; com-
puter software for the redirection of messages, Inter-
net e-mail, and/or other data to one or more electronic
handheld devices from a data store on or associated
with a personal computer or a server; computer soft-
ware for the synchronization of data between a remote
station or device and a fixed or remote station or
device; downloadable electronic publications; fonts,
type designs and symbols recorded on magnetic

media; user manuals in electronic format for use with, and sold as a unit with, all the aforementioned goods; computer equipment for use with all of the aforesaid goods; electronic apparatus with multimedia functions for use with all of the aforesaid goods; interactive touch screen terminals for use with all of the aforesaid goods; accessories, parts, fittings, and testing apparatus for all of the aforesaid goods included in this class; covers, bags and cases adapted or shaped to contain all of the aforesaid goods.

28 – Computer gaming devices (term considered too vague by the International Bureau - Rule 13 (2) (b) of the Regulations); hand-held game apparatus adapted for use with an external display screen or monitor.

35 – Computerized database and file management; data processing services; systemization of information, sites and other resources, available on global computer networks and other electronic and communications networks for others; data search in the global computer network and other electronic and communication networks for third parties; compilation of information retrieved from the global computer network and other electronic and communication networks according to user preferences; providing business, consumer, and commercial information over computer networks and global communication networks; compilations of directories for publishing on the Internet and other electronic, computer and communications networks; subscription services, namely, arranging subscriptions to publications in the nature of text, data, image, audio, video, and multimedia content, provided via the Internet and other electronic and communications networks; online retail services for downloadable and pre-recorded text, data, image, audio, video, and multimedia content for a fee or pre-paid subscription, via the Internet and other electronic and communications networks.

38 – Providing access to interactive computer databases in the field of social networking, communication and organization of meetings; telecommunications; communication and telecommunication services; communication by computer, computer intercommunication; telex services, telegram transmission services; telephone services; facsimile transmission, collection of electronic messages; transmission of data and of information by electronic means, computer, cable, radio, teleprinter, teletype, electronic mail, telecopier, television, microwave, laser beam, communications satellite or electronic communication means; providing of wireless telecommunications through electronic telecommunications networks; electronic transmission of data and documentation via the Internet or other electronic telecommunications networks; electronic mailing services; delivery of messages by electronic transmission; wireless digital messaging services, telephone paging services and electronic mailing services, including communication services that enable a user to send and/or receive messages through a

wireless data network; rental and hire of communication apparatus and electronic mail-boxes; providing online bulletin boards for the transmission of messages among computer users; telecommunication access services; providing telecommunication access to websites; providing telecommunications access and links to computer databases and directories via the Internet and other electronic communications networks; providing access to online searchable databases of text, data, image, audio, video, and multimedia content; providing telecommunication access to electronic communications networks with means of identifying, locating, grouping, distributing, and managing data and links to third-party computer servers, computer processors and computer users; communication services for matching users for the transfer of music, video and audio recordings via communication networks; providing telecommunications access to electronic communication networks, for transmission or reception of audio, video or multimedia content; transmission of digital audio, video and multimedia content by telecommunications; electronic transmission of audio and video files via computer and other electronic communications networks; audio broadcasting; video broadcasting; broadcasting or transmission of radio and television programs; broadcasting or transmission of video content via a global computer network; streaming of audio and video material in the Internet; web-casting services; information, advisory and consultancy services relating to all the aforesaid.

39 – Physical storage of electronically stored data; physical storage of electronically stored data, text, images, audio, and video; information and consultation services in connection with physical storage of electronically stored information and data.

41 – News reporters services provided via electronic communication means; education and entertainment services; computer-based educational, teaching, and training services; game services provided online from a computer network; publishing of electronic books, magazines, newspapers, journals, periodicals, and other publications; digital imaging services [editing of images]; publication of texts, and production of video, audio, and online multimedia programs; providing information relating to education and entertainment; organizing and conducting performances, sporting events, and cultural events; ticket reservation and booking services for entertainment, sporting and cultural events; providing information, advice, news, reviews, and commentary in the fields of entertainment, sporting and cultural events; information, advisory and consultancy services relating to all the aforesaid.

42 – Computer programming; design and development of computer hardware and software; design, development and maintenance of proprietary computer software in the field of natural language, speech, speaker, language, voice recognition, and voice-print recognition; rental of computer hardware and software;

consultancy in the design and development of computer hardware; computer software consultancy; support and consultation services for developing computer systems, databases and applications; providing online information about computer hardware design and software; creation, design and maintenance of websites; application service provider (ASP), namely, hosting software applications of others; application service provider (ASP) services, namely, hosting software for creating, authoring, distributing, downloading, transmitting, receiving, playing, editing, extracting, encoding, decoding, displaying, storing and organizing text, graphics, images, audio, video, and multimedia content, and electronic publications; application service provider (ASP) services containing software for use in connection with voice recognition software and voice-enabled software applications; providing online non-downloadable software; providing search engines for obtaining data on a global computer network and via other electronic communications networks; creating indexes of online information, sites and other resources available on global computer networks for others; hosting an on-line web site for social networking; information, advisory and consultancy services relating to all the aforesaid.

45 – Online social networking services.

(260) AM 2021 112441 A

(800) 1584158

(151) 2021 01 04

(891) 2021 01 04

(731) Limited Liability Company "Association
"Soyuzpichsheprom"

pos. Melkombinat-2, uchastok 1, d. 37,

RU-454080 Chelyabinsk, Russian Federation

(540)



(591) White, red, dark red and dark gold

(531) 24.09.05; 24.09.09; 24.09.16; 26.13.25; 28.05;
29.01.13

(511)

29 – Oils for food; mustard oil for food; corn oil for food; linseed oil for food; sunflower oil for food; rape oil for food.

30 – Pasta; vermicelli; noodles; buckwheat noodles; macaroni; spaghetti; soba noodles; udon noodles; groats for human food; buckwheat, processed; husked oats; rice; husked barley; hominy grits; semolina; oatmeal; crushed barley; couscous; bulgur; peas being grits; corn, milled; crushed oats; cereal preparations; porridge made from cereal preparations; porridge made from cereal preparations with the addition of fruits, dried fruits, berries, nuts, mushrooms, vegetables; oat-based food; chips [cereal products]; corn flakes; oat flakes; buckwheat flakes; wheat flakes; barley flakes; multigrain flakes; chips [cereal products] with the addition of fruits, dried fruits, berries, nuts, mushrooms, vegetables; buckwheat flour; corn flour; flour; wheat flour; soya flour; dough; pastry dough; rice pulp for culinary purposes; cake dough; almond paste; frozen pre-cooked dough products; buns; bread rolls; frozen pre-cooked bread rolls; croutons; rusks; breadcrumbs; batter mixes; tortillas; unleavened bread; gluten-free bread; bread; rice-based snack food; cereal-based snack food; corn, roasted; muesli; cereal bars; high-protein cereal bars; pancakes; frozen pre-cooked pancakes; quiches; meat pies; pies; frozen pre-cooked pies; sandwiches; hot dog sandwiches; cheeseburgers [sandwiches]; pizzas; lyophilized dishes with the main ingredient being pasta; lyophilized dishes with the main ingredient being rice; noodle-based prepared meals; baozi; burritos; kimchi pancakes; flour-based dumplings; potato-based flatbread; savoury pancakes; ramen; rice crackers; pâtés en croûte.

(260) AM 2021 112448 A

(800) 1584418

(151) 2021 03 02

(891) 2021 03 02

(731) FM World Sp. z o.o.

ul. Żmigrodzka 247, PL-51-129 Wrocław,
Poland

(540)



aurile

(591) Black, white

(531) 04.05.05; 27.05.01

(511)

30 – Instant coffee; tea; ground coffee; flavoured coffee; coffee capsules, filled; coffee in whole-bean form; artificial coffee; coffee; coffee in brewed form; unroasted coffee; malt coffee; coffee [roasted, powdered, granulated, or in drinks]; coffee substitutes [artificial coffee or vegetable preparations for use as coffee].

(260) AM 2021 112449 A

(800) 1584459

(151) 2020 10 20

(891) 2020 10 20

(731) Closed Joint Stock Company "Starodvorskie kolbasy"

ul. Poliny Osipenko, d. 41, of. 210, RU-600009

g. Vladimir, Russian Federation

(540)



(591) Brown, beige, gray and dark brown

(531) 06.19.01; 06.19.09; 08.05.01; 08.05.03; 28.05; 29.01.14

(526) "R", "ДОКТОРСКАЯ", "ГОСТ", "насыщенный мясной вкус", the shape of the packaging (casing).

(511)

29 – Albumen for culinary purposes; seaweed extracts for food; gelatine; edible fats; anchovy, not live; peanut butter; butter; cocoa butter for food; coconut butter; buttercream; white of eggs; black pudding; broth; preparations for making bouillon; caviar; fruit, preserved; charcuterie; potato chips; chips made from uncooked meat; sauerkraut; coconut, desiccated; rape oil for food; broth concentrates; jams; frozen fruits; soups; raisins; gherkins; vegetables, preserved; vegetables, cooked; vegetables, dried; edible oils; cream [dairy products]; cheese; frosted fruits; croquettes; crustaceans, not live; dates; milk; crayfish, not live; fish fillets; rennet; fruit, stewed; fruit jellies; fruit pulp; meat; fish, not live; jellies for food; meat jellies; game, not live; ginger jam; soya beans, preserved, for food; fatty substances for the manufacture of edible fats; fat-containing mixtures for bread slices; herrings, not live; lobsters, not live; corn oil; palm kernel oil for food; sesame oil; oysters, not live; isinglass for food; ham; yolk of eggs; yogurt; vegetable soup preparations; vegetable juices for cooking; meat extracts; kefir [milk beverage]; kumys [milk beverage]; milk beverages, milk predominating; whey; milk products; spiny lobsters, not live; bacon; lentils, preserved; margarine; marmalade; animal marrow for food; mussels, not live; mollusks, not live; palm oil for food; nuts, prepared; eggs; powdered eggs; liver pâté; onions, preserved; olives, preserved; olive oil for food; bone oil for food; pectin for culinary purposes; pickles; peas, preserved; sausages; sardelki [sausages]; salted meats; preparations for making soup; tomato purée; vegetable salads; lard; fruit salads; sardines, not live; salmon, not live; suet for food; tuna, not live; tomato juice for cooking; sunflower oil for food; tripe; truffles, preserved; poultry, not live; pieces of chicken in batter; fruit peel; alginates for culinary purposes; almonds, ground; peanuts, processed; mushrooms, preserved; co-

conut fat; coconut oil for food; beans, preserved; liver; fish-based foodstuffs; fruit chips; clams, not live; fruit preserved in alcohol; pollen prepared as foodstuff; prawns, not live; fish, preserved; meat, preserved; shrimps, not live; snail eggs for consumption; tofu; whipped cream; pork; edible birds' nests; fish, canned; fish meal for human consumption; fruits, canned; meat, canned; potato fritters; salted fish; sea-cucumbers, not live; silkworm chrysalis for human consumption; vegetables, canned; sausages in batter; potato flakes; apple purée; cranberry compote; tahini [sesame seed paste]; hummus [chickpea paste]; toasted laver; fruit-based snack food; curd; kimchi [fermented vegetable dish]; soya milk; milk shakes; ajvar [preserved peppers]; processed sunflower seeds; fish mousses; non-alcoholic eggnog; vegetable mousses; fish roe, prepared; seeds, prepared; aloe vera prepared for human consumption; preserved garlic; protein milk; linseed oil for food; low-fat potato chips; lecithin for culinary purposes; milk ferments for culinary purposes; compotes; condensed milk; smetana [sour cream]; ryazhenka [fermented baked milk]; prostokvasha [soured milk]; tomato paste; vegetable marrow paste; eggplant paste; peanut milk for culinary purposes; almond milk for culinary purposes; rice milk; artichokes, preserved; arrangements of processed fruit; powdered milk; yakitori; bulgogi; candied nuts; flavored nuts; hazelnuts, prepared; berries, preserved; guacamole [mashed avocado]; onion rings; falafel; lemon juice for culinary purposes; freeze-dried meat; oat milk; vegetable-based cream; freeze-dried vegetables; extra virgin olive oil for food; galbi [grilled meat dish]; escamoles [edible ant larvae, prepared]; edible insects, not live; sweet corn, processed; nut-based spreads; potato-based dumplings; hot dog sausages; corn dogs; soya bean oil for food; milk substitutes; almond milk; peanut milk; coconut milk; coconut milk for culinary purposes; coconut milk-based beverages; rice milk for culinary purposes; almond milk-based beverages; peanut milk-based beverages; sausage casings, natural or artificial; shpikachki [sausages]; chicken nuggets; klipfish [salted and dried cod]; cottage cheese fritters; pressed fruit paste; yuba [tofu skin]; soya patties; tofu patties.

(260) AM 2021 112450 A

(800) 1584495

(151) 2021 01 18

(891) 2021 01 18

(731) HU ZHOU GUONENG NEW MATERIAL, CO., LTD.

NO.1-4#, 1518 MengXi Road, HuZhou, ZheJiang, China

(540)

NASCA

(591) Black, white

(511)

3 – Detergent; household antistatic agent; windshield cleaner; rust remover; silicon cleaner; glass cleaner; polishing preparation; polishes for furniture and flooring; polishing wax; car and bicycle polish.

(260) AM 2021 112512 A

(800) 1584583

(151) 2021 02 17

(891) 2021 02 17

(731) S.C. Johnson & Son, Inc.

1525 Howe Street, Racine WI 53403-2236,
USA

(540)

GLADE CALM MIND

(591) Black, white

(511)

3 – Room or atmosphere perfumes; essential oils for the atmosphere; air fragrancing preparations; air perfuming preparations; potpourri; incense.

4 – Candles; perfumed candles.

5 – Air purifying preparations; air sanitizing preparations; preparations for neutralizing odors; deodorants not for personal use; room or atmosphere deodorizers; carpet deodorizers; deodorizers for textiles.

(260) AM 2021 112513 A

(800) 1584617

(151) 2020 10 20

(891) 2020 10 20

(731) Closed Joint Stock Company "Starodvorskie kolbasy"

ul. Poliny Osipenko, d. 41, of. 210, RU-600009
g. Vladimir, Russian Federation

(540)



(591) Beige and brown

(531) 06.19.01; 06.19.16; 07.01.08; 07.01.09;
25.01.19; 28.05; 29.01.13

(526) Symbol "R"

(511)

29 – Ajvar [preserved peppers]; aloe vera prepared for human consumption; alginates for culinary purposes; anchovy, not live; peanuts, prepared; artichokes, preserved; albumen for culinary purposes; white of eggs; beans, preserved; soya beans, preserved, for food; broth; ginger jam; ham; fatty substances for the manufacture of edible fats; laver, preserved; edible

birds' nests; sea-cucumbers, not live; peas, preserved; mushrooms, preserved; guacamole [mashed avocado]; game, not live; gelatine; meat jellies; jellies for food; fruit jellies; yolk of eggs; coconut fat; bone oil for food; lard; suet for food; edible fats; curd; fruit-based snack food; milk substitutes; soya patties; tofu patties; charcuterie; raisins; caviar; eggplant paste; vegetable marrow paste; fish roe, prepared; yogurt; galbi [grilled meat dish]; sauerkraut; kefir [milk beverage]; kimchi [fermented vegetable dish]; isinglass for food; clams, not live; potato-based dumplings; klipfish [salted and dried cod]; milk shakes; black pudding; onion rings; arrangements of processed fruit; compotes; meat, canned; vegetables, canned; fish, canned; fruits, canned; broth concentrates; corn dogs; gherkins; shrimps, not live; prawns, not live; buttercream; croquettes; silk-worm chrysalis for human consumption; sweet corn, processed; kumys [milk beverage]; spiny lobsters, not live; lecithin for culinary purposes; salmon, not live; onions, preserved; margarine; marmalade; oils for food; peanut butter; cocoa butter for food; coconut oil for food; coconut butter; corn oil for food; sesame oil for food; linseed oil for food; extra virgin olive oil for food; olive oil for food; palm oil for food; palm kernel oil for food; sunflower oil for food; rape oil for food; butter; soya bean oil for food; mussels, not live; almonds, ground; animal marrow for food; mollusks, not live; milk; peanut milk; peanut milk for culinary purposes; coconut milk; coconut milk for culinary purposes; almond milk; almond milk for culinary purposes; oat milk; rice milk; rice milk for culinary purposes; protein milk; condensed milk; soya milk; powdered milk; fish meal for human consumption; vegetable mousses; fish mousses; fruit pulp; meat; meat, preserved; freeze-dried meat; milk beverages, milk predominating; peanut milk-based beverages; coconut milk-based beverages; almond milk-based beverages; edible insects, not live; pieces of chicken fried in batter; chicken wings fried in batter; sausage casings, natural or artificial; vegetables, preserved; freeze-dried vegetables; vegetables, dried; vegetables, cooked; potato fritters; olives, preserved; lobsters, not live; flavored nuts; candied nuts; coconut, desiccated; nuts, prepared; tomato paste; pressed fruit paste; liver pâté; pectin for culinary purposes; liver; pickles; jams; powdered eggs; milk products; fish-based foodstuffs; prostokvasha [soured milk]; poultry, not live; bulgogi; pollen prepared as foodstuff; cranberry compote; tomato purée; apple purée; crayfish, not live; crustaceans, not live; fish, preserved; fish, not live; salted fish; ryazhenka [fermented baked milk]; vegetable salads; fruit salads; bacon; sardelki [sausages]; sardines, not live; pork; herrings, not live; seeds, prepared; sunflower seeds, prepared; cream [dairy products]; whipped cream; vegetable-based cream; fat-containing mixtures for bread slices; smetana [sour cream]; lemon juice for culinary purposes; tomato juice for cooking; vegetable juices for cooking; salted meats; sausages; sausages in batter; hot dog sausages; preparations for

making bouillon; preparations for making soup; nut-based spreads; tripe; soups; vegetable soup preparations; whey; cottage cheese fritters; cheese; tajine [prepared meat, fish or vegetable dish]; tahini [sesame seed paste]; tofu; truffles, preserved; tuna, not live; oysters, not live; falafel; milk ferments for culinary purposes; rennet; fish fillets; dates; frosted fruits; frozen fruits; fruit, preserved; fruit preserved in alcohol; fruit, stewed; hazelnuts, prepared; potato flakes; hummus [chickpea paste]; fruit peel; preserved garlic; lentils, preserved; potato chips; low-fat potato chips; fruit chips; non-alcoholic eggnog; seaweed extracts for food; meat extracts; escamoles [edible ant larvae, prepared]; yuba [tofu skin]; berries, preserved; eggs; snail eggs for consumption; yakitori.

30 – Seaweed [condiment]; vanilla flavorings for culinary purposes; flavorings, other than essential oils, for cakes; flavorings, other than essential oils, for beverages; coffee flavorings; food flavorings, other than essential oils; star aniseed; baozi; cereal bars; high-protein cereal bars; pancakes; noodle-based prepared meals; freeze-dried dishes with the main ingredient being pasta; freeze-dried dishes with the main ingredient being rice; buns; bulgur; bread rolls; edible rice paper; edible paper; burritos; vanillin [vanilla substitute]; vareniki [stuffed dumplings]; waffles; vermicelli; natural sweeteners; sausage binding materials; binding agents for ice cream; sea water for cooking; malt biscuits; cloves [spice]; mirror icing [mirror glaze]; cake frosting [icing]; glucose for culinary purposes; mustard; croutons; buckwheat, processed; gluten additives for culinary purposes; yeast; pelmeni [dumplings stuffed with meat], fried; thickening agents for cooking foodstuffs; leaven; rice-based snack food; cereal-based snack food; artificial coffee; vegetal preparations for use as coffee substitutes; dressings for salad; zefir [confectionery]; fruit jellies [confectionery]; candy decorations for cakes; confectionery for decorating Christmas trees; cakes; pastries; peanut confectionery; almond confectionery; pasta; ginger [spice]; frozen yogurt [confectionery ices]; cocoa; cream of tartar for culinary purposes; capers; caramels [sweets]; curry [spice]; ketchup [sauce]; prepared rice rolled in seaweed; kimchiyeon [fermented vegetable pancakes]; quinoa, processed; quiches; gluten prepared as foodstuff; flour-based dumplings; sweets; liquorice [confectionery]; peppermint sweets; mints for breath freshening; dulce de leche; cinnamon [spice]; coffee; unroasted coffee; starch for food; crackers; custard; hominy grits; semolina; oatmeal; crushed barley; groats for human food; ice cubes; corn, milled; corn, roasted; meat pies; turmeric; couscous; noodles; soba noodles; udon noodles; ice for refreshment; ice, natural or artificial; edible ices; lollipops [confectionery]; rice cakes; potato-based flatbreads; mayonnaise; macarons; macaroni; maltose; hominy; manti [stuffed dumplings]; piccalilli; marinades; marzipan; honey; miso [seasoning]; royal jelly; ice cream; bean meal; buckwheat flour; tapioca flour; potato flour;

corn flour; nut flours; flour; wheat flour; soya flour; barley meal; dessert mousses [confectionery]; chocolate mousses; muesli; mint for confectionery; cocoa beverages with milk; coffee beverages with milk; coffee-based beverages; cocoa-based beverages; chamomile-based beverages; tea-based beverages; chocolate beverages with milk; chocolate-based beverages; infusions, not medicinal; crushed oats; husked oats; okonomiyaki [Japanese savory pancakes]; onigiri [rice balls]; nutmegs; chocolate-coated nuts; stick liquorice [confectionery]; soya bean paste [seasoning]; pastila [confectionery]; pastilles [confectionery]; molasses for food; pâtés en croûte; pelmeni [dumplings stuffed with meat]; pepper; allspice; peppers [seasonings]; pesto [sauce]; cookies; petit-beurre biscuits; bibimbap [rice mixed with vegetables and beef]; pies; pizzas; meat gravies; fondants [confectionery]; popcorn; powders for making ice cream; baking powder; mustard meal; pralines; aromatic preparations for food; condiments; meat tenderizers for household purposes; cereal preparations; oat-based food; bee glue; gingerbread; spices; petits fours [cakes]; rice pudding; puddings; cake powder; fruit coulis [sauces]; ravioli; ramen [Japanese noodle-based dish]; chewing gum; chewing gum for breath freshening; relish [condiment]; rice; instant rice; wheat germ for human consumption; spring rolls; sago; sugar; palm sugar; sesame seeds [seasonings]; linseed for culinary purposes [seasoning]; processed seeds for use as a seasoning; aniseed; agave syrup [natural sweetener]; golden syrup; confectionery; batter mixes for okonomiyaki [Japanese savory pancakes]; baking soda [bicarbonate of soda for cooking purposes]; malt for human consumption; salt for preserving foodstuffs; cooking salt; celery salt; sherbets [ices]; ham glaze; cranberry sauce [condiment]; soya sauce; tomato sauce; apple sauce [condiment]; sauces [condiments]; pasta sauce; spaghetti; chocolate-based spreads; chocolate spreads containing nuts; preparations for stiffening whipped cream; shaved ice with sweetened red beans; rusks; bread-crumbs; sushi; senbei [rice crackers]; sandwiches; tabbouleh; tacos; tapioca; tarts; dough; pastry dough; almond paste; rice pulp for culinary purposes; cake dough; tortillas; garden herbs, preserved [seasonings]; chocolate decorations for cakes; vinegar; beer vinegar; ferments for pastes; halvah; khinkali [stuffed dumplings]; bread; unleavened bread; chips [cereal products]; corn flakes; oat flakes; hot dog sandwiches; flowers or leaves for use as tea substitutes; jiaozi; chichory [coffee substitute]; tea; iced tea; chutneys [condiments]; chebureki [deep-fried pies]; minced garlic [condiment]; cheeseburgers [sandwiches]; chow-chow [condiment]; saffron [seasoning]; chocolate; malt extract for food; essences for foodstuffs, except etheric essences and essential oils; husked barley.

(260) AM 2021 112537 A
 (800) 1585257
 (151) 2021 01 29
 (891) 2021 01 29
 (731) Kellogg Europe Trading Limited
 3 Dublin Airport Central (DAC), Dublin
 Airport, Dublin K67X4X5, Ireland

(540)
PRINGLES SIZZLN'

(591) Black, white
 (511)
 29 – Potato and vegetable based snack foods, potato crisps, potato chips, dried fruits and vegetables, cheese based snack foods, edible oils, nut and seed based snack foods; trail mix containing fruit, nuts and vegetables, dried meats.

(260) AM 2021 112538 A
 (800) 1585282
 (151) 2021 01 10
 (891) 2021 01 10
 (731) Gan Shmuel Health Industries (2017)
 Agricultural Cooperative Soci 3381000
 Gan Shmuel, Israel

(540)
Vgarden

(591) Black, white
 (511)
 29 – Meat substitutes; poultry substitutes, cheese substitutes.
 30 – Pastries; frozen and chilled pastry products.

(260) AM 2021 112539 A
 (800) 1585293
 (151) 2020 09 11
 (891) 2020 09 11
 (731) WORLD MEDICINE İLAÇ SAN.VE TİC.A.Ş.
 15 TEMMUZ MAH. CAMI YOLU CAD.
 NO:50, Bağcılar İstanbul, Turkey

(540)
LARQUIN–ЛАРКУИН

(591) Black, white
 (531) 28.05
 (511)
 5 – Pharmaceutical and veterinary preparations for medical purposes, chemical preparations for medical purposes, dietary supplements, including those adapted for medical purposes, dietary supplements for slimming purposes, food for babies, herbs and herbal beverages adapted for medicinal purposes, dental preparations and articles, sanitary preparations for medical use, hygienic pads, hygienic tampons, plasters, materials for dressings, diapers, including those made of paper and textiles, preparations for destroying vermin,

fungicides, herbicides, deodorants, other than for human beings or for animals, air deodorising preparations, disinfectants, antiseptics, detergents for medical purposes.

(260) AM 2021 112540 A
 (800) 1585294
 (151) 2020 09 11
 (891) 2020 09 11
 (731) WORLD MEDICINE İLAÇ SAN.VE TİC.A.Ş.
 15 TEMMUZ MAH. CAMI YOLU CAD.
 NO:50, Bağcılar İstanbul, Turkey

(540)
VILCOW–ВИЛКОУ

(591) Black, white
 (531) 28.05
 (511)
 5 – Pharmaceutical and veterinary preparations for medical purposes, chemical preparations for medical purposes, dietary supplements, including those adapted for medical purposes, dietary supplements for slimming purposes, food for babies, herbs and herbal beverages adapted for medicinal purposes, dental preparations and articles, sanitary preparations for medical use, hygienic pads, hygienic tampons, plasters, materials for dressings, diapers, including those made of paper and textiles, preparations for destroying vermin, fungicides, herbicides, deodorants, other than for human beings or for animals, air deodorising preparations, disinfectants, antiseptics, detergents for medical purposes.

(260) AM 2022 112557 A
 (800) 1585632
 (151) 2020 12 07
 (891) 2020 12 07
 (731) Obschestvo s ogranichennoy otvetstvennostyu
 "ECOPOL"
 ul. Suvorova, 35, Dzerzhinsk, RU-606010
 Nizhegorodskaya oblast, Russian Federation

(540)


(591) White, red and black
 (531) 26.04.02; 26.04.18; 27.05.09; 27.05.17;
 27.05.19; 29.01.13
 (526) Autoreparaturlacke
 (511)
 2 – Primers; bactericidal paints; wood coatings [paints]; ceramic paints; fireproof paints; enamels for pa-

inting; paints; black japan; lacquers; pigments; coatings [paints]; wood coatings [paints]; undercoating for vehicle chassis; varnishes; anti-corrosive preparations; protective preparations for metals; mordants; thinners for paints; thinners for lacquers, primers, putty, coatings; siccatives [drying agents] for paints; anti-rust greases; badigeon; anti-rust preparations; wood preservatives; fixatives [varnishes]; enamels [varnishes].

(260) AM 2021 112559 A

(800) 1585694

(151) 2021 01 18

(891) 2021 01 18

(731) Scientific and Production Enterprise UNIKORN LLC

Pleshkova st., 1E, floor 1, office 2, urban settlement Razumnoe, RU-308510 Belgorodsky district, Belgorod Region, Russian Federation

(540)



(591) Black, white

(531) 04.03.09; 27.05.01

(511)

11 – Distillation apparatus; hydromassage bath apparatus; ionization apparatus for the treatment of air or water; water purifying apparatus and machines; expansion tanks for central heating installations; flushing tanks; refining towers for distillation; bidets; boilers, other than parts of machines; bath tubs; spa baths [vessels]; bath tubs for sitz baths; stills; showers; coils [parts of distilling, heating or cooling installations]; shower enclosures; level controlling valves in tanks; thermostatic valves [parts of heating installations]; distillation columns; taps; mixer faucets for water pipes; germicidal lamps for purifying air; ultraviolet ray lamps, not for medical purposes; watering machines for agricultural purposes; heaters for baths; anti-splash tap nozzles; bath fittings; urinals being sanitary fixtures; water intake apparatus; water filtering apparatus; sanitary apparatus and installations; safety accessories for water or gas apparatus and pipes; regulating accessories for water or gas apparatus and pipes; regulating and safety accessories for water apparatus; radiator caps; washers for water faucets; radiators [heating]; central heating radiators; sinks; drip irrigation emitters [irrigation fittings]; pressure water tanks; toilet seats; heat exchangers, other than parts of machines; pipes [parts of sanitary installations]; boiler pipes [tubes] for heating installations; toilets [water-closets]; toilets, portable; wash-hand basins [parts of sanitary installa-

tions]; toilet bowls; water conduits installations; sanitary installations; desalination plants; watering installations, automatic; water purification installations; purification installations for sewage; water distribution installations; water softening apparatus and installations; hot water heating installations; water supply installations; whirlpool-jet apparatus; aquarium filtration apparatus; filters for drinking water.

(260) AM 2022 112560 A

(800) 1585759

(151) 2021 01 13

(891) 2021 01 13

(731) John T. Essberger GmbH & Co. KG

Palmaille 45, 22767 Hamburg, Germany

(540)



(591) Blue, red and white

(531) 24.07.01; 24.07.23; 24.17.25; 27.05.09; 27.05.10; 29.01.13

(511)

35 – Business and commercial ship management; business management project planning in the shipping sector; business intermediary services in the field of ships, namely arranging sales contracts for ships.

39 – Freight; loading of freight containers onto ships; freighting; ship brokerage, namely the arrangement of transport services for goods on ships.

(260) AM 2021 112561 A

(800) 1585761

(151) 2021 01 27

(891) 2021 01 27

(731) Open-Type Joint Stock Company "ROT FRONT"

2-oy Novokuznetskiy pereulok, d. 13/15, RU-115184 Moscow, Russian Federation

(540)



(591) White, red, green and light green

(531) 05.03.15; 05.07.14; 19.03.24; 25.07.25; 28.05; 29.01.13

(511)

30 – Waffles; cereal preparations; confectionery for decorating Christmas trees; cakes; pastries; peanut confectionery; almond confectionery; caramels; sweetmeats; liquorice [confectionery]; peppermint sweets; coffee; crackers; meat pies; fruit jellies [confectionery]; marzipan; custard; honey; ice-cream; sherbets [ices]; muesli; mint for confectionery; cocoa beverages with milk; coffee-based beverages; tea-based beverages; chocolate beverages with milk; coffee beverages with milk; chocolate-based beverages; cocoa-based beverages; lozenges [confectionery]; pies; fondants [confectionery]; pralines; gingerbread; chewing gum; cake dough; confectionery; rusks; sandwiches; almond paste; tarts; sugar; halvah; bread; chips [cereal products]; tea; petits fours; biscuits; chocolate.

(260) AM 2021 112567 A

(800) 1237760

(151) 2014 10 31

(891) 2020 10 20

(731) ARKEN JENERATOR ANONIM SIRKETI

Haraççı Mahallesi, Dolmabahçe Caddesi,

No: 22, Arnavutköy – İstanbul, Turkey

(540)

ARKEN GENERATOR

(591) Black, white

(531) 27.05.01

(526) Generator

(511)

7 – Alternators; generators for land vehicles; portable electric power generators; electrical generators; solar-powered electricity generators.

(260) AM 2021 112568 A

(800) 1278045

(151) 2015 11 09

(891) 2021 03 22

(731) RADISSON HOSPITALITY BELGIUM

BV/SRL

Avenue du Bourget 44, B-1130 Brussels,

Belgium

(540)

RADISSON BLU

(591) Black, white

(511)

43 – Hotel, bar and restaurant services; services for the reservation of rooms.

(260) AM 2021 112569 A

(800) 1280896

(151) 2015 11 09

(891) 2021 03 22

(731) RADISSON HOSPITALITY BELGIUM

BV/SRL

Avenue du Bourget 44, B-1130 Brussels,

Belgium

(540)

PARK INN

(591) Black, white

(526) INN

(511)

43 – Hotel services.

(260) AM 2021 112570 A

(800) 1407771

(151) 2017 07 21

(891) 2020 11 30

(731) GFM GmbH Trademarks

An der Ach 3, 82402 Seeshaupt, Germany

(540)



(591) Black, white

(531) 26.15.01; 27.05.04; 27.05.10

(511)

3 – Shoe cleaning and shoe polishing preparations; soap; boot cream and polish; creams for leather, leather polish; footwear polishes; restorers, textile upper cleaning treatments and protectors; leather cleaning and protectors.

18 – Leather, unworked or semi-worked; imitations of leather; leather board; moleskin (Imitation of leather); bags; purses; pocket wallets; wallets; key cases; card cases; trunks (luggage) and suitcases; schoolbags; school satchels; satchels; pouches; rucksacks; haversacks; shopping bags; sport bags; containers, namely travelling sets (leatherware); travelling bags; umbrellas; parasols and walking sticks; briefcases; handbags; tote bags; whips, harness and saddlery; leather laces; non-leather luggage.

25 – Clothing; sport jerseys; knitwear (clothing); layettes (clothing); coats; top coats; shirts; T-Shirts; polo-shirts; knitwear; jackets; jeans; tops; trousers; ready-made clothing; leggings; tights; underwear; headgear; caps; hats; sweatbands; Hoods; skull caps; scarves; neck scarves (mufflers); neckerchiefs; shawls; gloves (clothing); stockings; stockings (sweat-absorbent); socks; belts; leather belts (clothing); totes; footwear; boots; sandals; shoes; boot uppers; insoles; metal fit-

tings for footwear; soles for footwear; insoles for footwear.

26 – Laces; shoe hooks; badges (buttons); buckles; eyelets; shoe fasteners; shoe ornaments; Zippers; zip fasteners.

(260) AM 2021 112571 A

(800) 1429077

(151) 2018 06 24

(891) 2021 03 25

(731) TAB GIDA SANAYİ VE TİCARET ANONİM ŞİRKETİ

Emirhan Caddesi Atakule No:109, Dikilitaş
Beşiktaş, İstanbul, Turkey

(540)



USTA DÖNERCİ

(591) Black, brown, red, white

(531) 02.01.01; 02.01.11; 02.01.23; 08.07.10;
27.05.01; 29.01.13

(511)

29 – Meat, fish, poultry and game; meat extracts; preserved, frozen, dried and cooked fruits and vegetables; jellies, jams, compotes; eggs; milk and milk products; oils and fats for food.

30 – Coffee, tea, cocoa and artificial coffee; rice; tapioca and sago; flour and preparations made from cereals; bread, pastries and confectionery; edible ices; sugar, honey, treacle; yeast, baking-powder; salt; mustard; vinegar, sauces (condiments); spices; ice (frozen water).

35 – The bringing together, for the benefit of others, of a variety of goods (excluding the transport thereof), enabling customers to conveniently view and purchase those goods; such services may be provided by retail stores, wholesale outlets, through vending machines, mail order catalogues or by means of electronic media, for example, through web sites or television shopping programmes.

43 – Services for providing food and drink; temporary accommodation.

(260) AM 2022 112630 A

(800) 1585931

(151) 2021 02 15

(891) 2021 02 15

(731) Individual entrepreneur Khohlov Dmitriy Leonidovich

ul. Urzhumskaya, d. 3, korp. 4, kv. 234,

RU-129343 Moscow, Russian Federation

(540)



(591) Black and yellow

(531) 16.03.13; 27.05.01; 29.01.12

(526) MUST HAVE

(511)

3 – Abrasives; amber [perfume]; descaling preparations for household purposes; antistatic preparations for household purposes; aromatics [essential oils]; air fragrancing preparations; cake flavorings [essential oils]; flavorings for beverages [essential oils]; food flavorings [essential oils]; breath freshening sprays; canned pressurized air for cleaning and dusting purposes; balms, other than for medical purposes; basma [cosmetic dye]; lip glosses; nail glitter; polishing stones; abrasive paper; emery paper; polishing paper; petroleum jelly for cosmetic purposes; shoe polish; cobblers' wax; cotton wool for cosmetic purposes; sachets for perfuming linen; drying agents for dishwashing machines; adhesives for cosmetic purposes; scented water; Javelle water; lavender water; toilet water; wax for parquet floors; floor wax; non-slipping wax for floors; depilatory wax; mustache wax; creams for leather; polish for furniture and flooring; shoemakers' wax; polishing wax; tailors' wax; massage gels, other than for medical purposes; heliotropine; dental bleaching gels; geraniol; make-up; deodorants for pets; deodorants for human beings or for animals; depilatory preparations; air fragrance reed diffusers; scented wood; perfumes; non-slipping liquids for floors; windshield cleaning liquids; greases for cosmetic purposes; volcanic ash for cleaning; perfumery; decorative transfers for cosmetic purposes; ionone [perfumery]; shaving stones [astringents]; smoothing stones; eyebrow pencils; cosmetic pencils; silicon carbide [abrasive]; carbides of metal [abrasives]; alum stones [astringents]; tripoli stone for polishing; adhesives for affixing false eyelashes; adhesives for affixing false hair; hair conditioners; quillaia bark for washing; corundum [abrasive]; beard dyes; colorants for toilet purposes; cosmetic dyes; laundry starch; laundry glaze; shoe cream; polishing creams; cosmetic creams; skin whitening creams; polishing rouge; incense; hair spray; nail polish; hair lotions; lotions for cosmetic purposes; after-shave lotions; beauty masks; oils for cleaning purposes; oils for perfumes and scents; oils

for cosmetic purposes; oils for toilet purposes; essential oils; essential oils of cedarwood; essential oils of lemon; essential oils of citron; bergamot oil; gaultheria oil; jasmine oil; lavender oil; almond oil; rose oil; oil of turpentine for degreasing; whitening; cleaning chalk; almond milk for cosmetic purposes; cleansing milk for toilet purposes; musk [perfumery]; soap; deodorant soap; shaving soap; soap for brightening textile; cakes of toilet soap; antiperspirant soap; soap for foot perspiration; almond soap; mint for perfumery; cosmetic kits; emery; gel eye patches for cosmetic purposes; nail art stickers; false nails; eau de Cologne; bases for flower perfumes; joss sticks; pastes for razor strops; non-medicated dentifrices; pumice stone; lipstick cases; hydrogen peroxide for cosmetic purposes; breath freshening strips; teeth whitening strips; abrasive cloth; glass cloth [abrasive cloth]; lipsticks; pomades for cosmetic purposes; breath freshening preparations for personal hygiene; shaving preparations; bath preparations, not for medical purposes; cosmetic preparations for baths; hair straightening preparations; hair waving preparations; laundry soaking preparations; grinding preparations; smoothing preparations [starching]; color-removing preparations; leather bleaching preparations; polishing preparations; denture polishes; mouthwashes, not for medical purposes; cosmetic preparations for slimming purposes; starch glaze for laundry purposes; preparations to make the leaves of plants shiny; eye-washes, not for medical purposes; fabric softeners for laundry use; laundry bleach; dry-cleaning preparations; paint stripping preparations; lacquer-removing preparations; make-up removing preparations; floor wax removers [scouring preparations]; varnish-removing preparations; rust removing preparations; nail care preparations; cleaning preparations; preparations for cleaning dentures; wall-paper cleaning preparations; preparations for unblocking drain pipes; chemical cleaning preparations for household purposes; collagen preparations for cosmetic purposes; bleaching preparations [decolorants] for household purposes; laundry preparations; aloe vera preparations for cosmetic purposes; sunscreen preparations; color-brightening chemicals for household purposes [laundry]; shining preparations [polish]; make-up powder; diamantine [abrasive]; stain removers; nail varnish removers; vaginal washes for personal sanitary or deodorant purposes; scouring solutions; false eyelashes; tissues impregnated with cosmetic lotions; tissues impregnated with make-up removing preparations; baby wipes impregnated with cleaning preparations; safrol; massage candles for cosmetic purposes; laundry blueing; turpentine for degreasing; potpourris [fragrances]; bleaching soda; washing soda, for cleaning; bath salts, not for medical purposes; bleaching salts; fumigation preparations [perfumes]; preservatives for leather [polishes]; ammonia [volatile alkali] [detergent]; astringents for cosmetic purposes; eyebrow cosmetics; make-up preparations; sun-tanning preparations [cosmetics]; hair dyes; neutralizers

for permanent waving; cosmetic preparations for eyelashes; cosmetic preparations for skin care; shoe wax; cosmetics; cosmetics for children; cosmetics for animals; mascara; detergents, other than for use in manufacturing operations and for medical purposes; cleansers for intimate personal hygiene purposes, non-medicated; douching preparations for personal sanitary or deodorant purposes [toiletries]; degreasers, other than for use in manufacturing processes; bleaching preparations [decolorants] for cosmetic purposes; toiletry preparations; antiperspirants [toiletries]; phyto-cosmetic preparations; talcum powder, for toilet use; cotton swabs for cosmetic purposes; terpenes [essential oils]; emery cloth; cloths impregnated with a detergent for cleaning; henna [cosmetic dye]; shampoos; shampoos for animals [non-medicated grooming preparations]; shampoos for pets [non-medicated grooming preparations]; dry shampoos; sandpaper; soda lye; herbal extracts for cosmetic purposes; extracts of flowers [perfumes]; ethereal essences; badian essence; mint essence [essential oil].

(260) AM 2022 112631 A

(800) 1585934

(151) 2021 02 15

(891) 2021 02 15

(731) Individual entrepreneur Khohlov Dmitriy Leonidovich
ul. Urzhumskaya, d. 3, korp. 4, kv. 234,
RU-129343 Moscow, Russian Federation

(540)



(591) Black and purple

(531) 16.03.13; 27.01.16; 27.05.01; 29.01.12

(526) MUST HAVE

(511)

3 – Abrasives; amber [perfume]; descaling preparations for household purposes; antistatic preparations for household purposes; aromatics [essential oils]; air fragrancing preparations; cake flavorings [essential oils]; flavorings for beverages [essential oils]; food flavorings [essential oils]; breath freshening sprays; canned pressurized air for cleaning and dusting purposes; balms, other than for medical purposes; basma [cosmetic dye]; lip glosses; nail glitter; polishing stones; abrasive paper; emery paper; polishing paper; petroleum jelly for cosmetic purposes; shoe polish; cobblers' wax; cotton wool for cosmetic purposes; sachets for perfuming linen; drying agents for dish-washing machines; adhesives for cosmetic purposes; scented water; Javelle water; lavender water; toilet water; wax for parquet floors; floor wax; non-slipping wax for floors; depilatory wax; mustache wax; creams for leather; polish for furniture and flooring; shoe-

makers' wax; polishing wax; tailors' wax; massage gels, other than for medical purposes; heliotropine; dental bleaching gels; geraniol; make-up; deodorants for pets; deodorants for human beings or for animals; depilatory preparations; air fragrance reed diffusers; scented wood; perfumes; non-slipping liquids for floors; windshield cleaning liquids; greases for cosmetic purposes; volcanic ash for cleaning; perfumery; decorative transfers for cosmetic purposes; ionone [perfumery]; shaving stones [astringents]; smoothing stones; eyebrow pencils; cosmetic pencils; silicon carbide [abrasive]; carbides of metal [abrasives]; alum stones [astringents]; tripoli stone for polishing; adhesives for affixing false eyelashes; adhesives for affixing false hair; hair conditioners; quillaia bark for washing; corundum [abrasive]; beard dyes; colorants for toilet purposes; cosmetic dyes; laundry starch; laundry glaze; shoe cream; polishing creams; cosmetic creams; skin whitening creams; polishing rouge; incense; hair spray; nail polish; hair lotions; lotions for cosmetic purposes; after-shave lotions; beauty masks; oils for cleaning purposes; oils for perfumes and scents; oils for cosmetic purposes; oils for toilet purposes; essential oils; essential oils of cedarwood; essential oils of lemon; essential oils of citron; bergamot oil; gaultheria oil; jasmine oil; lavender oil; almond oil; rose oil; oil of turpentine for degreasing; whitening; cleaning chalk; almond milk for cosmetic purposes; cleansing milk for toilet purposes; musk [perfumery]; soap; deodorant soap; shaving soap; soap for brightening textile; cakes of toilet soap; antiperspirant soap; soap for foot perspiration; almond soap; mint for perfumery; cosmetic kits; emery; gel eye patches for cosmetic purposes; nail art stickers; false nails; eau de Cologne; bases for flower perfumes; joss sticks; pastes for razor strops; non-medicated dentifrices; pumice stone; lipstick cases; hydrogen peroxide for cosmetic purposes; breath freshening strips; teeth whitening strips; abrasive cloth; glass cloth [abrasive cloth]; lipsticks; pomades for cosmetic purposes; breath freshening preparations for personal hygiene; shaving preparations; bath preparations, not for medical purposes; cosmetic preparations for baths; hair straightening preparations; hair waving preparations; laundry soaking preparations; grinding preparations; smoothing preparations [starching]; color-removing preparations; leather bleaching preparations; polishing preparations; denture polishes; mouthwashes, not for medical purposes; cosmetic preparations for slimming purposes; starch glaze for laundry purposes; preparations to make the leaves of plants shiny; eye-washes, not for medical purposes; fabric softeners for laundry use; laundry bleach; dry-cleaning preparations; paint stripping preparations; lacquer-removing preparations; make-up removing preparations; floor wax removers [scouring preparations]; varnish-removing preparations; rust removing preparations; nail care preparations; cleaning preparations; preparations for cleaning dentures; wall-paper cleaning preparations; preparations for unblock-

ing drain pipes; chemical cleaning preparations for household purposes; collagen preparations for cosmetic purposes; bleaching preparations [decolorants] for household purposes; laundry preparations; aloe vera preparations for cosmetic purposes; sunscreen preparations; color-brightening chemicals for household purposes [laundry]; shining preparations [polish]; make-up powder; diamantine [abrasive]; stain removers; nail varnish removers; vaginal washes for personal sanitary or deodorant purposes; scouring solutions; false eyelashes; tissues impregnated with cosmetic lotions; tissues impregnated with make-up removing preparations; baby wipes impregnated with cleaning preparations; safrol; massage candles for cosmetic purposes; laundry blueing; turpentine for degreasing; potpourris [fragrances]; bleaching soda; washing soda, for cleaning; bath salts, not for medical purposes; bleaching salts; fumigation preparations [perfumes]; preservatives for leather [polishes]; ammonia [volatile alkali] [detergent]; astringents for cosmetic purposes; eyebrow cosmetics; make-up preparations; sun-tanning preparations [cosmetics]; hair dyes; neutralizers for permanent waving; cosmetic preparations for eyelashes; cosmetic preparations for skin care; shoe wax; cosmetics; cosmetics for children; cosmetics for animals; mascara; detergents, other than for use in manufacturing operations and for medical purposes; cleansers for intimate personal hygiene purposes, non medicated; douching preparations for personal sanitary or deodorant purposes [toiletries]; degreasers, other than for use in manufacturing processes; bleaching preparations [decolorants] for cosmetic purposes; toiletry preparations; antiperspirants [toiletries]; phyto-cosmetic preparations; talcum powder, for toilet use; cotton swabs for cosmetic purposes; terpenes [essential oils]; emery cloth; cloths impregnated with a detergent for cleaning; henna [cosmetic dye]; shampoos; shampoos for animals [non-medicated grooming preparations]; shampoos for pets [non-medicated grooming preparations]; dry shampoos; sandpaper; soda lye; herbal extracts for cosmetic purposes; extracts of flowers [perfumes]; ethereal essences; badian essence; mint essence [essential oil].

(260) AM 2022 112747 A

(800) 1587413

(151) 2021 02 12

(891) 2021 02 12

(731) Brazzale S.p.A.

Via Pasubio 2, I-36010 Zanè VI, Italy

(540)



(591) Blue, light-blue and white
 (531) 05.05.20; 26.01.15; 26.01.18; 27.05.24;
 29.01.12
 (511)
 29 – Milk, milk products, milk substitutes.

(260) AM 2022 112748 A
 (800) 1587459
 (151) 2021 02 11
 (891) 2021 02 11
 (731) VALENTINO S.P.A.
 Via Turati 16/18, MILANO, Italy
 (540)

VALENTINO GARAVANI

(591) Black, white
 (511)
 18 – Leather and imitations of leather; coin purses; school book bags; satchels; card wallets [leatherware]; travelling trunks; holdalls; rucksacks; pocket wallets; grocery tote bags; attaché cases; beach bags; bags; handbags; travel baggage; handbag frames; purses; brief cases; cases made of leather; beauty cases sold empty; key-cases of leather and skins; valises; bags for sports; leather hat boxes; garment bags for travel; leather bandolier; leather straps; raw skins; dog collars; clothing for pets; umbrellas; hiking sticks; walking sticks; whips, harness and saddlery; harness fittings of iron.

25 – Clothing; coveralls; underwear; jerseys [clothing]; shirts; sweaters; men's suits; ready-made clothing; breeches for wear; outer clothing; articles of knitwear; casual jackets; skirts; petticoats; pullover; overcoats; jackets [clothing]; padded jackets; ski jackets; ski trousers; parkas; clothing of leather; tee-shirts; chemisettes; trousers; lounging robes; tights; gilets; jersey sweaters; pyjamas; dressing gowns; brassieres; vest tops; bustiers; underpants; children's wear; layettes; bathing caps; bathing suits; clothing for gymnastics; waterproof clothing; mackintoshes; masquerade costumes; footwear; slippers; bath sandals; boots; boots for sport; riding boots; galoshes; shoes; beach shoes; sandals; sports shoes; gymnastic shoes; overshoes; headgear; hats; berets; visors; socks; suspenders; stockings; garters; gloves [clothing]; fingerless gloves; muffs [clothing]; shawls; neckties; neck ties; scarves and dress handkerchiefs; veils [clothing]; bandanas [neckerchiefs]; furs [clothing]; cloaks and pelerines; waist belts; wedding dresses; pelisses.

(260) AM 2022 112751 A
 (800) 1587622
 (151) 2020 12 30
 (891) 2020 12 30
 (731) GEN İLAÇ VE SAĞLIK ÜRÜNLERİ
 SANAYİ VE TİCARET ANONİM ŞİRKETİ

Mustafa Kemal Mahallesi 2119., Sokak No:3
 D:2-3, TR-06520 Çankaya Ankara, Turkey
 (540)



(591) Burgundy (Pantone 7427 C)
 (531) 02.09.01; 29.01.01
 (511)
 5 – Pharmaceuticals, medical and veterinary preparations; sanitary preparations for medical purposes; dietetic food and substances adapted for medical or veterinary use, food for babies; dietary supplements for human beings and animals; plasters, materials for dressings; material for stopping teeth, dental wax; disinfectants; preparations for destroying vermin; fungicides, herbicides.

(260) AM 2021 112759 A
 (800) 1587664
 (151) 2021 01 06
 (891) 2021 01 06
 (731) AUTOMOBILE DACIA S.A.
 Str. Uzinei 1, Mioveni 115400 Judetul Arges,
 Romania



(591) Black, white
 (531) 27.05.01
 (511)
 12 – Vehicles, sports cars, apparatus for locomotion by land, automobiles, their components, namely suspension shock absorbers for vehicles; shock absorbers for automobiles; headrests for vehicle seats; transmission shafts for land vehicles; gear boxes for land vehicles; hoods for vehicles; automobile hoods; hoods for vehicle engines; automobile bodies; safety belts for vehicle seats; automobile chassis; hydraulic circuits for vehicles; air bags [safety devices for automobiles]; brake disks for vehicles; clutches for land vehicles; hub caps; windshield wipers; vehicle brakes; vehicle wheel rims; vehicle running boards; motors and engines for land vehicles; windshields; bumpers for automobiles; tires; luggage carriers for vehicles; doors for vehicles; vehicle wheels; rearview mirrors; vehicle seats; windows for vehicles; steering wheels for vehicles; fitted vehicle covers.
 35 – Commercial business management in the automotive field; commercial administration in the automotive field; commercial administration of the licensing of third-party goods and services in the automotive field; commercial information agency services in the automotive field; commercial or industrial compa-

ny management assistance in the automotive field; business management assistance in the automotive field; procurement services for third parties in the automotive field, namely purchase of spare parts and services for other companies in the automotive field, namely contact between suppliers and dealers; demonstration of spare parts; updating and maintenance of data in computer databases; search engine optimization for sales promotion purposes in the automotive field; presentation of goods on all communication means for the retail sale of goods in the automotive field, of new and used motor vehicles and of spare parts; online sale services for vehicles and automotive accessories.

36 – Insurance in the automotive field; financial affairs in the automotive field; monetary affairs in the automotive field; financing services for new and used motor vehicles; leasing of new and used motor vehicles; issuing of payment, credit, withdrawal, chip or strip cards, of magnetic cards and smart cards, of payment orders, including cards used for purchasing fuel and lubricants and maintenance and repair of vehicles; vehicle insurance services.

37 – Vehicle cleaning; vehicle maintenance; vehicle breakdown assistance (repair); retreading, re-gumming, repair and vulcanization of tires; service stations for vehicle maintenance; anti-rust treatment for vehicles; upholstery repair; installation and repair of electric apparatus; information regarding repair, installation, maintenance and repair of computers for vehicles; rebuilding of worn or partially destroyed engines.

39 – Distribution [delivery] of goods; rental of garage spaces for parking; vehicle rental; vehicle loan or replacement services; vehicle breakdown assistance (towing); towing of motor vehicles; provision of information relating to car rental services; garage rental; transport brokerage; rental of vehicle roof racks; rental of motor racing cars; traffic information.

(260) AM 2021 112760 A

(800) 1587669

(151) 2021 02 09

(891) 2021 02 09

(731) PT MAKMUR TEMBAKAU
INTERNASIONAL

Jl. Yos Sudarso, Komplek Union Industrial
Park No. H12B, Batu Ampar, Batam,
Kepulauan Riau, Indonesia

(540)



(591) White, yellow and marron

(531) 01.01.10; 03.03.01; 03.03.17; 05.13.03;
11.03.01; 24.07.03; 25.01.06; 25.12.03;
27.05.01; 29.01.13

(511)

34 – Cigarettes; filtered cigarettes; filter clove cigarettes; cigarette tobacco made from chopped cloves; cigarette; tobacco; cigarillos; cigars; cigarette filters.

(260) AM 2021 112761 A

(800) 1587692

(151) 2020 12 30

(891) 2020 12 30

(731) GEN İLAÇ VE SAĞLIK ÜRÜNLERİ
SANAYİ VE TİCARET ANONİM ŞİRKETİ
Mustafa Kemal Mahallesi 2119., Sokak No: 3
D: 2-3, TR-06520 Çankaya Ankara, Turkey

(540)



(591) Red and white

(531) 01.15.15; 26.04.05; 26.04.13; 26.04.18;
27.05.01; 27.05.09; 29.01.12

(511)

5 – Pharmaceuticals, medical and veterinary preparations; sanitary preparations for medical purposes; dietetic food and substances adapted for medical or veterinary use, food for babies; dietary supplements for human beings and animals; plasters, materials for dressings, material for stopping teeth, dental wax; disinfectants; preparations for destroying vermin; fungicides, herbicides.

(260) AM 2022 112762 A

(800) 1587707

(151) 2021 01 06

(891) 2021 01 06

(731) RENAULT s.a.s.

13/15 quai Alphonse le Gallo, F-92100

Boulogne-Billancourt, France

(540)



(591) Black, white

(531) 26.13.25

(511)

12 – Vehicles, sports cars, apparatus for locomotion by land, automobiles, their components, namely suspension shock absorbers for vehicles; shock absorbers for automobiles; headrests for vehicle seats; transmission shafts for land vehicles; gear boxes for land vehicles; hoods for vehicles; automobile hoods; hoods for vehicle engines; automobile bodies; safety belts for vehicle seats; automobile chassis; hydraulic circuits for vehicles; air bags [safety devices for automobiles]; brake disks for vehicles; clutches for land vehicles; hub caps; windshield wipers; vehicle brakes; vehicle wheel rims; vehicle running boards; motors and engines for land vehicles; windshields; bumpers for automobiles; tires; luggage carriers for vehicles; doors for vehicles; vehicle wheels; rearview mirrors; vehicle seats; windows for vehicles; steering wheels for vehicles; fitted vehicle covers.

35 – Commercial business management in the automotive field; commercial administration in the automotive field; commercial administration of the licensing of third-party goods and services in the automotive field; commercial information agency services in the automotive field; commercial or industrial company management assistance in the automotive field; business management assistance in the automotive field; procurement services for third parties in the automotive field, namely purchase of spare parts and services for other companies in the automotive field, namely contact between suppliers and dealers; demonstration of spare parts; updating and maintenance of data in computer databases; search engine optimization for sales promotion purposes in the automotive field; presentation of goods on all communication means for the retail sale of goods in the automotive field, of new and used motor vehicles and of spare parts; online sale services for vehicles and automotive accessories.

36 – Insurance in the automotive field; financial affairs in the automotive field; monetary affairs in the automotive field; financing services for new and used motor vehicles; leasing of new and used motor vehicles; issuing of payment, credit, withdrawal, chip or strip cards, of magnetic cards and smart cards, of pay-

ment orders, including cards used for purchasing fuel and lubricants and maintenance and repair of vehicles; motor vehicle insurance services; lending services.

37 – Vehicle cleaning; vehicle maintenance; vehicle breakdown assistance (repair); retreading, re-gumming, repair and vulcanization of tires; service stations for vehicle maintenance; service stations for vehicle repair; anti-rust treatment for vehicles; upholstery repair; installation and repair of electric apparatus; information regarding repair, installation, maintenance and repair of computers for vehicles; rebuilding of worn or partially destroyed engines.

39 – Distribution [delivery] of goods; rental of garage spaces for parking; vehicle rental; vehicle breakdown assistance (towing); towing of motor vehicles; provision of information relating to car rental services; garage rental; transport brokerage; rental of vehicle roof racks; rental of motor racing cars; traffic information.

(260) AM 2022 112763 A

(800) 1587769

(151) 2021 03 24

(891) 2021 03 24

(731) Radisson Hospitality Belgium B.V. / S.R.L.

Avenue du Bourget 44, B-1130 Brussel,

Belgium

(540)



RADISSON
COLLECTION

(591) Black, white

(531) 27.05.01; 27.05.09; 27.05.22

(511)

43 – Hotel, bar and restaurant services; services for the reservation of rooms.

(260) AM 2022 112764 A

(800) 1587786

(151) 2020 07 01

(891) 2020 07 01

(731) Euro Trade Links B.V.

Robijnring 83, NL-5629 GJ Eindhoven,

Netherlands

(540)

BENTATI

(591) Black, white

(511)

5 – Articles of paper or cellulose for sanitary purposes, including disposable diapers of paper and / or cellulose.

7 – Electric juicers for household purposes; electric mills and graters for the household; electric shredders for household use; electric can openers; electric whisks for household use; electric spice mills; kitchen machines; knives [electric]; knives [parts of machines]; blenders [machines]; blenders for household use (electric); cleaning machines and cleaning apparatus (electric); stirrers [electric]; vacuum cleaners; knife grinders; hand blenders; table blenders; machines and apparatus for processing and preparing foodstuffs and beverages, included in class 7; electric machines for processing foodstuffs for household purposes; electric food processors for food preparation, except for cooking; electric food processors for the preparation of baby food; electric kitchen machines for chopping, mixing, pressing; electric kitchen mixers; electric universal food processors; electric crushers for preparing food; electric peeling machines for food preparation; electric vegetable spiral cutters; electric vegetable peelers; electric salad makers for household purposes; electric apparatus for cutting vegetables for household use; electric salad spinners for household use; electric hand blenders for household purposes; electric food mixers for household use; kitchen machines, electric, for making whipped cream; electric mixers for mixing foodstuffs; electric juicers for fruits and vegetables; electric fruit presses for household purposes; electric fruit peelers; electric fruit rammers; electric fruit crushers; electric juicers for household purposes; apparatus for aerating beverages; electric dough kneading machines; electric pasta machines for household purposes; kneaders [electric kitchen machines]; pasta cutters [machines] for household purposes; machines for making pasta for household purposes; electric kitchen knives; electric kitchen tools; electric kitchen tools for cutting foodstuffs for household purposes; electric machines for crushing ice for household purposes; bread slicers for household purposes; electric pizza cutters; rasping machines for household use; peelers (electric machines) for household use; electric choppers for household use; electric coffee frothers for household use; electric coffee grinders for household use; electric grinders for the kitchen; electric household machines for beating food; electric milk frothers; electric mills for the kitchen; electric mills for grinding coffee; electric pepper mills; electric salt mills; electric graters; machines for making beverages for household purposes; mills for household purposes, not hand-operated; electric device for the production of smoothies [mixed drinks from fruit, vegetables and / or milk products].

8 – Cutlery and cooking utensils in the form of kitchen knives, slicers; hand tools and implements; cutlery, forks and spoons; potato peelers [knives]; vegetable peelers [hand-operated knives]; scissors; poultry shears; cutlery; knives; manicure accessories; electric manicure and pedicure apparatus; cutlery, knives, forks, spoons of precious metal; irons, steam irons, steam ironing stations; hand-operated peeling devices;

egg slicer; pizza cutters; hand-operated can openers; apple cutters; apple corers; meat tenderizer [kitchen utensils]; hand-operated shredders for household purposes.

16 – Facial tissues, tissues of paper for removing make-up, toilet paper, paper towels, paper wipes, paper napkins; absorbent paper products, including facial tissues, facial tissues, wipes, paper towels and paper table napkins; goods of paper, namely crepe paper, toilet paper, cabinet paper, sandwich paper and towels.

21 – Household and kitchen utensils and containers (not of precious metal or coated therewith); glassware, porcelain and earthenware, included in class 21; knife blocks; cutting boards; cold cuts and cheese boards; salad spinners; presses for citrus fruits; sieves for household purposes; mixing bowls; hand-operated mills and graters for household use; ice cream scoops; tongs for salad, noodles and ice cream; hand-operated cherry stoners; funnels; pan scrapers [hand tools]; bottle openers; stirring spoons [kitchen utensils]; non-electric whisks for the household; pastry brushes; kitchen utensils of silicone; spice jars; spice racks; spice shakers; spice shelves; table racks for spices; hand-operated spice mills; vinegar and oil racks; oven mitts; heat resistant coasters; pots, pans, casseroles, roasting dishes, baking trays; non-electric food steamers; steamer baskets and inserts; sieves for kitchen use, namely sieves for flour; biscuit and cookie cutters; serving utensils; baskets of common metal for household purposes; serving bowls, plates, trays, stands and bowls; egg cups; pitchers, carafes, pitchers; cream and sugar sets; dining, coffee and tea sets; teapots and tea glasses with tea strainers; cups and bowls for ice-cream; non-electric cafetieres; coffee pots; heat-insulated containers for beverages, namely heat-insulated flasks; napkin holders; knife rests; candle holders for tealights; candlesticks; adapted dispensers for drying, polishing and cleaning paper; dish drainers; mops; dusters; telescopic rods for feather dusters; brooms and broomsticks; hand brushes; dishwashing brushes; squeegees [cleaning apparatus]; wipes or wipes of nonwovens, including wipes and dry wipes; kitchen utensils; electric stirrers for household use; cooking utensils in the form of grinders; implements for household and kitchen use and catering.

(260) AM 2021 112772 A

(800) 1587891

(151) 2020 12 30

(891) 2020 12 30

(731) GEN İLAÇ VE SAĞLIK ÜRÜNLERİ
SANAYİ VE TİCARET ANONİM ŞİRKETİ
Mustafa Kemal Mahallesi 2119., Sokak No: 3
D: 2-3, TR-06520 Çankaya Ankara, Turkey

(540)

Luragen 

(591) Duck Egg Blue-Very Dark Tone (Pantone 433 C), Hunter Green (Pantone 7728 C), Clover Green (Pantone 7724 C), Cardinal Red (Pantone 703 C) and Burnt Earth (Pantone 704 C).

(531) 24.15.02; 29.01.13

(511)

5 – Pharmaceuticals, medical and veterinary preparations; sanitary preparations for medical purposes; dietetic food and substances adapted for medical or veterinary use, food for babies; dietary supplements for human beings and animals; plasters, materials for dressings, material for stopping teeth, dental wax; disinfectants; preparations for destroying vermin; fungicides, herbicides.

(260) AM 2021 112773 A

(800) 1587901

(151) 2021 01 14

(891) 2021 01 14

(731) HONOR DEVICE CO., LTD.

Suite 3401, Unit A, Building 6, Shum Yip Sky Park, No. 8089, Hongli West Road, Xiangmihu Street, Futian District, Shenzhen, 518040 Guangdong, China

(540)

HONOR Magic

(591) Black, white

(531) 27.05.01

(511)

9 – Interactive touch screen terminals; pedometers; face identification apparatus; smartphones; cases for smartphones; covers for smartphones; stands adapted for mobile phones; selfie sticks for mobile phones; monopods used to take photographs by positioning a smartphone or camera beyond the normal range of the arm; protective films adapted for smartphones; equipment for communication network; global positioning system [gps] apparatus; wearable activity trackers; routers; wireless headsets for smartphones; headsets for mobile telephones; cameras for cellphones; cabinets for loudspeakers; electronic monitoring apparatus; camcorders; microphones; television apparatus; car video recorders; computer apparatus for educational purposes; virtual reality headsets; smartphone camera lenses; chargers for smartphones; batteries, electric; mobile power supply (rechargeable batteries); cameras [photography]; digital projectors; measuring instruments; connected bracelets [measuring instruments]; mathematical instruments; usb cables for cellphones; chips [integrated circuits]; sensors; mobile

phone screens; cellphone screens; remote control apparatus; biometric fingerprint door locks; digital door locks; downloadable mobilephone software applications; notebook computers; computers; tablet computers; computer hardware; computer peripheral devices; computer software applications, downloadable; operating system programs; integrated circuit cards [smart cards]; computer memories; data processing apparatus; couplers [data processing equipment]; smartwatches; smartglasses.

(260) AM 2021 112774 A

(800) 1587907

(151) 2021 02 11

(891) 2021 02 11

(731) Individual entrepreneur Khohlov Dmitriy Leonidovich
ul. Urzhumskaya, d. 3, korp. 4, kv. 234,
RU-129343 Moscow, Russian Federation

(540)

FASHION 
TEA

(591) Black and pink

(531) 27.05.09; 27.05.17; 29.01.12

(511)

5 – Dietetic herbal beverages adapted for medical purposes; medicinal herbal infusions; herbal decoctions for pharmaceutical purposes; asthmatic tea; medicinal herbs; medicinal tea; herbal teas for medicinal purposes; herbal extracts for medical purposes; plant extracts for pharmaceutical purposes.

30 – Chamomile-based beverages; tea-based beverages; herbal infusions, not medicinal; flowers or leaves for use as tea substitutes; tea; iced tea.

32 – Herbal soft drinks; non-alcoholic beverages flavored with tea.

(260) AM 2021 112775 A

(800) 1587924

(151) 2020 11 17

(891) 2020 11 17

(731) Robert Bosch Power Tools GmbH
70771 Leinfelden-Echterdingen, Germany

(540)



(591) Blue and white

(531) 24.01.03; 24.01.20; 26.04.04; 26.04.16;
26.04.18; 26.04.24; 27.05.24; 29.01.12

(511)

7 – Electric power tools; drills; impact drills; bench drills; drill chucks; hammer drills; power chisel hammers; screwdrivers; grooving machines; grinding machines; cut-off machines and roughing machines, such as orbital and angle grinders, triangular grinders, orbital sanders, belt grinders, sanders, angle polishers, straight grinders; shears [electric]; nibblers; electric glue guns; staplers, saws [electric]; circular saws; jigsaws; cross-cut saws; mitre saws; sabre saws; band saws; planing machines; milling machines; table belt sander; suction and dust extraction apparatus for the aforesaid goods; vacuum cleaners; the aforesaid goods also as battery-powered hand tools; parts, tools, adapters [non-electric], fittings and accessories for the aforesaid goods, included in this class.

8 – Hand-operated tools and implements; parts, tools and accessories for the aforesaid goods, included in this class.

(260) AM 2021 112776 A

(800) 1587925

(151) 2021 02 02

(891) 2021 02 02

(731) Siemens Healthcare GmbH

Henkestraße 127, 91052 Erlangen, Germany

(540)

MAGNETOM Free.Access

(591) Black, white

(511)

10 – Magnetic resonance imaging devices and parts therefor.

(260) AM 2022 112809 A

(800) 1588443

(151) 2020 12 10

(891) 2020 12 10

(731) AGENCE FRANCE-PRESSE

11-13-15 place de la Bourse, F-75002 Paris,
France

(540)



(591) Black, white

(531) 26.01.01; 26.01.03; 26.01.24; 27.05.17

(511)

9 – Scientific, research, navigation, surveying, photographic, cinematographic, audiovisual, optical, weighing, measuring, signaling, detecting, testing, inspecting, life-saving and teaching apparatus and instruments; distance recording apparatus; sound recording apparatus; time recording apparatus; apparatus and

instruments for conducting, switching, transforming, accumulating, regulating or controlling the distribution or use of electricity; black boxes [data recorders]; software (recorded programs); computer programs (downloadable software); computer platforms in the form of recorded or downloadable software; applications for mobile devices; data processing apparatus and computers; bags designed for laptop computers; computer hardware and software, namely software for providing access to databases; computer interfaces; multimedia apparatus and instruments; installations, apparatus, electronic information terminals, particularly public, personal, portable or mobile; GPS navigation software and devices; Global Positioning System [GPS] apparatus; telecommunication terminals; integrated circuit cards (smart cards); magnetic, electronic and digital access and circulation cards and badges, particularly for identifying accredited journalists; magnetic recording media; remote recognition terminals enabling the debiting of services sold; interactive information terminals; electric and electronic display boards; alarms; reflective safety vests; vehicle breakdown warning triangles; protective helmets; life belts; clothing and footwear for protection against accidents, irradiation and fire; fire extinguishers; downloadable electronic publications; magnetic identification bracelets; eyewear; spectacles [optics]; 3D spectacles; smartphones; telephone apparatus; electronic key rings as remote controls; radars; humanoid robots with artificial intelligence; educational robots; surveillance robots for security; telepresence robots; digital weather stations; electronic access-control systems for interlocked doors.

16 – Printing products (printed matter); printed matter; newspapers; periodicals; magazines; journals (magazines); books; publications; manuals; catalogs; prospectuses; albums; atlases; articles of paper and/or cardboard, namely: calendars, leaflets, agendas, notices and/or posters; bookbinding material; photographs; stationery; typewriters and office equipment, except furniture; writing or drawing books; notepads; drawing pads; notebooks; writing instruments; pens and pen refills; pen holders; pencils; pencil sharpeners; drawing sets; staplers; staples for offices; files; folders for papers; labels (not of textile); adhesives for stationery or household purposes; stickers and transfers [decalcomanias]; engravings or lithographic works of art; paintings (pictures), framed or unframed; drawings.

35 – Advertising; online advertising on a computer network; rental of advertising time on all communication means; writing and publication of advertising texts; rental of advertising space; dissemination of advertisements; commercial business management; commercial administration; administrative and commercial management of reporter services; drawing up of statements of accounts; office work; business management and organization consultancy; arranging subs-

criptions to telecommunication services for others; arranging newspaper subscriptions for others; subscription services to news and reporter services for third parties; administration of loyalty programs; management of computer files and databases; updating and maintenance of data in computer databases; research and collection of data in computer files for third parties; transcription of data; data processing; computerized data verification; compilation of statistics; website traffic optimization; search engine optimization for sales promotion purposes; provision of sales areas online for sellers and buyers of goods and services; providing online marketplaces for buyers and sellers of goods and services; commercial negotiation and customer information services; auctioneering services; organization of auctioneering on the Internet; commercial administration of the licensing of the goods and services of others; cost price analysis services; price comparison services; preparation of estimates for third parties; organization of exhibitions for commercial or advertising purposes; appointment scheduling services; public relations; commercial intermediation; retail, wholesale and/or online services for magazines, newspapers, publications, postcards, posters, videos, photographs, information, clothing, footwear, headwear, USB flash drives, bags, cosmetics, leather goods, perfumes, mugs, toys, tableware, cutlery, porcelain ware, napkins; promotion of goods and services for others; management of a discount program enabling participants to obtain discounts on goods and services through a membership card giving entitlement to reductions; commercial information and advice for consumers (consumer advice shop); negotiation of business contracts for third parties; import-export agency services; financial and accounting auditing; tax preparation; online community facilitator services (public relations); commercial intermediary services in the framework of bringing prospective private investors in contact with entrepreneurs looking for financing; rental of office equipment in co-work installations; sponsorship search; commercial lobbying services; competitive and business intelligence services; assistance and advice to companies regarding brand image; business management for freelance service providers; opinion polling; news clipping services.

38 – News and press agencies; telecommunications; electronic bulletin board services (telecommunication services); electronic messaging; communications by computer terminals; message transmission; provision of online forums; provision of access and rental of access time to online databases; electronic distribution of information on or via global computer networks, wireless communication networks and other electronic communication networks; mobile telephony; radio, telegraph, telephone and telematic communications and communications by all remote computing means, radiotelephony, interactive videography and electronic and/or digital equipment; transmission and dis-

semination of photographs, news, images, messages, data, files, sounds, songs, music, games, videos, information by computer terminals, cable, the Internet, telematic media and by means of any other telecommunication vector; electronic transmission and exchange of information and data by computer terminals; transmission and streaming of audio and visual news content; provision of access to data or documents stored electronically in central files for the purpose of remote consultation; exchanging computerized information and documents; rental of telecommunication apparatus.

41 – Education; training; entertainment; sporting and cultural activities; news reporters services; photographic reporting; provision of information and news on international, national, state and local developments in the field of government and politics, economics, finance, commercial business, securities, commodities, law, science, medicine, sociology, religion, sports, entertainment, education and art; writing and publication of texts other than advertising texts; vocational retraining; production of radio and television programs; editing of texts (other than for advertising), illustrations, books, journals, newspapers, periodicals, magazines and publications of all kinds (other than for advertising) and in all forms including electronic and digital publications; provision of on-line electronic publications, not downloadable; electronic publishing; electronic desktop publishing; organization and conducting of seminars, internships and courses [education and/or entertainment]; organization of conferences, forums, congresses and colloquiums [education and/or entertainment]; production and editing of cinematographic, radio and television programs and of audiovisual and multimedia programs (computer editing of texts and/or still or animated images, and/or musical or non-musical sounds, for interactive or other use); publication of books; organization of competitions, games and lotteries of all kinds (education or entertainment); organization of information campaigns and professional or non-professional events of an educational and/or entertainment nature; organization of exhibitions for cultural or educational purposes; production, editing of news programs, radio and television entertainment programs, of multimedia and audiovisual programs (computer editing of texts and/or still or animated images, and/or musical or non-musical sounds, for interactive or other use); sign language interpretation; language interpreter services; game services provided online from a computer network; rental of audio and video equipment; mobile library services; radio entertainment; television entertainment; educational examination services; production of films other than advertising films; rental of motion pictures; booking of seats for shows; publication services for the editorial content of sites accessible via a global computer network.

(260) AM 2022 112810 A
 (800) 1588445
 (151) 2021 01 29
 (891) 2021 01 29
 (731) Belarusian-German Joint Venture "Santa
 Bremor", Limited Liability Company
 ul. Katin Bor 106, 224025 g. Brest, Belarus
 (540)



(591) Red and blue
 (531) 24.09.03; 24.09.24; 28.05; 29.01.12
 (511)
 29 – Meat, poultry and game; meat extracts; preserved, frozen, dried and cooked fruits and vegetables; jellies, jams, compotes; eggs; milk, cheese, butter, yogurt and other milk products; oils and fats for food; fish, not live; fish fillets; fish, tinned; fish-based foodstuffs; fish, preserved; salted fish; herrings, not live; salted herrings; salmon, not live; tuna, not live; sardines, not live; seafood; caviar; crustaceans, not live; crustaceans products; crab meat; crayfish, not live; crab sticks; shrimps, not live; prawns, not live; anchovy, not live; lobsters, not live; oysters, not live; isinglass for food; spiny lobsters, not live; shellfish, not live; mussels, not live; fish meal for human consumption; sea-cucumbers, not live; laver, fried; laver, preserved; fish mousses; fish roe, processed; seaweed extracts for food; fat-containing mixtures for bread slices.

(260) AM 2022 112811 A
 (800) 1588550
 (151) 2020 11 26
 (891) 2020 11 26
 (731) PENOPLEX SPb LTD
 Saperniy lane 1, lit. A, RU-191014
 St. Petersburg, Russian Federation
 (540)



(591) Orange and black
 (531) 07.01.01; 07.01.24; 07.05.10; 07.11.25;
 26.15.11; 28.05; 29.01.12
 (554) მოცულობითი
 (511)
 17 – Asbestos; balata; insulating paper; asbestos felt; plastic fibers, other than for textile use; asbestos fibers; vulcanized fiber; gutta-percha; lute; asbestos millboards; liquid rubber; synthetic rubber; rubber,

raw or semi-worked; insulating paints; insulating varnish; latex [rubber]; insulating tapes; adhesive bands, other than stationery and not for medical or household purposes; asbestos sheets; viscose sheets, other than for wrapping; sheets of regenerated cellulose, other than for wrapping; reinforcing materials, not of metal, for pipes; caulking materials; soundproofing materials; insulating materials; insulating refractory materials; non-conducting materials for retaining heat; asbestos packing; plastic substances, semi-processed; insulating plaster; plastic film, other than for wrapping; asbestos coverings; rubber solutions; synthetic resins, semi-processed; substances for insulating buildings against moisture; chemical compositions for repairing leaks; glass wool for insulation; fiberglass for insulation; asbestos fabrics; insulating fabrics; waterproof packings; foils of metal for insulating; asbestos slate; slag wool [insulator]; ebonite.

19 – Asphalt; bitumen; building paper; binding agents for making briquettes; binding material for road repair; geotextiles, including geotextiles for use in connection with road construction, railroad construction, tunnel construction, waterway construction and public works construction; bitumen paper for building; wood pulp board for building; paperboard for building; roofing, not of metal; xylolith; reinforcing materials, not of metal, for building; bituminous products for building; tar; road coating materials; materials for making and coating roads; building materials, not of metal; pitch; duckboards, not of metal; coatings [building materials]; laths, not of metal; wainscoting, not of metal; wall tiles, not of metal; floor tiles, not of metal; tiles, not of metal, for building; paving slabs, not of metal; paving blocks, not of metal; bituminous coatings for roofing; roof coverings, not of metal; linings, not of metal, for building; mortar for building; insulating glass for building; roofing tiles, not of metal; slate; roofing slates; slag [building material]; flashing, not of metal, for building.

(260) AM 2022 112878 A
 (800) 1589820
 (151) 2021 02 18
 (891) 2021 02 18
 (731) Bahlsen GmbH & Co. KG
 Podbielskistraße 11, 30163 Hannover, Germany
 (540)



(591) White, blue and red
 (531) 26.05.01; 26.05.24; 27.05.01; 27.05.08;
 29.01.12
 (511)
 29 – Meat; fish, not live; poultry, not live; game, not live; meat extracts; frozen fruits; fruit, preserved; dri-

ed fruit; fruit, stewed; frozen vegetables; vegetables, preserved; vegetables, dried; vegetables, cooked; jellies for food; jams; compotes; eggs; milk; milk products; oils for food; edible fats; potato snacks; raisins; dried nuts; roasted nuts; salted nuts; spiced nuts; dried fruit products; fat-containing mixtures for bread slices; yoghurt; dairy products and dairy substitutes.

30 – Cocoa; sugar; rice; tapioca; sago; flour; cereal preparations; bread; pastries; chocolate confectionery containing pralines; snack foods consisting principally of confectionery; chocolate for confectionery and bread; non-medicated confectionery in jelly form; chocolate candies; flour confectionery; prepared desserts [confectionery]; confectionery items coated with chocolate; candy coated confections; truffles [confectionery]; edible ices; honey; golden syrup; yeast; baking powder; salt; mustard; vinegar; sauces [condiments]; spices; ice for refreshment; biscuits; aperitif biscuits; rolled wafers [biscuits]; cakes; chocolate; chocolate based products; candy bars; chocolates; bonbons made of sugar; sweetmeats [candy]; marzipan; extruded food products made of wheat; extruded food products made of rice; extruded food products made of maize; popcorn; waffles; coffee; tea; artificial coffee.

41 – Entertainment services; sporting activities; cultural activities.

ad; non-medicated confectionery in jelly form; chocolate candies; flour confectionery; prepared desserts [confectionery]; confectionery items coated with chocolate; candy coated confections; truffles [confectionery]; edible ices; honey; golden syrup; yeast; baking powder; salt; mustard; vinegar; sauces [condiments]; spices; ice for refreshment; biscuits; aperitif biscuits; rolled wafers [biscuits]; cakes; chocolate; chocolate based products; candy bars; chocolates; bonbons made of sugar; sweetmeats [candy]; marzipan; extruded food products made of wheat; extruded food products made of rice; extruded food products made of maize; popcorn; waffles; coffee; tea; artificial coffee.

41 – Entertainment services; sporting activities; cultural activities.

(260) AM 2022 112982 A

(800) 1591070

(151) 2021 03 01

(891) 2021 03 01

(731) Bahlsen GmbH & Co. KG

Podbielskistraße 11, 30163 Hannover, Germany

(540)



(591) Blue and brown

(531) 08.01.09; 08.01.14; 27.05.01; 27.05.08;
29.01.13

(511)

29 – Meat; fish, not live; poultry, not live; game, not live; meat extracts; frozen fruits; fruit, preserved; dried fruit; fruit, stewed; frozen vegetables; vegetables, preserved; vegetables, dried; vegetables, cooked; jellies for food; jams; compotes; eggs; milk; milk products; oils for food; edible fats; potato snacks; raisins; dried nuts; roasted nuts; salted nuts; spiced nuts; dried fruit products; fat-containing mixtures for bread slices; yoghurt; dairy products and dairy substitutes.

30 – Cocoa; sugar; rice; tapioca; sago; flour; cereal preparations; bread; pastries; chocolate confectionery containing pralines; snack foods consisting principally of confectionery; chocolate for confectionery and bread;

INTERNATIONAL TRADEMARKS PROTECTED IN GEORGIA

(260) AM 2022 109474 A
(800) 1546723
(151) 2020 07 15
(181) 2030 07 15
(891) 2020 07 15
(511) 34

(260) AM 2022 110807 A
(800) 1564141
(151) 2020 07 16
(181) 2030 07 16
(891) 2020 07 16
(511) 03, 05

(260) AM 2022 109645 A
(800) 1548698
(151) 2020 07 21
(181) 2030 07 21
(891) 2020 07 21
(511) 12

(260) AM 2022 110808 A
(800) 1564181
(151) 2020 08 12
(181) 2030 08 12
(891) 2020 08 12
(511) 34

(260) AM 2022 110802 A
(800) 1563805
(151) 2020 10 01
(181) 2030 10 01
(891) 2020 10 01
(511) 05

(260) AM 2022 110809 A
(800) 1564185
(151) 2020 10 28
(181) 2030 10 28
(891) 2020 10 28
(511) 32

(260) AM 2022 110803 A
(800) 1563934
(151) 2020 10 05
(181) 2030 10 05
(891) 2020 10 05
(511) 18, 28

(260) AM 2022 110810 A
(800) 1564190
(151) 2020 10 15
(181) 2030 10 15
(891) 2020 10 15
(511) 05

(260) AM 2022 110804 A
(800) 1563947
(151) 2020 08 19
(181) 2030 08 19
(891) 2020 08 19
(511) 05

(260) AM 2022 110811 A
(800) 1564273
(151) 2020 04 02
(181) 2030 04 02
(891) 2020 04 02
(511) 19

(260) AM 2022 110805 A
(800) 1564045
(151) 2020 07 14
(181) 2030 07 14
(891) 2020 07 14
(511) 07, 12, 17, 35, 37, 42

(260) AM 2022 110812 A
(800) 1564292
(151) 2020 10 30
(181) 2030 10 30
(891) 2020 10 30
(511) 09

(260) AM 2022 110806 A
(800) 1564086
(151) 2020 07 24
(181) 2030 07 24
(891) 2020 07 24
(511) 25

(260) AM 2022 110813 A
(800) 1564301
(151) 2020 10 28
(181) 2030 10 28
(891) 2020 10 28
(511) 09

(260) AM 2022 110814 A
(800) 1564313
(151) 2020 03 24
(181) 2030 03 24
(891) 2020 03 24
(511) 09, 35, 38, 42

(260) AM 2022 110836 A
(800) 1564767
(151) 2019 06 26
(181) 2029 06 26
(891) 2019 06 26
(511) 30

(260) AM 2022 110830 A
(800) 1564701
(151) 2020 05 29
(181) 2030 05 29
(891) 2020 05 29
(511) 35, 36

(260) AM 2022 110837 A
(800) 1564783
(151) 2020 10 27
(181) 2030 10 27
(891) 2020 10 27
(511) 29, 43

(260) AM 2022 110831 A
(800) 1564710
(151) 2020 11 06
(181) 2030 11 06
(891) 2020 11 06
(511) 09

(260) AM 2022 110838 A
(800) 1564801
(151) 2020 11 06
(181) 2030 11 06
(891) 2020 11 06
(511) 09

(260) AM 2022 110832 A
(800) 1564731
(151) 2020 11 05
(181) 2030 11 05
(891) 2020 11 05
(511) 05

(260) AM 2022 110839 A
(800) 1564805
(151) 2020 07 17
(181) 2030 07 17
(891) 2020 07 17
(511) 29

(260) AM 2022 110833 A
(800) 1564736
(151) 2020 11 06
(181) 2030 11 06
(891) 2020 11 06
(511) 09

(260) AM 2022 110855 A
(800) 1547324
(151) 2020 06 18
(181) 2030 06 18
(891) 2020 11 06
(511) 36

(260) AM 2022 110834 A
(800) 1564738
(151) 2020 11 01
(181) 2030 11 01
(891) 2020 11 01
(511) 03, 14, 18, 25

(260) AM 2022 110857 A
(800) 1558724
(151) 2020 08 14
(181) 2030 08 14
(891) 2020 11 23
(511) 03

(260) AM 2022 110835 A
(800) 1564743
(151) 2020 07 03
(181) 2030 07 03
(891) 2020 07 03
(511) 03, 05, 29, 30, 31, 32, 33, 34

(260) AM 2022 110892 A
(800) 1564885
(151) 2020 10 29
(181) 2030 10 29
(891) 2020 10 29
(511) 12, 28, 37

(260) AM 2022 110893 A
(800) 1564919
(151) 2020 10 06
(181) 2030 10 06
(891) 2020 10 06
(511) 01, 05

(260) AM 2022 110910 A
(800) 1565372
(151) 2020 08 14
(181) 2030 08 14
(891) 2020 08 14
(511) 11

(260) AM 2022 110894 A
(800) 1564954
(151) 2020 10 09
(181) 2030 10 09
(891) 2020 10 09
(511) 01

(260) AM 2022 110911 A
(800) 1565415
(151) 2020 09 24
(181) 2030 09 24
(891) 2020 09 24
(511) 29, 30, 31

(260) AM 2022 110905 A
(800) 1565281
(151) 2020 09 22
(181) 2030 09 22
(891) 2020 09 22
(511) 33

(260) AM 2022 110912 A
(800) 1565551
(151) 2020 11 12
(181) 2030 11 12
(891) 2020 11 12
(511) 01

(260) AM 2022 110906 A
(800) 1565290
(151) 2020 07 23
(181) 2030 07 23
(891) 2020 07 23
(511) 03, 05

(260) AM 2022 110913 A
(800) 1565619
(151) 2020 06 21
(181) 2030 06 21
(891) 2020 06 21
(511) 06, 19, 37, 39, 40, 42

(260) AM 2022 110907 A
(800) 1565302
(151) 2020 08 12
(181) 2030 08 12
(891) 2020 08 12
(511) 30

(260) AM 2022 110920 A
(800) 689629
(151) 1998 03 02
(181) 2028 03 02
(891) 2020 11 30
(511) 33

(260) AM 2022 110908 A
(800) 1565323
(151) 2020 09 03
(181) 2030 09 03
(891) 2020 09 03
(511) 05

(260) AM 2022 110921 A
(800) 915853
(151) 2007 02 06
(181) 2027 02 06
(891) 2020 11 25
(511) 12

(260) AM 2022 110909 A
(800) 1565344
(151) 2020 09 22
(181) 2030 09 22
(891) 2020 09 22
(511) 33

(260) AM 2022 110922 A
(800) 938802
(151) 2007 05 29
(181) 2027 05 29
(891) 2020 11 26
(511) 14, 18, 25

(260) AM 2022 110923 A
(800) 1211026
(151) 2013 12 12
(181) 2023 12 12
(891) 2020 11 24
(511) 25, 28

(260) AM 2022 110996 A
(800) 1566230
(151) 2020 10 14
(181) 2030 10 14
(891) 2020 10 14
(511) 05, 44

(260) AM 2022 110924 A
(800) 1221143
(151) 2014 06 23
(181) 2024 06 23
(891) 2020 11 17
(511) 24, 26

(260) AM 2022 110997 A
(800) 1566236
(151) 2020 10 21
(181) 2030 10 21
(891) 2020 10 21
(511) 30

(260) AM 2022 110925 A
(800) 1269754
(151) 2015 03 13
(181) 2025 03 13
(891) 2020 11 25
(511) 09, 21

(260) AM 2022 110998 A
(800) 1566240
(151) 2020 09 30
(181) 2030 09 30
(891) 2020 09 30
(511) 18, 25

(260) AM 2022 110927 A
(800) 1435461
(151) 2018 09 27
(181) 2028 09 27
(891) 2020 11 23
(511) 05, 29, 30, 32, 35

(260) AM 2022 110999 A
(800) 1566247
(151) 2020 10 16
(181) 2030 10 16
(891) 2020 10 16
(511) 05, 44

(260) AM 2022 110928 A
(800) 1472365
(151) 2019 03 01
(181) 2029 03 01
(891) 2020 11 20
(511) 15, 25, 28

(260) AM 2022 111016 A
(800) 1566695
(151) 2020 10 26
(181) 2030 10 26
(891) 2020 10 26
(511) 05

(260) AM 2022 110930 A
(800) 1536309
(151) 2019 12 09
(181) 2029 12 09
(891) 2020 11 24
(511) 09, 38

(260) AM 2022 111026 A
(800) 1566994
(151) 2020 11 19
(181) 2030 11 19
(891) 2020 11 19
(511) 29, 30

(260) AM 2022 110987 A
(800) 1566042
(151) 2020 06 10
(181) 2030 06 10
(891) 2020 06 10
(511) 01, 03, 04, 05, 06, 07, 08, 09, 10, 11, 12, 13, 14,
15, 16, 17, 18, 19, 20, 21, 22, 23, 24, 25, 26, 27,
28, 29, 30, 31, 32, 33, 34, 35

(260) AM 2022 111051 A
(800) 1264853
(151) 2015 07 14
(181) 2025 07 14
(891) 2020 10 23
(511) 05

(260) AM 2022 111058 A
(800) 1512798
(151) 2019 11 08
(181) 2029 11 08
(891) 2020 12 08
(511) 34

(260) AM 2022 111127 A
(800) 1568350
(151) 2020 07 20
(181) 2030 07 20
(891) 2020 07 20
(511) 09, 28, 41

(260) AM 2022 111059 A
(800) 1550672
(151) 2019 11 01
(181) 2029 11 01
(891) 2020 09 28
(511) 21

(260) AM 2022 111165 A
(800) 1568538
(151) 2020 10 28
(181) 2030 10 28
(891) 2020 10 28
(511) 09, 37, 38

(260) AM 2022 111097 A
(800) 1567540
(151) 2020 08 03
(181) 2030 08 03
(891) 2020 08 03
(511) 37

(260) AM 2022 111175 A
(800) 1568700
(151) 2020 10 27
(181) 2030 10 27
(891) 2020 10 27
(511) 44

(260) AM 2022 111098 A
(800) 1567566
(151) 2020 07 20
(181) 2030 07 20
(891) 2020 07 20
(511) 09, 28, 41

(260) AM 2022 111176 A
(800) 1568782
(151) 2020 08 03
(181) 2030 08 03
(891) 2020 08 03
(511) 07

(260) AM 2022 111122 A
(800) 1568253
(151) 2020 09 18
(181) 2030 09 18
(891) 2020 09 18
(511) 03, 05

(260) AM 2022 111177 A
(800) 1568783
(151) 2020 08 19
(181) 2030 08 19
(891) 2020 08 19
(511) 29, 43

(260) AM 2022 111123 A
(800) 1568277
(151) 2020 09 28
(181) 2030 09 28
(891) 2020 09 28
(511) 01, 05, 16, 31, 42, 44

(260) AM 2022 111178 A
(800) 1568832
(151) 2020 10 23
(181) 2030 10 23
(891) 2020 10 23
(511) 34

(260) AM 2022 111124 A
(800) 1568310
(151) 2020 09 28
(181) 2030 09 28
(891) 2020 09 28
(511) 29

(260) AM 2022 111179 A
(800) 1568844
(151) 2020 07 20
(181) 2030 07 20
(891) 2020 07 20
(511) 09, 28, 41

(260) AM 2022 111200 A
(800) 1569111
(151) 2020 11 24
(181) 2030 11 24
(891) 2020 11 24
(511) 05

(260) AM 2022 111231 A
(800) 1569604
(151) 2020 10 19
(181) 2030 10 19
(891) 2020 10 19
(511) 05

(260) AM 2022 111201 A
(800) 1569113
(151) 2020 11 24
(181) 2030 11 24
(891) 2020 11 24
(511) 05

(260) AM 2022 111233 A
(800) 1569769
(151) 2020 09 16
(181) 2030 09 16
(891) 2020 09 16
(511) 43

(260) AM 2022 111202 A
(800) 1569123
(151) 2020 11 24
(181) 2030 11 24
(891) 2020 11 24
(511) 05

(260) AM 2022 111234 A
(800) 1569800
(151) 2020 10 30
(181) 2030 10 30
(891) 2020 10 30
(511) 18

(260) AM 2022 111203 A
(800) 1569129
(151) 2020 11 24
(181) 2030 11 24
(891) 2020 11 24
(511) 05

(260) AM 2022 111255 A
(800) 1570200
(151) 2020 11 24
(181) 2030 11 24
(891) 2020 11 24
(511) 05

(260) AM 2022 111204 A
(800) 1569132
(151) 2020 11 24
(181) 2030 11 24
(891) 2020 11 24
(511) 05

(260) AM 2022 111256 A
(800) 1570215
(151) 2020 11 24
(181) 2030 11 24
(891) 2020 11 24
(511) 05

(260) AM 2022 111205 A
(800) 1569133
(151) 2020 10 09
(181) 2030 10 09
(891) 2020 10 09
(511) 30

(260) AM 2022 111257 A
(800) 1570220
(151) 2020 11 24
(181) 2030 11 24
(891) 2020 11 24
(511) 05

(260) AM 2022 111209 A
(800) 1569155
(151) 2020 11 26
(181) 2030 11 26
(891) 2020 11 26
(511) 09, 28, 41

(260) AM 2022 111258 A
(800) 1570230
(151) 2020 10 16
(181) 2030 10 16
(891) 2020 10 16
(511) 05

(260) AM 2022 111259 A
(800) 1570232
(151) 2020 11 24
(181) 2030 11 24
(891) 2020 11 24
(511) 05

(260) AM 2022 111306 A
(800) 1570948
(151) 2020 10 26
(181) 2030 10 26
(891) 2020 10 26
(511) 09

(260) AM 2022 111293 A
(800) 1570610
(151) 2020 07 22
(181) 2030 07 22
(891) 2020 07 22
(511) 33

(260) AM 2022 111307 A
(800) 1570950
(151) 2020 10 29
(181) 2030 10 29
(891) 2020 10 29
(511) 07, 09, 11

(260) AM 2022 111296 A
(800) 1570767
(151) 2020 09 29
(181) 2030 09 29
(891) 2020 09 29
(511) 12

(260) AM 2022 111361 A
(800) 1571403
(151) 2020 11 26
(181) 2030 11 26
(891) 2020 11 26
(511) 09

(260) AM 2022 111297 A
(800) 1570770
(151) 2020 11 10
(181) 2030 11 10
(891) 2020 11 10
(511) 09

(260) AM 2022 111381 A
(800) 1571842
(151) 2020 08 20
(181) 2030 08 20
(891) 2020 08 20
(511) 36

(260) AM 2022 111303 A
(800) 1570841
(151) 2020 11 19
(181) 2030 11 19
(891) 2020 11 19
(511) 05, 42, 44

(260) AM 2022 111390 A
(800) 1303695
(151) 2016 05 02
(181) 2026 05 02
(891) 2020 12 31
(511) 35

(260) AM 2022 111304 A
(800) 1570844
(151) 2020 11 17
(181) 2030 11 17
(891) 2020 11 17
(511) 35, 41

(260) AM 2022 111391 A
(800) 1369835
(151) 2017 05 03
(181) 2027 05 03
(891) 2021 01 06
(511) 07, 08

(260) AM 2022 111305 A
(800) 1570915
(151) 2020 10 22
(181) 2030 10 22
(891) 2020 10 22
(511) 38, 41, 42

(260) AM 2022 111450 A
(800) 1571969
(151) 2020 11 10
(181) 2030 11 10
(891) 2020 11 10
(511) 03, 04, 05

(260) AM 2022 111544 A
(800) 1572932
(151) 2020 10 28
(181) 2030 10 28
(891) 2020 10 28
(511) 03, 08, 10

(260) AM 2022 111545 A
(800) 1572949
(151) 2020 09 28
(181) 2030 09 28
(891) 2020 09 28
(511) 03, 05, 21, 30, 44

APPELLATIONS OF ORIGIN OF GOODS

PROTECTED INTERNATIONAL APPELLATIONS OF ORIGIN OF GOODS

(800) 1148
(151) 2020 01 13
(540)

Farsh e Dastbaft e Afshar e Tekab

(732) West Azerbaijan Province Rural Handwoven Carpet Cooperative Companies Union
Tekab Region, ۰۶۵۵۰;
Tekab Handwoven Carpet Weavers Union
Tekab Region, Iran;
Tekab Rural Handwoven Carpet Cooperative Company
Tekab Region, Iran;
Tekab Urban Handwoven Carpet Cooperative Company
Tekab Region, Iran

(511)
27 – Handmade Carpet.

(800) 1153
(151) 2020 10 23
(540)

Злакуса – Zlakusa

(732) Association of the Potters "Zlakusa"
Village Zlakusa bb, 31205 Sevojno, Serbia

(511)
21 – Handmade pottery in a traditional way, on potters wheel from the mass of clay and calcite in equal ratio
50%-50% or 60%-40% for large pots.

(800) 1154
(151) 2020 10 23
(540)

Пешкири шабачког краја – Peškiri šabačkog kraja

(732) Gradska organizacija invalida rada Šabac-tkačka radionica "Stari zanati" (Town Association of Invalids of Work of Sabac – Weaving Workshop Old Skills)
Kraljice Marije 13, 15000 Šabac, Serbia
Zanatska zadruga "Povesmo iz Šabac" (Handicraft Association "Povesmo from Sabac")
Boračka 20, 15000 Šabac, Serbia

(511)
24 – Hand woven towels made from natural raw material decorated by embroidery, lace or fringes.

(800) 1155
(151) 2021 03 22
(540)

Figues de Djebba

(732) Any fig producer of the Djebba imada of the Béja Governorate Tibbar delegation.
The geographical area of Djebba imada of the Béja Governorate Tibbar delegation, Tunisia

(511)
29 – Figs.
31 – Figs.

OFFICIAL NOTIFICATIONS

INVENTIONS

RESTORATION OF PATENTS

(21) AP 2009 12310
(11) P 2014 6198 B
(73) Graceway Pharmaceuticals LLC
(54) LOWER DOSAGE STRENGTH IMIQUIMOD FORMULATIONS AND SHORT DOSING REGIMENS
FOR TREATING ACTINIC KERATOSIS
DATE OF CANCELLATION OF PATENT: 2021 12 11
THE TERM OF RESTORATION OF PATENT: 2022 01 25

(21) AP 2013 13329
(11) P 2015 6334 B
(73) Nikoloz Iakobidze
(54) DEVICE FOR PRODUCING MOLDED ARTICLES
DATE OF CANCELLATION OF PATENT: 2021 12 18
THE TERM OF RESTORATION OF PATENT: 2022 01 25

(21) AP 2018 14915
(11) P 2020 7140 B
(73) Shota Gorjeladze;
Irakli Gorjeladze
(54) ROPEWAY
DATE OF CANCELLATION OF PATENT: 2021 11 02
THE TERM OF RESTORATION OF PATENT: 2022 01 25

ABOLITION OF PATENTS WITH THE RIGHT TO RESTORE

(21) AP 2011 12315
(11) P 2014 6032 B
(73) Irakli Gobejishvili
(54) APPROXIMATELY TENSE ASEISMIC STABILE HANGING BUILDING
DATE OF CANCELLATION OF PATENT: 2021 07 22
LIMITED DATE OF RESTORATION OF PATENT: 2022 07 22

(21) AP 2011 13176
(11) P 2016 6448 B
(73) Santen Pharmaceutical Co., LTD
(54) OPHTHALMIC SOLUTION CONTAINING DIQUAFOSOL, METHOD FOR PRODUCING SAME, AND
METHOD FOR PREVENTING FORMATION OF INSOLUBLE PRECIPITATE
DATE OF CANCELLATION OF PATENT: 2021 12 27
LIMITED DATE OF RESTORATION OF PATENT: 2022 12 27

(21) AP 2015 14558
(11) P 2019 7013 B
(73) Mega Industriji Kontrol Sistemlery Tic. LTD STI.
(54) AN ELECTRONIC SYSTEM FOR PRODUCT IDENTIFICATION AND FILLING MANAGEMENT
DATE OF CANCELLATION OF PATENT: 2021 12 31
LIMITED DATE OF RESTORATION OF PATENT: 2022 12 31

(21) AP 2015 14562
(11) P 2019 7006 B
(73) Rivopharm SA
(54) PHARMACEUTICAL FORMULATION OF RACECADOTRIL
DATE OF CANCELLATION OF PATENT: 2021 12 23
LIMITED DATE OF RESTORATION OF PATENT: 2022 12 23

(21) AP 2016 14820
(11) P 2020 7147 B
(73) Pfizer Inc.
(54) SUBSTITUTED 3-AZABICYCLO[3.1.0]HEXANES AS KETOHEXOKINASE INHIBITORS
DATE OF CANCELLATION OF PATENT: 2021 12 16
LIMITED DATE OF RESTORATION OF PATENT: 2022 12 16

EXPIRATION OF TERM OF RESTORATION OF PATENTS

(21) AP 2006 11203
(11) P 2011 5246 B
(73) Sergazy Adekenov
(54) METHOD FOR PRODUCTION OF HYDROCHLORIDE 1(10) BETA-EPOXY-13-DIMETHYLAMINO-5,7 ALPHA,6,11 BETA (H)-GUAIA-3(4)-EN-6,12-OLIDE, LYOPHILIZED ANTITUMOR PREPARATION "ARGLABIN"
DATE OF CANCELLATION OF PATENT: 2020 12 21
THE TERM OF RESTORATION OF PATENT VALIDITY HAS EXPIRED: 2021 12 21

(21) AP 2007 11384
(11) P 2012 5438 B
(73) Les Laboratoires Servier
(54) 3-SUBSTITUTED-[1,2,3]-BENZOTRIAZINONE COMPOUND FOR ENHANCING GLUTAMATERGIC SYNAPTIC RESPONSES
DATE OF CANCELLATION OF PATENT: 2020 12 28
THE TERM OF RESTORATION OF PATENT VALIDITY HAS EXPIRED: 2021 12 28

(21) AP 2008 11898
(11) P 2012 5636 B
(73) Aziende Chimiche Riunite Angelini Francesco A.C.R.A.F. S.p.A.
(54) SLOW-RELEASE FORMULATION BASED ON GLYCOGEN AND ALGINATE ASSOCIATION
DATE OF CANCELLATION OF PATENT: 2020 12 23
THE TERM OF RESTORATION OF PATENT VALIDITY HAS EXPIRED: 2021 12 23

(21) AP 2009 12313
(11) P 2013 5820 B
(73) Pierre Fabre Dermo-Cosmetique
(54) POLYUNSATURATED FATTY ACID AND DIOL ESTER AS ANTI-ACNE AGENT
DATE OF CANCELLATION OF PATENT: 2020 12 21
THE TERM OF RESTORATION OF PATENT VALIDITY HAS EXPIRED: 2021 12 21

(21) AP 2012 12943
(11) P 2015 6270 B
(73) Badur Chunashvili;
Aleksandre Petrosyan
(54) METHOD FOR REACTIVE POWER COMPENSATOR CONTROL
DATE OF CANCELLATION OF PATENT: 2020 12 26
THE TERM OF RESTORATION OF PATENT VALIDITY HAS EXPIRED: 2021 12 26

(21) AP 2011 13169
(11) P 2016 6508 B
(73) AZA. Tek GMBH
(54) RAW MATERIAL FOR PRODUCING BASALT FIBERS
DATE OF CANCELLATION OF PATENT: 2020 12 21
THE TERM OF RESTORATION OF PATENT VALIDITY HAS EXPIRED: 2021 12 21

(21) AP 2011 13178
(11) P 2016 6449 B
(73) Preglem SA
(54) TREATMENT OF PAIN ASSOCIATED WITH DISLOCATION OF BASAL ENDOMETRIUM
DATE OF CANCELLATION OF PATENT: 2020 12 23
THE TERM OF RESTORATION OF PATENT VALIDITY HAS EXPIRED: 2021 12 23

(21) AP 2012 13534
(11) P 2017 6641 B
(73) My Partners And Global Stars Investments (MP&GSI) LTD
(54) ELECTRONIC CHEQUE-BASED PAYMENT SYSTEM AND METHODS TO ISSUE, TRANSFER,
PAY AND VERIFY ELECTRONIC CHEQUES
DATE OF CANCELLATION OF PATENT: 2020 12 28
THE TERM OF RESTORATION OF PATENT VALIDITY HAS EXPIRED: 2021 12 28

(21) AP 2014 14214
(11) P 2019 7054 B
(73) Invention Center KFT.
(54) IRON(III) OXIDE CONTAINING SOIL-BINDING COMPOSITION
DATE OF CANCELLATION OF PATENT: 2020 12 22
THE TERM OF RESTORATION OF PATENT VALIDITY HAS EXPIRED: 2021 12 22

(21) AP 2015 14540
(11) P 2019 6991 B
(73) Aziende Chimiche Riunite Angelini Francesco A.C.R.A.F. S.p.A.
(54) ANTIBACTERIAL COMPOUNDS HAVING BROAD SPECTRUM OF ACTIVITY
DATE OF CANCELLATION OF PATENT: 2020 12 14
THE TERM OF RESTORATION OF PATENT VALIDITY HAS EXPIRED: 2021 12 14

(21) AP 2017 14658
(11) P 2019 7048 B
(73) LEPL Rapiel Dvali Institute of Machine Mechanics
(54) RADIAL-FORGING MACHINE FOR OBTAINING AXISYMMETRIC LONGDIMENSIONAL ARTICLES
DATE OF CANCELLATION OF PATENT: 2020 12 22
THE TERM OF RESTORATION OF PATENT VALIDITY HAS EXPIRED: 2021 12 22

(21) AP 2017 14662
(11) P 2020 7141 B
(73) Valerian Kharitonashvili;
Nikoloz Titvinidze
(54) VEHICLE SPEEDOMETER
DATE OF CANCELLATION OF PATENT: 2020 12 28
THE TERM OF RESTORATION OF PATENT VALIDITY HAS EXPIRED: 2021 12 28

(21) AP 2018 14977
(11) P 2020 7088 B
(73) Malkhaz Akhvlediani;
Zaur Balamtarishvili;
Zaur Chitidze;
Beka Beriashvili;
Tamaz Mchedlishvili;
Malkhaz Narimanashvili;
Tinatin Gogishvili;
Ramaz Tkemaladze;
Khatuna Amkoladze;
Vakhtang Abaishvili;
Nino Nikvashvili
(54) TWO-SIDED CABLE SKIDDING DEVICE WITH TWO TRACTION CABLES AND ADJUSTABLE CROSSWISE BEARING CLOSED CIRCUIT CABLE
DATE OF CANCELLATION OF PATENT: 2020 12 28
THE TERM OF RESTORATION OF PATENT VALIDITY HAS EXPIRED: 2021 12 28

(21) AP 2006 9798
(11) P 2008 4457 B
(73) Anzor Getsadze;
Leila Getsadze;
Davit Getsadze
(54) VEGETATIVE GATHER FOR TREATMENT OF DISEASES OF THE LIVER AND THE GALL-BLADDER
DATE OF CANCELLATION OF PATENT: 2020 12 28
THE TERM OF RESTORATION OF PATENT VALIDITY HAS EXPIRED: 2021 12 28

CHANGES OF NAMES AND/OR ADDRESSES OF PATENTOWNER

(21) AP 2011 13131

(11) P 2017 6589 B

(54) NOVEL BACTERIUM AND EXTRACTS OF SAID BACTERIUM AND THE USE OF SAME IN
DERMATOLOGY

NEW NAME AND NEW ADDRESS:

Pierre Fabre Dermo-Cosmetique (FR)
45, Place Abel Gance, F-92100 Boulogne-Bilankur,
France (FR);
Centre National De La Recherche Scientifique
(CNRS) (FR)
3, rue Michel Ange F-75016 Paris, France (FR);
Sorbonne Université (FR)
21 rue de l'Ecole de Médecine, 75006 Paris, France (FR)

FORMER NAME AND FORMER ADDRESS:

Pierre Fabre Dermo-Cosmetique (FR)
45, Place Abel Gance, F-92100 Boulogne-Bilankur,
France (FR);
Universite Pierre Et Marie Curie (Paris 6)
4, place Jussieu F-75005 Paris, France (FR);
Centre National De La Recherche Scientifique
(CNRS) (FR)
3, rue Michel Ange F-75016 Paris, France (FR)

DATE OF REGISTRATION: 2022 01 14

(21) AP 2018 15194

(11) P 2021 7216 B

(54) MICROENCAPSULATED NITRIFICATION INHIBITOR COMPOSITIONS

NEW NAME AND NEW ADDRESS:

Corteva Agriscience LLC (US)
9330 Zionsville Road, Indianapolis, Indiana 46268, USA (US)

FORMER NAME AND FORMER ADDRESS:

Dow Agrosciences LLC (US)
9330 Zionsville Road, Indianapolis, Indiana 46268, USA (US)

DATE OF REGISTRATION: 2021 11 25

UTILITY MODELS

ABOLITION OF PATENTS WITH THE RIGHT TO RESTORE

(21) AU 2015 14021
(11) U 2016 1914 Y
(73) Shekspir Yusupov;
Daniel Iosebashvili;
Mukhran Bedianidze
(54) METHOD FOR BAKING BREAD
DATE OF CANCELLATION OF PATENT: 2021 12 21
LIMITED DATE OF RESTORATION OF PATENT: 2022 12 21

(21) AU 2016 14374
(11) U 2017 1951 Y
(73) Levan Aleksishvili
(54) TELECOMMUNICATION SYSTEM FOR FOOD AND CONSUMER COMMODITY PURCHASE AND
DELIVERY TO PLACE
DATE OF CANCELLATION OF PATENT: 2021 12 30
LIMITED DATE OF RESTORATION OF PATENT: 2022 12 30

(21) AU 2018 14972
(11) U 2021 2071 Y
(73) Mzia Luashvili;
Vakhtang Luashvili
(54) DEVICE FOR SKIN DESEASES TREATMENT
DATE OF CANCELLATION OF PATENT: 2021 12 21
LIMITED DATE OF RESTORATION OF PATENT: 2022 12 21

(21) AU 2019 15249
(11) U 2021 2095 Y
(73) Ibragim Zhaximbetov;
Oleg Tashkalov
(54) METHOD FOR SULFUR CEMENT PRODUCTION
DATE OF CANCELLATION OF PATENT: 2021 12 24
LIMITED DATE OF RESTORATION OF PATENT: 2022 12 24

EXPIRATION OF TERM OF RESTORATION OF PATENTS

(21) AU 2017 14590
(11) U 2019 1998 Y
(73) Revaz Arveladze;
Mikheil Gverdtsiteli;
Pavle Gverdtsiteli
(54) CONTROL DEVICE FOR DEMANDING AND MANAGING ELECTRIC ENERGY
DATE OF CANCELLATION OF PATENT: 2020 12 28
THE TERM OF RESTORATION OF PATENT VALIDITY HAS EXPIRED: 2021 12 28

(21) AU 2018 14973
(11) U 2020 2052 Y
(73) Sergo Jorbenadze;
Malkhaz Tsiskarishvili;
Nikoloz Melitauri;
Aleksandre Shermazanashvili
(54) AUTOPARKING ELEVATOR
DATE OF CANCELLATION OF PATENT: 2020 12 25
THE TERM OF RESTORATION OF PATENT VALIDITY HAS EXPIRED: 2021 12 25

DESIGNS

EXTENSION OF TERMS OF DESIGNS REGISTRATION

(11) D 2012 508 S
(73) Archil Gavashelishvili (GE)
Stalin St. 39, 3600, Oni, Georgia (GE)
(54) HUNTER UNIFORM, GEORGIAN MILITARY UNIFORM
(28) 2
(24) 2012 03 06
(18) 2027 03 06
(58) 2022 01 10

(11) D 2017 730 S
(73) Archil Gavashelishvili (GE)
Nutsubidze Plateau, IV mcr., bld. 29, app. 43, 0183, Tbilisi, Georgia (GE)
(54) VASE CROSS, ORNAMENTAL
(28) 4
(24) 2017 03 28
(18) 2027 03 28
(58) 2022 01 10

EXTENSION OF TERMS OF INTERNATIONAL DESIGNS REGISTRATION

(11) DM/68397
(73) TISSOT S.A.
17, chemin des Tourelles, CH-2400 Le Locle (CH)
(15) 2006 12 11
(24) 2006 12 11
(18) 2026 12 11
(28) 3
(28') 3
(54) watch case, Watch cases with straps

(11) DM/68429
(73) MONTRES BREGUET S.A.
CH-1344 L'ABBAYE (CH)
(15) 2006 12 19

(24) 2006 12 19
(18) 2026 12 19
(28) 2
(28') 2
(54) Jewelry, particularly brooch (1) and necklace (2)

(11) DM/77952
(73) INTERMETAL ABEE
Apolloniou 6 PO BOX 40, GR-194 00 Koropi Attikis (GR)
(15) 2011 11 03
(24) 2011 11 03
(18) 2026 11 03
(28) 2
(28') 2
(54) Bolt and/or roller carriers with covers

(11) DM/93112
(73) BALEV EOOD
Bul. Vladislav Varnenchik No.256, BG-9009 Varna (BG);
BALEV CORPORATION EOOD
bul. Vladislav Varnenchik No. 260, BG-9009 Varna (BG);
DIMITAR HRISTOV BALEV
Blvd. Vitosha No.137, apt. 17, BG-1408 Sofia (BG)
(15) 2016 10 16
(24) 2016 10 16
(18) 2026 10 16
(28) 3
(28') 3
(54) Air fresheners

(11) DM/93594
(73) SAVERGLASS
3 rue de la Gare, F-60960 FEUQUIERES (FR)
(15) 2016 11 22
(24) 2016 11 22
(18) 2026 11 22
(28) 1
(28') 1
(54) Bottle

(11) DM/93771
(73) OMEGA SA (OMEGA AG) (OMEGA LTD.)
Jakob-Stämpfli-Strasse 96, CH-2502 Biel/Bienne (CH)
(15) 2016 12 06
(24) 2016 12 06
(18) 2026 12 06
(28) 2
(28') 2
(54) Dial, Watch case

(11) DM/93847
(73) TISSOT SA (TISSOT AG) (TISSOT LTD)
Chemin des Tourelles 17, CH-2400 Le Locle (CH)
(15) 2016 12 12

(24) 2016 12 12
(18) 2026 12 12
(28) 1
(28') 1
(54) Display unit

(11) DM/96040
(73) AXANOVA AG
 Ottenhofenstrasse 110, CH-8738 Uetliburg (CH)
(15) 2017 02 27
(24) 2017 02 27
(18) 2027 02 27
(28) 5
(28') 5
(54) Cool and hot pads [medical]

TRADEMARKS**EXTENSION OF TERMS OF REGISTRATION**

(111) M 2002 14239 R2
(156) 2002 01 08
(186) 2032 01 08
(732) SmithKline Beecham Limited
980 Great West Road, Brentford,
Middlesex TW8 9GS, United Kingdom

(111) M 2001 14179 R2
(156) 2001 12 13
(186) 2031 12 13
(732) New Zealand Milk Brands Limited
109 Fanshawe Street, Auckland 1010,
New Zealand

(111) M 2001 14180 R2
(156) 2001 12 13
(186) 2031 12 13
(732) New Zealand Milk Brands Limited
109 Fanshawe Street, Auckland 1010,
New Zealand

(111) M 2001 14165 R2
(156) 2001 12 04
(186) 2031 12 04
(732) Sony Pictures Television UK Rights Limited
12th Floor, Brunel Building, 2 Canalside
Walk, London W2 1DG, United Kingdom

(111) M 2002 14266 R2
(156) 2002 01 18
(186) 2032 01 18
(732) Koninklijke Douwe Egberts B.V.
Oosterdoksstraat 80, NL-1011 DK
Amsterdam, Netherlands

(111) M 2002 14260 R2
(156) 2002 01 18
(186) 2032 01 18
(732) Marsa Yag Sanayi ve Ticaret Anonim Şirketi
Ramazanoğlu Mah. Mahmut Bayram Cad.
No:9 Şeyhli Pendik/İstanbul, Turkey

(111) M 2002 14247 R2
(156) 2002 01 08
(186) 2032 01 08
(732) Perdue Foods LLC
31149 Old Ocean City Road, Salisbury,
MD 21804, USA

(111) M 2002 14246 R2
(156) 2002 01 08
(186) 2032 01 08
(732) Perdue Foods LLC
31149 Old Ocean City Road, Salisbury,
MD 21804, USA

(111) M 2002 14245 R2
(156) 2002 01 08
(186) 2032 01 08
(732) Fujitsu Limited
1-1, Kamikodanaka 4-chome, Nakahara-ku,
Kawasaki-shi, Kanagawa 211-8588,
Japan

(111) M 2002 14244 R2
(156) 2002 01 08
(186) 2032 01 08
(732) Fujitsu Limited
1-1, Kamikodanaka 4-chome, Nakahara-ku
Kawasaki-shi, Kanagawa 211-8588, Japan

(111) M 2011 21747 R1
(156) 2011 09 16
(186) 2031 09 16
(732) LTD "Unimed Group Corp"
Adam Mitskevich St. 29, app. 61, 0194,
Tbilisi, Georgia

(111) M 2011 21748 R1
(156) 2011 09 16
(186) 2031 09 16
(732) LTD "Unimed Group Corp"
Adam Mitskevich St. 29, app. 61, 0194,
Tbilisi, Georgia

(111) M 2011 22130 R1
(156) 2011 12 29
(186) 2031 12 29
(732) Blu Israel Drinks Limited
12 Ha'avodah Street, 17000 Upper Nazareth,
Israel

(111) M 2011 22144 R1
(156) 2011 12 29
(186) 2031 12 29
(732) LTD "Aversi-Pharma"

Davit Aghmashenebeli Av. 148/2, 0112, Tbilisi, Georgia	(111) M 2011 22163 R1 (156) 2011 12 29 (186) 2031 12 29 (732) LTD "Aversi-Pharma" Davit Aghmashenebeli Av. 148/2, 0112, Tbilisi, Georgia
(111) M 2011 22145 R1 (156) 2011 12 29 (186) 2031 12 29 (732) LTD "Aversi-Pharma" Davit Aghmashenebeli Av. 148/2, 0112, Tbilisi, Georgia	(111) M 2011 22164 R1 (156) 2011 12 29 (186) 2031 12 29 (732) LTD "Aversi-Pharma" Davit Aghmashenebeli Av. 148/2, 0112, Tbilisi, Georgia
(111) M 2012 22254 R1 (156) 2012 02 03 (186) 2032 02 03 (732) Anest Iwata Corporation 3176, Shinyoshida-cho, kohoku-ku, Yokohama 223-8501, Japan	(111) M 2011 22165 R1 (156) 2011 12 29 (186) 2031 12 29 (732) LTD "Aversi-Pharma" Davit Aghmashenebeli Av. 148/2, 0112, Tbilisi, Georgia
(111) M 2011 22093 R1 (156) 2011 12 14 (186) 2031 12 14 (732) "Global CBS" LLC Davit Guramishvili Av. 62, Floor 3, Office Space, Nadzaladevi District, Tbilisi, Georgia	(111) M 2011 22166 R1 (156) 2011 12 29 (186) 2031 12 29 (732) LTD "Aversi-Pharma" Davit Aghmashenebeli Av. 148/2, 0112, Tbilisi, Georgia
(111) M 2011 22094 R1 (156) 2011 12 14 (186) 2031 12 14 (732) "Global CBS" LLC Davit Guramishvili Av. 62, Floor 3, Office Space, Nadzaladevi District, Tbilisi, Georgia	(111) M 2011 22167 R1 (156) 2011 12 29 (186) 2031 12 29 (732) LTD "Aversi-Pharma" Davit Aghmashenebeli Av. 148/2, 0112, Tbilisi, Georgia
(111) M 2011 22095 R1 (156) 2011 12 14 (186) 2031 12 14 (732) "Global CBS" LLC Davit Guramishvili Av. 62, Floor 3, Office Space, Nadzaladevi District, Tbilisi, Georgia a	(111) M 2011 22168 R1 (156) 2011 12 29 (186) 2031 12 29 (732) LTD "Aversi-Pharma" Davit Aghmashenebeli Av. 148/2, 0112, Tbilisi, Georgia
(111) M 2011 22161 R1 (156) 2011 12 29 (186) 2031 12 29 (732) LTD "Aversi-Pharma" Davit Aghmashenebeli Av. 148/2, 0112, Tbilisi, Georgia	(111) M 2011 22169 R1 (156) 2011 12 29 (186) 2031 12 29 (732) LTD "Aversi-Pharma" Davit Aghmashenebeli Av. 148/2, 0112, Tbilisi, Georgia
(111) M 2011 22162 R1 (156) 2011 12 29 (186) 2031 12 29 (732) LTD "Aversi-Pharma" Davit Aghmashenebeli Av. 148/2, 0112, Tbilisi, Georgia	

(111) M 2011 22170 R1
 (156) 2011 12 29
 (186) 2031 12 29
 (732) LTD "Aversi-Pharma"
 Davit Aghmashenebeli Av. 148/2, 0112,
 Tbilisi, Georgia

(111) M 2012 23190 R1
 (156) 2012 12 10
 (186) 2032 12 10
 (732) LLC "My.Ge"
 Shalva Nutsubidze St. 129a, floor 4, 0186,
 Tbilisi, Georgia

(111) M 2012 22405 R1
 (156) 2012 03 16
 (186) 2032 03 16
 (732) Vifor (International) AG, Vifor
 (International) Ltd, Vifor (International) Inc.
 Rechenstrasse 37, 9014 St. Gall, Switzerland

(111) M 2012 23191 R1
 (156) 2012 12 10
 (186) 2032 12 10
 (732) LLC "My.Ge"
 Shalva Nutsubidze St. 129a, floor 4, 0186,
 Tbilisi, Georgia

(111) M 2012 22595 R1
 (156) 2012 05 16
 (186) 2032 05 16
 (732) Samsung Electronics Co., Ltd
 129, Samsung-ro, Yeongtong-gu, Suwon-si,
 Gyeonggi-do, Republic of Korea

(111) M 2012 23192 R1
 (156) 2012 12 10
 (186) 2032 12 10
 (732) LLC "My.Ge"
 Shalva Nutsubidze St. 129a, floor 4, 0186,
 Tbilisi, Georgia

(111) M 2012 22596 R1
 (156) 2012 05 16
 (186) 2032 05 16
 (732) Samsung Electronics Co., Ltd
 129, Samsung-ro, Yeongtong-gu, Suwon-si,
 Gyeonggi-do, Republic of Korea

(111) M 2012 23193 R1
 (156) 2012 12 10
 (186) 2032 12 10
 (732) LLC "My.Ge"
 Shalva Nutsubidze St. 129a, floor 4, 0186,
 Tbilisi, Georgia

(111) M 2012 22597 R1
 (156) 2012 05 16
 (186) 2032 05 16
 (732) Samsung Electronics Co., Ltd
 129, Samsung-ro, Yeongtong-gu, Suwon-si,
 Gyeonggi-do, Republic of Korea

(111) M 2011 22188 R1
 (156) 2011 12 29
 (186) 2031 12 29
 (732) "Maestro TV" LLC
 Erekle Tatishvili St. 19, Floor 78, 0179,
 Tbilisi, Georgia

(111) M 2012 23178 R1
 (156) 2012 12 10
 (186) 2032 12 10
 (732) Hershey Chocolate & Confectionary LLC
 a Delaware corporation ("HCC")
 19 East Chocolate Avenue, Hershey,
 PA 17033, USA

(111) M 2012 22654 R1
 (156) 2012 05 30
 (186) 2032 05 30
 (732) Fresh-Electronic for home appliances
 27/28 B4 West 10 Th of Ramadan City, Egypt

(111) M 2012 23189 R1
 (156) 2012 12 10
 (186) 2032 12 10
 (732) LLC "My.Ge"
 Shalva Nutsubidze St. 129a, floor 4, 0186,
 Tbilisi, Georgia

(111) M 2012 22922 R1
 (156) 2012 08 31
 (186) 2032 08 31
 (732) LTD "Qimerioni"
 Vill. Chumlaki, 1519, Gurjaani Region,
 Georgia

COMPLETE TRANSFER OF RIGHTS

- (111) M 2002 14247 R
(732) Perdue Foods LLC
31149 Old Ocean City Road, Salisbury,
21804, USA
(770) Perdue Holdings, Inc. (a corporation
Delaware)
31149 Old Ocean City Road, Salisbury,
MD 21804, USA
(580) 2021 11 24
-
- (111) M 2002 14246 R
(732) Perdue Foods LLC
31149 Old Ocean City Road, Salisbury,
21804, USA
(770) Perdue Foods LLC
31149 Old Ocean City Road, Salisbury,
MD 21804, USA
(580) 2021 11 24
-
- (111) M 1996 2481 R
(732) LtwHP, Llc
530 Fifth Avenue, 25th Floor, New York,
NY 10036, USA
(770) LtwHP, Llc
530 Fifth Avenue, 25th Floor, New York,
NY 10036, USA
(580) 2021 12 19
-
- (111) M 1996 2499 R
(732) LtwHP, Llc
530 Fifth Avenue, 25th Floor, New York,
NY 10036, USA
(770) Lotto Sport Italia S.P.A.
Via Montebelluna 5/7, 31040 Treviso,
Treviso, Italy
(580) 2021 12 19
-
- (111) M 2007 17334 R
(732) Nico Juliany, S.L.
C/Rita bonnat, 5, Local, E-08029
Barcelona, Spain
(770) Laduchi Capital, S.L.
C/Rita bonnat, 5, Local, E-08029
Barcelona, Spain
(580) 2021 12 21
-
- (111) M 2007 17334 R
(732) Laduchi Capital, S.L.
C/Rita bonnat, 5, Local, E- Barcelona,
Spain
- (770) Carrera Y Carrera, S.A.
Ctra. No.1, Km.31, 600, 28750 San Agustin de
Guadalix, Madrid, Spain
(580) 2021 12 21
-
- (111) M 2011 22093 R
(732) "Global CBS" LLC
Davit Guramishvili Av. 62, Floor 3, Office
Space, Nadzaladevi District, Tbilisi, Georgia
(770) LLC "CBS Pharmaceuticals"
Jansugh Kakhidze St. 8, 0102, Tbilisi, Georgia
(580) 2021 11 26
-
- (111) M 2011 22094 R
(732) "Global CBS" LLC
Davit Guramishvili Av. 62, Floor 3, Office
Space, Nadzaladevi District, Tbilisi, Georgia
(770) LLC "CBS Pharmaceuticals"
Jansugh Kakhidze St. 8, 0102, Tbilisi, Georgia
(580) 2021 11 26
-
- (111) M 2011 22095 R
(732) "Global CBS" LLC
Davit Guramishvili Av. 62, Floor 3, Office
Space, Nadzaladevi District, Tbilisi, Georgia
(770) LLC "CBS Pharmaceuticals"
Jansugh Kakhidze St. 8, 0102, Tbilisi, Georgia
(580) 2021 11 26
-
- (111) M 2018 30546 R
(732) Google LLC
1600 Amphitheatre Parkway, Mountain View,
CA 94043, USA
(770) Fitbit LLC
199 Fremont Street, 14th Floor, California,
San-Francisco 94105, USA
(580) 2021 11 24
-

CHANGES OF NAMES AND/OR ADDRESSES OF TRADEMARK OWNER

(111) M 2021 34722 R
(732) LTD "Gorgio International Holding"
Leonidze St. 2 A, Space 7, Mtatsminda
District, Tbilisi, Georgia
(770) LTD "Gorgio International Holding"
Vill. Khashmi, Sagarejo, Georgia
(580) 2021 12 30

(111) M 2001 14179 R
(732) New Zealand Milk Brands Limited
109 Fanshawe Street, Auckland 1010,
New Zealand
(770) New Zealand Milk Brands Limited
9 Princes Street, Auckland, New Zealand
(580) 2021 12 23

(111) M 2001 14180 R
(732) New Zealand Milk Brands Limited
109 Fanshawe Street, Auckland 1010,
Zealand
(770) New Zealand Milk Brands Limited
9 Princes Street, Auckland, New Zealand
(580) 2021 12 23

(111) M 2001 14165 R
(732) Sony Pictures Television UK Rights Limited
12th Floor, Brunel Building, 2 Canalside
Walk, London W2 1DG, United Kingdom
(770) Sony Pictures Television UK Rights Limited
Sony Pictures Europe House, 25 Golden
Square, London W1F 9 LU, United Kingdom
(580) 2021 11 29

(111) M 2002 14260 R
(732) Marsa Yag Sanayi ve Ticaret Anonim
Şirketi, Organize Sanayi Bolgesi
Ramazanoğlu Mah. Mahmut Bayram
Cad.№9 Şeyhli Pendik/İSTANBUL, Turkey
(770) Marsa Yag Gida Sanayi ve Ticaret Anonim
Şirketi, Organize Sanayi Bolgesi
Cumhuriyet Cad., №2/26 Manisa, Turkey
(580) 2022 01 12

(111) M 1996 2464 R
(732) Panzani S.A.S.
37 bis rue Saint Romain - 69008 Lyon, France
(770) Panzani
4, rue Boileau, 69006 Lyon, France
(580) 2021 10 28

(111) M 2011 21660 R
(732) PSL2021 Realisations Limited
FRP Advisory (london), Suite 2b, Johnston
House, 52-54 Rose Street, Aberdeen AB10
1UD, United Kingdom
(770) Peacocs Stores Limited
Capital Link, Windsor Road Cardiff,
CF24 5NG, United Kingdom
(580) 2021 12 17

(111) M 2012 23178 R
(732) Hershey Chocolate &
Confectionary Llc, a Delaware corporation
("HCC")
19 East Chocolate Avenue, Hershey,
PA 17033, USA
(770) Hershey Chocolate & Confectionary
Llc, a Delaware corporation ("HCC")
1209 Orange Street, Wilmington 198,
Delaware; 19 East Chocolate Avenue,
Hershey, PA 17033, USA
(580) 2021 12 31

(111) M 2017 28311 R
(732) Tcl Technology Group Corporation
Tcl Technology Building, 17 Huifeng 3 rd
Road, Zhongkai High Technology
Development District, Huizhou, Guangdong,
China
(770) Tcl Corporation
№19 Zone, Zhongkai High Technology
Development Zone, Huizhou, Guang Dong,
hoijou, China
(580) 2022 01 12

(111) M 2018 30546 R
(732) Fitbit LLC
199 Fremont Street, 14th Floor, California,
San-Francisco, 94105, USA
(770) Fitbit, Inc., a Delaware Corporation.
199 Fremont Street, 14th Floor, California,
San-Francisco 94105, USA
(580) 2021 11 24

CANCELLATION OF TRADEMARKS REGISTRATION

(111) M 2001 13954 R

(151) 2001 06 26

(732) Wyeth LLC

Five Giralda Farms, Madison, New Jersey,
07940, USA

(141) 2022 01 10

(111) M 2001 13932 R

(151) 2001 06 26

(732) Eli Lilly and Company

Lilly Corporate Center, Indianapolis, Indiana,
USA

(141) 2022 01 10

(111) M 2011 21568 R

(151) 2011 06 27

(732) Exaid Commercial Limited

Christodoulou Chatzipavlou, 205 Louloupis
court, 2nd floor, Flat/Office 201, P.C. 3036,
Lemesos, Cyprus

(141) 2022 01 10

(111) M 2011 21569 R

(151) 2011 06 27

(732) JSC "Gefa"

Sanapiro St. 6, 0108, Tbilisi, Georgia

(141) 2022 01 10

(111) M 2011 21570 R

(151) 2011 06 27

(732) LTD "GPC Pharmacy"

Tsinamdzhvrishvili St. 106, 0164, Tbilisi,
Georgia;

JSC "GPC"

Marjanishvili St. 26, 0102, Tbilisi, Georgia

(141) 2022 01 10

(111) M 2011 21571 R

(151) 2011 06 27

(732) LTD "GPC Pharmacy"

Tsinamdzhvrishvili St. 106, 0164, Tbilisi,
Georgia;

JSC "GPC"

Marjanishvili St. 26, 0102, Tbilisi, Georgia

(141) 2022 01 10

(111) M 2011 21572 R

(151) 2011 06 27

(732) Kamal Khanbabaev General

Trading CO. L.L.C.

P.O. Box 65073, Al Ras, Dierah, Dubai,

United Arab Emirates

(141) 2022 01 10

(111) M 2011 21573 R

(151) 2011 06 27

(732) LTD "Best Tobacco"

Peikrebi St. 4, 0141, Tbilisi, Georgia

(111) M 2011 21577 R

(151) 2011 06 27

(732) Brown-Forman Finland Ltd.

Porkkalankatu 24, 00180 helsinki, Finland

(141) 2022 01 10

(111) M 2011 21578 R

(151) 2011 06 27

(732) Bayer Schering Pharma Oy

Pansiontie 47, 20210 Turku, Finland

(141) 2022 01 10

(111) M 2011 21579 R

(151) 2011 06 27

(732) Bayer Schering Pharma Oy

Pansiontie 47, 20210 Turku, Finland

(141) 2022 01 10

(111) M 2011 21584 R

(151) 2011 06 27

(732) Vestel Elektronik Sanayi Ve Ticaret A.S.

Organaiz Sanai Bolgesi, 45030 Manisa,
Turkey

(141) 2022 01 10

(111) M 2011 21585 R

(151) 2011 06 27

(732) Philip Morris Brands SARL

Quai Jeanrenaud 3, 2000 Neuchâtel,
Switzerland

(141) 2022 01 10

(111) M 2011 21586 R

(151) 2011 06 27

(732) Philip Morris Products S. A.

Quai Jeanrenaud 3, 2000 Neuchâtel,
Switzerland (141) 2022 01 10

(111) M 2011 21587 R (151) 2011 06 27 (732) Philip Morris Brands SARL Quai Jeanrenaud 3, 2000 Neuchâtel, Switzerland (141) 2022 01 10	Elene Imedashvili Saburtalo St. 63, 0160, Tbilisi, Georgia (141) 2022 01 10
(111) M 2011 21588 R (151) 2011 06 27 (732) Philip Morris Products S. A. Quai Jeanrenaud 3, 2000 Neuchâtel, Switzerland (141) 2022 01 10	(111) M 2011 21564 R (151) 2011 06 17 (732) Ministry of Culture and Monument Protection of Georgia Sanapiro St. 4, 0105, Tbilisi, Georgia (141) 2022 01 10
(111) M 2011 21589 R (151) 2011 06 27 (732) Murtaz Gumberidze Navtlughi St.6, app.13, 0113,Tbilisi, Georgia (141) 2022 01 10	(111) M 2011 21562 R (151) 2011 06 15 (732) LTD "Shirnhofer" Platini St. 2, 3300, Zahesi, Mtskheta, Georgia (141) 2022 01 10
(111) M 2011 21590 R (151) 2011 06 27 (732) Sharp Kabushiki Kaisha also trading as Sharp Corporation 22-22, Nagaïke-Cho, Abeno-ku, Osaka 545-8522, Japan (141) 2022 01 10	(111) M 2011 21563 R (151) 2011 06 15 (732) LLC "Cognac and Wine Factory Vaziani " Tamar Mepe Av. 6, 0112, Tbilisi, Georgia (141) 2022 01 10
(111) M 2011 21591 R (151) 2011 06 27 (732) LTD "BIV" Agladze St.7, 0154, Tbilisi, Georgia (141) 2022 01 10	(111) M 2011 21560 R (151) 2011 06 15 (732) Japan Tobacco Inc. 2-2-1, Toranomom, Minato-ku, Tokyo, Japan (141) 2022 01 10
(111) M 2011 21593 R (151) 2011 06 27 (732) Novartis AG 4002 Basel, Switzerland (141) 2022 01 10	(111) M 2011 21558 R (151) 2011 06 15 (732) JSC "Iomisi" Vill. Natakhtari, 3308, Mckhetis District, Georgia (141) 2022 01 10
(111) M 2011 21565 R (151) 2011 06 20 (732) LLC "Kindzmarauli Marani" Vill. Gavazi, 4805, Kvareli, Georgia (141) 2022 01 10	(111) M 2011 21559 R (151) 2011 06 15 (732) JSC "Iomisi" Vill. Natakhtari, 3308, Mtskheta Regions, Georgia (141) 2022 01 10
(111) M 2011 21566 R (151) 2011 06 21 (732) Aleksandre Imedashvili Saburtalo St. 40, app. 3, 0160, Tbilisi, Georgia;	(111) M 2011 21594 R (151) 2011 06 28 (732) LLC "Microfinance Organization Realcredit" M/S from Akhmeteli to Mukhiani on the right side of the road, 0167, Tbilisi, Georgia (141) 2022 01 10

(111) M 2011 21596 R
(151) 2011 07 08
(732) LTD "Kahwege Parquet"
Vani St. 4, plot 4/51, app. 266, Tbilisi,
Georgia
(141) 2022 01 18

(111) M 2015 26492 R
(151) 2015 11 16
(732) Societe Nationale d'Exploitation Industrielle
des Tabacs et Allumettes, Sasu
143 boulevard, Romain Rolland, parizi, 75014,
France
(141) 2022 01 11 – Canceled by Court Decision
(511) 34

(111) M 2001 13957 R
(151) 2001 06 26
(732) Centro de Inmunoensayo
Habana, Cuba
(141) 2022 01 10

CHANGE OF THE LIST OF GOOD AND/OR SERVICE OF TRADEMARK

(111) M 1998 10582 R
(732) Baxter International Inc.
One Baxster Parkway, Deerfield, Illinois, USA
(511) 1, 5, 9, 10, 21, 24, 25, 29, 35, 37, 39, 42
(580) 2022 01 11

CLASSIFICATION INDEXES

INVENTIONS

CONCORDANCE TABLE OF INTERNATIONAL CLASSIFICATION INDEX AND PUBLICATION NUMBERS

INTERNATIONAL CLASSIFICATION INDEXES (51)	NUMBER OF PUBLISHED APPLICATION (10)
A 01 G 13/02	AP 2022 15459 A
A 01 N 43/78; C 07 D 417/12; C 07 D 277/56	AP 2022 15378 A
B 08 B 7/00; B 08 B 9/08	AP 2022 15245 A
B 66 B 9/08	AP 2022 15451 A
C 02 F 1/20; E 21 B 43/00	AP 2022 15493 A

CONCORDANCE TABLE OF PUBLICATION NUMBERS AND INTERNATIONAL CLASSIFICATION INDEX

NUMBER OF PUBLISHED APPLICATION (10)	INTERNATIONAL CLASSIFICATION INDEXES (51)
AP 2022 15245 A	B 08 B 7/00; B 08 B 9/08
AP 2022 15378 A	A 01 N 43/78; C 07 D 417/12; C 07 D 277/56
AP 2022 15451 A	B 66 B 9/08
AP 2022 15459 A	A 01 G 13/02
AP 2022 15493 A	C 02 F 1/20; E 21 B 43/00

CONCORDANCE TABLE OF INTERNATIONAL CLASSIFICATION INDEX, PATENT NUMBERS AND PUBLICATION NUMBERS

INTERNATIONAL CLASSIFICATION INDEX (51)	NUMBER OF PATENT (11)	NUMBER OF PUBLISHED APPLICATION (10)
A 23 C 21/00; A 23 C 9/13	P 2022 7338 B	AP 2021 15480 A
A 61 K 31/519; A 61 P 35/00	P 2022 7339 B	AP 2021 14914 A
A 61 K 39/395; A 61 K 39/00; A 61 P 37/02; C 07 K 16/28	P 2022 7343 B	AP 2021 14453 A
A 61 K 31/519; C 07 D 451/14; C 07 D 451/04; C 07 D 403/12	P 2022 7344 B	AP 2021 15340 A
B 61 H 1/00; F 16 D 65/06	P 2022 7345 B	AP 2021 15348 A
B 66 D 5/26	P 2022 7337 B	AP 2021 15474 A
C 07 D 295/205; C 07 D 213/75	P 2022 7340 B	AP 2021 15258 A
C 07 D 498/00	P 2022 7342 B	AP 2021 12996 A
E 21 B 43/24; E 21 B 43/295	P 2022 7341 B	AP 2021 14863 A

**CONCORDANCE TABLE OF PATENT NUMBERS,
PUBLICATION NUMBERS AND INTERNATIONAL CLASSIFICATION INDEX**

NUMBER OF PATENT (11)	NUMBER OF PUBLISHED APPLICATION (10)	INTERNATIONAL CLASSIFICATION INDEX (51)
P 2022 7337 B	AP 2021 15474 A	B 66 D 5/26
P 2022 7338 B	AP 2021 15480 A	A 23 C 21/00; A 23 C 9/13
P 2022 7339 B	AP 2021 14914 A	A 61 K 31/519; A 61 P 35/00
P 2022 7340 B	AP 2021 15258 A	C 07 D 213/75; C 07 D 295/205
P 2022 7341 B	AP 2021 14863 A	E 21 B 43/24; E 21 B 43/295
P 2022 7342 B	AP 2021 12996 A	C 07 D 498/00
P 2022 7343 B	AP 2021 14453 A	A 61 K 39/395; A 61 K 39/00; A 61 P 37/02; C 07 K 16/28
P 2022 7344 B	AP 2021 15340 A	A 61 K 31/519; C 07 D 451/14; C 07 D 451/04; C 07 D 403/12
P 2022 7345 B	AP 2021 15348 A	B 61 H 1/00; F 16 D 65/06

**CONCORDANCE TABLE OF APPLICATION NUMBERS,
PUBLICATION NUMBERS AND PATENTS**

NUMBER OF APPLICATION (21)	NUMBER OF PUBLISHED APPLICATION (10)	NUMBER OF PATENT (11)
AP 2021 12996	AP 2021 12996 A	P 2022 7342 B
AP 2021 14453	AP 2021 14453 A	P 2022 7343 B
AP 2017 14863	AP 2021 14863 A	P 2022 7341 B
AP 2017 14914	AP 2021 14914 A	P 2022 7339 B
AP 2018 15258	AP 2021 15258 A	P 2022 7340 B
AP 2018 15340	AP 2021 15340 A	P 2022 7344 B
AP 2018 15348	AP 2021 15348 A	P 2022 7345 B
AP 2020 15474	AP 2021 15474 A	P 2022 7337 B
AP 2020 15480	AP 2021 15480 A	P 2022 7338 B

UTILITY MODELS

**CONCORDANCE TABLE OF INTERNATIONAL CLASSIFICATION INDEX,
PATENT NUMBERS AND PUBLICATION NUMBERS**

INTERNATIONAL CLASSIFICATION INDEX (51)	NUMBER OF PATENT (11)	NUMBER OF PUBLISHED APPLICATION (10)
B 61 H 1/00; F 16 D 69/02; F 16 D 65/06 F 16 D 65/06	U 2022 2106 Y U 2022 2105 Y	AU 2021 15330 U AU 2021 15350 U

**CONCORDANCE TABLE OF PATENT NUMBERS,
PUBLICATION NUMBERS AND INTERNATIONAL CLASSIFICATION INDEX**

NUMBER OF PATENT (11)	NUMBER OF PUBLISHED APPLICATION (10)	INTERNATIONAL CLASSIFICATION INDEX (51)
U 2022 2105 Y	AU 2021 15350 U	F 16 D 65/06
U 2022 2106 Y	AU 2021 15330 U	B 61 H 1/00; F 16 D 69/02; F 16 D 65/06

**CONCORDANCE TABLE OF APPLICATION NUMBERS,
PUBLICATION NUMBERS AND PATENTS**

NUMBER OF APPLICATION (21)	NUMBER OF PUBLISHED APPLICATION (10)	NUMBER OF PATENT (11)
AU 2018 15330	AU 2021 15330 U	U 2022 2106 Y
AU 2018 15350	AU 2021 15350 U	U 2022 2105 Y

DESIGNS

**CONCORDANCE TABLE OF INTERNATIONAL CLASSIFICATION INDEX
AND PUBLICATION NUMBERS**

INTERNATIONAL CLASSIFICATION INDEXES (51)	NUMBER OF PUBLISHED APPLICATION (10)
25-01	AD 2022 1239 S
32-00	AD 2022 1234 S

**CONCORDANCE TABLE OF PUBLICATION NUMBERS
AND INTERNATIONAL CLASSIFICATION INDEX**

NUMBER OF PUBLISHED APPLICATION (10)	INTERNATIONAL CLASSIFICATION INDEXES (51)
AD 2022 1234 S	32-00
AD 2022 1239 S	25-01

**CONCORDANCE TABLE OF INTERNATIONAL CLASSIFICATION INDEX,
NUMBERS OF REGISTRATION AND PUBLICATION NUMBERS**

INTERNATIONAL CLASSIFICATION INDEX (51)	NUMBER OF REGISTRATION (11)	NUMBER OF PUBLISHED APPLICATION (10)
09-01	D 2022 918 S	AD 2021 1228 S

CONCORDANCE TABLE OF NUMBERS OF REGISTRATION,
PUBLICATION NUMBERS AND INTERNATIONAL CLASSIFICATION INDEX

NUMBER OF REGISTRATION (11)	NUMBER OF PUBLISHED APPLICATION (10)	INTERNATIONAL CLASSIFICATION INDEX (51)
D 2022 918 S	AD 2021 1228 S	09-01

CONCORDANCE TABLE OF APPLICATION NUMBERS,
PUBLICATION NUMBERS AND NUMBERS OF REGISTRATION

NUMBER OF APPLICATION (21)	NUMBER OF PUBLISHED APPLICATION (10)	NUMBER OF REGISTRATION (11)
AD 2021 1228	AD 2021 1228 S	D 2022 918 S

DESIGN REGISTERED ACCORDING TO THE ACCELERATED
PROCEDURE

CONCORDANCE TABLE OF INTERNATIONAL CLASSIFICATION INDEX
AND PUBLICATION NUMBERS

INTERNATIONAL CLASSIFICATION INDEXES (51)	NUMBER OF REGISTRATION (11)
02-04	D 2022 917 S

CONCORDANCE TABLE OF PUBLICATION NUMBERS
AND INTERNATIONAL CLASSIFICATION INDEX

NUMBER OF REGISTRATION (11)	INTERNATIONAL CLASSIFICATION INDEXES (51)
D 2022 917 S	02-04

CONCORDANCE TABLE OF APPLICATION NUMBERS,
PUBLICATION NUMBERS AND PATENTS

NUMBER OF APPLICATION (21)	NUMBER OF REGISTRATION (11)
AD 2021 1251	D 2022 917 S

TRADEMARKS

CONCORDANCE TABLE OF REGISTRATION NUMBERS, APPLICATION NUMBERS, PUBLICATION NUMBERS AND BULLETIN NUMBERS

NUMBER OF REGISTRATION (111)	NUMBER OF APPLICATIONS (210)	NUMBER OF PUBLISHED APPLICATIONS (260)	NUMBER OF BULLETIN
1	2	3	4
M 2021 34900 R	AM 115684	–	2(581)2022
M 2022 34901 R	AM 108957	AM 2021 108957 A	11(567)2021
M 2022 34902 R	AM 110371	AM 2021 110371 A	11(567)2021
M 2022 34903 R	AM 110372	AM 2021 110372 A	11(567)2021
M 2022 34904 R	AM 110380	AM 2021 110380 A	11(567)2021
M 2022 34905 R	AM 110510	AM 2021 110510 A	11(567)2021
M 2022 34906 R	AM 110528	AM 2021 110528 A	16(572)2021
M 2022 34907 R	AM 110607	AM 2021 110607 A	12(568)2021
M 2022 34908 R	AM 110616	AM 2021 110616 A	17(573)2021
M 2022 34909 R	AM 110667	AM 2021 110667 A	12(568)2021
M 2022 34910 R	AM 110668	AM 2021 110668 A	12(568)2021
M 2022 34911 R	AM 110669	AM 2021 110669 A	12(568)2021
M 2022 34912 R	AM 110684	AM 2021 110684 A	13(569)2021
M 2022 34913 R	AM 110747	AM 2021 110747 A	13(569)2021
M 2022 34914 R	AM 110761	AM 2021 110761 A	13(569)2021
M 2022 34915 R	AM 110764	AM 2021 110764 A	13(569)2021
M 2022 34916 R	AM 110870	AM 2021 110870 A	14(570)2021
M 2022 34917 R	AM 110941	AM 2021 110941 A	14(570)2021
M 2022 34918 R	AM 110952	AM 2021 110952 A	17(573)2021
M 2022 34919 R	AM 110978	AM 2021 110978 A	13(569)2021
M 2022 34920 R	AM 111074	AM 2021 111074 A	13(569)2021
M 2022 34921 R	AM 111271	AM 2021 111271 A	14(570)2021
M 2022 34922 R	AM 111340	AM 2021 111340 A	15(571)2021
M 2022 34923 R	AM 111342	AM 2021 111342 A	15(571)2021
M 2022 34924 R	AM 111539	AM 2021 111539 A	15(571)2021
M 2022 34925 R	AM 111583	AM 2021 111583 A	15(571)2021
M 2022 34926 R	AM 111584	AM 2021 111584 A	15(571)2021
M 2022 34927 R	AM 111585	AM 2021 111585 A	15(571)2021
M 2022 34928 R	AM 111618	AM 2021 111618 A	17(573)2021
M 2022 34929 R	AM 111619	AM 2021 111619 A	17(573)2021
M 2022 34930 R	AM 111733	AM 2021 111733 A	16(572)2021
M 2022 34931 R	AM 111948	AM 2021 111948 A	17(573)2021
M 2022 34932 R	AM 111949	AM 2021 111949 A	17(573)2021
M 2022 34933 R	AM 111950	AM 2021 111950 A	17(573)2021
M 2022 34934 R	AM 112062	AM 2021 112062 A	17(573)2021
M 2022 34935 R	AM 115996	–	2(581)2022
M 2022 34936 R	AM 115997	–	2(581)2022
M 2022 34937 R	AM 115991	–	2(581)2022
M 2022 34938 R	AM 115897	–	2(581)2022
M 2022 34939 R	AM 115898	–	2(581)2022
M 2022 34940 R	AM 115899	–	2(581)2022
M 2022 34941 R	AM 115998	–	2(581)2022
M 2022 34942 R	AM 116160	–	2(581)2022
M 2022 34943 R	AM 107034	AM 2020 107034 A	17(549) 2020
M 2022 34944 R	AM 109368	AM 2021 109368 A	4(560) 2021

1	2	3	4
M 2022 34945 R	AM 109763	AM 2021 109763 A	16(572) 2021
M 2022 34946 R	AM 110794	AM 2021 110794 A	15(571) 2021
M 2022 34947 R	AM 111157	AM 2021 111157 A	14(570) 2021
M 2022 34948 R	AM 111497	AM 2021 111497 A	16(572) 2021
M 2022 34949 R	AM 111600	AM 2021 111600 A	17(573) 2021
M 2022 34950 R	AM 111694	AM 2021 111694 A	15(571) 2021
M 2022 34951 R	AM 111695	AM 2021 111695 A	15(571) 2021
M 2022 34952 R	AM 111696	AM 2021 111696 A	15(571) 2021
M 2022 34953 R	AM 111697	AM 2021 111697 A	15(571) 2021
M 2022 34954 R	AM 111710	AM 2021 111710 A	16(572) 2021
M 2022 34955 R	AM 111711	AM 2021 111711 A	16(572) 2021
M 2022 34956 R	AM 111713	AM 2021 111713 A	15(571) 2021
M 2022 34957 R	AM 111714	AM 2021 111714 A	15(571) 2021
M 2022 34958 R	AM 111716	AM 2021 111716 A	18(574) 2021
M 2022 34959 R	AM 111731	AM 2021 111731 A	16(572) 2021
M 2022 34960 R	AM 111849	AM 2021 111849 A	18(574) 2021
M 2022 34961 R	AM 111859	AM 2021 111859 A	18(574) 2021
M 2022 34962 R	AM 111860	AM 2021 111860 A	18(574) 2021
M 2022 34963 R	AM 111861	AM 2021 111861 A	18(574) 2021
M 2022 34964 R	AM 111876	AM 2021 111876 A	18(574) 2021
M 2022 34965 R	AM 111877	AM 2021 111877 A	18(574) 2021
M 2022 34966 R	AM 111934	AM 2021 111934 A	18(574) 2021
M 2022 34967 R	AM 111935	AM 2021 111935 A	18(574) 2021
M 2022 34968 R	AM 111936	AM 2021 111936 A	18(574) 2021
M 2022 34969 R	AM 111959	AM 2021 111959 A	17(573) 2021
M 2022 34970 R	AM 111970	AM 2021 111970 A	18(574) 2021
M 2022 34971 R	AM 111974	AM 2021 111974 A	17(573) 2021
M 2022 34972 R	AM 112057	AM 2021 112057 A	18(574) 2021
M 2022 34973 R	AM 112190	AM 2021 112190 A	18(574) 2021
M 2022 34974 R	AM 112299	AM 2021 112299 A	18(574) 2021
M 2022 34975 R	AM 116158	–	2(581)2022

CONCORDANCE TABLE OF PUBLICATION NUMBERS AND APPLICATION
NUMBERS

NUMBER OF PUBLISHED APPLICATION (260)	NUMBER OF APPLICATION (210)	1	2
1	2		
AM 2022 104319 A	AM 104319	AM 2022 113387 A	AM 113387
AM 2022 111398 A	AM 111398	AM 2022 113389 A	AM 113389
AM 2022 111399 A	AM 111399	AM 2022 113392 A	AM 113392
AM 2022 111400 A	AM 111400	AM 2022 113395 A	AM 113395
AM 2022 111432 A	AM 111432	AM 2022 113397 A	AM 113397
AM 2022 111518 A	AM 111518	AM 2022 113401 A	AM 113401
AM 2022 113107 A	AM 113107	AM 2022 113402 A	AM 113402
AM 2022 113138 A	AM 113138	AM 2022 113403 A	AM 113403
AM 2022 113186 A	AM 113186	AM 2022 113404 A	AM 113404
AM 2022 113223 A	AM 113223	AM 2022 113421 A	AM 113421
AM 2022 113230 A	AM 113230	AM 2022 113425 A	AM 113425
AM 2022 113239 A	AM 113239	AM 2022 113426 A	AM 113426
AM 2022 113241 A	AM 113241	AM 2022 113429 A	AM 113429
AM 2022 113244 A	AM 113244	AM 2022 113430 A	AM 113430
AM 2022 113252 A	AM 113252	AM 2022 113432 A	AM 113432
AM 2022 113259 A	AM 113259	AM 2022 113433 A	AM 113433
AM 2022 113266 A	AM 113266	AM 2022 113486 A	AM 113486
AM 2022 113269 A	AM 113269	AM 2022 113507 A	AM 113507
AM 2022 113270 A	AM 113270	AM 2022 113508 A	AM 113508
AM 2022 113271 A	AM 113271	AM 2022 113509 A	AM 113509
AM 2022 113272 A	AM 113272	AM 2022 113510 A	AM 113510
AM 2022 113275 A	AM 113275	AM 2022 113511 A	AM 113511
AM 2022 113277 A	AM 113277	AM 2022 113512 A	AM 113512
AM 2022 113278 A	AM 113278	AM 2022 113513 A	AM 113513
AM 2022 113283 A	AM 113283	AM 2022 113514 A	AM 113514
AM 2022 113335 A	AM 113335	AM 2022 113515 A	AM 113515
AM 2022 113336 A	AM 113336	AM 2022 113516 A	AM 113516
AM 2022 113338 A	AM 113338	AM 2022 113517 A	AM 113517
AM 2022 113342 A	AM 113342	AM 2022 113518 A	AM 113518
AM 2022 113344 A	AM 113344	AM 2022 113522 A	AM 113522
AM 2022 113346 A	AM 113346	AM 2022 113579 A	AM 113579
AM 2022 113347 A	AM 113347	AM 2022 113580 A	AM 113580
AM 2022 113353 A	AM 113353	AM 2022 113581 A	AM 113581
AM 2022 113354 A	AM 113354	AM 2022 113585 A	AM 113585
AM 2022 113355 A	AM 113355	AM 2022 113591 A	AM 113591
AM 2022 113356 A	AM 113356	AM 2022 113593 A	AM 113593
AM 2022 113359 A	AM 113359	AM 2022 113596 A	AM 113596
AM 2022 113361 A	AM 113361	AM 2022 113602 A	AM 113602
AM 2022 113365 A	AM 113365	AM 2022 113603 A	AM 113603
AM 2022 113368 A	AM 113368	AM 2022 113608 A	AM 113608
AM 2022 113369 A	AM 113369	AM 2022 113611 A	AM 113611
AM 2022 113370 A	AM 113370	AM 2022 113617 A	AM 113617
AM 2022 113371 A	AM 113371	AM 2022 113619 A	AM 113619
AM 2022 113372 A	AM 113372	AM 2022 113621 A	AM 113621
AM 2022 113373 A	AM 113373	AM 2022 113622 A	AM 113622
AM 2022 113379 A	AM 113379	AM 2022 113684 A	AM 113684
AM 2022 113385 A	AM 113385	AM 2022 113685 A	AM 113685
		AM 2022 113687 A	AM 113687
		AM 2022 113688 A	AM 113688
		AM 2022 113689 A	AM 113689
		AM 2022 113692 A	AM 113692
		AM 2022 113700 A	AM 113700

1	2
AM 2022 113708 A	AM 113708
AM 2022 113764 A	AM 113764
AM 2022 113769 A	AM 113769

1	2
AM 2022 113852 A	AM 113852
AM 2022 113853 A	AM 113853
AM 2022 114223 A	AM 114223

**CONCORDANCE TABLE OF INDEX OF GOODS AND/OR SERVICES
AND APPLICATION NUMBERS**

INDEX OF GOODS AND/OR SERVICES (511)	NUMBER OF PUBLISHED APPLICATIONS (260)
1	2
3	AM 2022 113356 A
3	AM 2022 113395 A
3	AM 2022 113591 A
3	AM 2022 113708 A
5	AM 2022 104319 A
5	AM 2022 113186 A
5	AM 2022 113223 A
5	AM 2022 113252 A
5	AM 2022 113338 A
5	AM 2022 113342 A
5	AM 2022 113344 A
5	AM 2022 113395 A
5	AM 2022 113401 A
5	AM 2022 113402 A
5	AM 2022 113403 A
5	AM 2022 113404 A
5	AM 2022 113430 A
5	AM 2022 113486 A
5	AM 2022 113511 A
5	AM 2022 113512 A
5	AM 2022 113513 A
5	AM 2022 113514 A
5	AM 2022 113515 A
5	AM 2022 113622 A
5	AM 2022 113687 A
5	AM 2022 114223 A
6	AM 2022 113603 A
7	AM 2022 113421 A
8	AM 2022 113421 A
9	AM 2022 111432 A
9	AM 2022 113421 A
9	AM 2022 113684 A
9	AM 2022 113685 A
9	AM 2022 113853 A
11	AM 2022 113603 A
12	AM 2022 113602 A
14	AM 2022 113508 A
14	AM 2022 113509 A
16	AM 2022 113385 A
16	AM 2022 113585 A
16	AM 2022 113617 A

1	2
16	AM 2022 113621 A
16	AM 2022 113852 A
18	AM 2022 113379 A
18	AM 2022 113425 A
21	AM 2022 113356 A
21	AM 2022 113769 A
24	AM 2022 113230 A
24	AM 2022 113354 A
24	AM 2022 113379 A
24	AM 2022 113385 A
25	AM 2022 113230 A
25	AM 2022 113277 A
25	AM 2022 113365 A
25	AM 2022 113379 A
25	AM 2022 113385 A
25	AM 2022 113397 A
25	AM 2022 113425 A
25	AM 2022 113510 A
28	AM 2022 113230 A
28	AM 2022 113385 A
29	AM 2022 113373 A
29	AM 2022 113593 A
29	AM 2022 113611 A
29	AM 2022 113700 A
29	AM 2022 113764 A
30	AM 2022 113241 A
30	AM 2022 113275 A
30	AM 2022 113359 A
30	AM 2022 113361 A
30	AM 2022 113365 A
30	AM 2022 113593 A
30	AM 2022 113692 A
32	AM 2022 113359 A
32	AM 2022 113361 A
32	AM 2022 113365 A
32	AM 2022 113593 A
32	AM 2022 113611 A
33	AM 2022 111398 A
33	AM 2022 111399 A
33	AM 2022 111400 A
33	AM 2022 113244 A
33	AM 2022 113347 A
33	AM 2022 113359 A
33	AM 2022 113361 A
33	AM 2022 113365 A

1	2
33	AM 2022 113385 A
33	AM 2022 113387 A
33	AM 2022 113389 A
33	AM 2022 113611 A
33	AM 2022 113688 A
33	AM 2022 113689 A
34	AM 2022 113259 A
34	AM 2022 113392 A
34	AM 2022 113516 A
34	AM 2022 113517 A
34	AM 2022 113518 A
34	AM 2022 113522 A
34	AM 2022 113596 A
35	AM 2022 113230 A
35	AM 2022 113239 A
35	AM 2022 113244 A
35	AM 2022 113269 A
35	AM 2022 113270 A
35	AM 2022 113271 A
35	AM 2022 113272 A
35	AM 2022 113277 A
35	AM 2022 113336 A
35	AM 2022 113346 A
35	AM 2022 113353 A
35	AM 2022 113356 A
35	AM 2022 113397 A
35	AM 2022 113429 A
35	AM 2022 113508 A
35	AM 2022 113509 A
35	AM 2022 113510 A
35	AM 2022 113579 A
35	AM 2022 113580 A
35	AM 2022 113581 A
35	AM 2022 113591 A
35	AM 2022 113603 A
35	AM 2022 113619 A
35	AM 2022 113684 A
35	AM 2022 113852 A
37	AM 2022 113335 A
37	AM 2022 113336 A
37	AM 2022 113508 A
37	AM 2022 113509 A

1	2
39	AM 2022 113107 A
39	AM 2022 113138 A
39	AM 2022 113336 A
39	AM 2022 113426 A
39	AM 2022 113852 A
40	AM 2022 113266 A
40	AM 2022 113852 A
41	AM 2022 111398 A
41	AM 2022 111399 A
41	AM 2022 111400 A
41	AM 2022 113138 A
41	AM 2022 113278 A
41	AM 2022 113336 A
41	AM 2022 113432 A
41	AM 2022 113433 A
41	AM 2022 113852 A
42	AM 2022 111432 A
42	AM 2022 113335 A
42	AM 2022 113852 A
43	AM 2022 111398 A
43	AM 2022 111399 A
43	AM 2022 111400 A
43	AM 2022 111518 A
43	AM 2022 113275 A
43	AM 2022 113283 A
43	AM 2022 113353 A
43	AM 2022 113355 A
43	AM 2022 113359 A
43	AM 2022 113361 A
43	AM 2022 113365 A
43	AM 2022 113368 A
43	AM 2022 113369 A
43	AM 2022 113370 A
43	AM 2022 113371 A
43	AM 2022 113372 A
43	AM 2022 113433 A
43	AM 2022 113507 A
43	AM 2022 113608 A
43	AM 2022 113852 A
44	AM 2022 113336 A
44	AM 2022 113432 A
45	AM 2022 113336 A

CONCORDANCE TABLE OF INDEX OF GOODS AND/OR SERVICES
AND NUMBERS OF TRADEMARKS REGISTERED ACCORDING
TO THE ACCELERATED PROCEDURE

INDEX OF GOODS AND/OR SERVICES (511)	NUMBERS OF REGISTERED ACCORDING TO THE ACCELERATED PROCEDURE (111)
25	M 2022 34937 R
32	M 2022 34938 R
32	M 2022 34939 R
32	M 2022 34940 R
33	M 2021 34900 R
33	M 2022 34935 R
33	M 2022 34936 R
33	M 2022 34938 R
33	M 2022 34939 R
33	M 2022 34940 R
33	M 2022 34941 R
35	M 2022 34937 R
45	M 2022 34942 R
45	M 2022 34975 R

OFFICIAL BULLETIN OF THE INDUSTRIAL PROPERTY

**INVENTIONS
UTILITY MODEL
DESIGNS
TRADEMARKS
APPELLATIONS OF ORIGIN OF GOODS**

2(581)

EDITOR-IN-CHIEF: N. Bebrishvili

EDITOR-TRANSLATOR: E. Gabunia

PROOFREADER: G. Nadareishvili

COMPUTER LAYOUT: M. Ordenidze
K. Svanidze

info@sakpatenti.gov.ge
www.sakpatenti.gov.ge