



Official Bulletin of the Industrial Property

Inventions

Designs

Trademarks



საქართველოს ინტელექტუალური
საკუთრების ეროვნული ცენტრი
საქპატენტი
SAKPATENTI
NATIONAL INTELLECTUAL PROPERTY
CENTER OF GEORGIA

Date of Publication – 2024 04 10

7(634)

INID CODES FOR IDENTIFICATION OF BIBLIOGRAPHIC DATA

INVENTIONS, UTILITY MODELS

- (10) Number of publication of examined application/
Application publication number***
- (11) Patent number/ Patent number***
Registered utility model number***
- (21) Application number
- (22) Date of filing of the application
- (23) Date of exhibition priority
- (24) Date from which patent may have effect
- (31) Number of priority application
- (32) Date of filing of priority application
- (33) Code of the country or regional organization allotting application number
- (43) Date of publication of application, number of bulletin***
- (44) Date of publication of examined application, on which no grant has taken place and number of bulletin
- (45) Date of publication of patent/ Date of publication of patent***
Date of publication of registered utility model***
- (51) International Patent Classification Index
- (54) Title of the invention/title of the utility model
- (57) Abstract
- (60) Number of examined patent document granted by foreign patent office, date from which patent has effect and country code
- (62) Number and filing date of the earlier application in case of a divisional application
- (71) Name and address of applicant (country code)
- (72) Name of inventor (country code)
- (73) Name and address of patent owner/patent owner***/ registered utility model owner*** (country code)
- (74) Name of representative or patent attorney
- (85) Date of commencement of the national phase of international application (PCT)
- (86) Number and date of filing of international application (PCT)
- (87) Number and date of publication of international application (PCT)
- (94) Calculated date of expiry of the SPC or the duration of the SPC

DESIGNS

- (10) Number of publication for application
- (11) Number of patent and kind of document or number of registration
- (15) Date of registration/Date of patent renewal
- (18) Expected expiration date of patent or registration
- (21) Serial number of application
- (22) Date of filing of the application
- (23) Date of exhibition or the date of the earlier filing and the number of application, if any
- (24) Date from which patent may have effect
- (28) Number of designs included in the application
- (30) Data relating to priority (number of application, date of filing of application, two-letter code identifying the authority with whom the priority application was made)
- (31) Number of priority application
- (32) Date of filing of priority application
- (33) Code of the country or regional organization allotting priority application number
- (34) Two-letter code according to WIPO St.3 identifying the authority with which the priority application was made
- (44) Date of publication of design and number of bulletin (the first publication)
- (45) Date of publication of design registered by WIPO and number of bulletin
- (51) International Classification for designs (class and subclass of the Locarno Classification)
- (54) Title of the invention
- (55) Reproduction of the design
- (57) Description of characteristic features of the design including indication of colors
- (58) Date of recording of any kind of amendment in the Register
- (62) Number of the earlier application, registration and document number and if available the date of filing an application in case of divided application
- (71) Name, surname and address of applicant (country code)
- (72) Name, surname of creator (country code)
- (73) Name, surname and address of patent owner (country code)
- (74) Name, surname of representative or patent attorney
- (81) Contracting states concerned
II designated contracting states according to the 1960 Act
III designated contracting states according to the 1999 Act
- (85) Owner's permanent address
- (86) Owner's nationality
- (87) Owner's residence
- (88) State in which the owner has a real and effective industrial or commercial establishment

TRADEMARKS

- (111) - Number of registration
- (151) - Date of registration
- (156) - Date of the renewal
- (181) - Expected expiration date of registration
- (186) - Renewal expiration date of registration
- (141) - Date of cancel of duration of the mark
- (210) - Serial number of application
- (220) - Date of filing of the application
- (230) - Data concerning exhibition
- (260) - Number of application, for which favorable decision of examination about registration has been taken (publication number)
- (310) - Number of the first application
- (320) - Date of filing of the first application
- (330) - Code, identifying national or regional Office where the first application was made
- (511) - International Classification of Goods and Services for the purposes of registration of trade marks and/or list of goods and/or services classified according thereto
- (526) - Disclaimer
- (531) - Description of figurative elements of Trade Marks according to the International Classification of the Figurative Elements of Marks
- (540) - Reproduction of Trade Mark
- (550) - Nature and kind of Trade Mark
- (551) - Indication to the effect that the mark is a collective mark, a certification mark or a guarantee mark
- (554) - Three-dimensional mark
- (580) - Date of recording of any kind changes in respect of applications or registrations
- (591) - Information concerning colors claimed
- (731) - Name and address of the applicant
- (732) - Name and address of the holder of the registration
- (740) - Name and address of the representative
- (750) - Addreses for correspondence
- (770) - Name and address of the previous applicant or holder in case of change in ownership
- (771) - Previous name and address of the applicant or holder in case of change in ownership
- (791) - Name and address of the licensee
- (793) - Indication of conditions and/or restrictions under the license (Type of license, number of license agreement, data of license, data of validity of license)
- (800) - Certain data relating to the international registration of Trade Marks under the Protocol Relating to Madrid Agreement (International registration number
- (852) - Partial cancellation of the list of goods and services
- (891) - Date of subsequent designation

CODES FOR PUBLICATION IN BULLETIN

- (21) AP 0000 000000 - number of application for invention
- (10) AP 0000 0000 A - number of publication of application for invention
- (11) P 0000 0000 B - number of patent for invention/ patent number***
- (21) API 0000 000000 - number of application for imported patent
- (11) PI 0000 0000 A - number of imported patent
- (21) AU 0000 000000 - number of application for utility model
- (10) AU 0000 000 U - number of publication of application for utility model
- (11) U 0000 000 Y - number of patent for utility model/ registered utility model number***
- (21) AD 0000 000000 - serial number of application for design
- (10) AD 0000 000 S - number of published application for design (first publication)
- (11) D 0000 000 S - registered design

INTERNATIONAL PATENT CLASSIFICATION FOR INVENTIONS AND UTILITY MODELS

- SECTION A - HUMAN NECESSITIES
- SECTION B - PERFORMING OPERATIONS; TRANSPORTING
- SECTION C - CHEMISTRY; METALLURGY
- SECTION D - TEXTILES; PAPER
- SECTION E - FIXED CONSTRUCTIONS
- SECTION F - MECHANICAL ENGINEERING; LIGHTING; HEATING; WEAPONS; BLASTING
- SECTION G - PHYSICS
- SECTION H - ELECTRICITY

* Number of application published after the decision of Appellation Chamber of SAKPATENTI

** Number of application published after Court decision

*** Materials published according to the amendments of May 16, 2023 (No. 2883-XI0b-X03) to the Patent Law of Georgia

- M - Trade Mark
- (210) AM 0000 000000 - Serial number of application;
- (260) AAM 0000 00000 A - Publication number of application;
- (111) M 0000 00000 R - Number of registration;
- (111) MMM0000 00000 Rn - Number of renewals, in which n=1,2,3;
- (111) M 0000 00000 R(P) - Number of registration under partial assignment of rights

Official Bulletin of the Industrial Property

Inventions

Designs

Trademarks

CONTENT

PUBLISHED TITLES OF PROTECTION	2
INVENTIONS	
▪ APPLICATIONS APPROVED FOR GRANTING PATENT	4
DESIGNS	
▪ APPLICATIONS APPROVED FOR REGISTRATION	6
▪ REGISTERED DESIGNS	9
▪ DESIGNS REGISTERED ACCORDING TO THE ACCELERATED PROCEDURE	10
▪ DESIGNS, WICH HAVE BEEN REGISTERED WITH THE INTERNATIONAL BUREAU CLAIMING PRIORITY ON THE TERRITORY OF GEORGIA	13
TRADEMARKS	
▪ APPLICATIONS FILED UNDER THE NATIONAL PROCEDURE APPROVED FOR REGISTRATION	20
▪ REGISTERED TRADEMARKS	22
▪ TRADEMARKS REGISTERED ACCORDING TO THE ACCELERATED PROCEDURE	28
▪ INTERNATIONAL TRADEMARKS FOR WHICH A DECISION ON GRANTING PROTECTION IS TAKEN	31
▪ INTERNATIONAL TRADEMARKS PROTECTED IN GEORGIA	100
OFFICIAL NOTIFICATION	
INVENTIONS	
▪ RESTORATION OF PATENTS	108
▪ LAPSE OF PATENTS WITH THE RIGHT TO RESTORE	110
▪ EXPIRATION OF PATENTS RESTORATION TERM	111
▪ EXPIRATION OF PATENT.....	112
UTILITY MODELS	
▪ RESTORATION OF PATENTS	113
▪ LAPSE OF PATENT WITH THE RIGHT TO RESTORE	114
▪ EXPIRATION OF PATENT RESTORATION TERM	114
DESIGNS	
▪ EXTENSION OF TERM OF DESIGNS REGISTRATION	115
▪ CANCELLATION OF DESIGN REGISTRATION	115
▪ EXTENSION OF TERM OF INTERNATIONAL DESIGNS REGISTRATION	116
▪ CANCELLATION OF INTERNATIONAL DESIGNS REGISTRATION	129
TRADEMARKS	
▪ EXTENSION OF TERM OF TRADEMARKS REGISTRATION	132
▪ COMPLETE TRANSFER OF RIGHTS	134
▪ CHANGES OF NAME AND/OR ADDRESS OF TRADEMARKS OWNERS	137
▪ CANCELLATION OF TRADEMARKS REGISTRATION	138
CLASSIFICATION INDEXES	
INVENTIONS	140
DESIGNS	141
TRADEMARKS	143

PUBLISHED TITLES OF PROTECTION

INVENTIONS

- **APPLICATIONS APPROVED FOR GRANTING PATENT:**
16078; 16112; 16015; 15910

DESIGNS

- **APPLICATIONS APPROVED FOR REGISTRATION:**
1340; 1334
- **REGISTERED DESIGNS:**
1000, 1001
- **DESIGNS REGISTERED ACCORDING TO THE ACCELERATED PROCEDURE:**
1002, 1003
- **DESIGNS, WHICH HAVE BEEN REGISTERED WITH THE INTERNATIONAL BUREAU CLAIMING PRIORITY ON THE TERRITORY OF GEORGIA:**
230640; 230654; 230658; 234753, 234754

TRADEMARKS

- **APPLICATIONS FILED UNDER THE NATIONAL PROCEDURE APPROVED FOR REGISTRATION:**
123306; 123609; 124241; 124431; 124521; 124523; 124704; 124774
- **REGISTERED TRADEMARKS:**
38009-38079
- **TRADEMARKS REGISTERED ACCORDING TO THE ACCELERATED PROCEDURE:**
38008; 38080-38091
- **INTERNATIONAL TRADEMARKS FOR WHICH A DECISION ON GRANTING PROTECTIONS IS TAKEN:**
120226*; 120287*; 120418*; 121288*; 121289*; 123257, 123258; 123301-123303; 123402; 123404; 123476; 123529; 123562; 123568; 123693, 123694; 123696; 123715; 123717, 123718; 123726; 123736, 123737; 123739-123745; 123752-123754; 123763-123766; 123775; 123777; 123789-123792; 123806-123809; 123817; 123835; 123840; 123852-123854; 123936; 123938; 123946-123949; 123954, 123955; 123957; 123962; 123964, 123965; 123979-123982; 123989, 123990; 124076; 124079; 124083, 124084; 124088; 124101, 124102; 124107; 124109; 124189; 124191, 124192; 124201-124204; 124371-124374; 124382-124386; 124445, 124446; 124464-124466; 124469; 124475; 124478; 124547, 124548; 124623; 124626, 124627; 124638; 124646; 124723; 124726; 124838; 124903
- **INTERNATIONAL TRADEMARKS PROTECTED IN GEORGIA:**
118790; 119233; 120301-120303; 121703, 121704; 121807-121809; 121867; 121869; 121871-121873; 121875; 121882-121884; 121888; 121895; 121951, 121952; 121958; 121977, 121978; 121990; 121993; 122048, 122049; 122053, 122054; 122057, 122058; 122065; 122081, 122082; 122087; 122089; 122096-122098; 122100, 122101; 122152; 122158-122160; 122162; 122168; 122171; 122173; 122178, 122179; 122230-122235; 122262-122266; 122268; 122276, 122277; 122305-122307; 122309, 122310; 122312, 122313; 122321-122324; 122328; 122333-122336; 122352; 122364-122366; 122367; 122374-122378; 122440-122442; 122453; 122486, 122487; 122596; 122684, 122685

INVENTIONS

APPLICATIONS APPROVED FOR GRANTING PATENT

The decision can be appealed at the Chamber of Appeal of Sakpatenti within 3 months from the publication or at the Mtskheta District Court Administrative Cases Board (Address: №17, Samkhedro St., Mtskheta), within 1 month following the publication.

PART A

A 24

- (10) AP 2024 16078 A (51) Int. Cl. (2006)
A 24 B 15/167
A 24 F 40/10;
A 24 F 40/05
A 61 M 15/00
A 61 M 11/00
B 05 B 17/06
- (21) AP 2021 16078 (22) 2021 04 01
(31) 16/889,667; 17/065,992; 17/122,025;
63/111,592; 20168245.7
(32) 2020 06 01; 2020 10 08; 2020 12 15; 2020 11 09;
2020 04 06
(33) US; US; US; US; EP
(71) Shaheen Innovations Holding Limited (AE)
Unit 2, Level 7, Al Sila Tower Abu Dhabi
Global Market Square, Al Maryah Island,
Abu Dhabi, United Arab Emirates (AE)

- (72) MACHOVEC, Jeff (AE);
BHATTI, Sajid (AE);
ALSHAIBA SALEH GHANNAM ALMAZ-
ROUEI, Mohammed (AE);
LAMOUREUX, Clement (AE)

- (74) Khatuna Imnadze
(85) 2022 11 04
(86) PCT/GB2021/050822, 2021 04 01
(54) CELL LYSIS SYSTEMS AND METHODS
(57) Cell lysis system comprises driver apparatus and cell lysis device which are releasably attachable to one another. Cell lysis device comprises ultrasonic transducer and sonication chamber. Driver apparatus drives ultrasonic transducer to output ultrasonic waves to lyse cells in sample container which is carried by cell lysis device.
Claims: 3 independents
17 dependents
Fig: 9

A 61

- (10) AP 2024 16112 A (51) Int. Cl. (2006)
A 61 K 9/00
A 61 K 47/12
A 61 P 7/08
(21) AP 2021 16112 (22) 2021 05 12

- (31) u202003063; a202002870
(32) 2020 05 12; 2020 05 22
(33) UA; UA
(71) SIA "Emteko Holding" (LV)
Aizputes iela 2A, Rīga LV-1046, Latvia (LV)
(72) GUMENIUK, Mykola Ivanovych (UA);
DERKACH, Nataliia Mykolaiivna (UA);
DERKACH, Dmytro Ivanovych (UA);
KONDRATSKYI, Bohdan Oleksiiiovych (UA)
(74) Shalva Gvaramadze
(85) 2022 12 12
(86) PCT/IB2021/054055, 2021 05 12
(54) COMBINED HYPEROSMOLAR SOLUTION
FOR INFUSION
(57) A solution contains polyol, sodium chloride, potassium chloride, calcium chloride, magnesium chloride, sodium lactate, sodium acetate, L-malate, and water for injections.
Claims: 1 independent
5 dependents
Fig: 12

-
- (10) AP 2024 16015 A (51) Int. Cl. (2006)
A 61 K 31/519
A 61 P 35/00
C 07 D 471/04
C 07 D 487/04
C 07 D 491/107
C 07 D 498/04

- (21) AP 2020 16015 (22) 2020 12 27
(31) 201921054254; 201921049099; 202021022668;
202021032769; 202021035200
(32) 2019 12 27; 2019 12 29; 2020 05 29; 2020 07 30;
2020 08 14
(33) IN; IN; IN; IN; IN
(71) Lupin Limited (IN)
Kalpataru Inspire, 3rd Floor, Off Western
Express Highway, Santacruz (East), Mumbai 400
055, India (IN)
(72) MAHANGARE, Sachin (IN);
BHOSALE, Avadhut (IN);
LIMAYE, Rohan (IN);
TAMBE, Vikas (IN);
GORE, Balasaheb (IN);
PACHPUTE, Vipul (IN);
WALKE, Navnath (IN);
PHADATARE, Ramesh (IN);
MAJID, Sayyed (IN);

PATIL, Pradeep, Rangrao (IN);
 PHUKAN, Samiron (IN);
 KAMBOJ, Rajender, Kumar (IN);
 PALLE, Venkata, P. (IN);
 SINDKHEDKAR, Milind, Dattatraya (IN);
 SHUKLA, Manojkumar, Ramprasad (IN);
 SETHI, Sachin (IN);
 NAIR, Prathap, Sreedharan (IN);
 KURHADE, Sanjay, Pralhad (IN)

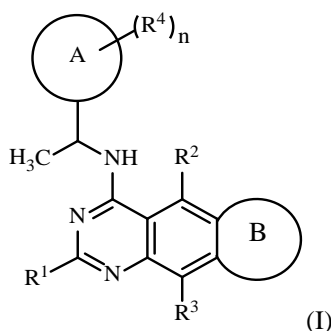
(74) Larisa Amirkhanyan

(85) 2022 07 27

(86) PCT/IB2020/062462, 2020 12 27

(54) SUBSTITUTED TRICYCLIC COMPOUNDS

(57) Compounds of the general formula (I), its tautomeric form, its stereoisomer, its pharmaceutically acceptable salt, its polymorph, or solvate thereof,



wherein, ring A, B, R¹, R², R³, R⁴, and n are as defined herein, pharmaceutical composition on the basis thereof, and usage thereof for the treatment of cancer, acute infection (pediatric patients) caused by Staphylococcus aureus, acute respiratory distress syndrome/acute lung injury, sepsis and RAS-opathy.

Claims: 4 independents

16 dependents

Table: 9

(86) PCT/PL2020/000069, 2020 08 17

(54) METHOD OF SEPARATING GRAINS OF VALUABLE MINERALS, PRECIOUS METALS, RARE-EARTH METALS, PRECIOUS AND SEMI-PRECIOUS STONES FROM NATURAL ORES IN THE AQUATIC ENVIRONMENT BY MEANS OF THE PHENOMENON OF ADHESION

(57) A method of separating grains of valuable minerals, precious metals, rare-earth metals, precious and semi-precious stones from natural ores in aquatic environment by means of the phenomenon of adhesion, consecutively covering known stages such as:

- Initial separation consisting in sieving fractions up to 5000 μm from alluvial (rubble) ore or crushing primary (rock) ore to a fraction causing the separation of valuable minerals from gangue and where appropriate separating ferromagnetics from ores by means of a known method;
- Forming the suspension by mixing the initially separated fraction of ore with liquid; -adsorption of valuable minerals from the suspension on the adhesive coating and also recovering water from the process;
- Desorption of particles of valuable minerals from the adhesive coating according to the invention is characterised by the fact that for the formation of the adhesive coating in the separator, lanolin or its mixtures with additives are used, whereby, the content of lanolin in the mixture may not be less than 80%.

Claims: 1 independent

15 dependents

Fig: 1

PART B

B 01

(10) AP 2024 15910 A (51) Int. Cl. (2006)

B 01 J 20/22

C 22 B 11/00

C 22 B 3/16

(21) AP 2020 15910 (22) 2020 08 17

(31) P.430975

(32) 2019 08 28

(33) PL

(71) CIECHULSKI, Andrzej (PL)

ul. Senatorska 20/19, Warszawa, 00-950,

Poland (PL)

(72) CIECHULSKI, Andrzej (PL)

(74) Nikoloz Gogilidze

(85) 2022 03 22

DESIGNS

APPLICATIONS APPROVED FOR REGISTRATION

The decision can be appealed at the Chamber of Appeal of Sakpatenti within 3 months from the publication or at the Mtskheta District Court Administrative Cases Board (Address: №17, Samkhedro str., Mtskheta), within 1 month following the publication.

(10) AD 2024 1340 S (51) 02-04

(21) AD 2023 1340 (22) 2023 11 06

(28) 2

(71) Hacı İsmail Palalı (TR)

Organize Sanayi Bölgesi 1.cad. 13.sok. No:4, Merkez, Afyonkarahisar, Turkey (TR)

(72) Hacı İsmail Palalı (TR)

(74) Shalva Gvaramadze (GE)

(54) RUBBER BOOTS

(55)



1.1



1.2



1.3



2.1



2.2



2.3



2.4



2.5

(10) AD 2024 1334 S (51) 11-01
(21) AD 2023 1334 (22) 2023 09 26
(28) 9
(71) LTD "Eshvi" (GE)
Gergeti St. 3, 0105, Mtatsminda District, Tbilisi, Georgia (GE)
(72) Natia Chkhartishvili (GE)
(54) 1.-3. NECKLACE; 4.-9. EARRINGS
(55)



REGISTERED DESIGNS

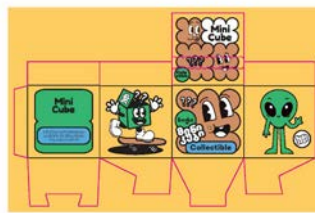
(11) D 2024 1000 S (51) 01-01
(10) AD 2023 1323 S (44) 2023 12 25 №24
(21) AD 2023 1323
(22) 2023 07 12
(24) 2023 07 12
(28) 1
(18) 2028 07 12
(73) Giorgi Sabiashvili (GE)
Kvareli St. 103, 0148, Tbilisi, Georgia (GE)
(72) Giorgi Sabiashvili (GE)
(54) CONFECTIONARY

(11) D 2024 1001 S (51) 02-02
(10) AD 2023 1324 S (44) 2023 12 25 №24
(21) AD 2023 1324
(22) 2023 07 12
(24) 2023 07 12
(28) 3
(18) 2028 07 12
(73) N(N)LE International Federation of
Georgian Wrestling (GE)
Dodo Abashidze St. 9, ap. 9, Tbilisi,
Georgia (GE)
(72) Vasil Shiukashvili (GE)
(74) Natia Gogadze (GE)
(54) CHOKHA (Wrestling Uniform)

DESIGNS REGISTERED ACCORDING TO THE ACCELERATED PROCEDURE

The decision can be appealed at the Chamber of Appeal of Sakpatenti within 3 months from the publication.

- (11) D 2024 1002 S
- (21) AD 2024 1372
- (24) 2024 02 29
- (28) 6
- (18) 2029 02 28
- (73) Ana Machaidze (GE)
Besiki St. 5, 0108, Tbilisi, Georgia (GE)
- (72) Ana Machaidze (GE)
- (54) PACKING BOX
- (55)



1.1

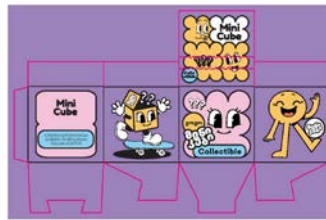


1.2



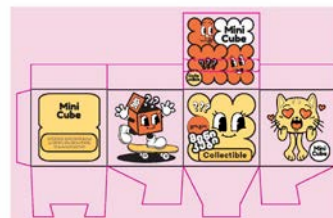
1.3

2.1



2.2

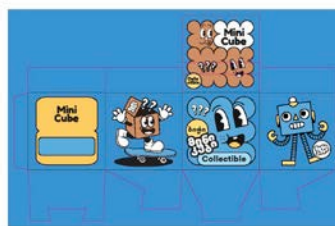
2.3



3.1



3.2



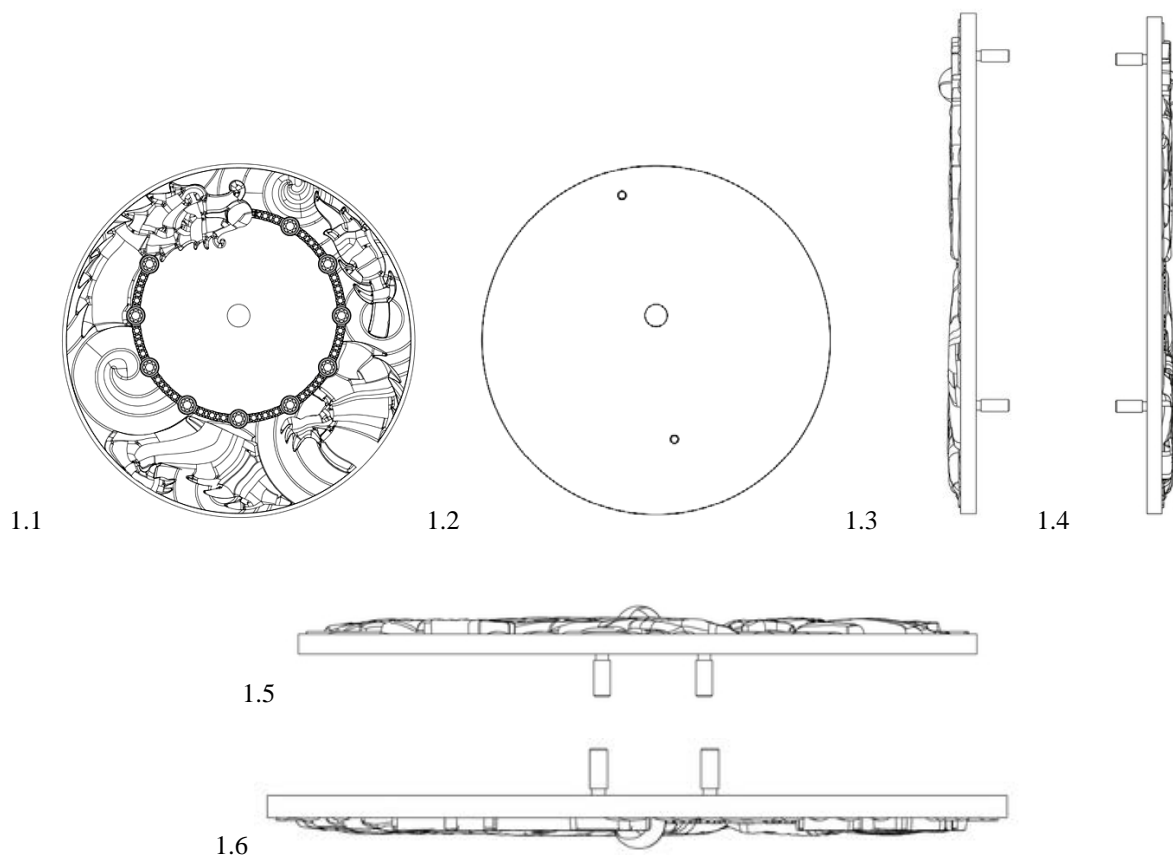
- (11) D 2024 1003 S
- (21) AD 2024 1373
- (24) 2024 03 19
- (28) 2
- (18) 2029 03 19
- (73) LTD "Nami 8" (GE)
Adam Mickiewicz St. 29b, Commercial Space 2, 0194, Saburtalo District, Tbilisi, Georgia (GE)
- (72) Tinatin Bokolishvili (GE)
- (74) Mariam Palavandishvili (GE)
- (54) WATER DISPENSER
- (55)

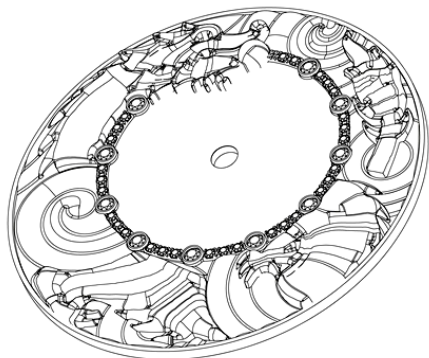


**DESIGNS, WHICH HAVE BEEN REGISTERED WITH THE INTERNATIONAL
BUREAU CLAIMING PRIORITY ON THE TERRITORY OF GEORGIA**

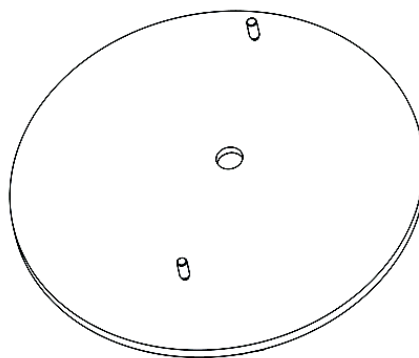
The decision can be appealed at the Chamber of Appeal of Sakpatenti within 3 months from the publication or at the Mtskheta District Court Administrative Cases Board (Address: №17, Samkhedro St., Mtskheta), within 1 month following the publication.

- (11) DM/230 640 (51) 10-07
 (15) 2023 07 06 (44) 02/2024 (2024 01 12)
 (22) 2023 07 06
 (28) 1
 (73) Harry Winston SA
 Chemin Du Tourbillon 8, 1228 Plan-les-Ouates (CH)
 (85) CH
 (86) CH
 (87) CH
 (88) CH
 (89) CH
 (81) III. AL, AM, AZ, BA, BZ, CA, CH, EM, GB, GE, KG, LI, MA, MC, MD, ME, MK, MN, NO, OM, RU, SG,
 TN, TR, UA
 (72) Silvia BOTTEGHI
 c/o Harry Winston SA, Chemin du Tourbillon 8, 1228, Plan-les-Ouates (CH)
 (74) The Swatch Group AG (The Swatch Group SA) (The Swatch Group Ltd.)
 Faubourg du Lac 6, 2501 Biel/Bienne (CH)
 (46) 2024 01 12
 (54) 1. WATCH DIAL
 (55)





1.7



1.8

(11) DM/230 654

(51) 10-07

(15) 2023 07 07

(44) 02/2024 (2024 01 12)

(22) 2023 07 07

(28) 1

(73) Omega SA (Omega AG) (Omega LTD.)

Jakob-Stämpfli-Strasse 96, 2502 Biel/Bienne (CH)

(85) CH

(86) CH

(87) CH

(88) CH

(89) CH

(81) III. AL, AM, AZ, BA, BZ, CH, EM, GB, GE, KG, LI, MA, MC, MD, ME, MK, MN, NO, OM, RU, SG, TN, TR, UA

(72) Gregory Kissling

c/o OMEGA SA (OMEGA AG) (OMEGA LTD.), Jakob-Stämpfli-Strasse 96, 2502, Biel/Bienne (CH)

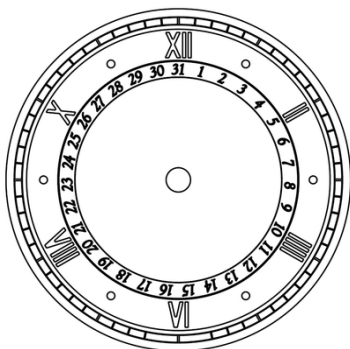
(74) The Swatch Group AG (The Swatch Group SA) (The Swatch Group Ltd.)

6, Faubourg du Lac, 2501 BIEL/BIENNE (CH)

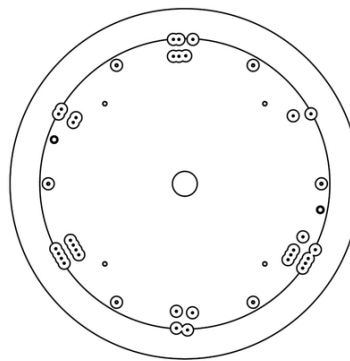
(46) 2024 01 12

(54) 1. WATCH DIAL

(55)



1.1



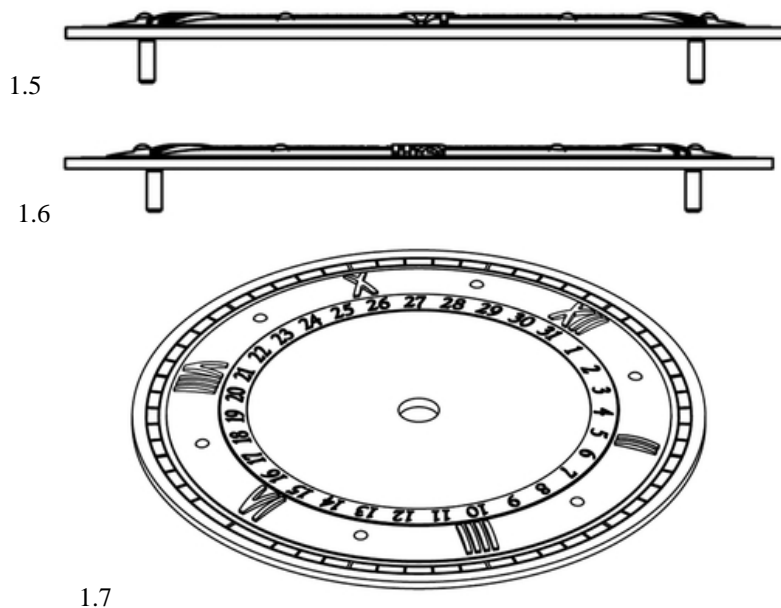
1.2



1.3



1.4



- (11) DM/230 658 (51) 11-01
 (15) 2023 07 07 (44) 02/2024 (2024 01 12)
 (22) 2023 07 07
 (28) 2
 (73) Harry Winston SA
 Chemin Du Tourbillon 8, 1228 Plan-les-Ouates (CH)
 (85) CH
 (86) CH
 (87) CH
 (88) CH
 (89) CH
 (81) III. AL, AM, AZ, BA, BZ, CA, CH, EM, GB, GE, KG, LI, MA, MC, MD, ME, MK, MN, NO, OM, SG, TN,
 TR, UA
 (72) 1: Rie YATSUGI-KANG
 c/o Harry Winston Inc. 718 Fifth Avenue, 10019, New York (US);
 2: Tobias WUEST
 c/o Harry Winston Inc. 718 Fifth Avenue, 10019, New York (US)
 (74) The Swatch Group AG (The Swatch Group SA) (The Swatch Group Ltd.)
 Faubourg du Lac 6, 2501 Biel/Bienne (CH)
 (46) 2024 01 12
 (54) 1. FINGER RING, 2. NECKLACE WITH PENDANT
 (55)





1.5



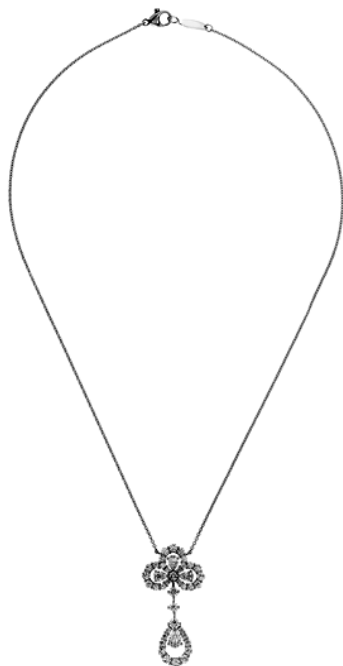
1.6



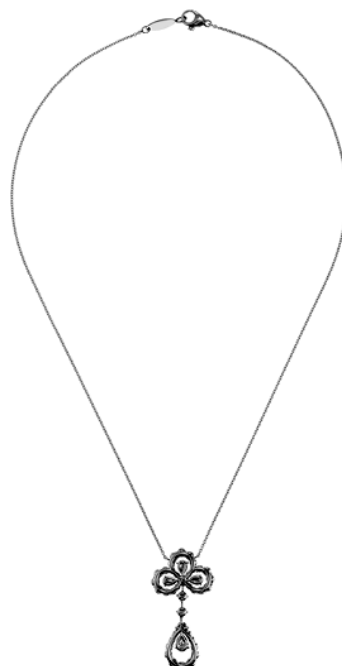
1.7



1.8



2.1



2.2



2.3



2.4



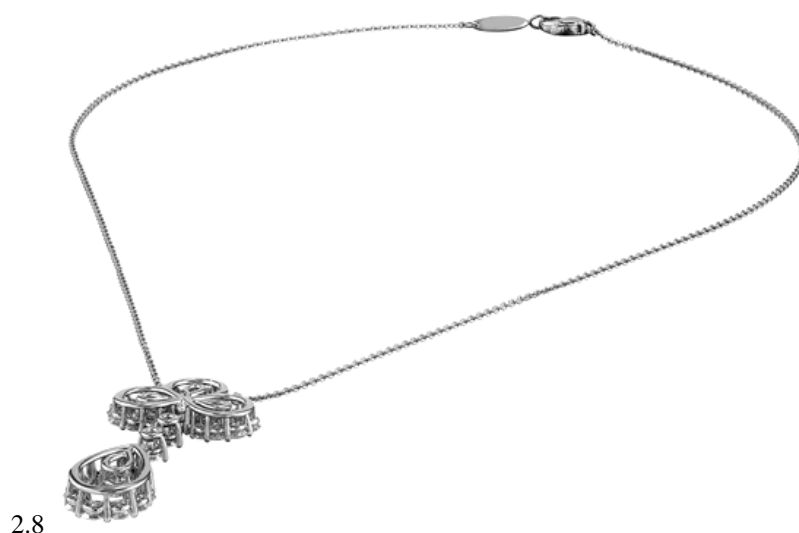
2.5



2.6

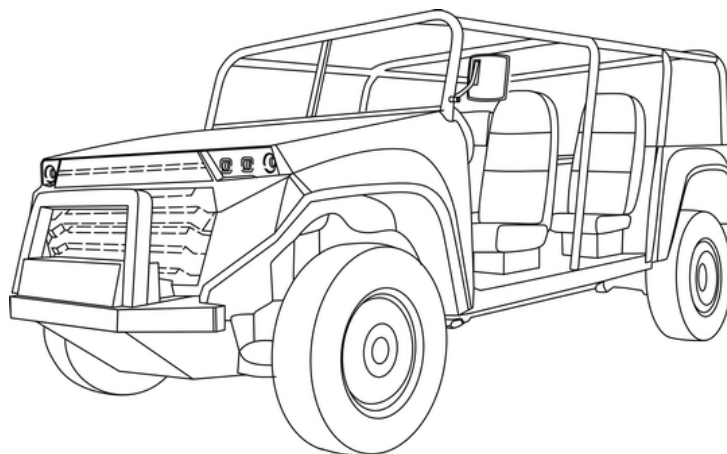


2.7

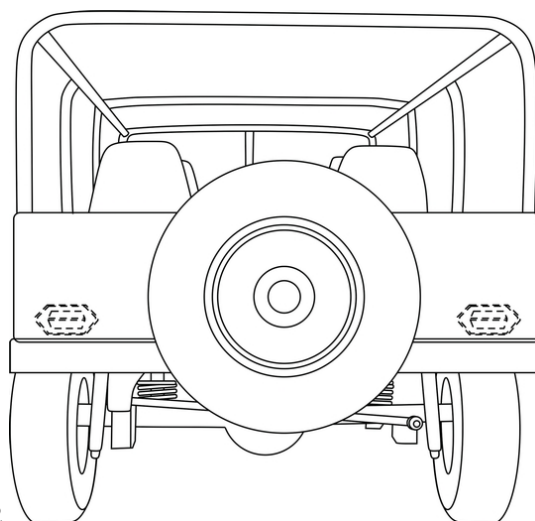


2.8

- (11) DM/234 753
- (15) 2023 11 09
- (22) 2023 11 09
- (28) 1
- (73) Limited Liability Company Innovative Technologies
Tikhoretsky Boulevard, 1, P. 3, Fl. 3, Room 22, RU-109559, Moscow (RU)
- (85) –
- (86) RU
- (87) –
- (88) RU
- (89) RU
- (81) III. AM, AZ, BY, CN, GE, KG, MD, RS, TJ, TM
- (72) Alexey Vladimirovich Rakhaev
Rakhaev, Lavochkina Str., 44, K. 1, Ap. 227, RU-125502, Moscow (RU)
- (74) "Institute Of Innovation And Law" LLC / Maks Yurevich Lutskovskii
Box 200, Zelenograd, RU-124460 Moscow (RU)
- (46) 2024 02 02
- (54) 1. CAR
- (55)

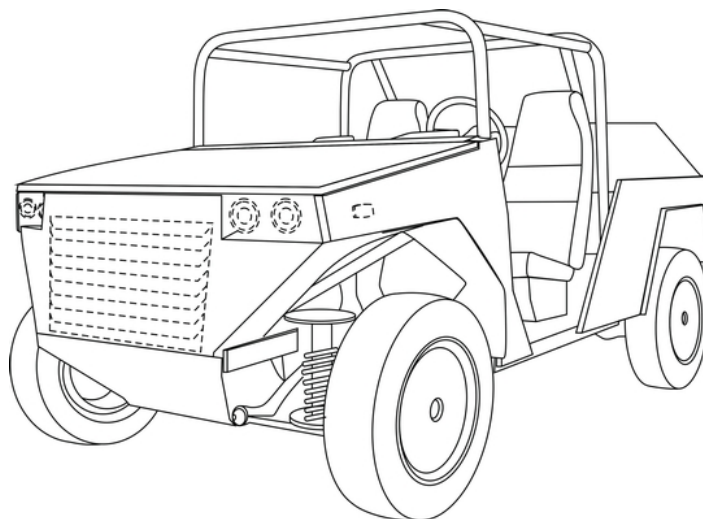


1.1

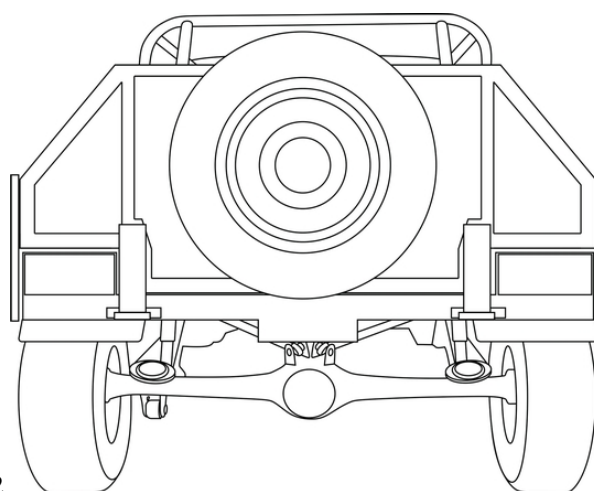


1.2

- (11) DM/234 754 (51) 12-08
(15) 2023 11 09 (44) 05/2024 (2024 02 02)
(22) 2023 11 09
(28) 1
(73) Limited Liability Company Innovative Technologies
Tikhoretsky Boulevard, 1, P. 3, Fl. 3, Room 22, RU-109559, Moscow (RU)
(85) –
(86) RU
(87) –
(88) RU
(89) RU
(81) III. AM, AZ, BY, CN, GE, KG, MD, RS, TJ, TM
(72) Alexey Vladimirovich Rakhaev
Rakhaev, Lavochkina Str., 44, K. 1, Ap. 227, RU-125502, Moscow (RU)
(74) "Institute Of Innovation And Law" LLC / Maks Yurevich Lutskovskii
Box 200, Zelenograd, RU-124460 Moscow (RU)
(46) 2024 02 02
(54) 1. CAR
(55)



1.1



1.2

TRADEMARKS

APPLICATIONS FILED UNDER THE NATIONAL PROCEDURE APPROVED FOR REGISTRATION

The decision can be appealed at the Chamber of Appeal of Sakpatenti within 3 months from the publication or at the Mtskheta District Court Administrative Cases Board (Address: №17, Samkhedro St., Mtskheta), within 1 month following the publication.

(260) AM 2024 123306 A
(210) AM 123306
(220) 2023 06 09
(731) DS Borjomi Beverages Co.N.V.
Pareraweg 45, Curaçao
(740) Giorgi Jokharidze
(540)



(591) FC2B52 red, FFFFFFF white, 82E0D2 light green, 1FA395 green, 017B70 Borjomi green
(531) 03.04.07; 19.03.01; 25.01.19; 27.05.01; 27.05.10; 29.01.14
(526) BORJOMI
(511) 32, 35

(260) AM 2024 123609 A
(210) AM 123609
(220) 2023 07 10
(731) Besarioni Chikviladze
Vill. Chabinaani, 0900, Akhmeta, Georgia
(540)



(591) Golden, E00F0F lilac
(531) 01.17.11; 05.03.04; 05.07.10; 27.05.01; 28.19; 29.01.12
(511) 33

(260) AM 2024 124241 A
(210) AM 124241
(220) 2023 08 09
(731) Huawang Ko. LTD.
1501, North Tower, Energy Building,
No. 2026 Jintian Road, Fushan Community,
Futian Street, Futian District, Shenzhen City,
Guangdong Province, People's Republic of
China
(740) Mariam Alasania
(540)

HUAWANG

(591) Black-white
(511) 9

(260) AM 2024 124431 A
(210) AM 124431
(220) 2023 08 23
(731) Welcos Co., LTD.
21-12, Toegyegongdan 1-gil, Chuncheon-si,
Gangwon-do, Republic of Korea
(740) Giorgi Taktakishvili
(540)

FRUDIA

(591) Black-white
(511) 3

(260) AM 2024 124521 A
(210) AM 124521
(220) 2023 08 31
(731) LTD "DP Digital Pharmacy"
Shota Rustaveli St. 57, ap. 14, Batumi, Georgia
(540)



(591) Black-white
(511) 5

(260) AM 2024 124523 A
(210) AM 124523
(220) 2023 08 31
(731) LTD "DP Digital Pharmacy"
Shota Rustaveli St. 57, ap. 14, Batumi,
Georgia

(540)



(591) FFFFFFFF red, FFFFFFFF dark blue

(531) 27.05.01; 27.05.10; 27.05.17; 27.05.23;
29.01.12

(511) 35

(260) AM 2024 124704 A

(210) AM 124704

(220) 2023 09 12

(731) Hair Transplant Institute of Akaki Tsilosani
Davit Aghmashenebeli Lane, 3300, Mtskheta,
Georgia

(740) Nugzar Ksovreli

(540)

აკაკი ცილოსანი
Акакий Цилосани
Akaki Tsilosani

(591) Black-white

(511) 44

(260) AM 2024 124774 A

(210) AM 124774

(220) 2023 09 18

(731) Brown-Forman Spain S.L.U.
Plaza de Catalunya, 5, 8a planta, 08002,
Barcelona, Spain

(740) Giorgi Taktakishvili

(540)

GIN MARE

(591) Black-white

(511) 33

REGISTERED TRADEMARKS

(111) M 2024 38009 R
(151) 2024 03 22
(181) 2034 03 22
(260) AM 2023 121232 A
(220) 2023 01 17
(732) LLC "Maranik"

Avan, Avan street 4, Building 19, 0060,
Yerevan, Armenia

(111) M 2024 38010 R
(151) 2024 03 22
(181) 2034 03 22
(260) AM 2023 122005 A
(220) 2023 03 10

(732) LLC "Lithuanian Bakery+"
T. Eristavi St. 1, 0192, Tbilisi, Georgia

(111) M 2024 38011 R
(151) 2024 03 22
(181) 2034 03 22
(260) AM 2023 122007 A
(220) 2023 03 10

(732) LLC "Lithuanian Bakery+"
T. Eristavi St. 1, 0192, Tbilisi, Georgia

(111) M 2024 38012 R
(151) 2024 03 22
(181) 2034 03 22
(260) AM 2022 120441 A
(220) 2022 11 22

(732) LLC "British Georgian Academy"
Leo Kvatchadze St. 17, Saburtalo District,
Tbilisi, Georgia

(111) M 2024 38013 R
(151) 2024 03 22
(181) 2034 03 22
(260) AM 2022 120442 A
(220) 2022 11 22

(732) LLC "British Georgian Academy"
Leo Kvatchadze St. 17, Saburtalo District,
Tbilisi, Georgia

(111) M 2024 38014 R
(151) 2024 03 22
(181) 2034 03 22
(260) AM 2023 122949 A
(220) 2023 05 19

(732) LTD "Aversi-Pharma"
Davit Aghmashenebeli Av. 148, 0112, Tbilisi,
Georgia

(111) M 2024 38015 R
(151) 2024 03 22
(181) 2034 03 22
(260) AM 2023 121521 A
(220) 2023 02 07

(732) LTD "Green Country"
Kviratskhoveli St. 83, Tbilisi, Georgia

(111) M 2024 38016 R
(151) 2024 03 22
(181) 2034 03 22
(260) AM 2023 122956 A
(220) 2023 05 22

(732) LTD "Jinaze"
Kareli St. 17, fl. 3, ap. 4, 0171, Tbilisi, Georgia

(111) M 2024 38017 R
(151) 2024 03 22
(181) 2034 03 22
(260) AM 2023 121153 A
(220) 2023 01 12

(732) Galaktion Gagnidze
Sanzona, Choporti St. 8, 0192, Tbilisi, Georgia

(111) M 2024 38018 R
(151) 2024 03 22
(181) 2034 03 22
(260) AM 2023 121300 A
(220) 2023 01 20

(732) Valerian Datukishvili
Village Zemo Khodasheni, Akhmeta, Georgia

(111) M 2024 38019 R
(151) 2024 03 22
(181) 2034 03 22
(260) AM 2023 121741 A
(220) 2023 02 21

(732) LLC "Gezi Travel"
Vill. Lesitchine, 55th St. 6, 5006, Chkhorotsku
Region, Georgia

(111) M 2024 38020 R
(151) 2024 03 22
(181) 2034 03 22
(260) AM 2023 122829 A
(220) 2023 05 15

(732) Leila Dolidze
Dighomi, IV qu., bld. 7, Tbilisi, Georgia

(111) M 2024 38021 R
(151) 2024 03 22
(181) 2034 03 22
(260) AM 2023 121525 A
(220) 2023 02 07
(732) LTD "Iour Kofe"
Mukhiani Settlement, II m/r, bld. 37, ap. 13,
Tbilisi, Georgia

(111) M 2024 38022 R
(151) 2024 03 22
(181) 2034 03 22
(260) AM 2023 122106 A
(220) 2023 03 17
(732) Supple Tek Industries Private Limited
Village Chabba, Tarn Taran Road, Amritsar,
143022, Punjab, India

(111) M 2024 38023 R
(151) 2024 03 22
(181) 2034 03 22
(260) AM 2023 122943 A
(220) 2023 05 19
(732) LTD "Aversi-Pharma"
Davit Aghmashenebeli Av. 148, 0112, Tbilisi,
Georgia

(111) M 2024 38024 R
(151) 2024 03 22
(181) 2034 03 22
(260) AM 2023 121311 A
(220) 2023 01 20
(732) Ievgen Pantus
Khortytske highway 44a, 186, Zaporizhzhya,
Ukraine

(111) M 2024 38025 R
(151) 2024 03 22
(181) 2034 03 22
(260) AM 2023 122741 A
(220) 2023 05 10
(732) LTD "Conus 08"
Vazisubani, II m/r, bld. 19, ap. 2, Tbilisi, Georgia

(111) M 2024 38026 R
(151) 2024 03 22
(181) 2034 03 22
(260) AM 2023 121640 A
(220) 2023 02 13
(732) Kuber Products Private Limited
1/8 West Patel Nagar, New Delhi-110008, India

(111) M 2024 38027 R
(151) 2024 03 22
(181) 2034 03 22
(260) AM 2023 122825 A
(220) 2023 05 15
(732) LTD "Poliprom"
Vill. Dighomi, Tbilisi, Georgia

(111) M 2024 38028 R
(151) 2024 03 22
(181) 2034 03 22
(260) AM 2023 122574 A
(220) 2023 04 25
(732) Shenzhen Uwell Technology Co., Ltd.
1-5, 7/F, Bldg. G, Huafeng Intel. Robot
Industrial Park, Hangcheng, Av., Xixiang St,
Baoan Dist., Shenzhen, 518000, People's
Republic of China

(111) M 2024 38029 R
(151) 2024 03 22
(181) 2034 03 22
(260) AM 2023 122945 A
(220) 2023 05 19
(732) LTD "Aversi-Pharma"
Davit Aghmashenebeli Av. 148, 0112, Tbilisi,
Georgia

(111) M 2024 38030 R
(151) 2024 03 22
(181) 2034 03 22
(260) AM 2023 122417 A
(220) 2023 04 12
(732) LLC "Boygars"
Davit Aghmashenebeli Av. 129a, Office 4,
+3 Floor, 0102, Didube District, Tbilisi, Georgia

(111) M 2024 38031 R
(151) 2024 03 22
(181) 2034 03 22
(260) AM 2023 122023 A
(220) 2023 03 14
(732) The News Hub Limited
Office at 10th Floor, Building 7 Chiswick Park,
566 Chiswick High Road, London, W4 5YG,
United Kingdom

(111) M 2024 38032 R
(151) 2024 03 22
(181) 2034 03 22
(260) AM 2023 122418 A
(220) 2023 04 13
(732) SolaX Power Network Technology (Zhejiang)
Co., Ltd.

№288, Shizhu Road, Tonglu Economic Development Zone, Tonglu County, Hangzhou City, Zhejiang Province, People's Republic China	(220) 2023 03 16 (732) Monster Energy Company a Delaware corporation 1 Monster Way, Corona, California 92879, USA
(111) M 2024 38033 R (151) 2024 03 22 (181) 2034 03 22 (260) AM 2023 121849 A (220) 2023 02 24 (732) LTD "Rotcho's Vineyards" Wardrops St. 4, Kvareli, Georgia	(111) M 2024 38039 R (151) 2024 03 22 (181) 2034 03 22 (260) AM 2023 122415 A (220) 2023 04 12 (732) LLC "Boygars" Davit Aghmashenebeli Av. 129a, Office 4, +3 Floor, 0102, Didube District, Tbilisi, Georgia
(111) M 2024 38034 R (151) 2024 03 22 (181) 2034 03 22 (260) AM 2023 122135 A (220) 2023 03 23 (732) Yiwu OK Electric Appliance Co., Ltd. Shop N17476, Market 2, Iu Interneishenal Treid Siti, Futian Strit, Iu Siti, People's Republic of China	(111) M 2024 38040 R (151) 2024 03 22 (181) 2034 03 22 (260) AM 2023 122504 A (220) 2023 04 19 (732) Gogita Sozashvili S. Chikovani St. 35, 0171, Tbilisi, Georgia
(111) M 2024 38035 R (151) 2024 03 22 (181) 2034 03 22 (260) AM 2023 121667 A (220) 2023 02 16 (732) Joie International Co. Limited 31/F, Tower Two Times Square, 1 Matheson Street, Causeway Bay, Hong Kong	(111) M 2024 38041 R (151) 2024 03 22 (181) 2034 03 22 (260) AM 2023 122498 A (220) 2023 04 19 (732) World Health Industry Economic Development Alliance Co., Limited Flat/Rm A 12/F Zj 300, 300 Lockhart Road, Wan Chai, Hong Kong
(111) M 2024 38036 R (151) 2024 03 22 (181) 2034 03 22 (260) AM 2023 121762 A (220) 2023 02 22 (732) Essity Hygiene and Health Aktiebolag SE-405 03 Göteborg, Sweden	(111) M 2024 38042 R (151) 2024 03 22 (181) 2034 03 22 (260) AM 2023 122040 A (220) 2023 03 16 (732) LTD "Velistsikhuri" Vill. Velistsikhe, Gurjaani, Georgia
(111) M 2024 38037 R (151) 2024 03 22 (181) 2034 03 22 (260) AM 2023 121861 A (220) 2023 03 01 (732) Monster Energy Company a Delaware Corporation 1 Monster Way, Corona, California 92879, USA	(111) M 2024 38043 R (151) 2024 03 22 (181) 2034 03 22 (260) AM 2022 119366 A (220) 2022 09 14 (732) The News Hub Limited Office at 10th Floor, Building 7 Chiswick Park, 566 Chiswick High Road, London, W4 5YG, United Kingdom
(111) M 2024 38038 R (151) 2024 03 22 (181) 2034 03 22 (260) AM 2023 122044 A	

(111) M 2024 38044 R
(151) 2024 03 22
(181) 2034 03 22
(260) AM 2023 122216 A
(220) 2023 03 28
(732) JSC "Tbilvino"
Sarajishvili Av. 2, 0153, Tbilisi, Georgia

(111) M 2024 38045 R
(151) 2024 03 22
(181) 2034 03 22
(260) AM 2023 122217 A
(220) 2023 03 28
(732) JSC "Tbilvino"
Sarajishvili Av. 2, 0153, Tbilisi, Georgia

(111) M 2024 38046 R
(151) 2024 03 22
(181) 2034 03 22
(260) AM 2023 122659 A
(220) 2023 05 02
(732) LLC "Smartsoft"
Elguja Amashukeli St. 17, Office Space 21,
Tbilisi, Georgia

(111) M 2024 38047 R
(151) 2024 03 22
(181) 2034 03 22
(260) AM 2023 122660 A
(220) 2023 05 02
(732) LLC "Smartsoft"
Elguja Amashukeli St. 17, Office Space 21,
Tbilisi, Georgia

(111) M 2024 38048 R
(151) 2024 03 22
(181) 2034 03 22
(260) AM 2023 122391 A
(220) 2023 04 07
(732) LTD "Boygars"
Davit Aghmashenebeli Ave. 129a,
Office 4, Fl. +3, 0102, Didube District, Tbilisi,
Georgia

(111) M 2024 38049 R
(151) 2024 03 22
(181) 2034 03 22
(260) AM 2023 122402 A
(220) 2023 04 10
(732) LTD "Kartuli Limonati"
Aleksidze St., I qu., bld. 4, ap. 25, 3303,
Tbilisi, Georgia

(111) M 2024 38050 R
(151) 2024 03 22
(181) 2034 03 22
(260) AM 2023 122491 A
(220) 2023 04 18
(732) LTD "Imperia"
Varketili 3 Settlement, IIIa m/r, bld. 340, ap. 8,
0163, Tbilisi, Georgia

(111) M 2024 38051 R
(151) 2024 03 22
(181) 2034 03 22
(260) AM 2023 122412 A
(220) 2023 04 11
(732) LTD "Park Gida"
Vill. Khutsubani, 5th Ubani, St. 46a, 6200,
Kobuleti, Georgia

(111) M 2024 38052 R
(151) 2024 03 22
(181) 2034 03 22
(260) AM 2023 122662 A
(220) 2023 05 02
(732) LLC "4H Georgia"
Zhiuli Shartava St. 41e, fl. 13, ap. 34, Tbilisi,
Georgia

(111) M 2024 38053 R
(151) 2024 03 22
(181) 2034 03 22
(260) AM 2023 122655 A
(220) 2023 05 01
(732) LLC "Buffaloes"
Mikheil Tamarashvili Av. 130, ap. 163, Tbilisi,
Georgia

(111) M 2024 38054 R
(151) 2024 03 22
(181) 2034 03 22
(260) AM 2023 122571 A
(220) 2023 04 24
(732) LLC "Piel Naturals"
Vill. Dighomi, Parsadani St. 9, fl. 13, Georgia

(111) M 2024 38055 R
(151) 2024 03 22
(181) 2034 03 22
(260) AM 2023 122661 A
(220) 2023 05 02
(732) LLC "Smartsoft"
Elguja Amashukeli St. 17, Office Space 21,
Tbilisi, Georgia

(111) M 2024 38056 R
 (151) 2024 03 22
 (181) 2034 03 22
 (260) AM 2023 122658 A
 (220) 2023 05 02
 (732) LLC "Smartsoft"
 Elguja Amashukeli St. 17, Office Space 21,
 Tbilisi, Georgia

(111) M 2024 38057 R
 (151) 2024 03 22
 (181) 2034 03 22
 (260) AM 2021 112294 A
 (220) 2021 03 24
 (732) LLC "Ice-Co Company"
 Abovyan St. 7, 0105, Tbilisi, Georgia

(111) M 2024 38058 R
 (151) 2024 03 22
 (181) 2034 03 22
 (260) AM 2023 122025 A
 (220) 2023 03 15
 (732) LTD "Kakhetian Traditional Winemaking"
 Sulkhvan Tsintsadze St. 12, 0160, Tbilisi,
 Georgia

(111) M 2024 38059 R
 (151) 2024 03 22
 (181) 2034 03 22
 (260) AM 2021 112295 A
 (220) 2021 03 24
 (732) LLC "Ice-Co Company"
 Abovyan St. 7, 0105, Tbilisi, Georgia

(111) M 2024 38060 R
 (151) 2024 03 22
 (181) 2034 03 22
 (260) AM 2023 122128 A
 (220) 2023 03 22
 (732) Levan Gvaramadze
 Al. Kazbegi St. 2, ap. 12, 0160, Tbilisi, Georgia

(111) M 2024 38061 R
 (151) 2024 03 22
 (181) 2034 03 22
 (260) AM 2023 122680 A
 (220) 2023 05 05
 (732) LTD "Muskulatechi"
 Vill. Bobokvati, 6200, Kobuleti, Georgia

(111) M 2024 38062 R
 (151) 2024 03 22
 (181) 2034 03 22
 (260) AM 2023 122397 A
 (220) 2023 04 10
 (732) LTD "Digitaltech"
 Ak. Tsereteli Av. 116, 0186, Didube District,
 Tbilisi, Georgia

(111) M 2024 38063 R
 (151) 2024 03 22
 (181) 2034 03 22
 (260) AM 2023 121221 A
 (220) 2023 01 17
 (732) LTD "Stepads"
 Davit Gamrekeli St. 3, Saburtalo District,
 Tbilisi, Georgia

(111) M 2024 38064 R
 (151) 2024 03 22
 (181) 2034 03 22
 (260) AM 2023 122731 A
 (220) 2023 05 07
 (732) Ecolab USA Inc.
 1 Ecolab Place, Saint Paul, Minnesota 55102,
 USA

(111) M 2024 38065 R
 (151) 2024 03 22
 (181) 2034 03 22
 (260) AM 2023 122657 A
 (220) 2023 05 02
 (732) LLC "Smartsoft"
 Elguja Amashukeli St. 17, Office Space 21,
 Tbilisi, Georgia

(111) M 2024 38066 R
 (151) 2024 03 22
 (181) 2034 03 22
 (260) AM 2023 122392 A
 (220) 2023 04 07
 (732) Ignite International, Ltd.
 3308 Towerwood Drive, Farmers Branch,
 TX 75234-2317, USA

(111) M 2024 38067 R
 (151) 2024 03 22
 (181) 2034 03 22
 (260) AM 2023 122951 A
 (220) 2023 05 19
 (732) LTD "Aversi-Pharma"
 Davit Aghmashenebeli Av. 148, 0112, Tbilisi,
 Georgia

(111) M 2024 38068 R
(151) 2024 03 22
(181) 2034 03 22
(260) AM 2023 122947 A
(220) 2023 05 19
(732) LTD "Aversi-Pharma"
Davit Aghmashenebeli Av. 148, 0112, Tbilisi,
Georgia

(111) M 2024 38069 R
(151) 2024 03 22
(181) 2034 03 22
(260) AM 2023 122421 A
(220) 2023 04 13
(732) LTD "Rich Group"
Vill. Mughanlo, Marneuli Region,
Georgia

(111) M 2024 38070 R
(151) 2024 03 22
(181) 2034 03 22
(260) AM 2023 121928 A
(220) 2023 03 07
(732) Shell Brands International AG
Baarermatte, CH 6340 Baar, Switzerland

(111) M 2024 38071 R
(151) 2024 03 22
(181) 2034 03 22
(260) AM 2023 121520 A
(220) 2023 02 07
(732) LLC "Trade Link"
Doesis St. 15, 0144, Tbilisi, Georgia

(111) M 2024 38072 R
(151) 2024 03 22
(181) 2034 03 22
(260) AM 2023 122950 A
(220) 2023 05 19
(732) LTD "Aversi-Pharma"
Davit Aghmashenebeli Av. 148, 0112, Tbilisi,
Georgia

(111) M 2024 38073 R
(151) 2024 03 22
(181) 2034 03 22
(260) AM 2023 121729 A
(220) 2023 02 20
(732) LTD "Shateau Manavi"
Vill. Manavi, Sagarejo, Georgia

(111) M 2024 38074 R
(151) 2024 03 22
(181) 2034 03 22
(260) AM 2023 122104 A
(220) 2023 03 17
(732) Nino Chikvashvili
Gelati St. 16-18, 4600, Kutaisi, Georgia

(111) M 2024 38075 R
(151) 2024 03 22
(181) 2034 03 22
(260) AM 2023 122420 A
(220) 2023 04 13
(732) LTD "Rich Group"
Vill. Mughanlo, Marneuli Region, Georgia

(111) M 2024 38076 R
(151) 2024 03 22
(181) 2034 03 22
(260) AM 2023 122426 A
(220) 2023 04 13
(732) IDS Borjomi Beverages Co.N.V.
Pareraweg 45, Curaçao

(111) M 2024 38077 R
(151) 2024 03 22
(181) 2034 03 22
(260) AM 2023 122425 A
(220) 2023 04 13
(732) IDS Borjomi Beverages Co.N.V.
Pareraweg 45, Curaçao

(111) M 2024 38078 R
(151) 2024 03 22
(181) 2034 03 22
(260) AM 2023 122427 A
(220) 2023 04 13
(732) IDS Borjomi Beverages Co.N.V.
Pareraweg 45, Curaçao

(111) M 2024 38079 R
(151) 2024 03 22
(181) 2034 03 22
(260) AM 2023 121723 A
(220) 2023 02 17
(732) Worldwide Franchise Systems Inc.
One StarPoint, Stamford, Connecticut 06902,
USA

TRADEMARKS REGISTERED ACCORDING TO THE ACCELERATED PROCEDURE

The decision can be appealed at the Chamber of Appeal of Sakpatenti within 3 months from the publication.

(111) M 2024 38008 R
 (151) 2024 03 20
 (181) 2034 03 20
 (210) AM 126733
 (220) 2024 01 31
 (732) TiM S.A.
 ul. T. Regeera 111, 43-382 Bielsko-Biala, Poland
 (740) Shalva Gvaramadze
 (540)



(591) Black, white, various shades of yellow, crimson
 (531) 05.03.04; 05.03.19; 05.07.10; 19.09.02;
 24.01.25; 26.11.03; 26.11.06; 26.11.08;
 27.05.01; 28.19; 29.01.15
 (526) GEORGIA; საქართველოს დროშის
 გამოსახულება Image of the flag of Georgia
 (511) 33

(111) M 2024 38080 R
 (151) 2024 03 27
 (181) 2034 03 27
 (210) AM 127007
 (220) 2024 02 14
 (732) LTD "Chirina"
 Gudishvili St. 9, 0105, Tbilisi, Georgia
 (540)



(591) White, light green
 (531) 26.04.02; 26.04.19; 26.04.22; 26.04.24;
 27.05.01; 27.05.24; 28.19; 29.01.12
 (511) 35

(111) M 2024 38081 R
 (151) 2024 03 27
 (181) 2034 03 27
 (210) AM 127339
 (220) 2024 03 05

(732) LTD "M S Group"
 Chirnakhuli St. 4, 0190, Samgori District,
 Tbilisi Georgia

(540)



(591) C30EF9 lilac, F9F9F9 white, 10CCF2 sky-blue
 (531) 27.05.01; 27.05.17; 29.01.12
 (511) 17, 20, 21, 24, 27, 28

(111) M 2024 38082 R
 (151) 2024 03 27
 (181) 2034 03 27
 (210) AM 127422
 (220) 2024 03 12
 (732) Elena Gulchuk
 Pirosmeni St. 19d, ap. 379, 6000, Batumi,
 Georgia

(540)



(591) White, 54B68F light green
 (531) 26.04.18; 27.05.22; 29.01.12
 (511) 35, 36, 43

(111) M 2024 38083 R
 (151) 2024 03 27
 (181) 2034 03 27
 (210) AM 127495
 (220) 2024 03 15
 (732) LTD "New Pharm Group"
 Irodion Evdoshvili St. 18, Office 2, 0154,
 Tbilisi, Georgia

(540)

ჰემაპროქტი
Гемапрокт
Hemaproct

(591) Black-white
 (511) 5

(111) M 2024 38084 R
 (151) 2024 03 27
 (181) 2034 03 27
 (210) AM 127328
 (220) 2024 03 01
 (732) LTD "Retail Group"
 Vill. Tserovani, Mtskheta, Georgia
 (540)



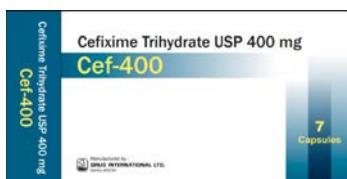
(591) Dark green, red, black
 (531) 25.05.02; 26.04.02; 26.04.22; 26.04.24;
 26.11.08; 27.05.24; 28.19; 29.01.13
 (511) 16, 32, 33, 35

(111) M 2024 38085 R
 (151) 2024 03 27
 (181) 2034 03 27
 (210) AM 127248
 (220) 2024 02 27
 (732) JSC "Tbilvino"
 Sarajishvili Av. 2, 0153, Tbilisi, Georgia
 (740) Giorgi Taktakishvili
 (540)



(591) Black, white, beige, yellow, golden
 (531) 03.07.04; 03.07.16; 26.04.02; 26.04.15;
 26.04.22; 26.04.24; 27.05.10; 27.05.24;
 29.01.15
 (526) GEORGIA
 (511) 33

(111) M 2024 38086 R
 (151) 2024 03 27
 (181) 2034 03 27
 (210) AM 127348
 (220) 2024 03 06
 (732) LTD "Inter Pharma"
 Guramishvili Av. 66A, Office 5, 0141, Tbilisi,
 Georgia
 (540)



(591) Sky-blue, yellow, black, white
 (531) 26.04.02; 26.04.09; 26.04.24; 27.05.01;
 27.05.09; 27.05.10; 27.05.24; 27.07.01;
 27.07.24; 29.01.14
 (554) Three-dimensional
 (511) 5

(111) M 2024 38087 R
 (151) 2024 03 27
 (181) 2034 03 27
 (210) AM 127417
 (220) 2024 03 11
 (732) LTD "LB Capital"
 Ilia Chavchavadze Av. 34, Shop 12A,
 0179, Vake District, Tbilisi, Georgia
 (740) Ioane Iarajuli;
 Zurab Bezhashvili
 (540)



(591) Green, black
 (531) 05.05.20; 26.04.01; 26.04.02; 26.04.15;
 27.05.01; 29.01.12
 (511) 3

(111) M 2024 38088 R
 (151) 2024 04 02
 (181) 2034 04 02
 (210) AM 127579
 (220) 2024 03 25
 (732) LTD "Donia"
 Varketili, III Array, VIII qu., bld. 1, ap. 15,
 Tbilisi, Georgia
 (540)



(591) Blue, purple, white, brown, yellow, orange
(531) 02.09.15; 09.03.16; 19.03.03; 19.03.05;
19.03.25; 29.01.15
(511) 21

(111) M 2024 38089 R
(151) 2024 04 02
(181) 2034 04 02
(210) AM 127498
(220) 2024 03 19
(732) LTD "LB Capital"
Ilia Chavchavadze Av. 34, Shop 12A, 0179,
Vake District, Tbilisi, Georgia;
Oleg Tishkevich
Sosnitskaya St. 21, ap. 219, Kyiv, 02090,
Ukraine
(740) Ioane Iarajuli;
Zurab Bezhashvili
(540)



(591) Blue, white
(531) 02.01.01; 26.01.01; 26.01.14; 26.11.12;
27.05.02; 29.01.13
(511) 3

(111) M 2024 38090 R
(151) 2024 04 02
(181) 2034 04 02
(210) AM 127504
(220) 2024 03 20
(732) LTD "Linus & Co"
Township Kazreti, Madneuli St. 10, 1101,
Bolnisi, Georgia
(540)

PARKSIDE
პარკსაიდი

(591) Black-white
(511) 7, 8

(111) M 2024 38091 R
(151) 2024 04 02
(181) 2034 04 02
(210) AM 127000
(220) 2024 02 13
(732) LTD "Smart Wearhouse"
Davit Aghmashenebeli Alley 6, 0178, Saburtalo
District, Tbilisi, Georgia

(540)



(591) 6F787F morengo, 72A03E dark green
(531) 26.04.09; 26.04.18; 26.04.24; 27.05.01
(511) 39

INTERNATIONAL TRADEMARKS FOR WHICH A DECISION ON GRANTING PROTECTIONS IS TAKEN

The decision can be appealed at the Chamber of Appeal of Sakpatenti within 3 months from the publication or at the Mtskheta District Court Administrative Cases Board (Address: №17, Samkhedro St., Mtskheta), within 1 month following the publication.

(260) AM 2024 120226 A*

(800) 1648186

(151) 2021 07 09

(891) 2022 08 03

(731) The Body Shop International Limited
Watersmead, Littlehampton, West Sussex
BN17 6LS, United Kingdom

(540)

THE BODY SHOP

(591) Black, white

(511)

44 – Hygienic and beauty care for human beings or animals (at home or at health and beauty centres); physical therapy; massage; beauty salons; health spa services; cosmetic body care services; beauty parlours, hairdressing salons; beauty institute services; hygiene and beauty care provided in thalassotherapy or balneotherapy institutes; aromatherapy services; manicures; consultancy services related to dietetic and beauty care.

(260) AM 2024 120287 A*

(800) 1694646

(151) 2022 08 11

(891) 2022 08 11

(731) Aktsionernoe Obshchestvo "Nizhegorodsky khimiko-farmatsevtichesky zavod"
Salganskaya St., 7, RU-603950 Nizhny
Novgorod, Russian Federation

(540)

УРИНАЛГИН

(591) Black, white

(531) 28.05

(511)

5 – Sanitary tampons; vulnerary sponges; surgical implants comprised of living tissues; pants, absorbent, for incontinence; sanitary panties; babies' diaper-pants.

(260) AM 2024 120418 A*

(800) 1696982

(151) 2022 07 06

(891) 2022 07 06

(731) Emergo Sport d.o.o. preduzeće za konsultantske aktivnosti u vezi s poslovanjem i ostalim upravljanjem Beograd-Stari Grad Bulevar
Vojvode Bojovića br. 8, 11000 Beograd, Serbia

(540)



(591) Black, red, orange, light blue and gray

(531) 26.11.03; 26.11.08; 27.05.01; 29.01.15

(511)

35 – Advertising; commercial research services; business management assistance.

41 – Amusement park services; entertainment services; physical education services; providing recreational facilities; health clubs; providing golf courses and equipment; organization of sports competitions; sports camp services; rental of tennis courts; rental of sports grounds.

(260) AM 2024 121288 A*

(800) 1365412

(151) 2017 02 15

(891) 2022 12 30

(731) KALESERAMİK ÇANAKKALE
KALEBODUR SERAMİK SANAYİ ANONİM
ŞİRKETİ
Büyükdere Caddesi Kaleseramik Binası,
Levent Beşiktaş, İstanbul, Türkiye

(540)

■Kalebodur

(591) Black, white

(531) 07.01.01; 07.01.06; 07.15.01

(511)

19 – Ceramic tiles; ceramic ceiling tiles; ceramic floor tiles; ceramic roofing tiles; ceramic tiles for tile floors and coverings; glazed ceramic tiles; glazed ceramic wall tiles; glazed ceramic floor tiles; glazed ceramic roofing tiles; ceramic tiles for walls, floors, lining and ceilings; ceramic tiles for facing; clay floor tiles; clay roofing tiles; clay wall tiles; floor tiles, not of metal; tiles, not of metal, for building; wall tiles, not of metal; tile floorings, not of metal; ceiling tiles of plastic; earthenware floor tiles; earthenware roofing tiles; earthenware tiles; earthenware wall tiles; fireproof tiles; floor tiles of glass; floor tiles of plastic; floor tiles of wood; glass tiles, not for roofing; gypsum tiles; plastic tiles; wall tiles of plastic; roofing tiles, not of metal; roofing tiles of glass; roofing tiles of natural

stone; roofing tiles of plastic; rubber floor tiles; stone roofing tiles; wainscotting, not of metal; stone; building stone; artificial stone; natural stone; stone for building and construction; porphyry [stone]; mosaics for building; glass mosaics for use in building; alabaster; alabaster glass; arbours [structures], not of metal; beams, not of metal; blocks of concrete; boards of wood; bricks; building materials, not of metal; building materials of artificial stone; building materials of glass; building materials of natural stone; building materials of plastics; building materials of wood; building panels, not of metal; buildings, not of metal; building timber; ceiling boards, not of metal; ceiling boards of wood; ceiling panels, not of metal; ceilings, not of metal; cement slabs; clay slabs; clinker ballast; clinker stone; coatings [building materials]; colored sheet glass for building; concrete bricks; concrete building elements; concrete building materials; concrete floors; concrete panels; concrete slabs; concrete vaults; concrete walls; concrete walls for building; coverings for ceilings, not of metal; decorative glass for building; door panels, not of metal; earth for bricks; enamelled glass, for building; engraved and cut stone plaques; facings, not of metal, for building; felt for building; felt roof coverings; floor boards, not of metal; flooring or wall claddings of synthetic materials; flooring underlay; floor panels, not of metal; floors, not of metal; furrings of wood; glass bars for building; glass blocks for building; glass bricks; glass panels for building; glass slabs for use in building; granite; insulating glass for building; laminate flooring, not of metal; linings, not of metal, for building; marble [building material]; parquet floor boards; parquet flooring; parquet flooring of wood; partitions, not of metal, for building; paving blocks, not of metal; paving slabs, not of metal; plywood; potters' clay; pottery stone; quartz; railings, not of metal; ready-to-use concrete; refractory construction materials, not of metal; reinforcing materials, not of metal, for building; rock materials for use as cladding; rock materials for use in the construction of flooring; roof coverings, not of metal; roofing boards of wood; roofing, not of metal; roofing panels, not of metal; rubber flooring; sandstone for building; slabs, not of metal, for building; slates for cladding roofs; slates for cladding walls; wall panels, not of metal; wooden flooring; wooden floor boards; wood panelling; wood, semi-worked; sand, gravel, crushed stone, gypsum, building materials [as finished products] made of concrete, gypsum, clay, potters' clay, stone, marble, wood, plastics and synthetic materials for building, construction, road construction purposes, included in this class; non-metallic buildings, non-metallic building materials, poles not of metal for power lines, barriers not of metal; natural and synthetic coatings in the form of panels and sheets, being building materials; bitumen cardboard coatings for roofing; bitumen coating for roofing;

(260) AM 2024 121289 A*

(800) 1378532

(151) 2017 02 15

(891) 2022 12 30

(731) KALESERAMİK ÇANAKKALE

KALEBODUR SERAMİK SANAYİ ANONİM ŞİRKETİ

Levent Mah. Prof. Ahmet Kemal Aru Sok, Kale Holding No:4/1, Beşiktaş/İstanbul, Türkiye

(540)



(591) Black, white

(531) 07.01.01; 07.01.06; 07.15.01

(511)

19 – Ceramic tiles; ceramic ceiling tiles; ceramic floor tiles; ceramic roofing tiles; ceramic tiles for tile floors and coverings; glazed ceramic tiles; glazed ceramic wall tiles; glazed ceramic floor tiles; glazed ceramic roofing tiles; ceramic tiles for walls, floors, lining and ceilings; ceramic tiles for facing; clay floor tiles; clay roofing tiles; clay wall tiles; floor tiles, not of metal; tiles, not of metal, for building; wall tiles, not of metal; tile floorings, not of metal; ceiling tiles of plastic; earthenware floor tiles; earthenware roofing tiles; earthenware tiles; earthenware wall tiles; fireproof tiles; floor tiles of glass; floor tiles of plastic; floor tiles of wood; glass tiles, not for roofing; gypsum tiles; plastic tiles; wall tiles of plastic; roofing tiles, not of metal; roofing tiles of glass; roofing tiles of natural stone; roofing tiles of plastic; rubber floor tiles; stone roofing tiles; wall tiles of glass; wainscotting, not of metal; stone; building stone; artificial stone; natural stone; stone for building and construction; porphyry [stone]; mosaics for building; glass mosaics for use in building; alabaster; alabaster glass; arbours [structures], not of metal; beams, not of metal; blocks of concrete; boards of wood; bricks; building materials, not of metal; building materials of artificial stone; building materials of glass; building materials of natural stone; building materials of plastics; building materials of wood; building panels, not of metal; building timber; ceiling boards, not of metal; ceiling boards of wood; ceiling panels, not of metal; ceilings, not of metal; cement slabs; clay slabs; clinker ballast; clinker stone; coatings [building materials]; colored sheet glass for building; concrete bricks; concrete building elements; concrete building materials; concrete floors; concrete panels; concrete slabs; concrete vaults; concrete walls; concrete walls for building; coverings for ceilings, not of metal; decorative glass for building; earth for bricks; enamelled glass, for building; engraved and cut stone plaques; facings, not of metal, for building; felt for building; felt roof coverings; floor boards, not of metal; flooring or wall claddings of synthetic materials; flooring underlay; floor panels, not of metal; floors, not of metal; furrings of wood; glass bars for building; glass blocks for building; glass bricks; glass panels for building; glass slabs for

use in building; granite; insulating glass for building; laminate flooring, not of metal; linings, not of metal, for building; marble [building material]; parquet floor boards; parquet flooring; parquet flooring of wood; partitions, not of metal, for building; paving blocks, not of metal; paving slabs, not of metal; plywood; potters' clay; pottery stone; quartz; railings, not of metal; ready-to-use concrete; refractory construction materials, not of metal; reinforcing materials, not of metal, for building; rock materials for use as cladding; rock materials for use in the construction of flooring; roof coverings, not of metal; roofing boards of wood; roofing, not of metal; roofing panels, not of metal; rubber flooring; sandstone for building; slabs, not of metal, for building; slates for cladding roofs; slates for cladding walls; terra cotta [building material]; vinyl tile flooring; wall linings, not of metal, for building; wall panels, not of metal; wooden flooring; wooden floor boards; wood panelling; wood, semi-worked; sand, gravel, crushed stone, asphalt, bitumen, cement, lime, gypsum, plaster, concrete, marble blocks for construction, included in this class; building materials [as finished products] made of concrete, gypsum, clay, potters' clay, stone, marble, wood, plastics and synthetic materials for building, construction, road construction purposes, included in this class; non-metallic buildings, non-metallic building materials, natural and synthetic coatings in the form of panels and sheets, being building materials; bitumen cardboard coatings for roofing; bitumen coating for roofing; building glass; building materials [non-metallic]; non-metallic rigid pipes for building

(260) AM 2024 123257 A

(800) 1733897

(151) 2023 04 01

(891) 2023 04 01

(731) Dongguan Roker Electronics Co., Limited
Room 618, Guanghui Building, Dongzheng
Road, Changping Town, Dongguan City,
Guangdong Province, China

(540)

CHALKED

(591) Black, white

(511)

9 – Cabinets for loudspeakers; computer keyboards; computer peripheral devices; headphones; wires, electric; cases for smartphones; microphones; portable charger (rechargeable battery); mouse [data processing equipment]; computer case.

(260) AM 2024 123258 A

(800) 1733899

(151) 2023 04 18

(891) 2023 04 18

(731) Zakrytoe aktsionernoe obshchestvo "Myasnaya Galereya"

ul. Poliny Osipenko, d. 65, of. 10, RU-600009
g. Vladimir, Russian Federation

(540)

Грандмени

(591) Black, white

(531) 28.05

(511)

30 – Vanilla flavourings for culinary purposes; flavourings, other than essential oils, for cakes; flavourings, other than essential oils, for beverages; coffee flavourings; food flavourings, other than essential oils; star aniseed; baozi [stuffed buns]; cereal bars; high-protein cereal bars; pancakes; noodle-based prepared meals; freeze-dried dishes with the main ingredient being pasta; freeze-dried dishes with the main ingredient being rice; buns; bread rolls; edible rice paper; edible paper; burritos; vanillin [vanilla substitute]; vareniki [stuffed dumplings]; waffles; vermicelli; natural sweeteners; sausage binding materials; binding agents for ice cream; seawater for cooking; seaweed [condiment]; malt biscuits; cloves [spice]; mirror icing [mirror glaze]; cake frosting [icing]; glucose for culinary purposes; mustard; gluten additives for culinary purposes; yeast; fried pelmeni; thickening agents for cooking foodstuffs; leaven; rice-based snack food; cereal-based snack food; coffee substitutes; vegetal preparations for use as coffee substitutes; dressings for salad; fruit jellies [confectionery]; candy decorations for cakes; confectionery for decorating Christmas trees; cakes; pastries; peanut confectionery; almond confectionery; pasta; ginger [spice]; frozen yogurt [confectionery ices]; cocoa; cream of tartar for culinary purposes; capers; caramels [sweets]; curry [spice]; ketchup [sauce]; kimbab; quiches; gluten prepared as foodstuff; flour-based dumplings; sweets; liquorice [confectionery]; peppermint sweets; dulce de leche; cinnamon [spice]; coffee; unroasted coffee; starch for food; crackers; custard; hominy grits; semolina; oatmeal; crushed barley; groats for human food; ice cubes; corn, milled; corn, roasted; meat pies; turmeric; couscous [semolina]; noodles; ice for refreshment; ice, natural or artificial; edible ices; lollipops [confectionery]; rice cakes; mayonnaise; macarons [pastry]; macaroni; maltose; hominy; piccalilli; marinades; marzipan; honey; miso [seasoning]; royal jelly; ice cream; bean meal; tapioca flour; potato flour; corn flour; nut flours; flour; wheat flour; soya flour; barley meal; dessert mousses [confectionery]; chocolate mousses; muesli; mint for confectionery; cocoa beverages with milk; coffee beverages with milk; coffee-based beverages; cocoa-based beverages; chamomile-based beverages; tea-based beverages; chocolate beverages with milk; chocolate-based beverages; infusions, not medicinal; crushed oats; husked oats; okonomiyaki [Japanese savory pancakes]; onigiri [rice balls]; nutmegs [spice]; chocolate-coated nuts; stick liquorice [confectionery]; lozenges [confectionery]; molasses for food; pâtés en croûte; pelmeni; khinkali

[stuffed dumplings]; manti [stuffed dumplings]; pepper; allspice; peppers [seasonings]; pesto [sauce]; biscuits; petit-beurre biscuits; bibimbap [rice mixed with vegetables and beef]; pies; pizzas; meat gravies; fondants [confectionery]; popcorn; powders for making ice cream; baking powder; mustard meal; pralines; aromatic preparations for food; condiments; meat tenderizers for culinary purposes; cereal preparations; oat-based food; propolis; gingerbread; spices; petits fours [cakes]; rice pudding; puddings; cake powder; fruit coulis [sauces]; ravioli; ramen [Japanese noodle-based dish]; chewing gum; relish [condiment]; rice; instant rice; wheat germ for human consumption; spring rolls; sago; palm sugar; sugar; sesame seeds [seasonings]; linseed for culinary purposes [seasoning]; processed seeds for use as a seasoning; aniseed; agave syrup [natural sweetener]; golden syrup; candy bars; batter mixes for okonomiyaki [Japanese savory pancakes]; baking soda [bicarbonate of soda for cooking purposes]; malt for human consumption; salt for preserving foodstuffs; cooking salt; celery salt; sorbets [ices]; ham glaze; soya sauce; tomato sauce; sauces [condiments]; pasta sauce; spaghetti; seasonings; chocolate-based spreads; chocolate spreads containing nuts; preparations for stiffening whipped cream; rusks; breadcrumbs; sushi; senbei [rice crackers]; sandwiches; tabbouleh; tacos; tapioca; tarts; dough; pastry dough; almond paste; rice pulp for culinary purposes; cake batter; tortillas; garden herbs, preserved [seasonings]; chocolate decorations for cakes; vinegar; beer vinegar; ferments for dough; halvah; bread; unleavened bread; chips [cereal products]; corn flakes; oat flakes; hot dog sandwiches; flowers or leaves for use as tea substitutes; jiaozi [stuffed dumplings]; chicory [coffee substitute]; tea; iced tea; chutneys [condiments]; chebureki [deep-fried pies]; minced garlic [condiment]; cheeseburgers [sandwiches]; chowchow [condiment]; saffron [seasoning]; chocolate; malt extract for food; essences for foodstuffs, except etheric essences and essential oils; husked barley.

(260) AM 2024 123301 A

(800) 1589196

(151) 2020 11 19

(891) 2023 04 20

(731) Zakrytoe aktsionernoe obshchestvo "Myasnaya galereya"
ul. Poliny Osipenko, d. 65, of. 10, RU-600009
g. Vladimir, Russian Federation

(540)

Горячая штучка

(591) Black, white

(531) 28.05

(511)

29 – Meat, fish, poultry and game; meat extracts; preserved, frozen, dried and cooked fruits and vegetables; jellies, jams, compotes; eggs; milk and milk products; edible oils and fats; alginates for culinary purposes;

anchovy, not live; peanuts, prepared; albumen for culinary purposes; white of eggs; beans, preserved; soya beans, preserved, for food; broth; ginger jam; fatty substances for the manufacture of edible fats; edible birds' nests; peas, preserved; mushrooms, preserved; gelatine; meat jellies; jellies for food; fruit jellies; yolk of eggs; coconut fat; bone oil for food; lard; suet for food; fruit-based snack food; charcuterie; raisins; caviar; sauerkraut; isinglass for food; blood sausage; meat, canned; vegetables, canned; fish, canned; fruits, canned; broth concentrates; gherkins; shrimps, not live; buttercream; croquettes; silkworm chrysalis for human consumption; toasted laver; spiny lobsters, not live; salmon, not live; onions, preserved; margarine; marmalade; vegetable oils for food; peanut butter; cocoa butter for food; coconut oil for food; butter; mussels, not live; almonds, ground; animal marrow for food; mollusks, not live; soya milk; fish meal for human consumption; fruit pulp; meat, preserved; potato fritters; olives, preserved; lobsters, not live; coconut, desiccated; nuts, prepared; tomato paste; liver pâté; pectin for culinary purposes; liver; pickles; powdered eggs; products made from salted ham; kimchi; fish-based foodstuffs; prostokvasha [soured milk]; poultry, not live; pollen prepared as foodstuff; cranberry compote; apple purée; crustaceans, not live; fish, not live; fish, preserved; vegetable salads; fruit salads; bacon; sardines, not live; pork; herrings, not live; whipped cream; fat-containing mixtures for bread slices; tomato juice for cooking; vegetable juices for cooking; salted meats; sausages in batter; preparations for making bouillon; preparations for making soup; tripe; soups; vegetable soup preparations; cheese; tahini; tofu; sea-cucumbers, not live; truffles, preserved; tuna, not live; oysters, not live; rennet; fish fillets; dates; frosted fruits; fruit preserved in alcohol; potato flakes; hummus; fruit peel; lentils, preserved; potato chips; fruit chips; seaweed extracts for food; snail eggs for consumption.

30 – Coffee; tea; cocoa; sugar; rice; tapioca; sago; artificial coffee; flour and preparations made from cereals; bread, pastry and confectionery; ice cream; honey; treacle; yeast; baking powder; salt; mustard; vinegar; condiments; spices; edible ices; aromatic preparations for food; food flavorings, other than essential oils; star aniseed; biscuits; pancakes; buns; bread rolls; vanillin [vanilla substitute]; vanilla flavorings for culinary purposes; waffles; vermicelli; coffee flavorings; natural sweeteners; sausage binding materials; binding agents for edible ices; sea water for cooking; glucose for culinary purposes; thickening agents for cooking foodstuffs; rice-based snack food; cereal-based snack food; vegetal preparations for use as coffee substitutes; confectionery for decorating Christmas trees; fruit jellies [confectionery]; cakes; peanut confectionery; almond confectionery; pasta; pasties; frozen yogurt [confectionery ices]; capers; caramels [sweets]; gruel, with a milk base, for food; quiches; gluten prepared as foodstuff; sweets; liquorice [con-

fectionery]; peppermint sweets; unroasted coffee; starch for food; crackers; hominy grits; groats for human food; corn, milled; corn, roasted; meat pies; turmeric; couscous; farinaceous foods; noodles; ice for refreshment; ice, natural or artificial; lollipops [confectionery]; rice cakes; maltose; hominy; marzipan; custard; royal jelly; fruit ice cream; muesli; mint for confectionery; cocoa beverages with milk; coffee beverages with milk; coffee-based beverages; tea-based beverages; chocolate beverages with milk; chocolate-based beverages; cocoa-based beverages; infusions, not medicinal; crushed oats; husked oats; nutmegs; pastilles [confectionery]; molasses for food; pepper; petits fours; cookies; pies; pizzas; fondants [confectionery]; popcorn; powders for making ice cream; pralines; meat tenderizers for household purposes; oat-based food; bee glue; gingerbread; puddings; cake powder; ravioli; pelmeni; chewing gum; spring rolls; aniseed; cake dough; sugar confectionery; baking soda [bicarbonate of soda for cooking purposes]; malt for human consumption; salt for preserving foodstuffs; cooking salt; celery salt; spaghetti; seasonings; preparations for stiffening whipped cream; rusks; breadcrumbs; sushi; sandwiches; tabbouleh; tacos; soya bean paste; almond paste; tortillas; fruit and berry cakes; garden herbs, preserved [seasonings]; candy decorations for cakes; ferments for pastes; halvah; unleavened bread; chips [cereal products]; chicory [coffee substitute]; iced tea; chocolate; malt extract for food; essences for foodstuffs, except etheric essences and essential oils; piccalilli.

(260) AM 2024 123302 A

(800) 1610773

(151) 2021 04 09

(891) 2023 05 23

(731) ArcelorMittal

24-26 Boulevard d'Avranches, Luxembourg,

L-1160, Luxembourg

(540)

XCarb

(591) Black, white

(511)

4 – Fuels, coke, coal.

6 – Common metals and their alloys; unprocessed or semi processed steel, including stainless steel, carbon steel, clad steel, dip-coated steel, chromium-plated steel, galvanized steel, electrogalvanized steel, prelacquered steel, coloured steel and aluminium-clad steel; unprocessed or semi processed pig iron; scrap iron; unprocessed or semi processed iron, including tinplate, direct reduction iron and directly reduced iron; metal ores, including crude or prepared ores; metal building materials; rolled or sectional metal building materials, such as heavy sections, girders, piles and beams; metal reinforcements for concrete; metal covering plates for the building industry; metal floors, me-

tal slabs, metal partitions, metal multilayer panels, metal facings, metal cladding and covers (building materials); steel containers; transportable metal constructions, including metal shelters and parts of shelters; metal section constructions for residential use, possibly also serving as small activity buildings; metal materials for railways, including rails and their constituent parts; non-electric metal wires and cables, including metal welding wires and barbed wires; metal tubes and pipes (building materials); non-electric metal lock mechanisms; ironmongery; metal grids and grilles, metal fencing, coated or uncoated metal trellis and mesh products (building materials); springs (ironmongery); metal wire, nail and bolt products, not included in other classes; metal plates and sheets, sandwich sheets and multilayer metal products not included in other classes; structures of metal for screening; metal chassis; metal tanks and metal containers; metal boxes (not included in other classes), including welded metal boxes and their constituent parts, such as the bottoms of welded cans; metal sealing rings and caps; metal preserving cans and covers for them, including drinks cans; metal manhole covers; packaging made of common metals and tinplate; metal moulds for foundrywork; metal iron and steel products namely billets, slabs, plates, sheets, foils, blanks, hoops, coils, profiled strips, bars, girders, beams, strips, rods, tubes, wires, cables, billets, casting ingots and forging ingots; very heavy oxycut metal products for steel plate cutting; steel balls; slabs; metal products namely forged, moulded, cast, stamped, drawn, welded or machined metal parts used in boilermaking.

12 – Metal parts for vehicles, not included in other classes; bodywork and bodywork components; bumpers, hoods, suspensions for land vehicles, sleepers, namely cross bars for reinforcing the frame of vehicles and for acting as a radiator support for vehicles, automobile chassis, wheels, metal axles, front and rear axles of vehicles, as well as engines, all for land vehicles.

36 – Financial trading services, namely brokerage of carbon offsets in the nature of financial trading of emission certificates for climate protection.

40 – Treatment of metals; treatment of ores, steel, common metals and their alloys; treatment of metals and all mechanical, thermomechanical or chemical transformations of the properties and characteristics of metals, including direct reduction of iron, hardening of metals, dampening of metals, finishing of metal surfaces, brazing, casting, anodising, chromizing, sintering, electrogalvanizing, phosphatizing, grinding, fashioning, tinning, galvanizing, nickel plating, rolling, armouring, cutting, polishing, magnetizing, plating, drawing, cleaning and welding; recycling of metal products; treatment of materials during the process for manufacturing metal products, such as forging, pressing, fettling, machining, rolling and forming of metals; vacuum treatment; nitriding; assem-

bly of metal sections; treatment of materials for boiler-making; gas recycling treatment.

42 – Scientific and technological services and research and design relating thereto; industrial analysis and research services; software design and development; consultation and information relating to the aforesaid services, also in the context of customer service; materials testing and mechanical research, as well as related consulting and information; technical project studies; technical and scientific consulting and information services for improving the quality of goods and services in the field of metals, steels and their applications (quality control); preparation of reports relating to technological research and engineering services in the field of metals, steels and their applications; preparation of reports relating to technological research and engineering services in the field of steels and their use; plan drafting (construction); design and development of software, especially for iron and steel working; design of software to provide global solutions for the building industry.

45 – Licensing in relation to emission certificates for climate protection.

(260) AM 2024 123303 A

(800) 1676118

(151) 2022 05 18

(891) 2023 04 12

(731) OOO BIZNES FOKS

ul. Klubnaya, 9, apt. 80, pos. Otradnoe,
RU-143442 Krasnogorsk, Moskovskaya obl.,
Russian Federation

(540)



The logo for BUSINESSFOX features the word "BUSINESSFOX" in a bold, sans-serif font. The "O" in "FOX" is stylized as a fox's head in profile, facing right, with a white body and orange accents. A curved orange line sweeps under the "FOX" part of the text.

(591) Black, orange and white

(531) 03.01.08; 03.01.24; 27.05.01; 27.05.04;
27.05.09; 29.01; 29.01.13

(511)

9 – 3D spectacles; DVD players; ticket dispensers; juke boxes, musical; fire engines; answering machines; electrical adapters; batteries for electronic cigarettes; accumulators, electric; batteries, electric, for vehicles; accelerometers, actinometers; alidades; altimeters; ear pads for headphones; ammeters; nanoparticle size analysers; anemometers; anodes; aerials; anticathodes; apertometers [optics]; high-frequency apparatus; testing apparatus not for medical purposes; remote control apparatus; electro-dynamic apparatus for the remote control of railway points; electro-dynamic apparatus for the remote control of signals; monitoring apparatus, other than for medical purposes; sound recording apparatus; Global Positioning System [GPS] apparatus; distillation apparatus for scientific purposes; diffraction apparatus [microscopy]; air analysis apparatus; apparatus to check franking; sound trans-

mitting apparatus; fermentation apparatus for laboratory use; breathing apparatus for underwater swimming; breathing apparatus, except for artificial respiration; apparatus and installations for the production of X-rays, not for medical purposes; cash registers, electric apparatus for commutation; intercommunication apparatus; stills for laboratory experiments; projection apparatus; fire extinguishing apparatus; radiological apparatus for industrial purposes; X-ray apparatus not for medical purposes; blueprint apparatus; flashing lights [luminous signals]; stereoscopic apparatus; telephone apparatus; facsimile machines; phototelegraphy apparatus; igniting apparatus, electric, for igniting at a distance; acid hydrometers; salinometers; acidimeters for batteries; aerometers; beacons, luminous; battery jars; automated teller machines [ATM]; barometers; anode batteries; galvanic batteries; ignition batteries; solar batteries; solar panels for the production of electricity; batteries, electric; balances [steelyards]; betatrons; binoculars; biochips; electronic tags for goods; lens hoods; magnetic tape units for computers; computer memory devices; fire hose nozzles; encoded identification bracelets, magnetic; connected bracelets [measuring instruments]; safety tarpaulins; electronic key fobs being remote control apparatus; bullet-proof clothing; signalling buoys; life buoys; marking buoys; directional compasses; vacuum gauges; variometers; verniers; scales; baby scales; bathroom scales, letter scales; weighbridges; precision balances; scales with body mass analysers; levelling staffs [surveying instruments]; camcorders; video baby monitors; video cassettes; video projectors; video telephones; video screens; viewfinders, photographic; electric plugs, micrometer screws for optical instruments; viscosimeters; circuit closers; wavemeters; voltmeters; mechanical signs; switchboxes [electricity]; current rectifiers; gas testing instruments; gasometers [measuring instruments]; galvanometers; hands-free kits for telephones; heliographic apparatus; hygrometers; hydrometers; weights; peepholes [magnifying lenses] for doors; hairdressing training heads [teaching apparatus]; holograms; plotters; loudspeakers; sounding leads; plumb bobs; range finders; parking sensors for vehicles; piezoelectric sensors; densimeters; densitometers; detectors; smoke detectors; infrared detectors; counterfeit coin detectors; joysticks for use with computers, other than for video games; transparencies [photography]; slide projectors; diaphragms [photography]; dictating machines; dynamometers; light-emitting diodes [LED]; quantum dot light-emitting diodes [QLED]; organic light-emitting diodes [OLED]; floppy disks; circular slide rules; disk drives for computers; juke boxes for computers; wearable video display monitors; electronic numeric displays; DNA chips; electric wire harnesses for automobiles; bullet-proof vests; life jackets; reflective safety vests; identification threads for electric wires; nose clips for divers and swimmers; padlocks, electronic; locks, electric; bells [warning devices]; alarm bells, electric; electric

door bells; signal bells; audio interfaces; acoustic conduits; mirrors for inspecting work, road signs, luminous or mechanical, signs, luminous; downloadable emoticons for mobile phones; marine depth finders; probes for scientific purposes; buzzers; needles for surveying compasses; needles for record players; eye-wear; reflective articles for wear, for the prevention of accidents; measures, pressure measuring apparatus; simulators for the steering and control of vehicles; inverters [electricity]; pressure indicators; automatic indicators of low pressure in vehicle tyres; temperature indicators; incubators for bacteria culture; measuring instruments; cosmographic instruments; mathematical instruments; levelling instruments; instruments containing eyepieces; surveying instruments; azimuth instruments; interfaces for computers; ionization apparatus not for the treatment of air or water; satellite finder meters; spark-guards; coaxial cables; fibre optic cables; cables, electric; calipers; slide calipers; screw-tapping gauges; calorimeters; calculating machines; pocket calculators; decompression chambers; rearview cameras for vehicles; cinematographic cameras; thermal imaging cameras; mouth guards for sports; life-saving capsules for natural disasters; electronic pens [visual display units]; holders for electric coils; biometric identity cards; identity cards, magnetic; video game cartridges; toner cartridges, unfilled, for printers and photocopiers; ink cartridges, unfilled, for printers and photocopiers; memory cards for video game machines, encoded magnetic cards; riding helmets; protective helmets; carriers for dark plates [photography]; cathodes; spools [photography]; choking coils [impedance]; coils, electric; electromagnetic coils; cinematographic film, exposed; computer keyboards; solenoid valves [electromagnetic switches]; wire connectors [electricity]; thin client computers; downloadable cryptographic keys for receiving and spending crypto assets; encoded key cards; electronic book readers; electronic agendas; push buttons for bells; mouse pads; magnetic encoders; visors for helmets; collectors, electric; calibrating rings; smart rings; ring sizers; protective suits for aviators; commutators; compact discs [audio-video]; compact discs [read-only memory]; comparators; marine compasses; computers; laptop computers; tablet computers; notebook computers; wearable computers; condensers [capacitors]; contacts, electric; wind socks for indicating wind direction; traffic cones; branch boxes [electricity]; distribution boxes [electricity]; junction boxes [electricity]; battery boxes; cabinets for loudspeakers; diving suits; downloadable e-wallets; galena crystals [detectors]; covers for electric outlets; logs [measuring instruments]; lasers, not for medical purposes; lactodensimeters; lactometers; vacuum tubes [radio]; darkroom lamps [photography]; thermionic valves; amplifying tubes; flashlights [photography]; head cleaning tapes [recording]; magnetic tapes; surveying chains; fire escapes; rulers [measuring instruments]; square rulers for measuring; slide-rules; contact len-

ses; correcting lenses [optics]; optical lenses; optical condensers; sounding lines; electricity conduits; measuring spoons; magnifying glasses [optics]; thread counters; magnets; decorative magnets; close-up lenses; crash test dummies; resuscitation mannequins [teaching apparatus]; mouse [computer peripheral]; trackballs [computer peripherals]; pressure gauges; security tokens [encryption devices]; divers' masks; soldiers' helmets; protective masks, not for medical purposes; respiratory masks, other than for artificial respiration; materials for electricity mains [wires, cables]; voting machines; money counting and sorting machines; material testing instruments and machines; furniture especially made for laboratories; megaphones; diaphragms [acoustics]; diaphragms for scientific apparatus; metal detectors for industrial or military purposes; digital weather stations; metronomes; rules [measuring instruments]; carpenters' rules; dressmakers' measures; mechanisms for coin-operated apparatus; mechanisms for counter-operated apparatus; coin-operated mechanisms for television sets; shutter releases [photography]; micrometers; microprocessors; microscopes; microtomes; microphones; audio mixers; modems; lightning conductors; monitors [computer hardware]; monitors [computer programs]; selfie sticks [hand-held monopods]; terminals [electricity]; junction sleeves for electric cables; teeth protectors; temperature indicator labels, not for medical purposes; knee-pads for workers; headphones; earpieces for remote communication; surveyors' levels; electronic sheet music, downloadable; sheaths for electric cables; identification sheaths for electric wires; weighing machines; computer hardware; punched card machines for offices; life saving equipment; shoes for protection against accidents, irradiation and fire; objectives [lenses] [optics]; lenses for astrophotography; selfie lenses; egg-candlers, fire extinguishers; rescue laser signalling flares, electrified fences, limiters [electricity]; clothing for protection against accidents, irradiation and fire; clothing for protection against fire; asbestos clothing for protection against fire; clothing especially made for laboratories; survival blankets; ozonisers [ozonators]; octants; eyepieces; ohmmeters; wrist rests for use with computers; spectacle frames; oscillographs; plumb lines; mirrors [optics]; spectacles; sunglasses; goggles for sports; electronic collars to train animals; finger sizers; signalling panels, luminous or mechanical; biometric passports; wah-wah pedals; radio pagers; pince-nez; electronic pocket translators; transmitters [telecommunication]; telephone transmitters; transmitters of electronic signals; switches, electric; periscopes; data gloves; gloves for divers; gloves for protection against accidents; gloves for protection against X-rays for industrial purposes; asbestos gloves for protection against accidents; furnaces for laboratory use; droppers for measuring, other than for medical or household purposes; laboratory pipettes; pyrometers; planimeters; plane tables [surveying instruments]; plates for batteries; computer

software platforms, recorded or downloadable; wafers for integrated circuits; printed circuit boards; protective films adapted for smartphone screens; X-ray films, exposed; films, exposed; life-saving rafts; animal signalling rattles for directing livestock; laboratory trays; digital signs; stands adapted for laptops; semi-conductors; polarimeters; personal digital assistants [PDAs]; fire pumps; measuring glassware; weight belts for divers; life belts; fuses; circuit breakers; converters, electric; telerupters; food analysis apparatus; diagnostic apparatus, not for medical purposes; distance measuring apparatus; speed measuring apparatus [photography]; appliances for measuring the thickness of leather; apparatus for measuring the thickness of skins; speed checking apparatus for vehicles; teaching apparatus; time recording apparatus; apparatus and instruments for astronomy; surveying apparatus and instruments; weighing apparatus and instruments; nautical apparatus and instruments; navigational instruments; optical apparatus and instruments; apparatus and instruments for physics; chemistry apparatus and instruments; measuring apparatus; measuring devices, electric; boiler control instruments; meteorological instruments, naval signalling apparatus; observation instruments; navigation apparatus for vehicles [on-board computers]; satellite navigational apparatus; regulating apparatus, electric; telecommunication apparatus in the form of jewellery; precision measuring apparatus; audio- and video-receivers; prisms [optics]; ticket printers; printers for use with computers; hemline markers; retorts' stands; apparatus for changing record player needles; drainers for use in photography; cleaning apparatus for phonograph records; fire beaters; sighting telescopes for firearms; telescopic sights for artillery; test tubes; pressure indicator plugs for valves; magnetic wires; telegraph wires; telephone wires; wires, electric; conductors, electric; copper wire, insulated; fuse wire; computer programs, recorded; computer game software, downloadable; processors [central processing units]; rods for water diviners; distribution consoles [electricity]; control panels [electricity]; radar apparatus; masts for wireless aerials; transmitting sets [telecommunication]; radios; vehicle radios; sprinkler systems for fire protection; frames for photographic transparencies; screens for photoengraving; flowmeters; walkie-talkies; voltage surge protectors; voltage regulators for vehicles; stage lighting regulators; light dimmers [regulators], electric; speed regulators for record players; cell switches [electricity]; washing trays [photography]; marking gauges [joinery]; T-squares for measuring; time switches, automatic; relays, electric; body harnesses for support when lifting loads; X-ray photographs, other than for medical purposes; rheostats; respirators for filtering air; retorts; refractometers; refractors; grids for batteries; security surveillance robots; laboratory robots; teaching robots; telepresence robots; humanoid robots with artificial intelligence for use in scientific research; electric soc-

kets; height measuring instruments; speaking tubes; horns for loudspeakers; subwoofers; saccharometers; optical fibres [light conducting filaments]; traffic-light apparatus [signalling devices]; dog whistles; signalling whistles; sports whistles; sextants; inductors [electricity]; safety nets; nets for protection against accidents; fire alarms; signals, luminous or mechanical; rescue flares, non-explosive and non-pyrotechnic; sirens; electronic access control systems for interlocking doors; scanners [data processing equipment]; hand-held electronic dictionaries; integrated circuit cards [smart cards]; smartglasses; smartphones; smartwatches; connections for electric lines; couplings, electric; sonars; sound locating instruments; lighting ballasts; resistances, electric; spectrograph apparatus; spectroscopes; speed indicators; alcoholmeters; satellites for scientific purposes; protection devices for personal use against accidents; audiovisual teaching apparatus; charging stations for electric vehicles; radiotelegraphy sets; radiotelephony sets; spectacle lenses; anti-glare glasses; optical glass; personal stereos; stereoscopes; stands for photographic apparatus; stroboscopes; fire boats; sulfimeters; bags adapted for laptops; drying racks [photography]; spherometers; integrated circuits; printed circuits; counters; parking meters; mileage recorders for vehicles; revolution counters; abacuses; egg timers [sandglasses]; taximeters; ear plugs for divers; tachometers; television apparatus; telegraphs [apparatus]; telescopes; teleprompters; teleprinters; cordless telephones; mobile telephones; theodolites; credit card terminals; interactive touch screen terminals; thermo-hygrometers; thermometers, not for medical purposes; thermostats; thermostats for vehicles; climate control digital thermostats; crucibles [laboratory]; tone arms for record players; totalizers; transistors [electronic]; transponders; protractors [measuring instruments]; transformers [electricity]; step-up transformers; resuscitation training simulators; vehicle breakdown warning triangles; triodes; starter cables for motors; discharge tubes, electric, other than for lighting; capillary tubes for laboratory use; neon signs; Pitot tubes; X-ray tubes not for medical purposes; telephone receivers; headgear being protective helmets; squares for measuring; quantity indicators; petrol gauges; water level indicators; electric loss indicators; light-emitting electronic pointers; slope indicators; levels [instruments for determining the horizontal]; mercury levels; spirit levels; urinometers; amplifiers; particle accelerators; electric installations for the remote control of industrial operations; baby monitors; steering apparatus, automatic, for vehicles; balancing apparatus; invoicing machines; protection devices against X-rays, not for medical purposes; railway traffic safety appliances; data processing apparatus; oxygen transvasing apparatus; theft prevention installations, electric; devices for the projection of virtual keyboards; film cutting apparatus; drying apparatus for photographic prints; optical character readers; centering apparatus for photographic transparen-

cies; dosage dispensers; battery chargers; chargers for electric accumulators; chargers for electronic cigarettes; acoustic alarms; sounding apparatus and machines; cathodic anti-corrosion apparatus; couplers [data processing equipment]; wearable activity trackers, anti-theft warning apparatus; computer peripheral devices; anti-interference devices [electricity]; demagnetizing apparatus for magnetic tapes; acoustic couplers; alarms; fog signals, non-explosive; whistle alarms; adding machines; readers [data processing equipment]; heat regulating apparatus; photocopiers [photographic, electrostatic, thermic]; electric and electronic effects units for musical instruments; bar code readers; downloadable ring tones for mobile phones; educational animated cartoons for children; filters for respiratory masks; filters for ultraviolet rays, for photography; filters for use in photography; USB flash drives; magic lanterns; optical lanterns; signal lanterns; cameras [photography]; glazing apparatus for photographic prints; shutters [photography]; darkrooms [photography]; photometers; flash-bulbs [photography]; digital photo frames; enlarging apparatus [photography]; photovoltaic cells; containers for contact lenses; spectacle cases; containers for microscope slides; cases especially made for photographic apparatus and instruments; chromatography apparatus for laboratory use; chronographs [time recording apparatus]; laboratory centrifuges; spectacle chains; cyclotrons; compasses for measuring; frequency meters; time clocks [time recording devices]; Petri dishes; sleeves for laptops; covers for personal digital assistants [PDAs]; covers for tablet computers; fire blankets; chips [integrated circuits]; jigs [measuring instruments]; pedometers; meteorological balloons; electrified rails for mounting spot lights; asbestos screens for firemen; fire hose; virtual reality headsets; protective helmets for sports; head guards for sports; lifeboats; snorkels; cell phone straps; spectacle cords; tripods for cameras; switchboards; distribution boards [electricity], equalizers [audio apparatus]; screens [photography]; workmen's protective face-shields; projection screens; radiology screens for industrial purposes; fluorescent screens; exposure meters [light meters]; ducts [electricity]; galvanic cells; downloadable graphics for mobile phones; epidiascopes; ergometers; armatures [electricity]; black boxes [data recorders]; magnetic resonance imaging [MRI] apparatus, not for medical purposes; safety restraints, other than for vehicle seats and sports equipment; smartphone cases.

16 – Fountain pens; aquarelles; albums; almanacs; document laminators for office use; mimeograph apparatus and machines; atlases; banknotes; banners of paper; paper bows, other than haberdashery or hair decorations; name badges [office requisites]; table linen of paper; tickets; baggage claim check tags of paper; forms, printed; announcement cards [stationery]; glitter for stationery purposes; note books; pads [stationery]; drawing pads; wristbands for the retention of

writing instruments; pamphlets; booklets; paper; paper sheets [stationery]; waxed paper; paper for medical examination tables; paper for recording machines; paper for radiograms; papers for painting and calligraphy; electrocardiograph paper; drawer liners of paper, perfumed or not; wood pulp paper; carbon paper; copying paper [stationery]; parchment paper; writing paper; rice paper; luminous paper; toilet paper; wrapping paper; filter paper; washi; blotters; newsletters; rollers for typewriters; house painters' rollers; composing sticks; modelling wax, not for dental purposes; signboards of paper or cardboard; sewing patterns; bunting of paper; newspapers; electrotypes; hectographs; modelling clay; polymer modelling clay; terrestrial globes; drawing sets; engravings; slate pencils; pencil leads; document holders [stationery]; pencil holders; chalk holders; holders for cheque books; holders for stamps [seals]; page holders; name badge holders [office requisites]; diagrams; table runners of paper; engraving plates; writing slates; blackboards; galleys racks [printing]; drawing boards; advertisement boards of paper or cardboard; duplicators; punches [office requisites]; cream containers of paper; magazines [periodicals]; money clips; clips for name badge holders [office requisites]; tags for index cards; pen clips; bookmarks; etching needles; tracing needles for drawing purposes; periodicals; printed publications; paper shredders for office use; graphic representations; credit card imprinters, non-electric; graining combs; drawing instruments; calendars; tracing paper; tracing cloth; tracing patterns; gums [adhesives] for stationery or household purposes; lithographic stones; ink stones [ink reservoirs]; pencils; pencil lead holders; charcoal pencils; pictures; transfers [decalcomanias]; paintings [pictures], framed or unframed; cardboard; wood pulp board [stationery]; hat boxes of cardboard; cards; index cards [stationery]; geographical maps; paper tapes and cards for the recordal of computer programmes; trading cards, other than for games; perforated cards for Jacquard looms; catalogues; spools for inking ribbons; flower-pot covers of paper; paintbrushes; painters' brushes; writing brushes; typewriter keys; glue for stationery or household purposes; isinglass for stationery or household purposes; gluten [glue] for stationery or household purposes; starch paste [adhesive] for stationery or household purposes; printing blocks; books; manifolds [stationery]; comic books; drawing pins; cigar bands; envelopes [stationery]; boxes of paper or cardboard; cases for stamps [seals]; paint boxes for use in schools; correcting fluids [office requisites]; printed coupons; stencils [stationery]; French curves; paper ribbons, other than haberdashery or hair decorations; typewriter ribbons; barcode ribbons; adhesive tapes for stationery purposes; correcting tapes [office requisites]; inking ribbons; adhesive tapes for stationery or household purposes; self-adhesive tapes for stationery or household purposes; square rulers for drawing; drawing rulers; flyers; absorbent sheets of paper or plas-

tic for foodstuff packaging; humidity control sheets of paper or plastic for foodstuff packaging; viscose sheets for wrapping; sheets of reclaimed cellulose for wrapping [cellophane paper]; plastic bubble packs for wrapping or packaging; steel letters; type [numerals and letters]; lithographs; letter trays; paint trays; architects' models; postage stamps; plastics for modelling; graphic prints; modelling materials; teaching materials [except apparatus]; sealing compounds for stationery purposes; adhesives [glues] for stationery or household purposes; padding materials of paper or cardboard; bookbinding material; packing [cushioning, stuffing] materials of paper or cardboard; packaging material made of starches; filtering materials of paper; table place setting mats of paper; addressing machines; pencil sharpening machines, electric or non-electric; bookbinding apparatus and machines [office equipment]; typewriters, electric or non-electric; franking machines for office use; chalk for lithography; writing chalk; tailors' chalk; marking chalk; spray chalk; bags [envelopes, pouches] of paper or plastics, for packaging; garbage bags of paper or of plastics; plastic bags for pet waste disposal; painters' easels; hand-rests for painters; printing sets, portable [office requisites]; bibs of paper; bibs, sleeved, of paper; stickers [stationery]; writing cases [stationery]; cords for bookbinding; paper knives [letter openers]; printed sheet music; numbering apparatus; bottle envelopes of paper or cardboard; sealing wafers; covers [stationery]; passport holders; plastic cling film, extensible, for palletization; embroidery designs [patterns]; handwriting specimens for copying; oleographs; musical greeting cards; greeting cards; postcards; etchings; conical paper bags; paper bags for use in the sterilization of medical instruments; bags for microwave cooking; palettes for painters; pantographs [drawing instruments]; loose-leaf binders; files [office requisites]; folders for papers; papier mâché; pastels [crayons]; modelling paste; pen cases; pen wipers; office perforators; pens [office requisites]; nibs of gold; nibs; steel pens; drawing pens; song books; seals [stamps]; sealing stamps; posters; clipboards; address plates for addressing machines; handkerchiefs of paper; plastic film for wrapping; desk mats; trays for sorting and counting money; coasters of paper; bookends; stamp stands; mats of paper for beer glasses; stands for pens and pencils; photograph stands; obliterating stamps; inking pads; stamp pads; binding strips [bookbinding]; towels of paper; inking sheets for document reproducing machines; inking sheets for duplicators; cloth for bookbinding; gummed cloth for stationery purposes; printers' blankets, not of textile; portraits; paperweights; writing cases [sets]; inkstands; office requisites, except furniture; writing materials; writing instruments; drawing materials; school supplies [stationery]; adhesive tape dispensers [office requisites]; hand labelling appliances; printed matter; lithographic works of art; prospectuses; printed timetables; ledgers [books]; printers' galleys; pa-

per cutters [office requisites]; rubber erasers; elastic bands for offices; T-squares for drawing; graphic reproductions; retractable reels for name badge holders [office requisites]; penholders; marking pens [stationery]; tissues of paper for removing make-up; paper wipes for cleaning; dental tray covers of paper; place mats of paper; tablemats of paper; tablecloths of paper; paper clasps; document files [stationery]; scrapers [erasers] for offices; paper-clips; clips for offices; erasing products; biological samples for use in microscopy [teaching materials]; histological sections for teaching purposes; steatite [tailor's chalk]; writing board erasers; composing frames [printing]; sealing wax; arithmetical tables; placards of paper or cardboard; writing or drawing books; fabrics for bookbinding; stationery; pencil sharpeners, electric or non-electric; stencil plates; stencils for decorating food and beverages; cardboard tubes; Indian inks; moisteners [office requisites]; moisteners for gummed surfaces [office requisites]; squares for drawing; chart pointers, non-electronic; bottle wrappers of paper or cardboard; envelope sealing machines for offices; sealing machines for offices; vignetting apparatus; apparatus for mounting photographs; stapling presses [office requisites]; manuals [handbooks]; figurines of papier mâché; paper coffee filters; flags of paper; silver paper; moulds for modelling clays [artists' materials]; photo-engravings; photographs [printed]; stencil cases; canvas for painting; chromolithographs [chromos]; animation cels; compasses for drawing; numbers [type]; artists' watercolour saucers; ink; correcting ink [heliography]; inkwells; blueprints; stencils; erasing shields; balls for ball-point pens; desktop cabinets for stationery [office requisites]; printing type; address stamps; stamps [seals]; shields [paper seals]; prints [engravings]; labels of paper or cardboard; fingerstalls being office requisites; tissues of paper for cosmetic use.

28 – Arcade video game machines; video game machines; gaming machines for gambling; amusement machines, automatic and coin-operated; toy vehicles; swimming pools [play articles]; trampolines; novelty toys for parties; scratch cards for playing lottery games; golf bag tags; starting blocks for sports; bodyboards; boomerangs; dolls' feeding bottles; tricycles for infants [toys]; stationary exercise bicycles; creels [fishing traps]; shuttlecocks; spinning tops [toys]; dumb-bells; gyroscopes and flight stabilizers for model aircraft; jigsaw puzzles; clay pigeons [targets]; punching bags; bite sensors [fishing tackle]; hang gliders; joysticks for video games; flying discs [toys]; discs for sports; dolls' houses; playhouses for children; dominoes; swimming kickboards; paddleboards; surfboards; spring boards [sports articles]; skateboards; sailboards; chessboards; draughtboards; drones [toys]; darts; Christmas trees of synthetic material; cups for dice; swimming jackets; ascenders [mountaineering equipment]; kites; needles for pumps for inflating sports balls; toys; toys for pets; stuffed toys;

inflatable games for swimming pools; plush toys; toy mobiles; novelty toys for playing jokes; games; portable games and toys incorporating telecommunication functions; board games; table-top games; ring games; building games; toy imitation cosmetics; swimming pool air floats; kaleidoscopes; bladders of balls for games; rosin used by athletes; edges of skis; trading cards for games; bingo cards; playing cards; fairground ride apparatus; reels for fishing; rocking horses; swings; yoga swings; skittles; skittles [games]; billiard cues; golf clubs; hockey sticks; baby gyms; seal skins [coverings for skis]; bells for Christmas trees; dolls' rooms; controllers for game consoles; controllers for toys; confetti; ice skates; roller skates; in-line roller skates; dice; paintball guns [sports apparatus]; ski bindings; dolls' beds; roulette wheels; fish hooks; building blocks [toys]; dolls; flippers for diving; flippers for swimming; swimming webs; rhythmic gymnastics ribbons; fishing lines; gut for fishing; bows for archery; skis; waterskis; roller skis; mah-jong; hunting game calls; puppets; masks [playthings]; carnival masks; theatrical masks; fencing masks; toy putty; matryoshka dolls; masts for sailboards; ball pitching machines; teddy bears; chalk for billiard cues; targets; electronic targets; toy models; scale model kits [toys]; scale model vehicles; kite reels; balls for games; artificial fishing bait; billiard table cushions; knee guards [sports articles]; billiard cue tips; elbow guards [sports articles]; backgammon games; dolls' clothes; fencing weapons; play tents; ski sticks for roller skis; ski sticks; twirling batons; paragliders; pachinkos; baseball gloves; boxing gloves; golf gloves; gloves for games; batting gloves [accessories for games]; fencing gauntlets; piñatas; toy pistols; toy air pistols; percussion caps [toys]; caps for pistols [toys]; toy dough; rattles [playthings]; horseshoe games; candle holders for Christmas trees; Christmas tree stands; sole coverings for skis; water wings; floats for fishing; portable games with liquid crystal displays; swimming belts; waist trimmer exercise belts; decoys for hunting or fishing; scent lures for hunting or fishing; archery implements; soap bubbles [toys]; divot repair tools [golf accessories]; billiard markers; video game consoles; hand-held consoles for playing video games; protective paddings [parts of sports suits]; rackets; protective cups for sports; surfboard leashes; harness for sailboards; weight lifting belts [sports articles]; toy robots; sling shots [sports articles]; rollers for stationary exercise bicycles; harpoon guns [sports articles]; plush toys with attached comfort blanket; scooters [toys]; sleds [sports articles]; bob-sleighs; skeleton sleds; butterfly nets; landing nets for anglers; nets for sports; tennis nets; bite indicators [fishing tackle]; slot machines [gaming machines]; appliances for gymnastics; quoits; barbells; fishing tackle; artificial snow for Christmas trees; snowshoes; snowboards; remote-controlled toy vehicles; clay pigeon traps; billiard tables; coin-operated billiard tables; tables for table tennis; strings for rac-

kets; gut for rackets; golf bags, with or without wheels; cricket bags; golf bag trolleys; slides [playthings]; body-building apparatus; machines for physical exercises; men's athletic supporters [sports articles]; rods for fishing; ornaments for Christmas trees, except lights, candles and confectionery; tennis ball throwing apparatus; conjuring apparatus; apparatus for games; bowling apparatus and machinery; toy figures; counters [discs] for games; chips for gambling; foosball tables; party poppers [party novelties]; Christmas crackers [party novelties]; bags especially designed for skis and surfboards; marbles for games; billiard balls; balls for playing bowls; play balloons; paintballs [ammunition for paintball guns] [sports apparatus]; snow globes; chess games; draughts [games]; poles for pole vaulting; paper party hats; shin guards [sports articles]; camouflage screens [sports articles]; chest expanders [exercisers]; pumps for inflating sports balls; climbers' harness.

35 – Arranging subscriptions to telecommunication services for others; import-export agency services; commercial information agency services; advertising agency services; cost price analysis; rental of office equipment in co-working facilities; rental of advertising space; business auditing; financial auditing; business intermediary services relating to the matching of potential private investors with entrepreneurs needing funding; employment agency services; computerized file management; book-keeping; invoicing; demonstration of goods; transcription of communications [office functions]; opinion polling; market studies; business investigations; business research; marketing research, personnel recruitment; business management and organization consultancy; business organization consultancy; business management consultancy; personnel management consultancy; professional business consultancy; consultancy regarding advertising communication strategies; layout services for advertising purposes; marketing; targeted marketing; business management of performing artists; business management of sports people; writing of curriculum vitae for others; scriptwriting for advertising purposes; news clipping services; updating and maintenance of information in registries; updating and maintenance of data in computer databases; updating of advertising material; word processing; online retail services for downloadable and pre-recorded music and movies; online retail services for downloadable ring tones; online retail services for downloadable digital music; organization of exhibitions for commercial or advertising purposes; arranging newspaper subscriptions for others; organization of fashion shows for promotional purposes; organization of trade fairs; shop window dressing; business appraisals; payroll preparation; data search in computer files for others; sponsorship search; administrative assistance in responding to calls for tenders; business management assistance; commercial or industrial management assistance; commercial intermediation services; providing business

information; providing business information via a website; providing commercial and business contact information; providing commercial information and advice for consumers in the choice of products and services; provision of an online marketplace for buyers and sellers of goods and services; providing user reviews for commercial or advertising purposes; web indexing for commercial or advertising purposes; providing user rankings for commercial or advertising purposes; media relations services; economic forecasting; sales promotion for others; promotion of goods and services through sponsorship of sports events; production of teleshopping programmes; office machines and equipment rental; publicity material rental; rental of billboards [advertising boards]; rental of vending machines; rental of sales stands; rental of photocopying machines; consumer profiling for commercial or marketing purposes; publication of publicity texts; development of advertising concepts; bill-posting; distribution of samples; dissemination of advertising matter; direct mail advertising; registration of written communications and data; advertising; online advertising on a computer network; outdoor advertising; advertising by mail order; compilation of statistics; compilation of information into computer databases, business inquiries; systemization of information into computer databases; administrative services for medical referrals; corporate communications services; negotiation of business contracts for others; negotiation and conclusion of commercial transactions for third parties; compiling indexes of information for commercial or advertising purposes, tax preparation, drawing up of statements of accounts; telemarketing services; psychological testing for the selection of personnel; interim business management, outsourced administrative management for companies; business management of hotels; business management for freelance service providers; business project management services for construction projects; commercial administration of the licensing of the goods and services of others; business management of reimbursement programmes for others; administration of consumer loyalty programs; administration of frequent flyer programs; administrative processing of purchase orders; administrative services for the relocation of businesses; public relations; commercial lobbying services; competitive intelligence services; modelling for advertising or sales promotion; typing; market intelligence services; appointment reminder services [office functions]; website traffic optimization; tax filing services; search engine optimization for sales promotion; retail services relating to bakery products; gift registry services; price comparison services; procurement services for others [purchasing goods and services for other businesses]; shorthand; outsourcing services [business assistance]; telephone answering for unavailable subscribers; telephone switchboard services; photocopying services; retail services; retail services provided by television stores or via web sites; consultan-

cy regarding public relations communication strategies, marketing in the framework of software publishing; presentation of goods on communication media, for retail purposes; auctioneering; wholesale services for pharmaceutical, veterinary and sanitary preparations and medical supplies; retail services for works of art provided by art galleries; retail services for pharmaceutical, veterinary and sanitary preparations and medical supplies; business management advisory services; appointment scheduling services [office functions]; secretarial services; wholesale or retail services; wholesale or retail store services.

41 – Modelling for artists; academies [education], rental of indoor aquaria; rental of artwork; rental of sports grounds, rental of tennis courts; lending library services, booking of seats for shows; physical education; discotheque services; animal training; publication of books; health club services [health and fitness training]; nightclub services [entertainment]; religious education; aikido instruction; gymnastic instruction; judo instruction; correspondence courses; practical training [demonstration]; training services provided via simulators; organization of balls; organization of exhibitions for cultural and educational purposes; providing recreation facilities; arranging and conducting of colloquiums; arranging and conducting of congresses; arranging and conducting of conferences; arranging and conducting of concerts; arranging and conducting of workshops [training]; arranging and conducting of in-person educational forums; arranging and conducting of seminars; arranging and conducting of symposiums; organization of competitions [education or entertainment]; arranging of beauty contests; organization of cosplay entertainment events; organization of lotteries; organization of fashion shows for entertainment purposes; organization of shows [impresario services]; organization of sports competitions; vocational guidance [education or training advice]; amusement park services; sign language interpretation; know-how transfer [training]; mobile library services; vocational retraining; providing information in the field of education; providing information relating to recreational activities; providing golf facilities; providing user rankings for entertainment or cultural purposes; providing sports facilities; providing amusement arcade services; cinema presentations; presentation of circus performances; presentation of variety shows; presentation of live performances; theatre productions; conducting guided climbing tours; conducting fitness classes; educational examination; rental of show scenery; toy rental; games equipment rental, rental of stadium facilities; rental of lighting apparatus for theatrical sets or television studios; rental of radio and television sets; rental of skin diving equipment; rental of sports equipment, except vehicles; rental of stage scenery; rental of training simulators; publication of texts, other than publicity texts; entertainment services; sado instruction [tea ceremony instruction]; zoological garden services; party planning [entertain-

ment]; music composition services; tutoring; holiday camp services [entertainment]; conducting guided tours; disc jockey services; sound engineering services for events; game services provided online from a computer network; personal trainer services [fitness training]; providing casino facilities [gambling]; calligraphy services; karaoke services; club services; songwriting; cultural, educational or entertainment services provided by art galleries; providing museum facilities; teaching; educational services provided by special needs assistants; educational services provided by schools; orchestra services; translation; physical fitness assessment services for training purposes; face painting; ticket agency services [entertainment]; educational examination for users to qualify to pilot drones; coaching [training]; lighting technician services for events; sport camp services; recording studio services; nursery schools; timing of sports events; boarding school education; production of shows; gambling services; language interpretation.

42 – Water analysis; computer system analysis; handwriting analysis [graphology]; chemical analysis; rental of meters for the recording of energy consumption; energy auditing; recovery of computer data; business card design; graphic design of promotional materials; interior design; industrial design; graphic arts design; computer virus protection services; oil-field surveys; geological surveys; engineering; installation of computer software; meteorological information; clinical trials; material testing; textile testing; bacteriological research; biological research; geological research; research in the field of environmental protection; cosmetic research; mechanical research; research in the field of welding; research in the field of building construction; research in the field of telecommunications technology; research in the field of physics; chemical research; research and development of new products for others; medical research; scientific and technological research relating to patent mapping; scientific and technological research in the field of natural disasters; scientific research; analysis for oil-field exploitation; underwater exploration; technological research; calibration [measuring]; website design consultancy; computer security consultancy; information technology [IT] consultancy; computer technology consultancy; consultancy in the design and development of computer hardware; architectural consultancy; internet security consultancy; computer software consultancy; data security consultancy; technological consultancy; oil-well testing; quality control; vehicle roadworthiness testing; land surveying; dress designing; updating of computer software; monitoring of computer systems to detect breakdowns; monitoring of computer systems for detecting unauthorized access or data breach; monitoring of computer systems by remote access; software as a service [SaaS]; maintenance of computer software; authenticating works of art; design of interior decor; quality evaluation of standing timber; quality evaluation of wool; digitiza-

tion of documents [scanning]; conversion of data or documents from physical to electronic media; urban planning; providing information relating to computer technology and programming via a website; providing scientific information, advice and consultancy relating to carbon offsetting; providing search engines for the internet; conversion of computer programs and data, other than physical conversion; conducting technical project studies; computer system design; rental of web servers; computer rental; rental of computer software; unlocking of mobile phones; geological prospecting; oil prospecting; hosting computer websites; server hosting; development of computer platforms; construction drafting; computer software design; software development in the framework of software publishing; cloud seeding; consultancy in the field of energy-saving; creating and maintaining websites for others; computer programming; technical writing; duplication of computer programs; architectural services; information technology services provided on an outsourcing basis; chemistry services; packaging design; off-site data backup; telecommunications technology consultancy; scientific laboratory services; user authentication services using single sign-on technology for online software applications; user authentication services using technology for e-commerce transactions; weather forecasting; styling [industrial design]; cartography services; exploration services in the field of the oil, gas and mining industries; data encryption services; electronic data storage; surveying; platform as a service [PaaS]; providing virtual computer systems through cloud computing; electronic monitoring of credit card activity to detect fraud via the internet; electronic monitoring of personally identifying information to detect identity theft via the internet.

(260) AM 2024 123402 A
 (800) 1628708
 (151) 2021 10 22
 (891) 2023 05 26
 (731) Mercedes-Benz Group AG
 Mercedesstrasse 120, 70372 Stuttgart,
 Germany

(540)



(591) Black, white
 (531) 26.03.02; 26.03.06; 26.03.18; 27.05.22;
 29.01.13
 (511)

3 – Perfumery and fragrances; skin, eye and nail care preparations; make-up; fragrances for automobiles.

(260) AM 2024 123404 A

(800) 1725436

(151) 2022 07 26

(891) 2023 05 04

(731) WORLD MEDICINE İLAÇ SAN.VE TİC.A.Ş.
15 TEMMUZ MAH. CAMİ YOLU CAD. 50,
Bağcılar, İstanbul, Türkiye

(540)

FLUBORD-ФЛУБОРД

(591) Black, white

(531) 24.17.01; 27.05.01; 28.05

(511)

5 – Pharmaceutical and veterinary preparations for medical purposes, chemical preparations for medical purposes, dietary supplements, including those adapted for medical purposes, dietary supplements for slimming purposes, food for babies, herbs and herbal beverages adapted for medicinal purposes, medicated dental care preparations and dental impression materials, sanitary preparations for medical use, hygienic pads, hygienic tampons, plasters, materials for dressings, diapers, including those made of paper and textiles, preparations for destroying vermin, fungicides, herbicides, deodorants, other than for human beings or for animals, air deodorising preparations, disinfectants, antiseptics, detergents for medical purposes.

(260) AM 2024 123476 A

(800) 1714430

(151) 2022 09 22

(891) 2023 05 09

(731) AQUA NRG INVESTMENTS LIMITED
Lampousas, 1, CY-1095 Nicosia, Cyprus

(540)



(591) Black, white

(531) 11.03.02; 11.03.06; 26.01.16; 26.01.24;
27.05.10

(511)

32 – Beers; non-alcoholic beverages; mineral and aerated waters; fruit beverages and fruit juices; syrups and other preparations for making non-alcoholic beverages; aperitifs, non-alcoholic; non-alcoholic essences for making beverages; non-alcoholic beverages; non-alcoholic dried fruit beverages; non-alcoholic beverages flavoured with coffee / non-alcoholic beverages flavored with coffee; non-alcoholic beverages flavoured with tea / non-alcoholic beverages flavored with tea; non-alcoholic honey-based beverages; non-alcoholic fruit extracts; non-alcoholic fruit juice beverages; grape must, unfermented; waters [beverages]; carbonated water / aerated water; extracts of hops for

making beer; seltzer water; isotonic beverages; ginger beer / ginger ale; kvass; cocktails, non-alcoholic; beer-based cocktails; lemonades; lithia water; mineral water [beverages]; energy drinks; aloe vera drinks, non-alcoholic; rice-based beverages, other than milk substitutes; soya-based beverages, other than milk substitutes; whey beverages; vegetable juices [beverages]; orgeat; beer wort; beer; powders for effervescing beverages; sarsaparilla [non-alcoholic beverage]; cider, non-alcoholic; syrups for lemonade; syrups for beverages; preparations for making non-alcoholic beverages; preparations for making carbonated water / preparations for making aerated water; smoothies; soda water; fruit juices / fruit juice; malt beer; malt wort; protein-enriched sports beverages; table waters; starch-based dry mixes for beverage preparation; must; pastilles for effervescing beverages; tomato juice [beverage]; soft drinks; fruit nectars, non-alcoholic; shandy; sherbets [beverages] / sorbets [beverages]; barley wine [beer].

(260) AM 2024 123529 A

(800) 1736948

(151) 2023 05 11

(891) 2023 05 11

(731) Zakrytoe aktsionernoe obshchestvo
"Myasnaya galereya"ul. Poliny Osipenko, 65, of. 10, RU-600009
g. Vladimir, Russian Federation

(540)

Мегавкусище

(591) Black, white

(531) 28.05

(511)

29 – Ajvar being preserved peppers; aloe vera prepared for human consumption; alginates for culinary purposes; anchovy, not live; peanuts, prepared; artichokes, preserved; white of eggs; beans, preserved; soya beans, preserved, for food; broth; ginger jam; ham; fatty substances for the manufacture of edible fats; toasted laver; edible birds' nests; sea-cucumbers, not live; peas, preserved; mushrooms, preserved; guacamole [mashed avocado]; game, not live; gelatine; meat jellies; jellies for food, other than confectionery; fruit jellies [jams]; yolk of eggs; coconut fat; bone oil for food; lard; suet for food; edible fats; julienne being baked poultry or mushroom dish with sour cream; curd; fruit-based snack food; milk substitutes; charcuterie; raisins; caviar; aubergine paste; vegetable marrow paste; fish roe, prepared; yogurt; galbi being grilled meat dish; sauerkraut; kefir [milk beverage]; kimchi [fermented vegetable dish]; isinglass for food; clams, not live; potato-based dumplings; milk shakes; black pudding; onion rings; arrangements of processed fruit; compotes; meat, tinned; vegetables, tinned; fish, tinned; fruits, tinned; broth concentrates; corn dogs; gherkins; meat cutlets; frozen meat cutlets;

shrimps, not live; prawns, not live; buttercream; croquettes; silkworm chrysalis for human consumption; sweet corn, processed; kumys; chicken wings; spiny lobsters, not live; lecithin for culinary purposes; salmon, not live; onions, preserved; margarine; marmalade; oils for food; peanut butter; cocoa butter for food; coconut oil for food; coconut butter; maize oil for food; sesame oil for food; linseed oil for food; extra virgin olive oil for food; olive oil for food; palm oil for food; palm kernel oil for food; sunflower oil for food; rape oil for food; butter; soya bean oil for food; mussels, not live; almonds, ground; animal marrow for food; molluscs, not live; milk; peanut milk; peanut milk for culinary purposes; coconut milk; coconut milk for culinary purposes; almond milk; almond milk for culinary purposes; oat milk; rice milk; rice milk for culinary purposes; albumin milk; condensed milk; soya milk; powdered milk; fish meal for human consumption; vegetable mousses; fish mousses; fruit pulp; meat; meat, preserved; freeze-dried meat; chicken nuggets; milk beverages, milk predominating; peanut milk-based beverages; coconut milk-based beverages; almond milk-based beverages; edible insects, not live; sausage casings, natural or artificial; vegetables, preserved; freeze-dried vegetables; vegetables, dried; vegetables, cooked; potato fritters; olives, preserved; lobsters, not live; flavoured nuts; candied nuts; coconut, desiccated; nuts, prepared; tomato paste; liver pâté; pectin for culinary purposes; liver; pickles; jams; powdered eggs; milk products; fish-based foodstuffs; prostokvasha [soured milk]; poultry, not live; battered chicken pieces; bulgogi; pollen prepared as foodstuff; cranberry compote; tomato purée; apple purée; crayfish, not live; crustaceans, not live; fish, preserved; fish, not live; salted fish; ryazhenka [fermented baked milk]; vegetable salads; fruit salads; bacon; sardelki [sausages]; sardines, not live; pork; herrings, not live; seeds, prepared; sunflower seeds, prepared; cream [dairy products]; whipped cream; vegetable-based cream; fat-based spreads for bread slices; lemon juice for culinary purposes; tomato juice for cooking; vegetable juices for cooking; salted meats; sausages; sausages in batter; hot dog sausages; preparations for making bouillon; preparations for making soup; nut-based spreads; tripe; soups; vegetable soup preparations; whey; cheese; tahini [sesame seed paste]; tofu; truffles, preserved; tuna, not live; oysters, not live; falafel; milk ferments for culinary purposes; rennet; fish fillets; dates; crystallized fruits; frozen fruits; fruit, preserved; fruit preserved in alcohol; fruit, stewed; hazelnuts, prepared; potato flakes; hummus [chickpea paste]; fruit peel; preserved garlic; lentils, preserved; potato crisps; low-fat potato crisps; fruit chips; shpikachki [sausages]; non-alcoholic egg-nog; seaweed extracts for food; meat extracts; edible ant larvae, prepared; berries, preserved; snail eggs for consumption; eggs; yakitori.

30 – Vanilla flavourings for culinary purposes; flavourings, other than essential oils, for cakes; flavo-

urings, other than essential oils, for beverages; coffee flavourings; food flavourings, other than essential oils; star aniseed; baozi [stuffed buns]; cereal bars; high-protein cereal bars; pancakes; noodle-based prepared meals; freeze-dried dishes with the main ingredient being pasta; freeze-dried dishes with the main ingredient being rice; buns; bread rolls; edible rice paper; edible paper; burritos; vanillin [vanilla substitute]; vareniki [stuffed dumplings]; waffles; vermicelli; natural sweeteners; sausage binding materials; binding agents for ice cream; seawater for cooking; seaweed [condiment]; malt biscuits; cloves [spice]; mirror icing [mirror glaze]; cake frosting [icing]; glucose for culinary purposes; mustard; gluten additives for culinary purposes; yeast; fried pelmeni; thickening agents for cooking foodstuffs; leaven; rice-based snack food; cereal-based snack food; coffee substitutes; vegetal preparations for use as coffee substitutes; dressings for salad; fruit jellies [confectionery]; candy decorations for cakes; confectionery for decorating Christmas trees; cakes; pastries; peanut confectionery; almond confectionery; pasta; ground ginger; frozen yogurt [confectionery ices]; cocoa; cream of tartar for culinary purposes; capers; caramels [sweets]; curry [spice]; ketchup [sauce]; kimbab; quiches; gluten prepared as foodstuff; flour-based dumplings; sweets; liquorice [confectionery]; peppermint sweets; dulce de leche; cinnamon [spice]; coffee; unroasted coffee; starch for food; crackers; custard; hominy grits; semolina; oatmeal; crushed barley; groats for human food; ice cubes; corn, milled; corn, roasted; meat pies; turmeric; couscous [semolina]; noodles; ice for refreshment; ice, natural or artificial; edible ices; lollipops [confectionery]; rice cakes; mayonnaise; macaroons [pastry]; macaroni; maltose; hominy; piccalilli; marinades; marzipan; honey; miso [seasoning]; royal jelly; ice cream; bean meal; tapioca flour; potato flour; corn flour; nut flours; flour; wheat flour; soya flour; barley meal; dessert mousses [confectionery]; chocolate mousses; muesli; mint for confectionery; cocoa beverages with milk; coffee beverages with milk; coffee-based beverages; cocoa-based beverages; chamomile-based beverages; tea-based beverages; chocolate beverages with milk; chocolate-based beverages; infusions, not medicinal; crushed oats; husked oats; okonomiyaki [Japanese savory pancakes]; onigiri [rice balls]; nutmegs [spice]; chocolate-coated nuts; stick liquorice [confectionery]; lozenges [confectionery]; molasses for food; pâtés en croûte; pelmeni; khinkali [stuffed dumplings]; manti [stuffed dumplings]; pepper; allspice; peppers [seasonings]; pesto [sauce]; biscuits; petit-beurre biscuits; bibimbap [rice mixed with vegetables and beef]; pies; pizzas; meat gravies; fondants [confectionery]; popcorn; powders for making ice cream; baking powder; mustard meal; pralines; aromatic preparations for food; condiments; meat tenderizers for culinary purposes; cereal preparations; oat-based food; propolis; gingerbread; spices; petits fours [cakes]; rice pudding; puddings; cake powder;

fruit coulis [sauces]; ravioli; ramen [Japanese noodle-based dish]; chewing gum; relish [condiment]; rice; instant rice; wheat germ for human consumption; spring rolls; sago; palm sugar; sugar; sesame seeds [seasonings]; linseed for culinary purposes [seasoning]; processed seeds for use as a seasoning; aniseed; agave syrup [natural sweetener]; golden syrup; candy bars; batter mixes for okonomiyaki [Japanese savory pancakes]; baking soda [bicarbonate of soda for cooking purposes]; malt for human consumption; salt for preserving foodstuffs; cooking salt; celery salt; sorbets [ices]; ham glaze; soya sauce; tomato sauce; sauces [condiments]; pasta sauce; spaghetti; seasonings; chocolate-based spreads; chocolate spreads containing nuts; preparations for stiffening whipped cream; rusks; breadcrumbs; sushi; senbei [rice crackers]; sandwiches; tabbouleh; tacos; tapioca; tarts; dough; pastry dough; almond paste; rice pulp for culinary purposes; cake batter; tortillas; garden herbs, preserved [seasonings]; chocolate decorations for cakes; vinegar; beer vinegar; ferments for dough; halvah; bread; unleavened bread; chips [cereal products]; corn flakes; oat flakes; hot dog sandwiches; flowers or leaves for use as tea substitutes; chicory [coffee substitute]; tea; iced tea; chutneys [condiments]; chebureki [deep-fried pies]; minced garlic [condiment]; cheeseburgers [sandwiches]; chow-chow [condiment]; saffron [seasoning]; chocolate; malt extract for food; essences for foodstuffs, except etheric essences and essential oils; husked barley.

(260) AM 2024 123562 A

(800) 1737688

(151) 2023 04 28

(891) 2023 04 28

(731) AMB SARL

1 Rue Jean Jaurès, F-74000 Annecy, France

(540)

TOUR D'ORIENT

(591) Black, white

(531) 27.05.01

(511)

33 – Spirits [beverages]; vodka.

(260) AM 2024 123568 A

(800) 1584802

(151) 2021 03 02

(891) 2023 06 14

(731) CASELLA WINES PTY. LIMITED

PO Box 281, Yenda NSW 2681, Australia

(540)

True Legend

(591) Black, white

(511)

33 – Wine-based beverages; sparkling wines.

(260) AM 2024 123693 A

(800) 1737818

(151) 2023 05 12

(891) 2023 05 12

(731) SKIS ROSSIGNOL – CLUB ROSSIGNOL

Société par actions simplifiée

98 rue Louis Barran, F-38430 Saint-Jean- De-

Moirans, France

(540)



(591) White, blue and red

(531) 03.07.03; 03.07.24; 24.01.05; 24.01.09;

24.07.01; 24.07.03; 29.01.13

(511)

25 – Clothing; shoes; headwear; hosiery; clothing for sports; footwear for sports; footwear for skiing and snowboarding; gloves (clothing); socks; stocking caps; long scarves; underwear.

28 – Games and toys; playing cards and board games; gymnastic apparatus (with the exception of clothing, footwear and mats); apparatus for sports training; skis; monoskis; surfboards; snowboards; bindings for skis and surfboards; ski sticks; ice skates and roller skates; in-line roller skates; scooters; sledges; covers for skis and snowboards; skating boots with skates attached; snowshoes; sports articles for skiing, snowboarding, tennis, golf, sailing, surfing, sports involving balls or balloons (excluding clothing, footwear and mats); balls for games; elbow guards, knee guards, wrist guards and shin guards (sports articles); computer game consoles.

(260) AM 2024 123694 A

(800) 1737836

(151) 2022 11 02

(891) 2022 11 02

(731) Amaxa LTD

31 John Islip Street, London SW1P 4FE,

United Kingdom

(540)

CRYSTALVAG

(591) Black, white

(511)

5 – Adjuvants for medical purposes; cooling sprays for medical purposes; acaricides; aconitine; alkaloids for medical purposes; albumin dietary supplements; alginates for pharmaceutical purposes; alginate dietary supplements; algicides; aldehydes for pharmaceutical purposes; amino acids for veterinary purposes; amino acids for medical purposes; analgesics; anaesthetics; antibiotics; vermifuges; anti-uric preparations; antiseptics; first-aid boxes, filled; aluminium acetate

for pharmaceutical purposes; acetates for pharmaceutical purposes; germicides; bacterial preparations for medical and veterinary use; bacteriological preparations for medical and veterinary use; oxygen cylinders, filled, for medical purposes; balms for medical purposes; balsamic preparations for medical purposes; royal jelly for pharmaceutical purposes; tobacco-free cigarettes for medical purposes; bandages for dressings; bicarbonate of soda for pharmaceutical purposes; albuminous preparations for medical purposes; albuminous foodstuffs for medical purposes; biological preparations for veterinary purposes; biological preparations for medical purposes; biocides; bismuth subnitrate for pharmaceutical purposes; linseed meal for pharmaceutical purposes; flour for pharmaceutical use; bracelets impregnated with insect repellent; bromine for pharmaceutical purposes; bronchodilating preparations; vaginal washes for medical purposes; petroleum jelly for medical purposes; vaccines; absorbent cotton; antiseptic cotton; aseptic cotton; cotton for medical purposes; wadding for medical purposes; cotton swabs for medical purposes; veterinary preparations; tartar for pharmaceutical purposes; decoctions for pharmaceutical purposes; vitamin preparations; seawater for medicinal bathing; mineral waters for medical purposes; hydrated chloral for pharmaceutical purposes; dietary fibre; charcoal for pharmaceutical purposes; astringents for medical purposes; gases for medical purposes; gallic acid for pharmaceutical purposes; guaiacol for pharmaceutical purposes; sexual stimulant gels; hematogen; hemoglobin; hemostatic pencils; herbicides; sanitary tampons / menstruation tampons; hydrastine; hydrastinine; mustard for pharmaceutical purposes; mustard oil for medical purposes; mustard plasters; glycerine for medical purposes; glycerophosphates; glucose for medical purposes; homogenized food adapted for medical purposes; mud for baths; medicinal mud; vulnerary sponges; contraceptive sponges; rubber for dental purposes; gamboge for medical purposes; gurjun balsam for medical purposes; disinfectants; disinfectants for chemical toilets; disinfectants for hygiene purposes; deodorants for clothing and textiles; deodorants, other than for human beings or for animals; aromatic deodorizers for toilets; deodorizers for litter trays; cedar wood for use as an insect repellent; detergents for medical purposes; digitalin; infant formula; diagnostic preparations for veterinary purposes; diagnostic preparations for medical purposes; diastase for medical purposes; dietary supplements for animals; royal jelly dietary supplements; glucose dietary supplements; pollen dietary supplements; dietary supplements with a cosmetic effect; linseed dietary supplements; linseed oil dietary supplements; dietary supplements for human beings; acai powder dietary supplements; propolis dietary supplements; wheat germ dietary supplements; dietetic beverages adapted for medical purposes; dietetic substances adapted for medical use; dietetic foods adapted for medical purposes; whey protein dietary

supplements; brewer's yeast dietary supplements; mineral dietary supplements; yeast for pharmaceutical purposes; yeast dietary supplements; eucalyptus for pharmaceutical purposes; eucalyptol for pharmaceutical purposes; plant extracts for pharmaceutical purposes; herbal extracts for medical purposes; extracts of hops for pharmaceutical purposes; elixirs [pharmaceutical preparations]; enzymes for veterinary purposes; enzymes for medical purposes; enzyme dietary supplements; enzyme preparations for medical purposes; esters for pharmaceutical purposes; cellulose esters for pharmaceutical purposes; ethers for pharmaceutical purposes; cellulose ethers for pharmaceutical purposes; febrifuges; gelatine for medical purposes; milking grease; greases for veterinary purposes; greases for medical purposes; nicotine gum for use as an aid to stop smoking; chewing gum for medical purposes; nervines; bunion pads; isotopes for medical purposes; immunostimulants; reagent paper for veterinary purposes; reagent paper for medical purposes; insecticides; Irish moss for medical purposes; iodine for pharmaceutical purposes; alkaline iodides for pharmaceutical purposes; iodides for pharmaceutical purposes; iodoform; casein dietary supplements; calomel [fungicide]; gum for medical purposes; camphor for medical purposes; camphor oil for medical purposes; cannabidiol for medical use; capsules for medicines; capsules made of dendrimer-based polymers, for pharmaceuticals; carbolineum [parasiticide]; caustics for pharmaceutical purposes; caustic pencils; cachou for pharmaceutical purposes; quassia for medical purposes; quebracho for medical purposes; oxygen for medical purposes; acids for pharmaceutical purposes; oxygen baths; bone cement for surgical and orthopaedic purposes; fly glue; adhesives for dentures; cocaine for medical purposes; collagen for medical purposes; collodion for pharmaceutical purposes; compresses; chemical contraceptives; angostura bark for medical purposes; condurango bark for medical purposes; croton bark; mangrove bark for pharmaceutical purposes; myrobalan bark for pharmaceutical purposes; barks for pharmaceutical purposes; quinquina for medical purposes; medicinal roots; rhubarb roots for pharmaceutical purposes; medicated animal feed; lint for medical purposes; collyrium; cream of tartar for pharmaceutical purposes; creosote for pharmaceutical purposes; blood for medical purposes; depuratives; styptic preparations; dill oil for medical purposes; starch for dietetic or pharmaceutical purposes; biological tissue cultures for veterinary purposes; biological tissue cultures for medical purposes; cultures of microorganisms for medical or veterinary use; curare; dental lacquer; breast-nursing pads; milk sugar for pharmaceutical purposes; adhesive plasters; lecithin for medical purposes; lecithin dietary supplements; fly catching paper; medicines for alleviating constipation; medicines for human purposes; medicines for veterinary purposes; drugs for medical purposes; medicines for dental purposes; corn remedies; remedies for pers-

piration; remedies for foot perspiration; liniments; liquorice for pharmaceutical purposes; medicated hair lotions; lotions for veterinary purposes; lotions for pharmaceutical purposes; medicated after-shave lotions; personal sexual lubricants; lupulin for pharmaceutical purposes; magnesia for pharmaceutical purposes; sunburn ointments; ointments for pharmaceutical purposes; frostbite salve for pharmaceutical purposes; gauze for dressings; massage gels for medical purposes; massage candles for therapeutic purposes; bone void fillers comprised of living tissues; dental impression materials; teeth filling material; diaper changing mats, disposable, for babies; medicinal alcohol; medicine cases, portable, filled; medical preparations for slimming purposes; melissa water for pharmaceutical purposes; menthol; almond milk for pharmaceutical purposes; antibacterial handwashes; dog washes [insecticides]; animal washes [insecticides]; cattle washes [insecticides]; insecticidal veterinary washes; antibacterial soap; disinfectant soap; medicated soap; moulding wax for dentists; moleskin for medical purposes; powdered milk for babies; lacteal flour for babies; milk ferments for pharmaceutical purposes; freeze-dried meat adapted for medical purposes / lyophilised meat adapted for medical purposes; mint for pharmaceutical purposes; vitamin supplement patches; nicotine patches for use as aids to stop smoking; scapulars for surgical purposes; medicinal drinks; vesicants; narcotics; linseed for pharmaceutical purposes / flaxseed for pharmaceutical purposes; medicinal infusions; tincture of iodine; tinctures for medical purposes; nutraceutical preparations for therapeutic or medical purposes; fumigating sticks / fumigating pastilles; fumigation preparations for medical purposes; cachets for pharmaceutical purposes; wart pencils; medicinal oils; oil of turpentine for pharmaceutical purposes; opiates; opium; opodeldoc; mouthwashes for medical purposes; rat poison; poisons; bacterial poisons; headache relief sticks; stick liquorice for pharmaceutical purposes; paper for mustard plasters; mothproofing paper; parasiticides; medicated toothpaste; pastilles for pharmaceutical purposes; pectin for pharmaceutical purposes; disposable absorbent pads for lining pet crates / disposable absorbent mats for lining pet crates; disposable absorbent pads for lining pet crates; disposable house training pads for pets; pepsins for pharmaceutical purposes; peptones for pharmaceutical purposes; dressings, medical; hydrogen peroxide for medical purposes; pearl powder for medical purposes; pesticides; antioxidant pills; tanning pills; appetite suppressant pills; slimming pills; babies' diapers; diapers for pets; swim diapers, reusable, for babies; swim diapers, disposable, for babies; diapers for incontinence; babies' diaper-pants; blood plasma; by-products of the processing of cereals for dietetic or medical purposes; eyepatches for medical purposes; nutritional supplements; nutritive substances for microorganisms; bouillons for bacteriological cultures; pomades for medical purposes; powder of cantharides; pyrethrum powder; porcelain

for dental prostheses; laxatives; bismuth preparations for pharmaceutical purposes; pre-filled syringes for medical purposes; haemorrhoid preparations; preparations for callouses; chilblain preparations; bath preparations for medical purposes; air deodorizing preparations; mothproofing preparations; preparations for reducing sexual activity; preparations for destroying dry rot fungus; larvae exterminating preparations; preparations for destroying mice; fly destroying preparations; slug exterminating preparations; preparations for destroying noxious animals; vermin destroying preparations; acne treatment preparations; preparations for the treatment of burns; lice treatment preparations [pediculicides]; opotherapy preparations; air purifying preparations; appetite suppressants for medical purposes; medicinal hair growth preparations; sterilizing preparations; soil-sterilizing preparations; medicated dentifrices; contact lens cleaning preparations; aloe vera preparations for pharmaceutical purposes; preparations of trace elements for human and animal use; preparations of microorganisms for medical or veterinary use; medicated toiletry preparations; anti-inflammatories; preparations to facilitate teething; poultices; chemical conductors for electrocardiograph electrodes; food for babies; freeze-dried food adapted for medical purposes; sanitary towels; purgatives; propolis for pharmaceutical purposes; protein dietary supplements; protein supplements for animals; corn rings for the feet; antiparasitic collars for animals; antiparasitic preparations; anticryptogamic preparations; leeches for medical purposes; radium for medical purposes; radioactive substances for medical purposes; diagnostic biomarker reagents for medical purposes; radiological contrast substances for medical purposes; insect repellents; insect repellent incense; repellents for dogs; digestives for pharmaceutical purposes; fish meal for pharmaceutical purposes; cod liver oil; castor oil for medical purposes; ergot for pharmaceutical purposes; solutions for contact lenses; medicated eye-washes; solvents for removing adhesive plasters; cannabis for medical purposes / marijuana for medical purposes; mercurial ointments; sarsaparilla for medical purposes; lead water; sedatives / tranquilizers; tissues impregnated with pharmaceutical lotions; serotherapeutic medicines; siccatives [drying agents] for medical purposes; serums; syrups for pharmaceutical purposes; sulfur sticks [disinfectants]; turpentine for pharmaceutical purposes; diagnostic strips for testing breast milk for medical purposes; soporifics; salts for mineral water baths; bath salts for medical purposes; smelling salts; potassium salts for medical purposes; mineral water salts; salts for medical purposes; sodium salts for medical purposes; malt for pharmaceutical purposes; malted milk beverages for medical purposes; semen for artificial insemination; alcohol for pharmaceutical purposes; alloys of precious metals for dental purposes; douching preparations for medical purposes; steroids; stem cells for veterinary purposes; stem cells for medical purposes; dental abrasives;

dental amalgams; dental amalgams of gold; dental mastics; dental cements; strychnine; adhesive tapes for medical purposes; sulfonamides [medicines]; suppositories; therapeutic preparations for the bath; thermal water; tetrahydrocannabinol [THC] for medical use; thymol for pharmaceutical purposes; gentian for pharmaceutical purposes; tonics [medicines]; smoking herbs for medical purposes; medicinal herbs; transplants [living tissues]; pants, absorbent, for incontinence; sanitary panties; tobacco extracts [insecticides]; pharmaceutical preparations; pharmaceutical preparations for treating dandruff; pharmaceutical preparations for skin care; pharmaceutical preparations for treating sunburn; lime-based pharmaceutical preparations; pharmaceuticals; phenol for pharmaceutical purposes; fennel for medical purposes; ferments for pharmaceutical purposes; enzyme preparations for veterinary purposes; injectable dermal fillers; phytotherapy preparations for medical purposes; formic aldehyde for pharmaceutical purposes; phosphates for pharmaceutical purposes; fungicides; chemico-pharmaceutical preparations; chemical preparations for the diagnosis of pregnancy; chemical preparations for treating wheat blight / chemical preparations for treating wheat smut; chemical preparations for treating phylloxera; chemical preparations for treating diseases affecting vine plants; chemical preparations for treating diseases affecting cereal plants; chemical preparations for treating mildew; chemical preparations for veterinary purposes; chemical preparations for medical purposes; chemical reagents for medical or veterinary purposes; quinine for medical purposes; chinoline for medical purposes; surgical implants comprised of living tissues; surgical glues; surgical dressings; diabetic bread adapted for medical use; chloroform; flowers of sulfur for pharmaceutical purposes; cement for animal hooves; medicated sweets / medicated candies; crystallized rock sugar for medical purposes; sugar for medical purposes; herbal teas for medicinal purposes; bath tea for therapeutic purposes; medicinal tea; asthmatic tea; medicated shampoos for pets; insecticidal animal shampoos; medicated shampoos; pediculicidal shampoos; medicated dry shampoos; panty liners [sanitary]; jujube, medicated; jalap.

(260) AM 2024 123696 A
 (800) 1737862
 (151) 2023 05 23
 (891) 2023 05 23
 (731) LTD "VALENTA-INTELLEKT"
 ul. Ryabinovaya, d. 26, str. 10, k. 6-26,
 RU-121471 Moscow, Russian Federation
 (540)

МИЛАДЕАН

(591) Black, white
 (531) 28.05

(511)
 5 – Vitamin preparations; mineral food supplements; nutritional supplements for medical purposes; drugs for medical purposes; medicines for human purposes; dietetic beverages adapted for medical purposes; medicinal infusions; tinctures for medical purposes; pharmaceutical preparations; chemico-pharmaceutical preparations; chemical preparations for pharmaceutical purposes; pharmaceutical preparations for the treatment of multiple sclerosis; pharmaceutical preparations for the treatment and reduce symptoms of Attention Deficit Hyperactivity Disorder; pharmaceutical drugs; sedatives; medicated lozenges; pharmaceutical preparations and substances for the treatment of neurodegenerative diseases and disorders, including Alzheimer's disease, Parkinson's disease, age-related memory loss and other types of dementia; enzymes for medical purposes; ferments for pharmaceutical purposes.

(260) AM 2024 123715 A
 (800) 1737995
 (151) 2023 03 22
 (891) 2023 03 22
 (731) BERLIN-CHEMIE Aktiengesellschaft
 Glienicker Weg 125, 12489 Berlin, Germany
 (540)

ISYMDA

(591) Black, white
 (511)
 3 – Balms; cosmetics; dentifrices; herbal extracts for cosmetic purposes; lavender oil; mouthwashes; shampoos; vaginal washes.
 5 – Pharmaceuticals; dietetic substances adapted for medical use.

(260) AM 2024 123717 A
 (800) 1737997
 (151) 2023 03 22
 (891) 2023 03 22
 (731) BERLIN-CHEMIE Aktiengesellschaft
 Glienicker Weg 125, 12489 Berlin, Germany
 (540)

BREFESCA

(591) Black, white
 (511)
 3 – Balms; cosmetics; dentifrices; herbal extracts for cosmetic purposes; lavender oil; mouthwashes; shampoos; vaginal washes.
 5 – Pharmaceuticals; dietetic substances adapted for medical use.

(260) AM 2024 123718 A
(800) 1737999
(151) 2023 03 23
(891) 2023 03 23
(731) BERLIN-CHEMIE Aktiengesellschaft
Glienicke Weg 125, 12489 Berlin, Germany
(540)

FYLANKOR

(591) Black, white
(511)
3 – Balms; cosmetics; dentifrices; herbal extracts for cosmetic purposes; lavender oil; mouthwashes; shampoos; vaginal washes.
5 – Pharmaceuticals; dietetic substances adapted for medical use.

(260) AM 2024 123726 A
(800) 1738027
(151) 2023 06 08
(891) 2023 06 08
(731) Ferrara Candy Company
404 W. Harrison Street, Chicago IL 60607, USA
(540)

SWEETARTS

(591) Black, white
(511)
30 – Candy.

(260) AM 2024 123736 A
(800) 1738062
(151) 2023 03 21
(891) 2023 03 21
(731) BERLIN-CHEMIE Aktiengesellschaft
Glienicke Weg 125, 12489 Berlin, Germany
(540)

POSIBRI

(591) Black, white
(511)
3 – Balms; cosmetics; dentifrices; herbal extracts for cosmetic purposes; lavender oil; mouthwashes; shampoos; vaginal washes.
5 – Pharmaceuticals; dietetic substances adapted for medical use.

(260) AM 2024 123737 A
(800) 1738063
(151) 2023 03 22
(891) 2023 03 22
(731) BERLIN-CHEMIE Aktiengesellschaft
Glienicke Weg 125, 12489 Berlin, Germany
(540)

PRENFIA

(591) Black, white
(511)
3 – Balms; cosmetics; dentifrices; herbal extracts for cosmetic purposes; lavender oil; mouthwashes; shampoos; vaginal washes.
5 – Pharmaceuticals; dietetic substances adapted for medical use.

(260) AM 2024 123739 A
(800) 1738065
(151) 2023 03 22
(891) 2023 03 22
(731) BERLIN-CHEMIE Aktiengesellschaft
Glienicke Weg 125, 12489 Berlin, Germany
(540)

IMMEVRI

(591) Black, white
(511)
3 – Balms; cosmetics; dentifrices; herbal extracts for cosmetic purposes; lavender oil; mouthwashes; shampoos; vaginal washes.
5 – Pharmaceuticals; dietetic substances adapted for medical use.

(260) AM 2024 123740 A
(800) 1738066
(151) 2023 03 23
(891) 2023 03 23
(731) BERLIN-CHEMIE Aktiengesellschaft
Glienicke Weg 125, 12489 Berlin, Germany
(540)

EVTUZA

(591) Black, white
(511)
3 – Balms; cosmetics; dentifrices; herbal extracts for cosmetic purposes; lavender oil; mouthwashes; shampoos; vaginal washes.
5 – Pharmaceuticals; dietetic substances adapted for medical use.

(260) AM 2024 123741 A
(800) 1738067
(151) 2023 03 23
(891) 2023 03 23
(731) BERLIN-CHEMIE Aktiengesellschaft
Glienicke Weg 125, 12489 Berlin, Germany
(540)

COLIZO

(591) Black, white
(511)
3 – Balms; cosmetics; dentifrices; herbal extracts for cosmetic purposes; lavender oil; mouthwashes; shampoos; vaginal washes.

5 – Pharmaceuticals; dietetic substances adapted for medical use.

(260) AM 2024 123742 A
 (800) 1738073
 (151) 2023 03 23
 (891) 2023 03 23
 (731) BERLIN-CHEMIE Aktiengesellschaft
 Glienicker Weg 125, 12489 Berlin, Germany
 (540)

REVEQ

(591) Black, white
 (511)
 3 – Balms; cosmetics; dentifrices; herbal extracts for cosmetic purposes; lavender oil; mouthwashes; shampoos; vaginal washes.
 5 – Pharmaceuticals; dietetic substances adapted for medical use.

(260) AM 2024 123743 A
 (800) 1738074
 (151) 2023 03 23
 (891) 2023 03 23
 (731) BERLIN-CHEMIE Aktiengesellschaft
 Glienicker Weg 125, 12489 Berlin, Germany
 (540)

LIBESCO

(591) Black, white
 (511)
 3 – Balms; cosmetics; dentifrices; herbal extracts for cosmetic purposes; lavender oil; mouthwashes; shampoos; vaginal washes.
 5 – Pharmaceuticals; dietetic substances adapted for medical use.

(260) AM 2024 123744 A
 (800) 1738075
 (151) 2023 03 23
 (891) 2023 03 23
 (731) BERLIN-CHEMIE Aktiengesellschaft
 Glienicker Weg 125, 12489 Berlin, Germany
 (540)

OPURAIR

(591) Black, white
 (511)
 3 – Balms; cosmetics; dentifrices; herbal extracts for cosmetic purposes; lavender oil; mouthwashes; shampoos; vaginal washes.
 5 – Pharmaceuticals; dietetic substances adapted for medical use.

(260) AM 2024 123745 A
 (800) 1738088
 (151) 2023 06 08
 (891) 2023 06 08
 (731) Ferrara Candy Company
 404 W. Harrison Street, Chicago IL 60607,
 USA
 (540)

SPREE

(591) Black, white
 (511)
 30 – Candy.

(260) AM 2024 123752 A
 (800) 1738312
 (151) 2023 05 31
 (891) 2023 05 31
 (731) Limited liability company "Confectionery Complex "Ozersky souvenir"
 Lenina street 13, lit. M, room 3, Ozery,
 Kolomna, RU-140560 Moscow region,
 Russian Federation
 (540)



(591) White, red and its shades, blue, yellow and its shades, brown, beige, green
 (531) 01.15.11; 01.15.23; 02.09.08; 21.03.11; 26.11.03; 26.11.12; 27.05.01; 29.01.15
 (511)
 30 – Cereal bars; pancakes; buns; bread rolls; pains au chocolat; waffles; chocolate bars; cake frosting [icing]; rice-based snack food; cereal-based snack food; fruit jellies [confectionery]; candy decorations for cakes; confectionery for decorating Christmas trees; cakes; Danish pastries; pastries; peanut confectionery; almond confectionery; confectionery; fruit confectionery; frozen yogurt [confectionery ices]; cocoa; caramels [sweets]; sweets; liquorice [confectionery]; peppermint sweets; mints for breath freshening; liqueur chocolates; dulce de leche; crackers; crème brûlée; custard; croissants; fruit coulis [sauces]; ice pops; macaroons [pastries]; marzipan; ice cream; chocolate mousses; muesli; nougat; chocolate-coated nuts; stick liquorice [confectionery]; lozenges [confectionery]; biscuits; coconut macaroons; petit-beurre biscuits; pies; fondants [confectionery]; pralines; profiteroles; gingerbread; petits fours; puddings; chewing gum; chewing gum for breath freshening; sorbets [ices]; chocolate-based spreads; chocolate spreads containing nuts; dessert soufflés; halvah; chips [cereal products]; tea; chocolate.

(260) AM 2024 123753 A

(800) 1738367

(151) 2023 03 31

(891) 2023 03 31

(731) Krohin Aleksandr Nikolaevich

ul. Kirova, d. 51, kv. 3, RU-184256 g. Kirovsk,
Murmanskaya obl., Russian Federation

(540)



(591) White, dark blue, blue and light blue

(531) 01.15.15; 01.15.23; 13.03.23; 26.04.18;
29.01.12

(511)

35 – Import-export agency services; demonstration of goods; business management and organization consultancy; marketing; organization of exhibitions for commercial or advertising purposes; shop window dressing; providing commercial information and advice for consumers in the choice of products and services; sales promotion for others; advertising; procurement services for others [purchasing goods and services for other businesses].

37 – Renovation of clothing; linen ironing; steam pressing of clothing; disinfecting; rental of cleaning machines; rental of laundry washing machines; clothing repair; washing; washing of linen; laundering; cleaning of clothing; dry cleaning; diaper cleaning; leather care, cleaning and repair; fur care, cleaning and repair.

(260) AM 2024 123754 A

(800) 1738399

(151) 2022 12 23

(891) 2022 12 23

(731) KADIOĞLU KOZMETİK SANAYİ VE
TİCARET ANONİM ŞİRKETİAKÇABURGAZ MAHALLESİ 1573, SOKAK
NO:8/A ESENYURT, İSTANBUL, Türkiye

(540)



(591) Red and white

(531) 03.13.01; 26.01.16; 26.04.05; 26.04.18;
26.04.24; 26.11.02; 26.11.12; 27.05.01;
27.05.24; 29.01.12

(511)

3 – Detergent for household use, bleaching preparations for household use, washing powder, blueing for laundry, soaps, fabric softeners, scale removing pre-

parations for household purposes, scouring preparations, polishing preparations, perfumes; essential oils, eau de Cologne, lotions for the body, deodorants for personal use, rose oil for cosmetic purposes, shaving lotions; nail polishes, lipsticks, mascaras, cosmetic creams, hair colorants, shampoos, hair conditioning preparations; eyebrow colorant pencils, hp colorant pencils, eye colorant pencils, eye shadows, skin preservation creams; make-up foundation, face powders; nail polishes and nail polish removers; acetone for cosmetic purposes; nail care products, namely, softeners; sun-tanning preparations; cosmetic kits comprised of lipstick and eyeshadow; cosmetics facial blotting papers and cottons; cotton sticks for cosmetic purposes, ear cleaning sticks, make-up cleaning papers, disposable wet wipes; soaps for personal use including odor removal purposes, anti-perspirant soaps; toothpaste, tooth cleaning powders, non-medical mouth gargles, anti-tartar toothpastes.

(260) AM 2024 123763 A

(800) 1738629

(151) 2023 01 25

(891) 2023 01 25

(731) Euro Games Technology Ltd.

4, "Maritsa" Str., "Vranya-Lozen-Triugulnika",
BG-1151 Sofia, Bulgaria

(540)



(591) Yellow, red, brown and white

(531) 05.03.06; 05.03.13; 24.05.01; 27.01.13;
27.05.01; 27.05.02; 27.05.03; 29.01.14

(511)

9 – Software; computer gaming software; computer software packages; computer operating system software; computer software, recorded; software drivers; virtual reality software; games software; entertainment software for computer games; computer programs for network management; operating computer software for main frame computers; monitors (computer hardware); computer hardware; apparatus for recording images; monitors (computer programs); computer game programs; computer programs for recorded games; apparatus for recording, transmission or reproduction of sound or images; communications servers [computer hardware]; electronic components for gambling machines; computer application software featuring games and gaming; computer software for the administration of on-line games and gaming; computer hardware for games and gaming; hardware and software for gambling, gambling machines, gambling games on the Internet and via telecommunication network.

28 – Gaming machines for gambling; chips for gambling; mah-jong; arcade games; gambling machines operating with coins, notes and cards; games; electronic games; parlor games; gaming chips; gaming tables; slot machines [gaming machines]; LCD game machines; slot machines and gaming devices; coin-operated amusement machines; roulette chips; poker chips; chips and dice [gaming equipment]; equipment for casinos; roulette tables; gaming roulette wheels; casino games; automats and gambling machines; coin-operated machines and / or electronic coin-operated machines with or without the possibility of gain; boxes for coin-operated machines, slot machines and gaming machines; electronic or electrotechnical gaming devices, automats and machines, coin-operated machines; housings for coin-operated machines, gaming equipment, gaming machines, machines for gambling; electropneumatic and electrical gambling machines (slot machines).

41 – Gambling; services related to gambling; gaming services for entertainment purposes; casino, gaming and gambling services; training in the development of software systems; provision of equipment for gambling halls; providing casino equipment [gambling]; gaming machine entertainment services; providing casino facilities [gambling]; halls with gaming machines; amusement arcade services; games equipment rental; rental of gaming machines; providing amusement arcade services; rental of gaming machines with images of fruits; editing or recording of sounds and images; sound recording and video entertainment services; hire of sound reproducing apparatus; provision of gaming equipment for casinos; providing of casino facilities; online gambling services; casino management services; operation of gaming establishments, gaming halls, internet casinos, online gambling sites.

(260) AM 2024 123764 A

(800) 1738664

(151) 2023 02 22

(891) 2023 02 22

(731) LIMITED LIABILITY COMPANY "English Aim"

vul. Leontovycha, bud. 7, of. 5-1, Kyiv 01054, Ukraine

(540)



Koto English

(591) Black, white

(531) 03.01.06; 03.01.16; 27.05.01

(511)

41 – Teaching; videotaping; educational examination; providing information in the field of education; pro-

viding information in the field of entertainment; providing information relating to recreational activities; correspondence courses; game services provided online from a computer network; tutoring; arranging and conducting of entertainment events; educational services provided by schools; providing training and educational examination for certification purposes; multimedia library services; translation; online publication of electronic books and journals; publication of books; publication of texts, other than publicity texts; entertainment services; production of shows; production of music; production of podcasts; film production, other than advertising films; subtitling.

(260) AM 2024 123765 A

(800) 1738668

(151) 2023 04 28

(891) 2023 04 28

(731) VEKA Aktiengesellschaft

Dieselstr. 8, 48324 Sendenhorst, Germany

(540)

PROCURAL

(591) Black, white

(511)

6 – Common metals and their alloys; building materials and building elements of metal; combinations of building materials and/or building elements, entirely or predominantly of metal; windows and doors, entirely or predominantly of metal, in particular windows and doors of aluminium; profiles, entirely or predominantly of metal, in particular of aluminium; window and door profiles, door panels, facade elements and sheets, entirely or predominantly of metal; window and door profile combinations, entirely or predominantly of metal, in particular combinations of frame and sash profiles; profiles, sheets and cladding profiles, entirely or predominantly of metal, in particular profiles, sheets and cladding profiles of aluminium for cladding window and/or door profiles, door panels, facade elements, sheets, windows and/or doors of plastic; profile, sheet and cladding profile combinations, entirely or predominantly of metal, in particular combinations of window and/or door profiles, door panels, facade elements, sheets, windows and/or doors with profiles, sheets and/or cladding profiles; door thresholds of metal, in particular of aluminium; roller blinds, folding shutters, venetian blinds [outdoor], sun louvres, insect screens, conservatories, railings, balustrades, roofs, fences, gates, partitions, partition walls, covers, wall coverings for building purposes, each entirely or predominantly of metal; reinforcing materials, entirely or predominantly of metal; fittings, entirely or predominantly of metal, for windows, doors, ventilation flaps or other building openings, in particular window and door fittings; accessories and connecting parts for the aforementioned goods [as far as included in this class], in particular mullion/frame connectors and fasteners of metal; all the aforemen-

tioned goods also for fire protection, in particular in fire-retardant, fire-resistant and/or fireproof finish.

17 – Semi-processed plastics; plastic material in extruded form for use in manufacturing processes; profiles, shaped parts and seals of plastic for use in manufacturing processes [semi-finished products]; window and door profiles, door panels, facade elements and sheets, entirely or predominantly of plastic for use in manufacturing processes [semi-finished products], in particular extruded window and door profiles, door panels, facade elements and sheets; window and door profile combinations, entirely or predominantly of plastic for use in manufacturing processes [semi-finished products], in particular combinations of frame and sash profiles; profiles, sheets and cladding profiles, entirely or predominantly of plastic for use in manufacturing processes [semi-finished products], in particular for cladding window and door profiles, door panels, facade elements, sheets, windows and/or doors; profile, sheet and cladding profile combinations, entirely or predominantly of plastic for use in manufacturing processes [semi-finished products], in particular combinations of window and/or door profiles, door panels, facade elements, sheets, windows and/or doors with profiles, sheets and/or cladding profiles; accessories, fittings and connecting parts [semi-finished products] for the aforementioned goods [as far as included in this class], in particular mullion/frame connectors, entirely or predominantly of plastic for use in manufacturing processes [semi-finished products]; sealing and insulating materials; materials for window and door seals of plastic, in particular sealing tapes of plastic for windows and doors; all the aforementioned goods also for fire protection, in particular in fire-retardant, fire-resistant and/or fireproof finish.

19 – Building materials and building elements, not of metal; combinations of building materials and/or building elements, entirely or predominantly of plastic, wood and/or other non-metallic materials; windows and doors, entirely or predominantly of plastic, wood and/or other non-metallic materials; roller blinds, folding shutters, venetian blinds [outdoor], sun louvres, insect screens, conservatories, covers for buildings, wall coverings, roofs, railings, balustrades, fences, floorboards, partitions and partition walls, each entirely or predominantly of plastic, wood and/or other non-metallic materials; window and door profiles, door panels, facade elements and sheets, entirely or predominantly of plastic, wood and/or other non-metallic materials; window and door profile combinations, entirely or predominantly of plastic, wood and/or other non-metallic materials, in particular combinations of frame and sash profiles; profiles, sheets and cladding profiles for building purposes and/or as building materials or building elements, entirely or predominantly of plastic, wood and/or other non-metallic materials, in particular profiles, sheets and cladding profiles of wood for cladding window and/or door

profiles, door panels, facade elements, sheets, windows and/or doors of plastic; profile, sheet and cladding profile combinations for building purposes and/or as building materials or building elements, entirely or predominantly of plastic, wood and/or other non-metallic materials, in particular combinations of window and/or door profiles, door panels, facade elements, sheets, windows and/or doors with profiles, sheets and/or cladding profiles; reinforcing materials for building, entirely or predominantly of plastic, wood and/or other non-metallic materials; accessories, fittings and connecting parts for the aforementioned goods [as far as included in this class], in particular mullion/frame connectors as well as fasteners, entirely or predominantly of plastic, wood and/or other non-metallic materials; all the aforementioned goods also for fire protection, in particular in fire-retardant, fire-resistant and/or fireproof finish.

37 – Assembly, installation and repair of windows, doors, ventilation flaps or other building openings, roller blinds, folding shutters, venetian blinds [outdoor], sun louvres, insect screens, conservatories, railings, balustrades, roofs, fences, floorboards, gates, partitions, partition walls, covers, wall coverings for building purposes; coating [painting]; providing information for the aforementioned activities, and for craft activities for repair, assembly or installation, including the processing of metal profiles and sheets for building purposes; support by technical consultancy and provision of information for the aforementioned activities, and for craft activities for repair, assembly or installation, including the processing of metal profiles and sheets for building purposes.

40 – Metal treating and processing, in particular extrusion of metal profiles, anodizing, treating [shaping] of metal, bending of metal sheets, calendaring of metal, metal cutting, treatment of metal materials by laser beam; metal coating [not painting], in particular powder coating of metal surfaces; metal colouring [not painting]; providing information for the aforementioned activities; custom production and contract manufacturing for others, each of profiles, sheets, cladding profiles, windows, doors, ventilation flaps or other building openings, roller blinds, folding shutters, venetian blinds [outdoor], sun louvres, insect screens, conservatories, railings, balustrades, roofs, fences, floorboards, gates, partitions, partition walls, covers, wall coverings for building purposes, and of accessories, fittings, reinforcing materials and connecting parts for the aforementioned goods.

(260) AM 2024 123766 A

(800) 1738744

(151) 2023 01 05

(891) 2023 01 05

(731) Public Joint Stock Company "Kurgan Joint-Stock, Company of Medicines and Products, "Sintez"

Constitution pr-kt, 7, RU-640008 Kurgan,
Russian Federation

(540)

AKOC

(591) Black, white

(531) 28.05

(511)

5 – Pharmaceutical preparations; veterinary preparations; sanitary preparations for medical purposes; dietetic substances adapted for medical purposes; food for babies; adhesive plasters; dressings, medical; teeth filling material; dental impression materials; disinfectants; preparations for destroying noxious animals; fungicides; herbicides.

10 – Medical apparatus and instruments; veterinary apparatus and instruments; dental apparatus and instruments; surgical apparatus and instruments; artificial limbs; dentures; artificial eyes; orthopedic articles; suture materials.

16 – Paper; cardboard; printed matter; bookbinding material; photographs [printed]; stationery; adhesive tapes for stationery or household purposes; artists' materials; paintbrushes; typewriters, electric or non-electric; office requisites, except furniture; manuals [handbooks]; plastic materials for packaging; printing type; printing blocks.

21 – Kitchen utensils; cooking utensils, non-electric; combs; sponges; brushes; material for brush-making; articles for cleaning purposes; steel wool for cleaning; glass, unworked or semi-worked, except building glass; glassware, porcelain and earthenware.

28 – Playing cards.

39 – Wrapping of goods.

(260) AM 2024 123775 A

(800) 1738971

(151) 2023 01 24

(891) 2023 01 24

(731) UBESOL. S.L.

La Costera, 9. Pol. Industrial., E-46869

Adzaneta De Albaida, Valencia, Spain

(540)

SUAVETT

(591) Black, white

(511)

3 – Bleaching preparations and other substances for laundry use; cleaning, polishing, degreasing and abrasive preparations; abrasives.

21 – Utensils and containers for household and kitchen use (not of precious metals or coated therewith); combs and sponges; brushes (except paintbrushes); brush-making materials; cleaning materials; scourers of metal; glassware, porcelain and earthenware, not included in other classes; unworked or semi-worked

glass (except building glass); mops, cloths, kitchen towels for tableware.

(260) AM 2024 123777 A

(800) 673128

(151) 1996 06 19

(891) 2023 06 15

(731) Wacker Chemie AG

Hanns-Seidel-Platz 4, 81737 München,

Germany

(540)

WACKER

(591) Black, white

(511)

1 – Chemical and biochemical products used in industry, science, photography, agriculture, horticulture and forestry; unprocessed plastics; unprocessed artificial resins; compounds that crosslink to form plastics, elastomers and artificial resins; unprocessed plastics in the form of solutions, emulsions, dispersions, powders, redispersible powders, granules, pastes, extrudates and in dried form, particularly in spray-dried form; raw materials, auxiliaries, additives and catalysts used in plastics production; silanes; organosilanes; silicic-acid esters; silicones, polysilanes, polycarbosilanes, polysilazanes, polyvinyl chloride, polyvinyl acetate, polyvinyl alcohols, polyvinyl acetals and compounds, blends, alloys, copolymers and block copolymers based on them or on other polymers; silicone fluids, silicone resins, silicone greases, silicone pastes, silicone sprays, silicone elastomers, compounds that crosslink to form silicone elastomers; solutions, dispersions and emulsions containing silicones; embedding compounds; moulding compounds; agents for impregnating, binding or coating of textiles, furs and leather, non-wovens and fabrics; binding, coating and impregnating agents for the textile industry; antifoam agents; softeners for textiles; chemical release agents, especially band-ply lubes, mould-release agents, coating compounds for release papers used for self-adhesive labels, adhesive films and adhesive tapes, release agents for baking tins; anticaking agents; free-flow aids; thickening and thixotropic agents, e.g. for printing inks, for adhesives and pastes; chemical impregnating agents for building materials, wood, artificial and natural stone, mortar, cement, concrete, gas concrete, gypsum, masonry, facades; stone strengtheners; polymer coating agents for textiles, paper, mineral materials, fillers, pigments; lubricants for yarns; chemical additives for preservatives; binders for paints, lacquers, glues, adhesives and for chemicals used in the building industry; chemical additives for cosmetic preparations; plasticizers for plastics; adhesion promoters; antistatic agents; vinyl acetate; vinyl chloride; ethylidene dichloride; inorganic base chemicals such as sodium hydroxide, sodium hydroxide solution, sodium chloride, chlorine, hydrogen chloride, hydrochloric acid, borides, like calcium bo-

ride, titanium boride and europium boride, nitrides like boron nitride and aluminium nitride, boron halogenides, carbides, like boroncarbide and silicon carbide; silica, particularly fumed silica, silicon, gallium arsenide; de-icing and industrial salt; welding powders; slags for steel production; powders for continuous casting; chemical additives for metallurgical purposes; organic semiconductor materials; conductive and semiconductive, doped and undoped organic polymers; inorganic elements and compounds in form of hyperpure crystals; gallium-gadolinium garnet; doped and undoped, polycrystalline and monocrystalline inorganic semiconductor material, particularly in the form of crystals, granules, powders, rods, tubes, sheets, wafers and moulded bodies, in sawed, lapped, polished, etched and coated form; substrates coated with semiconductor material in the form of granules, powders; hyperpure silicon for the electrical and electronic industries; monocrystalline silicon in the form of rods, blocks, wafers and powders; polycrystalline silicon in the form of blocks, wafers, powders, granules and moulded bodies; inorganic sintered materials; oxides, carbides, nitrides and borides of metals and semi-metals and their mixed phases, particularly in the form of powders, fibres (not for textile use), granules, sheets, rods, tubes and moulded bodies; moderators and absorbers for neutrons; catalysts for chemical and biochemical processes; catalysts for the oxidation of hydrocarbons; chlorinated hydrocarbons, as well as the appropriate stabilizers and wetting agents; organic solvents and solvent mixtures; solvents and solvent mixtures for cleaning metal and textiles; organic intermediates for the processing industry; natural and synthetic fragrances and aromas for industrial purposes, their solutions, mixtures and preparations; oligosaccharides and polysaccharides and their derivatives for industrial purposes; cyclodextrins and cyclodextrin derivatives; liquid crystals; amino acids, peptides; proteins; enzymes, biocatalysts; raw materials, active substances and auxiliaries for pharmaceuticals, plant protection products and pesticides; adhesives for industrial purposes; agents for hardening metals and metal alloys; fertilizers; seed dressings; soil conditioning chemicals; additives and auxiliaries for cosmetic purposes; silicones, silanes and silicas for cosmetic purposes; cyclodextrins and cyclodextrin derivatives for cosmetic purposes; oligosaccharides and polysaccharides and their derivatives, cyclodextrins and cyclodextrin derivatives used as additives in pharmaceuticals, plant protection products, pesticides, foodstuffs and fodder, diamond; heat transfer fluids.

2 – Paints, varnishes, lacquers, wood preservatives, anti-rust agents; raw materials for lacquers, lacquer additives and auxiliaries; pigments, flow control agents, binders and thinners for lacquers and paints; bactericidal, fireproof and hammer finish additives for lacquers; lacquers for coating electrical and electronic parts and components; Ni-diamond-coatings.

3 – Cleaning, lapping, polishing, scouring and abrasive preparations, perfumery, essential oils; synthetic and natural fragrances and aromas, their solutions, mixtures and preparations; abrasives containing diamond, carbides and nitrides; diamond pastes, detergents for medical purposes, diamond.

4 – Industrial oils and greases; lubricants; slip additives; coolants; pump fluids; damping fluids/greases/pastes; fluids, pastes and greases for use as dielectrics; hydraulic fluids; silicone fluids; silicone greases; silicone pastes.

5 – Plant protection products, pesticides, disinfectants, pharmaceuticals for human and veterinary use, their active substances, vehicles, additives and auxiliaries; dental, otoplastic and ophthalmologic preparations and prostheses as well as products for producing such preparations and prostheses; intra-ocular lenses and contact lenses as well as their starting materials and intermediates; material for stopping teeth, dental impression compounds; biosensors.

9 – Scientific apparatus, namely mortars; parts of scientific apparatus, testing apparatus, measuring instruments, electronic devices and control devices; crucibles, mechanical seals on the base of sintered silicon carbide in pump systems, protective tubes and protective sleeves for use in all mechanical devices in which shafts need special protection, such as measurement and control instruments and apparatus; biosensors; doped and undoped, polycrystalline and monocrystalline inorganic semiconductor material, particularly in the form of rods, tubes, sheets, wafers and moulded bodies, in sawed, lapped, polished, etched and coated form; substrates coated with semiconductor material in the form of wafers, sheets, rods, tubes and moulded bodies.

16 – Adhesives for stationery articles; adhesives for household purposes; bookbinding pastes; artists' and DIY materials, namely articles for modelling; plastic materials for packaging.

17 – Semiprocessed plastics and plastic goods; sealing, packing and insulating material; products containing or made of plastics in the form of blocks, extrudates, powders, sheets, films, rods, flexible pipes, fibres (not for textile use), moulded bodies, solutions, emulsions, dispersions, granules, redispersible powders; sealants for joints; insulating paints and varnishes; insulating oils; plastic gaskets; yarns, fibres and threads (not for textile use); gaskets made of non metallic sintered materials; thermal insulation material based on plastics and on inorganic material; mechanical seals in pumps; thermal insulation material, thermoplastic artificial resins as semi-processed products.

22 – Staple fibres; raw fibrous textile materials; plastic fibres for textile use.

(260) AM 2024 123789 A

(800) 1739034

(151) 2023 01 25

(891) 2023 01 25

(731) Euro Games Technology Ltd.

4, "Maritsa" Str., "Vranya-Lozen-Triugulnika",
BG-1151 Sofia, Bulgaria

(540)



(591) Yellow, red, orange, green, brown, white and black

(531) 18.03.01; 27.01.12; 27.05.03; 27.05.08;
29.01.15

(511)

9 – Software; computer gaming software; computer software packages; computer operating system software; computer software, recorded; software drivers; virtual reality software; games software; entertainment software for computer games; computer programs for network management; operating computer software for main frame computers; monitors (computer hardware); computer hardware; apparatus for recording images; monitors (computer programs); computer game programs; computer programs for recorded games; apparatus for recording, transmission or reproduction of sound or images; communications servers [computer hardware]; electronic components for gambling machines; computer application software featuring games and gaming; computer software for the administration of on-line games and gaming; computer hardware for games and gaming; hardware and software for gambling, gambling machines, gambling games on the Internet and via telecommunication network.

28 – Gaming machines for gambling; chips for gambling; mah-jong; arcade games; gambling machines operating with coins, notes and cards; games; electronic games; parlor games; gaming chips; gaming tables; slot machines [gaming machines]; LCD game machines; slot machines and gaming devices; coin-operated amusement machines; roulette chips; poker chips; chips and dice [gaming equipment]; equipment for casinos; roulette tables; gaming roulette wheels; casino games; automats and gambling machines; coin-operated machines and / or electronic coin-operated machines with or without the possibility of gain; boxes for coin-operated machines, slot machines and gaming machines; electronic or electrotechnical gaming devices, automats and machines, coin-operated machines; housings for coin-operated machines, gaming equipment, gaming machines, machines for gambling; electropneumatic and electrical gambling machines (slot machines).

41 – Gambling; services related to gambling; gaming services for entertainment purposes; casino, gaming and gambling services; training in the development of software systems; provision of equipment for gam-

bling halls; providing casino equipment [gambling]; gaming machine entertainment services; providing casino facilities [gambling]; halls with gaming machines; amusement arcade services; games equipment rental; rental of gaming machines; providing amusement arcade services; rental of gaming machines with images of fruits; editing or recording of sounds and images; sound recording and video entertainment services; hire of sound reproducing apparatus; provision of gaming equipment for casinos; providing of casino facilities; online gambling services; casino management services; operation of gaming establishments, gaming halls, internet casinos, online gambling sites.

(260) AM 2024 123790 A

(800) 1739042

(151) 2022 08 29

(891) 2022 08 29

(731) BHARAT BIOTECH INTERNATIONAL
LIMITED

Genome Valley, Turkapally, Shameerpet,
Hyderabad, Telangana 500078, India

(540)

MALVAXIN

(591) Black, white

(531) 27.05.01

(511)

5 – Vaccine for human use.

(260) AM 2024 123791 A

(800) 1739123

(151) 2023 03 10

(891) 2023 03 10

(731) ROYAL ARMENIA JV LTD

Haghtanak 1 street, 1st lane, 16, 0036 Yerevan,
Armenia

(540)



(591) Black, white

(531) 27.05.01; 27.05.10

(511)

30 – Coffee; ground coffee; roasted coffee beans; instant coffee; instant coffee mixes; artificial coffee; vegetal preparations for use as coffee substitutes; unroasted coffee; coffee beverages with milk; coffee-based beverages; hot chocolate; instant hot chocolate mixes; cocoa; cocoa-based beverages; cocoa beverages with milk; tea; instant tea; iced tea; instant mixes for making iced tea; tea-based beverages; seasonings; pepper spice; whole dried peppercorns for use as seasonings or flavorings; ground black pepper.

35 – Retail services for coffee, ground coffee, roasted coffee beans, instant coffee, instant coffee mixes, arti-

ficial coffee, vegetal preparations for use as coffee substitutes, unroasted coffee, coffee beverages with milk, coffee-based beverages, hot chocolate, instant hot chocolate mixes, cocoa, cocoa-based beverages, cocoa beverages with milk, tea, instant tea, iced tea, instant mixes for making iced tea, tea-based beverages, seasonings, pepper spice, whole dried peppercorns for use as seasonings or flavorings and ground black pepper.

43 – Services for providing food and drink, in particular café services and restaurant services.

(260) AM 2024 123792 A

(800) 1739128

(151) 2023 03 22

(891) 2023 03 22

(731) KOLISEUM LIMITED

7/F, MW Tower, 111 Bonham Strand, Sheung Wan, Hong Kong, China

(540)



(591) Black, white

(531) 24.01.05; 24.09.03; 24.09.05; 24.09.07; 27.05.01; 27.05.22

(511)

34 – Tobacco and tobacco substitutes; cigarettes and cigars; electronic cigarettes and oral vaporizers for smokers; smokers' articles; matches; flavourings, other than essential oils, for tobacco; flavourings, other than essential oils, for use in electronic cigarettes; gas containers for cigar lighters; absorbent paper for tobacco pipes; cigarette paper; lighters for smokers; hookahs; tobacco pouches; books of cigarette papers; humidors; matchboxes; firestones; cigar holders; cigarette holders; mouthpieces for cigarette holders; tips of yellow amber for cigar and cigarette holders; ashtrays for smokers; spittoons for tobacco users; pipe racks for tobacco pipes; pipe cleaners for tobacco pipes; liquid solutions for use in electronic cigarettes; cigar cutters; cigarettes; cigarettes containing tobacco substitutes, not for medical purposes; cigarillos; tobacco jars; match holders; oral vaporizers for smokers; chewing tobacco; snuff; snuff boxes; herbs for smoking; tobacco pipes; pocket machines for rolling cigarettes; cigarette filters; wicks adapted for cigarette lighters; cigarette tips; cigar cases; cigarette cases.

35 – Wholesale and retail services for tobacco and tobacco substitutes, cigarettes and cigars, electronic cigarettes and oral vaporizers for smokers, smokers' articles, matches, flavourings, other than essential oils, for tobacco, flavourings, other than essential oils,

for use in electronic cigarettes, gas containers for cigar lighters, absorbent paper for tobacco pipes, cigarette paper, lighters for smokers, hookahs, tobacco pouches, books of cigarette papers, humidors, matchboxes, firestones, cigar holders, cigarette holders, mouthpieces for cigarette holders, tips of yellow amber for cigar and cigarette holders, ashtrays for smokers, spittoons for tobacco users, pipe racks for tobacco pipes, pipe cleaners for tobacco pipes, liquid solutions for use in electronic cigarettes, cigar cutters, cigarettes, cigarettes containing tobacco substitutes, not for medical purposes, cigarillos, tobacco jars, match holders, oral vaporizers for smokers, chewing tobacco, snuff, snuff boxes, herbs for smoking, tobacco pipes, pocket machines for roiling cigarettes, cigarette filters, wicks adapted for cigarette lighters, cigarette tips, cigar cases, cigarette cases, including the same via Internet stores; negotiation and conclusion of commercial transactions for third parties; demonstration of goods; business investigations; business management and organization consultancy; professional business consultancy; marketing; organization of exhibitions for commercial or advertising purposes; organization of trade fairs; shop window dressing; data search in computer files for others; providing business information; providing business information via a website; providing commercial information and advice for consumers in the choice of products and services; provision of an online marketplace for buyers and sellers of goods and services; sales promotion for others; promotion of goods and services through sponsorship of sports events; consumer profiling for commercial or marketing purposes; distribution of samples; dissemination of advertising matter; direct mail advertising; advertising; administrative processing of purchase orders; procurement services for others [purchasing goods and services for other businesses].

(260) AM 2024 123806 A

(800) 1739374

(151) 2023 06 14

(891) 2023 06 14

(731) FERRARA CANDY COMPANY

404 W. Harrison Street, Chicago IL 60607, USA

(540)

NOW AND LATER

(591) Black, white

(511)

30 – Candy.

(260) AM 2024 123807 A

(800) 1739380

(151) 2023 06 14

(891) 2023 06 14

(731) FERRARA CANDY COMPANY

404 W. Harrison Street, Chicago IL 60607, USA

(540)

GOBSTOPPER

(591) Black, white

(511)

30 – Candy.

(260) AM 2024 123808 A

(800) 1739384

(151) 2023 06 09

(891) 2023 06 09

(731) FERRARA CANDY COMPANY

404 W. Harrison Street, Chicago IL 60607,
USA

(540)

BOTTLE CAPS

(591) Black, white

(511)

30 – Candy.

(260) AM 2024 123809 A

(800) 1739411

(151) 2023 02 09

(891) 2023 02 09

(731) EASTMAN AUTO AND POWER LIMITED

572, udyog vihar, phase v, gurgaon, haryana
122016, India

(540)



(591) Black, white

(531) 01.03.02; 01.03.13; 27.05.01; 27.05.09

(511)

9 – Solar panels; inverters; lithium batteries; valve regulated lead acid (VRLA) batteries for uninterrupted power supply (UPS); valve regulated lead acid (VRLA) batteries for solar panels; zinc-carbon batteries; online uninterrupted power supplies (UPS); voltage stabilizers.

(260) AM 2024 123817 A

(800) 1739586

(151) 2023 06 14

(891) 2023 06 14

(731) Ferrara Candy Company

404 W. Harrison Street, Chicago IL 60607,
USA

(540)

FUN DIP

(591) Black, white

(526) DIP

(511)

30 – Candy.

(260) AM 2024 123835 A

(800) 1740212

(151) 2023 02 08

(891) 2023 02 08

(731) Euro Games Technology Ltd.

4, "Maritsa" Str., "Vranya-Lozen-Triugulnika",
BG-1151 Sofia, Bulgaria

(540)

BURNING FLAME

(591) Black, white

(511)

9 – Software; computer gaming software; computer software packages; computer operating system software; computer software, recorded; software drivers; virtual reality software; games software; entertainment software for computer games; computer programs for network management; operating computer software for main frame computers; monitors (computer hardware); computer hardware; apparatus for recording images; monitors (computer programs); computer game programs; computer programs for recorded games; apparatus for recording, transmission or reproduction of sound or images; communications servers [computer hardware]; electronic components for gambling machines; computer application software featuring games and gaming; computer software for the administration of on-line games and gaming; computer hardware for games and gaming; hardware and software for gambling, gambling machines, gambling games on the Internet and via telecommunication network.

28 – Gaming machines for gambling; chips for gambling; mah-jong; arcade games; gambling machines operating with coins, notes and cards; games; electronic games; parlor games; gaming chips; gaming tables; slot machines [gaming machines]; LCD game machines; slot machines and gaming devices; coin-operated amusement machines; roulette chips; poker chips; chips and dice [gaming equipment]; gaming equipment for casinos; roulette tables; gaming roulette wheels; casino games; gambling machines and amusement machines, automatic and coin-operated; coin-operated amusement machines and/or electronic coin-operated amusement machines with or without the possibility of gain; boxes for coin-operated machines, slot machines and gaming machines; electronic or electrotechnical amusement machines and apparatus, gaming machines, coin-operated entertainment machines; housings for coin-operated machines, gaming equipment, gaming machines, machines for gambling; electropneumatic and electrical gambling machines (slot machines).

41 – Gambling; entertainment services related to gambling; gaming services for entertainment purposes; casino, gaming and gambling services; training in the development of software systems; provision of gaming equipment for gambling halls; providing casino equipment [gambling]; gaming machine entertainment

services; providing casino facilities [gambling]; gaming hall services; amusement arcade services; games equipment rental; rental of gaming machines; providing amusement arcade services; rental of gaming machines with images of fruits; editing or recording of sounds and images; sound recording and video entertainment services; hire of sound reproducing apparatus; provision of gaming equipment for casinos; providing of casino facilities; online gambling services; casino services; provision of gaming facilities, gaming hall facilities, Internet casinos and online gambling services.

(260) AM 2024 123840 A

(800) 1740395

(151) 2022 12 16

(891) 2022 12 16

(731) GOLD ART S.R.L.

Via Giacomo Konz 45, AREZZO, Italy

(540)

FALCINELLI

(591) Black, white

(531) 27.05.01

(511)

14 – Jewels; precious and semi-precious jewels; cloisonné jewellery; jewelry for the head; amulets [jewellery and imitation jewellery]; rings [jewellery and imitation jewellery]; body-piercing rings; body-piercing studs; bangles; chains [jewellery and imitation jewellery]; neck chains; ankle bracelets; necklaces [jewellery and imitation jewellery]; chokers; jewellery charms; pendants [jewelry]; crucifixes as jewellery; crosses [jewelry and imitation jewellery]; wedding rings; tie clips; cuff links; lockets [jewelry and imitation jewellery]; misbaha [prayer beads]; rosaries; earrings; pins [jewellery and imitation jewellery]; tie pins; ornamental pins; brooches [jewellery and imitation jewellery]; jewellery hat pins; tiaras; cameos [jewellery and imitation jewellery]; clasps for jewellery; jewellery findings; shoe jewellery; hat jewellery; jewellery articles; jewelry cases [caskets], not of precious metal; presentation boxes for jewellery; jewellery boxes; jewellery rolls; key rings [split rings with trinket or decorative fob]; retractable key rings; split rings of precious metal for keys; charms for key rings; precious and semi-precious gems; precious stones; semi-precious stones; cabochons; diamonds; pearls [jewellery]; jewellery, precious and semi-precious stones.

(260) AM 2024 123852 A

(800) 1740653

(151) 2023 04 05

(891) 2023 04 05

(731) International Business Machines Corporation

New Orchard Road, Armonk NY 10504,

USA

(540)

IBM PARTNER PLUS

(591) Black, white

(511)

9 – Computers; quantum computers; computer hardware and computer software; Computer hardware and computer software for information technology analysis and data management; computer hardware and computer software for application development; computer hardware and computer software for cloud computing; computer hardware and computer software for cognitive computing; computer hardware and computer software for artificial intelligence; computer hardware and computer software for blockchain technology; computer hardware and computer software for quantum computing and quantum programming; computer hardware, namely magnetic band units (data-processing), magnetic tapes, printed circuits, integrated circuits, computer keyboards, compact disks (audio-video), optical disks, computing couplers (data processing), diskettes, magnetic data carriers; computer hardware, namely video screens, scanners (data processing equipment), printers, interfaces (data processing), readers (data processing), software (recorded programs), microprocessors, modems, monitors, computers, computer memories, computer peripherals; adapters for computers; components for computers; data processing equipment; data processing apparatus for data and information management; semiconductors; machine readable electronic media; magnetic disks; disk drives; tape recorders; calculating machines; cash registers; facsimile machines; video recorders; video tapes; electric batteries; computer chips; circuit boards; computer hardware, namely, communications computing servers; computer carrying cases; computer interface boards; computer cables and computer cable parts; computer fax modem cards; computer accessories, namely, screen filters, mouse pads, radio pagers, joysticks; power converters, namely, digital-to-analog, analog-to-digital and step-by-step voltage switches; computer mice; integrated circuit cards and smart cards, integrated circuit adapters and smart card adapters; readers for integrated circuit cards and smart cards; microcomputers; electrical power supplies; projectors; remote controls for computers; surge protectors and uninterrupted power supplies; point of sale terminals; computer servers; computer storage devices, namely, high-speed storage subsystems for storage and backup of electronic data either locally or via a telecommunications network; recorded and downloadable computer programs and computer software; video game software; computing operating system software and programs; computer software used for accessing a global computer network; computer software used for document management; computer software used for data base management; computer software used for locating, retrieving and receiving text, electronic documents, graphics and audiovisual information on enterprise-wide internal

computer networks and local and wide-area global computer networks; computer software used for software development and web authoring and user manuals in electronic format sold as a unit with these products; computer software for use in controlling the operation and execution of computer systems, programs, and networks; computer software for use in connecting disparate computer networks and systems, computer servers and storage devices; computer software for linking together computers and for enabling computing across a globally accessible network; computer software for managing systems, software and processes that exist within an information technology environment; computer systems combining computer hardware and software for use in management and analysis of data and digital instructional manuals sold as a unit with these products; cloud computing system, namely network integrating computer hardware and software for dynamic provisioning, virtualization, and consumption metering of computer resources; recorded or downloadable cloud-computing software for deploying and managing virtual machines to a cloud computing platform; computer systems, namely, computer hardware and computer software for developing and integrating artificial intelligence, namely, machine learning, deep learning and natural language processing which is capable of collecting, organizing and analyzing data; computer systems, namely, computer hardware and computer software for integrating Natural Language Processing (NLP), Computational Linguistics (CL), Information Retrieval (IR) and Machine Learning (ML) which is capable of understanding general human queries and formulating responses; computer software for developing, building and operating blockchain applications; computer hardware and computer software for developing and testing quantum algorithms; documentation and instruction manuals recorded on machine-readable electronic media and relating to computers or computer programs; electronic publications, downloadable; electronic publications on computer media, namely, user manuals, guides, brochures, information sheets, written presentations and teaching materials, in the field of computer, computer network, computer storage, computer operating systems, information technology, database management, cloud computing, artificial intelligence, blockchain technology and quantum computing.

35 – Advertising; Sales promotional services for third parties); business management and management consultancy; business information; distribution of prospectuses; distribution of samples; arranging newspaper subscriptions for others; accounting; document reproduction; systematization of data in a central file; organization of exhibitions for commercial or advertising purposes; business management consulting services and business consulting services; business development service; analysis of market research data and statistics; electronic data processing; data processing services for artificial intelligence; data processing ser-

vices for cognitive computing; data processing services for cloud computing; data processing services for blockchain technology; data processing services for information management; data processing services for quantum computing and quantum programming; arranging and conducting trade show exhibitions in the field of computers, computer services, information technology, artificial intelligence, cloud computing, blockchain technology, quantum computing, database management, telecommunications and electronic business transactions via a global computer network; business consulting services for artificial intelligence; business consulting services for computer systems that integrate Natural Language Processing (NLP), Computational Linguistics (CL), Information Retrieval (IR) and Machine Learning (ML) which is capable of understanding general human queries and formulating responses; business consulting services for companies relating to cloud computing; business consulting services for companies relating to blockchain technology; business consulting services for companies relating to quantum computing, quantum programming and for developing and testing quantum algorithms; business consulting services for companies relating to information technology; analyzing and compiling business data; systemization of data in computer databases; business advice for companies with a view to use of computer hardware; business management consultation in the field of information technology; Business consulting services; arranging and conducting incentive reward programs for businesses and professionals to promote and reward business performance, productivity and recognition; arranging and conducting incentive reward programs to promote the sale of information technology; providing incentive award programs for businesses and professionals through the distribution of loyalty points for the purpose of promoting and rewarding loyalty; arranging and conducting incentive award programs for customers and businesses and professionals; providing business information via a website.

41 – Education; entertainment; training; organization and conducting of conferences, seminars and congresses; exhibition services for cultural or educational purposes; production of radio or television programs; sporting and cultural activities; educational services, namely, organizing and conducting classes, seminars, conferences, webinars and workshops in the field of computers, computer services, information technology, artificial intelligence, cloud computing, blockchain technology, quantum computing, database management, image and audio processing technology, telecommunications and computers global networks; training in the field of computers, computer services, information technology, artificial intelligence, cloud computing, blockchain technology, quantum computing, database management, image and audio processing technology, telecommunication and global computer networks; conducting entertainment exhibitions

in the nature of information technology demonstrations; entertainment services, namely, providing on-line computer games; Organizing and conducting sports events, namely, real-time athletic competitions via a global computer network; conducting entertainment exhibitions, namely, providing demonstrations on web-sites featuring museum exhibitions, sporting events, art gallery exhibitions, concerts, and musical recordings; editing of books and journals; show and film production; conducting of exhibitions for cultural or educational purposes; booking of seats for shows; providing training in the fields of information technology, business management, entrepreneurship, and professional development; business training; business training in the field of information technology; teaching and training in business, industry and information technology; arranging and conducting of training courses in the fields of business management, entrepreneurship, professional development, and information technology; business education and training services, namely, providing business training, business education, entrepreneurship training, and professional development programs to independent resellers, independent sales professionals and information technology professionals; educational services, namely, conducting classes, seminars, conferences, and workshops in the fields of information technology, business management, entrepreneurship, and professional development to information technology professionals, independent resellers and independent sales professionals, and distribution of training materials in connection therewith; organization and conducting of educational conferences and social entertainment events.

42 – Computer programming; Software as a service (SaaS) services featuring software for data management; software as a service (SaaS) services featuring software for cloud computing; software as a service (SaaS) services featuring software for artificial intelligence; software as a service (SaaS) services featuring software for cognitive computing; software as a service (SaaS) services featuring software for blockchain technology; software as a service (SaaS) services featuring software for quantum computing and quantum programming; software as a service (SaaS) services featuring software for constructing, analyzing and running quantum programs and quantum algorithms; software as a service (SaaS) services featuring software for developing and testing quantum algorithms; computer programming services and computer consulting services for artificial intelligence; computer programming services and computer consulting services on cognitive computing; computer programming services and computer consulting services on information management; computer programming services and computer consulting services for data management; computer programming services and computer consulting services for cloud computing; computer programming services and computer consulting servi-

ces for blockchain technology; computer programming services and computer consulting services for quantum computing; computer programming services and computer consulting services for software as a service (SaaS); design, installation, updating and maintenance of computer software; computer software and hardware design for others, and technological consultation services; technical support services, namely, troubleshooting of computer program and software problems; computer services, namely, design, creation and maintenance of websites for others; computer systems analysis, data base and network integration, computer programming for others all for use in commercial interactions over global computer networks; design of systems for interconnection of computer hardware and software, namely, electronic connection of computers and software to each other; computer software and hardware testing services (quality and technical controls); technical project studies in the field of computer hardware and software; consultancy services in the field of computer hardware, namely consultancy regarding computing research and development; computer advice and assistance concerning Internet use; rental of computers and computer software; scientific and industrial research, namely research and development of new products, biological research, research in bacteriology, research in chemistry, research in beauty care, research in mechanics, geological research, technological research, pharmaceutical research, scientific research for medical purposes; information technology [IT] consultancy; computer systems integrations services; consulting services in the field of design, selection, implementation and use of computer hardware and software systems for others; technical support services, namely, troubleshooting in the nature of diagnosing computer software problems; computer system design services for others; design of systems for interconnection of computers and computer programs, namely, integration of computer systems and computer networks; computer software and hardware testing services, namely, testing of computer software, computers and servers to assure proper functioning; cloud computing services, namely, network integrated computer hardware and software services for dynamic provisioning, virtualization, and consumption metering of computer resources; providing virtual computer systems and virtual computer environments through cloud computing; design and development of computer software for cloud storage of data; cloud hosting provider services; electronic data storage and data recovery services; data security services; computing assistance relating to computer programs provided by programmers; design of computer hardware for computer networks; Providing information relating to information technology via a website.

(260) AM 2024 123853 A

(800) 704683

(151) 1998 11 16

(891) 2023 06 28

(731) Vetrotech Saint-Gobain (International) AG,
(Vetrotech Saint-Gobain (International) SA),
(Vetrotech Saint-Gobain (International) Ltd)
Bernstrasse 41-43, CH-3175 Flamatt,
Switzerland

(540)

SWISSPACER

(591) Black, white

(511)

19 – Nonmetallic frames, frame parts, braces and mullions, all the above goods of Swiss origin.

(260) AM 2024 123854 A

(800) 1147268

(151) 2012 11 07

(891) 2023 06 26

(731) EREN PERAKENDE VE TEKSTIL ANONIM
SIRKETI
Ataturk Mah., Ertugrul Gazi Sk., Metropol
Istanbul C2 BLOK 2 A 14, Atasehir, Istanbul,
Türkiye

(540)

SuperStep.

(591) Black, white

(531) 26.04.02; 26.04.22; 26.04.24; 27.05.24

(511)

25 – Clothing (inner and outer clothing) made from all kinds of material, except clothing for protective purposes, socks; footwear; headgear.

35 – Advertising, marketing and public relations services (including services of organizations of commercial and advertising exhibitions and fairs); office services; business administration and management, and consultancy services relating to them (including accounting services); export and import agency services; business appraisals; preparation and arrangement of auctions; gathering various goods in order to enable customers to examine and purchase them conveniently (the specified services can be provided by retail, wholesale shops, electronic media, catalogues and other similar methods).

(260) AM 2024 123936 A

(800) 1740760

(151) 2023 06 15

(891) 2023 06 15

(731) Obschestvo s ogranitshennoy, otvetstvennostyu,
KDV Nizhny Tagil
Frunze str., bld. 83; Nizhny Tagil,
RU-622022 Sverdlovskaya oblast, Russian
Federation

(540)



(591) White, red, blue, beige and its shades, brown and its shades, yellow and its shades and light gray

(531) 05.07.06; 08.01.19; 27.05.01; 29.01.14

(511)

30 – Chocolate bars; confectionery for decorating Christmas trees; peanut confectionery; confectionery; sweets; nougat; chocolate.

(260) AM 2024 123938 A

(800) 1740762

(151) 2023 06 02

(891) 2023 06 02

(731) Astrata AG
Gewerbstrasse 5, Cham; CH-6330 canton Zug,
Switzerland

(540)

**polaris
IQ Home**

(591) Black, white

(531) 27.05.01

(511)

7 – Robotic vacuum cleaners; vacuum cleaners; electric vacuum cleaners; dust filters for vacuum cleaners; wet and dry vacuum cleaners; machines and apparatus for carpet shampooing, electric; machines and apparatus for cleaning, electric; dry-cleaning machines; floor scrubbing machines; kitchen machines, electric.

9 – Bathroom scales; electrical scales; scales; kitchen scales.

11 – Humidifiers; multicookers; kettles, electric; water heaters; heaters; humidifiers for household purposes; humidifiers, electric; microwave ovens [cooking apparatus]; blow dryers; bread baking machines; kitchen ranges [ovens]; bread-making machines; roasting apparatus; grills, electric.

(260) AM 2024 123946 A

(800) 1740960

(151) 2023 05 04

(891) 2023 05 04

(731) Certis Belchim BV
Stadsplateau 16, NL-3521 AZ Utrecht,
Netherlands

(540)

CERTIS BELCHIM

(591) Black, white
(511)
1 – Growth aids, fertilizers and chemical products for agricultural, horticultural and forestry purposes (except fungicides and preparations for destroying weeds and vermin); chemical substances for preserving food-stuffs; chemical preparations for the treatment of seeds; pheromones, not for medical use.

5 – Disinfectants; vermicides; fungicides, herbicides.

(260) AM 2024 123947 A
(800) 1741044
(151) 2023 05 03
(891) 2023 05 03
(731) DISTILLERIE MERLET ET FILS
Chevessac, F-17610 SAINT-SAUVANT,
France

(540)
BROTHERS BLEND

(591) Black, white
(511)
33 – Alcoholic beverages (except beers); digesters (liqueurs and spirits); wines; spirits [beverages].

(260) AM 2024 123948 A
(800) 1741060
(151) 2023 06 22
(891) 2023 06 22
(731) Closed Joint Stock Company "KDV Pavlovskij Posad"
Mishutinskoje highway, 4B, Pavlovskij Posad,
RU-142505 Moskovskaja oblast, Russian
Federation

(540)



(591) White, gray, black, brown and its shades, pink and its shades and blue
(531) 04.05.05; 08.01.19; 11.03.07; 14.11.01; 29.01.15
(511)
30 – Zephyr being confectionery; fruit jellies [confectionery]; candy decorations for cakes; confectionery for decorating Christmas trees; peanut confectionery; almond confectionery; confectionery; fruit confectionery; caramels [sweets]; sweets; liquorice [confectionery]; marshmallows; nougat; stick liquorice [confectionery]; lozenges [confectionery]; fondants [confectionery]; pralines; chocolate.

(260) AM 2024 123949 A
(800) 1741105
(151) 2023 05 15
(891) 2023 05 15
(731) Rondo Burgdorf AG
Heimiswilstrasse 42, CH-3400 Burgdorf,
Switzerland

(540)

RONDO

(591) Black, white
(531) 27.05.01
(511)
9 – Computers and software for controlling machines for industrial applications; components of computers and software for controlling and monitoring machines for industrial applications; downloadable computer software for remote monitoring and analysis of machines for industrial applications; electrical control, testing and monitoring apparatus for machines for industrial applications; computer software for enterprise resource planning; computer software and platforms for computer software for diagnostics, breakdown detection and troubleshooting for machines for industrial applications; all the aforesaid goods exclusively in the field of machines and installations for manufacturing dough strips and processing them into dough pieces for croissants, Viennese pastries, breads and buns, pizzas and fritters.

37 – Installation, servicing and repair of machines for industrial applications; remote repair and maintenance of machines for industrial applications; providing information with respect to the repair or servicing of machines for industrial applications; online advice on the repair and servicing of machines for industrial applications; provision of information online on the repair and servicing of machines for industrial applications; all the aforesaid services exclusively in the field of machines and installations for manufacturing dough strips and processing them into dough pieces for croissants, Viennese pastries, breads and buns, pizzas and fritters.

40 – Custom manufacture of machines for manufacturing and processing dough on the order and specifications of a customer; all the aforesaid services exclusively in the field of machines and installations for manufacturing dough strips and processing them into dough pieces for croissants, Viennese pastries, breads and buns, pizzas and fritters.

(260) AM 2024 123954 A
(800) 1741155
(151) 2023 06 16
(891) 2023 06 16
(731) Limited Liability Company "MiKo"
Severnoe Koltso St., 54/15, Kirov, urban
district of Kirov city, RU-610006 Kirov region,
Russian Federation

(540)

mi&kc

(591) Black, white

(531) 24.17.09; 24.17.25; 27.05.01

(511)

3 – Abrasives; amber [perfume]; descaling preparations for household purposes; antistatic preparations for household purposes; aromatics [essential oils]; air fragrancing preparations; cake flavourings [essential oils]; flavourings for beverages [essential oils]; food flavourings [essential oils]; breath freshening sprays; canned pressurized air for cleaning and dusting purposes; balms, other than for medical purposes; basma [cosmetic dye]; lip glosses; nail glitter; body glitter; polishing stones; abrasive paper; emery paper; polishing paper; petroleum jelly for cosmetic purposes; shoe polish; cobblers' wax; cotton wool for cosmetic purposes; cotton wool impregnated with make-up removing preparations; sachets for perfuming linen; drying agents for dishwashing machines; adhesives for cosmetic purposes; scented water; Javelle water; lavender water; micellar water; toilet water; wax for parquet floors; floor wax; non-slipping wax for floors; depilatory wax; moustache wax; shoe wax; tailors' wax; creams for leather; polish for furniture and flooring; polishing wax; massage gels, other than for medical purposes; heliotropine; dental bleaching gels; geraniol; starch glaze for laundry purposes; make-up; deodorants for pets; deodorants for human beings or for animals; depilatory preparations; air fragrance reed diffusers; scented wood; perfumes; non-slipping liquids for floors; windscreen cleaning liquids; greases for cosmetic purposes; volcanic ash for cleaning; perfumery; decorative transfers for cosmetic purposes; ionone [perfumery]; shaving stones [astringents]; smoothing stones; eyebrow pencils; cosmetic pencils; silicon carbide [abrasive]; carbides of metal [abrasives]; alum stones [astringents]; tripoli stone for polishing; adhesives for affixing false eyelashes; adhesives for affixing false hair; hair conditioners; quillaia bark for washing; corundum [abrasive]; beard dyes; colorants for toilet purposes; cosmetic dyes; body paint for cosmetic purposes; shoe cream; waxes for leather; polishing creams; cosmetic creams; skin whitening creams; essential oil-based creams for aromatherapy use; polishing rouge; incense; hair spray; nail varnish; liquid latex body paint for cosmetic purposes; hair lotions; lotions for cosmetic purposes; after-shave lotions; beauty masks; sheet masks for cosmetic purposes; disposable steam-heated masks, not for medical purposes; oils for perfumes and scents; oils for cosmetic purposes; oils for toilet purposes; essential oils; essential oils for aromatherapy use; essential oils of cedarwood; essential oils of lemon; essential oils of citron; oils for cleaning purposes; bergamot oil; gaultheria oil; jasmine oil; lavender oil; almond oil; rose oil; oil of turpentine for degreasing; whitening; cleaning

chalk; almond milk for cosmetic purposes; cleansing milk for toilet purposes; musk [perfumery]; soap; deodorant soap; shaving soap; soap for brightening textile; cakes of toilet soap; antiperspirant soap; soap for foot perspiration; almond soap; mint for perfumery; cosmetic kits; emery; gel eye patches for cosmetic purposes; nail art stickers; double eyelid tapes; false nails; eau de Cologne; joss sticks; pastes for razor strops; toothpaste; pumice stone; lipstick cases; hydrogen peroxide for cosmetic purposes; dressings for nail reconstruction; breath freshening strips; teeth whitening strips; sandcloth; glass cloth [abrasive cloth]; lipsticks; pomades for cosmetic purposes; shaving preparations; cosmetic preparations for baths; bath preparations, not for medical purposes; hair straightening preparations; hair waving preparations; laundry soaking preparations; grinding preparations; smoothing preparations [starching]; colour-removing preparations; leather bleaching preparations; polishing preparations; denture polishes; mouthwashes, not for medical purposes; cosmetic preparations for slimming purposes; preparations to make the leaves of plants shiny; eye-washes, not for medical purposes; fabric softeners for laundry use; dry-cleaning preparations; paint stripping preparations; lacquer-removing preparations; make-up removing preparations; floor wax removers [scouring preparations]; varnish-removing preparations; rust removing preparations; nail care preparations; cleaning preparations; preparations for cleaning dentures; wallpaper cleaning preparations; preparations for unblocking drain pipes; chemical cleaning preparations for household purposes; collagen preparations for cosmetic purposes; bleaching preparations [decolorants] for household purposes; aloe vera preparations for cosmetic purposes; sunscreen preparations; colour-brightening chemicals for household purposes [laundry]; breath freshening preparations for personal hygiene; shining preparations [polish]; make-up powder; diamantine [abrasive]; stain removers; wax melts [fragrancing preparations]; nail varnish removers; vaginal washes for personal sanitary or deodorant purposes; scouring solutions; false eyelashes; antistatic dryer sheets; baby wipes impregnated with cleaning preparations; colour run prevention laundry sheets; tissues impregnated with cosmetic lotions; tissues impregnated with make-up removing preparations; saflol; massage candles for cosmetic purposes; laundry blueing; turpentine for degreasing; potpourris [fragrances]; bleaching soda; washing soda, for cleaning; bath salts, not for medical purposes; bleaching salts; fumigation preparations [perfumes]; leather preservatives [polishes]; ammonia [volatile alkali] [detergent]; cooling sprays for cosmetic purposes; astringents for cosmetic purposes; eyebrow cosmetics; make-up preparations; sun-tanning preparations [cosmetics]; hair dyes; neutralizers for permanent waving; laundry glaze; cosmetic preparations for eyelashes; laundry preparations; cosmetic preparations for skin care; dentifrices; cosmetics; cosme-

tics for children; cosmetics for animals; mascara; cleansers for intimate personal hygiene purposes, non medicated; douching preparations for personal sanitary or deodorant purposes [toiletries]; detergents, other than for use in manufacturing operations and for medical purposes; degreasers, other than for use in manufacturing processes; bleaching preparations [decolorants] for cosmetic purposes; laundry bleach; toiletry preparations; antiperspirants [toiletries]; phytocosmetic preparations; detergent tablets for coffee machines; talcum powder, for toilet use; cotton swabs for cosmetic purposes; terpenes [essential oils]; emery cloth; toners for cosmetic purposes; cloths impregnated with a detergent for cleaning; henna [cosmetic dye]; bath tea for cosmetic purposes; shampoos; shampoos for animals [non-medicated grooming preparations]; shampoos for pets [non-medicated grooming preparations]; dry shampoos; sandpaper; cosmetic stamps, filled; soda lye; herbal extracts for cosmetic purposes; extracts of flowers [perfumes]; ethereal essences; badian essence; mint essence [essential oil].

(260) AM 2024 123955 A

(800) 1741174

(151) 2023 05 23

(891) 2023 05 23

(731) QUANZHOU SK CARE CO., LTD
Room 515-2, Building 13, Donghai Taihe
Plaza, No. 1466, Daxing Street, Fashi
Community, Donghai Street, Fengze District,
Quanzhou City, 362000 Fujian Province, China

(540)

LivDryTrusty

(591) Black, white

(531) 27.05.01

(511)

5 – Sanitary towels; diapers for incontinence; disinfectant wipes; sanitary tampons; sanitary towels; babies' diapers; babies' diaper-pants; sanitary panties.

(260) AM 2024 123957 A

(800) 1741191

(151) 2023 05 10

(891) 2023 05 10

(731) KRKA, tovarna zdravil, d.d., Novo mesto
Šmarješka cesta 6, SI-8000 Novo mesto,
Slovenia

(540)

EPOFORSE

(591) Black, white

(511)

5 – Pharmaceutical preparations.

(260) AM 2024 123962 A

(800) 1741299

(151) 2022 10 20

(891) 2022 10 20

(731) "Olmaliq kon-metallurgiya kombinati"
aksiyadorlik jamiyati

Amir Temur street 53, Almalik city 110100,
Uzbekistan

(540)



(591) Black, white

(531) 15.01.17; 26.13.25

(511)

1 – Blue vitriol; technical sulfuric acid; technical selenium; technical tellurium, ammonium perrhenate; tungsten trioxide; molybdenum trioxide; technical gaseous oxygen; liquid oxygen; liquid and gaseous nitrogen; gaseous hydrogen; technical zinc sulfate; biohumus, phosphorite flour; phosphorite concentrate; powder iron; iron-containing additives; powdered rhodium metal.

2 – Zinc oxide.

6 – Tungsten metal in sintered briquettes; tungsten stacks; molybdenum metal in sintered briquettes; molybdenum stacks; cadmium metal; indium metal; copper cathodes; copper rod; copper wire; enamelled round copper wires; seamless cold-deformed round and rectangular copper tubes; sheathed copper tubes; copper and copper alloy fittings; copper cable lugs; copper sealing washers; copper sheets and strips; copper rings for induction furnaces; copper "jackets" for graphite matrix cooling; zinc pig iron; zinc powder; zinc antifriction alloys; zinc foundry alloys in pig iron; lead cake; lead concentrate; tungsten and cobalt based carbide plates and draw plates.

7 – Turning cutters for metalworking machines; milling cutter; spiral drills with a tapered shank, equipped with carbide inserts; soldered carbide inserts; interchangeable multi-faceted carbide inserts; products for mining tools made of carbide; iterated tungsten rods; molybdenum electrodes; tungsten-copper electrodes.

9 – Thermoelectric converters, capillary tubes made of copper and copper alloys, crucibles and sherbers for chemical analysis.

14 – Gold bullion; silver bullion; palladium intermediate product in powder; palladium metal powder; platinum intermediate product in powder; platinum metal powder.

19 – Portland cement; sulfate-resistant cement; asphalt; dolomite lime flour; powdered lime; lime; heavy and fine-grained concrete; natural stone blocks for the production of facing products; architectural and building products made of natural stone; crushed stone; sand for construction work; heat-insulating refractory products (bricks refractory products); general-purpose refractory products (fireclay bricks); acid-resistant and thermal acid-resistant tiles; acid-resistant bricks; acid-resistant ceramic nozzles; refractory stopper products for pouring steel from a ladle.

40 – Services for processing customer-supplied raw materials to copper; services for processing customer-supplied raw materials to zinc; services for processing copper rod (drawing to copper round wire with subsequent coating with electrical insulating material); services for processing customer-supplied raw materials to seamless cold-formed copper pipes; services for casting anodes from silver; services for the remelting of precious metal ingots; services for the rolling of lead ingots to lead sheets; services for drawing hard alloy wire.

(260) AM 2024 123964 A

(800) 1741381

(151) 2023 04 17

(891) 2023 04 17

(731) FERRERO S.P.A.

PIAZZALE PIETRO FERRERO 1, I-12051
ALBA, CUNEO, Italy

(540)

#GIVEANUTELLASMILE

(591) Black, white

(511)

9 – Scientific, research, navigation, surveying, photographic, cinematographic, audiovisual, optical, weighing, measuring, signaling, detecting, testing, inspecting, life-saving and teaching apparatus and instruments; apparatus and instruments for conducting, switching, transforming, accumulating, regulating or controlling the distribution or use of electricity; apparatus and instruments for recording, transmitting, reproducing or processing sound, images or data; recorded and downloadable media, computer software, blank digital or analogue recording and storage media; mechanisms for coin-operated apparatus; cash registers, calculating devices; computers and computer peripheral devices; diving suits, divers' masks, ear plugs for divers, nose clips for divers and swimmers, gloves for divers, breathing apparatus for underwater swimming; fire-extinguishing apparatus; downloadable software; downloadable podcasts.

30 – Pastries; confectionery; biscuits; chocolate; chocolate-based products; chocolate spreads for use on bread; ice cream, sorbets [ices] and other edible ice creams; edible ices.

35 – Advertising; business management services; commercial administration; the bringing together a variety of goods which can be supplied through wholesale and retail outlets, via the Internet, by mail order and by telephone to enable customers to conveniently view and purchase those goods such as cutlery, fork and spoons, scientific, navigation, surveying, photographic, cinematographic, optical, weighing, measuring, signaling, checking, life-saving and teaching apparatus and instruments, apparatus and instruments for conducting, switching, transforming, accumulating, regulating or controlling of electricity, apparatus for recording, transmitting, reproducing of sound or images, magnetic data carriers, phonograph records, compact discs, DVDs and other digital recording media, mechanisms for coin-operated apparatus, cash registers, calculating devices, data processing equipment, computers, software, apparatus for lighting, heating, steam generating, cooking, cooling, drying, ventilating, water supply, articles of jewellery, paste jewellery, timepieces, chronometric instruments, paper and cardboard articles, books, printed matter, photographs [printed], paper stationery, adhesives for stationery or household purposes, artists' materials, paintbrushes, office requisites, except furniture, instructional and teaching materials [except apparatus], plastic materials for packaging, printing blocks, leather crafting, bags, rucksacks, trunks [luggage], suitcases, umbrellas and parasols, furniture, mirrors, picture frames, household or kitchen utensils and containers, household linen, bed blankets, table toppers, clothing articles, footwear, headgear, games, toys, gymnastic and sporting articles, decorations for Christmas trees, confectionery, foodstuffs; promotional services.

41 – Teaching; providing of training; entertainment services; sporting and cultural activities; organization of educational, entertainment, sporting and cultural events; arranging of competitions [educational and/or entertainment]; organization and provision of games and competitions via the Internet; provision of entertainment services via the Internet; interactive entertainment services; entertainment provided via global communications networks; providing entertainment services via podcasts.

(260) AM 2024 123965 A

(800) 1741404

(151) 2023 06 10

(891) 2023 06 10

(731) Apple Inc.

One Apple Park Way, Cupertino CA 95014, USA

(540)

SPATIAL MEMORIES

(591) Black, white

(511)

9 – Computer hardware for transmitting and enabling the viewing of audio, video, television, movies, digital

images and other multimedia content; wearable peripherals for use with computers; cameras; application development software; computer software for use as an application programming interface (API) for building software applications; software for processing and displaying images, audio, audio visual content, and other multimedia content; computer software for applying filters to change the appearance of digital images and photographs; software for organizing, storing, sharing, and viewing photos, images and videos; software for capturing, recording, editing, sharing, and viewing photos, images and video content; software for use in enabling computers and mobile devices to provide virtual reality and augmented reality experiences.

(260) AM 2024 123979 A

(800) 1741711

(151) 2023 02 17

(891) 2023 02 17

(731) TOMBAKSAN ISI SANAYİ VE TİCARET LTD.ŞTİ.

ORHANIYE MAH. ORHANIYE KM. EVL.,
269 B Kazan, Ankara, Türkiye

(540)



(591) Red and white

(531) 01.15.05; 27.05.01; 29.01.01

(511)

11 – Heating installations using solid, liquid or gas fuels or electricity, central heating boilers, boilers for heating installations, radiators, heating, heat exchangers, not parts of machines, stoves, kitchen stoves, solar thermal collectors, heating; steam, gas and fog generators, steam boilers, other than parts of machines, acetylene generators, oxygen generators, nitrogen generators; installations for air-conditioning and ventilating; cooling installations and freezers; electric and gas-powered devices, installations and apparatus for cooking, drying and boiling, cookers, electric cooking pots, electric water heaters, barbecues, electric laundry driers; hair driers, hand drying apparatus; sanitary installations, taps, faucets, shower installations, toilets, water-closets, shower and bathing cubicles, bath tubs, toilet seats, sinks, wash-hand basins, parts of sanitary installations, washers for water taps; water softening apparatus, water purification apparatus, water purification installations, waste water purification installations; electric bed warmers and electric blankets, not for medical use, electric pillow warmers, electric or non-electric footwarmers; hot water bottles, electrically heated socks; filters for aquariums and aquarium filtration apparatus; industrial type installations for

cooking, drying and cooling purposes; pasteurizers and sterilizers.

(260) AM 2024 123980 A

(800) 1741717

(151) 2023 05 23

(891) 2023 05 23

(731) LTD "VALENTA-INTELLEKT"

ul. Ryabinovaya, d.26, str.10, k.6-26,
RU-121471 Moscow, Russian Federation

(540)

МОРЕВИРИН

(591) Black, white

(531) 28.05

(511)

5 – Acaricides; aconitine; alkaloids for medical purposes; alginates for pharmaceutical purposes; algicides; aldehydes for pharmaceutical purposes; dental amalgams of gold; dental amalgams; amino acids for veterinary purposes; amino acids for medical purposes; analgesics; anaesthetics; antibiotics; antiseptics; medicine cases, portable, filled; first-aid boxes, filled; aluminium acetate for pharmaceutical purposes; acetates for pharmaceutical purposes; germicides; balms for medical purposes; bandages for dressings; diagnostic biomarker reagents for medical purposes; biocides; bracelets impregnated with insect repellent; bromine for pharmaceutical purposes; paper for mustard plasters; fly catching paper; reagent paper for veterinary purposes; reagent paper for medical purposes; mothproofing paper; petroleum jelly for medical purposes; vaccines; oxygen baths; antiseptic cotton; aseptic cotton; absorbent cotton; wadding for medical purposes; cotton for medical purposes; dietetic substances adapted for medical use; radiological contrast substances for medical purposes; nutritive substances for microorganisms; radioactive substances for medical purposes; bismuth subnitrate for pharmaceutical purposes; melissa water for pharmaceutical purposes; seawater for medicinal bathing; mineral waters for medical purposes; thermal water; dietary fibre, including dietary fiber for treating constipation; moulding wax for dentists; gases for medical purposes; guaiacol for pharmaceutical purposes; sexual stimulant gels; topical gels for medical and therapeutic purposes; anti-inflammatory gels; haematogen; haemoglobin; hydrastine; hydrastinine; glycerine for medical purposes; glycerophosphates; glucose for medical purposes; gentian for pharmaceutical purposes; hormones for medical purposes; mustard for pharmaceutical purposes; mustard plasters; mud for baths; medicinal mud; gamboge for medical purposes; gurjun balsam for medical purposes; disinfectants; deodorants, other than for human beings or for animals; air deodorizing preparations; deodorants for clothing and textiles; diastase for medical purposes; digitalin; vitamin supplement patches; mineral food supplements; dietary and nutritional supplements; albumin dietary supple-

ments; dietary supplements for animals; yeast dietary supplements; alginate dietary supplements; glucose dietary supplements; casein dietary supplements; lecithin dietary supplements; linseed oil dietary supplements; propolis dietary supplements; protein dietary supplements; protein supplements for animals; royal jelly dietary supplements; pollen dietary supplements; wheat germ dietary supplements; linseed dietary supplements; acai powder dietary supplements; dietary supplements with a cosmetic effect; enzyme dietary supplements; yeast for pharmaceutical purposes; gelatine for medical purposes; cod liver oil; isotopes for medical purposes; immunostimulants; insecticides; iodine for pharmaceutical purposes; iodides for pharmaceutical purposes; alkaline iodides for pharmaceutical purposes; iodoform; calomel [fungicide]; cream of tartar for pharmaceutical purposes; tartar for pharmaceutical purposes; camphor for medical purposes; capsules for medicines; cachets for pharmaceutical purposes; capsules made of dendrimer-based polymers, for pharmaceuticals; haemostatic pencils; wart pencils; caustic pencils; carbolineum [parasiticide]; caustics for pharmaceutical purposes; cachou for pharmaceutical purposes; quassia for medical purposes; quebracho for medical purposes; oxygen for medical purposes; gallic acid for pharmaceutical purposes; acids for pharmaceutical purposes; adhesives for dentures; surgical glues; stem cells for veterinary purposes; stem cells for medical purposes; cocaine for medical purposes; collagen for medical purposes; collodion for pharmaceutical purposes; corn rings for the feet; medicated sweets; angostura bark for medical purposes; barks for pharmaceutical purposes; cedar wood for use as an insect repellent; condurango bark for medical purposes; croton bark; mangrove bark for pharmaceutical purposes; myrobalan bark for pharmaceutical purposes; quinquina for medical purposes; medicated animal feed; medicinal roots; rhubarb roots for pharmaceutical purposes; lint for medical purposes; starch for dietetic or pharmaceutical purposes; creosote for pharmaceutical purposes; blood for medical purposes; cultures of microorganisms for medical or veterinary use; curare; dental lacquer; liquorice for pharmaceutical purposes; milk sugar for pharmaceutical purposes; medicated candies; adhesive plasters; medicines for alleviating constipation; adhesive tapes for medical purposes; lecithin for medical purposes; lotions for veterinary purposes; medicated hair lotions; lotions for pharmaceutical purposes; medicated after-shave lotions; personal sexual lubricants; lupulin for pharmaceutical purposes; magnesia for pharmaceutical purposes; liniments; frostbite salve for pharmaceutical purposes; ointments for pharmaceutical purposes; sunburn ointments; mercurial ointments; gauze for dressings; medicinal oils; mustard oil for medical purposes; camphor oil for medical purposes; castor oil for medical purposes; oil of turpentine for pharmaceutical purposes; dill oil for medical purposes; dental mastics; dental abrasives; dental impressi-

on materials; teeth filling material; dressings, medical; surgical dressings; drugs for medical purposes; medicines for veterinary purposes; serotherapeutic medicines; medicines for human purposes; medicines for dental purposes; menthol; medicinal drinks; moleskin for medical purposes; almond milk for pharmaceutical purposes; powdered milk for babies; royal jelly for pharmaceutical purposes; milk ferments for pharmaceutical purposes; Irish moss for medical purposes; flour for pharmaceutical purposes; linseed meal for pharmaceutical purposes; fish meal for pharmaceutical purposes; fly glue; antibacterial soap; disinfectant soap; medicated soap; freeze-dried meat adapted for medical purposes; mint for pharmaceutical purposes; dietetic beverages adapted for medical purposes; malted milk beverages for medical purposes; injectable dermal fillers; narcotics; medicinal infusions; tincture of iodine; eucalyptol for pharmaceutical purposes; tinctures for medical purposes; opium; opodeldoc; decoctions for pharmaceutical purposes; antiparasitic collars for animals; cotton swabs for medical purposes; stick liquorice for pharmaceutical purposes; sulfur sticks [disinfectants]; pastilles for pharmaceutical purposes; medicated toothpaste; pectin for pharmaceutical purposes; pepsins for pharmaceutical purposes; peptones for pharmaceutical purposes; hydrogen peroxide for medical purposes; pesticides; food for babies; leeches for medical purposes; blood plasma; nicotine patches for use as aids to stop smoking; eyepatches for medical purposes; poultices; compresses; scapulars for surgical purposes; babies' diapers; diapers for pets; diapers for incontinence; breast-nursing pads; bunion pads; pomades for medical purposes; powder of cantharides; pyrethrum powder; chilblain preparations; mothproofing preparations; anti-uric preparations; bacterial preparations for medical and veterinary use; bacteriological preparations for medical and veterinary use; balsamic preparations for medical purposes; albuminous preparations for medical purposes; biological preparations for veterinary purposes; biological preparations for medical purposes; veterinary preparations; veterinary preparations for treatment of intestinal bacteria; bismuth preparations for pharmaceutical purposes; vitamin preparations; diagnostic preparations for veterinary purposes; diagnostic preparations for medical purposes; douching preparations for medical purposes; bath preparations for medical purposes; therapeutic preparations for the bath; haemorrhoid preparations; preparations for callouses; lice treatment preparations [pediculicides]; acne treatment preparations; preparations to facilitate teething; preparations for the treatment of burns; fumigation preparations for medical purposes; ootherapy preparations; air purifying preparations; bronchodilating preparations; preparations for reducing sexual activity; sterilizing preparations; soil-sterilizing preparations; corn remedies; pharmaceutical preparations for treating dandruff; preparations for destroying noxious animals; herbicides; preparations

for destroying dry rot fungus; larvae exterminating preparations; fly destroying preparations; preparations for destroying mice; slug exterminating preparations; preparations for destroying parasites; pharmaceutical preparations for skin care; contact lens cleaning preparations; lime-based pharmaceutical preparations; preparations of microorganisms for medical or veterinary use; styptic preparations; medicated eye-washes; medicinal hair growth preparations; nutraceutical preparations for therapeutic or medical purposes; opiates; antivirals; anticryptogamic preparations; aloë vera preparations for pharmaceutical purposes; preparations of trace elements for human and animal use; bowel evacuant preparations; sulfonamides [medicines]; pharmaceutical preparations for the treatment of digestive diseases; pharmaceutical preparations for treating sunburn; enzyme preparations for veterinary purposes; enzyme preparations for medical purposes; phytotherapy preparations for medical purposes; chemico-pharmaceutical preparations; chemical preparations for veterinary purposes; chemical preparations for the diagnosis of pregnancy; chemical preparations for medical purposes; chemical preparations for treating diseases affecting cereal plants; chemical preparations for treating wheat blight; chemical preparations for treating diseases affecting vine plants; chemical preparations for treating mildew; chemical preparations for treating phylloxera; chemical preparations for pharmaceutical purposes; collyrium; lead water; probiotic preparations for medical purposes to help maintain a natural balance of flora in the digestive system; chemical conductors for electrocardiograph electrodes; albuminous foodstuffs for medical purposes; dietetic foods adapted for medical purposes; by-products of the processing of cereals for dietetic or medical purposes; homogenized food adapted for medical purposes; freeze-dried food adapted for medical purposes; pharmaceuticals; sanitary towels; panty liners [sanitary]; propolis for pharmaceutical purposes; pearl powder for medical purposes; radium for medical purposes; solvents for removing adhesive plasters; nasal rinses; hydrated chloral for pharmaceutical purposes; vaginal washes for medical purposes; solutions for contact lenses; chemical reagents for medical or veterinary purposes; gum for medical purposes; rubber for dental purposes; chewing gum for medical purposes; nicotine gum for use as an aid to stop smoking; insect repellents; insect repellent incense; repellents for dogs; tissues impregnated with pharmaceutical lotions; sarsaparilla for medical purposes; sugar for medical purposes; asthmatic tea; fumigating sticks; massage candles for therapeutic purposes; suppositories; linseed for pharmaceutical purposes; tobacco-free cigarettes for medical purposes; siccatives [drying agents] for medical purposes; syrups for pharmaceutical purposes; turpentine for pharmaceutical purposes; milking grease; greases for veterinary purposes; greases for medical purposes; lacteal flour for babies; infant formula; soporifics; bicarbonate of soda

for pharmaceutical purposes; bath salts for medical purposes; mineral water salts; salts for mineral water baths; salts for medical purposes; potassium salts for medical purposes; sodium salts for medical purposes; smelling salts; malt for pharmaceutical purposes; semen for artificial insemination; alcohol for pharmaceutical purposes; medicinal alcohol; alloys of precious metals for dental purposes; ergot for pharmaceutical purposes; antibacterial sprays; medicinal sprays; medicated nasal spray preparations; decongestant nasal sprays; nasal sprays for medical purposes; cooling sprays for medical purposes; anti-inflammatory sprays; herbal sprays for medical purposes; digestives for pharmaceutical purposes; nervines; antibacterial hand-washes; adjuvants for medical purposes; astringents for medical purposes; vermifuges; disinfectants for hygiene purposes; disinfectants for chemical toilets; appetite suppressants for medical purposes; medical preparations for slimming purposes; parasiticides; mouthwashes for medical purposes; febrifuges; depuratives; animal washes [insecticides]; detergents for medical purposes; cattle washes [insecticides]; dog washes [insecticides]; insecticidal veterinary washes; vesicants; purgatives; chemical contraceptives; antiparasitic preparations; remedies for perspiration; remedies for foot perspiration; sedatives; laxatives; tonics [medicines]; medicated toiletry preparations; bouillons for bacteriological cultures; steroids; strychnine; serums; antioxidant pills; tanning pills; appetite suppressant pills; slimming pills; jujube, medicated; sanitary tampons; vulnerary sponges; biological tissue cultures for veterinary purposes; biological tissue cultures for medical purposes; smoking herbs for medical purposes; medicinal herbs; transplants [living tissues]; surgical implants comprised of living tissues; babies' diaper-pants; pants, absorbent, for incontinence; charcoal for pharmaceutical purposes; fennel for medical purposes; porcelain for dental prostheses; phenol for pharmaceutical purposes; enzymes for veterinary purposes; enzymes for medical purposes; ferments for pharmaceutical purposes; formic aldehyde for pharmaceutical purposes; phosphates for pharmaceutical purposes; fungicides; quinine for medical purposes; chinoline for medical purposes; diabetic bread adapted for medical use; chloroform; flowers of sulfur for pharmaceutical purposes; cement for animal hooves; bone cement for surgical and orthopaedic purposes; dental cements; medicinal tea; herbal teas for medicinal purposes; insecticidal animal shampoos; medicated shampoos; medicated shampoos for pets; pediculicidal shampoos; medicated dry shampoos; pre-filled syringes for medical purposes; eucalyptus for pharmaceutical purposes; herbal extracts for medical purposes; plant extracts for pharmaceutical purposes; tobacco extracts [insecticides]; extracts of hops for pharmaceutical purposes; elixirs [pharmaceutical preparations]; ethers for pharmaceutical purposes; esters for pharmaceutical purposes; cellulose esters for pharmaceutical purposes; cellulose ethers for pharmaceu-

tical purposes; rat poison; poisons; bacterial poisons; jalap.

(260) AM 2024 123981 A

(800) 1741777

(151) 2023 04 04

(891) 2023 04 04

(731) ACCOR

82 rue Henri Farman, F-92130 Issy-les-Moulineaux, France

(540)

**HANDWRITTEN
COLLECTION**

(591) Black, white

(511)

36 – Management and administration of buildings, apartments and residential properties; financial and real estate management of housing and accommodation, such as hotels, motels, hotel complexes, apartments, hotel residences, tourist residences and other places of residence for holidays and leisure; real estate service relating to sale and long-term rental of real estate (accommodations, apartments, studios, rooms inside hotel establishments, hotel complexes, hotel residences and other places of residence for holidays and leisure).

(260) AM 2024 123982 A

(800) 1741793

(151) 2023 02 17

(891) 2023 02 17

(731) Changlan Electric Technology Co., Ltd.

223 Tongzipo West Road, Lugu Industrial Park, High-tech Development Zone, Changsha, Hunan Province, China

(540)

CHANGLAN 

(591) Black, white

(531) 26.04.05; 26.04.18; 26.04.24; 27.05.01;

27.05.09; 27.05.22; 27.05.24

(511)

9 – Cables, electric; junction sleeves for electric cables; materials for electricity mains [wires, cables]; coaxial cables; wires, electric; connections, electric; wire connectors [electricity]; connections for electric lines; high voltage explosion protection device; lightning arresters.

17 – Flexible hoses, not of metal; insulating materials; rubber, raw or semi-worked; reinforcing materials, not of metal, for pipes; semi-processed plastic material; non-metallic hose fittings; non-metallic couplings for hoses; non-metallic hose connectors; insulating, heat-insulating and sound-insulating materials; plastic sea-

ling strips; insulators for cables; rubber or rubber gasket material.

(260) AM 2024 123989 A

(800) 1741953

(151) 2023 05 08

(891) 2023 05 08

(731) ROLEX SA

3-5-7 rue François-Dussaud, CH-1211 Genève 26, Switzerland

(540)



(591) Black, white

(531) 01.05.01; 01.05.06; 24.09.02; 24.09.07;

27.05.09

(511)

14 – Timepieces, namely, watches, wrist-watches, component parts for timepieces and accessories for timepieces not included in other classes, clocks and other chronometric instruments, chronometers, chronographs (timepieces), watch bands, dials (timepieces), boxes and cases for timepieces and jewelry, watch movements and their parts; jewelry; precious stones and semi-precious stones; precious metals and alloys thereof; pins (jewelry).

16 – Newspapers, printed matter, brochures, prospectuses, magazines, periodicals, journals, books, posters, calendars, photographs, publications, cards, illustrations; instructional and teaching material.

35 – Promotion services; creating, producing and disseminating advertising material (prospectuses, printed matter, video demonstrations); publication of advertising texts; advertising sponsorship and patronage in the fields of environmental protection, science, health, music, art, education and exploration; presenting timepieces, jewelry products on all communication media, for retail purposes; online advertising; providing information and advice to consumers regarding timepieces, jewelry products and articles to be purchased online; retail sale services featuring jewelry products, timepieces, via global computer networks, by catalog, by mail and by other electronic means; promotional services for horological articles.

36 – Financial patronage and sponsorship; managing patronage funds; providing financial assistance to social or charitable organizations; awarding grants to artists, educators, researchers, athletes and explorers; financial support of artists, educators, researchers, explorers and athletes.

38 – Telecommunications, particularly through electronic pages (for example, Web pages over networks such as the Internet) and electronic correspondence, communication via computer terminals, interactive downloading of electronic data and programs, transmission of data (messages, images, sounds) and information via digital media and via the Internet through computer networks; electronic messaging services; broadcasting audio, video and film recordings via the Web, all the aforementioned services.

41 – Organizing and conducting exhibitions, conferences and forums for educational and entertainment purposes with respect to developments and discoveries; organization of competitions relating to education or entertainment; organization and conducting of colloquiums, conferences, congresses and symposiums; organization of exhibitions for cultural and educational purposes; editing of radio and television programs; film production; videotape film production; providing online, non-downloadable video sequences; Publishing and editing of newspapers, periodicals, magazines, books and texts (other than advertising texts); organizing ceremonies awarding researchers, explorers, artists, educators and athletes.

42 – Technical project study; research and development of new timepieces (for others), technical, scientific and industrial research.

45 – Granting licenses for film, television, video, music and images (legal services); legal services with respect to the exploitation of film and television rights.

(260) AM 2024 123990 A
(800) 1741987
(151) 2023 03 07
(891) 2023 03 07
(731) Specialty Operations France
Immeuble Silex 2 Solvay, 9 rue des Cuirassiers,
F-69003 Lyon, France
(540)



(591) Black, white
(531) 25.07.23; 26.11.12; 26.11.22
(511)

1 – Adhesives for use in industry; fire-extinguishing compositions; bleaching agents for industrial use; fertilizers; unprocessed plastic materials; tanning materials; metal soldering preparations; metal tempering preparations; chemical substances for preserving foodstuffs; chemical products for use in agriculture; chemical products for use in photography; chemical

products for use in forestry; chemical products for use in horticulture; chemical products for use in industry and science; chemical reagents other than for medical or veterinary use; salt for preserving, other than for foodstuffs; chemical products for use in industry; chemicals for use in the perfumery, additives, cosmetics, pharmacy, food and plastics industries; active ingredients and synthetic intermediates used in the perfumery, additives, cosmetics, pharmacy, food and plastics industries; chemical products for the preparation of flavorings.

3 – Perfumes, essential oils and aromatic extracts; essences for food (essential oils); aromatic essential oils; food flavorings prepared from essential oils; food flavorings (essential oils); flavorings for beverages (essential oils); cake flavorings (essential oils); flavor enhancer for food (essential oils).

30 – Food flavorings, other than essential oils; flavorings for beverages, other than essential oils; flavorings for cakes, other than essential oils; essences for food other than essential oils; aromatic preparations for food.

31 – Fresh fruits and vegetables, fresh aromatic herbs; seeds for planting; natural flowers; plants; food preparations for animals.

(260) AM 2024 124076 A
(800) 1742122
(151) 2023 05 30
(891) 2023 05 30
(731) Mahou, S.A.
c/ Titán, 15, planta 13, E-28045 Madrid, Spain
(540)



(591) Black, white, brown
(531) 25.01.15; 26.01.16; 26.01.18; 26.05.16;
27.05.01; 27.05.24; 29.01.13
(511)
32 – Beers.

(260) AM 2024 124079 A
(800) 1742182
(151) 2023 05 05
(891) 2023 05 05
(731) Aktsionernoe Obschestvo "Nizhegorodsky
khimiko-farmatsevtichesky zavod"
Salganskaya St., 7, RU-603105 Nizhny
Novgorod, Russian Federation

(540)

АРТРАСПОРТ

(591) Black, white

(531) 28.05

(511)

3 – Abrasives; amber [perfume]; descaling preparations for household purposes; antistatic preparations for household purposes; aromatics [essential oils]; air fragrancing preparations; cake flavourings [essential oils]; flavourings for beverages [essential oils]; food flavourings [essential oils]; breath freshening sprays; canned pressurized air for cleaning and dusting purposes; balms, other than for medical purposes; basma [cosmetic dye]; lip glosses; nail glitter; polishing stones; abrasive paper; emery paper; polishing paper; petroleum jelly for cosmetic purposes; shoe polish; cobblers' wax; cotton wool for cosmetic purposes; sachets for perfuming linen; drying agents for dish-washing machines; adhesives for cosmetic purposes; scented water; Javelle water; lavender water; toilet water; wax for parquet floors; floor wax; non-slipping wax for floors; depilatory wax; moustache wax; waxes for leather; creams for leather; polish for furniture and flooring; shoemakers' wax; polishing wax; tailors' wax; massage gels, other than for medical purposes; heliotropine; dental bleaching gels; geraniol; make-up; deodorants for pets; deodorants for human beings or for animals; depilatory preparations; air fragrance reed diffusers; scented wood; perfumes; non-slipping liquids for floors; windscreen cleaning liquids; greases for cosmetic purposes; volcanic ash for cleaning; perfumery; decorative transfers for cosmetic purposes; ionone [perfumery]; shaving stones [astringents]; smoothing stones; eyebrow pencils; cosmetic pencils; silicon carbide [abrasive]; carbides of metal [abrasives]; alum stones [astringents]; tripoli stone for polishing; adhesives for affixing false eyelashes; adhesives for affixing false hair; hair conditioners; quillaia bark for washing; corundum [abrasive]; beard dyes; colorants for toilet purposes; cosmetic dyes; laundry starch; laundry glaze; shoe cream; polishing creams; cosmetic creams; cosmetic creams for children; skin whitening creams; polishing rouge; incense; hair spray; nail varnish; hair lotions; lotions for cosmetic purposes; after-shave lotions; beauty masks; oils for cleaning purposes; oils for perfumes and scents; oils for cosmetic purposes; oils for cosmetic purposes for pregnant women; oils for toilet purposes; essential oils; essential oils of cedarwood; essential oils of lemon; essential oils of citron; bergamot oil; gaultheria oil; jasmine oil; lavender oil; almond oil; rose oil; oil of turpentine for degreasing; whitening; cleaning chalk; almond milk for cosmetic purposes; cleansing milk for toilet purposes; musk [perfumery]; soap; deodorant soap; shaving soap; soap for brightening textile; cakes of toilet soap; antiperspirant soap; soap for foot perspiration; almond soap; mint for perfumery; make-up kits; emery; gel eye patches for cosmetic purposes; nail art stickers; false nails; eau de

Cologne; joss sticks; pastes for razor strops; tooth-paste; dentifrices; pumice stone; lipstick cases; cleaning foams; cosmetic foams containing sunscreens; foam cleaning preparations; skin cleansing foams; hydrogen peroxide for cosmetic purposes; breath freshening strips; teeth whitening strips; sandcloth; glass cloth [abrasive cloth]; lipsticks; pomades for cosmetic purposes; breath freshening preparations for personal hygiene; shaving preparations; bath preparations, not for medical purposes; cosmetic preparations for baths; hair straightening preparations; hair waving preparations; laundry soaking preparations; grinding preparations; smoothing preparations [starching]; colour-removing preparations; leather bleaching preparations; polishing preparations; denture polishes; mouthwashes, not for medical purposes; cosmetic preparations for slimming purposes; starch glaze for laundry purposes; preparations to make the leaves of plants shiny; eye-washes, not for medical purposes; fabric softeners for laundry use; preparations for washing; dry-cleaning preparations; paint stripping preparations; lacquer-removing preparations; make-up removing preparations; floor wax removers [scouring preparations]; varnish-removing preparations; rust removing preparations; nail care preparations; cleaning preparations; preparations for cleaning dentures; wallpaper cleaning preparations; preparations for unblocking drain pipes; chemical cleaning preparations for household purposes; collagen preparations for cosmetic purposes; bleaching preparations [decolorants] for household purposes; laundry bleach; aloe vera preparations for cosmetic purposes; sunscreen preparations; colour-brightening chemicals for household purposes [laundry]; baby powder [toiletries], including in liquid form; shining preparations [polish]; make-up powder; diamantine [abrasive]; stain removers; nail varnish removers; vaginal washes for personal sanitary or deodorant purposes; scouring solutions; false eyelashes; tissues impregnated with cosmetic lotions; tissues impregnated with make-up removing preparations; baby wipes impregnated with cleaning preparations; safrol; massage candles for cosmetic purposes; laundry blueing; turpentine for degreasing; potpourris [fragrances]; bleaching soda; washing soda for cleaning; bath salts, not for medical purposes; bleaching salts; fumigation preparations [perfumes]; leather preservatives [polishes]; ammonia [volatile alkali] [detergent]; astringents for cosmetic purposes; eyebrow cosmetics; make-up preparations; sun-tanning preparations [cosmetics]; hair dyes; neutralizers for permanent waving; cosmetic preparations for eyelashes; cosmetic preparations for skin care; shoe wax; cosmetics; cosmetics in the form of milks, lotions and emulsions; cosmetics for pregnant women; cosmetics for children; cosmetics for animals; mascara; moisturizers; detergents, other than for use in manufacturing operations and for medical purposes; cleansers for intimate personal hygiene purposes, non medicated; douching preparations for personal sanitary or

deodorant purposes [toiletries]; degreasers, other than for use in manufacturing processes; bleaching preparations [decolorants] for cosmetic purposes; toiletry preparations; antiperspirants [toiletries]; phytocosmetic preparations; talcum powder, for toilet use; cotton swabs for cosmetic purposes; terpenes [essential oils]; emery cloth; cloths impregnated with a detergent for cleaning; henna [cosmetic dye]; shampoos; shampoos for babies; shampoos for animals [non-medicated grooming preparations]; shampoos for pets [non-medicated grooming preparations]; dry shampoos; sandpaper; soda lye; herbal extracts for cosmetic purposes; extracts of flowers [perfumes]; emulsions for cosmetic purposes; body moisturizing emulsions for cosmetic purposes; ethereal essences; badian essence; mint essence [essential oil].

5 – Pharmaceuticals, medical and veterinary preparations; sanitary preparations for medical purposes; dietetic food and substances adapted for medical or veterinary use, food for babies; dietary supplements for human beings and animals; nutritional supplements; plasters, materials for dressings; material for dental fillings and dental impressions; disinfectants; preparations for destroying noxious animals; fungicides, herbicides; acaricides; aconitine; alkaloids for medical purposes; alginates for pharmaceutical purposes; algicides; aldehydes for pharmaceutical purposes; dental amalgams of gold; dental amalgams; amino acids for veterinary purposes; amino acids for medical purposes; analgesics; anaesthetics; antibiotics; antiseptics; medicine cases, portable, filled; first-aid boxes, filled; aluminium acetate for pharmaceutical purposes; acetates for pharmaceutical purposes; germicides; oxygen cylinders, filled, for medical purposes; balms for medical purposes; bandages for dressings; diagnostic biomarker reagents for medical purposes; biocides; bracelets impregnated with insect repellent; bromine for pharmaceutical purposes; paper for mustard plasters; fly catching paper; reagent paper for veterinary purposes; reagent paper for medical purposes; mothproofing paper; petroleum jelly for medical purposes; vaccines; oxygen baths; antiseptic cotton; aseptic cotton; absorbent cotton; wadding for medical purposes; cotton for medical purposes; dietetic substances adapted for medical use; radiological contrast substances for medical purposes; nutritive substances for microorganisms; radioactive substances for medical purposes; bismuth subnitrate for pharmaceutical purposes; melissa water for pharmaceutical purposes; seawater for medicinal bathing; mineral waters for medical purposes; thermal water; dietary fibre; moulding wax for dentists; gases for medical purposes; guaiacol for pharmaceutical purposes; massage gels for medical purposes; sexual stimulant gels; haematogen; haemoglobin; hydrastine; hydrastinine; glycerine for medical purposes; glycerophosphates; glucose for medical purposes; gentian for pharmaceutical purposes; hormones for medical purposes; mustard for pharmaceutical purposes; mustard plasters; mud for

baths; medicinal mud; contraceptive sponges; gamboge for medical purposes; gurjun balsam for medical purposes; deodorizers for litter trays; air deodorizing preparations; deodorants, other than for human beings or for animals; deodorants for clothing and textiles; diastase for medical purposes; digitalin; vitamin supplement patches; mineral dietary supplements; dietary supplements; albumin dietary supplements; dietary supplements for animals; yeast dietary supplements; alginate dietary supplements; glucose dietary supplements; casein dietary supplements; lecithin dietary supplements; linseed oil dietary supplements; propolis dietary supplements; protein dietary supplements; protein supplements for animals; royal jelly dietary supplements; pollen dietary supplements; wheat germ dietary supplements; linseed dietary supplements; acai powder dietary supplements; dietary supplements with a cosmetic effect; enzyme dietary supplements; yeast for pharmaceutical purposes; gelatine for medical purposes; cod liver oil; isotopes for medical purposes; immunostimulants; insecticides; iodine for pharmaceutical purposes; iodides for pharmaceutical purposes; alkaline iodides for pharmaceutical purposes; iodoform; calomel [fungicide]; cream of tartar for pharmaceutical purposes; tartar for pharmaceutical purposes; camphor for medical purposes; capsules for medicines; cachets for pharmaceutical purposes; capsules made of dendrimer-based polymers, for pharmaceuticals; haemostatic pencils; wart pencils; caustic pencils; carbolineum [parasiticide]; caustics for pharmaceutical purposes; cachou for pharmaceutical purposes; quassia for medical purposes; quebracho for medical purposes; oxygen for medical purposes; gallic acid for pharmaceutical purposes; acids for pharmaceutical purposes; adhesives for dentures; surgical glues; stem cells for veterinary purposes; stem cells for medical purposes; cocaine for medical purposes; collagen for medical purposes; collodion for pharmaceutical purposes; corn rings for the feet; cannabis for medical purposes; medicated sweets; angostura bark for medical purposes; barks for pharmaceutical purposes; cedar wood for use as an insect repellent; condurango bark for medical purposes; croton bark; mangrove bark for pharmaceutical purposes; myrobalan bark for pharmaceutical purposes; quinquina for medical purposes; medicated animal feed; medicinal roots; rhubarb roots for pharmaceutical purposes; lint for medical purposes; starch for dietetic or pharmaceutical purposes; creosote for pharmaceutical purposes; blood for medical purposes; biological tissue cultures for veterinary purposes; biological tissue cultures for medical purposes; cultures of microorganisms for medical or veterinary use; curare; dental lacquer; liquorice for pharmaceutical purposes; milk sugar for pharmaceutical purposes; adhesive plasters; medicines for alleviating constipation; adhesive tapes for medical purposes; lecithin for medical purposes; lotions for veterinary purposes; medicated hair lotions; lotions for pharmaceutical purposes; medicated

after-shave lotions; personal sexual lubricants; lupulin for pharmaceutical purposes; magnesia for pharmaceutical purposes; liniments; ointments for pharmaceutical purposes; sunburn ointments; mercurial ointments; frostbite salve for pharmaceutical purposes; gauze for dressings; medicinal oils; mustard oil for medical purposes; camphor oil for medical purposes; castor oil for medical purposes; oil of turpentine for pharmaceutical purposes; dill oil for medical purposes; dental mastics; dental abrasives; dental impression materials; teeth filling material; dressings, medical; surgical dressings; drugs for medical purposes; medicines for veterinary purposes; serotherapeutic medicines; medicines for human purposes; medicines for dental purposes; menthol; medicinal drinks; moleskin for medical purposes; almond milk for pharmaceutical purposes; powdered milk for babies; royal jelly for pharmaceutical purposes; milk ferments for pharmaceutical purposes; Irish moss for medical purposes; flour for pharmaceutical purposes; linseed meal for pharmaceutical purposes; fish meal for pharmaceutical purposes; fly glue; antibacterial soap; disinfectant soap; medicated soap; freeze-dried meat adapted for medical purposes; mint for pharmaceutical purposes; dietetic beverages adapted for medical purposes; malted milk beverages for medical purposes; injectable dermal fillers; bone void fillers comprised of living tissues; narcotics; medicinal infusions; tincture of iodine; eucalyptol for pharmaceutical purposes; tinctures for medical purposes; opium; opodeldoc; decoctions for pharmaceutical purposes; antiparasitic collars for animals; cotton swabs for medical purposes; cotton wool swabs for medical purposes; stick liquorice for pharmaceutical purposes; sulfur sticks [disinfectants]; pastilles for pharmaceutical purposes; medicated toothpaste; pectin for pharmaceutical purposes; pepsins for pharmaceutical purposes; peptones for pharmaceutical purposes; hydrogen peroxide for medical purposes; pesticides; leeches for medical purposes; blood plasma; nicotine patches for use as aids to stop smoking; eyepatches for medical purposes; poultices; compresses; scapulars for surgical purposes; babies' diapers; diapers for pets; swim diapers, reusable, for babies; swim diapers, disposable, for babies; diapers for incontinence; diaper changing mats, disposable, for babies; bunion pads; breast-nursing pads; pomades for medical purposes; powder of cantharides; pyrethrum powder; anti-uric preparations; bacterial preparations for medical and veterinary use; bacteriological preparations for medical and veterinary use; balsamic preparations for medical purposes; albuminous preparations for medical purposes; biological preparations for veterinary purposes; biological preparations for medical purposes; veterinary preparations; bismuth preparations for pharmaceutical purposes; vitamin preparations; diagnostic preparations for veterinary purposes; diagnostic preparations for medical purposes; douching preparations for medical purposes; bath preparations for medical purposes; therapeutic

preparations for the bath; haemorrhoid preparations; preparations for callouses; lice treatment preparations [pediculicides]; acne treatment preparations; preparations to facilitate teething; preparations for the treatment of burns; fumigation preparations for medical purposes; opotherapy preparations; air purifying preparations; bronchodilating preparations; preparations for reducing sexual activity; sterilizing preparations; soil-sterilizing preparations; corn remedies; pharmaceutical preparations for treating dandruff; vermin destroying preparations; preparations for destroying dry rot fungus; larvae exterminating preparations; fly destroying preparations; preparations for destroying mice; slug exterminating preparations; pharmaceutical preparations for skin care; contact lens cleaning preparations; preparations of microorganisms for medical or veterinary use; lime-based pharmaceutical preparations; styptic preparations; medicated eye-washes; medicinal hair growth preparations; nutraceutical preparations for therapeutic or medical purposes; opiates; anticryptogamic preparations; aloe vera preparations for pharmaceutical purposes; preparations of trace elements for human and animal use; sulfonamides [medicines]; pharmaceutical preparations; pharmaceutical preparations for treating sunburn; enzyme preparations for veterinary purposes; enzyme preparations for medical purposes; phytotherapy preparations for medical purposes; chemico-pharmaceutical preparations; chemical preparations for veterinary purposes; chemical preparations for the diagnosis of pregnancy; chemical preparations for medical purposes; chemical preparations for treating diseases affecting cereal plants; chemical preparations for treating wheat blight; chemical preparations for treating diseases affecting vine plants; chemical preparations for treating mildew; chemical preparations for treating phylloxera; chemical preparations for pharmaceutical purposes; chilblain preparations; mothproofing preparations; collyrium; lead water; chemical conductors for electrocardiograph electrodes; albuminous foodstuffs for medical purposes; dietetic foods adapted for medical purposes; by-products of the processing of cereals for dietetic or medical purposes; homogenized food adapted for medical purposes; freeze-dried food adapted for medical purposes; pharmaceuticals; sanitary towels; panty liners [sanitary]; propolis for pharmaceutical purposes; pearl powder for medical purposes; radium for medical purposes; hydrated chloral for pharmaceutical purposes; solvents for removing adhesive plasters; vaginal washes for medical purposes; solutions for contact lenses; chemical reagents for medical or veterinary purposes; gum for medical purposes; rubber for dental purposes; chewing gum for medical purposes; nicotine gum for use as an aid to stop smoking; insect repellents; insect repellent incense; repellents for dogs; tissues impregnated with pharmaceutical lotions; sarsaparilla for medical purposes; sugar for medical purposes; crystallized rock sugar for medical purposes; asthmatic tea; fumigating sticks;

massage candles for therapeutic purposes; linseed for pharmaceutical purposes; tobacco-free cigarettes for medical purposes; siccatives [drying agents] for medical purposes; syrups for pharmaceutical purposes; turpentine for pharmaceutical purposes; milking grease; greases for veterinary purposes; greases for medical purposes; lacteal flour for babies; infant formula; soporifics; bicarbonate of soda for pharmaceutical purposes; bath salts for medical purposes; salts for mineral water baths; salts for medical purposes; potassium salts for medical purposes; sodium salts for medical purposes; smelling salts; mineral water salts; malt for pharmaceutical purposes; semen for artificial insemination; alcohol for pharmaceutical purposes; medicinal alcohol; alloys of precious metals for dental purposes; ergot for pharmaceutical purposes; cooling sprays for medical purposes; antibacterial handwashes; adjuvants for medical purposes; astringents for medical purposes; vermifuges; disinfectants for hygiene purposes; disinfectants for chemical toilets; appetite suppressants for medical purposes; medical preparations for slimming purposes; parasiticides; mouthwashes for medical purposes; medicated dentifrices; febrifuges; depuratives; animal washes [insecticides]; detergents for medical purposes; cattle washes [insecticides]; dog washes [insecticides]; insecticidal veterinary washes; vesicants; purgatives; remedies for perspiration; remedies for foot perspiration; chemical contraceptives; antiparasitic preparations; sedatives; laxatives; tonics [medicines]; medicated toiletry preparations; digestives for pharmaceutical purposes; nervines; bouillons for bacteriological cultures; steroids; headache relief sticks; strychnine; suppositories; serums for medical purposes; tanning pills; appetite suppressant pills; slimming pills; jujube, medicated; antioxidant pills; sanitary tampons; vulnery sponges; thymol for pharmaceutical purposes; smoking herbs for medical purposes; medicinal herbs; transplants [living tissues]; surgical implants comprised of living tissues; pants, absorbent, for incontinence; sanitary panties; babies' diaper-pants; charcoal for pharmaceutical purposes; fennel for medical purposes; porcelain for dental prostheses; phenol for pharmaceutical purposes; enzymes for veterinary purposes; enzymes for medical purposes; ferments for pharmaceutical purposes; formic aldehyde for pharmaceutical purposes; phosphates for pharmaceutical purposes; quinine for medical purposes; chinoline for medical purposes; diabetic bread adapted for medical use; chloroform; flowers of sulfur for pharmaceutical purposes; cement for animal hooves; bone cement for surgical and orthopaedic purposes; dental cements; medicinal tea; herbal teas for medicinal purposes; insecticidal animal shampoos; medicated shampoos; medicated shampoos for pets; pediculicidal shampoos; medicated dry shampoos; pre-filled syringes for medical purposes; eucalyptus for pharmaceutical purposes; herbal extracts for medical purposes; plant extracts for pharmaceutical purposes; tobacco extracts [insecticides]; extracts of hops

for pharmaceutical purposes; elixirs [pharmaceutical preparations]; ethers for pharmaceutical purposes; esters for pharmaceutical purposes; cellulose esters for pharmaceutical purposes; cellulose ethers for pharmaceutical purposes; rat poison; poisons; bacterial poisons; jalap; angioprotectors; antiplatelet agents; anticoagulants; anti-inflammatory preparations; anti-thrombotic agents; decongestants; pharmaceutical preparations for the treatment of nervous system diseases; pharmaceutical preparations for the treatment of articular-ligamentous disorders; pharmaceutical preparations for the treatment of musculoskeletal disorders; pharmaceutical preparations for the treatment of various diseases; pharmaceutical preparations for treating injuries; pharmaceuticals for the treatment of thrombophlebitis; anti-itch pharmaceutical preparations; venotonic pharmaceuticals; pharmaceutical preparations for the treatment of venous system diseases; pharmaceutical preparations for the treatment of lymphatic system diseases; pharmaceutical preparations for the treatment of rheumatic lesion; pain relief preparations; preparations for health maintenance of joints; preparations for health maintenance of spine; preparations for maintenance of muscle tone; preparations for health maintenance of bone tissue.

(260) AM 2024 124083 A

(800) 1742252

(151) 2023 05 11

(891) 2023 05 11

(731) ALIFAX S.R.L.

Via Petrarca 2/1, I-35020 Polverara (PD), Italy

(540)

ALIFAX

(591) Black, white

(511)

44 – Animal healthcare services; health counseling; medical advice for individuals with disabilities; health centre services; human tissue bank services; nursing home services; rest home services; convalescent home services; palliative care; in vitro fertilization services; hospice services; hospital services; medical services; veterinary services; hygienic and beauty care for human beings or animals; agriculture, horticulture and forestry services; pharmacy advice; medical equipment rental; rental of sanitation facilities; health care; blood bank services; convalescent homes; medical clinic services; artificial insemination services; medical assistance; hospitals; therapy services; nursing homes.

(260) AM 2024 124084 A

(800) 1742322

(151) 2023 05 03

(891) 2023 05 03

(731) DAW SE

Roßdörfer Str. 50, 64372 Ober-Ramstadt,
Germany

(540)

CAPA

(591) Black, white

(511)

2 – Paints; varnishes; lacquers; glazes; coatings; preservatives against rust; primers (lacquers and paints); colorants; dyestuffs; dye pastes; mordants; paint thickeners; fixatives for paints; siccatives for paints; raw natural resins; thinning and binding preparations for paints and lacquers; solvents for thinning paints; preparations for preserving wood; wood mordants; wood preserving oils; paints, including structuring paints; bactericidal and/or fungicidal paints; anti-corrosion preparations; protective preparations for metals; metals in foil and powder form for painters, decorators, printers and artists.

17 – Sealing, thermal protection and insulating materials; insulating paints, insulating varnishes, insulating fabrics, insulating plaster; substances for insulating buildings against moisture; artificial and synthetic resins (semi-finished products); fabrics in the form of parts for composite heat insulation systems; insulating tapes; heat insulators; insulating panels; grid mats of glass fiber fabric and/or plastics, in the form of parts for composite heat insulation systems; plastic films, other than for wrapping purposes; adhesive tapes and strips for building; soundproofing materials.

19 – Building materials, not of metal or mainly not of metal, in particular profile rails and corner irons, finishing profiles; adjusting and levelling parts, spacers for building, sills, all not of metal or mainly not of metal; natural and artificial stone; mortar (building materials); quartz; plaster [building materials]; coatings (building materials); wall and ceiling panels (not of metal or mainly not of metal, for building); fabric embedding compounds for building; fillers (building materials); fabrics for building, not of metal or mainly not of metal, in particular stabilising fabrics; facade construction components, facade elements, cladding for facades not of metal or mainly not of metal; fire protection materials, not of metal, for use in building.

(260) AM 2024 124088 A

(800) 1742393

(151) 2023 06 21

(891) 2023 06 21

(731) EYEBALL CORP

8 The Green, Suite A, Dover DE 19901, USA

(540)

EYEBALL

(591) Black, white

(511)

45 – Online social networking services; online social networking services provided through an online education campus.

(260) AM 2024 124101 A

(800) 1742988

(151) 2023 03 07

(891) 2023 03 07

(731) Henan Honlu Machinery Equipment Co., Ltd
No. 1405, 14th Floor, Block B, No. 127, Zidong Road, Guancheng District, Zhengzhou City, Henan Province, China

(540)

BEETAWAY

(591) Black, white

(531) 27.05.01; 27.05.17

(511)

12 – Camping cars; dining cars; motor homes; electric vehicles; camping trailer; trailers (vehicles); trailer body; three-wheeler; van; refrigerated vehicles.

(260) AM 2024 124102 A

(800) 1743028

(151) 2023 05 18

(891) 2023 05 18

(731) SABELLI S.P.A.

Zona Industriale Basso Marino, I-63100
ASCOLI PICENO (AP), Italy

(540)



(591) White, red and black

(531) 25.03.01; 25.03.07; 26.04.02; 26.04.06;
26.04.18; 27.05.24; 29.01.13

(511)

29 – Milk products; dairy products; cheese; cream cheese; soft white cheese; ripened cheeses; mozzarella cheese; ricotta cheese; eggs; milk; meat; fish, not live; poultry, not live; game, not live; meat extracts; preserved, frozen, dried and cooked fruits and vegetables; compotes.

(260) AM 2024 124107 A

(800) 1417107

(151) 2018 06 11

(891) 2023 07 10

(731) ARNAUD PARIS

72 Rue du Faubourg Saint-Honoré, F-75008
PARIS, France

(540)

ARNAUD

(591) Black, white

(531) 27.05.01

(511)

3 – Cosmetic preparations for caring for, cleaning and beautifying the skin; cosmetic preparations made with essential oils; body oils; body milks; cleansing cosmetic preparations; pre-shave and after-shave cosmetic

preparations; cosmetic sun-tanning and after-sun preparations; beauty masks; make-up products; make-up removing products.

(260) AM 2024 124109 A

(800) 1529080

(151) 2020 03 16

(891) 2023 03 31

(731) Vitenkov Dmitriy Vladimirovich

6-ya liniya, 20A, poselok Semrino, Gatchinskiy raion; RU-188345 Leningradskaya oblast, Russian Federation

(540)



(591) Black, white

(531) 03.06.03; 24.01.09; 24.01.15; 27.05.01

(511)

9 – Compact discs [audio-video]; computer software, recorded; computer programs, recorded; computer operating programs, recorded; computer software applications, downloadable; electronic publications, downloadable; downloadable image files; downloadable music files.

25 – Bandanas [neckerchiefs]; berets; overalls; boots for sports; trousers; jerseys [clothing]; vests; spoils jerseys; hosiery; hoods [clothing]; scarfs; suits; masquerade costumes; jackets [clothing]; stuff jackets [clothing]; fishing vests; sports singlets; coats; hand warmers [fingerless gloves]; socks; footwear; paper clothing; outerclothing; ready-made clothing; uniforms; clothing; parkas; gloves [clothing]; headbands [clothing]; belts [clothing]; shirts; boots; sweaters; knitwear [clothing]; shoes; headwear; tee-shirts; hats.

28 – Scratch cards for playing lottery games; drones [toys]; darts; board games; games; building games; playing cards; paintball guns [sports apparatus]; puppets; masks [playthings]; targets; electronic targets; toy mobiles; toy models; scale model kits [toys]; balls for games; knee guards [sports articles]; elbow guards [sports articles]; gloves for games; toy pistols; portable games with liquid crystal displays; toy robots; remote-controlled toy vehicles; men's athletic supporters [sports articles]; toy figures; counters [discs] for games; paintballs [ammunition for paintball guns] [sports apparatus]; shin guards [sports articles]; camouflage screens [sports articles].

(260) AM 2024 124189 A

(800) 1743411

(151) 2023 06 13

(891) 2023 06 13

(731) GOLDEN LADY COMPANY S.p.A.

VIA G. LEOPARDI, 3/5, I-46043

CASTIGLIONE DELLE STIVIERE (MN),

Italy

(540)

GOLDEN LADY

(591) Black, white

(511)

41 – Entertainment services; entertainment services, namely, providing of online, non-downloadable virtual goods; entertainment services, namely, online, non-downloadable virtual provision, in relation to raw textile fibers, natural fibers, acrylic fibers, textile fibres, cotton fibers, yarn fibers, textile filaments, silk fibers, hemp fibres, synthetic textile filaments, non-woven textile fibres, the aforesaid goods for use in virtual environments; entertainment services, namely, online, non-downloadable virtual provision, in relation to raw fibrous textile, synthetic fibers for textile use, raw textile fibers and substitutes, semi-synthetic fibers [for textile use], the aforesaid goods for use in virtual environments; entertainment services, namely, online, non-downloadable virtual provision, in relation to carbon fibres for textile use, glass fibres for textile use, plastic fibres for textile use, the aforesaid goods for use in virtual environments; entertainment services, namely, online, non-downloadable virtual provision, in relation to vitreous silica fibres for textile use, non-woven polymeric fibers for textile use, fibres being partly prepared synthetic materials for textile use, the aforesaid goods for use in virtual environments; entertainment services, namely, online, non-downloadable virtual provision, in relation to yarn, spun thread and yarn, the aforesaid goods for use in virtual environments; entertainment services, namely, online, non-downloadable virtual provision, in relation to textiles and substitutes for textiles, non-woven fabrics, cloth, lap rugs, bed clothes and blankets, lingerie fabric, bath linen, except clothing, linens, bed linen, table linen, the aforesaid goods for use in virtual environments; entertainment services, namely, online, non-downloadable virtual provision, in relation to table linen, not of paper, table covers, covers for cushions, pillow shams, protective loose covers for mattresses and furniture, curtains of textile or plastic, shower curtains of textile or plastic, the aforesaid goods for use in virtual environments; entertainment services, namely, online, non-downloadable virtual provision, in relation to clothing, bathing suits, neckerchiefs, gloves [clothing], underwear, pyjamas, nightwear, shawls, scarfs, stockings, socks, tights, footless tights, leggings [leg warmers], sock suspenders, stocking suspenders, leggings [trousers], leotards, the aforesaid goods for use in virtual environments; entertainment services, namely, online, non-downloadable virtual

provision, in relation to clothing for men, beach cover-ups, clothing for gymnastics, clothing for sports, bath robes, dressing gowns, bodies [clothing], knee warmers [clothing], belts [clothing], sport socks, knee-high stockings, the aforesaid goods for use in virtual environments; entertainment services, namely, online, non-downloadable virtual provision, in relation to carpets, rugs and mats, non-textile wall coverings, the aforesaid goods for use in virtual environments; providing entertainment information in the field of clothing and clothing accessories via a website; entertainment services, namely, providing of an online virtual environment for trading virtual collectables, virtual goods, digital files, three-dimensional goods and tokens.

(260) AM 2024 124191 A

(800) 1743510

(151) 2023 02 16

(891) 2023 02 16

(731) Motel One GmbH

Tegernseer Landstrasse 165, 81539 München,
Germany

(540)

MOTEL  ONE

(591) Turquoise, black and white

(531) 26.01.03; 26.01.17; 27.05.01; 27.07.01;

27.07.21; 29.01.13

(511)

35 – Franchising, namely, assistance in matters relating to the business management of the establishment and operation of hotels, restaurants, night clubs, bars; business management of hotels, restaurants, night clubs, bars; business management consultancy; rental of office equipment; rental of office equipment; business management; planning of business meetings; organization, implementation and supervision of customer loyalty programs and bonus programs; business management consultancy for catering and accommodation companies; business and organizational consultancy in the management, control and supervision of catering and accommodation companies.

43 – Accommodation services; hotel services; providing of food and drink for guests in cafés; providing of food and drink for guests in restaurants; operation of restaurants; operation of cafés; operation of self-service restaurants; catering; operation of bars; rental of guest rooms; rental of guest flats; rental and provision of facilities for meetings, conferences, exhibitions, events, congresses, seminars, symposia, workshops, banquets and social functions for special occasions; rental of chairs, tables, table linen, glassware; reservation of hotel accommodation; crèche services; rental of accommodation for travellers and holidaymakers; rental of private dwellings as holiday and short-stay accommodation; reservation of accommo-

dation for travellers and holidaymakers; reservation of hotel rooms; reservation of accommodation; making reservations for hotel rooms and accommodation for travellers and holidaymakers provided through a website; provision of guest accommodation, namely flats with associated services, flats and condominiums, in each case for temporary accommodation; provision of information services relating to travel accommodation; provision of information services relating to holiday accommodation; information, relating to the following: hotels and accommodation for travellers and holidaymakers, including through a website; services provided by a hotel with incentive programs in the form of special services for guests, amenities and rewards for frequently returning hotel guests; catering for guests in restaurants, bars and cocktail bars; catering for guests in fast-food restaurants [snack bars]; services provided by retirement homes.

(260) AM 2024 124192 A

(800) 1743522

(151) 2023 03 24

(891) 2023 03 24

(731) Digi-Key Corporation

701 Brooks Avenue South, Thief River Falls
MN 56701, USA

(540)

DIGIKEY

(591) Black, white

(511)

9 – Software, namely, a downloadable mobile application used to check the inventory and pricing of, and to purchase, electronic components and hardware; custom printed circuit boards; solderless breadboards for prototyping electronic circuits; solderable breadboards for prototyping electronic circuits.

35 – Computerized on-line wholesale and retail store services in the field of electronics, electronic components, hardware, and industrial automation products; distributorship services in the field of electronics, electronic components, hardware, and industrial automation products; provision of online marketplace for buyers and sellers of goods and services; administration processing of purchase orders; electronic commerce services, namely, providing information about products via telecommunication networks for advertising and sales purposes; promoting the goods and services of others via a global computer network.

38 – Providing an online forum in the field of electronics, electronic components, and electronics design engineering.

41 – Providing online non-downloadable electronic articles, videos, tutorials, and online publication of blogs in the field of electronics, electronic components, electronics design engineering, and industrial automation; education services, namely, providing on-

line non-downloadable electronic articles, e-books, videos, tutorials, and online publication of blogs in the field of electronics, electronic components, electronics design engineering, and industrial automation; organizing entertainment competitions in the education field of electrical engineer and electronics design engineering; entertainment services, namely, conducting contests and sweepstakes.

42 – Providing temporary use of online non-downloadable software that allows users to design and manufacture electronic circuit boards; providing featuring technology that enables users to create electronic circuit designs and other schematic drawings via a website; providing temporary use of online non-downloadable software for creating electronic circuit designs and other schematic drawings; providing temporary use of online non-downloadable software for diagramming electronic components; providing featuring temporary use of non-downloadable software in the nature of online calculators to conduct calculations in the field of electronics and electronic components via a website; providing technical advice in the field of electronic products; technical consultation in the field of product design and development of electronics and electronic components.

(260) AM 2024 124201 A

(800) 1743681

(151) 2023 04 13

(891) 2023 04 13

(731) Shmulevych Vitalii Naumovych

vul. Levanevskoho, 7, kv. 63, m. Odesa
65062, Ukraine;

Maslenkov Volodymyr Mykolaiovych

vul. Marshala Hovorova, 1-2, kv. 101,
m. Odesa 65058, Ukraine;

Markushevskiy Igor Isaakovych

Vul. Bolharska, 82, kv. 8, m. Odesa 65005,
Ukraine

(540)

GIN MIA



(591) Black, white

(531) 03.07.16; 05.07.08; 05.07.12; 05.07.22;
27.05.01

(511)

33 – Alcoholic beverages, except beer; gin; pre-mixed alcoholic beverages, other than beer-based.

(260) AM 2024 124202 A

(800) 1743690

(151) 2023 04 26

(891) 2023 04 26

(731) PJSC "Cherkizovo Group"

ul. Cherkizovskaya, d. 1, str. 1, kabinet 206,
ter. Myasopererabotka, d. Topkanovo,
RU-142931 g.o. Kashira, Moskovskaya oblast,
Russian Federation

(540)

Фламенко

(591) Black, white

(531) 28.05

(511)

29 – Ham; game, not live; meat jellies; lard; suet for food; charcuterie; black pudding; meat, tinned; tofu patties; soya patties; meat; meat, preserved; freeze-dried meat; sausage casings, natural or artificial; liver pâté; liver; poultry, not live; bacon; pork; salted meats; sausages; sausages in batter; corn dogs; hot dog sausages; tripe; meat extracts.

(260) AM 2024 124203 A

(800) 1743694

(151) 2023 06 07

(891) 2023 06 07

(731) Ferrara Candy Company

404 W. Harrison Street, Chicago IL 60607, USA

(540)

FunDip

(591) Black, white

(531) 01.15.21; 25.07.01; 27.05.02

(511)

30 – Candy.

(260) AM 2024 124204 A

(800) 1743695

(151) 2023 05 25

(891) 2023 05 25

(731) STADA Arzneimittel AG

Stadastraße 2 – 18, 61118 Bad Vilbel, Germany

(540)

COLDREX Комплит

(591) Black, white

(531) 26.04.05; 28.05

(511)

5 – Pharmaceutical, veterinary and sanitary preparations; pharmaceutical preparations for cold, flu, cough and sore throat treatment; analgesics; dietetic substances for medical use, food for babies; plasters, materials for dressings; material for stopping teeth, dental wax; disinfectants; preparations for destroying vermin; fungicides, herbicides.

(260) AM 2024 124371 A

(800) 1745702

(151) 2023 06 28

(891) 2023 06 28

(731) Limited Liability Company "AQUILEJA"

Frunze st., vlad. 9/14, Stupino, RU-142803

Moskovskaia Oblast, Russian Federation

(540)

FunFest

(591) Black, white

(511)

3 – Abrasives; amber [perfume]; descaling preparations for household purposes; antistatic preparations for household purposes; aromatics [essential oils]; air fragrancing preparations; cake flavourings [essential oils]; flavourings for beverages [essential oils]; food flavourings [essential oils]; breath freshening sprays; canned pressurized air for cleaning and dusting purposes; balms, other than for medical purposes; basma [cosmetic dye]; lip glosses; nail glitter; body glitter; polishing stones; abrasive paper; emery paper; polishing paper; petroleum jelly for cosmetic purposes; shoe polish; cobblers' wax; cotton wool for cosmetic purposes; cotton wool impregnated with make-up removing preparations; sachets for perfuming linen; drying agents for dishwashing machines; adhesives for cosmetic purposes; scented water; Javelle water; lavender water; micellar water; toilet water; wax for parquet floors; floor wax; non-slipping wax for floors; depilatory wax; moustache wax; tailors' wax; creams for leather; polish for furniture and flooring; shoemakers' wax; polishing wax; massage gels, other than for medical purposes; heliotropine; dental bleaching gels; geraniol; make-up; deodorants for pets; depilatory preparations; air fragrance reed diffusers; scented wood; perfumes; non-slipping liquids for floors; windscreen cleaning liquids; greases for cosmetic purposes; volcanic ash for cleaning; perfumery; decorative transfers for cosmetic purposes; ionone [perfumery]; shaving stones [astringents]; smoothing stones; eyebrow pencils; cosmetic pencils; silicon carbide [abrasive]; carbides of metal [abrasives]; alum stones [astringents]; tripoli stone for polishing; adhesives for affixing false eyelashes; adhesives for affixing false hair; hair conditioners; quillaia bark for washing; corundum [abrasive]; beard dyes; colorants for toilet purposes; cosmetic dyes; body paint for cosmetic purposes; shoe cream; polishing creams; cosmetic creams; skin whitening creams; polishing rouge; incense; hair spray; nail varnish; liquid latex body paint for cosmetic purposes; hair lotions; lotions for cosmetic purposes; after-shave lotions; beauty masks; oils for perfumes and scents; oils for cosmetic purposes; oils for toilet purposes; essential oils; essential oils of cedarwood; essential oils of lemon; essential oils of citron; oils for cleaning purposes; bergamot oil; gaultheria oil; jasmine oil; lavender oil; almond oil; rose oil; oil of turpentine for degreasing; whitening; cleaning chalk; almond milk for cosmetic purposes; cleansing milk

for toilet purposes; musk [perfumery]; soap; deodorant soap; shaving soap; soap for brightening textile; cakes of toilet soap; antiperspirant soap; soap for foot perspiration; almond soap; mint for perfumery; make-up kits; emery; gel eye patches for cosmetic purposes; nail art stickers; double eyelid tapes; false nails; eau de Cologne; joss sticks; pastes for razor strops; toothpaste; pumice stone; lipstick cases; hydrogen peroxide for cosmetic purposes; breath freshening strips; teeth whitening strips; sandcloth; glass cloth [abrasive cloth]; lipsticks; pomades for cosmetic purposes; shaving preparations; cosmetic preparations for baths; bath preparations, not for medical purposes; hair straightening preparations; hair waving preparations; laundry soaking preparations; grinding preparations; smoothing preparations [starching]; colour-removing preparations; leather bleaching preparations; polishing preparations; denture polishes; mouthwashes, not for medical purposes; cosmetic preparations for slimming purposes; preparations to make the leaves of plants shiny; eye-washes, not for medical purposes; fabric softeners for laundry use; preparations for washing; dry-cleaning preparations; paint stripping preparations; lacquer-removing preparations; make-up removing preparations; floor wax removers [scouring preparations]; varnish-removing preparations; rust removing preparations; nail care preparations; cleaning preparations; preparations for cleaning dentures; wall-paper cleaning preparations; preparations for unblocking drain pipes; chemical cleaning preparations for household purposes; collagen preparations for cosmetic purposes; bleaching preparations [decolorants] for household purposes; aloe vera preparations for cosmetic purposes; sunscreen preparations; colour-brightening chemicals for household purposes [laundry]; breath freshening preparations for personal hygiene; shining preparations [polish]; make-up powder; diamantine [abrasive]; stain removers; nail varnish removers; vaginal washes for personal sanitary or deodorant purposes; scouring solutions; false eyelashes; antistatic dryer sheets; baby wipes impregnated with cleaning preparations; colour run prevention laundry sheets; tissues impregnated with cosmetic lotions; tissues impregnated with make-up removing preparations; safrol; massage candles for cosmetic purposes; laundry blueing; turpentine for degreasing; potpourris [fragrances]; bleaching soda; washing soda, for cleaning; bath salts, not for medical purposes; bleaching salts; fumigation preparations [perfumes]; leather preservatives [polishes]; ammonia [volatile alkali] [detergent]; astringents for cosmetic purposes; eyebrow cosmetics; make-up preparations; sun-tanning preparations [cosmetics]; hair dyes; neutralizers for permanent waving; cosmetic preparations for eyelashes; cosmetic preparations for skin care; dentifrices; cosmetics; cosmetics for children; cosmetics for animals; mascara; cleansers for intimate personal hygiene purposes, non medicated; douching preparations for personal sanitary or deodorant purposes [toiletries]; detergents, other

than for use in manufacturing operations and for medical purposes; degreasers, other than for use in manufacturing processes; bleaching preparations [decolorants] for cosmetic purposes; toiletry preparations; antiperspirants [toilettries]; phytocosmetic preparations; talcum powder, for toilet use; cotton swabs for cosmetic purposes; terpenes [essential oils]; emery cloth; cloths impregnated with a detergent for cleaning; henna [cosmetic dye]; shampoos; shampoos for animals [non-medicated grooming preparations]; shampoos for pets [non-medicated grooming preparations]; dry shampoos; sandpaper; soda lye; herbal extracts for cosmetic purposes; extracts of flowers [perfumes]; ethereal essences; badian essence; deodorants for human beings or for animals; starch for laundry purposes; laundry glaze; laundry bleach; mint essence [essential oil].

5 – Medicated toothpaste; medicated dentifrices; disinfectant soap; disinfectants; antibacterial soap; remedies for perspiration.

(260) AM 2024 124372 A

(800) 1745703

(151) 2023 06 28

(891) 2023 06 28

(731) Limited Liability Company "AQUILEJA"
Frunze st., vlad. 9/14, Stupino, RU-142803
Moskovskaia Oblast, Russian Federation

(540)

TUNE

(591) Black, white

(511)

3 – Amber [perfume]; aromatics [essential oils]; air fragrancing preparations; cake flavourings [essential oils]; flavourings for beverages [essential oils]; breath freshening sprays; balms, other than for medical purposes; lip glosses; petroleum jelly for cosmetic purposes; cotton wool for cosmetic purposes; sachets for perfuming linen; adhesives for cosmetic purposes; scented water; javelle water; lavender water; toilet water; depilatory wax; moustache wax; massage gels, other than for medical purposes; heliotropine; dental bleaching gels; geraniol; make-up; depilatory preparations; scented wood; perfumes; greases for cosmetic purposes; perfumery; decorative transfers for cosmetic purposes; ionone [perfumery]; shaving stones [astringents]; eyebrow pencils; cosmetic pencils; adhesives for affixing false eyelashes; adhesives for affixing false hair; hair conditioners; beard dyes; cosmetic dyes; cosmetic creams; skin whitening creams; incense; hair spray; nail varnish; hair lotions; lotions for cosmetic purposes; after-shave lotions; beauty masks; oils for perfumes and scents; oils for cosmetic purposes; oils for toilet purposes; essential oils; essential oils of cedarwood; essential oils of lemon; essential oils of citron; oils for cleaning purposes; bergamot oil; gaultheria oil; jasmine oil; lavender oil; almond oil;

rose oil; oil of turpentine for degreasing; almond milk for cosmetic purposes; cleansing milk for toilet purposes; musk [perfumery]; soap; deodorant soap; shaving soap; cakes of toilet soap; antiperspirant soap; soap for foot perspiration; almond soap; mint for perfumery; make-up kits; nail art stickers; false nails; eau de cologne; cotton swabs for cosmetic purposes; joss sticks; pumice stone; lipstick cases; hydrogen peroxide for cosmetic purposes; breath freshening strips; lipsticks; pomades for cosmetic purposes; shaving preparations; cosmetic preparations for baths; hair straightening preparations; hair waving preparations; leather bleaching preparations; denture polishes; mouthwashes, not for medical purposes; cosmetic preparations for slimming purposes; make-up removing preparations; nail care preparations; preparations for cleaning dentures; aloe vera preparations for cosmetic purposes; sunscreen preparations; make-up powder; false eyelashes; tissues impregnated with cosmetic lotions; tissues impregnated with make-up removing preparations; safrol; potpourris [fragrances]; bath salts, not for medical purposes; fumigation preparations [perfumes]; astringents for cosmetic purposes; eyebrow cosmetics; make-up preparations; sun-tanning preparations [cosmetics]; hair dyes; neutralizers for permanent waving; cosmetic preparations for eyelashes; cosmetic preparations for skin care; cosmetics; cosmetics for animals; mascara; bleaching preparations [decolorants] for cosmetic purposes; antiperspirants [toilettries]; terpenes [essential oils]; henna [cosmetic dye]; shampoos; dry shampoos; extracts of flowers [perfumes]; ethereal essences; badian essence; mint essence [essential oil]; deodorants for human beings or for animals; toothpaste; dentifrices; bath preparations, not for medical purposes; vaginal washes for personal sanitary or deodorant purposes; non-medicated pet shampoos.

(260) AM 2024 124373 A

(800) 1745704

(151) 2023 06 28

(891) 2023 06 28

(731) Limited liability company "Lakvir"
ul. Andropova, 42/15, pom. 20, Stupino,
RU-142800 Moscovskaya obl., Russian
Federation

(540)

САИФИТО SANFITO

(591) Black, white

(531) 28.05

(511)

1 – Industrial detergents for use in manufacturing processes.

3 – Abrasives; amber [perfume]; descaling preparations for household purposes; antistatic preparations for

household purposes; aromatics [essential oils]; air fragrancing preparations; cake flavourings [essential oils]; flavourings for beverages [essential oils]; food flavourings [essential oils]; breath freshening sprays; canned pressurized air for cleaning and dusting purposes; balms, other than for medical purposes; basma [cosmetic dye]; lip glosses; nail glitter; polishing stones; abrasive paper; emery paper; polishing paper; petroleum jelly for cosmetic purposes; shoe polish; cobblers' wax; cotton wool for cosmetic purposes; cotton wool impregnated with make-up removing preparations; sachets for perfuming linen; drying agents for dishwashing machines; adhesives for cosmetic purposes; scented water; Javelle water; lavender water; micellar water; toilet water; wax for parquet floors; floor wax; non-slipping wax for floors; depilatory wax; moustache wax; tailors' wax; creams for leather; polish for furniture and flooring; shoemakers' wax; polishing wax; massage gels, other than for medical purposes; heliotropine; dental bleaching gels; geraniol; make-up; deodorants for pets; depilatory preparations; air fragrance reed diffusers; scented wood; perfumes; non-slipping liquids for floors; windscreen cleaning liquids; greases for cosmetic purposes; volcanic ash for cleaning; perfumery; decorative transfers for cosmetic purposes; ionone [perfumery]; shaving stones [astringents]; smoothing stones; eyebrow pencils; cosmetic pencils; silicon carbide [abrasive]; carbides of metal [abrasives]; alum stones [astringents]; tripoli stone for polishing; adhesives for affixing false eyelashes; adhesives for affixing false hair; hair conditioners; quillaia bark for washing; corundum [abrasive]; beard dyes; colorants for toilet purposes; cosmetic dyes; body paint for cosmetic purposes; shoe cream; polishing creams; cosmetic creams; skin whitening creams; polishing rouge; incense; hair spray; nail varnish; liquid latex body paint for cosmetic purposes; hair lotions; lotions for cosmetic purposes; after-shave lotions; beauty masks; oils for perfumes and scents; oils for cosmetic purposes; oils for toilet purposes; essential oils; essential oils of cedarwood; essential oils of lemon; essential oils of citron; oils for cleaning purposes; bergamot oil; gaultheria oil; jasmine oil; lavender oil; almond oil; rose oil; oil of turpentine for degreasing; whitening; cleaning chalk; almond milk for cosmetic purposes; cleansing milk for toilet purposes; musk [perfumery]; soap; deodorant soap; shaving soap; soap for brightening textile; cakes of toilet soap; antiperspirant soap; soap for foot perspiration; almond soap; mint for perfumery; make-up kits; emery; gel eye patches for cosmetic purposes; nail art stickers; false nails; eau de Cologne; joss sticks; pastes for razor strops; toothpaste; pumice stone; lipstick cases; hydrogen peroxide for cosmetic purposes; breath freshening strips; teeth whitening strips; sandcloth; glass cloth [abrasive cloth]; lipsticks; pomades for cosmetic purposes; shaving preparations; cosmetic preparations for baths; bath preparations, not for medical purposes; hair straightening preparations; hair waving prepara-

tions; laundry soaking preparations; grinding preparations; smoothing preparations [starching]; colour-removing preparations; leather bleaching preparations; polishing preparations; denture polishes; mouthwashes, not for medical purposes; cosmetic preparations for slimming purposes; preparations to make the leaves of plants shiny; eye-washes, not for medical purposes; fabric softeners for laundry use; preparations for washing; dry-cleaning preparations; paint stripping preparations; lacquer-removing preparations; make-up removing preparations; floor wax removers [scouring preparations]; varnish-removing preparations; rust removing preparations; nail care preparations; cleaning preparations; preparations for cleaning dentures; wallpaper cleaning preparations; preparations for unblocking drain pipes; chemical cleaning preparations for household purposes; collagen preparations for cosmetic purposes; bleaching preparations [decolorants] for household purposes; aloe vera preparations for cosmetic purposes; sunscreen preparations; colour-brightening chemicals for household purposes [laundry]; breath freshening preparations for personal hygiene; shining preparations [polish]; make-up powder; diamantine [abrasive]; stain removers; nail varnish removers; vaginal washes for personal sanitary or deodorant purposes; scouring solutions; false eyelashes; antistatic dryer sheets; baby wipes impregnated with cleaning preparations; colour run prevention laundry sheets; tissues impregnated with cosmetic lotions; tissues impregnated with make-up removing preparations; safrol; massage candles for cosmetic purposes; laundry blueing; turpentine for degreasing; potpourris [fragrances]; bleaching soda; bath salts, not for medical purposes; bleaching salts; fumigation preparations [perfumes]; leather preservatives [polishes]; ammonia [volatile alkali] [detergent]; astringents for cosmetic purposes; eyebrow cosmetics; make-up preparations; sun-tanning preparations [cosmetics]; hair dyes; neutralizers for permanent waving; cosmetic preparations for eyelashes; cosmetic preparations for skin care; dentifrices; cosmetics; cosmetics for children; cosmetics for animals; mascara; cleansers for intimate personal hygiene purposes, non medicated; douching preparations for personal sanitary or deodorant purposes [toiletries]; detergents, other than for use in manufacturing operations and for medical purposes; degreasers, other than for use in manufacturing processes; toiletry preparations; antiperspirants [toiletries]; phytocosmetic preparations; talcum powder, for toilet use; cotton swabs for cosmetic purposes; terpenes [essential oils]; emery cloth; cloths impregnated with a detergent for cleaning; henna [cosmetic dye]; shampoos; shampoos for animals [non-medicated grooming preparations]; shampoos for pets [non-medicated grooming preparations]; dry shampoos; sandpaper; soda lye; herbal extracts for cosmetic purposes; extracts of flowers [perfumes]; ethereal essences; badian essence; deodorants for human beings or for animals; starch for laundry purposes; laun-

dry glaze; laundry bleach; washing soda, for cleaning; shoe polish and creams; bleaching preparations [decolorants] for cosmetic purposes; mint essence [essential oil].

5 – Disinfectants; antiseptics; disinfectant soap; antibacterial soap; disinfectants for hygiene purposes; disinfectants for sanitary purposes.

(260) AM 2024 124374 A

(800) 1745786

(151) 2023 05 22

(891) 2023 05 22

(731) Huawang Co., Ltd.

1501, Shenzhen Energy Center North Tower,
2026 Jintian Road, Futian District, Shenzhen,
Guangdong, China

(540)



(591) Black, white

(531) 28.03

(511)

3 – Hair conditioners; grinding preparations; essential oils; perfumes; cosmetics; cosmetics for children; cosmetic kits; toothpaste; air fragrancing preparations.

30 – Coffee beverages with milk; chocolate beverages with milk; coffee-based beverages; chocolate-based beverages; tea; chamomile-based beverages; flowers or leaves for use as tea substitutes; bread; pizzas; condiments.

33 – Fruit extracts, alcoholic; digesters [liqueurs and spirits]; sake; whisky; aguardiente; alcoholic beverages containing fruit.

(260) AM 2024 124382 A

(800) 1745978

(151) 2023 05 23

(891) 2023 05 23

(731) Shenzhen SKE Technology Co., Ltd.

Floor 1, Floor 2, Floor 3, Floor 4, and Floor
5 of Plant 3, Antuoshan High Tech, Industrial
Park, Shaer Community, Shajing Street,
Bao'an District, 518000 Shenzhen, China

(540)

Amare Crystal

(591) Black, white

(511)

34 – Herbs for smoking; oral vaporizers for smokers; devices for heating tobacco for the purpose of inha-

lation; matches; gas containers for cigar lighters; filter tips; flavourings, other than essential oils, for use in electronic cigarettes; electronic cigarettes; liquid solutions for use in electronic cigarettes; electronic cigarette cases.

(260) AM 2024 124383 A

(800) 1745989

(151) 2023 05 16

(891) 2023 05 16

(731) HOCO TECHNOLOGY DEVELOPMENT

(SHENZHEN) CO., LTD

Rm 408, 4th Floor, Block A, Weidonglong
Business Building., No. 2125, Meilong Road,
Tsinghua Community, Longhua Street,
Longhua District, Shenzhen, Guangdong,
China

(540)

borofone

(591) Black, white

(531) 27.05.01

(511)

35 – Advertising; advertising; outdoor advertising; television advertising; commercial information agency services; outsourcing services [business assistance]; provision of an online marketplace for buyers and sellers of goods and services; import-export agency services; typing information into computers; business auditing.

(260) AM 2024 124384 A

(800) 1746017

(151) 2023 05 06

(891) 2023 05 06

(731) QINGDAO UNI-POWER TYRE CO., LTD

Room 209-031(A), 2nd Floor, Beijing Road
No.43, Qianwan Free Trade Port, Qingdao
Area, China (Shandong) Pilot Free Trade
Zone, Qingdao City, 266000 Shandong, China

(540)

SONIX

(591) Black, white

(531) 27.05.01

(511)

12 – Inner tubes for pneumatic tyres; spikes for tires; tyres for vehicle wheels; casings for pneumatic tyres; patches for repairing inner tubes; solid tyres for vehicle wheels; pneumatic tyres; adhesive rubber patches for repairing inner tubes; automobile tyres; inner tubes for bicycle tyres.

(260) AM 2024 124385 A

(800) 1746027

(151) 2023 03 27

(891) 2023 03 27

(731) Euro Games Technology Ltd.

4, "Maritsa" Str., "Vranya-Lozen-Triugulnika",
BG-1151 Sofia, Bulgaria

(540)

40 SUPER FRUITS

(591) Yellow, red, black and white

(531) 27.05.03; 27.07.03; 29.01.14

(511)

9 – Operating computer software for main frame computers; monitors (computer hardware); computer hardware; apparatus for recording images; monitors (computer programs); computer game programs; recorded computer game programs; apparatus for recording, transmission or reproduction of sound or images; communications servers (computer hardware); electronic components for gambling machines; computer application software featuring games and gaming; computer software for the administration of on-line games and gaming; computer hardware for games and gaming; hardware and software for gambling, gambling machines, gambling games on the Internet and via telecommunication network; computer systems; computer operating system software; computer terminals; interactive terminals; multimedia terminals; electronic terminals for generating lottery tickets; interactive touch screen terminals; computer touchscreens; electronic display panels; liquid crystal display screens; digital signage display panels; multimedia software; multimedia apparatus and instruments; interactive multimedia software for playing games; computer screens; lcd large-screen displays; liquid crystal displays [lcds] for home theatres; media streaming software; computer application software for streaming audio-visual media content via the Internet; software; computer gaming software; computer software packages; computer operating system software; computer software, recorded; software drivers; virtual reality software; games software; entertainment software for computer games; computer programs for network management; electronic lottery tickets; computer software platforms; operating systems; interactive computer systems; operating system programs; computer game software for use with on-line interactive games; interactive casino games provided through a computer or mobile platform; software for slot machines, betting software, software for video slot games, for casino games, for gambling and bingo games, provided online or through computer networks and that can be played on any type of computer device, including arcade games, personal computers, portable devices and mobile phones; automated ticket printing apparatus; automatic ticket dispensing machines; lottery ticket dispensing apparatus; electronic ticket examination machines.

28 – Gaming machines for gambling; chips for gambling; mah-jong; arcade games; gambling machines operating with coins, notes and cards; games; electronic games; parlor games; gaming chips; gaming tables; slot machines [gaming machines]; LCD game machines; slot machines and gaming devices; coin-operated amusement machines; roulette chips; poker chips; chips and dice [gaming equipment]; gaming equipment for casinos; roulette tables; gaming roulette wheels; casino games; gambling machines and amusement machines, automatic and coin-operated; coin-operated amusement machines and/or electronic coin-operated amusement machines with or without the possibility of gain; boxes for coin-operated amusement machines, slot machines and gaming machines; electronic or electrotechnical amusement machines and apparatus, gaming machines, coin-operated entertainment machines; housings for coin-operated amusement machines, gaming equipment, gaming machines, machines for gambling; electropneumatic and electrical gambling machines (slot machines); lottery games; electronic targets for games and sports; parlor game equipment and accessories not included in other classes, in particular tokens, chips, marbles; parlor games, apparatus, equipment and accessories therefor, not included in other classes, in particular electronic targets, backgammon, scratch cards, playing cards, lottery cards, dice; lottery tickets; printed lottery tickets; lottery scratch cards; scratch cards for playing lottery games.

41 – Gambling; services related to gambling; gaming services for entertainment purposes; casino, gaming and gambling services; training in the development of software systems; provision of gaming equipment for gambling halls; providing casino equipment [gambling]; gaming machine entertainment services; providing casino facilities [gambling]; providing halls with gaming machines; amusement arcade services; games equipment rental; rental of gaming machines; providing amusement arcade services; rental of gaming machines with images of fruits; editing or recording of sounds and images; sound recording and video entertainment services; hire of sound reproducing apparatus; provision of gaming equipment for casinos; providing of casino facilities; online gambling services; casino, gaming and gambling services; services related to operation of amusement arcades, on-line casinos and on-line betting websites; online interactive entertainment; on-line casino services; online game services through mobile devices; providing online entertainment in the nature of game tournaments; providing on-line information in the field of computer gaming entertainment; sports betting services; online sports betting services; providing on-line computer games and games of chance, in particular use of non-downloadable game software; lottery services; organization of lotteries; conducting lotteries; prize draws [lotteries]; conducting lotteries for others; providing

slot machine parlors; rental of slot machines [gaming machines].

42 – Computer software technical support services; troubleshooting of computer software problems; provision of technical support in the supervision of computing networks; provision of technical support in the operation of computing networks; technical support services relating to computer software and applications; technical supervision and inspection; monitoring of computer systems by remote access; machine condition monitoring; installation, repair and maintenance of computer software; design, maintenance and updating of computer software; installation, setting up and maintenance of computer software; design, maintenance, development and updating of computer software; installation and customisation of computer applications software; technical consultancy relating to the installation and maintenance of computer software; computer system monitoring services; design of graphic software systems; development of interactive multimedia software; design and development of computer hardware; consultancy relating to the design of computer hardware; consultancy and information services relating to the design and development of computer hardware; design, development and testing of computer software and hardware, in particular for gambling, casino games and betting.

(260) AM 2024 124386 A

(800) 1746028

(151) 2023 05 10

(891) 2023 05 10

(731) WORLD MEDICINE İLAÇ SANAYİ VE
TİCARET ANONİM ŞİRKETİ
15 TEMMUZ MAH., CAMİ YOLU CAD. 50
Bağcılar, İstanbul, Türkiye

(540)

BATMALIA – БАТМАЛІА

(591) Black, white

(531) 28.05

(511)

5 – Pharmaceutical and veterinary preparations for medical purposes, chemical preparations for medical and veterinary purposes, chemical reagents for pharmaceutical and veterinary purposes, medicated cosmetics, dietary supplements for pharmaceutical and veterinary purposes, dietary supplements, nutritional supplements, medical preparations for slimming purposes, food for babies, herbs and herbal beverages adapted for medicinal purposes, dental preparations and articles: teeth filling material, dental impression material, dental adhesives and material for repairing teeth, sanitary preparations for medical use: hygienic pads, hygienic tampons, plasters, materials for dressings, diapers made of paper and textiles for babies, adults and pets, preparations for destroying vermin, herbicides, fungicides, preparations for destroying ro-

dents, deodorants, other than for human beings or for animals, air purifying preparations, air deodorising preparations, disinfectants, antiseptics, detergents for medical purposes, medicated soaps, disinfectant soaps, antibacterial hand lotions.

(260) AM 2024 124445 A

(800) 1746448

(151) 2023 06 12

(891) 2023 06 12

(731) LX Pumps North America Inc.

3-390 Steelcase Rd E, Markham ON L3R 1G2,
Canada

(540)

LINGXIAO

(591) Black, white

(511)

7 – Suction pumps; water pumps for swimming pools; water pumps for spa baths; water pumps for water filtering units; water pumps for whirlpool baths.

(260) AM 2024 124446 A

(800) 1746476

(151) 2023 06 23

(891) 2023 06 23

(731) ETA SA Manufacture Horlogère Suisse

Schild-Rust-Srassse 17, CH-2540 Grenchen,
Switzerland

(540)



(591) Black, white

(531) 04.05.05

(511)

14 – Timepieces and chronometric instruments.

(260) AM 2024 124464 A

(800) 1746859

(151) 2023 05 30

(891) 2023 05 30

(731) Roche Diagnostics GmbH

Sandhofer Strasse 116, 68305 Mannheim,
Germany

(540)

VENTANA

(591) Black, white

(531) 27.05.25

(511)

1 – Chemical, biochemical and biological preparations for scientific and research purposes; chemical reagents for research or laboratory use, other than for medical or veterinary use; chemical reagents for the preparation and staining of tissue specimens for research purposes; chemical reagents for use in histological and cytological tissue processing.

5 – Chemical, biochemical and biological preparations for medical purposes; in vitro diagnostic reagents for medical use; histology and cytology reagents and staining dyes for preparation and staining of tissue specimens for medical purposes; Diagnostic reagents for medical use in the fields of pathology, immunohistochemistry and in situ-hybridization.

9 – Scientific apparatus and instruments; scientific apparatus, equipment and instruments for performing analyses in laboratories; laboratory instruments for use in research and science; laboratory equipment, namely automated sample handling equipment; diagnostic apparatus and instruments, namely apparatus for processing, staining and visualization of tissue or cell-based samples for research or scientific use; automated processing apparatus and instruments for the treatment and the automated tissue staining of tissue slide specimens for research and scientific use; automated laboratory instruments, namely slide scanners, digital imagers, microscopes and computer systems for staining and visualization of tissue or cell based samples for research and scientific use; computer software for use in the field of healthcare; computer software for medical and diagnostic purposes; computer software for the provision of automated diagnostic laboratory processes; computer software for use with laboratory instruments, namely, for use in providing remote automated control, connection, data analysis, and data management; computer systems and software for collecting, storing, analyzing and reporting biological information, and for sample tracking and managing projects, laboratory workflow and data, for use in the fields of scientific, diagnostic and clinical research and for clinical diagnostic purposes; downloadable bioinformatics-enabled diagnosis software.

10 – Medical apparatus and instruments for medical purposes; diagnostic apparatus for medical purposes; medical apparatus for performing in-vitro diagnostic tests; automated slide preparation and staining apparatus for use with tissue slide specimens for diagnostic use; medical apparatus and instruments for performing histological and cytological tissue processing and staining for diagnostic purposes.

(260) AM 2024 124465 A

(800) 1746886

(151) 2023 04 12

(891) 2023 04 12

(731) KERZON

68 rue du Turenne, F-75003 Paris, France

(540)

kerzon

(591) Black, white

(511)

3 – Potpourris [fragrances]; products for perfuming linen; perfumery products; perfumes; air fragrances; musk [perfumery]; mint for perfumery; oils for perfumes and scents; extracts of flowers [perfumes]; incense; deodorants [perfumery]; eaux de toilette; scented waters; lavender water; eau de Cologne; deodorants for pets; scented wood; incense sticks; extracts of flowers [perfumes]; amber [perfume]; ionone [perfumery]; fabric softeners for laundry use; laundry bleach; bluing for laundry; volcanic ash for cleaning; color-brightening chemicals for household use [laundry]; laundry wax; stain removers; Javelle water; oils for cleaning purposes; laundry detergents; soda lye; cleaning products; dry-cleaning products; bleaching soda; almond soap; shaving soap; cakes of toilet soap; soaps; brightening soaps; deodorant soaps; antiperspirant soaps; drying agents for dishwashing machines; cosmetics; cosmetic products for skin care; cosmetic creams; oils for cosmetic use; toiletry oils; cleansing milk for toilet purposes; lotions for cosmetic use; ointments for cosmetic use; essential oils; essential oils of cedarwood; essential oils of lemon; shaving products; make-up removing products; lipstick; beauty masks; dentifrices; preservatives for leather (polishes); creams for leather; polishing preparations; degreasers other than for use in manufacturing processes; aromatics (essential oils); cake flavorings (essential oils); flavorings for beverages (essential oils); food flavorings (essential oils); astringents for cosmetic use; bath preparations, not for medical use; cotton buds for cosmetic use; lip glosses; cosmetic preparations for baths; cosmetics for eyelashes; cosmetics for animals; eyebrow cosmetics; cosmetic skin-tanning preparations; cosmetic preparations for promoting skin tanning; cosmetic preparations for slimming; cosmetic slimming preparations; cosmetic preparations for slimming purposes; pencils for cosmetic use; eyebrow pencils; skin-whitening cream; sunscreen preparations; varnish-removing products; paint-stripping products; lipstick cases; plant extracts for cosmetic use; blush; petroleum jelly for cosmetic use; dental bleaching gels; greases for cosmetic use; almond milk for cosmetic use; nail polish; douching preparations for intimate hygiene, deodorant preparations or for sanitary purposes [toiletries]; eye wash preparations, other than for medical use; wipes impregnated with make-up removing preparations; after-shave lotions; make-up products; mascara; decorative transfers for cosmetic use; make-up palettes containing cosmetics; false nails; cotton wool for cosmetic use; hydrogen peroxide for cosmetic use; phytocosmetic preparations; make-up powder; tissues impregnated with cosmetic lotions; nail care products; talcum powder for toilet use; toiletry preparations; antiperspirants (toilet-

ries); none of the aforesaid goods for hair care use or purposes.

4 – Perfumed candles; candles (lighting).

(260) AM 2024 124466 A

(800) 1746929

(151) 2023 01 27

(891) 2023 01 27

(731) AVM Holding AG

Kasernenplatz 2, CH-6003 Luzern, Switzerland

(540)

Von Moos

(591) Black, white

(511)

9 – Apparatus and instruments for sound, image or data recording, transmission, reproduction or processing; recorded and downloadable media, computer software, blank digital or analogue recording and storage media; software; application software; downloadable computer software applications; computers and computer peripheral devices; computer styluses; electronic pens [visual display units]; smart pens; wearable computers; smart watches; smart rings; microchips (computer hardware); chips (integrated circuits); memory cards or integrated circuit cards; encoded electronic chip cards; blank smart cards; calculating devices.

14 – Precious metals and their alloys; jewelry, precious and semi-precious stones; timepieces and chronometric instruments.

16 – Stationery and office requisites, excluding furniture; writing instruments; writing instruments of precious metal; inkstands; pens (office requisites); nibs; ink pens; fountain pens; pens; ink sticks; pencils; painting pens; pen and pencil boxes; stands for writing implements; desk sets; paper and cardboard; printed matter.

(260) AM 2024 124469 A

(800) 1747040

(151) 2023 06 13

(891) 2023 06 13

(731) Apple Inc.

One Apple Park Way, Cupertino CA 95014,
USA

(540)

APPLE IMMERSIVE VIDEO

(591) Black, white

(511)

42 – Design and development of computer software; computer programming services; computer software design; computer software consultancy; providing non-downloadable software for processing, transmitting and displaying audio visual content and other multimedia content; providing non-downloadable

computer software for the editing and manipulation of videos, images, and other multimedia content; providing non-downloadable computer software for use in converting and processing video and still images and graphics into 3D formats and panoramic 3D formats; providing non-downloadable virtual and augmented reality software for viewing 3D films and panoramic 3D videos, digital media, and multimedia entertainment content; providing non-downloadable software for use in enabling computers to provide virtual reality and augmented reality experiences; providing non-downloadable computer software for use in searching, selecting, playing, streaming, and sharing television, movies, images, and other audio, video, data, and multimedia content; providing non-downloadable application development software; providing non-downloadable software used in developing other software applications; providing non-downloadable audio files, image files, video files, music files and multimedia content; providing non-downloadable audio and visual recordings, podcasts, books, periodicals, musical recordings, movies, films and television shows; providing non-downloadable audio files, image files, video files, music files and multimedia content; providing non-downloadable audio and visual recordings, movies, films and television shows; providing non-downloadable software for use in distribution of 3D and panoramic films, videos, digital media, and multimedia entertainment content; providing non-downloadable films and videos featuring 3D and 360 degree viewing in the field of entertainment and sports.

(260) AM 2024 124475 A

(800) 1747216

(151) 2023 03 29

(891) 2023 03 29

(731) EGT DIGITAL LTD.

6, "Panorama Sofia" Str., Business Center
"Richhill",
block A, BG-1766 Sofia, Bulgaria

(540)

Ultimate Fruits

(591) Black, white

(511)

9 – Operating computer software for main frame computers; monitors (computer hardware); computer hardware; apparatus for recording images; monitors (computer programs); computer game programs; recorded computer game programs; apparatus for recording, transmission or reproduction of sound or images; communications servers (computer hardware); electronic components for gambling machines; computer application software featuring games and gaming; computer software for the administration of online games and gaming; computer hardware for games and gaming; hardware and software for gambling, gambling machines, gambling games on the Internet

and via telecommunication network; computer systems; computer operating system software; computer terminals; interactive terminals; multimedia terminals; electronic terminals for generating lottery tickets; interactive touch screen terminals; computer touchscreens; electronic display panels; liquid crystal display screens; digital signage display panels; multimedia software; multimedia apparatus and instruments; interactive multimedia software for playing games; computer screens; lcd large-screen displays; liquid crystal displays [lcds] for home theatres; media streaming software; computer application software for streaming audio-visual media content via the Internet; software; computer gaming software; computer software packages; computer operating system software; computer software, recorded; software drivers; virtual reality software; games software; entertainment software for computer games; computer programs for network management; electronic lottery tickets; computer software platforms; operating systems; interactive computer systems; operating system programs; computer game software for use with on-line interactive games; interactive casino games provided through a computer or mobile platform; software for slot machines, betting software, software for video slot games, for casino games, for gambling and bingo games, that can be played on any type of computer device, including arcade games, personal computers, portable devices and mobile phones; automated ticket printing apparatus; automatic ticket dispensing machines; lottery ticket dispensing apparatus; electronic ticket examination machines.

28 – Gaming machines for gambling; chips for gambling; mah-jong; arcade games; gambling machines operating with coins, notes and cards; games; electronic games; parlor games; gaming chips; gaming tables; slot machines [gaming machines]; LCD game machines; slot machines and gaining devices; coin-operated amusement machines; roulette chips; poker chips; chips and dice [gaming equipment]; gaming equipment for casinos; roulette tables; gaming roulette wheels; casino games; gambling machines and amusement machines, automatic and coin-operated; coin-operated amusement machines and/or electronic coin-operated amusement machines with or without the possibility of gain; boxes for coin-operated amusement machines, slot machines and gaming machines; electronic or electrotechnical amusement machines and apparatus, gaming machines, coin-operated entertainment machines; housings for coin-operated amusement machines, gaming equipment, gaming machines, machines for gambling; electropneumatic and electrical gambling machines (slot machines); lottery games; electronic targets for games and sports; parlor game equipment and accessories not included in other classes, in particular tokens, chips, marbles; parlor games, apparatus, equipment and accessories therefor, not included in other classes, in particular electronic targets, backgammon, scratch cards, playing cards, lo-

ttery cards, dice; lottery tickets; printed lottery tickets; lottery scratch cards; scratch cards for playing lottery games.

41 – Gambling; services related to gambling; gaming services for entertainment purposes; casino, gaming and gambling services; training in the development of software systems; provision of gaming equipment for gambling halls; providing casino equipment [gambling]; gaming machine entertainment services; providing casino facilities [gambling]; providing halls with gaming machines; amusement arcade services; games equipment rental; rental of gaming machines; providing amusement arcade services; rental of gaming machines with images of fruits; editing or recording of sounds and images; sound recording and video entertainment services; hire of sound reproducing apparatus; provision of gaming equipment for casinos; providing of casino facilities; online gambling services; casino, gaming and gambling services; services related to operation of amusement arcades, on-line casinos and on-line betting websites; online interactive entertainment; on-line casino services; online game services through mobile devices; providing online entertainment in the nature of game tournaments; providing on-line information in the field of computer gaming entertainment; sports betting services; online sports betting services; providing on-line computer games and games of chance, in particular use of non-downloadable game software; lottery services; organization of lotteries; conducting lotteries; prize draws [lotteries]; conducting lotteries for others; providing slot machine parlors; rental of slot machines [gaming machines].

42 – Computer software technical support services; troubleshooting of computer software problems; provision of technical support in the supervision of computing networks; provision of technical support in the operation of computing networks; technical support services relating to computer software and applications; technical supervision and inspection; monitoring of computer systems by remote access; machine condition monitoring; installation, repair and maintenance of computer software; design, maintenance and updating of computer software; installation, setting up and maintenance of computer software; design, maintenance, development and updating of computer software; installation and customisation of computer applications software; technical consultancy relating to the installation and maintenance of computer software; computer system monitoring services; design of graphic software systems; development of interactive multimedia software; design and development of computer hardware; consultancy relating to the design of computer hardware; consultancy and information services relating to the design and development of computer hardware; design, development and testing of computer software and hardware, in particular for gambling, casino games and betting.

(260) AM 2024 124478 A
 (800) 1747278
 (151) 2023 03 14
 (891) 2023 03 14
 (731) Toruńskie Zakłady Materiałów Opatrunkowych,
 Spółka Akcyjna
 ul.Żółkiewskiego 20/26, PL-87-100 Toruń,
 Poland
 (540)

bella

(591) Black, white
 (511)
 3 – Cotton wool for cosmetic purposes, goods made from cotton wool for cosmetic purposes, cotton sticks for cosmetic purposes, cosmetic pads, cotton pads, tissues impregnated with cosmetic liquids, wipes removing make-up.
 5 – Sanitary towels, panty liners, menstruation tampons, tissues for intimate hygiene, liquids for intimate hygiene, urological pads.

(260) AM 2024 124547 A
 (800) 1747896
 (151) 2023 08 02
 (891) 2023 08 02
 (731) Roche Diagnostics GmbH
 Sandhofer Strasse 116, 68305 Mannheim,
 Germany
 (540)

COBAS VITAL

(591) Black, white
 (511)
 5 – Chemical preparations for medical purposes; biological preparations for medical purposes; biochemical preparations for medical use; in vitro diagnostic preparations for medical use; diagnostic reagents for medical use; reagents for in-vitro laboratory use [for medical purposes].
 10 – Medical apparatus and instruments; diagnostic apparatus for medical purposes; apparatus for carrying-out diagnostic tests for medical purposes; testing apparatus for medical purposes.

(260) AM 2024 124548 A
 (800) 1747913
 (151) 2023 05 07
 (891) 2023 05 07
 (731) JOINT STOCK COMPANY "ALIUM"
 Obolensk settlement, territory Quarter A, 2,
 RU-142279 Serpukhov, Moscow region,
 Russian Federation
 (540)

СЕПТОПРИМ SEPTOPRIM

(591) Black, white
 (531) 28.05
 (511)
 5 – Pharmaceutical preparations; veterinary preparations; sanitary preparations for medical purposes; dietetic substances adapted for medical use; food for babies; adhesive plasters; dressings, medical; teeth filling material; dental impression materials; disinfectants; parasiticides; fungicides; herbicides.

(260) AM 2024 124623 A
 (800) 1748910
 (151) 2023 08 02
 (891) 2023 08 02
 (731) Shandong Haohua Tire Co., Ltd
 Dadi Road West, Xinhai Road North, Houzhen
 Industry Zone, Shouguang City, Weifang City,
 262700 Shandong Province, China
 (540)

LANVIGATOR

(591) Black, white
 (531) 27.05.01
 (511)
 12 – Inner tubes for pneumatic tyres; tyres for vehicle wheels; pneumatic tyres; anti-skid studs for vehicle tyres; solid tyres for vehicle wheels; adhesive rubber patches for repairing inner tubes; casings for pneumatic tyres; automobile tyres; inner tubes for bicycle tyres.

(260) AM 2024 124626 A
 (800) 1748942
 (151) 2023 06 26
 (891) 2023 06 26
 (731) ZHEJIANG BOOU SANITARY WARE CO.,
 LTD.
 YUANQUZHONG ROAD, FENGJIANG
 STREET, LUQIAO DISTRICT, TAIZHOU
 CITY, 318050 ZHEJIANG PROVINCE, China
 (540)

BOOU

(591) Black, white
 (531) 27.05.01
 (511)
 11 – Water purifying apparatus and machines; microwave ovens [cooking apparatus]; refrigerators; cooking ovens; electric rice cookers; air fryers; ventilation [air-conditioning] installations and apparatus; electric fans for air-conditioning; shower heads; electric fans.
 21 – Utensils for household purposes; kitchen utensils; enamelled jars; glass flasks [containers]; heat-insulated domestic vessels of porcelain; heat-insulated domestic vessels of earthenware; drinking vessels; covers for tissue boxes; soap holders; towel rails and

rings; toilet paper holders; toilet brushes; cosmetic utensils; drinking troughs.

(260) AM 2024 124627 A

(800) 1748944

(151) 2023 06 29

(891) 2023 06 29

(731) Chery Automobile Co., Ltd.

8 Changchun Road, Economy & Technology Development Zone, Wuhu City, 241009 Anhui Province, China

(540)

EXLANTIX

(591) Black, white

(531) 27.05.01

(511)

37 – Heating equipment installation and repair; interference suppression in electrical apparatus; installation, maintenance and repair of computer hardware; rebuilding engines that have been worn or partially destroyed; vehicle maintenance; motor vehicle maintenance and repair; vehicle service stations [refuelling and maintenance]; vehicle breakdown repair services; vehicle battery charging; leather care, cleaning and repair.

(260) AM 2024 124638 A

(800) 1749095

(151) 2023 07 20

(891) 2023 07 20

(731) TOYOTA JIDOSHA KABUSHIKI KAISHA

(also trading as TOYOTA MOTOR CORPORATION)

1, Toyota-cho, Toyota-shi, Aichi-ken 471-8571, Japan

(540)

BZ5C

(591) Black, white

(511)

12 – Driving motors for land vehicles; engine mounts for land vehicles; engines for land vehicles; jet engines for land vehicles; motors for land vehicles; propulsion mechanisms for land vehicles; turbines for land vehicles; drive chains for land vehicles; connecting rods for land vehicles, other than parts of motors and engines; gear boxes for land vehicles; gearing for land vehicles; hydraulic circuits for automobiles; reduction gears for land vehicles; torque converters for land vehicles; transmission chains for land vehicles; transmission shafts for land vehicles; transmissions for land vehicles; power transmission belts for land vehicles; brake discs for land vehicles; brake linings for land vehicles; brake pads for automobiles; brake segments for land vehicles; brake shoes for land vehicles; brakes for land vehicles; brake systems for land vehicles; AC motors for land vehicles, not including their parts; DC motors for land vehicles not including their parts; motors, electric, for land vehicles; automobiles and structural parts thereof; buses; structural parts for buses; trucks; structural parts for trucks; dune buggies [vehicles]; vans [vehicles]; sports utility vehicles; coaches; electrically powered motor vehicles; electric cars; hybrid cars; electric tricycles; ambulances; racing cars; amphibious vehicles; snowmobiles; armored vehicles; fork lift trucks; camping cars; tractors; trailers; trolley buses; hearses; fuel cell cars; automobile bodies; automobile bonnets; automobile bumpers; automobile chassis; automobile dashboards; automobile doors; automobile door handles; automobile hoods; automobile horns; automobile seats; automobile seat covers; automobile sunroofs; automobile tires; automobile wheels; spokes for automobile wheels; inner tubes for automobile tires; automobile wheel rims; rearview mirrors for automobiles; automobile windows; automobile windscreens; automobile windshields; automobile convertible tops; safety belts for automobile seats; safety harnesses for automobile racing; safety harnesses for automobile seats; security harness for automobile seats; steering wheels for automobiles; steering wheel covers for automobiles; air bags for automobiles, buses and trucks; seat belt pretensioners for automobiles; brake pedals for land vehicles; direction signals for automobiles; leather upholstery for automobile seats; leather upholstery for automobiles; cigar lighters for automobiles; shaped automobile covers; mudguards for automobiles; luggage carriers for automobiles; spare wheel holders for automobiles; automobile roof racks; headlight wipers; windscreen wipers; windscreen wiper blades; motor vehicle brake control systems for applying emergency braking at low vehicle speeds; electronic brake control apparatus for automobiles; two-wheeled motor vehicles; structural parts for two-wheeled motor vehicles; bicycles; structural parts for bicycles; motorcycles; structural parts for motorcycles.

ding their parts; DC motors for land vehicles not including their parts; motors, electric, for land vehicles; automobiles and structural parts thereof; buses; structural parts for buses; trucks; structural parts for trucks; dune buggies [vehicles]; vans [vehicles]; sports utility vehicles; coaches; electrically powered motor vehicles; electric cars; hybrid cars; electric tricycles; ambulances; racing cars; amphibious vehicles; snowmobiles; armored vehicles; fork lift trucks; camping cars; tractors; trailers; trolley buses; hearses; fuel cell cars; automobile bodies; automobile bonnets; automobile bumpers; automobile chassis; automobile dashboards; automobile doors; automobile door handles; automobile hoods; automobile horns; automobile seats; automobile seat covers; automobile sunroofs; automobile tires; automobile wheels; spokes for automobile wheels; inner tubes for automobile tires; automobile wheel rims; rearview mirrors for automobiles; automobile windows; automobile windscreens; automobile windshields; automobile convertible tops; safety belts for automobile seats; safety harnesses for automobile racing; safety harnesses for automobile seats; security harness for automobile seats; steering wheels for automobiles; steering wheel covers for automobiles; air bags for automobiles, buses and trucks; seat belt pretensioners for automobiles; brake pedals for land vehicles; direction signals for automobiles; leather upholstery for automobile seats; leather upholstery for automobiles; cigar lighters for automobiles; shaped automobile covers; mudguards for automobiles; luggage carriers for automobiles; spare wheel holders for automobiles; automobile roof racks; headlight wipers; windscreen wipers; windscreen wiper blades; motor vehicle brake control systems for applying emergency braking at low vehicle speeds; electronic brake control apparatus for automobiles; two-wheeled motor vehicles; structural parts for two-wheeled motor vehicles; bicycles; structural parts for bicycles; motorcycles; structural parts for motorcycles.

(260) AM 2024 124646 A

(800) 1749251

(151) 2023 03 27

(891) 2023 03 27

(731) Liability Limited Company "SPAR Middle Volga"

Geroya Popova St, 43B, Office 15, RU-603058 Nizhny Novgorod, Russian Federation

(540)

BOCCONTO

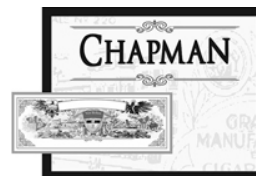
(591) Black, white

(511)

30 – Cereal bars; high-protein cereal bars; pancakes; buns; bread rolls; burritos; vanillin [vanilla substitute]; vareniki [stuffed dumplings]; waffles; malt biscuits; mirror icing [mirror glaze]; cake frosting [icing]; croutons; leaven; rice-based snack food; cereal-based snack food; zephyr being confectionery; fruit

jellies [confectionery]; candy decorations for cakes; confectionery for decorating Christmas trees; cakes; pastries; peanut confectionery; almond confectionery; frozen yogurt [confectionery ices]; caramels [sweets]; kimchijeon [fermented vegetable pancakes]; flour-based dumplings; sweets; liquorice [confectionery]; peppermint sweets; mints for breath freshening; dulce de leche; crackers; custard; groats for human food; corn, milled; corn, roasted; meat pies; lollipops [confectionery]; rice cakes; potato-based flatbreads; macarons [pastries]; marzipan; honey; royal jelly; ice cream; bean meal; buckwheat flour; tapioca flour; potato flour; corn flour; nut flours; flour; wheat flour; soya flour; barley meal; dessert mousses [confectionery]; chocolate mousses; muesli; mint for confectionery; cocoa beverages with milk; coffee beverages with milk; coffee-based beverages; cocoa-based beverages; chamomile-based beverages; tea-based beverages; chocolate beverages with milk; chocolate-based beverages; okonomiyaki [Japanese savory pancakes]; onigiri [rice balls]; nutmegs [spice]; chocolate-coated nuts; stick liquorice [confectionery]; pastila [confectionery]; lozenges [confectionery]; molasses for food; pâtés en croûte; pelmeni [dumplings stuffed with meat]; biscuits; petit-beurre biscuits; bibimbap [rice mixed with vegetables and beef]; pies; pizzas; fondants [confectionery]; popcorn; powders for making ice cream; baking powder; mustard meal; pralines; aromatic preparations for food; condiments; cereal preparations; oat-based food; gingerbread; spices; petits fours [cakes]; rice pudding; puddings; cake powder; fruit coulis [sauces]; ravioli; relish [condiment]; rice; instant rice; spring rolls; sago; sugar; palm sugar; sesame seeds [seasonings]; linseed for culinary purposes [seasoning]; processed seeds for use as a seasoning; agave syrup [natural sweetener]; golden syrup; molasses syrup; candy bars; batter mixes for okonomiyaki [Japanese savory pancakes]; sorbets [ices]; cranberry sauce [condiment]; soya sauce; tomato sauce; apple sauce [condiment]; sauces [condiments]; pasta sauce; spaghetti; seasonings; chocolate-based spreads; chocolate spreads containing nuts; rusks; breadcrumbs; sushi; senbei [rice crackers]; sandwiches; tacos; tapioca; tarts; dough; pastry dough; almond paste; rice pulp for culinary purposes; cake batter; tortillas; garden herbs, preserved [seasonings]; chocolate decorations for cakes; ferments for dough; halvah; bread; unleavened bread; chips [cereal products]; corn flakes; oat flakes; hot dog sandwiches; flowers or leaves for use as tea substitutes; jiaozi; chicory [coffee substitute]; tea; iced tea; cheeseburgers [sandwiches]; chow-chow [condiment]; saffron [seasoning]; chocolate; desserts [sugar confectionery]; chocolate confectionery; confectionery; chocolate bars.

(260) AM 2024 124723 A
(800) 1750263
(151) 2023 07 17
(891) 2023 07 17
(731) Joh. Wilh. von Eicken GmbH
Drechslerstr. 1-3, 23556 Lübeck, Germany
(540)



(591) Black, white
(531) 03.07.02; 06.07.25; 06.19.01; 24.01.03;
24.01.15; 25.01.10; 25.01.25; 25.12.25;
27.05.09; 27.05.24

(511)
34 – Pipe tobacco; smoking tobacco; water pipe tobacco; snus not containing tobacco; snus; snus containing tobacco; cigarettes, cigars, cigarillos and other smoking articles ready for use; cigarette filters; cigarette tubes; cigarette paper; cigarette paper tubes with filters; tobacco products for heating; tobacco and tobacco products, including tobacco substitutes; vaporisers for personal use and electronic cigarettes, and flavouring substances and solutions therefor.

(260) AM 2024 124726 A
(800) 1750348
(151) 2023 05 18
(891) 2023 05 18
(731) Egis Gyógyszergyár Zrt.
Keresztúri út 30-38, H-1106 Budapest, Hungary
(540)

RIGOLIPT

(591) Black, white
(511)
5 – Pharmaceutical preparations for human use; dietetic substances adapted for medical use; vitamin preparations; mineral food supplements; dietary supplements.

(260) AM 2024 124838 A
(800) 1751231
(151) 2023 02 13
(891) 2023 02 13
(731) Euro Games Technology Ltd.
"Maritsa" Str. 4, "Vranya-Lozen-Triugulnika",
BG-1151 Sofia, Bulgaria
(540)



(591) Yellow, blue green, brown, white and black
(531) 01.15.09; 18.04.02; 27.05.02; 27.05.08;
29.01.13

(511)

9 – Operating computer software for main frame computers; monitors (computer hardware); computer hardware; apparatus for recording images; monitors (computer programs); computer game programs; computer programs for recorded games; apparatus for recording, transmission or reproduction of sound or images; communications servers [computer hardware]; electronic components for gambling machines; computer application software featuring games and gaming; computer software for the administration of on-line games and gaming; computer hardware for games and gaming; computer hardware and software for gambling, gambling machines, gambling games on the Internet and via telecommunication network; computer systems; computer operating system software; computer terminals; interactive terminals; multimedia terminals; electronic terminals for generating lottery tickets; interactive touch screen terminals; computer touchscreens; electronic display panels; liquid crystal display screens; digital signage display panels; multimedia software; multimedia apparatus and instruments; interactive multimedia software for playing games; computer screens; LCD large-screen displays; liquid crystal displays [LCDs] for home theatres; media streaming software; computer application software for streaming audio-visual media content via the Internet; software; computer gaming software; computer software packages; computer operating system software; computer software, recorded; software drivers; virtual reality software; games software; entertainment software for computer games; computer programs for network management; electronic lottery tickets; computer software platforms; operating systems; interactive computer systems; operating system programs; computer game software for use with on-line interactive games; games software for use with video game consoles; electronic game software provided via a global computer network or delivered via electronic multimedia broadcasting or by telecommunications or electronic transmission or via the Internet.

28 – Gaming machines for gambling; chips for gambling; mah-jong; arcade games; gambling machines operating with coins, notes and cards; games; electronic games; parlor games; gaming chips; gaming tables; slot machines [gaming machines]; LCD game machines; slot machines and gaming devices; coin-operated amusement machines; roulette chips; poker chips; chips and dice [gaming equipment]; gaming equipment for casinos; roulette tables; gaming roulette wheels; casino games; gambling machines and amusement machines, automatic and coin-operated; coin-operated amusement machines and/or electronic coin-operated amusement machines with or without the possibility of gain; boxes for coin-operated amusement machines, slot machines and gaming machines; electronic or electrotechnical amusement machines and apparatus, gaming machines, coin-operated entertainment machines; housings for coin-operated amu-

sement machines, gaming equipment, gaming machines, machines for gambling; electropneumatic and electrical gambling machines (slot machines); lottery games; electronic targets for games and sports; video game consoles; electronic games provided via a global computer network or delivered via electronic multimedia broadcasting or via telecommunications or electronic transmission or via the Internet.

41 – Gambling; entertainment services related to gambling; gaming services for entertainment purposes; casino, gaming and gambling services; training in the development of software systems; provision of gaming equipment for gambling halls; providing casino equipment [gambling]; gaming machine entertainment services; providing casino facilities [gambling]; amusement arcade services; amusement arcades; games equipment rental; rental of gaming machines; providing amusement arcade services; rental of gaming machines with images of fruits; editing or recording of sounds and images; sound recording and video entertainment services; hire of sound reproducing apparatus; provision of gaming equipment for casinos; providing of casino facilities; online gambling services; casino management services; provision of gaming facilities, gaming hall facilities, Internet casinos and online gambling services; lottery services; organization of lotteries; provision of games by means of a computer based system; online interactive entertainment; on-line casino services; online game services through mobile devices; providing online entertainment in the nature of game tournaments; providing on-line information in the field of computer gaming entertainment; sports betting services; online sports betting services; rental of video game consoles; electronic game services provided via a global computer network or delivered via electronic multimedia broadcasting or via telecommunications or electronic transmission or via the Internet; providing on-line non-downloadable computer games and games of chance.

(260) AM 2024 124903 A

(800) 1752735

(151) 2022 12 15

(891) 2022 12 15

(731) Sandvik AB

Box 510, SE-101 30 Stockholm,
Sweden

(540)



(591) Black, white

(531) 26.01.03; 26.01.12; 26.01.24; 26.11.25

(511)

1 – Chemicals, additives, binding agents, coolants, chemical fluids, detergents and cleaning solvents for use in industry; carbide and ceramic compositions (granules and powders); carbide powder; soldering fluxes; fire extinguishing and fire suppression compositions; tempering preparations; engineered ceramic and composite materials for heat transfer or thermal management applications; chemical coatings and organic compositions for use in manufacturing processes and in scientific and industrial research; artificial resins, unprocessed; metal hardening preparations; wetting agents for preventing the adhesion of clay; bentonite; viscose chemicals; chemical additives for drilling fluids; galvanizing compounds; chemicals for the manufacture of preparations for preventing corrosion; liquid coatings (chemical); hydraulic fluids; chemical releasing agents; putties, fillers and pastes for use in industry.

4 – Lubricants, fluids, industrial oils and greases; non-chemical additives for fuels, lubricants and greases; dust absorbing compositions; dust binding compositions; dust controlling and removing compositions.

6 – Common metals, unwrought or semi-wrought; alloys of common metal; common metals in powder form [semi-wrought], brazing alloys; ironmongery; metal hardware; building and construction materials and elements of metal; reinforcement materials and elements of metal; anchoring materials and elements of metal; tensioning materials and elements of metal; goods of metal, namely rods, tie rods, poles, girders, bars, tendons, nuts, bolts, rock bolts, pins [hardware], fasteners, screws, set screws, sleeves and shims; goods of metal, namely, hoses, cables, ropes, strands, wires, fibers, piles, pillars, steel ribs, wedge anchors for bolts and cables, anchor heads, anchor supports, reinforcement sheets and forepoling sheets; expansion bolts; goods of metal, namely clips, retainer clips, metal clips for cables and pipes, valves (other than parts of machines), non-return valves of metal (other than parts of machines), thrust blocks, anchoring blocks, spacers, pipe spacers, cotters, lids, flanges, washers, rings (other than jewelry), spring rings of metal, nails, nail heads, expansion joints of metal, dowels, shell plugs for resin installation, cable ties of metal and cable bolts, straps and hooks of metal; goods of metal, namely cable clips, metal hexagon head bolts, metal cylinders for resins, sold empty, metal cylinders for cement, sold empty, wire mesh, meshes of common metal, formed meshes of common metal, wall panels of metal, fire resistant panels of metal for building, building structures, mats, ventilating ducts of metal, cable channels (non-electric) and hose hangers of metal; goods of metal, namely building and construction brackets, ladders, metal pipe supports, adjustable gutter supports of metal, beams, arches, metal water tanks, metal pipe joints, posts, metal plugs for drill holes, cable clamps of metal, roof trusses, ceiling trusses and stay bolts of metal; connectors and couplings of metal for rods, poles, bars, bolts, screws, threaded bars, reinforcing bars, pipes, tubes, hoses, cables, ropes, strands, wires, walls and tunnel segments; portable buildings of metal; sliding mouldings and climbing structures and reinforcing materials of metal; fasteners of metal for use with drills, drilling rigs, and machines and machine parts.

7 – Anti-friction bearings for machines; anti-friction pads for machines; machines and machine tools for the cutting and forming of materials; conveyers; conveyer belts; power-operated tools; power-operated machine tools of metal, namely, power wire-drawing tools, power-operated pressing tools, power-operated grinding tools, power-operated threading tools, power-operated sharpening tools, power-operated chiseling tools, power-operated shearing tools, power-operated punching tools, power-operated piercing tools, power-operated broaching tools, power-operated reaming tools, power-operated drilling tools, power-operated milling tools, power-operated cutting tools and turning tools; inserts for power-operated chiseling tools, shearing tools, punching tools, piercing tools, broaching tools, reaming tools, cutting and turning tools; machine tool holders; machines parts, namely, blades and blade holders, wear plates and strips, bearings, as parts of machines; rock bolting rigs; cargo handling machines; cranes; casting machines; double belt presses; machine parts, namely, mandrels; mechanical diggers; mechanical disintegrators; earth moving machines, namely, excavators, loaders, scrapers; loading and unloading machines; mechanical and hydraulic lift hoists; forging machines; foundation work machines; granulating machines for chemical processes; hauling apparatus, used in the mining industry; lathes; lathe tools; earthmoving, construction, oil and gas extraction and mining equipment; mine working machines; fuel pumps for land vehicles; pneumatic transporters; pneumatic controls for machines, motors and engines; hydraulic and pneumatic hammers; pulleys being parts of machines; rolls for rolling mills; rolling mills; sifting machines; power-operated sprayers; sieves being machines; sieves being machine parts; gravel and dirt sorting and screening machines; mechanical spreaders; mechanical separators; motors and engines except for land vehicles; machine couplings and transmission components except for land vehicles; automatic vending machines; automated dispensing machines for tools and metal cutting tools; grinding machines for metal cutting; power-operated grinding wheels; grinding tools for grinding machines; earth moving machines, namely graders, grading tools; carbide tip tools; truck boards, drilling pipes, hammer lifting bails, foot valve rods, drill tubes, shank adapters, drill bits, hand held rock drilling tools, integral drill steels, tapered and threaded rods, guide and drill tubes, drilling and bolting tools being machine tools; shank adaptors; raise boring tools; reaming heads; cutting tools for continuous mining

7 – Anti-friction bearings for machines; anti-friction pads for machines; machines and machine tools for the cutting and forming of materials; conveyers; conveyer belts; power-operated tools; power-operated machine tools of metal, namely, power wire-drawing tools, power-operated pressing tools, power-operated grinding tools, power-operated threading tools, power-operated sharpening tools, power-operated chiseling tools, power-operated shearing tools, power-operated punching tools, power-operated piercing tools, power-operated broaching tools, power-operated reaming tools, power-operated drilling tools, power-operated milling tools, power-operated cutting tools and turning tools; inserts for power-operated chiseling tools, shearing tools, punching tools, piercing tools, broaching tools, reaming tools, cutting and turning tools; machine tool holders; machines parts, namely, blades and blade holders, wear plates and strips, bearings, as parts of machines; rock bolting rigs; cargo handling machines; cranes; casting machines; double belt presses; machine parts, namely, mandrels; mechanical diggers; mechanical disintegrators; earth moving machines, namely, excavators, loaders, scrapers; loading and unloading machines; mechanical and hydraulic lift hoists; forging machines; foundation work machines; granulating machines for chemical processes; hauling apparatus, used in the mining industry; lathes; lathe tools; earthmoving, construction, oil and gas extraction and mining equipment; mine working machines; fuel pumps for land vehicles; pneumatic transporters; pneumatic controls for machines, motors and engines; hydraulic and pneumatic hammers; pulleys being parts of machines; rolls for rolling mills; rolling mills; sifting machines; power-operated sprayers; sieves being machines; sieves being machine parts; gravel and dirt sorting and screening machines; mechanical spreaders; mechanical separators; motors and engines except for land vehicles; machine couplings and transmission components except for land vehicles; automatic vending machines; automated dispensing machines for tools and metal cutting tools; grinding machines for metal cutting; power-operated grinding wheels; grinding tools for grinding machines; earth moving machines, namely graders, grading tools; carbide tip tools; truck boards, drilling pipes, hammer lifting bails, foot valve rods, drill tubes, shank adapters, drill bits, hand held rock drilling tools, integral drill steels, tapered and threaded rods, guide and drill tubes, drilling and bolting tools being machine tools; shank adaptors; raise boring tools; reaming heads; cutting tools for continuous mining

machines; drills [power tools] for installation of strata support products; casing accessories and completion tools being parts of machines; reamers and reaming apparatus; drills, drill rigs and drilling equipment and apparatus; hydraulic rock drills; mining and tunneling jumbos; screw boosters (machine parts or machine tools); raise boring machines and reaming heads; bolters; excavators; hydraulic rotation heads; cone splitters (machine parts or machine tools); blast hole splitters (machine parts or machine tools); bolter miners; borer miners; road headers; drilling rods for machines; extension rods for machines; spanners for installing rock bolts and drill chuck extension spanners; pullers and extractors, pliers (machines); mineral ground tools; blocks and sleeves splitters (machine parts or machine tools); crushers and crushing apparatus; crushing chambers (machine parts); mantels and jaw plates; parts for crushers [machines]; screens [parts of machines]; scalping machines for mining and rock processing; breakers for mining and rock processing (machines); chisel and compacting tools; filters and filtration cartridges for mining and rock processing machines and equipment; hydraulic cylinders, blocks and valves; hydraulic pumps; drive shafts; radiators for mining and rock processing machines; oil coolers; axles for mining and rock processing machines; air compressors; hydraulic oil filtering units (machine parts or machine tools); exhaust systems; pressure accumulators [parts of machines]; liners for crushing and screening equipment for mining and rock processing; wear plates; impact bars [parts of machines]; parts and fittings for earth moving machines, namely ground engaging tools, buckets, shrouds, lips, adaptors and teeth; power-operated automation equipment namely, machines and industrial robots to move, assemble, test, inspect, fasten, transfer, dispense, sort, store, retrieve, align, position, and load and unload, for use in industrial applications namely, metrology, large-scale deployment, laser technology, fuel cell manufacturing, micro electromechanical systems, medical device manufacturing, semiconductors, solar manufacturing, and wire processing systems; down the hole hammers; horizontal directional hammers [machines or parts of machines]; cutters [parts of machines]; rock drills; impact drills [parts of machines]; percussion drills; pumps; rock stabilization and sole stabilization tools and equipment for mining; tunneling tools and equipment for mining; chains for drilling modules; suction heads for drilling modules; tracks for machines; parts and components for tracks for machines; feed chains for machines; machine belts; starters for engines; alternators; turbochargers; bushings [parts of machines]; power transmission couplings for machines; parts, fittings and components for the aforesaid.

9 – Registered computer programs, registered operating programs, registered computer software, computers, peripheral equipment, simulators for steering and control of vehicles and crafts; remote control

apparatus; electric installations for the remote control of industrial operations; electric installations for the remote control of cycling motions; telerupters; apparatus and instruments for conducting, transforming, storing, regulating or controlling the distribution of electric current; controlling devices and apparatus, regulating apparatus; measuring, detecting and monitoring instruments and apparatus, indicators and controllers; electronic control units and systems; electric installations for the remote control of industrial operations; electronic apparatus for the remote control of industrial operations; simulation apparatus and instruments; simulators; chargers; electrical cables; electric resistors; integrated circuits; semi-conductors; capacitors; electric resistances; fuel cells; apparatus for recording, transmission and reproduction of sound or images; blank magnetic data carriers, blank recording discs; communication equipment, namely, digital media, namely, CDs and DVDs; mobile apps; data processing apparatus, computers; computer operating systems; computer peripheral equipment; software for the calculation of data for machine tools and mine automation systems; measuring instruments and apparatus, namely, pressure measuring apparatus, temperature measuring apparatus, resistance measuring instruments; software for storage and calculation of temperature, strain and vibration information; temperature sensors, strain sensors, pressure sensors, vibration sensors and acceleration sensors; computer software, sensors, computer programs, and apparatus and instruments for measuring and controlling temperature and for controlling working capacity of tube systems; measuring instruments, sensors, software or computer systems incorporated in tubes and pipes of metal; computer software and computer programs; software applications; computer software packages; computer software platforms; computer hardware; downloadable electronic publications in the nature of handbooks, manuals, instructional and teaching material in the field of metal-cutting tools and tooling systems, mining equipment and tools, construction equipment and tools, stainless steels, special alloys and titanium, furnace products and heating systems, hard and superhard materials; protective and safety equipment, namely, fire-extinguishing systems and sprinkler systems for fire protection; thermocouples; global positioning system (GPS) consisting of computers, computer software, transmitters, receivers, and network interface devices; computer programs for use in production planning of the manufacture of industrial products; sensors; downloadable computer-assisted design (CAD) and computer-aided manufacturing (CAM) software for general use; downloadable computer software, namely, computer software for use with controlling cutting machines; downloadable computer software for use in planning, tracking and controlling manufacturing facility operations; downloadable computer software for controlling cutting machines; downloadable computer software for nes-

ting and programming CNC cutting machines; computer programs recorded on magnetic media for use in providing engineering design and engineering drafting services; computer programs for use in machine tool industry; computer hardware and related computer software for controlling power-operated automation equipment; Monitoring instruments for use in geometrical inspection of industrial components, medical devices, and aerospace applications; computer hardware and related downloadable computer software for controlling instruments for use in geometrical inspection of industrial components, medical devices, and aerospace applications; downloadable and recorded computer software for the measurement, inspection, analysis and recording of three-dimensional shapes; electronic control systems for machines used in the measurement, inspection, analysis and recording of three-dimensional shape; calculating devices, computers and computer peripheral devices; joysticks for use with computers, other than for video games; Instruments for the measurement of object thickness and instruments for the measurement, analysis and recording of three-dimensional shapes; measuring apparatus and instruments, namely, robots and automated measuring machines for measuring and inspecting objects; electronic measuring equipment, inspection machinery and equipment, weighing machinery, measuring instruments, other measurement machinery and equipment, all for use with measuring apparatus and instruments; computer hardware, software, and sensors for use in connection with the design of drill bits, modeling, simulation, testing and analysis of drill bit and rock drilling tool performance, recordation and reporting of data and drilling variables, and selection and performance of drill bits, rock drilling tools and equipment; data gateways; batteries; electrochemical cells and batteries; battery testers; computer hardware, software, sensors and electronic tags for early hazard detection, proximity detection and collision avoidance, worker safety, and evacuation and rescue in mining operations; computer hardware, software, sensors and electronic tags for monitoring of production, drilling, hauling, and overall equipment effectiveness and utilization and haulage efficiency in mining operations; open architecture automated software platform application systems comprised of a network central server, a network management software, gateway for network router modules, wireless nodes, namely, network router vehicle modem, vehicle transceiver and interface circuits and network router modules for vehicles; interface circuits and network routers for use in cap lamps for miners; sensor network module, namely, network routers that relay information from sensors placed in the mine to the network central server; computer hardware and software and sensors, all for 3D scanning, monitoring, and reporting and optimizing rock material flow and use of equipment fleet in mines and other rock excavation sites; computer software for use in relation to products for use within

the materials technology, mining, construction and rock technology and metal working industries; parts, fittings and components for the aforesaid; downloadable computer software for blockchain technology; downloadable computer software for payment and exchange transactions involving cryptocurrencies; downloadable multimedia file containing artwork, text, audio, and video relating to industrial goods and human interest topics authenticated by non-fungible tokens (NFTs); downloadable virtual goods, namely, downloadable image and content files featuring professional tools and machines for industrial purposes, metalworking machine tools and inserts, metalworking machines, inventory management machines, industrial robots, electronic controls, calculating devices, computers, measurement machinery and publications for use in virtual worlds; downloadable virtual goods, namely downloadable image and content files featuring drill rigs, underground drill rigs, bolters, electric battery vehicles, underground loaders, underground trucks, mechanical cutting equipment, rock tools, rock drills, mining automation products, mining tools and equipment, tunneling tools and equipment for use in online virtual worlds; downloadable virtual goods, namely, downloadable image and content files featuring parts and accessories for mining machines and tools, parts and accessories for construction machines and tools, crushers, screeners, breakers, demolition tools, breaker booms, buckets, attachments for crushers, attachments for screeners and compactor plates and artwork for use in online virtual worlds.

11 – Filters for air conditioners; dust filters.

12 – Vehicles for the mining, rock excavation, mineral exploration and construction industry, namely, vehicles with loading function, trucks, transport vehicles, and vehicles carrying machinery used to drill a wellbore; forklift trucks; trailers; trucks; vans; gearboxes; parts, fittings and components for the aforesaid.

17 – Flexible hoses, not of metal; rubber seals; rubber rings; seals of metal for preventing leakage of gases and fluids; non-metallic caps for rigid tubes; semi-finished resins for building, construction, structural and civil engineering, mining, tunnelling, earthmoving, rock stabilization and soil stabilization.

19 – Vapor deposited non-metal coatings [building and construction materials]; building and construction materials (not of metal); structural materials (not of metal) for construction purposes related to civil engineering, mining, tunnelling, earthmoving, rock stabilization and soil stabilization; sliding mouldings and climbing structures and reinforcing materials of wood; reinforcing elements of fibre composites for concrete; building and construction structures of fibre composites for earth and rock anchors; building and construction materials and elements, not of metal, for the construction and mining industries; cladding tubes of plastic; settable and anti-corrosive materials for injec-

tion into construction elements, namely mortars with an artificial resin and/or cement base; non-metallic roof trusses; non-metallic ceiling trusses; non-metallic reinforcing bars; non-metallic reinforcement materials, non-metallic panels and walls, burlap panels and walls for building, building mouldings, not of metal, non-metallic building materials in the form of grids and meshes, polymer building materials in the form of grids, non-metallic materials in the form of wires and fibres for building and construction; non-metal building materials for use in structural and civil engineering, mining, tunnelling, earthmoving, rock stabilization and soil stabilization; non-metallic building panels, non-metallic plates, non-metallic support plates, non-metallic fire-resistant panels, non-metallic girders, non-metallic lattice girders, non-metallic rigid pipes, finished plasters made of artificial resin for building, construction, structural and civil engineering, mining, tunnelling, earthmoving, rock stabilization and soil stabilization; non-metallic drainage pipes; roof, ceiling and wall supports of concrete; non-metallic pillars; grout; grouting compounds; cement; cementitious compounds; concrete; mortar; clay; non-metallic ventilating ducts; non-metallic cable channels (non-electric); non-metallic beams; wood beams; non-metallic posts; non-metallic portable buildings; geotextiles; grouting cartridges containing synthetic resins for use in building and construction; cement cartridges for use in building construction; support and stabilization grids and meshes for use within mining and tunneling operations, namely non-metallic grids and meshes (not for building purposes); support and stabilization grids and meshes being geotextiles for use within mining and tunneling operations, namely polymer geotextile.

20 – Non-metallic bolts; non-metallic anchor bolts; non-metallic expansion bolts; fiberglass bolts; non-metallic expansion shells; non-metallic dowels; fiberglass dowels; non-metallic nuts, in particular threaded nuts and support nuts; non-metallic washers; non-metallic shell plugs for resin installation; non-metallic anchors, in particular polyester anchors; non-metallic bar anchors; non-metallic anchoring devices; non-metallic sleeves for anchoring devices; non-metallic caps for anchoring devices; non-metallic screws, in particular set screws; non-metallic hooks; non-metallic pins [pegs]; non-metallic cable clips; plastic caps for cable grips; non-metallic drive-heads for cable bolts; non-metallic wedge anchors for bolts and cables; wire, hose and pipe hangers (not of metal); non-metallic hangers for grids, meshes and non-electric screens; non-metallic mounting brackets; non-metallic ladders; non-metallic moveable steps; valves of plastic, other than machine parts; non-return valves of plastic (other than parts of machines); screws, not of metal; non-metallic poles; non-metallic fasteners; non-metallic shims; plastic clips; non-metallic nails; non-metallic holders for cables and cable bolts; an-

choring elements, namely anchoring bolts of plastic and resin anchors.

35 – Provision of wholesale and retail services, including such services being provided online, related to products used the materials technology, mining, construction and rock technology and metal working industries; online retail services, namely, the provision and operation of an online marketplace for buyers and sellers of products for use within the mining, construction, rock excavation, rock processing, materials technology and metal working industries; business management consultancy and advisory services; inventory control; database management; updating and maintenance of data in computer databases; commercial and industrial management assistance; advisory services for business management; business management and organization consultancy; provision of commercial and business support services relating to the sale of products for use within the mining, construction, rock excavation, rock processing, materials technology and metal working industries; provision of e-commerce services for products for use within the mining, construction, rock excavation, rock processing, materials technology and metal working industries, namely, the provision and operation of an online marketplace for buyers and sellers of the aforesaid products; e-commerce services, being business management services relating to e-commerce in the aforementioned industries; online ordering services; sales administration; provision of customer support services and information related to products for use within the mining, construction, rock excavation, rock processing, materials technology and metal working industries; information, advisory and consultancy services relating to the aforesaid services; provision of an online marketplace for buyers and sellers of downloadable digital collectibles authenticated by nonfungible tokens (NFTs); retail store services featuring virtual goods, namely, metalworking machine tools and inserts, metalworking machines, inventory management machines, industrial robots, electronic controls, calculating devices, computers, measurement machinery and publications for use in online virtual worlds; retail store services featuring virtual goods, namely, drill rigs, underground drill rigs, bolters, electric battery vehicles, underground loaders, underground trucks, mechanical cutting equipment, rock tools, rock drills, mining automation products, mining tools and equipment, tunneling tools and equipment for use in online virtual worlds; retail store services featuring virtual goods, namely parts and accessories to mining machines and tools, parts and accessories to construction machines and tools, crushers, screeners, breakers, demolition tools, breaker booms, buckets, attachments to crushers, attachments to screeners, compactor plates and artwork for use in online virtual worlds.

36 – Financial services; insurance and financial information and consultancy services; insurance services,

namely, underwriting extended warranty contracts; financing, lending and loan services; credit, lending and loan services; insurance services; information, advisory and consultancy services relating to the aforesaid services; issuance of tokens of value; currency exchange services; currency trading; electronic banking via a global computer network; electronic funds transfer.

37 – Repair, maintenance, assembly and installation services in the field of materials technology, mining, construction, rock processing and metal working industries; rebuild, refurbishment, upgrade services of products within the materials technology, mining, construction and rock technology and metal working industries; rental and leasing of materials technology machines, apparatus and equipment; rental and leasing of machines, apparatus and equipment for use in the field of materials technology; rental and leasing of mining machines, apparatus and equipment; rental and leasing of construction equipment; rental and leasing of rock technology machines, apparatus and equipment; rental and leasing of machines, apparatus and equipment for use in the field of rock technology; rental and leasing of metal working machines, apparatus and equipment; rental and leasing of machines, apparatus and equipment for use in the field of metal working; rental of drilling equipment for rock drilling operations in mining operations and civil construction works; rental of pumping equipment; leasing of compressors for mining, rock excavation, mining extraction of minerals, drilling and construction purposes; drilling services, namely leasing of drilling equipment and tools; installation, maintenance, building, repair, servicing and maintenance of machine tools, machinery, vehicles and equipment for mining, rock excavation, mining extraction of minerals, drilling and construction purposes; rental of machines, machine tools and equipment for mining, rock excavation, mining extraction of minerals, drilling and construction purposes; rental of excavators, bulldozers and earth moving machines; rental of compressors for mining, rock excavation, mining extraction of minerals, drilling and construction purposes; mining, rock excavation, drilling and construction services; repair of tools; operational support services, namely, installation, changing, replacement and repair of mining and rock excavation equipment and apparatus for improved performance and results; information, advisory and consultancy services relating to the aforesaid services.

40 – Treatment of materials in the nature of common metals and their alloys; coating, treatment and regrinding of metal surfaces, tools and machines; gold and silver plating; metal casting and tempering; custom manufacture of metal working products and machines and mining excavation and exploration equipment; custom assembling of products for others; fuel processing; treatment of materials in the nature of common metals and their alloys by mechanical or che-

mical processing; grinding; providing material treatment information; recycling and waste management services; recycling of steel and other materials and products; material treatment information; regrinding and recoating of tools and machines; custom manufacture of power-operated automation equipment; custom manufacturing of parts and component made from common metals and their alloys; information, advisory and consultancy services relating to the aforesaid services.

42 – Scientific and technological services and research and design relating thereto; industrial analysis, industrial research and industrial design services; quality control and authentication services; design and development of computer hardware and software; scientific and technological services, namely, research and design in the field of tools and tooling systems for industrial metal cutting, equipment and tools, service and technical solutions for the mining and construction industries, advanced stainless steels and special alloys as well as products for industrial heating; industrial research in the field of tools and tooling systems for industrial metal cutting; computer hardware and software design; computer software development; testing, analysis, and evaluation of the goods of others to assure compliance with industry standards; consulting services in the field of design and development of engineering processes; consumer product safety testing consultation; measurement services; remote monitoring services; chemical research and analysis; software as a service (SaaS) and platform as a service (PaaS) services featuring computer software platforms for a tool library; operational support services, namely, research, analysis and configuration of computer hardware and software systems for use in mining and rock excavation equipment and apparatus for improved performance and results; services for monitoring industrial processes; consulting services in the field of cloud computing; custom design of power-operated automation equipment; technological consulting services, namely, providing services related to geometrical inspection, measurement, and analysis of industrial, medical, and aerospace components parts and components; technological consulting services in the field of construction drilling, including technical consultancy relating to drilling tool selection, drilling procedure analysis, engineering analysis, and project feasibility analysis and planning; hosting services; providing on-line non-downloadable software, software as a service (SaaS) and platform as a service (PaaS) services provided in relation to the steering and control of vehicles and crafts; providing on-line non-downloadable software, software as a service (SaaS) and platform as a service (PaaS) services provided in relation to the calculation of data for machine tools and mine automation systems; providing on-line non-downloadable software, software as a service (SaaS) and platform as a service (PaaS) services provided in relation to storage and calculation of temperature, strain and vibrati-

on information; providing on-line non-downloadable software, software as a service (SaaS) and platform as a service (PaaS) services provided in relation to the measurement of temperature, controlling temperature performance and working capacity of tube systems; providing on-line non-downloadable software, software as a service (SaaS) and platform as a service (PaaS) services provided in relation to production planning of the manufacture of industrial products; providing on-line non-downloadable software, software as a service (SaaS) and platform as a service (PaaS) services provided in relation to the controlling of cutting machines; providing on-line non-downloadable software, software as a service (SaaS) and platform as a service (PaaS) services provided in relation to the planning, tracking and controlling of manufacturing facility operations; providing on-line non-downloadable software, software as a service (SaaS) and platform as a service (PaaS) services provided in relation to the nesting and programming of cnc cutting machines; providing on-line non-downloadable software, software as a service (SaaS) and platform as a service (PaaS) services provided in relation to the provision of engineering design and engineering drafting services; providing on-line non-downloadable software, software as a service (SaaS) and platform as a service (PaaS) services provided in relation to the machine tool industry; providing on-line non-downloadable software, software as a service (SaaS) and platform as a service (PaaS) services provided in relation to the controlling of power-operated automation equipment; providing on-line non-downloadable software, software as a service (SaaS) and platform as a service (PaaS) services provided in relation to the controlling of instruments for use in geometrical inspection of industrial components, medical devices, and aerospace applications; providing on-line non-downloadable software, software as a service (SaaS) and platform as a service (PaaS) services provided in relation to the measurement, inspection, analysis and recording of three-dimensional shapes; providing on-line non-downloadable software, software as a service (SaaS) and platform as a service (PaaS) services provided in relation to the design of drill bits, modeling, simulation, testing and analysis of drill bit and rock drilling tool performance, recordation and reporting of data and drilling variables, and selection and performance of drill bits, rock drilling tools and equipment; providing on-line non-downloadable software, software as a service (SaaS) and platform as a service (PaaS) services provided in relation to early hazard detection, proximity detection and collision avoidance, worker safety, and evacuation and rescue in mining operations; providing on-line non-downloadable software, software as a service (SaaS) and platform as a service (PaaS) services provided in relation to the monitoring of production, drilling, and hauling, overall equipment effectiveness and utilization and haulage efficiency in mining operations; providing on-line non-downloa-

dable software, software as a service (SaaS) and platform as a service (PaaS) services provided in relation to 3D scanning, monitoring, and reporting and optimizing rock material flow and use of equipment fleet in mines and other rock excavation sites; providing on-line non-downloadable software, software as a service (SaaS) and platform as a service (PaaS) services provided in relation to products for use within the materials technology, mining, construction and rock technology and metal working industries; application service provider [ASP] and software as a service (SaaS); updating of computer software for others; updating and maintaining cloud-based computer software through on-line updates, enhancements and patches; performance monitoring services in the field of materials technology, mining, construction, rock processing and metal working industries; information, advisory and consultancy services relating to the aforesaid services; providing temporary use of non-downloadable software featuring digital works of art and digital tokens authenticated by non-fungible tokens [NFTs]; blockchain as a service [BaaS] for creating and managing non-fungible tokens [NFTs] in the form of collectible items; software as a service featuring virtual products and marketplaces; custom engineering services of products within the materials technology, mining, construction and rock technology and metal working industries.

45 – Licensing; licensing of wireless communication systems; licensing of intellectual property; licensing of computer software; licensing of databases; licensing of technology.

INTERNATIONAL TRADEMARKS PROTECTED IN GEORGIA

(260) AM 2024 118790 A
(800) 1674749
(151) 2022 04 04
(181) 2032 04 04
(891) 2022 04 04
(511) 25

(260) AM 2024 121807 A
(800) 1715259
(151) 2022 11 16
(181) 2032 11 16
(891) 2022 11 16
(511) 09

(260) AM 2024 119233 A
(800) 1680482
(151) 2022 07 20
(181) 2032 07 20
(891) 2022 07 20
(511) 01, 01, 29

(260) AM 2024 121808 A
(800) 1715260
(151) 2022 12 02
(181) 2032 12 02
(891) 2022 12 02
(511) 09, 12, 35, 37, 38, 41, 42

(260) AM 2024 120301 A
(800) 1695150
(151) 2022 08 28
(181) 2032 08 28
(891) 2022 08 28
(511) 12, 35, 39

(260) AM 2024 121809 A
(800) 1715263
(151) 2022 12 02
(181) 2032 12 02
(891) 2022 12 02
(511) 09, 12, 35, 37, 38, 41, 42

(260) AM 2024 120302 A
(800) 1695151
(151) 2022 08 28
(181) 2032 08 28
(891) 2022 08 28
(511) 12, 35, 39

(260) AM 2024 121867 A
(800) 1715739
(151) 2022 09 01
(181) 2032 09 01
(891) 2022 09 01
(511) 35

(260) AM 2024 120303 A
(800) 1695152
(151) 2022 08 28
(181) 2032 08 28
(891) 2022 08 28
(511) 12, 35, 39

(260) AM 2024 121869 A
(800) 1715849
(151) 2022 08 04
(181) 2032 08 04
(891) 2022 08 04
(511) 05

(260) AM 2024 121703 A
(800) 1714078
(151) 2022 09 08
(181) 2032 09 08
(891) 2022 09 08
(511) 09, 35, 41, 42

(260) AM 2024 121871 A
(800) 1715914
(151) 2023 01 29
(181) 2033 01 29
(891) 2023 01 29
(511) 03

(260) AM 2024 121704 A
(800) 1714087
(151) 2022 12 09
(181) 2032 12 09
(891) 2022 12 09
(511) 31

(260) AM 2024 121872 A
(800) 1715965
(151) 2022 10 10
(181) 2032 10 10
(891) 2022 10 10
(511) 29, 30, 32, 35, 36, 39, 40, 43

(260) AM 2024 121873 A
(800) 1716030
(151) 2022 11 17
(181) 2032 11 17
(891) 2022 11 17
(511) 16, 18, 24, 25, 28, 35, 38, 41

(260) AM 2024 121875 A
(800) 1716120
(151) 2022 10 24
(181) 2032 10 24
(891) 2022 10 24
(511) 05

(260) AM 2024 121882 A
(800) 1716480
(151) 2022 11 11
(181) 2032 11 11
(891) 2022 11 11
(511) 09, 35, 42

(260) AM 2024 121883 A
(800) 1716492
(151) 2022 10 24
(181) 2032 10 24
(891) 2022 10 24
(511) 09, 11, 35, 37, 42

(260) AM 2024 121884 A
(800) 1716515
(151) 2023 02 01
(181) 2033 02 01
(891) 2023 02 01
(511) 01

(260) AM 2024 121888 A
(800) 1716716
(151) 2022 11 08
(181) 2032 11 08
(891) 2022 11 08
(511) 09, 28, 41

(260) AM 2024 121895 A
(800) 1537731
(151) 2020 03 13
(181) 2030 03 13
(891) 2023 01 24
(511) 35, 36

(260) AM 2024 121951 A
(800) 1717367
(151) 2022 12 29
(181) 2032 12 29
(891) 2022 12 29
(511) 30

(260) AM 2024 121952 A
(800) 1717371
(151) 2023 01 27
(181) 2033 01 27
(891) 2023 01 27
(511) 09

(260) AM 2024 121958 A
(800) 1717529
(151) 2023 01 09
(181) 2033 01 09
(891) 2023 01 09
(511) 03, 05, 29, 30, 31, 32

(260) AM 2024 121977 A
(800) 1717932
(151) 2022 10 26
(181) 2032 10 26
(891) 2022 10 26
(511) 03, 04, 05, 08, 10, 14, 18, 21, 24, 25

(260) AM 2024 121978 A
(800) 1717937
(151) 2022 10 27
(181) 2032 10 27
(891) 2022 10 27
(511) 09, 35, 36, 42

(260) AM 2024 121990 A
(800) 328543
(151) 1966 11 28
(181) 2026 11 28
(891) 2023 02 21
(511) 03

(260) AM 2024 121993 A
(800) 1294608
(151) 2016 02 29
(181) 2026 02 28
(891) 2023 02 16
(511) 33

(260) AM 2024 122048 A
(800) 1718181
(151) 2022 10 26
(181) 2032 10 26
(891) 2022 10 26
(511) 03, 05

(260) AM 2024 122081 A
(800) 1719361
(151) 2022 12 29
(181) 2032 12 29
(891) 2022 12 29
(511) 29, 30, 31

(260) AM 2024 122049 A
(800) 1718186
(151) 2022 12 30
(181) 2032 12 30
(891) 2022 12 30
(511) 03

(260) AM 2024 122082 A
(800) 1719375
(151) 2023 01 03
(181) 2033 01 03
(891) 2023 01 03
(511) 07, 09, 12

(260) AM 2024 122053 A
(800) 1718275
(151) 2023 02 08
(181) 2033 02 08
(891) 2023 02 08
(511) 09, 15, 20

(260) AM 2024 122087 A
(800) 920717
(151) 2006 12 20
(181) 2026 12 20
(891) 2023 02 22
(511) 01

(260) AM 2024 122054 A
(800) 1718586
(151) 2022 09 30
(181) 2032 09 30
(891) 2022 09 30
(511) 29, 35

(260) AM 2024 122089 A
(800) 1073076
(151) 2010 11 09
(181) 2030 11 09
(891) 2023 02 22
(511) 03, 09, 14, 18, 25, 35

(260) AM 2024 122057 A
(800) 1718600
(151) 2022 04 25
(181) 2032 04 25
(891) 2022 04 25
(511) 03, 04

(260) AM 2024 122096 A
(800) 1589321
(151) 2021 03 30
(181) 2031 03 30
(891) 2022 12 12
(511) 11

(260) AM 2024 122058 A
(800) 1718638
(151) 2022 11 04
(181) 2032 11 04
(891) 2022 11 04
(511) 03

(260) AM 2024 122097 A
(800) 1624702
(151) 2021 09 14
(181) 2031 09 14
(891) 2023 02 13
(511) 12

(260) AM 2024 122065 A
(800) 1718888
(151) 2023 01 11
(181) 2033 01 11
(891) 2023 01 11
(511) 36

(260) AM 2024 122098 A
(800) 1626484
(151) 2021 09 14
(181) 2031 09 14
(891) 2023 01 13
(511) 12

(260) AM 2024 122100 A
(800) 1683262
(151) 2022 06 07
(181) 2032 06 07
(891) 2023 03 01
(511) 05

(260) AM 2024 122101 A
(800) 1705391
(151) 2022 11 24
(181) 2032 11 24
(891) 2023 02 24
(511) 30

(260) AM 2024 122152 A
(800) 1719838
(151) 2023 01 17
(181) 2033 01 17
(891) 2023 01 17
(511) 09

(260) AM 2024 122158 A
(800) 1720167
(151) 2023 02 21
(181) 2033 02 21
(891) 2023 02 21
(511) 33

(260) AM 2024 122159 A
(800) 1720173
(151) 2022 11 02
(181) 2032 11 02
(891) 2022 11 02
(511) 09, 34

(260) AM 2024 122160 A
(800) 1720184
(151) 2023 01 27
(181) 2033 01 27
(891) 2023 01 27
(511) 29

(260) AM 2024 122162 A
(800) 1720252
(151) 2023 01 29
(181) 2033 01 29
(891) 2023 01 29
(511) 03

(260) AM 2024 122168 A
(800) 1720376
(151) 2022 11 24
(181) 2032 11 24
(891) 2022 11 24
(511) 01, 02, 03, 04, 05, 06, 07, 08, 09, 10, 11, 12, 13,
14, 16, 17, 18, 19, 20, 21, 22, 23, 24, 25, 26, 27,
28, 32, 35, 36, 37, 38, 39, 40, 41, 42, 44, 45

(260) AM 2024 122171 A
(800) 1720461
(151) 2023 02 10
(181) 2033 02 10
(891) 2023 02 10
(511) 20

(260) AM 2024 122173 A
(800) 1720510
(151) 2022 09 23
(181) 2032 09 23
(891) 2022 09 23
(511) 29, 30, 31, 32

(260) AM 2024 122178 A
(800) 570634
(151) 1991 05 16
(181) 2031 05 16
(891) 2023 02 07
(511) 11

(260) AM 2024 122179 A
(800) 1112432
(151) 2011 10 14
(181) 2031 10 14
(891) 2023 03 10
(511) 14, 18, 25

(260) AM 2024 122230 A
(800) 1720877
(151) 2022 12 28
(181) 2032 12 28
(891) 2022 12 28
(511) 32

(260) AM 2024 122231 A
(800) 1720880
(151) 2022 12 30
(181) 2032 12 30
(891) 2022 12 30
(511) 30

(260) AM 2024 122232 A
(800) 1720961
(151) 2023 02 22
(181) 2033 02 22
(891) 2023 02 22
(511) 01

(260) AM 2024 122265 A
(800) 946652
(151) 2007 09 13
(181) 2027 09 13
(891) 2023 02 27
(511) 03, 05

(260) AM 2024 122233 A
(800) 1720965
(151) 2023 02 16
(181) 2033 02 16
(891) 2023 02 16
(511) 09

(260) AM 2024 122266 A
(800) 1151861
(151) 2012 07 16
(181) 2032 07 16
(891) 2023 02 02
(511) 02

(260) AM 2024 122234 A
(800) 1720998
(151) 2022 12 26
(181) 2032 12 26
(891) 2022 12 26
(511) 35, 36

(260) AM 2024 122268 A
(800) 1374832
(151) 2017 07 19
(181) 2027 07 19
(891) 2023 03 14
(511) 09, 42

(260) AM 2024 122235 A
(800) 1721098
(151) 2023 02 23
(181) 2033 02 23
(891) 2023 02 23
(511) 05

(260) AM 2024 122276 A
(800) 1673918
(151) 2022 04 14
(181) 2032 04 14
(891) 2023 03 10
(511) 03, 04

(260) AM 2024 122262 A
(800) 1722209
(151) 2023 02 01
(181) 2033 02 01
(891) 2023 02 01
(511) 25

(260) AM 2024 122277 A
(800) 1697022
(151) 2022 09 19
(181) 2032 09 19
(891) 2023 03 14
(511) 09, 35, 42

(260) AM 2024 122263 A
(800) 1722216
(151) 2023 02 06
(181) 2033 02 06
(891) 2023 02 06
(511) 03

(260) AM 2024 122305 A
(800) 1722340
(151) 2023 03 06
(181) 2033 03 06
(891) 2023 03 06
(511) 05

(260) AM 2024 122264 A
(800) 1722221
(151) 2023 02 17
(181) 2033 02 17
(891) 2023 02 17
(511) 02

(260) AM 2024 122306 A
(800) 1722341
(151) 2023 03 06
(181) 2033 03 06
(891) 2023 03 06
(511) 05

(260) AM 2024 122307 A
(800) 1722351
(151) 2022 11 29
(181) 2032 11 29
(891) 2022 11 29
(511) 29, 30, 35, 43

(260) AM 2024 122323 A
(800) 1722618
(151) 2022 11 17
(181) 2032 11 17
(891) 2022 11 17
(511) 09, 18, 25

(260) AM 2024 122309 A
(800) 1722355
(151) 2023 03 06
(181) 2033 03 06
(891) 2023 03 06
(511) 05

(260) AM 2024 122324 A
(800) 1722619
(151) 2022 11 17
(181) 2032 11 17
(891) 2022 11 17
(511) 09, 18, 25

(260) AM 2024 122310 A
(800) 1722356
(151) 2023 03 06
(181) 2033 03 06
(891) 2023 03 06
(511) 05

(260) AM 2024 122328 A
(800) 1722657
(151) 2023 03 08
(181) 2033 03 08
(891) 2023 03 08
(511) 05

(260) AM 2024 122312 A
(800) 1722373
(151) 2023 03 08
(181) 2033 03 08
(891) 2023 03 08
(511) 09

(260) AM 2024 122333 A
(800) 1722847
(151) 2022 11 26
(181) 2032 11 26
(891) 2022 11 26
(511) 09

(260) AM 2024 122313 A
(800) 1722379
(151) 2023 01 03
(181) 2033 01 03
(891) 2023 01 03
(511) 01, 03, 05, 35

(260) AM 2024 122334 A
(800) 1722873
(151) 2022 10 19
(181) 2032 10 19
(891) 2022 10 19
(511) 04

(260) AM 2024 122321 A
(800) 1722616
(151) 2022 11 17
(181) 2032 11 17
(891) 2022 11 17
(511) 09, 18, 25

(260) AM 2024 122335 A
(800) 1722893
(151) 2023 03 01
(181) 2033 03 01
(891) 2023 03 01
(511) 05

(260) AM 2024 122322 A
(800) 1722617
(151) 2022 11 17
(181) 2032 11 17
(891) 2022 11 17
(511) 09, 18, 25

(260) AM 2024 122336 A
(800) 1722912
(151) 2022 05 05
(181) 2032 05 05
(891) 2022 05 05
(511) 09, 35

(260) AM 2024 122352 A
(800) 1723363
(151) 2022 12 28
(181) 2032 12 28
(891) 2022 12 28
(511) 03, 05

(260) AM 2024 122376 A
(800) 862905
(151) 2005 07 20
(181) 2025 07 20
(891) 2023 01 31
(511) 03, 05, 10

(260) AM 2024 122364 A
(800) 1723628
(151) 2022 12 23
(181) 2032 12 23
(891) 2022 12 23
(511) 30

(260) AM 2024 122377 A
(800) 958247
(151) 2008 01 29
(181) 2028 01 29
(891) 2023 03 22
(511) 03

(260) AM 2024 122365 A
(800) 1723631
(151) 2022 12 30
(181) 2032 12 30
(891) 2022 12 30
(511) 30

(260) AM 2024 122378 A
(800) 1238164
(151) 2014 09 01
(181) 2024 09 01
(891) 2023 03 02
(511) 09, 25, 41

(260) AM 2024 122366 A
(800) 1723632
(151) 2022 12 30
(181) 2032 12 30
(891) 2022 12 30
(511) 30

(260) AM 2024 122440 A
(800) 1724010
(151) 2022 11 29
(181) 2032 11 29
(891) 2022 11 29
(511) 09, 28, 41

(260) AM 2024 122367 A
(800) 1723635
(151) 2023 01 20
(181) 2033 01 20
(891) 2023 01 20
(511) 18, 25

(260) AM 2024 122441 A
(800) 1724026
(151) 2023 02 23
(181) 2033 02 23
(891) 2023 02 23
(511) 09, 10

(260) AM 2024 122374 A
(800) 615795
(151) 1994 03 16
(181) 2024 03 16
(891) 2023 02 07
(511) 03

(260) AM 2024 122442 A
(800) 1724037
(151) 2023 03 02
(181) 2033 03 02
(891) 2023 03 02
(511) 29

(260) AM 2024 122375 A
(800) 743966
(151) 2000 10 06
(181) 2030 10 06
(891) 2023 03 24
(511) 31

(260) AM 2024 122453 A
(800) 1724281
(151) 2023 03 13
(181) 2033 03 13
(891) 2023 03 13
(511) 03, 05, 35

(260) AM 2024 122486 A
(800) 1620713
(151) 2021 04 08
(181) 2031 04 08
(891) 2023 03 02
(511) 05, 10, 11, 16, 35, 37, 44

(260) AM 2024 122487 A
(800) 1638707
(151) 2021 12 08
(181) 2031 12 08
(891) 2023 02 24
(511) 03

(260) AM 2024 122596 A
(800) 1726042
(151) 2022 08 19
(181) 2032 08 19
(891) 2022 08 19
(511) 35

(260) AM 2024 122684 A
(800) 1727170
(151) 2023 03 28
(181) 2033 03 28
(891) 2023 03 28
(511) 20

(260) AM 2024 122685 A
(800) 1727247
(151) 2022 11 10
(181) 2032 11 10
(891) 2022 11 10
(511) 35, 36, 38, 41, 42

OFFICIAL NOTIFICATIONS
INVENTIONS
RESTORATION OF PATENTS

(21) AP 2007 10918
(11) P 2012 5433 B
(73) Les Laboratoires Servier
(54) α CRYSTALLINE FORM OF THE ARGININE SALT OF PERINDOPRIL, PROCESS FOR PREPARING IT, AND PHARMACEUTICAL COMPOSITIONS COMPRISING IT
DATE OF PATENT LAPSE: 2024 02 26
DATE OF PATENT RESTORATION: 2024 04 10

(21) AP 2011 12838
(11) P 2017 6628 B
(73) Dow Agrosciences LLC;
Sangamo Biosciences Inc.
(54) TARGETED GENOMIC ALTERATION
DATE OF PATENT LAPSE: 2024 01 24
DATE OF PATENT RESTORATION: 2024 04 10

(21) AP 2011 13092
(11) P 2015 6303 B
(73) Reforcetech LTD
(54) REINFORCEMENT BAR AND METHOD FOR MANUFACTURING SAME
DATE OF PATENT LAPSE: 2023 10 21
DATE OF PATENT RESTORATION: 2024 04 10

(21) AP 2019 15002
(11) P 2020 7150 B
(73) Giorgi Nozadze;
Aleksandre Kartvelishvili;
Davit Pataraiia;
Rusudan Maisuradze;
LEPL "Grigol Tsulukidze Mining Institute"
(54) SUSPENSION ROPE-WAY WITH SELF-PROPELLED CARRIAGE
DATE OF PATENT LAPSE: 2024 02 13
DATE OF PATENT RESTORATION: 2024 04 10

(21) AP 2019 15600
(11) P 2023 7492 B
(73) Troikaa Pharmaceuticals Limited
(54) OROMUCOSAL SOLUTIONS OF ZOLPIDEM OR PHARMACEUTICALLY ACCEPTABLE SALTS THEREOF
DATE OF PATENT LAPSE: 2023 10 04
DATE OF PATENT RESTORATION: 2024 04 10

(21) AP 2022 15894
(11) P 2024 7588 B
(73) Vasil Petriashvili;
Vazha Ezugbaya;
Irakli Petriashvili

(54) ACOUSTO-ELECTRIC TRANSDUCER
DATE OF PATENT LAPSE: 2024 03 04
DATE OF PATENT RESTORATION: 2024 04 10

(21) AP 2005 8646
(11) P 2007 4135 B
(73) Les Laboratoires Servier
(54) PROCESS FOR THE SYNTHESIS OF (IS)-4,5-DIMETHOXY-1-(METHYLAMINOMETHYL)-BENZO-
CYCLOBUTANE AND ADDITION SALTS THEREOF, AND TO THE APPLICATION THEREOF IN
THE SYNTHESIS OF IVABRADINE AND ADDITION SALTS THEREOF WITH A PHARMACEU-
TICALLY ACCEPTABLE ACID
DATE OF PATENT LAPSE: 2024 02 18
DATE OF PATENT RESTORATION: 2024 04 10

(21) AP 2005 8647
(11) P 2007 4136 B
(73) Les Laboratoires Servier
(54) NEW PROCESS FOR THE SYNTHESIS OF 1,3,4,5-TETRAHYDRO-2H-3-BENZAZEPIN-2-ONE
COMPOUNDS, AND APPLICATION IN THE SYNTHESIS OF IVABRADINE AND ADDITION
SALTS THEREOF WITH A PHARMACEUTICALLY ACCEPTABLE ACID
DATE OF PATENT LAPSE: 2024 02 18
DATE OF PATENT RESTORATION: 2024 04 10

(21) AP 2005 8648
(11) P 2007 4137 B
(73) Les Laboratoires Servier
(54) NEW PROCESS FOR THE SYNTHESIS OF 1,3-DIHYDRO-2H-3-BENZAZEPIN-2-ONE COMPOUNDS,
AND APPLICATION IN THE SYNTHESIS OF IVABRADINE AND ADDITION SALTS THEREOF
WITH A PHARMACEUTICALLY ACCEPTABLE ACID
DATE OF PATENT LAPSE: 2024 02 18
DATE OF PATENT RESTORATION: 2024 04 10

(21) AP 2005 8649
(11) P 2007 4138 B
(73) Les Laboratoires Servier
(54) NEW PROCESS FOR THE SYNTHESIS OF IVABRADINE AND ADDITION SALTS THEREOF WITH A
PHARMACEUTICALLY ACCEPTABLE ACID
DATE OF PATENT LAPSE: 2024 02 18
DATE OF PATENT RESTORATION: 2024 04 10

(21) AP 2006 9263
(11) P 2008 4465 B
(73) Les Laboratoires Servier
(54) BETA-CRYSTALLINE FORM OF IVABRADINE HYDROCHLORIDE, PROCESS FOR ITS
PREPARATION AND PHARMACEUTICAL COMPOSITIONS CONTAINING IT
DATE OF PATENT LAPSE: 2024 02 27
DATE OF PATENT RESTORATION: 2024 04 10

(21) AP 2006 9264
(11) P 2008 4466 B
(73) Les Laboratoires Servier
(54) BETA D-CRYSTALLINE FORM OF IVABRADINE HYDROCHLORIDE, A PROCESS FOR ITS
PREPARATION AND PHARMACEUTICAL COMPOSITIONS CONTAINING IT

DATE OF PATENT LAPSE: 2024 02 27
DATE OF PATENT RESTORATION: 2024 04 10

(21) AP 2006 9265
(11) P 2008 4467 B
(73) Les Laboratoires Servier
(54) GAMMA CRYSTALLINE FORM OF IVABRADINE HYDROCHLORIDE, PROCESS FOR ITS
PREPARATION AND PHARMACEUTICAL COMPOSITIONS CONTAINING IT
DATE OF PATENT LAPSE: 2024 02 27
DATE OF PATENT RESTORATION: 2024 04 10

(21) AP 2006 9266
(11) P 2008 4468 B
(73) Les Laboratoires Servier
(54) GAMMA-D CRYSTALLINE FORM OF IVABRADIN HYDROCHLORIDE, PROCESS FOR ITS
PREPARATION AND PHARMACEUTICAL COMPOSITIONS CONTAINING IT
DATE OF PATENT LAPSE: 2024 02 27
DATE OF PATENT RESTORATION: 2024 04 10

LAPSE OF PATENTS WITH THE RIGHT TO RESTORE

(21) AP 2009 12224
(11) P 2013 5889 B
(73) TDW Delaware Inc.
(54) DOUBLE BLOCK AND BLEED PLUG
DATE OF PATENT LAPSE: 2024 03 25
PATENT RESTORATION TERM: 2025 03 25

(21) AP 2014 13954
(11) P 2018 6896 B
(73) NOX II International LTD
(54) REDUCING ENVIRONMENTAL POLLUTION AND FOULING WHEN BURNING COAL
DATE OF PATENT LAPSE: 2024 03 17
PATENT RESTORATION TERM: 2025 03 17

(21) AP 2014 13955
(11) P 2023 7544 B
(73) Jeneil Biosurfactant Company LLC
(54) ANTIMICROBIAL COMPOSITIONS AND RELATED METHODS OF USE
DATE OF PATENT LAPSE: 2024 03 17
PATENT RESTORATION TERM: 2025 03 17

(21) AP 2017 14452
(11) P 2018 6914 B
(73) Raul Turmanidze;
Giorgi Popkhadze;
Vasil Bachanadze
(54) FACILITY TO GRINDING MACHINE FOR SPIRAL OR SCREW GROOVES WITH VARIABLE
INCLINATION TREATMENT
DATE OF PATENT LAPSE: 2024 03 16
PATENT RESTORATION TERM: 2025 03 16

(21) AP 2016 14613
(11) P 2019 7032 B
(73) Syngenta Participations AG
(54) MICROBIOCIDAL HETEROBICYCLIC DERIVATIVES
DATE OF PATENT LAPSE: 2024 03 21
PATENT RESTORATION TERM: 2025 03 21

(21) AP 2021 15589
(11) P 2023 7489 B
(73) LEPL "Shota Rustaveli National Science Foundation of Georgia"
(54) METHOD FOR RECEIVING PARAGUAY MATE TYPE TEA FROM GEORGIAN SNOW ROSE
(CAUCASIAN RHODODENDRON) FOLIAGE
DATE OF PATENT LAPSE: 2024 03 20
PATENT RESTORATION TERM: 2025 03 20

(21) AP 2022 15906
(11) P 2023 7514 B
(73) LEPL "Rapiel Dvali Institute of Machine Mechanics"
(54) LONGITUDINAL PIPE ROLLING STRUT
DATE OF PATENT LAPSE: 2024 03 14
PATENT RESTORATION TERM: 2025 03 14

EXPIRATION OF PATENTS RESTORATION TERM

(21) AP 2012 13223
(11) P 2016 6566 B
(73) Chiesi Farmaceutici S.P.A.
(54) ISOXAZOLIDINE DERIVATIVES
DATE OF PATENT LAPSE: 2023 03 14
DATE OF EXPIRATION OF PATENT RESTORATION TERM: 2024 03 14

(21) AP 2013 13603
(11) P 2017 6721 B
(73) Alios Biopharma Inc.
(54) SUBSTITUTED NUCLEOSIDES, NUCLEOTIDES AND ANALOGS THEREOF
DATE OF PATENT LAPSE: 2023 03 19
DATE OF EXPIRATION OF PATENT RESTORATION TERM: 2024 03 19

(21) AP 2013 13674
(11) P 2021 7251 B
(73) The Regents of The University Of California (US);
University of Vienna (AT);
CHARPENTIER, Emmanuelle (DE)
(54) METHODS AND COMPOSITIONS FOR RNA-DIRECTED TARGET DNA MODIFICATION AND FOR
RNA-DIRECTED MODULATION OF TRANSCRIPTION
DATE OF PATENT LAPSE: 2023 03 15
DATE OF EXPIRATION OF PATENT RESTORATION TERM: 2024 03 15

(21) AP 2015 14317
(11) P 2021 7247 B
(73) Iomet Pharma LTD (GB)
(54) INDOLE DERIVATIVES FOR USE IN MEDICINE
DATE OF PATENT LAPSE: 2023 03 19
DATE OF EXPIRATION OF PATENT RESTORATION TERM: 2024 03 19

(21) AP 2016 14609
(11) P 2020 7127 B
(73) Ecole Polytechnique Federale De Lausanne (EPFL)
(54) 2-HOMOPIPERAZINE-1-YL-4H-1,3-BENZOTHIAZINE-4-ONE DERIVATIVES AND PROCESS
FOR THE PREPARATION OF 2-(HOMO)PIPERAZINE 1,3-BENZOTHIAZINE-4-ONE
HYDROCHLORIDES
DATE OF PATENT LAPSE: 2023 03 23
DATE OF EXPIRATION OF PATENT RESTORATION TERM: 2024 03 23

(21) AP 2016 14821
(11) P 2021 7258 B
(73) Ecole Polytechnique Federale De Lausanne (EPFL)
(54) 2-HOMOPIPERAZINE-1-YL-4H-1,3-BENZOTHIAZINE-4-ONE DERIVATIVES AND PROCESS
FOR THE PREPARATION OF 2-(HOMO)PIPERAZINE 1,3-BENZOTHIAZINE-4-ONE
HYDROCHLORIDES
DATE OF PATENT LAPSE: 2023 03 23
DATE OF EXPIRATION OF PATENT RESTORATION TERM: 2024 03 23

(21) AP 2018 15192
(11) P 2021 7256 B
(73) Richter Gedeon NYRT.
(54) PHARMACOLOGICALLY ACTIVE ALICYCLIC-SUBSTITUTED PYRAZOLO[1,5-a]PYRIMIDINE
DERIVATIVES
DATE OF PATENT LAPSE: 2023 03 12
DATE OF EXPIRATION OF PATENT RESTORATION TERM: 2024 03 12

EXPIRATION OF PATENT

(21) AP 2004 8990
(11) P 2007 4234 B
(73) Bristol-Myers Squibb Holdings Ireland Unlimited Company
(54) CYCLIC PROTEIN TYROSINE KINASE INHIBITORS
DATE OF EXPIRATION OF PATENT: 2024 03 23

UTILITY MODELS RESTORATION OF PATENTS

(21) AU 2020 15285
(11) U 2021 2091 Y
(73) Astrata AG
(54) TEAPOT LID
DATE OF PATENT LAPSE: 2024 02 19
DATE OF PATENT RESTORATION: 2024 04 10

(21) AU 2020 15286
(11) U 2021 2090 Y
(73) Astrata AG
(54) TEAPOT LID
DATE OF PATENT LAPSE: 2024 02 19
DATE OF PATENT RESTORATION: 2024 04 10

(21) AU 2020 15287
(11) U 2021 2089 Y
(73) Astrata AG
(54) TEAPOT LID
DATE OF PATENT LAPSE: 2024 02 19
DATE OF PATENT RESTORATION: 2024 04 10

(21) AU 2020 15288
(11) U 2021 2088 Y
(73) Astrata AG
(54) TEAPOT LID
DATE OF PATENT LAPSE: 2024 02 19
DATE OF PATENT RESTORATION: 2024 04 10

(21) AU 2020 15289
(11) U 2021 2087 Y
(73) Astrata AG
(54) TEAPOT LID
DATE OF PATENT LAPSE: 2024 02 19
DATE OF PATENT RESTORATION: 2024 04 10

(21) AU 2022 15879
(11) U 2022 2130 Y
(73) Ana Rokhvadze
(54) NON-PRESSURIZED DRIP IRRIGATION SYSTEM
DATE OF PATENT LAPSE: 2024 02 17
DATE OF PATENT RESTORATION: 2024 04 10

(21) AU 2022 15880
(11) U 2023 2142 Y
(73) Ana Rokhvadze
(54) HYDROPOWER PLANT
DATE OF PATENT LAPSE: 2024 02 17
DATE OF PATENT RESTORATION: 2024 04 10

LAPSE OF PATENT WITH THE RIGHT TO RESTORE

(21) AU 2018 14736

(11) U 2019 2004 Y

(73) Agrarian University of Georgia;

Shota Rustaveli National Science Foundation;

Giorgi Adamia;

Gia Khatisashvili;

Tamar Varaz;

Giorgi Gigolashvili;

Maritsa Kurashvili;

Marine Pruidze;

Liana Chokheli

(54) METHOD FOR POLLUTED 2,4,6 – TNT (TRINITROTOLUENE) WATER PURIFICATION WITH USAGE OF SPIRULINA BLUE-GREEN ALGAE

DATE OF PATENT LAPSE: 2024 03 23

PATENT RESTORATION TERM: 2025 03 23

EXPIRATION OF PATENT RESTORATION TERM

(21) AU 2018 14729

(11) U 2020 2051 Y

(73) Konstantine Maghradze;

Nugzar Joglidze

(54) BAKERY PRODUCT FOR OSTEOPOROSIS PROLIFERATION

DATE OF PATENT LAPSE: 2023 03 16

DATE OF EXPIRATION OF PATENT RESTORATION TERM: 2024 03 16

DESIGNS

EXTENSION OF TERM OF DESIGNS REGISTRATION

- (11) D 2019 827 S
(73) Maizer Zakarashvili (GE)
K. Kutateladze St. 6, 0179, Tbilisi, Georgia (GE)
(54) 1. HALF KHINKALI-SHAPED CERAMIC SALTCELLAR, 2. HALF KHINKALI-SHAPED CERAMIC PEPPER POT, 3.-4. CERAMIC SET, 5. HALF KHINKALI-SHAPED CERAMIC SALTCELLAR
(28) 4
(24) 2019 04 08
(18) 2029 04 08
(58) 2024 04 01
-

- (11) D 2009 393 S
(73) Mars Incorporated (US)
6885 Elm Striti, Maklini, Virginia 22101-3883, USA
(54) GRAPHIC CHARACTER
(28) 1
(24) 2009 02 19
(18) 2029 02 19
(58) 2024 04 01
-

CANCELLATION OF DESIGN REGISTRATION

- (11) D 2019 810 S
(73) Davit Abutidze (GE)
VArketili 3, I m/r, bld. 25, ap. 9, 0163, Tbilisi, Georgia (GE)
(54) FOLDING TABLE
(18) 2023 09 18
(58) 2024 04 01
-

EXTENSION OF TERM OF INTERNATIONAL DESIGNS REGISTRATION

(11) DM/200 692
(73) HARRY WINSTON SA
Chemin Du Tourbillon 8, 1228 Plan-Les-Ouates (CH)
(15) 2019 03 11
(24) 2019 03 11
(18) 2029 03 11
(28) 3
(28') 3
(54) 1. EARRING, 2. EARRINGS, 3. NECKLACE

(11) DM/200 695
(73) HARRY WINSTON SA
Chemin Du Tourbillon 8, 1228 Plan-Les-Ouates (CH)
(15) 2019 03 06
(24) 2019 03 06
(18) 2029 03 06
(28) 3
(28') 3
(54) 1. NECKLACE, 2. EARRING, 3. NECKLACE

(11) DM/200 700
(73) MIDO AG (MIDO SA) (MIDO LTD.)
17, Chemin Des Tourelles, 2400 LE LOCLE (CH)
(15) 2019 03 22
(24) 2019 03 22
(18) 2029 03 22
(28) 1
(28') 1
(54) 1. WATCH

(11) DM/200 701
(73) HARRY WINSTON SA
Chemin Du Tourbillon 8, 1228 Plan-Les-Ouates (CH)
(15) 2019 03 13
(24) 2019 03 13
(18) 2029 03 13
(28) 1
(28') 1
(54) 1. EARRING

(11) DM/200 973
(73) OMEGA SA (OMEGA AG) (OMEGA LTD.)
Jakob-Stämpfli-Strasse 96, 2502 BIEL/BIENNE (CH)
(15) 2019 03 08
(24) 2019 03 08
(18) 2029 03 08
(28) 1
(28') 1
(54) 1. DIAL

(11) DM/200 997
(73) Montres Breguet SA (Montres Breguet AG) (Montres Breguet Ltd)
Place De La Tour 23, 1344 L'ABBAYE (CH)
(15) 2019 02 22
(24) 2019 02 22
(18) 2029 02 22
(28) 2
(28') 2
(54) 1. WATCH, 2. WATCH

(11) DM/202 161
(73) FrieslandCampina Nederland B.V.
Stationsplein 4, 3818 LE AMERSFOORT, (NL) (BX)
(15) 2019 02 12
(24) 2019 02 12
(18) 2029 02 12
(28) 2
(28') 2
(54) 1. ORNEMENTATION, 2. ORNEMENTATION

(11) DM/202 194
(73) FrieslandCampina Nederland B.V.
Stationsplein 4, 3818 LE AMERSFOORT (BX)
(15) 2019 02 12
(24) 2019 02 12
(18) 2029 02 12
(28) 4
(28') 4
(54) 1.-4. STORAGE CAN

(11) DM/202 339
(73) Nemiroff Intellectual Property Establishment
Städtle 31, 9490 Vaduz (LI)
(15) 2019 04 04
(24) 2019 04 04
(18) 2029 04 04
(28) 2
(28') 2
(54) 1.-2. BOTTLE

(11) DM/202 464
(73) PREMIATA S.R.L.
VIA FRIULI, 54, 20135 MILANO (IT)
(15) 2019 02 18
(24) 2019 02 18
(18) 2029 02 18
(28) 7
(28') 5
(54) 1.-4. SHOE SOLE, 5.-6. SHOE, 7. SHOE DECORATION

(11) DM/203 508
(73) Andrés CABELLO REY
Doctor Manuel Lezcano 8, 35017, Las Palmas De Gran Canaria (ES);
ADVENTIA PHARMA, S.L.
San Bernardo 22, 1ª Planta, 35002, Las Palmas De Gran Canaria (ES)

(15) 2019 03 14
(24) 2019 03 14
(18) 2029 03 14
(28) 2
(28') 2
(54) 1.-2. CONTAINER FOR FOOD PREPARATIONS AND FOR DRUGS

(11) DM/204 975
(73) FEMAF METAL SANAYİ VE TİCARET ANONİM ŞİRKETİ
Organize Sanayi Bölgesi 9. Cad. No: 17 Melikgazi, 38070 Kayseri (TR)
(15) 2019 04 19
(24) 2019 04 19
(18) 2029 04 19
(28) 5
(28') 1
(54) 1.-5. COOKING HOB

(11) DM/65117
(73) SWATCH AG (SWATCH SA) (SWATCH LTD.)
94, Rue Jakob Stämpfli BIENNE CH-2502 (CH)
(15) 2004 03 17
(24) 2004 03 17
(18) 2029 03 17
(28) 1
(28') 1
(54) WRISTWATCH

(11) DM/65119
(73) SWATCH AG (SWATCH SA) (SWATCH LTD.)
94, Rue Jakob Stämpfli BIENNE CH-2502 (CH)
(15) 2004 03 17
(24) 2004 03 17
(18) 2029 03 17
(28) 2
(28') 2
(54) WRISTWATCHES

(11) DM/65153
(73) SWATCH AG (SWATCH SA) (SWATCH LTD.)
94, Rue Jakob Stämpfli, CH-2502 BIENNE (CH)
(15) 2004 03 22
(24) 2004 03 22
(18) 2029 03 22
(28) 2
(28') 1
(54) WRISTWATCHES

(11) DM/65157
(73) THE SWATCH GROUP MANAGEMENT SERVICES AG (THE SWATCH GROUP MANAGEMENT SERVICES SA) (THE SWATCH GROUP MANAGEMENT SERVICES LTD.)
Seevorstadt 6, BIEL (CH)
(15) 2004 03 22
(24) 2004 03 22
(18) 2029 03 22

(28) 3
(28') 1
(54) WRISTWATCHES

(11) DM/65167
(73) MONTRES BREGUET S.A.
CH-1344 L'ABBAYE (CH)
(15) 2004 03 04
(24) 2004 03 04
(18) 2029 03 04
(28) 1
(28') 1
(54) EARRINGS

(11) DM/65175
(73) MONTRES BREGUET S.A.
CH-1344 L'ABBAYE (CH)
(15) 2004 03 22
(24) 2004 03 22
(18) 2029 03 22
(28) 6
(28') 6
(54) WATCHES

(11) DM/65698
(73) BRAUN GMBH
Frankfurter Strasse 145 Kronberg 61476 (DE)
(15) 2004 03 04
(24) 2004 03 04
(18) 2029 03 04
(28) 6
(28') 6
(54) TOOTHBRUSH HEADS

(11) DM/71415
(73) OMEGA SA (OMEGA AG) (OMEGA LTD.)
Jakob-Stämpfli-Strasse 96, CH-2502 Biel/Bienne (CH)
(15) 2009 03 02
(24) 2009 03 02
(18) 2029 03 02
(28) 2
(28') 2
(54) DIAL, WRISTWATCH

(11) DM/71416
(73) OMEGA SA (OMEGA AG) (OMEGA LTD.)
Jakob-Stämpfli-Strasse 96, CH-2502 Biel/Bienne (CH)
(15) 2009 03 02
(24) 2009 03 02
(18) 2029 03 02
(28) 1
(28') 1
(54) WRISTWATCH

(11) DM/71417
(73) OMEGA SA (OMEGA AG) (OMEGA LTD.)
 Jakob-Stämpfli-Strasse 96, CH-2502 Biel/Bienne (CH)
(15) 2009 03 02
(24) 2009 03 02
(18) 2029 03 02
(28) 2
(28') 2
(54) WRISTWATCHES

(11) DM/71418
(73) OMEGA SA (OMEGA AG) (OMEGA LTD.)
 Jakob-Stämpfli-Strasse 96, CH-2502 Biel/Bienne (CH)
(15) 2009 03 02
(24) 2009 03 02
(18) 2029 03 02
(28) 1
(28') 1
(54) WRISTWATCH

(11) DM/71421
(73) MIDO AG (MIDO SA) (MIDO LTD)
 Chemin des Tourelles 17, CH-2400 Le Locle (CH)
(15) 2009 03 06
(24) 2009 03 06
(18) 2029 03 06
(28) 3
(28') 2
(54) DIALS

(11) DM/71423
(73) TISSOT S.A.
 Chemin des Tourelles, CH-2400 Le Locle (CH)
(15) 2009 03 06
(24) 2009 03 06
(18) 2029 03 06
(28) 3
(28') 2
(54) WATCH CASES WITH BRACELETS

(11) DM/71424
(73) RADO UHREN AG (RADO WATCH CO.LTD.) (MONTRES RADO SA)
 Bielstrasse 45, CH-2543 LENGNAU (CH)
(15) 2009 03 06
(24) 2009 03 06
(18) 2029 03 06
(28) 2
(28') 2
(54) WATCHES

(11) DM/71425
(73) Montres Breguet SA (Montres Breguet AG) (Montres Breguet Ltd)
 Place de la Tour 23 1344 L'Abbaye (CH)
(15) 2009 03 06

(24) 2009 03 06
(18) 2029 03 06
(28) 1
(28') 1
(54) WATCH

(11) DM/71432
(73) SWATCH AG (SWATCH SA) (SWATCH LTD.)
 Jakob-Stämpfli-Strasse 94, CH-2502 Biel/Bienne (CH)
(15) 2009 03 03
(24) 2009 03 03
(18) 2029 03 03
(28) 1
(28') 1
(54) WATCH BRACELET

(11) DM/71434
(73) SWATCH AG (SWATCH SA) (SWATCH LTD.)
 Jakob-Stämpfli-Strasse 94, CH-2502 Biel/Bienne (CH)
(15) 2009 03 04
(24) 2009 03 04
(18) 2029 03 04
(28) 1
(28') 1
(54) DISPLAY UNIT

(11) DM/71482
(73) ETA SA MANUFACTURE HORLOGERE SUISSE
 CH-2540 GRENCHEN (CH)
(15) 2009 03 17
(24) 2009 03 17
(18) 2029 03 17
(28) 5
(28') 5
(54) 1. CLOCK AND WATCH MOVEMENT, 2. OSCILLATING WEIGHT, 3. OSCILLATING WEIGHT
 LOCK, 4.-5. CLOCK AND WATCH MOVEMENT PARTS

(11) DM/71490
(73) GLASHÜTTER UHRENBETRIEBE GMBH
 Altenberger Straße 1, 01768 Glashütte/SA (DE)
(15) 2009 03 11
(24) 2009 03 11
(18) 2029 03 11
(28) 3
(28') 3
(54) DIALS, WATCH CASE

(11) DM/71536
(73) OMEGA SA (OMEGA AG) (OMEGA LTD.)
 Jakob-Stämpfli-Strasse 96, CH-2502 Biel/Bienne (CH)
(15) 2009 03 25
(24) 2009 03 25
(18) 2029 03 25
(28) 1

(28') 1
(54) WRISTWATCH

(11) DM/71590
(73) Montres Breguet SA (Montres Breguet AG) (Montres Breguet Ltd)
Place de la Tour 23 1344 L'Abbaye (CH)
(15) 2009 04 01
(24) 2009 04 01
(18) 2029 04 01
(28) 10
(28') 10
(54) 1., 2. AND 10. JEWELRY, IN PARTICULAR RINGS; 3. AND 9. EARRINGS;
4., 5. AND 8. NECKLACES; 6. AND 7. BRACELETS

(11) DM/71705
(73) PANASONIC ELECTRIC WORKS ELEKTRİK SANAYİ VE TİCARET ANONİM ŞİKETİ
Abdurrahmangazi Mah. Ebubekir Cad. No:44 34887 Sancaktepe İstanbul (TR)
(15) 2009 02 26
(24) 2009 02 26
(18) 2029 02 26
(28) 2
(28') 2
(54) SOCKET, SWITCH

(11) DM/71784
(73) TURLEN HOLDING SA C/O SIPO S.A
Chemin du Château 26A, CH-2805 Soyhières (CH)
(15) 2009 05 12
(24) 2009 05 12
(18) 2029 05 12
(28) 1
(28') 1
(54) DIVER'S TOURBILLON WRISTWATCH

(11) DM/72111
(73) ECZACIBAŞI TÜKETİM ÜRÜNLERİ SANAYİ VE TİCARET ANONİM ŞİRKETİ
KAVACIK OFİS RÜZGARLI BAHÇE MAH. KAVAK SK. NO.20 BEYKOZ, İSTANBU (TR)
(15) 2009 07 23
(24) 2009 07 23
(18) 2029 07 23
(28) 1
(28') 1
(54) EMBOSsing PATTERN FOR ARTICLES OF ABSORBENT PAPER

(11) DM/83021
(73) HARRY WINSTON SA
Chemin du Tourbillon 8, CH-1228 Plan-les-Ouates (CH)
(15) 2014 03 05
(24) 2014 03 05
(18) 2024 03 05
(28) 5
(28') 5
(54) WATCHES

(11) DM/83055
(73) OMEGA SA (OMEGA AG) (OMEGA LTD.)
Jakob-Stämpfli-Strasse 96, CH-2502 Biel/Bienne (CH)
(15) 2014 03 07
(24) 2014 03 07
(18) 2029 03 07
(28) 1
(28') 1
(54) WATCH

(11) DM/83056
(73) ETA SA MANUFACTURE HORLOGÈRE SUISSE
Schild-Rust-Strasse 17, CH-2540 Grenchen (CH)
(15) 2014 03 07
(24) 2014 03 07
(18) 2029 03 07
(28) 2
(28') 2
(54) PART OF TIMEPIECE MOVEMENT, TIMEPIECE MOVEMENT

(11) DM/83060
(73) HARRY WINSTON SA, Chemin du Tourbillon 8
CH-1228 Plan-les-Ouates (CH)
(15) 2014 03 05
(24) 2014 03 05
(18) 2029 03 05
(28) 5
(28') 5
(54) EARRINGS, PENDANT, PENDANTS (NECKLACES)

(11) DM/83067
(73) Montres Breguet SA (Montres Breguet AG) (Montres Breguet Ltd)
Place de la Tour 23 1344 L'Abbaye (CH)
(15) 2014 03 10
(24) 2014 03 10
(18) 2029 03 10
(28) 3
(28') 3
(54) WATCHES

(11) DM/83091
(73) HARRY WINSTON SA
Chemin du Tourbillon 8, CH-1228 Plan-les-Ouates (CH)
(15) 2014 03 10
(24) 2014 03 10
(18) 2029 03 10
(28) 9
(28') 9
(54) 1.-2. WATCHES; 3. WATCH BRACELET; 4. DIAL; 5-6: WATCHES; 7.-8. DIALS; 9. WATCH

(11) DM/83096
(73) OMEGA SA (OMEGA AG) (OMEGA LTD.)
Jakob-Stämpfli-Strasse 96, CH-2502 Biel/Bienne (CH)
(15) 2014 03 06

(24) 2014 03 06
(18) 2029 03 06
(28) 9
(28') 9
(54) BRACELETS, CHARMS, EARRINGS, FINGER RING, PENDANT (NECKLACE)

(11) DM/83112
(73) BLANCPAIN SA
Le Rocher 12, CH-1348 LE BRASSUS (CH)
(15) 2014 03 12
(24) 2014 03 12
(18) 2029 03 12
(28) 2
(28') 2
(54) DIALS

(11) DM/83115
(73) Montres Breguet SA (Montres Breguet AG) (Montres Breguet Ltd)
Place de la Tour 23 1344 L'Abbaye (CH)
(15) 2014 03 14
(24) 2014 03 14
(18) 2029 03 14
(28) 1
(28') 1
(54) WRISTWATCH

(11) DM/83128
(73) HARRY WINSTON SA
Chemin du Tourbillon 8, CH-1228 Plan-les-Ouates (CH)
(15) 2014 03 12
(24) 2014 03 12
(18) 2029 03 12
(28) 2
(28') 2
(54) JEWELRY ARTICLES

(11) DM/83149
(73) OMEGA SA (OMEGA AG) (OMEGA LTD.)
Jakob-Stämpfli-Strasse 96, CH-2502 Biel/Bienne (CH)
(15) 2014 03 13
(24) 2014 03 13
(18) 2029 03 13
(28) 9
(28') 9
(54) JEWELRY ARTICLES

(11) DM/83150
(73) HARRY WINSTON SA
Chemin du Tourbillon 8, CH-1228 Plan-les-Ouates (CH)
(15) 2014 03 13
(24) 2014 03 13
(18) 2029 03 13
(28) 8
(28') 8

(54) DIALS, WATCH

(11) DM/83152

(73) OMEGA SA (OMEGA AG) (OMEGA LTD.)

Jakob-Stämpfli-Strasse 96, CH-2502 Biel/Bienne (CH)

(15) 2014 03 19

(24) 2014 03 19

(18) 2029 03 19

(28) 1

(28') 1

(54) EARRINGS

(11) DM/83153

(73) SWATCH AG (SWATCH SA) (SWATCH LTD.)

Jakob-Stämpfli-Strasse 94, CH-2502 Biel/Bienne (CH)

(15) 2014 03 19

(24) 2014 03 19

(18) 2029 03 19

(28) 2

(28') 2

(54) WRISTWATCHES

(11) DM/83163

(73) MONTRES JAQUET DROZ SA (MONTRES JAQUET DROZ AG)

(MONTRES JAQUET DROZ LTD.)

Allée du Tourbillon 2, CH-2300 La Chaux-de-Fonds (CH)

(15) 2014 03 14

(24) 2014 03 14

(18) 2029 03 14

(28) 2

(28') 2

(54) CUFF LINKS

(11) DM/83164

(73) MONTRES JAQUET DROZ SA (MONTRES JAQUET DROZ AG)

(MONTRES JAQUET DROZ LTD.)

Allée du Tourbillon 2, CH-2300 La Chaux-de-Fonds (CH)

(15) 2014 03 14

(24) 2014 03 14

(18) 2029 03 14

(28) 2

(28') 2

(54) POCKET WATCH, WINDING KEY FOR A POCKET WATCH

(11) DM/83170

(73) MONTRES JAQUET DROZ SA (MONTRES JAQUET DROZ AG)

(MONTRES JAQUET DROZ LTD.)

Allée du Tourbillon 2, CH-2300 La Chaux-de-Fonds (CH)

(15) 2014 03 24

(24) 2014 03 24

(18) 2029 03 24

(28) 3

(28') 2
(54) DIALS, OSCILLATING WEIGHT

(11) DM/83172
(73) OMEGA SA (OMEGA AG) (OMEGA LTD.)
 Jakob-Stämpfli-Strasse 96, CH-2502 Biel/Bienne (CH)
(15) 2014 03 17
(24) 2014 03 17
(18) 2029 03 17
(28) 2
(28') 2
(54) BRACELET, FINGER RING

(11) DM/83173
(73) OMEGA SA (OMEGA AG) (OMEGA LTD.)
 Jakob-Stämpfli-Strasse 96, CH-2502 Biel/Bienne (CH)
(15) 2014 03 17
(24) 2014 03 17
(18) 2029 03 17
(28) 1
(28') 1
(54) CUFF LINK

(11) DM/83174
(73) OMEGA SA (OMEGA AG) (OMEGA LTD.)
 Jakob-Stämpfli-Strasse 96, CH-2502 Biel/Bienne (CH)
(15) 2014 03 17
(24) 2014 03 17
(18) 2029 03 17
(28) 1
(28') 1
(54) WRISTWATCH

(11) DM/83175
(73) OMEGA SA (OMEGA AG) (OMEGA LTD.)
 Jakob-Stämpfli-Strasse 96, CH-2502 Biel/Bienne (CH)
(15) 2014 03 17
(24) 2014 03 17
(18) 2029 03 17
(28) 1
(28') 1
(54) WRISTWATCH

(11) DM/83182
(73) SWATCH AG (SWATCH SA) (SWATCH LTD.)
 Jakob-Stämpfli-Strasse 94, CH-2502 Biel/Bienne (CH)
(15) 2014 03 20
(24) 2014 03 20
(18) 2029 03 20
(28) 1
(28') 1
(54) WRISTWATCH

(11) DM/83195
(73) MONTRES JAQUET DROZ SA (MONTRES JAQUET DROZ AG)
(MONTRES JAQUET DROZ LTD)
Allée du Tourbillon 2, CH-2300 La Chaux-de-Fonds (CH)
(15) 2014 03 24
(24) 2014 03 24
(18) 2029 03 24
(28) 10
(28') 6
(54) DIALS, WATCH BRACELET BUCKLES, WATCH CASE

(11) DM/83200
(73) HARRY WINSTON SA
Chemin du Tourbillon 8, CH-1228 Plan-les-Ouates (CH)
(15) 2014 03 25
(24) 2014 03 25
(18) 2029 03 25
(28) 4
(28') 3
(54) BRACELETS, EARRING, JEWELRY ARTICLE

(11) DM/83203
(73) OMEGA SA (OMEGA AG) (OMEGA LTD.)
Jakob-Stämpfli-Strasse 96, CH-2502 Biel/Bienne (CH)
(15) 2014 03 25
(24) 2014 03 25
(18) 2029 03 25
(28) 3
(28') 3
(54) BRACELET, BROOCH, EARRINGS

(11) DM/83204
(73) MONTRES JAQUET DROZ SA (MONTRES JAQUET DROZ AG)
(MONTRES JAQUET DROZ LTD.)
Allée du Tourbillon 2, CH-2300 La Chaux-de-Fonds (CH)
(15) 2014 03 25
(24) 2014 03 25
(18) 2029 03 25
(28) 2
(28') 1
(54) WATCHES

(11) DM/83210
(73) HARRY WINSTON SA
Chemin du Tourbillon 8, CH-1228 Plan-les-Ouates (CH)
(15) 2014 03 24
(24) 2014 03 24
(18) 2029 03 24
(28) 2
(28') 2
(54) WATCH, WATCH CASE

(11) DM/83211
(73) HARRY WINSTON SA
Chemin du Tourbillon 8, CH-1228 Plan-les-Ouates (CH)
(15) 2014 03 26
(24) 2014 03 26
(18) 2029 03 26
(28) 1
(28') 1
(54) Dial

(11) DM/83212
(73) MONTRES JAQUET DROZ SA (MONTRES JAQUET DROZ AG)
(MONTRES JAQUET DROZ LTD.)
Allée du Tourbillon 2, CH-2300 La Chaux-de-Fonds (CH)
(15) 2014 03 26
(24) 2014 03 26
(18) 2029 03 26
(28) 2
(28') 2
(54) DIALS

(11) DM/83232
(73) MONTRES JAQUET DROZ SA (MONTRES JAQUET DROZ AG)
(MONTRES JAQUET DROZ LTD.)
Allée du Tourbillon 2, CH-2300 La Chaux-de-Fonds (CH)
(15) 2014 03 25
(24) 2014 03 25
(18) 2029 03 25
(28) 1
(28') 1
(54) WATCH CASE FOR WRISTWATCH

(11) DM/83383
(73) PIAGGIO & C. S.P.A.
Viale Rinaldo Piaggio, 25, I-56025 PONTEDERA (PISA) (EM)
(15) 2014 04 15
(24) 2014 04 15
(18) 2029 04 15
(28) 1
(28') 1
(54) MOTOR SCOOTER

(11) DM/83608
(73) HARRY WINSTON SA
Chemin du Tourbillon 8, CH-1228 Plan-les-Ouates (CH)
(15) 2014 03 25
(24) 2014 03 25
(18) 2029 03 25
(28) 4
(28') 4
(54) WRISTWATCHES

(11) DM/83735
(73) MONTRES JAQUET DROZ SA (MONTRES JAQUET DROZ AG)
(MONTRES JAQUET DROZ LTD.)
Allée du Tourbillon 2, CH-2300 La Chaux-de-Fonds (CH)
(15) 2014 03 24
(24) 2014 03 24
(18) 2029 04 30
(28) 1
(28') 1
(54) SIGNING MACHINE

CANCELLATION OF INTERNATIONAL DESIGNS REGISTRATION

(11) DM/100901
(73) BULGARIAN INDUSTRIAL ENGINEERING COMPANY LTD
Shipeto Str. 5, Vladaya village, BG-1641 Sofia-city, Sofia-Municipality (BG)
DATE OF CANCELLATION OF REGISTRATION: 2023 03 29
(58) 2024 03 25

(11) DM/101069
(73) SUSAN GOPAUL
7317 SW 197TH PL., BEAVERTON 97007 (US)
DATE OF CANCELLATION OF REGISTRATION: 2023 04 17
(58) 2024 03 25

(11) DM/101077
(73) PRYVATNE PIDPRYIEMSTVO "VYROBNYCHO-TORHOVA KOMPANIIA "LUKAS"
Ivana Prykhodka, 69, Kremenchuk, Poltavaska oblast 39621 (UA)
DATE OF CANCELLATION OF REGISTRATION: 2023 03 31
(58) 2024 03 25

(11) DM/101479
(73) VALENTINO S.P.A.
Via Turati, 16/18, I-20121 Milano (EM)
DATE OF CANCELLATION OF REGISTRATION: 2023 05 30
(58) 2024 03 25

(11) DM/101617
(73) VALENTINO S.P.A.
Via Turati, 16/18, I-20121 Milano (EM)
DATE OF CANCELLATION OF REGISTRATION: 2023 05 17
(58) 2024 03 25

(11) DM/101 788
(73) MONTRES JAQUET DROZ SA (MONTRES JAQUET DROZ AG)
(MONTRES JAQUET DROZ LTD.)
Allée Du Tourbillon 2, CH-2300 La Chaux-de-Fonds (CH)
DATE OF CANCELLATION OF REGISTRATION: 2023 06 19
(58) 2024 03 25

(11) DM/101952
(73) LOKUM ATÖLYESİ ŞEKERLEME GIDA TURİZM İNŞAAT HAYVANCILIK
SANAYİ VE TİCARET ANONİM ŞİRKETİ
Organize Sanayi Bölgesi 1. Cadde 1. Sokak No:27, Afyonkarahisar (TR)
DATE OF CANCELLATION OF REGISTRATION: 2023 06 11
(58) 2024 03 26

(11) DM/102050
(73) ZAKHARIN SERHII
Yakubovskoho St., 4, apt 8, Kyiv 03191 (UA)
DATE OF CANCELLATION OF REGISTRATION: 2023 04 04
(58) 2024 03 26

(11) DM/102154
(73) MONTRES JAQUET DROZ SA (MONTRES JAQUET DROZ AG)
(MONTRES JAQUET DROZ LTD.)
Allée du Tourbillon 2, CH-2300 La Chaux-de-Fonds (CH)
DATE OF CANCELLATION OF REGISTRATION: 2023 03 19
(58) 2024 03 25

(11) DM/80595
(73) ETA SA MANUFACTURE HORLOGÈRE SUISSE
CH-2540 Grenchen (CH)
DATE OF CANCELLATION OF REGISTRATION: 2023 04 10
(58) 2024 03 26

(11) DM/80739
(73) THE SWATCH GROUP MANAGEMENT SERVICES AG
(THE SWATCH GROUP MANAGEMENT SERVICES SA) (THE SWATCH GROUP
MANAGEMENT SERVICES LTD.)
Faubourg du Lac 6, CH-2502 Biel/Bienne (CH)
DATE OF CANCELLATION OF REGISTRATION: 2023 04 04
(58) 2024 03 26

(11) DM/80785
(73) MONTRES JAQUET DROZ SA (MONTRES JAQUET DROZ AG)
(MONTRES JAQUET DROZ LTD.)
Allée du Tourbillon 2, CH-2300 La Chaux-de-Fonds (CH)
DATE OF CANCELLATION OF REGISTRATION: 2023 04 22
(58) 2024 03 26

(11) DM/80786
(73) MONTRES JAQUET DROZ SA (MONTRES JAQUET DROZ AG)
(MONTRES JAQUET DROZ LTD.)
Allée du Tourbillon 2, CH-2300 La Chaux-de-Fonds (CH)
DATE OF CANCELLATION OF REGISTRATION: 2023 04 23
(58) 2024 03 26

(11) DM/80793
(73) MONTRES JAQUET DROZ SA (MONTRES JAQUET DROZ AG)
(MONTRES JAQUET DROZ LTD.)
Allée du Tourbillon 2, CH-2300 La Chaux-de-Fonds (CH)

DATE OF CANCELLATION OF REGISTRATION: 2023 04 23
(58) 2024 03 26

(11) DM/81026
(73) INDRA SISTEMAS S.A.
Avda. Bruselas, 33-35, E-28108 Alcobendas, Madrid (ES)
DATE OF CANCELLATION OF REGISTRATION: 2023 03 05
(58) 2024 03 26

(11) DM/81036
(73) MAGIC PRODUCTION GROUP S.A.
Findel Business Center, Complexe B, Rue de Trèves, L-2632 Findel (BX)
DATE OF CANCELLATION OF REGISTRATION: 2023 06 04
(58) 2024 03 26

(11) DM/81098
(73) SWATCH AG (SWATCH SA) (SWATCH LTD.)
Jakob-Stämpfli-Strasse 94, CH-2502 Biel/Bienne (CH)
DATE OF CANCELLATION OF REGISTRATION: 2023 06 18
(58) 2024 03 26

TRADEMARKS

EXTENSION OF TERM OF TRADEMARKS REGISTRATION

(111) M 2004 15466 R2

(151) 2004 03 15

(186) 2034 03 15

(732) Diageo North America Inc.

Three World Trade Center, 175 Greenwich
Street, New York, NY 10007, USA

(also trading as Toyota Motor Corporation)

1, Toyota-Cho, Toyota-Shi, Aichi-Ken, Japan

(111) M 2004 15460 R2

(151) 2004 03 15

(186) 2034 03 15

(732) Diageo North America Inc.

Three World Trade Center, 175 Greenwich
Street, New York, NY 10007, USA

(111) M 2014 24696 R1

(151) 2014 04 23

(186) 2034 04 23

(732) OOO "Best Clean"

142700, Moskovskaya Obl., Lenin District,
Vidnoe, North Promzona Territory,
Proektiruemyi Proezd 251, Vl. 2, Russian
Federation

(111) M 2004 15461 R2

(151) 2004 03 15

(186) 2034 03 15

(732) Diageo North America Inc.

Three World Trade Center, 175 Greenwich
Street, New York, NY 10007, USA

(111) M 2014 24966 R1

(151) 2014 07 08

(186) 2034 07 08

(732) Depo Auto Parts Ind. Co., LTD.

N 20-3, Nan Shih Lane, Lu Kong Chen,
Chang Hua Shien, Taiwan, R.O.C., Taiwan,
Province of China

(111) M 2004 15516 R2

(151) 2004 04 16

(186) 2034 04 16

(732) Rottapharm LTD

Damastown Industrial Park, Mulhuddart,
Dublin 15, Ireland

(111) M 2014 24807 R1

(151) 2014 05 30

(186) 2034 05 30

(732) Edelweiss GmbH & Co.KG

Oberstdorfer Strasse 7, 87435 Kempten,
Germany

(111) M 1994 139 R3

(151) 1994 10 28

(186) 2034 10 28

(732) Procter & Gamble Tüketim Mallari Sanayi

Anonim Sirketi
Begonya Ataşehir Sitesi C Kapısı Barbaros
Mahallesi Begonya Sokak No:3E Istanbul,
Türkiye

(111) M 2014 24575 R1

(151) 2014 03 12

(186) 2034 03 12

(732) Kandoo Worldwide LTD

Road Town, Tortola, Virgin Islands (British)

(111) M 2014 25048 R1

(151) 2014 07 28

(186) 2034 07 28

(732) IDS Borjomi Beverages Co.N.V.

Tori St. 39, 1200, Borjomi, Georgia

(111) M 2014 24755 R1

(151) 2014 05 07

(186) 2034 05 07

(732) E.R. Amantino & Cia LTDA

R. Fiorindo Dalla Colleta, 140-1 Distrito –
Veranópolis - RS, Brazil

(111) M 2013 23238 R1

(151) 2013 01 09

(186) 2033 01 09

(732) Toyota Jidosha Kabushiki Kaisha

(111) M 2015 25611 R1

(151) 2015 01 27

(186) 2035 01 27

(732) LTD "Vinman LTD"

Gudiashvili St. 11, 0105, Tbilisi, Georgia

(111) M 2014 25342 R1
(151) 2014 10 29
(186) 2034 10 29
(732) Philip Morris Products S. A.
Quai Jeanrenaud 3, 2000 Neuchâtel,
Switzerland

(111) M 2014 25343 R1
(151) 2014 10 29
(186) 2034 10 29
(732) Philip Morris Products S. A.
Quai Jeanrenaud 3, 2000 Neuchâtel,
Switzerland

(111) M 2015 25709 R1
(151) 2015 03 12
(186) 2035 03 12
(732) LTD "Aighvinissakhli"
XIX m/r, bld. 23, ap. 24, 3700, Rustavi,
Georgia

COMPLETE TRANSFER OF RIGHTS

(111) M 2020 32620 R
(732) Sandoz AG
Viaduktshtrase 3, 4051 Bazeli, Switzerland
(770) Novartis AG
4002 Basel, Switzerland
(580) 2024 02 29

(111) M 2020 32825 R
(732) Sandoz AG
Viaduktshtrase 3, 4051 Bazeli, Switzerland
(770) Novartis AG
4002 Basel, Switzerland
(580) 2024 02 28

(111) M 2021 34849 R
(732) Sandoz AG
Viaduktshtrase 3, 4051 Bazeli, Switzerland
(770) Novartis AG
4002 Basel, Switzerland
(580) 2024 02 27

(111) M 2022 36144 R
(732) Makhare Lepsveridze
Vill. Ikalto, 2206, Telavi, Georgia
(770) Tornike Kurshitashvili
Givi Svanidze St. 4, 0101, Tbilisi, Georgia;
Makhare Lepsveridze
Vill. Ikalto, 2206, Telavi, Georgia
(580) 2024 03 25

(111) M 2022 36145 R
(732) Makhare Lepsveridze
Vill. Ikalto, 2206, Telavi, Georgia
(770) Tornike Kurshitashvili
Givi Svanidze St. 4, 0101, Tbilisi, Georgia;
Makhare Lepsveridze
Vill. Ikalto, 2206, Telavi, Georgia
(580) 2024 03 25

(111) M 1997 6493 R
(732) Sandoz AG
Viaduktstrasse 3, 4051 Basel, Switzerland
(770) Novartis AG
CH-4002 Basel, Switzerland
(580) 2024 02 28

(111) M 2023 37413 R
(732) JSC "Evex"
Vazha-Pshavela Av. 40, 0177, Tbilisi,
Georgia

(770) JSC "Evex Clinics"
Vazha-Pshavela Av. 40, 0177, Tbilisi,
Georgia
(580) 2024 01 22

(111) M 1997 7520 R
(732) Sandoz AG
Viaduktstrasse 3, 4051 Basel, Switzerland
(770) Novartis AG
4002 Basel, Switzerland
(580) 2024 02 27

(111) M 1998 9554 R
(732) Sandoz AG
Viaduktstrasse 3, 4051 Basel, Switzerland
(770) Novartis AG
4002 Basel, Switzerland
(580) 2024 02 28

(111) M 1997 6328 R
(732) Sandoz AG
Viaduktstrasse 3, 4051 Basel, Switzerland
(770) Novartis AG
4002 Basel, Switzerland
(580) 2024 02 29

(111) M 2008 18313 R
(732) Sandoz AG
Viaduktstrasse 3, 4051 Basel, Switzerland
(770) Novartis AG
4002 Basel, Switzerland
(580) 2024 02 29

(111) M 2009 19196 R
(732) Sandoz AG
Viaduktstrasse 3, 4051 Basel, Switzerland
(770) Novartis AG
4002 Basel, Switzerland
(580) 2024 02 28

(111) M 2008 18677 R
(732) Sandoz AG
Viaduktstrasse 3, 4051 Basel, Switzerland
(770) Novartis AG
4002 Basel, Switzerland
(580) 2024 02 28

(111) M 2009 19166 R
(732) Sandoz AG
Viaduktstrasse 3, 4051 Basel, Switzerland
(770) Novartis AG
4002 Basel, Switzerland
(580) 2024 02 28

(111) M 2009 19387 R
(732) Sandoz AG
Viaduktstrasse 3, 4051 Basel, Switzerland
(770) Novartis AG
4002 Basel, Switzerland
(580) 2024 02 26

(111) M 2009 19435 R
(732) Sandoz AG
Viaduktstrasse 3, 4051 Basel, Switzerland
(770) Novartis AG
4002 Basel, Switzerland
(580) 2024 02 29

(111) M 2009 20022 R
(732) Sandoz AG
Viaduktstrasse 3, 4051 Basel, Switzerland
(770) Novartis AG
4002 Basel, Switzerland
(580) 2024 02 27

(111) M 2011 21325 R
(732) Sandoz AG
Viaduktstrasse 3, 4051 Basel, Switzerland
(770) Novartis AG
4002 Basel, Switzerland
(580) 2024 03 02

(111) M 2011 21420 R
(732) Sandoz AG
Viaduktstrasse 3, 4051 Basel, Switzerland
(770) Novartis AG
4002 Basel, Switzerland
(580) 2024 02 29

(111) M 2011 21888 R
(732) Abiogen pharma S.p.A.
Via Antonio Meucci, 36, 56121, Ospedaletto
(Pisa), Italy
(770) Genzyme Corporation (a Massachusetts
Corporation)
50 Binney Street, Cambridge, Massachusetts
02142, USA
(580) 2024 01 22

(111) M 2014 24456 R
(732) Sandoz AG
Viaduktstrasse 3, 4051 Basel, Switzerland
(770) Novartis AG
4002 Basel, Switzerland
(580) 2024 02 26

(111) M 2014 24457 R
(732) Sandoz AG
Viaduktstrasse 3, 4051 Basel, Switzerland
(770) Novartis AG
4002 Basel, Switzerland
(580) 2024 02 27

(111) M 2015 26563 R
(732) Sandoz AG
Viaduktstrasse 3, 4051 Basel, Switzerland
(770) Novartis AG
4002 Basel, Switzerland
(580) 2024 02 27

(111) M 2015 26501 R
(732) Sandoz AG
Viaduktstrasse 3, 4051 Basel, Switzerland
(770) Novartis AG
4002 Basel, Switzerland
(580) 2024 02 27

(111) M 2015 26564 R
(732) Sandoz AG
Viaduktstrasse 3, 4051 Basel, Switzerland
(770) Novartis AG
4002 Basel, Switzerland
(580) 2024 03 02

(111) M 2015 26565 R
(732) Sandoz AG
Viaduktstrasse 3, 4051 Basel, Switzerland
(770) Novartis AG
4002 Basel, Switzerland
(580) 2024 03 02

(111) M 2016 27888 R
(732) Sandoz AG
Viaduktstrasse 3, 4051 Basel, Switzerland
(770) Novartis AG
4002 Basel, Switzerland
(580) 2024 02 28

(732) Sandoz AG
Viaduktstrasse 3, 4051 Basel, Switzerland
(770) Novartis AG
4002 Basel, Switzerland

(580) 2024 02 28

(111) M 2016 27394 R
(732) Sandoz AG
Viaduktstrasse 3, 4051 Basel, Switzerland
(770) Novartis AG
4002 Basel, Switzerland
(580) 2024 02 27

(111) M 2016 27395 R
(732) Sandoz AG
Viaduktstrasse 3, 4051 Basel, Switzerland
(770) Novartis AG
4002 Basel, Switzerland
(580) 2024 02 27

(111) M 2016 27396 R
(732) Sandoz AG
Viaduktstrasse 3, 4051 Basel, Switzerland
(770) Novartis AG
4002 Basel, Switzerland
(580) 2024 02 27

(111) M 2016 27397 R
(732) Sandoz AG
Viaduktstrasse 3, 4051 Basel, Switzerland
(770) Novartis AG
4002 Basel, Switzerland
(580) 2024 02 27

(111) M 2016 27398 R
(732) Sandoz AG
Viaduktstrasse 3, 4051 Basel, Switzerland
(770) Novartis AG
4002 Basel, Switzerland
(580) 2024 02 27

(111) M 2016 27931 R
(732) Sandoz AG
Viaduktstrasse 3, 4051 Basel, Switzerland
(770) Novartis AG
4002 Basel, Switzerland
(580) 2024 02 27

(111) M 2018 29255 R
(732) Sandoz AG
Viaduktstrasse 3, 4051 Basel, Switzerland
(770) Novartis AG
4002 Basel, Switzerland
(580) 2024 02 28

(111) M 2018 29256 R
(732) Sandoz AG
Viaduktstrasse 3, 4051 Basel, Switzerland
(770) Novartis AG
4002 Basel, Switzerland
(580) 2024 02 28

(111) M 2018 29257 R
(732) Sandoz AG
Viaduktstrasse 3, 4051 Basel, Switzerland
(770) Novartis AG
4002 Basel, Switzerland
(580) 2024 02 28

(111) M 2018 29652 R
(732) Sandoz AG
Viaduktstrasse 3, 4051 Basel, Switzerland
(770) Novartis AG
4002 Basel, Switzerland
(580) 2024 02 27

CHANGES OF NAME AND/OR ADDRESS OF TRADEMARKS OWNERS

(111) M 2018 30469 R
(732) "Europabeti" LLC
Ilia Chavchavadze Av. 29, 5th floor, 0179,
Tbilisi, Georgia

(770) LLC "Champions 111"
Ilia Chavchavadze Av. 29, 5th floor, 0179,
Tbilisi, Georgia
(580) 2024 03 20

(111) M 2022 35559 R
(732) "Europabeti" LLC
Ilia Chavchavadze Av. 29, 5th floor, 0179,
Tbilisi, Georgia
(770) LLC "Champions 111"
Ilia Chavchavadze Av. 29, 5th floor, 0179,
Tbilisi, Georgia
(580) 2024 03 18

(111) M 2022 35560 R
(732) "Europabeti" LLC
Ilia Chavchavadze Av. 29, 5th floor, 0179,
Tbilisi, Georgia
(770) LLC "Champions 111"
Ilia Chavchavadze Av. 29, 5th floor, 0179,
Tbilisi, Georgia
(580) 2024 03 18

(111) M 2022 35574 R
(732) "Europabeti" LLC
Ilia Chavchavadze Av. 29, 5th floor, 0179,
Tbilisi, Georgia
(770) LLC "Champions 111"
Ilia Chavchavadze Av. 29, 5th floor, 0179,
Tbilisi, Georgia
(580) 2024 03 18

(111) M 2024 38079 R
(732) Worldwide Franchise Systems Inc.
7750 Wisconsin Avenue, Bethesda,
Maryland 20814, USA
(770) Worldwide Franchise Systems Inc.
One StarPoint, Stamford, Connecticut
06902, USA
(580) 2024 02 12

(111) M 2023 36926 R
(732) "Europabeti" LLC
Ilia Chavchavadze Av. 29, 5th floor, 0179,
Tbilisi, Georgia
(770) LLC "Champions 111"

Ilia Chavchavadze Av. 29, 5th floor, 0179,
Tbilisi, Georgia
(580) 2024 03 18

(111) M 2024 37987 R
(732) LTD "AC Group"
Davit Kldiashvili St. 6, 6010, Batumi, Georgia
(770) LTD "Arsi Group"
Davit Kldiashvili St. 6, 6010, Batumi, Georgia
(580) 2024 03 21

(111) M 1998 8954 R
(732) Indesit Company Luxembourg S.A.
16 Rue Erasme, L-1468 Luxembourg,
Luxembourg
(770) Indesit Company Luxembourg S.A.
11-13 Boulevard de la Foire, Luxembourg,
L-1528, Luxembourg
(580) 2024 03 12

(111) M 2017 28788 R
(732) "Europabeti" LLC
Ilia Chavchavadze Av. 29, 5th floor, 0179,
Tbilisi, Georgia
(770) LLC "Champions 111"
Ilia Chavchavadze Av. 29, 5th floor, 0179,
Tbilisi, Georgia
(580) 2024 03 20

(111) M 2017 28789 R
(732) "Europabeti" LLC
Ilia Chavchavadze Av. 29, 5th floor, 0179,
Tbilisi, Georgia
(770) LLC "Champions 111"
Ilia Chavchavadze Av. 29, 5th floor, 0179,
Tbilisi, Georgia
(580) 2024 03 20

CANCELLATION OF TRADEMARKS REGISTRATION

(111) M 2013 24018 R
(151) 2013 09 17
(732) Lesaffre Turquie Mayacilik Üretim Ve Ticaret
Anonim Şirketi
SahraYicedid Mah. Atatürk Cad. Cebesoy
SK. No.8, Kadoköy, İstanbul, Türkiye
(141) 2024 04 01

(111) M 2013 24019 R
(151) 2013 09 17
(732) Genentech Inc.
1 DNA Way, South San Francisco, California
94080-4990, USA
(141) 2024 04 01

(111) M 2013 24022 R
(151) 2013 09 17
(732) LTD "Megatrade"
Kote Marjanishvili St. 6, 0102, Tbilisi,
Georgia
(141) 2024 04 01

(111) M 2013 24023 R
(151) 2013 09 17
(732) "Amber Beverage Group" SIA
A. Čaka iela 160, Rīga, LV-1012, Latvia
(141) 2024 04 01

(111) M 2013 24024 R
(151) 2013 09 17
(732) "Amber Beverage Group" SIA
A. Čaka iela 160, Rīga, LV-1012, Latvia
(141) 2024 04 01

(111) M 2013 24030 R
(151) 2013 09 17
(732) LTD "Neopharmi"
Davit Aghmashenebeli Alley 12st km.,
0131, Tbilisi, Georgia
(141) 2024 04 01

(111) M 2013 24031 R
(151) 2013 09 17
(732) LTD "Edena"
Shota Rustaveli St. 1, St. 2400, Retjola,
Georgia
(141) 2024 04 01

(111) M 2013 24032 R
(151) 2013 09 17
(732) LTD "Megatrade"
Kote Marjanishvili St. 6, 0102, Tbilisi,
Georgia
(141) 2024 04 01

(111) M 2013 24033 R
(151) 2013 09 17
(732) LLC "Noblex"
Shanidze St. 8, 0179, Tbilisi, Georgia
(141) 2024 04 01

(111) M 2013 24035 R
(151) 2013 09 17
(732) LTD "Kvareli Winery 2011"
Shota Rustaveli St. 3, 4800, Kvareli, Georgia
(141) 2024 04 01

(111) M 2013 24039 R
(151) 2013 09 17
(732) British American Tobacco (Brands) Inc.
(a Delaware corporation)
251 Little Falls Drive, Suite 100, Wilmington,
DE 19808-1674, USA
(141) 2024 04 01

(111) M 2013 24040 R
(151) 2013 09 17
(732) British American Tobacco (Brands) Inc.
(a Delaware corporation)
2711 Centerville Road, Suite 300, Wilmington,
Delaware 19808, USA
(141) 2024 04 01

(111) M 2013 24044 R
(151) 2013 09 17
(732) Millennium end Copthorne International
Limited
36 Robinson Road, №04-01 City House,
Singapore 068877, Singapore
(141) 2024 04 01

(111) M 2013 24046 R
(151) 2013 09 17
(732) Millennium end Copthorne International
Limited
36 Robinson Road, №04-01 City House,
Singapore 068877, Singapore

(141) 2024 04 01

(111) M 2013 24047 R
(151) 2013 09 17
(732) Millennium end Copthorne International
Limited
36 Robinson Road, #04-01 City House,
Singapore 068877, Singapore
(141) 2024 04 01

(111) M 2013 24049 R
(151) 2013 09 17
(732) TOO "Raimbek Bottlers"
Ul. Nurmakova, 160, 050008 Alma-Ata,
Kazakhstan
(141) 2024 04 01

(111) M 2013 24051 R
(151) 2013 09 17
(732) LTD "Chirina"
Lado Gudiashvili St. 9, 0105, Tbilisi,
Georgia
(141) 2024 04 01

(111) M 2013 24052 R
(151) 2013 09 17
(732) LTD "Samoseli Pirveli"
Zubalashvils St. 7, 0108, Tbilisi, Georgia
(141) 2024 04 01

(111) M 2013 24054 R
(151) 2013 09 17
(732) LTD "Aisi"
Evdoshvili St. 37, 1500, Gurjanni, Georgia
(141) 2024 04 01

(111) M 2013 24055 R
(151) 2013 09 17
(732) LTD "Aisi"
Evdoshvili St. 37, 1500, Gurjanni, Georgia
(141) 2024 04 01

(111) M 2013 24060 R
(151) 2013 09 17
(732) JSC "Small and Medium Business Investment
Fund Green Capital"
Davit Aghmashenebeli Av. 154, 0102, Tbilisi,
Georgia
(141) 2024 04 01

(111) M 2013 24061 R
(151) 2013 09 17
(732) JSC "Sarajishvili"
Sarajishvili Av. 4, 0153, Tbilisi, Georgia
(141) 2024 04 01

(111) M 2013 24063 R
(151) 2013 09 20
(732) Samsung Electronics Co., LTD.
416, Maetan-dong, Yeongtong-gu, Suwon-si,
Gyeonggi-do, Republic of Korea
(141) 2024 03 26

CLASSIFICATION INDEXES

INVENTIONS

CONCORDANCE TABLE OF INTERNATIONAL CLASSIFICATION INDEX AND PUBLICATION NUMBER

INTERNATIONAL CLASSIFICATION INDEXES (51)	NUMBER OF PUBLISHED APPLICATION (10)
A 24 B 15/167; A 24 F 40/10; A 24 F 40/05; A 61 M 15/00; A 61 M 11/00; B 05 B 17/06	AP 2024 16078 A
A 61 K 9/00; A 61 K 47/12; A 61 P 7/08	AP 2024 16112 A
A 61 K 31/519; A 61 P 35/00; C 07 D 471/04; C 07 D 487/04; C 07 D 491/107; C 07 D 498/04	AP 2024 16015 A
B 01 J 20/22; C 22 B 11/00; C 22 B 3/16	AP 2024 15910 A

CONCORDANCE TABLE OF PUBLICATION NUMBER AND INTERNATIONAL CLASSIFICATION INDEX

NUMBER OF PUBLISHED APPLICATION (10)	INTERNATIONAL CLASSIFICATION INDEXES (51)
AP 2024 15910 A	B 01 J 20/22; C 22 B 11/00; C 22 B 3/16
AP 2024 16015 A	A 61 K 31/519; A 61 P 35/00; C 07 D 471/04; C 07 D 487/04; C 07 D 491/107; C 07 D 498/04
AP 2024 16078 A	A 24 B 15/167; A 24 F 40/10; A 24 F 40/05; A 61 M 15/00; A 61 M 11/00; B 05 B 17/06
AP 2024 16112 A	A 61 K 9/00; A 61 K 47/12; A 61 P 7/08

DESIGNS**CONCORDANCE TABLE OF INTERNATIONAL CLASSIFICATION INDEX
AND PUBLICATION NUMBER**

INTERNATIONAL CLASSIFICATION INDEXES (51)	NUMBER OF PUBLISHED APPLICATION (10)
02-04	AD 2024 1340 S
11-01	AD 2024 1334 S

**CONCORDANCE TABLE OF PUBLICATION NUMBER
AND INTERNATIONAL CLASSIFICATION INDEX**

NUMBER OF PUBLISHED APPLICATION (10)	INTERNATIONAL CLASSIFICATION INDEXES (51)
AD 2024 1334 S	11-01
AD 2024 1340 S	02-04

**CONCORDANCE TABLE OF INTERNATIONAL CLASSIFICATION INDEX,
NUMBER OF REGISTRATION AND PUBLICATION NUMBER**

INTERNATIONAL CLASSIFICATION INDEXES (51)	NUMBER OF REGISTRATION (11)	NUMBER OF PUBLISHED APPLICATION (10)
01-01	D 2024 1000 S	AD 2023 1323 S
02-02	D 2024 1001 S	AD 2023 1324 S

**CONCORDANCE TABLE OF NUMBER OF REGISTRATION,
PUBLICATION NUMBER AND INTERNATIONAL CLASSIFICATION INDEX**

NUMBER OF REGISTRATION (11)	NUMBER OF PUBLISHED APPLICATION (10)	INTERNATIONAL CLASSIFICATION INDEXES (51)
D 2024 1000 S	AD 2023 1323 S	01-01
D 2024 1001 S	AD 2023 1324 S	02-02

**CONCORDANCE TABLE OF APPLICATION NUMBER,
PUBLICATION NUMBER AND NUMBER OF REGISTRATION**

NUMBER OF APPLICATION (21)	NUMBER OF PUBLISHED APPLICATION (10)	NUMBER OF REGISTRATION (11)
AD 2023 1323	AD 2023 1323 S	D 2024 1000 S
AD 2023 1324	AD 2023 1324 S	D 2024 1001 S

**DESIGNS REGISTERED ACCORDING TO THE ACCELERATED
PROCEDURE**

**CONCORDANCE TABLE OF INTERNATIONAL CLASSIFICATION INDEX
AND PUBLICATION NUMBERS**

INTERNATIONAL CLASSIFICATION INDEXES (51)	NUMBER OF REGISTRATION (11)
09-03	D 2024 1002 S
20-01	D 2024 1003 S

**CONCORDANCE TABLE OF PUBLICATION NUMBERS
AND INTERNATIONAL CLASSIFICATION INDEX**

NUMBER OF REGISTRATION (11)	INTERNATIONAL CLASSIFICATION INDEXES (51)
D 2024 1002 S	09-03
D 2024 1003 S	20-01

**CONCORDANCE TABLE OF APPLICATION NUMBERS,
PUBLICATION NUMBERS AND PATENTS**

NUMBER OF APPLICATION (21)	NUMBER OF REGISTRATION (11)
AD 2024 1372	D 2024 1002 S
AD 2024 1373	D 2024 1003 S

TRADEMARKS**CONCORDANCE TABLE OF REGISTRATION NUMBERS, APPLICATION NUMBERS,
PUBLICATION NUMBERS AND BULLETIN NUMBERS**

NUMBER OF REGISTRATION (111)	NUMBER OF APPLICATIONS (210)	NUMBER OF PUBLISHED APPLICATIONS (260)	NUMBER OF BULLETIN
1	2	3	4
M 2024 38008 R	AM 126733	–	7(634)2024
M 2024 38009 R	AM 121232	AM 2023 121232 A	17(620)2023
M 2024 38010 R	AM 122005	AM 2023 122005 A	18(621)2023
M 2024 38011 R	AM 122007	AM 2023 122007 A	19(622)2023
M 2024 38012 R	AM 120441	AM 2023 120441 A	19(622)2023
M 2024 38013 R	AM 120442	AM 2023 120442 A	19(622)2023
M 2024 38014 R	AM 122949	AM 2023 122949 A	23(626)2023
M 2024 38015 R	AM 121521	AM 2023 121521 A	17(620)2023
M 2024 38016 R	AM 122956	AM 2023 122956 A	23(626)2023
M 2024 38017 R	AM 121153	AM 2023 121153 A	17(620)2023
M 2024 38018 R	AM 121300	AM 2023 121300 A	17(620)2023
M 2024 38019 R	AM 121741	AM 2023 121741 A	17(620)2023
M 2024 38020 R	AM 122829	AM 2023 122829 A	23(626)2023
M 2024 38021 R	AM 121525	AM 2023 121525 A	18(621)2023
M 2024 38022 R	AM 122106	AM 2023 122106 A	19(622)2023
M 2024 38023 R	AM 122943	AM 2023 122943 A	23(626)2023
M 2024 38024 R	AM 121311	AM 2023 121311 A	17(620)2023
M 2024 38025 R	AM 122741	AM 2023 122741 A	23(626)2023
M 2024 38026 R	AM 121640	AM 2023 121640 A	17(620)2023
M 2024 38027 R	AM 122825	AM 2023 122825 A	23(626)2023
M 2024 38028 R	AM 122574	AM 2023 122574 A	21(624)2023
M 2024 38029 R	AM 122945	AM 2023 122945 A	23(626)2023
M 2024 38030 R	AM 122417	AM 2023 122417 A	23(626)2023
M 2024 38031 R	AM 122023	AM 2023 122023 A	21(624)2023
M 2024 38032 R	AM 122418	AM 2023 122418 A	20(623)2023
M 2024 38033 R	AM 121849	AM 2023 121849 A	19(622)2023
M 2024 38034 R	AM 122135	AM 2023 122135 A	21(624)2023
M 2024 38035 R	AM 121667	AM 2023 121667 A	19(622)2023
M 2024 38036 R	AM 121762	AM 2023 121762 A	19(622)2023
M 2024 38037 R	AM 121861	AM 2023 121861 A	18(621)2023
M 2024 38038 R	AM 122044	AM 2023 122044 A	18(621)2023
M 2024 38039 R	AM 122415	AM 2023 122415 A	23(626)2023
M 2024 38040 R	AM 122504	AM 2023 122504 A	23(626)2023
M 2024 38041 R	AM 122498	AM 2023 122498 A	23(626)2023
M 2024 38042 R	AM 122040	AM 2023 122040 A	20(623)2023
M 2024 38043 R	AM 119366	AM 2023 119366 A	17(620)2023
M 2024 38044 R	AM 122216	AM 2023 122216 A	20(623)2023
M 2024 38045 R	AM 122217	AM 2023 122217 A	20(623)2023
M 2024 38046 R	AM 122659	AM 2023 122659 A	22(625)2023
M 2024 38047 R	AM 122660	AM 2023 122660 A	22(625)2023
M 2024 38048 R	AM 122391	AM 2023 122391 A	22(625)2023
M 2024 38049 R	AM 122402	AM 2023 122402 A	22(625)2023
M 2024 38050 R	AM 122491	AM 2023 122491 A	22(625)2023
M 2024 38051 R	AM 122412	AM 2023 122412 A	21(624)2023
M 2024 38052 R	AM 122662	AM 2023 122662 A	22(625)2023

1	2	3	4
M 2024 38053 R	AM 122655	AM 2023 122655 A	22(625)2023
M 2024 38054 R	AM 122571	AM 2023 122571 A	22(625)2023
M 2024 38055 R	AM 122661	AM 2023 122661 A	22(625)2023
M 2024 38056 R	AM 122658	AM 2023 122658 A	22(625)2023
M 2024 38057 R	AM 112294	AM 2023 112294 A	16(619)2023
M 2024 38058 R	AM 122025	AM 2023 122025 A	21(624)2023
M 2024 38059 R	AM 112295	AM 2023 112295 A	16(619)2023
M 2024 38060 R	AM 122128	AM 2023 122128 A	19(622)2023
M 2024 38061 R	AM 122680	AM 2023 122680 A	22(625)2023
M 2024 38062 R	AM 122397	AM 2023 122397 A	22(625)2023
M 2024 38063 R	AM 121221	AM 2023 121221 A	17(620)2023
M 2024 38064 R	AM 122731	AM 2023 122731 A	22(625)2023
M 2024 38065 R	AM 122657	AM 2023 122657 A	22(625)2023
M 2024 38066 R	AM 122392	AM 2023 122392 A	23(626)2023
M 2024 38067 R	AM 122951	AM 2023 122951 A	23(626)2023
M 2024 38068 R	AM 122947	AM 2023 122947 A	23(626)2023
M 2024 38069 R	AM 122421	AM 2023 122421 A	21(624)2023
M 2024 38070 R	AM 121928	AM 2023 121928 A	19(622)2023
M 2024 38071 R	AM 121520	AM 2023 121520 A	18(621)2023
M 2024 38072 R	AM 122950	AM 2023 122950 A	23(626)2023
M 2024 38073 R	AM 121729	AM 2023 121729 A	19(622)2023
M 2024 38074 R	AM 122104	AM 2023 122104 A	20(623)2023
M 2024 38075 R	AM 122420	AM 2023 122420 A	21(624)2023
M 2024 38076 R	AM 122426	AM 2023 122426 A	21(624)2023
M 2024 38077 R	AM 122425	AM 2023 122425 A	21(624)2023
M 2024 38078 R	AM 122427	AM 2023 122427 A	21(624)2023
M 2024 38079 R	AM 121723	AM 2023 121723 A	19(622)2023
M 2024 38080 R	AM 127007	–	7(634)2024
M 2024 38081 R	AM 127339	–	7(634)2024
M 2024 38082 R	AM 127422	–	7(634)2024
M 2024 38083 R	AM 127495	–	7(634)2024
M 2024 38084 R	AM 127328	–	7(634)2024
M 2024 38085 R	AM 127248	–	7(634)2024
M 2024 38086 R	AM 127348	–	7(634)2024
M 2024 38087 R	AM 127417	–	7(634)2024
M 2024 38088 R	AM 127579	–	7(634)2024
M 2024 38089 R	AM 127498	–	7(634)2024
M 2024 38090 R	AM 127504	–	7(634)2024
M 2024 38091 R	AM 127000	–	7(634)2024

CONCORDANCE TABLE OF INDEX OF GOODS AND/OR SERVICES
AND APPLICATION NUMBERS

NUMBER OF PUBLISHED APPLICATIONS (260)	NUMBER OF APPLICATIONS (210)
AM 2024 123306 A	AM 123306
AM 2024 123609 A	AM 123609
AM 2024 124241 A	AM 124241
AM 2024 124431 A	AM 124431
AM 2024 124521 A	AM 124521
AM 2024 124523 A	AM 124523
AM 2024 124704 A	AM 124704
AM 2024 124774 A	AM 124774

CONCORDANCE TABLE OF PUBLICATION NUMBERS
AND APPLICATION NUMBERS

INDEX OF GOODS AND/OR SERVICES (511)	NUMBER OF PUBLISHED APPLICATIONS (260)
3	AM 2024 124431 A
5	AM 2024 124241 A
5	AM 2024 124521 A
9	AM 2024 124241 A
32	AM 2024 123306 A
33	AM 2024 123609 A
33	AM 2024 124774 A
35	AM 2024 123306 A
35	AM 2024 124523 A
44	AM 2024 124704 A

CONCORDANCE TABLE OF INDEX OF GOODS AND/OR SERVICES
AND NUMBERS OF TRADEMARKS REGISTERED ACCORDING
TO THE ACCELERATED PROCEDURE

INDEX OF GOODS AND/OR SERVICES (511)	NUMBERS OF REGISTERED ACCORDING TO THE ACCELERATED PROCEDURE (111)
3	M 2024 38087 R
3	M 2024 38089 R
5	M 2024 38083 R
5	M 2024 38086 R
7	M 2024 38090 R
8	M 2024 38090 R
16	M 2024 38084 R
17	M 2024 38081 R
20	M 2024 38081 R
21	M 2024 38081 R
21	M 2024 38088 R
24	M 2024 38081 R
27	M 2024 38081 R
28	M 2024 38081 R
32	M 2024 38084 R
33	M 2024 38008 R
33	M 2024 38084 R
33	M 2024 38085 R
35	M 2024 38080 R
35	M 2024 38082 R
35	M 2024 38084 R
36	M 2024 38082 R
39	M 2024 38091 R
43	M 2024 38082 R

OFFICIAL BULLETIN OF THE INDUSTRIAL PROPERTY

INVENTIONS
DESIGNS
TRADEMARKS

7(634)

EDITOR-IN-CHIEF: N. Bebrishvili

EDITOR-TRANSLATOR: E. Gabunia

PROOFREADER: A. Shikhashvili

COMPUTER LAYOUT: M. Ordenidze
K. Svanidze

ISSN 2720-8486

info@sakpatenti.gov.ge
www.sakpatenti.gov.ge

**LIST OF CODES, IN ALPHABETIC SEQUENCE, AND THE CORRESPONDING (SHORT) NAMES OF STATES, OTHER ENTITIES AND INTERGOVERNMENTAL ORGANIZATIONS
(WIPO STANDARD ST.3)**

AD	Andorra				
AE	United Arab Emirates	GD	Grenada	NE	Niger
AF	Afghanistan	GG	Guernsey	NG	Nigeria
AG	Antigua and Barbuda	GH	Ghana	NI	Nicaragua
AI	Anguilla	GI	Gibraltar	NL	Netherlands
AL	Albania	GT	Guatemala	NO	Norway
AM	Armenia	GW	Guinea- Bissau	NP	Nepal
AN	Netherlands Antilles	GY	Guyana	NR	Nauru
AO	Angola	HK	The Hong Kong Special Administrative Region of the People's Republic of China	NZ	New Zealand
AP	African Regional Intellectual Property Organization (ARIPO)	HN	Honduras	OA	African Intellectual Property Organization (OAPI)
AR	Argentina	HR	Croatia	OM	Oman
AT	Austria	HT	Haiti	PA	Panama
AU	Australia	HU	Hungary	PE	Peru
AW	Aruba	IB	International Bureau of the World Intellectual Property Organization (WIPO)	PG	Papua New Guinea
AZ	Azerbaijan	ID	Indonesia	PH	Philippines
BA	Bosnia and Herzegovina	IE	Ireland	PK	Pakistan
BB	Barbados	IL	Israel	PL	Poland
BD	Bangladesh	IM	Isle of Man	PT	Portugal
BE	Belgium	IN	India	PW	Palau
BF	Burkina Faso	IQ	Iraq	PY	Paraguay
BG	Bulgaria	ID	Indonesia	QA	Qatar
BH	Bahrain	IE	Ireland	QZ	Community Plant Variety Office (European Community) (CPVO)
BI	Burundi	IL	Israel	RO	Romania
BJ	Benin	IM	Isle of Man	RS	Serbia
BM	Bermuda	IN	India	RU	Russian Federation
BN	Brunei Darussalam	IQ	Iraq	RW	Rwanda
BO	Bolivia	IR	Iran (Islamic Republic of)	SA	Saudi Arabia
BR	Brazil	IS	Iceland	SB	Solomon Islands
BS	Bahamas	IT	Italy	SC	Seychelles
BT	Bhutan	JE	Jersey	SD	Sudan
BV	Bouvet Island	JM	Jamaica	SG	Singapore
BW	Botswana	JO	Jordan	SH	Saint Helena
BX	Benelux Office for Intellectual Property (BOIP)	JP	Japan	SI	Slovenia
BY	Belarus	KE	Kenya	SK	Slovakia
BZ	Belize	KG	Kyrgyzstan	SL	Sierra Leone
CA	Canada	KH	Cambodia	SM	San Marino
CD	Democratic Republic of the Congo	KI	Kiribati	SN	Senegal
CF	Central African Republic	KM	Saint Kitts and Nevis	SO	Somalia
CG	Congo	KP	Democratic People's Republic of Korea	SR	Suriname
CH	Switzerland	KR	Republic of Korea	ST	Sao Tome and Principe
CI	Cote d'Ivoire	KW	Kuwait	SV	El Salvador
CK	Cook Islands	KY	Cayman Islands	SY	Syrian Arab Republic
CL	Chile	KZ	Kazakhstan	SZ	Swaziland
CM	Cameroon	LA	Lao People's Democratic Republic	TC	Turks and Caicos Islands
CN	China	LB	Lebanon	TD	Chad
CO	Colombia	LC	Saint Lucia	TG	Togo
CR	Costa Rica	LI	Liechtenstein	TH	Thailand
CU	Cuba	LK	Sri Lanka	TJ	Tajikistan
CV	Cape Verde	LR	Liberia	TL	Timor-Leste
CY	Cyprus	LS	Lesotho	TM	Turkmenistan
CZ	Czech Republic	LT	Lithuania	TN	Tunisia
DE	Germany	LU	Luxembourg	TO	Tonga
DJ	Djibouti	LV	Latvia	TR	Turkey
DM	Dominica	LY	Libyan Arab Jamahiriya	SE	Sweden
DO	Dominican Republic	MA	Morocco	TT	Trinidad and Tobago
DZ	Algeria	MC	Monaco	TV	Tuvalu
EA	Eurasian Patent Organization (EAPO)	MD	Republic of Moldova	TW	Taiwan, Province of China
EC	Ecuador	ME	Montenegro	TZ	United Republic of Tanzania
EE	Estonia	MG	Madagascar	UA	Ukraine
EG	Egypt	MK	The former Yugoslav Republic of Macedonia	UG	Uganda
EH	Western Sahara	ML	Mali	US	United States of America
EM	Office for Harmonization in the Internal Market (Trademarks and Designs)(OHIM)	MM	Myanmar	UY	Uruguay
EP	European Patent Office (EPO)	MN	Mongolia	UZ	Uzbekistan
ER	Eritrea	MO	Macao	VA	Holy See
ES	Spain	MP	Northern Mariana Islands	VC	Saint Vincent and the Grenadines
ET	Ethiopia	MR	Mauritania	VE	Venezuela
FI	Finland	MS	Montserrat	VG	Virgin Islands (British)
FJ	Fiji	MT	Malta	VN	Viet Nam
FK	Falkland Islands (Malvinas)	MU	Mauritius	VU	Vanuatu
FO	Faroe Islands	MV	Maldives	WO	World Intellectual Property Organization (WIPO)
FR	France	MW	Malawi	WS	Samoa
GA	Gabon	MX	Mexico	XN	Nordic Patent Institute (NPI)
GB	United Kingdom	MY	Malaysia	YE	Yemen
GC	Patent Office of the Cooperation Council for the Arab States of the Gulf (GCC)	MZ	Mozambique	ZA	South Africa
		NA	Namibia	ZM	Zambia
				ZW	Zimbabwe