

Official Bulletin of the Industrial Property

Inventions

Utility Models

Designs

Trademarks



საქართველოს ინტელექტუალური
საკუთრების ეროვნული ცენტრი
საქპატენტი
SAKPATENTI
NATIONAL INTELLECTUAL PROPERTY
CENTER OF GEORGIA

Date of Publication – 2024 04 25

8(635)

INID CODES FOR IDENTIFICATION OF BIBLIOGRAPHIC DATA

INVENTIONS, UTILITY MODELS

- (10) Number of publication of examined application/
Application publication number***
- (11) Patent number/ Patent number***
Registered utility model number***
- (21) Application number
- (22) Date of filing of the application
- (23) Date of exhibition priority
- (24) Date from which patent may have effect
- (31) Number of priority application
- (32) Date of filing of priority application
- (33) Code of the country or regional organization allotting application number
- (43) Date of publication of application, number of bulletin***
- (44) Date of publication of examined application, on which no grant has taken place and number of bulletin
- (45) Date of publication of patent/ Date of publication of patent***
Date of publication of registered utility model***
- (51) International Patent Classification Index
- (54) Title of the invention/title of the utility model
- (57) Abstract
- (60) Number of examined patent document granted by foreign patent office, date from which patent has effect and country code
- (62) Number and filing date of the earlier application in case of a divisional application
- (71) Name and address of applicant (country code)
- (72) Name of inventor (country code)
- (73) Name and address of patent owner/patent owner***/ registered utility model owner*** (country code)
- (74) Name of representative or patent attorney
- (85) Date of commencement of the national phase of international application (PCT)
- (86) Number and date of filing of international application (PCT)
- (87) Number and date of publication of international application (PCT)
- (94) Calculated date of expiry of the SPC or the duration of the SPC

DESIGNS

- (10) Number of publication for application
- (11) Number of patent and kind of document or number of registration
- (15) Date of registration/Date of patent renewal
- (18) Expected expiration date of patent or registration
- (21) Serial number of application
- (22) Date of filing of the application
- (23) Date of exhibition or the date of the earlier filing and the number of application, if any
- (24) Date from which patent may have effect
- (28) Number of designs included in the application
- (30) Data relating to priority (number of application, date of filing of application, two-letter code identifying the authority with whom the priority application was made)
- (31) Number of priority application
- (32) Date of filing of priority application
- (33) Code of the country or regional organization allotting priority application number
- (34) Two-letter code according to WIPO St.3 identifying the authority with which the priority application was made
- (44) Date of publication of design and number of bulletin (the first publication)
- (45) Date of publication of design registered by WIPO and number of bulletin
- (51) International Classification for designs (class and subclass of the Locarno Classification)
- (54) Title of the invention
- (55) Reproduction of the design
- (57) Description of characteristic features of the design including indication of colors
- (58) Date of recording of any kind of amendment in the Register
- (62) Number of the earlier application, registration and document number and if available the date of filing an application in case of divided application
- (71) Name, surname and address of applicant (country code)
- (72) Name, surname of creator (country code)
- (73) Name, surname and address of patent owner (country code)
- (74) Name, surname of representative or patent attorney
- (81) Contracting states concerned
II designated contracting states according to the 1960 Act
III designated contracting states according to the 1999 Act
- (85) Owner's permanent address
- (86) Owner's nationality
- (87) Owner's residence
- (88) State in which the owner has a real and effective industrial or commercial establishment

TRADEMARKS

- (111) – Number of registration
- (151) – Date of registration
- (156) – Date of the renewal
- (181) – Expected expiration date of registration
- (186) – Renewal expiration date of registration
- (141) – Date of cancel of duration of the mark
- (210) – Serial number of application
- (220) – Date of filing of the application
- (230) – Data concerning exhibition
- (260) – Number of application, for which favorable decision of examination about registration has been taken (publication number)
- (310) – Number of the first application
- (320) – Date of filing of the first application
- (330) – Code, identifying national or regional Office where the first application was made
- (511) – International Classification of Goods and Services for the purposes of registration of trade marks and/or list of goods and/or services classified according thereto
- (526) – Disclaimer
- (531) – Description of figurative elements of Trade Marks according to the International Classification of the Figurative Elements of Marks
- (540) – Reproduction of Trade Mark
- (550) – Nature and kind of Trade Mark
- (551) – Indication to the effect that the mark is a collective mark, a certification mark or a guarantee mark
- (554) – Three-dimensional mark
- (580) – Date of recording of any kind changes in respect of applications or registrations
- (591) – Information concerning colors claimed
- (731) – Name and address of the applicant
- (732) – Name and address of the holder of the registration
- (740) – Name and address of the representative
- (750) – Addreses for correspondence
- (770) – Name and address of the previous applicant or holder in case of change in ownership
- (771) – Previous name and address of the applicant or holder in case of change in ownership
- (791) – Name and address of the licensee
- (793) – Indication of conditions and/or restrictions under the license (Type of license, number of license agreement, data of license, data of validity of license)
- (800) – Certain data relating to the international registration of Trade Marks under the Protocol Relating to Madrid Agreement (International registration number
- (852) – Partial cancellation of the list of goods and services
- (891) – Date of subsequent designation

CODES FOR PUBLICATION IN BULLETIN

- (21) AP 0000 000000 – number of application for invention
- (10) AP 0000 0000 A – number of publication of application for invention
- (11) P 0000 0000 B – number of patent for invention/ patent number***
- (21) API 0000 000000 – number of application for imported patent
- (11) PI 0000 0000 A – number of imported patent
- (21) AU 0000 000000 – number of application for utility model
- (10) AU 0000 000 U – number of publication of application for utility model
- (11) U 0000 000 Y – number of patent for utility model/ registered utility model number***
- (21) AD 0000 000000 – serial number of application for design
- (10) AD 0000 000 S – number of published application for design (first publication)
- (11) D 0000 000 S – registered design

INTERNATIONAL PATENT CLASSIFICATION FOR INVENTIONS AND UTILITY MODELS

- SECTION A – HUMAN NECESSITIES
- SECTION B – PERFORMING OPERATIONS; TRANSPORTING
- SECTION C – CHEMISTRY; METALLURGY
- SECTION D – TEXTILES; PAPER
- SECTION E – FIXED CONSTRUCTIONS
- SECTION F – MECHANICAL ENGINEERING; LIGHTING; HEATING; WEAPONS; BLASTING
- SECTION G – PHYSICS
- SECTION H – ELECTRICITY

* Number of application published after the decision of Appellation Chamber of SAKPATENTI

** Number of application published after Court decision

*** Materials published according to the amendments of May 16, 2023 (No. 2883-XI0b-X03) to the Patent Law of Georgia

- M – Trade Mark
- (210) AM 0000 000000 – Serial number of application;
- (260) AAM 0000 00000 A – Publication number of application;
- (111) M 0000 00000 R – Number of registration;
- (111) MMM0000 00000 Rn – Number of renewals, in which n=1,2,3;
- (111) M 0000 00000 R(P) – Number of registration under partial assignment of rights

Official Bulletin of the Industrial Property

Inventions

Utility Models

Designs

Trademarks

CONTENT

PUBLISHED TITLES OF PROTECTION	2
INVENTIONS	
▪ APPLICATION APPROVED FOR GRANTING PATENT	4
▪ PATENTED INVENTIONS	5
▪ APPLICATIONS***	6
UTILITY MODELS	
▪ APPLICATION APPROVED FOR GRANTING PATENT	10
▪ APPLICATIONS***	11
▪ REGISTERED UTILITY MODELS***	13
DESIGNS	
DESIGNS, WHICH HAVE BEEN REGISTERED WITH THE INTERNATIONAL BUREAU CLAIMING PRIORITY ON THE TERRITORY OF GEORGIA	15
TRADEMARKS	
▪ APPLICATIONS FILED UNDER THE NATIONAL PROCEDURE APPROVED FOR REGISTRATION	34
▪ REGISTERED TRADEMARKS	42
▪ TRADEMARKS REGISTERED ACCORDING TO THE ACCELERATED PROCEDURE	47
▪ INTERNATIONAL TRADEMARKS FOR WHICH A DECISION ON GRANTING PROTECTION IS TAKEN	51
▪ INTERNATIONAL TRADEMARKS PROTECTED IN GEORGIA	106
OFFICIAL NOTIFICATION	
INVENTIONS	
▪ RESTORATION OF PATENTS	119
▪ LAPSE OF PATENTS WITH THE RIGHT TO RESTORE	119
▪ EXPIRATION OF PATENTS RESTORATION TERM	121
▪ EXPIRATION OF PATENTS	121
UTILITY MODELS	
▪ RESTORATION OF PATENT	122
▪ EXPIRATION OF PATENT RESTORATION TERM	122
DESIGNS	
▪ EXTENSION OF TERM OF DESIGNS REGISTRATION	122
▪ CANCELLATION OF DESIGNS REGISTRATION	123
▪ TRANSFER OF RIGHT	123
▪ EXTENSION OF TERM OF INTERNATIONAL DESIGNS REGISTRATION	124
TRADEMARKS	
▪ EXTENSION OF TERM OF TRADEMARKS REGISTRATION	125
▪ COMPLETE TRANSFER OF RIGHTS	130
▪ CHANGES OF NAME AND/OR ADDRESS OF TRADEMARKS OWNERS	135
▪ CANCELLATION OF TRADEMARKS REGISTRATION	137
▪ INTERNATIONAL LICENSE AGREEMENTS	141
CLASSIFICATION INDEXES	
INVENTIONS	142
UTILITY MODELS	144
TRADEMARKS	146

PUBLISHED TITLES OF PROTECTION

INVENTIONS

- **APPLICATION APPROVED FOR GRANTING PATENT:**
15945
- **PATENTED INVENTIONS:**
7617-7620
- **APPLICATIONS:*****
16476; 16361; 16483; 16449; 16461; 16434; 16492; 16440; 16281; 16480

UTILITY MODELS

- **APPLICATION APPROVED FOR GRANTING PATENT:**
16222
- **APPLICATIONS:*****
16312; 16399; 16394; 16401
- **REGISTERED UTILIYU MODELS:*****
2175-2178

DESIGNS

234271; 234361; 234526; 226946; 230659; 234673; 227031; 231738; 235085; 231689; 231911; 231768

TRADEMARKS

- **APPLICATIONS FILED UNDER THE NATIONAL PROCEDURE APPROVED FOR REGISTRATION:**
123307-123309; 124149; 124325, 124326; 124328; 124330; 124333; 124336; 124338; 124356; 124428; 124506; 124508; 124514; 124519; 124524; 124587-124589; 124593; 124599; 124608-124613; 124702; 124705; 124707-124709; 124769; 124772, 124773; 124788; 124818, 124819; 124830; 124941-124943; 124949; 124951
- **REGISTERED TRADEMARKS:**
38110-38165; 38168
- **TRADEMARKS REGISTERED ACCORDING TO THE ACCELERATED PROCEDURE:**
38092-38109; 38166, 38167; 38169-38171
- **INTERNATIONAL TRADEMARKS FOR WHICH A DECISION ON GRANTING PROTECTIONS IS TAKEN:**
118801*; 119331*; 119379*; 120070*; 121680*; 122539-122543; 122621, 122622; 122624, 122625; 122766; 122803, 122804; 122809; 122888-122890; 122931; 123021; 123049; 123051; 123134; 123374; 123385; 123388; 123523; 123707-123710; 123716; 123723, 123724; 123751; 123772, 123773; 123796; 123842; 123844-123847; 123864-123866; 123942; 123944, 123945; 123950; 123953; 123971-123974; 123992; 123995; 124092; 124094-124097; 124177; 124179, 124180; 124193-124196; 124205-124208; 124210-124212; 124254-124256; 124259; 124261-124264; 124271; 124273-124275; 124285, 124286; 124292-124296; 124365-124367; 124405-124407; 124467, 124468; 124614; 124617, 124618; 124624; 124670, 124671; 124673, 124674; 124734; 124736; 124738-124740; 124843-124845; 124872, 124873; 124875
- **INTERNATIONAL TRADEMARKS PROTECTED IN GEORGIA:**
116462; 118366; 119295; 120934; 121381; 121941; 121944, 121945; 121960; 121966; 121973; 121988; 121995; 122003; 122055, 122056; 122063; 122075; 122079; 122090, 122091; 122095; 122099; 122140; 122153-122155; 122157; 122161; 122167; 122169, 122170; 122172; 122174-122177; 122180-122184; 122187; 122226, 122227; 122249; 122252; 122260; 122267; 122274, 122275; 122317-122320; 122337; 122341; 122344-122346; 122348; 122354-122363; 122371-122373; 122430, 122431; 122434-122439; 122449; 122460-122469; 122476, 122477; 122479-122485; 122519-122528; 122544-122548; 122554-122556; 122558-122560; 122597-122600; 122606; 122608; 122610; 122613; 122629, 122636-122638; 122640; 122690; 122700; 122719-122721; 122758; 122767; 122768; 122788-122790; 122801; 122805, 122806; 122875-122882; 122912, 122913; 122917-122919; 122921; 123005-123010; 123043, 123044

INVENTIONS

APPLICATION APPROVED FOR GRANTING PATENT

The decision can be appealed at the Chamber of Appeal of Sakpatenti within 3 months from the publication or at the Mtskheta District Court Administrative Cases Board (Address: №17, Samkhedro St., Mtskheta), within 1 month following the publication.

PART A

A 61

(10) AP 2024 15945 A (51) Int. Cl. (2006)
A 61 K 31/437
A 61 P 35/00
C 07 D 471/04

(21) AP 2020 15945 (22) 2020 10 14

(31) 62/914,766; 63/004,972

(32) 2019 10 14; 2020 04 03

(33) US; US

(71) Incyte Corporation (US)
1801 1801 Augustine Cut-off. Wilmington,
DE 1980319803, USA (US)

(72) VECHORKIN, Oleg (US);
NGUYEN, Minh (US);
QI, Chao (US);
WANG, Anlai (US);
WITTEN, Michael (US);
YE, Hai FEN (US);
ZHANG, Ke (US);
ZHAO, Peng (US);
YAO, Wenqing (US);
XU, Yao (US)

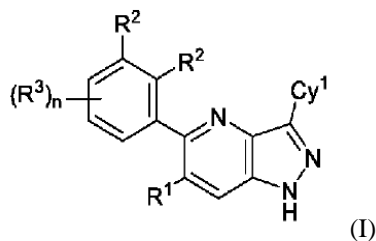
(74) Tamaz Shilakadze

(85) 2022 05 11

(86) PCT/US2020/055547, 2020 10 14

(54) BICYCLIC HETEROCYCLES AS FGFR
INHIBITORS

(57) present invention relates to Pyrazolo[4,3-b]pyridine compounds of formula (I),



and pharmaceutical compositions thereof, that are inhibitors of the FGFR enzyme, and are useful in the treatment of cancer.

Claims: 10 independents

53 dependents

PATENTED INVENTIONS

PART A

A 21

- (11) P 2024 7620 B (51) Int. Cl. (2006)
A 21 C 1/00
A 21 D 10/04
- (10) AP 2023 15901 A (44) 24(627)/2023
(21) AP 2022 15901
(22) 2022 03 10
(24) 2022 03 10
(73) Ramini Ghvaladze (GE)
Varketili 3, IV m/r, bld. 414, ap. 165, 0163,
Tbilisi, Georgia (GE)
(72) Ramini Ghvaladze (GE)
(54) BAKING MACHINE FOR BAKING BREAD
WITHOUT YEAST

A 61

- (11) P 2024 7617 B (51) Int. Cl. (2006)
A 61 K 45/06
A 61 K 31/7008
A 61 K 31/551
A 61 K 31/506
A 61 K 31/42
A 61 K 31/137
- (10) AP 2023 15757 A (44) 20(623)/2023
(21) AP 2018 15757
(22) 2018 04 26
(24) 2018 04 26
(62) AP 2018 15226 2018 04 26
(31) 62/558,814; 62/491,504
(32) 2017 09 14; 2017 04 28
(33) US; US
(86) PCT/US2018/029518, 2018 04 26
(73) The Brigham & Women's Hospital Inc. (US)
75 Francis Street, Boston, MA 02115, USA (US)
(72) TARANTO-MONTEMURRO, Luigi (US);
WELLMAN, D. Andrew (US)
(74) Giorgi Kartvelishvili
(54) METHODS AND COMPOSITIONS FOR
TREATING SLEEP APNEA

PART C

C 04

- (11) P 2024 7618 B (51) Int. Cl. (2006)
C 04 B 28/14
C 04 B 38/10
- (10) AP 2023 15972 A (44) 23(626)/2023
(21) AP 2019 15972
(22) 2019 11 27
(24) 2019 11 27
(86) PCT/EP2019/000321, 2019 11 27
(73) Knauf Gips KG (DE)
Am Bahnhof 7, Iphofen, 97346, Germany (DE)
(72) HARTMANN, Alexander (DE);
PETER, Anton (DE);
PARASKOV, Georgi (DE);
KARAKOUSSIS, Stergios (DE)
(74) Tamar Kochlamazashvili
(54) FOAMED LIQUEFIERS IN GYPSUM
BOARDS

PART F

F 01

- (11) P 2024 7619 B (51) Int. Cl. (2006)
F 01 K 25/10
F 01 K 3/18
- (10) AP 2023 16060 A (44) 24(627)/2023
(21) AP 2021 16060
(22) 2021 03 23
(24) 2021 03 23
(31) 102020000006196
(32) 2020 03 24
(33) IT
(86) PCT/IB2021/052387, 2021 03 23
(73) Energy Dome S.P.A. (IT)
Viale Abruzzi 94, 20131 Milano, Italy (IT)
(72) SPADACINI, Claudio (IT)
(74) Shalva Gvaramadze
(54) PLANT AND PROCESS FOR ENERGY
GENERATION AND STORAGE

APPLICATIONS***

PART A

A 24

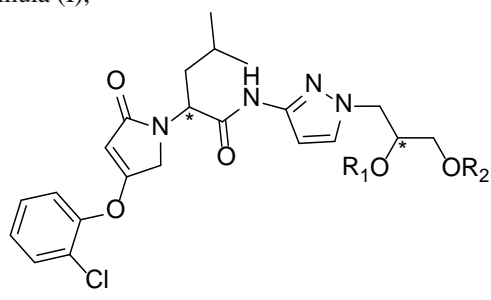
- (10) AP 2024 16475 A (51) Int. Cl. (2006)
A 24 D 1/14
A 24 F 1/30
- (43) 2024 04 25 №8
(21) AP 2022 16475
(22) 2022 09 08
(31) 63/242,735; 63/242,757; 63/242,764;
63/242,775; 63/242,787
(32) 2021 09 10; 2021 09 10; 2021 09 10;
2021 09 10; 2021 09 10
(33) US; US; US; US; US
(71) Adalsia Limited (CY)
Arch. Makariou III, 195 Neocleous House,
Limassol 3030, Cyprus (CY)
(72) SAWHNEY, Ravi, Kumar (US);
VERNON, John Mark (US);
ELAM, John, Michael (US);
HUSSEY, Lance, Gordon (US)
(74) Larisa Amirkhanyan
(85) 2024 03 06
(86) PCT/IB2022/000589, 2022 09 08
(54) HOOKAH DEVICE AND IMPROVED
CONSUMABLE POD
(57) Described is a hookah device with various hookah
components that provide an improvement over
traditional hookah devices. The hookah device includes
a heater head with a pivotally mounted controller
housing that seals against a consumable pod to form a
pair of airflow seals there between. An inductively
heated heat plate is used, in conjunction with a pair of
sensors, to precisely control the temperature of the heat
plate and consumable pod. A vase is secured against
the heater head using a load dispersing mechanism.
The load dispersing mechanism secures the vase while
dispersing a clamping pressure to preventing breakage
thereof. The load dispersing mechanism also provides
hanger hooks to secure a handle for directional control
while carrying the hookah device.

A 61

- (10) AP 2024 16361 A (51) Int. Cl. (2006)
A 61 K 31/138
A 61 K 31/585
A 61 K 45/06
A 61 P 11/00
- (43) 2024 04 25 №8
(21) AP 2022 16361
(22) 2022 03 23
(31) 63/165,342
(32) 2021 03 24
(33) US
(71) Apnimed, Inc. (Delaware) (US)
20 Holyoke St., Cambridge, MA 02138, USA
(US)
(72) MILLER, Lawrence, G. (US);
TARANTO-MONTEMURRO, Luigi (US);
FARKAS, Ronald (US)
(74) Nikoloz Gogilidze
(85) 2023 09 23
(86) PCT/US2022/021462, 2022 03 23
(54) METHODS AND COMPOSITIONS FOR
TREATING SLEEP APNEA
(57) Pharmaceutical compositions comprising a norepi-
nephrine reuptake inhibitor (NRI) and a mineraloco-
rticoid antagonist and optionally a muscarinic receptor
antagonist (MRA) and methods of treating sleep apnea
are described herein.
-
- (10) AP 2024 16483 A (51) Int. Cl. (2006)
A 61 K 31/4155
A 61 P 3/10
C 07 D 403/12
C 07 D 405/14
- (43) 2024 04 25 №8
(21) AP 2022 16483
(22) 2022 09 15
(31) 202111079620.5; 202211093895.9
(32) 2021 09 15; 2022 09 08
(33) CN; CN
(71) Hua Medicine (Shanghai) Ltd. (CN)
275 Aidisheng Road, Pilot Free Trade Zone,
Shanghai 201203, People's Republic of
China (CN)
(72) TANG, Fuxing (CN);
SHE, Jin (CN);
CHEN, Li (CN);
LV, Guanghua (CN);
JIN, Xiangle (CN)
(74) Larisa Amirkhanyan
(85) 2024 03 14
(86) PCT/CN2022/118947, 2022 09 15

(54) PRODRUG OF PYRROLIDONE DERIVATIVES AS GLUCOKINASE ACTIVATOR

(57) Present disclosure provides a compound of formula (I),



(I)

or an isotopically labeled product, an enantiomer, a diastereomer or a pharmaceutically acceptable salt thereof; a pharmaceutical composition comprising a compound of formula (I); and use of a compound of formula (I) or a pharmaceutical composition thereof in the treatment of diabetes mellitus and related symptoms

(10) AP 2024 16449 A (51) Int. Cl. (2006)
A 61 K 31/4184
A 61 K 31/343
A 61 K 31/437
C 07 D 405/12
C 07 D 487/04

(43) 2024 04 25 №8
(21) AP 2022 16449
(22) 2022 08 08
(31) 63/231,156
(32) 2021 08 09
(33) US

(71) Scorpion Therapeutics Inc. (US)
1 Winthrop Square, Suite 400, Boston,
MA 02110, USA (US)

(72) ST. JEAN, Jr., David (US)

(74) Giorgi Kartvelishvili

(85) 2024 02 02

(86) PCT/US2022/039674, 2022 08 08

(54) COMPOUNDS THAT INHIBIT PI3K ISOFORM ALPHA AND METHODS FOR TREATING CANCER

(57) This disclosure provides compounds of Formula (I), and pharmaceutically acceptable salts thereof, that inhibit phosphatidylinositol 4,5-bisphosphate 3-kinase (PI3K) isoform alpha (PI3K α). These chemical entities are useful, e.g., for treating a condition, disease or disorder in which increased (e.g., excessive) PI3K α activation contributes to the pathology and/or symptoms and/or progression of the condition, disease or disorder (e.g., cancer) in a subject (e.g., a human). This disclosure also provides compositions containing the same as well as methods of using and making the same.

(10) AP 2024 16461 A (51) Int. Cl. (2006)
A 61 K 38/00
A 61 K 45/06
A 61 P 27/02
C 07 K 14/71

(43) 2024 04 25 №8

(21) AP 2022 16461

(22) 2022 07 18

(31) 63/223,265

(32) 2021 07 19

(33) US

(71) Acceleron Pharma Inc. (US)
128 Sidney St., Cambridge, MA 02139,
USA (US)

(72) DE OLIVEIRA PENA, Janethe (US)

(74) Tamaz Shilakadze

(85) 2024 02 16

(86) PCT/US2022/037479, 2022 07 18

(54) ACTRII PROTEINS AND USES THEREOF

(57) In some aspects, the disclosure relates to compositions and methods for decreasing a risk of telangiectasia in a patient receiving a therapeutically effective amount of an ActRII polypeptide, particularly a dosing regimen that decreases the risk of telangiectasia in a patient receiving a therapeutically effective amount of an ActRII polypeptide.

(10) AP 2024 16434 A (51) Int. Cl. (2006)
A 61 K 38/17
A 61 P 9/00
A 61 P 11/00
C 07 K 14/475

(43) 2024 04 25 №8

(21) AP 2022 16434

(22) 2022 06 10

(31) 63/209,871

(32) 2021 06 11

(33) US

(71) Acceleron Pharma Inc. (US)
128 Sidney St., Cambridge, MA 02139,
USA (US)

(72) LI, Gang (US);

ANDRE, Patrick (US);

KUMAR, Ravindra (US)

(74) Tamaz Shilakadze

(85) 2024 01 10

(86) PCT/US2022/033007, 2022 06 10

(54) ACTRII PROTEINS AND USES THEREOF

(57) In some aspects, the disclosure relates to compositions and methods comprising ActRII polypeptides to treat, prevent, or reduce the progression rate and/or severity of pulmonary hypertension associated with lung disease (e.g. pulmonary hypertension associated with chronic obstructive pulmonary disease (COPD), interstitial lung disease (ILD), or combined pulmonary fibrosis and emphysema (CPFE)), particularly treating, preventing or reducing the progression rate and/or severity of one or more pulmonary hypertension associated with lung disease (e.g., pulmonary hypertension

associated with chronic obstructive pulmonary disease (COPD), interstitial lung disease (ILD), or combined pulmonary fibrosis and emphysema (CPFE)) associated complications.

(10) AP 2024 16492 A (51) Int. Cl. (2006)
A 61 K 47/34
A 61 K 47/20
A 61 K 9/10
A 61 K 9/00

(43) 2024 04 25 №8

(21) AP 2022 16492

(22) 2022 09 21

(31) 63/310,884; 63/246,446

(32) 2022 02 16; 2021 09 21

(33) US; US

(71) Laboratorios Farmacéuticos ROVI, S.A. (ES)
C/Julián Camarillo, 35, 28037 Madrid, Spain (ES)

(72) GUTIERRO ADURIZ, Ibon (ES);
FRANCO RODRIGUEZ, Guillermo (ES)

(74) Larisa Amirkhanyan

(85) 2024 04 03

(86) PCT/EP2022/076186, 2022 09 21

(54) ANTIPSYCHOTIC INJECTABLE EXTENDED-
RELEASE COMPOSITION

(57) A long-acting injectable sustained release composition having at least drug, solvent, and RIGA copolymer is provided. The composition exhibits improved pharmaceutical performance due to the use of advantageous grades of RIGA polymer with improved particle size distribution.

(10) AP 2024 16440 A (51) Int. Cl. (2006)
A 61 K 47/64
C 07 K 7/64
C 12 N 15/113

(43) 2024 04 25 №8

(21) AP 2022 16440

(22) 2022 06 22

(31) 63/213,900; 63/239,671; 63/239,847;
63/268,577; 63/290,892; 63/290,960; 63/298,565;
63/305,071; 63/314,369; 63/316,634; 63/317,856;
63/326,201; 63/327,179; 63/339,250; 63/362,295

(32) 2021 06 23; 2021 09 01; 2021 09 01; 2022 02 25;
2021 12 17; 2021 12 17; 2022 01 11; 2022 01 31;
2022 02 26; 2022 03 04; 2022 03 08; 2022 03 31;
2022 04 04; 2022 05 06; 2022 03 31

(33) US; US; US; US; US; US; US; US; US; US; US;
US; US; US; US

(71) Entrada Therapeutics Inc. (US)
One Design Center Place Suite 17- 500, Boston,
MA 02210, USA (US)

(72) SHEN, Xiulong (US);
QIAN, Ziqing (US);
DOUGHERTY, Patrick (US);
KHEIRABADI, Mahboubeh (US);
LI, Xiang (US)

(74) Nikoloz Gogilidze

(85) 2024 01 22

(86) PCT/US2022/034517, 2022 06 22

(54) ANTISENSE COMPOUNDS AND METHODS
FOR TARGETING CUG REPEATS

(57) Compounds comprising a cyclic peptide, such as a cyclic cell penetrating peptide, and an antisense compound are provided. The antisense compound binds to a gene having an expanded CTG repeat or a gene transcript having an expanded CUG repeat. The compounds can be delivered to subjects to treat diseases associated with expanded CTG·CUG repeats, such as myotonic dystrophy type 1 (DM1), spinocerebellar ataxia-8 (SCA8), and Huntington disease like-2 (HDL2).

PART E

E 04

(10) AP 2024 16281 A (51) Int. Cl. (2006)
E 04 F 15/04
E 04 F 15/02

(43) 2024 04 25 №8

(21) AP 2022 16281

(22) 2022 04 11

(31) P.437615

(32) 2021 04 19

(33) PL

(71) "Barlinek" Spółka Akcyjna (PL)
Al. Solidarności 36, Kielce 25-323, Poland (PL)

(72) GUTKOWSKI, Pawel (PL)

(74) Nikoloz Gogilidze

(85) 2023 07 05

(86) PCT/IB2022/053386, 2022 04 11

(54) A JOINT OF FLOOR PANELS

(57) A floor panel (1) is joined by its long edge (2) to a short edge (4) of an adjacent floor panel (1') by means of the said first vertical retaining assembly (10) in the form of an elastic insert (21), placed via sliding in a guiding groove (22) between the floor panels (1, 1') to be joined and extending from a side surface (5) below the short edge (4) and by means of a second vertical retaining assembly (10'), placed below the first vertical retaining assembly (10), in the form of a bearing protrusion (27) extending from a bearing surface (26). A bearing surface (27) is positioned partially in a groove (28) formed in a bearing surface (18) of the adjacent floor panel (1'), the bearing protrusion (27) being an integral part of the floor panel (1) and having a height (30) greater than the size of the lower expansion joint (29), and furthermore, a longitudinal coupling element (7) has an upwardly extending vertical projection (11) placed in a settling seat (16) below the guiding groove (22) of the elastic insert (21).

PART F**F 01**

(10) AP 2024 16480 A (51) Int. Cl. (2006)

F 01 N 3/08

F 01 N 13/00

F 01 N 3/20

(43) 2024 04 25 №8

(21) AP 2022 16480

(22) 2022 08 15

(31) 63/233,019

(32) 2021 08 13

(33) US

(71) ECC TEC MSJ Incorporated (US)

7420 Avenida Del Mar, Unit 2605 Boca Raton,

FL 334337420, USA (US)

(72) AKYILDIZ, Saban (US)

(74) Shalva Gvaramadze

(85) 2024 03 12

(86) PCT/US2022/040366, 2022 08 15

(54) EXHAUST SYSTEM AND COMPONENTS
THEREOF

(57) A heater for an exhaust system that includes a housing having a connector coupled to the exterior thereof, a first terminal and a second terminal that are each disposed to the interior of the housing and electrically coupled to the connector, a heating element coupled to the first and second terminals, a heating wire coupled to the first and second terminals, and a plurality of heating rods inserted into the heating element to conduct heat from the heating wire throughout the heating element, wherein the connector receives power from an external power supply to supply electrical current to the heating element and the heating wire and wherein at least one of the heating rods supports the heating wire. The combination of elements are configured to heat and disrupt the flow of exhaust gases and aid in removing and/or reducing toxic gases and pollutants from the exhaust system.

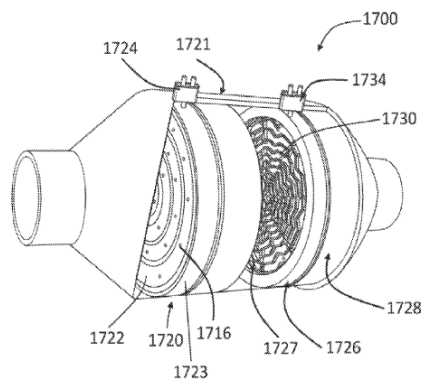


Fig. 17

UTILITY MODELS

APPLICATION APPROVED FOR GRANTING PATENT

The decision can be appealed at the Chamber of Appeal of Sakpatenti within 3 months from the publication or at the Mtskheta District Court Administrative Cases Board (Address: №17, Samkhedro St., Mtskheta), within 1 month following the publication.

PART A H

H 01

(10) AU 2024 16222 U (51) Int. Cl. (2006)
H 01 H 31/02

(21) AU 2021 16222 (22) 2021 10 13

(31) 2020133713

(32) 2020 10 14

(33) RU

(10) AU 2024 16222 U (51) Int. Cl. (2006)
H 01 H 31/02

(21) AU 2021 16222 (22) 2021 10 13

(31) 2020133713

(32) 2020 10 14

(33) RU

(71) Obshchestvo s Ogranichennoy Otvetstven-
nost'yu "Sverdlovelektro-Silovye
Transformatory" (OOO "Svel-Silovye Transfo-
rmatory") (RU)

Ul. Chernyakhovskogo 61, Ekaterinburg,
620010, Russian Federation (RU)

(72) SEMENOV, Vladimir Anatolevich (RU);
GREKHOV, Vladislav Vladimirovich (RU)

(74) Nikoloz Gogilidze

(85) 2023 04 14

(86) PCT/RU2021/050340, 2021 10 13

(54) CONTACT BLADE FOR HIGH-VOLTAGE
EQUIPMENT

(57) The device relates to electrical engineering and can be used in blades for disconnect switches and earthing switches. A contact blade comprises blade members having a contact surface, which are fastened in cantilever fashion and are grouped in rows. Each of the rows of blade members is enclosed inside a common casing for preventing the rows of blade members from freezing together. The casing has a surface with low ice adhesion. The casing extends at least from the point of attachment of the blade members up to the contact surface thereof, or can extend along the entire length of the blade members with a cutout being provided at the contact surface. For draining water from inside the casing, holes are provided in the lower part thereof.

Claims: 1 independents

5 dependents

Fig.: 6

APPLICATIONS***

PART A

A 21

- (10) AU 2024 16312 U (51) Int. Cl. (2006)
A 21 D 13/04
- (43) 2024 04 25 №8
(21) AU 2023 16312
(22) 2023 07 27
(71) Maria Silagadze (GE)
26 May St. 45, 4600, Kutaisi, Georgia (GE);
Giorgi Pkhakadze (GE)
26 May St. 45, 4600, Kutaisi, Georgia (GE);
Malkhaz Dolidze (GE)
Davit Aghmashenebeli Ave. 175/2, 0102,
Tbilisi, Georgia (GE);
Eliza Pruidze (GE)
Rustaveli St. 137/36, 4600, Kutaisi,
Georgia (GE);
Sopia Gachechiladze (GE)
Titsian Tabidze St. 28/9, 4600, Kutaisi,
Georgia (GE)
- (72) Maria Silagadze (GE);
Giorgi Pkhakadze (GE);
Malkhaz Dolidze (GE);
Eliza Pruidze (GE);
Sopio Gachechiladze (GE)
- (54) METHOD FOR GLUTEN-FREE FERMENTED
FLOUR SEMI-FINISHED PRODUCT PREPA-
RATION
- (57) A method provides the flour broth preparation
by mixing of flour and vegetable raw material
extract, adding of agglutinating ingredients and
propionic acid bacteria therein, intensive mixing,
fermentation, periodical stirring, and drying thereof.

PART B

B 01

- (10) AU 2024 16399 U (51) Int. Cl. (2006)
B 01 D 53/02
B 01 D 53/047
B 01 D 53/34
B 01 J 20/16
B 01 J 20/282
B 01 J 20/34
C 01 B 39/00
C 04 B 7/12
- (43) 2024 04 25 №8
(21) AU 2023 16399

- (22) 2023 11 21
(71) Georgian Technical University (GE)
Merab Kostava st. 77, 0171, Tbilisi,
Georgia (GE);
Shota Rustaveli National Science Foundation of
Georgia (GE)
Merab Aleksidze II Lane 2, 0193, Tbilisi,
Georgia (GE);
Razhden Skhvitaridze (GE)
Egnate Ninoshvili St. 3a, 0102, Tbilisi,
Georgia (GE)
- (72) Razhden Skhvitaridze (GE);
Akaki Skhvitaridze (GE);
Irakli Giorgadze (GE);
Nino Mukhadgverdeli (GE);
Teimuraz Cheishvili (GE);
Givi Loladze (GE);
Vladimer Gordeladze (GE);
Manana Kekelidze (GE)
- (54) METHOD FOR CAPTURE AND UTILIZA-
TION OF CO2 AND ACCOMPANYING
SOX, NOX FROM FLUE GASES
- (57) Utility model belongs to process industry and
can be applied with "green" technologies to make
useful, value-added product with the waste from
production processes. The method provides sorption
capture of CO2 and accompanying SOX, NOX in
flue gases using clinoptilolite-containing zeolitic
tuff, when it is multiplied and modified with
captured compounds, and after that amortized
zeolitic tuff can be utilized as useful product for
agriculture as mineral fertilizer of prolonged action.

- (10) AU 2024 16394 U (51) Int. Cl. (2006)
B 01 J 20/14
B 01 J 20/16
B 01 J 20/30
C 01 B 39/02

- (43) 2024 04 25 №8
(21) AU 2023 16394
(22) 2023 11 14
(71) Georgian Technical University (GE)
Merab Kostava st. 77, 0171, Tbilisi,
Georgia (GE);
Shota Rustaveli National Science Foundation
of Georgia (GE)
Merab Aleksidze II Lane 2, 0193, Tbilisi,
Georgia (GE);
Razhden Skhvitaridze (GE)
Egnate Ninoshvili St. 3a, 0102, Tbilisi,
Georgia (GE)
- (72) Razhden Skhvitaridze (GE);
Vladimer Gordeladze (GE);
Nino Mukhadgverdeli (GE);

- Eka Uchaneishvili (GE);
 Manana Kekelidze (GE);
 Akaki Skhvitaridze (GE);
 Teimuraz Cheishvili (GE);
 Givi Loladze (GE);
 Nazibrola Kutsiava (GE)
- (54) METHOD FOR MAKING GRANULAR ZEOLITIC SORBENT
- (57) A method of making granular zeolitic sorbent provides crushing and sieving of componentry comprising SiO₂ no less than 60 mass %, zeolitic tuff, and diatomite; mixing therewith alkaline material, their thermal treating, creating of silicate compounds, their granulation, and complete dehydration; at that, zeolitic tuff of 70-90 mass % and diatomite of 5-15 mass %, lime hydrate Ca(OH)₂ of 5-15 mass %, and additional water in such amount, that provides mass mixture plasticity, then it is granulated into pellets of 2-5 mm diameter, kept in the environment at the temperature of 15-25 °C for at least 24 hours, evaporated at the temperature of 95 °C for at least 3 hours, and for complete dehydration is dried at the temperature of no more than 300 °C for at least 5 hours.

- Maia Petriashvili (GE);
 Giorgi Shvangiradze (GE)
- (54) COMPLEX MINERAL ADDITIVE FOR CONCRETE, MORTARS AND DRY MIXES
- (57) Complex mineral additive for concrete, mortars and dry mixes includes inert component – river gravel, pozzolanic component – tuff containing zeolite, technogenic component – granulated slag containing MnO no more than 10 mass%, and volcanic rock basalt gravel, as well, with the following ratio of componentry, in mass %
- | | |
|-------------------------|-------|
| River gravel | 45-55 |
| Tuff containing zeolite | 2-12 |
| Granulated slag | 25-35 |
| Basalt gravel | 5-15 |
- Table: 2

PART C

C 04

- (10) AU 2024 16401 U (51) Int. Cl. (2006)
 C 04 B 14/00
 C 04 B 14/02
 C 04 B 14/04
 C 04 B 14/26
 C 04 B 18/14
- (43) 2024 04 25 №8
 (21) AU 2023 16401
 (22) 2023 11 23
- (71) Georgian Technical University (GE)
 Merab Kostava st. 77, 0171, Tbilisi,
 Georgia (GE);
 Shota Rustaveli National Science Foundation
 of Georgia (GE)
 Merab Aleksidze II Lane 2, 0193, Tbilisi,
 Georgia (GE);
 Razhden Skhvitaridze (GE)
 Egnate Ninoshvili St. 3a, 0102, Tbilisi,
 Georgia (GE)
- (72) Razhden Skhvitaridze (GE);
 Akaki Skhvitaridze (GE);
 Levan Baramadze (GE);
 Gela Baramadze (GE);
 Tamaz Batsikadze (GE);
 Jumber Nizharadze (GE);
 Malkhaz Turdzeladze (GE);
 Davit Bedukadze (GE);
 Nino Bakhtadze (GE);

REGISTERED UTILITY MODELS*****PART A****A 21**

- (11) U 2024 2176 Y (51) Int. Cl. (2006)
A 21 D 13/04
- (10) AU 2024 16312 U
(43) 2024 04 25 №8 (45) 2024 04 25 №8
(21) AU 2023 16312
(22) 2023 07 27
- (73) Maria Silagadze (GE)
26 May St. 45, 4600, Kutaisi, Georgia (GE);
Giorgi Pkhakadze (GE)
26 May St. 45, 4600, Kutaisi, Georgia (GE);
Malkhaz Dolidze (GE)
Davit Aghmashenebeli Ave. 175/2, 0102,
Tbilisi, Georgia (GE);
Eliza Pruidze (GE)
Rustaveli St. 137/36, 4600, Kutaisi,
Georgia (GE);
Sopia Gachechiladze (GE)
Titsian Tabidze St. 28/9, 4600, Kutaisi,
Georgia (GE)
- (72) Maria Silagadze (GE);
Giorgi Pkhakadze (GE);
Malkhaz Dolidze (GE);
Eliza Pruidze (GE);
Sopio Gachechiladze (GE)
- (54) METHOD FOR GLUTEN-FREE FERMENTED
FLOUR SEMI-FINISHED PRODUCT PREPA-
RATION

PART B**B 01**

- (11) U 2024 2178 Y (51) Int. Cl. (2006)
B 01 D 53/02
B 01 D 53/047
B 01 D 53/34
B 01 J 20/16
B 01 J 20/282
B 01 J 20/34
C 01 B 39/00
C 04 B 7/12
- (10) AU 2024 16399 U
(43) 2024 04 25 №8 (45) 2024 04 25 №8
(21) AU 2023 16399
(22) 2023 11 21
- (73) Georgian Technical University (GE)
Merab Kostava st. 77, 0171, Tbilisi,
Georgia (GE);

Shota Rustaveli National Science Foundation of
Georgia (GE)
Merab Aleksidze II Lane 2, 0193, Tbilisi,
Georgia (GE);
Razhden Skhvitaridze (GE)
Egnate Ninoshvili St. 3a, 0102, Tbilisi,
Georgia (GE)

- (72) Razhden Skhvitaridze (GE);
Akaki Skhvitaridze (GE);
Irakli Giorgadze (GE);
Nino Mukhadgverdeli (GE);
Teimuraz Cheishvili (GE);
Givi Loladze (GE);
Vladimer Gordeladze (GE);
Manana Kekelidze (GE)
- (54) METHOD FOR CAPTURE AND UTILIZA-
TION OF CO₂ AND ACCOMPANYING
SOX, NOX FROM FLUE GASES

- (11) U 2024 2177 Y (51) Int. Cl. (2006)
B 01 J 20/14
B 01 J 20/16
B 01 J 20/30
C 01 B 39/02

- (10) AU 2024 16394 U
(43) 2024 04 25 №8 (45) 2024 04 25 №8
(21) AU 2023 16394
(22) 2023 11 14

- (73) Georgian Technical University (GE)
Merab Kostava st. 77, 0171, Tbilisi,
Georgia (GE);
Shota Rustaveli National Science Foundation
of Georgia (GE)
Merab Aleksidze II Lane 2, 0193, Tbilisi,
Georgia (GE);
Razhden Skhvitaridze (GE)
Egnate Ninoshvili St. 3a, 0102, Tbilisi,
Georgia (GE)

- (72) Razhden Skhvitaridze (GE);
Vladimer Gordeladze (GE);
Nino Mukhadgverdeli (GE);
Eka Uchaneishvili (GE);
Manana Kekelidze (GE);
Akaki Skhvitaridze (GE);
Teimuraz Cheishvili (GE);
Givi Loladze (GE);
Nazibrola Kutsiava (GE)
- (54) METHOD FOR MAKING GRANULAR
ZEOLITIC SORBENT

PART C

C 04

- (11) U 2024 2175 Y (51) Int. Cl. (2006)
C 04 B 14/00
C 04 B 14/02
C 04 B 14/04
C 04 B 14/26
C 04 B 18/14
- (10) AU 2024 16401 U
(43) 2024 04 25 №8 (45) 2024 04 25 №8
(21) AU 2023 16401
(22) 2023 11 23
(73) Georgian Technical University (GE)
Merab Kostava st. 77, 0171, Tbilisi,
Georgia (GE);
Shota Rustaveli National Science Foundation
of Georgia (GE)
Merab Aleksidze II Lane 2, 0193, Tbilisi,
Georgia (GE);
Razhden Skhvitaridze (GE)
Egnate Ninoshvili St. 3a, 0102, Tbilisi,
Georgia (GE)
- (72) Razhden Skhvitaridze (GE);
Akaki Skhvitaridze (GE);
Levan Baramadze (GE);
Gela Baramadze (GE);
Tamaz Batsikadze (GE);
Jumber Nizharadze (GE);
Malkhaz Turdeladze (GE);
Davit Bedukadze (GE);
Nino Bakhtadze (GE);
Maia Petriashvili (GE);
Giorgi Shvangiradze (GE)
- (54) COMPLEX MINERAL ADDITIVE FOR
CONCRETE, MORTARS AND DRY
MIXES
-

DESIGNS

DESIGNS, WHICH HAVE BEEN REGISTERED WITH THE INTERNATIONAL BUREAU CLAIMING PRIORITY ON THE TERRITORY OF GEORGIA

The decision can be appealed at the Chamber of Appeal of Sakpatenti within 3 months from the publication or at the Mtskheta District Court Administrative Cases Board (Address: №17, Samkhedro St., Mtskheta), within 1 month following the publication.

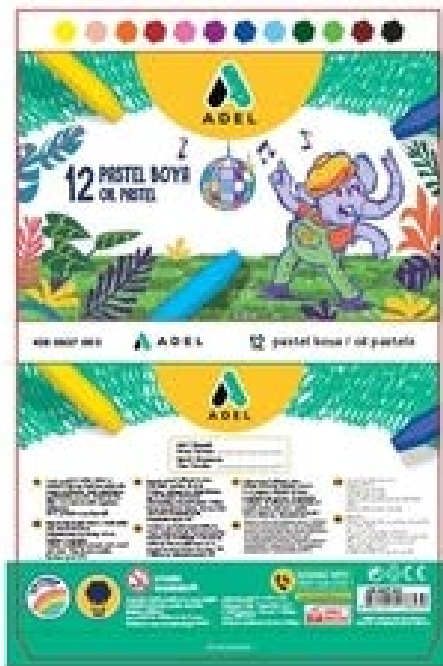
- (11) DM/234 271 (51) 09-03
(15) 2023 12 22 (44) 02/2024 (2024 01 12)
(22) 2023 12 22
(28) 5
(30) №1: 06.07.2024; 2023/006623; TR; №2: 24.07.2023; 2023/007223; TR; №3: 06.07.2024; 2023/006623; TR; №4: 06.07.2024; 2023/006623; TR; №5: 06.07.2024; 2023/006623; TR
(73) Adel Kalemçilik Ticaret Ve Sanayi Anonim Şirketi
Fatih Sultan Mehmet Mah. Balkan Cad. Buyaka E Blok 58/14 Ümraniye İstanbul (Tr)
(85) –
(86) TR
(87) TR
(88) TR
(89) TR
(81) III. AZ, BA, BG, BW, BX, BY, CH, CN, EG, EM, GB, GE, IL, IS, KG, KR, MA, ME, MK, NA, NO, OA, OM, RS, RU, SY, TM, TN, UA, US
(72) Cengiz Keskin
Fatih Sultan Mehmet Mah. Balkan Cad. Buyaka E Blok 58/14 Ümraniye, İstanbul (TR);
Soner Akin
Fatih Sultan Mehmet Mah. Balkan Cad. Buyaka E Blok 58/14 Ümraniye, İstanbul (Tr)
(74) Bekir Güven, Evreka Patent Danismanlik Limited Sirketi
Yda Center, Kızılırmak Mah. 1443. Cadde, 9/A3 Lobi, 8. Kat. No:281, Cankaya Ankara (Tr)
(46) 2024 01 12
(54) 1.-5. PACKAGING CARTON
(55)



1.1



2.1



3.1



4.1



5.1

(11) DM/234 361 (51) 11-01
(15) 2023 10 26 (44) 03/2024 (2024 01 19)
(22) 2023 10 26
(28) 2
(30) No1: 13.09.2023; 2023305975968; CN; No2: 13.09.2023; 2023305975968; CN
(73) Messika Group
64 Rue Lafayette, 75009 PARIS (FR)
(85) FR
(86) FR
(87) FR
(88) FR
(89) FR
(81) III. AZ, CH, EM, GE, JP, OM, TR, US
(72) Valérie MESSIKA
64 Rue Lafayette, 75009, Paris (FR)
(74) Novagraaf France
2, Rue Sarah Bernhardt CS 90017, 92665 Asnières-sur-Seine (FR)
(46) 2024 01 19
(54) 1. FINGER RING [JEWELRY], 2. JEWELRY
(55)



1.1



1.2



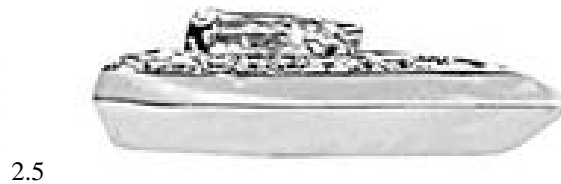
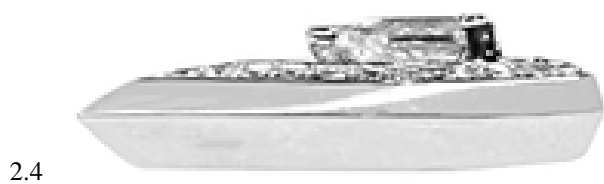
1.3



1.4



1.5



- (11) DM/234 526 (51) 09-03
(15) 2023 12 21 (44) 04/2024 (2024 01 26)
(22) 2023 12 21
(28) 2
(73) Tadım Gıda Maddeleri Sanayi Ve Ticaret Anonim Şirketi
Gebze Organize Sanayi Bölgesi 1100. Sok. No:1105 Çayırova, 41420 Kocaeli (TR)
(85) TR
(86) TR
(87) TR
(88) TR
(89) TR
(81) III. AL, AZ, CH, EM, GB, GE, NO
(72) 2 Can Tekinalp
Gosb 1100 Sokak No:1105 Çayırova, KOCAELİ (TR)
(74) Dış Patent Marka Tescil Ve Danışmanlık Hizmetleri Ltd
Şti, Bay Plaza Girne Mah. Elifli Sok. No:27 Kat:5-6-7 Pk 34852 Maltepe İstanbul (Tr)
(46) 2024 01 26
(54) 1.-2. GRAPHIC DESIGN FOR PACKAGE
(55)

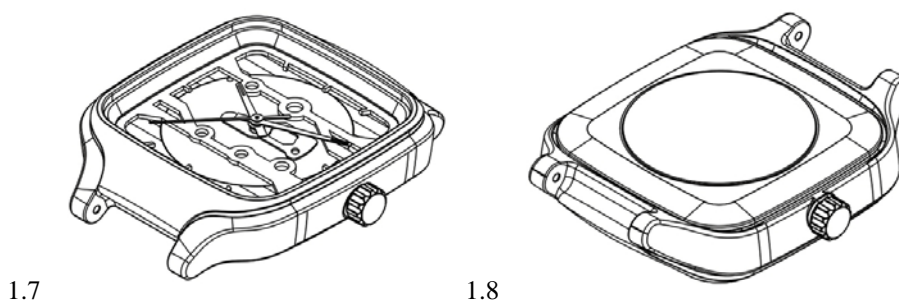
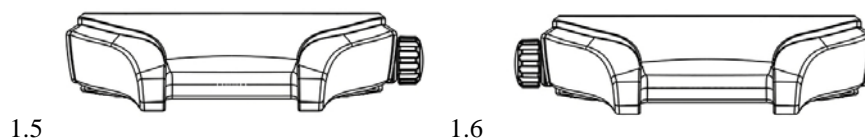
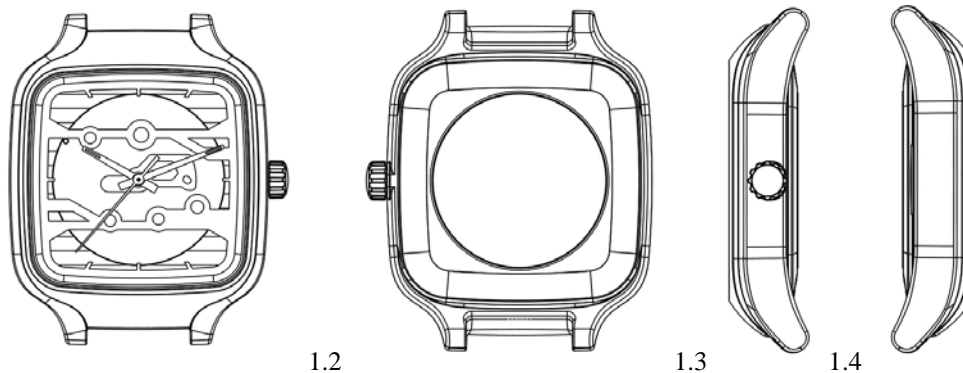


1.1



2.1

- (11) DM/226 946
- (15) 2023 01 25
- (22) 2023 01 25
- (28) 1
- (73) Rado Uhren AG (Rado Watch Co. LTD.) (Montres Rado SA)
Bielstrasse 45, 2543 Lengnau (CH)
- (85) –
- (86) CH
- (87) CH
- (88) –
- (89) CH
- (81) III. BA, CH, EM, GB, GE, MA, NO, OM, SG, TN, TR, UA
- (72) Maurus Moser
Rue de L'Hôpital 4, 2000, Neuchâtel (CH)
- (74) The Swatch Group AG
Faubourg du Lac 6, 2501 Biel (CH)
- (46) 2024 01 26
- (54) 1. WATCH
- (55)



- (11) DM/230 659 (51) 11-01
 (15) 2023 07 24 (44) 04/2024 (2024 01 26)
 (22) 2023 07 24
 (28) 3
 (73) Harry Winston SA
 Chemin du Tourbillon 8, 1228 Plan-les-Ouates (CH)
 (85) CH
 (86) CH
 (87) CH
 (88) CH
 (89) CH
 (81) III. AL, AM, AZ, BA, BZ, CA, CH, EM, GB, GE, KG, LI, MA, MC, MD, ME, MK, MN, NO, OM, SG,
 TN, TR, UA
 (72) Rie YATSUGI-KANG
 c/o Harry Winston Inc. 718 Fifth Avenue, 10019, New York (US)
 (74) The Swatch Group AG (The Swatch Group SA) (The Swatch Group Ltd.)
 Faubourg du Lac 6, 2501 Biel/Bienne (CH)
 (46) 2024 01 26
 (54) 1. PAIR OF EARRINGS, 2.-3. FINGER RING
 (55)



1.1



1.2



1.3



1.4



1.5



1.6



1.7



1.8





2.1



2.2



2.3



2.4



2.5



2.6



2.7



2.8



3.1



3.2



3.3



3.4



3.5



3.6



3.7



3.8

- (11) DM/234 673 (51) 09-01; 09-05
 (15) 2023 11 20 (44) 05/2024 (2024 02 02)
 (22) 2023 11 20
 (28) 13
 (73) Ficosota OOD
 48 Madara Blvd, 9700 Shumen (BG)
 (85) –
 (86) –
 (87) –
 (88) BG
 (89) BG
 (81) III. AL, AM, BY, EM, GE, MD, MK, RS, UA
 (72) Krasen Kyurkchiev
 Bul. Bulgaria 102, Floor 4, Office 47, 1220, Sofia (BG)
 (74) Maciej Bugalski
 Ul. Kierbedzia 6/20, 00-728 Warszawa (PL)
 (46) 2024 02 02
 (54) 1.-8. BOTTLE FOR LAUNDRY GELS, 9.-13. PACKAGING BAG FOR LAUNDRY POWDER
 (55)





7.1



8.1



9.1



10.1



11.1

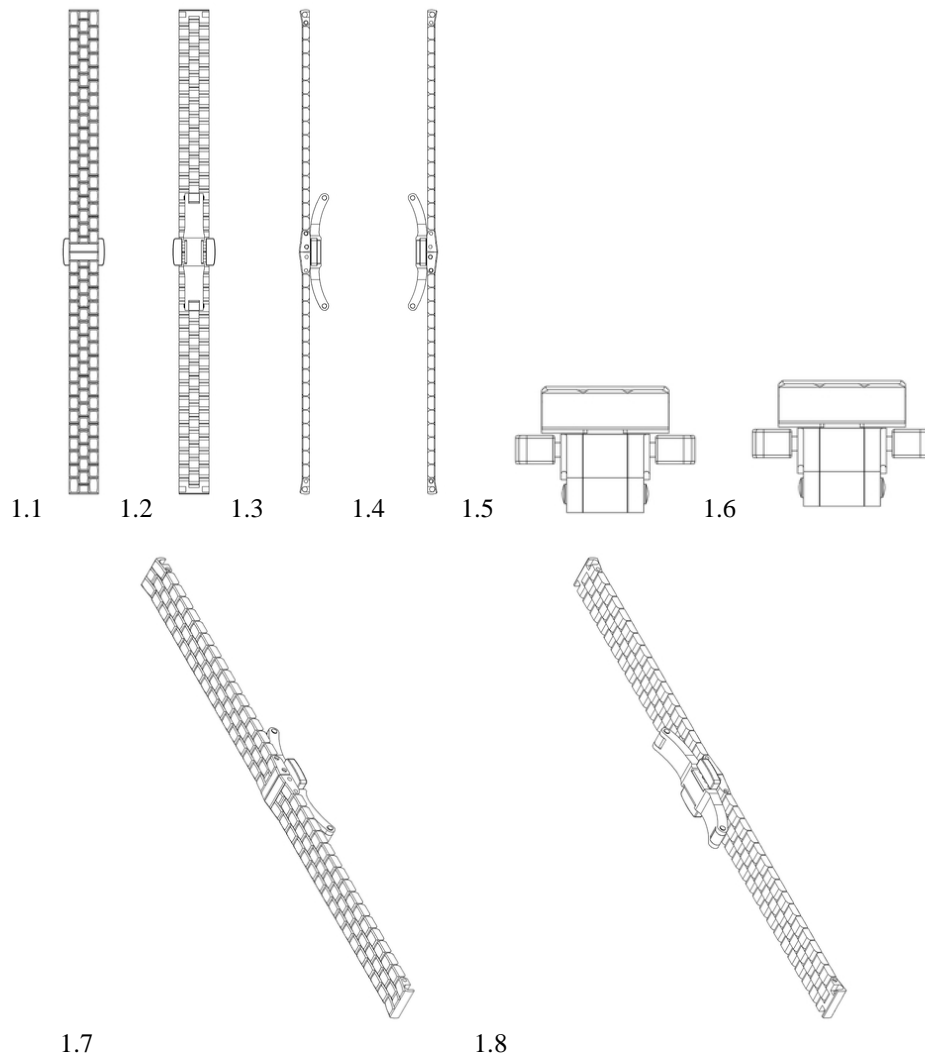


12.1

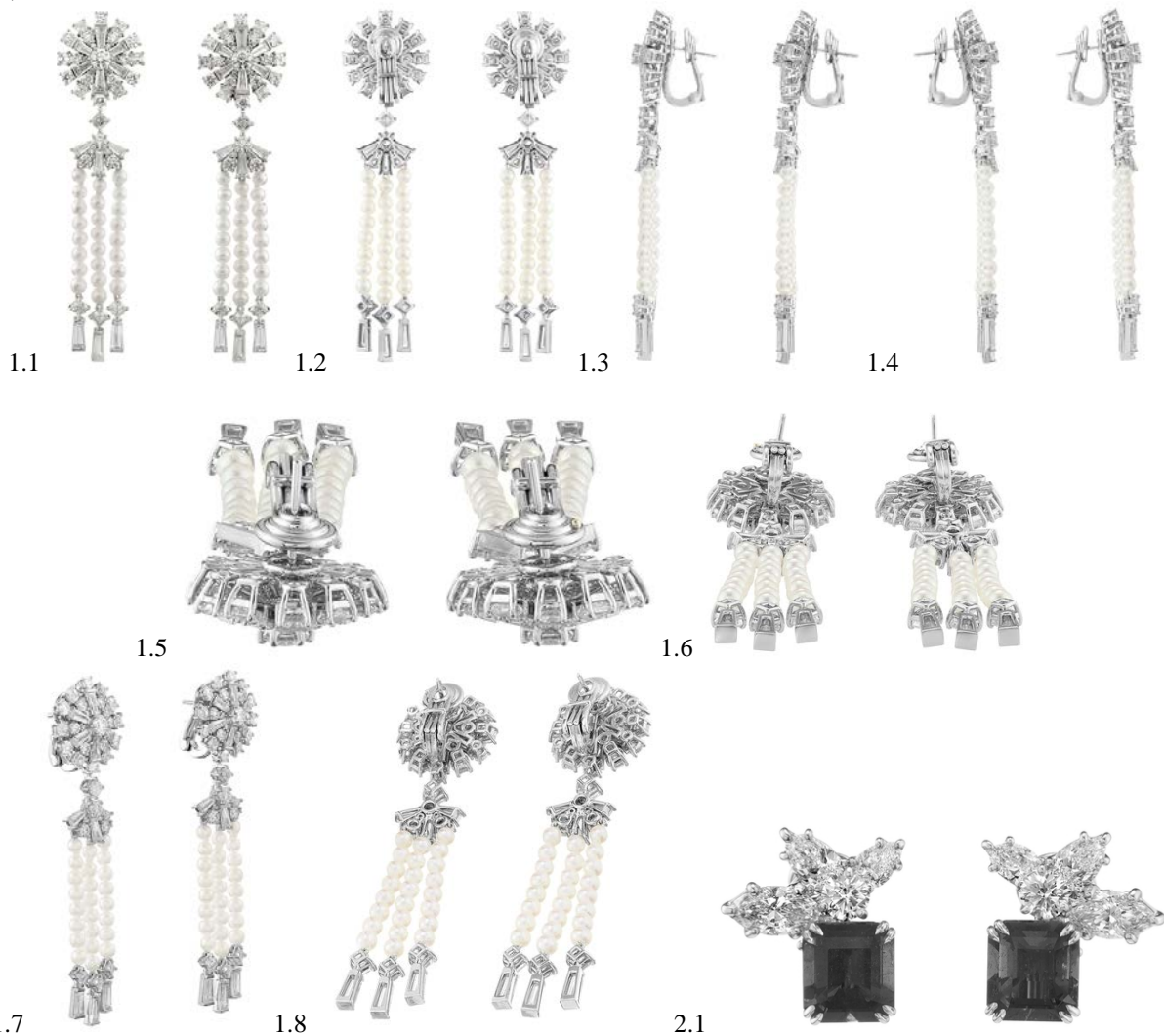


13.1

- (11) DM/227 031 (51) 10-07
 (15) 2023 01 30 (44) 05/2024 (2024 02 02)
 (22) 2023 01 30
 (28) 1
 (73) Tissot SA (Tissot AG) (Tissot LTD)
 17, Chemin des Tourelles, 2400 Le Locle (CH)
 (85) CH
 (86) CH
 (87) CH
 (88) CH
 (89) CH
 (81) III. AL, BA, CH, EM, GB, GE, MA, MD, ME, MK, NO, RU, SG, TN, TR, UA
 (72) Laurent Auberson
 Auberson Designstudio Rosenaustrasse 7, CH-8406, Winterthur (CH)
 Emmanuelle Delley
 c/o Tissot SA (Tissot AG) (Tissot Ltd) Chemin des Tourelles 17, CH-2400, Le Locle (CH)
 (74) The Swatch Group AG (The Swatch Group SA) (The Swatch Group Ltd)
 6, Faubourg du Lac, 2501 Biel/Bienne (CH)
 (46) 2024 02 02
 (54) 1. WATCH BRACELET
 (55)



- (11) DM/231 738
- (15) 2023 08 04
- (22) 2023 08 04
- (28) 4
- (73) Harry Winston SA
Chemin Du Tourbillon 8, 1228 Plan-les-Ouates (CH)
- (85) CH
- (86) CH
- (87) CH
- (88) CH
- (89) CH
- (81) III. AL, AM, AZ, BA, BZ, CA, CH, EM, GB, GE, KG, LI, MA, MC, MD, ME, MK, MN, NO, OM, SG, TN, TR, UA
- (72) 1 Christina YANG
C/o Harry Winston Inc., 718 Fifth Avenue, 10019, New York (US);
2-4 Tobias WUEST
C/o Harry Winston Inc., 718 Fifth Avenue, 10019, New York (US)
- (74) The Swatch Group AG (The Swatch Group SA) (The Swatch Group Ltd.)
Faubourg Du Lac 6, 2501 Biel/Bienne (CH)
- (46) 2024 02 09
- (54) 1. PAIR OF EARRINGS, 2. PAIR OF EARRINGS, 3. PAIR OF EARRINGS, 4. NECKLACE WITH PENDANT
- (55)







3.7

3.8



4.1

4.2



4.3

4.4



4.5



4.6

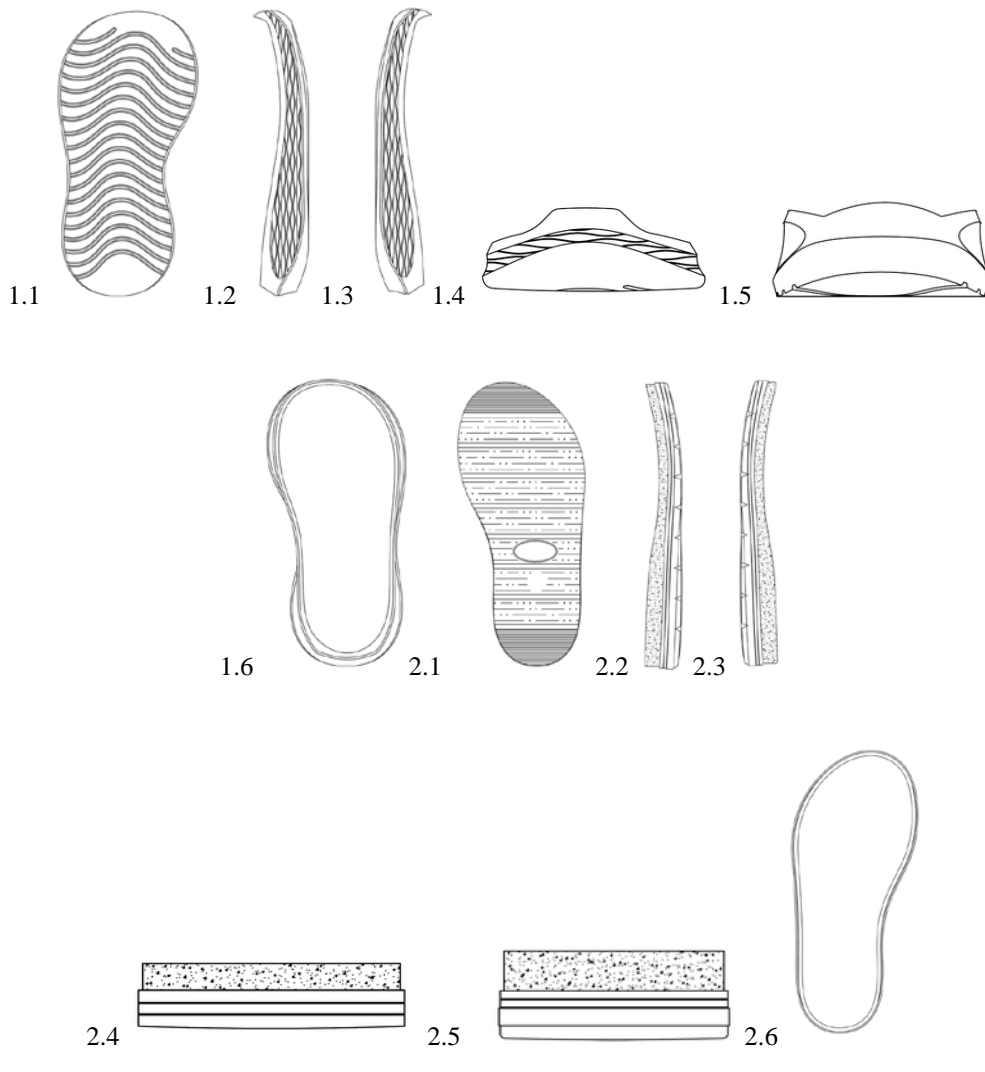


4.7



4.8

- (11) DM/235 085
- (15) 2024 01 25
- (22) 2024 01 25
- (28) 2
- (30) No1: 02.08.2023; 015030059-0001; EM; No2: 02.08.2023; 015030059-0002; EM
- (73) Ferdinand Richter GmbH & Co KG
Schärdinger Straße 1, 4061 Pasching (AT)
- (85) EM
- (86) EM
- (87) EM
- (88) EM
- (89) EM
- (81) III. CH, GB, GE, LI, UA
- (72) Thomas P. RIDDER
Balthasar-Kleischrothgasse 3, 2380, Perchtoldsdorf, (AT)
- (74) WEISER & VOITH Patentanwälte Partnerschaft
Kopfgasse 7, 1130 Wien (AT)
- (54) 1.-2. SOLE FOR FOOTWEAR
- (55)



- (11) DM/231 689 (51) 03-01
(15) 2023 08 21 (44) 08/2024 (2024 02 23)
(22) 2023 08 21
(28) 1
(73) Blancpain SA
Le Rocher 12, 1348 LE BRASSUS (CH)
(85) CH
(86) CH
(87) CH
(88) CH
(89) CH
(81) III. AL, AM, AZ, BA, BZ, CH, EM, GB, GE, KG, LI, MA, MC, MD, ME, MK, MN, NO, OM, SG, TN,
TR, UA
(72) Gregory Kissling
c/o Omega SA (Omega AG) (Omega LTD.), Jakob-Stämpfli-Strasse 96, 2502, Biel/Bienne (CH)
(74) The Swatch Group AG (The Swatch Group SA) (The Swatch Group Ltd.)
6, Faubourg du Lac, 2501 Biel/Bienne (CH)
(46) 2024 02 23
(54) 1. WATCH BOX
(55)



1.1

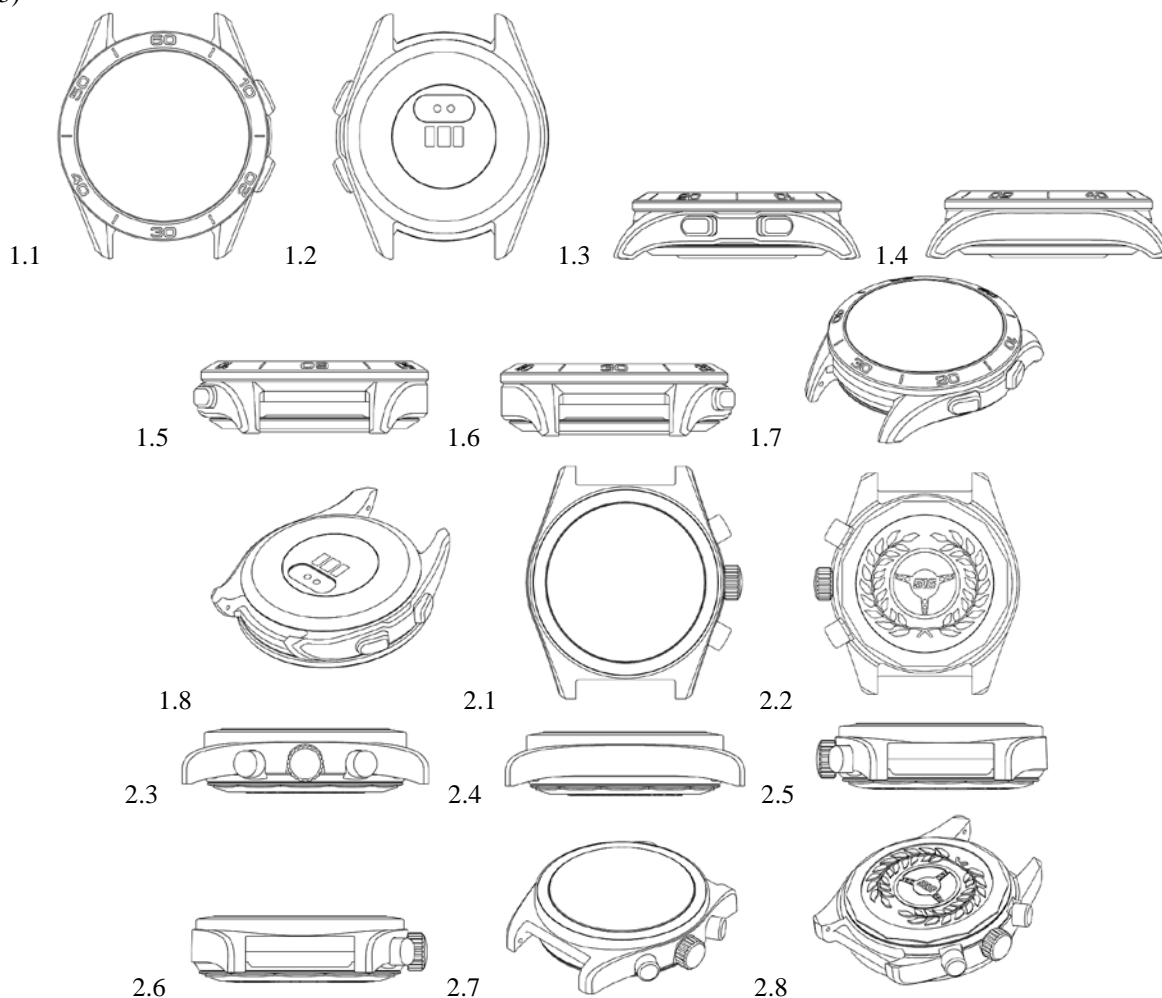


1.2

- (11) DM/231 911
- (15) 2023 08 22
- (22) 2023 08 22
- (28) 1
- (30) No1: 21.08.2023; WIPO136899; IB
- (73) Blancpain SA
Le Rocher 12, 1348 LE BRASSUS (CH)
- (85) CH
- (86) CH
- (87) CH
- (88) CH
- (89) CH
- (81) III. AL, AM, AZ, BA, BZ, CH, EM, GB, GE, KG, LI, MA, MC, MD, ME, MK, MN, NO, OM, SG, TN, TR, UA
- (72) Gregory Kissling
c/o Omega SA (Omega AG) (Omega LTD.), Jakob-Stämpfli-Strasse 96, 2502, Biel/Bienne (CH)
- (74) The Swatch Group AG (The Swatch Group SA) (The Swatch Group Ltd.)
6, Faubourg du Lac, 2501 Biel/Bienne (CH)
- (46) 2024 02 23
- (54) 1. WATCH BOX
- (55)



- (11) DM/231 768 (51) 10-07
 (15) 2023 08 23 (44) 08/2024 (2024 02 23)
 (22) 2023 08 23
 (28) 2
 (73) Tissot SA (Tissot AG) (Tissot LTD)
 17, Chemin des Tourelles, 2400 Le Locle (CH)
 (85) CH
 (86) CH
 (87) CH
 (88) CH
 (89) CH
 (81) III. AL, BA, CH, EM, GB, GE, MA, MD, ME, MK, NO, RU, SG, TN, TR, UA
 (72) 1: Gilles Habegger
 Chemin des Tourelles 17, CH-2400, Le Locle (CH)
 1: Lorenzo Vallone
 Ultravision Design Di Lorenzo Vallone, Place De L'Eglise 19, CH-1255, Veyrier (CH);
 2: Pierre Meinen
 c/o Tissot SA, Chemin des Tourelles 17, CH-2400, Le Locle (CH);
 2: Jean Luc Bernard
 SUPER150 Route du Château 18, CH-2520, La neuveville (CH)
 (74) The Swatch Group AG (The Swatch Group SA) (The Swatch Group Ltd)
 6, Faubourg cou Lac, 2501 Biel/Bienne (CH)
 (46) 2024 02 23
 (54) 1.-2. WATCH CASE
 (55)



TRADEMARKS

APPLICATIONS FILED UNDER THE NATIONAL PROCEDURE APPROVED FOR REGISTRATION

The decision can be appealed at the Chamber of Appeal of Sakpatenti within 3 months from the publication or at the Mtskheta District Court Administrative Cases Board (Address: №17, Samkhedro St., Mtskheta), within 1 month following the publication.

(260) AM 2024 123307 A

(210) AM 123307

(220) 2023 06 09

(731) LTD "New Stars Group"

Village Muguda, Dusheti Region, Georgia

(740) Giorgi Taktakishvili

(540)



(591) Red, white, blue, black, yellow, grey

(531) 01.01.02; 01.01.10; 02.01.08; 02.01.24;

21.03.13; 24.03.01; 24.03.07; 25.07.01;

25.07.06; 25.07.07; 27.05.17; 28.19; 29.01.15

(526) Image with Georgian flag, GEORGIA, GEO,

Lasha Bekauri, Geno Petriashvili,

Guram Tushishvili and Lasha Talakhadze

(511) 32

(260) AM 2024 123308 A

(210) AM 123308

(220) 2023 06 09

(731) LEPL "National Tourism Administration of Georgia"

Sanapiro St. 4, 0105, Tbilisi, Georgia

(540)



(591) White, red

(531) 01.15.07; 27.05.01; 29.01.01

(526) Georgia

(511) 35, 39, 41, 43, 44

(260) AM 2024 123309 A

(210) AM 123309

(220) 2023 06 09

(731) LEPL "National Tourism Administration of Georgia"

Sanapiro St. 4, 0105, Tbilisi, Georgia

(540)



(591) White, red

(531) 01.15.07; 27.05.01; 29.01.01

(526) Georgia

(511) 35, 39, 41, 43, 44

(260) AM 2024 124149 A

(210) AM 124149

(220) 2023 08 02

(731) LTD "Laio Food"

Vazha-Pshavela Av. 8, Tbilisi, Georgia

(540)



(591) FFFFFFF white, F3A208 mustard-yellow, 34A334 green
 (531) 01.15.21; 26.01.06; 26.01.20; 26.01.21; 26.01.24; 27.01.12; 27.05.01; 27.05.24; 29.01.13
 (526) GEORGIA
 (511) 29

(260) AM 2024 124325 A
 (210) AM 124325
 (220) 2023 08 15
 (731) LTD "GM Pharmaceuticals"
 Rustavi Highway 52, 0114, Tbilisi, Georgia
 (740) Nugzar Ksovreli
 (540)

აშვა
 Ашва
 Ashwa

(591) Black-white
 (511) 5

(260) AM 2024 124326 A
 (210) AM 124326
 (220) 2023 08 15
 (731) LTD "GM Pharmaceuticals"
 Rustavi Highway 52, 0114, Tbilisi, Georgia
 (740) Nugzar Ksovreli
 (540)

ალკორესტი
 Алкorest
 Alkorest

(591) Black-white
 (511) 5

(260) AM 2024 124328 A
 (210) AM 124328
 (220) 2023 08 15
 (731) Nodar Nakaidze
 Mukhiani, IV m/r, bld. 24, ap. 46, 0172,
 Tbilisi, Georgia
 (740) Zurab Bezhashvili;

Ioane Iarajuli;
 Lia Shikhiashvili;
 Giorgi Tsatava

(540)

DEL
 CAPITANO

(591) Green, white
 (531) 05.05.20; 05.05.21; 26.04.03; 26.04.08; 26.04.09; 26.04.15; 26.04.18; 27.05.01; 29.01.12
 (511) 3

(260) AM 2024 124330 A
 (210) AM 124330
 (220) 2023 08 15
 (731) LTD "Libo Group"
 Davit Guramishvili Av. 84, 0141, Tbilisi,
 Georgia
 (740) Ioane Iarajuli;
 Zurab Bezhashvili;
 Lia Shikhiashvili
 (540)

LIBOgroup

(591) Lilac, black, white
 (531) 26.11.08; 27.05.01; 27.05.09; 27.05.10; 27.05.11; 29.01.13
 (511) 35, 39

(260) AM 2024 124333 A
 (210) AM 124333
 (220) 2023 08 15
 (731) Joint Stock Company "Technonikol"
 Gilyarovskiy St. 47, Bld. 5, Fl. 5, Office I,
 Room 22, 129110, Moscow, Russian
 Federation
 (740) Natela Otardidze
 (540)



(591) Red, grey, white
 (531) 26.05.04; 26.05.18; 26.05.24; 27.05.24; 29.01.13
 (511) 19, 37

(260) AM 2024 124336 A
 (210) AM 124336
 (220) 2023 08 15
 (731) Getz Pharma International FZ LLC
 Office No. 1307, 13th Floor, Al-Thuraya
 Tower 1, Dubai Media City, Dubai, United
 Arab Emirates

(540)
GETZ PHARMA

(591) Black-white
 (531) 27.05.01
 (511) 5

(260) AM 2024 124338 A
 (210) AM 124338
 (220) 2023 08 15
 (731) Gogita Sozashvili
 S. Chikovani St. 35, 0171, Tbilisi, Georgia

(540)
 შადიანი



(591) Black-white
 (531) 25.01.25; 27.05.01; 28.19
 (511) 33

(260) AM 2024 124356 A
 (210) AM 124356
 (220) 2023 08 17
 (731) LTD "Krik Events"
 Angisi St. 8, b. 1, 6000, Batumi, Georgia

(540)
DelMare
 restaurant . bar . terrace

(591) White, sky-blue, grey
 (531) 27.05.01; 27.05.09; 27.05.10; 29.01.12
 (511) 43

(260) AM 2024 124428 A
 (210) AM 124428
 (220) 2023 08 22
 (731) Dashing Joys Limited
 19h Maxgrand Plaza No.3 Tai Yau Street San
 Po Kong, Kowloon Hong Kong, Hong Kong

(740) Giorgi Kartvelishvili
 (540)
PAEONIA

(591) Black-white

(511) 34

(260) AM 2024 124506 A
 (210) AM 124506
 (220) 2023 08 29
 (731) Tabacalera Del Este S.A.
 Ybyrá Pytá y Mandarinas - Villa Conavi II,
 Hernandarias, Paraguay
 (740) Khatuna Imnadze
 (540)

GILROY

(591) Black-white
 (511) 34

(260) AM 2024 124508 A
 (210) AM 124508
 (220) 2023 08 29
 (731) Tabacalera Del Este S.A.
 Ybyrá Pytá y Mandarinas - Villa Conavi II,
 Hernandarias, Paraguay
 (740) Khatuna Imnadze
 (540)

CADILLAC

(591) Black-white
 (511) 34

(260) AM 2024 124514 A
 (210) AM 124514
 (220) 2023 08 30
 (731) LTD "Mgaloblishvili Wine"
 Village Martkopi, Gardabani, Georgia
 (540)

Pasiphea
 პასიფეა

(591) Black-white
 (511) 33

(260) AM 2024 124519 A
 (210) AM 124519
 (220) 2023 08 31
 (731) Ivane Vatcharadze
 Irakli Abashidze St. 47, Tbilisi, Georgia
 (540)



(591) Blue, brown, yellow, white

(531) 02.09.14; 27.05.01; 29.01.14
(511) 29, 30

(260) AM 2024 124524 A
(210) AM 124524
(220) 2023 08 31
(731) LTD "Top View Company"
26 May St. 21, ap. 1, Batumi, Georgia
(540)



TAPIS ROUGE
— BOUTIQUE HOTEL —

(591) Black, golden
(531) 25.05.01; 25.05.02; 26.01.02; 26.01.12;
26.01.18; 26.11.07; 26.11.08; 27.05.10;
29.01.12
(511) 43

(260) AM 2024 124587 A
(210) AM 124587
(220) 2023 09 01
(731) Tamaz Shilakadze
Archil Sulakauri St. 6 (former Bakhtrio-
ni St. 6), ap. 24, 0160, Tbilisi, Georgia
(540)



(591) Dark blue, light blue
(531) 26.01.04; 26.01.18; 26.01.21; 27.05.22;
29.01.04
(511) 37, 38, 39, 40, 41, 42

(260) AM 2024 124588 A
(210) AM 124588
(220) 2023 09 01
(731) Tamaz Shilakadze

Archil Sulakauri St. 6 (former Bakhtrio-
ni St. 6), ap. 24, 0160, Tbilisi, Georgia

(540)



(591) Dark blue, light blue
(531) 26.01.18; 27.05.22; 29.01.04
(511) 37, 38, 39, 40, 41, 42

(260) AM 2024 124589 A
(210) AM 124589
(220) 2023 09 01
(731) Tamaz Shilakadze
Archil Sulakauri St. 6 (former Bakhtrio-
ni St. 6), ap. 24, 0160, Tbilisi, Georgia
(540)



(591) Blue
(531) 27.05.22; 29.01.04
(511) 37, 38, 39, 40, 41, 42

(260) AM 2024 124593 A
(210) AM 124593
(220) 2023 09 04
(731) SPM Oil & Gas Inc.
601 Herbert Drive, Fort Worth, 76108,
TX, USA
(740) Tamar Kotchlamazashvili
(540)

SPM

(591) Black-white
(511) 6, 7, 9, 12, 37, 39, 42

(260) AM 2024 124599 A
(210) AM 124599
(220) 2023 09 05
(731) LTD "Litten Tree"
Vill. Dighomi, 3305, Vake-Saburtalo District,
Tbilisi, Georgia

(540)



ლიტენ ტრი
LITTEN TREE

(591) 000000 black, 00883E green, white
(531) 05.01.16; 26.01.15; 27.05.01; 28.19; 29.01.13
(511) 20, 35

(260) AM 2024 124608 A

(210) AM 124608

(220) 2023 09 07

(731) Millennium & Copthorne International Limited
9 Raffles Place, #12-01 Republic Plaza,
048619, Singapore

(740) Shalva Gvaramadze

(540)

MSOCIAL

(591) Black-white

(531) 27.05.01; 27.05.17; 27.05.19

(511) 9, 38, 41

(260) AM 2024 124609 A

(210) AM 124609

(220) 2023 09 07

(731) Millennium & Copthorne International Limited
9 Raffles Place, #12-01 Republic Plaza,
048619, Singapore

(740) Shalva Gvaramadze

(540)

M Socialite

(591) Black, white, grey

(531) 27.05.01

(511) 35, 43

(260) AM 2024 124610 A

(210) AM 124610

(220) 2023 09 07

(731) Millennium & Copthorne International Limited
9 Raffles Place, #12-01 Republic Plaza,
048619, Singapore

(740) Shalva Gvaramadze

(540)

MSOCIALite

(591) Black, white, grey

(531) 26.04.19; 27.05.17; 27.05.19

(511) 35, 43

(260) AM 2024 124611 A

(210) AM 124611

(220) 2023 09 07

(731) LLC "Zearis Group"

Richard Holbrook St. 13, Tbilisi, Georgia

(540)

მეტამორფოზა

Metamorphosis

Μεταμορφοζα

(591) Black-white

(511) 32, 33

(260) AM 2024 124612 A

(210) AM 124612

(220) 2023 09 07

(731) Getz Pharma International FZ LLC

Office No: 1307, 13th floor, Al-Thuraya
Tower 1, Dubai Media city, United Arab
Emirates

(740) Nino Bakhtadze

(540)

DIAMPA

(591) Black-white

(511) 5

(260) AM 2024 124613 A

(210) AM 124613

(220) 2023 09 07

(731) Getz Pharma International FZ LLC

Office No: 1307, 13th floor, Al-Thuraya
Tower 1, Dubai Media city, United Arab
Emirates

(740) Nino Bakhtadze

(540)

VONAB

(591) Black-white

(511) 5

(260) AM 2024 124702 A

(210) AM 124702

(220) 2023 09 11

(731) LTD "Meamani"

Davit Jabidze St. 31, ap. 81, Gldani
District, Tbilisi, Georgia
(540)

VINEVELI
ვინეველი
ВИНЕВЕЛИ

(591) Black-white
(511) 33, 35

(260) AM 2024 124705 A
(210) AM 124705
(220) 2023 09 12
(731) Akaki Tsilosani Hair Transplantation
Institute
Davit Aghmashenebeli Alley, 3300, Mtskheta,
Georgia
(740) Nugzar Ksovrel
(540)

A.Tsilosani
HAIR TRANSPLANTATION INSTITUTE

(591) Black-white
(531) 01.01.02; 01.01.09; 26.11.12; 27.05.01;
27.05.07; 27.05.09; 27.05.10; 27.05.11
(511) 44

(260) AM 2024 124707 A
(210) AM 124707
(220) 2023 09 12
(731) Alkaloid AD Skopje
Blvd. Aleksandar Makedonski 12, 1000
Skopje, The Republic of North Macedonia
(740) Shalva Gvaramadze
(540)

LOTIMEZ

(591) Black-white
(511) 5

(260) AM 2024 124708 A
(210) AM 124708
(220) 2023 09 13
(731) Defacto Perakende Ticaret Anonim Şirketi
Defacto Plaza, Basın Ekspres Yolu Atatürk
Mah. Bahariye Cad. №31 Küçükçekmece,
İstanbul, Türkiye
(740) Nugzar Ksovrel
(540)

DeFacto
I♥ME

(591) Black, white, red

(531) 02.09.01; 27.03.01; 27.03.02; 27.05.01;
27.05.08; 27.05.09; 27.05.10; 29.01.13
(511) 3, 18, 25, 35

(260) AM 2024 124709 A
(210) AM 124709
(220) 2023 09 13
(731) Millennium & Copthorne International
Limited
9 Raffles Place, #12-01 Republic Plaza,
048619, Singapore
(740) Shalva Gvaramadze
(540)



(591) Black-white
(531) 07.01.08; 07.01.12; 26.11.03; 26.11.06;
26.11.07
(511) 35, 43

(260) AM 2024 124769 A
(210) AM 124769
(220) 2023 09 15
(731) LTD "Magdana"
Giorgi Chitaya St. 14A, ap. 19, Chugureti
District, Tbilisi, Georgia
(740) Akaki Lomsadze
(540)



(591) Golden, grey, dark blue
(531) 02.03.01; 03.06.06; 27.05.01; 27.05.24; 28.19;
29.01.13
(511) 33

(260) AM 2024 124772 A
(210) AM 124772
(220) 2023 09 18
(731) The Coca-Cola Company
One Coca-Cola Plaza, Atlanta, Georgia 30313,
USA
(740) Giorgi Taktakishvili
(540)

აბოლ
ბონი
აქვსგან

(591) Black-white
(531) 28.19
(511) 32

(260) AM 2024 124773 A
(210) AM 124773
(220) 2023 09 18
(731) The Coca-Cola Company
One Coca-Cola Plaza, Atlanta, Georgia 30313,
USA
(740) Giorgi Taktakishvili
(540)

MTIS
by **bona**
aqua

(591) Black-white
(531) 27.05.01; 27.05.09; 27.05.10; 27.05.17
(511) 32

(260) AM 2024 124788 A
(210) AM 124788
(220) 2023 09 21
(731) Mega Yalitim Üretim Pazarlama Dış Ticaret
Anonim Şirketi
Sanayiosb Mah. Eosb 2 Sk. 15 2 Merkez,
Elaziğ, Türkiye
(540)

 **MEGA**
Insulation Solutions

(591) Blue, red, white
(531) 26.04.03; 26.04.08; 26.04.18; 26.11.11;
26.11.12; 27.05.01; 27.05.09; 27.05.10;
29.01.12
(511) 1, 2, 4, 6, 7, 9, 11, 17, 19, 35, 37, 40, 42

(260) AM 2024 124818 A
(210) AM 124818
(220) 2023 09 26
(731) LTD "Amore"
Tsothe Dadiani St. 7, floor 2, Commercial
Space B 202, (T/C Karvasla),
Chughureti District, Tbilisi, Georgia
(540)

mi. Amore

(591) Golden, white
(531) 27.05.01; 27.05.19; 29.01.02
(511) 25, 35

(260) AM 2024 124819 A
(210) AM 124819
(220) 2023 09 26
(731) LTD "Global Distribution"
Vill. Karajala, Telavi, Georgia
(540)

MARAZZI

(591) Black-white
(531) 27.05.01
(511) 7, 9

(260) AM 2024 124830 A
(210) AM 124830
(220) 2023 09 03
(731) LTD "Tradeline"
Gamrekeli St. 19, Office 29, Tbilisi, Georgia
(540)



(591) Black-white
(531) 26.04.05; 26.04.22; 26.04.24; 27.05.01;
27.05.10; 27.05.24
(511) 25, 35

(260) AM 2024 124941 A
(210) AM 124941
(220) 2023 09 29
(731) LTD "Food Balls Georgia"
Kindzmarauli St. 5, (plot 1/99), 0145, Samgori
District, Tbilisi, Georgia
(540)



(591) White, black, orange
(531) 04.05.21; 16.01.14; 27.05.17; 28.19; 29.01.13
(511) 29, 30, 43

(260) AM 2024 124942 A
(210) AM 124942
(220) 2023 09 29
(731) Six Continents Hotels Inc.
3 Ravinia Drive, Atlanta, Georgia 30346, USA
(740) Giorgi Taktakishvili

(540)

HOLIDAY INN RESORT

(591) Black-white

(511) 43

(260) AM 2024 124943 A

(210) AM 124943

(220) 2023 09 29

(731) Yanmar Holdings Co., Ltd.

1-32 Chayamachi, Kita-Ku, Osaka, Japan

(740) Shalva Gvaramadze

(540)



(591) Black-white

(531) 26.03.23; 26.11.09

(511) 4, 7, 12, 37

(260) AM 2024 124949 A

(210) AM 124949

(220) 2023 10 02

(731) Daniel Jordan Klein

Salisbury Road, 02458, MA, USA

(740) Irine Apkhazava

(540)

KLEIN & PANTSULAIA

(591) Black-white

(511) 45

(260) AM 2024 124951 A

(210) AM 124951

(220) 2023 10 03

(731) Nino Kakutia

Balanchivadze St. 40, Tbilisi, Georgia

(540)



(591) Yellow, blue, crimson, green, white

(531) 01.15.15; 01.15.21; 03.09.16; 03.09.18;
26.02.07; 29.01.15

(511) 32, 33

REGISTERED TRADEMARKS

(111) M 2024 38110 R
(151) 2024 04 17
(181) 2034 04 17
(260) AM 2022 117543 A
(220) 2022 04 20

(732) Meta Platforms Inc.
1601 Willow Road, Menlo Park, California
94025, USA

(111) M 2024 38111 R
(151) 2024 04 17
(181) 2034 04 17
(260) AM 2022 117544 A
(220) 2022 04 20

(732) Meta Platforms Inc.
1601 Willow Road, Menlo Park, California
94025, USA

(111) M 2024 38112 R
(151) 2024 04 17
(181) 2034 04 17
(260) AM 2022 120516 A
(220) 2022 11 29

(732) Vyeronika Gamiyeva
Ulica Metrologichna N113, Bina N42, Kievi,
Ukraine

(111) M 2024 38113 R
(151) 2024 04 17
(181) 2034 04 17
(260) AM 2023 121220 A
(220) 2023 01 16

(732) LTD "Pilgrim"
Freedom Square 4, 0105, Tbilisi, Georgia

(111) M 2024 38114 R
(151) 2024 04 17
(181) 2034 04 17
(260) AM 2023 121439 A
(220) 2023 02 03

(732) Aviation Services Company Single Person
Closed Joint Stock Company
Building №3026, Al Sahafah District, P.O.
Box 6133, Riyadh 13315, Kingdom of Saudi
Arabia, Saudi Arabia

(111) M 2024 38115 R
(151) 2024 04 17
(181) 2034 04 17
(260) AM 2023 121499 A
(220) 2023 02 03

(732) Aviation Services Company Single Person
Closed Joint Stock Company
Building №3026, Al Sahafah District, P.O.
Box 6133, Riyadh 13315, Kingdom of Saudi
Arabia, Saudi Arabia

(111) M 2024 38116 R
(151) 2024 04 17
(181) 2034 04 17
(260) AM 2023 121505 A
(220) 2023 02 04

(732) BeiGene LTD
94 Solaris Ave., 1) c/o Mourant Ozannes
Corporate Services, 2) c/o Mourant
Governance Services (Cayman) Limited,
PO Box 1348, Cayman Islands

(111) M 2024 38117 R
(151) 2024 04 17
(181) 2034 04 17
(260) AM 2023 121642 A
(220) 2023 02 13

(732) Fine Agrochemicals Limited
Hill End House, Whittington, Worcester,
Worcestershire, WR5 2RQ, United Kingdom

(111) M 2024 38118 R
(151) 2024 04 17
(181) 2034 04 17
(260) AM 2023 121643 A
(220) 2023 02 13

(732) Fine Agrochemicals Limited
Hill End House, Whittington, Worcester,
Worcestershire, WR5 2RQ, United Kingdom

(111) M 2024 38119 R
(151) 2024 04 17
(181) 2034 04 17
(260) AM 2023 121644 A
(220) 2023 02 13

(732) Fine Agrochemicals Limited
Hill End House, Whittington, Worcester,
Worcestershire, WR5 2RQ, United Kingdom

(111) M 2024 38120 R
(151) 2024 04 17
(181) 2034 04 17
(260) AM 2023 121645 A
(220) 2023 02 13

(732) Fine Agrochemicals Limited

Hill End House, Whittington, Worcester,
Worcestershire, WR5 2RQ, United Kingdom

100 Deforest Avenue, East Hanover,
New Jersey 07936, USA

(111) M 2024 38121 R
(151) 2024 04 17
(181) 2034 04 17
(260) AM 2023 121652 A
(220) 2023 02 15
(732) "IDS Borjomi Beverages Co.N.V."
Pareravegis 45, Curaçao

(111) M 2024 38127 R
(151) 2024 04 17
(181) 2034 04 17
(260) AM 2023 121900 A
(220) 2023 03 06
(732) Intercontinental Great Brands LLC
100 Deforest Avenue, East Hanover, New
Jersey 07936, USA

(111) M 2024 38122 R
(151) 2024 04 17
(181) 2034 04 17
(260) AM 2023 121653 A
(220) 2023 02 15
(732) "IDS Borjomi Beverages Co.N.V."
Pareravegis 45, Curaçao

(111) M 2024 38128 R
(151) 2024 04 17
(181) 2034 04 17
(260) AM 2023 121927 A
(220) 2023 03 07
(732) Mon'delez Rus LLC
10 oulitsa Franza Stollwercka, Petushinsky r-n,
Vladimirskaya ob., Pokrov, 601123, Russian
Federation

(111) M 2024 38123 R
(151) 2024 04 17
(181) 2034 04 17
(260) AM 2023 121731 A
(220) 2023 02 20
(732) Philip Morris Products S.A.
Quai Jeanrenaud 3, 2000 Neuchâtel,
Switzerland

(111) M 2024 38129 R
(151) 2024 04 17
(181) 2034 04 17
(260) AM 2023 122018 A
(220) 2023 03 12
(732) Mitsubishi Jidosha Kogyo Kabushiki Kaisha
1-21, Shibaura 3-chome, Minato-ku, Tokyo
108-8410, Japan

(111) M 2024 38124 R
(151) 2024 04 17
(181) 2034 04 17
(260) AM 2023 121771 A
(220) 2023 02 23
(732) Mitsubishi Jidosha Kogyo Kabushiki Kaisha
1-21, Shibaura 3-chome, Minato-ku, Tokyo
108-8410, Japan

(111) M 2024 38130 R
(151) 2024 04 17
(181) 2034 04 17
(260) AM 2023 122019 A
(220) 2023 03 13
(732) Mitsubishi Jidosha Kogyo Kabushiki Kaisha
1-21, Shibaura 3-chome, Minato-ku, Tokyo
108-8410, Japan

(111) M 2024 38125 R
(151) 2024 04 17
(181) 2034 04 17
(260) AM 2023 121855 A
(220) 2023 02 28
(732) Ibn Albahr Restorant-fzko
PJ-CVM-05, CLUB VISTA MARE, P.O. Box
7350, Dubai, United Arab Emirates

(111) M 2024 38131 R
(151) 2024 04 17
(181) 2034 04 17
(260) AM 2023 122041 A
(220) 2023 03 16
(732) LLC "Music Room"
Bogdan Khmelniitskiy St. 151, ap. 69, 0136,
Tbilisi, Georgia

(111) M 2024 38126 R
(151) 2024 04 17
(181) 2034 04 17
(260) AM 2023 121899 A
(220) 2023 03 06
(732) Intercontinental Great Brands LLC

(111) M 2024 38132 R
(151) 2024 04 17
(181) 2034 04 17
(260) AM 2023 122110 A

(220) 2023 03 19
(732) Jafar Guseinov
G. Onashvili St., bld. 2, ap. 43, Isani District,
Tbilisi, Georgia

(111) M 2024 38133 R
(151) 2024 04 17
(181) 2034 04 17
(260) AM 2023 122111 A
(220) 2023 03 19
(732) Jafar Guseinov
G. Onashvili St., bld. 2, ap. 43, Isani District,
Tbilisi, Georgia

(111) M 2024 38134 R
(151) 2024 04 17
(181) 2034 04 17
(260) AM 2023 122116 A
(220) 2023 03 20
(732) LLC "Palitra L Publishing House"
T. Iosebidge St. 49, 0160, Tbilisi,
Georgia

(111) M 2024 38135 R
(151) 2024 04 17
(181) 2034 04 17
(260) AM 2023 122198 A
(220) 2023 03 24
(732) Harry Winston SA
Chemin du Tourbillon 8, 1228 Plan-les-Ouates,
Switzerland

(111) M 2024 38136 R
(151) 2024 04 17
(181) 2034 04 17
(260) AM 2023 122287 A
(220) 2023 04 03
(732) RTGS Global Limited
Heron Tower, 110 Bishopsgate, London,
EC2N 4AY, United Kingdom

(111) M 2024 38137 R
(151) 2024 04 17
(181) 2034 04 17
(260) AM 2023 122428 A
(220) 2023 04 13
(732) IDS Borjomi Beverages Co.N.V.
Tori St. 39, Borjomi, Georgia

(111) M 2024 38138 R
(151) 2024 04 17
(181) 2034 04 17
(260) AM 2023 122575 A

(220) 2023 04 25
(732) Shenzhen Uwell Technology Co., Ltd.
1-5, 7/F, Bldg. G, Huafeng Intel. Robot
Industrial Park, Hangcheng, Av.,Xixiang St,
Baoan Dist., Shenzhen, 518000, People's
Republic of China

(111) M 2024 38139 R
(151) 2024 04 17
(181) 2034 04 17
(260) AM 2023 122582 A
(220) 2023 04 26
(732) LLC "Incoway"
Akaki Tsereteli Ave. 39, Didube District, Tbilisi,
Georgia

(111) M 2024 38140 R
(151) 2024 04 17
(181) 2034 04 17
(260) AM 2023 122583 A
(220) 2023 04 26
(732) Tamar Abuladze
M. Shavishvili St. 1a, ap. 79g., 0186, Tbilisi,
Georgia

(111) M 2024 38141 R
(151) 2024 04 17
(181) 2034 04 17
(260) AM 2023 122654 A
(220) 2023 05 01
(732) LLC "Abru Hotels"
Polikarpe Kakabadze St. 49, 0131, Mtatsminda
District, Tbilisi, Georgia

(111) M 2024 38142 R
(151) 2024 04 17
(181) 2034 04 17
(260) AM 2023 122679 A
(220) 2023 05 05
(732) LTD "Kartveli"
Kakheti Highway 110a, 0198, Isani-Samgori
District, Tbilisi, Georgia

(111) M 2024 38143 R
(151) 2024 04 17
(181) 2034 04 17
(260) AM 2023 122722 A
(220) 2023 05 05
(732) Klark, Miurei Kolin
645 S. Allied Way, El Segundo, 90245, CA, USA

(111) M 2024 38144 R
 (151) 2024 04 17
 (181) 2034 04 17
 (260) AM 2023 122723 A
 (220) 2023 05 05
 (732) LTD "Kartveli"
 Kakheti Highway 110a, 0198, Isani-Samgori
 District, Tbilisi, Georgia

(111) M 2024 38150 R
 (151) 2024 04 17
 (181) 2034 04 17
 (260) AM 2023 122850 A
 (220) 2023 05 18
 (732) Posco International Corporation
 134 Teheran-ro, Gangnam-gu, Seoul, Republic
 of Korea

(111) M 2024 38145 R
 (151) 2024 04 17
 (181) 2034 04 17
 (260) AM 2023 122725 A
 (220) 2023 05 05
 (732) LTD "Kartveli"
 Kakheti Highway 110a, 0198, Isani-Samgori
 District, Tbilisi, Georgia

(111) M 2024 38151 R
 (151) 2024 04 17
 (181) 2034 04 17
 (260) AM 2023 122853 A
 (220) 2023 05 18
 (732) LLC "Home Design Gallery"
 Kipshidze Lane 15, Vake District, Tbilisi,
 Georgia

(111) M 2024 38146 R
 (151) 2024 04 17
 (181) 2034 04 17
 (260) AM 2023 122726 A
 (220) 2023 05 05
 (732) Kakhaber Tsiskaridze
 V. Gabashvili St. 9, Ent. 1, ap. 30a, 0177,
 Tbilisi, Georgia

(111) M 2024 38152 R
 (151) 2024 04 17
 (181) 2034 04 17
 (260) AM 2023 122855 A
 (220) 2023 05 18
 (732) Noritake Co., Limited
 3-1-36, Noritake-Shinmachi, Nishi-ku, Nagoya,
 Aichi 451-8501, Japan

(111) M 2024 38147 R
 (151) 2024 04 17
 (181) 2034 04 17
 (260) AM 2023 122728 A
 (220) 2023 05 06
 (732) Mikheil Babukhadia
 Irakli Abashidze St. 6, ap. 4, 0179, Tbilisi,
 Georgia

(111) M 2024 38153 R
 (151) 2024 04 17
 (181) 2034 04 17
 (260) AM 2023 122961 A
 (220) 2023 05 22
 (732) Foshan Zcamp Intelligent Equipment Co., Ltd
 One of No. 5 Industrial Avenue, Lunjiao
 Intensive Industrial Zone, Xiyong Village,
 Lunjiao Street, Shunde District, Foshan City,
 Guangdong Province, People's Republic of
 China

(111) M 2024 38148 R
 (151) 2024 04 17
 (181) 2034 04 17
 (260) AM 2023 122743 A
 (220) 2023 05 10
 (732) AVATR Co., Ltd.
 No.24, 1F, Building 1, No.106, West Section of
 Jinkai Avenue, Yubei District, Chongqing,
 People's Republic of China

(111) M 2024 38154 R
 (151) 2024 04 17
 (181) 2034 04 17
 (260) AM 2023 122963 A
 (220) 2023 05 22
 (732) LTD "Tineti"
 Shalva Nutsbidze St. 129a, fl. 14, 0186, Vake
 District, Tbilisi, Georgia

(111) M 2024 38149 R
 (151) 2024 04 17
 (181) 2034 04 17
 (260) AM 2023 122849 A
 (220) 2023 05 18
 (732) Posco International Corporation
 134 Teheran-ro, Gangnam-gu, Seoul, Republic
 of Korea

(111) M 2024 38155 R
 (151) 2024 04 17
 (181) 2034 04 17
 (260) AM 2023 122964 A
 (220) 2023 05 22
 (732) LTD "Tineti"

Shalva Nutsubidze St. 129a, fl. 14, 0186, Vake District, Tbilisi, Georgia

(111) M 2024 38156 R
(151) 2024 04 17
(181) 2034 04 17
(260) AM 2023 122965 A
(220) 2023 05 22
(732) LTD "Tinetti"

Shalva Nutsubidze St. 129a, fl. 14, 0186, Vake District, Tbilisi, Georgia

(111) M 2024 38157 R
(151) 2024 04 17
(181) 2034 04 17
(260) AM 2023 122984 A
(220) 2023 05 25
(732) BiocosmEthics Srl

Via De Gasperi 16, Cartigliano (VI), Italy

(111) M 2024 38158 R
(151) 2024 04 17
(181) 2034 04 17
(260) AM 2023 123065 A
(220) 2023 05 26
(732) LLC "Smartfinservice"

Vill. Dighomi, Strabon St. 16, block B, ap. 17, 0159, Saburtalo District, Tbilisi Georgia

(111) M 2024 38159 R
(151) 2024 04 17
(181) 2034 04 17
(260) AM 2023 123189 A
(220) 2023 06 05
(732) Nicoventures Holdings Limited

Globe House, 1 Water Street, London, 0186, United Kingdom

(111) M 2024 38160 R
(151) 2024 04 17
(181) 2034 04 17
(260) AM 2023 123190 A
(220) 2023 06 05
(732) Nicoventures Holdings Limited

Globe House, 1 Water Street, London, 0186, United Kingdom

(111) M 2024 38161 R
(151) 2024 04 17
(181) 2034 04 17
(260) AM 2023 123325 A
(220) 2023 06 11
(732) LTD "F B D"

Agladze St. 37a, 0154, Tbilisi, Georgia

(111) M 2024 38162 R
(151) 2024 04 17
(181) 2034 04 17
(260) AM 2023 123330 A
(220) 2023 06 12
(732) PepsiCo Inc.

700 Anderson Hill Road, Purchase, New York, 10577, USA

(111) M 2024 38163 R
(151) 2024 04 17
(181) 2034 04 17
(260) AM 2023 123331 A
(220) 2023 06 12
(732) PepsiCo Inc.

700 Anderson Hill Road, Purchase, New York, 10577, USA

(111) M 2024 38164 R
(151) 2024 04 17
(181) 2034 04 17
(260) AM 2023 123332 A
(220) 2023 06 12
(732) LTD "Lermont"

Mikheil Lermontov St. 10, 0105, Tbilisi, Georgia

(111) M 2024 38165 R
(151) 2024 04 17
(181) 2034 04 17
(260) AM 2023 123334 A
(220) 2023 06 12
(732) LTD "Lermont"

Mikheil Lermontov St. 10, 0105, Tbilisi, Georgia

(111) M 2024 38168 R
(151) 2024 04 17
(181) 2034 04 17
(260) AM 2017 95361 A
(220) 2017 12 05
(732) Amazon Technologies Inc.

410 Terry Avenue North, Seattle, Washington 98109, USA

TRADEMARKS REGISTERED ACCORDING TO THE ACCELERATED PROCEDURE

The decision can be appealed at the Chamber of Appeal of Sakpatenti within 3 months from the publication.

(111) M 2024 38092 R

(151) 2024 04 10

(181) 2034 04 10

(210) AM 127434

(220) 2024 03 14

(732) JSC "Bank of Georgia"

Gagarin St. 29a, Tbilisi, Georgia

(740) Giorgi Taktakishvili

(540)

BOGG

(591) Black-white

(511) 9, 35, 36

(111) M 2024 38093 R

(151) 2024 04 10

(181) 2034 04 10

(210) AM 127569

(220) 2024 03 22

(732) LTD "Daily"

Varketili Farm Settlement,
Akhmet Melashvili St. 2, Samgori District,
Tbilisi, Georgia

(540)



(591) White, purple

(531) 27.05.01; 27.05.09; 27.05.10; 27.05.17;
29.01.12

(511) 32

(111) M 2024 38094 R

(151) 2024 04 10

(181) 2034 04 10

(210) AM 127570

(220) 2024 03 22

(732) LTD "Daily"

Varketili Farm Settlement,
Akhmet Melashvili St. 2, Samgori District,
Tbilisi, Georgia

(540)



(591) White, light green, dark green

(531) 05.03.13; 05.03.14; 27.05.02; 27.05.19;
27.05.24; 29.01.12

(511) 32

(111) M 2024 38095 R

(151) 2024 04 10

(181) 2034 04 10

(210) AM 127583

(220) 2024 03 25

(732) LTD "Bildia"

Egnate Ninoshvili St. 69, Tbilisi, Georgia

(740) Giorgi Taktakishvili

(540)

Ginger Jane

(591) Black-white

(511) 43

(111) M 2024 38096 R

(151) 2024 04 10

(181) 2034 04 10

(210) AM 127419

(220) 2024 03 11

(732) Children's and School of Georgia National
Sports Federation

Kurdiani St. 2, 0102, Tbilisi, Georgia

(540)



(591) 0716BF blue, F7B211 orange

(531) 26.01.18; 26.01.21; 28.19; 29.01.12

(526) საქართველო

(511) 41

(111) M 2024 38097 R

(151) 2024 04 15

(181) 2034 04 15

(210) AM 127592

(220) 2024 03 26

(732) LTD "Larifan Caucasus"

Irakli Abashidze St. 50, ap. 59, 0179, Tbilisi,
Georgia
(540)



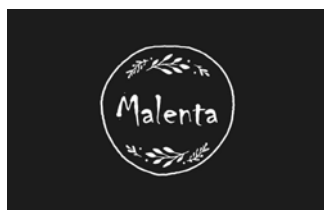
(591) Green, blue, white
(531) 26.04.04; 26.04.05; 26.04.22; 27.05.01;
29.01.13
(511) 5

(111) M 2024 38098 R
(151) 2024 04 16
(181) 2034 04 16
(210) AM 127414
(220) 2024 03 10
(732) LTD "Daily"
Varketili Farm Settlement,
Akhmet Melashvili St. 2, Samgori District,
Tbilisi, Georgia
(540)



(591) Red, yellow, white
(531) 01.01.02; 01.03.02; 01.03.12; 05.05.04;
05.05.20; 07.01.09; 28.19; 29.01.13
(511) 35

(111) M 2024 38099 R
(151) 2024 04 16
(181) 2034 04 16
(210) AM 127593
(220) 2024 03 26
(732) LTD "Malenta"
Guram Panjikidze St. 10, ap. 46, 0160,
Tbilisi Georgia
(540)



(591) Black-white
(531) 05.03.20; 26.01.16; 26.01.20; 28.11
(511) 29, 30

(111) M 2024 38100 R
(151) 2024 04 16
(181) 2034 04 16
(210) AM 127643
(220) 2024 04 02

(732) Irakli Kiladze
Davari St. 80, 0105, Tbilisi Georgia
(740) Irakli Kiladze
(540)



(591) Dark blue, orange
(531) 26.04.02; 26.04.05; 26.04.22; 27.05.01;
29.01.12
(511) 32

(111) M 2024 38101 R
(151) 2024 04 16
(181) 2034 04 16
(210) AM 127786
(220) 2024 04 08
(732) Elena Gulchuk
Pirosmani St. 19d, b. 379, 6000,
Batumi, Georgia
(540)

RightApart

(591) Black-white
(511) 35, 36, 43

(111) M 2024 38102 R
(151) 2024 04 16
(181) 2034 04 16
(210) AM 127594
(220) 2024 03 27
(310) 018967107
(320) 2023 12 21
(330) EUIPO
(732) Nocap Inc.
524 Broadway FLR 11, New York, NY 10012,
USA
(740) Giorgi Taktakishvili
(540)



(591) Black, white, lilac
(531) 01.15.15; 01.15.21; 26.04.01; 26.04.04;
26.04.10; 26.04.13; 27.05.01; 29.01.13
(511) 9, 42

(111) M 2024 38103 R
(151) 2024 04 16
(181) 2034 04 16
(210) AM 127589
(220) 2024 03 26
(732) LTD "Gasgo Motors"
Vill. Kandaure, Sagarejo, Georgia
(740) Giorgi Taktakishvili

(540)



(591) Black-white
(531) 26.04.22; 27.05.01
(511) 12

(111) M 2024 38104 R
(151) 2024 04 16
(181) 2034 04 16
(210) AM 127595
(220) 2024 03 27
(732) JSC PSP "Insurance"
Davit Aghmashenebeli Av. 148, 0112, Tbilisi,
Georgia
(740) Nugzar Ksovreli
(540)

Novax

(591) Black-white
(511) 36

(111) M 2024 38105 R
(151) 2024 04 16
(181) 2034 04 16
(210) AM 127596
(220) 2024 03 27
(732) JSC PSP "Insurance"
Davit Aghmashenebeli Av. 148, 0112, Tbilisi,
Georgia
(740) Nugzar Ksovreli
(540)

FORTIS

(591) Black-white
(511) 36

(111) M 2024 38106 R
(151) 2024 04 16
(181) 2034 04 16
(210) AM 127597
(220) 2024 03 27
(732) JSC PSP "Insurance"
Davit Aghmashenebeli Av. 148, 0112, Tbilisi,
Georgia
(740) Nugzar Ksovreli
(540)

FORTIS NOVA

(591) Black-white
(511) 36

(111) M 2024 38107 R
(151) 2024 04 16
(181) 2034 04 16
(210) AM 127598
(220) 2024 03 27
(732) JSC PSP "Insurance"
Davit Aghmashenebeli Av. 148, 0112, Tbilisi,
Georgia
(740) Nugzar Ksovreli
(540)

RITMUS

(591) Black-white
(511) 36

(111) M 2024 38108 R
(151) 2024 04 16
(181) 2034 04 16
(210) AM 127599
(220) 2024 03 27
(732) JSC PSP "Insurance"
Davit Aghmashenebeli Av. 148, 0112, Tbilisi,
Georgia
(740) Nugzar Ksovreli
(540)

RITMUS NOVA

(591) Black-white
(511) 36

(111) M 2024 38109 R
(151) 2024 04 16
(181) 2034 04 16
(210) AM 127600
(220) 2024 03 27
(732) LTD "T. E. M-I"
Opizrebi St. 85, Batumi, Georgia
(540)



(591) Red, golden, brown, white, black
(531) 05.07.27; 06.06.25; 07.01.12; 25.01.15;
25.01.18; 28.19; 29.01.15
(511) 30

(111) M 2024 38166 R
(151) 2024 04 17
(181) 2034 04 17
(210) AM 127571
(220) 2024 03 22
(732) LTD "Daily"

Varketili Farm Settlement,
Akhet Melashvili St. 2, Samgori District,
Tbilisi, Georgia
(540)



(591) Black, white, red
(531) 27.05.02; 27.05.09; 27.05.10; 27.05.19;
29.01.13
(511) 32

(111) M 2024 38170 R
(151) 2024 04 19
(181) 2034 04 19
(210) AM 127429
(220) 2024 03 13
(732) LTD "Geo Food 2023"
Rustavi Highway 4, 0114, Krtsanisi District,
Tbilisi, Georgia
(540)



(591) Black, yellow
(531) 26.01.05; 26.01.20; 27.05.01; 28.19; 29.01.13
(511) 43

(111) M 2024 38167 R
(151) 2024 04 17
(181) 2034 04 17
(210) AM 127587
(220) 2024 03 26
(732) LTD "Donia"
Varketili, III Array, VIII qu., bld. 1, ap. 15,
Tbilisi, Georgia
(540)



شرکت دستکش حریر ایران
Iran Harir Glove Co.

(591) Blue, white
(531) 26.01.02; 26.01.04; 26.01.12; 28.01; 29.01.12
(511) 21

(111) M 2024 38171 R
(151) 2024 04 19
(181) 2034 04 19
(210) AM 127623
(220) 2024 04 01
(732) LTD "The First Investment Company of
Georgia"
Davit Aghmashenebeli Av. 379, Kobuleti,
Georgia
(740) Giorgi Kartvelishvili
(540)



MIRAMARE
MAGNETIC BEACH HOTEL

(591) Golden, white
(531) 26.01.18; 27.05.01; 27.05.09; 27.05.10;
29.01.02
(511) 43

(111) M 2024 38169 R
(151) 2024 04 19
(181) 2034 04 19
(210) AM 127653
(220) 2024 04 03
(732) LTD "Bildia"
Egnate Ninoshvili St. 69, Tbilisi, Georgia
(740) Giorgi Taktakishvili
(540)



(591) Black-white
(531) 27.05.01; 27.05.09; 27.05.10; 27.05.17
(511) 43

INTERNATIONAL TRADEMARKS FOR WHICH A DECISION ON GRANTING PROTECTIONS IS TAKEN

The decision can be appealed at the Chamber of Appeal of Sakpatenti within 3 months from the publication or at the Mtskheta District Court Administrative Cases Board (Address: №17, Samkhedro St., Mtskheta), within 1 month following the publication.

(260) AM 2024 118801 A*

(800) 1675089

(151) 2022 06 10

(891) 2022 06 10

(731) Settlement non-banking credit organization "Payment Center" (limited liability company) ul. Kirova, d. 86, Novosibirsk, RU-630102 Novosibirskaya oblast', Russian Federation

(540)



(591) Red, yellow, dark gray and white

(531) 24.09.01; 26.04.04; 26.04.05; 26.04.24; 27.05.01; 29.01.13

(511)

36 – Banking; capital investment; charitable fund raising; check verification; clearing, financial; credit bureau services; debt advisory services; debt collection agency services; e-wallet payment services; electronic funds transfer provided via blockchain technology; electronic funds transfer; electronic transfer of crypto assets; exchanging money; financial analysis; financial consultancy; financial evaluation [insurance, banking, real estate]; financial exchange of crypto assets; financial management of reimbursement payments for others; financial management; financial research; financial sponsorship; financing services; instalment loans; insurance brokerage; insurance consultancy; issuance of credit cards; issuance of gift certificates; issuance of tokens of value; issuance of travelers' checks; loans [financing]; mobile banking services; online banking; organization of monetary collections; pawnbrokerage; processing of credit card payments; processing of debit card payments; providing financial information via a website; providing financial information; providing insurance information; providing rebates at participating establishments of others through use of a membership card; stock exchange quotations; surety services.

(260) AM 2024 119331 A*

(800) 1682035

(151) 2021 12 28

(891) 2021 12 28

(731) BioNTech SE

An der Goldgrube 12, 55131 Mainz, Germany

(540)

(591) Black, white

(531) 27.05.01; 27.05.09

(511)

5 – Pharmaceutical and medicinal preparations and substances except vitamin preparations, mineral food supplements, probiotics, omega 3 preparations, dietetic substances and food supplements for medical and non-medical purposes; pharmaceutical products for the prevention and treatment of cancer, infectious diseases, and immunological diseases, except vitamin preparations, mineral food supplements, probiotics, omega 3 preparations, dietetic substances and food supplements for medical and non-medical purposes; vaccines; chemical reagents used for medical purposes; biochemical reagents used for purposes for the treatment of cancer, treatment of immunological diseases, and treatment of infectious diseases; macromolecules, namely, nucleic acid sequences and proteins, used for medical and veterinary purposes; cell based immune therapeutics for treatment of cancer, treatment of immunological diseases, and treatment of infectious diseases; diagnostic preparations for clinical or medical laboratory use.

(260) AM 2024 119379 A*

(800) 1682233

(151) 2021 12 28

(891) 2021 12 28

(731) BioNTech SE

An der Goldgrube 12, 55131 Mainz, Germany

(540)

BioNTech

(591) Black, white

(511)

5 – Pharmaceutical and medicinal preparations and substances except vitamin preparations, mineral food supplements, probiotics, omega 3 preparations, dietetic substances and food supplements for medical and non-medical purposes; pharmaceutical products for the prevention and treatment of cancer, infectious diseases, and immunological diseases, except vitamin preparations, mineral food supplements, probiotics, omega 3 preparations, dietetic substances and food supplements for medical and non-medical purposes; vaccines; chemical reagents used for medical purposes; biochemical reagents used for purposes for the treatment of cancer, treatment of immunological diseases, and treatment of infectious diseases; macromolecules, namely, nucleic acid sequences and proteins,

used for medical and veterinary purposes; cell based immune therapeutics for treatment of cancer, treatment of immunological diseases, and treatment of infectious diseases; diagnostic preparations for clinical or medical laboratory use.

(260) AM 2024 120070 A*

(800) 1691876

(151) 2021 12 28

(891) 2021 12 28

(731) BioNTech SE

An der Goldgrube 12, 55131 Mainz, Germany

(540)

(591) Dark green and light green

(531) 27.05.01; 29.01.12

(511)

5 – Pharmaceutical and medicinal preparations and substances except vitamin preparations, mineral food supplements, probiotics, omega 3 preparations, dietetic substances and food supplements for medical and non-medical purposes; pharmaceutical products for the prevention and treatment of cancer, infectious diseases, and immunological diseases, except vitamin preparations, mineral food supplements, probiotics, omega 3 preparations, dietetic substances and food supplements for medical and non-medical purposes; vaccines; chemical reagents used for medical purposes; biochemical reagents used for purposes for the treatment of cancer, treatment of immunological diseases, and treatment of infectious diseases; macromolecules, namely, nucleic acid sequences and proteins, used for medical and veterinary purposes; cell based immune therapeutics for treatment of cancer, treatment of immunological diseases, and treatment of infectious diseases; diagnostic preparations for clinical or medical laboratory use.

(260) AM 2024 121680 A*

(800) 1713155

(151) 2023 01 18

(891) 2023 01 18

(731) Adalya Tobacco International GmbH

Breitscheider Weg 117A, 40885 Ratingen, Germany

(540)

(591) Black, white

(531) 26.03.23; 27.05.01; 27.05.10; 27.05.21

(511)

34 – Tobacco and tobacco products (including substitutes); matches; articles for use with tobacco; flavo-

rings, other than essential oils, for tobacco; tobacco free cigarettes, other than for medical purposes; cigarettes containing tobacco substitutes, not for medical purposes; personal vaporisers for smoking purposes and electronic cigarettes, and flavourings and solutions therefor.

(260) AM 2024 122539 A

(800) 1725789

(151) 2022 12 06

(891) 2022 12 06

(731) Zakrytoe aktsionernoe obshchestvo "Myasnaya galereya"

ul. Poliny Osipenko, 65, of. 10, RU-600009

Vladimir, Russian Federation

(540)

(591) Black, white

(531) 28.05

(511)

30 – Baozi; pancakes; vareniki [stuffed dumplings]; pasta; meat pies; okonomiyaki [Japanese savory pancakes]; pâtés en croûte; pelmeni [dumplings stuffed with meat]; pies; pizzas; ravioli; jiaozi; cheeseburgers [sandwiches]; khinkali [stuffed dumplings]; manti [stuffed dumplings]; chebureki [deep-fried pies]; pasties.

(260) AM 2024 122540 A

(800) 1725793

(151) 2023 01 26

(891) 2023 01 26

(731) MEDIOLANUM FARMACEUTICI S.p.A.

Via San Giuseppe Cottolengo 15, I-20143

Milano, Italy

(540)

(591) Black, white

(531) 27.05.01; 27.05.02; 27.05.17; 27.05.22

(511)

5 – Pharmaceuticals; veterinary preparations; sanitary preparations for medical purposes; dietetic food and substances adapted for medical or veterinary use, food for babies; dietary supplements for human beings and animals; plasters, materials for dressings; material for dental fillings and dental impressions; disinfectants; preparations for destroying vermin; fungicides, herbicides.

(260) AM 2024 122541 A
 (800) 1725799
 (151) 2023 02 20
 (891) 2023 02 20
 (731) KAYHAN AV TUFEKLERI SANAYI VE DIS
 TICARET LIMITED SIRKETI
 BARBAROS MAH. MİLLET CAD., ISIS
 PLAZA 77 2 Ataşehir, İstanbul, Türkiye

(540)

MATRIX

(591) Black, white
 (531) 27.05.17
 (511)
 13 – Firearms, air pistols (weapons), spring-loaded fi-
 rearms, adapted cases and shoulder straps therefor.

(260) AM 2024 122542 A
 (800) 1725843
 (151) 2022 12 02
 (891) 2022 12 02
 (731) Perfect Gem Global Hong Kong Limited
 Level 96, International Commerce Centre,
 1 Austin Road, West Kowloon, Hong Kong,
 China

(540)

حصان الحرب

(591) Black, white
 (531) 28.01
 (511)
 32 – Isotonic energy drinks; waters [beverages]; mi-
 neral water [beverages]; condensed juice for making
 sports drinks; vegetable drink; whey beverages; alco-
 hol-free energy beverages; protein-enriched sports be-
 verages; carbonated beverages, non-alcoholic; energy
 drinks.

(260) AM 2024 122543 A
 (800) 1725867
 (151) 2023 03 16
 (891) 2023 03 16
 (731) Gesellschaft mit beschränkter Haftung
 "Ehrmann"
 p. Ramenskoy agrokhimstantsii (RAOS), d. 15,
 Ramenskiy g.o., RU-140126 Moscow Region,
 Russian Federation

(540)

Flavorite

(591) Black, white
 (511)
 29 – Milk and milk products, including quark des-
 erts, quark with filling, fruit quark, quark products
 with filling, quark products with fruit, quark products.

(260) AM 2024 122621 A
 (800) 1726504
 (151) 2023 02 16
 (891) 2023 02 16
 (731) REAL EARTH TECHNOLOGY INC
 2143B S China Pl Num 2F, Chicago IL 60616,
 USA

(540)



(591) Black, white
 (531) 27.05.01; 27.05.09; 27.05.22
 (511)

34 – Cigarettes; cigarette cases; cigarette holders;
 lighters for smokers; cigarette filters; cigarette paper;
 flavourings, other than essential oils, for tobacco; fla-
 vourings, other than essential oils, for use in electro-
 nic cigarettes; electronic cigarettes; liquid solutions
 for use in electronic cigarettes.

(260) AM 2024 122622 A
 (800) 1726505
 (151) 2023 02 24
 (891) 2023 02 24
 (731) Skywell New Energy Vehicles Group Co., Ltd.
 No. 369 Binhuai Avenue, Zhetang Town,
 Lishui District, Nanjing City, 211200
 Jiangsu Province, China

(540)

SKYWELL

(591) Black, white
 (531) 27.05.01
 (511)
 12 – Electric vehicles; upholstery for vehicles; au-
 tomobile bodies; automobile chassis; automobiles; mo-
 tor buses; cars; motor coaches; automobile tires; stee-
 ring wheels for vehicles.

(260) AM 2024 122624 A
 (800) 1726516
 (151) 2023 02 20
 (891) 2023 02 20
 (731) SHEN ZHEN HUAFU TECHNOLOGY Co.,
 LTD
 2703 Genzon Times Square Building, West
 Gate, No.99, Longcheng Avenue, Shangjing
 Community, Longcheng Street, Longgang
 District, Shenzhen, 518000 Guangdong
 Province, China

(540)

UTBAR

(591) Black, white
(511)
34 – Cigarettes; cigarette cases; cigarette holders; matches; lighters for smokers; cigarette filters; cigarette paper; flavourings, other than essential oils, for tobacco; flavourings, other than essential oils, for use in electronic cigarettes; electronic cigarettes; liquid solutions for use in electronic cigarettes.

(260) AM 2024 122625 A
(800) 1726553
(151) 2023 02 21
(891) 2023 02 21
(731) Crystal Castle Limited
Sea Meadow House, P.O. Box 116, Road
Town, Tortola, Virgin Islands (British)
(540)

EBDesign

(591) Black, white
(511)
34 – Cigarettes; cigarette tips; oral vaporizers for smokers; matches; lighters for smokers; cigarette filters; flavourings, other than essential oils, for use in electronic cigarettes; liquid solutions for use in electronic cigarettes; electronic cigarettes; devices for heating tobacco for the purpose of inhalation.

(260) AM 2024 122766 A
(800) 1728268
(151) 2023 02 17
(891) 2023 02 17
(731) Skywell New Energy Vehicles Group Co., Ltd.
No. 369 Binhuai Avenue, Zhetang Town,
Lishui District, Nanjing City, 211200 Jiangsu
Province, China
(540)



(591) Black, white
(531) 26.01.02; 26.01.18; 26.01.24; 27.05.01;
27.05.24
(511)
12 – Electric vehicles; upholstery for vehicles; automobile bodies; automobile chassis; automobiles; motor buses; motor cars; motor coaches; automobile tires; steering wheels for vehicles.

(260) AM 2024 122803 A
(800) 1729068
(151) 2023 04 07
(891) 2023 04 07
(731) Henkel AG & Co. KgaA
Henkelstrasse 67, 40589 Düsseldorf, Germany

(540)

ТДФТ

(591) Black, white
(531) 28.05
(511)
3 – Non-medicated cosmetics and toiletry preparations; preparations for the conditioning, cleaning, tinting, dyeing, bleaching, fixing and waving of hair, hair lotions and shampoos for cosmetic purposes.

(260) AM 2024 122804 A
(800) 1729069
(151) 2023 04 07
(891) 2023 04 07
(731) Henkel AG & Co. KgaA
Henkelstrasse 67, 40589 Düsseldorf, Germany
(540)

ГЛИСС

(591) Black, white
(531) 28.05
(511)
3 – Non-medicated cosmetics and toiletry preparations; preparations for the conditioning, cleaning, tinting, dyeing, bleaching, fixing and waving of hair, hair lotions and shampoos for cosmetic purposes.

(260) AM 2024 122809 A
(800) 1729257
(151) 2023 04 07
(891) 2023 04 07
(731) Henkel AG & Co. KgaA
Henkelstrasse 67, 40589 Düsseldorf, Germany
(540)

Фа

(591) Black, white
(531) 28.05
(511)
3 – Non-medicated cosmetics and toiletry preparations; non-medicated soaps; cosmetic foam baths and shower gels; deodorants for personal use; perfumery.

(260) AM 2024 122888 A
(800) 1730218
(151) 2023 04 11
(891) 2023 04 11
(731) Avon Products, Inc.
1 Avon Place, Suffern NY 10901, USA
(540)

HYDRAMATIC

(591) Black, white

(511)

3 – Non-medicated toilet preparations; toiletries; skin care preparations; skin moisturizers; skin toners; body and beauty care preparations; powders, cleansers, creams and lotions, all for the face, hands and body; exfoliating scrubs for cosmetic purposes; cosmetic sun-tan preparations; sunscreen oils and lotions; soaps; shower and bath preparations; bath gel, bath oils, bath salts, bath beads, and effervescent bath preparations; beauty masks; talcum powder; nail polish; nail polish remover; false nails; adhesives for cosmetic purposes; cosmetics; eye cream; eye gels; eye lotions; eye make-up remover; eye shadow; eye liner; eyebrow cosmetics; mascara; lipstick; lip liner; lip-gloss; lip balm; make-up foundation; facial concealer; blusher; tissues impregnated with cosmetic lotions; powdered cosmetic tissues; cotton sticks for cosmetic purposes; cotton wool for cosmetic purposes; pumice stone; preparations for cleaning, moisturising, colouring and styling the hair; shampoos, conditioners, finishing spray, and gels, all for the hair; preparations for cleaning the teeth; shaving and aftershave preparations; perfumes; fragrances; toilet waters; cologne; room fragrances; incense sticks; deodorants for human beings; antiperspirants for personal use (toiletries); essential oils (cosmetic); oils for perfumes and scents; potpourri; cosmetic kits.

(260) AM 2024 122889 A

(800) 1730226

(151) 2023 04 14

(891) 2023 04 14

(731) Balthazar Whisky Distillers Pty. Ltd.

Level 7, 330 Collins Street, Melbourne VIC
3000, Australia

(540)



(591) Black, white

(531) 03.05.15; 03.05.24; 22.05.19

(511)

33 – Alcoholic beverages (except beer); whiskey.

(260) AM 2024 122890 A

(800) 1730227

(151) 2023 04 14

(891) 2023 04 14

(731) Balthazar Whisky Distillers Pty. Ltd.

Level 7, 330 Collins Street, Melbourne VIC
3000, Australia

(540)



(591) Black, white

(531) 03.05.15; 03.05.24; 26.13.25

(511)

33 – Alcoholic beverages (except beer); whiskey.

(260) AM 2024 122931 A

(800) 1582653

(151) 2020 11 19

(891) 2023 04 27

(731) REHA TEKSTİL DIŞ TİCARET VE SANAYİ ANONİM ŞİRKETİ

Çakmaklı Mah. Katip Sok. No:1, Kıraç
Büyükçekmece Büyükçekmece, İstanbul,
Türkiye

(540)

LUOKK

(591) Black, white

(531) 27.05.01; 27.05.14

(511)

25 – Perspiration absorbent underwear [clothing], parts of clothing, namely, gussets for tights, gussets for stockings, gussets for bathing suits, gussets for underwear, gussets for leotards and gussets for footlets, socks, mufflers as neck scarves, shawls, bandanas, scarves, belts [clothing], footwear, shoes, slippers, sandals, hats, caps with visors, berets, caps being headwear, skull caps, dress shirts, t-shirts, sweat shirts, leggings, tops as clothing, dresses, outer jackets, boleros, skirts, knit dresses, knit tops, knit bottoms, sport shirts, sport stockings, sport coats, sports jackets, sports shirts.

35 – Advertising, marketing and public relations, organization of exhibitions and trade fairs for commercial or advertising purposes, development of advertising concepts, provision of an online marketplace for buyers and sellers of goods and services, office functions, secretarial services, arranging newspaper subscriptions for others, compilation of statistics, rental of office machines, systemization of information into computer databases, telephone answering for unavailable subscribers, business management, business administration and business consultancy, accounting, commercial consultancy services, personnel recruitment, personnel placement, employment agencies, import-export agencies, temporary personnel placement services, auctioneering, the bringing together, for the benefit of others, of a variety of goods, namely, perspiration absorbent underwear [clothing], parts of clothing, namely, gussets for tights, gussets for stockings, gussets for bathing suits, gussets for un-

derwear, gussets for leotards and gussets for footlets, socks, mufflers as neck scarves, shawls, bandanas, scarves, bells [clothing], footwear, shoes, slippers, sandals, hats, caps with visors, berets, caps being headwear, skull caps, dress shirts, t-shirts, sweat shirts, leggings, tops as clothing, dresses, outer jackets, boleros, skirts, knit dresses, knit tops, knit bottoms, sport shirts, sport stockings, sport coats, sports jackets, sports shirts enabling customers to conveniently view and purchase those goods, such services may be provided by retail stores, wholesale outlets, by means of electronic media or through mail order catalogues.

(260) AM 2024 123021 A

(800) 1731757

(151) 2022 10 24

(891) 2022 10 24

(731) Discover Financial Services

Attn: Legal Department (IP Counsel), 2500

Lake Cook Road, Riverwoods IL 60015, USA

(540)



(591) The colors orange, black, and white are claimed as a feature of the mark

(531) 26.01.03; 26.01.24; 26.04.04; 26.04.05; 26.04.18; 26.04.24; 27.05.01; 27.05.09; 29.01.13

(511)

36 – Financial transaction authentication and verification services, namely, credit card and debit card authentication and verification; merchant banking services, namely, bundling of services of others to facilitate small business obtaining a merchant account at the same time, namely, packaging of business credit and debit card offerings of others with merchant accounts of others to facilitate small business acceptance of payment cards; managing and analysis of financial accounts via a global computer network, namely, financial administration of credit and debit card accounts and financial analysis services; financial services, namely, issuance of credit cards and debit cards; bill payment services; payment card services, namely, credit, debit, and cash card payment processing services; banking services; providing student loans; student loan services; online banking; home equity loan services; arranging of loans; consumer lending services; financing and loan services; checking account services; savings account services; certificate of deposit services; providing a payment network, namely, providing electronic processing of credit card, debit card and stored value prepaid card transactions and electronic payments and transfer of funds via a global computer

payment network; providing a debit card payment network, namely, providing electronic processing of credit card, debit card and stored value prepaid card transactions and electronic payments and transfer of funds via a global computer payment network; credit card services, namely, issuing of credit cards and processing of credit card payments and transactions; credit card verification services, credit card authentication services and credit card factoring services and cash and rebate services for credit card use as part of a customer loyalty program; prepaid card services offered through cards with stored value, namely, issuing of prepaid cards with stored value and processing of stored value prepaid card payments and transactions, prepaid card verification services, stored value prepaid card authorization services, prepaid card authentication services; stored value prepaid card factoring services and cash and rebate services for stored value prepaid card use; debit card services, namely, issuing of debit cards and processing of debit card payments and transactions, debit card verification services, debit card authentication services; debit card factoring services, cash and rebate services for debit card use as part of a customer loyalty program; cash disbursement through use of automatic teller machines (atm) and cash replacement services rendered by credit card; point of sale and point of transaction services, namely, electronic cash, credit card, and debit card transactions; facilitating person-to-person electronic means via a global computer network, namely, credit card, debit card, and stored value prepaid card payment processing services through electronic means via a global computer network; credit risk management services; consumer lending services; administration of savings accounts (term considered too vague by the International Bureau – Rule 13 (2) (b) of the Regulations); atm banking services; charge card and credit card payment processing services; check processing; consumer clearing financial transactions via a global computer network; debt collection services; credit and cash card payment processing services; credit card authorization services; credit recovery and collection; debt recovery services; debt settlement services; electronic banking via a global computer network; internet banking; electronic loan origination services; electronic loan preparation services; electronic transfer of money; electronic transfer of funds; evaluation of credit bureau data; financial analysis; loyalty program payment processing services; online banking; processing of contactless credit and debit card payments; processing of credit card payments; processing of debit card payments; providing a website featuring college information in the nature of financial aid and financing information for college students (term considered too vague by the International Bureau – Rule 13 (2) (b) of the Regulations); providing a website providing financial information (term considered too vague by the International Bureau – Rule 13 (2) (b) of the Regulations); providing electronic processing of

electronic funds transfer, ACH, credit card, debit card and electronic check and electronic payments; cash disbursement and cash replacement services rendered by credit card; electronic cash transactions; check verification services; check cashing services; offering cash rewards for use of banking services as part of a customer loyalty program; transaction authorization and settlement services; electronic funds transfer; providing financial information; providing financial information, namely, providing financial data information and financial reporting on credit and debit card usage; credit management services, namely, credit consultation, credit scoring services, credit risk management; dissemination of financial information via a global computer network; offering cash rewards for use of banking, credit card, and debit card services as part of a customer loyalty program; cash incentive programs for credit card users, namely, cash and other rebates for credit card use as part of a customer loyalty program; providing cash and other rebates for credit card use as part of a customer loyalty program; providing personal loans and lines of credit; individual retirement account services; gift card transaction processing services; electronic remote check deposit services; fraud reimbursement services in the field of credit card purchases; vehicle loans; money transfer; online banking services accessible by means of downloadable mobile applications; payment and funds verification services; providing a website featuring personal financial information and financial advice (term considered too vague by the International Bureau – Rule 13 (2) (b) of the Regulations); providing an internet website portal in the field of financial transaction and payment processing services (term considered too vague by the International Bureau – Rule 13 (2) (b) of the Regulations); providing equity lines of credit; business credit reporting services; business credit verification services; charitable foundation services, providing financial assistance for programs and services of others; charitable fundraising services; check acceptance services; check recovery services; college consulting services, assisting students in applying for scholarships and financial aid; commercial lending service; credit consultation; credit counseling services; debit account services featuring computer readable debit card; debt management services; electronic check acceptance; electronic commerce payment services, namely, establishing funded accounts used to purchase goods and services on the internet; electronic payment services involving electronic processing and subsequent transmission of bill payment data; evaluation of credit worthiness of individuals and businesses; facilitating and arranging for the financing of loans; investment fund transfer and transaction services; money lending; providing on-line stored value accounts in an electronic environment; administration of transactions involving funds drawn from securities, stocks, funds, equities, bonds, cash, or other types of financial investments in retirement plans using a cre-

dit or debit card over a global data network; funding online cash accounts from prepaid cash cards, bank accounts and credit card accounts; merchant banking services; processing of signature debit electronic transactions; providing an interactive website featuring advice and information in the field of collegiate scholarships (term considered too vague by the International Bureau – Rule 13 (2) (b) of the Regulations); providing home equity lines of credit; providing online financial calculators; providing student loan information; real estate financing services; proprietary credit card services, namely, issuance of credit cards, credit card factoring services, credit card verification and authentication services; stored value prepaid purchase card services offered through cards with stored value, namely, issuance and processing of prepaid cards; electronic credit and debit card transaction processing service; point of sale and point of transaction services, namely, processing of point of sale and point of transaction payments; electronic payment processing services related to electronic payments made through credit, debit, and prepaid cards; providing home equity lines of credit; credit card and payment transaction authentication and verification services; bill payment services; facilitating credit card, debit card, and stored value prepaid card payment services through electronic means via a global computer network; electronic funds transfer services; providing financial information, namely, providing financial information regarding credit and debit card data and reports; providing personal loans; cash incentives program, namely, offering cash rewards and other rebates for credit card users for use of credit card services as part of a customer loyalty program; mortgage lending services; advisory services regarding all the foregoing services; providing alerts as to any activity and changes of consumer financial transactions, namely, online banking services featuring electronic alerts that alert credit card, debit card, and prepaid card users of any activity and changes of consumer financial transactions.

(260) AM 2024 123049 A

(800) 1199214

(151) 2013 09 25

(891) 2023 04 25

(731) Foamalite Limited

Loch Gowna, Co. Cavan, Ireland

(540)

FOAMALITE

(591) Black, white

(531) 27.05.01

(511)

17 – Plastic materials, semi-processed; goods made of plastic materials (semi-finished goods); plastic materials in the form of sheets, panels, boards, profiles, segments, shaped bodies and concave or convex shaped boards; clear, colored, opaque, translucent and

transparent plastic materials, semi-processed; clear, colored, opaque, translucent and transparent plastic materials in the form of sheets, panels, boards, profiles, segments, shaped bodies and concave or convex shaped boards; multilayer plastic materials in the form of sheets, panels, boards, profiles, segments, shaped bodies and concave or convex shaped boards; plastic materials in the form of boards, profiles, segments, shaped bodies and concave or convex shaped boards, all with top layers made of plastic materials, all the afore-mentioned plastic materials provided in clear, colored, opaque, translucent or transparent form; plastic sheets for use in the manufacture of signs; PVC-plates; PVC-panels; foam in the form of sheets for use in manufacturing; foam plastic materials in the form of sheets for use in manufacturing; rigid polyvinyl chloride foamed sheets [semi-finished products]; rigid polyvinyl chloride foamed sheets for use in manufacturing; PC foam sheets; PVC foam sheets [polyvinyl chloride sheets]; extruded plastic for use in manufacturing; conductive foam for packaging filtering materials [semi-processed foams or films made of plastics]; flexible, soft or compressible plastic foams; flexible foam plastics [semi-processed]; foam cuts; foam for use in manufacturing; foam in the form of sheets for use in manufacturing; foamed plastic boards [semi-finished]; foamed plastic panels for use in manufacturing; plastic foam materials for use in manufacturing; plastic foam materials [semi-finished products]; polyamide foams; polyurethane foam sheeting for use in manufacture; foam sheeting for use as signage, displays, digitally printed displays, vinyl laminated pictures, point of purchase displays; polyester sheeting; construction materials made from foamed plastics, extruded polyethylene sheets; plastic sheeting; semi-worked plastic sheeting; polyethylene sheeting; polythene sheeting; foam cuts; foamed plastics boards; foamed plastics materials in extruded form for use and manufacture; polyester sheets [other than for wrapping or packaging]; thermoplastic sheets for the manufacture of advertising material; thermoplastic sheets for use in industrial packaging; thermoplastic sheets for use in manufacturing; thermoplastics material in sheet form for thermal forming; semi-manufactured thermoplastics; foils or films comprising one layer of plastic; laminates (semi-finished goods), namely composite materials or multi-layer materials, predominantly consisting of a least one layer of plastic or at least one layer of plastic and at least one layer of film made of non-precious metal; materials (semi-finished goods) in form of ribbons or films for manufactured packaging, containers, container covers, closures or seals for containers, whereby the materials consist of single layer film or foil of multilayer films or foils made of plastics or made of single layer or multilayer films of plastics coated with lacquer, paper and/or cardboard.

19 – Building materials, non-metallic, in the form of sheets, panels, boards, profiles, segments in the form

of shaped bodies and concave or convex shaped boards, all the afore-mentioned goods made of clear, colored, opaque, translucent or transparent plastic substances; roof coverings, roof panels, roof elements for greenhouses, panel coverings, panelling, dividing walls, intermediate walls, barriers, cover parts, cladding elements, wall claddings, all the afore-mentioned goods for construction purposes and made of clear, colored, opaque, translucent or transparent plastic substances; signalling panels, non-luminous and non-mechanical, advertising pillars, the afore-mentioned goods made of clear, colored, opaque, translucent or transparent plastic substances; synthetic materials or plastics for construction purposes in the form of sheets, panels, boards, segments, shaped bodies and concave or convex shaped boards; structured panels, multilayer boards, decorative panels and sheets, roof panels and cover panels for indoor and outdoor construction use; building materials in the form of foams having sealing properties; plastic sheets for use as wall cladding and partitioning, hygienic cladding, decorative cladding, temporary, partitioning and false ceiling; non-metallic sheeting; wall claddings and dividing walls consisting of or containing plastics or plastic foils, hygiene or sanitary facings, hygiene or sanitary panelling, wall facings, wall panelling, floor panelling and ceiling panelling, not of metal, for clean rooms, wet rooms, bathrooms, hygiene rooms and sanitary rooms; decorative facings or panelling inside or outside of buildings; temporary, partitioning and false ceilings; sheeting, not of metal, for building; membranes made of plastics for roofing; PVC roofing membranes.

20 – Partition walls, sales counters, shop shelves, display racks, display cases, storage racks, billboards, picture frames, support plates, table tops, racks, shelf boards, signboards, cabinets, notice boards, table plates, pillars, news racks, all the afore-mentioned goods made of clear, colored, opaque, translucent or transparent plastic materials or containing clear, colored, opaque, translucent or transparent plastic materials; sheets, panels, boards, profiles, segments, shaped bodies, viz. boards or bowls configured as product carriers, all the afore-mentioned goods made of clear, colored, opaque, translucent or transparent plastic materials as parts of display racks and information signs for exhibition, decoration and product presentation purposes; packaging, namely trays, cans, boxes, clam shells packaging, hollow vessels, cups, bags, pouches, sachets, hulls, sleeves or pockets made of plastics; closures, caps, fasteners, seals and container covers made of non-metallic materials, namely of plastics; container closures made of laminates, single layer or multi-layer materials of non-metallic ribbons, foils or films; non-metallic, namely plastic ribbons, foils or films, in form of laminates, multi-layer materials or composite materials, for covering, closing or sealing packaging containers.

(260) AM 2024 123051 A

(800) 1292785

(151) 2016 02 05

(891) 2023 05 08

(731) Joma Sport, S.A.

Calle Ramón y Cajal 112, Portillo de Toledo,
E-45512 Toledo, Spain

(540)

JOMA

(591) Black, white

(511)

18 – Leather and imitation leather, goods made of these materials not included in other classes; animal skins; trunks and suitcases; umbrellas, parasols and walking sticks; whips, harness and saddlery.

28 – Games, toys; gymnastic and sporting articles not included in other classes; decorations for Christmas trees.

35 – Wholesale services and retail sale services, in stores and online, for clothing, footwear, headgear, sports bags, sports equipment and articles.

(260) AM 2024 123134 A

(800) 1732590

(151) 2023 01 24

(891) 2023 01 24

(731) Badische Stahlwerke GmbH

Graudenz Str. 45, 77694 Kehl/Rhein,
Germany

(540)



(591) Red

(531) 26.01.05; 29.01.01

(511)

6 – Common metals and their alloys; building materials of metal, in particular reinforced steel, wire rod, reinforcement products, especially reinforcing goods for concrete; buildings, transportable, of metal; railway material of metal; non-electric cables and wires of common metal; metal hardware; pipes and tubes of metal; architectural hardware made of common metals and alloys thereof; ores of metal.

7 – Mechanical equipment for installations for steel production, in particular lance injectors, lance manipulators, electrode bearing arms.

9 – Software, expressly not proposed in the field of entertainment and, notably, in the field of video games, entertainment computer programs and/or entertainment interactive software applications.

11 – Industrial heating installations and smelting furnaces for use in steel manufacture for use in steel-

works; burners, boilers and heaters, in particular blast furnaces, electric furnaces for metallurgical purposes, electric arc furnaces, crucible furnaces; flues and installations for conveying exhaust gases, in particular flues and installations for use in the steel industry; industrial treatment installations, specifically gas scrubbing and purification apparatus, industrial ovens and furnaces (not for food or beverages), specifically, for use in the following fields: steel industry, exhaust gas cooling systems; igniters; lance burners.

35 – Retail and wholesale services in relation to: common metals and their alloys, metal building materials, transportable buildings of metal, materials of metal for railway tracks, non-electric cables and wires of common metal, ironmongery, articles of metal hardware, metallic pipes, architectural hardware made of common metals and alloys thereof, ores.

40 – Custom production and manufacturing services in the field of wire processing, reinforcing steel, wire rods, reinforcing goods for concrete; metallurgical processing; processing of iron, steel and by-products of all kinds.

42 – Scientific and technological services, especially engineering for consultancy relating to installations and auxiliary components for steel production; engineering services; information technology consultancy services, in particular development, programming and implementation of computer software; server hosting, software as a service [SaaS], and rental of software; IT consultancy, advisory and information services; all of the aforementioned services being expressly not rendered in the field of entertainment and, notably, in the field of video games, entertainment computer programs and/or entertainment interactive software applications.

(260) AM 2024 123374 A

(800) 1734929

(151) 2023 05 11

(891) 2023 05 11

(731) Zakrytoe aktsionernoe obshchestvo "Myasnaya galereya"

ul. Poliny Osipenko, 65, of. 10, RU-600009
g. Vladimir, Russian Federation

(540)

Мегамясище

(591) Black, white

(531) 28.05

(511)

29 – Ajvar being preserved peppers; aloe vera prepared for human consumption; alginates for culinary purposes; anchovy, not live; peanuts, prepared; artichokes, preserved; white of eggs; beans, preserved; soya beans, preserved, for food; broth; ginger jam; ham; fatty substances for the manufacture of edible fats; toasted laver; edible birds' nests; sea-cucumbers,

not live; peas, preserved; mushrooms, preserved; guacamole [mashed avocado]; game, not live; gelatine; meat jellies; jellies for food, other than confectionery; fruit jellies [jams]; yolk of eggs; coconut fat; bone oil for food; lard; suet for food; edible fats; julienne being baked poultry or mushroom dish with sour cream; curd; fruit-based snack food; milk substitutes; charcuterie; raisins; caviar; aubergine paste; vegetable marrow paste; fish roe, prepared; yogurt; galbi being grilled meat dish; sauerkraut; kefir [milk beverage]; kimchi [fermented vegetable dish]; isinglass for food; clams, not live; potato-based dumplings; milk shakes; black pudding; onion rings; arrangements of processed fruit; compotes; meat, tinned; vegetables, tinned; fish, tinned; fruits, tinned; broth concentrates; corn dogs; gherkins; meat cutlets; frozen meat cutlets; shrimps, not live; prawns, not live; buttercream; croquettes; silkworm chrysalis for human consumption; sweet corn, processed; kumys; chicken wings; spiny lobsters, not live; lecithin for culinary purposes; salmon, not live; onions, preserved; margarine; marmalade; oils for food; peanut butter; cocoa butter for food; coconut oil for food; coconut butter; maize oil for food; sesame oil for food; linseed oil for food; extra virgin olive oil for food; olive oil for food; palm oil for food; palm kernel oil for food; sunflower oil for food; rape oil for food; butter; soya bean oil for food; mussels, not live; almonds, ground; animal marrow for food; molluscs, not live; milk; peanut milk; peanut milk for culinary purposes; coconut milk; coconut milk for culinary purposes; almond milk; almond milk for culinary purposes; oat milk; rice milk; rice milk for culinary purposes; albumin milk; condensed milk; soya milk; powdered milk; fish meal for human consumption; vegetable mousses; fish mousses; fruit pulp; meat; meat, preserved; freeze-dried meat; chicken nuggets; milk beverages, milk predominating; peanut milk-based beverages; coconut milk-based beverages; almond milk-based beverages; edible insects, not live; sausage casings, natural or artificial; vegetables, preserved; freeze-dried vegetables; vegetables, dried; vegetables, cooked; potato fritters; olives, preserved; lobsters, not live; flavoured nuts; candied nuts; coconut, desiccated; nuts, prepared; tomato paste; liver pâté; pectin for culinary purposes; liver; pickles; jams; powdered eggs; milk products; fish-based foodstuffs; prostokvasha [soured milk]; poultry, not live; battered chicken pieces; bulgogi; pollen prepared as foodstuff; cranberry compote; tomato purée; apple purée; crayfish, not live; crustaceans, not live; fish, preserved; fish, not live; salted fish; ryazhenka [fermented baked milk]; vegetable salads; fruit salads; bacon; sardelki [sausages]; sardines, not live; pork; herrings, not live; seeds, prepared; sunflower seeds, prepared; cream [dairy products]; whipped cream; vegetable-based cream; fat-based spreads for bread slices; lemon juice for culinary purposes; tomato juice for cooking; vegetable juices for cooking; salted meats; sausages; sausages in batter; hot dog sausages;

preparations for making bouillon; preparations for making soup; nut-based spreads; tripe; soups; vegetable soup preparations; whey; cheese; tahini [sesame seed paste]; tofu; truffles, preserved; tuna, not live; oysters, not live; falafel; milk ferments for culinary purposes; rennet; fish fillets; dates; crystallized fruits; frozen fruits; fruit, preserved; fruit preserved in alcohol; fruit, stewed; hazelnuts, prepared; potato flakes; hummus [chickpea paste]; fruit peel; preserved garlic; lentils, preserved; potato crisps; low-fat potato crisps; fruit chips; shpikachki [sausages]; non-alcoholic egg-nog; seaweed extracts for food; meat extracts; edible ant larvae, prepared; berries, preserved; snail eggs for consumption; eggs; yakitori.

30 – Vanilla flavourings for culinary purposes; flavourings, other than essential oils, for cakes; flavourings, other than essential oils, for beverages; coffee flavourings; food flavourings, other than essential oils; star aniseed; baozi [stuffed buns]; cereal bars; high-protein cereal bars; pancakes; noodle-based prepared meals; freeze-dried dishes with the main ingredient being pasta; freeze-dried dishes with the main ingredient being rice; buns; bread rolls; edible rice paper; edible paper; burritos; vanillin [vanilla substitute]; vareniki [stuffed dumplings]; waffles; vermicelli; natural sweeteners; sausage binding materials; binding agents for ice cream; seawater for cooking; seaweed [condiment]; malt biscuits; cloves [spice]; mirror icing [mirror glaze]; cake frosting [icing]; glucose for culinary purposes; mustard; gluten additives for culinary purposes; yeast; fried pelmeni; thickening agents for cooking foodstuffs; leaven; rice-based snack food; cereal-based snack food; coffee substitutes; vegetal preparations for use as coffee substitutes; dressings for salad; fruit jellies [confectionery]; candy decorations for cakes; confectionery for decorating Christmas trees; cakes; pastries; peanut confectionery; almond confectionery; pasta; ground ginger; frozen yogurt [confectionery ices]; cocoa; cream of tartar for culinary purposes; capers; caramels [sweets]; curry [spice]; ketchup [sauce]; kimbab; quiches; gluten prepared as foodstuff; flour-based dumplings; sweets; liquorice [confectionery]; peppermint sweets; dulce de leche; cinnamon [spice]; coffee; unroasted coffee; starch for food; crackers; custard; hominy grits; semolina; oatmeal; crushed barley; groats for human food; ice cubes; corn, milled; corn, roasted; meat pies; turmeric; couscous [semolina]; noodles; ice for refreshment; ice, natural or artificial; edible ices; lollipops [confectionery]; rice cakes; mayonnaise; macaroons [pastry]; macaroni; maltose; hominy; piccalilli; marinades; marzipan; honey; miso [seasoning]; royal jelly; ice cream; bean meal; tapioca flour; potato flour; corn flour; nut flours; flour; wheat flour; soya flour; barley meal; dessert mousses [confectionery]; chocolate mousses; muesli; mint for confectionery; cocoa beverages with milk; coffee beverages with milk; coffee-based beverages; cocoa-based beverages; chamomile-based beverages; tea-based beverages; chocolate be-

verages with milk; chocolate-based beverages; infusions, not medicinal; crushed oats; husked oats; okonomiyaki [Japanese savory pancakes]; onigiri [rice balls]; nutmegs [spice]; chocolate-coated nuts; stick liquorice [confectionery]; lozenges [confectionery]; molasses for food; pâtés en croûte; pelmeni; khinkali [stuffed dumplings]; manti [stuffed dumplings]; pepper; allspice; peppers [seasonings]; pesto [sauce]; biscuits; petit-beurre biscuits; bibimbap [rice mixed with vegetables and beef]; pies; pizzas; meat gravies; fondants [confectionery]; popcorn; powders for making ice cream; baking powder; mustard meal; pralines; aromatic preparations for food; condiments; meat tenderizers for culinary purposes; cereal preparations; oat-based food; propolis; gingerbread; spices; petits fours [cakes]; rice pudding; puddings; cake powder; fruit coulis [sauces]; ravioli; ramen [Japanese noodle-based dish]; chewing gum; relish [condiment]; rice; instant rice; wheat germ for human consumption; spring rolls; sago; palm sugar; sugar; sesame seeds [seasonings]; linseed for culinary purposes [seasoning]; processed seeds for use as a seasoning; aniseed; agave syrup [natural sweetener]; golden syrup; candy bars; batter mixes for okonomiyaki [Japanese savory pancakes]; baking soda [bicarbonate of soda for cooking purposes]; malt for human consumption; salt for preserving foodstuffs; cooking salt; celery salt; sorbets [ices]; ham glaze; soya sauce; tomato sauce; sauces [condiments]; pasta sauce; spaghetti; seasonings; chocolate-based spreads; chocolate spreads containing nuts; preparations for stiffening whipped cream; rusks; breadcrumbs; sushi; senbei [rice crackers]; sandwiches; tabbouleh; tacos; tapioca; tarts; dough; pastry dough; almond paste; rice pulp for culinary purposes; cake batter; tortillas; garden herbs, preserved [seasonings]; chocolate decorations for cakes; vinegar; beer vinegar; ferments for dough; halvah; bread; unleavened bread; chips [cereal products]; corn flakes; oat flakes; hot dog sandwiches; flowers or leaves for use as tea substitutes; chicory [coffee substitute]; tea; iced tea; chutneys [condiments]; chebureki [deep-fried pies]; minced garlic [condiment]; cheeseburgers [sandwiches]; chow-chow [condiment]; saffron [seasoning]; chocolate; malt extract for food; essences for foodstuffs, except etheric essences and essential oils; husked barley.

(260) AM 2024 123385 A

(800) 1735110

(151) 2023 03 29

(891) 2023 03 29

(731) Joint Stock Company "BIOCAD"

ul. Svyazi, d. 38, str. 1, pomeshch. 89, the Settlement of Strelna, Intracity Municipality the Settlement of Strelna, RU-198515 Saint Petersburg, Russian Federation

(540)

ТЕHEKЦИЯ

(591) Black, white

(531) 28.05

(511)

5 – Pharmaceuticals and veterinary products; sanitary preparations for medical purposes; dietetic substances adapted for medical use; food for babies; plasters, materials for dressings; material for dental fillings and dental impressions; disinfectants; preparations for combating attack by noxious animals; fungicides, herbicides.

(260) AM 2024 123388 A

(800) 1735192

(151) 2022 12 09

(891) 2022 12 09

(731) HELL ENERGY Magyarország Kft

Andrássy út 126., H-1062 Budapest,

Hungary

(540)



(591) Black, white

(531) 04.01.04; 04.01.05; 04.05.05; 26.01.01;

26.01.07; 26.01.16; 26.01.24

(511)

29 – Beverages having a milk base; milk-based beverages containing fruit juice; milk-based beverages flavored with chocolate; milk-based beverages containing coffee; dairy-based beverages containing oats; milk; drinks made from dairy products; flavoured milk; milk tea, milk predominating; milk beverages, milk predominating; flavoured milk beverages; milk beverages with cocoa; cocoa flavored milk beverages; artificial milk based desserts; milk drinks containing fruits; oat-based beverages [milk substitute]; plant-based milk substitutes; milk shakes; soya-based beverages used as milk substitutes; milk ferments for culinary purposes.

(260) AM 2024 123523 A

(800) 1736763

(151) 2023 05 25

(891) 2023 05 25

(731) JBRD S.A.

25B Boulevard Royal, L-2449 Luxembourg, Luxembourg

(540)

ALÛSTRE
DIAMONDINFUSED

(591) Black, white

(511)

3 – Bath gels; bath soaps; beauty creams; beauty lotions; beauty masks; beauty masks for hands; body creams; body scrub; cosmetic creams; cosmetic preparations; cosmetic nail preparations, namely, foil for nails; cosmetics; creams for leather; cuticle conditioners; cuticle cream; cuticle oils; eau de cologne; eau de toilette; emery cloth; emery paper; exfoliating scrubs for cosmetic purposes; eye make-up; face powder; fragrances for personal use; fragrances for household purposes; hair care preparations; hair colourants; lip balm; lip gloss; lipstick; lipstick cases; lip tint; make-up; make-up removing preparations; nail care preparations; nail cream; nail decolorants; nail enamel; nail enamel remover; nail enamels; nail gel; nail glitter; nail polish top coat; nail repair preparations; shower gel; skin cleansers; tissues impregnated with a skin cleanser; tissues impregnated with cosmetic lotions; tissues impregnated with make-up removing preparations; toothpaste.

(260) AM 2024 123707 A

(800) 1737986

(151) 2023 03 21

(891) 2023 03 21

(731) BERLIN-CHEMIE Aktiengesellschaft

Glienicker Weg 125, 12489 Berlin, Germany

(540)

BRAVILON

(591) Black, white

(511)

3 – Balms; cosmetics; dentifrices; herbal extracts for cosmetic purposes; lavender oil; mouthwashes; shampoos; vaginal washes.

5 – Pharmaceuticals; dietetic substances adapted for medical use.

(260) AM 2024 123708 A

(800) 1737987

(151) 2023 03 21

(891) 2023 03 21

(731) BERLIN-CHEMIE Aktiengesellschaft

Glienicker Weg 125, 12489 Berlin, Germany

(540)

ELOURY

(591) Black, white

(511)

3 – Balms; cosmetics; dentifrices; herbal extracts for cosmetic purposes; lavender oil; mouthwashes; shampoos; vaginal washes.

5 – Pharmaceuticals; dietetic substances adapted for medical use.

(260) AM 2024 123709 A

(800) 1737988

(151) 2023 03 21

(891) 2023 03 21

(731) BERLIN-CHEMIE Aktiengesellschaft

Glienicker Weg 125, 12489 Berlin, Germany

(540)

KONVIBAL

(591) Black, white

(511)

3 – Balms; cosmetics; dentifrices; herbal extracts for cosmetic purposes; lavender oil; mouthwashes; shampoos; vaginal washes.

5 – Pharmaceuticals; dietetic substances adapted for medical use.

(260) AM 2024 123710 A

(800) 1737989

(151) 2023 03 21

(891) 2023 03 21

(731) BERLIN-CHEMIE Aktiengesellschaft

Glienicker Weg 125, 12489 Berlin, Germany

(540)

REFORZA

(591) Black, white

(511)

3 – Balms; cosmetics; dentifrices; herbal extracts for cosmetic purposes; lavender oil; mouthwashes; shampoos; vaginal washes.

5 – Pharmaceuticals; dietetic substances adapted for medical use.

(260) AM 2024 123716 A

(800) 1737996

(151) 2023 03 22

(891) 2023 03 22

(731) BERLIN-CHEMIE Aktiengesellschaft

Glienicker Weg 125, 12489 Berlin, Germany

(540)

ORTIFA

(591) Black, white

(511)

3 – Balms; cosmetics; dentifrices; herbal extracts for cosmetic purposes; lavender oil; mouthwashes; shampoos; vaginal washes.

5 – Pharmaceuticals; dietetic substances adapted for medical use.

(260) AM 2024 123723 A

(800) 1738004

(151) 2023 03 23

(891) 2023 03 23

(731) BERLIN-CHEMIE Aktiengesellschaft

Glienicker Weg 125, 12489 Berlin, Germany

(540)

GISEMA

(591) Black, white

(511)

3 – Balms; cosmetics; dentifrices; herbal extracts for cosmetic purposes; lavender oil; mouthwashes; shampoos; vaginal washes.

5 – Pharmaceuticals; dietetic substances adapted for medical use.

(260) AM 2024 123724 A

(800) 1738005

(151) 2023 03 23

(891) 2023 03 23

(731) BERLIN-CHEMIE Aktiengesellschaft
Glienicke Weg 125, 12489 Berlin,
Germany

(540)

RONIKTY

(591) Black, white

(511)

3 – Balms; cosmetics; dentifrices; herbal extracts for cosmetic purposes; lavender oil; mouthwashes; shampoos; vaginal washes.

5 – Pharmaceuticals; dietetic substances adapted for medical use.

(260) AM 2024 123751 A

(800) 1738311

(151) 2023 04 21

(891) 2023 04 21

(731) Limited Liability Company "Yuzhny Poluys"
ul. Shosseynaya, d. 26, Kropotkin, Kavkazskiy
rayon, RU-352394 Krasnodarskiy krai,
Russian Federation

(540)

**УТОМЛЕННОЕ
СОЛНЦЕ**

(591) Black, white

(531) 28.05

(511)

29 – Oils for food; maize oil for food; linseed oil for food; olive oil for food; sunflower oil for food.

(260) AM 2024 123772 A

(800) 1738886

(151) 2023 05 26

(891) 2023 05 26

(731) CURCHI Mihail
Str. Ștefan Neaga nr. 20, ap. 8, MD-2008
Chișinău, Republic of Moldova

(540)



(591) Black, white

(531) 24.17.04; 26.04.03; 26.04.06; 26.04.18;
27.05.01

(511)

30 – Coffee, tea, cocoa and substitutes therefor; rice, pasta and noodles; tapioca and sago; flour and preparations made from cereals; bread, pastries and confectionery; chocolate; ice cream, sorbets and other edible ices; sugar, honey, treacle; yeast, baking-powder; salt, seasonings, spices, preserved herbs; vinegar, sauces and other condiments; ice (frozen water).

(260) AM 2024 123773 A

(800) 1738904

(151) 2023 02 23

(891) 2023 02 23

(731) Ningbo Runyes Medical Instrument Co., Ltd.
No. 456, Tonghui Road, Jiangbei Investment
& Pioneering Park C, Ningbo, Zhejiang
Province, China

(540)

Runyes

(591) Black, white

(531) 27.05.17

(511)

10 – Nebulizers for medical purposes; pumps for medical purposes; testing apparatus for medical purposes; diagnostic apparatus for medical purposes; medical apparatus and instruments; cases fitted for medical instruments; operating tables; surgical apparatus and instruments; ophthalmoscopes; apparatus for the treatment of deafness.

(260) AM 2024 123796 A

(800) 1739268

(151) 2023 02 17

(891) 2023 02 17

(731) "ARGEMONA" EOOD
bul."Zar Osvoboditel" 10, fl.3, BG-1000 Sofia,
Bulgaria

(540)



(591) Metallic gold Pantone 871C
(531) 02.09.04; 24.11.25; 26.01.05; 27.05.10;
29.01.12

(511)
35 – Business management of hotels; business management of entertainment venues.

41 – Casino services; providing casino facilities [gambling]; providing of casino and gaming facilities; casino, gaming and gambling services; entertainment services provided by hotels; on-line gambling services; gaming services for entertainment purposes; gambling services; administration [organisation] of gaming services; gambling information services (term considered too vague by the International Bureau – Rule 13 (2) (b) of the Regulations); gaming machine entertainment services; conducting multiple player games of chance; entertainment services; provision of amusement facilities; providing information on entertainment through computer networks; providing recreation facilities.

43 – Hotel reservations; hotel services; appraisal of hotel accommodation; information relating to hotels; resort hotel services; booking of hotel accommodation; electronic information services relating to hotels; hotel catering services; provision of hotel accommodation; hotel restaurant services.

(260) AM 2024 123842 A
(800) 1740413
(151) 2023 01 05
(891) 2023 01 05
(731) LLC "Production Pharmaceutical Company
"Alium"
Angelovo village, PIR Alium territory, vl. 1,
bldg. 1, RU-143442 Krasnogorsk, Moscow
region, Russian Federation

(540)
АЛИУМ ALIUM

(591) Black, white
(531) 28.05
(511)
35 – Arranging subscriptions to telecommunication services for others; import-export agency services; commercial information agency services; advertising agency services; cost price analysis; rental of office equipment in co-working facilities; rental of advertising space; business auditing; financial auditing; business intermediary services relating to the matching of potential private investors with entrepreneurs needing funding; employment agency services; computerized file management; book-keeping; invoicing; demonstration of goods; transcription of communications [office functions]; opinion polling; market studies.

39 – Delivery of goods; storage; hauling; packaging of goods; wrapping of goods; storage of goods.

42 – Chemical analysis; clinical trials; bacteriological research; biological research; cosmetic research; che-

mical research; research and development of new products for others; medical research; quality control; technical writing; chemistry services; scientific laboratory services.

44 – Pharmacy advice; preparation of prescriptions by pharmacists; health counselling; medical analysis services for diagnostic and treatment purposes provided by medical laboratories.

(260) AM 2024 123844 A
(800) 1740429
(151) 2023 03 21
(891) 2023 03 21
(731) LORO PIANA S.p.A.
Corso Rolandi, 10, I-13017 Quarona (VC), Italy
(540)

CASHFUR

(591) Black, white
(511)
18 – Leather and imitations of leather, animal skins and hides; trunks and suitcases; umbrellas and parasols; walking sticks; whips, harness and saddlery; clothing for pets; saddlery; key cases; fastenings for saddles; harness for animals; umbrella sticks; vanity cases, not fitted; trunks [luggage]; travelling trunks; bags; slings for carrying infants; bags for sports; chain mesh purses; purses; handbags; travelling sets [leatherware]; briefcases; school bags; leatherboard; cases of leather or leatherboard; girths of leather; collars for animals; horse collars; horse blankets; leather cord; leather, unworked or semi-worked; leather cord; moleskin [imitation of leather]; umbrella covers; whips; kneepads for horses; pads for horse saddles; trimmings of leather for furniture; harness fittings; leather leashes; imitation leather; walking stick handles; umbrella handles; suitcase handles; slings for carrying infants; pouch baby carriers; muzzles; parasols; umbrellas; animal skins; curried skins; chamois leather, other than for cleaning purposes; fur; card cases [notecases]; music cases; pocket wallets; reins; net bags for shopping; furniture coverings of leather; haversacks; bags [envelopes, pouches] of leather, for packaging; bags for campers; beach bags; travelling bags; bags for climbers; shopping bags; boxes of leather or leatherboard; hat boxes of leather; walking stick seats; riding saddles; stirrups; valises; attaché cases; attaché cases; garment bags for travel; rucksacks.

24 – Textiles; home furnishing textile goods; bed covers; table covers; face towels of textile; towels of textile; bath linen, except clothing; linens; bed clothes and blankets; table linen, not of paper; diapered linen; brocades; canvas for tapestry or embroidery; tablemats of textile; lap rugs; curtain holders of textile material; bed clothes and blankets; cotton fabrics; crepe [fabric]; crepon; damask; labels of textile; handkerchiefs of textile; pillowcases; mattress covers; felt; flannel [fabric]; coverings for furniture; covers for

cushions; pillow shams; linings [textile]; gauze [cloth]; jersey [fabric]; cheviots [cloth]; sheets [textile]; filtering materials of textile; plastic material [substitute for fabrics]; drugget; billiard cloth; printers' blankets of textile; wall hangings of textile; eiderdowns [down coverlets]; plaid blankets; furniture coverings of plastic; furniture coverings of textile; sleeping bags [sheeting]; textile coasters; banners of textile or plastic; woven fabrics; woollen cloth; table runners of textile; taffeta [cloth]; tablecloths, not of paper; moleskin [fabric]; hemp cloth; printed calico cloth; ticks [mattress covers]; oilcloth for use as tablecloths; gummed cloth, other than for stationery purposes; beach towels; covers of textile for sofas; buckram; curtains of textile or plastic; shower curtains of textile or plastic; adhesive fabric for application by heat; hemp fabric; jute fabric; linen cloth; rayon fabric; ramie fabric; silk [cloth]; elastic woven fabrics; fabric of imitation animal skins; fibreglass fabrics for textile use; knitted fabric; non-woven fabrics; upholstery fabrics; lingerie fabric; fabrics for textile use; traced cloths for embroidery; chenille fabric; frieze [cloth]; place mats of textile; table linen; table napkins of textile; napkins, of cloth, for removing make-up; bed covers; tulle; velvet; curtains of textile or plastic; mosquito nets; zephyr [cloth].

25 – Clothing, footwear, headgear; clothing of imitations of leather; clothing of leather; motorists' clothing; cyclists' clothing; clothing for gymnastics; dresses; dressing gowns; bath robes; non-slipping devices for footwear; clothing; bandanas [neckerchiefs]; bibs, not of paper; caps [headwear]; berets; underwear; sweat-absorbent underwear; blouses; boas [necklets]; teddies [underclothing]; braces [suspenders] for clothing; studs for football boots; corsets [underclothing]; galoshes; skull caps; footwear; training shoes; stockings; sweat-absorbent stockings; slippers; socks; breeches for wear; short-sleeve shirts; shirts; stuff jackets [clothing]; bodices [lingerie]; hats; top hats; paper hats [clothing]; casual jackets; hoods [clothing]; hat frames [skeletons]; footmuffs, not electrically heated; belts [clothing]; money belts [clothing]; tights; collars [clothing]; detachable collars; camisoles; headgear; neck scarves [mufflers]; ear muffs [clothing]; layettes [clothing]; corselets; suits; beach clothes; masquerade costumes; cravats; ascots; bathing caps; shower caps; headbands [clothing]; pocket squares; scarves; fittings of metal for footwear; ready-made linings [parts of clothing]; gabardines [clothing]; gaiters; jackets [clothing]; fishermen's jackets; garters; skirts; jumper dresses; aprons [clothing]; girdles; gloves [clothing]; mittens; ski gloves; welts for footwear; raincoats; ready-made clothing; paper clothing; knitwear [clothing]; jerseys [clothing]; leggings [leg warmers]; leggings [trousers]; liveries; jerseys [clothing]; hosiery; swimsuits; sweaters; muffs [clothing]; maniples; pelerines; mantillas; sleep masks; miniskirts; mitres [hats]; pants; bathing trunks; waistcoats; babies' pants [underwear]; trousers; parkas; pelisses; furs [clothing];

shirt yokes; chasubles; pyjamas; cuffs; ponchos; sweaters; tips for footwear; stocking suspenders; sock suspenders; brassieres; heelpieces for footwear; heelpieces for stockings; sandals; bath sandals; saris; sarongs; shoes; esparto shoes or sandals; bath slippers; gymnastic shoes; beach shoes; football shoes; training shoes; ski boots; shawls; scarves; underpants; lace boots; wimples; overcoats; outerclothing; dress shields; gaiter straps; petticoats; slips [underclothing]; shirt fronts; half-boots; boots; fur stoles; footwear soles; inner soles; heels; pockets for clothing; tee-shirts; togas; footwear uppers; footwear uppers; turbans; wet suits for water-skiing; combinations [clothing]; uniforms; veils [clothing]; visors [headwear]; wooden shoes.

35 – Retailing or wholesaling, including online and offline, in relation to the following fields: furniture and furnishings for indoor and outdoor areas for buildings, accommodations, residences, hotel and catering facilities, textile goods, furnishing textiles, household linen and linen for hotel and catering facilities; retailing or wholesaling, including online and offline, in relation to the following goods: carpets, wall hangings, floor coverings; retailing or wholesaling, including online and offline in relation to the following goods: yarns and threads, for textile use, thread of metal for embroidery, chenille yarn, spun thread and yarn, spun cotton, yarn, hemp thread and yarn, rubber thread for textile use, coir thread and yarn, cotton thread and yarn, jute thread, woollen thread and yarn, linen thread and yarn, elastic thread and yarn or thread and yarn of plastic materials for textile use, rayon thread and yarn, silk thread and yarn, fibreglass thread for textile use, elastic thread and yarn for textile use, sewing thread and yarn, darning thread and yarn, embroidery thread and yarn; retailing or wholesaling, including online and offline in relation to the following goods: spun wool, spun and woven silk, home furnishing textile goods, bed blankets, table covers, face towels of textile, hand towels of textile; retailing or wholesaling, including online and offline in relation to the following goods: bath linen, except clothing, of household linen, bed linen, table linen, not of paper, diapered linen, brocades, canvas for tapestry or embroidery, table mats [not of paper], travellers' rugs, curtain holders of textile material, bed clothes, cotton fabrics, crepe [fabric], crepon, damask, labels [cloth]; retailing or wholesaling, including online and offline in relation to the following goods: handkerchiefs of textile, pillowcases, mattress covers, felt, flannel [fabric], covers [loose] for furniture, covers for duvets and pillow coverings, pillow shams, linings [textile], gauze [cloth], jersey [fabric], cheviots [cloth], bed sheets, filtering materials of textile; retailing or wholesaling, including online and offline in relation to the following goods: plastic material (substitute for fabrics), drugget, billiard cloth, printers' blankets of textile, tapestry (wall hangings) of textile, down coverlets, throws, coverings of plastic for furniture, furniture co-

vers of textile, sleeping bags (sheeting), coasters [table linen], banners, textile material, woollen cloth, table runners, taffeta [cloth]; retailing or wholesaling, including online and offline in relation to the following goods: tablecloths, not of paper, moleskin [fabric], hemp cloths, printed calico cloth, ticks [mattress covers], oilcloth [for use as tablecloths], gummed cloth, other than for stationery, beach towels, covers for sofas of textile, buckram; retailing or wholesaling, including online and offline in relation to the following goods: curtains of textile or of plastic, shower curtains of textile or plastic, adhesive fabric for application by heat, hemp fabric, jute fabric, linen cloth, rayon fabric, ramie fabric, silk fabrics, elastic woven material, leather imitation woven material, fibreglass fabrics for textile use, knitted fabric; retailing or wholesaling, including online and offline in relation to the following goods: non-woven textile fabrics, upholstery fabrics, lingerie fabric, fabrics for textile use, traced cloths for embroidery, chenille fabric, frieze [cloth], tablemats, not of paper, table cloths, table napkins of textile, napkins, of cloth, for removing make-up, bedspreads, tulle, velvet, net curtains, mosquito nets, zephyr [cloth]; retailing or wholesaling, including online and offline in relation to the following goods: clothing, shoes and headgear, clothing of imitations of leather, clothing of leather, motorists' clothing, cyclists' clothing, gymnastic clothing, coats, bath robes, bath robes/gowns, non-slipping devices for shoes; retailing or wholesaling, including online and offline in relation to the following goods: clothing, bandanas (neckerchiefs), non-paper bibs, caps [headwear], berets, underwear, anti-sweat underwear, coveralls, boas (necklets), teddies (undergarments), braces, studs for football boots (shoes), busts, galoshes, skull caps, footwear, footwear for sports, stockings, sweat-absorbent stockings, footlets, socks, breeches; retailing or wholesaling, including online and offline in relation to the following goods: short-sleeved jumpers (shirt fronts), shirts, stuff jackets, bodices [lingerie], hats, top hats, paper hats (clothing), coats, hoods (clothing), hat frames [skeletons], footmuffs, not electrically heated, belts (clothing), moneybelts (clothing), tights, collars (clothing), detachable collars; retailing or wholesaling, including online and offline in relation to the following goods: camisoles, headgear for wear, collar protectors, ear muffs (clothing), layettes [clothing], corselets, fancy dress outfits, beach clothes, costume, neckties, cravats, bathing caps, shower caps, headbands (clothing); retailing or wholesaling, including online and offline in relation to the following goods: pocket squares, scarfs, iron fittings for boots, linings (ready-made -) [parts of clothing], gabardines [clothing], gaiters, jackets, fishing jackets, garters, skirts, pinafore dresses, aprons (clothing), girdles, gloves [clothing], mittens, ski gloves, welts for footwear, rainwear; retailing or wholesaling, including online and offline in relation to the following goods: ready-made clothing, paper clothings,

knit wear, jerseys (clothing), leggings, leggings (trousers), liveries, singlets, hosiery, swimsuits, pullovers, muffs (clothing), maniples, pelerines, mantillas, sleep masks, mini-skirts, mitres (hats), pants, bathing trunks, vests; retailing or wholesaling, including online and offline in relation to the following goods: babies' pants (clothing), trousers, parkas, pelisses, furs (clothing), shirt yokes, chasubles, pyjamas, wristbands [clothing], ponchos, pullovers, tips for footwear, suspender belts, sock clips, brassieres, heel pieces for boots and shoes, stockings (heel pieces for-); retailing or wholesaling, including online and offline in relation to the following goods: sandals, flip flops, saris, sarongs, shoes, esparto shoes or sandals, shoes for swimming, gymnastic shoes, beach footwear, football boots, sports shoes, ski boots, shawls, sashes for wear, underpants, lace boots, wimples, topcoats, outer-clothing, dress shields, trouser straps, petticoats, undershirt, shirt fronts, ankle boots, boots; retailing or wholesaling, including online and offline in relation to the following goods: fur stoles, shoe soles, inner soles, heels, clothing pockets, tee-shirts, togas, vamps, boot uppers, turbans, wetsuits for water-skiing, combinations [clothing], uniforms, veils [clothing], visors for heads, wooden shoes, animal skins, trunks and travelling bags, umbrellas, parasols and walking sticks, whips, harness and saddlery, clothing for animals, harness for animals; retailing or wholesaling, including online and offline in relation to the following goods: key cases [leatherware], fastenings for saddles, harness for animals, umbrella sticks, vanity cases, not fitted, trunks, travelling trunks, panniers, sling bags for carrying infants, athlete bags, knitted bags, purses, handbags, travelling sets (leatherware); retailing or wholesaling, including online and offline in relation to the following goods: briefcases, bags (leatherware), school bags, leatherboard, cases of leather or leatherboard, bands of leather, collars for animals, horse collars, coverings of skins (furs), horse blankets, leather laces, leather, unworked or semi-worked, leather thread, moleskin (imitation leather), umbrella covers, whips, knee-pads for horses, pads for horse saddles; retailing or wholesaling, including online and offline in relation to the following goods: leather trimmings for furniture, harness fittings, leather leads, leather (imitation), grips for walking sticks, umbrella handles, suitcase handles, slings for carrying infants, pouch baby carriers; retailing or wholesaling, including online and offline in relation to the following goods: muzzles, parasols, umbrellas, animal skins, curried skins, chamois leather, other than for cleaning purposes, fur-skins, card cases (notecases), music cases, pocket wallets, reins, net bags for shopping, covers of leather for furniture, knapsacks, bags, envelopes, pouches, of leather, for packaging; retailing or wholesaling, including online and offline in relation to the following goods: bags for campers, beach bags, travelling bags, bags for climbers, shopping bags, boxes of leather or leather board, hatboxes of leather, walking-stick seats,

riding saddle, mounting stirrups, suit cases, suitcases, attaché cases, garment bags for travel, back packs; arranging of trade fairs, events and exhibitions for commercial or advertising purposes, business management assistance and business management and organization consultancy; advertising; online advertising; providing business information via a Web site; commercial or industrial management assistance; professional business consultancy; business management consultancy; shop window dressing; dissemination of advertisements; business management of performing artists; organization of exhibitions for commercial or advertising purposes; presentation of goods on communication media, for retail purposes; business management assistance; sales promotion for others; publication of publicity texts; public relations services; sponsorship search; business management and organization consultancy; business organization consultancy; business appraisals; market studies.

(260) AM 2024 123845 A
 (800) 1740443
 (151) 2023 05 04
 (891) 2023 05 04
 (731) Certis Belchim BV
 Stadsplateau 16, NL-3521 AZ Utrecht,
 Netherlands
 (540)



(591) Different shades of green different shades of blue white
 (531) 05.03.13; 26.01.03; 26.01.15; 26.13.25;
 29.01.14
 (511)
 1 – Growth aids, fertilizers and chemical products for agricultural, horticultural and forestry purposes (except fungicides and preparations for destroying weeds and vermin); chemical substances for preserving food-stuffs; chemical preparations for the treatment of seeds; pheromones, not for medical use.
 5 – Disinfectants; vermicides; fungicides, herbicides.

(260) AM 2024 123846 A
 (800) 1740454
 (151) 2023 04 18
 (891) 2023 04 18
 (731) Skywell New Energy Vehicles Group Co., Ltd.
 No. 369 Binhuai Avenue, Zhetang Town,
 Lishui District, Nanjing City, 211200 Jiangsu
 Province, China

(540)



(591) Black, white
 (531) 24.01.15; 27.05.21; 27.05.24
 (511)
 12 – Electric vehicles; motor buses; cars; automobile chassis; automobile bodies; waggons; automobile tyres; upholstery for vehicles; steering wheels for vehicles.

(260) AM 2024 123847 A
 (800) 1740463
 (151) 2023 05 10
 (891) 2023 05 10
 (731) Kretsul Mykola
 Chkalova street 30, Derhachi, Kharkiv region
 62300, Ukraine
 (540)



(591) Black, white
 (531) 24.09.03; 24.09.05; 26.01.03; 26.01.18;
 27.05.01
 (511)
 34 – Electronic cigarettes and oral vaporizers for smokers; smokers' articles.

(260) AM 2024 123864 A
 (800) 1591668
 (151) 2021 03 25
 (891) 2023 06 20
 (731) Jack Daniel's Properties, Inc.
 4040 Civic Center Drive, Suite 528, San Rafael
 CA 94903, USA
 (540)

TENNESSEE FIRE

(591) Black, white
 (526) TENNESSEE
 (511)
 33 – Alcoholic beverages except beers.

(260) AM 2024 123865 A
 (800) 1596978
 (151) 2021 04 08
 (891) 2023 04 17

(731) Shenzhen Jimashi Trading Co., Ltd
1303, Block A, Jingji Binhe Times Square,
Xiasha Village, No. 9289, Binhe Road, Xiasha
Community, Shatou Street, Futian District,
Shenzhen, Guangdong Province, China

(540)

wiwu

(591) Black, white

(531) 27.05.01

(511)

9 – Bags adapted for computers; battery chargers; headphones; protective cases for smartphones; USB cables for mobile phones; cases for laptops; stands adapted for laptops; protective films adapted for computer screens; computer mice; computer keyboards; touch screen pens; electrical adapters; eyeglasses; selfie sticks for mobile phones.

18 – Animal skins; furniture coverings of leather; pocket wallets; umbrellas; walking sticks; travelling trunks; briefcases; card cases [notecases]; vanity cases, not fitted; handbags.

(260) AM 2024 123866 A

(800) 1621731

(151) 2021 09 13

(891) 2023 06 15

(731) Jack Daniel's Properties, Inc.
4040 Civic Center Drive, Suite 528, San Rafael
CA 94903, USA

(540)



(591) Black, white

(531) 05.07.13; 05.07.23; 25.01.15; 25.01.19;
25.01.25; 27.01.12; 27.05.01; 27.05.10

(511)

33 – Alcoholic beverages, including distilled spirits.

(260) AM 2024 123942 A

(800) 1740846

(151) 2023 01 25

(891) 2023 01 25

(731) Euro Games Technology Ltd.
4, "Maritsa" Str., "Vranya-Lozen-Triugulnika",
BG-1151 Sofia, Bulgaria

(540)



(591) Yellow, silver, white and orange

(531) 27.05.03; 27.05.10; 27.05.17; 29.01.14

(511)

28 – Gaming machines for gambling; chips for gambling; mah-jong; arcade games; gambling machines operating with coins, notes and cards; games; electronic games; parlor games; gaming chips; gaming tables; slot machines [gaming machines]; LCD game machines; slot machines and gaming devices; coin-operated amusement machines; roulette chips; poker chips; chips and dice [gaming equipment]; equipment for casinos; roulette tables; gaming roulette wheels; casino games; automats and gambling machines; coin-operated amusement machines and / or electronic coin-operated amusement machines with or without the possibility of gain; boxes for coin-operated machines, slot machines and gaming machines; electronic or electrotechnical gaming devices, automats and machines, coin-operated machines; housings for coin-operated machines, gaming equipment, gaming machines, machines for gambling; electropneumatic and electrical gambling machines (slot machines).

41 – Provision of equipment for gambling halls.

(260) AM 2024 123944 A

(800) 1740903

(151) 2023 03 21

(891) 2023 03 21

(731) EUROFARMA LABORATORIOS S.A.
Rodovia Presidente Castelo Branco, n.º 3.565,
Quadra GL, Lote A – Ingahi; 06696-000
Itapevi, Brazil

(540)



(591) Blue and yellow

(531) 01.05.02; 01.05.06; 27.05.01; 29.01.13

(511)

35 – Sale service for medicines for human health.

(260) AM 2024 123945 A

(800) 1740934

(151) 2023 03 29

(891) 2023 03 29

(731) Suntory Holdings Limited
1-40, Dojimahama 2-chome, Kita-ku, Osaka-shi,
Osaka 530-8203, Japan

(540)



(591) Light blue

(531) 27.05.01; 29.01.04

(511)

3 – Breath freshening preparations; deodorants for animals; soaps and detergents; dentifrices; cosmetics; perfumery; incense; false nails; false eyelashes.

5 – Pharmaceutical preparations; reagent paper for medical purposes; lacteal flour for babies; dietary supplements for humans; nutritional supplements; dietetic beverages adapted for medical purposes; dietetic foods adapted for medical purposes; beverages for babies; food for babies; dietary supplements for animals; royal jelly dietary supplements; royal jelly for medical use.

29 – Edible oils and fats; milk products; meat; eggs; seafood, not live; processed meat products; processed seafood products; frozen vegetables; frozen fruits; processed vegetables and fruits; fried tofu pieces (abura-age); freeze-dried tofu pieces (kohri-dofu); jelly made from devils' tongue root (konnyaku); soya milk; tofu; fermented soybeans (natto); processed eggs; pre-cooked curry stew, stew and soup mixes; dried flakes of laver for sprinkling on rice in hot water (ochazuke-nori); furi-kake (dried flakes of fish, meat, vegetables or seaweed); side-dish made of fermented soybean (name-mono); preserved pulses; protein milk; fruit-based, vegetable-based, bean-based or nut-based snacks; meat extracts; chicken extracts; jellies for food, other than confectionery; edible bird's nests.

30 – Tea; tea-based beverages; coffee; coffee-based beverages; prepared cocoa and cocoa-based beverages; ice; sweets, desserts, namely, chocolate desserts, ice cream desserts, custards (baked desserts), and snacks, namely, cereal-based snacks, corn-based snacks, maize-based snacks, rice-based snacks, wheat-based snacks and chocolate-based snacks, other than fruit-based, vegetable-based, bean-based or nut-based; bread and buns; sandwiches; baozi; hamburgers (sandwiches); pizzas; hot dog sandwiches; meat pies; unroasted coffee; cereal preparations; Chinese stuffed dumplings; Chinese steamed dumplings; sushi; fried balls of batter mix with small pieces of octopus (Takoyaki); boxed lunches consisting of rice, with added meat, fish or vegetables; ravioli; chocolate spread; flour; royal jelly for human consumption, not for medical purposes.

31 – Wreaths of natural flowers for ceremonies or funerals; hops; vegetables, fresh; fruit, fresh; malt; animal foodstuffs; plant seeds; trees; grasses (plants); turf, natural; dried flowers; seedlings; saplings; flowers (natural); hay; potted dwarfed trees (bonsai).

32 – Beer; beer flavored low-malt beverages; soft drinks; fruit juices; vegetable juices (beverages); non-alcoholic beer-flavoured beverages; extracts of hops for making beer; whey beverages; non-alcoholic beverages.

33 – Sake; Japanese white liquor (shochu); sake substitute; Japanese sweet rice-based mixed liquor (shirozake); naoshi (Japanese liquor); Japanese Shochu-based mixed liquor (Mirin); alcoholic fruit beverages; Japanese shochu-based beverages (Chuhai); Chinese liquors (in general); flavored liquors; alcoholic beverages, except beers; spirits (beverages); whiskey; vod-

ka; gin; brandy; rum; liqueurs; bitters; curacao; cocktails; wine; spirit-based alcoholic beverages, except beers; liquor flavored with Japanese plum extracts; distilled beverages.

41 – Educational and instruction services relating to arts, crafts, sports or general knowledge; arranging, conducting and organization of seminars; providing electronic publications; reference libraries of literature and documentary records; book rental; art exhibitions; arranging and planning of movies, shows, plays or musical performances; providing videos from the internet, not downloadable; movie theatre presentations or movie film production and distribution; providing digital music from the Internet, not downloadable; presentation of live show performances; direction or presentation of plays; presentation of musical performances; production of radio or television programs; production of videotape film in the field of education, culture, entertainment or sports (not for movies or television programs and not for advertising or publicity); directing of radio and television programs; operation of video and audio equipment for production of radio and television programs; organization of entertainment events excluding movies, shows, plays, musical performances, sports, horse races, bicycle races, boat races and auto races; providing audio or video studio services; providing facilities for movies, shows, plays, music or educational training; booking of seats for shows; rental of cinematographic machines and apparatus; rental of cine-films; rental of musical instruments; providing entertainment; providing information relating to recreational activities.

43 – Providing temporary accommodation; accommodation bureaux services (hotels, boarding houses); providing food and drink; bar services; cafe services; cafeteria services; restaurant services; self-service restaurant services; snack-bar services; rental of conference rooms; providing facilities for exhibitions; rental of drinking water dispensers.

(260) AM 2024 123950 A

(800) 1741118

(151) 2023 06 22

(891) 2023 06 22

(731) Closed Joint Stock Company "KDV Pavlovskij Posad"
Mishutinskoje highway, 4B, Pavlovskij Posad,
RU-142500 Moskovskaja oblast, Russian
Federation

(540)

Zerfer

(591) Black, white

(511)

30 – Vanilla flavourings for culinary purposes; flavourings, other than essential oils, for cakes; flavourings, other than essential oils, for beverages; coffee flavourings; food flavourings, other than essential

oils; star aniseed; baozi; cereal bars; high-protein cereal bars; pancakes; savoury pancakes; noodle-based prepared meals; freeze-dried dishes with the main ingredient being pasta; freeze-dried dishes with the main ingredient being rice; buns; bulgur; bread rolls; pains au chocolat; edible paper wafers; edible rice paper; edible paper; burritos; vanillin [vanilla substitute]; waffles; vermicelli; natural sweeteners; sausage binding materials; binding agents for ice cream; orange blossom water for culinary purposes; seawater for cooking; seaweed [condiment]; malt biscuits; cloves [spice]; mirror icing [mirror glaze]; cake frosting [icing]; glucose for culinary purposes; mustard; croûtons; buckwheat, processed; gluten additives for culinary purposes; yeast; thickening agents for cooking foodstuffs; leaven; rice-based snack food; cereal-based snack food; coffee substitutes; vegetal preparations for use as coffee substitutes; dressings for salad; fruit jellies [confectionery]; candy decorations for cakes; confectionery for decorating christmas trees; cakes; pastries; peanut confectionery; almond confectionery; fruit confectionery; pasta; ground ginger; frozen yogurt [confectionery ices]; cocoa; cream of tartar for culinary purposes; capers; coffee capsules, filled; caramels [sweets]; curry [spice]; ketchup [sauce]; quinoa, processed; quiches; gluten prepared as foodstuff; flour-based dumplings; sweets; liquorice [confectionery]; peppermint sweets; mints for breath freshening; dulce de leche; cinnamon [spice]; coffee; unroasted coffee; starch for food; crackers; rice crackers; custard; crème brûlée; croissants; hominy grits; semolina; oatmeal; crushed barley; groats for human food; ice cubes; corn, milled; corn, roasted; meat pies; turmeric; couscous; laksa; noodles; soba noodles; udon noodles; ice for refreshment; ice, natural or artificial; edible ices; ice pops; potato-based flatbreads; rice cakes; mayonnaise; macaroons [pastries]; macaroni; maltose; hominy; piccalilli; marinades; marzipan; marshmallows; honey; miso; royal jelly; ice cream; bean meal; buckwheat flour; tapioca flour; potato flour; corn flour; nut flours; flour; wheat flour; soya flour; barley meal; confectionery in the form of mousses; chocolate mousses; muesli; mint for confectionery; cocoa beverages with milk; coffee beverages with milk; coffee-based beverages; cocoa-based beverages; chamomile-based beverages; tea-based beverages; chocolate beverages with milk; chocolate-based beverages; infusions, not medicinal; nougat; crushed oats; husked oats; kimchi pancakes; onigiri; nutmegs [spice]; chocolate-coated nuts; stick liquorice [confectionery]; ginger paste [seasoning]; lozenges [confectionery]; molasses for food; pâtés en croûte; pelmeni; pepper; allspice; peppers [seasonings]; pesto; biscuits; coconut macaroons; petit-beurre biscuits; bibimbap [rice mixed with vegetables and beef]; pies; pizzas; meat gravies; fondants [confectionery]; popcorn; powders for making ice cream; baking powder; mustard meal; pralines; aromatic preparations for food; condiments; cereal preparations; oat-based food; pro-

polis; profiteroles; gingerbread; spices; petits fours; rice pudding; puddings; cake powder; fruit coulis [sauces]; ravioli; ramen; chewing gum; chewing gum for breath freshening; relish [condiment]; rice; prepared rice rolled in seaweed; instant rice; wheat germ for human consumption; spring rolls; sago; sugar; crystallized rock sugar; palm sugar; sesame seeds [seasonings]; linseed for culinary purposes [seasoning]; processed seeds for use as a seasoning; aniseed; agave syrup [natural sweetener]; golden syrup; candy bars; savoury pancake mixes; batter mixes; baking soda [bicarbonate of soda for cooking purposes]; malt for human consumption; salt for preserving foodstuffs; cooking salt; celery salt; sorbets [ices]; ham glaze; cranberry sauce [condiment]; soya sauce; tomato sauce; apple sauce [condiment]; sauces [condiments]; pasta sauce; spaghetti; seasonings; chocolate-based spreads; chocolate spreads containing nuts; preparations for stiffening whipped cream; shaved ice with sweetened red beans; rusks; breadcrumbs; sushi; sandwiches; tabbouleh; tacos; tamarind [condiment]; tapioca; tarts; dough; pastry dough; almond paste; rice pulp for culinary purposes; cake batter; tortillas; garden herbs, preserved [seasonings]; chocolate decorations for cakes; vinegar; beer vinegar; ferments for dough; halvah; harissa [condiment]; bread; gluten-free bread; unleavened bread; chips [cereal products]; corn flakes; oat flakes; hot dog sandwiches; flowers or leaves for use as tea substitutes; jiaozi; chicory [coffee substitute]; tea; kelp tea; iced tea; chutneys [condiments]; minced garlic [condiment]; cheeseburgers [sandwiches]; chow-chow [condiment]; saffron [seasoning]; chocolate; malt extract for food; essences for foodstuffs, except etheric essences and essential oils; husked barley.

(260) AM 2024 123953 A

(800) 1741154

(151) 2023 06 12

(891) 2023 06 12

(731) Apple Inc.

One Apple Park Way, Cupertino CA 95014,
USA

(540)

APPLE VISION

(591) Black, white

(511)

9 – Computers; computer hardware; wireless communication devices for providing access to the Internet and sending, receiving, and transmitting data, images, audio, video, and multimedia content; wearable computer hardware; wearable computers; digital media streaming devices; computer hardware for transmitting and enabling the viewing of audio, video, television, movies, digital images and other multimedia content; virtual and augmented reality headsets, goggles, controllers, and remotes; wearable peripherals for playing video games; controllers for use with interac-

tive digital multimedia content; parts and accessories for computers, computer peripherals, and headsets; battery chargers for computers, computer peripherals, and headsets; batteries; rechargeable batteries; battery chargers; portable power chargers; battery chargers for computers, computer peripherals, headsets, and audio and visual players; charging apparatus for computers, computer peripherals, and headsets; power adapters; electronic connectors, docks, docking stations, and adapters for use with computers, computer peripherals, and wearable electronic devices; bags, covers, cases, sleeves, straps, lanyards and holders for computers, computer peripherals, and headsets.

(260) AM 2024 123971 A

(800) 1741506

(151) 2023 04 12

(891) 2023 04 12

(731) COMPAGNIA MERCANTILE

D'OLTREMARE S.R.L.

Via Faraldo, 1, I-84085 Mercato San Severino (SA), Italy

(540)



(591) Black, red and white

(531) 26.01.05; 26.11.12; 27.05.01; 27.05.07; 29.01.12

(511)

29 – Peeled tomatoes; vegetables, processed; canned beans; tinned tomatoes; tomato paste; tomato preserves; tomato extracts; tomato purée; processed tomatoes; tomato juice for cooking; beans; cooked beans; processed beans; olive oil for food; extra virgin olive oil for food; fruit, preserved; fruit, processed; fruits, tinned.

30 – Tomato sauce; fresh pasta; dried pasta; processed corn.

(260) AM 2024 123972 A

(800) 1741519

(151) 2023 01 23

(891) 2023 01 23

(731) "Aqro-Vest DC" Limited Liability Company Mukhtar Fataliyev avenue ap. 72, Bakikhanov township, Sabunchu district, AZ-1132 Baku, Azerbaijan

(540)



(591) Yellow, red, brown, white, gray and golden dark

(531) 03.04.02; 06.07.08; 08.03.03; 11.03.08; 28.05; 29.01.13

(511)

29 – Oils and fats for food, butter.

35 – Advertising and sale services of oils and fats for food, butter.

(260) AM 2024 123973 A

(800) 1741528

(151) 2023 05 12

(891) 2023 05 12

(731) C&S PAPER CO., LTD.

No. 1 Longcheng Road, Dongsheng Town, Zhongshan City, Guangdong Province, China

(540)



(591) Black, white

(531) 24.17.09; 27.05.02; 27.05.17

(511)

16 – Face towels of paper; paper wipes for cleaning; table linen of paper; tissues of paper for removing make-up; towels of paper; toilet paper; handkerchiefs of paper; table napkins of paper; white paperboard.

(260) AM 2024 123992 A

(800) 1397165

(151) 2017 11 15

(891) 2023 06 16

(731) PUBLIC JOINT STOCK COMPANY

GAZPROM NEFT

Kab. 2401, Ch.Pom. 1N, Liter A, Dom 3-5,

Pochtamtskaya Ulitsa, RU-190000 ST

PETERSBURG, Russian Federation

(540)



(591) Navy, blue, white and black

(531) 27.05.01; 27.05.21; 29.01.12

(511)

17 – Shock-absorbing buffers of rubber; fittings, not of metal, for compressed air lines; asbestos; cellulose acetate, semi-processed; balata; floating anti-pollution barriers; asbestos paper; paper for electrical capacitors; insulating paper; cotton wool for packing [caulking]; mineral wool [insulator]; asbestos felt; insulating felt; plastic fibers [fibres], not for textile use; carbon fibers [fibres], other than for textile use; asbestos fibers [fibres]; vulcanized fiber [fibre]; weatherstri-

pping for use in automobiles; weatherstripping for use in homes; weatherstripping, not of metal, for buildings; gutta-percha; foam supports for flower arrangements [semi-finished products]; dielectrics [insulators]; lute; insulators; insulators for railway tracks; insulators for electric mains; insulators for cables; asbestos millboards; liquid rubber; synthetic rubber; rubber, raw or semi-worked; unprocessed and semi-processed rubber, gutta-percha, gum, asbestos, mica and substitutes for all these materials; valves of india-rubber or vulcanized fiber [fibre]; clack valves of rubber; rings of rubber; watertight rings; insulating paints; insulating varnish; latex [rubber]; duct tapes; insulating tapes; adhesive bands, other than stationery and not for medical or household purposes; self-adhesive tapes, other than stationery and not for medical or household purposes; asbestos sheets; viscose sheets, other than for wrapping; sheets of regenerated cellulose, other than for wrapping; insulating oils; insulating oil for transformers; reinforcing materials, not of metal, for pipes; weatherstripping compositions; caulking materials; brake lining materials, partly processed; soundproofing materials; insulating materials; insulating refractory materials; padding materials of rubber or plastics; rubber material for recapping tires [tyres]; non-conducting materials for retaining heat; boiler composition to prevent the radiation of heat; packing [cushioning, stuffing] materials of rubber or plastics; sealant compounds for joints; filtering materials [semi-processed foams or films of plastic]; compositions to prevent the radiation of heat; bags [envelopes, pouches] of rubber, for packaging; pipe muffers, not of metal; sleeves of rubber for protecting parts of machines; asbestos packing; clutch linings; threads of plastic for soldering; threads of plastic materials, not for textile use; threads of rubber, not for use in textiles; elastic threads, not for use in textiles; door stops of rubber; window stops of rubber; stops of rubber; insulating gloves; plastics and resins in extruded form for use in manufacture; insulating plaster; plastic sheeting for agricultural purposes; plastic film, other than for wrapping; anti-dazzle films for windows [tinted films]; asbestos coverings; bark coverings for sound insulation; asbestos cloth; rubber stoppers; expansion joint fillers; cylinder jointings; washers of rubber or vulcanized fiber [fibre]; pipe gaskets; weatherstripping; gaskets; rubber solutions; hydrochlorinated rubber; gum, raw or semi-worked; mica, raw or partly processed; acrylic resins [semi-finished products]; synthetic resins [semi-finished products]; junctions, not of metal, for flexible pipes; substances for insulating buildings against moisture; chemical compositions for repairing leaks; glass wool for insulation; fiberglass for insulation; asbestos fabrics; fiberglass [fibreglass] fabrics, for insulation; insulating fabrics; flexible hoses, not of metal; hoses of textile material; connecting hose for vehicle radiators; waterproof packings; rubber seals for jars; seals of metal for preventing leakage of fluids; seals of metal for pipes; fit-

tings, not of metal, for flexible pipes; fittings, not of metal, for rigid pipes; foils of metal for insulating; ebonite [vulcanite] molds [moulds]; asbestos slate; slag wool [insulator]; watering hose; canvas hose pipes; cords of rubber; asbestos safety curtains; ebonite [vulcanite].

19 – Aquaria [structures]; alabaster; door frames, not of metal; window frames, not of metal; asbestos cement; asphalt; beams, not of metal; balustrades, not of metal; huts; swimming pools [structures], not of metal; silos, not of metal; arbours [structures], not of metal; concrete; bitumen-based emulsion modified by latex for outside building waterproofing; bitumen; plastic landscape edgings; joists, not of metal; telephone booths, not of metal; beacons, not of metal, non-luminous; building paper; busts of stone, concrete or marble; bird baths [structures], not of metal; binding agents for making briquettes; binding material for road repair; stained-glass windows; felt for building; aviaries [structures], not of metal; gates, not of metal; diving boards, not of metal; geotextiles; cementing bitumen-based materials for driveways and asphalt; bitumen-based sealants for roofing [building materials]; tar-based sealants for roofing [building materials]; bitumen-based sealants for asphalt [building materials]; bitumen-based sealants for driveways [building materials]; tar-based sealants for driveways [building materials]; tar-based sealants for asphalt [building materials]; gypsum; plaster; potters' clay; potters' clay [raw material]; earth for bricks; clay; gravel; aquarium gravel; granite; armored doors, not of metal; doors, not of metal; folding doors, not of metal; coal tar; chimney pots, not of metal; prefabricated houses [kits], not of metal; parquet floor boards; memorial plaques, not of metal; roofing shingles; wood for making household utensils; veneer wood; moldable wood; flagpoles, not of metal; chimney shafts, not of metal; jalousies, not of metal; roof gutters, not of metal; street gutters, not of metal; agglomerated bagasses of cane [building material]; bitumen-based protective materials; road signs, non-luminous and non-mechanical, not of metal; non-luminous and non-mechanical signs, not of metal; limestone; lime; fences, not of metal; works of stonemasonry; works of art of stone, concrete or marble; cabanas, not of metal; stone; rubble; artificial stone; building stone; paint spraying booths, not of metal; gravestones; reeds for building; greenhouse frames, not of metal; framework, not of metal, for building; cornices, not of metal; bitumen paper for building; wood pulp board for building; paperboard for building; skating rinks [structures], not of metal; quartz; caissons for construction work under water; bricks; fire burrs; water-pipe valves, not of metal or plastic; drain traps [valves], not of metal or plastic; cask wood; mooring bollards, not of metal; pillars, not of metal, for building; cement posts; chimney cowls, not of metal; buildings, not of metal; buildings, transportable, not of metal; stringers [parts of staircases], not of metal; silica [quartz]; roofing, not

of metal; manhole covers, not of metal; xyloolith; chicken-houses, not of metal; manufactured timber; sawn timber; staircases, not of metal; road marking sheets and strips of synthetic material; bitumen-based roofing mastics [building materials]; bitumen-based mastics or waterproofing [building materials]; asphalt-based roofing mastics [building materials]; reinforcing materials, not of metal, for building; bituminous products for building; tar; road coating materials; materials for making and coating roads; grog [fired refractory material]; pitch; building materials, not of metal; refractory construction materials, not of metal; masts [poles], not of metal; raw chalk; calcareous marl; mosaics for building; moldings, not of metal, for cornices; moldings, not of metal, for building; marble; slate powder; porches [structures], not of metal; tombs, not of metal; flashing, not of metal, for building; roof flashing, not of metal; perches; duckboards, not of metal; wall claddings, not of metal, for building; coatings [building materials]; tomb or grave enclosures, not of metal; laths, not of metal; wood panelling; wall linings, not of metal, for building; palisading, not of metal; crash barriers, not of metal, for roads; trellises, not of metal; windows, not of metal; olivine for building; shuttering, not of metal, for concrete; poles, not of metal, for power lines; props, not of metal; rubber bearings for seismic isolation of buildings; branching pipes, not of metal; fair huts; tombs [monuments], not of metal; monuments, not of metal; wainscoting, not of metal; signalling panels, non-luminous and non-mechanical, not of metal; building panels, not of metal; parquet flooring; partitions, not of metal; lintels, not of metal; casement windows, not of metal; aquarium sand; silver sand; sand, except foundry sand; sandstone for building; tarred strips for building; planks of wood for building; rocket launching platforms, not of metal; platforms, prefabricated, not of metal; floor tiles, not of metal; tiles, not of metal, for building; paving slabs, not of metal; cement slabs; grave slabs, not of metal; scaffolding, not of metal; armour-plating, not of metal; asphalt paving; wood paving; paving blocks, not of metal; luminous paving blocks; macadam; fireproof cement coatings; bituminous coatings for roofing; roof coverings, not of metal; roofing, not of metal, incorporating solar cells; wooden floor boards; cladding, not of metal, for building; linings, not of metal, for building; fireplace mantles, not of metal; door panels, not of metal; floors, not of metal; sills, not of metal; porphyry [stone]; ceilings, not of metal; agglomerated cork for building; mortar for building; asbestos mortar; tanks of masonry; scantlings [carpentry]; furrings of wood; vinyl siding; sheet piles, not of metal; insect screens, not of metal; burial vaults, not of metal; schists; outdoor blinds, not of metal and not of textile; shutters, not of metal; statues of stone, concrete or marble; figurines [statuettes] of stone, concrete or marble; alabaster glass; safety glass; glass granules for road marking; window glass for building; window glass, other than

vehicle window glass; building glass; plate glass [windows] for building; insulating glass for building; enamelled glass, for building; resin-saturated fiberglass fabric for use in transportation, armoring, structural reinforcement, and structural repairs; tombstone stelae, not of metal; non-metal stables; advertisement columns, not of metal; posts, not of metal; telegraph posts, not of metal; hips for roofing; stair-treads [steps], not of metal; expansion joints, not of metal, for floors; expansion joints, not of metal, for walls; tombstone plaques, not of metal; greenhouses, transportable, not of metal; terra cotta; penstock pipes, not of metal; water-pipes, not of metal; gutter pipes, not of metal; ducts, not of metal, for ventilating and air-conditioning installations; drain pipes, not of metal; chimneys, not of metal; rigid pipes, not of metal, for building; sandstone pipes; turnstiles, not of metal; tufa; angle irons, not of metal; lengthening pieces, not of metal, for chimneys; bicycle parking installations, not of metal; plywood; foundry molds [moulds], not of metal; rock crystal; cement for blast furnaces; cement for furnaces; magnesia cement; cement; pantiles, not of metal; roofing tiles, not of metal; slate; roofing slates; slag [building material]; clinker stone; railway sleepers, not of metal; wood veneers; clinker ballast; concrete building elements.

(260) AM 2024 123995 A

(800) 1706989

(151) 2022 09 15

(891) 2023 05 10

(731) Green Egypt Company for Agricultural Investment

Unit No. 6 – Banks District, Block 12, MC, next to Al Kafrawi Park, in front of Al Tawheed and Al Nour, – Tenth of Ramadan, Sharkia Governorate, Egypt

(540)



(591) Yellow, black and red

(531) 03.13.01; 05.05.20; 05.05.21; 26.04.05;

26.04.16; 26.04.18; 27.05.01; 28.01; 29.01.14

(511)

31 – Fresh fruits and vegetables, fresh herbs and natural plants and flowers.

35 – Export agency services in field fresh fruits and vegetables, fresh herbs and natural plants and flowers.

(260) AM 2024 124092 A
 (800) 1742509
 (151) 2023 04 07
 (891) 2023 04 07
 (731) YEREVAN BRANDY COMPANY, CJSC
 Admiral Isakov Avenue, Building 2, 0082
 Yerevan, Armenia

(540)



(591) Light brown, dark brown, black, white, dark
 apricot, apricot and light orange

(531) 05.03.13; 05.07.14; 06.01.02; 06.01.04;
 25.01.10; 29.01.14

(511)

33 – Armenian brandy; brandy; fruit vodka; vodka;
 wine; whisky; alcoholic beverages, except beer; alco-
 holic beverages containing fruit; cider; bitters; anise
 [liqueur]; anisette [liqueur]; aperitifs; distilled bevera-
 ges; cocktails; gin; rum; liqueurs; alcoholic essences.

(260) AM 2024 124094 A
 (800) 1742534
 (151) 2023 06 05
 (891) 2023 06 05
 (731) Montres Tudor SA
 Rue François-Dussaud 3, CH-1211 Genève 26,
 Switzerland

(540)

PELAGOS ULTRA

(591) Black, white

(511)

14 – Timepieces, namely, watches, wrist-watches, co-
 mponent parts for timepieces and accessories for time-
 pieces not included in other classes, clocks and
 other chronometric instruments, chronometers, chro-
 nographs (timepieces), watch bands, dials (timepie-
 ces), boxes and cases for timepieces and jewelry,
 watch movements and their parts; jewelry; precious
 stones and semi-precious stones; precious metals and
 alloys thereof; pins (jewelry).

(260) AM 2024 124095 A
 (800) 1742622
 (151) 2023 06 14
 (891) 2023 06 14
 (731) Apple Inc.
 One Apple Park Way, Cupertino CA 95014,
 USA

(540)

APPLE VISION PRO

(591) Black, white

(511)

9 – Computers; computer hardware; wireless commu-
 nication devices for providing access to the Internet
 and sending, receiving, and transmitting data, images,
 audio, video, and multimedia content; wearable com-
 puter hardware; wearable computers; digital media
 streaming devices; computer hardware for transmi-
 tting and enabling the viewing of audio, video, televi-
 sion, movies, digital images and other multimedia
 content; virtual and augmented reality headsets, gog-
 gles, controllers, and remotes; wearable peripherals for
 playing video games; controllers for use with interac-
 tive digital multimedia content; parts and accessories
 for computers, computer peripherals, and headsets;
 battery chargers for computers, computer peripherals,
 and headsets; batteries; rechargeable batteries; battery
 chargers; portable power chargers; battery chargers
 for computers, computer peripherals, headsets, and
 audio and visual players; charging apparatus for com-
 puters, computer peripherals, and headsets; power
 adapters; electronic connectors, docks, docking stati-
 ons, and adapters for use with computers, computer
 peripherals, and wearable electronic devices; bags, co-
 vers, cases, sleeves, straps, lanyards and holders for
 computers, computer peripherals, and headsets.

(260) AM 2024 124096 A

(800) 1742737

(151) 2023 03 07

(891) 2023 03 07

(731) Euro Games Technology Ltd.
 4, "Maritsa" Str., "Vranya-Lozen-Triugulnika",
 BG-1151 Sofia, Bulgaria

(540)



(591) Green, yellow, brown, red, orange, white, black
 and gray

(531) 26.04.18; 27.05.02; 27.05.03; 27.05.17;
 29.01.15

(511)

9 – Software; computer gaming software; computer
 software packages; computer operating system soft-
 ware; computer software, recorded; software drivers;
 virtual reality software; games software; entertain-
 ment software for computer games; computer pro-
 grams for network management; operating computer
 software for main frame computers; monitors (compu-
 ter hardware); computer hardware; apparatus for re-
 cording images; monitors (computer programs); com-
 puter game programs; computer programs for recor-
 ded games; apparatus for recording, transmission or
 reproduction of sound or images; communications
 servers [computer hardware]; electronic components
 for gambling machines; computer application softwa-
 re featuring games and gaming; computer software for
 the administration of on-line games and gaming; com-

puter hardware for games and gaming; hardware and software for gambling, gambling machines, gambling games on the Internet and via telecommunication network.

28 – Gaming machines for gambling; chips for gambling; mah-jong; arcade games; gambling machines operating with coins, notes and cards; games; electronic games; parlor games; gaming chips; gaming tables; slot machines [gaming machines]; LCD game machines; slot machines and gaming devices; coin-operated amusement machines; roulette chips; poker chips; chips and dice [gaming equipment]; equipment for casinos; roulette tables; gaming roulette wheels; casino games; automats and gambling machines; coin-operated machines and/or electronic coin-operated machines with or without the possibility of gain; boxes for coin-operated machines, slot machines and gaming machines; electronic or electrotechnical gaming devices, automats and machines, coin-operated machines; housings for coin-operated machines, gaming equipment, gaming machines, machines for gambling; electropneumatic and electrical gambling machines (slot machines).

41 – Gambling; services related to gambling; gaming services for entertainment purposes; casino, gaming and gambling services; training in the development of software systems; provision of equipment for gambling halls; providing casino equipment [gambling]; gaming machine entertainment services; providing casino facilities [gambling]; halls with gaming machines; amusement arcade services; games equipment rental; rental of gaming machines; providing amusement arcade services; rental of gaming machines with images of fruits; editing or recording of sounds and images; sound recording and video entertainment services; hire of sound reproducing apparatus; provision of gaming equipment for casinos; providing of casino facilities; online gambling services; casino management services; operation of gaming establishments, gaming halls, Internet casinos, online gambling sites.

(260) AM 2024 124097 A

(800) 1742761

(151) 2023 05 10

(891) 2023 05 10

(731) Wu Junxian

No. 3 Xinting, Houdi Village, Yunshan Street,
Lanxi City, Jinhua City, Zhejiang Province,
China

(540)

Люк

(591) Black, white

(531) 28.05

(511)

28 – Apparatus for games; playing cards; balls for games; body-training apparatus; ornaments for chris-

mas trees, except illumination articles and confectionery; fishing tackle bags.

(260) AM 2024 124177 A

(800) 1743059

(151) 2023 03 10

(891) 2023 03 10

(731) EDOSSA KOZMETİK İHRACAT İTHALAT SANAYİ VE TİCARET LİMİTED ŞİRKETİ
İkitelli OSB Mah. Esot P Blok Sok., Esot
Sanayi P Blok No:6 İç Kapı No:6, Başakşehir,
İstanbul, Türkiye

(540)



Eva Daniella

(591) Black, white

(531) 27.05.01; 27.05.09; 27.05.22

(511)

3 – Bleaching and cleaning preparations, detergents other than for use in manufacturing operations and for medical purposes, laundry bleach, fabric softeners for laundry use, stain removers, dishwasher detergents, perfumery; non-medicated cosmetics; fragrances; deodorants for personal use and animals, soaps, dental care preparations: dentifrices, denture polishes, tooth whitening preparations, mouth washes, not for medical purposes, abrasive preparations; emery cloth; sandpaper; pumice stone; abrasive pastes, polishing preparations for leather, vinyl, metal and wood, polishes and creams for leather, vinyl, metal and wood, wax for polishing.

(260) AM 2024 124179 A

(800) 1743146

(151) 2023 01 16

(891) 2023 01 16

(731) Euro Games Technology Ltd.

4, "Maritsa" Str., "Vranya-Lozen-Triugulnika",
BG-1151 Sofia, Bulgaria

(540)

Flaming Bells

(591) Black, white

(511)

9 – Operating computer software for main frame computers; monitors (computer hardware); computer hardware; apparatus for recording images; monitors (computer programs); computer game programs; computer programs for recorded games; apparatus for recording, transmission or reproduction of sound or images; communications servers [computer hardware]; electronic components for gambling machines;

computer application software featuring games and gaming; computer software for the administration of on-line games and gaming; computer hardware for games and gaming; computer hardware and software for gambling, gambling machines, gambling games on the Internet and via telecommunication network; computer systems; computer operating system software; computer terminals; interactive terminals; multimedia terminals; electronic terminals for generating lottery tickets; interactive touch screen terminals; computer touchscreens; electronic display panels; liquid crystal display screens; digital signage display panels; multimedia software; multimedia apparatus and instruments; interactive multimedia software for playing games; computer screens; LCD large-screen displays; liquid crystal displays [LCDs] for home theatres; media streaming software; computer application software for streaming audio-visual media content via the Internet; software; computer gaming software; computer software packages; computer operating system software; computer software, recorded; software drivers; virtual reality software; games software; entertainment software for computer games; computer programs for network management; electronic lottery tickets; computer software platforms; operating systems; interactive computer systems; operating system programs; computer game software for use with on-line interactive games; games software for use with video game consoles; electronic game software provided via a global computer network or delivered via electronic multimedia broadcasting or by telecommunications or electronic transmission or via the Internet.

28 – Gaming machines for gambling; chips for gambling; mah-jong; arcade games; gambling machines operating with coins, notes and cards; games; electronic games; parlor games; gaming chips; gaming tables; slot machines [gaming machines]; LCD game machines; slot machines and gaming devices; coin-operated amusement machines; roulette chips; poker chips; chips and dice [gaming equipment]; gaming equipment for casinos; roulette tables; gaming roulette wheels; casino games; gambling machines and amusement machines, automatic and coin-operated; coin-operated amusement machines and/or electronic coin-operated amusement machines with or without the possibility of gain; boxes for coin-operated amusement machines, slot machines and gaming machines; electronic or electrotechnical amusement machines and apparatus, gaming machines, coin-operated entertainment machines; housings for coin-operated amusement machines, gaming equipment, gaming machines, machines for gambling; electropneumatic and electrical gambling machines (slot machines); lottery games; electronic targets for games and sports; video game consoles; electronic games provided via a global computer network or delivered via electronic multimedia broadcasting or via telecommunications or electronic transmission or via the Internet.

41 – Gambling; entertainment services related to gambling; gaming services for entertainment purposes; casino, gaming and gambling services; training in the development of software systems; provision of gaming equipment for gambling halls; providing casino equipment [gambling]; gaming machine entertainment services; providing casino facilities [gambling]; amusement arcade services; amusement arcades; games equipment rental; rental of gaming machines; providing amusement arcade services; rental of gaming machines with images of fruits; editing or recording of sounds and images; sound recording and video entertainment services; hire of sound reproducing apparatus; provision of gaming equipment for casinos; providing of casino facilities; online gambling services; casino management services; provision of gaming facilities, gaming hall facilities, Internet casinos and online gambling services; lottery services; organization of lotteries; provision of games by means of a computer based system; online interactive entertainment; on-line casino services; online game services through mobile devices; providing online entertainment in the nature of game tournaments; providing on-line information in the field of computer gaming entertainment; sports betting services; online sports betting services; providing on-line computer games and games of chance, in particular use of non-downloadable games; rental of video game consoles; electronic game services provided via a global computer network or delivered via electronic multimedia broadcasting or via telecommunications or electronic transmission or via the Internet.

(260) AM 2024 124180 A

(800) 1743153

(151) 2023 03 24

(891) 2023 03 24

(731) ADRIATICA S.p.A.

Strada Dogado n. 300/19-21, I-45017 Loreo
(RO), Italy

(540)

SKICC

(591) Black, white

(511)

1 – Manures; fertilizer compositions; foliar feeds; complex fertilizer; foliar fertiliser for application to crops during periods of stress; foliar fertiliser for application to crops during periods of rapid growth; compost; plant growth regulating preparations; chemical products for the treatment of plant diseases; biofertilizers; biostimulants being plant growth stimulants; nutrients for plants; plant growth regulators for agricultural use; manures; manures for flowerpot plants; trace element feeds for plants.

(260) AM 2024 124193 A

(800) 1743534

(151) 2023 04 24

(891) 2023 04 24

(731) Kopylova Olga Oleksandrivna
Pushkina Street, bud. 89, village Mazinky,
Boryspilskiy district, Kyivskiy region 08432,
Ukraine

(540)



(591) Black, white

(531) 03.09.01; 11.03.01; 11.03.02; 11.03.07;
11.03.10; 27.05.01; 27.05.17

(511)

29 – Meat, fish, poultry and game; meat extracts; preserved, frozen, dried and cooked fruits and vegetables; jellies, jams, compotes; eggs; milk, cheese, butter, yogurt and other milk products; oils and fats for food; agar-agar for culinary purposes; aloe vera prepared for human consumption; alginates for culinary purposes; andouillettes; anchovy, not live; peanuts, prepared; peanut butter; peanut milk; peanut milk for culinary purposes; artichokes, preserved; bacon; white of eggs; beans, preserved; fish meal for human consumption; bulgogi; broth; verjuice for culinary purposes; cream [dairy products]; potato-based dumplings; oat milk; laver, preserved; sea-cucumbers, not live; cabbage rolls stuffed with meat; flavoured nuts; nuts, prepared; peas, preserved; mushrooms, preserved; guacamole; potato fritters; berry-based fool; non-alcoholic eggnog; seaweed extracts for food; gelatine; meat jellies; bone oil for food; lard; suet for food; fatty substances for the manufacture of edible fats; yolk of eggs; cranberry compote; meat-based snack food; vegetable-based snack food; fish-based snack food; fruit-based snack food; milk substitutes; salted fish; candied nuts; whipped cream; condensed milk; aubergine paste; vegetable marrow paste; fish roe, prepared; ginger, preserved; crystallized ginger; pickled ginger; ginger jam; edible insects, not live; sauerkraut; potato flakes; cassoulet; quark; edible flowers, dried; kephir; onion rings; kimchi; clams, not live; klipfish [salted and dried cod]; black pudding; white pudding; charcuterie; coconut oil for food; coconut butter; coconut milk; coconut milk for culinary purposes; coconut fat; coconut, desiccated; milk shakes; arrangements of processed fruit; meat, tinned; vegetables, tinned; fish, tinned; fruits, tinned; duck confits; broth concentrates; vegetable-based concentrate for cooking; fruit-based concentrate for cooking; corn dogs; gherkins; tofu patties; shrimps, not live; prawns, not live; vegetable-based cream, croquettes; sweet corn, processed; koumiss; sesame oil for food; spiny lobsters, not live; le-cithin for culinary purposes; lemon juice for culinary

purposes; edible ant larvae, prepared; silkworm chrysalis for human consumption; margarine; cocoa butter for food; buttercream; almond milk; almond milk for culinary purposes; almonds, ground; mussels, not live; albumin milk; protein milk; fermented baked milk; soured milk; powdered milk; milk beverages, milk predominating; molluscs, not live; vegetable mousses; fish mousses; meat, preserved; freeze-dried meat; vegetable-based spreads; fruit jelly spreads; lactic acid drinks; peanut milk-based beverages; coconut milk-based beverages; almond milk-based beverages; seeds, prepared; sunflower seeds, prepared; sausage casings, natural or artificial; vegetable salads; vegetable juices for cooking; vegetables, processed; freeze-dried vegetables; hash browns; olives, preserved; olive oil for food; extra virgin olive oil for food; linseed oil for food; maize oil for food; rape oil for food; colza oil for food; lobsters, not live; omelettes; herrings, not live; palm oil for food; palm kernel oil for food; liver pâté; pectin for culinary purposes; preserved peppers; liver; pollen prepared as foodstuff; pickles; tofu skin; marmalade; vegetable soup preparations; poultry, not live; crayfish, not live; crustaceans, not live; ratatouille; fish, preserved; salmon, not live; fish fillets; isinglass for food; rice milk; rice milk for culinary purposes; raisins; bacon; sardines, not live; satay; pork; cottage cheese; curd; cottage cheese fritters; whey; rennet; preparations for making bouillon; smetana; soya bean oil for food; soya milk; soya beans, preserved, for food; soya patties; salted meats; sunflower oil for food; sausages; hot dog sausages; sausages in batter; lentils, preserved; nut-based spreads; fat-based spreads for bread slices; vegetable-based prepared meals for toddlers; preparations for making soup; soups; berry soup; tahini; tajine [prepared meat, fish or vegetable dish]; animal marrow for food; tripe; tempeh; tomato paste; tomato purée; tomato juice for cooking; tofu; truffles, preserved; tuna, not live; oysters, not live; falafel; milk ferments for culinary purposes; dates; crystallized fruits; fruit, processed; fruit, stewed; fruit preserved in alcohol; frosted fruits; pressed fruit paste; fruit pulp; fruit salads; hazelnuts, prepared; fish-based foodstuffs; edible birds' nests; hummus; fruit peel; onions, preserved; preserved garlic; shellfish, not live; potato crisps; low-fat potato crisps; fruit chips; caviar; ham; choucroute garnie; apple purée; berries, preserved; powdered eggs; snail eggs for consumption; yakitori; fried meat; luncheon meats; meat, frozen; baked meat; smoked meat; crab meat; meat, processed; meat, prepared; minced meat; pastry fillings of meat; fillet pieces of meat; food pastes made from meat, steaks of meat; shashliks [marinated meat skewers]; snack foods made from meat; meat-based spreads; pie fillings of meat; meat-based liquid dishes; meat spreads; bean and meat based dish; meat cooked on the grill or on the fire, for wrapping in pita, for preparing shawarma; prepared meals consisting primarily of meat; grilled meat marinated in

soy sauce; pre-packaged dinners consisting primarily of meat; snacks consisting primarily of meat of poultry; fish stew; stewed seafood; fruit- or vegetable-based food; preserved meat mixes; dried meat mixes; cooked meat mixes; chili con carne; prepared meals consisting primarily of fish, poultry or vegetables; fish paste; smoked fish; pickled fish; fish, processed; prepared meals consisting primarily of fish; foods prepared from fish.

43 – Services for providing food and drink; food and drink catering; information and advice in relation to the preparation of meals; bar services; canteen services; hookah lounge services; café services; cafeteria services; personal chef services; restaurant services; self-service restaurant services; take-away restaurant services; washoku restaurant services; udon and soba restaurant services; food reviewing services [provision of information about food and drinks]; snack-bar services; cake decorating; decorating of food; food sculpting; catering services for preparing dishes of Georgian cuisine for immediate consumption; Georgian cuisine restaurants services for the preparation of dishes for their immediate consumption; sommelier services for the provision of advice relating to wine, and wine and food pairing; catering services for preparing dishes of Georgian cuisine; Georgian cuisine restaurants services; restaurant services specializing in fish and seafood dishes.

(260) AM 2024 124194 A

(800) 1743536

(151) 2023 05 23

(891) 2023 05 23

(731) BETA ENERJİ VE TEKNOLOJİ ANONİM ŞİRKETİ
ACIDEREOSB MAH. ÇANAKKALE CAD.
11, Sarıçam, Adana, Türkiye

(540)



(591) Black, white

(531) 26.01.03; 26.01.05; 26.01.18; 27.05.01;
27.05.09

(526) ®

(511)

9 – Apparatus and instruments for conducting, transforming, accumulating or controlling electricity, electric plugs, junction boxes [electricity], electric switches, circuit breakers, fuses, lighting ballasts, battery starter cables, electrical circuit boards, electric resistances, electric sockets, transformers [electricity], electrical adapters, battery chargers, electric door bells, electric and electronic cables, batteries, electric accumulators.

(260) AM 2024 124195 A

(800) 1743545

(151) 2023 06 13

(891) 2023 06 13

(731) Apple Inc.

One Apple Park Way, Cupertino CA 95014,
USA

(540)

APPLE IMMERSIVE VIDEO

(591) Black, white

(511)

9 – Computer software for processing, transmitting and displaying audio visual content and other multimedia content; computer software for the editing and manipulation of videos, images, and other multimedia content; computer software for use in converting and processing video and still images and graphics into 3D formats and panoramic 3D formats for use with virtual and augmented reality headsets; virtual and augmented reality software for viewing 3D films and panoramic 3D videos, digital media, and other multimedia content; software for use in enabling computers to provide virtual reality and augmented reality experiences; computer software for use in searching, selecting, playing, streaming, and sharing television, movies, images, and other audio, video, data, and multimedia content; downloadable application development software; downloadable software used in developing other software applications; downloadable audio files, image files, video files, music files and multimedia content; downloadable audio and visual recordings, movies, films and television shows; downloadable software for use in distribution of 3D and panoramic films, videos, digital media, and multimedia entertainment content; downloadable films and videos featuring 3D and 360 degree viewing in the field of entertainment and sports.

(260) AM 2024 124196 A

(800) 1743618

(151) 2022 12 31

(891) 2022 12 31

(731) NBT İLAÇ ANONİM ŞİRKETİ

Küçükbakkalköy Mh. Akdağ Sk. 2 1, Ataşehir,
İSTANBUL, Türkiye

(540)



(591) Blue, green, white

(531) 24.17.08; 27.05.01; 29.01.12

(511)

5 – Medicated cosmetics, sanitary preparations for medical purposes dietetic food and substances adapted for medical or veterinary use, food for babies; dietary supplements for human beings and animals; food for babies; food supplements for humans and animals, vi-

tamins; amino acids for medical purposes; dietary fiber to aid digestion; dietary supplements and dietetic preparations; dietary and nutritional supplements; dietary and nutritional supplements containing fish oils; dietary and nutritional supplements; dietary and nutritional supplements used for weight loss; enzyme food supplements; food supplements; food supplements consisting of amino acids; food supplements for sportsmen; food supplements in liquid form; herbal supplements; dietary and nutritional supplements containing collagen, meal replacement shakes adapted for medical use; mineral supplements; nutritional supplement shakes; nutritional supplements; nutritional supplements for boosting energy; nutritional supplements for support of the immune system; nutritional supplements for bone and joint support; nutritional supplements, namely, probiotic compositions; nutritional and dietary supplements formed and packaged as bars; protein dietary supplements; protein supplement shakes; antiseptics; disinfectants; detergents for medical purposes.

(260) AM 2024 124205 A

(800) 1743783

(151) 2023 04 05

(891) 2023 04 05

(731) Herbalife International, Inc.

800 W. Olympic Blvd., Suite 406, Los Angeles
CA 90015, USA

(540)

Herbalife

(591) Black, white

(531) 05.03.11; 05.03.15; 27.05.19

(511)

3 – Cosmetics; non-medicated skin care preparations, namely, facial creams, eye creams, facial cleansers, scrubs, cleansing creams, lotions and oils, body lotion, moisturizers and toners, gels, washes, and masks for use on the face and body, shaving creams; non-medicated sun care preparations; soaps; perfumery, essential oils, hair lotions, hair care products; dentifrices; shampoos, conditioners, hair styling sprays, gels, and pomades; exfoliants for cosmetic use; toners for cosmetic use; sprays for cosmetic use; hand lotions, creams, gels, and scrubs; shaving toiletries for men; fragrances; abrasive or exfoliant cloths; skin whitening products; skin care products.

5 – Dietary supplements; dietary supplements consisting of vitamins, minerals, herbs, fiber, or protein in tablet, powder, capsule or liquid form; nutritional fortified protein drink mixes; powdered drinks and drink mixes for use in nutritional and dietary health regimens; nutritional additives to foodstuffs; pharmaceutical and veterinary preparations; sanitary preparations for medical purposes; dietetic substances adapted for medical use, food for babies; dietary supplement drink mixes.

29 – Milk products; foods and snacks made from processed oils, fats, and nuts; fruit-based snack foods; nut-based snack bars; vegetable-based snack foods containing protein, powdered protein, minerals, vitamins, and herbal ingredients (not for medicinal use); soups, preparations for making soup, vegetable soup preparations, milk, milk beverages, milk products, meat, fish, poultry and game meat extracts; edible oils and fats, except spreads; preserved, dried and cooked fruits and vegetables; jellies, jams, compotes; eggs; milk shakes; protein milk shakes.

30 – Chocolate and chocolate-based beverages; coffee, tea, cocoa, chocolate and beverages based on coffee, tea and cocoa, chocolate; spices; cereal-based snack food; powder for making tea-based, cocoa-based beverages; powdered cocoa-based preparations for making beverages; herbal teas and herbal infusions; culinary herbs.

32 – Non-alcoholic beverages; non-alcoholic beverages; minerals and aerated waters and other non-alcoholic drinks, syrups and other preparations for making beverages; fruit drinks and fruit juices and other preparations for making beverages; ready-to-drink, concentrated, or powdered non-alcoholic beverages; powders and concentrates for making non-alcoholic beverages; drinks for sports and athletics training; sports drinks containing proteins, minerals and vitamins; non-alcoholic beverages and powdered or concentrated preparations for making non-alcoholic beverages.

35 – Advertising; business management; business administration; office functions; services to assist others with direct marketing, advertising, lead generation and order processing; electronic data management services related to weight management, human health and fitness, multi-level marketing, and development of small business; retail services; whole sale services; online commercialization and catalog commercialization services; retail and wholesale services in the fields of cosmetics, supplements, foods, and beverages.

(260) AM 2024 124206 A

(800) 1743797

(151) 2023 06 08

(891) 2023 06 08

(731) Haigh Industries Inc.

#5 – 8118 North Fraser Way, Burnaby
BC V5J 0E5, Canada

(540)

LUXIO
by AKZÉNTZ

(591) Black, white

(531) 26.11.01; 26.11.12; 27.05.10; 27.05.11

(511)

3 – Nail care products, namely, nail gels, coloured nail gels; nail sculpturing hard gel, namely, nail gels

which are removeable by soaking off with a liquid solution; nail care products, namely, nail base and bonding gels, nail bonding gels, clear nail gels, sparkling nail gels, soft nail gels; self-levelling nail gels; nail care products, namely, ultra-violet light-sensitive soak-off nail gels, namely, nail gels sensitive to curing, drying and hardening by ultra-violet light and which are removeable by soaking off with a liquid solution; nail care products, namely, ultra-violet light-sensitive nail gels, namely, nail gels sensitive to curing, drying and hardening by ultra-violet light; nail care products, namely, led light-sensitive soak-off nail gels, namely, nail gels sensitive to curing, drying and hardening by led lights and which are removeable by soaking off with a liquid solution; nail care products, namely, led light-sensitive nail gels, namely, nail gels sensitive to curing, drying and hardening by led lights.

(260) AM 2024 124207 A

(800) 1743863

(151) 2023 03 27

(891) 2023 03 27

(731) Euro Games Technology Ltd.

4, "Maritsa" Str., "Vranya-Lozen-Triugulnika",
BG-1151 Sofia, Bulgaria

(540)

Burning Clover

(591) Black, white

(511)

9 – Operating computer software for main frame computers; monitors (computer hardware); computer hardware; apparatus for recording images; monitors (computer programs); computer game programs; recorded computer game programs; apparatus for recording, transmission or reproduction of sound or images; communications servers (computer hardware); electronic components for gambling machines; computer application software featuring games and gaming; computer software for the administration of on-line games and gaming; computer hardware for games and gaming; hardware and software for gambling, gambling machines, gambling games on the Internet and via telecommunication network; computer systems; computer operating system software; computer terminals; interactive terminals; multimedia terminals; electronic terminals for generating lottery tickets; interactive touch screen terminals; computer touchscreens; electronic display panels; liquid crystal display screens; digital signage display panels; multimedia software; multimedia apparatus and instruments; interactive multimedia software for playing games; computer screens; lcd large-screen displays; liquid crystal displays [lcds] for home theatres; media streaming software; computer application software for streaming audio-visual media content via the Internet; software; computer gaming software; computer software packages; computer operating system software; computer software, recorded; software drivers; virtual reality

software; games software; entertainment software for computer games; computer programs for network management; electronic lottery tickets; computer software platforms; operating systems; interactive computer systems; operating system programs; computer game software for use with on-line interactive games; interactive casino games provided through a computer or mobile platform; software for slot machines, betting software, software for video slot games, for casino games, for gambling and bingo games, provided online or through computer networks and that can be played on any type of computer device, including arcade games, personal computers, portable devices and mobile phones; automated ticket printing apparatus; automatic ticket dispensing machines; lottery ticket dispensing apparatus; electronic ticket examination machines.

28 – Gaming machines for gambling; chips for gambling; mah-jong; arcade games; gambling machines operating with coins, notes and cards; games; electronic games; parlor games; gaming chips; gaming tables; slot machines [gaming machines]; LCD game machines; slot machines and gaming devices; coin-operated amusement machines; roulette chips; poker chips; chips and dice [gaming equipment]; gaming equipment for casinos; roulette tables; gaming roulette wheels; casino games; gambling machines and amusement machines, automatic and coin-operated; coin-operated amusement machines and / or electronic coin-operated amusement machines with or without the possibility of gain; boxes for coin-operated amusement machines, slot machines and gaming machines; electronic or electrotechnical amusement machines and apparatus, gaming machines, coin-operated entertainment machines; housings for coin-operated amusement machines, gaming equipment, gaming machines, machines for gambling; electropneumatic and electrical gambling machines (slot machines); lottery games; electronic targets for games and sports; parlor game equipment and accessories not included in other classes, in particular tokens, chips, marbles; parlor games, apparatus, equipment and accessories therefor, not included in other classes, in particular electronic targets, backgammon, scratch cards, playing cards, lottery cards, dice; lottery tickets; printed lottery tickets; lottery scratch cards; scratch cards for playing lottery games.

41 – Gambling; services related to gambling; gaming services for entertainment purposes; casino, gaming and gambling services; training in the development of software systems; provision of gaming equipment for gambling halls; providing casino equipment [gambling]; gaming machine entertainment services; providing casino facilities [gambling]; providing halls with gaming machines; amusement arcade services; games equipment rental; rental of gaming machines; providing amusement arcade services; rental of gaming machines with images of fruits; editing or recording

of sounds and images; sound recording and video entertainment services; hire of sound reproducing apparatus; provision of gaming equipment for casinos; providing of casino facilities; online gambling services; casino, gaming and gambling services; services related to operation of amusement arcades, on-line casinos and on-line betting websites; online interactive entertainment; on-line casino services; online game services through mobile devices; providing online entertainment in the nature of game tournaments; providing on-line information in the field of computer gaming entertainment; sports betting services; online sports betting services; providing on-line computer games and games of chance, in particular use of non-downloadable game software; lottery services; organization of lotteries; conducting lotteries; prize draws [lotteries]; conducting lotteries for others; providing slot machine parlors; rental of slot machines [gaming machines].

42 – Computer software technical support services; troubleshooting of computer software problems; provision of technical support in the supervision of computing networks; provision of technical support in the operation of computing networks; technical support services relating to computer software and applications; technical supervision and inspection; monitoring of computer systems by remote access; machine condition monitoring; installation, repair and maintenance of computer software; design, maintenance and updating of computer software; installation, setting up and maintenance of computer software; design, maintenance, development and updating of computer software; installation and customisation of computer applications software; technical consultancy relating to the installation and maintenance of computer software; computer system monitoring services; design of graphic software systems; development of interactive multimedia software; design and development of computer hardware; consultancy relating to the design of computer hardware; consultancy and information services relating to the design and development of computer hardware; design, development and testing of computer software and hardware, in particular for gambling, casino games and betting.

(260) AM 2024 124208 A

(800) 1743865

(151) 2023 06 01

(891) 2023 06 01

(731) TECNIFIBRE

Route départementale 307, F-78810

FEUCHEROLLES, France

(540)



(591) Black, white

(531) 26.03.23

(511)

18 – Leather and imitations of leather; wheeled shopping bags; sports bags; backpacks.

25 – Clothing for gymnastics; sweaters; sports clothing; sweatbands for the head; caps; sports shoes; t-shirts; shirts; blousons; trekking shoes; jackets; skirts; short-sleeve shirts; knitwear; tracksuits; visors; underwear; socks; parkas; trousers; running shoes; polo shirts; wristbands [clothing]; sweatshirts; tennis shoes; shorts; shoes.

28 – Wrist guards for sports; covers for squash racket heads; strings of natural gut for squash rackets; anti-slip tapes [grips] for tennis racket handles; badminton equipment; grip tapes for squash rackets; gut strings for rackets [for tennis or badminton]; covers adapted for tennis rackets; pre-shaped covers for table tennis bats; protective covers for rackets; tennis balls; sporting articles and equipment; pre-shaped tennis bags for rackets; balls for racket games; badminton rackets; cases designed for sporting articles; grip tapes for badminton rackets; vibration dampers for tennis rackets; balls [sports articles]; sports equipment; covers designed for squash rackets; rackets; strings for tennis rackets; squash rackets; gymnastic and sporting articles; badminton sets; strings of natural gut for tennis rackets; tennis rackets; racket cases for tennis or badminton; covers designed for badminton rackets; strings for squash rackets; padel rackets; covers designed for sporting articles; racket covers; synthetic ropes for rackets; covers for tennis rackets; gut for rackets; squash balls; badminton racket strings; boxes for tennis balls; stringing materials for sports rackets; strings for rackets.

(260) AM 2024 124210 A

(800) 1743941

(151) 2023 01 16

(891) 2023 01 16

(731) Euro Games Technology Ltd.

4, "Maritsa" Str., "Vranya-Lozen-Triugulnika",
BG-1151 Sofia, Bulgaria

(540)



(591) Magenta

(531) 26.02.07; 26.11.12; 27.05.11; 27.07.23;

29.01.05

(511)

9 – Operating computer software for main frame computers; monitors (computer hardware); computer hardware; apparatus for recording images; monitors (computer programs); computer game programs; compu-

ter programs for recorded games; apparatus for recording, transmission or reproduction of sound or images; communications servers [computer hardware]; electronic components for gambling machines; computer application software featuring games and gaming; computer software for the administration of on-line games and gaming; computer hardware for games and gaming; computer hardware and software for gambling, gambling machines, gambling games on the Internet and via telecommunication network; computer systems; computer operating system software; computer terminals; interactive terminals; multimedia terminals; electronic terminals for generating lottery tickets; interactive touch screen terminals; computer touchscreens; electronic display panels; liquid crystal display screens; digital signage display panels; multimedia software; multimedia apparatus and instruments; interactive multimedia software for playing games; computer screens; LCD large-screen displays; liquid crystal displays [LCDs] for home theatres; media streaming software; computer application software for streaming audio-visual media content via the Internet; software; computer gaming software; computer software packages; computer operating system software; computer software, recorded; software drivers; virtual reality software; games software; entertainment software for computer games; computer programs for network management; electronic lottery tickets; computer software platforms; operating systems; interactive computer systems; operating system programs; computer game software for use with on-line interactive games; games software for use with video game consoles; electronic game software provided via a global computer network or delivered via electronic multimedia broadcasting or by telecommunications or electronic transmission or via the Internet.

28 – Gaming machines for gambling; chips for gambling; mah-jong; arcade games; gambling machines operating with coins, notes and cards; games; electronic games; parlor games; gaming chips; gaming tables; slot machines [gaming machines]; LCD game machines; slot machines and gaming devices; coin-operated amusement machines; roulette chips; poker chips; chips and dice [gaming equipment]; gaming equipment for casinos; roulette tables; gaming roulette wheels; casino games; gambling machines and amusement machines, automatic and coin-operated; coin-operated amusement machines and/or electronic coin-operated amusement machines with or without the possibility of gain; boxes for coin-operated amusement machines, slot machines and gaming machines; electronic or electrotechnical amusement machines and apparatus, gaming machines, coin-operated entertainment machines; housings for coin-operated amusement machines, gaming equipment, gaming machines, machines for gambling; electropneumatic and electrical gambling machines (slot machines); lottery games; electronic targets for games and sports; video game consoles; electronic games provided via a

global computer network or delivered via electronic multimedia broadcasting or via telecommunications or electronic transmission or via the Internet.

41 – Gambling; entertainment services related to gambling; gaming services for entertainment purposes; casino, gaming and gambling services; training in the development of software systems; provision of gaming equipment for gambling halls; providing casino equipment [gambling]; gaming machine entertainment services; providing casino facilities [gambling]; amusement arcade services; amusement arcades; games equipment rental; rental of gaming machines; providing amusement arcade services; rental of gaming machines with images of fruits; editing or recording of sounds and images; sound recording and video entertainment services; hire of sound reproducing apparatus; provision of gaming equipment for casinos; providing of casino facilities; online gambling services; casino management services; provision of gaming facilities, gaming hall facilities, Internet casinos and online gambling services; lottery services; organization of lotteries; provision of games by means of a computer based system; online interactive entertainment; on-line casino services; online game services through mobile devices; providing online entertainment in the nature of game tournaments; providing on-line information in the field of computer gaming entertainment; sports betting services; online sports betting services; providing on-line computer games and games of chance, in particular use of non-downloadable games; rental of video game consoles; electronic game services provided via a global computer network or delivered via electronic multimedia broadcasting or via telecommunications or electronic transmission or via the Internet.

(260) AM 2024 124211 A

(800) 844882

(151) 2004 12 17

(891) 2023 07 05

(731) DSM IP Assets B.V.

Het Overloon 1, NL-6411 TE Heerlen,
Netherlands

(540)



(591) Black, white

(531) 24.15.02; 24.15.13; 26.01.19; 27.05.01

(511)

1 – Chemical and biochemical products for use in the food industry and in the pharmaceutical industry; chemical and biochemical substances for preserving foodstuffs.

29 – Proteins for human consumption.

32 – Mineral and aerated waters and other non-alcoholic drinks; fruit drinks and fruit juices; syrups and other preparations for making beverages.

(260) AM 2024 124212 A
(800) 1254324
(151) 2014 10 24
(891) 2023 06 16
(731) AKRIDA TEKSTİL SAN. İÇ VE DIŞ
TİC.LTD.ŞTİ.
Yunusemre Mh. Obalar Sk. No:5,
YILDIRIM/BURSA, Türkiye

(540)



AKRIDA®

(591) Grey and orange
(531) 04.05.05; 26.11.09; 27.05.01; 29.01.12
(511)
23 – Yarns and threads for textile use; threads and yarns for sewing, embroidery and knitting; thread; elastic yarns and threads for textile use.

24 – Woven or non-woven textile fabrics.

35 – Advertising, marketing and public relations, organization of exhibitions and trade fairs for commercial or advertising purposes; office functions, secretarial services, arranging newspaper subscriptions for others, compilation of statistics, rental of office machines, systemization of information into computer databases, telephone answering for unavailable subscribers; business management, business administration and business consultancy, accounting, commercial consultancy services, import-export agencies; business appraisal services for commercial or industrial products; auctioneering; the bringing together, for the benefit of others, of a variety of goods, namely, yarns and threads for textile use, threads and yarns for sewing, embroidery and knitting, thread, elastic yarns and threads for textile use, woven or non-woven textile fabrics, enabling customers to conveniently view and purchase those goods, such services may be provided by retail stores, wholesale outlets, by means of electronic media or through mail order catalogues.

(260) AM 2024 124254 A
(800) 1744137
(151) 2023 03 03
(891) 2023 03 03
(731) SHENZHEN LONGOT TECHNOLOGY
DEVELOPMENT CO., LTD
Area 504B, No. 2 Unit 3, Huamei Industrial
Zone, Dongfang Community, Songgang

Street, Bao'an District, Shenzhen City,
518000 Guangdong Province, China

(540)



(591) Black, white
(531) 26.01.19; 27.05.01
(511)
9 – Optical lens; optical instruments with eyepieces; periscope; optical apparatus and instruments; astronomical instruments and devices; binoculars; sighting telescopes for firearms; telescope; thermal imaging camera; face recognition equipment.

(260) AM 2024 124255 A
(800) 1744213
(151) 2023 05 10
(891) 2023 05 10
(731) ETAS GmbH
Borsigstrasse 24, 70469 Stuttgart, Germany
(540)

PANTARIS

(591) Black, white
(511)
9 – Software and mobile apps for vehicles, vehicle services and vehicle lifecycle management; software and mobile apps for the development of vehicles, vehicle services and vehicle lifecycle management.

38 – Data transmission and data interchange services, in relation to the following services: development of vehicles, vehicle services and vehicle lifecycle management.

42 – Development of software for vehicles, vehicle services and vehicle lifecycle management; software as a service (saas) for vehicles and vehicle lifecycle management; hosting platforms on the Internet, cloud hosting provider services, consultancy in relation to internet platform hosting and cloud hosting services, in relation to the following services: development of vehicles, vehicle servicing and vehicle lifecycle management.

(260) AM 2024 124256 A
(800) 1744270
(151) 2023 03 29
(891) 2023 03 29
(731) Euro Games Technology Ltd.
4, "Maritsa" Str., "Vranya-Lozen-Triugulnika",
BG-1151 Sofia, Bulgaria
(540)

Mighty God of the Oceans

(591) Black, white

(511)

9 – Operating computer software for main frame computers; monitors (computer hardware); computer hardware; apparatus for recording images; monitors (computer programs); computer game programs; recorded computer game programs; apparatus for recording, transmission or reproduction of sound or images; communications servers (computer hardware); electronic components for gambling machines; computer application software featuring games and gaming; computer software for the administration of on-line games and gaming; computer hardware for games and gaming; hardware and software for gambling, gambling machines, gambling games on the Internet and via telecommunication network; computer systems; computer operating system software; computer terminals; interactive terminals; multimedia terminals; electronic terminals for generating lottery tickets; interactive touch screen terminals; computer touchscreens; electronic display panels; liquid crystal display screens; digital signage display panels; multimedia software; multimedia apparatus and instruments; interactive multimedia software for playing games; computer screens; lcd large-screen displays; liquid crystal displays [lcds] for home theatres; media streaming software; computer application software for streaming audio-visual media content via the Internet; software; computer gaming software; computer software packages; computer operating system software; computer software, recorded; software drivers; virtual reality software; games software; entertainment software for computer games; computer programs for network management; electronic lottery tickets; computer software platforms; operating systems; interactive computer systems; operating system programs; computer game software for use with on-line interactive games; interactive casino games provided through a computer or mobile platform; software for slot machines, betting software, software for video slot games, for casino games, for gambling and bingo games, provided online or through computer networks and that can be played on any type of computer device, including arcade games, personal computers, portable devices and mobile phones; automated ticket printing apparatus; automatic ticket dispensing machines; lottery ticket dispensing apparatus; electronic ticket examination machines.

28 – Gaming machines for gambling; chips for gambling; mah-jong; arcade games; gambling machines operating with coins, notes and cards; games; electronic games; parlor games; gaming chips; gaming tables; slot machines [gaming machines]; LCD game machines; slot machines and gaming devices; coin-operated amusement machines; roulette chips; poker chips; chips and dice [gaming equipment]; gaming equipment for casinos; roulette tables; gaming roulette wheels; casino games; gambling machines and amusement machines, automatic and coin-operated; coin-operated amusement machines and / or electronic co-

in-operated amusement machines with or without the possibility of gain; boxes for coin-operated amusement machines, slot machines and gaming machines; electronic or electrotechnical amusement machines and apparatus, gaming machines, coin-operated entertainment machines; housings for coin-operated amusement machines, gaming equipment, gaming machines, machines for gambling; electropneumatic and electrical gambling machines (slot machines); lottery games; electronic targets for games and sports; parlor game equipment and accessories not included in other classes, in particular tokens, chips, marbles; parlor games, apparatus, equipment and accessories therefor, not included in other classes, in particular electronic targets, backgammon, scratch cards, playing cards, lottery cards, dice; lottery tickets; printed lottery tickets; lottery scratch cards; scratch cards for playing lottery games.

41 – Gambling; services related to gambling; gaming services for entertainment purposes; casino, gaming and gambling services; training in the development of software systems; provision of gaming equipment for gambling halls; providing casino equipment [gambling]; gaming machine entertainment services; providing casino facilities [gambling]; providing halls with gaming machines; amusement arcade services; games equipment rental; rental of gaming machines; providing amusement arcade services; rental of gaming machines with images of fruits; editing or recording of sounds and images; sound recording and video entertainment services; hire of sound reproducing apparatus; provision of gaming equipment for casinos; providing of casino facilities; online gambling services; services related to operation of amusement arcades, on-line casinos and on-line betting websites; online interactive entertainment; on-line casino services; online game services through mobile devices; providing online entertainment in the nature of game tournaments; providing on-line information in the field of computer gaming entertainment; sports betting services; online sports betting services; providing on-line computer games and games of chance, in particular use of non-downloadable game software; lottery services; organization of lotteries; conducting lotteries; prize draws [lotteries]; conducting lotteries for others; providing slot machine parlors; rental of slot machines [gaming machines].

42 – Computer software technical support services; troubleshooting of computer software problems; provision of technical support in the supervision of computing networks; provision of technical support in the operation of computing networks; technical support services relating to computer software and applications; technical supervision and inspection; monitoring of computer systems by remote access; machine condition monitoring; installation, repair and maintenance of computer software; design, maintenance and updating of computer software; installation, setting up and

maintenance of computer software; design, maintenance, development and updating of computer software; installation and customisation of computer applications software; technical consultancy relating to the installation and maintenance of computer software; computer system monitoring services; design of graphic software systems; development of interactive multimedia software; design and development of computer hardware; consultancy relating to the design of computer hardware; consultancy and information services relating to the design and development of computer hardware; design, development and testing of computer software and hardware, in particular for gambling, casino games and betting.

(260) AM 2024 124259 A
 (800) 1744326
 (151) 2023 05 17
 (891) 2023 05 17
 (731) Egis Gyógyszergyár Zrt.
 Keresztúri út 30-38, H-1106 Budapest, Hungary
 (540)

VITEGIX

(591) Black, white
 (511)
 5 – Pharmaceutical preparations for human use; dietic substances adapted for medical use; vitamin preparations; mineral food supplements; dietary supplements.

(260) AM 2024 124261 A
 (800) 1744328
 (151) 2023 05 16
 (891) 2023 05 16
 (731) Egis Gyógyszergyár Zrt.
 Keresztúri út 30-38, H-1106 Budapest, Hungary
 (540)

HEFTENS

(591) Black, white
 (511)
 5 – Pharmaceutical preparations for human use; dietic substances adapted for medical use; vitamin preparations; mineral food supplements; dietary supplements.

(260) AM 2024 124262 A
 (800) 1744330
 (151) 2023 05 16
 (891) 2023 05 16
 (731) Egis Gyógyszergyár Zrt.
 Keresztúri út 30-38, H-1106 Budapest, Hungary
 (540)

HEFART

(591) Black, white

(511)
 5 – Pharmaceutical preparations for human use; dietic substances adapted for medical use; vitamin preparations; mineral food supplements; dietary supplements.

(260) AM 2024 124263 A
 (800) 1744371
 (151) 2023 05 22
 (891) 2023 05 22
 (731) Egis Gyógyszergyár Zrt.
 Keresztúri út 30-38, H-1106 Budapest, Hungary
 (540)

SALVEOSOL

(591) Black, white
 (511)
 3 – Cosmetics and cosmetic preparations.

5 – Pharmaceutical preparations for human use; dietic substances adapted for medical use; dietary supplements; medicinal ointments, medicated skin creams, plasters, materials for dressings.

(260) AM 2024 124264 A
 (800) 1744396
 (151) 2023 05 17
 (891) 2023 05 17
 (731) Smeermiddelen Industrie De Oliebron B.V.
 Merwedeweg 17, NL-3336 LG Zwijndrecht,
 Netherlands
 (540)

DE OLIEBRON

(591) Black, white
 (511)
 1 – Chemical products for use in industry and agriculture; chemical additives for lubricants, greases, oils and other liquids; chemical additives to motor fuel; brake fluids; antifreeze; anti-freeze products; Coolants; cooling products for motors and engines; chemical preparations used as coolants; anti-boil preparations for engine coolants; chemical products and preparations for absorbing oils and other liquids; water-repellant chemicals (except paints); preparations for dissolving greases, oils and other liquids; engine-decarbonizing chemicals; power steering fluids; transmission fluids; fluids for hydraulic circuits.

4 – Industrial oils and greases; lubricants; mineral greases and oils for industrial use [other than for fuels]; petroleum; paraffin; carburants; gasoline; fuels; motor oils; non-chemical additives to motor fuel; dust absorbing, wetting and binding compositions.

35 – Advertising; commercial business management; commercial administration; office functions; marketing; creating and disseminating advertising material; presentation of goods on all communication media for retailing; computer file management; organization of

exhibitions for commercial or advertising purposes; online advertising on a computer network; publication of advertising texts; dissemination of advertisements; commercial mediation for the purchase and sale, import and export of chemical products intended for industry and agriculture, chemical additives for lubricants, greases, oils and other liquids, chemical additives for fuels, brake fluids, antifreeze, de-icers, coolants, engine coolants, chemical preparations used as coolants, anti-boil preparations for engine coolants, chemical products and preparations for the absorption of oils and other liquids, water-repellent chemicals [except paints], preparations for dissolving greases, oils and other liquids, engine descaling chemicals, power steering fluids, transmission fluids, hydraulic circuit fluids, industrial oils and greases, lubricants, mineral greases and oils for industrial use [other than for fuels], petroleum, kerosene, fuels, gasolines, combustibles, motor oils, non-chemical fuel additives, products for absorbing, spraying and binding dust; wholesale and retail services relating to chemical products intended for industry and agriculture, chemical additives for lubricants, greases, oils and other liquids, chemical additives for fuels, brake fluids, antifreeze, de-icers, coolants, engine coolants, chemical preparations used as coolants, anti-boil preparations for engine coolants, chemical products and preparations for the absorption of oils and other liquids, water-repellent chemicals (except paints), preparations for dissolving greases, oils and other liquids, engine descaling chemicals, power steering fluids, transmission fluids, hydraulic circuit fluids, industrial oils and greases, lubricants, mineral greases and oils for industrial use (other than for fuels), petroleum, kerosene, fuels, gasolines, combustibles, motor oils, non-chemical fuel additives, products for absorbing, spraying and binding dust.

(260) AM 2024 124271 A

(800) 1744601

(151) 2023 05 22

(891) 2023 05 22

(731) DONICI Dorina

Str. Acad. Natalia Gheorghiu nr. 30, ap. 74,

MD-2025 Chişinău, Republic of Moldova

(540)



(591) Black, white

(531) 01.15.15; 01.15.21; 01.15.24; 05.07.13;
05.07.23; 27.05.01

(511)

3 – Cosmetic products and toilet preparations; perfumery, essential oils; biologically active cosmetic products with anti-aging effects.

5 – Pharmaceutical products, chemical-pharmaceutical and parapharmaceutical products, medicines, medicines for humans; sanitary products; vitamins, dietetic substances adapted for medical use, nutritional supplements for skin care with anti-aging effect, herbal preparations with preventive and therapeutic effect.

41 – Teaching; training; entertainment services; organization of sporting, cultural and educational activities, educational activities, organization of congresses, seminars, colloquiums.

(260) AM 2024 124273 A

(800) 1744654

(151) 2023 02 02

(891) 2023 02 02

(731) Beijing New Oriental Xuncheng Network

Technology Co., Ltd

Room 1801-08, Floor 18, No. 2, Haidian East

Third Street, Haidian District, Beijing, China

(540)

EastBuy

(591) Black, white

(531) 27.05.01

(511)

3 – Hand soap; dish detergents; shoe polish; abrasives; essential oils; cosmetics; dentifrices; potpourris [fragrances]; cosmetics for animals; air fragrancing preparations; soap.

5 – Ginseng for medical purposes; medicines for human purposes; tonics [medicines]; traditional Chinese medicinal preparations; dietetic substances adapted for medical use; depuratives; food for babies; pesticides; disinfectant wipes; dental lacquer; lycium chinensis for medical purposes; dietary fiber; cod liver oil; ejiao for medical purposes; saffron (Chinese herbal medicine); cordyceps sinensis for medical purposes; antibacterial hand sanitizer; air purifying preparations; medicinal liquor.

8 – Blade sharpening instruments; table cutlery [knives, forks and spoons]; graving tools [hand tools]; felling tools [hand tools]; sharpening instruments; hand tools, hand-operated; apparatus for destroying plant parasites, hand-operated; pruning scissors; scissors; swords.

15 – Musical instruments; cases for musical instruments; buccins [trumpets]; pianos; wooden knocker musical instruments; tuning hammers; horsehair for bows for musical instruments; skins for drums; spring (tube) musical instrument; Chinese flute membranes.

16 – Printing paper (including offset paper, newsprint, books and periodicals paper, bond paper, plate paper, typographic paper); paper for packaging bag; paper for postcard; filter paper; papers for painting and calligraphy; map paper; painting paper; duplicating paper; laser printing paper; handkerchiefs of paper; table napkins of paper; napkin paper; kitchen paper; pads [stationery]; note books; envelopes [stationery]; postcards; bookmarkers; greeting cards; calendars; stickers [stationery]; musical greeting cards; bunting of paper; exercise book; memorandum; portable memo; event albums; scrapbook albums; adhesive note paper; sketchbooks; sketch book; copybooks; envelopes; letterhead paper; letter paper (finished product); printed recipe cards; paper gift tag; paper name card; pennants made of paper; 3D decal can be used on any surface; recipe books, binders and cards; statuettes of coagulated paper; atlases; song books; books; printed geographical maps; notebook; prospectuses; comic books; colouring books; children's books with electronic sound generating mechanism; children's game book; pop-up books; comic storybook; book jacket; encyclopedia; children's story book; children's drawing set; story book; comic strip magazine; travel books; cooking books; printed comic strip; comic strip; pictures; paper cutting crafts; painting and calligraphy works; apparatus for mounting photographs; silver paper; conical paper bags; cream containers of paper; stencil cases; bags [envelopes, pouches] of paper or plastics, for packaging; household plastic food storage bag; modelling materials; paper coffee filters; packing [cushioning, stuffing] materials of paper or cardboard; stuffing of paper or cardboard; stencils for decorating food and beverages; candy wrapper; gift bags for wine; plastic gift wrapping; paper bags for packaging; packaging boxes of cardboard; cardboard gift box; packaging boxes of paper; containers of paper; household paper garbage bag; foldable cardboard packaging box; paper bag; food packaging paper; plastic food freezer storage bags; packing [stuffing, padding] materials of paper or cardboard; plastic wrap; stapling presses [office requisites]; pencil sharpening machines, electric or non-electric; punches [office requisites]; bookbinding material; pencil sharpener; staple remover (office supplies); letter opener; folders for papers; wrappers [stationery]; pencil holders; pen cases; desktop cabinets for stationery [office requisites]; book holders [stationery]; Indian inks; ink stones [ink reservoirs]; ink for calligraphy; stamps [seals]; stamp pads; inkpad; steel pens; pencils; writing materials; drawing pens; writing brushes; crayon; writing utensils; gummed tape [stationery]; drawing instruments; drafting rulers; drawing rulers; ungraduated rulers; drawing boards; drawing sets; canvas for painting; paint trays; paint boxes for use in schools; printing sets, portable [office requisites]; typewriter; terrestrial globes; magnetic tablet; wallchart for teaching purpose; architects' models; modelling clay; printed publications; placards of paper or cardboard; paper;

stationery; writing instruments; periodicals; printed matter; lithographic works of art; plastic film for wrapping; posters; toilet paper; tissues of paper for removing make-up; towels of paper; face towels of paper; table linen of paper; wrapping paper; pen; gummed cloth for stationery purposes; drawing materials; teaching materials [except apparatus]; teaching aid for maths; plastic shopping bag.

18 – Umbrellas; bags; bags [envelopes, pouches] of leather, for packaging; leather, unworked or semi-worked; trimmings of leather for furniture; valises; walking sticks; leather thongs; rucksacks; harness fittings.

21 – Crystal handicraft; liqueur sets; porcelain ware; sweeper; containers for household or kitchen use; precious metal household containers; trash cans; toothbrushes; cosmetic utensils; thermally insulated containers for food; washing boards; flat-iron stands; racks for drying clothes; perfume burners; combs; toothpicks; indoor terrariums [vivariums]; birdcages; mangers for animals; litter trays for pets; pet feeding bowls; insect traps.

24 – Sleeping bags; cotton fabrics reinforced with metal fibres; wall hangings of textile; felt; towels of textile; household linen; bed linen; fabric; tablecloths, not of paper; quilts; washcloth; cloths for removing make-up; table napkins of textile; bath towels; cotton hand towels; textile sports towel; compressed textile towel; face towels of textile; dish towels; tea towels.

25 – Clothing; underwear; underpants; pajamas (Am.); hats; hosiery; scarfs; shoes; shawls; gloves [clothing]; girdles; neckties; sleep masks; tee-shirts; layettes [clothing]; swimsuits; waterproof clothing; dressing gowns; vests; wind coats; down garment; sweatproof headband; sports jerseys.

26 – Lace trimmings; trimmings for clothing; shoe trimmings; buttons; false hair; sewing boxes; artificial flowers; needles; heat adhesive patches for decoration of textile articles [haberdashery]; numerals or letters for marking linen.

28 – Games; toys; chess sets; playing balls; body-training apparatus; archery implements; machines for physical exercises; knee guards [sports articles]; ornaments for Christmas trees, except illumination articles and confectionery; fishing tackle; shin guards [sports articles]; baseball gloves; ice skates; in-line roller skates.

29 – Blood sausage; preparations for making bouillon; sausages; tripe; poultry, not live; meat, preserved; pork; freeze-dried meat; silkworm chrysalis, for human consumption; meat slice; dried meat; jerky; dried meat floss; seaweed extracts for food; crayfish, not live; lobsters, not live; fish-based foodstuffs; shrimps, not live; sea-cucumbers, not live; squid (not live); crab, not live; crab meat; fish, tinned [canned (Am.)]; fruits, tinned [canned (Am.)]; vegetables, tinned [can-

ned (Am.); aquatic products, tinned; fruit, processed; potato flakes; peanut butter; jams; fruit and vegetable-based snacks; tahini [sesame seed paste]; mixed fruit, dried; dried durian; dried mango; processed betel nut; vegetables, dried; ajvar (preserved peppers); preserved garlic; freeze-dried vegetables; vegetables, processed; deep frozen instant meat, fish or vegetable dishes; frozen sweet corn; vegetable-based meat substitutes; century eggs; quail egg; butter; cheese; milk; yogurt; condensed milk; powdered milk; rice milk; soy milk; colza oil for food; edible oils; lard; linseed oil for food; sausage casings, natural or artificial; vegetables, preserved; edible fats; nuts, prepared; meat, tinned [canned (Am.)]; salted egg; fruit, preserved; fish, not live; meat; broth; broth concentrates; meat jellies; ham; bacon; meat extracts; edible birds' nests; shark's fin; dried fish; dried fish floss; dried shrimp floss; jellyfish body; dried shellfish; dried clam meat; dried whelk meat; dried razor clam; charcuterie; eggs; milk products; salted vegetables; cocoa butter for food; jellies for food, other than confectionery; dried edible mushroom; beancurd products being tofu; extra virgin olive oil; prawns, not live; chicken; beef; codfish, not live; edible seaweed, processed; fish, preserved; fish, processed; dried shrimp; pumpkin seed, processed; beef slices; pork steak; roast beef; dried seaweed; canned lunch meat; beef balls; beef jerky; fish sausage, not live; fruit, dried; dried sweet potato; potato-based dumplings; fish balls; chicken meatball; meatballs; mutton balls; olive oil for food; octopus balls; pepper oil; prawn slices; red mung beans, processed; green beans, processed; soy beans, processed.

30 – Flowers or leaves for use as tea substitutes; black tea; green tea; oolong tea [Chinese tea]; yellow tea; white tea; jasmine tea; tie guanyin tea; iced tea; tea-based beverages; a drink based on tea; rock candy; brown sugar; edible fructose; candy; chocolate; tortoise jelly [confectionery]; edible bird's nest flavoured rock candy; rusks; cookies; cakes; corn flakes; bread; oat flakes; rice-based snack food; moon cakes; sushi; dumpling; onigiri [rice balls]; porridge; zongzi [glutinous rice wrapped in bamboo leaves]; rice glue ball; Chinese rice pudding; wheat flour; rice; nut flours; rice flour; millet grains, processed; macaroni; noodles; spaghetti; ramen; udon noodles; soba noodles; fine dried noodles; instant noodle; instant maize slurry; rice noodles (strip); papads made of rice flour [crispy breads]; potato flour; tapioca flour; konjac starch; starch vermicelli; lotus root starch; fruit vinegar; mustard; peppers [seasonings]; pepper; saffron [seasoning]; yeast; bicarbonate of soda for cooking purposes [baking soda]; preparations for stiffening whipped cream; meat tenderizers, for culinary purposes; gluten prepared as foodstuff; coffee; tea; cereal preparations; confectionery; soya sauce; instant rice; condiments; cereal-based snack food; sugar; honey; cocoa-based beverages; chocolate-based beverages; chocolate sauce; pizzas; burritos; freeze-dried dishes with main ingredient being rice; fermented glutinous rice; boxed

lunches consisting of rice, with added meat, fish or vegetables; starch for food; ice cream; ice cubes; cooking salt; vinegar; leaven; essences for foodstuffs, except etheric essences and essential oils; flour; black bean flour; corn syrup for culinary purposes; crispy sugar; pralines; hanging coffee filter bags, filled; coffee capsules, filled; coffee-based beverages; frozen coffee; charcoal roasted coffee; black coffee; espresso; rice flour containing ground snail meat; rice noodles (products made of rice flour); autumn pear syrup; pear syrup containing poria and fritillaria cirrhosa; pear syrup with bird's nest [confectionery]; flavourings for foodstuff containing Chinese caterpillar fungus-supplemented chicken essence [condiments]; longan syrup; litchi syrup; loquat syrup; macarons; mixed biscuits; coconut macaroons; flour-based dumplings; shrimp sauce; milk sauce.

31 – Seedlings; oats; wheat; barley; maize; fresh beans; fish, live; poultry, live; crayfish, live; shrimp (alive); citrus fruit, fresh; grapes, fresh; fresh watermelon; fresh muskmelon; fresh bananas; fresh apples; fresh mango; fresh cherry; fresh litchi; fresh pineapple; fresh pear; pitaya, fresh; durian, fresh; edible fresh mushrooms; fresh cherry tomatoes; cereal seeds, unprocessed; malt for brewing and distilling; sanded paper [litter] for pets; live animals; flowers, natural; grains [cereals]; plants; fruit, fresh; fodder; garden herbs, fresh; vegetables, fresh; nuts, fresh; plant seeds; animal foodstuffs; live chicken; cod (live); algae (wakame), unprocessed; coconuts; fresh date; lemons, fresh; copra; blueberry, fresh; fresh honeydew; strawberry, fresh.

32 – Beer-based cocktails; fruity beer; fruit juices; sparkling water; vegetable juices [beverages]; smoothies; protein-enriched sports beverages; non-alcoholic beverages flavoured with tea; energy drinks; pure water (drink); mineral water [beverages]; beer; non-alcoholic fruit extracts; cola beverages; soy-based drinks, other than milk substitutes; vegetable drink; aerated water; must; soda water; non-alcoholic preparations for making beverages; blueberry juice drink; non-alcoholic essences for making beverages; fruit juice beverages; lemon juice drink; smoked plum juice drinks; fruit juice concentrate; blend fruit juice; sports energy drink; non-alcoholic soda beverages flavoured with tea; kvass.

33 – Alcoholic beverages, except beer; baijiu [Chinese distilled alcoholic beverage]; fruit extracts, alcoholic; arrack [arak]; yellow rice wine; wine; whisky; sake; rice alcohol; aperitifs; distilled beverages; cocktails; spirits [beverages]; rum; vodka; light sparkling wine.

35 – Publicity; advertisement planning; demonstration of goods and services by electronic means in order to facilitate TV shopping and home shopping; organization of trade fairs; commercial information and advice for consumers in the choice of products and services;

employment agency services; office machines and equipment rental; accounting; rental of vending machines; sponsorship search; rental of sales stands; advertising; retail services for pharmaceutical, veterinary and sanitary preparations and medical supplies; presentation of goods on communication media, for retail purposes; business management assistance; commercial administration of the licensing of the goods and services of others; import and export agency services; procurement services for others [purchasing goods and services for other businesses]; sales promotion for others; provision of an online marketplace for buyers and sellers of goods and services; marketing.

(260) AM 2024 124274 A
 (800) 1744699
 (151) 2023 06 02
 (891) 2023 06 02
 (731) Haigh Industries Inc.
 #5 – 8118 North Fraser Way, Burnaby
 BC V5J 0E5, Canada
 (540)



The logo for AKZÉNTZ features the brand name in a bold, black, sans-serif font. Above the letters 'KZÉNTZ', there is a thin, curved line that arches over the text, resembling a stylized eyebrow or a decorative flourish.

(591) Black, white
 (531) 26.11.01; 26.11.12; 27.05.01
 (511)
 3 – Nail care products, namely, nail care preparations; nail primer; nail and cuticle oil; acrylic nail powder; brush-on activator liquid for nail attachment; resin nail gel; brush-off cleanser liquid; liquid preparations used for nail attachment; nail care products, namely, nail blend-in liquid; nail care products, namely, nail strengthener and conditioner cream; nail care products, namely, nail gels; gel cleaner; gel wipes; nail care products, namely, fiberglass nail strips; silk fabric nail strips; nail care products, namely, ultra-violet light-sensitive nail gels, namely, nail gels sensitive to curing, drying and hardening by ultra-violet light; nail soak-off liquid; acrylic nail liquid; gel preparations used for nail attachment; fiberglass and silk fabric nail care systems consisting of brush-on activator liquid, resin nail gel, fiber strips, and brush-off cleaner liquid; nail care products, namely, nail forms; nail care products, namely, LED light-sensitive nail gels, namely, nail gels sensitive to curing, drying and hardening by LED lights; nail care products, namely, dehydrator and conditioner.

11 – Lighting apparatus for nail care, namely, electric lighting apparatus comprising lamps using ultra-violet light bulbs for use in curing, drying and hardening of nail coatings and cosmetics, and replacement ultra-violet light bulbs therefor; electric lighting apparatus comprising lamps using near ultra-violet LED lights for use in curing, drying and hardening of nail coatings and cosmetics.

(260) AM 2024 124275 A
 (800) 1744748
 (151) 2023 03 29
 (891) 2023 03 29
 (731) Euro Games Technology Ltd.
 4, "Maritsa" Str., "Vranya-Lozen-Triugulnika",
 BG-1151 Sofia, Bulgaria
 (540)

Shiny Crown

(591) Black, white
 (511)
 9 – Operating computer software for main frame computers; monitors (computer hardware); computer hardware; apparatus for recording images; monitors (computer programs); computer game programs; recorded computer game programs; apparatus for recording, transmission or reproduction of sound or images; communications servers (computer hardware); electronic components for gambling machines; computer application software featuring games and gaming; computer software for the administration of on-line games and gaming; computer hardware for games and gaming; hardware and software for gambling, gambling machines, gambling games on the Internet and via telecommunication network; computer systems; computer operating system software; computer terminals; interactive terminals; multimedia terminals; electronic terminals for generating lottery tickets; interactive touch screen terminals; computer touchscreens; electronic display panels; liquid crystal display screens; digital signage display panels; multimedia software; multimedia apparatus and instruments; interactive multimedia software for playing games; computer screens; lcd large-screen displays; liquid crystal displays [lcds] for home theatres; media streaming software; computer application software for streaming audio-visual media content via the Internet; software; computer gaming software; computer software packages; computer operating system software; computer software, recorded; software drivers; virtual reality software; games software; entertainment software for computer games; computer programs for network management; electronic lottery tickets; computer software platforms; operating systems; interactive computer systems; operating system programs; computer game software for use with on-line interactive games; interactive casino games provided through a computer or mobile platform; software for slot machines, betting software, software for video slot games, for casino games, for gambling and bingo games, provided online or through computer networks and that can be played on any type of computer device, including arcade games, personal computers, portable devices and mobile phones; automated ticket printing apparatus; automatic ticket dispensing machines; lottery ticket dispensing apparatus; electronic ticket examination machines.

28 – Gaming machines for gambling; chips for gambling; mah-jong; arcade games; gambling machines operating with coins, notes and cards; games; electronic games; parlor games; gaming chips; gaming tables; slot machines [gaming machines]; LCD game machines; slot machines and gaming devices; coin-operated amusement machines; roulette chips; poker chips; chips and dice [gaming equipment]; gaming equipment for casinos; roulette tables; gaming roulette wheels; casino games; gambling machines and amusement machines, automatic and coin-operated; coin-operated amusement machines and/or electronic coin-operated amusement machines with or without the possibility of gain; boxes for coin-operated amusement machines, slot machines and gaming machines; electronic or electrotechnical amusement machines and apparatus, gaming machines, coin-operated entertainment machines; housings for coin-operated amusement machines, gaming equipment, gaming machines, machines for gambling; electropneumatic and electrical gambling machines (slot machines); lottery games; electronic targets for games and sports; parlor game equipment and accessories not included in other classes, in particular tokens, chips, marbles; parlor games, apparatus, equipment and accessories therefor, not included in other classes, in particular electronic targets, backgammon, scratch cards, playing cards, lottery cards, dice; lottery tickets; printed lottery tickets; lottery scratch cards; scratch cards for playing lottery games.

41 – Gambling; services related to gambling; gaming services for entertainment purposes; casino, gaming and gambling services; training in the development of software systems; provision of gaming equipment for gambling halls; providing casino equipment [gambling]; gaming machine entertainment services; providing casino facilities [gambling]; providing halls with gaming machines; amusement arcade services; games equipment rental; rental of gaming machines; providing amusement arcade services; rental of gaming machines with images of fruits; editing or recording of sounds and images; sound recording and video entertainment services; hire of sound reproducing apparatus; provision of gaming equipment for casinos; providing of casino facilities; online gambling services; casino, gaming and gambling services; services related to operation of amusement arcades, on-line casinos and on-line betting websites; online interactive entertainment; on-line casino services; online game services through mobile devices; providing online entertainment in the nature of game tournaments; providing on-line information in the field of computer gaming entertainment; sports betting services; online sports betting services; providing on-line computer games and games of chance, in particular use of non-downloadable game software; lottery services; organization of lotteries; conducting lotteries; prize draws [lotteries]; conducting lotteries for others; providing

slot machine parlors; rental of slot machines [gaming machines].

42 – Computer software technical support services; troubleshooting of computer software problems; provision of technical support in the supervision of computing networks; provision of technical support in the operation of computing networks; technical support services relating to computer software and applications; technical supervision and inspection; monitoring of computer systems by remote access; machine condition monitoring; installation, repair and maintenance of computer software; design, maintenance and updating of computer software; installation, setting up and maintenance of computer software; design, maintenance, development and updating of computer software; installation and customisation of computer applications software; technical consultancy relating to the installation and maintenance of computer software; computer system monitoring services; design of graphic software systems; development of interactive multimedia software; design and development of computer hardware; consultancy relating to the design of computer hardware; consultancy and information services relating to the design and development of computer hardware; design, development and testing of computer software and hardware, in particular for gambling, casino games and betting.

(260) AM 2024 124285 A

(800) 1745151

(151) 2023 05 29

(891) 2023 05 29

(731) AGRO SEVILLA ACEITUNAS, S. COOP. AND.

Avda. de la Innovación, s/n, Edificio Renta Sevilla, PL 8ª, E-41020 Sevilla, Spain

(540)



(591) Light green and dark green

(531) 05.03.11; 05.03.13; 05.03.14; 27.05.01; 29.01.13

(511)

29 – Edible oils and fats; meat and meat products; processed fruits, mushrooms, vegetables, nuts and legumes; eggs and egg products; prepared larvae and insects; fish, seafood and shellfish, not live; milk products and milk substitutes; soups and broths, meat extracts; guts and imitations thereof; prepared vegetable products; preparations for making soup; prepared dishes consisting primarily of meat; prepared green-vegetable-based dishes; prepared nuts; prepared meals

mainly based on fish; prepared meals consisting mainly of vegetables; consommés [soups]; prepared salads; salads with greens, vegetables and legumes; stews; guacamole [ground avocado]; cream and fruit cake; jellies, jams, compotes, fruit and vegetable spreads; preserved olives; prepared olives; Processed avocados; dried olives; processed edible algae; creamy fruit spread; stewed fruit; gelatine; olive paste; fruit paste; pressed fruit paste; nut pastes; vegetable-based spreads; garlic-based spreads; spreads made of greens, vegetables and legumes; spreads consisting mainly of eggs; spreads consisting mainly of fruit; vegetable terrines; tapenades (olive paste); concentrated tomato [purée]; snack foods based on greens; green, vegetable and legume based snack foods; nut-based snacks; candied fruit snacks; potato snacks; fruit and nut-based snack bars; vegetable-based chips; fruit preserves; chips with greens and vegetables; preserves, pickles; cheese dips for snacks; croquettes; cut vegetable salads; pickles; vegetable extracts for cooking; processed edible flowers; prepared fruit; crystallized fruits; fruit preserved in alcohol; glazed fruits; fermented fruits; edible nuts [processed]; candied nuts; vegetable burgers; dehydrated fruit leathers; sweet corn [canned]; pickle mixes; snack mixes consisting of dehydrated fruit and processed nuts; vegetable mixes; mousse based on greens and vegetables; garlic paste; truffle paste; legume-based spreads; French fries; anchovy pâté; pectin for culinary use; main courses based on vegetables; snack foods based on vegetables; dried fruit products; vegetable products for use as food; formed textured vegetable protein for use as a meat substitute; olive puree; vegetable puree; fruit purees; processed roots; vegetarian sausages; edible seeds; prepared mushrooms; milk-based snacks; potato cakes; frozen vegetables; powdered vegetables; candied fruits.

(260) AM 2024 124286 A

(800) 1745152

(151) 2023 03 16

(891) 2023 03 16

(731) Vifor (International) AG (Vifor (International) Ltd.), (Vifor (International) Inc.)

Rechenstrasse 37, CH-9014 St. Gallen,
Switzerland

(540)

CSL VIFOR

(591) Black, white

(511)

1 – Chemical and biological reagents, included in this class; cell cultures and media, included in this class; laboratory and scientific test kits, included in this class; chemical preparations for scientific and industrial use; diagnostic agents and testing means; chemical and biological reagents for non-medical use; chemical and biological reagents for industrial use for anti-body screening, blood grouping, and for the typing and detection of specific blood cells, determining the

presence of antigens on blood cells, and the detection of relevant complement compounds and immunoglobulin subtypes; chemical test kits for the detection of specific blood cells, determining the presence of antigens on blood cells, and the detection of relevant complement compounds and immunoglobulin subtypes for laboratory or research purposes; chemical preparations for industrial use for anti-body screening, blood grouping, and the typing and detection of specific blood cells.

3 – Bleaching preparations and other substances for laundry use; cleaning, polishing, degreasing and abrasive preparations; soaps; perfumery, essential oils, cosmetics, hair lotions; dentifrices.

5 – Pharmaceutical preparations and substances; blood plasma; blood products, included in this class; products derived from blood and products derived from recombinant DNA technology; vaccines; serums for medical use; antibodies; monoclonal antibodies; reagent red-blood cells; test kits, included in this class; diagnostic products, included in this class; blood products; medical and veterinary test kits; influenza vaccines; adjuvants and antigens; pharmaceutical preparations and substances for the treatment and prevention of blood or bleeding disorders; blood products, namely, blood plasma, reagent blood cells; products derived from blood and products derived from recombinant DNA technology, namely, immunoglobulins, human albumin, blood clotting factors, plasma volume expanders, blood proteins for therapeutic use; serums for medical use, namely, antivenom; medicated serums for the treatment of blood or bleeding disorders; test kits, namely, in-vitro diagnostic reagent test kits for use in detecting cell-mediated immune response; pharmaceutical preparations and substances, namely, rhesus factor-D reagents for the detection of specific antigens or in blood typing; pharmaceutical preparations, namely, reagent red blood cells used to detect antibodies or immunoglobulin G subtypes; pharmaceutical preparations, namely, monoclonal and polyclonal antibodies; pharmaceutical preparations, namely, reagents for medical or clinical use for the typing and detection of specific blood cells, and the detection of relevant complement components and immunoglobulin subtypes; pharmaceutical or veterinary preparations for use in oncology and diabetes; pharmaceutical or veterinary preparations for use in transplantation, transplantation rejection therapy and transplantation-associated diseases and conditions; pharmaceutical or veterinary preparations comprising stem cells; pharmaceutical or veterinary preparations for use in dialysis-associated diseases, conditions and complications; pharmaceutical or veterinary preparations for use in preserving or improving renal function, for the treatment or prevention of acute kidney injury, for the treatment or prevention of chronic kidney diseases and associated complications; pharmaceutical or veterinary preparations for the treatment or preven-

tion of cardiac, cardiovascular, circulatory, renal system, kidney, cardio-renal, immune system, gastroenterological, gastrointestinal, stomach, dermatological, hematological, bone, respiratory, genetic, allergic, inflammation, infectious, pain, central nervous system, endocrinology, hormonal, muscular, rheumatic, ocular and metabolic diseases and disorders; pharmaceutical and veterinary preparations used as immune system stimulators; pharmaceutical preparations for the treatment or prevention of mineral deficiencies or mineral overload as well as diseases and conditions associated with mineral deficiencies or mineral overload; pharmaceutical preparations for the treatment or prevention of metal deficiencies or metal overload as well as diseases and conditions associated with metal deficiencies or metal overload; pharmaceutical preparations for the treatment or prevention of vitamin deficiencies or vitamin overload as well as diseases and conditions associated with vitamin deficiencies or vitamin overload, vitamin and mineral supplements, vitamin preparations and mineral preparations for medical use; sanitary products for medical purposes; dietetic foods for medical or veterinary use; food for babies; food supplements for humans and animals; medical plasters, medical dressings; material for dental fillings and dental impressions; disinfectants.

9 – Software; application software; downloadable software applications; computer software and programs; electronic or recorded multimedia publications; publications in electronic form; electronic audiovisual teaching materials; printed publications in electronically readable or downloadable form; electronic publications provided on line, from the internet or from any other communication network; educational materials in the form of computer software and programs, including applications for use on mobile telephones; educational materials in the form of pre-recorded media including discs, DVDs, compact discs, flash drives; software that can represent goods virtually; downloadable digital files authenticated by nonfungible tokens [NFTs].

10 – Surgical and medical apparatus and instruments; implantable medical devices; analysis apparatus and instruments for medical use, included in this class; medical apparatus and instruments, included in this class; test kits, included in this class.

16 – Printed matter and publications; instructional or teaching material (except apparatus); brochures, pamphlets, flyers, posters.

35 – Advertising; marketing and promotional services; marketing of pharmaceutical products and medical products and supplies; retail and wholesale services including retail and wholesale services for pharmaceutical products and medical products and supplies, veterinary preparations and sanitary products and medical supplies; marketing advisory services; planning of marketing strategies; preparation of marketing

plans; provision of information relating to advertising, marketing, and promotion services; provision of information relating to wholesale and retail services; marketing through product placement in online games or in virtual environments; preparation of statistics.

40 – Treatment of waste materials; treatment of biological products including custom manufacturing and fractionation of blood to the order and requirements of a customer; treatment and transformation of reagents and ancillary products for immunohaematology laboratories for third parties to order; processing of human blood plasma, namely, removing whole blood and separating red blood cells from plasma; treatment of human blood and plasma; fractionation of human blood and plasma; custom manufacturing of human blood and plasma to the order and requirements of a customer.

41 – Education services including medical training services; health training; consultancy services relating to training/education; provision of education services via an online forum; provision of training and education courses; publication of educational material; dissemination of educational material; entertainment via weblog (blog) services; electronic publication of information on a wide range of topics, including online and over a global computer network; entertainment services, namely online provision of non-downloadable virtual goods for use in virtual environments; providing online electronic publications, not downloadable.

42 – Scientific and technological services; research and development services, including scientific, medical, pharmaceutical and blood product research and development services; industrial analysis services; clinical trials; clinical research; provision of testing facilities; rental of research facilities; laboratory analysis and research; technical planning of scientific research projects; preparation of technical studies, technical reports, scientific reports; conducting of scientific and medical research projects, preparation of reports relating to scientific and medical research; provision of research services and facilities, provision of research results, information and outcomes; provision of information relating to all the aforementioned services; consultancy services relating to all the aforementioned services; provision of information relating to the aforementioned services over a global computer network; medical research laboratory services, namely, scientific studies and testing of human blood plasma for safety and quality (screening); medical research laboratory services regarding human blood plasma for medical diagnostics; design of marketing material; hosting of blogs.

44 – Medical services; medical information services; health care services; health care information services; medical diagnostic services (testing and analysis); patient support services; medical, pharmaceutical and

blood product consultancy services; medical advisory services; information services concerning pharmaceuticals, medical products and blood products; dissemination of information regarding the aforementioned services over a global computer network; blood bank services; operating blood and plasma collection centres; medical testing and screening services; medical testing of human blood plasma; collection, processing and testing of human blood and plasma; providing medical information concerning blood products; providing medical information concerning vaccines, anti-venoms and immunohaematology products, namely, diagnostic reagents; patient support services, namely, providing patient medical information where patients can enquire about medical issues and procedures from other patients and can relay information about their medical experiences for support and community creation purposes via an Internet-based database.

(260) AM 2024 124292 A

(800) 1527880

(151) 2019 12 02

(891) 2023 07 03

(731) AFRY AB

Frösundaleden 2E, SE-169 70 Stockholm,
Sweden

(540)

AFRY

(591) Black, white

(531) 27.05.01

(511)

35 – Business administration services; business administration; business management consulting services; business assistance, advisory services and business management consultations; strategic business planning; business consultancy and advice; business management; business development management and consultancy; business planning consultancy; business analysis consultancy; business process restructuring services; business project management; business planning; business data analysis services; market analysis; business analysis; business surveys; profitability analyses; market price analyses; statistical analysis and reporting; collecting and systematizing business data; collection of data; compiling and systematizing information in databases; computerized data processing; computerized business records management; data processing services; provision of business data; personnel recruitment services; administrative assistance in response to invitations to tender; economic forecasting; business and market information services; providing business efficiency advice; outsourcing services relating to business operations; outsourcing services [business assistance]; commercial business contract advisory services; administrative assistance in response to invitations to tender; preparation of documents relating to companies; provision of advisory services rela-

ting to bidding and sales processes; negotiations and agreements on commercial transactions for third parties; purchasing agency services; procurement of public work contracts.

37 – Construction management services; construction information; construction or building services; advisory services relating to asphaltting; advisory services relating to the alteration of buildings; property development (construction); project management, coordination and monitoring services relating to the construction of industrial, commercial and public buildings and installations; care, repair, installation and servicing of industrial machinery, industrial equipment and plants; servicing, installation and repair services relating to buildings, facilities and properties; advisory and consultancy services relating to maintenance, installation and repair of buildings, facilities and properties; road and water construction relating to rural and urban areas; building consultations; building construction supervision services for real estate projects; construction consultations; supervision of building constructions under construction; construction engineering project management; tunneling.

42 – Technical engineering activities; technical research; industrial research; industrial testing; industrial design; industrial process development; IT consultancy services; data security consulting services; programming of electronic operating systems; software development, programming and implementation; energy audits; consultancy in the field of energy saving; geological prospecting; product design and product development; graphic design; development of computer software for computer aided design/computer aided manufacturing [CAD/CAM]; lighting system design; calibration services; construction drawing; technological consultancy; engineering services; engineering research; technical expert opinions (inspection services); engineering tests; technical testing; engineering design; construction drawing and technical drawing for others; mechanical engineering consultancy; technical advice relating to computers; technological consultations; preparation of engineering reports; software development; structural engineering planning (engineering services); construction planning; architectural services; architectural planning services; architectural and design activities in the field of traffic and transport; advice on planning applications; planning of technical projects; computer programming; computer analysis; computer systems analysis; computer project management in the field of electronic data processing; management of computer projects; analysis of computer security threats for data protection; technical support services relating to computer systems; computer services for data analysis; computerized data storage; online data storage services; data security consultations; data security services; design and development of electronic data security systems; design and development of testing and analysis methods; tec-

hnical surveys; environmental surveys and research; environmental monitoring services; environmental consultancy services; geological surveys; land surveying; analytical laboratory services; industrial analyses and research services; provision of technical inspections; technical data analysis services; testing of electronic data processing systems; water analysis services; conducting technical project studies; technical design; research, testing, inspections, evaluation, analyses and consultations in the environmental field; computer system monitoring; machine condition monitoring; monitoring of computer systems to detect breakdowns; monitoring of computer systems by remote access; monitoring of network systems; process monitoring for quality assurance; services for monitoring industrial processes; monitoring of network systems, servers and web and database applications; technical supervision and inspection; geotechnical monitoring; hosting of platforms; advanced product research in the area of artificial intelligence; development and testing of methods of calculation, algorithms and software; services for evaluating the efficiency of industrial processes; design and development of software for virtual reality; development services related to software for virtual reality; design and development of software for augmented reality; development of services related to augmented reality; professional consultancy relating to computer security; electronic storage of digital photographs; laser scanning services; cartography research; drilling of soil for analysis purposes; biological research; research on social effects caused by the realization of infrastructure, construction projects and architectural and urban planning; computer modelling services; technical modelling services; advisory services relating to enhancement of industrial and technical efficiency; services relating to quality assessment, analysis, evaluation, testing and consultations; computer aided diagnostic testing; technological diagnostic services related to industrial processes, energy production, energy distribution and power distribution; cloud computing services; aerial surveying services; technological consultancy services; technical optimization of industrial processes; technical conceptual design; technical co-ordination; technical simulation services; technical due diligence services; computer modelling services; environmental impact modelling; technical building modelling; remote computer backup services; remote server administration.

(260) AM 2024 124293 A
 (800) 1609539
 (151) 2021 06 21
 (891) 2023 07 21
 (731) Brown-Forman Corporation
 850 Dixie Highway, Louisville KY 40210,
 USA

(540)



(591) Black, white
 (531) 11.03.01; 11.03.02; 19.07.01; 26.01.03;
 26.01.16
 (511)
 33 – Alcoholic beverages except beers.

(260) AM 2024 124294 A
 (800) 1629630
 (151) 2021 09 30
 (891) 2023 07 11
 (731) LSC EUROPE B.V.
 Westplein 55, 3016 BM Rotterdam, The
 Netherlands, Netherlands
 (540)



(591) Black, white
 (531) 03.01.08; 03.01.24
 (511)
 12 – Strollers; baby strollers; aprons for strollers; covers for (baby) strollers; canopies for (baby) strollers; fitted footmuffs for strollers; bags adapted for strollers; car seats for babies and children; aprons for car seats; covers for car seats; sunshields for strollers; wind shields for strollers; rain covers for strollers; organizers specially adapted for use in/with strollers and vehicles; cup holders for (use in/with) strollers and vehicles; umbrella and parasol holders for strollers and vehicles; pushchairs for use with carry cots; wheeled boards for use with strollers and carry cots; aprons for wheeled carry cots and related products and accessories for use with strollers, car seats and wheeled carry cots.

18 – Umbrellas and parasols (for use in/with strollers); umbrella and parasol covers; bags for umbrellas and parasols; frames for umbrellas or parasols; diaper bags; leather bags; travelling bags.

(260) AM 2024 124295 A
 (800) 1630683
 (151) 2021 10 01
 (891) 2023 07 11
 (731) LSC EUROPE B.V.
 Westplein 55, 3016 BM Rotterdam, The
 Netherlands, Netherlands

(540)

Leclerc Baby

(591) Black, white

(511)

12 – Strollers; baby strollers; aprons for strollers; covers for (baby) strollers; canopies for (baby) strollers; fitted footmuffs for strollers; bags adapted for strollers; car seats for babies and children; aprons for car seats; covers for car seats; sunshields for strollers; wind shields for strollers; rain covers for strollers; organizers specially adapted for use in/with strollers and vehicles; cup holders for (use in/with) strollers and vehicles; umbrella and parasol holders for strollers and vehicles; pushchairs for use with carry cots; wheeled boards for use with strollers and carry cots; aprons for wheeled carry cots and related products and accessories for use with strollers, car seats and wheeled carry cots.

18 – Umbrellas and parasols (for use in/with strollers); umbrella and parasol covers; bags for umbrellas and parasols; frames for umbrellas or parasols; diaper bags; leather bags; travelling bags.

(260) AM 2024 124296 A

(800) 1733975

(151) 2023 04 11

(891) 2023 07 03

(731) BYD COMPANY LIMITED

No. 1, Yan'an Road, Kuichong Street, Dapeng
New District, Shenzhen, Guangdong, China

(540)



(591) Black, white

(531) 27.05.01

(511)

37 – Building construction supervision; asphaltting; mining extraction; cleaning of buildings [interior]; boiler cleaning and repair; electric appliance installation and repair; motor vehicle maintenance and repair; airplane maintenance and repair; shipbuilding; photographic apparatus repair; clock and watch repair; strong-room maintenance and repair; rustproofing; retreading of tires; furniture maintenance; laundering; disinfecting.

(260) AM 2024 124365 A

(800) 1745445

(151) 2023 07 07

(891) 2023 07 07

(731) ANOREL

Lintsesteenweg 632, B-2540 Hove, Belgium

(540)

ANOREL

(591) Black, white

(511)

1 – Chemicals used in industry, science and photography, as well as in agriculture, horticulture and forestry (excluding fungicides, herbicides and pesticides); fertilizers; compost; biostimulants for plants.

5 – Products for destroying vermin; fungicides, herbicides.

(260) AM 2024 124366 A

(800) 1745467

(151) 2023 03 27

(891) 2023 03 27

(731) Euro Games Technology Ltd.

4, "Maritsa" Str., "Vranya-Lozen-Triugulnika",
BG-1151 Sofia, Bulgaria

(540)



(591) Yellow, red, black and white

(531) 27.05.03; 27.07.03; 29.01.13

(511)

9 – Operating computer software for main frame computers; monitors (computer hardware); computer hardware; apparatus for recording images; monitors (computer programs); computer game programs; recorded computer game programs; apparatus for recording, transmission or reproduction of sound or images; communications servers (computer hardware); electronic components for gambling machines; computer application software featuring games and gaming; computer software for the administration of on-line games and gaming; computer hardware for games and gaming; hardware and software for gambling, gambling machines, gambling games on the Internet and via telecommunication network; computer systems; computer operating system software; computer terminals; interactive terminals; multimedia terminals; electronic terminals for generating lottery tickets; interactive touch screen terminals; computer touchscreens; electronic display panels; liquid crystal display screens; digital signage display panels; multimedia software; multimedia apparatus and instruments; interactive multimedia software for playing games; computer screens; lcd large-screen displays; liquid crystal displays [lcds] for home theatres; media streaming software; computer application software for streaming audio-visual media content via the Internet; software; computer gaming software; computer software packages; computer operating system software; computer software, recorded; software drivers; virtual reality software; games software; entertainment software for computer games; computer programs for network management; electronic lottery tickets; computer software platforms; operating systems; interactive computer systems; operating system programs; computer game software for use with on-line interactive games; interactive casino games provided through a computer or mobile platform; software for slot machines, betting

software, software for video slot games, for casino games, for gambling and bingo games, provided online or through computer networks and that can be played on any type of computer device, including arcade games, personal computers, portable devices and mobile phones; automated ticket printing apparatus; automatic ticket dispensing machines; lottery ticket dispensing apparatus; electronic ticket examination machines.

28 – Gaming machines for gambling; chips for gambling; mah-jong; arcade games; gambling machines operating with coins, notes and cards; games; electronic games; parlor games; gaming chips; gaming tables; slot machines [gaming machines]; LCD game machines; slot machines and gaming devices; coin-operated amusement machines; roulette chips; poker chips; chips and dice [gaming equipment]; gaming equipment for casinos; roulette tables; gaming roulette wheels; casino games; gambling machines and amusement machines, automatic and coin-operated; coin-operated amusement machines and/or electronic coin-operated amusement machines with or without the possibility of gain; boxes for coin-operated amusement machines, slot machines and gaming machines; electronic or electrotechnical amusement machines and apparatus, gaming machines, coin-operated entertainment machines; housings for coin-operated amusement machines, gaming equipment, gaming machines, machines for gambling; electropneumatic and electrical gambling machines (slot machines); lottery games; electronic targets for games and sports; parlor game equipment and accessories not included in other classes, in particular tokens, chips, marbles; parlor games, apparatus, equipment and accessories therefor, not included in other classes, in particular electronic targets, backgammon, scratch cards, playing cards, lottery cards, dice; lottery tickets; printed lottery tickets; lottery scratch cards; scratch cards for playing lottery games.

41 – Gambling; services related to gambling; gaming services for entertainment purposes; casino, gaming and gambling services; training in the development of software systems; provision of gaming equipment for gambling halls; providing casino equipment [gambling]; gaming machine entertainment services; providing casino facilities [gambling]; providing halls with gaming machines; amusement arcade services; games equipment rental; rental of gaming machines; providing amusement arcade services; rental of gaming machines with images of fruits; editing or recording of sounds and images; sound recording and video entertainment services; hire of sound reproducing apparatus; provision of gaming equipment for casinos; providing of casino facilities; online gambling services; casino, gaming and gambling services; services related to operation of amusement arcades, on-line casinos and on-line betting websites; online interactive entertainment; on-line casino services; online game

services through mobile devices; providing online entertainment in the nature of game tournaments; providing on-line information in the field of computer gaming entertainment; sports betting services; online sports betting services; providing on-line computer games and games of chance, in particular use of non-downloadable game software; lottery services; organization of lotteries; conducting lotteries; prize draws [lotteries]; conducting lotteries for others; providing slot machine parlors; rental of slot machines [gaming machines].

42 – Computer software technical support services; troubleshooting of computer software problems; provision of technical support in the supervision of computing networks; provision of technical support in the operation of computing networks; technical support services relating to computer software and applications; technical supervision and inspection; monitoring of computer systems by remote access; machine condition monitoring; installation, repair and maintenance of computer software; design, maintenance and updating of computer software; installation, setting up and maintenance of computer software; design, maintenance, development and updating of computer software; installation and customisation of computer applications software; technical consultancy relating to the installation and maintenance of computer software; computer system monitoring services; design of graphic software systems; development of interactive multimedia software; design and development of computer hardware; consultancy relating to the design of computer hardware; consultancy and information services relating to the design and development of computer hardware; design, development and testing of computer software and hardware, in particular for gambling, casino games and betting.

(260) AM 2024 124367 A
(800) 1745504
(151) 2023 06 02
(891) 2023 06 02
(731) VE PERFUMERY KOZMETİK SANAYİ ANONİM ŞİRKETİ
ORTA MAH. 30 AGUSTOS CAD., 53 1
TUZLA, İSTANBUL, Türkiye
(540)

P.
PHILARIO

(591) Black, white
(531) 24.17.02; 27.05.10; 27.05.21
(511)
3 – Bleaching and cleaning preparations, detergents other than for use in manufacturing operations and for medical purposes, laundry bleach, fabric softeners for

laundry use, stain removers, dishwasher detergents; perfumery; non-medicated cosmetics; fragrances; deodorants for personal use and animals; soaps.

4 – Candles; wicks; semi-finished wax; wax and paraffin for lighting purposes.

5 – Deodorants, other than for human beings or for animals; air purifying preparations; air deodorising preparations; disinfectants; antiseptics; detergents for medical purposes; medicated soaps; disinfectant soaps; antibacterial hand lotions.

35 – The bringing together, for the benefit of others, of a variety of goods, namely, bleaching and cleaning preparations, detergents other than for use in manufacturing operations and for medical purposes, laundry bleach, fabric softeners for laundry use, stain removers, dishwasher detergents, perfumery, non-medicated cosmetics, fragrances, deodorants for personal use and animals, soaps, candles, wicks, semi-finished wax, wax and paraffin for lighting purposes, deodorants, other than for human beings or for animals, air purifying preparations, air deodorising preparations, disinfectants, antiseptics, detergents for medical purposes, medicated soaps, disinfectant soaps, antibacterial hand lotions, enabling customers to conveniently view and purchase those goods, such services may be provided by retail stores, wholesale outlets, by means of electronic media or through mail order catalogues.

(260) AM 2024 124405 A

(800) 1645071

(151) 2021 12 14

(891) 2023 07 11

(731) Limited Liability Company "Yaroslavsky likero-vodochny zavod"
Sovetskaya str., house 63, Yaroslavl,
RU-150003 Yaroslavl region, Russian
Federation

(540)



(591) White, dark blue, gray, gray-blue and black

(531) 07.01.01; 25.01.15; 28.05; 29.01.12

(526) Vodka ochishchena belim kvartsem, aktivnim uglem duba i serebrom; OB "EM 0,5 l., Krepost' 40 % ob., VODKA

(511)

33 – Vodka.

(260) AM 2024 124406 A

(800) 1676708

(151) 2022 06 23

(891) 2023 08 03

(731) Bayer Aktiengesellschaft
Kaiser-Wilhelm-Allee, 51373 Leverkusen,
Germany

(540)

WYMJI

(591) Black, white

(511)

5 – Pharmaceutical preparations for humans including treatment of gynecological related diseases, disorders and deficiencies; pharmaceutical preparations for humans including treatment of hormone related diseases, disorders and deficiencies; pharmaceutical preparations for humans including treatment of cardiological related diseases, disorders and deficiencies; pharmaceutical preparations for humans including treatment of oncological related diseases, disorders and deficiencies; pharmaceutical preparations for humans including treatment of genetic related diseases, disorders and deficiencies.

(260) AM 2024 124407 A

(800) 1676711

(151) 2022 06 23

(891) 2023 08 03

(731) Bayer Aktiengesellschaft
Kaiser-Wilhelm-Allee, 51373 Leverkusen,
Germany

(540)

LYNKUET

(591) Black, white

(511)

5 – Pharmaceutical preparations for humans including treatment of gynecological related diseases, disorders and deficiencies; pharmaceutical preparations for humans including treatment of hormone related diseases, disorders and deficiencies; pharmaceutical preparations for humans including treatment of cardiological related diseases, disorders and deficiencies; pharmaceutical preparations for humans including treatment of oncological related diseases, disorders and deficiencies; pharmaceutical preparations for humans including treatment of genetic related diseases, disorders and deficiencies.

(260) AM 2024 124467 A

(800) 1747018

(151) 2023 04 06

(891) 2023 04 06

(731) GAMAT CZ a.s.

Pražská 810/16, CZ-102 00 Praha 10, Hostivař,
Czech Republic

(540)



(591) Blue and white

(531) 26.04.18; 27.05.11; 27.05.24; 29.01.12

(511)

11 – Radiators [heating]; oil-filled radiators; convectors [radiators]; domestic radiators; sectional radiators; cooking stoves; combined cooking stoves; domestic cooking stoves; kitchen stoves; gas cooking stoves; simulated log fires [domestic]; simulated coal fires [domestic]; fire grates for solid fuel; cast metal fireplaces; heat exchangers for fireplaces; burners; water heaters and boilers; instantaneous water heaters; electric wine coolers.

(260) AM 2024 124468 A

(800) 1747027

(151) 2023 06 05

(891) 2023 06 05

(731) Aktsionernoe obschestvo "MAKFA"

Vspol'nyj per., d. 5, str. 1, of. 1, RU-123001
Moskva, Russian Federation

(540)



(591) Black, white, red, green, yellow, and light brown

(531) 01.03.01; 05.07.02; 07.01.13; 19.01.11;
26.07.11; 27.05.24; 29.01.15

(511)

30 – Almond confectionery; almond paste; baozi; barley meal; bean meal; bibimbap [rice mixed with vegetables and beef]; biscuits; bread; bread rolls; breadcrumbs; buckwheat flour; buckwheat, processed; bulgur; buns; cake batter; cakes; cereal bars; cereal preparations; cereal-based snack food; chicory [coffee substitute]; chips [cereal products]; coconut macarons; coffee; corn flakes; corn flour; corn, milled; corn, roasted; couscous; crackers; croissants; croûtons; crushed barley; crushed oats; danish pastries; dough; edible paper; edible rice paper; flour; flour-based dumplings; freeze-dried dishes with the main ingre-

dient being pasta; freeze-dried dishes with the main ingredient being rice; gingerbread; gluten-free bread; groats for human food; high-protein cereal bars; hominy; hominy grits; husked barley; husked oats; instant rice; jiaozi; ketchup [sauce]; macaroni; meat pies; muesli; noodle-based prepared meals; noodle-based prepared meals for toddlers; noodles; nut flours; oat flakes; oat-based food; oatmeal; onigiri; pancakes; pasta; pasta sauce; pastries; pastry dough; peanut confectionery; pelmeni; petit-beurre biscuits; pies; popcorn; potato flour; prepared rice rolled in seaweed; quiches; quinoa, processed; ravioli; rice; rice cakes; rice crackers; rice pudding; rice pulp for culinary purposes; rice-based snack food; rusks; sauces [condiments]; savoury pancake mixes; savoury pancakes; semolina; soba noodles; soya flour; spaghetti; spelt, processed; sushi; tacos; tapioca flour; tea; tomato sauce; tortillas; udon noodles; unleavened bread; vermicelli; wheat flour.

(260) AM 2024 124614 A

(800) 1748729

(151) 2023 07 04

(891) 2023 07 04

(731) The Absolut Company Aktiebolag
SE-117 97 Stockholm, Sweden

(540)



(591) Red, brown, green, yellow

(531) 02.09.01; 05.07.27; 07.03.02; 25.01.15;
25.07.08; 26.07.25; 27.05.02; 29.01.15

(511)

33 – Alcoholic beverages, except beer.

(260) AM 2024 124617 A

(800) 1748749

(151) 2023 07 17

(891) 2023 07 17

(731) AGRO SELECTIONS FRUITS

La Prade de Mousseillous, F-66200 Elne,
France

(540)

(591) Black, white

(531) 01.15.15; 27.05.01; 27.05.02; 27.05.08;
27.05.24

(511)

31 – Fresh fruit; fresh apples.

(260) AM 2024 124618 A

(800) 1748837

(151) 2023 07 28

(891) 2023 07 28

(731) Limited liability company "Sakhalinoff"
Kommunisticheskiy prospect., 21, floor 3,
unit 304, RU-693010 Yuzhno-Sakhalinsk,
Sakhalin region, Russian Federation

(540)

HAMMER + SICKLE

(591) Black, white

(511)

33 – Aperitifs; arrack [arak]; brandy; wine; piquette; whisky; vodka; anisette [liqueur]; kirsch; gin; digestifs [liqueurs and spirits]; cocktails; curacao; anise [liqueur]; liqueurs; pre-mixed alcoholic beverages, other than beer-based; alcoholic beverages, except beer; alcoholic beverages containing fruit; spirits [beverages]; distilled beverages; hydromel [mead]; peppermint liqueurs; bitters; rum; sake; perry; cider; rice alcohol; alcoholic extracts; fruit extracts, alcoholic; alcoholic essences.

(260) AM 2024 124624 A

(800) 1748920

(151) 2023 07 13

(891) 2023 07 13

(731) Društvo za trgovija i usluge EVRO GEJMS
TEHNOLODŽI DOOEL Skopje
Ul. BORIS TRAJKOVSKI Br.214 A Skopje –
KISELA VODA, 1000 Skopje, The Republic of
North Macedonia

(540)

Wild Wins

(591) Black, white

(511)

9 – Software; games software; computer gaming software; computer software packages; computer operating system software; computer software for the administration of on-line games and gaming; computer software, recorded; software drivers; virtual reality software; entertainment software for computer games; computer programs for network management; hardware and software for gambling, gambling machines, gambling games on the Internet and via telecommunication network; operating computer software for main frame computers; monitors (computer hardware); computer hardware; apparatus for recording images; monitors (computer programs); computer game programs; computer programs for recorded games; apparatus for recording, transmission or reproduction of sound or images; communications services [computer hardware]; electronic components for gambling machines; computer application software featuring games and gaming; computer hardware for games and gaming; computer systems; computer terminals; interactive terminals; multimedia terminals; electronic ter-

minals for generating lottery tickets; interactive touch screen terminals; computer touchscreens; electronic display panels; liquid crystal display screens; digital signage display panels; multimedia software; multimedia apparatus and instruments; interactive multimedia software for playing games; computer screens; LCD large-screen displays; liquid crystal displays [LCDs] for home theatres; media streaming software; computer application software for streaming audiovisual media content via the internet; utility software; computer programs, recorded; virtual reality software; games software; computer programs for network management; electronic lottery tickets; computer software platforms; operating systems; interactive computer systems; operating system programs; computer game software for use with on-line interactive games; interactive casino games provided through a computer or mobile platform; software for slot machine games, betting and wagering games, video slot games, casino games, games of chance and bingo games provided online and via computer networks and playable on any type of computing device including arcade games, personal computers, handheld devices and mobile phones.

28 – Games; chips for gambling; mah-jong; arcade games; gambling machines operating with coins, notes and cards; electropneumatic and electrical gambling machines (slot machines), electronic games; parlor games; gaming chips; gaming tables; slot machines [gaming machines]; LCD game machines; slot machines and gaming devices; coin-operated amusement machines; roulette chips; poker chips; chips and dice [gaming equipment]; equipment for casinos; roulette tables; gaming roulette wheels; casino games; automats and gambling machines; coin-operated machines and/or electronic coin-operated machines with or without the possibility of gain; boxes for coin-operated machines, slot machines and gaming machines; electronic or electrotechnical gaming devices, automats and machines, coin-operated machines; housings for coin-operated machines, gaming equipment, gaming machines, machines for gambling; gaming machines for gambling; lottery wheels; electronic targets for games and sports.

41 – Casino management services; operation of gaming establishments, gaming halls, internet casinos, online gambling sites; services related to gambling; gaming services for entertainment purposes; casino, gaming and gambling services; gambling; training in the development of software systems; provision of gaming equipment for gambling halls; providing casino equipment [gambling]; gaming machine entertainment services; providing casino facilities [gambling]; halls with gaming machines; amusement arcade services; games equipment rental; rental of gaming machines; providing amusement arcade services; rental of gaming machines with images of fruits; editing or recording of sounds and images; sound recording and video

entertainment services; hire of sound reproducing apparatus; provision of gaming equipment for casinos; providing of casino facilities; online gambling services; gambling services; gaming, online casino and on-line betting services; organization of lotteries; provision of games by means of a computer based system; online interactive entertainment; on-line casino services; online game services through mobile devices; providing online entertainment in the nature of game tournaments; providing on-line information in the field of computer gaming entertainment; sports betting services; online sports betting services; provision of gaming equipment for gambling halls; provision of on-line games and games of chance, in particular use of software for games, which cannot be downloaded.

(260) AM 2024 124670 A
 (800) 1749746
 (151) 2023 07 24
 (891) 2023 07 24
 (731) Beats Electronics, LLC
 8600 Hayden Place, Culver City CA 90232,
 USA

(540)

BEATS STUDIO PRO

(591) Black, white
 (526) PRO
 (511)
 9 – Headphones; carrying cases for headphones; protective cases for headphones; covers, bags and cases adapted or shaped to contain headphones.

(260) AM 2024 124671 A
 (800) 1749771
 (151) 2023 08 07
 (891) 2023 08 07
 (731) Takran Mobared Co.
 Unit 68, 3th, No 24, Shahid Abdolmajid
 Saboonchi Str., Hoveyzeh Str., Shahid Ghandi –
 Niloofar, Tehran, Islamic Republic of Iran

(540)



(591) Blue and white
 (531) 26.01.02; 26.01.04; 26.01.20; 26.01.24;
 27.05.01; 27.05.24; 29.01.12
 (511)
 11 – Refrigerators; water heaters; freezers; electric water coolers.
 39 – Packaging of goods.

(260) AM 2024 124673 A
 (800) 1749804
 (151) 2023 06 29
 (891) 2023 06 29
 (731) SOLEPHARM PHARMACEUTICALS
 Alksnu street 4, LV-2166 Jaunmarupe,
 Marupe district, Latvia

(540)

ZenStill

(591) Black, white
 (511)
 5 – Pharmaceuticals.

(260) AM 2024 124674 A
 (800) 1749806
 (151) 2023 06 23
 (891) 2023 06 23
 (731) ROLEX SA
 3-5-7 rue François-Dussaud, CH-1211
 Genève 26, Switzerland

(540)

1908

(591) Black, white
 (511)
 14 – Timepieces, namely, watches, wrist-watches, component parts for timepieces and accessories for timepieces not included in other classes, clocks and other chronometric instruments, chronometers, chronographs (timepieces), watch bands, dials (timepieces), boxes and cases for timepieces and jewelry, watch movements and their parts; jewelry; precious stones and semi-precious stones; precious metals and alloys thereof; pins (jewelry).

(260) AM 2024 124734 A
 (800) 1750386
 (151) 2023 04 26
 (891) 2023 04 26
 (731) Euro Games Technology Ltd.
 4, "Maritsa" Str., "Vranya-Lozen-Triugulnika",
 BG-1151 Sofia, Bulgaria

(540)



(591) Blue, yellow, red, green and black
 (531) 27.05.01; 27.05.02; 27.05.03; 27.05.09;
 27.05.10; 27.05.24; 27.07.01; 27.07.03;
 29.01.15
 (511)
 9 – Operating computer software for main frame computers; monitors (computer hardware); computer hardware; apparatus for recording images; monitors (computer programs); computer game programs; recorded computer game programs; apparatus for recording, transmission or reproduction of sound or images; communications servers (computer hardware); el-

electronic components for gambling machines; computer application software featuring games and gaming; computer software for the administration of on-line games and gaming; computer hardware for games and gaming; hardware and software for gambling, gambling machines, gambling games on the Internet and via telecommunication network; computer systems; computer operating system software; computer terminals; interactive terminals; multimedia terminals; electronic terminals for generating lottery tickets; interactive touch screen terminals; computer touchscreens; electronic display panels; liquid crystal display screens; digital signage display panels; multimedia software; multimedia apparatus and instruments; interactive multimedia software for playing games; computer screens; lcd large-screen displays; liquid crystal displays [lcds] for home theatres; media streaming software; computer application software for streaming audio-visual media content via the Internet; software; computer gaming software; computer software packages; computer operating system software; computer software, recorded; software drivers; virtual reality software; games software; entertainment software for computer games; computer programs for network management; electronic lottery tickets; computer software platforms; operating systems; interactive computer systems; operating system programs; computer game software for use with on-line interactive games; interactive casino games provided through a computer or mobile platform; software for slot machines, betting software, software for video slot games, for casino games, for gambling and bingo games, provided online or through computer networks and that can be played on any type of computer device, including arcade games, personal computers, portable devices and mobile phones; automated ticket printing apparatus; automatic ticket dispensing machines; lottery ticket dispensing apparatus; electronic ticket examination machines.

28 – Gaming machines for gambling; chips for gambling; mah-jong; arcade games; gambling machines operating with coins, notes and cards; games; electronic games; parlor games; gaming chips; gaming tables; slot machines [gaming machines]; LCD game machines; slot machines and gaming devices; coin-operated amusement machines; roulette chips; poker chips; chips and dice [gaming equipment]; gaming equipment for casinos; roulette tables; gaming roulette wheels; casino games; gambling machines and amusement machines, automatic and coin-operated; coin-operated amusement machines and/or electronic coin-operated amusement machines with or without the possibility of gain; boxes for coin-operated amusement machines, slot machines and gaming machines; electronic or electrotechnical amusement machines and apparatus, gaming machines, coin-operated entertainment machines; housings for coin-operated amusement machines, gaming equipment, gaming machines, machines for gambling; electropneumatic and electric

cal gambling machines (slot machines); lottery games; electronic targets for games and sports; parlor game equipment and accessories not included in other classes, in particular tokens, chips, marbles; parlor games, apparatus, equipment and accessories therefor, not included in other classes, in particular electronic targets, backgammon, scratch cards, playing cards, lottery cards, dice; lottery tickets; printed lottery tickets; lottery scratch cards; scratch cards for playing lottery games.

41 – Gambling; services related to gambling; gaming services for entertainment purposes; casino, gaming and gambling services; training in the development of software systems; provision of gaming equipment for gambling halls; providing casino equipment [gambling]; gaming machine entertainment services; providing casino facilities [gambling]; providing halls with gaming machines; amusement arcade services; games equipment rental; rental of gaming machines; providing amusement arcade services; rental of gaming machines with images of fruits; editing or recording of sounds and images; sound recording and video entertainment services; hire of sound reproducing apparatus; provision of gaming equipment for casinos; providing of casino facilities; online gambling services; casino, gaming and gambling services; services related to operation of amusement arcades; online gaming services in the nature of casino gambling; online interactive entertainment; on-line casino services; on-line game services through mobile devices; providing online entertainment in the nature of game tournaments; providing on-line information in the field of computer gaming entertainment; sports betting services; online sports betting services; providing on-line computer games and games of chance, in particular use of non-downloadable games; lottery services; organization of lotteries; conducting lotteries; prize draws [lotteries]; conducting lotteries for others; providing slot machine parlors; rental of slot machines [gaming machines].

(260) AM 2024 124736 A

(800) 1750491

(151) 2023 07 26

(891) 2023 07 26

(731) Magnetar Capital LLC

1603 Orrington, 13th Floor, Evanston IL 60201, USA

(540)



The logo for Magnetar features a stylized vertical bar on the left, composed of two segments: a shorter, wider top segment and a taller, narrower bottom segment. To the right of this bar, the word "Magnetar" is written in a bold, sans-serif font.

(591) Black, white

(531) 26.04.04; 26.04.09; 26.04.24; 27.05.01

(511)

36 – Financial services, namely, financial consultation; securities brokerage, namely, private offerings of

securities for accredited investors and qualified purchasers consisting of both separately managed accounts and pooled investment vehicles; investment brokerage, namely, trading and investing for others in the fields of public and private securities, futures, options, derivatives, commodities, real estate, and currencies; investment advisory services, namely, investment management and consultation.

(260) AM 2024 124738 A

(800) 1750696

(151) 2023 06 15

(891) 2023 06 15

(731) Lightbox Jewelry Ltd

17 Charterhouse Street, London EC1N 6RA,
United Kingdom

(540)

WIND GROWN DIAMONDS

(591) Black, white

(511)

14 – Jewellery including precious stones, diamonds; lab grown diamonds; precious stones; diamonds; horological and chronometric instruments including watches, pocket watches and clocks; all the aforesaid goods being diamonds or containing diamonds, precious metals and their alloys, badges of precious metal, ingots of precious metal, boxes of precious metal, ornaments of precious metal.

35 – Retail and wholesale services connected with the sale of jewellery including precious stones, diamonds, lab grown diamonds, precious stones, diamonds, horological and chronometric instruments including watches, pocket watches and clocks, all the aforesaid goods being diamonds or containing diamonds, precious metals and their alloys, badges of precious metal, ingots of precious metal, boxes of precious metal, ornaments of precious metal; advertising and marketing services in the field of jewellery including precious stones, diamonds, lab grown diamonds, precious stones, diamonds, horological and chronometric instruments including watches, pocket watches and clocks, all the aforesaid goods being diamonds or containing diamonds, precious metals and their alloys, badges of precious metal, ingots of precious metal, boxes of precious metal, ornaments of precious metal; sales promotion for others; business management assistance.

(260) AM 2024 124739 A

(800) 1750780

(151) 2023 08 09

(891) 2023 08 09

(731) GEN İLAÇ VE SAĞLIK ÜRÜNLERİ

SANAYİ VE TİCARET ANONİM ŞİRKETİ
MUSTAFA KEMAL MAH. 2119., SK. 3 2-3,
ANKARA, Türkiye

(540)

GENIVIG

(591) #0083C6

(531) 27.05.01; 29.01.04

(511)

5 – Medicines for human health; pre-filled syringes for medical purposes.

(260) AM 2024 124740 A

(800) 1750810

(151) 2023 02 13

(891) 2023 02 13

(731) Noken Design, S.A.U.

Ctra. Vila-real, Puebla de Arenoso (CV-20),
Km. 2, E-12540 Vila-real, Spain

(540)

nk

(591) Black, white

(531) 27.05.01; 27.05.23

(511)

11 – Sanitary fittings; water distribution apparatus for sanitary purposes; sanitary apparatus made of porcelain; sanitary apparatus and installations for bathrooms and plumbing fixtures; bathtubs; massage bath fittings; bath shower heads; bath enclosures; heaters for baths; faucets; whirlpool-jet apparatus; wash-hand basins; bathtub enclosures; toilet bowls; bathroom installations; massage bath fittings; mixing valves (faucets) for washbasins and sinks; shower trays; towel steam warmers; electric towel warmers; baths incorporating accessories for assisting entry to the bath; fittings (lighting accessories); sconce lighting fixtures.

20 – Furniture; mirrors [looking glasses]; picture frames; washbasin cabinets; bathroom vanities incorporating washbasins; worktops; modular bathroom furniture; furniture for use in bathrooms; bathroom vanities (furniture); bathtub handles, not of metal; non metallic plugs, not of metal or rubber, for sinks; grab bars, not of metal, for showers; shower seats; shower rails; shower chairs; towel cabinets (furniture); towel dispensers, not of metal; towel hooks, not of metal; towel dispensers, fixed, not of metal; decorative wall fittings (furnishings) not of textile materials; bath pillows; bathroom vanities; bath seats; bathroom mirrors; bathroom units (furniture); bathroom stools; bathroom vanities.

21 – Bathroom pails; bath sponges; toilet brushes; bathroom basins (receptacles); jugs for washbasins; plastic bath racks for the bathroom; bathroom glass holders; towel rings (bathroom accessories); utensils for cleaning the bathroom.

(260) AM 2024 124843 A
 (800) 1751336
 (151) 2023 07 14
 (891) 2023 07 14
 (731) TRICOMED, SPÓŁKA AKCYJNA
 Świętojańska 5/9, PL-93-493 Łódź, Poland
 (540)

dallop

(591) Black, white
 (511)
 10 – Knitted artificial fascia; urological tapes.

(260) AM 2024 124844 A
 (800) 1751337
 (151) 2023 07 14
 (891) 2023 07 14
 (731) TRICOMED, SPÓŁKA AKCYJNA
 Świętojańska 5/9, PL-93-493 Łódź, Poland
 (540)

codubix

(591) Black, white
 (511)
 10 – Cranial bone prostheses; orbital prostheses; chest area bone prostheses.

(260) AM 2024 124845 A
 (800) 1751347
 (151) 2023 04 03
 (891) 2023 04 03
 (731) RENAISSANCE CAPITAL d.o.o.
 Draškovićeve 45, HR-10000 Zagreb, Croatia
 (540)



(591) Black and red.
 (531) 26.04.09; 26.13.25; 27.05.01; 29.01.12
 (511)
 29 – Vegetable fats for food; non-alcoholic eggnog; consommés; white of eggs; powdered egg whites; hamburgers; bratwurst; broth (soup); caesar salad; chorizo; sausage skins and imitations thereof; gut for making sausage casings; gut for making sausages; deep-frozen poultry; deep frozen chicken; extracts of poultry; extracts for soups; chicken breast fillets; hot dog sausages; prepared dishes consisting principally of meat; prepared meals containing [principally] eggs; prepared meals containing [principally] chicken; prepared meals made from poultry [poultry predominating]; prepared meals made from meat [meat predominating]; ready cooked meals consisting wholly or substantially wholly of poultry; ready cooked meals consisting primarily of turkey; ready cooked meals consisting primarily of chicken; ready cooked meals consisting wholly or substantially wholly of meat;

meat-based snack foods; goose liver pate; chowder; turkey burgers; chicken burgers; corn dogs; eggs; quail eggs; tea flavored eggs; powdered eggs; matzo ball soup; noodle soup; soups; soups and stocks, meat extracts; canned soups; soup powders; stock cubes; sausages; soup cubes; hen eggs; turkey pieces; chicken pieces; pieces of chicken for use as a filling in sandwiches; chicken jerky; broth concentrates; preserves of poultry; canned cooked meat; meat, tinned; cooked poultry; cooked chicken; cooked turkey; pulled chicken; cooked dish consisting primarily of chicken and ginseng (samgyetang); cooked dish consisting primarily of stir-fried chicken and fermented hot pepper paste (dak-galbi); cooked meats; bottled cooked meat; marinated eggs; meat preserves; meatballs; poultry meatballs; faggots [food]; meat gelatines; meat extracts; meat spreads; luncheon meats; luncheon meats, canned; steaks of meat; meat products being in the form of burgers; broth; pie fillings of meat; meat; meat and meat products; meat boiled down in soy sauce (tsukudani meat); seafoods boiled down in soy sauce (tsukudani); freeze-dried meat; sausage meat; packaged meats; sausages in batter; chicken nuggets; bologna; roast chicken; roast turkey; roast ducks; roast poultry; pepperoni; poultry; meat-based mousses; shepherd's pie; chicken; prepared meals consisting primarily of turkey; prepared meat; fried chicken; fried meat; edible birds' nests; birds eggs and egg products; turkey; turkey meat; turkey products; turkey burger patties; poultry salads; frozen chicken; frozen appetizers consisting primarily of chicken; frozen turkey; frozen meals consisting primarily of chicken; frozen poultry; dehydrated chicken; liquid eggs; teriyaki chicken; pre-cooked soup; frozen eggs; frozen meals consisting primarily of meat; frozen meals consisting primarily of poultry; frozen meat products; frozen meat; salted eggs; yolk of eggs.

31 – Active dried yeast for animals; malt albumin for animal consumption [other than for medical use]; algarovilla for animal consumption; linseed meal for animal consumption; oilseed meal for animals; meal for animals; meal for consumption by animals; foodstuffs and fodder for animals; oat-based food for animals; foodstuffs containing phosphate for feeding animals; foods flavoured with chicken for feeding dogs; foods flavoured with chicken for feeding cats; foods containing chicken for feeding cats; foodstuffs for poultry; foodstuffs for chickens; foods containing chicken for feeding dogs; formula animal feed; animal foodstuffs containing air-cured hay; animal foodstuffs consisting of soya bean products; animal foodstuffs containing hay; cereal based foodstuffs for animals; eggs for hatching, fertilized; edible chews for animals; bedding material for fowl; fortified food substances for animals; chicks; cereal cakes for animals; cereals products for consumption by animals; turkey hens [live]; poultry for breeding; foodstuffs for farm animals; bred stock; grains for animal consumption.

35 – Administration of customer loyalty and incentive schemes; administration of consumer loyalty programs; administration of cultural and educational exchange programs; administration relating to sales methods; administrative processing of purchase orders; administrative order processing; sales administration; administrative processing of purchase orders placed by telephone or computer; administrative processing of computerized purchase orders; administrative assistance in responding to calls for tenders; administrative loyalty card services; clerical services for the taking of sales orders; administrative accounting; assessment analysis relating to business management; analysis of marketing trends; analysis of advertising response and market research; market analysis and research; analysis of advertising response; consumer response analysis; advertising analysis; analysis of market research data and statistics; analysis of market research data; analysis relating to marketing; targeted marketing; demonstration of goods and services by electronic means, also for the benefit of the so-called teleshopping and homeshopping services; handbill distribution; distribution of flyers, brochures, printed matter and samples for advertising purposes; dissemination of advertising and promotional materials; dissemination of advertising, marketing and publicity materials; distribution of advertising, marketing and promotional material; distribution of products for advertising purposes; distribution of publicity materials (flyers, prospectuses, brochures, samples, particularly for catalogue long distance sales) whether cross border or not; distribution of publicity texts; distribution of promotional matter; distribution of prospectuses and samples; distribution of prospectuses and samples for advertising purposes; distribution of prospectuses for advertising purposes; distribution of advertisements and commercial announcements; distribution and dissemination of advertising materials [leaflets, prospectuses, printed material, samples]; distribution of advertising mail and of advertising supplements attached to regular editions; distribution of advertising material; distribution of advertising announcements; dissemination of advertisements; dissemination of advertising matter; distribution of advertising material by post; dissemination of advertising for others via an on-line communications network on the Internet; distribution of printed promotional material by post; development of advertising concepts in the nature of brochures; development of advertising concepts in the nature of flyers; development of advertising concepts in the nature of logos; development of advertising concepts; brand testing; advertising research; business research; issuing and updating of advertising texts; issuing of publicity leaflets; prize draws (Organising of -) for promotional purposes; retail services via catalogues related to foodstuffs; retail services via global computer networks related to foodstuffs; retail services relating to food; publication of printed matter for advertising purposes; publication of publicity ma-

terials; copywriting; publication of publicity materials and texts; publication of advertising literature; publication of publicity materials on-line; publication of printed matter for advertising purposes in electronic form; advertising of business web sites; electronic billboard advertising; advertising via electronic media and specifically the Internet; advertising particularly services for the promotion of goods; arranging of demonstrations for advertising purposes; organization of events, exhibitions, fairs and shows for commercial, promotional and advertising purposes; organisation, operation and supervision of customer loyalty schemes; arranging of product launches; arranging of competitions for advertising purposes.

(260) AM 2024 124872 A

(800) 1630966

(151) 2021 10 27

(891) 2023 09 07

(731) BOTTEGA VERDE SRL

Palazzo Massaini, I-53026 Pienza (SI), Italy

(540)

BOTTEGA VERDE

(591) Black, white

(511)

3 – Soaps for personal use; perfumery and fragrances; ethereal oils; cosmetics; hair care lotions; make-up; sun creams.

(260) AM 2024 124873 A

(800) 1652209

(151) 2021 10 09

(891) 2023 08 28

(731) Guangzhou Xiaopeng Motors Technology Co., Ltd

8 Songgang Street, Cencun, Tianhe District, Guangzhou, Guangdong Province, China

(540)

X P E N G

(591) Black, white

(531) 27.05.01

(511)

9 – Computers for managing control devices for aircraft; humanoid robots with artificial intelligence; telepresence robots; computer software, recorded; smartphone software applications, downloadable; cases for compact discs; biometric scanners; face recognition equipment; navigation apparatus for vehicles [on-board computers]; global positioning system [gps] apparatus; aeronautical radio communication machines and apparatus; security surveillance robots; portable media players; audio books; cabinets for loudspeakers; audio and video receivers; car stereos; earphones; cassette players; dvd cases; cd players; infrared detectors; simulators for the steering and control of vehicles; steering apparatus, automatic, for vehicles;

laboratory robots; teaching robots; audiovisual teaching apparatus; remote control telemetering apparatus; remote control apparatus; integrated circuit modules; chips [integrated circuits]; fire-resistant flying suits; alarms; sunglasses; battery charge devices; galvanic cells; charging stations for electric vehicles; batteries, electric, for vehicles.

12 – Electric vehicles; vehicles for locomotion by land, air, water or rail; driverless cars [autonomous cars]; air vehicles; aeroplanes; civilian drones; drones; cars; automobile hoods; automobile chassis; propulsion mechanisms for land vehicles; jet engines for land vehicles; freewheels for land vehicles; rearview mirrors; shock absorbers for automobiles; bodies for vehicles; reduction gears for land vehicles; connecting rods for land vehicles, other than parts of motors and engines; power tailgates [parts of land vehicles]; transmission shafts for land vehicles; air bags [safety devices for automobiles]; suspension shock absorbers for vehicles; springs (shock absorbing –) for vehicles; non-skid devices for vehicle tires; vehicle wheels; safety belts for vehicle seats; vehicle wheel hubs; chassis for vehicles; suspension shock absorbers for vehicles; children's seats for use in vehicles; windshield wipers; brakes for vehicles; seat covers for vehicles; windshields; vehicle suspension springs; vehicle seats; anti-dazzle devices for vehicles; steering wheels for vehicles.

37 – Rebuilding machines that have been worn or partially destroyed; installation of electronic and digital connection to a call centre; maintenance and repair of amusement machines; repair or maintenance of laboratory apparatus and instruments; repair of electronic apparatus; repair of consumer electronic products; repair or maintenance of cleaning devices for vehicles; installation, maintenance and repair of computer hardware; machinery installation, maintenance and repair; installation and repair of entertainment and sports equipment; repair of toys or dolls; burglar alarm installation and repair; providing information relating to repairs; charging of electric vehicles; vehicle breakdown repair services; vehicle cleaning; vehicle maintenance; motor vehicle maintenance and repair; battery charging services for vehicles; vehicle service stations [refuelling and maintenance]; cleaning of building exterior surfaces; aircraft maintenance and repair services; rustproofing; pest control services, other than for agriculture, aquaculture, horticulture and forestry; disinfecting; retreading of tires; heating equipment installation and repair.

(260) AM 2024 124875 A

(800) 1680169

(151) 2022 03 08

(891) 2023 09 06

(731) Suraj-Kumar R. Ramsahai

Kaya Finlandia 13, BQ, Netherlands

(540)



(591) Black, white

(531) 26.04.22; 26.04.24; 27.05.01; 27.05.13;
27.05.24

(511)

32 – Mineral and aerated waters and other non-alcoholic drinks, including soft drinks; fruit juice beverages; syrups and other preparations for making beverages; sports drinks and energy drinks not included in other classes; beer.

33 – Alcoholic beverages (except beers), including alcoholic energy drinks; wine; spirits and liqueurs; alcoholic preparations for making beverages.

INTERNATIONAL TRADEMARKS PROTECTED IN GEORGIA

(260) AM 2024 116462 A
(800) 1641540
(151) 2021 12 07
(181) 2031 12 07
(891) 2021 12 07
(511) 11, 11

(260) AM 2024 121945 A
(800) 1717196
(151) 2022 12 23
(181) 2032 12 23
(891) 2022 12 23
(511) 05

(260) AM 2024 118366 A
(800) 1638448
(151) 2021 09 06
(181) 2031 09 06
(891) 2022 06 02
(511) 03, 05

(260) AM 2024 121960 A
(800) 1717627
(151) 2022 10 19
(181) 2032 10 19
(891) 2022 10 19
(511) 09, 14, 28, 35, 36, 38, 41, 42, 45

(260) AM 2024 119295 A
(800) 1681125
(151) 2022 05 05
(181) 2032 05 05
(891) 2022 05 05
(511) 03

(260) AM 2024 121966 A
(800) 1717669
(151) 2022 12 26
(181) 2032 12 26
(891) 2022 12 26
(511) 25

(260) AM 2024 120934 A
(800) 1698721
(151) 2022 10 31
(181) 2032 10 31
(891) 2022 12 01
(511) 09

(260) AM 2024 121973 A
(800) 1717849
(151) 2022 12 31
(181) 2032 12 31
(891) 2022 12 31
(511) 03

(260) AM 2024 121381 A
(800) 1709449
(151) 2022 07 26
(181) 2032 07 26
(891) 2022 07 26
(511) 09, 28, 41

(260) AM 2024 121988 A
(800) 1718076
(151) 2022 10 04
(181) 2032 10 04
(891) 2022 10 04
(511) 29

(260) AM 2024 121941 A
(800) 1716889
(151) 2022 09 02
(181) 2032 09 02
(891) 2022 09 02
(511) 05

(260) AM 2024 121995 A
(800) 1516207
(151) 2019 12 12
(181) 2029 12 12
(891) 2023 02 15
(511) 12

(260) AM 2024 121944 A
(800) 1717138
(151) 2023 01 18
(181) 2033 01 18
(891) 2023 01 18
(511) 43

(260) AM 2024 122003 A
(800) 1674632
(151) 2022 04 21
(181) 2032 04 21
(891) 2023 02 07
(511) 33

(260) AM 2024 122055 A
(800) 1718587
(151) 2022 09 30
(181) 2032 09 30
(891) 2022 09 30
(511) 29, 35

(260) AM 2024 122056 A
(800) 1718592
(151) 2022 07 26
(181) 2032 07 26
(891) 2022 07 26
(511) 41

(260) AM 2024 122063 A
(800) 1718885
(151) 2023 01 11
(181) 2033 01 11
(891) 2023 01 11
(511) 36

(260) AM 2024 122075 A
(800) 1719223
(151) 2022 11 16
(181) 2032 11 16
(891) 2022 11 16
(511) 09, 14, 18, 25, 35

(260) AM 2024 122079 A
(800) 1719300
(151) 2022 12 08
(181) 2032 12 08
(891) 2022 12 08
(511) 12, 37

(260) AM 2024 122090 A
(800) 1244334
(151) 2014 11 19
(181) 2024 11 19
(891) 2023 01 06
(511) 12

(260) AM 2024 122091 A
(800) 1391121
(151) 207 10 06
(181) 2027 10 06
(891) 2023 02 28
(511) 18, 25, 35

(260) AM 2024 122095 A
(800) 1580489
(151) 2020 11 13
(181) 2030 11 13
(891) 2023 02 07
(511) 05, 31

(260) AM 2024 122099 A
(800) 1651941
(151) 2021 12 31
(181) 2031 12 31
(891) 2023 01 10
(511) 12

(260) AM 2024 122140 A
(800) 1719589
(151) 2023 02 16
(181) 2033 02 16
(891) 2023 02 16
(511) 03

(260) AM 2024 122153 A
(800) 1719868
(151) 2022 12 23
(181) 2032 12 23
(891) 2022 12 23
(511) 33

(260) AM 2024 122154 A
(800) 1719953
(151) 2023 01 19
(181) 2033 01 19
(891) 2023 01 19
(511) 03, 05

(260) AM 2024 122155 A
(800) 1719960
(151) 2023 02 14
(181) 2033 02 14
(891) 2023 02 14
(511) 11

(260) AM 2024 122157 A
(800) 1720090
(151) 2022 11 29
(181) 2032 11 29
(891) 2022 11 29
(511) 05

(260) AM 2024 122161 A
(800) 1720217
(151) 2023 02 13
(181) 2033 02 13
(891) 2023 02 13
(511) 05, 31

(260) AM 2024 122176 A
(800) 1720524
(151) 2022 11 02
(181) 2032 11 02
(891) 2022 11 02
(511) 09, 28, 41, 42

(260) AM 2024 122167 A
(800) 1720374
(151) 2022 10 25
(181) 2032 10 25
(891) 2022 10 25
(511) 18, 25, 35

(260) AM 2024 122177 A
(800) 1720716
(151) 2022 10 18
(181) 2032 10 18
(891) 2022 10 18
(511) 39, 43

(260) AM 2024 122169 A
(800) 1720420
(151) 2023 01 27
(181) 2033 01 27
(891) 2023 01 27
(511) 03, 21, 24

(260) AM 2024 122180 A
(800) 1250058
(151) 2015 03 23
(181) 2025 03 23
(891) 2023 02 16
(511) 33

(260) AM 2024 122170 A
(800) 1720421
(151) 2023 02 15
(181) 2033 02 15
(891) 2023 02 15
(511) 03

(260) AM 2024 122181 A
(800) 1320139
(151) 2016 06 27
(181) 2026 06 27
(891) 2023 02 16
(511) 32, 33

(260) AM 2024 122172 A
(800) 1720473
(151) 2022 11 14
(181) 2032 11 14
(891) 2022 11 14
(511) 34

(260) AM 2024 122182 A
(800) 1414592
(151) 2018 02 23
(181) 2028 02 23
(891) 2023 03 07
(511) 03

(260) AM 2024 122174 A
(800) 1720512
(151) 2022 09 23
(181) 2032 09 23
(891) 2022 09 23
(511) 30

(260) AM 2024 122183 A
(800) 1470680
(151) 2019 03 18
(181) 2029 03 18
(891) 2023 03 06
(511) 10

(260) AM 2024 122175 A
(800) 1720523
(151) 2022 11 02
(181) 2032 11 02
(891) 2022 11 02
(511) 09, 28, 41, 42

(260) AM 2024 122184 A
(800) 1504896
(151) 2019 07 26
(181) 2029 07 26
(891) 2023 02 27
(511) 05, 10, 18, 21, 24, 28

(260) AM 2024 122187 A
(800) 1559039
(151) 2020 09 24
(181) 2030 09 24
(891) 2023 03 01
(511) 33

(260) AM 2024 122274 A
(800) 1586466
(151) 2021 02 01
(181) 2031 02 01
(891) 2023 01 16
(511) 03

(260) AM 2024 122226 A
(800) 1720812
(151) 2022 11 02
(181) 2032 11 02
(891) 2022 11 02
(511) 09, 28, 41, 42

(260) AM 2024 122275 A
(800) 1662184
(151) 2022 04 12
(181) 2032 04 12
(891) 2023 03 10
(511) 03, 04

(260) AM 2024 122227 A
(800) 1720836
(151) 2023 02 17
(181) 2033 02 17
(891) 2023 02 17
(511) 29

(260) AM 2024 122317 A
(800) 1722500
(151) 2023 02 03
(181) 2033 02 03
(891) 2023 02 03
(511) 05

(260) AM 2024 122249 A
(800) 1721576
(151) 2023 01 07
(181) 2033 01 07
(891) 2023 01 07
(511) 29, 30

(260) AM 2024 122318 A
(800) 1722547
(151) 2022 12 23
(181) 2032 12 23
(891) 2022 12 23
(511) 30

(260) AM 2024 122252 A
(800) 1721739
(151) 2022 11 25
(181) 2032 11 25
(891) 2022 11 25
(511) 12, 37

(260) AM 2024 122319 A
(800) 1722559
(151) 2023 03 01
(181) 2033 03 01
(891) 2023 03 01
(511) 31

(260) AM 2024 122260 A
(800) 1722153
(151) 2023 02 14
(181) 2033 02 14
(891) 2023 02 14
(511) 05

(260) AM 2024 122320 A
(800) 1722595
(151) 2022 12 22
(181) 2032 12 22
(891) 2022 12 22
(511) 09

(260) AM 2024 122267 A
(800) 1222479
(151) 2014 09 02
(181) 2024 09 02
(891) 2023 03 17
(511) 03, 08, 21

(260) AM 2024 122337 A
(800) 1722914
(151) 2022 05 06
(181) 2032 05 06
(891) 2022 05 06
(511) 09, 35

(260) AM 2024 122341 A
(800) 1723020
(151) 2023 03 05
(181) 2033 03 05
(891) 2023 03 05
(511) 33

(260) AM 2024 122344 A
(800) 1723083
(151) 2023 02 28
(181) 2033 02 28
(891) 2023 02 28
(511) 19, 20, 21, 35

(260) AM 2024 122345 A
(800) 1723114
(151) 2023 03 08
(181) 2033 03 08
(891) 2023 03 08
(511) 05

(260) AM 2024 122346 A
(800) 1723132
(151) 2022 11 29
(181) 2032 11 29
(891) 2022 11 29
(511) 09, 28, 41

(260) AM 2024 122348 A
(800) 1723142
(151) 2023 02 01
(181) 2033 02 01
(891) 2023 02 01
(511) 05

(260) AM 2024 122354 A
(800) 1723422
(151) 2022 03 17
(181) 2032 03 17
(891) 2022 03 17
(511) 07, 09, 12, 35, 36, 37

(260) AM 2024 122355 A
(800) 1723435
(151) 2022 11 11
(181) 2032 11 11
(891) 2022 11 11
(511) 33

(260) AM 2024 122356 A
(800) 1723436
(151) 2022 10 06
(181) 2032 10 06
(891) 2022 10 06
(511) 09, 16, 20, 24, 25, 35, 37, 38, 41, 42, 45

(260) AM 2024 122357 A
(800) 1723448
(151) 2022 12 28
(181) 2032 12 28
(891) 2022 12 28
(511) 05

(260) AM 2024 122358 A
(800) 1723453
(151) 2022 12 30
(181) 2032 12 30
(891) 2022 12 30
(511) 30

(260) AM 2024 122359 A
(800) 1723465
(151) 2023 02 09
(181) 2033 02 09
(891) 2023 02 09
(511) 09, 35, 42

(260) AM 2024 122360 A
(800) 1723513
(151) 2023 01 06
(181) 2033 01 06
(891) 2023 01 06
(511) 09

(260) AM 2024 122361 A
(800) 1723555
(151) 2022 09 08
(181) 2032 09 08
(891) 2022 09 08
(511) 11, 19, 20, 21, 24, 27, 35

(260) AM 2024 122362 A
(800) 1723558
(151) 2022 09 16
(181) 2032 09 16
(891) 2022 09 16
(511) 11, 19, 20, 21, 24, 27, 35

(260) AM 2024 122363 A
(800) 1723584
(151) 2023 01 26
(181) 2033 01 26
(891) 2023 01 26
(511) 39

(260) AM 2024 122371 A
(800) 1723662
(151) 2023 03 09
(181) 2033 03 09
(891) 2023 03 09
(511) 05

(260) AM 2024 122372 A
(800) 1723663
(151) 2023 03 09
(181) 2033 03 09
(891) 2023 03 09
(511) 05

(260) AM 2024 122373 A
(800) 563304
(151) 1990 11 06
(181) 2030 11 06
(891) 2022 12 20
(511) 03, 04, 05, 16, 18, 21, 24, 29, 30, 31, 32, 33

(260) AM 2024 122430 A
(800) 1723748
(151) 2023 02 10
(181) 2033 02 10
(891) 2023 02 10
(511) 09

(260) AM 2024 122431 A
(800) 1723749
(151) 2023 01 17
(181) 2033 01 17
(891) 2023 01 17
(511) 05

(260) AM 2024 122434 A
(800) 1723771
(151) 2022 11 29
(181) 2032 11 29
(891) 2022 11 29
(511) 09, 28, 41

(260) AM 2024 122435 A
(800) 1723804
(151) 2023 02 21
(181) 2033 02 21
(891) 2023 02 21
(511) 19

(260) AM 2024 122436 A
(800) 1723874
(151) 2022 10 27
(181) 2032 10 27
(891) 2022 10 27
(511) 09, 13, 14, 16, 18, 21, 25, 28, 29, 30, 32, 33, 34,
35, 36, 38, 41, 42, 43, 45

(260) AM 2024 122437 A
(800) 1723902
(151) 2022 11 01
(181) 2032 11 01
(891) 2022 11 01
(511) 05, 35, 42, 44

(260) AM 2024 122438 A
(800) 1723963
(151) 2023 02 06
(181) 2033 02 06
(891) 2023 02 06
(511) 24, 25

(260) AM 2024 122439 A
(800) 1723983
(151) 2023 01 17
(181) 2033 01 17
(891) 2023 01 17
(511) 09

(260) AM 2024 122449 A
(800) 1724245
(151) 2023 02 28
(181) 2033 02 28
(891) 2023 02 28
(511) 19, 20, 21, 35

(260) AM 2024 122460 A
(800) 1724372
(151) 2022 11 02
(181) 2032 11 02
(891) 2022 11 02
(511) 05, 29, 30, 32

(260) AM 2024 122461 A
 (800) 1724399
 (151) 2023 01 23
 (181) 2033 01 23
 (891) 2023 01 23
 (511) 09, 14, 18, 25, 35

(260) AM 2024 122462 A
 (800) 1724519
 (151) 2023 03 11
 (181) 2033 03 11
 (891) 2023 03 11
 (511) 29, 30

(260) AM 2024 122463 A
 (800) 1724601
 (151) 2022 10 18
 (181) 2032 10 18
 (891) 2022 10 18
 (511) 03, 04, 05, 07, 08, 09, 10, 11, 12, 13, 14, 16, 18,
 20, 21, 22, 23, 24, 25, 26, 27, 28, 29, 30, 31, 32,
 33, 34, 35, 40, 41, 43

(260) AM 2024 122464 A
 (800) 1724628
 (151) 2022 10 10
 (181) 2032 10 10
 (891) 2022 10 10
 (511) 29, 30, 32, 35, 36, 39, 40, 43

(260) AM 2024 122465 A
 (800) 1724687
 (151) 2022 12 05
 (181) 2032 12 05
 (891) 2022 12 05
 (511) 09, 28, 41

(260) AM 2024 122466 A
 (800) 1724695
 (151) 2022 12 20
 (181) 2032 12 20
 (891) 2022 12 20
 (511) 09, 28, 41

(260) AM 2024 122467 A
 (800) 1724772
 (151) 2023 01 04
 (181) 2033 01 04
 (891) 2023 01 04
 (511) 09, 35, 42

(260) AM 2024 122468 A
 (800) 1724783
 (151) 2023 02 09
 (181) 2033 02 09
 (891) 2023 02 09
 (511) 17

(260) AM 2024 122469 A
 (800) 1724784
 (151) 2023 02 21
 (181) 2033 02 21
 (891) 2023 02 21
 (511) 01, 05, 09, 10

(260) AM 2024 122476 A
 (800) 1072430
 (151) 2011 03 10
 (181) 2031 03 10
 (891) 2023 03 23
 (511) 03

(260) AM 2024 122477 A
 (800) 1234220
 (151) 2014 11 28
 (181) 2024 11 28
 (891) 2023 03 14
 (511) 05

(260) AM 2024 122479 A
 (800) 1405476
 (151) 2017 12 13
 (181) 2027 12 13
 (891) 2023 03 06
 (511) 29

(260) AM 2024 122480 A
 (800) 1466758
 (151) 2019 03 27
 (181) 2029 03 27
 (891) 2022 12 21
 (511) 29

(260) AM 2024 122481 A
 (800) 1471597
 (151) 2018 11 26
 (181) 2028 11 26
 (891) 2023 03 29
 (511) 05, 29, 30, 31, 32, 35

(260) AM 2024 122482 A
(800) 1528639
(151) 2020 03 18
(181) 2030 03 18
(891) 2023 03 27
(511) 29, 30

(260) AM 2024 122522 A
(800) 1725321
(151) 2022 11 29
(181) 2032 11 29
(891) 2022 11 29
(511) 05

(260) AM 2024 122483 A
(800) 1548187
(151) 2020 05 29
(181) 2030 05 29
(891) 2023 03 07
(511) 18, 20

(260) AM 2024 122523 A
(800) 1725322
(151) 2022 11 29
(181) 2032 11 29
(891) 2022 11 29
(511) 05

(260) AM 2024 122484 A
(800) 1573836
(151) 2020 02 12
(181) 2030 02 12
(891) 2023 03 23
(511) 35, 36, 42

(260) AM 2024 122524 A
(800) 1725344
(151) 2023 03 08
(181) 2033 03 08
(891) 2023 03 08
(511) 18, 25

(260) AM 2024 122485 A
(800) 1574991
(151) 2020 12 17
(181) 2030 12 17
(891) 2023 03 24
(511) 05

(260) AM 2024 122525 A
(800) 1725349
(151) 2023 03 13
(181) 2033 03 13
(891) 2023 03 13
(511) 10

(260) AM 2024 122519 A
(800) 1725244
(151) 2023 03 15
(181) 2033 03 15
(891) 2023 03 15
(511) 29, 30, 35, 41, 43

(260) AM 2024 122526 A
(800) 1725419
(151) 2023 02 28
(181) 2033 02 28
(891) 2023 02 28
(511) 01, 04

(260) AM 2024 122520 A
(800) 1725253
(151) 2022 12 07
(181) 2032 12 07
(891) 2022 12 07
(511) 09, 12, 35, 37, 38, 39

(260) AM 2024 122527 A
(800) 1725438
(151) 2022 07 28
(181) 2032 07 28
(891) 2022 07 28
(511) 07, 09, 17, 20, 35, 37, 40, 42

(260) AM 2024 122521 A
(800) 1725261
(151) 2022 11 01
(181) 2032 11 01
(891) 2022 11 01
(511) 06, 07, 08, 09, 11, 12, 18, 20

(260) AM 2024 122528 A
(800) 1725439
(151) 2022 07 28
(181) 2032 07 28
(891) 2022 07 28
(511) 07, 09, 17, 20, 35, 37, 40, 42

(260) AM 2024 122544 A
(800) 1725870
(151) 2023 03 21
(181) 2033 03 21
(891) 2023 03 21
(511) 10

(260) AM 2024 122545 A
(800) 1725874
(151) 2023 02 02
(181) 2033 02 02
(891) 2023 02 02
(511) 05, 10

(260) AM 2024 122546 A
(800) 1725946
(151) 2023 03 13
(181) 2033 03 13
(891) 2023 03 13
(511) 05

(260) AM 2024 122547 A
(800) 1725994
(151) 2022 12 29
(181) 2032 12 29
(891) 2022 12 29
(511) 05

(260) AM 2024 122548 A
(800) 922125
(151) 2006 09 22
(181) 2026 09 22
(891) 2023 03 15
(511) 02

(260) AM 2024 122554 A
(800) 1397376
(151) 2017 12 11
(181) 2027 12 11
(891) 2023 01 03
(511) 09, 35, 36, 41

(260) AM 2024 122555 A
(800) 1398500
(151) 2017 12 21
(181) 2027 12 21
(891) 2023 01 03
(511) 09, 35, 36, 41

(260) AM 2024 122556 A
(800) 1597584
(151) 2021 03 04
(181) 2031 03 04
(891) 2023 03 16
(511) 16

(260) AM 2024 122558 A
(800) 1622392
(151) 2021 05 12
(181) 2031 05 12
(891) 2023 03 17
(511) 33

(260) AM 2024 122559 A
(800) 1626766
(151) 2021 10 15
(181) 2031 10 15
(891) 2023 03 24
(511) 42

(260) AM 2024 122560 A
(800) 1687969
(151) 2022 09 08
(181) 2032 09 08
(891) 2023 03 16
(511) 05

(260) AM 2024 122597 A
(800) 1726060
(151) 2023 03 17
(181) 2033 03 17
(891) 2023 03 17
(511) 09

(260) AM 2024 122598 A
(800) 1726061
(151) 2023 03 16
(181) 2033 03 16
(891) 2023 03 16
(511) 05

(260) AM 2024 122599 A
(800) 1726098
(151) 2022 10 27
(181) 2032 10 27
(891) 2022 10 27
(511) 21, 28

(260) AM 2024 122600 A
(800) 1726126
(151) 2023 02 01
(181) 2033 02 01
(891) 2023 02 01
(511) 03, 05, 44

(260) AM 2024 122637 A
(800) 564934
(151) 1990 08 14
(181) 2030 08 14
(891) 2023 03 31
(511) 17, 19

(260) AM 2024 122606 A
(800) 1726206
(151) 2022 12 09
(181) 2032 12 09
(891) 2022 12 09
(511) 09, 35, 39

(260) AM 2024 122638 A
(800) 1231212
(151) 2014 07 30
(181) 2024 07 30
(891) 2023 03 14
(511) 03

(260) AM 2024 122608 A
(800) 1726228
(151) 2023 01 16
(181) 2033 01 16
(891) 2023 01 16
(511) 07, 09, 11

(260) AM 2024 122640 A
(800) 1606275
(151) 2021 04 06
(181) 2031 04 06
(891) 2023 04 06
(511) 07, 09, 11, 12, 25, 37

(260) AM 2024 122610 A
(800) 1726233
(151) 2023 01 27
(181) 2033 01 27
(891) 2023 01 27
(511) 30

(260) AM 2024 122690 A
(800) 1727419
(151) 2022 12 14
(181) 2032 12 14
(891) 2022 12 14
(511) 03, 07, 09, 11, 21, 30, 35, 37, 39, 41, 42, 43

(260) AM 2024 122613 A
(800) 1726323
(151) 2022 12 22
(181) 2032 12 22
(891) 2022 12 22
(511) 05

(260) AM 2024 122700 A
(800) 1727730
(151) 2023 03 16
(181) 2033 03 16
(891) 2023 03 16
(511) 09

(260) AM 2024 122629 A
(800) 1726813
(151) 2023 03 18
(181) 2033 03 18
(891) 2023 03 18
(511) 42

(260) AM 2024 122719 A
(800) 1526136
(151) 2020 02 05
(181) 2030 02 05
(891) 2023 04 03
(511) 02, 03, 08, 16, 21, 30

(260) AM 2024 122636 A
(800) 1726982
(151) 2023 03 30
(181) 2033 03 30
(891) 2023 03 30
(511) 03, 08, 21

(260) AM 2024 122720 A
(800) 1661100
(151) 2021 12 15
(181) 2031 12 15
(891) 2023 04 20
(511) 09, 28

(260) AM 2024 122721 A
(800) 1713872
(151) 2022 12 13
(181) 2032 12 13
(891) 2023 02 19
(511) 17

(260) AM 2024 122801 A
(800) 1728918
(151) 2023 03 21
(181) 2033 03 21
(891) 2023 03 21
(511) 05

(260) AM 2024 122758 A
(800) 1728172
(151) 2023 02 13
(181) 2033 02 13
(891) 2023 02 13
(511) 35, 43, 44

(260) AM 2024 122805 A
(800) 1729078
(151) 2023 03 22
(181) 2033 03 22
(891) 2023 03 22
(511) 25

(260) AM 2024 122767 A
(800) 1728283
(151) 2023 02 16
(181) 2033 02 16
(891) 2023 02 16
(511) 11

(260) AM 2024 122806 A
(800) 1729098
(151) 2022 11 23
(181) 2032 11 23
(891) 2022 11 23
(511) 23

(260) AM 2024 122768 A
(800) 1728287
(151) 2023 03 06
(181) 2033 03 06
(891) 2023 03 06
(511) 03, 05

(260) AM 2024 122875 A
(800) 1729854
(151) 2022 11 28
(181) 2032 11 28
(891) 2022 11 28
(511) 32

(260) AM 2024 122788 A
(800) 1728730
(151) 2022 12 02
(181) 2032 12 02
(891) 2022 12 02
(511) 05, 10

(260) AM 2024 122876 A
(800) 1729887
(151) 2023 03 20
(181) 2033 03 20
(891) 2023 03 20
(511) 09

(260) AM 2024 122789 A
(800) 1728741
(151) 2023 03 03
(181) 2033 03 03
(891) 2023 03 03
(511) 07, 09, 37

(260) AM 2024 122877 A
(800) 1729911
(151) 2023 04 07
(181) 2033 04 07
(891) 2023 04 07
(511) 35, 40, 44

(260) AM 2024 122790 A
(800) 1728765
(151) 2023 03 16
(181) 2033 03 16
(891) 2023 03 16
(511) 35, 41, 42

(260) AM 2024 122878 A
(800) 1729924
(151) 2023 04 19
(181) 2033 04 19
(891) 2023 04 19
(511) 09

(260) AM 2024 122879 A
(800) 1729964
(151) 2023 02 03
(181) 2033 02 03
(891) 2023 02 03
(511) 16, 35

(260) AM 2024 122880 A
(800) 1729965
(151) 2023 02 03
(181) 2033 02 03
(891) 2023 02 03
(511) 16, 35

(260) AM 2024 122881 A
(800) 1730010
(151) 2023 04 13
(181) 2033 04 13
(891) 2023 04 13
(511) 34

(260) AM 2024 122882 A
(800) 1730021
(151) 2023 04 11
(181) 2033 04 11
(891) 2023 04 11
(511) 04

(260) AM 2024 122912 A
(800) 1730581
(151) 2022 11 21
(181) 2032 11 21
(891) 2022 11 21
(511) 05

(260) AM 2024 122913 A
(800) 1730586
(151) 2023 02 09
(181) 2033 02 09
(891) 2023 02 09
(511) 25

(260) AM 2024 122917 A
(800) 1730711
(151) 2023 02 20
(181) 2033 02 20
(891) 2023 02 20
(511) 12, 35, 37, 41

(260) AM 2024 122918 A
(800) 1730748
(151) 2023 03 15
(181) 2033 03 15
(891) 2023 03 15
(511) 01, 02, 03, 04, 06, 07, 08, 09, 11, 12, 17, 21, 27,
35, 37

(260) AM 2024 122919 A
(800) 1730754
(151) 2023 03 17
(181) 2033 03 17
(891) 2023 03 17
(511) 03, 05

(260) AM 2024 122921 A
(800) 989819
(151) 2007 09 20
(181) 2027 09 20
(891) 2023 03 14
(511) 07, 08, 09, 11, 12, 14, 16, 18, 21, 28, 35

(260) AM 2024 123005 A
(800) 1731219
(151) 2023 04 24
(181) 2033 04 24
(891) 2023 04 24
(511) 03

(260) AM 2024 123006 A
(800) 1731226
(151) 2022 12 09
(181) 2032 12 09
(891) 2022 12 09
(511) 05

(260) AM 2024 123007 A
(800) 1731256
(151) 2023 03 22
(181) 2033 03 22
(891) 2023 03 22
(511) 10

(260) AM 2024 123008 A
(800) 1731400
(151) 2023 03 16
(181) 2033 03 16
(891) 2023 03 16
(511) 29

(260) AM 2024 123009 A
(800) 1731504
(151) 2023 03 03
(181) 2033 03 03
(891) 2023 03 03
(511) 08, 10, 11, 21

(260) AM 2024 123010 A
(800) 1731509
(151) 2023 03 01
(181) 2033 03 01
(891) 2023 03 01
(511) 01, 02, 03, 04

(260) AM 2024 123043 A
(800) 944823
(151) 2007 10 23
(181) 2027 10 23
(891) 2023 05 11
(511) 03

(260) AM 2024 123044 A
(800) 1048413
(151) 2010 08 05
(181) 2030 08 05
(891) 2023 05 08
(511) 25

OFFICIAL NOTIFICATIONS

INVENTIONS RESTORATION OF PATENTS

(21) AP 2014 13955
(11) P 2023 7544 B
(73) Jeneil Biosurfactant Company LLC
(54) ANTIMICROBIAL COMPOSITIONS AND RELATED METHODS OF USE
DATE OF PATENT LAPSE: 2024 03 17
DATE OF PATENT RESTORATION: 2024 04 25

(21) AP 2018 14758
(11) P 2020 7065 B
(73) Giorgi Topuria
(54) ONLINE BACKGAMMON VIDEO WITH ROLLING DICES FOR PAIR OF GAMERS PARTICIPATION;
VIDEO WITH METHOD FOR DOMINOES KNUCKLES AND PLAYING CARDS CHANGING AND
BRIBING IN ONLINE DOMINOES AND CARD GAMES
DATE OF PATENT LAPSE: 2023 04 13
DATE OF PATENT RESTORATION: 2024 04 25

(21) AP 2020 15271
(11) P 2021 7298 B
(73) Luka Patchkoria
(54) DEVICE FOR WINDOW AUTOMATIC CLEANING AND VENTILATION
DATE OF PATENT LAPSE: 2024 02 04
DATE OF PATENT RESTORATION: 2024 04 25

LAPSE OF PATENTS WITH THE RIGHT TO RESTORE

(21) AP 2014 13996
(11) P 2018 6868 B
(73) SMART BRAIN S.R.O.;
Biotekhnologitski Ustav AV CHR, V.V.I.;
Jiří NEUŽIL;
Springtide Ventures S.R.O.
(54) TAMOXIFEN DERIVATIVES FOR TREATMENT OF NEOPLASTIC DISEASES, ESPECIALLY WITH
HIGH HER2 PROTEIN LEVEL
DATE OF PATENT LAPSE: 2024 04 07
PATENT RESTORATION TERM: 2025 04 07

(21) AP 2016 14105
(11) P 2017 6713 B
(73) Vladimer Loladze;
Vakhtang Loladze;
Shalva Dolidze;
Irma Gharibashvili;
Giorgi Loladze
(54) METHOD FOR CONCRETING CASTIN-PLACE WALL WITH METHOD "WALL IN GROUND" IN
SILTY, RUNNING AND WATER-SATURATED SAND

DATE OF PATENT LAPSE: 2024 03 30
PATENT RESTORATION TERM: 2025 03 30

(21) AP 2015 14288
(11) P 2018 6887 B
(73) Pfizer Inc.
(54) BICYCLIC-FUSED HETEROARYL OR ARYL COMPOUNDS AND THEIR USE AS IRAK4 INHIBITORS
DATE OF PATENT LAPSE: 2024 03 26
PATENT RESTORATION TERM: 2025 03 26

(21) AP 2017 14472
(11) P 2019 6967 B
(73) Tatiana Gegechkori;
Grigor Mamniashvili;
Sarkis Markaryan;
Tsisana Gavasheli
(54) SYNERGETIC DEVICE AND METHOD FOR WATER PURIFICATION
DATE OF PATENT LAPSE: 2024 04 11
PATENT RESTORATION TERM: 2025 04 11

(21) AP 2018 14745
(11) P 2019 7028 B
(73) Andro Maisuradze
(54) TURBOJET WITH PROTECTIVE MODULE
DATE OF PATENT LAPSE: 2024 04 05
PATENT RESTORATION TERM: 2025 04 05

(21) AP 2018 14757
(11) P 2019 7027 B
(73) Georgian Technical University;
Nikoloz Mghebrishvili;
Grigor Moiseev;
Giorgi Mghebrishvili
(54) SYSTEM FOR INDICATION OF WEAR WEIGHTS OF MOBILE TRAINS AND RAILS
DATE OF PATENT LAPSE: 2024 04 13
PATENT RESTORATION TERM: 2025 04 13

(21) AP 2019 15524
(11) P 2022 7377 B
(73) Public Joint-Stock Company "Ural Auto-Textile Factory"
(54) BRAKE SHOE FOR A RAIL VEHICLE
DATE OF PATENT LAPSE: 2024 04 11
PATENT RESTORATION TERM: 2025 04 11

(21) AP 2019 15527
(11) P 2023 7552 B
(73) Public Joint-Stock Company "Ural Auto-Textile Factory"
(54) RAILWAY VEHICLE BRAKE SHOE
DATE OF PATENT LAPSE: 2024 04 11
PATENT RESTORATION TERM: 2025 04 11

(21) AP 2020 15746
(11) P 2023 7561 B
(73) Array BioPharma Inc.
(54) PROTEIN TYROSINE PHOSPHATASE INHIBITOR
DATE OF PATENT LAPSE: 2024 03 30
PATENT RESTORATION TERM: 2025 03 30

EXPIRATION OF PATENTS RESTORATION TERM

(21) AP 2010 11751
(11) P 2012 5377 B
(73) LTD "Laboratory Kolkhika"
(54) HIGHLY EFFECTIVE ACTOPROTECTIVE, ADAPTOGENIC, IMMUNOSTIMULATING MEDICAL
AND PREVENTIVE MEANS
DATE OF PATENT LAPSE: 2023 04 08
DATE OF EXPIRATION OF PATENT RESTORATION TERM: 2024 04 08

(21) AP 2018 14753
(11) P 2020 7113 B
(73) Vazha Gogadze
(54) REACH STACKER
DATE OF PATENT LAPSE: 2023 04 12
DATE OF EXPIRATION OF PATENT RESTORATION TERM: 2024 04 12

(21) AP 2005 8741
(11) P 2006 3730 B
(73) Tamaz Shilakadze;
Zurab Bakradze;
Levan Tvildian
(54) AUTO ATTRACTION
DATE OF PATENT LAPSE: 2023 04 11
DATE OF EXPIRATION OF PATENT RESTORATION TERM: 2024 04 11

EXPIRATION OF PATENTS

(21) AP 2004 8039
(11) P 2005 3469 B
(73) LTD "Georgian Manganese"
(54) METHOD FOR CONCENTRATION OF OXIDE-CARBONATE MANGANESE ORE
DATE OF EXPIRATION OF PATENT:2024 04 02

(21) AP 2004 8125
(11) P 2005 3529 B
(73) Gela Danelia
(54) METHOD FOR PRODUCTION OF DRINK PREPARED ON THE BASE OF GRAPE WINE
DATE OF EXPIRATION OF PATENT:2024 03 29

UTILITY MODELS RESTORATION OF PATENT

(21) AU 2022 15890
(11) U 2023 2158 Y
(73) Iamze Beshkenadze
(54) SUPPLEMENTS OF CHELATED MICROELEMENTS IN POULTRY FEEDING
DATE OF PATENT LAPSE: 2024 03 02
DATE OF PATENT RESTORATION: 2024 04 25

LAPSE OF PATENT WITH THE RIGHT TO RESTORE

(21) AU 2020 15305
(11) U 2020 2060 Y
(73) Habibollah Bakhtiari
(54) LEAD ACCUMULATORS HERMETIC BATTERY
DATE OF PATENT LAPSE: 2023 04 02
DATE OF EXPIRATION OF PATENT RESTORATION TERM: 2024 04 02

DESIGNS EXTENSION OF TERM OF DESIGNS REGISTRATION

(11) D 2019 819 S
(73) LTD "G&A Group" (GE)
Demetre Tavadebuli St. 29, 0131, Tbilisi, Georgia (GE)
(54) 1.-24. FOOD PACK
(28) 24
(24) 2019 02 08
(18) 2029 02 08
(58) 2024 04 08

(11) D 2019 824 S
(73) Marsa Yağ Sanayi Ve Ticaret Anonim Şirketi (TR)
Ramazanoğlu Mah. Mahmut Bayram Cad. - No: 9 Şeyhli 34758 Pendik, İstanbul, Türkiye (TR)
(54) PACKAGING FOR FOOD PRODUCTS
(28) 1
(24) 2019 03 14
(18) 2029 03 14
(58) 2024 04 08

(11) D 2020 838 S
(73) Teimuraz Murvanidze (GE)
Soliko Virsaladze St. 2/4, 0108, Tbilisi, Georgia (GE)
(54) 1.-2. SHIPS
(28) 2

(24) 2019 06 14
(18) 2029 06 14
(58) 2024 04 16

(11) D 2014 603 S
(73) Chibo GmbH (DE)
Uberseering 18, 22297 Hamburg, Germany (DE)
(54) CAN WHITH LID
(28) 1
(24) 2014 04 28
(18) 2029 04 28
(58) 2024 04 16

CANCELLATION OF DESIGNS REGISTRATION

(11) D 2019 814 S
(73) LTD "Wimm-Bill-Dann Georgia" (GE)
Vill. Ponitchala, 0165, Tbilisi, Georgia (GE)
(54) 1. MILK PACKING BOX, 2. MATSONI (YOGURT) PACKING CAN, 3. SOUR CREAM PACKING CAN
(18) 2023 10 01
(58) 2024 04 16

(11) D 2018 794 S
(73) LTD "Georgian Bakers" (GE)
Vakhtang Gorgasali St. 115, 0114, Tbilisi, Georgia (GE)
(54) PACKING FOR STICKS LIKE CONFECTIONERY
(18) 2023 10 03
(58) 2024 04 10

(11) D 2004 194 S
(73) State Enterprise "Artemsil" (UA)
Chkalov St., House 1A, 84545, Donetsk Region, Bakhmut District, Soledar, Ukraine (UA)
(54) Package for Salt
(18) 2023 10 01
(58) 2024 04 15

TRANSFER OF RIGHT

(21) AD 2012 686
(11) D 2012 517 S
(54) WRITING ACCESSORY
NEW PATENT OWNER: Erich Krause Holding LTD. (CY)
Dositeu 7, para bld., block A, ap./Office, Nicosia, Cyprus (CY)
FORMER PATENT OWNER: Erich Krauze Finland Oy (FI)
Henri Fordin Katu 5 N, 00150 Helsinki, Finland (FI)
(58) 2024 04 18

EXTENSION OF TERM OF INTERNATIONAL DESIGNS REGISTRATION

(11) DM/200 689
(73) Omega SA (Omega AG) (Omega LTD.)
 Jakob-Stämpfli-Strasse 96, 2502 Biel/Bienne (CH)
(15) 2019 03 12
(24) 2019 03 12
(18) 2029 03 12
(28) 2
(28') 2
(54) 1. WATCH, 2. WRISTWATCH HOLDER

(11) DM/200 691
(73) Harry Winston SA
 Chemin du Tourbillon 8, 1228 Plan-Les-Ouates (CH)
(15) 2019 03 04
(24) 2019 03 04
(18) 2029 03 04
(28) 6
(28') 6
(54) 1. WATCH CASE, 2.-6. DIAL

(11) DM/200 977
(73) Glashütter Uhrenbetrieb GmbH
 Altenberger Strasse 1, 01768 Glashütte (DE)
(15) 2019 03 18
(24) 2019 03 18
(18) 2029 03 18
(28) 5
(28') 5
(54) 1.-3. WATCH, 4. WATCH CASE, 5. WATCH DIAL

TRADEMARKS**EXTENSION OF TERM OF TRADEMARKS REGISTRATION**

(111) M 2004 15570 R2

(151) 2004 06 15

(186) 2034 06 15

(732) Wyeth LLC

66 Hudson Boulevard East,
New York, NY 10001-2192, USA

(111) M 2004 15508 R2

(151) 2004 04 16

(186) 2034 04 16

(732) Nordmark Farma Gmbh

Pinnauallee 4, 25436 Uetersen, Germany

(111) M 2004 15510 R2

(151) 2004 04 16

(186) 2034 04 16

(732) United Parcel Service of America, Inc.

55 Glenlake Parkway, NE Atlanta,
Georgia, USA

(111) M 2004 15511 R2

(151) 2004 04 16

(186) 2034 04 16

(732) United Parcel Service of America, Inc.

55 Glenlake Parkway, NE Atlanta,
Georgia, USA

(111) M 2004 15512 R2

(151) 2004 04 16

(186) 2034 04 16

(732) United Parcel Service of America, Inc.

55 Glenlake Parkway, NE Atlanta,
Georgia, USA

(111) M 2004 15562 R2

(151) 2004 06 15

(186) 2034 06 15

(732) The British Broadcasting Corporation

Broadcasting House, Portland Place,
London W1A 1AA, United Kingdom

(111) M 2004 15565 R2

(151) 2004 06 15

(186) 2034 06 15

(732) Colgate-Palmolive Company

300 Park Avenue, New York,
NY 10022, USA

(111) M 2014 24726 R1

(151) 2014 05 07

(186) 2034 05 07

(732) Berlin-Chemie AG

Glienicker Weg 125, 12489 Berlin, Germany

(111) M 2013 23995 R1

(151) 2013 09 02

(186) 2033 09 02

(732) LTD "Top Group"

Kavtaradze St. 4, 0186, Tbilisi, Georgia

(111) M 2014 24501 R1

(151) 2014 02 18

(186) 2034 02 18

(732) LTD "PSP Pharma"

Davit Aghmashenebeli Av. 148, 0112,
Tbilisi, Georgia

(111) M 2014 24502 R1

(151) 2014 02 18

(186) 2034 02 18

(732) LTD "PSP Pharma"

Davit Aghmashenebeli Av. 148, 0112,
Tbilisi, Georgia

(111) M 2014 24503 R1

(151) 2014 02 18

(186) 2034 02 18

(732) LTD "PSP Pharma"

Davit Aghmashenebeli Av. 148, 0112,
Tbilisi, Georgia

(111) M 2014 24504 R1

(151) 2014 02 18

(186) 2034 02 18

(732) LTD "PSP Pharma"

Davit Aghmashenebeli Av. 148, 0112,
Tbilisi, Georgia

(111) M 2014 24505 R1

(151) 2014 02 18

(186) 2034 02 18

(732) LTD "PSP Pharma"

Davit Aghmashenebeli Av. 148, 0112,
Tbilisi, Georgia

(111) M 2014 24507 R1
 (151) 2014 02 18
 (186) 2034 02 18
 (732) JSC "Liberty Bank"
 Iliа Chavchavadze Av. 74, 0162, Tbilisi,
 Georgia

(111) M 2014 24797 R1
 (151) 2014 05 30
 (186) 2034 05 30
 (732) Siplа Limited
 Mumbai Central, Mumbai 400 008, India

(111) M 2014 24661 R1
 (151) 2014 04 15
 (186) 2034 04 15
 (732) Poznańskie Zakłady Zielarskie Herbapol S.A.
 61-896, Poznań, ul. Towarowa 47/51,
 Poland

(111) M 2014 24563 R1
 (151) 2014 03 12
 (186) 2034 03 12
 (732) Cooperativa Nacional De Productores
 De Leche—Conaprole
 Magallanes 1871, Montevideo, Uruguay

(111) M 2014 24697 R1
 (151) 2014 04 23
 (186) 2034 04 23
 (732) Obshchestvo s Ogranichennoy Otvetstven-
 nostyu "Best Clean"
 Proektiruemyj Proezd 251, Vl. 2, Severnaia
 Promzona Ter., 142700, g. Vidnoe,
 Leninskiy District, Moskovskaia obl., Russian
 Federation

(111) M 2014 24439 R1
 (151) 2014 01 21
 (186) 2034 01 21
 (732) JSC "Liberty Bank"
 Iliа Chavchavadze Av. 74, 0162, Tbilisi,
 Georgia

(111) M 2014 24799 R1
 (151) 2014 05 30
 (186) 2034 05 30
 (732) AKITA Electronics Co. LLC
 P. O. Box 9029 Dubai, United Arab Emirates

(111) M 2014 24967 R1
 (151) 2014 07 08
 (186) 2034 07 08
 (732) Depo Auto Parts Ind. Co., Ltd.
 N 20-3, Nan Shih Lane, Lu Kong Chen,
 Chang Hua Shien, Taiwan, R.O.C., Taiwan,
 Province of China

(111) M 2014 24704 R1
 (151) 2014 04 23
 (186) 2034 04 23
 (732) Paramount Bed Kabushiki Kaisha
 (also trading as Paramount Bed Co., Ltd.
 14-5, Higashi Suna 2-chome, Koto-ku,
 Tokyo, Japan

(111) M 2014 24577 R1
 (151) 2014 03 12
 (186) 2034 03 12
 (732) The Ritz-Carlton Hotel Company L.L.C.
 7750 Wisconsin Avenue, Bethesda,
 Maryland 20814, USA

(111) M 2014 24578 R1
 (151) 2014 03 12
 (186) 2034 03 12
 (732) The Ritz-Carlton Hotel Company L.L.C.
 7750 Wisconsin Avenue, Bethesda,
 Maryland 20814, USA

(111) M 2014 24678 R1
 (151) 2014 04 15
 (186) 2034 04 15
 (732) Hyatt International Corporation
 150 North Riverside Plaza, 14th Floor,
 Chicago, IL 60606, USA

(111) M 2014 24679 R1
 (151) 2014 04 15
 (186) 2034 04 15
 (732) Hyatt International Corporation
 150 North Riverside Plaza, 14th Floor,
 Chicago, IL 60606, USA

(111) M 2014 24680 R1
 (151) 2014 04 15
 (186) 2034 04 15
 (732) Hyatt International Corporation
 150 North Riverside Plaza, 14th Floor,
 Chicago, IL 60606, USA

(111) M 2014 24681 R1
(151) 2014 04 15
(186) 2034 04 15
(732) Hyatt International Corporation
150 North Riverside Plaza, 14th Floor,
Chicago, IL 60606, USA

(111) M 2014 24627 R1
(151) 2014 03 31
(186) 2034 03 31
(732) Arcor S.A.I.C.
Av. Fulvio Pagani 487, Arroyito,
Province of Cordoba, Argentina

(111) M 2014 24628 R1
(151) 2014 03 31
(186) 2034 03 31
(732) Arcor S.A.I.C.
Av. Fulvio Pagani 487, Arroyito,
Province of Cordoba, Argentina

(111) M 2014 24711 R1
(151) 2014 04 23
(186) 2034 04 23
(732) Tillotts Pharma AG
Baslerstrasse 15, CH-4310 Rheinfelden,
Switzerland

(111) M 2014 24745 R1
(151) 2014 05 07
(186) 2034 05 07
(732) AT&T Intellectual Property II, L.P.
645 East Plumb Lane, Reno, Nevada
89502, USA

(111) M 2014 25070 R1
(151) 2014 07 28
(186) 2034 07 28
(732) Obshestvo s ogranichennoi otvetstvennostiu
"vinimport"
107140 q. Moskovi, ul. Krasnoprudnaia,
d.12/1, str.1, pom. 15,17, Russian Federation

(111) M 2014 25211 R1
(151) 2014 09 19
(186) 2034 09 19
(732) International Foodstuffs Co. Llc
Al-Wahda Street, Industrial Area No.1,
P.O. Box 4115 Sharjah, United Arab Emirates

(111) M 2014 24754 R1
(151) 2014 05 07
(186) 2034 05 07
(732) Colgate - Palmolive Company, a Delaware
Corporation
300 Park Avenue, New York, New York
10022, USA

(111) M 2014 24771 R1
(151) 2014 05 07
(186) 2034 05 07
(732) Soho Flordis UK Limited
5 New street Square, London, EC4A 3TW,
United Kingdom

(111) M 2014 24777 R1
(151) 2014 05 07
(186) 2034 05 07
(732) AT&T Intellectual Property II, L.P.
645 East Plumb Lane, Reno, Nevada 89502,
USA

(111) M 2014 24852 R1
(151) 2014 05 30
(186) 2034 05 30
(732) Obshchestvo s Ogranichennoy Otvetstven-
nostyu "May"
Ozernaya St. 1a, RU-141191 Fryazino
Moskovskayay Oblast, Russian Federation

(111) M 2014 24855 R1
(151) 2014 05 30
(186) 2034 05 30
(732) Obshchestvo s Ogranichennoy Otvetstven-
nostyu "May"
Ozernaya St. 1a, RU-141191 Fryazino
Moskovskayay Oblast, Russian Federation

(111) M 2014 24779 R1
(151) 2014 05 07
(186) 2034 05 07
(732) LG Household & Health Care Ltd.
58, Saemunan-ro, Jongno-gu, Seoul, Republic
of Korea

(111) M 2014 24917 R1
(151) 2014 06 13
(186) 2034 06 13
(732) Canon Kabushiki Kaisha
30-2, Shimomaruko 3-chome, Ohta-ku, Tokyo,
Japan

(111) M 2014 25085 R1
 (151) 2014 07 28
 (186) 2034 07 28
 (732) Biogaia AB
 P.O. Box 3242, SE-103 64, Stockholm,
 Sweden

(111) M 2014 24861 R1
 (151) 2014 05 30
 (186) 2034 05 30
 (732) Galderma Holding SA
 Zählerweg 10 6300 Zug, Switzerland

(111) M 2015 25669 R1
 (151) 2015 02 18
 (186) 2035 02 18
 (732) KTD "Tiflissky Vinny Pogreb"
 Iumashev St. 27, 0198, Tbilisi, Georgia

(111) M 2015 25670 R1
 (151) 2015 02 18
 (186) 2035 02 18
 (732) LTS "GeoStile"
 Davit Gareji St. 36, 3700, Rustavi, Georgia

(111) M 2013 24250 R1
 (151) 2013 11 14
 (186) 2033 11 14
 (732) Obshchestvo s Ogranichennoy Otvetstven-
 nostyu "Vinimport"
 Krasnoprudnaya St, Dom12/1, Stroenie 1,
 Pomeshchenie 15,17, 107140, Moskow,
 Russian Federation

(111) M 2013 24251 R1
 (151) 2013 11 14
 (186) 2033 11 14
 (732) Obshchestvo s Ogranichennoy Otvetstven-
 nostyu "Vinimport"
 Krasnoprudnaya St, Dom12/1, Stroenie 1,
 Pomeshchenie 15,17, 107140, Moskow,
 Russian Federation

(111) M 2014 24583 R1
 (151) 2014 03 25
 (186) 2034 03 25
 (732) Novomatic AG
 Wiener Strasse 158, A-2352 Gumpoldskirchen,
 Austria

(111) M 2014 24590 R1
 (151) 2014 03 25
 (186) 2034 03 25
 (732) Novomatic AG
 Wiener Strasse 158, A-2352 Gumpoldskirchen,
 Austria

(111) M 2014 24591 R1
 (151) 2014 03 25
 (186) 2034 03 25
 (732) Novomatic AG
 Wiener Strasse 158, A-2352 Gumpoldskirchen,
 Austria

(111) M 2014 24592 R1
 (151) 2014 03 25
 (186) 2034 03 25
 (732) Novomatic AG
 Wiener Strasse 158, A-2352 Gumpoldskirchen,
 Austria

(111) M 2014 24588 R1
 (151) 2014 03 25
 (186) 2034 03 25
 (732) Novomatic AG
 Wiener Strasse 158, A-2352 Gumpoldskirchen,
 Austria

(111) M 2014 24589 R1
 (151) 2014 03 25
 (186) 2034 03 25
 (732) Novomatic AG
 Wiener Strasse 158, A-2352 Gumpoldskirchen,
 Austria

(111) M 2014 24584 R1
 (151) 2014 03 25
 (186) 2034 03 25
 (732) Novomatic AG
 Wiener Strasse 158, A-2352 Gumpoldskirchen,
 Austria

(111) M 2014 24585 R1
 (151) 2014 03 25
 (186) 2034 03 25
 (732) Novomatic AG
 Wiener Strasse 158, A-2352 Gumpoldskirchen,
 Austria

(111) M 2014 24586 R1

(151) 2014 03 25

(186) 2034 03 25

(732) Novomatic AG

Wiener Strasse 158, A-2352 Gumpoldskirchen,
Austria

COMPLETE TRANSFER OF RIGHTS

(111) M 2019 32083 R
(732) LTD "BK Holding"
Taras Shevchenko St. 1, ap. 41, Mtatsminda
District, Tbilisi, Georgia
(770) JSC "m² Real Estate"
Ilia Chavchavadze Av. 29, Fl. 3, Tbilisi,
Georgia
(580) 2024 03 28

(111) M 2019 32084 R
(732) LTD "BK Holding"
Taras Shevchenko St. 1, ap. 41, Mtatsminda
District, Tbilisi, Georgia
(770) JSC "m² Real Estate"
Ilia Chavchavadze Av. 29, Fl. 3, Tbilisi,
Georgia
(580) 2024 03 28

(111) M 2019 32085 R
(732) LTD "BK Holding"
Taras Shevchenko St. 1, ap. 41, Mtatsminda
District, Tbilisi, Georgia
(770) JSC "m² Real Estate"
Ilia Chavchavadze Av. 29, Fl. 3, Tbilisi,
Georgia
(580) 2024 03 28

(111) M 2019 32086 R
(732) LTD "BK Holding"
Taras Shevchenko St. 1, ap. 41, Mtatsminda
District, Tbilisi, Georgia
(770) JSC "m² Real Estate"
Ilia Chavchavadze Av. 29, Fl. 3, Tbilisi,
Georgia
(580) 2024 03 20

(111) M 2020 32770 R
(732) Fraser Research Labs. Inc.
80 Main Street, P.O. Box 3200, Road Town,
Tortola, VG1110, Virgin Islands (British)
(770) Fraser Research Labs. Inc.
25 Sheppard Avenue West, Suite 300,
Toronto, Ontario, M2N 6S6, Canada
(580) 2024 02 27

(111) M 2020 32771 R
(732) Fraser Research Labs. Inc.
80 Main Street, P.O. Box 3200, Road Town,
Tortola, VG1110, Virgin Islands (British)

(770) Fraser Research Labs. Inc.
25 Sheppard Avenue West, Suite 300, Toronto,
Ontario, M2N 6S6, Canada
(580) 2024 02 27

(111) M 2020 32675 R
(732) Sandoz AG
Viaduktshtrese 3, 4051 Bazeli, Switzerland
(770) Novartis AG
4002 Bazeli, Switzerland
(580) 2024 02 29

(111) M 2021 33543 R
(732) Zaza Okuashvili
United Kingdom;
Koba Nakopia
Nino Ramishvili St. 33, ap. 1, Tbilisi,
Georgia;
Dimitri Sadzaglishvili
Kakheti Highway 36/6, ap. 79, Tbilisi,
Georgia;
Nika Gvaramia
Levan Mikeladze St. (former Abuladze) 19,
ap. 28, Tbilisi, Georgia;
Giorgi Gabunia
Dimitri Uznadze St. 2, ap. 44, Tbilisi, Georgia
(770) Dimitri Sadzaglishvili
Kakheti highway 36/6, b.79, Tbilisi, Georgia;
Nika Gvaramia
Levan Mikeladze St. (former Abuladze) 19,
ap. 28, Tbilisi, Georgia;
Giorgi Gabunia
Dimitri Uznadze St. 2, ap. 44, Tbilisi, Georgia
(580) 2024 02 27

(111) M 2021 33692 R
(732) Fraser Research Labs. Inc.
80 Main Street, P.O. Box 3200, Road Town,
Tortola, VG1110, Virgin Islands (British)
(770) Fraser Research Labs. Inc.
25 Sheppard Avenue West, Suite 300, Toronto,
Ontario, M2N 6S6, Canada
(580) 2024 02 27

(111) M 2021 33917 R
(732) Fraser Research Labs. Inc.
80 Main Street, P.O. Box 3200, Road Town,
Tortola, VG1110, Virgin Islands (British)
(770) Fraser Research Labs. Inc.
25 Sheppard Avenue West, Suite 300, Toronto,
Ontario, M2N 6S6, Canada

(580) 2024 02 27

(111) M 2022 35610 R
(732) LTD "New Element"
Mukhrani II Lane 6, Nadzaladevi District,
Tbilisi, Georgia
(770) LTD "One Coffee Coffee Rum"
Aleksandre Griboedov St. 6/Mitropane
Laghidze St. 8, 0108, Mtatsminda District
Tbilisi, Georgia
(580) 2024 03 12

(111) M 2023 37347 R
(732) S-Lab Sp. z o.o.
Ul. Kielczowska 2, 55-095 Mirkow, Poland
(770) LTD "Rich Group"
Vill. Mughanlo Marneuli Region, Georgia
(580) 2024 03 11

(111) M 2023 37348 R
(732) S-Lab Sp. z o.o.
Ul. Kielczowska 2, 55-095 Mirkow, Poland
(770) LTD "Rich Group"
Vill. Mughanlo Marneuli Region, Georgia
(580) 2024 03 11

(111) M 2023 37349 R
(732) S-Lab SP. Z O.O.
Ul. Kielczowska 2, 55-095 Mirkow, Poland
(770) LTD "Rich Group"
Vill. Mughanlo Marneuli Region, Georgia
(580) 2024 03 11

(111) M 2023 37350 R
(732) S-Lab SP. Z O.O.
Ul. Kielczowska 2, 55-095 Mirkow, Poland
(770) LTD "Rich Group"
Vill. Mughanlo Marneuli Region, Georgia
(580) 2024 03 11

(111) M 2023 37308 R
(732) S-Lab SP. Z O.O.
Ul. Kielczowska 2, 55-095 Mirkow, Poland
(770) LTD "Rich Group"
Vill. Mughanlo Marneuli Region, Georgia
(580) 2024 03 11

(111) M 1997 4450 R
(732) Sandoz AG
Viaduktshtrase 3, 4051 Bazeli, Switzerland
(770) Novartis AG
CH-4002 Basel, Switzerland

(580) 2024 02 29

(111) M 1997 4452 R
(732) Sandoz AG
Viaduktstrasse 3, 4051 Basel, Switzerland
(770) Novartis AG
CH-4002 Basel, Switzerland
(580) 2024 02 29

(111) M 1998 8815 R
(732) Sanford, L.P.
6655 Peachtree Dunwoody Road,
Atlanta, GA 30328, USA
(770) Europe Brands S.à r.l.
412F, route d'Esch, L-2086, Luxembourg
(580) 2024 02 07

(111) M 1997 7906 R
(732) Sanford, L.P.
6655 Peachtree Dunwoody Road,
Atlanta, GA 30328, USA
(770) Europe Brands S.à r.l.
412F, route d'Esch, L-2086, Luxembourg
(580) 2024 02 07

(111) M 2001 13761 R
(732) Aeffe S.P.A.
Via Delle Querce 51, 47842 San
Giovanni in Marignano (RN), Italy
(770) Moschino S.P.A.
Via Delle Querce 51, San Giovanni
In Marignano (RN), Italy
(580) 2024 03 27

(111) M 2003 15358 R
(732) Sandoz AG
Viaduktstrasse 3, 4051 Basel, Switzerland
(770) Novartis AG
4002 Basel, Switzerland
(580) 2024 02 28

(111) M 2003 15375 R
(732) Ismail Dursun
Tchkondideli St. 109, ap. 38, 0180, Tbilisi,
Georgia
(770) Ali Dursun
Akaki Tsereteli Av. 115A, 0119, Tbilisi,
Georgia
(580) 2024 04 01

(111) M 2006 16806 R
(732) Sandoz AG
Viaduktstrasse 3, 4051 Basel, Switzerland
(770) Novartis AG
4002 Basel, Switzerland
(580) 2024 03 02

(111) M 1997 6657 R
(732) Aeffe S.P.A.
Via Delle Querce 51, 47842 San Giovanni
In Marignano (RN), Italy
(770) Moschino S.P.A.
Via Delle Querce 51, San Giovanni
In Marignano (RN), Italy
(580) 2024 03 27

(111) M 1998 9556 R
(732) Sandoz AG
Viaduktstrasse 3, 4051 Basel, Switzerland
(770) Novartis AG
4002 Basel, Switzerland
(580) 2024 02 29

(111) M 1997 6329 R
(732) Sandoz AG
Viaduktstrasse 3, 4051 Basel, Switzerland
(770) Novartis AG
4002 Basel, Switzerland
(580) 2024 02 29

(111) M 2009 19197 R
(732) Sandoz AG
Viaduktstrasse 3, 4051 Basel, Switzerland
(770) Novartis AG
4002 Basel, Switzerland
(580) 2024 02 28

(111) M 1998 8954 R
(732) Whirlpool Management Emea S.r.l.
Via Varesina 204, 20156 Milano (MI), Italy
(770) Indesit Company Luxembourg S.A.
16 Rue Erasme, L-1468 Luxembourg,
Luxembourg
(580) 2024 03 12

(111) M 2009 19796 R
(732) Sandoz AG
Viaduktstrasse 3, 4051 Basel, Switzerland
(770) Novartis AG
4002 Basel, Switzerland
(580) 2024 02 29

(111) M 2009 20024 R
(732) Sandoz AG
Viaduktstrasse 3, 4051 Basel, Switzerland
(770) Novartis AG
4002 Basel, Switzerland
(580) 2024 02 28

(111) M 1998 10422 R
(732) Sanford, L.P.
6655 Peachtree Dunwoody Road,
Atlanta, GA 30328, USA
(770) Europe Brands S.à r.l.
412F, route d'Esch, L-2086, Luxembourg
(580) 2024 02 07

(111) M 2010 20888 R
(732) Sandoz AG
Viaduktstrasse 3, 4051 Basel, Switzerland
(770) Astellas Pharma Inc.
5-1, Nihonbashi-Honcho 2-Chome,
Chuo-ku, Tokyo 103-8411, Japan
(580) 2024 02 01

(111) M 2011 21326 R
(732) Sandoz AG
Viaduktstrasse 3, 4051 Basel, Switzerland
(770) Novartis AG
4002 Basel, Switzerland
(580) 2024 02 29

(111) M 2011 21419 R
(732) Sandoz AG
Viaduktstrasse 3, 4051 Basel, Switzerland
(770) Novartis AG
4002 Basel, Switzerland
(580) 2024 02 29

(111) M 2011 21974 R
(732) Sandoz AG
Viaduktstrasse 3, 4051 Basel, Switzerland
(770) Novartis AG
4002 Basel, Switzerland
(580) 2024 02 29

(111) M 2011 21975 R
(732) Sandoz AG
Viaduktstrasse 3, 4051 Basel, Switzerland
(770) Novartis AG
4002 Basel, Switzerland
(580) 2024 02 29

(111) M 2012 22604 R
(732) Cordis US Corp (a corporation of Delaware)
14201 Northwest 60th Avenue,
Miami Lakes, 33014 Florida, USA
(770) Cardinal Health 529, LLC
7000 Cardinal Place Dublin,
Ohio 43017, USA
(580) 2024 02 06

(111) M 2013 24366 R
(732) Sandoz AG
Viaduktstrasse 3, 4051 Basel, Switzerland
(770) Novartis AG
4002 Basel, Switzerland
(580) 2024 02 29

(111) M 2015 26065 R
(732) Sandoz AG
Viaduktstrasse 3, 4051 Basel, Switzerland
(770) Novartis AG
4002 Basel, Switzerland
(580) 2024 02 29

(111) M 2016 26668 R
(732) Sandoz AG
Viaduktstrasse 3, 4051 Basel, Switzerland
(770) Novartis AG
4002 Basel, Switzerland
(580) 2024 02 29

(111) M 2015 25659 R
(732) JSC "Georgian Beer Company"
Vill. Saguramo, Mtskheta Region, Georgia
(770) LTD "Soft Drinks Georgia"
Meskhisvili St. 12/Avlabari St. 5, LAne 2,
fl. 5, ap. 16, Tbilisi, Georgia
(580) 2024 01 09

(111) M 2015 25921 R
(732) JSC "Georgian Beer Company"
Vill. Saguramo, Mtskheta Region, Georgia
(770) LTD "Soft Drinks Georgia"
Meskhisvili St. 12/Avlabari St. 5, LAne 2,
fl. 5, ap. 16, Tbilisi, Georgia
(580) 2024 01 09

(111) M 2016 27020 R
(732) LTD "Mondo"
Akaki Shanidze St. 11, 0108, Tbilisi, Georgia
(770) LTD "BB Company"
Akaki Shanidze St. 11, 0108, Tbilisi, Georgia
(580) 2024 03 04

(111) M 2016 27021 R
(732) LTD "Mondo"
Akaki Shanidze St. 11, 0108, Tbilisi, Georgia
(770) LTD "BB Company"
Akaki Shanidze St. 11, 0108, Tbilisi, Georgia
(580) 2024 03 04

(111) M 2017 29119 R
(732) Innomotics GmbH
Vogelweiherstraße 1-15, 90441 Nürnberg,
Germany
(770) Siemens Aktiengesellschaft
Werner-Von-Siemens-Str. 1, 80333 Munchen,
Germany
(580) 2024 02 12

(111) M 2018 29260 R
(732) Kraton Polymers LLC
15710 John F Kennedy Blvd #300, Houston,
TX 77032, USA
(770) Kraton Polymers U.S., LLC
(Delaware limited liability company)
16400 Park Rou, Hiustoni, Teqsasis Shtati
77084, USA
(580) 2024 02 05

(111) M 2018 29388 R
(732) Sandoz AG
Viaduktstrasse 3, 4051 Basel, Switzerland
(770) Novartis AG
4002 Basel, Switzerland
(580) 2024 02 29

(111) M 2018 30447 R
(732) Innomotics GmbH
Vogelweiherstraße 1-15, 90441 Nürnberg,
Germany
(770) Siemens Aktiengesellschaft
Werner-Von-Siemens-Straße 1, München,
Germany
(580) 2024 02 12

(111) M 2019 30947 R
(732) Sandoz AG
Viaduktstrasse 3, 4051 Basel, Switzerland
(770) Novartis AG
4002 Basel, Switzerland
(580) 2024 02 28

(111) M 2019 30949 R
(732) Sandoz AG
 Viaduktstrasse 3, 4051 Basel, Switzerland
(770) Novartis AG
 4002 Basel, Switzerland
(580) 2024 02 28

(111) M 1998 9562 R
(732) Sandoz AG
 Viaduktstrasse 3, 4051 Basel, Switzerland
(770) Novartis AG
 4002 Basel, Switzerland
(580) 2024 02 29

CHANGES OF NAME AND/OR ADDRESS OF TRADEMARKS OWNERS

- (111) M 2023 36998 R
 (732) Worldwide Franchise Systems, Inc.
 7750 Wisconsin Avenue, Bethesda,
 Maryland 20814, USA
 (770) Worldwide Franchise Systems, Inc.
 One StarPoint, Stamford, Connecticut 06902,
 USA
 (580) 2024 02 12
-
- (111) M 1998 11044 R
 (732) Worldwide Franchise Systems, Inc.
 7750 Wisconsin Avenue, Bethesda,
 Maryland 20814, USA
 (770) Worldwide Franchise Systems, Inc.
 One StarPoint, Stamford, CT 06902,
 USA
 (580) 2024 02 12
-
- (111) M 2004 15771 R
 (732) AbbVie Biotechnology Ltd
 4th Floor, Washington House, 16 Church
 Street, Hamilton HM 11, Bermuda
 (770) AbbVie Biotechnology Ltd
 Clarendon House, 2 Church Street, Hamilton
 HM 11, Bermuda
 (580) 2024 03 28
-
- (111) M 2006 17140 R
 (732) KMG International N.V.
 Strawinskyiaan 1571, Tower Ten, 17th Floor,
 1077XX Amsterdam, Netherlands
 (770) KMG International N.V.
 Strawinskyiaan 807, Tower A-8, 1077XX
 Amsterdam, Netherlands
 (580) 2024 02 27
-
- (111) M 2010 20473 R
 (732) KMG International N.V.
 Strawinskyiaan 1571, Tower Ten, 17th Floor,
 1077XX Amsterdam, Netherlands
 (770) KMG International N.V.
 Strawinskyiaan 807, Tower A-8,
 1077XX Amsterdam, Netherlands
 (580) 2024 02 27
-
- (111) M 2010 20474 R
 (732) KMG International N.V.
 Strawinskyiaan 1571, Tower Ten, 17th Floor,
 1077XX Amsterdam, Netherlands
 (770) KMG International N.V.
- Strawinskyiaan 807, Tower A-8, 1077XX
 Amsterdam, Netherlands
 (580) 2024 02 27
-
- (111) M 2010 20476 R
 (732) KMG International N.V.
 Strawinskyiaan 1571, Tower Ten, 17th Floor,
 1077XX Amsterdam, Netherlands
 (770) KMG International N.V.
 Strawinskyiaan 807, Tower A-8, 1077XX
 Amsterdam, Netherlands
 (580) 2024 02 27
-
- (111) M 2010 20477 R
 (732) KMG International N.V.
 Strawinskyiaan 1571, Tower Ten, 17th Floor,
 1077XX Amsterdam, Netherlands
 (770) KMG International N.V.
 Strawinskyiaan 807, Tower A-8, 1077XX
 Amsterdam, Netherlands
 (580) 2024 02 27
-
- (111) M 2010 20478 R
 (732) KMG International N.V.
 Strawinskyiaan 1571, Tower Ten, 17th Floor,
 1077XX Amsterdam, Netherlands
 (770) KMG International N.V.
 Strawinskyiaan 807, Tower A-8, 1077XX
 Amsterdam, Netherlands
 (580) 2024 02 27
-
- (111) M 2010 20479 R
 (732) KMG International N.V.
 Strawinskyiaan 1571, Tower Ten, 17th Floor,
 1077XX Amsterdam, Netherlands
 (770) KMG International N.V.
 Strawinskyiaan 807, Tower A-8, NL-1077 XX
 Amsterdam, Netherlands
 (580) 2024 02 27
-
- (111) M 2017 28149 R
 (732) Worldwide Franchise Systems Inc.
 7750 Wisconsin Avenue, Bethesda, Maryland
 20814, USA
 (770) Worldwide Franchise Systems Inc.
 One StarPoint, Stamford, Connecticut
 06902, USA
 (580) 2024 02 12
-

(111) M 2017 28150 R
(732) Worldwide Franchise Systems Inc.
7750 Wisconsin Avenue, Bethesda, Maryland
20814, USA
(770) Worldwide Franchise Systems Inc.
One StarPoint, Stamford, Connecticut
06902, USA
(580) 2024 02 12

(111) M 2017 29132 R
(732) Marina Amaffi
B3, Keratidiou, Coral Seas Villas,
8575 Coral Bay, Paphos, Cyprus
(770) Marina Eduardovna Amaffi
Veresaevis St. 6, ap. 99, 121357 Moscow,
Russian Federation
(580) 2023 11 13

(111) M 1997 7703 R
(732) Rohm & Haas Company
400 Arcola Road, Collegeville, Pennsylvania,
19426, USA
(770) Rohm & Haas Company
Independence Mall West, City of Philadelphia,
State of Pennsylvania 19105, USA
(580) 2024 03 15

(111) M 1997 7705 R
(732) Rohm & Haas Company
400 Arcola Road, Collegeville, Pennsylvania,
19426, USA
(770) Rohm & Haas Company
Independence Mall West, City of Philadelphia,
State of Pennsylvania 19105, USA
(580) 2024 03 15

(111) M 1997 7750 R
(732) Rohm & Haas Company
400 Arcola Road, Collegeville, Pennsylvania,
19426, USA
(770) Rohm & Haas Company
Independence Mall West, City of Philadelphia,
State of Pennsylvania 19105, USA
(580) 2024 03 15

(111) M 2017 29131 R
(732) Marina Amaffi
B3, Keratidiou, Coral Seas Villas,
8575 Coral Bay, Paphos, Cyprus
(770) Марина Эдуардовна Амаффи
Veresaevis St.6, ap. 99, 121357 Moscow,
Russian Federation
(580) 2023 11 13

CANCELLATION OF TRADEMARKS REGISTRATION

(111) M 2023 36400 R
(151) 2023 02 06
(732) JSC "Pasha Bank Georgia"
Ilia Chavchavadze Av. 37M, 0179, Tbilisi,
Georgia
(141) 2024 04 10

(111) M 2023 36393 R
(151) 2023 02 06
(732) JSC "Pasha Bank Georgia"
Ilia Chavchavadze Av. 37M, 0179, Tbilisi,
Georgia
(141) 2024 04 10

(111) M 2003 15258 R
(151) 2003 09 29
(732) Unilever N.V.
Weena 455, NL-3013 AL Rotterdam,
Netherlands
(141) 2024 04 15

(111) M 2003 15262 R
(151) 2003 09 29
(732) Berlin-Chemie AG
Glienicke Weg 125, D-12489, Berlin,
Germany
(141) 2024 04 15

(111) M 2013 24067 R
(151) 2013 09 30
(732) Unilever IP Holdings B.V.
Weena 455, 3013 AL Rotterdam,
Netherlands
(141) 2024 04 15

(111) M 2013 24070 R
(151) 2013 09 30
(732) Abbott Products Operations AG
Hegenheimermattweg 127, 4123 Allschwil,
Switzerland
(141) 2024 04 15

(111) M 2013 24071 R
(151) 2013 09 30
(732) OOO "Bayadera Holding"
Donetsk Region, City Gorlovka, Ozeryanov-
skaya St. 2, 84601, Ukraine
(141) 2024 04 15

(111) M 2013 24072 R
(151) 2013 09 30
(732) LTD "Greenline Hells"
Vazisubani St. 25, 0160, Tbilisi, Georgia
(141) 2024 04 15

(111) M 2013 24073 R
(151) 2013 09 30
(732) Harrington Development Inc.
Elivira Mendez Street, Valerino Bldg,
3rd Floor, Panama, Republic of Panama
(141) 2024 04 15

(111) M 2013 24074 R
(151) 2013 09 30
(732) Harrington Development Inc.
Elivira Mendez Street, Valerino Bldg,
3rd Floor, Panama, Republic of Panama
(141) 2024 04 15

(111) M 2013 24075 R
(151) 2013 09 30
(732) OAO "Otispharm"
ul. Testovskaya, dom 10, 123317, Moscow,
Russian Federation
(141) 2024 04 15

(111) M 2013 24076 R
(151) 2013 09 30
(732) Kireç Ve Tuğla Kimya Sanayi Anonim Şirketi
Kayseri-Ankara Karayolu 60, Km., Kalaba,
Avanos-Nevşehir, Türkiye
(141) 2024 04 15

(111) M 2013 24077 R
(151) 2013 09 30
(732) Kireç Ve Tuğla Kimya Sanayi Anonim Şirketi
Kayseri-Ankara Karayolu 60, Km., Kalaba,
Avanos-Nevşehir, Türkiye
(141) 2024 04 15

(111) M 2013 24078 R
(151) 2013 09 30
(732) Kireç Ve Tuğla Kimya Sanayi Anonim Şirketi
Kayseri-Ankara Karayolu 60, Km., Kalaba,
Avanos-Nevşehir, Türkiye
(141) 2024 04 15

(111) M 2013 24084 R
(151) 2013 09 30
(732) Harrington Development Inc.
Elivira Mendez Street, Valerino Bldg,
3rd Floor, Panama, Republic of Panama
(141) 2024 04 15

(111) M 2013 24085 R
(151) 2013 09 30
(732) Societe Zheneral
29, bulvar hausmani 75009, Parizi, France
(141) 2024 04 15

(111) M 2013 24086 R
(151) 2013 09 30
(732) Shekspir Jusupov
Nutsbidze Slope, III m/r, II qu., bld. 8,
ap. 22, 0183, Tbilisi, Georgia
(141) 2024 04 15

(111) M 2013 24089 R
(151) 2013 09 30
(732) Kimberly-Clark Worldwide Inc.
Neenah, WI 54956, USA
(141) 2024 04 15

(111) M 2013 24092 R
(151) 2013 09 30
(732) Novartis AG
4002 Basel, Switzerland
(141) 2024 04 15

(111) M 2013 24093 R
(732) Novartis AG
4002 Basel, Switzerland
(141) 2024 04 15

(111) M 2013 24094 R
(151) 2013 09 30
(732) Novartis AG
4002 Basel, Switzerland
(141) 2024 04 15

(111) M 2013 24095 R
(151) 2013 09 30
(732) Novartis AG
4002 Basel, Switzerland
(141) 2024 04 15

(111) M 2013 24096 R
(151) 2013 09 30
(732) Novartis AG
4002 Basel, Switzerland
(141) 2024 04 15

(111) M 2013 24097 R
(151) 2013 09 30
(732) Novartis AG
4002 Basel, Switzerland
(141) 2024 04 15

(111) M 2013 24098 R
(151) 2013 09 30
(732) Novartis AG
4002 Basel, Switzerland
(141) 2024 04 15

(111) M 2013 24099 R
(151) 2013 09 30
(732) Novartis AG
4002 Basel, Switzerland
(141) 2024 04 15

(111) M 2013 24100 R
(151) 2013 09 30
(732) Novartis AG
4002 Basel, Switzerland
(141) 2024 04 15

(111) M 2013 24101 R
(151) 2013 09 30
(732) Novartis AG
4002 Basel, Switzerland
(141) 2024 04 15

(111) M 2013 24102 R
(151) 2013 09 30
(732) Novartis AG
4002 Basel, Switzerland
(141) 2024 04 15

(111) M 2013 24103 R
(151) 2013 09 30
(732) Novartis AG
4002 Basel, Switzerland
(141) 2024 04 15

(111) M 2013 24104 R
(151) 2013 09 30
(732) Stiefel Laboratories Inc.
Corporation Service Company, 251 Little
Falls Drive, Wilmington, Delaware 19808,
USA
(141) 2024 04 15

(111) M 2013 24105 R
(151) 2013 09 30
(732) Stiefel Laboratories Inc.
Corporation Service Company, 251 Little
Falls Drive, Wilmington, Delaware 19808,
USA
(141) 2024 04 15

(111) M 2013 24106 R
(151) 2013 09 30
(732) Stiefel Laboratories Inc.
Corporation Service Company, 251 Little
Falls Drive, Wilmington, Delaware 19808,
USA
(141) 2024 04 15

(111) M 2013 24107 R
(151) 2013 09 30
(732) Stiefel Laboratories Inc.
Corporation Service Company, 251 Little
Falls Drive, Wilmington, Delaware 19808,
USA
(141) 2024 04 15

(111) M 2013 24108 R
(151) 2013 09 30
(732) Stiefel Laboratories Inc.
Corporation Service Company, 251 Little
Falls Drive, Wilmington, Delaware 19808,
USA
(141) 2024 04 15

(111) M 2013 24109 R
(151) 2013 09 30
(732) Nestle Skin Health S.A.
Avenue Gratta-Paille 2, CH-1018 Lausanne,
Switzerland
(141) 2024 04 15

(111) M 2013 24110 R
(151) 2013 09 30
(732) Nestle Skin Health S.A.
Avenue Gratta-Paille 2, CH-1018 Lausanne,
Switzerland

(141) 2024 04 15

(111) M 2013 24113 R
(151) 2013 09 30
(732) Novartis AG
4002 Basel, Switzerland
(141) 2024 04 15

(111) M 2013 24116 R
(151) 2013 09 30
(732) Limited Liability Company "Russkaya
Kosmetika"
Vokzalnaya St. 53, Litera C, office 2,
RU-143005, Odintsovo, Moscow Region,
Russian Federation
(141) 2024 04 15

(111) M 2013 24119 R
(151) 2013 09 30
(732) LTD "BTM Textile"
Melikishvili St. 25, ap. 3, 6000, Batumi,
Georgia
(141) 2024 04 15

(111) M 2013 24120 R
(151) 2013 09 30
(732) LTD "BTM Textile"
Melikishvili St. 25, ap. 3, 6000, Batumi,
Georgia
(141) 2024 04 15

(111) M 2013 24121 R
(151) 2013 09 30
(732) LTD "BTM Textile"
Melikishvili St. 25, ap. 3, 6000, Batumi,
Georgia
(141) 2024 04 15

(111) M 2013 24122 R
(151) 2013 09 30
(732) Merck Sharp & Dohme Corp.
One Merck Drive, Whitehouse Station,
New Jersey 08889, USA
(141) 2024 04 15

(111) M 2013 24125 R
(151) 2013 10 04
(732) Closed Joint Stock Company "Sven Group"
Khachatryan St. 23/22, 0112, Yerevan,
Armenia
(141) 2024 04 15

(111) M 2013 24123 R
(151) 2013 09 30
(732) LTD "Power Tuls Georgia"
Gagarin st. 30, 6000, Batumi, Georgia
(141) 2024 04 10

(111) M 2013 24124 R
(151) 2013 09 30
(732) LTD "Power Tuls Georgia"
Gagarin st. 30, 6000, Batumi, Georgia
(141) 2024 04 10

(111) M 2013 24126 R
(151) 2013 10 04
(732) LTD "White Hat"
Krtsanisi, Rustavi Highway, 17th km.,
1300, Gardabani Region, Georgia
(141) 2024 04 15

(111) M 2013 24127 R
(151) 2013 10 10
(732) Gallaher Limited
Members Hill, Brooklands Road, Weybridge,
KT13 0QU Surrey, United Kingdom
(141) 2024 04 15

(111) M 2018 30098 R
(151) 2018 09 05
(732) LTD "Fierna"
Levan Gotua St. 12, 0160, Tbilisi, Georgia
(141) 2024 04 08

(111) M 2018 30101 R
(151) 2018 09 05
(732) LTD "Fierna"
Levan Gotua St. 12, 0160, Tbilisi, Georgia
(141) 2024 04 08

(111) M 2018 29670 R
(151) 2018 05 17
(732) LTD "Fierna"
Levan Gotua St. 12, 0160, Tbilisi, Georgia
(141) 2024 04 08

INTERNATIONAL LICENSE AGREEMENTS

(800) 1382798
(732) Takeda AS
Drammensveien 852, N-1383 Asker, Norway
(791) Joint Stock Company "Nizhny-Novgorod"
Chemical Pharmaceutical Plant
(JSC "Nizhpharm")
Salganskaya St. 7, Nizhny-Novgorod, Nizhny
Novgorod Region, 603105, Russian Federation
(793) №1837
Special
From 15 03 2024 for the period of validity of
the sign
Class: 5.

(800) 1382799
(732) Takeda AS
Drammensveien 852, N-1383 Asker, Norway
(791) Joint Stock Company "Nizhny-Novgorod"
Chemical Pharmaceutical Plant
(JSC "Nizhpharm")
Salganskaya St. 7, Nizhny-Novgorod, Nizhny
Novgorod Region, 603105, Russian Federation
(793) №1838
Special
From 15 03 2024 for the period of validity of
the sign
Class: 5.

(800) 1382800
(732) Takeda AS
Drammensveien 852, N-1383 Asker, Norway
(791) Joint Stock Company "Nizhny-Novgorod"
Chemical Pharmaceutical Plant
(JSC "Nizhpharm")
Salganskaya St. 7, Nizhny-Novgorod, Nizhny
Novgorod Region, 603105, Russian Federation
(793) №1839
Special
From 15 03 2024 for the period of validity of
the sign
Class: 5.

CLASSIFICATION INDEXES

INVENTIONS

CONCORDANCE TABLE OF INTERNATIONAL CLASSIFICATION INDEX AND PUBLICATION NUMBER

INTERNATIONAL CLASSIFICATION INDEXES (51)	NUMBER OF PUBLISHED APPLICATION (10)
A 61 K 31/437; A 61 P 35/00; C 07 D 471/04	AP 2024 15945 A

CONCORDANCE TABLE OF PUBLICATION NUMBER AND INTERNATIONAL CLASSIFICATION INDEX

NUMBER OF PUBLISHED APPLICATION (10)	INTERNATIONAL CLASSIFICATION INDEXES (51)
AP 2024 15945 A	A 61 K 31/437; A 61 P 35/00; C 07 D 471/04

CONCORDANCE TABLE OF INTERNATIONAL CLASSIFICATION INDEX, PATENT NUMBER AND PUBLICATION NUMBER

INTERNATIONAL CLASSIFICATION INDEX (51)	NUMBER OF PATENT (11)	NUMBER OF PUBLISHED APPLICATION (10)
A 21 C 1/00; A 21 D 10/04	P 2024 7620 B	AP 2023 15901 A
A 61 K 45/06; A 61 K 31/7008; A 61 K 31/551; A 61 K 31/506; A 61 K 31/42; A 61 K 31/137	P 2024 7617 B	AP 2023 15757 A
C 04 B 28/14; C 04 B 38/10	P 2024 7618 B	AP 2023 15972 A
F 01 K 25/10; F 01 K 3/18	P 2024 7619 B	AP 2023 16060 A

CONCORDANCE TABLE OF PATENT NUMBER, PUBLICATION NUMBER AND INTERNATIONAL CLASSIFICATION INDEX

NUMBER OF PATENT (11)	NUMBER OF PUBLISHED APPLICATION (10)	INTERNATIONAL CLASSIFICATION INDEX (51)
P 2024 7617 B	AP 2023 15757 A	A 61 K 45/06; A 61 K 31/7008; A 61 K 31/551; A 61 K 31/506; A 61 K 31/42; A 61 K 31/137
P 2024 7618 B	AP 2023 15972 A	C 04 B 28/14; C 04 B 38/10
P 2024 7619 B	AP 2023 16060 A	F 01 K 25/10; F 01 K 3/18
P 2024 7620 B	AP 2023 15901 A	A 21 C 1/00; A 21 D 10/04

**CONCORDANCE TABLE OF APPLICATION NUMBER,
PUBLICATION NUMBER AND PATENT**

NUMBER OF APPLICATION (21)	NUMBER OF PUBLISHED APPLICATION (10)	NUMBER OF PATENT (11)
AP 2018 15757	AP 2023 15757 A	P 2024 7617 B
AP 2022 15901	AP 2023 15901 A	P 2024 7620 B
AP 2019 15972	AP 2023 15972 A	P 2024 7618 B
AP 2021 16060	AP 2023 16060 A	P 2024 7619 B

APPLICATIONS^{*}**

**CONCORDANCE TABLE OF INTERNATIONAL CLASSIFICATION INDEX
AND PUBLICATION NUMBER**

INTERNATIONAL CLASSIFICATION INDEXES (51)	NUMBER OF PUBLISHED APPLICATION (10)
A 24 D 1/14; A 24 F 1/30	AP 2024 16475 A
A 61 K 31/138; A 61 K 31/585; A 61 K 45/06; A 61 P 11/00	AP 2024 16361 A
A 61 K 31/4155; A 61 P 3/10; C 07 D 405/14; C 07 D 403/12	AP 2024 16483 A
A 61 K 31/4184; A 61K 31/343; A 61K 31/437; C 07 D 405/12; C 07 D 487/04	AP 2024 16449 A
A 61 K 38/00; A 61 K 45/06; A 61 P 27/02; C 07 K 14/71	AP 2024 16461 A
A 61 K 38/17; A 61 P 9/00; A 61 P 11/00; C 07 K 14/475	AP 2024 16434 A
A 61 K 47/34; A 61 K 47/20; A 61 K 9/10; A 61 K 9/00	AP 2024 16492 A
A 61 K 47/64; C 07 K 7/64; C 12 N 15/113	AP 2024 16440 A
E 04 F 15/04; E 04 F 15/02	AP 2024 16281 A
F 01 N 3/08; F 01 N 13/00; F 01 N 3/20	AP 2024 16480 A

**CONCORDANCE TABLE OF PUBLICATION NUMBER
AND INTERNATIONAL CLASSIFICATION INDEX**

NUMBER OF PUBLISHED APPLICATION (10)	INTERNATIONAL CLASSIFICATION INDEXES (51)
AP 2024 16281 A	E 04 F 15/04; E 04 F 15/02
AP 2024 16361 A	A 61 K 31/138; A 61 K 31/585; A 61 K 45/06; A 61 P 11/00
AP 2024 16434 A	A 61 K 38/17; A 61 P 9/00; A 61 P 11/00; C 07 K 14/475
AP 2024 16440 A	A 61 K 47/64; C 07 K 7/64; C 12 N 15/113
AP 2024 16449 A	A 61 K 31/4184; A 61K 31/343; A 61K 31/437; C 07 D 405/12; C 07 D 487/04
AP 2024 16461 A	A 61 K 38/00; A 61 K 45/06; A 61 P 27/02; C 07 K 14/71
AP 2024 16475 A	A 24 D 1/14; A 24 F 1/30
AP 2024 16480 A	F 01 N 3/08; F 01 N 13/00; F 01 N 3/20
AP 2024 16483 A	A 61 K 31/4155; A 61 P 3/10; C 07 D 405/14; C 07 D 403/12
AP 2024 16492 A	A 61 K 47/34; A 61 K 47/20; A 61 K 9/10; A 61 K 9/00

UTILITY MODELS**CONCORDANCE TABLE OF INTERNATIONAL CLASSIFICATION INDEX
AND PUBLICATION NUMBER**

INTERNATIONAL CLASSIFICATION INDEXES (51)	NUMBER OF PUBLISHED APPLICATION (10)
H 01 H 31/02	AU 2024 16222 U

**CONCORDANCE TABLE OF PUBLICATION NUMBER
AND INTERNATIONAL CLASSIFICATION INDEX**

NUMBER OF PUBLISHED APPLICATION (10)	INTERNATIONAL CLASSIFICATION INDEXES (51)
AU 2024 16222 U	H 01 H 31/02

APPLICATIONS^{*}****CONCORDANCE TABLE OF INTERNATIONAL CLASSIFICATION INDEX
AND PUBLICATION NUMBER**

INTERNATIONAL CLASSIFICATION INDEXES (51)	NUMBER OF PUBLISHED APPLICATION (10)
A 21 D 13/04	AU 2024 16312 U
B 01 D 53/02; B 01 D 53/047; B 01 D 53/34; B 01 J 20/16; B 01 J 20/282; B 01 J 20/34; C 01 B 39/00; C 04 B 7/12	AU 2024 16399 U
B 01 J 20/14; B 01 J 20/16; B 01 J 20/30; C 01 B 39/02	AU 2024 16394 U
C 04 B 14/00; C 04 B 14/02; C 04 B 14/04; C 04 B 14/26; C 04 B 18/14	AU 2024 16401 U

**CONCORDANCE TABLE OF PUBLICATION NUMBER
AND INTERNATIONAL CLASSIFICATION INDEX**

NUMBER OF PUBLISHED APPLICATION (10)	INTERNATIONAL CLASSIFICATION INDEXES (51)
AU 2024 16312 U	A 21 D 13/04
AU 2024 16394 U	B 01 J 20/14; B 01 J 20/16; B 01 J 20/30; C 01 B 39/02
AU 2024 16399 U	B 01 D 53/02; B 01 D 53/047; B 01 D 53/34; B 01 J 20/16; B 01 J 20/282; B 01 J 20/34; C 01 B 39/00; C 04 B 7/12
AU 2024 16401 U	C 04 B 14/00; C 04 B 14/02; C 04 B 14/04; C 04 B 14/26; C 04 B 18/14

REGISTERED UTILITY MODELS***
CONCORDANCE TABLE OF INTERNATIONAL CLASSIFICATION INDEX,
REGISTRATION NUMBER AND PUBLICATION NUMBER

INTERNATIONAL CLASSIFICATION INDEXES (51)	NUMBER OF UTILITY MODEL REGISTRATION (11)	NUMBER OF PUBLISHED APPLICATION (10)
A 21 D 13/04	U 2024 2176 Y	AU 2024 16312 U
B 01 J 20/14; B 01 J 20/16; B 01 J 20/30; C 01 B 39/02	U 2024 2177 Y	AU 2024 16394 U
C 04 B 14/00; C 04 B 14/02; C 04 B 14/04; C 04 B 14/26; C 04 B 18/14	U 2024 2175 Y	AU 2024 16401 U
B 01 D 53/02; B 01 D 53/047; B 01 D 53/34; B 01 J 20/16; B 01 J 20/282; B 01 J 20/34; C 01 B 39/00; C 04 B 7/12	U 2024 2178 Y	AU 2024 16399 U

CONCORDANCE TABLE OF REGISTRATION NUMBER,
PUBLICATION NUMBER AND INTERNATIONAL CLASSIFICATION INDEX

NUMBER OF UTILITY MODEL REGISTRATION (11)	NUMBER OF PUBLISHED APPLICATION (10)	INTERNATIONAL CLASSIFICATION INDEXES (51)
U 2024 2175 Y	AU 2024 16401 U	C 04 B 14/00; C 04 B 14/02; C 04 B 14/04; C 04 B 14/26; C 04 B 18/14
U 2024 2176 Y	AU 2024 16312 U	A 21 D 13/04
U 2024 2177 Y	AU 2024 16394 U	B 01 J 20/14; B 01 J 20/16; B 01 J 20/30; C 01 B 39/02
U 2024 2178 Y	AU 2024 16399 U	B 01 D 53/02; B 01 D 53/047; B 01 D 53/34; B 01 J 20/16; B 01 J 20/282; B 01 J 20/34; C 01 B 39/00; C 04 B 7/12

CONCORDANCE TABLE OF APPLICATION NUMBER,
PUBLICATION NUMBER AND REGISTRATION NUMBER

NUMBER OF APPLICATION (21)	NUMBER OF PUBLISHED APPLICATION (10)	NUMBER OF UTILITY MODEL REGISTRATION (11)
AU 2023 16312	AU 2024 16312 U	U 2024 2176 Y
AU 2023 16394	AU 2024 16394 U	U 2024 2177 Y
AU 2023 16401	AU 2024 16401 U	U 2024 2175 Y
AU 2023 16399	AU 2024 16399 U	U 2024 2178 Y

TRADEMARKS

CONCORDANCE TABLE OF REGISTRATION NUMBERS, APPLICATION NUMBERS, PUBLICATION NUMBERS AND BULLETIN NUMBERS

NUMBER OF REGISTRATION (111)	NUMBER OF APPLICATIONS (210)	NUMBER OF PUBLISHED APPLICATIONS (260)	NUMBER OF BULLETIN
M 2024 38092 R	AM 127434	–	8(635)2024
M 2024 38093 R	AM 127569	–	8(635)2024
M 2024 38094 R	AM 127570	–	8(635)2024
M 2024 38095 R	AM 127583	–	8(635)2024
M 2024 38096 R	AM 127419	–	8(635)2024
M 2024 38097 R	AM 127592	–	8(635)2024
M 2024 38098 R	AM 127414	–	8(635)2024
M 2024 38099 R	AM 127593	–	8(635)2024
M 2024 38100 R	AM 127643	–	8(635)2024
M 2024 38101 R	AM 127786	–	8(635)2024
M 2024 38102 R	AM 127594	–	8(635)2024
M 2024 38103 R	AM 127589	–	8(635)2024
M 2024 38104 R	AM 127595	–	8(635)2024
M 2024 38105 R	AM 127596	–	8(635)2024
M 2024 38106 R	AM 127597	–	8(635)2024
M 2024 38107 R	AM 127598	–	8(635)2024
M 2024 38108 R	AM 127599	–	8(635)2024
M 2024 38109 R	AM 127600	–	8(635)2024
M 2024 38110 R	AM 117543	AM 2023 117543 A	20(623) 2023
M 2024 38110 R	AM 117543	AM 2023 117543 A	8(611) 2023
M 2024 38111 R	AM 117544	AM 2023 117544 A	20(623) 2023
M 2024 38111 R	AM 117544	AM 2023 117544 A	8(611) 2023
M 2024 38112 R	AM 120516	AM 2023 120516 A	18(621) 2023
M 2024 38113 R	AM 121220	AM 2023 121220 A	18(621) 2023
M 2024 38114 R	AM 121439	AM 2023 121439 A	18(621) 2023
M 2024 38115 R	AM 121499	AM 2023 121499 A	18(621) 2023
M 2024 38116 R	AM 121505	AM 2023 121505 A	18(621) 2023
M 2024 38117 R	AM 121642	AM 2023 121642 A	18(621) 2023
M 2024 38118 R	AM 121643	AM 2023 121643 A	18(621) 2023
M 2024 38119 R	AM 121644	AM 2023 121644 A	20(623) 2023
M 2024 38120 R	AM 121645	AM 2023 121645 A	18(621) 2023
M 2024 38121 R	AM 121652	AM 2023 121652 A	23(626) 2023
M 2024 38122 R	AM 121653	AM 2023 121653 A	23(626) 2023
M 2024 38123 R	AM 121731	AM 2023 121731 A	19(622) 2023
M 2024 38124 R	AM 121771	AM 2023 121771 A	19(622) 2023
M 2024 38125 R	AM 121855	AM 2023 121855 A	18(621) 2023
M 2024 38126 R	AM 121899	AM 2023 121899 A	18(621) 2023
M 2024 38127 R	AM 121900	AM 2023 121900 A	20(623) 2023
M 2024 38128 R	AM 121927	AM 2023 121927 A	20(623) 2023
M 2024 38129 R	AM 122018	AM 2023 122018 A	19(622) 2023
M 2024 38130 R	AM 122019	AM 2023 122019 A	19(622) 2023
M 2024 38131 R	AM 122041	AM 2023 122041 A	21(624) 2023
M 2024 38132 R	AM 122110	AM 2023 122110 A	20(623) 2023
M 2024 38133 R	AM 122111	AM 2023 122111 A	20(623) 2023
M 2024 38134 R	AM 122116	AM 2023 122116 A	19(622) 2023
M 2024 38135 R	AM 122198	AM 2023 122198 A	21(624) 2023
M 2024 38136 R	AM 122287	AM 2023 122287 A	23(626) 2023
M 2024 38137 R	AM 122428	AM 2023 122428 A	21(624) 2023

1	2	3	4
M 2024 38138 R	AM 122575	AM 2023 122575 A	21(624) 2023
M 2024 38139 R	AM 122582	AM 2023 122582 A	23(626) 2023
M 2024 38140 R	AM 122583	AM 2023 122583 A	24(627) 2023
M 2024 38141 R	AM 122654	AM 2023 122654 A	24(627) 2023
M 2024 38142 R	AM 122679	AM 2023 122679 A	24(627) 2023
M 2024 38143 R	AM 122722	AM 2023 122722 A	24(627) 2023
M 2024 38144 R	AM 122723	AM 2023 122723 A	24(627) 2023
M 2024 38145 R	AM 122725	AM 2023 122725 A	24(627) 2023
M 2024 38146 R	AM 122726	AM 2023 122726 A	23(626) 2023
M 2024 38147 R	AM 122728	AM 2023 122728 A	22(625) 2023
M 2024 38148 R	AM 122743	AM 2023 122743 A	23(626) 2023
M 2024 38149 R	AM 122849	AM 2023 122849 A	23(626) 2023
M 2024 38150 R	AM 122850	AM 2023 122850 A	23(626) 2023
M 2024 38151 R	AM 122853	AM 2023 122853 A	23(626) 2023
M 2024 38152 R	AM 122855	AM 2023 122855 A	23(626) 2023
M 2024 38153 R	AM 122961	AM 2023 122961 A	23(626) 2023
M 2024 38154 R	AM 122963	AM 2023 122963 A	23(626) 2023
M 2024 38155 R	AM 122964	AM 2023 122964 A	23(626) 2023
M 2024 38156 R	AM 122965	AM 2023 122965 A	23(626) 2023
M 2024 38157 R	AM 122984	AM 2023 122984 A	23(626) 2023
M 2024 38158 R	AM 123065	AM 2023 123065 A	24(627) 2023
M 2024 38159 R	AM 123189	AM 2023 123189 A	24(627) 2023
M 2024 38160 R	AM 123190	AM 2023 123190 A	24(627) 2023
M 2024 38161 R	AM 123325	AM 2023 123325 A	24(627) 2023
M 2024 38162 R	AM 123330	AM 2023 123330 A	24(627) 2023
M 2024 38163 R	AM 123331	AM 2023 123331 A	24(627) 2023
M 2024 38164 R	AM 123332	AM 2023 123332 A	24(627) 2023
M 2024 38165 R	AM 123334	AM 2023 123334 A	24(627) 2023
M 2024 38166 R	AM 127571	–	8(635)2024
M 2024 38167 R	AM 127587	–	8(635)2024
M 2024 38168 R	AM 95361	AM 2018 95361 A	14(498) 2018
M 2024 38168 R	AM 95361	AM 2023 95361 A	24(627) 2023
M 2024 38169 R	AM 127653	–	8(635)2024
M 2024 38170 R	AM 127429	–	8(635)2024
M 2024 38171 R	AM 127623	–	8(635)2024

CONCORDANCE TABLE OF INDEX OF GOODS AND/OR SERVICES
AND APPLICATION NUMBERS

NUMBER OF PUBLISHED APPLICATIONS (260)	NUMBER OF APPLICATIONS (210)	1	2
1	2		
AM 2024 123307 A	AM 123307	AM 2024 124593 A	AM 124593
AM 2024 123308 A	AM 123308	AM 2024 124599 A	AM 124599
AM 2024 123309 A	AM 123309	AM 2024 124608 A	AM 124608
AM 2024 124149 A	AM 124149	AM 2024 124609 A	AM 124609
AM 2024 124325 A	AM 124325	AM 2024 124610 A	AM 124610
AM 2024 124326 A	AM 124326	AM 2024 124611 A	AM 124611
AM 2024 124328 A	AM 124328	AM 2024 124612 A	AM 124612
AM 2024 124330 A	AM 124330	AM 2024 124613 A	AM 124613
AM 2024 124333 A	AM 124333	AM 2024 124702 A	AM 124702
AM 2024 124336 A	AM 124336	AM 2024 124705 A	AM 124705
AM 2024 124338 A	AM 124338	AM 2024 124707 A	AM 124707
AM 2024 124356 A	AM 124356	AM 2024 124708 A	AM 124708
AM 2024 124428 A	AM 124428	AM 2024 124709 A	AM 124709
AM 2024 124506 A	AM 124506	AM 2024 124769 A	AM 124769
AM 2024 124508 A	AM 124508	AM 2024 124772 A	AM 124772
AM 2024 124514 A	AM 124514	AM 2024 124773 A	AM 124773
AM 2024 124519 A	AM 124519	AM 2024 124788 A	AM 124788
AM 2024 124524 A	AM 124524	AM 2024 124818 A	AM 124818
AM 2024 124587 A	AM 124587	AM 2024 124819 A	AM 124819
AM 2024 124588 A	AM 124588	AM 2024 124830 A	AM 124830
AM 2024 124589 A	AM 124589	AM 2024 124941 A	AM 124941
		AM 2024 124942 A	AM 124942
		AM 2024 124943 A	AM 124943
		AM 2024 124949 A	AM 124949
		AM 2024 124951 A	AM 124951

CONCORDANCE TABLE OF PUBLICATION NUMBERS
AND APPLICATION NUMBERS

INDEX OF GOODS AND/OR SERVICES (511)	NUMBER OF PUBLISHED APPLICATIONS (260)	1	2
1	AM 2024 124788 A	33	AM 2024 124951 A
2	AM 2024 124788 A	34	AM 2024 124428 A
3	AM 2024 124328 A	34	AM 2024 124506 A
3	AM 2024 124708 A	34	AM 2024 124508 A
4	AM 2024 124788 A	35	AM 2024 123308 A
4	AM 2024 124943 A	35	AM 2024 123309 A
5	AM 2024 124325 A	35	AM 2024 124330 A
5	AM 2024 124326 A	35	AM 2024 124599 A
5	AM 2024 124336 A	35	AM 2024 124609 A
5	AM 2024 124612 A	35	AM 2024 124610 A
5	AM 2024 124613 A	35	AM 2024 124702 A
5	AM 2024 124707 A	35	AM 2024 124708 A
6	AM 2024 124593 A	35	AM 2024 124709 A
6	AM 2024 124788 A	35	AM 2024 124788 A
7	AM 2024 124593 A	35	AM 2024 124818 A
7	AM 2024 124788 A	35	AM 2024 124830 A
7	AM 2024 124819 A	37	AM 2024 124333 A
7	AM 2024 124943 A	37	AM 2024 124587 A
9	AM 2024 124593 A	37	AM 2024 124588 A
9	AM 2024 124608 A	37	AM 2024 124589 A
9	AM 2024 124788 A	37	AM 2024 124593 A
9	AM 2024 124819 A	37	AM 2024 124788 A
11	AM 2024 124788 A	37	AM 2024 124943 A
12	AM 2024 124593 A	38	AM 2024 124587 A
12	AM 2024 124943 A	38	AM 2024 124588 A
17	AM 2024 124788 A	38	AM 2024 124589 A
18	AM 2024 124708 A	38	AM 2024 124608 A
19	AM 2024 124333 A	39	AM 2024 123308 A
19	AM 2024 124788 A	39	AM 2024 123309 A
20	AM 2024 124599 A	39	AM 2024 124330 A
25	AM 2024 124708 A	39	AM 2024 124587 A
25	AM 2024 124818 A	39	AM 2024 124588 A
25	AM 2024 124830 A	39	AM 2024 124589 A
29	AM 2024 124149 A	39	AM 2024 124593 A
29	AM 2024 124519 A	40	AM 2024 124587 A
29	AM 2024 124941 A	40	AM 2024 124588 A
30	AM 2024 124519 A	40	AM 2024 124589 A
30	AM 2024 124941 A	40	AM 2024 124788 A
32	AM 2024 123307 A	41	AM 2024 123308 A
32	AM 2024 124611 A	41	AM 2024 123309 A
32	AM 2024 124772 A	41	AM 2024 124587 A
32	AM 2024 124773 A	41	AM 2024 124588 A
32	AM 2024 124951 A	41	AM 2024 124589 A
33	AM 2024 124338 A	41	AM 2024 124608 A
33	AM 2024 124514 A	42	AM 2024 124587 A
33	AM 2024 124611 A	42	AM 2024 124588 A
33	AM 2024 124702 A	42	AM 2024 124589 A
33	AM 2024 124769 A	42	AM 2024 124593 A
		42	AM 2024 124788 A
		43	AM 2024 123308 A
		43	AM 2024 123309 A
		43	AM 2024 124356 A

1	2	3	4
43	AM 2024 124524 A	43	AM 2024 124942 A
43	AM 2024 124609 A	44	AM 2024 123308 A
43	AM 2024 124610 A	44	AM 2024 123309 A
43	AM 2024 124709 A	44	AM 2024 124705 A
43	AM 2024 124941 A	45	AM 2024 124949 A

CONCORDANCE TABLE OF INDEX OF GOODS AND/OR SERVICES
AND NUMBERS OF TRADEMARKS REGISTERED ACCORDING
TO THE ACCELERATED PROCEDURE

INDEX OF GOODS AND/OR SERVICES (511)	NUMBERS OF REGISTERED ACCORDING TO THE ACCELERATED PROCEDURE (111)
5	M 2024 38097 R
9	M 2024 38092 R
9	M 2024 38102 R
12	M 2024 38103 R
21	M 2024 38167 R
29	M 2024 38099 R
30	M 2024 38099 R
30	M 2024 38109 R
32	M 2024 38093 R
32	M 2024 38094 R
32	M 2024 38100 R
32	M 2024 38166 R
35	M 2024 38092 R
35	M 2024 38098 R
35	M 2024 38101 R
36	M 2024 38092 R
36	M 2024 38101 R
36	M 2024 38104 R
36	M 2024 38105 R
36	M 2024 38106 R
36	M 2024 38107 R
36	M 2024 38108 R
41	M 2024 38096 R
42	M 2024 38102 R
43	M 2024 38095 R
43	M 2024 38101 R
43	M 2024 38169 R
43	M 2024 38170 R
43	M 2024 38171 R

OFFICIAL BULLETIN OF THE INDUSTRIAL PROPERTY

INVENTIONS
UTILITY MODELS
DESIGNS
TRADEMARKS

8(635)

EDITOR-IN-CHIEF: N. Bebrishvili

EDITOR-TRANSLATOR: E. Gabunia

PROOFREADER: A. Shikhashvili

COMPUTER LAYOUT: M. Ordenidze
K. Svanidze

ISSN 2720-8486

info@sakpatenti.gov.ge
www.sakpatenti.gov.ge

**LIST OF CODES, IN ALPHABETIC SEQUENCE, AND THE CORRESPONDING (SHORT) NAMES OF STATES, OTHER ENTITIES AND INTERGOVERNMENTAL ORGANIZATIONS
(WIPO STANDARD ST.3)**

AD	Andorra				
AE	United Arab Emirates	GD	Grenada	NE	Niger
AF	Afghanistan	GG	Guernsey	NG	Nigeria
AG	Antigua and Barbuda	GH	Ghana	NI	Nicaragua
AI	Anguilla	GI	Gibraltar	NL	Netherlands
AL	Albania	GT	Guatemala	NO	Norway
AM	Armenia	GW	Guinea- Bissau	NP	Nepal
AN	Netherlands Antilles	GY	Guyana	NR	Nauru
AO	Angola	HK	The Hong Kong Special Administrative Region of the People's Republic of China	NZ	New Zealand
AP	African Regional Intellectual Property Organization (ARIPO)	HN	Honduras	OA	African Intellectual Property Organization (OAPI)
AR	Argentina	HR	Croatia	OM	Oman
AT	Austria	HT	Haiti	PA	Panama
AU	Australia	HU	Hungary	PE	Peru
AW	Aruba	IB	International Bureau of the World Intellectual Property Organization (WIPO)	PG	Papua New Guinea
AZ	Azerbaijan	ID	Indonesia	PH	Philippines
BA	Bosnia and Herzegovina	IE	Ireland	PK	Pakistan
BB	Barbados	IL	Israel	PL	Poland
BD	Bangladesh	IM	Isle of Man	PT	Portugal
BE	Belgium	IN	India	PW	Palau
BF	Burkina Faso	IQ	Iraq	PY	Paraguay
BG	Bulgaria	IR	Iran (Islamic Republic of)	QA	Qatar
BH	Bahrain	IS	Iceland	QZ	Community Plant Variety Office (European Community) (CPVO)
BI	Burundi	IT	Italy	RO	Romania
BJ	Benin	JE	Jersey	RS	Serbia
BM	Bermuda	JM	Jamaica	RU	Russian Federation
BN	Brunei Darussalam	JO	Jordan	RW	Rwanda
BO	Bolivia	JP	Japan	SA	Saudi Arabia
BR	Brazil	KE	Kenya	SB	Solomon Islands
BS	Bahamas	KG	Kyrgyzstan	SC	Seychelles
BT	Bhutan	KH	Cambodia	SD	Sudan
BV	Bouvet Island	KI	Kiribati	SG	Singapore
BW	Botswana	KM	Saint Kitts and Nevis	SH	Saint Helena
BX	Benelux Office for Intellectual Property (BOIP)	KP	Democratic People's Republic of Korea	SI	Slovenia
BY	Belarus	KR	Republic of Korea	SK	Slovakia
BZ	Belize	KW	Kuwait	SL	Sierra Leone
CA	Canada	KY	Cayman Islands	SM	San Marino
CD	Democratic Republic of the Congo	KZ	Kazakhstan	SN	Senegal
CF	Central African Republic	LA	Lao People's Democratic Republic	SO	Somalia
CG	Congo	LB	Lebanon	SR	Suriname
CH	Switzerland	LC	Saint Lucia	ST	Sao Tome and Principe
CI	Cote d'Ivoire	LI	Liechtenstein	SV	El Salvador
CK	Cook Islands	LK	Sri Lanka	SY	Syrian Arab Republic
CL	Chile	LR	Liberia	SZ	Swaziland
CM	Cameroon	LS	Lesotho	TC	Turks and Caicos Islands
CN	China	LT	Lithuania	TD	Chad
CO	Colombia	LU	Luxembourg	TG	Togo
CR	Costa Rica	LV	Latvia	TH	Thailand
CU	Cuba	LY	Libyan Arab Jamahiriya	TJ	Tajikistan
CV	Cape Verde	MA	Morocco	TL	Timor-Leste
CY	Cyprus	MC	Monaco	TM	Turkmenistan
CZ	Czech Republic	MD	Republic of Moldova	TN	Tunisia
DE	Germany	ME	Montenegro	TO	Tonga
DJ	Djibouti	MG	Madagascar	TR	Turkey
DM	Dominica	MK	The former Yugoslav Republic of Macedonia	SE	Sweden
DO	Dominican Republic	ML	Mali	TT	Trinidad and Tobago
DZ	Algeria	MM	Myanmar	TV	Tuvalu
EA	Eurasian Patent Organization (EAPO)	MN	Mongolia	TW	Taiwan, Province of China
EC	Ecuador	MO	Macao	TZ	United Republic of Tanzania
EE	Estonia	MP	Northern Mariana Islands	UA	Ukraine
EG	Egypt	MR	Mauritania	UG	Uganda
EH	Western Sahara	MS	Montserrat	US	United States of America
EM	Office for Harmonization in the Internal Market (Trademarks and Designs)(OHIM)	MT	Malta	UY	Uruguay
EP	European Patent Office (EPO)	MU	Mauritius	UZ	Uzbekistan
ER	Eritrea	MV	Maldives	VA	Holy See
ES	Spain	MW	Malawi	VC	Saint Vincent and the Grenadines
ET	Ethiopia	MX	Mexico	VE	Venezuela
FI	Finland	MY	Malaysia	VG	Virgin Islands (British)
FJ	Fiji	MZ	Mozambique	VN	Viet Nam
FK	Falkland Islands (Malvinas)	NA	Namibia	VU	Vanuatu
FO	Faroe Islands			WO	World Intellectual Property Organization (WIPO)
FR	France			WS	Samoa
GA	Gabon			XN	Nordic Patent Institute (NPI)
GB	United Kingdom			YE	Yemen
GC	Patent Office of the Cooperation Council for the Arab States of the Gulf (GCC)			ZA	South Africa
				ZM	Zambia
				ZW	Zimbabwe