



Official Bulletin of the Industrial Property

Invention

Utility Model

Validation Of European Patent

Design

Trademark



საქართველოს ინტელექტუალური
საკუთრების ეროვნული ცენტრი
საქპატენტი
SAKPATENTI
NATIONAL INTELLECTUAL PROPERTY
CENTER OF GEORGIA

INID CODES FOR IDENTIFICATION OF BIBLIOGRAPHIC DATA

INVENTIONS, UTILITY MODELS

- (10) Number of publication of examined application/
Application publication number***
- (11) Patent number/ Patent number***
Registered utility model number***
- (21) Application number (domestic number)
- (22) Date of filing of the application
- (23) Date of exhibition priority
- (24) Date from which patent may have effect
- (30) Priority data
- (31) Number of priority application
- (32) Date of filing of priority application
- (33) Code of the country or regional organization allotting priority application number
- (43) Date of publication of application, number of bulletin***
- (44) Date of publication of examined application, on which no grant has taken place and number of bulletin
- (45) Date of publication of patent/ Date of publication of patent***
Date of publication of registered utility model***
- (51) IPC
- (54) Title of invention
- (57) Abstract
- (60) Number of examined patent document granted by foreign patent office, date from which patent has effect and country code
- (62) Number and filing date of the earlier application from which the present patent document has been divided up
- (71) Applicant
- (72) Inventor
- (73) Name and address of patent owner/patent owner***/ registered utility model owner***
(country code)
- (74) Representative
- (82) Date of publication of request of validation
- (85) Date of commencement of the national phase
- (86) PCT filing date, PCT application number
- (87) Number and date of publication of international application (PCT)
- (94) Calculated date of expiry of the SPC or the duration of the SPC
- (100) EP application publication number
- (210) EP application number
- (220) EP filing date
- (430) EP application publication date

DESIGNS

- (10) Number of publication for application
- (11) Number of patent and kind of document or number of registration
- (15) Date of registration/Date of patent renewal
- (18) Expected expiration date of patent or registration
- (21) Serial number of application
- (22) Date of filing of the application
- (23) Date of exhibition or the date of the earlier filing and the number of application, if any
- (24) Date from which patent may have effect
- (28) Number of designs included in the application
- (30) Data relating to priority (number of application, date of filing of application, two-letter code identifying the authority with whom the priority application was made)
- (31) Number of priority application
- (32) Date of filing of priority application
- (33) Code of the country or regional organization allotting priority application number
- (34) Two-letter code according to WIPO St.3 identifying the authority with which the priority application was made
- (44) Date of publication of design and number of bulletin (the first publication)
- (45) Date of publication of design registered by WIPO and number of bulletin
- (51) International Classification for designs (class and subclass of the Locarno Classification)
- (54) Title of the invention
- (55) Reproduction of the design
- (57) Description of characteristic features of the design including indication of colors
- (58) Date of recording of any kind of amendment in the Register
- (62) Number of the earlier application, registration and document number and if available the date of filing an application in case of divided application
- (71) Name, surname and address of applicant (country code)
- (72) Name, surname of creator (country code)
- (73) Name, surname and address of patent owner (country code)
- (74) Name, surname of representative or patent attorney
- (81) Contracting states concerned
II designated contracting states according to the 1960 Act
III designated contracting states according to the 1999 Act
- (85) Owner's permanent address
- (86) Owner's nationality
- (87) Owner's residence
- (88) State in which the owner has a real and effective industrial or commercial establishment

TRADEMARKS

- (111) – Number of registration
- (151) – Date of registration
- (156) – Date of the renewal
- (181) – Expected expiration date of registration
- (186) – Renewal expiration date of registration
- (141) – Date of cancel of duration of the mark
- (210) – Serial number of application
- (220) – Date of filing of the application
- (230) – Data concerning exhibition
- (260) – Number of application, for which favorable decision of examination about registration has been taken (publication number)
- (310) – Number of the first application
- (320) – Date of filing of the first application
- (330) – Code, identifying national or regional Office where the first application was made
- (511) – International Classification of Goods and Services for the purposes of registration of trade marks and/or list of goods and/or services classified according thereto
- (526) – Disclaimer
- (531) – Description of figurative elements of Trade Marks according to the International Classification of the Figurative Elements of Marks
- (540) – Reproduction of Trade Mark
- (550) – Nature and kind of Trade Mark
- (551) – Indication to the effect that the mark is a collective mark, a certification mark or a guarantee mark
- (554) – Three-dimensional mark
- (580) – Date of recording of any kind changes in respect of applications or registrations
- (591) – Information concerning colors claimed
- (731) – Name and address of the applicant
- (732) – Name and address of the holder of the registration
- (740) – Name and address of the representative
- (750) – Addreses for correspondence
- (770) – Name and address of the previous applicant or holder in case of change in ownership
- (771) – Previous name and address of the applicant or holder in case of change in ownership
- (791) – Name and address of the licensee
- (793) – Indication of conditions and/or restrictions under the license (Type of license, number of license agreement, data of license, data of validity of license)
- (800) – Certain data relating to the international registration of Trade Marks under the Protocol Relating to Madrid Agreement (International registration number)
- (852) – Partial cancellation of the list of goods and services
- (891) – Date of subsequent designation

CODES FOR PUBLICATION IN BULLETIN

- (21) AP 0000 000000 – number of application for invention
- (10) AP 0000 0000 A – number of publication of application for invention
- (11) P 0000 0000 B – number of patent for invention/ patent number***
- (21) API 0000 000000 – number of application for imported patent
- (11) PI 0000 0000 A – number of imported patent
- (21) AU 0000 000000 – number of application for utility model
- (10) AU 0000 000 U – number of publication of application for utility model
- (11) U 0000 000 Y – number of patent for utility model/ registered utility model number***
- (21) AD 0000 000000 – serial number of application for design
- (10) AD 0000 000 S – number of published application for design (first publication)
- (11) D 0000 000 S – registered design

INTERNATIONAL PATENT CLASSIFICATION FOR INVENTIONS AND UTILITY MODELS

- SECTION A – HUMAN NECESSITIES
- SECTION B – PERFORMING OPERATIONS; TRANSPORTING
- SECTION C – CHEMISTRY; METALLURGY
- SECTION D – TEXTILES; PAPER
- SECTION E – FIXED CONSTRUCTIONS
- SECTION F – MECHANICAL ENGINEERING; LIGHTING; HEATING; WEAPONS;
BLASTING
- SECTION G – PHYSICS
- SECTION H – ELECTRICITY

* Number of application published after the decision of Appellation Chamber of SAKPATENTI

** Number of application published after Court decision

*** Materials published according to the amendments of May 16, 2023 (No. 2883-XI0b-X03) to the Patent Law of Georgia

- M – Trade Mark
- (210) AM 0000 000000 – Serial number of application;
- (260) AAM 0000 00000 A – Publication number of application;
- (111) M 0000 00000 R – Number of registration;
- (111) MMM0000 00000 Rn – Number of renewals, in which n=1,2,3;
- (111) M 0000 00000 R(P) – Number of registration under partial assignment of rights

Official Bulletin of the Industrial Property

Invention

Utility Model

Validation Of European Patent

Design

Trademark

CONTENT

PUBLISHED TITLES OF PROTECTION	2
INVENTION	
▪ APPLICATION APPROVED FOR GRANTING PATENT	4
▪ PATENTED INVENTION	5
▪ APPLICATION***	6
▪ PATENT***	9
UTILITY MODEL	
▪ APPLICATION***	12
▪ REGISTERED UTILITY MODEL***	13
VALIDATION OF EUROPEAN PATENT	
EUROPEAN PATENT APPLICATION FOR WHICH THE VALIDATION IS REQUESTED IN GEORGIA	14
DESIGN	
▪ APPLICATION APPROVED FOR REGISTRATION	27
▪ REGISTERED DESIGN	28
▪ DESIGN REGISTERED ACCORDING TO THE ACCELERATED PROCEDURE	29
▪ DESIGN, WHICH HAS BEEN REGISTERED WITH THE INTERNATIONAL BUREAU CLAIMING PRIORITY ON THE TERRITORY OF GEORGIA	30
TRADEMARK	
▪ APPLICATION FILED UNDER THE NATIONAL PROCEDURE APPROVED FOR REGISTRATION	51
▪ REGISTERED TRADEMARK	58
▪ TRADEMARK REGISTERED ACCORDING TO THE ACCELERATED PROCEDURE	63
▪ INTERNATIONAL TRADEMARK FOR WHICH A DECISION ON GRANTING PROTECTION IS TAKEN	68
▪ INTERNATIONAL TRADEMARK PROTECTED IN GEORGIA	120
OFFICIAL NOTIFICATIONS	
INVENTION	
EXPIRATION OF PATENT RESTORATION TERM	134
UTILITY MODEL	
LAPSE OF PATENT WITH THE RIGHT TO RESTORE	134
DESIGN	
▪ EXTENSION OF TERM OF DESIGN REGISTRATION	135
▪ CANCELLATION OF DESIGN REGISTRATION	135
▪ EXTENSION OF TERM OF INTERNATIONAL DESIGN REGISTRATION	136
TRADEMARK	
▪ EXTENSION OF TERM OF TRADEMARK REGISTRATION	137
▪ TRANSFER OF RIGHT	143
▪ CHANGE OF NAME AND/OR ADDRESS OF TRADEMARK OWNER	147
▪ CANCELLATION OF TRADEMARK REGISTRATION	152
CLASSIFICATION INDEXES	
INVENTION	153
UTILITY MODEL	156
DESIGN	157
TRADEMARK	159

PUBLISHED TITLES OF PROTECTION

INVENTION

- **APPLICATION APPROVED FOR GRANTING PATENT**
16189
- **PATENTED INVENTION**
7884
- **APPLICATION:*****
16830; 16876; 16901; 16896; 16881; 16890; 16911
- **PATENT:*****
7885-7890

UTILITY MODEL

- **APPLICATION:*****
16796; 16728
- **REGISTERED UTILITY MODEL:*****
2243, 2244

VALIDATION OF EUROPEAN PATENT

EUROPEAN PATENT APPLICATION FOR WHICH THE VALIDATION IS REQUESTED IN GEORGIA:

273-294; 296-304

DESIGN

- **APPLICATION APPROVED FOR REGISTRATION:**
1486
- **REGISTERED DESIGN:**
1113; 1115, 1116
- **DESIGN REGISTERED ACCORDING TO THE ACCELERATED PROCEDURE:**
1114
- **DESIGN, WHICH HAS BEEN REGISTERED WITH THE INTERNATIONAL BUREAU CLAIMING PRIORITY ON THE TERRITORY OF GEORGIA:**
253349; 253625; 248708; 249277; 248710; 253469; 253605; 253806; 253917; 253843; 248132; 249315; 249312; 249761

TRADEMARK

- **APPLICATION FILED UNDER THE NATIONAL PROCEDURE APPROVED FOR REGISTRATION:**
132801*; 133894; 135098; 135127; 135378, 135379; 135380-135382; 135393; 135397; 135399; 135410, 135411; 135464; 135469; 135476, 135477; 135482; 135496; 135498; 135503, 135504; 135507, 135508; 135551; 135564; 135616, 135620; 135622; 135625, 135628; 135643; 135658; 135716; 135727; 135732; 135744, 135745; 135758; 135815-135817
- **REGISTERED TRADEMARK:**
41062-41106; 41112; 41115, 41116
- **TRADEMARK REGISTERED ACCORDING TO THE ACCELERATED PROCEDURE:**
41059-41061; 41107-41111; 41113, 41114; 41117-41130
- **INTERNATIONAL TRADEMARK FOR WHICH A DECISION ON GRANTING PROTECTION IS TAKEN:**
127917*; 127943*; 130371; 130695, 130696; 130795-130799; 130911, 130912; 130934, 130935; 131707, 131708; 131711, 131712; 131714; 131716; 131787; 131797, 131798; 131865, 131866; 131876-131878; 131880, 131881; 131894; 132176; 132179; 132198, 132546-132549; 132579, 132580; 132582-132585; 132740-132745; 132849, 132850; 132861-132867; 133114*; 134106; 134153; 134219, 134220; 134293; 134296, 134297; 134322-134324; 134394-134400; 134416, 134417; 134419, 134420; 134522, 134523; 134526-134529; 134610; 134623-134626; 134629-134643; 134708-134710; 134713; 134721- 134724; 134788-134795
- **INTERNATIONAL TRADEMARK PROTECTED IN GEORGIA:**
128540; 128680; 128682, 128683; 128784-128789; 128802, 128803; 128809; 128873, 128874; 128888- 128891; 128897-128900; 128907, 128908; 128912; 128964; 128988, 128989; 128995, 128996; 129015; 129019-129023; 129099, 129100; 129102, 129103; 129110; 129115-129118; 129183, 129184; 129198; 129204; 129206, 129207; 129218; 129220, 129221; 129223; 129318-129321; 129335; 129340, 129341; 129357; 129359; 129363, 129364; 129366-129368; 129370-129372; 129430-129432; 129461-129464; 129534-29540; 129633-129635; 129683, 129684; 129696-129701; 129778; 129818; 130627; 130730; 130976; 131205; 132313-132315; 132319; 132433-132437; 132537; 132553; 132557-132561; 132563; 132621; 132975; 133218; 133231-133235; 133238-133245; 133324-133330; 133345, 133346; 133348; 133356; 133406-133411; 133442-133445; 133447; 133493; 133507; 133509-133511; 133522, 133523; 133525; 133598; 133600; 133621-133625; 133627; 133701; 133705; 133717; 133725, 133726; 133749; 133764; 133814-133821; 133910-133914

INVENTION

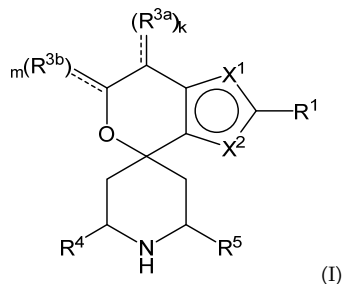
APPLICATION APPROVED FOR GRANTING PATENT

The decision can be appealed at the Chamber of Appeal of Sakpatenti within 3 months from the publication or at the Mtskheta District Court Administrative Cases Board (Address: №17, Samkhedro St., Mtskheta), within 1 month following the publication.

PART A

A 61

- (10) AP 2026 16189 A (51) Int. Cl. (2006)
A 61 K 31/438
A 61 P 13/12
C 07 D 519/00
C 07 D 495/20
- (21) AP 2021 16189 (22) 2021 08 26
(31) 63/070,705
(32) 2020 08 26
(33) US
- (71) Vertex Pharmaceuticals Incorporated (US)
50 Northern Avenue, Boston, MA, 02210,
USA (US)
- (72) AHN, Jun Myun (US);
ANGLE, Samantha (US);
BRODNEY, Michael Aaron (US);
CAO, Jingrong (US);
COCHRAN, John E. (US);
COME, Jon H. (US);
DAKIN, Leslie A. (US);
DOLGIKH, Elena (US);
MAXWELL, Brad D. (US);
NANTHAKUMAR, Suganthini S. (US);
O'DOWD, Hardwin (US);
OLSEN, Jessica Howard (US);
SENER, Timothy J. (US);
SHIMIZU, Akira Joseph (US);
STONE, Steven David (US);
WANG, Haoxuan (US)
- (74) Nikoloz Gogilidze
(85) 2023 03 15
(86) PCT/US2021/047754, 2021 08 26
(54) INHIBITORS OF APOL1 AND METHODS OF
USING SAME
(57) Compound of formula I,



pharmaceutical compositions comprising thereof, and their use for the treatment of focal segmental glomerulosclerosis and/or non-diabetic kidney disease.

Claims: 11 independents

28 dependents

Fig.: 34

APPLICATION***

PART A

A 21

(10) AP 2026 16830 A (51) Int. Cl. (2006)
A 21 C 3/02

(43) 2026 04 27 №8

(21) AP 2025 16830

(22) 2025 08 18

(71) Avtandil Balanchivadze (GE)
Vill. Banoja, 17th Street, Dead End 1, 3900,
Tskaltubo, Georgia (GE)

(72) Avtandil Balanchivadze (GE)

(74) Archil Geguchadze

(54) DOUGH ROLLER

(57) Technical result.

Increasing degree of compression of rolled dough.

Essence.

Dough roller includes dough loading device 2 mounted onto a case 1, arranged one above 3 relative to another 4 the couple of hollow rollers with parallel axes rotatable in opposite directions by means of common actuator of chain transmission. The rollers have the bearings 5 and 6 inserted into the cavities thereof, the mechanism for mutual vertical movement whereof is mounted onto the case 1 the manually operated screw gear 7 consisting of upper 15 and 16 and lower 17 and 18 wrenches placed on oppositely cut upper 11 and 12 and lower 13 and 14 screws at the ends of vertical rods 9 and 10 located on both sides of dough roller and connected by means of chain transmission 8. The wrenches are placed in corresponding order in upper 19 and 20 and lower 21 and 22 sockets with small grooves. The sockets are connected to rotation supports 23 (upper) and 24 (lower) of aforementioned rollers 3 and 4, wherefrom the sockets 21 and 22 of lower wrenches 17 and 18 are rigidly connected to the case 1, while the chain 26 of actuator 25 of hollow rollers 3 and 4 is carried on upper hollow roller 3 star 27, from below wherefrom the lower and lower hollow roller 4 stars 28 are passed from above and below thereof, and wherefrom, by means of transmission 29 horizontally extending therefrom, the chain 8 of aforementioned screw gear drive 7 is remotely transmitted by means of air gap. The functioning of actuating chain 26 is also provided by means of lever-spring tensioning mechanism 30.

Field of use.

Food industry, in particular, dough roller.

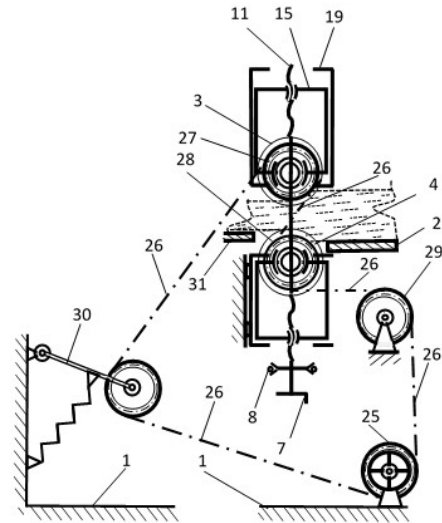


Fig. 2

A 61

(10) AP 2026 16876 A (51) Int. Cl. (2006)
A 61 K 31/4162
A 61 K 31/437
C 07 D 498/22
C 07 D 231/10
C 07 D 519/00

(43) 2026 04 27 №8

(21) AP 2024 16876

(22) 2024 05 01

(31) 63/627,624; 63/463,498; 63/636,734

(32) 2024 01 31; 2023 05 02; 2024 04 20

(33) US; US; US

(71) Blossomhill Therapeutics, Inc. (US)
10255 Science Center Drive, Suite 200,
San Diego, CA, 92121, USA (US)

(72) ZHAI, Dayong (US);
SARKAR, Anindya (US);
ROGERS, Evan W. (US);
DENG, Wei (US);
RUI, Eugene Yuanjin (US);
UNG, Jane (US);
CUI, Jingrong Jean (US)

(74) Tamar Kochlamazashvili

(85) 2025 12 01

(86) PCT/US2024/027195, 2024 05 01

(54) EGFR INHIBITORS FOR TREATING DISEASE

(57) Present disclosure relates to compounds targeting kinases such as EGFR, pharmaceutical compositions containing the compounds, and methods of using such compounds to treat disease, such as cancer.

(10) AP 2026 16896 A (51) Int. Cl. (2006)
A 61 K 31/47
A 61 K 38/2013
A 61 P 35/00

(43) 2026 04 27 №8

(21) AP 2021 16896

(22) 2021 07 29

(62) AP 2021 16179 2021 07 29

(31) 63/059,601; 63/113,556; 63/148,921

(32) 2020 07 31; 2020 11 13; 2021 02 12

(33) US; US; US

(71) Exelixis, Inc. (US)
1851 Harbor Bay Parkway, Alameda CA, 94502,
USA (US)

(72) SCHWAB, Gisela (US);
SCHEFFOLD, Christian (US);
CHONG, Colin (US);
HSU, Ssucheng Jeff (US);
LAMB, Peter (US);
YU, Peiwen (US)

(74) Tamaz Shilakadze

(85) 2026 01 16

(86) PCT/US2021/043699, 2021 07 29

(54) COMBINATIONS FOR THE TREATMENT
OF CANCER

(57) Present invention relates to combinations comprising a checkpoint inhibitor and a c-Met inhibitor, Compound 1. The invention also relates to crystalline forms of the free base of Compound 1, as well as crystalline forms of salts of Compound 1, in combination with a checkpoint inhibitor. The invention also relates to pharmaceutical compositions comprising these combinations. The invention further relates to methods of treating cancer by administering Compound 1 as a single agent or a combination described herein.

(10) AP 2026 16901 A (51) Int. Cl. (2006)
A 61 K 31/495
A 61 K 9/26
A 61 P 25/24

(43) 2026 04 27 №8

(21) AP 2023 16901

(22) 2023 09 27

(62) AP 2023 16741 2023 09 27

(31) 2214446.3

(32) 2022 09 30

(33) GB

(71) Alkaloid Ad Skopje (MK)
Blvd. Aleksandar Makedonski 12, 1000 Skopje,
Republic of North Macedonia (MK)

(72) PETRUSEVSKI, Vlado (MK);
JANEVSKA, Ana (MK);
VANOVA NAKJINOVA, Nadica (MK)

(74) Giorgi Kartvelishvili

(85) 2026 01 28

(86) PCT/EP2023/076756, 2023 09 27

(54) PALATABLE ORODISPERSIBLE FORMULATION OF VORTIOXETINE

(57) Present invention relates to an orodispersible formulation of vortioxetine comprising a granular component comprising vortioxetine or a salt thereof together with an inert carrier; a polymeric component; and an extragranular matrix wherein the polymeric component substantially encapsulates the granular component.

(10) AP 2026 16890 A (51) Int. Cl. (2006)
A 61 K 31/5025
A 61 P 29/00
A 61 P 37/00
C 07 D 487/04
C 07 D 519/00

(43) 2026 04 27 №8

(21) AP 2024 16890

(22) 2024 05 30

(31) 63/505,807

(32) 2023 06 02

(33) US

(71) Merck Sharp & Dohme Llc (US)
126 East Lincoln Avenue, Rahway, NJ 07065,
USA (US)

(72) BRILL, Zachary G. (US);
CHENG, Chen (US);
HAYES, Donna A. A. W. (US);
MCCLYMONT, Kyle S. (US);
MERCHANT, Rohan Rajiv (US);
TIAN, Maoqun (US)

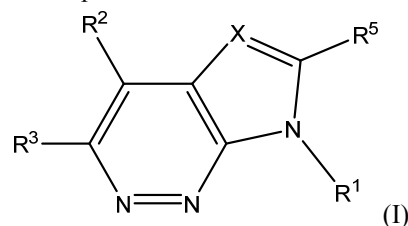
(74) Shalva Gvaramadze

(85) 2025 12 26

(86) PCT/US2024/031528, 2024 05 30

(54) 5,6 UNSATURATED BICYCLIC HETEROCYCLES USEFUL AS INHIBITORS OF NOD-LIKE RECEPTOR PROTEIN 3

(57) Novel compounds of the structural formula (I),



and pharmaceutically acceptable salts, hydrates and solvates thereof, are inhibitors of NLRP3 and may be useful in the treatment, prevention, management, amelioration, control and suppression of diseases mediated by NLRP3. The compounds of structural formula I may be useful in the treatment, prevention or management of diseases, disorders and conditions mediated by NLRP3 such as, but not limited to, gout, pseudogout, CAPS, NASH fibrosis, heart failure, idiopathic pericarditis, atopic dermatitis, inflamma-

tory bowel disease, Alzheimer's Disease, Parkinson's Disease and traumatic brain injury.

(10) AP 2026 16881 A (51) Int. Cl. (2006)
A 61 K 39/12
A 61 P 31/20

(43) 2026 04 27 №8

(21) AP 2024 16881

(22) 2024 06 06

(31) 63/507,269

(32) 2023 06 09

(33) US

(71) Merck Sharp & Dohme Llc (US)
126 East Lincoln Avenue, Rahway, NJ 07065,
USA (US)

(72) GASPAR, John (US);
SULLIVAN, Nicole Lea (US);
SOUKUP, Randal J. (US);
SMITH, William J. (US);
SKINNER, Julie M. (US);
AHL, Patrick L. (US)

(74) Giorgi Kartvelishvili

(85) 2025 12 07

(86) PCT/US2024/032682, 2024 06 06

(54) NANOEMULSION ADJUVANT COMPOSITIONS FOR HUMAN PAPILLOMAVIRUS VACCINES

(57) 9vHPV=human papillomavirus 9-valent vaccine;
Ab=antibody; HPV=human papillomavirus;
AAHS=amorphous aluminum hydroxyphosphate sulfate adjuvant;
NHP=non-human primate.

Longitudinal analysis of HPV VLP 18 antibody levels in rhesus macaques following two doses of 9vHPV vaccine combined with CLA-SNE (3.96 mg) or SNE (12 mg) adjuvant.

The present disclosure provides, among other things, a vaccine composition that includes a squalene nano-emulsion (SNE) adjuvant and HPV virus-like particles (VLPs) of at least one type of human papillomavirus (HPV) selected from the group consisting of HPV types: 6, 11, 16, 18, 26, 31, 33, 35, 39, 45, 51, 52, 53, 55, 56, 58, 59, 66, 68, 73, and 82.

(10) AP 2026 16911 A (51) Int. Cl. (2006)
A 61 K 39/395
A 61 P 29/00
A 61 P 1/00
C 07 K 16/28
C 07 K 16/24

(43) 2026 04 27 №8

(21) AP 2022 16911

(22) 2022 02 16

(62) AP 2022 16710 2022 02 16

(31) 63/150,373

(32) 2021 02 17

(33) US

(71) Dr. Falk Pharma GMBH (DE)
Leinenweberstraße 5, 79108 Freiburg im
Breisgau, Germany (DE);
Prometheus Biosciences, Inc. (US)
3050 Science Park Rd, San Diego, CA 92121,
USA (US)

(72) FRANSSON, Johan (US);
RENSHAW, Mark (US);
FECTEAU, Jessie-Farah (US);
BARNETT, Burton (US);
LAURENT, Olivier (US)

(74) Shalva Gvaramadze

(85) 2026 02 17

(86) PCT/US2022/016565, 2022 02 16

(54) ANTI-CD30L ANTIBODIES AND USES THEREOF

(57) Described herein are anti-CD30L antibodies and pharmaceutical compositions for the treatment of autoimmune diseases and disorders such inflammatory bowel disease (IBD), including Crohn's Disease (CD) and ulcerative colitis (UC).

PATENT***

PART A

A 21

- (11) P 2026 7885 B (51) Int. Cl. (2006)
A 21 C 3/02
- (10) AP 2026 16830 A (43) 2026 04 27 №8
(45) 2026 04 27 №8
- (21) AP 2025 16830
(22) 2025 08 18
- (73) Avtandil Balanchivadze (GE)
Vill. Banoja, 17th Street, Dead End 1, 3900,
Tskaltubo, Georgia (GE)
- (72) Avtandil Balanchivadze (GE)
- (74) Archil Geguchadze
- (54) DOUGH ROLLER
- (57) Dough roller includes dough loading device 2 mounted onto a case 1, arranged one above 3 relative to another 4 the couple of hollow rollers with parallel axes rotatable in opposite directions by means of common actuator of chain transmission. The rollers have the bearings 5 and 6 inserted into the cavities thereof, the mechanism for mutual vertical movement whereof is mounted onto the case 1 the manually operated screw gear 7 consisting of upper 15 and 16 and lower 17 and 18 wrenches placed on oppositely cut upper 11 and 12 and lower 13 and 14 screws at the ends of vertical rods 9 and 10 located on both sides of dough roller and connected by means of chain transmission 8. The wrenches are placed in corresponding order in upper 19 and 20 and lower 21 and 22 sockets with small grooves. The sockets are connected to rotation supports 23 (upper) and 24 (lower) of aforementioned rollers 3 and 4, wherefrom the sockets 21 and 22 of lower wrenches 17 and 18 are rigidly connected to the case 1, while the chain 26 of actuator 25 of hollow rollers 3 and 4 is carried on upper hollow roller 3 star 27, from below wherefrom the lower and lower hollow roller 4 stars 28 are passed from above and below thereof, and wherefrom, by means of transmission 29 horizontally extending therefrom, the chain 8 of aforementioned screw gear drive 7 is remotely transmitted by means of air gap. The functioning of actuating chain 26 is also provided by means of lever-spring tensioning mechanism 30.

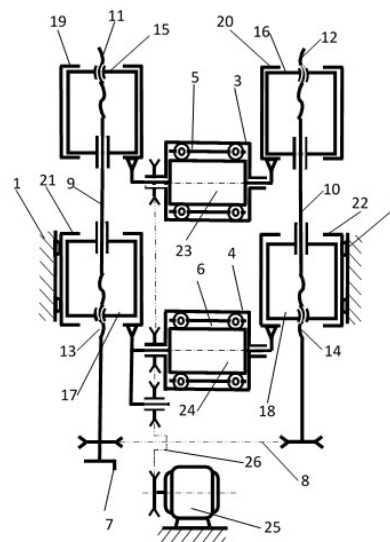


Fig. 1

A 61

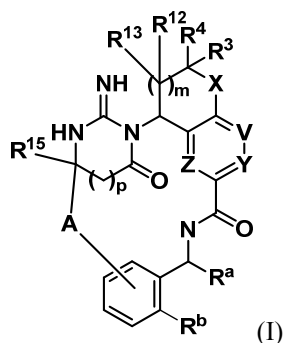
- (11) P 2026 7890 B (51) Int. Cl. (2006)
A 61 K 31/519
A 61 P 33/06
C 07 D 491/22
C 07 D 491/18
C 07 D 491/16
- (10) AP 2024 16552 A (43) 2024 10 10 №19
(45) 2026 04 27 №8
- (21) AP 2022 16552
(22) 2022 12 05
- (31) PCT/CN2021/136177; 63/397,614
(32) 2021 12 07; 2022 08 12
- (33) CN; US
- (85) 2024 07 04
- (86) PCT/US2022/051770, 2022 12 05
- (73) Merck Sharp & Dohme Llc (US)
126 East Lincoln Avenue, Rahway, NJ, 07065,
USA (US);
The Walter And Eliza Hall Institute Of Medical
Research (AU)
1G Royal Parade, Parkville, Victoria 3052,
Australia (AU);
MSD R&D (China) Co., Ltd. (CN)
L2-13, No. 21, Rongda Road, Chaoyang
District, Beijing, People's Republic of
China (CN)
- (72) MCCAULEY, John A. (US);
DE LERA RUIZ, Manuel (US);
KELLY, Michael J., III (US);
GUO, Zhuyan (US);
NANTERMET, Philippe (US);
BONNET, Alvaro, Gutierrez (US);

ZHAO, Lianyun (CN);
LEI, Zhiyu (CN);
HU, Bin (CN);
ZHAN, Dongmei (CN);
HODDER, Anthony (AU)

(74) Shalva Gvaramadze

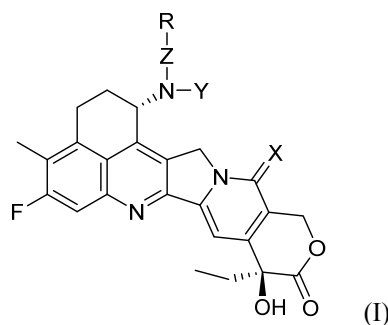
(54) ANTIMALARIAL AGENTS

(57) An invention relates to cyclic compounds of formula (I),



pharmaceutically acceptable salts thereof, and their use for treating Plasmodium infection and malaria by inhibiting plasmepsin X, plasmepsin IX or plasmepsin X and IX activity.

- (11) P 2026 7886 B (51) Int. Cl. (2006)
A 61 K 39/395
A 61 K 31/4745
A 61 P 35/00
C 07 D 491/147
C 07 D 491/12
- (10) AP 2024 16409 A (43) 2024 02 26 №4
(45) 2026 04 27 №8
(21) AP 2022 16409
(22) 2022 05 06
(31) 63/185,736; 63/321/187; 63/248,705
(32) 2021 05 07; 2022 03 18; 2021 09 27
(33) US; US; US
(85) 2023 12 06
(86) PCT/US2022/028193, 2022 05 06
(73) ALX Oncology Inc. (US)
323 Allerton Avenue, South San Francisco,
CA, 94080, USA (US)
- (72) PONS, Jaume (US);
STROP, Peter (US);
VRLJIC, Marija (US);
WONG, Janica Cheuk-ying (US)
- (74) Tamar Kochlamazashvili
- (54) EXATECAN DERIVATIVES AND
ANTIBODY-DRUG CONJUGATES
THEREOF
- (57) An invention relates to exatecan derivatives of formula (I)



and pharmaceutical compositions comprising them for use therein the method of cancer treatment.

PART F

F 01

- (11) P 2026 7887 B (51) Int. Cl. (2006)
F 01 N 3/20
F 01 N 13/00
F 01 N 3/08
- (10) AP 2024 16480 A (45) 2024 04 25 №8
(45) 2026 04 27 №8
(21) AP 2022 16480
(22) 2022 08 15
(31) 63/233,019
(32) 2021 08 13
(33) US
(85) 2024 03 12
(86) PCT/US2022/040366, 2022 08 15
(73) ECC TEC MSJ Incorporated (US)
7420 Avenida Del Mar, Unit 2605 Boca Raton,
FL 33433, USA (US)
- (72) AKYILDIZ, Saban (US)
- (74) Shalva Gvaramadze
- (54) EXHAUST SYSTEM AND COMPONENTS
THEREOF
- (57) A heater for an exhaust system that includes a housing having a connector coupled to the exterior thereof, a first terminal and a second terminal that are each disposed to the interior of the housing and electrically coupled to the connector, a heating element coupled to the first and second terminals, a heating wire coupled to the first and second terminals, and a plurality of heating rods inserted into the heating element to conduct heat from the heating wire throughout the heating element, wherein the connector receives power from an external power supply to supply electrical current to the heating element and the heating wire and wherein at least one of the heating rods supports the heating wire. The combination of elements are configured to heat and disrupt the flow of exhaust gases and aid in removing and/or reducing toxic gases and pollutants from the exhaust system.

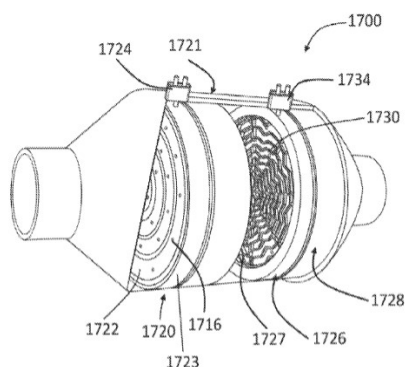


Fig. 17

PART H

H 01

- (11) P 2026 7888 B (51) Int. Cl. (2006)
H 01 L 41/04
H 03 K 19/00
- (10) AP 2024 16561 A (43) 2024 11 25 №22
(45) 2026 04 27 №8
(21) AP 2021 16561
(22) 2021 12 15
(85) 2024 07 11
(86) PCT/GB2021/053308, 2021 12 15
(73) Shaheen Innovations Holding Limited (AE)
Unit 2, Level 7, Al Sila Tower, Abu Dhabi
Global Market Square, Al Maria Island, Abu
Dhabi, United Arab Emirates (AE)
(72) ALSHAIBA SALEH GHANNAM
ALMAZROUEI, Mohammed (AE);
MACHOVEC, Jeff (AE);
LAMOUREUX, Clement (AE)
(74) Khatuna Imnadze
(54) MICROCHIP FOR DRIVING RESONANT
CIRCUIT

(57) A microchip (300) for driving a resonant circuit, wherein the resonant circuit is an LC tank, an antenna or a piezoelectric transducer, and wherein the microchip (300) is a single unit which comprises a plurality of interconnected embedded components and subsystems comprising at least an oscillator (315), a pulse width modulation (PWM) signal generator subsystem (329), an analogue to digital converter (ADC) subsystem (318) and a digital to analogue converter (DAC) subsystem (327).

- (11) P 2026 7889 B (51) Int. Cl. (2006)
H 01 L 41/04
H 03 K 19/00
- (10) AP 2025 16815 A (43) 2025 09 25 №18
(45) 2026 04 27 №8
(21) AP 2021 16815

- (22) 2021 12 15
(62) 16561/1 2024 07 11
(85) 2021 12 15
(86) PCT/GB2021/053308, 2021 12 15
(73) Shaheen Innovations Holding Limited (AE)
Unit 2, Level 7, Al Sila Tower, Abu Dhabi
Global Market Square, Al Maria Island, Abu
Dhabi, United Arab Emirates (AE)
(72) LAMOUREUX, Clement (AE);
ALSHAIBA SALEH GHANNAM
ALMAZROUEI, Mohammed (AE);
MACHOVEC, Jeff (AE)
(74) Khatuna Imnadze
(54) MICROCHIP FOR DRIVING RESONANT
CIRCUIT

(57) A microchip (300) for driving a resonant circuit, wherein the resonant circuit is an LC tank, an antenna or a piezoelectric transducer, and wherein the microchip (300) is a single unit which comprises a plurality of interconnected embedded components and subsystems comprising at least an oscillator (315), a pulse width modulation (PWM) signal generator subsystem (329), an analogue to digital converter (ADC) subsystem (318) and a digital to analogue converter (DAC) subsystem (327).

UTILITY MODEL APPLICATION***

PART B

B 01

- (10) AU 2026 16796 U (51) Int. Cl. (2006)
B 01 D 53/94
B 01 D 53/9413
B 01 J 21/04
B 01 J 21/06
B 01 J 23/10
- (43) 2026 04 27 №8
(21) AU 2025 16796
(22) 2025 07 04
(71) Revaz Giorganashvili (GE)
Didi Dighomi, Dimitri Tavadabuli St. 6,
ap. 40, 0131, Tbilisi, Georgia (GE);
Zezva Jaiani (GE)
Tskneti St. 4a, ap. 32, 0162, Tbilisi,
Georgia (GE);
Natalia Chachava (GE)
Takaishvili St. 35, ap. 45, Batumi,
Georgia (GE)
- (72) Revaz Giorganashvili (GE);
Zezva Jaiani (GE);
Natalia Chachava (GE)
- (74) Khatuna Imnadze
- (54) METHOD FOR OXIDIZING CARBON
MONOXIDE IN EXHAUST GAS
- (57) Utility model provides a method for oxidizing carbon monoxide in exhaust gas provides passing hot exhaust gas accompanied with oxygen through a catalyst containing inert material coated with catalytically active layer, wherein oxygen contains positive oxygen ions, inert material is ceramic material, and catalytically active layer contains 95 wt% yttrium oxide and 5 wt% barium oxide based on the weight of active layer.
-

PART G

G 01

- (10) AU 2026 16728 U (51) Int. Cl. (2006)
G 01 L 19/008
H 03 C 3/00
- (43) 2026 04 27 №8
(21) AU 2025 16728
(22) 2025 04 03
(71) Nana Dikhaminjia (GE)
Sulkhan Tsintsadze St. 43b, app. 105, 0160,
Tbilisi, Georgia (GE);
Shota Rustaveli National Science Foundation of
Georgia (GE)
Merab Aleksidze St., II Lane 2, 0193, Tbilisi,
Georgia (GE)
- (72) Nana Dikhaminjia (GE)
- (74) Khatuna Imnadze
- (54) DEVICE FOR RESTORING SIGNALS
TRANSMITTED THROUGH ELE-
CTRONIC SIGNAL CHANNELS
- (57) Utility model provides a device for restoring signals transmitted through electronic signal channels including hybrid electronic signal processing unit containing:
- Electronically switched corrector with direct switch (feedforward equalizer) and corrector with crucial feedback (decision feedback equalizer), an unit whereof is configured to process received signal by selecting optimal coefficients using least squares method to generate first corrected signal maximally matching input signal; and second electronic signal processing unit configured to process optimal coefficients in the signal processing by said hybrid unit according to genetic algorithm.
-

REGISTERED UTILITY MODEL *****PART B****B 01**

- (11) U 2026 2244 Y (51) Int. Cl. (2006)
B 01 D 53/94
B 01 D 53/9413
B 01 J 21/04
B 01 J 21/06
B 01 J 23/10
- (10) AU 2026 16796 U (43) 2026 04 27 №8
(45) 2026 04 27 №8
(21) AU 2025 16796
(22) 2025 07 04
(73) Revaz Giorganashvili (GE)
Didi Dighomi, Dimitri Tavadabuli St. 6,
ap. 40, 0131, Tbilisi, Georgia (GE);
Zezva Jaiani (GE)
Tskneti St. 4a, ap. 32, 0162, Tbilisi,
Georgia (GE);
Natalia Chachava (GE)
Takaishvili St. 35, ap. 45, Batumi, Georgia (GE)
- (72) Revaz Giorganashvili (GE);
Zezva Jaiani (GE);
Natalia Chachava (GE)
- (74) Khatuna Imnadze
- (54) METHOD FOR OXIDIZING CARBON
MONOXIDE IN EXHAUST GAS
- (57) A method for oxidizing carbon monoxide in exhaust gas provides passing hot exhaust gas accompanied with oxygen through a catalyst containing inert ceramic material coated with catalytically active layer, at that, said oxygen contains positive oxygen ions, inert ceramic material is yttrium oxide ceramic, and catalytically active layer contains 95 wt% yttrium oxide and 5 wt% barium oxide based on the weight of active layer.

PART G**G 01**

- (11) U 2026 2243 Y (51) Int. Cl. (2006)
G 01 L 19/008
H 03 C 3/00
- (10) AU 2026 16728 U (43) 2026 04 27 №8
(45) 2026 04 27 №8
(21) AU 2025 16728
(22) 2025 04 03
(73) Nana Dikhaminjia (GE)
Sulkhan Tsintsadze St. 43b, ap. 105, 0160,
Tbilisi, Georgia (GE);
Shota Rustaveli National Science Foundation of
Georgia (GE)
Merab Aleksidze St., II Lane 2, 0193, Tbilisi,
Georgia (GE)
- (72) Nana Dikhaminjia (GE)
- (74) Khatuna Imnadze
- (54) DEVICE FOR RESTORING SIGNALS
TRANSMITTED THROUGH ELE-
CTRONIC SIGNAL CHANNELS
- (57) Utility model provides a device for restoring signals transmitted through electronic signal channels including hybrid electronic signal processing unit containing:
- electronically switched corrector with direct switch (feedforward equalizer) and corrector with crucial feedback (decision feedback equalizer), an unit whereof is configured to process received signal by selecting optimal coefficients using least squares method to generate first corrected signal maximally matching input signal; and second electronic signal processing unit configured to process optimal coefficients in the signal processing by said hybrid unit according to genetic algorithm.

VALIDATION OF EUROPEAN PATENT

EUROPEAN PATENT APPLICATION FOR WHICH THE VALIDATION IS REQUESTED IN GEORGIA

(21) AE 2026 273
(82) 2026 04 27 (51) Int. Cl. (2006)
C 01 B 3/36
F 23 N 1/00
(30) EP 23176796 06.01.2023
(86) EP2024064654, 2024 05 28
(71) CASALE SA(CH)
Via Giulio Pocobelli 6, 6900 Lugano, Switzerland (CH)
(72) ZANICHELLI, Luca (IT);
COLMEGNA, Giacomo (CH)
(54) PROCEDURE FOR REDUCING SOOT FORMATION IN A POX REACTOR DURING TRANSIENTS
(210) 24727777.5
(220) 2024-05-28
(100) EP 4719978 A1
(430) 2026 04 08

(21) AE 2026 274
(82) 2026 04 27 (51) Int. Cl. (2006)
A 61 K 9/28
A 61 K 9/50
A 61 K 31/4412
(30) EP 23175449 05.25.2023
(86) EP2024063991, 2024 05 21
(71) Chiesi Farmaceutici S.p.A. (IT)
Via Palermo, 26/A, 43122 Parma, Italy (IT)
(72) PERTILE, Marisa (IT);
MOUTAHARRIK, Saliha (IT);
GAZZANIGA, Andrea (IT);
FOPPOLI, Anastasia (IT);
CEREA, Matteo (IT)
(54) PHARMACEUTICAL DOSAGE FORMS FOR PULSATILE RELEASE
(210) 24728572.9
(220) 2024 05 21
(100) EP 4719361 A1
(430) 2026 04 08

(21) AE 2026 275
(82) 2026 04 27 (51) Int. Cl. (2006)
A 61 K 38/17
A 61 K 38/00
C 07 K 14/47
(30) EP 23382535 06.02.2023
(86) EP2024065136, 2024 06 01
(71) Endolipid Therapeutics S.L. (ES)
Paseo vall D'hebron, 119 - 129 Vhir Lab.114-Ed.Mediter, 08035 Barcelona, Spain (ES);
Fundació Hospital Universitari Vall d'Hebron - Institut de Recerca (ES)
Paseo Vall d'Hebron, 119-129 Edificio Mediterranea 2ª planta, 08035 Barcelona, Spain (ES)
(72) SIMÓ CANONGE, Rafael (ES);
MARTINEZ SELVA, David (ES)

(54) PEPTIDES WITH LIPOLYTIC, ANTI-LIPOGENIC, ANTIFIBROTIC AND ANTI-INFLAMMATORY ACTIVITY

(210) 24729016.6
(220) 2024 06 01
(100) EP 4720097 A1
(430) 2026 04 08

(21) AE 2026 276
(82) 2026 04 27

(51) Int. Cl. (2006)
A 61 K 31/381
A 61 K 31/428
A 61 K 31/5415
A 61 P 1/00
A 61 P 1/16

(30) EP 23305892 06.05.2023
(86) EP2024065324, 2024 06 04
(71) Inventiva (FR)
50 rue de Dijon, 21121 Daix, France (FR)

(72) GEERTS, Anja (BE);
HELDENS, Anneleen (BE);
LEFERE, Sander (BE);
JUNIEN, Jean-Louis (FR);
WETTSTEIN, Guillaume (FR)

(54) LANIFIBRANOR FOR USE IN THE TREATMENT OF SPLANCHNIC VASODILATATION IN A PATIENT WITH A LIVER CONDITION

(210) 24729321.0
(220) 2024 06 04
(100) EP 4719380 A1
(430) 2026 04 08

(21) AE 2026 277
(82) 2026 04 27

(51) Int. Cl. (2006)
A 23 L 33/10
A 23 L 33/15
A 23 L 33/13
A 61 K 31/7084
A 61 K 31/455
A 61 K 9/00
A 61 P 25/00

(30) EP 23176955 06.02.2023
(86) EP2024065058, 2024 05 31
(71) Nutropia Group GmbH (AT)
Moosham 29, 5585 Unternberg, Austria (AT)

(72) RÖSLER, Dietmar (AT);
FUCHS, Norbert (AT)

(54) NON-THERAPEUTIC USE OF AN NADH PREPARATION COMBINED WITH SPORTS

(210) 24730955.2
(220) 2024 05 31
(100) EP 4719090 A1
(430) 2026 04 08

GÁL, Livia (HU);
 NACSA, Fruzsina (HU);
 FEKETE, Pál (HU)
 (54) GASTRO-RESISTANT COATED PELLET CONTAINING SODIUM BICARBONATE,
 PRODUCTION THEREOF, PHARMACEUTICAL PREPARATION AND FOOD
 SUPPLEMENT CONTAINING THEREOF, AND THEIR USE
 (210) 24748703.6
 (220) 2024 05 17
 (100) EP 4719363 A1
 (430) 2026 04 08

(21) AE 2026 286
 (82) 2026 04 27 (51) Int. Cl. (2006)
 A 61 K 38/26
 A 61 K 47/54
 A 61 K 9/00
 A 61 P 3/10
 C 07 K 14/62
 (30) CN 202310619176 05.29.2023
 (86) CN2024095763, 2024 05 28
 (71) Sciwind Biosciences (Beijing) Co., Ltd. (CN)
 Rm. 201, Building 4 No.8 Liangshuihe 2nd Street BDA Daxing District, Beijing 100176, People's Republic of
 China (CN);
 Hangzhou Sciwind Biosciences Co., Ltd. (CN)
 Room 901, 9F, Building 2 No. 400 Fucheng Road Qiantang District, Hangzhou, Zhejiang 310015, People's
 Republic of China (CN)
 (72) WU, Xinle (CN);
 ZOU, Haixia (CN);
 PAN, Hai (CN);
 LI, Zhaoying (CN);
 HAO, Sujuan (CN);
 LI, Yan (CN)
 (54) POLYPEPTIDE DERIVATIVE FOR ORAL DELIVERY
 (210) 24814430.5
 (220) 2024 05 28
 (100) EP 4721754 A1
 (430) 2026 04 08

(21) AE 2026 287
 (82) 2026 04 27 (51) Int. Cl. (2006)
 A 61 K 31/519
 A 61 P 35/00
 C 07 D 487/14
 (30) JP 2023090561 05.31.2023
 (86) JP2024019849, 2024 05 30
 (71) Taiho Pharmaceutical Co., Ltd. (JP)
 1-27, Kandanshiki-cho, Chiyoda-ku, Tokyo 101-8444, Japan (JP)
 (72) TAKEDA, Daisuke (JP);
 UNO, Takao (JP)
 (54) CRYSTAL OF QUINOLINE-SUBSTITUTED COMPOUND
 (210) 24815563.2
 (220) 2024 05 30
 (100) EP 4722218 A1
 (430) 2026 04 08

(21) AE 2026 291
 (82) 2026 04 27 (51) Int. Cl. (2006)
 E 06 B 3/32
 E 06 B 3/36
 E 06 B 3/263
 (30) PT 2024119744 10.02.2024
 (71) BBG S.A. (PT)
 Zona Industrial de Esposende Rua Dr. Francisco Sá Carneiro 475C, 4740 - 473 Esposende,
 Portugal (PT)
 (72) DUARTE, Paulo (PT);
 ARAÚJO, Miguel (PT)
 (54) OUTSWING CASEMENT SYSTEM
 (210) 25204267.6
 (220) 2025 09 24
 (100) EP 4722483 A1
 (430) 2026 04 08

(21) AE 2026 292
 (82) 2026 04 27 (51) Int. Cl. (2006)
 A 61 K 9/46
 A 61 K 9/00
 A 61 K 9/08
 A 61 K 9/16
 A 61 K 31/192
 A 61 K 47/18
 A 61 K 47/40
 (30) GR 20230100733 09.13.2023; GR 20230100623 07.27.2023; GR 20230100444 06.02.2023
 (86) GR2024000014, 2024 05 31
 (71) Tseti, Ioulia (GR)
 13 Pavlou Mela Street, 145 61 Kifissia Attikis, Greece (GR)
 (72) Tseti, Ioulia (GR)
 (54) PHARMACEUTICAL COMPOSITION COMPRISING IBUPROFEN
 (210) 24735287.5
 (220) 2024 05 31
 (100) EP 4719362 A2
 (430) 2026 04 08

(21) AE 2026 293
 (82) 2026 04 27 (51) Int. Cl. (2006)
 A 61 K 31/395
 A 61 K 31/505
 A 61 K 31/13
 A 61 K 31/33
 (30) US 202463618980 P 01.09.2024; US 202363505969 P 06.02.2023
 (86) US2024032272, 2024 06 03
 (71) Numerion Labs Inc. (US)
 717 Market Street, Suite 800, San Francisco, CA 94103, USA (US)
 (72) MORTEZAEI, Shahab (US)
 (54) INHIBITORS OF TYK2
 (210) 24816667.0
 (220) 2024 06 03
 (100) EP 4719394 A2
 (430) 2026 04 08

(21) AE 2026 294

(82) 2026 04 27

(51) Int. Cl. (2006)

B 64 U 10/20

E 05 C 17/56

F 03 D 9/20

F 03 D 9/25

F 03 D 9/10

F 03 D 9/11

F 03 D 9/32

G 07 C 9/20

G 07 C 9/23

H 02 S 10/40

H 02 S 40/38

H 02 S 20/30

H 02 S 40/30

H 02 S 40/34

H 02 S 10/10

H 02 S 10/20

H 02 S 40/32

H 02 S 10/12

H 04 W 84/02

H 04 W 84/06

(30) US 202363505567 P 06.01.2023

(86) US2024032130, 2024 05 31

(71) Mountain N Meadow Holdings Inc. (US)

401 E. Las Olas Blvd., 130-152, Ft. Lauderdale, FL 33301, USA (US)

(72) DEVERICKS, James (US)

(54) POWER GENERATOR

(210) 24894831.7

(220) 2024 05 31

(100) EP 4719913 A2

(430) 2026 04 08

(21) AE 2026 296

(82) 2026 04 27

(51) Int. Cl. (2006)

D 21 H 11/00

B 21 P 11/12

B 21 P 11/18

B 21 P 17/63

B 21 P 27/10

B 21 O 3/00

(30) EP 23177880 06.07.2023

(86) EP2024065391, 2024 06 05

(71) Treeless AG (CH)

Earhart-Strasse 3, 8152 Glattpark (Opfikon), Switzerland (CH)

(72) KORCZAK, Adam Aleksander (CH);

KUCHARCZYK, Patrycja (CH)

(54) MICROBIAL CELLULOSE-BASED PAPER

(210) 24731887.6

(220) 2024 06 05

(100) EP 4724655 A1

(430) 2026 04 15

(21) AE 2026 299
 (82) 2026 04 27 (51) Int. Cl. (2006)
 A 61 K 31/437
 A 61 P 29/00
 A 61 P 35/00
 C 07 D 403/04
 C 07 D 471/04
 C 07 D 487/04
 (30) US 202363472233 P 06.09.2023
 (86) US2024033114, 2024 06 07
 (71) Interline Therapeutics Inc. (US)
 1400 Sierra Point Parkway, 3rd Floor, Brisbane, California 94005, USA (US)
 (72) THEDE, Kai (DE);
 GREBIES, Steffen (DE);
 SWEENEY, Zachary K. (US);
 RAO, Meera (US);
 GUO, Zuojun (US);
 CARDOZO, Mario G. (US);
 TULLY, David C. (US);
 RAJAPAKSA, Naomi S. (US);
 MOREAU, Robert Joseph (US)
 (54) METHODS OF TREATING INFLAMMATORY DISEASES
 (210) 24736278.3
 (220) 2024 06 07
 (100) EP 4724437 A1
 (430) 2026 04 15

(21) AE 2026 300
 (82) 2026 04 27 (51) Int. Cl. (2006)
 A 61 K 31/437
 A 61 P 29/00
 A 61 P 35/00
 C 07 D 471/04
 (30) US 202363609168 P 12.12.2023; US 202363472252 P 06.09.2023
 (86) US2024033121, 2024 06 07
 (71) Interline Therapeutics Inc. (US)
 1400 Sierra Point Parkway, 3rd Floor, Brisbane, California 94005, USA (US)
 (72) GREBIES, Steffen (DE);
 THEDE, Kai (DE);
 TULLY, David C. (US);
 RAO, Meera (US);
 RAJAPAKSA, Naomi S. (US);
 MOREAU, Robert Joseph (US);
 GUO, Zuojun (US);
 CARDOZO, Mario G. (US);
 SWEENEY, Zachary K. (US)
 (54) METHODS OF TREATING INFLAMMATORY DISEASES
 (210) 24736280.9
 (220) 2024 06 07
 (100) EP 4724440 A1
 (430) 2026 04 15

(21) AE 2026 301
 (82) 2026 04 27 (51) Int. Cl. (2006)
 A 61 K 9/20
 A 61 K 31/137
 A 61 K 31/485
 (30) EP 23178367 06.09.2023
 (86) EP2024065948, 2024 06 10

(71) L. MOLteni & C. DEI FRATELLI ALITTI - SOCIETA' DI ESERCIZIO S.p.A. (IT)
 Strada Statale 67 Tosco-Romagnola Frazione Granatieri, 50018 Scandicci (FI), Italy (IT)
 (72) CRESCENZA, Angela (IT);
 ANGELI, Roberto (IT)
 (54) ORAL SOLID PHARMACEUTICAL FORMULATION COMPRISING METHADONE/
 LEVOMETHADONE AND OPTIONALLY NALOXONE
 (210) 24737335.0
 (220) 2024 06 10
 (100) EP 4724048 A1
 (430) 2026 04 15

(21) AE 2026 302
 (82) 2026 04 27 (51) Int. Cl. (2006)
 A 61 K 39/12
 C 07 K 14/005
 C 07 K 14/47
 (30) US 202363581588 P 09.08.2023; US 202363507050 P 06.08.2023
 (86) US2024033144, 2024 06 07
 (71) ModernaTX Inc. (US)
 325 Binney Street, Cambridge, MA 02142, USA (US)
 (72) SHARMA, Arvind (US)
 (54) STABILIZED FLAVIVIRUS VACCINES
 (210) 24738140.3
 (220) 2024 06 07
 (100) EP 4724462 A1
 (430) 2026 04 15

(21) AE 2026 303
 (82) 2026 04 27 (51) Int. Cl. (2006)
 A 61 P 25/28
 C 07 K 16/18
 (30) US 202463648077 P 05.15.2024; US 202463572110 P 03.29.2024; US 202363507400 P 06.09.2023
 (86) US2024033125, 2024 06 07
 (71) Eisai R&D Management Co., Ltd. (JP)
 6-10, Koishikawa 4-chome Bunkyo-ku, Tokyo 112-8088, Japan (JP)
 (72) DHADDA, Shobha (US);
 WILLIS, Brian (US);
 SACHDEV, Pallavi (US);
 REYDERMAN, Larisa (US);
 KRAMER, Lynn (US);
 KOYAMA, Akihiko (US);
 IRIZARRY, Michael (US);
 HERSCH, Steven (US)
 (54) METHODS OF TREATMENT USING AN ANTI-ABETA PROTOFIBRIL ANTIBODY
 (210) 24743064.8
 (220) 2024 06 07
 (100) EP 4724147 A1
 (430) 2026 04 15

(21) AE 2026 304

(82) 2026 04 27

(51) Int. Cl. (2006)

C 08 J 3/05

C 08 J 3/20

C 08 J 5/04

C 08 K 5/092

C 08 L 1/00

C 08 L 101/00

C 08 L 29/04

C 08 L 31/04

C 08 L 79/02

(30) JP 2023093504 06.06.2023

(86) JP2024020659, 2024 06 06

(71) Shiraishi Kogyo Kaisha Ltd. (JP)

2-7, Nakanoshima 2-chome Kita-ku, Osaka-shi, Osaka 530-0005, Japan (JP);

Shiraishi Central Laboratories Co., Ltd. (JP)

78 Motohama-cho 4-chome, Amagasaki-shi, Hyogo 660-0085, Japan (JP)

(72) EGUCHI, Kenichiro (JP);

USUKI, Arimitsu (JP);

YANO, Hiroyuki (JP);

MORISHITA, Shigeru (JP)

(54) RESIN COMPOSITION, MOLDED BODY USING SAME, AND METHOD FOR PRODUCING
RESIN COMPOSITION

(210) 24819378.1

(220) 2024 06 06

(100) EP 4725989 A1

(430) 2026 04 15

DESIGN

APPLICATION APPROVED FOR REGISTRATION

The decision can be appealed at the Chamber of Appeal of Sakpatenti within 3 months from the publication or at the Mtskheta District Court Administrative Cases Board (Address: №17, Samkhedro str., Mtskheta), within 1 month following the publication.

(10) AD 2026 1486 S (51) 32-01
(21) AD 2025 1486 (22) 2025 12 03
(28) 2
(71) Eduard Tsabadze (GE)
Meskheti St 23, Tbilisi, Georgia (GE)
(72) Eduard Tsabadze (GE)
(74) Davit Dzamukashvili (GE)
(54) 1.-2. GRAPHICAL SYMBOL
(55)



1.1



2.1

REGISTERED DESIGN

(11) D 2026 1115 S (51) 02-04
(10) AD 2026 1468 S (44) 2026 01 12 №1
(21) AD 2025 1468
(22) 2025 08 22
(24) 2025 08 22
(28) 1
(18) 2030 08 22
(73) Ketevan Maisaia (GE)
Ilia Chavchavadze Av. 23-23a, entrance 2, ap. 19, 0179, Tbilisi, Georgia (GE)
(72) Ketevan Maisaia (GE)
(54) SHOES

(11) D 2026 1113 S (51) 09-01
(10) AD 2025 1462 S (44) 2025 12 25 №24
(21) AD 2025 1462
(22) 2025 07 31
(24) 2025 07 31
(28) 4
(18) 2030 07 31
(71) LLC "6000 B.C." (GE)
Anna Politkovskaya St. 47, 0186, Tbilisi, Georgia (GE)
(72) Giorgi Kalmakhelidze (GE)
(74) Nikoloz Gogilidze (GE)
(54) BOTTLE WITH LABEL

(11) D 2026 1116 S (51) 09-03
(10) AD 2026 1459 S (44) 2026 01 12 №1
(21) AD 2025 1459
(22) 2025 07 09
(24) 2025 07 09
(28) 4
(18) 2030 07 09
(71) LTD "Fruit Master Group" (GE)
Varketili 3, 3s m/r, bld. 340, ap. 5, 0159, Tbilisi, Georgia (GE)
(72) Meral Shamoyan (GE)
(54) BOX

**DESIGN REGISTERED ACCORDING TO THE ACCELERATED
PROCEDURE**

The decision can be appealed at the Chamber of Appeal of Sakpatenti within 3 months from the publication.

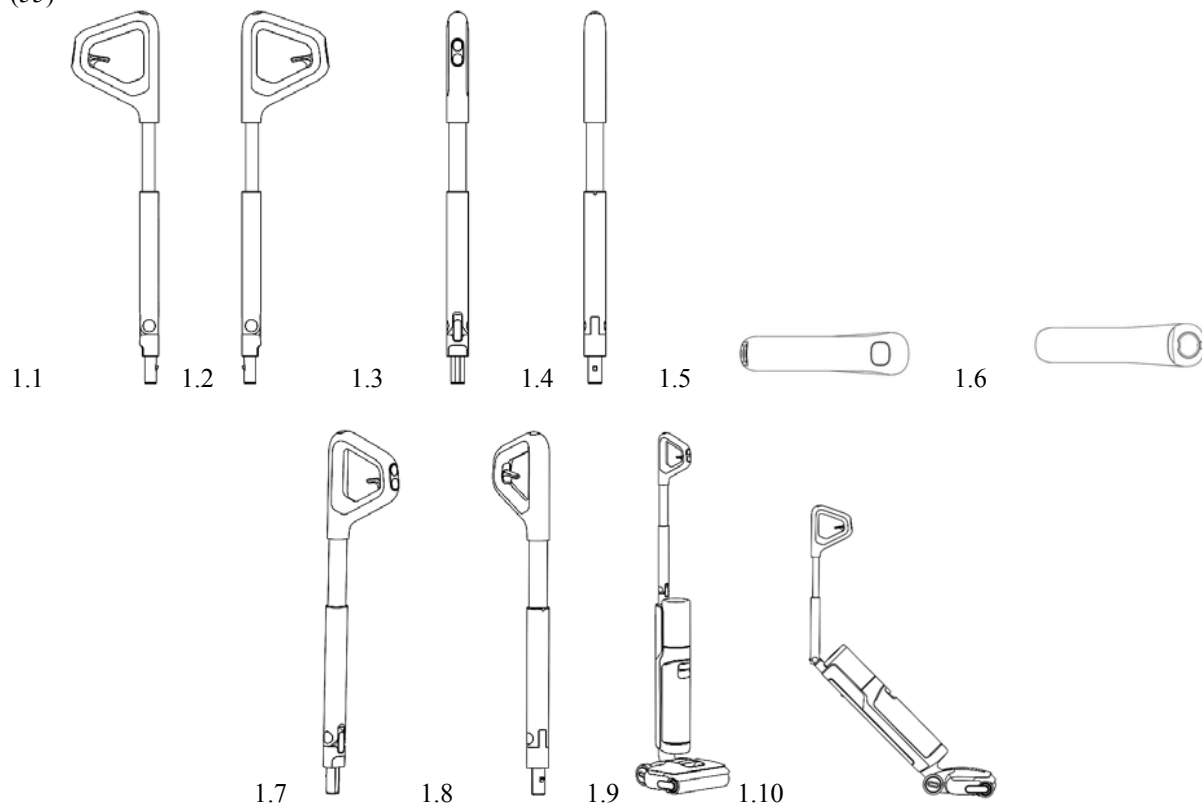
- (11) D 2026 1114 S
- (21) AD 2026 1510
- (24) 2026 03 23
- (28) 1
- (18) 2031 03 23
- (73) LTD "A Tex" (GE)
Balanchivadze St. 12/40, 3700, Rustavi, Georgia (GE)
- (72) Ana Khrikadze (GE)
- (54) BOXERS FOR MAN
- (55)



DESIGN, WHICH HAS BEEN REGISTERED WITH THE INTERNATIONAL BUREAU CLAIMING PRIORITY ON THE TERRITORY OF GEORGIA

The decision can be appealed at the Chamber of Appeal of Sakpatenti within 3 months from the publication or at the Mtskheta District Court Administrative Cases Board (Address: №17, Samkhedro St., Mtskheta), within 1 month following the publication.

- (11) DM/253 349
- (15) 2025 12 09
- (22) 2025 12 09
- (28) 1
- (30) №1: 28.08.2025; 2025305128763; CN
- (73) Dreame Intelligent Cleaning Future (Suzhou) Technology Co., Ltd.
2nd Floor, Building 6, №2288 Wuzhong Avenue, Wuzhong Economic Development Zone, 215100 Suzhou, Jiangsu Province (CN)
- (85) CN
- (86) CN
- (87) CN
- (88) –
- (89) CN
- (81) III. AM, AZ, BG, BR, BX, BY, CA, CH, DE, DK, EE, ES, FI, FR, GB, GE, GR, HR, HU, IL, IT, JP, KG, KR, LI, LT, LV, MC, MD, MN, MX, NO, OM, PL, RS, RU, SA, SG, SI, SM, TJ, TR, UA, US, UZ, VN
- (72) Zikuo CHEN
2nd Floor, Building 6, No. 2288 Wuzhong Avenue, Wuzhong Economic Development Zone, 215100, Suzhou, Jiangsu Province (CN)
- (74) Leader Patent & Trademark Firm
8F-6, Bldg. A, Winland International Center, No. 32 Xizhimen North Street, Haidian District, 100082 Beijing (CN)
- (54) 1. HANDLE PART FOR FLOOR CLEANING MACHINES
- (55)



(11) DM/253 625 (51) 09-07
(15) 2025 11 05 (44) 05/2026 (2026 01 30)
(22) 2025 11 05

(28) 1

(30) №1: 23.05.2025; 015104030-0003; EM

(73) Kiefel GmbH
Sudetenstraße 3, 83395 Freilassing (DE)

(85) –

(86) DE

(87) DE

(88) DE

(89) DE

(81) III. AL, AM, AZ, BA, BN, BR, BW, BY, BZ, CA, CH, CN, EG, GB, GE, GH, IL, IS, JM, JP, KG, KH, KN, KP, KR, LI, MA, MC, MD, ME, MK, MN, MU, MX, NA, NO, OA, OM, RS, RU, RW, SA, SG, SM, SR, ST, SY, TJ, TM, TN, TR, UA, UZ, VN, WS

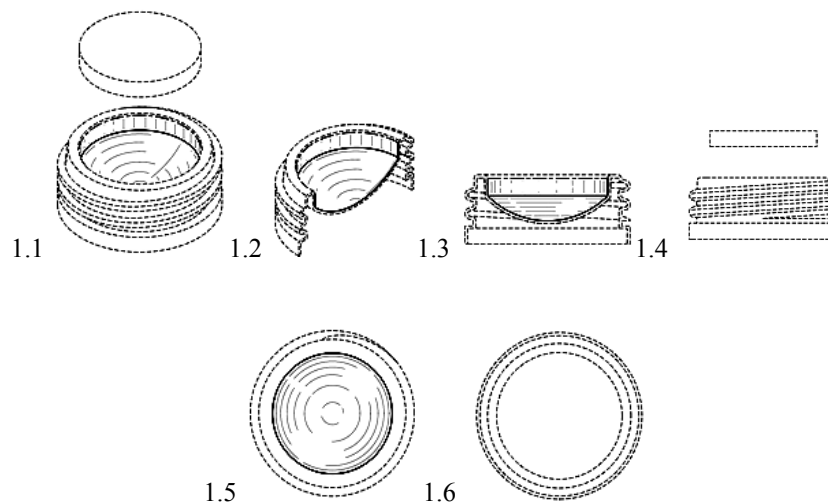
(72) Alexander Gertzen
Matulusstraße 9, 83395, Freilassing (DE);
Peter Knoll

Am Hammerbach 3, 83404, Ainring (DE)

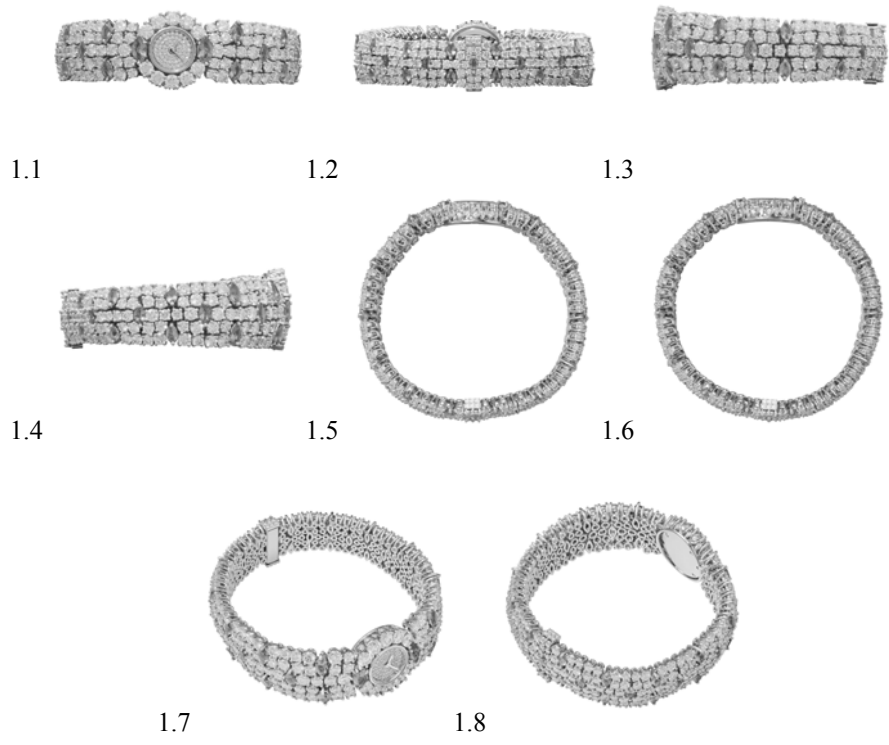
(74) DTS Patent- Und Rechtsanwälte PartmbB
Brienner Str. 1, 80333 München (DE)

(54) 1. PART OF A BOTTLE CAP

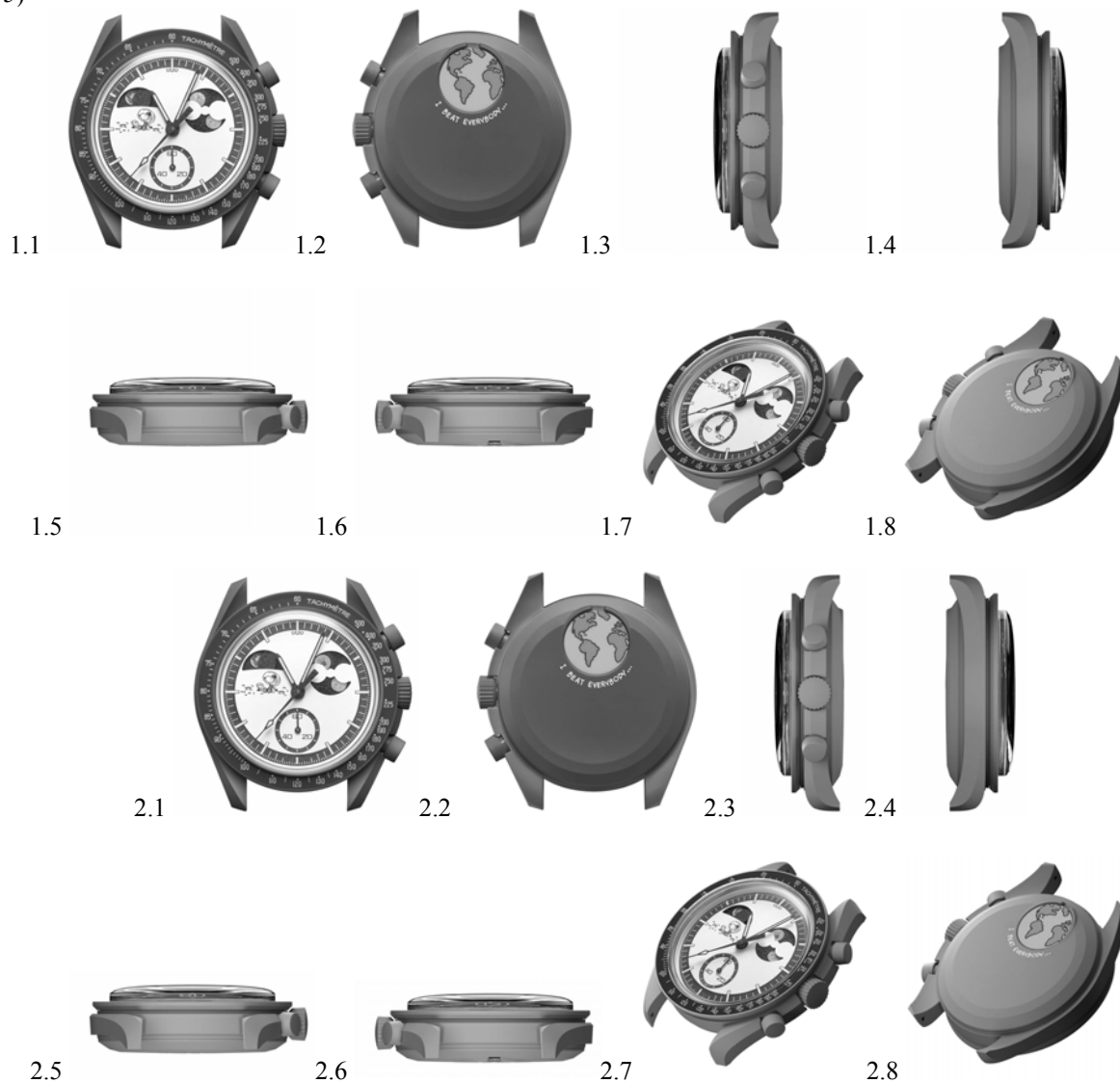
(55)



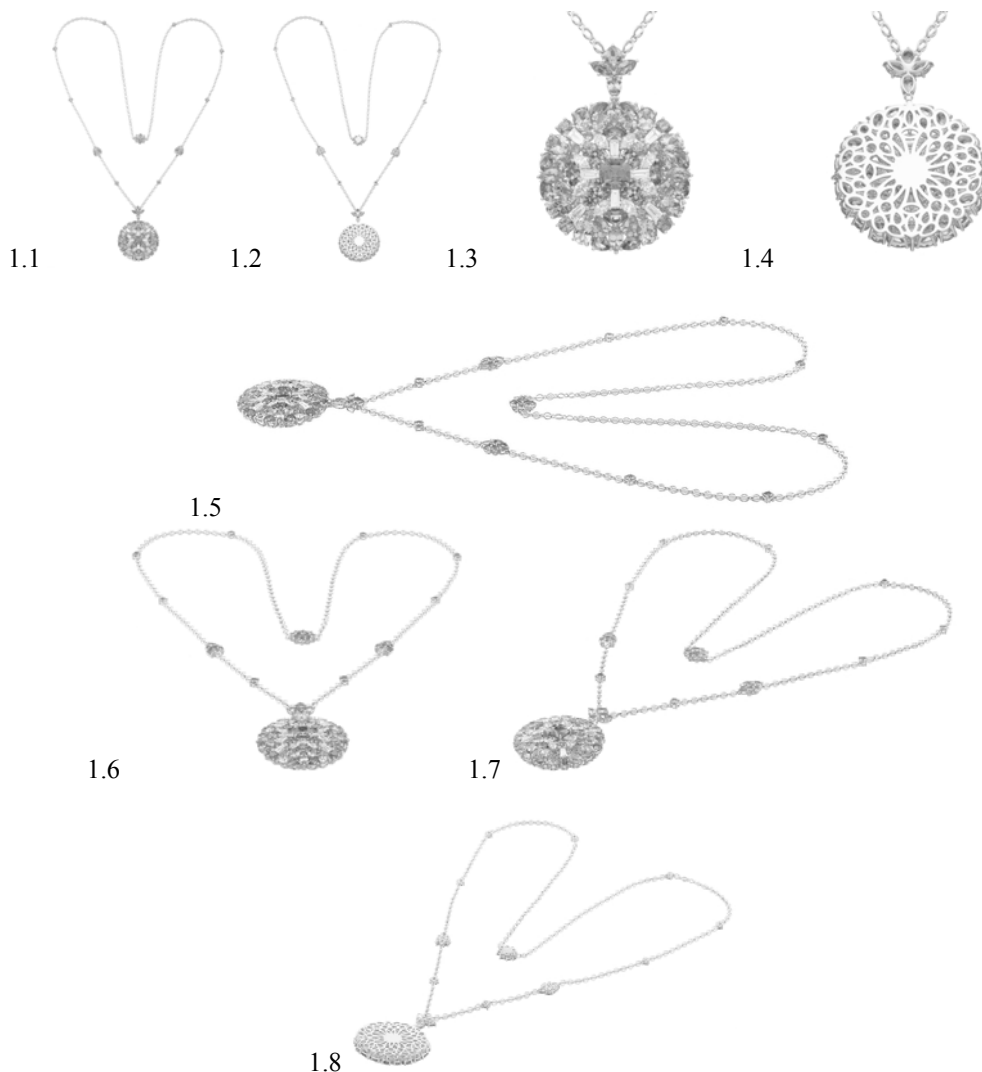
- (11) DM/248 708
- (15) 2025 07 28
- (22) 2025 07 28
- (28) 1
- (73) Harry Winston SA
Chemin Du Tourbillon 8, 1228 Plan-les-Ouates (CH)
- (85) CH
- (86) CH
- (87) CH
- (88) CH
- (89) CH
- (81) III. AL, AM, AZ, BA, BZ, CA, CH, EM, GB, GE, IL, KG, KH, KR, LI, MA, MC, MD, ME, MK, MN, NO, OM, RU, SG, TN, TR, UA
- (72) Delphine ABDOURAHIM
C/o Harry Winston SA Chemin Du Tourbillon 8, 1228, Plan-les-Ouates (CH)
- (74) The Swatch Group AG (The Swatch Group SA) (The Swatch Group Ltd.)
Faubourg Du Lac 6, 2501 Biel/Bienne (CH)
- (46) 2026 01 28
- (54) 1. WRISTWATCH
- (55)

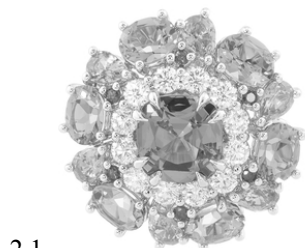


- (11) DM/249 277 (51) 10-02
 (15) 2025 07 25 (44) 05/2026 (2026 01 30)
 (22) 2025 07 25
 (28) 2
 (73) Omega SA (Omega AG) (Omega LTD.)
 Jakob-Stämpfli-Strasse 96, 2502 Biel/Bienne (CH)
 (85) CH
 (86) CH
 (87) CH
 (88) CH
 (89) CH
 (81) III. AL, AM, AZ, BA, BZ, CA, CH, EG, EM, GB, GE, IL, KG, KH, KR, LI, MA, MC, MD, ME, MK, MN,
 NO, OM, RS, SG, TN, TR, UA, VN
 (72) Gregory KISSLING
 C/o Omega SA (Omega AG) (Omega Ltd) Jakob-Stämpfli-Strasse 96, 2502, Biel/Bienne (CH);
 Carlo GIORDANETTI
 C/o Swatch AG (Swatch Ltd) (Swatch SA) Nicolas G. Hayek Strasse 1, 2502, Biel/Bienne (CH)
 (74) The Swatch Group AG (The Swatch Group SA) (The Swatch Group Ltd.)
 6, Faubourg Du Lac, 2501 Biel/Bienne (CH)
 (46) 2026 01 30
 (54) 1. WATCH, 2. WATCH
 (55)



- (11) DM/248 710 (51) 11-01
 (15) 2025 07 25 (44) 05/2026 (2026 01 30)
 (22) 2025 07 25
 (28) 5
 (73) Harry Winston SA
 Chemin Du Tourbillon 8, 1228 Plan-les-Ouates (CH)
 (85) CH
 (86) CH
 (87) CH
 (88) CH
 (89) CH
 (81) III. AL, AM, AZ, BA, BZ, CA, CH, EM, GB, GE, IL, KG, KH, KR, LI, MA, MC, MD, ME, MK, MN, NO, OM, SG, TN, TR, UA
 (72) 1 Delphine ABDOURAHIM
 C/o Harry Winston Inc. 718 Fifth Avenue, 10019, New York (US);
 2-3 Rie YATSUGI-KANG
 C/o Harry Winston Inc. 718 Fifth Avenue, 10019, New York (US);
 4-5 Tobias WUEST
 C/o Harry Winston Inc. 718 Fifth Avenue, 10019, New York (US)
 (74) The Swatch Group AG (The Swatch Group SA) (The Swatch Group Ltd.)
 Faubourg Du Lac 6, 2501 Biel/Bienne (CH)
 (46) 2026 01 28
 (54) 1. NECKLACE WITH PENDANT, 2. PAIR OF EARRINGS, 3. FINGER RING, 4. FINGER RING, 5. FINGER RING
 (55)





2.1



2.2



2.3



2.4



2.5



2.6



2.7



2.8



3.1



3.2



3.3



3.4



3.5



3.6



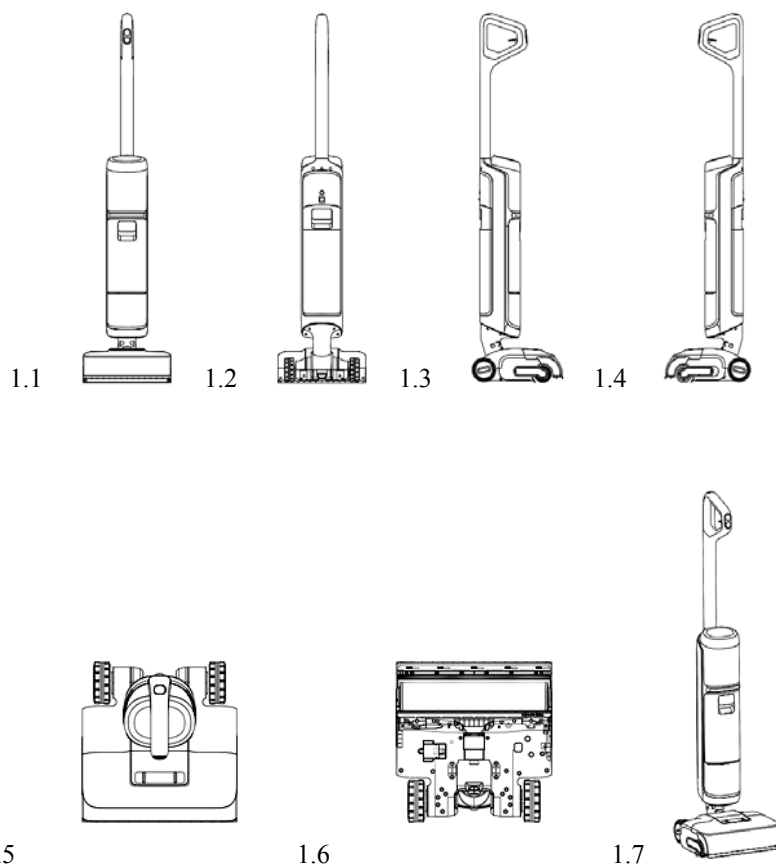
3.7

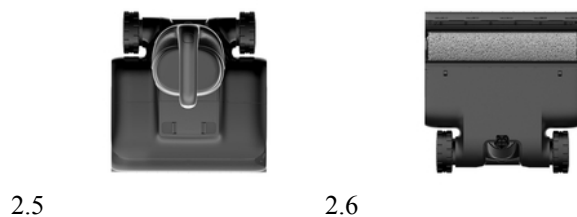


3.8



- (11) DM/253 469 (51) 15-05
 (15) 2025 11 19 (44) 05/2026 (2026 01 30)
 (22) 2025 11 19
 (28) 2
 (30) №1: 26.08.2025; 2025305057039; CN; №2: 26.08.2025; 2025305057039; CN
 (73) Dreame Intelligent Cleaning Future (Suzhou) Technology Co., Ltd.
 2nd Floor, Building 6, №2288 Wuzhong Avenue, Wuzhong Economic Development Zone, 215100 Suzhou,
 Jiangsu Province (CN)
 (85) CN
 (86) CN
 (87) CN
 (88) –
 (89) CN
 (81) III. AM, AZ, BG, BR, BX, BY, CA, CH, DE, DK, EE, ES, FI, FR, GB, GE, GR, HR, HU, IL, IT, JP, KG, KR,
 LI, LT, LV, MC, MD, MN, MX, NO, OM, PL, RS, RU, SA, SG, SI, SM, TJ, TR, UA, US, UZ, VN
 (72) Zikuo CHEN
 2nd Floor, Building 6, №2288 Wuzhong Avenue, Wuzhong Economic Development Zone, 215100, Suzhou,
 Jiangsu Province (CN);
 Siyu LI
 2nd Floor, Building 6, №2288 Wuzhong Avenue, Wuzhong Economic Development Zone, 215100, Suzhou,
 Jiangsu Province (CN);
 Chenxi SONG
 2nd Floor, Building 6, №2288 Wuzhong Avenue, Wuzhong Economic Development Zone, 215100, Suzhou,
 Jiangsu Province (CN)
 (74) Leader Patent & Trademark Firm
 8F-6, Bldg. A, Winland International Center, №32 Xizhimen North Street, Haidian District, 100082
 Beijing (CN)
 (54) 1. FLOOR CLEANING MACHINE, 2. FLOOR CLEANING MACHINE
 (55)





(11) DM/253 605 (51) 22-01
 (15) 2026 01 15 (44) 05/2026 (2026 01 30)
 (22) 2026 01 15
 (28) 1
 (73) MEC-GAR S.R.L.

Via Francesco Lana De Terzi, 71, 25064 Gussago (IT)

(85) IT
 (86) IT
 (87) IT
 (88) IT
 (89) EM

(81) III. AL, AM, AZ, BA, BN, BR, BW, BY, BZ, CA, CH, CN, EG, GB, GE, GH, IL, IS, JM, JP, KG, KH, KN, KP, KR, LI, MA, MC, MD, ME, MK, MN, MU, MX, NA, NO, OA, OM, RS, RU, RW, SA, SG, SM, SR, ST, SY, TJ, TM, TN, TR, UA, US, UZ, VN, WS

(72) Roberto SANSONI

Via Carlo Antonio Venturi, 57, 25131, Brescia (IT);

Davide MONTINI

Via Alcide De Gasperi, 19, 25060, Polaveno (IT)

Angelo GIORDANO

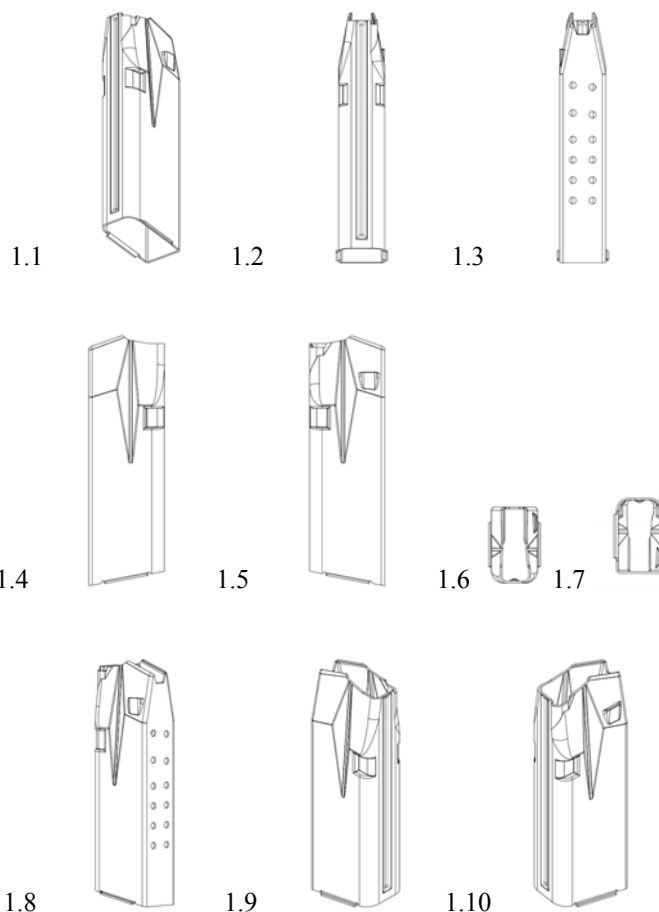
Via Piave, 54, 25065, Lumezzane (IT)

(74) Micaela Nadia Modiano

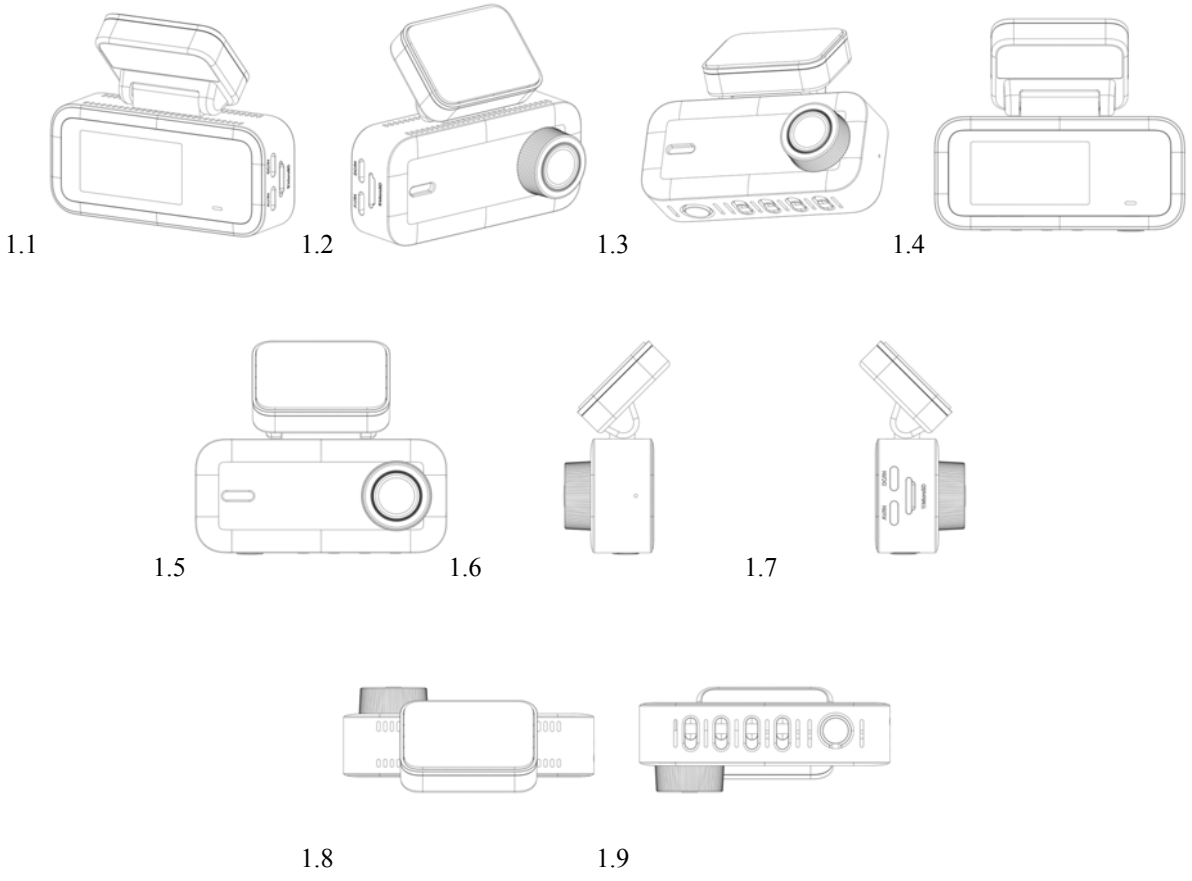
Via Meravigli, 16, 20123 Milano (IT)

(54) 1. PART OF AMMUNITION MAGAZINE

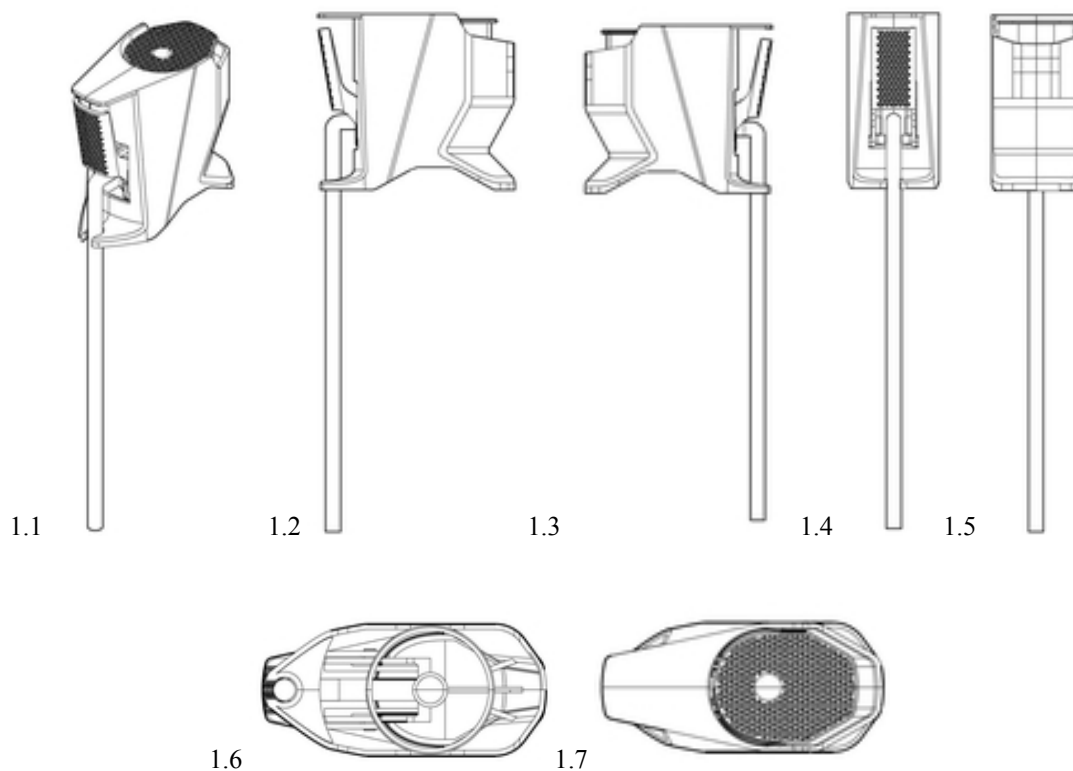
(55)



- (11) DM/253 806 (51) 16-01
- (15) 2026 01 19 (44) 06/2026 (2026 02 06)
- (22) 2026 01 19
- (28) 1
- (73) 70mai Co., Ltd.
Room 2220, Building 2, №588, Zixing Road, Minhang District, 200241 Shanghai (CN)
- (85) CN
- (86) CN
- (87) CN
- (88) CN
- (89) CN
- (81) III. BR, BY, EM, GE, KH, MA, MD, MX, RU, SA, SG, TR, UA, VN
- (72) Taichao LYU
Room 2220, Building 2, №588, Zixing Road, Minhang District, 200241, Shanghai (CN);
Sheng YANG
Room 2220, Building 2, №588, Zixing Road, Minhang District, 200241, Shanghai (CN);
Yajie TANG
Room 2220, Building 2, №588, Zixing Road, Minhang District, 200241, Shanghai (CN);
Hongjun WANG
Room 2220, Building 2, №588, Zixing Road, Minhang District, 200241, Shanghai (CN);
Qing XU
Room 2220, Building 2, №588, Zixing Road, Minhang District, 200241, Shanghai (CN)
- (74) Chofn Intellectual Property
Room 1215-1218, Floor 12 Left Bank Community №68 Beisihuanxilu, Haidian District, 100080 Beijing (CN)
- (54) 1. DASHBOARD CAMERA
- (55)



- (11) DM/253 917 (51) 09-07
(15) 2026 01 08 (44) 07/2026 (2026 02 13)
(22) 2026 01 08
(28) 1
(30) №1: 10.07.2025; 015110375-0001; EM
(73) Selena FM S.A.
Legnicka 48A, 54-202 Wrocław (PL)
(85) –
(86) –
(87) –
(88) PL
(89) EM
(81) III. AL, AM, AZ, BA, BR, BY, CA, CH, CN, GB, GE, IL, JP, KG, KR, MD, ME, MK, MX, NO, RS, RU, TJ, TM, TR, UA, US, UZ, VN
(72) Jacek Morawski
Ul. Sarmacka 12c/3, Warsaw (PL);
Piotr Blicharski
Ul. Belwederska 19/29, Warsaw (PL);
Bartosz Wyzykowski
Ul. Konstruktorska 6, Warsaw (PL)
(74) Anna Rokicka
Ul. Żeglarska 23, 53-213 Wrocław, Dolnoslaskie (PL)
(54) 1. SPRAY CAP FOR AEROSOL CONTAINERS
(55)



- (11) DM/253 843
- (15) 2025 07 07
- (22) 2025 07 07
- (28) 1
- (73) Vulkan Systems SL
Calle Isabel La Católica, 58, Local 2, 03130 Santa Pola, Alicante (EE)
- (85) –
- (86) –
- (87) –
- (88) EE
- (89) EE
- (81) III. AM, AZ, GE
- (72) Jose Luis BRU
Isabel La Católica, 58, Local 2, 03130, Santa Pola, Alicante (Ee)
- (74) Agilmark Trade Mark SL
Avenida De La Universidad, S/N, PC UMH, Edificio Quorum IV, 03202 Elche, Alicante (EE)
- (54) 1. ACCESS CONTROL DEVICE
- (55)



1.1



1.2

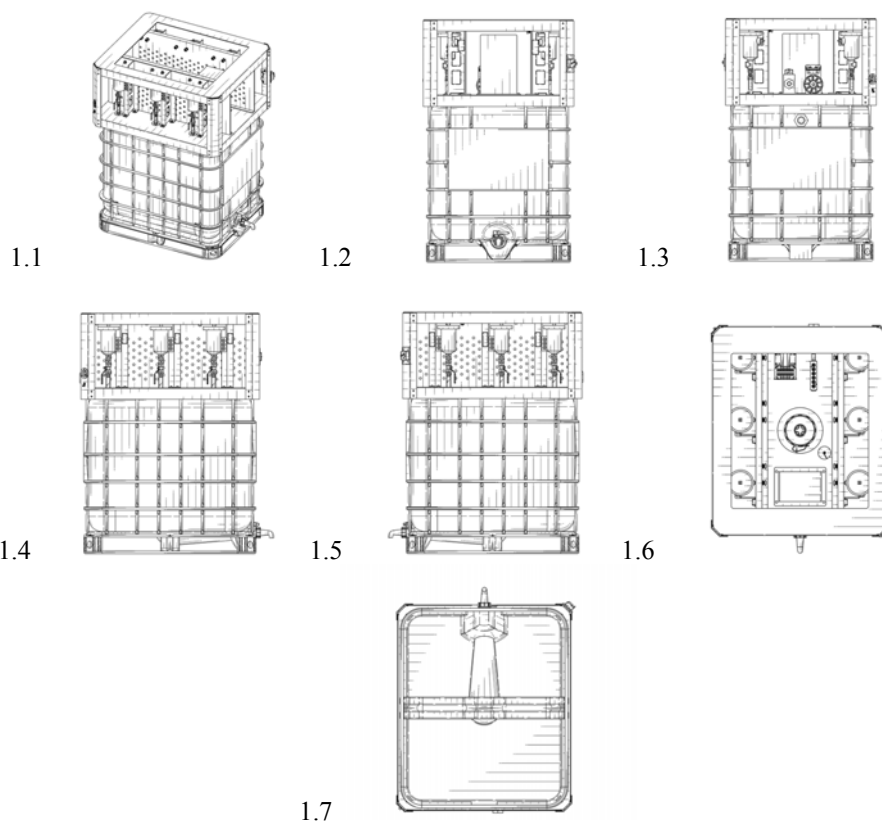


1.3



1.4

- (11) DM/248 132 (51) 15-99
 (15) 2025 02 13 (44) 07/2026 (2026 02 13)
 (22) 2025 02 13
 (28) 1
 (73) Green Lightning Solutions LLC
 1805 Fortune Drive, 40391 Winchester, Kentucky (US)
 (85) –
 (86) –
 (87) –
 (88) US
 (89) US
 (81) III. BR, CA, CH, CN, DE, DK, EE, EG, EM, ES, FI, FR, GB, GE, GR, HR, HU, IL, IT, JM, JP, KR, LI, LT,
 LV, MA, MX, NA, NO, PL, RO, SG, SI, TN, TR, UA, US, VN
 (72) Joseph Lewis
 1654 Riverside Drive , Holly Hill, Florida (US)
 (74) Lori Sandman
 125 Basin Street, Suite 206, 32114 Daytona Beach, Florida (US)
 (54) 1. REACTIVE MOLECULE GENERATION MACHINE
 (55)



- (11) DM/249 315 (51) 11-01
(15) 2025 08 15 (44) 08/2026 (2026 02 20)
(22) 2025 08 15
(28) 6
(73) Harry Winston SA
Chemin Du Tourbillon 8, 1228 Plan-les-Ouates (CH)
(85) CH
(86) CH
(87) CH
(88) CH
(89) CH
(81) III. AL, AM, AZ, BA, BZ, CA, CH, EM, GB, GE, IL, KG, KH, KR, LI, MA, MC, MD, ME, MK, MN, NO,
OM, SG, TN, TR, UA
(72) 1-3 Rie YATSUGI-KANG
C/o Harry Winston Inc. 718 Fifth Avenue, 10019, New York (US);
4-6 Delphine ABDOURAHIM
C/o Harry Winston Inc. 718 Fifth Avenue, 10019, New York (US)
(74) The Swatch Group AG (The Swatch Group SA) (The Swatch Group Ltd.)
Faubourg Du Lac 6, 2501 Biel/Bienne (CH)
(46) 2026 02 20
(54) 1. PAIR OF EARRINGS, 2. NECKLACE WITH PENDANT, 3. NECKLACE WITH PENDANT,
4. NECKLACE WITH PENDANT, 5. PAIR OF EARRINGS, 6. PAIR OF EARRINGS
(55)



1.1



1.2



1.3



1.4



1.5



1.6

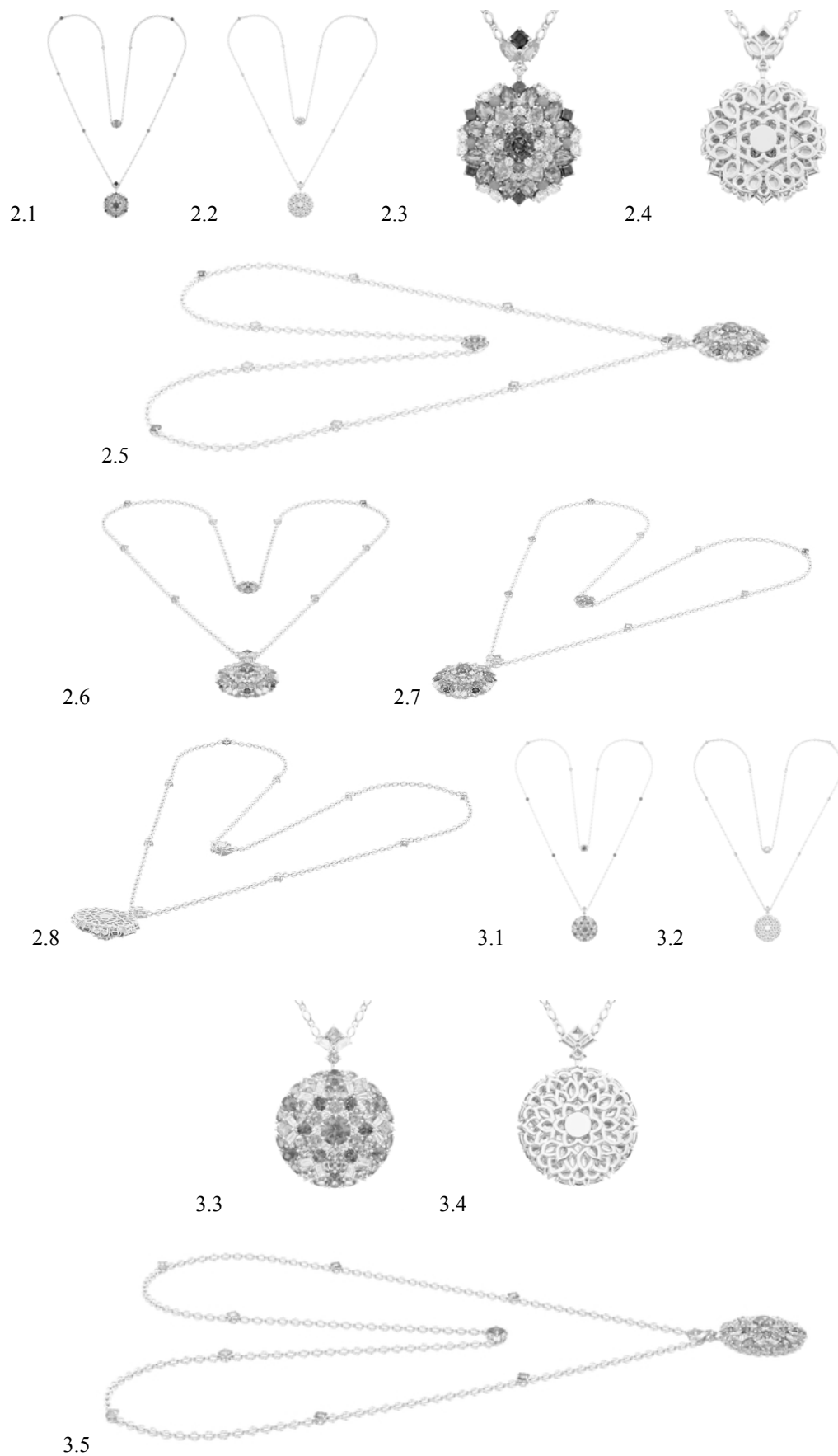


1.7



1.8









5.3

5.4

5.5



5.6

5.7

5.8



6.1

6.2

6.3



6.4

6.5

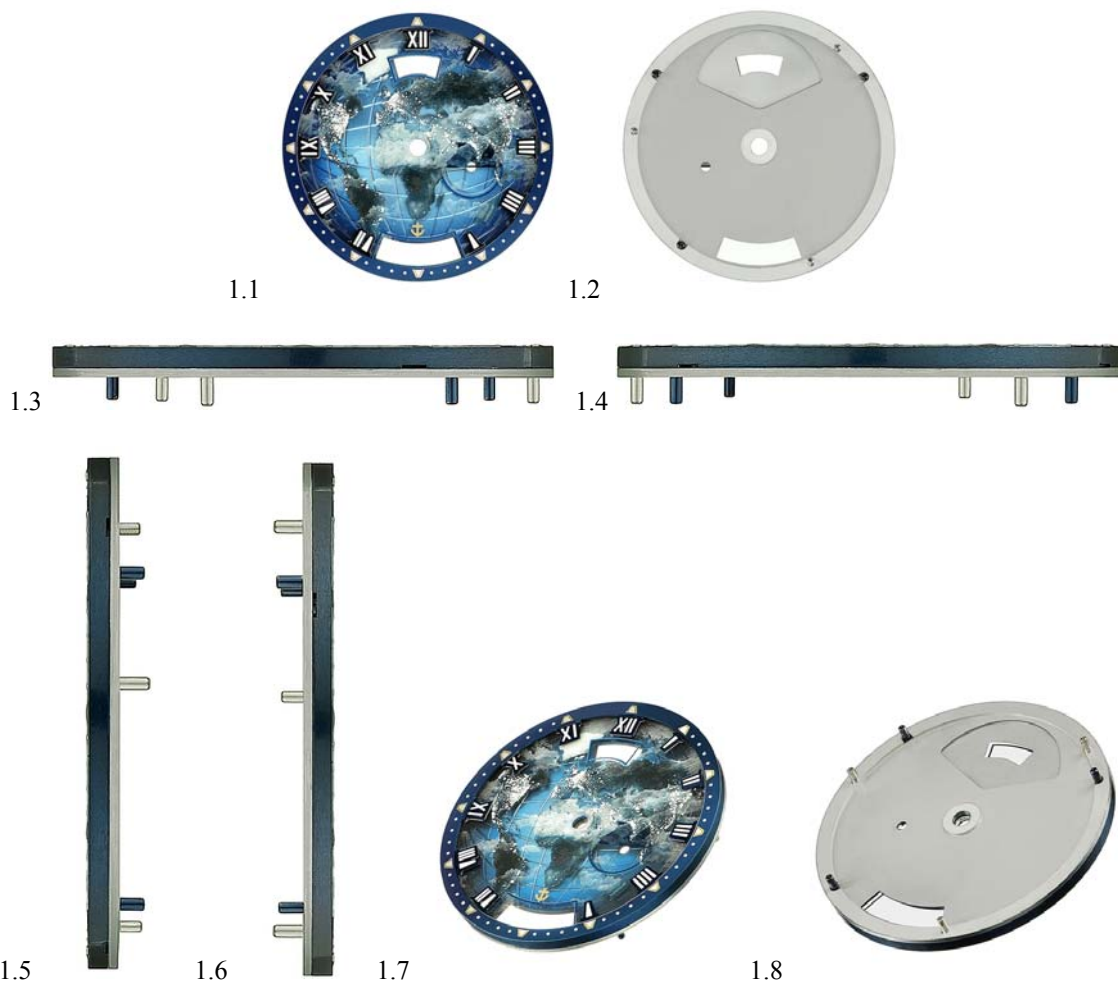
6.6



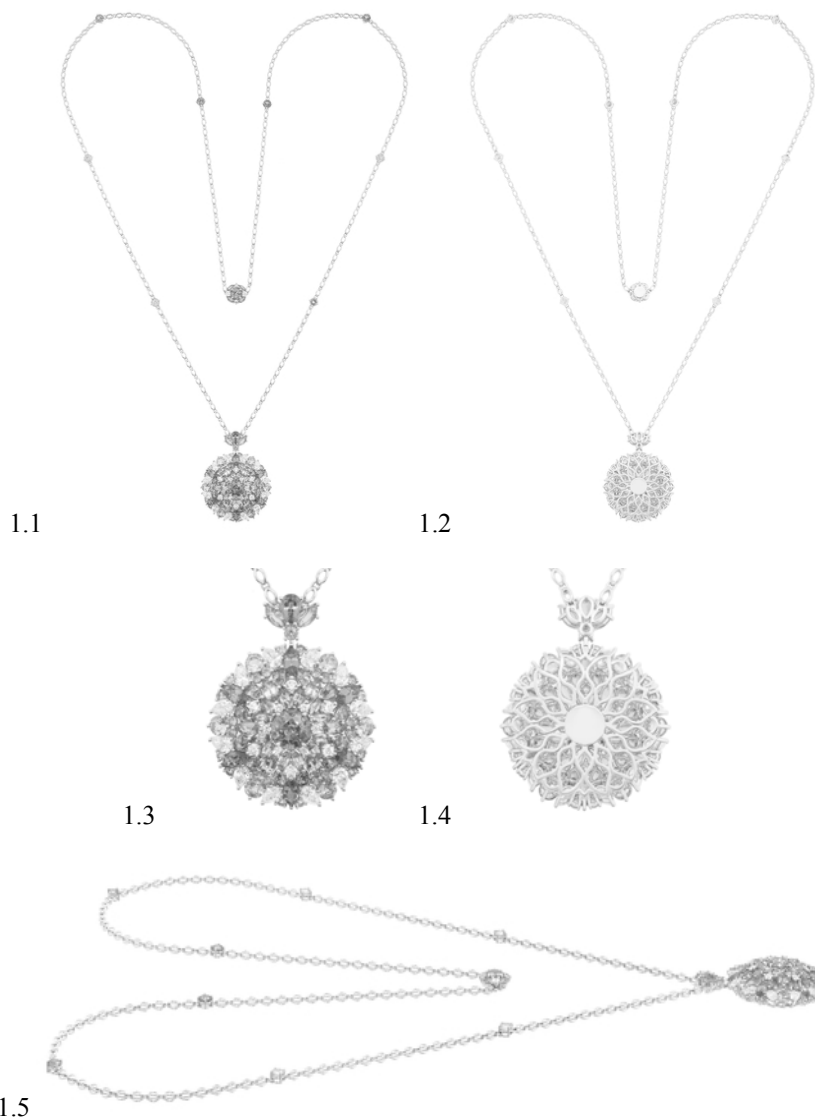
6.7

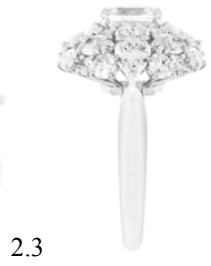
6.8

- (11) DM/249 312 (51) 10-07
 (15) 2025 08 22 (44) 09/2026 (2026 02 27)
 (22) 2025 08 22
 (28) 1
 (73) Montres Breguet SA (Montres Breguet AG) (Montres Breguet Ltd)
 Place De La Tour 23, 1344 L'Abbaye (CH)
 (85) CH
 (86) CH
 (87) CH
 (88) CH
 (89) CH
 (81) III. AL, AM, AZ, BA, BZ, CA, CH, EM, GB, GE, KG, LI, MA, MC, MD, ME, MK, MN, MX, NO, OM, RU,
 SG, TN, TR, UA
 (72) Grégory Kissling
 Place De La Tour 23, 1344, L'Abbaye, CH; Lubna Driouech, Alfred Lugrin 2, 1341, L'Orient (CH)
 (74) The Swatch Group SA (The Swatch Group AG) (The Swatch Group Ltd.)
 Faubourg Du Lac 6, 2501 Biel / Bienne (CH)
 (46) 2026 02 27
 (54) 1. WATCH DIAL
 (55)



- (11) DM/249 761 (51) 11-01
 (15) 2025 09 04 (44) 10/2026 (2026 03 31)
 (22) 2025 09 04
 (28) 2
 (73) Harry Winston SA
 Chemin Du Tourbillon 8, 1228 Plan-les-Ouates (CH)
 (85) CH
 (86) CH
 (87) CH
 (88) CH
 (89) CH
 (81) III. AL, AM, AZ, BA, BZ, CA, CH, EM, GB, GE, IL, KG, KH, KR, LI, MA, MC, MD, ME, MK, MN, NO,
 OM, SG, TN, TR, UA
 (72) 1 Tobias WUEST
 C/o Harry Winston Inc. 718 Fifth Avenue, 10019, New York (US);
 2 Delphine ABDOURAHIM
 C/o Harry Winston Inc. 718 Fifth Avenue, 10019, New York (US)
 (74) The Swatch Group AG (The Swatch Group SA) (The Swatch Group Ltd.)
 Faubourg Du Lac 6, 2501 Biel/Bienne (CH)
 (46) 2026 03 06
 (54) 1. NECKLACE WITH PENDANT, 2. FINGER RING
 (55)





TRADEMARK

APPLICATION FILED UNDER THE NATIONAL PROCEDURE APPROVED FOR REGISTRATION

The decision may be appealed to the Chamber of Appeals of Sakpatenti within 3 months of its publication or to the Administrative Cases Bench of Mtskheta District Court within 1 month, while the decisions of the Chamber of Appeals may be appealed only to the Administrative Cases Bench of Mtskheta District Court within 1 month (Address: 17 Samkhedro St., Mtskheta).

(260) AM 2026 132801 A*
(210) AM 132801
(220) 2025 03 11
(731) Giga-Byte Technology Co., Ltd
№6, Bau Chiang Rd., Hsin-Tien Dist., New
Taipei City 231, Taiwan, Province of China
(740) Zurab Bezhashvili;
Ioane Iarajuli
(540)

GIGABYTE

(591) Black-white
(531) 27.05.01; 27.05.17
(511) 9

(260) AM 2026 133894 A
(210) AM 133894
(220) 2025 05 21
(731) Enriko Beridze
G. Tsitsishvili St. 18, Tbilisi, Georgia
(540)

Rothschild's Bar
როტშილდის ბარი

(591) Black-white
(511) 35, 43

(260) AM 2026 135098 A
(210) AM 135098
(220) 2025 08 11
(731) LTD "Cherry Land"
Zurab Gorgiladze St. 45, ap. 31, Batumi,
Georgia
(740) Avtandil Gobronidze
(540)



CHERRY LAND
ჩერრი ლენდი

(591) Red, white, green, black
(531) 04.05.01; 05.07.16; 27.05.01; 28.19; 29.01.14
(511) 30

(260) AM 2026 135127 A
(210) AM 135127
(220) 2025 08 14
(731) Iago Makharadze
Theodor Mghvdeli St. 29, 6010, Batumi,
Georgia
(540)



(591) 07DFF7 blue, A8A6A6 grey, white
(531) 02.07.02; 07.01.12; 07.05.25; 07.11.25;
21.03.19; 22.05.15; 22.05.25; 27.05.01;
27.05.24; 29.01.04; 29.01.12
(511) 43

(260) AM 2026 135378 A
(210) AM 135378
(220) 2025 09 01
(731) LLC "Omnia Georgia"
Mepe Miriani St. 49, ap. 177, Saburtalo
District, Tbilisi, Georgia
(740) Shalva Gvaramadze
(540)

ომნ
რეალ იესტეტი
OMN
REAL ESTATE

(591) Black-white
(531) 27.05.01; 27.05.09; 27.05.17
(511) 16, 19, 37

(260) AM 2026 135379 A
(210) AM 135379
(220) 2025 09 01
(731) LLC "Omnia Georgia"

Mepe Miriani St. 49, ap. 177, Saburtalo
District, Tbilisi, Georgia
(740) Shalva Gvaramadze
(540)



(591) Black-white
(531) 27.05.01; 27.05.09; 27.05.17
(511) 19, 37

(260) AM 2026 135380 A
(210) AM 135380
(220) 2025 09 01
(731) Antropic PBC
548 Market St, PMB 90375, San Francisco,
California 94104, USA
(740) Tamaz Shilakadze
(540)

ANTHROPIC

(591) Black-white
(511) 42

(260) AM 2026 135381 A
(210) AM 135381
(220) 2025 09 01
(731) Antropic PBC
548 Market St, PMB 90375, San Francisco,
California 94104, USA
(740) Tamaz Shilakadze
(540)

CLAUDE

(591) Black-white
(511) 9

(260) AM 2026 135382 A
(210) AM 135382
(220) 2025 09 01
(731) Antropic PBC
548 Market St, PMB 90375, San Francisco,
California 94104, USA
(740) Tamaz Shilakadze
(540)

CLAUDE

(591) Black-white
(511) 42

(260) AM 2026 135393 A
(210) AM 135393
(220) 2025 09 02
(731) LLC "Georgian Green Energy"

Shota Nadirashvili St. 24, Commercial
Area 1, Floor 1, 0144, Isani District,
Tbilisi, Georgia
(740) Tamar Namgaladze
(540)



(591) 6EBD4A green, E2C637 yellow
(531) 05.03.13; 05.03.14; 27.05.21; 27.05.25;
29.01.02; 29.01.03; 29.01.12
(511) 9, 37

(260) AM 2026 135397 A
(210) AM 135397
(220) 2025 09 03
(731) Shenzhen Lagenio Technology Co., Ltd.
1206, Tower B, Hongrongyuan North Railway
Station Center, Minzhi Street, Longhua
District, Shenzhen, Guangdong Province,
People's Republic of China
(740) Giorgi Kartvelishvili
(540)

LAGENIO

(591) Black-white
(531) 27.01.25; 27.05.01; 27.05.17; 29.01.08
(511) 9

(260) AM 2026 135399 A
(210) AM 135399
(220) 2025 09 04
(731) LLC "Susna"
Tskaltubo St. 24, bld. "G", ap. 60, 0159,
Didube District, Tbilisi, Georgia
(540)



(591) 000000 Black-white
(531) 03.05.03; 27.05.01; 27.05.17; 27.05.24; 28.19;
29.01.12
(511) 29

(260) AM 2026 135410 A
(210) AM 135410
(220) 2025 09 05
(731) Al Jameel International Co., Ltd.
Makka Eria, Jidda, Saudi Arabia

(740) Merab Kvimsadze
(540)



(591) Black-white
(531) 01.15.07; 01.15.09; 01.15.15; 26.01.03;
26.01.13; 26.01.16; 27.05.01; 27.05.17; 28.01
(511) 29, 30, 32

(260) AM 2026 135411 A
(210) AM 135411
(220) 2025 09 05
(731) Al Jameel International Co., Ltd.
Makka Eria, Jidda, Saudi Arabia
(740) Merab Kvimsadze
(540)



(591) Yellow, black, orange
(531) 23.01.05; 23.01.25; 26.04.02; 26.04.05;
26.04.12; 26.11.08; 26.11.12; 27.05.01;
27.05.17; 27.05.25; 28.01; 29.01.02; 29.01.08;
29.01.12
(511) 29, 30, 32

(260) AM 2026 135464 A
(210) AM 135464
(220) 2025 09 05
(731) Exxon Mobil Corporation
22777 Springwoods Village Parkway,
Spring, Texas, 77389, USA
(740) Shalva Gvaramadze
(540)



(591) White, blue, red
(531) 27.05.01; 27.05.10; 27.05.17; 29.01.01;
29.01.04; 29.01.12
(511) 37

(260) AM 2026 135469 A
(210) AM 135469
(220) 2025 09 08
(731) Deciphera Pharmaceuticals LLC
200 Smith Street, Waltham, MA 02451, USA

(740) Merab Kvimsadze
(540)



(591) Black-white
(531) 26.11.01; 26.11.11; 27.05.01; 27.05.17
(511) 5, 42, 44

(260) AM 2026 135476 A
(210) AM 135476
(220) 2025 09 09
(731) Gogita Datunashvili
Ivane Kirvalidze St. 4, 1500, Gurjaani, Georgia
(540)



(591) 1703AF blue, EF641F orange, FFFFFFF white
(531) 26.01.01; 26.01.03; 26.01.16; 26.04.02;
26.04.05; 26.04.10; 26.04.22; 26.04.24;
27.05.01; 29.01.13
(511) 39

(260) AM 2026 135477 A
(210) AM 135477
(220) 2025 09 10
(731) Florian Iulien Schoell
Ana Politkovskaya St. 3, bld. 7, ap. 6,
0186, Tbilisi, Georgia
(540)



(591) F1711E orange, 424648 grey
(531) 26.01.06; 27.05.01; 29.01.02; 29.01.08;
29.01.12
(511) 41

(260) AM 2026 135482 A
(210) AM 135482
(220) 2025 09 10
(731) LLC "Rich Group"
Village Mughanlo, Marneuli District,
Georgia
(540)

Latotens-ლატოტენსო

(591) Black-white
(511) 5

(260) AM 2026 135496 A
 (210) AM 135496
 (220) 2025 09 11
 (731) Boston Nutraceutical Science S.L.
 Calle Thomas Alva Edison 6 46980
 Paterna Valencia, Spain
 (740) Liliana Darakhvelidze
 (540)

VITALDIN

(591) Black-white
 (511) 5, 29, 30

(260) AM 2026 135498 A
 (210) AM 135498
 (220) 2025 09 11
 (731) S. C. Johnson & Son, Inc.
 1525 Howe Street, Racine, WI 53403-2236,
 USA
 (740) Giorgi Taktakishvili
 (540)



(591) Black-white, grey
 (531) 02.01.01; 02.01.15; 02.01.30; 27.05.01;
 27.05.17
 (511) 3, 5

(260) AM 2026 135503 A
 (210) AM 135503
 (220) 2025 09 11
 (731) Bausch Health Ireland Limited
 3013 Lake Drive, Citywest Business
 Campus, Dublin 24, Ireland
 (740) Giorgi Taktakishvili
 (540)

Amitriptylinum VP

(591) Black-white
 (511) 5

(260) AM 2026 135504 A
 (210) AM 135504
 (220) 2025 09 11
 (731) Bausch Health Ireland Limited
 3013 Lake Drive, Citywest Business
 Campus, Dublin 24, Ireland
 (740) Giorgi Taktakishvili
 (540)

Bisacodyl VP

(591) Black-white
 (511) 5

(260) AM 2026 135507 A
 (210) AM 135507
 (220) 2025 09 11
 (731) LLC "Taste Lab"
 Akaki Gelovani I Lane, 3, Tbilisi, Georgia
 (740) Giorgi Taktakishvili
 (540)



(591) Black-white
 (531) 27.05.01; 27.05.10; 27.05.17; 27.05.21
 (511) 29, 30, 31, 32, 33, 35

(260) AM 2026 135508 A
 (210) AM 135508
 (220) 2025 09 11
 (731) LLC "Taste Lab"
 Akaki Gelovani I Lane, 3, Tbilisi, Georgia
 (740) Giorgi Taktakishvili
 (540)



(591) Black-white
 (531) 27.05.01; 27.05.10; 27.05.17; 27.05.21
 (511) 29, 30, 31, 32, 33, 35

(260) AM 2026 135551 A
 (210) AM 135551
 (220) 2025 09 16
 (731) LLC "Mixor"
 Grigol Khandzteli St. 1, 0178, Gldani District,
 Tbilisi, Georgia
 (540)

**მიქსორი
 MIXORI**

(591) Black-white
 (511) 19, 37

(260) AM 2026 135564 A
 (210) AM 135564
 (220) 2025 09 18
 (731) Risgoo Technology Holdings (Shenzhen) Co., Ltd.
 102, Bldg B09, Renshan Zhishui, №96,
 Huangan

South Rd., Guanhu St., Longhua Dist.,
Shenzhen, 518000, People's Republic
of China

(740) Giorgi Kartvelishvili
(540)



(591) Black-white
(531) 03.01.14; 27.05.01; 27.05.17; 29.01.08
(511) 9

(260) AM 2026 135616 A
(210) AM 135616
(220) 2025 09 19
(731) LLC "A-B-F"
Village Martkopi, Vaziani Settlement, 1320,
Gardabani, Georgia
(740) Vakhtang Torotadze
(540)



(591) Black-white, grey
(531) 01.03.01; 01.03.02; 06.01.02; 06.01.04;
27.05.01; 27.05.17; 28.05
(511) 33

(260) AM 2026 135620 A
(210) AM 135620
(220) 2025 09 19
(731) LLC "Saneris Group"
Archil Mepe St. 9, 0159, Tbilisi, Georgia
(540)

POTEPEN

(591) Black-white
(511) 5

(260) AM 2026 135622 A
(210) AM 135622
(220) 2025 09 20
(731) Jaba Bebua
Nutsa Ghogheridze St. 9, 0179, Tbilisi,
Georgia
(540)

Trails of Wir

(591) Black
(531) 27.05.01; 27.05.09; 27.05.10
(511) 33

(260) AM 2026 135625 A
(210) AM 135625
(220) 2025 09 22
(731) Shanghai John Jeff Cosmetics Co., Ltd.
Floor 3, Building 2, №511, Xiaowan Road,
Fengxian District, Shanghai, 200000,
People's Republic of China
(740) Pavle Meipariani
(540)

John Jeff

(591) Black-white
(531) 27.05.01
(511) 3

(260) AM 2026 135628 A
(210) AM 135628
(220) 2025 09 22
(731) LLC "Digitron"
Kazbegi Av. 42, Saburtalo District, Tbilisi,
Georgia
(740) Giorgi Taktakishvili
(540)



(591) Blue, white
(531) 26.04.11; 26.04.12; 26.13.25; 26.15.09;
27.05.01; 29.01.12
(511) 9, 35, 42

(260) AM 2026 135643 A
(210) AM 135643
(220) 2025 09 24
(731) Vera Purtseladze
Shalva Nutsubidze St. 77k, ap. 14, Tbilisi,
Georgia
(540)

*Around
the World*

(591) White, brown
(531) 27.05.01; 27.05.17
(511) 18, 35

(260) AM 2026 135658 A
(210) AM 135658
(220) 2025 09 26
(731) Toyota Jidosha Kabushiki Kaisha
(also trading as Toyota Motor Corporation)
1, Toyota-cho, Toyota-shi, Aichi-ken, Japan
(740) Tamar Kotchlamazashvili

(540)

RX550h+

(591) Black-white
(531) 24.17.05; 27.05.01; 27.07.01
(511) 12

(260) AM 2026 135716 A
(210) AM 135716
(220) 2025 09 27
(731) Bliss Planet Limited
Rm 2 3/F Ruby Commercial Building 480
Nathan Road Kl, Hong Kong
(740) Giorgi Kartvelishvili
(540)



(591) Black-white
(531) 01.15.15; 01.15.21; 05.03.11; 05.03.13;
05.03.16; 27.05.01
(511) 35

(260) AM 2026 135727 A
(210) AM 135727
(220) 2025 09 29
(731) OpenAI Inc.
1455 3rd Street, San Francisco, CA 94158,
USA
(740) Giorgi Taktakishvili
(540)



(591) Black-white
(531) 26.03.02; 26.03.04; 26.03.07; 26.03.23
(511) 9, 35, 38, 41, 42, 45

(260) AM 2026 135732 A
(210) AM 135732
(220) 2025 09 29
(731) Philip Morris Products S.A.
Quai Jeanrenaud 3, 2000 Neuchâtel,
Switzerland
(740) Pavle Meipariani
(540)

SOLARIS

(591) Black-white
(511) 34

(260) AM 2026 135744 A
(210) AM 135744
(220) 2025 10 01
(731) LLC "Hotel Koste"
Merab Kostava St. 45a, Tbilisi, Georgia
(540)



(591) 930B0B bordeaux, black
(531) 26.04.02; 26.04.05; 26.04.18; 26.04.24;
27.05.01; 29.01.01; 29.01.08; 29.01.12
(511) 43

(260) AM 2026 135745 A
(210) AM 135745
(220) 2025 10 01
(731) LLC "Hotel Koste"
Merab Kostava St. 45a, Tbilisi, Georgia
(540)



(591) 4037E8 blue, white
(531) 02.01.01; 02.01.11; 02.01.15; 02.01.23;
02.01.30; 27.05.01; 27.05.19; 29.01.04
(511) 43

(260) AM 2026 135758 A
(210) AM 135758
(220) 2025 10 02
(731) CJ Corporation
12, Sowol-Ro 2-GIL, Jung-Gu, Seoul, Republic
of Korea
(740) Tamaz Shilakadze
(540)



(591) Black, blue, orange, red
 (531) 26.13.25; 26.15.25; 27.05.01; 27.05.05;
 29.01.14
 (511) 9

(260) AM 2026 135815 A
 (210) AM 135815
 (220) 2025 10 06
 (731) Philip Morris Brands Sàrl
 Quai Jeanrenaud 3, 2000 Neuchâtel,
 Switzerland
 (740) Pavle Meipariani
 (540)



(591) Brown, light brown, straw, grey, white
 (531) 25.05.02; 25.07.01; 25.07.20; 25.07.25;
 26.05.01; 26.11.08; 26.11.11; 27.05.01;
 29.01.02; 29.01.13
 (511) 34

(260) AM 2026 135816 A
 (210) AM 135816
 (220) 2025 10 06
 (731) Philip Morris Brands Sàrl
 Quai Jeanrenaud 3, 2000 Neuchâtel,
 Switzerland
 (740) Pavle Meipariani
 (540)



(591) Blue, grey, white
 (531) 25.05.02; 25.07.01; 25.07.20; 26.03.23;
 26.11.08; 26.11.11; 27.05.01
 (511) 34

(260) AM 2026 135817 A
 (210) AM 135817
 (220) 2025 10 06
 (731) Philip Morris Brands Sàrl
 Quai Jeanrenaud 3, 2000 Neuchâtel,
 Switzerland
 (740) Pavle Meipariani
 (540)



(591) Blue, grey, white
 (531) 25.05.02; 25.07.01; 25.07.20; 26.03.23;
 26.11.08; 26.11.11; 27.05.01
 (511) 34

REGISTERED TRADEMARK

<p>(111) M 2026 41062 R (151) 2026 04 06 (181) 2036 04 06 (260) AM 2025 133475 A (220) 2025 04 23 (732) Nicoventures Holdings Limited Globe House 1 Water Street, London, WC2R 3LA, United Kingdom (511) 34</p>	<p>Commercial Area 13, 0177, Saburtalo District, Tbilisi, Georgia (511) 36, 37</p>
<p>(111) M 2026 41063 R (151) 2026 04 06 (181) 2036 04 06 (260) AM 2025 132332 A (220) 2025 02 14 (732) Zhejiang Yidun Mechanical & Electrical Co., LTD. №10, 5th Street, Eastern New District, Wenling, Taizhou City, Zhejiang Province, People's Republic of China (511) 7</p>	<p>(111) M 2026 41067 R (151) 2026 04 06 (181) 2036 04 06 (260) AM 2025 133255 A (220) 2025 04 04 (732) Starbucks Corporation 2401 Utah Avenue South, Seattle, 98134, Washington, USA (511) 21, 29, 30, 32, 35, 43</p>
<p>(111) M 2026 41064 R (151) 2026 04 06 (181) 2036 04 06 (260) AM 2025 133554 A (220) 2025 04 28 (732) Shenzhen Jingbode Technology Co. Ltd. Songtai Technology Park, №222, Buxin Road, Guanlan Street, Longhua District, Shenzhen, People's Republic of China (511) 9</p>	<p>(111) M 2026 41068 R (151) 2026 04 06 (181) 2036 04 06 (260) AM 2025 133567 A (220) 2025 04 29 (732) LTD "Rooms" Ilia Chavchavadze Av. 75, ap. 30, Vake District, Tbilisi, Georgia (511) 35, 42</p>
<p>(111) M 2026 41065 R (151) 2026 04 06 (181) 2036 04 06 (260) AM 2025 133551 A (220) 2025 04 28 (732) Shenzhen Jingbode Technology Co. Ltd. Songtai Technology Park, №222, Buxin Road, Guanlan Street, Longhua District, Shenzhen, People's Republic of China (511) 9</p>	<p>(111) M 2026 41069 R (151) 2026 04 06 (181) 2036 04 06 (260) AM 2025 133385 A (220) 2025 04 16 (732) Alfabet Labs FZCO Unit №05-PF-CWC126 Detached Retail O5, Plot №, Level №1 Jumeirah Lakes Towers Dubai, United Arab Emirates (511) 34</p>
<p>(111) M 2026 41066 R (151) 2026 04 06 (181) 2036 04 06 (260) AM 2025 133643 A (220) 2025 05 02 (732) LLC "M² Group" Givi Kartoza St. 10, ent. 6, Floor 0,</p>	<p>(111) M 2026 41070 R (151) 2026 04 06 (181) 2036 04 06 (260) AM 2025 133552 A (220) 2025 04 28 (732) Shenzhen Jingbode Technology Co. Ltd. Songtai Technology Park, №222, Buxin Road, Guanlan Street, Longhua District, Shenzhen, People's Republic of China (511) 9</p>
<p>(111) M 2026 41067 R (151) 2026 04 06 (181) 2036 04 06 (260) AM 2025 133566 A (220) 2025 04 04 (732) Starbucks Corporation 2401 Utah Avenue South, Seattle, 98134, Washington, USA (511) 21, 29, 30, 32, 35, 43</p>	<p>(111) M 2026 41071 R (151) 2026 04 06 (181) 2036 04 06 (260) AM 2025 133566 A</p>

<p>(220) 2025 04 29 (732) LTD "Rooms" Ilia Chavchavadze Av. 75, ap. 30, Vake District, Tbilisi, Georgia (511) 20, 35, 42</p>	<p>Calle Valencia, 229 - 1 2, Barcelona, 08007, Spain (511) 3</p>
<p>(111) M 2026 41072 R (151) 2026 04 06 (181) 2036 04 06 (260) AM 2025 133163 A (220) 2025 04 03 (732) LTD "Papanaki" Aleksandre Abasheli St. 2, Vake District, Tbilisi, Georgia (511) 18, 25, 26, 35</p>	<p>(111) M 2026 41077 R (151) 2026 04 06 (181) 2036 04 06 (260) AM 2025 133377 A (220) 2025 04 14 (732) Aleksandre Jokhadze Z. Paliashvili St. 8a, 0300, Abastumani, Georgia (511) 33, 37, 43</p>
<p>(111) M 2026 41073 R (151) 2026 04 06 (181) 2036 04 06 (260) AM 2025 133553 A (220) 2025 04 28 (732) Shenzhen Jingbode Technology Co. Ltd. Songtai Technology Park, №222, Buxin Road, Guanlan Street, Longhua District, Shenzhen, People's Republic of China (511) 9</p>	<p>(111) M 2026 41078 R (151) 2026 04 06 (181) 2036 04 06 (260) AM 2025 132941 A (220) 2025 03 21 (732) Zurab Akhalmosulishvili Oragubi St., II Lane 2a, Telavi, Georgia (511) 32, 33, 43</p>
<p>(111) M 2026 41074 R (151) 2026 04 06 (181) 2036 04 06 (260) AM 2025 133246 A (220) 2025 04 04 (732) Starbucks Corporation 2401 Utah Avenue South, Seattle, 98134, Washington, USA (511) 21, 30, 35, 43</p>	<p>(111) M 2026 41079 R (151) 2026 04 06 (181) 2036 04 06 (260) AM 2025 133468 A (220) 2025 04 22 (732) INPHA LLP Representative Office in Georgia Near Besiki St. 4, Plot 46/10, 0108, Tbilisi, Georgia (511) 5</p>
<p>(111) M 2026 41075 R (151) 2026 04 06 (181) 2036 04 06 (260) AM 2025 133778 A (220) 2025 05 15 (732) Nicoventures Holdings Limited Globe House 1 Water Street London WC2R 3LA, United Kingdom (511) 34</p>	<p>(111) M 2026 41080 R (151) 2026 04 06 (181) 2036 04 06 (260) AM 2025 133070 A (220) 2025 03 27 (732) Rusudan Chumbadze Dighomi Massiv, M. Chiaureli Lane I, bld. 8, ap. 2, 0159, Tbilisi, Georgia; Tamta Gabrichidze Dighomi Massiv, bld. 13, ap. 50, 0159, Tbilisi, Georgia (511) 41</p>
<p>(111) M 2026 41076 R (151) 2026 04 06 (181) 2036 04 06 (260) AM 2025 133785 A (220) 2025 05 15 (732) Inversiones Artemisa S.L</p>	<p>(111) M 2026 41081 R (151) 2026 04 06 (181) 2036 04 06 (260) AM 2025 133131 A (220) 2025 03 30</p>

(732) LLC "Georgian-German Reproductive Center"
 Vasil Barnov St. 51g, Tbilisi, Georgia
 (511) 9, 16

(111) M 2026 41082 R
 (151) 2026 04 06
 (181) 2036 04 06
 (260) AM 2025 133005 A
 (220) 2025 03 21
 (732) LTD "KND Group"
 Spring St. 19, ap. 10, Vake District,
 Tbilisi, Georgia
 (511) 5, 35, 44

(111) M 2026 41083 R
 (151) 2026 04 06
 (181) 2036 04 06
 (260) AM 2025 133004 A
 (220) 2025 03 21
 (732) LTD "KND Group"
 Spring St. 19, ap. 10, Vake District,
 Tbilisi, Georgia
 (511) 5, 35, 44

(111) M 2026 41084 R
 (151) 2026 04 06
 (181) 2036 04 06
 (260) AM 2025 132515 A
 (220) 2025 02 27
 (732) Montres Tudor SA
 Rue François-Dussaud 3, Geneva, Switzerland
 (511) 14

(111) M 2026 41085 R
 (151) 2026 04 06
 (181) 2036 04 06
 (260) AM 2025 133007 A
 (220) 2025 03 21
 (732) LTD "KND Group"
 Spring St. 19, ap. 10, Vake District,
 Tbilisi, Georgia
 (511) 3, 5, 35, 44

(111) M 2026 41086 R
 (151) 2026 04 06
 (181) 2036 04 06
 (260) AM 2025 133006 A
 (220) 2025 03 21
 (732) LTD "KND Group"
 Spring St. 19, ap. 10, Vake District,
 Tbilisi, Georgia
 (511) 5, 35, 44

(111) M 2026 41087 R
 (151) 2026 04 06
 (181) 2036 04 06
 (260) AM 2025 132345 A
 (220) 2025 02 18
 (732) LTD "Prime Intermarket Group Eurasia"
 Near Lake Lisi, on the right side of road
 leading to the village of Lisi, St. 1, Floor 2,
 ap. 6, Block B4, 0114, Vake District, Tbilisi,
 Georgia
 (511) 42

(111) M 2026 41088 R
 (151) 2026 04 06
 (181) 2036 04 06
 (260) AM 2025 134092 A
 (220) 2025 06 05
 (732) LTD "GM Pharmaceuticals"
 Rustavi Highway 52, 0114, Tbilisi, Georgia
 (511) 5

(111) M 2026 41089 R
 (151) 2026 04 06
 (181) 2036 04 06
 (260) AM 2025 132784 A
 (220) 2025 03 10
 (732) Eva Product
 Chelyuskintsev St. 44/1, 6th floor,
 Novosibirsk, 630132, Russian Federation
 (511) 3, 5, 16, 29, 30, 32, 35

(111) M 2026 41090 R
 (151) 2026 04 06
 (181) 2036 04 06
 (260) AM 2025 133486 A
 (220) 2025 04 24
 (732) "IDS Borjomi Beverages Company"
 Tori St. 39, 1200, Borjomi, Georgia
 (511) 32

(111) M 2026 41091 R
 (151) 2026 04 06
 (181) 2036 04 06
 (260) AM 2025 133484 A
 (220) 2025 04 24
 (732) "IDS Borjomi Beverages Company"
 Tori St. 39, 1200, Borjomi, Georgia
 (511) 32

(111) M 2026 41092 R
 (151) 2026 04 06
 (181) 2036 04 06
 (260) AM 2025 131762 A
 (220) 2025 01 14

(732) Philip Morris Products S.A. Quai Jeanrenaud 3, 2000 Neuchâtel, Switzerland (511) 34	St. 31, Loft 10a, Krtsanisi District, Tbilisi, Georgia (511) 30, 35, 43
(111) M 2026 41093 R (151) 2026 04 06 (181) 2036 04 06 (260) AM 2025 134093 A (220) 2025 06 05 (732) LTD "GM Pharmaceuticals" Rustavi Highway 52, 0114, Tbilisi, Georgia (511) 5	(111) M 2026 41098 R (151) 2026 04 06 (181) 2036 04 06 (260) AM 2025 133768 A (220) 2025 05 13 (732) LTD "Matarebeli Komix" Dighomi V qu., bld. 6, ap. 48, 0159, Tbilisi, Georgia (511) 16
(111) M 2026 41094 R (151) 2026 04 06 (181) 2036 04 06 (260) AM 2025 134183 A (220) 2025 06 10 (732) LTD "GM Pharmaceuticals" Rustavi Highway 52, 0114, Tbilisi, Georgia (511) 5	(111) M 2026 41099 R (151) 2026 04 06 (181) 2036 04 06 (260) AM 2025 133012 A (220) 2025 03 22 (732) Supple Tek Industries Private Limited Village Chabba, Tarn Taran Road, Amritsar, 143022, Punjab, India (511) 30
(111) M 2026 41095 R (151) 2026 04 06 (181) 2036 04 06 (260) AM 2025 132658 A (220) 2025 03 01 (732) Shen Zhen Tai Kong Shi Technology Limited 201, №41 Jinshi Road (28 Jinshi Road), Niuhu Community, Guanlan Street, Longhua District, Shenzhen City, Guangdong Province, People's Republic of China (511) 9	(111) M 2026 41100 R (151) 2026 04 06 (181) 2036 04 06 (260) AM 2025 132678 A (220) 2025 03 04 (732) Gocha Pipia Budapest St. 11, ap. 55, 0160, Tbilisi, Georgia (511) 21, 32, 33
(111) M 2026 41096 R (151) 2026 04 06 (181) 2036 04 06 (260) AM 2025 132229 A (220) 2025 02 10 (732) SanDisk LLC 951 SANDISK DRIVE, Milpitas, California 95035, USA (511) 09, 16, 42	(111) M 2026 41101 R (151) 2026 04 06 (181) 2036 04 06 (260) AM 2025 132707 A (220) 2025 03 06 (732) Rusudan Vardzelashvili Tsisartkela St. 41, Tbilisi, Georgia (511) 35, 41
(111) M 2026 41097 R (151) 2026 04 06 (181) 2036 04 06 (260) AM 2025 132351 A (220) 2025 02 18 (732) LTD "Izorico" Giorgi Atoneli St. 11/23; Vakhtang Orbeliani	(111) M 2026 41102 R (151) 2026 04 06 (181) 2036 04 06 (260) AM 2025 133361 A (220) 2025 04 11 (732) Himalaya Global Holdings Ltd Himalaya House, Elgin Avenue 138, PO Box 1162, Grand Cayman, KY1-1102, Cayman Islands (511) 3, 5, 30

(111) M 2026 41103 R
 (151) 2026 04 06
 (181) 2036 04 06
 (260) AM 2025 132797 A
 (220) 2025 03 11

(732) Giorgi Ezugbaia
 Oniashvili St. 61, ap. 4, Tbilisi, Georgia
 (511) 33

(111) M 2026 41104 R
 (151) 2026 04 06
 (181) 2036 04 06
 (260) AM 2025 134086 A
 (220) 2025 06 04

(732) Inpha LLP Representative Office in Georgia
 Near Besiki St. 4, Plot 46/10, 0108, Tbilisi,
 Georgia
 (511) 5

(111) M 2026 41105 R
 (151) 2026 04 06
 (181) 2036 04 06
 (260) AM 2025 133885 A
 (220) 2025 05 19

(732) RMP Nagamochi Technology Japan Co., Ltd
 1-6-26 Ace Building 601, Higashi-Benzai,
 Asaka-shi, Saitama, 351-0022, Japan
 (511) 12

(111) M 2026 41106 R
 (151) 2026 04 06
 (181) 2036 04 06
 (260) AM 2025 132657 A
 (220) 2025 03 01

(732) LTD "A-B-F"
 Vill. Martkopi, Vaziani Settlement 1320,
 Gardabani, Georgia
 (511) 33

(111) M 2026 41112 R
 (151) 2026 04 15
 (181) 2036 04 15
 (260) AM 2025 133022 A
 (220) 2025 03 24

(732) Zira Silah Sanayi Ve Ticaret Limited Şirketi
 Eşeşehir Mahallesi, Bostancı Caddesi,
 Kömür Sokak, №9, Ümraniye – İstanbul,
 Türkiye
 (511) 13

(111) M 2026 41115 R
 (151) 2026 04 15
 (181) 2036 04 15
 (260) AM 2025 133692 A
 (220) 2025 05 08

(732) Kentucky Fried Chicken International Holdings
 LLC
 7100 Corporate Drive Plano, TX, 75024, USA
 (511) 43

(111) M 2026 41116 R
 (151) 2026 04 15
 (181) 2036 04 15
 (260) AM 2025 132931 A
 (220) 2025 03 19

(732) I/E Valentina Holyuk
 Vakhtang Gorgasali St. 49, ap. 20, Krtsanisi
 District, Tbilisi, Georgia
 (511) 35

TRADEMARK REGISTERED ACCORDING TO THE ACCELERATED PROCEDURE

The decision can be appealed at the Chamber of Appeal of Sakpatenti within 3 months from the publication.

(111) M 2026 41059 R
(151) 2026 04 06
(181) 2036 04 06
(210) AM 138265
(220) 2026 03 13
(732) JSC "Tskal Margebeli"
Village Nabeghlavi, Chokhatauri District, 4900,
Georgia
(540)



(591) Black, orange, white
(531) 27.05.01; 27.05.02; 27.05.10; 29.01.12
(526) GEO
(511) 32

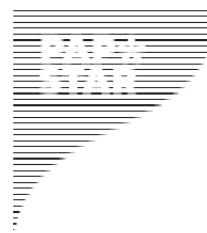
(111) M 2026 41060 R
(151) 2026 04 06
(181) 2036 04 06
(210) AM 138144
(220) 2026 03 13
(732) JSC "Tskal Margebeli"
Village Nabeghlavi, Chokhatauri District, 4900,
Georgia
(540)



(591) Red, white
(531) 26.04.02; 26.04.05; 26.04.22; 26.04.24;
27.05.01; 27.05.10; 27.05.17; 27.05.24;
29.01.12
(526) GEO
(511) 32

(111) M 2026 41061 R
(151) 2026 04 06
(181) 2036 04 06
(210) AM 138297
(220) 2026 03 18

(732) LLC "Golfstream"
Simon Chikovani St. 4-6-8-10, ap. 68, 0160,
Tbilisi, Georgia
(740) Teona Kakhidze
(540)



(591) Black-white
(531) 05.05.20; 05.05.21; 26.03.01; 26.03.06;
26.03.07; 26.03.16; 26.03.18; 26.13.25;
27.05.01; 27.05.24; 29.01.12
(511) 8, 16, 21

(111) M 2026 41107 R
(151) 2026 04 15
(181) 2036 04 15
(210) AM 138436
(220) 2026 03 25
(732) Nodar Darsavelidze
Amaghleba St. 24, Tbilisi, Georgia
(540)



(591) Red, 0A0404 grey, white
(531) 27.05.02; 27.05.03; 29.01.13
(511) 28

(111) M 2026 41108 R
(151) 2026 04 15
(181) 2036 04 15
(210) AM 138444
(220) 2026 03 26
(732) LLC "GMM Hospitality Group"
Iotam Zedgenidze St. 5, 3700, Rustavi,
Georgia
(540)



(591) 6F1213 dark burgundy, DBAF82 light beige

(531) 26.04.02; 26.04.05; 26.04.24; 27.05.01;
27.05.10; 29.01.12
(511) 43

(111) M 2026 41109 R
(151) 2026 04 15
(181) 2036 04 15
(210) AM 138424
(220) 2026 03 24
(732) LLC "Sun Food"
Zovun, Sr 2406, Kotayk Province, Yerevan,
Armenia
(740) Garegin Aivazyan
(540)

Maselko
Маселко
მასელიკო

(591) Black-white
(511) 29

(111) M 2026 41110 R
(151) 2026 04 15
(181) 2036 04 15
(210) AM 137703
(220) 2026 02 11
(732) LLC "Fitness Solutions"
Lech Kaczynski St. 1, bld. 4, ap. 154,
Isani District, Tbilisi, Georgia
(540)



(591) 609380 green, 0C0C0C black
(531) 26.05.02; 26.05.22; 26.05.24; 27.05.01;
29.01.12
(511) 5

(111) M 2026 41111 R
(151) 2026 04 15
(181) 2036 04 15
(210) AM 138543
(220) 2026 03 27
(732) LLC "Easy Investments"
Iv. Javakhishvili St. 91, ap. 2b, Chughureti
District, Tbilisi, Georgia
(740) Shalva Gvaramadze
(540)

ITAGE
— AUTO LOGISTICS —

(591) Black, orange, white
(531) 26.11.02; 27.05.01; 27.05.10; 27.05.17;
27.07.01; 27.07.17; 27.07.21; 29.01.12
(511) 35, 36

(111) M 2026 41113 R
(151) 2026 04 15
(181) 2036 04 15
(210) AM 138573
(220) 2026 04 01
(732) LLC "Express House"
Lech and Maria Kaczynski St. 17, Block "C",
Floor 3, Office 301 (under construction),
6000, Batumi, Georgia



(591) CA003D red, 5B595C grey, white
(531) 07.01.24; 27.05.01; 27.05.09; 29.01.12
(511) 35

(111) M 2026 41114 R
(151) 2026 04 15
(181) 2036 04 15
(210) AM 138597
(220) 2026 04 02
(732) LLC "GM Pharmaceuticals"
Rustavi Highway 52, 0114, Tbilisi, Georgia
(740) Nugzar Ksovreli
(540)

ჯი ემ ფარმა
GM PHARMA

(591) Black-white
(511) 3, 5

(111) M 2026 41117 R
(151) 2026 04 16
(181) 2036 04 16
(210) AM 138442
(220) 2026 03 26
(732) LLC "Matrobela Wines"
Tskneti Highway 35, 0179, Tbilisi,
Georgia
(540)



(591) Black

(531) 27.05.01; 27.05.09; 27.05.22
(511) 33

(111) M 2026 41118 R
(151) 2026 04 16
(181) 2036 04 16
(210) AM 138562
(220) 2026 03 30
(732) LLC "Astro Holding Georgia"
Mikheil Tsinamdzhvishvili St. 34,
Tbilisi, Georgia
(540)



(591) Green, white, black
(531) 01.15.23; 03.11.01; 25.07.01; 27.01.12;
27.05.01; 27.05.17
(511) 14

(111) M 2026 41119 R
(151) 2026 04 16
(181) 2036 04 16
(210) AM 138596
(220) 2026 04 02
(732) LLC "GM Pharmaceuticals"
Rustavi Highway 52, 0114, Tbilisi, Georgia
(740) Nugzar Ksovrelidze
(540)

ჯი ემ ფარმასიუტიკალს
GM Pharmaceuticals

(591) Black-white
(511) 3, 5

(111) M 2026 41120 R
(151) 2026 04 16
(181) 2036 04 16
(210) AM 138578
(220) 2026 04 01
(732) Giorgi Ezugbaia
Oniashvili St. 61, ap. 4, Tbilisi, Georgia
(740) Giorgi Taktakishvili
(540)



(591) Dark blue, white
(531) 26.01.01; 26.01.03; 26.01.18; 26.04.02;
26.04.05; 26.04.10; 26.04.18; 26.04.22;
27.05.01; 27.05.04; 27.05.17; 29.01.12
(511) 32

(111) M 2026 41121 R
(151) 2026 04 16
(181) 2036 04 16
(210) AM 138589
(220) 2026 04 02
(732) LLC "Georgian Silk Road Cooperation
Company"
Avtomshenebli St. 88, Kutaisi, Georgia
(540)



BELLS

(591) White, black, red
(531) 22.03.01; 22.03.05; 27.05.01; 29.01.12
(511) 25

(111) M 2026 41122 R
(151) 2026 04 16
(181) 2036 04 16
(210) AM 138680
(220) 2026 04 06
(732) LLC "GDM Invest"
Sea Meadow House, Po Box 116, Road Town,
Tortola, Virgin Islands (British)
(740) Zurab Bezhashvili;
Ioane Iarajuli
(540)

Dada

(591) Black-white
(511) 5

(111) M 2026 41123 R
(151) 2026 04 17
(181) 2036 04 17
(210) AM 138268
(220) 2026 03 13
(732) Mariam Kapanadze
Ilia Chavchavadze Av. 74 B, 0179, Vake
District Tbilisi, Georgia

(540)



(591) 2A1912 dark chocolate, FFFFFFF white
 (531) 05.07.06; 26.01.01; 26.01.04; 26.01.15;
 26.01.16; 26.01.21; 27.05.01; 27.05.10
 (511) 41

(111) M 2026 41124 R
 (151) 2026 04 17
 (181) 2036 04 17
 (210) AM 138564
 (220) 2026 03 30
 (732) Irakli Akhvlediani
 M. Tamarashvili St. 4A, ap. 15, 0179,
 Tbilisi, Georgia

(540)

აქვე

(591) Black-white
 (511) 35

(111) M 2026 41125 R
 (151) 2026 04 17
 (181) 2036 04 17
 (210) AM 138293
 (220) 2026 03 17
 (732) LTD "Aversi-Pharma"
 Davit Aghmashenebeli Av.148, 0112,
 Tbilisi, Georgia

(540)

სინო-ჰელფ ფორტე
 Сино-Хелп Форте
 Sino-Help Forte

(591) Black-white
 (511) 5

(111) M 2026 41126 R
 (151) 2026 04 17
 (181) 2036 04 17
 (210) AM 138292
 (220) 2026 03 17
 (732) LTD "Aversi-Pharma"
 Davit Aghmashenebeli Av.148, 0112,
 Tbilisi, Georgia

(540)

ქიმო-ფორტე
 Химо-Форте
 Chymo-Forte

(591) Black-white
 (511) 5

(111) M 2026 41127 R
 (151) 2026 04 17
 (181) 2036 04 17
 (210) AM 138665
 (220) 2026 04 03
 (732) LLC "Caucasus Spirits"
 Jano Bagrationi St. 6a, ap. 60, Tbilisi, Georgia
 (540)



(591) Golden, black, white
 (531) 03.13.04; 05.05.20; 05.05.21; 24.05.25;
 24.11.25; 25.05.06; 25.05.25; 26.11.02;
 26.11.09; 27.05.08; 27.05.09; 27.05.10;
 27.05.17
 (511) 33

(111) M 2026 41128 R
 (151) 2026 04 17
 (181) 2036 04 17
 (210) AM 138581
 (220) 2026 04 02
 (732) LLC "GM Pharmaceuticals"
 Rustavi Highway 52, 0114, Tbilisi, Georgia
 (740) Nugzar Ksovreli
 (540)

დაპაქსიგა
 Дапаксига
 Daraxiga

(591) Black-white
 (511) 5

(111) M 2026 41129 R
 (151) 2026 04 17
 (181) 2036 04 17
 (210) AM 138582
 (220) 2026 04 02
 (732) LLC "GM Pharmaceuticals"
 Rustavi Highway 52, 0114, Tbilisi, Georgia
 (740) Nugzar Ksovreli

(540)

ემპაგლიქსი
Эмпагликс
Empaglix

(591) Black-white

(511) 5

(111) M 2026 41130 R

(151) 2026 04 17

(181) 2036 04 17

(210) AM 138674

(220) 2026 04 03

(732) LLC "BIPA Parfumerien Gesellschaft m.b.H."

(740) Tamar Jikia

(540)

BI LIFE

(591) Black-white

(511) 3, 5, 10, 20, 21, 29, 30, 32

INTERNATIONAL TRADEMARK FOR WHICH A DECISION ON GRANTING PROTECTION IS TAKEN

The decision may be appealed to the Chamber of Appeals of Sakpatenti within 3 months of its publication or to the Administrative Cases Bench of Mtskheta District Court within 1 month, while the decisions of the Chamber of Appeals may be appealed only to the Administrative Cases Bench of Mtskheta District Court within 1 month (Address: 17 Samkhedro St., Mtskheta).

(260) AM 2026 127917 A*

(800) 1785678

(151) 2024 01 25

(891) 2024 01 25

(731) Limited Liability Company "Parliament Distribution"
Popovka st., vl. 5, Mikrorayon Saltykovka,
RU-143916 Balashikha, Moscow Region,
Russian Federation

(540)



(591) Blue, white, light blue and red

(531) 19.07.01; 28.05; 29.01.13

(554) Three Dimensional

(511)

32 – Aperitifs, non-alcoholic; barley wine [beer]; carbonated water; lithia water; seltzer water; soda water; waters [beverages]; mineral water [beverages]; table waters; kvass; cocktails, non-alcoholic; beer-based cocktails; lemonades; non-alcoholic beverages; non-alcoholic dried fruit beverages; isotonic beverages; non-alcoholic honey-based beverages; rice-based beverages, other than milk substitutes; soya-based beverages, other than milk substitutes; aloe vera drinks, non-alcoholic; whey beverages; protein-enriched sports beverages; soft drinks; non-alcoholic beverages flavoured with coffee; non-alcoholic beverages flavoured with tea; non-alcoholic fruit juice beverages; energy drinks; fruit nectars, non-alcoholic; orgeat; beer; ginger beer; malt beer; powders for effervescing beverages; sarsaparilla [non-alcoholic beverage]; sy-

rups for lemonade; syrups for beverages; smoothies; tomato juice [beverage]; vegetable juices [beverages]; fruit juices; preparations for making carbonated water; must; grape must, unfermented; beer wort; malt wort; pastilles for effervescing beverages; shandy; non-alcoholic fruit extracts; extracts of hops for making beer; non-alcoholic essences for making beverages; apple juice; preparations for making non-alcoholic beverages.

33 – Aperitifs; arrack [arak]; brandy; wine; piquette; whisky; vodka; anisette [liqueur]; kirsch; gin; digestifs [liqueurs and spirits]; cocktails; anise [liqueur]; liqueurs; grain-based distilled alcoholic beverages; sugarcane-based alcoholic beverages; pre-mixed alcoholic beverages, other than beer-based; alcoholic beverages, except beer; alcoholic beverages containing fruit; spirits [beverages]; distilled beverages; rum; sake; perry; cider; rice alcohol; alcoholic extracts; fruit extracts, alcoholic; alcoholic essences; bitters; peppermint liqueurs.

(260) AM 2026 127943 A*

(800) 1353070

(151) 2017 04 18

(891) 2024 04 03

(731) GERMAINE DE CAPUCCINI, S.A.
Carretera de Alicante, 86, E-03800 Alcoy
(Alicante), Spain

(540)

TIMEXPERT

(591) Black, white

(511)

3 – Soaps; perfumes; essential oils; cosmetics; hair lotions; antiperspirants; toiletries; bath salts other than for medical use; incense; joss sticks; potpourris [fragrances]; sachets for perfuming linen; scented wood; shampoos.

(260) AM 2026 130371 A

(800) 1814753

(151) 2024 05 07

(891) 2024 05 07

(731) Elekta AB (publ)
PO Box 7593, SE-103 93 Stockholm,
Sweden

(540)

ELEKTA EVO

(591) Black, white

(511)

9 – Computer software for use with medical treatment as well as with planning or simulation of medical treatment; computer software for handling, displaying, transmitting and transfer of patient data, information and medical images; computer software for the generation, capture, analysis and display of medical images including X-rays, magnetic resonance images (MR), computed tomography images (CT), cone beam computed tomography (CBCT) images, ultrasound images, positron emission tomography images, single-photon emission computed tomography images (SPECT); computer software for the calculation of dose planning and flow charts and for display during radiotherapy; computer software for managing medical systems and devices; software for processing images; computer software for data analytics; linear accelerator management and control software; medical database software; treatment planning and workflow software; software for cloud based services, data analytics and informatics; software for remote access allowing wireless connectivity; software for measuring and analyzing radiation dose delivery in radio-surgery and radiotherapy equipment; quality assurance software; calibration software; software and computerized systems for management of clinical information and patient data, treatment delivery, patient record archiving and clinical charting; data and databases all recorded electronically, magnetically or optically; user, training and instruction manuals for the aforesaid goods, all provided in electronic form recorded or downloadable from a computer network or the internet; electronic magazines; remote software applications; software for quality assurance and calibration measurements in medical and surgical equipment; optical receivers; optical transmitters.

10 – Medical and surgical apparatus and instruments; apparatus and instruments for use with medical analysis for identification, planning as well as implementing of treatment against cancer, benign diseases or neurological disorders using radiation; radiosurgery and radiotherapy equipment, apparatus and instruments; image guided radiation therapy device for use in medicine and computer software and hardware sold as a unit therewith; testing apparatus for medical purposes; radiological apparatus for medical purposes; collimators for medical purposes; fasteners adapted for the restraining of limbs during measurement and treatment; medical and radiographic linear accelerators; radiation beam collimation apparatus for radiotherapy; magnetoencephalography medical imaging equipment; radiographic and X-ray medical apparatus; X-ray tubes for medical purposes; X-ray medical imaging tubes for radiation; radiation delivery devices, for medical purposes; X-ray image intensifiers,

for medical purposes; accelerators for charged particles for therapeutic purposes; medical imaging apparatus for the creation or transmission of images, video or data relating to a medical treatment for diagnostic or clinical use; surgical tables, beds and armchairs, treatment, medical-care and operating tables, beds and armchairs; furniture especially made for medical purposes; medical instruments, equipment and apparatus, in relation to the following fields: manipulation and positioning of patients; patient safety restraints; imaging and treatment simulation apparatus for treatment planning and simulation; medical imaging apparatus; X-ray radiographic and fluoroscopic imaging systems for medical purposes; parts and fittings for the above.

(260) AM 2026 130695 A

(800) 1819156

(151) 2024 05 14

(891) 2024 05 14

(731) HALITLAR GIDA SAĞLIK ÜRÜNLERİ
SANAYİ VE TİCARET LİMİTED ŞİRKETİ
BAŞPINAR (ORGANİZE) OSB MAH. O.S.B.,
5..BÖLGE 83561 N OLU CAD. 28,
ŞehitkamilGaziantep, Türkiye

(540)

**MAX BREW**

(591) Black, blue, white

(531) 27.05.01; 27.05.21; 29.01.12

(511)

30 – Granulated sugar, cube sugar, powdered sugar; coffee or cocoa-based drinks, chocolate-based drinks; pastas, dumplings, noodles; pastry and bakery products, dessert puddings, chocolate desserts, dessert souffles, custard-based desserts: bread, bagel, pastry, pita, sandwich, katmer, pastry, fresh cake, baklava, kadayıf, sherbet desserts, pudding, pudding, kazandibi, rice pudding, keşkül; honey, royal jelly, propolis; food seasonings, vanilla, spices, sauces including tomato sauces; yeast, baking-powder; all kinds of flour, semolina, starch for cooking; teas, iced teas; salt; cereal based snack food, corn based snack food, flour based snack food, grain based snack food, popcorn, oatmeal, corn chips, breakfast cereals, processed wheat, processed barley, processed oats, processed rye, rice.

(260) AM 2026 130696 A

(800) 1819177

(151) 2024 07 12

(891) 2024 07 12

(731) OLGARLAR SPOR MALZEMELERİ
TURİZM İLAN REKLAM AJANSLIĞI
YAYINCILIK VE TİCARET A.Ş.
Ulus Mahallesi Öztöpus Cad. No:30, Ulus
Beşiktaş, TR-34340 İstanbul, Türkiye

(540)

VULT

(591) Black, white

(531) 27.05.01

(511)

35 – The bringing together, for the benefit of others, of a variety of goods, namely, wearable technological devices (smart watches, wristbands, head-worn devices), protective clothing, protection and life saving equipment, glasses, sunglasses and their boxes, cases, parts and accessories, bicycles and their bodies, handlebars, fenders, roof racks, bicycle and ski carriers, saddles for vehicles, strollers, wheelchairs, pushchairs, wheelbarrows, market carts, single or multi-wheeled wheelbarrows, market carts, wheeled transporters for household goods, jewellery articles (including imitations), gold, jewellery, precious stones and jewelry made of these, cufflinks, tie pins and statues, trinkets, clocks and timers (chronometers and their parts, including watch bands), trophies given in competitions made of precious metal, rosaries, processed or unprocessed leathers and hides, artificial leather, leather, lining leather, bags, wallets, leather or leather boxes and chests, key cases, suitcases, suitcases made of leathers, imitations of leather or other materials, umbrellas, sun umbrellas, sunshades, walking sticks, whips, harnesses, saddles, stirrups and saddle straps, inner-outer clothing, socks, scarves, shawls, bandanas, scarves, belts made of all kinds of materials except protective ones, footwear namely, shoes, slippers, sandals, headwear namely, hats, caps, berets, caps, caps, games and toys, games played in the hall, tools, machines and devices (including coin operated) for games that can be connected and played with an external display or monitor, gymnastic and sports equipment, fishing tackles, artificial fish baits, traps for hunting and fishing, enabling customers to conveniently view and purchase those goods, such services may be provided by retail stores, wholesale outlets, by means of electronic media or through mail order catalogues.

(260) AM 2026 130795 A

(800) 1820747

(151) 2024 09 17

(891) 2024 09 17

(731) DELIS R&D

45 rue de Chézy, F-92200 NEUILLY-SUR-SEINE, France

(540)

ENDOCYCLAN

(591) Black, white

(511)

5 – Pharmaceutical products; food supplements; herbicides; veterinary products; medicinal herbs; medicinal herbal teas; sanitary products for medicine.

(260) AM 2026 130796 A

(800) 1820794

(151) 2024 05 31

(891) 2024 05 31

(731) Euro Games Technology Ltd.

Panorama Sofia Str. 6, Richhill Business Center, ground floor, Vitosha Region, BG-1766 Sofia, Bulgaria

(540)

Leprechaun Hot

(591) Black, white

(511)

9 – Operating computer software for main frame computers; monitors (computer hardware); computer hardware; apparatus for recording images; monitors (computer programs); computer game programs; recorded computer game programs; apparatus for recording, transmission or reproduction of sound or images; communications servers (computer hardware); electronic components for gambling machines; computer application software featuring games and gaming; computer software for the administration of on-line games and gaming; computer hardware for games and gaming; computer hardware and software for gambling, gambling machines, gambling games on the internet and via telecommunication network; computer systems; computer operating system software; computer terminals; interactive terminals; multimedia terminals; electronic terminals for generating lottery tickets; interactive touch screen terminals; computer touchscreens; electronic display panels; liquid crystal display screens; digital signage display panels; multimedia software; multimedia apparatus and instruments; interactive multimedia software for playing games; computer screens; LCD large-screen displays; liquid crystal displays [LCDs] for home theatres; media streaming software; computer application software for streaming audio-visual media content via the internet; computer gaming software; software drivers; virtual reality software; games software; entertainment software for computer games; computer programs for network management; electronic lottery tickets; computer software platforms; operating systems; interactive computer systems; operating system programs; computer game software for use with on-line interactive games; interactive casino games provided through a computer or mobile platform; electronic ticket examination machines; software for slot machines, betting software, software for video slot games, for casino games, for gambling and bingo games, provided online or through computer networks and that can be played on any type of computer device, including arcade games, personal computers, portable devices and mobile phones; software; computer software packages; computer software, recorded.

28 – Gaming machines for gambling; chips for gambling; mah-jong; arcade games; gambling machines operating with coins, notes and cards; games; elec-

tronic games; parlor games; gaming chips; gaming tables; slot machines [gaming machines]; LCD game machines; slot machines and gaming devices; coin-operated amusement machines; roulette chips; poker chips; chips and dice [gaming equipment]; gaming equipment for casinos; roulette tables; gaming roulette wheels; casino games; gambling machines and amusement machines, automatic and coin-operated; coin-operated amusement machines and/or electronic coin-operated amusement machines with or without the possibility of gain; boxes for coin-operated amusement machines, slot machines and gaming machines; electronic or electrotechnical amusement machines and apparatus, gaming machines, coin-operated entertainment machines; housings for coin-operated amusement machines, gaming equipment, gaming machines, machines for gambling; electropneumatic and electrical gambling machines (slot machines); lottery games; electronic targets for games and sports; parlor game equipment and accessories therefor, included in this class, in particular bingo tokens, gaming chips and marbles; parlor game apparatus, game equipment and accessories therefor, included in this class, in particular electronic targets, backgammon games, scratch cards, playing cards, lottery cards, dice; lottery tickets; printed lottery tickets; lottery scratch cards; scratch cards for playing lottery games.

41 – Gambling; gaming services for entertainment purposes; casino, gaming and gambling services; training in the development of software systems; provision of gaming equipment for gambling halls; providing casino equipment [gambling]; gaming machine entertainment services; providing casino facilities [gambling]; amusement arcade services; games equipment rental; rental of gaming machines; providing amusement arcade services; rental of gaming machines with images of fruits; editing or recording of sounds and images; sound recording and video entertainment services; hire of sound reproducing apparatus; provision of gaming equipment for casinos; providing of casino facilities; online gambling services; amusement arcade services, online casino services and online betting services via a website; online interactive entertainment; on-line casino services; online game services through mobile devices; providing online entertainment in the nature of game tournaments; providing on-line information in the field of computer gaming entertainment; sports betting services; online sports betting services; lottery services; organization of lotteries; conducting lotteries; prize draws [lotteries]; conducting lotteries for others; providing slot machine parlors; rental of slot machines [gaming machines]; providing online games and games of chance.

(260) AM 2026 130797 A
(800) 1820823
(151) 2024 10 15
(891) 2024 10 15

(731) AstraZeneca AB
SE-151 85 Södertälje, Sweden

(540)

KLYDRIUS

(591) Black, white

(511)

5 – Pharmaceutical preparations and substances.

(260) AM 2026 130798 A

(800) 1820828

(151) 2024 10 15

(891) 2024 10 15

(731) AstraZeneca AB

SE-151 85 Södertälje, Sweden

(540)

KAMVIDRA

(591) Black, white

(511)

5 – Pharmaceutical preparations and substances.

(260) AM 2026 130799 A

(800) 1820833

(151) 2024 07 19

(891) 2024 07 19

(731) INDUSTRIA DE DISEÑO TEXTIL, S.A.

(INDITEX, S.A.)

Avenida de la Diputación "Edificio Inditex",

E-15142 Arteixo (A Coruña), Spain

(540)



(591) Black, white

(531) 26.13.25

(511)

9 – Scientific apparatus and instruments; research apparatus and instruments; navigation apparatus and instruments; surveying apparatus and instruments; photographic apparatus and instruments; optical apparatus and instruments; weighing apparatus and instruments; measuring apparatus and instruments; signaling apparatus and instruments; detecting apparatus and instruments; inspection apparatus and instruments; life-saving apparatus and instruments; teaching apparatus and instruments; apparatus and instruments for conducting electricity; apparatus and instruments for regulating electricity distribution; apparatus and instruments for transforming electricity distribution; apparatus and instruments for accumulating electricity; sound transmitting apparatus; image transmitting apparatus; apparatus for reproducing images; sound reproduction apparatus; apparatus for recording images; sound recording apparatus; magnetic recording media, sound recording disks; DVDs; compact disks; digital recording media; cash registers; calculators; computers; computer peripherals; data processing

equipment; software; fire extinguishers; computer peripheral devices; anti-glare glasses; spectacles [lenses]; optical lenses ("lentillas"); pince-nez chains; contact lenses; pince-nez cords; spectacles (optics); spectacle lenses; spectacle cases; spectacle frames; sunglasses; eyeglass cases; cases for contact lenses; footwear for protection against accidents, irradiation and fire; bullet-proof vests; life jackets; clothing for protection against accidents, irradiation and fire; gloves for protection against accidents; diving suits; divers' masks; nose clips for diving and swimming; gloves for divers; breathing apparatus for underwater swimming; encoded magnetic cards; protective suits for aviators; electronic agendas; telephone apparatus; weighbridges (weighing apparatus); directional compasses; accounting machines; protective helmets; telescopes; chronographs (time recording apparatus); measuring spoons; pedometers; optical compact disks; mirrors (optics); binoculars (optics); temperature indicators; cassette players; bar code readers; signal lanterns; magnifying glasses (optics); dictating machines; tokens (mechanisms for apparatus operated thereby); weights; electric batteries; recorded computer programs; electronic pocket translators; transistors (electronics); thermometers not for medical use; intercommunication apparatus; video cassettes; animated cartoons; walkie-talkies; downloadable electronic publications; egg timers [sandglasses]; acoustic (sound) alarms; anti-theft alarms; fire alarms; mouse pads; loudspeakers; sound amplification apparatus; antennas; answering machines; counterfeit coin detectors; dental protectors; money counting and sorting machines; apparatus for measuring the thickness of skins; electronic tags for goods; goggles for sports; magnets; light-emitting electronic pointers; mobile telephones; enlarging apparatus (photography); apparatus and instruments for astronomy; thermionic valves for radio; coin-operated musical automata [juke boxes]; scales; life-saving rafts; magnetic tape recorders; head cleaning tapes; video tapes; magnetic tapes; demagnetizing apparatus for magnetic tapes; barometers; thermostats; cameras [photography]; video cameras; magnetic encoders; revolution counters; transparencies; slide projectors; dynamometers; reflecting disks for wear for the prevention of traffic accidents; hemline markers; radiotelephony sets; flash-bulbs (photography); photocopiers; holograms; compact disc players; luminous signs; neon signs (advertising); video recorders; megaphones; computer memory devices; microphones; microprocessors; modems; diving snorkels; objectives (lenses) (optics); projection screens; electric switches; dog whistles; push buttons for bells; radios; receivers [audio and video]; wrist rests for use with computers; balances (steelyards); television apparatus; record players; word processing equipment; video telephones (telephones with image); covers adapted for portable computers; digital book readers; smartphones; smart watches; magnetic wires; radiological apparatus for industrial use; personal stereos;

covers for mobile telephones; cases for electronic tablets; casings for smartphones; USB flash drives; wearable activity trackers; audiovisual apparatus; coin-operated mechanisms; computer gaming software for entertainment; headphones; magic lanterns; optical lanterns; apparatus for measuring the thickness of leather; projectors; carrying cases for portable computers; cases for telephones; downloadable digital files authenticated by non-fungible tokens [NFTs]; apparatus for generating virtual images; downloadable software; downloadable computer applications; downloadable multimedia files; downloadable image files; downloadable music files; multimedia content; downloadable software for managing crypto-asset transactions by means of blockchain technology; virtual reality glasses; wet suits for scuba diving; wet suits; dry suits; helmets for sports; body protectors for protection against injury.

18 – Leather and imitation leather; animal skins; trunks and suitcases; umbrellas; sunshades; walking sticks; whips; saddlery; collars for animals; leashes for animals; clothing for animals; bags for climbers; bags for campers; beach bags; handbag frames; frames for umbrellas or parasols; mountaineering sticks; sports bags; net bags for shopping; travel bags; bags [envelopes, pouches] of leather, for packaging; bags (purses); bags; traveling cases [leatherware]; key cases; attaché cases; coin purses, not of precious metal; backpacks for carrying babies; wheeled shopping bags; boxes of leather or leather board; boxes of vulcanized fiber; card cases [notecases]; wallets; satchels [handbags]; school satchels; vanity cases; leather laces; umbrella covers; covers for horse-saddles; haversacks; backpacks; reins; leather laces; suitcase handles; walking stick handles; umbrella handles; whips; horse blankets; furniture coverings of leather; umbrella rings; blinkers [harness]; harnesses for animals; harness for animals; harness fittings; walking stick seats; shoulder belts [straps] of leather; empty tool bags of leather; muzzles; bridles [harness]; halters; leather board; bands of leather; re-usable shopping bags; straps for soldiers' equipment; straps (thongs) of leather; harness straps; straps for skates; trimmings of leather for furniture; leather straps; butts [parts of hides]; curried skins; covers and blankets for animals; stirrups; parts of rubber for stirrups; bits for animals [harness]; reins made of rope; attaché cases; moleskin [imitation of leather]; chamois leather other than for cleaning purposes; nosebags; casings, of leather, for springs; knee-pads for horses; riding saddles; fastenings for saddles; traces [harness]; valves of leather.

25 – Clothing; footwear; headwear; bibs not of paper; headbands (clothing); bathrobes; bathing suits; bath sandals; boas (necklets); scarves; hoods [clothing]; shawls; belts (clothing); money belts (clothing); neckties; girdles [corsets]; fur stoles; foulards; caps [headwear]; caps; gloves (clothing); raincoats; girdles (underwear); body linen [garments]; mantillas; stockings;

socks; neckerchiefs; furs [clothing]; pajamas; soles (for footwear); heels; veils [clothing]; suspenders; capes; sports jerseys; mittens; ear muffs (clothing); inner soles; wristbands (clothing); dress shields; beach wear; dressing gowns; pockets for clothing; sock suspenders; stocking suspenders; petticoats; tights; aprons (clothing); masquerade costumes; uniforms; visors [headgear]; wooden shoes; caps; coats; esparto shoes or sandals; non-slip devices for footwear; bath slippers; academic caps; blouses; bodysuits [clothing]; berets; footmuffs, not electrically heated; boots; boot uppers; studs for football boots; half-boots; fittings of metal for footwear; tips for footwear; heelpieces for footwear; shirts; shirt yokes; shirt fronts; T-shirts; short-sleeved tee-shirts; bodices [lingerie]; vests; jackets; fishing vests; stuff jackets; slippers (underwear); ready-made clothing; detachable collars; clothing of leather; clothing of imitation leather; shower caps; slippers; skirts; trousers; ready-made linings (parts of clothing); top coats; trench coats (clothing); gymnastic shoes; jerseys (clothing); pullovers; sweaters; liveries; muffs (clothing); footwear uppers; pocket squares; parkas; pelerines; pelisses; spats; leggings (trousers); knitwear [clothing]; clothing for gymnastics; underwear; sandals; saris; underpants; hats; wimples (clothing); togas; suits; turbans; dresses; sports shoes; shoes; footwear for sporting activities; slippers; motorists' clothing; clothing for cyclists; beach shoes.

(260) AM 2026 130911 A

(800) 1821603

(151) 2024 09 11

(891) 2024 09 11

(731) Amusnet Interactive

Garitage Park, Building No. 4, Floor 2,
Donka Ushlinova Str. 2, BG-1766 Sofia,
Bulgaria

(540)



(591) Blue, brown, yellow and red

(531) 21.03.21; 24.15.13; 26.05.01; 26.05.17;
26.05.18; 26.05.24; 27.03.15; 27.05.03;
27.07.01; 27.07.03; 29.01.15

(511)

9 – Computer software for the administration of on-line games and gaming; computer application software featuring games and gaming; betting software; gaming software that generates or displays wager outcomes of gaming machines.

28 – Slot machines [gaming machines]; gaming machines for gambling.

41 – Providing of casino and gaming facilities; gambling services.

(260) AM 2026 130912 A

(800) 1821630

(151) 2024 09 20

(891) 2024 09 20

(731) Carlsberg Srbija d.o.o.

Proleterska 17, 21413 Celarevo, Serbia

(540)

LAV BEER

(591) Black, white

(511)

32 – Beer; beer wort; ginger beer; malt beer; barley wine [beer]; beer-based cocktails; dried hops for brewing beer; frozen hops for brewing beer; hop pellets for brewing beer; non-alcoholic beer; extracts of hops for making beer; non-alcoholic beer-based cocktails.

(260) AM 2026 130934 A

(800) 1822097

(151) 2024 09 09

(891) 2024 09 09

(731) BTL Industries

8 Tzar Kaloyan str, BG-1000 Sofia, Bulgaria

(540)

EXOMIND

(591) Black, white

(511)

10 – Medical apparatus and instruments; medical apparatus and instruments, in particular apparatus and instruments generating electric, magnetic, electromagnetic, mechanical or thermal therapeutic energy; medical and aesthetic apparatus and instruments used in aesthetic therapy, especially apparatus and instruments for body contouring, fat removal, waist size reduction, skin tightening, cellulite reduction, skin rejuvenation, wrinkle reduction, scar reduction, stretch mark reduction, muscle volume increase, muscle fibre increase, muscle tone increase, fat reduction; medical apparatus and instruments for non-invasive nerve stimulation used in rehabilitation, psychiatry, cognitive neuroscience, neurology, neurophysiology, psychotherapy or mental health care; diagnostic and therapeutic apparatus and instruments for nerve stimulation used in rehabilitation, psychiatry, cognitive neuroscience, neurology, neurophysiology, psychotherapy or mental health care; aesthetic massage apparatus; physical therapy apparatus, in particular apparatus for treating pain and preventing muscle cramps; gynaecological and urological apparatus and instruments; dental equipment; rehabilitation apparatus (body -) for medical purposes; physical therapy equipment; physiotherapy and rehabilitation equipment; beds specially made for medical purposes; contraceptive devices; artificial limbs; orthopedic articles; suture materials; none of the aforesaid goods being ultrasound-based medical imaging diagnostic devices.

44 – Medical services; gynecology services; medical equipment rental; cosmetic and plastic surgery; beauty

salons; liposuction services; removal of body cellulite; physical therapy; consulting services relating to health care; massage; providing weight loss program services; mental health services; health clinic services; therapy services; hygienic and beauty care; beauty care for human beings; rental of equipment for human hygiene and beauty care; psychotherapy services; all of the aforesaid services except for providing information, advice and data on medical imaging, and all of the aforesaid services except for providing information concerning the use of medical diagnostic and surgical imaging equipment by means of a web site.

(260) AM 2026 130935 A

(800) 1822100

(151) 2024 09 30

(891) 2024 09 30

(731) DNJ ENGINE COMPONENTS, INC.

8960 Lurline Avenue, Chatsworth CA 91311,
USA

(540)

DNJ

(591) Black, white

(511)

7 – Engine components for vehicles, namely, gaskets, pistons, piston springs; engine bearings, namely, rod bearings and main bearings; machine parts, namely, thrust washers, pin bushings, timing belts for engines for land vehicles, engine timing components, namely, cam sprockets and chains, tensioners being structural parts of engines; automotive parts, namely, engine seals; pumps, namely, oil pumps for land vehicles and water pumps for land vehicles; vehicle engine parts, namely, rocker arms, rocker arm shafts, intake valves and exhaust valves, and camshafts.

(260) AM 2026 131707 A

(800) 1833162

(151) 2024 11 06

(891) 2024 11 06

(731) CPX DISTRIBUIDORA S/A.

Rodovia Antonio Heil nº 800, km 01,
sala 02 – Itaipava, 88316-001 Itajai,
Brazil

(540)

GRIPMASTER

(591) Black, white

(511)

12 – Rims for vehicle wheels; inner tubes for pneumatic tyres; pneumatic tyres; vehicle wheels.

(260) AM 2026 131708 A

(800) 1833290

(151) 2024 03 27

(891) 2024 03 27

(731) KASK S.p.A.

VIA FIRENZE 5, I-24060 CHIUDUNO
(BG), Italy

(540)

KASK

(591) Black, white

(531) 27.05.01; 27.05.17; 27.05.17

(511)

3 – Products for cleaning helmets and related accessories; deodorants for helmets; cleaning agents for helmets and accessories; general purpose cleaning, polishing and abrasive liquids and powders; shoe polish; oils for cleaning purposes; cloths impregnated with cleaning preparations; cloths impregnated with polishing preparations for cleaning; impregnated cleaning, dusting or polishing cloths; polishing powder; scouring powder; foam cleaning preparations; cleaning agents and preparations; cleaning, scouring and polishing preparations and substances; preparations for cleaning and polishing leather and shoes; cleaning, scouring and abrasive preparations; cleaning preparations for leather; cleaning and washing preparations and substances; all-purpose cleaning preparations; leather preservatives [polishes]; cleaning preparations; pre-moistened towelettes impregnated with a detergent for cleaning; detergent soap; degreasers for cleaning purposes; scented fabric refresher sprays; cloths impregnated with a detergent for cleaning spectacles.

9 – Clothing for protection against injury; clothing, footwear and headwear for protection against accidents, irradiation and fire; eyewear pouches; spectacle cases; shoes for protection against accidents; footwear for protection against accidents, irradiation and fire; bicycle helmets; skateboarding helmets; helmets for American football; ice hockey helmets; protective helmets; protective helmets for motorists; protective helmets for sports; protective helmets for motorcyclists; safety helmets; riding helmets; ski helmets; helmets for motorcyclists; protective helmets for boxing; snowboarding helmets; protective helmets for children; spectacle chains; headgear being protective helmets; spectacle cords; noise cancelling headphones; sunglass nose pads; cases for sunglasses and protective eyewear; cases for eyeglasses and sunglasses; cases for children's eyeglasses; protection devices for personal use against accidents; safety harnesses, other than for vehicles or sports purposes; clothing for protection against fire; clothing for protection against accidents, irradiation and fire; safety clothing for protection against accident or injury; flashing safety lights; contact lenses; magnetic clip-on sunglass lenses; optical lenses; spectacle lenses; flashing safety lights; dust masks; protective masks, not for medical purposes; spectacle frames; silicone nose pads for spectacles; eyewear; goggles for sports; sunglasses; spectacles; safety goggles; smartglasses; 3D spectacles; head guards for sports; parts for eyeglasses;

flame-retardant balaclavas; balaclavas for protection against accidents, irradiation and fire; eyeglass holders; side shields for eyeglasses; protective eyeglasses; face guards for protection against accident or injury; crash helmets; protective footwear; boots for protection against fire; face shields, other than for medical purposes; face shields for protective helmets; face-shields for protection against accidents, irradiation and fire; asbestos screens for firefighters; protective face shields for workers; boots for protection against accidents, irradiation and fire; boots for protection against accidents; visors for helmets; neck protectors to attach to helmets; apparatus for noise suppression.

10 – Ear plugs for protection against noise; hearing protection devices.

11 – Infrared illuminators; solar lamps; reflector lamps; night lights, electric; safety lamps; helmet lights; dynamo lights for bicycles; running lights for vehicles; directional lights for bicycles; security lights; solar-powered torches; LED flashlights; penlights; head torches; electric torches; rechargeable lanterns; lamp chimneys; tail lights for helmets.

16 – Name badge holders [office requisites]; clips for name badge holders [office requisites].

18 – Saddlery; travelling cases of leather; cases of imitation leather; credit card cases and holders [leatherware]; key cases of leather; fastenings for saddles; luggage and carrying bags; trunks [luggage]; bags; bags for sports; purses; handbags; duffel bags; bridles [harness]; briefcases; umbrellas, parasols and walking sticks; umbrellas; business card cases; credit card cases [wallets]; card cases [notecases]; pocket wallets; reins; haversacks; suitcases; daypacks; rucksacks.

25 – Waterproof clothing; clothing, footwear, headgear; clothing incorporating LEDs; work clothing; ski clothing; weatherproof clothing; clothing of imitations of leather; clothing of leather; cyclists' clothing; clothing for horse-riding, other than riding helmets; clothing for men, women and children; clothing for sports; thermal clothing; dresses; berets; cycling caps; caps with visors; sports caps and hats; thermal underwear; footwear; leotards; athletics footwear; riding shoes; boots for sports; footwear for snowboarding; stockings; hosiery; socks; breeches for wear; shirts; sports vests; sports singlets; headwear; small hats; coats; belts [clothing]; tights; bathing suits; headbands [clothing]; neckerchiefs; sweatshirts; boot uppers; jackets [clothing]; blousons; mittens; cycling gloves; ski gloves; leggings [leg warmers]; cyclists' jerseys; sports jerseys; sweaters; sweat shorts; cycling shorts; trousers; ski pants; snow pants; sweatpants; ear muffs [clothing]; ski masks; dickeys [shirt fronts]; shoes; cycling shoes; sneakers; ski boots; snowboard boots; boots; riding boots; cleats for attachment to sports shoes; work overalls; snowsuits; combinations [clot-

hing]; uniforms; cap peaks; riding coats; riding gloves; jodhpurs.

28 – Gymnastic and sporting articles; sporting articles; cases for tennis balls; snowboard bindings; ski bindings; bindings for alpine skis; sports equipment; machines for physical exercises; golf clubs; hockey sticks; targets; stationary exercise bicycles; bags specially adapted for sports equipment; golf bags; protective cups for sports; hand wraps for sports use; gloves for sports; protective paddings [parts of sports suits]; protective pads for use in sports; climbers' harness; face masks for sports; balls being sports articles; balls for playing sports; knee guards [sports articles]; elbow guards [sports articles]; shin guards [sports articles]; abdomen protectors for sports; leg guards for sports use; rackets; snowshoes; snow skis; athletic protective knee pads for cycling; athletic protective elbow pads for cycling; athletic protective wrist pads for cycling; body protectors for sports use; face guards [sports articles]; riding protectors; protective waistcoats for riding.

(260) AM 2026 131711 A

(800) 1833394

(151) 2024 11 22

(891) 2024 11 22

(731) GRADE BOYA VE YALITIM
TEKNOLOJILERI SANAYI TICARET
LIMITED SIRKETI
KAYADIBI MAH. 1.CADDE CAD.,
21 Merkez, Giresun, Türkiye

(540)

ENBOYA

(591) Black, white

(531) 27.05.01; 29.01.04

(511)

2 – Paints; varnishes; lacquers; preservatives against rust; preservatives against deterioration of wood; thinners and binders for paints; pigments; preservatives for metals; shoe dyes; printing dyes and ink; toners (including filled toner cartridges); colorants for food, pharmaceuticals and beverages; raw natural resins; metals in foil and powder form for painters, decorators, printers and artists.

35 – The bringing together, for the benefit of others of a variety of goods, namely, paints, varnishes, lacquers, preservatives against rust, preservatives against deterioration of wood, thinners and binders for paints, pigments, preservatives for metals, shoe dyes, printing dyes and ink, toners (including filled toner cartridges), colorants for food, pharmaceuticals and beverages, raw natural resins, metals in foil and powder form for painters, decorators, printers and artists, enabling customers to conveniently view and purchase those goods, such services may be provided by retail stores, wholesale outlets, through mail order catalogs or by

means of electronic media, for example, through web sites or television shopping programs.

(260) AM 2026 131712 A

(800) 1833436

(151) 2024 06 17

(891) 2024 06 17

(731) TELEPERFORMANCE SE

21/25 rue Balzac, F-75008 Paris, France

(540)

TELEPERFORMANCE

(591) Black, white

(511)

9 – Servers for computer networks; software; downloadable software applications [apps]; software platforms; data processing software; data analysis software; computer programs; Customer relationship management software; computer programs and downloadable software for retrieving, tracking, analyzing, testing, evaluating and managing data, managing data on customers and customer interactions; software and software application for online customer contact management; apparatus and instruments for capturing, recording, storing, manipulating, transmitting, reproducing sound, images, information and any kind of data; computers; database server centers; audiovisual, magnetic and digital recording media; teaching apparatus and instruments; apparatus and instruments for telecommunications, telephone, data processing; computer peripherals; apparatus for the processing, transmission and storage of information; sounding apparatus and machines; downloadable electronic publications; e-books; electronic devices for sending and receiving telephone calls, faxes, electronic mail, video content, instant messages, music, audiovisual content and other multimedia content, and other digital data; data synchronization programs; tablet computers; magnetic and electronic pens; electronic agendas; measuring, optical, signaling, checking (supervision), and teaching apparatus and instruments; electronic cards; electronic data media; databases; software for voice databases, data, text and sound banks; electronically stored image banks; digital, electronic, computer modules enabling connection to a global communication network such as the Internet, television and radio channels, telephone networks, telecommunication networks; computer downloadable applications for social networks; diagnostic apparatus not for medical use; global positioning system [GPS] tracking and location systems, memory devices for use with data processing apparatus; data recorders; smart watches; apparatus and instruments for telecommunication and telephone; electronic docking stations; virtual reality goggles; virtual reality headsets; virtual assistant software; virtual-reality computer hardware; downloadable digital multimedia files containing audio, video, text and images authenticated by non-fungible tokens

[NFTs]; downloadable digital music files authenticated by non-fungible tokens [NFTs]; downloadable digital video files authenticated by non-fungible tokens [NFTs]; downloadable software for cryptocurrency, virtual and digital currency wallets and storage; downloadable software and application programming interface for the sending, reception, acceptance, purchase, selling, storage, transmission, trading and exchange of digital currency, virtual currency, cryptocurrency, virtual digital assets, and blockchain and virtual digitized assets, downloadable digital files authenticated by non-fungible tokens [NFTs]; downloadable digital files authenticated by non-fungible tokens [NFTs] based on blockchain technology; downloadable digital files authenticated by non-fungible tokens [NFTs], cryptocurrencies and digital art; downloadable digital media, such as digital collectibles created using a blockchain-based technology and smart contracts; virtual and augmented reality software, downloadable software enabling users to experience augmented reality and virtual reality visualization, manipulation and immersion; all the aforesaid goods may be provided and rendered in the real or virtual world.

35 – Company management assistance; commercial business management assistance; assistance for organizing company matters; business process management; advisory and management services regarding work processes; analysis of business management systems; business consultancy, information or inquiries; commercial administration; document management and management of data relating to working groups; provision of information regarding commercial matters, commercial communication and trading on computer networks and global communication networks; compilation of information into computer databases; updating and maintenance of data in computer databases; computer file management services; data systematization in computer databases; compilation of computer databases; consulting in the field of data outsourcing and systematization; consulting services in the field of outsourcing and management of human resources; outsourcing services (business assistance); outsourcing services for managing customer relations and job processes; customer relationship management services; providing outsourcing services in the field of managing customer relations; management of personnel skills; managerial and administrative management of call centers for third parties; call center services for others; organizing telephone call and telephone call reception services on behalf of third parties, organizing exchanges by email or social networks with users on behalf of third parties; advertising, marketing and promotional services; telemarketing services; promotion of the sale of services [on behalf of third parties] via advertising services; online retail services for virtual products, namely, downloadable digital files authenticated by non-fungible tokens [NFTs]; administration of virtual consumer loyalty programs; provi-

ding online sales spaces for buyers and sellers of products and services, namely, downloadable digital files authenticated by non-fungible tokens [NFTs]; providing an online marketplace for buyers and sellers of downloadable digital goods authenticated by non-fungible tokens [NFTs]; conducting of online virtual trade fairs; organization of exhibitions for commercial or advertising purposes; online advertising on a computer network, rental of advertising time on any means of communication; computerized management of archives; negotiating business contracts for third parties, negotiation and conclusion of commercial transactions for third parties; business management of reimbursement programs for others; all the aforementioned services may be provided and rendered in the real or virtual world.

38 – Telecommunication services provided via the Internet, intranet and extranet by telephone, telephone platforms and call centers; telecommunication services provided via platforms and portals on the Internet and other media; telecommunication services, for access to websites offering work-group collaboration and document creation and management services; providing access to content, websites and portals; providing access to Internet platforms for users; transmitting, disseminating and providing of access to content, websites and portals for sharing texts, photographs, dispatches, images, messages, data, sounds, music, videos, information via terminals via the Internet; provision of discussion forums on the Internet and chat rooms; providing access to computer databases and web sites of others via a global communications network; computer, electronic, data messaging services; rental of access time to a computer system; rental of access time to databases and to database servers, particularly for global communication networks such as the Internet or private or restricted access networks (Intranets); transmission of information accessible by access code to computer or data communication databases and database servers; provision of access to search engines for users; providing access to data or documents stored electronically in central files for remote consultation by any means of telecommunication; services for transferring telephone calls; provision of access to virtual facilities for real-time interaction between computer users; virtual chat rooms via text messaging; communication via virtual private networks; provision of virtual private networks; all the aforementioned services may be provided and rendered in the real or virtual world.

42 – Design, development and updating of computers, software, applications, new computer products; computer programming services for data processing; design, development, installation, maintenance, hosting of a collaborative platform to facilitate the sharing of information and communication; platform as a service [PaaS], namely communication platform and collaborative platform; temporary provision of non-downloa-

dable social-networking software applications; providing temporary use of non-downloadable software; providing search engines for obtaining data via communication networks; application service provider, namely hosting of third-party application software; computer services, in particular creating virtual communities that enable registered users to organize groups and events, participate in discussions and participate in social, professional and community networking; hosting of customized Web pages containing information defined or specified by the user, personal profiles, audio content, video content, photographs, text, graphics and data; hosting websites containing a technology that enables online users to create personal profiles offering information on social and commercial networking and to transfer and share such information on multiple infrastructures; provision of information in the fields of computers, computer networks, computerized systems for management of work groups and documents via computer networks and global communication networks; computer system analysis; electronic data storage; processing and conversion of documents from a physical medium to an electronic medium; research services in the field of computing and troubleshooting of computer hardware and software problems; technical support services in the nature of troubleshooting of computer hardware and software problems; information in the field of computing; technical consulting and advice in the field of information technology; information technology [IT] support services [troubleshooting of software] via telephone, network and any transmission media; design and development of software; design and development of virtual reality software; providing online non-downloadable software for virtual reality, augmented reality and mixed reality; providing online non-downloadable software enabling users to experience visualization, manipulation and immersion in virtual reality and augmented reality; providing online non-downloadable software enabling users to conduct e-commerce and financial transactions; providing online non-downloadable software for digital, virtual, and cryptographic currency wallets and storage; providing online non-downloadable software enabling users to access, maintain, store, post, purchase, sell and exchange virtual and virtual digital assets and downloadable digital files authenticated by non-fungible tokens [NFTs]; providing online non-downloadable software for sending, receiving, accepting, buying, selling, storing, transmitting, trading and exchanging digital currency, virtual currency, cryptocurrency, virtual digital and blockchain assets, virtual digitized assets, downloadable digital files authenticated by non-fungible tokens [NFTs]; computer platform as a service [PaaS] offering computer software platforms for providing access to downloadable digital files authenticated by non-fungible tokens [NFTs]; authentication and certification of cryptocurrency data and downloadable digital files authenticated by non-fungible to-

kens [NFTs] via blockchain technology; authentication of data in the field of downloadable digital files authenticated by non-fungible tokens [NFTs] connected with blockchain technology and smart contracts using blockchain technology; authentication of field data on non-fungible tokens (or NFTs) through the use of blockchain technology; electronic storage of cryptocurrency for others; providing electronic storage of downloadable digital files authenticated by non-fungible tokens [NFTs] via a website; designing and providing an online platform for facilitating cryptocurrency transactions and downloadable digital files authenticated by non-fungible tokens [NFTs]; provision of virtual computer environments via cloud computing; providing online non-downloadable software, applications computer programs [application services provider]; all the aforementioned services may be provided and rendered in the real or virtual world.

(260) AM 2026 131714 A
 (800) 1833470
 (151) 2024 08 14
 (891) 2024 08 14
 (731) Limited Liability Company Music company
 "SELF MADE MUSIC"
 Alexander Nevsky passage, 3, room. 63,
 Ilyinskoye-Usovo village, Krasnogorsk,
 RU-143421 Moscow region, Russian
 Federation

(540)

Artik&Asti

(591) Black, white
 (531) 24.17.09; 27.05.01
 (511)

41 – Modelling for artists; academies [education]; booking of seats for shows; videotaping; discotheque services; entertainment information; movie studio services; nightclub services [entertainment]; microfilming; videotape editing; production of radio and television programmes; music-hall shows; music composition services; organization of balls; providing recreation facilities; arranging and conducting of concerts; arranging and conducting of workshops [training]; organization of competitions [education or entertainment]; arranging of beauty contests; organization of shows [impresario services]; amusement park services; television entertainment; presentation of live performances; videotape film production, other than advertising films; film production, other than advertising films; rental of audio equipment; rental of video cameras; rental of video cassette recorders; rental of videotapes; rental of show scenery; rental of sound recordings; cinematographic film projection equipment rental; rental of motion pictures; rental of lighting apparatus for theatrical sets or television studios; rental of radio and television sets; rental of stage scenery; radio entertainment; entertainer services; entertain-

ment; club services [entertainment or education]; orchestra services; scriptwriting, other than for advertising purposes; ticket agency services [entertainment]; recording studio services; production of shows; rental of camcorders.

(260) AM 2026 131716 A
 (800) 1833519
 (151) 2024 12 13
 (891) 2024 12 13
 (731) The H.D. Lee Company, Inc.
 3411 Silverside Road, Wilmington DE 19810,
 USA
 (540)

UNION-ALLS

(591) Black, white
 (511)
 25 – Coveralls.

(260) AM 2026 131787 A
 (800) 1833812
 (151) 2024 11 13
 (891) 2024 11 13
 (731) AQUARIUS COSMETIC, S.L.U.
 C/ Picapedrers, 3, Polígono industrial La
 Torruella, E-08508 Les Masies de Voltregà
 (La Gleva), Spain

(540)


 The logo for IDC INSTITUTE features the letters "IDC" in a bold, sans-serif font, enclosed within a square border. To the right of this square, the word "INSTITUTE" is written in a similar bold, sans-serif font.

(591) Black, white
 (531) 26.04.05; 26.04.19; 26.04.26; 27.05.09
 (511)

3 – Gel eye patches for cosmetic purposes; cosmetic body patches; facial masks; cosmetic facial masks; hair masks; face and body masks; face creams for cosmetic use; hand and foot mask; facial cleansing wipes; anti-aging serum for cosmetic use; beauty serums; creams for cellulite reduction; oils for cellulite reduction; body massage oils; facial oils; moisturizing gloves and socks; bath preparations; soaps and gels; scented soaps and gels; body mists; body cream; incense sachets; bath salts with essences; scented wood; perfumed body lotions and creams; hand cleaning products; balms; joss sticks; air fragrance reed diffusers; bath bombs; face and hand wipes.

21 – Combs; brushes; make-up brushes; cleaning brushes; sponges; bath sponges; sponges for applying make-up; bags for cosmetics [filled].

(260) AM 2026 131797 A
 (800) 1834099
 (151) 2024 07 22
 (891) 2024 07 22

(731) Beats Electronics, LLC
8600 Hayden Place, Culver City CA 90232,
USA

(540)

BEATS SOLO BUDS

(591) Black, white

(526) buds

(511)

9 – Earphones; carrying case for earphones; protective case for earphones; eartips (terms too vague in the opinion of the International Bureau – Rule 13 (2) (b) of the Common Regulations).

(260) AM 2026 131798 A

(800) 1834124

(151) 2024 09 13

(891) 2024 09 13

(731) Euro Games Technology Ltd.

Panorama Sofia Str. 6, Richhill Business
Center, ground floor, Vitosha Region,
BG-1766 Sofia, Bulgaria

(540)

Stars & Coins Respin

(591) Black, white

(511)

9 – Operating computer software for main frame computers; monitors (computer hardware); computer hardware; apparatus for recording images; monitors (computer programs); computer game programs; recorded computer game programs; apparatus for recording, transmission or reproduction of sound or images; communications servers (computer hardware); electronic components for gambling machines; computer application software featuring games and gaming; computer software for the administration of on-line games and gaming; computer hardware for games and gaming; computer hardware and software for gambling, gambling machines, gambling games on the internet and via telecommunication network; computer systems; computer operating system software; computer terminals; interactive terminals; multimedia terminals; electronic terminals for generating lottery tickets; interactive touch screen terminals; computer touchscreens; electronic display panels; liquid crystal display screens; digital signage display panels; multimedia software; multimedia apparatus and instruments; interactive multimedia software for playing games; computer screens; LCD large-screen displays; liquid crystal displays [LCDs] for home theatres; media streaming software; computer application software for streaming audio-visual media content via the internet; computer gaming software; software drivers; virtual reality software; games software; entertainment software for computer games; computer programs for network management; electronic lottery tickets; computer software platforms; operating systems; interactive computer systems; operating system programs; com-

puter game software for use with on-line interactive games; interactive casino games provided through a computer or mobile platform; electronic ticket examination machines; software for slot machines, betting software, software for video slot games, for casino games, for gambling and bingo games, provided online or through computer networks and that can be played on any type of computer device, including arcade games, personal computers, portable devices and mobile phones; software; computer software packages; computer software, recorded.

28 – Gaming machines for gambling; chips for gambling; mah-jong; arcade games; gambling machines operating with coins, notes and cards; games; electronic games; parlor games; gaming chips; gaming tables; slot machines [gaming machines]; LCD game machines; slot machines and gaming devices; coin-operated amusement machines; roulette chips; poker chips; chips and dice [gaming equipment]; gaming equipment for casinos; roulette tables; gaming roulette wheels; casino games; gambling machines and amusement machines, automatic and coin-operated; coin-operated amusement machines and/or electronic coin-operated amusement machines with or without the possibility of gain; boxes for coin-operated amusement machines, slot machines and gaming machines; electronic or electrotechnical amusement machines and apparatus, gaming machines, coin-operated entertainment machines; housings for coin-operated amusement machines, gaming equipment, gaming machines, machines for gambling; electropneumatic and electrical gambling machines (slot machines); lottery games; electronic targets for games and sports; parlor game equipment and accessories therefor, included in this class, in particular gaming tokens, chips and marbles; parlor games, game apparatus and equipment and accessories therefor, included in this class, in particular electronic targets, backgammon games, scratch cards, playing cards, lottery cards, dice; lottery tickets; printed lottery tickets; lottery scratch cards; scratch cards for playing lottery games.

41 – Gambling; gaming services for entertainment purposes; casino, gaming and gambling services; training in the development of software systems; provision of gaming equipment for gambling halls; providing casino equipment [gambling]; gaming machine entertainment services; providing casino facilities [gambling]; amusement arcade services; games equipment rental; rental of gaming machines; providing amusement arcade services; rental of gaming machines with images of fruits; editing or recording of sounds and images; sound recording and video entertainment services; hire of sound reproducing apparatus; provision of gaming equipment for casinos; providing of casino facilities; online gambling services; entertainment services related to operation of amusement arcades, online casinos and on-line betting services via websites; online interactive entertainment; on-line casino servi-

ces; online game services through mobile devices; providing online entertainment in the nature of game tournaments; providing on-line information in the field of computer gaming entertainment; sports betting services; online sports betting services; lottery services; organization of lotteries; conducting lotteries; prize draws [lotteries]; conducting lotteries for others; providing slot machine parlors; rental of slot machines [gaming machines]; providing online games and games of chance.

(260) AM 2026 131865 A

(800) 1834255

(151) 2024 09 02

(891) 2024 09 02

(731) INO-HUB Energy j.s.a.

Tomášikova 30, SK-821 01 Bratislava,
Slovakia

(540)

AORTA+
Energy Under Control

(591) Black, white

(531) 24.17.07; 27.05.05

(511)

9 – Computer programs related to energy management systems using AI elements; the aforementioned goods explicitly not in the field of provision of telecom services.

42 – Provision of software via the internet (SaaS) related to energy management systems using AI elements; software-as-a-service [SaaS] consulting services for AI-enabled energy management systems; provision of a computer platform via the internet (PaaS) related to energy management systems using AI elements; computer programming related to energy management systems using AI elements; design and maintenance of web sites related to energy management systems using AI elements for others; providing online non-downloadable computer software related to energy management systems using AI elements; the aforementioned services explicitly not in the field of provision of telecom services.

(260) AM 2026 131866 A

(800) 1834256

(151) 2024 09 02

(891) 2024 09 02

(731) INO-HUB Energy j.s.a.

Tomášikova 30, SK-821 01 Bratislava,
Slovakia

(540)

**AORTA + Energy under
control**

(591) Black, white

(511)

9 – Computer programs related to energy management systems using AI elements; the aforementioned goods explicitly not in the field of provision of telecom services.

42 – Provision of software via the internet (SaaS) related to energy management systems using AI elements; software-as-a-service [SaaS] consulting services for AI-enabled energy management systems; provision of a computer platform via the internet (PaaS) related to energy management systems using AI elements; computer programming related to energy management systems using AI elements; design and maintenance of web sites related to energy management systems using AI elements for others; providing online non-downloadable computer software related to energy management systems using AI elements; the aforementioned services explicitly not in the field of provision of telecom services.

(260) AM 2026 131876 A

(800) 1834430

(151) 2024 10 30

(891) 2024 10 30

(731) CHINA STATE RAILWAY GROUP CO.,
LTD.

10, Fuxing Road, Haidian District, Beijing,
China

(540)



(591) Black, white

(531) 18.01.11; 18.01.23; 27.05.22; 28.03

(511)

6 – Common metals, unwrought or semi-wrought; doors of metal; building materials of metal; rails of metal; ropes of metal; screws of metal; door handles of metal; ironmongery; locks of metal, other than electric; rings of metal; transport pallets of metal; collars of metal for fastening pipes; memorial plaques of metal; soldering wire of metal; works of art of common metal; containers of metal [storage, transport]; railway points; packaging containers of metal; railway material of metal; tree protectors of metal; loading gauge rods, of metal, for railway waggons; steel tubes; brackets of metal for building; springs [metal hardware]; wind vanes of metal; railway switches; iron ores.

9 – Computer operating programs, recorded; surveying instruments; notebook computers; electronic publications, downloadable; weighbridges; blinkers [signalling lights]; navigational instruments; phonograph records; cinematographic cameras; voting machines; fire extinguishers; audiovisual teaching apparatus; video screens; remote control apparatus; electro-dynamic apparatus for the remote control of railway points; protection devices for personal use against acci-

dents; accumulators, electric, for vehicles; cables, electric; eyeglasses; computer software applications, downloadable; ticket dispensing terminals, electronic.

12 – Railway couplings; sleeping cars; locomotives; rolling stock for railways; motor buses; trailers [vehicles]; anti-skid chains; bicycles; pumps for bicycle tyres; funiculars; luggage trucks; pushchairs; carts; inner tubes for pneumatic tires [tyres]; repair outfits for inner tubes; air vehicles; boats; suspension shock absorbers for vehicles; windshields.

16 – Paper; architects' models; toilet paper; towels of paper; carbon paper; tickets; posters; atlases; newspapers; periodicals; pictures; postage stamps; staples for offices; folders for papers; Indian inks; inking pads; steel pens; writing instruments; gummed tape [stationery]; drawing instruments; drawing boards; franking machines for office use; calculating tables.

35 – Import-export agency services; sales promotion for others; procurement services for others [purchasing goods and services for other businesses]; online advertising on a computer network; presentation of goods on communication media, for retail purposes; commercial information agency services; commercial administration of the licensing of the goods and services of others; organization of exhibitions for commercial or advertising purposes; business management of performing artists; secretarial services; accounting; sponsorship search; data search in computer files for others; rental of vending machines; wholesale services for pharmaceutical, veterinary and sanitary preparations and medical supplies; providing business information via a web site; provision of an on-line marketplace for buyers and sellers of goods and services.

36 – Insurance underwriting; electronic funds transfer; banking; business liquidation services, financial; art appraisal; real estate agency services; surety services; charitable fund raising; fiduciary; lending against security; issuance of travelers' checks; deposits of valuables; trusteeship; financial customs brokerage services; organization of monetary collections.

39 – Freightage; passenger transport; packaging of goods; hauling; marine transport; car transport; railway transport; car rental; carting; rental of warehouses; rental of diving suits; distribution of energy; operating canal locks; message delivery; transport services for sightseeing tours; transport by pipeline; rental of wheelchairs; launching of satellites for others; bottling services; travel reservation; delivery of goods; transport; freight forwarding; transport of travellers; freight brokerage; transport reservation; transportation logistics; railway truck rental; rental of storage containers; parcel delivery; delivery of goods by mail order.

41 – Academies [education]; providing sports facilities; arranging and conducting of conferences; publication of books; production of radio and television programmes; entertainment services; nightclub services [entertainment]; health club services [health and fit-

ness training]; ticket agency services [entertainment]; organization of lotteries; booking of seats for shows; arranging and conducting of symposiums; vocational guidance [education or training advice]; layout services, other than for advertising purposes; arranging and conducting of workshops [training]; on-line publication of electronic books and journals; radio entertainment; modelling for artists; photographic reporting; electronic desktop publishing.

42 – Technical project studies; research and development of new products for others; packaging design; computer software design; vehicle roadworthiness testing; material testing; cosmetic research; biological research; meteorological information; design of interior décor; dress designing; authenticating works of art.

45 – Security screening of baggage; clothing rental; rental of safes; physical security consultancy; inspection of factories for safety purposes; house sitting; intellectual property consultancy; litigation services; opening of security locks; online social networking services; rental of fire extinguishers; lost property return.

(260) AM 2026 131877 A

(800) 1834441

(151) 2024 09 13

(891) 2024 09 13

(731) Euro Games Technology Ltd.

Panorama Sofia Str. 6, Richhill Business
Center, ground floor, Vitoshka Region,
BG-1766 Sofia, Bulgaria

(540)

Ultimate 4 Spins

(591) Black, white

(511)

9 – Operating computer software for main frame computers; monitors (computer hardware); computer hardware; apparatus for recording images; monitors (computer programs); computer game programs; recorded computer game programs; apparatus for recording, transmission or reproduction of sound or images; communications servers (computer hardware); electronic components for gambling machines; computer application software featuring games and gaming; computer software for the administration of on-line games and gaming; computer hardware for games and gaming; computer hardware and software for gambling, gambling machines, gambling games on the internet and via telecommunication network; computer systems; computer operating system software; computer terminals; interactive terminals; multimedia terminals; electronic terminals for generating lottery tickets; interactive touch screen terminals; computer touchscreens; electronic display panels; liquid crystal display screens; digital signage display panels; multimedia software; multimedia apparatus and instruments; interactive multimedia software for playing

games; computer screens; LCD large-screen displays; liquid crystal displays [LCDs] for home theatres; media streaming software; computer application software for streaming audio-visual media content via the internet; computer gaming software; software drivers; virtual reality software; games software; entertainment software for computer games; computer programs for network management; electronic lottery tickets; computer software platforms; operating systems; interactive computer systems; operating system programs; computer game software for use with on-line interactive games; interactive casino games provided through a computer or mobile platform; electronic ticket examination machines; software for slot machines, betting software, software for video slot games, for casino games, for gambling and bingo games, provided online or through computer networks and that can be played on any type of computer device, including arcade games, personal computers, portable devices and mobile phones; software; computer software packages; computer software, recorded.

28 – Gaming machines for gambling; chips for gambling; mah-jong; arcade games; gambling machines operating with coins, notes and cards; games; electronic games; parlor games; gaming chips; gaming tables; slot machines [gaming machines]; LCD game machines; slot machines and gaming devices; coin-operated amusement machines; roulette chips; poker chips; chips and dice [gaming equipment]; gaming equipment for casinos; roulette tables; gaming roulette wheels; casino games; gambling machines and amusement machines, automatic and coin-operated; coin-operated amusement machines and/or electronic coin-operated amusement machines with or without the possibility of gain; boxes for coin-operated amusement machines, slot machines and gaming machines; electronic or electrotechnical amusement machines and apparatus, gaming machines, coin-operated entertainment machines; housings for coin-operated amusement machines, gaming equipment, gaming machines, machines for gambling; electropneumatic and electrical gambling machines (slot machines); lottery games; electronic targets for games and sports; parlor game equipment and accessories therefor, included in this class, in particular bingo tokens, gaming chips and marbles; parlor game apparatus, game equipment and accessories therefor, included in this class, in particular electronic targets, backgammon games, scratch cards, playing cards, lottery cards, dice; lottery tickets; printed lottery tickets; lottery scratch cards; scratch cards for playing lottery games.

41 – Gambling; gaming services for entertainment purposes; casino, gaming and gambling services; training in the development of software systems; provision of gaming equipment for gambling halls; providing casino equipment [gambling]; gaming machine entertainment services; providing casino facilities [gambling]; amusement arcade services; games equipment

rental; rental of gaming machines; providing amusement arcade services; rental of gaming machines with images of fruits; editing or recording of sounds and images; sound recording and video entertainment services; hire of sound reproducing apparatus; provision of gaming equipment for casinos; providing of casino facilities; online gambling services; entertainment services related to operation of amusement arcades, on-line casinos and on-line betting services via websites; online interactive entertainment; on-line casino services; online game services through mobile devices; providing online entertainment in the nature of game tournaments; providing on-line information in the field of computer gaming entertainment; sports betting services; online sports betting services; lottery services; organization of lotteries; conducting lotteries; prize draws [lotteries]; conducting lotteries for others; providing slot machine parlors; rental of slot machines [gaming machines]; providing online games and games of chance.

(260) AM 2026 131878 A
 (800) 1834464
 (151) 2024 11 11
 (891) 2024 11 11
 (731) Chivas Holdings (IP) Limited
 Kilmalid, Stirling Road, Dumbarton, Scotland
 G82 2SS, United Kingdom

(540)



(591) Black, white
 (531) 02.09.01; 17.02.04; 24.09.02; 24.09.10
 (511)
 33 – Wines; spirits; liqueurs.

(260) AM 2026 131880 A
 (800) 1834530
 (151) 2024 10 17
 (891) 2024 10 17
 (731) Shenzhen Qianhai Homerun smart Technology
 Co., Ltd.
 Room 201, Block A, No.1, Qianwan Road 1,
 Qianhai District, 518000 Shenzhen, China

(540)



(591) Black, white
 (531) 26.04.04; 26.04.05; 26.04.18; 26.04.24;
 27.05.17; 27.05.21; 27.05.24

(511)
 21 – Deshedding brushes for pets; brushes for pets; combs for animals; toothbrushes; cosmetic utensils; chamois leather for cleaning; automatic pet feeders; dog food scoops for household purposes; cat litter boxes; animal litter pans; animal litter trays; animal-activated livestock waterers; cages for pets; pet feeding bowls; drinking troughs; pet feeding bowls, automatic.

(260) AM 2026 131881 A

(800) 1834541

(151) 2024 10 18

(891) 2024 10 18

(731) Guangdong Shunde ChangSheng Machinery Manufacturing Co., Ltd.
 Longwei Road, Xichong Industrial Park,
 Lunjiao, Shunde, Foshan, 528308 Guangdong,
 China

(540)

HUAHUA

(591) Black, white

(531) 27.05.01

(511)

7 – Mortising machines; agricultural machines; wood-working machines; machines for the textile industry; mixing machines; food processors, electric; glass-working machines; stone-working machines; waste disposal units; sorting machines for industry.

(260) AM 2026 131894 A

(800) 1834967

(151) 2024 08 06

(891) 2024 08 06

(731) Ananta Medicare Limited
 Suite 1, 2 Station Court, Townmead Road,
 LONDON SW6 2PY, United Kingdom

(540)

ANANTA MEDICARE

(591) Black, white

(511)

5 – Dietary and nutritional supplements; dietary supplements; dietary and nutritional preparations; dietary food supplements; fiber (dietary -); dietary fiber; herbal dietary supplements for persons special dietary requirements; dietary fibre; glucose dietary supplements; food supplements; nutritional supplements consisting primarily of calcium; vitamin supplements for use in renal dialysis; ganoderma lucidum spore powder dietary supplements; food for medically restricted diets; dietetic foods for medicinal purposes; nutritional supplements consisting primarily of magnesium; diet capsules; protein supplements; calcium

supplements; vitamin supplements; nutritional supplements consisting primarily of iron; powdered nutritional supplement energy drink mix; dietetic foods adapted for medical purposes; food supplements for medical purposes; dietetic foods adapted for medical use; nutritional supplements consisting of fungal extracts; vitamin and mineral supplements; health food supplements made principally of minerals; food supplements consisting of amino acids; nutritional drink mix for use as a meal replacement; food supplements for non-medical purposes; starch for dietetic use; dietetic food preparations adapted for medical purposes; protein dietary supplements; nutraceuticals for use as a dietary supplement; mineral dietary supplements; enzyme dietary supplements; liquid dietary supplements; nutritional supplements; dietary supplements consisting of vitamins; dietary supplements for humans; dietary supplements and dietetic preparations; dietary supplement drinks; mineral dietary supplements for humans; dietary supplements for controlling cholesterol; dietary supplements for medical use; dietary food supplements used for modified fasting; dietary supplements with a cosmetic effect; mineral nutritional supplements; dietary supplements in powder form; liquid nutritional supplements; health food supplements for persons with special dietary requirements; dietary supplements consisting primarily of calcium; dietary supplement drink mixes; anti-oxidant food supplements; herbal supplements; prebiotic supplements; royal jelly dietary supplements; vitamin and mineral food supplements; dietary supplements promoting fitness and endurance; anti-oxidant supplements; dietary supplemental drinks; vitamin preparations in the nature of food supplements; dietary supplements for human beings; food supplements for dietetic use; liquid vitamin supplements; health food supplements made principally of vitamins; dietary supplements for humans not for medical purposes; medicated food supplements; food supplements for sportsmen; liquid herbal supplements; food supplements in liquid form; dietetic and nutritional preparations; vitamins and vitamin preparations; pharmaceuticals; injectable pharmaceuticals; pharmaceutical drugs; pharmaceutical preparations and substances for use in oncology; pharmaceutical preparations and substances for use in urology; pharmaceutical preparations and substances for use in gynecology; pharmaceutical preparations and substances; dermatological pharmaceutical products; pharmaceuticals for the treatment of erectile dysfunction; pharmaceuticals and natural remedies; pharmaceutical preparations for use in oncology; pharmaceutical preparations for use in urology; analgesics for pharmaceutical use; antibacterials for pharmaceutical use; pharmaceutical products for the treatment of depression; pharmaceutical preparations for use in hematology; pharmaceutical preparations; pharmaceutical products for the treatment of bone diseases; pharmaceutical preparations and substances for the treatment of gastro-intestinal diseases; pharmaceu-

tical preparations for use in dermatology; pharmaceutical products for the treatment of infectious diseases; pharmaceutical products for treating respiratory diseases; pharmaceutical antiallergic preparations and substances; pharmaceutical products for ophthalmological use; pharmaceutical compositions; anti-epileptic pharmaceutical preparations; pharmaceutical preparations for use in ophthalmology; syrups for pharmaceutical purposes; capsules for pharmaceutical purposes; pharmaceutical products for the treatment of viral diseases; injectable pharmaceuticals for treatment of anaphylactic reactions; pharmaceutical preparations for treating chemical imbalances; homeopathic medicines.

(260) AM 2026 132176 A
 (800) 1837770
 (151) 2024 12 04
 (891) 2024 12 04
 (731) CELLTRION, INC.
 23, Academy-ro, Yeonsu-gu, Incheon,
 Republic of Korea
 (540)



(591) Skebeloff Teal (PANTONE 638C) and Mango Orange (PANTONE 157C).
 (531) 26.11.03; 26.11.06; 26.11.12; 29.01.12
 (511)
 5 – Pharmaceutical preparations; pharmaceutical preparations for the treatment of osteoporosis; pharmaceutical products for the treatment of bone diseases; pharmaceutical preparations for the treatment of bone loss; pharmaceutical preparations for increasing bone density.

(260) AM 2026 132179 A
 (800) 1837807
 (151) 2024 12 24
 (891) 2024 12 24
 (731) ETİ GIDA SANAYİ VE TİCARET ANONİM
 ŞİRKETİ
 Organize Sanayi Bölgesi 11. Cadde,
 ESKİSEHIR, Türkiye
 (540)



(591) Brown, red, gold, white
 (531) 05.03.13; 05.03.20; 26.13.25; 27.05.02;
 27.05.08; 27.05.09; 27.05.17; 29.01.15
 (511)
 30 – Biscuits, chocolates, pastries, crackers, wafers, cakes, tarts, desserts, namely, bakery desserts, desserts based on flour and chocolate, breads, puffed grains, oatmeal, breakfast cereals, ice cream, edible ices.

(260) AM 2026 132198 A
 (800) 1658638
 (151) 2022 02 28
 (891) 2025 01 20
 (731) Santen Pharmaceutical Co., Ltd.
 4-20 Ofuka-cho, Kita-ku, Osaka-shi, Osaka
 530-8552, Japan
 (540)

UPNEE

(591) Black, white
 (511)
 5 – Collyrium; eye drops; ophthalmic pharmaceutical preparations; ophthalmological preparations; pharmaceutical preparations for treatment of cataracts; pharmaceutical preparations for treatment of glaucoma; pharmaceutical preparations for treatment of ocular hypertension; ophthalmic ointments, creams, lotions and gels; pharmaceutical preparations for use in eye injections; pharmaceutical preparations for treatment of pinguecula; pharmaceutical preparations for treatment of chalazion; pharmaceutical preparations for treatment of uveitis; pharmaceutical preparations for improving focus-adjustment function declined by accommodative asthenopia; pharmaceutical preparations for treatment of accommodative asthenopia; eye drops for treatment of keratoconjunctival epithelial disorder; antibacterial eye drops; antiallergic eye drops; pharmaceutical preparations; reagent paper for medical purposes; oiled paper for medical purposes; adhesive tapes for medical purposes; drug delivery agents in the form of edible wafers for wrapping powdered pharmaceuticals; gauze for medical use; capsules for medicines; eyepatches for medical purposes; ear bandages for medical purposes; menstruation bandages; menstruation tampons; sanitary napkins; sanitary panties; absorbent cotton; adhesive plasters; bandages for dressings; liquid bandages; breast-nursing pads; cotton sticks for medical purposes; diapers; diaper covers; dietary supplements for humans; nutritional supplements; dietetic beverages adapted for medical purposes; dietetic foods adapted for medical purposes; beverages for babies; food for babies; dietary supplements for animals.

(260) AM 2026 132546 A
 (800) 1840622
 (151) 2025 01 10
 (891) 2025 01 10

(731) BIOFARMA
50 rue Carnot, F-92284 Suresnes Cedex, France
(540)

JOCEVOL

(591) Black, white
(511)
5 – Pharmaceutical products for prevention and treatment of cardio-metabolic diseases.

(260) AM 2026 132547 A
(800) 1840623
(151) 2025 01 10
(891) 2025 01 10
(731) BIOFARMA
50 rue Carnot, F-92284 Suresnes Cedex, France
(540)

ZOVEMDE

(591) Black, white
(511)
5 – Pharmaceutical products for prevention and treatment of cardio-metabolic diseases.

(260) AM 2026 132548 A
(800) 1840624
(151) 2025 01 10
(891) 2025 01 10
(731) BIOFARMA
50 rue Carnot, F-92284 Suresnes Cedex, France
(540)

JOLCEVY

(591) Black, white
(511)
5 – Pharmaceutical products for prevention and treatment of cardio-metabolic diseases.

(260) AM 2026 132549 A
(800) 1840628
(151) 2024 10 03
(891) 2024 10 03
(731) Obshchestvo s ogranichennoj otvetstvennost'yu "SNEREBME"
ul. Petra Ermolaeva, 3, k. 1, kv. 78, RU-428034
g. Cheboksary, Russian Federation
(540)

EMBERENS

(591) Black, white
(511)
25 – Wimples; bandanas [neckerchiefs]; underwear; sweat-absorbent underwear; berets; blouses; boas [necklets]; teddies [underclothing]; boxer shorts; ankle boots; ski boots; boots for sports; breeches for wear; trousers; football boots; brassieres; valenki [felted boots]; collars [clothing]; detachable collars; shirt yokes; veils [clothing]; gabardines [clothing]; galoshes;

neckties; ascots; leg warmers; footless socks; boot uppers; corselets; jerseys [clothing]; waistcoats; sports jerseys; hosiery; heels; hoods [clothing]; hat frames [skeletons]; pockets for clothing; scarves; kimonos; sun visors [headwear]; cap peaks; tights; slippers [underclothing]; combinations [clothing]; bodices [lingerie]; corsets [underclothing]; suits; bathing suits; masquerade costumes; beach clothes; leotards; jackets [clothing]; stuff jackets [clothing]; fishing vests; leggings [trousers]; liveries; camisoles; sports singlets; cuffs; dickeys [shirt fronts]; mantillas; coats; sleep masks; furs [clothing]; fingerless gloves; mitres [hats]; muffs [clothing]; footmuffs, not electrically heated; top lifts for shoes; bibs, not of paper; bibs, sleeved, not of paper; fur stoles; hairdressing capes; ear muffs [clothing]; socks; sweat-absorbent socks; footwear; beach shoes; sports shoes; clothing; paper clothing; outer-clothing; ready-made clothing; motorists' clothing; cyclists' clothing; clothing for gymnastics; clothing of imitations of leather; clothing of leather; waterproof clothing; uniforms; fittings of metal for footwear; maniples; overcoats; knickers; parkas; pelerines; gloves [clothing]; ski gloves; pyjamas; bathing trunks; shirt fronts; pocket squares; dresses; headbands [clothing]; garters; sock suspenders; stocking suspenders; ready-made linings [parts of clothing]; dress shields; soles for footwear; braces [suspenders] for clothing; half-boots; lace boots; jumpers; ponchos; girdles; belts [clothing]; money belts [clothing]; layettes [clothing]; non-slipping devices for footwear; heelpieces for stockings; welts for footwear; chasubles; shirts; wooden shoes; sandals; bath sandals; boots; jumper dresses; saris; sarongs; footwear uppers; inner soles; albs; bath slippers; togas; knitwear [clothing]; underpants; shoes; gymnastic shoes; slippers; skull caps; turbans; headwear; aprons [clothing]; judo uniforms; karate uniforms; tee-shirts; dressing gowns; bath robes; top hats; tips for footwear; stockings; sweat-absorbent stockings; shawls; caps being headwear; paper hats [clothing]; shower caps; bathing caps; studs for football shoes; hats; babies' pants [underwear]; gaiter straps; pelisses; espadrilles; skirts; petticoats; skorts; football shoes.

(260) AM 2026 132579 A
(800) 1841036
(151) 2024 11 27
(891) 2024 11 27
(731) Richter Gedeon Nyrt.
Gyömrői út 19-21., H-1103 Budapest,
Hungary
(540)

QINIR

(591) Black, white
(511)
5 – Pharmaceutical preparations.

(260) AM 2026 132580 A
 (800) 1841038
 (151) 2024 11 27
 (891) 2024 11 27
 (731) Richter Gedeon Nyrt.
 Gyömrői út 19-21., H-1103 Budapest, Hungary
 (540)

BEPHARIL

(591) Black, white
 (511)
 5 – Pharmaceutical preparations.

(260) AM 2026 132582 A
 (800) 1841066
 (151) 2024 12 05
 (891) 2024 12 05
 (731) SAYIDAT AL SALAM FZE
 Workstation No "S10123O101WS67", Jebel
 Ali Free Zone, Dubai, United Arab Emirates
 (540)



(591) Black, white
 (531) 27.05.01
 (511)
 34 – Tobacco, raw or manufactured; tobacco products, including cigarettes, cigars, cigarillos, tobacco for roll cigarettes, pipe tobacco, chewing tobacco, cigarettes containing tobacco substitutes (not for medical purposes); flavored tobacco; herbal molasses; molasses tobacco electronic cigarettes; electronic hookah; electronic hookah head; lighters for smokers; articles for smokers; matches; match boxes; match holders; hookah tobacco; molasses tobacco; substances for smoking, none being for medical or curative purposes; flavored blends of tobacco and molasses for use in hookahs; flavor liquids and dissolvable powders for use in hookah; electronic smoking pipes; electronic hookah liquid (e-liquid) consisting of flavorings in liquid form used to fill electronic hookahs or electronic hookah cartridges; hookah (shisha); hookah accessories or parts including, hookah bowls and heads, hookah rope hoses, hookah bases, hookah mouth tips and filters and mouthpieces, hookah hose mouth, hookah stems, hookah bags and cases, hookah vase.

(260) AM 2026 132583 A
 (800) 1841079
 (151) 2024 11 27
 (891) 2024 11 27
 (731) Richter Gedeon Nyrt.
 Gyömrői út 19-21., H-1103 Budapest, Hungary
 (540)

SYDINET

(591) Black, white
 (511)
 5 – Pharmaceutical preparations.

(260) AM 2026 132584 A
 (800) 1841080
 (151) 2024 11 27
 (891) 2024 11 27
 (731) Richter Gedeon Nyrt.
 Gyömrői út 19-21., H-1103 Budapest, Hungary
 (540)

EDAWED

(591) Black, white
 (511)
 5 – Pharmaceutical preparations.

(260) AM 2026 132585 A
 (800) 1841160
 (151) 2024 10 11
 (891) 2024 10 11
 (731) YAMAZAKI CO., LTD.
 2-81-5, Fukumanji-cho, Yao-shi, Osaka
 581-0842, Japan
 (540)

tower

(591) Black, white
 (511)
 20 – Cushions; Japanese floor cushions [zabuton]; pillows; mattresses; step ladders and ladders, not of metal; furniture; hat hooks, not of metal; hand-held supermarket shopping baskets, not of metal; hanging boards [Japanese style pegboards using positional hooks]; wine racks; kitchen racks; benches; storage racks specially made for cleaning instruments and adapted to be mounted on other objects; bathroom stools; racks for bottles for use in kitchen.

21 – Cosmetic utensils, other than electric toothbrushes; electric toothbrushes; kitchen utensils and containers, other than gas water heaters for household use, non-electric cooking heaters for household purposes, kitchen sinks incorporating integrated worktops for household purposes and kitchen sinks for household purposes; cleaning instruments and washing utensils; ironing boards; tailors' sprayers; kotedai [Japanese-style ironing boards]; hera-dai [fabric marking boards]; yukakibo [Japanese bath utensils for stirring hot bathtub water]; bathroom pails; flower pots; hydroponic plant pots for home gardening; watering cans; countertop holders of metal for paper towels; soap dispensers; wine holders; hanging kitchen utensil holders; holders for kitchen paper towels; stands for kitchen knives and cutting boards for use in kitchen; sponge holders for use in kitchen; dish drying racks, spice racks, toast racks and cooling racks for use in kitchen; coin banks; toilet paper holders; vases; flo-

wer bowls; toothbrush stands; stands for toothbrushes and cups for use in bathrooms or washrooms; holders for dispenser bottles for shampoos, hair conditioners and soaps; shampoo racks for use in bathrooms; bathroom bottle racks; towel racks [bathroom fixtures]; soap dishes; hair conditioner dispensers; shampoo dispensers; shoe brushes; shoe horns; shoe shine cloths; shoe polishing sponges and cloths; shoe trees; rails, rings and bars for towels for use in bathrooms; rails, rings and bars for bath towels; rails, rings and bars for towels; cups for use in bathrooms or washrooms; toilet paper storage cases; unworked or semi-worked glass, not for building; gloves for household purposes; candle extinguishers; candle holders; mouse and rat traps; fly swatters; bird cages; bird baths; feeding vessels for pets; brushes for pets; chamber pots; chemically activated packs for heating food and beverages; chemically activated packs for cooling food and beverages; incense burners, non-electric.

(260) AM 2026 132740 A
(800) 1842907
(151) 2024 12 03
(891) 2024 12 03
(731) Richter Gedeon Nyrt.
Gyömrői út 19-21., H-1103 Budapest, Hungary
(540)

ПИДИССЕР

(591) Black, white
(531) 28.05
(511)
5 – Pharmaceutical preparations.

(260) AM 2026 132741 A
(800) 1842908
(151) 2024 11 27
(891) 2024 11 27
(731) Richter Gedeon Nyrt.
Gyömrői út 19-21., H-1103 Budapest, Hungary
(540)

ГЕДЕОН РИХТЕР

(591) Black, white
(531) 28.05
(511)
5 – Pharmaceutical preparations.

(260) AM 2026 132742 A
(800) 1842910
(151) 2024 12 03
(891) 2024 12 03
(731) Richter Gedeon Nyrt.
Gyömrői út 19-21., H-1103 Budapest, Hungary
(540)

АЛВЕБА

(591) Black, white
(531) 28.05
(511)
5 – Pharmaceutical preparations.

(260) AM 2026 132743 A
(800) 1842911
(151) 2024 12 03
(891) 2024 12 03
(731) Richter Gedeon Nyrt.
Gyömrői út 19-21., H-1103 Budapest, Hungary
(540)

СИТГОН

(591) Black, white
(531) 28.05
(511)
5 – Pharmaceutical preparations.

(260) AM 2026 132744 A
(800) 1842912
(151) 2024 12 03
(891) 2024 12 03
(731) Richter Gedeon Nyrt.
Gyömrői út 19-21., H-1103 Budapest, Hungary
(540)

КОРДАН

(591) Black, white
(531) 28.05
(511)
5 – Gynecological pharmaceutical preparations.

(260) AM 2026 132745 A
(800) 1842918
(151) 2024 12 03
(891) 2024 12 03
(731) Richter Gedeon Nyrt.
Gyömrői út 19-21., H-1103 Budapest, Hungary
(540)

АТУКНИР

(591) Black, white
(531) 28.05
(511)
5 – Pharmaceutical preparations.

(260) AM 2026 132849 A
(800) 1843734
(151) 2024 12 03
(891) 2024 12 03
(731) Richter Gedeon Nyrt.
Gyömrői út 19-21., H-1103 Budapest, Hungary
(540)

Бэфарил

(591) Black, white
(531) 28.05
(511)
5 – Gynecological products.

(260) AM 2026 132850 A
(800) 1843735
(151) 2024 12 03
(891) 2024 12 03
(731) Richter Gedeon Nyrt.
Gyömrői út 19-21., H-1103 Budapest, Hungary
(540)

Калимир

(591) Black, white
(531) 28.05
(526)
(511) 05 – Pharmaceutical preparations.

(260) AM 2026 132861 A
(800) 1843814
(151) 2024 12 03
(891) 2024 12 03
(731) Richter Gedeon Nyrt.
Gyömrői út 19-21., H-1103 Budapest, Hungary
(540)

СИДИНЕТ

(591) Black, white
(531) 28.05
(511)
5 – Pharmaceutical preparations.

(260) AM 2026 132862 A
(800) 1843815
(151) 2024 12 03
(891) 2024 12 03
(731) Richter Gedeon Nyrt.
Gyömrői út 19-21., H-1103 Budapest, Hungary
(540)

ДИРОГАНИЛ

(591) Black, white
(531) 28.05
(511)
5 – Pharmaceutical preparations.

(260) AM 2026 132863 A
(800) 1843816
(151) 2024 12 03
(891) 2024 12 03
(731) Richter Gedeon Nyrt.
Gyömrői út 19-21., H-1103 Budapest, Hungary
(540)

ВУЛОРЕАН

(591) Black, white
(531) 28.05
(511)
5 – Pharmaceutical preparations.

(260) AM 2026 132864 A
(800) 1843817
(151) 2024 12 03
(891) 2024 12 03
(731) Richter Gedeon Nyrt.
Gyömrői út 19-21., H-1103 Budapest, Hungary
(540)

ДИРЕЗИМИН

(591) Black, white
(531) 28.05
(511)
5 – Pharmaceutical preparations.

(260) AM 2026 132865 A
(800) 1843818
(151) 2024 12 03
(891) 2024 12 03
(731) Richter Gedeon Nyrt.
Gyömrői út 19-21., H-1103 Budapest, Hungary
(540)

АДАКСИЛОН

(591) Black, white
(531) 28.05
(511)
5 – Pharmaceutical preparations.

(260) AM 2026 132866 A
(800) 1843819
(151) 2024 12 03
(891) 2024 12 03
(731) Richter Gedeon Nyrt.
Gyömrői út 19-21., H-1103 Budapest, Hungary
(540)

АРИНЕВОН

(591) Black, white
(531) 28.05
(511)
5 – Pharmaceutical preparations.

(260) AM 2026 132867 A
(800) 1843821
(151) 2024 12 03
(891) 2024 12 03
(731) Richter Gedeon Nyrt.
Gyömrői út 19-21., H-1103 Budapest, Hungary
(540)

АРКИКСТ

(591) Black, white

(531) 28.05
511)
5 – Pharmaceutical preparations.

(260) AM 2026 133114 A*
(800) 793095
(151) 2002 11 06
(891) 2025 02 25
(731) HOLDHAM
1 rue du Campus, F-14200 Hérouville-
Saint-Clair, France

(540)



(591) Black, white
(531) 03.01.02; 24.01.01; 24.01.19; 26.04.02;
26.04.12; 26.04.15; 27.05.01
(511)
16 – Stationery goods.

(260) AM 2026 134106 A
(800) 1857477
(151) 2025 01 15
(891) 2025 01 15
(731) EGT DIGITAL LTD.
"Panorama Sofia" Str. 6, Business Center
"Richhill", block A, BG-1766 Sofia, Bulgaria

(540)

100 SHINY HIT

(591) Red, yellow, pink, black and white
(531) 27.05.02; 27.07.02; 29.01.13
(511)

9 – Operating computer software for main frame computers; monitors (computer hardware); computer hardware; apparatus for recording images; monitors (computer programs); computer game programs; recorded computer game programs; apparatus for recording, transmission or reproduction of sound or images; communications servers (computer hardware); electronic components for gambling machines; computer application software featuring games and gaming; computer software for the administration of on-line games and gaming; computer hardware for games and gaming; computer systems; computer operating system software; computer terminals; interactive terminals; multimedia terminals; electronic terminals for generating lottery tickets; interactive touch screen terminals; computer touchscreens; electronic display panels; liquid crystal display screens; digital signage display panels; multimedia software; multimedia apparatus and instruments; interactive multimedia soft-

ware for playing games; computer screens; lcd large-screen displays; liquid crystal displays [lcds] for home theatres; media streaming software; computer application software for streaming audio-visual media content via the internet; computer gaming software; software; computer software packages; computer software, recorded; software drivers; virtual reality software; games software; entertainment software for computer games; computer programs for network management; electronic lottery tickets; computer software platforms; operating systems; interactive computer systems; operating system programs; computer game software for use with on-line interactive games; interactive casino games provided through a computer or mobile platform; software for slot machines, betting software, software for video slot games, for casino games, for gambling and bingo games, provided online or through computer networks and that can be played on any type of computer device, including arcade games, personal computers, portable devices and mobile phones; electronic ticket examination machines; computer hardware and software for gambling, gambling machines, gambling games on the internet and via telecommunication network; all of the aforesaid goods or services exclusively related to lottery games, casino related games, gambling games and games of chance.

28 – Gaming machines for gambling; chips for gambling; mah-jong; arcade games; gambling machines operating with coins, notes and cards; games; electronic games; parlor games; gaming chips; gaming tables; slot machines [gaming machines]; LCD game machines; slot machines and gaming devices; coin-operated amusement machines; roulette chips; poker chips; chips and dice [gaming equipment]; gaming equipment for casinos; roulette tables; gaming roulette wheels; casino games; gambling machines and amusement machines, automatic and coin-operated; coin-operated amusement machines and / or electronic coin-operated amusement machines with or without the possibility of gain; boxes for coin-operated amusement machines, slot machines and gaming machines; electronic or electrotechnical amusement machines and apparatus, gaming machines, coin-operated entertainment machines; housings for coin-operated amusement machines, gaming equipment, gaming machines, machines for gambling; electropneumatic and electrical gambling machines (slot machines); lottery games; electronic targets for games and sports; parlor game equipment and accessories not included in other classes, in particular tokens, chips, marbles; parlor games, apparatus, equipment and accessories therefor, not included in other classes, in particular electronic targets, backgammon, scratch cards, playing cards, lottery cards, dice; lottery tickets; printed lottery tickets; lottery scratch cards; scratch cards for playing lottery games.

41 – Gambling; gaming services for entertainment purposes; casino, gaming and gambling services; trai-

ning in the development of software systems; provision of gaming equipment for gambling halls; providing casino equipment [gambling]; gaming machine entertainment services; providing casino facilities [gambling]; amusement arcade services; games equipment rental; rental of gaming machines; providing amusement arcade services; rental of gaming machines with images of fruits; editing or recording of sounds and images; sound recording and video entertainment services; hire of sound reproducing apparatus; provision of gaming equipment for casinos; providing of casino facilities; online gambling services; entertainment services related to operation of amusement arcades, on-line casinos and on-line betting services via websites; online interactive entertainment; on-line casino services; online game services through mobile devices; providing online entertainment in the nature of game tournaments; providing on-line information in the field of computer gaming entertainment; sports betting services; online sports betting services; lottery services; organization of lotteries; conducting lotteries; prize draws [lotteries]; conducting lotteries for others; providing slot machine parlors; rental of slot machines [gaming machines]; providing online games and games of chance.

(260) AM 2026 134153 A
 (800) 1052170
 (151) 2010 09 14
 (891) 2025 05 21
 (731) IIC-INTERSPORT International Corporation GmbH
 Wölflistrasse 2, CH-3006 Bern, Switzerland
 (540)



(591) Black, white
 (531) 26.03.02; 26.03.16; 27.05.17
 (511)
 18 – All-purpose sports bags, backpacks, beach bags.
 25 – Clothing, footwear, headgear; clothing, shoes, headwear for sport; clothing, footwear, headgear for winter sports.
 28 – Sporting articles included in this class, including wrist guards, elbow guards, shoulder pads, ankle pads, shin guards and knee guards; bags adapted to the transport of sports items; protective paddings (parts of sports suits); roller skates, ice skates; skateboards; snowboards, skis, ski, snowboard and snowshoe bindings, ski sticks/poles, scooters (toys).

(260) AM 2026 134219 A
 (800) 1859270
 (151) 2024 08 02
 (891) 2024 08 02
 (731) OMV Aktiengesellschaft
 Trabrennstraße 6-8, A-1020 Wien, Austria
 (540)



(591) Black, white
 (531) 26.02.01; 26.03.23
 (511)
 1 – Chemical substances, chemical materials, chemical preparations for use in Industry; biological preparations for use in industry; biological preparations for use as reference materials for research purposes; chemical preparations for use as additive to fuels for improving combustion; chemical substances for use in industry; additives, chemical, to motor fuel; hydrogen; polymerisates of organic compounds for the plastics industry; metal hardening preparations, limestone hardening substances and chemical agents for hardening wood; compositions for fire extinguishing and prevention; chemical and organic compositions and substances for treatment of leather and textile; unprocessed plastics; adhesives for use in industry; fertilizing preparations; growing media, fertilizers and chemicals for use in agriculture, horticulture and forestry; synthetic resins, unprocessed; brake fluid; antifreeze; antifreeze for vehicle radiators; anti-freeze for windscreen washer systems.
 4 – Fuels and illuminants; non-chemical additives for fuels; electrical energy; dust controlling compositions; lubricants and industrial greases, waxes and fluids; industrial oil; hydrogen (fuel) for motor vehicles.
 7 – Machinery and installations for oil and gas extraction and mining operations; industrial machinery for use in exploration, extraction, processing, production or storage of hydrocarbons or fuels; dispensing machines; fuel dispensing pumps for service stations; hydrogen dispensing pumps for service stations; pumps (machines), compressors (machines) and blowing machines; machines and machine tools for treatment of materials and for manufacturing; engines and powertrains, other than for land vehicles; control mechanisms for machines, motors and engines.
 9 – Software; memory cards; magnetic strip cards; identity cards, magnetic; electronic ID cards; automated teller machines [ATM]; electronic payment terminals; data storage devices.
 11 – Industrial water treatment installations, industrial air treatment installations, industrial wastewater treat-

ment installations, petrochemical wastewater treatment installations, bio-oil purifying installations.

17 – Insulation and barrier articles and materials; semi-worked plastic substances.

19 – Building and construction materials and elements, not of metal; pitch, tar, bitumen and asphalt.

22 – Raw textile fibers and substitutes.

37 – Construction or demolition of industrial buildings for use in exploration, extraction, processing, production, storage, transport or distribution of hydrocarbons, hydrogen, minerals, bitumen, fuels, illuminants, lubricants, industrial oil or energy; construction of industrial buildings for use in exploration, extraction, treatment of radioactive minerals; installation, cleaning, repair or maintenance of industrial facilities or installations for exploration, extraction, treatment of radioactive minerals; mining extraction; extraction of natural resources; deep drilling for hot water; deep drilling services for others; installation, maintenance and repair of industrial machinery; installation, cleaning, repair or maintenance of industrial facilities or installations for exploration, extraction, processing, production, storage, transport or distribution of hydrocarbons, hydrogen, minerals, bitumen, fuels, illuminants, lubricants, industrial oil or energy; refuelling of land vehicles; fuelling services for aircraft; refuelling of watercraft; charging of electric vehicles; vehicle service stations [refuelling and maintenance]; automobile cleaning and car washing; vehicle maintenance and repair; vehicle repair, maintenance, and refuelling; rental, hire and leasing of charging stations for electric vehicles; rental, hire and leasing of fuel dispensing pumps for service stations; rental, hire and leasing of hydrogen dispensing pumps for service stations; rental, hire and leasing of tools and equipment for maintenance work on charging stations for electric vehicles, fuel dispensing pumps and hydrogen dispensing pumps for service stations; rental, hire and leasing of tools and equipment for the repair and maintenance of vehicles; advice, consultancy and information in relation to the aforesaid services.

39 – Delivery of fuel; storage; storage of fuels; storage of petroleum; storage of gas; storage of natural gas, liquefied petroleum gas, biogas, hydrogen [fuel]; storage of energy; services connected with storage of gas; storage of captured carbon dioxide for others; storage of petroleum; gas storage services; storage of natural gas, liquefied petroleum gas, biogas, hydrogen [fuel]; transport; transport and distribution of petroleum; transport and distribution of gas; transport and distribution of natural gas, liquefied petroleum gas, biogas, hydrogen [fuel]; transport by pipeline; transport of petroleum in pipelines; transport of gas in pipelines; transport of natural gas, liquefied petroleum gas, biogas, hydrogen [fuel] in pipelines; collection of waste and recyclable materials; fuel distribution services; distribution of energy; distribution by pipeline

and cable; distribution of petroleum through pipelines; distribution of gas through pipelines; distribution of natural gas, liquefied petroleum gas, biogas, hydrogen [fuel] through pipelines; rental of garages and parking places; rental, hire and leasing of means of transport; rental, hire and leasing of areas, structures, units and containers for storage and transport; advice, consultancy and information in relation to the aforesaid services.

40 – Production of energy; electricity generating; treatment of materials using chemicals; treatment of materials, namely treatment, processing and refinement of petroleum, natural gas, biogas, gas and products thereof, as well as of hydrocarbons, bitumen and mineral raw materials; treatment of materials, namely processing and treatment of hot water; refining services; production of hydrogen from water by electrolysis; chemical recycling of waste products; treatment and processing of plastics; waste treatment [transformation]; recycling and waste treatment; sorting of waste and recyclable material; rental and leasing of equipment for processing and transforming of aforementioned materials and for generating energy; advice, consultancy and information in relation to the aforesaid services.

42 – Software development; design, maintenance, development and updating of software; software as a service [SaaS]; technical project planning; scientific and technological services; design and development of new technology for others, related to the production of fuels and energy; conducting research and technical project studies in the field of energy use; providing information on research and technical project planning related to the use of energy; industrial analysis and research services in the field of energy; exploration services in the field of renewable energy; engineering services; geological surveys; geological prospecting; technical measuring and testing; scientific research; testing, authentication and quality control; rental, hire and leasing of scientific and technological equipment; advice, consultancy and information in relation to the aforesaid services; quality checking and testing; provision of information and data relating to scientific and technological research and development.

45 – Licensing services; licensing of research and development [legal services]; licensing of technology; advice, consultancy and information in relation to the aforesaid services.

(260) AM 2026 134220 A

(800) 1859271

(151) 2024 08 02

(891) 2024 08 02

(731) OMV Aktiengesellschaft

Trabrennstraße 6-8, A-1020 Wien,
Austria

(540)

OMV

(591) Black, white

(511)

1 – Chemical substances, chemical materials, chemical preparations for use in industry; biological preparations for use in industry; biological preparations for use as reference materials for research purposes; chemical preparations for use as additive to fuels for improving combustion; chemical substances for use in industry; additives, chemical, to motor fuel; hydrogen; polymerisates of organic compounds for the plastics industry; metal hardening preparations, limestone hardening substances and chemical agents for hardening wood; compositions for fire extinguishing and prevention; chemical and organic compositions and substances for treatment of leather and textile; unprocessed plastics; adhesives for use in industry; fertilizing preparations; growing media, fertilizers and chemicals for use in agriculture, horticulture and forestry; synthetic resins, unprocessed; brake fluid; antifreeze; antifreeze for vehicle radiators; anti-freeze for wind-screen washer systems.

4 – Fuels and illuminants; non-chemical additives for fuels; electrical energy; dust controlling compositions; lubricants and industrial greases, waxes and fluids; industrial oil; hydrogen (fuel) for motor vehicles.

7 – Machinery and installations for oil and gas extraction and mining operations; industrial machinery for use in exploration, extraction, processing, production or storage of hydrocarbons or fuels; dispensing machines; fuel dispensing pumps for service stations; hydrogen dispensing pumps for service stations; pumps (machines), compressors (machines) and blowing machines; machines and machine tools for treatment of materials and for manufacturing; engines and powertrains, other than for land vehicles; control mechanisms for machines, motors and engines.

9 – Software; memory cards; magnetic strip cards; identity cards, magnetic; electronic ID cards; automated teller machines [ATM]; electronic payment terminals; data storage devices.

11 – Industrial water treatment installations, industrial air treatment installations, industrial wastewater treatment installations, petrochemical wastewater treatment installations, bio-oil purifying installations.

17 – Insulation and barrier articles and materials; semi-worked plastic substances.

19 – Building and construction materials and elements, not of metal; pitch, tar, bitumen and asphalt.

22 – Raw textile fibers and substitutes.

37 – Construction or demolition of industrial buildings for use in exploration, extraction, processing, production, storage, transport or distribution of hydrocarbons, hydrogen, minerals, bitumen, fuels, illuminants,

lubricants, industrial oil or energy; construction of industrial buildings for use in exploration, extraction, treatment of radioactive minerals; installation, cleaning, repair or maintenance of industrial facilities or installations for exploration, extraction, treatment of radioactive minerals; mining extraction; extraction of natural resources; deep drilling for hot water; deep drilling services for others; installation, maintenance and repair of industrial machinery; installation, cleaning, repair or maintenance of industrial facilities or installations for exploration, extraction, processing, production, storage, transport or distribution of hydrocarbons, hydrogen, minerals, bitumen, fuels, illuminants, lubricants, industrial oil or energy; refuelling of land vehicles; fuelling services for aircraft; refuelling of watercraft; charging of electric vehicles; vehicle service stations [refuelling and maintenance]; automobile cleaning and car washing; vehicle maintenance and repair; vehicle repair, maintenance, and refuelling; rental, hire and leasing of charging stations for electric vehicles; rental, hire and leasing of fuel dispensing pumps for service stations; rental, hire and leasing of hydrogen dispensing pumps for service stations; rental, hire and leasing of tools and equipment for maintenance work on charging stations for electric vehicles, fuel dispensing pumps and hydrogen dispensing pumps for service stations; rental, hire and leasing of tools and equipment for the repair and maintenance of vehicles; advice, consultancy and information in relation to the aforesaid services.

39 – Delivery of fuel; storage; storage of fuels; storage of petroleum; storage of gas; storage of natural gas, liquefied petroleum gas, biogas, hydrogen [fuel]; storage of energy; services connected with storage of gas; storage of captured carbon dioxide for others; storage of petroleum; gas storage services; storage of natural gas, liquefied petroleum gas, biogas, hydrogen [fuel]; transport; transport and distribution of petroleum; transport and distribution of gas; transport and distribution of natural gas, liquefied petroleum gas, biogas, hydrogen [fuel]; transport by pipeline; transport of petroleum in pipelines; transport of gas in pipelines; transport of natural gas, liquefied petroleum gas, biogas, hydrogen [fuel] in pipelines; collection of waste and recyclable materials; fuel distribution services; distribution of energy; distribution by pipeline and cable; distribution of petroleum through pipelines; distribution of gas through pipelines; distribution of natural gas, liquefied petroleum gas, biogas, hydrogen [fuel] through pipelines; rental of garages and parking places; rental, hire and leasing of means of transport; rental, hire and leasing of areas, structures, units and containers for storage and transport; advice, consultancy and information in relation to the aforesaid services.

40 – Production of energy; electricity generating; treatment of materials using chemicals; treatment of materials, namely treatment, processing and refinement

of petroleum, natural gas, biogas, gas and products thereof, as well as of hydrocarbons, bitumen and mineral raw materials; treatment of materials, namely processing and treatment of hot water; refining services; production of hydrogen from water by electrolysis; chemical recycling of waste products; treatment and processing of plastics; waste treatment [transformation]; recycling and waste treatment; sorting of waste and recyclable material; rental and leasing of equipment for processing and transforming of aforementioned materials and for generating energy; advice, consultancy and information in relation to the aforesaid services.

42 – Software development; design, maintenance, development and updating of software; software as a service [SaaS]; technical project planning; scientific and technological services; design and development of new technology for others, related to the production of fuels and energy; conducting research and technical project studies in the field of energy use; providing information on research and technical project planning related to the use of energy; industrial analysis and research services in the field of energy; exploration services in the field of renewable energy; engineering services; geological surveys; geological prospecting; technical measuring and testing; scientific research; testing, authentication and quality control; rental, hire and leasing of scientific and technological equipment; advice, consultancy and information in relation to the aforesaid services; quality checking and testing; provision of information and data relating to scientific and technological research and development.

45 – Licensing services; licensing of research and development [legal services]; licensing of technology; advice, consultancy and information in relation to the aforesaid services.

(260) AM 2026 134293 A

(800) 1859882

(151) 2025 01 28

(891) 2025 01 28

(731) ERPEN PENCERE VE KAPI

AKSESUARLARI SANAYİ VE TİCARET
ANONİM ŞİRKETİ
KEMALPAŞA OSB MAHALLESİ KAZIM,
KARABEKİR CADDESİ ERPEN PENCERE
82, Kemalpaşa, İzmir, Türkiye

(540)



(591) Green, white and grey

(531) 24.17.01; 27.05.01; 27.05.17; 27.05.19;
29.01.13

(511)

6 – Doors, windows, shutters, jalousies and their cases and fittings of metal; furniture casters of metal; fittings of metal for furniture; industrial metal wheels; door handles of metal; window handles of metal; hinges of metal; metal latches; metal locks; metal keys for locks; metal rings for carrying keys; metal pulleys.

(260) AM 2026 134296 A

(800) 1859927

(151) 2025 04 16

(891) 2025 04 16

(731) Barilla G. e R. Fratelli – Società per Azioni
Via Mantova 166, I-43122 Parma PR, Italy

(540)

AL BRONZO BARILLA

(591) Black, white

(511)

30 – Coffee; tea; cocoa and coffee substitutes; rice; tapioca and sago; flour and preparations made from cereals; bread; pastry; confectionery; edible ices; sugar; honey; golden syrup; yeast; baking powder; salt; mustard; vinegar; sauce (condiments); spices; ice; oat-based food; farinaceous foods; starch for food; aniseed; star aniseed; seasonings; coffee flavourings (flavourings); flavourings (other than essential oils); plant-based flavourings, other than essential oils, for beverages; flavourings, other than essential oils, for cakes; oatmeal; high-protein cereal bars; stick liquorice (confectionery); cocoa-based beverages; coffee-based beverages; chocolate-based beverages; tea-based beverages; baking soda (bicarbonate of soda for cooking purposes); petit-beurre biscuits; biscuits; malt biscuits; bonbons; brioches; puddings; cocoa; cocoa beverages with milk; coffee beverages with milk; coffee (unroasted -); cinnamon (spice); caramels; condiments; crackers; couscous (semolina); sponge cake; wheat flour; flour; fruit jellies (confectionery); baking powder; macaroni; mayonnaise; rusks; unleavened bread; breadcrumbs; bread rolls; pasta; pesto (sauce); pizza; cereal preparations; ravioli; table salt; tomato sauce; soya sauce; dressings for salad; sandwiches; semolina; hominy grits; cereal-based snack food; rice-based snack food; sorbets (ices); spaghetti; pasta sauce; noodles; tarts; vermicelli (noodles); saffron (seasoning); ginger (spice).

(260) AM 2026 134297 A

(800) 1859943

(151) 2025 01 15

(891) 2025 01 15

(731) JOINT STOCK COMPANY "ALIUM"

territory Quarter A, 2, Obolensk settlement,
Serpukhov, RU-142279 Moscow region,
Russian Federation

(540)

HA3AΦOPC

(591) Black, white

(531) 28.05

(511)

5 – Melissa water for pharmaceutical purposes; seawater for medicinal bathing; mineral waters for medicinal purposes; thermal water; dietary fibre; moulding wax for dentists; gases for medical purposes; guaiacol for pharmaceutical purposes; massage gels for medical purposes; sexual stimulant gels; haematogen; haemoglobin; herbicides; hydrastine; hydrastinine; glycerine for medical purposes; glycerophosphates; glucose for medical purposes; gentian for pharmaceutical purposes; hormones for medical purposes; mustard for pharmaceutical purposes; mustard plasters; mud for baths; contraceptive sponges; vulnerary sponges; gamboge for medical purposes; gurjun balsam for medicinal purposes; deodorizers for litter trays; deodorants for clothing and textiles; deodorants, other than for human beings or for animals; diastase for medical purposes; digitalin; dietary supplements for human beings; mineral dietary supplements; nutritional supplements; albumin dietary supplements; dietary supplements for animals; yeast dietary supplements; alginate dietary supplements; glucose dietary supplements; casein dietary supplements; lecithin dietary supplements; linseed oil dietary supplements; brewer's yeast dietary supplements; propolis dietary supplements; protein dietary supplements; protein supplements for animals; royal jelly dietary supplements; pollen dietary supplements; wheat germ dietary supplements; linseed dietary supplements; whey protein dietary supplements; acai powder dietary supplements; dietary supplements with a cosmetic effect; enzyme dietary supplements; yeast for pharmaceutical purposes; gelatine for medical purposes; cod liver oil; isotopes for medical purposes; immunostimulants; insecticides; iodine for pharmaceutical purposes; iodides for pharmaceutical purposes; alkaline iodides for pharmaceutical purposes; iodoform; gum for medical purposes; cream of tartar for pharmaceutical purposes; tartar for pharmaceutical purposes; camphor for medical purposes; cannabidiol for medical use; capsules for medicines; cachets for pharmaceutical purposes; capsules made of dendrimer-based polymers, for pharmaceuticals; haemostatic pencils; wart pencils; caustic pencils; carbolineum [parasiticide]; caustics for pharmaceutical purposes; cachou for pharmaceutical purposes; quassia for medical purposes; quebracho for medical purposes; oxygen for medical purposes; gallic acid for pharmaceutical purposes; acids for pharmaceutical purposes; adhesives for dentures; surgical glues; stem cells for veterinary purposes; stem cells for medical purposes; cocaine for medical purposes; collagen for medical purposes; collodion for pharmaceutical purposes; corn rings for the feet; medicated sweets; angostura bark for medical purposes; barks for pharmaceutical purposes; cedar wood for use as an insect re-

pellent; condurango bark for medical purposes; croton bark; mangrove bark for pharmaceutical purposes; myrobalan bark for pharmaceutical purposes; quinquina for medical purposes; medicated animal feed; medicinal roots; rhubarb roots for pharmaceutical purposes; lint for medical purposes; starch for dietetic or pharmaceutical purposes; creosote for pharmaceutical purposes; blood for medical purposes; biological tissue cultures for veterinary purposes; biological tissue cultures for medical purposes; cultures of microorganisms for medical or veterinary use; curare; dental lacquer; liquorice for pharmaceutical purposes; milk sugar for pharmaceutical purposes; adhesive plasters; medicines for alleviating constipation; adhesive tapes for medical purposes; lecithin for medical purposes; lotions for veterinary purposes; medicated hair lotions; lotions for pharmaceutical purposes; medicated after-shave lotions; personal sexual lubricants; magnesia for pharmaceutical purposes; liniments; ointments for pharmaceutical purposes; sunburn ointments; mercurial ointments; frostbite salve for pharmaceutical purposes; honey-based ointment for medical purposes; gauze for dressings; medicinal oils, other than essential oils; mustard oil for medical purposes; camphor oil for medical purposes; castor oil for medical purposes; almond oil for medical purposes; oil of turpentine for pharmaceutical purposes; dill oil for medical purposes; dental mastics; dental abrasives; dental impression materials; teeth filling material; medical dressings; surgical dressings; drugs for medical purposes; medicines for veterinary purposes; serotherapeutic medicines; medicines for human purposes; medicines for dental purposes; menthol; medicinal drinks; moleskin for medical purposes; almond milk for pharmaceutical purposes; powdered milk for babies; royal jelly for pharmaceutical purposes; milk ferments for pharmaceutical purposes; Irish moss for medical purposes; flour for pharmaceutical purposes; linseed meal for pharmaceutical purposes; fish meal for pharmaceutical purposes; fly glue; antibacterial soap; disinfectant soap; medicated soap; freeze-dried meat adapted for medical purposes; mint for pharmaceutical purposes; dietetic beverages adapted for medical purposes; malted milk beverages for medical purposes; injectable dermal fillers; bone void fillers comprised of living tissues; medicinal infusions; tincture of iodine; tinctures for medical purposes; opium for medical purposes; opodeldoc; mouthwashes for medical purposes; decoctions for pharmaceutical purposes; antiparasitic collars for animals; cotton swabs for medical purposes; stick liquorice for pharmaceutical purposes; sulfur sticks [disinfectants]; pastilles for pharmaceutical purposes; medicated toothpaste; pectin for pharmaceutical purposes; pepsins for pharmaceutical purposes; peptones for pharmaceutical purposes; hydrogen peroxide for medical purposes; pesticides; food for babies; leeches for medical purposes; blood plasma; adhesive nipple patches for medical purposes; vitamin supplement patches; nicotine pat-

ches for use as aids to stop smoking; jujube, medicated; eyepatches for medical purposes; poultices; compresses; babies' diapers; diapers for pets; swim diapers, reusable, for babies; diapers for incontinence; disposable absorbent pads for lining pet crates; diaper changing mats, disposable, for babies; disposable house training pads for pets; bunion pads; breast-nursing pads; diagnostic strips for testing breast milk for medical purposes; pomades for medical purposes; powder of cantharides; pyrethrum powder; anti-uric preparations; bacterial preparations for medical and veterinary use; bacteriological preparations for medical and veterinary use; balsamic preparations for medical purposes; albuminous preparations for medical purposes; biological preparations for veterinary purposes; biological preparations for medical purposes; veterinary preparations; bismuth preparations for pharmaceutical purposes; vitamin preparations; dermatological preparations; diagnostic preparations for veterinary purposes; bath preparations for medical purposes; therapeutic preparations for the bath; haemorrhoid preparations; preparations for callouses; lice treatment preparations [pediculicides]; acne treatment preparations; preparations to facilitate teething; preparations for the treatment of burns; ophotherapy preparations; air purifying preparations; medical preparations for slimming purposes; bronchodilating preparations; preparations for reducing sexual activity; douching preparations for medical purposes; soil-sterilizing preparations; sterilizing preparations; corn remedies; pharmaceutical preparations for treating dandruff; preparations for destroying vermin; preparations for destroying dry rot fungus; larvae exterminating preparations; preparations for destroying flies; preparations for destroying mice; slug exterminating preparations; pharmaceutical preparations for skin care; contact lens cleaning preparations; preparations of microorganisms for medical or veterinary use; lime-based pharmaceutical preparations; styptic preparations; medicated eye-washes; medicinal hair growth preparations; nutraceutical preparations for therapeutic or medical purposes; opiates; anticryptogamic preparations; aloe vera preparations for pharmaceutical purposes; preparations of trace elements for human and animal use; sulfonamides [medicines]; pharmaceutical preparations; pharmaceutical preparations for treating sunburn; enzyme preparations for veterinary purposes; enzyme preparations for medical purposes; phytotherapy preparations for medical purposes; chemico-pharmaceutical preparations; chemical preparations for veterinary purposes; chemical preparations for the diagnosis of pregnancy; chemical preparations for treating wheat blight; chemical preparations for medical purposes; chemical preparations for treating diseases affecting cereal plants; chemical preparations for treating diseases affecting vine plants; chemical preparations for treating mildew; chemical preparations for treating phylloxera; chemical preparations for pharmaceutical purposes; chilblain preparations; mothproofing preparati-

ons; collyrium; lead water; chemical conductors for electrocardiograph electrodes; albuminous foodstuffs for medical purposes; dietetic foods adapted for medical purposes; by-products of the processing of cereals for dietetic or medical purposes; homogenized food adapted for medical purposes; freeze-dried food adapted for medical purposes; pharmaceuticals; sanitary towels; panty liners [sanitary]; propolis for pharmaceutical purposes; pearl powder for medical purposes; radium for medical purposes; hydrated chloral for pharmaceutical purposes; solvents for removing adhesive plasters; vaginal washes for medical purposes; solutions for contact lenses; chemical reagents for medical or veterinary purposes; rubber for dental purposes; chewing gum for medical purposes; nicotine gum for use as an aid to stop smoking; insect repellents; insect repellent incense; repellents for dogs; moxa rolls for moxibustion; wipes impregnated with disinfectants for hygiene purposes; tissues impregnated with pharmaceutical lotions; sarsaparilla for medical purposes; sugar for medical purposes; crystallized rock sugar for medical purposes; asthmatic tea; fumigating sticks; massage candles for therapeutic purposes; linseed for pharmaceutical purposes; tobacco-free cigarettes for medical purposes; siccatives [drying agents] for medical purposes; syrups for pharmaceutical purposes; turpentine for pharmaceutical purposes; milking grease; greases for veterinary purposes; greases for medical purposes; lacteal flour for babies; infant formula; soporifics; bicarbonate of soda for pharmaceutical purposes; bath salts for medical purposes; salts for mineral water baths; salts for medical purposes; potassium salts for medical purposes; sodium salts for medical purposes; smelling salts; mineral water salts; malt for pharmaceutical purposes; semen for artificial insemination; alcohol for pharmaceutical purposes; medicinal alcohol; alloys of precious metals for dental purposes; ergot for pharmaceutical purposes; cooling sprays for medical purposes; antibacterial handwashes; adjuvants for medical purposes; astringents for medical purposes; vermifuges; disinfectants; disinfectants for hygiene purposes; disinfectants for chemical toilets; depuratives; appetite suppressants for medical purposes; parasiticides; medicated dentifrices; febrifuges; animal washes [insecticides]; detergents for medical purposes; cattle washes [insecticides]; dog washes [insecticides]; insecticidal veterinary washes; vesicants; purgatives; anti-inflammatories; chemical contraceptives; antiparasitic preparations; sedatives; laxatives; tonics [medicines]; medicated toiletry preparations; skin hydrators being injectable dermal fillers; digestives for pharmaceutical purposes; nervines; steroids; headache relief sticks; strychnine; bismuth subnitrate for pharmaceutical purposes; suppositories; serums for medical purposes; tanning pills; appetite suppressant pills; slimming pills; antioxidant pills; sanitary tampons; tetrahydrocannabinol [THC] for medical use; thymol for pharmaceutical purposes; smoking herbs for medical purposes; medicinal herbs;

transplants [living tissues]; surgical implants comprised of living tissues; sanitary panties; pants, absorbent, for incontinence; babies' diaper-pants; charcoal for pharmaceutical purposes; porcelain for dental prostheses; phenol for pharmaceutical purposes; fennel for medical purposes; enzymes for veterinary purposes; enzymes for medical purposes; formic aldehyde for pharmaceutical purposes; phosphates for pharmaceutical purposes; quinine for medical purposes; chinoline for medical purposes; diabetic bread adapted for medical use; chloroform; flowers of sulfur for pharmaceutical purposes; cement for animal hooves; bone cement for surgical and orthopaedic purposes; dental cements; medicinal tea; herbal teas for medicinal purposes; bath tea for therapeutic purposes; insecticidal animal shampoos; medicated shampoos; medicated shampoos for pets; pediculicidal shampoos; medicated dry shampoos; pre-filled syringes for medical purposes; eucalyptus for pharmaceutical purposes; eucalyptol for pharmaceutical purposes; herbal extracts, other than essential oils, for medical purposes; plant extracts, other than essential oils, for pharmaceutical purposes; tobacco extracts [insecticides]; extracts of hops for pharmaceutical purposes; elixirs [pharmaceutical preparations]; ethers for pharmaceutical purposes; esters for pharmaceutical purposes; cellulose esters for pharmaceutical purposes; cellulose ethers for pharmaceutical purposes; rat poison; poisons; bacterial poisons; jalap; medicinal mud; calomel [fungicide]; cannabis for medical purposes; lupulin for pharmaceutical purposes; diagnostic preparations for medical purposes used by medical laboratories; remedies for foot perspiration; Acaricides; aconitine; alkaloids for medical purposes; alginates for pharmaceutical purposes; algicides; aldehydes for pharmaceutical purposes; dental amalgams of gold; dental amalgams; amino acids for veterinary purposes; amino acids for medical purposes; analgesics; anaesthetics; antibiotics; antiseptics; medicine cases, portable, filled; first-aid boxes, filled; aluminium acetate for pharmaceutical purposes; acetates for pharmaceutical purposes; germicides; oxygen cylinders, filled, for medical purposes; balms for medical purposes; bandages for dressings; diagnostic biomarker reagents for medical purposes; biocides; bracelets impregnated with insect repellent; bouillons for bacteriological cultures for medical purposes or veterinary purposes; paper for mustard plasters; fly catching paper; reagent paper for veterinary purposes; reagent paper for medical purposes; moth-proofing paper; petroleum jelly for medical purposes; vaccines; oxygen baths; antiseptic cotton; aseptic cotton; absorbent cotton; wadding for medical purposes; cotton for medical purposes; dietetic substances adapted for medical use; radiological contrast substances for medical purposes; nutritive substances for microorganisms; radioactive substances for medical purposes.

(260) AM 2026 134322 A
 (800) 1797301
 (151) 2024 04 29
 (891) 2025 05 30
 (731) J. & P. Coats, Limited
 1 George Square, Glasgow, Scotland G2 1AL,
 United Kingdom

(540)

COATS ECOVERDE

(591) Black, white
 (511)
 23 – Yarns and threads.

(260) AM 2026 134323 A
 (800) 1833801
 (151) 2024 11 21
 (891) 2025 05 22
 (731) ATOMIC Austria GmbH
 Atomic Straße 1, A-5541 Altenmarkt, Austria
 (540)



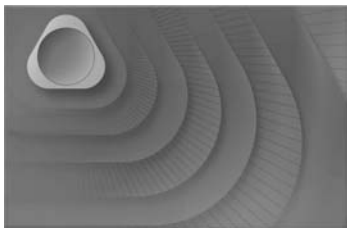
(591) Black, white
 (531) 01.01.08; 24.15.21
 (511)
 9 – Spectacles; goggles for sports; ski goggles; sunglasses; cases for ski goggles; cases for sports goggles; replacement lenses for sports goggles and ski goggles; protective helmets for sports; ski helmets; helmets for bicycles; helmets for use in sports; visors for helmets; bags specially designed for protective helmets; bags specially designed for ski helmets; sleeves for laptops.

41 – Providing facilities for skiing; arranging and conducting of guided tours; sport camp services; organization of sports competitions; providing information relating to training; arranging and conducting of workshops [training]; arranging and conducting of sports events; sporting activities; technical training relating to safety; provision of training courses; arranging and conducting of ski races; instructional services for skiing; rental of skis; rental of equipment for use at sporting events; rental of ski equipment; rental of snowboarding equipment; training services for skiing.

(260) AM 2026 134324 A
 (800) 1846965
 (151) 2024 12 31
 (891) 2025 06 03

(731) Philip Morris Products S.A.
Quai Jeanrenaud 3, CH-2000 Neuchâtel,
Switzerland

(540)



(591) Black, white
(531) 25.07.20; 26.03.01; 26.03.07; 26.03.10
(511)

34 – Wired vaporizers for electronic cigarettes and electronic smoking devices; tobacco, raw or manufactured; tobacco products, including cigars, cigarettes, cigarillos, tobacco for roll-your-own cigarettes, pipe tobacco, chewing tobacco, snuff tobacco, kretek; snus; tobacco substitutes (not for medical purposes); smokers' articles, namely cigarette paper and tubes, cigarette filters, tobacco tins, cigarette cases and ashtrays, pipes, pocket apparatus for rolling cigarettes, lighters; matches; smoking tobacco sticks, tobacco products for the purpose of being heated, electronic devices and their parts for the purpose of heating cigarettes or tobacco in order to release nicotine-containing aerosol for inhalation; liquid nicotine solutions for use in electronic cigarettes; electronic smoking devices; electronic cigarettes; electronic cigarettes as substitutes for traditional cigarettes; electronic devices for the inhalation of nicotine-containing aerosols; oral vaporizing devices for smokers, tobacco products and tobacco substitutes; smokers' articles for electronic cigarettes; parts and fittings for the aforementioned goods included in this class; devices for extinguishing heated cigarettes and cigars as well as heated tobacco sticks; electronic rechargeable cigarette cases.

(260) AM 2026 134394 A
(800) 1860863
(151) 2025 05 02
(891) 2025 05 02
(731) AstraZeneca AB
SE-151 85 Södertälje, Sweden

(540)



(591) Black, white
(531) 01.13.01; 26.04.09

(511)
5 – Pharmaceutical preparations and substances.

(260) AM 2026 134395 A
(800) 1860896
(151) 2024 12 18
(891) 2024 12 18
(731) SJT EXPORT AND IMPORT PTE. LTD.
7 SOON LEE STREET, #03-17 ISPACE,
SINGAPORE 627608, Singapore
(540)



(591) Black, yellow, white
(531) 01.01.01; 02.01.01; 05.07.02; 14.07.01;
23.05.05; 27.05.01; 29.01.13
(511)

35 – Convenience store retailing; department store retailing; online retail services; online wholesale services; pharmacy retail services; providing consumer product information; provision of an online marketplace for buyers and sellers of goods and services; provision of commercial information; retail services; supermarket retailing; the bringing together, for the benefit of others, of a variety of goods (excluding the transport thereof), enabling customers to conveniently view and purchase those goods from a general merchandise catalogue by mail order; wholesale services.

(260) AM 2026 134396 A
(800) 1860989
(151) 2025 03 10
(891) 2025 03 10
(731) LORO PIANA S.p.A.
Corso Rolandi, 10, I-13017 Quaronna (VC),
Italy

(540)

ICE WISH

(591) Black, white
(511)
23 – Yarns and threads, for textile use; ceramic fibre yarns for textile use; thread of metal for embroidery; chenille yarn; spun thread; spun cotton; hemp thread; rubber thread for textile use; coir thread; cotton thread; jute thread; spun wool; linen thread; threads of plastic materials for textile use; rayon thread; silk thread; fibreglass thread for textile use; elastic thread for textile use; sewing thread; darning thread; embroidery thread; worsted yarn; spun silk.

24 – Textiles and textile goods; textile fabrics for packaging of clothing articles and household furnishings; mixed fiber fabrics; woven or knitted fabrics; non-woven textile fabrics; clothing fabrics; bed covers; table toppers; lap rugs; covers [loose] for furniture; curtains of textile or plastic; linens; covers for cushions; bed clothes and blankets; sheets [textile]; hooded towels; bath sheets; make-up removal cloths [textile], other than impregnated with toilet preparations; guest towels; beach towels; table linen; table napkins of textile; placemats; labels of textile; textiles for furnishings; traced cloths for embroidery; fabric for footwear; linings [textile]; lingerie fabric; woven fabrics for furniture; wall hangings of textile; centrepieces of textile; table mats; fabrics for textile use; covers for sofas; textiles for making waterproof clothing; textile piece goods for use in the manufacture of protective clothing; textile fabrics for use in the manufacture of sportswear; waterproof fabrics for use in the manufacture of gloves; waterproof textile fabrics; waterproof fabrics for use in the manufacture of jackets; breathable waterproof fabrics; elastic fabrics for clothing.

25 – Clothing for men, women and children; pyjamas; lounging robes; nighties; layettes [clothing]; dressing gowns; underpants; bathrobes; bathing trunks; bathing suits; sweaters; waistcoats; knitwear (clothing); shirts; short-sleeve shirts; ready-made clothing; underwear; slips [underclothing]; tee-shirts; trousers; short trousers; bermuda shorts; jackets [clothing]; dresses; clothing for men and women; tailleurs; uniforms; mantles; coats; blousons; waterproof clothing; overcoats; parkas; pea coats; skirts; boots; half-boots; men's, women's and children's shoes; beach shoes; casual shoes; sandals; bath sandals; slippers; hats; berets; bonnets; gloves [clothing]; scarves; stoles; cravats; waist belts; money belts (clothing); foulards [clothing articles]; beach wraps; shawls; stockings; socks; tights; clothing of leather and of imitations of leather; fur stoles; pelisses; weather resistant outer clothing; rainwear; clothing for skiing; sportswear; raincoats; riding shoes; golf footwear; rainshoes; waterproof shoes; ladies' boots; waterproof boots; rain boots; deck shoes; ski gloves; pocket squares of textile material.

(260) AM 2026 134397 A

(800) 1861038

(151) 2025 02 11

(891) 2025 02 11

(731) Honor Device Co., Ltd.

Suite 3401, Unit A, Building 6, Shum Yip Sky Park, No. 8089, Hongli West Road, Xiangmihu Street, Futian District, Shenzhen, 518040 Guangdong, China

(540)

HONOR AccuTrack

(591) Black, white

(511)

9 – Smartwatches; interactive touchscreen terminals; laptop computers; computer software applications, downloadable; computer programs, downloadable; smart rings [data processing apparatus]; smartglasses [data processing apparatus]; signal processors; computer software platforms, recorded or downloadable; notebook computers; wearable computers; communications computers; computer software, recorded; smartwatches [data processing apparatus]; personal digital assistants [PDAs]; downloadable mobile phone software applications; computer programs, recorded; tablet computers; thin client computers; masts for wireless aerials; radio wave transmitting aerials; aerials; wearable activity trackers; modems; radio antennas; radar antennas; radios; smartphones; smartphones in the shape of a watch; aerial combiners; radio-frequency antennas; automatic telephone exchange apparatus; equipment for network communication; transmitters of electronic signals; telecommunication apparatus in the form of jewellery; parabolic antennas; microwave antennas; wrist-mounted smartphones; antennas for wireless communications apparatus; television aerials; loudspeakers; camcorders; portable media players; sound transmitting apparatus; earphone; cameras [photography]; antenna parameter measuring apparatus; humanoid robots with artificial intelligence for use in scientific research; filters for antennas; aerial amplifiers.

(260) AM 2026 134398 A

(800) 1861121

(151) 2025 05 14

(891) 2025 05 14

(731) Apple Inc.

One Apple Park Way, Cupertino CA 95014, USA

(540)

FINAL CUT CAMERA

(591) Black, white

(511)

9 – Downloadable computer graphics software; downloadable computer software for use in video and motion picture production; downloadable computer software for creating and playing audio, video and multimedia data; downloadable computer software for taking, recording, sharing, and viewing video content; downloadable computer software for creating, processing, exporting, and encoding video, movies, motion picture films, and multimedia content; downloadable computer software for creating, processing, exporting, and encoding audio, music, and sound content; downloadable computer software for color correction of video and multimedia content; downloadable computer software for creating, processing, exporting, and encoding digital media; downloadable computer software for use in taking and creating video content via multiple cameras.

(260) AM 2026 134399 A

(800) 1861139

(151) 2025 04 09

(891) 2025 04 09

(731) Kozonov Tymur Vihentiiiovych

Vul. Nadii, 28, s. Sukhyi Lyman, Odeskyi raion, Odeska oblast 67821, Ukraine

(540)



FOUNDATION

(591) Black, white

(531) 01.13.01; 27.05.01

(511)

30 – Agave syrup [natural sweetener]; almond confectionery; aromatic preparations for food; artificial sweeteners for culinary purposes; baking powder; baozi; binding agents for ice cream; biscuits; bread; bread rolls; breadcrumbs; buns; cake batter; cake dough; cake frosting [icing]; cake powder; cakes; candies; candy decorations for cakes; cappuccino [coffee drink]; caramels [candies]; caramels [sweets]; cereal bars; cereal-based snack food; chamomile-based beverages; cheeseburgers [sandwiches]; chewing gum; chewing gum for breath freshening; chicory [coffee substitute]; chips [cereal products]; chocolate; chocolate beverages with milk; chocolate-covered coffee beans; chocolate decorations for cakes; chocolate mousses; chocolate spreads containing nuts; chocolate-based beverages; chocolate-based spreads; chocolate-coated nuts; chocolate-covered potato chips; chocolatines; cocoa; cocoa beverages with milk; cocoa nibs; cocoa substitutes; cocoa-based beverages; coffee; coffee beans coated with sugar; coffee beverages with milk; coffee capsules, filled; coffee flavourings; coffee substitutes; coffee-based beverages; confectionery; confectionery for decorating christmas trees; confectionery in the form of mousses; cookies; corn flakes / maize flakes; crackers; cream of tartar for culinary purposes; crème brûlée; croissants; croutons; croûtons; crystallized rock sugar; custard; Danish pastries; decaffeinated coffee; dough; dulce de leche; edible honeycombs; edible ices; edible paper; edible paper wafers; edible rice paper; essences for foodstuffs, except etheric essences and essential oils; filled biscuits; filled cookies; flavoured coffee; flavoured jelly crystals for making jelly confectionery; flavourings, other than essential oils, for beverages; flavourings, other than essential oils, for cakes; flour-based dumplings; flowers or leaves for use as tea substitutes; fondants [confectionery]; food flavourings, other than essential oils; frappuccino [coffee drink]; freeze-dried instant coffee; frozen yogurt [confectionery ices]; fruit confectionery; fruit coulis [sauces]; fruit jellies [confectionery]; gingerbread; glaze coffee; glucose for culinary purposes;

gluten-free bread; golden syrup; granulated instant coffee; green coffee; ground coffee; halvah; herbal teas; high-protein cereal bars; honey; hot dog sandwiches; ice cream; ice cubes; ice for cooling; ice pops; ice, natural or artificial; iced tea; infusions, not medicinal; instant coffee; kelp tea; kimchi pancakes; kombucha; latte [coffee drink]; linseed for culinary purposes [seasoning]; liqueur chocolates; liquorice [confectionery]; lozenges [confectionery] / pastilles [confectionery]; macarons; malt biscuits; malt extract for food; maltose; marzipan; meat pies; milk puddings; mint for confectionery; mints for breath freshening; mirror icing [mirror glaze]; mocha [coffee]; moka [coffee drink]; muesli; natural sweeteners; nougat; organic coffee; pains au chocolat; palm sugar; pancakes; pastries; pastry dough; pâtés en croûte; peanut confectionery; peppermint sweets; petit-beurre biscuits; petits fours; pies; pizzas; popcorn; powdered instant coffee; powders for making ice cream; pralines; preparations for stiffening whipped cream; processed seeds for use as a seasoning; profiteroles; puddings; rice cakes; rice crackers; rice pudding; rice pulp for culinary purposes; rice-based snack food; ristretto [coffee drink]; roasted coffee; roasted coffee beans; rusks; saccharin for culinary purposes; sandwiches; savoury pancakes; shaved ice with sweetened red beans; sherbets [ices]; sorbets [ices]; stick liquorice [confectionery]; sugar; sugar confectionery; sugar substitutes for culinary purposes; sweets; tarts; tea; tea beverages with milk; tea substitutes; tea-based beverages; tortillas; treacle / molasses for food; unleavened bread; unroasted coffee; vanilla flavourings for culinary purposes; vanillin [vanilla substitute]; vegetal preparations for use as coffee substitutes; waffles; wheat germ for human consumption.

(260) AM 2026 134400 A

(800) 1861174

(151) 2024 12 04

(891) 2024 12 04

(731) Birgit Zander

Walter-Benjamin-Platz 1, 10629 Berlin, Germany

(540)

Festival of Lights

(591) Black, white

(511)

9 – Electronic publications (downloadable); image data for downloading; music files for downloading; sound, image and data carriers of all kinds; computer programs; compact discs (audio-video); DVDs; blinkers (signalling lights); digital picture frames; electronic display boards; films, exposed; magnetic identity cards; headphones; light emitting diodes (LEDs); trackpads; software (downloadable, recorded), in particular smartphone and tablet PC applications (apps).

(260) AM 2026 134416 A

(800) 1861435

(151) 2025 04 10

(891) 2025 04 10

(731) Shenzhen Kaiku Electronics Co., Ltd.
301, Building D, No. 307 Pingji Avenue,
Hehua Community, Pinghu Street, Longgang
District, Shenzhen, Guangdong, China

(540)

KEWOGÉ

(591) Black, white

(531) 27.05.01; 27.05.19

(511)

9 – Computer peripheral devices; data cables for mobile telephones; electric plugs; cases for smartphones; computer memory devices; protective films adapted for smartphones; protection devices for personal use against accidents; video screens; battery chargers; headphones.

(260) AM 2026 134417 A

(800) 1861469

(151) 2025 04 30

(891) 2025 04 30

(731) GROUPE LEPINE
175 Rue Jacquard, CS 50307, F-69727 Genay
Cedex, France

(540)

TARGOS

(591) Black, white

(511)

10 – Hip prostheses; surgical instruments for fitting hip prostheses.

(260) AM 2026 134419 A

(800) 1861525

(151) 2025 03 17

(891) 2025 03 17

(731) FURNA AYAKKABI SANAYİ TİCARET
LİMİTED ŞİRKETİ
MEHMET NESİH ÖZMEN MAH., ZAKKUM
SK. TİMAŞ İŞHANI 6 3 Güngören, İstanbul,
Türkiye

(540)

ESSERE

(591) Dark blue and white

(531) 26.04.05; 26.04.22; 26.04.24; 27.05.24;
29.01.12

(511)

18 – Unworked or semi-worked leather and animal skins, imitations of leather, stout leather, leather used for linings; goods made of leather, imitations of leat-

her or other materials, designed for carrying items, included in this class; bags, wallets, purses, boxes and trunks made of leather or stout leather; keycases, trunks [luggage], suitcases, baby wrap carriers, card cases, empty tool bags, money bags, bags, backpacks, briefcase, reusable shopping bags and school bags.

25 – Footwear, shoes, slippers, boots, booties, sneakers and attachable cleats, shoe parts, namely shoe soles, heels for shoes, boot uppers, shoe uppers.

35 – Advertising, marketing and public relations; organization of exhibitions and trade fairs for commercial or advertising purposes; office functions; secretarial services; arranging newspaper subscriptions for others; compilation of statistics; rental of office machines; systemization of information into computer databases; telephone answering for unavailable subscribers; business management, business administration and business consultancy; accounting; commercial consultancy services; personnel recruitment, personnel placement, employment agencies, import-export agencies; temporary personnel placement services; auctioneering; the bringing together, for the benefit of others, of a variety of goods, namely, unworked or semi-worked leather and animal skins, imitations of leather, stout leather, leather used for linings, goods made of leather, imitations of leather or other materials, designed for carrying items, bags, wallets, purses, boxes and trunks made of leather or stout leather, keycases, trunks [luggage], suitcases, bags for carrying children (carrycots, baby carrier), checkbook cases, card cases, empty tool bags, keychains, money bags, bags, backpacks, briefcase, shopping and school bags, footwear, shoes, slippers, boots, booties, sneakers and their nails, shoe parts like shoe sole, shoe heel, leg of a boot, shoe-upper, enabling customers to conveniently view and purchase those goods, such services may be provided by retail stores, wholesale outlets, by means of electronic media or through mail order catalogues.

(260) AM 2026 134420 A

(800) 1861535

(151) 2025 03 20

(891) 2025 03 20

(731) TECFI S.p.A.

Via Andrea D'Isernia, 59, I-80122 Napoli, Italy

(540)

Tecfi
FIXING SYSTEMS

(591) Black and yellow

(531) 26.11.03; 26.11.06; 26.11.09; 27.05.10;
29.01.12

(511)

6 – Branch outlet fittings of metal; safety fittings of metal for doors; ring-shaped fittings of metal; cabinet

fittings of common metal; fittings of metal for compressed air ducts; window furniture of metal; metal joinery fittings; wardrobe rail fittings of metal; metal door trim; steel; firedogs [andirons]; mobile homes being transportable buildings of metal; aluminium; masonry anchors of metal; pressure actuated rings [metal]; split rings of common metal for keys; wall hooks of metal for pipes; rings of metal; angle irons of metal; anvils [portable]; wall plugs of metal; screws of metal; self-tapping metal screws; set screws of metal; wood screws made of metal; screw caps of metal; eye bolts; screw covers of metal; ice screws of metal; thumbscrews [fasteners] of metal; metal expanding sleeves for affixing screws; metal brads; panel pins being metal hardware; veneer pins being metal hardware; nails of metal; fixing nails of metal; pitons of metal; pitons of metal; masonry nails of metal; glazing sprigs being metal hardware; picture rails of metal; pitons of metal; soldering metals in bar form; washers of metal; washers [metal hardware]; lock washers of metal; lock washers of metal; cowls of metal; ties of metal for binding; metal bolts [fasteners]; retaining [fixing] devices of metal; anchor channels of metal; fixing devices of metal; anchor chains of metal; fixing plates of metal; fasteners of common metal; metal fasteners for scaffolds; architectural fasteners of metal; brackets of metal used for fixing plaques; clips of metal for cables and pipes; tie wire of metal for binding; screw threaded fasteners of metal; hinges of metal for the fixing of pipes; hinges of metal for the fastening of electrical cables; metal fastening anchors [for securing pictures to walls]; fittings of metal for furniture; fittings of metal for windows; door fittings of metal; ironwork for windows; fittings of metal for coffins; fittings of metal for building; bulkhead fittings of metal [other than vehicles]; nuts of metal; nuts [metal hardware]; lock nuts of metal; threaded nuts of metal; nuts, bolts and fasteners, of metal; screw-in insert nuts of metal; tool storage containers of metal [empty]; metallic mountings; ceiling supports of metal; brickwork supports of metal; screw rivets of metal; flanges of metal [collars]; adjustable collars being metallic stop collars; collars of metal for fastening pipes; clips of metal for cables and pipes; tension links; u-bolts of metal; stretchers for iron bands [tension links]; metal brackets; spacer brackets of metal; stretchers for metal bands [tension links]; tension links of metal; metal brackets for use in the construction and assembly of decking; stretchers for iron bands [tension links]; laths of metal; strap-hinges of metal; brackets of metal for building; zip ties of metal; clips of metal for pipes; cables, wires and chains, of metal; binding screws of metal for cables; cable stretchers; cable straps of metal; cable clamps of metal; cable supports made of metal; cable joints of metal, non-electric; cable junction sleeves of metal, non-electric; clips of metal for cables and pipes; racking [structures] of metal for supporting cables; adaptors for pipes [metal]; anchors of metal; common metals

and their alloys; safes [metal or non-metal]; metal goods for use in construction; rods of metal; jets of metal; general purpose metal storage bins; escutcheons of metal; buckles of common metal [hardware]; expansion bolts of metal; expansion bolts of metal; screw bolts of metal; self-tapping metal bolts; structural steels; metal tool boxes; lock bolts; gantries [structures] of metal; pivots of metal; cotter pins of metal; metal hardware; rails of metal; metal conduit; containers of metal [storage, transport]; flashing of metal for building; wedges of metal; elbows of metal for pipes; anchoring devices of metal; building materials of metal; metal hardware; iron; wire of common metal; picture hook pins; hooks [metal hardware]; structural joint connectors of metal; ferrules of metal; junctions of metal for pipes; metal clips; frameworks of metal; building materials of metal; building and construction materials and elements of metal; welding and soldering materials; metal mouldings; copings of metal; steel strip; eye bolts; clevis pins of metal; locking pins of metal; pins [metal hardware]; self-tapping metal plugs; dowels of metal; anchor plates; lead seals; metal goods for use in building; shaped metal sections; pulleys [metal hardware]; stays of metal; door scrapers; linings of metal for building; metal cases; balls of steel; metal edgings; edging strips of metal; cap closures of metal; stoppers of metal; pipes, tubes and hoses, and fittings therefor, including valves, of metal; hooks [metal hardware]; ladders of metal; cable joints of metal, non-electric; towel hooks of metal.

17 – Thread (screw -) sealing compounds; thread (screw -) jointing compounds; washers of rubber for the protection of screws; washers of vulcanised fibre for the protection of lag screws; washers of rubber for the protection of lag screws; washers of vulcanised fibre for the protection of screws; spring washers of rubber; washers of rubber or vulcanized fibre; washers of rubber for the protection of hooks; washers of rubber for the protection of screws; washers of rubber [other than for water taps]; washers of vulcanised fibre for the protection of hooks; washers of vulcanised fibre for the protection of screws; washers of rubber for the protection of draw bolts; washers of vulcanised fibre for the protection of draw bolts; washers of rubber for forming tight joints [other than for water taps]; strapping tape; drywall joint tape; collars of rubber for fastening pipes; gaskets made of rubber; o-rings; draught excluder strips; waterproof packings; non-metal gaskets; gasket material; seals, sealants and fillers; expansion joint fillers; weatherstrippings (non-metallic -); seals (non-metallic -) for conduits; sealant compounds for joints; fillers for panel joints; seals (non-metallic -) for joints; expansion joint fillers; gaskets in the form of rings; electromagnetic interference shielding gaskets; fillers for joint packing; gaskets for use as a fluid tight seal; fillers for expansion joints for pavement; weather seals (non-metallic -) for doors; weatherstripping sealants in the nature of caulk; graphite packing for gaskets; gasket sealer compound for

automotive use; plastics fibres for use in the manufacture of packings; insulating adhesives; adhesive sealant compounds; adhesive caulking compounds; duct tapes; adhesive sealants for use in roofing; adhesive tapes, strips, bands and films; adhesive sealants for general use; adhesive tapes for use in securing floor coverings; adhesive materials in the form of strips [other than for household, medical, stationery use]; adhesive bands for sealing cartons for industrial or commercial use; cellulose acetate film used in the manufacture of pressure sensitive adhesive tape; adhesive tapes for use in securing floor coverings; adhesive materials in the form of bands [other than for household, medical or stationery use]; sealing compounds; sealant compounds for joints; sealing and insulating materials; sealants for joints for building purposes; sealing agents for use in the construction industry; sealants for expansion joint covers; rubber sealants for joints; general purpose silicone rubber sealant; polyamide foams; filtering materials of semi-processed foams of plastic; polyethylene synthetic resin [semi-processed] for foam mouldings; spacer brackets (rubber -); water-tight collars of rubber; stuffing rings (non-metallic -); rings of rubber; water-tight rings; thermal insulation articles and materials; silicone rubber sealants; insulating tapes; hose bandages; gaskets; v-shaped seals (non-metallic -); gaskets for industrial use; insulators; insulation for building purposes; insulating materials; semi-processed plastics, resins, polymers or synthetic fibres other than for textile use; insulating tapes; grommets made of rubber; plastic film for insulating purposes; insulating paints; insulating matting; rubber stoppers; weatherstrippings of metal; window seals of metal; non-metallic pipe connectors.

20 – Ball ended eyebolts [not of metal]; plastics wall plugs; cavity plugs (non-metallic -); screws, not of metal; threaded screws of plastic; self-tapping non-metallic screws; screw nails not of metal; screw caps, not of metal; wood screws (non-metallic -); set screws, not of metal; screw inserts, not of metal; self-tapping non-metallic bolts; screw covers, not of metal; socket head shoulder screws, not of metal; binding screws, not of metal, for cables; non-metal expanding sleeves for affixing screws; square set screws of non-metallic materials; socket head shoulder screws, not of metal; nails, not of metal; screw spikes, not of metal; fixing nails, not of metal; sprigs [dowel pins], not of metal; plastic washers; spring washers of plastic; self-locking protective plastic caps for use with nuts; self-locking protective plastic caps for use with bolts; fasteners, non-metallic; fasteners of plastic; fixing bolts, not of metal; threaded fasteners made of plastic; non-metallic fasteners for cables; clamps (non-metallic -) for fixing windows; non-metallic fasteners for pipes; collars [non-metallic] for fastening pipes; clamps (non-metallic -) for fixing awnings; clamps (non-metallic -) for fixing doors; holders for use in the securing of window coverings; supports for fixing curtain poles; supports for fixing curtain poles; collars

of plastic for fastening pipes; non-metallic numberplate fasteners; concealed fastening devices of non-metallic materials; collars, not of metal, for fastening pipes; architectural fasteners of non-metallic materials; clamps (non-metallic -) for fixing pleated blinds; screw threaded fasteners, not of metal; non-metallic pipe fasteners; hinges, not of metal for the fixing of pipes; window glazing fixtures (non-metallic -); hinge clamps of non-metallic materials; clamps (non-metallic -) for fixing blinds; non-metal pipe and cable clips; hinges, not of metal for the fastening of electrical cables; blind bolt fasteners of non-metallic materials; stud buttons [fasteners] of plastic for tentage; non-metal fastening anchors for securing pictures to walls; turn-button fasteners (non-metallic -); channelled strips (non-metallic -) for securing screens to walls; channelled strips (non-metallic -) for securing shelves to walls; channelled strips (non-metallic -) for securing easels to walls; channelled strips (non-metallic -) for securing drawing boards to walls; threaded nuts of plastic; nuts [fasteners], not of metal; screw cups, not of metal; screw-in nuts, not of metal; nuts, not of metal; toggle bolts (non-metallic -); tool chests [furniture]; tool chests, not of metal, empty; display stands; multi-purpose stands [furniture]; rivets, not of metal; rivets made of plastics materials; threaded rivets of plastic; industrial rivets of non-metallic materials; hose clamps (non-metallic -); shelf brackets (non-metallic -); brackets, not of metal, for furniture; brackets, not of metal, for furniture; shelf brackets (non-metallic -); cantilevered brackets of non-metallic materials [other than for building]; u-bolts (non-metallic -); pipe clamps of plastics; catches (furniture -), not of metal; door, gate and window fittings, non-metallic; dowels, not of metal; screw rings, not of metal; anchor bolts, not of metal; screw bolts, not of metal; self-tapping non-metallic bolts; bolts, not of metal; tool boxes, not of metal, empty; casement bolts (non-metallic -); nuts, not of metal; safety locking devices [not of metal, non-electric]; fixings, not of metal for furniture; non-metal hooks; safety hooks, not of metal; clips made of plastics; non-metal clamps; screw eyes, not of metal; grommets made of plastics materials; screw rivets, not of metal; furniture casters, not of metal; latches, not of metal; hanging storage racks [furniture]; cable fasteners, connectors and holders, non-metallic; cable supports made of plastics; valves of plastic, other than parts of machines; ladders and movable steps, non-metallic; consignment shelving [structures] of metal.

35 – Provision of an online marketplace for buyers and sellers of goods and services; presentation of goods on communication media, for retail purposes; promoting the goods and services of others via a global computer network; promoting the goods and services of others through the dissemination of advertising matter via different media; retail services relating to metal hardware; wholesale services for small items of metal hardware; retail services in relation to the following goods: eyebolts, dowels, screws, hobnails, bolts,

rivets, washers, ratchets, anchors, self-locking protective caps for use with nuts, hooks, nuts [fasteners]; wholesale services in relation to the following goods: eyebolts, dowels, screws, hobnails, bolts, rivets, washers, ratchets, anchors, self-locking protective caps for use with nuts, hooks, nuts [fasteners]; retail services in relation to the following goods: ties of metal for binding, fixing elements not of metal, fixing materials of plastic, clips, nuts [fasteners]; wholesale services in relation to the following goods: ties of metal for binding, fixing elements not of metal, fixing materials of plastic, clips, nuts [fasteners]; retail services in relation to the following goods: tool chests; wholesale services in relation to the following goods: tool chests; retail services in relation to the following goods: hand-operated tools, scales, structural steels, safes; wholesale services in relation to the following goods: hand-operated tools, scales, structural steels, safes; retail services in relation to common metals and their alloys; wholesale services in relation to common metals and their alloys; retail services in relation to the following goods: elements for building being made of plastic and wood; wholesale services in relation to the following goods: elements for building being made of plastic and wood; retail services in relation to the following goods: sealing compounds, hook-and-loop tapes, fillers, gaskets, stickers, insulating materials; wholesale services in relation to the following goods: sealing compounds, hook-and-loop tapes, fillers, gaskets, stickers, insulating materials; the bringing together for the benefit of others of the following goods (other than the transport thereof), enabling customers to conveniently view and purchase those goods: ironmongery, ties of metal for binding, fixing elements not of metal; online ordering services; retailing, including online, by correspondence or in virtual worlds in relation to the following goods: ironmongery, ties of metal for binding, fixing elements not of metal; retail services in relation to the following goods: clothing for protection against accidents, working suits, work shoes, protective helmets; wholesale services in relation to the following goods: clothing for protection against accidents, working suits, work shoes, protective helmets; assistance in business management within the framework of a franchise contract; business advice and consultancy relating to franchising; assistance in product commercialization, within the framework of a franchise contract; providing assistance in the field of product commercialization; business management for shops; bill-posting; rental of vending machines; rental of advertising time on communication media; updating and maintenance of data in computer databases; shop window dressing; commercial administration of the licensing of the goods and services of others; administration of consumer loyalty programs; business management assistance; compilation of information into computer databases; consultancy regarding advertising communication strategies; business management consultancy; marketing; commercial information

and advice for consumers in the choice of products and services; organization of exhibitions for commercial or advertising purposes; organization of trade fairs for commercial or advertising purposes; procurement services for others [purchasing goods and services for other businesses]; commercial intermediation services; telemarketing services.

(260) AM 2026 134522 A

(800) 1862850

(151) 2025 05 12

(891) 2025 05 12

(731) ANDRES GIRO TEIXIDO

Calle 5TA. n° 7, Edificio Rey Luis, AP2-A,
Los Tres Ojos, 11605 SANTO DOMINGO
ESTE, Dominican Republic

(540)

GFLOSS

(591) Black, white

(511)

21 – Dental floss; dental cleaning articles; dental floss dispensers; devices for dental floss; interdental cleaning devices; interdental brushes for cleaning teeth; oral care sets consisting of toothbrushes and dental floss.

(260) AM 2026 134523 A

(800) 1862857

(151) 2025 05 09

(891) 2025 05 09

(731) Cilag GmbH International

Gubelstrasse 34, CH-6300 Zug, Switzerland

(540)

DUALTO

(591) Black, white

(511)

10 – Electrosurgical generator.

(260) AM 2026 134526 A

(800) 818859

(151) 2003 12 23

(891) 2025 06 17

(731) Bayerische Motoren Werke Aktiengesellschaft

Petuelring 130, 80809 München, Germany

(540)



(591) Black, white
(531) 04.01.01; 22.05.10
(554) Three Dimensional
(511)

12 – Motor vehicles and their parts, included in this class; apparatus for locomotion by land, air or water.

14 – Precious metals and their alloys and goods in precious metals or coated therewith, included in this class; jewellery, precious stones; horological and chronometric instruments; key-rings included in this class.

(260) AM 2026 134527 A
(800) 824101
(151) 2003 10 09
(891) 2025 06 16
(731) TOYOTA MATERIAL HANDLING
MANUFACTURING ITALY S.p.A.
Via Persicetana Vecchia, 10, I-40132
BOLOGNA, Italy

(540)

CESAB

(591) Black, white
(511)
7 – Elevating apparatus.

12 – Fork lift trucks.

37 – Maintenance, repairing and technical services connected with fork lift trucks included in this class.

(260) AM 2026 134528 A
(800) 1055958
(151) 2010 08 30
(891) 2025 06 13
(731) Tovarystvo z obmedzenoju vidpovidalnistju
"Naukovo-vyrobnychy kompaniya "Shelf"
vul. Vystavkova, 1-b, s. Chubynske,
Boryspilskyi raion, Kyivska oblast 08321,
Ukraine

(540)

The logo for 'Shelf' features a stylized, three-dimensional letter 'S' in a dark grey color, followed by the word 'shelf' in a lowercase, sans-serif font.

(591) Black, white
(531) 26.11.08; 27.05.01; 27.05.04; 27.05.21
(511)

4 – Petrol; producer gas; gasoline; moistening oil; lubricating oil; motor oil; fuel gas; vaporized fuel mixtures; fuel; motor fuel; industrial oil.

7 – Drums (parts of machines); vacuum pumps (machines); clack valves (parts of machines); centrifugal pumps; suction machines for industrial purposes; electromechanical machines for chemical industry; degreasers (machines); control mechanisms for machines, engines or motors; pneumatic controls for machines,

motors and engines; valves (parts of machines); compressors (machines); compressed air pumps; pressure valves (parts of machines); superchargers; pumps (machines); pumps (parts of machines, engines or motors); vacuum pumps (machines); blowing machines for the compression, exhaustion and transport of gases; regulators (parts of machines); pressure regulators (parts of machines); turbocompressors; filters (parts of machines or engines); filtering machines.

9 – Gasoline pumps for service stations; gasoline gauges; remote control apparatus; igniting apparatus, electric, for igniting at a distance; electric installations for the remote control of industrial operations; dosage dispensers; quantity indicators; counters; manometers; revolution counters; fuel dispensing pumps for service stations; self-regulating fuel pumps; water level indicators; precision measuring apparatus.

(260) AM 2026 134529 A
(800) 1059479
(151) 2010 10 29
(891) 2025 06 16
(731) TOYOTA MATERIAL HANDLING
MANUFACTURING ITALY S.p.A.
Via Persicetana Vecchia, 10, I-40132
BOLOGNA, Italy

(540)

The logo for 'CESAB' consists of the word 'CESAB' in a bold, green, sans-serif font, enclosed within a green rectangular border with rounded corners.

(591) Green
(531) 26.04.22; 27.05.01; 29.01.03
(511)
7 – Elevating apparatus.

12 – Fork lift trucks.

(260) AM 2026 134610 A
(800) 1863456
(151) 2025 05 14
(891) 2025 05 14
(731) SOREMARTEC S.A.
Route de Trèves 16, L-2633 Senningerberg,
Luxembourg

(540)



(591) Black, orange-red, blue, white and brown
 (531) 01.15.15; 01.15.23; 01.15.24; 03.07.08;
 03.07.24; 08.01.09; 08.01.11; 08.01.19;
 08.01.20; 08.01.21; 08.03.01; 11.03.02;
 27.03.01; 27.05.17; 29.01.15

(511)
 30 – Pastry and confectionery; filled sponge cakes;
 chocolate and chocolate-based products; edible ices;
 ice cream; sorbets [ices].

(260) AM 2026 134623 A
 (800) 1863678
 (151) 2025 05 12
 (891) 2025 05 12
 (731) SLOBODIANIUK VIKTOR PETROVICH
 Orekhovaya street, 2, Rudnytsya village,
 Tulchinsky district, Vinnitsa region,
 Ukraine

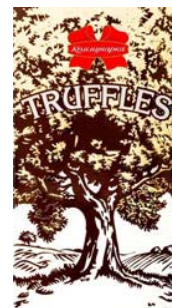
(540)
АРСЕНАЛ

(591) Black, white
 (531) 28.05
 (511)
 6 – Aluminium wire; anchors; anchor plates; tie plates;
 framework of metal for building; ironmongery items;
 sleeves [metal hardware]; hooks [metal hardware];
 wire of common metal; wire of common metal alloys,
 except fuse wire; soldering wire of metal; wire cloth;
 wire gauze; iron wire; iron strip; pillars of metal for
 building; posts of metal; sheets and plates of metal;
 copper wire, not insulated; rods of metal for welding;
 rods of metal for brazing; rods of metal for brazing
 and welding; alloys of common metal; buildings,
 transportable, of metal; silver solder; steel strip; hoop
 steel; steel buildings; tape of metal for welding; solder
 pastes; nails of metal.

7 – Abrasive wheel [parts of machines]; abrasive disc
 [parts of machines]; electric welding machines for
 metalworking; electrodes for welding machines; electric
 arc welding apparatus; electric arc cutting apparatus;
 soldering apparatus, gas-operated; welding machines,
 electric; welding machines, gas-operated; soldering
 irons, gas-operated; soldering irons, electric;
 soldering apparatus, electric; soldering blow pipes,
 gas-operated.

(260) AM 2026 134624 A
 (800) 1863738
 (151) 2025 02 04
 (891) 2025 02 04
 (731) Joint Venture Joint-Stock Company
 "Kommunarka"
 ul. Aranskaya 18, 220033 g. Minsk,
 Belarus

(540)



(591) Red, white and shades of brown
 (531) 05.01.05; 05.01.11; 09.01.10; 27.05.02; 28.05;
 29.01.13

(511)
 30 – Confectionery; confectionery for decorating
 Christmas trees; peanut confectionery; almond con-
 fectionery; sweets; fondants [confectionery]; cakes;
 chocolate; all of the above products containing choco-
 late truffle mass or having the taste or aroma of cho-
 colate truffle.

(260) AM 2026 134625 A
 (800) 1863776
 (151) 2025 05 02
 (891) 2025 05 02
 (731) Carbolyz – Sociedade Unipessoal
 Rua Serpa Pinto N° 103 B, R/C, Direito,
 P-4490-680 PÓVOA DE VARZIM, Portugal

(540)



(591) Black, white
 (531) 05.05.02; 05.05.20; 05.05.21; 26.01.15;
 27.05.10

(511)
 4 – Biofuels; coal; firewood; fuel pellets; briquettes.

(260) AM 2026 134626 A
 (800) 1863781
 (151) 2025 03 21
 (891) 2025 03 21
 (731) Shining 3D Tech Co., Ltd.
 No.1398, Xiangbin Road, Wenyan, Xiaoshan
 District, Hangzhou City, Zhejiang Province,
 China

(540)



(591) Black, white
 (531) 17.02.02; 26.15.25

(511)

7 – 3D printers; glass-working machines; casting [in-got] machines; optical cold working machines.

9 – Surveying apparatus and instruments; measuring apparatus and instruments; measuring instruments [surveying instruments]; inspecting apparatus and instruments; lasers, not for medical purposes; optical apparatus and instruments; computer software, recorded; stereoscopes; stereoscopic apparatus; holograms; scanners [data processing equipment]; 3D scanners; detecting apparatus and instruments; sounding apparatus and machines.

(260) AM 2026 134629 A

(800) 1863876

(151) 2025 04 22

(891) 2025 04 22

(731) Obshchestvo s ogranichennoy otvetstvennostyu TEREM
Nakhimovskij pr-kt, d. 47, et. 15, pom. I,
kom. 25, RU-117418 Moskva, Russian
Federation

(540)

ROMMER

(591) Black, white

(531) 27.05.17

(511)

7 – Pumps, included in this class.

11 – Radiators [heating]; central heating radiators; radiators, electric; electric water heaters; gas boilers; gas-fired water heaters.

17 – Flexible hoses, not of metal.

19 – Penstock pipes, not of metal; water-pipes, not of metal; gutter pipes, not of metal; ducts, not of metal, for ventilating and air-conditioning installations; drain pipes, not of metal; chimneys, not of metal; rigid pipes, not of metal, for building; sandstone pipes.

(260) AM 2026 134630 A

(800) 1863877

(151) 2025 05 05

(891) 2025 05 05

(731) REAL MADRID CLUB DE FUTBOL
Concha Espina, 1, E-28036 Madrid, Spain

(540)



(591) Black, white

(531) 24.01.03; 24.01.15; 24.01.18; 24.01.25;
24.09.01; 24.09.13; 27.05.22

(511)

3 – Soaps, essential oils, cosmetics, hair lotions, dentifrices, deodorants for personal use, eau de Cologne, perfumes and, in general, all types of perfumery and cosmetic products included in this class.

(260) AM 2026 134631 A

(800) 1863887

(151) 2025 05 14

(891) 2025 05 14

(731) KING QUENSON TARIM SANAYİ VE
TİCARET ANONİM ŞİRKETİ
DEMİRCİKARA MAH. 1419 SK. A BLOK
1 A 13, Muratpaşa, Antalya, Türkiye

(540)

BLOOM MAX

(591) Black, white

(531) 27.05.01

(511)

1 – Chemicals used in industry, science, photography, agriculture, horticulture and forestry; manures and soils; unprocessed artificial resins and unprocessed plastics; fire extinguishing compositions; adhesives not for medical, household and stationery purposes.

(260) AM 2026 134632 A

(800) 1863910

(151) 2025 06 16

(891) 2025 06 16

(731) Henkel AG & Co. KgaA
Henkelstr. 67, 40589 Düsseldorf, Germany

(540)

UN-GLUED

(591) Black, white

(511)

3 – Preparations for the conditioning, cleaning, tinting, dyeing, bleaching, fixing and waving of hair.

(260) AM 2026 134633 A

(800) 1863919

(151) 2025 05 12

(891) 2025 05 12

(731) "Delta Medical Promotions AG"
Oetenbachgasse 26, CH-8001 Zurich,
Switzerland

(540)

SCHONEN**Иновации для здоровья нации**

(591) Black, white

(531) 28.05

(511)

3 – Non-medicated cosmetics and toiletry preparations; non-medicated dentifrices; perfumery, essential oils; antiperspirants [toiletries]; balms, other than for medical purposes; cotton wool for cosmetic purposes; cotton sticks for cosmetic purposes; deodorants for human beings or for animals; herbal extracts for cosmetic purposes; collagen preparations for cosmetic purposes; cosmetics for children; cosmetics for animals; beauty masks; cosmetic preparations for slimming purposes; cosmetic creams; hair lotions; lotions for cosmetic purposes; after-shave lotions; massage gels, other than for medical purposes; massage candles for cosmetic purposes; shaving soap; cakes of soap; antiperspirant soap; soap; micellar water; oils for toilet purposes; oils for cosmetic purposes; mouthwashes, not for medical purposes; cleansing milk for toilet purposes; cleansers for intimate personal hygiene purposes, non-medicated; gel eye patches for cosmetic purposes; pomades for cosmetic purposes; bath preparations, not for medical purposes; shaving preparations; depilatory preparations; nail care preparations; sun-tanning preparations [cosmetics]; make-up removing preparations; make-up preparations; breath freshening preparations for personal hygiene; cosmetic preparations for skin care; eye-washes, not for medical purposes; tissues impregnated with cosmetic lotions; sunscreen preparations; cosmetic dyes; phyto-cosmetic preparations; shampoos.

5 – Pharmaceuticals, medical and veterinary preparations; sanitary preparations for medical purposes; dietetic food and substances adapted for medical or veterinary use, food for babies; dietary supplements for human beings and animals; plasters, materials for dressings; material for stopping teeth, dental wax; disinfectants; preparations for destroying vermin; fungicides, herbicides; analgesics; anesthetics; antibiotics; anti-uric preparations; antiseptics; germicides; bacterial preparations for medical and veterinary use; bacteriological preparations for medical and veterinary use; balms for medical purposes; tobacco-free cigarettes for medical purposes; albuminous preparations for medical purposes; albuminous foodstuffs for medical purposes; biological preparations for veterinary purposes; biological preparations for medical purposes; bronchodilating preparations; vaccines; wadding for medical purposes; cotton sticks for medical purposes; vitamin preparations; mineral waters for medical purposes; dietary fibre; sanitary tampons; homogenized food adapted for medical purposes; hormones for medical purposes; disinfectants for hygiene purposes; deodorants, other than for human beings or for animals; infant formula; dietary supplements with a cosmetic effect; dietetic beverages adapted for medical purposes; mineral dietary supplements; plant extracts, other than essential oils, for pharmaceutical purposes; herbal extracts, other than essential oils, for medical purposes; elixirs [pharmaceutical preparations]; enzyme dietary supplements; febrifuges; greases for veterinary

purposes; greases for medical purposes; chewing gum for medical purposes; immunostimulants; insecticides; capsules for medicines; capsules made of dendrimer-based polymers, for pharmaceuticals; collagen for medical purposes; chemical contraceptives; medicated animal feed; depuratives; styptic preparations; cultures of microorganisms for medical or veterinary use; medicines for human purposes; medicines for veterinary purposes; drugs for medical purposes; medicines for dental purposes; medicated hair lotions; lotions for veterinary purposes; lotions for pharmaceutical purposes; medicated after-shave lotions; ointments for pharmaceutical purposes; massage gels for medical purposes; massage candles for therapeutic purposes; medicine cases, portable, filled; medical preparations for slimming purposes; insecticidal veterinary washes; antibacterial soap; disinfectant soap; medicated soap; lacteal flour for babies; milk ferments for pharmaceutical purposes; vitamin supplement patches; nicotine patches for use as aids to stop smoking; medicinal drinks; narcotics; medicinal infusions; nutraceutical preparations for therapeutic or medical purposes; cachets for pharmaceutical purposes; medicinal oils, other than essential oils; mouthwashes for medical purposes; pastilles for pharmaceutical purposes; babies' nappies; antioxidant pills; tanning pills; slimming pills; babies' diapers; diapers for pets; diapers for incontinence; by-products of the processing of cereals for dietetic or medical purposes; nutritional supplements; pomades for medical purposes; laxatives; pre-filled syringes for medical purposes; haemorrhoid preparations; chilblain preparations; diagnostic preparations for veterinary purposes; diagnostic preparations for medical purposes; bath preparations for medical purposes; organotherapy preparations; appetite suppressants for medical purposes; medicinal hair growth preparations; sterilizing preparations; medicated dentifrices; preparations of trace elements for human and animal use; preparations of microorganisms for medical or veterinary use; medicated toiletry preparations; anti-inflammatories; chemical preparations for the diagnosis of pregnancy; freeze-dried food adapted for medical purposes; sanitary pads; antiparasitic preparations; insect repellents; digestives for pharmaceutical purposes; solutions for contact lenses; medicated eye-washes; sedatives; wipes impregnated with disinfectants for hygiene purposes; tissues impregnated with pharmaceutical lotions; syrups for pharmaceutical purposes; soporifics; salts for medical purposes; steroids; stem cells for veterinary purposes; stem cells for medical purposes; suppositories; lozenges for pharmaceutical purposes; tonics [medicines]; smoking herbs for medical purposes; transplants [living tissues]; sanitary panties; pharmaceutical preparations for skin care; pharmaceuticals; ferments for pharmaceutical purposes; enzyme preparations for veterinary purposes; injectable dermal fillers; phytotherapy preparations for medical purposes; chemico-pharmaceutical preparations; chemical preparations for veterinary

purposes; chemical preparations for medical purposes; chemical preparations for pharmaceutical purposes; chemical reagents for medical or veterinary purposes; surgical implants comprised of living tissues; surgical dressings; diabetic bread adapted for medical use; medicated candies; sugar for medical purposes; medicinal tea; medicated shampoos.

10 – Diagnostic apparatus for medical purposes; body rehabilitation apparatus for medical purposes; veterinary apparatus and instruments; medical apparatus and instruments; dental apparatus and instruments; urological apparatus and instruments; surgical apparatus and instruments; massage apparatus; apparatus, devices and articles for nursing infants; sexual activity apparatus, devices and articles; obstetric apparatus; blood testing apparatus; apparatus for use in medical analysis; anaesthetic apparatus; apparatus for the treatment of deafness; physical exercise apparatus for medical purposes; resuscitation apparatus; physiotherapy apparatus; electric acupuncture instruments; contraceptives, non-chemical; droppers for medical purposes; lamps for medical purposes; protective masks for medical purposes; suture materials; furniture especially made for medical purposes; instrument cases for use by doctors; nanorobots for medical purposes; orthodontic appliances; orthopaedic articles; cushions for medical purposes; receptacles for applying medicines; belts for medical purposes; hearing protectors; dosage dispensers for medical use; artificial limbs; artificial eyes; dentures; robotic exoskeleton suits for medical purposes; clothing especially for operating rooms; surgical implants comprised of artificial materials; laser therapy helmets for treating alopecia; neural helmets for medical purposes; syringes for medical purposes.

35 – Advertising; business management, organization and administration; office functions; administration of consumer loyalty programs; market studies; opinion polling; demonstration of goods; administrative assistance in responding to requests for proposals [RFPs]; providing user reviews for commercial or advertising purposes; providing commercial information and advice for consumers in the choice of products and services; providing user ratings for commercial or advertising purposes; consultancy regarding advertising communication strategies; consultancy regarding public relations communication strategies; marketing; business intermediary services relating to the matching of potential private investors with entrepreneurs needing funding; media relations services; import-export agency services; public relations; commercial lobbying services; commercial intermediation services; wholesale services for pharmaceutical, veterinary and sanitary preparations and medical supplies; retail services for pharmaceutical, veterinary and sanitary preparations and medical supplies; sponsorship search; presentation of goods on communication media, for retail purposes; online advertising on a computer network;

consumer profiling for commercial or marketing purposes; sales promotion for others; promotion of goods and services through sponsorship of sports events; production of advertising films; television advertising.

(260) AM 2026 134634 A

(800) 1863940

(151) 2025 05 27

(891) 2025 05 27

(731) Limited Liability Company "DNKOM"

4th Streletsky passage, house 4, building 1,
floor 1-2, rooms 1-14, RU-127018 Moscow,
Russian Federation

(540)



(591) Black, red, and gray

(531) 01.13.15; 29.01.13

(511)

42 – Water analysis; analysis of oil fields; chemical analysis; industrial design; technical project studies; oil-field surveys; engineering; meteorological information; clinical trials; material testing; textile testing; bacteriological research; biological research; geological research; cosmetic research; mechanical research; research in the field of physics; chemical research; research and development of new products for others; scientific research; scientific research in the field of environmental protection; underwater exploration; technical surveys; calibration [measuring]; quality control; scientific and technological services and research and design relating thereto; authenticating works of art; quality evaluation of wool; digitization of documents [scanning]; providing scientific information, advice and consultancy relating to carbon offsetting; geological prospecting; cloud seeding; consultancy in the field of energy-saving; chemistry services; scientific laboratory services; building inspection services [surveying]; industrial analysis and industrial research services; styling [industrial design].

44 – Medical equipment rental; rental of sanitary installations; veterinary services; hair implantation; pharmacy advice; massage; medical services; artificial insemination services; veterinary assistance; medical assistance; animal breeding; rehabilitation for substance abuse patients; blood bank services; health care; health counselling; chiropractic; obstetric and gynecology services; health spa services; hospital services; aromatherapy services; hygienic and beauty care for human beings or animals; homeopathic medicine services; rest home services; medical clinic services; services of medical centers, including dispensary services; medical analysis services for diagnostic and treatment purposes provided by medical laboratories; alternative medicine services; opticians' services; in vitro fertilization services; services of a psychologist; beauty salon services; sanatorium services; therapy services;

pharmacists' services to make up prescriptions; hospice services; health centre services; nursing care; animal grooming; physiotherapy; plastic surgery.

(260) AM 2026 134635 A

(800) 1864002

(151) 2025 03 26

(891) 2025 03 26

(731) Raytron Technology Co., Ltd.

Building C, International Science and Technology Innovation Center, Central Innovation Zone, Bajiao Bay, No. 3 Nanchang Street, Yantai Area, China (Shandong) Pilot Free Trade Zone, China

(540)



(591) Black, white

(531) 26.01.18

(511)

9 – Electric and electronic video surveillance installations; infrared detectors; gas testing instruments; infrared detection apparatus; photoelectric sensors; infrared sensors; alarms for the detection of inflammable gases; fire detectors; telescopes; thermal imaging cameras; distance measuring apparatus; infrared thermometers, not for medical purposes; baby monitors; security surveillance robots; endoscopic cameras for industrial purposes; outdoor surveillance cameras; electronic surveillance apparatus; monitoring apparatus, other than for medical purposes; video monitors; camcorders; cameras for smartphones; life-saving apparatus and equipment; telescopic sights; fire alarms; wearable video display monitors; infrared cameras; rear-view cameras for vehicles; blind spot cameras for cars; night vision goggles; optical apparatus and instruments; infrared thermal imaging cameras; smoke detectors.

(260) AM 2026 134636 A

(800) 702581

(151) 1998 11 06

(891) 2025 06 26

(731) Tikkurila Oyj

Heidehofintie 2, FI-01300 Vantaa, Finland

(540)

VALTTI

(591) Black, white

(511)

1 – Chemicals used in industry, science and photography as well as in agriculture, horticulture and forestry; unprocessed artificial resins, unprocessed plastics; manures; fire extinguishing compositions; tempering and soldering preparations; chemical substances

for preserving foodstuffs; tanning substances; adhesives used in industry.

2 – Paints, varnishes, lacquers; preservatives against rust and against deterioration of wood; colorants; mordants; raw natural resins; metals in foil and powder form for painters, decorators, printers and artists.

(260) AM 2026 134637 A

(800) 946728

(151) 2007 10 09

(891) 2025 06 25

(731) One Smart Star Netherlands B.V.

Prins Bernhardplein 200, NL-1097 JB Amsterdam, Netherlands

(540)



(591) Black, white

(531) 01.01.02; 01.01.10; 01.01.25; 24.17.03

(511)

35 – Management of databases containing short codes to enhance customer loyalty, communication and brand identity; bringing together and management of business information and contact information; providing directory services, as well as collecting and management of data therefor; services rendered in the field of automated data processing for companies.

38 – Providing and enabling access to communication networks by means of so-called short codes, thus enabling the optimization of the convergence of telecommunication networks; establishing of telecommunication connections and providing access to different communication channels, amongst other things for communication between and with enterprises, organizations and individuals.

(260) AM 2026 134638 A

(800) 1214530

(151) 2014 05 13

(891) 2025 06 26

(731) SGS Société Générale de Surveillance SA

Place des Alpes 1, CH-1201 Genève, Switzerland

(540)

SGS ACADEMY

(591) Gray (Pantone 424) and orange (Pantone 021)

(531) 27.05.01

(511)

41 – Education and training services, particularly by means of seminars, personal training, online courses mainly in the field of certification and relating to qua-

lity, management systems, energy and the environment, health and safety, social responsibility and food safety.

(260) AM 2026 134639 A
 (800) 1324423
 (151) 2016 09 05
 (891) 2025 06 23
 (731) Stada Arzneimittel AG
 Stadastrasse 2-18, 61118 Bad Vilbel, Germany
 (540)

Mar

(591) Black, white
 (511)
 3 – Bleaching preparations and other substances for laundry use; cleaning, polishing, scouring and abrasive preparations; soaps; perfumery, essential oils, cosmetics, hair lotions; dentifrices.
 5 – Pharmaceutical and veterinary preparations; sanitary preparations for medical purposes; pharmaceuticals; nasal rinsing, nasal sprays; solutions for nasal inhalation, gargling and rinsing; dietetic foods and substances adapted for medical or veterinary use, food for babies; dietary supplements for humans and animals; plasters, materials for dressings; material for stopping teeth, dental wax; disinfectants.
 10 – Inhalers; medical devices and apparatus; aerosol dispensers for medical purposes; containers for administering pharmaceuticals, vaporizers for medical purposes.

(260) AM 2026 134640 A
 (800) 1689439
 (151) 2022 09 15
 (891) 2025 06 26
 (731) Beiersdorf AG
 Beiersdorfstrasse 1-9, 22529 Hamburg,
 Germany
 (540)

EPICELLINE

(591) Black, white
 (511)
 1 – Synthetic active agent for the manufacturing of and use in cosmetic, dermatological or medicated preparations; none of the aforesaid relating to products for gynaecological use.
 3 – Cosmetic skin care preparations, excluding for gynaecological use.
 5 – Dermatological and pharmaceutical skin care preparations, excluding for gynaecological use.

(260) AM 2026 134641 A
 (800) 1758246
 (151) 2023 06 27
 (891) 2025 04 15
 (731) NAWON FOOD AND BEVERAGE
 COMPANY LIMITED
 Commercial Service Apartment A0109,
 Happy One Central Apartment, 38A, N8 Road,
 Area 6, Phu Loi Ward, Ho Chi Minh City,
 Viet Nam
 (540)



(591) Green, red and white
 (531) 02.09.14; 05.03.13; 05.03.15; 26.01.02;
 26.01.03; 26.01.14; 26.01.15; 26.01.20;
 27.03.11; 27.05.09; 29.01.13
 (526) FOOD AND BEVERAGE
 (511)
 30 – Coffee; coffee beverages with milk; beverages with a coffee base; tea; tea-based beverages.
 32 – Fruit juice; coconut water; carbonated water; energy drink; isotonic beverages; edible bird's nest juice being a non-alcoholic beverage not for medical purpose; concentrated fruit juices; smoothies; non-alcoholic fruit juice beverages; chia seed based beverages; aloe vera beverages, non-alcoholic; sparkling water; mineral water; flavoured mineral water.

(260) AM 2026 134642 A
 (800) 1785184
 (151) 2024 01 26
 (891) 2025 06 11
 (731) Huawei Technologies Co., Ltd.
 Administration Building, Huawei Technologies
 Co., Ltd., Bantian, Longgang District, 518129
 Shenzhen, China
 (540)

Pura

(591) Black, white
 (511)
 9 – Computer memory devices; computer programs, recorded; computer keyboards; mouse [computer peripheral]; integrated circuit cards [smart cards]; notebook computers; laptop computers; bags adapted for laptops; sleeves for laptops; computer software applications, downloadable; tablet computers; scales; switchboards; transmitters of electronic signals; transmitting sets [telecommunication]; radios; modems; transponders; smartphones; digital telephone switching apparatus; cabinets for loudspeakers; loudspeakers; microphones; sound transmitting apparatus; television

apparatus; camcorders; headphones; portable media players; digital photo frames; earphones; cameras [photography]; gas testing instruments; optical lenses; materials for electricity mains [wires, cables]; integrated circuits; electronic chips; battery chargers; batteries, electric; computer hardware; mobile power supply [rechargeable batteries]; smartglasses [data processing apparatus]; smartwatches [data processing apparatus]; wearable activity trackers; covers for smartphones; cases for smartphones; selfie sticks [hand-held monopods]; connected bracelets [measuring instruments]; large-screen liquid crystal displays [LCDs]; electronic pocket diaries; flat panel display screens; liquid crystal display [LCD] screens; intercoms; car televisions; video monitor; electronic pens; flexible flat panel displays for computers; stands adapted for tablet computers; video printers; holders adapted for mobile phones; USB cables; USB cables for cellular phones; digital door locks; central alarms; security tokens [encryption devices]; covers for tablet computers; black boxes [data recorders]; interactive touchscreen terminals; electronic sheet music, downloadable; smart rings (data processing apparatus); downloadable mobile phone software applications; scales with body mass analysers; bathroom scales; protective films adapted for smartphones; electric and electronic effects units for musical instruments; audio interfaces; equalizers [audio apparatus]; virtual reality headsets; dashboard cameras; set-top boxes; thermal imaging cameras; biochips; personal digital assistants [PDAs]; computer software platforms, recorded or downloadable; thin client computers; hand-held electronic dictionaries; computer screen saver software, recorded or downloadable; downloadable graphics for mobile phones; wearable computers; portable digital electronic scales; selfie sticks for mobile phones; wrist mounted smart phone; monitoring apparatus, other than for medical purposes; security surveillance robots; wearable video display monitors; selfie lenses; laboratory robots; teaching robots; stylus pens for touchscreen devices; computer programs, downloadable; downloadable emoticons for mobile phones; telecommunication apparatus in the form of jewellery; network communication devices; computer operating programs, recorded; computer programs [downloadable software]; computer software, recorded; touch screen pens; humanoid robots having communication and learning functions for assisting and entertaining people.

(260) AM 2026 134643 A

(800) 1848383

(151) 2024 12 28

(891) 2025 05 17

(731) Zhejiang Xingyue Sewing Equipment Co., Ltd.
882# Jidong Road, Huandong Street, Zhuji
City, 311831 Zhejiang Province,
China

(540)

FUWEI
富 纬

(591) Black, white

(531) 27.05.01; 28.03

(511)

7 – Tambours for embroidery machines; sewing machine transmission pedal; pedal drives for sewing machines; sewing machine; industrial sewing machine table; stitching machines; overlock sewing machine; hosiery machine; machines for the textile industry; sliders for knitting machines.

(260) AM 2026 134708 A

(800) 1864632

(151) 2025 02 17

(891) 2025 02 17

(731) Strojirenský zkušební ústav, s.p.

Hudcova 424/56b, CZ-621 00 Brno, Medlánky,
Czech Republic

(540)

 **SZU**

(591) Black, white

(531) 26.01.18; 27.01.25; 27.05.01; 27.05.19;
27.05.22; 27.05.24

(511)

16 – Printed matter, bulletins (printed matter), printed matter for instructional purposes, printed publications, educational publications, printed matter, in particular technical standards, technical and economic information in the field of product quality, test methodologies and quality management and control systems.

35 – Advertising, marketing and promotional services, outsourcing of business administration, information and expert testimony relating to companies and businesses, personality testing for recruitment purposes, tests to determine suitability for employment, psychological testing for employee selection, human resource management and administration, clerical and administrative services, computerized document management.

41 – Training and education, namely preparation of training in the field of aquis communautaire (regional policy), protection of public interests – consumer protection, compliance assessment in the european union and the czech republic, product liability, general product safety.

42 – Approval, evaluation, certification and inspection of products, testing, analysis and evaluation of the goods and services of others for certification purposes,

quality management services, namely quality accreditation and assessment services, technical supervision and inspection in the field of gas equipment and accessories, production machinery and equipment, machinery for mining activities, such as reinforcing, metal forming and casting machines, machinery assemblies, safety components of machinery, tools and implements, metallurgical products, pressure vessels and apparatus, lifting apparatus, lifts, low voltage electrical equipment, medical equipment, personal protective equipment, products and equipment for construction, handling, transport and transportation services and storage, fire extinguishers, security equipment, locks and accessories, cleaning machines and equipment for municipalities, equipment for automobile repair shops, equipment for garages, household and kitchen supplies and utensils, furniture, interior furnishings, office space, sports equipment, leisure goods, toys, equipment for playgrounds and sports centers, vehicles for children, calibration [measuring], material testing and analysis, product safety testing, design of machines, apparatus, tools or systems assembled from said machines, apparatus and tools, technological advice and consultancy on heating and environmentally friendly equipment and apparatus, mechanical equipment, electrical equipment and quality control systems, design and development of computer hardware and software, quality testing and audits within the framework of the authorisation granted, certification of the suitability of products for buildings and parts of thereof, standardisation activities in selected engineering fields, provision of technological information, namely in the field of VTEI interdisciplinary for product quality and testing methods and the sectoral information for fuel appliances, provision of design work, verification and calibration of selected measuring instruments.

(260) AM 2026 134709 A

(800) 1864669

(151) 2025 04 15

(891) 2025 04 15

(731) Concentrix CVG Customer Management

Delaware LLC

201 East Fourth Street, Suite 200, Cincinnati

OH 45202, USA

(540)

IX WISDOM

(591) Black, white

(526) IX

(511)

9 – Downloadable software for providing customer service assistance; downloadable and recorded software for facilitating interaction and communication between humans and artificial intelligence platforms; downloadable and recorded software featuring an artificial intelligence component or module for solving problems in the field of customer service; downloa-

dable and recorded computer software for artificial intelligence applications for the personalization of software applications and computer hardware; downloadable and recorded software for machine learning and data analytics in customer service; downloadable cloud-based software for AI-driven customer service solutions; downloadable and recorded software for managing and controlling AI-powered robotics and humanoid robots providing customer services; downloadable and recorded software for enabling offline and online AI-powered humanoid robot operations, including autonomous service delivery in physical environments; downloadable software for real-time monitoring, control, and optimization of AI-powered humanoid robots in customer service roles; downloadable software for creation, collection, curation, delivery, retrieval, publication, and governance of digital content; downloadable software for real-time monitoring of customer service platforms; downloadable software for real-time language translation for written communications such as chat, messaging, and SMS; downloadable software for language translation for written communications such as chat, messaging, SMS, and email; downloadable software for language translation.

35 – Outsource service provider in the field of customer relationship management; business advisory services in digital transformation; company communication services in the nature of customer experience solutions, namely, customer relationship management services; business efficiency expert services; business research; providing outsourcing services in the field of managing customer relations; customer relationship management services; outsourcing service provider in the field of customer support and analysis being customer relationship management services; contact service management for others by managing end customer interactions across channels spanning the entire customer lifecycle; assistance, advisory services, and consultancy with regard to business customer analysis powered by AI; business consulting services related to AI-driven business transformation; business advisory services for the integration of AI-powered robotics and humanoid robots in customer service environments; business management and business operations advisory services related to the use of AI-powered humanoid robots for autonomous customer service delivery in both online and offline environments.

42 – Software as a service (SaaS) services featuring software for assisting with customer service; software as a service (SaaS) services featuring software using artificial intelligence for assisting with customer service; providing temporary use of online non-downloadable chatbot software for customer service; providing temporary use of online non-downloadable chatbot software using artificial intelligence for virtual agent or virtual assistant functions for customer service; software as a service (SaaS) services featuring sof-

ware for enhancing engagement by customer contact centers and call centers by using human and artificial intelligence to provide more efficient customer service, automation, analytics, agent guidance, and increased accuracy and quality of information delivered; providing temporary use of online non-downloadable software using artificial intelligence for providing real-time assistance for agents at contact centers, improving response times and call handle times for agents at contact centers, and improving efficiency and quality of agent responses at contact centers; providing online non-downloadable software for enabling users to interface with multiple platforms in an abstracted manner; providing online non-downloadable software for integrating, interacting with, and abstracting various third-party services to enable users to interface with multiple platforms; consultation services in the field of designing, implementing, and using software for the integration, interaction, and abstraction of third-party platforms; computer software consulting services featuring advice and support in the field of artificial intelligence integration; providing online non-downloadable software for machine learning and natural language processing; providing online non-downloadable software for developing neural networks; artificial intelligence as a service (AIaaS) services featuring software using artificial intelligence (AI) for use in database management, machine learning, translation, and analytics; continuous integration and deployment for AI and software platforms in the nature of updating and maintenance of computer software; providing online non-downloadable software for managing AI-powered humanoid robots in physical customer service roles, including logistics, maintenance, and customer interaction; software as a service (SaaS) services featuring software for AI-powered robotics and humanoid robots designed to perform both online and offline customer services; providing online non-downloadable software for monitoring, controlling, and optimizing AI-powered humanoid robots in real-world customer service environments; computer software consultation services related to AI-powered robotics and humanoid robots for enhancing customer experience through both digital and physical channels; providing temporary use of online non-downloadable software for creation, collection, curation, delivery, retrieval, publication, and governance of digital content; providing temporary use of online non-downloadable software for real-time monitoring of customer service platforms; providing temporary use of online non-downloadable software for real-time language translation for written communications such as chat, messaging, and SMS; providing temporary use of online non-downloadable software for language translation for written communications such as chat, messaging, SMS, and email; providing temporary use of online non-downloadable software for language translation.

(260) AM 2026 134710 A

(800) 1864680

(151) 2025 03 07

(891) 2025 03 07

(731) FLORIM CERAMICHE – SOCIETA' PER AZIONI SOCIETA' BENEFIT
ABBREVIABILE IN: "FLORIM S.P.A. SB"
VIA CANALETTO 24, Frazione SPEZZANO,
I-41042 FIORANO MODENESE (MO), Italy

(540)



(591) Black, white

(531) 26.04.19; 26.04.22; 27.05.01; 27.05.10

(511)

19 – Building materials, not of metal; building stone; granite; artificial stone; ceramic tiles; marble; rubber flooring; spackling compound; floor tiles, not of metal; non-metallic tiles; mosaics for building; building panels, not of metal; coverings, not of metal, for building; roofing, not of metal, for building; tiles, not of metal, for building; ceramic floor tiles; wooden flooring; floors, not of metal; floor boards, not of metal; slabs for wall cladding, not of metal; non-metallic tiles for raised and self-laying flooring; paving stones for raised and self-laying flooring; wainscoting, not of metal; paving blocks, not of metal; building panels, not of metal; swimming pools, not of metal, and their parts and fittings; construction components of non-metallic materials for facade, floors, swimming pools and water areas; cladding for ventilated facades and raised flooring; gratings, not of metal, for bathrooms and swimming pool areas; non-metallic drainage channels; overflow channels, non-metallic edges for swimming pools; artistic mosaic tiles, not of metal, for building; laminate flooring, not of metal.

20 – Coatstands; drawers being furniture parts; beds; furniture shelves; display stands; work surfaces; glass cabinets; doors for furniture; mirrors (silvered glass); racks being furniture; wardrobes; furniture; picture frames; screens being furniture; mobile partitions being furniture; bathroom furniture; furniture for kitchens; countertops for kitchens; countertops for furniture; counter tops for use with sinks; counters being tables; tables; seats; desks; bed heads; fronts of cupboards; fitted cupboards; chests; dressers; screens for fireplaces being furniture; removable sink covers; shelves; furniture panels; pedestals for vases; magazine racks; umbrella stands; steps [ladders], not of metal; trays, not of metal.

(260) AM 2026 134713 A

(800) 1864727

(151) 2025 04 04

(891) 2025 04 04

(731) NHAT NHAT COMPANY LIMITED

No. 272 Le Trong Tan, Khuong Mai Ward,
Thanh Xuan District, Ha Noi City, Viet Nam

(540)

TAMTAM

(591) Black, white

(511)

5 – Pharmaceuticals; functional foods; nutritional foods for medical use; pharmaceutical preparations for skin; intimate wash contains medicinal ingredient.

35 – Wholesale, retail services featuring pharmaceuticals, pharmaceutical substances, oriental medicines, nutritional foods for medical use, functional foods, pharmaceutical preparations for the skin use, medicated creams for softening and smoothing skin, herbal baths for children for medical use, medical equipment and instruments, plasters for medical use, intimate wash contains medicinal ingredient, condoms, contraceptive devices, pregnancy test strips, pregnancy test pens, disposable syringes, infusion lines.

(260) AM 2026 134721 A

(800) 1865221

(151) 2025 02 24

(891) 2025 02 24

(731) Euro Games Technology Ltd.

6 Panorama Sofia Str., Richhill Business
Center, ground floor, Vitosha Region,
BG-1766 Sofia, Bulgaria

(540)



(591) Yellow, red, white and black

(531) 01.15.03; 27.03.12; 27.05.03; 27.07.02;
29.01.14

(511)

9 – Operating computer software for main frame computers; monitors (computer hardware); computer hardware; apparatus for recording images; monitors (computer programs); computer game programs; recorded computer game programs; apparatus for recording, transmission or reproduction of sound or images; communications servers (computer hardware); electronic components for gambling machines; computer application software featuring games and gaming; computer software for the administration of on-line games and gaming; computer hardware for games and gaming; computer systems; computer operating system software; computer terminals; interactive terminals; multimedia terminals; electronic terminals for generating lottery tickets; interactive touch screen terminals; computer touchscreens; electronic

display panels; liquid crystal display screens; digital signage display panels; multimedia software; multimedia apparatus and instruments; interactive multimedia software for playing games; computer screens; lcd large-screen displays; liquid crystal displays [lcds] for home theatres; media streaming software; computer application software for streaming audio-visual media content via the internet; computer gaming software; software; computer software packages; computer software; recorded; software drivers; virtual reality software; games software; entertainment software for computer games; computer programs for network management; electronic lottery tickets; computer software platforms; operating systems; interactive computer systems; operating system programs; computer game software for use with on-line interactive games; interactive casino games provided through a computer or mobile platform; electronic ticket examination machines; software for slot machines, betting software, software for video slot games, for casino games, for gambling and bingo games, provided online or through computer networks and that can be played on any type of computer device, including arcade games, personal computers, portable devices and mobile phones; computer hardware and software for gambling, gambling machines, gambling games on the internet and via telecommunication network.

28 – Gaming machines for gambling; chips for gambling; mah-jong; arcade games; gambling machines operating with coins, notes and cards; games; electronic games; parlor games; gaming chips; gaming tables; slot machines [gaming machines]; LCD game machines; slot machines and gaming devices; coin-operated amusement machines; roulette chips; poker chips; chips and dice [gaming equipment]; gaming equipment for casinos; roulette tables; gaming roulette wheels; casino games; gambling machines and amusement machines, automatic and coin-operated; coin-operated amusement machines with or without the possibility of gain; boxes for coin-operated amusement machines, slot machines and gaming machines; electronic or electrotechnical amusement machines and apparatus, gaming machines, coin-operated entertainment machines; housings for coin-operated amusement machines, gaming equipment, gaming machines, machines for gambling; electropneumatic and electrical gambling machines (slot machines); lottery games; electronic targets for games and sports; parlor game equipment and accessories therefor, included in this class, in particular game tokens, chips and marbles; parlor game apparatus and equipment, and accessories therefor, included in this class, in particular electronic targets, backgammon games, scratch cards, playing cards, lottery cards, dice; lottery tickets; printed lottery tickets; lottery scratch cards; scratch cards for playing lottery games.

41 – Gambling; gaming services for entertainment purposes; casino, gaming and gambling services; training in the development of software systems; provision of gaming equipment for gambling halls; providing casino equipment [gambling]; gaming machine entertainment services; providing casino facilities [gambling]; amusement arcade services; games equipment rental; rental of gaming machines; providing amusement arcade services; rental of gaming machines with images of fruits; editing or recording of sounds and images; sound recording and video entertainment services; hire of sound reproducing apparatus; provision of gaming equipment for casinos; providing of casino facilities; online gambling services; entertainment services related to operation of amusement arcades, on-line casinos and on-line betting services via websites; online interactive entertainment; on-line casino services; online game services through mobile devices; providing online entertainment in the nature of game tournaments; providing on-line information in the field of computer gaming entertainment; sports betting services; online sports betting services; lottery services; organization of lotteries; conducting lotteries; prize draws [lotteries]; conducting lotteries for others; providing slot machine parlors; rental of slot machines [gaming machines]; providing online games and games of chance.

(260) AM 2026 134722 A

(800) 1865223

(151) 2025 01 31

(891) 2025 01 31

(731) Unilever Rus, LLC

Sergey Makeev str., 13, RU-123022 Moscow,
Russian Federation

(540)

Tiswell

(591) Black, white

(511)

3 – Dental bleaching gels; teeth whitening pens; toothpaste; breath freshening strips; teeth whitening strips; denture polishes; mouthwashes, not for medical purposes; preparations for cleaning dentures; breath freshening preparations for personal hygiene; breath freshening sprays; dentifrices.

21 – Battery-powered oral irrigators for household purposes; electric oral irrigators for household purposes; cordless oral irrigators for household purposes; apparatus for cleaning teeth and gums using high-pressure water for home use; heads for electric toothbrushes; toothpick holders; toothpicks; material for brush-making; floss for dental purposes; toothbrush organizers for personal use; electronic toothbrush organizers for personal use; toothbrush holders, not of paper or textile; oral cleaning devices, including for children; pads for cleaning; toothbrushes; toothbrush-

hes, electric; toothbrushes for children, including fingerstalls.

(260) AM 2026 134723 A

(800) 1865224

(151) 2025 02 24

(891) 2025 02 24

(731) Euro Games Technology Ltd.

Panorama Sofia Str. 6, Richhill Business
Center, ground floor, Vitosha Region,
BG-1766 Sofia, Bulgaria

(540)



(591) Yellow, orange, green, brown, white and black

(531) 09.01.15; 27.05.01; 27.05.03; 29.01.15

(511)

9 – Operating computer software for main frame computers; monitors (computer hardware); computer hardware; apparatus for recording images; monitors (computer programs); computer game programs; recorded computer game programs; apparatus for recording, transmission or reproduction of sound or images; communications servers (computer hardware); electronic components for gambling machines; computer application software featuring games and gaming; computer software for the administration of on-line games and gaming; computer hardware for games and gaming; computer systems; computer operating system software; computer terminals; interactive terminals; multimedia terminals; electronic terminals for generating lottery tickets; interactive touch screen terminals; computer touchscreens; electronic display panels; liquid crystal display screens; digital signage display panels; multimedia software; multimedia apparatus and instruments; interactive multimedia software for playing games; computer screens; lcd large-screen displays; liquid crystal displays [lcds] for home theatres; media streaming software; computer application software for streaming audio-visual media content via the internet; computer gaming software; software; computer software packages; computer software, recorded; software drivers; virtual reality software; games software; entertainment software for computer games; computer programs for network management; electronic lottery tickets; computer software platforms; operating systems; interactive computer systems; operating system programs; computer game software for use with on-line interactive games; interactive casino games provided through a computer or mobile platform; electronic ticket examination machines; software for slot machines, betting software, software for video slot games, for casino games, for gambling and bingo games, provided online or through computer networks and that can be played on any type of computer device, including arcade games, personal computers, portable devices and mobile phones;

computer hardware and software for gambling, gambling machines, gambling games on the internet and via telecommunication network.

28 – Gaming machines for gambling; chips for gambling; mah-jong; arcade games; gambling machines operating with coins, notes and cards; games; electronic games; parlor games; gaming chips; gaming tables; slot machines [gaming machines]; LCD game machines; slot machines and gaming devices; coin-operated amusement machines; roulette chips; poker chips; chips and dice [gaming equipment]; gaming equipment for casinos; roulette tables; gaming roulette wheels; casino games; gambling machines and amusement machines, automatic and coin-operated; coin-operated amusement machines and / or electronic coin-operated amusement machines with or without the possibility of gain; boxes for coin-operated amusement machines, slot machines and gaming machines; electronic or electrotechnical amusement machines and apparatus, gaming machines, coin-operated entertainment machines; housings for coin-operated amusement machines, gaming equipment, gaming machines, machines for gambling; electropneumatic and electrical gambling machines (slot machines); lottery games; electronic targets for games and sports; parlor game equipment and accessories therefor, included in this class, in particular game tokens, chips and marbles; parlor game apparatus and equipment, and accessories therefor, included in this class, in particular electronic targets, backgammon games, scratch cards, playing cards, lottery cards, dice; lottery tickets; printed lottery tickets; lottery scratch cards; scratch cards for playing lottery games.

41 – Gambling; gaming services for entertainment purposes; casino, gaming and gambling services; training in the development of software systems; provision of gaming equipment for gambling halls; providing casino equipment [gambling]; gaming machine entertainment services; providing casino facilities [gambling]; amusement arcade services; games equipment rental; rental of gaming machines; providing amusement arcade services; rental of gaming machines with images of fruits; editing or recording of sounds and images; sound recording and video entertainment services; hire of sound reproducing apparatus; provision of gaming equipment for casinos; providing of casino facilities; online gambling services; entertainment services related to operation of amusement arcades, online casinos and on-line betting services via websites; online interactive entertainment; on-line casino services; online game services through mobile devices; providing online entertainment in the nature of game tournaments; providing on-line information in the field of computer gaming entertainment; sports betting services; online sports betting services; lottery services; organization of lotteries; conducting lotteries; prize draws [lotteries]; conducting lotteries for others; providing slot machine parlors; rental of slot machi-

nes [gaming machines]; providing online games and games of chance.

(260) AM 2026 134724 A
(800) 661786
(151) 1996 09 30
(891) 2025 06 04
(731) JOINT STOCK COMPANY "FARMAK"
63, st. Kyrylivska, Kyiv 04080, Ukraine
(540)

Нафтизин Naphthyzinum

(591) Black, white
(531) 27.05.01; 28.05
(511)
5 – Chemical preparations for pharmaceutical use.

(260) AM 2026 134788 A
(800) 1865645
(151) 2025 06 05
(891) 2025 06 05
(731) AGRIMATCO LIMITED
Gladstonos 114, Oasis Center, Floor 3,
CY-3032 Limassol, Cyprus
(540)

AGRIMATCO

(591) Black, white
(511)
1 – Chemicals for use in forestry, except fungicides, herbicides, insecticides and parasiticides; fertilizers; fertilizing preparations.
5 – Pesticides.
7 – Agricultural implements, other than hand-operated; agricultural machines; harvesting machines; mowing and reaping machines.
8 – Agricultural forks [hand tools]; agricultural implements, hand-operated.
11 – Drip irrigation emitters [irrigation fittings].
31 – Seedlings; seeds for planting; plant seeds.
35 – Wholesale services for pharmaceutical, veterinary and sanitary preparations and medical supplies; retail services for pharmaceutical, veterinary and sanitary preparations and medical supplies.

(260) AM 2026 134789 A
(800) 1865652
(151) 2025 04 16
(891) 2025 04 16
(731) Barilla G. e R. Fratelli – Società per Azioni
Via Mantova 166, I-43122 Parma PR, Italy

(540)



(591) Bronze

(531) 26.01.20; 27.05.10; 29.01.11

(511)

30 – Coffee; tea; cocoa and coffee substitutes; rice; tapioca and sago; flour and preparations made from cereals; bread; pastry; confectionery; edible ices; sugar; honey; golden syrup; yeast; baking powder; salt; mustard; vinegar; sauce (condiments); spices; ice; oat-based food; farinaceous foods; starch for food; anised; star aniseed; seasonings; coffee flavorings (flavourings); flavourings (other than essential oils); plant-based flavourings, other than essential oils, for beverages; flavourings, other than essential oils, for cakes; oatmeal; high-protein cereal bars; stick liquorice (confectionery); cocoa-based beverages; coffee-based beverages; chocolate-based beverages; tea-based beverages; baking soda (bicarbonate of soda for cooking purposes); petit-beurre biscuits; biscuits; malt biscuits; bonbons; brioches; puddings; cocoa; cocoa beverages with milk; coffee beverages with milk; coffee (unroasted -); cinnamon (spice); caramels; condiments; crackers; couscous (semolina); sponge cake; wheat flour; flour; fruit jellies (confectionery); baking powder; macaroni; mayonnaise; rusks; unleavened bread; breadcrumbs; bread rolls; pasta; pesto (sauce); pizza; cereal preparations; ravioli; table salt; tomato sauce; soya sauce; dressings for salad; sandwiches; semolina; hominy grits; cereal-based snack food; rice-based snack food; sorbets (ices); spaghetti; pasta sauce; noodles; tarts; vermicelli (noodles); saffron (seasoning); ginger (spice).

(260) AM 2026 134790 A

(800) 1865709

(151) 2025 05 19

(891) 2025 05 19

(731) Midea Group Co., Ltd.

B26-28F, Midea Headquarter Building, No.6
Midea Avenue, Beijiao, Shunde, Foshan,
Guangdong, China

(540)

INSTA-FIT Master

(591) Black, white

(511)

11 – Cooking apparatus and installations; refrigerators; freezers; cooling installations and machines; refrigerating apparatus and machines; refrigerating cabinets; wine cellars, electric; smart refrigerators; air-conditioning installations; disinfectant apparatus.

(260) AM 2026 134791 A

(800) 1865745

(151) 2025 04 29

(891) 2025 04 29

(731) L.T.E. LIFT TRUCK EQUIPMENT S.P.A.

VIA CARAVAGGIO 6 FRAZ. S.GIOVANNI,
I-44020 OSTELLATO (FE), Italy

(540)



(591) Red

(531) 26.11.02; 26.11.06; 26.11.12; 27.05.01;
29.01.01

(511)

7 – Motors, other than for land vehicles; machines and machine tools; lifting apparatus; machine coupling and transmission components (except for land vehicles); derricks; platform truck lifts; control mechanisms for machines, engines or motors; driving devices for machines; elevator chains [parts of machines]; machine wheels; cylinders for machines; cylinders for motors and engines; pistons for cylinders; lift cylinders.

9 – Batteries; batteries for vehicles; hydrogen-powered batteries.

12 – Apparatus for locomotion by land, air or water; vehicles; trolleys; forklift trucks; platform trucks; pallet transfer trucks; forks for fork lift trucks; casters for trolleys [vehicles]; struts (non-metallic -), parts of vehicles; suspension struts [vehicle parts].

37 – Assembly [installation] of parts for vehicles; assembly [installation] of accessories for vehicles; advisory services relating to vehicle repair; advisory services relating to vehicle maintenance; vehicle maintenance; machinery installation, maintenance and repair; maintenance and repair of lifts; maintenance, servicing, tuning and repair of motors; forklift trucks repair services.

41 – Conducting workshops [training] relating to automotive engine maintenance; arranging and conducting of workshops [training]; provision of training courses; training services relating to design; arranging of training courses; organisation of seminars relating to training; publication of training manuals; education and instruction.

42 – Design services; design of prototypes; technological design services; design of land vehicles; vehicle design services; design of land vehicle parts; conformance testing services; testing services.

(260) AM 2026 134792 A

(800) 1865804

(151) 2025 03 20

(891) 2025 03 20

(731) Focus Arkadiusz Matejko

ul. Domańskiego 7/23, PL-77-100 Bytów,
Poland

(540)

i-D Tokyo

(591) Black, white

(511)

9 – Optical apparatus and instruments; optical goods; spectacles [optics]; sunglasses, sports glasses, swim goggles; eyeglass frames; spectacle lenses; correcting lenses; contact lenses; containers for contact lenses; optical lenses; spectacle frames; accessories for optical glasses; eyeglass chains; pince-nez cords; fitted cases for spectacles; cases for use with contact lenses; attachments for spectacles, namely clip-on sunglasses and spectacle attachments for use when driving, using a computer, or fishing; aids for the visually impaired; sight magnifiers; bars for magnifying lines of text; monoculars; video magnifiers; binoculars; spotting scopes; parts and fittings for the aforesaid goods (not included in other classes); optical filters; side guards for eyeglasses; optical glass.

(260) AM 2026 134793 A

(800) 1865892

(151) 2025 04 17

(891) 2025 04 17

(731) Mountain Wolf Holding s.r.o.

Vajnorská 100/B, SK-831 04 Bratislava,
Slovakia

(540)



(591) Black and white

(531) 03.01.08; 03.01.16; 26.01.03; 26.01.15

(511)

9 – Computer software, recorded, for processing financial transactions; computer software, recorded, for cross blockchain transfers; downloadable computer software for managing crypto asset transactions using blockchain technology; downloadable computer software applications for minting nonfungible tokens (NFTs); computer software, recorded; computer software platforms, recorded or downloadable to carry out several types of payments and debt transactions in the integrated mobile phone environment and in the web environment; computer software, recorded, for blockchain technology; computer software, recorded, for e-commerce; computer software, recorded, for electronic payment; computer software, recorded, for developing, building, and operating consumer blockchain applications; computer software, recorded, for electronic trading of virtual currency; computer software, recorded, for trading securities and assets; computer software, recorded, for day trading; downloadable cryptographic keys for receiving and spending crypto assets; computer software, recorded, for arranging on-

line transactions; computer software, recorded, for facilitating electronic payments; security tokens (encryption devices).

35 – Provision of an online marketplace for buyers and sellers of goods and services; presentation of financial products on communication media, for retail purposes; compiling indexes of information for commercial or advertising purposes; business inquiries; providing business information; commercial intermediation services; negotiation of business contracts for others; administration of loyalty rewards programs; administration of consumer loyalty programs; sales promotion through customer loyalty programs; advertising; online advertising on a computer network; business management; business administration; office functions.

36 – Computerised financial services; providing financial information; electronic funds transfer; financial trading on the foreign exchange; exchanging money; conducting of financial transactions (financial services); electronic funds transfer provided via blockchain technology; financial exchange of crypto assets; e-wallet payment services; financial services; financial exchange agency services; electronic financial trading services; financial investment; personal financial services; finance services for natural persons; financial services relating to business; providing financial information via a website; financial consultancy; administration of financial affairs; financial trading of cryptocurrency; monetary services; financial transactions via blockchain; money exchange and transfer (monetary services); securities brokerage; providing of financial services via the Internet; transfer of virtual currencies; currency transfer services (monetary services); providing information and analysis in the field of financial investments; financial analysis; trading on the commodity exchange; trading on the financial exchange; capital investment; stock brokerage services; stocks and bonds brokerage; management of mutual funds; trusteeship; asset management in cryptocurrencies; management of financial assets; account management services for securities brokerage (financial services); advisory services relating to financial assets management; management of digital assets (financial services); securities management; management of transferable securities; investment services relating to transferable securities; management of collective securities portfolios; brokerage of securities; securities trading services; automated securities brokerage; financial securities exchange services; trading on the financial exchange; electronic transfer of cryptocurrency; settlement of transactions fees (financial services); settlement of business fees (financial services); financial clearing; issuing of coins of value; issuance and redemption of antique coins; issuing of coins of value as part of incentives; issuing of coins of value to reward customers for loyalty; issuing of coins of value in the form of gift vouchers; issuing of coins of

value as part of a customer loyalty program; financial partner services; electronic payment services; financial payment services; providing of payment services; credit services; processing of electronic payment transactions; financial transfers and transactions, and payment services; financial evaluation (insurance, banking, real estate); financial management; financial research.

42 – Technological research; electronic data storage via blockchain; certification of data via blockchain; providing temporary use of on-line non-downloadable software for processing electronic payments; software as a service (SaaS); providing online non-downloadable computer software; hosting software platforms for transactions on the Internet; user authentication services using blockchain technology; providing online non-downloadable computer software for minting non-fungible tokens (NFTs).

(260) AM 2026 134794 A

(800) 1865917

(151) 2025 05 29

(891) 2025 05 29

(731) LIMITED LIABILITY COMPANY "CLEROM UKRAINE"

vul. Svobody, 30 A, s. Ivashkivtsi,
Khmelnyskyi r-n, Khmelnytska obl., 31364,
Ukraine

(540)

Clerom

(591) Black, white

(511)

3 – Aromatics [essential oils]; balms, other than for medical purposes; laundry bleach; bleaching preparations [decolorants] for cosmetic purposes; bleaching preparations [decolorants] for household purposes; detergents, other than for use in manufacturing operations and for medical purposes; scented water; ethereal essences; essential oils; essential oils for aromatherapy use; essential oils of cedarwood; essential oils of lemon; essential oils of citron; colorants for toilet purposes; hair conditioners; cosmetics; eyebrow cosmetics; cosmetics for children; cosmetics for animals; beauty masks; cosmetic preparations for baths; cosmetic preparations for eyelashes; cosmetic products for skin care; lavender water; lavender oil; hair lotions; lotions for cosmetic purposes; after-shave lotions; deodorant soap; shaving soap; soap; micellar water; mint for perfumery; oils for cosmetic purposes; oils for cleaning purposes; scouring solutions; polish for furniture and flooring; laundry preparations; bath preparations, not for medical purposes; stain removers; shining preparations [polish]; windscreen cleaning liquids; non-slipping liquids for floors; shampoos.

35 – Demonstration of goods; marketing; marketing research; presentation of goods on communication

media, for retail purposes; writing of publicity texts; organization of exhibitions for commercial or advertising purposes; advertising; pay per click advertising; outdoor advertising; advertising by mail order; direct mail advertising; online advertising on a computer network; dissemination of advertising matter; development of advertising concepts; production of advertising films; television advertising.

(260) AM 2026 134795 A

(800) 1865934

(151) 2025 04 30

(891) 2025 04 30

(731) Coöperatie Koninklijke Avebe U.A.

Prins Hendrikplein 20, NL-9641 GK Veendam,
Netherlands

(540)



(591) Green, white

(531) 24.09.03; 24.09.05; 24.09.16; 26.05.04;
26.05.18; 26.11.02; 26.11.06; 26.11.12;
26.11.25; 27.05.07; 27.05.08; 27.05.24;
29.01.12

(511)

1 – Products derived from potatoes, namely starch, potato flour, proteins, enzymes and peptides, for industrial use and as an ingredient for the manufacture of food and beverages, health care products, cosmetics, packaging and pharmaceutical products; fibers of organic materials for use in industrial separation processes; amino acids for industrial purposes.

5 – Starch for dietetic or pharmaceutical purposes; amino acids for medical or veterinary purposes.

30 – Potato starch and potato flour for food; starch products for foods; starch derivatives for food human consumption; modified starches for food (not medical).

31 – Animal foodstuffs derived from potatoes enriched with starch, proteins, enzymes and peptides.

**INTERNATIONAL TRADEMARK PROTECTED
IN GEORGIA**

(260) AM 2026 128540 A
(800) 1791920
(151) 2024 01 28
(181) 2034 01 28
(891) 2024 01 28
(511) 41, 44

(260) AM 2026 128787 A
(800) 1795178
(151) 2024 04 12
(181) 2034 04 12
(891) 2024 04 12
(511) 5

(260) AM 2026 128680 A
(800) 1793776
(151) 2024 01 30
(181) 2034 01 30
(891) 2024 01 30
(511) 9, 28, 41

(260) AM 2026 128788 A
(800) 1795242
(151) 2024 04 16
(181) 2034 04 16
(891) 2024 04 16
(511) 3

(260) AM 2026 128682 A
(800) 1793809
(151) 2023 12 25
(181) 2033 12 25
(891) 2023 12 25
(511) 9, 38, 42

(260) AM 2026 128789 A
(800) 1795262
(151) 2024 04 30
(181) 2034 04 30
(891) 2024 04 30
(511) 34

(260) AM 2026 128683 A
(800) 1793813
(151) 2023 12 01
(181) 2033 12 01
(891) 2023 12 01
(511) 5, 9, 10, 12, 40

(260) AM 2026 128802 A
(800) 1795472
(151) 2024 04 11
(181) 2034 04 11
(891) 2024 04 11
(511) 33

(260) AM 2026 128784 A
(800) 1794868
(151) 2024 03 25
(181) 2034 03 25
(891) 2024 03 25
(511) 10

(260) AM 2026 128803 A
(800) 1795473
(151) 2024 04 23
(181) 2034 04 23
(891) 2024 04 23
(511) 32

(260) AM 2026 128785 A
(800) 1795114
(151) 2024 03 29
(181) 2034 03 29
(891) 2024 03 29
(511) 7, 11

(260) AM 2026 128809 A
(800) 1230598
(151) 2014 08 07
(181) 2034 08 07
(891) 2024 08 08
(511) 9

(260) AM 2026 128786 A
(800) 1795150
(151) 2023 11 28
(181) 2033 11 28
(891) 2023 11 28
(511) 3, 5

(260) AM 2026 128873 A
(800) 1795918
(151) 2024 01 24
(181) 2034 01 24
(891) 2024 01 24
(511) 9, 28, 41, 42

(260) AM 2026 128874 A
(800) 1795922
(151) 2023 12 20
(181) 2033 12 20
(891) 2023 12 20
(511) 3, 5, 21, 24, 30, 32, 35, 41, 43

(260) AM 2026 128888 A
(800) 1796294
(151) 2024 01 08
(181) 2034 01 08
(891) 2024 01 08
(511) 5, 35

(260) AM 2026 128889 A
(800) 1796313
(151) 2024 02 12
(181) 2034 02 12
(891) 2024 02 12
(511) 6, 7, 9, 17, 19, 24, 35, 37, 40, 42

(260) AM 2026 128890 A
(800) 1796322
(151) 2024 03 21
(181) 2034 03 21
(891) 2024 03 21
(511) 9, 41

(260) AM 2026 128891 A
(800) 1796375
(151) 2023 11 30
(181) 2033 11 30
(891) 2023 11 30
(511) 3

(260) AM 2026 128897 A
(800) 1796669
(151) 2024 05 10
(181) 2034 05 10
(891) 2024 05 10
(511) 39

(260) AM 2026 128898 A
(800) 1796671
(151) 2024 05 10
(181) 2034 05 10
(891) 2024 05 10
(511) 39

(260) AM 2026 128899 A
(800) 1796709
(151) 2024 05 27
(181) 2034 05 27

(891) 2024 05 27
(511) 34, 35

(260) AM 2026 128900 A
(800) 1796739
(151) 2024 04 16
(181) 2034 04 16
(891) 2024 04 16
(511) 3

(260) AM 2026 128907 A
(800) 1796906
(151) 2024 04 18
(181) 2034 04 18
(891) 2024 04 18
(511) 35, 44

(260) AM 2026 128908 A
(800) 1796938
(151) 2024 04 15
(181) 2034 04 15
(891) 2024 04 15
(511) 25

(260) AM 2026 128912 A
(800) 1228994
(151) 2014 09 22
(181) 2024 09 22
(891) 2024 05 15
(511) 3

(260) AM 2026 128964 A
(800) 1797030
(151) 2024 04 04
(181) 2034 04 04
(891) 2024 04 04
(511) 41

(260) AM 2026 128988 A
(800) 1797490
(151) 2023 12 25
(181) 2033 12 25
(891) 2023 12 25
(511) 7, 8, 9, 11, 21, 35, 37

(260) AM 2026 128989 A
(800) 1797544
(151) 2024 05 08
(181) 2034 05 08
(891) 2024 05 08
(511) 28

(260) AM 2026 128995 A
(800) 1797640
(151) 2024 05 02
(181) 2034 05 02
(891) 2024 05 02
(511) 12, 35, 36, 37, 39, 41

(260) AM 2026 128996 A
(800) 1797641
(151) 2024 03 29
(181) 2034 03 29
(891) 2024 03 29
(511) 7

(260) AM 2026 129015 A
(800) 1798022
(151) 2024 06 06
(181) 2034 06 06
(891) 2024 06 06
(511) 32

(260) AM 2026 129019 A
(800) 1798096
(151) 2024 01 30
(181) 2034 01 30
(891) 2024 01 30
(511) 9, 28, 41

(260) AM 2026 129020 A
(800) 1798130
(151) 2023 12 28
(181) 2033 12 28
(891) 2023 12 28
(511) 7, 12, 35

(260) AM 2026 129021 A
(800) 1798132
(151) 2023 12 22
(181) 2033 12 22
(891) 2023 12 22
(511) 9, 28, 41

(260) AM 2026 129022 A
(800) 1798141
(151) 2023 12 07
(181) 2033 12 07
(891) 2023 12 07
(511) 3

(260) AM 2026 129023 A
(800) 1798145
(151) 2024 02 23
(181) 2034 02 23

(891) 2024 02 23
(511) 5

(260) AM 2026 129099 A
(800) 1798783
(151) 2024 02 12
(181) 2034 02 12
(891) 2024 02 12
(511) 9, 28, 41

(260) AM 2026 129100 A
(800) 1798794
(151) 2024 05 27
(181) 2034 05 27
(891) 2024 05 27
(511) 30

(260) AM 2026 129102 A
(800) 1798902
(151) 2024 01 25
(181) 2034 01 25
(891) 2024 01 25
(511) 3

(260) AM 2026 129103 A
(800) 1798927
(151) 2024 04 19
(181) 2034 04 19
(891) 2024 04 19
(511) 34

(260) AM 2026 129110 A
(800) 1799156
(151) 2024 01 18
(181) 2034 01 18
(891) 2024 01 18
(511) 9, 25

(260) AM 2026 129115 A
(800) 1799425
(151) 2024 02 23
(181) 2034 02 23
(891) 2024 02 23
(511) 9, 35, 36, 42

(260) AM 2026 129116 A
(800) 1799432
(151) 2024 03 20
(181) 2034 03 20
(891) 2024 03 20
(511) 9, 35

(260) AM 2026 129117 A
(800) 1307663
(151) 2016 05 16
(181) 2026 05 16
(891) 2024 06 28
(511) 3, 18, 21, 35

(260) AM 2026 129118 A
(800) 1393445
(151) 2017 07 13
(181) 2027 07 13
(891) 2024 06 11
(511) 25, 29, 30, 32, 43

(260) AM 2026 129183 A
(800) 1799622
(151) 2024 05 15
(181) 2034 05 15
(891) 2024 05 15
(511) 9

(260) AM 2026 129184 A
(800) 1799623
(151) 2024 05 15
(181) 2034 05 15
(891) 2024 05 15
(511) 9

(260) AM 2026 129198 A
(800) 1800089
(151) 2023 12 18
(181) 2033 12 18
(891) 2023 12 18
(511) 21, 21

(260) AM 2026 129204 A
(800) 1800219
(151) 2023 11 02
(181) 2033 11 02
(891) 2023 11 02
(511) 9, 28, 41

(260) AM 2026 129206 A
(800) 1800255
(151) 2024 05 24
(181) 2034 05 24
(891) 2024 05 24
(511) 3, 5, 32

(260) AM 2026 129207 A
(800) 1800256
(151) 2024 05 24
(181) 2034 05 24

(891) 2024 05 24
(511) 3, 5, 32

(260) AM 2026 129218 A
(800) 1547606
(151) 2020 06 21
(181) 2030 06 21
(891) 2024 07 02
(511) 3

(260) AM 2026 129220 A
(800) 1647594
(151) 2022 01 18
(181) 2032 01 18
(891) 2024 06 28
(511) 3, 5

(260) AM 2026 129221 A
(800) 1685660
(151) 2022 06 23
(181) 2032 06 23
(891) 2024 06 10
(511) 9, 42

(260) AM 2026 129223 A
(800) 1727205
(151) 2023 02 08
(181) 2033 02 08
(891) 2024 07 01
(511) 43

(260) AM 2026 129318 A
(800) 1800993
(151) 2024 06 06
(181) 2034 06 06
(891) 2024 06 06
(511) 12

(260) AM 2026 129319 A
(800) 1800998
(151) 2024 05 22
(181) 2034 05 22
(891) 2024 05 22
(511) 3

(260) AM 2026 129320 A
(800) 1801013
(151) 2024 06 19
(181) 2034 06 19
(891) 2024 06 19
(511) 9

(260) AM 2026 129321 A
(800) 1801023
(151) 2024 04 28
(181) 2034 04 28
(891) 2024 04 28
(511) 12

(260) AM 2026 129335 A
(800) 1801598
(151) 2024 04 16
(181) 2034 04 16
(891) 2024 04 16
(511) 3

(260) AM 2026 129340 A
(800) 1801615
(151) 2024 05 03
(181) 2034 05 03
(891) 2024 05 03
(511) 5

(260) AM 2026 129341 A
(800) 1801653
(151) 2024 05 30
(181) 2034 05 30
(891) 2024 05 30
(511) 9

(260) AM 2026 129357 A
(800) 1801962
(151) 2024 02 23
(181) 2034 02 23
(891) 2024 02 23
(511) 9, 28, 41

(260) AM 2026 129359 A
(800) 1801964
(151) 2024 02 23
(181) 2034 02 23
(891) 2024 02 23
(511) 9, 28, 41

(260) AM 2026 129363 A
(800) 1801975
(151) 2024 04 22
(181) 2034 04 22
(891) 2024 04 22
(511) 9, 28, 41

(260) AM 2026 129364 A
(800) 1801976
(151) 2024 04 22
(181) 2034 04 22

(891) 2024 04 22
(511) 9, 28, 41

(260) AM 2026 129366 A
(800) 1801978
(151) 2024 04 22
(181) 2034 04 22
(891) 2024 04 22
(511) 9, 28, 41

(260) AM 2026 129367 A
(800) 1801979
(151) 2024 04 22
(181) 2034 04 22
(891) 2024 04 22
(511) 9, 28, 41

(260) AM 2026 129368 A
(800) 1802016
(151) 2024 06 25
(181) 2034 06 25
(891) 2024 06 25
(511) 7

(260) AM 2026 129370 A
(800) 1802038
(151) 2024 07 03
(181) 2034 07 03
(891) 2024 07 03
(511) 30

(260) AM 2026 129371 A
(800) 718802
(151) 1999 08 18
(181) 2029 08 18
(891) 2024 06 28
(511) 30

(260) AM 2026 129372 A
(800) 991767
(151) 2008 12 30
(181) 2028 12 30
(891) 2024 07 04
(511) 32, 33

(260) AM 2026 129430 A
(800) 1802103
(151) 2024 05 08
(181) 2034 05 08
(891) 2024 05 08
(511) 30

(260) AM 2026 129431 A
(800) 1802104
(151) 2024 05 08
(181) 2034 05 08
(891) 2024 05 08
(511) 30

(260) AM 2026 129432 A
(800) 1802125
(151) 2024 02 14
(181) 2034 02 14
(891) 2024 02 14
(511) 9, 28, 41, 42

(260) AM 2026 129461 A
(800) 1215098
(151) 2014 05 29
(181) 2034 05 29
(891) 2024 05 30
(511) 3

(260) AM 2026 129462 A
(800) 1431565
(151) 2018 09 19
(181) 2028 09 19
(891) 2024 07 15
(511) 5

(260) AM 2026 129463 A
(800) 1524497
(151) 2020 03 05
(181) 2030 03 05
(891) 2024 07 16
(511) 5

(260) AM 2026 129464 A
(800) 1542319
(151) 2020 06 10
(181) 2030 06 10
(891) 2024 07 12
(511) 5, 29

(260) AM 2026 129534 A
(800) 1803424
(151) 2024 03 22
(181) 2034 03 22
(891) 2024 03 22
(511) 9, 28, 41

(260) AM 2026 129535 A
(800) 1803466
(151) 2023 12 29
(181) 2033 12 29

(891) 2023 12 29
(511) 6, 11, 17, 19, 20, 35

(260) AM 2026 129536 A
(800) 1803482
(151) 2024 03 13
(181) 2034 03 13
(891) 2024 03 13
(511) 30

(260) AM 2026 129537 A
(800) 1803536
(151) 2024 03 15
(181) 2034 03 15
(891) 2024 03 15
(511) 9

(260) AM 2026 129538 A
(800) 1803548
(151) 2024 05 16
(181) 2034 05 16
(891) 2024 05 16
(511) 29, 30

(260) AM 2026 129539 A
(800) 1803642
(151) 2024 07 04
(181) 2034 07 04
(891) 2024 07 04
(511) 9, 35, 36, 38, 39, 41, 42, 45

(260) AM 2026 129540 A
(800) 1803724
(151) 2024 01 22
(181) 2034 01 22
(891) 2024 01 22
(511) 16, 17, 20, 29

(260) AM 2026 129633 A
(800) 1805023
(151) 2024 03 05
(181) 2034 03 05
(891) 2024 03 05
(511) 9, 28, 41, 42

(260) AM 2026 129634 A
(800) 1805038
(151) 2024 04 16
(181) 2034 04 16
(891) 2024 04 16
(511) 2, 19

(260) AM 2026 129635 A
(800) 1805054
(151) 2024 05 21
(181) 2034 05 21
(891) 2024 05 21
(511) 12

(260) AM 2026 129683 A
(800) 1805294
(151) 2024 02 15
(181) 2034 02 15
(891) 2024 02 15
(511) 7, 35, 37

(260) AM 2026 129684 A
(800) 1805304
(151) 2024 05 30
(181) 2034 05 30
(891) 2024 05 30
(511) 30

(260) AM 2026 129696 A
(800) 1805447
(151) 2024 07 02
(181) 2034 07 02
(891) 2024 07 02
(511) 3

(260) AM 2026 129697 A
(800) 1805496
(151) 2024 07 16
(181) 2034 07 16
(891) 2024 07 16
(511) 9

(260) AM 2026 129698 A
(800) 1805545
(151) 2024 07 12
(181) 2034 07 12
(891) 2024 07 12
(511) 1

(260) AM 2026 129699 A
(800) 1805583
(151) 2024 05 18
(181) 2034 05 18
(891) 2024 05 18
(511) 11

(260) AM 2026 129700 A
(800) 1805606
(151) 2024 07 10
(181) 2034 07 10

(891) 2024 07 10
(511) 9

(260) AM 2026 129701 A
(800) 1805613
(151) 2024 07 17
(181) 2034 07 17
(891) 2024 07 17
(511) 9

(260) AM 2026 129778 A
(800) 1806353
(151) 2024 07 08
(181) 2034 07 08
(891) 2024 07 08
(511) 3, 5

(260) AM 2026 129818 A
(800) 1118585
(151) 2012 05 17
(181) 2032 05 17
(891) 2024 08 08
(511) 3, 5, 35

(260) AM 2026 130627 A
(800) 1588560
(151) 2021 01 08
(181) 2031 01 08
(891) 2024 09 18
(511) 9, 28, 41

(260) AM 2026 130730 A
(800) 1587390
(151) 2021 01 08
(181) 2031 01 08
(891) 2024 09 18
(511) 9, 28, 41

(260) AM 2026 130976 A
(800) 1817243
(151) 2024 05 17
(181) 2034 05 17
(891) 2024 10 30
(511) 12, 28

(260) AM 2026 131205 A
(800) 1826074
(151) 2024 10 14
(181) 2034 10 14
(891) 2024 10 14
(511) 2, 7, 16, 17, 40, 42

(260) AM 2026 132313 A
(800) 1839206
(151) 2024 10 03
(181) 2034 10 03
(891) 2024 10 03
(511) 3

(260) AM 2026 132314 A
(800) 1839220
(151) 2024 09 30
(181) 2034 09 30
(891) 2024 09 30
(511) 9, 28, 41

(260) AM 2026 132315 A
(800) 1839222
(151) 2024 10 02
(181) 2034 10 02
(891) 2024 10 02
(511) 9, 28, 41

(260) AM 2026 132319 A
(800) 1839334
(151) 2024 10 02
(181) 2034 10 02
(891) 2024 10 02
(511) 9, 28, 41

(260) AM 2026 132433 A
(800) 1840215
(151) 2024 09 11
(181) 2034 09 11
(891) 2024 09 11
(511) 25

(260) AM 2026 132434 A
(800) 1840245
(151) 2024 12 18
(181) 2034 12 18
(891) 2024 12 18
(511) 19

(260) AM 2026 132435 A
(800) 1840246
(151) 2024 12 25
(181) 2034 12 25
(891) 2024 12 25
(511) 25, 35

(260) AM 2026 132436 A
(800) 1840249
(151) 2024 12 27
(181) 2034 12 27

(891) 2024 12 27
(511) 7

(260) AM 2026 132437 A
(800) 1840263
(151) 2024 11 27
(181) 2034 11 27
(891) 2024 11 27
(511) 5

(260) AM 2026 132537 A
(800) 1840574
(151) 2024 12 18
(181) 2034 12 18
(891) 2024 12 18
(511) 9, 28, 41

(260) AM 2026 132553 A
(800) 1840721
(151) 2024 10 17
(181) 2034 10 17
(891) 2024 10 17
(511) 9

(260) AM 2026 132557 A
(800) 1840791
(151) 2024 10 02
(181) 2034 10 02
(891) 2024 10 02
(511) 9, 28, 41

(260) AM 2026 132558 A
(800) 1840793
(151) 2024 09 13
(181) 2034 09 13
(891) 2024 09 13
(511) 9, 28, 41

(260) AM 2026 132559 A
(800) 1840794
(151) 2024 10 02
(181) 2034 10 02
(891) 2024 10 02
(511) 9, 28, 41

(260) AM 2026 132560 A
(800) 1840818
(151) 2024 11 29
(181) 2034 11 29
(891) 2024 11 29
(511) 6

(260) AM 2026 132561 A
(800) 1840821
(151) 2024 11 27
(181) 2034 11 27
(891) 2024 11 27
(511) 5

(260) AM 2026 132563 A
(800) 1840861
(151) 2024 09 30
(181) 2034 09 30
(891) 2024 09 30
(511) 9, 28, 41

(260) AM 2026 132621 A
(800) 1841771
(151) 2024 10 10
(181) 2034 10 10
(891) 2024 10 10
(511) 9, 28, 41

(260) AM 2026 132975 A
(800) 1845046
(151) 2024 12 09
(181) 2034 12 09
(891) 2024 12 09
(511) 29, 30

(260) AM 2026 133218 A
(800) 1847849
(151) 2025 01 20
(181) 2035 01 20
(891) 2025 01 20
(511) 1, 2, 3, 6, 7, 8, 9, 11, 14, 16, 18, 19, 21, 25, 28

(260) AM 2026 133231 A
(800) 1848022
(151) 2025 02 26
(181) 2035 02 26
(891) 2025 02 26
(511) 5

(260) AM 2026 133232 A
(800) 1848056
(151) 2024 10 28
(181) 2034 10 28
(891) 2024 10 28
(511) 3

(260) AM 2026 133233 A
(800) 1848057
(151) 2024 11 29
(181) 2034 11 29

(891) 2024 11 29
(511) 31

(260) AM 2026 133234 A
(800) 1848065
(151) 2025 02 14
(181) 2035 02 14
(891) 2025 02 14
(511) 1, 4

(260) AM 2026 133235 A
(800) 1848067
(151) 2025 02 17
(181) 2035 02 17
(891) 2025 02 17
(511) 1

(260) AM 2026 133238 A
(800) 1497047
(151) 2019 09 19
(181) 2029 09 19
(891) 2025 03 03
(511) 3, 35

(260) AM 2026 133239 A
(800) 1507556
(151) 2019 09 23
(181) 2029 09 23
(891) 2025 01 22
(511) 9

(260) AM 2026 133240 A
(800) 1594923
(151) 2020 11 02
(181) 2030 11 02
(891) 2025 03 21
(511) 29, 30, 35, 43

(260) AM 2026 133241 A
(800) 1627628
(151) 2021 08 24
(181) 2031 08 24
(891) 2025 03 17
(511) 29, 30

(260) AM 2026 133242 A
(800) 1713022
(151) 2022 10 21
(181) 2032 10 21
(891) 2025 03 18
(511) 9

(260) AM 2026 133243 A
(800) 1776421
(151) 2023 08 16
(181) 2033 08 16
(891) 2024 10 24
(511) 7, 9, 11

(260) AM 2026 133244 A
(800) 1797585
(151) 2024 04 29
(181) 2034 04 29
(891) 2025 02 18
(511) 3

(260) AM 2026 133245 A
(800) 1810546
(151) 2024 06 14
(181) 2034 06 14
(891) 2024 11 06
(511) 3

(260) AM 2026 133324 A
(800) 1848682
(151) 2024 12 05
(181) 2034 12 05
(891) 2024 12 05
(511) 9, 28, 41

(260) AM 2026 133325 A
(800) 1848706
(151) 2025 01 22
(181) 2035 01 22
(891) 2025 01 22
(511) 3

(260) AM 2026 133326 A
(800) 1848784
(151) 2025 02 20
(181) 2035 02 20
(891) 2025 02 20
(511) 43

(260) AM 2026 133327 A
(800) 1848861
(151) 2024 11 27
(181) 2034 11 27
(891) 2024 11 27
(511) 9, 42

(260) AM 2026 133328 A
(800) 1848868
(151) 2024 12 20
(181) 2034 12 20

(891) 2024 12 20
(511) 7

(260) AM 2026 133329 A
(800) 1848870
(151) 2024 10 28
(181) 2034 10 28
(891) 2024 10 28
(511) 16, 29, 30

(260) AM 2026 133330 A
(800) 1848899
(151) 2025 02 18
(181) 2035 02 18
(891) 2025 02 18
(511) 5, 31, 35

(260) AM 2026 133345 A
(800) 1849236
(151) 2025 03 10
(181) 2035 03 10
(891) 2025 03 10
(511) 38, 41, 42, 43, 44

(260) AM 2026 133346 A
(800) 1849288
(151) 2025 02 21
(181) 2035 02 21
(891) 2025 02 21
(511) 30

(260) AM 2026 133348 A
(800) 1849358
(151) 2025 02 13
(181) 2035 02 13
(891) 2025 02 13
(511) 10

(260) AM 2026 133356 A
(800) 1652299
(151) 2022 01 30
(181) 2032 01 30
(891) 2025 03 13
(511) 12

(260) AM 2026 133406 A
(800) 1849520
(151) 2024 12 11
(181) 2034 12 11
(891) 2024 12 11
(511) 5

(260) AM 2026 133407 A
(800) 1849521
(151) 2024 12 11
(181) 2034 12 11
(891) 2024 12 11
(511) 5

(260) AM 2026 133408 A
(800) 1849522
(151) 2024 12 11
(181) 2034 12 11
(891) 2024 12 11
(511) 5

(260) AM 2026 133409 A
(800) 1849567
(151) 2025 02 17
(181) 2035 02 17
(891) 2025 02 17
(511) 43

(260) AM 2026 133410 A
(800) 1849573
(151) 2025 03 14
(181) 2035 03 14
(891) 2025 03 14
(511) 3, 21

(260) AM 2026 133411 A
(800) 1849579
(151) 2024 11 15
(181) 2034 11 15
(891) 2024 11 15
(511) 9, 38, 42

(260) AM 2026 133442 A
(800) 1850310
(151) 2025 01 23
(181) 2035 01 23
(891) 2025 01 23
(511) 5

(260) AM 2026 133443 A
(800) 1850317
(151) 2024 11 14
(181) 2034 11 14
(891) 2024 11 14
(511) 9, 38, 42

(260) AM 2026 133444 A
(800) 1850334
(151) 2025 01 23
(181) 2035 01 23

(891) 2025 01 23
(511) 5

(260) AM 2026 133445 A
(800) 1850351
(151) 2024 10 21
(181) 2034 10 21
(891) 2024 10 21
(511) 9, 28, 41

(260) AM 2026 133447 A
(800) 1850499
(151) 2024 10 16
(181) 2034 10 16
(891) 2024 10 16
(511) 9, 14, 16, 18, 21, 24

(260) AM 2026 133493 A
(800) 1850860
(151) 2025 01 14
(181) 2035 01 14
(891) 2025 01 14
(511) 5, 10

(260) AM 2026 133507 A
(800) 1851216
(151) 2025 03 24
(181) 2035 03 24
(891) 2025 03 24
(511) 5

(260) AM 2026 133509 A
(800) 1851296
(151) 2025 02 27
(181) 2035 02 27
(891) 2025 02 27
(511) 11

(260) AM 2026 133510 A
(800) 1851359
(151) 2025 01 10
(181) 2035 01 10
(891) 2025 01 10
(511) 6, 37

(260) AM 2026 133511 A
(800) 1851372
(151) 2025 03 03
(181) 2035 03 03
(891) 2025 03 03
(511) 32, 33

(260) AM 2026 133522 A
(800) 1851728
(151) 2025 02 14
(181) 2035 02 14
(891) 2025 02 14
(511) 18, 25

(260) AM 2026 133523 A
(800) 1851735
(151) 2025 02 24
(181) 2035 02 24
(891) 2025 02 24
(511) 25

(260) AM 2026 133525 A
(800) 945950
(151) 2007 09 28
(181) 2027 09 28
(891) 2025 03 21
(511) 43

(260) AM 2026 133598 A
(800) 1851822
(151) 2025 03 24
(181) 2035 03 24
(891) 2025 03 24
(511) 12

(260) AM 2026 133600 A
(800) 1851847
(151) 2025 01 15
(181) 2035 01 15
(891) 2025 01 15
(511) 9, 28, 41

(260) AM 2026 133621 A
(800) 1852516
(151) 2024 12 27
(181) 2034 12 27
(891) 2024 12 27
(511) 9, 16, 18, 24, 25, 26, 28, 35, 36, 38, 39, 41, 43

(260) AM 2026 133622 A
(800) 1852531
(151) 2025 02 13
(181) 2035 02 13
(891) 2025 02 13
(511) 33

(260) AM 2026 133623 A
(800) 1852558
(151) 2025 03 05
(181) 2035 03 05

(891) 2025 03 05
(511) 41, 45

(260) AM 2026 133624 A
(800) 1852584
(151) 2025 03 04
(181) 2035 03 04
(891) 2025 03 04
(511) 3

(260) AM 2026 133625 A
(800) 1852587
(151) 2025 03 05
(181) 2035 03 05
(891) 2025 03 05
(511) 3

(260) AM 2026 133627 A
(800) 861933
(151) 2005 01 05
(181) 2035 01 05
(891) 2025 03 19
(511) 3, 5

(260) AM 2026 133701 A
(800) 1852745
(151) 2025 02 20
(181) 2035 02 20
(891) 2025 02 20
(511) 1, 4

(260) AM 2026 133705 A
(800) 1852838
(151) 2025 03 14
(181) 2035 03 14
(891) 2025 03 14
(511) 30

(260) AM 2026 133717 A
(800) 1853256
(151) 2024 12 27
(181) 2034 12 27
(891) 2024 12 27
(511) 3, 5, 29, 30, 32

(260) AM 2026 133725 A
(800) 1853330
(151) 2025 03 18
(181) 2035 03 18
(891) 2025 03 18
(511) 34

(260) AM 2026 133726 A
(800) 1853361
(151) 2024 11 25
(181) 2034 11 25
(891) 2024 11 25
(511) 3, 5, 10, 16, 21, 25

(260) AM 2026 133749 A
(800) 1853760
(151) 2025 03 19
(181) 2035 03 19
(891) 2025 03 19
(511) 11, 35

(260) AM 2026 133764 A
(800) 1816411
(151) 2024 09 05
(181) 2034 09 05
(891) 2025 03 25
(511) 21, 25

(260) AM 2026 133814 A
(800) 1854399
(151) 2025 02 19
(181) 2035 02 19
(891) 2025 02 19
(511) 1, 2, 6, 9, 17, 19, 20, 35, 36, 37, 40, 41, 42

(260) AM 2026 133815 A
(800) 1854400
(151) 2025 02 19
(181) 2035 02 19
(891) 2025 02 19
(511) 1, 2, 6, 9, 17, 19, 20, 35, 36, 37, 40, 41, 42

(260) AM 2026 133816 A
(800) 1854410
(151) 2025 02 27
(181) 2035 02 27
(891) 2025 02 27
(511) 41

(260) AM 2026 133817 A
(800) 1854429
(151) 2024 10 10
(181) 2034 10 10
(891) 2024 10 10
(511) 5, 31, 35, 37, 39, 42

(260) AM 2026 133818 A
(800) 1854463
(151) 2025 02 19
(181) 2035 02 19

(891) 2025 02 19
(511) 9, 35, 38

(260) AM 2026 133819 A
(800) 1854475
(151) 2024 08 19
(181) 2034 08 19
(891) 2024 08 19
(511) 18, 25

(260) AM 2026 133820 A
(800) 1854491
(151) 2024 12 30
(181) 2034 12 30
(891) 2024 12 30
(511) 9

(260) AM 2026 133821 A
(800) 1854520
(151) 2025 03 20
(181) 2035 03 20
(891) 2025 03 20
(511) 12, 35

(260) AM 2026 133910 A
(800) 1855138
(151) 2025 01 30
(181) 2035 01 30
(891) 2025 01 30
(511) 32

(260) AM 2026 133911 A
(800) 1855158
(151) 2025 02 27
(181) 2035 02 27
(891) 2025 02 27
(511) 5

(260) AM 2026 133912 A
(800) 1855159
(151) 2025 03 25
(181) 2035 03 25
(891) 2025 03 25
(511) 43

(260) AM 2026 133913 A
(800) 1855161
(151) 2025 03 31
(181) 2035 03 31
(891) 2025 03 31
(511) 1

(260) AM 2026 133914 A
(800) 1855265
(151) 2025 04 23
(181) 2035 04 23
(891) 2025 04 23
(511) 1, 3, 5

OFFICIAL NOTIFICATIONS
INVENTION
EXPIRATION OF PATENT RESTORATION TERM

(21) AP 2006 10372
(11) P 2010 4923 B
(73) VECTURA DELIVERY DEVICES LIMITED
(54) BLISTER PACK
DATE OF PATENT RESTORATION TERM:
DATE OF PATENT RESTORATION TERM: 2026 04 13

(21) AP 2006 10373
(11) P 2010 5062 B
(73) VECTURA DELIVERY DEVICES LIMITED
(54) BLISTER PIERCING ELEMENT FOR DRY POWDER INHALER
DATE OF PATENT RESTORATION TERM: 2026 04 13

(21) AP 2006 11957
(11) P 2013 5956 B
(73) Syngenta Limited
(54) CHEMICAL PROCESS
DATE OF PATENT RESTORATION TERM: 2026 04 13

UTILITY MODEL
LAPSE OF PATENT WITH THE RIGHT TO RESTORE

(21) AU 2019 15039
(11) U 2020 2040 Y
(73) Bakhva Dolidze;
Zurab Andghuladze;
Temur Revishvili;
Liana Shavishvili
(54) AGGREGATE FOR CUTTING TEA-PLAN
DATE OF PATENT LAPSE: 2025 04 01
PATENT RESTORATION TERM: 2026 04 01

DESIGN

EXTENSION OF TERM OF DESIGN REGISTRATION

(11) D 2021 894 S
(73) Mamuka Nachkebia (GE)
Irakli Abashidze St. 68, ap. 52, 0162, Tbilisi, Georgia (GE)
(54) 1.-2. EARRING, 3.-4. PENDANT WITH NECKLACE, 5. PENDANT
(28) 5
(24) 2020 09 08
(18) 2030 09 08
(58) 2026 04 16

(11) D 2021 897 S
(73) Mamuka Nachkebia (GE)
Irakli Abashidze St. 68, ap. 52, 0162, Tbilisi, Georgia (GE)
(54) FONT
(28) 1
(24) 2020 10 14
(18) 2030 10 14
(58) 2026 04 16

CANCELLATION OF DESIGN REGISTRATION

(11) D 2020 871 S
(73) Ivane Maisaia (GE)
Erekle Tatishvili St. 17, ap. 7, 0179, Tbilisi, Georgia (GE)
(54) HYBRID UNMANNED AERIAL VEHICLE
(18) 2025 10 07
(58) 2026 04 15

EXTENSION OF TERM OF INTERNATIONAL DESIGN REGISTRATION

(11) DM/212 976

(73) Montres Jaquet Droz SA (Montres Jaquet Droz AG) (Montres Jaquet Droz Ltd)
Allée Du Tourbillon 2, 2300 La Chaux-de-Fonds (CH)

(15) 2021 02 24

(24) 2021 02 24

(18) 2031 02 24

(28) 4

(28') 4

(54) 1.-4. WATCH DIAL

(11) DM/213 118

(73) Harry Winston SA
Chemin du Tourbillon 8, 1228 Plan-les-Ouates (CH)

(15) 2021 02 05

(24) 2021 02 05

(18) 2031 02 05

(28) 6

(28') 6

(54) 1.-2. FINGER RING, 3.-4. NECKLACE, 5.-6. FINGER RING

(11) DM/89418

(73) Harry Winston SA
Chemin du Tourbillon 8, CH-1228 Plan-les-Ouates (CH)

(15) 2016 02 19

(24) 2016 02 19

(18) 2031 02 19

(28) 2

(28') 2

(54) DIAL, WATCH CASE

TRADEMARK**EXTENSION OF TERM OF TRADEMARK REGISTRATION**

(111) M 1996 2438 R3 (151) 1996 06 21 (186) 2036 06 21 (732) Renault S.A.S. 92100 Boulogne-Billancourt, France (511) 12	Societe Anonyme 17 Boulevard Haussmann, 75009 Paris, France (511) 29
(111) M 1996 2439 R3 (151) 1996 06 21 (186) 2036 06 21 (732) Renault S.A.S. 92100 Boulogne-Billancourt, France (511) 12	(111) M 1997 4659 R3 (151) 1997 02 28 (186) 2037 02 28 (732) Winter Holding Gmbh & Co KG Heidelberger Strasse 9-11, 69226 Nussloch, Germany (511) 25
(111) M 1996 2440 R3 (151) 1996 06 21 (186) 2036 06 21 (732) Renault S.A.S. 92100 Boulogne-Billancourt, France (511) 12	(111) M 1997 4661 R3 (151) 1997 02 28 (186) 2037 02 28 (732) Winter Holding Gmbh & Co KG Heidelberger Strasse 9-11, 69226 Nussloch, Germany (511) 25
(111) M 1996 2441 R3 (151) 1996 06 21 (186) 2036 06 21 (732) Renault S.A.S. 92100 Boulogne-Billancourt, France (511) 12	(111) M 1996 3289 R3 (151) 1996 09 23 (186) 2036 09 23 (732) Mercedes-Benz Group AG Mercedesstrasse 120, 70372 Stuttgart, Germany (511) 2, 3, 4, 6, 7, 8, 11, 12
(111) M 1996 2442 R3 (151) 1996 06 21 (186) 2036 06 21 (732) Renault S.A.S. 92100 Boulogne-Billancourt, France (511) 12	(111) M 1996 2142 R3 (151) 1996 05 23 (186) 2036 05 23 (732) Intercontinental Great Brands LLC. 100 Deforest Ave, East Hanover, NJ 07936, USA (511) 29
(111) M 1996 2976 R3 (151) 1996 09 10 (186) 2036 09 10 (732) Beam Suntory UK Limited Part Second Floor, UK House 2, Great Titchfield Street London, United Kingdom W1D INN, United Kingdom (511) 33	(111) M 1996 2043 R3 (151) 1996 05 10 (186) 2036 05 10 (732) Talisman Brands, Inc. 1013 Centre Road, Suite 403-B, City of Wilmington, County of New Castle, State of Delaware 19805, USA (511) 9
(111) M 1996 3747 R3 (151) 1996 10 29 (186) 2036 10 29 (732) Compagnie Gervais Danone	

(111) M 1996 3769 R3
 (151) 1996 10 30
 (186) 2036 10 30
 (732) Transamerica Corporation
 6400 C Street SW Cedar Rapids, Iowa 52499,
 USA
 (511) 36

(111) M 1996 3050 R3
 (151) 1996 09 12
 (186) 2036 09 12
 (732) Transamerica Corporation
 6400 C Street SW Cedar Rapids,
 Iowa 52499, USA
 (511) 36

(111) M 1996 2532 R3
 (151) 1996 06 28
 (186) 2036 06 28
 (732) Henkel AG & Co. KgaA
 Henkelstrasse 67, 40589 Dusseldorf,
 Germany
 (511) 3

(111) M 2005 16346 R2
 (151) 2005 11 29
 (186) 2035 11 29
 (732) Lululemon Athletica Canada Inc.
 1818 Cornwall Avenue, Vancouver,
 British Columbia, V6J1C7, Canada
 (511) 9, 16, 18, 24, 25, 28

(111) M 2006 16696 R2
 (151) 2006 06 26
 (186) 2036 06 26
 (732) Wella Operations US, LLC
 4500 Park Granada, Suite 100, Calabasas
 CA 91302, USA
 (511) 3

(111) M 2006 16621 R2
 (151) 2006 05 17
 (186) 2036 05 17
 (732) Mars, Incorporated
 6885 Elm Street, McLean, Virginia
 22101-3883, USA
 (511) 31, 44

(111) M 2006 16624 R2
 (151) 2006 05 17
 (186) 2036 05 17
 (732) Mars, Incorporated

6885 Elm Street, McLean, Virginia
 22101-3883, USA
 (511) 5, 31, 44

(111) M 2006 16607 R2
 (151) 2006 05 01
 (186) 2036 05 01
 (732) General Motors LLC
 300 Renaissance Center, City of Detroit,
 State of Michigan 48265-3000, USA
 (511) 12

(111) M 2006 16663 R2
 (151) 2006 06 01
 (186) 2036 06 01
 (732) Wyeth LLC
 66 Hudson Boulevard East, New York,
 NY 10001-2192, USA
 (511) 5

(111) M 2006 16667 R2
 (151) 2006 06 01
 (186) 2036 06 01
 (732) Intercontinental Great Brands LLC.
 100 Deforest Ave, East Hanover,
 NJ 07936, USA
 (511) 5, 29, 30, 32

(111) M 2006 16835 R2
 (151) 2006 08 31
 (186) 2036 08 31
 (732) Sbarro Franchise Co. LLC
 1328 Dublin Road, Columbus, Ohio,
 43215, USA
 (511) 43

(111) M 2007 17246 R2
 (151) 2007 01 30
 (186) 2037 01 30
 (732) Georgian Rugby Union
 Chabua Amirejibi Highway 6, Marker 6.00,
 Office Space 3, Tbilisi, Georgia
 (511) 25, 28, 41

(111) M 2006 17213 R2
 (151) 2006 12 27
 (186) 2036 12 27
 (732) JSC "Grindeks"
 Krustpils st. 53, Riga 1057, Latvia
 (511) 5

(111) M 1996 2430 R3
(151) 1996 06 20
(186) 2036 06 20
(732) Mars Inc.
6885 Elm Street, Mclean, Virginia
22101-3883, USA
(511) 30

(111) M 1996 2303 R3
(151) 1996 06 11
(186) 2036 06 11
(732) Mars Inc.
6885 Elm Street, Mclean, Virginia
22101-3883, USA
(511) 29, 30

(111) M 1996 2304 R3
(151) 1996 06 11
(186) 2036 06 11
(732) Mars Inc.
6885 Elm Street, Mclean, Virginia
22101-3883, USA
(511) 30

(111) M 1996 2307 R3
(151) 1996 06 11
(186) 2036 06 11
(732) Mars Inc.
6885 Elm Street, Mclean, Virginia
22101-3883, USA
(511) 30

(111) M 1996 2308 R3
(151) 1996 06 11
(186) 2036 06 11
(732) Wm. Wrigley Jr. Company
1132 West Blackhawk Street, Chicago,
Illinois 60642, USA
(511) 30, 32

(111) M 1996 2311 R3
(151) 1996 06 11
(186) 2036 06 11
(732) Mars Inc.
6885 Elm Street, Mclean, Virginia
22101-3883, USA
(511) 31

(111) M 1996 2312 R3
(151) 1996 06 11
(186) 2036 06 11
(732) Mars Inc.

6885 Elm Street, Mclean, Virginia
22101-3883, USA
(511) 31

6885 Elm Street, Mclean, Virginia
22101-3883, USA
(511) 31

(111) M 1996 2313 R3
(151) 1996 06 11
(186) 2036 06 11
(732) Mars Inc.
6885 Elm Street, Mclean, Virginia
22101-3883, USA
(511) 31

(111) M 1996 2314 R3
(151) 1996 06 11
(186) 2036 06 11
(732) Mars Inc.
6885 Elm Street, Mclean, Virginia
22101-3883, USA
(511) 31

(111) M 1996 2697 R3
(151) 1996 07 19
(186) 2036 07 19
(732) Wm. Wrigley Jr. Company
1132 West Blackhawk Street, Chicago,
Illinois 60642, USA
(511) 30

(111) M 1996 2698 R3
(151) 1996 07 19
(186) 2036 07 19
(732) Wm. Wrigley Jr. Company
1132 West Blackhawk Street, Chicago,
Illinois 60642, USA
(511) 30

(111) M 1996 2252 R3
(151) 1996 06 05
(186) 2036 06 05
(732) HP Hewlett Packard Group LLC
11445 Compaq Center Drive West,
Houston, Texas 77070, USA
(511) 9

(111) M 1996 2258 R3
(151) 1996 06 06
(186) 2036 06 06
(732) Mars Incorporated, a Delaware corporation
6885 ELM Street, Mclean, Virginia
22101-3883, USA
(511) 31

(111) M 1996 2249 R3
 (151) 1996 06 05
 (186) 2036 06 05
 (732) MarS Inc.
 a Delaware Corporation
 6885 ELM Street, Mclean, Virginia
 22101-3883, USA
 (511) 3, 5, 6, 16, 18, 20, 21, 28

(111) M 1996 2349 R3
 (151) 1996 06 12
 (186) 2036 06 12
 (732) Albemarle Corporation
 4250 Congress Street, Suite 900,
 Charlotte, NC 28209, USA
 (511) 1

(111) M 2016 26648 R1
 (151) 2016 01 11
 (186) 2036 01 11
 (732) JSC "FoodMart"
 Kindzmarauli St. 5, 0145, Tbilisi, Georgia
 (511) 35

(111) M 2016 26649 R1
 (151) 2016 01 11
 (186) 2036 01 11
 (732) JSC "FoodMart"
 Kindzmarauli St. 5, 0145, Tbilisi, Georgia
 (511) 35

(111) M 2015 26312 R1
 (151) 2015 09 24
 (186) 2035 09 24
 (732) Emirates National Oil Company Limited
 (Enoc) LLC
 P.O. Box: 6442, Dubai, United Arab Emirates
 (511) 4

(111) M 2016 26809 R1
 (151) 2016 02 29
 (186) 2036 02 28
 (732) ZHS IP Worldwide Sàrl
 Avenue Reverdil 14, 1260 Nyon, Switzerland
 (511) 33

(111) M 2016 26967 R1
 (151) 2016 04 19
 (186) 2036 04 19
 (732) ZHS IP Worldwide Sàrl
 Avenue Reverdil 14, 1260 Nyon, Switzerland
 (511) 33

(111) M 2016 26980 R1
 (151) 2016 04 20
 (186) 2036 04 20
 (732) ARM Limited
 110 Fulborn Roud, kembriji, CB1 9NJ,
 United Kingdom
 (511) 9, 16, 42

(111) M 2016 26983 R1
 (151) 2016 04 20
 (186) 2036 04 20
 (732) Ford Motor Company
 One American Road, Dearborn, Michigan
 48126, USA
 (511) 4

(111) M 2016 27637 R1
 (151) 2016 09 28
 (186) 2036 09 28
 (732) LTD "Bolero & Company"
 Guchishvili St. 12-14-16, 0179, Tbilisi,
 Georgia
 (511) 33

(111) M 2016 27141 R1
 (151) 2016 06 03
 (186) 2036 06 03
 (732) Deckers Outdoor Corporation
 250 Coromar Drive, Goleta, California
 93117, USA
 (511) 35

(111) M 2016 27071 R1
 (151) 2016 05 18
 (186) 2036 05 18
 (732) Intercontinental Great Brands LLC
 100 Deforest Avenue, East Hanover,
 New Jersey 07936, USA
 (511) 30

(111) M 2016 27073 R1
 (151) 2016 05 18
 (186) 2036 05 18
 (732) Magnolia Intellectual Property LLC
 244 West 54th Street, Suite 501, New York,
 New York 10019, USA
 (511) 30, 35, 43

(111) M 2016 27008 R1
 (151) 2016 04 20
 (186) 2036 04 20
 (732) Intercontinental Great Brands LLC

100 Deforest Avenue, East Hanover,
New Jersey 07936, USA
(511) 30

(111) M 2016 27714 R1
(151) 2016 10 18
(186) 2036 10 18
(732) LTD "Bolero & Company"
Kuchishvili St. 12-14-16, 0179, Tbilisi,
Georgia
(511) 33

(111) M 2016 27646 R1
(151) 2016 09 28
(186) 2036 09 28
(732) LTD "Bolero & Company"
Kuchishvili St. 12-14-16, 0179, Tbilisi,
Georgia
(511) 33

(111) M 2016 27649 R1
(151) 2016 09 28
(186) 2036 09 28
(732) LTD "Bolero & Company"
Kuchishvili St. 12-14-16, 0179, Tbilisi,
Georgia
(511) 33

(111) M 2016 27650 R1
(151) 2016 09 28
(186) 2036 09 28
(732) LTD "Bolero & Company"
Kuchishvili St. 12-14-16, 0179, Tbilisi,
Georgia
(511) 33

(111) M 2016 27651 R1
(151) 2016 09 28
(186) 2036 09 28
(732) LTD "Bolero & Company"
Kuchishvili St. 12-14-16, 0179, Tbilisi,
Georgia
(511) 33

(111) M 2016 27664 R1
(151) 2016 09 29
(186) 2036 09 29
(732) LTD "Bolero & Company"
Kuchishvili St. 12-14-16, 0179, Tbilisi,
Georgia
(511) 33

(111) M 2016 27665 R1
(151) 2016 09 29
(186) 2036 09 29
(732) LTD "Bolero & Company"
Kuchishvili St. 12-14-16, 0179, Tbilisi,
Georgia
(511) 33

(111) M 2016 27590 R1
(151) 2016 09 12
(186) 2036 09 12
(732) LTD "Bolero & Company"
Kuchishvili St. 12-14-16, 0179, Tbilisi,
Georgia
(511) 33

(111) M 2016 27666 R1
(151) 2016 09 29
(186) 2036 09 29
(732) LTD "Bolero & Company"
Kuchishvili St. 12-14-16, 0179, Tbilisi,
Georgia
(511) 33

(111) M 2016 27611 R1
(151) 2016 09 12
(186) 2036 09 12
(732) LTD "Bolero & Company"
Kuchishvili St. 12-14-16, 0179, Tbilisi,
Georgia
(511) 33

(111) M 2016 27667 R1
(151) 2016 09 29
(186) 2036 09 29
(732) LTD "Bolero & Company"
Kuchishvili St. 12-14-16, 0179, Tbilisi,
Georgia
(511) 33

(111) M 2016 27615 R1
(151) 2016 09 12
(186) 2036 09 12
(732) Tequila Sauza, S. de R.L. de C.V.
Francisco Javier Sauza 80, Colonia Centro,
Tequila, Jalisco 46400, Mexico
(511) 33

(111) M 2016 27618 R1
(151) 2016 09 12
(186) 2036 09 12
(732) S.C. Johnson & Son Inc.
a Wisconsin Corporation

1525 Howe Street, Racine, Wisconsin
53403-2236, USA
(511) 3, 5

(111) M 2016 27619 R1
(151) 2016 09 12
(186) 2036 09 12
(732) S.C. Johnson & Son Inc.
a Wisconsin corporation
1525 Howe Street, Racine, Wisconsin
53403-2236, USA
(511) 3, 5

(111) M 2016 27923 R1
(151) 2016 12 06
(186) 2036 12 06
(732) Beam Suntory Uk Limited
Part Second Floor, UK House, 2,
Great Titchfield Street, London, W1D INN,
United Kingdom
(511) 33

(111) M 2016 27980 R1
(151) 2016 12 20
(186) 2036 12 20
(732) Morrison Bowmore Distillers Limited
Springburn Bond, Carlisle Street, Springburn,
Glasgow G21 1EQ, United Kingdom
(511) 33

(111) M 2016 27864 R1
(151) 2016 11 14
(186) 2036 11 14
(732) Beam Suntory Uk Limited
Part Second Floor, UK House, 2,
Great Titchfield Street, London, W1D INN,
United Kingdom
(511) 33

(111) M 2017 28203 R1
(151) 2017 02 17
(186) 2037 02 17
(732) LTD "Tisupeiper"
Kiziki St. 12, (Plot 2/21), Isani-Samgori
District, Tbilisi, Georgia
(511) 5, 16, 21, 35

(111) M 1996 3018 R3
(151) 1996 09 11
(186) 2036 09 11
(732) Wm. Wrigley Jr. Company

1132 West Blackhawk Street, Chicago,
Illinois 60642, USA
(511) 30

(111) M 1996 3022 R3
(151) 1996 09 11
(186) 2036 09 11
(732) Wm. Wrigley Jr. Company
1132 West Blackhawk Street, Chicago, Illinois
60642, USA
(511) 29, 30, 32

(111) M 1996 3023 R3
(151) 1996 09 11
(186) 2036 09 11
(732) Wm. Wrigley Jr. Company
1132 West Blackhawk Street, Chicago, Illinois
60642, USA
(511) 29, 30, 32

(111) M 1997 4969 R3
(151) 1997 04 04
(186) 2037 04 04
(732) Biogen MA Inc.
a Massachusetts Corporation
225 Binney Street, Cambridge, Massachusetts
02142, USA
(511) 1

(111) M 1996 2449 R3
(151) 1996 06 21
(186) 2036 06 21
(732) Biopharma
50, rue Carnot, 92284 Suresnes cedex, France
(511) 5

(111) M 1996 2455 R3
(151) 1996 06 21
(186) 2036 06 21
(732) Biopharma
50, rue Carnot, 92284 Suresnes cedex,
France
(511) 5

(111) M 1996 2457 R3
(151) 1996 06 21
(186) 2036 06 21
(732) Biopharma
50, rue Carnot, 92284 Suresnes cedex, France
(511) 5

COMPLETE TRANSFER OF RIGHT

(111) M 2021 33653 R
(732) LTD "Venora Maison"
Simon Kandelaki St. 7, B. 35, Tbilisi, Georgia
(770) LTD "Art Pharma"
Lvov St. 92, Saburtalo District, Tbilisi,
Georgia
(580) 2026 03 10

(111) M 2022 34980 R
(732) LTD "Venora Maison"
Simon Kandelaki St. 7, B. 35, Tbilisi, Georgia
(770) LTD "Art Pharma"
Lvov St. 92, Saburtalo District, Tbilisi,
Georgia
(580) 2026 03 10

(111) M 2022 34979 R
(732) LTD "Venora Maison"
Simon Kandelaki St. 7, B. 35, Tbilisi, Georgia
(770) LTD "Art Pharma"
Lvov St. 92, Saburtalo District, Tbilisi,
Georgia
(580) 2026 03 10

(111) M 1997 5867 R
(732) Syngenta Crop Protection AG
Rosentalstrasse 67, 4058 Basel,
Switzerland
(770) Syngenta Participations AG
c/o Syngenta Crop Protection AG,
Rosentalstrasse 67, 4058 Basel, Switzerland
(580) 2026 03 26

(111) M 2003 15100 R
(732) LTD "PSP Pharma"
Davit Aghmashenebeli Av. 148, 0112,
Tbilisi, Georgia
(770) LTD "PSP"
Zemo Vedzisi St. 103, 0160, Tbilisi, Georgia
(580) 2026 03 25

(111) M 2003 15101 R
(732) LTD "PSP Pharma"
Davit Aghmashenebeli Av. 148, 0112,
Tbilisi, Georgia
(770) LTD "PSP"
Zemo Vedzisi St. 103, 0160, Tbilisi, Georgia
(580) 2026 03 25

(111) M 2003 15102 R
(732) LTD "PSP Pharma"
Davit Aghmashenebeli Av. 148, 0112,
Tbilisi, Georgia
(770) LTD "PSP"
Zemo Vedzisi St. 103, 0160, Tbilisi, Georgia
(580) 2026 03 25

(111) M 2003 15104 R
(732) LTD "PSP Pharma"
Davit Aghmashenebeli Av. 148, 0112,
Tbilisi, Georgia
(770) LTD "PSP"
Zemo Vedzisi St. 103, 0160, Tbilisi, Georgia
(580) 2026 03 25

(111) M 1997 5504 R
(732) Syngenta Crop Protection AG
Rosentalstrasse 67, 4058 Basel, Switzerland
(770) Syngenta Participations AG
c/o Syngenta Crop Protection AG,
Rosentalstrasse 67, 4058 Basel, Switzerland
(580) 2026 03 26

(111) M 1997 5507 R
(732) Syngenta Crop Protection AG
Rosentalstrasse 67, 4058 Basel, Switzerland
(770) Syngenta Participations AG
c/o Syngenta Crop Protection AG,
Rosentalstrasse 67, 4058 Basel, Switzerland
(580) 2026 03 25

(111) M 1997 5508 R
(732) Syngenta Crop Protection AG
Rosentalstrasse 67, 4058 Basel, Switzerland
(770) Syngenta Participations AG
c/o Syngenta Crop Protection AG,
Rosentalstrasse 67, 4058 Basel, Switzerland
(580) 2026 03 25

(111) M 1997 5518 R
(732) Syngenta Crop Protection AG
Rosentalstrasse 67, 4058 Basel, Switzerland
(770) Syngenta Participations AG
c/o Syngenta Crop Protection AG,
Rosentalstrasse 67, 4058 Basel, Switzerland
(580) 2026 03 25

(111) M 1995 885 R
 (732) Syngenta Crop Protection AG
 Rosentalstrasse 67, 4058 Basel, Switzerland
 (770) Syngenta Participations AG
 c/o Syngenta Crop Protection AG,
 Rosentalstrasse 67, 4058 Basel, Switzerland
 (580) 2026 03 26

(111) M 1995 883 R
 (732) Syngenta Crop Protection AG
 Rosentalstrasse 67, 4058 Basel, Switzerland
 (770) Syngenta Participations AG
 c/o Syngenta Crop Protection AG,
 Rosentalstrasse 67, 4058 Basel, Switzerland
 (580) 2026 03 25

(111) M 1997 5582 R
 (732) Syngenta Crop Protection AG
 Rosentalstrasse 67, 4058 Basel, Switzerland
 (770) Syngenta Participations AG
 c/o Syngenta Crop Protection AG,
 Rosentalstrasse 67, 4058 Basel, Switzerland
 (580) 2026 03 26

(111) M 1997 5598 R
 (732) Syngenta Crop Protection AG
 Rosentalstrasse 67, 4058 Basel, Switzerland
 (770) Syngenta Participations AG
 c/o Syngenta Crop Protection AG,
 Rosentalstrasse 67, 4058 Basel, Switzerland
 (580) 2026 03 25

(111) M 1997 5599 R
 (732) Syngenta Crop Protection AG
 Rosentalstrasse 67, 4058 Basel, Switzerland
 (770) Syngenta Participations AG
 c/o Syngenta Crop Protection AG,
 Rosentalstrasse 67, 4058 Basel, Switzerland
 (580) 2026 03 25

(111) M 1997 5602 R
 (732) Syngenta Crop Protection AG
 Rosentalstrasse 67, 4058 Basel, Switzerland
 (770) Syngenta Participations AG
 c/o Syngenta Crop Protection AG,
 Rosentalstrasse 67, 4058 Basel, Switzerland
 (580) 2026 03 26

(111) M 1997 5607 R
 (732) Syngenta Crop Protection AG
 Rosentalstrasse 67, 4058 Basel, Switzerland
 (770) Syngenta Participations AG

c/o Syngenta Crop Protection AG,
 Rosentalstrasse 67, 4058 Basel, Switzerland
 (580) 2026 03 25

(111) M 1997 5608 R
 (732) Syngenta Crop Protection AG
 Rosentalstrasse 67, 4058 Basel, Switzerland
 (770) Syngenta Participations AG
 c/o Syngenta Crop Protection AG,
 Rosentalstrasse 67, 4058 Basel, Switzerland
 (580) 2026 03 25

(111) M 1995 879 R
 (732) Syngenta Crop Protection AG
 Rosentalstrasse 67, 4058 Basel, Switzerland
 (770) Syngenta Participations AG
 c/o Syngenta Crop Protection AG,
 Rosentalstrasse 67, 4058 Basel, Switzerland
 (580) 2026 03 25

(111) M 1997 7600 R
 (732) Syngenta Crop Protection AG
 Rosentalstrasse 67, 4058 Basel, Switzerland
 (770) Syngenta Participations AG
 c/o Syngenta Crop Protection AG,
 Rosentalstrasse 67, 4058 Basel, Switzerland
 (580) 2026 03 26

(111) M 1997 5639 R
 (732) Syngenta Crop Protection AG
 Rosentalstrasse 67, 4058 Basel, Switzerland
 (770) Syngenta Participations AG
 c/o Syngenta Crop Protection AG,
 Rosentalstrasse 67, 4058 Basel, Switzerland
 (580) 2026 03 26

(111) M 1995 1015 R
 (732) Syngenta Crop Protection AG
 Rosentalstrasse 67, 4058 Basel, Switzerland
 (770) Syngenta Participations AG
 c/o Syngenta Crop Protection AG,
 Rosentalstrasse 67, 4058 Basel, Switzerland
 (580) 2026 03 25

(111) M 1997 6087 R
 (732) Syngenta Crop Protection AG
 Rosentalstrasse 67, 4058 Basel, Switzerland
 (770) Syngenta Participations AG
 c/o Syngenta Crop Protection AG,
 Rosentalstrasse 67, 4058 Basel, Switzerland
 (580) 2026 03 25

(111) M 2007 17684 R
(732) LTD "PSP Pharma"
Davit Aghmashenebeli Av. 148, 0112,
Tbilisi, Georgia

(770) LTD "PSP"
Zemo Vedzisi St. 103, 0160, Tbilisi, Georgia
(580) 2026 03 25

(111) M 2007 17685 R
(732) LTD "PSP Pharma"
Davit Aghmashenebeli Av. 148, 0112,
Tbilisi, Georgia
(770) LTD "PSP"
Zemo Vedzisi St. 103, 0160, Tbilisi, Georgia
(580) 2026 03 25

(111) M 2007 17686 R
(732) LTD "PSP Pharma"
Davit Aghmashenebeli Av. 148, 0112,
Tbilisi, Georgia
(770) LTD "PSP"
Zemo Vedzisi St. 103, 0160, Tbilisi, Georgia
(580) 2026 03 25

(111) M 2007 17687 R
(732) LTD "PSP Pharma"
Davit Aghmashenebeli Av. 148, 0112,
Tbilisi, Georgia
(770) LTD "PSP"
Zemo Vedzisi St. 103, 0160, Tbilisi, Georgia
(580) 2026 03 25

(111) M 2007 17688 R
(732) LTD "PSP Pharma"
Davit Aghmashenebeli Av. 148, 0112,
Tbilisi, Georgia
(770) LTD "PSP"
Zemo Vedzisi St. 103, 0160, Tbilisi, Georgia
(580) 2026 03 25

(111) M 2007 17689 R
(732) LTD "PSP Pharma"
Davit Aghmashenebeli Av. 148, 0112,
Tbilisi, Georgia
(770) LTD "PSP"
Zemo Vedzisi St. 103, 0160, Tbilisi, Georgia
(580) 2026 03 25

(111) M 1997 5645 R
(732) Syngenta Crop Protection AG
Rosentalstrasse 67, 4058 Basel, Switzerland
(770) Syngenta Participations AG
c/o Syngenta Crop Protection AG,
Rosentalstrasse 67, 4058 Basel, Switzerland
(580) 2026 03 25

(111) M 1995 895 R
(732) Syngenta Crop Protection AG
Rosentalstrasse 67, 4058 Basel, Switzerland
(770) Syngenta Participations AG
c/o Syngenta Crop Protection AG,
Rosentalstrasse 67, 4058 Basel, Switzerland
(580) 2026 03 25

(111) M 1998 10042 R
(732) Syngenta Crop Protection AG
Rosentalstrasse 67, 4058 Basel, Switzerland
(770) Syngenta Participations AG
c/o Syngenta Crop Protection AG,
Rosentalstrasse 67, 4058 Basel, Switzerland
(580) 2026 03 26

(111) M 2012 22289 R
(732) Syngenta Crop Protection AG
Rosentalstrasse 67, 4058 Basel, Switzerland
(770) Syngenta Participations AG
c/o Syngenta Crop Protection AG,
Rosentalstrasse 67, 4058 Basel, Switzerland
(580) 2026 03 25

(111) M 1998 10029 R
(732) Syngenta Crop Protection AG
Rosentalstrasse 67, 4058 Basel, Switzerland
(770) Syngenta Participations AG
c/o Syngenta Crop Protection AG,
Rosentalstrasse 67, 4058 Basel, Switzerland
(580) 2026 03 26

(111) M 2015 25846 R
(732) Olx Global B.V.
Gustav Mahlerplein 5, in (1082 MS)
Amsterdam, Netherlands
(770) Olx B.V.
Gustav Mahlerplein 5, in (1082 MS)
Amsterdam, Netherlands
(580) 2026 03 31

(111) M 2015 25740 R
(732) LTD "Guruli Nena"
Sulkhan Tsintsadze St. 12, fl. 3
Non-residential premises 3-6, Saburtalo
District, Tbilisi, Georgia
(770) LTD "Chemi Nena"
Sulkhan Tsintsadze St. 12, fl. 3
Non-residential premises 3-6, Saburtalo
District, Tbilisi, Georgia
(580) 2026 04 06

(111) M 2017 28200 R
(732) LTD "Venora Maison"
Simon Kandelaki St. 7, B. 35, Tbilisi, Georgia
(770) LTD "Art Pharma"
Lvov St. 92, Saburtalo District, Tbilisi,
Georgia
(580) 2026 03 10

(111) M 2018 30062 R
(732) Syngenta Crop Protection AG
Rosentalstrasse 67, 4058 Basel, Switzerland
(770) Syngenta Participations AG
c/o Syngenta Crop Protection AG,
Rosentalstrasse 67, 4058 Basel, Switzerland
(580) 2026 03 25

CHANGE OF NAME AND/OR ADDRESS OF TRADEMARK OWNER

(111) M 2020 32600 R
(732) Unilever IP Holdings B.V.
Bronland 14, 6708 WH Wageningen,
Netherlands
(770) Unilever IP Holdings B.V.
Weena 455, 3013 AL Rotterdam, Netherlands
(580) 2026 03 30

(111) M 2020 32874 R
(732) Unilever IP Holdings B.V.
Bronland 14, 6708 WH Wageningen,
Netherlands
(770) Unilever IP Holdings B.V.
Weena 455, 3013 AL Rotterdam, Netherlands
(580) 2026 03 30

(111) M 1999 12854 R
(732) Unilever IP Holdings B.V.
Bronland 14, 6708 WH Wageningen,
Netherlands
(770) Unilever IP Holdings B.V.
Weena 455, 3013 AL Rotterdam, Netherlands
(580) 2026 03 30

(111) M 1996 2634 R
(732) Stellantis Europe S.p.A
Korso Jovani Anieli 200, 10135 Turini, Italy
(770) Fiat Auto S.P.A.
Korso Jovani Anieli 200, 10135 Turini, Italy
(580) 2026 03 19

(111) M 2022 35298 R
(732) Unilever IP Holdings B.V.
Bronland 14, 6708 WH Wageningen,
Netherlands
(770) Unilever IP Holdings B.V.
Weena 455, 3013 AL Rotterdam, Netherlands
(580) 2026 03 30

(111) M 2022 35317 R
(732) Unilever IP Holdings B.V.
Bronland 14, 6708 WH Wageningen,
Netherlands
(770) Unilever IP Holdings B.V.
Weena 455, 3013 AL Rotterdam, Netherlands
(580) 2026 03 30

(111) M 2024 38780 R
(732) Unilever IP Holdings B.V.
Bronland 14, 6708 WH Wageningen,
Netherlands
(770) Unilever IP Holdings B.V.
Weena 455, 3013 AL Rotterdam, Netherlands
(580) 2026 03 30

(111) M 1999 11422 R
(732) Unilever IP Holdings B.V.
Bronland 14, 6708 WH Wageningen,
Netherlands
(770) Unilever IP Holdings B.V.
Weena 455, 3013 AL Rotterdam, Netherlands
(580) 2026 03 30

(111) M 1999 12249 R
(732) Unilever IP Holdings B.V.
Bronland 14, 6708 WH Wageningen,
Netherlands
(770) Unilever IP Holdings B.V.
Weena 455, 3013 AL Rotterdam, Netherlands
(580) 2026 03 30

(111) M 1999 12250 R
(732) Unilever IP Holdings B.V.
Bronland 14, 6708 WH Wageningen,
Netherlands
(770) Unilever IP Holdings B.V.
Weena 455, 3013 AL Rotterdam, Netherlands
(580) 2026 03 30

(111) M 1999 12251 R
(732) Unilever IP Holdings B.V.
Bronland 14, 6708 WH Wageningen,
Netherlands
(770) Unilever IP Holdings B.V.
Weena 455, 3013 AL Rotterdam, Netherlands
(580) 2026 04 02

(111) M 1999 12252 R
(732) Unilever IP Holdings B.V.
Bronland 14, 6708 WH Wageningen,
Netherlands
(770) Unilever IP Holdings B.V.
Weena 455, 3013 AL Rotterdam, Netherlands
(580) 2026 03 30

(111) M 2000 13389 R
(732) Unilever IP Holdings B.V.
Bronland 14, 6708 WH Wageningen,
Netherlands
(770) Unilever IP Holdings B.V.
Weena 455, 3013 AL Rotterdam, Netherlands
(580) 2026 03 30

(111) M 1999 12498 R
(732) Unilever IP Holdings B.V.
Bronland 14, 6708 WH Wageningen,
Netherlands
(770) Unilever IP Holdings B.V.
Weena 455, 3013 AL Rotterdam, Netherlands
(580) 2026 03 30

(111) M 1999 12499 R
(732) Unilever IP Holdings B.V.
Bronland 14, 6708 WH Wageningen,
Netherlands
(770) Unilever IP Holdings B.V.
Weena 455, 3013 AL Rotterdam, Netherlands
(580) 2026 03 30

(111) M 1999 12571 R
(732) Unilever IP Holdings B.V.
Bronland 14, 6708 WH Wageningen,
Netherlands
(770) Unilever IP Holdings B.V.
Weena 455, 3013 AL Rotterdam, Netherlands
(580) 2026 03 30

(111) M 1996 3610 R
(732) Jim Beam Brands Co.
11 Madison Ave. suite 1200, New York,
New York 10010, USA
(770) Jim Beam Brands Co.
222 West Merchandise Mart Plaza, Suite
1600, Chicago, Illinois 60653, USA
(580) 2026 03 25

(111) M 1996 3617 R
(732) Jim Beam Brands Co.
11 Madison Ave. suite 1200, New York,
New York 10010, USA
(770) Jim Beam Brands Co.
222 West Merchandise Mart Plaza, Suite
1600, Chicago, Illinois 60653, USA
(580) 2026 03 25

(111) M 2006 17197 R
(732) Cummins Filtration Inc.
26 Century Blvd., Suite 500, Nashville,
TN 37214, USA
(770) Cummins Filtration Inc.
26 Century Blvd., 5th Floor North,
Nashville, TN 37214, USA
(580) 2026 02 13

(111) M 1998 8659 R
(732) Unilever IP Holdings B.V.
Bronland 14, 6708 WH Wageningen,
Netherlands
(770) Unilever IP Holdings B.V.
Weena 455, 3013 AL Rotterdam, Netherlands
(580) 2026 03 30

(111) M 1996 2432 R
(732) Unilever IP Holdings B.V.
Bronland 14, 6708 WH Wageningen,
Netherlands
(770) Unilever IP Holdings B.V.
Weena 455, 3013 AL Rotterdam, Netherlands
(580) 2026 03 30

(111) M 1996 2198 R
(732) Unilever IP Holdings B.V.
Bronland 14, 6708 WH Wageningen,
Netherlands
(770) Unilever IP Holdings B.V.
Weena 455, 3013 AL Rotterdam, Netherlands
(580) 2026 03 30

(111) M 1996 2221 R
(732) Unilever IP Holdings B.V.
Bronland 14, 6708 WH Wageningen,
Netherlands
(770) Unilever IP Holdings B.V.
Weena 455, 3013 AL Rotterdam, Netherlands
(580) 2026 03 30

(111) M 1996 2297 R
(732) Unilever IP Holdings B.V.
Bronland 14, 6708 WH Wageningen,
Netherlands
(770) Unilever IP Holdings B.V.
Weena 455, 3013 AL Rotterdam, Netherlands
(580) 2026 03 30

(111) M 2009 19381 R
(732) Unilever IP Holdings B.V.
Bronland 14, 6708 WH Wageningen,
Netherlands
(770) Unilever IP Holdings B.V.
Weena 455, 3013 AL Rotterdam, Netherlands
(580) 2026 03 30

(111) M 2009 19926 R
(732) Unilever IP Holdings B.V.
Bronland 14, 6708 WH Wageningen,
Netherlands
(770) Unilever IP Holdings B.V.
Weena 455, 3013 AL Rotterdam, Netherlands
(580) 2026 03 30

(111) M 2009 19925 R
(732) Unilever IP Holdings B.V.
Bronland 14, 6708 WH Wageningen,
Netherlands
(770) Unilever IP Holdings B.V.
Weena 455, 3013 AL Rotterdam, Netherlands
(580) 2026 03 30

(111) M 2009 19927 R
(732) Unilever IP Holdings B.V.
Bronland 14, 6708 WH Wageningen,
Netherlands
(770) Unilever IP Holdings B.V.
Weena 455, 3013 AL Rotterdam, Netherlands
(580) 2026 03 30

(111) M 1996 1978 R
(732) Ingersoll-Rand Industrial U.S., Inc.
525 Harbour Place, Suite 600, Davidson,
North Carolina 28036, USA
(770) Ingersoll-Rand Industrial U.S.,
a Delaware corporation
800-E Beaty Street, Davidson,
NC 28036, USA
(580) 2026 04 01

(111) M 1996 1977 R
(732) Ingersoll-Rand Industrial U.S., Inc.
525 Harbour Place, Suite 600, Davidson,
North Carolina 28036, USA
(770) Ingersoll-Rand Industrial U.S.,
a Delaware corporation
800-E Beaty Street, Davidson,
NC 28036, USA
(580) 2026 04 01

(111) M 1996 2226 R
(732) Unilever IP Holdings B.V.
Bronland 14, 6708 WH Wageningen,
Netherlands
(770) Unilever IP Holdings B.V.
Weena 455, 3013 AL Rotterdam, Netherlands
(580) 2026 03 30

(111) M 1998 8729 R
(732) Unilever IP Holdings B.V.
Bronland 14, 6708 WH Wageningen,
Netherlands
(770) Unilever IP Holdings B.V.
Weena 455, 3013 AL Rotterdam, Netherlands
(580) 2026 03 30

(111) M 1998 8718 R
(732) Unilever IP Holdings B.V.
Bronland 14, 6708 WH Wageningen,
Netherlands
(770) Unilever IP Holdings B.V.
Weena 455, 3013 AL Rotterdam, Netherlands
(580) 2026 03 30

(111) M 1996 4035 R
(732) Armand Basi S.L.
Cl Consell De Cent Num. 333 P.5, 08007
Barcelona, Spain
(770) Armand Basi, S.L.
Sant Lluc, 54-64, 08918 Badalona
(Barcelona), Spain
(580) 2026 03 30

(111) M 2011 21281 R
(732) Unilever IP Holdings B.V.
Bronland 14, 6708 WH Wageningen,
Netherlands
(770) Unilever IP Holdings B.V.
Weena 455, 3013 AL Rotterdam, Netherlands
(580) 2026 03 30

(111) M 2013 23455 R
(732) Unilever IP Holdings B.V.
Bronland 14, 6708 WH Wageningen,
Netherlands
(770) Unilever IP Holdings B.V.
Weena 455, 3013 AL Rotterdam, Netherlands
(580) 2026 03 30

(111) M 2013 23456 R
 (732) Unilever IP Holdings B.V.
 Bronland 14, 6708 WH Wageningen,
 Netherlands
 (770) Unilever IP Holdings B.V.
 Weena 455, 3013 AL Rotterdam, Netherlands
 (580) 2026 03 30

(111) M 1997 5089 R
 (732) Unilever IP Holdings B.V.
 Bronland 14, 6708 WH Wageningen,
 Netherlands
 (770) Unilever IP Holdings B.V.
 Weena 455, 3013 AL Rotterdam, Netherlands
 (580) 2026 03 30

(111) M 1997 5090 R
 (732) Unilever IP Holdings B.V.
 Bronland 14, 6708 WH Wageningen,
 Netherlands
 (770) Unilever IP Holdings B.V.
 Weena 455, 3013 AL Rotterdam, Netherlands
 (580) 2026 03 30

(111) M 1998 8739 R
 (732) Unilever IP Holdings B.V.
 Bronland 14, 6708 WH Wageningen,
 Netherlands
 (770) Unilever IP Holdings B.V.
 Weena 455, 3013 AL Rotterdam, Netherlands
 (580) 2026 03 30

(111) M 1997 5091 R
 (732) Unilever IP Holdings B.V.
 Bronland 14, 6708 WH Wageningen,
 Netherlands
 (770) Unilever IP Holdings B.V.
 Weena 455, 3013 AL Rotterdam, Netherlands
 (580) 2026 03 30

(111) M 1998 8677 R
 (732) Unilever IP Holdings B.V.
 Bronland 14, 6708 WH Wageningen,
 Netherlands
 (770) Unilever IP Holdings B.V.
 Weena 455, 3013 AL Rotterdam, Netherlands
 (580) 2026 03 30

(111) M 1997 5816 R
 (732) Unilever IP Holdings B.V.
 Bronland 14, 6708 WH Wageningen,
 Netherlands

(770) Unilever IP Holdings B.V.
 Weena 455, 3013 AL Rotterdam,
 Netherlands
 (580) 2026 03 30

(111) M 1998 9514 R
 (732) Unilever IP Holdings B.V.
 Bronland 14, 6708 WH Wageningen,
 Netherlands
 (770) Unilever IP Holdings B.V.
 Weena 455, 3013 AL Rotterdam, Netherlands
 (580) 2026 03 30

(111) M 1998 9361 R
 (732) Unilever IP Holdings B.V.
 Bronland 14, 6708 WH Wageningen,
 Netherlands
 (770) Unilever IP Holdings B.V.
 Weena 455, 3013 AL Rotterdam, Netherlands
 (580) 2026 03 30

(111) M 2016 27275 R
 (732) LTD "S. Khechinashvili University Clinic"
 Z. Avalishvili St. 4/Ilia Chavchavadze Av.
 I Lane 1, Vake District, Tbilisi, Georgia
 (770) LTD "S. Khechinashvili University Clinic"
 Ilia Chavchavadze Av. 29-31-33, 0179, Tbilisi,
 Georgia
 (580) 2026 03 24

(111) M 1996 1931 R
 (732) Armand Basi S.L.
 Cl Consell De CEnt Num. 333 P.5, 08007
 Barcelona, Spain
 (770) Armand Basi S.L.
 Sant Lluc, 54-64, 08918 Badalona (Barcelo-
 na), Spain
 (580) 2026 03 30

(111) M 1999 12562 R
 (732) Unilever IP Holdings B.V.
 Bronland 14, 6708 WH Wageningen,
 Netherlands
 (770) Unilever IP Holdings B.V.
 Weena 455, 3013 AL Rotterdam, Netherlands
 (580) 2026 03 30

(111) M 2017 28452 R
 (732) Milenium & Koptorn Interneshenal Limited
 9 Raffles Place, №12-01, Republic Plaza,
 Singapore 048619, Singapore
 (770) Milenium & Koptorn Interneshenal Limited

36 Robinson Road №04-01 Siti Haus,
Singapuri 068877, Singapore
(580) 2026 03 26

(111) M 1997 5394 R
(732) Unilever IP Holdings B.V.
Bronland 14, 6708 WH Wageningen,
Netherlands
(770) Unilever IP Holdings B.V.
Weena 455, 3013 AL Rotterdam, Netherlands
(580) 2026 03 30

CANCELLATION OF TRADEMARK REGISTRATION

(111) M 2021 33736 R
(151) 2021 03 01
(732) Mzia Maghlakelidze
Tsozne Dadiani St. 315, ap. 15, 0192, Tbilisi,
Georgia
(141) 2026 04 07 Registration Cancelled
(851) Grounds: The Law of Georgia on Trademarks,
Article 28.1(b)

(111) M 1995 1077 R
(151) 1995 09 28
(732) Mitsubishi Chemical Corporation
1-1, Marunouchi 1-chome, Chiyoda-Ku,
Tokyo, Japan
(141) 2026 04 15

(111) M 1995 1076 R
(151) 1995 09 28
(732) Nec Corporation
7-1, Shiba 5-chome, Minato-ku, Tokyo, Japan
(141) 2026 04 15

(111) M 2015 26329 R
(151) 2015 10 05
(732) Andreas Stihl AG & Co. KG.
Badstrasse 115, 71336 Waiblingen, Germany
(141) 2026 04 15

(111) M 2015 26330 R
(151) 2015 10 05
(732) Andreas Stihl AG & Co. KG.
Badstrasse 115, 71336 Waiblingen, Germany
(141) 2026 04 15

(111) M 2015 26328 R
(151) 2015 10 02
(732) LTD "Global Communication"
Sulkhan Saba Av. 83, ap. 84, 4600, Kutaisi,
Georgia
(141) 2026 04 15

CLASSIFICATION INDEXES

INVENTION

CONCORDANCE TABLE OF INTERNATIONAL CLASSIFICATION INDEX AND PUBLICATION NUMBER

INTERNATIONAL CLASSIFICATION INDEXES (51)	NUMBER OF PUBLISHED APPLICATION (10)
A 61 K 31/438; A 61 P 13/12; C 07 D 519/00; C 07 D 495/20	AP 2026 16189 A

CONCORDANCE TABLE OF PUBLICATION NUMBER AND INTERNATIONAL CLASSIFICATION INDEX

NUMBER OF PUBLISHED APPLICATION (10)	INTERNATIONAL CLASSIFICATION INDEXES (51)
AP 2026 16189 A	A 61 K 31/438; A 61 P 13/12; C 07 D 519/00; C 07 D 495/20

PATENTED INVENTION

CONCORDANCE TABLE OF INTERNATIONAL CLASSIFICATION INDEX, PATENT NUMBER AND PUBLICATION NUMBER

INTERNATIONAL CLASSIFICATION INDEX (51)	NUMBER OF PATENT (11)	NUMBER OF PUBLISHED APPLICATION (10)
A 61 K 31/41; A 61 K 9/72; A 61 K 31/573; A 61 K 31/513; A 61 K 31/497; A 61 K 31/47; A 61 K 31/427; A 61 K 31/4152; A 61 P 31/12	P 2026 7884 B	AP 2025 16057 A

CONCORDANCE TABLE OF PATENT NUMBER, PUBLICATION NUMBER AND INTERNATIONAL CLASSIFICATION INDEX

NUMBER OF PATENT (11)	NUMBER OF PUBLISHED APPLICATION (10)	INTERNATIONAL CLASSIFICATION INDEX (51)
P 2026 7884 B	AP 2025 16057 A	A 61 K 31/41; A 61 K 9/72; A 61 K 31/573; A 61 K 31/513; A 61 K 31/497; A 61 K 31/47; A 61 K 31/427; A 61 K 31/4152; A 61 P 31/12

**CONCORDANCE TABLE OF APPLICATION NUMBER,
PUBLICATION NUMBER AND PATENT**

NUMBER OF APPLICATION (21)	NUMBER OF PUBLISHED APPLICATION (10)	NUMBER OF PATENT (11)
AP 2021 16057	AP 2025 16057 A	P 2026 7884 B

APPLICATION***
**CONCORDANCE TABLE OF INTERNATIONAL CLASSIFICATION INDEX
AND PUBLICATION NUMBER**

INTERNATIONAL CLASSIFICATION INDEXES (51)	NUMBER OF PUBLISHED APPLICATION (10)
A 21 C 3/02	AP 2026 16830 A
A 61 K 31/4162; A 61 K 31/437; C 07 D 498/22; C 07 D 231/10; C 07 D 519/00	AP 2026 16876 A
A 61 K 31/47; A 61 K 38/2013; A 61 P 35/00	AP 2026 16896 A
A 61 K 31/495; A 61 K 9/26; A 61 P 25/24	AP 2026 16901 A
A 61 K 31/5025; A 61 P 29/00; A 61 P 37 /00; C 07 D 487/04; C 07 D 519/00	AP 2026 16890 A
A 61 K 39/12; A 61 P 31/20	AP 2026 16881 A
A 61 K 39/395; A 61 P 29/00; A 61 P 1/00; C 07 K 16/28; C 07 K 16/24	AP 2026 16911 A

**CONCORDANCE TABLE OF PUBLICATION NUMBER
AND INTERNATIONAL CLASSIFICATION INDEX**

NUMBER OF PUBLISHED APPLICATION (10)	INTERNATIONAL CLASSIFICATION INDEXES (51)
AP 2026 16830 A	A 21 C 3/02
AP 2026 16876 A	A 61 K 31/4162; A 61 K 31/437; C 07 D 498/22; C 07 D 231/10; C 07 D 519/00
AP 2026 16881 A	A 61 K 39/12; A 61 P 31/20
AP 2026 16890 A	A 61 K 31/5025; A 61 P 29/00; A 61 P 37 /00; C 07 D 487/04; C 07 D 519/00
AP 2026 16896 A	A 61 K 31/47; A 61 K 38/2013; A 61 P 35/00
AP 2026 16901 A	A 61 K 31/495; A 61 K 9/26; A 61 P 25/24
AP 2026 16911 A	A 61 K 39/395; A 61 P 29/00; A 61 P 1/00; C 07 K 16/28; C 07 K 16/24

PATENT*****CONCORDANCE TABLE OF INTERNATIONAL CLASSIFICATION INDEX,
PATENT NUMBER AND PUBLICATION NUMBER**

INTERNATIONAL CLASSIFICATION INDEX (51)	NUMBER OF PATENT (11)	NUMBER OF PUBLISHED APPLICATION (10)
A 21 C 3/02	P 2026 7885 B	AP 2026 16830 A
A 61 K 31/519; A 61 P 33/06; C 07 D 491/22; C 07 D 491/18; C 07 D 491/16	P 2026 7890 B	AP 2024 16552 A
A 61 K 39/395; A 61 K 31/4745; A 61 P 35/00; C 07 D 491/147; C 07 D 491/12	P 2026 7886 B	AP 2024 16409 A
F 01 N 3/20; F 01 N 13/00; F 01 N 3/08	P 2026 7887 B	AP 2024 16480 A
H 01 L 41/04; H 03 K 19/00	P 2026 7888 B	AP 2024 16561 A
H 01 L 41/04; H 03 K 19/00	P 2026 7889 B	AP 2025 16815 A

**CONCORDANCE TABLE OF PATENT NUMBER,
PUBLICATION NUMBER AND INTERNATIONAL CLASSIFICATION INDEX**

NUMBER OF PATENT (11)	NUMBER OF PUBLISHED APPLICATION (10)	INTERNATIONAL CLASSIFICATION INDEX (51)
P 2026 7885 B	AP 2026 16830 A	A 21 C 3/02
P 2026 7886 B	AP 2024 16409 A	A 61 K 39/395; A 61 K 31/4745; A 61 P 35/00; C 07 D 491/147; C 07 D 491/12
P 2026 7887 B	AP 2024 16480 A	F 01 N 3/20; F 01 N 13/00; F 01 N 3/08
P 2026 7888 B	AP 2024 16561 A	H 01 L 41/04; H 03 K 19/00
P 2026 7889 B	AP 2025 16815 A	H 01 L 41/04; H 03 K 19/00
P 2026 7890 B	AP 2024 16552 A	A 61 K 31/519; A 61 P 33/06; C 07 D 491/22; C 07 D 491/18; C 07 D 491/16

**CONCORDANCE TABLE OF APPLICATION NUMBER,
PUBLICATION NUMBER AND PATENT**

NUMBER OF APPLICATION (21)	NUMBER OF PUBLISHED APPLICATION (10)	NUMBER OF PATENT (11)
AP 2022 16409	AP 2024 16409 A	P 2026 7886 B
AP 2022 16480	AP 2024 16480 A	P 2026 7887 B
AP 2022 16552	AP 2024 16552 A	P 2026 7890 B
AP 2021 16561	AP 2024 16561 A	P 2026 7888 B
AP 2021 16815	AP 2025 16815 A	P 2026 7889 B
AP 2025 16830	AP 2026 16830 A	P 2026 7885 B

UTILITY MODEL APPLICATION***

CONCORDANCE TABLE OF INTERNATIONAL CLASSIFICATION INDEX AND PUBLICATION NUMBER

INTERNATIONAL CLASSIFICATION INDEXES (51)	NUMBER OF PUBLISHED APPLICATION (10)
B 01 D 53/94; B 01 D 53/9413; B 01 J 21/04; B 01 J 21/06; B 01 J 23/10	AU 2026 16796 U
G 01 L 19/008; H 03 C 3/00	AU 2026 16728 U

CONCORDANCE TABLE OF PUBLICATION NUMBER AND INTERNATIONAL CLASSIFICATION INDEX

NUMBER OF PUBLISHED APPLICATION (10)	INTERNATIONAL CLASSIFICATION INDEXES (51)
AU 2026 16728 U	G 01 L 19/008; H 03 C 3/00
AU 2026 16796 U	B 01 D 53/94; B 01 D 53/9413; B 01 J 21/04; B 01 J 21/06; B 01 J 23/10

REGISTERED UTILITY MODEL***

CONCORDANCE TABLE OF INTERNATIONAL CLASSIFICATION INDEX, NUMBER OF REGISTRATION AND PUBLICATION NUMBER

INTERNATIONAL CLASSIFICATION INDEX (51)	NUMBER OF REGISTRATION (11)	NUMBER OF PUBLISHED APPLICATION (10)
B 01 D 53/94; B 01 D 53/9413; B 01 J 21/04; B 01 J 21/06; B 01 J 23/10	U 2026 2244 Y	AU 2026 16796 U
G 01 L 19/008; H 03 C 3/00	U 2026 2243 Y	AU 2026 16728 U

CONCORDANCE TABLE OF NUMBER OF REGISTRATION, PUBLICATION NUMBER AND INTERNATIONAL CLASSIFICATION INDEX

NUMBER OF REGISTRATION (11)	NUMBER OF PUBLISHED APPLICATION (10)	INTERNATIONAL CLASSIFICATION INDEX (51)
U 2026 2243 Y	AU 2026 16728 U	G 01 L 19/008; H 03 C 3/00
U 2026 2244 Y	AU 2026 16796 U	B 01 D 53/94; B 01 D 53/9413; B 01 J 21/04; B 01 J 21/06; B 01 J 23/10

CONCORDANCE TABLE OF APPLICATION NUMBER,
PUBLICATION NUMBER AND NUMBER OF REGISTRATION

NUMBER OF APPLICATION (21)	NUMBER OF PUBLISHED APPLICATION (10)	NUMBER OF REGISTRATION (11)
AU 2025 16728	AU 2026 16728 U	U 2026 2243 Y
AU 2025 16796	AU 2026 16796 U	U 2026 2244 Y

DESIGN

CONCORDANCE TABLE OF INTERNATIONAL CLASSIFICATION INDEX
AND PUBLICATION NUMBER

INTERNATIONAL CLASSIFICATION INDEX (51)	NUMBER OF PUBLISHED APPLICATION (10)
32-01	AD 2026 1486 S

CONCORDANCE TABLE OF PUBLICATION NUMBER
AND INTERNATIONAL CLASSIFICATION INDEX

NUMBER OF PUBLISHED APPLICATION (10)	INTERNATIONAL CLASSIFICATION INDEX (51)
AD 2026 1486 S	32-01

CONCORDANCE TABLE OF INTERNATIONAL CLASSIFICATION INDEX,
NUMBER OF REGISTRATION AND PUBLICATION NUMBER

INTERNATIONAL CLASSIFICATION INDEXES (51)	NUMBER OF REGISTRATION (11)	NUMBER OF PUBLISHED APPLICATION (10)
02-04	D 2026 1115 S	AD 2026 1468 S
09-01	D 2026 1113 S	AD 2025 1462 S
09-03	D 2026 1116 S	AD 2026 1459 S

CONCORDANCE TABLE OF NUMBER OF REGISTRATION,
PUBLICATION NUMBER AND INTERNATIONAL CLASSIFICATION INDEX

NUMBER OF REGISTRATION (11)	NUMBER OF PUBLISHED APPLICATION (10)	INTERNATIONAL CLASSIFICATION INDEXES (51)
D 2026 1113 S	AD 2025 1462 S	09-01
D 2026 1115 S	AD 2026 1468 S	02-04
D 2026 1116 S	AD 2026 1459 S	09-03

CONCORDANCE TABLE OF APPLICATION NUMBER,
PUBLICATION NUMBER AND NUMBER OF REGISTRATION

NUMBER OF APPLICATION (21)	NUMBER OF PUBLISHED APPLICATION (10)	NUMBER OF REGISTRATION (11)
AD 2025 1459	AD 2026 1459 S	D 2026 1116 S
AD 2025 1462	AD 2025 1462 S	D 2026 1113 S
AD 2025 1468	AD 2026 1468 S	D 2026 1115 S

**DESIGN REGISTERED ACCORDING TO THE ACCELERATED
PROCEDURE**

CONCORDANCE TABLE OF INTERNATIONAL CLASSIFICATION INDEX
AND PUBLICATION NUMBERS

INTERNATIONAL CLASSIFICATION INDEXES (51)	NUMBER OF REGISTRATION (11)
02-01	D 2026 1114 S

CONCORDANCE TABLE OF PUBLICATION NUMBERS
AND INTERNATIONAL CLASSIFICATION INDEX

NUMBER OF REGISTRATION (11)	INTERNATIONAL CLASSIFICATION INDEXES (51)
D 2026 1114 S	02-01

CONCORDANCE TABLE OF APPLICATION NUMBERS,
PUBLICATION NUMBERS AND PATENTS

NUMBER OF APPLICATION (21)	NUMBER OF REGISTRATION (11)
AD 2026 1510	D 2026 1114 S

TRADEMARKCONCORDANCE TABLE OF REGISTRATION NUMBER, APPLICATION NUMBER,
PUBLICATION NUMBER AND BULLETIN NUMBER

NUMBER OF REGISTRATION (111)	NUMBER OF APPLICATIONS (210)	NUMBER OF PUBLISHED APPLICATIONS (260)	NUMBER OF BULLETIN
1	2	3	4
M 2026 41059 R	AM 138265	–	8(683)2026
M 2026 41060 R	AM 138144	–	8(683)2026
M 2026 41061 R	AM 138297	–	8(683)2026
M 2026 41062 R	AM 133475	AM 2025 133475 A	22(673)2025
M 2026 41063 R	AM 132332	AM 2025 132332 A	23(674)2025
M 2026 41064 R	AM 133554	AM 2025 133554 A	23(674)2025
M 2026 41065 R	AM 133551	AM 2025 133551 A	23(674)2025
M 2026 41066 R	AM 133643	AM 2025 133643 A	23(674)2025
M 2026 41067 R	AM 133255	AM 2025 133255 A	22(673)2025
M 2026 41068 R	AM 133567	AM 2025 133567 A	23(674)2025
M 2026 41069 R	AM 133385	AM 2025 133385 A	23(674)2025
M 2026 41070 R	AM 133552	AM 2025 133552 A	23(674)2025
M 2026 41071 R	AM 133566	AM 2025 133566 A	23(674)2025
M 2026 41072 R	AM 133163	AM 2025 133163 A	22(673)2025
M 2026 41073 R	AM 133553	AM 2025 133553 A	23(674)2025
M 2026 41074 R	AM 133246	AM 2025 133246 A	22(673)2025
M 2026 41075 R	AM 133778	AM 2025 133778 A	23(674)2025
M 2026 41076 R	AM 133785	AM 2025 133785 A	23(674)2025
M 2026 41077 R	AM 133377	AM 2025 133377 A	22(673)2025
M 2026 41078 R	AM 132941	AM 2025 132941 A	23(674)2025
M 2026 41079 R	AM 133468	AM 2025 133468 A	23(674)2025
M 2026 41080 R	AM 133070	AM 2025 133070 A	21(672)2025
M 2026 41081 R	AM 133131	AM 2025 133131 A	22(673)2025
M 2026 41082 R	AM 133005	AM 2025 133005 A	21(672)2025
M 2026 41083 R	AM 133004	AM 2025 133004 A	21(672)2025
M 2026 41084 R	AM 132515	AM 2025 132515 A	23(674)2025
M 2026 41085 R	AM 133007	AM 2025 133007 A	21(672)2025
M 2026 41086 R	AM 133006	AM 2025 133006 A	21(672)2025
M 2026 41087 R	AM 132345	AM 2025 132345 A	18(669)2025
M 2026 41088 R	AM 134092	AM 2025 134092 A	24(675)2025
M 2026 41089 R	AM 132784	AM 2025 132784 A	23(674)2025
M 2026 41090 R	AM 133486	AM 2025 133486 A	23(674)2025
M 2026 41091 R	AM 133484	AM 2025 133484 A	22(673)2025
M 2026 41092 R	AM 131762	AM 2025 131762 A	20(671)2025
M 2026 41093 R	AM 134093	AM 2025 134093 A	24(675)2025
M 2026 41094 R	AM 134183	AM 2025 134183 A	24(675)2025
M 2026 41095 R	AM 132658	AM 2025 132658 A	18(669)2025
M 2026 41096 R	AM 132229	AM 2025 132229 A	18(669)2025
M 2026 41097 R	AM 132351	AM 2025 132351 A	20(671)2025
M 2026 41098 R	AM 133768	AM 2025 133768 A	24(675)2025
M 2026 41099 R	AM 133012	AM 2025 133012 A	21(672)2025
M 2026 41100 R	AM 132678	AM 2025 132678 A	18(669)2025
M 2026 41101 R	AM 132707	AM 2025 132707 A	20(671)2025
M 2026 41102 R	AM 133361	AM 2025 133361 A	24(675)2025
M 2026 41103 R	AM 132797	AM 2025 132797 A	23(674)2025
M 2026 41104 R	AM 134086	AM 2025 134086 A	24(675)2025

1	2	3	4
M 2026 41105 R	AM 133885	AM 2025 133885 A	24(675)2025
M 2026 41106 R	AM 132657	AM 2025 132657 A	20(671)2025
M 2026 41107 R	AM 138436	–	8(683)2026
M 2026 41108 R	AM 138444	–	8(683)2026
M 2026 41109 R	AM 138424	–	8(683)2026
M 2026 41110 R	AM 137703	–	8(683)2026
M 2026 41111 R	AM 138543	–	8(683)2026
M 2026 41112 R	AM 133022	AM 2025 133022 A	21(672)2025
M 2026 41113 R	AM 138573	–	8(683)2026
M 2026 41114 R	AM 138597	–	8(683)2026
M 2026 41115 R	AM 133022	AM 2025 133022 A	21(672)2025
M 2026 41116 R	AM 133022	AM 2025 133022 A	21(672)2025
M 2026 41117 R	AM 138442	–	8(683)2026
M 2026 41118 R	AM 138562	–	8(683)2026
M 2026 41119 R	AM 138596	–	8(683)2026
M 2026 41120 R	AM 138578	–	8(683)2026
M 2026 41121 R	AM 138589	–	8(683)2026
M 2026 41122 R	AM 138680	–	8(683)2026
M 2026 41123 R	AM 138268	–	8(683)2026
M 2026 41124 R	AM 138564	–	8(683)2026
M 2026 41125 R	AM 138293	–	8(683)2026
M 2026 41126 R	AM 138292	–	8(683)2026
M 2026 41127 R	AM 138665	–	8(683)2026
M 2026 41128 R	AM 138581	–	8(683)2026
M 2026 41129 R	AM 138582	–	8(683)2026
M 2026 41130 R	AM 138674	–	8(683)2026

CONCORDANCE TABLE OF INDEX OF GOODS AND/OR SERVICE
AND APPLICATION NUMBER

NUMBER OF PUBLISHED APPLICATION (260)	NUMBER OF APPLICATION (210)	1	2
1	2		
AM 2026 132801* A	AM 132801	AM 2026 135496 A	AM 135496
AM 2026 133894 A	AM 133894	AM 2026 135498 A	AM 135498
AM 2026 135098 A	AM 135098	AM 2026 135503 A	AM 135503
AM 2026 135127 A	AM 135127	AM 2026 135504 A	AM 135504
AM 2026 135378 A	AM 135378	AM 2026 135507 A	AM 135507
AM 2026 135379 A	AM 135379	AM 2026 135508 A	AM 135508
AM 2026 135380 A	AM 135380	AM 2026 135551 A	AM 135551
AM 2026 135381 A	AM 135381	AM 2026 135564 A	AM 135564
AM 2026 135382 A	AM 135382	AM 2026 135616 A	AM 135616
AM 2026 135393 A	AM 135393	AM 2026 135620 A	AM 135620
AM 2026 135397 A	AM 135397	AM 2026 135622 A	AM 135622
AM 2026 135399 A	AM 135399	AM 2026 135625 A	AM 135625
AM 2026 135410 A	AM 135410	AM 2026 135628 A	AM 135628
AM 2026 135411 A	AM 135411	AM 2026 135643 A	AM 135643
AM 2026 135464 A	AM 135464	AM 2026 135658 A	AM 135658
AM 2026 135469 A	AM 135469	AM 2026 135716 A	AM 135716
AM 2026 135476 A	AM 135476	AM 2026 135727 A	AM 135727
AM 2026 135477 A	AM 135477	AM 2026 135732 A	AM 135732
AM 2026 135482 A	AM 135482	AM 2026 135744 A	AM 135744
		AM 2026 135745 A	AM 135745
		AM 2026 135758 A	AM 135758
		AM 2026 135815 A	AM 135815
		AM 2026 135816 A	AM 135816
		AM 2026 135817 A	AM 135817

CONCORDANCE TABLE OF PUBLICATION NUMBER
AND APPLICATION NUMBER

INDEX OF GOODS AND/OR SERVICE (511)	NUMBER OF PUBLISHED APPLICATION (260)	1	2
1	2	31	AM 2026 135508 A
3	AM 2026 135498 A	32	AM 2026 135410 A
3	AM 2026 135625 A	32	AM 2026 135411 A
5	AM 2026 135469 A	32	AM 2026 135507 A
5	AM 2026 135482 A	32	AM 2026 135508 A
5	AM 2026 135496 A	33	AM 2026 135507 A
5	AM 2026 135498 A	33	AM 2026 135508 A
5	AM 2026 135503 A	33	AM 2026 135616 A
5	AM 2026 135504 A	33	AM 2026 135622 A
5	AM 2026 135620 A	34	AM 2026 135732 A
9	AM 2026 132801* A	34	AM 2026 135815 A
9	AM 2026 135381 A	34	AM 2026 135816 A
9	AM 2026 135393 A	34	AM 2026 135817 A
9	AM 2026 135397 A	34	AM 2026 133894 A
9	AM 2026 135564 A	35	AM 2026 135507 A
9	AM 2026 135628 A	35	AM 2026 135508 A
9	AM 2026 135727 A	35	AM 2026 135628 A
9	AM 2026 135758 A	35	AM 2026 135643 A
12	AM 2026 135658 A	35	AM 2026 135716 A
16	AM 2026 135378 A	35	AM 2026 135727 A
18	AM 2026 135643 A	37	AM 2026 135378 A
19	AM 2026 135378 A	37	AM 2026 135379 A
19	AM 2026 135379 A	37	AM 2026 135393 A
19	AM 2026 135551 A	37	AM 2026 135464 A
29	AM 2026 135399 A	37	AM 2026 135551 A
29	AM 2026 135410 A	38	AM 2026 135727 A
29	AM 2026 135411 A	39	AM 2026 135476 A
29	AM 2026 135496 A	41	AM 2026 135477 A
29	AM 2026 135507 A	41	AM 2026 135727 A
29	AM 2026 135508 A	42	AM 2026 135380 A
30	AM 2026 135098 A	42	AM 2026 135382 A
30	AM 2026 135410 A	42	AM 2026 135469 A
30	AM 2026 135411 A	42	AM 2026 135628 A
30	AM 2026 135496 A	42	AM 2026 135727 A
30	AM 2026 135507 A	43	AM 2026 133894 A
30	AM 2026 135508 A	43	AM 2026 135127 A
31	AM 2026 135507 A	43	AM 2026 135744 A
		43	AM 2026 135745 A
		44	AM 2026 135469 A
		45	AM 2026 135727 A

CONCORDANCE TABLE OF INDEX OF GOODS AND/OR SERVICE
AND NUMBER OF TRADEMARK REGISTERED ACCORDING
TO THE ACCELERATED PROCEDURE

INDEX OF GOODS AND/OR SERVICE (511)	NUMBER OF REGISTERED ACCORDING TO THE ACCELERATED PROCEDURE (111)
3	M 2026 41114 R
3	M 2026 41119 R
3	M 2026 41130 R
5	M 2026 41110 R
5	M 2026 41114 R
5	M 2026 41119 R
5	M 2026 41122 R
5	M 2026 41125 R
5	M 2026 41126 R
5	M 2026 41128 R
5	M 2026 41129 R
5	M 2026 41130 R
8	M 2026 41061 R
10	M 2026 41130 R
14	M 2026 41118 R
16	M 2026 41061 R
20	M 2026 41130 R
21	M 2026 41061 R
21	M 2026 41130 R
25	M 2026 41121 R
28	M 2026 41107 R
29	M 2026 41109 R
29	M 2026 41130 R
30	M 2026 41130 R
32	M 2026 41059 R
32	M 2026 41060 R
32	M 2026 41120 R
32	M 2026 41130 R
33	M 2026 41117 R
33	M 2026 41127 R
35	M 2026 41111 R
35	M 2026 41113 R
35	M 2026 41124 R
36	M 2026 41111 R
41	M 2026 41123 R
43	M 2026 41108 R

**LIST OF CODES, IN ALPHABETIC SEQUENCE, AND THE CORRESPONDING (SHORT) NAMES OF STATES, OTHER ENTITIES AND INTERGOVERNMENTAL ORGANIZATIONS
(WIPO STANDARD ST.3)**

AD	Andorra				
AE	United Arab Emirates	GD	Grenada	NE	Niger
AF	Afghanistan	GG	Guernsey	NG	Nigeria
AG	Antigua and Barbuda	GH	Ghana	NI	Nicaragua
AI	Anguilla	GI	Gibraltar	NL	Netherlands
AL	Albania	GT	Guatemala	NO	Norway
AM	Armenia	GW	Guinea- Bissau	NP	Nepal
AN	Netherlands Antilles	GY	Guyana	NR	Nauru
AO	Angola	HK	The Hong Kong Special Administrative Region of the People's Republic of China	NZ	New Zealand
AP	African Regional Intellectual Property Organization (ARIPO)	HN	Honduras	OA	African Intellectual Property Organization (OAPI)
AR	Argentina	HR	Croatia	OM	Oman
AT	Austria	HT	Haiti	PA	Panama
AU	Australia	HU	Hungary	PE	Peru
AW	Aruba	IB	International Bureau of the World Intellectual Property Organization (WIPO)	PG	Papua New Guinea
AZ	Azerbaijan	ID	Indonesia	PH	Philippines
BA	Bosnia and Herzegovina	IE	Ireland	PK	Pakistan
BB	Barbados	IL	Israel	PL	Poland
BD	Bangladesh	IM	Isle of Man	PT	Portugal
BE	Belgium	IN	India	PW	Palau
BF	Burkina Faso	IQ	Iraq	PY	Paraguay
BG	Bulgaria	IR	Iran (Islamic Republic of)	QA	Qatar
BH	Bahrain	IS	Iceland	QZ	Community Plant Variety Office (European Community) (CPVO)
BI	Burundi	IT	Italy	RO	Romania
BJ	Benin	JE	Jersey	RS	Serbia
BM	Bermuda	JM	Jamaica	RU	Russian Federation
BN	Brunei Darussalam	JO	Jordan	RW	Rwanda
BO	Bolivia	JP	Japan	SA	Saudi Arabia
BR	Brazil	KE	Kenya	SB	Solomon Islands
BS	Bahamas	KG	Kyrgyzstan	SC	Seychelles
BT	Bhutan	KH	Cambodia	SD	Sudan
BV	Bouvet Island	KI	Kiribati	SG	Singapore
BW	Botswana	KM	Saint Kitts and Nevis	SH	Saint Helena
BX	Benelux Office for Intellectual Property (BOIP)	KP	Democratic People's Republic of Korea	SI	Slovenia
BY	Belarus	KR	Republic of Korea	SK	Slovakia
BZ	Belize	KW	Kuwait	SL	Sierra Leone
CA	Canada	KY	Cayman Islands	SM	San Marino
CD	Democratic Republic of the Congo	KZ	Kazakhstan	SN	Senegal
CF	Central African Republic	LA	Lao People's Democratic Republic	SO	Somalia
CG	Congo	LB	Lebanon	SR	Suriname
CH	Switzerland	LC	Saint Lucia	ST	Sao Tome and Principe
CI	Cote d'Ivoire	LI	Liechtenstein	SV	El Salvador
CK	Cook Islands	LK	Sri Lanka	SY	Syrian Arab Republic
CL	Chile	LR	Liberia	SZ	Swaziland
CM	Cameroon	LS	Lesotho	TC	Turks and Caicos Islands
CN	China	LT	Lithuania	TD	Chad
CO	Colombia	LU	Luxembourg	TG	Togo
CR	Costa Rica	LV	Latvia	TH	Thailand
CU	Cuba	LY	Libyan Arab Jamahiriya	TJ	Tajikistan
CV	Cape Verde	MA	Morocco	TL	Timor-Leste
CY	Cyprus	MC	Monaco	TM	Turkmenistan
CZ	Czech Republic	MD	Republic of Moldova	TN	Tunisia
DE	Germany	ME	Montenegro	TO	Tonga
DJ	Djibouti	MG	Madagascar	TR	Turkey
DM	Dominica	MK	The former Yugoslav Republic of Macedonia	SE	Sweden
DO	Dominican Republic	ML	Mali	TT	Trinidad and Tobago
DZ	Algeria	MM	Myanmar	TV	Tuvalu
EA	Eurasian Patent Organization (EAPO)	MN	Mongolia	TW	Taiwan, Province of China
EC	Ecuador	MO	Macao	TZ	United Republic of Tanzania
EE	Estonia	MP	Northern Mariana Islands	UA	Ukraine
EG	Egypt	MR	Mauritania	UG	Uganda
EH	Western Sahara	MS	Montserrat	US	United States of America
EM	Office for Harmonization in the Internal Market (Trademarks and Designs)(OHIM)	MT	Malta	UY	Uruguay
EP	European Patent Office (EPO)	MU	Mauritius	UZ	Uzbekistan
ER	Eritrea	MV	Maldives	VA	Holy See
ES	Spain	MW	Malawi	VC	Saint Vincent and the Grenadines
ET	Ethiopia	MX	Mexico	VE	Venezuela
FI	Finland	MY	Malaysia	VG	Virgin Islands (British)
FJ	Fiji	MZ	Mozambique	VN	Viet Nam
FK	Falkland Islands (Malvinas)	NA	Namibia	VU	Vanuatu
FO	Faroe Islands			WO	World Intellectual Property Organization (WIPO)
FR	France			WS	Samoa
GA	Gabon			XN	Nordic Patent Institute (NPI)
GB	United Kingdom			YE	Yemen
GC	Patent Office of the Cooperation Council for the Arab States of the Gulf (GCC)			ZA	South Africa
				ZM	Zambia
				ZW	Zimbabwe

OFFICIAL BULLETIN OF THE INDUSTRIAL PROPERTY

INVENTION

UTILITY MODEL

VALIDATION OF EUROPEAN PATENT

DESIGN

TRADEMARK

8(683)

EDITOR-IN-CHIEF: N. Bebrishvili

EDITOR-TRANSLATOR: E. Gabunia

PROOFREADER: A. Shikhashvili

COMPUTER LAYOUT: M. Ordenidze
K. Svanidze

ISSN 2720-8486

info@sakpatenti.gov.ge
www.sakpatenti.gov.ge