

# Official Bulletin of the Industrial Property

Inventions

Utility Models

Designs

Trademarks



საქართველოს ინტელექტუალური  
საკუთრების ეროვნული ცენტრი

**საქპატენტი**

**SAKPATENTI**

NATIONAL INTELLECTUAL PROPERTY  
CENTER OF GEORGIA

[www.sakpatenti.gov.ge](http://www.sakpatenti.gov.ge)

Date of Publication – 2021 05 25

**9(565)**

# INID CODES FOR IDENTIFICATION OF BIBLIOGRAPHIC DATA

## INVENTIONS, UTILITY MODELS

- (10) Number of publication for application, which has been examined
- (11) Number of patent and kind of document
- (21) Serial number of application
- (22) Date of filing of the application
- (23) Date of exhibition or the date of the earlier filing and the number of application, if any
- (24) Date from which patent may have effect
- (31) Number of priority application
- (32) Date of filing of priority application
- (33) Code of the country or regional organization allotting priority application number
- (44) Date of publication of application not granted, but examined and number of bulletin
- (45) Date of publication of registered document
- (51) International Patent Classification Index

- (54) Title of the invention
- (57) Abstract
- (60) Number of examined patent document granted by foreign patent office, date from which patent has effect and country code
- (62) Number of the earlier application and in case of divided application, date of filing an application
- (71) Name, surname and address of applicant (country code)
- (72) Name, surname of inventor (country code)
- (73) Name, surname and address of patent owner (country code)
- (74) Name, surname of representative or patent attorney
- (85) Date of commencement of the national phase of International Application
- (86) Number and date of filing of international application
- (87) Number and date of publication of international application
- (94) Calculated date of expiry of the SPC or the duration of the SPC

## DESIGNS

- (10) Number of publication for application
- (11) Number of patent and kind of document or number of registration
- (15) Date of registration/Date of patent renewal
- (18) Expected expiration date of patent or registration
- (21) Serial number of application
- (22) Date of filing of the application
- (23) Date of exhibition or the date of the earlier filing and the number of application, if any
- (24) Date from which patent may have effect
- (28) Number of designs included in the application
- (30) Data relating to priority (number of application, date of filing of application, two-letter code identifying the authority with whom the priority application was made)
- (31) Number of priority application
- (32) Date of filing of priority application
- (33) Code of the country or regional organization allotting priority application number
- (34) Two-letter code according to WIPO St.3 identifying the authority with which the priority application was made
- (44) Date of publication of design and number of bulletin (the first publication)
- (45) Date of publication of design registered by WIPO and number of bulletin

- (51) International Classification for designs (class and subclass of the Locarno Classification)
- (54) Title of the invention
- (55) Reproduction of the design
- (57) Description of characteristic features of the design including indication of colors
- (58) Date of recording of any kind of amendment in the Register
- (62) Number of the earlier application, registration and document number and if available the date of filing an application in case of divided application
- (71) Name, surname and address of applicant (country code)
- (72) Name, surname of creator (country code)
- (73) Name, surname and address of patent owner (country code)
- (74) Name, surname of representative or patent attorney
- (81) Contracting states concerned
  - II designated contracting states according to the 1960 Act
  - III designated contracting states according to the 1999 Act
- (85) Owner's permanent address
- (86) Owner's nationality
- (87) Owner's residence
- (88) State in which the owner has a real and effective industrial or commercial establishment

## TRADEMARKS

- (111) - Number of registration
- (151) - Date of registration
- (156) - Date of the renewal
- (181) - Expected expiration date of registration
- (186) - Renewal expiration date of registration
- (141) - Date of cancel of duration of the mark
- (210) - Serial number of application
- (220) - Date of filing of the application
- (230) - Data concerning exhibition
- (260) - Number of application, for which favorable decision of examination about registration has been taken (publication number)
- (310) - Number of the first application
- (320) - Date of filing of the first application
- (330) - Code, identifying national or regional Office where the first application was made
- (511) - International Classification of Goods and Services for the purposes of registration of trade marks and/or list of goods and/or services classified according thereto
- (526) - Disclaimer
- (531) - Description of figurative elements of Trade Marks according to the International Classification of the Figurative Elements of Marks

- (540) - Reproduction of Trade Mark
- (550) - Nature and kind of Trade Mark
- (551) - Indication to the effect that the mark is a collective mark, a certification mark or a guarantee mark
- (554) - Three-dimensional mark
- (580) - Date of recording of any kind changes in respect of applications or registrations
- (591) - Information concerning colors claimed
- (731) - Name and address of the applicant
- (732) - Name and address of the holder of the registration
- (740) - Name and address of the representative
- (750) - Addreses for correspondence
- (770) - Name and address of the previous applicant or holder in case of change in ownership
- (771) - Previous name and address of the applicant or holder in case of change in ownership
- (791) - Name and address of the licensee
- (793) - Indication of conditions and/or restrictions under the license (Type of license, number of license agreement, data of license, data of validity of license)
- (800) - Certain data relating to the international registration of Trade Marks under the Protocol Relating to Madrid Agreement (International registration number
- (852) - Partial cancellation of the list of goods and services
- (891) - Date of subsequent designation

## CODES FOR PUBLICATION IN BULLETIN

- (21) AP 0000 000000 - serial number of application for invention
- (10) AP 0000 0000 A - number of published application for invention (first publication)
- (11) P 0000 0000 B - number of patent for invention (second publication)
- (21) API 0000 000000 - number of application for imported patent
- (11) PI 0000 0000 A - number of imported patent (first publication)
- (21) AU 0000 000000 - serial number of application for utility model
- (10) AU 0000 000 U - number of published application for utility model (first publication)
- (11) U 0000 000 Y - number of patent for utility model (second publication)
- (21) AD 0000 000000 - serial number of application for design
- (10) AD 0000 000 S - number of published application for design (first publication)
- (11) D 0000 000 S - registered design

## INTERNATIONAL PATENT CLASSIFICATION FOR INVENTIONS AND UTILITY MODELS

- SECTION A - HUMAN NECESSITIES
- SECTION B - PERFORMING OPERATIONS; TRANSPORTING
- SECTION C - CHEMISTRY; METALLURGY
- SECTION D - TEXTILES; PAPER
- SECTION E - FIXED CONSTRUCTIONS
- SECTION F - MECHANICAL ENGINEERING; LIGHTING; HEATING; WEAPONS; BLASTING
- SECTION G - PHYSICS
- SECTION H - ELECTRICITY

- 
- M - Trade Mark
  - (210) AM 0000 000000 - Serial number of application;
  - (260) AAM 0000 00000 A - Publication number of application;
  - (111) M 0000 00000 R - Number of registration;
  - (111) MMM0000 00000 Rn - Number of renewals, in which n=1,2,3;
  - (111) M 0000 00000 R(P) - Number of registration under partial assignment of rights
-

# Official Bulletin of the Industrial Property

Inventions

Utility Models

Designs

Trademarks

# CONTENTS

<b>PUBLISHED TITLES OF PROTECTION .....</b>	<b>3</b>
<b>INVENTIONS</b>	
▪ APPLICATIONS APPROVED FOR GRANTING PATENTS .....	4
▪ PATENTED INVENTIONS .....	6
<b>UTILITY MODELS</b>	
▪ PATENTED UTILITY MODELS .....	8
<b>DESIGNS</b>	
▪ APPLICATIONS APPROVED FOR REGISTRATION .....	4
▪ REGISTERED DESIGNS .....	
▪ DESIGNS, WHICH HAVE BEEN REGISTERED WITH THE INTERNATIONAL BUREAU CLAIMING PRIORITY ON THE TERRITORY OF GEORGIA .....	13
<b>TRADEMARKS</b>	
▪ APPLICATIONS FILED UNDER THE NATIONAL PROCEDURE APPROVED FOR REGISTRATION .....	30
▪ REGISTERED TRADEMARKS .....	34
▪ TRADEMARKS REGISTERED ACCORDING TO THE ACCELERATED PROCEDURE .....	41
▪ INTERNATIONAL TRADEMARKS FOR WHICH A DECISION ON GRANTING PROTECTION IS TAKEN .....	44
▪ INTERNATIONAL TRADEMARKS PROTECTED IN GEORGIA .....	82
<b>OFFICIAL NOTIFICATIONS</b>	
<b>INVENTIONS</b>	
▪ EXPIRATION OF PATENT RESTORATION .....	89
▪ ABOLITION OF PATENTS WITH THE RIGHT TO RESTORE .....	90
▪ EXPIRATION OF TERM OF RESTORATION OF PATENT .....	92
▪ EXPIRATION OF PATENTS .....	92
<b>UTILITY MODELS</b>	
▪ ABOLITION OF PATENT WITH THE RIGHT TO RESTORE .....	92
▪ EXPIRATION OF TERM OF RESTORATION OF PATENT .....	93
<b>DESIGN</b>	
▪ EXTENSION OF REGISTRATION .....	93
▪ CANCELLATION OF REGISTRATION .....	93
<b>TRADEMARKS</b>	
▪ RENEWAL OF REGISTRATIONS .....	94
▪ COMPLETE TRANSFER OF RIGHTS .....	95
▪ CHANGES OF NAMES AND/OR ADDRESSES OF OWNER .....	97
▪ CANCELLATION OF TRADEMARKS REGISTRATION .....	100
<b>CLASSIFICATION INDEXES</b>	
INVENTIONS .....	103
UTILITY MODELS .....	104
DESIGNS .....	105
TRADEMARKS .....	107

# PUBLISHED TITLES OF PROTECTION

## INVENTIONS

- **APPLICATIONS APPROVED FOR GRANTING PATENT:**  
15395; 14882; 15372
- **PATENTED INVENTIONS:**  
7256-7260

## UTILITY MODELS

- **PATENTED UTILITY MODELS:**  
2082, 2083

## DESIGNS

- **APPLICATIONS APPROVED FOR REGISTRATION:**  
1196, 1197
- **REGISTERED DESIGNS:**  
893, 894
- **DESIGNS, WHICH HAVE BEEN REGISTERED WITH THE INTERNATIONAL BUREAU CLAIMING PRIORITY ON THE TERRITORY OF GEORGIA:**  
210307; 210370; 213025; 210506; 210707

## TRADEMARKS

- **APPLICATIONS FILED UNDER THE NATIONAL PROCEDURE APPROVED FOR REGISTRATION:**  
105794; 109955, 109956; 110132; 110134; 110147; 110196; 110209; 110224; 110229; 110283; 110289, 110290; 110304, 110305; 110375; 110378; 110439; 110451; 110466; 110468; 110477
- **REGISTERED TRADEMARKS:**  
34017-34099
- **TRADEMARKS REGISTERED ACCORDING TO THE ACCELERATED PROCEDURE:**  
34007-34016; 34100-34102
- **INTERNATIONAL TRADEMARKS FOR WHICH A DECISION ON GRANTING PROTECTIONS IS TAKEN:**  
109169; 109244; 109246; 109250-109254; 109280, 109281; 109284, 109285; 109311, 109312; 109314-109318; 109320; 109326, 109327; 109331-109335; 109390; 109393, 109394; 109409-109413; 109419, 109420; 109422, 109423; 109425-109427; 109441; 109443; 109485-109490; 109574-109576; 109652-109654; 109723, 109724
- **INTERNATIONAL TRADEMARKS PROTECTED IN GEORGIA:**  
104797; 106992; 107003; 107601; 107754; 107847; 107851, 107852; 107867; 107870, 107871; 107877; 107947; 107987-107990; 107992-107995; 108002; 108009; 108032-108034; 108045; 108051; 108105; 108108, 108109; 108140-108144; 108150; 108152-108154; 108157-108161; 108175-108185; 108190; 108233-108242; 108275-108277; 108279, 108280; 108344, 108345; 108351, 108352; 108355; 108366; 108368-108370; 108372; 108374; 108437; 108443; 108445-108447; 108458, 108459; 108634

# INVENTIONS

## APPLICATIONS APPROVED FOR GRANTING PATENTS

The decision can be appealed at the Chamber of Appeal of Sakpatenti within 3 months from the publication or at the Mtskheta District Court Administrative Cases Board (Address: №17, Samkhedro str., Mtskheta), within 1 month following the publication.

### PART A

#### A 01

(10) AP 2021 15395 A (51) Int. Cl. (2006)  
A 01 B 13/02  
A 01 B 49/02  
A 01 C 7/00

(21) AP 2020 15395 (22) 2020 07 20  
(71) Giorgi Kutelia (GE)  
Noste St. 7, 0101, Tbilisi, Georgia (GE)

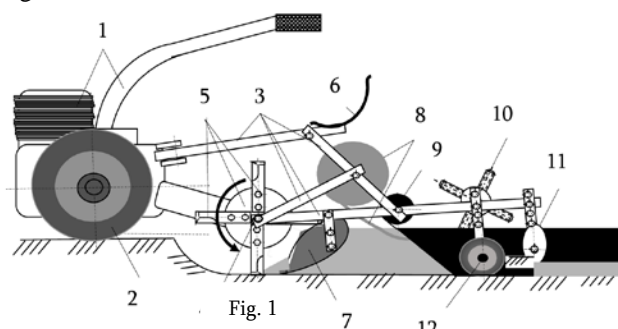
(72) Giorgi Kutelia (GE);  
Jemal Katsitadze (GE);  
Vladimer Miruashvili (GE);  
Otar Karchava (GE)

(54) PLASTIC MULCH LAYING MACHINE

(57) A machine includes energetical means – a frame 3 connected to motoblock 1, and land treating- 5 and trace profiling 7 working bodies; plastic mulch 9 roll, and land pourers 11 are installed onto the frame in sequence. The machine is additionally equipped with a drum 8, whereon drop irrigation pipe and mulch perforator 10 are winded.

Claims: 1 independent

Fig.: 4



### PART B

#### B 64

(10) AP 2021 14882 A (51) Int. Cl. (2006)  
B 64 F 1/305  
E 04 B 1/343  
E 04 B 1/94

(21) AP 2017 14882 (22) 2017 02 13

(31) P.416308

(32) 2016 02 29

(33) PL

(71) Fimarc Bezpieczeństwo I Ochrona  
Przeciwpozarowa Biuro Ekspertyz,  
Doradztwa I Nadzoru (PL)  
Ul. Grabowa 9, Wiry, 62-051, Poland (PL)

(72) MAŁKOWSKI, Zenon (PL)

(74) Khatuna Imnadze

(85) 2018 09 21

(86) PCT/PL2017/000008, 2017 02 13

(54) EMERGENCY ESCAPE TUNNEL

(57) Emergency escape tunnel in multi-storey building, especially in a building with centrally situated staircase and useable rooms surrounding it, is equipped with load-bearing skeleton (6) with an outline similar in shape to an upturned letter U, its surface wail (7) and side walls (8) being covered with layers of fire-resistant material. The tunnel has self-activating drive system (13, 32, 36) and is horizontally shiftable in the space (14) between the staircase (1) and external wall (2) of building. In the resting position, the tunnel is situated within the staircase and in operating position, the outlet section (15) of tunnel is situated within the exit door (16) of building whereas its exit opening (17) is situated beyond the building. To make it possible to use the tunnel in relatively vast spaces of building, it consists of two or three telescopically overlapping segments (3, 3a, 4), the ends whereof are mutually interlocked with their cover flanges (5).

Claims: 1 independent

4 dependents

Fig.: 19

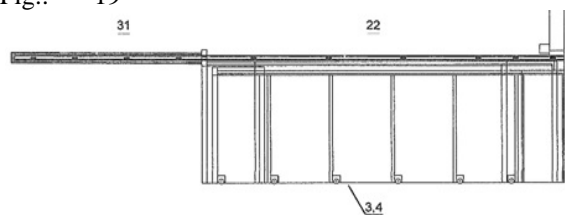


Fig. 1

harmonic frequencies to establish resonance with the frequencies generated by said plasma created inside said tube.

Claims: 1 independent

2 dependents

Fig.: 5

## PART C

### C 01

(10) AP 2021 15372 A (51) Int. Cl. (2006)  
C 01 B 13/11

(21) AP 2020 15372 (22) 2020 06 17

(71) Sopio Burjanadze (GE)

Dighomi Massive, VI qu., corp. 5, app. 25, 0159,  
Tbilisi, Georgia (GE);

Jano Burjanadze (GE)

Dighomi Massive, VI qu., corp. 5, app. 25, 0159,  
Tbilisi, Georgia (GE);

Giorgi Burjanadze (GE)

Dighomi Massive, VI qu., corp. 5, app. 25, 0159,  
Tbilisi, Georgia (GE);

Giorgi Tsivtsivadze (GE)

R. Japaridze St. 1, Lane I, Dead End 3, 0179,  
Tbilisi, Georgia (GE)

(72) Sopio Burjanadze (GE);

Jano Burjanadze (GE);

Giorgi Burjanadze (GE);

Giorgi Tsivtsivadze (GE)

(54) OZONE GENERATING SYSTEM

(57) A system includes ozone generating chamber having air inlet and outlet; first and second electrodes disposed concentrically relative to each other inside of said chamber and separated from each other with dielectrical barrier executed as a tube made of material transparent to UV light. The tube has electrical outlets on its ends, and it is filled with air creating plasma inside the tube at voltage supply of said outlets. First outlet is executed as a wire winded around said dielectrical barrier, and another outlet is executed as a plasma created inside of said tube at voltage supply of said outlets. The plasma is capable to create UV radiation and white noise consisting of various frequencies. The system additionally includes power supply for voltage supply of first and second electrodes, when voltage has chaotically modulated distorted sinusoid shape with Fourier series of

## PATENTED INVENTIONS

### PART A

#### A 61

- (11) P 2021 7260 B (51) Int. Cl. (2006)  
A 61 P 31/14  
C 07 K 16/10
- (10) AP 2021 14794 A (44) 2(558)/2021  
(21) AP 2016 14794  
(22) 2016 10 27  
(24) 2016 10 27  
(31) 62/247,841; 62/367,359  
(32) 2015 10 29; 2016 07 27  
(33) US; US  
(86) PCT/US2016/058975, 2016 10 27  
(73) MERCK SHARP & DOHME CORP. (US)  
126 East Lincoln Ave. Rahway,  
NJ 07065-0907, USA (US)
- (72) VORA, Kalpit, A. (US);  
COX, Kara, S. (US);  
TANG, Aimin (US);  
CHEN, Zhifeng (US);  
DISTEFANO, Daniel (US);  
ZHANG, Lan (US);  
SU, Hua-Poo (US)
- (74) Shalva Gvaramadze
- (54) ANTIBODY NEUTRALIZING HUMAN  
RESPIRATORY SYNCYTIAL VIRUS

- 
- (11) P 2021 7256 B (51) Int. Cl. (2006)  
A 61 K 31/519  
A 61 P 25/00  
A 61 P 19/00  
C 07 D 487/04
- (10) AP 2020 15192 A (44) 23(555)/2020  
(21) AP 2018 15192  
(22) 2018 03 12  
(24) 2018 03 12  
(31) P1700108  
(32) 2017 03 13  
(33) HU  
(86) PCT/IB2018/051599, 2018 03 12  
(73) RICHTER GEDEON NYRT. (HU)  
Gyömrői út 19-21. H-1103 Budapest,  
Hungary (HU)
- (72) BORZA, István (HU);  
ROMÁN, Viktor (HU);  
ÉLES, János (HU);  
HADADY, Zsuzsa (HU)
- (74) Liliana Darakhvelidze

- (54) PHARMACOLOGICALLY ACTIVE  
ALICYCLIC-SUBSTITUTED  
PYRAZOLO[1,5-*a*]PYRIMIDINE  
DERIVATIVES

- 
- (11) P 2021 7258 B (51) Int. Cl. (2006)  
A 61 K 31/551  
A 61 K 31/5415  
A 61 P 31/04  
C 07 D 281/02  
C 07 D 279/08
- (10) AP 2020 14821 A (44) 23(555)/2020  
(21) AP 2016 14821  
(22) 2016 03 23  
(24) 2016 03 23  
(62) AP 2016 14609 2016 03 23  
(31) 15160267.9  
(32) 2015 03 23  
(33) EP  
(86) PCT/EP2016/056371, 2016 03 23  
(73) Ecole Polytechnique Federale de Lausanne  
(EPFL) (CH)  
EPFL Inovation Park J, 1015 Lausanne,  
Switzerland (CH)
- (72) STEWART, Cole (CH);  
MAKAROV, Vadim, Albertovich (RU)
- (74) Tamar Kochlamazashvili
- (54) 2-HOMOPIPERAZINE-1-YL-4H-1,3-  
BENZOTHIAZINE-4-ONE DERIVATI-  
VES AND PROCESS FOR THE PREPA-  
RATION OF 2-(HOMO)PIPERAZINE  
1,3-BENZOTHIAZINE-4-ONE HYDRO-  
CHLORIDES

#### A 47

- (11) P 2021 7259 B (51) Int. Cl. (2006)  
A 47 J 43/07  
H 02 K 5/00
- (10) AP 2020 15016 A (44) 23(555)/2020  
(21) AP 2017 15016  
(22) 2017 07 21  
(24) 2017 07 21  
(31) 15/221,404  
(32) 2016 07 27  
(33) US  
(86) PCT/US2017/043367, 2017 07 21  
(73) CAPBRAN HOLDINGS LLC (US)  
11601 Wilshire Blvd. Suite 2300, Los Angeles,  
CA 90025, USA (US)



(72) COLIN, Sapire (US)  
(74) Tamar Kochlamazashvili  
(54) FOOD PROCESSOR DAMPEN SYSTEM

---

## PART B

### B 01

(11) P 2021 7257 B      (51) Int. Cl. (2006)  
   B 01 D 1/06  
   B 01 J 19/02  
   C 07 C 273/04  
   C 21 D 6/00  
   C 21 D 9/08  
   C 21 D 8/00  
   C 22 C 38/58  
   C 22 C 38/44  
   C 22 C 38/04  
   C 22 C 38/02  
   C 22 C 38/00  
   C 22 C 33/04  
   F 28 F 21/08  
  
(10) AP 2020 14707 A    (44) 23(555)/2020  
(21) AP 2016 14707  
(22) 2016 07 20  
(24) 2016 07 20  
(31) 15177441.1  
(32) 2015 07 20  
(33) NL  
(86) PCT/NL2016/050542, 2016 07 20  
(73) Stamicarbon B.V. (NL)  
      Mercator 3 NL-6135 KW Sittard,  
      Netherlands (NL)  
(72) GULLBERG, Daniel (SE);  
      HARALDSSON, Christina (SE);  
      WILSON, Anders (SE);  
      SCHEERDER, Alexander Aleida  
      Antonius (NL);  
      OFEI, Kirk Anguah (NL)  
(74) Liliana Darakhvelidze  
(54) DUPLEX STAINLESS STEEL AND  
      USE THEREOF

---

---

# UTILITY MODELS

## PATENTED UTILITY MODELS

### PART A

#### A 61

- (11) U 2021 2082 Y (51) Int. Cl. (2006)  
A 61 K 31/225  
A 61 K 31/74  
A 61 P 17/14
- (10) AU 2021 15386 U (44) 1(557)/2021  
(21) AU 2020 15386  
(22) 2020 07 10  
(24) 2020 07 10
- (73) Nino Vadachkoria (GE)  
Iosebidze St. 51b, Tbilisi, Georgia (GE);  
Salome Vadachkoria (GE)  
Zhiuli Shartava St. 39, 15<sup>th</sup> fl., app. 77, Tbilisi,  
Georgia (GE)
- (72) Nino Vadachkoria (GE);  
Salome Vadachkoria (GE)
- (54) POLYLACTIC ACID – POLYLACTIDE  
(PLA) AND USAGE OF POLYMERS  
THEREWITH NOVEL DESTINATION
- 

- (72) Goga Chakhaia (GE);  
Zurab Lobzhanidze (GE);  
Levan Tsulukidze (GE);  
Sopio Gogilava (GE)
- (54) RADIAL CATCHMENT DRAINAGE
- 

### PART E

#### E 02

- (11) U 2021 2083 Y (51) Int. Cl. (2006)  
E 02 B 11/00
- (10) AU 2020 14927 U (44) 23(555)/2020  
(21) AU 2018 14927  
(22) 2018 11 16  
(24) 2018 11 16
- (73) LLC Higher Education "Education  
Academy" (GE)  
Ksani St. 35, 0141, Tbilisi, Georgia (GE);  
Goga Chakhaia (GE)  
Sh. Nutsubidze St., I mcr., corp. 1, app. 4, 0183,  
Tbilisi, Georgia (GE);  
Zurab Lobzhanidze (GE)  
Nutsubidze Plateau II mcr., corp. 1, app. 11,  
0183, Tbilisi, Georgia (GE);  
Levan Tsulukidze (GE)  
Sh. Nutsubidze St., I mcr., corp. 1, app. 40,  
0183, Tbilisi, Georgia (GE);  
Sopio Gogilava (GE)  
Sh. Nutsubidze St., I mcr., corp. 1, app. 4, 0183,  
Tbilisi, Georgia (GE)
-

---

# DESIGNS

## APPLICATIONS APPROVED FOR REGISTRATION

The decision can be appealed at the Chamber of Appeal of Sakpatenti within 3 months from the publication or at the Mtskheta District Court Administrative Cases Board (Address: №17, Samkhedro str., Mtskheta), within 1 month following the publication.

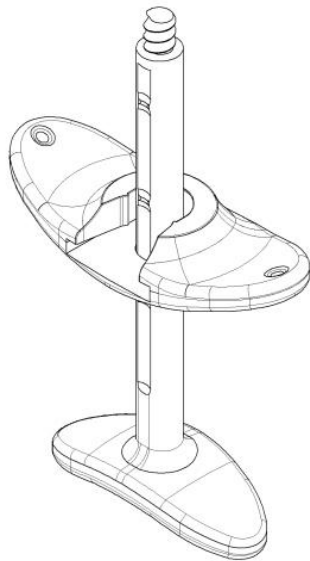
- (10) AD 2021 1196 S      (51) 06-03
- (21) AD 2020 1196      (22) 2020 12 18
- (28) 1
- (71) Vardo Makharashvili (GE)  
Vill. Jighaura, 3300, Mtskheta, Georgia (GE)
- (72) Vardo Makharashvili (GE)
- (54) WOODEN TABLE
- (55)



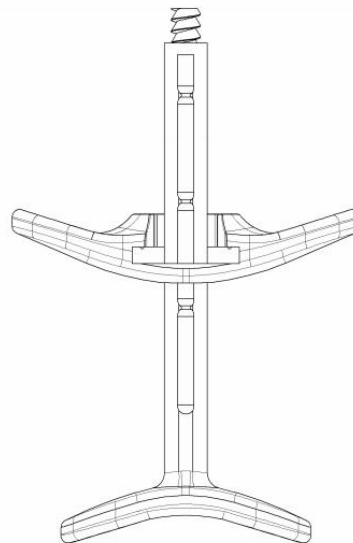


1.4

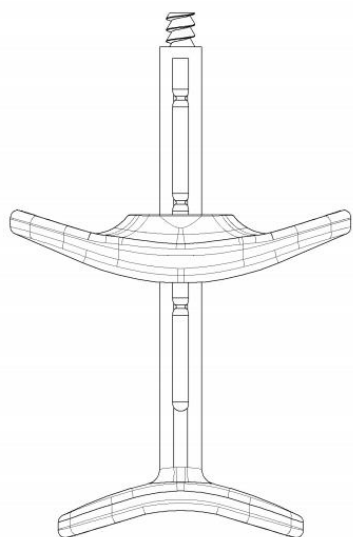
- 
- (10) AD 2021 1197 S
  - (21) AD 2020 1197
  - (28) 1
  - (31) 30-2020-0029223
  - (32) 2020 06 26
  - (33) KR
  - (71) LG CHEM, LTD (KR)  
128, Yeoui-daero, Yeongdeungpo-gu, Seoul, 07336, Republic of Korea (KR)
  - (72) LEE, Hye Won (KR)
  - (74) Tamar Kochlamazashvili (GE)
  - (54) PLUNGER ROD AND FINGER GRIP FOR SYRINGE
  - (55)
  - (51) 24-02
  - (22) 2020 12 23



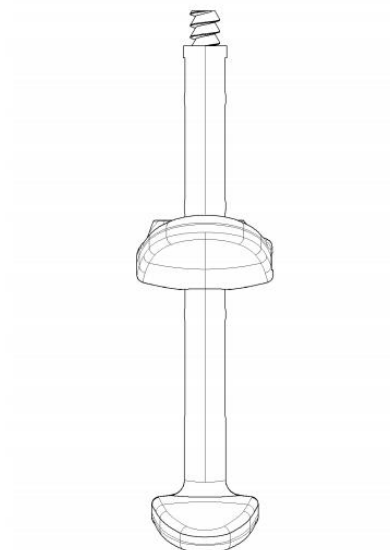
1.1



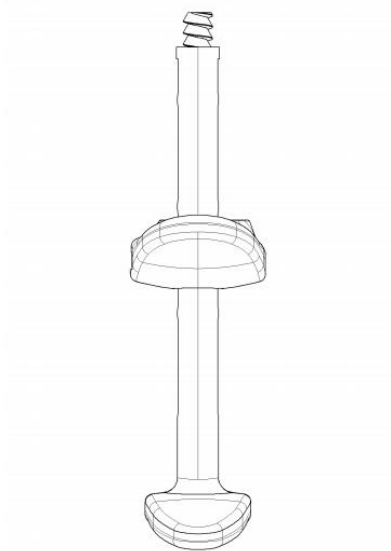
1.2



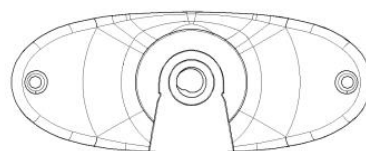
1.3



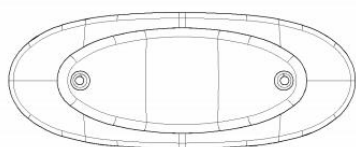
1.4



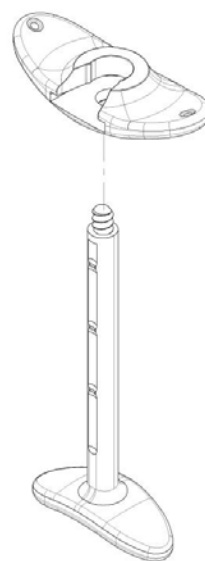
1.5



1.6



1.7



1.8

## REGISTERED DESIGNS

(11) D 2021 894 S      (51) 11-01  
(10) AD 2021 1179 S    (44) 2021 02 10 №2  
(21) AD 2020 1179  
(22) 2020 09 08  
(24) 2020 09 08  
(28) 5  
(18) 2025 09 08  
(73) Mamuka Nachkebia (GE)  
    Ir. Abashidze St. 68, app. 52, 0162, Tbilisi,  
    Georgia (GE)  
(72) Mamuka Nachkebia (GE)  
(74) Nino Bakhtadze (GE)  
(54) 1.-2. EARRING; 3.-4. PENDANT WITH  
    NECKLACE; 5. PENDANT

---

(11) D 2021 893 S      (51) 32-00  
(10) AD 2021 1183 S    (44) 2021 02 10 №2  
(21) AD 2020 1183  
(22) 2020 10 01  
(24) 2020 10 01  
(28) 1  
(18) 2025 10 01  
(73) LTD "TEGETA MOTORS" (GE)  
    D. Aghmashenebeli Alley, 12<sup>th</sup> km., 5, 0131,  
    Tbilisi, Georgia (GE)  
(72) Luka Todua (GE)  
(74) Giorgi Kartvelishvili (GE)  
(54) VEHICLE DESIGN PACKAGING

---

## DESIGNS, WHICH HAVE BEEN REGISTERED WITH THE INTERNATIONAL BUREAU CLAIMING PRIORITY ON THE TERRITORY OF GEORGIA

The decision can be appealed at the Chamber of Appeal of Sakpatenti within 3 months from the publication or at the Mtskheta District Court Administrative Cases Board (Address: №17, Samkhedro Str., Mtskheta), within 1 month following the publication.

- (11) DM/210 307 (51) 11-01  
 (15) 2020 09 10 (44) 10/2021 (2021 03 12)  
 (22) 2020 09 10  
 (28) 3  
 (73) HARRY WINSTON SA  
 Chemin Du Tourbillon 8, 1228 Plan-les-Ouates (CH)  
 (85) CH  
 (86) CH  
 (87) CH  
 (88) CH  
 (89) CH  
 (81) II. MA III. KG, LI, GE, TR, OM, MK, CA, BA, MN, NO, CH, EM, AL, AM, UA, SG, MC, MD, BZ, ME, AZ, TN, GB  
 (72) 1 Rie Rie YATSUGI-KANG  
 C/o Harry Winston Inc. 718 Fifth Avenue, 10019, New York (US);  
 2 Delphine ABDOURAHIM  
 C/o Harry Winston Inc. 718 Fifth Avenue, 10019, New York (US);  
 3 Chaeree KWON  
 C/o Harry Winston Inc. 718 Fifth Avenue, 10019, New York (US)  
 (74) The Swatch Group AG (The Swatch Group SA) (The Swatch Group Ltd.)  
 Faubourg Du Lac 6, 2501 Biel/Bienne (CH)  
 (54) 1.-2. Finger ring, 3. Bracelet  
 (55)



1.1



1.2



1.3



1.4



1.5



1.6



1.7



1.8





- (11) DM/210 370 (51) 11-01  
 (15) 2020 09 09 (44) 10/2021 (2021 03 12)  
 (22) 2020 09 09  
 (28) 7  
 (73) HARRY WINSTON SA  
 Chemin Du Tourbillon 8, 1228 Plan-les-Ouates (CH)  
 (85) CH  
 (86) CH  
 (87) CH  
 (88) CH  
 (89) CH  
 (81) II. MA III. KG, LI, TR, MK, OM, GE, CA, BA, MN, NO, CH, EM, AL, AM, UA, SG, MC, MD, ME, BZ,  
 AZ, TN, GB  
 (72) 1 Tobias WUEST  
 C/o Harry Winston Inc. 718 Fifth Avenue, 10019, New York (US);  
 2; 4 Rie YATSUGI-KANG  
 C/o Harry Winston Inc. 718 Fifth Avenue, 10019, New York (US);  
 3 Dominique RIVIERE  
 C/o Harry Winston Inc. 718 Fifth Avenue, 10019, New York (US);  
 4-7 Dominique RIVIERE  
 C/o Harry Winston Inc. 718 Fifth Avenue, 10019, New York (US)  
 (74) The Swatch Group AG (The Swatch Group SA) (The Swatch Group Ltd.)  
 Faubourg Du Lac 6, 2501 Biel/Bienne (CH)  
 (54) 1. Necklace, 2. Charm, 3. Finger ring, 4. Bracelet, 5. Finger ring, 6. Pair of earrings, 7. Necklace  
 (55)







3.1



3.2



3.3



3.4



3.5



3.6



3.7



3.8



4.1



4.2



4.3



4.4



4.5



4.6



4.7



4.8



5.1



5.2



5.3



5.4



5.5



5.6



5.7



5.8



6.1



6.2





6.3



6.4



6.5



6.6



6.7



6.8





7.1



7.2



7.3



7.4



7.5



7.6



7.7



7.8

- (11) DM/213 025 (51) 32-00  
(15) 2021 02 03 (44) 11/2021 (2021 03 19)  
(22) 2021 02 03  
(28) 2  
(73) Promega GmbH  
Gutenbergring 10, 69190 Walldorf (DE)  
(85) –  
(86) –  
(87) –  
(88) DE  
(89) EM  
(81) II. ML, BJ, IT, GA, CI, SN, GR, MA, NE III. RO, CA, OM, GE, EE, NO, RS, BG, RW, SY, DK, EM, AM, BW, TJ, MD, VN, TN, PL, SR, MN, JP, KR, LT, UA, OA, BX, SI, ME, AZ, SM, KG, WS, LI, MK, US, BA, DE, EG, FI, RU, IS, HU, ES, GB, KH, TR, ST, GH, IL, CH, KP, HR, LV, AL, MX, FR, BN, NA, SG, MC, BZ, TM  
(72) Martin Schulz  
Brunnenstr. 191, 10119, Berlin (DE)  
(74) Rechtsanwaltskanzlei Geiss Und Ekinici GbR  
Richard-Wagner-Str. 11, 68165 Mannheim (DE)  
(54) 1.-2. Logo  
(55)





- (11) DM/210 506 (51) 11-01  
 (15) 2021 09 23 (44) 12/2021 (2021 03 26)  
 (22) 2020 09 23  
 (28) 5  
 (73) HARRY WINSTON SA  
 Chemin Du Tourbillon 8, 1228 Plan-les-Ouates (CH)  
 (85) CH  
 (86) CH  
 (87) CH  
 (88) CH  
 (89) CH  
 (81) IL, MA III, KG, LI, CA, GE, MK, TR, OM, BA, NO, MN, CH, EM, AL, UA, AM, SG, MC, MD, ME,  
 BZ, AZ, TN, GB  
 (72) 1-2 Delphine ABDOURAHIM  
 C/o Harry Winston Inc. 718 Fifth Avenue, 10019, New York (US);  
 3-5 Rie YATSUGI-KANG  
 C/o Harry Winston Inc. 718 Fifth Avenue, 10019, New York (US)  
 (74) The Swatch Group AG (The Swatch Group SA) (The Swatch Group Ltd.)  
 Faubourg Du Lac 6, 2501 Biel/Bienne (CH)  
 (54) 1. Necklace, 2. Finger ring, 3. Pair of earrings, 4. Necklace, 5. Finger ring  
 (55)



1.1



1.2



1.3



1.4



1.5



1.6



1.7



1.8



2.1



2.2



2.3



2.4



2.5



2.6



2.7



2.8



3.1



3.2



3.3



3.4

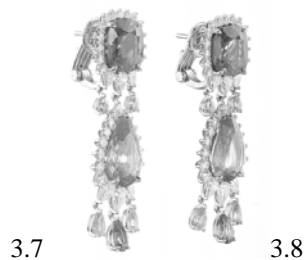


3.5



3.6







4.6



4.7



4.8



5.1



5.2



5.3



5.4



5.5



5.6



5.7



5.8

- (11) DM/210 707 (51) 11-01  
 (15) 2020 10 01 (44) 13/2021 (2021 04 02)  
 (22) 2020 10 01  
 (28) 3  
 (73) HARRY WINSTON SA  
 Chemin Du Tourbillon 8, 1228 Plan-les-Ouates (CH)  
 (85) CH  
 (86) CH  
 (87) CH  
 (88) CH  
 (89) CH  
 (81) IL, MA, III, KG, LI, OM, CA, GE, MK, TR, BA, MN, NO, CH, EM, AL, UA, AM, SG, MC, MD, ME,  
 BZ, AZ, TN, GB  
 (72) 1 Tobias WUEST  
 C/o Harry Winston Inc., 718 Fifth Avenue, 10019, New York, NY (US);  
 2-3 Rie YATSUGI-KANG  
 C/o Harry Winston Inc., 718 Fifth Avenue, 10019, New York, NY (US)  
 (74) The Swatch Group AG (The Swatch Group SA) (The Swatch Group Ltd.)  
 Faubourg Du Lac 6, 2501 Biel/Bienne (CH)  
 (54) 1.-2. Pair of earrings, 3. Necklace  
 (55)





3.4



3.5



3.6



3.7



3.8



---

# TRADEMARKS

## APPLICATIONS FILED UNDER THE NATIONAL PROCEDURE APPROVED FOR REGISTRATION

The decision can be appealed at the Chamber of Appeal of Sakpatenti within 3 months from the publication or at the Mtskheta District Court Administrative Cases Board (Address: №17, Samkhedro St., Mtskheta), within 1 month following the publication.

(260) AM 2021 105794 A

(210) AM 105794

(220) 2020 09 29

(731) Joni Bakuridze

Vazha-Pshavela St. 41, 6010, Batumi,  
Georgia

(540)



(591) Blue, black

(531) 07.01.24; 26.01.12; 26.01.16; 26.01.18;  
27.05.21; 29.01.12

(511) 37

---

(260) AM 2021 109955 A

(210) AM 109955

(220) 2020 10 01

(731) LLC "Georgian Wine House"

Vill. Zegaani, 1500, Gurjaani, Georgia

(740) Sopio Vacheishvili

(540)



**QVEVRIMAN**  
Philosophy of wine

(591) Black-white

(531) 02.01.16; 19.09.02

(511) 33

---

(260) AM 2021 109956 A

(210) AM 109956

(220) 2020 10 01

(731) LTD "IDS Borjomi Beverages Co.N.V."

Pareraweg 45, Curaçao

(740) Giorgi Jokharidze

(540)



(554) Three-dimensional

(591) White, blue, red, green, sky-blue

(531) 19.07.16; 19.07.22; 19.07.23; 19.07.25

(526) ბაკურიანი

(511) 32, 35

---

(260) AM 2021 110132 A

(210) AM 110132

(220) 2020 10 15

(731) Davit Tsetskhladze

Airport Highway 85, Batumi, Georgia

(540)

**დავინო**  
**DAVINI**

(591) Black-white

(511) 33, 35

---

(260) AM 2021 110134 A

(210) AM 110134

(220) 2020 10 15

(731) LLC "Invet Feed"

Tsemi St. 3 (Plot 113), Tbilisi, Georgia

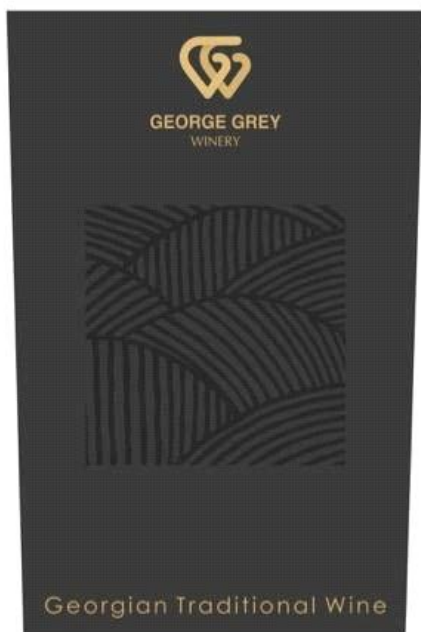


(540)



(591) Blue, sky-blue, white  
 (531) 03.04.01; 03.04.02; 03.04.18; 03.07.03; 28.19;  
 29.01.12  
 (511) 31

(260) AM 2021 110147 A  
 (210) AM 110147  
 (220) 2020 10 15  
 (731) LTD "Winery"  
 O. Khizanishvili St. 8, app. 66, Tbilisi,  
 Georgia  
 (540)



(591) Black, golden  
 (531) 06.19.07; 06.19.09; 27.05.22; 27.05.24;  
 29.01.13  
 (511) 33

(260) AM 2021 110196 A  
 (210) AM 110196  
 (220) 2020 10 16  
 (731) Duracell Batteries BVBA  
 Nijverheidslaan 7, 3220 Aarschot, Belgium  
 (740) Merab Kvimsadze

(540)

TURBO MAX

(591) Black-white  
 (531) 27.05.01  
 (511) 9

(260) AM 2021 110209 A  
 (210) AM 110209  
 (220) 2020 10 20  
 (731) LTD "Karmen"  
 D. Aghmashenebli St. 34a, 6000, Batumi,  
 Georgia  
 (540)



(554) Three-dimensional  
 (591) Red, white, black, brown  
 (531) 05.07.01; 05.07.27; 11.03.04; 19.03.03;  
 19.03.24; 25.01.05; 25.01.06; 27.05.01;  
 27.05.02; 28.19; 29.01.14  
 (511) 30

(260) AM 2021 110224 A  
 (210) AM 110224  
 (220) 2020 10 22  
 (731) Dongfeng Motor Corporation  
 Special No.1 Dongfeng Road, Wuhan  
 Economic and Technology Development  
 Zone, Wuhan, Hubei, China  
 (740) Shalva Gvaramadze  
 (540)



(591) Black-white  
 (531) 09.03.10; 09.03.13; 21.03.07; 26.03.23;  
 26.11.07; 26.13.25  
 (511) 12, 37

(260) AM 2021 110229 A  
 (210) AM 110229  
 (220) 2020 10 22  
 (731) LTD "Kakhetian Traditional Winery"  
 Tsintsadze St. 12, 0160, Tbilisi, Georgia  
 (540)

**შატო ზიარელი**  
**Chateau Ziareli**  
**Шато Зиарели**

(591) Black-white  
 (511) 33

(260) AM 2021 110283 A  
 (210) AM 110283  
 (220) 2020 10 23  
 (731) The Procter & Gamble Company  
 One Procter & Gamble Plaza, Cincinnati,  
 Ohio 45202, USA  
 (740) Merab Kvimsadze  
 (540)

**АКВАПУДРА**

(591) Black-white  
 (531) 28.05  
 (511) 3

(260) AM 2021 110289 A  
 (210) AM 110289  
 (220) 2020 10 26  
 (731) Akad General Trading (LLC)  
 Ofisi 1247, Abdu Salam Murad Al Ganahis  
 Sakutreba, Biznes Bei, Dubai, United Arab  
 Emirates  
 (740) Pavle Meipariani  
 (540)



(591) White, grey, light grey, morengo  
 (531) 26.11.01; 26.11.05; 26.11.13; 26.11.22;  
 27.05.01  
 (511) 9

(260) AM 2021 110290 A  
 (210) AM 110290  
 (220) 2020 10 26  
 (731) Akad General Trading (LLC)  
 Ofisi 1247, Abdu Salam Murad Al Ganahis  
 Sakutreba, Biznes Bei, Dubai, United Arab  
 Emirates  
 (740) Pavle Meipariani  
 (540)



(591) Black-white  
 (531) 26.04.02; 26.04.05; 26.04.22; 26.04.24;  
 27.05.01; 27.05.24  
 (511) 9

(260) AM 2021 110304 A  
 (210) AM 110304  
 (220) 2020 10 29  
 (731) Novartis AG  
 4002 Basel, Switzerland  
 (740) Shalva Gvaramadze  
 (540)

**MYTICADE**

(591) Black-white  
 (511) 5

(260) AM 2021 110305 A  
 (210) AM 110305  
 (220) 2020 10 29  
 (731) Philip Morris Products S.A.  
 Quai Jeanrenaud 3, 2000 Neuchâtel,  
 Switzerland  
 (740) Pavle Meipariani  
 (540)

**DIMENSIONS**

(591) Black-white  
 (511) 34

(260) AM 2021 110375 A  
 (210) AM 110375  
 (220) 2020 11 04  
 (731) Tearsceince Inc.

510 Cottonwood Drive, Milipitas,  
CA 95035, USA  
(740) Giorgi Taktakishvili  
(540)

## TEARSCIENCE

(591) Black-white  
(511) 9, 10, 44

(260) AM 2021 110378 A  
(210) AM 110378  
(220) 2020 11 04  
(731) Alibaba Group Holding Limited  
Fourth Floor, One Capital Place,  
P. O. Box 847, George Town,  
Grand Cayman, Cayman Islands  
(740) Tamaz Shilakadze  
(540)



(591) Black-white  
(531) 03.01.06; 03.01.16  
(511) 9, 16, 25, 28, 35, 38, 39, 41, 42

(260) AM 2021 110439 A  
(210) AM 110439  
(220) 2020 11 06  
(731) Abercrombie & Fitch Europe Sagl  
Via Moree, 6850 Mendrisio, Switzerland  
(740) Giorgi Taktakishvili  
(540)

## ABERCROMBIE & FITCH AWAY

(591) Black-white  
(511) 3

(260) AM 2021 110451 A  
(210) AM 110451  
(220) 2020 11 09  
(731) Ketevan Lomaia  
Gldani, III mcr., corp. 7a, 0167, Tbilisi,  
Georgia  
(540)

## გრავიტო gravity гравит

(591) Black-white  
(511) 3

(260) AM 2021 110466 A  
(210) AM 110466  
(220) 2020 11 10  
(731) Aeolus Tyre Co., LTD  
No. 48 Jiaodong South Road Jiaozuo, Henan,  
China  
(740) Tamaz Shilakadze  
(540)



(591) Black, grey  
(531) 01.15.23; 26.01.01; 26.01.12; 26.01.16;  
27.01.06; 27.03.12  
(511) 12

(260) AM 2021 110468 A  
(210) AM 110468  
(220) 2020 11 10  
(731) Aeolus Tyre Co., LTD  
No. 48 Jiaodong South Road Jiaozuo, Henan,  
China  
(740) Tamaz Shilakadze  
(540)



(591) Grey, light grey  
(531) 01.07.06; 01.07.19; 26.11.12; 27.05.01;  
27.05.08  
(511) 12

(260) AM 2021 110477 A  
(210) AM 110477  
(220) 2020 11 12  
(731) C.P. Merchandising Co., Ltd 313 C.P. Tower,  
Silom Road,  
Bangrak, Bangkok, 10500, Thailand  
(740) Giorgi Ghvinjilia  
(540)



(591) 000000 black, white  
(531) 01.03.01; 01.03.15; 01.03.18; 05.01.02;  
05.01.04; 05.01.08; 05.01.16; 26.04.02;  
26.04.16; 26.04.22; 26.04.24; 26.11.03;  
26.11.08; 27.05.01; 27.05.17; 27.05.24  
(511) 30

---

**REGISTERED TRADEMARKS**

(111) M 2021 34017 R  
(151) 2021 05 18  
(181) 2031 05 18  
(260) AM 2020 106588 A  
(220) 2020 06 19  
(732) LTD "Doctor Bubnovsky Centre"  
M. Kostava St. 74, app. 66, 0171, Tbilisi,  
Georgia

---

(111) M 2021 34018 R  
(151) 2021 05 18  
(181) 2031 05 18  
(260) AM 2020 106674 A  
(220) 2020 06 23  
(732) LTD "CLC"  
Ioane Petritsi St., corp. 13, app. 24, Tbilisi,  
Georgia

---

(111) M 2021 34019 R  
(151) 2021 05 18  
(181) 2031 05 18  
(260) AM 2020 106777 A  
(220) 2020 01 29  
(732) LTD "Geveli"  
Sulkhan Tsintsadse St. 59, app. 41, 0160, Tbilisi,  
Georgia

---

(111) M 2021 34020 R  
(151) 2021 05 18  
(181) 2031 05 18  
(260) AM 2020 107269 A  
(220) 2020 02 21  
(732) LTD "Global Cbs"  
Stanislavskiy St. 5, 0141, Tbilisi, Georgia

---

(111) M 2021 34021 R  
(151) 2021 05 18  
(181) 2031 05 18  
(260) AM 2020 107272 A  
(220) 2020 02 21  
(732) LTD "Global Cbs"  
Stanislavskiy St. 5, 0141, Tbilisi, Georgia

---

(111) M 2021 34022 R  
(151) 2021 05 18  
(181) 2031 05 18  
(260) AM 2020 107273 A  
(220) 2020 02 21  
(732) LTD "Global Cbs"  
Stanislavskiy St. 5, 0141, Tbilisi, Georgia

---

(111) M 2021 34023 R  
(151) 2021 05 18  
(181) 2031 05 18  
(260) AM 2020 107274 A  
(220) 2020 02 21  
(732) LTD "Global Cbs"  
Stanislavskiy St. 5, 0141, Tbilisi, Georgia

---

(111) M 2021 34024 R  
(151) 2021 05 18  
(181) 2031 05 18  
(260) AM 2020 107275 A  
(220) 2020 02 21  
(732) LTD "Global Cbs"  
Stanislavskiy St. 5, 0141, Tbilisi, Georgia

---

(111) M 2021 34025 R  
(151) 2021 05 18  
(181) 2031 05 18  
(260) AM 2020 107276 A  
(220) 2020 02 21  
(732) LTD "Global Cbs"  
Stanislavskiy St. 5, 0141, Tbilisi, Georgia

---

(111) M 2021 34026 R  
(151) 2021 05 18  
(181) 2031 05 18  
(260) AM 2020 107277 A  
(220) 2020 02 21  
(732) LTD "Global Cbs"  
Stanislavskiy St. 5, 0141, Tbilisi, Georgia

---

(111) M 2021 34027 R  
(151) 2021 05 18  
(181) 2031 05 18  
(260) AM 2020 107278 A  
(220) 2020 02 21  
(732) LTD "Global Cbs"  
Stanislavskiy St. 5, 0141, Tbilisi, Georgia

---

(111) M 2021 34028 R  
(151) 2021 05 18  
(181) 2031 05 18  
(260) AM 2020 107279 A  
(220) 2020 02 21  
(732) LTD "Global Cbs"  
Stanislavskiy St. 5, 0141, Tbilisi, Georgia

---

(111) M 2021 34029 R  
(151) 2021 05 18  
(181) 2031 05 18  
(260) AM 2020 107280 A  
(220) 2020 02 21  
(732) LTD "Global Cbs"  
Stanislavskiy St. 5, 0141, Tbilisi, Georgia

---

(111) M 2021 34030 R  
(151) 2021 05 18  
(181) 2031 05 18  
(260) AM 2020 107281 A  
(220) 2020 02 21  
(732) LTD "Global Cbs"  
Stanislavskiy St. 5, 0141, Tbilisi, Georgia

---

(111) M 2021 34031 R  
(151) 2021 05 18  
(181) 2031 05 18  
(260) AM 2020 107282 A  
(220) 2020 02 21  
(732) LTD "Global Cbs"  
Stanislavskiy St. 5, 0141, Tbilisi, Georgia

---

(111) M 2021 34032 R  
(151) 2021 05 18  
(181) 2031 05 18  
(260) AM 2020 107499 A  
(220) 2020 03 13  
(732) LTD "Berika"  
I. Chavchavadze Av. 6, Lane I, app. 80, 0179,  
Tbilisi Georgia

---

(111) M 2021 34033 R  
(151) 2021 05 18  
(181) 2031 05 18  
(260) AM 2020 107656 A  
(220) 2020 03 25  
(732) BASF Agricultural Solutions Seed US LLC  
100 Park Avenue, Florham Park, NJ, USA

---

(111) M 2021 34034 R  
(151) 2021 05 18  
(181) 2031 05 18  
(260) AM 2020 107678 A  
(220) 2020 04 01  
(732) KT & G Corporation  
71, Beotkkot-gil, Daedeok-gu, Daejeon,  
Republic of Korea

---

(111) M 2021 34035 R  
(151) 2021 05 18  
(181) 2031 05 18  
(260) AM 2020 107679 A  
(220) 2020 04 01  
(732) KT & G Corporation  
71, Beotkkot-gil, Daedeok-gu, Daejeon,  
Republic of Korea

---

(111) M 2021 34036 R  
(151) 2021 05 18  
(181) 2031 05 18  
(260) AM 2020 107680 A  
(220) 2020 04 01  
(732) KT & G Corporation  
71, Beotkkot-gil, Daedeok-gu, Daejeon,  
Republic of Korea

---

(111) M 2021 34037 R  
(151) 2021 05 18  
(181) 2031 05 18  
(260) AM 2020 107681 A  
(220) 2020 04 01  
(732) KT & G Corporation  
71, Beotkkot-gil, Daedeok-gu, Daejeon,  
Republic of Korea

---

(111) M 2021 34038 R  
(151) 2021 05 18  
(181) 2031 05 18  
(260) AM 2020 107682 A  
(220) 2020 04 01  
(732) KT & G Corporation  
71, Beotkkot-gil, Daedeok-gu, Daejeon,  
Republic of Korea

---

(111) M 2021 34039 R  
(151) 2021 05 18  
(181) 2031 05 18  
(260) AM 2020 107683 A  
(220) 2020 04 01  
(732) KT & G Corporation  
71, Beotkkot-gil, Daedeok-gu, Daejeon,  
Republic of Korea

---

(111) M 2021 34040 R  
(151) 2021 05 18  
(181) 2031 05 18  
(260) AM 2020 107808 A  
(220) 2020 04 07  
(732) LTD "Biopolusi"  
Noneshvili Str. 65, Batumi, Georgia

---

(111) M 2021 34041 R  
(151) 2021 05 18  
(181) 2031 05 18  
(260) AM 2020 107809 A  
(220) 2020 04 07  
(732) LTD "Biopole"  
Noneshvili Str. 65, Batumi, Georgia

---

(111) M 2021 34042 R  
(151) 2021 05 18  
(181) 2031 05 18  
(260) AM 2020 108058 A  
(220) 2020 04 24  
(732) KT & G Corporation  
71, Beotkkot-gil, Daedeok-gu, Daejeon,  
Republic of Korea

---

(111) M 2021 34043 R  
(151) 2021 05 18  
(181) 2031 05 18  
(260) AM 2020 108215 A  
(220) 2020 05 12  
(732) Paata Sulaberidze  
Iakob Nikoladze St. 5a, app. 3, Tbilisi, Georgia

---

(111) M 2021 34044 R  
(151) 2021 05 18  
(181) 2031 05 18  
(260) AM 2020 108289 A  
(220) 2020 05 15  
(732) LLC "Pay Unicard"  
Petriashvili St. 25-27-29/4, app. 26, Tbilisi,  
Georgia

---

(111) M 2021 34045 R  
(151) 2021 05 18  
(181) 2031 05 18  
(260) AM 2020 108290 A  
(220) 2020 05 15  
(732) LLC "Pay Unicard"  
Petriashvili St. 25-27-29/4, app. 26, Tbilisi,  
Georgia

---

(111) M 2021 34046 R  
(151) 2021 05 18  
(181) 2031 05 18  
(260) AM 2020 108294 A  
(220) 2020 05 15  
(732) Barnabeli  
Geguti St. 2, 0101, Tbilisi, Georgia

---

(111) M 2021 34047 R  
(151) 2021 05 18  
(181) 2031 05 18  
(260) AM 2020 108309 A  
(220) 2020 05 19  
(732) JSC "Kindzmarauli Corporation"  
Ilia Chavchavadze St. 55, 4800, Kvareli,  
Georgia

---

(111) M 2021 34048 R  
(151) 2021 05 18  
(181) 2031 05 18  
(260) AM 2020 108317 A  
(220) 2020 05 20  
(732) Visa International Service Association  
900 Metro Center Blvd., Foster City,  
CA 94404, USA

---

(111) M 2021 34049 R  
(151) 2021 05 18  
(181) 2031 05 18  
(260) AM 2020 108320 A  
(220) 2020 05 21  
(732) LLC "Rtvelisi"  
R. Schmerling St. 19, Saburtalo District,  
0131, Tbilisi, Georgia

---

(111) M 2021 34050 R  
(151) 2021 05 18  
(181) 2031 05 18  
(260) AM 2020 108321 A  
(220) 2020 05 21  
(732) LLC "Hash Terra Ft"  
Samgori District, nearby Lilo Destination,  
Tbilisi, Georgia

---

(111) M 2021 34051 R  
(151) 2021 05 18  
(181) 2031 05 18  
(260) AM 2020 108389 A  
(220) 2020 05 25  
(732) Kraft Foods Schweiz Holding GmbH  
Chollerstraße 4, Zug 6300, Switzerland

---

(111) M 2021 34052 R  
(151) 2021 05 18  
(181) 2031 05 18  
(260) AM 2020 108396 A  
(220) 2020 05 25  
(732) Energy Beverages LLC  
2390 Anselmo Drive, Corona, CA  
92879, USA

---

(111) M 2021 34053 R  
(151) 2021 05 18  
(181) 2031 05 18  
(260) AM 2020 108405 A  
(220) 2020 05 26  
(732) LTD "Marani Utskinari"  
Gutani St. 28, Tbilisi, Georgia

---

(111) M 2021 34054 R  
(151) 2021 05 18  
(181) 2031 05 18  
(260) AM 2020 108409 A  
(220) 2020 05 27  
(732) LTD "Karmen"  
D. Aghmashenebeli Av. 34a, Batumi,  
Georgia

---

(111) M 2021 34055 R  
(151) 2021 05 18  
(181) 2031 05 18  
(260) AM 2020 108412 A  
(220) 2020 05 28  
(732) Hyundai Motor Company  
12, Heolleung-ro, Seocho-gu, Seoul,  
Republic of Korea

---

(111) M 2021 34056 R  
(151) 2021 05 18  
(181) 2031 05 18  
(260) AM 2020 108413 A  
(220) 2020 05 28  
(732) Hyundai Motor Company  
12, Heolleung-ro, Seocho-gu, Seoul, Republic  
of Korea

---

(111) M 2021 34057 R  
(151) 2021 05 18  
(181) 2031 05 18  
(260) AM 2020 108414 A  
(220) 2020 05 28  
(732) Hyundai Motor Company  
12, Heolleung-ro, Seocho-gu, Seoul, Republic  
of Korea

---

(111) M 2021 34058 R  
(151) 2021 05 18  
(181) 2031 05 18  
(260) AM 2020 108415 A  
(220) 2020 05 28  
(732) Hyundai Motor Company  
12, Heolleung-ro, Seocho-gu, Seoul, Republic  
of Korea

---

(111) M 2021 34059 R  
(151) 2021 05 18  
(181) 2031 05 18  
(260) AM 2020 108416 A  
(220) 2020 05 28  
(732) Hyundai Motor Company  
12, Heolleung-ro, Seocho-gu, Seoul, Republic  
of Korea

---

(111) M 2021 34060 R  
(151) 2021 05 18  
(181) 2031 05 18  
(260) AM 2020 108417 A  
(220) 2020 05 28  
(732) Hyundai Motor Company  
12, Heolleung-ro, Seocho-gu, Seoul, Republic  
of Korea

---

(111) M 2021 34061 R  
(151) 2021 05 18  
(181) 2031 05 18  
(260) AM 2020 108418 A  
(220) 2020 05 28  
(732) Hyundai Motor Company  
12, Heolleung-ro, Seocho-gu, Seoul, Republic  
of Korea

---

(111) M 2021 34062 R  
(151) 2021 05 18  
(181) 2031 05 18  
(260) AM 2020 108419 A  
(220) 2020 05 28  
(732) LTD "KL Coffee Company"  
Giorgi Saakadze St., II Exit 12, Tbilisi,  
Georgia

---

(111) M 2021 34063 R  
(151) 2021 05 18  
(181) 2031 05 18  
(260) AM 2020 108420 A  
(220) 2020 05 28  
(732) Hyundai Motor Company  
12, Heolleung-ro, Seocho-gu, Seoul, Republic  
of Korea

---

(111) M 2021 34064 R  
(151) 2021 05 18  
(181) 2031 05 18  
(260) AM 2020 108421 A  
(220) 2020 05 28  
(732) Hyundai Motor Company  
12, Heolleung-ro, Seocho-gu, Seoul, Republic  
of Korea

---

(111) M 2021 34065 R  
(151) 2021 05 18  
(181) 2031 05 18  
(260) AM 2020 108423 A  
(220) 2020 05 28  
(732) Hyundai Motor Company  
12, Heolleung-ro, Seocho-gu, Seoul, Republic  
of Korea

---

(111) M 2021 34066 R  
(151) 2021 05 18  
(181) 2031 05 18  
(260) AM 2020 108424 A  
(220) 2020 05 28  
(732) Hyundai Motor Company  
12, Heolleung-ro, Seocho-gu, Seoul, Republic  
of Korea

---

(111) M 2021 34067 R  
(151) 2021 05 18  
(181) 2031 05 18  
(260) AM 2020 108425 A  
(220) 2020 05 28  
(732) Hyundai Motor Company  
12, Heolleung-ro, Seocho-gu, Seoul, Republic  
of Korea

---

(111) M 2021 34068 R  
(151) 2021 05 18  
(181) 2031 05 18  
(260) AM 2020 108430 A  
(220) 2020 05 28  
(732) LTD "Alazani Winery"  
Dimitri Tavadgebuli St. 3, 4800, Kvareli,  
Georgia

---

(111) M 2021 34069 R  
(151) 2021 05 18  
(181) 2031 05 18  
(260) AM 2020 108431 A  
(220) 2020 05 29  
(732) Advanced New Technologies Co., Ltd.  
Cayman Corporate Centre, 27 Hospital Road,  
George Town, Grand Cayman KY1-9008,  
Cayman Islands

---

(111) M 2021 34070 R  
(151) 2021 05 18  
(181) 2031 05 18  
(260) AM 2020 108487 A  
(220) 2020 05 29  
(732) Zoetis Services LLC  
10 Sylvan Way, Parsippany, NJ 07054, USA

---

(111) M 2021 34071 R  
(151) 2021 05 18  
(181) 2031 05 18  
(260) AM 2020 108494 A  
(220) 2020 06 01  
(732) Kawai Musical Instruments  
Manufacturing Co., Ltd.  
No. 200, Terajima-cho, Naka-ku, Hamamatsushi,  
Shizuoka-ken, Japan

---

(111) M 2021 34072 R  
(151) 2021 05 18  
(181) 2031 05 18  
(260) AM 2020 108501 A  
(220) 2020 06 02  
(732) LTD "Foodservice"  
T. Chantladze St. 40, 0109, Tbilisi, Georgia

---

111) M 2021 34073 R  
(151) 2021 05 18  
(181) 2031 05 18  
(260) AM 2020 108502 A  
(220) 2020 06 02  
(732) LTD "Foodservice"  
T. Chantladze St. 40, 0109, Tbilisi, Georgia

---

(111) M 2021 34074 R  
(151) 2021 05 18  
(181) 2031 05 18  
(260) AM 2020 108515 A  
(220) 2020 06 03  
(732) M/S Tej Ram Dharam Paul  
93, Chanderlok, Pitampura, Delhi, 110034,  
India

---

(111) M 2021 34075 R  
(151) 2021 05 18  
(181) 2031 05 18  
(260) AM 2020 108516 A  
(220) 2020 06 03  
(732) Shandong FUJIZY Elevator Co., Ltd.  
South End of Taishan Road, Economic  
Development Zone of Ningjin, Shandong  
Province, China

---

(111) M 2021 34076 R  
(151) 2021 05 18  
(181) 2031 05 18  
(260) AM 2020 108579 A  
(220) 2020 06 08  
(732) LTD "Coffee Laboratory"  
Z. Paliashvili St. 24, Tbilisi, Georgia

---



---

(111) M 2021 34077 R (151) 2021 05 18 (181) 2031 05 18 (260) AM 2020 108590 A (220) 2020 06 09 (732) Giorgi Stepanishvili St. Petersburg St. 2, Tbilisi, Georgia; Giorgi Mchedlidze Tibaani Exit 14, Tbilisi, Georgia	(111) M 2021 34083 R (151) 2021 05 18 (181) 2031 05 18 (260) AM 2020 108659 A (220) 2020 06 12 (732) Bayer Consumer Care AG Peter Merian-St. 84, 4052 Basel, Switzerland
(111) M 2021 34078 R (151) 2021 05 18 (181) 2031 05 18 (260) AM 2020 108600 A (220) 2020 06 10 (732) Corporacion Habanos S.A. Carretera Vieja de Guanabacoa y Linea del Ferrocarril Final, Guanabacoa, La Habana, Cuba	(111) M 2021 34084 R (151) 2021 05 18 (181) 2031 05 18 (260) AM 2020 108662 A (220) 2020 06 14 (732) LLC "Hashterra FT" Nearby Lilo Destination, Samgori District, Tbilisi Georgia
(111) M 2021 34079 R (151) 2021 05 18 (181) 2031 05 18 (260) AM 2020 108602 A (220) 2020 06 10 (732) LTD "Martin Pamach" Village Patara Pamaji, Akhaltsikhe, Georgia	(111) M 2021 34085 R (151) 2021 05 18 (181) 2031 05 18 (260) AM 2020 108663 A (220) 2020 06 14 (732) LLC "NAMU" Sokhumi St. 5, Tskneti, Tbilisi, Georgia
(111) M 2021 34080 R (151) 2021 05 18 (181) 2031 05 18 (260) AM 2020 108609 A (220) 2020 06 11 (732) Oleksandr Oleynikov Dneprostroevskaya St., House 47N, Dnepropetrovskaya District, Kamenskoe, Ukraine	(111) M 2021 34086 R (151) 2021 05 18 (181) 2031 05 18 (260) AM 2020 108671 A (220) 2020 06 15 (732) Bayer Consumer Care AG Peter Merian-St. 84, Bazeli, 4052, Switzerland
(111) M 2021 34081 R (151) 2021 05 18 (181) 2031 05 18 (260) AM 2020 108603 A (220) 2020 06 10 (732) Bayer Consumer Care AG Peter Merian-St. 84, 4052 Basel, Switzerland	(111) M 2021 34087 R (151) 2021 05 18 (181) 2031 05 18 (260) AM 2020 108735 A (220) 2020 06 19 (732) Reckitt Benckiser LLC 399 Interpace Parkway, NJ, Parsippany, 07054, USA
(111) M 2021 34082 R (151) 2021 05 18 (181) 2031 05 18 (260) AM 2020 108658 A (220) 2020 06 12 (732) Bayer Consumer Care AG Peter Merian-St. 84, 4052 Basel, Switzerland	(111) M 2021 34088 R (151) 2021 05 18 (181) 2031 05 18 (260) AM 2020 108737 A (220) 2020 06 19 (732) Qplay GMBH Mevissenstr. 16/Briefkasten 03, 50668 Köln, Germany

---

(111) M 2021 34089 R  
(151) 2021 05 18  
(181) 2031 05 18  
(260) AM 2020 108738 A  
(220) 2020 06 19

(732) Qplay GMBH  
Mevisenstr. 16/Briefkasten 03, 50668 Köln,  
Germany

---

(111) M 2021 34090 R  
(151) 2021 05 18  
(181) 2031 05 18  
(260) AM 2020 108739 A  
(220) 2020 06 20

(732) JSC "Gazprom Neft"  
Ul. Pochtamtorskaya, d. 3-5, Litera A, Ch,  
Pomeshchenie 1n, Cabinet 2401,  
St. Petersburg, 190000, Russian Federation"

---

(111) M 2021 34091 R  
(151) 2021 05 18  
(181) 2031 05 18  
(260) AM 2020 108740 A  
(220) 2020 06 20

(732) JSC "Gazprom Neft"  
Ul. Pochtamtorskaya, dom 3-5, Litera A, Ch,  
Pomeshchenie 1n, Cabinet 2401,  
St. Petersburg, 190000, Russian Federation"

---

(111) M 2021 34092 R  
(151) 2021 05 18  
(181) 2031 05 18  
(260) AM 2020 108748 A  
(220) 2020 06 23

(732) LTD "Krinti"  
Madneuli St. 10, vill. Kazreti, Bolnisi,  
Georgia

---

(111) M 2021 34093 R  
(151) 2021 05 18  
(181) 2031 05 18  
(260) AM 2020 108758 A  
(220) 2020 06 23

(732) LTD "ARSON TECHNOLOGY"  
Tsabadze St. 8-b, Bld. 2, Shop 3, 0112,  
Didube District, Tbilisi, Georgia

---

(111) M 2021 34094 R  
(151) 2021 05 18  
(181) 2031 05 18  
(260) AM 2020 108767 A  
(220) 2020 06 24

(732) LLC "Ori Nabiji"  
Navtlughi St. 39-41, 0113, Isani District,  
Tbilisi, Georgia

---

(111) M 2021 34095 R  
(151) 2021 05 18  
(181) 2031 05 18  
(260) AM 2020 108768 A  
(220) 2020 06 24

(732) LLC "ORI NABIJI"  
Navtlughi St. 39-41, 0113, Isani District,  
Tbilisi, Georgia

---

(111) M 2021 34096 R  
(151) 2021 05 18  
(181) 2031 05 18  
(260) AM 2020 108692 A  
(220) 2020 06 18

(732) Marriott Worldwide Corporation  
10400 Fernwood Road, Bethesda, Maryland  
20817, USA

---

(111) M 2021 34097 R  
(151) 2021 05 18  
(181) 2031 05 18  
(260) AM 2020 108694 A  
(220) 2020 06 18

(732) Marriott Worldwide Corporation  
10400 Fernwood Road, Bethesda, Maryland  
20817, USA

---

(111) M 2021 34098 R  
(151) 2021 05 18  
(181) 2031 05 18  
(260) AM 2018 100030 A  
(220) 2018 10 24

(732) Inmusic Brands Inc.  
200 Scenic View Drive, Cumberland, RI  
Island, 02864, USA

---

(111) M 2021 34099 R  
(151) 2021 05 18  
(181) 2031 05 18  
(260) AM 2020 107651 A  
(220) 2020 03 24

(732) LTD "Aversi-Pharma"  
Davit Aghmashenebeli Av. 148/2, 0112, Tbilisi,  
Georgia

---

## TRADEMARKS REGISTERED ACCORDING TO THE ACCELERATED PROCEDURE

The decision can be appealed at the Chamber of Appeal of Sakpatenti within 3 months from the publication.

(111) M 2021 34007 R  
(151) 2021 05 13  
(181) 2031 05 13  
(210) AM 112700  
(220) 2021 04 21  
(732) LTD "Tbilisi Cellar"  
Z. Paliashvili St. 33, app. 6, 0179, Tbilisi,  
Georgia  
(740) Giorgi Taktakishvili  
(540)



(591) Black-white  
(531) 07.01.01; 25.01.19; 25.01.25; 26.13.25;  
27.05.01; 27.05.10; 27.05.24  
(526) "დადიანების სასახლე",  
"PALACE DADIANI", Image of the palace  
(511) 32, 33

(111) M 2021 34008 R  
(151) 2021 05 13  
(181) 2031 05 13  
(210) AM 112840  
(220) 2021 05 06  
(732) Roman Antidze  
Vazisubani Settlement, III mcr., II qu.,  
corp. 9, app. 33, 0152, Tbilisi, Georgia

(540)



(591) F8F9F7 white, F7F73B yellow, F42E2E red,  
05BC2A green  
(531) 29.01.14; 26.04.16; 26.15.25; 27.05.04; 29.01.13  
(511) 35

(111) M 2021 34009 R  
(151) 2021 05 17  
(181) 2031 05 17  
(210) AM 112734  
(220) 2021 04 29  
(732) British American Tobacco (Brands) Inc.  
(a Delaware corporation)  
251 Little Falls Drive, Suite 100, Wilmington,  
Delaware, 19808-1674, USA  
(740) Tamar Kotchlamazashvili  
(540)



(591) Blue, white  
(531) 10.01.05; 27.05.01; 29.01.04  
(511) 34

(111) M 2021 34010 R  
(151) 2021 05 17  
(181) 2031 05 17  
(210) AM 112735  
(220) 2021 04 29  
(732) British American Tobacco (Brands) Inc.  
(a Delaware corporation)  
251 Little Falls Drive, Suite 100, Wilmington,  
Delaware, 19808-1674, USA  
(740) Tamar Kotchlamazashvili  
(540)



(591) Grey, silver, sky-blue  
 (531) 01.15.09; 27.05.01; 27.05.10; 29.01.13  
 (511) 34

(111) M 2021 34011 R  
 (151) 2021 05 17  
 (181) 2031 05 17  
 (210) AM 112717  
 (220) 2021 04 26  
 (732) N(N)LE Georgian Copyright Association (GCA)  
 Collective Management Organization  
 Created by Authors and Neighboring Rights  
 Holders  
 M. Kostava St. 37-39, Mtatsminda District,  
 Tbilisi, Georgia

(540)



(591) Red, black, white  
 (531) 05.05.20; 26.04.02; 26.04.15; 26.04.16;  
 26.13.25; 27.05.01; 28.19; 29.01.13  
 (526) საქართველო  
 (511) 41, 45

(111) M 2021 34012 R  
 (151) 2021 05 17  
 (181) 2031 05 17  
 (210) AM 112833  
 (220) 2021 04 30  
 (732) Gallaher Limited  
 Members Hill Brooklands Road, Weybridge,  
 Surrey KT13 0QU, United Kingdom

(740) Shalva Gvaramadze  
 (540)

**SOBRANIE COMPACT COPPER**

(591) Black-white  
 (511) 34

(111) M 2021 34013 R  
 (151) 2021 05 17  
 (181) 2031 05 17  
 (210) AM 112832  
 (220) 2021 04 30  
 (732) Gallaher Limited  
 Members Hill Brooklands Road, Weybridge,  
 Surrey KT13 0QU, United Kingdom

(740) Shalva Gvaramadze  
 (540)

**SOBRANIE COMPACT IVORY**

(591) Black-white  
 (511) 34

(111) M 2021 34014 R  
 (151) 2021 05 17  
 (181) 2031 05 17  
 (210) AM 112715  
 (220) 2021 04 26  
 (732) LTD "Sillar"  
 Omar Khizanishvili St. 264 (Tbilisi  
 Technology Park Free Industrial Zone),  
 Tbilisi, Georgia  
 (740) Shalva Gvaramadze  
 (540)

**რომივერია  
 ROMIVERIA  
 РОМИВЕРИЯ**

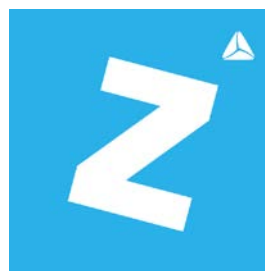
(591) Black-white  
 (511) 29, 30

(111) M 2021 34015 R  
 (151) 2021 05 17  
 (181) 2031 05 17  
 (210) AM 112581  
 (220) 2021 04 12  
 (732) LLC "Global Beer Georgia"  
 Vill. Tsilkani, 3319, Mtskheta, Georgia  
 (540)



(591) Red, white, black, grey  
 (531) 19.07.01; 19.07.09; 19.08.05; 19.08.07;  
 26.11.07; 27.05.01; 27.05.15; 29.01.13  
 (526) GEORGIA  
 (511) 32, 35, 43

(111) M 2021 34016 R  
 (151) 2021 05 17  
 (181) 2031 05 17  
 (210) AM 112900  
 (220) 2021 05 07  
 (732) JSC "TBC Bank"  
 K. Marjanishvili St. 7, 0102, Tbilisi, Georgia  
 (740) Archil Gabatashvili  
 (540)



(591) White, azure  
 (531) 26.03.04; 26.03.11; 26.04.02; 26.04.18;  
 26.04.24; 27.05.21; 29.01.12  
 (511) 36

---

(111) M 2021 34100 R  
 (151) 2021 05 18  
 (181) 2031 05 18  
 (210) AM 112838  
 (220) 2021 05 06  
 (732) LTD "Merkado"  
 Gldani, VI mcr., corp. 28, app. 53,  
 Gldani District, Tbilisi, Georgia  
 (540)



(591) ED6B72 red, 3F998C green, 88C9BE  
 light green  
 (531) 28.19; 29.01.12  
 (511) 35, 39, 43

---

(111) M 2021 34101 R  
 (151) 2021 05 20  
 (181) 2031 05 20  
 (210) AM 112907  
 (220) 2021 05 11  
 (732) Japan Tobacco Inc.  
 1-1, Toranomom 4-chome, Minato-ku,  
 Tokyo, Japan  
 (740) Shalva Gvaramadze  
 (540)

**CRUSH**

(591) Black-white  
 (511) 34

---

(111) M 2021 34102 R  
 (151) 2021 05 20  
 (181) 2031 05 20  
 (210) AM 112908  
 (220) 2021 05 11  
 (732) Japan Tobacco Inc.  
 1-1, Toranomom 4-chome, Minato-ku,  
 Tokyo, Japan  
 (740) Shalva Gvaramadze  
 (540)

**WOW EDITION**

(591) Black-white  
 (511) 34

---

## INTERNATIONAL TRADEMARKS FOR WHICH A DECISION ON GRANTING PROTECTIONS IS TAKEN

The decision can be appealed at the Chamber of Appeal of Sakpatenti within 3 months from the publication or at the Mtskheta District Court Administrative Cases Board (Address: №17, Samkhedro str., Mtskheta), within 1 month following the publication.

(260) AM 2021 109169 A

(800) 1541809

(151) 2020 05 15

(891) 2020 05 15

(731) HUAWEI TECHNOLOGIES CO., LTD.

Administration Building, Huawei Technologies Co., Ltd., Bantian, Longgang District, Shenzhen, China

(540)

# HONOR MagicPad

(591) Black, white

(531) 27.05.01; 27.05.09

(511)

9 – Modems; sleeves for laptops; stored program controlled telephone switching apparatus; radios; air analysis apparatus; materials for electricity mains (wires, cables); video screens; integrated circuits; electronic chips; thermal imaging cameras; bathroom scales; scales with body mass analyzers; personal digital assistants (PDAs); computer software platforms, recorded or downloadable; thin client computers; hand-held electronic dictionaries; computer screen saver software, recorded or downloadable; computer software, recorded; downloadable graphics for mobile phones; electric batteries; chargers for electric batteries; mobile power source (rechargeable batteries); tablet computers; covers for tablet computers; stands adapted for tablet computers; flat panel displays; flexible flat panel displays for computers; laptop computers; notebook computers; headphones; earphones; wearable computers; telecommunication apparatus in the form of jewellery; selfie sticks for mobile phones; security surveillance robots; wearable video display monitors; selfie lenses; laboratory robots; teaching robots; virtual reality headsets; digital video recorder for vehicles; set-top boxes; loudspeakers; portable media players; sound transmitting apparatus; electronic diaries; liquid crystal displays (LCD); electronic pens; smartglasses; USB data lines or data cables; USB data lines or data cables for mobile phones; downloadable mobile phone software applications; holders for mobile phones; touch screens; television apparatus; electric plugs; electric sockets; intercoms; digital door locks; alarm central units; sensors; downloadable emoticons for mobile phones; computer operating programs, recorded; liquid crystal displays (LCD) with large screens; video image printers; portable digital electronic

scales; wrist-mounted smartphones; television apparatus for vehicles; computer styluses; computer programs, downloadable; computer programs (downloadable software); smartwatches; smartphones; wearable activity trackers; cases for smartphones; covers for smartphones; protective films adapted for smartphones; selfie sticks (hand-held monopods); digital photo frames; microphones; computer hardware; touch screen pens; 3D spectacles; bags adapted for laptops; camcorders; cameras (photography); computer keyboards; mouse (computer peripheral); pedometers; monitoring apparatus, other than for medical purposes; video monitors; connected bracelets (measuring instruments); computer programs, recorded; computer software applications, downloadable; optical lenses; switchboards; transmitters of electronic signals; transmitting sets (telecommunication); gas testing instruments; scales; black boxes (data recorders); interactive touch screen terminals; humanoid robots with artificial intelligence; electronic sheet music, downloadable; smart rings; audio interfaces; electric and electronic effects units for musical instruments; equalizers (audio apparatus); digital weather stations; biochips; infrared detectors; electronic key fobs being remote control apparatus; security tokens (encryption devices); fingerprint identifier; human face recognition devices; computer memories; integrated circuit cards (smart cards); transponders; cabinets for loudspeakers; network communication apparatus.

(260) AM 2021 109244 A

(800) 1542679

(151) 2020 04 16

(891) 2020 04 16

(731) Zhejiang Aishida Electric Co., Ltd.

No.2 Keji Road, Economic Development Zone, Wenling City, Zhejiang, China

(540)



(591) Black, white

(531) 26.04.24; 27.05.01; 27.05.17; 27.05.24

(511)

11 – Cooking utensils, electric; cooking stoves; roasting apparatus; pressure cookers, electric; kettles, electric; food steamers, electric; induction cookers; extractor hoods for kitchens; water purification installations; lighters.

21 – Cooking pots; containers for household or kitchen use; kitchen utensils; tableware, other than knives, forks and spoons; daily use glassware (including cups, plates, pots, crocks); ceramics for household purposes; works of art of porcelain, ceramic, earthenware, terra-cotta or glass; trash cans; brushes; thermally insulated containers for food; cleaning instruments, hand-operated.

(260) AM 2021 109246 A

(800) 1542687

(151) 2019 12 31

(891) 2019 12 31

(731) ABC DETERJAN SANAYİ VE TİCARET ANONİM ŞİRKETİ

Rüzgarlıbahçe Mahallesi, Kavak Sokak,  
Smart Plaza, No:31/1, İç Kapı No:8,  
TR-34742 Beykoz-İstanbul, Turkey

(540)



(591) Light blue, blue, dark blue, red and white

(531) 26.01.02; 26.01.06; 26.01.18; 26.01.24;  
27.05.17; 27.05.23; 27.05.24; 29.01.13

(511)

3 – Bleaching and cleaning preparations, detergents other than for use in manufacturing operations and for medical purposes, laundry bleach, fabric softeners for laundry use, stain removers, dishwasher detergents; perfumery; cosmetics (except medicated cosmetics), fragrances; deodorants for personal use and animals; soaps (except medicated soap); dental care preparations, dentifrices, denture polishes, tooth whitening preparations, mouth washes, not for medical purposes; abrasive preparations; emery cloth; sandpaper; pumice stone; abrasive pastes; polishing preparations for leather, vinyl, metal and wood, polishes and creams for leather, vinyl, metal and wood, wax for polishing.

(260) AM 2021 109250 A

(800) 1542842

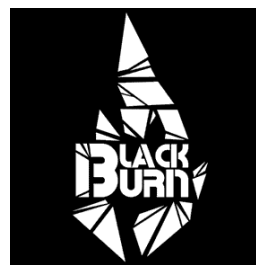
(151) 2020 06 19

(891) 2020 06 19

(731) GOGU MARIN

Str. Trei Fintini, 4, MD-4301 Căușeni,  
Republic of Moldova

(540)



(591) Black, white

(531) 01.15.19; 06.01.04; 10.05.17; 17.02.04;  
26.13.25; 27.05.24

(511)

34 – Flavorings, other than essential oils, for tobacco; flavorings, other than essential oils, for use in electronic cigarettes; absorbent paper for tobacco pipes; cigarette paper; tobacco pouches; books of cigarette papers; humidors; cigar cutters; cigar holders; cigarette holders; mouthpieces for cigarette holders; tips of yellow amber for cigar and cigarette holders; ashtrays for smokers; spittoons for tobacco users; pipe racks for tobacco pipes; pipe cleaners for tobacco pipes; liquid solutions for use in electronic cigarettes; electronic cigarettes; cigarettes; cigarettes containing tobacco substitutes, not for medical purposes; cigarillos; cigars; tobacco jars; oral vaporizers for smokers; tobacco; chewing tobacco; snuff; snuff boxes; herbs for smoking; tobacco pipes; pocket machines for rolling cigarettes; cigarette filters; cigarette tips; cigar cases; cigarette cases.

(260) AM 2021 109251 A

(800) 1542928

(151) 2020 06 05

(891) 2020 06 05

(731) DSM IP Assets B.V. (Private Limited Liability Company)

Het Overloon 1, NL-6411 TE Heerlen,  
Netherlands

(540)

**NEOADD**

(591) Black, white

(511)

1 – Chemicals used in industry; chemical additives for coatings; unprocessed artificial resins, unprocessed plastics; adhesives used in industry; artificial and synthetic resins and plastics in the form of liquids, powders, granules, pastes, emulsions, suspensions, dispersions; polymers in the form of liquids, powders, granules, pastes, emulsions, suspensions and dispersions; plastics in the nature of raw materials; polyurethanes in the form of aqueous dispersions, emulsions and suspensions; uv curable polymers in the form of aqueous dispersions, emulsions and suspensions.

17 – Plastics in the form of foils, films, sheets, plates, rods, tubes, blocks, strips and shaped sections; artifi-

cial resins in the nature of polymerisation products (semi-manufactured) on a basis of monomers.

(260) AM 2021 109252 A

(800) 1542972

(151) 2020 06 12

(891) 2020 06 12

(731) Apple Inc.

One Apple Park Way, Cupertino CA 95014, USA

(540)



(591) Dark gray, light gray, yellow and white

(531) 26.11.11; 26.15.09; 26.15.25; 29.01.12

(511)

9 – Downloadable computer software used in developing other software applications; downloadable application development software; downloadable computer software used in editing, customizing, and producing three-dimensional effects.

(260) AM 2021 109253 A

(800) 1542990

(151) 2020 06 02

(891) 2020 06 02

(731) JOINT STOCK COMPANY "FATS AND OIL INTEGRATED WORKS"

UL. TITOVA 27, RU-620085 EKATERINBURG, SVERDLOVSKAYA OBLAST, Russian Federation

(540)



(591) White, blue, light blue, dark blue, green, light green, dark green, red, light red, yellow, dark yellow and light orange

(531) 02.09.01; 05.03.11; 05.09.17; 08.07.11; 08.07.17; 25.01.15; 26.01.14; 26.01.18; 28.05; 29.01.15

(511)

30 – Mayonnaise; mayonnaise sauce.

(260) AM 2021 109254 A

(800) 1543023

(151) 2020 05 08

(891) 2020 05 08

(731) Europäische Handball Föderation (EHF)

Hoffingergasse 18, A-1120 Wien, Austria

(540)



(591) Black, white

(531) 26.05.01; 26.13.25; 27.05.11

(511)

16 – Printed matter; posters of paper and cardboard; placards of paper and cardboard; books, magazines and newspapers related to handball; newsletters related to handball; pictorial prints; calendars; stickers; albums made of paper; scrapbooks for stickers [made from paper or cardboard]; paper pennants; greeting cards; printed tickets for competitions and events in the field of sports; ring binders made of paper; paper gift bags; illustrated postcards; stationery; note paper; envelopes [stationery]; guide books and reference books for handball; brochures in the field of handball; photographs; printed notepads.

35 – Advertising; business management; secretarial services and office functions; data processing (office functions); computerized file management; appointment scheduling services [office functions]; compilation of computer databases (office functions); marketing; event marketing; promotion of goods and services through sponsorship of sport events; all the aforementioned services to be related to or associated with the sport, games, matches, tournaments or championships of handball.

41 – Entertainment in the nature of professional and non-professional handball games, matches, tournaments, competitions and championships; sporting and cultural activities; organization of professional and non-professional handball games, matches, competitions and championships; organization of handball re-



lated conferences, exhibitions, educational programs and galas.

(260) AM 2021 109280 A

(800) 1047200

(151) 2010 06 14

(891) 2020 07 14

(731) DAW SE

Roßdörfer Str. 50, 64372 Ober-Ramstadt,  
Germany

(540)

## alsecco

(591) Black, white

(511)

1 – Preservative and damp-proofing preparations for masonry, roofing tiles, cement and concrete, except paints and oils; unprocessed artificial resins, unprocessed synthetic resins and unprocessed plastics (in the form of powders, granules, liquids or pastes); solvents for paints, varnishes and lacquers; fillers for treating subsurfaces for paints (not included in other classes).

2 – Paints, varnishes, lacquers, glazes (included in this class), preservatives against rust; primers; colorants, dyestuffs, dye pastes; mordants, paint thickeners, fixatives, siccatives for paints; natural resins (included in this class); thinning and binding preparations for paints and lacquers; preparations for preserving wood; wood mordants and wood preserving oils; paints (included in this class), even structured; bactericidal and/or fungicidal paints; anti-corrosion preparations; protective preparations for metals; metals in foil and powder form for painters, decorators, printers and artists.

6 – Building materials of metal; expanded metals; wire cloth; adjusting and levelling parts of metal for building; screws, pins, bolts (all of metal); spacers of metal for building; fixing anchors for building, of metal; sills of metal; window sills of metal and components of metal for window sills.

17 – Packing, thermal protection and insulating materials (included in this class); insulating paints, insulating varnishes, insulating fabrics, insulating plaster; substances for insulating buildings against moisture; artificial and synthetic resins; fibreglass fabrics for insulation; insulating tapes; heat insulators, insulating panels; grid mats of glass fibre fabric and/or plastics, expansion joint profiles of glass fibre fabric and/or plastics (all for heat insulating bonded systems); plastic films, except for other than for wrapping purposes; adhesive tapes and strips used in industry.

19 – Building materials (non-metallic); profile rails and corner irons (not of metal) for building, in particular locking profiles; adjusting and levelling parts (not of metal) for building; spacers (not of metal) for building; sills (not of metal); natural and artificial sto-

ne; mortar and quartz (building materials); plaster (included in this class); coatings; wall and ceiling panels (not of metal for building); fabric embedding compounds for building; fillers as building materials.

20 – Fixing materials (not of metal), in particular fixing anchors for building, bolts, pins, screws and nuts.

(260) AM 2021 109281 A

(800) 1207296

(151) 2014 03 21

(891) 2020 05 28

(731) NOVARTIS AG

CH-4002 Basel, Switzerland

(540)

## TABRECTA

(591) Black, white

(511)

5 – Pharmaceutical preparations.

(260) AM 2021 109284 A

(800) 1444364

(151) 2018 11 20

(891) 2020 07 14

(731) The Transocean Marine Paint Association

Huygensstraat 3, NL-2652 XK Berkel en  
Rodenrijs, Netherlands

(540)



(591) Blue (PMS Reflex Blue)

(531) 03.09.04; 03.09.24; 20.01.01; 20.01.05;  
29.01.04

(511)

2 – Paints, varnishes, lacquers; preservatives against rust and against deterioration of wood; mordants; raw natural resins; anti-fouling paints; the aforesaid goods also to apply as coating on various subsoils such as metal, concrete and wood, among other things for use on ships, constructions of steel, on-and-offshore installations and containers; metals in foil and powder form for painters, decorators, printers and artists.

(260) AM 2021 109285 A

(800) 1506154

(151) 2019 02 14

(891) 2020 01 28

(731) SALMAN TEKSTİL SANAYİ VE TİCARET  
LİMİTED ŞİRKETİ

İstoç Tic. Merk. 32.Yol Sok. 29. Ada, No:17-19

Bağcılar, Bağcılar/İstanbul, Turkey

(540)



(591) Yellow, red and blue

(531) 25.03.25; 27.05.02; 27.05.08; 27.05.15;  
29.01.14

(511)

24 – Woven or non-woven textile fabrics; textile goods for household use, not included in other classes: curtains, bed covers, sheets (textile), pillowcases, blankets, quilts, towels; flags, pennants, labels of textile.

27 – Carpets, rugs, mats; prayer rugs; linoleum, artificial turf, linoleum for covering floors; gymnasium mats; wallpaper, wall hangings not of textile.

35 – Advertising, marketing and public relations; organization of exhibitions and trade fairs for commercial or advertising purposes; design for advertising; provision of an online marketplace for buyers and sellers of goods and services; office functions; secretarial services; arranging newspaper subscriptions for others; compilation of statistics; rental of office machines; systemization of information into computer databases; telephone answering for unavailable subscribers; business management, business administration and business consultancy; accounting; commercial consultancy services; personnel recruitment, personnel placement, employment agencies, import-export agencies; temporary personnel placement services; auctioneering; the bringing together, for the benefit of others, of a variety of goods, namely, chemicals used in industry, science, photography, agriculture, horticulture and forestry, manures and soils, unprocessed artificial resins and unprocessed plastics, fire extinguishing compositions, adhesives not for medical, household and stationery purposes, paints, varnishes, lacquers, preservatives against rust, preservatives against deterioration of wood, thinners and binders for paints, pigments, preservatives for metals, shoe dyes, printing dyes and ink, toners (including filled toner cartridges), colorants for food, pharmaceuticals and beverages, raw natural resins, metals in foil and powder form for painters, decorators, printers and artists, bleaching and cleaning preparations, detergents other than for use in manufacturing operations and for medical purposes, laundry bleach, fabric softeners for laundry use, stain removers, dishwasher detergents, perfumery, non-medicated cosmetics, fragrances, deo-

dorants for personal use and animals, soaps, dental care preparations, dentifrices, denture polishes, tooth whitening preparations, mouth washes, not for medical purposes, abrasive preparations, emery cloth, sandpaper, pumice stone, abrasive pastes, polishing preparations for leather, vinyl, metal and wood, polishes and creams for leather, vinyl, metal and wood, wax for polishing, pharmaceutical and veterinary preparations for medical purposes, chemical preparations for medical and veterinary purposes, chemical reagents for pharmaceutical and veterinary purposes, medicated cosmetics, dietary supplements for pharmaceutical and veterinary purposes, dietary supplements, nutritional supplements, medical preparations for slimming purposes, food for babies, herbs and herbal beverages adapted for medicinal purposes, dental preparations and articles, teeth filling material, dental impression material, dental adhesives and material for repairing teeth, sanitary preparations for medical use, hygienic pads, hygienic tampons, plasters, materials for dressings, diapers made of paper and textiles for babies, adults and pets, preparations for destroying vermin, herbicides, fungicides, preparations for destroying rodents, deodorants, other than for human beings or for animals, air purifying preparations, air deodorising preparations, disinfectants, antiseptics, detergents for medical purposes, medicated soaps, disinfectant soaps, antibacterial hand lotions, ores of non-precious metal, common metals and their alloys and semi-finished products made of these materials, irons for construction, mats and stirrups of common metals for buildings, common metals in the form of plate, billet, slick, profile, sheet and sheeting, goods of common metal for filtering and sifting purposes, doors, windows, shutters, jalousies and their cases and fillings of metal, non-electric cables and wires of metal, ironmongery, small hardware of metal, screws of metal, nails, bolts of metal, nuts of metal, pegs of metal, flakes of metal, pitons of metal, metal chains, furniture casters of metal, fittings of metal for furniture, industrial metal wheels, door handles of metal, window handles of metal, hinges of metal, metal latches, metal locks, metal keys for locks, metal rings, metal pulleys, ventilation ducts, vents, vent covers, pipes, chimney caps, manhole covers, grilles of metal for ventilation, heating, sewage, telephone, underground electricity and air conditioning installations, metal panels or hoards (non-luminous and non-mechanical) used for signalling, route showing, publicity purposes, signboards of metal, advertisement columns of metal, signalling panels of metal, non-luminous and non-mechanical traffic signs of metal, pipes of metal for transportation of liquids and gas, drilling pipes of metal and their metal fittings, valves of metal, couplings of metal for pipes, elbows of metal for pipes, clips of metal for pipes, connectors of metal for pipes, safes (strong boxes) of metal, metal railway materials, metal rails, metal railway ties, railway switches, bollards of metal, floating docks of metal, mooring buoys of metal, anc-

hors, metal moulds for casting, other than machine parts, works of art made of common metals or their alloys, trophies of common metal, metal closures, bottle caps of metal, metal poles, metal pillars, scaffolding of metal, metal stakes, metal towers, metal pallets and metal ropes for lifting, loading and transportation purposes, metal hangers, tics, straps, tapes and bands used for load-lifting and load-carrying, wheel chocks made primarily of metal, metal profile laths for vehicles for the purposes of decoration, machines, machine tools and industrial robots for processing and shaping wood, metals, glass, plastics and minerals, 3D printers, construction machines and robotic mechanisms (machines) for use in construction, bulldozers, diggers (machines), excavators, road construction and road paving machines, drilling machines, rock drilling machines, road sweeping machines, lifting, loading and transmission machines and robotic mechanisms (machines) for lifting, loading and transmission purposes, elevators, escalators and cranes, machines and robotic mechanisms (machines) for use in agriculture and animal breeding, machines and robotic mechanisms (machines) for processing cereals, fruits, vegetables and food, machines for preparing and processing beverages, engines and motors, other than for land vehicles, parts and fittings therefor, hydraulic and pneumatic controls for engines and motors, brakes other than for vehicles, brake linings for engines, crankshafts, gearboxes, other than for land vehicles, gearboxes, cylinders for engines, pistons for engines, turbines, not for land vehicles, filters for engines and motors, oil, air and fuel filters for land vehicle engines, exhausts for land vehicle engines, exhaust manifolds for land vehicle engines, engine cylinders for land vehicles, engine cylinder heads for land vehicles, pistons for land vehicle engines, carburetors for land vehicles, fuel conversion apparatus for land vehicle engines, injectors for land vehicle engines, fuel economisers for land vehicle engines, pumps for land vehicle engines, valves for land vehicle engines, starter motors for land vehicles, dynamos for land vehicle engines, sparking plugs for land vehicle engines, bearings (parts of machines), roller or ball bearings, machines for mounting and detaching tires, alternators, current generators, electric generators, current generators operated with solar energy, painting machines, automatic spray guns for paint, electric, hydraulic and pneumatic punching machines and guns, electric adhesive tape dispensers (machines), electric guns for compressed gas or liquid spraying machines, electric hand drills, electric hand saws, electric jigsaw machines, spiral machines, compressed air machines, compressors (machines), vehicle washing installations, robotic mechanisms (machines) with the abovementioned functions, electric and gas-operated welding apparatus, electric arc welding apparatus, electric soldering apparatus, electric arc cutting apparatus, electrodes for welding machines, industrial robots (machines) with the abovementioned functions, printing ma-

chines, packaging machines, filling, plugging and sealing machines, labellers (machines), sorting machines, industrial robots (machines) with the abovementioned functions, electric packing machines for plugging and scaling of plastics, machines for textile processing, sewing machines, industrial robots (machines) with the abovementioned functions, pumps other than parts of machines or engines, fuel dispensing pumps for service stations, self-regulating fuel pumps, electric kitchen machines for chopping, grinding, crushing, mixing and mincing foodstuff, washing machines, laundry washing machines, dishwashers, spin driers (not heated), electric cleaning machines for cleaning floors, carpets or floorings, vacuum cleaners and parts thereof, automatic vending machines, galvanizing and electroplating machines, electric door openers and closers, gaskets for engines and motors, forks, spoons, knives and non-electric cutlery, slicers, peelers for kitchen use, including those made of precious metals, side arms and blades (weapons), tools and apparatus for personal beauty care use, tools and apparatus for shaving, epilation, manicure and pedicure, electric hand implements for straightening and curling hair, scissors, hand-operated [non-electric] hand tools for the repair of machines, apparatus and vehicles and for use in construction, agriculture, horticulture and forestry, none of them being power tools, electric or non-electric irons, steam irons, handles for hand-operated hand tools, measurement apparatus and equipment including those for scientific, nautical, topographic, meteorologic, industrial and laboratory purposes, thermometers, not for medical purposes, barometers, ammeters, voltmeters, hygrometers, testing apparatus not for medical purposes, telescopes, periscopes, directional compasses, speed indicators, laboratory apparatus, microscopes, magnifying glasses, stills, binoculars, ovens and furnaces for laboratory experiments, apparatus for recording, transmission or reproduction of sound or images, cameras, photographic cameras, television apparatus, video recorders, CD and DVD players and recorders, MP3 players, computers, desktop computers, tablet computers, wearable technological devices (smart watches, wristbands, head-mounted devices) microphones, loudspeakers, earphones, telecommunications apparatus, apparatus for the reproduction of sound or images, computer peripheral devices, cell phones, covers for cell phones, telephone apparatus, computer printers, scanners [data processing equipment], photocopiers, magnetic and optic data carriers and computer software and programmes recorded thereto, downloadable and recordable electronic publications, encoded magnetic and optic cards, movies, tv series and video music clips recorded on magnetic, optical and electronic media, antennas, satellite antennas, amplifiers for antennas, parts of the aforementioned goods, ticket dispensers, automatic teller machines (ATM), electronic components used in the electronic parts of machines and apparatus, semi-conductors, electronic circuits, integrated circuits,

chips [integrated circuits], diodes, transistors [electronic], magnetic heads for electronic apparatus, electronic locks, photocells, remote control apparatus for opening and closing doors, optical sensors, counters and quantity indicators for measuring the quantity of consumption, automatic time switches, clothing for protection against accidents, irradiation and fire, safety vests and life-saving apparatus and equipment, eyeglasses, sunglasses, optical lenses and cases, containers, parts and components thereof, apparatus and instruments for conducting, transforming, accumulating or controlling electricity, electric plugs, junction boxes [electricity], electric switches, circuit breakers, fuses, lighting ballasts, battery starter cables, electrical circuit boards, electric resistances, electric sockets, transformers [electricity], electrical adapters, battery chargers, electric door bells, electric and electronic cables, batteries, electric accumulators, solar panels for production of electricity, alarms and anti-theft alarms, other than for vehicles, electric bells, signalling apparatus and instruments, luminous or mechanical signs for traffic use, fire extinguishing apparatus, fire engines, fire hose and fire hose nozzles, radar apparatus, sonars, night vision apparatus and instruments, decorative magnets, metronomes, surgical, medical, dental and veterinary apparatus and instruments, furniture especially made for medical purposes, artificial limbs and prostheses, medical orthopaedic articles, corsets for medical purposes, orthopaedic shoes, elastic bandages and supportive bandages, surgical gowns and surgical sterile sheets, adult sexual aids, condoms, babies' bottles, babies' pacifiers, teats, teethingers for babies, bracelets and rings for medical purposes, anti-rheumatism bracelets, anti-rheumatism rings, lighting installations, lights for vehicles and interior-exterior spaces, heating installations using solid, liquid or gas fuels or electricity, central heating boilers, boilers for heating installations, radiators [heating], heat exchangers, not parts of machines, stoves, kitchen stoves, solar thermal collectors [heating], steam, gas and fog generators, steam boilers, other than parts of machines, acetylene generators, oxygen generators, nitrogen generators, installations for air-conditioning and ventilating, cooling installations and freezers, electric and gas-powered devices, installations and apparatus for cooking, drying and boiling, cookers, electric cooking pots, electric water heaters, barbecues, electric laundry driers, hair driers, hand drying apparatus, sanitary installations, taps [faucets], shower installations, toilets [water-closets], shower and bathing cubicles, bath tubs, toilet seats, sinks, wash-hand basins [parts of sanitary installations], washers for water taps, stuffings (tap valves), water softening apparatus, water purification apparatus, water purification installations, waste water purification installations, electric bed warmers and electric blankets, not for medical use, electric pillow warmers, electric or non-electric footwarmers, hot water bottles, electrically heated socks, filters for aquariums and aquarium filtration

apparatus, industrial type installations for cooking, drying and cooling purposes, pasteurizers and sterilizers, motor land vehicles, motorcycles, mopeds, engines and motors for land vehicles, clutches for land vehicles, transmissions, transmission belts and transmission chains for land vehicles, gearing for land vehicles, brakes, brake discs and brake linings for land vehicles, vehicle chassis, automobile bonnets, vehicle suspension springs, shock absorbers for automobiles, gearboxes for land vehicles, steering wheels for vehicles, rims for vehicle wheels, bicycles and their bodies, handlebars and mudguards for bicycles, vehicle bodies, tipping bodies for trucks, trailers for tractors, frigorific bodies for land vehicles, trailer hitches for vehicles, vehicle seats, head-rests for vehicle seats, safety seats for children, for vehicles, seat covers for vehicles, vehicle covers (shaped), sun-blinds adapted for vehicles, direction signals and arms for direction signals for vehicles, windscreen wipers and wiper arms for vehicles, inner and outer tires for vehicle wheels, tubeless tires, tire-fixing sets comprised of tire patches and tire valves for vehicles, windows for vehicles, safety windows for vehicles, rearview mirrors and wing mirrors for vehicles, anti-skid chains for vehicles, luggage carriers for vehicles, bicycle and ski carriers for cars, saddles for bicycles or motorcycles, air pumps for vehicles, for inflating tires, anti-theft alarms for vehicles, horns for vehicles, safety belts for vehicle seats, air bags (safety devices for automobiles), baby carriages, wheelchairs, pushchairs, wheelbarrows, shopping carts, single or multi-wheeled wheelbarrows, shopping trolleys, grocery carts, handling carts, rail vehicles, locomotives, trains, trams, waggons, cable cars, chairlifts, vehicles for locomotion by water and their parts, other than their motors and engines, vehicles for locomotion by air and their parts, other than their motors and engines, firearms, air pistols (weapons), spring-loaded firearms, adapted cases and shoulder straps therefor, heavy weapons, mortars and rockets, fireworks, sprays for personal defence purposes, jewellery, imitation jewellery, gold, precious stones and jewellery made thereof, cufflinks, tie pins, statuettes and figurines of precious metal, clocks, watches and chronometrical instruments, chronometers and their parts, watch straps, trophies made of precious metal, rosaries, musical instruments and cases for musical instruments, paper and cardboard, paper and cardboard for packaging and wrapping purposes, cardboard boxes, paper towels, toilet paper, paper napkins, plastic materials for packaging and wrapping purposes, printing blocks and types, bookbinding material, printed publications, printed matter, books, magazines, newspapers, bill books, printed dispatch notes, printed vouchers, calendars, posters, photographs [printed], paintings, stickers [stationery], postage stamps, stationery, office stationery, instructional and teaching material [except furniture and apparatus], writing and drawing implements, artists' materials, paper products for stationery

purposes, adhesives for stationery purposes, pens, pencils, erasers, adhesive tapes for stationery purposes, cardboard cartons [artists' materials], writing paper, copying paper, paper rolls for cash registers, drawing materials, chalkboards, painting pencils, watercolors [paintings], office requisites, paint rollers and paintbrushes for painting, rubber, gutta-percha, gum, asbestos, mica and semi-finished synthetic goods made from these materials in the form of powder, bars, panels and foils, insulation, stopping and sealing materials, insulation paints, insulation fabrics, insulating tape and band, insulation covers for industrial machinery, joint sealant compounds for joints, gaskets, O-rings for scaling purposes (other than gaskets for motors, cylinders and washer for water taps), flexible pipes made from rubber and plastic, hoses made of plastic and rubber, including those used for vehicles, junctions for pipes of plastic and rubber, pipe jackets of plastic and rubber, hoses of textile material, junctions for pipes, not of metal, pipe jackets, not of metal, connecting hose for vehicle radiators, profile laths made of synthetic materials for vehicles for the purposes of decoration, unworked or semi-worked leather and animal skins, imitations of leather, stout leather, leather used for linings, goods made of leather, imitations of leather or other materials, designed for carrying items, hags, wallets, boxes and trunks made of leather or stout leather, keycases, trunks [luggage], suitcases, umbrellas, parasols, sun umbrellas, walking sticks, whips, harness, saddlery, stirrups, straps of leather (saddlery), sand, gravel, crushed stone, asphalt, bitumen, cement, gypsum, plaster, concrete, marble blocks for construction, traffic signs not of metal, non-luminous and non-mechanical, for roads, monuments and statuettes of stone, concrete and marble, building glass, prefabricated swimming pools not of metal (structures), aquarium sand, furniture, made of any kind of material, mattresses, pillows, air mattresses and cushions, not for medical purposes, water beds, mirrors, beehives, artificial honeycombs and sections of wood for honeycombs, bouncing chairs for babies, playpens for babies, cradles, infant walkers, display boards, frames for pictures and paintings, identification plates, identification tags, nameplates, identification labels made of wood or synthetic materials, packaging containers of wood or plastics, casks for use in transportation or storage, barrels, storage drums, tanks, boxes, storage containers, transportation containers, chests, loading pallets and closures for the aforementioned goods, of wood or plastics, small hardware goods of wood or synthetic materials, furniture fittings, of wood or synthetic materials, opening and closing mechanisms of wood or synthetic materials, ornaments and decorative goods of wood, cork, reed, cane, wicker, horn, bone, ivory, whalebone, shell, amber, mother-of-pearl, meerschaum, beeswax, plastic or plaster namely figurines, holiday ornaments for walls, sculptures, trophies, baskets, fishing baskets, kennels, nesting boxes and beds for household pets, portable

ladders and mobile boarding stairs of wood or synthetic materials, bamboo curtains, roller indoor blinds [for interiors], slatted indoor blinds, strip curtains, bead curtains for decoration, curtain hooks, curtain rings, curtain tic-backs, curtain rods, non-metal wheel chocks, hand-operated non-electric cleaning instruments and appliances, brushes, other than paintbrushes, steel chips for cleaning, sponges for cleaning, steel wool for cleaning, cloths of textile for cleaning, gloves for dishwashing, non-electric polishing machines for household purposes, brooms for carpets, mops, toothbrushes, electric toothbrushes, dental floss, shaving brushes, hair brushes, combs, non-electric household or kitchen utensils, [other than forks, knives, spoons], services [dishes], pots and pans, bottle openers, flower pots, drinking straws, non-electric cooking utensils, ironing boards and shaped covers therefor, drying racks for washing, clothes drying hangers, cages for household pets, indoor aquariums, vivariums and indoor terrariums for animals and plant cultivation, ornaments and decorative goods of glass, porcelain, earthenware or clay namely statues, figurines, vases and trophies, mouse traps, insect traps, electric devices for attracting and killing flies and insects, fly catchers, fly swatters, perfume burners, perfume sprayers, perfume vaporizers, electric or non-electric make-up removing appliances, powder puffs, toilet cases, nozzles for sprinkler hose, nozzles for watering cans, watering devices, garden watering cans, unworked or semi-worked glass, except building glass, mosaics of glass and powdered glass for decoration, except for building, glass wool other than for insulation or textile use, ropes, strings, rope ladders, hammocks, fishing nets, tents, awnings, tarpaulins, sails, vehicle covers, not fitted, bags of textile, for packaging, padding and stuffing materials, except of rubber and plastics, including those of wool and cotton, textile fibers, raw spun fiber, glass fibers for textile use, yams and threads for textile use, threads and yarns for sewing, embroidery and knitting, thread, elastic yarns and threads for textile use, woven or non-woven textile fabrics, textile goods for household use, curtains, bed covers, sheets (textile), pillowcases, blankets, quilts, towels, flags, pennants, labels of textile, swaddling blankets, sleeping bags for camping, clothing, including underwear and outer clothing, other than special purpose protective clothing, socks, mufflers [clothing], shawls, bandanas, scarves, belts [clothing], footwear, shoes, slippers, sandals, headgear, hats, caps with visors, berets, caps [headwear], skull caps, laces and embroidery, guipures, festoons, ribbons (haberdashery), ribbons and braid, fastening tapes for clothing, cords for clothing, letters and numerals for marking linen, embroidered emblems, badges for wear, not of precious metal, shoulder pads for clothing, buttons for clothing, fasteners for clothing, eyelets for clothing, zippers, buckles for shoes and belts, fasteners, shoe and belt buckles, pins, other than jewellery, adhesive patches for decoration of textile

articles, laces, needles, sewing needles, needles for sewing machines, needles for knitting and embroidery, boxes for needles, needle cushions, artificial flowers, artificial fruits, hair pins, hair buckles, hair bands, decorative articles for the hair, not made of precious metal, wigs, hair extensions, electric or non-electric hair curlers, other than hand implements, carpets, rugs, mats, prayer rugs, linoleum, artificial turf, linoleum for covering floors, gymnasium mats, wallpaper, wall hangings not of textile, games and toys, arcade video game machines, game apparatus and machines for use with an external display screen and monitor, including those coin-operated, toys for animals, toys for outdoor playgrounds, parks and game parks, gymnastic and sporting articles, fishing tackle, artificial fishing bait, decoys for hunting and fishing, christmas trees of artificial material, ornaments for christmas trees, artificial snow for christmas trees, rattles (playthings), novelties for parties, dances (party favors), paper party hats, meal, fish, poultry and game, processed meat products, dried pulses, soups, bouillon, processed olives, olive paste, milks of animal origin, milks of herbal origin, milk products, butter, edible oils, dried, preserved, frozen, cooked, smoked or salted fruits and vegetables, tomato paste, prepared nuts and dried fruits as snacks, hazelnut spreads and peanut butter, tahini (sesame seed paste), eggs and powdered eggs, potato chips, coffee, cocoa, coffee or cocoa based beverages, chocolate based beverages, pasta, stuffed dumplings, noodles, pastries and bakery products based on flour, desserts based on flour and chocolate, bread, simit [Turkish ring-shaped bagel covered with sesame seeds], poğaçā [Turkish bagel], pita, sandwiches, katmer [Turkish pastry], pies, cakes, baklava [Turkish dessert based on dough coated with syrup], kadayıf [Turkish dessert based on dough], desserts based on dough coated with syrup, puddings, custard, kazandibi [Turkish pudding], rice pudding, keşkül [Turkish pudding], honey, bee glue for human consumption, propolis for food purposes, condiments for foodstuff, vanilla (flavoring), spices, sauces (condiments), tomato sauce, yeast, baking powder, flour, semolina, starch for food, sugar, cube sugar, powdered sugar, tea, ice tea, confectionery, chocolate, biscuits, crackers, wafers, chewing gums, ice-cream, edible ices, salt, cereal-based snack food, popcorn, crushed oats, corn chips, breakfast cereals, processed wheat for human consumption, crushed barley for human consumption, processed oats for human consumption, processed rye for human consumption, rice, molasses for food, agricultural and horticultural products, seeds, forestry products, live animals, fertilized eggs for hatching, plants, dried plants for decoration, fresh garden herbs, dried garden herbs for decoration, animal foodstuffs, malt not for human consumption, underlays for pets, cat litters, beers, preparations for making beer, mineral water, spring water, table water, soda water, fruit and vegetable juices, fruit and vegetable concentrates and extracts for making beverages, non-

alcoholic soft drinks, energy drinks, protein-enriched sports beverages, alcoholic beverages (except beers), wines, raki [traditional Turkish alcoholic drink], whiskey, liqueurs, alcoholic cocktails, tobacco, chewing tobacco, cigarettes, cigars, smokers' articles including those made of precious metals, pipes, mouthpieces for cigars and cigarettes, ashtrays, tobacco boxes, pocket apparatus for rolling cigarettes, cigarette paper, tobacco pipes, firestones, lighters for smokers, electronic cigarettes and their cartridges, matches, enabling customers to conveniently view and purchase those goods, such services may be provided by retail stores, wholesale outlets, by means of electronic media or through mail order catalogues.

(260) AM 2021 109311 A

(800) 1543829

(151) 2020 06 26

(891) 2020 06 26

(731) PEDIATRICA S.r.l.

Via A. Nicolodi, 28/A, I-57121 Livorno, Italy

(540)

# GuariGol

(591) Black, white

(531) 27.05.01

(511)

5 – Pharmaceuticals; sanitary preparations for medical purposes; dietetic substances adapted for medical use; infant formula; vitamin supplements; plasters, materials for dressings; disinfectants; sedatives; soporifics; syrups for pharmaceutical purposes; analgesics; anti-pyretics; decongestants; antiseptics; antiparasitic preparations; medicinal drinks; herbal teas for medicinal purposes; skin care creams for medical use.

(260) AM 2021 109312 A

(800) 1543919

(151) 2020 06 23

(891) 2020 06 23

(731) JOINT STOCK COMPANY "FATS AND OIL INTEGRATED WORKS"

UL. TITOVA 27, RU-620085

EKATERINBURG, SVERDLOVSKAYA

OBLAST, Russian Federation

(540)



(591) Green, light green, dark green, brown green, brown, dark brown, white, blue, light red, light orange, light yellow, beige

(531) 02.09.01; 05.03.15; 05.03.17; 05.07.19; 08.07.03; 08.07.17; 25.01.15; 26.01.03; 26.01.14; 26.01.18; 26.01.24; 28.05; 29.01.11

(511)

30 – Ketchup [sauce]; mayonnaise; mayonnaise sauce; sauces [condiments]; pasta sauce; condiments; spices; seasonings; dressings for salad; vegetable oil-based dressings; mustard.

(260) AM 2021 109314 A

(800) 1543929

(151) 2020 02 26

(891) 2020 02 26

(731) VOYAG TURİZM OTELCİLİK İŞLETMESİ ve İNŞAAT SANAYİ TİCARET ANONİM ŞİRKETİ

Merdivenköy Mahallesi. Nur Sok, C Blok No.1  
1/101, KADIKOY-İSTANBUL, Turkey

(540)



(591) Black, white

(531) 26.04.19; 26.04.22; 27.05.10

(511)

39 – Air transport; marine transport; car transport; car rental; railway transport; storage, wrapping and packaging of goods; courier services [messages or merchandise]; bus transport; car parking; parking place rental; travel arrangement; travel reservation; transport; vehicle rental; transport reservation; transport and storage of trash; water supplying.

41 – Organization of competitions [education or entertainment]; arranging and conducting of conferences; arranging and conducting of congresses; organization of exhibitions for cultural or educational purposes; arranging and conducting of seminars; arranging and conducting of symposiums; production of radio and television programmes; film production, other than advertising films; photography; translation; photographic reporting; news reporters services; publication of books.

43 – Food and drink catering; temporary accommodation; temporary accommodation reservations; rental of meeting rooms; day-nursery services; boarding for animals.

(260) AM 2021 109315 A

(800) 1544101

(151) 2020 03 03

(891) 2020 03 03

(731) Limited Liability Company SEYGL  
st. B.Yakimanka, 22, bld. 3, room 90A,  
RU-119180 Moscow, Russian Federation

(540)



ANSALIGY

(591) Black, white

(531) 27.05.09; 27.05.22

(511)

3 – Oils for perfumes and scents; nail care preparations; shaving preparations; false nails; cosmetic preparations for skin care; sachets for perfuming linen; tissues impregnated with make-up removing preparations; toilet water; perfumery; cleansing milk for toilet purposes; sun-tanning preparations [cosmetics]; balms, other than for medical purposes; lipsticks; deodorant soap; hair spray; cotton sticks for cosmetic purposes; mascara; cosmetic dyes; make-up preparations; cotton wool for cosmetic purposes; neutralizers for permanent waving; hair dyes; eyebrow pencils; make-up; shampoos; soap; pomades for cosmetic purposes; preservatives for leather [polishes]; sanitary preparations being non-medicated toiletries; cosmetic preparations for baths; scented water; cosmetic kits; massage gels, other than for medical purposes; cosmetic preparations for slimming purposes; creams for leather; beauty masks; hair waving preparations; tissues impregnated with cosmetic lotions; air fragrancing preparations; cakes of toilet soap; eyebrow cosmetics; cosmetics; after-shave lotions; lotions for cosmetic purposes; shaving soap; breath freshening sprays; skin whitening creams; lacquer-removing preparations; make-up powder; make-up removing preparations; lip glosses; douching preparations for personal sanitary or deodorant purposes [toiletries]; hair conditioners; false eyelashes; eau de Cologne; leather bleaching preparations; hair straightening preparations; petroleum jelly for cosmetic purposes; sunscreen preparations; oils for toilet purposes; antiperspirants [toiletries]; nail art stickers; hair lotions; oils for cosmetic purposes; perfumes; essential oils; dry shampoos; cosmetic creams; lipstick cases; cosmetic pencils; bath salts, not for medical purposes; decorative transfers for cosmetic purposes; beard dyes; dentifrices; cosmetic preparations for eyelashes; oils for cleaning purposes; depilatory preparations; deodorants for human beings or for animals.

5 – Pearl powder for medical purposes; eyepatches for medical purposes; pomades for medical purposes;

drugs for medical purposes; protein dietary supplements; panty liners [sanitary]; mineral waters for medical purposes; medicated sweets; sea water for medicinal bathing; poultices; medicines for human purposes; sterilising preparations; diagnostic preparations for medical purposes; dressings, medical; disinfectants for hygiene purposes; glucose dietary supplements; balms for medical purposes; serums; wart pencils; collyrium; deodorants for clothing and textiles; eye-washes; personal sexual lubricants; albuminous foodstuffs for medical purposes; pharmaceutical preparations for skin care; medicinal hair growth preparations; dietetic foods adapted for medical purposes; medicinal drinks; enzyme dietary supplements; nutritional supplements; herbal teas for medicinal purposes; adjuvants for medical purposes; sanitary towels; bacterial preparations for medical and veterinary use; bath preparations for medical purposes; propolis dietary supplements; chemical preparations for medical purposes; salts for medical purposes; medicinal herbs; hemostatic pencils; lecithin dietary supplements; camphor oil for medical purposes; medicinal tea; royal jelly dietary supplements; tissues impregnated with pharmaceutical lotions; detergents for medical purposes; mineral food supplements; preparations of trace elements for human and animal use; sanitary tampons; bath salts for medical purposes; therapeutic preparations for the bath; acne treatment preparations; medicinal oils; medicinal mud; disinfectant soap.

10 – Endoscopy cameras for medical purposes; waterbeds for medical purposes; gloves for massage; quartz lamps for medical purposes; radiological apparatus for medical purposes; contraceptives, non-chemical; gloves for medical purposes; sphygmomanometers; surgical drapes; aerosol dispensers for medical purposes; surgical apparatus and instruments; corn knives; ophthalmometers; insufflators; cushions for medical purposes; condoms; suspensory bandages; electrodes for medical use; orthopaedic soles; microdermabrasion apparatus; air pillows for medical purposes; apparatus for acne treatment; esthetic massage apparatus; dialyzers; masks for use by medical personnel; suture materials; blood testing apparatus; probes for medical purposes; orthopaedic articles; operating tables; physical exercise apparatus for medical purposes; uterine syringes; thermo-electric compresses [surgery]; thermometers for medical purposes; scissors for surgery; injectors for medical purposes; clothing especially for operating rooms; anaesthetic apparatus; hypodermic syringes; inhalers; fumigation apparatus for medical purposes; bandages, elastic; beds specially made for medical purposes; abdominal pads; traction apparatus for medical purposes; finger guards for medical purposes; sex toys; receptacles for applying medicines; abdominal corsets; diagnostic apparatus for medical purposes; physiotherapy apparatus; apparatus for the treatment of deafness; compressors [surgical]; dental apparatus and instruments; electric acupuncture ins-

truments; lamps for medical purposes; radiotherapy apparatus; ultraviolet ray lamps for medical purposes; dental apparatus, electric; massage apparatus; orthopaedic footwear; vibromassage apparatus; apparatus and installations for the production of X-rays, for medical purposes; compression garments; artificial skin for surgical purposes; heating cushions, electric, for medical purposes; instrument cases for use by doctors; air mattresses for medical purposes; dentists' armchairs; mirrors for surgeons; resuscitation apparatus; medical apparatus and instruments; surgical implants comprised of artificial materials; brushes for cleaning body cavities; elastic stockings for surgical purposes; spoons for administering medicine; bed vibrators; heart pacemakers; corsets for medical purposes; body rehabilitation apparatus for medical purposes; armchairs for medical or dental purposes; draw-sheets for sick beds; belts for medical purposes; cases fitted for medical instruments; surgical sponges; temperature indicator labels for medical purposes; air cushions for medical purposes; furniture especially made for medical purposes; lasers for medical purposes; lenses [intraocular prostheses] for surgical implantation; syringes for injections; testing apparatus for medical purposes.

14 – Wristwatches; rings [jewelry]; watches; jewelry boxes; charms [jewellery, jewelry (Am.)]; ivory jewelry; chains [jewelry]; jewelry of yellow amber; amulets [jewelry]; key rings [trinkets or fobs]; tie clips; cuff links; coins; pearls [jewelry]; earrings; pins [jewelry]; semi-precious stones; hat ornaments of precious metal; gold, unwrought or beaten; ornaments [jewelry]; watch bands; necklaces [jewelry]; precious stones; boxes of precious metal; ornamental pins; lockets [jewelry]; paste jewelry [costume jewelry]; shoe ornaments of precious metal; bracelets [jewelry]; jewelry; precious metals, unwrought or semi-wrought; presentation boxes for watches.

18 – Travelling bags; parasols; purses; portmanteaux; umbrellas; bags for campers; bags for sports; chain mesh purses; pocket wallets; bags; valises; attaché cases; briefcases; business card cases; fur; school satchels; card cases [notecases]; straps of leather [saddlery]; handbags; vanity cases, not fitted; rucksacks; handbag frames; beach bags; travelling sets [leatherware]; boxes of vulcanized fiber; pouch baby carriers.

35 – Rental of advertising space; modelling for advertising or sales promotion; shop window dressing; rental of advertising time on communication media; online advertising on a computer network; demonstration of goods; sales promotion for others; advertising; administrative processing of purchase orders; distribution of samples; procurement services for others [purchasing goods and services for other businesses]; organization of exhibitions for commercial or advertising purposes; rental of sales stands; organization of fashion shows for promotional purposes; presentation



of goods on communication media, for retail purposes; organization of trade fairs for commercial or advertising purposes; search engine optimization for web site; wholesale services for pharmaceutical, veterinary and sanitary preparations and medical supplies; retail services for pharmaceutical, veterinary and sanitary preparations and medical supplies.

44 – Aquaculture services; medical assistance; pharmacy advice; hairdressing; pharmacists' services to make up prescriptions; rental of sanitary installations; tattooing; massage; health counselling; dentistry services; solarium services; nursing, medical; hair implantation; physical therapy; orthodontic services; manicuring; health center services; chiropractic; services of a psychologist; public bath services for hygiene purposes; aromatherapy services; depilatory waxing; sauna services; therapy services; alternative medicine services; Turkish bath services; in vitro fertilization services; medical clinic services; visagists' services; beauty salon services; plastic surgery; medical equipment rental; rest home services.

(260) AM 2021 109316 A

(800) 1544132

(151) 2020 07 08

(891) 2020 07 08

(731) ÇELİK MOTOR TİCARET A.Ş.

Fatih Sultan Mehmet Mahallesi, Balkan  
Caddesi No:58 Buyaka E Blok, Tepeüstü  
Ümraniye, Istanbul, Turkey

(540)



(591) Green (Pantone green C 2, C:80 M:9 Y:61 K:0 #00A887).

(531) 24.17.24; 27.03.01; 27.05.01; 27.05.08;  
29.01.12

(511)

39 – Land, sea and air transporting services and services of rental of land, sea and air vehicles, tour arranging services, booking of seats for travel, providing tickets for travel, courier services; car parking services, garage rental services; boat harboring services.

(260) AM 2021 109317 A

(800) 1544146

(151) 2020 06 08

(891) 2020 06 08

(731) Philip Morris Products S.A.

Quai Jeanrenaud 3, CH-2000 Neuchâtel,  
Switzerland

(540)

**ILUMA ONE**

(591) Black, white

(511)

34 – Wired vaporizers for electronic cigarettes and electronic smoking devices; tobacco, raw or manufactured; tobacco products, including cigars, cigarettes, cigarillos, tobacco for roll-your-own cigarettes, pipe tobacco, chewing tobacco, snuff tobacco, kretek; snus; tobacco substitutes (not for medical purposes); smokers' articles, namely cigarette paper and tubes, cigarette filters, tobacco tins, cigarette cases and ashtrays, pipes, pocket apparatus for rolling cigarettes, lighters; matches; tobacco sticks, tobacco products for the purpose of being heated, electronic devices and their parts for the purpose of heating cigarettes or tobacco in order to release nicotine-containing aerosol for inhalation; liquid nicotine solutions for use in electronic cigarettes; electronic smoking devices; electronic cigarettes; electronic cigarettes as substitutes for traditional cigarettes; electronic devices for the inhalation of nicotine-containing aerosol; oral vaporizing devices for smokers, tobacco products and tobacco substitutes; smokers' articles for electronic cigarettes; parts and fittings for the aforesaid products included in this class; devices for extinguishing heated cigarettes and cigars as well as heated tobacco sticks; electronic rechargeable cigarette cases.

(260) AM 2021 109318 A

(800) 1544184

(151) 2020 03 09

(891) 2020 03 09

(731) AIRNOV, INC.

251 Little Falls Drive, Wilmington, New Castle,  
USA

(540)

**AIRNOV**

(591) Black, white

(511)

1 – Chemical products for use in industry; chemical products for scientific use; chemical products for use in photography; chemical products for use in agriculture; chemical products for use in horticulture; chemical products for use in forestry; unprocessed synthetic resins; unprocessed plastics; fire-extinguishing compositions; fire extinguishing compositions; metal-hardening preparations; metal soldering preparations; tanning substances for animal skins; adhesives for industrial use; mastics and other filler pastes; compost; fertilizing preparations; fertilizers; biological preparations for use in industry and science; humectants, desiccants and anti-condensation agents; chemical products for keeping humidity levels in the packaging of products and in pharmaceutical products, nutritional products, vitamin supplements and diagnostic preparations and in packaging and medical and dental products for the protection of semi-finished

products, in particular gelatin capsules, tablets, parts of plastic for packaging.

3 – Cosmetics other than for medical use; non-medicated toiletries and beauty products; dentifrices other than for medical use; perfumery products; essential oils; color-brightening chemicals for household purposes (laundry); color-removing preparations for cosmetic purposes; polishing preparations; polishing compounds; degreasing preparations; abrasives; perfumed products for masking odors, namely perfumed products preserved in capsules for masking odors.

10 – Surgical, medical, dental and veterinary instruments and apparatus; artificial limbs; artificial eyes; artificial teeth; orthopedic articles; suture materials; support and therapeutic devices adapted for disabled persons; massage apparatus; feeding bottles, measuring spoons for administering medicine, medical dispenser for providing doses for infants; apparatus, devices and articles for sexual activity; receptacles for applying medicines, tubes and containers with caps or closures for medical use.

16 – Paper; cardboard; printing products (printed matter); bookbinding materials; photographs; stationery; office requisites except furniture; adhesives for stationery or household purposes; drawing materials; artists' materials; paintbrushes; instructional material; plastic films and bags for packaging; printing type; printing blocks; packages and packaging materials made of plastic and paper (included in this class 16).

20 – Furniture; mirrors; mirrors (looking glasses); picture frames; non metallic receptacles for storage or transport; bone, horn, whalebone or mother-of-pearl in its raw or semi-worked state; seashells; meerschaum; yellow amber; containers of plastic materials for medicines (packaging), including tubes, boxes, boxes and cases with or without caps or closures (included in this class).

21 – Cooking utensils or utensils for household use; containers for household and kitchen use; kitchen utensils and tableware, other than knives, forks and spoons; combs; sponges; brushes and small brushes other than for painting; brush-making materials; brooms of synthetic fibers or natural animal fibers; unworked or semi-worked glass (except building glass); glassware; porcelain; earthenware; apparatus and containers of plastic material for household and kitchen use, containers for household use, namely tubes, boxes and cases with or without caps or closures (included in this class).

42 – Scientific and technological services as well as research and design services relating thereto; industrial analysis services; industrial research services; design and development of computers and software; software as a service (SaaS); scientific and technological services for the production and packaging of

apparatus for the operational compatibility of materials and dosage devices.

---

(260) AM 2021 109320 A

(800) 1544199

(151) 2020 06 08

(891) 2020 06 08

(731) Philip Morris Products S.A.

Quai Jeanrenaud 3, CH-2000 Neuchâtel,  
Switzerland

(540)

## **IQOS ILUMA PRIME**

(591) Black, white

(511)

34 – Wired vaporizers for electronic cigarettes and electronic smoking devices; tobacco, raw or manufactured; tobacco products, including cigars, cigarettes, cigarillos, tobacco for roll-your-own cigarettes, pipe tobacco, chewing tobacco, snuff tobacco, kretek; snus; tobacco substitutes (not for medical purposes); smokers' articles, namely cigarette paper and tubes, cigarette filters, tobacco tins, cigarette cases and ashtrays, pipes, pocket apparatus for rolling cigarettes, lighters; matches; tobacco sticks, tobacco products for the purpose of being heated, electronic devices and their parts for the purpose of heating cigarettes or tobacco in order to release nicotine-containing aerosol for inhalation; liquid nicotine solutions for use in electronic cigarettes; electronic smoking devices; electronic cigarettes; electronic cigarettes as substitutes for traditional cigarettes; electronic devices for the inhalation of nicotine-containing aerosol; oral vaporizing devices for smokers, tobacco products and tobacco substitutes; smokers' articles for electronic cigarettes; parts and fittings for the aforesaid products included in this class; devices for extinguishing heated cigarettes and cigars as well as heated tobacco sticks; electronic rechargeable cigarette cases.

---

(260) AM 2021 109326 A

(800) 1544462

(151) 2020 07 03

(891) 2020 07 03

(731) Joint Stock Company "FABERLIC"

Nikopolskaya str., bld. 4, RU-117403 Moscow,  
Russian Federation

(540)

## **NECHAEV FAMILY CLUB**

(591) Black, white

(511)

29 – Aloe vera prepared for human consumption; alginate for culinary purposes; anchovy, not live; peanuts, prepared; artichokes, preserved; albumen for cu-

linary purposes; white of eggs; beans, preserved; soya beans, preserved, for food; bouillon; ginger jam; ham; fatty substances for the manufacture of edible fats; laver, preserved; edible birds' nests; peas, preserved; mushrooms, preserved; game, not live; gelatine; meat jellies; jellies for food; fruit jellies; yolk of eggs; coconut fat; bone oil for food; lard; suet for food; edible fats; fruit-based snack food; milk substitutes; charcuterie; raisins; caviar; eggplant paste; vegetable marrow paste; fish roe, processed; yogurt; sauerkraut; isinglass for food; clams, not live; potato-based dumplings; klipfish [salted and dried cod]; milk shakes; black pudding; onion rings; arrangements of processed fruit; compotes; meat, tinned; vegetables, tinned; fish, tinned; fruits, tinned; bouillon concentrates; corn dogs; gherkins; shrimps, not live; prawns, not live; buttercream; croquettes; silkworm chrysalis for human consumption; sweet corn, processed; spiny lobsters, not live; lecithin for culinary purposes; salmon, not live; onions, preserved; margarine; marmalade; oils for food; peanut butter; cocoa butter for food; coconut oil for food; coconut butter; corn oil for food; sesame oil for food; linseed oil for food; extra virgin olive oil for food; olive oil for food; palm oil for food; palm kernel oil for food; sunflower oil for food; colza oil for food; butter; soya bean oil for food; shellfish, not live; almonds, ground; animal marrow for food; mussels, not live; milk; peanut milk; peanut milk for culinary purposes; coconut milk; coconut milk for culinary purposes; almond milk; almond milk for culinary purposes; oat milk; rice milk; rice milk for culinary purposes; albumin milk; condensed milk; soya milk; powdered milk; fish meal for human consumption; vegetable mousses; fish mousses; fruit pulp; meat; meat, preserved; freeze-dried meat; milk beverages, milk predominating; peanut milk-based beverages; coconut milk-based beverages; almond milk-based beverages; edible insects, not live; sausage casings, natural or artificial; vegetables, preserved; freeze-dried vegetables; vegetables, dried; vegetables, cooked; potato fritters; olives, preserved; lobsters, not live; flavored nuts; candied nuts; coconut, desiccated; nuts, prepared; tomato purée; pressed fruit paste; liver pâté; pectin for culinary purposes; liver; pickles; jams; powdered eggs; milk products; fish-based foodstuffs; poultry, not live; pollen prepared as foodstuff; cranberry compote; apple purée; crayfish, not live; crustaceans, not live; fish, preserved; fish, not live; salted fish; vegetable salads; fruit salads; bacon; sardines, not live; pork; herrings, not live; seeds, prepared; sunflower seeds, prepared; cream [dairy products]; whipped cream; vegetable-based cream; fat-containing mixtures for bread slices; lemon juice for culinary purposes; tomato juice for cooking; vegetable juices for cooking; salted meats; sausages; sausages in batter; hot dog sausages; preparations for making bouillon; preparations for making soup; nut-based spreads; tripe; soups; vegetable soup preparations; whey; cheese; tajine [prepared meat, fish or vegetable

dish]; tofu; sea-cucumbers, not live; truffles, preserved; tuna, not live; oysters, not live; falafel; milk ferments for culinary purposes; rennet; dates; crystallized fruits; frozen fruits; fruit, preserved; fruit preserved in alcohol; fruit, stewed; hazelnuts, prepared; potato flakes; fruit peel; preserved garlic; lentils, preserved; potato chips; low-fat potato chips; fruit chips; non-alcoholic eggnog; seaweed extracts for food; meat extracts; berries, preserved; eggs; snail eggs for consumption; yakitori.

30 – Vanilla flavorings for culinary purposes; flavorings, other than essential oils, for cakes; flavorings, other than essential oils, for beverages; coffee flavorings; food flavorings, other than essential oils; star aniseed; cereal bars; high-protein cereal bars; pancakes; noodle-based prepared meals; freeze-dried dishes with the main ingredient being pasta; freeze-dried dishes with the main ingredient being rice; buns; bulgur; bread rolls; edible rice paper; edible paper; vanillin [vanilla substitute]; waffles; vermicelli; natural sweeteners; sausage binding materials; binding agents for ice cream; sea water for cooking; seaweed [condiment]; malt biscuits; cloves [spice]; mirror icing [mirror glaze]; cake frosting [icing]; glucose for culinary purposes; mustard; croûtons; buckwheat, processed; gluten additives for culinary purposes; yeast; thickening agents for cooking foodstuffs; leaven; rice-based snack food; cereal-based snack food; artificial coffee; vegetal preparations for use as coffee substitutes; dressings for salad; fruit jellies [confectionery]; candy decorations for cakes; confectionery for decorating Christmas trees; cakes; pastries; peanut confectionery; almond confectionery; pasta; frozen yogurt [confectionery ices]; cocoa; cream of tartar for culinary purposes; capers; caramels [sweets]; curry [spice]; ketchup [sauce]; quinoa, processed; quiches; gluten prepared as foodstuff; flour-based dumplings; sweets; liquorice [confectionery]; peppermint sweets; mints for breath freshening; dulce de leche; cinnamon [spice]; coffee; unroasted coffee; starch for food; crackers; custard; hominy grits; semolina; oatmeal; crushed barley; groats for human food; ice cubes; corn, milled; corn, roasted; meat pies; turmeric; noodles; soba noodles; udon noodles; ice for refreshment; ice, natural or artificial; edible ices; rice cakes; mayonnaise; macaroni; maltose; hominy; piccalilli; marinades; marzipan; honey; royal jelly; ice cream; bean meal; buckwheat flour; tapioca flour; potato flour; corn flour; nut flours; flour; wheat flour; soya flour; barley meal; dessert mousses [confectionery]; chocolate mousses; muesli; mint for confectionery; cocoa beverages with milk; coffee beverages with milk; coffee-based beverages; cocoa-based beverages; chamomile-based beverages; tea-based beverages; chocolate beverages with milk; chocolate-based beverages; infusions, not medicinal; crushed oats; husked oats; nutmegs; chocolate-coated nuts; stick liquorice [confectionery]; pastilles [confectionery]; molasses for food;

pâtés en croûte; pepper; allspice; peppers [seasonings]; cookies; petit-beurre biscuits; bibimbap [rice mixed with vegetables and beef]; pies; pizzas; meat gravies; fondants [confectionery]; popcorn; powders for making ice cream; baking powder; mustard meal; pralines; condiments; meat tenderizers for household purposes; cereal preparations; oat-based food; propolis; gingerbread; spices; rice pudding; puddings; cake powder; fruit coulis [sauces]; ravioli; chewing gum; chewing gum for breath freshening; relish [condiment]; rice; instant rice; wheat germ for human consumption; spring rolls; sago; sugar; palm sugar; sesame seeds [seasonings]; linseed for culinary purposes [seasoning]; processed seeds for use as a seasoning; aniseed; agave syrup [natural sweetener]; golden syrup; confectionery; baking soda [bicarbonate of soda for cooking purposes]; malt for human consumption; salt for preserving foodstuffs; cooking salt; celery salt; sorbets [ices]; ham glaze; cranberry sauce [condiment]; soya sauce; tomato sauce; apple sauce [condiment]; sauces [condiments]; pasta sauce; spaghetti; seasonings; chocolate-based spreads; chocolate spreads containing nuts; preparations for stiffening whipped cream; shaved ice with sweetened red beans; rusks; breadcrumbs; sushi; sandwiches; tabbouleh; tacos; tapioca; tarts; dough; pastry dough; almond paste; rice pulp for culinary purposes; cake dough; garden herbs, preserved [seasonings]; chocolate decorations for cakes; vinegar; beer vinegar; ferments for pastes; halvah; bread; unleavened bread; chips [cereal products]; corn flakes; oat flakes; hot dog sandwiches; chicory [coffee substitute]; tea; iced tea; chutneys [condiments]; minced garlic [condiment]; cheeseburgers [sandwiches]; chow-chow [condiment]; saffron [seasoning]; chocolate; malt extract for food; essences for foodstuffs, except etheric essences and essential oils; husked barley.

32 – Aperitifs, non-alcoholic; barley wine [beer]; aerated water; lithia water; seltzer water; soda water; waters [beverages]; mineral water [beverages]; table waters; cocktails, non-alcoholic; beer-based cocktails; lemonades; non-alcoholic beverages; isotonic beverages; non-alcoholic honey-based beverages; rice-based beverages, other than milk substitutes; soya-based beverages, other than milk substitutes; aloe vera drinks, non-alcoholic; whey beverages; protein-enriched sports beverages; soft drinks; non-alcoholic beverages flavored with coffee; non-alcoholic beverages flavored with tea; non-alcoholic fruit juice beverages; energy drinks; fruit nectars, non-alcoholic; orgeat; beer; ginger beer; malt beer; powders for effervescing beverages; sarsaparilla [non-alcoholic beverage]; syrups for lemonade; syrups for beverages; smoothies; tomato juice [beverage]; cider, non-alcoholic; vegetable juices [beverages]; fruit juices; preparations for making aerated water; must; grape must, unfermented; beer wort; malt wort; pastilles for effervescing be-

verages; non-alcoholic fruit extracts; extracts of hops for making beer.

(260) AM 2021 109327 A

(800) 1544487

(151) 2020 03 20

(891) 2020 03 20

(731) adp Gauselmann GmbH

Merkur-Allee 1-15, 32339 Espelkamp,  
Germany

(540)

## SHAKIN FLAMES

(591) Black, white

(511)

9 – Computer software; coin-operated mechanisms; computer and video games software; games software in particular for use on any computer platform, including electronic entertainment and games consoles; computer game programs; video games (software); computer games provided through a global computer network or supplied by means of multi-media electronic broadcast or through telecommunications or electronic transmission or via the internet; computer games, leisure and recreational software, video games and computer software, all being provided in the form of storage media; programs for operating electric and electronic apparatus for games, amusement and/or entertainment purposes; computer software for computer games on the internet; online games (software), in particular for online betting games, online prize games, online gambling games, online games of skill and online casino games; computer software in the form of an app for mobile devices and computers; calculating apparatus in coin-operated machines and parts for the aforesaid goods; electric, electronic, optical or automatic apparatus, for identifying data carriers, identity cards and credit cards, bank notes and coins; software in particular for casino and/or amusement arcade games, for gaming machines and/or slot machines each one with or without prize payouts; gaming software that generates or displays wager outcomes of gaming machines; operational computer games software; computer software for managing of games (game collection); computer programs for video games; computer video game software.

28 – Games; toys; gaming apparatus (including coin-operated apparatus); coin-operated arcade games (machines); games for amusement arcades (included in this class); coin-operated video gaming apparatus; video games apparatus adapted for use with external screens or monitors only; casino fittings, namely roulette tables, roulette wheels; coin-operated automatic gaming machines and gaming machines, in particular for gaming arcades, with or without a prize payout; electronic or electrotechnical gaming apparatus, automatic gaming machines, gaming machines, slot ma-

chines operated by coins, tokens, banknotes, tickets or by means of electronic, magnetic or biometric storage media, in particular for commercial use in casinos and amusement arcades, with or without a prize payout; automatic gaming machines and gaming machines, in particular for commercial use in casinos and gaming arcades, with or without a prize payout; coin-operated gaming machines and/or electronic money-based gaming apparatus (machines), with or without prizes; housings adapted for gaming machines, gaming apparatus and automatic gaming machines, operated by means of coins, tokens, tickets or by means of electronic, magnetic or biometric storage media, in particular for commercial use in casinos and gaming arcades, with or without a prize payout; electronic games; electronic game entertainment apparatus and parts thereof; video output game machines; drawing apparatus for prize games and lotteries, draws or raffles; housings of metal, plastic and/or wood adapted for coin-operated automatic amusement machines; apparatus for games (including video games), other than adapted for use with external screens or monitors only; electropneumatic and electric slot machines with pulling handles (gaming machines); gaming tables, in particular for table football, billiards, sliding games; flying discs (toys) and darts; gaming machines, namely electric, electronic or electromechanical apparatus for bingo games, lotteries or video lottery games and for betting offices, connected or unconnected to a computer network; LCD games consoles; automatic gaming machines; all the aforesaid automatic machines operating in networks; apparatus and devices for accepting and storing money, being fittings for the aforesaid automatic machines, included in this class; automatic lottery machines.

(260) AM 2021 109331 A

(800) 1544532

(151) 2020 03 12

(891) 2020 03 12

(731) adp Gauselmann GmbH

Merkur-Allee 1-15, 32339 Espelkamp,

Germany

(540)

## Blazing Burst

(591) Black, white

(511)

9 – Computer software; coin-operated mechanisms; computer and video games software; games software in particular for use on any computer platform, including electronic entertainment and games consoles; computer game programs; video games (software); computer games provided through a global computer network or supplied by means of multi-media electronic broadcast or through telecommunications or electronic transmission or via the internet; computer games, leisure and recreational software, video games

and computer software, all being provided in the form of storage media; programs for operating electric and electronic apparatus for games, amusement and/or entertainment purposes; computer software for computer games on the internet; online games (software), in particular for online betting games, online prize games, online gambling games, online games of skill and online casino games; computer software in the form of an app for mobile devices and computers; calculating apparatus in coin-operated machines and parts for the aforesaid goods; electric, electronic, optical or automatic apparatus, for identifying data carriers, identity cards and credit cards, bank notes and coins; software in particular for casino and/or amusement arcade games, for gaming machines and/or slot machines each one with or without prize payouts; gaming software that generates or displays wager outcomes of gaming machines; operational computer games software; computer software for managing of games (game collection); computer programs for video games; computer video game software.

28 – Games; toys; gaming apparatus (including coin-operated apparatus); coin-operated arcade games (machines); games for amusement arcades (included in this class); coin-operated video gaming apparatus; video games apparatus adapted for use with external screens or monitors only; casino fittings, namely roulette tables, roulette wheels; coin-operated automatic gaming machines and gaming machines, in particular for gaming arcades, with or without a prize payout; electronic or electrotechnical gaming apparatus, automatic gaming machines, gaming machines, slot machines operated by coins, tokens, banknotes, tickets or by means of electronic, magnetic or biometric storage media, in particular for commercial use in casinos and amusement arcades, with or without a prize payout; automatic gaming machines and gaming machines, in particular for commercial use in casinos and gaming arcades, with or without a prize payout; coin-operated gaming machines and/or electronic money-based gaming apparatus (machines), with or without prizes; housings adapted for gaming machines, gaming apparatus and automatic gaming machines, operated by means of coins, tokens, tickets or by means of electronic, magnetic or biometric storage media, in particular for commercial use in casinos and gaming arcades, with or without a prize payout; electronic games; electronic game entertainment apparatus and parts thereof; video output game machines; drawing apparatus for prize games and lotteries, draws or raffles; housings of metal, plastic and/or wood adapted for coin-operated automatic amusement machines; apparatus for games (including video games), other than adapted for use with external screens or monitors only; electropneumatic and electric slot machines with pulling handles (gaming machines); gaming tables, in particular for table football, billiards, sliding games;

flying discs (toys) and darts; gaming machines, namely electric, electronic or electromechanical apparatus for bingo games, lotteries or video lottery games and for betting offices, connected or unconnected to a computer network; LCD games consoles; automatic gaming machines; all the aforesaid automatic machines operating in networks; apparatus and devices for accepting and storing money, being fittings for the aforesaid automatic machines, included in this class; automatic lottery machines.

(260) AM 2021 109332 A

(800) 1544554

(151) 2020 03 20

(891) 2020 03 20

(731) adp Gauselmann GmbH

Merkur-Allee 1-15, 32339 Espelkamp,  
Germany

(540)

## Heart of Maya

(591) Black, white

(511)

9 – Computer software; coin-operated mechanisms; computer and video games software; games software in particular for use on any computer platform, including electronic entertainment and games consoles; computer game programs; video games (software); computer games provided through a global computer network or supplied by means of multi-media electronic broadcast or through telecommunications or electronic transmission or via the internet; computer games, leisure and recreational software, video games and computer software, all being provided in the form of storage media; programs for operating electric and electronic apparatus for games, amusement and/or entertainment purposes; computer software for computer games on the internet; online games (software), in particular for online betting games, online prize games, online gambling games, online games of skill and online casino games; computer software in the form of an app for mobile devices and computers; calculating apparatus in coin-operated machines and parts for the aforesaid goods; electric, electronic, optical or automatic apparatus, for identifying data carriers, identity cards and credit cards, bank notes and coins; software in particular for casino and/or amusement arcade games, for gaming machines and/or slot machines each one with or without prize payouts; gaming software that generates or displays wager outcomes of gaming machines; operational computer games software; computer software for managing of games (game collection); computer programs for video games; computer video game software.

28 – Games; toys; gaming apparatus (including coin-operated apparatus); coin-operated arcade games (machines); games for amusement arcades (included in

this class); coin-operated video gaming apparatus; video games apparatus adapted for use with external screens or monitors only; casino fittings, namely roulette tables, roulette wheels; coin-operated automatic gaming machines and gaming machines, in particular for gaming arcades, with or without a prize payout; electronic or electrotechnical gaming apparatus, automatic gaming machines, gaming machines, slot machines operated by coins, tokens, banknotes, tickets or by means of electronic, magnetic or biometric storage media, in particular for commercial use in casinos and amusement arcades, with or without a prize payout; automatic gaming machines and gaming machines, in particular for commercial use in casinos and gaming arcades, with or without a prize payout; coin-operated gaming machines and/or electronic money-based gaming apparatus (machines), with or without prizes; housings adapted for gaming machines, gaming apparatus and automatic gaming machines, operated by means of coins, tokens, tickets or by means of electronic, magnetic or biometric storage media, in particular for commercial use in casinos and gaming arcades, with or without a prize payout; electronic game entertainment apparatus and parts thereof; video output game machines; drawing apparatus for prize games and lotteries, draws or raffles; housings of metal, plastic and/or wood adapted for coin-operated automatic amusement machines; apparatus for games (including video games), other than adapted for use with external screens or monitors only; electropneumatic and electric slot machines with pulling handles (gaming machines); gaming tables, in particular for table football, billiards, sliding games; flying discs (toys) and darts; gaming machines, namely electric, electronic or electromechanical apparatus for bingo games, lotteries or video lottery games and for betting offices, connected or unconnected to a computer network; LCD games consoles; automatic gaming machines; all the aforesaid automatic machines operating in networks; apparatus and devices for accepting and storing money, being fittings for the aforesaid automatic machines, included in this class; automatic lottery machines.

(260) AM 2021 109333 A

(800) 1544592

(151) 2020 05 19

(891) 2020 05 19

(731) H. Lundbeck A/S

Ottiliavej 9, DK-2500 Valby, Denmark

(540)

(591) Red and blue

(531) 27.05.01; 29.01.12

(511)

5 – Pharmaceuticals and medical preparations and substances; vaccines; pharmaceutical preparations and substances for the prevention and treatment of disorders and diseases in, generated by or acting on the central nervous system; pharmaceutical preparations and substances acting on the central nervous system; central nervous system stimulants; pharmaceutical preparations and substances for the prevention and treatment of psychiatric and neurological disorders and diseases; pharmaceutical preparations and substances used for the prevention, management and treatment of headaches, migraines, pain, immune and inflammatory disorders and diseases; pharmaceutical preparations and substances for the prevention and treatment of dementia, Alzheimer's disorder and disease, dizziness, seizures, stroke, depression, cognitive impairment, cognitive disorders and diseases, mood disorders, psychosis, anxiety, apathy, epilepsy, Lennox-Gastaut syndrome (LGS), sclerosis, porphyria, Huntington's disorder and disease, insomnia, Parkinson's disorder and disease, falls, movement disorders and diseases, dyskinesia, poor or absent motor functions, tremor, schizophrenia, bipolar disorder and disease, mania, ADHD, PTSD, agitation, aggression, autism, melancholy, OCD, Tourette's syndrome, progressive supranuclear palsy (PSP), restlessness, akathisia, fatigue, somnolence, nausea, cancer, alcoholism and dependency; preparations, substances, reagents and agents for diagnostic and medical purposes.

(260) AM 2021 109334 A

(800) 1544633

(151) 2020 05 28

(891) 2020 05 28

(731) HUAWEI TECHNOLOGIES CO., LTD.

Administration Building, Huawei Technologies Co., Ltd., Bantian, Longgang District, Shenzhen, China

(540)

# HONOR Vpad

(591) Black, white

(531) 27.05.01

(511)

9 – Tablet computers; laptop computers; notebook computers; smartglasses; smartwatches; smartphones; wearable activity trackers; computer hardware; computer memories; integrated circuit cards (smart cards); transponders; cabinets for loudspeakers; network communication apparatus; modems; sleeves for laptops; electric batteries; chargers for electric batteries; bags adapted for laptops; headphones; earphones; virtual reality headsets; digital video recorder for vehicles; set-top boxes; sound transmitting apparatus; mobile power source (rechargeable batteries); camcorders; cameras (photography); computer keyboards; mouse (computer peripheral); pedometers; monitoring appa-

ratus, other than for medical purposes; video monitors; interactive touch screen terminals; humanoid robots with artificial intelligence; loudspeakers; portable media players; connected bracelets (measuring instruments); computer programs, recorded; computer software applications, downloadable; optical lenses; gas testing instruments; black boxes (data recorders); smart rings; digital weather stations; human face recognition devices; air analysis apparatus; materials for electricity mains (wires, cables); video screens; integrated circuits; electronic chips; thermal imaging cameras; bathroom scales; scales with body mass analyzers; personal digital assistants (PDAs); thin client computers; selfie lenses; laboratory robots; teaching robots; USB data lines or data cables; downloadable mobile phone software applications; holders for mobile phones; touch screens; television apparatus; handheld electronic dictionaries; computer screen saver software, recorded or downloadable; computer software, recorded; wearable computers; telecommunication apparatus in the form of jewellery; selfie sticks for mobile phones; security surveillance robots; wearable video display monitors; electric plugs; electric sockets; electric contacts; intercoms; digital door locks; downloadable graphics for mobile phones; sensors; computer software platforms, recorded or downloadable; alarm central units.

(260) AM 2021 109335 A

(800) 1544676

(151) 2020 06 04

(891) 2020 06 04

(731) PUBLIC JOINT STOCK COMPANY

GAZPROM NEFT

Pochtamtskaya Ulitsa, Dom 3-5, Liter A, Ch.

Pom. 1N, Kab. 2401, RU-190000 ST

PETERSBURG, Russian Federation

(540)



TRUSTED BY MILLIONS  
ALL OVER THE WORLD

(591) Blue, white, orange, orange-brown, brown, yellow and grey

(531) 01.15.05; 19.01.04; 19.07.07; 26.07.25; 29.01.15

(511)

1 – Acetate of cellulose, unprocessed; acetates [chemicals]; acetic anhydride; acetone; acetylene; acetylene tetrachloride; acid proof chemical compositions; acids; acidulated water for recharging accumulators; acidulated water for recharging batteries; acrylic resins, unprocessed; actinium; activated carbon; activa-

ted charcoal; additives, chemical, to drilling muds; chemical additives to drilling muds; additives, chemical, to fungicides; chemical additives to fungicides; additives, chemical, to insecticides; chemical additives to insecticides; additives, chemical, to motor fuel; chemical additives to motor fuel; adhesive preparations for surgical bandages; adhesives for billposting; adhesives for industrial purposes; adhesives for wall-paper; adhesives for paperhanging; adhesives for wall tiles; adjuvants, other than for medical or veterinary purposes; agar-agar; agglutinants for concrete; agricultural chemicals, except fungicides, herbicides, insecticides and parasiticides; albumenized paper; albumin [animal or vegetable, raw material]; alcohol; aldehydes; alginates for industrial purposes; alginates for the food industry; alkalies; alkaline-earth metals; alkaline iodides for industrial purposes; alkaline metals; alkaloids; alum; alumina; aluminium acetate; aluminium alum; aluminium chloride; aluminium hydrate; aluminium iodide; aluminium silicate; americium; ammonia; ammonia alum; ammoniacal salts; ammonia [volatile alkali] for industrial purposes; volatile alkali [ammonia] for industrial purposes; ammonium aldehyde; ammonium nitrate; ammonium salts; amyl acetate; amyl alcohol; anhydrides; anhydrous ammonia; animal albumen [raw material]; animal carbon; animal carbon preparations; animal charcoal; animal manure; anthranilic acid; anti-boil preparations for engine coolants; anti-frothing solutions for accumulators; anti-frothing solutions for batteries; anti-incrustants; anti-knock substances for internal combustion engines; anti-sprouting preparations for vegetables; anti-tarnishing chemicals for windows; antifreeze; antimony; antimony oxide; antimony sulfide; antioxidants for use in manufacture; antioxidants for use in the manufacture of cosmetics; antioxidants for use in the manufacture of food supplements; antioxidants for use in the manufacture of pharmaceuticals; antistatic preparations, other than for household purposes; argon; arsenic; arsenious acid; artificial sweeteners [chemical preparations]; astatine; auxiliary fluids for use with abrasives; bacterial preparations, other than for medical and veterinary use; bacteriological preparations, other than for medical and veterinary use; bacteriological preparations for acetification; barium; barium compounds; barium sulfate; baryta; baryta paper; barytes; bases [chemical preparations]; basic gallate of bismuth; bate for dressing skins; dressing, except oils, for skins; bauxite; beer-clarifying and preserving agents; beer preserving agents; bentonite; benzene; benzene-based acids; benzene derivatives; benzoic acid; benzoic sulfimide; benzol; berkelium; bicarbonate of soda for chemical purposes; bichloride of tin; bichromate of potassium; bichromate of soda; biochemical catalysts; biological preparations, other than for medical or veterinary purposes; biological tissue cultures, other than for medical or veterinary purposes; birdlime; bismuth; bismuth subnitrate for chemical purposes; bleaching preparations [decolo-

rants] for industrial purposes; decolorants for industrial purposes; blood charcoal; blueprint cloth; blueprint paper; blue vitriol; copper sulfate [blue vitriol]; bone charcoal; borax; boric acid for industrial purposes; brake fluid; brazing fluxes; brazing preparations; brickwork preservatives, except paints and oils; bromine for chemical purposes; by-products of the processing of cereals for industrial purposes; caesium; calcined soda; calcium carbide; calcium cyanamide [fertilizer]; calcium cyanamide [fertiliser]; calcium salts; californium; calomel [mercurous chloride]; camphor, for industrial purposes; carbide; carbolineum for the protection of plants; carbon; carbonates; carbon black for industrial purposes; carbon disulfide; carbon for filters; carbonic acid; carbonic hydrates; carbon tetrachloride; casein for industrial purposes; casein for the food industry; catalysts; catechu; caustic alkali; caustics for industrial purposes; caustic soda for industrial purposes; cellulose; cellulose derivatives [chemicals]; cellulose esters for industrial purposes; cellulose ethers for industrial purposes; cement-waterproofing chemicals, except paints; cement for footwear; cement for mending broken articles; cement preservatives, except paints and oils; cement [metallurgy]; ceramic compositions for sintering [granules and powders]; ceramic glazings; ceramic materials in particulate form, for use as filtering media; cerium; chemical additives for oils; chemical coatings for ophthalmic lenses; chemical condensation preparations; chemical intensifiers for paper; chemical intensifiers for rubber; chemical preparations for facilitating the alloying of metals; chemical preparations for scientific purposes, other than for medical or veterinary use; chemical preparations for smoking meat; chemical preparations for use in photography; chemical preparations to prevent diseases affecting cereal plants; chemical preparations to prevent diseases affecting vine plants; chemical preparations to prevent mildew; chemical preparations to prevent wheat blight; chemical preparations to prevent wheat smut; chemical reagents, other than for medical or veterinary purposes; chemicals, except pigments, for the manufacture of enamel; chemicals for the manufacture of paints; chemicals for the manufacture of pigments; chemicals for use in forestry, except fungicides, herbicides, insecticides and parasiticides; chemical substances for analyses in laboratories, other than for medical or veterinary purposes; chemical preparations for analyses in laboratories, other than for medical or veterinary purposes; chemical substances for preserving foodstuffs; chimney cleaners, chemical; chlorates; chlorides; chlorine; cholic acid; chromates; chrome alum; chrome salts; chromic acid; chromic salts; chromium oxide; cinematographic films, sensitized but not exposed; cinematographic film, sensitized but not exposed; citric acid for industrial purposes; coal saving preparations; cobalt oxide for industrial purposes; collagen for industrial purposes; collodion; color-brightening chemicals for industrial purposes;



colour-brightening chemicals for industrial purposes; combusting preparations [chemical additives to motor fuel]; compositions for repairing inner tubes of tyres; compositions for repairing inner tubes of tires; compositions for repairing tyres; compositions for repairing tires; compositions for the manufacture of phonograph records; compositions for the manufacture of technical ceramics; compositions for threading; compost; concrete-aeration chemicals; concrete preservatives, except paints and oils; condensation-preventing chemicals; coolants for vehicle engines; corrosive preparations; cream of tartar for chemical purposes; cream of tartar for industrial purposes; cream of tartar for the food industry; creosote for chemical purposes; crotonic aldehyde; cryogenic preparations; cultures of microorganisms, other than for medical and veterinary use; curium; currying preparations for leather; currying preparations for skins; cyanides [prussiates]; prussiates; cymene; damp-proofing chemicals, except paints, for masonry; defoliant; degreasing preparations for use in manufacturing processes; grease-removing preparations for use in manufacturing processes; degumming preparations; gum solvents; dehydrating preparations for industrial purposes; dendrimer-based polymers for use in the manufacture of capsules for pharmaceuticals; descaling preparations, other than for household purposes; detergent additives to gasoline; detergent additives to petrol; detergents for use in manufacturing processes; dextrin [size]; diagnostic preparations, other than for medical or veterinary purposes; diastase for industrial purposes; diatomaceous earth; diazo paper; disincrustants; dispersions of plastics; distilled water; dolomite for industrial purposes; drilling muds; dry ice [carbon dioxide]; dysprosium; electrophoresis gels; emollients for industrial purposes; emulsifiers; enamel-staining chemicals; engine-decarbonising chemicals; chemical preparations for decarbonising engines; enzyme preparations for industrial purposes; enzyme preparations for the food industry; enzymes for industrial purposes; enzymes for the food industry; epoxy resins, unprocessed; erbium; esters; ethane; ethers; ethyl alcohol; ethyl ether; europium; expanded clay for hydroponic plant growing [substrate]; fat-bleaching chemicals; fatty acids; ferments for chemical purposes; fermium; ferrocyanides; ferrotype plates [photography]; fertilizers; fertilisers; fertilizing preparations; fertilising preparations; filtering materials of chemical substances; filtering materials of mineral substances; filtering materials of unprocessed plastics; filtering materials of vegetable substances; filtering preparations for the beverages industry; finishing preparations for use in the manufacture of steel; fire extinguishing compositions; fireproofing preparations; fish meal fertilizers; fish meal fertilisers; fissionable chemical elements; fissionable material for nuclear energy; fixing baths [photography]; fixing solutions [photography]; flashlight preparations; flavonoids [phenolic compounds] for industrial purposes; flocculants; flour for industrial

purposes; flower preservatives; flowers of sulfur for chemical purposes; fluids for hydraulic circuits; liquids for hydraulic circuits; fluorine; fluorspar compounds; formic acid; formic aldehyde for chemical purposes; foundry binding substances; foundry molding preparations; foundry moulding preparations; foundry sand; francium; fuel-saving preparations; fuel for nuclear reactors; fuller's earth for use in the textile industry; fulling preparations; fulling preparations for use in the textile industry; gadolinium; gallic acid for the manufacture of ink; gallium; gallnuts; gallic acid; galvanizing baths; baths for galvanizing; galvanizing preparations; gambier; gas purifying preparations; preparations for the purification of gas; gelatine for industrial purposes; gelatine for photographic purposes; genes of seeds for agricultural production; getters [chemically active substances]; glass-frosting chemicals; glass-staining chemicals; glaziers' putty; glucose for industrial purposes; glucose for the food industry; glucosides; glue for industrial purposes; glutamic acid for industrial purposes; gluten for industrial purposes; gluten for the food industry; gluten [glue], other than for stationery or household purposes; glutinous tree-grafting preparations; glutinous tree-banding preparations; glutinous preparations for tree-banding; glutinous preparations for tree-grafting; glycerides; glycerine for industrial purposes; glycol; glycol ether; gold salts; grafting mastic for trees; grafting wax for trees; graphene; graphite for industrial purposes; guano; gum arabic for industrial purposes; gums [adhesives] for industrial purposes; gum tragacanth for industrial purposes; gurjun balsam for use in the manufacture of varnish; gypsum for use as a fertilizer; heavy water; helium; holmium; hormones for hastening the ripening of fruit; horticultural chemicals, except fungicides, herbicides, insecticides and parasiticides; humus; humus top dressing; hydrates; hydrazine; hydrochlorates; hydrochloric acid; hydrofluoric acid; hydrogen; hydrogen peroxide for industrial purposes; hypochlorite of soda; hyposulfites; industrial chemicals; iodine acid; iodine for chemical purposes; iodine for industrial purposes; iodised albumen; iodised salts; ion exchangers [chemicals]; iron salts; isinglass, other than for stationery, household or alimentary purposes; isotopes for industrial purposes; kainite; kaolin; china slip; china clay; ketones; kieselgur; krypton; lactic acid; lactose for industrial purposes; lactose for the food industry; lactose [raw material]; lamp black for industrial purposes; lanthanum; lead acetate; lead arsenate; lead oxide; leather-dressing chemicals; leather-impregnating chemicals; leather-renovating chemicals; leather-waterproofing chemicals; leather glues; lecithin for industrial purposes; lecithin for the food industry; lecithin [raw material]; lime acetate; lime carbonate; lime chloride; limestone hardening substances; liquids for removing sulfates from accumulators; liquids for removing sulfates from batteries; lithia [lithium oxide]; lithium; litmus paper; loam; lutetium [cassiopium]; cassiopium [lutetium];

magnesite; magnesium carbonate; magnesium chloride; magnetic fluid for industrial purposes; malt albumen; manganate; manganese dioxide; mangrove bark for industrial purposes; masonry preservatives, except paints and oils; mastic for leather; mastic for tires; mastic for tyres; meat tenderizers for industrial purposes; mercuric oxide; mercury; mercury salts; metal annealing preparations; metal hardening preparations; metalloids; metal tempering preparations; methane; methyl benzene; methyl benzol; methyl ether; milk ferments for chemical purposes; milk ferments for industrial purposes; milk ferments for the food industry; mineral acids; moderating materials for nuclear reactors; moistening [wetting] preparations for use in bleaching; wetting preparations for use in bleaching; moistening [wetting] preparations for use in dyeing; wetting preparations for use in dyeing; moistening [wetting] preparations for use in the textile industry; wetting preparations for use in the textile industry; mold-release preparations; mould-release preparations; mordants for metals; must-finishing preparations; nanopowders for industrial purposes; naphthalene; neodymium; neon; neptunium; nitrate paper; nitrates; nitric acid; nitrogen; nitrogenous fertilisers; nitrogenous fertilizers; nitrous oxide; oenological bactericides [chemical preparations for use in wine making]; oil-bleaching chemicals; oil-purifying chemicals; oil-separating chemicals; oil cement [putty]; oil dispersants; oils for currying leather; oils for preparing leather in the course of manufacture; oils for tanning leather; oils for the preservation of food; oleic acid; olivine [silicate mineral]; opacifiers for enamel; opacifiers for glass; organic digestate [fertilizer]; organic digestate [fertiliser]; oxalates; oxalic acid; oxygen for industrial purposes; palladium chloride; paper pulp; paste fillers for automobile body repair; paste fillers for car body repair; peat pots for horticulture; peat [fertiliser]; peat [fertilizer]; pectin for industrial purposes; pectin for the food industry; pectin [photography]; perborate of soda; percarbonates; perchlorates; persulfates; persulfuric acid; petroleum dispersants; phenol for industrial purposes; phosphates [fertilisers]; phosphates [fertilizers]; phosphatides; phosphoric acid; phosphorus; photographic developers; photographic emulsions; photographic paper; photographic sensitizers; photometric paper; photosensitive plates; picric acid; plant growth regulating preparations; plasticizers; plastics, unprocessed; plastisols; plutonium; polish removing substances; substances for removing polish; polonium; polymer resins, unprocessed; potash; potash water; potassium; potassium dioxalate; potato flour for industrial purposes; potting soil; power steering fluid; praseodymium; preparations for preventing the tarnishing of glass; preparations for preventing the tarnishing of lenses; preparations for stimulating cooking for industrial purposes; preparations for the separation of greases; preparations of microorganisms, other than for medical and veterinary use; preparations of the distillation of wood alcohol;

preparations of trace elements for plants; preservatives for tiles, except paints and oils; preservatives for use in the pharmaceutical industry; promethium; propellant gases for aerosols; protactinium; protective gases for welding; proteins for the food industry; proteins for use in manufacture; proteins for use in the manufacture of food supplements; protein [raw material]; purification preparations; clarification preparations; pyrogallic acid; quebracho for industrial purposes; radiator flushing chemicals; radioactive elements for scientific purposes; radium for scientific purposes; radon; rare earths; reagent paper, other than for medical or veterinary purposes; reducing agents for use in photography; refrigerants; renovating preparations for phonograph records; rhenium; rock salt; rubber preservatives; rubidium; saccharin; sal ammoniac; sal ammoniac spirits; salicylic acid; salt, raw; salt for preserving, other than for foodstuffs; saltpeter; salpetre; salts for coloring metal; salts for colouring metal; salts for galvanic cells; salts for galvanic batteries; salts for industrial purposes; salts from rare earth metals; salts of alkaline metals; salts of precious metals for industrial purposes; salts [chemical preparations]; salts [fertilisers]; salts [fertilizers]; samarium; sauce for preparing tobacco; scandium; seawater for industrial purposes; seaweeds [fertilizers]; seaweeds [fertilisers]; sebacic acid; seed preserving substances; selenium; self-toning paper [photography]; sensitized cloth for photography; sensitized films, unexposed; sensitized paper; sensitized photographic plates; sensitized plates for offset printing; separating and unsticking [ungluing] preparations; ungluing preparations; unsticking and separating preparations; silicates; silicon; silicon carbide [raw material]; silicones; silver nitrate; silver salt solutions for silvering; size for finishing and priming; size for use in the textile industry; sizing preparations; slag [fertilisers]; slag [fertilizers]; soap [metallic] for industrial purposes; soda ash; sodium; sodium salts [chemical compounds]; soil conditioning preparations; soil for growing; soldering fluxes; solidified gases for industrial purposes; solutions for cyanotyping; solvents for varnishes; soot for industrial or agricultural purposes; sorrel salt; spinel [oxide mineral]; spirits of salt; spirits of vinegar [dilute acetic acid]; stain-preventing chemicals for use on fabrics; starch-liquifying chemicals [ungluing agents]; ungluing agents [chemical preparations for liquifying starch]; starch for industrial purposes; starch paste [adhesive], other than for stationery or household purposes; stearic acid; stem cells, other than for medical or veterinary purposes; strontium; substances for preventing runs in stockings; substrates for soil-free growing [agriculture]; sulfates; sulfides; sulfonic acids; sulfur; sulfuric acid; sulfuric ether; sulfurous acid; sumac for use in tanning; superphosphates [fertilisers]; superphosphates [fertilizers]; surface-active chemical agents; tensio-active agents; synthetic materials for absorbing oil; synthetic resins, unprocessed; artificial resins, unprocessed; talc [magnesium silica-

te]; tan; tan-wood; tannic acid; tannin; tanning substances; tapioca flour for industrial purposes; tartar, other than for pharmaceutical purposes; tartaric acid; tea extracts for the food industry; tea extracts for use in the manufacture of cosmetics; tea extracts for use in the manufacture of pharmaceuticals; technetium; tellurium; terbium; test paper, chemical; tetrachlorides; textile-brightening chemicals; textile-impregnating chemicals; textile-waterproofing chemicals; thallium; thiocarbanilide; thorium; thulium; thymol for industrial purposes; titanite; titanium dioxide for industrial purposes; toluene; toluol; toning baths [photography]; toning salts [photography]; topsoil; toxic gas neutralizers; transmission fluid; transmission oil; tree cavity fillers [forestry]; tungstic acid; uranium; uranium nitrate; uranium oxide; vinic alcohol; viscose; vitamins for the food industry; vitamins for use in the manufacture of cosmetics; vitamins for use in the manufacture of food supplements; vitamins for use in the manufacture of pharmaceuticals; vulcanization accelerators; vulcanizing preparations; wallpaper removing preparations; water-purifying chemicals; water-softening preparations; water glass [soluble glass]; wax-bleaching chemicals; welding chemicals; soldering chemicals; wine finings; witherite; wood alcohol; wood pulp; wood vinegar [pyroligneous acid]; pyroligneous acid [wood vinegar]; X-ray films, sensitized but not exposed; xenon; xylene; xylol; ytterbium; yttrium; zirconia.

4 – Additives, non-chemical, to motor fuel; alcohol [fuel]; anthracite; beeswax; beeswax for use in the manufacture of cosmetics; belting wax; benzene fuel; benzine; biomass fuel; bone oil for industrial purposes; candles; tapers; carburants; motor fuel; carnauba wax; castor oil for industrial purposes; ceresine; charcoal [fuel]; Christmas tree candles; coal; coal briquettes; coal dust [fuel]; coal naphtha; coal tar oil; coke; combustible briquettes; cutting fluids; diesel oil; gas oil; dust absorbing compositions; dust binding compositions for sweeping; dust laying compositions; dust removing preparations; electrical energy; ethanol [fuel]; firelighters; firewood; fish oil, not edible; fuel; fuel gas; fuel oil; combustible oil; fuel with an alcohol base; gas for lighting; grease for arms [weapons]; grease for belts; grease for footwear; grease for leather; greases for the preservation of leather; oils for lighting; illuminating wax; industrial grease; industrial oil; industrial wax; kerosene; lamp wicks; lanolin; wool grease; lanolin for use in the manufacture of cosmetics; lighting fuel; lignite; ligroin; lubricants; lubricating graphite; lubricating grease; lubricating oil; mazut; methylated spirit; mineral fuel; moistening oil; motor oil; naphtha; nightlights [candles]; non-slipping preparations for belts; oil-gas; oils for paints; oils for releasing form work [building]; oils for the preservation of leather; oils for the preservation of masonry; oleine; ozokerite; ozocerite; paper spills for lighting; paraffin; peat briquettes [fuel]; peat [fuel]; perfumed

candles; petrol; gasoline; petroleum, raw or refined; petroleum ether; petroleum jelly for industrial purposes; producer gas; rape oil for industrial purposes; colza oil for industrial purposes; solidified gases [fuel]; soya bean oil preparations for non-stick treatment of cooking utensils; stearine; sunflower oil for industrial purposes; tallow; textile oil; tinder; vaporized fuel mixtures; wax for skis; wax [raw material]; wicks for candles; wood briquettes; wood spills for lighting; xylene fuel.

35 – Administration of consumer loyalty programs; administration of frequent flyer programs; administrative assistance in responding to calls for tenders; administrative assistance in responding to requests for proposals [RFPs]; administrative processing of purchase orders; advertising; publicity; advertising agency services; publicity agencies; advertising by mail order; advisory services for business management; appointment reminder services [office functions]; appointment scheduling services [office functions]; arranging newspaper subscriptions for others; arranging subscriptions to telecommunication services for others; auctioneering; bill-posting; book-keeping; accounting; business appraisals; business auditing; business efficiency expert services; business information; business inquiries; business intermediary services relating to the matching of potential private investors with entrepreneurs needing funding; business investigations; business management and organization consultancy; business management assistance; business management consultancy; business management for freelance service providers; business management of hotels; business management of performing artists; business management of reimbursement programs for others; business management of reimbursement programmes for others; business management of sports people; business organization consultancy; business project management services for construction projects; business research; commercial administration of the licensing of the goods and services of others; commercial information agency services; commercial information and advice for consumers in the choice of products and services; commercial intermediation services; commercial lobbying services; commercial or industrial management assistance; competitive intelligence services; compilation of information into computer databases; compilation of statistics; compiling indexes of information for commercial or advertising purposes; computerized file management; consultancy regarding advertising communication strategies; consultancy regarding public relations communication strategies; corporate communications services; cost price analysis; data search in computer files for others; demonstration of goods; development of advertising concepts; direct mail advertising; dissemination of advertising matter; distribution of samples; drawing up of statements of accounts; economic forecasting; employment agency services; financial auditing; gift

registry services; import-export agency services; interim business management; invoicing; layout services for advertising purposes; marketing; marketing in the framework of software publishing; marketing research; market intelligence services; market studies; media relations services; modelling for advertising or sales promotion; negotiation and conclusion of commercial transactions for third parties; negotiation of business contracts for others; news clipping services; office machines and equipment rental; online advertising on a computer network; online retail services for downloadable and pre-recorded music and movies; online retail services for downloadable digital music; online retail services for downloadable ring tones; opinion polling; organization of exhibitions for commercial or advertising purposes; organization of fashion shows for promotional purposes; organization of trade fairs for commercial or advertising purposes; outdoor advertising; outsourced administrative management for companies; outsourcing services [business assistance]; pay per click advertising; payroll preparation; personnel management consultancy; personnel recruitment; photocopying services; presentation of goods on communication media, for retail purposes; price comparison services; procurement services for others [purchasing goods and services for other businesses]; production of advertising films; production of teleshopping programmes; production of teleshopping programs; professional business consultancy; promotion of goods and services through sponsorship of sports events; providing business information via a web site; provision of an online marketplace for buyers and sellers of goods and services; provision of commercial and business contact information; psychological testing for the selection of personnel; publication of publicity texts; publicity material rental; public relations; radio advertising; registration of written communications and data; administrative services for the relocation of businesses; rental of advertising space; rental of advertising time on communication media; rental of billboards [advertising boards]; rental of office equipment in co-working facilities; rental of photocopying machines; rental of sales stands; rental of vending machines; retail services for pharmaceutical, veterinary and sanitary preparations and medical supplies; retail services for works of art provided by art galleries; sales promotion for others; scriptwriting for advertising purposes; search engine optimization for sales promotion; search engine optimisation for sales promotion; secretarial services; shop window dressing; shorthand; sponsorship search; systemization of information into computer databases; targeted marketing; tax filing services; tax preparation; telemarketing services; telephone answering for unavailable subscribers; television advertising; transcription of communications [office functions]; typing; updating and maintenance of data in computer databases; updating and maintenance of information in registries; updating of advertising material; web indexing for

commercial or advertising purposes; web site traffic optimization; web site traffic optimisation; wholesale services for pharmaceutical, veterinary and sanitary preparations and medical supplies; word processing; writing of publicity texts; writing of résumés for others; writing of curriculum vitae for others.

37 – Airplane maintenance and repair; anti-rust treatment for vehicles; artificial snow-making services; asphaltting; boiler cleaning and repair; bricklaying; building construction supervision; building insulating; building of fair stalls and shops; building sealing; damp-proofing [building]; burglar alarm installation and repair; burner maintenance and repair; carpentry services; chimney sweeping; cleaning of buildings [exterior surface]; cleaning of buildings [interior]; cleaning of clothing; clock and watch repair; clothing repair; construction; construction consultancy; construction information; demolition of buildings; diaper cleaning; disinfecting; drilling of deep oil or gas wells; drilling of wells; dry cleaning; electric appliance installation and repair; elevator installation and repair; lift installation and repair; factory construction; film projector repair and maintenance; fire alarm installation and repair; freezing equipment installation and repair; fur care, cleaning and repair; furnace installation and repair; furniture maintenance; furniture restoration; harbour construction; heating equipment installation and repair; hydraulic fracturing services; fracking services; installation, maintenance and repair of computer hardware; installation and repair of air-conditioning apparatus; installation and repair of flood protection equipment; installation of doors and windows; installation of utilities in construction sites; interference suppression in electrical apparatus; irrigation devices installation and repair; kitchen equipment installation; knife sharpening; laundering; laying of cable; leather care, cleaning and repair; linen ironing; machinery installation, maintenance and repair; masonry; mining extraction; motor vehicle maintenance and repair; office machines and equipment installation, maintenance and repair; painting, interior and exterior; painting or repair of signs; paper hanging; wallpapering; parasol repair; pest control services, other than for agriculture, aquaculture, horticulture and forestry; photographic apparatus repair; pier breakwater building; pipeline construction and maintenance; plastering; plumbing; pressing of clothing; pumicing; pump repair; quarrying services; re-tinning; rebuilding engines that have been worn or partially destroyed; rebuilding machines that have been worn or partially destroyed; refilling of ink cartridges; refilling of toner cartridges; renovation of clothing; rental of bulldozers; rental of cleaning machines; rental of construction equipment; rental of cranes [construction equipment]; rental of dish drying machines; rental of dishwashing machines; rental of drainage pumps; rental of excavators; rental of laundry washing machines; rental of road sweeping machines; repair information;

repair of power lines; repair of security locks; restoration of musical instruments; restoration of works of art; retreading of tires; retreading of tyres; riveting; road paving; roofing services; rustproofing; safe maintenance and repair; sanding; scaffolding; services of electricians; shipbuilding; shoe repair; snow removal; sterilization of medical instruments; sterilisation of medical instruments; street cleaning; strong-room maintenance and repair; swimming-pool maintenance; telephone installation and repair; tire balancing; tyre balancing; tuning of musical instruments; umbrella repair; underwater construction; underwater repair; upholstery; upholstery repair; varnishing; vehicle battery charging; vehicle breakdown repair services; vehicle cleaning; vehicle greasing; vehicle lubrication; vehicle maintenance; vehicle polishing; vehicle service stations [refuelling and maintenance]; vehicle washing; vermin exterminating, other than for agriculture, aquaculture, horticulture and forestry; vulcanization of tires [repair]; vulcanization of tyres [repair]; warehouse construction and repair; washing; washing of linen; window cleaning.

41 – Academies [education]; aikido instruction; amusement park services; animal training; arranging and conducting of colloquiums; arranging and conducting of concerts; arranging and conducting of conferences; arranging and conducting of congresses; arranging and conducting of in-person educational forums; arranging and conducting of seminars; arranging and conducting of symposiums; arranging and conducting of workshops [training]; arranging of beauty contests; boarding school education; booking of seats for shows; calligraphy services; cinema presentations; movie theatre presentations; club services [entertainment or education]; coaching [training]; conducting fitness classes; conducting guided climbing tours; conducting guided tours; correspondence courses; cultural, educational or entertainment services provided by art galleries; disc jockey services; discotheque services; dubbing; educational examination; educational examination for users to qualify to pilot drones; educational services provided by schools; educational services provided by special needs assistants; education information; electronic desktop publishing; entertainer services; entertainment information; entertainment services; film directing, other than advertising films; film distribution; film production, other than advertising films; gambling services; games equipment rental; game services provided online from a computer network; gymnastic instruction; health club services [health and fitness training]; holiday camp services [entertainment]; judo instruction; karaoke services; know-how transfer [training]; language interpreter services; layout services, other than for advertising purposes; lending library services; lighting technician services for events; microfilming; mobile library services; bookmobile services; modelling for artists; movie studio services; music composition services; news

reporters services; nightclub services [entertainment]; nursery schools; online publication of electronic books and journals; orchestra services; organization of balls; organization of competitions [education or entertainment]; organization of cosplay entertainment events; organization of exhibitions for cultural or educational purposes; organization of fashion shows for entertainment purposes; organization of lotteries; organization of shows [impresario services]; organization of sports competitions; party planning [entertainment]; personal trainer services [fitness training]; photographic reporting; photography; physical education; practical training [demonstration]; presentation of circus performances; presentation of live performances; presentation of variety shows; production of music; production of radio and television programmes; production of shows; providing amusement arcade services; providing casino facilities [gambling]; providing films, not downloadable, via video-on-demand services; providing golf facilities; providing museum facilities [presentation, exhibitions]; providing online electronic publications, not downloadable; providing online music, not downloadable; providing online videos, not downloadable; providing recreation facilities; providing sports facilities; providing television programmes, not downloadable, via video-on-demand services; providing television programs, not downloadable, via video-on-demand services; publication of books; publication of texts, other than publicity texts; radio entertainment; recording studio services; recreation information; religious education; rental of artwork; rental of audio equipment; rental of cinematographic apparatus; rental of indoor aquaria; rental of lighting apparatus for theatrical sets or television studios; rental of motion pictures; rental of radio and television sets; rental of show scenery; rental of skin diving equipment; rental of sound recordings; rental of sports equipment, except vehicles; rental of sports grounds; rental of stadium facilities; rental of stage scenery; rental of tennis courts; rental of video cameras; rental of camcorders; rental of video cassette recorders; rental of videotapes; sado instruction [tea ceremony instruction]; screenplay writing; scriptwriting, other than for advertising purposes; sign language interpretation; songwriting; sound engineering services for events; sport camp services; subtitling; teaching; educational services; instruction services; television entertainment; theatre productions; ticket agency services [entertainment]; timing of sports events; toy rental; training services provided via simulators; translation; tutoring; video editing services for events; videotape editing; videotaping; vocational guidance [education or training advice]; vocational retraining; writing of texts; zoological garden services.

(260) AM 2021 109390 A

(800) 1544943

(151) 2020 01 10

(891) 2020 01 10

(731) Industria de Diseño Textil, S.A. (Inditex, S.A.)

Avenida de la Diputación, Edificio Inditex,

Arteixo, E-15142 A Coruña, Spain

(540)



(591) Black, white

(531) 27.05.01; 27.05.15; 27.05.17

(511)

18 – Leather and imitation leather; animal skins; luggage and carrier bags; umbrellas and parasols; walking sticks; whips, harness and saddlery items; collars, leashes and clothing for animals; bags for climbers, campers and the beach; handbag frames; frames for umbrellas or parasols; alpenstocks; bags for sports; net bags for shopping; travel bags; bags (envelopes, pouches) of leather, for packaging; bags; bags; travel cases and key cases (leather goods); attaché cases; coin purses, not of precious metal; hat boxes of leather; leather backpacks for carrying infants; wheeled shopping bags; cases and boxes of leather or leather board; boxes of vulcanized fiber; card cases (notecases); wallets; school satchels; vanity cases; leather laces; umbrella covers; covers for horse-saddles; haversacks; backpacks; reins for horses; leather laces; suitcase handles; handles for walking sticks and umbrellas; whips; horse blankets; furniture coverings of leather; umbrella rings; blinders (harness); harness for animals; harness fittings; canes incorporating seats; shoulder belts [straps] of leather; empty tool bags of leather; muzzles; bridles [harness]; halters; leather board; bands of leather; traveling trunks; shopping bags; straps for soldiers' equipment; harness straps; leather straps (saddlery); straps for skates; trimmings of leather for furniture; leather straps; leather butt hides; curried skins; blankets for covering animals; blankets for animals; stirrups; parts of rubber for stirrups; bits for animals (harness); reins; suitcases; moleskin (imitation of leather); chamois leather other than for cleaning purposes; nosebags; casings, of leather, for springs; knee-pads for horses; horse riding saddles; fastenings for saddles; straps (harnesses); valves of leather.

25 – Clothing, footwear, headwear; clothing for motorists and cyclists; bibs not of paper; headbands (clothing); bath robes; bathing suits (swimsuits), bathing sandals and caps; boas (clothing); scarves; sports shoes and beach shoes; hoods (clothing); shawls; belts

(clothing); money belts (clothing); wet suits for water-skiing; neckties; corsets (girdles); fur stoles; foulards; caps [headwear]; caps; gloves (clothing); raincoats; girdles (underwear); body linen [garments]; mantillas; stockings; socks; neckerchiefs; furs (clothing); pajamas; soles (for footwear); heels; veils (clothing); suspenders; layettes (clothing); shoulder wraps; sports jerseys; mittens; ear muffs (clothing); inner soles; cuffs (clothing), dress shields, beach clothes; dressing gowns; pockets for clothing; sock suspenders; stocking suspenders; petticoats; tights or leotards; aprons (clothing); fancy-dress costumes; uniforms; cap peaks; wooden shoes; caps; coats; esparto shoes or sandals; non-slip devices for footwear; bath slippers; birettas; blouses; bodysuits (clothing); berets; footmuffs, not electrically heated; lace boots; boots; boot uppers; studs for football boots; ankle boots; fittings of metal for footwear; toe caps for footwear; heelpieces for footwear; shirts; shirt yokes; shirt fronts; T-shirts; short-sleeved tee-shirts; bodices [lingerie]; vests; jackets; fishing vests; stuff jackets; slippers (underwear); ready-made clothing; detachable collars and collars; clothing of leather; clothing of imitations of leather, shower caps; slippers; skirts; trousers; ready-made linings (parts of clothing); overcoats (coats); trench coats (clothing); gymnastic shoes; jerseys (clothing); pullovers; sweaters; liveries; muffs (clothing); footwear uppers; pocket squares; parkas; pelerines; pelisses; spats; leggings; knitwear [clothing]; clothing for gymnastics; underwear; sandals; saris; underpants; hats; wimples (clothing); togas; trouser straps; suits; turbans; clothing; slippers; shoes; footwear for sports.

(260) AM 2021 109393 A

(800) 1544979

(151) 2020 06 12

(891) 2020 06 12

(731) Zhejiang Jinshi Industry and Trade Co., Ltd.

(Inside of Jianuo Electric Appliance Co., Ltd.)

Phase-II industrial area, Jiaodao Town, Wuyi

County, Jinhua City, Zhejiang Province, China

(540)



(591) Black, white

(531) 03.01.02; 26.11.02; 26.11.12; 27.05.09;

27.05.10

(511)

7 – Machine and apparatus for cable manufacturing; circular saw blade as machine components; electric powered machines and apparatus for polishing; automatic handling machines (i.e. manipulators); equipments designed for cutting, as machinery components; stropping machines; sharpening wheels, as machinery

components; cutting machines; cutters (machine parts); stone cutting machines.

(260) AM 2021 109394 A  
(800) 1545014  
(151) 2020 06 26  
(891) 2020 06 26  
(731) Novartis AG  
CH-4002 Basel, Switzerland  
(540)

## XIIDRA

(591) Black, white  
(511)  
5 – Pharmaceutical preparations.

(260) AM 2021 109409 A  
(800) 1545550  
(151) 2020 07 08  
(891) 2020 07 08  
(731) UCB Biopharma SRL  
Allée de la Recherche 60, B-1070 Bruxelles,  
Belgium  
(540)



(591) Black, white  
(531) 26.03.04; 26.03.06; 26.13.25  
(511)  
5 – Pharmaceutical preparations and substances.

16 – Printed matter, namely, promotional and informational materials in the nature of brochures, pamphlets, newsletters, and stationery relating to pharmaceuticals and the treatment and prevention of diseases.

44 – Health information services, namely, providing information related to the treatment of diseases; online information services, namely, providing information related to the treatment of diseases.

(260) AM 2021 109410 A  
(800) 1545573  
(151) 2020 06 16  
(891) 2020 06 16  
(731) Zhejiang Hanguda Mechanical and Electrical Co.,Ltd.  
Room 1103, Building 8, Jiangnan Lizhou Yipin Community, Yongkang City, 321300 Zhejiang, China

(540)

## XGOLD

(591) Black, white  
(531) 27.05.01  
(511)  
7 – Agricultural machines; saws [machines]; disintegrators; cutting machines; chain saws; electric hammers; shearing machines for animals; printing presses; mixing machines; engraving machines; packing machines; food processors, electric; washing machines [laundry]; embossing machines; drilling machines; cutters [machines]; jacks [machines]; metalworking machines; dynamos; pumps [machines]; compressed air machines; bearings [parts of machines]; welding machines, electric; washing apparatus.

8 – Table cutlery [knives, forks and spoons]; knives; abrading instruments [hand instruments]; handles for hand-operated hand tools; agricultural implements, hand-operated; garden tools, hand-operated; spanners [hand tools]; perforating tools [hand tools]; graving tools [hand tools].

9 – Measuring devices, electric; meters; protection devices for personal use against accidents; batteries, electric.

(260) AM 2021 109411 A  
(800) 1545589  
(151) 2020 07 03  
(891) 2020 07 03  
(731) OMEGLE.COM LLC  
c/o NW Registered Agent, 906 West 2nd Ave.  
STE 100, Spokane WA 99201, USA  
(540)

## OmeGLE

(591) Black, white  
(511)  
38 – Providing internet chatrooms.

(260) AM 2021 109412 A  
(800) 1545633  
(151) 2020 04 28  
(891) 2020 04 28  
(731) Shandong Haohua Tire Co.,Ltd.  
Dadi West Road, Xinhai Road North, Houzhen Industry Zone, Shouguang City, Weifang City, 262700 Shandong Province, China  
(540)

## CEYLON

(591) Black, white  
(531) 26.07.18; 27.05.17  
(511)  
12 – Tires for vehicle wheels; solid tires for vehicle wheels; adhesive rubber patches for repairing inner

tubes; inner tubes for bicycle tires; casings for pneumatic tyres; inner tubes for pneumatic tires; pneumatic tires; automobile tires; patches for repairing inner tubes; spikes for tires.

(260) AM 2021 109413 A

(800) 1545699

(151) 2020 03 05

(891) 2020 03 05

(731) Armacell Enterprise GmbH & Co. KG  
Zeppelinstraße 1, 12529 Schönefeld OT  
Waltersdorf, Germany

(540)

## ArmaPET

(591) Black, white

(511)

17 – Unprocessed and semi-processed rubber, gutta-percha, gum, asbestos, mica and substitutes for all these materials; plastics and resins in extruded form for use in manufacture; packing, stopping and insulating materials; flexible pipes, tubes and hoses, not of metal; acoustic insulation articles and materials; fire resistant and fire preventive articles and materials for insulation and structural purposes (term considered too vague by the International Bureau – rule 13 (2) (b) of the Regulations); thermal insulation articles and materials; insulation for building purposes; insulating materials for technical equipment and technical installations; shock-absorbing materials for insulation and structural purposes; waterproofing and moisture proofing articles and materials; insulation material of plastics or plastic foam materials in the form of blocks, plates, shells, pipes, or arcs with or without a coating consisting of a plastic foil or metal foil on one or more sides; foamed polymer insulation material having intrinsic properties providing structural integrity.

(260) AM 2021 109419 A

(800) 1545842

(151) 2020 06 08

(891) 2020 06 08

(731) MAZARS

Avenue du Boulevard 21 boîte 8, B-1210 Saint-Josse-ten-Noode, Belgium

(540)



(591) Blue, white

(531) 27.05.01; 29.01.04

(511)

35 – Advertising; commercial business management; commercial administration; office functions; accounting, bookkeeping and accounting auditing; accounting services with respect to mergers and acquisitions; registered auditor services; tax preparation; information services in the field of business; assistance related

to salary statements; payroll preparation for others; consulting services with respect to employee remuneration; human resources management and personnel recruitment services; personnel placement services; personnel management services; consulting services relating to personnel management; services provided by consultants regarding human resources; planning services for companies; company management assistance; advisory and consultancy services relating to business; business auditing services; business management and consultancy in connection with fraud detection and prevention, with compliance with anti-corruption laws and provisions by companies and businesses; business management and consultancy in connection with ensuring that businesses comply with human rights, legislation and requirements with respect to fraud and anti-corruption; business performance improvement services; business evaluation services; financial audits; negotiation and conclusion of commercial transactions for others; advice services relating to commercial transactions; consultancy in communication, namely, advertising; consultancy in communication, namely, public relations; compilation of information in computer databases; marketing analysis; market studies; economic forecasting and analysis for business purposes, market forecasting; statistical analysis and reporting; computer file management; collection and transcription of administration, business, financial and other data; data processing; business risk assessment; risk assessment with respect to business organization; consulting services relating to financial risk management; analysis of business trends; analysis of market trends; change management; business management and organization consultancy; advice on corporate organization and management; preparation of economic reports; organization of exhibitions for commercial or advertising purposes; business appraisals.

36 – Insurance services; financial affairs; monetary affairs; real estate affairs; financial consultancy and advice services; financial services provided via the Internet; provision of financial information; financial information for investors; advisory services relating to corporate finance; company financing; consultancy with respect to corporate tax, international tax and employment tax; tax investigation services; financial project management; all the aforesaid services also provided via the Internet or other interactive electronic platforms; asset management services for companies and businesses; actuarial services; fiscal expert services; financial risk assessment services; financial assessment of the creditworthiness of companies; financial evaluations; credit rating and credit report; preparing and analyzing financial reports; information, advice, and support services relating to any of the aforementioned services.

41 – Training; conference services; publishing of periodicals and works; organization and conducting of



congresses, conferences and colloquiums; publication of texts other than advertising texts; training and consultancy in the professional field; information, advisory and consultancy services relating to all the above services.

42 – Scientific and technological services as well as research and design services relating thereto; industrial analysis and research services; design and development of computers and software; software consultancy; installation and maintenance of software; consultancy relating to computers; providing information in the fields of information technology, computers and computer systems; research and development with respect to environmental sustainability as regards requirements and laws that companies and businesses must comply with; environmental consulting services for companies; environmental risk assessment; risk assessment in the field of security; development of databases; preparation of reports with respect to technologies; advice relating to computer security; software as a service (SaaS); technical data analysis services; data mining.

45 – Legal services; services provided by lawyers, namely, legal services; legal advice; litigation, mediation and arbitration services; preparation of legal documents; legal research services; legal advice in the field of taxes; licensing of databases; review of standards and practices so as to ensure compliance with laws and regulations.

(260) AM 2021 109420 A

(800) 1545846

(151) 2020 05 15

(891) 2020 05 15

(731) Amgen Inc.

Trademark Operations MS 28-5-A, One Amgen Center Drive, Thousand Oaks CA 913201799, USA

(540)



(591) Black, white

(531) 02.09.01

(526) HEART FAILURE LINK

(511)

42 – Providing scientific information in the field of heart failure, risks therefor and treatments therefor via a website; providing temporary use of non-downloadable software enabling users to download copies of medical and scientific references in the field of heart failure, risks therefor and treatments therefor via a website.

(260) AM 2021 109422 A

(800) 1545879

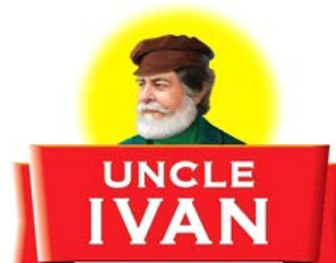
(151) 2020 06 03

(891) 2020 06 03

(731) Tatlers Limited

Verenikis 2, Egkomi, P.C., CY-2413 Nicosia, Cyprus

(540)



(591) White, black, yellow, orange, dark orange, gray, light gray, red, dark red, light red, green, dark green, light green, brown, dark brown, light brown, beige, dark beige, light beige, pink, turquoise and dark turquoise

(531) 01.03.02; 01.03.07; 02.01.01; 25.01.06; 27.05.24; 29.01.15

(511)

29 – Preserved peppers; aloe vera prepared for human consumption; alginates for culinary purposes; anchovy, not live; peanuts, prepared; artichokes, preserved; albumen for culinary purposes; white of eggs; beans, preserved; soya beans, preserved, for food; bouillon; ginger jam; ham; fatty substances for the manufacture of edible fats; laver, preserved; edible birds' nests; peas, preserved; mushrooms, preserved; guacamole; game, not live; gelatine; meat jellies; jellies for food; fruit jellies; yolk of eggs; coconut fat; bone oil for food; lard; suet for food; edible fats; curd; fruit-based snack food; milk substitutes; soya patties; tofu patties; charcuterie; raisins; caviar; eggplant paste; vegetable marrow paste; fish roe, processed; yogurt; galbi [grilled meat dish]; sauerkraut; kefir; kimchi; isinglass for food; clams, not live; potato-based dumplings; klipfish [salted and dried cod]; milk shakes; black pudding; onion rings; arrangements of processed fruit; compotes; meat, tinned; vegetables, tinned; fish, tinned; fruits, tinned; bouillon concentrates; corn dogs; gherkins; shrimps, not live; prawns, not live; buttercream; croquettes; silkworm chrysalis for human consumption; sweet corn, processed; koumiss; spiny lobsters, not live; lecithin for culinary purposes; salmon, not live; onions, preserved; margarine; marmalade; oils for food; peanut butter; cocoa butter for food; coconut oil for food; coconut butter; corn oil for food; sesame oil for food; linseed oil for food; extra virgin olive oil for food; olive oil for food; palm oil for food; palm kernel oil for food; sunflower oil for food; colza oil for food; butter; soya bean oil for food; shellfish, not live; almonds, ground; animal marrow for food; mussels, not live; milk; peanut milk; peanut milk for culinary purposes; coconut milk; coconut milk for cu-

linary purposes; almond milk; almond milk for culinary purposes; oat milk; rice milk; rice milk for culinary purposes; albumin milk; condensed milk; soya milk; powdered milk; fish meal for human consumption; vegetable mousses; fish mousses; fruit pulp; meat; meat, preserved; freeze-dried meat; milk beverages, milk predominating; peanut milk-based beverages; coconut milk-based beverages; almond milk-based beverages; edible insects, not live; sausage casings, natural or artificial; vegetables, preserved; freeze-dried vegetables; vegetables, dried; vegetables, cooked; potato fritters; olives, preserved; lobsters, not live; flavored nuts; candied nuts; coconut, desiccated; nuts, prepared; tomato purée; pressed fruit paste; liver pâté; pectin for culinary purposes; liver; pickles; jams; powdered eggs; milk products; fish-based foodstuffs; soured milk; poultry, not live; bulgogi; pollen prepared as foodstuff; cranberry compote; apple purée; crayfish, not live; crustaceans, not live; fish, preserved; fish, not live; salted fish; fermented baked milk; vegetable salads; fruit salads; bacon; sardines, not live; pork; herrings, not live; seeds, prepared; sunflower seeds, prepared; cream [dairy products]; whipped cream; vegetable-based cream; fat-containing mixtures for bread slices; smetana; lemon juice for culinary purposes; tomato juice for cooking; vegetable juices for cooking; salted meats; sausages; sausages in batter; hot dog sausages; preparations for making bouillon; preparations for making soup; nut-based spreads; tripe; soups; vegetable soup preparations; whey; cottage cheese fritters; cheese; tajine [prepared meat, fish or vegetable dish]; tahini; tofu; sea-cucumbers, not live; truffles, preserved; tuna, not live; oysters, not live; falafel; milk ferments for culinary purposes; rennet; fish fillets; dates; crystallized fruits; frozen fruits; fruit, preserved; fruit preserved in alcohol; fruit, stewed; hazelnuts, prepared; potato flakes; hummus; fruit peel; preserved garlic; lentils, preserved; potato chips; low-fat potato chips; fruit chips; non-alcoholic eggnog; seaweed extracts for food; meat extracts; edible ant larvae, prepared; tofu skin; berries, preserved; eggs; snail eggs for consumption; yakitori.

30 – Vanilla flavorings for culinary purposes; flavorings, other than essential oils, for cakes; flavorings, other than essential oils, for beverages; coffee flavorings; food flavorings, other than essential oils; star aniseed; baozi; cereal bars; high-protein cereal bars; pancakes; noodle-based prepared meals; freeze-dried dishes with the main ingredient being pasta; freeze-dried dishes with the main ingredient being rice; buns; bulgur; bread rolls; edible rice paper; edible paper; burritos; vanillin [vanilla substitute]; dumplings; waffles; vermicelli; natural sweeteners; sausage binding materials; binding agents for ice cream; sea water for cooking; seaweed [condiment]; malt biscuits; cloves [spice]; mirror icing [mirror glaze]; cake frosting [icing]; glucose for culinary purposes; mustard; croûtons; buckwheat, processed; gluten additives for culi-

nary purposes; yeast; thickening agents for cooking foodstuffs; leaven; rice-based snack food; cereal-based snack food; artificial coffee; vegetal preparations for use as coffee substitutes; dressings for salad; marshmallow; fruit jellies [confectionery]; candy decorations for cakes; confectionery for decorating Christmas trees; cakes; pastries; peanut confectionery; almond confectionery; pasta; ground ginger; frozen yogurt [confectionery ices]; cocoa; cream of tartar for culinary purposes; capers; caramels [sweets]; curry [spice]; ketchup [sauce]; prepared rice rolled in seaweed; kimchiyeon; quinoa, processed; quiches; gluten prepared as foodstuff; flour-based dumplings; sweets; liquorice [confectionery]; peppermint sweets; mints for breath freshening; dulce de leche; cinnamon [spice]; coffee; unroasted coffee; starch for food; crackers; custard; hominy grits; semolina; oatmeal; crushed barley; groats for human food; ice cubes; corn, milled; corn, roasted; meat pies; turmeric; couscous; noodles; soba noodles; udon noodles; ice for refreshment; ice, natural or artificial; edible ices; candies; rice cakes; potato-based flatbreads; mayonnaise; macarons; macaroni; maltose; hominy; piccalilli; marinades; marzipan; honey; miso; royal jelly; ice cream; bean meal; buckwheat flour; tapioca flour; potato flour; corn flour; nut flours; flour; wheat flour; soya flour; barley meal; dessert mousses [confectionery]; chocolate mousses; muesli; mint for confectionery; cocoa beverages with milk; coffee beverages with milk; coffee-based beverages; cocoa-based beverages; chamomile-based beverages; tea-based beverages; chocolate beverages with milk; chocolate-based beverages; infusions, not medicinal; crushed oats; husked oats; savory pancakes; onigiri; nutmegs; chocolate-coated nuts; stick liquorice [confectionery]; soy bean paste; pastila [confectionery]; pastilles [confectionery]; molasses for food; pâtés en croûte; pelmeni; pepper; allspice; peppers [seasonings]; pesto; cookies; petit-beurre biscuits; bibimbap [rice mixed with vegetables and beef]; pies; pizzas; meat gravies; fondants [confectionery]; popcorn; powders for making ice cream; baking powder; mustard meal; pralines; aromatic preparations for food; condiments; meat tenderizers for household purposes; cereal preparations; oat-based food; propolis; gingerbread; spices; petits fours; rice pudding; puddings; cake powder; fruit coulis [sauces]; ravioli; ramen; chewing gum; chewing gum for breath freshening; relish [condiment]; rice; instant rice; wheat germ for human consumption; spring rolls; sago; sugar; palm sugar; sesame seeds [seasonings]; linseed for culinary purposes [seasoning]; processed seeds for use as a seasoning; aniseed; agave syrup [natural sweetener]; golden syrup; confectionery; savory pancake mixes; baking soda [bicarbonate of soda for cooking purposes]; malt for human consumption; salt for preserving foodstuffs; cooking salt; celery salt; sorbets [ices]; ham glaze; cranberry sauce [condiment]; soya sauce; tomato sauce; apple sauce [condiment]; sauces [condiments]; pasta sauce; spaghetti; seasonings; cho-

colate-based spreads; chocolate spreads containing nuts; preparations for stiffening whipped cream; shaved ice with sweetened red beans; rusks; breadcrumbs; sushi; rice crackers; sandwiches; tabbouleh; tacos; tapioca; tarts; dough; pastry dough; almond paste; rice pulp for culinary purposes; cake dough; tortillas; garden herbs, preserved [seasonings]; chocolate decorations for cakes; vinegar; beer vinegar; ferments for pastes; halvah; bread; unleavened bread; chips [cereal products]; corn flakes; oat flakes; hot dog sandwiches; flowers or leaves for use as tea substitutes; jiaozi; chicory [coffee substitute]; tea; iced tea; chutneys [condiments]; minced garlic [condiment]; cheeseburgers [sandwiches]; chow-chow [condiment]; saffron [seasoning]; chocolate; malt extract for food; essences for foodstuffs, except etheric essences and essential oils; husked barley.

(260) AM 2021 109423 A

(800) 1545900

(151) 2020 04 29

(891) 2020 04 29

(731) GEREP Maschinenbau GmbH

Alter Postweg 10, 29556 Suderburg, Germany

(540)



(591) Black, white

(531) 26.01.16; 26.01.18; 26.13.25; 27.05.10;

27.05.22

(511)

7 – Shock absorber plungers [parts of machines], industrial shock absorbers for machines.

12 – Motor vehicles, shock absorbers for land vehicles and shock absorbers for trucks and busses.

(260) AM 2021 109425 A

(800) 1115187

(151) 2012 03 20

(891) 2020 06 19

(731) Wheely Ltd

3 Queen Street, Mayfair, London W1J 5PA,  
United Kingdom

(540)

**WHEELY**

(591) Black, white

(511)

9 – Computer hardware and software, computer software in the form of applications for mobile devices and computers; software applications downloadable designed for transmission of electronic texts, images, and other visual content, for use with computers, mobile telephones and intelligent mobile telephones; downloadable computer software intended for design-

ing, creating and exchanging "skins" or interchangeable and customizable digital application webs for computers, mobile telephones and intelligent mobile telephones; databases, namely computer hardware and software for organizing, recording and retrieving data; data memories, namely computer hardware and software for collecting and maintaining data.

38 – Telecommunications; providing user access to global computer networks; providing telecommunication connections to a global computer network; electronic mail; rental of access time to global computer networks; providing access to databases; mobile telephone services.

42 – Application service providers offering mobile interconnection computer software applications for users to transmit and receive by electronic means texts, data, images, graphic illustrations, audio content, video content, animations, electronic games, and interactive applications by means of computer networks and other communication networks; services provided by an application service provider (ASP); providing software by means of computer networks (particularly the Internet), by means of telecommunication networks and by means of mobile data services (providing user services, "application service providing"); providing software by means of data lines; update, development (design), installation, maintenance and rental of computer software, design and development of computer software.

(260) AM 2021 109426 A

(800) 1353922

(151) 2017 01 11

(891) 2020 07 03

(731) TEDDY S.P.A.

Via Coriano, 58, Gros Rimini Blocco, 97,  
RIMINI, Italy

(540)

**KITANA**

(591) Black, white

(511)

18 – Casual bags; small bags; change purses; wallets; travel garment covers; trunks [luggage]; empty make-up cases; empty beauty cases; document suitcases; umbrellas; handbags.

25 – Gowns; skirts; trousers; shirts; jackets [clothing]; coats; mackintoshes; sweaters; pullovers; blouses; hats; sashes for wear; head scarves; stockings; gloves [clothing]; belts [clothing]; footwear; boots; sandals; clogs; mules.

35 – Product display, retailing and wholesaling services of clothing, accessories and footwear, including dresses, skirts, trousers, shirts, jackets (clothing), coats, waterproof clothing, sweaters and jumpers (pullovers), vests, hats, scarves, headscarves, stockings,

gloves, belts (clothing), shoes, boots, sandals, clogs, slippers, bags, gentlemen's handbags, purses, pocket wallets, valises, trunks (luggage), empty make-up and beauty cases, document holders, umbrellas, handbags; commercial business management assistance in relation to franchising and other kinds of commercial and administrative assistance relating to opening and/or managing the aforesaid shops, wholesale stores and sales outlets.

(260) AM 2021 109427 A  
 (800) 1500803  
 (151) 2019 09 02  
 (891) 2020 07 29  
 (731) BOCKHOLD, naamloze vennootschap  
 Reppelerweg 1, B-3950 Bocholt, Belgium  
 (540)

## KRISTOFFEL

(591) Black, white  
 (511)  
 32 – Beers; mineral and aerated waters and other non-alcoholic beverages; fruit beverages and fruit juices; syrups and other preparations for making beverages [non-alcoholic].

(260) AM 2021 109441 A  
 (800) 1545952  
 (151) 2020 06 04  
 (891) 2020 06 04  
 (731) AKTSIONERNOYE OBSHESTVO  
 "YUZHMOREYBFL0T"  
 ul. Zavodskaya, 16, p. Yuzhno-Morskoy,  
 g., Nakhodka, RU-692954 Primorsky kray,  
 Russian Federation  
 (540)



**DOBROFLOT**

(591) Black, white and pale brown  
 (531) 18.03.02; 18.03.23; 26.11.02; 26.11.08;  
 27.05.17; 29.01.13  
 (511)  
 29 – Anchovy, not live; laver roasted for food; sea-cucumbers, not live; caviar; fish roe, prepared; isinglass for food; clams, not live; fish, tinned; shrimps, not live; prawns, not live; spiny lobsters, not live; salmon, not live; mussels, not live; molluscs, not live; fish meal for human consumption; fish mousses; lobsters, not live; fish-based foodstuffs; crayfish, not live; crustaceans, not live; fish, preserved; fish, not live; salted fish; sardines, not live; pork; herrings, not live; tuna, not live; oysters, not live; fish fillets; seaweed extracts for food.

(260) AM 2021 109443 A  
 (800) 1545971  
 (151) 2020 02 12  
 (891) 2020 02 12  
 (731) American Society for Testing and Materials  
 100 Barr Harbor Drive, West Conshohocken  
 PA 194282959, USA

(540)  


(591) Black, white  
 (531) 17.05.21; 27.03.15; 27.05.09  
 (511)  
 41 – Providing training courses in the fields of methods of testing and specifications and standards in the engineering and industrial fields, provided from an Internet website portal.

42 – Providing standards and other information regarding testing, analysis, and evaluation of the goods and services of others to aid in compliance with industry standards in the fields of science, engineering, and allied fields, namely, the fields of chemistry and analytical chemistry, biology, metallography, nuclear technology and engineering, molecular spectroscopy and separation science, aircraft, space, and aerospace technology and engineering, mechanical engineering, forensic science and engineering, construction engineering, building and building materials technology and engineering, acoustical technology and engineering, adhesives technology and engineering, environmental technology and engineering, fossil fuels, bio-fuels, and alternative energy source engineering, nanotechnology, industrial science and engineering, electrical and electronics technologies and engineering, paper and packaging engineering, sports technology, security systems technology and engineering, consumer products technology and engineering, plastics technology and engineering, ships and marine technology, food service technology, additive manufacturing technologies, automotive technology and engineering, ferrous and non-ferrous metals technology and engineering, cement, ceramic, concrete, and masonry technology and engineering, paints and coatings technology and engineering, oil and gas technology and engineering, thermal engineering, textile technology and engineering, materials technology and engineering, rubber and synthetic rubber technology and engineering, washing and cleaning technology, geological and geosynthetics technology and engineering, air quality technology and engineering, waste management technology and engineering, 3D imaging technology and engineering, underground utilities technology and engineering, corrosion technology and engineering, amusement rides technology and engineering, roofing and waterproofing technology and engineering, water technology and engineering, fire and fire extinguishing technology and engineering, power generation

technology and engineering, insulation technology and engineering, occupational health and safety technology and engineering, agricultural engineering, pesticides, antimicrobial, and alternative control agents testing, environmental assessment, consumer products technology and engineering, healthcare informatics, medical device technology, pharmaceutical and biopharmaceutical technology, emergency medicine technology, and personal protective clothing and equipment technology and engineering, provided from an Internet website portal.

(260) AM 2021 109485 A

(800) 1546894

(151) 2020 06 10

(891) 2020 06 10

(731) LORAIN SRL

Via Industria 1, I-23017 MORBEGNO (SO),  
Italy

(540)



(591) Black, white

(531) 02.01.21; 02.01.30; 03.01.08; 18.01.17;  
27.05.10

(511)

18 – Leather and fabric accessories.

22 – Rope products.

25 – Clothing; all aforementioned goods excluding belts, suspenders (braces), sock suspenders.

(260) AM 2021 109486 A

(800) 1546902

(151) 2019 02 22

(891) 2019 02 22

(731) İNCİ GS YUASA AKÜ SANAYİ VE  
TİCARET ANONİM ŞİRKETİ

Organize Sanayi Bölgesi II., Kısım Gaziler  
Caddesi, No:6, Yunusemre, TR-45030 Manisa,  
Turkey

(540)



(591) Black, grey and white are the feature of the  
mark

(531) 27.05.24

(511)

9 – Apparatus and instruments for conducting, transforming, accumulating or controlling electricity, electric plugs, electric sockets, junction boxes [electricity], electric switches, circuit breakers, fuses, lighting ballasts, battery starter cables, electrical circuit boards, electric resistances, electric sockets, transformers [electricity], electrical adapters, battery chargers, electric door bells, electric and electronic cables, batteries, electric accumulators; solar panels for production of electricity; adaptors for use with portable electronic devices and battery chargers, electric wires and cables, fiber optic cables used in electronics and also in telephone lines, electrical power supplies, uninterruptible electrical power supplies, electrical accumulators; batteries, solar cells, uninterruptible power supplies for computers; solar panels for production of electricity.

(260) AM 2021 109487 A

(800) 1546925

(151) 2020 07 16

(891) 2020 07 16

(731) Future Enterprises Pte. Ltd.

31 Harrison Road, #08-01 Food Empire  
Building, Singapore 369649, Singapore

(540)



(591) Cream color and tone of cream color

(531) 02.03.11; 05.07.27; 08.01.18; 11.03.14;  
19.03.03; 25.01.06; 28.05; 29.01.15

(511)

30 – Coffee; iced coffee; coffee beans; coffee drinks; ground coffee; instant coffee; cappuccino; flavoured coffee; coffee-based beverages; coffee substitutes; chicory [coffee substitute]; coffee beverages with milk; coffee mixtures; cocoa; cocoa mixes; cocoa powder; hot cocoa mix; cocoa beverages; cocoa-based beverages; cocoa beverages with milk; tea; iced tea; black tea; green tea; fruit flavoured tea; tea-based beverages; tea-based beverages with fruit flavoring; chocolate-based beverages.

35 – Wholesale services; retail services; advertising, marketing and promotional services.

(260) AM 2021 109488 A  
 (800) 1546931  
 (151) 2020 07 16  
 (891) 2020 07 16  
 (731) Future Enterprises Pte. Ltd.  
 31 Harrison Road, #08-01 Food Empire  
 Building, Singapore 369649, Singapore  
 (540)



(591) Gold, brown and white  
 (531) 02.03.11; 11.03.14; 25.01.06; 28.05; 29.01.13  
 (511)  
 30 – Coffee; iced coffee; coffee beans; coffee drinks;  
 ground coffee; instant coffee; cappuccino; flavoured  
 coffee; coffee-based beverages; coffee substitutes;  
 chicory [coffee substitute]; coffee beverages with  
 milk; coffee mixtures; cocoa; cocoa mixes; cocoa po-  
 wder; hot cocoa mix; cocoa beverages; cocoa-based  
 beverages; cocoa beverages with milk; tea; iced tea;  
 black tea; green tea; fruit flavoured tea; tea-based be-  
 verages; tea-based beverages with fruit flavoring; cho-  
 colate-based beverages.  
 35 – Wholesale services; retail services; advertising,  
 marketing and promotional services.

(260) AM 2021 109489 A  
 (800) 1546938  
 (151) 2020 07 16  
 (891) 2020 07 16  
 (731) Future Enterprises Pte. Ltd.  
 31 Harrison Road, #08-01 Food Empire  
 Building, Singapore 369649, Singapore  
 (540)



(591) Background in special blue and tone of blue  
 (531) 02.03.11; 05.07.27; 11.03.14; 19.03.03;  
 25.01.06; 28.05; 29.01.15  
 (511)  
 30 – Coffee; iced coffee; coffee beans; coffee drinks;  
 ground coffee; instant coffee; cappuccino; flavoured  
 coffee; coffee-based beverages; coffee substitutes;

chicory [coffee substitute]; coffee beverages with  
 milk; coffee mixtures; cocoa; cocoa mixes; cocoa po-  
 wder; hot cocoa mix; cocoa beverages; cocoa-based  
 beverages; cocoa beverages with milk; tea; iced tea;  
 black tea; green tea; fruit flavoured tea; tea-based be-  
 verages; tea-based beverages with fruit flavoring; cho-  
 colate-based beverages.

35 – Wholesale services; retail services; advertising,  
 marketing and promotional services.

(260) AM 2021 109490 A  
 (800) 1546944  
 (151) 2020 04 23  
 (891) 2020 04 23  
 (731) KOPOS HOLDING, a.s  
 Šumavská 46/22, CZ-120 00 Praha 2,  
 Vinohrady (Czech Republic), Czech Republic  
 (540)



(591) Black, white  
 (531) 26.04.04; 26.04.07; 26.04.18; 27.05.02; 28.05  
 (511)  
 6 – Laths of metal; pipes of metal; cable thimbles of  
 metal; cable clips of metal; cable clamps of metal.  
 9 – Wiring boxes [electricity]; wiring ducts for elec-  
 tric cables; branch boxes; junction boxes [electricity];  
 wiring ducts for electric cables; electric cable ducts;  
 electric junction boxes; electric wire harnesses; elec-  
 tric cable cabinets; electric sockets; covers for electric  
 sockets.

17 – Mouldings of plastics for electrical engineering;  
 plastic conduits and strips for wiring network; plastic  
 pipes; cable bridges of rubber for protecting cables;  
 non-metallic couplings for pipes; plastic fittings.

20 – Shielding fittings; cable clips; cable clamps (not  
 of metal); dowels (not of metal).

35 – Advertising and promotional services.

37 – Assembly and repair of machines and equipment,  
 tools, instruments, molds and mechanical jigs.

39 – Transport (transport of goods); storage of cargo;  
 storage of goods.

(260) AM 2021 109574 A  
 (800) 1268182  
 (151) 2015 06 15  
 (891) 2020 08 07  
 (731) GRE Grand River Enterprises, Deutschland  
 GmbH  
 Rietzer Berg 28, 14797 Kloster Lehnin/OT  
 Rietz, Germany

(540)



(591) Black, white

(531) 27.05.10; 27.07.17

(511)

9 – Batteries for electric cigarettes, electronic cigarettes, electric cigars, electronic cigars, electric cigarillos, electronic cigarillos, electric pipes, electronic pipes, and vaporizing devices for tobacco, tobacco products and tobacco substitutes; accumulators for electric cigarettes, electronic cigarettes, electric cigars, electronic cigars, electric cigarillos, electronic cigarillos, electric pipes, and electronic pipes, and vaporizing devices for tobacco, tobacco products and tobacco substitutes; battery chargers, battery chargers for use in vehicles, electrical adapters for vehicles; cables for electric cigarettes, electronic cigarettes, electric cigars, electronic cigars, electric cigarillos, electronic cigarillos, electric pipes, electronic pipes and vaporizing devices for tobacco, tobacco products and tobacco substitutes; electronic and electrical components for use with electric cigarettes, electronic cigarettes, electric cigars, electronic cigars, electric cigarillos, electronic cigarillos, electric pipes, and electronic pipes, and vaporizing devices for tobacco, tobacco products and tobacco substitutes.

16 – Paper cardboard; goods of paper and cardboard, namely stationery, boxes of paper or cardboard, copying paper, note books, notepads, calendars, posters and transparencies of paper and cardboard, writing paper, writing pads and drawing pads, spiral-bound notepads, printing paper, disposable paper articles, labels of paper, cardboard articles, wrapping paper; printed matter; photographs; stationery; office requisites (except furniture).

34 – Raw tobacco; tobacco products, included in this class, in particular nicotine pastilles based on tobacco for oral use, cigars, cigarettes, cigarillos, fine-cut tobacco, pipe tobacco, snuff, tobacco substitutes, cigars and cigarettes containing tobacco substitutes, not for medical or curative purposes; smokers' articles, in particular tobacco jars, cases for cigarettes, cigarette holders, ashtrays (all the aforesaid goods not of precious metal or coated therewith), cigarette paper, cigarette tubes, cigarette filters, pipes, pocket apparatus for rolling cigarettes, lighters, all the aforesaid goods included in this class; matches; cigarette cases of precious metal; cigarette cases, of precious metal; cigarette holders of precious metal; cigar cases of precious metal and wood; cigar boxes, of precious metal; cigar holders of precious metal; electric cigarettes, electronic cigarettes, electric cigars, electronic cigars, elec-

tric cigarillos, electronic cigarillos, electric pipes and electronic pipes; liquids, ampoules, and cartridges for electric cigarettes, electronic cigarettes, electronic cigars, electronic cigarillos, and electric pipes; refill liquid for use in electronic smoking equipment and electronic cigarettes; refill cartridges for use in electronic cigarettes and electronic smoking equipment; atomizers and cartomizers for use in electronic cigarettes and electronic smoking equipment; vaporising devices for tobacco, tobacco products and tobacco substitutes; parts, components of electronic cigarettes and electronic smoking equipment, and vaporizing devices for tobacco, tobacco products and tobacco substitutes; carrying cases and containers specially adapted for the aforementioned goods; stands specially adapted for the aforementioned goods; parts and spare parts of the aforementioned goods.

(260) AM 2021 109575 A

(800) 1268623

(151) 2015 06 15

(891) 2020 08 07

(731) GRE Grand River Enterprises Deutschland GmbH  
Rietzer Berg 28, 14797 Kloster Lehnin/OT  
Rietz, Germany

(540)



(591) Black, white

(531) 27.07.02; 27.07.12

(511)

9 – Batteries for electric cigarettes, electronic cigarettes, electric cigars, electronic cigars, electric cigarillos, electronic cigarillos, electric pipes, electronic pipes, and vaporizing devices for tobacco, tobacco products and tobacco substitutes; accumulators for electric cigarettes, electronic cigarettes, electric cigars, electronic cigars, electric cigarillos, electronic cigarillos, electric pipes, and electronic pipes, and vaporizing devices for tobacco, tobacco products and tobacco substitutes; battery chargers, battery chargers for use in vehicles, electrical adapters for vehicles; cables for electric cigarettes, electronic cigarettes, electric cigars, electronic cigars, electric cigarillos, electronic cigarillos, electric pipes, electronic pipes and vaporizing devices for tobacco, tobacco products and tobacco substitutes; electronic and electrical components for use with electric cigarettes, electronic cigarettes, electric cigars, electronic cigars, electric cigarillos, el-

ectronic cigarillos, electric pipes, and electronic pipes, and vaporizing devices for tobacco, tobacco products and tobacco substitutes.

16 – Paper cardboard; goods of paper and cardboard, namely stationery, boxes of paper or cardboard, copying paper, note books, notepads, calendars, posters and transparencies of paper and cardboard, writing paper, writing pads and drawing pads, spiral-bound notepads, printing paper, disposable paper articles, labels of paper, cardboard articles, wrapping paper; printed matter; photographs; stationery; office requisites (except furniture).

34 – Raw tobacco; tobacco products, included in this class, in particular nicotine pastilles based on tobacco for oral use, cigars, cigarettes, cigarillos, fine-cut tobacco, pipe tobacco, snuff, tobacco substitutes, cigars and cigarettes containing tobacco substitutes, not for medical or curative purposes; smokers' articles, in particular tobacco jars, cases for cigarettes, cigarette holders, ashtrays (all the aforesaid goods not of precious metal or coated therewith), cigarette paper, cigarette tubes, cigarette filters, pipes, pocket apparatus for rolling cigarettes, lighters, all the aforesaid goods included in this class; matches; cigarette cases of precious metal; cigarette cases, of precious metal; cigarette holders of precious metal; cigar cases of precious metal and wood; cigar boxes, of precious metal; cigar holders of precious metal; electric cigarettes, electronic cigarettes, electric cigars, electronic cigars, electric cigarillos, electronic cigarillos, electric pipes and electronic pipes; liquids, ampoules, and cartridges for electric cigarettes, electronic cigarettes, electronic cigars, electronic cigarillos, and electric pipes; refill liquid for use in electronic smoking equipment and electronic cigarettes; refill cartridges for use in electronic cigarettes and electronic smoking equipment; atomizers and cartomizers for use in electronic cigarettes and electronic smoking equipment; vaporising devices for tobacco, tobacco products and tobacco substitutes; parts, components of electronic cigarettes and electronic smoking equipment, and vaporizing devices for tobacco, tobacco products and tobacco substitutes; carrying cases and containers specially adapted for the aforementioned goods; stands specially adapted for the aforementioned goods; parts and spare parts of the aforementioned goods.

(260) AM 2021 109576 A  
(800) 1268974  
(151) 2015 06 30  
(891) 2020 07 21  
(731) Otkrytoe aktsionernoe obshchestvo  
"Brestsky myasokombinat"  
ul. Pisatelya Smirnova 4, 224014 Brest,  
Belarus

(540)



(591) Red, white and brown  
(531) 26.04.03; 26.04.09; 28.05; 29.01.12  
(511)  
5 – Dietetic food; food for babies.

29 – Meat, fish, poultry, game and foods made therefrom; meat, preserved, dried, smoked; cooked meat; meat, tinned [canned (Am.)]; meat products; charcuterie; sausages; small sausages; smoked foods, included in this class; ham; bacon; tripe and foods made therefrom; liver; pork, lard, speck (bacon), ribs and foods made therefrom; meat extracts; meat pastes; liver pastes; pastes made from tripe products; semi-prepared foods made from meat, poultry, game, tripe.

30 – Bakery products; confectionery; precooked foods made from dough with tilling; precooked foods made from dough and meat; pelmeni; vareniki [stuffed dumplings]; pies; pasties; meat pies; pancakes; pizzas.

35 – Advertising; wholesale and retail services relating to the goods mentioned in classes 05, 29, 30, 31, 32, 33; demonstration of goods; sales promotion for others; organization of exhibitions, trade fairs and other events for commercial or advertising purposes.

(260) AM 2021 109652 A  
(800) 1548910  
(151) 2020 04 10  
(891) 2020 04 10  
(731) Public Joint Stock Company, TATNEFT named  
after V.D. Shashin  
Lenina str., 75, Almetyevsk, RU-423450  
Republic of Tatarstan, Russian Federation  
(540)



(591) Green, white and red  
(531) 26.13.25; 29.01.13  
(511)

1 – Hydraulic oils; anti-knock substances for internal combustion engines; antifreeze; fluids for hydraulic circuits; power steering fluid; brake fluid; transmission fluid; transmission oil; anti-boil preparations for engine coolants; engine-decarbonising chemicals; coolants for vehicle engines; synthetic materials for absorbing oil; chemical additives for oils; chemical additives for lubricating oils; oil-purifying chemicals; detergent additives for motor oil; detergent additives to petrol; additives, chemical, to motor fuel; combusting preparations [chemical additives to motor fuel].



4 – Fuels, including motor spirit, and illuminants; benzine; petrol; kerosene; ligroin; mazut; naphtha; petroleum, raw or refined; benzene fuel; diesel oil; xylene fuel; fuel; fuel oil; vaporized fuel mixtures; carburants; lubricating oil; lubricating grease; lubricating oil for motor vehicle engines; automotive greases; industrial oil; motor oil; cutting fluids; industrial oils and greases; lubricants; industrial lubricants; additives, non-chemical, to motor fuel; non-chemical additives for fuels, lubricants and greases; dust absorbing compositions; dust laying compositions; dust removing preparations; alcohol and mixed alcohol fuel; alcohol [fuel]; petroleum ether; fuel gas.

9 – Encoded loyalty cards; encoded membership cards; smart cards [integrated circuit cards]; identity cards, magnetic; encoded identity cards; encoded magnetic cards; magnetically encoded payment cards; magnetically encoded gift cards; magnetically encoded key cards; magnetically encoded debit cards; magnetically encoded credit cards; magnetically encoded bank cards; encoded key cards; electronic identification cards; encoded payment cards; magnetically encoded cards for carrying data; encoded reward cards; encoded prepaid payment cards; encoded prepaid magnetic cards; encoded prepaid credit cards; encoded gift cards; encoded electronic chip cards; encoded debit cards; encoded credit cards; encoded bank cards; electronic key cards; electronic chip cards; terminals for electronically processing credit card payments; USB flash drives; encoded identification bracelets, magnetic; computer software applications, downloadable; application software for smartphones; software and applications for mobile devices; computer software, recorded; computer software platforms, recorded or downloadable; computer screen saver software, recorded or downloadable; software for smartphones; computer software for virtual cards; computer software for database management; software for administration of consumer loyalty programs; software for facilitating secure credit card transactions; computer communication software to allow customers to access bank account information and transact bank business; computer e-commerce software to allow users to perform electronic business transactions via a global computer network.

16 – Booklets; prospectuses; flyers; printed coupons; file folders; printed matter; pads [stationery]; folders for papers; pencils; pencil lead holders; forms, printed; fountain pens; penholders; colored pens; ink pens; ball-point pens; marking pens [stationery]; calendars; greeting cards; postcards; writing instruments; pen and pencil cases; stationery cases; bags [envelopes, pouches] of paper or plastics, for packaging; gift bags of paper or plastic; flags of paper; name badges [office requisites]; conical paper bags; banners of paper; bunting of paper; signboards of paper or cardboard; shields [paper seals]; labels of paper

or cardboard; posters; almanacs; pamphlets; newsletters; newspapers; magazines [periodicals]; periodicals; printed publications; books.

35 – Business administration services for gas stations; retail services related to gas stations and retail services provided by shops located at gas stations; retail services provided by shops relating to consumer goods, including food, bakery products, beverages, printed materials, toys; retail services provided by shops relating to automobile goods, including oils and liquids; retail services for goods at gas stations and retail services provided by shops located at gas stations; vending machine services; retail services provided by convenience stores; promoting the goods and services of others; retail sales of automotive and related products at gas stations; advertising; outdoor advertising; advertising on vehicles; commercial information and advice for consumers in the choice of products and services; online advertising on a computer network; shop window dressing; distribution of samples; dissemination of advertising matter; advertising by mail order; television advertising; wholesale and retail sale services for petroleum products, gas, oils, lubricants, automotive fluids; organization of trade fairs for commercial or advertising purposes; presentation of goods on communication media, for retail purposes; business management of reimbursement programs for others; promoting the goods and services of others through discount card programs; promoting the goods and services of others on the Internet; promoting the goods and services of others using mobile applications; sales promotion for others by means of privileged user cards; promoting the goods and services of others by means of a preferred customer program; promoting the goods and services of others through advertisements on Internet web sites; promoting the goods and services of others by distributing advertising materials through a variety of methods; sales promotion for others; administration of incentive award programs to promote the sale of the goods and services of others; provision of commercial and business contact information via the Internet; providing consumer product information via the Internet; on-line ordering services; internet marketing; internet advertising services; providing customer loyalty discount cards for advertising purposes; organization and management of discount card loyalty schemes; promoting the goods and services of others by means of a loyalty rewards card scheme; administration of a discount program for enabling participants to obtain discounts on goods and services through use of a discount membership card; administration of consumer loyalty programs; administration of loyalty rewards programs; administration of customer loyalty and incentive schemes; administration of loyalty programs involving discounts or incentives; market research services regarding customer loyalty; organization and management of customer loyalty programs; organiza-

tion of loyalty and incentive schemes; providing customer loyalty coupons for advertising purposes; providing customer loyalty discount codes for advertising purposes; providing customer loyalty points for advertising purposes; providing customer loyalty programs for advertising purposes; providing customer loyalty programs for commercial purposes; sales promotion through customer loyalty programs; administration of loyalty rewards programs featuring trading stamps; organization of customer loyalty programs for commercial, promotional or advertising purposes.

36 – Issuance of customer loyalty discount cards; loyalty discount card payment processing services; providing cash and other rebates for credit card use as part of a customer loyalty program; providing rebates at participating establishments of others through use of a membership card; conducting cashless payment transactions; issuance of electronic payment cards in connection with bonus and reward schemes; electronic processing of electronic payments via a global computer network; processing of payment transactions via the Internet; processing electronic payments made with pre-paid cards; loyalty discount code payment processing services; financial services relating to payment cards; credit card and payment card services; collection of payments for goods and services; processing of debit card payments; processing of credit card payments; on-line bill payment services; loyalty point payment processing services; loyalty coupon payment processing services; issuance of prepaid payment cards; processing of payment transactions.

37 – Vehicle maintenance; vehicle service stations [refuelling and maintenance].

42 – Graphic design of promotional materials; industrial design; graphic arts design; computer software design; maintenance of computer software; software as a service [SaaS]; updating of computer software.

(260) AM 2021 109653 A

(800) 1548988

(151) 2020 07 01

(891) 2020 07 01

(731) TCC iTrading Co., Ltd.

NO.1-602 Binhai Wanlong Plaza, East of  
Yingbin Avenue, (Central Business District)  
Pilot Free, Trade Zone, 300000 Tianjin, China

(540)



(591) Blue, red, orange, gray

(531) 01.01.09; 26.11.12; 27.05.07; 27.05.10;  
29.01.14

(511)

1 – Benzol; benzene; ethers; ammonia; anhydrous ammonia; rare earths; acids; nitric acid; boric acid for

industrial purposes; alkalies; caustics for industrial purposes; hydrogen; acetylene; ethyl alcohol; plasticizers; dispersions of plastics; hydrochloric acid; caustic alkali.

4 – Petroleum, raw or refined; fuel; petrol; ligroin; diesel oil; ethanol [fuel].

7 – Electromechanical machines for chemical industry.

(260) AM 2021 109654 A

(800) 1181026

(151) 2013 07 22

(891) 2020 08 20

(731) BOSTIK SA

420 rue d'Estienne d'Orves, F-92700 Colombes,  
France

(540)



(591) Green, orange, yellow and red

(531) 03.11.10; 29.01.13

(511)

1 – Industrial chemicals; chemical products for the manufacture of adhesives; adhesives (adhesive materials) for use in industry; adhesives for ceiling coverings, for floor coverings, for wall coverings; adhesives for repair and assembly of objects; adhesives for wallpaper; separating and unsticking [ungluing] products; starch size; solvents for glues; unprocessed epoxy, acrylic and synthetic resins; unprocessed plastics.

16 – Adhesives (glues) for stationery or household purposes; artists' materials; glues for wood for household use; glues for fabrics for household use.

17 – Epoxy, acrylic and synthetic resins (semi-finished products); packing, stopping and insulating materials; sealant compounds for joints; insulating plaster; insulating varnish; adhesive tapes and strips other than for medical, stationery or household purposes; waterproof packings.

19 – Building materials, not of metal; mortar for building; cement; coatings (building materials); plaster; pitch; concrete; lime; patching and leveling plaster coats for walls, floors and ceilings; products for patching walls, floors and ceilings.

(260) AM 2021 109723 A

(800) 1304126

(151) 2016 02 24

(891) 2020 07 20

(731) Obschestvo s ogranichennoy otvetstvennostyu  
"KDV Yashkino"

1a, Molodezhnaya str., pgt. Yashkino,  
RU-652030 Kemerovskaya Oblast, Russian  
Federation

(540)

**IMPULSE**  
**ИМПУЛЬС**

(591) Black, white

(531) 28.05

(511)

30 – Rice-based snack food; cereal-based snack food;  
confectionery for decorating Christmas trees; peanut  
confectionery; almond confectionery; caramels [can-  
dy]; sweetmeats [candy]; liquorice [confectionery];  
peppermint sweets; candy; crackers; custard; pastilles  
[confectionery]; fondants [confectionery]; pralines;  
cake powder; cake dough; confectionery; almond pas-  
te; halvah; chocolate.

(260) AM 2021 109724 A

(800) 1304309

(151) 2016 05 02

(891) 2020 07 29

(731) Shenzhen yuyuanxin Electronic Technology  
Co., Ltd.

Room 202 – 302, Building 11, Tianluohu  
Industry Park, Guihua Industry Area,  
Guangang Road, Guanlan Town, Longhua  
District, Shenzhen, 518110 Guangdong, China

(540)



(591) Black, white

(531) 27.05.02

(511)

9 – Video game cartridges; computer game software;  
navigational instruments; cabinets for loudspeakers;  
apparatus for changing record player needles; com-  
pact discs [audio-video]; television apparatus; headp-  
hones; receivers (audio- and video-); magnifying gla-  
sses [optics].

---

**INTERNATIONAL TRADEMARKS PROTECTED IN GEORGIA**

(260) AM 2021 104797 A  
(800) 1012690  
(151) 2009 08 05  
(181) 2029 08 05  
(891) 2019 08 21  
(511) 07, 09, 11

---

(260) AM 2021 107852 A  
(800) 1524122  
(151) 2019 10 28  
(181) 2029 10 28  
(891) 2019 10 28  
(511) 09, 35, 36, 38, 41, 42

---

(260) AM 2021 106992 A  
(800) 1512587  
(151) 2019 12 12  
(181) 2029 12 12  
(891) 2019 12 12  
(511) 29, 30, 31, 35

---

(260) AM 2021 107867 A  
(800) 1524667  
(151) 2020 02 27  
(181) 2030 02 27  
(891) 2020 02 27  
(511) 42

---

(260) AM 2021 107003 A  
(800) 1513041  
(151) 2019 09 18  
(181) 2029 09 18  
(891) 2019 09 18  
(511) 09, 42, 45

---

(260) AM 2021 107870 A  
(800) 1524734  
(151) 2019 11 28  
(181) 2029 11 28  
(891) 2019 11 28  
(511) 09, 35, 38, 41, 42

---

(260) AM 2021 107601 A  
(800) 1520357  
(151) 2019 11 18  
(181) 2029 11 18  
(891) 2019 11 18  
(511) 23, 24, 25

---

(260) AM 2021 107871 A  
(800) 1524737  
(151) 2019 09 30  
(181) 2029 09 30  
(891) 2019 09 30  
(511) 09, 12, 28

---

(260) AM 2021 107754 A  
(800) 1519358  
(151) 2019 10 16  
(181) 2029 10 16  
(891) 2020 03 12  
(511) 05

---

(260) AM 2021 107877 A  
(800) 632472  
(151) 1995 03 20  
(181) 2025 03 20  
(891) 2020 02 13  
(511) 05

---

(260) AM 2021 107847 A  
(800) 1524006  
(151) 2019 11 11  
(181) 2029 11 11  
(891) 2019 11 11  
(511) 09, 42

---

(260) AM 2021 107947 A  
(800) 1525417  
(151) 2019 11 16  
(181) 2029 11 16  
(891) 2019 11 16  
(511) 33, 35

---

(260) AM 2021 107851 A  
(800) 1524110  
(151) 2019 09 10  
(181) 2029 09 10  
(891) 2019 09 10  
(511) 16, 21, 25, 26, 35, 42

---

(260) AM 2021 107987 A  
(800) 1526050  
(151) 2020 02 06  
(181) 2030 02 06  
(891) 2020 02 06  
(511) 02, 03

---

---

(260) AM 2021 107988 A  
(800) 1526051  
(151) 2020 02 10  
(181) 2030 02 10  
(891) 2020 02 10  
(511) 03

---

---

(260) AM 2021 108002 A  
(800) 1526376  
(151) 2020 03 20  
(181) 2030 03 20  
(891) 2020 03 20  
(511) 09, 42

---

---

(260) AM 2021 107989 A  
(800) 1526114  
(151) 2020 03 13  
(181) 2030 03 13  
(891) 2020 03 13  
(511) 35

---

---

(260) AM 2021 108009 A  
(800) 1526581  
(151) 2020 02 25  
(181) 2030 02 25  
(891) 2020 02 25  
(511) 06, 19

---

---

(260) AM 2021 107990 A  
(800) 1526142  
(151) 2019 12 18  
(181) 2029 12 18  
(891) 2019 12 18  
(511) 18, 25

---

---

(260) AM 2021 108032 A  
(800) 1527072  
(151) 2020 02 28  
(181) 2030 02 28  
(891) 2020 02 28  
(511) 10

---

---

(260) AM 2021 107992 A  
(800) 1526161  
(151) 2020 03 19  
(181) 2030 03 19  
(891) 2020 03 19  
(511) 34

---

---

(260) AM 2021 108033 A  
(800) 1527076  
(151) 2020 01 16  
(181) 2030 01 16  
(891) 2020 01 16  
(511) 30

---

---

(260) AM 2021 107993 A  
(800) 1526188  
(151) 2020 01 30  
(181) 2030 01 30  
(891) 2020 01 30  
(511) 30

---

---

(260) AM 2021 108034 A  
(800) 1527081  
(151) 2020 03 11  
(181) 2030 03 11  
(891) 2020 03 11  
(511) 14, 18, 25

---

---

(260) AM 2021 107994 A  
(800) 1526217  
(151) 2019 10 28  
(181) 2029 10 28  
(891) 2019 10 28  
(511) 09, 16, 41

---

---

(260) AM 2021 108045 A  
(800) 1244474  
(151) 2014 12 23  
(181) 2024 12 23  
(891) 2020 03 09  
(511) 03, 10, 21

---

---

(260) AM 2021 107995 A  
(800) 1526247  
(151) 2020 01 30  
(181) 2030 01 30  
(891) 2020 01 30  
(511) 30

---

---

(260) AM 2021 108051 A  
(800) 1495325  
(151) 2019 09 20  
(181) 2029 09 20  
(891) 2020 02 28  
(511) 01

---

(260) AM 2021 108105 A  
(800) 1528292  
(151) 2020 03 05  
(181) 2030 03 05  
(891) 2020 03 05  
(511) 05

---

(260) AM 2021 108144 A  
(800) 1528532  
(151) 2020 01 02  
(181) 2030 01 02  
(891) 2020 01 02  
(511) 33

---

(260) AM 2021 108108 A  
(800) 1401111  
(151) 2018 01 30  
(181) 2028 01 30  
(891) 2020 02 27  
(511) 11, 12, 17, 19

---

(260) AM 2021 108150 A  
(800) 1528691  
(151) 2019 12 04  
(181) 2029 12 04  
(891) 2019 12 04  
(511) 09, 12, 37, 42

---

(260) AM 2021 108109 A  
(800) 1489504  
(151) 2019 04 23  
(181) 2029 04 23  
(891) 2020 03 03  
(511) 09, 42

---

(260) AM 2021 108152 A  
(800) 1528698  
(151) 2020 03 18  
(181) 2030 03 18  
(891) 2020 03 18  
(511) 35

---

(260) AM 2021 108140 A  
(800) 1528452  
(151) 2020 04 08  
(181) 2030 04 08  
(891) 2020 04 08  
(511) 09, 11

---

(260) AM 2021 108153 A  
(800) 1528701  
(151) 2020 02 28  
(181) 2030 02 28  
(891) 2020 02 28  
(511) 10

---

(260) AM 2021 108141 A  
(800) 1528473  
(151) 2020 01 29  
(181) 2030 01 29  
(891) 2020 01 29  
(511) 01, 04, 07, 12, 37, 39

---

(260) AM 2021 108154 A  
(800) 1528715  
(151) 2020 02 11  
(181) 2030 02 11  
(891) 2020 02 11  
(511) 03, 05, 10

---

(260) AM 2021 108142 A  
(800) 1528498  
(151) 2020 01 31  
(181) 2030 01 31  
(891) 2020 01 31  
(511) 05

---

(260) AM 2021 108157 A  
(800) 1528800  
(151) 2019 09 02  
(181) 2029 09 02  
(891) 2019 09 02  
(511) 25, 35

---

(260) AM 2021 108143 A  
(800) 1528511  
(151) 2020 03 13  
(181) 2030 03 13  
(891) 2020 03 13  
(511) 07

---

(260) AM 2021 108158 A  
(800) 1528806  
(151) 2020 02 07  
(181) 2030 02 07  
(891) 2020 02 07  
(511) 33

---

---

(260) AM 2021 108159 A  
(800) 1528835  
(151) 2020 03 20  
(181) 2030 03 20  
(891) 2020 03 20  
(511) 05

---

---

(260) AM 2021 108179 A  
(800) 1529547  
(151) 2020 03 18  
(181) 2030 03 18  
(891) 2020 03 18  
(511) 03, 05

---

---

(260) AM 2021 108160 A  
(800) 1528836  
(151) 2019 11 26  
(181) 2029 11 26  
(891) 2019 11 26  
(511) 16, 25, 28, 29, 35

---

---

(260) AM 2021 108180 A  
(800) 1529554  
(151) 2020 03 30  
(181) 2030 03 30  
(891) 2020 03 30  
(511) 09

---

---

(260) AM 2021 108161 A  
(800) 1528853  
(151) 2019 06 19  
(181) 2029 06 19  
(891) 2019 06 19  
(511) 03, 09, 18, 25, 35

---

---

(260) AM 2021 108181 A  
(800) 1529556  
(151) 2020 04 02  
(181) 2030 04 02  
(891) 2020 04 02  
(511) 30

---

---

(260) AM 2021 108175 A  
(800) 1529388  
(151) 2019 12 23  
(181) 2029 12 23  
(891) 2019 12 23  
(511) 09, 14, 35

---

---

(260) AM 2021 108182 A  
(800) 1529568  
(151) 2020 01 28  
(181) 2030 01 28  
(891) 2020 01 28  
(511) 24, 27, 35

---

---

(260) AM 2021 108176 A  
(800) 1529398  
(151) 2020 03 03  
(181) 2030 03 03  
(891) 2020 03 03  
(511) 09, 41, 42

---

---

(260) AM 2021 108183 A  
(800) 1529586  
(151) 2020 01 17  
(181) 2030 01 17  
(891) 2020 01 17  
(511) 36

---

---

(260) AM 2021 108177 A  
(800) 1529461  
(151) 2019 12 30  
(181) 2029 12 30  
(891) 2019 12 30  
(511) 01

---

---

(260) AM 2021 108184 A  
(800) 1529593  
(151) 2020 02 21  
(181) 2030 02 21  
(891) 2020 02 21  
(511) 23, 24, 25, 26, 35

---

---

(260) AM 2021 108178 A  
(800) 1529521  
(151) 2020 04 02  
(181) 2030 04 02  
(891) 2020 04 02  
(511) 30

---

---

(260) AM 2021 108185 A  
(800) 1529615  
(151) 2019 12 17  
(181) 2029 12 17  
(891) 2019 12 17  
(511) 09, 10

---

(260) AM 2021 108190 A  
(800) 497318  
(151) 1985 11 07  
(181) 2025 11 07  
(891) 2020 03 20  
(511) 03

---

(260) AM 2021 108239 A  
(800) 1529879  
(151) 2020 03 05  
(181) 2030 03 05  
(891) 2020 03 05  
(511) 17

---

(260) AM 2021 108233 A  
(800) 1529771  
(151) 2020 04 03  
(181) 2030 04 03  
(891) 2020 04 03  
(511) 05

---

(260) AM 2021 108240 A  
(800) 1529887  
(151) 2020 03 30  
(181) 2030 03 30  
(891) 2020 03 30  
(511) 03, 05, 32

---

(260) AM 2021 108234 A  
(800) 1529789  
(151) 2020 04 02  
(181) 2030 04 02  
(891) 2020 04 02  
(511) 44

---

(260) AM 2021 108241 A  
(800) 1529913  
(151) 2019 12 24  
(181) 2029 12 24  
(891) 2019 12 24  
(511) 09

---

(260) AM 2021 108235 A  
(800) 1529822  
(151) 2019 11 28  
(181) 2029 11 28  
(891) 2019 11 28  
(511) 03

---

(260) AM 2021 108242 A  
(800) 1529963  
(151) 2020 03 10  
(181) 2030 03 10  
(891) 2020 03 10  
(511) 05

---

(260) AM 2021 108236 A  
(800) 1529827  
(151) 2020 02 10  
(181) 2030 02 10  
(891) 2020 02 10  
(511) 30

---

(260) AM 2021 108275 A  
(800) 1530819  
(151) 2020 03 05  
(181) 2030 03 05  
(891) 2020 03 05  
(511) 17

---

(260) AM 2021 108237 A  
(800) 1529836  
(151) 2020 01 31  
(181) 2030 01 31  
(891) 2020 01 31  
(511) 09, 12, 18, 25, 35, 36, 37, 39, 41, 42, 43

---

(260) AM 2021 108276 A  
(800) 1530821  
(151) 2020 03 25  
(181) 2030 03 25  
(891) 2020 03 25  
(511) 19, 20, 35, 42

---

(260) AM 2021 108238 A  
(800) 1529858  
(151) 2020 03 20  
(181) 2030 03 20  
(891) 2020 03 20  
(511) 29, 30, 32

---

(260) AM 2021 108277 A  
(800) 1530833  
(151) 2019 11 27  
(181) 2029 11 27  
(891) 2019 11 27  
(511) 01, 05

---



---

(260) AM 2021 108279 A  
(800) 1530843  
(151) 2020 03 05  
(181) 2030 03 05  
(891) 2020 03 05  
(511) 11

---

---

(260) AM 2021 108366 A  
(800) 1532127  
(151) 2020 04 08  
(181) 2030 04 08  
(891) 2020 04 08  
(511) 44

---

---

(260) AM 2021 108280 A  
(800) 1530859  
(151) 2020 02 03  
(181) 2030 02 03  
(891) 2020 02 03  
(511) 12

---

---

(260) AM 2021 108368 A  
(800) 1532159  
(151) 2020 03 10  
(181) 2030 03 10  
(891) 2020 03 10  
(511) 12

---

---

(260) AM 2021 108344 A  
(800) 1531457  
(151) 2020 04 03  
(181) 2030 04 03  
(891) 2020 04 03  
(511) 30

---

---

(260) AM 2021 108369 A  
(800) 1532183  
(151) 2020 03 10  
(181) 2030 03 10  
(891) 2020 03 10  
(511) 05

---

---

(260) AM 2021 108345 A  
(800) 1531498  
(151) 2020 01 29  
(181) 2030 01 29  
(891) 2020 01 29  
(511) 09, 42

---

---

(260) AM 2021 108370 A  
(800) 1532211  
(151) 2020 03 30  
(181) 2030 03 30  
(891) 2020 03 30  
(511) 05

---

---

(260) AM 2021 108351 A  
(800) 1531615  
(151) 2020 01 10  
(181) 2030 01 10  
(891) 2020 01 10  
(511) 03, 05

---

---

(260) AM 2021 108372 A  
(800) 429839  
(151) 1977 03 29  
(181) 2027 03 29  
(891) 2020 04 17  
(511) 05

---

---

(260) AM 2021 108352 A  
(800) 1531664  
(151) 2020 04 01  
(181) 2030 04 01  
(891) 2020 04 01  
(511) 10

---

---

(260) AM 2021 108374 A  
(800) 851915  
(151) 2004 10 19  
(181) 2024 10 19  
(891) 2019 10 04  
(511) 09, 14, 18, 25

---

---

(260) AM 2021 108355 A  
(800) 1531771  
(151) 2020 04 27  
(181) 2030 04 27  
(891) 2020 04 27  
(511) 12

---

---

(260) AM 2021 108437 A  
(800) 1532355  
(151) 2020 03 12  
(181) 2030 03 12  
(891) 2020 03 12  
(511) 05

---

(260) AM 2021 108443 A  
(800) 1532388  
(151) 2020 03 11  
(181) 2030 03 11  
(891) 2020 03 11  
(511) 34

---

(260) AM 2021 108445 A  
(800) 1532414  
(151) 2020 02 25  
(181) 2030 02 25  
(891) 2020 02 25  
(511) 33

---

(260) AM 2021 108446 A  
(800) 1532421  
(151) 2020 03 12  
(181) 2030 03 12  
(891) 2020 03 12  
(511) 14

---

(260) AM 2021 108447 A  
(800) 1532482  
(151) 2020 04 27  
(181) 2030 04 27  
(891) 2020 04 27  
(511) 07

---

(260) AM 2021 108458 A  
(800) 1532777  
(151) 2020 03 16  
(181) 2030 03 16  
(891) 2020 03 16  
(511) 05

---

(260) AM 2021 108459 A  
(800) 1532783  
(151) 2019 12 13  
(181) 2029 12 13  
(891) 2019 12 13  
(511) 01, 04, 06, 07, 09, 11, 35, 37, 39, 40, 42

---

(260) AM 2021 108634 A  
(800) 1535204  
(151) 2019 08 26  
(181) 2029 08 26  
(891) 2019 08 26  
(511) 09, 12, 28

---

---

# OFFICIAL NOTIFICATIONS

## INVENTIONS

### EXPIRATION OF PATENTS RESTORATION

(21) AP 2005 11830  
(11) P 2013 5824 B  
(73) Geox S.P.A.  
(54) SHOE WITH BREATHABLE AND WATERPROOF SOLE AND UPPER  
DATE OF CANCELLATION OF PATENT: 2021 01 20  
THE TERM OF RESTORATION OF PATENT: 2021 05 25

---

(21) AP 2010 12443  
(11) P 2015 6393 B  
(73) Geox S.P.A.  
(54) WATERPROOF AND VAPOR-PERMEABLE SHOE  
DATE OF CANCELLATION OF PATENT: 2021 03 12  
THE TERM OF RESTORATION OF PATENT: 2021 05 25

---

(21) AP 2010 12444  
(11) P 2015 6394 B  
(73) Geox S.P.A.  
(54) METHOD FOR MANUFACTURING WATERPROOF AND VAPOR-PERMEABLE SHOE  
DATE OF CANCELLATION OF PATENT: 2021 03 12  
THE TERM OF RESTORATION OF PATENT: 2021 05 25

---

(21) AP 2012 12672  
(11) P 2013 5916 B  
(73) Dimitri Sanadze  
(54) MACHINE FORMING PASTRY WITH FILLING  
DATE OF CANCELLATION OF PATENT: 2021 04 19  
THE TERM OF RESTORATION OF PATENT: 2021 05 25

---

(21) AP 2011 12850  
(11) P 2017 6635 B  
(73) Geox S.P.A..  
(54) SHOE WITH WATERPROOF AND VAPOR-PERMEABLE UPPER AND SOLE  
DATE OF CANCELLATION OF PATENT: 2021 01 24  
THE TERM OF RESTORATION OF PATENT: 2021 05 25

---

(21) AP 2012 13347  
(11) P 2017 6666 B  
(73) Crystal Lagoons (Curacao) B.V.  
(54) LOCALIZED DISINFECTION SYSTEM FOR LARGE WATER BODIES  
DATE OF CANCELLATION OF PATENT: 2020 12 19  
THE TERM OF RESTORATION OF PATENT: 2021 05 25

---

(21) AP 2013 13632  
(11) P 2017 6716 B  
(73) Cantab Biopharmaceuticals Patents Limited  
(54) OPTIMISED SUBCUTANEOUS THERAPEUTIC AGENTS  
DATE OF CANCELLATION OF PATENT: 2021 04 16  
THE TERM OF RESTORATION OF PATENT: 2021 05 25

---

(21) AP 2014 14012  
(11) P 2019 6996 B  
(73) Bio.Lo.Ga. S.R.L.  
(54) SHEET FOR CUTANEOUS APPLICATION CONTAINING VITAMIN E OR AN ESTER THEREOF  
DATE OF CANCELLATION OF PATENT: 2021 04 11  
THE TERM OF RESTORATION OF PATENT: 2021 05 25

---

(21) AP 2014 14150  
(11) P 2018 6906 B  
(73) Crystal Lagoons (Curacao) B.V.  
(54) METHOD FOR MAINTAINING WATER QUALITY IN LARGE WATER BODIES  
DATE OF CANCELLATION OF PATENT: 2020 12 29  
THE TERM OF RESTORATION OF PATENT: 2021 05 25

---

(21) AP 2016 14581  
(11) P 2019 6980 B  
(73) Smart Spirits S.L.  
(54) INFUSER FOR ALCOHOLIC BEVERAGES  
DATE OF CANCELLATION OF PATENT: 2021 02 16  
THE TERM OF RESTORATION OF PATENT: 2021 05 25

---

(21) AP 2005 9505  
(11) P 2011 5256 B  
(73) Geox S.P.A.  
(54) SHOE WITH BREATHABLE AND WATERPROOF SOLE AND UPPER  
DATE OF CANCELLATION OF PATENT: 2021 01 20  
THE TERM OF RESTORATION OF PATENT: 2021 05 25

---

## ABOLITION OF PATENTS WITH THE RIGHT TO RESTORE

(21) AP 2009 12006  
(11) P 2013 5856 B  
(73) Sunrise R&D Holdings LLC  
(54) SYSTEMS FOR STORE ASSOCIATE MANAGEMENT THEREIN  
DATE OF CANCELLATION OF PATENT: 2021 04 22  
THE TERM OF RESTORATION OF PATENT: 2022 04 22

---

(21) AP 2013 13617  
(11) P 2017 6736 B  
(73) Tillotts Pharma AG  
(54) A DELAYED RELEASE DRUG FORMULATION  
DATE OF CANCELLATION OF PATENT: 2021 04 29  
THE TERM OF RESTORATION OF PATENT: 2022 04 29

---

(21) AP 2013 13618  
(11) P 2017 6753 B  
(73) Tillotts Pharma AG  
(54) A DELAYED RELEASE DRUG FORMULATION  
DATE OF CANCELLATION OF PATENT: 2021 04 29  
THE TERM OF RESTORATION OF PATENT: 2022 04 29

---

(21) AP 2013 13923  
(11) P 2017 6758 B  
(73) Tillotts Pharma AG  
(54) A DELAYED RELEASE DRUG FORMULATION  
DATE OF CANCELLATION OF PATENT: 2021 04 29  
THE TERM OF RESTORATION OF PATENT: 2022 04 29

---

(21) AP 2013 13924  
(11) P 2017 6759 B  
(73) Tillotts Pharma AG  
(54) A DELAYED RELEASE DRUG FORMULATION  
DATE OF CANCELLATION OF PATENT: 2021 04 29  
THE TERM OF RESTORATION OF PATENT: 2022 04 29

---

(21) AP 2017 14947  
(11) P 2020 7144 B  
(73) Aziende Chimiche Riunite Angelini Francesco A.C.R.A.F. S.P.A.  
(54) OPHTHALMIC COMPOSITION COMPRISING A SYNERGISTIC COMBINATION OF GLYCOGEN  
AND HYALURONIC ACID OR A SALT THEREOF  
DATE OF CANCELLATION OF PATENT: 2021 04 28  
THE TERM OF RESTORATION OF PATENT: 2022 04 28

---

(21) AP 2005 9677  
(11) P 2009 4866 B  
(73) Interdigital Technology Corporation  
(54) METHOD AND APPARATUS FOR MINIMIZING REDUNDANT ENHANCED UPLINK ALLOCATION  
REQUESTS AND FAULT-TOLERATING EU TRANSMISSION FAILURES  
DATE OF CANCELLATION OF PATENT: 2021 04 26  
THE TERM OF RESTORATION OF PATENT: 2022 04 26

---

## EXPIRATION OF TERM OF RESTORATION OF PATENTS

(21) AP 2013 13644  
(11) P 2017 6737 B  
(73) Millennium Pharmaceuticals Inc.  
(54) ANTI-GCC ANTIBODY MOLECULES AND USE OF SAME TO TEST FOR SUSCEPTIBILITY TO GCC-TARGETED THERAPY  
DATE OF CANCELLATION OF PATENT: 2020 04 27  
THE TERM OF RESTORATION OF PATENT VALIDITY HAS EXPIRED: 2021 04 27

---

(21) AP 2013 13812  
(11) P 2017 6709 B  
(73) Universita' Degli Studi Di Foggia  
(54) METHOD FOR THE DETOXIFICATION OF GLUTEN PROTEINS FROM GRAINS OF CEREALS  
DATE OF CANCELLATION OF PATENT: 2020 04 29  
THE TERM OF RESTORATION OF PATENT VALIDITY HAS EXPIRED: 2021 04 29

---

## EXPIRATION OF PATENTS

(21) AP 2001 6357  
(11) P 2006 3931 B  
(73) Basf Aktiengesellschaft  
(54) URACIL SUBSTITUTED PHENYL SULFAMOYL CARBOXAMIDES  
EXPIRATION DATE OF PATENT: 30 04 2021

---

(21) AP 2001 6712  
(11) P 2006 3799 B  
(73) Pfizer Inc.  
(54) TROPANE DERIVATIVES USEFUL IN THERAPY  
EXPIRATION DATE OF PATENT: 09 05 2021

---

## UTILITY MODELS

### ABOLITION OF PATENT WITH THE RIGHT TO RESTORE

(21) AU 2016 14127  
(11) U 2017 1930 Y  
(73) Temur Chakhunashvili;  
Teimuraz Rokva;  
Zhiuli Keadze;  
Zinaida Vatsadze  
(54) REACTIVE APPARATUS FOR HIGH AGRESIV SOLUTIONS CHEMICAL PROCESSING  
DATE OF CANCELLATION OF PATENT: 2021 04 27  
THE TERM OF RESTORATION OF PATENT: 2022 04 27

---

## EXPIRATION OF TERM OF RESTORATION OF PATENT

(21) AU 2016 14128

(11) U 2017 1957 Y

(73) Tsiala Gabelia;  
Spartak Urotadze;  
Leila Japaridze;  
Eter Salukvadze;  
Givi Chimakadze;  
Nana Osipova;  
Tamar Kvernadze

(54) COMPOSITE PREVENTIVE THERAPEUTIC AGENT AT METAL DEFICIENCY ANEMIA IN ANIMALS

DATE OF CANCELLATION OF PATENT: 2021 04 27

---

## DESIGNS

### EXTENSION OF REGISTRATION

(11) D 2017 697 S

(73) LTD "Fruit Master Group" (GE)

Varketili 3, IIIa mcr., corp. 340, app. 5, 0163, Tbilisi, Georgia (GE)

(54) Box

(28) 1

(24) 2016 07 04

(18) 2026 07 04

(58) 2021 05 14

---

### CANCELLATION OF REGISTRATION

(11) D 2016 688 S

(73) Hayat Kimya Sanayi Anonim Şirketi (TR)

Mahir İz Cad., 25, Altunizade, Üsküda, , İstanbul, 34530, Stamboli, Turkey

(54) GRAPHIC SYMBOL

(18) 2020 10 29

(58) 2021 05 14

---

---

## TRADEMARKS

### RENEWAL OF REGISTRATIONS

(111) M 2001 13916 R2  
(156) 2001 05 29  
(186) 2031 05 29  
(732) Intel Corporation  
2200 Mission College Boulevard, Santa Clara,  
California 95052-8119, USA

---

(111) M 2011 21872 R1  
(156) 2011 10 17  
(186) 2031 10 17  
(732) Toyota Jidosha Kabushiki Kaisha  
(Also Trading As Toyota Motor Corporation)  
1, Toyota-Cho, Toyota-Shi, Aichi-Ken, Japan

---

(111) M 2001 13924 R2  
(156) 2001 06 13  
(186) 2031 06 13  
(732) Merck Sharp & Dohme Corp.  
One Merck Drive, Whitehouse Station,  
New Jersey 08889, USA

---

(111) M 2011 21935 R1  
(156) 2011 10 28  
(186) 2031 10 28  
(732) Toyota Jidosha Kabushiki Kaisha  
(Also Trading As Toyota Motor Corporation)  
1, Toyota-Cho, Toyota-Shi, Aichi-Ken, Japan

---

(111) M 2011 21262 R1  
(156) 2011 03 14  
(186) 2031 03 14  
(732) Dogadan Gida Ürünleri sanayi ve  
Pazarlama A.S.  
Cinar Mahallesi, Duru Caddesi No. 11  
Akyurt Ankara, 06750, Turkey

---

(111) M 2011 21940 R1  
(156) 2011 10 28  
(186) 2031 10 28  
(732) Toyota Jidosha Kabushiki Kaisha  
(Also Trading As Toyota Motor Corporation)  
1, Toyota-Cho, Toyota-Shi, Aichi-Ken, Japan

---

(111) M 2011 21517 R1  
(156) 2011 05 25  
(186) 2031 05 25  
(732) LTD "Ionfash Georgia"  
Libani St. 6, 0189, Tbilisi, Georgia

---

(111) M 2011 21941 R1  
(156) 2011 10 28  
(186) 2031 10 28  
(732) Toyota Jidosha Kabushiki Kaisha  
(Also Trading As Toyota Motor Corporation)  
1, Toyota-Cho, Toyota-Shi, Aichi-Ken, Japan

---

(111) M 2011 21518 R1  
(156) 2011 05 25  
(186) 2031 05 25  
(732) შპს „იონფაშ ჯორჯია“  
ლობანის ქ. 6, 0189, თბილისი,  
საქართველო

---

(111) M 2010 20930 R1  
(156) 2010 11 19  
(186) 2030 11 19  
(732) Harrington Development Inc.  
Elvira Mendez Street, Vallarino bldg., 3rd  
Floor, Panama, Republic of Panama

---

(111) M 2011 21519 R1  
(156) 2011 05 25  
(186) 2031 05 25  
(732) LTD "Ionfash Georgia"  
Libani St. 6, 0189, Tbilisi, Georgia

---

(111) M 2011 21871 R1  
(156) 2011 10 17  
(186) 2031 10 17  
(732) Toyota Jidosha Kabushiki Kaisha  
(also trading as Toyota Motor Corporation)  
1, Toyota-Cho, Toyota-Shi, Aichi-Ken, Japan

---



## COMPLETE TRANSFER OF RIGHTS

(111) M 2020 32438 R  
 (732) Hiab AB  
 Norra Vallgatan 64, SE-21122 Malmö,  
 Sweden  
 (770) Cargotek Patenter AB  
 c/o Cargotec Sweden AB, Box 1133, 16422  
 KISTA, Sweden  
 (580) 2021 04 14

---

(111) M 1998 9698 R  
 (732) GlaxoSmithKline Consumer Healthcare  
 Holdings (US) LLC, Corporation Service  
 Company  
 251 Little Falls Drive, Wilmington, Delaware  
 19808, USA  
 (770) Wyeth Holdings LLC  
 235 East 42nd Street New York,  
 New York 10017, USA  
 (580) 2021 03 29

---

(111) M 1998 10356 R  
 (732) LLC "ARTEL ELECTRONICS"  
 St. Makhtumkuli, building 2, Tashkent,  
 Uzbekistan  
 (770) Shivaki Europe Fzco  
 P.O. Box 16885, Jebel Ali Free Zone, Dubai,  
 United Arab Emirates  
 (580) 2021 04 12

---

(111) M 1999 12736 R  
 (732) GlaxoSmithKline Consumer Healthcare  
 Holdings (US) LLC  
 Corporation Service Company  
 251 Little Falls Drive, Wilmington, Delaware  
 19808, USA  
 (770) Wyeth Holdings LLC  
 235 East 42 nd Street, New York,  
 NY 10017, USA  
 (580) 2021 03 29

---

(111) M 1999 12737 R  
 (732) GlaxoSmithKline Consumer Healthcare  
 Holdings (US) LLC  
 Corporation Service Company  
 251 Little Falls Drive, Wilmington, Delaware  
 19808, USA  
 (770) Wyeth Holdings LLC  
 235 East 42nd Street, New York,  
 NY 10017, USA  
 (580) 2021 03 29

---

(111) M 1999 12738 R  
 (732) GlaxoSmithKline Consumer Healthcare  
 Holdings (US) LLC  
 Corporation Service Company  
 251 Little Falls Drive, Wilmington, Delaware  
 19808, USA  
 (770) Wyeth Holdings LLC  
 235 East 42nd Street, New York,  
 NY 10017, USA  
 (580) 2021 03 29

---

(111) M 1999 12837 R  
 (732) GlaxoSmithKline Consumer Healthcare  
 Holdings (US) LLC  
 Corporation Service Company  
 251 Little Falls Drive, Wilmington, Delaware  
 19808, USA  
 (770) Wyeth Holdings LLC  
 235 East 42 nd Street, New York,  
 NY 10017, USA  
 (580) 2021 03 29

---

(111) M 2002 14359 R  
 (732) Richter Gedeon Nyrt.  
 1103 Budapest, Gyömrői út 19-21, Hungary  
 (770) Johnson & Johnson  
 One Johnson & Johnson Plaza, New  
 Brunswick, New Jersey 08933, USA  
 (580) 2021 04 21

---

(111) M 2002 14515 R  
 (732) Richter Gedeon Nyrt.  
 1103 Budapest, Gyömrői út 19-21, Hungary  
 (770) Johnson & Johnson  
 One Johnson & Johnson Plaza, New  
 Brunswick, New Jersey 08933, USA  
 (580) 2021 04 21

---

(111) M 2002 14525 R  
 (732) Richter Gedeon Nyrt.  
 1103 Budapest, Gyömrői út 19-21, Hungary  
 (770) Johnson & Johnson  
 One Johnson & Johnson Plaza, New  
 Brunswick, New Jersey 08933, USA  
 (580) 2021 04 21

---

(111) M 2002 14526 R  
 (732) Richter Gedeon Nyrt.  
 1103 Budapest, Gyömrői út 19-21, Hungary  
 (770) Johnson & Johnson

One Johnson & Johnson Plaza, New Brunswick, New Jersey 08933, USA  
(580) 2021 04 21

(111) M 2007 18077 R  
(732) GlaxoSmithKline Consumer Healthcare Holdings (US) LLC Corporation Service Company 251 Little Falls Drive, Wilmington, Delaware 19808, USA  
(770) Wyeth Holdings LLC 235 East 42nd Street New York, New York 10017, USA  
(580) 2021 03 29

(111) M 2008 18892 R  
(732) Radisson Hospitality Belgium BV/SRL a Belgium private LLC Avenue Du Bourget 44, B-1130 Brussels, Belgium  
(770) Park Hospitality Worldwide LLC a Delaware Limited Liability Company Carlson Parkway, P.O. Box 59159, Minneapolis, MN 55459, USA  
(580) 2021 04 21

(111) M 1998 8015 R  
(732) GlaxoSmithKline Consumer Healthcare Holdings (US) LLC Corporation Service Company 251 Little Falls Drive, Wilmington, Delaware 19808, USA  
(770) Wyeth Holdings LLC 235 East 42nd Street New York, New York 10017, USA  
(580) 2021 03 29

(111) M 1998 8020 R  
(732) GlaxoSmithKline Consumer Healthcare Holdings (US) LLC Corporation Service Company 251 Little Falls Drive, Wilmington, Delaware 19808, USA  
(770) Wyeth Holdings LLC 235 East 42nd Street New York, New York 10017, USA  
(580) 2021 03 29

(111) M 1996 1363 R  
(732) Huber Holdings (Asia) Limited Unit 1001, 10 th Floor, Star House, 3 Salsbury Road, Kowlon, Hong Kong, China  
(770) Triumph Intertrade AG Triumphweg 6, 5330 Bad Zurzach, Switzerland  
(580) 2021 03 18

(111) M 2016 27947 R  
(732) Tea Tseradze Lortkipanidze st. 26, Tbilisi, Georgia  
(770) Zurab Dolakidze Vashlijvari, Godziashvili I Lane 20, 0159, Tbilisi, Georgia  
(580) 2021 05 13

(111) M 2016 27633 R  
(732) Irakli Kobidze Mikheil Bukhaidze St. 7, Tbilisi, Georgia  
(770) LTD "Georgian Special Exports" Aleko Gobronidze St. 1, 0172, Tbilisi, Georgia  
(580) 2021 04 26

(111) M 2018 30410 R  
(732) Receptos LLC 430 East 29th Street, New York NY 10016, USA  
(770) Celgene International II Sàrl Rue du Pré-Jorat 14, 2108 Couvet, Switzerland  
(580) 2021 05 14

(111) M 2018 30410 R  
(732) Celgene International II Sàrl Rue du Pré-Jorat 14, 2108 Couvet, Switzerland  
(770) Celgene Corporation 86 Morris Avenue, Summit, New Jersey 07901, USA  
(580) 2021 05 14

(111) M 2018 30411 R  
(732) Receptos LLC 430 East 29th Street, New York, NY 10016, USA  
(770) Celgene International II Sàrl Rue du Pré-Jorat 14, CH-2108 Couvet, Switzerland  
(580) 2021 05 14

(111) M 2018 30411 R  
(732) Celgene International II Sàrl Rue du Pré-Jorat 14, CH-2108 Couvet, Switzerland  
(770) Celgene Corporation 86 Morris Avenue, Summit, New Jersey 07901, USA  
(580) 2021 05 14

(111) M 2019 31118 R  
(732) LTD "Panda" Irodion Evdoshvili St. 5, Gurjaani, Georgia  
(770) Gela Bezarashvili Tamar Mepe St. 10, 1500 Gurjaani, Georgia  
(580) 2021 04 27  
(580) 2021 04 27

## CHANGES OF NAMES AND/OR ADDRESS OF OWNERS

(111) M 1997 7505 R  
 (732) GSK Consumer Healthcare S.A.  
 Route de L'Etlaz, 1197 Prangins, Switzerland  
 (770) Novartis Consumer Health S.A.  
 Route de L'Etlaz, 1197 Prangins, Switzerland  
 (580) 2021 02 18

(111) M 2008 18389 R  
 (732) LTD "Georgian Legend"  
 I. Abashidze St. 70, enter.3, fl. 1, app. 118,  
 Tbilisi, Georgia;  
 Eldar Iukuridze  
 Zhukovskiy St. 19, b. 9, Odessa, Ukraine  
 (770) LTD "Shabo-Georgia"  
 II. Chavchavadze Av. 2913, 0179, Tbilisi,  
 Georgia;  
 Eldar Iukuridze  
 Zhukovskiy St. 19, b. 9, Odessa, Ukraine  
 (580) 2021 04 14

(111) M 2009 19292 R  
 (732) Genting International Management Pte. Ltd.  
 3 LIM TECK KIM ROAD, #12-01  
 GENTING CENTRE, SINGAPORE (088934),  
 Singapore  
 (770) Genting International Management Limited  
 First Names House, Victoria Road, Douglas,  
 Isle of Man, IM2 4DF, Isle of Man  
 (580) 2021 04 21

(111) M 2009 19293 R  
 (732) Genting International Management Pte. Ltd.  
 3 LIM TECK KIM ROAD, #12-01  
 GENTING CENTRE, SINGAPORE (088934),  
 Singapore  
 (770) Genting International Management Limited  
 First Names House, Victoria Road,  
 Douglas IM2 4D, Isle of Man  
 (580) 2021 04 21

(111) M 2005 15928P R  
 (732) LTD "Georgian Legend"  
 I. Abashidze St. 70, enter.3, fl. 1, app. 118,  
 Tbilisi, Georgia;  
 Eldar Iukuridze  
 Zhukovskiy St. 19, b. 9, Odessa, Ukraine  
 (770) LTD "Shabo-Georgia"  
 II. Chavchavadze Av. 2913, 0179, Tbilisi,  
 Georgia;

Eldar Iukuridze  
 Zhukovskiy St. 19, b. 9, Odessa, Ukraine  
 (580) 2021 04 14

(111) M 2010 20430 R  
 (732) Bacardi Martini Patron International GmbH  
 Quaistrasse 11, 8200 Schaffhausen,  
 Switzerland  
 (770) Patron Spirits International AG  
 Quaistrasse 11, 8200 Schaffhausen,  
 Switzerland  
 (580) 2021 04 23

(111) M 2010 20557 R  
 (732) Bacardi Martini Patron International GmbH  
 Quaistrasse 11, 8200 Schaffhausen,  
 Switzerland  
 (770) Patron Spirits International AG  
 Quaistrasse 11, 8200 Schaffhausen,  
 Switzerland  
 (580) 2021 04 23

(111) M 2010 20608 R  
 (732) Bacardi Martini Patron International GmbH  
 Quaistrasse 11, 8200 Schaffhausen,  
 Switzerland  
 (770) Patron Spirits International AG  
 Quaistrasse 11, 8200 Schaffhausen,  
 Switzerland  
 (580) 2021 04 23

(111) M 2010 20595 R  
 (732) Bacardi Martini Patron International GmbH  
 Quaistrasse 11, 8200 Schaffhausen,  
 Switzerland  
 (770) Patron Spirits International AG  
 Quaistrasse 11, 8200 Schaffhausen,  
 Switzerland  
 (580) 2021 04 23

(111) M 1996 2373 R  
 (732) PERNOD RICARD  
 5 Cours Paul Ricard, 75008 Paris, France  
 (770) PERNOD RICARD  
 12, Place des Etats-Unis, 75016 Paris, France  
 (580) 2021 04 20

(111) M 1995 1105 R  
(732) Pernod Ricard  
5 Cours Paul Ricard, 75008 Paris, France  
(770) Pernod Ricard  
12, Place des Etats-Unis, 75016 Paris, France  
(580) 2021 04 20

---

(111) M 1995 1104 R  
(732) PERNOD RICARD  
5 Cours Paul Ricard, 75008 Paris, France  
(770) PERNOD RICARD  
12, Place des Etats-Unis, 75016 Paris, France  
(580) 2021 04 20

---

(111) M 1995 733 R  
(732) PERNOD RICARD  
5 Cours Paul Ricard, 75008 Paris, France  
(770) PERNOD RICARD  
12, Place des Etats-Unis, 75016 Paris, France  
(580) 2021 04 20

---

(111) M 2011 21262 R  
(732) Dogadan Gıda Ürünleri sanayi ve Pazarlama  
A.S.  
Cinar Mahallesi, Duru Caddesi No. 11 Akyurt  
Ankara, 06750, Turkey  
(770) Dogadan Gıda Ürünleri sanayi ve Pazarlama  
A.S.  
Çankiri Devlet Karayolu 7 Km. Akyurt,  
Ankara 06750, Turkey  
(580) 2021 04 08

---

(111) M 2011 21542 R  
(732) Playboy Enterprises Nternational Inc.  
10960 Wilshire Blvd., Suite 2200,  
Los Angeles, California 90024, USA  
(770) Playboy Enterprises International Inc.  
680 North Lake Shore Drive Chicago,  
Illinois 60611, USA  
(580) 2021 04 28

---

(111) M 2011 21543 R  
(732) Playboy Enterprises Nternational Inc.  
10960 Wilshire Blvd., Suite 2200,  
Los Angeles, California 90024, USA  
(770) Playboy Enterprises  
International Inc.  
680 North Lake Shore Drive Chicago,  
Illinois 60611, USA  
(580) 2021 04 28

---

(111) M 2011 21766 R  
(732) ENEOS Corporation  
1-2, Otemachi 1-chome, Chiyoda-ku, Tokyo  
100- 8162, Japan  
(770) JX Nippon Oil & Energy Corporation  
6-3 Otemachi 2-chome, Chiyodaku, Tokyo  
100-8162, Japan  
(580) 2021 04 16

---

(111) M 2011 21767 R  
(732) ENEOS Corporation  
1-2, Otemachi 1-chome, Chiyoda-ku, Tokyo  
100- 8162, Japan  
(770) JX Nippon Oil & Energy Corporation  
6-3 Otemachi 2-chome, Chiyodaku, Tokyo  
100-8162, Japan  
(580) 2021 04 16

---

(111) M 2011 21768 R  
(732) ENEOS Corporation  
1-2, Otemachi 1-chome, Chiyoda-ku, Tokyo  
100- 8162, Japan  
(770) JX Nippon Oil & Energy Corporation  
6-3 Otemachi 2-chome, Chiyodaku, Tokyo  
100-8162, Japan  
(580) 2021 04 16

---

(111) M 2010 20682 R  
(732) LTD "Geo Latex"  
Demetre Tavdadebuli St. 30, Tbilisi, Georgia  
(770) LTD "Geo Latex"  
Chkondideli St. 26, 0180, Tbilisi, Georgia  
(580) 2021 05 05

---

(111) M 2013 23965 R  
(732) Bacardi Martini Patron International GmbH  
Quaistrasse 11, 8200 Schaffhausen,  
Switzerland  
(770) Patron Spirits International AG  
Quaistrasse 11, 8200 Schaffhausen,  
Switzerland  
(580) 2021 04 23

---

(111) M 1998 8744 R  
(732) Schneider Electric Sitems USA, Inc.  
38 Neponset Avenue, Foxboro, Massachusetts  
02035, USA  
(770) INVENSYS SYSTEMS, INC.  
33 Komershial Striti, Foqsboro, Masachusetsi  
02035, USA  
(580) 2021 04 16

---

(111) M 2016 27571 R  
(732) Bacardi Martini Patron International GmbH  
Quaistrasse 11, 8200 Schaffhausen,  
Switzerland

(770) Patrón Spirits International AG  
Quaistrasse 11, 8200 Schaffhausen,  
Switzerland

(580) 2021 04 23

---

(111) M 2016 27639 R  
(732) Bacardi Martini Patron International GmbH  
Quaistrasse 11, 8200 Schaffhausen,  
Switzerland

(770) Patrón Spirits International AG  
Quaistrasse 11, 8200 Schaffhausen,  
Switzerland

(580) 2021 04 23

---

(111) M 2017 28708 R  
(732) Uber Technologies Inc.  
1515 3rd Street, San Francisco, California  
94158, USA

(770) Uber Technologies, Inc.  
1455 Market Street, 4th Floor, San Francisco,  
California 94103, USA

(580) 2021 04 23

---

(111) M 2017 29069 R  
(732) Uber Technologies Inc.  
1515 3rd Street, San Francisco, California  
94158, USA

(770) Uber Technologies, Inc.  
1455 Market Street, 4th Floor, San Francisco,  
California 94103, USA

(580) 2021 04 23

---

## CANCELLATION OF TRADEMARKS REGISTRATION

(111) M 2000 13543 R  
(151) 2000 10 27  
(732) Colgate-Palmolive Company  
300 Park Avenue, New York, NY 10022, USA  
(141) 2021 05 13

---

(111) M 2000 13539 R  
(151) 2000 10 27  
(732) JSC "Tbilvino"  
Davit Sarajishvili Av. 2, 0153, Tbilisi,  
Georgia  
(141) 2021 05 13

---

(111) M 2010 20874 R  
(151) 2010 10 27  
(732) JSC "JPC"  
Marjanishvili St. 26, 0102, Tbilisi, Georgia  
(141) 2021 05 13

---

(111) M 2010 20869 R  
(151) 2010 10 25  
(732) Ontex Tuketim Urunleri Sanayi ve Ticaret  
Anonim Şirketi  
Yenibosna Merkez Mah. Asena Sok. No.2  
Bahcelievler, Turkey  
(141) 2021 05 13

---

(111) M 2010 20837 R  
(151) 2010 10 20  
(732) Novartis AG  
4002 Basel, Switzerland  
(141) 2021 05 13

---

(111) M 2010 20838 R  
(151) 2010 10 20  
(732) Novartis AG  
4002 Basel, Switzerland  
(141) 2021 05 13

---

(111) M 2010 20839 R  
(151) 2010 10 20  
(732) Novartis AG  
4002 Basel, Switzerland  
(141) 2021 05 14

---

(111) M 2010 20840 R  
(151) 2010 10 20  
(732) LTD "Prima 7"  
Nakashidze St. I lane. 12, 0105, Tbilisi,  
Georgia  
(141) 2021 05 13

---

(111) M 2010 20841 R  
(151) 2010 10 20  
(732) Giorgi Tabagari  
Larsi St. 3, app. 31, 0179, Tbilisi, Georgia  
(141) 2021 05 13

---

(111) M 2010 20842 R  
(151) 2010 10 20  
(732) JSC "Tbilvino"  
Davit Sarajishvili Av. 2, 0153, Tbilisi,  
Georgia  
(141) 2021 05 13

---

(111) M 2010 20843 R  
(151) 2010 10 20  
(732) JSC "Georgian Tradition"  
Ia. Nikoladze St. 5, 0109, Tbilisi, Georgia  
(141) 2021 05 13

---

(111) M 2010 20876 R  
(151) 2010 10 27  
(732) JSC "JPC"  
Marjanishvili St. 26, 0102, Tbilisi, Georgia  
(141) 2021 05 13

---

(111) M 2010 20844 R  
(151) 2010 10 20  
(732) Zakritoe Aqtsionernoe Obshchestvo "Obolon"  
Ul. Bogatirskaya 3, 04655 Kiev, Ukraine  
(141) 2021 05 13

---

(111) M 2010 20870 R  
(151) 2010 10 25  
(732) Alpha Media Group Inc.  
a Delaware Corporation  
1040 Avenue of the Americas, New York,  
New York 10018, USA  
(141) 2021 05 13

---

(111) M 2010 20824 R  
(151) 2010 10 15  
(732) Harrington Development Inc.  
Arango-Orillac Bldg. East 54th street,  
Republic of Panama  
(141) 2021 05 14

---

(111) M 2010 20877 R  
(151) 2010 10 27  
(732) Nino Butskhrikidze  
Iosebidge St. 72a, app. 11, 0160, Tbilisi,  
Georgia  
(141) 2021 05 13

---

(111) M 2010 20871 R  
(151) 2010 10 25  
(732) Diageo North America Inc.  
a Connecticut corporation  
Three World Trade Center, 175 Greenwich  
Street, New York, NY 10007, USA  
(141) 2021 05 13

---

(111) M 2010 20847 R  
(151) 2010 10 20  
(732) Lutton Associates Inc.  
50th and Aquilino de la Guardia Streets,  
Plaza Banco General, 14 th Floor, Panama,  
Republic of Panama  
(141) 2021 05 13

---

(111) M 2010 20848 R  
(151) 2010 10 20  
(732) Lutton Associates Inc.  
50th and Aquilino de la Guardia Streets,  
Plaza Banco General, 14 th Floor, Panama,  
Republic of Panama  
(141) 2021 05 14

---

(111) M 2010 20849 R  
(151) 2010 10 20  
(732) The Coca-Cola Company  
One Coca-Cola Plaza, Atlanta, Georgia  
30313, USA  
(141) 2021 05 13

---

(111) M 2010 20850 R  
(151) 2010 10 20  
(732) LTD "Nic-pharma"  
Ateni St. 20, 0179, Tbilisi, Georgia  
(141) 2021 05 13

---

(111) M 2010 20851 R  
(151) 2010 10 20  
(732) LTD "Aversi-Pharma"  
Davit Aghmashenebeli Av. 148/2, 0112,  
Tbilisi, Georgia  
(141) 2021 05 13

---

(111) M 2010 20852 R  
(151) 2010 10 20  
(732) LTD "Aversi-Pharma"  
Davit Aghmashenebeli Av. 148/2, 0112,  
Tbilisi, Georgia  
(141) 2021 05 13

---

(111) M 2010 20854 R  
(151) 2010 10 20  
(732) LTD "Aversi-Pharma"  
Davit Aghmashenebeli Av. 148/2, 0112,  
Tbilisi, Georgia  
(141) 2021 05 13

---

(111) M 2010 20855 R  
(151) 2010 10 20  
(732) LTD "Aversi-Pharma"  
Davit Aghmashenebeli Av. 148/2, 0112,  
Tbilisi, Georgia  
(141) 2021 05 13

---

(111) M 2010 20856 R  
(151) 2010 10 20  
(732) LTD "Aversi-Pharma"  
Davit Aghmashenebeli Av. 148/2, 0112,  
Tbilisi, Georgia  
(141) 2021 05 13

---

(111) M 2010 20857 R  
(151) 2010 10 20  
(732) LTD "Aversi-Pharma"  
Davit Aghmashenebeli Av. 148/2, 0112,  
Tbilisi, Georgia  
(141) 2021 05 13

---

(111) M 2010 20858 R  
(151) 2010 10 20  
(732) LTD "Aversi-Pharma"  
Davit Aghmashenebeli Av. 148/2, 0112,  
Tbilisi, Georgia  
(141) 2021 05 13

---

(111) M 2010 20859 R  
(151) 2010 10 20  
(732) LTD "Aversi-Pharma"  
Davit Aghmashenebeli Av. 148/2, 0112,  
Tbilisi, Georgia  
(141) 2021 05 13

---

(111) M 2010 20860 R  
(151) 2010 10 20  
(732) LTD "Aversi-Pharma"  
Davit Aghmashenebeli Av. 148/2, 0112,  
Tbilisi, Georgia  
(141) 2021 05 13

---

(111) M 2010 20861 R  
(151) 2010 10 20  
(732) LTD "Aversi-Pharma"  
Davit Aghmashenebeli Av. 148/2, 0112,  
Tbilisi, Georgia  
(141) 2021 05 13

---

(111) M 2010 20863 R  
(151) 2010 10 20  
(732) Davit Giorgobiani  
Dolidze St., corp. 14, app. 1a, 0171,  
Tbilisi, Georgia  
(141) 2021 05 13

---

(111) M 2010 20864 R  
(151) 2010 10 20  
(732) Colgate-Palmolive Company  
300 Park Avenue, NEW YORK, N.Y.  
10022, USA  
(141) 2021 05 13

---

(111) M 2010 20878 R  
(151) 2010 10 28  
(732) LTD "Iberfood"  
Gldani, III mcr., corp. 82, app. 49, 0167,  
Tbilisi, Georgia  
(141) 2021 05 13

---

(111) M 2010 20879 R  
(151) 2010 10 28  
(732) LTD "Iberfood"  
Gldani, III mcr., corp. 82, app. 49, 0167,  
Tbilisi, Georgia  
(141) 2021 05 13

---



---

# CLASSIFICATION INDEXES

## INVENTIONS

### CONCORDANCE TABLE OF INTERNATIONAL CLASSIFICATION INDEX AND PUBLICATION NUMBERS

INTERNATIONAL CLASSIFICATION INDEXES (51)	NUMBER OF PUBLISHED APPLICATION (10)
A 01 B 13/02; A 01 B 49/02; A 01 C 7/00	AP 2021 15395 A
B 64 F 1/305; E 04 B 1/343; E 04 B 1/94	AP 2021 14882 A
C 01 B 13/11	AP 2021 15372 A

### CONCORDANCE TABLE OF PUBLICATION NUMBERS AND INTERNATIONAL CLASSIFICATION INDEX

NUMBER OF PUBLISHED APPLICATION (10)	INTERNATIONAL CLASSIFICATION INDEXES (51)
AP 2021 14882 A	B 64 F 1/305; E 04 B 1/343; E 04 B 1/94
AP 2021 15372 A	C 01 B 13/11
AP 2021 15395 A	A 01 B 13/02; A 01 B 49/02; A 01 C 7/00

### CONCORDANCE TABLE OF INTERNATIONAL CLASSIFICATION INDEX, PATENT NUMBERS AND PUBLICATION NUMBERS

INTERNATIONAL CLASSIFICATION INDEX (51)	NUMBER OF PATENT (11)	NUMBER OF PUBLISHED APPLICATION (10)
A 61 P 31/14; C 07 K 16/10	P 2021 7260 B	AP 2021 14794 A
A 61 K 31/519; A 61 P 25/00; A 61 P 19/00; C 07 D 487/04	P 2021 7256 B	AP 2020 15192 A
A 61 K 31/551; A 61 K 31/5415; A 61 P 31/04; C 07 D 281/02; C 07 D 279/08	P 2021 7258 B	AP 2020 14821 A
A 47 J 43/07; H 02 K 5/00	P 2021 7259 B	AP 2020 15016 A
B 01 D 1/06; B 01 J 19/02; C 07 C 273/04; C 21 D 6/00; C 21 D 9/08; C 21 D 8/00; C 22 C 38/58; C 22 C 38/44; C 22 C 38/04; C 22 C 38/02; C 22 C 38/00; C 22 C 33/04; F 28 F 21/08	P 2021 7257 B	AP 2020 14707 A

**CONCORDANCE TABLE OF PATENT NUMBERS,  
PUBLICATION NUMBERS AND INTERNATIONAL CLASSIFICATION INDEX**

NUMBER OF PATENT (11)	NUMBER OF PUBLISHED APPLICATION (10)	INTERNATIONAL CLASSIFICATION INDEX (51)
P 2021 7256 B	AP 2020 15192 A	A 61 K 31/519; A 61 P 25/00; A 61 P 19/00; C 07 D 487/04
P 2021 7257 B	AP 2020 14707 A	B 01 D 1/06; B 01 J 19/02; C 07 C 273/04; C 21 D 6/00; C 21 D 9/08; C 21 D 8/00; C 22 C 38/58; C 22 C 38/44; C 22 C 38/04; C 22 C 38/02; C 22 C 38/00; C 22 C 33/04; F 28 F 21/08
P 2021 7258 B	AP 2020 14821 A	A 61 K 31/551; A 61 K 31/5415; A 61 P 31/04; C 07 D 281/02; C 07 D 279/08
P 2021 7259 B	AP 2020 15016 A	A 47 J 43/07; H 02 K 5/00
P 2021 7260 B	AP 2021 14794 A	A 61 P 31/14; C 07 K 16/10

**CONCORDANCE TABLE OF APPLICATION NUMBERS,  
PUBLICATION NUMBERS AND PATENTS**

NUMBER OF APPLICATION (21)	NUMBER OF PUBLISHED APPLICATION (10)	NUMBER OF PATENT (11)
AP 2016 14707	AP 2020 14707 A	P 2021 7257 B
AP 2016 14794	AP 2021 14794 A	P 2021 7260 B
AP 2016 14821	AP 2020 14821 A	P 2021 7258 B
AP 2017 15016	AP 2020 15016 A	P 2021 7259 B
AP 2018 15192	AP 2020 15192 A	P 2021 7256 B

## UTILITY MODELS

**CONCORDANCE TABLE OF INTERNATIONAL CLASSIFICATION INDEX,  
PATENT NUMBERS AND PUBLICATION NUMBERS**

INTERNATIONAL CLASSIFICATION INDEX (51)	NUMBER OF PATENT (11)	NUMBER OF PUBLISHED APPLICATION (10)
A 61 K 31/225; A 61 K 31/74; A 61 P 17/14	U 2021 2082 Y	AU 2021 15386 U
E 02 B 11/00	U 2021 2083 Y	AU 2020 14927 U

**CONCORDANCE TABLE OF PATENT NUMBERS,  
PUBLICATION NUMBERS AND INTERNATIONAL CLASSIFICATION INDEX**

NUMBER OF PATENT (11)	NUMBER OF PUBLISHED APPLICATION (10)	INTERNATIONAL CLASSIFICATION INDEX (51)
U 2021 2082 Y	AU 2021 15386 U	A 61 K 31/225; A 61 K 31/74; A 61 P 17/14
U 2021 2083 Y	AU 2020 14927 U	E 02 B 11/00

**CONCORDANCE TABLE OF APPLICATION NUMBERS,  
PUBLICATION NUMBERS AND PATENTS**

NUMBER OF APPLICATION (21)	NUMBER OF PUBLISHED APPLICATION (10)	NUMBER OF PATENT (11)
AU 2018 14927	AU 2020 14927 U	U 2021 2083 Y
AU 2020 15386	AU 2021 15386 U	U 2021 2082 Y

## DESIGNS

**CONCORDANCE TABLE OF INTERNATIONAL CLASSIFICATION INDEX  
AND PUBLICATION NUMBERS**

INTERNATIONAL CLASSIFICATION INDEXES (51)	NUMBER OF PUBLISHED APPLICATION (10)
06-03	AD 2021 1196 S
24-02	AD 2021 1197 S

**CONCORDANCE TABLE OF PUBLICATION NUMBERS  
AND INTERNATIONAL CLASSIFICATION INDEX**

NUMBER OF PUBLISHED APPLICATION (10)	INTERNATIONAL CLASSIFICATION INDEXES (51)
AD 2021 1196 S	06-03
AD 2021 1197 S	24-02

**CONCORDANCE TABLE OF INTERNATIONAL CLASSIFICATION INDEX,  
REGISTRATION NUMBERS AND PUBLICATION NUMBERS**

INTERNATIONAL CLASSIFICATION INDEX (51)	NUMBER OF REGISTRATION (11)	NUMBER OF PUBLISHED APPLICATION (10)
11-01	D 2021 894 S	AD 2021 1179 S
32-00	D 2021 893 S	AD 2021 1183 S

CONCORDANCE TABLE OF REGISTRATION NUMBERS,  
PUBLICATION NUMBERS AND INTERNATIONAL CLASSIFICATION INDEX

NUMBER OF REGISTRATION (11)	NUMBER OF PUBLISHED APPLICATION (10)	INTERNATIONAL CLASSIFICATION INDEX (51)
D 2021 893 S	AD 2021 1183 S	32-00
D 2021 894 S	AD 2021 1179 S	11-01

CONCORDANCE TABLE OF APPLICATION NUMBERS, PUBLICATION NUMBERS  
AND NUMBER OF REGISTRATION

NUMBER OF APPLICATION (21)	NUMBER OF PUBLISHED APPLICATION (10)	NUMBER OF REGISTRATION (11)
AD 2020 1179	AD 2021 1179 S	D 2021 894 S
AD 2020 1183	AD 2021 1183 S	D 2021 893 S

## TRADEMARKS

### CONCORDANCE TABLE OF REGISTRATION NUMBERS, APPLICATION NUMBERS, PUBLICATION NUMBERS AND BULLETIN NUMBERS

NUMBER OF REGISTRATION (111)	NUMBER OF APPLICATIONS (210)	NUMBER OF PUBLISHED APPLICATIONS (260)	NUMBER OF BULLETIN
1	2	3	4
M 2021 34007 R	AM 112700	–	9(565)2021
M 2021 34008 R	AM 112840	–	9(565)2021
M 2021 34009 R	AM 112734	–	9(565)2021
M 2021 34010 R	AM 112735	–	9(565)2021
M 2021 34011 R	AM 112717	–	9(565)2021
M 2021 34012 R	AM 112833	–	9(565)2021
M 2021 34013 R	AM 112832	–	9(565)2021
M 2021 34014 R	AM 112715	–	9(565)2021
M 2021 34015 R	AM 112581	–	9(565)2021
M 2021 34016 R	AM 112900	–	9(565)2021
M 2021 34017 R	AM 106588	AM 2021 106588 A	1(557)2021
M 2021 34018 R	AM 106674	AM 2021 106674 A	1(557)2021
M 2021 34019 R	AM 106777	AM 2020 106777 A	21(553)2020
M 2021 34020 R	AM 107269	AM 2020 107269 A	20(552)2020
M 2021 34021 R	AM 107272	AM 2020 107272 A	20(552)2020
M 2021 34022 R	AM 107273	AM 2020 107273 A	20(552)2020
M 2021 34023 R	AM 107274	AM 2020 107274 A	20(552)2020
M 2021 34024 R	AM 107275	AM 2020 107275 A	20(552)2020
M 2021 34025 R	AM 107276	AM 2020 107276 A	20(552)2020
M 2021 34026 R	AM 107277	AM 2020 107277 A	20(552)2020
M 2021 34027 R	AM 107278	AM 2020 107278 A	20(552)2020
M 2021 34028 R	AM 107279	AM 2020 107279 A	20(552)2020
M 2021 34029 R	AM 107280	AM 2020 107280 A	20(552)2020
M 2021 34030 R	AM 107281	AM 2020 107281 A	20(552)2020
M 2021 34031 R	AM 107282	AM 2020 107282 A	20(552)2020
M 2021 34032 R	AM 107499	AM 2020 107499 A	20(552)2020
M 2021 34033 R	AM 107656	AM 2020 107656 A	21(553)2020
M 2021 34034 R	AM 107678	AM 2020 107678 A	21(553)2020
M 2021 34035 R	AM 107679	AM 2020 107679 A	21(553)2020
M 2021 34036 R	AM 107680	AM 2020 107680 A	21(553)2020
M 2021 34037 R	AM 107681	AM 2020 107681 A	21(553)2020
M 2021 34038 R	AM 107682	AM 2020 107682 A	21(553)2020
M 2021 34039 R	AM 107683	AM 2020 107683 A	21(553)2020
M 2021 34040 R	AM 107808	AM 2020 107808 A	22(554)2020
M 2021 34041 R	AM 107809	AM 2020 107809 A	22(554)2020
M 2021 34042 R	AM 108058	AM 2020 108058 A	22(554)2020
M 2021 34043 R	AM 108215	AM 2020 108215 A	24(556)2020
M 2021 34044 R	AM 108289	AM 2021 108289 A	1(557)2021
M 2021 34045 R	AM 108290	AM 2021 108290 A	1(557)2021
M 2021 34046 R	AM 108294	AM 2021 108294 A	1(557)2021
M 2021 34047 R	AM 108309	AM 2021 108309 A	1(557)2021
M 2021 34048 R	AM 108317	AM 2021 108317 A	1(557)2021
M 2021 34049 R	AM 108320	AM 2021 108320 A	1(557)2021
M 2021 34050 R	AM 108321	AM 2021 108321 A	1(557)2021
M 2021 34051 R	AM 108389	AM 2021 108389 A	1(557)2021
M 2021 34052 R	AM 108396	AM 2021 108396 A	1(557)2021

1	2	3	4
M 2021 34053 R	AM 108405	AM 2021 108405 A	1(557)2021
M 2021 34054 R	AM 108409	AM 2021 108409 A	1(557)2021
M 2021 34055 R	AM 108412	AM 2021 108412 A	1(557)2021
M 2021 34056 R	AM 108413	AM 2021 108413 A	1(557)2021
M 2021 34057 R	AM 108414	AM 2020 108414 A	24(556)2020
M 2021 34058 R	AM 108415	AM 2020 108415 A	24(556)2020
M 2021 34059 R	AM 108416	AM 2020 108416 A	24(556)2020
M 2021 34060 R	AM 108417	AM 2020 108417 A	24(556)2020
M 2021 34061 R	AM 108418	AM 2020 108418 A	24(556)2020
M 2021 34062 R	AM 108419	AM 2021 108419 A	1(557)2021
M 2021 34063 R	AM 108420	AM 2020 108420 A	24(556)2020
M 2021 34064 R	AM 108421	AM 2020 108421 A	24(556)2020
M 2021 34065 R	AM 108423	AM 2020 108423 A	24(556)2020
M 2021 34066 R	AM 108424	AM 2020 108424 A	24(556)2020
M 2021 34067 R	AM 108425	AM 2020 108425 A	24(556)2020
M 2021 34068 R	AM 108430	AM 2021 108430 A	1(557)2021
M 2021 34069 R	AM 108431	AM 2021 108431 A	1(557)2021
M 2021 34070 R	AM 108487	AM 2021 108487 A	1(557)2021
M 2021 34071 R	AM 108494	AM 2021 108494 A	1(557)2021
M 2021 34072 R	AM 108501	AM 2021 108501 A	1(557)2021
M 2021 34073 R	AM 108502	AM 2021 108502 A	1(557)2021
M 2021 34074 R	AM 108515	AM 2020 108515 A	24(556)2020
M 2021 34075 R	AM 108516	AM 2021 108516 A	1(557)2021
M 2021 34076 R	AM 108579	AM 2021 108579 A	1(557)2021
M 2021 34077 R	AM 108590	AM 2021 108590 A	1(557)2021
M 2021 34078 R	AM 108600	AM 2021 108600 A	1(557)2021
M 2021 34079 R	AM 108602	AM 2021 108602 A	1(557)2021
M 2021 34080 R	AM 108609	AM 2021 108609 A	1(557)2021
M 2021 34081 R	AM 108603	AM 2021 108603 A	1(557)2021
M 2021 34082 R	AM 108658	AM 2021 108658 A	1(557)2021
M 2021 34083 R	AM 108659	AM 2021 108659 A	1(557)2021
M 2021 34084 R	AM 108662	AM 2021 108662 A	2(558)2021
M 2021 34085 R	AM 108663	AM 2021 108663 A	1(557)2021
M 2021 34086 R	AM 108671	AM 2021 108671 A	1(557)2021
M 2021 34087 R	AM 108735	AM 2021 108735 A	1(557)2021
M 2021 34088 R	AM 108737	AM 2021 108737 A	1(557)2021
M 2021 34089 R	AM 108738	AM 2021 108738 A	1(557)2021
M 2021 34090 R	AM 108739	AM 2021 108739 A	1(557)2021
M 2021 34091 R	AM 108740	AM 2021 108740 A	1(557)2021
M 2021 34092 R	AM 108748	AM 2021 108748 A	1(557)2021
M 2021 34093 R	AM 108758	AM 2021 108758 A	1(557)2021
M 2021 34094 R	AM 108767	AM 2021 108767 A	1(557)2021
M 2021 34095 R	AM 108768	AM 2021 108768 A	1(557)2021
M 2021 34096 R	AM 108692	AM 2021 108692 A	1(557)2021
M 2021 34097 R	AM 108694	AM 2021 108694 A	1(557)2021
M 2021 34098 R	AM 100030	AM 2020 100030 A	21(553)2020
M 2021 34099 R	AM 107651	AM 2020 107651 A	20(552)2020
M 2021 34100 R	AM 112838	–	9(565)2021
M 2021 34101 R	AM 112907	–	9(565)2021
M 2021 34102 R	AM 112908	–	9(565)2021

**CONCORDANCE TABLE OF PUBLICATION NUMBERS  
AND APPLICATION NUMBERS**

NUMBER OF PUBLISHED APPLICATION (260)	NUMBER OF APPLICATION (210)	1	2
1	2		
AM 2021 105794 A	AM 105794	AM 2021 110229 A	AM 110229
AM 2021 109955 A	AM 109955	AM 2021 110283 A	AM 110283
AM 2021 109956 A	AM 109956	AM 2021 110289 A	AM 110289
AM 2021 110132 A	AM 110132	AM 2021 110290 A	AM 110290
AM 2021 110134 A	AM 110134	AM 2021 110304 A	AM 110304
AM 2021 110147 A	AM 110147	AM 2021 110305 A	AM 110305
AM 2021 110196 A	AM 110196	AM 2021 110375 A	AM 110375
AM 2021 110209 A	AM 110209	AM 2021 110378 A	AM 110378
AM 2021 110224 A	AM 110224	AM 2021 110378 A	AM 110378
		AM 2021 110439 A	AM 110439
		AM 2021 110451 A	AM 110451
		AM 2021 110466 A	AM 110466
		AM 2021 110468 A	AM 110468
		AM 2021 110477 A	AM 110477

**CONCORDANCE TABLE OF INDEX OF GOODS AND/OR SERVICES  
AND APPLICATION NUMBERS**

INDEX OF GOODS AND/OR SERVICES (511)	NUMBER OF PUBLISHED APPLICATIONS (260)	1	2
1	2		
3	AM 2021 110283 A	30	AM 2021 110209 A
3	AM 2021 110439 A	30	AM 2021 110477 A
3	AM 2021 110451 A	31	AM 2021 110134 A
5	AM 2021 110304 A	32	AM 2021 109956 A
9	AM 2021 110196 A	33	AM 2021 109955 A
9	AM 2021 110289 A	33	AM 2021 110132 A
9	AM 2021 110290 A	33	AM 2021 110147 A
9	AM 2021 110375 A	33	AM 2021 110229 A
9	AM 2021 110378 A	34	AM 2021 110305 A
10	AM 2021 110375 A	35	AM 2021 109956 A
12	AM 2021 110224 A	35	AM 2021 110132 A
12	AM 2021 110466 A	35	AM 2021 110378 A
12	AM 2021 110468 A	37	AM 2021 105794 A
16	AM 2021 110378 A	37	AM 2021 110224 A
25	AM 2021 110378 A	38	AM 2021 110378 A
28	AM 2021 110378 A	39	AM 2021 110378 A
		41	AM 2021 110378 A
		42	AM 2021 110378 A
		44	AM 2021 110375 A

CONCORDANCE TABLE OF INDEX OF GOODS AND/OR SERVICES  
AND NUMBERS OF TRADEMARKS REGISTERED ACCORDING  
TO THE ACCELERATED PROCEDURE

INDEX OF GOODS AND/OR SERVICES (511)	NUMBERS OF REGISTERED ACCORDING TO THE ACCELERATED PROCEDURE (111)
29	M 2021 34014 R
30	M 2021 34014 R
32	M 2021 34007 R
32	M 2021 34015 R
33	M 2021 34007 R
34	M 2021 34009 R
34	M 2021 34010 R
34	M 2021 34012 R
34	M 2021 34013 R
34	M 2021 34101 R
34	M 2021 34102 R
35	M 2021 34008 R
35	M 2021 34015 R
35	M 2021 34100 R
36	M 2021 34016 R
39	M 2021 34100 R
41	M 2021 34011 R
43	M 2021 34015 R
43	M 2021 34100 R
45	M 2021 34011 R



# **OFFICIAL BULLETIN OF THE INDUSTRIAL PROPERTY**

**INVENTIONS  
UTILITY MODELS  
DESIGNS  
TRADEMARKS**

## **9(565)**

EDITOR-IN-CHIEF: N. Bebrishvili

EDITOR-TRANSLATOR: E. Gabunia

PROOFREADER: A. Shikhashvili

COMPUTER LAYOUT: M. Ordenidze  
K. Svanidze

[www.sakpatenti.gov.ge](http://www.sakpatenti.gov.ge)

E-mail: [info@sakpatenti.org.ge](mailto:info@sakpatenti.org.ge)