

Official Bulletin of the Industrial Property

Invention

Utility Model

Validation Of European Patent

Design

Trademark

Appellation of Origin of Goods and
Geographical Indication



საქართველოს ინტელექტუალური
საკუთრების ეროვნული ცენტრი

საქპატენტი

SAKPATENTI

NATIONAL INTELLECTUAL PROPERTY
CENTER OF GEORGIA

Date of Publication – 2026 05 11

9(684)

INID CODES FOR IDENTIFICATION OF BIBLIOGRAPHIC DATA

INVENTIONS, UTILITY MODELS

- (10) Number of publication of examined application/
Application publication number***
- (11) Patent number/ Patent number***
Registered utility model number***
- (21) Application number (domestic number)
- (22) Date of filing of the application
- (23) Date of exhibition priority
- (24) Date from which patent may have effect
- (30) Priority data
- (31) Number of priority application
- (32) Date of filing of priority application
- (33) Code of the country or regional organization allotting priority application number
- (43) Date of publication of application, number of bulletin***
- (44) Date of publication of examined application, on which no grant has taken place and number of bulletin
- (45) Date of publication of patent/ Date of publication of patent***
Date of publication of registered utility model***
- (51) IPC
- (54) Title of invention
- (57) Abstract
- (60) Number of examined patent document granted by foreign patent office, date from which patent has effect and country code
- (62) Number and filing date of the earlier application from which the present patent document has been divided up
- (71) Applicant
- (72) Inventor
- (73) Name and address of patent owner/patent owner***/ registered utility model owner*** (country code)
- (74) Representative
- (82) Date of publication of request of validation
- (85) Date of commencement of the national phase
- (86) PCT filing date, PCT application number
- (87) Number and date of publication of international application (PCT)
- (94) Calculated date of expiry of the SPC or the duration of the SPC
- (100) EP application publication number
- (210) EP application number
- (220) EP filing date
- (430) EP application publication date

DESIGNS

- (10) Number of publication for application
- (11) Number of patent and kind of document or number of registration
- (15) Date of registration/Date of patent renewal
- (18) Expected expiration date of patent or registration
- (21) Serial number of application
- (22) Date of filing of the application
- (23) Date of exhibition or the date of the earlier filing and the number of application, if any
- (24) Date from which patent may have effect
- (28) Number of designs included in the application
- (30) Data relating to priority (number of application, date of filing of application, two-letter code identifying the authority with whom the priority application was made)
- (31) Number of priority application
- (32) Date of filing of priority application
- (33) Code of the country or regional organization allotting priority application number
- (34) Two-letter code according to WIPO St.3 identifying the authority with which the priority application was made
- (44) Date of publication of design and number of bulletin (the first publication)
- (45) Date of publication of design registered by WIPO and number of bulletin
- (51) International Classification for designs (class and subclass of the Locarno Classification)
- (54) Title of the invention
- (55) Reproduction of the design
- (57) Description of characteristic features of the design including indication of colors
- (58) Date of recording of any kind of amendment in the Register
- (62) Number of the earlier application, registration and document number and if available the date of filing an application in case of divided application
- (71) Name, surname and address of applicant (country code)
- (72) Name, surname of creator (country code)
- (73) Name, surname and address of patent owner (country code)
- (74) Name, surname of representative or patent attorney
- (81) Contracting states concerned
II designated contracting states according to the 1960 Act
III designated contracting states according to the 1999 Act
- (85) Owner's permanent address
- (86) Owner's nationality
- (87) Owner's residence
- (88) State in which the owner has a real and effective industrial or commercial establishment

TRADEMARKS

- (111) – Number of registration
- (151) – Date of registration
- (156) – Date of the renewal
- (181) – Expected expiration date of registration
- (186) – Renewal expiration date of registration
- (141) – Date of cancel of duration of the mark
- (210) – Serial number of application
- (220) – Date of filing of the application
- (230) – Date concerning exhibition
- (260) – Number of application, for which favorable decision of examination about registration has been taken (publication number)
- (310) – Number of the first application
- (320) – Date of filing of the first application
- (330) – Code, identifying national or regional Office where the first application was made
- (511) – International Classification of Goods and Services for the purposes of registration of trade marks and/or list of goods and/or services classified according thereto
- (526) – Disclaimer
- (531) – Description of figurative elements of Trade Marks according to the International Classification of the Figurative Elements of Marks
- (540) – Reproduction of Trade Mark
- (550) – Nature and kind of Trade Mark
- (551) – Indication to the effect that the mark is a collective mark, a certification mark or a guarantee mark
- (554) – Three-dimensional mark
- (580) – Date of recording of any kind changes in respect of applications or registrations
- (591) – Information concerning colors claimed
- (731) – Name and address of the applicant
- (732) – Name and address of the holder of the registration
- (740) – Name and address of the representative
- (750) – Address for correspondence
- (770) – Name and address of the previous applicant or holder in case of change in ownership
- (771) – Previous name and address of the applicant or holder in case of change in ownership
- (791) – Name and address of the licensee
- (793) – Indication of conditions and/or restrictions under the license (Type of license, number of license agreement, data of license, data of validity of license)
- (800) – Certain data relating to the international registration of Trade Marks under the Protocol Relating to Madrid Agreement (International registration number)
- (852) – Partial cancellation of the list of goods and services
- (891) – Date of subsequent designation

CODES FOR PUBLICATION IN BULLETIN

- (21) AP 0000 000000 – number of application for invention
- (10) AP 0000 0000 A – number of publication of application for invention
- (11) P 0000 0000 B – number of patent for invention/ patent number***
- (21) API 0000 000000 – number of application for imported patent
- (11) PI 0000 0000 A – number of imported patent
- (21) AU 0000 000000 – number of application for utility model
- (10) AU 0000 000 U – number of publication of application for utility model
- (11) U 0000 000 Y – number of patent for utility model/ registered utility model number***
- (21) AD 0000 000000 – serial number of application for design
- (10) AD 0000 000 S – number of published application for design (first publication)
- (11) D 0000 000 S – registered design

INTERNATIONAL PATENT CLASSIFICATION FOR INVENTIONS AND UTILITY MODELS

- SECTION A – HUMAN NECESSITIES
- SECTION B – PERFORMING OPERATIONS; TRANSPORTING
- SECTION C – CHEMISTRY; METALLURGY
- SECTION D – TEXTILES; PAPER
- SECTION E – FIXED CONSTRUCTIONS
- SECTION F – MECHANICAL ENGINEERING; LIGHTING; HEATING; WEAPONS; BLASTING
- SECTION G – PHYSICS
- SECTION H – ELECTRICITY

* Number of application published after the decision of Appellation Chamber of SAKPATENTI

** Number of application published after Court decision

*** Materials published according to the amendments of May 16, 2023 (No. 2883-XI0b-X03) to the Patent Law of Georgia

- M – Trade Mark
- (210) AM 0000 000000 – Serial number of application;
- (260) AAM 0000 00000 A – Publication number of application;
- (111) M 0000 00000 R – Number of registration;
- (111) MMM0000 00000 Rn – Number of renewals, in which n=1,2,3;
- (111) M 0000 00000 R(P) – Number of registration under partial assignment of rights

Official Bulletin of the Industrial Property

Invention

Utility Model

Validation Of European Patent

Design

Trademark

Appellation of Origin of Goods and
Geographical Indication

CONTENT

PUBLISHED TITLES OF PROTECTION	2
INVENTION	
▪ APPLICATION***	4
▪ PATENT***	6
UTILITY MODEL	
▪ APPLICATION***	8
▪ REGISTERED UTILITY MODEL***	9
VALIDATION OF EUROPEAN PATENTS	
▪ EUROPEAN PATENT APPLICATIONS FOR WHICH THE VALIDATION IS REQUESTED IN GEORGIA	10
▪ VALIDATED EUROPEAN PATENT	21
DESIGN	
DESIGN REGISTERED ACCORDING TO THE ACCELERATED PROCEDURE	22
TRADEMARK	
▪ APPLICATION FILED UNDER THE NATIONAL PROCEDURE APPROVED FOR REGISTRATION	23
▪ REGISTERED TRADEMARK	38
▪ TRADEMARK REGISTERED ACCORDING TO THE ACCELERATED PROCEDURE	44
▪ INTERNATIONAL TRADEMARK FOR WHICH A DECISION ON GRANTING PROTECTION IS TAKEN	46
▪ INTERNATIONAL TRADEMARK PROTECTED IN GEORGIA	55
APPELLATION OF ORIGIN OF GOODS AND GEOGRAPHICAL INDICATION	
GEOGRAPHICAL INDICATION "KHAKHURI SHASHKHI"	60
OFFICIAL NOTIFICATION	
INVENTION	
▪ RESTORATION OF PATENT	66
▪ EXPIRATION OF PATENT RESTORATION TERM	67
▪ EXPIRATION OF PATENT	68
▪ GRANTING OF CERTIFICATE OF THE SUPPLEMENTARY PROTECTION IN ACCORDANCE WITH THE ARTICLE 5 OF THE "PATENT LAW OF GEORGIA"	68
DESIGN	
▪ EXTENSION OF TERM OF DESIGN REGISTRATION	69
▪ CANCELLATION OF DESIGN REGISTRATION	69
▪ EXTENSION OF TERM OF INTERNATIONAL DESIGN REGISTRATION	69
TRADEMARK	
▪ EXTENSION OF TERM OF TRADEMARK REGISTRATION	71
▪ TRANSFER OF RIGHT	79
▪ CHANGE OF NAME AND/OR ADDRESS OF TRADEMARK OWNER	80
▪ CANCELLATION OF TRADEMARK REGISTRATION	82
▪ CHANGE OF GOODS AND/OR SERVICE OF TRADEMARK	84
CLASSIFICATION INDEXES	
INVENTION	85
UTILITY MODEL	87
DESIGN	88
TRADEMARK	89

PUBLISHED TITLES OF PROTECTION

INVENTION

- **APPLICATION:*****
16963; 16839; 16960; 16840
- **PATENT:*****
7891-7893

UTILITY MODEL

- **APPLICATION:*****
16808; 16946
- **REGISTERED UTILITY MODEL *****
2245

VALIDATION OF EUROPEAN PATENT

- **EUROPEAN PATENT APPLICATION FOR WHICH THE VALIDATION IS REQUESTED IN GEORGIA:**
305-331
- **VALIDATED EUROPEAN PATENT:*****
4, 5

DESIGN

DESIGN REGISTERED ACCORDING TO THE ACCELERATED PROCEDURE

1117

TRADEMARK

- **APPLICATION FILED UNDER THE NATIONAL PROCEDURE APPROVED FOR REGISTRATION:**
132662*, 132663*; 133969; 134342; 134389; 134449; 134551; 134744; 134981; 134987; 135100; 135196; 135203; 135376; 135392; 135394; 135499; 135502; 135552; 135560; 135563; 135565; 135614, 135615; 135623; 135627; 135630, 135631; 135633; 135638; 135641, 135642; 135649; 135700; 135702; 135704, 135705; 135710; 135713; 135715; 135718-135720; 135722, 135723; 135726; 135728-135730; 135736-135738; 135742; 135747; 135749, 135750; 135756; 135762; 135810, 135811; 135821-135823; 135833; 135841-135843; 135902, 135903; 135906; 135917; 135926, 135927; 135929, 135930; 135939, 135940; 135944; 135948; 135950; 136031-136034; 136047; 136058; 136063; 136067; 136122; 136126
- **REGISTERED TRADEMARK:**
41131-41184; 3257
- **TRADEMARK REGISTERED ACCORDING TO THE ACCELERATED PROCEDURE:**
41185-41193
- **INTERNATIONAL TRADEMARK FOR WHICH A DECISION ON GRANTING PROTECTION IS TAKEN:**
32031, 132032; 132034; 132177; 132379, 132380; 134599; 134604; 134696; 134829; 134913-134915; 135000
- **INTERNATIONAL TRADEMARK PROTECTED IN GEORGIA:**
120184; 125201, 125202; 125968; 126044; 126223; 129444; 129730; 129794, 129795; 129814, 129815; 129817; 130944; 131565; 131926, 131927; 132714; 132732; 132734-132738; 132817; 132819; 132839-132848; 132962, 132963; 132970, 132971; 133352-133355; 133358-133360; 133400, 133401; 133403-133405; 133448-133450; 133494; 133496; 133597; 133599; 133602; 133626

APPELLATION OF ORIGIN OF GOODS AND GEOGRAPHICAL INDICATION

GEOGRAPHICAL INDICATION "Khakhuri Shashkhi"

31

INVENTION APPLICATION***

PART A

A 01

- (10) AP 2026 16963 A (51) Int. Cl. (2006)
A 01 G 9/02
B 29 B 17/00
B 29 K 67/00
B 29 K 505/02
B 29 K 505/10
B 29 K 23/00
B 29 K 1/00

(43) 2026 05 11 №9

(21) AP 2024 16963

(22) 2024 10 10

(31) 102023000021081

(32) 2023 10 10

(33) IT

(71) Nuova Pasquini & Bini S.P.A. (IT)
Località Tei, Zona Industriale La Galeotta,
55011 Altopascio (LU), Italy (IT)

(72) MICHI, Laura (IT);
CAPALBI, Giuseppe (IT);
LOPERFIDO, Piergiorgio (IT);
INCROCCI, Luca (IT)

(74) Shalva Gvaramadze

(85) 2026 04 27

(86) PCT/IB2024/059911, 2024 10 10

(54) USE OF COMPOSITE MATERIAL DERIVED
FROM RECYCLING POLYLAMINATE
MATERIALS FOR THE PRODUCTION
OF POTS

(57) Use of composite for the production of nursery
pots.

Composite comprises polyolefin in concentration by weight between 75 and 90%; cellulose fibre in concentration by weight of less than 5%; aluminium or copper in concentration by weight less than or equal to 13%; PET in concentration by weight of less than 3%; water and any impurities, collectively, in concentration by weight of less than 2%.

A 45

- (10) AP 2026 16839 A (51) Int. Cl. (2006)
A 45 C 3/04
B 65 D 67/00

(43) 2026 05 11 №9

(21) AP 2025 16839

(22) 2025 09 08

(71) Levani Miminoshvili (GE)

Baktrioni St. 29, ap. 21, Tbilisi, Georgia (GE)

(72) Levani Miminoshvili (GE)

(74) Medea Chichinadze

(54) PACKAGING MADE FROM A SINGLE
BLANK WITH A REMOVABLE PROTE-
CTIVE BOTTOM AND DETACHABLE
SIDE LINERS

(57) The present invention relates to a product packa-
ging means, in particular, a multifunctional package
that ensures safe transportation of a product and hygie-
nic conditions during use.

The essence of the invention lies in the fact that the package is made from a single blank and comprises two main innovative elements: a removable outer bottom layer and detachable liners integrated into the sides. The outer bottom layer covers the lower surface of the package during transportation, thereby protecting it from contamination. It may be removed by means of a perforation line, after which the inner clean bottom is exposed, which is directly used by the consumer. The detachable removable layers integrated into the large sides of the package are also separated from the main body by means of perforation lines and are used as hygienic liners. Thus, the package simultaneously performs the functions of both transportation and an additional hygienic means. The inner folded parts of the blank form double-layered sides and an inner protective bottom, which ensure the strength of the structure and contribute to maintaining the temperature conditions of the contents. As a result, the product retains its original properties and the condition desired by the consumer during transportation. After the contents have been used, the remaining package may be used as a waste disposal container, thereby increasing its practical value and environmental expediency. The present multifunctional packaging means simplifies the processes of transportation, consumption, and waste management, combines several functions within a single structure, and increases consumer comfort.

PART B**B 01**

- (10) AP 2026 16960 A (51) Int. Cl. (2006)
 B 01 F 25/313
 B 01 F 25/00
 B 01 J 8/02
 B 01 J 8/04
 C 01 B 3/38
- (43) 2026 05 11 №9
 (21) AP 2024 16960
 (22) 2024 09 23
 (31) 23199891.5
 (32) 2023 09 26
 (33) EP
 (71) Casale SA (CH)
 Via Pocabelli 6, 6900 Lugano, Switzerland (CH)
- (72) ZANICHELLI, Luca (IT);
 PANZERI, Nicola (CH)
- (74) Shalva Gvaramadze
 (85) 2026 04 24
 (86) PCT/EP2024/076689, 2024 09 23
- (54) BURNER FOR A REFORMING REACTOR
 (57) Burner (1) for a reformer (11), the burner including an oxidizer pipe (4), a process gas channel (5) arranged coaxially around the oxidizer pipe, a plurality of gas distribution plates (121, 122) in the process gas channel, each of said plates being perforated with a pattern of holes, wherein said gas distribution plates are arranged so that the holes (131, 132) of consecutive gas distribution plates are staggered in the direction of flow.

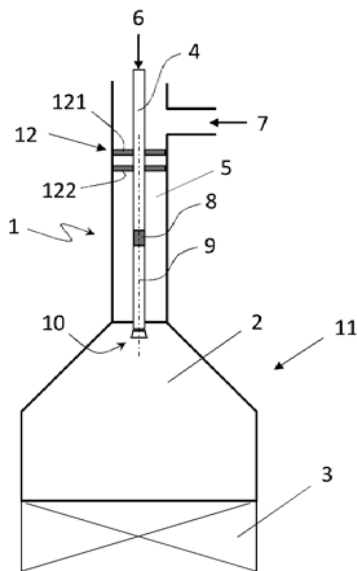


Fig. 1

PART C**C 23**

- (10) AP 2026 16840 A (51) Int. Cl. (2006)
 C 23 C 24/103
 B 23 K 26/00
- (43) 2026 05 11 №9
 (21) AP 2025 16840
 (22) 2025 09 13
 (71) Gigo Jandieri (GE)
 Vazisubani I m/r, bld. 3, ap. 36, 0109, Tbilisi, Georgia (GE);
 Inga Janelidze (GE)
 Gldani V m/r, bld. 19a, ap. 3, 0167, Tbilisi, Georgia (GE);
 Emzar Janelidze (GE)
 Gldani V m/r, bld. 19a, ap. 3, 0167, Tbilisi, Georgia (GE)
- (72) Gigo Jandieri (GE);
 Inga Janelidze (GE);
 Emzar Janelidze (GE)
- (54) METHOD FOR LASER ALLOYING AND HARDENING FUNCTIONAL SURFACES OF METAL PRODUCTS
 (57) The invention relates to the field of mechanical engineering, in particular, to technologies for the physicochemical treatment of metal products, and may be used for modifying and strengthening the structural composition of the functional surfaces of critical products made of alloys melted on the basis of ferrous and non-ferrous metals by means of transition metals. A method provides composition that comprises applying, onto alloyable surfaces, a paste-like homogeneous mass of a powder mixture consisting of reactive, impurity-free oxides of alloying components, the mixture having a micrometric fractional composition corresponding to the thickness grade of the alloyable surfaces, and applied to a desired thickness. The fixation of the applied layer, its reduction to a metallic phase, and its melting into the substrate to a desired depth are carried out under the action of a highly active hydrocarbon reducing gas (for example, methane) at a pressure of 0.15-0.5 MPa, and by means of a pulsed laser beam with a wavelength of 400-900 nm and a power of 2-3 kW, linearly translated at a speed of 60-125 mm/min with pulse intervals of 50-300 fps, within a temperature range of 1150-2500 K, via a point-by-point sequential thermal shock effect.

PATENT***

PART A

A 45

- (11) P 2026 7893 B (51) Int. Cl. (2006)
A 45 C 3/04
B 65 D 67/00
- (10) AP 2026 16839 A (43) 2026 05 11 №9
(45) 2026 05 11 №9
(21) AP 2025 16839
(22) 2025 09 08
(73) Levani Miminoshvili (GE)
Bakhrioni St. 29, ap. 21, Tbilisi, Georgia (GE)
(72) Levani Miminoshvili (GE)
(74) Medea Chichinadze
(54) MULTIFUNCTIONAL PACKAGING
MATERIAL

(57) A packaging means comprises package body made from single sheet of material having fold lines and perforation lines, with side walls and bottom wall, the web additionally contains portions from which are formed internal additional sides 3 and 4, integrated with two opposite external sides of package. Each of two outer sides 1 and 2 of double-sided sidewall is provided with hinge portion, where each hinge portion is connected to respective outer page with perforable line 27, and removable therefrom along this line to provide for use as hygienic pad, at that, strip further comprises a part located between the portions forming double sides, and is provided with longitudinal, to ensure the formation of protective gusset 14 surrounding a portion of bottom of package by a plurality of transverse and inclined fold lines, wherein, perforation lines 19 are formed on the portions of side walls 14 of protective insert 14 for forming, 20, 21, and 22, to facilitate its removal from the package along perforation lines, and in addition, the execution of packaging means, double sides and surrounding gusset on the bottom of packet provide protection for the contents and thermal insulation. At that, packaging means, with the detachable parts removed from the outer sides and the bottom protective strip, is configured as waste disposal container.

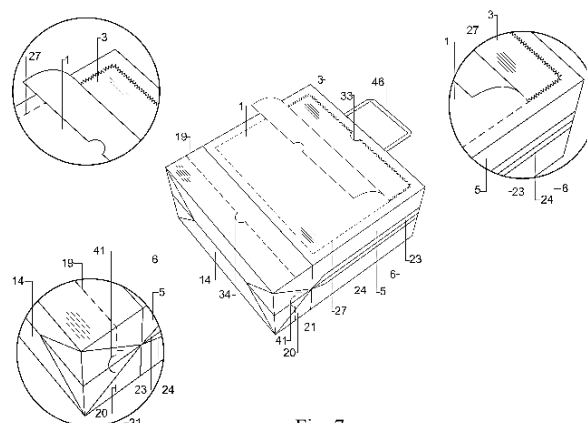


Fig. 7

PART E

E 02

- (11) P 2026 7891 B (51) Int. Cl. (2006)
E 02 F 9/28
- (10) AP 2025 16804 A (43) 2025 08 11 №15
(45) 2026 05 11 №9
(21) AP 2023 16804
(22) 2023 04 06
(62) AP 2023 16623 2023 04 06
(31) 18/190,785; 63/329,807
(32) 2023 03 27; 2022 04 11
(33) US; US
(86) PCT/US2023/017772, 2023 04 06
(73) Hensley Industries Inc. (US)
2108 Joe Field Road, P.O. Box 29779, Dallas,
Texas, 75229 (US)
(72) BILAL, Mohamad Youssef (US);
KIYAMA, Yusuke (US);
PITTS, Sean M. (US)
(74) Giorgi Kartvelishvili
(54) EXCAVATING ASSEMBLY SYSTEM WITH
COLLARED FASTENING SYSTEM
(57) The excavation equipment may include a wear part assembly, which, in turn, contains a mounting base, which has a lower surface, an upper surface, a central bore, and first and second wings located opposite each other, the wear part, which includes an upper support, a hole extending through the upper support from the upper surface of the wear detail, a recess of the lock, extending upward from a lower surface of the upper support toward the opening, and a recess of the fixing base, which extends laterally between two opposite channels, of the fixing base, at least a portion of the first and second wings may be

located between two opposing channels, and a locking node, which contains a filament, located in the recess of the locking feature of the wear part, and has an upper surface, a lower surface, and an aperture extending along an extended central axis from the upper surface to the lower surface and a pin, which is received in the tube and configured to extend from the tube into the fixation base, for abutment against a wall of the fixation base.

PART C

C 23

- (11) P 2026 7892 B (51) Int. Cl. (2006)
C 23 C 24/103
B 23 K 26/00
- (10) AP 2026 16840 A (43) 2026 05 11 №9
(45) 2026 05 11 №9
(21) AP 2025 16840
(22) 2025 09 13
(73) Gigo Jandieri (GE)
Vazisubani I m/r, bldg. 3, ap. 36, 0109, Tbilisi,
Georgia (GE);
Inga Janelidze (GE)
Gldani V m/r, bld. 19a, ap. 3, 0167, Tbilisi,
Georgia (GE);
Emzar Janelidze (GE)
Gldani V m/r, bld. 19a, ap. 3, 0167, Tbilisi,
Georgia (GE)
- (72) Gigo Jandieri (GE);
Inga Janelidze (GE);
Emzar Janelidze (GE)
- (54) METHOD FOR LASER ALLOYING AND
HARDENING FUNCTIONAL SURFACES
OF METAL PRODUCTS
- (57) A method provides composition that comprises applying, onto alloyable surfaces, a paste-like homogeneous mass of a powder mixture consisting of reactive, impurity-free oxides of alloying components, the mixture having a micrometric fractional composition corresponding to the thickness grade of the alloyable surfaces, and applied to a desired thickness. The fixation of the applied layer, its reduction to a metallic phase, and its melting into the substrate to a desired depth are carried out under the action of a highly active hydrocarbon reducing gas (for example, methane) at a pressure of 0.15-0.5 MPa, and by means of a pulsed laser beam with a wavelength of 400-900 nm and a power of 2-3 kW, linearly translated at a speed of 60-125 mm/min with pulse intervals of 50-300 fps, within a temperature range of 1150-02500 K, via a point-by-point sequential thermal shock effect.

UTILITY MODEL

APPLICATION***

PART A

A 63

- (10) AU 2026 16808 U (51) Int. Cl. (2006)
A 63 B 21/00
A 63 B 22/00
A 63 B 23/00
- (43) 2026 05 11 №9
(21) AU 2025 16808
(22) 2025 07 25
(71) Giorgi Arabuli (GE)
Irakli Gamqrelidze St. 11, 0186, Tbilisi,
Georgia (GE)
(72) Giorgi Arabuli (GE)
(74) Giorgi Arabuli
(54) PORTABLE TRAINING SYSTEM
(57) The system includes power elastic belt with fastening rings attached to its free ends, at least two carabiners, neck cushion to be attached to power strap via attachment rings and carabiners, a component positioned around the torso at the waist and a component positioned around the torso at the chest. Each of componentry is further provided with loops to be attached to power elastic strap via carabiners and fastening means, respectively, for fastening in closed state around the waist and chest. In addition, the component positioned around the chest has shoulder straps.

PART F

F 24

- (10) AU 2026 16946 U (51) Int. Cl. (2006)
F 24 F 1/10
F 24 F 12/00
F 28 D 9/00
F 28 D 7/08
F 28 F 3/04
F 28 F 3/12
- (43) 2026 05 11 №9
(21) AU 2024 16946
(22) 2024 05 08
(31) a202304275
(32) 2023 09 11
(33) UA
(71) KROTOV, Dmytro Viktorovych (UA)
Shevchenko St. 34, Apt. 5, Lviv, 79000,
Ukraine (UA);

- KUZYCH, Oleksandr Romanovych (UA)
Ostrivska St. 22, Shchyrets Urban-Type
Settlement, Lviv Region, 79000, Ukraine (UA);
KUZYCH, Roman Romanovych (UA)
Ostrivska St. 22, Shchyrets Urban-Type
Settlement, Lviv Region, 79000, Ukraine (UA)
- (72) KUZYCH, Oleksandr Romanovych (UA);
KUZYCH, Roman Romanovych (UA);
KROTOV, Dmytro Viktorovych (UA)
- (74) Merab Kvimsadze
(85) 2026 04 08
(86) PCT/UA2024/000027, 2024 05 08
(54) HEAT EXCHANGER FOR HEAT
RECOVERY VENTILATION SYSTEMS
(57) A heat exchanger (1) for heat recovery ventilation systems has a quadrangular cross-section and longitudinal channels with a diamond cross-section, formed by interconnected plates (2), and is equipped with means for distributing flows of exhaust and intake air, wherein the body of the heat exchanger is notionally divided into a middle part (3) where the channels (4) of the heat exchanger are wave-shaped along the length thereof, and outer parts (5) in which the channels (6) of the heat exchanger which serve as the means for distributing exhaust and intake air are internally straight along the length thereof, have a zig-zag cross-section and are open, and the outer channels (7), which border on the two opposing side surfaces of the heat exchanger, and the end parts (8) of the channels of the heat exchanger are alternately open and sealed such that each group of open channels (7, 8) on one outer part of the heat exchanger is sealed on the opposite outer part of the heat exchanger, and wherein the body of the heat exchanger is disposed inside a casing (9) provided with longitudinal slots (11) that correspond to the size and position of the open channels (7, 8).

REGISTERED UTILITY MODEL *****PART A****A 63**

(11) U 2026 2245 Y (51) Int. Cl. (2006)
A 63 B 21/00
A 63 B 22/00
A 63 B 23/00

(10) AU 2026 16808 U (43) 2026 05 11 №9
(45) 2026 05 11 №9

(21) AU 2025 16808

(22) 2025 07 25

(73) Giorgi Arabuli (GE)

Irakli Gamqrelidze St. 11, 0186, Tbilisi,
Georgia (GE)

(72) Giorgi Arabuli (GE)

(74) Giorgi Arabuli

(54) PORTABLE TRAINING SYSTEM

(57) The system includes power elastic belt with fastening rings 2 and 3 attached to its free ends, at least two carabiners 4 and 5, neck cushion 6 to be attached to power strap via attachment rings 7 and 8 and carabiners, a component 9 positioned around the torso at the waist and a component 10 positioned around the torso at the chest. Each of componentry is further provided with loops to be attached to power elastic strap via carabiners and fastening means, respectively, for fastening in closed state around the waist and chest, in addition, the component positioned around the chest has shoulder straps 11 and 12.

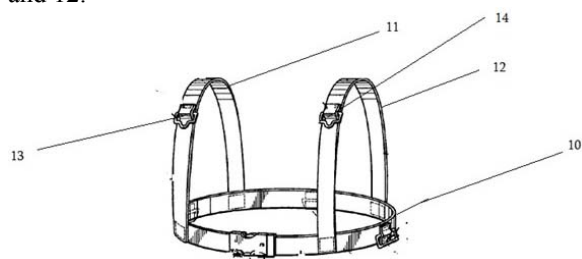


Fig. 5

VALIDATION OF EUROPEAN PATENT

EUROPEAN PATENT APPLICATION FOR WHICH THE VALIDATION IS REQUESTED IN GEORGIA

(21) AE 2026 305

(82) 2026 05 11

(51) Int. Cl. (2006)

A 61 K 39/395

A 61 P 37/02

C 07 K 16/28

(30) US 202363521408 P 06.16.2023

(86) US2024033971, 2024 06 14

(71) Regeneron Pharmaceuticals Inc. (US)

777 Old Saw Mill River Road, Tarrytown, NY 10591, USA (US)

(72) TASKER, Carley, C. (US);

SEONG, Changhyun (US);

RAFIQUE, Ashique (US);

ORENGO, Jamie, M. (US);

LIMNANDER, Andre (US);

KIM, Jee, H. (US);

KAMAT, Vishal (US);

GARNOVA, Elena, S. (US)

(54) CD40 X CD40 BISPECIFIC ANTIGEN-BINDING MOLECULES AND USES THEREOF

(210) 24740704.2

(220) 2024 06 14

(100) EP 4727973 A1

(430) 2026 04 22

(21) AE 2026 306

(82) 2026 05 11

(51) Int. Cl. (2006)

A 61 K 31/437

A 61 K 31/423

A 61 K 31/343

A 61 P 7/00

C 07 D 471/04

C 07 D 407/14

C 07 D 413/14

(30) WO PCT/CN2023/100520 06.15.2023

(86) CN2024099076, 2024 06 13

(71) Linkcure Therapeutics (KY)

Grand Pavilion Commercial Centre, Suite 24 802 West Bay Road. P.O. Box 10281, Grand Cayman KYI - 1003, Cayman Islands (KY)

(72) JIN, Xuemei (CN);

QI, Zude (CN);

FU, Liqiang (CN);

LU, Gang (US);

XIA, Yifeng (US);

LU, Chin-Chun (US);

CONTRERAS, Adrian (US)

(54) DIHYDROPYRIMIDINE-2, 4 (1H, 3H) -DIONE-CONTAINING POLYCYCLIC DERIVATIVES
AND PHARMACEUTICAL COMPOSITION THEREOF, PREPARATION METHOD THEREOF
AND USE THEREOF

(210) 24822758.9

(220) 2024 06 13

(100) EP 4727940 A1

(430) 2026 04 22

- (21) AE 2026 307
 (82) 2026 05 11 (51) Int. Cl. (2006)
 A 61 K 31/4439
 A 61 K 31/495
 A 61 P 29/00
 A 61 P 35/00
 A 61 P 37/00
 C 07 D 471/04
 C 07 D 487/04
 C 07 D 401/12
 C 07 D 413/14
 C 07 D 401/14
 C 07 D 403/12
 (30) WO PCT/CN2024/081039 03.11.2024; WO PCT/CN2024/075796 02.04.2024; WO PCT/CN2023/137938
 12.11.2023; WO PCT/CN2023/100518 06.15.2023
 (86) CN2024099405, 2024 06 14
 (71) Lynk Pharmaceuticals Co. Ltd. (CN)
 291 Fucheng Road, Bldg 5-4F Hangzhou Economic & Technological Development Zone, Hangzhou,
 Zhejiang 310018, People's Republic of China (CN)
 (72) LIN, Weiyu (CN);
 VAZQUEZ, Michael Lawrence (CN);
 GREWAL, Gurmit (CN);
 WAN, Zhaokui (CN);
 SU, Lin (CN);
 LI, Xiaodong (CN)
 (54) TYK2 INHIBITORS AND COMPOSITIONS AND METHODS THEREOF
 (210) 24822832.2
 (220) 2024 06 14
 (100) EP 4727941 A1
 (430) 2026 04 22
-

- (21) AE 2026 308
 (82) 2026 05 11 (51) Int. Cl. (2006)
 A 23 L 33/105
 A 61 K 31/352
 A 61 K 9/107
 (30) US 202363521641 P 06.16.2023
 (86) US2024034235, 2024 06 15
 (71) Pico IP LLC (US)
 1610 R Street, Suite 300, Sacramento, CA 95811, USA (US)
 (72) MYERS, Robert (US);
 TERRY, Miles J. (US)
 (54) A PROCESS FOR CREATING A CANNABINOID PICO-EMULSION WITH ANTIBIOTIC
 PROPERTIES AND THE RESULTING PICO-EMULSION
 (210) 24824328.9
 (220) 2024 06 15
 (100) EP 4727539 A1
 (430) 2026 04 22
-

- (21) AE 2026 309
 (82) 2026 05 11 (51) Int. Cl. (2006)
 A 01 N 31/04
 A 01 N 25/04
 A 01 N 65/06
 A 01 P 13/00
 (30) US 202363521799 P 06.19.2023
 (86) AU2024050635, 2024 06 18

(71) Bio-Blaster LLC (US)
 700 Celum Road, Clint, TX 79836, USA (US)
 (72) FRITH, Hugh Robert William (AU)
 (54) MONOTERPENOID AND DITERPENOID-BASED HERBICIDAL COMPOSITION
 (210) 24824796.7
 (220) 2024 06 18
 (100) EP 4727358 A1
 (430) 2026 04 22

(21) AE 2026 310
 (82) 2026 05 11 (51) Int. Cl. (2006)
 A 61 K 9/00
 A 61 K 31/403
 A 61 K 31/015
 A 61 K 31/407
 A 61 K 36/75
 A 61 K 9/68
 A 61 P 11/00
 (30) IT 202400010384 05.08.2024
 (71) Nutraceutical Technology Pharma Biotech S.r.l.(IT)
 Via Tevere, 10 Frazione Castelnuovo Vomano, 64020 Castellalto (TE), Italy (IT)
 (72) Marini, Luca (IT)
 (54) MURRAYA KOENIGII IN THE TREATMENT OF UPPER RESPIRATORY TRACT INFECTIONS
 (210) 25174279.7
 (220) 2025 05 05
 (100) EP 4647073 A1
 (430) 2025 11 12

(21) AE 2026 311
 (82) 2026 05 11 (51) Int. Cl. (2006)
 A 61 K 9/00
 A 61 K 9/107
 A 61 K 31/519
 A 61 K 47/02
 A 61 K 47/12
 A 61 P 17/00
 (30) US 202463688052 P 08.28.2024; US 202463687224 P 08.26.2024
 (86) US2025043297, 2025 08 25
 (71) Incyte Corporation (US)
 1801 Augustine Cut-Off, Wilmington, DE 19803, USA (US)
 (72) ZHOU, Jiacheng (US);
 WU, Huifang (US);
 PAN, Yongchun (US);
 MELONI, David (US);
 LIU, Weiguo (US);
 LIU, Pingli (US);
 LI, Mei (US);
 LAWRENCE, Gary (US);
 JIA, Zhongjiang (US);
 ELLIOTT, Russell (US)
 (54) TOPICAL SKIN FORMULATIONS OF A PHARMACEUTICALLY ACCEPTABLE SALT OF
 RUXOLITINIB
 (210) 25780499.7
 (220) 2025 08 25
 (100) EP 4727526 A1
 (430) 2026 04 22

(21) AE 2026 312
 (82) 2026 05 11 (51) Int. Cl. (2006)
 A 61 K 31/485
 A 61 K 31/17
 A 61 K 31/445
 A 61 K 31/33
 (30) US 202363472979 P 06.14.2023
 (86) US2024033808, 2024 06 13
 (71) Jnana Therapeutics Inc. (US)
 One Design Center Place, Suite 19-400, Boston, MA 02210, USA (US)
 (72) BROWN, Dean G. (US);
 MUNCIPINTO, Giovanni (US)
 (54) PIPERIDINE INHIBITOR OF SLC6A19 FUNCTION
 (210) 24824153.1
 (220) 2024 06 13
 (100) EP 4727551 A2
 (430) 2026 04 22

(21) AE 2026 313
 (82) 2026 05 11 (51) Int. Cl. (2006)
 A 61 K 35/17
 A 61 K 51/10
 A 61 P 35/00
 C 07 K 16/28
 (30) US 202363508360 P 06.15.2023
 (86) US2024034063, 2024 06 14
 (71) Aakha Biologics Inc. (US)
 5680 Frisco Square Blvd., Suite 2100, Frisco, TX 75034, USA (US)
 (72) BARUAH, Hemanta (US);
 LIU, Zhiqian Lucy (US);
 WATKINS, Jennifer (US);
 GRAY, Laura T. (US);
 SABNANI, Manoj Kumar (US)
 (54) MHC CLASS I CHAIN-RELATED PROTEIN A (MICA)-SPECIFIC ANTIBODIES AND USES THEREOF
 (210) 24824246.3
 (220) 2024 06 14
 (100) EP 4727976 A2
 (430) 2026 04 22

(21) AE 2026 314
 (82) 2026 05 11 (51) Int. Cl. (2006)
 A 61 K 31/395
 A 61 K 31/505
 A 61 K 31/166
 A 61 K 31/33
 (30) US 202363508802 P 06.16.2023
 (86) US2024034153, 2024 06 14
 (71) Plexium Inc. (US)
 9330 Scranton Road, Suite 500, San Diego, CA 92121, USA (US)
 (72) BISHOP, Michael J. (US);
 FREEMAN-COOK, Kevin D. (US);
 BURNS, Aaron C. (US);
 KUMAR, Dange Vijay (US);
 LERICHE, Geoffray (US);
 BAILEY, Simon (US);
 LI, Ronghua (US)

(54) COMPOUNDS AND PHARMACEUTICAL COMPOSITIONS THAT DEGRADE SWI/SNF-RELATED MATRIX-ASSOCIATED ACTIN-DEPENDENT REGULATOR OF CHROMATIN SUBFAMILY A

(210) 24824288.5
 (220) 2024 06 14
 (100) EP 4727541 A2
 (430) 2026 04 22

(21) AE 2026 315

(82) 2026 05 11 (51) Int. Cl. (2006)
 A 61 K 31/395
 A 61 K 31/50
 A 61 K 31/13
 A 61 K 31/33

(30) US 202363508803 P 06.16.2023

(86) US2024034158, 2024 06 14

(71) Plexium Inc. (US)

9330 Scranton Road, Suite 500, San Diego, CA 92121, USA (US)

(72) BAILEY, Simon (US);
 FREEMAN-COOK, Kevin D. (US);
 BURNS, Aaron C. (US);
 KUMAR, Dange Vijay (US);
 LERICHE, Geoffray (US)

(54) COMPOUNDS AND PHARMACEUTICAL COMPOSITIONS THAT DEGRADE SWI/SNF-RELATED MATRIX-ASSOCIATED ACTIN-DEPENDENT REGULATOR OF CHROMATIN SUBFAMILY A

(210) 24824290.1
 (220) 2024 06 14
 (100) EP 4727542 A2
 (430) 2026 04 22

(21) AE 2026 316

(82) 2026 05 11 (51) Int. Cl. (2006)
 A 61 K 31/395
 A 61 K 31/498
 A 61 K 31/4995
 A 61 K 31/166
 A 61 K 31/33

(30) US 202363508804 P 06.16.2023

(86) US2024034164, 2024 06 14

(71) Plexium Inc. (US)

9330 Scranton Road, Suite 500, San Diego, CA 92121, USA (US)

(72) BAILEY, Simon (US);
 FREEMAN-COOK, Kevin D. (US);
 KUMAR, Dange Vijay (US);
 LERICHE, Geoffray (US)

(54) COMPOUNDS AND PHARMACEUTICAL COMPOSITIONS THAT DEGRADE SWI/SNF-RELATED MATRIX-ASSOCIATED ACTIN-DEPENDENT REGULATOR OF CHROMATIN SUBFAMILY A

(210) 24824294.3
 (220) 2024 06 14
 (100) EP 4727543 A2
 (430) 2026 04 22

(21) AE 2026 317
 (82) 2026 05 11 (51) Int. Cl. (2006)
 A 61 K 39/385
 A 61 K 39/395
 C 07 K 14/54
 (30) US 202463641265 P 05.01.2024; US 202363530784 P 08.04.2023; US 202363527948 P 07.20.2023;
 US 202363472972 P 06.14.2023; US 202363472939 P 06.14.2023
 (86) US2024034221, 2024 06 14
 (71) Fuse Biotherapeutics Inc. (US)
 7A Henshaw Street, Woburn, Massachusetts 01801, USA (US)
 (72) ZHOU, Xueyuan (US);
 TAKIMOTO, Jeffrey (US);
 RABINOVICH, Brian (US)
 (54) SINGLE-AND MULTI-CYTOKINE FUSION PROTEINS AND USES THEREOF
 (210) 24824325.5
 (220) 2024 06 14
 (100) EP 4727962 A2
 (430) 2026 04 22

(21) AE 2026 318
 (82) 2026 05 11 (51) Int. Cl. (2006)
 H 01 M 50/264
 H 01 M 10/04
 H 01 M 50/209
 H 01 M 50/244
 (71) MacroCaps ApS (DK)
 A.P. Møllers Allé 39A, 2791 Dragør, Denmark (DK)
 (72) Ratje, Morten (DK)
 (54) ENERGY STORAGE ARRAY FOR ENERGY STORAGE DEVICES
 (210) 24164722.1
 (220) 2024 03 20
 (100) EP 4621894 A1
 (430) 2025 09 24

(21) AE 2026 319
 (82) 2026 05 11 (51) Int. Cl. (2006)
 C 01 D 15/02
 C 01 D 15/08
 C 22 D 1/02
 C 22 B 3/12
 C 22 B 3/42
 C 22 B 3/44
 C 22 B 26/12
 (71) Prime Lithium AG (DE)
 Friesenweg 28, 22763 Hamburg, Germany (DE)
 (72) JUHLKE, Tobias (DE);
 HUBER, Michael (DE);
 SCHNEIDER, Christian (DE);
 WAGNER, Paul (DE);
 HEITMANN, Axel (DE)
 (54) PROCESS FOR PRODUCING LIOH
 (210) 24165532.3
 (220) 2024 03 22
 (100) EP 4620915 A1
 (430) 2025 09 24

(21) AE 2026 320
 (82) 2026 05 11 (51) Int. Cl. (2006)
 C 01 D 15/02
 C 01 D 15/08
 C 22 B 3/00
 C 22 B 3/44
 (71) Prime Lithium AG (DE)
 Friesenweg 28, 22763 Hamburg, Germany (DE)
 (72) HUBER, Michael (DE);
 SCHNEIDER, Christian (DE);
 WAGNER, Paul (DE);
 HEITMANN, Axel (DE);
 JUHLKE, Tobias (DE)
 (54) PROCESS FOR PRODUCING LIOH
 (210) 24165533.1
 (220) 2024 03 22
 (100) EP 4620916 A1
 (430) 2025 09 24

(21) AE 2026 321
 (82) 2026 05 11 (51) Int. Cl. (2006)
 F 24 H 1/18
 F 24 H 1/20
 F 24 H 9/1818
 F 28 D 20/00
 (71) Tesy Ood (BG)
 48 Madara Blvd., 9701 Shumen, Bulgaria (BG)
 (72) Stoykov, Stoyko (BG);
 Borisov, Kostadin (BG);
 Krumov, Krasen (BG);
 Parcalabu, Ciprian (BG);
 Kyurkchiev, Zhechko Angelov (BG)
 (54) WATER HEATER WITH AT LEAST TWO WATER TANKS
 (210) 24472012.4
 (220) 2024 07 08
 (100) EP 4678995 A1
 (430) 2026 01 14

(21) AE 2026 322
 (82) 2026 05 11 (51) Int. Cl. (2006)
 A 61 K 31/429
 A 61 K 31/519
 A 61 K 31/5365
 A 61 P 35/00
 C 07 D 513/14
 C 07 D 471/14
 C 07 D 241/36
 C 07 D 487/04
 C 07 D 495/14
 C 07 D 498/14
 (30) WO PCT/CN2023/101669 06.21.2023
 (86) CN2024100794, 2024 06 21
 (71) Regor Pharmaceuticals Inc. (US)
 245 Main St. Second floor, Cambridge, MA 02142, USA (US)
 (72) ZHONG, Wenge (CN);
 WANG, Kailiang (CN);
 ZHAO, Feng (CN);

(210) 24742756.0
 (220) 2024 06 20
 (100) EP 4731622 A1
 (430) 2026 04 29

(21) AE 2026 325
 (82) 2026 05 11

(51) Int. Cl. (2006)
 A 61 K 38/17
 A 61 P 27/02
 C 07 K 14/71

(30) US 202463566163 P 03.15.2024; US 202463556308 P 02.21.2024; US 202463552571 P 02.12.2024;
 US 202463625146 P 01.25.2024; US 202463622675 P 01.19.2024; US 202363608138 P 12.08.2023;
 US 202363606887 P 12.06.2023; US 202363606507 P 12.05.2023; US 202363604484 P 11.30.2023;
 US 202363601198 P 11.20.2023; US 202363546476 P 10.30.2023; US 202363540308 P 09.25.2023;
 US 202363531758 P 08.09.2023; US 202363523335 P 06.26.2023; US 202363523019 P 06.23.2023

(86) US2024035127, 2024 06 21

(71) Bayer HealthCare LLC (US)
 100 Bayer Boulevard Whippany, New Jersey 07981-0915, USA (US);
 Regeneron Pharmaceuticals Inc. (US)
 777 Old Saw Mill River Road, Tarrytown, NY 10591, USA (US)

(72) EISSING, Thomas (DE);
 ASMUS, Friedrich (DE);
 DA SILVA LEAL, Sergio Casimiro (CH);
 RITTENHOUSE, Kay D. (US);
 CHU, Karen W. (US);
 BERLINER, Alyson J. (US);
 VITTI, Robert L. (US)

(54) EXTENDED, HIGH DOSE VEGF ANTAGONIST REGIMENS FOR TREATMENT OF ANGIOGENIC
 EYE DISORDERS

(210) 24742789.1
 (220) 2024 06 21
 (100) EP 4731240 A1
 (430) 2026 04 29

(21) AE 2026 326
 (82) 2026 05 11

(51) Int. Cl. (2006)
 A 61 K 47/44
 A 61 K 8/64
 A 61 K 38/00
 A 61 P 29/00
 A 61 P 31/00
 A 61 Q 19/00
 C 07 K 7/06
 C 07 K 7/08

(30) WO PCT/CN2023/101989 06.22.2023

(86) CN2024100923, 2024 06 24

(71) EnliTISA (Shanghai) Pharmaceutical Co., Ltd. (CN)
 Room 201, 202, 203 Building A, Block 1 No.800, Qingdai Road Pudong New Area, Shanghai 201318,
 People's Republic of China (CN)

(72) KANG, Ruijuan (CN);
 SONG, Maoqian (CN);
 GU, Ming (CN);
 HAEGGSTROM, Jesper (SE)

(54) NEW MULTI-FUNCTIONAL OLIGOPEPTIDES

(210) 24745619.7
 (220) 2024 06 24

(100) EP 4731305 A1
(430) 2026 04 29

(21) AE 2026 327

(82) 2026 05 11 (51) Int. Cl. (2006)
A 61 K 47/68
A 61 P 35/00

(30) EP 24189861 07.19.2024; EP 24187879 07.10.2024; EP 23203677 10.15.2023

(86) EP2024079076, 2024 10 15

(71) Araris Biotech AG (CH)
Riedhofstrasse 11, 8804 Au, Switzerland (CH)

(72) SPYCHER, Philipp (CH);
GRABULOVSKI, Dragan (CH);
KALLENBERGER, Lia (CH);
FAY, Rachael (CH);
PROBST, Philipp (CH);
ATTINGER-TOLLER, Isabella (CH);
BERTRAND, Romain (CH)

(54) ANTIBODY-DRUG CONJUGATES USING TWO DIFFERENT TYPES OF TOPOISOMERASE
I INHIBITORS

(210) 24787211.2

(220) 2024 10 15

(100) EP 4731265 A1

(430) 2026 04 29

(21) AE 2026 328

(82) 2026 05 11 (51) Int. Cl. (2006)
C 07 C 11/06
C 07 C 11/04
C 10 G 2/00
C 10 G 65/04
C 25 B 1/04

(30) US 202318445300 06.22.2023

(86) US2024000017, 2024 06 07

(71) Infinium Technology LLC (US)
2020 L Street, Suite 260, Sacramento, CA 95811-4260, USA (US)

(72) WRIGHT, Benjamin (US);
WRIGHT, Harold (US);
SCHUETZLE, Robert (US)

(54) THE PRODUCTION AND USE OF LOW OR NEGATIVE CARBON ENAPHTHA

(210) 24826392.3

(220) 2024 06 07

(100) EP 4731599 A1

(430) 2026 04 29

(21) AE 2026 329

(82) 2026 05 11 (51) Int. Cl. (2006)
F 16 B 17/00
F 24 S 25/60
F 24 S 25/63
H 02 S 20/20

(30) ES 202331316 U 07.18.2023

(86) ES2024070392, 2024 06 24

(71) Perez Lopez, Benito (ES)
Calle Doblón, 2, 11591 Jerez de la Frontera (Cádiz), Spain (ES)

(72) Perez Lopez, Benito (ES)

(54) SET OF ELEMENTS FOR INSTALLING PHOTOVOLTAIC PANELS BY MANUALLY POSITIONING
A TAB-TYPE CLAMP

(210) 24842484.8
(220) 2024 06 24
(100) EP 4733687 A1
(430) 2026 04 29

(21) AE 2026 330
(82) 2026 05 11

(51) Int. Cl. (2006)
A 61 K 31/416
A 61 K 31/4155
A 61 K 45/06
A 61 P 35/00
C 07 D 471/22

(30) US 202463659580 P 06.13.2024; US 202463575674 P 04.06.2024; US 202363588518 P 10.06.2023;
US 202363510056 P 06.23.2023

(86) US2024034979, 2024 06 21

(71) Blossomhill Therapeutics Inc. (US)
10255 Science Center Drive, Suite 200, San Diego, CA 92121, USA (US)

(72) LI, Danan (US);
ZHAI, Dayong (US);
DENG, Wei (US);
JIANG, Ping (US);
CUI, Jingrong Jean (US)

(54) COMBINATION THERAPY INVOLVING MACROCYCLIC INDAZOLE COMPOUNDS

(210) 24826713.0
(220) 2024 06 21
(100) EP 4731213 A2
(430) 2026 04 29

(21) AE 2026 331
(82) 2026 05 11

(51) Int. Cl. (2006)
A 61 K 31/7105
A 61 K 31/711
A 61 K 31/7115
A 61 K 31/712
A 61 K 31/713
C 12 N 15/113

(30) US 202363524009 P 06.29.2023; US 202363522878 P 06.23.2023

(86) US2024034985, 2024 06 21

(71) ARNAY SCIENCES LLC (US)
61 Lamplighter Drive, Shrewsbury MA 01545, USA (US)

(72) AGRAWAL, Sudhir (US)

(54) DELIVERY OF RNA THERAPEUTICS USING RING-SHAPED NUCLEIC ACIDS

(210) 24826715.5
(220) 2024 06 21
(100) EP 4731768 A2
(430) 2026 04 29

VALIDATED EUROPEAN PATENT

(11) E 2026 4 T2
(21) AE 2025 31
(30) EP 23170709 04.28.2023
(45) 2026 05 11 №9
(82) 2025 09 25 (51) Int. Cl. (2006)
A 61 K 31/165
A 61 P 25/18
C 07 C 231/22
C 07 C 237/06

(100) EP 4615820 A1
(110) EP 4615820 B1
(210) 24720258.3
(220) 2024 04 24
(430) 2025 09 17
(450) 2026 02 04
(86) EP2024061262, 2024 04 24
(71) Newron Pharmaceuticals S.p.A. (IT)
Via Antonio Meucci, 3, 20091, 20091 Bresso (MI), Italy (IT)
(72) Christoph IMBODEN (CH);
Andrea CASTELLIN (IT)
(73) Newron Pharmaceuticals S.p.A.
(74) Shalva Gvaramadze
(54) CRYSTALLINE FORMS OF EVENAMIDE

(11) E 2026 5 T2
(21) AE 2025 52
(30) US 202463550817 P 02.07.2024
(45) 2026 05 11 №9
(82) 2025 12 25 (51) Int. Cl. (2006)
A 61 K 9/16
A 61 K 31/444
A 61 P 11/00

(100) EP 4648753 A1
(110) EP 4648753 B1
(210) 25708607.4
(220) 2025 02 06
(430) 2025 11 19
(450) 2026 02 18
(86) US2025014740, 2025 02 06
(71) Vertex Pharmaceuticals Incorporated (US)
50 Northern Avenue, 02210, Boston, MA, USA (US)
(72) Radhika KARKARE (US);
Jonathan M Miller (US)
(73) Vertex Pharmaceuticals Incorporated
(74) Shalva Gvaramadze
(54) COMPOSITIONS FOR THE TREATMENT OF CFTR-MEDIATED DISEASES

DESIGN

DESIGN REGISTERED ACCORDING TO THE ACCELERATED PROCEDURE

The decision can be appealed at the Chamber of Appeal of Sakpatenti within 3 months from the publication.

- (11) D 2026 1117 S (51) 10-07
(21) AD 2026 1512
(22) 2026 04 15
(24) 2026 04 15
(28) 1
(18) 2031 04 15
(73) Zviadi Tsikolia (GE)
Ar. Kuirdiani St. 6, ap. 73, 0112, Tbilisi, Georgia (GE)
(72) Zviadi Tsikolia (GE)
(74) Shalva Gvaramadze (GE)
(54) WATCH STRAP
(55)



TRADEMARK

APPLICATION FILED UNDER THE NATIONAL PROCEDURE APPROVED FOR REGISTRATION

The decision may be appealed to the Chamber of Appeals of Sakpatenti within 3 months of its publication or to the Administrative Cases Bench of Mtskheta District Court within 1 month, while the decisions of the Chamber of Appeals may be appealed only to the Administrative Cases Bench of Mtskheta District Court within 1 month (Address: Samkhedro St. 17, Mtskheta).

(260) AM 2026 132662 A*

(210) AM 132662

(220) 2025 03 03

(731) Altunis – Trading, Gestão E Serviços,
Sociedade Unipessoal, LDA.
Avenida Arriaga, n.º 73, 1.º andar, sala 113,
9000-060, Funchal, Madeira, Portugal

(740) Liliana Darakhvelidze

(540)



CIPRIANI

(591) Black-white

(531) 02.01.01; 02.01.15; 27.05.01

(511) 29

(260) AM 2026 132663 A*

(210) AM 132663

(220) 2025 03 03

(731) Altunis – Trading, Gestão E Serviços,
Sociedade Unipessoal, LDA.
Avenida Arriaga, n.º 73, 1.º andar, sala 113,
9000-060, Funchal, Madeira, Portugal

(740) Liliana Darakhvelidze

(540)



CIPRIANI

(591) Black-white

(531) 02.01.01; 02.01.15; 27.05.01

(511) 30

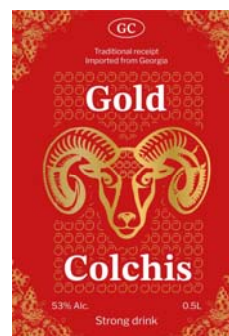
(260) AM 2026 133969 A

(210) AM 133969

(220) 2025 05 27

(731) Megi Tostiashvili
Gabriel Salosi St., bld. 10, VII Lane,
Tbilisi, Georgia

(540)



(591) Red, white, golden

(531) 03.04.11; 03.04.13; 05.07.10; 25.01.19;
25.07.08; 26.04.02; 26.04.22; 26.04.24;
27.05.24; 29.01.13

(526) Georgia Colchis

(511) 33

(260) AM 2026 134342 A

(210) AM 134342

(220) 2025 06 20

(731) TP-Link Systems Inc.
5 Peters Canyon Road, Irvine,
CA 92606, USA

(740) Merab Kvimsadze

(540)

Omada

(591) Black-white

(531) 26.01.04; 26.01.12; 27.01.06

(511) 9, 42

(260) AM 2026 134389 A

(210) AM 134389

(220) 2025 06 25

(731) LTD "Globaltherm"
Mirian Mepe St. 5, 0159, Tbilisi, Georgia

(540)



(591) Pink, crimson, 1C1A41 blue, purplish blue, white, green, yellow, sky-blue
 (531) 26.07.25; 27.05.24; 29.01.15
 (511) 6, 7, 9, 11, 17, 37

(260) AM 2026 134449 A
 (210) AM 134449
 (220) 2025 06 30
 (731) LTD "Kareli Fruits"
 Ilia Chavchavadze Av. 75, 0179,
 Tbilisi, Georgia

(540)



(591) A9A2A2 white, sky-blue, blue
 (531) 26.04.22; 26.04.24; 27.05.24; 29.01.12
 (511) 29

(260) AM 2026 134551 A
 (210) AM 134551
 (220) 2025 07 07
 (731) LLC "Georgian Tea Champion"
 Baghi St., I Lane 4, ap. 3, 6010,
 Batumi, Georgia

(540)



(591) Black-white
 (531) 27.05.10
 (511) 4, 21, 30, 32, 35, 43

(260) AM 2026 134744 A
 (210) AM 134744
 (220) 2025 07 21
 (731) LLC "Sibel Thermi"
 Akaki Tsereteli Av110 / Bakradze St. 3/5,
 0119, Tbilisi, Georgia

(540)



(591) FFFFFFF green, black, white

(531) 26.04.06; 26.04.07; 26.04.22; 26.04.24;
 27.05.01; 27.05.17; 27.05.24; 29.01.13
 (511) 11

(260) AM 2026 134981 A
 (210) AM 134981
 (220) 2025 08 05
 (731) JSC "Nikora Trade"
 Al. Mrevlishvili St. 2, 0180, Tbilisi, Georgia
 (740) Melano Gogisvanidze
 (540)



(591) FFFFFFF white, 8B9556 light green
 (531) 02.01.23; 04.05.02; 05.07.27; 27.05.01; 28.19;
 29.01.12
 (511) 30

(260) AM 2026 134987 A
 (210) AM 134987
 (220) 2025 08 05
 (310) 99031225
 (320) 2025 02 06
 (330) US
 (731) LTD "Grape Hunter"
 Mikheil Tamarashvili St. 6, 0168,
 Tbilisi, Georgia
 (740) Natela Otariidze
 (540)

GILAURI

(591) Black-white
 (511) 33

(260) AM 2026 135100 A
 (210) AM 135100
 (220) 2025 08 11
 (731) TLM International FZE
 Plot – S61306, Street S1701, Junction №S11,
 Jebel Ali Free Zone, Dubai, United Arab
 Emirates
 (740) Merab Kvimsadze
 (540)



(591) Black-white
 (531) 26.15.09; 26.15.15; 27.05.01; 27.05.22
 (511) 9, 11

(260) AM 2026 135196 A
 (210) AM 135196
 (220) 2025 08 18
 (731) LTD "Nima"
 Korneli Kekelidze St. 5, ap. 6, 0179,
 Tbilisi, Georgia

(540)
მაჯესტიკი ნიუ იორკი

(591) F7CACA black-white
 (511) 14

(260) AM 2026 135203 A
 (210) AM 135203
 (220) 2025 08 19
 (731) Boris Krasovski
 Dighomi Array, II qu., bld. 8a, ap. 20, 0159,
 Tbilisi, Georgia

(540)



(591) Black-white
 (531) 26.04.05; 26.04.22; 26.04.24; 27.05.01;
 27.05.10; 29.01.12
 (526) GEORGIA
 (511) 37

(260) AM 2026 135376 A
 (210) AM 135376
 (220) 2025 09 01
 (731) LLC "Omnia Georgia"
 Mepe Miriani St. 49, ap. 177, Saburtalo
 District, Tbilisi, Georgia

(740) Shalva Gvaramadze
 (540)



(591) Black-white
 (531) 27.05.01
 (526) GEORGIA, ომნია
 (511) 19, 37

(260) AM 2026 135392 A
 (210) AM 135392
 (220) 2025 09 02
 (731) Millennium & Copthorne International
 Limited
 9 Raffles Place, N12-01 Republic Plaza,
 048619, Singapore

(740) Shalva Gvaramadze
 (540)

THE
BILTMORE

(591) Light brown
 (531) 27.05.01; 29.01.02
 (511) 35, 43

(260) AM 2026 135394 A
 (210) AM 135394
 (220) 2025 09 03
 (731) LTD "Tabakro"
 Kerchi St. 35, 0167, Tbilisi, Georgia

(540)



(591) Red, yellow, black, white
 (531) 01.03.02; 01.03.08; 01.15.11; 03.01.06;
 27.05.01; 29.01.13
 (511) 30

(260) AM 2026 135499 A
 (210) AM 135499
 (220) 2025 09 11
 (731) Levan Pirskhalava
 Rustavi Highway, bld. 12 "v", "g", ap. 53,
 Tbilisi, Georgia

(540)



(591) 070000 black, 990303 carnelian
 (531) 24.09.03; 24.09.04; 24.09.05; 24.09.25;
 27.05.01; 27.05.08; 27.05.09; 27.05.17;
 29.01.12
 (511) 30

(260) AM 2026 135502 A
 (210) AM 135502
 (220) 2025 09 11
 (731) LTD "Shaverde"
 Adam Mickiewicz St. 29, 10g, bld. 2, 3,
 0160, Tbilisi, Georgia

(540)



(591) Black-white
 (531) 03.07.17; 03.07.21; 14.05.03; 14.05.12;
 14.05.15; 27.05.01; 27.05.05; 27.05.10
 (511) 29, 31, 32, 33, 35, 43

(260) AM 2026 135552 A
 (210) AM 135552
 (220) 2025 09 16
 (731) LLC "Georgian Wine Corporation"
 Simon Chikovani St. 35, 0171, Tbilisi,
 Georgia
 (540)



(591) Bordeaux
 (531) 06.01.02; 07.01.01; 07.01.25; 07.11.15;
 27.05.01; 29.01.11
 (511) 33, 35

(260) AM 2026 135560 A
 (210) AM 135560
 (220) 2025 09 17
 (731) Yiwu Toogou Hardware Tools Co., Ltd
 №14439, Market, Zone 2, International
 Trade City, Futian Street, Yiwu City,
 Jinhua City, China (Zhejiang) Pilot Free
 Trade Zone, Zhejiang Province, People's
 Republic of China
 (740) Giorgi Kartvelishvili
 (540)



(591) Black-white
 (531) 27.05.01; 27.05.09; 27.05.17
 (511) 7, 8

(260) AM 2026 135563 A
 (210) AM 135563
 (220) 2025 09 18
 (731) New Baldessarini GmbH
 Deimlerstraße 71, Michelfeld, 74545,
 Germany

(740) Tamar Kochlamazashvili
 (540)

BALDESSARINI

(591) Black-white
 (531) 27.05.01
 (511) 3, 9, 14, 16, 18, 24, 25, 27, 34, 35

(260) AM 2026 135565 A
 (210) AM 135565
 (220) 2025 09 18
 (731) Shenzhen Sunlong Technology Co., Ltd.
 501, Bohua Technology Park, №25,
 Huohuiluo Rd., Zhangkengjing Community,
 Guanhu Street, Longhua District, Shenzhen,
 Guangdong Province, 518000, People's
 Republic of China
 (740) Giorgi Kartvelishvili
 (540)



(591) Black-white
 (531) 02.01.02; 02.01.15; 02.01.25; 27.05.01;
 27.05.05; 27.05.17
 (511) 9

(260) AM 2026 135614 A
 (210) AM 135614
 (220) 2025 09 19
 (731) Hongkong Vanliew Technology Co.,
 Limited
 Room 9042, 9th Floor, Block B, Chung
 Mei Centre, 15-17 Hing Yip Street., Kwun
 Tong, Kowloon, Hong Kong
 (740) Irakli Gvilia
 (540)



(591) Black-white
 (531) 02.01.01; 27.05.01; 27.05.17
 (511) 34

(260) AM 2026 135615 A
 (210) AM 135615
 (220) 2025 09 19
 (731) Hongkong Vanliew Technology Co.,
 Limited

Room 9042, 9th Floor, Block B, Chung
Mei Centre, 15-17 Hing Yip Street., Kwun
Tong, Kowloon, Hong Kong

(740) Irakli Gvilia
(540)



(591) Black-white
(531) 02.01.01; 02.09.23; 25.01.09; 25.01.25
(511) 34

(260) AM 2026 135623 A
(210) AM 135623
(220) 2025 09 20
(731) Shenzhen New Gain Import & Export Ltd.
6/F, Building C, Dong He Industrial Mansion,
Sha Shen Road, Sha Tou Jiao, Yantian
District, Shenzhen, People's Republic of
China
(740) Giorgi Kartvelishvili
(540)

WMARK

(591) Black-white
(531) 27.05.01; 27.05.17
(511) 8, 11

(260) AM 2026 135627 A
(210) AM 135627
(220) 2025 09 22
(731) LLC "Digitron"
Al. Kazbegi Av. 42, Saburtalo District,
Tbilisi, Georgia
(740) Giorgi Taktakishvili
(540)



(591) White, blue
(531) 03.09.01; 03.09.10; 24.17.15; 24.17.21;
26.01.03; 26.01.16; 26.01.26; 27.05.01;
29.01.04
(511) 9, 35, 42

(260) AM 2026 135630 A
(210) AM 135630
(220) 2025 09 22
(731) Red Wisdom Limited
Room 5710, 57/F, The Center, 99 Queen's
Road Central, Central, Hong Kong,
People's Republic of China

(740) Merab Kvimsadze
(540)



(591) Red, black
(531) 27.05.01; 27.05.08; 27.05.10; 27.05.17;
29.01.13
(511) 9, 36

(260) AM 2026 135631 A
(210) AM 135631
(220) 2025 09 23
(731) LTD "USA Auto Parts"
Village Gamarjveba, 0114, Dedoplistskaro,
Georgia
(540)



(591) Red, blue, white
(531) 26.11.02; 26.11.06; 26.11.11; 27.05.01;
27.05.17; 29.01.12
(511) 1, 4, 6, 7, 37

(260) AM 2026 135633 A
(210) AM 135633
(220) 2025 09 23
(731) LLC "Football Club Aragvelebi"
Lado Asatiani St. 40, Tbilisi, Georgia
(540)



(591) Black-white, red
(531) 03.04.04; 24.01.05; 24.01.09; 27.05.01
(511) 41

(260) AM 2026 135638 A
(210) AM 135638
(220) 2025 09 23
(731) LTD "Original"
Archil Mepe St. 11, ent. 1, Floor 6, ap. 10a,
0100, Saburtalo District, Tbilisi, Georgia

(540)



(591) E82222 sharp red,FFFCFC white,
111010 black, C9BFBF light grey
(531) 11.03.04; 11.03.20; 27.05.01; 27.05.04;
27.05.17; 27.05.19; 27.05.25; 29.01.13
(511) 30

(260) AM 2026 135641 A
(210) AM 135641
(220) 2025 09 24
(731) LLC "Palavani"
Shindisi Highway 19, Gori, Georgia
(740) Giorgi Taktakishvili
(540)

VINTORIA

(591) Black-white
(511) 33

(260) AM 2026 135642 A
(210) AM 135642
(220) 2025 09 24
(731) LLC "Palavani"
Shindisi Highway 19, Gori, Georgia
(740) Giorgi Taktakishvili
(540)

VINIBERI

(591) Black-white
(511) 33

(260) AM 2026 135649 A
(210) AM 135649
(220) 2025 09 25
(731) LLC "New Payment System"
Merab Aleksidze St. 12, 8th Floor,
Block "B", Office Space 39, 0171,
Tbilisi, Georgia

(540)



(591) Black, D2FF00 green
(531) 03.01.01; 03.01.16; 03.01.24; 26.01.03;
26.01.15; 27.05.01; 29.01.12
(511) 36

(260) AM 2026 135700 A
(210) AM 135700
(220) 2025 09 26
(731) Davit Mamaladze
Revaz Laghidze St. 2, ap. 3, Tbilisi,
Georgia
(540)

MCHOICE

(591) White, green
(531) 27.05.01; 27.05.04; 27.05.10; 27.05.17;
27.05.25
(511) 14

(260) AM 2026 135702 A
(210) AM 135702
(220) 2025 09 26
(731) LTD "Merani"
Tbilisi St. 7, Martvili, Georgia
(540)



(591) Red, black, white, grey
(531) 03.03.01; 03.03.27; 24.01.09; 24.01.20;
25.07.01; 26.04.05; 26.04.12; 26.04.16;
27.05.01; 27.05.10; 27.05.17
(526) MARTVILI
(511) 41

(260) AM 2026 135704 A
(210) AM 135704
(220) 2025 09 26
(731) LLC "Studio 9"
Ljubljana St. 30, Didube District, Tbilisi,
Georgia

(540)



(591) Black-white

(531) 07.03.15; 26.11.03; 27.05.01

(511) 37, 42

(260) AM 2026 135705 A

(210) AM 135705

(220) 2025 09 26

(731) LLC "Studio 9"

Ljubljana St. 30, Didube District, Tbilisi,
Georgia

(540)



(591) Black-white

(531) 07.03.15; 26.11.03; 26.11.06; 27.05.01

(511) 37, 42

(260) AM 2026 135710 A

(210) AM 135710

(220) 2025 09 26

(731) Bitmain Technologies Limited

11/F., Wheelock House, 20 Pedder Street,
Central, Hong Kong

(740) Irakli Kasradze

(540)

**DCRACK**

(591) FFFFFFF white, 000000 black

(531) 03.11.07; 26.02.07; 26.11.02; 26.11.12;
26.11.25; 26.13.25; 27.05.01

(511) 6, 9, 11

(260) AM 2026 135713 A

(210) AM 135713

(220) 2025 09 26

(731) LLC "Modus"

Pushkin St. 18, Batumi, Georgia

(740) Vakhtang Torotadze

(540)

(591) 000000 black, C11919 Bordeaux,
FFFFFF white

(531) 26.01.05; 27.01.06; 27.05.01; 27.05.09

(511) 11

(260) AM 2026 135715 A

(210) AM 135715

(220) 2025 09 27

(731) Dashing Joys Limited

Flat/Rm 1201 12/F, Tai Sang Bank Building,
130-132 Des Voeux Road Central, Hong Kong

(740) Giorgi Kartvelishvili

(540)

LOST MARY

(591) Black-white

(531) 27.05.01

(511) 35

(260) AM 2026 135718 A

(210) AM 135718

(220) 2025 09 29

(731) N(N)LE Georgian Association of Arbitrators

Giorgi Leonidze St. 2a, ap. 7, 0108,
Mtatsminda District, Tbilisi, Georgia

(740) Levan Nanobashvili

(540)

GAA

(591) White, dark blue

(531) 27.05.01; 29.01.04; 29.01.11

(511) 45

(260) AM 2026 135719 A

(210) AM 135719

(220) 2025 09 29

(731) General Motors LLC

300 Renaissance Center, Detroit, Michigan
48265-3000, USA

(740) Giorgi Taktakishvili

(540)

OPTIQ

(591) Black-white

(511) 12

(260) AM 2026 135720 A

(210) AM 135720

(220) 2025 09 29

(731) General Motors LLC

300 Renaissance Center, Detroit, Michigan
48265-3000, USA

(740) Giorgi Taktakishvili

(540)

LYRIQ

(591) Black-white

(511) 12

(260) AM 2026 135722 A
 (210) AM 135722
 (220) 2025 09 29
 (731) LLC "Eagle Hills Georgia"
 G. Leonidze St. 2a, Floor 5, Place 7,
 Mtatsminda District, Tbilisi, Georgia
 (740) Natela Otaridze
 (540)



(591) Black-white
 (531) 27.05.01; 27.05.04; 27.05.10
 (526) Gonio, GEORGIA
 (511) 35, 36, 37, 41, 43

(260) AM 2026 135723 A
 (210) AM 135723
 (220) 2025 09 29
 (731) LLC "Eagle Hills Georgia"
 G. Leonidze St. 2a, Floor 5, Place 7,
 Mtatsminda District, Tbilisi, Georgia
 (740) Natela Otaridze
 (540)



**TBILISI
 WATERFRONT**
 GEORGIA

(591) Black-white
 (531) 26.01.03; 26.01.18; 27.05.01
 (526) TBILISI, GEORGIA
 (511) 35, 36, 37, 41, 43

(260) AM 2026 135726 A
 (210) AM 135726
 (220) 2025 09 29
 (731) OpenAI Inc.
 1455 3rd Street, San Francisco,
 CA 94158, USA
 (740) Giorgi Taktakishvili
 (540)

OPENAI

(591) Black-white
 (511) 9, 35, 38, 41, 42, 45

(260) AM 2026 135728 A
 (210) AM 135728
 (220) 2025 09 29
 (731) OpenAI OpCo LLC

1455 3rd Street, San Francisco,
 CA 94158, USA
 (740) Giorgi Taktakishvili
 (540)

CHATGPT

(591) Black-white
 (511) 9, 35, 38, 41, 42, 45

(260) AM 2026 135729 A
 (210) AM 135729
 (220) 2025 09 29
 (731) OpenAI OpCo LLC
 1455 3rd Street, San Francisco,
 CA 94158, USA
 (740) Giorgi Taktakishvili
 (540)

SORA

(591) Black-white
 (511) 9, 35, 38, 41, 42, 45

(260) AM 2026 135730 A
 (210) AM 135730
 (220) 2025 09 29
 (731) OpenAI OpCo LLC
 1455 3rd Street, San Francisco,
 CA 94158, USA
 (740) Giorgi Taktakishvili
 (540)



(591) Light blue, blue, white
 (531) 01.01.03; 01.11.12; 01.15.11; 26.04.04;
 26.04.05; 26.04.13; 26.04.24; 29.01.12
 (511) 9, 35, 38, 41, 42, 45

(260) AM 2026 135736 A
 (210) AM 135736
 (220) 2025 09 30
 (731) Football Club Spaeri
 Kvareli St. 160, Tbilisi, Georgia
 (540)



(591) 000D3D dark blue, 2762FA sky-blue, F3E95C yellow, BE5B04 orange gradient, 000000 black, FFFFFFF white
 (531) 03.07.01; 03.07.02; 26.01.04; 26.01.12; 26.01.15; 26.01.21; 27.05.01; 29.01.15
 (511) 41

(260) AM 2026 135737 A
 (210) AM 135737
 (220) 2025 09 30
 (731) LLC "Haeri Cabins"
 Utsera, 3600, Oni Region, georgia
 (540)



(591) Black-white
 (531) 05.01.05; 05.01.10; 07.01.11; 07.01.19; 07.01.20; 27.05.01; 27.05.04; 27.05.07; 27.05.08; 27.05.09
 (511) 43

(260) AM 2026 135738 A
 (210) AM 135738
 (220) 2025 10 01
 (731) Tamari Kalandadze
 Akaki Tsereteli Av. 110, ap. 17, 0179, Tbilisi, Georgia
 (540)



(591) 2A3CCF dark blue, 0097F6 light blue, 0088F1 blue
 (531) 02.09.01; 24.13.26; 26.04.04; 26.04.09; 26.13.25; 27.05.01; 29.01.04; 29.01.12
 (511) 9, 16, 35, 38, 41, 42, 44, 45

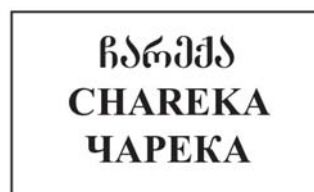
(260) AM 2026 135742 A
 (210) AM 135742
 (220) 2025 10 01
 (731) Meritor Technology LLC
 2135 West Maple Road, Troy, Michigan 48084, USA
 (740) Giorgi Taktakishvili
 (540)

EUCLID

(591) Black-white

(511) 6, 12, 17

(260) AM 2026 135747 A
 (210) AM 135747
 (220) 2025 10 01
 (731) LLC "Grape Man"
 Akaki Tsereteli Av. 87b, ap. 15, 0119, Didube District, Tbilisi, Georgia
 (540)



(591) Black-white
 (531) 26.04.05; 27.05.01; 27.05.09
 (511) 33, 35

(260) AM 2026 135749 A
 (210) AM 135749
 (220) 2025 10 01
 (731) LLC "Iberia 1999"
 Iosebidge St. 50, 0160, Tbilisi, Georgia
 (540)



(591) F91B1B red, FCFCFC white
 (531) 03.07.01; 03.07.24; 24.01.03; 24.01.09; 26.04.01; 26.04.05; 26.04.15; 26.04.16; 29.01.12
 (511) 41

(260) AM 2026 135750 A
 (210) AM 135750
 (220) 2025 10 01
 (731) Zhejiang Zhouyi Aluminium Industry Co. Ltd
 №8, Shengyuan Road, Tengqiao Town, Lucheng District, Wenzhou City, Zhejiang, People's Republic of China
 (740) Giorgi Kartvelishvili
 (540)



(591) Black-white

(531) 26.15.09; 27.01.02; 27.05.01; 27.05.17
(511) 6

(260) AM 2026 135756 A
(210) AM 135756
(220) 2025 10 02
(731) LLC "Eagle Hills Georgia"
G. Leonidze St. 2a, Floor 5, Place 7,
Mtatsminda District, Tbilisi, Georgia
(740) Natela Otariidze
(540)



(591) Black-white
(531) 26.01.03; 26.01.18; 26.04.02; 26.04.05;
26.04.10; 26.04.18; 27.05.22; 27.05.24
(511) 35, 36, 37, 41, 43

(260) AM 2026 135762 A
(210) AM 135762
(220) 2025 10 02
(731) LLC "Myphone"
M. Tamarashvili St. 13, ent. 1, fl. 1, 0160,
Saburtalo District, Tbilisi, Georgia
(540)



(591) Pink, yellow, blue, red
(531) 26.01.01; 26.01.03; 26.13.25; 27.05.04;
27.05.17; 29.01.14
(511) 38

(260) AM 2026 135810 A
(210) AM 135810
(220) 2025 10 06
(731) LLC "Bravo:Aghmashenebeli"
Tsakheli st., I Lane 11, 4600,
Kutaisi, Georgia
(540)

ფრიტე

(591) 151615 black
(511) 29

(260) AM 2026 135811 A
(210) AM 135811
(220) 2025 10 06
(731) Giorgi Mgeladze
Sh. Khimshiashvili St. 41, ap. 26, 6000,
Batumi, Georgia
(540)

Mgeladze

(591) Black-white
(511) 33

(260) AM 2026 135821 A
(210) AM 135821
(220) 2025 10 08
(731) LLC "Cricitalo365"
Vill. Kvemo Kandaure, Sagarejo Region,
Georgia
(740) Giorgi Taktakishvili
(540)



**კრიცტალო
365**

(591) Sky-blue
(531) 01.15.15; 27.05.01; 27.05.17; 27.05.21;
27.07.01; 27.07.17; 29.01.04; 29.01.11
(511) 11

(260) AM 2026 135822 A
(210) AM 135822
(220) 2025 10 08
(731) LLC "Cricitalo365"
Vill. Kvemo Kandaure, Sagarejo Region,
Georgia
(740) Giorgi Taktakishvili
(540)

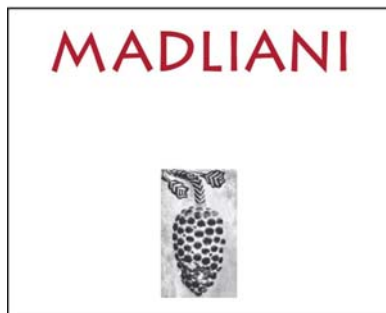


**Crystalo
365**

(591) Sky-blue
(531) 01.15.15; 27.05.01; 27.05.17; 27.05.21;
27.07.17; 29.01.04; 29.01.11
(511) 11

(260) AM 2026 135823 A
(210) AM 135823
(220) 2025 10 08
(731) LLC "Kvareli Wine Company"
Lermontov St. 3, Kvareli, Georgia

(540)



(591) Red, white, grey, black
 (531) 05.07.10; 27.05.05; 27.05.17; 29.01.12
 (511) 33

(260) AM 2026 135833 A
 (210) AM 135833
 (220) 2025 10 08
 (731) Kailasa Speciality Cuisine Private Limited
 Aram Nagar Part 2, Bungalow 15, Versova,
 Andheri West, Mumbai 400053, India
 (740) Merab Kvimsadze
 (540)



(591) Brown, white, green
 (531) 26.01.03; 26.01.16; 27.05.01; 27.05.10;
 27.05.17; 29.01.12
 (511) 43

(260) AM 2026 135841 A
 (210) AM 135841
 (220) 2025 10 09
 (731) LLC "Tineti"
 Sh. Nutsubidze St. 129a, fl. 4, Tbilisi,
 Georgia
 (540)

SWOOP.

(591) FC2A2A red
 (531) 27.01.16; 27.05.01; 27.05.07; 29.01.01;
 29.01.11
 (511) 35, 36, 39, 41, 42,

(260) AM 2026 135842 A
 (210) AM 135842
 (220) 2025 10 09
 (731) Sandoz AG
 Viaduktstrasse 3, 4051 Basel, Switzerland
 (740) Shalva Gvaramadze

(540)

LINSTOP

(591) Black-white
 (511) 5

(260) AM 2026 135843 A
 (210) AM 135843
 (220) 2025 10 09
 (731) LLC "Lusso Georgia"
 Giorgi Chkondideli St. 36, bld. 4, ap. 74,
 0180, Tbilisi, Georgia

(540)



(591) 030E37 dark blue, white
 (531) 03.03.01; 03.03.15; 03.03.24; 26.04.02;
 26.04.05; 26.04.15; 26.04.22; 26.04.24;
 27.05.01; 27.05.24
 (511) 18, 25, 35

(260) AM 2026 135902 A
 (210) AM 135902
 (220) 2025 10 10
 (731) Chongqing Changan Automobile Co., LTD.
 260 Jianxin East Road, Jiangbei District,
 Chongqing, People's Republic of China
 (740) Shalva Gvaramadze
 (540)

CHANGAN

(591) Black-white
 (531) 27.05.01; 27.05.17
 (511) 12

(260) AM 2026 135903 A
 (210) AM 135903
 (220) 2025 10 10
 (731) Al-Ameed Food Industries W.L.L
 Ali Nasoukh Al Takhir Strit, Bilding 31,
 Sveifies, Amani, Jordan
 (740) Merab Kvimsadze
 (540)



(591) Black-white
 (531) 26.13.25; 27.05.01; 27.05.17; 28.01
 (511) 11, 30, 35, 43

(260) AM 2026 135906 A
 (210) AM 135906
 (220) 2025 10 10
 (731) LLC "Papris Mindvrebi"
 Vill. Akhasheni, Gurjaani District, Georgia
 (740) Khatuna Imnadze
 (540)

NUKRI
ნუკრი
НУКРИ

(591) Black-white
 (511) 33

(260) AM 2026 135917 A
 (210) AM 135917
 (220) 2025 10 13
 (731) LLC "Ecogo"
 Zaza Panaskertel-Tsitsishvili St. 18g, ap. 37,
 0160, Saburtalo district, Tbilisi, Georgia
 (540)



(591) F3F0EB white, 201E1F blac
 (531) 05.05.01; 05.05.14; 05.05.16; 05.05.19;
 05.05.20; 27.01.05; 27.05.01; 27.05.08;
 27.05.09;
 27.05.17
 (511) 43

(260) AM 2026 135926 A
 (210) AM 135926
 (220) 2025 10 15
 (731) IDS Borjomi Beverages Co.N.V.
 Pos Cabai Office Park 5, Curaçao
 (740) Giorgi Jokharidze
 (540)



(591) Yellow, green, orange, red, white
 (531) 03.04.07; 05.07.15; 06.01.02; 06.01.04;
 25.03.13; 25.07.08; 27.05.01; 27.05.10
 (511) 32

(260) AM 2026 135927 A
 (210) AM 135927
 (220) 2025 10 15
 (731) IDS Borjomi Beverages Co.N.V.
 Pos Cabai Office Park 5, Curaçao
 (740) Giorgi Jokharidze
 (540)



(591) Green, red, white, dark green
 (531) 03.04.07; 05.05.22; 05.11.11; 05.13.25;
 06.01.02; 06.01.04; 25.03.13; 25.07.08;
 27.05.01; 27.05.10
 (511) 32, 35

(260) AM 2026 135929 A
 (210) AM 135929
 (220) 2025 10 15
 (731) Colgate-Palmolive Company
 Delaware Corporation
 300 Park Avenue, New York, New York
 10022, Usa
 (740) Tamaz Shilakadze
 (540)

**PALMOLIVE ТВОЯ
 СВЕЖЕСТЬ**

(591) Black-white
 (511) 3

(260) AM 2026 135930 A
 (210) AM 135930
 (220) 2025 10 15
 (731) Essity Hygiene and Health Aktiebolag
 SE-405 03 Göteborg, Sweden
 (740) Tamaz Shilakadze
 (540)

ZEWA

(591) Black-white
 (511) 3, 16

(260) AM 2026 135939 A
 (210) AM 135939
 (220) 2025 10 16
 (731) LLC "Megobari-2
 Vill. Kvemo Chala, Kaspi, Georgia
 (540)



(591) FCC7DE pink, 8C93E2 sky-blue,
 EDE736 yellow, C560F7 lilac,
 F92020 red, black, white
 (531) 01.01.05; 01.07.06; 01.07.19; 02.05.03;
 03.13.01; 04.03.09; 19.03.24; 27.05.01;
 29.01.15
 (511) 28

(260) AM 2026 135940 A
 (210) AM 135940
 (220) 2025 10 16
 (731) LLC "Megobari-2
 Vill. Kvemo Chala, Kaspi, Georgia
 (540)



(591) 0A27A8 blue, 71A3DD sky-blue,
 EFF711 yellow, 276B06 green, 840CB7 lilac,
 EF0B0B red, white, black
 (531) 01.01.05; 02.05.02; 02.05.05; 03.15; 16.03.25;
 18.05.10; 19.03.24; 21.01.25; 27.05.01;
 29.01.15
 (511) 28

(260) AM 2026 135944 A
 (210) AM 135944
 (220) 2025 10 17
 (731) LLC "Salve. GE"
 K. Marjanishvili St. 6, 0102, Tbilisi,
 Georgia

(540)

SALVE
სალვე

(591) Black-white
 (511) 1, 2, 6, 8, 12, 13, 15, 17, 19

(260) AM 2026 135948 A
 (210) AM 135948
 (220) 2025 10 17
 (731) Century 21 Real Estate LLC
 175 Park Avenue, Madison, New Jersey
 07940, USA

(740) Tamaz Shilakadze
 (540)

CENTURY 21
FINE HOMES
& ESTATES

(591) Black-white
 (531) 24.17.05; 24.17.09; 27.05.01; 27.05.08;
 27.05.17; 27.07.17
 (511) 36

(260) AM 2026 135950 A
 (210) AM 135950
 (220) 2025 10 17
 (731) Century 21 Real Estate LLC
 175 Park Avenue, Madison, New Jersey
 07940, USA
 (740) Tamaz Shilakadze
 (540)



(591) Black-white
 (531) 24.17.05; 24.17.07; 24.17.09; 26.01.17;
 26.01.26; 26.04.02; 26.04.12; 26.04.16;
 26.04.17; 26.04.22; 26.04.24; 27.05.01;
 27.05.07
 (511) 36

(260) AM 2026 136031 A
 (210) AM 136031
 (220) 2025 10 19
 (731) LLC "Aversi-Pharma"
 Davit Aghmashenebeli Av. 148, 0112,
 Tbilisi, Georgia
 (540)

კრონენზი
Кроненз
Cronenz

(531) 24.01.19; 24.01.25; 25.01.09; 25.01.25;
26.13.25; 27.05.01
(511) 30, 31, 32

(260) AM 2026 136122 A
(210) AM 136122
(220) 2025 10 24
(731) Anhui TEU Forklift Truck Co., Ltd.
№656, Fangxing Road, Economic and
Technological Development Zone,
Hefei City, Anhui Province, People's
Republic of China
(740) Shalva Gvaramadze
(540)



(591) Black-white
(531) 27.05.01; 27.05.17
(511) 12

(260) AM 2026 136126 A
(210) AM 136126
(220) 2025 10 26
(731) Haixing (Tianjin) Intelligent
Equipment Co., LTD
1-1411, Chuangzhi Building, Xinkai Road,
Hedong District, Tianjin, People's Republic
of China
(740) Giorgi Kartvelishvili
(540)



(591) Black, white, red, blue
(531) 25.03.01; 25.03.11; 25.05.01; 27.05.01;
27.05.17; 29.01.13
(511) 7

REGISTERED TRADEMARK

(111) M 2026 41131 R
(151) 2026 04 21
(181) 2036 04 21
(260) AM 2025 133142 A
(220) 2025 04 01
(732) Shenzhen Ruihu Technology Co., Ltd.
Room 502, Building A, B, C, Zone B,
Yuanfen Industrial Park, Taoyuan
Community, Dalang Street, Longhua District,
Shenzhen, Guangdong, People's Republic
of China
(511) 7

(111) M 2026 41132 R
(151) 2026 04 21
(181) 2036 04 21
(260) AM 2025 133490 A
(220) 2025 04 25
Taif Al Emarat Perfumes L.L.C
Shop №1224, Property of Al Naboodah Real
Estate Company LLC - Deira - Al Mizar First,
Dubai, United Arab Emirates
(511) 3

(111) M 2026 41133 R
(151) 2026 04 21
(181) 2036 04 21
(260) AM 2025 133044 A
(220) 2025 03 26
(732) Fairland Holdings Co., LTD
19/F ABCDE, People's Republic of China
Energy Storage Building, №3099, South
Keyuan Road, High-tech Community,
Yuehai Street, Nanshan District, Shenzhen,
People's Republic of China
(511) 7, 9, 11, 12

(111) M 2026 41134 R
(151) 2026 04 21
(181) 2036 04 21
(260) AM 2025 133549 A
(220) 2025 04 26
(732) JNBY Finery Co., Ltd.
8/F, Unit 6, Tianmu Qingshui Commercial
Center, Xihu District, Hangzhou, Zhejiang
Province, People's Republic of China
(511) 25

(111) M 2026 41135 R
(151) 2026 04 21
(181) 2036 04 21
(260) AM 2025 133649 A
(220) 2025 05 05
(732) Shenzhen SKE Technology Co., Ltd.
Building 3, Antuoshan High-tech Industrial
Park, Shaer Community, Shajing Street,
Baoan District, Shenzhen City, Guangdong
Province, 518000, People's Republic of China
(511) 34

(111) M 2026 41136 R
(151) 2026 04 21
(181) 2036 04 21
(260) AM 2025 133650 A
(220) 2025 05 05
(732) Shenzhen SKE Technology Co., Ltd.
Building 3, Antuoshan High-tech Industrial
Park, Shaer Community, Shajing Street,
Baoan District, Shenzhen City, Guangdong
Province, 518000, People's Republic of China
(511) 34

(111) M 2026 41137 R
(151) 2026 04 21
(181) 2036 04 21
(260) AM 2025 133547 A
(220) 2025 04 25
(732) Toyota Jidosha Kabushiki Kaisha
(also trading as Toyota Motor Corporation)
1, Toiota-cho, Toiota-shi, Aichi-ken, Japan
(511) 12

(111) M 2026 41138 R
(151) 2026 04 23
(181) 2036 04 23
(260) AM 2025 132781 A
(220) 2025 03 07
(732) Health and Happiness (H&H) Hong Kong
Limited
Suites 4007-09 40/F, One Island East Taikoo
Place, 18 Westlands Road Quarry Bay,
Hong Kong
(511) 5, 10

(111) M 2026 41139 R (151) 2026 04 23 (181) 2036 04 23 (260) AM 2025 133783 A (220) 2025 05 15 (732) JSC "Wissol Petroleum Georgia" Ilia Chavchavadze Av. 74b, 0179, Vake District, Tbilisi, Georgia (511) 35, 37, 43	(511) 33, 43
(111) M 2026 41140 R (151) 2026 04 23 (181) 2036 04 23 (260) AM 2025 132782 A (220) 2025 03 07 (732) Health and Happiness (H&H) Hong Kong Limited Suites 4007-09 40/F, One Island East Taikoo Place, 18 Westlands Road Quarry Bay, Hong Kong (511) 5, 29, 30, 32	(111) M 2026 41144 R (151) 2026 04 23 (181) 2036 04 23 (260) AM 2025 133959 A (220) 2025 05 23 (732) Irina Chopliani Zahesi, Avchala 1, 51, 0178, Tbilisi, Georgia (511) 43
(111) M 2026 41141 R (151) 2026 04 23 (181) 2036 04 23 (260) AM 2025 134062 A (220) 2025 05 30 (732) LTD "Fitness Solutions" Lech Kaczynski St. 1, bld. 4, ap. 154, Isani District, Tbilisi, Georgia (511) 5, 7, 9, 35	(111) M 2026 41145 R (151) 2026 04 23 (181) 2036 04 23 (260) AM 2025 133779 A (220) 2025 05 15 (732) PepsiCo Inc. 700 Anderson Hill Road, Purchase, New York, 10577, USA (511) 29, 30
(111) M 2026 41142 R (151) 2026 04 23 (181) 2036 04 23 (260) AM 2025 133782 A (220) 2025 05 15 (732) JSC "Wissol Petroleum Georgia" Ilia Chavchavadze Av. 74b, 0179, Vake District, Tbilisi, Georgia (511) 35, 37, 43	(111) M 2026 41146 R (151) 2026 04 23 (181) 2036 04 23 (260) AM 2025 133781 A (220) 2025 05 15 (732) PepsiCo Inc. 700 Anderson Hill Road, Purchase, New York, 10577, USA (511) 29, 30
(111) M 2026 41143 R (151) 2026 04 23 (181) 2036 04 23 (260) AM 2025 133362 A (220) 2025 04 11 (732) LTD "Sam" V. Orbeliani St. 18, Tbilisi, Georgia	(111) M 2026 41147 R (151) 2026 04 23 (181) 2036 04 23 (260) AM 2025 134179 A (220) 2025 06 09 (732) LTD "Kartech" Levan Mikeladze St. 17, ap. 18, 0179, Tbilisi, Georgia (511) 3, 35, 36, 37, 43
(111) M 2026 41143 R (151) 2026 04 23 (181) 2036 04 23 (260) AM 2025 133362 A (220) 2025 04 11 (732) LTD "Sam" V. Orbeliani St. 18, Tbilisi, Georgia	(111) M 2026 41148 R (151) 2026 04 23 (181) 2036 04 23 (260) AM 2025 134176 A (220) 2025 06 09 (732) LTD "Kartech" Levan Mikeladze St. 17, ap. 18, 0179,

Tbilisi, Georgia
(511) 3, 35, 36, 37, 43

(111) M 2026 41149 R
(151) 2026 04 23
(181) 2036 04 23
(260) AM 2025 133958 A
(220) 2025 05 23
(732) Grendene S.A.
A corporation organized and existing under
the laws of Brazil Avenida Pimentel Gomes,
214, Expectativa em Sobral/CE, 62040-125,
Brazil
(511) 25

(111) M 2026 41150 R
(151) 2026 04 23
(181) 2036 04 23
(260) AM 2025 132516 A
(220) 2025 02 27
(732) Rolex SA
Rue François-Dussaud 3-5-7, Geneva,
Switzerland
(511) 14

(111) M 2026 41151 R
(151) 2026 04 23
(181) 2036 04 23
(260) AM 2025 133545 A
(220) 2025 04 25
(732) Majid Al Futtaim Retail LLC
P.O. Box 124441, Dubai, United Arab Emirates
(511) 35, 42

(111) M 2026 41152 R
(151) 2026 04 23
(181) 2036 04 23
(260) AM 2025 133251 A
(220) 2025 04 04
(732) LTD "Vigroup"
Kekelidze St. 25, bld. 6, ap. 1, Tbilisi, Georgia
(511) 14, 35

(111) M 2026 41153 R
(151) 2026 04 23
(181) 2036 04 23
(260) AM 2025 133247 A
(220) 2025 04 04

(732) Dea Javakhishvili
Kekelidze St. 25, Tbilisi, Georgia
(511) 14, 35

(111) M 2026 41154 R
(151) 2026 04 23
(181) 2036 04 23
(260) AM 2025 133644 A
(220) 2025 05 02
(732) LTD "M² Group"
Givi Kartozia St. 10, Ent. 6, fl. 0,
Commercial space 13, 0177, Saburtalo
District, Tbilisi, Georgia
(511) 36, 37

(111) M 2026 41155 R
(151) 2026 04 23
(181) 2036 04 23
(260) AM 2025 133891 A
(220) 2025 05 21
(732) LTD "D M S"
Nutsubidze Slope, V m/r, bld. 2, ap. 23, 0186,
Tbilisi, Georgia
(511) 44

(111) M 2026 41156 R
(151) 2026 04 23
(181) 2036 04 23
(260) AM 2025 133366 A
(220) 2025 04 11
(732) Kraft Foods Schweiz Holding GmbH
Chollerstrasse 4, Zug 6300, Switzerland
(511) 30

(111) M 2026 41157 R
(151) 2026 04 23
(181) 2036 04 23
(260) AM 2025 132256 A
(220) 2025 02 13
(732) ZS Pharma Inc.
1100 Park Place, Suite 300, San Mateo,
CA 94403, USA
(511) 5

(111) M 2026 41158 R
(151) 2026 04 27
(181) 2036 04 27
(260) AM 2025 133688 A

(220) 2025 05 07
 (732) Zurab Turtseladze
 Natela Iankoshvili St. 26, 0190, Tbilisi, Georgia
 (511) 25

(111) M 2026 41159 R
 (151) 2026 04 27
 (181) 2036 04 27
 (260) AM 2025 133275 A
 (220) 2025 04 08

(732) Svensson Worldwide Ltd.
 7/F, Mw Tower, 111 Bonham Strand, Sheung
 Wan, Hong Kong, 999077, People's Republic
 of China
 (511) 33

(111) M 2026 41160 R
 (151) 2026 04 27
 (181) 2036 04 27
 (260) AM 2024 128850 A
 (220) 2024 06 26

(732) Philip Morris Brands Sàrl
 Quai Jeanrenaud 3, 2000 Neuchâtel,
 Switzerland
 (511) 34

(111) M 2026 41161 R
 (151) 2026 04 27
 (181) 2036 04 27
 (260) AM 2025 132673 A
 (220) 2025 03 04

(732) Inga Svanidze
 Titsian Tabidze St. 108, 0162, Tbilisi, Georgia
 (511) 30

(111) M 2026 41162 R
 (151) 2026 04 27
 (181) 2036 04 27
 (260) AM 2025 132661 A
 (220) 2025 03 03

(732) Shenzhen Joway Power Supply Co., Ltd.
 Floor 1-5 of Bldg 10th and Bldg 11th,
 Antuoshan High-Tech Industrial Park,
 Sha'er Community, Shajing Street,
 Bao'an District, Shenzhen, People's Republic
 of China
 (511) 9

(111) M 2026 41163 R
 (151) 2026 04 27
 (181) 2036 04 27
 (260) AM 2025 133285 A
 (220) 2025 04 10

(732) Valorem Capital One Ltd
 4th Floor, 95 Gresham Street, London,
 EC2V 7AB, United Kingdom
 (511) 3

(111) M 2026 41164 R
 (151) 2026 04 27
 (181) 2036 04 27
 (260) AM 2025 134075 A
 (220) 2025 06 03

(732) ACCOR
 82 rue Henri Farman, 92130 Issy-les-
 Moulinaux, France
 (511) 36

(111) M 2026 41165 R
 (151) 2026 04 27
 (181) 2036 04 27
 (260) AM 2025 133893 A
 (220) 2025 05 21

(732) Wenming Zhao
 №9, Dongxiaozhai Village, Xidi Village,
 Dongxin Zhuang Town, Xingcheng City,
 Liaoning Province, 125100, People's
 Republic of China
 (511) 8, 9, 21

(111) M 2026 41166 R
 (151) 2026 04 27
 (181) 2036 04 27
 (260) AM 2025 133487 A
 (220) 2025 04 24

(732) IDS Borjomi Beverages Co.N.V.
 Tori St. 39, 1200, Borjomi, Georgia
 (511) 32

(111) M 2026 41167 R
 (151) 2026 04 27
 (181) 2036 04 27
 (260) AM 2025 133902 A
 (220) 2025 05 22

(732) IDS Borjomi Beverages Co.N.V.
 Tori St. 39, 1200, Borjomi, Georgia
 (511) 32

(111) M 2026 41168 R
(151) 2026 04 27
(181) 2036 04 27
(260) AM 2025 134199 A
(220) 2025 06 13
(732) JSC "Georgian Agro House"
Davit Aghmashenebeli Alley 230,
Saburtalo District, Tbilisi, Georgia
(511) 31

(111) M 2026 41169 R
(151) 2026 04 27
(181) 2036 04 27
(260) AM 2025 133974 A
(220) 2025 05 28
(732) LTD "Eva Product"
Chelyuskintsev St. 44/1, fl. 6, Novosibirsk,
Russian Federation
(511) 3, 5, 21, 29, 30, 32, 35

(111) M 2026 41170 R
(151) 2026 04 27
(181) 2036 04 27
(260) AM 2024 129841 A
(220) 2024 09 03
(732) Temur Dodelia
Mariam Garikuli St. 15, Tbilisi, Georgia
(511) 16, 21, 25, 28, 35, 41

(111) M 2026 41171 R
(151) 2026 04 27
(181) 2036 04 27
(260) AM 2025 134200 A
(220) 2025 06 13
(732) JSC "Georgian Agro House"
Davit Aghmashenebeli Alley 230,
Saburtalo District, Tbilisi, Georgia
(511) 31

(111) M 2026 41172 R
(151) 2026 04 27
(181) 2036 04 27
(260) AM 2025 132922 A
(220) 2025 03 18
(732) LLC "Cor Gaming"
Tina Iosebidze St. 51a, ap. 32, 0108,
Saburtalo District, Tbilisi, Georgia
(511) 9, 28, 41

(111) M 2026 41173 R
(151) 2026 04 27
(181) 2036 04 27
(260) AM 2025 132068 A
(220) 2025 02 03
(732) LTD "Domokimi"
Opposite Isani Bazaar, Plot 27/50, Tbilisi,
Georgia
(511) 3

(111) M 2026 41174 R
(151) 2026 04 27
(181) 2036 04 27
(260) AM 2024 131482 A
(220) 2024 12 20
(732) LLC "Cor Gaming"
Tina Iosebidze St. 51a, ap. 32, 0108,
Saburtalo District, Tbilisi, Georgia
(511) 9, 28, 41

(111) M 2026 41175 R
(151) 2026 04 27
(181) 2036 04 27
(260) AM 2025 134076 A
(220) 2025 06 03
(732) LTD "Leppert"
Paata Saakadze St. 15, Tbilisi, Georgia
(511) 14, 35

(111) M 2026 41176 R
(151) 2026 04 27
(181) 2036 04 27
(260) AM 2025 132070 A
(220) 2025 02 03
(732) LTD "Domokimi"
Opposite Isani Bazaar, Plot 27/50, Tbilisi,
Georgia
(511) 3

(111) M 2026 41177 R
(151) 2026 04 27
(181) 2036 04 27
(260) AM 2025 132670 A
(220) 2025 03 04
(732) The Ayn Rand Institute: The Center
for the Advancement of Objectivism
6 Hutton Centre DR., Suite 600 Santa Ana,
California, 92707, USA
(511) 9, 16, 35, 36, 37, 41

<p>(111) M 2026 41178 R (151) 2026 04 27 (181) 2036 04 27 (260) AM 2025 132669 A (220) 2025 03 04 (732) Corteva Agriscience LLC 9330 Zionsville Road, Indianapolis, Indiana 46268, USA (511) 1</p> <hr/> <p>(111) M 2026 41179 R (151) 2026 04 27 (181) 2036 04 27 (260) AM 2025 132347 A (220) 2025 02 18 (732) Corteva Agriscience LLC 9330 Zionsville Road, Indianapolis, Indiana 46268, USA (511) 1</p> <hr/> <p>(111) M 2026 41180 R (151) 2026 04 27 (181) 2036 04 27 (260) AM 2025 134168 A (220) 2025 06 06 (732) JSC "Gomi Spirit and Vodka Company" Village Gomi, Khashuri Region, Georgia (511) 33</p> <hr/> <p>(111) M 2026 41181 R (151) 2026 04 27 (181) 2036 04 27 (260) AM 2025 133904 A (220) 2025 05 23 (732) 4finance Holding S.A. 8-10, Aveniu De La Gare, L-1610, Luxembourg, Luxembourg (511) 36</p> <hr/> <p>(111) M 2026 41182 R (151) 2026 04 27 (181) 2036 04 27 (260) AM 2025 134063 A (220) 2025 06 01 (732) LTD "Leader System" Khosharauli and Eliava Streets, between the left bank of the Mtkvari River and the</p>	<p>Vakhushti Bridge, Didube District, Tbilisi, Georgia (511) 25</p> <hr/> <p>(111) M 2026 41183 R (151) 2026 04 27 (181) 2036 04 27 (260) AM 2025 132793 A (220) 2025 03 10 (732) LLC "Leader System" Khosharauli and Eliava Streets, between the left bank of the Mtkvari River and the Vakhushti Bridge, Didube District, Tbilisi, Georgia (511) 25</p> <hr/> <p>(111) M 2026 41184 R (151) 2026 04 27 (181) 2036 04 27 (260) AM 2025 134091 A (220) 2025 06 05 (732) Mysten Labs Inc. Suite 200, 379 University Avenue, Palo Alto, California, 94301, USA (511) 9, 36, 42</p> <hr/> <p>(111) M 1996 3257P R (151) 1996 09 20 (181) 2026 09 20 (260) AM 2026 138593 A (220) 2026 04 02 (732) Hoya Corporation 6-10-1 NishiShinjuku, Shinjuku-ku, Tokyo 160-8347, Japan (511) 9</p> <hr/>
---------------------------------------------------------------------------------------------------------------------------------------------------------------------------------------------------------------------------------------------------------------------------------------------------------------------------------------------------------------------------------------------------------------------------------------------------------------------------------------------------------------------------------------------------------------------------------------------------------------------------------------------------------------------------------------------------------------------------------------------------------------------------------------------------------------------------------------------------------------------------------------------------------------------------------------------------------------------------------------------------------------------------------------------------------------------------------------------------------------------------------------------------------------------------------------------------------------------------------------------------	----------------------------------------------------------------------------------------------------------------------------------------------------------------------------------------------------------------------------------------------------------------------------------------------------------------------------------------------------------------------------------------------------------------------------------------------------------------------------------------------------------------------------------------------------------------------------------------------------------------------------------------------------------------------------------------------------------------------------------------------------------------------------------------------------------------------------------------------------------------------------------------------------------------------------------------

**TRADEMARK REGISTERED ACCORDING TO THE
ACCELERATED PROCEDURE**

The decision can be appealed at the Chamber of Appeal of Sakpatenti within 3 months from the publication.

(111) M 2026 41185 R
(151) 2026 05 04
(181) 2036 05 04
(210) AM 138689
(220) 2026 04 07
(732) Valentin Kirillov
Mendeleev St. 36, 17, Karaganda, Kazakhstan
(740) Lia Mamiashvili
(540)

Serve.You

(591) Black-white
(511) 9, 35, 42

(111) M 2026 41186 R
(151) 2026 05 04
(181) 2036 05 04
(210) AM 138690
(220) 2026 04 07
(732) LTD "Evida"
E. Bedia St. 33, Vake District, Tbilisi, Georgia
(540)

ევიდა

(591) 161515 black-white
(511) 44

(111) M 2026 41187 R
(151) 2026 05 04
(181) 2036 05 04
(210) AM 138700
(220) 2026 04 08
(732) LTD "Rezgi"
V. Sarajishvili St. 6g, Gurjaani, Georgia
(740) Giorgi Taktakishvili
(540)



(591) Silver
(531) 06.01.04; 26.04.02; 26.04.05; 26.04.16;
26.04.22; 26.04.24; 27.05.01; 27.05.17;
27.05.24; 29.01.12
(511) 7, 8, 11, 21

(111) M 2026 41188 R
(151) 2026 05 04
(181) 2036 05 04
(210) AM 138698
(220) 2026 04 08
(732) BIPA Parfumerien Gesellschaft m.b.H.
Industriezentrum, Str. 3, Object 16, 2355,
Wiener Neudorf, Austria, Austria
(740) Tamar Jikia
(540)

BI KIDS

(591) Black-white
(511) 3, 5, 16, 21, 24, 28

(111) M 2026 41189 R
(151) 2026 05 04
(181) 2036 05 04
(210) AM 138672
(220) 2026 04 03
(732) Abilakh Muradov
Sports St. 2, Apt. 71, Rustavi, Georgia
(740) Giorgi Taktakishvili
(540)



berllong

(591) Black-white
(531) 09.07.19; 11.01.02; 27.05.01
(511) 8, 21

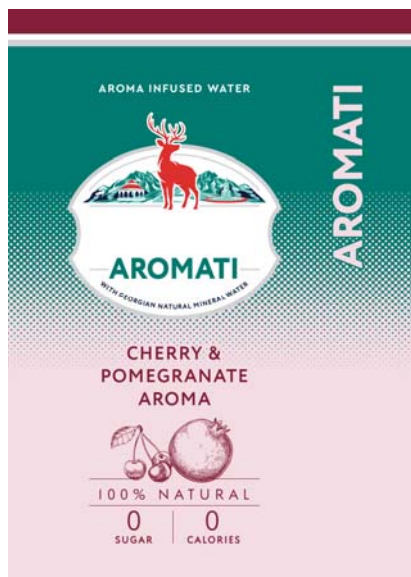
(111) M 2026 41190 R
(151) 2026 05 04
(181) 2036 05 04
(210) AM 138807
(220) 2026 04 14
(732) Ararat Coffee LLC
127/21, Arshakuniac Aveniu, Yerevan, 0023,
Armenia
(740) Giorgi Kartvelishvili
(540)

ARARAT
Coffee

(591) Brown, orange

(531) 27.05.01; 27.05.09; 27.05.10; 27.05.17;
29.01.12
(511) 30

(111) M 2026 41191 R
(151) 2026 05 04
(181) 2036 05 04
(210) AM 138815
(220) 2026 04 16
(732) IDS Borjomi Beverages Co.N.V.
Pos Cabai Offis Park 5, Curacao, Curaçao
(740) Giorgi Jokharidze
(540)



(591) Green, carmelian, red, white
(531) 03.04.07; 05.07.07; 05.07.09; 05.07.16;
05.07.21; 06.01.02; 06.01.04; 07.01.25;
25.01.01; 25.01.15; 25.01.17; 25.01.18;
25.01.19; 27.05.01; 27.05.09; 27.05.10;
29.01.15
(511) 32

(111) M 2026 41192 R
(151) 2026 05 04
(181) 2036 05 04
(210) AM 138885
(220) 2026 04 20
(732) LTD "Portal"
Gio Khutsishvili St. 3, 0160, Saburtalo
District, Tbilisi, Georgia
(540)

პორტალი
Portal

(591) Black-white
(511) 39

(111) M 2026 41193 R
(151) 2026 05 04
(181) 2036 05 04
(210) AM 138893
(220) 2026 04 21
(732) LTD "Master Service Group"
Sergo Zakariadze St. 11, ap. 3, 0177,
Tbilisi, Georgia
(540)



(591) Black, 5390 red, 5390 yellow
(531) 03.07.01; 03.07.16; 03.07.17; 03.07.19;
03.07.24; 28.11; 29.01.13
(511) 11

INTERNATIONAL TRADEMARK FOR WHICH A DECISION ON GRANTING PROTECTION IS TAKEN

The decision can be appealed at the Chamber of Appeal of Sakpatenti within 3 months from the publication or at the Mtskheta District Court Administrative Cases Board (Address: №17, Samkhedro St., Mtskheta), within 1 month following the publication.

(260) AM 2026 132031 A

(800) 1836153

(151) 2024 10 31

(891) 2024 10 31

(731) Shenzhen Comix Group Co., Ltd.

Comix Science & Technology Park,
No. 18 Jinxiu Rd., Pingshan District,
Shenzhen, China

(540)



(591) Black, white

(531) 27.05.01

(511)

2 – Printing ink; toner for photocopiers; mastic [natural resin]; toner cartridges, filled, for printers and photocopiers; toner for printing; dyes; paints; anti-corrosive preparations; pigments; colorants for use in the manufacture of food.

8 – Scissors for children; knives [hand tools]; scissors; garden tools, hand-operated; hand tools, hand-operated; glass cutters; hobby knives [scalpels]; palette knives; tweezers; graving tools [hand tools].

9 – Electronic tags for goods; interactive touchscreen terminals; electronic pens; tablet computers; computer peripheral devices; computer memory devices; pocket calculators; electronic interactive whiteboards; computers; downloadable mobile phone software applications; USB flash drives; central processing units for processing information, data, sound and images; scanners [data processing equipment]; toner cartridges, unfilled, for printers and photocopiers; mechanisms for coin-operated apparatus; cash registers; apparatus to check franking; counterfeit coin detectors; voting machines; holograms; hemline markers; dictating machines; chronographs [time recording apparatus]; facsimile machines; photocopiers; punched card machines for offices; weighing apparatus and instruments; measuring tapes; digital signs; cases for smartphones; wearable activity trackers; smartphones in the shape of a watch; telephone apparatus; portable media players; digital photo frames; earphones; camcorders; bags for photographic apparatus; selfie sticks [hand-held monopods]; cameras [photography]; audiovisual teaching apparatus; surveying instruments; optical apparatus and instruments; materials for electricity mains [wires, cables]; fluorescent screens; remote control

apparatus; magnetic cores; semiconductors; light-emitting diodes [LED]; optical fibres [light conducting filaments]; lightning conductors; electric installations for the remote control of industrial operations; ionization apparatus not for the treatment of air or water; fire extinguishing apparatus; radiological apparatus for industrial purposes; protection devices for personal use against accidents; theft prevention installations, electric; spectacles; batteries, electric; films, exposed; sunglasses for pets; electronic collars to train animals; animal signalling rattles for directing livestock; egg-candlers; sports whistles; decorative magnets; refrigerator magnets; dog whistles.

16 – Paper; copying paper [stationery]; towels of paper; cardboard; note books; pads [stationery]; printed publications; pictures; wrapping paper; staples for paper; bookbinding material; staplers for paper; paper shredders for office use; pencil sharpening machines, electric or non-electric; paper cutters [office requisites]; punches [office requisites]; drawing pins; paper clasps; pen cases; erasers; stationery; clipboards; folders for papers; paper-clips; pencil holders; correcting fluids [office requisites]; document files [stationery]; school supplies [stationery]; ink; stamp pads; whiteboard pens; steel pens; writing instruments; cases for pens; gummed tape [stationery]; starch paste [adhesive] for stationery or household purposes; drawing instruments; drawing materials; inking ribbons; franking machines for office use; typewriters, electric or non-electric; writing chalk; teaching materials [except apparatus]; architects' models; mezuzah parchments; mezuzah cases.

20 – Office furniture; furniture; display boards; work benches; newspaper display stands; filing cabinets; magazine racks; picture frames; decorative mirrors; showcases [furniture].

(260) AM 2026 132032 A

(800) 1836195

(151) 2024 07 31

(891) 2024 07 31

(731) Chastnoe proizvodstvennoe unitarnoe

predpriyatie "Darida"

ul. Linejnaja, 1a, ag. Zhdanovich, 223028

Minskij rajon, Minskaja oblast',

Belarus

(540)



(591) Dark blue, dark red, gold, shades of gold and white

(531) 05.07.22; 11.03.02; 24.17.25; 25.01.15; 27.05.01; 29.01.14

(526) The verbal element "RUM & COLA".

(511)

33 – Alcoholic cocktails; alcoholic cocktails with the addition or flavor of rum and cola.

(260) AM 2026 132034 A

(800) 1836221

(151) 2024 11 07

(891) 2024 11 07

(731) Limited Liability Company
"DATAUNIVERSE"Leningradsky Ave., Building 31A, Building 1,
Room 4/5, Floor/Office 5/15, municipal
district, Begovoy, RU-125284 Moscow,
Russian Federation

(540)



(591) Blue, light turquoise and white

(531) 07.01.18; 24.15.01; 27.05.01; 29.01.12

(511)

9 – 3D spectacles; DVD players; breathing apparatus for underwater swimming; telephone apparatus; ear plugs for divers; binoculars; encoded identification bracelets, magnetic; video baby monitors; hands-free kits for telephones; headsets for playing video games; dive skins; holograms; holders adapted for mobile telephones and smartphones; electronic interactive whiteboards; electronic notice boards; life jackets; reflective safety vests; nose clips for divers and swimmers; downloadable emoticons for mobile phones; eyewear; reflective articles for wear, for the prevention of accidents; riding helmets; electronic book readers; electronic agendas; dashboard mats adapted for holding mobile telephones and smartphones; directional compasses; marine compasses; computers; diving suits; magnets; decorative magnets; divers' masks; portable media players; digital weather stations; monitors [computer hardware]; monitors [computer programs]; data

sets, recorded or downloadable; sound recording carriers; magnetic data media; downloadable application software for virtual environments; computer game software, recorded; computer software, recorded; downloadable computer software for managing crypto asset transactions using blockchain technology; software as a medical device [SaMD], downloadable; computer hardware; spectacle frames; spectacles; anti-glare glasses; sunglasses; goggles for sports; biometric passports; electronic pocket translators; gloves for divers; data gloves; computer software platforms, recorded or downloadable; protective films adapted for computer screens; protective films adapted for smartphones; sound recording strips; mobile phone screen protectors; stands adapted for laptops; in-car telephone handset cradles; personal digital assistants [PDAs]; weight belts for divers; life belts; fuses; computer software applications, downloadable; downloadable computer software applications for minting non-fungible tokens [NFTs]; computer programs, recorded; computer game software, downloadable; computer programs, downloadable; computer operating programs, recorded; computer screen saver software, recorded or downloadable; walkie-talkies; security surveillance robots; teaching robots; telepresence robots; user-programmable humanoid robots, not configured; humanoid robots with artificial intelligence for preparing beverages; humanoid robots having communication and learning functions for assisting and entertaining people; signalling whistles; sports whistles; nets for protection against accidents; fire alarms; signals, luminous or mechanical; sirens; electronic access control systems for interlocking doors; autonomous navigation systems for ships; scanners for data processing; hand-held electronic dictionaries; smart speakers; integrated circuit cards [smart cards]; smartglasses; smartphones; foldable smartphones; smartwatches; audiovisual teaching apparatus; charging stations for electric vehicles; radiotelegraphy sets; radiotelephony sets; spectacle lenses; optical glass; personal stereos; bags adapted for laptops; parking meters; mileage recorders for vehicles; cordless telephones; mobile telephones; ticket dispensing terminals, electronic; credit card terminals; interactive touchscreen terminals; point-of-sale [POS] terminals; self-checkout terminals; transponders; resuscitation training simulators; vehicle breakdown warning triangles; headgear being protective helmets; baby monitors; railway traffic safety appliances; data processing apparatus; theft prevention installations, electric; mobile phone chargers; acoustic alarms; life-saving apparatus and equipment; couplers [data processing equipment]; wearable activity trackers; anti-theft warning apparatus; computer peripheral devices; acoustic couplers; alarms; fog signals, non-explosive; rescue flares, non-explosive and non-pyrotechnic; whistle alarms; readers [data processing equipment]; electric and electronic effects units for musical instruments; bar code readers; head-up display apparatus for vehicles; downloadable ring to-

nes for mobile phones; downloadable image files; downloadable music files; downloadable digital music files authenticated by non-fungible tokens [NFTs]; downloadable digital image files authenticated by non-fungible tokens [NFTs]; animated cartoons; USB flash drives; magic lanterns; signal lanterns; optical lanterns; cameras [photography]; digital photo frames; containers for contact lenses; contact lens cases incorporating ultrasonic cleaning functions; spectacle cases; cases for smartphones; cases especially made for photographic apparatus and instruments; home automation hubs; spectacle chains; time clocks [time recording devices]; sleeves for laptops; covers for personal digital assistants [PDAs]; covers for tablet computers; covers for smartphones; cases for smartphones incorporating a keyboard; virtual reality headsets; protective helmets; protective helmets for sports; neural helmets, not for medical purposes; head guards for sports; lifeboats; cell phone straps; spectacle cords; tripods for cameras; downloadable graphics for mobile phones; software for searching and detecting transportation tariffs, providing accommodation and offers for travelers, for creating a travel route and booking for travel and booking transportation, accommodation and offers for travelers interactively and via mobile communication devices.

16 – Fountain pens; aquarelles; albums; almanacs; atlases; banners of paper; paper bows, other than haberdashery or hair decorations; name badges [office requisites]; table linen of paper; tickets; baggage claim check tags of paper; tags for index cards; forms, printed; announcement cards [stationery]; glitter for stationery purposes; note books; drawing pads; pads [stationery]; wristbands for the retention of writing instruments; pamphlets; booklets; paper; wrapping paper; blotters; signboards of paper or cardboard; bunting of paper; newspapers; terrestrial globes; engravings; slate pencils; document holders [stationery]; pencil holders; penholders; page holders; holders for cheque books; holders for stamps [seals]; name badge holders [office requisites]; diagrams; adhesive tape dispensers [office requisites]; magnetic boards being office requisites; cream containers of paper; correcting fluids [office requisites]; magazines [periodicals]; money clips; clips for name badge holders [office requisites]; pen clips; bookmarks; periodicals; printed publications; graphic representations; calendars; tracing patterns; pencils; pencil lead holders; pictures; transfers [decalcomanias]; paintings [pictures], framed or unframed; colouring pictures; cardboard; wood pulp board [stationery]; cards; trading cards, other than for games; catalogues; paintbrushes; painters' brushes; writing brushes; books; colouring books; manifolds [stationery]; comic books; mats of paper for beer glasses; desk mats; tablemats of paper; envelopes [stationery]; boxes of paper or cardboard; printed coupons; erasers; paper ribbons, other than haberdashery or hair decorations; flyers; absorbent sheets of paper or plastic for foodstuff packaging; hu-

midity control sheets of paper or plastic for foodstuff packaging; viscose sheets for wrapping; sheets of reclaimed cellulose for wrapping; architects' models; graphic prints; teaching materials [except apparatus]; packing [cushioning, stuffing] materials of paper or cardboard; bags [envelopes, pouches] of paper or plastics, for packaging; painters' easels; bibs of paper; stickers [stationery]; writing cases [stationery]; writing cases [sets]; printed sheet music; passport holders; covers [stationery]; protective covers for books; musical greeting cards; greeting cards; postcards; folders for papers; pastels [crayons]; pen cases; posters; clipboards; plastic bubble film for wrapping; plastic film for wrapping; transparencies [stationery]; coasters of paper; bookends; stands for pens and pencils; stamp stands; face towels of paper; towels of paper; writing materials; writing instruments; printed matter; lithographic works of art; prospectuses; printed timetables; indexes; drawing pens; marking pens [stationery]; tissue paper; tissues of paper for removing make-up; paper wipes for cleaning; place mats of paper; table napkins of paper; tablecloths of paper; paperclips; clips for offices; carrier bags of paper or plastic; writing or drawing books; stationery; pencil sharpeners, electric or non-electric; stencil plates; stencils for decorating food and beverages; plastic blister packs for packaging; bottle wrappers of paper or cardboard; manuals [handbooks]; figurines of papier mâché; paper coffee filters; flags of paper; flip charts; photo-engravings; photographs [printed]; stencil cases; canvas for painting; stencils; stencils [stationery]; advertisement boards of paper or cardboard; shields [paper seals]; prints [engravings]; labels of paper or cardboard; instructional and teaching materials; artists' materials; stationery and office requisites, except furniture; packing cardboard; packaging material made of starches; drawing materials; sketching materials.

35 – Computerized file management; demonstration of goods; opinion polling; business management and organization consultancy; business organization consultancy; business management consultancy; marketing; marketing in the framework of software publishing; influencer marketing; marketing through product placement for others in virtual environments; targeted marketing; updating and maintenance of information in registries; updating and maintenance of data in computer databases; online retail services for downloadable ring tones; online retail services for downloadable and pre-recorded music and movies; online retail services for downloadable digital music; organization of exhibitions for commercial or advertising purposes; arranging and conducting of commercial events; arranging newspaper subscriptions for others; arranging subscriptions to electronic toll collection [ETC] services for others; organization of trade fairs; payroll preparation; data search in computer files for others; sales prospecting for others; business partnership search; sponsorship search; business management assistance; commercial or industrial management as-

sistance; providing business information; providing business information via a website; providing commercial and business contact information; providing telephone directory information; providing commercial information and advice for consumers in the choice of products and services; providing user reviews for commercial or advertising purposes; providing user rankings for commercial or advertising purposes; provision of an online marketplace for buyers and sellers of downloadable digital image files authenticated by non-fungible tokens [NFTs]; provision of an online marketplace for buyers and sellers of goods and services; presentation of goods on communication media, for retail purposes; media relations services; sales promotion for others; promotion of goods and services through sponsorship of sports events; promotion of goods through influencers; production of teleshopping programmes; consumer profiling for commercial or marketing purposes; publication of publicity texts; radio advertising; development of marketing concepts; development of advertising concepts; development of business organization strategies relating to corporate social responsibility; distribution of samples; dissemination of advertising matter; direct mail advertising; registration of written communications and data; advertising; outdoor advertising; online advertising on a computer network; advertising by mail order; pay per click advertising; television advertising; compilation of statistics; compilation of information into computer databases; systemization of information into computer databases; corporate communications services; negotiation of business contracts for others; business management of performing artists; interim business management; business management of sports people; outsourced administrative management for companies; business management of hotels; business management of reimbursement programmes for others; administration of frequent flyer programs; administrative processing of purchase orders; import-export agency services; commercial information agency services; administrative services for the relocation of businesses; public relations; business consultancy services for digital transformation; advisory services for business management; lead generation services; online ordering services in the field of restaurant take-out and delivery; market intelligence services; appointment reminder services [office functions]; data processing services [office functions]; website traffic optimization; appointment scheduling services [office functions]; search engine optimization for sales promotion; retail services for works of art provided by art galleries; retail services relating to downloadable digital image files authenticated by non-fungible tokens [NFTs]; gift registry services; price comparison services; business intermediary services relating to the matching of various professionals with clients; reception services for visitors [office functions]; advertising services to create brand identity for others; procurement services for others [purcha-

sing goods and services for other businesses]; shorthand; outsourcing services [business assistance]; telemarketing services; telephone answering for unavailable subscribers; telephone switchboard services; photocopying services; business efficiency expert services; business services; business advisory and information services; recruitment agency services; secretarial services; business evaluations; promoting the goods and services of others; office machines and equipment rental; commercial intermediation services; retail and wholesale services; retail store and wholesale store services; retail services provided by means of mail order catalogs; services for the retail sale of goods using teleshopping or Internet sites; retail and wholesale services, including online retail and wholesale services; retail and wholesale services, namely through social networks, marketplaces and the Internet; distribution of goods for advertising purposes; administration of the business affairs of franchises; business advisory services relating to the establishment of franchises; wholesale services for software; retail and wholesale services, namely gift certificates; retail services for computer software.

36 – Rental of apartments; rental of real estate; rent collection; issuance of gift certificates; issuance of travellers' cheques; issuance of credit cards; issuance of prepaid vouchers; issuance of prepaid gift cards; capital investment; crowdfunding; financial management; processing of debit card payments; processing of credit card payments; organization of monetary collections; real estate appraisal; financial evaluation [insurance, banking, real estate]; electronic funds transfer; electronic funds transfer provided via blockchain technology; insurance brokerage; real estate brokerage; providing insurance information; providing rebates at participating establishments of others through use of a membership card; providing financial information; providing financial information via a website; charitable fund raising; financial sponsorship; life insurance underwriting; health insurance underwriting; accident insurance underwriting; fire insurance underwriting; marine insurance underwriting; apartment house management; real estate management; financial management of reimbursement payments for others; administration of financial affairs; car broker services; real estate agency services; stock brokerage services; real estate services; accommodation bureau services [apartments]; mobile banking services; online banking services rendered in virtual environments; e-wallet payment services; financing services; safe deposit services; surety services; provident fund services; savings bank services; financial customs brokerage services; mutual funds; deposits of valuables.

39 – Air transport; motor coach rental; car rental; boat rental; rental of atmospheric diving suits; rental of diving bells; rental of motor racing cars; garage rental; rental of aircraft engines; rental of safety seats for children, for vehicles; rental of photography drones;

rental of surveillance drones; railway coach rental; rental of storage containers; rental of wheelchairs; rental of vehicle roof racks; rental of horses for transportation purposes; aircraft rental; parking place rental; rental of freezers; rental of navigational systems; railway truck rental; rental of security drones; rental of warehouses; rental of tractors; vehicle rental; refrigerator rental; rental of storage lockers; rental of electric wine cellars; travel reservation; booking of seats for travel; transport reservation; towing; vehicle breakdown towing services; water distribution; water supplying; delivery of newspapers; message delivery; delivery of goods; delivery of goods by mail order; parcel delivery; flower delivery; replenishment of vending machines; launching of satellites for others; transportation logistics; cloakroom services; rescue operations [transport]; locating and tracking of cargo for transportation purposes; locating and tracking of people for transportation purposes; arranging of cruises; arranging of transportation for travel tours; arranging of passenger transportation services for others via an online application; arranging for travel visas and travel documents for persons travelling abroad; armoured-car transport; hauling; carting; transport and storage of waste; transporting furniture; lighterage services; ferry-boat transport; removal services; transport of travellers; guarded transport of valuables; bus transport; car transport; barge transport; boat transport; railway transport; marine transport; passenger transport; river transport; ambulance transport; tram transport; portering; piloting of civilian drones; refloating of ships; cash replenishment of automated teller machines; shipbrokerage; freight brokerage [forwarding (Am.)]; transport brokerage; providing driving directions for travel purposes; providing traffic information; providing information relating to storage services; providing transportation information; stevedoring; unloading cargo; electricity distribution; distribution of energy; packaging of goods; collection of domestic and industrial waste and trash; collection of recyclable goods [transport]; carpooling services; ice-breaking; piloting; escorting of travellers; transport of captured carbon dioxide for others; space transport; cable car transport; transport by pipeline; wrapping of goods; operating canal locks; car park services; car subscription services; chauffeur services; pleasure boat transport; car sharing services; courier services [messages or merchandise]; salvaging; salvage of ships; services for transporting legal documents; gift wrapping; bottling services; underwater salvage; taxi transport; transport; transport services for sightseeing tours; luggage storage; franking of mail; freight [shipping of goods]; freighting; physical storage of electronically stored data or documents; storage of captured carbon dioxide for others; temporary storage of keys; boat storage; storage of goods; storage; freight forwarding; providing travel information via an online searchable database; travel information services; travel information services, namely the provision of tra-

vel-related information interactively and via mobile communication devices; providing reviews of travel service providers, travel destinations and local attractions through a global computer network; arranging of excursions; traffic information; travel agency services; travel agency services for the arrangement of travels; distribution [delivery of goods].

41 – Academies [education]; rental of audio equipment; rental of video cameras; rental of video cassette recorders; rental of show scenery; rental of sound recordings; toy rental; rental of cinematographic apparatus; rental of motion pictures; rental of indoor aquaria; games equipment rental; rental of stadium facilities; rental of artwork; rental of skin diving equipment; rental of sports equipment, except vehicles; rental of sports grounds; rental of tennis courts; rental of training simulators; rental of electronic book readers; rental of humanoid robots having communication and learning functions for entertaining people; mobile library services; lending library services; booking of seats for shows; videotaping; physical education; production of music; discotheque services; dubbing; publication of books; research in the field of education; escape room [entertainment]; film distribution; health club services [health and fitness training]; layout services, other than for advertising purposes; screenplay writing; music education; religious education; teaching; aikido instruction; gymnastic instruction; judo instruction; correspondence courses; practical training [demonstration]; training services provided via simulators; organization of balls; organization of exhibitions for cultural or educational purposes; providing recreation facilities; arranging and conducting of colloquiums; arranging and conducting of congresses; arranging and conducting of conferences; arranging and conducting of concerts; arranging and conducting of workshops [training]; arranging and conducting of in-person educational forums; arranging and conducting of entertainment events; arranging and conducting of seminars; arranging and conducting of symposiums; arranging and conducting of sports events; organization of competitions [education or entertainment]; arranging of beauty contests; organization of cosplay entertainment events; organization of fashion shows for entertainment purposes; organization of electronic sports competitions; organization of shows [impresario services]; organization of sports competitions; vocational guidance [education or training advice]; amusement park services; transfer of business knowledge and know-how [training]; know-how transfer [training]; vocational retraining; directing of shows; providing online videos, not downloadable; providing online virtual guided tours; providing information in the field of education; providing information relating to recreational activities; providing information in the field of entertainment; providing online music, not downloadable; providing television programmes, not downloadable, via video-on-demand services; providing films, not downloadable, via video-on-demand

services; providing facilities for playing Live Action Role Playing [LARP] games; providing online images, not downloadable; providing user reviews for entertainment or cultural purposes; providing golf facilities; providing user rankings for entertainment or cultural purposes; providing sports facilities; providing amusement arcade services; cinema presentations; providing online electronic publications, not downloadable; presentation of circus performances; presentation of variety shows; presentation of live performances; theatre productions; presenting museum exhibitions; conducting guided climbing tours; conducting fitness classes; educational examination; production of podcasts; film production, other than advertising films; rental of videotapes; electronic desktop publishing; online publication of electronic books and journals; writing of texts; sado instruction [tea ceremony instruction]; zoological garden services; news reporters services; film directing, other than advertising films; party planning [entertainment]; captioning; subtitling; sign language interpretation; tutoring; entertainer services; holiday camp services [entertainment]; gambling services; e-sports services; conducting guided tours; video editing services for events; video imaging services by drone; disc jockey services; sound engineering services for events; game services provided online from a computer network; games library services; personal trainer services [fitness training]; providing casino facilities [gambling]; calligraphy services; karaoke services; movie studio services; songwriting; cultural, educational or entertainment services provided by art galleries; multimedia library services; modelling for artists; nightclub services [entertainment]; educational services provided by schools; orchestra services; simulated travel services provided in virtual environments for entertainment purposes; scriptwriting, other than for advertising purposes; educational assistance services for persons with individual needs; physical fitness assessment services for training purposes; face painting; ticket agency services [entertainment]; music composition services; entertainment services; entertainment services provided in virtual environments; coaching [training]; lighting technician services for events; sport camp services; recording studio services; photographic imaging services by drone; nursery schools; photography; photographic reporting; timing of sports events; production of shows.

42 – Computer system analysis; rental of web servers; rental of computer software; computer rental; rental of data centre facilities; rental of user-programmable humanoid robots, not configured; blockchain as a service [BaaS]; recovery of computer data; business card design; graphic design of promotional materials; interior design; industrial design; graphic arts design; computer virus protection services; engineering; installation of computer software; material testing; research and development of new products for others; scientific and technological research in the field of natu-

ral disasters; scientific research; scientific research in the field of environmental protection; underwater exploration; research in the field of excavation; technological research; website design consultancy; computer security consultancy; artificial intelligence consultancy; computer technology consultancy; consultancy in the design and development of computer hardware; internet security consultancy; computer software consultancy; technological consultancy; quality control; vehicle roadworthiness testing; mining of crypto assets; updating of computer software; monitoring of computer systems to detect breakdowns; monitoring of computer systems for detecting unauthorized access or data breach; electronic monitoring of credit card activity to detect fraud via the internet; monitoring of computer system operation by remote access; electronic monitoring of personally identifying information to detect identity theft via the internet; writing of computer code; software as a service [SaaS]; maintenance of computer software; design of show scenery; design of interior decor; urban planning; platform as a service [PaaS]; providing virtual computer systems through cloud computing; providing online geographic maps, not downloadable; providing geographic information; providing information relating to computer technology and programming via a website; providing online non-downloadable computer software; providing online non-downloadable computer software for minting non-fungible tokens [NFTs]; providing search engines for the internet; conversion of computer programs and data, other than physical conversion; conducting technical project studies; computer programming of smart contracts on a blockchain; computer system design; golf course design; rental of smartglasses; design of prototypes; unlocking of mobile phones; hosting computer websites; development of video and computer games; development of computer platforms; computer software design; archaeological excavation; information technology [IT] support services [troubleshooting of software]; creating and designing website-based indexes of information for others [information technology services]; creating and maintaining websites for others; computer graphic design for video projection mapping; design of computer-simulated models; computer programming; technical writing; duplication of computer programs; computer programming services for data processing; user authentication services using single sign-on technology for online software applications; cartographic or thermographic measurement services by drone; logo design services; styling [industrial design]; cartography services; software engineering services for data processing; hosting virtual environments; hosting software platforms for virtual reality-based work collaboration; server hosting; electronic data storage; providing online software, non-downloadable, for searching and detecting transportation tariffs, providing accommodation and offers for travelers, for creating a travel route and booking for travel and booking tran-

sportation, accommodation and offers for travelers interactively and through mobile communication devices; providing online software, non-downloadable, for the service of an interactive database showing travel information.

43 – Accommodation bureau services [hotels, boarding houses]; rental of temporary accommodation; rental of drinking water dispensers; rental of holiday accommodation; rental of cooking apparatus; rental of kitchen sinks; rental of furniture; rental of lighting apparatus; rental of office furniture; rental of tents; rental of transportable buildings; rental of portable dressing rooms; rental of meeting rooms; rental of robots for preparing beverages; rental of chairs, tables, table linen, glassware; hotel reservations; boarding house bookings; temporary accommodation reservations; information and advice in relation to the preparation of meals; boarding for animals; temporary accommodation provided by halfway houses; reception services for temporary accommodation [management of arrivals and departures]; food sculpting; decorating of food; cake decorating; tourist home services; bar services; ghost kitchen services; day-nursery [crèche] services; retirement home services; hookah lounge services; snack-bar services; café services; cafeteria services; providing campground facilities; personal chef services; motel services; boarding house services; food reviewing services [provision of information about food and drinks]; food and drink catering; reception services for temporary accommodation [conferment of keys]; hotel accommodation services; animal pound services; restaurant services; washoku restaurant services; udon and soba restaurant services; take-away restaurant services; self-service restaurant services; canteen services.

(260) AM 2026 132177 A

(800) 1837773

(151) 2024 12 09

(891) 2024 12 09

(731) IMILE DELIVERY SERVICES L.L.C

Dubai Investment Park (2), SHED number (2), nearby, PepsiCo roundabout, Dubai, United Arab Emirates

(540)



(591) Dark blue, light blue, yellow and white

(531) 26.04.18; 27.05.01; 29.01.14

(511)

39 – Packaging and storage of goods; transport; packaging articles for transportation; packaging articles

to the order and specification of others; packaging clothing articles for transportation; packaging of goods; packaging of goods in transit; packaging services; packing articles for transportation; storage and delivery of goods; transportation and storage; warehouse storage; transport services; transportation and delivery of goods; transportation logistics; provision of warehousing services and facilities; warehousing services; providing information relating to warehousing services.

(260) AM 2026 132379 A

(800) 1839495

(151) 2024 07 31

(891) 2024 07 31

(731) Chastnoe proizvodstvennoe unitarnoe predpriyatie "Darida"

ul. Linejnaja, 1a, ag. Zhdanovichi, Minskij rajon, 223028 Minskaja oblast', Belarus

(540)



(591) Dark purple, pink, gold, shades of gold, white and red

(531) 25.01.15; 25.07.01; 27.05.01; 29.01.15

(526) Verbal elements "FRIZZANTE" and "ROSE".

(511)

33 – Wine; sparkling wines; piquette; wine-based beverages; alcoholic cocktails with the addition or flavor of wine.

(260) AM 2026 132380 A

(800) 1839496

(151) 2024 07 31

(891) 2024 07 31

(731) Chastnoe proizvodstvennoe unitarnoe predpriyatie "Darida"

ul. Linejnaja, 1a, ag. Zhdanovichi, Minskij rajon, 223028 Minskaja oblast', Belarus

(540)



(591) Dark blue, light blue, gold, shades of gold and white
 (531) 11.03.01; 11.03.02; 11.03.06; 24.17.25; 25.01.15; 26.11.08; 27.05.02; 29.01.13
 (526) The verbal element "GIN & LEMON"
 (511)
 33 – Alcoholic cocktails; alcoholic cocktails with the addition or flavor of gin and lemon.

(260) AM 2026 134599 A
 (800) 1863280
 (151) 2025 03 11
 (891) 2025 03 11
 (731) EGIS Gyógyszergyár Zrt.
 30-38 Keresztúri út, H-1106 Budapest,
 Hungary
 (540)

CLENIREVE

(591) Black, white
 (511)
 5 – Pharmaceutical preparations for human use; vitamin preparations; food supplements; dietary supplements and dietetic preparations; medicinal ointments; medicated skin creams; antiseptic preparations; disinfectants; all of the aforementioned goods of therapeutic wound care.

(260) AM 2026 134604 A
 (800) 1863410
 (151) 2025 02 03
 (891) 2025 02 03
 (731) Unilever Rus, LLC
 Sergey Makeev str., 13, RU-123022 Moscow,
 Russian Federation
 (540)

Эkzo

(591) Black, white
 (531) 27.05.01; 28.05
 (511)
 30 – Ice cream; sorbets [ices].

(260) AM 2026 134696 A
 (800) 1864340
 (151) 2025 04 17
 (891) 2025 04 17
 (731) Beijing Roborock Technology Co., Ltd.
 Room 1001, Floor 10, Building 3, Yard 17,
 Anju Road, Changping District, Beijing, China
 (540)

roborock

(591) Black, white
 (531) 27.05.01
 (511)
 9 – Battery chargers; wireless chargers; wireless battery chargers; battery charging devices; charging devices for rechargeables; rechargeable batteries; power wires; electrical adapters; batteries, electric; mobile power supply [rechargeable batteries]; switches, electric; light dimmers [regulators], electric; gender changers in the nature of electrical adapters; connectors [electricity]; liquid crystal display [LCD] screens; light-emitting diodes [LED]; regulating apparatus, electric; power switches; power connectors; light switches; plugs, sockets and other contacts (electrical connections); remote control apparatus; time switches, automatic; video screens; electric sockets; moveable sockets; couplings, electric; liquid crystal displays (LCD).

(260) AM 2026 134829 A
 (800) 1866525
 (151) 2025 02 03
 (891) 2025 02 03
 (731) Unilever Rus, LLC
 Sergey Makeev str., 13, RU-123022 Moscow,
 Russian Federation
 (540)



(591) White, dark green and light green
 (531) 01.15.15; 05.03.13; 05.03.14; 28.05; 29.01.12
 (511)
 30 – Ice cream; sorbets [ices].

(260) AM 2026 134913 A
 (800) 1867347
 (151) 2025 06 04
 (891) 2025 06 04
 (731) Apple Inc.
 One Apple Park Way, Cupertino CA 95014,
 USA
 (540)

CARPLAY ULTRA

(591) Black, white
 (511)
 9 – Computers; computer peripheral devices; computer hardware; radios and radio receivers; car audio apparatus, namely, radio receivers, audio receivers, stereo receivers, and devices for hands-free use of mobile phones; global positioning system (GPS) devices; wireless communication devices for voice, data, or image transmission; downloadable and recorded com-

puter software used for the control of communication devices by voice command; downloadable and recorded computer operating software allowing a motor vehicle driver to operate the telephone, messaging, navigation, and audio player functions of a mobile device using vehicle controls; downloadable and recorded computer software for use on digital electronic devices for the purpose of allowing motor vehicle drivers to operate the telephone, messaging, navigation and audio player functions of a mobile device using vehicle controls; downloadable and recorded global positioning system (GPS) computer software for navigation in motor vehicles; downloadable and recorded computer software for providing information in the fields of travel and tourism, travel planning, navigation, travel route planning, geographic, destination, transportation and traffic information, driving and walking directions, customized mapping of locations, street atlas information, electronic map display, and destination information; downloadable and recorded computer software for use in organizing, transmitting and reviewing text, data, and audio files in connection with audio players, media players, telephones, and handheld digital electronic devices.

(260) AM 2026 134914 A
 (800) 1867371
 (151) 2024 08 08
 (891) 2024 08 08
 (731) BAMBİ MOBİLYA VE YATAK SANAYİ ANONİM ŞİRKETİ
 YAZIBAŞI MAHALLESİ 9223 SOKAK 8,
 Torbalı, İzmir, Türkiye
 (540)



(591) Black, white
 (531) 27.05.01; 27.05.09; 27.05.24
 (511)
 20 – Furniture, made of any kind of material; mattresses; pillows; air mattresses and cushions, not for medical purposes, water beds; beds; bed bases; bed headboards; bedside tables.
 35 – The bringing together, for the benefit of others, of a variety of goods, namely, furniture, made of any kind of material, mattresses, pillows, air mattresses and cushions, not for medical purposes, water beds, beds, bed bases, bed headboards, bedside tables, enabling customers to conveniently view and purchase those goods, such services may be provided by retail

stores, wholesale outlets, by means of electronic media or through mail order catalogues.

(260) AM 2026 134915 A
 (800) 1867490
 (151) 2025 05 15
 (891) 2025 05 15
 (731) EGIS Gyógyszergyár Zrt.
 30-38 Keresztúri út, H-1106 Budapest,
 Hungary
 (540)

СИМПЛИСЕПТ

(591) Black, white
 (531) 28.05
 (511)
 5 – Pharmaceutical preparations for human use; vitamin preparations; food supplements; dietary supplements and dietetic preparations; medicinal ointments; medicated skin creams.

(260) AM 2026 135000 A
 (800) 1867745
 (151) 2025 05 14
 (891) 2025 05 14
 (731) EGIS Gyógyszergyár Zrt.
 30-38 Keresztúri út, H-1106 Budapest,
 Hungary
 (540)

SYMPLISEPT

(591) Black, white
 (511)
 5 – Pharmaceutical preparations for human use; vitamin preparations; food supplements; dietary supplements and dietetic preparations; medicinal ointments; medicated skin creams.

**INTERNATIONAL TRADEMARK PROTECTED
IN GEORGIA**

(260) AM 2026 120184 A
(800) 1693109
(151) 2022 07 20
(181) 2032 07 20
(891) 2022 07 20
(511) 3, 5

(260) AM 2026 129730 A
(800) 1233131
(151) 2014 12 15
(181) 2044 12 15
(891) 2024 08 01
(511) 33

(260) AM 2026 125201 A
(800) 1756328
(151) 2023 05 25
(181) 2033 05 25
(891) 2023 05 25
(511) 29

(260) AM 2026 129794 A
(800) 1806811
(151) 2024 05 30
(181) 2034 05 30
(891) 2024 05 30
(511) 25

(260) AM 2026 125202 A
(800) 1756329
(151) 2023 05 25
(181) 2033 05 25
(891) 2023 05 25
(511) 30

(260) AM 2026 129795 A
(800) 1806827
(151) 2024 06 14
(181) 2034 06 14
(891) 2024 06 14
(511) 37

(260) AM 2026 125968 A
(800) 1765479
(151) 2023 09 25
(181) 2033 09 25
(891) 2023 09 25
(511) 34

(260) AM 2026 129814 A
(800) 1807413
(151) 2024 06 13
(181) 2034 06 13
(891) 2024 06 13
(511) 34

(260) AM 2026 126044 A
(800) 1766192
(151) 2023 10 09
(181) 2033 10 09
(891) 2023 10 09
(511) 7

(260) AM 2026 129815 A
(800) 1807419
(151) 2024 06 24
(181) 2034 06 24
(891) 2024 06 24
(511) 30

(260) AM 2026 126223 A
(800) 1769060
(151) 2023 10 11
(181) 2033 10 11
(891) 2023 10 11
(511) 30, 32, 32, 43

(260) AM 2026 129817 A
(800) 1058186
(151) 2010 11 09
(181) 2030 11 09
(891) 2024 06 27
(511) 16

(260) AM 2026 129444 A
(800) 1802302
(151) 2024 02 13
(181) 2034 02 13
(891) 2024 02 13
(511) 9, 28, 41

(260) AM 2026 130944 A
(800) 1822239
(151) 2024 10 18
(181) 2034 10 18
(891) 2024 10 18
(511) 29, 30, 32

(260) AM 2026 131565 A
(800) 1213023
(151) 2014 03 17
(181) 2034 03 17
(891) 2024 12 12
(511) 25

(260) AM 2026 131926 A
(800) 1790724
(151) 2024 04 12
(181) 2034 04 12
(891) 2025 01 07
(511) 9, 35, 36, 41, 42

(260) AM 2026 131927 A
(800) 1790726
(151) 2024 04 12
(181) 2034 04 12
(891) 2025 01 07
(511) 9, 35, 36, 41, 42

(260) AM 2026 132714 A
(800) 1842229
(151) 2025 01 21
(181) 2035 01 21
(891) 2025 01 21
(511) 20

(260) AM 2026 132732 A
(800) 1842726
(151) 2025 01 02
(181) 2035 01 02
(891) 2025 01 02
(511) 3, 35

(260) AM 2026 132734 A
(800) 1842748
(151) 2024 12 23
(181) 2034 12 23
(891) 2024 12 23
(511) 5

(260) AM 2026 132735 A
(800) 1842753
(151) 2025 01 07
(181) 2035 01 07
(891) 2025 01 07
(511) 39

(260) AM 2026 132736 A
(800) 1842828
(151) 2024 11 29
(181) 2034 11 29

(891) 2024 11 29
(511) 9, 37, 42

(260) AM 2026 132737 A
(800) 1842834
(151) 2024 11 28
(181) 2034 11 28
(891) 2024 11 28
(511) 6, 9, 37

(260) AM 2026 132738 A
(800) 1842893
(151) 2024 11 21
(181) 2034 11 21
(891) 2024 11 21
(511) 9, 28, 41

(260) AM 2026 132817 A
(800) 1843272
(151) 2024 11 13
(181) 2034 11 13
(891) 2024 11 13
(511) 5

(260) AM 2026 132819 A
(800) 1843345
(151) 2024 10 11
(181) 2034 10 11
(891) 2024 10 11
(511) 9

(260) AM 2026 132839 A
(800) 1843533
(151) 2024 12 03
(181) 2034 12 03
(891) 2024 12 03
(511) 5

(260) AM 2026 132840 A
(800) 1843534
(151) 2024 12 26
(181) 2034 12 26
(891) 2024 12 26
(511) 7

(260) AM 2026 132841 A
(800) 1843539
(151) 2024 12 10
(181) 2034 12 10
(891) 2024 12 10
(511) 31

(260) AM 2026 132842 A
(800) 1843540
(151) 2024 12 18
(181) 2034 12 18
(891) 2024 12 18
(511) 7

(260) AM 2026 132843 A
(800) 1843555
(151) 2024 12 12
(181) 2034 12 12
(891) 2024 12 12
(511) 12

(260) AM 2026 132844 A
(800) 1843570
(151) 2024 12 03
(181) 2034 12 03
(891) 2024 12 03
(511) 5

(260) AM 2026 132845 A
(800) 1843578
(151) 2024 12 16
(181) 2034 12 16
(891) 2024 12 16
(511) 21

(260) AM 2026 132846 A
(800) 1843579
(151) 2024 11 26
(181) 2034 11 26
(891) 2024 11 26
(511) 7

(260) AM 2026 132847 A
(800) 1843694
(151) 2025 01 21
(181) 2035 01 21
(891) 2025 01 21
(511) 11

(260) AM 2026 132848 A
(800) 1843733
(151) 2024 12 03
(181) 2034 12 03
(891) 2024 12 03
(511) 5

(260) AM 2026 132962 A
(800) 1844722
(151) 2025 01 29
(181) 2035 01 29

(891) 2025 01 29
(511) 3, 5, 35

(260) AM 2026 132963 A
(800) 1844753
(151) 2025 02 06
(181) 2035 02 06
(891) 2025 02 06
(511) 3

(260) AM 2026 132970 A
(800) 1844923
(151) 2025 02 14
(181) 2035 02 14
(891) 2025 02 14
(511) 25

(260) AM 2026 132971 A
(800) 1844953
(151) 2024 12 16
(181) 2034 12 16
(891) 2024 12 16
(511) 3

(260) AM 2026 133352 A
(800) 1385314
(151) 2017 10 11
(181) 2027 10 11
(891) 2025 03 27
(511) 3

(260) AM 2026 133353 A
(800) 1463935
(151) 2019 01 22
(181) 2029 01 22
(891) 2025 03 26
(511) 35, 39

(260) AM 2026 133354 A
(800) 1480746
(151) 2019 02 27
(181) 2029 02 27
(891) 2025 03 25
(511) 9

(260) AM 2026 133355 A
(800) 1649188
(151) 2021 12 20
(181) 2031 12 20
(891) 2025 03 24
(511) 9, 38, 41, 45

(260) AM 2026 133358 A
(800) 1779270
(151) 2023 12 26
(181) 2033 12 26
(891) 2025 03 24
(511) 30

(260) AM 2026 133359 A
(800) 1785018
(151) 2024 01 26
(181) 2034 01 26
(891) 2025 03 26
(511) 9

(260) AM 2026 133360 A
(800) 1832946
(151) 2024 09 30
(181) 2034 09 30
(891) 2025 03 26
(511) 9

(260) AM 2026 133400 A
(800) 1849434
(151) 2025 03 05
(181) 2035 03 05
(891) 2025 03 05
(511) 7

(260) AM 2026 133401 A
(800) 1849443
(151) 2024 10 15
(181) 2034 10 15
(891) 2024 10 15
(511) 3, 5, 35

(260) AM 2026 133403 A
(800) 1849485
(151) 2024 11 12
(181) 2034 11 12
(891) 2024 11 12
(511) 9, 28, 41

(260) AM 2026 133404 A
(800) 1849498
(151) 2025 01 30
(181) 2035 01 30
(891) 2025 01 30
(511) 6

(260) AM 2026 133405 A
(800) 1849516
(151) 2025 02 20
(181) 2035 02 20

(891) 2025 02 20
(511) 5

(260) AM 2026 133448 A
(800) 1850509
(151) 2024 10 02
(181) 2034 10 02
(891) 2024 10 02
(511) 7, 9, 11, 37

(260) AM 2026 133449 A
(800) 1850576
(151) 2025 03 04
(181) 2035 03 04
(891) 2025 03 04
(511) 3

(260) AM 2026 133450 A
(800) 1850657
(151) 2024 12 17
(181) 2034 12 17
(891) 2024 12 17
(511) 9, 35, 38, 41, 42

(260) AM 2026 133494 A
(800) 1850912
(151) 2025 03 12
(181) 2035 03 12
(891) 2025 03 12
(511) 5, 29, 31

(260) AM 2026 133496 A
(800) 1850981
(151) 2025 01 20
(181) 2035 01 20
(891) 2025 01 20
(511) 3

(260) AM 2026 133597 A
(800) 1851812
(151) 2024 11 27
(181) 2034 11 27
(891) 2024 11 27
(511) 5

(260) AM 2026 133599 A
(800) 1851845
(151) 2024 11 12
(181) 2034 11 12
(891) 2024 11 12
(511) 9, 28, 41

(260) AM 2026 133602 A
(800) 1851896
(151) 2025 03 17
(181) 2035 03 17
(891) 2025 03 17
(511) 1, 5

(260) AM 2026 133626 A
(800) 1852637
(151) 2025 03 03
(181) 2035 03 03
(891) 2025 03 03
(511) 2, 16, 35, 41, 42

APPELLATION OF ORIGIN OF GOODS AND GEOGRAPHICAL INDICATION

LEPL the National Intellectual Property Center of Georgia – "Sakpatenti" in accordance with the Law of Georgia "On Appellations of Origin and Geographical Indications of Goods" and Decision №1/2026 of April 1, 2026, of the National Commission for Consideration of Appellations of Origin and Geographical Indications of Goods, hereby publishes information on amendments to the specification of the geographical indication "Kakhuri Shashkhi" (Reg. №31).

GEOGRAPHICAL INDICATION KAKHURI SHASHKHI

Registration № 31

Date of Registration: 19/12/2024

Geographical Indication: Kakhuri Shashkhi

Name of the Product for which the Geographical Indication is Registered: Shashkhi

Name and Address of Applicant: Ministry of Environment Protection and Agriculture of Georgia;
34 Marshal Gelovani Avenue, 0159, Tbilisi, Georgia

1. Name of Product: Kakhuri Shashkhi

2. Product Description

Kakhuri Shashkhi is a local, dry-cured product made from forest-fed pork that is salted, spiced, smoked, and aged. It is characterized by a thick, dark golden-yellow crust on one side. The product may be consumed either immediately after production, without additional thermal treatment, or after boiling.

The organoleptic characteristics of Kakhuri Shashkhi are determined by the pork used, the spices and seasonings, the smoking method (cold or hot smoking), the duration of brining, and the climatic conditions of the production area.

Kakhuri Shashkhi retains the natural structure of the meat. It has a uniform coloration ranging from red to dark red in the muscle tissue. In cross-section, the meat is evenly colored and has a pliable consistency, resulting from its placement in a brine solution, the so-called tsaki. The cut surface is fibrous to the touch, and the consistency of the muscle tissue depends on the proportion of muscle in the cut, as well as on the duration of drying and smoking.

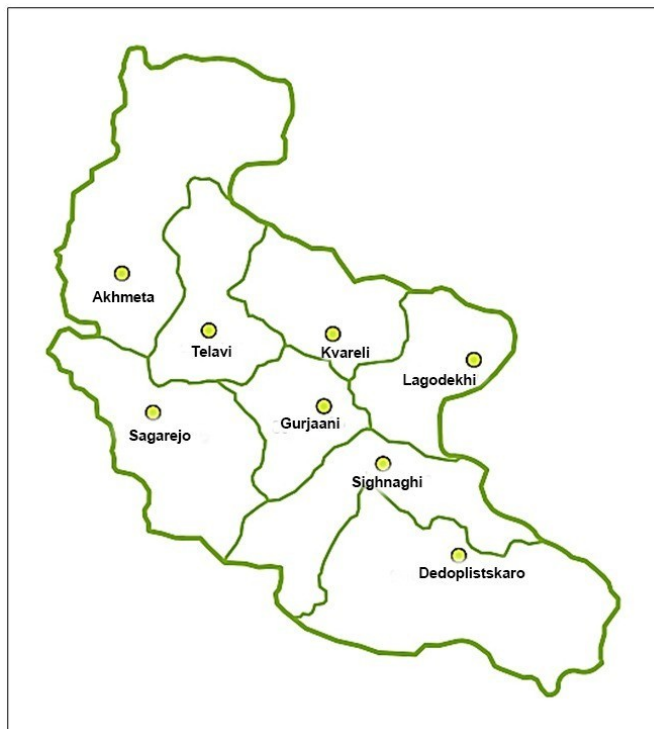
White or pink fat marbling is mainly located between the muscle tissue and the skin. The fat should not be yellow and should not be greased easily. Fat is also present within the layers of meat of Kakhuri Shashkhi. It has a characteristic smoky smell, along with a pronounced flavor and aroma from the spices. Kakhuri Shashkhi is moderately salty, with the salt content ranging within 6-8%.

3. Production Area

The production area for Kakhuri Shashkhi is Kakheti – a historical-geographical region in Eastern Georgia. Kakheti is one of the largest regions of Georgia, with an area of 11 310 square kilometers.

4. Raw Materials Used in Production

Kakhuri Shashkhi is made from the fresh, unfrozen, portioned pork of an adult pig. Shashkhi is made from the meat of forest-fed, Kakheti breed, or local pigs.



According to Prof. I. Shubitidze, "the local pig populations in Georgia (Kakhetian, Rachan, Imeretian, Megrelian, Abkhazian, Svan) are formed from the wild boar (Caucasian form) as a result of direct domestication in ancient times." This is confirmed by studies in craniology, blood groups, and serum proteins conducted by Georgian scientists (R. Michitashvili, S. Potskhveria, et al.; "Kakhetian Pig", Tbilisi, 2020).

Kakheti is surrounded by forested mountain slopes, and keeping and raising the local, forest-fed pig for the production of Kakhuri Shashkhi is a long-standing tradition. The local, forest-fed pig is characterized by its ability to adapt to living

conditions and reproduce in harsh environments, as well as its endurance and its ability to absorb natural food resources, which other animals cannot utilize.

In winter, they make good use of grape waste – pomace, as well as waste from melons and fruits. Starting in early spring, they make good use of various field grasses, and in July-August, they consume the leftover grain after the harvesting of cereal crops. As soon as the fruit begins to ripen in the forest, they move to the mountainous areas and mass-harvest wild fruits: Oak, beech, chestnut, hazel, rowan, yew, hawthorn, blackberry, dogwood, spindle, and other fruit-bearing plants. Local, forest-fed pig typically weighs between 80-120 kg. It is characterized by dense bristling, with a black, brown, reddish, or gray color, which can be spotted or striped. It has a long snout and gives birth to 5-8 piglets.

The following ingredients are also used to make Kakhuri Shashki:

Salt – Coarsely ground table salt is used for salting, which is a crystalline product composed mainly of sodium chloride (not less than 97%). Its granulometric composition ranges from 2.5 mm to 4 mm, and it is the so-called "khorkhosh" (thick seed) salt. In the case of iodized salt, deiodization is recommended, for which the salt must be spread in a thin layer to be directly exposed to sunlight (no more than 1 cm) for 2-3 days, and it should be stirred periodically. For the same purpose, the salt can also be preheated by stirring it.

Spices:

Pepper (Latin: Piper) is a genus of plants in the family Piperaceae, the species black pepper. (*Piper nigrum*) (in fact, it is the green, unripe fruit. It turns black through processing and drying), which contains the alkaloid piperine and essential oils. In Sul Khan-Saba Orbeliani's dictionary, it is mentioned as "mgorvala" (A. Makashvili, Botanical Dictionary: Plant Names. Tbilisi, "Sabchota Sakartvelo", 1991).

Garlic (*Allium sativum*) is an annual bulbous plant in the Amaryllidaceae family. It is found growing wild in the Caucasus. It has dark green, narrow, lance-shaped leaves. The bulb consists of 2 to 50 cloves. Each clove is covered by a thin membrane, and the bulb as a whole is covered by 2 to 8 shiny membranes. The bulb and green parts are used for food. A garlic clove contains 35-42% dry matter, 6.0-7.9% crude protein, 7.0-28.8 mg of vitamin C, 0.5% reducing sugars, 20-27% polysaccharides, etc. Garlic gets its specific taste and smell from its essential oil (0.23-0.74%), which contains phytoncide.

Sugar is a sweet product obtained from sugar beet or sugarcane. The energy value of 100 grams of sugar is 1.68 megajoules (approximately 400 kcal).

Bay leaf can also be used.

Bay laurel (*Laurus nobilis*) is a perennial tree or shrub of the laurel family that is cultivated in Georgia, mainly in Kolkheti. It is noteworthy that bay laurel is drought-tolerant, therefore it is also cultivated in Eastern Georgia. In Georgia, only various forms of the noble bay laurel are common.

5. Production Stages

Stage I – Pig Butchering

For the production of Kakhuri Shashkhi, it is recommended that the pig's live weight be 90-100 kg at the time of butchering.

Stage II – Cleaning

After stunning/butchering and bleeding of animal, the carcass is scalded, the bristles are removed, and the skin is scraped. For this process, the butchered pig is rubbed with wheat bran or corncob husks and thoroughly washed with hot water. Processing is done without skinning. After this process, gutting begins. First, the head is cut off, and the outer part of the anus is removed. Gutting is done on a table or in hang position, an incision is executed along abdominal line. First, the bladder is removed, followed by the intestines along with the stomach, and then the liver. The gallbladder is carefully removed. The fat is trimmed from the internal organs, the diaphragm is opened, and the heart and lungs are removed. The heart is cleaned of blood clots. The inside of the carcass is also cleaned. After this procedure, the carcass is cut along the spine into two equal parts.

Stage III – Cooling and Cutting the Meat

After the cleaning stage is complete, the meat is cooled to a temperature of 2-3°C for 2-3 days, or in a refrigerator for 24 hours. During this time, the meat “ripens,” acquiring a pleasant smell and aroma, and becoming juicy and tender. Cooling helps to preserve the meat's freshness and pleasant color. After this process is complete, the carcass is cut and portioned into 2-4 kg pieces. In some cases, the cooling process is preceded by cutting the carcass into thin slices weighing 1-2 kg or 3-4 kg and placing them in cold water for cooling. If the air temperature is 24-25°C, the water should be changed twice a day, in the morning and evening, until the water runs clear.

Stage IV – Salting, Spicing, and Aging

After the meat is cooled and trimmed, it is salted, spiced, and aged. For this, the meat pieces are rubbed by hand with salt (90-93%), garlic, bay leaf, and black pepper (1.5-2%), and sugar (4-5%), after which the meat pieces are packed tightly into a suitable container – a wooden or stainless steel bowl, which should then be weighted down. The curing time is 3-7 days and depends on the thickness of the meat pieces. After this, the meat pieces are washed and placed in a brine, for which 1.5-2 kg of salt is added to 10 l water, and, to fix the color, add 0.06-0.07% of the total weight of the brine (approximately 0.01 g) of sodium nitrite. The brining period is 7-12 days, which also depends on the

size and thickness of the meat pieces. Sometimes, other spices can also be used for flavoring, for example, ginger (*Zingiber officinale*, Rosc) and star anise (*Illicium anisatum* (L.)). The added spices must not be ground. The spices (5-10 g, in a variable proportion) should be boiled in 3-5, l of water, which, after cooling, is added to the brine. In this case as well, the curing time in the brine is 6-7 days.

Stage V – Drying

After being soaked in the brine, or the so-called *tsaki*, the meat is rinsed with cold water and dried at a low temperature of 4-5°C for 2-3 days to prepare it for smoking. It is also possible to smoke the meat directly without drying it, by hanging the wet meat in a traditional clay bread oven.

Stage VI – Smoking

After drying, the meat is smoked. There are two smoking methods: hot and cold smoking.

In the cold smoking method, the meat is hung in an enclosed structure where smoke from an external fire is channeled into the room through a flue.

The hot smoking method is more common. In this case, a traditional bread oven is used. The oven is heated using wood from deciduous trees—oak, beech, and walnut shells. Charcoal coals accumulate in the oven, and the pieces of meat are hung on poles placed inside it so that the resulting smoke can reach every piece of meat evenly. A damp covering is placed over the oven (burlap, linen, or coarse wool-cotton fabric can be used for this purpose). The covering must be damp to prevent a fire. One or two air vents are made in it. During smoking, the temperature of the meat pieces reaches 75-80°C. The smoking duration is 2-4 days and depends on the thickness of the meat pieces and the number of pieces hung in the oven.

Smoking can also be done without the drying stage, in this case, the meat taken from *tsaki* is drained and then smoked. The juice released from the meat during smoking create steam when they touch the coals, and the meat is also steamed in addition to being smoked.

In addition to an oven, a smokehouse can also be used, a chamber where both hot and cold smoking methods can be employed. Generally, a smokehouse is built from brick, stone, or is a metal structure. In the case of hot smoking, a fire is lit in the middle of the room to smoke the pieces of meat hung above. In cold smoking, the fire is lit outside the room, and the smoke enters the room through a special connector—the smoke pipe.

Stage VII – Storage

After the smoking process is complete, the finished Kakhuri Shashkhi is stored in a cool, clean, and dry place. Storage in a refrigerator at a temperature of no less than 2°C to 5°C is recommended. It can be consumed without additional thermal processing.

6. Geographical Area, Reputation, and Human Factors

The organoleptic and taste characteristics and production technology of Kakhuri Shashkhi are determined by the geographical area and natural climatic conditions where the pigs are raised and the product is produced, as well as by the raw materials and ingredients used.

Kakheti has a transitional climate between humid subtropical and continental. The region's climate is influenced by both dry Central Asian and the Caspian Sea air masses, as well as moist air from the Black Sea to the west. However, the intrusion of moist air masses from the Black Sea is prevented by the Likhi and Meskheta ridges, which separate Western Georgia from Eastern Georgia. As a result, the annual precipitation amount is significantly less in the Eastern (400-1600 mm) than in Western Georgia. The rainiest seasons are spring and autumn, while the driest are winter and summer, respectively.

In most of Eastern Georgia, especially in the lowland areas, summers are hot and winters are cold. Altitude has a significant influence on the climate. Above 1,500 m, summers are relatively cool, and above 2,000 meters, it sometimes freezes even during the summer months. The average winter temperature is around 0°C; in summer, it reaches +23-30°C.

Such natural environmental conditions are favorable for the quality and quantity of the fruit of plants that grow naturally in the forests of Kakheti, such as oak, beech, chestnut, walnut, hornbeam, maple, apple, elderberry, blackberry, hawthorn, barberry, and others), which ultimately significantly determines the good taste characteristics of the pork. It is also noteworthy that the harvest in the forests of Kakheti amounts to several thousand tons annually. Its effective use was, and is, made possible precisely by nomadic pig farming".

The fact that wild boar were abundant in the forests of Kakheti is confirmed by Vakhushti Bagrationi. In his "Description of Bostan-Kalaki and the Geareji Mountain", he writes: "To the east and south of Nagebi there is a great plain, and a great grove on the banks of the Mtkvari, where the kings would hunt year after year on boars". ("Description of the Kingdom of Georgia (Geography of Georgia. Printed from the original manuscript of Vakhushti Bagrationi. Edited by G. Janashvili. Published by the journal "Mogzauri", Tbilisi, A. Kutateladze's Express Printing House, N. K. №21, 1904).

There, describing Inner Kakheti "the other side and Inner Kakheti", he writes: "On the right side of the Pankisi Gorge, up to the border of Kisiqi, they call it Shigint-Kakheti, which is bordered: on the east by the Alazani River; on the right by the border of the Kisiqi line; to the west by the mountains of Hereti and Kakheti; to the north by the Pankisi border. This region is wooded, with little open land; its forests are mostly fruit-bearing, it has few streams and rivers, and it is known for its vineyards, orchards, and fine, good wine. Birds, except black francolins and partridges, which breed in the woods, are numerous; livestock: sheep are few, others are many, **but pigs are the most numerous: for one peasant has S – U – Ch – Ts**",¹ which, according to the explanation by G. Janashvili (the editor) there, means that **"every peasant has 200, 400, 1000, and 2000 pigs"**.

"In Kakheti, a totemic custom related to the pig has survived to this day, which is held annually at the Nekresi Monastery complex. The complex consists of various buildings, some of which date back to the 4th-5th centuries, Some date back to the 8th-9th centuries. The main cathedral dates to the 6th century and was built by Saint Abibos of Nekresi.

According to tradition, "the people attribute one miracle to the Church of Nekresi: the enemy had besieged the Nekresi Church and the Georgians who had taken refuge there. Every day, every hour brought the enemy closer to victory. The food ran out, and there was no sign of salvation. The people grew anxious; the women also took up arms, prayed, and prepared for the battle. Suddenly, a commotion broke out: it had occurred to one of the men in the squad, who were committed to a life-or-death battle, to slash the pigs and unleash them on the enemy. "Let's do it that way", – exclaimed others with joy. First, the squealing of the pigs filled the air, then the gate of the Nekresi fortress opened, and a herd of wild boars, driven mad with pain, charged straight at the besiegers. The Persians stared at the spectacle in surprise for a moment, then they came to their senses and realized: the animals were attacking them, defiling everything around with 'unclean' blood. "Oh, cursed Giaurs (infidels),² What have they come up with"! the infidels shouted as they scattered. The siege was broken. The herd of boars was followed by a company of Georgians, who easily defeated the confused

¹ According to the Old Georgian script, letters had corresponding numerical equivalents, in this case: S–200, U–400, Ch–1000, Ts–2000

² An offensive word that was used by Muslims toward people of other religions.

enemy and escaped to safety. Since then, every year on Christmas Day (the day this miracle occurred) The Nekresoba festival begins, which lasts for a week. The main event is that pigs are brought to the church as a sacrifice" (K. Kenkishvili, journal "Istoriani", December 2011, №12).

"The sacrificial pig designated for Nekresi was called "Lom-Takhi" (lion-boar), which was treated with special care by the Kakheti pig farmers. It was often fed separately, well cared for, and its sale was strictly forbidden. It is plausible that this custom is very ancient, and that there may even have been a shrine to the pig-protecting god at Nekresi, whose festival lasted for at least 12 days. This is suggested by the fact that Nekresoba falls on December 25, the day on which the entire Georgian nation breaks the Christmas fast with pork. This pork-eating period lasts for 12 days, the new year arrives on the sixth day, and on St. Basil's table, alongside bread, basil, and candles, we also see a pig's head. (R. Michitashvili et al. "Kakhetian Pig", 2020).

In Kakheti, the tradition of processing and preserving meat has always been a priority. During the centuries-long period of prolonged warfare, smoked pork was one of the most reliable sources of energy for the Georgian warriors - the warriors carried with them salted meat, as it could be kept for a long time and was practical to use. (I. Shubitidze, "Kakhetian Nomadic Endemic Pig Breed", 2021).

7. Labeling

Kakhuri Shashkhi can be supplied to consumers packaged or unpackaged. The label must indicate the product's name:

In Georgian – კახური შაშხი

In English – **Kakhuri Shashkhi**

In Russian – **Кახური Шашхи**

Information about the Protected Geographical Indication “Kakhuri Shashkhi” placed on the market shall be provided to consumers in accordance with the requirements “On Provision of Food Information to Consumers” as defined by legislation of Georgia.

Additionally, on the food label, in addition to "Kakhuri Shashkhi", the words: "Protected Geographical Indication" and the state quality mark, the use of which is regulated in accordance with the procedure established by the legislation of Georgia, shall be indicated in the main field of vision.

8. Control Bodies

Kakhuri Shashkhi, produced using traditional methods and in accordance with the specifications herein, is a traditional, artisanal product protected by geographical indication. Accordingly, the requirements established by Resolution №173 of the Government of Georgia – Technical Regulation "Simplified Rules for Food/Animal Feed Hygiene" are applied.

State control of Kakhuri Shashkhi in accordance with the requirements established by Georgian legislation is carried out by LEPL the National Food Agency or a controlling body – a legal entity delegated by the Ministry to perform the specific task related to state control and accredited by the relevant authority of Georgia or the European Union and the Organisation for Economic Co-operation and Development (OECD).

The group /organization of producers of Kakhuri Shashkhi (if any), for the purpose of ensuring the quality, reputation and authenticity of Kakhuri Shashkhi, shall monitor the use of the name of the marketed goods and take other actions specified by the legislation of Georgia.

OFFICIAL NOTIFICATIONS
INVENTION
RESTORATION OF PATENT

(21) AP 2016 14065
(11) P 2017 6701 B
(73) Tamaz Shioshvili
(54) WIND RECEIVING DEVICE
DATE OF PATENT LAPSE: 2026 02 22
DATE OF PATENT RESTORATION: 2026 05 11

(21) AP 2019 14996
(11) P 2020 7187 B
(73) Omar Lomtadze;
Givi Chimakadze
(54) INSECT-ACARISIDE COMPOSITION OF PROLONGED ACTIVITY
DATE OF PATENT LAPSE: 2026 02 11
DATE OF PATENT RESTORATION: 2026 05 11

(21) AP 2019 14997
(11) P 2020 7188 B
(73) Omar Lomtadze;
Giorgi Tsintskaladze
(54) CLAY-SULFUR COMPOSITION FOR PLANT PESTS AND DISEASES CONTROL
DATE OF PATENT LAPSE: 2026 02 11
DATE OF PATENT RESTORATION: 2026 05 11

(21) AP 2024 16473
(11) P 2024 7681 B
(73) LTD "Tekhuri-21";
Grigol Kvaratskhelia
(54) A DAMLESS HYDROELECTRIC POWER STATION AND A COMBINED POWER GENERATION
SYSTEM AT ITS BASE
DATE OF PATENT LAPSE: 2026 03 06
DATE OF PATENT RESTORATION: 2026 05 11

EXPIRATION OF PATENT RESTORATION TERM

(21) AP 2020 15317
(11) P 2021 7319 B
(73) LEPL "Agricultural Scientific Research Center"
(54) TEA BUSH PRUNING AND LOADING COMBINED AGREGATE
DATE OF PATENT LAPSE: 2025 04 15
DATE OF EXPIRATION OF PATENT RESTORATION TERM: 2026 04 15

(21) AP 2019 15526
(11) P 2024 7624 B
(73) Public Joint Stock Company "Ural Auto-Textile Factory"
(54) BRAKE SHOE FOR A RAIL VEHICLE
DATE OF PATENT LAPSE: 2025 04 11
DATE OF EXPIRATION OF PATENT RESTORATION TERM: 2026 04 11

(21) AP 2021 15606
(11) P 2023 7525 B
(73) Garegin Zakharov;
Zurab Aslamazashvili;
Davit Kvashvadze;
Giorgi Mikaberidze;
Mikheil Chikhradze;
Tamaz Batsikadze;
Levan Antashvili;
David Shonia;
Irakli Maisuradze;
Akaki Peikrishvili;
Gulnara Urushadze;
Ramin Abesadze
(54) METHOD FOR FERROBORON PREPARATION
DATE OF PATENT LAPSE: 2025 04 15
DATE OF EXPIRATION OF PATENT RESTORATION TERM: 2026 04 15

(21) AP 2021 15612
(11) P 2022 7410 B
(73) Guram Dgebuadze
(54) HIGH-TEMPERATURE SUPERCONDUCTORS (HTS) RESEARCH CRYOSTAT
DATE OF PATENT LAPSE: 2025 04 21
DATE OF EXPIRATION OF PATENT RESTORATION TERM: 2026 04 21

(21) AP 2022 15935
(11) P 2023 7573 B
(73) Saba Turmanidze;
Salome Karsanidze
(54) DOUBLE CAPACITY (DC) CONSTANT CURRENT POWER SUPPLY SYSTEM
DATE OF PATENT LAPSE: 2025 04 21
DATE OF EXPIRATION OF PATENT RESTORATION TERM: 2026 04 21

EXPIRATION OF PATENT

(21) AP 2006 10400
(11) P 2012 5387 B
(73) Interdigital Patent Holdings Inc.
(54) MAC MULTIPLEXING AND TFC SELECTION PROCEDURE FOR ENHANCED UPLINK
DATE OF EXPIRATION OF PATENT RESTORATION TERM: 2026 04 26

(21) AP 2006 10403
(11) P 2012 5594 B
(73) USB Pharma S.A.;
Amgen Inc.
(54) SCLEROSTIN BINDING AGENTS
DATE OF EXPIRATION OF PATENT RESTORATION TERM: 2026 04 28

(21) AP 2006 12335
(11) P 2016 6454 B
(73) USB Pharma S.A.;
Amgen Inc.
(54) BINDING AGENTS
DATE OF EXPIRATION OF PATENT RESTORATION TERM: 2026 04 28

GRANTING OF CERTIFICATE OF THE SUPPLEMENTARY PROTECTION IN ACCORDANCE WITH THE ARTICLE 5 OF THE "PATENT LAW OF GEORGIA"

(10) AP 2008 11803 A
(21) AP 2008 11803
(22) 2008 10 23
(11) P 2013 5758 B
(54) FUNGICIDAL COMPOUNDS AND MIXTURES
(94) Date of Expiration of the Patent Term Extended by the Supplementary Protection Certificate: 2033 10 23

(10) AP 2006 10712 A
(21) AP 2006 10712
(22) 2006 10 23
(11) P 2011 5161 B
(54) HETEROCYCLIC AMIDE DERIVATIVES USEFUL AS MICROBIOCIDES
(94) Date of Expiration of the Patent Term Extended by the Supplementary Protection Certificate: 2031 10 23

(10) AP 2018 15389 A
(21) AP 2018 15389
(22) 2018 12 14
(11) P 2023 7490 B
(54) POLYMORPHS
(94) Date of Expiration of the Patent Term Extended by the Supplementary Protection Certificate: 2040 09 16

DESIGN

EXTENSION OF TERM OF DESIGN REGISTRATION

(11) D 2022 927 S
(73) LTD "Zarapkhana" (GE)
Ljubljana St. 15, 0159, Tbilisi, Georgia (GE)
(54) 1.-2. COLLECTION KNIFE
(28) 2
(24) 2021 07 27
(18) 2031 07 27
(58) 2026 04 24

(11) D 2012 492 S
(73) Finlandia Vodka Ltd (FI)
Porkalankatu 24 00180 Helsinki, Finland (FI)
(54) BOTTLE
(28) 1
(24) 2011 08 10
(18) 2031 08 10
(58) 2026 04 29

CANCELLATION OF DESIGN REGISTRATION

(11) D 2021 896 S
(73) Aleksandre Tsivtsivadze (GE)
Revaz Japaridze St., I Lane 1, House 3, 0179, Tbilisi, Georgia (GE);
Mariam Chakhrakia (GE)
M. Tamarashvili Av. 1, ap. 40, 0177, Tbilisi, Georgia (GE)
(54) VEIL
(18) 2025 10 22
(58) 2026 05 01

EXTENSION OF TERM OF INTERNATIONAL DESIGN REGISTRATION

(11) DM/75747
(73) Nemiroff Intellectual Property Establishment
Städtle 31, FL-9490 Vaduz (LI)
(15) 2011 04 05
(24) 2011 04 05
(18) 2031 04 05
(28) 1
(28') 1
(54) BOTTLE

(11) DM/75880
(73) Swatch AG (Swatch SA) (Swatch LTD.)
Jakob-Stämpfli-Strasse 94, CH-2502 Biel/Bienne (CH)
(15) 2011 04 15
(24) 2011 04 15
(18) 2031 04 15
(28) 1
(28') 1
(54) SET OF TYPOGRAPHIC SYMBOLS AND CHARACTERS

(11) DM/76162
(73) Kalekim Kimyevi Maddeler Sanayi Ve Ticaret Anonim Şirketi
Esenyurt Yolu Üzeri, 3. Km. Su Deposu Karşısı Avcılar-İstanbul (TR)
(15) 2011 03 04
(24) 2011 03 04
(18) 2031 03 04
(28) 2
(28') 2
(54) PACKAGES

(11) DM/76307
(73) Hevert Arzneimittel GMBH & CO. KG
In der Weihewiese 1, 55569 Nussbaum (DE)
(15) 2011 06 06
(24) 2011 06 06
(18) 2031 06 06
(28) 1
(28') 1
(54) BOTTLE TOP

TRADEMARK**EXTENSION OF TERM OF TRADEMARK REGISTRATION**

(111) M 1996 2501 R3
(151) 1996 06 25
(186) 2036 06 25
(732) perfetti Van Melle Benelux B.V.
Zoete Inval 20, 4815 HK Breda, Netherlands
(511) 30

(111) M 1996 2634 R3
(151) 1996 07 16
(186) 2036 07 16
(732) Stellantis Europe S.p.A
Korso Jovani Anieli 200, 10135 Turini, Italy
(511) 12

(111) M 1996 3745 R3
(151) 1996 10 29
(186) 2036 10 29
(732) S.C. Johnson & Son, Inc.
1525 Howe Street, Racine, Wisconsin
53403-2236, USA
(511) 3

(111) M 1996 3965 R3
(151) 1996 11 14
(186) 2036 11 14
(732) Magnum IP Holdings B.V.
Reguliersdwarstraat 63, Amsterdam 1017BK,
Netherlands
(511) 30

(111) M 1997 4647 R3
(151) 1997 02 18
(186) 2037 02 18
(732) Underberg GmbH & Co. KG
Underbergstr.1-3, Rheinberg, D-47495,
Germany
(511) 33

(111) M 1996 3610 R3
(151) 1996 10 11
(186) 2036 10 11
(732) Jim Beam Brands Co.
11 Madison Ave. suite 1200, New York,
New York 10010, USA
(511) 33

(111) M 1996 2365 R3
(151) 1996 06 13
(186) 2036 06 13
(732) Levi Strauss & CO.
1155 Battery Street, San Francisco, California
94111, USA
(511) 25

(111) M 1996 2380 R3
(151) 1996 06 14
(186) 2036 06 14
(732) Levi Strauss & CO.
1155 Battery Street, San Francisco, California
94111, USA
(511) 25

(111) M 1996 2366 R3
(151) 1996 06 13
(186) 2036 06 13
(732) Levi Strauss & CO.
1155 Battery Street, San Francisco, California
94111, USA
(511) 25

(111) M 1996 2381 R3
(151) 1996 06 14
(186) 2036 06 14
(732) Levi Strauss & CO.
1155 Battery Street, San Francisco, California
94111, USA
(511) 25

(111) M 1996 1966 R3
(151) 1996 04 22
(186) 2036 04 22
(732) Finlandia Vodka Ltd.
Porkkalankatu 24, 00180 helsinki, Finland
(511) 33

(111) M 1996 3008 R3
(151) 1996 09 11
(186) 2036 09 11
(732) Levi Strauss & Co.
1155 Battery Street, San Francisco, California
94111, USA
(511) 25

-
- (111) M 1996 2367 R3
 (151) 1996 06 13
 (186) 2036 06 13
 (732) Levi Strauss & CO.
 1155 Battery Street, San Francisco,
 California
 94111, USA
 (511) 25
-
- (111) M 1996 3617 R3
 (151) 1996 10 11
 (186) 2036 10 11
 (732) Jim Beam Brands Co.
 11 Madison Ave. suite 1200, New York,
 New York 10010, USA
 (511) 33
-
- (111) M 2006 16449 R2
 (151) 2006 02 15
 (186) 2036 02 15
 (732) LLC "Sante GMT Products"
 Kakheti Highway, 10th km., 0182, Tbilisi,
 Georgia
 (511) 29, 30, 32
-
- (111) M 2006 16517 R2
 (151) 2006 03 02
 (186) 2036 03 02
 (732) LLC "Tifliski Vini Pogreb"
 Yumashev St. 27, 0198, Tbilisi,
 Georgia
 (511) 33
-
- (111) M 2006 16518 R2
 (151) 2006 03 02
 (186) 2036 03 02
 (732) LLC "Tifliski Vini Pogreb"
 Yumashev St. 27, 0198, Tbilisi, Georgia
 (511) 33
-
- (111) M 2006 16538 R2
 (151) 2006 03 15
 (186) 2036 03 15
 (732) Tabacalera Brands, Inc.
 300 Delaware Avenue, Wilmington,
 Delaware 19801, USA
 (511) 34
-
- (111) M 2006 16539 R2
 (151) 2006 03 15
 (186) 2036 03 15
 (732) Tabacalera Brands Inc.
-
- 300 Delaware Avenue, Wilmington,
 Delaware 19801, USA
 (511) 34
-
- (111) M 2006 16575 R2
 (151) 2006 04 17
 (186) 2036 04 17
 (732) Hayat Kimya Sanayi A.Ş.
 Mahir Iz Caddesi No: 25 Altunizade
 üsküdar, Istanbul, Türkiye
 (511) 3
-
- (111) M 2006 16566 R2
 (151) 2006 04 13
 (186) 2036 04 13
 (732) Individual Entrepreneur Mossesov Vladimir
 Vladimirovich
 Ul. M. Tulsкая, dom 2/1. bld. 20, ap. 544,
 115191, Moscow, Russian Federation
 (511) 29, 30
-
- (111) M 2006 16765 R2
 (151) 2006 08 01
 (186) 2036 08 01
 (732) Bata Brands SA
 Avenue d'Ouchy 61, 1006 Lausanne,
 Switzerland
 (511) 25, 35
-
- (111) M 2006 16873 R2
 (151) 2006 10 04
 (186) 2036 10 04
 (732) Genentech Inc.
 1 DNA Way, South San Francisco, CA,
 94080-4990, USA
 (511) 5
-
- (111) M 2006 16969 R2
 (151) 2006 10 26
 (186) 2036 10 26
 (732) Finlandia Vodka Ltd.
 Porkkalankatu 24, 00180 helsinki, Finland
 (511) 33
-
- (111) M 2006 17145 R2
 (151) 2006 12 14
 (186) 2036 12 14
 (732) Aktsionerno druzhestvo 'Bulgartabak-
 Holding"
 ul. "Graf Ignatiev" 62, Sofia, 1000, Bulgaria
 (511) 34
-

(111) M 2006 17146 R2
(151) 2006 12 14
(186) 2036 12 14
(732) Aktsionerno druzhestvo 'Bulgartabak-Holding'
ul. "Graf Ignatiev" 62, Sofia, 1000, Bulgaria
(511) 34

(111) M 2006 17147 R2
(151) 2006 12 14
(186) 2036 12 14
(732) Aktsionerno druzhestvo 'Bulgartabak-Holding'
ul. "Graf Ignatiev" 62, Sofia, 1000, Bulgaria
(511) 34

(111) M 2006 17149 R2
(151) 2006 12 14
(186) 2036 12 14
(732) Aktsionerno druzhestvo 'Bulgartabak-Holding'
ul. "Graf Ignatiev" 62, Sofia, 1000, Bulgaria
(511) 34

(111) M 2006 17156 R2
(151) 2006 12 14
(186) 2036 12 14
(732) Aktsionerno druzhestvo 'Bulgartabak-Holding'
ul. "Graf Ignatiev" 62, Sofia, 1000, Bulgaria
(511) 34

(111) M 1996 3401 R3
(151) 1996 09 30
(186) 2036 09 30
(732) Kohler Co.
444 Highland Drive, Kohler, Wisconsin, USA
(511) 6, 11, 19

(111) M 1996 2849 R3
(151) 1996 08 02
(186) 2036 08 02
(732) Deutsche Bank AG
Taunusanlage 12, 60325 Frankfurt, Germany
(511) 16, 35, 36

(111) M 1996 2208 R3
(151) 1996 06 03
(186) 2036 06 03
(732) Triumph Intertrade AG
Triumphweg 6, 5330 Bad Zurzach, Switzerland
(511) 25

(111) M 1996 1978 R3
(151) 1996 04 24
(186) 2036 04 24
(732) Ingersoll-Rand Industrial U.S. Inc.
525 Harbour Place, Suite 600, Davidson,
North Carolina 28036, USA
(511) 7, 8, 11

(111) M 1996 1977 R3
(151) 1996 04 24
(186) 2036 04 24
(732) Ingersoll-Rand Industrial U.S. Inc.
525 Harbour Place, Suite 600, Davidson,
North Carolina 28036, USA
(511) 7, 8, 11

(111) M 1996 2230 R3
(151) 1996 06 03
(186) 2036 06 03
(732) Magnum IP Holdings B.V.
Reguliersdwarstraat 63, Amsterdam 1017BK,
Netherlands
(511) 30

(111) M 1996 3993 R3
(151) 1996 11 15
(186) 2036 11 15
(732) Magnum IP Holdings B.V.
Reguliersdwarstraat 63, Amsterdam 1017BK,
Netherlands
(511) 30

(111) M 1996 1949 R3
(151) 1996 04 16
(186) 2036 04 16
(732) Eastman Chemical Company
200 South Wilcox Drive, Kingsport,
Tennessee 37660, USA
(511) 1

(111) M 1996 1954 R3
(151) 1996 04 19
(186) 2036 04 19
(732) Estee Lauder Cosmetics Ltd
161 Commander boulevard, Agincourt,
Ontario, Canada
(511) 3

(111) M 1996 1955 R3
(151) 1996 04 19
(186) 2036 04 19
(732) Estee Lauder Cosmetics Ltd

161 Commander boulevard, Agincourt,
Ontario, Canada
(511) 3

(111) M 1996 1957 R3
(151) 1996 04 19
(186) 2036 04 19

(732) Estee Lauder Cosmetics Ltd
161 Commander boulevard, Agincourt,
Ontario, Canada
(511) 3

(111) M 1996 3102 R3
(151) 1996 09 16
(186) 2036 09 16

(732) Canon Kabushiki Kaisha
30-2, 3-chome, Shimomaruko, Ohta-ku,
Tokyo, Japan
(511) 7

(111) M 1996 3103 R3
(151) 1996 09 16
(186) 2036 09 16

(732) Canon Kabushiki Kaisha
30-2, 3-chome, Shimomaruko, Ohta-ku,
Tokyo, Japan
(511) 11

(111) M 1996 3104 R3
(151) 1996 09 16
(186) 2036 09 16

(732) Canon Kabushiki Kaisha
30-2, 3-chome, Shimomaruko, Ohta-ku,
Tokyo, Japan
(511) 12

(111) M 1996 3105 R3
(151) 1996 09 16
(186) 2036 09 16

(732) Canon Kabushiki Kaisha
30-2, 3-chome, Shimomaruko, Ohta-ku,
Tokyo, Japan
(511) 13

(111) M 1996 3106 R3
(151) 1996 09 16
(186) 2036 09 16

(732) Canon Kabushiki Kaisha
30-2, 3-chome, Shimomaruko, Ohta-ku,
Tokyo, Japan
(511) 14, 18, 21, 24, 25, 28, 34

(111) M 1996 3107 R3
(151) 1996 09 16
(186) 2036 09 16

(732) Canon Kabushiki Kaisha
30-2, 3-chome, Shimomaruko, Ohta-ku,
Tokyo, Japan
(511) 17

(111) M 1996 3108 R3
(151) 1996 09 16
(186) 2036 09 16

(732) Canon Kabushiki Kaisha
30-2, 3-chome, Shimomaruko, Ohta-ku,
Tokyo, Japan
(511) 19

(111) M 1996 3109 R3
(151) 1996 09 16
(186) 2036 09 16

(732) Canon Kabushiki Kaisha
30-2, 3-chome, Shimomaruko, Ohta-ku,
Tokyo, Japan
(511) 23

(111) M 1996 3110 R3
(151) 1996 09 16
(186) 2036 09 16

(732) Canon Kabushiki Kaisha
30-2, 3-chome, Shimomaruko, Ohta-ku,
Tokyo, Japan
(511) 26

(111) M 1996 3111 R3
(151) 1996 09 16
(186) 2036 09 16

(732) Canon Kabushiki Kaisha
30-2, 3-chome, Shimomaruko, Ohta-ku,
Tokyo, Japan
(511) 27

(111) M 1996 3112 R3
(151) 1996 09 16
(186) 2036 09 16

(732) Canon Kabushiki Kaisha
30-2, 3-chome, Shimomaruko, Ohta-ku,
Tokyo, Japan
(511) 29

(111) M 1996 2420 R3
(151) 1996 06 18
(186) 2036 06 18

(732) Niterra Co., Ltd.

1-1-1, Higashisakura, Higashi-ku, Nagoya-shi,
Japan
(511) 7

(111) M 1996 2726 R3
(151) 1996 07 25
(186) 2036 07 25
(732) Oxoid Limited

Wade Road, Basingstoke, Hampshire,
United Kingdom
(511) 1, 5, 29

(111) M 2016 26644 R1
(151) 2016 01 11
(186) 2036 01 11

(732) Hongta Tobacco (Group) Co., Ltd.
№118, Hongta Avenue, Hongta District,
Yuxi, Yunnani, China
(511) 34

(111) M 2016 26804 R1
(151) 2016 02 29
(186) 2036 02 28

(732) Diageo North America Inc.
a Connecticut corporation
Three World Trade Center, 175 Greenwich
Street, New York, NY 10007, USA
(511) 33

(111) M 2016 26744 R1
(151) 2016 01 27
(186) 2036 01 27

(732) Aktsionerno Droujestvo "Bulgartabac
Holding"
1000 Sofia, 62 Graf Ignatiev Str., Bulgaria
(511) 34

(111) M 2016 27887 R1
(151) 2016 12 06
(186) 2036 12 06

(732) British American Tobacco (Brands) Inc.
(a Delaware corporation)
251 Little Falls Drive, Suite 100, Wilmington,
DE 19808-1674, USA
(511) 34

(111) M 2016 26992 R1
(151) 2016 04 20
(186) 2036 04 20

(732) Preferred Guest, Inc.
7750 Wisconsin Avenue, Bethesda,
Maryland 20814, USA
(511) 36

(111) M 2016 26839 R1

(151) 2016 03 01

(186) 2036 03 01

(732) Hard Rock Limited

26 New Street, St. Helier Jersey JE2 3RA
Channel Islands, United Kingdom

(511) 25, 43

(111) M 2016 26840 R1

(151) 2016 03 01

(186) 2036 03 01

(732) Hard Rock Limited

26 New Street, St. Helier Jersey JE2 3RA
Channel Islands, United Kingdom

(511) 25, 43

(111) M 2016 26841 R1

(151) 2016 03 01

(186) 2036 03 01

(732) Hard Rock Limited

26 New Street, St. Helier Jersey JE2 3RA
Channel Islands, United Kingdom

(511) 35

(111) M 2016 26998 R1

(151) 2016 04 20

(186) 2036 04 20

(732) LTD "4 Bros"

Vill.Velistsikhe, 1506, Gurjaani Region,
Georgia

(511) 29, 30, 35

(111) M 2016 27079 R1

(151) 2016 05 18

(186) 2036 05 18

(732) HP Hewlett Packard Group LLC

10300 Energy Drive, Spring, Texas
77389, USA

(511) 9, 16, 35, 36, 37, 38, 39, 41, 42

(111) M 2016 27088 R1

(151) 2016 05 18

(186) 2036 05 18

(732) Jaguar Land Rover Limited.

Abbey Road, Whitley, Coventry CV3 4LF,
United Kingdom

(511) 12

(111) M 2016 27010 R1

(151) 2016 04 20

(186) 2036 04 20

(732) Aktsionerno Droujestvo Bulgartabac Holding

1000 Sofia, 62 Graf Ignatiev Str., Bulgaria

(511) 16, 34, 35

(111) M 2016 27016 R1
 (151) 2016 04 20
 (186) 2036 04 20
 (732) Marriott Worldwide Corporation
 7750 Wisconsin Avenue, Bethesda,
 Maryland 20814, USA
 (511) 43

(111) M 2016 27577 R1
 (151) 2016 09 12
 (186) 2036 09 12
 (732) Toyota Jidosha Kabushiki Kaisha
 (also trading as Toyota Motor Corporation)
 1, Toyota-cho, Toyota-shi, Aichi-ken, Japan
 (511) 12

(111) M 2016 27578 R1
 (151) 2016 09 12
 (186) 2036 09 12
 (732) Toyota Jidosha Kabushiki Kaisha
 (also trading as Toyota Motor Corporation)
 1, Toyota-cho, Toyota-shi, Aichi-ken, Japan
 (511) 12

(111) M 1996 1931 R3
 (151) 1996 04 08
 (186) 2036 04 08
 (732) Armand Basi S.L.
 CL Consell De Cent Num. 333 P.5, 08007
 Barcelona, Spain
 (511) 25

(111) M 2016 26867 R1
 (151) 2016 03 02
 (186) 2036 03 02
 (732) Apple Inc.
 One Apple Park Way, Cupertino, California
 95014, USA
 (511) 9

(111) M 2016 27592 R1
 (151) 2016 09 12
 (186) 2036 09 12
 (732) Toyota Jidosha Kabushiki Kaisha
 (also trading as Toyota Motor Corporation)
 1, Toyota-cho, Toyota-shi, Aichi-ken, Japan
 (511) 12

(111) M 2015 26246 R1
 (151) 2015 09 03
 (186) 2035 09 03
 (732) LLC "Georgian Alliance"
 G. Nadareishvili St. 4 (Formerly Samgori
 Alley), 0137, Tbilisi, Georgia
 (511) 30

(111) M 2016 27813 R1
 (151) 2016 11 10
 (186) 2036 11 10
 (732) British American Tobacco (Brands) Inc.
 (a Delaware corporation)
 251 Little Falls Drive, Suite 100, Wilmington,
 DE 19808-1674, USA
 (511) 34

(111) M 2016 27677 R1
 (151) 2016 09 29
 (186) 2036 09 29
 (732) British American Tobacco (Brands) Inc.
 (a Delaware corporation)
 251 Little Falls Drive, Suite 100, Delaware,
 19808-1674, Wilmington, USA
 (511) 34

(111) M 2016 27821 R1
 (151) 2016 11 12
 (186) 2036 11 12
 (732) British American Tobacco (Brands) Inc.
 (a Delaware corporation)
 251 Little Falls Drive, Suite 100, Wilmington,
 DE 19808-1674, USA
 (511) 34

(111) M 2016 27826 R1
 (151) 2016 11 13
 (186) 2036 11 13
 (732) British American Tobacco (Brands) Inc.
 (a Delaware corporation)
 251 Little Falls Drive, Suite 100, Wilmington,
 DE 19808-1674, USA
 (511) 34

(111) M 2016 27734 R1
 (151) 2016 10 18
 (186) 2036 10 18
 (732) LLC "Dio"
 Saburtalo St. 55, 0160, Tbilisi, Georgia
 (511) 1, 2, 3, 4, 5, 6, 7, 8, 9, 10, 11, 12, 13, 14, 15,
 16, 17, 18, 19, 20, 21, 22, 23, 24, 25, 26, 27,
 28, 29, 30, 31, 32, 33, 34, 35, 36, 37, 38, 39,
 40, 41, 42, 43, 44, 45

(111) M 2016 27828 R1
(151) 2016 11 13
(186) 2036 11 13
(732) LLC "My House"
Dighomi Educational Trial Farm Territory,
Floor 2, Vake Saburtalo District, Tbilisi,
Georgia
(511) 20, 35

(111) M 2016 27829 R1
(151) 2016 11 13
(186) 2036 11 13
(732) LLC "My House"
Dighomi Educational Trial Farm Territory,
Floor 2, Vake Saburtalo District, Tbilisi,
Georgia
(511) 20, 35

(111) M 2016 27830 R1
(151) 2016 11 13
(186) 2036 11 13
(732) LLC "My House"
Dighomi Educational Trial Farm Territory,
Floor 2, Vake Saburtalo District, Tbilisi,
Georgia
(511) 20, 35

(111) M 2016 27838 R1
(151) 2016 11 13
(186) 2036 11 13
(732) LLC "My House"
Dighomi Educational Trial Farm Territory,
Floor 2, Vake Saburtalo District, Tbilisi,
Georgia
(511) 20, 35

(111) M 2016 27848 R1
(151) 2016 11 13
(186) 2036 11 13
(732) British American Tobacco (Brands) Inc.
(a Delaware corporation)
251 Little Falls Drive, Suite 100, Wilmington,
DE 19808-1674, USA
(511) 34

(111) M 2016 27932 R1
(151) 2016 12 06
(186) 2036 12 06
(732) British American Tobacco (Brands) Inc.
(a Delaware corporation)
251 Little Falls Drive, Suite 100, Delaware,
19808-1674, Wilmington, USA
(511) 34

(111) M 1996 2522 R3
(151) 1996 06 28
(186) 2036 06 28
(732) Renault S.A.S.
92100 Boulogne-Billancourt, France
(511) 12

(111) M 1996 2524 R3
(151) 1996 06 28
(186) 2036 06 28
(732) Renault s.a.s.
92100 Boulogne-Billancourt, France
(511) 12

(111) M 1996 2527 R3
(151) 1996 06 28
(186) 2036 06 28
(732) Renault s.a.s.
92100 Boulogne-Billancourt, France
(511) 7, 8, 12

(111) M 1996 3341 R3
(151) 1996 09 25
(186) 2036 09 25
(732) Denkavit Internationaal B.V.
Tolnegeweg 65,3781 PV Voorthuizen,
Netherlands
(511) 5, 31

(111) M 2016 26875 R1
(151) 2016 03 09
(186) 2036 03 09
(732) LLC "Park Gida"
Vill. Khutsubani, 5th Ubani, Street 46a,
Kobuleti District, Georgia
(511) 33, 35

(111) M 2016 26954 R1
(151) 2016 04 07
(186) 2036 04 07
(732) OOO "Firm "Disna"
Bulvar Druzhby Narodov Dom 14-16,
Pomeschenie 500, 01103, Kyiv, Ukraine
(511) 33

(111) M 2016 27027 R1
(151) 2016 04 25
(186) 2036 04 25
(732) Einar Iliazovi
Vill. Mughanlo, 19th St. 9, 1324, Gardabani,
Georgia
(511) 25

(111) M 2016 27191 R1
(151) 2016 06 10
(186) 2036 06 10
(732) OOO "Firm "Disna"
Bulvar Druzhby Narodov Dom 14-16,
Pomeschenie 500, 01103, Kyiv, Ukraine
(511) 33

(111) M 2016 27761 R1
(151) 2016 10 19
(186) 2036 10 19
(732) LTD "Global Beer Georgia"
Village Tsilkani, 3319, Mtskheta, Georgia
(511) 32

(111) M 2016 27934 R1
(151) 2016 12 09
(186) 2036 12 09
(732) LTD "Aqua Geo"
Village Misaktsiyeli, Mtskheta District,
Georgia
(511) 32

(111) M 2016 27778 R1
(151) 2016 11 08
(186) 2036 11 08
(732) Joint Stock Company "Telasi"
Vani St. 3, 0119, Tbilisi, Georgia
(511) 39

(111) M 2016 27779 R1
(151) 2016 11 08
(186) 2036 11 08
(732) Joint Stock Company "Telasi"
Vani St. 3, 0119, Tbilisi, Georgia
(511) 39

(111) M 2016 27780 R1
(151) 2016 11 08
(186) 2036 11 08
(732) Joint Stock Company "Telasi"
Vani St. 3, 0119, Tbilisi, Georgia
(511) 39

(111) M 1996 4211 R3
(151) 1996 12 16
(186) 2036 12 16
(732) Hilton Worldwide Manage Limited
Maple Court Central Park, Reeds Crescent,
Watford, WD24 4QQ, United Kingdom
(511) 42

(111) M 1996 2663 R3
(151) 1996 07 17
(186) 2036 07 17
(732) Ebara Corporation
11-I, Haneda Asahi-cho, Ota-ku, Tokyo,
Japan
(511) 7, 9, 11

(111) M 1996 2664 R3
(151) 1996 07 17
(186) 2036 07 17
(732) Ebara Corporation
11-I, Haneda Asahi-cho, Ota-ku, Tokyo,
Japan
(511) 7, 9, 11

(111) M 1996 2853 R3
(151) 1996 08 15
(186) 2036 08 15
(732) Chevron Intellectual Property LLC
a State of Delaware
Limited Liability Company
Trademark & Copyright Group, 1400 Smith
St., Houston, TX 77002, USA
(511) 1, 4

(111) M 1996 3940 R3
(151) 1996 11 13
(186) 2036 11 13
(732) Fila-Arches
67 rue Louis et Laurent Seguin, 07100
Annonay, France
(511) 16

(111) M 1996 2446 R3
(151) 1996 06 21
(186) 2036 06 21
(732) Perfetti Van Melle Benelux B.V.
Zoete Inval 20, 4815 HK Breda, Netherlands
(511) 30

(111) M 1996 2447 R3
(151) 1996 06 21
(186) 2036 06 21
(732) Perfetti Van Melle Benelux B.V.
Zoete Inval 20, 4815 HK Breda, Netherlands
(511) 30

COMPLETE TRANSFER OF RIGHT

(111) M 2020 32852 R
(732) LLC "Rachuli Ghvino"
Village Chrebalo, Ambrolauri Region,
Georgia
(770) LLC "Shalvino"
Zaza Panaskertel-Tsitsishvili St.,
bld. 1, ap. 10, 0160, Tbilisi, Georgia
(580) 2026 04 16

(111) M 2025 39750 R
(732) Blureva LTD
Valaoriti, 5, Flat/Office 102, Latsia, 2220,
Nicosia, Cyprus
(770) LLC "Solaris"
Tornike Eristavi St. 29, bld. 6, ap. 47, Tbilisi,
Georgia
(580) 2026 04 23

(111) M 2008 18196 R
(732) LLC "Shalvino"
Zaza Panaskertel-Tsitsishvili St.,
bld. 1, ap. 10, 0160, Tbilisi, Georgia
(770) Shalva Gvaramadze
Zaza Panaskertel-Tsitsishvili St.,
bld. 1, ap. 10, 0160, Tbilisi, Georgia
(580) 2026 04 17

(111) M 1999 11835P R
(732) Puig France
65/67 avenue des Champs-Élysées 75008
Paris, France
(770) Paco Rabanne
17, rue Francois 1er, 75008 Paris, France
(580) 2026 04 05

(111) M 2015 25821 R
(732) Honeywell Safety Products USA, Inc.,
a Delaware corporation
251 Little Falls Drive, Wilmington, DE,
19808, USA
(770) Honeywell International Inc.
Little Falls Drive, Wilmington, DE,
19808, USA
(580) 2026 04 08

(111) M 1998 9755 R
(732) Puig France
65/67 avenue des Champs-Élysées 75008
Paris, France
(770) Paco Rabanne
17, rue Francois 1er, 75008 Paris, France
(580) 2026 04 05

(111) M 1997 7951 R
(732) Louis Dreyfus Company Ingredients GmbH
Robert-Hansen-Strasse 1, 89257 Illertissen,
Germany
(770) Cognis IP Management GmbH
Rheinpromenade 1, 40789 Monheim,
Germany
(580) 2026 04 06

CHANGES OF NAME AND/OR ADDRESS OF TRADEMARK OWNER

(111) M 2020 33454 R
(732) Compagnie Gervais Danone
(a French corporation)
16 Route 128, 91190 Gif-sur-Yvette, France
(770) Compagnie Gervais Danone
(a French corporation)
17, boulevard Haussmann, 75009 Paris,
France
(580) 2026 04 07

(111) M 1996 3141 R
(732) LCS International Sas
60/62 avenue de la Liberté, 10100 Romilly
sur Seine, France
(770) LCS International Sas
19 Rue Icare, Aéroport 1-67960 Entzheim,
France
(580) 2026 04 15

(111) M 1996 3142 R
(732) LCS International Sas
60/62 avenue de la Liberté, 10100 Romilly
sur Seine, France
(770) LCS International Sas
19 Rue Icare, Aéroport 1-67960 Entzheim,
France
(580) 2026 04 15

(111) M 2023 37647 R
(732) Gallet Licensing LLC
Léon BreitlingStrasse 2, 2540 Grenchen,
USA
(770) Gallet Licensing LLC
251 Little Falls Drive, Wilmington,
DE 19808, USA
(580) 2026 03 17

(111) M 2025 39511 R
(732) Compagnie Gervais Danone
(a Franch Corporation)
16 Route 128, 91190 Gif-sur-Yvette, France
(770) Compagnie Gervais Danone
(a Franch Corporation)
17, Boulevard Haussmann, 75009 Paris,
France
(580) 2026 04 07

(111) M 1998 11314 R
(732) Godiva Belgium B.V./S.R.L.
Veeartsenstraat 42 D, B-1070
Anderlecht, Belgium

(770) Godiva Belgium B.V.B.A./S.P.R.L.
Wapenstilstandstraat 5 (rue de L'Armistice 5)
B-1080 Brussels, Belgium
(580) 2026 04 01

(111) M 1996 1366 R
(732) Ingersoll-Rand Industrial U.S. Inc.
525 Harbour Place, Suite 600, Davidson,
North Carolina 28036, USA
(770) Ingersoll-Rand Industrial U.S.
a Delaware corporation
800-E Beaty Street, Davidson,
NC 28036, USA
(580) 2026 04 15

(111) M 2006 16627 R
(732) Greenme SA
Route de Champ-Colin 12, 1260 Nyon,
Switzerland
(770) Greenme SA
Route de l'Allondon 18, 1242 Satigny,
Switzerland
(580) 2026 04 17

(111) M 2006 17026 R
(732) Joint-Stock Company "Aston Products
Food and Food Ingredients"
Ul. 1-ya Lugovaya 3b, Rostov-on-Don, Rostov
Region, 344002, Russian Federation
(770) Open Joint-Stock Company "Aston Products
Food and Food Ingredients"
Ul. 1-ya Lugovaya 3, b, Rostov-on-Don,
344002, Russian Federation
(580) 2026 04 03

(111) M 1996 1660 R
(732) Citibank, N.A.
388 Greenwich Street, 10013 New York,
New York, USA
(770) Citibank, N.A.
399 Park Avenue, New York,
New York, USA
(580) 2026 04 21

(111) M 1996 1693 R
(732) Campari France
14 Rue Montalivet, 75008 Paris,
France
(770) Marnier-Lapostolle Bisquit
32 Rue de Monceau, 75008 Paris, France
(580) 2026 04 14

(111) M 2011 21729 R
(732) Compagnie Gervais Danone
(a Franch Corporation)
16 Route 128, 91190 Gif-sur-Yvette,
France
(770) Compagnie Gervais Danone
(a Franch Corporation)
17, Boulevard Haussmann, 75009 Paris,
France
(580) 2026 04 07

(111) M 1996 2251 R
(732) HP Hewlett Packard Group LLC
10300 Energy Drive, Spring, Texas 77389,
USA
(770) HP Hewlett Packard Group LLC
11445 Compaq Center Drive West, Houston,
Texas 77070, USA
(580) 2026 04 23

(111) M 1996 2244 R
(732) HP Hewlett Packard Group LLC
10300 Energy Drive, Spring, Texas 77389,
USA
(770) HP Hewlett Packard Group LLC
11445 Compaq Center Drive West, Houston,
Texas 77070, USA
(580) 2026 04 23

(111) M 2013 23732 R
(732) Compagnie Gervais Danone
(a Franch Corporation)
16 Route 128, 91190 Gif-sur-Yvette, France
(770) Compagnie Gervais Danone
(a Franch Corporation)
17, Boulevard Haussmann, 75009 Paris,
France
(580) 2026 04 07

(111) M 2015 26521 R
(732) Joint-Stock Company "BIOCAD"
198515, Saint Petersburg, Intracity
Municipality the Settlement of Strelna, ul.
Svyazi, d. 38, str. 1, pomeschch. 89, Russian
Federation
(770) Closed Joint-Stock Company "BIOCAD"
Svyazi Street, bld.34, liter A, Petrodvortsoviy
district, Strelna, RU-198515, Saint-Petersburg,
Russian Federation
(580) 2026 04 23

(111) M 2016 26984 R
(732) Compagnie Gervais Danone
(a French corporation)
16 Route 128, 91190 Gif-sur-Yvette, France
(770) Compagnie Gervais Danone
(a French corporation)
17, boulevard Haussmann, 75009 Paris, France
(580) 2026 04 07

(111) M 1997 7951 R
(732) Cognis IP Management GmbH
Rheinpromenade 1, 40789 Monheim, Germany
(770) Cognis IP Management GmbH
Henkelstrasse 67, 40589 Dusseldorf, Germany
(580) 2026 04 06

(111) M 2019 31635 R
(732) Godiva Belgium B.V./S.R.L.
Veeartsenstraat 42 D, B-1070 Anderlecht,
Belgium
(770) Godiva Belgium B.V.B.A./S.P.R.L
Uapenstilstendstrat 5 (riu De L'armistis 5)
B-1080 Briuseli, Belgium
(580) 2026 04 01

CANCELLATION OF TRADEMARK REGISTRATION

(111) M 2005 16290 R
(151) 2005 10 17
(732) LTD "Aversi-Pharma"
Davit Aghmashenebeli Av. 148, 0112,
Tbilisi, Georgia
(141) 2026 05 01

(111) M 2015 26353 R
(151) 2015 10 16
(732) Hellenica Cosmetic Products Exploitation S.A.
7, Chimaras str. 151 25 Maroussi, Athens,
Greece
(141) 2026 05 01

(111) M 2015 26331 R
(151) 2015 10 09
(732) Obshchestvo s Ogranichennoi Otvetstven-
nostiu "Lvovskaya Tabachnaya Fabrika"
Ul. Promishlennaya, 50/52, k. 716, q. Lvovi,
79024, Ukraine
(141) 2026 05 01

(111) M 2015 26355 R
(151) 2015 10 16
(732) LLC "Mitana"
G. Chkondideli St. 26, 0180, Tbilisi, Georgia
(141) 2026 05 01

(111) M 2015 26332 R
(151) 2015 10 09
(732) LTD "Grand Candy"
Peikrebi St. 12, 0141, Tbilisi, Georgia
(141) 2026 05 01

(111) M 2015 26362 R
(151) 2015 10 19
(732) LTD "Everest 2010"
Eristavi St. 1, Tbilisi, Georgia
(141) 2026 05 01

(111) M 2015 26337 R
(151) 2015 10 13
(732) LTD "Saamo"
Leselidze St. 5/7, 0105, Old Tbilisi District,
Tbilisi, Georgia
(141) 2026 05 01

(111) M 2015 26365 R
(151) 2015 10 19
(732) Femaş Metal Sanayi Ve Ticaret Anonim
Şirketi
Organize Sanayi Bölgesi, 9. Cadde No: 17,
Kayseri, Türkiye
(141) 2026 05 01

(111) M 2015 26346 R
(151) 2015 10 16
(732) LLC "Mitana"
G. Chkondideli St. 26, 0180, Tbilisi, Georgia
(141) 2026 05 01

(111) M 2015 26368 R
(151) 2015 10 20
(732) The Gillette Company LLC
One Gillette Park, Boston, Massachusetts
02127, USA
(141) 2026 05 01

(111) M 2015 26350 R
(151) 2015 10 16
(732) Vakhtang Iuris-Dze Kasradze
Mayakovskiy St. 49, ap.19, 644010, Omsk,
Russian Federation
(141) 2026 05 01

(111) M 2015 26372 R
(151) 2015 10 20
(732) LTD "Discover Georgia"
Brothers Zubalashvili St. 43, 0113, Tbilisi,
Georgia
(141) 2026 05 01

(111) M 2015 26351 R
(151) 2015 10 16
(732) Vakhtang Iuris-Dze Kasradze
Mayakovskiy St. 49, ap.19, 644010, Omsk,
Russian Federation
(141) 2026 05 01

(111) M 2015 26373 R
(151) 2015 10 20
(732) Giorgi Chirgadze
Panaskerteli St. 17, ap. 33, Tbilisi, Georgia
(141) 2026 05 01

(111) M 2015 26333 R
(151) 2015 10 12
(732) Gocha Pipia
Budapest St., 11, ap. 55, 0160, Tbilisi,
Georgia
(141) 2026 05 01

(111) M 2015 26334 R
(151) 2015 10 12
(732) Joint Stock Company "Fly. G."
On the extension of the slope of the 4th m/r of
Nutsubidze Street, (Plot 7), 0183, Tbilisi,
Georgia
(141) 2026 04 24

(111) M 2015 26345 R
(151) 2015 10 16
(732) LLC "Maltisoft"
Oniashvili St. 67, 0186, Tbilisi, Georgia
(141) 2026 04 24

(111) M 2015 26347 R
(151) 2015 10 16
(732) LTD "Elegant-5"
Imedashvili St. Lane, House 16, 6017,
Batumi, Georgia
(141) 2026 04 24

(111) M 2015 26376 R
(151) 2015 10 21
(732) LTD "Teleclinic"
Iakob Nikoladze St. 6, 0179, Tbilisi,
Georgia
(141) 2026 05 01

(111) M 2015 26380 R
(151) 2015 10 23
(732) Tariel Khokhobashvili
Pekini St. 17, B. 24, Tbilisi, Georgia
(141) 2026 05 01

(111) M 2015 26377 R
(151) 2015 10 23
(732) LLC "Maltisoft"
Oniashvili St. 67, Building 1, Floor 2, 0160,
Vake-Saburtalo District, Tbilisi, Georgia
(141) 2026 05 01

(111) M 2015 26378 R
(151) 2015 10 23
(732) LLC "Maltisoft"
Onashvili St. 67, Building 1, Floor 2, 0160,
Vake-Saburtalo District, Tbilisi, Georgia
(141) 2026 05 01

(111) M 2015 26464 R
(151) 2015 10 27
(732) JSC "ICapital"
Ilia Chavchavadze Av. 74, 0162, Tbilisi,
Georgia
(141) 2026 05 04

CHANGE OF GOODS AND/OR SERVICE OF TRADEMARK

(111) M 2022 35398 R
(732) LTD "ch.ch.sh"
G. Eliozishvili St., bld. 13, ap. 18,
1400, Gori, Georgia
(511) 35

(111) M 2009 19439 R
(732) LLC "Aversi-Pharma"
Davit Aghmashenebeli Av. 148, 0112,
Tbilisi, Georgia
(511) 3

(111) M 2011 22012 R
(732) LLC "Aversi-Pharma"
Davit Aghmashenebeli Av. 148, 0112,
Tbilisi, Georgia
(511) 3, 5

CLASSIFICATION INDEXES

INVENTION APPLICATION***

CONCORDANCE TABLE OF INTERNATIONAL CLASSIFICATION INDEX AND PUBLICATION NUMBER

INTERNATIONAL CLASSIFICATION INDEXES (51)	NUMBER OF PUBLISHED APPLICATION (10)
A 01 G 9/02; B 29 B 17/00; B 29 K 67/00; B 29 K 505/02; B 29 K 505/10; B 29 K 23/00; B 29 K 1/00	AP 2026 16963 A
A 45 C 3/04; B 65 D 67/00	AP 2026 16839 A
B 01 F 25/313; B 01 F 25/00; B 01 J 8/02; B 01 J 8/04; C 01 B 3/38	AP 2026 16960 A
C 23 C 24/103; B 23 K 26/00	AP 2026 16840 A

CONCORDANCE TABLE OF PUBLICATION NUMBER AND INTERNATIONAL CLASSIFICATION INDEX

NUMBER OF PUBLISHED APPLICATION (10)	INTERNATIONAL CLASSIFICATION INDEXES (51)
AP 2026 16839 A	A 45 C 3/04; B 65 D 67/00
AP 2026 16840 A	C 23 C 24/103; B 23 K 26/00
AP 2026 16960 A	B 01 F 25/313; B 01 F 25/00; B 01 J 8/02; B 01 J 8/04; C 01 B 3/38
AP 2026 16963 A	A 01 G 9/02; B 29 B 17/00; B 29 K 67/00; B 29 K 505/02; B 29 K 505/10; B 29 K 23/00; B 29 K 1/00

PATENT***CONCORDANCE TABLE OF INTERNATIONAL CLASSIFICATION INDEX,
PATENT NUMBER AND PUBLICATION NUMBER

INTERNATIONAL CLASSIFICATION INDEX (51)	NUMBER OF PATENT (11)	NUMBER OF PUBLISHED APPLICATION (10)
A 45 C 3/04; B 65 D 67/00	P 2026 7893 B	AP 2026 16839 A
E 02 F 9/28	P 2026 7891 B	AP 2025 16804 A
C 23 C 24/103; B 23 K 26/00	P 2026 7892 B	AP 2026 16840 A

CONCORDANCE TABLE OF PATENT NUMBER,
PUBLICATION NUMBER AND INTERNATIONAL CLASSIFICATION INDEX

NUMBER OF PATENT (11)	NUMBER OF PUBLISHED APPLICATION (10)	INTERNATIONAL CLASSIFICATION INDEX (51)
P 2026 7891 B	AP 2025 16804 A	E 02 F 9/28
P 2026 7892 B	AP 2026 16840 A	C 23 C 24/103; B 23 K 26/00
P 2026 7893 B	AP 2026 16839 A	A 45 C 3/04; B 65 D 67/00

CONCORDANCE TABLE OF APPLICATION NUMBER,
PUBLICATION NUMBER AND PATENT

NUMBER OF APPLICATION (21)	NUMBER OF PUBLISHED APPLICATION (10)	NUMBER OF PATENT (11)
AP 2023 16804	AP 2025 16804 A	P 2026 7891 B
AP 2025 16839	AP 2026 16839 A	P 2026 7893 B
AP 2025 16840	AP 2026 16840 A	P 2026 7892 B

UTILITY MODEL APPLICATION***

CONCORDANCE TABLE OF INTERNATIONAL CLASSIFICATION INDEX AND PUBLICATION NUMBER

INTERNATIONAL CLASSIFICATION INDEXES (51)	NUMBER OF PUBLISHED APPLICATION (10)
A 63 B 21/00; A 63 B 22/00; A 63 B 23/00	AU 2026 16808 U
F 24 F 1/10; F 24 F 12/00; F 28 D 9/00; F 28 D 7/08; F 28 F 3/04; F 28 F 3/12	AU 2026 16946 U

CONCORDANCE TABLE OF PUBLICATION NUMBER AND INTERNATIONAL CLASSIFICATION INDEX

NUMBER OF PUBLISHED APPLICATION (10)	INTERNATIONAL CLASSIFICATION INDEXES (51)
AU 2026 16808 U	A 63 B 21/00; A 63 B 22/00; A 63 B 23/00
AU 2026 16946 U	F 24 F 1/10; F 24 F 12/00; F 28 D 9/00; F 28 D 7/08; F 28 F 3/04; F 28 F 3/12

REGISTERED UTILITY MODEL ***

CONCORDANCE TABLE OF INTERNATIONAL CLASSIFICATION INDEX, NUMBER OF REGISTRATION AND PUBLICATION NUMBER

INTERNATIONAL CLASSIFICATION INDEX (51)	NUMBER OF REGISTRATION (11)	NUMBER OF PUBLISHED APPLICATION (10)
A 63 B 21/00; A 63 B 22/00; A 63 B 23/00	U 2026 2245 Y	AU 2026 16808 U

CONCORDANCE TABLE OF NUMBER OF REGISTRATION, PUBLICATION NUMBER AND INTERNATIONAL CLASSIFICATION INDEX

NUMBER OF REGISTRATION (11)	NUMBER OF PUBLISHED APPLICATION (10)	INTERNATIONAL CLASSIFICATION INDEX (51)
U 2026 2245 Y	AU 2026 16808 U	A 63 B 21/00; A 63 B 22/00; A 63 B 23/00

CONCORDANCE TABLE OF APPLICATION NUMBER, PUBLICATION NUMBER AND NUMBER OF REGISTRATION

NUMBER OF APPLICATION (21)	NUMBER OF PUBLISHED APPLICATION (10)	NUMBER OF REGISTRATION (11)
AU 2025 16808	AU 2026 16808 U	U 2026 2245 Y

DESIGN
DESIGN REGISTERED ACCORDING TO THE
ACCELERATED PROCEDURE
 CONCORDANCE TABLE OF INTERNATIONAL CLASSIFICATION INDEX
 AND PUBLICATION NUMBERS

INTERNATIONAL CLASSIFICATION INDEXES (51)	NUMBER OF REGISTRATION (11)
10-07	D 2026 1117 S

CONCORDANCE TABLE OF PUBLICATION NUMBERS
 AND INTERNATIONAL CLASSIFICATION INDEX

NUMBER OF REGISTRATION (11)	INTERNATIONAL CLASSIFICATION INDEXES (51)
D 2026 1117 S	10-07

CONCORDANCE TABLE OF APPLICATION NUMBERS,
 PUBLICATION NUMBERS AND PATENTS

NUMBER OF APPLICATION (21)	NUMBER OF REGISTRATION (11)
AD 2026 1512	D 2026 1117 S

TRADEMARKCONCORDANCE TABLE OF REGISTRATION NUMBER, APPLICATION NUMBER,
PUBLICATION NUMBER AND BULLETIN NUMBER

NUMBER OF REGISTRATION (111)	NUMBER OF APPLICATION (210)	NUMBER OF PUBLISHED APPLICATION (260)	NUMBER OF BULLETIN
1	2	3	4
M 2026 41131 R	AM 133142	AM 2025 133142 A	22(673)2025
M 2026 41132 R	AM 33490	AM 2025 133490 A	22(673)2025
M 2026 41133 R	AM 133044	AM 2025 133044 A	22(673)2025
M 2026 41134 R	AM 133549	AM 2025 133549 A	23(674)2025
M 2026 41135 R	AM 133649	AM 2025 133649 A	22(673)2025
M 2026 41136 R	AM 133650	AM 2025 133650 A	22(673)2025
M 2026 41137 R	AM 133547	AM 2025 133547 A	23(674)2025
M 2026 41138 R	AM 132781	AM 2025 132781 A	20(671)2025
M 2026 41139 R	AM 133783	AM 2025 133783 A	24(675)2025
M 2026 41140 R	AM 132782	AM 2025 132782 A	20(671)2025
M 2026 41141 R	AM 134062	AM 2025 134062 A	24(675)2025
M 2026 41142 R	AM 133782	AM 2025 133782 A	24(675)2025
M 2026 41143 R	AM 133362	AM 2025 133362 A	21(672)2025
M 2026 41144 R	AM 133959	AM 2025 133959 A	24(675)2025
M 2026 41145 R	AM 133779	AM 2025 133779 A	24(675)2025
M 2026 41146 R	AM 133781	AM 2025 133781 A	24(675)2025
M 2026 41147 R	AM 134179	AM 2025 134179 A	24(675)2025
M 2026 41148 R	AM 134176	AM 2025 134176 A	24(675)2025
M 2026 41149 R	AM 133958	AM 2025 133958 A	24(675)2025
M 2026 41150 R	AM 132516	AM 2025 132516 A	24(675)2025
M 2026 41151 R	AM 133545	AM 2025 133545 A	23(674)2025
M 2026 41152 R	AM 133251	AM 2025 133251 A	24(675)2025
M 2026 41153 R	AM 133247	AM 2025 133247 A	24(675)2025
M 2026 41154 R	AM 133644	AM 2025 133644 A	24(675)2025
M 2026 41155 R	AM 133891	AM 2025 133891 A	23(674)2025
M 2026 41156 R	AM 133366	AM 2025 133366 A	22(673)2025
M 2026 41157 R	AM 132256	AM 2025 132256 A	18(669)2025
M 2026 41158 R	AM 133688	AM 2025 133688 A	24(675)2025
M 2026 41159 R	AM 133275	AM 2025 133275 A	22(673)2025
M 2026 41160 R	AM 128850	AM 2025 128850 A	23(674)2025
M 2026 41161 R	AM 132673	AM 2025 132673 A	18(669)2025
M 2026 41162 R	AM 132661	AM 2025 132661 A	19(670)2025
M 2026 41163 R	AM 133285	AM 2025 133285 A	22(673)2025
M 2026 41164 R	AM 134075	AM 2025 134075 A	24(675)2025
M 2026 41165 R	AM 133893	AM 2025 133893 A	24(675)2025
M 2026 41166 R	AM 133487	AM 2025 133487 A	24(675)2025
M 2026 41167 R	AM 133902	AM 2025 133902 A	24(675)2025
M 2026 41168 R	AM 134199	AM 2026 134199 A	1(676)2026
M 2026 41169 R	AM 133974	AM 2025 133974 A	24(675)2025
M 2026 41170 R	AM 129841	AM 2025 129841 A	7(658)2025
M 2026 41171 R	AM 134200	AM 2026 134200 A	1(676)2026
M 2026 41172 R	AM 132922	AM 2025 132922 A	21(672)2025
M 2026 41173 R	AM 132068	AM 2025 132068 A	21(672)2025
M 2026 41174 R	AM 131482	AM 2025 131482 A	22(673)2025
M 2026 41175 R	AM 134076	AM 2026 134076 A	1(676)2026
M 2026 41176 R	AM 132070	AM 2025 132070 A	21(672)2025

1	2	3	4
M 2026 41177 R	AM 132670	AM 2025 132670 A	20(671)2025
M 2026 41178 R	AM 132669	AM 2025 132669 A	20(671)2025
M 2026 41179 R	AM 132347	AM 2025 132347 A	20(671)2025
M 2026 41180 R	AM 134168	AM 2026 134168 A	1(676)2026
M 2026 41181 R	AM 133904	AM 2026 133904 A	1(676)2026
M 2026 41182 R	AM 134063	AM 2025 134063 A	24(675)2025
M 2026 41183 R	AM 132793	AM 2025 132793 A	23(674)2025
M 2026 41184 R	AM 134091	AM 2026 134091 A	1(676)2026
M 1996 3257P R	–	–	9(684)2026
M 2026 41185 R	AM 138689	–	9(684)2026
M 2026 41186 R	AM 138690	–	9(684)2026
M 2026 41187 R	AM 138700	–	9(684)2026
M 2026 41188 R	AM 138698	–	9(684)2026
M 2026 41189 R	AM 138672	–	9(684)2026
M 2026 41190 R	AM 138807	–	9(684)2026
M 2026 41191 R	AM 138815	–	9(684)2026
M 2026 41192 R	AM 138885	–	9(684)2026
M 2026 41193 R	AM 138893	–	9(684)2026

CONCORDANCE TABLE OF INDEX OF GOODS AND/OR SERVICE
AND APPLICATION NUMBER

NUMBER OF PUBLISHED APPLICATION (260)	NUMBER OF APPLICATION (210)	1	2
1	2		
AM 2026 132662 A*	AM 132662	AM 2026 135722 A	AM 135722
AM 2026 132663 A*	AM 132663	AM 2026 135723 A	AM 135723
AM 2026 133969 A	AM 133969	AM 2026 135726 A	AM 135726
AM 2026 134342 A	AM 134342	AM 2026 135728 A	AM 135728
AM 2026 134389 A	AM 134389	AM 2026 135729 A	AM 135729
AM 2026 134449 A	AM 134449	AM 2026 135730 A	AM 135730
AM 2026 134551 A	AM 134551	AM 2026 135736 A	AM 135736
AM 2026 134744 A	AM 134744	AM 2026 135737 A	AM 135737
AM 2026 134981 A	AM 134981	AM 2026 135738 A	AM 135738
AM 2026 134987 A	AM 134987	AM 2026 135742 A	AM 135742
AM 2026 135100 A	AM 135100	AM 2026 135747 A	AM 135747
AM 2026 135196 A	AM 135196	AM 2026 135749 A	AM 135749
AM 2026 135203 A	AM 135203	AM 2026 135750 A	AM 135750
AM 2026 135376 A	AM 135376	AM 2026 135756 A	AM 135756
AM 2026 135392 A	AM 135392	AM 2026 135762 A	AM 135762
AM 2026 135394 A	AM 135394	AM 2026 135810 A	AM 135810
AM 2026 135499 A	AM 135499	AM 2026 135811 A	AM 135811
AM 2026 135502 A	AM 135502	AM 2026 135821 A	AM 135821
AM 2026 135552 A	AM 135552	AM 2026 135822 A	AM 135822
AM 2026 135560 A	AM 135560	AM 2026 135823 A	AM 135823
AM 2026 135563 A	AM 135563	AM 2026 135833 A	AM 135833
AM 2026 135565 A	AM 135565	AM 2026 135841 A	AM 135841
AM 2026 135614 A	AM 135614	AM 2026 135842 A	AM 135842
AM 2026 135615 A	AM 135615	AM 2026 135843 A	AM 135843
AM 2026 135623 A	AM 135623	AM 2026 135902 A	AM 135902
AM 2026 135627 A	AM 135627	AM 2026 135903 A	AM 135903
AM 2026 135630 A	AM 135630	AM 2026 135906 A	AM 135906
AM 2026 135631 A	AM 135631	AM 2026 135917 A	AM 135917
AM 2026 135633 A	AM 135633	AM 2026 135926 A	AM 135926
AM 2026 135638 A	AM 135638	AM 2026 135927 A	AM 135927
AM 2026 135641 A	AM 135641	AM 2026 135929 A	AM 135929
AM 2026 135642 A	AM 135642	AM 2026 135930 A	AM 135930
AM 2026 135649 A	AM 135649	AM 2026 135939 A	AM 135939
AM 2026 135700 A	AM 135700	AM 2026 135940 A	AM 135940
AM 2026 135702 A	AM 135702	AM 2026 135944 A	AM 135944
AM 2026 135704 A	AM 135704	AM 2026 135948 A	AM 135948
AM 2026 135705 A	AM 135705	AM 2026 135950 A	AM 135950
AM 2026 135710 A	AM 135710	AM 2026 136031 A	AM 136031
AM 2026 135713 A	AM 135713	AM 2026 136032 A	AM 136032
AM 2026 135715 A	AM 135715	AM 2026 136033 A	AM 136033
AM 2026 135718 A	AM 135718	AM 2026 136034 A	AM 136034
AM 2026 135719 A	AM 135719	AM 2026 136047 A	AM 136047
AM 2026 135720 A	AM 135720	AM 2026 136058 A	AM 136058
		AM 2026 136063 A	AM 136063
		AM 2026 136067 A	AM 136067
		AM 2026 136122 A	AM 136122
		AM 2026 136126 A	AM 136126

CONCORDANCE TABLE OF PUBLICATION NUMBER
AND APPLICATION NUMBER

INDEX OF GOODS AND/OR SERVICE (511)	NUMBER OF PUBLISHED APPLICATION (260)	1	2
1	2	12	AM 2026 135902 A
1	AM 2026 135631 A	12	AM 2026 135944 A
1	AM 2026 135944 A	12	AM 2026 136122 A
2	AM 2026 135944 A	13	AM 2026 135944 A
3	AM 2026 135563 A	14	AM 2026 135196 A
3	AM 2026 135929 A	14	AM 2026 135563 A
3	AM 2026 135930 A	14	AM 2026 135700 A
4	AM 2026 134551 A	15	AM 2026 135944 A
4	AM 2026 135631 A	16	AM 2026 135563 A
5	AM 2026 135842 A	16	AM 2026 135738 A
5	AM 2026 136031 A	16	AM 2026 135930 A
6	AM 2026 134389 A	17	AM 2026 134389 A
6	AM 2026 135631 A	17	AM 2026 135742 A
6	AM 2026 135710 A	17	AM 2026 135944 A
6	AM 2026 135742 A	18	AM 2026 135563 A
6	AM 2026 135750 A	18	AM 2026 135843 A
6	AM 2026 135944 A	19	AM 2026 135376 A
7	AM 2026 134389 A	19	AM 2026 135944 A
7	AM 2026 135560 A	21	AM 2026 134551 A
7	AM 2026 135631 A	24	AM 2026 135563 A
7	AM 2026 136126 A	25	AM 2026 135563 A
8	AM 2026 135560 A	25	AM 2026 135843 A
8	AM 2026 135623 A	27	AM 2026 135563 A
8	AM 2026 135944 A	28	AM 2026 135939 A
9	AM 2026 134342 A	28	AM 2026 135940 A
9	AM 2026 134389 A	29	AM 2026 132662 A*
9	AM 2026 135100 A	29	AM 2026 134449 A
9	AM 2026 135563 A	29	AM 2026 135502 A
9	AM 2026 135565 A	29	AM 2026 135810 A
9	AM 2026 135627 A	30	AM 2026 132663 A*
9	AM 2026 135630 A	30	AM 2026 134551 A
9	AM 2026 135710 A	30	AM 2026 134981 A
9	AM 2026 135726 A	30	AM 2026 135394 A
9	AM 2026 135728 A	30	AM 2026 135499 A
9	AM 2026 135729 A	30	AM 2026 135638 A
9	AM 2026 135730 A	30	AM 2026 135903 A
9	AM 2026 135738 A	30	AM 2026 136058 A
11	AM 2026 134389 A	30	AM 2026 136067 A
11	AM 2026 134744 A	31	AM 2026 135502 A
11	AM 2026 135100 A	31	AM 2026 136032 A
11	AM 2026 135623 A	31	AM 2026 136033 A
11	AM 2026 135710 A	31	AM 2026 136034 A
11	AM 2026 135713 A	31	AM 2026 136067 A
11	AM 2026 135821 A	32	AM 2026 134551 A
11	AM 2026 135822 A	32	AM 2026 135502 A
11	AM 2026 135903 A	32	AM 2026 135926 A
12	AM 2026 135719 A	32	AM 2026 135927 A
12	AM 2026 135720 A	32	AM 2026 136067 A
12	AM 2026 135742 A	33	AM 2026 133969 A
		33	AM 2026 134987 A
		33	AM 2026 135502 A
		33	AM 2026 135552 A
		33	AM 2026 135641 A

1	2
33	AM 2026 135642 A
33	AM 2026 135747 A
33	AM 2026 135811 A
33	AM 2026 135823 A
33	AM 2026 135906 A
34	AM 2026 135563 A
34	AM 2026 135614 A
34	AM 2026 135615 A
35	AM 2026 134551 A
35	AM 2026 135392 A
35	AM 2026 135502 A
35	AM 2026 135552 A
35	AM 2026 135563 A
35	AM 2026 135627 A
35	AM 2026 135715 A
35	AM 2026 135722 A
35	AM 2026 135723 A
35	AM 2026 135726 A
35	AM 2026 135728 A
35	AM 2026 135729 A
35	AM 2026 135730 A
35	AM 2026 135738 A
35	AM 2026 135747 A
35	AM 2026 135756 A
35	AM 2026 135841 A
35	AM 2026 135843 A
35	AM 2026 135903 A
35	AM 2026 135927 A
36	AM 2026 135630 A
36	AM 2026 135649 A
36	AM 2026 135722 A
36	AM 2026 135723 A
36	AM 2026 135756 A
36	AM 2026 135841 A
36	AM 2026 135948 A
36	AM 2026 135950 A
37	AM 2026 134389 A
37	AM 2026 135203 A
37	AM 2026 135376 A
37	AM 2026 135631 A
37	AM 2026 135704 A
37	AM 2026 135705 A
37	AM 2026 135722 A
37	AM 2026 135723 A
37	AM 2026 135756 A
38	AM 2026 135726 A
38	AM 2026 135728 A

1	2
38	AM 2026 135729 A
38	AM 2026 135730 A
38	AM 2026 135738 A
38	AM 2026 135762 A
39	AM 2026 135841 A
41	AM 2026 135633 A
41	AM 2026 135702 A
41	AM 2026 135722 A
41	AM 2026 135723 A
41	AM 2026 135726 A
41	AM 2026 135728 A
41	AM 2026 135729 A
41	AM 2026 135730 A
41	AM 2026 135736 A
41	AM 2026 135738 A
41	AM 2026 135749 A
41	AM 2026 135756 A
41	AM 2026 135841 A
42	AM 2026 134342 A
42	AM 2026 135627 A
42	AM 2026 135704 A
42	AM 2026 135705 A
42	AM 2026 135726 A
42	AM 2026 135728 A
42	AM 2026 135729 A
42	AM 2026 135730 A
42	AM 2026 135738 A
42	AM 2026 135841 A
42	AM 2026 136063 A
43	AM 2026 134551 A
43	AM 2026 135392 A
43	AM 2026 135502 A
43	AM 2026 135722 A
43	AM 2026 135723 A
43	AM 2026 135737 A
43	AM 2026 135756 A
43	AM 2026 135833 A
43	AM 2026 135903 A
43	AM 2026 135917 A
43	AM 2026 136047 A
44	AM 2026 135738 A
45	AM 2026 135718 A
45	AM 2026 135726 A
45	AM 2026 135728 A
45	AM 2026 135729 A
45	AM 2026 135730 A
45	AM 2026 135738 A

CONCORDANCE TABLE OF INDEX OF GOODS AND/OR SERVICE
AND NUMBER OF TRADEMARK REGISTERED ACCORDING
TO THE ACCELERATED PROCEDURE

INDEX OF GOODS AND/OR SERVICE (511)	NUMBER OF REGISTERED ACCORDING TO THE ACCELERATED PROCEDURE (111)
3	M 2026 41188 R
5	M 2026 41188 R
7	M 2026 41187 R
8	M 2026 41187 R
8	M 2026 41189 R
9	M 2026 41185 R
11	M 2026 41187 R
11	M 2026 41193 R
16	M 2026 41188 R
21	M 2026 41187 R
21	M 2026 41188 R
21	M 2026 41189 R
24	M 2026 41188 R
28	M 2026 41188 R
30	M 2026 41190 R
32	M 2026 41191 R
35	M 2026 41185 R
39	M 2026 41192 R
42	M 2026 41185 R
44	M 2026 41186 R

OFFICIAL BULLETIN OF THE INDUSTRIAL PROPERTY

INVENTION

UTILITY MODEL

VALIDATION OF EUROPEAN PATENT

DESIGN

TRADEMARK

**APPELLATION OF ORIGIN OF GOODS
AND GEOGRAPHICAL INDICATION**

9(684)

EDITOR-IN-CHIEF: N. Bebrishvili

EDITOR-TRANSLATOR: E. Gabunia

PROOFREADER: A. Shikhashvili

COMPUTER LAYOUT: M. Ordenidze
K. Svanidze

ISSN 2720-8486

info@sakpatenti.gov.ge
www.sakpatenti.gov.ge

**LIST OF CODES, IN ALPHABETIC SEQUENCE, AND THE CORRESPONDING (SHORT) NAMES OF STATES, OTHER ENTITIES AND INTERGOVERNMENTAL ORGANIZATIONS
(WIPO STANDARD ST.3)**

AD	Andorra				
AE	United Arab Emirates	GD	Grenada	NE	Niger
AF	Afghanistan	GG	Guernsey	NG	Nigeria
AG	Antigua and Barbuda	GH	Ghana	NI	Nicaragua
AI	Anguilla	GI	Gibraltar	NL	Netherlands
AL	Albania	GT	Guatemala	NO	Norway
AM	Armenia	GW	Guinea- Bissau	NP	Nepal
AN	Netherlands Antilles	GY	Guyana	NR	Nauru
AO	Angola	HK	The Hong Kong Special Administrative Region of the People's Republic of China	NZ	New Zealand
AP	African Regional Intellectual Property Organization (ARIPO)	HN	Honduras	OA	African Intellectual Property Organization (OAPI)
AR	Argentina	HR	Croatia	OM	Oman
AT	Austria	HT	Haiti	PA	Panama
AU	Australia	HU	Hungary	PE	Peru
AW	Aruba	IB	International Bureau of the World Intellectual Property Organization (WIPO)	PG	Papua New Guinea
AZ	Azerbaijan	ID	Indonesia	PH	Philippines
BA	Bosnia and Herzegovina	IE	Ireland	PK	Pakistan
BB	Barbados	IL	Israel	PL	Poland
BD	Bangladesh	IM	Isle of Man	PT	Portugal
BE	Belgium	IN	India	PW	Palau
BF	Burkina Faso	IQ	Iraq	PY	Paraguay
BG	Bulgaria	IR	Iran (Islamic Republic of)	QA	Qatar
BH	Bahrain	IS	Iceland	QZ	Community Plant Variety Office (European Community) (CPVO)
BI	Burundi	IT	Italy	RO	Romania
BJ	Benin	JE	Jersey	RS	Serbia
BM	Bermuda	JM	Jamaica	RU	Russian Federation
BN	Brunei Darussalam	JO	Jordan	RW	Rwanda
BO	Bolivia	JP	Japan	SA	Saudi Arabia
BR	Brazil	KE	Kenya	SB	Solomon Islands
BS	Bahamas	KG	Kyrgyzstan	SC	Seychelles
BT	Bhutan	KH	Cambodia	SD	Sudan
BV	Bouvet Island	KI	Kiribati	SG	Singapore
BW	Botswana	KM	Saint Kitts and Nevis	SH	Saint Helena
BX	Benelux Office for Intellectual Property (BOIP)	KP	Democratic People's Republic of Korea	SI	Slovenia
BY	Belarus	KR	Republic of Korea	SK	Slovakia
BZ	Belize	KW	Kuwait	SL	Sierra Leone
CA	Canada	KY	Cayman Islands	SM	San Marino
CD	Democratic Republic of the Congo	KZ	Kazakhstan	SN	Senegal
CF	Central African Republic	LA	Lao People's Democratic Republic	SO	Somalia
CG	Congo	LB	Lebanon	SR	Suriname
CH	Switzerland	LC	Saint Lucia	ST	Sao Tome and Principe
CI	Cote d'Ivoire	LI	Liechtenstein	SV	El Salvador
CK	Cook Islands	LK	Sri Lanka	SY	Syrian Arab Republic
CL	Chile	LR	Liberia	SZ	Swaziland
CM	Cameroon	LS	Lesotho	TC	Turks and Caicos Islands
CN	China	LT	Lithuania	TD	Chad
CO	Colombia	LU	Luxembourg	TG	Togo
CR	Costa Rica	LV	Latvia	TH	Thailand
CU	Cuba	LY	Libyan Arab Jamahiriya	TJ	Tajikistan
CV	Cape Verde	MA	Morocco	TL	Timor-Leste
CY	Cyprus	MC	Monaco	TM	Turkmenistan
CZ	Czech Republic	MD	Republic of Moldova	TN	Tunisia
DE	Germany	ME	Montenegro	TO	Tonga
DJ	Djibouti	MG	Madagascar	TR	Turkey
DM	Dominica	MK	The former Yugoslav Republic of Macedonia	SE	Sweden
DO	Dominican Republic	ML	Mali	TT	Trinidad and Tobago
DZ	Algeria	MM	Myanmar	TV	Tuvalu
EA	Eurasian Patent Organization (EAPO)	MN	Mongolia	TW	Taiwan, Province of China
EC	Ecuador	MO	Macao	TZ	United Republic of Tanzania
EE	Estonia	MP	Northern Mariana Islands	UA	Ukraine
EG	Egypt	MR	Mauritania	UG	Uganda
EH	Western Sahara	MS	Montserrat	US	United States of America
EM	Office for Harmonization in the Internal Market (Trademarks and Designs)(OHIM)	MT	Malta	UY	Uruguay
EP	European Patent Office (EPO)	MU	Mauritius	UZ	Uzbekistan
ER	Eritrea	MV	Maldives	VA	Holy See
ES	Spain	MW	Malawi	VC	Saint Vincent and the Grenadines
ET	Ethiopia	MX	Mexico	VE	Venezuela
FI	Finland	MY	Malaysia	VG	Virgin Islands (British)
FJ	Fiji	MZ	Mozambique	VN	Viet Nam
FK	Falkland Islands (Malvinas)	NA	Namibia	VU	Vanuatu
FO	Faroe Islands			WO	World Intellectual Property Organization (WIPO)
FR	France			WS	Samoa
GA	Gabon			XN	Nordic Patent Institute (NPI)
GB	United Kingdom			YE	Yemen
GC	Patent Office of the Cooperation Council for the Arab States of the Gulf (GCC)			ZA	South Africa
				ZM	Zambia
				ZW	Zimbabwe